



Australian Government

IP Australia

AUSTRALIAN OFFICIAL JOURNAL

OF

DESIGNS

Did you know a searchable version of this journal is now available online?

It's FREE and EASY to SEARCH.

Find it on our website (www.ipaustralia.gov.au)

by using the "Journals" link on the home page.

This Page Left Intentionally Blank

Contents

General Information & Notices

**Proceedings Under the Designs Act 1906 preserved as a result of the provisions of Chapter 12
Part 2 of the Designs Act 2003**

Extension of Period of Registration of Designs	536
Names Registered - Alterations and Amendments	536
Registrations Ceased	536
Subsequent Owners Registered	536

Proceedings Under the Designs Act 2003

Applications Lapsed	547
Applications Lodged	540
Certificate of Examination	550
Extension of Period of Registration of Design	548
Extension of Time Granted Under Section 137	548
Names Registered - Alterations and Amendments	549
Publication and Registration Proceedings	
Designs Registered 340898 to 341245.....	551
Registrations Ceased	548
Revocation of Design Registrations	548
Subsequent Owners Registered	549

This Page Left Intentionally Blank

For information on the following please see our website www.ipaustralia.gov.au or contact our Customer Service Network on 1300651010

[Editorial enquiries](#)

[Contact information](#)

[Freedom of Information ACT](#)

[Professional Standards Board](#)

[Sales](#)

[Requests for Information under Section 194 \(c\)](#)

[Country Codes](#)

[Trade Mark and Designs Hearing Sessions](#)

[INID \(Internationally agreed Numbers for the Identification of Data\)](#)

“INID” NUMBERS in use on Australian Design Documents

“INID” is an acronym for “Internationally agreed Numbers for the Identification of Data”.

(10) Data concerning the registration/renewal

- (11) Serial number of the registration and/or number of the design document
- (12) Plain language designation of the kind of published document
- (19) Identification, using the two-letter code according to WIPO Standard ST.3, of the authority publishing or registering the industrial design

(20) Data concerning the application

- (21) Serial number of the application
- (22) Date of filing of the application
- (24) Date from which the industrial design right has effect

(30) Data relating to priority under the Paris Convention

- (31) Serial number assigned to the priority application
- (32) Date of filing of the priority application
- (33) Two-letter code, according to WIPO Standard ST.3, identifying the authority with which the priority application was made

(40) Date(s) of making information available to the public

- (45) Date of publication of the registered industrial design by printing or similar process, or making it available to the public by any other means

(50) Miscellaneous Information

- (51) International Classification for Industrial Designs (class and subclass of the Locarno Classification)
- (54) Designation of article(s) or product(s) covered by the industrial design or title of the industrial design
- (55) Reproduction of the industrial design (e.g., drawing, photograph) and explanations relating to the reproduction
- (56) List of prior art documents, if separate from descriptive text
- (57) Description of characteristic features of the industrial design including indication of colours

(60) References to other legally related application(s) and registration(s)

- (62) Serial number(s) and, if available, filing date(s) of application(s), registration(s) or document(s) related by division
- (66) Serial number(s) of the application, or the registration, of the design(s) which is (are) a variant(s) of the present one

(70) Identification of parties concerned with the application or registration

- (71) Name(s) and address(es) of the applicant(s)
- (72) Name(s) of the creator(s) if known to be such
- (74) Name(s) and address(es) of the representative(s)

This Page Left Intentionally Blank

Nil notices for this journal issue.

Proceedings under the Designs Act 1906 preserved as a result of the provisions of Chapter 12 Part 2 of the Designs Act 2003.

This Page Left Intentionally Blank

Applications Lapsed

There were no Applications Lapsed under this section

Extension of Period of Registration of Designs

1st Period (Section 27A(8))

2nd Period (Section 27A(12))

3rd Period (Section 27A(13))

143537	143675	144396
144826	144827	144828
144829	144940	144998
144999	145035	145036
145042	145049	145050
145103	145104	145107
145139	145144	145153
145217	145218	145317
145325	145340	145352
145378	145447	145510
145570	146612	146707
146956	146957	147308
147309	147973	148467
148468	148469	148562
148563	148564	148565
148566	148567	149563

Registrations Ceased

Note: Some of the following Registrations may have been previously advertised as ceased. In this instance, the previous advertisement still prevails.

126953	127710	127714
127715	127716	127717
127718	127719	127774
127779	127808	127817
127896	127897	127935
127936	127937	127938
127984	127985	128176
128297	128312	128337
128583	128699	128700
129365	129905	131333
133059	135942	142112
143196	143197	143198
143257	143486	144322
144518	145119	145171
145172	145173	145174
146758	146949	147109
147518	148272	

Subsequent Owners Registered

150807	(SCA Hygiene Products AB) SCA Hygiene Australasia Pty Limited
154840	(SCA Hygiene Products AB) SCA Hygiene Australasia Pty Limited
153774	(Concave Global Pty. Ltd.) Concave Holdings Inc.
154330	(Pfizer Inc.) SmithKline Beecham Limited
154330	(Capsugel Belgium BVBA) Pfizer Inc.

Names Registered - Alterations and Amendments

(The name in parentheses is the new name of the proprietor)

147392	(Sandvik Mining and Construction Oy) Sandvik Tamrock Oy
154330	(SmithKline Beecham Limited) SmithKline Beecham p.l.c.
154330	(Capsugel Belgium NV) Capsugel Belgium BVBA

Subsequent Owners Registered

(The name in parentheses is that of the subsequent owner)

This Page Left Intentionally Blank

Proceedings under the Designs Act 2003.

This Page Left Intentionally Blank

Applications Lodged

Lodgement information is in the following order: **Applicant's Name**; International Classification, Name of Product, Lodgement Date and **Design Number**. If the applicant claims an earlier priority date under an International Convention, the Convention Country and the associated filing date are shown in parentheses before the Lodgement Date. Divisional information will also appear in parentheses before the Lodgement Date.

A.R.I. Flow Control Accessories Ltd.; 23-01NES, Fluid distribution equipment, (IL, 14 Nov 2011) 07 Feb 2012	10591/2012	Apex Pro Scooters; 08-08D, 21-01F, 12-11, SCS clamp V4, 14 Feb 2012	10688/2012
A-Heat Allied Heat Exchange Technology AG; 23-03NES, Heat exchanger, (CH, 18 Oct 2011) 10 Feb 2012	10618/2012	Apex Pro Scooters; 08-08D, 21-01F, 12-11, SCS clamp V5, 14 Feb 2012	10689/2012
A-Heat Allied Heat Exchange Technology AG; 23-03NES, Heat exchanger, (CH, 18 Oct 2011) 10 Feb 2012	10621/2012	Astivita Renewables Limited; 23-02F, Vanity, 15 Feb 2012	10712/2012
A-Heat Allied Heat Exchange Technology AG; 23-03NES, Heat exchanger, (CH, 18 Oct 2011) 10 Feb 2012	10622/2012	Astivita Renewables Limited; 23-02F, Vanity, 15 Feb 2012	10715/2012
A-Heat Allied Heat Exchange Technology AG; 23-03NES, Heat exchanger, (CH, 18 Oct 2011) 10 Feb 2012	10619/2012	Astivita Renewables Limited; 23-02F, Vanity, 15 Feb 2012	10713/2012
A-Heat Allied Heat Exchange Technology AG; 23-03NES, Heat exchanger, (CH, 18 Oct 2011) 10 Feb 2012	10623/2012	Astivita Renewables Limited; 23-02F, Vanity, 15 Feb 2012	10714/2012
A-Heat Allied Heat Exchange Technology AG; 23-03NES, Heat exchanger, (CH, 18 Oct 2011) 10 Feb 2012	10620/2012	Astivita Renewables Limited; 23-02F, Vanity, 15 Feb 2012	10710/2012
Advanced Digital Imaging Pty Ltd; 25-01K, Extrusion profile for textile graphic display, 14 Feb 2012	10694/2012	Astivita Renewables Limited; 23-02F, Vanity, 15 Feb 2012	10711/2012
Advanced Digital Imaging Pty Ltd; 25-01K, Extrusion profile for textile graphic display, 14 Feb 2012	10693/2012	Astivita Renewables Limited; 23-02F, Vanity, 15 Feb 2012	10708/2012
Alto Manufacturing Pty Ltd; 09-03M, Container, 16 Feb 2012	10747/2012	Astivita Renewables Limited; 23-02F, Vanity, 15 Feb 2012	10709/2012
Alto Manufacturing Pty Ltd; 09-03M, Container, 16 Feb 2012	10752/2012	Astivita Renewables Limited; 23-02F, Vanity, 15 Feb 2012	10706/2012
Alto Manufacturing Pty Ltd; 09-03L, Container, 16 Feb 2012	10748/2012	Astivita Renewables Limited; 23-02F, Vanity, 15 Feb 2012	10707/2012
Angel Playing Cards Co., Ltd.; 21-03, Table gaming equipment, (JP, 09 Feb 2012) 17 Feb 2012	10740/2012	Astivita Renewables Limited; 23-02F, Vanity, 15 Feb 2012	10705/2012
Apex Pro Scooters; 21-01F, 12-11, 35mm beast handle bars, 14 Feb 2012	10685/2012	Aucone, Anthony; 13-03E, Designed for touch switches, 1 hole blank plate suitable for standard switches, RT45 etc, with both black and white, colour, glass cover, 20 Feb 2012	10820/2012
Apex Pro Scooters; 21-01F, 12-11, Foot peg 4, 14 Feb 2012	10686/2012	Aucone, Anthony; 13-03E, Designed for touch switches, 2 hole blank plate suitable for standard switches, RJ45 etc, with both white and black, colour, glass cover, 20 Feb 2012	10821/2012
Apex Pro Scooters; 08-08D, 12-11, 21-01F, SCS clamp V3, 14 Feb 2012	10687/2012	Australian Valve Group Pty Ltd; 23-01B, Pipe connector, 17 Feb 2012	10766/2012
		Bailey, Paul; 11-02NES, A souvenir, 23 Feb 2012	10861/2012

Baker, Kevin John; 23-01L, Roof gutter drainage components, 17 Feb 2012	10798/2012	Caroma Industries Limited; 23-01H, A mixer controller, 09 Feb 2012	10635/2012
Barriers International Limited; 13-03E, Connector bayonet, 16 Feb 2012	10750/2012	Caroma Industries Limited; 23-01H, A mixer tap, 09 Feb 2012	10636/2012
Beba Enterprises Pty Ltd; 02-02C, 02-02NES, Articles of clothing, 16 Feb 2012	10749/2012	Caroma Industries Limited; 23-02B, A shower head, 09 Feb 2012	10633/2012
Beba Enterprises Pty Ltd; 02-02C, 02-02NES, Articles of clothing, 10 Feb 2012	10654/2012	Caroma Industries Limited; 23-02B, A shower arrangement, 09 Feb 2012	10630/2012
Berger, Gus; 14-03E, 14-02, Telephone with docking station, 09 Feb 2012	10641/2012	Caroma Industries Limited; 23-02B, A hand shower, 09 Feb 2012	10631/2012
Blakeman, Ken; 12-02, Telescoping dolly, (US, 31 Aug 2011) 16 Feb 2012	10757/2012	Castpoints Pty Ltd; 15-03A, 08-01, Knife point agricultural tillage tool, 16 Feb 2012	10737/2012
Bland, Brian Trevor; 02-03, Helmet, 17 Feb 2012	10772/2012	Cellini, Giuseppe;Morabito, Frank Fortunato; 09-03NES, Receptacle with dispenser, 13 Feb 2012	10676/2012
Blue Sun Group Pty Ltd; 08-08L, Solar module mounting bracket, 13 Feb 2012	10675/2012	Chanel Limited; 08-07, Clasp, (GB, 08 Sep 2011) 08 Feb 2012	10595/2012
Blue Sun Group Pty Ltd; 08-08L, Solar module mounting bracket, 13 Feb 2012	10674/2012	Cheng, Yung Pun; 26-04, LED light, (CN, 25 Aug 2011) 17 Feb 2012	10760/2012
Botak Sign Pte Ltd; 06-07, Snap frame, (SG, 23 Aug 2011) 23 Feb 2012	10876/2012	Cheng, Yung Pun; 26-04, LED light, (CN, 25 Aug 2011) 17 Feb 2012	10761/2012
Bulgari S.p.A.; 11-01C, Bracelet, (CH, 31 Aug 2011) 22 Feb 2012	10858/2012	Chu, Sammy; 26-04, LED light fixture body, (US, 31 Aug 2011) 17 Feb 2012	10778/2012
Bulgari S.p.A.; 11-01E, Necklace, (CH, 31 Aug 2011) 22 Feb 2012	10859/2012	Claber S.p.A.; 23-01NES, Programmable control unit for a watering system, (EM, 08 Sep 2011) 21 Feb 2012	10831/2012
BLUESCOPE STEEL LIMITED; 08-08B, 23-01L, A gutter spacer, 17 Feb 2012	10773/2012	Clamp Industries Pty Ltd; 08-08L, An airbag suspension mounting bracket hook, 13 Feb 2012	10684/2012
Caroma Industries Limited; 23-01H, A mixer tap, 09 Feb 2012	10634/2012	Clamp Industries Pty Ltd; 08-08L, An airbag suspension mounting bracket, 13 Feb 2012	10683/2012
Caroma Industries Limited; 23-02C, A cistern flushing buttons assembly, 09 Feb 2012	10628/2012	Clarke, Sydney;Romeo & Clarke Innovations Limited; 20-02NES, 03-01NES, This is a combination wall mounted or free standing stubby dispenser. it can be fixed to a wall with screws, or, attached to a refrigerator or to a steel wall with the magnetic strips attached to the back of the dispenser. it, can also be used in an up right position by attaching the, 24 Feb 2012	10873/2012
Caroma Industries Limited; 23-02B, A shower assembly, 09 Feb 2012	10629/2012	Clarke, Sydney;Romeo & Clarke Innovations Limited; 20-02NES, 03-01NES, Stubby holder dispenser (7222) is designed as a wall mounted unit with a bottle opener attached. It has magnetic strips, on the back, and can also be attached to a refrigerator. Its rounded edges changes the features from that of the 7221, unit., 24 Feb 2012	10874/2012
Caroma Industries Limited; 23-02C, A cistern flushing buttons assembly, 09 Feb 2012	10627/2012		
Caroma Industries Limited; 23-02B, A shower head assembly, 09 Feb 2012	10632/2012		
Caroma Industries Limited; 23-01H, A mixer tap, 09 Feb 2012	10637/2012		
Caroma Industries Limited; 23-01H, A mixer tap, 09 Feb 2012	10638/2012		

Closure Developments Pty. Ltd; 09-07C, Polymeric closures for containers, 14 Feb 2012	10722/2012	De Buyer Industries; 07-04, Mandolin slicer, (WO, 22 Aug 2011) 21 Feb 2012	10826/2012
Closure Developments Pty. Ltd; 09-07C, Polymeric closures for containers, 14 Feb 2012	10704/2012	De Buyer Industries; 07-04, Mandolin slicer, (WO, 22 Aug 2011) 21 Feb 2012	10827/2012
Coca-Cola Amatil (Aust) Pty Limited; 09-01NES, Bottle, 20 Feb 2012	10816/2012	Dicken, Graham Roger; 02-02A, Swim suit, 15 Feb 2012	10805/2012
Colgate-Palmolive Company; 04-02, Oral care implement, (US, 13 Sep 2011) 17 Feb 2012	10777/2012	Donker, Geesie; 25-04, Vehicular ladder, 22 Feb 2012	10851/2012
Colgate-Palmolive Company; 04-02, Oral care implement, (US, 09 Sep 2011) 13 Feb 2012	10677/2012	Dri-Eaz Products, Inc.; 15-02, Extractor housing, (US, 31 Aug 2011) 23 Feb 2012	10838/2012
Colgate-Palmolive Company; 04-02, Oral care implement, (US, 09 Sep 2011) 13 Feb 2012	10678/2012	Dri-Eaz Products, Inc.; 23-04, Dehumidifier housing, (US, 31 Aug 2011) 17 Feb 2012	10751/2012
Continental Reifen Deutschland GmbH; 12-15B, Tyre, (EM, 01 Dec 2011) 22 Feb 2012	10853/2012	Duratrax Investments Pty Ltd; 15-04, Tray for a truck, 10 Feb 2012	10653/2012
Cooee Brands Pty Ltd; 19-06, Boxing kangaroo pen. Kangaroo is wearing a headgear and boxing gloves. Arms move to simulate boxing punches, 09 Jan 2012	10644/2012	Eighty Eight Investments Pty Ltd; 09-03NES, Display packaging, 10 Feb 2012	10651/2012
Dart Industries Inc.; 07-01F, Flask, (US, 02 Sep 2011) 07 Feb 2012	10588/2012	Eighty Eight Investments Pty Ltd; 10-05, Tester for display packaging, 10 Feb 2012	10652/2012
Davies, Jenna;Nunn, Sheree;Davies, Emma-Jayne; 11-01NES, Sole bandz, 24 Feb 2012	10865/2012	Ekornes ASA; 06-01G, Sofa, (NO, 24 Oct 2011) 20 Feb 2012	10815/2012
Davies, Emma-Jayne;Nunn, Sheree;Davies, Jenna; 11-01NES, Sole bandz, 24 Feb 2012	10865/2012	Ekornes ASA; 06-01NES, Side member for a chair, (NO, 24 Oct 2011) 20 Feb 2012	10809/2012
Davis, Sasha;Stephen, Amanda; 12-12, The design relates to a multifunctional pram cover made of specially treated cotton & jersey fabrics, designed to fit, securely over a pram offering increased UV protection & use as a sleep & breast feeding aid, 09 Feb 2012	10696/2012	Ekornes ASA; 06-01G, Chair, (NO, 24 Oct 2011) 20 Feb 2012	10814/2012
Davis, Sasha;Stephen, Amanda; 12-12, The design relates to a multifunctional pram cover made of specially treated cotton & jersey fabrics, designed to fit, securely over a pram offering increased UV protection & use as a sleep & breast feeding aid, 09 Feb 2012	10697/2012	Ekornes ASA; 06-01G, Sofa, (NO, 24 Oct 2011) 20 Feb 2012	10811/2012
De Buyer Industries; 07-04, Blade for a mandolin slicer, (WO, 22 Aug 2011) 21 Feb 2012	10829/2012	Ekornes ASA; 06-01G, Chair, (NO, 24 Oct 2011) 20 Feb 2012	10812/2012
De Buyer Industries; 07-04, Blade for a mandolin slicer, (WO, 22 Aug 2011) 21 Feb 2012	10828/2012	Ekornes ASA; 06-01G, Chair, (NO, 24 Oct 2011) 20 Feb 2012	10813/2012
De Buyer Industries; 07-04, Movable platform for a mandolin slicer, (WO, 22 Aug 2011) 21 Feb 2012	10825/2012	Ekornes ASA; 06-01G, Sofa ensemble, (NO, 24 Oct 2011) 09 Feb 2012	10610/2012
		Ekornes ASA; 06-01G, Sofa ensemble, (NO, 24 Oct 2011) 09 Feb 2012	10609/2012
		Escape Fitness Limited; 21-02F, Exercise equipment, 16 Feb 2012	10756/2012
		Eveready Battery Company, Inc.; 13-02, Charger for a lighting device, (US, 29 Aug 2011) 16 Feb 2012	10745/2012

Eveready Battery Company, Inc.; 26-04, Lighting device, (US, 29 Aug 2011) 16 Feb 2012	10743/2012	Huisman, Richard Johannes Cornelis; 23-01F, A moulded polyethylene liquid holding tank, 20 Feb 2012	10764/2012
Eveready Battery Company, Inc.; 26-04, Lighting device, (US, 29 Aug 2011) 16 Feb 2012	10744/2012	Inbiz International Pty Ltd; 14-01, Headphones, 17 Feb 2012	10759/2012
Eveready Battery Company, Inc.; 13-02, Charger for a lighting device, (US, 29 Aug 2011) 16 Feb 2012	10746/2012	Inbiz International Pty Ltd; 14-01, Loudspeakers, stands for loudspeakers, 17 Feb 2012	10758/2012
Eveready Battery Company, Inc.; 26-05B, Lighting device, (US, 29 Aug 2011) 16 Feb 2012	10741/2012	Innovation First International, Inc.; 21-01E, Toy construction cell component, (US, 11 Aug 2011) 10 Feb 2012	10647/2012
Eveready Battery Company, Inc.; 26-04, Lighting device, (US, 29 Aug 2011) 16 Feb 2012	10742/2012	Innovation First International, Inc.; 21-01E, Toy construction cell component with gates, (US, 11 Aug 2011) 10 Feb 2012	10646/2012
Fah, Ah N.; 21-02D, A flotation element, 23 Feb 2012	10872/2012	Johnson & Johnson do Brasil Industria e Comercio Produtos Para Saude Ltda.;Rodovia; 24-04, Sanitary napkin, (US, 09 Aug 2011) 07 Feb 2012	10589/2012
Faulkner, Reginald Leigh; 12-10, Trailers, 13 Feb 2012	10650/2012	Jonker, John; 26-03, Lighting apparatus, 22 Feb 2012	10852/2012
Forever New Clothing Pty Ltd; 02-02NES, Women's fashion clothing, 13 Feb 2012	10673/2012	Joseph Joseph Ltd; 07-04, Kitchenware, (EM, 11 Oct 2011) 20 Feb 2012	10789/2012
Forever New Clothing Pty Ltd; 02-02NES, Women's fashion clothing, 10 Feb 2012	10648/2012	Joseph Joseph Ltd; 07-03, 10-04, Kitchenware, (EM, 11 Oct 2011) 20 Feb 2012	10795/2012
Glass Pools Pty Ltd; 25-03, Swimming pool, (Divisional of 12539/2011) 06 Jun 2011	10702/2012	Joseph Joseph Ltd; 07-01B, Kitchenware, (EM, 11 Oct 2011) 20 Feb 2012	10796/2012
Grasshopper Outdoors Pty Ltd; 06-11, Caravan and camping ground mat, 23 Feb 2012	10840/2012	Joseph Joseph Ltd; 07-04, Kitchenware, (EM, 11 Oct 2011) 20 Feb 2012	10791/2012
Grey Technology Limited; 15-05, Vacuum cleaner, 13 Feb 2012	10658/2012	Joseph Joseph Ltd; 07-04, Kitchenware, (EM, 11 Oct 2011) 20 Feb 2012	10792/2012
Gripad USA LLC; 02-06, Glove, 10 Feb 2012	10649/2012	Joseph Joseph Ltd; 07-04, Kitchenware, (EM, 11 Oct 2011) 20 Feb 2012	10790/2012
Gutter Protection Systems Pty Ltd; 25-02C, Fence safety fillet, 14 Feb 2012	10682/2012	Joseph Joseph Ltd; 06-04NES, Kitchenware, (EM, 14 Dec 2011) 20 Feb 2012	10787/2012
Hall, Russell James Ogilvie;Ripple Iron Pty Ltd; 09-09, Wheelie bin enclosure, 17 Feb 2012	10738/2012	Joseph Joseph Ltd; 07-04, Kitchenware, (EM, 11 Oct 2011) 20 Feb 2012	10797/2012
Hansen Developments Limited; 23-01K, A valve, (NZ, 22 Sep 2011) 17 Feb 2012	10779/2012	Joseph Joseph Ltd; 07-01B, Kitchenware, (EM, 11 Oct 2011) 20 Feb 2012	10793/2012
Hartwall Oy Ab, K.; 09-03E, Tray for bottles, 07 Feb 2012	10592/2012	Joseph Joseph Ltd; 07-01B, Kitchenware, (EM, 11 Oct 2011) 20 Feb 2012	10794/2012
Hermans, Ty Gerard; 08-08NES, Equipment support, 22 Feb 2012	10837/2012	Joseph Joseph Ltd; 07-04, Kitchenware, (EM, 11 Oct 2011) 20 Feb 2012	10788/2012
Hills Holdings Limited; 14-03NES, Printed circuit board, 15 Feb 2012	10703/2012		
Honda Motor Co., Ltd.; 12-08, Automobile, (US, 01 Sep 2011) 21 Feb 2012	10824/2012		

K & Lap Co., Ltd.; 09-07B, 07-01NES, Lid of cup, (KR, 23 Aug 2011) 20 Feb 2012	10802/2012	Maskell, Richard Antony Morton; 12-06NES, Rowlocks, (EM, 24 Aug 2011) 17 Feb 2012	10763/2012
Keter Plastic Ltd.; 15-07, 06-03B, Combined cooler and table, (US, 31 Aug 2011) 21 Feb 2012	10830/2012	Mason Forshaw Apparel Pty Ltd; 02-02NES, Swimwear - a cover-up for back and shoulders, 17 Feb 2012	10782/2012
Kimberly-Clark Worldwide, Inc.; 05-06NES, A wet wipe, (US, 09 Sep 2011) 10 Feb 2012	10645/2012	Mason Forshaw Apparel Pty Ltd; 02-02NES, Swimwear - a cover-up for back and shoulders, 17 Feb 2012	10783/2012
Kimberly-Clark Worldwide, Inc.; 23-02NES, 09-03NES, Hygiene product caddy, (US, 15 Aug 2011) 15 Feb 2012	10719/2012	Mason Forshaw Apparel Pty Ltd; 02-02A, Bandeau style one-piece swimsuit, 15 Feb 2012	10679/2012
Kimberly-Clark Worldwide, Inc.; 23-02NES, 09-03NES, Hygiene product caddy, (US, 15 Aug 2011) 15 Feb 2012	10720/2012	Master Lock Company LLC; 08-07, Ratchet lock, (US, 30 Aug 2011) 20 Feb 2012	10807/2012
Kimberly-Clark Worldwide, Inc.; 23-02NES, 09-03NES, Hygiene product caddy, (US, 15 Aug 2011) 15 Feb 2012	10718/2012	Master Lock Company LLC; 08-07, Ratchet lock, (US, 30 Aug 2011) 20 Feb 2012	10808/2012
Kopeinig, Ruediger Fritz; 07-05NES, Drainer, (EM, 11 Aug 2011) 09 Feb 2012	10596/2012	Mayo Hardware Pty Ltd; 07-02E, 07-99A, BBQ pizza stone and serving tray with cutter, 14 Feb 2012	10666/2012
Laboratories Limited, LEO; 09-03M, Packaging blank, 20 Feb 2012	10806/2012	Mayo Hardware Pty Ltd; 04-01, Grill brush, 14 Feb 2012	10671/2012
Larnach, Sophie Maree; 08-05NES, Hand applicator for adhesive sheet, 13 Feb 2012	10539/2012	Mayo Hardware Pty Ltd; 07-04, BBQ spatula, 14 Feb 2012	10672/2012
Ledeshi Electronic Equipment Co. Ltd.; 26-05C, Lighting fixture, (EM, 25 Aug 2011) 22 Feb 2012	10856/2012	Mayo Hardware Pty Ltd; 07-02E, 07-02P, Grill ring, 14 Feb 2012	10667/2012
Ledeshi Electronic Equipment Co. Ltd.; 26-05C, Lighting fixture, (EM, 25 Aug 2011) 22 Feb 2012	10857/2012	Mayo Hardware Pty Ltd; 07-02E, BBQ rib rack, 14 Feb 2012	10665/2012
Ledeshi Electronic Equipment Co. Ltd.; 26-05C, Lighting fixture, (EM, 25 Aug 2011) 22 Feb 2012	10857/2012	Mayo Hardware Pty Ltd; 07-02E, 07-04, Grill rake, 14 Feb 2012	10668/2012
Legend Corporate Service Pty Ltd; 13-03E, Photoelectric switch, 20 Feb 2012	10801/2012	Mayo Hardware Pty Ltd; 07-02E, 07-04, BBQ tongs with push lock, 14 Feb 2012	10669/2012
Lift Link Housing Pty Ltd; 08-06, A two part hinge housing, 24 Feb 2012	10862/2012	Mayo Hardware Pty Ltd; 07-02N, Chicken can roaster, 14 Feb 2012	10670/2012
Lift Link Housing Pty Ltd; 08-06, A two part hinge housing, 24 Feb 2012	10863/2012	McNeil-PPC, Inc.; 24-04, Embossed sanitary napkin, (US, 12 Aug 2011) 09 Feb 2012	10615/2012
Lift Link Housing Pty Ltd; 08-06, A two part hinge housing, 24 Feb 2012	10864/2012	McNeil-PPC, Inc.; 24-04, Sanitary napkin, (US, 12 Aug 2011) 09 Feb 2012	10611/2012
LG Electronics Inc.; 07-02A, Oven range, (KR, 09 Sep 2011) 22 Feb 2012	10849/2012	McNeil-PPC, Inc.; 24-04, Embossed sanitary napkin, (US, 12 Aug 2011) 09 Feb 2012	10616/2012
LSI Industries, Inc.; 26-05E, Lighting, (US, 01 Sep 2011) 21 Feb 2012	10818/2012	McNeil-PPC, Inc.; 24-04, Embossed sanitary napkin, (US, 12 Aug 2011) 09 Feb 2012	10612/2012
Makita Corporation; 08-01, Portable electric driver, (JP, 26 Aug 2011) 14 Feb 2012	10692/2012	McNeil-PPC, Inc.; 24-04, Sanitary napkin, (US, 12 Aug 2011) 09 Feb 2012	10613/2012
Martelli, Charlie; 25-02C, Concrete reinforcing mesh, 13 Feb 2012	10659/2012	McNeil-PPC, Inc.; 24-04, Sanitary napkin, (US, 12 Aug 2011) 09 Feb 2012	10614/2012

McPherson's Limited; 07-02N, Cooking pan and lid, 14 Feb 2012	10680/2012	QHDC Australia Pty Ltd; 12-02, A shopping trolley, 20 Feb 2012	10762/2012
McPherson's Limited; 07-02N, Set of cooking pans and lids, 14 Feb 2012	10681/2012	QHDC Australia Pty Ltd; 12-02, A shopping trolley, 20 Feb 2012	10771/2012
Morabito, Frank Fortunato;Cellini, Giuseppe; 09-03NES, Receptacle with dispenser, 13 Feb 2012	10676/2012	QHDC Australia Pty Ltd; 12-02, A shopping trolley, 20 Feb 2012	10781/2012
MTD Products Inc; 08-06, Ball handle for a handheld tool, (US, 26 Aug 2011) 13 Feb 2012	10660/2012	Ripple Iron Pty Ltd;Hall, Russell James Ogilvie; 09-09, Wheelie bin enclosure, 17 Feb 2012	10738/2012
Nicholas Holden Pty Ltd; 08-08L, A bracket and or metal section, 20 Feb 2012	10817/2012	Riverstone, Glen; 10-07, Watch Bands in particular silicone FOB watches, 14 Feb 2012	10695/2012
Ningbo Beilun Haiyu Automotive Lamp Co Ltd; 26-05E, LED minebar light, 16 Feb 2012	10698/2012	Romeo & Clarke Innovations Limited;Clarke, Sydney; 20-02NES, 03-01NES, This is a combination wall mounted or free standing stubby dispenser. it can be fixed to a wall with screws, or, attached to a refrigerator or to a steel wall with the magnetic strips attached to the back of the dispenser. it, can also be used in an up right position by attaching the, 24 Feb 2012	10873/2012
Noon Technology., Ltd; 14-01, Headset, (CN, 28 Oct 2011) 10 Feb 2012	10642/2012	Romeo & Clarke Innovations Limited;Clarke, Sydney; 20-02NES, 03-01NES, Stubby holder dispenser (7222) is designed as a wall mounted unit with a bottle opener attached. It has magnetic strips, on the back, and can also be attached to a refrigerator. Its rounded edges changes the features from that of the 7221, unit., 24 Feb 2012	10874/2012
Nunn, Sheree;Davies, Emma-Jayne;Davies, Jenna; 11-01NES, Sole bandz, 24 Feb 2012	10865/2012	S.P.M. Flow Control, Inc.; 23-01K, Fluid end, (US, 19 Aug 2011) 17 Feb 2012	10784/2012
Oppenheim & Jansson A/S; 09-03M, Packaging for dressings, (EM, 19 Aug 2011) 17 Feb 2012	10800/2012	Schreder S.A.; 26-03, Outdoor lighting fixture, 16 Feb 2012	10755/2012
Otto Bock Mobility Solutions GmbH; 12-12, Perambulator, (EM, 21 Sep 2011) 23 Feb 2012	10875/2012	Schreder S.A.; 26-03, Outdoor lighting fixture, 16 Feb 2012	10754/2012
Ou, Ropeye; 08-08NES, Securing member, (EM, 12 Jan 2012) 20 Feb 2012	10803/2012	Shah, Aarti; 03-99, 06-02, 12-12, Travel cot, 17 Feb 2012	10768/2012
Paik, Ryan; 25-03, Artificial reef, 17 Feb 2012	10785/2012	Shaw, Jacqueline Lesley; 10-03, Timing device, 10 Feb 2012	10617/2012
Paik, Ryan; 25-03, Artificial reef, 17 Feb 2012	10786/2012	Shop Vac Corporation; 15-05, Vacuum cleaner, 13 Feb 2012	10657/2012
Panasonic Avionics Corporation; 14-04, Integrated user interface system for user seat, (US, 09 Sep 2011) 15 Feb 2012	10724/2012	Shop Vac Corporation; 15-05, Vacuum cleaner, 13 Feb 2012	10656/2012
Panasonic Avionics Corporation; 14-04, Integrated user interface system for user seat, (US, 09 Sep 2011) 15 Feb 2012	10725/2012	Smash Asset Management Pty Ltd; 07-01NES, 09-01NES, 07-01B, Food or drink containers including bottles, sippers, bowls and travel snackers, 11 Feb 2012	10661/2012
Panasonic Avionics Corporation; 14-04, 06-01D, Intergrated user interface system for user seat, (US, 09 Sep 2011) 15 Feb 2012	10723/2012	Smash Asset Management Pty Ltd; 07-04, Cookie Cutter, 22 Feb 2012	10841/2012
Pollogen Ltd; 28-03NES, Skin treatment applicator, (EM, 26 Aug 2011) 23 Feb 2012	10877/2012	Smash Asset Management Pty Ltd; 07-04, Cookie Cutter, 22 Feb 2012	10842/2012
Pollogen Ltd; 28-03NES, Skin treatment applicator, (EM, 26 Aug 2011) 23 Feb 2012	10878/2012		
QHDC Australia Pty Ltd; 12-02, A shopping trolley, 20 Feb 2012	10799/2012		

Smash Asset Management Pty Ltd; 07-01NES, 09-01NES, 07-01B, Food or drink containers including bottles, sippers, bowls and travel snackers, 11 Feb 2012	10663/2012	Towiwat, Dhiti; 99-00, Heat storage, (TH, 16 Aug 2011) 15 Feb 2012	10701/2012
Smash Asset Management Pty Ltd; 09-07C, Cap, 22 Feb 2012	10854/2012	Towiwat, Dhiti; 99-00, Heat storage, (TH, 16 Aug 2011) 15 Feb 2012	10700/2012
Smash Asset Management Pty Ltd; 09-07A, Cap, 22 Feb 2012	10850/2012	Towiwat, Dhiti; 99-00, Heat storage, (TH, 16 Aug 2011) 15 Feb 2012	10699/2012
Smash Asset Management Pty Ltd; 07-01NES, 09-01NES, 07-01B, Food or drink containers including bottles, sippers, bowls and travel snackers, 11 Feb 2012	10664/2012	TreeFrog Developments, Inc., doing business as LifeProof; 03-01NES, 14-02, Case for an electronic device, (US, 09 Aug 2011) 09 Feb 2012	10624/2012
Smash Asset Management Pty Ltd; 07-01NES, 09-01NES, 07-01B, Food or drink containers including bottles, sippers, bowls, and travel snackers, 11 Feb 2012	10662/2012	Tyrennosaurus Limited; 08-03, A mechanical vehicle tyre cutting machine, 17 Feb 2012	10769/2012
Stephen, Amanda;Davis, Sasha; 12-12, The design relates to a multifunctional pram cover made of specially treated cotton & jersey fabrics, designed to fit, securely over a pram offering increased UV protection & use as a sleep & breast feeding aid, 09 Feb 2012	10696/2012	TECNICA GROUP S.P.A.; 21-02E, In-line roller skate, 16 Feb 2012	10735/2012
Stephen, Amanda;Davis, Sasha; 12-12, The design relates to a multifunctional pram cover made of specially treated cotton & jersey fabrics, designed to fit, securely over a pram offering increased UV protection & use as a sleep & breast feeding aid, 09 Feb 2012	10697/2012	TECNICA GROUP S.P.A.; 21-02E, In-line roller skate, 16 Feb 2012	10736/2012
Stinglhammer, Richard; 08-08NES, 29-01, Fire extinguisher holder, (DE, 16 Nov 2011) 07 Feb 2012	10590/2012	TS&B Retail Systems Pty Ltd; 12-02, TS&B environmental bag trolley design, 17 Feb 2012	10780/2012
Streetworx Pty Ltd; 26-03, Street light reflector, 22 Feb 2012	10839/2012	UNI-PRO Painting Equipment Pty Ltd; 08-05L, Paint tray, 09 Feb 2012	10625/2012
Sulzer Mixpac AG; 09-01A, Dispensing device, (CH, 31 Aug 2011) 17 Feb 2012	10739/2012	UNI-PRO Painting Equipment Pty Ltd; 08-05L, A paint tray liner, 09 Feb 2012	10626/2012
Sumitomo Electric Industries, Ltd.; 23-03D, Condensing lens plate, (JP, 10 Jun 2011) (Divisional of 15662/2011) 09 Dec 2011	10639/2012	Vecto Trade 461 (Proprietary) Limited; 12-16A, Wheel, (ZA, 15 Aug 2011) 14 Feb 2012	10690/2012
Sumitomo Electric Industries, Ltd.; 23-03D, Condensing lens plate, (JP, 10 Jun 2011) (Divisional of 15662/2011) 09 Dec 2011	10640/2012	Vecto Trade 461 (Proprietary) Limited; 12-16A, Wheel, (ZA, 15 Aug 2011) 14 Feb 2012	10691/2012
Telebrands Corp.; 07-99NES, Portable hair/lint roller, 08 Feb 2012	10593/2012	Vibram S.p.A.; 02-04NES, Footwear, (EM, 07 Sep 2011) 17 Feb 2012	10774/2012
Telebrands Corp.; 07-99NES, Hair/lint roller, 08 Feb 2012	10594/2012	Vibram S.P.A.; 02-04A, Soles, (EM, 07 Sep 2011) 17 Feb 2012	10775/2012
The Discovery Clothing Company Pty Ltd; 02-02NES, Denim jacket, 21 Feb 2012	10804/2012	Vibram S.P.A.; 02-04A, Soles, (EM, 07 Sep 2011) 17 Feb 2012	10776/2012
The Procter & Gamble Company; 09-03NES, Container, (US, 22 Aug 2011) 22 Feb 2012	10855/2012	Victaulic Company; 23-01A, Pipe coupling segment, (US, 11 Oct 2011) (Divisional of 10441/2012) 31 Jan 2012	10731/2012
		Victaulic Company; 23-01A, Pipe coupling segment, (US, 11 Oct 2011) (Divisional of 10439/2012) 31 Jan 2012	10729/2012
		Victaulic Company; 23-01A, Pipe coupling segment, (US, 11 Oct 2011) (Divisional of 10440/2012) 31 Jan 2012	10730/2012

Victaulic Company; 23-01A, Pipe coupling segment, (US, 07 Oct 2011) (Divisional of 10437/2012) 31 Jan 2012	10727/2012	Xie, David Hai Lun; 23-02F, Kitchen sinks to the design of GL-1000 and GL-1080 attached designs copies, 20 Feb 2012	10822/2012
Victaulic Company; 23-01A, Pipe coupling segment, (US, 11 Oct 2011) (Divisional of 10438/2012) 31 Jan 2012	10728/2012	Xie, David Hai Lun; 23-02F, Kitchen sinks to the design of GL-1000 and GL-1080 attached design copies, 20 Feb 2012	10823/2012
Victaulic Company; 23-01A, Pipe coupling segment, (Divisional of 10436/2012) 31 Jan 2012	10734/2012	Y-Gen Enterprises Pty Ltd; 99-00, The finisher 5, 22 Feb 2012	10847/2012
Victaulic Company; 23-01A, Pipe coupling segment, (Divisional of 10442/2012) 31 Jan 2012	10732/2012	Y-Gen Enterprises Pty Ltd; 99-00, The finisher 1, 22 Feb 2012	10843/2012
Victaulic Company; 23-01A, Pipe coupling segment, (Divisional of 10443/2012) 31 Jan 2012	10733/2012	Y-Gen Enterprises Pty Ltd; 99-00, The finisher 2, 22 Feb 2012	10844/2012
Vincent, Christopher; 26-05B, Lamp 103. This is a table/task lamp, 09 Feb 2012	10655/2012	Y-Gen Enterprises Pty Ltd; 99-00, The finisher 3, 22 Feb 2012	10845/2012
Vuly Pty Ltd; 21-02F, Trampoline tent, 21 Feb 2012	10832/2012	Y-Gen Enterprises Pty Ltd; 99-00, The finisher 4, 22 Feb 2012	10846/2012
Vuly Pty Ltd; 21-02F, Trampoline tent, 21 Feb 2012	10833/2012	Yates, Natalie; 06-13NES, Infant car seat liner, 15 Feb 2012	10726/2012
Warren, Howard; 09-01K, Send a message bottle, 10 Feb 2012	10643/2012	Yaw, Andrew; 07-06A, Designs relates to a plastic part that can be clipped onto the lip of a standard aluminium 375ml drink can, providing a handle and can be hung off a persons belt, pocket or any article of clothing that supports the weight of a bottle., 13 Feb 2012	10721/2012
Wiberg Besitz GmbH; 09-01NES, Container, (EM, 24 Aug 2011) 22 Feb 2012	10848/2012	Zear Corporation Limited; 03-01NES, Waterproof case for smart phone with camera, 18 Feb 2012	10767/2012
Williams, Leonard; 12-16C, Stone guard protection for caravan, 17 Feb 2012	10753/2012	2organise Pty Limited; 19-04, 19-03, School planner, 20 Feb 2012	10770/2012
Wilson, Mark; 12-07, Aircraft, 17 Feb 2012	10819/2012	3M Innovative Properties Company; 19-99, Tape dispenser, (US, 22 Aug 2011) 21 Feb 2012	10836/2012
Wilson, William Robert; 13-99, Solar tracker frame as per attached statement and three drawings., 21 Feb 2012	10860/2012	3M Innovative Properties Company; 19-99, Tape dispenser, (US, 22 Aug 2011) 21 Feb 2012	10834/2012
		3M Innovative Properties Company; 19-99, Tape dispenser, (US, 22 Aug 2011) 21 Feb 2012	10835/2012

Applications Lapsed

13484 / 2011 (02-02NES)	13567 / 2011 (12-16NES)
13624 / 2011 (26-06)	15258 / 2011 (09-01NES)
15379 / 2011 (14-04)	15381 / 2011 (26-05E)
15382 / 2011 (17-02)	15485 / 2011 (25-02K)
15543 / 2011 (07-04)	15544 / 2011 (12-16A)
15580 / 2011 (21-02D)	15642 / 2011 (12-05)
15677 / 2011 (09-02A)	15678 / 2011 (20-02E)
15679 / 2011 (09-01NES)	15680 / 2011 (09-03M)
10490 / 2012 (08-08NES)	

Extension of Period of Registration of Designs

313096	313321	313322
313386	313388	313389
313390	313391	313392
313393	313394	313395
313448	313621	313742
313975	314025	314026
314057	314082	314083
314112	314138	314142
314168	314171	314185
314186	314190	314194
314264	314272	314273
314295	314309	314310
314311	314323	314324
314325	314328	314330
314336	314337	314338
314344	314372	314373
314376	314383	314385
314386	314408	314409
314417	314418	314423
314431	314474	314481
314482	314484	314485
314486	314492	314493
314494	314504	314510
314516	314538	314539
314546	314565	314566
314567	314598	314599
314622	314634	314655
314667	314677	314678
314685	314698	314717
314760	314786	314789
314790	314802	314803
314942	314964	314984
315045	315046	315047
315048	315049	315050
315051	315053	315054
315055	315127	315141
315142	315143	315144
315377	315570	315571
315572	317113	317114
317134	317135	317136
317137	317138	317139
317140	317141	317142
317143	317144	317145

Registrations Ceased

309453	309454	309614
309615	309618	309619
309622	309623	309661
309743	309751	309924
309925	310154	310155
310156	310157	310158
310258	310259	310260
310262	310278	310279
310280	310281	310357
310378	310389	310411
310412	310422	310433
310438	310487	310521
310537	310543	310547
310551	310552	310553
310554	310555	310556
310557	310576	310579
310581	310603	310604
310605	310643	310645
310704	310743	310744
310745	310792	310865
311151	311158	311214
311215	311216	311217
311317	311673	311686
311723	311754	311755
311756	311757	311758
311801	311803	311805
311806	311868	311869
311870	311871	311872
311873	311874	311875
311876	311877	311878
311879	311880	311881
311882	311883	311884
311885	311886	311887
311888	311889	311890
311891	311892	311893
311894	311895	311896
311897	311898	311899
311900	311901	311905
312999	313032	313033
313034	313035	313036
313037	313038	313058
313059	313060	313206
313207	313208	313209
313988	313989	313990
313991	313992	313993
316779	317363	

Revocation of Design Registrations

The following Design Registration(s) have been revoked and are taken never to have been registered:

331170 09-03NES

Extensions of time granted under Section 137

Applications lodged under section 137 for extension of time have been granted.

11869/2011 Forever New Clothing Pty Ltd

11880/2011 **Swags for Homeless Limited**
 14871/2011 **Forever New Clothing Pty Ltd**
 14872/2011 **Forever New Clothing Pty Ltd**
 14873/2011 **Forever New Clothing Pty Ltd**
 14874/2011 **Forever New Clothing Pty Ltd**
 14875/2011 **Forever New Clothing Pty Ltd**
 14876/2011 **Forever New Clothing Pty Ltd**
 341074 **Petainer Lidkoping AB**
 340959 **Differentia Pty Ltd**

Subsequent Owners Registered

(The name in parentheses is that of the subsequent owner)

302778 (**SCA Hygiene Products AB**) SCA Hygiene
 Australasia Pty Limited
 338737 (**Elmich Pte Ltd**) Alan Sian Ghee Lee
 331231 (**Steven Frank Mellar**) JUSLU-HEIDRIAN PTY. LTD.
 305394 (**Pfizer Inc.**) SmithKline Beecham Limited
 305395 (**Pfizer Inc.**) SmithKline Beecham Limited
 305392 (**Pfizer Inc.**) SmithKline Beecham Limited
 305393 (**Pfizer Inc.**) SmithKline Beecham Limited
 305394 (**Capsugel Belgium BVBA**) Pfizer Inc.
 305395 (**Capsugel Belgium BVBA**) Pfizer Inc.
 305392 (**Capsugel Belgium BVBA**) Pfizer Inc.
 305393 (**Capsugel Belgium BVBA**) Pfizer Inc.

Names Registered - Alterations and Amendments

(The name in parentheses is that of the subsequent applicant)

305394 (**SmithKline Beecham Limited**) SmithKline
 Beecham p.l.c.
 305395 (**SmithKline Beecham Limited**) SmithKline
 Beecham p.l.c.
 305392 (**SmithKline Beecham Limited**) SmithKline
 Beecham p.l.c.
 305393 (**SmithKline Beecham Limited**) SmithKline
 Beecham p.l.c.
 305394 (**Capsugel Belgium NV**) Capsugel Belgium BVBA
 305395 (**Capsugel Belgium NV**) Capsugel Belgium BVBA
 305392 (**Capsugel Belgium NV**) Capsugel Belgium BVBA
 305393 (**Capsugel Belgium NV**) Capsugel Belgium BVBA

Certificate(s) of Examination

Examination of the following Design Registration(s) has been completed. Infringement proceedings may now be commenced.

310453	08-07	21/02/2012
312091	08-07	23/02/2012
312607	08-07	21/02/2012
337109	23-01B	13/02/2012
338047	21-02D	27/02/2012
339152	14-01	16/02/2012
339207	08-08NES	20/02/2012
339226	02-04NES	21/02/2012
339281	09-03M	20/02/2012
339283	07-06C	16/02/2012
339299	27-99	17/02/2012
339377	24-04	22/02/2012
339478	15-05	23/02/2012
339481	21-04	20/02/2012
339573	06-01NES	22/02/2012
339598	14-01	17/02/2012
339738	12-02	27/02/2012
339752	26-03	16/02/2012
339753	26-03	16/02/2012
339759	08-03	17/02/2012
339772	08-03	17/02/2012
339848	08-08NES	16/02/2012
339891	28-02	21/02/2012
339892	28-02	21/02/2012
339893	28-02	21/02/2012
339949	26-05C	22/02/2012
339956	08-08NES	16/02/2012
340039	09-01B	22/02/2012
340082	12-02	27/02/2012
340104	03-03	28/02/2012
340105	03-03	28/02/2012
340106	03-03	28/02/2012
340107	03-03	28/02/2012
340332	21-02F	25/02/2012
340333	24-02	23/02/2012
340361	12-02	24/02/2012
340424	02-02C	21/02/2012
340444	02-02NES	21/02/2012

Publication and Registration Proceedings

Designs Registered

This section provides a concordance between design number and registration number of Designs covered in this journal. It also shows the main class and registration date.

This section covers Registration numbers 340898 to 341245 .

The registration number shown below should be used in all future correspondence.

Design Number	Registration Number	International Classification Code (IDC)	Registration Date	Design Number	Registration Number	International Classification Code (IDC)	Registration Date
11551/2011	341219	02-02NES	28/02/2012	15435/2011	341041	02-02C	20/02/2012
12178/2011	341000	30-04	16/02/2012	15436/2011	341042	02-02NES	20/02/2012
12458/2011	341001	09-03K	16/02/2012	15437/2011	341043	02-02NES	20/02/2012
12528/2011	341038	02-02C	20/02/2012	15438/2011	341044	02-02NES	20/02/2012
12539/2011	341097	25-03	22/02/2012	15439/2011	341045	02-02NES	20/02/2012
12556/2011	341159	02-02C	24/02/2012	15445/2011	341007	25-01K	17/02/2012
13495/2011	341190	06-01G	27/02/2012	15456/2011	341016	14-03B	17/02/2012
13527/2011	341029	14-02	17/02/2012	15457/2011	341017	14-03B	17/02/2012
13679/2011	340914	07-01NES	14/02/2012	15458/2011	341018	14-03B	17/02/2012
13680/2011	340915	07-02P	14/02/2012	15493/2011	341214	12-16H	28/02/2012
13681/2011	340916	07-02P	14/02/2012	15527/2011	341046	13-99	20/02/2012
13682/2011	340917	07-01NES	14/02/2012	15530/2011	341075	12-02	21/02/2012
14062/2011	340931	26-06	14/02/2012	15531/2011	341076	08-99	21/02/2012
14063/2011	340932	26-06	14/02/2012	15568/2011	341019	09-01NES	17/02/2012
14064/2011	340933	12-16NES	14/02/2012	15573/2011	340998	14-04	16/02/2012
14065/2011	340934	12-08	14/02/2012	15606/2011	341047	03-01B	20/02/2012
14066/2011	340935	12-08	14/02/2012	15626/2011	340903	21-02D	14/02/2012
14067/2011	340936	12-08	14/02/2012	15629/2011	341160	02-02C	24/02/2012
14068/2011	340937	12-16C	14/02/2012	15630/2011	341161	02-02C	24/02/2012
14069/2011	340938	12-16C	14/02/2012	15631/2011	341162	02-02NES	24/02/2012
14131/2011	340939	04-02	14/02/2012	15632/2011	341163	02-02NES	24/02/2012
14132/2011	341194	12-16NES	27/02/2012	15633/2011	341164	02-02NES	24/02/2012
14511/2011	340943	14-03NES	14/02/2012	15634/2011	341165	02-02NES	24/02/2012
14594/2011	341220	02-02C	28/02/2012	15635/2011	341166	02-02C	24/02/2012
14595/2011	341221	02-02NES	28/02/2012	15636/2011	341167	02-02C	24/02/2012
14596/2011	341222	02-02NES	28/02/2012	15637/2011	341168	02-02C	24/02/2012
14597/2011	341223	02-02C	28/02/2012	15638/2011	341169	02-02C	24/02/2012
14598/2011	341224	02-02NES	28/02/2012	15662/2011	341084	23-03D	21/02/2012
14599/2011	341225	02-02C	28/02/2012	15663/2011	340922	11-01C	14/02/2012
14600/2011	341226	02-01B	28/02/2012	15668/2011	340904	08-08NES	14/02/2012
14601/2011	341227	02-02NES	28/02/2012	15681/2011	341020	06-01F	17/02/2012
14602/2011	341228	02-02C	28/02/2012	15704/2011	341195	23-04	27/02/2012
14645/2011	341082	09-03F	21/02/2012	15713/2011	341048	08-08L	20/02/2012
14646/2011	341083	09-03F	21/02/2012	15715/2011	340955	03-01NES	15/02/2012
14960/2011	341074	09-01NES	21/02/2012	15716/2011	340956	03-01NES	15/02/2012
14970/2011	340918	21-01C	14/02/2012	15753/2011	341129	09-01G	23/02/2012
15160/2011	340959	09-01NES	15/02/2012	15756/2011	340964	25-01NES	15/02/2012
15311/2011	340919	09-03A	14/02/2012	15759/2011	341135	06-04B	23/02/2012
15312/2011	340920	09-03A	14/02/2012	15760/2011	341136	12-02	23/02/2012
15313/2011	340921	09-03A	14/02/2012	15761/2011	341137	12-02	23/02/2012
15316/2011	341212	12-16K	28/02/2012	15762/2011	341196	07-07B	27/02/2012
15317/2011	341213	21-04	28/02/2012	15764/2011	341004	06-06F	16/02/2012
15361/2011	340989	14-04	16/02/2012	15765/2011	341005	24-02	16/02/2012
15369/2011	340991	14-04	16/02/2012	15824/2011	340923	14-01	14/02/2012
15371/2011	340993	14-04	16/02/2012	15825/2011	340924	14-01	14/02/2012
15377/2011	340996	14-04	16/02/2012	15827/2011	340925	14-01	14/02/2012
15383/2011	341002	14-02	16/02/2012	15828/2011	341197	25-02B	27/02/2012
15384/2011	341003	14-02	16/02/2012	15876/2011	341170	06-08	24/02/2012
15433/2011	341039	02-02C	20/02/2012	15878/2011	341171	06-08	24/02/2012
15434/2011	341040	02-02C	20/02/2012	15879/2011	341172	06-08	24/02/2012

Publication and Registration Proceedings - Designs Registered cont'd

Design Number	Registration Number	International Classification Code (IDC)	Registration Date	Design Number	Registration Number	International Classification Code (IDC)	Registration Date
15916/2011	341021	15-05	17/02/2012	10270/2012	340961	09-01NES	15/02/2012
15917/2011	341022	03-01D	17/02/2012	10271/2012	340962	07-02L	15/02/2012
15918/2011	341023	08-05E	17/02/2012	10272/2012	340963	07-02L	15/02/2012
15973/2011	341049	08-01	20/02/2012	10273/2012	340968	15-03NES	16/02/2012
15995/2011	341050	26-06	20/02/2012	10274/2012	340969	15-03NES	16/02/2012
16015/2011	340898	12-16K	13/02/2012	10275/2012	340970	15-03NES	16/02/2012
16016/2011	340899	12-16K	13/02/2012	10277/2012	340957	09-03M	15/02/2012
10041/2012	341008	15-05	17/02/2012	10278/2012	340958	09-03M	15/02/2012
10044/2012	341030	19-06	17/02/2012	10299/2012	340971	08-05NES	16/02/2012
10091/2012	341051	24-02	20/02/2012	10300/2012	340972	09-01A	16/02/2012
10092/2012	341052	24-02	20/02/2012	10301/2012	340973	09-01A	16/02/2012
10093/2012	341006	08-03	16/02/2012	10302/2012	340974	26-04	16/02/2012
10094/2012	341053	24-02	20/02/2012	10305/2012	340975	09-01K	16/02/2012
10097/2012	341055	02-02C	20/02/2012	10306/2012	340976	15-01	16/02/2012
10098/2012	341054	02-02C	20/02/2012	10307/2012	340977	15-01	16/02/2012
10105/2012	341236	25-02G	28/02/2012	10308/2012	340978	15-01	16/02/2012
10137/2012	340945	06-06NES	15/02/2012	10309/2012	340979	09-01NES	16/02/2012
10138/2012	340946	06-06NES	15/02/2012	10310/2012	340980	09-01NES	16/02/2012
10139/2012	340947	06-06NES	15/02/2012	10312/2012	340981	08-08M	16/02/2012
10140/2012	340948	06-06NES	15/02/2012	10314/2012	340982	24-02	16/02/2012
10141/2012	340949	06-06NES	15/02/2012	10315/2012	340983	28-02	16/02/2012
10142/2012	340950	30-08	15/02/2012	10316/2012	340984	23-02A	16/02/2012
10143/2012	340951	30-08	15/02/2012	10317/2012	340985	09-01K	16/02/2012
10144/2012	340952	30-08	15/02/2012	10318/2012	340986	09-01K	16/02/2012
10156/2012	341215	08-08NES	28/02/2012	10319/2012	340987	01-01	16/02/2012
10158/2012	341009	10-04	17/02/2012	10323/2012	340928	06-02	14/02/2012
10161/2012	340944	12-15B	14/02/2012	10324/2012	340929	06-02	14/02/2012
10165/2012	341056	06-06NES	20/02/2012	10326/2012	340930	07-06NES	14/02/2012
10192/2012	340926	15-07	14/02/2012	10328/2012	341032	30-04	17/02/2012
10209/2012	340905	12-15A	14/02/2012	10330/2012	341033	06-01NES	17/02/2012
10212/2012	341058	09-03M	20/02/2012	10331/2012	341034	24-02	17/02/2012
10217/2012	340927	13-03E	14/02/2012	10332/2012	341035	24-02	17/02/2012
10218/2012	341237	08-08A	28/02/2012	10336/2012	341036	09-01NES	17/02/2012
10220/2012	341057	06-01H	20/02/2012	10339/2012	341037	26-05C	17/02/2012
10231/2012	340900	14-01	13/02/2012	10340/2012	341010	26-05C	17/02/2012
10232/2012	340908	02-04B	14/02/2012	10341/2012	341011	24-01	17/02/2012
10237/2012	340901	02-03	13/02/2012	10342/2012	341138	12-06A	23/02/2012
10238/2012	340902	02-03	13/02/2012	10343/2012	341139	12-06A	23/02/2012
10239/2012	340909	02-03	14/02/2012	10344/2012	341012	09-07C	17/02/2012
10240/2012	340910	14-03D	14/02/2012	10345/2012	341013	09-01NES	17/02/2012
10241/2012	341191	15-01	27/02/2012	10346/2012	341014	09-01NES	17/02/2012
10245/2012	340911	03-01A	14/02/2012	10347/2012	341015	09-01NES	17/02/2012
10248/2012	340912	07-01F	14/02/2012	10348/2012	341024	09-07C	17/02/2012
10249/2012	340913	24-02	14/02/2012	10349/2012	341025	09-01B	17/02/2012
10251/2012	340940	13-03E	14/02/2012	10350/2012	341026	09-01B	17/02/2012
10253/2012	340941	02-04NES	14/02/2012	10351/2012	341027	09-01A	17/02/2012
10254/2012	340942	02-04NES	14/02/2012	10353/2012	341028	21-02F	17/02/2012
10255/2012	340906	05-05A	14/02/2012	10354/2012	341087	06-03B	21/02/2012
10257/2012	340907	23-02NES	14/02/2012	10355/2012	341088	06-01F	21/02/2012
10260/2012	340953	14-03NES	15/02/2012	10356/2012	341089	06-03B	21/02/2012
10263/2012	340954	06-01H	15/02/2012	10357/2012	341090	06-03B	21/02/2012
10266/2012	340965	15-05	15/02/2012	10367/2012	341091	10-04	21/02/2012
10267/2012	340966	12-15C	15/02/2012	10368/2012	341059	10-04	20/02/2012
10268/2012	340967	12-15C	15/02/2012	10369/2012	341060	10-04	20/02/2012
10269/2012	340960	09-01NES	15/02/2012	10370/2012	341061	10-04	20/02/2012

Publication and Registration Proceedings - Designs Registered cont'd

Design Number	Registration Number	International Classification Code (IDC)	Registration Date	Design Number	Registration Number	International Classification Code (IDC)	Registration Date
10371/2012	341062	10-04	20/02/2012	10442/2012	341205	23-01A	27/02/2012
10372/2012	341063	08-05H	20/02/2012	10443/2012	341114	23-01A	22/02/2012
10373/2012	341064	08-05H	20/02/2012	10444/2012	341134	23-01B	23/02/2012
10374/2012	341065	10-04	20/02/2012	10445/2012	341124	23-01B	22/02/2012
10375/2012	341066	12-15C	20/02/2012	10446/2012	341125	15-05	22/02/2012
10376/2012	341067	08-05NES	20/02/2012	10447/2012	341126	15-05	22/02/2012
10377/2012	341068	12-15C	20/02/2012	10448/2012	341127	21-02C	22/02/2012
10378/2012	341077	12-15C	21/02/2012	10449/2012	341128	21-02C	22/02/2012
10379/2012	341078	25-01K	21/02/2012	10450/2012	341119	09-01NES	22/02/2012
10380/2012	341079	25-01K	21/02/2012	10451/2012	341120	14-03A	22/02/2012
10381/2012	341080	25-01K	21/02/2012	10452/2012	341121	09-01NES	22/02/2012
10382/2012	341081	25-01K	21/02/2012	10453/2012	341122	15-01	22/02/2012
10383/2012	341069	25-01K	20/02/2012	10454/2012	341123	12-16NES	22/02/2012
10384/2012	341070	25-01K	20/02/2012	10456/2012	341150	07-04	24/02/2012
10385/2012	341071	25-01K	20/02/2012	10457/2012	341151	08-06	24/02/2012
10386/2012	341072	25-01K	20/02/2012	10458/2012	341152	06-01F	24/02/2012
10387/2012	341073	25-01K	20/02/2012	10460/2012	341153	09-05	24/02/2012
10388/2012	341099	25-01K	22/02/2012	10461/2012	341154	09-05	24/02/2012
10389/2012	341173	08-08D	24/02/2012	10462/2012	341155	09-05	24/02/2012
10390/2012	341174	08-08D	24/02/2012	10463/2012	341156	09-05	24/02/2012
10393/2012	341140	06-04NES	23/02/2012	10464/2012	341157	09-05	24/02/2012
10400/2012	341100	07-01NES	22/02/2012	10465/2012	341158	11-02F	24/02/2012
10401/2012	341101	16-01	22/02/2012	10466/2012	341141	09-06	23/02/2012
10402/2012	341102	09-01D	22/02/2012	10467/2012	340988	12-16NES	16/02/2012
10403/2012	341103	13-03B	22/02/2012	10469/2012	341142	09-01H	23/02/2012
10404/2012	341106	13-03C	22/02/2012	10470/2012	341143	04-02	23/02/2012
10405/2012	341107	14-03NES	22/02/2012	10471/2012	341144	04-02	23/02/2012
10406/2012	341108	26-03	22/02/2012	10472/2012	341145	04-02	23/02/2012
10407/2012	341109	08-03	22/02/2012	10473/2012	341146	04-02	23/02/2012
10410/2012	341092	02-07A	21/02/2012	10474/2012	341147	09-05	23/02/2012
10411/2012	341093	14-03A	21/02/2012	10475/2012	341148	09-05	23/02/2012
10412/2012	341094	09-05	21/02/2012	10476/2012	341149	09-05	23/02/2012
10413/2012	341095	12-15A	21/02/2012	10477/2012	341198	09-05	27/02/2012
10414/2012	341096	12-15A	21/02/2012	10478/2012	341238	01-01	28/02/2012
10415/2012	341115	14-02	22/02/2012	10479/2012	341239	09-05	28/02/2012
10416/2012	341116	14-01	22/02/2012	10480/2012	341240	09-05	28/02/2012
10417/2012	341117	14-99	22/02/2012	10481/2012	341241	09-05	28/02/2012
10418/2012	341118	14-99	22/02/2012	10482/2012	341242	09-05	28/02/2012
10419/2012	341104	14-99	22/02/2012	10483/2012	341243	09-05	28/02/2012
10420/2012	341105	14-02	22/02/2012	10484/2012	341216	25-02NES	28/02/2012
10422/2012	341200	02-03	27/02/2012	10485/2012	341187	08-06	24/02/2012
10423/2012	341201	02-03	27/02/2012	10489/2012	341188	06-01NES	24/02/2012
10424/2012	341202	02-04NES	27/02/2012	10496/2012	341189	23-01B	24/02/2012
10425/2012	341203	02-04B	27/02/2012	10498/2012	341192	23-01B	27/02/2012
10428/2012	341204	02-04B	27/02/2012	10499/2012	341193	23-01B	27/02/2012
10429/2012	341130	09-01NES	23/02/2012	10500/2012	341175	23-01B	24/02/2012
10430/2012	341131	09-01NES	23/02/2012	10501/2012	341176	07-99NES	24/02/2012
10431/2012	341132	07-02N	23/02/2012	10502/2012	341217	08-08M	28/02/2012
10432/2012	341133	15-01	23/02/2012	10504/2012	341206	23-01F	27/02/2012
10436/2012	341112	23-01A	22/02/2012	10506/2012	341207	02-03	27/02/2012
10437/2012	341186	23-01A	24/02/2012	10507/2012	341208	21-01B	27/02/2012
10438/2012	341184	23-01A	24/02/2012	10508/2012	341209	21-01B	27/02/2012
10439/2012	341182	23-01A	24/02/2012	10510/2012	340994	14-04	16/02/2012
10440/2012	341179	23-01A	24/02/2012	10511/2012	340995	14-04	16/02/2012
10441/2012	341177	23-01A	24/02/2012	10528/2012	340999	14-04	16/02/2012

Publication and Registration Proceedings - Designs Registered cont'd

Design Number	Registration Number	International Classification Code (IDC)	Registration Date	Design Number	Registration Number	International Classification Code (IDC)	Registration Date
10531/2012	340990	14-04	16/02/2012	10577/2012	341245	26-03	28/02/2012
10532/2012	340997	14-04	16/02/2012	10639/2012	341085	23-03D	21/02/2012
10538/2012	340992	14-04	16/02/2012	10640/2012	341086	23-03D	21/02/2012
10539/2012	341244	08-05NES	28/02/2012	10644/2012	341031	19-06	17/02/2012
10541/2012	341199	12-05	27/02/2012	10702/2012	341098	25-03	22/02/2012
10542/2012	341218	27-99	28/02/2012	10727/2012	341185	23-01A	24/02/2012
10543/2012	341210	07-04	27/02/2012	10728/2012	341183	23-01A	24/02/2012
10544/2012	341211	13-03E	27/02/2012	10729/2012	341181	23-01A	24/02/2012
10558/2012	341229	09-03L	28/02/2012	10730/2012	341180	23-01A	24/02/2012
10561/2012	341230	14-03A	28/02/2012	10731/2012	341178	23-01A	24/02/2012
10562/2012	341231	15-05	28/02/2012	10732/2012	341110	23-01A	22/02/2012
10566/2012	341232	23-04	28/02/2012	10733/2012	341113	23-01A	22/02/2012
10568/2012	341233	12-08	28/02/2012	10734/2012	341111	23-01A	22/02/2012
10569/2012	341234	09-01H	28/02/2012				
10571/2012	341235	23-04	28/02/2012				

Publication and Registration Proceedings

Class Listing of Designs Published or Registered

The following section shows an International Classification Code listing of the Registered or Published Designs covered in this supplement.

Classification	Registration Number	Design Number	Classification	Registration Number	Design Number
01-01	340987	10319/2012	04-02	340939	14131/2011
01-01	341238	10478/2012	04-02	341143	10470/2012
02-01B	341226	14600/2011	04-02	341144	10471/2012
02-02C	341038	12528/2011	04-02	341145	10472/2012
02-02C	341039	15433/2011	04-02	341146	10473/2012
02-02C	341040	15434/2011	05-05A	340906	10255/2012
02-02C	341041	15435/2011	06-01F	341020	15681/2011
02-02C	341054	10098/2012	06-01F	341088	10355/2012
02-02C	341055	10097/2012	06-01F	341152	10458/2012
02-02C	341159	12556/2011	06-01G	341190	13495/2011
02-02C	341160	15629/2011	06-01H	340954	10263/2012
02-02C	341161	15630/2011	06-01H	341057	10220/2012
02-02C	341166	15635/2011	06-01NES	341033	10330/2012
02-02C	341167	15636/2011	06-01NES	341188	10489/2012
02-02C	341168	15637/2011	06-02	340928	10323/2012
02-02C	341169	15638/2011	06-02	340929	10324/2012
02-02C	341220	14594/2011	06-03B	341087	10354/2012
02-02C	341223	14597/2011	06-03B	341089	10356/2012
02-02C	341225	14599/2011	06-03B	341090	10357/2012
02-02C	341228	14602/2011	06-04B	341135	15759/2011
02-02NES	341042	15436/2011	06-04NES	341140	10393/2012
02-02NES	341043	15437/2011	06-06F	341004	15764/2011
02-02NES	341044	15438/2011	06-06NES	340945	10137/2012
02-02NES	341045	15439/2011	06-06NES	340946	10138/2012
02-02NES	341162	15631/2011	06-06NES	340947	10139/2012
02-02NES	341163	15632/2011	06-06NES	340948	10140/2012
02-02NES	341164	15633/2011	06-06NES	340949	10141/2012
02-02NES	341165	15634/2011	06-06NES	341056	10165/2012
02-02NES	341219	11551/2011	06-08	341170	15876/2011
02-02NES	341221	14595/2011	06-08	341171	15878/2011
02-02NES	341222	14596/2011	06-08	341172	15879/2011
02-02NES	341224	14598/2011	07-01F	340912	10248/2012
02-02NES	341227	14601/2011	07-01NES	340914	13679/2011
02-03	340901	10237/2012	07-01NES	340917	13682/2011
02-03	340902	10238/2012	07-01NES	341100	10400/2012
02-03	340909	10239/2012	07-02C	341132	10431/2012
02-03	341200	10422/2012	07-02L	340962	10271/2012
02-03	341201	10423/2012	07-02L	340963	10272/2012
02-03	341207	10506/2012	07-02N	341132	10431/2012
02-04B	340908	10232/2012	07-02P	340915	13680/2011
02-04B	341203	10425/2012	07-02P	340916	13681/2011
02-04B	341204	10428/2012	07-04	341150	10456/2012
02-04NES	340941	10253/2012	07-04	341210	10543/2012
02-04NES	340942	10254/2012	07-06NES	340930	10326/2012
02-04NES	341202	10424/2012	07-07B	341196	15762/2011
02-07A	341092	10410/2012	07-99NES	341176	10501/2012
03-01A	340911	10245/2012	08-01	341049	15973/2011
03-01B	341047	15606/2011	08-03	341006	10093/2012
03-01D	341022	15917/2011	08-03	341109	10407/2012
03-01NES	340955	15715/2011	08-05E	341023	15918/2011
03-01NES	340956	15716/2011	08-05H	341063	10372/2012
03-01NES	341092	10410/2012	08-05H	341064	10373/2012
03-03	340904	15668/2011	08-05NES	340971	10299/2012

Registration Proceedings - Class Listing of Designs Published or Registered cont'd

Classification	Registration Number	Design Number	Classification	Registration Number	Design Number
08-05NES	341067	10376/2012	09-03K	341001	12458/2011
08-05NES	341244	10539/2012	09-03L	341229	10558/2012
08-06	341151	10457/2012	09-03M	340957	10277/2012
08-06	341187	10485/2012	09-03M	340958	10278/2012
08-08A	341237	10218/2012	09-03M	341058	10212/2012
08-08C	341172	15879/2011	09-05	341094	10412/2012
08-08D	341173	10389/2012	09-05	341147	10474/2012
08-08D	341174	10390/2012	09-05	341148	10475/2012
08-08L	341048	15713/2011	09-05	341149	10476/2012
08-08M	340981	10312/2012	09-05	341153	10460/2012
08-08M	341217	10502/2012	09-05	341154	10461/2012
08-08NES	340904	15668/2011	09-05	341155	10462/2012
08-08NES	341215	10156/2012	09-05	341156	10463/2012
08-99	340971	10299/2012	09-05	341157	10464/2012
08-99	341008	10041/2012	09-05	341198	10477/2012
08-99	341076	15531/2011	09-05	341239	10479/2012
09-01A	340972	10300/2012	09-05	341240	10480/2012
09-01A	340973	10301/2012	09-05	341241	10481/2012
09-01A	341027	10351/2012	09-05	341242	10482/2012
09-01B	341025	10349/2012	09-05	341243	10483/2012
09-01B	341026	10350/2012	09-06	341141	10466/2012
09-01D	341102	10402/2012	09-07C	341012	10344/2012
09-01G	340960	10269/2012	09-07C	341024	10348/2012
09-01G	340961	10270/2012	10-04	341009	10158/2012
09-01G	341129	15753/2011	10-04	341059	10368/2012
09-01H	341142	10469/2012	10-04	341060	10369/2012
09-01H	341234	10569/2012	10-04	341061	10370/2012
09-01K	340975	10305/2012	10-04	341062	10371/2012
09-01K	340979	10309/2012	10-04	341065	10374/2012
09-01K	340980	10310/2012	10-04	341091	10367/2012
09-01K	340985	10317/2012	11-01C	340922	15663/2011
09-01K	340986	10318/2012	11-02F	341158	10465/2012
09-01K	341036	10336/2012	12-02	341075	15530/2011
09-01NES	340959	15160/2011	12-02	341136	15760/2011
09-01NES	340960	10269/2012	12-02	341137	15761/2011
09-01NES	340961	10270/2012	12-05	341199	10541/2012
09-01NES	340972	10300/2012	12-06A	341138	10342/2012
09-01NES	340973	10301/2012	12-06A	341139	10343/2012
09-01NES	340979	10309/2012	12-08	340918	14970/2011
09-01NES	340980	10310/2012	12-08	340934	14065/2011
09-01NES	341013	10345/2012	12-08	340935	14066/2011
09-01NES	341014	10346/2012	12-08	340936	14067/2011
09-01NES	341015	10347/2012	12-08	341233	10568/2012
09-01NES	341019	15568/2011	12-15A	340905	10209/2012
09-01NES	341036	10336/2012	12-15A	341095	10413/2012
09-01NES	341074	14960/2011	12-15A	341096	10414/2012
09-01NES	341119	10450/2012	12-15B	340944	10161/2012
09-01NES	341121	10452/2012	12-15C	340966	10267/2012
09-01NES	341130	10429/2012	12-15C	340967	10268/2012
09-01NES	341131	10430/2012	12-15C	341066	10375/2012
09-02NES	341074	14960/2011	12-15C	341068	10377/2012
09-03A	340919	15311/2011	12-15C	341077	10378/2012
09-03A	340920	15312/2011	12-16C	340937	14068/2011
09-03A	340921	15313/2011	12-16C	340938	14069/2011
09-03F	341082	14645/2011	12-16H	341214	15493/2011
09-03F	341083	14646/2011	12-16K	340898	16015/2011

Registration Proceedings - Class Listing of Designs Published or Registered cont'd

Classification	Registration Number	Design Number	Classification	Registration Number	Design Number
12-16K	340899	16016/2011	15-05	341008	10041/2012
12-16K	341212	15316/2011	15-05	341021	15916/2011
12-16NES	340933	14064/2011	15-05	341125	10446/2012
12-16NES	340988	10467/2012	15-05	341126	10447/2012
12-16NES	341123	10454/2012	15-05	341231	10562/2012
12-16NES	341194	14132/2011	15-07	340926	10192/2012
13-03B	341103	10403/2012	16-01	341101	10401/2012
13-03C	341106	10404/2012	16-01	341107	10405/2012
13-03E	340927	10217/2012	19-06	341030	10044/2012
13-03E	340940	10251/2012	19-06	341031	10644/2012
13-03E	341211	10544/2012	19-99	341109	10407/2012
13-99	341046	15527/2011	20-03NES	341029	13527/2011
14-01	340900	10231/2012	21-01B	341208	10507/2012
14-01	340923	15824/2011	21-01B	341209	10508/2012
14-01	340924	15825/2011	21-01C	340918	14970/2011
14-01	340925	15827/2011	21-01D	341208	10507/2012
14-01	341116	10416/2012	21-01D	341209	10508/2012
14-02	341002	15383/2011	21-02C	341127	10448/2012
14-02	341003	15384/2011	21-02C	341128	10449/2012
14-02	341029	13527/2011	21-02D	340903	15626/2011
14-02	341105	10420/2012	21-02F	341028	10353/2012
14-02	341115	10415/2012	21-04	341213	15317/2011
14-03A	341093	10411/2012	23-01A	341110	10732/2012
14-03A	341120	10451/2012	23-01A	341111	10734/2012
14-03A	341230	10561/2012	23-01A	341112	10436/2012
14-03B	341016	15456/2011	23-01A	341113	10733/2012
14-03B	341017	15457/2011	23-01A	341114	10443/2012
14-03B	341018	15458/2011	23-01A	341177	10441/2012
14-03D	340910	10240/2012	23-01A	341178	10731/2012
14-03NES	340943	14511/2011	23-01A	341179	10440/2012
14-03NES	340953	10260/2012	23-01A	341180	10730/2012
14-03NES	341107	10405/2012	23-01A	341181	10729/2012
14-04	340989	15361/2011	23-01A	341182	10439/2012
14-04	340990	10531/2012	23-01A	341183	10728/2012
14-04	340991	15369/2011	23-01A	341184	10438/2012
14-04	340992	10538/2012	23-01A	341185	10727/2012
14-04	340993	15371/2011	23-01A	341186	10437/2012
14-04	340994	10510/2012	23-01A	341205	10442/2012
14-04	340995	10511/2012	23-01B	341124	10445/2012
14-04	340996	15377/2011	23-01B	341134	10444/2012
14-04	340997	10532/2012	23-01B	341175	10500/2012
14-04	340998	15573/2011	23-01B	341189	10496/2012
14-04	340999	10528/2012	23-01B	341192	10498/2012
14-99	341104	10419/2012	23-01B	341193	10499/2012
14-99	341117	10417/2012	23-01F	341206	10504/2012
14-99	341118	10418/2012	23-02A	340984	10316/2012
15-01	340976	10306/2012	23-02NES	340907	10257/2012
15-01	340977	10307/2012	23-03D	341084	15662/2011
15-01	340978	10308/2012	23-03D	341085	10639/2012
15-01	341122	10453/2012	23-03D	341086	10640/2012
15-01	341133	10432/2012	23-04	341195	15704/2011
15-01	341191	10241/2012	23-04	341232	10566/2012
15-03NES	340968	10273/2012	23-04	341235	10571/2012
15-03NES	340969	10274/2012	23-04	341236	10105/2012
15-03NES	340970	10275/2012	24-01	341011	10341/2012
15-05	340965	10266/2012	24-02	340913	10249/2012

Registration Proceedings - Class Listing of Designs Published or Registered cont'd

Classification	Registration Number	Design Number	Classification	Registration Number	Design Number
24-02	340982	10314/2012	25-02G	341236	10105/2012
24-02	341005	15765/2011	25-02H	340988	10467/2012
24-02	341034	10331/2012	25-02NES	341216	10484/2012
24-02	341035	10332/2012	25-03	341097	12539/2011
24-02	341051	10091/2012	25-03	341098	10702/2012
24-02	341052	10092/2012	26-03	341107	10405/2012
24-02	341053	10094/2012	26-03	341108	10406/2012
25-01K	340945	10137/2012	26-03	341245	10577/2012
25-01K	340946	10138/2012	26-04	340974	10302/2012
25-01K	340947	10139/2012	26-05C	341010	10340/2012
25-01K	340948	10140/2012	26-05C	341037	10339/2012
25-01K	340949	10141/2012	26-06	340931	14062/2011
25-01K	341007	15445/2011	26-06	340932	14063/2011
25-01K	341069	10383/2012	26-06	341050	15995/2011
25-01K	341070	10384/2012	27-99	341218	10542/2012
25-01K	341071	10385/2012	28-02	340983	10315/2012
25-01K	341072	10386/2012	30-04	341000	12178/2011
25-01K	341073	10387/2012	30-04	341032	10328/2012
25-01K	341078	10379/2012	30-08	340950	10142/2012
25-01K	341079	10380/2012	30-08	340951	10143/2012
25-01K	341080	10381/2012	30-08	340952	10144/2012
25-01K	341081	10382/2012	30-99	341237	10218/2012
25-01K	341099	10388/2012			
25-01NES	340964	15756/2011			
25-02B	341197	15828/2011			

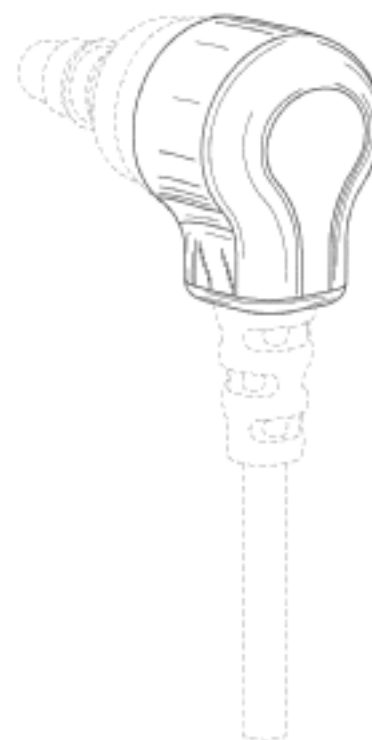
- (21) Design Number: **16015/2011**
(22) Date of Filing Application: **23 December 2011**
(24) Date from which industrial property rights may have effect: **23 December 2011**
(54) Product in respect of which the design is registered: **Vehicle Roof Carrier**
(51) International Design Classification: **12-16K**
(74) Name(s) of Attorney(s): **WATERMARK PATENT AND TRADE MARKS ATTORNEYS**
(71) Name(s) and Address(s) of Applicant(s):
Bradley Ewart Foster
49 Newsel Road Umhloti Kwa Zulu Natal South Africa
(72) Name(s) of Designer(s): **Bradley Ewart Foster**
(45) Registration Date: **13 February 2012**
(56) Related Art Documents: **Not Applicable**
(57) Statement of Newness and Distinctiveness: **Nil**



- (21) Design Number: **16016/2011**
(22) Date of Filing Application: **23 December 2011**
(24) Date from which industrial property rights may have effect: **23 December 2011**
(54) Product in respect of which the design is registered: **Vehicle roof carrier**
(51) International Design Classification: **12-16K**
(74) Name(s) of Attorney(s): **WATERMARK PATENT AND TRADE MARKS ATTORNEYS**
(71) Name(s) and Address(s) of Applicant(s):
Bradley Ewart Foster
49 Newsel Road Umhloti Kwa Zulu Natal South Africa
(72) Name(s) of Designer(s): **Bradley Ewart Foster**
(45) Registration Date: **13 February 2012**
(30) Convention priority data:
(31) Number (32) Date (33) Country
A2011/02063 21 Dec 2011 SOUTH AFRICA
(56) Related Art Documents: **Not Applicable**
(57) Statement of Newness and Distinctiveness: **The newness and distinctiveness is claimed in the shape and configuration of a vehicle roof carrier as shown in the accompanying representations.**



(21) Design Number: **10231/2012**
(22) Date of Filing Application: **19 January 2012**
(24) Date from which industrial property rights may have effect: **19 January 2012**
(54) Product in respect of which the design is registered: **Earbud**
(51) International Design Classification: **14-01**
(74) Name(s) of Attorney(s): **Freehills Patent & Trade Mark Attorneys**
(71) Name(s) and Address(s) of Applicant(s):
3M Innovative Properties Company
3M Center Saint Paul Minnesota 55133-3427 United States of America
(72) Name(s) of Designer(s): **Ravi Thomas and Robert Karlsson and Niklas Dan Bjorn Emilsson**
(45) Registration Date: **13 February 2012**
(30) Convention priority data:
(31) Number (32) Date (33) Country
29/397763 20 Jul 2011 UNITED STATES OF AMERICA
(56) Related Art Documents: **Not Applicable**
(57) Statement of Newness and Distinctiveness: **Newness and distinctiveness is claimed in the features of shape and/or configuration of an earbud as shown in solid outline in the accompanying representations.**



(21) Design Number: **10237/2012**
(22) Date of Filing Application: **19 January 2012**
(24) Date from which industrial property rights may have effect: **19 January 2012**
(54) Product in respect of which the design is registered: **Welding helmet**
(51) International Design Classification: **02-03**
(74) Name(s) of Attorney(s): **FB Rice**
(71) Name(s) and Address(s) of Applicant(s):
Tecmen Electronics CO., LTD.
Building D No. 21 North Liuzhou Road Xiaoliu Industry Park Nanjing
210031 China
(72) Name(s) of Designer(s): **Ziqian Wu**
(45) Registration Date: **13 February 2012**
(30) Convention priority data:
(31) Number (32) Date (33) Country
29/397930 22 Jul 2011 UNITED STATES OF AMERICA
(56) Related Art Documents: **Not Applicable**
(57) Statement of Newness and Distinctiveness: **Newness and distinctiveness reside in the features of shape and configuration of the welding helmet as shown in solid lines in the representations excluding those features shown in broken lines.**



(21) Design Number: **10238/2012**

(22) Date of Filing Application: **19 January 2012**

(24) Date from which industrial property rights may have effect: **19 January 2012**

(54) Product in respect of which the design is registered: **Welding helmet**

(51) International Design Classification: **02-03**

(74) Name(s) of Attorney(s): **FB Rice**

(71) Name(s) and Address(s) of Applicant(s):

Tecmen Electronics CO., LTD.

**Building D No. 21 North Liuzhou Road Xiaoliu Industry Park Nanjing
210031 China**

(72) Name(s) of Designer(s): **Ziqian Wu**

(45) Registration Date: **13 February 2012**

(30) Convention priority data:

(31) Number

(32) Date

(33) Country

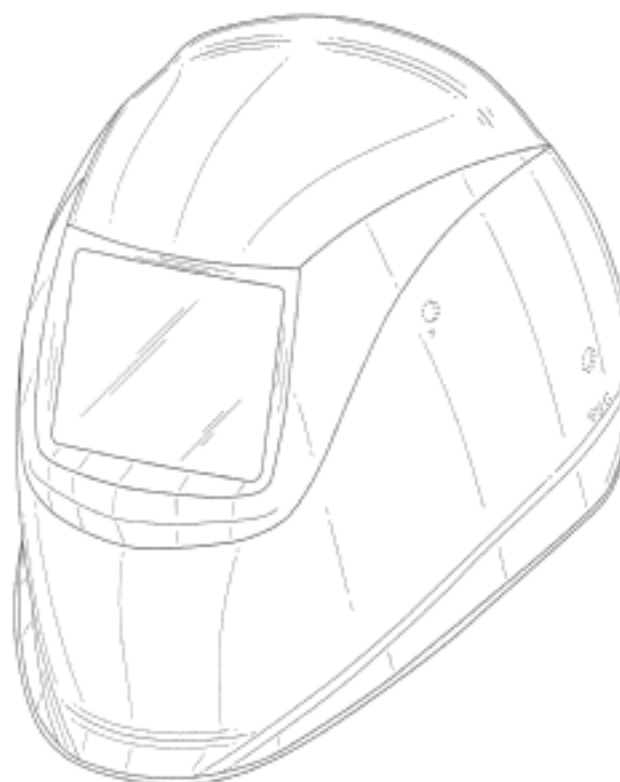
29/397931

22 Jul 2011

UNITED STATES OF AMERICA

(56) Related Art Documents: **Not Applicable**

(57) Statement of Newness and Distinctiveness: **Newness and distinctiveness reside in the features of shape and configuration of the welding helmet as shown in solid lines in the representations excluding those features shown in broken lines.**



(21) Design Number: **15626/2011**

(22) Date of Filing Application: **08 December 2011**

(24) Date from which industrial property rights may have effect: **08 December 2011**

(54) Product in respect of which the design is registered: **Flotation device**

(51) International Design Classification: **21-02D**

(74) Name(s) of Attorney(s): **Fisher Adams Kelly**

(71) Name(s) and Address(s) of Applicant(s):

Performance Flotation Developments (Aust) Pty Ltd

Unit 6/62 Bishop Street Kelvin Grove Queensland 4059 Australia

(72) Name(s) of Designer(s): **Nicholas Byrne**

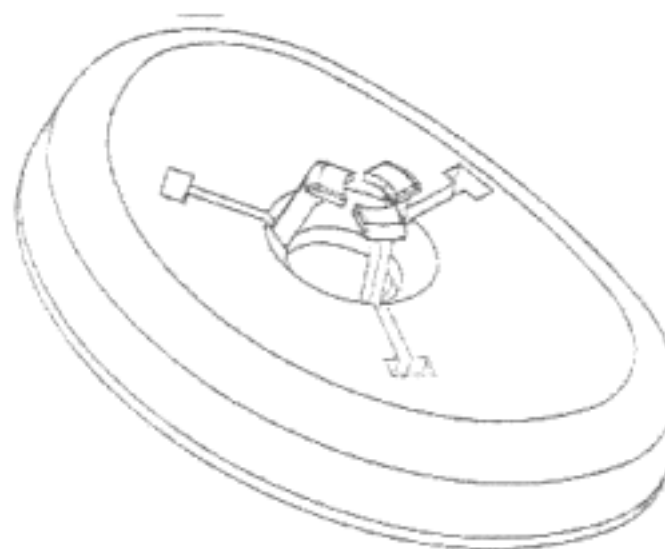
(45) Registration Date: **14 February 2012**

(56) Related Art Documents: **Not Applicable**

(57) Statement of Newness and Distinctiveness: **The newness and distinctiveness of the design resides in the shape and/or configuration of the flotation device shown in the representations.**



(21) Design Number: **15668/2011**
(22) Date of Filing Application: **09 December 2011**
(24) Date from which industrial property rights may have effect: **09 December 2011**
(54) Product in respect of which the design is registered: **A cane stand**
(51) International Design Classification: **08-08NES, 03-03**
(74) Name(s) of Attorney(s): **MIDDLETONS**
(71) Name(s) and Address(s) of Applicant(s):
Go Forwards Co Pty Ltd
4 Haddon Street Lake Wendouree Victoria 3350 Australia
(72) Name(s) of Designer(s): **Beau O'Donohue and Haydn James Gunstone**
(45) Registration Date: **14 February 2012**
(56) Related Art Documents: **Not Applicable**
(57) Statement of Newness and Distinctiveness: **Nil**



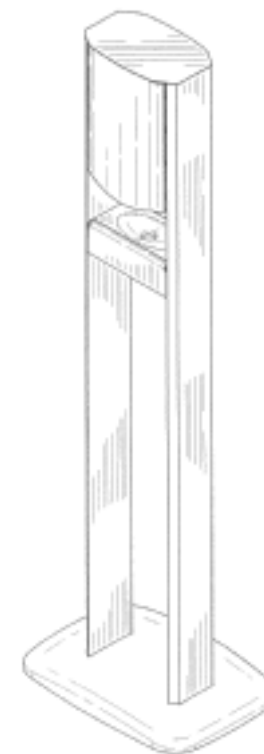
(21) Design Number: **10209/2012**
(22) Date of Filing Application: **17 January 2012**
(24) Date from which industrial property rights may have effect: **17 January 2012**
(54) Product in respect of which the design is registered: **Automobile tyre**
(51) International Design Classification: **12-15A**
(74) Name(s) of Attorney(s): **Griffith Hack**
(71) Name(s) and Address(s) of Applicant(s):
Bridgestone Corporation
10-1 Kyobashi 1-chome Chuo-ku Tokyo 104-8340 Japan
(72) Name(s) of Designer(s): **Tomonori Aoki**
(45) Registration Date: **14 February 2012**
(30) Convention priority data:
(31) Number (32) Date (33) Country
2011-017565 29 Jul 2011 JAPAN
(56) Related Art Documents: **Not Applicable**
(57) Statement of Newness and Distinctiveness: **The shape, configuration and ornamentation of the tread portion of the automobile tyre is new and distinctive.**



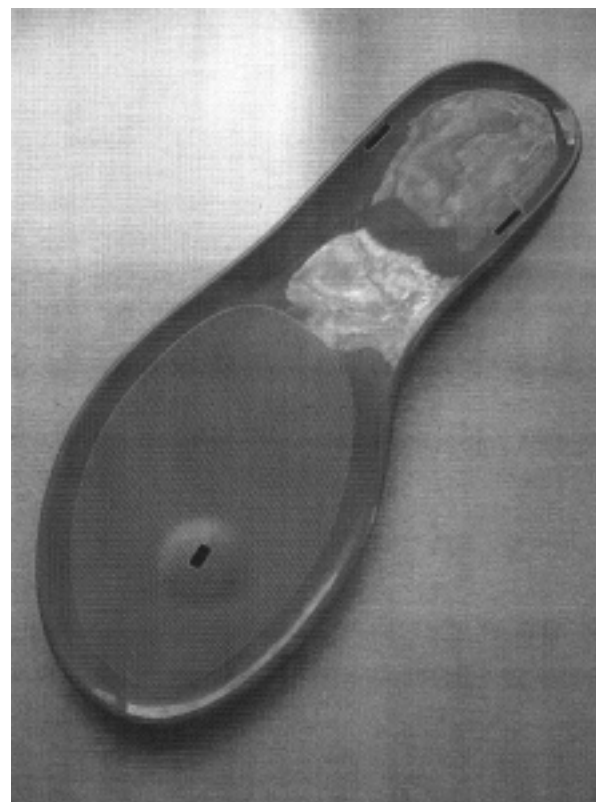
- (21) Design Number: **10255/2012**
(22) Date of Filing Application: **20 January 2012**
(24) Date from which industrial property rights may have effect: **20 January 2012**
(54) Product in respect of which the design is registered: **Non-woven fabric**
(51) International Design Classification: **05-05A**
(74) Name(s) of Attorney(s): **Fisher Adams Kelly**
(71) Name(s) and Address(s) of Applicant(s):
Because We Care Pty Ltd
309 Fitzgerald Road Derrimut Victoria 3030 Australia
(72) Name(s) of Designer(s): **Kenny Lay**
(45) Registration Date: **14 February 2012**
(56) Related Art Documents: **Not Applicable**
(57) Statement of Newness and Distinctiveness: **The newness and distinctiveness of the design resides in the pattern and/or ornamentation of the non-woven fabric of indefinite length and width as illustrated in the accompanying representations.**



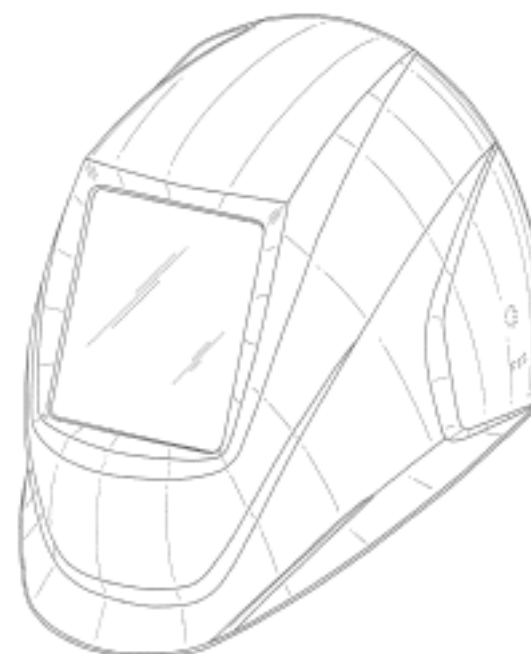
- (21) Design Number: **10257/2012**
(22) Date of Filing Application: **20 January 2012**
(24) Date from which industrial property rights may have effect: **20 January 2012**
(54) Product in respect of which the design is registered: **Dispenser stand**
(51) International Design Classification: **23-02NES**
(74) Name(s) of Attorney(s): **Collison & Co**
(71) Name(s) and Address(s) of Applicant(s):
Gojo Industries Inc.
One GOJO Plaza Suite 500 Akron OHIO 44311 United States of America
(72) Name(s) of Designer(s): **Doug Zlatic and Ken Siegert and Kathy Rogalla and Alan Adilman and Jeff Stout**
(45) Registration Date: **14 February 2012**
(30) Convention priority data:
(31) Number (32) Date (33) Country
29/397926 22 Jul 2011 UNITED STATES OF AMERICA
(56) Related Art Documents: **Not Applicable**
(57) Statement of Newness and Distinctiveness: **Nil**



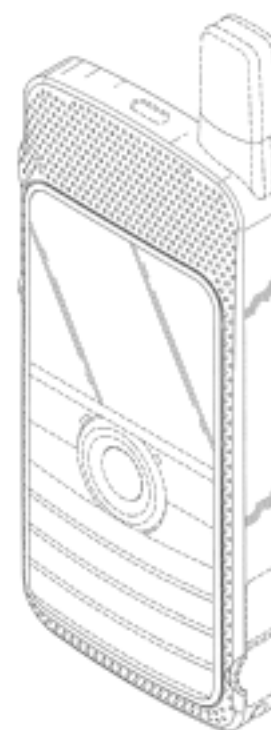
- (21) Design Number: **10232/2012**
(22) Date of Filing Application: **19 January 2012**
(24) Date from which industrial property rights may have effect: **19 January 2012**
(54) Product in respect of which the design is registered: **A sole**
(51) International Design Classification: **02-04B**
(74) Name(s) of Attorney(s): **Cullens Patent and Trade Mark Attorneys**
(71) Name(s) and Address(s) of Applicant(s):
Holster Fashion Pty Ltd
6-55 Gateway Drive Noosaville Queensland 4566 Australia
(72) Name(s) of Designer(s): **Natalie Miller**
(45) Registration Date: **14 February 2012**
(56) Related Art Documents: **Not Applicable**
(57) Statement of Newness and Distinctiveness: **Newness and Distinctiveness resides in the shape and configuration of a sole as illustrated in the accompanying representations. No newness or distinctiveness is claimed in the underside of the sole which does not form part of the design.**



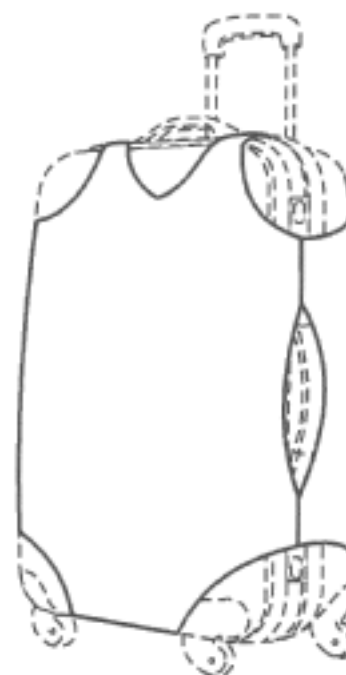
- (21) Design Number: **10239/2012**
(22) Date of Filing Application: **19 January 2012**
(24) Date from which industrial property rights may have effect: **19 January 2012**
(54) Product in respect of which the design is registered: **Welding helmet**
(51) International Design Classification: **02-03**
(74) Name(s) of Attorney(s): **FB Rice**
(71) Name(s) and Address(s) of Applicant(s):
Tecmen Electronics CO., LTD.
Building D No. 21 North Liuzhou Road Xiaoliu Industry Park Nanjing
210031 China
(72) Name(s) of Designer(s): **Ziqian Wu**
(45) Registration Date: **14 February 2012**
(30) Convention priority data:
(31) Number (32) Date (33) Country
29/397933 22 Jul 2011 UNITED STATES OF AMERICA
(56) Related Art Documents: **Not Applicable**
(57) Statement of Newness and Distinctiveness: **Newness and distinctiveness reside in the features of shape and configuration of the welding helmet as shown in solid lines in the representations excluding those features shown in broken lines.**



- (21) Design Number: **10240/2012**
(22) Date of Filing Application: **19 January 2012**
(24) Date from which industrial property rights may have effect: **19 January 2012**
(54) Product in respect of which the design is registered: **Portable radio**
(51) International Design Classification: **14-03D**
(74) Name(s) of Attorney(s): **PHILLIPS ORMONDE FITZPATRICK**
(71) Name(s) and Address(s) of Applicant(s):
Motorola Solutions, Inc
1303 East Algonquin Road Schaumburg Illinois 60196 United States of America
(72) Name(s) of Designer(s): **Jaihar Ismail and LanTing L. Garra and Chi Meng Khong and Ban Hin Ooi**
(45) Registration Date: **14 February 2012**
(30) Convention priority data:
(31) Number (32) Date (33) Country
29/398,198 27 Jul 2011 UNITED STATES OF AMERICA
(56) Related Art Documents: **Not Applicable**
(57) Statement of Newness and Distinctiveness: **Those features of the portable radio depicted in the representations that are new and distinctive are the shape and/or configuration. The features shown in broken line that are immediately adjacent to the shaded areas, and define unshaded regions, represent the bounds of the portable radio, while all other broken lines are directed to environment and are for illustrative purposes only.**



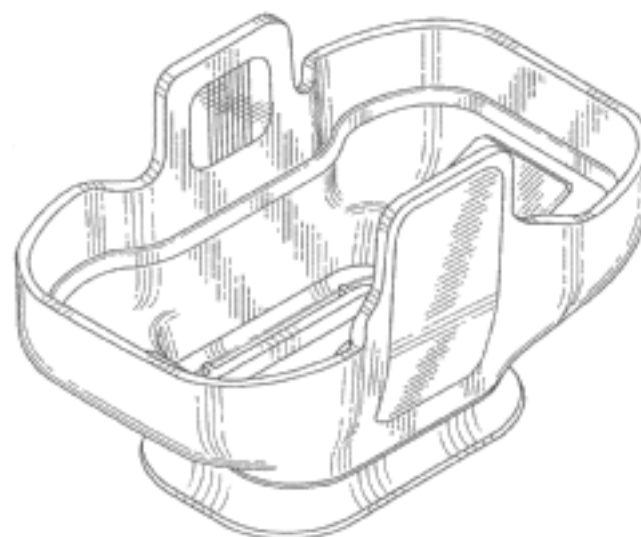
- (21) Design Number: **10245/2012**
(22) Date of Filing Application: **20 January 2012**
(24) Date from which industrial property rights may have effect: **20 January 2012**
(54) Product in respect of which the design is registered: **Baggage cover and protector**
(51) International Design Classification: **03-01A**
(74) Name(s) of Attorney(s): **EKM patent & trade marks**
(71) Name(s) and Address(s) of Applicant(s):
Nadav Caspi
5416 Wellesley Drive Calabasas California 91302 United States of America
Eli Arnaldes
5416 Wellesley Drive Calabasas California 91302 United States of America
(72) Name(s) of Designer(s): **Nadav Caspi**
(45) Registration Date: **14 February 2012**
(30) Convention priority data:
(31) Number (32) Date (33) Country
29/397950 24 Jul 2011 UNITED STATES OF AMERICA
(56) Related Art Documents: **Not Applicable**
(57) Statement of Newness and Distinctiveness: **Newness and distinctiveness resides in the features of shape and/or configuration of a baggage cover and protector as shown in the accompanying representations. The fastening means indicated by the letter "A" as depicted in the accompanying representations are to be disregarded in considering newness and distinctiveness of the design.**



(21) Design Number: **10248/2012**
(22) Date of Filing Application: **20 January 2012**
(24) Date from which industrial property rights may have effect: **20 January 2012**
(54) Product in respect of which the design is registered: **Drinking cup**
(51) International Design Classification: **07-01F**
(74) Name(s) of Attorney(s): **FB Rice**
(71) Name(s) and Address(s) of Applicant(s):
Koninklijke Philips Electronics N.V.
Groenwoudseweg 1 5621 BA Eindhoven The Netherlands
(72) Name(s) of Designer(s): **Elodie Jeanne Claudine Thomas**
(45) Registration Date: **14 February 2012**
(30) Convention priority data:
(31) Number (32) Date (33) Country
001893850-0001 20 Jul 2011 EUROPEAN COMMUNITY
(56) Related Art Documents: **Not Applicable**
(57) Statement of Newness and Distinctiveness: **Newness and distinctiveness reside in the features of shape and configuration of the drinking cup as shown in the representations.**



(21) Design Number: **10249/2012**
(22) Date of Filing Application: **23 January 2012**
(24) Date from which industrial property rights may have effect: **23 January 2012**
(54) Product in respect of which the design is registered: **Disposable tissue interface for use in applying energy to body tissue**
(51) International Design Classification: **24-02**
(74) Name(s) of Attorney(s): **PIZZEYS**
(71) Name(s) and Address(s) of Applicant(s):
Miramar Labs, Inc.
445 Indio Way Sunnyvale CA 94085 United States of America
(72) Name(s) of Designer(s): **Yoav Ben-Haim and Peter J. Bentley and Daniel Francis and Christopher Loew and Kevin Shan and Ted Su**
(45) Registration Date: **14 February 2012**
(30) Convention priority data:
(31) Number (32) Date (33) Country
29/398,489 01 Aug 2011 UNITED STATES OF AMERICA
(56) Related Art Documents: **Not Applicable**
(57) Statement of Newness and Distinctiveness: **Nil**



(21) Design Number: **13679/2011**

(22) Date of Filing Application: **19 August 2011**

(24) Date from which industrial property rights may have effect: **19 August 2011**

(54) Product in respect of which the design is registered: **Cupcake carrier**

(51) International Design Classification: **07-01NES**

(74) Name(s) of Attorney(s): **PHILLIPS ORMONDE FITZPATRICK**

(71) Name(s) and Address(s) of Applicant(s):

RL Industry Company Ltd.

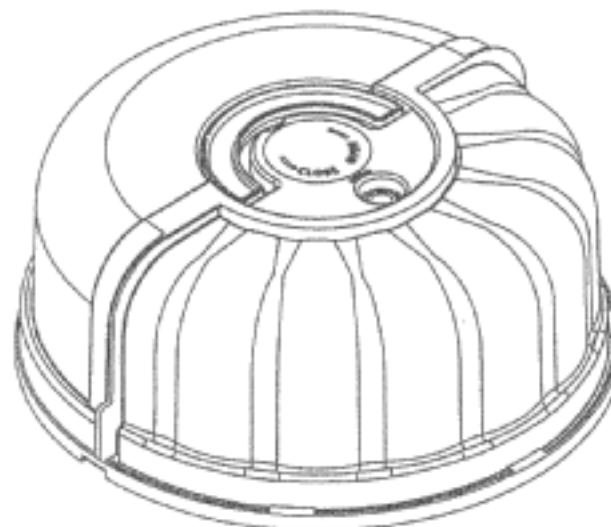
20th Floor Titan Tower 535 Tiantong South Road Ningbo 315194 Peoples Republic of China

(72) Name(s) of Designer(s): **Roni Dagan and Noa Moial and Michael Librus**

(45) Registration Date: **14 February 2012**

(56) Related Art Documents: **Not Applicable**

(57) Statement of Newness and Distinctiveness: **Those features of the cupcake carrier depicted in the representations that are new and distinctive are the shape and/or configuration.**



(21) Design Number: **13680/2011**

(22) Date of Filing Application: **19 August 2011**

(24) Date from which industrial property rights may have effect: **19 August 2011**

(54) Product in respect of which the design is registered: **Baking ware**

(51) International Design Classification: **07-02P**

(74) Name(s) of Attorney(s): **PHILLIPS ORMONDE FITZPATRICK**

(71) Name(s) and Address(s) of Applicant(s):

RL Industry Company Ltd.

20th Floor Titan Tower 535 Tiantong South Road Ningbo 315194 Peoples Republic of China

(72) Name(s) of Designer(s): **Roni Dagan and Noa Moial and Michael Librus**

(45) Registration Date: **14 February 2012**

(56) Related Art Documents: **Not Applicable**

(57) Statement of Newness and Distinctiveness: **Newness and Distinctiveness resides in the shape and/or configuration of the handle of the baking ware shown in the accompanying representations. The features shown in broken line are not part of the design and are to be disregarded when considering the overall impression of the design.**



(21) Design Number: **13681/2011**

(22) Date of Filing Application: **19 August 2011**

(24) Date from which industrial property rights may have effect: **19 August 2011**

(54) Product in respect of which the design is registered: **Baking ware**

(51) International Design Classification: **07-02P**

(74) Name(s) of Attorney(s): **PHILLIPS ORMONDE FITZPATRICK**

(71) Name(s) and Address(s) of Applicant(s):

RL Industry Company Ltd.

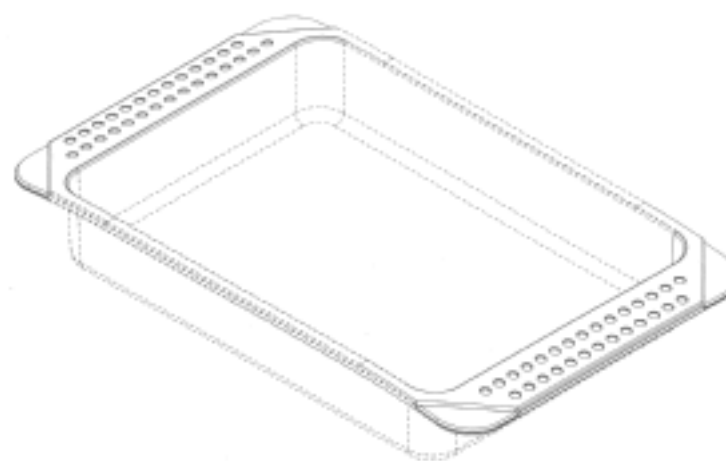
20th Floor Titan Tower 535 Tiantong South Road Ningbo 315194 Peoples Republic of China

(72) Name(s) of Designer(s): **Roni Dagan and Noa Moial and Michael Librus**

(45) Registration Date: **14 February 2012**

(56) Related Art Documents: **Not Applicable**

(57) Statement of Newness and Distinctiveness: **Newness and Distinctiveness resides in the shape and/or configuration of the handle of the baking ware shown in the accompanying representations. The features shown in broken line are not part of the design and are to be disregarded when considering the overall impression of the design.**



(21) Design Number: **13682/2011**

(22) Date of Filing Application: **19 August 2011**

(24) Date from which industrial property rights may have effect: **19 August 2011**

(54) Product in respect of which the design is registered: **Cupcake carrier**

(51) International Design Classification: **07-01NES**

(74) Name(s) of Attorney(s): **PHILLIPS ORMONDE FITZPATRICK**

(71) Name(s) and Address(s) of Applicant(s):

RL Industry Company Ltd.

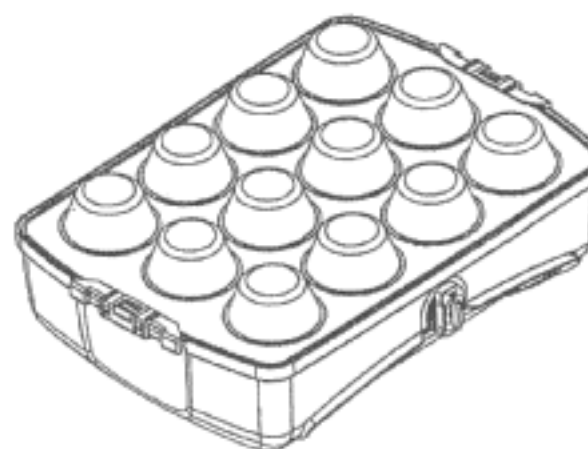
20th Floor Titan Tower 535 Tiantong South Road Ningbo 315194 Peoples Republic of China

(72) Name(s) of Designer(s): **Roni Dagan and Noa Moial and Michael Librus**

(45) Registration Date: **14 February 2012**

(56) Related Art Documents: **Not Applicable**

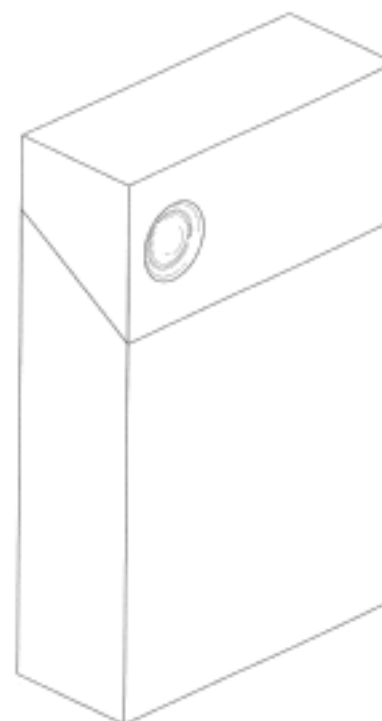
(57) Statement of Newness and Distinctiveness: **Those features of the cupcake carrier depicted in the representations that are new and distinctive are the shape and/or configuration.**



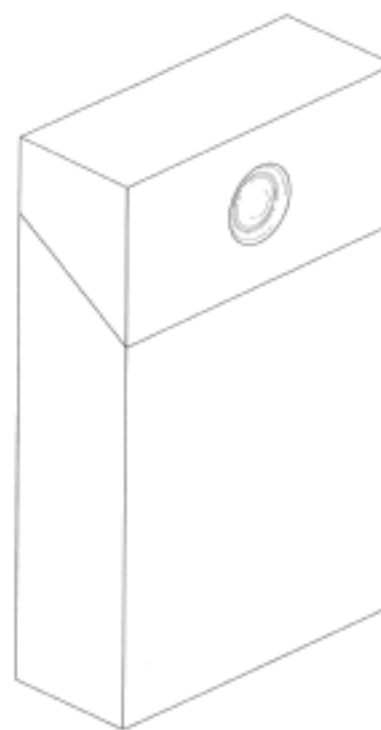
(21) Design Number: **14970/2011**
(22) Date of Filing Application: **04 November 2011**
(24) Date from which industrial property rights may have effect: **04 November 2011**
(54) Product in respect of which the design is registered: **A vehicle and a toy vehicle**
(51) International Design Classification: **21-01C, 12-08**
(74) Name(s) of Attorney(s): **Griffith Hack**
(71) Name(s) and Address(s) of Applicant(s):
DC Comics
1700 Broadway New York NY 10019 United States of America
(72) Name(s) of Designer(s): **Ian Gordon Murray**
(45) Registration Date: **14 February 2012**
(30) Convention priority data:
(31) Number (32) Date (33) Country
4019793 10 Jun 2011 UNITED KINGDOM
(56) Related Art Documents: **Not Applicable**
(57) Statement of Newness and Distinctiveness: **Nil**



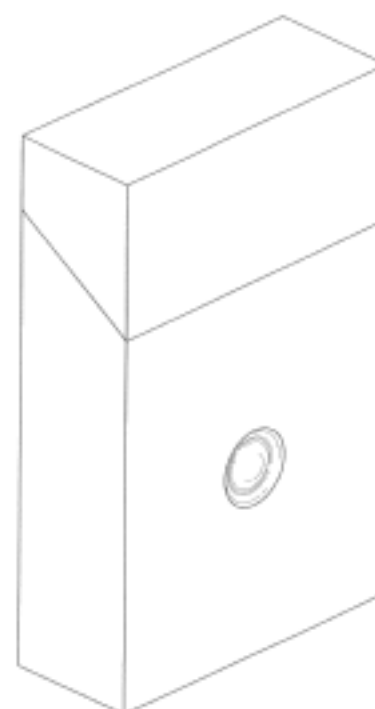
(21) Design Number: **15311/2011**
(22) Date of Filing Application: **21 November 2011**
(24) Date from which industrial property rights may have effect: **21 November 2011**
(54) Product in respect of which the design is registered: **Packaging for tobacco products**
(51) International Design Classification: **09-03A**
(74) Name(s) of Attorney(s): **Callinans**
(71) Name(s) and Address(s) of Applicant(s):
Philip Morris Products S.A.
Quai Jeanreneaud 3 2000 Neuchatel Switzerland
(72) Name(s) of Designer(s): **Jacques Weiss and Virginy Suchet**
(45) Registration Date: **14 February 2012**
(30) Convention priority data:
(31) Number (32) Date (33) Country
001280069-0001 08 Jun 2011 EUROPEAN COMMUNITY
(56) Related Art Documents: **Not Applicable**
(57) Statement of Newness and Distinctiveness: **Nil**



(21) Design Number: **15312/2011**
(22) Date of Filing Application: **21 November 2011**
(24) Date from which industrial property rights may have effect: **21 November 2011**
(54) Product in respect of which the design is registered: **Packaging for tobacco products**
(51) International Design Classification: **09-03A**
(74) Name(s) of Attorney(s): **Callinans**
(71) Name(s) and Address(s) of Applicant(s):
Philip Morris Products S.A.
Quai Jeanreneaud 3 2000 Neuchatel Switzerland
(72) Name(s) of Designer(s): **Jacques Weiss and Virginy Suchet**
(45) Registration Date: **14 February 2012**
(30) Convention priority data:
(31) Number (32) Date (33) Country
001280069-0002 08 Jun 2011 EUROPEAN COMMUNITY
(56) Related Art Documents: **Not Applicable**
(57) Statement of Newness and Distinctiveness: **Nil**



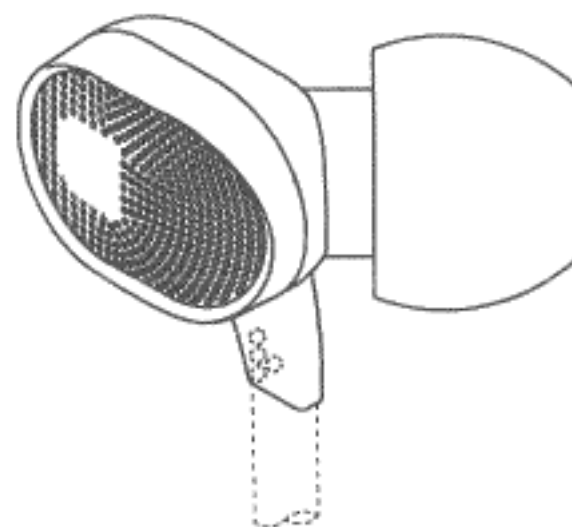
(21) Design Number: **15313/2011**
(22) Date of Filing Application: **21 November 2011**
(24) Date from which industrial property rights may have effect: **21 November 2011**
(54) Product in respect of which the design is registered: **Packaging for tobacco products**
(51) International Design Classification: **09-03A**
(74) Name(s) of Attorney(s): **Callinans**
(71) Name(s) and Address(s) of Applicant(s):
Philip Morris Products S.A.
Quai Jeanreneaud 3 2000 Neuchatel Switzerland
(72) Name(s) of Designer(s): **Jacques Weiss and Virginy Suchet**
(45) Registration Date: **14 February 2012**
(30) Convention priority data:
(31) Number (32) Date (33) Country
001280069-0005 08 Jun 2011 EUROPEAN COMMUNITY
(56) Related Art Documents: **Not Applicable**
(57) Statement of Newness and Distinctiveness: **Nil**



- (21) Design Number: **15663/2011**
(22) Date of Filing Application: **09 December 2011**
(24) Date from which industrial property rights may have effect: **09 December 2011**
(54) Product in respect of which the design is registered: **Bracelet**
(51) International Design Classification: **11-01C**
(74) Name(s) of Attorney(s): **SPRUSON & FERGUSON**
(71) Name(s) and Address(s) of Applicant(s):
Aliphcom
99 Rhode Island Street 3rd Floor San Francisco California 94103 United States of America
(72) Name(s) of Designer(s): **Yves Albert Behar and Qin Li and Gabriel Joshua Lamb**
(45) Registration Date: **14 February 2012**
(30) Convention priority data:
(31) Number (32) Date (33) Country
29/393916 10 Jun 2011 UNITED STATES OF AMERICA
(56) Related Art Documents: **Not Applicable**
(57) Statement of Newness and Distinctiveness: **Newness and distinctiveness is claimed in the features of shape and/or configuration of a wearable device as illustrated in the accompanying representations.**



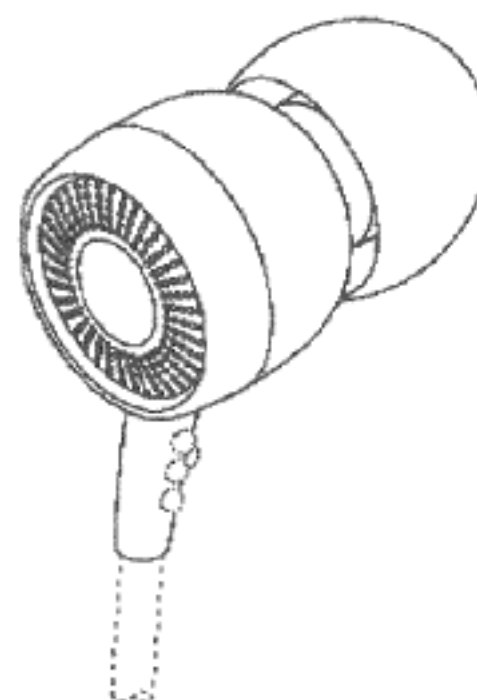
- (21) Design Number: **15824/2011**
(22) Date of Filing Application: **16 December 2011**
(24) Date from which industrial property rights may have effect: **16 December 2011**
(54) Product in respect of which the design is registered: **In-ear headphones**
(51) International Design Classification: **14-01**
(74) Name(s) of Attorney(s): **Elliptic Legal & Patent Services**
(71) Name(s) and Address(s) of Applicant(s):
Audiofly Pty Ltd
Unit 9 23 Gibberd Road Balcatta Western Australia 6021 Australia
(72) Name(s) of Designer(s): **David Matthew Thompson and Matthew Rowett and Iain Finlay**
(45) Registration Date: **14 February 2012**
(56) Related Art Documents: **Not Applicable**
(57) Statement of Newness and Distinctiveness: **Novelty is claimed in the shape and configuration of the in-ear headphones as shown in the accompanying representations. Parts shown in dotted lines are not considered part of the design.**



- (21) Design Number: **15825/2011**
(22) Date of Filing Application: **16 December 2011**
(24) Date from which industrial property rights may have effect: **16 December 2011**
(54) Product in respect of which the design is registered: **In-ear headphones**
(51) International Design Classification: **14-01**
(74) Name(s) of Attorney(s): **Elliptic Legal & Patent Services**
(71) Name(s) and Address(s) of Applicant(s):
Audiofly Pty Ltd
Unit 9 23 Gibberd Road Balcatta Western Australia 6021 Australia
(72) Name(s) of Designer(s): **David Matthew Thompson and Matthew Rowett and Iain Finlay**
(45) Registration Date: **14 February 2012**
(56) Related Art Documents: **Not Applicable**
(57) Statement of Newness and Distinctiveness: **Novelty is claimed in the shape and configuration of the in-ear headphones as shown in the accompanying representations. Parts shown in dotted lines are not considered part of the design.**



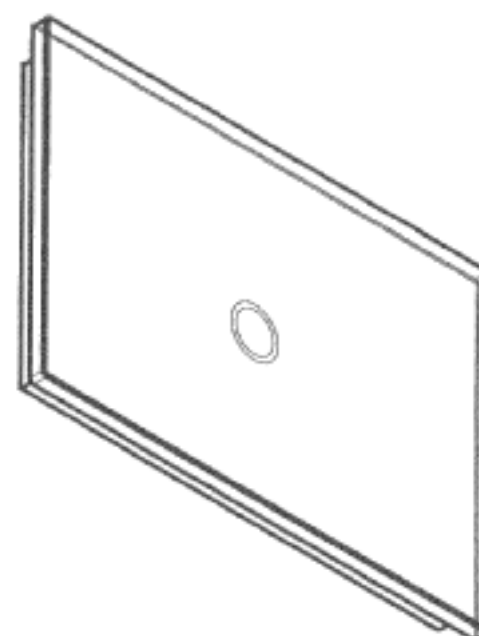
- (21) Design Number: **15827/2011**
(22) Date of Filing Application: **16 December 2011**
(24) Date from which industrial property rights may have effect: **16 December 2011**
(54) Product in respect of which the design is registered: **In-ear headphones**
(51) International Design Classification: **14-01**
(74) Name(s) of Attorney(s): **Elliptic Legal & Patent Services**
(71) Name(s) and Address(s) of Applicant(s):
Audiofly Pty Ltd
Unit 9 23 Gibberd Road Balcatta Western Australia 6021 Australia
(72) Name(s) of Designer(s): **David Matthew Thompson and Matthew Rowett and Iain Finlay**
(45) Registration Date: **14 February 2012**
(56) Related Art Documents: **Not Applicable**
(57) Statement of Newness and Distinctiveness: **Novelty is claimed in the shape and configuration of the in-ear headphones as shown in the accompanying representations. Parts shown in dotted lines are not considered part of the design.**



- (21) Design Number: **10192/2012**
(22) Date of Filing Application: **17 January 2012**
(24) Date from which industrial property rights may have effect: **17 January 2012**
(54) Product in respect of which the design is registered: **A refrigerator**
(51) International Design Classification: **15-07**
(74) Name(s) of Attorney(s): **Allens Arthur Robinson**
(71) Name(s) and Address(s) of Applicant(s):
Hefei Midea Rongshida Refrigerator Co., Ltd
No. 669 West Changjiang Road Hefei Anhui 230601 China
Hefei Hualing Co., Ltd
Jin Xiu Road Hefei Economic and Industrial Area Anhui 230601 China
(72) Name(s) of Designer(s): **Shilin Tang and Wei Ding and Jiachun Zhang**
(45) Registration Date: **14 February 2012**
(30) Convention priority data:
(31) Number (32) Date (33) Country
201130250814.8 28 Jul 2011 CHINA
(56) Related Art Documents: **Not Applicable**
(57) Statement of Newness and Distinctiveness: **Newness and distinctiveness resides in the visual features of shape and/or configuration of a refrigerator as illustrated in the accompanying representations.**



- (21) Design Number: **10217/2012**
(22) Date of Filing Application: **18 January 2012**
(24) Date from which industrial property rights may have effect: **18 January 2012**
(54) Product in respect of which the design is registered: **Electrical switch**
(51) International Design Classification: **13-03E**
(74) Name(s) of Attorney(s): **Jirsch Sutherland IP**
(71) Name(s) and Address(s) of Applicant(s):
Connected Group Australia Pty Ltd
Unit 2 26-28 Whyalla Place Prestons New South Wales 2170 Australia
(72) Name(s) of Designer(s): **Dean Lucantonio**
(45) Registration Date: **14 February 2012**
(56) Related Art Documents: **Not Applicable**
(57) Statement of Newness and Distinctiveness: **Monopoly is claimed for in respect of the shape and configuration of the "cover plates" as seen in the original representations files. The shape of these plates is both new and distinctive and monopoly of the shape is relevant regardless of the configuration of the switches and switching mechanisms seen.**



(21) Design Number: **10323/2012**
(22) Date of Filing Application: **23 January 2012**
(24) Date from which industrial property rights may have effect: **23 January 2012**
(54) Product in respect of which the design is registered: **Racing car single bed**
(51) International Design Classification: **06-02**
(74) Name(s) of Attorney(s):
(71) Name(s) and Address(s) of Applicant(s):
IQ Kids & Furniture Pty Ltd
Unit 4 3-7 Rhur Street Dandenong South Victoria 3175 Australia
(72) Name(s) of Designer(s): **Wee Koon Ng**
(45) Registration Date: **14 February 2012**
(56) Related Art Documents: **Not Applicable**
(57) Statement of Newness and Distinctiveness: **Nil**



(21) Design Number: **10324/2012**
(22) Date of Filing Application: **23 January 2012**
(24) Date from which industrial property rights may have effect: **23 January 2012**
(54) Product in respect of which the design is registered: **Wheel for racing car single bed**
(51) International Design Classification: **06-02**
(74) Name(s) of Attorney(s):
(71) Name(s) and Address(s) of Applicant(s):
IQ Kids & Furniture Pty Ltd
Unit 4 3-7 Rhur Street Dandenong South Victoria 3175 Australia
(72) Name(s) of Designer(s): **Wee Koon Ng**
(45) Registration Date: **14 February 2012**
(56) Related Art Documents: **Not Applicable**
(57) Statement of Newness and Distinctiveness: **Nil**



- (21) Design Number: **10326/2012**
(22) Date of Filing Application: **26 January 2012**
(24) Date from which industrial property rights may have effect: **26 January 2012**
(54) Product in respect of which the design is registered: **Drinking straw**
(51) International Design Classification: **07-06NES**
(74) Name(s) of Attorney(s): **TJ IP Patents, Trade Marks & Designs**
(71) Name(s) and Address(s) of Applicant(s):
Silman Invest & Trade Ltd
Olivier Maradan Building Olivier Maradan Street Suite 2 Victoria Mahe
Seychelles
(72) Name(s) of Designer(s): **Ferenc Ecseri**
(45) Registration Date: **14 February 2012**
(30) Convention priority data:
(31) Number (32) Date (33) Country
001897190-0002 27 Jul 2011 EUROPEAN COMMUNITY
(56) Related Art Documents: **Not Applicable**
(57) Statement of Newness and Distinctiveness: **Nil**



- (21) Design Number: **14062/2011**
(22) Date of Filing Application: **14 September 2011**
(24) Date from which industrial property rights may have effect: **14 September 2011**
(54) Product in respect of which the design is registered: **Rear combination lamp for an automobile**
(51) International Design Classification: **26-06**
(74) Name(s) of Attorney(s): **SPRUSON & FERGUSON**
(71) Name(s) and Address(s) of Applicant(s):
Toyota Jidosha Kabushiki Kaisha
1 Toyota-cho Toyota-shi Aichi-ken 471-8571 Japan
(72) Name(s) of Designer(s): **Nicolas Blondeau**
(45) Registration Date: **14 February 2012**
(56) Related Art Documents: **Not Applicable**
(57) Statement of Newness and Distinctiveness: **Newness and distinctiveness is claimed in the features of shape and/or configuration of a rear combination lamp for an automobile as illustrated in the accompanying representations.**



- (21) Design Number: **14063/2011**
(22) Date of Filing Application: **14 September 2011**
(24) Date from which industrial property rights may have effect: **14 September 2011**
(54) Product in respect of which the design is registered: **Front combination lamp for an automobile**
(51) International Design Classification: **26-06**
(74) Name(s) of Attorney(s): **SPRUSON & FERGUSON**
(71) Name(s) and Address(s) of Applicant(s):
Toyota Jidosha Kabushiki Kaisha
1 Toyota-cho Toyota-shi Aichi-ken 471-8571 Japan
(72) Name(s) of Designer(s): **Youhei Kusamoto**
(45) Registration Date: **14 February 2012**
(56) Related Art Documents: **Not Applicable**
(57) Statement of Newness and Distinctiveness: **Newness and distinctiveness is claimed in the features of shape and/or configuration of a front combination lamp for an automobile as illustrated in the accompanying representations.**



- (21) Design Number: **14064/2011**
(22) Date of Filing Application: **14 September 2011**
(24) Date from which industrial property rights may have effect: **14 September 2011**
(54) Product in respect of which the design is registered: **Instrument panel for an automobile**
(51) International Design Classification: **12-16NES**
(74) Name(s) of Attorney(s): **SPRUSON & FERGUSON**
(71) Name(s) and Address(s) of Applicant(s):
Toyota Jidosha Kabushiki Kaisha
1 Toyota-cho Toyota-shi Aichi-ken 471-8571 Japan
(72) Name(s) of Designer(s): **Shinsuke Omori and Masaki Motozaki and Syuuichi Inaba and Takashi Mizukami**
(45) Registration Date: **14 February 2012**
(56) Related Art Documents: **Not Applicable**
(57) Statement of Newness and Distinctiveness: **Newness and distinctiveness is claimed in the features of shape and/or configuration of an instrument panel for an automobile as illustrated in the accompanying representations.**



- (21) Design Number: **14065/2011**
(22) Date of Filing Application: **14 September 2011**
(24) Date from which industrial property rights may have effect: **14 September 2011**
(54) Product in respect of which the design is registered: **Automobile**
(51) International Design Classification: **12-08**
(74) Name(s) of Attorney(s): **SPRUSON & FERGUSON**
(71) Name(s) and Address(s) of Applicant(s):
Toyota Jidosha Kabushiki Kaisha
1 Toyota-cho Toyota-shi Aichi-ken 471-8571 Japan
(72) Name(s) of Designer(s): **Yukihiro Koide and Tatsuya Hotta and Tetsuya Nakagawa**
(45) Registration Date: **14 February 2012**
(56) Related Art Documents: **Not Applicable**
(57) Statement of Newness and Distinctiveness: **Newness and distinctiveness is claimed in those features of shape and/or configuration of an automobile illustrated in darker shades in the additional views of the accompanying representations, apart from Toyota emblems.**



- (21) Design Number: **14066/2011**
(22) Date of Filing Application: **14 September 2011**
(24) Date from which industrial property rights may have effect: **14 September 2011**
(54) Product in respect of which the design is registered: **Automobile**
(51) International Design Classification: **12-08**
(74) Name(s) of Attorney(s): **SPRUSON & FERGUSON**
(71) Name(s) and Address(s) of Applicant(s):
Toyota Jidosha Kabushiki Kaisha
1 Toyota-cho Toyota-shi Aichi-ken 471-8571 Japan
(72) Name(s) of Designer(s): **Hirokazu Ikuma and Yukihiro Koide and Ian Cartabiano and Tatsuya Hotta and Tetsuya Nakagawa**
(45) Registration Date: **14 February 2012**
(56) Related Art Documents: **Not Applicable**
(57) Statement of Newness and Distinctiveness: **Newness and distinctiveness is claimed in the features of shape and/or configuration of an automobile as illustrated in the accompanying representations, apart from Toyota emblems.**



- (21) Design Number: **14067/2011**
(22) Date of Filing Application: **14 September 2011**
(24) Date from which industrial property rights may have effect: **14 September 2011**
(54) Product in respect of which the design is registered: **Automobile**
(51) International Design Classification: **12-08**
(74) Name(s) of Attorney(s): **SPRUSON & FERGUSON**
(71) Name(s) and Address(s) of Applicant(s):
Toyota Jidosha Kabushiki Kaisha
1 Toyota-cho Toyota-shi Aichi-ken 471-8571 Japan
(72) Name(s) of Designer(s): **Yukihiro Koide and Tatsuya Hotta and Tetsuya Nakagawa**
(45) Registration Date: **14 February 2012**
(56) Related Art Documents: **Not Applicable**
(57) Statement of Newness and Distinctiveness: **Newness and distinctiveness is claimed in those features of shape and/or configuration of an automobile illustrated in darker shades in the additional views of the accompanying representations.**



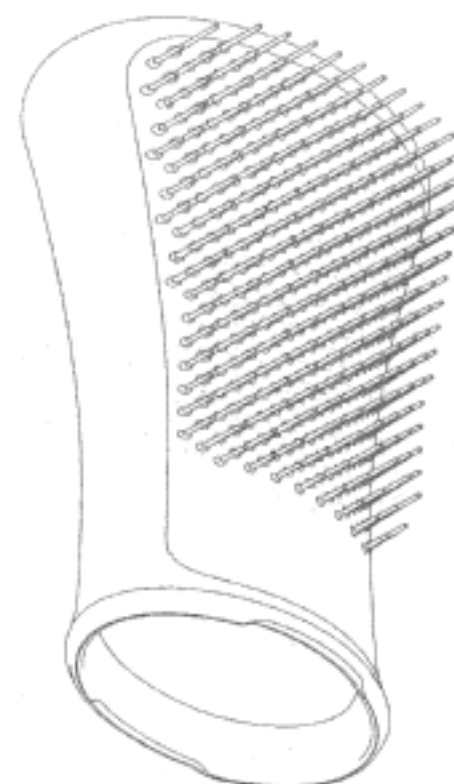
- (21) Design Number: **14068/2011**
(22) Date of Filing Application: **14 September 2011**
(24) Date from which industrial property rights may have effect: **14 September 2011**
(54) Product in respect of which the design is registered: **Rear bumper for an automobile**
(51) International Design Classification: **12-16C**
(74) Name(s) of Attorney(s): **SPRUSON & FERGUSON**
(71) Name(s) and Address(s) of Applicant(s):
Toyota Jidosha Kabushiki Kaisha
1 Toyota-cho Toyota-shi Aichi-ken 471-8571 Japan
(72) Name(s) of Designer(s): **Tatsuya Hotta and Tetsuya Nakagawa**
(45) Registration Date: **14 February 2012**
(56) Related Art Documents: **Not Applicable**
(57) Statement of Newness and Distinctiveness: **Newness and distinctiveness is claimed in the features of shape and/or configuration of a rear bumper for an automobile as illustrated in the accompanying representations.**



- (21) Design Number: **14069/2011**
(22) Date of Filing Application: **14 September 2011**
(24) Date from which industrial property rights may have effect: **14 September 2011**
(54) Product in respect of which the design is registered: **Front bumper for an automobile**
(51) International Design Classification: **12-16C**
(74) Name(s) of Attorney(s): **SPRUSON & FERGUSON**
(71) Name(s) and Address(s) of Applicant(s):
Toyota Jidosha Kabushiki Kaisha
1 Toyota-cho Toyota-shi Aichi-ken 471-8571 Japan
(72) Name(s) of Designer(s): **Tatsuya Hotta and Tetsuya Nakagawa**
(45) Registration Date: **14 February 2012**
(56) Related Art Documents: **Not Applicable**
(57) Statement of Newness and Distinctiveness: **Newness and distinctiveness is claimed in the features of shape and/or configuration of a front bumper for an automobile as illustrated in the accompanying representations.**



- (21) Design Number: **14131/2011**
(22) Date of Filing Application: **13 September 2011**
(24) Date from which industrial property rights may have effect: **13 September 2011**
(54) Product in respect of which the design is registered: **Hair brush**
(51) International Design Classification: **04-02**
(74) Name(s) of Attorney(s): **Intellepro Patent & Trade Mark Attorneys**
(71) Name(s) and Address(s) of Applicant(s):
Tangle Teezer Limited
Office 301 143 Acre Lane London SW2 5UA United Kindgom
(72) Name(s) of Designer(s): **Cameron Bruce William Treeby**
(45) Registration Date: **14 February 2012**
(30) Convention priority data:
(31) Number (32) Date (33) Country
001290340-0002 19 Aug 2011 EUROPEAN COMMUNITY
(56) Related Art Documents: **Not Applicable**
(57) Statement of Newness and Distinctiveness: **Nil**



(21) Design Number: **10251/2012**
(22) Date of Filing Application: **20 January 2012**
(24) Date from which industrial property rights may have effect: **20 January 2012**
(54) Product in respect of which the design is registered: **Joint connector**
(51) International Design Classification: **13-03E**
(74) Name(s) of Attorney(s): **SPRUSON & FERGUSON**
(71) Name(s) and Address(s) of Applicant(s):

Yazaki Corporation
4-28 Mita 1-chome Minato-ku Tokyo Japan

(72) Name(s) of Designer(s): **Masashi Tsukamoto**

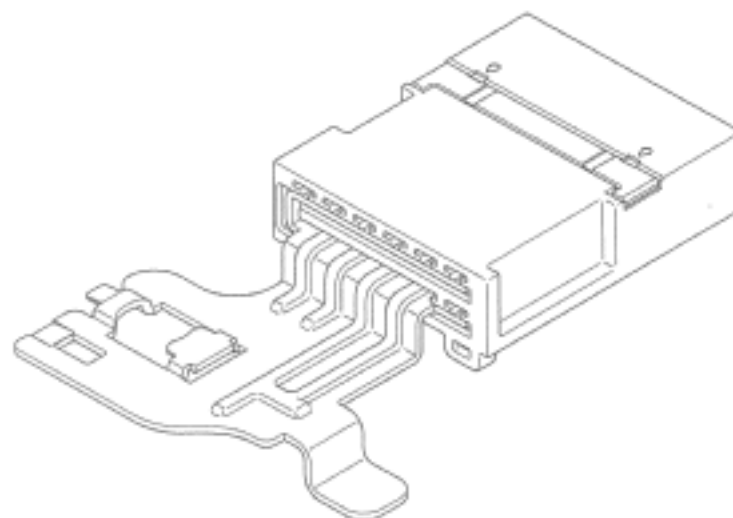
(45) Registration Date: **14 February 2012**

(30) Convention priority data:

(31) Number	(32) Date	(33) Country
2011-016579	20 Jul 2011	JAPAN

(56) Related Art Documents: **Not Applicable**

(57) Statement of Newness and Distinctiveness: **Newness and distinctiveness is claimed in the features of shape and/or configuration of a joint connector as illustrated in the accompanying representations.**



(21) Design Number: **10253/2012**
(22) Date of Filing Application: **20 January 2012**
(24) Date from which industrial property rights may have effect: **20 January 2012**
(54) Product in respect of which the design is registered: **Shoe**
(51) International Design Classification: **02-04NES**
(74) Name(s) of Attorney(s): **Freehills Patent & Trade Mark Attorneys**
(71) Name(s) and Address(s) of Applicant(s):

Alpargatas S.A.
Rua Funchal 160 Vila Olimpia CEP:04551-903 Sao Paulo SP Brazil

(72) Name(s) of Designer(s): **Patrick Kampff**

(45) Registration Date: **14 February 2012**

(30) Convention priority data:

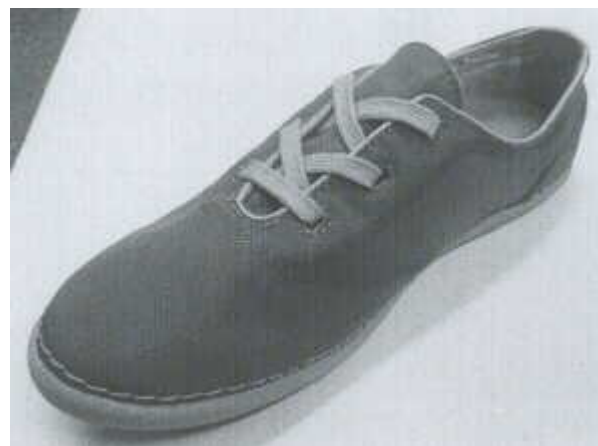
(31) Number	(32) Date	(33) Country
001936071	21 Oct 2011	EUROPEAN COMMUNITY

(56) Related Art Documents: **Not Applicable**

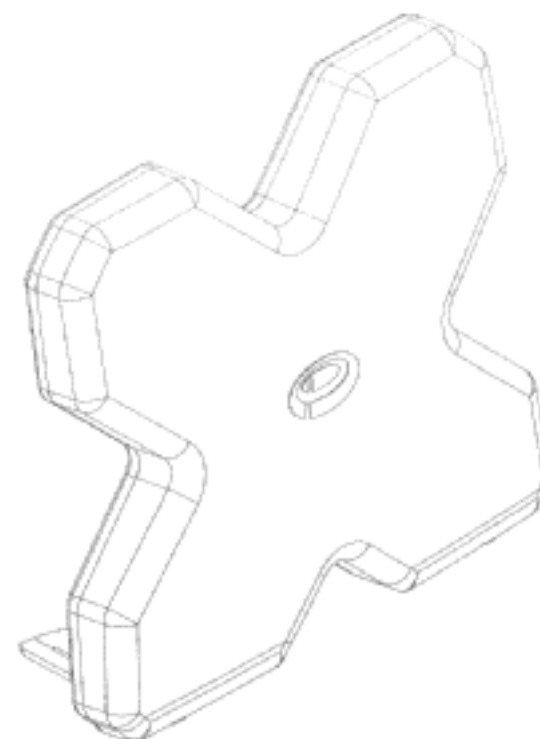
(57) Statement of Newness and Distinctiveness: **Nil**



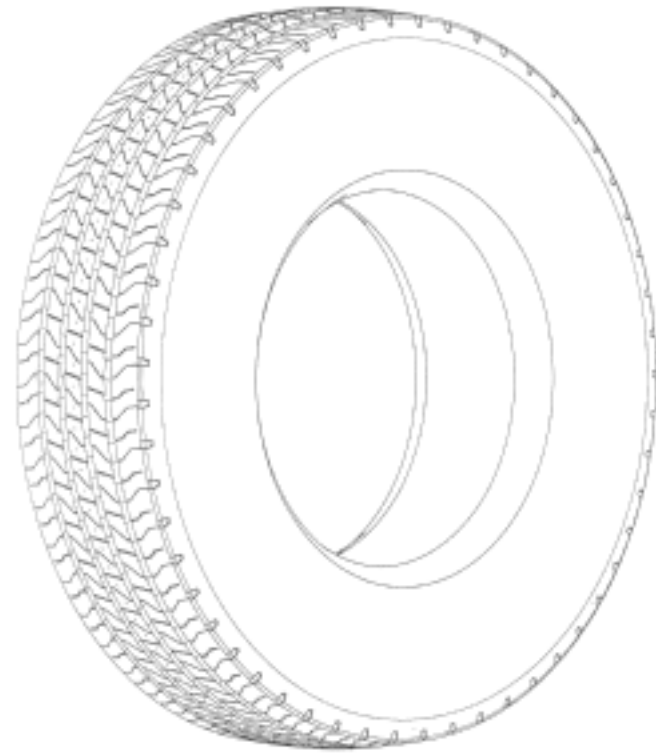
(21) Design Number: **10254/2012**
(22) Date of Filing Application: **20 January 2012**
(24) Date from which industrial property rights may have effect: **20 January 2012**
(54) Product in respect of which the design is registered: **Shoe**
(51) International Design Classification: **02-04NES**
(74) Name(s) of Attorney(s): **Freehills Patent & Trade Mark Attorneys**
(71) Name(s) and Address(s) of Applicant(s):
Alpargatas S.A.
Rua Funchal 160 Vila Olimpia CEP:04551-903 Sao Paulo SP Brazil
(72) Name(s) of Designer(s): **Patrick Kampff**
(45) Registration Date: **14 February 2012**
(30) Convention priority data:
(31) Number (32) Date (33) Country
001936071 21 Oct 2011 EUROPEAN COMMUNITY
(56) Related Art Documents: **Not Applicable**
(57) Statement of Newness and Distinctiveness: **Nil**



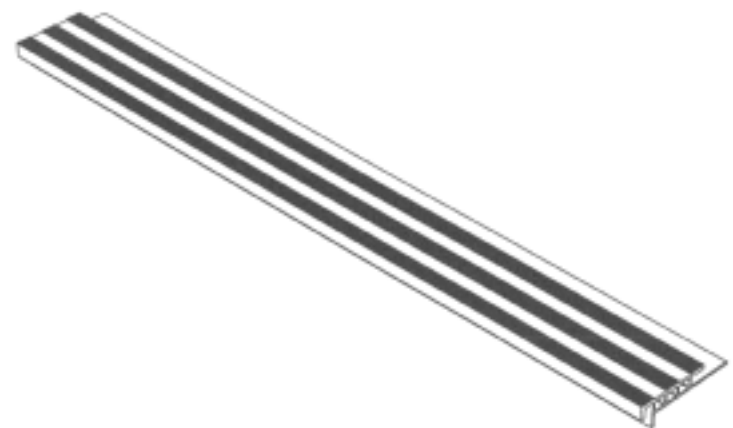
(21) Design Number: **14511/2011**
(22) Date of Filing Application: **06 October 2011**
(24) Date from which industrial property rights may have effect: **06 October 2011**
(54) Product in respect of which the design is registered: **Antenna**
(51) International Design Classification: **14-03NES**
(74) Name(s) of Attorney(s):
(71) Name(s) and Address(s) of Applicant(s):
Panorama Antennas Pty Ltd
Level 1/72 The Terrace Ocean Grove Victoria 3226 Australia
(72) Name(s) of Designer(s): **Jan Jesman**
(45) Registration Date: **14 February 2012**
(56) Related Art Documents: **Not Applicable**
(57) Statement of Newness and Distinctiveness: **'Cross x design' this shape is new and distinctive to this design and has not been applied to antenna design previously.**



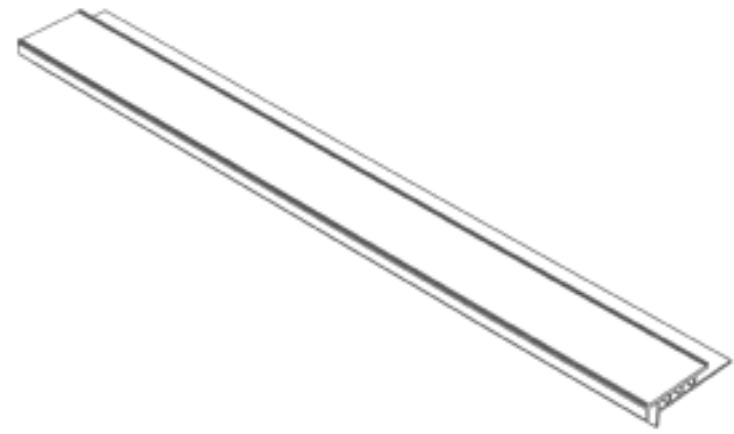
- (21) Design Number: **10161/2012**
(22) Date of Filing Application: **12 January 2012**
(24) Date from which industrial property rights may have effect: **12 January 2012**
(54) Product in respect of which the design is registered: **A tyre**
(51) International Design Classification: **12-15B**
(74) Name(s) of Attorney(s): **WATERMARK PATENT AND TRADE MARKS ATTORNEYS**
(71) Name(s) and Address(s) of Applicant(s):
Societe De Technologie Michelin
23 rue Breschet F-63000 Clermont-Ferrand Cedex France
Michelin Recherche et Technique S.A.
Route Louis-Braille 10 et 12 CH-1763 Granges-Paccot Switzerland
(72) Name(s) of Designer(s): **Renaud Durand and Eric Lebreton**
(45) Registration Date: **14 February 2012**
(56) Related Art Documents: **Not Applicable**
(57) Statement of Newness and Distinctiveness: **Newness and distinctiveness resides in the appearance of the tread region of the tyre, the remainder of the tyre not forming part of the design.**



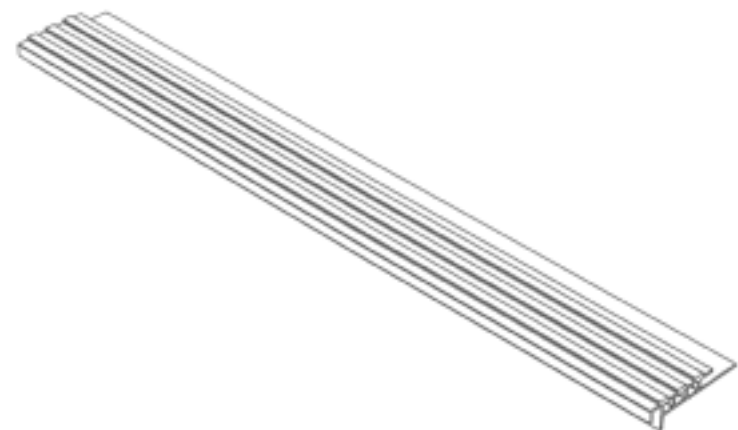
- (21) Design Number: **10137/2012**
(22) Date of Filing Application: **12 January 2012**
(24) Date from which industrial property rights may have effect: **12 January 2012**
(54) Product in respect of which the design is registered: **Carpet edge**
(51) International Design Classification: **06-06NES, 25-01K**
(74) Name(s) of Attorney(s): **A.P.T. Patent and Trade Mark Attorneys**
(71) Name(s) and Address(s) of Applicant(s):
Dtac Pty Ltd
Unit 4 11 & 12 Phillip Court Port Melbourne Victoria 3205 Australia
(72) Name(s) of Designer(s): **Chris Bertacco**
(45) Registration Date: **15 February 2012**
(56) Related Art Documents: **Not Applicable**
(57) Statement of Newness and Distinctiveness: **Nil**



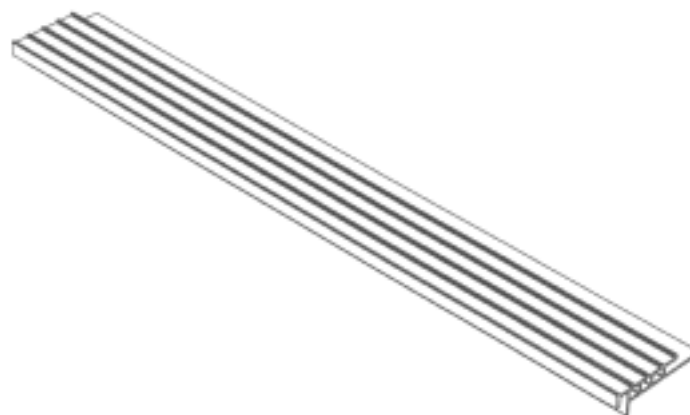
(21) Design Number: **10138/2012**
(22) Date of Filing Application: **12 January 2012**
(24) Date from which industrial property rights may have effect: **12 January 2012**
(54) Product in respect of which the design is registered: **Carpet edge**
(51) International Design Classification: **06-06NES, 25-01K**
(74) Name(s) of Attorney(s): **A.P.T. Patent and Trade Mark Attorneys**
(71) Name(s) and Address(s) of Applicant(s):
Dtac Pty Ltd
Unit 4 11 & 12 Phillip Court Port Melbourne Victoria 3205 Australia
(72) Name(s) of Designer(s): **Chris Bertacco**
(45) Registration Date: **15 February 2012**
(56) Related Art Documents: **Not Applicable**
(57) Statement of Newness and Distinctiveness: **Nil**



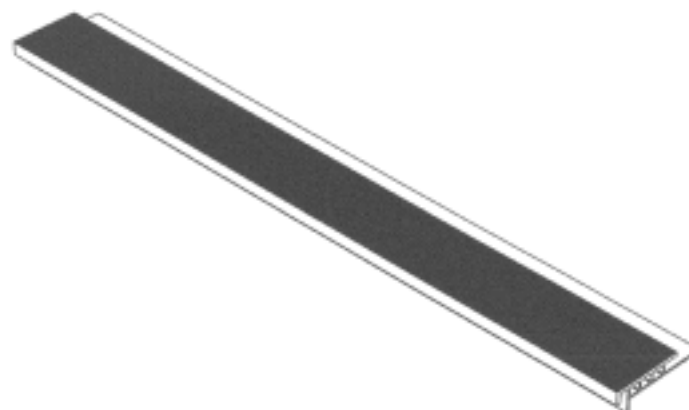
(21) Design Number: **10139/2012**
(22) Date of Filing Application: **12 January 2012**
(24) Date from which industrial property rights may have effect: **12 January 2012**
(54) Product in respect of which the design is registered: **Carpet edge**
(51) International Design Classification: **06-06NES, 25-01K**
(74) Name(s) of Attorney(s): **A.P.T. Patent and Trade Mark Attorneys**
(71) Name(s) and Address(s) of Applicant(s):
Dtac Pty Ltd
Unit 4 11 & 12 Phillip Court Port Melbourne Victoria 3205 Australia
(72) Name(s) of Designer(s): **Chris Bertacco**
(45) Registration Date: **15 February 2012**
(56) Related Art Documents: **Not Applicable**
(57) Statement of Newness and Distinctiveness: **Nil**



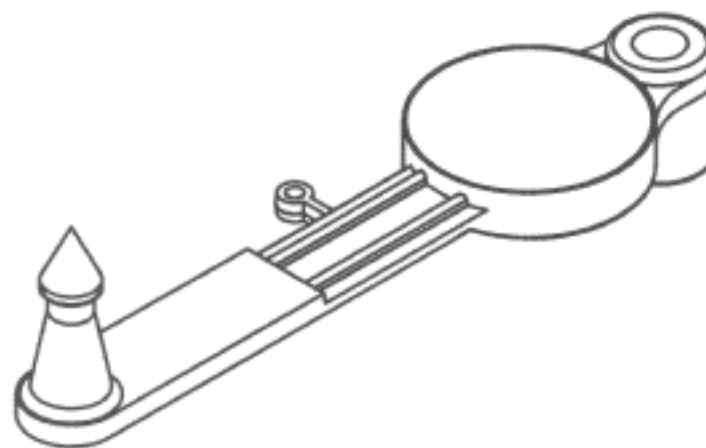
- (21) Design Number: **10140/2012**
(22) Date of Filing Application: **12 January 2012**
(24) Date from which industrial property rights may have effect: **12 January 2012**
(54) Product in respect of which the design is registered: **Carpet edge**
(51) International Design Classification: **06-06NES, 25-01K**
(74) Name(s) of Attorney(s): **A.P.T. Patent and Trade Mark Attorneys**
(71) Name(s) and Address(s) of Applicant(s):
Dtac Pty Ltd
Unit 4 11 & 12 Phillip Court Port Melbourne Victoria 3205 Australia
(72) Name(s) of Designer(s): **Chris Bertacco**
(45) Registration Date: **15 February 2012**
(56) Related Art Documents: **Not Applicable**
(57) Statement of Newness and Distinctiveness: **Nil**



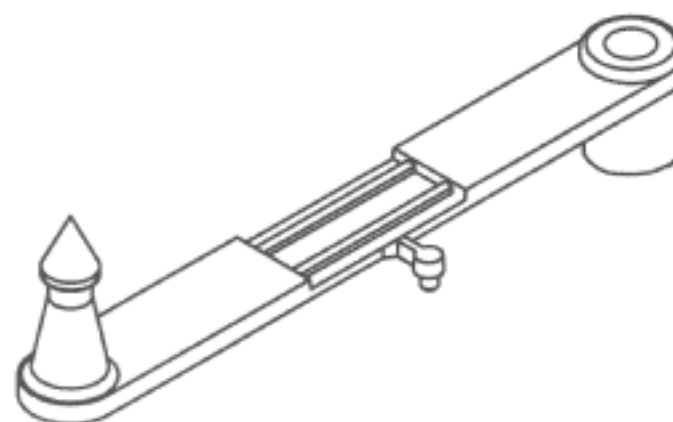
- (21) Design Number: **10141/2012**
(22) Date of Filing Application: **12 January 2012**
(24) Date from which industrial property rights may have effect: **12 January 2012**
(54) Product in respect of which the design is registered: **Carpet edge**
(51) International Design Classification: **06-06NES, 25-01K**
(74) Name(s) of Attorney(s): **A.P.T. Patent and Trade Mark Attorneys**
(71) Name(s) and Address(s) of Applicant(s):
Dtac Pty Ltd
Unit 4 11 & 12 Phillip Court Port Melbourne Victoria 3205 Australia
(72) Name(s) of Designer(s): **Chris Bertacco**
(45) Registration Date: **15 February 2012**
(56) Related Art Documents: **Not Applicable**
(57) Statement of Newness and Distinctiveness: **Nil**



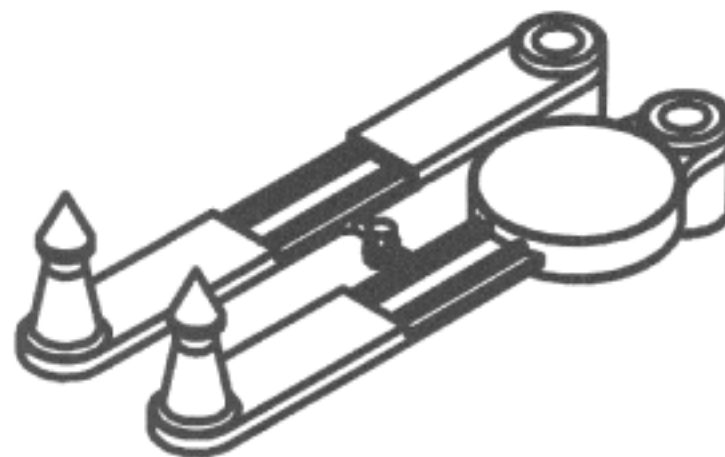
(21) Design Number: **10142/2012**
(22) Date of Filing Application: **13 January 2012**
(24) Date from which industrial property rights may have effect: **13 January 2012**
(54) Product in respect of which the design is registered: **Animal tag**
(51) International Design Classification: **30-08**
(74) Name(s) of Attorney(s): **A.P.T. Patent and Trade Mark Attorneys**
(71) Name(s) and Address(s) of Applicant(s):
PTS Technologies Pte Ltd
Blk 2 Kaki Bukit Avenue 1 #04-05 Singapore 417938 Singapore
(72) Name(s) of Designer(s): **Toon Liang Huang and Kim Huat Albert Loh**
(45) Registration Date: **15 February 2012**
(30) Convention priority data:
(31) Number (32) Date (33) Country
001892118-0001 15 Jul 2011 EUROPEAN COMMUNITY
(56) Related Art Documents: **Not Applicable**
(57) Statement of Newness and Distinctiveness: **Nil**



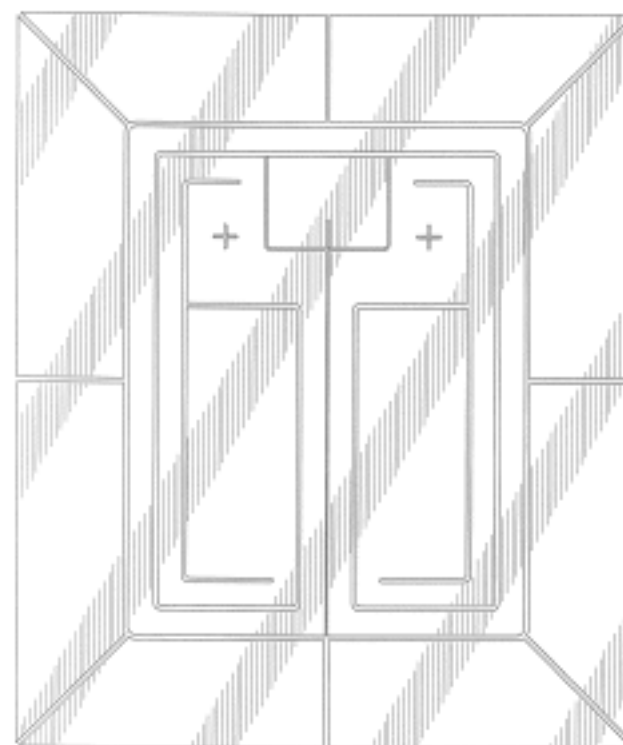
(21) Design Number: **10143/2012**
(22) Date of Filing Application: **13 January 2012**
(24) Date from which industrial property rights may have effect: **13 January 2012**
(54) Product in respect of which the design is registered: **Animal tag**
(51) International Design Classification: **30-08**
(74) Name(s) of Attorney(s): **A.P.T. Patent and Trade Mark Attorneys**
(71) Name(s) and Address(s) of Applicant(s):
PTS Technologies Pte Ltd
Blk 2 Kaki Bukit Avenue 1 #04-05 Singapore 417938 Singapore
(72) Name(s) of Designer(s): **Toon Liang Huang and Kim Huat Albert Loh**
(45) Registration Date: **15 February 2012**
(30) Convention priority data:
(31) Number (32) Date (33) Country
001892118-0002 15 Jul 2011 EUROPEAN COMMUNITY
(56) Related Art Documents: **Not Applicable**
(57) Statement of Newness and Distinctiveness: **Nil**



(21) Design Number: **10144/2012**
(22) Date of Filing Application: **13 January 2012**
(24) Date from which industrial property rights may have effect: **13 January 2012**
(54) Product in respect of which the design is registered: **Animal tag**
(51) International Design Classification: **30-08**
(74) Name(s) of Attorney(s): **A.P.T. Patent and Trade Mark Attorneys**
(71) Name(s) and Address(s) of Applicant(s):
PTS Technologies Pte Ltd
Blk 2 Kaki Bukit Avenue 1 #04-05 Singapore 417938 Singapore
(72) Name(s) of Designer(s): **Toon Liang Huang and Kim Huat Albert Loh**
(45) Registration Date: **15 February 2012**
(30) Convention priority data:
(31) Number (32) Date (33) Country
001892118-0003 15 Jul 2011 EUROPEAN COMMUNITY
(56) Related Art Documents: **Not Applicable**
(57) Statement of Newness and Distinctiveness: **Nil**



(21) Design Number: **10260/2012**
(22) Date of Filing Application: **20 January 2012**
(24) Date from which industrial property rights may have effect: **20 January 2012**
(54) Product in respect of which the design is registered: **RFID inlay**
(51) International Design Classification: **14-03NES**
(74) Name(s) of Attorney(s): **Ellis Terry**
(71) Name(s) and Address(s) of Applicant(s):
Avery Dennison Corporation
150 North Orange Grove Boulevard Pasadena California 91103 United States of America
(72) Name(s) of Designer(s): **Sam M. Gladstone**
(45) Registration Date: **15 February 2012**
(30) Convention priority data:
(31) Number (32) Date (33) Country
29/398,514 01 Aug 2011 UNITED STATES OF AMERICA
(56) Related Art Documents: **Not Applicable**
(57) Statement of Newness and Distinctiveness: **Nil**



- (21) Design Number: **10263/2012**
(22) Date of Filing Application: **19 January 2012**
(24) Date from which industrial property rights may have effect: **19 January 2012**
(54) Product in respect of which the design is registered: **Chair**
(51) International Design Classification: **06-01H**
(74) Name(s) of Attorney(s): **LESICAR MURRAY TRENTO**
(71) Name(s) and Address(s) of Applicant(s):
K W Tregloan Pty Ltd
107 Henley Beach Road Mile End South Australia 5031 Australia
(72) Name(s) of Designer(s): **Ken W. Tregloan**
(45) Registration Date: **15 February 2012**
(56) Related Art Documents: **Not Applicable**
(57) Statement of Newness and Distinctiveness: **Newness and distinctiveness resides in the shape and/or configuration of the back rest portion of the chair depicted in the accompanying representations.**



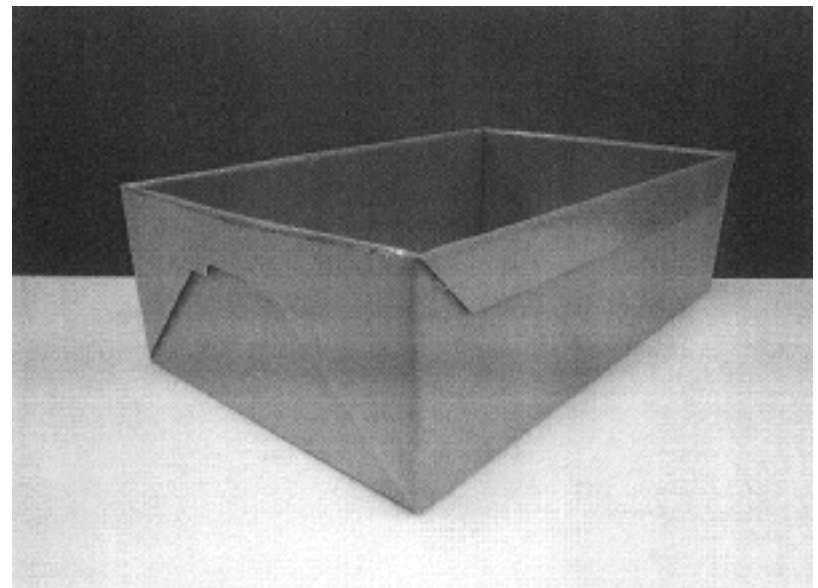
- (21) Design Number: **15715/2011**
(22) Date of Filing Application: **09 December 2011**
(24) Date from which industrial property rights may have effect: **09 December 2011**
(54) Product in respect of which the design is registered: **Bag**
(51) International Design Classification: **03-01NES**
(74) Name(s) of Attorney(s):
(71) Name(s) and Address(s) of Applicant(s):
Carmel Margaritis
28 Northgate Parade Northgate South Australia 5085 Australia
(72) Name(s) of Designer(s): **Carmel Margaritis**
(45) Registration Date: **15 February 2012**
(56) Related Art Documents: **Not Applicable**
(57) Statement of Newness and Distinctiveness: **The zip off detachable bag comes in three different designs, so that the look of the bag can change.**



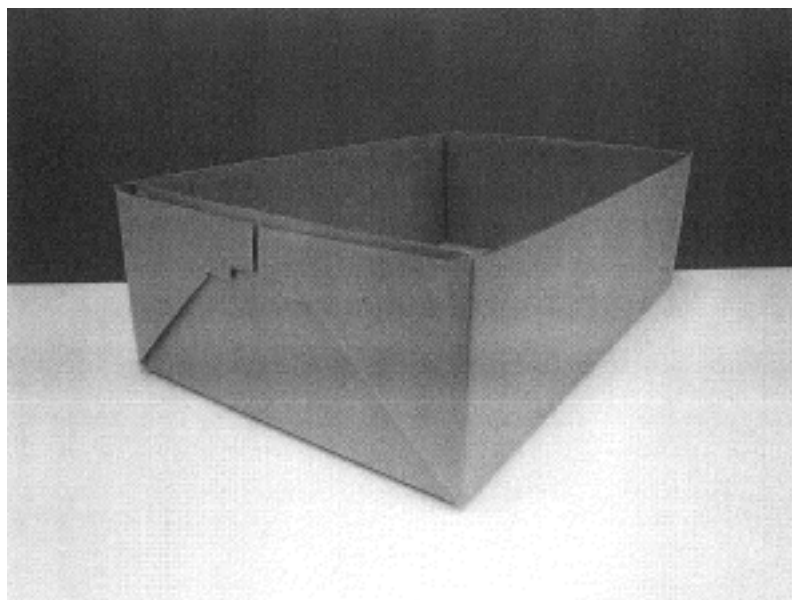
- (21) Design Number: **15716/2011**
(22) Date of Filing Application: **09 December 2011**
(24) Date from which industrial property rights may have effect: **09 December 2011**
(54) Product in respect of which the design is registered: **Bag**
(51) International Design Classification: **03-01NES**
(74) Name(s) of Attorney(s):
(71) Name(s) and Address(s) of Applicant(s):
Carmel Margaritis
28 Northgate Parade Northgate South Australia 5085 Australia
(72) Name(s) of Designer(s): **Carmel Margaritis**
(45) Registration Date: **15 February 2012**
(56) Related Art Documents: **Not Applicable**
(57) Statement of Newness and Distinctiveness: **This is a fashionable fabric case made to store huggies baby wipes. It has a flip open magnet feature for easy access.**



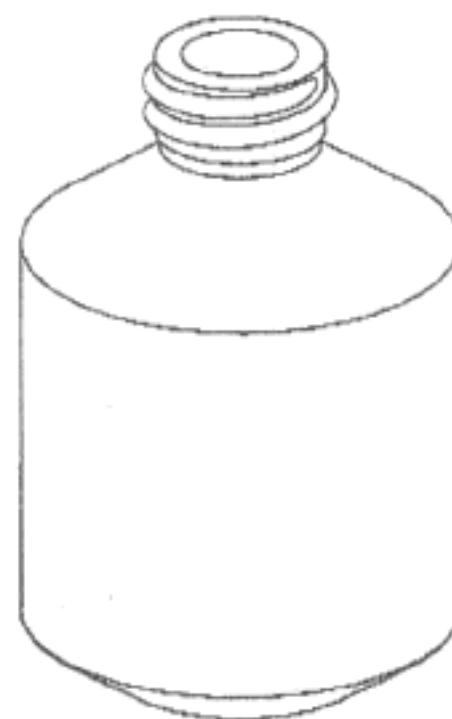
- (21) Design Number: **10277/2012**
(22) Date of Filing Application: **23 January 2012**
(24) Date from which industrial property rights may have effect: **23 January 2012**
(54) Product in respect of which the design is registered: **Container and blank therefor**
(51) International Design Classification: **09-03M**
(74) Name(s) of Attorney(s): **Cullens Patent and Trade Mark Attorneys**
(71) Name(s) and Address(s) of Applicant(s):
Amcor Limited
109 Burwood Road Hawthorn Victoria 3122 Australia
(72) Name(s) of Designer(s): **David Carter**
(45) Registration Date: **15 February 2012**
(56) Related Art Documents: **Not Applicable**
(57) Statement of Newness and Distinctiveness: **The new and distinctive features of the design are the features of shape and configuration of a container and blank therefor as shown in the representations.**



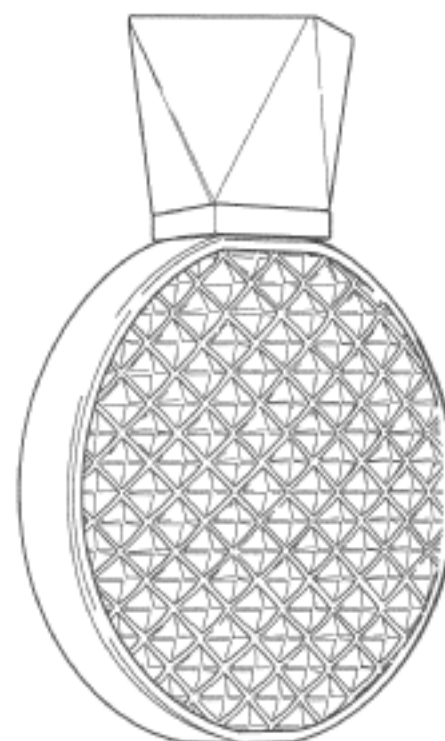
- (21) Design Number: **10278/2012**
(22) Date of Filing Application: **23 January 2012**
(24) Date from which industrial property rights may have effect: **23 January 2012**
(54) Product in respect of which the design is registered: **Container and blank therefor**
(51) International Design Classification: **09-03M**
(74) Name(s) of Attorney(s): **Cullens Patent and Trade Mark Attorneys**
(71) Name(s) and Address(s) of Applicant(s):
Amcor Limited
109 Burwood Road Hawthorn Victoria 3122 Australia
(72) Name(s) of Designer(s): **David Carter**
(45) Registration Date: **15 February 2012**
(56) Related Art Documents: **Not Applicable**
(57) Statement of Newness and Distinctiveness: **The new and distinctive features of the design are the features of shape and configuration of a container and blank therefor as shown in the representations.**



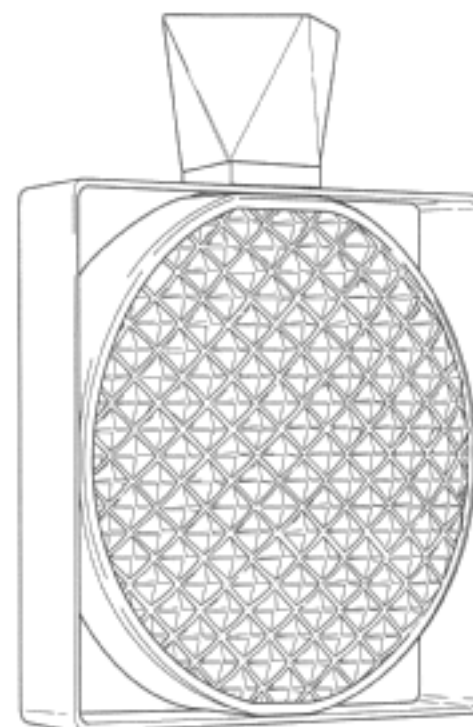
- (21) Design Number: **15160/2011**
(22) Date of Filing Application: **11 November 2011**
(24) Date from which industrial property rights may have effect: **11 November 2011**
(54) Product in respect of which the design is registered: **Bottle**
(51) International Design Classification: **09-01NES**
(74) Name(s) of Attorney(s):
(71) Name(s) and Address(s) of Applicant(s):
Differentia Pty Ltd
Level 3 255 Riley Street Surry Hills New South Wales 2010 Australia
(72) Name(s) of Designer(s): **Mark Evans**
(45) Registration Date: **15 February 2012**
(56) Related Art Documents: **Not Applicable**
(57) Statement of Newness and Distinctiveness: **This design pertains a new and distinctive bottle only.**



(21) Design Number: **10269/2012**
(22) Date of Filing Application: **24 January 2012**
(24) Date from which industrial property rights may have effect: **24 January 2012**
(54) Product in respect of which the design is registered: **Bottle**
(51) International Design Classification: **09-01NES, 09-01G**
(74) Name(s) of Attorney(s): **WATERMARK PATENT AND TRADE MARKS ATTORNEYS**
(71) Name(s) and Address(s) of Applicant(s):
YSL Beaute
281 rue du Faubourg Saint Honore Paris 75008 France
(72) Name(s) of Designer(s): **Richard Pinabel**
(45) Registration Date: **15 February 2012**
(30) Convention priority data:
(31) Number (32) Date (33) Country
DM 076/859 29 Jul 2011 SWITZERLAND
(56) Related Art Documents: **Not Applicable**
(57) Statement of Newness and Distinctiveness: **Nil**



(21) Design Number: **10270/2012**
(22) Date of Filing Application: **24 January 2012**
(24) Date from which industrial property rights may have effect: **24 January 2012**
(54) Product in respect of which the design is registered: **Bottle**
(51) International Design Classification: **09-01NES, 09-01G**
(74) Name(s) of Attorney(s): **WATERMARK PATENT AND TRADE MARKS ATTORNEYS**
(71) Name(s) and Address(s) of Applicant(s):
YSL Beaute
281 rue du Faubourg Saint Honore Paris 75008 France
(72) Name(s) of Designer(s): **Richard Pinabel**
(45) Registration Date: **15 February 2012**
(30) Convention priority data:
(31) Number (32) Date (33) Country
DM 076/859 29 Jul 2011 SWITZERLAND
(56) Related Art Documents: **Not Applicable**
(57) Statement of Newness and Distinctiveness: **Nil**



(21) Design Number: **10271/2012**
(22) Date of Filing Application: **24 January 2012**
(24) Date from which industrial property rights may have effect: **24 January 2012**
(54) Product in respect of which the design is registered: **A coffee machine**
(51) International Design Classification: **07-02L**
(74) Name(s) of Attorney(s): **Banki Haddock Fiora**
(71) Name(s) and Address(s) of Applicant(s):
Societe des Produits Nestle S.A.
1800 Vevey Switzerland
(72) Name(s) of Designer(s): **Antoine Cahen**
(45) Registration Date: **15 February 2012**
(30) Convention priority data:
(31) Number (32) Date (33) Country
138303 05 Oct 2011 SWITZERLAND
(56) Related Art Documents: **Not Applicable**
(57) Statement of Newness and Distinctiveness: **Nil**



(21) Design Number: **10272/2012**
(22) Date of Filing Application: **24 January 2012**
(24) Date from which industrial property rights may have effect: **24 January 2012**
(54) Product in respect of which the design is registered: **A coffee machine**
(51) International Design Classification: **07-02L**
(74) Name(s) of Attorney(s): **Banki Haddock Fiora**
(71) Name(s) and Address(s) of Applicant(s):
Societe des Produits Nestle S.A.
1800 Vevey Switzerland
(72) Name(s) of Designer(s): **Antoine Cahen**
(45) Registration Date: **15 February 2012**
(30) Convention priority data:
(31) Number (32) Date (33) Country
138303 05 Oct 2011 SWITZERLAND
(56) Related Art Documents: **Not Applicable**
(57) Statement of Newness and Distinctiveness: **Nil**



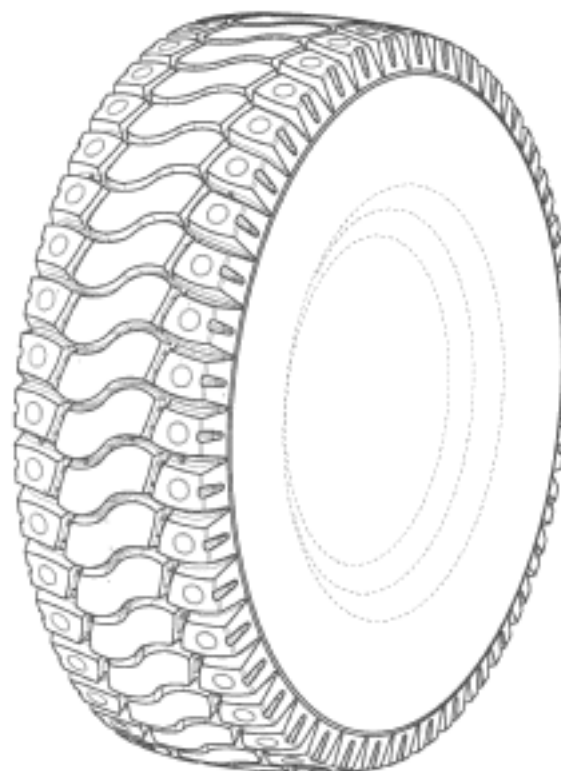
- (21) Design Number: **15756/2011**
(22) Date of Filing Application: **15 December 2011**
(24) Date from which industrial property rights may have effect: **15 December 2011**
(54) Product in respect of which the design is registered: **Tarp extrusion with cover**
(51) International Design Classification: **25-01NES**
(74) Name(s) of Attorney(s):
(71) Name(s) and Address(s) of Applicant(s):
Harvey David Horsfall
PO Box 860 Leeton New South Wales 2705 Australia
(72) Name(s) of Designer(s): **Harvey Thomas Horsfall**
(45) Registration Date: **15 February 2012**
(56) Related Art Documents: **Not Applicable**
(57) Statement of Newness and Distinctiveness: **We claim monopoly on the shape and configuration of the tarp extrusion with cover as shown in the representations.**



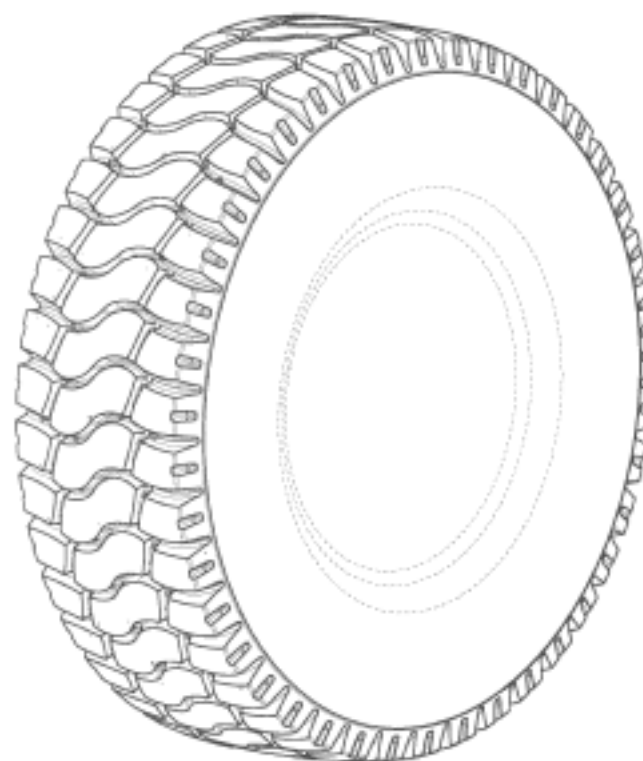
- (21) Design Number: **10266/2012**
(22) Date of Filing Application: **23 January 2012**
(24) Date from which industrial property rights may have effect: **23 January 2012**
(54) Product in respect of which the design is registered: **Vacuum cleaner**
(51) International Design Classification: **15-05**
(74) Name(s) of Attorney(s): **Griffith Hack**
(71) Name(s) and Address(s) of Applicant(s):
Shop Vac Corporation
2323 Reach Road Williamsport PA 17707 United States of America
(72) Name(s) of Designer(s): **Li H. Liu and Robert L. Crevling Jr and John Griffin**
(45) Registration Date: **15 February 2012**
(30) Convention priority data:
(31) Number (32) Date (33) Country
29/398852 05 Aug 2011 UNITED STATES OF AMERICA
(56) Related Art Documents: **Not Applicable**
(57) Statement of Newness and Distinctiveness: **Newness and distinctiveness resides in the visual features, including shape and configuration, of the upper part of a vacuum cleaner as shown in the accompanying drawings. When determining whether the design is substantially similar in overall impression to another design, no regard is to be had to the feature of the tank marked with the letter T in Figure 1, which feature is provided for illustrative purposes only. In addition, no regard is to be had to the words shown on the handle part in Figures 1, 2 and 5 of the accompanying drawings, which words are provided for illustrative purposes only.**



- (21) Design Number: **10267/2012**
(22) Date of Filing Application: **24 January 2012**
(24) Date from which industrial property rights may have effect: **24 January 2012**
(54) Product in respect of which the design is registered: **A tyre**
(51) International Design Classification: **12-15C**
(74) Name(s) of Attorney(s): **WATERMARK PATENT AND TRADE MARKS ATTORNEYS**
(71) Name(s) and Address(s) of Applicant(s):
Michelin Recherche et Technique SA
Route Louis Braille 10 et 12 CH-1763 Granges-Paccot Switzerland
Societe De Technologie Michelin
23 rue Breschet F-63000 Clermont-Ferrand Cedex France
(72) Name(s) of Designer(s): **Paul Andrew Mayni and Michael Craig Andrews and William Robert Hudek**
(45) Registration Date: **15 February 2012**
(30) Convention priority data:
(31) Number (32) Date (33) Country
29/398,200 27 Jul 2011 UNITED STATES OF AMERICA
(56) Related Art Documents: **Not Applicable**
(57) Statement of Newness and Distinctiveness: **Newness and distinctiveness resides in the shape and configuration of the tread region of the tyre, the remainder of the tyre not forming part of the design.**



- (21) Design Number: **10268/2012**
(22) Date of Filing Application: **24 January 2012**
(24) Date from which industrial property rights may have effect: **24 January 2012**
(54) Product in respect of which the design is registered: **A tyre**
(51) International Design Classification: **12-15C**
(74) Name(s) of Attorney(s): **WATERMARK PATENT AND TRADE MARKS ATTORNEYS**
(71) Name(s) and Address(s) of Applicant(s):
Michelin Recherche et Technique SA
Route Louis Braille 10 et 12 CH-1763 Granges-Paccot Switzerland
Societe De Technologie Michelin
23 rue Breschet F-63000 Clermont-Ferrand Cedex France
(72) Name(s) of Designer(s): **Paul Andrew Mayni and Michael Craig Andrews and William Robert Hudek**
(45) Registration Date: **15 February 2012**
(30) Convention priority data:
(31) Number (32) Date (33) Country
29/398,202 27 Jul 2011 UNITED STATES OF AMERICA
(56) Related Art Documents: **Not Applicable**
(57) Statement of Newness and Distinctiveness: **Newness and distinctiveness resides in the shape and configuration of the tread region of the tyre, the remainder of the tyre not forming part of the design.**



(21) Design Number: **10273/2012**
(22) Date of Filing Application: **23 January 2012**
(24) Date from which industrial property rights may have effect: **23 January 2012**
(54) Product in respect of which the design is registered: **Cattle clipper**
(51) International Design Classification: **15-03NES**
(74) Name(s) of Attorney(s): **Clayton Utz**
(71) Name(s) and Address(s) of Applicant(s):
Heiniger AG
Industrieweg 8 3360 Herzogenbuchsee Switzerland
(72) Name(s) of Designer(s): **Paolo Fancelli**
(45) Registration Date: **16 February 2012**
(30) Convention priority data:
(31) Number (32) Date (33) Country
138501 18 Nov 2011 SWITZERLAND
(56) Related Art Documents: **Not Applicable**
(57) Statement of Newness and Distinctiveness: **Nil**



(21) Design Number: **10274/2012**
(22) Date of Filing Application: **23 January 2012**
(24) Date from which industrial property rights may have effect: **23 January 2012**
(54) Product in respect of which the design is registered: **Sheep clipper**
(51) International Design Classification: **15-03NES**
(74) Name(s) of Attorney(s): **Clayton Utz**
(71) Name(s) and Address(s) of Applicant(s):
Heiniger AG
Industrieweg 8 3360 Herzogenbuchsee Switzerland
(72) Name(s) of Designer(s): **Paolo Fancelli**
(45) Registration Date: **16 February 2012**
(30) Convention priority data:
(31) Number (32) Date (33) Country
138369 06 Oct 2011 SWITZERLAND
(56) Related Art Documents: **Not Applicable**
(57) Statement of Newness and Distinctiveness: **Nil**



(21) Design Number: **10275/2012**
(22) Date of Filing Application: **23 January 2012**
(24) Date from which industrial property rights may have effect: **23 January 2012**
(54) Product in respect of which the design is registered: **Sheep clipper**
(51) International Design Classification: **15-03NES**
(74) Name(s) of Attorney(s): **Clayton Utz**
(71) Name(s) and Address(s) of Applicant(s):
Heiniger AG
Industrieweg 8 3360 Herzogenbuchsee Switzerland
(72) Name(s) of Designer(s): **Paolo Fancelli**
(45) Registration Date: **16 February 2012**
(30) Convention priority data:
(31) Number (32) Date (33) Country
138501 18 Nov 2011 SWITZERLAND
(56) Related Art Documents: **Not Applicable**
(57) Statement of Newness and Distinctiveness: **Nil**



(21) Design Number: **10299/2012**
(22) Date of Filing Application: **24 January 2012**
(24) Date from which industrial property rights may have effect: **24 January 2012**
(54) Product in respect of which the design is registered: **Hand tool grip**
(51) International Design Classification: **08-05NES, 08-99**
(74) Name(s) of Attorney(s): **Freehills Patent & Trade Mark Attorneys**
(71) Name(s) and Address(s) of Applicant(s):
Tong Lee Industrial Co., Ltd.
No. 15 Lane 160 Cheng Pei 1st Road Yung Kang Dist. Tainan City Taiwan
(72) Name(s) of Designer(s): **Simon Kao**
(45) Registration Date: **16 February 2012**
(56) Related Art Documents: **Not Applicable**
(57) Statement of Newness and Distinctiveness: **Newness and distinctiveness resides in the features of shape and configuration of the hand tool grip as shown in the representations.**



(21) Design Number: **10300/2012**
(22) Date of Filing Application: **24 January 2012**
(24) Date from which industrial property rights may have effect: **24 January 2012**
(54) Product in respect of which the design is registered: **Bottle**
(51) International Design Classification: **09-01A, 09-01NES**
(74) Name(s) of Attorney(s): **Shelston IP**
(71) Name(s) and Address(s) of Applicant(s):
Reckitt Benckiser LLC
Morris Corporate Centre IV 399 Interpace Parkway Parsippany 07054
New Jersey United States of America
(72) Name(s) of Designer(s): **Sander Willem Thijssen**
(45) Registration Date: **16 February 2012**
(30) Convention priority data:
(31) Number (32) Date (33) Country
001904582-0002 15 Aug 2011 EUROPEAN COMMUNITY
(56) Related Art Documents: **Not Applicable**
(57) Statement of Newness and Distinctiveness: **Nil**



(21) Design Number: **10301/2012**
(22) Date of Filing Application: **24 January 2012**
(24) Date from which industrial property rights may have effect: **24 January 2012**
(54) Product in respect of which the design is registered: **Bottle**
(51) International Design Classification: **09-01A, 09-01NES**
(74) Name(s) of Attorney(s): **Shelston IP**
(71) Name(s) and Address(s) of Applicant(s):
Reckitt Benckiser LLC
Morris Corporate Centre IV 399 Interpace Parkway Parsippany 07054
New Jersey United States of America
(72) Name(s) of Designer(s): **Sander Willem Thijssen**
(45) Registration Date: **16 February 2012**
(30) Convention priority data:
(31) Number (32) Date (33) Country
001904582-0001 15 Aug 2011 EUROPEAN COMMUNITY
(56) Related Art Documents: **Not Applicable**
(57) Statement of Newness and Distinctiveness: **Nil**



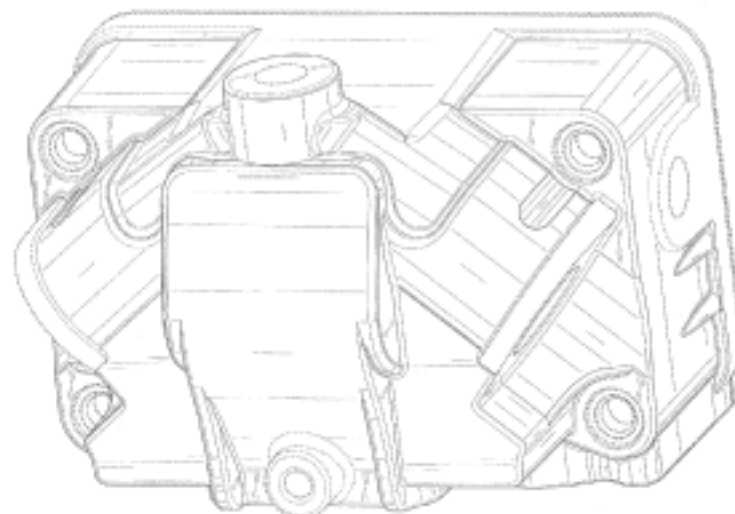
(21) Design Number: **10302/2012**
(22) Date of Filing Application: **24 January 2012**
(24) Date from which industrial property rights may have effect: **24 January 2012**
(54) Product in respect of which the design is registered: **A lighting apparatus**
(51) International Design Classification: **26-04**
(74) Name(s) of Attorney(s): **Shelston IP**
(71) Name(s) and Address(s) of Applicant(s):
Wayne McCamley
1199 Stanley Pocket Road Crossdale Queensland 4312 Australia
(72) Name(s) of Designer(s): **Wayne McCamley**
(45) Registration Date: **16 February 2012**
(56) Related Art Documents: **Not Applicable**
(57) Statement of Newness and Distinctiveness: **Newness and distinctiveness reside in the features of shape and/or configuration of A LIGHTING APPARATUS as illustrated in the accompanying representations.**



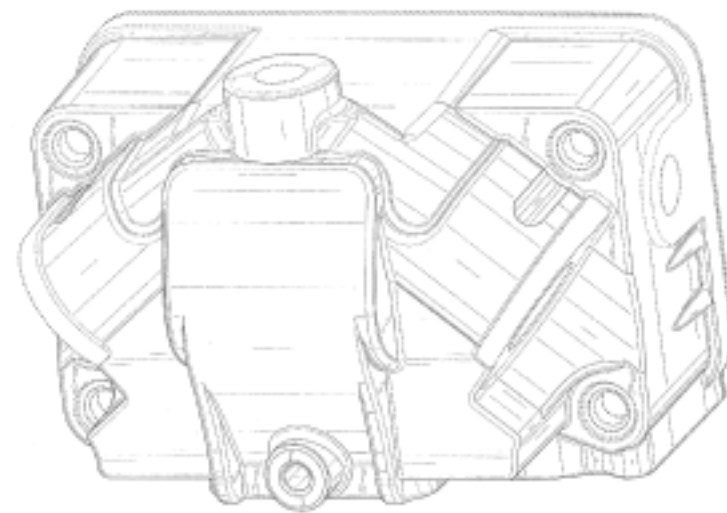
(21) Design Number: **10305/2012**
(22) Date of Filing Application: **25 January 2012**
(24) Date from which industrial property rights may have effect: **25 January 2012**
(54) Product in respect of which the design is registered: **Bottle**
(51) International Design Classification: **09-01K**
(74) Name(s) of Attorney(s): **PIZZEYS**
(71) Name(s) and Address(s) of Applicant(s):
La Seda De Barcelona S.A.
AVDA Remolar No.2 El Prat De Llobregat Barcelona 08820 Spain
(72) Name(s) of Designer(s): **Steve Windelinckx**
(45) Registration Date: **16 February 2012**
(30) Convention priority data:
(31) Number (32) Date (33) Country
001905035-0001 16 Aug 2011 EUROPEAN COMMUNITY
(56) Related Art Documents: **Not Applicable**
(57) Statement of Newness and Distinctiveness: **Nil**



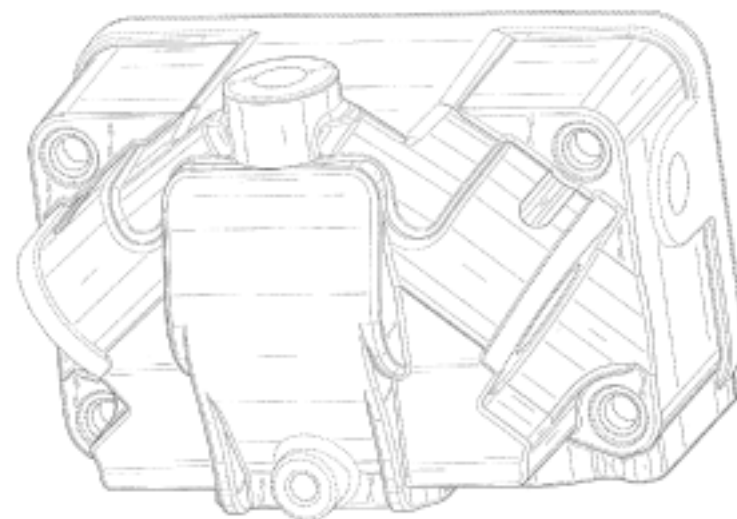
- (21) Design Number: **10306/2012**
(22) Date of Filing Application: **25 January 2012**
(24) Date from which industrial property rights may have effect: **25 January 2012**
(54) Product in respect of which the design is registered: **Carburetor float bowl**
(51) International Design Classification: **15-01**
(74) Name(s) of Attorney(s): **A J Park**
(71) Name(s) and Address(s) of Applicant(s):
Holley Performance Products, Inc.
1801 Russellville Road Bowling Green Kentucky 42101 United States of America
(72) Name(s) of Designer(s): **Amy Gieske and Laura Shehan and Shane Weckerly**
(45) Registration Date: **16 February 2012**
(30) Convention priority data:
(31) Number (32) Date (33) Country
29/397,981 25 Jul 2011 UNITED STATES OF AMERICA
(56) Related Art Documents: **Not Applicable**
(57) Statement of Newness and Distinctiveness: **Newness and distinctiveness reside in the features of shape and/or configuration of the carburetor float bowl, as shown in the representations. Newness and distinctiveness are not claimed in relation to the features of the carburetor float bowl shown in broken lines in the representations, which features are shown for illustrative purposes only.**



- (21) Design Number: **10307/2012**
(22) Date of Filing Application: **25 January 2012**
(24) Date from which industrial property rights may have effect: **25 January 2012**
(54) Product in respect of which the design is registered: **Carburetor float bowl**
(51) International Design Classification: **15-01**
(74) Name(s) of Attorney(s): **A J Park**
(71) Name(s) and Address(s) of Applicant(s):
Holley Performance Products, Inc.
1801 Russellville Road Bowling Green Kentucky 42101 United States of America
(72) Name(s) of Designer(s): **Amy Gieske and Laura Shehan and Shane Weckerly**
(45) Registration Date: **16 February 2012**
(30) Convention priority data:
(31) Number (32) Date (33) Country
29/397,981 25 Jul 2011 UNITED STATES OF AMERICA
(56) Related Art Documents: **Not Applicable**
(57) Statement of Newness and Distinctiveness: **Newness and distinctiveness reside in the features of shape and/or configuration of the carburetor float bowl, as shown in the representations. Newness and distinctiveness are not claimed in relation to the features of the carburetor float bowl shown in broken lines in the representations, which features are shown for illustrative purposes only.**



(21) Design Number: **10308/2012**
(22) Date of Filing Application: **25 January 2012**
(24) Date from which industrial property rights may have effect: **25 January 2012**
(54) Product in respect of which the design is registered: **Carburetor float bowl**
(51) International Design Classification: **15-01**
(74) Name(s) of Attorney(s): **A J Park**
(71) Name(s) and Address(s) of Applicant(s):
Holley Performance Products, Inc.
1801 Russellville Road Bowling Green Kentucky 42101 United States of America
(72) Name(s) of Designer(s): **Amy Gieske and Laura Shehan and Shane Weckerly**
(45) Registration Date: **16 February 2012**
(30) Convention priority data:
(31) Number (32) Date (33) Country
29/397,981 25 Jul 2011 UNITED STATES OF AMERICA
(56) Related Art Documents: **Not Applicable**
(57) Statement of Newness and Distinctiveness: **Newness and distinctiveness reside in the features of shape and/or configuration of the carburetor float bowl, as shown in the representations. Newness and distinctiveness are not claimed in relation to the features of the carburetor float bowl shown in broken lines in the representations, which features are shown for illustrative purposes only.**



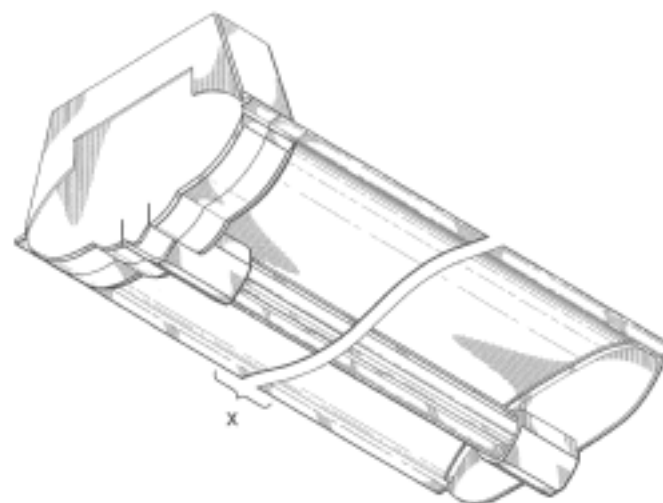
(21) Design Number: **10309/2012**
(22) Date of Filing Application: **25 January 2012**
(24) Date from which industrial property rights may have effect: **25 January 2012**
(54) Product in respect of which the design is registered: **Bottle**
(51) International Design Classification: **09-01NES, 09-01K**
(74) Name(s) of Attorney(s): **PIZZEYS**
(71) Name(s) and Address(s) of Applicant(s):
La Seda De Barcelona S.A.
AVDA Remolar No. 2 - El Prat De Llobregat Barcelona 08820 Spain
(72) Name(s) of Designer(s): **Steve Windelinckx**
(45) Registration Date: **16 February 2012**
(30) Convention priority data:
(31) Number (32) Date (33) Country
001905035-0002 16 Aug 2011 EUROPEAN COMMUNITY
(56) Related Art Documents: **Not Applicable**
(57) Statement of Newness and Distinctiveness: **Nil**



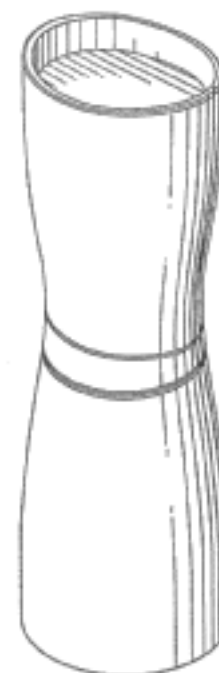
(21) Design Number: **10310/2012**
(22) Date of Filing Application: **25 January 2012**
(24) Date from which industrial property rights may have effect: **25 January 2012**
(54) Product in respect of which the design is registered: **Bottle**
(51) International Design Classification: **09-01NES, 09-01K**
(74) Name(s) of Attorney(s): **PIZZEYS**
(71) Name(s) and Address(s) of Applicant(s):
La Seda De Barcelona S.A.
AVDA Remolar No. 2 - El Prat De Llobregat Barcelona 08820 Spain
(72) Name(s) of Designer(s): **Steve Windelinckx**
(45) Registration Date: **16 February 2012**
(30) Convention priority data:
(31) Number (32) Date (33) Country
001905035-0003 16 Aug 2011 EUROPEAN COMMUNITY
(56) Related Art Documents: **Not Applicable**
(57) Statement of Newness and Distinctiveness: **Nil**



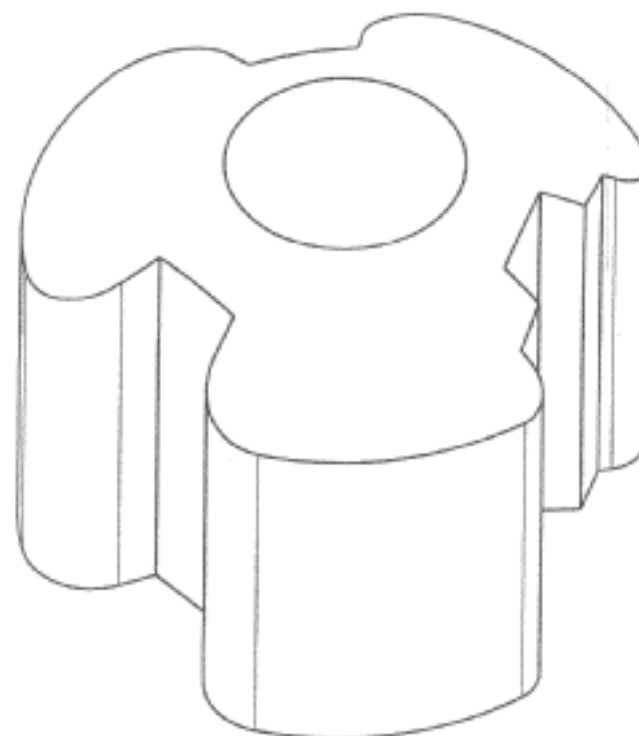
(21) Design Number: **10312/2012**
(22) Date of Filing Application: **24 January 2012**
(24) Date from which industrial property rights may have effect: **24 January 2012**
(54) Product in respect of which the design is registered: **Modular indirect suspended/ceiling mount fixture**
(51) International Design Classification: **08-08M**
(74) Name(s) of Attorney(s): **SPRUSON & FERGUSON**
(71) Name(s) and Address(s) of Applicant(s):
Cree, Inc.
4600 Silicon Drive Durham North Carolina 27703 United States of America
(72) Name(s) of Designer(s): **Nathan Snell and James Michael Lay and Nick Nguyen and Patrick John O'Flaherty**
(45) Registration Date: **16 February 2012**
(30) Convention priority data:
(31) Number (32) Date (33) Country
29/397952 24 Jul 2011 UNITED STATES OF AMERICA
(56) Related Art Documents: **Not Applicable**
(57) Statement of Newness and Distinctiveness: **Newness and distinctiveness is claimed in the features of shape and/or configuration of modular indirect suspended/ceiling mount fixture as illustrated in the accompanying representations, wherein the length of the fixture is to be disregarded as shown by the break X.**



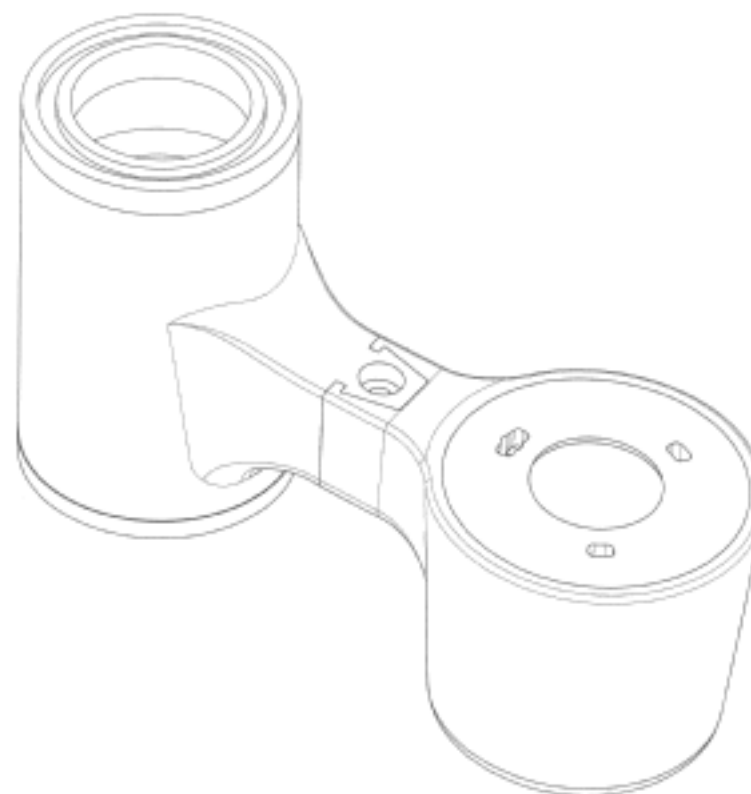
- (21) Design Number: **10314/2012**
(22) Date of Filing Application: **25 January 2012**
(24) Date from which industrial property rights may have effect: **25 January 2012**
(54) Product in respect of which the design is registered: **A reconstitution device for mixing compositions**
(51) International Design Classification: **24-02**
(74) Name(s) of Attorney(s): **PATENT ATTORNEY SERVICES**
(71) Name(s) and Address(s) of Applicant(s):
Duobject Medical Systems Inc.
50 rue De Gaspe Complex B-5 Bromont Quebec J2L 2N8 Canada
(72) Name(s) of Designer(s): **Daniel MacDonald and Dave L. Reynolds and Yan Tremblay and Mathieu Viens and Eric Geoffroy**
(45) Registration Date: **16 February 2012**
(30) Convention priority data:
(31) Number (32) Date (33) Country
141,573 27 Jul 2011 CANADA
(56) Related Art Documents: **Not Applicable**
(57) Statement of Newness and Distinctiveness: **Visual features of the design which are new and distinctive are the features of shape and configuration of a reconstitution device for mixing compositions as illustrated in the representations.**



- (21) Design Number: **10315/2012**
(22) Date of Filing Application: **24 January 2012**
(24) Date from which industrial property rights may have effect: **24 January 2012**
(54) Product in respect of which the design is registered: **Soap pellet**
(51) International Design Classification: **28-02**
(74) Name(s) of Attorney(s):
(71) Name(s) and Address(s) of Applicant(s):
Soapstream Pty Ltd
5a Samson Street Mosman Park Western Australia 6012 Australia
(72) Name(s) of Designer(s): **Keith Gregory**
(45) Registration Date: **16 February 2012**
(56) Related Art Documents: **Not Applicable**
(57) Statement of Newness and Distinctiveness: **The soap pellet is shaped in a clover leaf which increases the surface area and cylindrical cone shape at one end further provides a method of deflecting running water down the side. To be utilized in a soap dispenser under running water.**



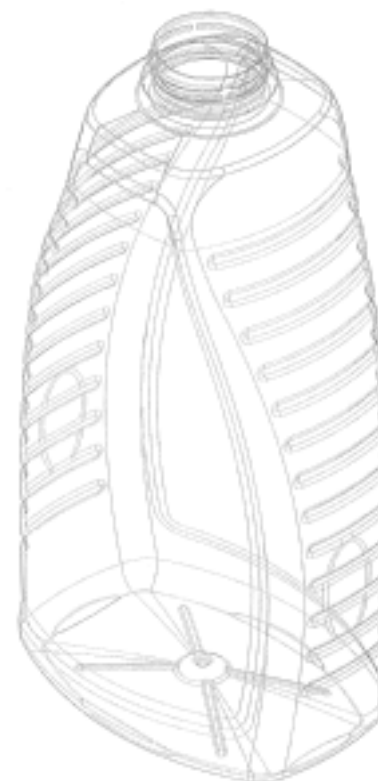
(21) Design Number: **10316/2012**
(22) Date of Filing Application: **24 January 2012**
(24) Date from which industrial property rights may have effect: **24 January 2012**
(54) Product in respect of which the design is registered: **Soaps dispensing device**
(51) International Design Classification: **23-02A**
(74) Name(s) of Attorney(s):
(71) Name(s) and Address(s) of Applicant(s):
Soapstream Pty Ltd
5a Samson Street Mosman Park Western Australia 6012 Australia
(72) Name(s) of Designer(s): **Keith Gregory**
(45) Registration Date: **16 February 2012**
(56) Related Art Documents: **Not Applicable**
(57) Statement of Newness and Distinctiveness: **A device attached around the inlet pipe of an existing tap at one end and the other end contains a soap pellet within the device which can be swung in and out of the water flow in order to create soapy water to clean hands.**



(21) Design Number: **10317/2012**
(22) Date of Filing Application: **25 January 2012**
(24) Date from which industrial property rights may have effect: **25 January 2012**
(54) Product in respect of which the design is registered: **Bottle**
(51) International Design Classification: **09-01K**
(74) Name(s) of Attorney(s): **PIZZEYS**
(71) Name(s) and Address(s) of Applicant(s):
La Seda De Barcelona S.A.
AVDA Remolar No. 2 - El Prat De Llobregat Barcelona 08820 Spain
(72) Name(s) of Designer(s): **Steve Windelinckx**
(45) Registration Date: **16 February 2012**
(30) Convention priority data:
(31) Number (32) Date (33) Country
001905035-0004 16 Aug 2011 EUROPEAN COMMUNITY
(56) Related Art Documents: **Not Applicable**
(57) Statement of Newness and Distinctiveness: **Nil**



(21) Design Number: **10318/2012**
(22) Date of Filing Application: **25 January 2012**
(24) Date from which industrial property rights may have effect: **25 January 2012**
(54) Product in respect of which the design is registered: **Bottle**
(51) International Design Classification: **09-01K**
(74) Name(s) of Attorney(s): **PIZZEYS**
(71) Name(s) and Address(s) of Applicant(s):
La Seda De Barcelona S.A.
AVDA Remolar No. 2 - El Prat De Llobregat Barcelona 08820 Spain
(72) Name(s) of Designer(s): **Steve Windelinckx**
(45) Registration Date: **16 February 2012**
(30) Convention priority data:
(31) Number (32) Date (33) Country
001905035-0005 16 Aug 2011 EUROPEAN COMMUNITY
(56) Related Art Documents: **Not Applicable**
(57) Statement of Newness and Distinctiveness: **Nil**



(21) Design Number: **10319/2012**
(22) Date of Filing Application: **24 January 2012**
(24) Date from which industrial property rights may have effect: **24 January 2012**
(54) Product in respect of which the design is registered: **Confectionery**
(51) International Design Classification: **01-01**
(74) Name(s) of Attorney(s): **Griffith Hack**
(71) Name(s) and Address(s) of Applicant(s):
Cadbury UK Limited
PO Box 12 Bournville Lane Bournville Birmingham West Midlands B30
2LU United Kingdom
(72) Name(s) of Designer(s): **John Tonks**
(45) Registration Date: **16 February 2012**
(56) Related Art Documents: **Not Applicable**
(57) Statement of Newness and Distinctiveness: **Nil**



- (21) Design Number: **10467/2012**
(22) Date of Filing Application: **30 January 2012**
(24) Date from which industrial property rights may have effect: **30 January 2012**
(54) Product in respect of which the design is registered: **Caravan & RV awning removable rafter**
(51) International Design Classification: **12-16NES, 25-02H**
(74) Name(s) of Attorney(s):
(71) Name(s) and Address(s) of Applicant(s):
Grasshopper Outdoors Pty Ltd
1/28 Cessna Drive Caboolture Queensland 4510 Australia
(72) Name(s) of Designer(s): **Steven van Schagen**
(45) Registration Date: **16 February 2012**
(56) Related Art Documents: **Not Applicable**
(57) Statement of Newness and Distinctiveness: **The inclusion of a "Sail Track" and its position on the rafter to one side. There are other removable rafters in the marketplace, the uniqueness of this removable rafter is that of the "Sail Track" from which an awning wall or awning sidewall can be hung, or suspended there from.**



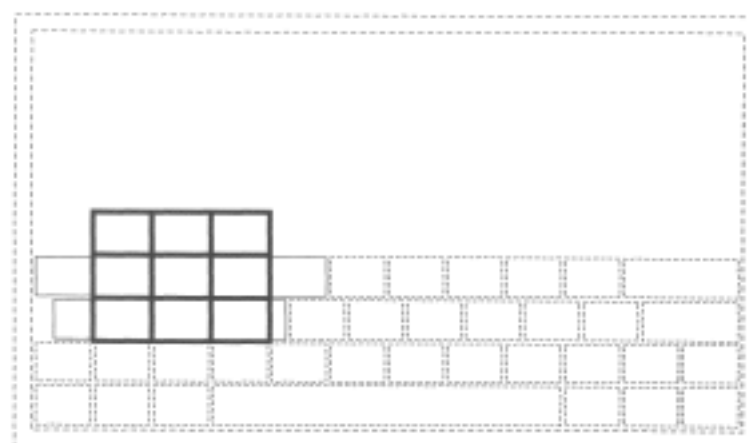
- (21) Design Number: **15361/2011**
(22) Date of Filing Application: **24 November 2011**
(24) Date from which industrial property rights may have effect: **24 November 2011**
(54) Product in respect of which the design is registered: **Display screen with icon**
(51) International Design Classification: **14-04**
(74) Name(s) of Attorney(s): **Shelston IP**
(71) Name(s) and Address(s) of Applicant(s):
Microsoft Corporation
One Microsoft Way Redmond Washington 98052 United States of America
(72) Name(s) of Designer(s): **Seung Yang and Kieran Phelan and Moneta Ho Kushner and Gary Sherman**
(45) Registration Date: **16 February 2012**
(30) Convention priority data:
(31) Number (32) Date (33) Country
29/392926 27 May 2011 UNITED STATES OF AMERICA
(56) Related Art Documents: **Not Applicable**
(57) Statement of Newness and Distinctiveness: **Newness and distinctiveness reside in the pattern and/or ornamentation of a display screen with icon illustrated by solid lines in the accompanying representations. The features shown in broken outline are for illustrative purposes only and do not form part of the design.**



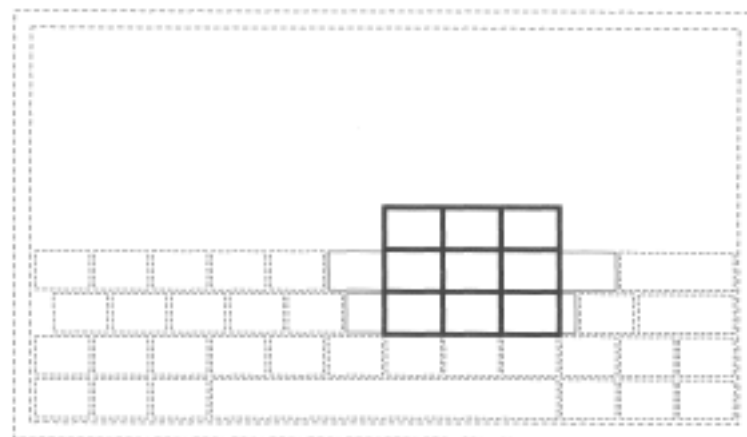
(21) Design Number: **10531/2012**
(22) Date of Filing Application: **24 November 2011**
(24) Date from which industrial property rights may have effect: **24 November 2011**
(54) Product in respect of which the design is registered: **Display screen with icon**
(51) International Design Classification: **14-04**
(74) Name(s) of Attorney(s): **Shelston IP**
(71) Name(s) and Address(s) of Applicant(s):
Microsoft Corporation
One Microsoft Way Redmond Washington 98052 United States of America
(72) Name(s) of Designer(s): **Seung Yang and Kieran Phelan and Moneta Ho Kushner and Gary Sherman**
(45) Registration Date: **16 February 2012**
(30) Convention priority data:
(31) Number (32) Date (33) Country
29/392926 27 May 2011 UNITED STATES OF AMERICA
(56) Related Art Documents: **Not Applicable**
(57) Statement of Newness and Distinctiveness: **Newness and distinctiveness reside in the pattern and/or ornamentation of a display screen with icon illustrated by solid lines in the accompanying representations. The features shown in broken outline are for illustrative purposes only and do not form part of the design.**



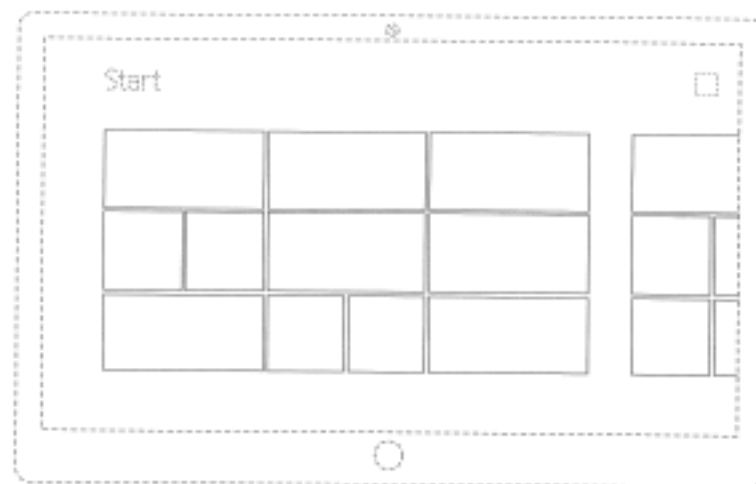
(21) Design Number: **15369/2011**
(22) Date of Filing Application: **24 November 2011**
(24) Date from which industrial property rights may have effect: **24 November 2011**
(54) Product in respect of which the design is registered: **Display screen with keyboard user interface**
(51) International Design Classification: **14-04**
(74) Name(s) of Attorney(s): **Shelston IP**
(71) Name(s) and Address(s) of Applicant(s):
Microsoft Corporation
One Microsoft Way Redmond Washington 98052 United States of America
(72) Name(s) of Designer(s): **Jonathan Eric Gleasman and Gerrit Hofmeester and Leslie MacNeil and Moneta K. Ho Kushner and Seung Yang and Vasudha Chandrasekaran and Finbarr Sean Duggan**
(45) Registration Date: **16 February 2012**
(30) Convention priority data:
(31) Number (32) Date (33) Country
29/392953 27 May 2011 UNITED STATES OF AMERICA
(56) Related Art Documents: **Not Applicable**
(57) Statement of Newness and Distinctiveness: **Newness and distinctiveness reside in the pattern and/or ornamentation of a display screen with keyboard user interface as illustrated by solid lines in the accompanying representations. The features shown in broken outline are for illustrative purposes only and do not form part of the design.**



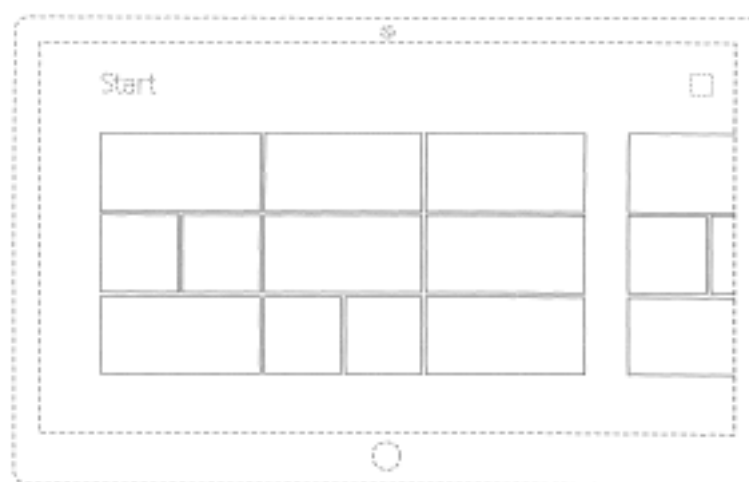
- (21) Design Number: **10538/2012**
(22) Date of Filing Application: **24 November 2011**
(24) Date from which industrial property rights may have effect: **24 November 2011**
(54) Product in respect of which the design is registered: **Display screen with keyboard user interface**
(51) International Design Classification: **14-04**
(74) Name(s) of Attorney(s): **Shelston IP**
(71) Name(s) and Address(s) of Applicant(s):
Microsoft Corporation
One Microsoft Way Redmond Washington 98052 United States of America
(72) Name(s) of Designer(s): **Jonathan Eric Gleasman and Gerrit Hofmeester and Leslie MacNeil and Moneta K. Ho Kushner and Seung Yang and Vasudha Chandrasekaran and Finbarr Sean Duggan**
(45) Registration Date: **16 February 2012**
(30) Convention priority data:
(31) Number (32) Date (33) Country
29/392953 27 May 2011 UNITED STATES OF AMERICA
(56) Related Art Documents: **Not Applicable**
(57) Statement of Newness and Distinctiveness: **Newness and distinctiveness reside in the pattern and/or ornamentation of a display screen with keyboard user interface as illustrated by solid lines in the accompanying representations. The features shown in broken outline are for illustrative purposes only and do not form part of the design.**



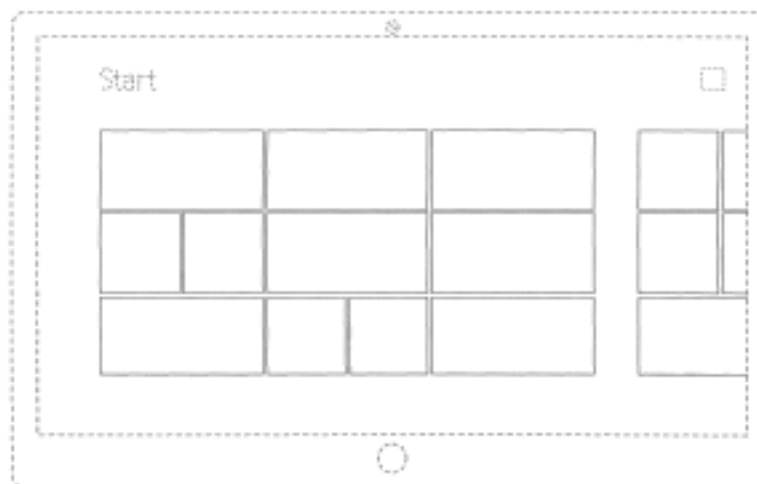
- (21) Design Number: **15371/2011**
(22) Date of Filing Application: **24 November 2011**
(24) Date from which industrial property rights may have effect: **24 November 2011**
(54) Product in respect of which the design is registered: **Display screen with user interface**
(51) International Design Classification: **14-04**
(74) Name(s) of Attorney(s): **Shelston IP**
(71) Name(s) and Address(s) of Applicant(s):
Microsoft Corporation
One Microsoft Way Redmond Washington 98052 United States of America
(72) Name(s) of Designer(s): **Ethan Nelson Ray and Leslie MacNeil and Jonathan Eric Gleasman and Denise Michele Trabona**
(45) Registration Date: **16 February 2012**
(30) Convention priority data:
(31) Number (32) Date (33) Country
29/392979 27 May 2011 UNITED STATES OF AMERICA
(56) Related Art Documents: **Not Applicable**
(57) Statement of Newness and Distinctiveness: **Newness and distinctiveness reside in the pattern and/or ornamentation of a display screen with user interface as illustrated by solid lines in the accompanying representations. The features shown in broken outline are for illustrative purposes only and do not form part of the design.**



- (21) Design Number: **10510/2012**
(22) Date of Filing Application: **24 November 2011**
(24) Date from which industrial property rights may have effect: **24 November 2011**
(54) Product in respect of which the design is registered: **Display screen with user interface**
(51) International Design Classification: **14-04**
(74) Name(s) of Attorney(s): **Shelston IP**
(71) Name(s) and Address(s) of Applicant(s):
Microsoft Corporation
One Microsoft Way Redmond Washington 98052 United States of America
(72) Name(s) of Designer(s): **Ethan Nelson Ray and Leslie MacNeil and Jonathan Eric Gleasman and Denise Michele Trabona**
(45) Registration Date: **16 February 2012**
(30) Convention priority data:
(31) Number (32) Date (33) Country
29/392979 27 May 2011 UNITED STATES OF AMERICA
(56) Related Art Documents: **Not Applicable**
(57) Statement of Newness and Distinctiveness: **Newness and distinctiveness reside in the pattern and/or ornamentation of a display screen with user interface as illustrated by solid lines in the accompanying representations. The features shown in broken outline are for illustrative purposes only and do not form part of the design.**



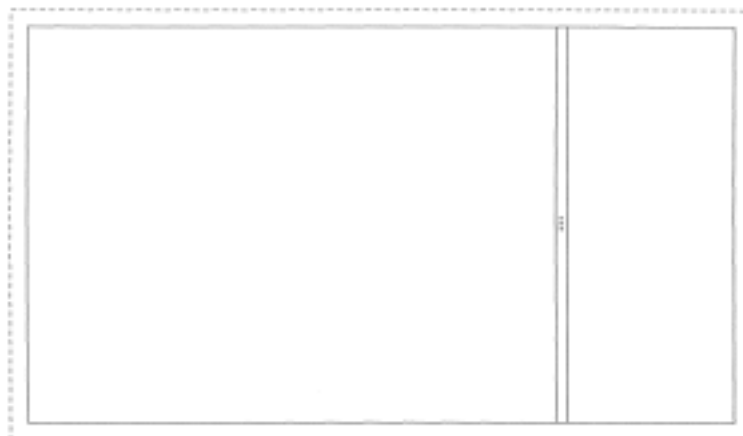
- (21) Design Number: **10511/2012**
(22) Date of Filing Application: **24 November 2011**
(24) Date from which industrial property rights may have effect: **24 November 2011**
(54) Product in respect of which the design is registered: **Display screen with user interface**
(51) International Design Classification: **14-04**
(74) Name(s) of Attorney(s): **Shelston IP**
(71) Name(s) and Address(s) of Applicant(s):
Microsoft Corporation
One Microsoft Way Redmond Washington 98052 United States of America
(72) Name(s) of Designer(s): **Ethan Nelson Ray and Leslie MacNeil and Jonathan Eric Gleasman and Denise Michele Trabona**
(45) Registration Date: **16 February 2012**
(30) Convention priority data:
(31) Number (32) Date (33) Country
29/392979 27 May 2011 UNITED STATES OF AMERICA
(56) Related Art Documents: **Not Applicable**
(57) Statement of Newness and Distinctiveness: **Newness and distinctiveness reside in the pattern and/or ornamentation of a display screen with user interface as illustrated by solid lines in the accompanying representations. The features shown in broken outline are for illustrative purposes only and do not form part of the design.**



(21) Design Number: **15377/2011**
(22) Date of Filing Application: **24 November 2011**
(24) Date from which industrial property rights may have effect: **24 November 2011**
(54) Product in respect of which the design is registered: **Display screen with user interface**
(51) International Design Classification: **14-04**
(74) Name(s) of Attorney(s): **Shelston IP**
(71) Name(s) and Address(s) of Applicant(s):
Microsoft Corporation
One Microsoft Way Redmond Washington 98052 United States of America
(72) Name(s) of Designer(s): **Jonathan Eric Gleasman and Jeffrey Gregg Arnold and Denise Michele Trabona and Tsz Yan Wong**
(45) Registration Date: **16 February 2012**
(30) Convention priority data:
(31) Number (32) Date (33) Country
29/406739 18 Nov 2011 UNITED STATES OF AMERICA
(56) Related Art Documents: **Not Applicable**
(57) Statement of Newness and Distinctiveness: **Newness and distinctiveness reside in the pattern and/or ornamentation of a display screen with user interface as illustrated by solid lines in the accompanying representations. The features shown in broken outline are for illustrative purposes only and do not form part of the design.**



(21) Design Number: **10532/2012**
(22) Date of Filing Application: **24 November 2011**
(24) Date from which industrial property rights may have effect: **24 November 2011**
(54) Product in respect of which the design is registered: **Display screen with user interface**
(51) International Design Classification: **14-04**
(74) Name(s) of Attorney(s): **Shelston IP**
(71) Name(s) and Address(s) of Applicant(s):
Microsoft Corporation
One Microsoft Way Redmond Washington 98052 United States of America
(72) Name(s) of Designer(s): **Jonathan Eric Gleasman and Jeffrey Gregg Arnold and Denise Michele Trabona and Tsz Yan Wong**
(45) Registration Date: **16 February 2012**
(30) Convention priority data:
(31) Number (32) Date (33) Country
29/406739 18 Nov 2011 UNITED STATES OF AMERICA
(56) Related Art Documents: **Not Applicable**
(57) Statement of Newness and Distinctiveness: **Newness and distinctiveness reside in the pattern and/or ornamentation of a display screen with user interface as illustrated by solid lines in the accompanying representations. The features shown in broken outline are for illustrative purposes only and do not form part of the design.**



(21) Design Number: **15573/2011**
(22) Date of Filing Application: **06 December 2011**
(24) Date from which industrial property rights may have effect: **06 December 2011**
(54) Product in respect of which the design is registered: **Display screen with icon**
(51) International Design Classification: **14-04**
(74) Name(s) of Attorney(s): **Shelston IP**
(71) Name(s) and Address(s) of Applicant(s):

Microsoft Corporation
One Microsoft Way Redmond Washington 98052 United States of America

(72) Name(s) of Designer(s): **Allison McKinley and David Gardner**
(45) Registration Date: **16 February 2012**

(30) Convention priority data:

(31) Number	(32) Date	(33) Country
29/405963	08 Nov 2011	UNITED STATES OF AMERICA

(56) Related Art Documents: **Not Applicable**

(57) Statement of Newness and Distinctiveness: **Newness and distinctiveness reside in the pattern and/or ornamentation of a display screen with icon as illustrated by solid lines in the accompanying representations. The features shown in broken outline are for illustrative purposes only and do not form part of the design.**



(21) Design Number: **10528/2012**
(22) Date of Filing Application: **06 December 2011**
(24) Date from which industrial property rights may have effect: **06 December 2011**
(54) Product in respect of which the design is registered: **Display screen with icon**
(51) International Design Classification: **14-04**
(74) Name(s) of Attorney(s): **Shelston IP**
(71) Name(s) and Address(s) of Applicant(s):

Microsoft Corporation
One Microsoft Way Redmond Washington 98052 United States of America

(72) Name(s) of Designer(s): **Allison McKinley and David Gardner**
(45) Registration Date: **16 February 2012**

(30) Convention priority data:

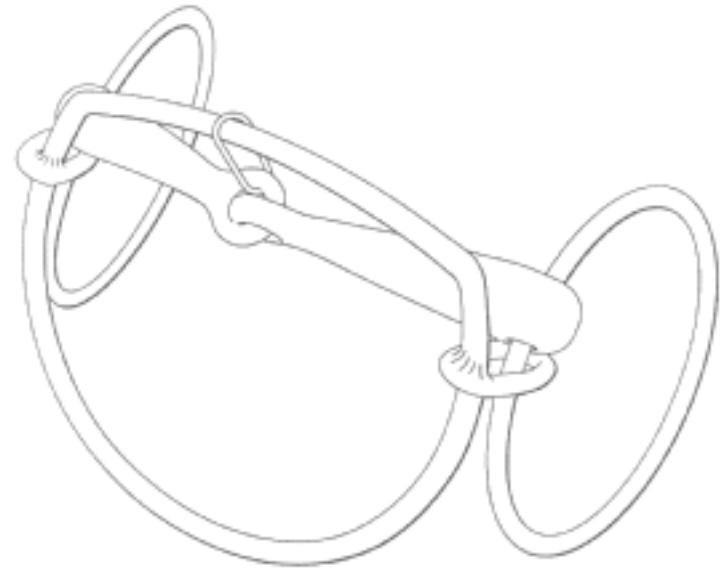
(31) Number	(32) Date	(33) Country
29/405963	08 Nov 2011	UNITED STATES OF AMERICA

(56) Related Art Documents: **Not Applicable**

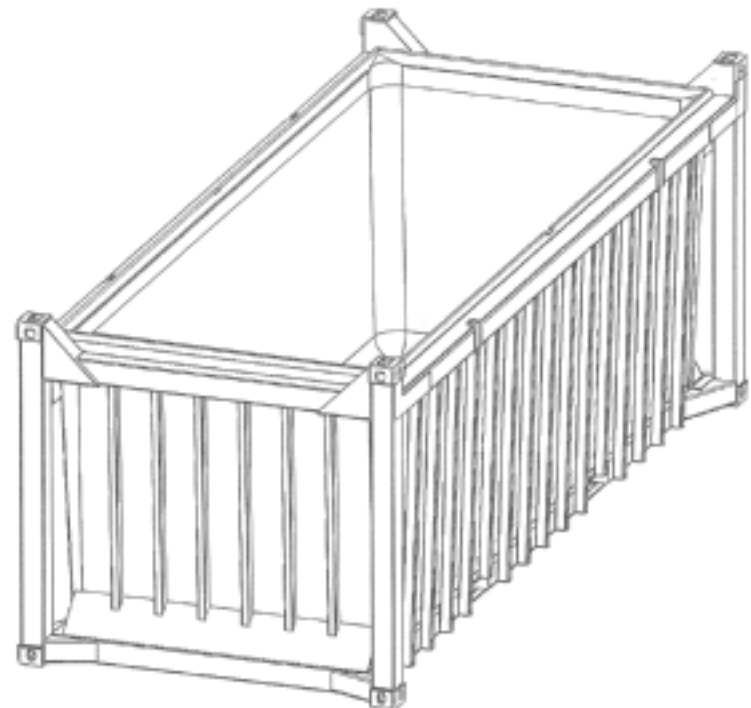
(57) Statement of Newness and Distinctiveness: **Newness and distinctiveness reside in the pattern and/or ornamentation of a display screen with icon as illustrated by solid lines in the accompanying representations. The features shown in broken outline are for illustrative purposes only and do not form part of the design.**



- (21) Design Number: **12178/2011**
(22) Date of Filing Application: **13 May 2011**
(24) Date from which industrial property rights may have effect: **13 May 2011**
(54) Product in respect of which the design is registered: **A horse bit**
(51) International Design Classification: **30-04**
(74) Name(s) of Attorney(s): **Davies Collison Cave**
(71) Name(s) and Address(s) of Applicant(s):
Iqonic Pty. Ltd.
17 Dwyer Court Donvale Victoria 3111 Australia
(72) Name(s) of Designer(s): **Brian Jenkins**
(45) Registration Date: **16 February 2012**
(56) Related Art Documents: **Not Applicable**
(57) Statement of Newness and Distinctiveness: **Nil shown by means of solid lines in the representations are new and distinctive.**



- (21) Design Number: **12458/2011**
(22) Date of Filing Application: **31 May 2011**
(24) Date from which industrial property rights may have effect: **31 May 2011**
(54) Product in respect of which the design is registered: **Container**
(51) International Design Classification: **09-03K**
(74) Name(s) of Attorney(s): **Halfords IP**
(71) Name(s) and Address(s) of Applicant(s):
Intermodal Solutions Pty Ltd
209-211 Windsor Street Richmond New South Wales 2753 Australia
(72) Name(s) of Designer(s): **Matthew Chalmers and Garry Pinder**
(45) Registration Date: **16 February 2012**
(56) Related Art Documents: **Not Applicable**
(57) Statement of Newness and Distinctiveness: **Newness and distinctiveness resides in the shape and or configuration of a container having in the vicinity of its corners, upper triangular gusset formations marked with the letter L, lower triangular gusset formations marked with the letter M, and tapered walls marked with the letter N.**



(21) Design Number: **15383/2011**
(22) Date of Filing Application: **24 November 2011**
(24) Date from which industrial property rights may have effect: **24 November 2011**
(54) Product in respect of which the design is registered: **Sports style USB**
(51) International Design Classification: **14-02**
(74) Name(s) of Attorney(s):
(71) Name(s) and Address(s) of Applicant(s):
Fiona Montgomery
9/335 Hawthorn Road Vermont South Victoria 3133 Australia
(72) Name(s) of Designer(s): **Fiona Montgomery**
(45) Registration Date: **16 February 2012**
(56) Related Art Documents: **Not Applicable**
(57) Statement of Newness and Distinctiveness: **Long arms and top and short pants (removable) that encase a 4GB USB.**



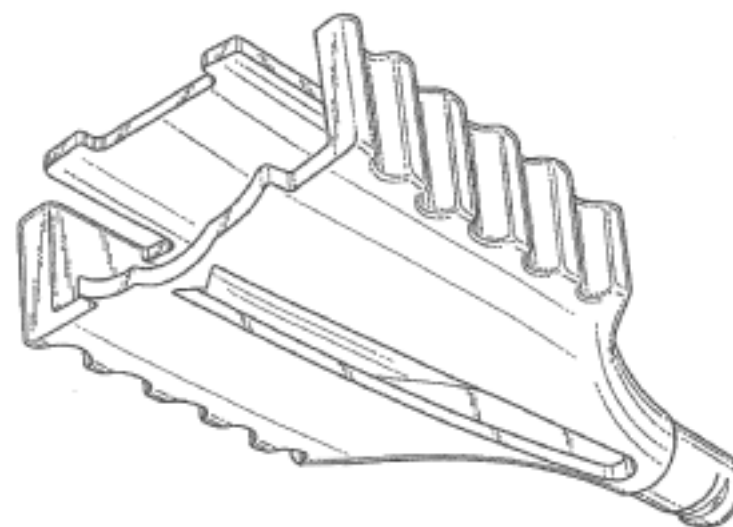
(21) Design Number: **15384/2011**
(22) Date of Filing Application: **24 November 2011**
(24) Date from which industrial property rights may have effect: **24 November 2011**
(54) Product in respect of which the design is registered: **Book style USB**
(51) International Design Classification: **14-02**
(74) Name(s) of Attorney(s):
(71) Name(s) and Address(s) of Applicant(s):
Fiona Montgomery
9/335 Hawthorn Road Vermont South Victoria 3133 Australia
(72) Name(s) of Designer(s): **Fiona Montgomery**
(45) Registration Date: **16 February 2012**
(56) Related Art Documents: **Not Applicable**
(57) Statement of Newness and Distinctiveness: **Nil**



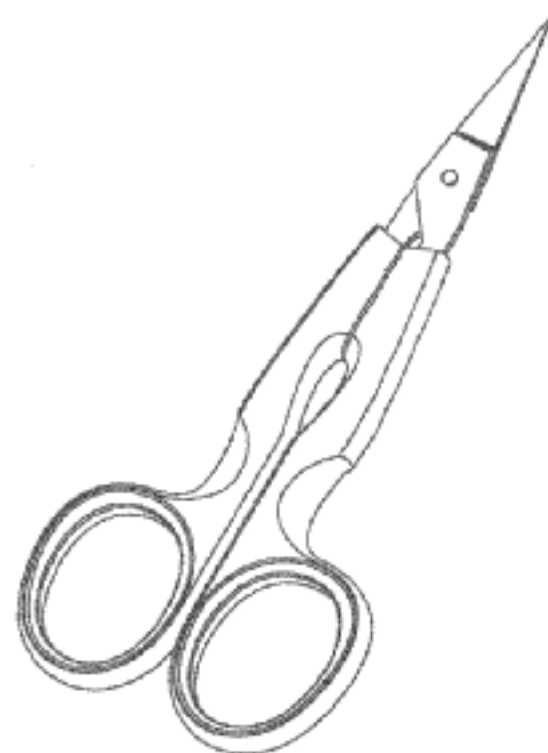
- (21) Design Number: **15764/2011**
(22) Date of Filing Application: **14 December 2011**
(24) Date from which industrial property rights may have effect: **14 December 2011**
(54) Product in respect of which the design is registered: **A backrest for an article of furniture**
(51) International Design Classification: **06-06F**
(74) Name(s) of Attorney(s): **FB Rice**
(71) Name(s) and Address(s) of Applicant(s):
King Furniture (Australia) Pty Ltd
123 Turrella Street Turrella New South Wales 2205 Australia
(72) Name(s) of Designer(s): **David King and John Levey**
(45) Registration Date: **16 February 2012**
(56) Related Art Documents: **Not Applicable**
(57) Statement of Newness and Distinctiveness: **Newness and distinctiveness reside in the features of the design as shown in the representations.**



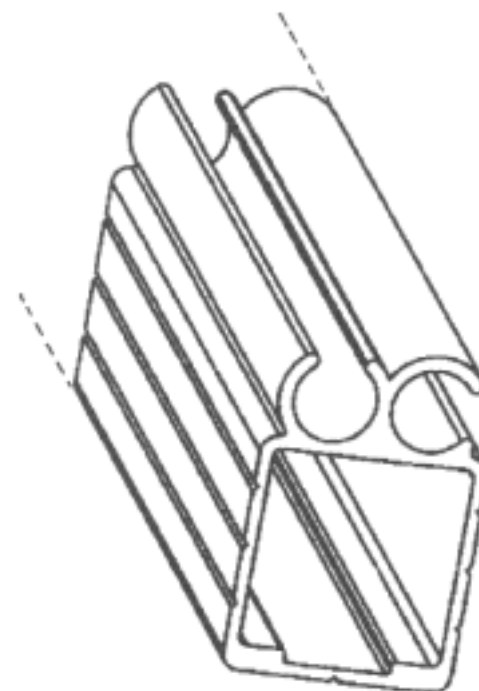
- (21) Design Number: **15765/2011**
(22) Date of Filing Application: **14 December 2011**
(24) Date from which industrial property rights may have effect: **14 December 2011**
(54) Product in respect of which the design is registered: **Cap for an insertion device**
(51) International Design Classification: **24-02**
(74) Name(s) of Attorney(s): **Davies Collison Cave**
(71) Name(s) and Address(s) of Applicant(s):
Abbott Medical Optics Inc.
1700 E. St Andrew Place Santa Ana CA 92705 United States of America
(72) Name(s) of Designer(s): **Steven R. Anderson and David A. Ruddocks and David W. Gaylord**
(45) Registration Date: **16 February 2012**
(30) Convention priority data:
(31) Number (32) Date (33) Country
29/396008 23 Jun 2011 UNITED STATES OF AMERICA
(56) Related Art Documents: **Not Applicable**
(57) Statement of Newness and Distinctiveness: **Nil**



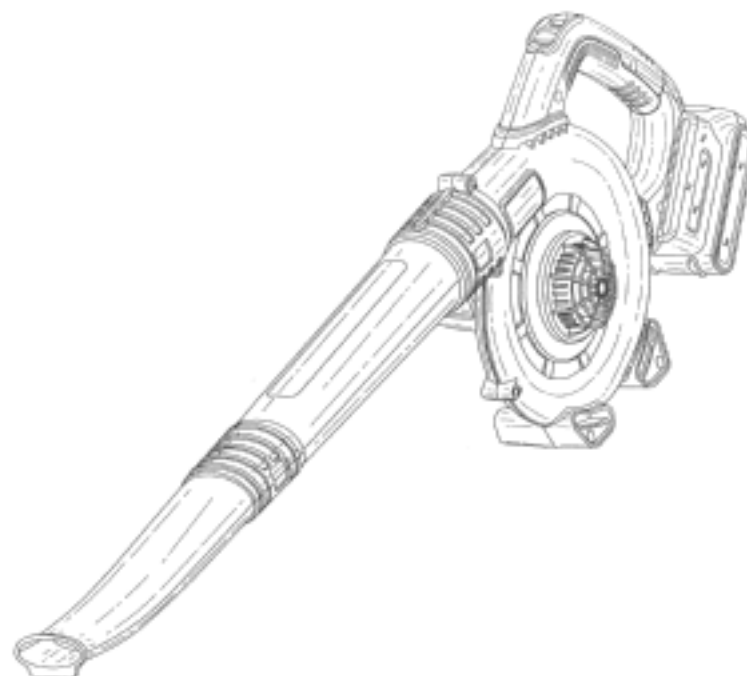
- (21) Design Number: **10093/2012**
(22) Date of Filing Application: **10 January 2012**
(24) Date from which industrial property rights may have effect: **10 January 2012**
(54) Product in respect of which the design is registered: **Scissors**
(51) International Design Classification: **08-03**
(74) Name(s) of Attorney(s): **Chrysiliou IP**
(71) Name(s) and Address(s) of Applicant(s):
Multigate Medical Products Pty Limited
11-17 Nelson Road Yennora New South Wales 2161 Australia
(72) Name(s) of Designer(s): **Ben Chen**
(45) Registration Date: **16 February 2012**
(56) Related Art Documents: **Not Applicable**
(57) Statement of Newness and Distinctiveness: **Nil**



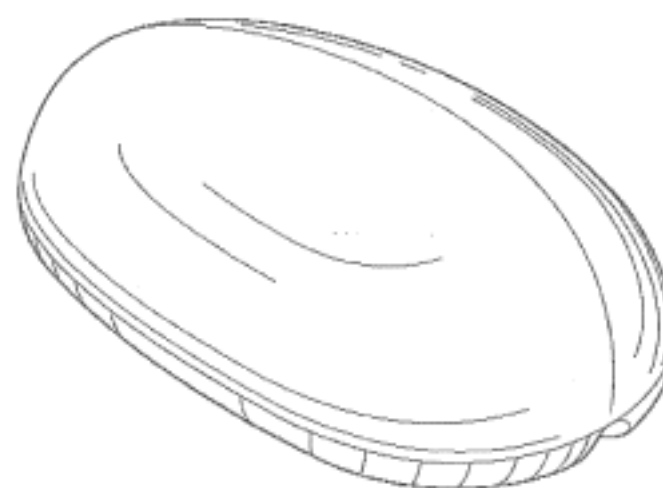
- (21) Design Number: **15445/2011**
(22) Date of Filing Application: **30 November 2011**
(24) Date from which industrial property rights may have effect: **30 November 2011**
(54) Product in respect of which the design is registered: **An extrusion**
(51) International Design Classification: **25-01K**
(74) Name(s) of Attorney(s): **Varsity IP**
(71) Name(s) and Address(s) of Applicant(s):
Mattane Pty Ltd
14 Binary Street Yatala Queensland 4207 Australia
(72) Name(s) of Designer(s): **David George Cook**
(45) Registration Date: **17 February 2012**
(56) Related Art Documents: **Not Applicable**
(57) Statement of Newness and Distinctiveness: **The newness and distinctiveness reside in the visual features of shape and configuration of an extrusion as shown in the accompanying representations, the extrusion being of indefinite length and constant cross section throughout its length.**



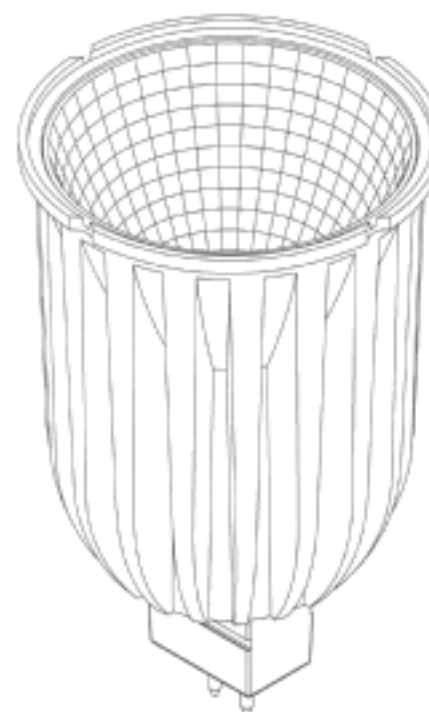
(21) Design Number: **10041/2012**
(22) Date of Filing Application: **05 January 2012**
(24) Date from which industrial property rights may have effect: **05 January 2012**
(54) Product in respect of which the design is registered: **Garden blower**
(51) International Design Classification: **15-05, 08-99**
(74) Name(s) of Attorney(s): **Davies Collison Cave**
(71) Name(s) and Address(s) of Applicant(s):
Black & Decker Inc
1207 Drummond Plaza Newark Delaware 19711 United States of America
(72) Name(s) of Designer(s): **Graeme Crawley**
(45) Registration Date: **17 February 2012**
(30) Convention priority data:
(31) Number (32) Date (33) Country
001285357 14 Jul 2011 EUROPEAN COMMUNITY
(56) Related Art Documents: **Not Applicable**
(57) Statement of Newness and Distinctiveness: **Nil**



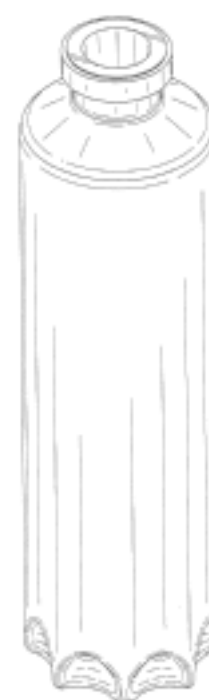
(21) Design Number: **10158/2012**
(22) Date of Filing Application: **12 January 2012**
(24) Date from which industrial property rights may have effect: **12 January 2012**
(54) Product in respect of which the design is registered: **A temperature regulation device**
(51) International Design Classification: **10-04**
(74) Name(s) of Attorney(s): **PIPERS Melbourne**
(71) Name(s) and Address(s) of Applicant(s):
David William Petrillo
C/o Pennington NJ United States of America
David Richard Jackson
C/o Pennington NJ United States of America
(72) Name(s) of Designer(s): **David William Petrillo and David Richard Jackson**
(45) Registration Date: **17 February 2012**
(30) Convention priority data:
(31) Number (32) Date (33) Country
29/397,480 15 Jul 2011 UNITED STATES OF AMERICA
(56) Related Art Documents: **Not Applicable**
(57) Statement of Newness and Distinctiveness: **The design is to be applied to a temperature regulation device and the novelty resides in the features of shape and configuration of the temperature regulation device as shown in the accompanying representations.**



(21) Design Number: **10340/2012**
(22) Date of Filing Application: **25 January 2012**
(24) Date from which industrial property rights may have effect: **25 January 2012**
(54) Product in respect of which the design is registered: **Lamp**
(51) International Design Classification: **26-05C**
(74) Name(s) of Attorney(s): **Wrays**
(71) Name(s) and Address(s) of Applicant(s):
Mass Technology (H.K.) Limited
31/F. Two Landmark East 100 How Ming Street Kwun Tong Kowloon
Hong Kong
(72) Name(s) of Designer(s): **Onn Fah Foo**
(45) Registration Date: **17 February 2012**
(30) Convention priority data:
(31) Number (32) Date (33) Country
1101349.3M002 05 Aug 2011 HONG KONG
(56) Related Art Documents: **Not Applicable**
(57) Statement of Newness and Distinctiveness: **Newness and distinctiveness is claimed in the features of shape and/or configuration of the lamp depicted in the accompanying representations.**



(21) Design Number: **10341/2012**
(22) Date of Filing Application: **25 January 2012**
(24) Date from which industrial property rights may have effect: **25 January 2012**
(54) Product in respect of which the design is registered: **Specimen container**
(51) International Design Classification: **24-01**
(74) Name(s) of Attorney(s): **Wrays**
(71) Name(s) and Address(s) of Applicant(s):
BioMerieux, Inc.
100 Rodolphe Street Durham North Carolina 27712 United States of
America
(72) Name(s) of Designer(s): **Christopher S. Ronsick and Mark S. Wilson and**
Ronnie J. Robinson and Mark Joseph Fanning and Stanley Michael
Philipak and Patrick Yerbic
(45) Registration Date: **17 February 2012**
(56) Related Art Documents: **Not Applicable**
(57) Statement of Newness and Distinctiveness: **Newness and distinctiveness is claimed in the features of shape and/or configuration of the Specimen Container depicted in the accompanying representations.**



(21) Design Number: **10344/2012**
(22) Date of Filing Application: **25 January 2012**
(24) Date from which industrial property rights may have effect: **25 January 2012**
(54) Product in respect of which the design is registered: **Cap**
(51) International Design Classification: **09-07C**
(74) Name(s) of Attorney(s): **Shelston IP**
(71) Name(s) and Address(s) of Applicant(s):
Reckitt Benckiser N.V.
Siriusdreef 14 2132 WT Hoofddorp The Netherlands
(72) Name(s) of Designer(s): **Elwin Kersten**
(45) Registration Date: **17 February 2012**
(30) Convention priority data:
(31) Number (32) Date (33) Country
001286561-0012 25 Jul 2011 EUROPEAN COMMUNITY
(56) Related Art Documents: **Not Applicable**
(57) Statement of Newness and Distinctiveness: **Nil**



(21) Design Number: **10345/2012**
(22) Date of Filing Application: **25 January 2012**
(24) Date from which industrial property rights may have effect: **25 January 2012**
(54) Product in respect of which the design is registered: **Bottle**
(51) International Design Classification: **09-01NES**
(74) Name(s) of Attorney(s): **Shelston IP**
(71) Name(s) and Address(s) of Applicant(s):
Reckitt Benckiser N.V.
Siriusdreef 14 2132 WT Hoofddorp The Netherlands
(72) Name(s) of Designer(s): **Elwin Kersten**
(45) Registration Date: **17 February 2012**
(30) Convention priority data:
(31) Number (32) Date (33) Country
001286561-0001 25 Jul 2011 EUROPEAN COMMUNITY
(56) Related Art Documents: **Not Applicable**
(57) Statement of Newness and Distinctiveness: **Nil**



(21) Design Number: **10346/2012**
(22) Date of Filing Application: **25 January 2012**
(24) Date from which industrial property rights may have effect: **25 January 2012**
(54) Product in respect of which the design is registered: **Bottle**
(51) International Design Classification: **09-01NES**
(74) Name(s) of Attorney(s): **Shelston IP**
(71) Name(s) and Address(s) of Applicant(s):
Reckitt Benckiser N.V.
Siriusdreef 14 2132 WT Hoofddorp The Netherlands
(72) Name(s) of Designer(s): **Elwin Kersten**
(45) Registration Date: **17 February 2012**
(30) Convention priority data:
(31) Number (32) Date (33) Country
001286561-0003 25 Jul 2011 EUROPEAN COMMUNITY
(56) Related Art Documents: **Not Applicable**
(57) Statement of Newness and Distinctiveness: **Nil**



(21) Design Number: **10347/2012**
(22) Date of Filing Application: **25 January 2012**
(24) Date from which industrial property rights may have effect: **25 January 2012**
(54) Product in respect of which the design is registered: **Bottle with cap**
(51) International Design Classification: **09-01NES**
(74) Name(s) of Attorney(s): **Shelston IP**
(71) Name(s) and Address(s) of Applicant(s):
Reckitt Benckiser N.V.
Siriusdreef 14 2132 WT Hoofddorp The Netherlands
(72) Name(s) of Designer(s): **Elwin Kersten**
(45) Registration Date: **17 February 2012**
(30) Convention priority data:
(31) Number (32) Date (33) Country
001286561-0005 25 Jul 2011 EUROPEAN COMMUNITY
(56) Related Art Documents: **Not Applicable**
(57) Statement of Newness and Distinctiveness: **Nil**



(21) Design Number: **15456/2011**
(22) Date of Filing Application: **29 November 2011**
(24) Date from which industrial property rights may have effect: **29 November 2011**
(54) Product in respect of which the design is registered: **LCD television receiver**
(51) International Design Classification: **14-03B**
(74) Name(s) of Attorney(s): **A.P.T. Patent and Trade Mark Attorneys**
(71) Name(s) and Address(s) of Applicant(s):
Hisense Electric Co., Ltd
218 Qian Wangang Road Qingdao Economic and Development Zone
Qingdao Shan Dong Province 266555 China
(72) Name(s) of Designer(s): **Ma Yongchang and Xu Bin**
(45) Registration Date: **17 February 2012**
(30) Convention priority data:
(31) Number (32) Date (33) Country
201130262026.0 08 Aug 2011 CHINA
(56) Related Art Documents: **Not Applicable**
(57) Statement of Newness and Distinctiveness: **Novelty resides in the**
decoration at the bottom of the frame.



(21) Design Number: **15457/2011**
(22) Date of Filing Application: **29 November 2011**
(24) Date from which industrial property rights may have effect: **29 November 2011**
(54) Product in respect of which the design is registered: **LCD television receiver**
(51) International Design Classification: **14-03B**
(74) Name(s) of Attorney(s): **A.P.T. Patent and Trade Mark Attorneys**
(71) Name(s) and Address(s) of Applicant(s):
Hisense Electric Co., Ltd
218 Qian Wangang Road Qingdao Economic and Development Zone
Qingdao Shan Dong Province 266555 China
(72) Name(s) of Designer(s): **Ma Yongchang and Xu Bin**
(45) Registration Date: **17 February 2012**
(30) Convention priority data:
(31) Number (32) Date (33) Country
201130262026.0 08 Aug 2011 CHINA
(56) Related Art Documents: **Not Applicable**
(57) Statement of Newness and Distinctiveness: **Novelty resides in the**
decoration at the bottom of the frame.



- (21) Design Number: **15458/2011**
(22) Date of Filing Application: **29 November 2011**
(24) Date from which industrial property rights may have effect: **29 November 2011**
(54) Product in respect of which the design is registered: **LCD television receiver**
(51) International Design Classification: **14-03B**
(74) Name(s) of Attorney(s): **A.P.T. Patent and Trade Mark Attorneys**
(71) Name(s) and Address(s) of Applicant(s):
Hisense Electric Co., Ltd
218 Qian Wangang Road Qingdao Economic and Development Zone
Qingdao Shan Dong Province 266555 China
(72) Name(s) of Designer(s): **Ma Yongchang and Xu Bin**
(45) Registration Date: **17 February 2012**
(30) Convention priority data:
(31) Number (32) Date (33) Country
201130262026.0 08 Aug 2011 CHINA
(56) Related Art Documents: **Not Applicable**
(57) Statement of Newness and Distinctiveness: **Novelty resides in the decoration at the bottom of the frame.**



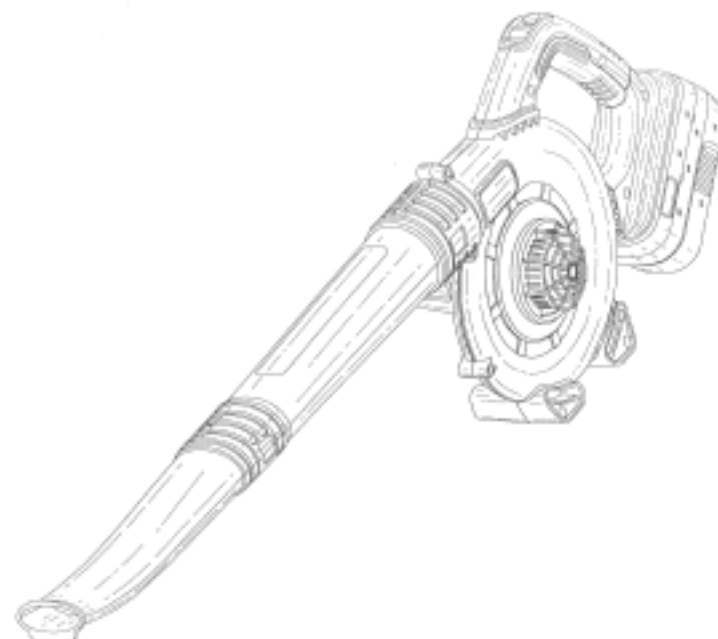
- (21) Design Number: **15568/2011**
(22) Date of Filing Application: **02 December 2011**
(24) Date from which industrial property rights may have effect: **02 December 2011**
(54) Product in respect of which the design is registered: **Bottle or container with detachable base**
(51) International Design Classification: **09-01NES**
(74) Name(s) of Attorney(s):
(71) Name(s) and Address(s) of Applicant(s):
Surprise Brands Pty Ltd
105/46-48 Atchison Street St Leonards New South Wales 2065 Australia
(72) Name(s) of Designer(s): **Jim Ristevski**
(45) Registration Date: **17 February 2012**
(56) Related Art Documents: **Not Applicable**
(57) Statement of Newness and Distinctiveness: **Newness and distinctiveness reside in the features of the shape and/or configuration of the bottle or container having a detachable base as illustrated in the accompanying representations.**



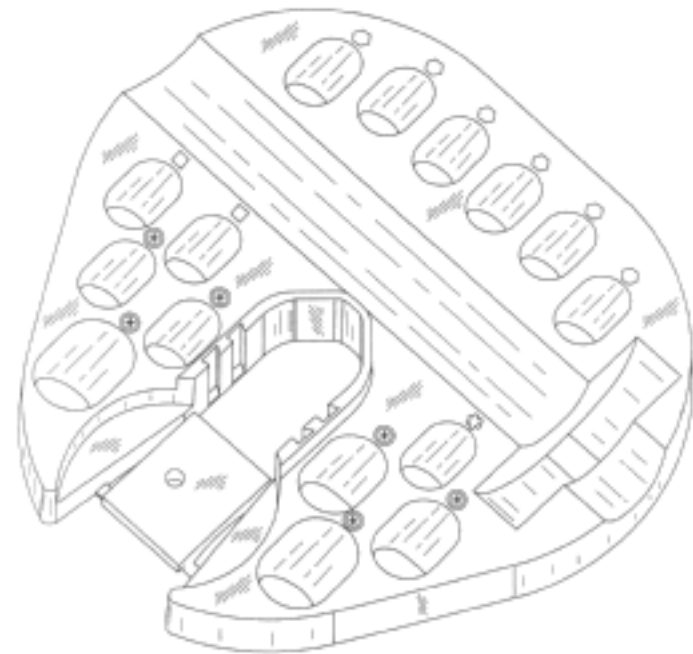
(21) Design Number: **15681/2011**
(22) Date of Filing Application: **08 December 2011**
(24) Date from which industrial property rights may have effect: **08 December 2011**
(54) Product in respect of which the design is registered: **Bar stool**
(51) International Design Classification: **06-01F**
(74) Name(s) of Attorney(s):
(71) Name(s) and Address(s) of Applicant(s):
ANJI WEIYU FURNITURE CO., LTD
Fangtan Industrial Zone Dipu Town Anji County Zhejiang 313300 China
(72) Name(s) of Designer(s): **Hui Du**
(45) Registration Date: **17 February 2012**
(56) Related Art Documents: **Not Applicable**
(57) Statement of Newness and Distinctiveness: **Novelty resides in the ornamental design for a bar stool as shown in the drawings.**



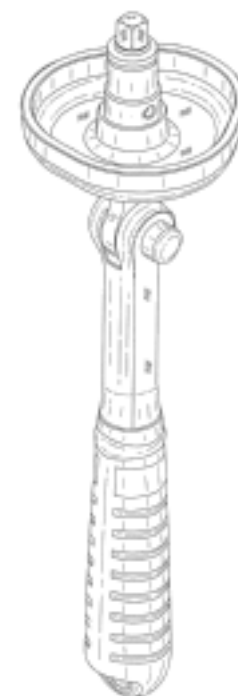
(21) Design Number: **15916/2011**
(22) Date of Filing Application: **21 December 2011**
(24) Date from which industrial property rights may have effect: **21 December 2011**
(54) Product in respect of which the design is registered: **Garden blower**
(51) International Design Classification: **15-05**
(74) Name(s) of Attorney(s): **Davies Collison Cave**
(71) Name(s) and Address(s) of Applicant(s):
Black & Decker Inc
1207 Drummond Plaza Newark Delaware 19711 United States of America
(72) Name(s) of Designer(s): **Graeme Crawley**
(45) Registration Date: **17 February 2012**
(30) Convention priority data:
(31) Number (32) Date (33) Country
001285381-0001 14 Jul 2011 EUROPEAN COMMUNITY
(56) Related Art Documents: **Not Applicable**
(57) Statement of Newness and Distinctiveness: **Nil**



(21) Design Number: **15917/2011**
(22) Date of Filing Application: **21 December 2011**
(24) Date from which industrial property rights may have effect: **21 December 2011**
(54) Product in respect of which the design is registered: **Tool accessory tray**
(51) International Design Classification: **03-01D**
(74) Name(s) of Attorney(s): **Davies Collison Cave**
(71) Name(s) and Address(s) of Applicant(s):
Stanley Works (Europe) GmbH
HFM 402 Ringstrasse 14 Dubendorf Switzerland
(72) Name(s) of Designer(s): **Jean Philippe Berlencourt**
(45) Registration Date: **17 February 2012**
(30) Convention priority data:
(31) Number (32) Date (33) Country
001918264 01 Jul 2011 EUROPEAN COMMUNITY
(56) Related Art Documents: **Not Applicable**
(57) Statement of Newness and Distinctiveness: **Nil**



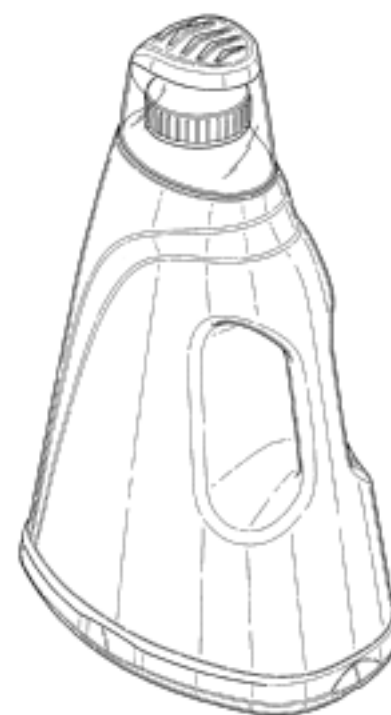
(21) Design Number: **15918/2011**
(22) Date of Filing Application: **21 December 2011**
(24) Date from which industrial property rights may have effect: **21 December 2011**
(54) Product in respect of which the design is registered: **Vehicle engine draining tool**
(51) International Design Classification: **08-05E**
(74) Name(s) of Attorney(s): **Davies Collison Cave**
(71) Name(s) and Address(s) of Applicant(s):
Stanley Works (Europe) GmbH
HFM 402 Ringstrasse 14 Dubendorf Switzerland
(72) Name(s) of Designer(s): **Jean Philippe Berlencourt**
(45) Registration Date: **17 February 2012**
(30) Convention priority data:
(31) Number (32) Date (33) Country
001283691 01 Jul 2011 EUROPEAN COMMUNITY
(56) Related Art Documents: **Not Applicable**
(57) Statement of Newness and Distinctiveness: **Nil**



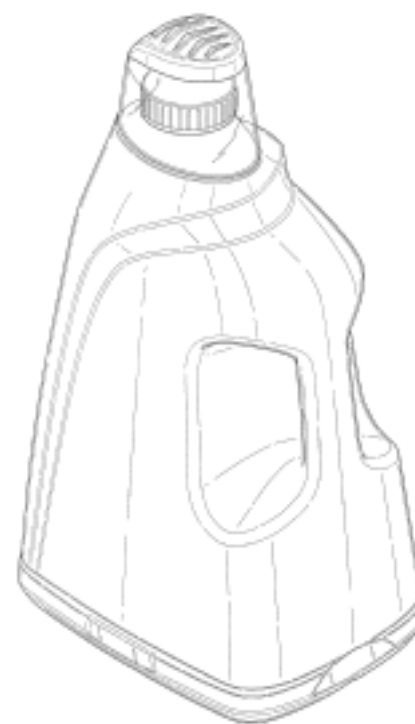
(21) Design Number: **10348/2012**
(22) Date of Filing Application: **25 January 2012**
(24) Date from which industrial property rights may have effect: **25 January 2012**
(54) Product in respect of which the design is registered: **Cap**
(51) International Design Classification: **09-07C**
(74) Name(s) of Attorney(s): **Shelston IP**
(71) Name(s) and Address(s) of Applicant(s):
Reckitt Benckiser N.V.
Siriusdreef 14 2132 WT Hoofddorp The Netherlands
(72) Name(s) of Designer(s): **Elwin Kersten**
(45) Registration Date: **17 February 2012**
(30) Convention priority data:
(31) Number (32) Date (33) Country
001286561-0013 25 Jul 2011 EUROPEAN COMMUNITY
(56) Related Art Documents: **Not Applicable**
(57) Statement of Newness and Distinctiveness: **Nil**



(21) Design Number: **10349/2012**
(22) Date of Filing Application: **25 January 2012**
(24) Date from which industrial property rights may have effect: **25 January 2012**
(54) Product in respect of which the design is registered: **Bottle with cap**
(51) International Design Classification: **09-01B**
(74) Name(s) of Attorney(s): **Shelston IP**
(71) Name(s) and Address(s) of Applicant(s):
Reckitt Benckiser N.V.
Siriusdreef 14 2132 WT Hoofddorp The Netherlands
(72) Name(s) of Designer(s): **Elwin Kersten**
(45) Registration Date: **17 February 2012**
(30) Convention priority data:
(31) Number (32) Date (33) Country
001286561 25 Jul 2011 EUROPEAN COMMUNITY
(56) Related Art Documents: **Not Applicable**
(57) Statement of Newness and Distinctiveness: **Nil**



(21) Design Number: **10350/2012**
(22) Date of Filing Application: **25 January 2012**
(24) Date from which industrial property rights may have effect: **25 January 2012**
(54) Product in respect of which the design is registered: **Bottle with cap**
(51) International Design Classification: **09-01B**
(74) Name(s) of Attorney(s): **Shelston IP**
(71) Name(s) and Address(s) of Applicant(s):
Reckitt Benckiser N.V.
Siriusdreef 14 2132 WT Hoofddorp The Netherlands
(72) Name(s) of Designer(s): **Elwin Kersten**
(45) Registration Date: **17 February 2012**
(30) Convention priority data:
(31) Number (32) Date (33) Country
001286561 25 Jul 2011 EUROPEAN COMMUNITY
(56) Related Art Documents: **Not Applicable**
(57) Statement of Newness and Distinctiveness: **Nil**



(21) Design Number: **10351/2012**
(22) Date of Filing Application: **25 January 2012**
(24) Date from which industrial property rights may have effect: **25 January 2012**
(54) Product in respect of which the design is registered: **Bottle**
(51) International Design Classification: **09-01A**
(74) Name(s) of Attorney(s): **Shelston IP**
(71) Name(s) and Address(s) of Applicant(s):
Reckitt Benckiser N.V.
Siriusdreef 14 2132 WT Hoofddorp The Netherlands
(72) Name(s) of Designer(s): **Elwin Kersten**
(45) Registration Date: **17 February 2012**
(30) Convention priority data:
(31) Number (32) Date (33) Country
001286561-0007 25 Jul 2011 EUROPEAN COMMUNITY
(56) Related Art Documents: **Not Applicable**
(57) Statement of Newness and Distinctiveness: **Nil**



(21) Design Number: **10353/2012**

(22) Date of Filing Application: **25 January 2012**

(24) Date from which industrial property rights may have effect: **25 January 2012**

(54) Product in respect of which the design is registered: **A hand grip**

(51) International Design Classification: **21-02F**

(74) Name(s) of Attorney(s): **Shelston IP**

(71) Name(s) and Address(s) of Applicant(s):

Fitness Anywhere, LLC
755 Sansome Street San Francisco California 94111 United States of America

(72) Name(s) of Designer(s): **Stephanie Russo and Randal Hetrick**

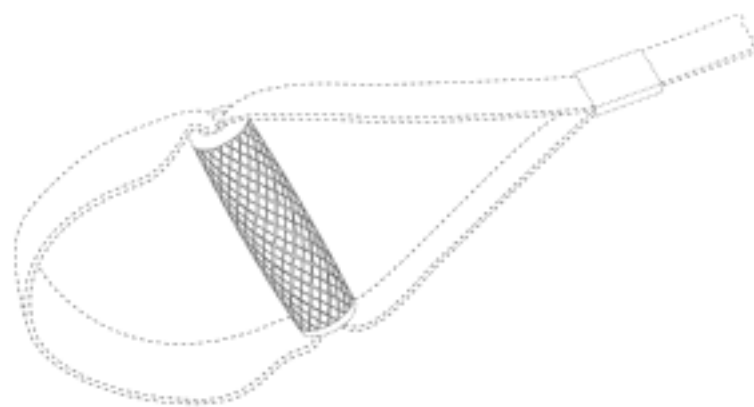
(45) Registration Date: **17 February 2012**

(30) Convention priority data:

(31) Number	(32) Date	(33) Country
29/398414	29 Jul 2011	UNITED STATES OF AMERICA

(56) Related Art Documents: **Not Applicable**

(57) Statement of Newness and Distinctiveness: **Newness and distinctiveness reside in the features of shape and/or configuration of a hand grip as illustrated in solid lines in the accompanying representations. The features shown in broken or discontinuous lines do not form part of the design.**



(21) Design Number: **13527/2011**

(22) Date of Filing Application: **08 August 2011**

(24) Date from which industrial property rights may have effect: **08 August 2011**

(54) Product in respect of which the design is registered: **Electronic kiosk**

(51) International Design Classification: **14-02, 20-03NES**

(74) Name(s) of Attorney(s):

(71) Name(s) and Address(s) of Applicant(s):

Abuzz Solutions Pty Ltd
267 Abercrombie Street Darlington New South Wales 2008 Australia

(72) Name(s) of Designer(s): **Stephen Neil**

(45) Registration Date: **17 February 2012**

(56) Related Art Documents: **Not Applicable**

(57) Statement of Newness and Distinctiveness: **Nil**



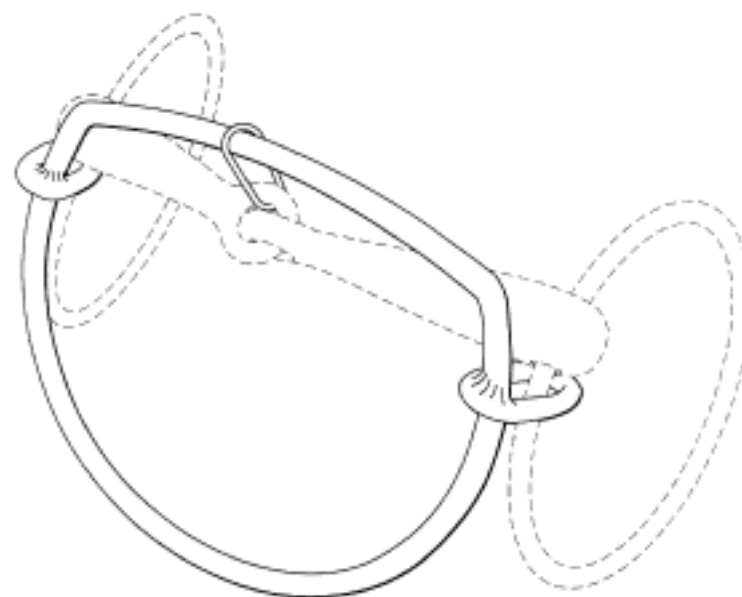
- (21) Design Number: **10044/2012**
(22) Date of Filing Application: **09 January 2012**
(24) Date from which industrial property rights may have effect: **09 January 2012**
(54) Product in respect of which the design is registered: **Boxing kangaroo pen. Kangaroo is wearing a headgear and boxing gloves. Arms move to simulate boxing punches**
(51) International Design Classification: **19-06**
(74) Name(s) of Attorney(s):
(71) Name(s) and Address(s) of Applicant(s):
Cooee Brands Pty Ltd
Level 3/66-77 Dickson Avenue Artarmon New South Wales 2064
Australia
(72) Name(s) of Designer(s): **Neil Cope**
(45) Registration Date: **17 February 2012**
(56) Related Art Documents: **Not Applicable**
(57) Statement of Newness and Distinctiveness: **Boxing kangaroo pen. Kangaroo is wearing heagear and boxing gloves. Arms move to simulate boxing punches.**



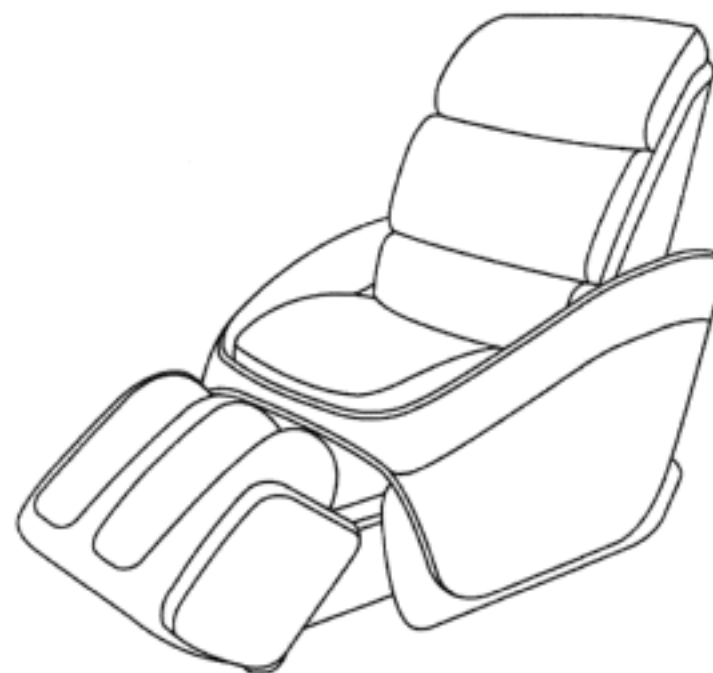
- (21) Design Number: **10644/2012**
(22) Date of Filing Application: **09 January 2012**
(24) Date from which industrial property rights may have effect: **09 January 2012**
(54) Product in respect of which the design is registered: **Boxing kangaroo pen. Kangaroo is wearing a headgear and boxing gloves. Arms move to simulate boxing punches**
(51) International Design Classification: **19-06**
(74) Name(s) of Attorney(s):
(71) Name(s) and Address(s) of Applicant(s):
Cooee Brands Pty Ltd
Level 3/66-77 Dickson Avenue Artarmon New South Wales 2064
Australia
(72) Name(s) of Designer(s): **Neil Cope**
(45) Registration Date: **17 February 2012**
(56) Related Art Documents: **Not Applicable**
(57) Statement of Newness and Distinctiveness: **Boxing kangaroo pen. Kangaroo is wearing headgear and boxing gloves. Arms move to simulate boxing punches.**



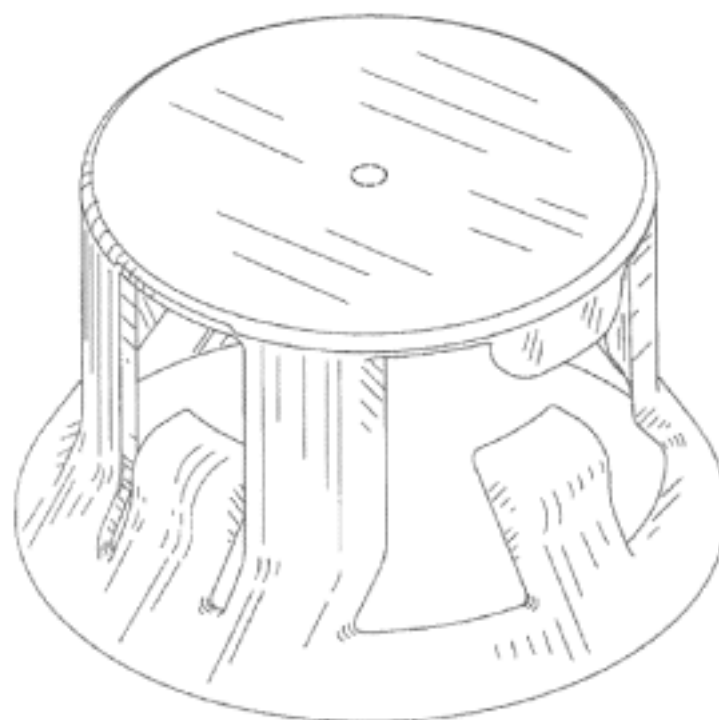
(21) Design Number: **10328/2012**
(22) Date of Filing Application: **13 May 2011**
(24) Date from which industrial property rights may have effect: **13 May 2011**
(54) Product in respect of which the design is registered: **A horse bit**
(51) International Design Classification: **30-04**
(74) Name(s) of Attorney(s): **Davies Collison Cave**
(71) Name(s) and Address(s) of Applicant(s):
Iqonic Pty. Ltd.
17 Dwyer Court Donvale Victoria 3111 Australia
(72) Name(s) of Designer(s): **Brian Jenkins**
(45) Registration Date: **17 February 2012**
(62) Divisional of: **341000**
(56) Related Art Documents: **Not Applicable**
(57) Statement of Newness and Distinctiveness: **The shape and configuration of the parts of the horse bit illustrated in solid lines in the representations are new and distinctive.**



(21) Design Number: **10330/2012**
(22) Date of Filing Application: **25 January 2012**
(24) Date from which industrial property rights may have effect: **25 January 2012**
(54) Product in respect of which the design is registered: **Massage chair**
(51) International Design Classification: **06-01NES**
(74) Name(s) of Attorney(s): **Baker & McKenzie**
(71) Name(s) and Address(s) of Applicant(s):
OSIM International Ltd
65 Ubi Avenue 1 OSIM Headquarters Singapore 408939
(72) Name(s) of Designer(s): **Elwyn NG Kwang Ling**
(45) Registration Date: **17 February 2012**
(30) Convention priority data:
(31) Number (32) Date (33) Country
D2011/862/B 05 Aug 2011 SINGAPORE
(56) Related Art Documents: **Not Applicable**
(57) Statement of Newness and Distinctiveness: **The novelty of the design resides in the features of shape and configuration of the article as shown in the representations.**



(21) Design Number: **10331/2012**
(22) Date of Filing Application: **25 January 2012**
(24) Date from which industrial property rights may have effect: **25 January 2012**
(54) Product in respect of which the design is registered: **Shroud**
(51) International Design Classification: **24-02**
(74) Name(s) of Attorney(s): **Callinans**
(71) Name(s) and Address(s) of Applicant(s):
Yukon Medical, LLC
4022-300 Stirrup Creek Drive Durham NC 27703 United States of America
(72) Name(s) of Designer(s): **Theodore J. Mosler and David L. Foshee and Matthew R. Penny**
(45) Registration Date: **17 February 2012**
(30) Convention priority data:
(31) Number (32) Date (33) Country
29/401,183 08 Sep 2011 UNITED STATES OF AMERICA
(56) Related Art Documents: **Not Applicable**
(57) Statement of Newness and Distinctiveness: **Nil**



(21) Design Number: **10332/2012**
(22) Date of Filing Application: **25 January 2012**
(24) Date from which industrial property rights may have effect: **25 January 2012**
(54) Product in respect of which the design is registered: **Shroud**
(51) International Design Classification: **24-02**
(74) Name(s) of Attorney(s): **Callinans**
(71) Name(s) and Address(s) of Applicant(s):
Yukon Medical, LLC
4022-300 Stirrup Creek Drive Durham NC 27703 United States of America
(72) Name(s) of Designer(s): **Theodore J. Mosler and David L. Foshee and Matthew R. Penny**
(45) Registration Date: **17 February 2012**
(30) Convention priority data:
(31) Number (32) Date (33) Country
29/401,183 08 Sep 2011 UNITED STATES OF AMERICA
(56) Related Art Documents: **Not Applicable**
(57) Statement of Newness and Distinctiveness: **Nil**



(21) Design Number: **10336/2012**

(22) Date of Filing Application: **27 January 2012**

(24) Date from which industrial property rights may have effect: **27 January 2012**

(54) Product in respect of which the design is registered: **Octagon bottle**

(51) International Design Classification: **09-01NES, 09-01K**

(74) Name(s) of Attorney(s): **A J Park**

(71) Name(s) and Address(s) of Applicant(s):

John P. Regas

370 Golden Lantern Road Suite E Laguna Niguel California 92677 United States of America

(72) Name(s) of Designer(s): **John P. Regas**

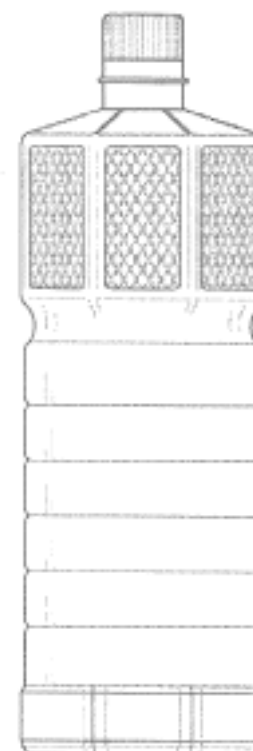
(45) Registration Date: **17 February 2012**

(30) Convention priority data:

(31) Number	(32) Date	(33) Country
29/398,395	29 Jul 2011	UNITED STATES OF AMERICA

(56) Related Art Documents: **Not Applicable**

(57) Statement of Newness and Distinctiveness: **Newness and distinctiveness reside in the features of shape and/or configuration of the OCTAGON BOTTLE as shown in the representations. Newness and distinctiveness are not claimed in relation to the features shown in broken lines in the representations, which features are shown for illustrative purposes only.**



(21) Design Number: **10339/2012**

(22) Date of Filing Application: **25 January 2012**

(24) Date from which industrial property rights may have effect: **25 January 2012**

(54) Product in respect of which the design is registered: **Lamp**

(51) International Design Classification: **26-05C**

(74) Name(s) of Attorney(s): **Wrays**

(71) Name(s) and Address(s) of Applicant(s):

Mass Technology (H.K.) Limited

31/F. Two Landmark East 100 How Ming Street Kwun Tong Kowloon Hong Kong

(72) Name(s) of Designer(s): **Onn Fah Foo**

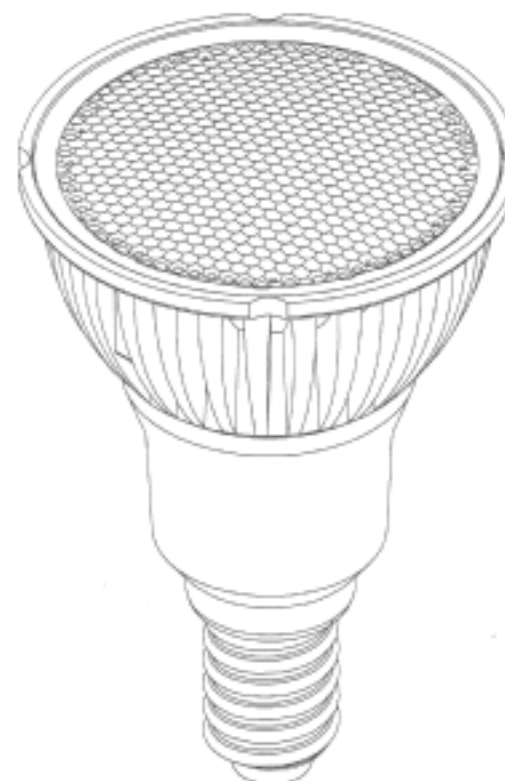
(45) Registration Date: **17 February 2012**

(30) Convention priority data:

(31) Number	(32) Date	(33) Country
1101349.3M001	05 Aug 2011	HONG KONG

(56) Related Art Documents: **Not Applicable**

(57) Statement of Newness and Distinctiveness: **Newness and distinctiveness is claimed in the features of shape and/or configuration of the lamp depicted in the accompanying representations.**



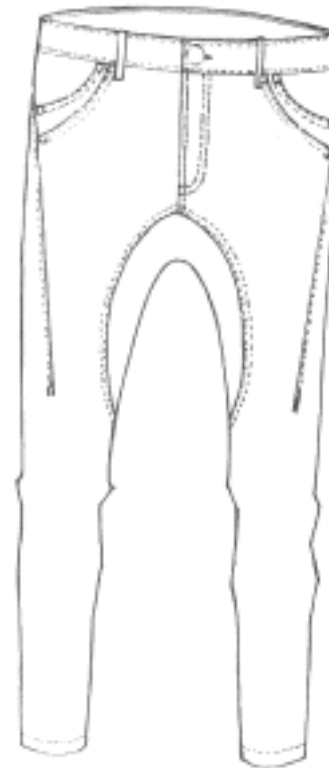
- (21) Design Number: **12528/2011**
(22) Date of Filing Application: **03 June 2011**
(24) Date from which industrial property rights may have effect: **03 June 2011**
(54) Product in respect of which the design is registered: **A pair of pants**
(51) International Design Classification: **02-02C**
(74) Name(s) of Attorney(s): **MIDDLETONS**
(71) Name(s) and Address(s) of Applicant(s):
Fifty-Fourth Rischell Pty Ltd
29 Simmons Street South Yarra Victoria 3141 Australia
(72) Name(s) of Designer(s): **Ty Henschke**
(45) Registration Date: **20 February 2012**
(56) Related Art Documents: **Not Applicable**
(57) Statement of Newness and Distinctiveness: **Nil**



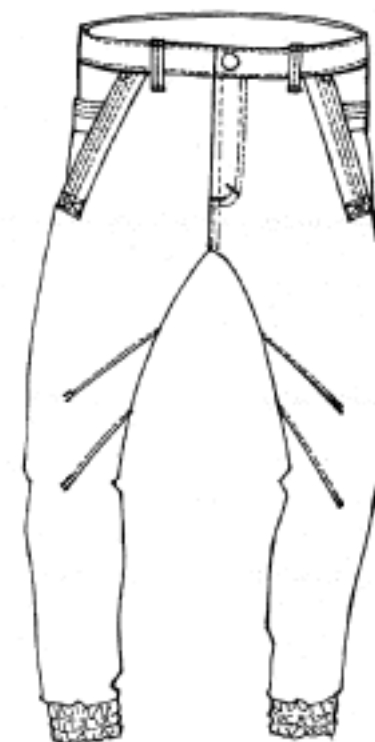
- (21) Design Number: **15433/2011**
(22) Date of Filing Application: **03 June 2011**
(24) Date from which industrial property rights may have effect: **03 June 2011**
(54) Product in respect of which the design is registered: **A pair of pants**
(51) International Design Classification: **02-02C**
(74) Name(s) of Attorney(s): **MIDDLETONS**
(71) Name(s) and Address(s) of Applicant(s):
Fifty-Fourth Rischell Pty Ltd
29 Simmons Street South Yarra Victoria 3141 Australia
(72) Name(s) of Designer(s): **Ty Henschke**
(45) Registration Date: **20 February 2012**
(56) Related Art Documents: **Not Applicable**
(57) Statement of Newness and Distinctiveness: **Nil**



- (21) Design Number: **15434/2011**
(22) Date of Filing Application: **03 June 2011**
(24) Date from which industrial property rights may have effect: **03 June 2011**
(54) Product in respect of which the design is registered: **A pair of pants**
(51) International Design Classification: **02-02C**
(74) Name(s) of Attorney(s): **MIDDLETONS**
(71) Name(s) and Address(s) of Applicant(s):
Fifty-Fourth Rischell Pty Ltd
29 Simmons Street South Yarra Victoria 3141 Australia
(72) Name(s) of Designer(s): **Ty Henschke**
(45) Registration Date: **20 February 2012**
(56) Related Art Documents: **Not Applicable**
(57) Statement of Newness and Distinctiveness: **Nil**



- (21) Design Number: **15435/2011**
(22) Date of Filing Application: **03 June 2011**
(24) Date from which industrial property rights may have effect: **03 June 2011**
(54) Product in respect of which the design is registered: **A pair of pants**
(51) International Design Classification: **02-02C**
(74) Name(s) of Attorney(s): **MIDDLETONS**
(71) Name(s) and Address(s) of Applicant(s):
Fifty-Fourth Rischell Pty Ltd
29 Simmons Street South Yarra Victoria 3141 Australia
(72) Name(s) of Designer(s): **Ty Henschke**
(45) Registration Date: **20 February 2012**
(56) Related Art Documents: **Not Applicable**
(57) Statement of Newness and Distinctiveness: **Nil**



- (21) Design Number: **15436/2011**
(22) Date of Filing Application: **03 June 2011**
(24) Date from which industrial property rights may have effect: **03 June 2011**
(54) Product in respect of which the design is registered: **A shirt**
(51) International Design Classification: **02-02NES**
(74) Name(s) of Attorney(s): **MIDDLETONS**
(71) Name(s) and Address(s) of Applicant(s):
Fifty-Fourth Rischell Pty Ltd
29 Simmons Street South Yarra Victoria 3141 Australia
(72) Name(s) of Designer(s): **Ty Henschke**
(45) Registration Date: **20 February 2012**
(56) Related Art Documents: **Not Applicable**
(57) Statement of Newness and Distinctiveness: **Nil**



- (21) Design Number: **15437/2011**
(22) Date of Filing Application: **03 June 2011**
(24) Date from which industrial property rights may have effect: **03 June 2011**
(54) Product in respect of which the design is registered: **A shirt**
(51) International Design Classification: **02-02NES**
(74) Name(s) of Attorney(s): **MIDDLETONS**
(71) Name(s) and Address(s) of Applicant(s):
Fifty-Fourth Rischell Pty Ltd
29 Simmons Street South Yarra Victoria 3141 Australia
(72) Name(s) of Designer(s): **Ty Henschke**
(45) Registration Date: **20 February 2012**
(56) Related Art Documents: **Not Applicable**
(57) Statement of Newness and Distinctiveness: **Nil**



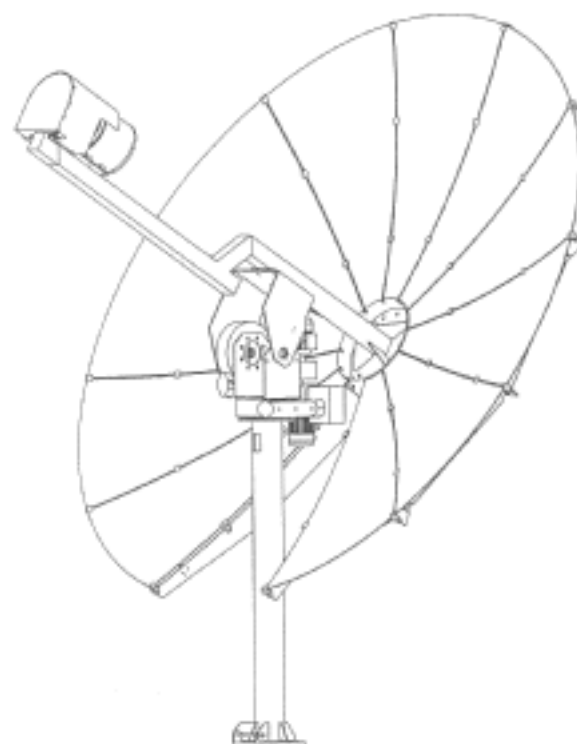
- (21) Design Number: **15438/2011**
(22) Date of Filing Application: **03 June 2011**
(24) Date from which industrial property rights may have effect: **03 June 2011**
(54) Product in respect of which the design is registered: **A shirt**
(51) International Design Classification: **02-02NES**
(74) Name(s) of Attorney(s): **MIDDLETONS**
(71) Name(s) and Address(s) of Applicant(s):
Fifty-Fourth Rischell Pty Ltd
29 Simmons Street South Yarra Victoria 3141 Australia
(72) Name(s) of Designer(s): **Ty Henschke**
(45) Registration Date: **20 February 2012**
(56) Related Art Documents: **Not Applicable**
(57) Statement of Newness and Distinctiveness: **Nil**



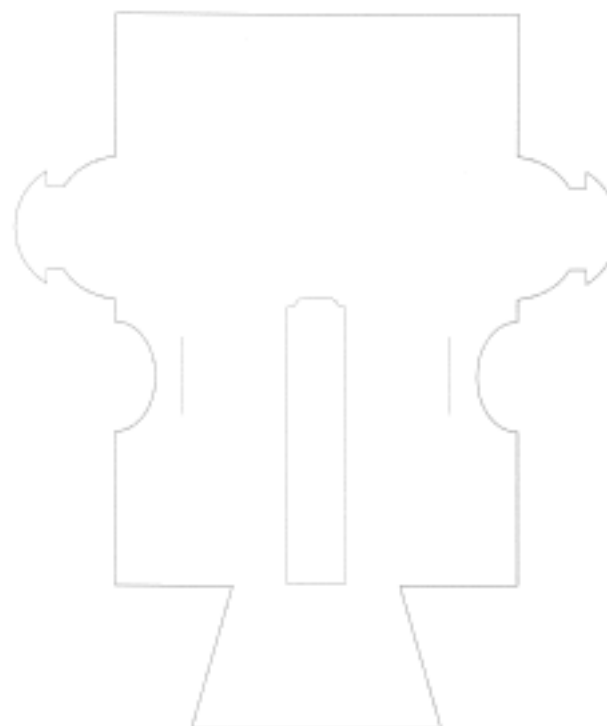
- (21) Design Number: **15439/2011**
(22) Date of Filing Application: **03 June 2011**
(24) Date from which industrial property rights may have effect: **03 June 2011**
(54) Product in respect of which the design is registered: **A shirt**
(51) International Design Classification: **02-02NES**
(74) Name(s) of Attorney(s): **MIDDLETONS**
(71) Name(s) and Address(s) of Applicant(s):
Fifty-Fourth Rischell Pty Ltd
29 Simmons Street South Yarra Victoria 3141 Australia
(72) Name(s) of Designer(s): **Ty Henschke**
(45) Registration Date: **20 February 2012**
(56) Related Art Documents: **Not Applicable**
(57) Statement of Newness and Distinctiveness: **Nil**



(21) Design Number: **15527/2011**
(22) Date of Filing Application: **02 December 2011**
(24) Date from which industrial property rights may have effect: **02 December 2011**
(54) Product in respect of which the design is registered: **Solar energy concentrator**
(51) International Design Classification: **13-99**
(74) Name(s) of Attorney(s): **PHILLIPS ORMONDE FITZPATRICK**
(71) Name(s) and Address(s) of Applicant(s):
Innova Solar Energy S.r.l.
Centro Direzionale DA.MA Scala B Via P.U. Frasca 66100 Chieti Italy
(72) Name(s) of Designer(s): **Luca Laino**
(45) Registration Date: **20 February 2012**
(30) Convention priority data:
(31) Number (32) Date (33) Country
001873340 06 Jun 2011 EUROPEAN COMMUNITY
(56) Related Art Documents: **Not Applicable**
(57) Statement of Newness and Distinctiveness: **Nil**



(21) Design Number: **15606/2011**
(22) Date of Filing Application: **07 December 2011**
(24) Date from which industrial property rights may have effect: **07 December 2011**
(54) Product in respect of which the design is registered: **Wallet billfold**
(51) International Design Classification: **03-01B**
(74) Name(s) of Attorney(s):
(71) Name(s) and Address(s) of Applicant(s):
Jordan Lane
18 Magnolia Street Daisy Hill Queensland 4127 Australia
(72) Name(s) of Designer(s): **Jordan Lane**
(45) Registration Date: **20 February 2012**
(56) Related Art Documents: **Not Applicable**
(57) Statement of Newness and Distinctiveness: **Single piece of material. No stitching. No glue. No hardware. Item held together by slot and tab. Front (card) and back (cash) compartments of equal height.**



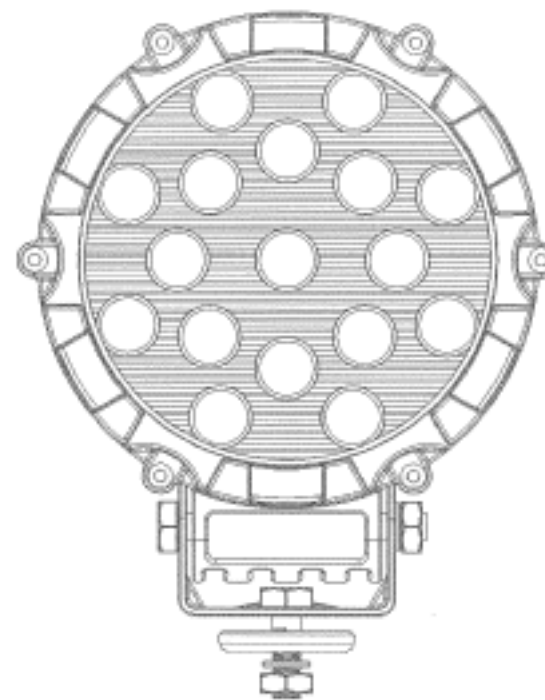
- (21) Design Number: **15713/2011**
(22) Date of Filing Application: **09 December 2011**
(24) Date from which industrial property rights may have effect: **09 December 2011**
(54) Product in respect of which the design is registered: **A roof bracket for installation of solar modules**
(51) International Design Classification: **08-08L**
(74) Name(s) of Attorney(s):
(71) Name(s) and Address(s) of Applicant(s):
Ekkehard Groskreutz
PO Box 133 Woodville South Australia 5011 Australia
(72) Name(s) of Designer(s): **Ekkehard Groskreutz**
(45) Registration Date: **20 February 2012**
(56) Related Art Documents: **Not Applicable**
(57) Statement of Newness and Distinctiveness: **This bracket is made out of one piece without the need to weld. By having the U-shaped void on one long side of the bracket and the equivalent shape protruding on the other side, the protruding piece can be bent to bolt connect to part 2. 5mm thick stainless steel, double adjustable, tiled roof bracket for installation of railing system for solar modules and systems on tiled roof surfaces on commercial and domestic dwellings.**



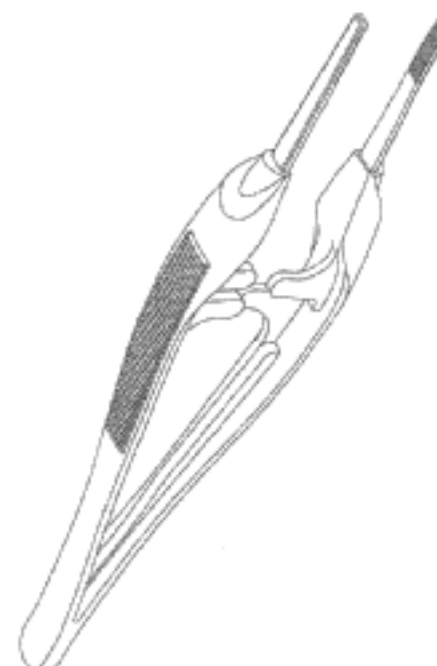
- (21) Design Number: **15973/2011**
(22) Date of Filing Application: **23 December 2011**
(24) Date from which industrial property rights may have effect: **23 December 2011**
(54) Product in respect of which the design is registered: **Drill bit**
(51) International Design Classification: **08-01**
(74) Name(s) of Attorney(s): **Madderns**
(71) Name(s) and Address(s) of Applicant(s):
Sandvik Intellectual Property AB
SE-811 81 Sandviken Sweden
(72) Name(s) of Designer(s): **Raymond Hill**
(45) Registration Date: **20 February 2012**
(56) Related Art Documents: **Not Applicable**
(57) Statement of Newness and Distinctiveness: **Nil**



- (21) Design Number: **15995/2011**
(22) Date of Filing Application: **23 December 2011**
(24) Date from which industrial property rights may have effect: **23 December 2011**
(54) Product in respect of which the design is registered: **Light**
(51) International Design Classification: **26-06**
(74) Name(s) of Attorney(s): **Cotters Patent & Trade Mark Attorneys**
(71) Name(s) and Address(s) of Applicant(s):
S3 Performance Pty Ltd
17 McKeon Road Mitcham Victoria 3132 Australia
(72) Name(s) of Designer(s): **Brendan Hughes**
(45) Registration Date: **20 February 2012**
(56) Related Art Documents: **Not Applicable**
(57) Statement of Newness and Distinctiveness: **Newness and distinctiveness is claimed in the features of shape and/or configuration of a light as depicted in the accompanying drawings.**



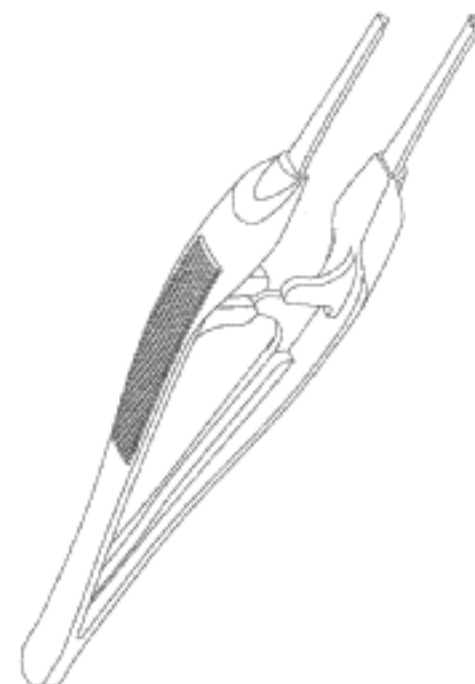
- (21) Design Number: **10091/2012**
(22) Date of Filing Application: **10 January 2012**
(24) Date from which industrial property rights may have effect: **10 January 2012**
(54) Product in respect of which the design is registered: **Forceps**
(51) International Design Classification: **24-02**
(74) Name(s) of Attorney(s): **Chrysiliou IP**
(71) Name(s) and Address(s) of Applicant(s):
Multigate Medical Products Pty Limited
11-17 Nelson Road Yennora New South Wales 2161 Australia
(72) Name(s) of Designer(s): **Ben Chen**
(45) Registration Date: **20 February 2012**
(56) Related Art Documents: **Not Applicable**
(57) Statement of Newness and Distinctiveness: **Nil**



(21) Design Number: **10092/2012**
(22) Date of Filing Application: **10 January 2012**
(24) Date from which industrial property rights may have effect: **10 January 2012**
(54) Product in respect of which the design is registered: **Needle holder**
(51) International Design Classification: **24-02**
(74) Name(s) of Attorney(s): **Chrysiliou IP**
(71) Name(s) and Address(s) of Applicant(s):
Multigate Medical Products Pty Limited
11-17 Nelson Road Yennora New South Wales 2161 Australia
(72) Name(s) of Designer(s): **Ben Chen**
(45) Registration Date: **20 February 2012**
(56) Related Art Documents: **Not Applicable**
(57) Statement of Newness and Distinctiveness: **Nil**



(21) Design Number: **10094/2012**
(22) Date of Filing Application: **10 January 2012**
(24) Date from which industrial property rights may have effect: **10 January 2012**
(54) Product in respect of which the design is registered: **Tooth forceps**
(51) International Design Classification: **24-02**
(74) Name(s) of Attorney(s): **Chrysiliou IP**
(71) Name(s) and Address(s) of Applicant(s):
Multigate Medical Products Pty Limited
11-17 Nelson Road Yennora New South Wales 2161 Australia
(72) Name(s) of Designer(s): **Ben Chen**
(45) Registration Date: **20 February 2012**
(56) Related Art Documents: **Not Applicable**
(57) Statement of Newness and Distinctiveness: **Nil**



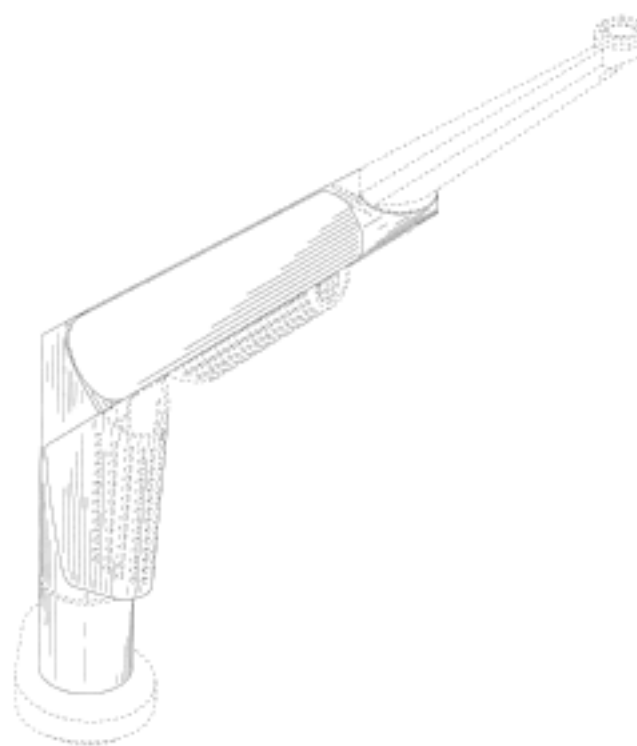
- (21) Design Number: **10098/2012**
(22) Date of Filing Application: **13 January 2012**
(24) Date from which industrial property rights may have effect: **13 January 2012**
(54) Product in respect of which the design is registered: **Women's Clothing**
(51) International Design Classification: **02-02C**
(74) Name(s) of Attorney(s):
(71) Name(s) and Address(s) of Applicant(s):
Dianna M. Kovacevic
69-71 Church Street Wollongong New South Wales 2500 Australia
(72) Name(s) of Designer(s): **Dianna Marjana Kovacevic**
(45) Registration Date: **20 February 2012**
(56) Related Art Documents: **Not Applicable**
(57) Statement of Newness and Distinctiveness: **Skirt has wrap/shawl attached.**



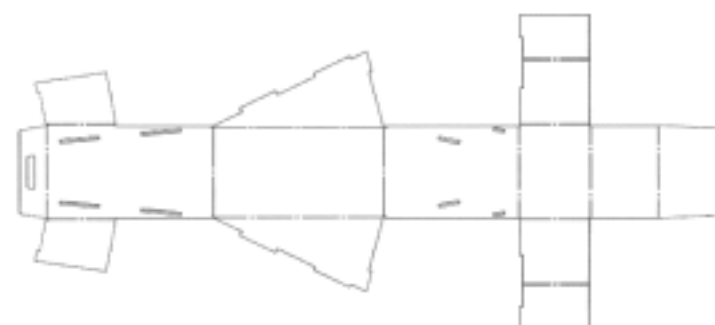
- (21) Design Number: **10097/2012**
(22) Date of Filing Application: **13 January 2012**
(24) Date from which industrial property rights may have effect: **13 January 2012**
(54) Product in respect of which the design is registered: **Women's Clothing**
(51) International Design Classification: **02-02C**
(74) Name(s) of Attorney(s):
(71) Name(s) and Address(s) of Applicant(s):
Dianna M. Kovacevic
69-71 Church Street Wollongong New South Wales 2500 Australia
(72) Name(s) of Designer(s): **Dianna Marjana Kovacevic**
(45) Registration Date: **20 February 2012**
(56) Related Art Documents: **Not Applicable**
(57) Statement of Newness and Distinctiveness: **Skirt has wrap/shawl attached.**



- (21) Design Number: **10165/2012**
(22) Date of Filing Application: **16 January 2012**
(24) Date from which industrial property rights may have effect: **16 January 2012**
(54) Product in respect of which the design is registered: **An articulating arm**
(51) International Design Classification: **06-06NES**
(74) Name(s) of Attorney(s): **Fraser Old & Sohn**
(71) Name(s) and Address(s) of Applicant(s):
Innovative Office Products, Inc.
100 Kuebler Road Easton Pennsylvania 18040 United States of America
(72) Name(s) of Designer(s): **Odd N. Oddsen Jr. and Stephen J. Bowman and David VanDuzer and Bradley A. Derry**
(45) Registration Date: **20 February 2012**
(30) Convention priority data:
(31) Number (32) Date (33) Country
29/401,571 13 Sep 2011 UNITED STATES OF AMERICA
(56) Related Art Documents: **Not Applicable**
(57) Statement of Newness and Distinctiveness: **Newness and distinctiveness is claimed in respect of the shape and/or configuration of the product illustrated in the accompanying representations. In the representations the portions illustrated by solid lines are claimed subject matter whilst the portions illustrated by broken lines are unclaimed subject matter and are included for the purpose of illustrating environmental subject matter only. In carrying out a consideration in accordance with Section 19 the shape and/or configuration of the claimed subject matter is to be considered whilst the shape and/or configuration of the unclaimed matter forms no part of the claimed design.**



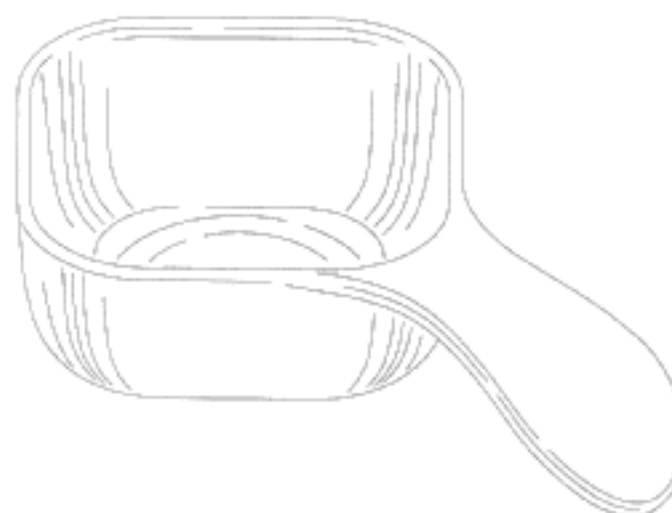
- (21) Design Number: **10220/2012**
(22) Date of Filing Application: **19 January 2012**
(24) Date from which industrial property rights may have effect: **19 January 2012**
(54) Product in respect of which the design is registered: **Blank for forming a seat**
(51) International Design Classification: **06-01H**
(74) Name(s) of Attorney(s): **Baxter IP**
(71) Name(s) and Address(s) of Applicant(s):
Courtney Dober
2 Hansford Parade Bilgola Plateau New South Wales 2107 Australia
Gabriel Colello
19 Central Road Avalon New South Wales 2107 Australia
(72) Name(s) of Designer(s): **Courtney Dober and Gabriel Colello**
(45) Registration Date: **20 February 2012**
(56) Related Art Documents: **Not Applicable**
(57) Statement of Newness and Distinctiveness: **Newness and distinctiveness resides in the features of the shape and/or configuration of the blank for forming a seat as shown in the accompanying representations.**



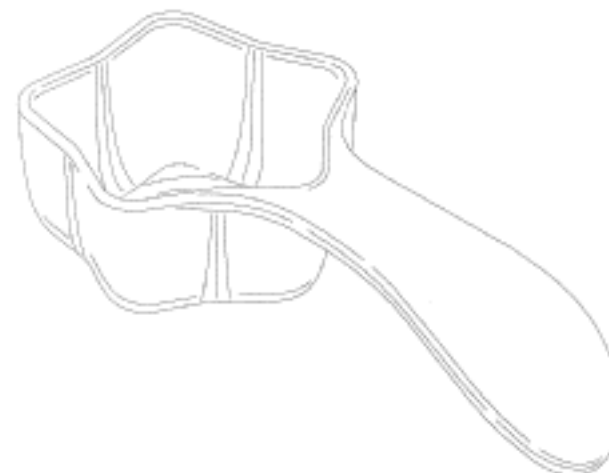
- (21) Design Number: **10212/2012**
(22) Date of Filing Application: **17 January 2012**
(24) Date from which industrial property rights may have effect: **17 January 2012**
(54) Product in respect of which the design is registered: **Fragrance diffuser packaging**
(51) International Design Classification: **09-03M**
(74) Name(s) of Attorney(s):
(71) Name(s) and Address(s) of Applicant(s):
Chapelsmith Pty Ltd
15-17 Lincoln Square Carlton South Victoria 3053 Australia
(72) Name(s) of Designer(s): **Helen Armstrong**
(45) Registration Date: **20 February 2012**
(56) Related Art Documents: **Not Applicable**
(57) Statement of Newness and Distinctiveness: **Novelty resides in the clear triangular panel and corresponding cardboard surrounds and the ribbon closure. The colour of the cardboard and ribbon closure may vary. The text on the right side, left side and bottom of the product do not form part of the claimed design.**



- (21) Design Number: **10368/2012**
(22) Date of Filing Application: **25 January 2012**
(24) Date from which industrial property rights may have effect: **25 January 2012**
(54) Product in respect of which the design is registered: **Measuring cup**
(51) International Design Classification: **10-04**
(74) Name(s) of Attorney(s): **PHILLIPS ORMONDE FITZPATRICK**
(71) Name(s) and Address(s) of Applicant(s):
Dart Industries Inc.
14901 S. Orange Blossom Trail Orlando Florida 32837 United States of America
(72) Name(s) of Designer(s): **Anthony M. De Leo**
(45) Registration Date: **20 February 2012**
(30) Convention priority data:
(31) Number (32) Date (33) Country
29/374,370 04 Aug 2011 UNITED STATES OF AMERICA
(56) Related Art Documents: **Not Applicable**
(57) Statement of Newness and Distinctiveness: **Those features of the measuring cup depicted in the representations that are new and distinctive are the shape and/or configuration.**

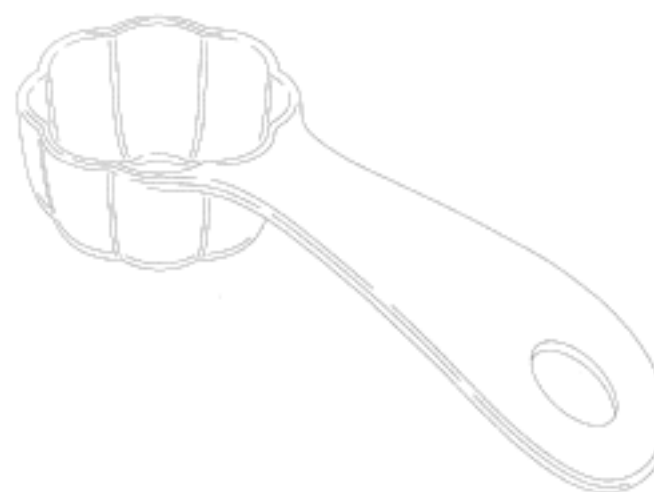


(21) Design Number: **10369/2012**
(22) Date of Filing Application: **25 January 2012**
(24) Date from which industrial property rights may have effect: **25 January 2012**
(54) Product in respect of which the design is registered: **Measuring cup**
(51) International Design Classification: **10-04**
(74) Name(s) of Attorney(s): **PHILLIPS ORMONDE FITZPATRICK**
(71) Name(s) and Address(s) of Applicant(s):
Dart Industries Inc.
14901 S. Orange Blossom Trail Orlando Florida 32837 United States of America



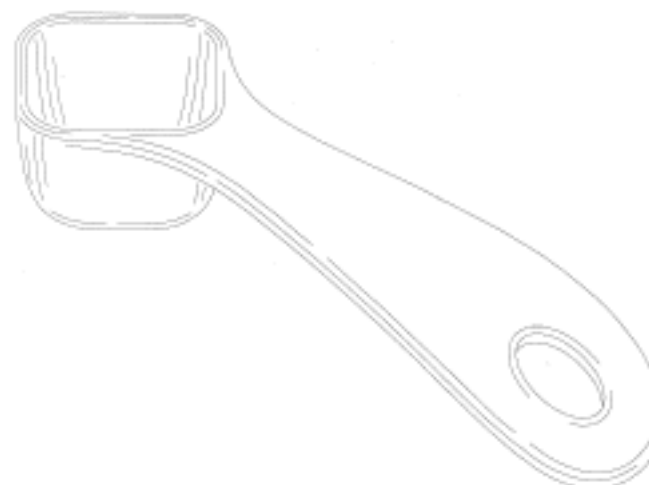
(72) Name(s) of Designer(s): **Anthony M. De Leo**
(45) Registration Date: **20 February 2012**
(30) Convention priority data:
(31) Number (32) Date (33) Country
29/374,370 04 Aug 2011 UNITED STATES OF AMERICA
(56) Related Art Documents: **Not Applicable**
(57) Statement of Newness and Distinctiveness: **Those features of the measuring cup depicted in the representations that are new and distinctive are the shape and/or configuration.**

(21) Design Number: **10370/2012**
(22) Date of Filing Application: **25 January 2012**
(24) Date from which industrial property rights may have effect: **25 January 2012**
(54) Product in respect of which the design is registered: **Measuring spoon**
(51) International Design Classification: **10-04**
(74) Name(s) of Attorney(s): **PHILLIPS ORMONDE FITZPATRICK**
(71) Name(s) and Address(s) of Applicant(s):
Dart Industries Inc.
14901 S. Orange Blossom Trail Orlando Florida 32837 United States of America



(72) Name(s) of Designer(s): **Anthony M. De Leo**
(45) Registration Date: **20 February 2012**
(30) Convention priority data:
(31) Number (32) Date (33) Country
29/374,371 04 Aug 2011 UNITED STATES OF AMERICA
(56) Related Art Documents: **Not Applicable**
(57) Statement of Newness and Distinctiveness: **Those features of the measuring spoon depicted in the representations that are new and distinctive are the shape and/or configuration.**

(21) Design Number: **10371/2012**
(22) Date of Filing Application: **25 January 2012**
(24) Date from which industrial property rights may have effect: **25 January 2012**
(54) Product in respect of which the design is registered: **Measuring spoon**
(51) International Design Classification: **10-04**
(74) Name(s) of Attorney(s): **PHILLIPS ORMONDE FITZPATRICK**
(71) Name(s) and Address(s) of Applicant(s):
Dart Industries Inc.
14901 S. Orange Blossom Trail Orlando Florida 32837 United States of America



(72) Name(s) of Designer(s): **Anthony M. De Leo**
(45) Registration Date: **20 February 2012**
(30) Convention priority data:
(31) Number (32) Date (33) Country
29/374,371 04 Aug 2011 UNITED STATES OF AMERICA
(56) Related Art Documents: **Not Applicable**
(57) Statement of Newness and Distinctiveness: **Those features of the measuring spoon depicted in the representations that are new and distinctive are the shape and/or configuration.**

(21) Design Number: **10372/2012**
(22) Date of Filing Application: **25 January 2012**
(24) Date from which industrial property rights may have effect: **25 January 2012**
(54) Product in respect of which the design is registered: **Knife sharpener**
(51) International Design Classification: **08-05H**
(74) Name(s) of Attorney(s): **PHILLIPS ORMONDE FITZPATRICK**
(71) Name(s) and Address(s) of Applicant(s):
Dart Industries Inc.
14901 S. Orange Blossom Trail Orlando Florida 32837 United States of America



(72) Name(s) of Designer(s): **Vincent Jalet and Simone Pallotto**
(45) Registration Date: **20 February 2012**
(30) Convention priority data:
(31) Number (32) Date (33) Country
29/374,372 04 Aug 2011 UNITED STATES OF AMERICA
(56) Related Art Documents: **Not Applicable**
(57) Statement of Newness and Distinctiveness: **Those features of the knife sharpener depicted in the representations that are new and distinctive are the shape and/or configuration.**

(21) Design Number: **10373/2012**

(22) Date of Filing Application: **25 January 2012**

(24) Date from which industrial property rights may have effect: **25 January 2012**

(54) Product in respect of which the design is registered: **Knife sharpener**

(51) International Design Classification: **08-05H**

(74) Name(s) of Attorney(s): **PHILLIPS ORMONDE FITZPATRICK**

(71) Name(s) and Address(s) of Applicant(s):

Dart Industries Inc.

14901 S. Orange Blossom Trail Orlando Florida 32837 United States of America

(72) Name(s) of Designer(s): **Vincent Jalet and Simone Pallotto**

(45) Registration Date: **20 February 2012**

(30) Convention priority data:

(31) Number	(32) Date	(33) Country
29/374,372	04 Aug 2011	UNITED STATES OF AMERICA

(56) Related Art Documents: **Not Applicable**

(57) Statement of Newness and Distinctiveness: **Those features of the knife sharpener depicted in the representations that are new and distinctive are the shape and/or configuration.**



(21) Design Number: **10374/2012**

(22) Date of Filing Application: **25 January 2012**

(24) Date from which industrial property rights may have effect: **25 January 2012**

(54) Product in respect of which the design is registered: **Measuring spoon**

(51) International Design Classification: **10-04**

(74) Name(s) of Attorney(s): **PHILLIPS ORMONDE FITZPATRICK**

(71) Name(s) and Address(s) of Applicant(s):

Dart Industries Inc.

14901 S. Orange Blossom Trail Orlando Florida 32837 United States of America

(72) Name(s) of Designer(s): **Anthony M. De Leo**

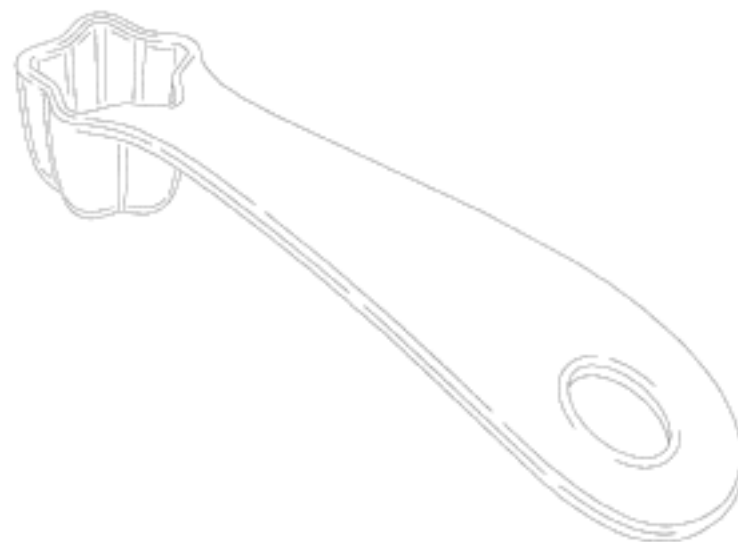
(45) Registration Date: **20 February 2012**

(30) Convention priority data:

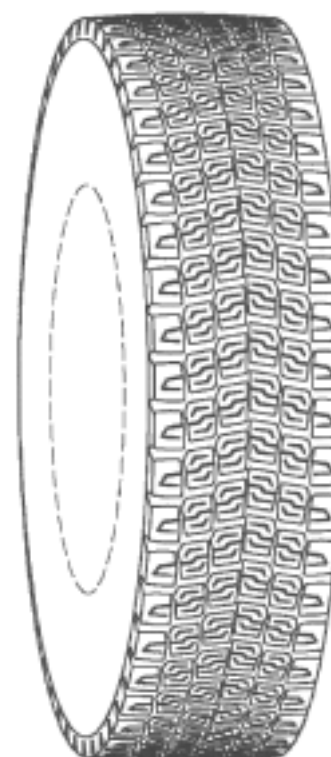
(31) Number	(32) Date	(33) Country
29/374,371	04 Aug 2011	UNITED STATES OF AMERICA

(56) Related Art Documents: **Not Applicable**

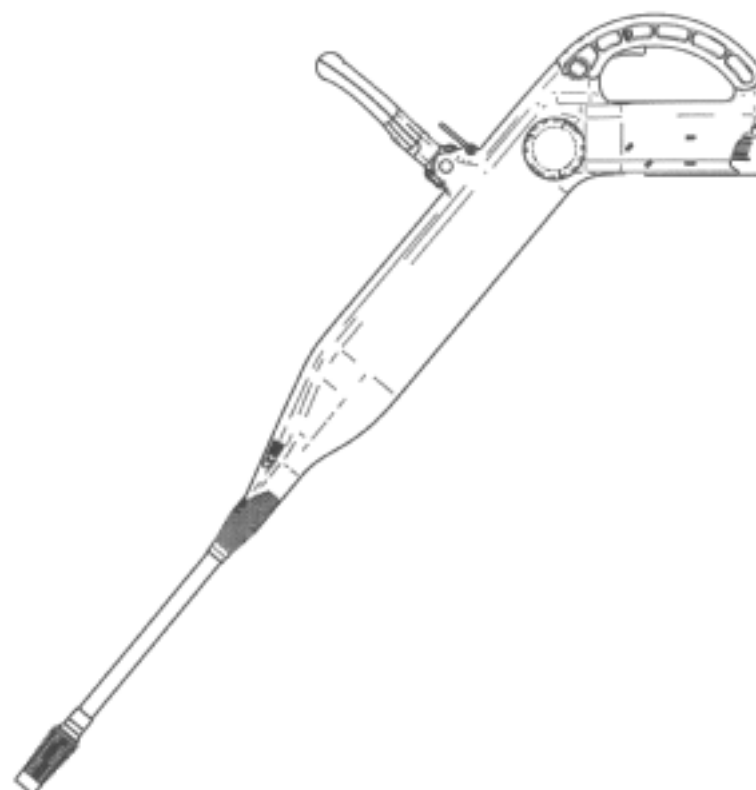
(57) Statement of Newness and Distinctiveness: **Those features of the measuring spoon depicted in the representations that are new and distinctive are the shape and/or configuration.**



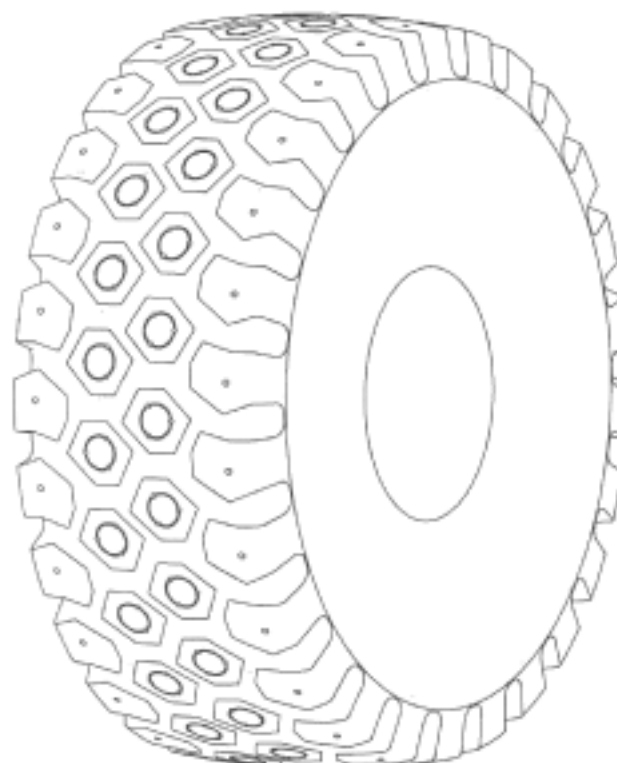
- (21) Design Number: **10375/2012**
(22) Date of Filing Application: **30 January 2012**
(24) Date from which industrial property rights may have effect: **30 January 2012**
(54) Product in respect of which the design is registered: **A tyre**
(51) International Design Classification: **12-15C**
(74) Name(s) of Attorney(s): **WATERMARK PATENT AND TRADE MARKS ATTORNEYS**
(71) Name(s) and Address(s) of Applicant(s):
Societe De Technologie Michelin
23 rue Breschet F-63000 Clermont-Ferrand Cedex France
Michelin Recherche et Technique S.A.
Route Louis Braille 10 et 12 CH-1763 Granges-Paccot Switzerland
(72) Name(s) of Designer(s): **Richard Audigier and Pascal Falempin and Mathieu Vandaele**
(45) Registration Date: **20 February 2012**
(30) Convention priority data:
(31) Number (32) Date (33) Country
11/3831 01 Aug 2011 FRANCE
(56) Related Art Documents: **Not Applicable**
(57) Statement of Newness and Distinctiveness: **Newness and distinctiveness resides in the appearance of the tread region of the tyre, the remainder of the tyre not forming part of the design.**



- (21) Design Number: **10376/2012**
(22) Date of Filing Application: **30 January 2012**
(24) Date from which industrial property rights may have effect: **30 January 2012**
(54) Product in respect of which the design is registered: **Hot foam weeder wand**
(51) International Design Classification: **08-05NES**
(74) Name(s) of Attorney(s): **WATERMARK PATENT AND TRADE MARKS ATTORNEYS**
(71) Name(s) and Address(s) of Applicant(s):
Weeding Technologies Limited
2 Fitzhardinge Street London W1H 6EE United Kingdom
(72) Name(s) of Designer(s): **Richard Hobbs and Jason Morehen**
(45) Registration Date: **20 February 2012**
(30) Convention priority data:
(31) Number (32) Date (33) Country
001897893 28 Jul 2011 EUROPEAN COMMUNITY
(56) Related Art Documents: **Not Applicable**
(57) Statement of Newness and Distinctiveness: **Nil**



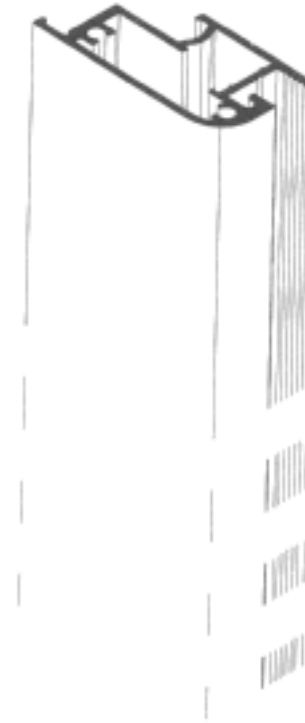
- (21) Design Number: **10377/2012**
(22) Date of Filing Application: **30 January 2012**
(24) Date from which industrial property rights may have effect: **30 January 2012**
(54) Product in respect of which the design is registered: **A tyre**
(51) International Design Classification: **12-15C**
(74) Name(s) of Attorney(s): **WATERMARK PATENT AND TRADE MARKS ATTORNEYS**
(71) Name(s) and Address(s) of Applicant(s):
Societe De Technologie Michelin
23 rue Breschet F-63000 Clermont-Ferrand Cedex France
Michelin Recherche et Technique S.A.
Route Louis Braille 10 et 12 CH-1763 Granges-Paccot Switzerland
(72) Name(s) of Designer(s): **Dominique Chauvin and Arnaud Larregain**
(45) Registration Date: **20 February 2012**
(30) Convention priority data:
(31) Number (32) Date (33) Country
11/3832 01 Aug 2011 FRANCE
(56) Related Art Documents: **Not Applicable**
(57) Statement of Newness and Distinctiveness: **Newness and distinctiveness resides in the appearance of the tread region of the tyre, the remainder of the tyre not forming part of the design.**



- (21) Design Number: **10383/2012**
(22) Date of Filing Application: **27 January 2012**
(24) Date from which industrial property rights may have effect: **27 January 2012**
(54) Product in respect of which the design is registered: **A profile**
(51) International Design Classification: **25-01K**
(74) Name(s) of Attorney(s): **Griffith Hack**
(71) Name(s) and Address(s) of Applicant(s):
Capral Limited
151 Barry Road Campbellfield Victoria 3061 Australia
(72) Name(s) of Designer(s): **Matthew Charles de Rosayro**
(45) Registration Date: **20 February 2012**
(56) Related Art Documents: **Not Applicable**
(57) Statement of Newness and Distinctiveness: **Newness and distinctiveness is claimed in the shape and configuration of a profile as illustrated in the drawings, which is of indefinite length.**



- (21) Design Number: **10384/2012**
(22) Date of Filing Application: **27 January 2012**
(24) Date from which industrial property rights may have effect: **27 January 2012**
(54) Product in respect of which the design is registered: **A profile**
(51) International Design Classification: **25-01K**
(74) Name(s) of Attorney(s): **Griffith Hack**
(71) Name(s) and Address(s) of Applicant(s):
Capral Limited
151 Barry Road Campbellfield Victoria 3061 Australia
(72) Name(s) of Designer(s): **Matthew Charles de Rosayro**
(45) Registration Date: **20 February 2012**
(56) Related Art Documents: **Not Applicable**
(57) Statement of Newness and Distinctiveness: **Newness and distinctiveness is claimed in the shape and configuration of a profile as illustrated in the drawings, which is of indefinite length.**



- (21) Design Number: **10385/2012**
(22) Date of Filing Application: **27 January 2012**
(24) Date from which industrial property rights may have effect: **27 January 2012**
(54) Product in respect of which the design is registered: **A profile**
(51) International Design Classification: **25-01K**
(74) Name(s) of Attorney(s): **Griffith Hack**
(71) Name(s) and Address(s) of Applicant(s):
Capral Limited
151 Barry Road Campbellfield Victoria 3061 Australia
(72) Name(s) of Designer(s): **Matthew Charles de Rosayro**
(45) Registration Date: **20 February 2012**
(56) Related Art Documents: **Not Applicable**
(57) Statement of Newness and Distinctiveness: **Newness and distinctiveness is claimed in the shape and configuration of a profile as illustrated in the drawings, which is of indefinite length.**



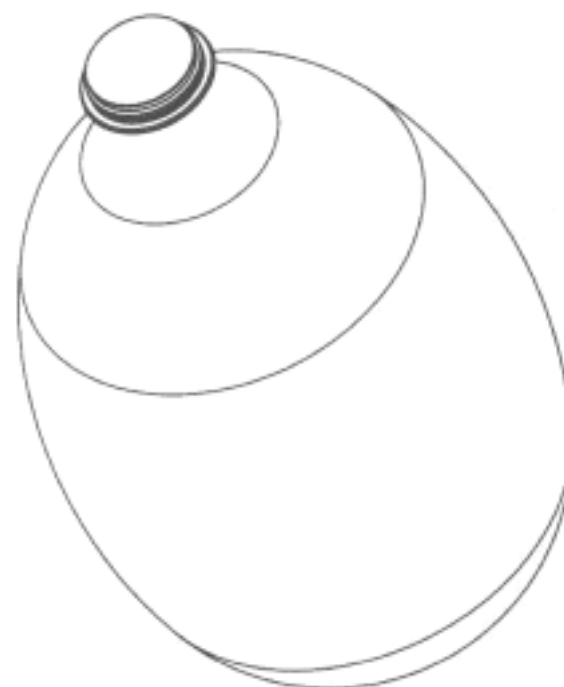
- (21) Design Number: **10386/2012**
(22) Date of Filing Application: **27 January 2012**
(24) Date from which industrial property rights may have effect: **27 January 2012**
(54) Product in respect of which the design is registered: **A profile**
(51) International Design Classification: **25-01K**
(74) Name(s) of Attorney(s): **Griffith Hack**
(71) Name(s) and Address(s) of Applicant(s):
Capral Limited
151 Barry Road Campbellfield Victoria 3061 Australia
(72) Name(s) of Designer(s): **Benjamin Ian Tilley**
(45) Registration Date: **20 February 2012**
(56) Related Art Documents: **Not Applicable**
(57) Statement of Newness and Distinctiveness: **Newness and distinctiveness is claimed in the shape and configuration of a profile as illustrated in the drawings, which is of indefinite length.**



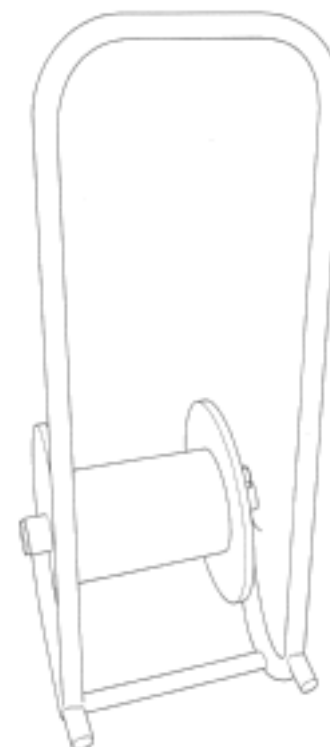
- (21) Design Number: **10387/2012**
(22) Date of Filing Application: **27 January 2012**
(24) Date from which industrial property rights may have effect: **27 January 2012**
(54) Product in respect of which the design is registered: **A profile**
(51) International Design Classification: **25-01K**
(74) Name(s) of Attorney(s): **Griffith Hack**
(71) Name(s) and Address(s) of Applicant(s):
Capral Limited
151 Barry Road Campbellfield Victoria 3061 Australia
(72) Name(s) of Designer(s): **Benjamin Ian Tilley**
(45) Registration Date: **20 February 2012**
(56) Related Art Documents: **Not Applicable**
(57) Statement of Newness and Distinctiveness: **Newness and distinctiveness is claimed in the shape and configuration of a profile as illustrated in the drawings, which is of indefinite length.**



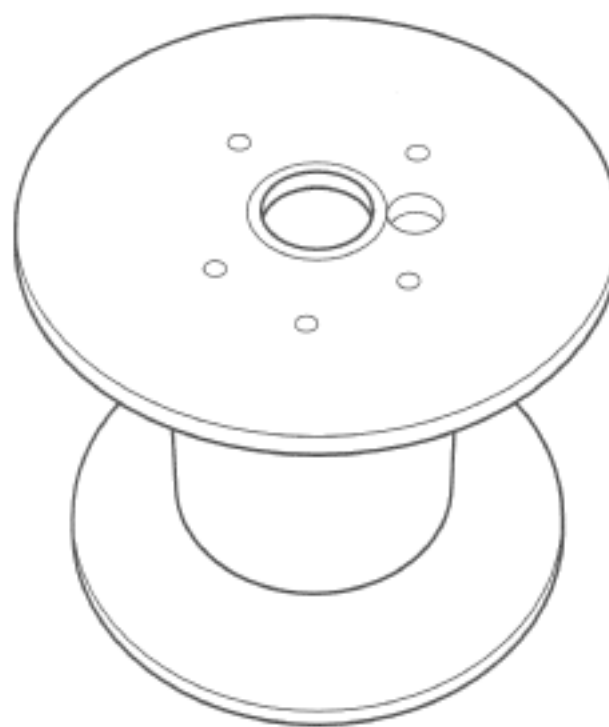
(21) Design Number: **14960/2011**
(22) Date of Filing Application: **04 November 2011**
(24) Date from which industrial property rights may have effect: **04 November 2011**
(54) Product in respect of which the design is registered: **High pressure container**
(51) International Design Classification: **09-01NES, 09-02NES**
(74) Name(s) of Attorney(s): **Tatlocks Chrysiliou IP**
(71) Name(s) and Address(s) of Applicant(s):
Petainer Lidkoping AB
Box 902 SE-53119 Lidkoping Sweden
(72) Name(s) of Designer(s): **Mikael Quasters**
(45) Registration Date: **21 February 2012**
(30) Convention priority data:
(31) Number (32) Date (33) Country
001859786-0002 05 May 2011 EUROPEAN COMMUNITY
(56) Related Art Documents: **Not Applicable**
(57) Statement of Newness and Distinctiveness: **Newness and distinctiveness is claimed in the features of shape and/or configuration of a high pressure container as illustrated in the accompanying representations.**



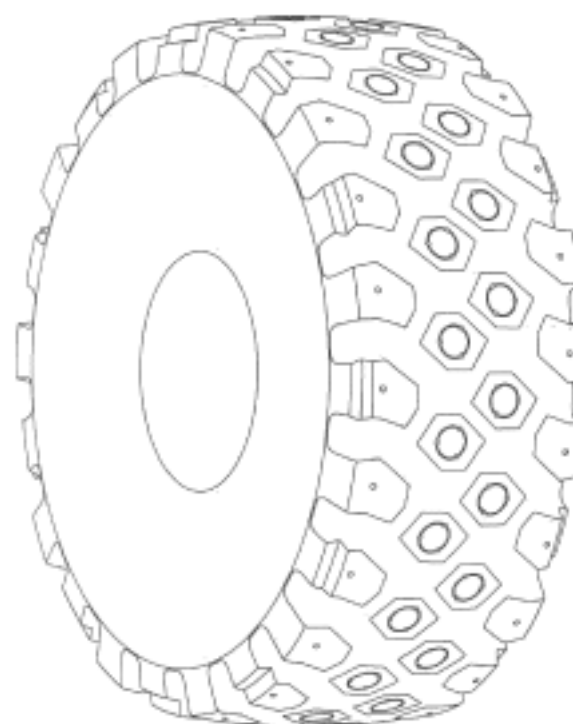
(21) Design Number: **15530/2011**
(22) Date of Filing Application: **06 December 2011**
(24) Date from which industrial property rights may have effect: **06 December 2011**
(54) Product in respect of which the design is registered: **A frame for reel or spool**
(51) International Design Classification: **12-02**
(74) Name(s) of Attorney(s): **Wrays**
(71) Name(s) and Address(s) of Applicant(s):
Southern Wire Pty Ltd
311 Collier Road Bassendean Western Australia 6054 Australia
(72) Name(s) of Designer(s): **Jerry Trevor Sivewright**
(45) Registration Date: **21 February 2012**
(56) Related Art Documents: **Not Applicable**
(57) Statement of Newness and Distinctiveness: **Newness and distinctiveness is claimed in the features of shape and/or configuration of a frame for reel or spool as shown in the accompanying representations. The frame for reel or spool is used to receive and locate a reel or spool from which a product may be dispensed. No monopoly is claimed in the reel shown in use with the frame for reel or spool in a number of the accompanying representations.**



- (21) Design Number: **15531/2011**
(22) Date of Filing Application: **06 December 2011**
(24) Date from which industrial property rights may have effect: **06 December 2011**
(54) Product in respect of which the design is registered: **Wire reel**
(51) International Design Classification: **08-99**
(74) Name(s) of Attorney(s): **Wrays**
(71) Name(s) and Address(s) of Applicant(s):
Southern Wire Pty Ltd
311 Collier Road Bassendean Western Australia 6054 Australia
(72) Name(s) of Designer(s): **Jerry Trevor Sivewright**
(45) Registration Date: **21 February 2012**
(56) Related Art Documents: **Not Applicable**
(57) Statement of Newness and Distinctiveness: **Newness and distinctiveness is claimed in the features of shape and/or configuration of a wire reel as shown in the accompanying representations. No monopoly is claimed in the wire shown wound around the wire reel.**



- (21) Design Number: **10378/2012**
(22) Date of Filing Application: **30 January 2012**
(24) Date from which industrial property rights may have effect: **30 January 2012**
(54) Product in respect of which the design is registered: **A tyre**
(51) International Design Classification: **12-15C**
(74) Name(s) of Attorney(s): **WATERMARK PATENT AND TRADE MARKS ATTORNEYS**
(71) Name(s) and Address(s) of Applicant(s):
Societe De Technologie Michelin
23 rue Breschet F-63000 Clermont-Ferrand Cedex France
Michelin Recherche et Technique S.A.
Route Louis-Braille 10 et 12 CH-1763 Granges-Paccot Switzerland
(72) Name(s) of Designer(s): **Dominique Chauvin and Arnaud Larregain**
(45) Registration Date: **21 February 2012**
(30) Convention priority data:
(31) Number (32) Date (33) Country
11/3829 01 Aug 2011 FRANCE
(56) Related Art Documents: **Not Applicable**
(57) Statement of Newness and Distinctiveness: **Newness and distinctiveness resides in the appearance of the tread region of the tyre, the remainder of the tyre not forming part of the design.**



(21) Design Number: **10379/2012**

(22) Date of Filing Application: **27 January 2012**

(24) Date from which industrial property rights may have effect: **27 January 2012**

(54) Product in respect of which the design is registered: **A profile**

(51) International Design Classification: **25-01K**

(74) Name(s) of Attorney(s): **Griffith Hack**

(71) Name(s) and Address(s) of Applicant(s):

Capral Limited

151 Barry Road Campbellfield Victoria 3061 Australia

(72) Name(s) of Designer(s): **Catherine Nelson**

(45) Registration Date: **21 February 2012**

(56) Related Art Documents: **Not Applicable**

(57) Statement of Newness and Distinctiveness: **Newness and distinctiveness is claimed in the shape and configuration of a profile as illustrated in the drawings, which is of indefinite length.**



(21) Design Number: **10380/2012**

(22) Date of Filing Application: **27 January 2012**

(24) Date from which industrial property rights may have effect: **27 January 2012**

(54) Product in respect of which the design is registered: **A profile**

(51) International Design Classification: **25-01K**

(74) Name(s) of Attorney(s): **Griffith Hack**

(71) Name(s) and Address(s) of Applicant(s):

Capral Limited

151 Barry Road Campbellfield Victoria 3061 Australia

(72) Name(s) of Designer(s): **Catherine Nelson**

(45) Registration Date: **21 February 2012**

(56) Related Art Documents: **Not Applicable**

(57) Statement of Newness and Distinctiveness: **Newness and distinctiveness is claimed in the shape and configuration of a profile as illustrated in the drawings, which is of indefinite length.**



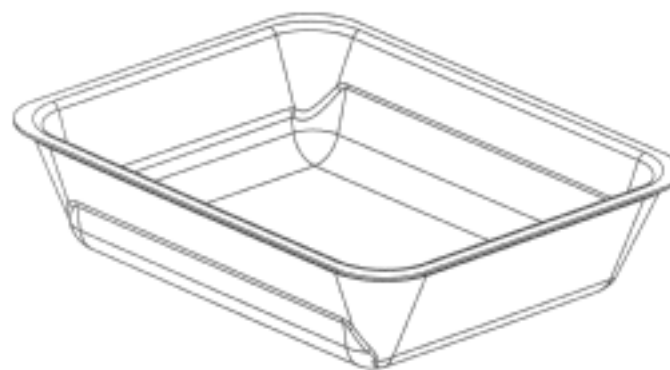
- (21) Design Number: **10381/2012**
(22) Date of Filing Application: **27 January 2012**
(24) Date from which industrial property rights may have effect: **27 January 2012**
(54) Product in respect of which the design is registered: **A profile**
(51) International Design Classification: **25-01K**
(74) Name(s) of Attorney(s): **Griffith Hack**
(71) Name(s) and Address(s) of Applicant(s):
Capral Limited
151 Barry Road Campbellfield Victoria 3061 Australia
(72) Name(s) of Designer(s): **Catherine Nelson**
(45) Registration Date: **21 February 2012**
(56) Related Art Documents: **Not Applicable**
(57) Statement of Newness and Distinctiveness: **Newness and distinctiveness is claimed in the shape and configuration of a profile as illustrated in the drawings, which is of indefinite length.**



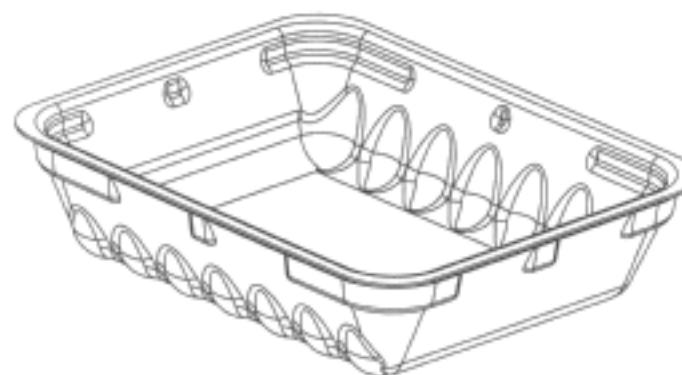
- (21) Design Number: **10382/2012**
(22) Date of Filing Application: **27 January 2012**
(24) Date from which industrial property rights may have effect: **27 January 2012**
(54) Product in respect of which the design is registered: **A profile**
(51) International Design Classification: **25-01K**
(74) Name(s) of Attorney(s): **Griffith Hack**
(71) Name(s) and Address(s) of Applicant(s):
Capral Limited
151 Barry Road Campbellfield Victoria 3061 Australia
(72) Name(s) of Designer(s): **Matthew Charles de Rosayro**
(45) Registration Date: **21 February 2012**
(56) Related Art Documents: **Not Applicable**
(57) Statement of Newness and Distinctiveness: **Newness and distinctiveness is claimed in the shape and configuration of a profile as illustrated in the drawings, which is of indefinite length.**



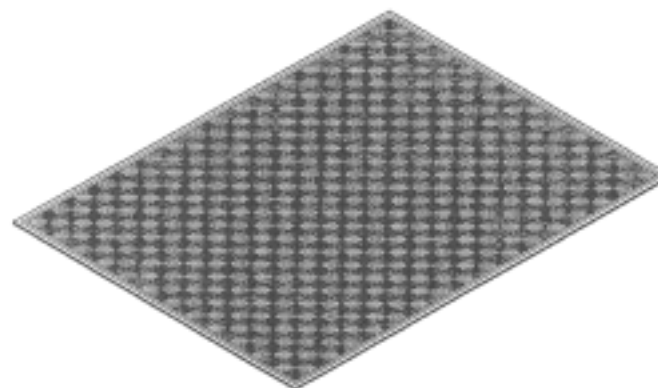
- (21) Design Number: **14645/2011**
(22) Date of Filing Application: **13 October 2011**
(24) Date from which industrial property rights may have effect: **13 October 2011**
(54) Product in respect of which the design is registered: **A tray**
(51) International Design Classification: **09-03F**
(74) Name(s) of Attorney(s): **WATERMARK PATENT AND TRADE MARKS ATTORNEYS**
(71) Name(s) and Address(s) of Applicant(s):
Alto Packaging Limited
Level 6 LJ Hooker House 57-59 Symonds Street Auckland New Zealand
(72) Name(s) of Designer(s): **Ritchie John Williams**
(45) Registration Date: **21 February 2012**
(56) Related Art Documents: **Not Applicable**
(57) Statement of Newness and Distinctiveness: **Newness and distinctiveness resides in the tray's side wall regions of reduced thickness as shown in the accompanying drawings, in particular Section A-A and Section B-B views.**



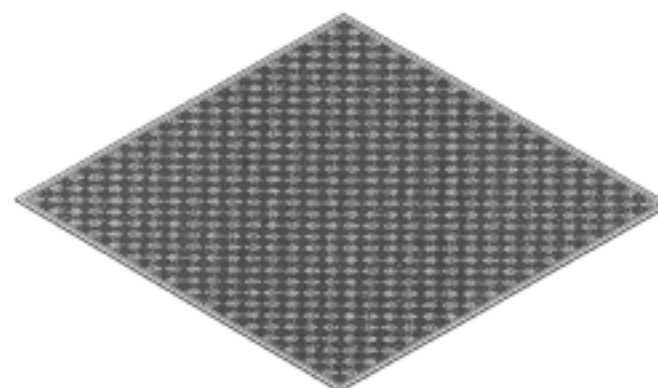
- (21) Design Number: **14646/2011**
(22) Date of Filing Application: **13 October 2011**
(24) Date from which industrial property rights may have effect: **13 October 2011**
(54) Product in respect of which the design is registered: **A tray**
(51) International Design Classification: **09-03F**
(74) Name(s) of Attorney(s): **WATERMARK PATENT AND TRADE MARKS ATTORNEYS**
(71) Name(s) and Address(s) of Applicant(s):
Alto Packaging Limited
Level 6 LJ Hooker House 57-59 Symonds Street Auckland New Zealand
(72) Name(s) of Designer(s): **Ritchie John Williams**
(45) Registration Date: **21 February 2012**
(56) Related Art Documents: **Not Applicable**
(57) Statement of Newness and Distinctiveness: **Newness and distinctiveness resides in the tray's side wall regions of reduced thickness as shown in the accompanying drawings, in particular Section A-A and Section B-B views.**



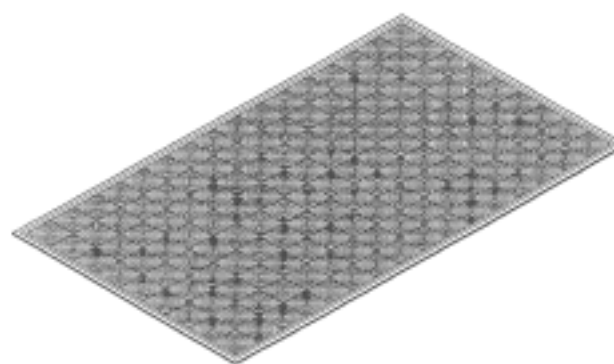
- (21) Design Number: **15662/2011**
(22) Date of Filing Application: **09 December 2011**
(24) Date from which industrial property rights may have effect: **09 December 2011**
(54) Product in respect of which the design is registered: **Condensing lens plate**
(51) International Design Classification: **23-03D**
(74) Name(s) of Attorney(s): **SPRUSON & FERGUSON**
(71) Name(s) and Address(s) of Applicant(s):
Sumitomo Electric Industries, Ltd.
5-33 Kitahama 4-chome Chuo-ku Osaka Japan
(72) Name(s) of Designer(s): **Takashi Iwasaki and Masanobu Koganeya**
(45) Registration Date: **21 February 2012**
(30) Convention priority data:
(31) Number (32) Date (33) Country
2011-013198 10 Jun 2011 JAPAN
(56) Related Art Documents: **Not Applicable**
(57) Statement of Newness and Distinctiveness: **Newness and distinctiveness is claimed in the features of pattern and/or ornamentation of a condensing lens plate as illustrated in the accompanying representations.**



- (21) Design Number: **10639/2012**
(22) Date of Filing Application: **09 December 2011**
(24) Date from which industrial property rights may have effect: **09 December 2011**
(54) Product in respect of which the design is registered: **Condensing lens plate**
(51) International Design Classification: **23-03D**
(74) Name(s) of Attorney(s): **SPRUSON & FERGUSON**
(71) Name(s) and Address(s) of Applicant(s):
Sumitomo Electric Industries, Ltd.
5-33 Kitahama 4-chome Chuo-ku Osaka Japan
(72) Name(s) of Designer(s): **Takashi Iwasaki and Masanobu Koganeya**
(45) Registration Date: **21 February 2012**
(30) Convention priority data:
(31) Number (32) Date (33) Country
2011-013198 10 Jun 2011 JAPAN
(62) Divisional of: **341084**
(56) Related Art Documents: **Not Applicable**
(57) Statement of Newness and Distinctiveness: **Newness and distinctiveness is claimed in the features of pattern and/or ornamentation of a condensing lens plate as illustrated in the accompanying representations.**



(21) Design Number: **10640/2012**
(22) Date of Filing Application: **09 December 2011**
(24) Date from which industrial property rights may have effect: **09 December 2011**
(54) Product in respect of which the design is registered: **Condensing lens plate**
(51) International Design Classification: **23-03D**
(74) Name(s) of Attorney(s): **SPRUSON & FERGUSON**
(71) Name(s) and Address(s) of Applicant(s):
Sumitomo Electric Industries, Ltd.
5-33 Kitahama 4-chome Chuo-ku Osaka Japan
(72) Name(s) of Designer(s): **Takashi Iwasaki and Masanobu Koganeya**
(45) Registration Date: **21 February 2012**
(30) Convention priority data:
(31) Number (32) Date (33) Country
2011-013198 10 Jun 2011 JAPAN
(62) Divisional of: **341084**
(56) Related Art Documents: **Not Applicable**
(57) Statement of Newness and Distinctiveness: **Newness and distinctiveness is claimed in the features of pattern and/or ornamentation of a condensing lens plate as illustrated in the accompanying representations.**



(21) Design Number: **10354/2012**
(22) Date of Filing Application: **27 January 2012**
(24) Date from which industrial property rights may have effect: **27 January 2012**
(54) Product in respect of which the design is registered: **Table**
(51) International Design Classification: **06-03B**
(74) Name(s) of Attorney(s): **Fisher Adams Kelly**
(71) Name(s) and Address(s) of Applicant(s):
ARPER S.p.A.
Via Lombardia 16 I-31050 Monastier di Treviso TREVISO Italy
(72) Name(s) of Designer(s): **Alberto Lievore and Jeannette Altherr and Manuel Molina**
(45) Registration Date: **21 February 2012**
(30) Convention priority data:
(31) Number (32) Date (33) Country
DM/076955 29 Jul 2011 WORLD INTELLECTUAL PROPERTY ORGANIZATION (WIPO)
(56) Related Art Documents: **Not Applicable**
(57) Statement of Newness and Distinctiveness: **The newness and distinctiveness of the design resides in the shape and/or configuration of the TABLE shown in the representations.**



- (21) Design Number: **10355/2012**
(22) Date of Filing Application: **27 January 2012**
(24) Date from which industrial property rights may have effect: **27 January 2012**
(54) Product in respect of which the design is registered: **Armchair**
(51) International Design Classification: **06-01F**
(74) Name(s) of Attorney(s): **Fisher Adams Kelly**
(71) Name(s) and Address(s) of Applicant(s):
ARPER S.p.A.
Via Lombardia 16 I-31050 Monastier di Treviso TREVISO Italy
(72) Name(s) of Designer(s): **Alberto Lievore and Jeannette Altherr and Manuel Molina**
(45) Registration Date: **21 February 2012**
(30) Convention priority data:
(31) Number (32) Date (33) Country
**DM/076955 29 Jul 2011 WORLD INTELLECTUAL
PROPERTY ORGANIZATION
(WIPO)**
(56) Related Art Documents: **Not Applicable**
(57) Statement of Newness and Distinctiveness: **The newness and distinctiveness of the design resides in the shape and/or configuration of the ARMCHAIR shown in the representations.**



- (21) Design Number: **10356/2012**
(22) Date of Filing Application: **27 January 2012**
(24) Date from which industrial property rights may have effect: **27 January 2012**
(54) Product in respect of which the design is registered: **Table**
(51) International Design Classification: **06-03B**
(74) Name(s) of Attorney(s): **Fisher Adams Kelly**
(71) Name(s) and Address(s) of Applicant(s):
ARPER S.p.A.
Via Lombardia 16 I-31050 Monastier di Treviso Treviso Italy
(72) Name(s) of Designer(s): **Alberto Lievore and Jeannette Altherr and Manuel Molina**
(45) Registration Date: **21 February 2012**
(30) Convention priority data:
(31) Number (32) Date (33) Country
**DM/076955 29 Jul 2011 WORLD INTELLECTUAL
PROPERTY ORGANIZATION
(WIPO)**
(56) Related Art Documents: **Not Applicable**
(57) Statement of Newness and Distinctiveness: **The newness and distinctiveness of the design resides in the shape and/or configuration of the table shown in the representations.**



(21) Design Number: **10357/2012**
(22) Date of Filing Application: **27 January 2012**
(24) Date from which industrial property rights may have effect: **27 January 2012**
(54) Product in respect of which the design is registered: **Table**
(51) International Design Classification: **06-03B**
(74) Name(s) of Attorney(s): **Fisher Adams Kelly**
(71) Name(s) and Address(s) of Applicant(s):

ARPER S.p.A.
Via Lombardia 16 I-31050 Monastier di Treviso TREVISO Italy

(72) Name(s) of Designer(s): **Alberto Lievore and Jeannette Altherr and Manuel Molina**

(45) Registration Date: **21 February 2012**

(30) Convention priority data:

(31) Number	(32) Date	(33) Country
DM/076955	29 Jul 2011	WORLD INTELLECTUAL PROPERTY ORGANIZATION (WIPO)

(56) Related Art Documents: **Not Applicable**

(57) Statement of Newness and Distinctiveness: **The newness and distinctiveness of the design resides in the shape and/or configuration of the TABLE shown in the representations.**



(21) Design Number: **10367/2012**
(22) Date of Filing Application: **25 January 2012**
(24) Date from which industrial property rights may have effect: **25 January 2012**
(54) Product in respect of which the design is registered: **Measuring cup**
(51) International Design Classification: **10-04**
(74) Name(s) of Attorney(s): **PHILLIPS ORMONDE FITZPATRICK**
(71) Name(s) and Address(s) of Applicant(s):

Dart Industries Inc.
14901 S. Orange Blossom Trail Orlando Florida 32837 United States of America

(72) Name(s) of Designer(s): **Anthony M. De Leo**

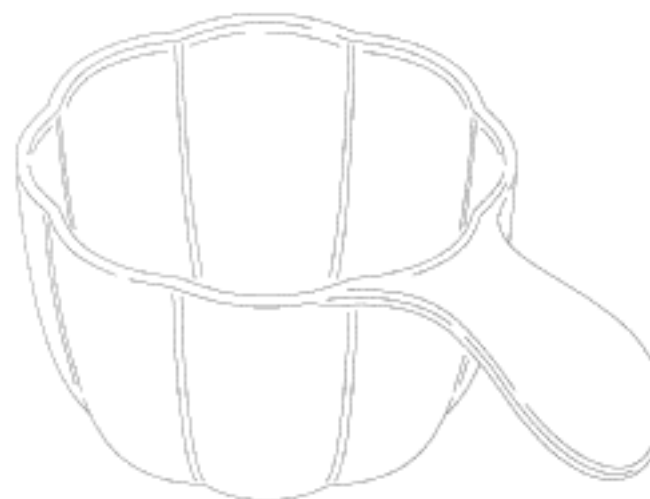
(45) Registration Date: **21 February 2012**

(30) Convention priority data:

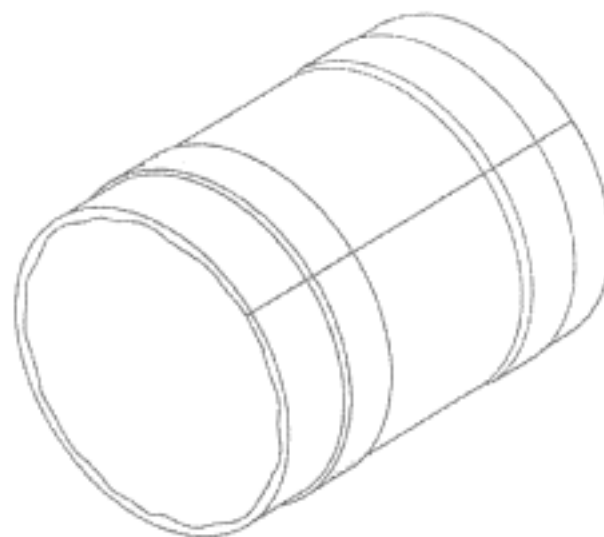
(31) Number	(32) Date	(33) Country
29/374,370	04 Aug 2011	UNITED STATES OF AMERICA

(56) Related Art Documents: **Not Applicable**

(57) Statement of Newness and Distinctiveness: **Those features of the measuring cup depicted in the representations that are new and distinctive are the shape and/or configuration.**



(21) Design Number: **10410/2012**
(22) Date of Filing Application: **30 January 2012**
(24) Date from which industrial property rights may have effect: **30 January 2012**
(54) Product in respect of which the design is registered: **Band with pouch for wearing on a limb**
(51) International Design Classification: **02-07A, 03-01NES**
(74) Name(s) of Attorney(s): **SPRUSON & FERGUSON**
(71) Name(s) and Address(s) of Applicant(s):
Overton Enterprises, LLC
2205 West 5th Street Austin Texas 78702 United States of America
(72) Name(s) of Designer(s): **Kimberley Overton**
(45) Registration Date: **21 February 2012**
(30) Convention priority data:
(31) Number (32) Date (33) Country
29/398406 29 Jul 2011 UNITED STATES OF AMERICA
(56) Related Art Documents: **Not Applicable**
(57) Statement of Newness and Distinctiveness: **Newness and distinctiveness is claimed in the features of shape and/or configuration of a band with pouch for wearing on a limb as illustrated in the accompanying representations.**



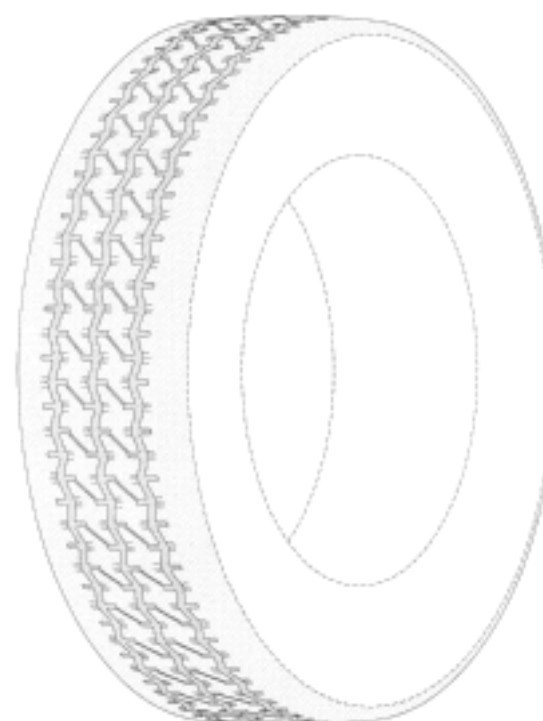
(21) Design Number: **10411/2012**
(22) Date of Filing Application: **30 January 2012**
(24) Date from which industrial property rights may have effect: **30 January 2012**
(54) Product in respect of which the design is registered: **Handset**
(51) International Design Classification: **14-03A**
(74) Name(s) of Attorney(s): **SPRUSON & FERGUSON**
(71) Name(s) and Address(s) of Applicant(s):
Nokia Corporation
Keilalahdentie 4 FIN-02150 Espoo Finland
(72) Name(s) of Designer(s): **Aki Laine**
(45) Registration Date: **21 February 2012**
(30) Convention priority data:
(31) Number (32) Date (33) Country
29/403809 11 Oct 2011 UNITED STATES OF AMERICA
(56) Related Art Documents: **Not Applicable**
(57) Statement of Newness and Distinctiveness: **Newness and distinctiveness is claimed in the features of shape and/or configuration of a handset as illustrated in continuous lines in the accompanying representations.**



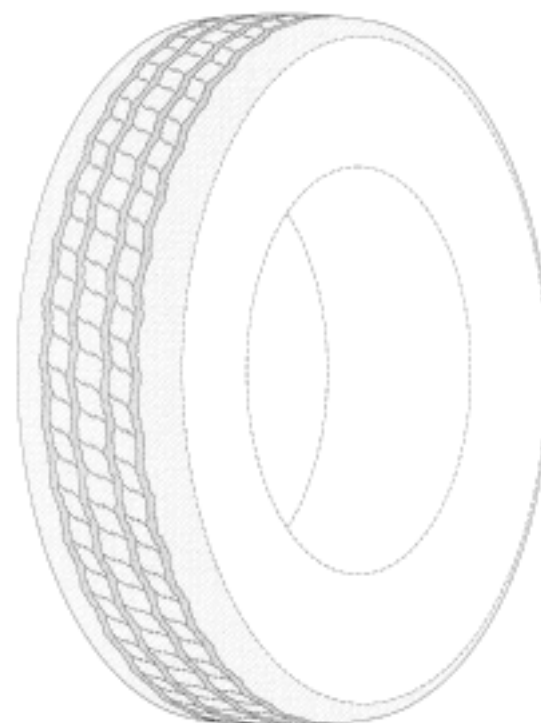
(21) Design Number: **10412/2012**
(22) Date of Filing Application: **30 January 2012**
(24) Date from which industrial property rights may have effect: **30 January 2012**
(54) Product in respect of which the design is registered: **Capsule for infusion**
(51) International Design Classification: **09-05**
(74) Name(s) of Attorney(s): **PHILLIPS ORMONDE FITZPATRICK**
(71) Name(s) and Address(s) of Applicant(s):
MVP S.r.l.
Via Santa Marta 12 Milano Italy
(72) Name(s) of Designer(s): **Raffaele Rondelli**
(45) Registration Date: **21 February 2012**
(30) Convention priority data:
(31) Number (32) Date (33) Country
001287197-0003 29 Jul 2011 EUROPEAN COMMUNITY
(56) Related Art Documents: **Not Applicable**
(57) Statement of Newness and Distinctiveness: **Nil**



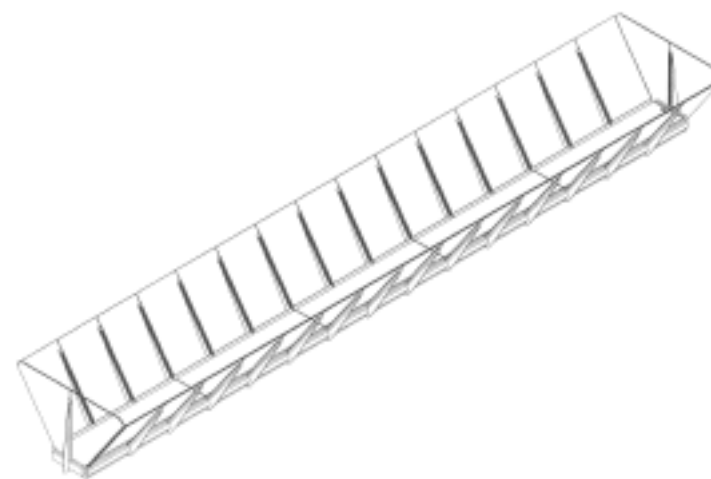
(21) Design Number: **10413/2012**
(22) Date of Filing Application: **30 January 2012**
(24) Date from which industrial property rights may have effect: **30 January 2012**
(54) Product in respect of which the design is registered: **Tire**
(51) International Design Classification: **12-15A**
(74) Name(s) of Attorney(s): **PHILLIPS ORMONDE FITZPATRICK**
(71) Name(s) and Address(s) of Applicant(s):
Bridgestone Bandag, LLC
2000 Bandag Drive Muscatine Iowa 52761 United States of America
(72) Name(s) of Designer(s): **Terry A. Westaway**
(45) Registration Date: **21 February 2012**
(30) Convention priority data:
(31) Number (32) Date (33) Country
29/398,930 08 Aug 2011 UNITED STATES OF AMERICA
(56) Related Art Documents: **Not Applicable**
(57) Statement of Newness and Distinctiveness: **Those features of the tire depicted in the representations that are new and distinctive are the shape and/or configuration of the tread pattern. The broken lines defining the sidewall, inner bead, and the peripheral boundary between the claimed tire tread and the sidewall are to be disregarded when considering the overall impression of the design.**



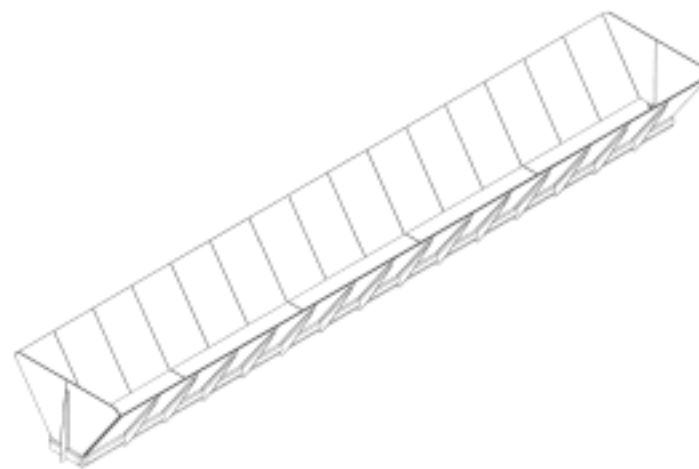
- (21) Design Number: **10414/2012**
(22) Date of Filing Application: **30 January 2012**
(24) Date from which industrial property rights may have effect: **30 January 2012**
(54) Product in respect of which the design is registered: **Tire**
(51) International Design Classification: **12-15A**
(74) Name(s) of Attorney(s): **PHILLIPS ORMONDE FITZPATRICK**
(71) Name(s) and Address(s) of Applicant(s):
Bridgestone Bandag, LLC
2000 Bandag Drive Muscatine Iowa 52761 United States of America
(72) Name(s) of Designer(s): **Terry A. Westaway**
(45) Registration Date: **21 February 2012**
(30) Convention priority data:
(31) Number (32) Date (33) Country
29/398,555 02 Aug 2011 UNITED STATES OF AMERICA
(56) Related Art Documents: **Not Applicable**
(57) Statement of Newness and Distinctiveness: **Those features of the tire depicted in the representations that are new and distinctive are the shape and/or configuration of the tread pattern. The broken lines defining the sidewall, inner bead, and the peripheral boundary between the claimed tire tread and the sidewall are to be disregarded when considering the overall impression of the design.**



- (21) Design Number: **12539/2011**
(22) Date of Filing Application: **06 June 2011**
(24) Date from which industrial property rights may have effect: **06 June 2011**
(54) Product in respect of which the design is registered: **Swimming pool**
(51) International Design Classification: **25-03**
(74) Name(s) of Attorney(s): **Davies Collison Cave**
(71) Name(s) and Address(s) of Applicant(s):
Glass Pools Pty Ltd
Suite 16 600 Lonsdale Street Melbourne Victoria 3000 Australia
(72) Name(s) of Designer(s): **Michael Potenza and Nicholas Wright and Simon Parker and Wayne George Scott**
(45) Registration Date: **22 February 2012**
(56) Related Art Documents: **Not Applicable**
(57) Statement of Newness and Distinctiveness: **The following features are new and distinctive: the shape and configuration of the swimming pool, and the transparency of the wall panels.**



- (21) Design Number: **10702/2012**
(22) Date of Filing Application: **06 June 2011**
(24) Date from which industrial property rights may have effect: **06 June 2011**
(54) Product in respect of which the design is registered: **Swimming pool**
(51) International Design Classification: **25-03**
(74) Name(s) of Attorney(s): **Davies Collison Cave**
(71) Name(s) and Address(s) of Applicant(s):
Glass Pools Pty Ltd
Suite 16 600 Lonsdale Street Melbourne Victoria 3000 Australia
(72) Name(s) of Designer(s): **Michael Potenza and Nicholas Wright and Simon Parker and Wayne George Scott**
(45) Registration Date: **22 February 2012**
(62) Divisional of: **341097**
(56) Related Art Documents: **Not Applicable**
(57) Statement of Newness and Distinctiveness: **The shape and configuration of the swimming pool is new and distinctive.**



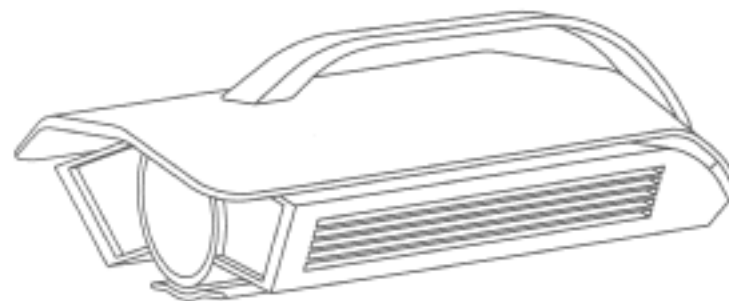
- (21) Design Number: **10388/2012**
(22) Date of Filing Application: **27 January 2012**
(24) Date from which industrial property rights may have effect: **27 January 2012**
(54) Product in respect of which the design is registered: **A profile**
(51) International Design Classification: **25-01K**
(74) Name(s) of Attorney(s): **Griffith Hack**
(71) Name(s) and Address(s) of Applicant(s):
Capral Limited
151 Barry Road Campbellfield Victoria 3061 Australia
(72) Name(s) of Designer(s): **Benjamin Ian Tilley**
(45) Registration Date: **22 February 2012**
(56) Related Art Documents: **Not Applicable**
(57) Statement of Newness and Distinctiveness: **Newness and distinctiveness is claimed in the shape and configuration of a profile as illustrated in the drawings, which is of indefinite length.**



(21) Design Number: **10400/2012**
(22) Date of Filing Application: **30 January 2012**
(24) Date from which industrial property rights may have effect: **30 January 2012**
(54) Product in respect of which the design is registered: **Food container**
(51) International Design Classification: **07-01NES**
(74) Name(s) of Attorney(s): **FB Rice**
(71) Name(s) and Address(s) of Applicant(s):
Hutzler Manufacturing Co., Inc.
4 Grace Way Canaan Connecticut 06018 United States of America
(72) Name(s) of Designer(s): **William Kolano**
(45) Registration Date: **22 February 2012**
(30) Convention priority data:
(31) Number (32) Date (33) Country
29/409708 28 Dec 2011 UNITED STATES OF AMERICA
(56) Related Art Documents: **Not Applicable**
(57) Statement of Newness and Distinctiveness: **Newness and distinctiveness reside in the features of the design as shown in the representations.**



(21) Design Number: **10401/2012**
(22) Date of Filing Application: **30 January 2012**
(24) Date from which industrial property rights may have effect: **30 January 2012**
(54) Product in respect of which the design is registered: **Camera**
(51) International Design Classification: **16-01**
(74) Name(s) of Attorney(s): **FB Rice**
(71) Name(s) and Address(s) of Applicant(s):
Kapsch TrafficCom AG
Am Europlatz 2 1120 Wien Austria
(72) Name(s) of Designer(s): **Stefan Degn**
(45) Registration Date: **22 February 2012**
(30) Convention priority data:
(31) Number (32) Date (33) Country
001905498/0001 17 Aug 2011 EUROPEAN COMMUNITY
(56) Related Art Documents: **Not Applicable**
(57) Statement of Newness and Distinctiveness: **Newness and distinctiveness reside in the features of shape and configuration of the camera as shown in the representations.**



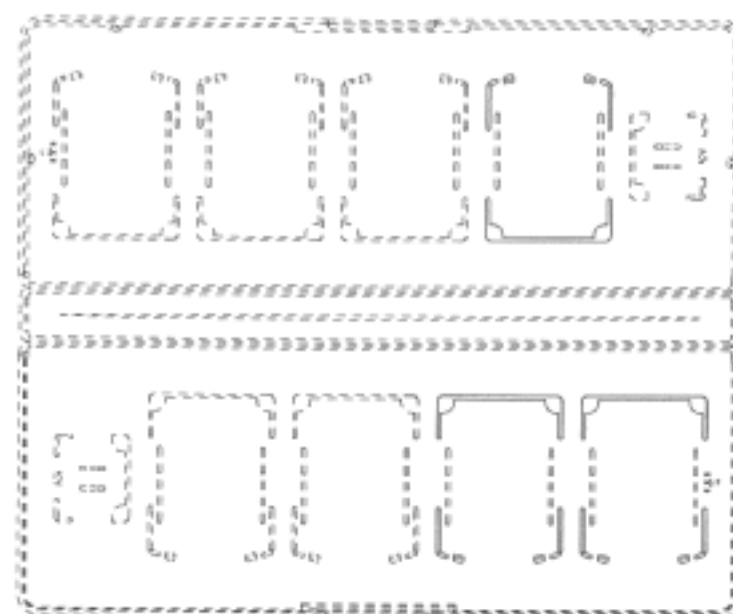
(21) Design Number: **10402/2012**
(22) Date of Filing Application: **30 January 2012**
(24) Date from which industrial property rights may have effect: **30 January 2012**
(54) Product in respect of which the design is registered: **Food container**
(51) International Design Classification: **09-01D**
(74) Name(s) of Attorney(s): **FB Rice**
(71) Name(s) and Address(s) of Applicant(s):
Hutzler Manufacturing Co., Inc.
4 Grace Way Canaan Connecticut 06018 United States of America
(72) Name(s) of Designer(s): **William Kolano**
(45) Registration Date: **22 February 2012**
(30) Convention priority data:
(31) Number (32) Date (33) Country
29/409705 28 Dec 2011 UNITED STATES OF AMERICA
(56) Related Art Documents: **Not Applicable**
(57) Statement of Newness and Distinctiveness: **Newness and distinctiveness reside in the features of the design as shown in the representations.**



(21) Design Number: **10403/2012**
(22) Date of Filing Application: **30 January 2012**
(24) Date from which industrial property rights may have effect: **30 January 2012**
(54) Product in respect of which the design is registered: **Electric charging pole**
(51) International Design Classification: **13-03B**
(74) Name(s) of Attorney(s): **FB Rice**
(71) Name(s) and Address(s) of Applicant(s):
Kapsch TrafficCom AG
Am Europlatz 2 1120 Wien Austria
(72) Name(s) of Designer(s): **Stefan Degn**
(45) Registration Date: **22 February 2012**
(30) Convention priority data:
(31) Number (32) Date (33) Country
001905506/0001 17 Aug 2011 EUROPEAN COMMUNITY
(56) Related Art Documents: **Not Applicable**
(57) Statement of Newness and Distinctiveness: **Newness and distinctiveness reside in the features of shape and configuration of the electric charging pole as shown in the representations.**



- (21) Design Number: **10419/2012**
(22) Date of Filing Application: **30 January 2012**
(24) Date from which industrial property rights may have effect: **30 January 2012**
(54) Product in respect of which the design is registered: **Case for recording media**
(51) International Design Classification: **14-99**
(74) Name(s) of Attorney(s): **Shelston IP**
(71) Name(s) and Address(s) of Applicant(s):
Sony Computer Entertainment Inc.
1-7-1 Konan Minato-ku Tokyo Japan
(72) Name(s) of Designer(s): **Atsushi Watanabe and Ikuo Kubota and Takamasa Araki**
(45) Registration Date: **22 February 2012**
(30) Convention priority data:
(31) Number (32) Date (33) Country
2011-020002 02 Sep 2011 JAPAN
(56) Related Art Documents: **Not Applicable**
(57) Statement of Newness and Distinctiveness: **Newness and distinctiveness reside in the features of shape and/or configuration of a case for recording media as illustrated in solid lines in the accompanying representations.**



- (21) Design Number: **10420/2012**
(22) Date of Filing Application: **30 January 2012**
(24) Date from which industrial property rights may have effect: **30 January 2012**
(54) Product in respect of which the design is registered: **Protective cover with positioning sheet for a display of a portable terminal**
(51) International Design Classification: **14-02**
(74) Name(s) of Attorney(s): **Shelston IP**
(71) Name(s) and Address(s) of Applicant(s):
Sony Computer Entertainment Inc.
1-7-1 Konan Minato-ku Tokyo Japan
(72) Name(s) of Designer(s): **Yuko Hirayama and Atsushi Watanabe**
(45) Registration Date: **22 February 2012**
(30) Convention priority data:
(31) Number (32) Date (33) Country
2011-020662 12 Sep 2011 JAPAN
(56) Related Art Documents: **Not Applicable**
(57) Statement of Newness and Distinctiveness: **Nil**



(21) Design Number: **10404/2012**
(22) Date of Filing Application: **30 January 2012**
(24) Date from which industrial property rights may have effect: **30 January 2012**
(54) Product in respect of which the design is registered: **Electric charging box**
(51) International Design Classification: **13-03C**
(74) Name(s) of Attorney(s): **FB Rice**
(71) Name(s) and Address(s) of Applicant(s):
Kapsch TrafficCom AG
Am Europlatz 2 1120 Wien Austria
(72) Name(s) of Designer(s): **Stefan Degn**
(45) Registration Date: **22 February 2012**
(30) Convention priority data:
(31) Number (32) Date (33) Country
001905506/0002 17 Aug 2011 EUROPEAN COMMUNITY
(56) Related Art Documents: **Not Applicable**
(57) Statement of Newness and Distinctiveness: **Newness and distinctiveness reside in the features of shape and configuration of the electric charging box as shown in the representations.**



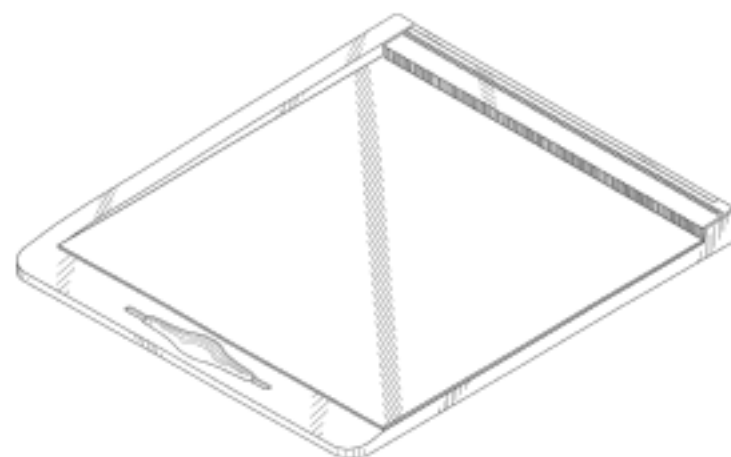
(21) Design Number: **10405/2012**
(22) Date of Filing Application: **30 January 2012**
(24) Date from which industrial property rights may have effect: **30 January 2012**
(54) Product in respect of which the design is registered: **Outdoor lighting with radio transmitter and camera**
(51) International Design Classification: **14-03NES, 16-01, 26-03**
(74) Name(s) of Attorney(s): **FB Rice**
(71) Name(s) and Address(s) of Applicant(s):
Kapsch TrafficCom AG
Am Europlatz 2 1120 Wien Austria
(72) Name(s) of Designer(s): **Stefan Degn**
(45) Registration Date: **22 February 2012**
(30) Convention priority data:
(31) Number (32) Date (33) Country
001291090-0001 17 Aug 2011 EUROPEAN COMMUNITY
(56) Related Art Documents: **Not Applicable**
(57) Statement of Newness and Distinctiveness: **Newness and distinctiveness reside in the features of shape and configuration of the outdoor lighting with radio transmitter and camera as shown in the representations.**



(21) Design Number: **10406/2012**
(22) Date of Filing Application: **30 January 2012**
(24) Date from which industrial property rights may have effect: **30 January 2012**
(54) Product in respect of which the design is registered: **Outdoor lighting**
(51) International Design Classification: **26-03**
(74) Name(s) of Attorney(s): **FB Rice**
(71) Name(s) and Address(s) of Applicant(s):
Kapsch TrafficCom AG
Am Europlatz 2 1120 Wien Austria
(72) Name(s) of Designer(s): **Stefan Degn**
(45) Registration Date: **22 February 2012**
(30) Convention priority data:
(31) Number (32) Date (33) Country
001905480-0001 17 Aug 2011 EUROPEAN COMMUNITY
(56) Related Art Documents: **Not Applicable**
(57) Statement of Newness and Distinctiveness: **Newness and distinctiveness reside in the features of shape and configuration of the outdoor lighting as shown in the representations.**



(21) Design Number: **10407/2012**
(22) Date of Filing Application: **30 January 2012**
(24) Date from which industrial property rights may have effect: **30 January 2012**
(54) Product in respect of which the design is registered: **Scoring tool**
(51) International Design Classification: **08-03, 19-99**
(74) Name(s) of Attorney(s): **FB Rice**
(71) Name(s) and Address(s) of Applicant(s):
Stampin' Up!, Inc.
12907 South 3600 West Riverton Utah 84065 United States of America
(72) Name(s) of Designer(s): **Eric Hales and Markus Long**
(45) Registration Date: **22 February 2012**
(30) Convention priority data:
(31) Number (32) Date (33) Country
29/398429 29 Jul 2011 UNITED STATES OF AMERICA
(56) Related Art Documents: **Not Applicable**
(57) Statement of Newness and Distinctiveness: **Newness and distinctiveness reside in the features of the design shown in solid lines in the representations excluding those features shown in broken lines.**



(21) Design Number: **10732/2012**

(22) Date of Filing Application: **31 January 2012**

(24) Date from which industrial property rights may have effect: **31 January 2012**

(54) Product in respect of which the design is registered: **Pipe coupling segment**

(51) International Design Classification: **23-01A**

(74) Name(s) of Attorney(s): **Griffith Hack**

(71) Name(s) and Address(s) of Applicant(s):

Victaulic Company

4901 Kesslersville Road Easton Pennsylvania 18040 United States of America

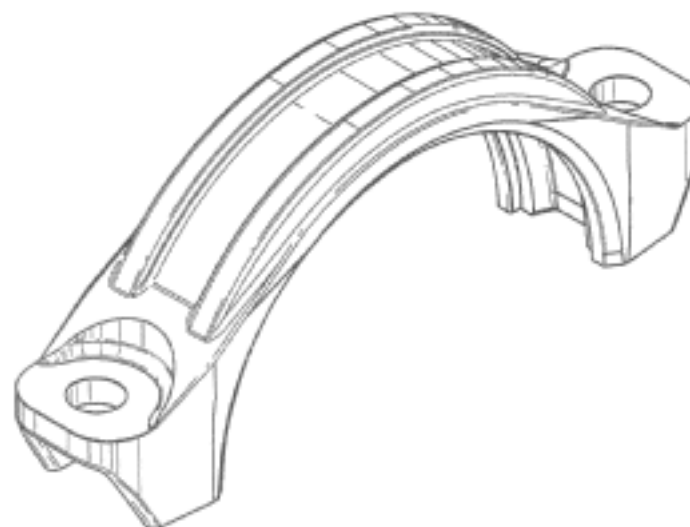
(72) Name(s) of Designer(s): **Scott D. Madara and Charles E. Wilk Jr. and Douglas R. Dole and Anthony J. Cuvo**

(45) Registration Date: **22 February 2012**

(62) Divisional of: **341205**

(56) Related Art Documents: **Not Applicable**

(57) Statement of Newness and Distinctiveness: **The shape, configuration and ornamentation of the PIPE COUPLING SEGMENT as illustrated by means of solid lines in the accompanying representations is new and distinctive.**



(21) Design Number: **10734/2012**

(22) Date of Filing Application: **31 January 2012**

(24) Date from which industrial property rights may have effect: **31 January 2012**

(54) Product in respect of which the design is registered: **Pipe coupling segment**

(51) International Design Classification: **23-01A**

(74) Name(s) of Attorney(s): **Griffith Hack**

(71) Name(s) and Address(s) of Applicant(s):

Victaulic Company

4901 Kesslersville Road Easton Pennsylvania 18040 United States of America

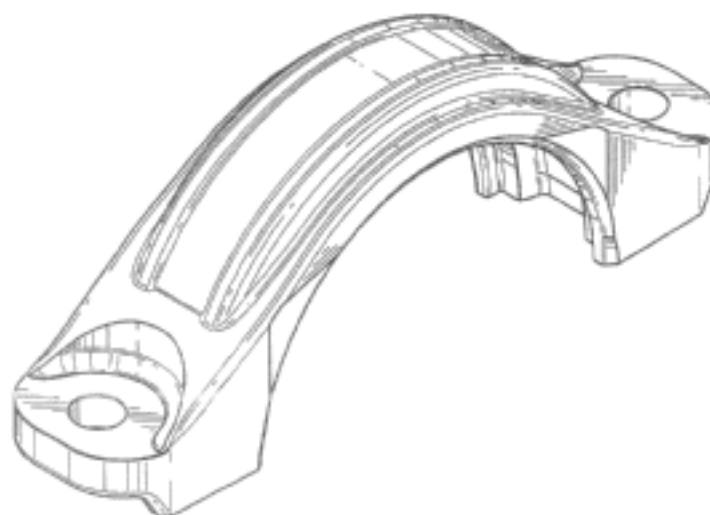
(72) Name(s) of Designer(s): **Scott D. Madara and Charles E. Wilk Jr. and Douglas R. Dole and Anthony J. Cuvo**

(45) Registration Date: **22 February 2012**

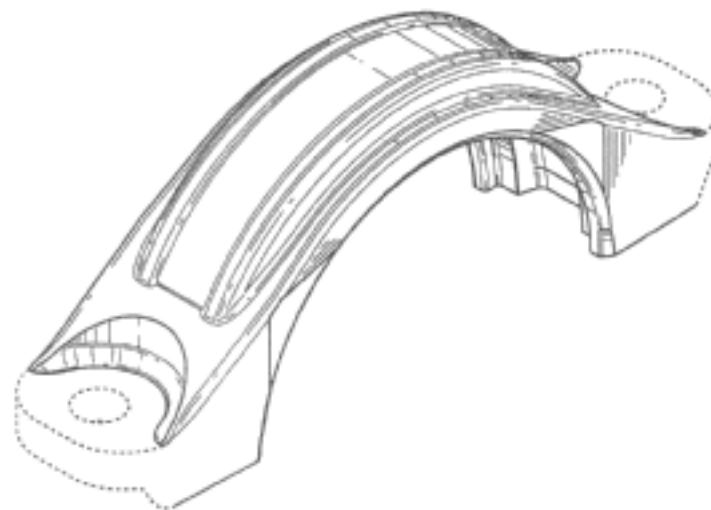
(62) Divisional of: **341112**

(56) Related Art Documents: **Not Applicable**

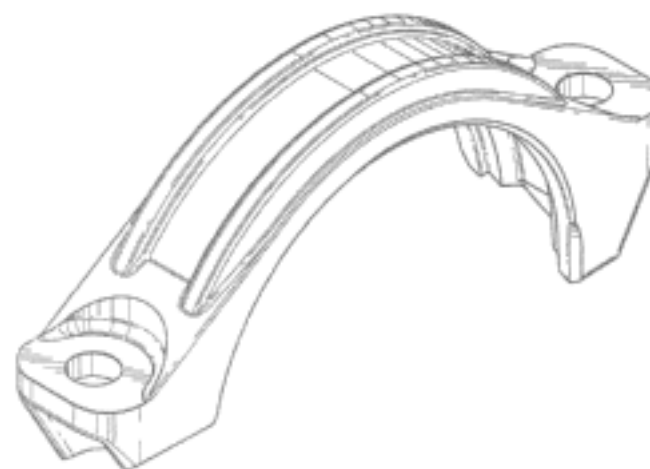
(57) Statement of Newness and Distinctiveness: **The shape, configuration and ornamentation of the PIPE COUPLING SEGMENT as illustrated by means of solid lines in the accompanying representations is new and distinctive.**



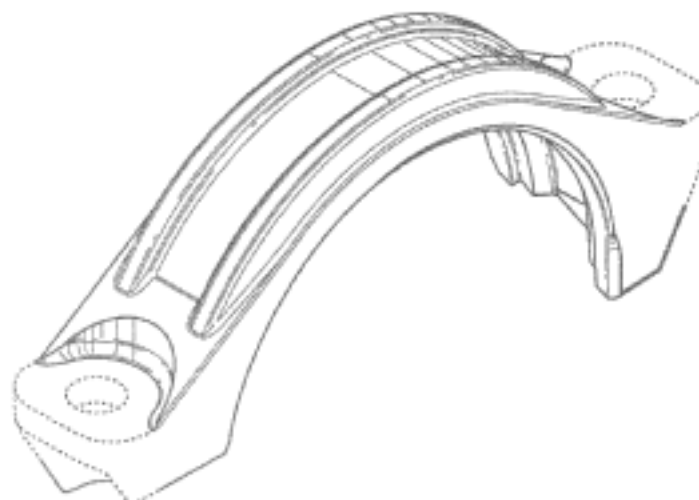
- (21) Design Number: **10436/2012**
(22) Date of Filing Application: **31 January 2012**
(24) Date from which industrial property rights may have effect: **31 January 2012**
(54) Product in respect of which the design is registered: **Pipe coupling segment**
(51) International Design Classification: **23-01A**
(74) Name(s) of Attorney(s): **Griffith Hack**
(71) Name(s) and Address(s) of Applicant(s):
Victaulic Company
4901 Kesslersville Road Easton Pennsylvania 18040 United States of America
(72) Name(s) of Designer(s): **Scott D. Madara and Charles E. Wilk Jr and Douglas R. Dole and Anthony J. Cuvo**
(45) Registration Date: **22 February 2012**
(30) Convention priority data:
(31) Number (32) Date (33) Country
29/403,604 07 Oct 2011 UNITED STATES OF AMERICA
(56) Related Art Documents: **Not Applicable**
(57) Statement of Newness and Distinctiveness: **The shape, configuration and ornamentation of the pipe coupling segment as illustrated by means of solid lines in the accompanying representations is new and distinctive.**



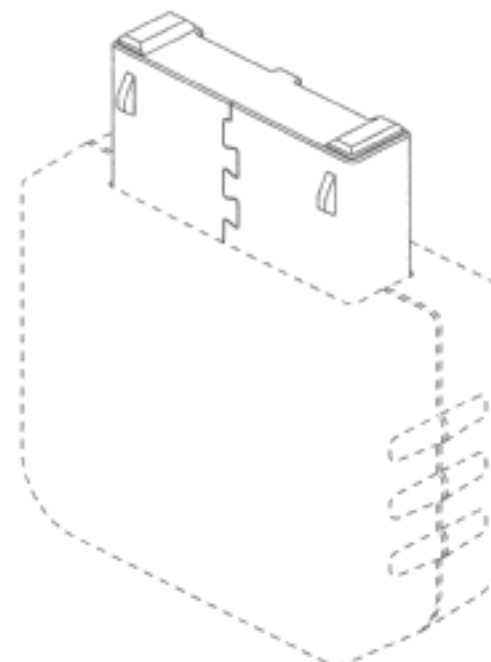
- (21) Design Number: **10733/2012**
(22) Date of Filing Application: **31 January 2012**
(24) Date from which industrial property rights may have effect: **31 January 2012**
(54) Product in respect of which the design is registered: **Pipe coupling segment**
(51) International Design Classification: **23-01A**
(74) Name(s) of Attorney(s): **Griffith Hack**
(71) Name(s) and Address(s) of Applicant(s):
Victaulic Company
4901 Kesslersville Road Easton Pennsylvania 18040 United States of America
(72) Name(s) of Designer(s): **Scott D. Madara and Charles E. Wilk Jr. and Douglas R. Dole and Anthony J. Cuvo**
(45) Registration Date: **22 February 2012**
(62) Divisional of: **341114**
(56) Related Art Documents: **Not Applicable**
(57) Statement of Newness and Distinctiveness: **The shape, configuration and ornamentation of the PIPE COUPLING SEGMENT as illustrated by means of solid lines in the accompanying representations is new and distinctive.**



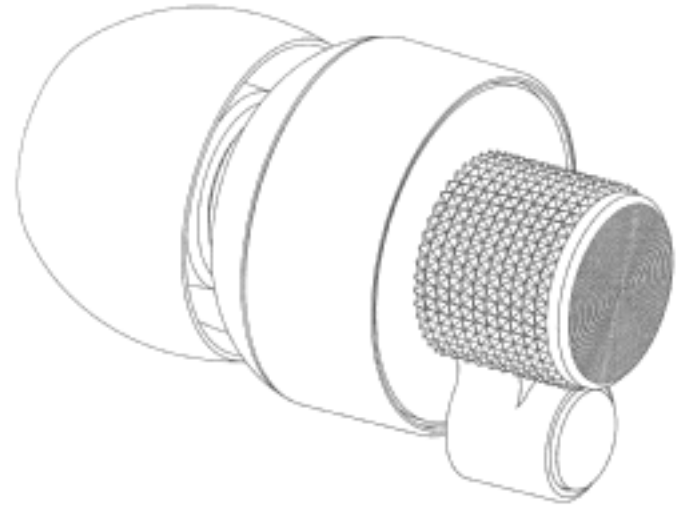
- (21) Design Number: **10443/2012**
(22) Date of Filing Application: **31 January 2012**
(24) Date from which industrial property rights may have effect: **31 January 2012**
(54) Product in respect of which the design is registered: **Pipe coupling segment**
(51) International Design Classification: **23-01A**
(74) Name(s) of Attorney(s): **Griffith Hack**
(71) Name(s) and Address(s) of Applicant(s):
Victaulic Company
4901 Kesslersville Road Easton Pennsylvania 18040 United States of America
(72) Name(s) of Designer(s): **Scott D. Madara and Charles E. Wilk Jr and Douglas R. Dole and Anthony J. Cuvo**
(45) Registration Date: **22 February 2012**
(30) Convention priority data:
(31) Number (32) Date (33) Country
29/403,762 11 Oct 2011 UNITED STATES OF AMERICA
(56) Related Art Documents: **Not Applicable**
(57) Statement of Newness and Distinctiveness: **The shape, configuration and ornamentation of the pipe coupling segment as illustrated by means of solid lines in the accompanying representations is new and distinctive.**



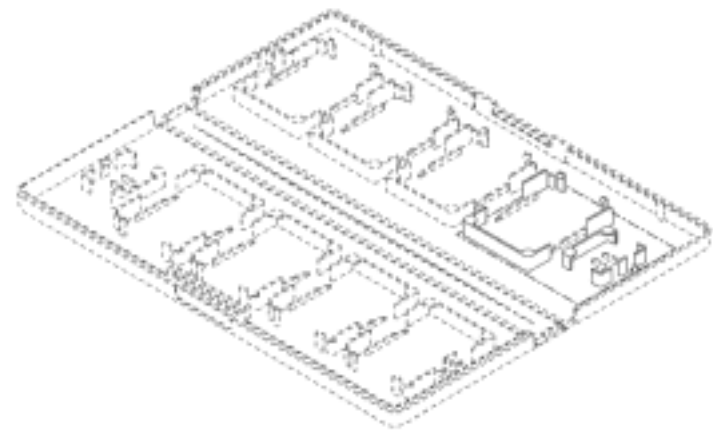
- (21) Design Number: **10415/2012**
(22) Date of Filing Application: **30 January 2012**
(24) Date from which industrial property rights may have effect: **30 January 2012**
(54) Product in respect of which the design is registered: **Electric connector**
(51) International Design Classification: **14-02**
(74) Name(s) of Attorney(s): **Shelston IP**
(71) Name(s) and Address(s) of Applicant(s):
Sony Computer Entertainment Inc.
1-7-1 Konan Minato-ku Tokyo Japan
(72) Name(s) of Designer(s): **Kei Takahashi**
(45) Registration Date: **22 February 2012**
(30) Convention priority data:
(31) Number (32) Date (33) Country
2011-018661 16 Aug 2011 JAPAN
(56) Related Art Documents: **Not Applicable**
(57) Statement of Newness and Distinctiveness: **Newness and distinctiveness reside in the features of shape and/or configuration of an electric connector as illustrated in solid lines in the accompanying representations.**



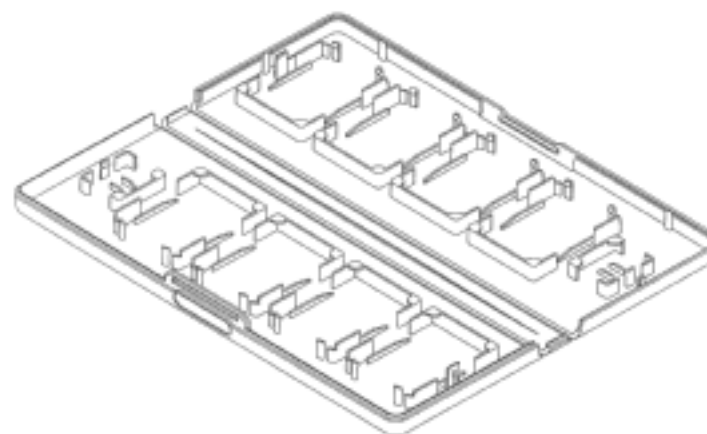
(21) Design Number: **10416/2012**
(22) Date of Filing Application: **30 January 2012**
(24) Date from which industrial property rights may have effect: **30 January 2012**
(54) Product in respect of which the design is registered: **Earphone**
(51) International Design Classification: **14-01**
(74) Name(s) of Attorney(s): **Shelston IP**
(71) Name(s) and Address(s) of Applicant(s):
Sony Computer Entertainment Inc.
1-7-1 Konan Minato-ku Tokyo Japan
(72) Name(s) of Designer(s): **Takashi Sogabe and Taichi Nokuo**
(45) Registration Date: **22 February 2012**
(30) Convention priority data:
(31) Number (32) Date (33) Country
2011-018630 15 Aug 2011 JAPAN
(56) Related Art Documents: **Not Applicable**
(57) Statement of Newness and Distinctiveness: **Nil**



(21) Design Number: **10417/2012**
(22) Date of Filing Application: **30 January 2012**
(24) Date from which industrial property rights may have effect: **30 January 2012**
(54) Product in respect of which the design is registered: **Case for recording media**
(51) International Design Classification: **14-99**
(74) Name(s) of Attorney(s): **Shelston IP**
(71) Name(s) and Address(s) of Applicant(s):
Sony Computer Entertainment Inc.
1-7-1 Konan Minato-ku Tokyo Japan
(72) Name(s) of Designer(s): **Atsushi Watanabe and Ikuo Kubota and Takamasa Araki**
(45) Registration Date: **22 February 2012**
(30) Convention priority data:
(31) Number (32) Date (33) Country
2011-020001 02 Sep 2011 JAPAN
(56) Related Art Documents: **Not Applicable**
(57) Statement of Newness and Distinctiveness: **Newness and distinctiveness reside in the features of shape and/or configuration of a case for recording media as illustrated in solid lines in the accompanying representations.**



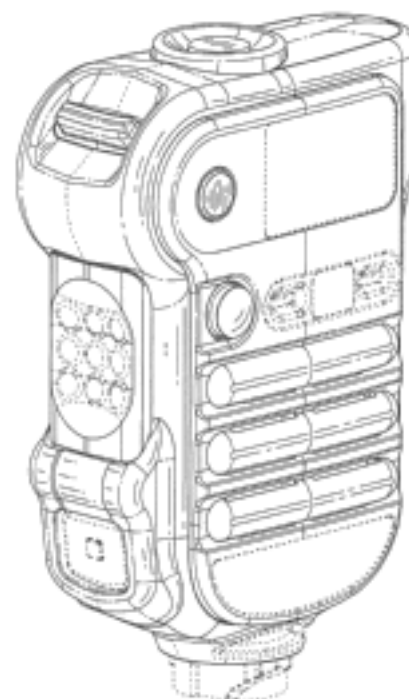
(21) Design Number: **10418/2012**
(22) Date of Filing Application: **30 January 2012**
(24) Date from which industrial property rights may have effect: **30 January 2012**
(54) Product in respect of which the design is registered: **Case for recording media**
(51) International Design Classification: **14-99**
(74) Name(s) of Attorney(s): **Shelston IP**
(71) Name(s) and Address(s) of Applicant(s):
Sony Computer Entertainment Inc.
1-7-1 Konan Minato-ku Tokyo Japan
(72) Name(s) of Designer(s): **Atsushi Watanabe and Ikuo Kubota and Takamasa Araki**
(45) Registration Date: **22 February 2012**
(30) Convention priority data:
(31) Number (32) Date (33) Country
2011-020001 02 Sep 2011 JAPAN
(56) Related Art Documents: **Not Applicable**
(57) Statement of Newness and Distinctiveness: **Nil**



(21) Design Number: **10450/2012**
(22) Date of Filing Application: **31 January 2012**
(24) Date from which industrial property rights may have effect: **31 January 2012**
(54) Product in respect of which the design is registered: **Bottle**
(51) International Design Classification: **09-01NES**
(74) Name(s) of Attorney(s): **PHILLIPS ORMONDE FITZPATRICK**
(71) Name(s) and Address(s) of Applicant(s):
Omniblend Pty Ltd
4-6 Capital Link Drive Campbellfield Victoria 3061 Australia
(72) Name(s) of Designer(s): **Peter Smitran**
(45) Registration Date: **22 February 2012**
(56) Related Art Documents: **Not Applicable**
(57) Statement of Newness and Distinctiveness: **Those features of the bottle depicted in the representations that are new and distinctive are the shape and/or configuration. The features shown in broken lines are not part of the design and are to be disregarded when considering the overall impression of the design.**



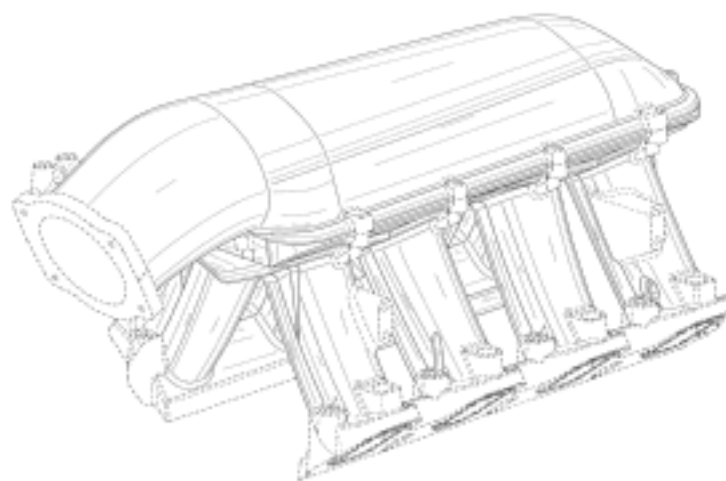
- (21) Design Number: **10451/2012**
(22) Date of Filing Application: **31 January 2012**
(24) Date from which industrial property rights may have effect: **31 January 2012**
(54) Product in respect of which the design is registered: **Remote speaker microphone accessory**
(51) International Design Classification: **14-03A**
(74) Name(s) of Attorney(s): **PHILLIPS ORMONDE FITZPATRICK**
(71) Name(s) and Address(s) of Applicant(s):
Motorola Solutions, Inc
1303 East Algonquin Road Schaumburg Illinois 60196 United States of America
(72) Name(s) of Designer(s): **Scott H. Richards and Mariah K. Levitt and Michael M. Zhang**
(45) Registration Date: **22 February 2012**
(30) Convention priority data:
(31) Number (32) Date (33) Country
29/398,846 05 Aug 2011 UNITED STATES OF AMERICA
(56) Related Art Documents: **Not Applicable**
(57) Statement of Newness and Distinctiveness: **Those features of the remote speaker microphone accessory depicted in the representations that are new and distinctive are the shape and/or configuration. The features shown in broken line that are immediately adjacent to the shaded areas, and define unshaded regions, represent the bounds of the remote speaker microphone accessory, while all other broken lines are directed to environment and are for illustrative purposes only.**



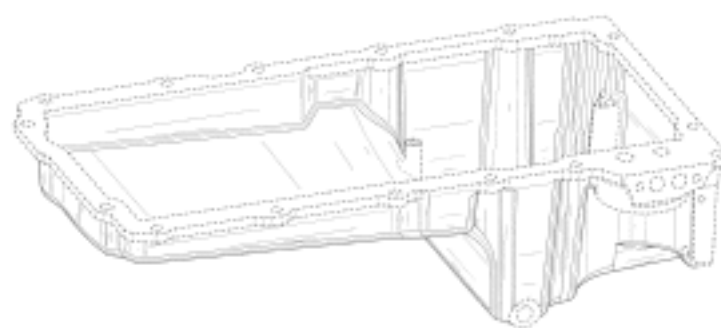
- (21) Design Number: **10452/2012**
(22) Date of Filing Application: **31 January 2012**
(24) Date from which industrial property rights may have effect: **31 January 2012**
(54) Product in respect of which the design is registered: **Bottle**
(51) International Design Classification: **09-01NES**
(74) Name(s) of Attorney(s): **PHILLIPS ORMONDE FITZPATRICK**
(71) Name(s) and Address(s) of Applicant(s):
Omniblend Pty Ltd
4-6 Capital Link Drive Campbellfield Victoria 3061 Australia
(72) Name(s) of Designer(s): **Peter Smitran**
(45) Registration Date: **22 February 2012**
(56) Related Art Documents: **Not Applicable**
(57) Statement of Newness and Distinctiveness: **Those features of the bottle depicted in the the representations that are new and distinctive are the shape and/or configuration. The features shown in broken lines are not part of the design and are to be disregarded when considering the overall impression of the design.**



(21) Design Number: **10453/2012**
(22) Date of Filing Application: **01 February 2012**
(24) Date from which industrial property rights may have effect: **01 February 2012**
(54) Product in respect of which the design is registered: **Intake manifold**
(51) International Design Classification: **15-01**
(74) Name(s) of Attorney(s): **A J Park**
(71) Name(s) and Address(s) of Applicant(s):
Holley Performance Products, Inc.
1801 Russellville Road Bowling Green Kentucky 42101 United States of America
(72) Name(s) of Designer(s): **James D. Dralle**
(45) Registration Date: **22 February 2012**
(30) Convention priority data:
(31) Number (32) Date (33) Country
29/400,554 30 Aug 2011 UNITED STATES OF AMERICA
(56) Related Art Documents: **Not Applicable**
(57) Statement of Newness and Distinctiveness: **Newness and distinctiveness reside in the features of shape and/or configuration of the intake manifold, as shown in the representations. Newness and distinctiveness are not claimed in relation to the features shown in broken lines in the representations, which features are shown for illustrative purposes only.**



(21) Design Number: **10454/2012**
(22) Date of Filing Application: **01 February 2012**
(24) Date from which industrial property rights may have effect: **01 February 2012**
(54) Product in respect of which the design is registered: **Oil pan**
(51) International Design Classification: **12-16NES**
(74) Name(s) of Attorney(s): **A J Park**
(71) Name(s) and Address(s) of Applicant(s):
Holley Performance Products, Inc.
1801 Russellville Road Bowling Green Kentucky 42101 United States of America
(72) Name(s) of Designer(s): **Thomas Tomlinson and James D. Dralle and Corey Spainhoward**
(45) Registration Date: **22 February 2012**
(30) Convention priority data:
(31) Number (32) Date (33) Country
29/400,560 30 Aug 2011 UNITED STATES OF AMERICA
(56) Related Art Documents: **Not Applicable**
(57) Statement of Newness and Distinctiveness: **Newness and distinctiveness reside in the features of shape and/or configuration of the oil pan, as shown in the representations. Newness and distinctiveness are not claimed in relation to the features shown in broken lines in the representations, which features are shown for illustrative purposes only.**



(21) Design Number: **10445/2012**

(22) Date of Filing Application: **31 January 2012**

(24) Date from which industrial property rights may have effect: **31 January 2012**

(54) Product in respect of which the design is registered: **Elbow fitting**

(51) International Design Classification: **23-01B**

(74) Name(s) of Attorney(s): **SPRUSON & FERGUSON**

(71) Name(s) and Address(s) of Applicant(s):

Victaulic Company

4901 Kesslersville Road Easton Pennsylvania 18040 United States of America

(72) Name(s) of Designer(s): **Francis J. Giacalone and Scott D. Madara and Douglas R. Dole**

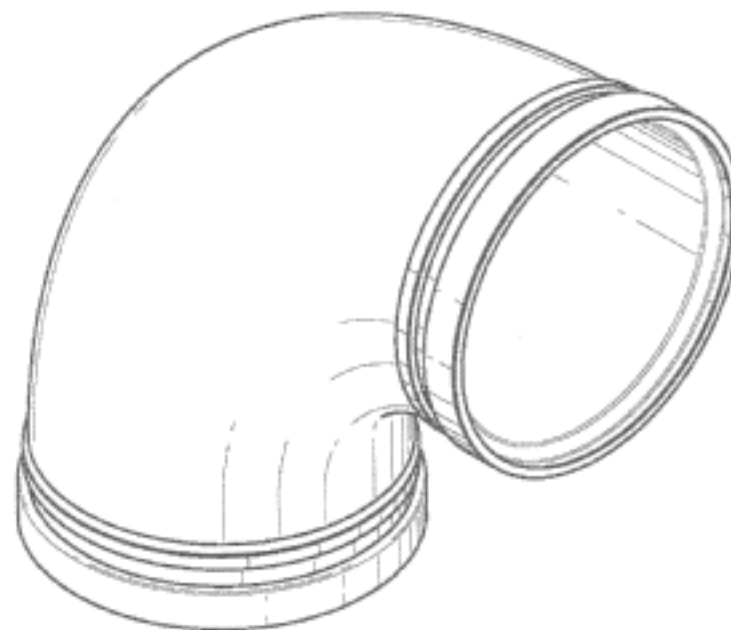
(45) Registration Date: **22 February 2012**

(30) Convention priority data:

(31) Number	(32) Date	(33) Country
29/399183	10 Aug 2011	UNITED STATES OF AMERICA

(56) Related Art Documents: **Not Applicable**

(57) Statement of Newness and Distinctiveness: **Newness and distinctiveness is claimed in the features of shape and/or configuration of a bead and a shoulder forming each end of the elbow fitting illustrated in the accompanying representations, with the thickness of the shoulders varying in a longitudinal direction.**



(21) Design Number: **10446/2012**

(22) Date of Filing Application: **31 January 2012**

(24) Date from which industrial property rights may have effect: **31 January 2012**

(54) Product in respect of which the design is registered: **Vacuum cleaner nozzle**

(51) International Design Classification: **15-05**

(74) Name(s) of Attorney(s): **SPRUSON & FERGUSON**

(71) Name(s) and Address(s) of Applicant(s):

Panasonic Corporation

1006 Oaza Kadoma Kadoma-shi Osaka 571-8501 Japan

(72) Name(s) of Designer(s): **Kensaku Okabe and Masakazu Umeda and Kiyooki Konno and Chizuyo Matsumoto**

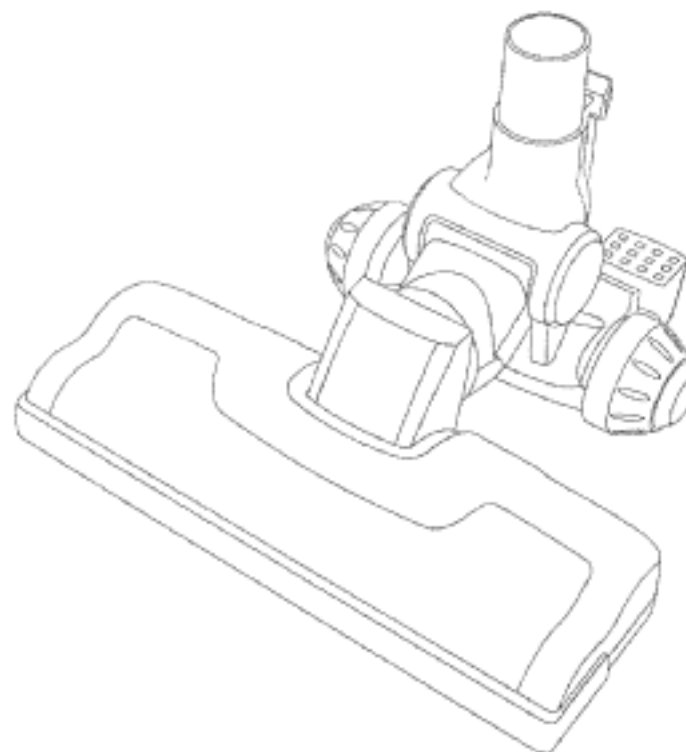
(45) Registration Date: **22 February 2012**

(30) Convention priority data:

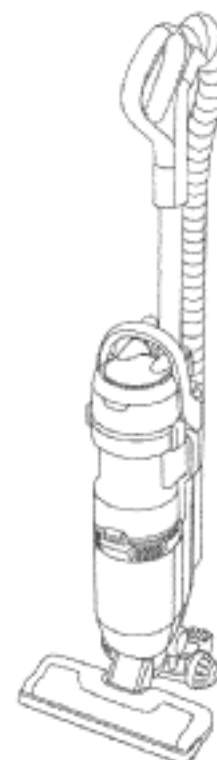
(31) Number	(32) Date	(33) Country
2011-024899	28 Oct 2011	JAPAN

(56) Related Art Documents: **Not Applicable**

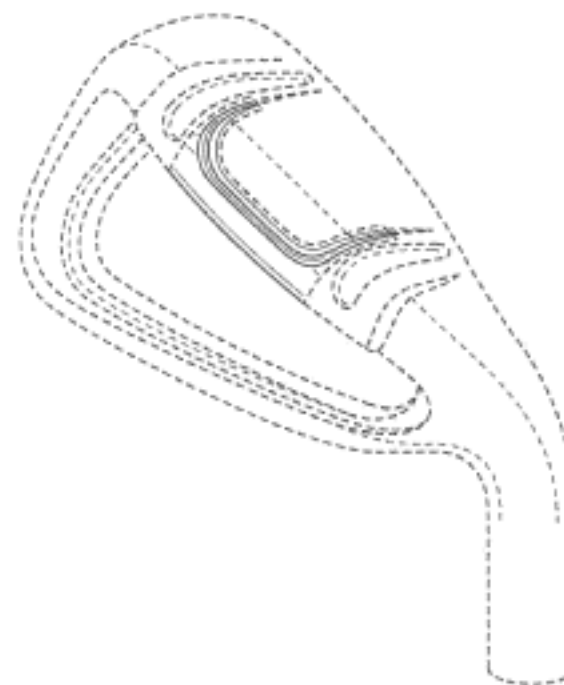
(57) Statement of Newness and Distinctiveness: **Newness and distinctiveness is claimed in the features of shape and/or configuration of a vacuum cleaner nozzle as illustrated in the accompanying representations.**



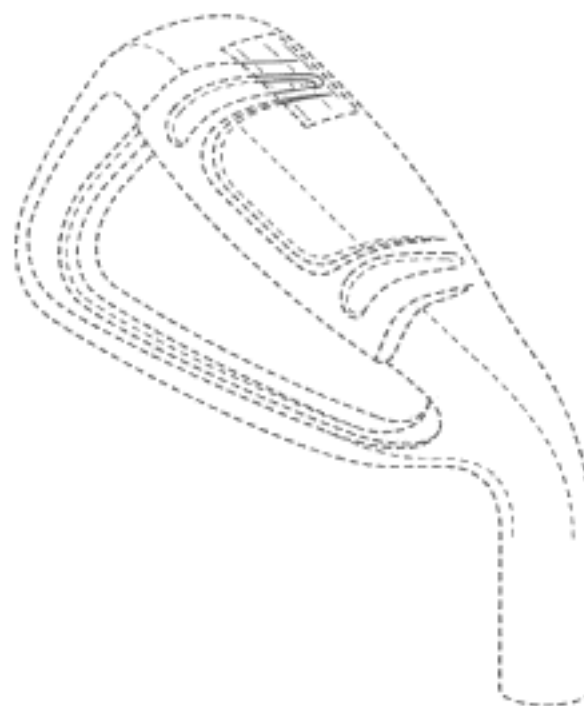
(21) Design Number: **10447/2012**
(22) Date of Filing Application: **31 January 2012**
(24) Date from which industrial property rights may have effect: **31 January 2012**
(54) Product in respect of which the design is registered: **Vacuum cleaner**
(51) International Design Classification: **15-05**
(74) Name(s) of Attorney(s): **SPRUSON & FERGUSON**
(71) Name(s) and Address(s) of Applicant(s):
Panasonic Corporation
1006 Oaza Kadoma Kadoma-shi Osaka 571-8501 Japan
(72) Name(s) of Designer(s): **Kensaku Okabe and Masakazu Umeda and Kiyooki Konno**
(45) Registration Date: **22 February 2012**
(30) Convention priority data:
(31) Number (32) Date (33) Country
2011-024898 28 Oct 2011 JAPAN
(56) Related Art Documents: **Not Applicable**
(57) Statement of Newness and Distinctiveness: **Newness and distinctiveness is claimed in the features of shape and/or configuration of a vacuum cleaner as illustrated in the accompanying representations.**



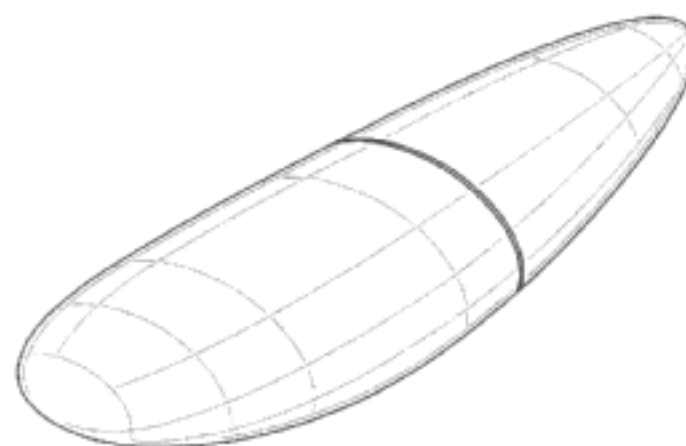
(21) Design Number: **10448/2012**
(22) Date of Filing Application: **31 January 2012**
(24) Date from which industrial property rights may have effect: **31 January 2012**
(54) Product in respect of which the design is registered: **A golf club head**
(51) International Design Classification: **21-02C**
(74) Name(s) of Attorney(s): **PHILLIPS ORMONDE FITZPATRICK**
(71) Name(s) and Address(s) of Applicant(s):
SRI Sports Limited
6-9 Wakinohama-cho 3-chome Chuo-ku Kobe-shi Hyogo Japan
(72) Name(s) of Designer(s): **Keith F. Dolezel and Sharon J. Park and Matthew R. Daraskavich and Ryan J.A. Ritchie**
(45) Registration Date: **22 February 2012**
(30) Convention priority data:
(31) Number (32) Date (33) Country
29/400,388 26 Aug 2011 UNITED STATES OF AMERICA
(56) Related Art Documents: **Not Applicable**
(57) Statement of Newness and Distinctiveness: **Those features of the golf club head depicted in the representations that are new and distinctive are the shape and/or configuration. The features shown in broken line are not part of the design and are to be disregarded when considering the overall impression of the design.**



- (21) Design Number: **10449/2012**
(22) Date of Filing Application: **31 January 2012**
(24) Date from which industrial property rights may have effect: **31 January 2012**
(54) Product in respect of which the design is registered: **A golf club head**
(51) International Design Classification: **21-02C**
(74) Name(s) of Attorney(s): **PHILLIPS ORMONDE FITZPATRICK**
(71) Name(s) and Address(s) of Applicant(s):
SRI Sports Limited
6-9 Wakinohama-cho 3-chome Chuo-ku Kobe-shi Hyogo Japan
(72) Name(s) of Designer(s): **Keith F. Dolezel and Sharon J. Park and Matthew R. Daraskavich and Ryan J.A. Ritchie**
(45) Registration Date: **22 February 2012**
(30) Convention priority data:
(31) Number (32) Date (33) Country
29/400,385 26 Aug 2011 UNITED STATES OF AMERICA
(56) Related Art Documents: **Not Applicable**
(57) Statement of Newness and Distinctiveness: **Those features of the golf club head depicted in the representations that are new and distinctive are the shape and/or configuration. The features shown in broken line are not part of the design and are to be disregarded when considering the overall impression of the design.**



- (21) Design Number: **15753/2011**
(22) Date of Filing Application: **13 December 2011**
(24) Date from which industrial property rights may have effect: **13 December 2011**
(54) Product in respect of which the design is registered: **Container with cap**
(51) International Design Classification: **09-01G**
(74) Name(s) of Attorney(s): **Shelston IP**
(71) Name(s) and Address(s) of Applicant(s):
Johnson & Johnson Consumer Companies, Inc.
Grandview Road Skillman New Jersey 08558 United States of America
(72) Name(s) of Designer(s): **Ravi Basava Hampole and Neal Mabee**
(45) Registration Date: **23 February 2012**
(30) Convention priority data:
(31) Number (32) Date (33) Country
29/394199 14 Jun 2011 UNITED STATES OF AMERICA
(56) Related Art Documents: **Not Applicable**
(57) Statement of Newness and Distinctiveness: **Newness and distinctiveness of the design for a container with cap reside in the shape and configuration of those features shown in solid lines. The features shown in broken lines are illustrative only and do not form part of the claimed design.**



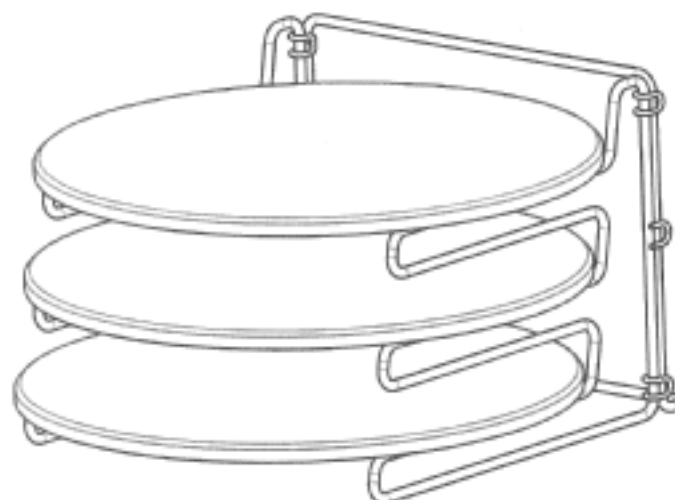
- (21) Design Number: **10429/2012**
(22) Date of Filing Application: **31 January 2012**
(24) Date from which industrial property rights may have effect: **31 January 2012**
(54) Product in respect of which the design is registered: **Medicament package**
(51) International Design Classification: **09-01NES**
(74) Name(s) of Attorney(s):
(71) Name(s) and Address(s) of Applicant(s):
Logue and Co. Pty Ltd
199 Kiora Road Yowie Bay New South Wales 2228 Australia
(72) Name(s) of Designer(s): **Anthony Thomas Logue**
(45) Registration Date: **23 February 2012**
(56) Related Art Documents: **Not Applicable**
(57) Statement of Newness and Distinctiveness: **Newness and distinctiveness is claimed in the features of shape and/or configuration of a medicament package as depicted in the accompanying drawings.**



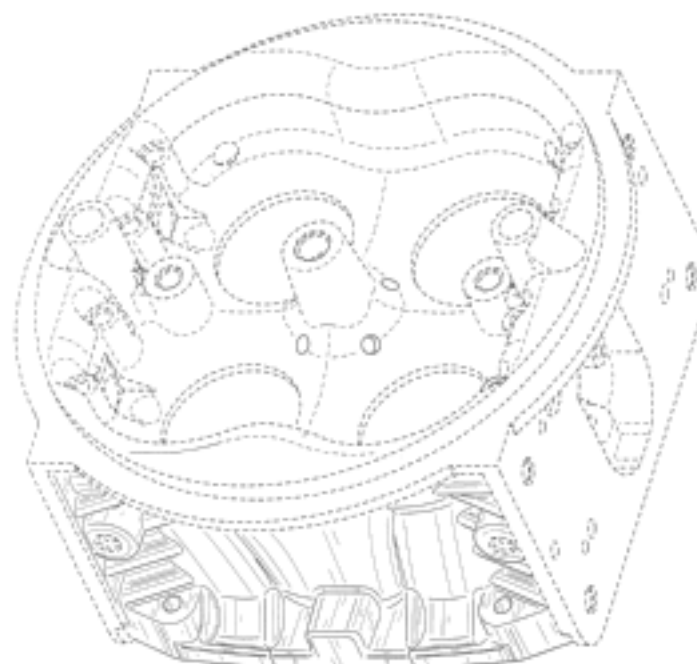
- (21) Design Number: **10430/2012**
(22) Date of Filing Application: **31 January 2012**
(24) Date from which industrial property rights may have effect: **31 January 2012**
(54) Product in respect of which the design is registered: **Medicament package**
(51) International Design Classification: **09-01NES**
(74) Name(s) of Attorney(s):
(71) Name(s) and Address(s) of Applicant(s):
Logue and Co. Pty Ltd
199 Kiora Road Yowie Bay New South Wales 2228 Australia
(72) Name(s) of Designer(s): **Anthony Thomas Logue**
(45) Registration Date: **23 February 2012**
(56) Related Art Documents: **Not Applicable**
(57) Statement of Newness and Distinctiveness: **Newness and distinctiveness is claimed in the features of shape and/or configuration of a medicament package as depicted in the accompanying drawings.**



- (21) Design Number: **10431/2012**
(22) Date of Filing Application: **01 February 2012**
(24) Date from which industrial property rights may have effect: **01 February 2012**
(54) Product in respect of which the design is registered: **Pizza stacker**
(51) International Design Classification: **07-02N, 07-02C**
(74) Name(s) of Attorney(s):
(71) Name(s) and Address(s) of Applicant(s):
Mayo Hardware Pty Ltd
34 Morley Avenue Rosebery New South Wales 2018 Australia
(72) Name(s) of Designer(s): **Barry Crone**
(45) Registration Date: **23 February 2012**
(56) Related Art Documents: **Not Applicable**
(57) Statement of Newness and Distinctiveness: **Tiered foldable stand.**



- (21) Design Number: **10432/2012**
(22) Date of Filing Application: **01 February 2012**
(24) Date from which industrial property rights may have effect: **01 February 2012**
(54) Product in respect of which the design is registered: **Carburetor main body**
(51) International Design Classification: **15-01**
(74) Name(s) of Attorney(s): **A J Park**
(71) Name(s) and Address(s) of Applicant(s):
Holley Performance Products, Inc.
1801 Russellville Road Bowling Green Kentucky 42101 United States of America
(72) Name(s) of Designer(s): **Amy Gieske and Laura Shehan and Shane Weckerly**
(45) Registration Date: **23 February 2012**
(30) Convention priority data:
(31) Number (32) Date (33) Country
29/400,551 30 Aug 2011 UNITED STATES OF AMERICA
(56) Related Art Documents: **Not Applicable**
(57) Statement of Newness and Distinctiveness: **Newness and distinctiveness reside in the features of shape and/or configuration of the Carburetor Main Body, as shown in the representations. Newness and distinctiveness are not claimed in relation to the features shown in broken lines in the representations, which features are shown for illustrative purposes only.**



(21) Design Number: **10444/2012**

(22) Date of Filing Application: **31 January 2012**

(24) Date from which industrial property rights may have effect: **31 January 2012**

(54) Product in respect of which the design is registered: **Elbow fitting**

(51) International Design Classification: **23-01B**

(74) Name(s) of Attorney(s): **SPRUSON & FERGUSON**

(71) Name(s) and Address(s) of Applicant(s):

Victaulic Company

4901 Kesslersville Road Easton Pennsylvania 18040 United States of America

(72) Name(s) of Designer(s): **Francis J. Giacalone and Scott D. Madara and Douglas R. Dole**

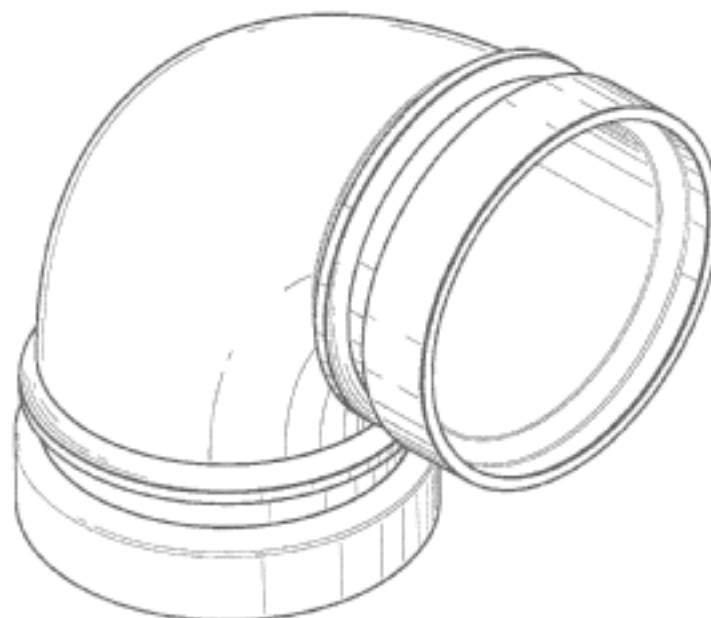
(45) Registration Date: **23 February 2012**

(30) Convention priority data:

(31) Number	(32) Date	(33) Country
29/399183	10 Aug 2011	UNITED STATES OF AMERICA

(56) Related Art Documents: **Not Applicable**

(57) Statement of Newness and Distinctiveness: **Newness and distinctiveness is claimed in the features of shape and/or configuration of a bead and a shoulder forming each end of the elbow fitting illustrated in the accompanying representations, with the thickness of the shoulders varying in a longitudinal direction.**



(21) Design Number: **15759/2011**

(22) Date of Filing Application: **14 December 2011**

(24) Date from which industrial property rights may have effect: **14 December 2011**

(54) Product in respect of which the design is registered: **Storage cabinet**

(51) International Design Classification: **06-04B**

(74) Name(s) of Attorney(s): **Allens Arthur Robinson**

(71) Name(s) and Address(s) of Applicant(s):

E.D. Oates Pty Ltd

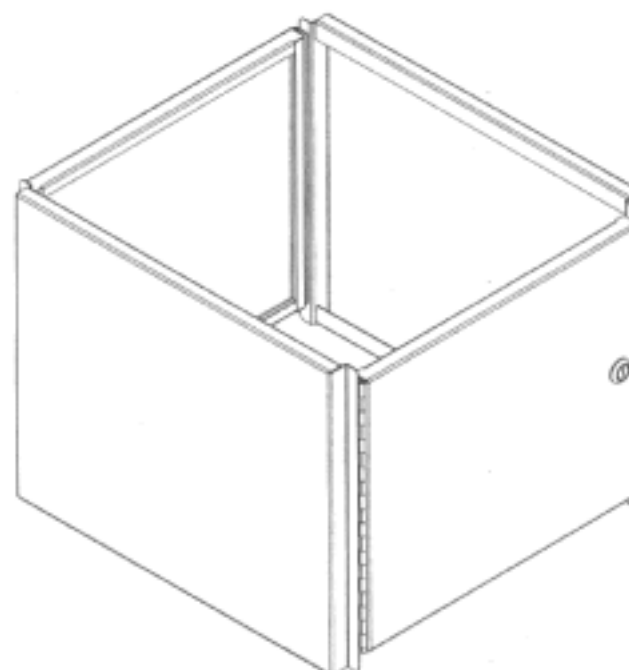
Maygar Boulevard Broadmeadows Victoria 3047 Australia

(72) Name(s) of Designer(s): **Maggie Man Kai Ho and Frankie Ngan and Karl Radolovic**

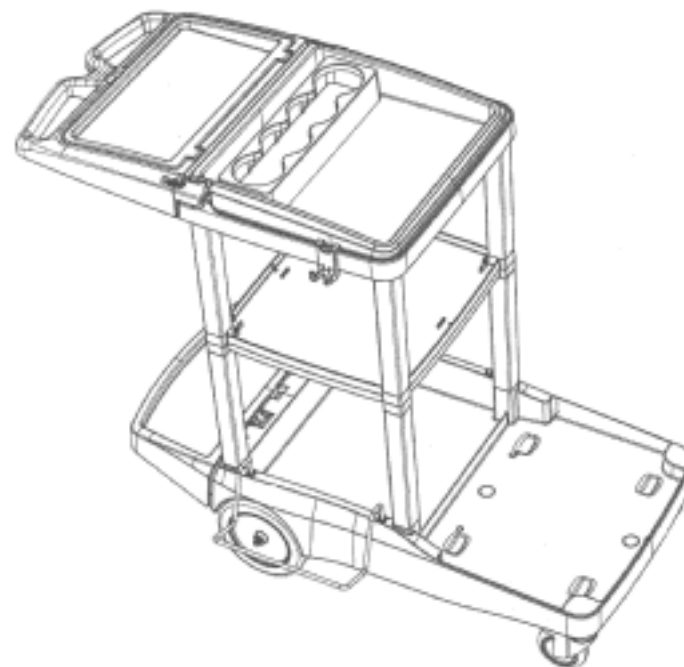
(45) Registration Date: **23 February 2012**

(56) Related Art Documents: **Not Applicable**

(57) Statement of Newness and Distinctiveness: **Newness and distinctiveness resides in the visual features of shape and/or configuration of a storage cabinet as illustrated in the accompanying representations.**



- (21) Design Number: **15760/2011**
(22) Date of Filing Application: **14 December 2011**
(24) Date from which industrial property rights may have effect: **14 December 2011**
(54) Product in respect of which the design is registered: **Janitor's cart (2)**
(51) International Design Classification: **12-02**
(74) Name(s) of Attorney(s): **Allens Arthur Robinson**
(71) Name(s) and Address(s) of Applicant(s):
E.D. Oates Pty Ltd
Maygar Boulevard Broadmeadows Victoria 3047 Australia
(72) Name(s) of Designer(s): **Maggie Man Kai Ho and Frankie Ngan and Karl Radolovic**
(45) Registration Date: **23 February 2012**
(56) Related Art Documents: **Not Applicable**
(57) Statement of Newness and Distinctiveness: **Newness and distinctiveness resides in the visual features of shape and/or configuration of a janitor's cart as illustrated in the accompanying representations.**



- (21) Design Number: **15761/2011**
(22) Date of Filing Application: **14 December 2011**
(24) Date from which industrial property rights may have effect: **14 December 2011**
(54) Product in respect of which the design is registered: **Janitor's cart (1)**
(51) International Design Classification: **12-02**
(74) Name(s) of Attorney(s): **Allens Arthur Robinson**
(71) Name(s) and Address(s) of Applicant(s):
E.D. Oates Pty Ltd
Maygar Boulevard Broadmeadows Victoria 3047 Australia
(72) Name(s) of Designer(s): **Maggie Man Kai Ho and Frankie Ngan and Karl Radolovic**
(45) Registration Date: **23 February 2012**
(56) Related Art Documents: **Not Applicable**
(57) Statement of Newness and Distinctiveness: **Newness and distinctiveness resides in the visual features of shape and/or configuration of a janitor's cart as illustrated in the accompanying representations.**



- (21) Design Number: **10342/2012**
(22) Date of Filing Application: **27 January 2012**
(24) Date from which industrial property rights may have effect: **27 January 2012**
(54) Product in respect of which the design is registered: **Hull of a personal water craft**
(51) International Design Classification: **12-06A**
(74) Name(s) of Attorney(s): **Churchill Attorneys**
(71) Name(s) and Address(s) of Applicant(s):
Blow Products Pty Ltd
22 Pascal Road Seaford Victoria 3198 Australia
(72) Name(s) of Designer(s): **Brian Gay**
(45) Registration Date: **23 February 2012**
(56) Related Art Documents: **Not Applicable**
(57) Statement of Newness and Distinctiveness: **Newness and distinctiveness resides in features of shape and/or configuration of a personal water craft hull as shown in the accompanying representations.**



- (21) Design Number: **10343/2012**
(22) Date of Filing Application: **27 January 2012**
(24) Date from which industrial property rights may have effect: **27 January 2012**
(54) Product in respect of which the design is registered: **Deck of a personal water craft**
(51) International Design Classification: **12-06A**
(74) Name(s) of Attorney(s): **Churchill Attorneys**
(71) Name(s) and Address(s) of Applicant(s):
Blow Products Pty Ltd
22 Pascal Road Seaford Victoria 3198 Australia
(72) Name(s) of Designer(s): **Brian Gay**
(45) Registration Date: **23 February 2012**
(56) Related Art Documents: **Not Applicable**
(57) Statement of Newness and Distinctiveness: **Newness and distinctiveness resides in features of shape and/or configuration of a personal water craft deck as shown in the accompanying representations.**



- (21) Design Number: **10393/2012**
(22) Date of Filing Application: **30 January 2012**
(24) Date from which industrial property rights may have effect: **30 January 2012**
(54) Product in respect of which the design is registered: **A wall mounted support for a clothes basket**
(51) International Design Classification: **06-04NES**
(74) Name(s) of Attorney(s):
(71) Name(s) and Address(s) of Applicant(s):
Wayne Cairns
42 Oxford Close Sippy Downs Queensland 4556 Australia
(72) Name(s) of Designer(s): **Wayne Cairns**
(45) Registration Date: **23 February 2012**
(56) Related Art Documents: **Not Applicable**
(57) Statement of Newness and Distinctiveness: **The clothes basket wall shelf is tubular in its design and construction. Helps in preventing, rain water, leaves, ect, from collecting on it keeping it clean at all times. It's pivot point in its design allows the shelf to be neatly stored away.**



- (21) Design Number: **10466/2012**
(22) Date of Filing Application: **01 February 2012**
(24) Date from which industrial property rights may have effect: **01 February 2012**
(54) Product in respect of which the design is registered: **Tie down strap**
(51) International Design Classification: **09-06**
(74) Name(s) of Attorney(s):
(71) Name(s) and Address(s) of Applicant(s):
Bruce Richard Clarke
78 Beecroft Road Goomalling Western Australia 6460 Australia
(72) Name(s) of Designer(s): **Bruce Richard Clarke**
(45) Registration Date: **23 February 2012**
(56) Related Art Documents: **Not Applicable**
(57) Statement of Newness and Distinctiveness: **Newness and distinctiveness is claimed in the shape and/or configuration of the following feature of a tie down strap as shown in the representations: the restraining strap marked "A".**



(21) Design Number: **10469/2012**
(22) Date of Filing Application: **01 February 2012**
(24) Date from which industrial property rights may have effect: **01 February 2012**
(54) Product in respect of which the design is registered: **Bottle**
(51) International Design Classification: **09-01H**
(74) Name(s) of Attorney(s): **FB Rice**
(71) Name(s) and Address(s) of Applicant(s):

SAVERGLASS

3 rue de la Gare 60960 Feuquieres France

(72) Name(s) of Designer(s): **Catherine Lecetre and Thierry Bernard**

(45) Registration Date: **23 February 2012**

(56) Related Art Documents: **Not Applicable**

(57) Statement of Newness and Distinctiveness: **Newness and distinctiveness reside in the features of the design as shown in the representations including a neck of cylindrical shape, flat shoulders with a small inclination from the neck to the edge of each side forming a rectangular section, wherein the upper and lower edges of the narrow sides are slightly curved, the front and rear sides are larger than the other opposite sides, the straight vertical sides narrow towards the bottom and the bottom has a square section.**



(21) Design Number: **10470/2012**
(22) Date of Filing Application: **01 February 2012**
(24) Date from which industrial property rights may have effect: **01 February 2012**
(54) Product in respect of which the design is registered: **Toothbrush**
(51) International Design Classification: **04-02**
(74) Name(s) of Attorney(s): **FB Rice**
(71) Name(s) and Address(s) of Applicant(s):

Colgate-Palmolive Company

300 Park Avenue New York New York 10022 United States of America

(72) Name(s) of Designer(s): **Wen Jin Xi and Yu Liu and Kai Zhang**

(45) Registration Date: **23 February 2012**

(30) Convention priority data:

(31) Number	(32) Date	(33) Country
29/400345	26 Aug 2011	UNITED STATES OF AMERICA

(56) Related Art Documents: **Not Applicable**

(57) Statement of Newness and Distinctiveness: **Newness and distinctiveness reside in the features of the design as shown in the representations.**



(21) Design Number: **10471/2012**
(22) Date of Filing Application: **01 February 2012**
(24) Date from which industrial property rights may have effect: **01 February 2012**
(54) Product in respect of which the design is registered: **Toothbrush**
(51) International Design Classification: **04-02**
(74) Name(s) of Attorney(s): **FB Rice**
(71) Name(s) and Address(s) of Applicant(s):
Colgate-Palmolive Company
300 Park Avenue New York New York 10022 United States of America
(72) Name(s) of Designer(s): **Wen Jin Xi and Yu Liu and Kai Zhang**
(45) Registration Date: **23 February 2012**
(30) Convention priority data:
(31) Number (32) Date (33) Country
29/400346 26 Aug 2011 UNITED STATES OF AMERICA
(56) Related Art Documents: **Not Applicable**
(57) Statement of Newness and Distinctiveness: **Newness and distinctiveness reside in the features of the design shown in the representations excluding those features shown in broken lines.**



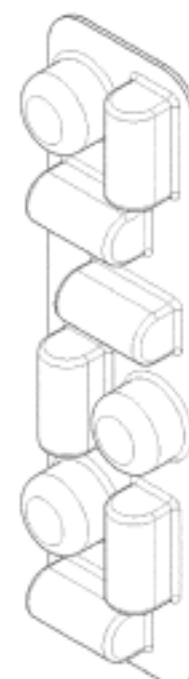
(21) Design Number: **10472/2012**
(22) Date of Filing Application: **01 February 2012**
(24) Date from which industrial property rights may have effect: **01 February 2012**
(54) Product in respect of which the design is registered: **Toothbrush**
(51) International Design Classification: **04-02**
(74) Name(s) of Attorney(s): **FB Rice**
(71) Name(s) and Address(s) of Applicant(s):
Colgate-Palmolive Company
300 Park Avenue New York New York 10022 United States of America
(72) Name(s) of Designer(s): **Wen Jin Xi and Yu Liu and Kai Zhang**
(45) Registration Date: **23 February 2012**
(30) Convention priority data:
(31) Number (32) Date (33) Country
29/400347 26 Aug 2011 UNITED STATES OF AMERICA
(56) Related Art Documents: **Not Applicable**
(57) Statement of Newness and Distinctiveness: **Newness and distinctiveness reside in the features of the design shown in the representations.**



(21) Design Number: **10473/2012**
(22) Date of Filing Application: **01 February 2012**
(24) Date from which industrial property rights may have effect: **01 February 2012**
(54) Product in respect of which the design is registered: **Toothbrush**
(51) International Design Classification: **04-02**
(74) Name(s) of Attorney(s): **FB Rice**
(71) Name(s) and Address(s) of Applicant(s):
Colgate-Palmolive Company
300 Park Avenue New York New York 10022 United States of America
(72) Name(s) of Designer(s): **Wen Jin Xi and Yu Liu and Kai Zhang**
(45) Registration Date: **23 February 2012**
(30) Convention priority data:
(31) Number (32) Date (33) Country
29/400349 26 Aug 2011 UNITED STATES OF AMERICA
(56) Related Art Documents: **Not Applicable**
(57) Statement of Newness and Distinctiveness: **Newness and distinctiveness reside in the features of the design shown in the representations excluding those features shown in broken lines.**



(21) Design Number: **10474/2012**
(22) Date of Filing Application: **01 February 2012**
(24) Date from which industrial property rights may have effect: **01 February 2012**
(54) Product in respect of which the design is registered: **Blister pack**
(51) International Design Classification: **09-05**
(74) Name(s) of Attorney(s):
(71) Name(s) and Address(s) of Applicant(s):
Logue and Co. Pty Ltd
199 Kiara Road Yowie Bay New South Wales 2228 Australia
(72) Name(s) of Designer(s): **Anthony Thomas Logue**
(45) Registration Date: **23 February 2012**
(56) Related Art Documents: **Not Applicable**
(57) Statement of Newness and Distinctiveness: **Newness and distinctiveness is claimed in the features of shape and/or configuration of a blister pack as depicted in the accompanying drawings.**



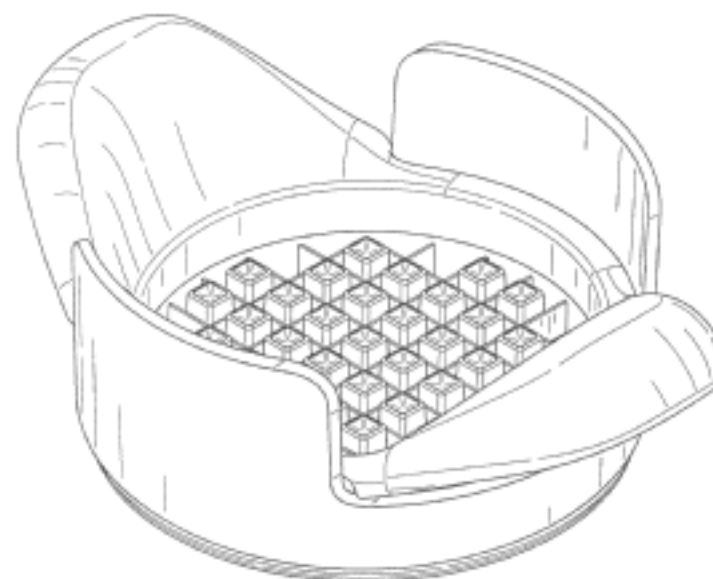
- (21) Design Number: **10475/2012**
(22) Date of Filing Application: **01 February 2012**
(24) Date from which industrial property rights may have effect: **01 February 2012**
(54) Product in respect of which the design is registered: **Blister pack**
(51) International Design Classification: **09-05**
(74) Name(s) of Attorney(s):
(71) Name(s) and Address(s) of Applicant(s):
Logue and Co. Pty Ltd
199 Kiara Road Yowie Bay New South Wales 2228 Australia
(72) Name(s) of Designer(s): **Anthony Thomas Logue**
(45) Registration Date: **23 February 2012**
(56) Related Art Documents: **Not Applicable**
(57) Statement of Newness and Distinctiveness: **Newness and distinctiveness is claimed in the features of shape and/or configuration of a blister pack as depicted in the accompanying drawings.**



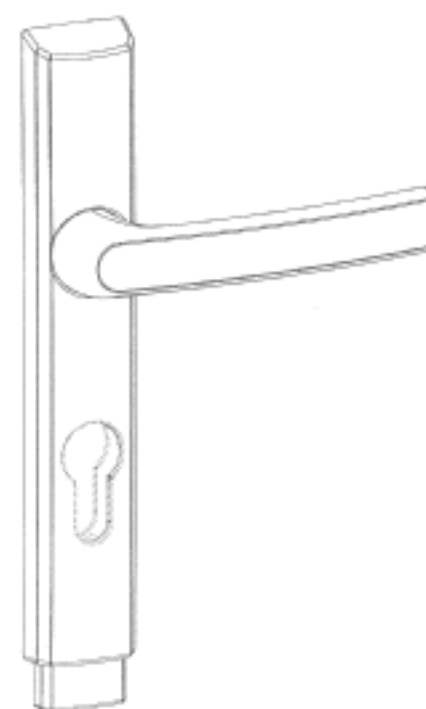
- (21) Design Number: **10476/2012**
(22) Date of Filing Application: **01 February 2012**
(24) Date from which industrial property rights may have effect: **01 February 2012**
(54) Product in respect of which the design is registered: **Blister pack**
(51) International Design Classification: **09-05**
(74) Name(s) of Attorney(s):
(71) Name(s) and Address(s) of Applicant(s):
Logue and Co. Pty Ltd
199 Kiara Road Yowie Bay New South Wales 2228 Australia
(72) Name(s) of Designer(s): **Anthony Thomas Logue**
(45) Registration Date: **23 February 2012**
(56) Related Art Documents: **Not Applicable**
(57) Statement of Newness and Distinctiveness: **Newness and distinctiveness is claimed in the feature of shape and/or configuration of a blister pack as depicted in the accompanying drawings.**



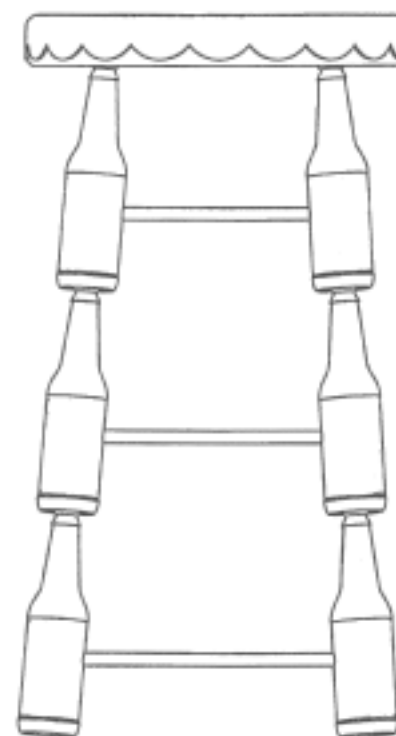
(21) Design Number: **10456/2012**
(22) Date of Filing Application: **01 February 2012**
(24) Date from which industrial property rights may have effect: **01 February 2012**
(54) Product in respect of which the design is registered: **Food cutter**
(51) International Design Classification: **07-04**
(74) Name(s) of Attorney(s): **SPRUSON & FERGUSON**
(71) Name(s) and Address(s) of Applicant(s):
Columbia Insurance Company
3024 Harney Street Omaha Nebraska 68131 United States of America
(72) Name(s) of Designer(s): **E. Mark Harris and Frances M. Coursey**
(45) Registration Date: **24 February 2012**
(30) Convention priority data:
(31) Number (32) Date (33) Country
29/398661 03 Aug 2011 UNITED STATES OF AMERICA
(56) Related Art Documents: **Not Applicable**
(57) Statement of Newness and Distinctiveness: **Newness and distinctiveness is claimed in those features of shape and/or configuration of a food cutter illustrated in continuous lines in the accompanying representations.**



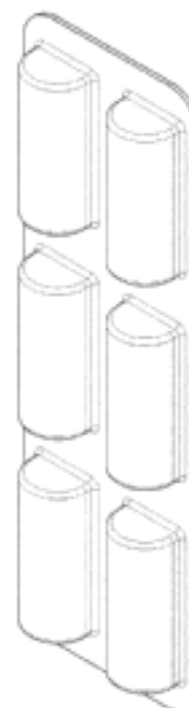
(21) Design Number: **10457/2012**
(22) Date of Filing Application: **01 February 2012**
(24) Date from which industrial property rights may have effect: **01 February 2012**
(54) Product in respect of which the design is registered: **A lever and backplate assembly**
(51) International Design Classification: **08-06**
(74) Name(s) of Attorney(s): **SPRUSON & FERGUSON**
(71) Name(s) and Address(s) of Applicant(s):
Austral Lock Pty Ltd
31-33 Alfred Street Blackburn Victoria 3130 Australia
(72) Name(s) of Designer(s): **David Greenbury**
(45) Registration Date: **24 February 2012**
(56) Related Art Documents: **Not Applicable**
(57) Statement of Newness and Distinctiveness: **Newness and distinctiveness is claimed in the features of shape and/or configuration of a locking button on the bottom of a backplate of the lever and backplate assembly illustrated in the accompanying representations.**



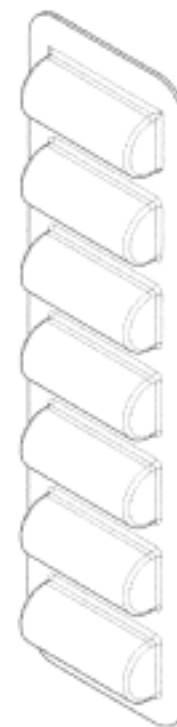
(21) Design Number: **10458/2012**
(22) Date of Filing Application: **01 February 2012**
(24) Date from which industrial property rights may have effect: **01 February 2012**
(54) Product in respect of which the design is registered: **Bottle bar stool**
(51) International Design Classification: **06-01F**
(74) Name(s) of Attorney(s): **SPRUSON & FERGUSON**
(71) Name(s) and Address(s) of Applicant(s):
David Chessell
66 Burch Street Apt. 601 Woodstock Ontario N4S 8W5 Canada
(72) Name(s) of Designer(s): **David Chessell**
(45) Registration Date: **24 February 2012**
(30) Convention priority data:
(31) Number (32) Date (33) Country
29/398686 03 Aug 2011 UNITED STATES OF AMERICA
(56) Related Art Documents: **Not Applicable**
(57) Statement of Newness and Distinctiveness: **Newness and distinctiveness is claimed in those features of shape and/or configuration of a bottle bar stool as illustrated in the accompanying representations.**



(21) Design Number: **10460/2012**
(22) Date of Filing Application: **01 February 2012**
(24) Date from which industrial property rights may have effect: **01 February 2012**
(54) Product in respect of which the design is registered: **Blister pack**
(51) International Design Classification: **09-05**
(74) Name(s) of Attorney(s):
(71) Name(s) and Address(s) of Applicant(s):
Logue and Co. Pty Ltd
199 Kiora Road Yowie Bay New South Wales 2228 Australia
(72) Name(s) of Designer(s): **Anthony Thomas Logue**
(45) Registration Date: **24 February 2012**
(56) Related Art Documents: **Not Applicable**
(57) Statement of Newness and Distinctiveness: **Newness and distinctiveness is claimed in the features of shape and/or configuration of a blister pack as depicted in the accompanying drawings.**



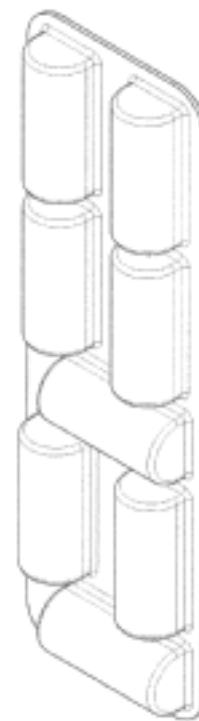
- (21) Design Number: **10461/2012**
(22) Date of Filing Application: **01 February 2012**
(24) Date from which industrial property rights may have effect: **01 February 2012**
(54) Product in respect of which the design is registered: **Blister pack**
(51) International Design Classification: **09-05**
(74) Name(s) of Attorney(s):
(71) Name(s) and Address(s) of Applicant(s):
Logue and Co. Pty Ltd
199 Kiora Road Yowie Bay New South Wales 2228 Australia
(72) Name(s) of Designer(s): **Anthony Thomas Logue**
(45) Registration Date: **24 February 2012**
(56) Related Art Documents: **Not Applicable**
(57) Statement of Newness and Distinctiveness: **Newness and distinctiveness is claimed in the features of shape and/or configuration of a blister pack as depicted in the accompanying drawings.**



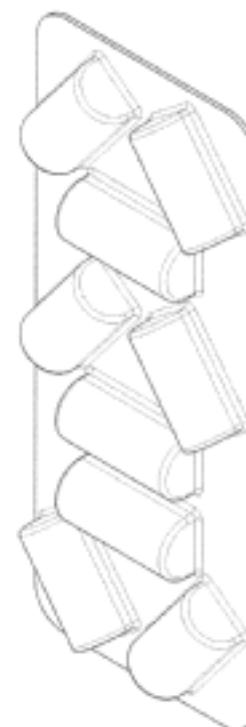
- (21) Design Number: **10462/2012**
(22) Date of Filing Application: **01 February 2012**
(24) Date from which industrial property rights may have effect: **01 February 2012**
(54) Product in respect of which the design is registered: **Blister pack**
(51) International Design Classification: **09-05**
(74) Name(s) of Attorney(s):
(71) Name(s) and Address(s) of Applicant(s):
Logue and Co. Pty Ltd
199 Kiora Road Yowie Bay New South Wales 2228 Australia
(72) Name(s) of Designer(s): **Anthony Thomas Logue**
(45) Registration Date: **24 February 2012**
(56) Related Art Documents: **Not Applicable**
(57) Statement of Newness and Distinctiveness: **Newness and distinctiveness is claimed in the features of shape and/or configuration of a blister pack as depicted in the accompanying drawings.**



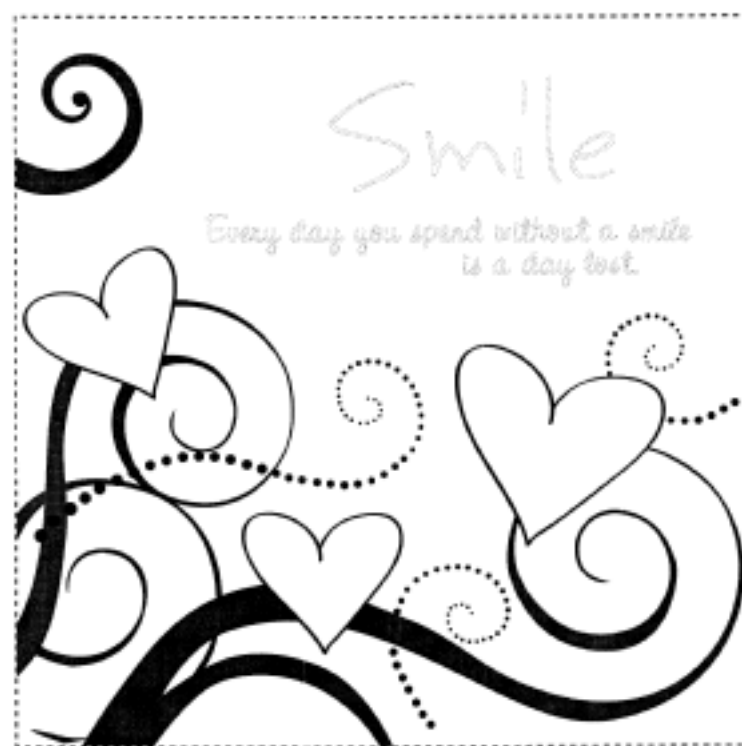
- (21) Design Number: **10463/2012**
(22) Date of Filing Application: **01 February 2012**
(24) Date from which industrial property rights may have effect: **01 February 2012**
(54) Product in respect of which the design is registered: **Blister pack**
(51) International Design Classification: **09-05**
(74) Name(s) of Attorney(s):
(71) Name(s) and Address(s) of Applicant(s):
Logue and Co. Pty Ltd
199 Kiora Road Yowie Bay New South Wales 2228 Australia
(72) Name(s) of Designer(s): **Anthony Thomas Logue**
(45) Registration Date: **24 February 2012**
(56) Related Art Documents: **Not Applicable**
(57) Statement of Newness and Distinctiveness: **Newness and distinctiveness is claimed in the features of shape and/or configuration of a blister pack as depicted in the accompanying drawings.**



- (21) Design Number: **10464/2012**
(22) Date of Filing Application: **01 February 2012**
(24) Date from which industrial property rights may have effect: **01 February 2012**
(54) Product in respect of which the design is registered: **Blister pack**
(51) International Design Classification: **09-05**
(74) Name(s) of Attorney(s):
(71) Name(s) and Address(s) of Applicant(s):
Logue and Co. Pty Ltd
199 Kiora Road Yowie Bay New South Wales 2228 Australia
(72) Name(s) of Designer(s): **Anthony Thomas Logue**
(45) Registration Date: **24 February 2012**
(56) Related Art Documents: **Not Applicable**
(57) Statement of Newness and Distinctiveness: **Newness and distinctiveness is claimed in the features of shape and/or configuration of a blister pack as depicted in the accompanying drawings.**



- (21) Design Number: **10465/2012**
(22) Date of Filing Application: **01 February 2012**
(24) Date from which industrial property rights may have effect: **01 February 2012**
(54) Product in respect of which the design is registered: **A plaque**
(51) International Design Classification: **11-02F**
(74) Name(s) of Attorney(s): **Cullens Patent and Trade Mark Attorneys**
(71) Name(s) and Address(s) of Applicant(s):
Splosh Australia Pty Ltd
Unit 1/70 Dulacca Street Acacia Ridge Queensland 4110 Australia
(72) Name(s) of Designer(s): **Kim Kendall**
(45) Registration Date: **24 February 2012**
(56) Related Art Documents: **Not Applicable**
(57) Statement of Newness and Distinctiveness: **Newness and distinctiveness is claimed in those features depicted in the accompanying representation, other than the border and wording features depicted by dashed lines in the representation.**



- (21) Design Number: **12556/2011**
(22) Date of Filing Application: **06 June 2011**
(24) Date from which industrial property rights may have effect: **06 June 2011**
(54) Product in respect of which the design is registered: **Dress**
(51) International Design Classification: **02-02C**
(74) Name(s) of Attorney(s): **MIDDLETONS**
(71) Name(s) and Address(s) of Applicant(s):
Beba Enterprises Pty Ltd
34 Garden Street South Yarra Victoria 3141 Australia
(72) Name(s) of Designer(s): **Arthur Soetedja**
(45) Registration Date: **24 February 2012**
(56) Related Art Documents: **Not Applicable**
(57) Statement of Newness and Distinctiveness: **Nil**



(21) Design Number: **15629/2011**
(22) Date of Filing Application: **06 June 2011**
(24) Date from which industrial property rights may have effect: **06 June 2011**
(54) Product in respect of which the design is registered: **Dress**
(51) International Design Classification: **02-02C**
(74) Name(s) of Attorney(s): **MIDDLETONS**
(71) Name(s) and Address(s) of Applicant(s):
Beba Enterprises Pty Ltd
34 Garden Street South Yarra Victoria 3141 Australia
(72) Name(s) of Designer(s): **Arthur Soetedja**
(45) Registration Date: **24 February 2012**
(56) Related Art Documents: **Not Applicable**
(57) Statement of Newness and Distinctiveness: **Nil**



(21) Design Number: **15630/2011**
(22) Date of Filing Application: **06 June 2011**
(24) Date from which industrial property rights may have effect: **06 June 2011**
(54) Product in respect of which the design is registered: **Skirt**
(51) International Design Classification: **02-02C**
(74) Name(s) of Attorney(s): **MIDDLETONS**
(71) Name(s) and Address(s) of Applicant(s):
Beba Enterprises Pty Ltd
34 Garden Street South Yarra Victoria 3141 Australia
(72) Name(s) of Designer(s): **Arthur Soetedja**
(45) Registration Date: **24 February 2012**
(56) Related Art Documents: **Not Applicable**
(57) Statement of Newness and Distinctiveness: **Nil**



(21) Design Number: **15631/2011**
(22) Date of Filing Application: **06 June 2011**
(24) Date from which industrial property rights may have effect: **06 June 2011**
(54) Product in respect of which the design is registered: **Top**
(51) International Design Classification: **02-02NES**
(74) Name(s) of Attorney(s): **MIDDLETONS**
(71) Name(s) and Address(s) of Applicant(s):
Beba Enterprises Pty Ltd
34 Garden Street South Yarra Victoria 3141 Australia
(72) Name(s) of Designer(s): **Arthur Soetedja**
(45) Registration Date: **24 February 2012**
(56) Related Art Documents: **Not Applicable**
(57) Statement of Newness and Distinctiveness: **Nil**



(21) Design Number: **15632/2011**
(22) Date of Filing Application: **06 June 2011**
(24) Date from which industrial property rights may have effect: **06 June 2011**
(54) Product in respect of which the design is registered: **Top**
(51) International Design Classification: **02-02NES**
(74) Name(s) of Attorney(s): **MIDDLETONS**
(71) Name(s) and Address(s) of Applicant(s):
Beba Enterprises Pty Ltd
34 Garden Street South Yarra Victoria 3141 Australia
(72) Name(s) of Designer(s): **Arthur Soetedja**
(45) Registration Date: **24 February 2012**
(56) Related Art Documents: **Not Applicable**
(57) Statement of Newness and Distinctiveness: **Nil**



(21) Design Number: **15633/2011**
(22) Date of Filing Application: **06 June 2011**
(24) Date from which industrial property rights may have effect: **06 June 2011**
(54) Product in respect of which the design is registered: **Top**
(51) International Design Classification: **02-02NES**
(74) Name(s) of Attorney(s): **MIDDLETONS**
(71) Name(s) and Address(s) of Applicant(s):
Beba Enterprises Pty Ltd
34 Garden Street South Yarra Victoria 3141 Australia
(72) Name(s) of Designer(s): **Arthur Soetedja**
(45) Registration Date: **24 February 2012**
(56) Related Art Documents: **Not Applicable**
(57) Statement of Newness and Distinctiveness: **Nil**



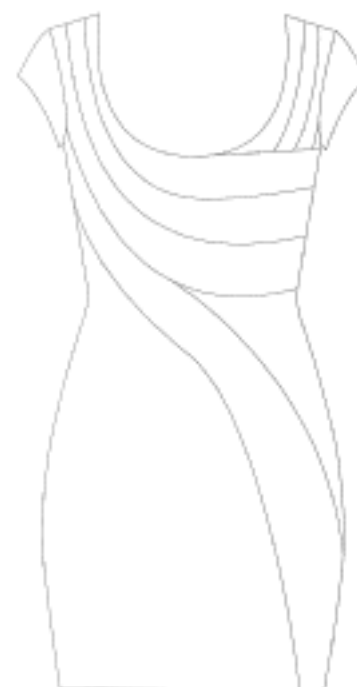
(21) Design Number: **15634/2011**
(22) Date of Filing Application: **06 June 2011**
(24) Date from which industrial property rights may have effect: **06 June 2011**
(54) Product in respect of which the design is registered: **Top**
(51) International Design Classification: **02-02NES**
(74) Name(s) of Attorney(s): **MIDDLETONS**
(71) Name(s) and Address(s) of Applicant(s):
Beba Enterprises Pty Ltd
34 Garden Street South Yarra Victoria 3141 Australia
(72) Name(s) of Designer(s): **Arthur Soetedja**
(45) Registration Date: **24 February 2012**
(56) Related Art Documents: **Not Applicable**
(57) Statement of Newness and Distinctiveness: **Nil**



(21) Design Number: **15635/2011**
(22) Date of Filing Application: **06 June 2011**
(24) Date from which industrial property rights may have effect: **06 June 2011**
(54) Product in respect of which the design is registered: **Dress**
(51) International Design Classification: **02-02C**
(74) Name(s) of Attorney(s): **MIDDLETONS**
(71) Name(s) and Address(s) of Applicant(s):
Beba Enterprises Pty Ltd
34 Garden Street South Yarra Victoria 3141 Australia
(72) Name(s) of Designer(s): **Arthur Soetedja**
(45) Registration Date: **24 February 2012**
(56) Related Art Documents: **Not Applicable**
(57) Statement of Newness and Distinctiveness: **Nil**



(21) Design Number: **15636/2011**
(22) Date of Filing Application: **06 June 2011**
(24) Date from which industrial property rights may have effect: **06 June 2011**
(54) Product in respect of which the design is registered: **Dress**
(51) International Design Classification: **02-02C**
(74) Name(s) of Attorney(s): **MIDDLETONS**
(71) Name(s) and Address(s) of Applicant(s):
Beba Enterprises Pty Ltd
34 Garden Street South Yarra Victoria 3141 Australia
(72) Name(s) of Designer(s): **Arthur Soetedja**
(45) Registration Date: **24 February 2012**
(56) Related Art Documents: **Not Applicable**
(57) Statement of Newness and Distinctiveness: **Nil**



(21) Design Number: **15637/2011**
(22) Date of Filing Application: **06 June 2011**
(24) Date from which industrial property rights may have effect: **06 June 2011**
(54) Product in respect of which the design is registered: **Skirt**
(51) International Design Classification: **02-02C**
(74) Name(s) of Attorney(s): **MIDDLETONS**
(71) Name(s) and Address(s) of Applicant(s):
Beba Enterprises Pty Ltd
34 Garden Street South Yarra Victoria 3141 Australia
(72) Name(s) of Designer(s): **Arthur Soetedja**
(45) Registration Date: **24 February 2012**
(56) Related Art Documents: **Not Applicable**
(57) Statement of Newness and Distinctiveness: **Nil**



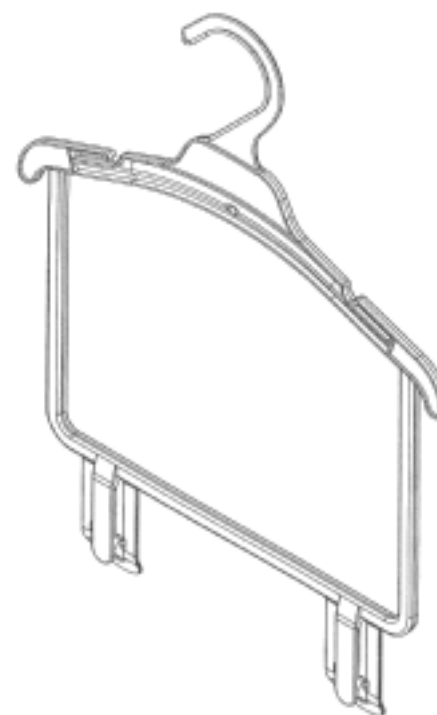
(21) Design Number: **15638/2011**
(22) Date of Filing Application: **06 June 2011**
(24) Date from which industrial property rights may have effect: **06 June 2011**
(54) Product in respect of which the design is registered: **Dress**
(51) International Design Classification: **02-02C**
(74) Name(s) of Attorney(s): **MIDDLETONS**
(71) Name(s) and Address(s) of Applicant(s):
Beba Enterprises Pty Ltd
34 Garden Street South Yarra Victoria 3141 Australia
(72) Name(s) of Designer(s): **Arthur Soetedja**
(45) Registration Date: **24 February 2012**
(56) Related Art Documents: **Not Applicable**
(57) Statement of Newness and Distinctiveness: **Nil**



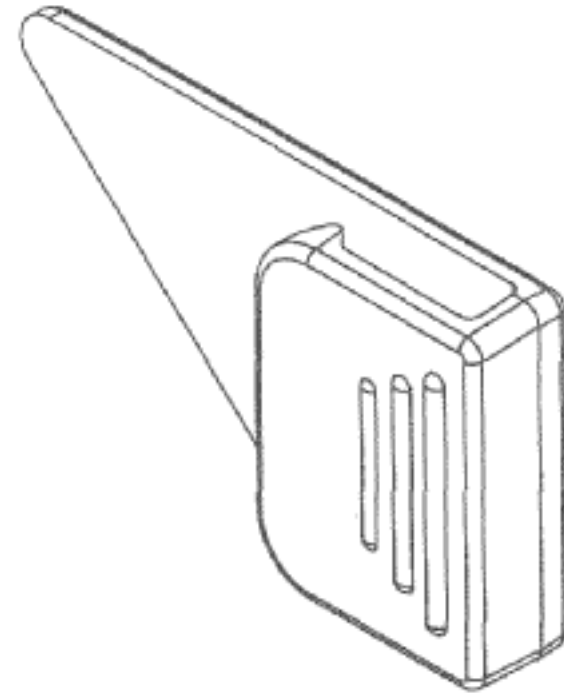
- (21) Design Number: **15876/2011**
(22) Date of Filing Application: **19 December 2011**
(24) Date from which industrial property rights may have effect: **19 December 2011**
(54) Product in respect of which the design is registered: **Garment hanger**
(51) International Design Classification: **06-08**
(74) Name(s) of Attorney(s): **PHILLIPS ORMONDE FITZPATRICK**
(71) Name(s) and Address(s) of Applicant(s):
TIC (Retail Accessories) Pty Ltd
214-228 Blackshaws Road Altona North Victoria 3025 Australia
(72) Name(s) of Designer(s): **Mark Victor Gandur**
(45) Registration Date: **24 February 2012**
(56) Related Art Documents: **Not Applicable**
(57) Statement of Newness and Distinctiveness: **Newness and distinctiveness reside in the features of shape and configuration of a garment hanger as shown in the representations in which the arms of the garment hanger can vary in length and in the relative length of their respective end portions as shown in the representations of the garment hanger in sheets 2/13-4/13; 5/13-7/13; 8/13-10/13 and 11/13-13/13 and as depicted by the breaks shown in the arms of the garment hanger shown in the isometric view in sheet 1/13.**



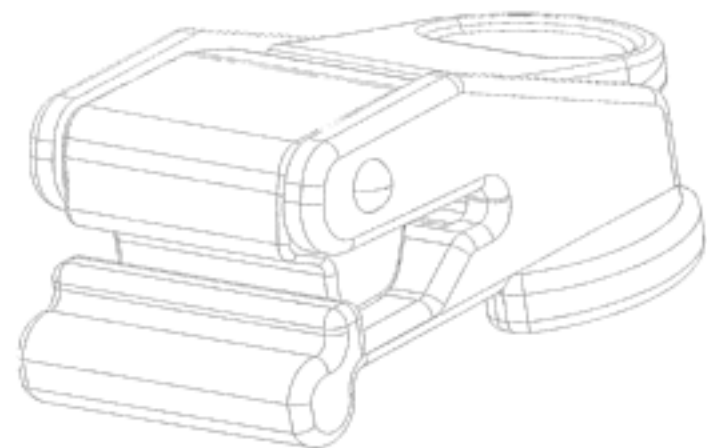
- (21) Design Number: **15878/2011**
(22) Date of Filing Application: **19 December 2011**
(24) Date from which industrial property rights may have effect: **19 December 2011**
(54) Product in respect of which the design is registered: **Garment hanger**
(51) International Design Classification: **06-08**
(74) Name(s) of Attorney(s): **PHILLIPS ORMONDE FITZPATRICK**
(71) Name(s) and Address(s) of Applicant(s):
TIC (Retail Accessories) Pty Ltd
214-228 Blackshaws Road Altona North Victoria 3025 Australia
(72) Name(s) of Designer(s): **Mark Victor Gandur**
(45) Registration Date: **24 February 2012**
(56) Related Art Documents: **Not Applicable**
(57) Statement of Newness and Distinctiveness: **Newness and distinctiveness resides in the features of shape and configuration of a garment hanger as shown in the representations.**



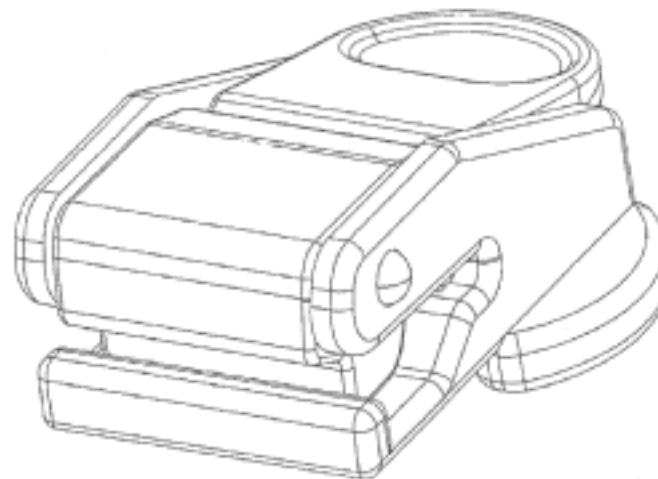
- (21) Design Number: **15879/2011**
(22) Date of Filing Application: **19 December 2011**
(24) Date from which industrial property rights may have effect: **19 December 2011**
(54) Product in respect of which the design is registered: **Garment hanger clip**
(51) International Design Classification: **06-08, 08-08C**
(74) Name(s) of Attorney(s): **PHILLIPS ORMONDE FITZPATRICK**
(71) Name(s) and Address(s) of Applicant(s):
TIC (Retail Accessories) Pty Ltd
214-228 Blackshaws Road Altona North Victoria 3025 Australia
(72) Name(s) of Designer(s): **Mark Victor Gandur**
(45) Registration Date: **24 February 2012**
(56) Related Art Documents: **Not Applicable**
(57) Statement of Newness and Distinctiveness: **Newness and distinctiveness resides in the features of shape and configuration of a garment hanger clip as shown in the representations.**



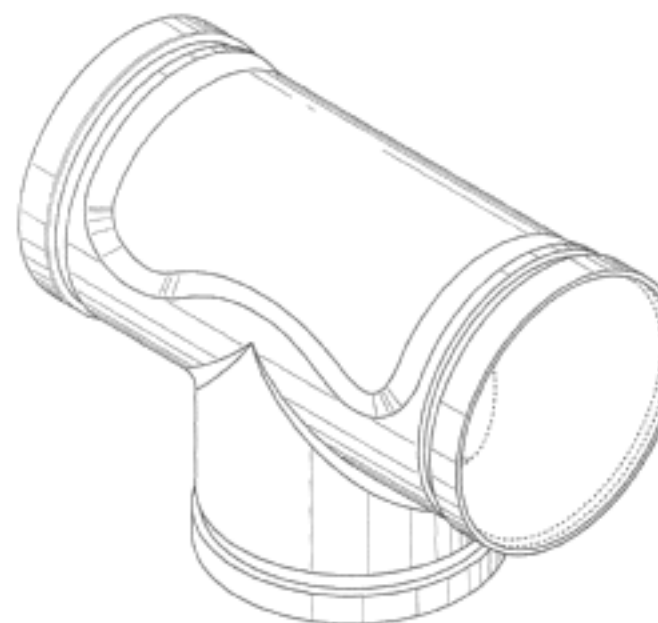
- (21) Design Number: **10389/2012**
(22) Date of Filing Application: **27 January 2012**
(24) Date from which industrial property rights may have effect: **27 January 2012**
(54) Product in respect of which the design is registered: **Outdoor industry, rail clamp**
(51) International Design Classification: **08-08D**
(74) Name(s) of Attorney(s): **Varsity IP**
(71) Name(s) and Address(s) of Applicant(s):
Mattane Pty Ltd
14 Binary Street Yatala Queensland 4207 Australia
(72) Name(s) of Designer(s): **David George Cook**
(45) Registration Date: **24 February 2012**
(56) Related Art Documents: **Not Applicable**
(57) Statement of Newness and Distinctiveness: **Nil**



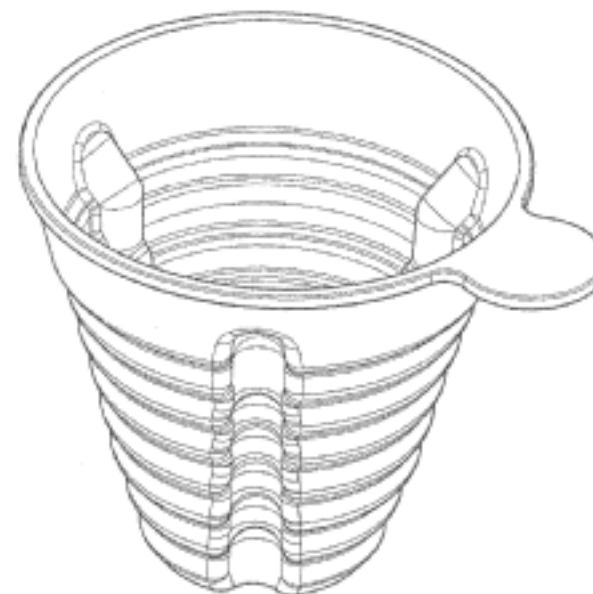
(21) Design Number: **10390/2012**
(22) Date of Filing Application: **25 January 2012**
(24) Date from which industrial property rights may have effect: **25 January 2012**
(54) Product in respect of which the design is registered: **Outdoor industry, strap clamp**
(51) International Design Classification: **08-08D**
(74) Name(s) of Attorney(s): **Varsity IP**
(71) Name(s) and Address(s) of Applicant(s):
Mattane Pty Ltd
14 Binary Street Yatala Queensland 4207 Australia
(72) Name(s) of Designer(s): **David George Cook**
(45) Registration Date: **24 February 2012**
(56) Related Art Documents: **Not Applicable**
(57) Statement of Newness and Distinctiveness: **Nil**



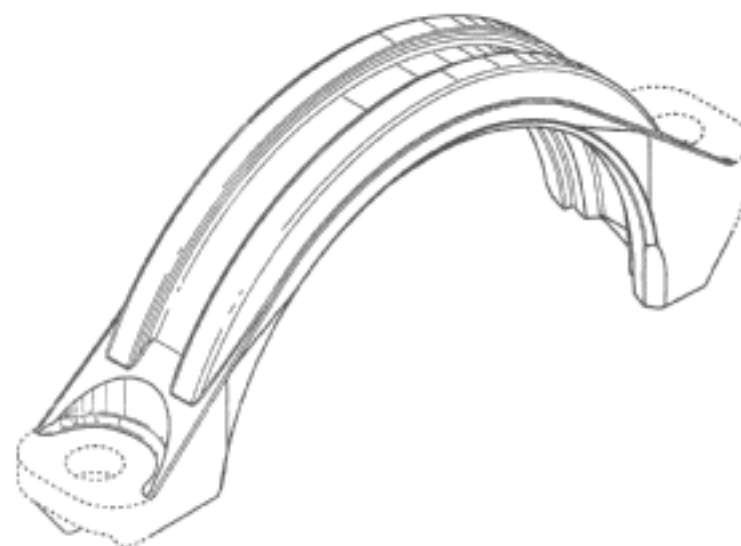
(21) Design Number: **10500/2012**
(22) Date of Filing Application: **02 February 2012**
(24) Date from which industrial property rights may have effect: **02 February 2012**
(54) Product in respect of which the design is registered: **Tee fitting**
(51) International Design Classification: **23-01B**
(74) Name(s) of Attorney(s): **SPRUSON & FERGUSON**
(71) Name(s) and Address(s) of Applicant(s):
Victaulic Company
4901 Kesslersville Road Easton Pennsylvania 18040 United States of America
(72) Name(s) of Designer(s): **Francis J. Giacalone and Douglas R. Dole and Scott D. Madara**
(45) Registration Date: **24 February 2012**
(30) Convention priority data:
(31) Number (32) Date (33) Country
29/399182 10 Aug 2011 UNITED STATES OF AMERICA
(56) Related Art Documents: **Not Applicable**
(57) Statement of Newness and Distinctiveness: **Newness and distinctiveness is claimed in the features of shape and/or configuration of the sidewall of the tee fitting illustrated in the accompanying representations, with the thickness of the sidewall varying in a longitudinal direction.**



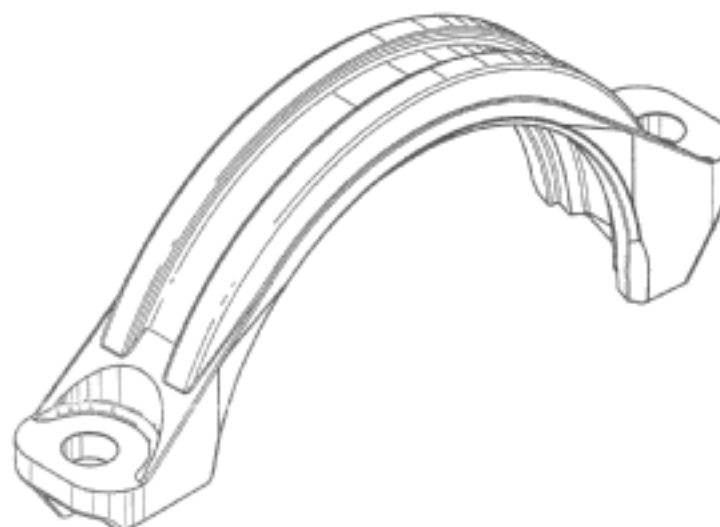
- (21) Design Number: **10501/2012**
(22) Date of Filing Application: **02 February 2012**
(24) Date from which industrial property rights may have effect: **02 February 2012**
(54) Product in respect of which the design is registered: **Funnel**
(51) International Design Classification: **07-99NES**
(74) Name(s) of Attorney(s): **SPRUSON & FERGUSON**
(71) Name(s) and Address(s) of Applicant(s):
Florian Enghard
Wiesenstrasse 17 D-65843 Sulzbach Germany
(72) Name(s) of Designer(s): **Florian Enghard**
(45) Registration Date: **24 February 2012**
(30) Convention priority data:
(31) Number (32) Date (33) Country
402011004040.9 18 Aug 2011 GERMANY
(56) Related Art Documents: **Not Applicable**
(57) Statement of Newness and Distinctiveness: **Newness and distinctiveness is claimed in the features of shape and/or configuration of a funnel as illustrated in the accompanying representations.**



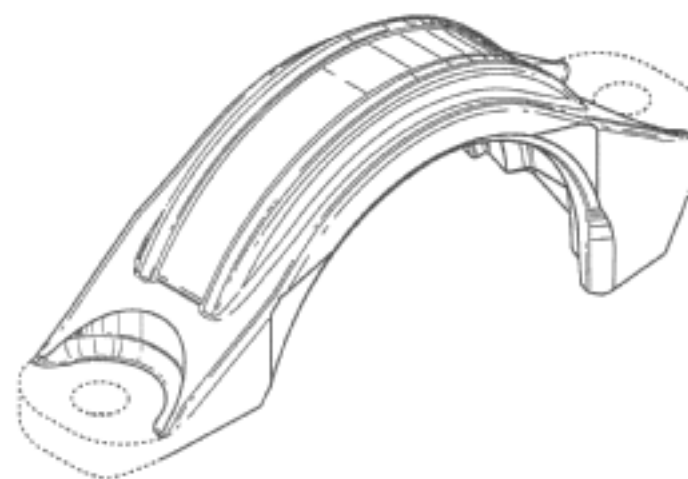
- (21) Design Number: **10441/2012**
(22) Date of Filing Application: **31 January 2012**
(24) Date from which industrial property rights may have effect: **31 January 2012**
(54) Product in respect of which the design is registered: **Pipe coupling segment**
(51) International Design Classification: **23-01A**
(74) Name(s) of Attorney(s): **Griffith Hack**
(71) Name(s) and Address(s) of Applicant(s):
Victaulic Company
4901 Kesslersville Road Easton Pennsylvania 18040 United States of America
(72) Name(s) of Designer(s): **Scott D. Madara and Charles E. Wilk Jr. and Douglas R. Dole and Anthony J. Cuvo**
(45) Registration Date: **24 February 2012**
(30) Convention priority data:
(31) Number (32) Date (33) Country
29/403,756 11 Oct 2011 UNITED STATES OF AMERICA
(56) Related Art Documents: **Not Applicable**
(57) Statement of Newness and Distinctiveness: **The shape, configuration and ornamentation of the pipe coupling segment as illustrated by means of solid lines in the accompanying representations is new and distinctive.**



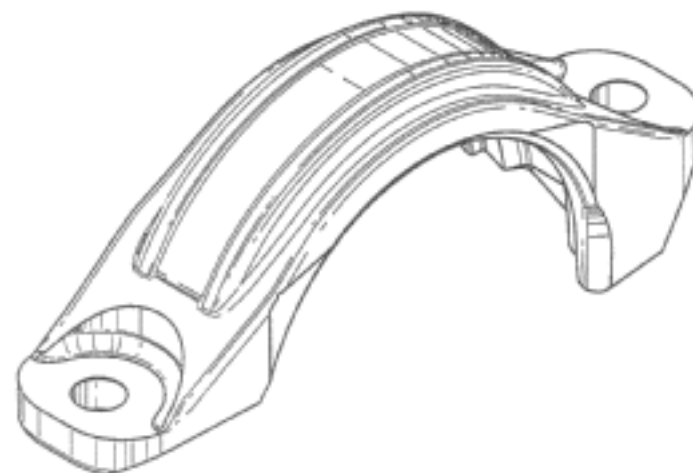
(21) Design Number: **10731/2012**
(22) Date of Filing Application: **31 January 2012**
(24) Date from which industrial property rights may have effect: **31 January 2012**
(54) Product in respect of which the design is registered: **Pipe coupling segment**
(51) International Design Classification: **23-01A**
(74) Name(s) of Attorney(s): **Griffith Hack**
(71) Name(s) and Address(s) of Applicant(s):
Victaulic Company
4901 Kesslersville Road Easton Pennsylvania 18040 United States of America
(72) Name(s) of Designer(s): **Scott D. Madara and Charles E. Wilk Jr. and Douglas R. Dole and Anthony J. Cuvo**
(45) Registration Date: **24 February 2012**
(30) Convention priority data:
(31) Number (32) Date (33) Country
29/403,756 11 Oct 2011 UNITED STATES OF AMERICA
(62) Divisional of: **341177**
(56) Related Art Documents: **Not Applicable**
(57) Statement of Newness and Distinctiveness: **The shape, configuration and ornamentation of the pipe coupling segment as illustrated by means of solid lines in the accompanying representations is new and distinctive.**



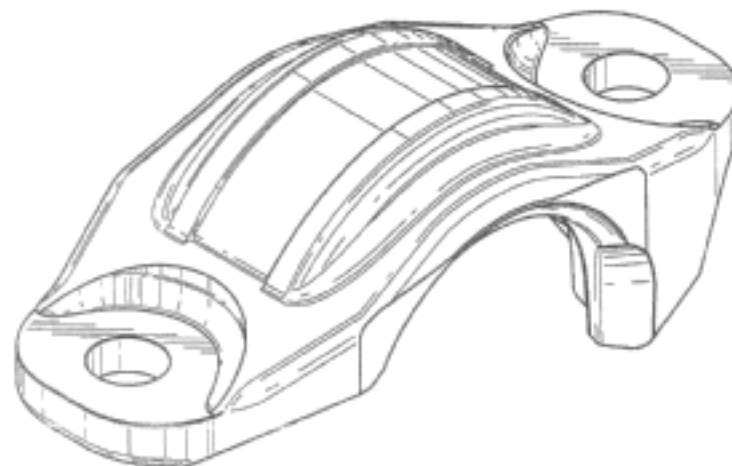
(21) Design Number: **10440/2012**
(22) Date of Filing Application: **31 January 2012**
(24) Date from which industrial property rights may have effect: **31 January 2012**
(54) Product in respect of which the design is registered: **Pipe coupling segment**
(51) International Design Classification: **23-01A**
(74) Name(s) of Attorney(s): **Griffith Hack**
(71) Name(s) and Address(s) of Applicant(s):
Victaulic Company
4901 Kesslersville Road Easton Pennsylvania 18040 United States of America
(72) Name(s) of Designer(s): **Scott D. Madara and Charles E. Wilk Jr. and Douglas R. Dole and Anthony J. Cuvo**
(45) Registration Date: **24 February 2012**
(30) Convention priority data:
(31) Number (32) Date (33) Country
29/403,754 11 Oct 2011 UNITED STATES OF AMERICA
(56) Related Art Documents: **Not Applicable**
(57) Statement of Newness and Distinctiveness: **The shape, configuration and ornamentation of the pipe coupling segment as illustrated by means of solid lines in the accompanying representations is new and distinctive.**



(21) Design Number: **10730/2012**
(22) Date of Filing Application: **31 January 2012**
(24) Date from which industrial property rights may have effect: **31 January 2012**
(54) Product in respect of which the design is registered: **Pipe coupling segment**
(51) International Design Classification: **23-01A**
(74) Name(s) of Attorney(s): **Griffith Hack**
(71) Name(s) and Address(s) of Applicant(s):
Victaulic Company
4901 Kesslersville Road Easton Pennsylvania 18040 United States of America
(72) Name(s) of Designer(s): **Scott D. Madara and Charles E. Wilk Jr. and Douglas R. Dole and Anthony J. Cuvo**
(45) Registration Date: **24 February 2012**
(30) Convention priority data:
(31) Number (32) Date (33) Country
29/403,754 11 Oct 2011 UNITED STATES OF AMERICA
(62) Divisional of: **341179**
(56) Related Art Documents: **Not Applicable**
(57) Statement of Newness and Distinctiveness: **The shape, configuration and ornamentation of the pipe coupling segment as illustrated by means of solid lines in the accompanying representations is new and distinctive.**



(21) Design Number: **10729/2012**
(22) Date of Filing Application: **31 January 2012**
(24) Date from which industrial property rights may have effect: **31 January 2012**
(54) Product in respect of which the design is registered: **Pipe coupling segment**
(51) International Design Classification: **23-01A**
(74) Name(s) of Attorney(s): **Griffith Hack**
(71) Name(s) and Address(s) of Applicant(s):
Victaulic Company
4901 Kesslersville Road Easton Pennsylvania 18040 United States of America
(72) Name(s) of Designer(s): **Scott D. Madara and Charles E. Wilk Jr. and Douglas R. Dole and Anthony J. Cuvo**
(45) Registration Date: **24 February 2012**
(30) Convention priority data:
(31) Number (32) Date (33) Country
29/403,752 11 Oct 2011 UNITED STATES OF AMERICA
(62) Divisional of: **341182**
(56) Related Art Documents: **Not Applicable**
(57) Statement of Newness and Distinctiveness: **The shape, configuration and ornamentation of the pipe coupling segment as illustrated by means of solid lines in the accompanying representations is new and distinctive.**



(21) Design Number: **10439/2012**

(22) Date of Filing Application: **31 January 2012**

(24) Date from which industrial property rights may have effect: **31 January 2012**

(54) Product in respect of which the design is registered: **Pipe coupling segment**

(51) International Design Classification: **23-01A**

(74) Name(s) of Attorney(s): **Griffith Hack**

(71) Name(s) and Address(s) of Applicant(s):

Victaulic Company

4901 Kesslersville Road Easton Pennsylvania 18040 United States of America

(72) Name(s) of Designer(s): **Scott D. Madara and Charles E. Wilk Jr. and Douglas R. Dole and Anthony J. Cuvo**

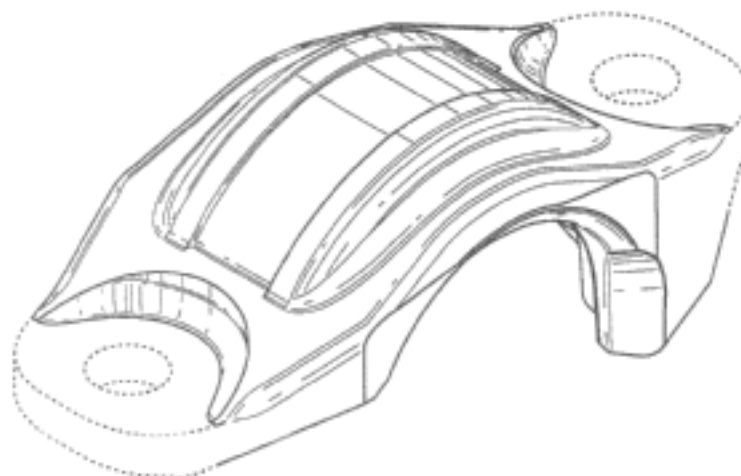
(45) Registration Date: **24 February 2012**

(30) Convention priority data:

(31) Number	(32) Date	(33) Country
29/403,752	11 Oct 2011	UNITED STATES OF AMERICA

(56) Related Art Documents: **Not Applicable**

(57) Statement of Newness and Distinctiveness: **The shape, configuration and ornamentation of the pipe coupling segment as illustrated by means of solid lines in the accompanying representations is new and distinctive.**



(21) Design Number: **10728/2012**

(22) Date of Filing Application: **31 January 2012**

(24) Date from which industrial property rights may have effect: **31 January 2012**

(54) Product in respect of which the design is registered: **Pipe coupling segment**

(51) International Design Classification: **23-01A**

(74) Name(s) of Attorney(s): **Griffith Hack**

(71) Name(s) and Address(s) of Applicant(s):

Victaulic Company

4901 Kesslersville Road Easton Pennsylvania 18040 United States of America

(72) Name(s) of Designer(s): **Scott D. Madara and Charles E. Wilk Jr. and Douglas R. Dole and Anthony J. Cuvo**

(45) Registration Date: **24 February 2012**

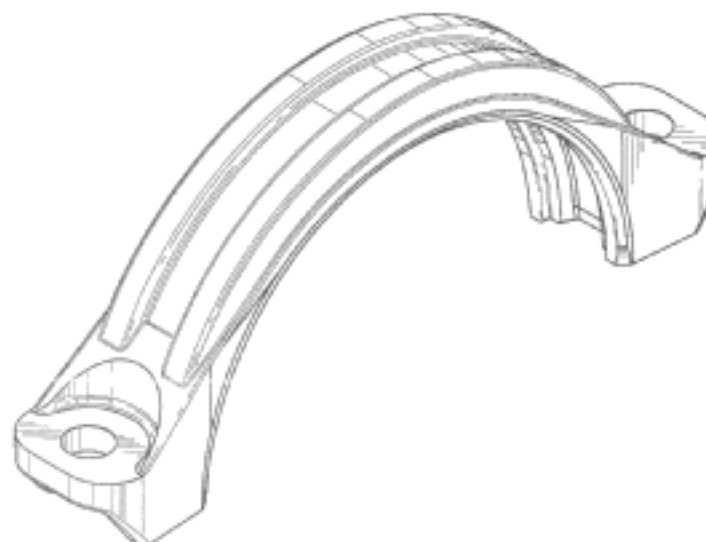
(30) Convention priority data:

(31) Number	(32) Date	(33) Country
29/403,749	11 Oct 2011	UNITED STATES OF AMERICA

(62) Divisional of: **341184**

(56) Related Art Documents: **Not Applicable**

(57) Statement of Newness and Distinctiveness: **The shape, configuration and ornamentation of the pipe coupling segment as illustrated by means of solid lines in the accompanying representations is new and distinctive.**



(21) Design Number: **10438/2012**

(22) Date of Filing Application: **31 January 2012**

(24) Date from which industrial property rights may have effect: **31 January 2012**

(54) Product in respect of which the design is registered: **Pipe coupling segment**

(51) International Design Classification: **23-01A**

(74) Name(s) of Attorney(s): **Griffith Hack**

(71) Name(s) and Address(s) of Applicant(s):

Victaulic Company

4901 Kesslersville Road Easton Pennsylvania 18040 United States of America

(72) Name(s) of Designer(s): **Scott D. Madara and Charles E. Wilk Jr. and Douglas R. Dole and Anthony J. Cuvo**

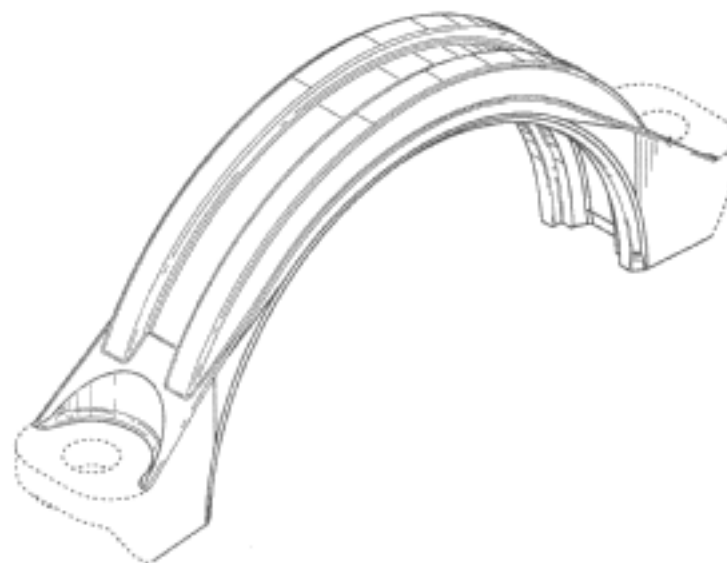
(45) Registration Date: **24 February 2012**

(30) Convention priority data:

(31) Number	(32) Date	(33) Country
29/403,749	11 Oct 2011	UNITED STATES OF AMERICA

(56) Related Art Documents: **Not Applicable**

(57) Statement of Newness and Distinctiveness: **The shape, configuration and ornamentation of the pipe coupling segment as illustrated by means of solid lines in the accompanying representations is new and distinctive.**



(21) Design Number: **10727/2012**

(22) Date of Filing Application: **31 January 2012**

(24) Date from which industrial property rights may have effect: **31 January 2012**

(54) Product in respect of which the design is registered: **Pipe coupling segment**

(51) International Design Classification: **23-01A**

(74) Name(s) of Attorney(s): **Griffith Hack**

(71) Name(s) and Address(s) of Applicant(s):

Victaulic Company

4901 Kesslersville Road Easton Pennsylvania 18040 United States of America

(72) Name(s) of Designer(s): **Scott D. Madara and Charles E. Wilk Jr. and Douglas R. Dole and Anthony J. Cuvo**

(45) Registration Date: **24 February 2012**

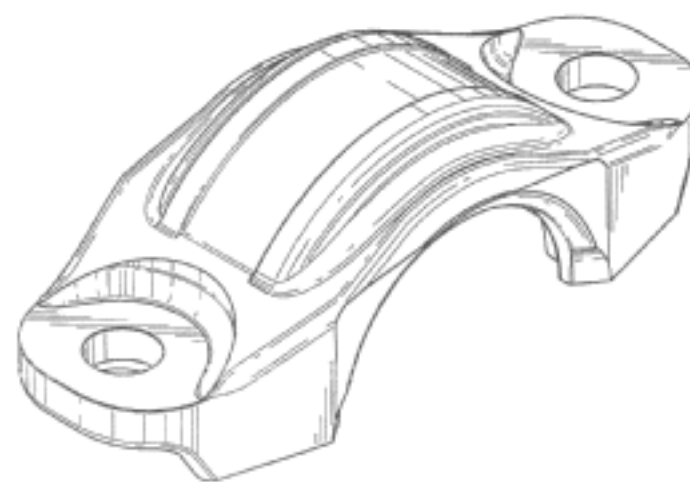
(30) Convention priority data:

(31) Number	(32) Date	(33) Country
29/403,603	07 Oct 2011	UNITED STATES OF AMERICA

(62) Divisional of: **341186**

(56) Related Art Documents: **Not Applicable**

(57) Statement of Newness and Distinctiveness: **The shape, configuration and ornamentation of the pipe coupling segment as illustrated by means of solid lines in the accompanying representations is new and distinctive.**



(21) Design Number: **10437/2012**

(22) Date of Filing Application: **31 January 2012**

(24) Date from which industrial property rights may have effect: **31 January 2012**

(54) Product in respect of which the design is registered: **Pipe coupling segment**

(51) International Design Classification: **23-01A**

(74) Name(s) of Attorney(s): **Griffith Hack**

(71) Name(s) and Address(s) of Applicant(s):

Victaulic Company

4901 Kesslersville Road Easton Pennsylvania 18040 United States of America

(72) Name(s) of Designer(s): **Scott D. Madara and Charles E. Wilk Jr. and Douglas R. Dole and Anthony J. Cuvo**

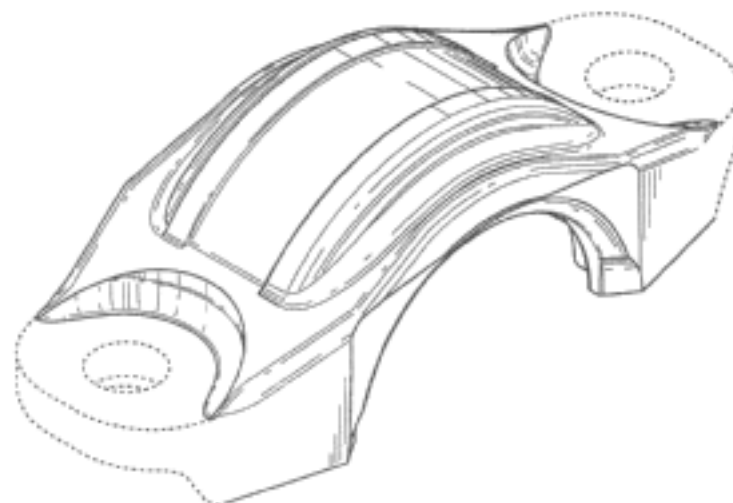
(45) Registration Date: **24 February 2012**

(30) Convention priority data:

(31) Number	(32) Date	(33) Country
29/403,603	07 Oct 2011	UNITED STATES OF AMERICA

(56) Related Art Documents: **Not Applicable**

(57) Statement of Newness and Distinctiveness: **The shape, configuration and ornamentation of the pipe coupling segment as illustrated by means of solid lines in the accompanying representations is new and distinctive.**



(21) Design Number: **10485/2012**

(22) Date of Filing Application: **02 February 2012**

(24) Date from which industrial property rights may have effect: **02 February 2012**

(54) Product in respect of which the design is registered: **Plasma torch handle**

(51) International Design Classification: **08-06**

(74) Name(s) of Attorney(s): **PHILLIPS ORMONDE FITZPATRICK**

(71) Name(s) and Address(s) of Applicant(s):

Illinois Tool Works Inc.

3600 West Lake Avenue Glenview Illinois 60026-1215 United States of America

(72) Name(s) of Designer(s): **Nathan Gerald Leiteritz and Stefan Giessler and David Paul Marcusen**

(45) Registration Date: **24 February 2012**

(30) Convention priority data:

(31) Number	(32) Date	(33) Country
29/399,908	19 Aug 2011	UNITED STATES OF AMERICA

(56) Related Art Documents: **Not Applicable**

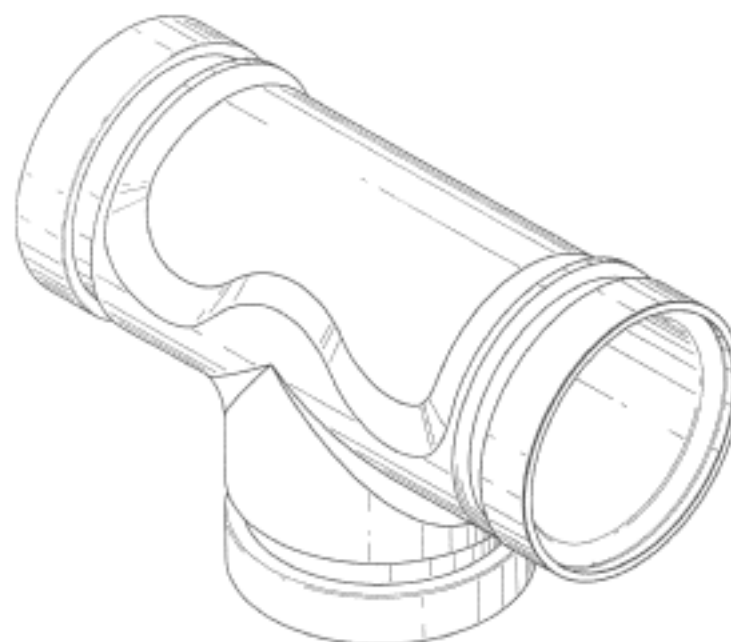
(57) Statement of Newness and Distinctiveness: **Those features of the plasma torch handle depicted in the representations that are new and distinctive are the shape and/or configuration. The features shown in broken line are not part of the design and are to be disregarded when considering the overall impression of the design.**



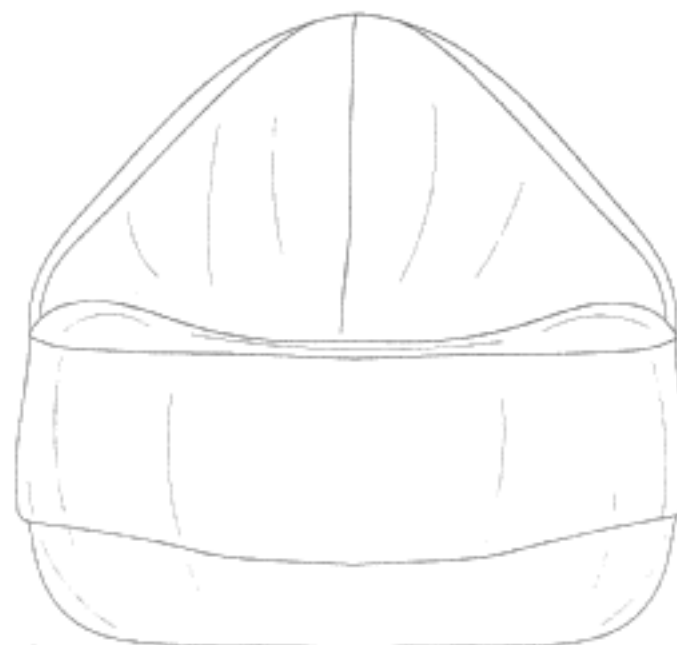
(21) Design Number: **10489/2012**
(22) Date of Filing Application: **02 February 2012**
(24) Date from which industrial property rights may have effect: **02 February 2012**
(54) Product in respect of which the design is registered: **Massage apparatus**
(51) International Design Classification: **06-01NES**
(74) Name(s) of Attorney(s): **Baker & McKenzie**
(71) Name(s) and Address(s) of Applicant(s):
Elwyn Ng Kwang Ling
C/O 65 Ubi Avenue 1 Singapore 408939
(72) Name(s) of Designer(s): **Elwyn Ng Kwang Ling**
(45) Registration Date: **24 February 2012**
(30) Convention priority data:
(31) Number (32) Date (33) Country
D2011/857/I 05 Aug 2011 SINGAPORE
(56) Related Art Documents: **Not Applicable**
(57) Statement of Newness and Distinctiveness: **The novelty of the design resides in the features of shape and configuration of the article as shown in the representations.**



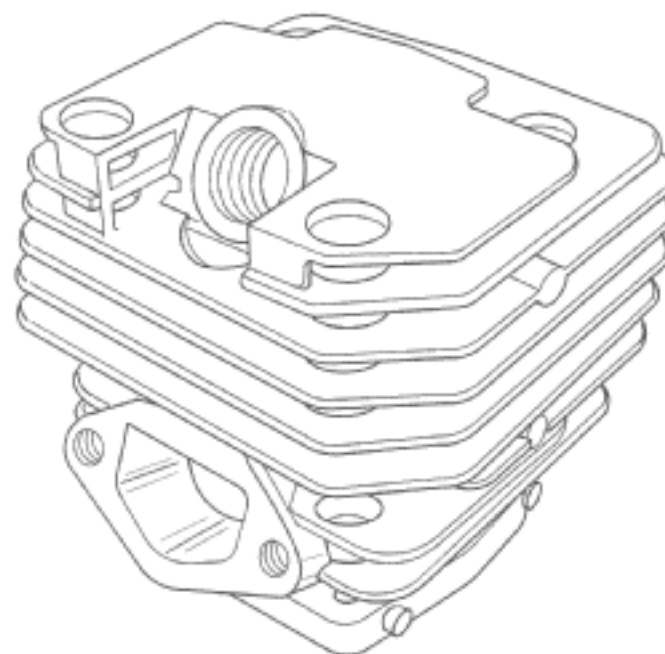
(21) Design Number: **10496/2012**
(22) Date of Filing Application: **02 February 2012**
(24) Date from which industrial property rights may have effect: **02 February 2012**
(54) Product in respect of which the design is registered: **Tee fitting**
(51) International Design Classification: **23-01B**
(74) Name(s) of Attorney(s): **SPRUSON & FERGUSON**
(71) Name(s) and Address(s) of Applicant(s):
Victaulic Company
4901 Kesslersville Road Easton Pennsylvania 18040 United States of America
(72) Name(s) of Designer(s): **Francis J. Giacalone and Scott D. Madara and Douglas R. Dole**
(45) Registration Date: **24 February 2012**
(30) Convention priority data:
(31) Number (32) Date (33) Country
29/399182 10 Aug 2011 UNITED STATES OF AMERICA
(56) Related Art Documents: **Not Applicable**
(57) Statement of Newness and Distinctiveness: **Newness and distinctiveness is claimed in the features of shape and/or configuration of the sidewall of the tee fitting illustrated in the accompanying representations, with the thickness of the sidewall varying in a longitudinal direction.**



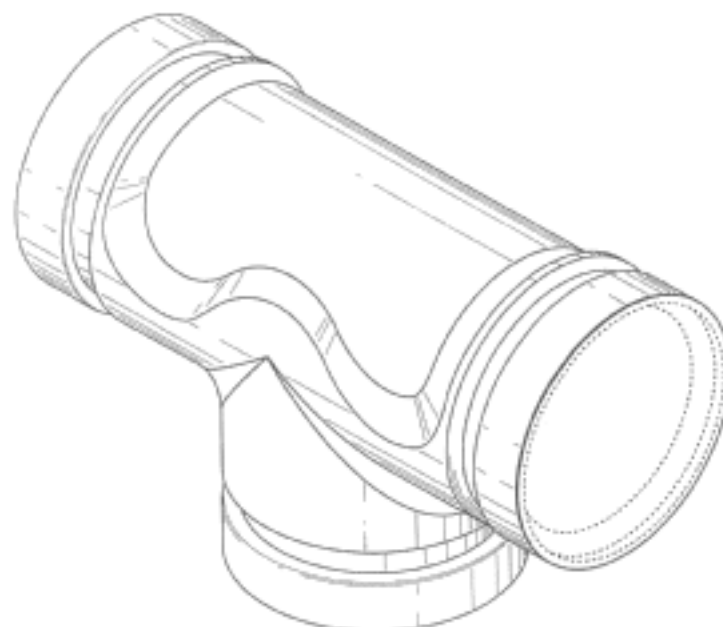
(21) Design Number: **13495/2011**
(22) Date of Filing Application: **05 August 2011**
(24) Date from which industrial property rights may have effect: **05 August 2011**
(54) Product in respect of which the design is registered: **Seat**
(51) International Design Classification: **06-01G**
(74) Name(s) of Attorney(s): **Davies Collison Cave**
(71) Name(s) and Address(s) of Applicant(s):
Cindy Jane Barber
1/4 Glen Evor Avenue Blackburn Victoria 3130 Australia
(72) Name(s) of Designer(s): **Cindy Jane Barber**
(45) Registration Date: **27 February 2012**
(56) Related Art Documents: **Not Applicable**
(57) Statement of Newness and Distinctiveness: **Nil**



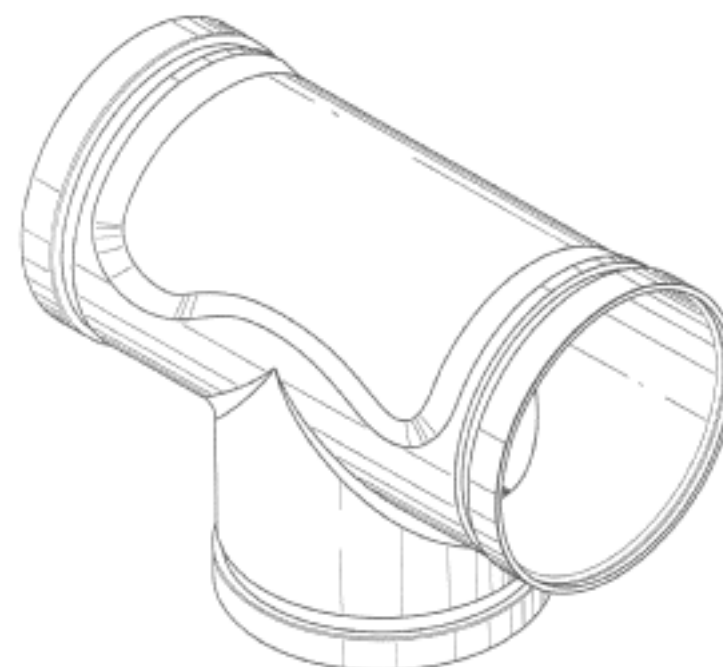
(21) Design Number: **10241/2012**
(22) Date of Filing Application: **19 January 2012**
(24) Date from which industrial property rights may have effect: **19 January 2012**
(54) Product in respect of which the design is registered: **A port of a cylinder head**
(51) International Design Classification: **15-01**
(74) Name(s) of Attorney(s): **Griffith Hack**
(71) Name(s) and Address(s) of Applicant(s):
Price Commerce International Pty Ltd
16A Lay Street Ballan Victoria 3342 Australia
(72) Name(s) of Designer(s): **Changhua Xiong**
(45) Registration Date: **27 February 2012**
(56) Related Art Documents: **Not Applicable**
(57) Statement of Newness and Distinctiveness: **Novelty of the design resides in the shape, configuration or shape and configuration of the port of a combustion engine.**



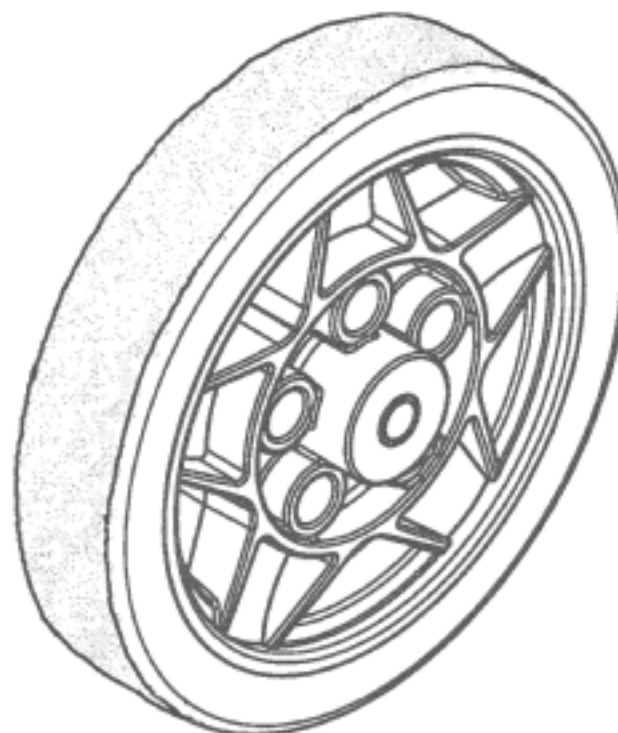
(21) Design Number: **10498/2012**
(22) Date of Filing Application: **02 February 2012**
(24) Date from which industrial property rights may have effect: **02 February 2012**
(54) Product in respect of which the design is registered: **Tee fitting**
(51) International Design Classification: **23-01B**
(74) Name(s) of Attorney(s): **SPRUSON & FERGUSON**
(71) Name(s) and Address(s) of Applicant(s):
Victaulic Company
4901 Kesslersville Road Easton Pennsylvania 18040 United States of America
(72) Name(s) of Designer(s): **Francis J. Giacalone and Douglas R. Dole and Scott D. Madara**
(45) Registration Date: **27 February 2012**
(30) Convention priority data:
(31) Number (32) Date (33) Country
29/399182 10 Aug 2011 UNITED STATES OF AMERICA
(56) Related Art Documents: **Not Applicable**
(57) Statement of Newness and Distinctiveness: **Newness and distinctiveness is claimed in the features of shape and/or configuration of the sidewall of the tee fitting illustrated in the accompanying representations, with the thickness of the sidewall varying in a longitudinal direction.**



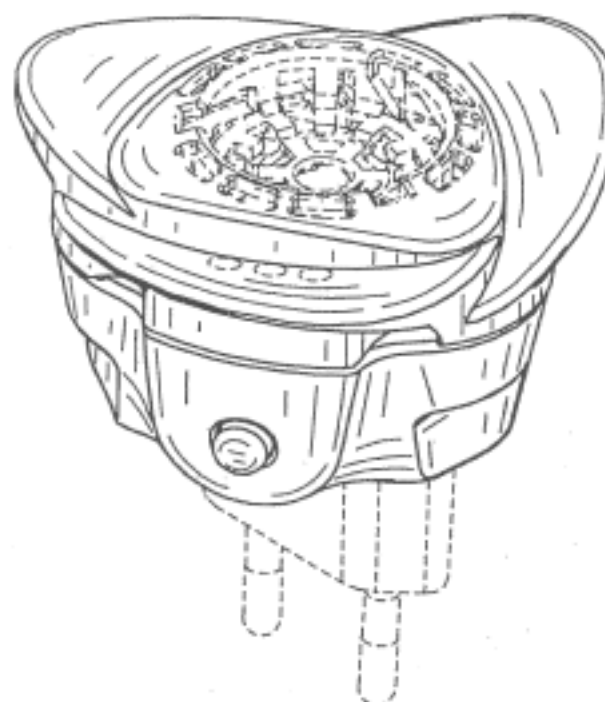
(21) Design Number: **10499/2012**
(22) Date of Filing Application: **02 February 2012**
(24) Date from which industrial property rights may have effect: **02 February 2012**
(54) Product in respect of which the design is registered: **Tee fitting**
(51) International Design Classification: **23-01B**
(74) Name(s) of Attorney(s): **SPRUSON & FERGUSON**
(71) Name(s) and Address(s) of Applicant(s):
Victaulic Company
4901 Kesslersville Road Easton Pennsylvania 18040 United States of America
(72) Name(s) of Designer(s): **Francis J. Giacalone and Scott D. Madara and Douglas R. Dole**
(45) Registration Date: **27 February 2012**
(30) Convention priority data:
(31) Number (32) Date (33) Country
29/399182 10 Aug 2011 UNITED STATES OF AMERICA
(56) Related Art Documents: **Not Applicable**
(57) Statement of Newness and Distinctiveness: **Newness and distinctiveness is claimed in the features of shape and/or configuration of the sidewall of the tee fitting illustrated in the accompanying representations, with the thickness of the sidewall varying in a longitudinal direction.**



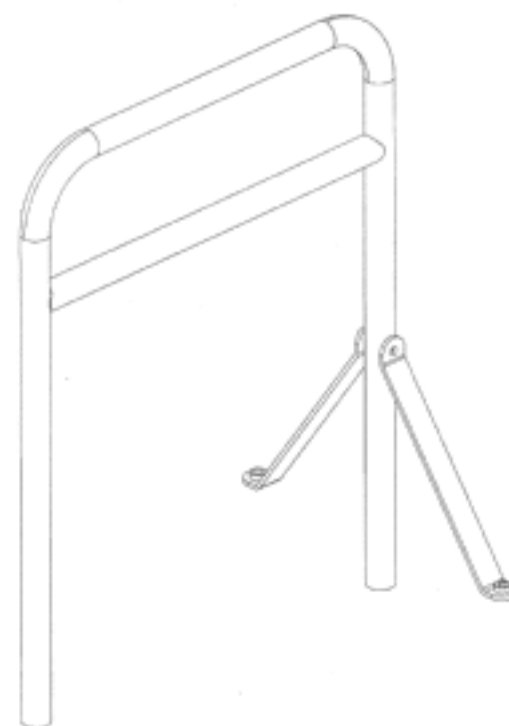
- (21) Design Number: **14132/2011**
(22) Date of Filing Application: **13 September 2011**
(24) Date from which industrial property rights may have effect: **13 September 2011**
(54) Product in respect of which the design is registered: **Jockey wheel**
(51) International Design Classification: **12-16NES**
(74) Name(s) of Attorney(s): **Acumen Intellectual Property**
(71) Name(s) and Address(s) of Applicant(s):
ARK Corporation Pty Ltd
8 Smoothy Place Arndell Park New South Wales 2148 Australia
(72) Name(s) of Designer(s): **Richard Arakelian**
(45) Registration Date: **27 February 2012**
(56) Related Art Documents: **Not Applicable**
(57) Statement of Newness and Distinctiveness: **Newness and distinctiveness is claimed in the features of shape and/or configuration of a wheel as illustrated in the accompanying representations in which the tread pattern does not form part of the design.**



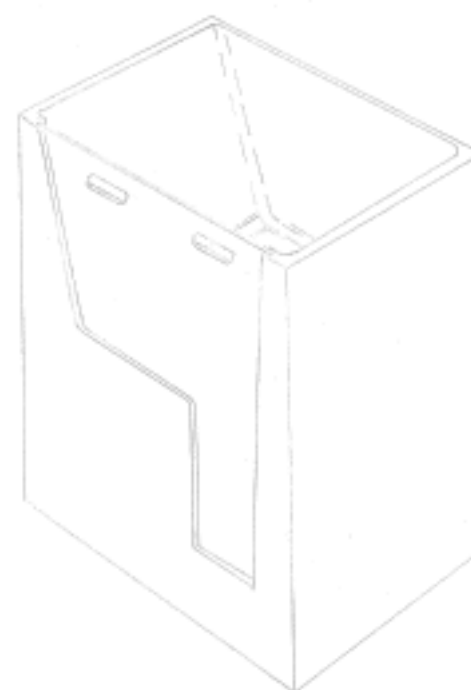
- (21) Design Number: **15704/2011**
(22) Date of Filing Application: **12 December 2011**
(24) Date from which industrial property rights may have effect: **12 December 2011**
(54) Product in respect of which the design is registered: **Volatile dispenser**
(51) International Design Classification: **23-04**
(74) Name(s) of Attorney(s): **SPRUSON & FERGUSON**
(71) Name(s) and Address(s) of Applicant(s):
S. C. Johnson & Son, Inc.
1525 Howe Street Racine Wisconsin 53403-2236 United States of America
(72) Name(s) of Designer(s): **Brian T. Davis and Franco Lodato and Alex Chou**
(45) Registration Date: **27 February 2012**
(30) Convention priority data:
(31) Number (32) Date (33) Country
29/394047 13 Jun 2011 UNITED STATES OF AMERICA
(56) Related Art Documents: **Not Applicable**
(57) Statement of Newness and Distinctiveness: **Newness and distinctiveness is claimed in those features of shape and/or configuration of a volatile dispenser illustrated in continuous lines in the accompanying representations.**



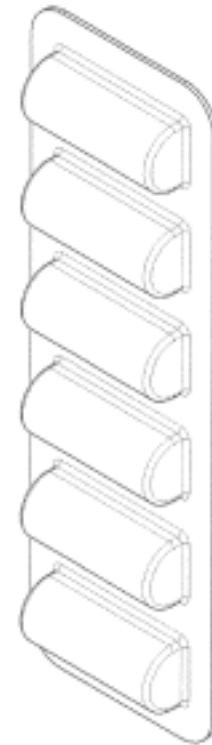
- (21) Design Number: **15762/2011**
(22) Date of Filing Application: **14 December 2011**
(24) Date from which industrial property rights may have effect: **14 December 2011**
(54) Product in respect of which the design is registered: **Wringer**
(51) International Design Classification: **07-07B**
(74) Name(s) of Attorney(s): **Allens Arthur Robinson**
(71) Name(s) and Address(s) of Applicant(s):
E.D. Oates Pty Ltd
Maygar Boulevard Broadmeadows Victoria 3047 Australia
(72) Name(s) of Designer(s): **Maggie Man Kai Ho and Frankie Ngan and Karl Radolovic**
(45) Registration Date: **27 February 2012**
(56) Related Art Documents: **Not Applicable**
(57) Statement of Newness and Distinctiveness: **Newness and distinctiveness resides in the visual features of shape and/or configuration of a wringer as illustrated in the accompanying representations.**



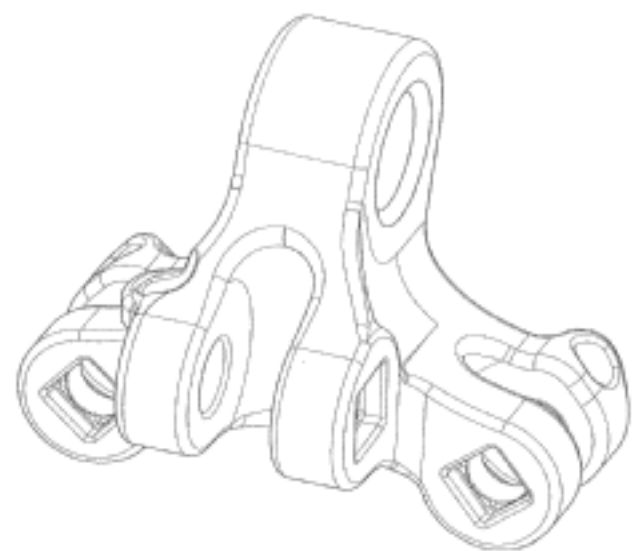
- (21) Design Number: **15828/2011**
(22) Date of Filing Application: **16 December 2011**
(24) Date from which industrial property rights may have effect: **16 December 2011**
(54) Product in respect of which the design is registered: **A cubicle**
(51) International Design Classification: **25-02B**
(74) Name(s) of Attorney(s): **Baldwins Intellectual Property**
(71) Name(s) and Address(s) of Applicant(s):
Anthony Kelly
18 Lax Crescent Leigh Auckland 0947 New Zealand
(72) Name(s) of Designer(s): **Anthony Kelly**
(45) Registration Date: **27 February 2012**
(56) Related Art Documents: **Not Applicable**
(57) Statement of Newness and Distinctiveness: **Newness and distinctiveness resides in the shape and configuration of A Cubicle all as shown in the accompanying representations, with curved interior vertices and no monopoly is sought in the detail in single dotted line.**



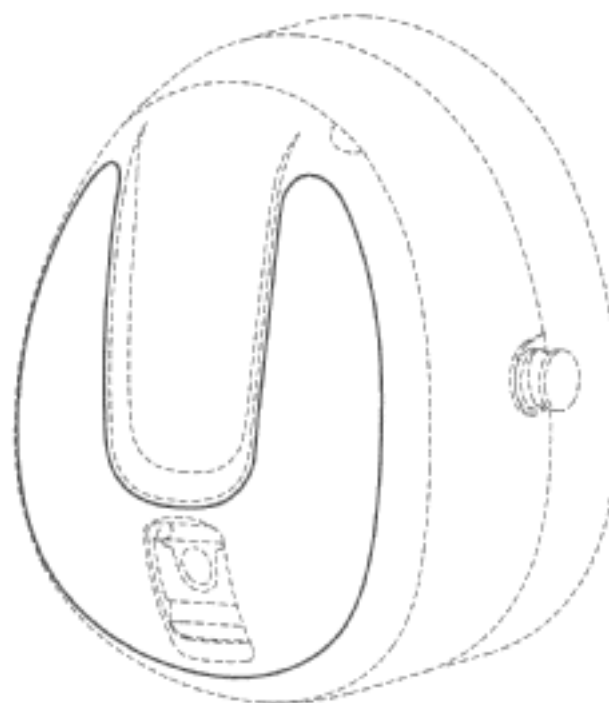
- (21) Design Number: **10477/2012**
(22) Date of Filing Application: **01 February 2012**
(24) Date from which industrial property rights may have effect: **01 February 2012**
(54) Product in respect of which the design is registered: **Blister pack**
(51) International Design Classification: **09-05**
(74) Name(s) of Attorney(s):
(71) Name(s) and Address(s) of Applicant(s):
Logue and Co. Pty Ltd
199 Kiara Road Yowie Bay New South Wales 2228 Australia
(72) Name(s) of Designer(s): **Anthony Thomas Logue**
(45) Registration Date: **27 February 2012**
(56) Related Art Documents: **Not Applicable**
(57) Statement of Newness and Distinctiveness: **Newness and distinctiveness is claimed in the feature of shape and/or configuration of a blister pack as depicted in the accompanying drawings.**



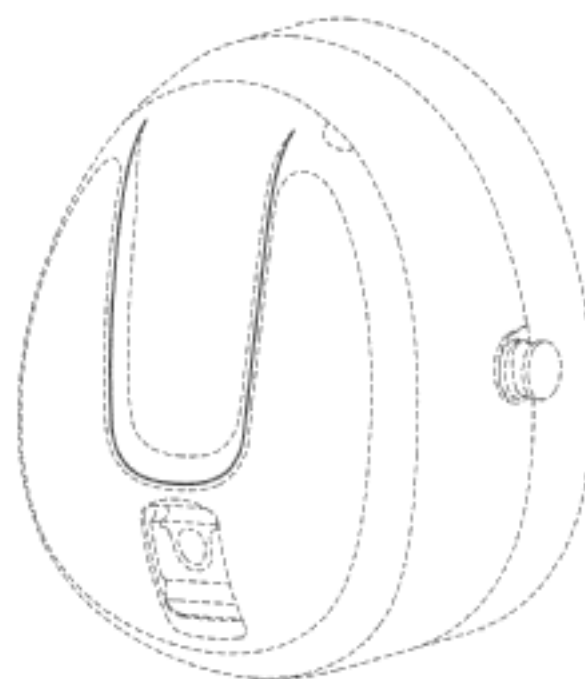
- (21) Design Number: **10541/2012**
(22) Date of Filing Application: **03 February 2012**
(24) Date from which industrial property rights may have effect: **03 February 2012**
(54) Product in respect of which the design is registered: **Hoist link for a dragline assembly**
(51) International Design Classification: **12-05**
(74) Name(s) of Attorney(s): **Griffith Hack**
(71) Name(s) and Address(s) of Applicant(s):
Bradken Resources Pty Limited
2 Maud Street Mayfield West New South Wales 2304 Australia
(72) Name(s) of Designer(s): **Joash Morris**
(45) Registration Date: **27 February 2012**
(56) Related Art Documents: **Not Applicable**
(57) Statement of Newness and Distinctiveness: **Newness and distinctiveness resides in the visual features, including shape and configuration, of a HOIST LINK FOR A DRAGLINE ASSEMBLY as shown in the accompanying drawings. Particular reference is drawn to the provision of smooth curvatures and more slender webs extending between the front and lateral couplings and the body of the HOIST LINK.**



- (21) Design Number: **10422/2012**
(22) Date of Filing Application: **31 January 2012**
(24) Date from which industrial property rights may have effect: **31 January 2012**
(54) Product in respect of which the design is registered: **Earcup**
(51) International Design Classification: **02-03**
(74) Name(s) of Attorney(s): **Freehills Patent & Trade Mark Attorneys**
(71) Name(s) and Address(s) of Applicant(s):
3M Innovative Properties Company
3M Center Saint Paul Minnesota 55133-3427 United States of America
(72) Name(s) of Designer(s): **Olof Nils Hansson and Johan Hakansson and Tobias Klas Erik Good and Johan Martin Sallander**
(45) Registration Date: **27 February 2012**
(30) Convention priority data:
(31) Number (32) Date (33) Country
1287783 03 Aug 2011 EUROPEAN COMMUNITY
(56) Related Art Documents: **Not Applicable**
(57) Statement of Newness and Distinctiveness: **Newness and distinctiveness is claimed in the features of shape and/or configuration of an earcup as shown in solid outline in the accompanying representations.**



- (21) Design Number: **10423/2012**
(22) Date of Filing Application: **31 January 2012**
(24) Date from which industrial property rights may have effect: **31 January 2012**
(54) Product in respect of which the design is registered: **Earcup**
(51) International Design Classification: **02-03**
(74) Name(s) of Attorney(s): **Freehills Patent & Trade Mark Attorneys**
(71) Name(s) and Address(s) of Applicant(s):
3M Innovative Properties Company
3M Center Saint Paul Minnesota 55133-3427 United States of America
(72) Name(s) of Designer(s): **Olof Nils Hansson and Johan Hakansson and Tobias Klas Erik Good and Johan Martin Sallander**
(45) Registration Date: **27 February 2012**
(30) Convention priority data:
(31) Number (32) Date (33) Country
1287783 03 Aug 2011 EUROPEAN COMMUNITY
(56) Related Art Documents: **Not Applicable**
(57) Statement of Newness and Distinctiveness: **Newness and distinctiveness is claimed in the features of shape and/or configuration of an earcup as shown in solid outline in the accompanying representations.**



(21) Design Number: **10424/2012**
(22) Date of Filing Application: **31 January 2012**
(24) Date from which industrial property rights may have effect: **31 January 2012**
(54) Product in respect of which the design is registered: **Footwear upper**
(51) International Design Classification: **02-04NES**
(74) Name(s) of Attorney(s): **FB Rice**
(71) Name(s) and Address(s) of Applicant(s):
Deckers Outdoor Corporation
495-A South Fairview Avenue Goleta California 93117 United States of America

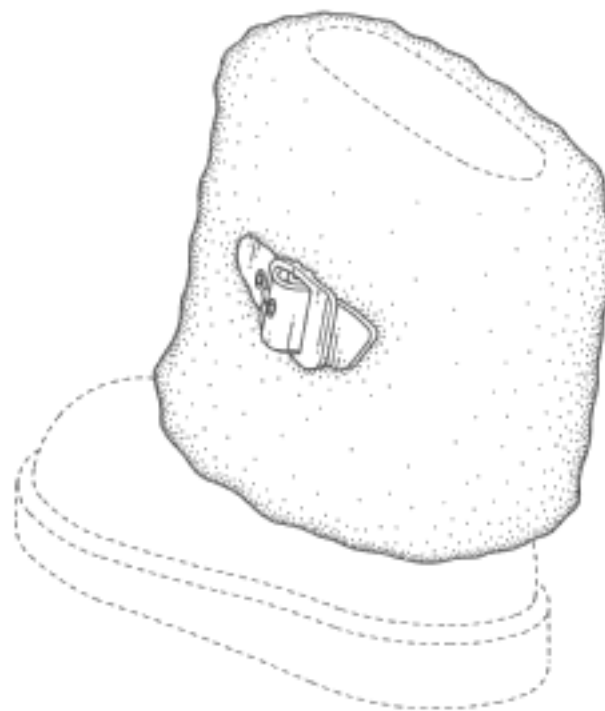
(72) Name(s) of Designer(s): **Natalie Ng**
(45) Registration Date: **27 February 2012**

(30) Convention priority data:

(31) Number	(32) Date	(33) Country
29/405528	03 Nov 2011	UNITED STATES OF AMERICA

(56) Related Art Documents: **Not Applicable**

(57) Statement of Newness and Distinctiveness: **Newness and distinctiveness reside in the features of shape and configuration of the design on the whole shown in solid lines in the representations excluding those features shown in broken lines.**



(21) Design Number: **10425/2012**
(22) Date of Filing Application: **31 January 2012**
(24) Date from which industrial property rights may have effect: **31 January 2012**
(54) Product in respect of which the design is registered: **Footwear outsole lug**
(51) International Design Classification: **02-04B**
(74) Name(s) of Attorney(s): **FB Rice**
(71) Name(s) and Address(s) of Applicant(s):
Deckers Outdoor Corporation
495-A South Fairview Avenue Goleta California 93117 United States of America

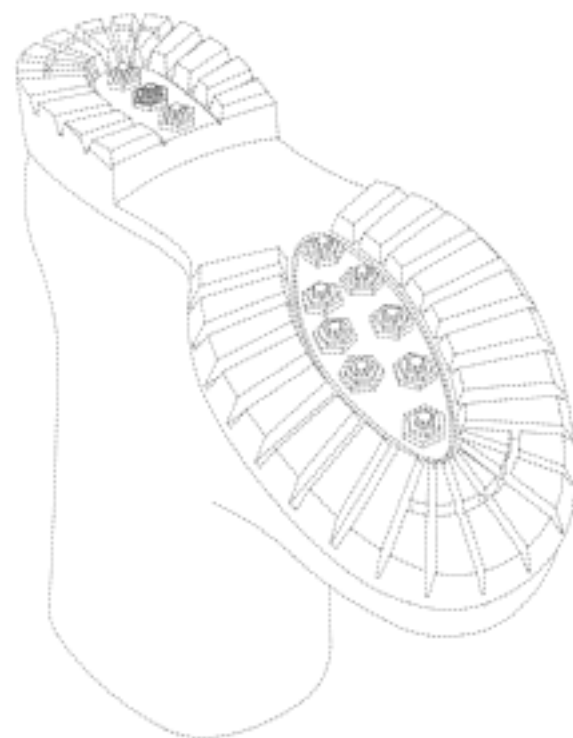
(72) Name(s) of Designer(s): **Ryan Ringholz**
(45) Registration Date: **27 February 2012**

(30) Convention priority data:

(31) Number	(32) Date	(33) Country
29/405785	07 Nov 2011	UNITED STATES OF AMERICA

(56) Related Art Documents: **Not Applicable**

(57) Statement of Newness and Distinctiveness: **Newness and distinctiveness reside in the features of shape and configuration of the design on the whole shown in solid lines in the representations excluding those features shown in broken lines. The design is a lug on an outsole.**



- (21) Design Number: **10428/2012**
(22) Date of Filing Application: **31 January 2012**
(24) Date from which industrial property rights may have effect: **31 January 2012**
(54) Product in respect of which the design is registered: **Footwear outsole**
(51) International Design Classification: **02-04B**
(74) Name(s) of Attorney(s): **FB Rice**
(71) Name(s) and Address(s) of Applicant(s):
Deckers Outdoor Corporation
495-A South Fairview Avenue Goleta California 93117 United States of America
(72) Name(s) of Designer(s): **Ryan Ringholz**
(45) Registration Date: **27 February 2012**
(30) Convention priority data:
(31) Number (32) Date (33) Country
29/405405 02 Nov 2011 UNITED STATES OF AMERICA
(56) Related Art Documents: **Not Applicable**
(57) Statement of Newness and Distinctiveness: **Newness and distinctiveness reside in the features of shape and configuration of the design on the whole shown in solid lines in the representations excluding those features shown in broken lines.**

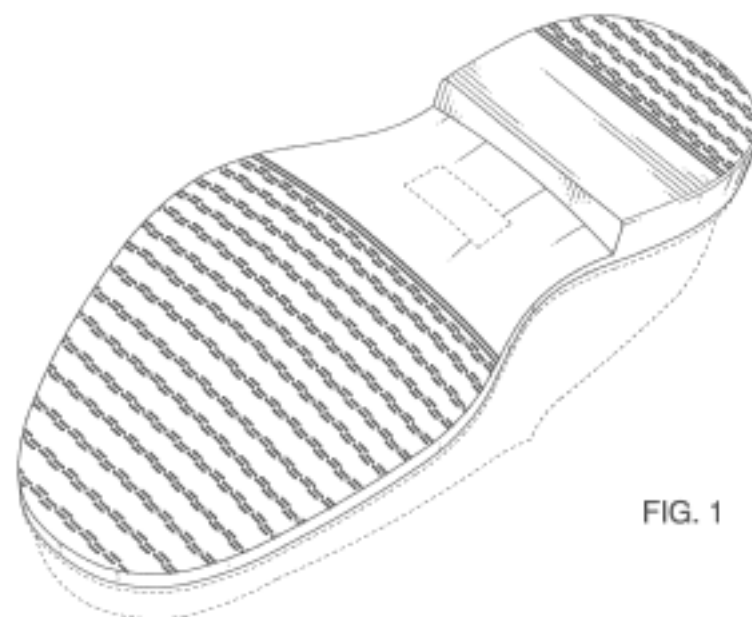
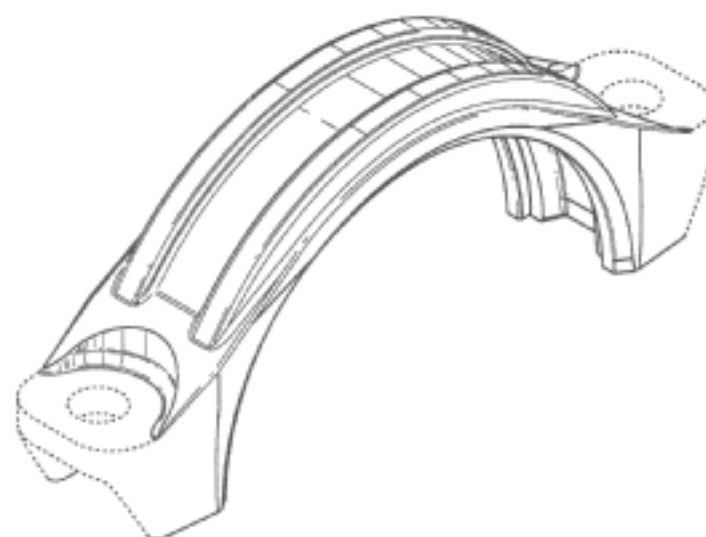
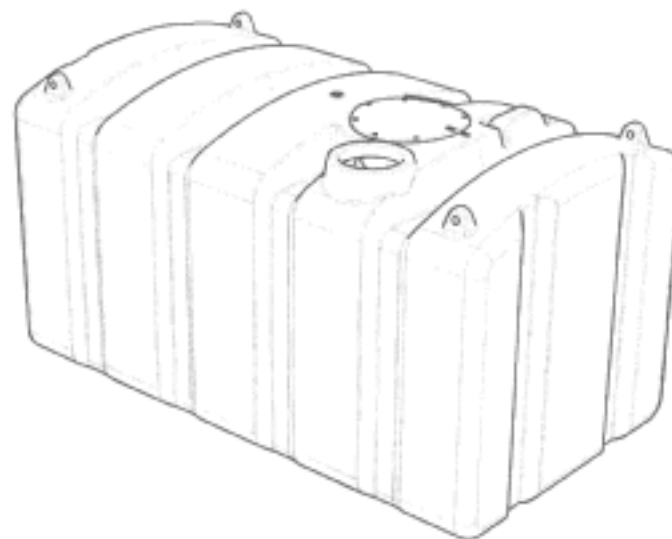


FIG. 1

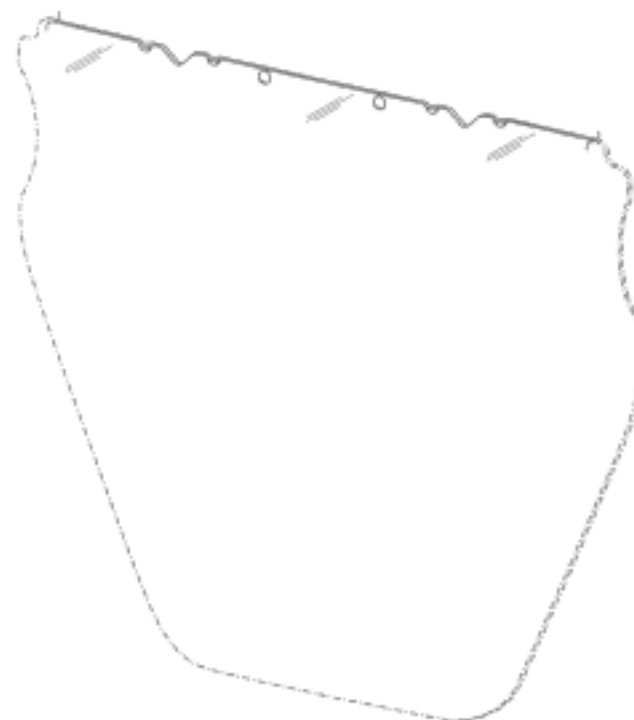
- (21) Design Number: **10442/2012**
(22) Date of Filing Application: **31 January 2012**
(24) Date from which industrial property rights may have effect: **31 January 2012**
(54) Product in respect of which the design is registered: **Pipe coupling segment**
(51) International Design Classification: **23-01A**
(74) Name(s) of Attorney(s): **Griffith Hack**
(71) Name(s) and Address(s) of Applicant(s):
Victaulic Company
4901 Kesslersville Road Easton Pennsylvania 18040 United States of America
(72) Name(s) of Designer(s): **Scott D. Madara and Charles E. Wilk Jr and Douglas R. Dole and Anthony J. Cuvo**
(45) Registration Date: **27 February 2012**
(30) Convention priority data:
(31) Number (32) Date (33) Country
29/403,759 11 Oct 2011 UNITED STATES OF AMERICA
(56) Related Art Documents: **Not Applicable**
(57) Statement of Newness and Distinctiveness: **The shape, configuration and ornamentation of the pipe coupling segment as illustrated by means of solid lines in the accompanying representations is new and distinctive.**



- (21) Design Number: **10504/2012**
(22) Date of Filing Application: **03 February 2012**
(24) Date from which industrial property rights may have effect: **03 February 2012**
(54) Product in respect of which the design is registered: **Water tank**
(51) International Design Classification: **23-01F**
(74) Name(s) of Attorney(s):
(71) Name(s) and Address(s) of Applicant(s):
Howard Ferry
774 Koorlong Avenue Irymple Victoria 3498 Australia
(72) Name(s) of Designer(s): **Howard Ferry and Lester Ferry**
(45) Registration Date: **27 February 2012**
(56) Related Art Documents: **Not Applicable**
(57) Statement of Newness and Distinctiveness: **The design has new and distinctive features including (but not limited to) arched upper ribs on tank roof, integrated overflow vent and vertical side ribs to assist in strengthening side walls.**



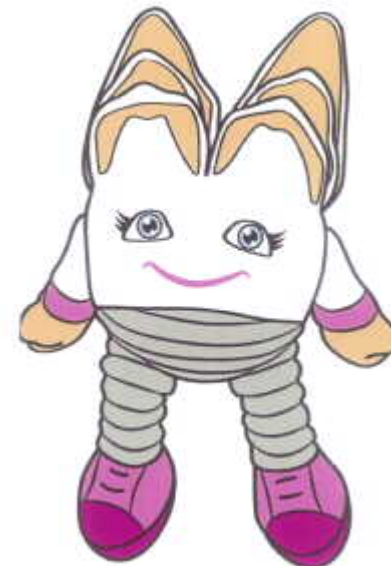
- (21) Design Number: **10506/2012**
(22) Date of Filing Application: **02 February 2012**
(24) Date from which industrial property rights may have effect: **02 February 2012**
(54) Product in respect of which the design is registered: **The design is intended to be applied to Visor interface Representations of the design as applied to Visor interface**
(51) International Design Classification: **02-03**
(74) Name(s) of Attorney(s): **Mallesons Stephen Jaques**
(71) Name(s) and Address(s) of Applicant(s):
Mine Safety Appliances Company
1000 Cranberry Woods Drive Cranberry Township PA 16066 United States of America
(72) Name(s) of Designer(s): **Robert Klotz and Rebecca Kreke and Mark Hall**
(45) Registration Date: **27 February 2012**
(30) Convention priority data:
(31) Number (32) Date (33) Country
29/401,009 06 Sep 2011 UNITED STATES OF AMERICA
(56) Related Art Documents: **Not Applicable**
(57) Statement of Newness and Distinctiveness: **The following visual features of the design are new and distinctive: the shape and configuration of the Visor interface as shown in solid lines in the accompanying drawings. In considering the newness and distinctiveness of the design, no regard is to be had to the visual features depicted by the broken lines.**



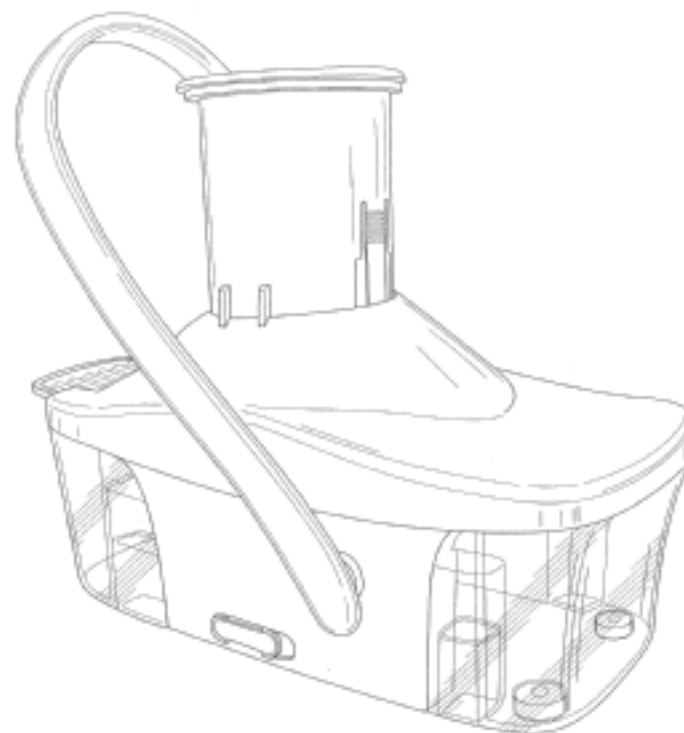
- (21) Design Number: **10507/2012**
(22) Date of Filing Application: **01 February 2012**
(24) Date from which industrial property rights may have effect: **01 February 2012**
(54) Product in respect of which the design is registered: **Plush toy and cartoon with blue sneakers design**
(51) International Design Classification: **21-01B, 21-01D**
(74) Name(s) of Attorney(s):
(71) Name(s) and Address(s) of Applicant(s):
Natasha Hill
9 Northbrook Place Illawong New South Wales 2234 Australia
(72) Name(s) of Designer(s): **Natasha Hill**
(45) Registration Date: **27 February 2012**
(56) Related Art Documents: **Not Applicable**
(57) Statement of Newness and Distinctiveness: **The whole design especially the legs and ears that travel down its back.**



- (21) Design Number: **10508/2012**
(22) Date of Filing Application: **01 February 2012**
(24) Date from which industrial property rights may have effect: **01 February 2012**
(54) Product in respect of which the design is registered: **Plush toy**
(51) International Design Classification: **21-01B, 21-01D**
(74) Name(s) of Attorney(s):
(71) Name(s) and Address(s) of Applicant(s):
Natasha Hill
9 Northbrook Place Illawong New South Wales 2234 Australia
(72) Name(s) of Designer(s): **Natasha Hill**
(45) Registration Date: **27 February 2012**
(56) Related Art Documents: **Not Applicable**
(57) Statement of Newness and Distinctiveness: **The whole design especially the legs and ears that travel down its back. It is noted that the eyes and sneakers are different from sid design.**



(21) Design Number: **10543/2012**
(22) Date of Filing Application: **03 February 2012**
(24) Date from which industrial property rights may have effect: **03 February 2012**
(54) Product in respect of which the design is registered: **Mandolin slicer**
(51) International Design Classification: **07-04**
(74) Name(s) of Attorney(s): **Griffith Hack**
(71) Name(s) and Address(s) of Applicant(s):
Telebrands Corp.
79 Two Bridges Road Fairfield NJ 07004 United States of America
(72) Name(s) of Designer(s): **Bala Iyer**
(45) Registration Date: **27 February 2012**
(30) Convention priority data:
(31) Number (32) Date (33) Country
29/398959 08 Aug 2011 UNITED STATES OF AMERICA
(56) Related Art Documents: **Not Applicable**
(57) Statement of Newness and Distinctiveness: **Newness and distinctiveness resides in the visual features, including shape and configuration, of a mandolin slicer as shown in the accompanying drawings.**



(21) Design Number: **10544/2012**
(22) Date of Filing Application: **03 February 2012**
(24) Date from which industrial property rights may have effect: **03 February 2012**
(54) Product in respect of which the design is registered: **Connector**
(51) International Design Classification: **13-03E**
(74) Name(s) of Attorney(s): **PHILLIPS ORMONDE FITZPATRICK**
(71) Name(s) and Address(s) of Applicant(s):
Motorola Solutions, Inc
1303 East Algonquin Road Schaumburg Illinois 60196 United States of America
(72) Name(s) of Designer(s): **Scott H. Richards and Rit Fui Yong and Ian R. Jenkins and Tang Chin Sen and Lawan Tangsakul**
(45) Registration Date: **27 February 2012**
(30) Convention priority data:
(31) Number (32) Date (33) Country
29/399,553 16 Aug 2011 UNITED STATES OF AMERICA
(56) Related Art Documents: **Not Applicable**
(57) Statement of Newness and Distinctiveness: **Those features of the connector depicted in the representations that are new and distinctive are the shape and/or configuration. The features shown in broken line that are immediately adjacent to the shaded areas, and define unshaded regions, represent the bounds of the connector, while all other broken lines are directed to environment and are for illustrative purposes only.**



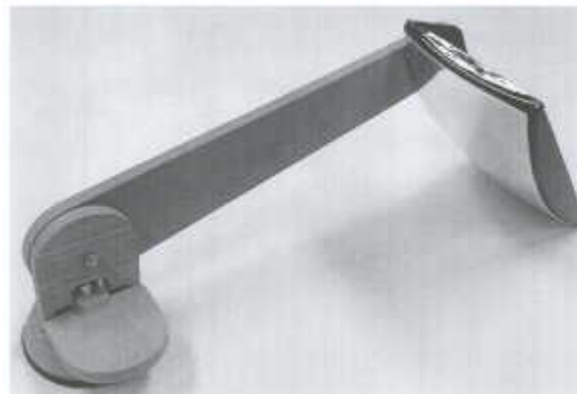
- (21) Design Number: **15316/2011**
(22) Date of Filing Application: **21 November 2011**
(24) Date from which industrial property rights may have effect: **21 November 2011**
(54) Product in respect of which the design is registered: **Truck spare wheel carrier**
(51) International Design Classification: **12-16K**
(74) Name(s) of Attorney(s):
(71) Name(s) and Address(s) of Applicant(s):
Matthew Ede
60 Oxley Street Taree New South Wales 2430 Australia
David Ede
60 Oxley Street Taree New South Wales 2430 Australia
(72) Name(s) of Designer(s): **Matthew Ede and David Ede**
(45) Registration Date: **28 February 2012**
(56) Related Art Documents: **Not Applicable**
(57) Statement of Newness and Distinctiveness: **Nil**



- (21) Design Number: **15317/2011**
(22) Date of Filing Application: **21 November 2011**
(24) Date from which industrial property rights may have effect: **21 November 2011**
(54) Product in respect of which the design is registered: **Awning support**
(51) International Design Classification: **21-04**
(74) Name(s) of Attorney(s):
(71) Name(s) and Address(s) of Applicant(s):
Glenn Thomas Torrens
c/o 51 Ida Street Hornsby New South Wales 2077 Australia
(72) Name(s) of Designer(s): **Glenn Thomas Torrens**
(45) Registration Date: **28 February 2012**
(56) Related Art Documents: **Not Applicable**
(57) Statement of Newness and Distinctiveness: **The new and distinctive features include the flexible base coupling, the V-shaped configuration when in use and the retaining loops for securing the tent to the poles.**



- (21) Design Number: **15493/2011**
(22) Date of Filing Application: **30 November 2011**
(24) Date from which industrial property rights may have effect: **30 November 2011**
(54) Product in respect of which the design is registered: **Rear view mirror**
(51) International Design Classification: **12-16H**
(74) Name(s) of Attorney(s): **Griffith Hack**
(71) Name(s) and Address(s) of Applicant(s):
Ewert Marcusson
Krokvagen 21 836 31 LIT Sweden
(72) Name(s) of Designer(s): **Ewert Marcusson**
(45) Registration Date: **28 February 2012**
(30) Convention priority data:
(31) Number (32) Date (33) Country
81724 30 May 2011 SWEDEN
(56) Related Art Documents: **Not Applicable**
(57) Statement of Newness and Distinctiveness: **Shape, configuration and ornamentation of the rear view mirror as shown in the representation is new and distinctive.**



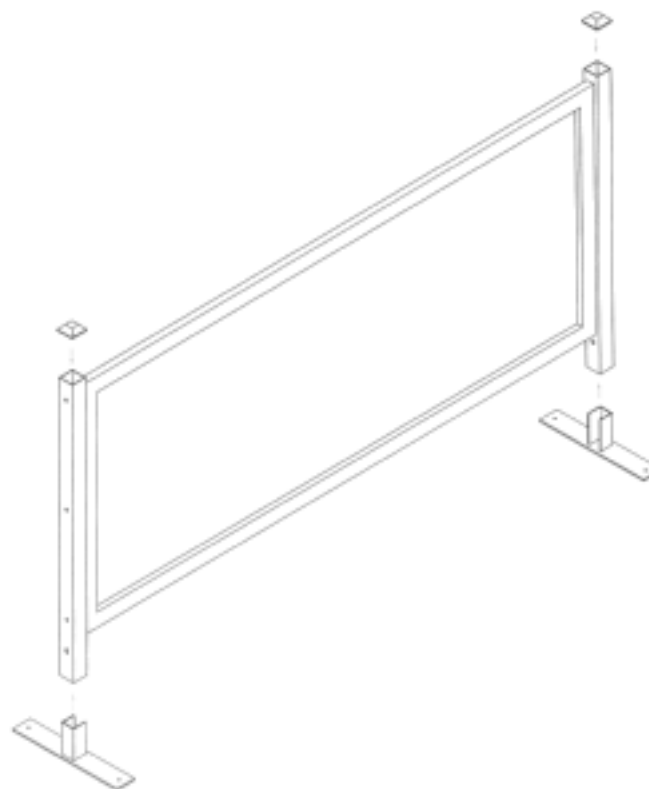
- (21) Design Number: **10156/2012**
(22) Date of Filing Application: **13 January 2012**
(24) Date from which industrial property rights may have effect: **13 January 2012**
(54) Product in respect of which the design is registered: **Joiner**
(51) International Design Classification: **08-08NES**
(74) Name(s) of Attorney(s):
(71) Name(s) and Address(s) of Applicant(s):
Alastar McKay
3 Leslie Street Clunes Victoria 3370 Australia
(72) Name(s) of Designer(s): **Alastar McKay**
(45) Registration Date: **28 February 2012**
(56) Related Art Documents: **Not Applicable**
(57) Statement of Newness and Distinctiveness: **The design comprises of arcs cut into the edge of a flat material to allow a compression fit with pipes, tent poles or tubes. The arcs form part of an eclipse that fits inside and around the pipe holding it at the correct mitre and axial angles. The connecting plate design is for polygon and dome construction and be made of any material.**



- (21) Design Number: **10484/2012**
(22) Date of Filing Application: **01 February 2012**
(24) Date from which industrial property rights may have effect: **01 February 2012**
(54) Product in respect of which the design is registered: **Square leg - pole barrier**
(51) International Design Classification: **25-02NES**
(74) Name(s) of Attorney(s):
(71) Name(s) and Address(s) of Applicant(s):

Christopher Pierias
Awnet Pty Ltd 154-160 Williams Road Dandenong Victoria 3175 Australia

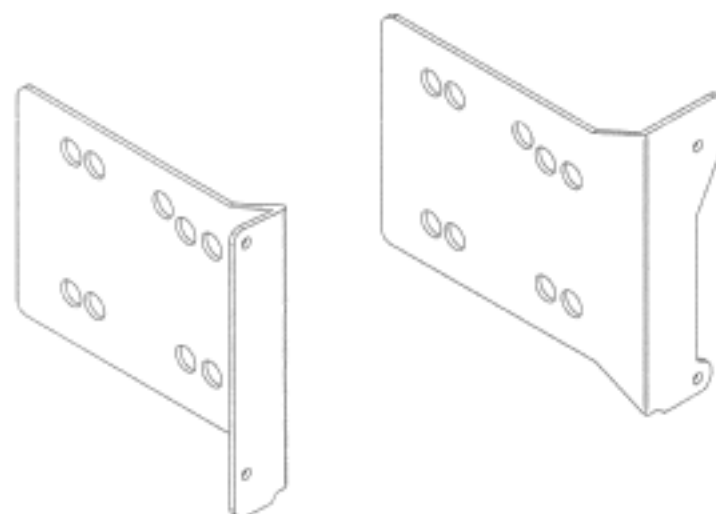
- (72) Name(s) of Designer(s): **Christopher Pierias**
(45) Registration Date: **28 February 2012**
(56) Related Art Documents: **Not Applicable**
(57) Statement of Newness and Distinctiveness: **The pole on the left and right hand side of the barrier is a square pole.**



- (21) Design Number: **10502/2012**
(22) Date of Filing Application: **02 February 2012**
(24) Date from which industrial property rights may have effect: **02 February 2012**
(54) Product in respect of which the design is registered: **Brackets**
(51) International Design Classification: **08-08M**
(74) Name(s) of Attorney(s): **Griffith Hack**
(71) Name(s) and Address(s) of Applicant(s):

Eighty Eight Investments Pty Ltd
78 Mills Road Braeside Victoria 3195 Australia

- (72) Name(s) of Designer(s): **Evan Jones**
(45) Registration Date: **28 February 2012**
(56) Related Art Documents: **Not Applicable**
(57) Statement of Newness and Distinctiveness: **Nil**



(21) Design Number: **10542/2012**
(22) Date of Filing Application: **03 February 2012**
(24) Date from which industrial property rights may have effect: **03 February 2012**
(54) Product in respect of which the design is registered: **Tabletop cigarette making machine**
(51) International Design Classification: **27-99**
(74) Name(s) of Attorney(s): **Griffith Hack**
(71) Name(s) and Address(s) of Applicant(s):
Republic Tobacco L.P.
2301 Ravine Way Glenview IL 60025 United States of America
(72) Name(s) of Designer(s): **Mei Lin**
(45) Registration Date: **28 February 2012**
(30) Convention priority data:
(31) Number (32) Date (33) Country
29/411224 18 Jan 2012 UNITED STATES OF AMERICA



(56) Related Art Documents: **Not Applicable**
(57) Statement of Newness and Distinctiveness: **Newness and distinctiveness resides in the visual features, including shape and configuration, of a tabletop cigarette making machine as shown in solid outline in the accompanying drawings. When determining whether the design is substantially similar in overall impression to another design, no regard is to be had to those features shown in dotted outline in the accompanying drawings, which features are provided for illustrative purposes only.**

(21) Design Number: **11551/2011**
(22) Date of Filing Application: **11 April 2011**
(24) Date from which industrial property rights may have effect: **11 April 2011**
(54) Product in respect of which the design is registered: **Women's fashion clothing**
(51) International Design Classification: **02-02NES**
(74) Name(s) of Attorney(s): **MILLS OAKLEY LAWYERS**
(71) Name(s) and Address(s) of Applicant(s):
Forever New Clothing Pty Ltd
Ground Floor 714-716 High Street Kew Victoria 3101 Australia
(72) Name(s) of Designer(s): **Suzie Abbott and Claire O'Neill and Dulcie Flynn and Simon Edwards and Gemma Henderson and Lisa Towse**
(45) Registration Date: **28 February 2012**
(56) Related Art Documents: **Not Applicable**
(57) Statement of Newness and Distinctiveness: **The particular visual features of the design which the applicant hereby identifies as new and distinctive are as follows: "Women's Fashion Clothing", as illustrated in the accompanying representations.**



- (21) Design Number: **14594/2011**
(22) Date of Filing Application: **11 April 2011**
(24) Date from which industrial property rights may have effect: **11 April 2011**
(54) Product in respect of which the design is registered: **Women's fashion clothing**
(51) International Design Classification: **02-02C**
(74) Name(s) of Attorney(s): **MILLS OAKLEY LAWYERS**
(71) Name(s) and Address(s) of Applicant(s):
Forever New Clothing Pty Ltd
Ground Floor 714-716 High Street Kew Victoria 3101 Australia
(72) Name(s) of Designer(s): **Suzie Abbott and Claire O'Neill and Dulcie Flynn and Simon Edwards and Gemma Henderson and Lisa Towse**
(45) Registration Date: **28 February 2012**
(56) Related Art Documents: **Not Applicable**
(57) Statement of Newness and Distinctiveness: **The particular visual features of the design which the Applicant hereby identifies as new and distinctive are as follows: "Women's Fashion Clothing", as illustrated in the accompanying representations.**



- (21) Design Number: **14595/2011**
(22) Date of Filing Application: **11 April 2011**
(24) Date from which industrial property rights may have effect: **11 April 2011**
(54) Product in respect of which the design is registered: **Women's fashion clothing**
(51) International Design Classification: **02-02NES**
(74) Name(s) of Attorney(s): **MILLS OAKLEY LAWYERS**
(71) Name(s) and Address(s) of Applicant(s):
Forever New Clothing Pty Ltd
Ground Floor 714-716 High Street Kew Victoria 3101 Australia
(72) Name(s) of Designer(s): **Suzie Abbott and Claire O'Neill and Dulcie Flynn and Simon Edwards and Gemma Henderson and Lisa Towse**
(45) Registration Date: **28 February 2012**
(56) Related Art Documents: **Not Applicable**
(57) Statement of Newness and Distinctiveness: **The particular visual features of the design which the Applicant hereby identifies as new and distinctive are as follows: "Women's Fashion Clothing", as illustrated in the accompanying representations.**



- (21) Design Number: **14596/2011**
(22) Date of Filing Application: **11 April 2011**
(24) Date from which industrial property rights may have effect: **11 April 2011**
(54) Product in respect of which the design is registered: **Women's fashion clothing**
(51) International Design Classification: **02-02NES**
(74) Name(s) of Attorney(s): **MILLS OAKLEY LAWYERS**
(71) Name(s) and Address(s) of Applicant(s):
Forever New Clothing Pty Ltd
Ground Floor 714-716 High Street Kew Victoria 3101 Australia
(72) Name(s) of Designer(s): **Suzie Abbott and Claire O'Neill and Dulcie Flynn and Simon Edwards and Gemma Henderson and Lisa Towse**
(45) Registration Date: **28 February 2012**
(56) Related Art Documents: **Not Applicable**
(57) Statement of Newness and Distinctiveness: **The particular visual features of the design which the Applicant hereby identifies as new and distinctive are as follows: "Women's Fashion Clothing", as illustrated in the accompanying representations.**



- (21) Design Number: **14597/2011**
(22) Date of Filing Application: **11 April 2011**
(24) Date from which industrial property rights may have effect: **11 April 2011**
(54) Product in respect of which the design is registered: **Women's fashion clothing**
(51) International Design Classification: **02-02C**
(74) Name(s) of Attorney(s): **MILLS OAKLEY LAWYERS**
(71) Name(s) and Address(s) of Applicant(s):
Forever New Clothing Pty Ltd
Ground Floor 714-716 High Street Kew Victoria 3101 Australia
(72) Name(s) of Designer(s): **Suzie Abbott and Claire O'Neill and Dulcie Flynn and Simon Edwards and Gemma Henderson and Lisa Towse**
(45) Registration Date: **28 February 2012**
(56) Related Art Documents: **Not Applicable**
(57) Statement of Newness and Distinctiveness: **The particular visual features of the design which the Applicant hereby identifies as new and distinctive are as follows: "Women's Fashion Clothing", as illustrated in the accompanying representations.**



- (21) Design Number: **14598/2011**
(22) Date of Filing Application: **11 April 2011**
(24) Date from which industrial property rights may have effect: **11 April 2011**
(54) Product in respect of which the design is registered: **Women's fashion clothing**
(51) International Design Classification: **02-02NES**
(74) Name(s) of Attorney(s): **MILLS OAKLEY LAWYERS**
(71) Name(s) and Address(s) of Applicant(s):
Forever New Clothing Pty Ltd
Ground Floor 714-716 High Street Kew Victoria 3101 Australia
(72) Name(s) of Designer(s): **Suzie Abbott and Claire O'Neill and Dulcie Flynn and Simon Edwards and Gemma Henderson and Lisa Towse**
(45) Registration Date: **28 February 2012**
(56) Related Art Documents: **Not Applicable**
(57) Statement of Newness and Distinctiveness: **The particular visual features of the design which the Applicant hereby identifies as new and distinctive are as follows: "Women's Fashion Clothing", as illustrated in the accompanying representations.**



- (21) Design Number: **14599/2011**
(22) Date of Filing Application: **11 April 2011**
(24) Date from which industrial property rights may have effect: **11 April 2011**
(54) Product in respect of which the design is registered: **Women's fashion clothing**
(51) International Design Classification: **02-02C**
(74) Name(s) of Attorney(s): **MILLS OAKLEY LAWYERS**
(71) Name(s) and Address(s) of Applicant(s):
Forever New Clothing Pty Ltd
Ground Floor 714-716 High Street Kew Victoria 3101 Australia
(72) Name(s) of Designer(s): **Suzie Abbott and Claire O'Neill and Dulcie Flynn and Simon Edwards and Gemma Henderson and Lisa Towse**
(45) Registration Date: **28 February 2012**
(56) Related Art Documents: **Not Applicable**
(57) Statement of Newness and Distinctiveness: **The particular visual features of the design which the Applicant hereby identifies as new and distinctive are as follows: "Women's Fashion Clothing", as illustrated in the accompanying representations.**



- (21) Design Number: **14600/2011**
(22) Date of Filing Application: **11 April 2011**
(24) Date from which industrial property rights may have effect: **11 April 2011**
(54) Product in respect of which the design is registered: **Women's fashion clothing**
(51) International Design Classification: **02-01B**
(74) Name(s) of Attorney(s): **MILLS OAKLEY LAWYERS**
(71) Name(s) and Address(s) of Applicant(s):
Forever New Clothing Pty Ltd
Ground Floor 714-716 High Street Kew Victoria 3101 Australia
(72) Name(s) of Designer(s): **Suzie Abbott and Claire O'Neill and Dulcie Flynn and Simon Edwards and Gemma Henderson and Lisa Towse**
(45) Registration Date: **28 February 2012**
(56) Related Art Documents: **Not Applicable**
(57) Statement of Newness and Distinctiveness: **The particular visual features of the design which the Applicant hereby identifies as new and distinctive are as follows: "Women's Fashion Clothing", as illustrated in the accompanying representations.**



- (21) Design Number: **14601/2011**
(22) Date of Filing Application: **11 April 2011**
(24) Date from which industrial property rights may have effect: **11 April 2011**
(54) Product in respect of which the design is registered: **Women's fashion clothing**
(51) International Design Classification: **02-02NES**
(74) Name(s) of Attorney(s): **MILLS OAKLEY LAWYERS**
(71) Name(s) and Address(s) of Applicant(s):
Forever New Clothing Pty Ltd
Ground Floor 714-716 High Street Kew Victoria 3101 Australia
(72) Name(s) of Designer(s): **Suzie Abbott and Claire O'Neill and Dulcie Flynn and Simon Edwards and Gemma Henderson and Lisa Towse**
(45) Registration Date: **28 February 2012**
(56) Related Art Documents: **Not Applicable**
(57) Statement of Newness and Distinctiveness: **The particular visual features of the design which the Applicant hereby identifies as new and distinctive are as follows: "Women's Fashion Clothing", as illustrated in the accompanying representations.**



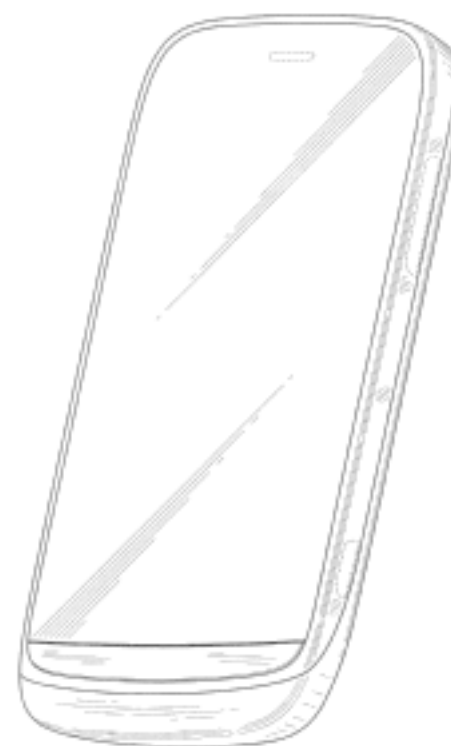
- (21) Design Number: **14602/2011**
(22) Date of Filing Application: **11 April 2011**
(24) Date from which industrial property rights may have effect: **11 April 2011**
(54) Product in respect of which the design is registered: **Women's fashion clothing**
(51) International Design Classification: **02-02C**
(74) Name(s) of Attorney(s): **MILLS OAKLEY LAWYERS**
(71) Name(s) and Address(s) of Applicant(s):
Forever New Clothing Pty Ltd
Ground Floor 714-716 High Street Kew Victoria 3101 Australia
(72) Name(s) of Designer(s): **Suzie Abbott and Claire O'Neill and Dulcie Flynn and Simon Edwards and Gemma Henderson and Lisa Towse**
(45) Registration Date: **28 February 2012**
(56) Related Art Documents: **Not Applicable**
(57) Statement of Newness and Distinctiveness: **The particular visual features of the design which the Applicant hereby identifies as new and distinctive are as follows: "Women's Fashion Clothing", as illustrated in the accompanying representations.**



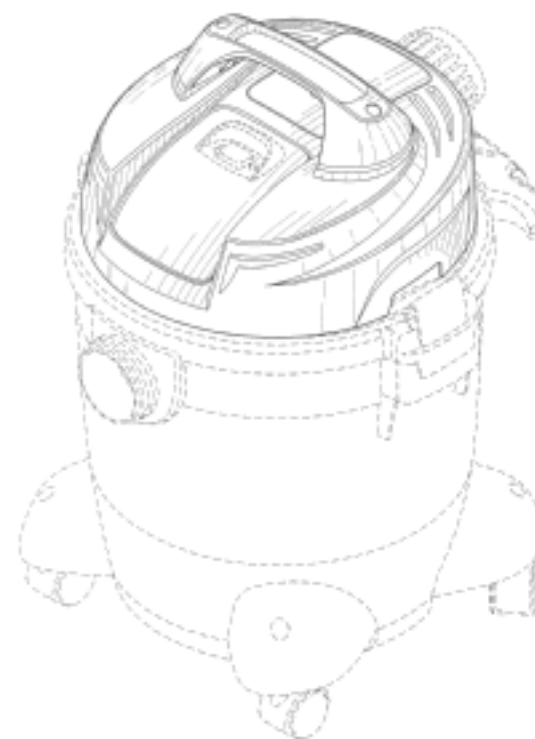
- (21) Design Number: **10558/2012**
(22) Date of Filing Application: **03 February 2012**
(24) Date from which industrial property rights may have effect: **03 February 2012**
(54) Product in respect of which the design is registered: **Packaging for food**
(51) International Design Classification: **09-03L**
(74) Name(s) of Attorney(s): **Baxter IP**
(71) Name(s) and Address(s) of Applicant(s):
Halimont Pty Ltd
Level 5 203-233 New South Head Road Edgecliff New South Wales 2027 Australia
(72) Name(s) of Designer(s): **Jonathan Brealey Hemming**
(45) Registration Date: **28 February 2012**
(56) Related Art Documents: **Not Applicable**
(57) Statement of Newness and Distinctiveness: **Nil**



(21) Design Number: **10561/2012**
(22) Date of Filing Application: **06 February 2012**
(24) Date from which industrial property rights may have effect: **06 February 2012**
(54) Product in respect of which the design is registered: **Handset**
(51) International Design Classification: **14-03A**
(74) Name(s) of Attorney(s): **SPRUSON & FERGUSON**
(71) Name(s) and Address(s) of Applicant(s):
Nokia Corporation
Keilalahdentie 4 FIN-02150 Espoo Finland
(72) Name(s) of Designer(s): **Xiaoxi Shi and Jim Holtorf and Iain Pottie**
(45) Registration Date: **28 February 2012**
(30) Convention priority data:
(31) Number (32) Date (33) Country
29/403483 06 Oct 2011 UNITED STATES OF AMERICA
(56) Related Art Documents: **Not Applicable**
(57) Statement of Newness and Distinctiveness: **Newness and distinctiveness is claimed in the features of a shape and/or configuration of a handset as illustrated in continuous lines the accompanying representations.**



(21) Design Number: **10562/2012**
(22) Date of Filing Application: **06 February 2012**
(24) Date from which industrial property rights may have effect: **06 February 2012**
(54) Product in respect of which the design is registered: **Vacuum cleaner**
(51) International Design Classification: **15-05**
(74) Name(s) of Attorney(s): **Griffith Hack**
(71) Name(s) and Address(s) of Applicant(s):
Shop Vac Corporation
2323 Reach Road Williamsport PA 17701 United States of America
(72) Name(s) of Designer(s): **Craig A. Seasholtz and Jason Gottschall and John Griffin**
(45) Registration Date: **28 February 2012**
(30) Convention priority data:
(31) Number (32) Date (33) Country
29/399076 09 Aug 2011 UNITED STATES OF AMERICA
(56) Related Art Documents: **Not Applicable**
(57) Statement of Newness and Distinctiveness: **Newness and distinctiveness resides in the visual features, including shape and configuration, of a vacuum cleaner as shown in solid outline in the accompanying drawings. When determining whether the design is substantially similar in overall impression to another design, no regard is to be had to those features shown in dotted outline in the accompanying drawings, which features are provided for illustrative purposes only.**



(21) Design Number: **10566/2012**
(22) Date of Filing Application: **07 February 2012**
(24) Date from which industrial property rights may have effect: **07 February 2012**
(54) Product in respect of which the design is registered: **Ventilator**
(51) International Design Classification: **23-04**
(74) Name(s) of Attorney(s):
(71) Name(s) and Address(s) of Applicant(s):
Kevin John Baker
6 Sheehan Street Pearce ACT 2607 Australia
(72) Name(s) of Designer(s): **Kevin John Baker**
(45) Registration Date: **28 February 2012**
(56) Related Art Documents: **Not Applicable**
(57) Statement of Newness and Distinctiveness: **Newness and distinctiveness is claimed in the shape and/or configuration of the end profile for the distinct characteristic of the base shown as A, as shown in representations - with exception to other including coloured background.**



(21) Design Number: **10568/2012**
(22) Date of Filing Application: **06 February 2012**
(24) Date from which industrial property rights may have effect: **06 February 2012**
(54) Product in respect of which the design is registered: **Automobile**
(51) International Design Classification: **12-08**
(74) Name(s) of Attorney(s): **Griffith Hack**
(71) Name(s) and Address(s) of Applicant(s):
Honda Motor Co., Ltd.
1-1 Minami-Aoyama 2-chome Minato-ku Tokyo 107-8556 Japan
(72) Name(s) of Designer(s): **Toshinobu Minami**
(45) Registration Date: **28 February 2012**
(30) Convention priority data:
(31) Number (32) Date (33) Country
2011-018164 08 Aug 2011 JAPAN
(56) Related Art Documents: **Not Applicable**
(57) Statement of Newness and Distinctiveness: **Newness and distinctiveness resides in the visual features, including shape, configuration and ornamentation of the AUTOMOBILE as shown in the accompanying representations.**



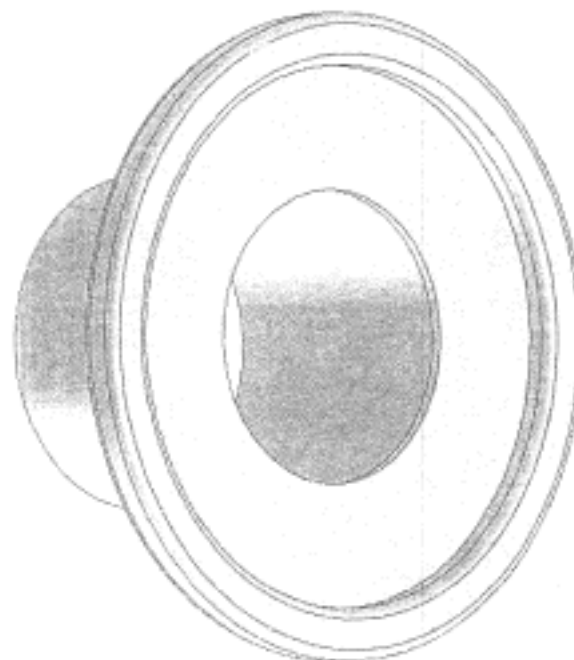
(21) Design Number: **10569/2012**
(22) Date of Filing Application: **06 February 2012**
(24) Date from which industrial property rights may have effect: **06 February 2012**
(54) Product in respect of which the design is registered: **Bottle**
(51) International Design Classification: **09-01H**
(74) Name(s) of Attorney(s): **Griffith Hack**
(71) Name(s) and Address(s) of Applicant(s):
Enoplastic S.p.A.
Via G. Boccaccio 15/A Milano 20123 Italy
(72) Name(s) of Designer(s): **Michele Moglia**
(45) Registration Date: **28 February 2012**
(30) Convention priority data:
(31) Number (32) Date (33) Country
001901851 08 Aug 2011 EUROPEAN COMMUNITY
(56) Related Art Documents: **Not Applicable**
(57) Statement of Newness and Distinctiveness: **Newness and distinctiveness resides in the visual features, including shape, configuration and ornamentation of those parts of the BOTTLE illustrated by means of solid lines in the accompanying representations.**



(21) Design Number: **10571/2012**
(22) Date of Filing Application: **07 February 2012**
(24) Date from which industrial property rights may have effect: **07 February 2012**
(54) Product in respect of which the design is registered: **Ventilator**
(51) International Design Classification: **23-04**
(74) Name(s) of Attorney(s):
(71) Name(s) and Address(s) of Applicant(s):
Kevin John Baker
6 Sheehan Street Pearce ACT 2607 Australia
(72) Name(s) of Designer(s): **Kevin John Baker**
(45) Registration Date: **28 February 2012**
(56) Related Art Documents: **Not Applicable**
(57) Statement of Newness and Distinctiveness: **Newness and distinctiveness is claimed in the shape and/or configuration of the end profile for the distinct characteristic of the base shown as A, as shown in representations - with exception to other including coloured background.**



(21) Design Number: **10105/2012**
(22) Date of Filing Application: **12 January 2012**
(24) Date from which industrial property rights may have effect: **12 January 2012**
(54) Product in respect of which the design is registered: **A cap for a vent for walls**
(51) International Design Classification: **25-02G, 23-04**
(74) Name(s) of Attorney(s): **Griffith Hack**
(71) Name(s) and Address(s) of Applicant(s):
Bluescope Steel Limited
Level 11 120 Collins Street Melbourne Victoria 3000 Australia
(72) Name(s) of Designer(s): **Brad Stewart Ryan and Luciano Papi**
(45) Registration Date: **28 February 2012**
(56) Related Art Documents: **Not Applicable**
(57) Statement of Newness and Distinctiveness: **The shape and configuration of a cap for a vent for walls is new and distinctive.**



(21) Design Number: **10218/2012**
(22) Date of Filing Application: **18 January 2012**
(24) Date from which industrial property rights may have effect: **18 January 2012**
(54) Product in respect of which the design is registered: **Horseshoe nail**
(51) International Design Classification: **08-08A, 30-99**
(74) Name(s) of Attorney(s): **Davies Collison Cave**
(71) Name(s) and Address(s) of Applicant(s):
Mustad Netherlands B.V.
Het Helmhout 12 9206 AZ Drachten The Netherlands
(72) Name(s) of Designer(s): **Carlos Laercio Nocelo Stelin**
(45) Registration Date: **28 February 2012**
(30) Convention priority data:
(31) Number (32) Date (33) Country
001893645-0001 20 Jul 2011 EUROPEAN COMMUNITY
(56) Related Art Documents: **Not Applicable**
(57) Statement of Newness and Distinctiveness: **Newness and distinctiveness is claimed in the visual features of shape and configuration of the shaped head portion of the nail.**



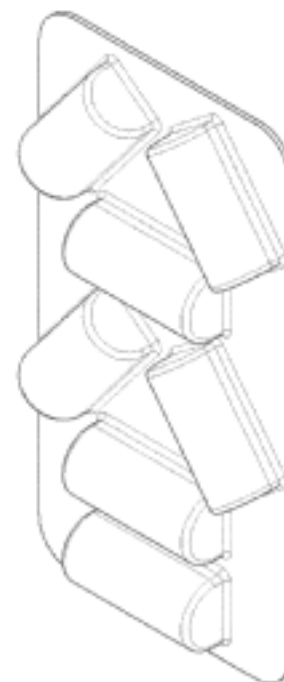
(21) Design Number: **10478/2012**
(22) Date of Filing Application: **01 February 2012**
(24) Date from which industrial property rights may have effect: **01 February 2012**
(54) Product in respect of which the design is registered: **Ice cream**
(51) International Design Classification: **01-01**
(74) Name(s) of Attorney(s): **Griffith Hack**
(71) Name(s) and Address(s) of Applicant(s):
Unilever PLC
Unilever House 100 Victoria Embankment London EC4Y ODY United Kingdom
(72) Name(s) of Designer(s): **Gary Norman Binley**
(45) Registration Date: **28 February 2012**
(30) Convention priority data:
(31) Number (32) Date (33) Country
001922444-0001 26 Sep 2011 EUROPEAN COMMUNITY
(56) Related Art Documents: **Not Applicable**
(57) Statement of Newness and Distinctiveness: **Newness and distinctiveness resides in the visual features, including shape and configuration, of an ice cream as shown in the accompanying drawings.**



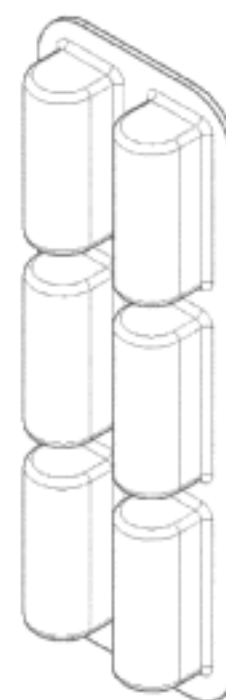
(21) Design Number: **10479/2012**
(22) Date of Filing Application: **01 February 2012**
(24) Date from which industrial property rights may have effect: **01 February 2012**
(54) Product in respect of which the design is registered: **Blister pack**
(51) International Design Classification: **09-05**
(74) Name(s) of Attorney(s):
(71) Name(s) and Address(s) of Applicant(s):
Logue and Co. Pty Ltd
199 Kiora Road Yowie Bay New South Wales 2228 Australia
(72) Name(s) of Designer(s): **Anthony Thomas Logue**
(45) Registration Date: **28 February 2012**
(56) Related Art Documents: **Not Applicable**
(57) Statement of Newness and Distinctiveness: **Newness and distinctiveness is claimed in the features of shape and/or configuration of a blister pack as depicted in the accompanying drawings.**



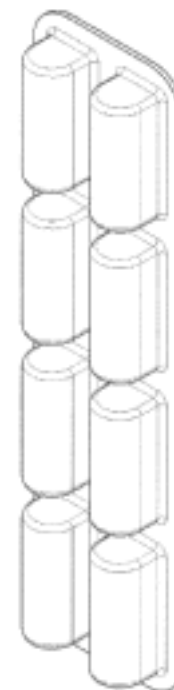
- (21) Design Number: **10480/2012**
(22) Date of Filing Application: **01 February 2012**
(24) Date from which industrial property rights may have effect: **01 February 2012**
(54) Product in respect of which the design is registered: **Blister pack**
(51) International Design Classification: **09-05**
(74) Name(s) of Attorney(s):
(71) Name(s) and Address(s) of Applicant(s):
Logue and Co. Pty Ltd
199 Kiora Road Yowie Bay New South Wales 2228 Australia
(72) Name(s) of Designer(s): **Anthony Thomas Logue**
(45) Registration Date: **28 February 2012**
(56) Related Art Documents: **Not Applicable**
(57) Statement of Newness and Distinctiveness: **Newness and distinctiveness is claimed in the features of shape and/or configuration of a blister pack as depicted in the accompanying drawings.**



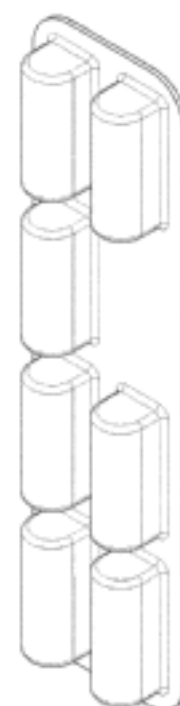
- (21) Design Number: **10481/2012**
(22) Date of Filing Application: **01 February 2012**
(24) Date from which industrial property rights may have effect: **01 February 2012**
(54) Product in respect of which the design is registered: **Blister pack**
(51) International Design Classification: **09-05**
(74) Name(s) of Attorney(s):
(71) Name(s) and Address(s) of Applicant(s):
Logue and Co. Pty Ltd
199 Kiora Road Yowie Bay New South Wales 2228 Australia
(72) Name(s) of Designer(s): **Anthony Thomas Logue**
(45) Registration Date: **28 February 2012**
(56) Related Art Documents: **Not Applicable**
(57) Statement of Newness and Distinctiveness: **Newness and distinctiveness is claimed in the features of shape and/or configuration of a blister pack as depicted in the accompanying drawings.**



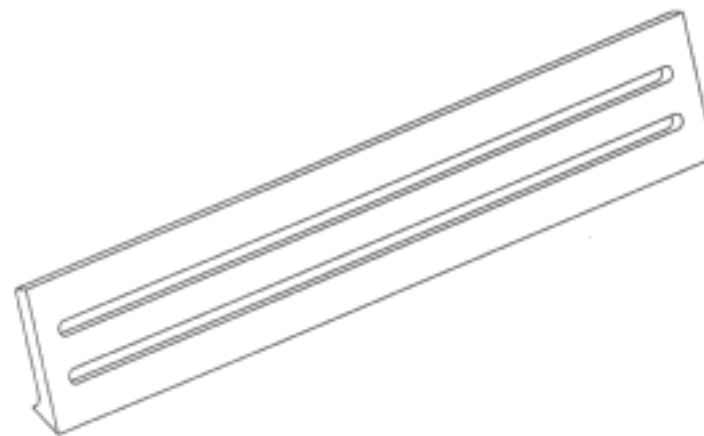
- (21) Design Number: **10482/2012**
(22) Date of Filing Application: **01 February 2012**
(24) Date from which industrial property rights may have effect: **01 February 2012**
(54) Product in respect of which the design is registered: **Blister pack**
(51) International Design Classification: **09-05**
(74) Name(s) of Attorney(s):
(71) Name(s) and Address(s) of Applicant(s):
Logue and Co. Pty Ltd
199 Kiora Road Yowie Bay New South Wales 2228 Australia
(72) Name(s) of Designer(s): **Anthony Thomas Logue**
(45) Registration Date: **28 February 2012**
(56) Related Art Documents: **Not Applicable**
(57) Statement of Newness and Distinctiveness: **Newness and distinctiveness is claimed in the features of shape and/or configuration of a blister pack as depicted in the accompanying drawings.**



- (21) Design Number: **10483/2012**
(22) Date of Filing Application: **01 February 2012**
(24) Date from which industrial property rights may have effect: **01 February 2012**
(54) Product in respect of which the design is registered: **Blister pack**
(51) International Design Classification: **09-05**
(74) Name(s) of Attorney(s):
(71) Name(s) and Address(s) of Applicant(s):
Logue and Co. Pty Ltd
199 Kiora Road Yowie Bay New South Wales 2228 Australia
(72) Name(s) of Designer(s): **Anthony Thomas Logue**
(45) Registration Date: **28 February 2012**
(56) Related Art Documents: **Not Applicable**
(57) Statement of Newness and Distinctiveness: **Newness and distinctiveness is claimed in the features of shape and/or configuration of a blister pack as depicted in the accompanying drawings.**



(21) Design Number: **10539/2012**
(22) Date of Filing Application: **13 February 2012**
(24) Date from which industrial property rights may have effect: **13 February 2012**
(54) Product in respect of which the design is registered: **Hand applicator for adhesive sheet**
(51) International Design Classification: **08-05NES**
(74) Name(s) of Attorney(s): **Cullens Patent and Trade Mark Attorneys**
(71) Name(s) and Address(s) of Applicant(s):
Sophie Maree Larnach
25 Nemarra Street Wynnum West Queensland 4178 Australia
(72) Name(s) of Designer(s): **Sophie Maree Larnach**
(45) Registration Date: **28 February 2012**
(56) Related Art Documents: **Not Applicable**
(57) Statement of Newness and Distinctiveness: **Newness and distinctiveness reside in features of shape and configuration of the hand applicator for adhesive sheet as shown in the accompanying representations.**



(21) Design Number: **10577/2012**
(22) Date of Filing Application: **08 February 2012**
(24) Date from which industrial property rights may have effect: **08 February 2012**
(54) Product in respect of which the design is registered: **Lighting**
(51) International Design Classification: **26-03**
(74) Name(s) of Attorney(s): **PIZZEYS**
(71) Name(s) and Address(s) of Applicant(s):
LSI Industries, Inc.
10000 Alliance Road Cincinnati Ohio 45242 United States of America
(72) Name(s) of Designer(s): **John D. Boyer and Earl G. Boertlein II and Rob Allen Rooms**
(45) Registration Date: **28 February 2012**
(30) Convention priority data:
(31) Number (32) Date (33) Country
29/400,827 01 Sep 2011 UNITED STATES OF AMERICA
(56) Related Art Documents: **Not Applicable**
(57) Statement of Newness and Distinctiveness: **Nil**

