



Australian Government

IP Australia

AUSTRALIAN OFFICIAL JOURNAL

OF

DESIGNS

Did you know a searchable version of this journal is now available online?

It's FREE and EASY to SEARCH.

Find it on our website (www.ipaustralia.gov.au)

by using the "Journals" link on the home page.

This Page Left Intentionally Blank

Contents

General Information & Notices

**Proceedings Under the Designs Act 1906 preserved as a result of the provisions of Chapter 12
Part 2 of the Designs Act 2003**

Extension of Period of Registration of Designs	734
Extensions of Time Granted	734
Registrations Ceased	734
Subsequent Owners Registered	734

Proceedings Under the Designs Act 2003

Applications Lapsed	743
Applications Lodged	738
Applications Withdrawn	743
Certificate of Examination	745
Extension of Period of Registration of Design	744
Extension of Time Granted Under Section 137	744
Publication and Registration Proceedings	
Designs Registered 341246 to 341386.....	746
Registrations Ceased	744
Subsequent Owners Registered	744

This Page Left Intentionally Blank

For information on the following please see our website www.ipaustralia.gov.au or contact our Customer Service Network on 1300651010

[Editorial enquiries](#)

[Contact information](#)

[Freedom of Information ACT](#)

[Professional Standards Board](#)

[Sales](#)

[Requests for Information under Section 194 \(c\)](#)

[Country Codes](#)

[Trade Mark and Designs Hearing Sessions](#)

[INID \(Internationally agreed Numbers for the Identification of Data\)](#)

“INID” NUMBERS in use on Australian Design Documents

“INID” is an acronym for “Internationally agreed Numbers for the Identification of Data”.

(10) Data concerning the registration/renewal

- (11) Serial number of the registration and/or number of the design document
- (12) Plain language designation of the kind of published document
- (19) Identification, using the two-letter code according to WIPO Standard ST.3, of the authority publishing or registering the industrial design

(20) Data concerning the application

- (21) Serial number of the application
- (22) Date of filing of the application
- (24) Date from which the industrial design right has effect

(30) Data relating to priority under the Paris Convention

- (31) Serial number assigned to the priority application
- (32) Date of filing of the priority application
- (33) Two-letter code, according to WIPO Standard ST.3, identifying the authority with which the priority application was made

(40) Date(s) of making information available to the public

- (45) Date of publication of the registered industrial design by printing or similar process, or making it available to the public by any other means

(50) Miscellaneous Information

- (51) International Classification for Industrial Designs (class and subclass of the Locarno Classification)
- (54) Designation of article(s) or product(s) covered by the industrial design or title of the industrial design
- (55) Reproduction of the industrial design (e.g., drawing, photograph) and explanations relating to the reproduction
- (56) List of prior art documents, if separate from descriptive text
- (57) Description of characteristic features of the industrial design including indication of colours

(60) References to other legally related application(s) and registration(s)

- (62) Serial number(s) and, if available, filing date(s) of application(s), registration(s) or document(s) related by division
- (66) Serial number(s) of the application, or the registration, of the design(s) which is (are) a variant(s) of the present one

(70) Identification of parties concerned with the application or registration

- (71) Name(s) and address(es) of the applicant(s)
- (72) Name(s) of the creator(s) if known to be such
- (74) Name(s) and address(es) of the representative(s)

This Page Left Intentionally Blank

Official Notice

COMMONWEALTH OF AUSTRALIA

Patents Act 1990
Patents Regulations 1991, Chapter 20

PATENTS AND TRADE MARKS ATTORNEYS DISCIPLINARY TRIBUNAL

**IN RE HOWARD KENNETH SCHULZE
IN RE PHILLIP BOEHM**

Tribunal: Mrs S. Higgins

Date: 23 February 2012

Place: Sydney

Decision:

1. The Tribunal has jurisdiction to hear and determine these proceedings.
2. Mr Schulze is guilty of unsatisfactory conduct in that he failed to resolve the conflict of interest between client A and client B on or after 11 September 2007 in breach of clause 4.2.8 of the Code of Conduct for Patent and Trade Mark Attorneys.
3. No orders as to disciplinary action are made in regard to Mr Schulz's unsatisfactory conduct.
4. The charge against Mr Boehm is dismissed.



.....
Sigrid Higgins
Patent and Trade Marks Disciplinary Tribunal

Proceedings under the Designs Act 1906 preserved as a result of the provisions of Chapter 12 Part 2 of the Designs Act 2003.

This Page Left Intentionally Blank

Applications Lapsed

There were no Applications Lapsed under this section

Extension of Period of Registration of Designs

1st Period (Section 27A(8))

2nd Period (Section 27A(12))

3rd Period (Section 27A(13))

143649	143735	144197
144652	144653	144948
144951	145101	145138
145157	145158	145196
145211	145323	145511
145513	145518	145582
145621	145830	146055
146238	146239	146389
146769	146770	146771
148065	149284	149591
151149	151150	

Registrations Ceased

Note: Some of the following Registrations may have been previously advertised as ceased. In this instance, the previous advertisement still prevails.

127721	127858	127900
127939	128020	128026
128148	128196	128357
128657	129169	129490
143253	143254	143255
143272	143274	143430
143709	143856	143927

Extensions of time granted

Applications lodged for extension of time have been granted.

146055 **Basil Flynn** An An Extension of time to extend a registration has been granted to 14/02/2012

Subsequent Owners Registered

(The name in parentheses is that of the subsequent owner)

146087	(City of Sydney) Streetscape Projects (Aust) Pty Limited
153909	(Tropicana Imports Pty Ltd) Cassidy Imports Pty Ltd

This Page Left Intentionally Blank

Proceedings under the Designs Act 2003.

This Page Left Intentionally Blank

Applications Lodged

Lodgement information is in the following order: **Applicant's Name**; International Classification, Name of Product, Lodgement Date and **Design Number**. If the applicant claims an earlier priority date under an International Convention, the Convention Country and the associated filing date are shown in parentheses before the Lodgement Date. Divisional information will also appear in parentheses before the Lodgement Date.

Aktieselskabet af 18.juli 2011 A/S; 14-03B, Television, (EM, 09 Sep 2011) 05 Mar 2012	11046/2012	Bachmann Innovations Pty Limited; 05-05NES, Dust shield of indefinite width and height for furniture, storage or racking, 05 Mar 2012	11032/2012
Aktieselskabet af 18.juli 2011 A/S; 14-99, Television table stand, (EM, 09 Sep 2011) 05 Mar 2012	11048/2012	Ballarat Holdings Pty Ltd; 08-08NES, 13-99, 13-03D, A backing plate and wiring housing unit, 06 Mar 2012	11041/2012
Aktieselskabet af 18.juli 2011 A/S; 14-99, Television floor stand, (EM, 09 Sep 2011) 05 Mar 2012	11047/2012	Beats Electronics, LLC; 14-01, Audio listening system, (US, 02 Sep 2011) 02 Mar 2012	11088/2012
Allflex Europe SAS; 30-08, Marker for an animal, (EM, 21 Oct 2011) 28 Feb 2012	10936/2012	Bonnici, Peter; 08-08D, 20-03NES, Signs / clamp, 28 Feb 2012	11012/2012
Amcor Limited; 09-03M, A carton and blank, 05 Mar 2012	11043/2012	Bose Corporation; 14-01, 14-03A, Headset, (US, 21 Sep 2011) 29 Feb 2012	10930/2012
Amcor Limited; 09-01H, A bottle, 07 Mar 2012	11145/2012	Breville Pty Limited; 08-06, Handle, 01 Mar 2012	10932/2012
Angas Industrial Pty Ltd; 25-02C, Underground mining mesh panel, 05 Mar 2012	11040/2012	Breville Pty Limited; 07-02N, Rice cooker, 27 Feb 2012	10886/2012
Apex Valves Limited; 23-01K, A float arm operated valve, 05 Mar 2012	11111/2012	Brophy, Peter; 30-04, A saddle tree for quarter horses, 27 Feb 2012	10891/2012
Astra Tech AB; 24-03, Dental implant, (EM, 14 Sep 2011) 28 Feb 2012	10917/2012	Brown, Paul William; Vivian-Jones, David William; 02-01NES, Pelvic support, 02 Mar 2012	11086/2012
Astra Tech AB; 24-03, Dental implant, (EM, 14 Sep 2011) 28 Feb 2012	10916/2012	BAE Systems Land & Armaments L.P.; 08-06, Vehicle emergency escape window handle, (US, 01 Sep 2011) 28 Feb 2012	10912/2012
AstraZeneca AB; 24-04, Inhaler, (EM, 14 Nov 2011) 06 Mar 2012	11117/2012	BSH Bosch und Siemens Hausgerate GmbH; 15-05, Control panel of a washing machine/drying machine, (EM, 02 Sep 2011) 29 Feb 2012	10976/2012
AstraZeneca AB; 24-04, Inhaler, (EM, 14 Nov 2011) 06 Mar 2012	11118/2012	BSH Bosch und Siemens Hausgerate GmbH; 15-05, Door of washing machines/drying machines, (EM, 02 Sep 2011) 01 Mar 2012	11009/2012
AstraZeneca AB; 24-04, Inhaler, (EM, 14 Nov 2011) 06 Mar 2012	11119/2012	BSH Bosch und Siemens Hausgerate GmbH; 15-05, Door of washing machines/drying machines, (EM, 02 Sep 2011) 01 Mar 2012	11011/2012
AstraZeneca AB; 24-04, Inhaler, (EM, 14 Nov 2011) 06 Mar 2012	11120/2012	BSH Bosch und Siemens Hausgerate GmbH; 15-05, Door of washing machines/drying machines, (EM, 02 Sep 2011) 01 Mar 2012	11010/2012
Aucone, Anthony; 13-03D, An isolator with weather proof function, 05 Mar 2012	11081/2012	BSH Bosch und Siemens Hausgerate GmbH; 15-05, Door of washing machines/drying machines, (EM, 02 Sep 2011) 01 Mar 2012	10977/2012
Aucone, Anthony; 13-03D, A powerpoint with weather proof function, 05 Mar 2012	11080/2012	BSH Bosch und Siemens Hausgerate GmbH; 15-05, Control panel of a washing machine/drying machine, (EM, 02 Sep 2011) 29 Feb 2012	
Baby Bumpers Pty Ltd; 21-02NES, Knee pad, 01 Mar 2012	10988/2012		

BSH Bosch und Siemens Hausgerate GmbH; 15-05, Control panel of a washing machine/drying machine, (EM, 02 Sep 2011) 29 Feb 2012	10972/2012	Duratray Investments Pty Ltd; 15-04, 12-16NES, Tray for a truck, 05 Mar 2012	11034/2012
BTB Automotive Pty Ltd; 08-03, Removal blade for panels or mouldings, 02 Mar 2012	10990/2012	Duratray Investments Pty Ltd; 15-04, 12-16NES, Tray for a truck, 05 Mar 2012	11035/2012
BTB Automotive Pty Ltd; 08-03, Removal blade for panels or mouldings, 02 Mar 2012	10991/2012	Edible Blooms Group Pty Ltd; 01-01, Moulded cake on sticks designed to represent a flower/rose bouquet, 27 Feb 2012	10893/2012
Ceilite Pty Ltd; 08-08L, A bracket, 01 Mar 2012	10993/2012	Elstow, Corinne Elizabeth;Haydon, Astrid Frances Marie; 12-02, Trolley, (EM, 21 Sep 2011) 28 Feb 2012	10913/2012
Chanel Limited; 03-01B, A bag, 06 Mar 2012	11092/2012	Ferrero Deutschland GmbH;Ferrero Offene Handelsgesellschaft m.b.H.; 09-03NES, Packaging for foodstuffs, (DE, 31 Aug 2011) 28 Feb 2012	10902/2012
Chanel Limited; 03-01B, A bag, 06 Mar 2012	11093/2012	Ferrero Offene Handelsgesellschaft m.b.H.;Ferrero Deutschland GmbH; 09-03NES, Packaging for foodstuffs, (DE, 31 Aug 2011) 28 Feb 2012	10902/2012
Clarke, Bruce Richard; 30-03, Restrictor for livestock feeder, 05 Mar 2012	11045/2012	Fin Control Systems Pty. Limited; 21-02D, Surfboard fin, 29 Feb 2012	10933/2012
Connected Group Australia Pty Ltd; 13-03D, Electrical switch, 24 Feb 2012	10881/2012	Fin Control Systems Pty. Limited; 21-02D, Surfboard fin, 29 Feb 2012	10934/2012
Connected Group Australia Pty Ltd; 13-03D, Electrical socket, 24 Feb 2012	10884/2012	Frontier Direct Australia Pty Ltd; 07-01C, Wine glass, 02 Mar 2012	11085/2012
Cree, Inc.; 26-04, Lighting device, (US, 02 Sep 2011) 02 Mar 2012	11089/2012	Garth Australia Pty Ltd; 07-02H, Cooking plate, 28 Feb 2012	10919/2012
Curvessence Pty Limited; 02-01A, Bra stiffening rib, 29 Feb 2012	10928/2012	Garth Australia Pty Ltd; 07-02E, Cooking grill, 28 Feb 2012	10918/2012
Dart Industries Inc.; 07-04, Hand-held grater, (US, 19 Sep 2011) 24 Feb 2012	10879/2012	Geberit International AG; 23-02C, Control panel for toilets and/or urinals, (WO, 29 Nov 2011) 29 Feb 2012	10937/2012
Dart Industries Inc.; 07-04, Slider for hand-held grater, (US, 19 Sep 2011) 24 Feb 2012	10880/2012	Geberit International AG; 23-02C, Control panel for toilets and/or urinals, (WO, 29 Nov 2011) 29 Feb 2012	10940/2012
DayMen Canada Acquisition ULC; 03-01B, Pouch, (US, 01 Sep 2011) 29 Feb 2012	10935/2012	Geberit International AG; 23-02C, Control panel for toilets and/or urinals, (WO, 29 Nov 2011) 29 Feb 2012	10941/2012
Deckers Outdoor Corporation; 02-04NES, Footwear upper, (US, 03 Nov 2011) (Divisional of 10427/2012) 31 Jan 2012	10992/2012	Geberit International AG; 23-02C, Control panel for toilets and/or urinals, (WO, 29 Nov 2011) 29 Feb 2012	10938/2012
Dezinal Pty Ltd; 25-02B, 45mmm commercial sliding door, 06 Mar 2012	11078/2012	Geberit International AG; 23-02C, Control panel for toilets and/or urinals, (WO, 29 Nov 2011) 29 Feb 2012	10939/2012
Dezinal Pty Ltd; 25-02B, 45mmm comercial sliding door, 06 Mar 2012	11079/2012	Glenorchy City Council; 09-09, Rubbish bin enclosure/shell, 06 Mar 2012	11090/2012
Duo Productions Pty Ltd, trading as UBERKATE; 11-01NES, Pendant set, 02 Mar 2012	11023/2012	Gree Electric Appliances, Inc.; 23-04, Air conditioner, (CN, 25 Aug 2011) 24 Feb 2012	10889/2012
Duratray Investments Pty Ltd; 12-16NES, Tray for a truck, 05 Mar 2012	11033/2012	Gruber, LLC; 04-02, Dental cleaning device, (US, 20 Apr 2011) 20 Oct 2011	11076/2012

Gruber, LLC; 04-02, Dental cleaning device, (US, 20 Apr 2011) 20 Oct 2011	11075/2012	Knog Pty Ltd; 26-06, Portable light, 28 Feb 2012	10911/2012
Gruber, LLC; 04-02, Dental cleaning device, (US, 20 Apr 2011) 20 Oct 2011	11077/2012	Knog Pty Ltd; 26-06, Portable light, 28 Feb 2012	10905/2012
GM Global Technology Operations, LLC; 12-08, Whole body of car, (KR, 09 Sep 2011) 05 Mar 2012	11036/2012	Knog Pty Ltd; 26-06, Portable light, 28 Feb 2012	10906/2012
Hansgrohe AG; 23-01H, Sanitary faucet/fitting, (EM, 31 Aug 2011) 23 Feb 2012	10870/2012	Knog Pty Ltd; 26-06, Portable light, 28 Feb 2012	10904/2012
Hansgrohe AG; 23-02B, Hand shower, (EM, 01 Sep 2011) 23 Feb 2012	10868/2012	Knog Pty Ltd; 26-06, Portable light, 28 Feb 2012	10909/2012
Hansgrohe AG; 23-01H, Sanitary faucet/fitting, (EM, 31 Aug 2011) 23 Feb 2012	10869/2012	Knog Pty Ltd; 26-06, Portable light, 28 Feb 2012	10910/2012
Hansgrohe AG; 23-02B, Shower head, (EM, 01 Sep 2011) 23 Feb 2012	10867/2012	Knog Pty Ltd; 26-06, Portable light, 28 Feb 2012	10907/2012
Haydon, Astrid Frances Marie;Elstow, Corinne Elizabeth; 12-02, Trolley, (EM, 21 Sep 2011) 28 Feb 2012	10913/2012	Knog Pty Ltd; 26-06, Portable light, 28 Feb 2012	10908/2012
Heine Jones Studio Pty Ltd; 20-02NES, 14-02, A table-mounted digital product and media (DPM) presentation kiosk and lighting apparatus (tube), 29 Feb 2012	11016/2012	Koninklijke Philips Electronics N.V.; 26-06, Bicycle LED light, (EM, 30 Aug 2011) 29 Feb 2012	10943/2012
Heine Jones Studio Pty Ltd; 20-02NES, 14-02, A table-mounted digital product and media (DPM) presentation kiosk and lighting apparatus (Three sided), 29 Feb 2012	11014/2012	Koninklijke Philips Electronics N.V.; 26-06, 26-05E, Bicycle LED light, (EM, 30 Aug 2011) 29 Feb 2012	10946/2012
Heine Jones Studio Pty Ltd; 20-02NES, 14-02, A tabel-mounted digital product and media (DPM) presentation kiosk and lighting apparatus (four sided), 29 Feb 2012	11015/2012	Koninklijke Philips Electronics N.V.; 26-06, 26-05E, Bicycle LED light, (EM, 30 Aug 2011) 29 Feb 2012	10944/2012
IQ Kids & Furniture Pty Ltd; 06-02, Racing car single bed, 05 Mar 2012	11018/2012	Koninklijke Philips Electronics N.V.; 26-06, 26-05E, Bicycle LED light, (EM, 30 Aug 2011) 29 Feb 2012	10945/2012
Kennametal Inc.; 08-08B, Washer, (US, 23 Sep 2011) 29 Feb 2012	10929/2012	Lacey, Peter John; 12-16NES, Aluminium extruded cover for RV awning or caravan, 29 Feb 2012	10925/2012
Keystone Retaining Wall Systems LLC; 25-01A, Patio stone, (US, 16 Sep 2011) 07 Mar 2012	11136/2012	Land & Sea Sports Pty Ltd; 21-02E, Self propelled skateboard, 29 Feb 2012	11013/2012
Keystone Retaining Wall Systems LLC; 25-01E, Landscape edger, (US, 08 Sep 2011) 07 Mar 2012	11137/2012	Lantelme, Marcello Claudio; 07-02E, A pizza oven, 02 Mar 2012	11087/2012
Keystone Retaining Wall Systems LLC; 25-01E, Landscape edger, (US, 08 Sep 2011) 07 Mar 2012	11138/2012	Lightfoot, Mark; 08-07, Combination padlock, (NZ, 31 Oct 2011) 05 Mar 2012	11083/2012
Kimberly-Clark Worldwide, Inc.; 05-06NES, 07-05E, A wet wipe, (US, 09 Sep 2011) 06 Mar 2012	11094/2012	Lolitta Clothing Pty Ltd; 02-02C, 02-02NES, Women's clothing, 01 Mar 2012	10986/2012
		Mach IV Pty Ltd, as trustee for The Mach IV Family Trust; 07-07B, A pail with lid, 02 Mar 2012	11115/2012
		Mach IV Pty Ltd, as trustee for The Mach IV Family Trust; 07-07B, A pail with lid, 02 Mar 2012	11113/2012
		Mach IV Pty Ltd, as trustee for The Mach IV Family Trust; 07-07B, A pail with lid, 02 Mar 2012	11114/2012
		Mass Technology (H.K.) Limited; 26-05C, Lamp, (HK, 21 Oct 2011) 28 Feb 2012	10903/2012

Mattock Design Pty Ltd; 25-03, A demountable shelter frame, 27 Feb 2012	10914/2012	Rialto Coffee Company Ltd.; 07-02L, Coffee capsule, 01 Mar 2012	10989/2012
Mayer, Frank Friedrich; 08-09, A stop for a door or window, (EM, 06 Sep 2011) 28 Feb 2012	10915/2012	Ronstan International Pty Ltd; 12-06NES, Line deflector guide, 05 Mar 2012	11082/2012
Mayo Hardware Pty Ltd; 07-02E, BBQ rib rack, 14 Feb 2012	11131/2012	Samsonite IP Holdings S.a.r.l.; 03-01A, Luggage, (EM, 09 Sep 2011) 07 Mar 2012	11146/2012
Mayo Hardware Pty Ltd; 07-02E, BBQ rib rack, 14 Feb 2012	11132/2012	Samsonite IP Holdings S.a.r.l.; 03-01A, Luggage, (EM, 09 Sep 2011) 07 Mar 2012	11147/2012
Mayo Hardware Pty Ltd; 07-99A, BBQ pizza stone and serving tray with cutter, 14 Feb 2012	11129/2012	Santos, (a French societe par actions simplifiee); 31-00, Electric mixer, (EM, 26 Sep 2011) 05 Mar 2012	11044/2012
Mayo Hardware Pty Ltd; 07-04, BBQ pizza stone and serving tray with cutter, 14 Feb 2012	11130/2012	Schill, Andreas; 07-01NES, Cup for packaging purposes, (DE, 25 Aug 2011) 24 Feb 2012	10890/2012
Method Products, Inc.; 09-01K, Bottle, (US, 16 Sep 2011) 06 Mar 2012	11091/2012	Schriever, Nicholas Barry; 02-02NES, An article of clothing, 05 Mar 2012	11042/2012
Michelin Recherche et Technique SA;Societe De Technologie Michelin; 12-15B, A tyre, (US, 29 Sep 2011) 27 Feb 2012	10882/2012	Singlese Pty Ltd; 06-11, Tyne mat, 02 Mar 2012	11021/2012
Michelin Recherche et Technique SA;Societe De Technologie Michelin; 12-15B, A tyre, (US, 29 Sep 2011) 27 Feb 2012	10883/2012	Societe des Produits Nestle S.A.; 31-00, An ice-cream machine, (CH, 25 Jan 2012) 21 Feb 2012	10926/2012
Moddex Group Pty Ltd; 13-03E, Rail connector, 29 Feb 2012	10927/2012	Societe De Technologie Michelin;Michelin Recherche et Technique SA; 12-15B, A tyre, (US, 29 Sep 2011) 27 Feb 2012	10882/2012
Monkeys Pty Ltd, The; 03-01A, Shopping bags, 23 Feb 2012	10871/2012	Societe De Technologie Michelin;Michelin Recherche et Technique SA; 12-15B, A tyre, (US, 29 Sep 2011) 27 Feb 2012	10883/2012
Nile Delta Pty Ltd; 19-06, Artist's utility board, 29 Jul 2011	10978/2012	Steelforce Pty Ltd; 25-02H, Security window, 02 Mar 2012	11022/2012
Oakmoore Pty Ltd; 15-07, A fridge shelf display device, 24 Feb 2012	10895/2012	Sunbeam Corporation Limited; 07-02NES, Bread maker, 27 Feb 2012	10765/2012
Okamura Corporation; 06-03NES, Table, (JP, 01 Sep 2011) 29 Feb 2012	10942/2012	SwitchEasy Limited; 03-01NES, Protective casing for portable handheld electronic device, (HK, 14 Nov 2011) 01 Mar 2012	10985/2012
Preference Manufacturing (Aust) Pty Ltd; 25-99, Weather strip, 02 Mar 2012	11025/2012	SwitchEasy Limited; 03-01NES, Protective casing for portable handheld electronic device, (HK, 14 Nov 2011) 01 Mar 2012	10984/2012
Profurn Joinery; 06-03A, 06-01E, 19-06, 19-99, 06-03NES, Table tops, ottomans, notice boards, desk tops, counters, 29 Feb 2012	11017/2012	SwitchEasy Limited; 03-01NES, Protective casing for portable handheld electronic device, (HK, 14 Nov 2011) 01 Mar 2012	10980/2012
Quansah, Anthony Kwaw; 07-05E, This product relates to small cloth or kerchief for wiping or cleaning a devce or an object. i have named it, kwawkerchief or devicekerchief as it has no name in the dictionary, 27 Feb 2012	10892/2012	SwitchEasy Limited; 03-01NES, Protective casing for portable handheld electronic device, (HK, 14 Nov 2011) 01 Mar 2012	10981/2012
Quansah, Anthony Kwaw; 02-05, This product relates to a small cloth or kerchief it could be called devicekerchief or kwawkerchief, 05 Mar 2012	11037/2012		

SwitchEasy Limited; 03-01NES, Protective casing for portable handheld electronic device, (HK, 14 Nov 2011) 01 Mar 2012	10982/2012	The Decor Corporation Pty. Ltd.; 09-07NES, 07-01NES, Pasta cooker lid, 27 Feb 2012	10897/2012
SwitchEasy Limited; 03-01NES, Protective casing for portable handheld electronic device, (HK, 14 Nov 2011) 01 Mar 2012	10983/2012	The Gillette Company; 28-03A, Receiving member for a razor, (US, 26 Aug 2011) 23 Feb 2012	10866/2012
SwitchEasy Limited; 03-01NES, Protective casing for portable handheld electronic device, (HK, 14 Nov 2011) 01 Mar 2012	10979/2012	Thermos L.L.C.; 09-07C, Lid for a bottle, (US, 08 Sep 2011) 05 Mar 2012	11084/2012
SCA Hygiene Products AB; 23-02A, Dispenser, (EM, 30 Aug 2011) 29 Feb 2012	10931/2012	TomTom International B.V.; 03-01NES, Carry case, (EM, 01 Sep 2011) 29 Feb 2012	10973/2012
SMA Solar Technology AG; 14-04, Graphic display device, (EM, 16 Sep 2011) 28 Feb 2012	10900/2012	TomTom International B.V.; 03-01NES, Carry case, (EM, 01 Sep 2011) 29 Feb 2012	10974/2012
SMA Solar Technology AG; 14-04, Graphic display device, (EM, 16 Sep 2011) 28 Feb 2012	10901/2012	TomTom International B.V.; 03-01NES, Carry case, (EM, 01 Sep 2011) 29 Feb 2012	10975/2012
SMA Solar Technology AG; 13-02, Inverters, (EM, 13 Sep 2011) 24 Feb 2012	10885/2012	TreeFrog Developments, Inc., doing business as LifeProof; 03-01NES, Case for an electronic device, (US, 09 Aug 2011) (Divisional of 10624/2012) 09 Feb 2012	11112/2012
SMG BRANDS, INC.; 09-05, 10-04, Blister pack with a dosing spoon and holding clip assembly, (US, 02 Sep 2011) 02 Mar 2012	11026/2012	Underwood Companies Holdings Pty Ltd; 25-04, A set of scaffolding guard panels, 07 Mar 2012	11128/2012
SMG BRANDS, INC.; 10-04, Dosing spoon, (US, 02 Sep 2011) 02 Mar 2012	11030/2012	Underwood Companies Holdings Pty Ltd; 25-01B, Dowel ladder for concrete joints, 07 Mar 2012	11143/2012
SMG BRANDS, INC.; 10-04, Dosing spoon, (US, 02 Sep 2011) 02 Mar 2012	11031/2012	Underwood Companies Holdings Pty Ltd; 25-04, A set of scaffolding guard panels, 07 Mar 2012	11144/2012
SMG BRANDS, INC.; 09-05, 10-04, Dosing spoon and holding clip assembly, (US, 02 Sep 2011) 02 Mar 2012	11028/2012	United States Fire Arms Manufacturing Co., Inc.; 22-01, Firearm, (US, 26 Aug 2011) 27 Feb 2012	10899/2012
SMG BRANDS, INC.; 09-05, 10-04, Holding clip assembly for a dosing spoon, (US, 02 Sep 2011) 02 Mar 2012	11029/2012	Varier Furniture AS; 06-01F, Seats, (NO, 07 Dec 2011) 28 Feb 2012	10920/2012
SMG BRANDS, INC.; 09-05, 10-04, Dosing spoon and holding clip assembly, (US, 02 Sep 2011) 02 Mar 2012	11027/2012	Veisto Oy; 08-03, Cutter bit, (EM, 13 Jan 2012) 27 Feb 2012	10888/2012
Tecnotubi Picena S.r.l.; 23-01A, Garden hose, (EM, 27 Sep 2011) 02 Mar 2012	11020/2012	Vibram S.P.A.; 02-04NES, Footwear, (EM, 07 Sep 2011) 28 Feb 2012	10922/2012
Tecnotubi Picena S.r.l.; 23-01A, Garden hose, (EM, 27 Sep 2011) 02 Mar 2012	11019/2012	Vibram S.P.A.; 02-04B, Soles, (EM, 07 Sep 2011) 28 Feb 2012	10923/2012
Telebrands Corp.; 07-99NES, Hair/lint roller, 24 Feb 2012	10894/2012	Vibram S.P.A.; 02-04NES, Footwear, (EM, 07 Sep 2011) 28 Feb 2012	10921/2012
The Decor Corporation Pty. Ltd.; 07-02N, Pasta cooker base, 27 Feb 2012	10898/2012	Vibram S.P.A.; 02-04NES, Footwear, (EM, 07 Sep 2011) 28 Feb 2012	10924/2012
The Decor Corporation Pty. Ltd.; 10-04, Measuring device, 27 Feb 2012	10896/2012		

Visy R & D Pty Ltd; 09-03M, A blank for a container, 06 Mar 2012	11116/2012	Yeomans, Allan James; 12-16A, Hub cap, 24 Feb 2012	10887/2012
Vivian-Jones, David William;Brown, Paul William; 02-01NES, Pelvic support, 02 Mar 2012	11086/2012	Zear Corporation Limited; 03-01NES, Waterproof case for smart phone with camera, 01 Mar 2012	10987/2012
Woven Image Pty Limited; 25-01F, Contoured wall tile, 29 Feb 2012	11038/2012	3rd Stone Design Inc.; 07-01NES, Food container, (US, 07 Sep 2011) 05 Mar 2012	11024/2012
Woven Image Pty Limited; 25-01F, Contoured wall tile, 29 Feb 2012	11039/2012		

Applications Withdrawn

10653 / 2012 (15-04)

Applications Lapsed

13795 / 2011 (05-06NES)	14838 / 2011 (30-02)
14877 / 2011 (12-05)	15714 / 2011 (23-02E)
15741 / 2011 (08-03)	15775 / 2011 (21-01N)
15806 / 2011 (14-01)	

Extension of Period of Registration of Designs

312986	313385	313628
313629	313788	313945
313972	314118	314188
314195	314196	314293
314296	314297	314298
314299	314300	314301
314331	314332	314342
314343	314367	314369
314370	314371	314480
314495	314496	314520
314535	314541	314542
314543	314549	314555
314556	314557	314558
314585	314586	314587
314588	314590	314591
314603	314604	314605
314626	314630	314631
314632	314633	314682
314683	314684	314700
314701	314702	314703
314704	314705	314706
314729	314730	314736
314737	314738	314739
314740	314741	314742
314748	314749	314750
314751	314752	314753
314754	314764	314804
314873	314874	315107
315147	315182	315183
315257	315258	316686
317291	317292	317293
317294	317295	317296
317297	317298	317299
317300	317301	317302
317303	317304	317305
317306	317307	317308
317309	318179	

Registrations Ceased

309663	309664	309665
310416	310649	310650
310651	310723	310724
310725	310726	310728
310747	310806	310822
310826	310827	310828
310841	310883	311492
312532	313031	

Extensions of time granted under Section 137

Applications lodged under section 137 for extension of time have been granted.

10490/2012 **Dietzel Gesellschaft MBH**

Subsequent Owners Registered

(The name in parentheses is that of the subsequent owner)

313029	(Swamisz Pty Ltd) Claire Field;Phillip Roach
339734	(Australian Performance Vehicles Pty Ltd) APV Automotive Components Pty Ltd
339724	(Australian Performance Vehicles Pty Ltd) APV Automotive Components Pty Ltd
314789	(Design House Denmark ApS) The Design House ApS
314790	(Design House Denmark ApS) The Design House ApS
314789	(DKB Household Switzerland AG) Design House Denmark ApS
314790	(DKB Household Switzerland AG) Design House Denmark ApS
325886	(Jarpich Investments Pty Ltd) Solargen Pty Ltd

Certificate(s) of Examination

Examination of the following Design Registration(s) has been completed. Infringement proceedings may now be commenced.

323374	06-03B	29/02/2012
333947	25-02C	02/03/2012
333948	25-02C	02/03/2012
333949	25-02C	02/03/2012
333950	25-02C	02/03/2012
336813	09-03K	29/02/2012
336814	09-03K	05/03/2012
336815	09-03K	05/03/2012
336816	09-07NES	09/03/2012
337104	09-03K	05/03/2012
339167	14-01	02/03/2012
340013	26-05C	09/03/2012
340130	26-06	29/02/2012
340148	02-02B	29/02/2012
340149	02-02B	29/02/2012
340150	09-01A	07/03/2012
340180	24-02	29/02/2012
340203	24-02	29/02/2012
340204	24-02	29/02/2012
340253	28-02	29/02/2012
340281	15-05	09/03/2012
340352	09-01G	28/02/2012
340353	28-02	29/02/2012
340376	09-01G	28/02/2012
340399	09-01G	05/03/2012
340594	09-08	09/03/2012
340595	09-08	09/03/2012
340596	02-04A	09/03/2012
340597	02-04A	09/03/2012

Publication and Registration Proceedings

Designs Registered

This section provides a concordance between design number and registration number of Designs covered in this journal. It also shows the main class and registration date.

This section covers Registration numbers 341246 to 341386 .

The registration number shown below should be used in all future correspondence.

Design Number	Registration Number	International Classification Code (IDC)	Registration Date	Design Number	Registration Number	International Classification Code (IDC)	Registration Date
11869/2011	341266	02-02C	29/02/2012	10586/2012	341265	14-99	29/02/2012
11880/2011	341291	06-13B	01/03/2012	10588/2012	341275	07-01F	01/03/2012
12615/2011	341258	02-02C	29/02/2012	10589/2012	341276	24-04	01/03/2012
12992/2011	341278	04-02	01/03/2012	10591/2012	341287	23-01NES	01/03/2012
13847/2011	341336	07-02L	05/03/2012	10592/2012	341277	09-03E	01/03/2012
13848/2011	341337	08-07	05/03/2012	10593/2012	341375	07-99NES	09/03/2012
14267/2011	341279	07-02N	01/03/2012	10594/2012	341376	07-99NES	09/03/2012
14268/2011	341280	07-02N	01/03/2012	10596/2012	341323	07-05NES	05/03/2012
14269/2011	341281	07-02N	01/03/2012	10599/2012	341324	02-04A	05/03/2012
14761/2011	341370	04-02	09/03/2012	10600/2012	341325	01-01	05/03/2012
14871/2011	341267	02-02C	29/02/2012	10601/2012	341293	09-07B	01/03/2012
14872/2011	341268	02-02C	29/02/2012	10603/2012	341294	23-01H	01/03/2012
14873/2011	341269	02-02C	29/02/2012	10605/2012	341295	23-01H	01/03/2012
14874/2011	341270	02-02C	29/02/2012	10606/2012	341288	23-01H	01/03/2012
14875/2011	341271	02-02C	29/02/2012	10607/2012	341289	09-07A	01/03/2012
14876/2011	341272	02-02C	29/02/2012	10608/2012	341290	14-02	01/03/2012
15219/2011	341292	12-02	01/03/2012	10609/2012	341299	06-01G	02/03/2012
15780/2011	341259	02-02C	29/02/2012	10610/2012	341326	06-01G	05/03/2012
15781/2011	341260	02-02C	29/02/2012	10611/2012	341327	24-04	05/03/2012
15782/2011	341261	02-02NES	29/02/2012	10612/2012	341328	24-04	05/03/2012
15849/2011	341282	25-01K	01/03/2012	10613/2012	341329	24-04	05/03/2012
15873/2011	341283	06-08	01/03/2012	10614/2012	341330	24-04	05/03/2012
15874/2011	341284	06-08	01/03/2012	10615/2012	341331	24-04	05/03/2012
15875/2011	341285	06-08	01/03/2012	10616/2012	341332	24-04	05/03/2012
15883/2011	341341	02-04NES	05/03/2012	10617/2012	341311	10-03	02/03/2012
15993/2011	341344	25-04	06/03/2012	10618/2012	341312	23-03NES	02/03/2012
15994/2011	341345	25-04	06/03/2012	10619/2012	341313	23-03NES	02/03/2012
15997/2011	341358	08-05L	07/03/2012	10620/2012	341314	23-03NES	02/03/2012
15998/2011	341357	08-05L	07/03/2012	10621/2012	341315	23-03NES	02/03/2012
10325/2012	341286	09-03M	01/03/2012	10622/2012	341316	23-03NES	02/03/2012
10334/2012	341338	09-01A	05/03/2012	10623/2012	341317	23-03NES	02/03/2012
10408/2012	341374	19-08	09/03/2012	10625/2012	341318	08-05L	02/03/2012
10421/2012	341262	24-03	29/02/2012	10626/2012	341319	08-05L	02/03/2012
10540/2012	341360	24-02	07/03/2012	10628/2012	341320	23-02C	02/03/2012
10546/2012	341246	23-02C	29/02/2012	10629/2012	341321	23-02B	02/03/2012
10547/2012	341247	23-02F	29/02/2012	10630/2012	341322	23-02B	02/03/2012
10548/2012	341248	23-02C	29/02/2012	10631/2012	341300	23-02B	02/03/2012
10549/2012	341249	23-02C	29/02/2012	10632/2012	341301	23-02B	02/03/2012
10550/2012	341250	23-02F	29/02/2012	10633/2012	341302	23-02B	02/03/2012
10551/2012	341251	23-02F	29/02/2012	10634/2012	341303	23-01H	02/03/2012
10552/2012	341252	23-02C	29/02/2012	10635/2012	341304	23-01H	02/03/2012
10553/2012	341253	23-02C	29/02/2012	10636/2012	341356	23-01H	07/03/2012
10554/2012	341254	23-02C	29/02/2012	10637/2012	341305	23-01H	02/03/2012
10555/2012	341255	15-03B	29/02/2012	10638/2012	341306	23-01H	02/03/2012
10556/2012	341256	13-02	29/02/2012	10641/2012	341307	14-03E	02/03/2012
10557/2012	341257	15-03B	29/02/2012	10642/2012	341308	14-01	02/03/2012
10570/2012	341263	22-99	29/02/2012	10645/2012	341342	05-06NES	05/03/2012
10572/2012	341273	21-01A	29/02/2012	10646/2012	341343	21-01E	05/03/2012
10573/2012	341274	23-02F	29/02/2012	10647/2012	341339	21-01E	05/03/2012
10574/2012	341264	16-06	29/02/2012	10649/2012	341340	02-06	05/03/2012

Publication and Registration Proceedings - Designs Registered cont'd

Design Number	Registration Number	International Classification Code (IDC)	Registration Date	Design Number	Registration Number	International Classification Code (IDC)	Registration Date
10650/2012	341333	12-10	05/03/2012	10681/2012	341378	07-02N	13/03/2012
10651/2012	341334	09-03NES	05/03/2012	10682/2012	341379	25-02C	13/03/2012
10652/2012	341335	10-05	05/03/2012	10690/2012	341380	12-16A	13/03/2012
10658/2012	341346	15-05	06/03/2012	10691/2012	341381	12-16A	13/03/2012
10659/2012	341347	25-02C	06/03/2012	10692/2012	341382	08-01	13/03/2012
10660/2012	341348	08-06	06/03/2012	10693/2012	341309	25-01K	02/03/2012
10661/2012	341349	07-01NES	06/03/2012	10694/2012	341310	25-01K	02/03/2012
10662/2012	341350	07-01NES	06/03/2012	10703/2012	341383	14-03NES	13/03/2012
10663/2012	341351	07-01NES	06/03/2012	10718/2012	341384	23-02NES	13/03/2012
10664/2012	341352	07-01NES	06/03/2012	10719/2012	341385	23-02NES	13/03/2012
10667/2012	341361	07-02E	08/03/2012	10720/2012	341386	23-02NES	13/03/2012
10668/2012	341362	07-02E	08/03/2012	10738/2012	341359	09-09	07/03/2012
10669/2012	341363	07-02E	08/03/2012	10753/2012	341296	12-16C	01/03/2012
10670/2012	341364	07-02N	08/03/2012	10758/2012	341297	14-01	01/03/2012
10671/2012	341365	04-01	08/03/2012	10759/2012	341298	14-01	01/03/2012
10672/2012	341366	07-04	08/03/2012	10767/2012	341355	03-01NES	07/03/2012
10674/2012	341367	08-08L	08/03/2012	11075/2012	341371	04-02	09/03/2012
10675/2012	341353	08-08L	06/03/2012	11076/2012	341372	04-02	09/03/2012
10676/2012	341354	09-03NES	06/03/2012	11077/2012	341373	04-02	09/03/2012
10677/2012	341368	04-02	08/03/2012				
10678/2012	341369	04-02	08/03/2012				
10680/2012	341377	07-02N	13/03/2012				

Publication and Registration Proceedings

Class Listing of Designs Published or Registered

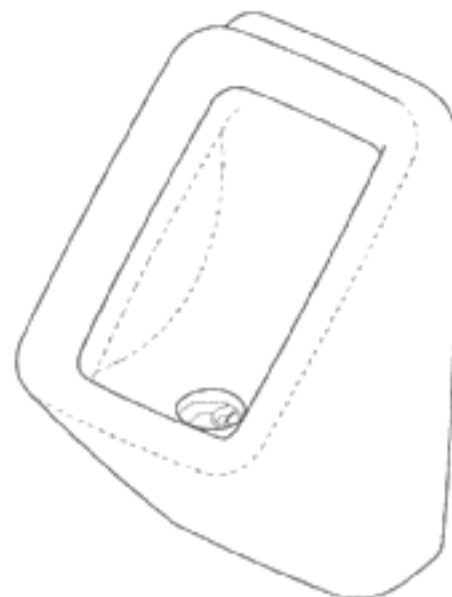
The following section shows an International Classification Code listing of the Registered or Published Designs covered in this supplement.

Classification	Registration Number	Design Number	Classification	Registration Number	Design Number
01-01	341325	10600/2012	07-04	341363	10669/2012
02-02C	341258	12615/2011	07-04	341366	10672/2012
02-02C	341259	15780/2011	07-05NES	341323	10596/2012
02-02C	341260	15781/2011	07-99NES	341375	10593/2012
02-02C	341266	11869/2011	07-99NES	341376	10594/2012
02-02C	341267	14871/2011	08-01	341382	10692/2012
02-02C	341268	14872/2011	08-05L	341318	10625/2012
02-02C	341269	14873/2011	08-05L	341319	10626/2012
02-02C	341270	14874/2011	08-05L	341357	15998/2011
02-02C	341271	14875/2011	08-05L	341358	15997/2011
02-02C	341272	14876/2011	08-06	341348	10660/2012
02-02NES	341261	15782/2011	08-07	341337	13848/2011
02-04A	341324	10599/2012	08-08L	341353	10675/2012
02-04NES	341341	15883/2011	08-08L	341367	10674/2012
02-06	341340	10649/2012	09-01A	341338	10334/2012
03-01A	341292	15219/2011	09-01NES	341349	10661/2012
03-01NES	341355	10767/2012	09-01NES	341350	10662/2012
04-01	341365	10671/2012	09-01NES	341351	10663/2012
04-02	341278	12992/2011	09-01NES	341352	10664/2012
04-02	341368	10677/2012	09-03E	341277	10592/2012
04-02	341369	10678/2012	09-03M	341286	10325/2012
04-02	341370	14761/2011	09-03NES	341334	10651/2012
04-02	341371	11075/2012	09-03NES	341354	10676/2012
04-02	341372	11076/2012	09-03NES	341384	10718/2012
04-02	341373	11077/2012	09-03NES	341385	10719/2012
05-06NES	341342	10645/2012	09-03NES	341386	10720/2012
06-01G	341299	10609/2012	09-07A	341289	10607/2012
06-01G	341326	10610/2012	09-07B	341293	10601/2012
06-08	341283	15873/2011	09-09	341359	10738/2012
06-08	341284	15874/2011	10-03	341311	10617/2012
06-08	341285	15875/2011	10-05	341335	10652/2012
06-13B	341291	11880/2011	12-02	341292	15219/2011
07-01B	341349	10661/2012	12-10	341333	10650/2012
07-01B	341350	10662/2012	12-16A	341380	10690/2012
07-01B	341351	10663/2012	12-16A	341381	10691/2012
07-01B	341352	10664/2012	12-16C	341296	10753/2012
07-01F	341275	10588/2012	13-02	341256	10556/2012
07-01NES	341349	10661/2012	14-01	341297	10758/2012
07-01NES	341350	10662/2012	14-01	341298	10759/2012
07-01NES	341351	10663/2012	14-01	341308	10642/2012
07-01NES	341352	10664/2012	14-02	341290	10608/2012
07-02E	341361	10667/2012	14-02	341307	10641/2012
07-02E	341362	10668/2012	14-03E	341307	10641/2012
07-02E	341363	10669/2012	14-03NES	341383	10703/2012
07-02L	341336	13847/2011	14-99	341265	10586/2012
07-02N	341279	14267/2011	14-99	341337	13848/2011
07-02N	341280	14268/2011	15-03B	341255	10555/2012
07-02N	341281	14269/2011	15-03B	341257	10557/2012
07-02N	341364	10670/2012	15-05	341346	10658/2012
07-02N	341377	10680/2012	16-06	341264	10574/2012
07-02N	341378	10681/2012	19-08	341374	10408/2012
07-02P	341361	10667/2012	21-01A	341273	10572/2012
07-04	341362	10668/2012	21-01E	341339	10647/2012

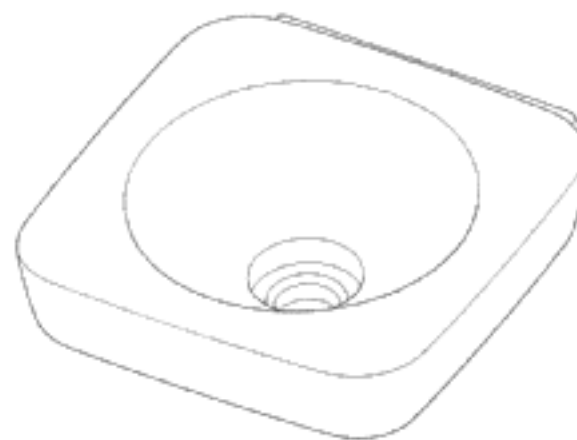
Registration Proceedings - Class Listing of Designs Published or Registered cont'd

Classification	Registration Number	Design Number	Classification	Registration Number	Design Number
21-01E	341343	10646/2012	23-02NES	341384	10718/2012
21-04	341291	11880/2011	23-02NES	341385	10719/2012
22-99	341263	10570/2012	23-02NES	341386	10720/2012
23-01H	341288	10606/2012	23-03NES	341312	10618/2012
23-01H	341294	10603/2012	23-03NES	341313	10619/2012
23-01H	341295	10605/2012	23-03NES	341314	10620/2012
23-01H	341303	10634/2012	23-03NES	341315	10621/2012
23-01H	341304	10635/2012	23-03NES	341316	10622/2012
23-01H	341305	10637/2012	23-03NES	341317	10623/2012
23-01H	341306	10638/2012	24-02	341360	10540/2012
23-01H	341356	10636/2012	24-03	341262	10421/2012
23-01NES	341287	10591/2012	24-04	341276	10589/2012
23-02B	341300	10631/2012	24-04	341327	10611/2012
23-02B	341301	10632/2012	24-04	341328	10612/2012
23-02B	341302	10633/2012	24-04	341329	10613/2012
23-02B	341321	10629/2012	24-04	341330	10614/2012
23-02B	341322	10630/2012	24-04	341331	10615/2012
23-02C	341246	10546/2012	24-04	341332	10616/2012
23-02C	341248	10548/2012	25-01K	341282	15849/2011
23-02C	341249	10549/2012	25-01K	341309	10693/2012
23-02C	341252	10552/2012	25-01K	341310	10694/2012
23-02C	341253	10553/2012	25-02C	341347	10659/2012
23-02C	341254	10554/2012	25-02C	341379	10682/2012
23-02C	341320	10628/2012	25-04	341344	15993/2011
23-02F	341247	10547/2012	25-04	341345	15994/2011
23-02F	341250	10550/2012			
23-02F	341251	10551/2012			
23-02F	341274	10573/2012			

- (21) Design Number: **10546/2012**
(22) Date of Filing Application: **03 February 2012**
(24) Date from which industrial property rights may have effect: **03 February 2012**
(54) Product in respect of which the design is registered: **A urinal**
(51) International Design Classification: **23-02C**
(74) Name(s) of Attorney(s): **SPRUSON & FERGUSON**
(71) Name(s) and Address(s) of Applicant(s):
Caroma Industries Limited
10 Market Street Brisbane Queensland 4000 Australia
(72) Name(s) of Designer(s): **Marc Andrew Newson**
(45) Registration Date: **29 February 2012**
(56) Related Art Documents: **Not Applicable**
(57) Statement of Newness and Distinctiveness: **Newness and distinctiveness is claimed in the features of shape and/or configuration of a urinal as illustrated in the accompanying representations.**



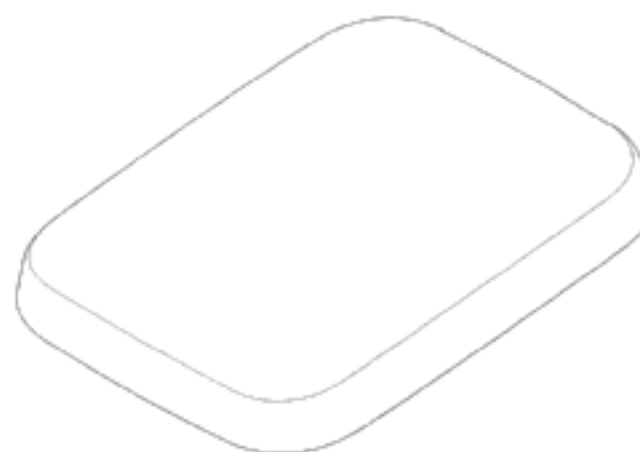
- (21) Design Number: **10547/2012**
(22) Date of Filing Application: **03 February 2012**
(24) Date from which industrial property rights may have effect: **03 February 2012**
(54) Product in respect of which the design is registered: **A basin**
(51) International Design Classification: **23-02F**
(74) Name(s) of Attorney(s): **SPRUSON & FERGUSON**
(71) Name(s) and Address(s) of Applicant(s):
Caroma Industries Limited
10 Market Street Brisbane Queensland 4000 Australia
(72) Name(s) of Designer(s): **Marc Andrew Newson**
(45) Registration Date: **29 February 2012**
(56) Related Art Documents: **Not Applicable**
(57) Statement of Newness and Distinctiveness: **Newness and distinctiveness is claimed in the features of shape and/or configuration of a basin as illustrated in the accompanying representations.**



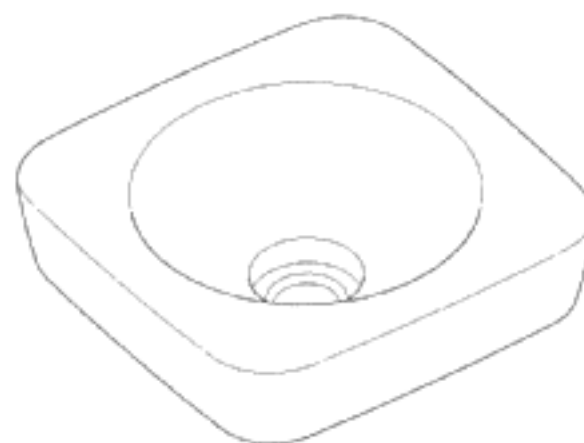
- (21) Design Number: **10548/2012**
(22) Date of Filing Application: **03 February 2012**
(24) Date from which industrial property rights may have effect: **03 February 2012**
(54) Product in respect of which the design is registered: **A toilet seat**
(51) International Design Classification: **23-02C**
(74) Name(s) of Attorney(s): **SPRUSON & FERGUSON**
(71) Name(s) and Address(s) of Applicant(s):
Caroma Industries Limited
10 Market Street Brisbane Queensland 4000 Australia
(72) Name(s) of Designer(s): **Marc Andrew Newson**
(45) Registration Date: **29 February 2012**
(56) Related Art Documents: **Not Applicable**
(57) Statement of Newness and Distinctiveness: **Newness and distinctiveness is claimed in the features of shape and/or configuration of a toilet seat as illustrated in the accompanying representations.**



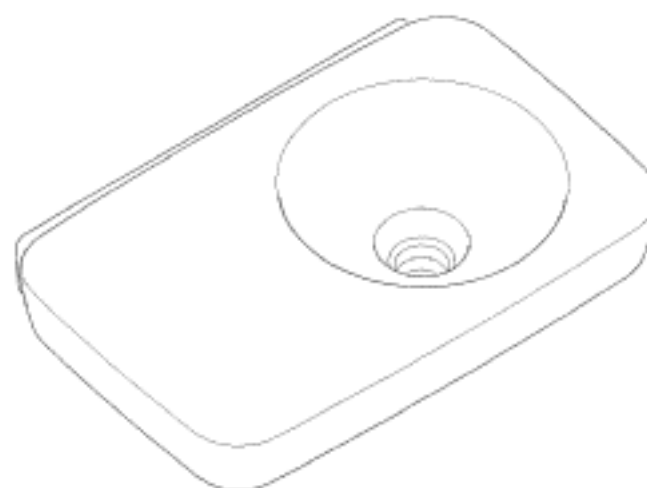
- (21) Design Number: **10549/2012**
(22) Date of Filing Application: **03 February 2012**
(24) Date from which industrial property rights may have effect: **03 February 2012**
(54) Product in respect of which the design is registered: **A toilet seat cover**
(51) International Design Classification: **23-02C**
(74) Name(s) of Attorney(s): **SPRUSON & FERGUSON**
(71) Name(s) and Address(s) of Applicant(s):
Caroma Industries Limited
10 Market Street Brisbane Queensland 4000 Australia
(72) Name(s) of Designer(s): **Marc Andrew Newson**
(45) Registration Date: **29 February 2012**
(56) Related Art Documents: **Not Applicable**
(57) Statement of Newness and Distinctiveness: **Newness and distinctiveness is claimed in the features of shape and/or configuration of a toilet seat cover as illustrated in the accompanying representations.**



- (21) Design Number: **10550/2012**
(22) Date of Filing Application: **03 February 2012**
(24) Date from which industrial property rights may have effect: **03 February 2012**
(54) Product in respect of which the design is registered: **A basin**
(51) International Design Classification: **23-02F**
(74) Name(s) of Attorney(s): **SPRUSON & FERGUSON**
(71) Name(s) and Address(s) of Applicant(s):
Caroma Industries Limited
10 Market Street Brisbane Queensland 4000 Australia
(72) Name(s) of Designer(s): **Marc Andrew Newson**
(45) Registration Date: **29 February 2012**
(56) Related Art Documents: **Not Applicable**
(57) Statement of Newness and Distinctiveness: **Newness and distinctiveness is claimed in the features of shape and/or configuration of a basin as illustrated in the accompanying representations.**



- (21) Design Number: **10551/2012**
(22) Date of Filing Application: **03 February 2012**
(24) Date from which industrial property rights may have effect: **03 February 2012**
(54) Product in respect of which the design is registered: **A basin**
(51) International Design Classification: **23-02F**
(74) Name(s) of Attorney(s): **SPRUSON & FERGUSON**
(71) Name(s) and Address(s) of Applicant(s):
Caroma Industries Limited
10 Market Street Brisbane Queensland 4000 Australia
(72) Name(s) of Designer(s): **Marc Andrew Newson**
(45) Registration Date: **29 February 2012**
(56) Related Art Documents: **Not Applicable**
(57) Statement of Newness and Distinctiveness: **Newness and distinctiveness is claimed in the features of shape and/or configuration of a basin as illustrated in the accompanying representations.**



- (21) Design Number: **10552/2012**
(22) Date of Filing Application: **03 February 2012**
(24) Date from which industrial property rights may have effect: **03 February 2012**
(54) Product in respect of which the design is registered: **A toilet pan**
(51) International Design Classification: **23-02C**
(74) Name(s) of Attorney(s): **SPRUSON & FERGUSON**
(71) Name(s) and Address(s) of Applicant(s):
Caroma Industries Limited
10 Market Street Brisbane Queensland 4000 Australia
(72) Name(s) of Designer(s): **Marc Andrew Newson**
(45) Registration Date: **29 February 2012**
(56) Related Art Documents: **Not Applicable**
(57) Statement of Newness and Distinctiveness: **Newness and distinctiveness is claimed in the features of shape and/or configuration of a toilet pan as illustrated in the accompanying representations.**



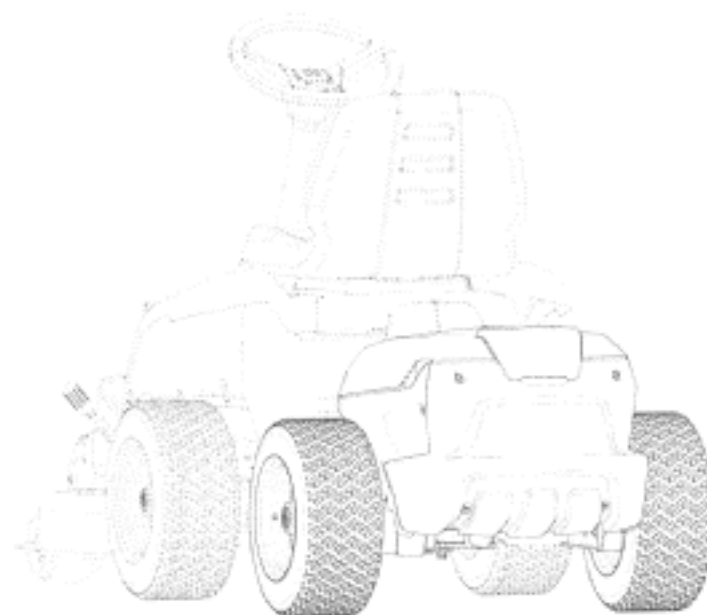
- (21) Design Number: **10553/2012**
(22) Date of Filing Application: **03 February 2012**
(24) Date from which industrial property rights may have effect: **03 February 2012**
(54) Product in respect of which the design is registered: **A toilet pan**
(51) International Design Classification: **23-02C**
(74) Name(s) of Attorney(s): **SPRUSON & FERGUSON**
(71) Name(s) and Address(s) of Applicant(s):
Caroma Industries Limited
10 Market Street Brisbane Queensland 4000 Australia
(72) Name(s) of Designer(s): **Marc Andrew Newson**
(45) Registration Date: **29 February 2012**
(56) Related Art Documents: **Not Applicable**
(57) Statement of Newness and Distinctiveness: **Newness and distinctiveness is claimed in the features of shape and/or configuration of a toilet pan as illustrated in the accompanying representations.**



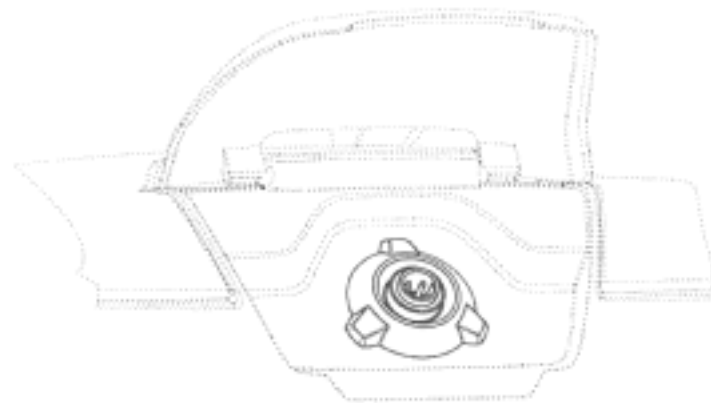
- (21) Design Number: **10554/2012**
(22) Date of Filing Application: **03 February 2012**
(24) Date from which industrial property rights may have effect: **03 February 2012**
(54) Product in respect of which the design is registered: **A toilet pan and cistern assembly**
(51) International Design Classification: **23-02C**
(74) Name(s) of Attorney(s): **SPRUSON & FERGUSON**
(71) Name(s) and Address(s) of Applicant(s):
Caroma Industries Limited
10 Market Street Brisbane Queensland 4000 Australia
(72) Name(s) of Designer(s): **Marc Andrew Newson**
(45) Registration Date: **29 February 2012**
(56) Related Art Documents: **Not Applicable**
(57) Statement of Newness and Distinctiveness: **Newness and distinctiveness is claimed in the features of shape and/or configuration of a toilet pan and cistern assembly as illustrated in the accompanying representations.**



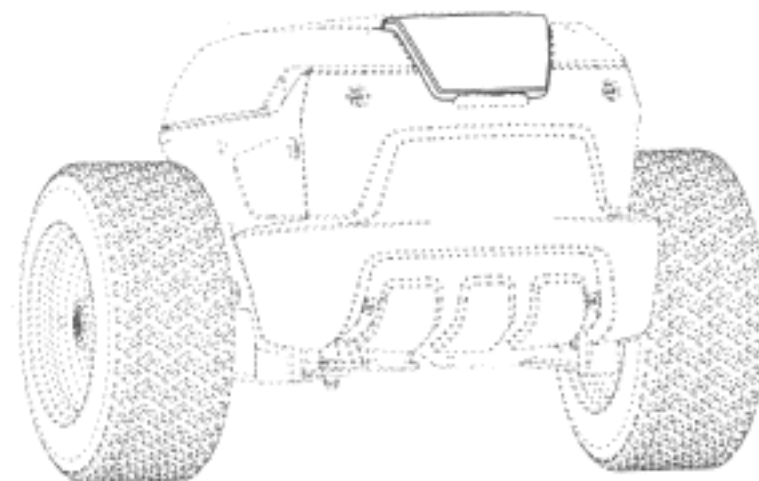
- (21) Design Number: **10555/2012**
(22) Date of Filing Application: **03 February 2012**
(24) Date from which industrial property rights may have effect: **03 February 2012**
(54) Product in respect of which the design is registered: **Battery wagon**
(51) International Design Classification: **15-03B**
(74) Name(s) of Attorney(s): **SPRUSON & FERGUSON**
(71) Name(s) and Address(s) of Applicant(s):
Husqvarna AB
Drottninggatan 2 561 82 Huskvarna Sweden
(72) Name(s) of Designer(s): **Sebastian Schygge**
(45) Registration Date: **29 February 2012**
(56) Related Art Documents: **Not Applicable**
(57) Statement of Newness and Distinctiveness: **Newness and distinctiveness is claimed in the features of shape and/or configuration of a battery wagon illustrated in continuous lines in the accompanying representations.**



- (21) Design Number: **10556/2012**
(22) Date of Filing Application: **03 February 2012**
(24) Date from which industrial property rights may have effect: **03 February 2012**
(54) Product in respect of which the design is registered: **Charger**
(51) International Design Classification: **13-02**
(74) Name(s) of Attorney(s): **SPRUSON & FERGUSON**
(71) Name(s) and Address(s) of Applicant(s):
Husqvarna AB
Drottninggatan 2 561 82 Huskvarna Sweden
(72) Name(s) of Designer(s): **Sebastian Schygge**
(45) Registration Date: **29 February 2012**
(56) Related Art Documents: **Not Applicable**
(57) Statement of Newness and Distinctiveness: **Newness and distinctiveness is claimed in the features of shape and/or configuration of a charger illustrated in continuous lines in the accompanying representations.**



- (21) Design Number: **10557/2012**
(22) Date of Filing Application: **03 February 2012**
(24) Date from which industrial property rights may have effect: **03 February 2012**
(54) Product in respect of which the design is registered: **Window**
(51) International Design Classification: **15-03B**
(74) Name(s) of Attorney(s): **SPRUSON & FERGUSON**
(71) Name(s) and Address(s) of Applicant(s):
Husqvarna AB
Drottninggatan 2 561 82 Huskvarna Sweden
(72) Name(s) of Designer(s): **Sebastian Schygge**
(45) Registration Date: **29 February 2012**
(56) Related Art Documents: **Not Applicable**
(57) Statement of Newness and Distinctiveness: **Newness and distinctiveness is claimed in the features of shape and/or configuration of a window illustrated in continuous lines in the accompanying representations.**



- (21) Design Number: **12615/2011**
(22) Date of Filing Application: **10 June 2011**
(24) Date from which industrial property rights may have effect: **10 June 2011**
(54) Product in respect of which the design is registered: **Women's fashion clothing**
(51) International Design Classification: **02-02C**
(74) Name(s) of Attorney(s): **Macpherson + Kelley**
(71) Name(s) and Address(s) of Applicant(s):
Forever New Clothing Pty Ltd
Ground Floor 714-716 High Street Kew Victoria 3101 Australia
(72) Name(s) of Designer(s): **Octavia Miller**
(45) Registration Date: **29 February 2012**
(56) Related Art Documents: **Not Applicable**
(57) Statement of Newness and Distinctiveness: **The particular visual features of the design which the Applicant hereby identifies as new and distinctive are as follows: "Women's Fashion Clothing", as illustrated in the accompanying representations.**



- (21) Design Number: **15780/2011**
(22) Date of Filing Application: **10 June 2011**
(24) Date from which industrial property rights may have effect: **10 June 2011**
(54) Product in respect of which the design is registered: **Women's fashion clothing**
(51) International Design Classification: **02-02C**
(74) Name(s) of Attorney(s): **Macpherson + Kelley**
(71) Name(s) and Address(s) of Applicant(s):
Forever New Clothing Pty Ltd
Ground Floor 714-716 High Street Kew Victoria 3101 Australia
(72) Name(s) of Designer(s): **Lisa Towse**
(45) Registration Date: **29 February 2012**
(56) Related Art Documents: **Not Applicable**
(57) Statement of Newness and Distinctiveness: **The particular visual features of the design which the applicant hereby identifies as new and distinctive are as follows: "Women's Fashion Clothing", as illustrated in the accompanying representations.**



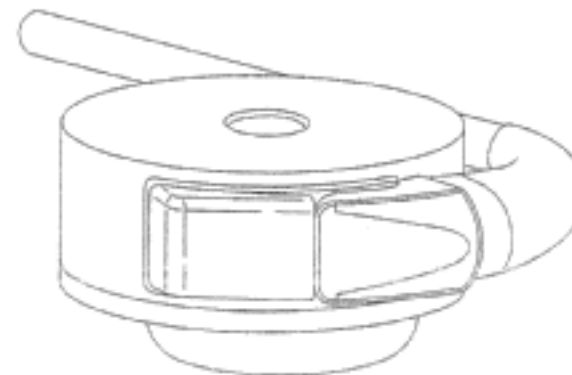
- (21) Design Number: **15781/2011**
(22) Date of Filing Application: **10 June 2011**
(24) Date from which industrial property rights may have effect: **10 June 2011**
(54) Product in respect of which the design is registered: **Women's fashion clothing**
(51) International Design Classification: **02-02C**
(74) Name(s) of Attorney(s): **Macpherson + Kelley**
(71) Name(s) and Address(s) of Applicant(s):
Forever New Clothing Pty Ltd
Ground Floor 714-716 High Street Kew Victoria 3101 Australia
(72) Name(s) of Designer(s): **Lisa Towse**
(45) Registration Date: **29 February 2012**
(56) Related Art Documents: **Not Applicable**
(57) Statement of Newness and Distinctiveness: **The particular visual features of the design which the applicant hereby identifies as new and distinctive are as follows: "Women's Fashion Clothing", as illustrated in the accompanying representations.**



- (21) Design Number: **15782/2011**
(22) Date of Filing Application: **10 June 2011**
(24) Date from which industrial property rights may have effect: **10 June 2011**
(54) Product in respect of which the design is registered: **Women's fashion clothing**
(51) International Design Classification: **02-02NES**
(74) Name(s) of Attorney(s): **Macpherson + Kelley**
(71) Name(s) and Address(s) of Applicant(s):
Forever New Clothing Pty Ltd
Ground Floor 714-716 High Street Kew Victoria 3101 Australia
(72) Name(s) of Designer(s): **Dulcie Flynn**
(45) Registration Date: **29 February 2012**
(56) Related Art Documents: **Not Applicable**
(57) Statement of Newness and Distinctiveness: **The particular visual features of the design which the applicant hereby identifies as new and distinctive are as follows: "Women's Fashion Clothing", as illustrated in the accompanying representations.**



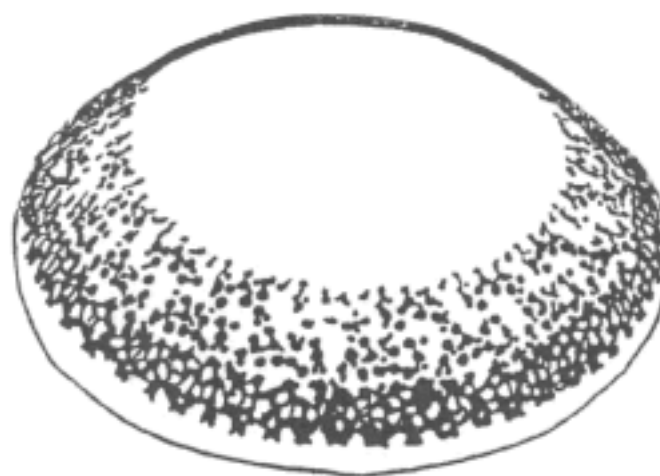
- (21) Design Number: **10421/2012**
(22) Date of Filing Application: **10 November 2011**
(24) Date from which industrial property rights may have effect: **10 November 2011**
(54) Product in respect of which the design is registered: **Implantable blood pump**
(51) International Design Classification: **24-03**
(74) Name(s) of Attorney(s): **Griffith Hack**
(71) Name(s) and Address(s) of Applicant(s):
Thoratec Corporation
6035 Stoneridge Drive Pleasanton CA 94588 United States of America
(72) Name(s) of Designer(s): **Christopher James Cotter and Justin Aron Callaway and Kevin Bourque**
(45) Registration Date: **29 February 2012**
(30) Convention priority data:
(31) Number (32) Date (33) Country
1936014-3 21 Oct 2011 EUROPEAN COMMUNITY
(62) Divisional of: **340723**
(56) Related Art Documents: **Not Applicable**
(57) Statement of Newness and Distinctiveness: **Newness and distinctiveness resides in the visual features, including shape, configuration and ornamentation of the IMPLANTABLE BLOOD PUMP shown in the representations.**



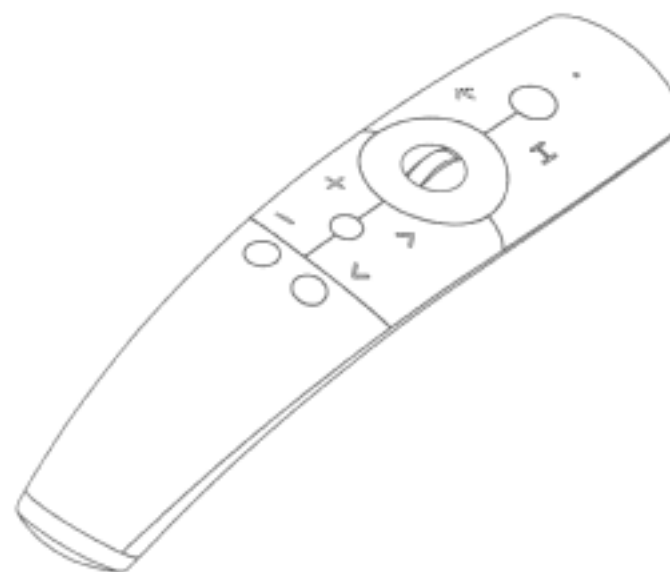
- (21) Design Number: **10570/2012**
(22) Date of Filing Application: **06 February 2012**
(24) Date from which industrial property rights may have effect: **06 February 2012**
(54) Product in respect of which the design is registered: **Fitted fruit tree net**
(51) International Design Classification: **22-99**
(74) Name(s) of Attorney(s):
(71) Name(s) and Address(s) of Applicant(s):
Jacqueline Winn
5 St Peters Close Possum Brush New South Wales 2430 Australia
Brian Winn
5 St Peters Close Possum Brush New South Wales 2430 Australia
(72) Name(s) of Designer(s): **Jacqueline Winn and Brian Winn**
(45) Registration Date: **29 February 2012**
(56) Related Art Documents: **Not Applicable**
(57) Statement of Newness and Distinctiveness: **The fitted net is a box shaped net. It has a 2m square top. Its 2m sides have .5m x .5m (1m) pleats to allow for tree shape & growth.**



(21) Design Number: **10574/2012**
(22) Date of Filing Application: **07 February 2012**
(24) Date from which industrial property rights may have effect: **07 February 2012**
(54) Product in respect of which the design is registered: **Contact lens**
(51) International Design Classification: **16-06**
(74) Name(s) of Attorney(s): **SPRUSON & FERGUSON**
(71) Name(s) and Address(s) of Applicant(s):
Bausch & Lomb Incorporated
One Bausch & Lomb Place Rochester New York 14604 United States of America
(72) Name(s) of Designer(s): **Kevin J. Fahy**
(45) Registration Date: **29 February 2012**
(30) Convention priority data:
(31) Number (32) Date (33) Country
29/401990 19 Sep 2011 UNITED STATES OF AMERICA
(56) Related Art Documents: **Not Applicable**
(57) Statement of Newness and Distinctiveness: **Newness and distinctiveness is claimed in the features of pattern and/or ornamentation of a contact lens as illustrated in the accompanying representations.**



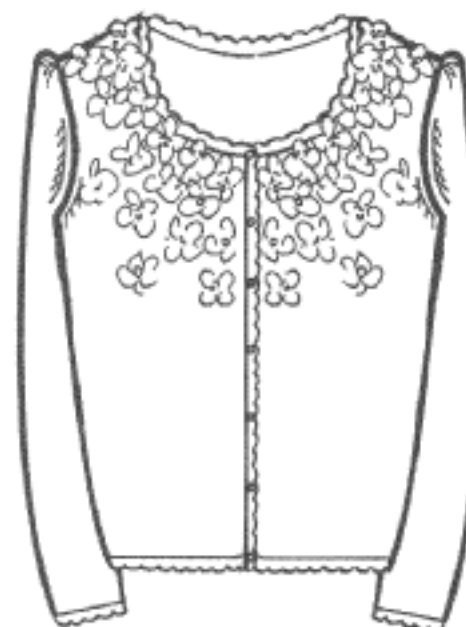
(21) Design Number: **10586/2012**
(22) Date of Filing Application: **07 February 2012**
(24) Date from which industrial property rights may have effect: **07 February 2012**
(54) Product in respect of which the design is registered: **Remote control for television receivers**
(51) International Design Classification: **14-99**
(74) Name(s) of Attorney(s): **FB Rice**
(71) Name(s) and Address(s) of Applicant(s):
LG Electronics Inc.
20 Yeouido-dong Yeongdeungpo-gu Seoul 150-721 Republic of Korea
(72) Name(s) of Designer(s): **Tae Uk Kim and Jeong Rok Lee and Byung Lok Jeon**
(45) Registration Date: **29 February 2012**
(30) Convention priority data:
(31) Number (32) Date (33) Country
30-2011-0035319 24 Aug 2011 REPUBLIC OF KOREA
(56) Related Art Documents: **Not Applicable**
(57) Statement of Newness and Distinctiveness: **Newness and distinctiveness reside in the features of the design as shown in the representations.**



- (21) Design Number: **11869/2011**
(22) Date of Filing Application: **28 April 2011**
(24) Date from which industrial property rights may have effect: **28 April 2011**
(54) Product in respect of which the design is registered: **Women's fashion clothing**
(51) International Design Classification: **02-02C**
(74) Name(s) of Attorney(s): **MILLS OAKLEY LAWYERS**
(71) Name(s) and Address(s) of Applicant(s):
Forever New Clothing Pty Ltd
Ground Floor 714-716 High Street Kew Victoria 3101 Australia
(72) Name(s) of Designer(s): **Suzie Abbott and Simon Edwards and Gemma Henderson and Lisa Towse**
(45) Registration Date: **29 February 2012**
(56) Related Art Documents: **Not Applicable**
(57) Statement of Newness and Distinctiveness: **The particular visual features of the design which the applicant hereby identifies as new and distinctive are as follows: "Women's Fashion Clothing", as illustrated in the accompanying representations.**



- (21) Design Number: **14871/2011**
(22) Date of Filing Application: **28 April 2011**
(24) Date from which industrial property rights may have effect: **28 April 2011**
(54) Product in respect of which the design is registered: **Women's fashion clothing**
(51) International Design Classification: **02-02C**
(74) Name(s) of Attorney(s): **MILLS OAKLEY LAWYERS**
(71) Name(s) and Address(s) of Applicant(s):
Forever New Clothing Pty Ltd
Ground Floor 714-716 High Street Kew Victoria 3101 Australia
(72) Name(s) of Designer(s): **Suzie Abbott and Simon Edwards and Gemma Henderson and Lisa Towse**
(45) Registration Date: **29 February 2012**
(56) Related Art Documents: **Not Applicable**
(57) Statement of Newness and Distinctiveness: **The particular visual features of the design which the applicant hereby identifies as new and distinctive are as follows: "Women's Fashion Clothing", as illustrated in the accompanying representations.**



- (21) Design Number: **14872/2011**
(22) Date of Filing Application: **28 April 2011**
(24) Date from which industrial property rights may have effect: **28 April 2011**
(54) Product in respect of which the design is registered: **Women's fashion clothing**
(51) International Design Classification: **02-02C**
(74) Name(s) of Attorney(s): **MILLS OAKLEY LAWYERS**
(71) Name(s) and Address(s) of Applicant(s):
Forever New Clothing Pty Ltd
Ground Floor 714-716 High Street Kew Victoria 3101 Australia
(72) Name(s) of Designer(s): **Suzie Abbott and Simon Edwards and Gemma Henderson and Lisa Towse**
(45) Registration Date: **29 February 2012**
(56) Related Art Documents: **Not Applicable**
(57) Statement of Newness and Distinctiveness: **The particular visual features of the design which the applicant hereby identifies as new and distinctive are as follows: "Women's Fashion Clothing", as illustrated in the accompanying representations.**



- (21) Design Number: **14873/2011**
(22) Date of Filing Application: **28 April 2011**
(24) Date from which industrial property rights may have effect: **28 April 2011**
(54) Product in respect of which the design is registered: **Women's fashion clothing**
(51) International Design Classification: **02-02C**
(74) Name(s) of Attorney(s): **MILLS OAKLEY LAWYERS**
(71) Name(s) and Address(s) of Applicant(s):
Forever New Clothing Pty Ltd
Ground Floor 714-716 High Street Kew Victoria 3101 Australia
(72) Name(s) of Designer(s): **Suzie Abbott and Simon Edwards and Gemma Henderson and Lisa Towse**
(45) Registration Date: **29 February 2012**
(56) Related Art Documents: **Not Applicable**
(57) Statement of Newness and Distinctiveness: **The particular visual features of the design which the applicant hereby identifies as new and distinctive are as follows: "Women's Fashion Clothing", as illustrated in the accompanying representations.**



- (21) Design Number: **14874/2011**
(22) Date of Filing Application: **28 April 2011**
(24) Date from which industrial property rights may have effect: **28 April 2011**
(54) Product in respect of which the design is registered: **Women's fashion clothing**
(51) International Design Classification: **02-02C**
(74) Name(s) of Attorney(s): **MILLS OAKLEY LAWYERS**
(71) Name(s) and Address(s) of Applicant(s):
Forever New Clothing Pty Ltd
Ground Floor 714-716 High Street Kew Victoria 3101 Australia
(72) Name(s) of Designer(s): **Suzie Abbott and Simon Edwards and Gemma Henderson and Lisa Towse**
(45) Registration Date: **29 February 2012**
(56) Related Art Documents: **Not Applicable**
(57) Statement of Newness and Distinctiveness: **The particular visual features of the design which the applicant hereby identifies as new and distinctive are as follows: "Women's Fashion Clothing", as illustrated in the accompanying representations.**



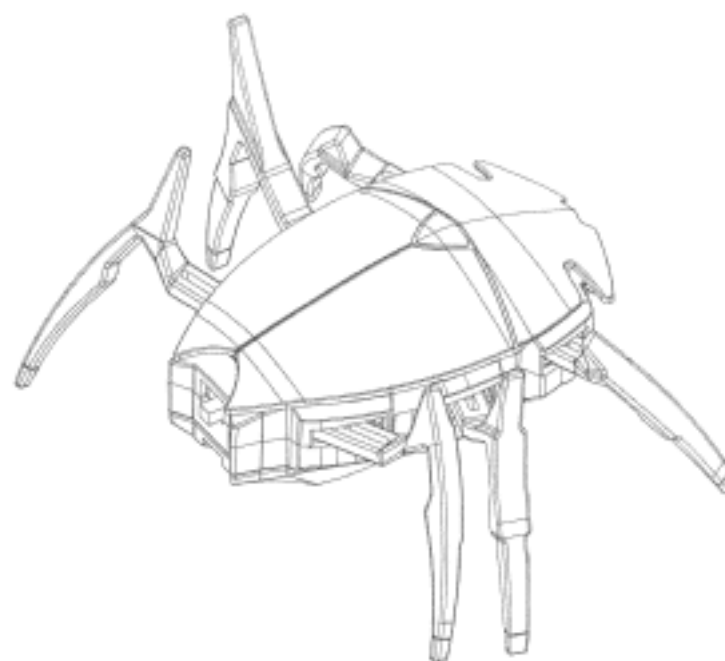
- (21) Design Number: **14875/2011**
(22) Date of Filing Application: **28 April 2011**
(24) Date from which industrial property rights may have effect: **28 April 2011**
(54) Product in respect of which the design is registered: **Women's fashion clothing**
(51) International Design Classification: **02-02C**
(74) Name(s) of Attorney(s): **MILLS OAKLEY LAWYERS**
(71) Name(s) and Address(s) of Applicant(s):
Forever New Clothing Pty Ltd
Ground Floor 714-716 High Street Kew Victoria 3101 Australia
(72) Name(s) of Designer(s): **Suzie Abbott and Simon Edwards and Gemma Henderson and Lisa Towse**
(45) Registration Date: **29 February 2012**
(56) Related Art Documents: **Not Applicable**
(57) Statement of Newness and Distinctiveness: **The particular visual features of the design which the applicant hereby identifies as new and distinctive are as follows: "Women's Fashion Clothing", as illustrated in the accompanying representations.**



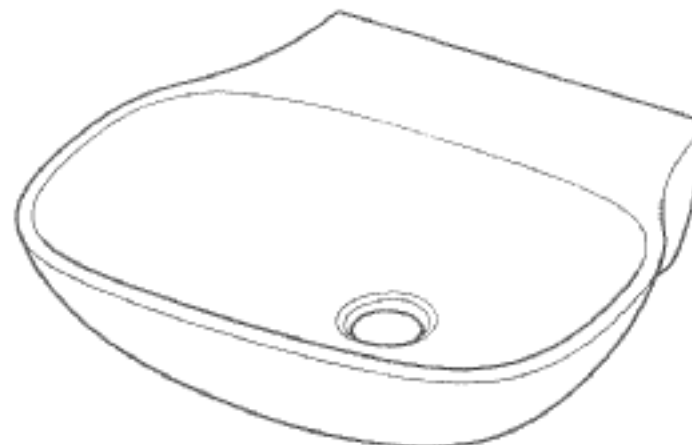
- (21) Design Number: **14876/2011**
(22) Date of Filing Application: **28 April 2011**
(24) Date from which industrial property rights may have effect: **28 April 2011**
(54) Product in respect of which the design is registered: **Women's fashion clothing**
(51) International Design Classification: **02-02C**
(74) Name(s) of Attorney(s): **MILLS OAKLEY LAWYERS**
(71) Name(s) and Address(s) of Applicant(s):
Forever New Clothing Pty Ltd
Ground Floor 714-716 High Street Kew Victoria 3101 Australia
(72) Name(s) of Designer(s): **Suzie Abbott and Simon Edwards and Gemma Henderson and Lisa Towse**
(45) Registration Date: **29 February 2012**
(56) Related Art Documents: **Not Applicable**
(57) Statement of Newness and Distinctiveness: **The particular visual features of the design which the applicant hereby identifies as new and distinctive are as follows: "Women's Fashion Clothing", as illustrated in the accompanying representations.**



- (21) Design Number: **10572/2012**
(22) Date of Filing Application: **07 February 2012**
(24) Date from which industrial property rights may have effect: **07 February 2012**
(54) Product in respect of which the design is registered: **Robotic toy scarab**
(51) International Design Classification: **21-01A**
(74) Name(s) of Attorney(s): **SPRUSON & FERGUSON**
(71) Name(s) and Address(s) of Applicant(s):
Innovation First International, Inc.
1519 Interstate 30 West Greenville Texas 75402 United States of America
(72) Name(s) of Designer(s): **Robert H. Mimplitch III and David A. Norman and Douglas Galletti and Jeffrey Russell Waegelin and Gregory Needel and Gregory Lavender and Brian Richard Delaney and Raul Olivera**
(45) Registration Date: **29 February 2012**
(30) Convention priority data:
(31) Number (32) Date (33) Country
29/399277 11 Aug 2011 UNITED STATES OF AMERICA
(56) Related Art Documents: **Not Applicable**
(57) Statement of Newness and Distinctiveness: **Newness and distinctiveness is claimed in the features of shape and/or configuration of a robotic toy scarab as illustrated in the accompanying representations.**



(21) Design Number: **10573/2012**
(22) Date of Filing Application: **07 February 2012**
(24) Date from which industrial property rights may have effect: **07 February 2012**
(54) Product in respect of which the design is registered: **A basin**
(51) International Design Classification: **23-02F**
(74) Name(s) of Attorney(s): **SPRUSON & FERGUSON**
(71) Name(s) and Address(s) of Applicant(s):
Caroma Industries Limited
10 Market Street Brisbane Queensland 4000 Australia
(72) Name(s) of Designer(s): **Vincent Kai Hong Ho and Luke Anthony Di Michiel**
(45) Registration Date: **29 February 2012**
(56) Related Art Documents: **Not Applicable**
(57) Statement of Newness and Distinctiveness: **Newness and distinctiveness is claimed in the features of shape and/or configuration of a basin as illustrated in the accompanying representations.**



(21) Design Number: **10588/2012**
(22) Date of Filing Application: **07 February 2012**
(24) Date from which industrial property rights may have effect: **07 February 2012**
(54) Product in respect of which the design is registered: **Flask**
(51) International Design Classification: **07-01F**
(74) Name(s) of Attorney(s): **PHILLIPS ORMONDE FITZPATRICK**
(71) Name(s) and Address(s) of Applicant(s):
Dart Industries Inc.
14901 S. Orange Blossom Trail Orlando Florida 32837 United States of America
(72) Name(s) of Designer(s): **Simone Pallotto**
(45) Registration Date: **01 March 2012**
(30) Convention priority data:
(31) Number (32) Date (33) Country
29/374,579 02 Sep 2011 UNITED STATES OF AMERICA
(56) Related Art Documents: **Not Applicable**
(57) Statement of Newness and Distinctiveness: **Those features of the flask depicted in the representations that are new and distinctive are the shape and/or configuration.**



(21) Design Number: **10589/2012**

(22) Date of Filing Application: **07 February 2012**

(24) Date from which industrial property rights may have effect: **07 February 2012**

(54) Product in respect of which the design is registered: **Sanitary napkin**

(51) International Design Classification: **24-04**

(74) Name(s) of Attorney(s): **Shelston IP**

(71) Name(s) and Address(s) of Applicant(s):

**Johnson & Johnson do Brasil Industria e Comercio Produtos Para Saude
Ltda. Rodovia
KM-154 Sao Jose dos Campos Sao Paulo CEP 12237-350 Brazil Brazil**

(72) Name(s) of Designer(s): **Ana Maria Elena R. Marcelo and Fernanda
Wiermann Paques and Steven H. White**

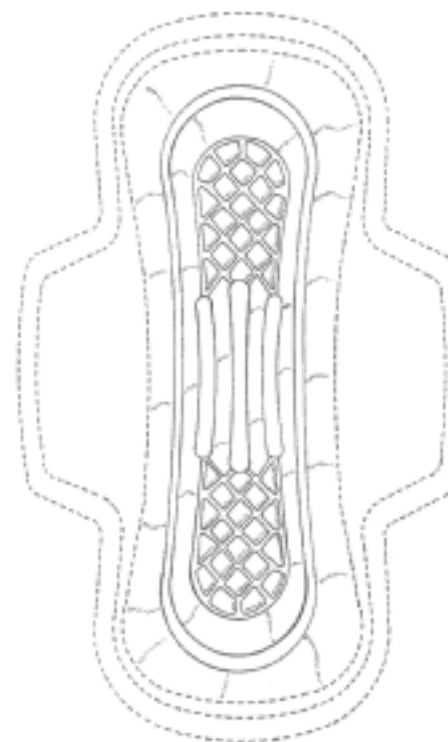
(45) Registration Date: **01 March 2012**

(30) Convention priority data:

(31) Number	(32) Date	(33) Country
29/399049	09 Aug 2011	UNITED STATES OF AMERICA

(56) Related Art Documents: **Not Applicable**

(57) Statement of Newness and Distinctiveness: **Newness and distinctiveness
reside in the visual features shown in solid line of a design for a sanitary
napkin. Those features in broken line are shown for illustrative purposes
only and do not form part of the claimed design.**



(21) Design Number: **10592/2012**

(22) Date of Filing Application: **07 February 2012**

(24) Date from which industrial property rights may have effect: **07 February 2012**

(54) Product in respect of which the design is registered: **Tray for bottles**

(51) International Design Classification: **09-03E**

(74) Name(s) of Attorney(s): **Golja Haines & Friend**

(71) Name(s) and Address(s) of Applicant(s):

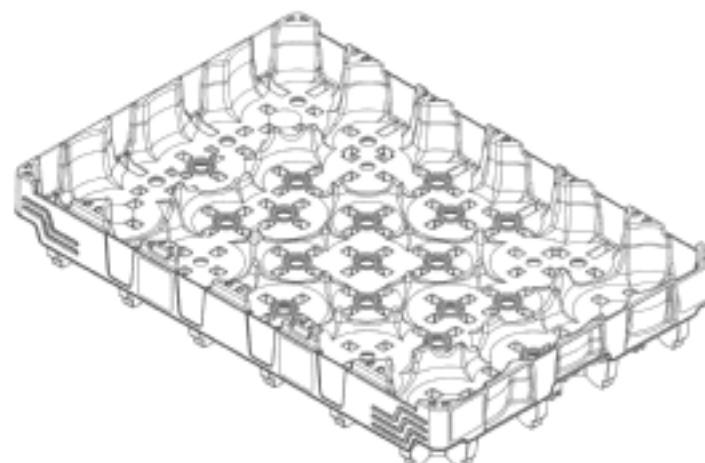
**K. Hartwall Oy Ab
Kay Hartwallin tie 2 01150 Soderkulla Finland**

(72) Name(s) of Designer(s): **Jack Gronholm**

(45) Registration Date: **01 March 2012**

(56) Related Art Documents: **Not Applicable**

(57) Statement of Newness and Distinctiveness: **The design resides in the
features of shape and configuration of a tray for bottles as illustrated in
the accompanying representations.**

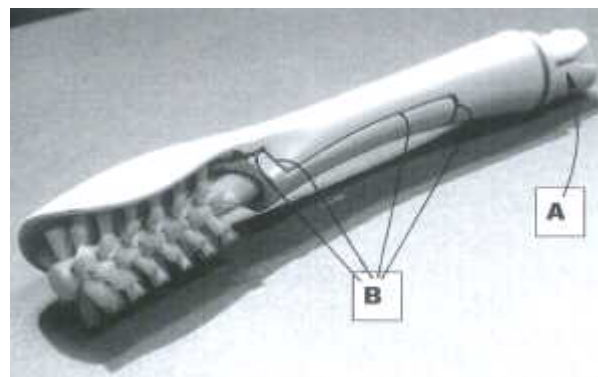


- (21) Design Number: **12992/2011**
(22) Date of Filing Application: **04 July 2011**
(24) Date from which industrial property rights may have effect: **04 July 2011**
(54) Product in respect of which the design is registered: **Electric toothbrush head**
(51) International Design Classification: **04-02**
(74) Name(s) of Attorney(s): **PATENT ATTORNEY SERVICES**
(71) Name(s) and Address(s) of Applicant(s):

Craig Hills
33 Backhaus Avenue Sunbury Victoria 3429 Australia

- (72) Name(s) of Designer(s): **Craig Hills**
(45) Registration Date: **01 March 2012**
(56) Related Art Documents: **Not Applicable**

- (57) Statement of Newness and Distinctiveness: **Visual features of the design which are new and distinctive are the features of shape and configuration of an electric toothbrush head as illustrated in the representations. The following do not form part of the design and are to be disregarded: (i) the shape and configuration of the inner end marked "A" in the representation, (ii) the existence and the shapes of any join lines of components of the assembly forming the electric toothbrush head such as those shown marked "B" in the representations, and (iii) the existence and shape of any hole in the rear surface such as the hole shown marked "C" in the representations.**



- (21) Design Number: **14267/2011**
(22) Date of Filing Application: **26 September 2011**
(24) Date from which industrial property rights may have effect: **26 September 2011**
(54) Product in respect of which the design is registered: **Electric skillet**
(51) International Design Classification: **07-02N**
(74) Name(s) of Attorney(s): **Molins & Co**
(71) Name(s) and Address(s) of Applicant(s):

Breville Pty Limited
Building 2 Port Air Industrial Estate 1A Hale Street Botany New South Wales 2019 Australia

- (72) Name(s) of Designer(s): **Nicholas Robinson and Greg Upston**
(45) Registration Date: **01 March 2012**
(56) Related Art Documents: **Not Applicable**

- (57) Statement of Newness and Distinctiveness: **Newness is claimed in the features of shape and configuration of the electric skillet as shown in the accompanying representations. Newness is not claimed in the handles, adaptor coupling and details from the bottom view and these features form no part of the design.**



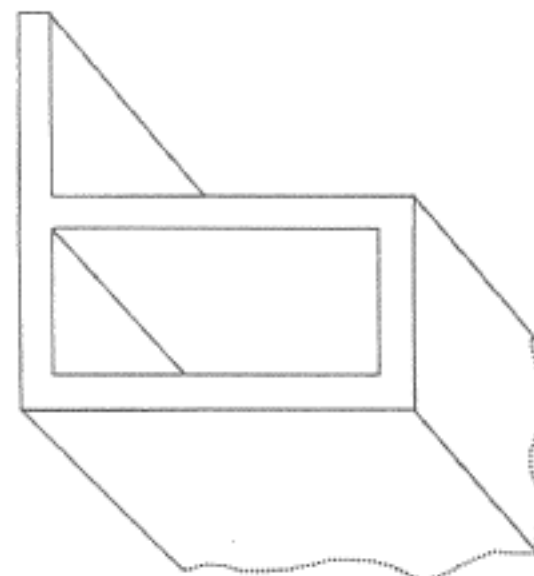
- (21) Design Number: **14268/2011**
(22) Date of Filing Application: **26 September 2011**
(24) Date from which industrial property rights may have effect: **26 September 2011**
(54) Product in respect of which the design is registered: **Electric frypan**
(51) International Design Classification: **07-02N**
(74) Name(s) of Attorney(s): **Molins & Co**
(71) Name(s) and Address(s) of Applicant(s):
Breville Pty Limited
Building 2 Port Air Industrial Estate 1A Hale Street Botany New South
Wales 2019 Australia
(72) Name(s) of Designer(s): **Greg Upston**
(45) Registration Date: **01 March 2012**
(56) Related Art Documents: **Not Applicable**
(57) Statement of Newness and Distinctiveness: **Newness is claimed in the features of shape and configuration of the Electric Frypan as shown in the accompanying representations. Newness is not claimed in the handles, adaptor coupling and details from the bottom view and these features form no part of the design.**



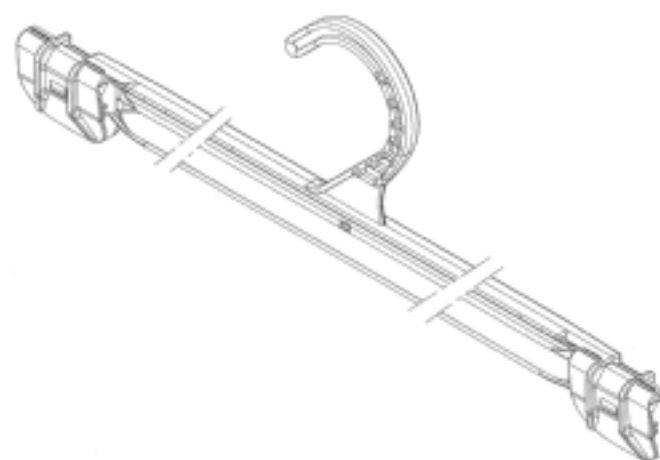
- (21) Design Number: **14269/2011**
(22) Date of Filing Application: **26 September 2011**
(24) Date from which industrial property rights may have effect: **26 September 2011**
(54) Product in respect of which the design is registered: **Deep fryer**
(51) International Design Classification: **07-02N**
(74) Name(s) of Attorney(s): **Molins & Co**
(71) Name(s) and Address(s) of Applicant(s):
Breville Pty Limited
Building 2 Port Air Industrial Estate 1A Hale Street Botany New South
Wales 2019 Australia
(72) Name(s) of Designer(s): **Greg Upston**
(45) Registration Date: **01 March 2012**
(56) Related Art Documents: **Not Applicable**
(57) Statement of Newness and Distinctiveness: **Newness is claimed in the features of shape and configuration of the Deep Fryer as shown in the accompanying representations. Newness is not claimed in the handles, adaptor coupling and details from the bottom view and these features form no part of the design.**



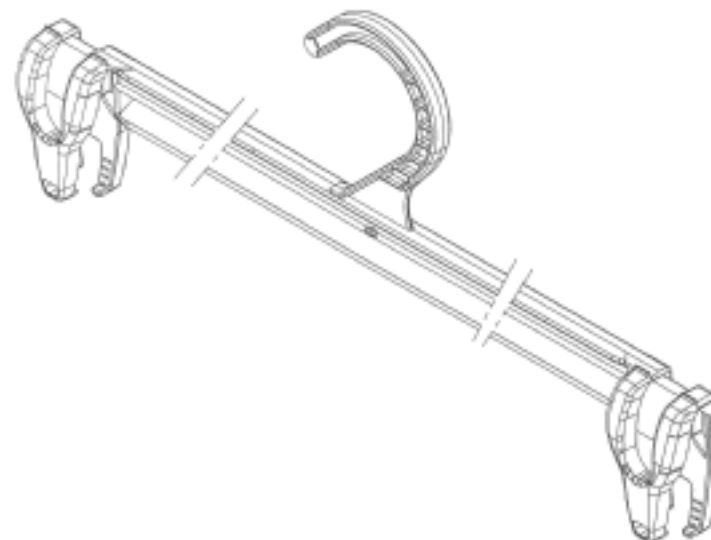
- (21) Design Number: **15849/2011**
(22) Date of Filing Application: **19 December 2011**
(24) Date from which industrial property rights may have effect: **19 December 2011**
(54) Product in respect of which the design is registered: **A jamb member**
(51) International Design Classification: **25-01K**
(74) Name(s) of Attorney(s):
(71) Name(s) and Address(s) of Applicant(s):
Liberation Developments Pty Ltd
Level 1 172 Evans Road Salisbury Queensland 4107 Australia
(72) Name(s) of Designer(s): **Gregory James Bloom**
(45) Registration Date: **01 March 2012**
(56) Related Art Documents: **Not Applicable**
(57) Statement of Newness and Distinctiveness: **Nil**



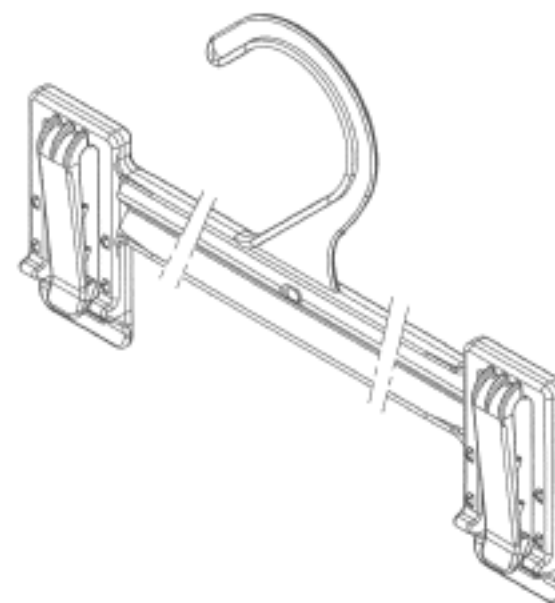
- (21) Design Number: **15873/2011**
(22) Date of Filing Application: **19 December 2011**
(24) Date from which industrial property rights may have effect: **19 December 2011**
(54) Product in respect of which the design is registered: **Garment hanger**
(51) International Design Classification: **06-08**
(74) Name(s) of Attorney(s): **PHILLIPS ORMONDE FITZPATRICK**
(71) Name(s) and Address(s) of Applicant(s):
TIC (Retail Accessories) Pty Ltd
214-228 Blackshaws Road Altona North Victoria 3025 Australia
(72) Name(s) of Designer(s): **Mark Victor Gandur**
(45) Registration Date: **01 March 2012**
(56) Related Art Documents: **Not Applicable**
(57) Statement of Newness and Distinctiveness: **Newness and distinctiveness reside in the features of shape and configuration of a garment hanger as shown in the representations in which the arms of the garment hanger can vary in length as shown in the representations of the garment hanger in sheets 2/10-4/10; 5/10-7/10 and 8/10-10/10 and as depicted by the breaks shown in the arms of the garment hanger shown in the isometric view in sheet 1/10.**



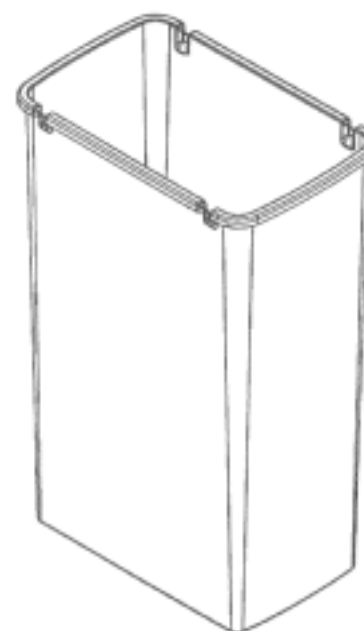
- (21) Design Number: **15874/2011**
(22) Date of Filing Application: **19 December 2011**
(24) Date from which industrial property rights may have effect: **19 December 2011**
(54) Product in respect of which the design is registered: **Garment hanger**
(51) International Design Classification: **06-08**
(74) Name(s) of Attorney(s): **PHILLIPS ORMONDE FITZPATRICK**
(71) Name(s) and Address(s) of Applicant(s):
TIC (Retail Accessories) Pty Ltd
214-228 Blackshaws Road Altona North Victoria 3025 Australia
(72) Name(s) of Designer(s): **Mark Victor Gandur**
(45) Registration Date: **01 March 2012**
(56) Related Art Documents: **Not Applicable**
(57) Statement of Newness and Distinctiveness: **Newness and distinctiveness reside in the features of shape and configuration of a garment hanger as shown in the representations in which the arms of the garment hanger can vary in length as shown in the representations of the garment hanger in sheets 2/7-4/7 and 5/7-7/7 and as depicted by the breaks shown in the arms of the garment hanger shown in the isometric view in sheet 1/7.**



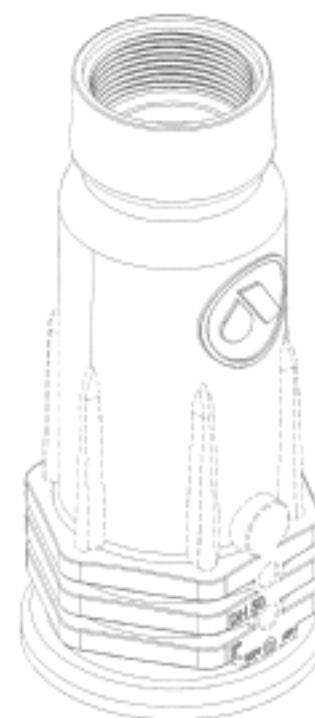
- (21) Design Number: **15875/2011**
(22) Date of Filing Application: **19 December 2011**
(24) Date from which industrial property rights may have effect: **19 December 2011**
(54) Product in respect of which the design is registered: **Garment hanger**
(51) International Design Classification: **06-08**
(74) Name(s) of Attorney(s): **PHILLIPS ORMONDE FITZPATRICK**
(71) Name(s) and Address(s) of Applicant(s):
TIC (Retail Accessories) Pty Ltd
214-228 Blackshaws Road Altona North Victoria 3025 Australia
(72) Name(s) of Designer(s): **Mark Victor Gandur**
(45) Registration Date: **01 March 2012**
(56) Related Art Documents: **Not Applicable**
(57) Statement of Newness and Distinctiveness: **Newness and distinctiveness reside in the features of shape and configuration of a garment hanger as shown in the representations in which the arms of the garment hanger can vary in length as shown in the representations of the garment hanger in sheets 2/7-4/7 and 5/7-7/7 and as depicted by the breaks shown in the arms of the garment hanger shown in the isometric view in sheet 1/7.**



- (21) Design Number: **10325/2012**
(22) Date of Filing Application: **26 January 2012**
(24) Date from which industrial property rights may have effect: **26 January 2012**
(54) Product in respect of which the design is registered: **A container**
(51) International Design Classification: **09-03M**
(74) Name(s) of Attorney(s): **James & Wells Intellectual Property**
(71) Name(s) and Address(s) of Applicant(s):
Kitchen King Limited
c/- Bertelsen Harry Waters Limited 139 Great South Road Greenlane
Auckland New Zealand
(72) Name(s) of Designer(s): **David Howse and Graham Brewster and Blair**
Murphy
(45) Registration Date: **01 March 2012**
(30) Convention priority data:
(31) Number (32) Date (33) Country
415678 22 Dec 2011 NEW ZEALAND
(56) Related Art Documents: **Not Applicable**
(57) Statement of Newness and Distinctiveness: **This design should be applied to a container, and the novelty resides in features of shape and configuration as shown in the accompanying representations.**



- (21) Design Number: **10591/2012**
(22) Date of Filing Application: **07 February 2012**
(24) Date from which industrial property rights may have effect: **07 February 2012**
(54) Product in respect of which the design is registered: **Fluid distribution equipment**
(51) International Design Classification: **23-01NES**
(74) Name(s) of Attorney(s): **Griffith Hack**
(71) Name(s) and Address(s) of Applicant(s):
A.R.I. Flow Control Accessories Ltd.
Kibbutz Kfar Charuv D.N. Ramat Hagolan 12932 Israel
(72) Name(s) of Designer(s): **Assaf Pessach**
(45) Registration Date: **01 March 2012**
(30) Convention priority data:
(31) Number (32) Date (33) Country
51779 14 Nov 2011 ISRAEL
(56) Related Art Documents: **Not Applicable**
(57) Statement of Newness and Distinctiveness: **Newness and distinctiveness resides in the visual features, including shape and/or configuration and/or ornamentation of the fluid distribution equipment as shown by means of solid lines in the accompanying representations. However, those parts shown by means of broken lines, the letters, numbers and symbols form no part of the design and have been included for illustrative purposes only.**



(21) Design Number: **10606/2012**
(22) Date of Filing Application: **08 February 2012**
(24) Date from which industrial property rights may have effect: **08 February 2012**
(54) Product in respect of which the design is registered: **Faucet**
(51) International Design Classification: **23-01H**
(74) Name(s) of Attorney(s): **SPRUSON & FERGUSON**
(71) Name(s) and Address(s) of Applicant(s):

Gessi S.P.A.
Parco Gessi Frazione Vintebbio 13037 Serravalle Sesia Vercelli Italy

(72) Name(s) of Designer(s): **Gian Luca Gessi**

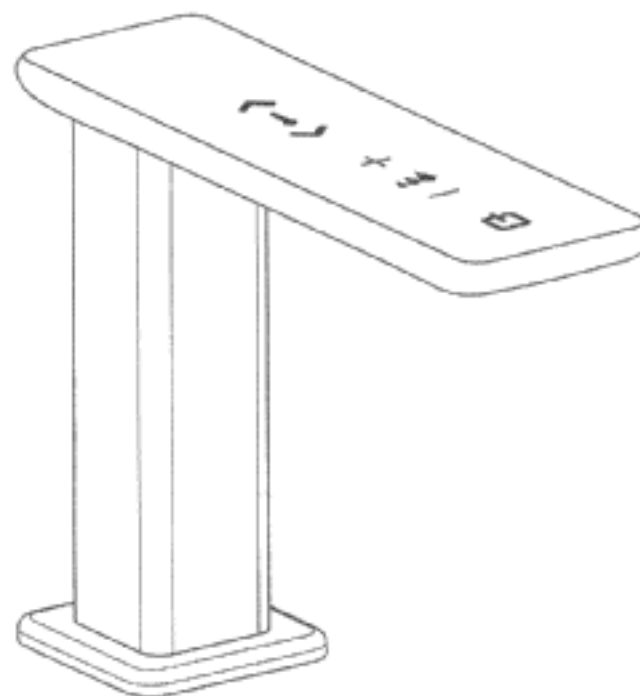
(45) Registration Date: **01 March 2012**

(30) Convention priority data:

(31) Number	(32) Date	(33) Country
MI2011O000117	08 Aug 2011	ITALY

(56) Related Art Documents: **Not Applicable**

(57) Statement of Newness and Distinctiveness: **Newness and distinctiveness is claimed in the features of shape and/or configuration of a faucet as illustrated in the accompanying representations.**



(21) Design Number: **10607/2012**
(22) Date of Filing Application: **08 February 2012**
(24) Date from which industrial property rights may have effect: **08 February 2012**
(54) Product in respect of which the design is registered: **Closure**
(51) International Design Classification: **09-07A**
(74) Name(s) of Attorney(s): **SPRUSON & FERGUSON**
(71) Name(s) and Address(s) of Applicant(s):

AptarGroup, Inc.
475 West Terra Cotta Avenue Suite E Crystal Lake Illinois 60014-9695
United States of America

(72) Name(s) of Designer(s): **Marcelo Santarelli and Timothy M. Mazurkiewicz**

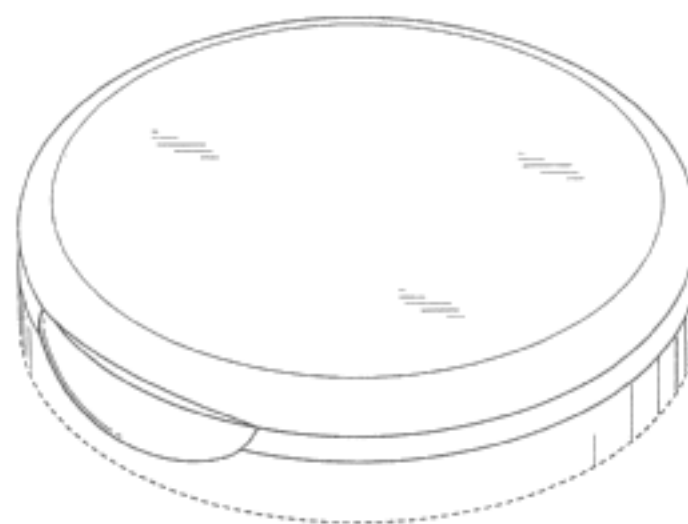
(45) Registration Date: **01 March 2012**

(30) Convention priority data:

(31) Number	(32) Date	(33) Country
29/403273	04 Oct 2011	UNITED STATES OF AMERICA

(56) Related Art Documents: **Not Applicable**

(57) Statement of Newness and Distinctiveness: **Newness and distinctiveness is claimed in those features of shape and/or configuration of a closure illustrated in continuous lines in the accompanying representations. The height of the closure and the diameter of the closure may vary.**



- (21) Design Number: **10608/2012**
(22) Date of Filing Application: **08 February 2012**
(24) Date from which industrial property rights may have effect: **08 February 2012**
(54) Product in respect of which the design is registered: **A panel**
(51) International Design Classification: **14-02**
(74) Name(s) of Attorney(s): **SPRUSON & FERGUSON**
(71) Name(s) and Address(s) of Applicant(s):
IDC Solutions Pty Ltd
Suite 8 21 Regent Street Redfern New South Wales 2016 Australia
(72) Name(s) of Designer(s): **James Yong**
(45) Registration Date: **01 March 2012**
(56) Related Art Documents: **Not Applicable**
(57) Statement of Newness and Distinctiveness: **Newness and distinctiveness is claimed in those features of shape and/or configuration of a panel as illustrated in continuous lines in the accompanying representations.**



- (21) Design Number: **11880/2011**
(22) Date of Filing Application: **20 April 2011**
(24) Date from which industrial property rights may have effect: **20 April 2011**
(54) Product in respect of which the design is registered: **Pocket for a bed**
(51) International Design Classification: **06-13B, 21-04**
(74) Name(s) of Attorney(s): **MIDDLETONS**
(71) Name(s) and Address(s) of Applicant(s):
Swags for Homeless Limited
31 Otira Road Knoxfield Victoria 3180 Australia
(72) Name(s) of Designer(s): **Tony Clark and Lisa Clark**
(45) Registration Date: **01 March 2012**
(56) Related Art Documents: **Not Applicable**
(57) Statement of Newness and Distinctiveness: **Monopoly is claimed in the features of shape and/or configuration of the pocket as shown in the representations. Novelty is claimed in the shape and/or configuration of the zip and/or lockable and/or sealable pocket as shown in the representations.**

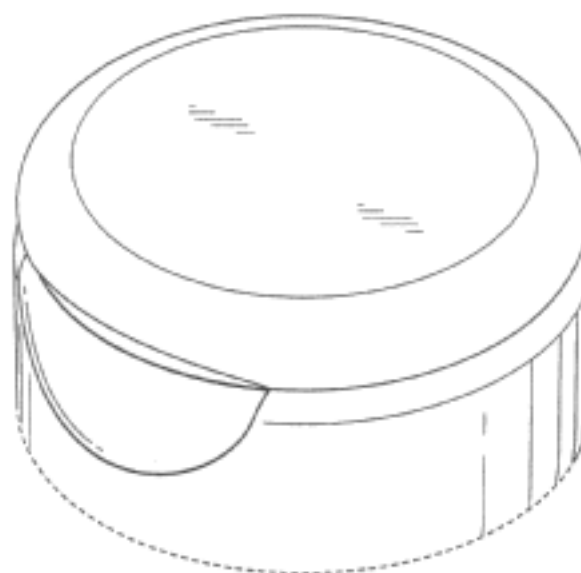


- (21) Design Number: **15219/2011**
(22) Date of Filing Application: **16 November 2011**
(24) Date from which industrial property rights may have effect: **16 November 2011**
(54) Product in respect of which the design is registered: **Bag supported by an adjustable trolley**
(51) International Design Classification: **12-02, 03-01A**
(74) Name(s) of Attorney(s):
(71) Name(s) and Address(s) of Applicant(s):
DQ Care Pty Ltd
18 Hersey Parkway Lansdale Western Australia 6065 Australia
(72) Name(s) of Designer(s): **Andries Petrus Johannes Dique and Andre Dique and Johann Dique**
(45) Registration Date: **01 March 2012**
(56) Related Art Documents: **Not Applicable**

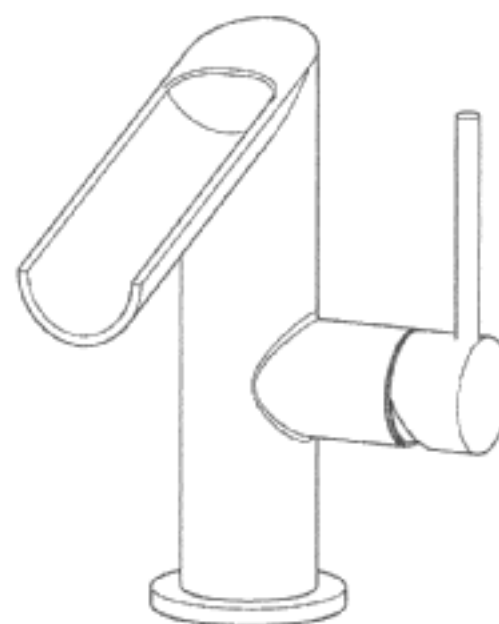
(57) Statement of Newness and Distinctiveness: **This design is of a mobile receptacle, capable of passing through a standard door over a range of surfaces, in the form of a woven aerated bag construction that reduces odors and can be used for sorting and collecting, storing and transporting of a specific waste classification whilst being supported by a trolley which have an integrated step for tilting and adjustable wheel and handle bar positions. The handle bar of the trolley is adjustable to the position that is comfortable for the specific user and combined with the adjustable wheels, reduces the load on the handlebar for easier movement of the trolley and bag by the user. The bag and trolley can also be used for other applications such as transporting and/or storing goods or produce. The bag is of a rectangular u-panel shape and has at its opening, at the top of the bag, four flaps, one on each side of the bag, which are used to fit the bag to the trolley. The flaps are secured to the bag once installed onto the trolley by two hook and loop fasteners on each side of the bag. The corners of the bag are secured to the trolley by a hook and loop fastener near the base corner of each corner of the bag. The bag also has four webbing loops at each corner at the top of the bag and two webbing loops, on opposing sides, at the base of the bag, which are required to lift the bag from the trolley. When the toggle latch on each side the back frame is opened and the flat bar doors released, the front frame along with the flat bar doors are released in a forward direction, away from the bag, which pivots at the front frame pivots, clearing sufficiently forward for the bag to be lifted from the floor of trolley. The lifting loops at the base of the bag is located off center of the bag in order to create a pivot point to empty the contents of the bag when the bag is lifted from these lifting loops.**



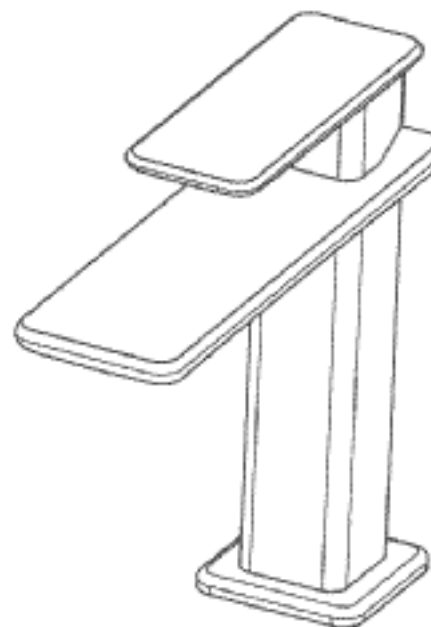
(21) Design Number: **10601/2012**
(22) Date of Filing Application: **08 February 2012**
(24) Date from which industrial property rights may have effect: **08 February 2012**
(54) Product in respect of which the design is registered: **Closure**
(51) International Design Classification: **09-07B**
(74) Name(s) of Attorney(s): **SPRUSON & FERGUSON**
(71) Name(s) and Address(s) of Applicant(s):
AptarGroup, Inc.
475 West Terra Cotta Avenue Suite E Crystal Lake Illinois 60014-9695
United States of America
(72) Name(s) of Designer(s): **Marcelo Santarelli and Timothy M. Mazurkiewicz**
(45) Registration Date: **01 March 2012**
(30) Convention priority data:
(31) Number (32) Date (33) Country
29/403273 04 Oct 2011 UNITED STATES OF AMERICA
(56) Related Art Documents: **Not Applicable**
(57) Statement of Newness and Distinctiveness: **Newness and distinctiveness is claimed in those features of shape and/or configuration of a closure illustrated in continuous lines in the accompanying representations. The height of the closure and the diameter of the closure may vary.**



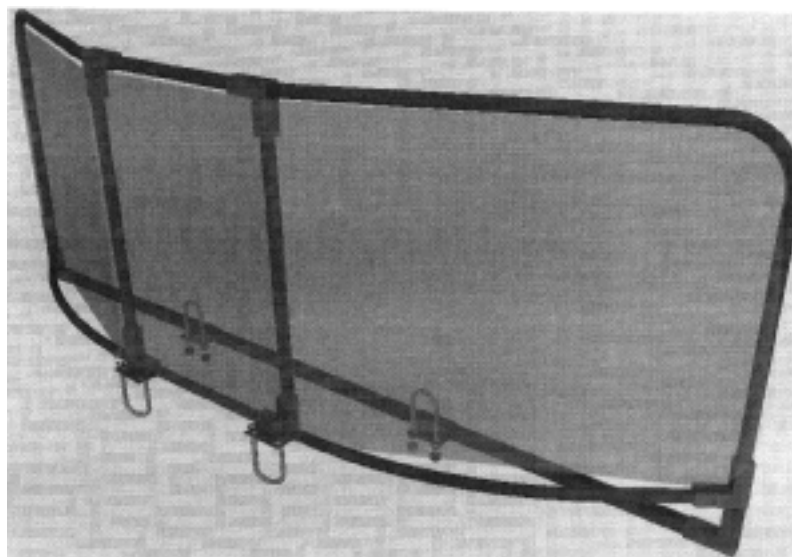
(21) Design Number: **10603/2012**
(22) Date of Filing Application: **08 February 2012**
(24) Date from which industrial property rights may have effect: **08 February 2012**
(54) Product in respect of which the design is registered: **Faucet**
(51) International Design Classification: **23-01H**
(74) Name(s) of Attorney(s): **SPRUSON & FERGUSON**
(71) Name(s) and Address(s) of Applicant(s):
Gessi S.P.A.
Parco Gessi Frazione Vintebbio 13037 Serravalle Sesia Vercelli Italy
(72) Name(s) of Designer(s): **Gian Luca Gessi**
(45) Registration Date: **01 March 2012**
(30) Convention priority data:
(31) Number (32) Date (33) Country
MI2011O000117 08 Aug 2011 ITALY
(56) Related Art Documents: **Not Applicable**
(57) Statement of Newness and Distinctiveness: **Newness and distinctiveness is claimed in the features of shape and/or configuration of a faucet as illustrated in the accompanying representations.**



(21) Design Number: **10605/2012**
(22) Date of Filing Application: **08 February 2012**
(24) Date from which industrial property rights may have effect: **08 February 2012**
(54) Product in respect of which the design is registered: **Faucet**
(51) International Design Classification: **23-01H**
(74) Name(s) of Attorney(s): **SPRUSON & FERGUSON**
(71) Name(s) and Address(s) of Applicant(s):
Gessi S.P.A.
Parco Gessi Frazione Vintebbio 13037 Serravalle Sesia Vercelli Italy
(72) Name(s) of Designer(s): **Gian Luca Gessi**
(45) Registration Date: **01 March 2012**
(30) Convention priority data:
(31) Number (32) Date (33) Country
MI2011O000117 08 Aug 2011 ITALY
(56) Related Art Documents: **Not Applicable**
(57) Statement of Newness and Distinctiveness: **Newness and distinctiveness is claimed in the shape and/or configuration of a faucet as illustrated in the accompanying representations.**



(21) Design Number: **10753/2012**
(22) Date of Filing Application: **17 February 2012**
(24) Date from which industrial property rights may have effect: **17 February 2012**
(54) Product in respect of which the design is registered: **Stone guard protection for caravan**
(51) International Design Classification: **12-16C**
(74) Name(s) of Attorney(s):
(71) Name(s) and Address(s) of Applicant(s):
Leonard Williams
12 Apsley Street Strathfieldsaye Victoria 3551 Australia
(72) Name(s) of Designer(s): **Leonard Williams**
(45) Registration Date: **01 March 2012**
(56) Related Art Documents: **Not Applicable**
(57) Statement of Newness and Distinctiveness: **Nil**



- (21) Design Number: **10758/2012**
(22) Date of Filing Application: **17 February 2012**
(24) Date from which industrial property rights may have effect: **17 February 2012**
(54) Product in respect of which the design is registered: **Desktop speaker stand**
(51) International Design Classification: **14-01**
(74) Name(s) of Attorney(s):
(71) Name(s) and Address(s) of Applicant(s):
Inbiz International Pty Ltd
5/12 Hayberry Street Crows Nest New South Wales 2065 Australia
(72) Name(s) of Designer(s): **Simon Lenz and Dominic Van der Merwe**
(45) Registration Date: **01 March 2012**
(56) Related Art Documents: **Not Applicable**
(57) Statement of Newness and Distinctiveness: **Height and tilt adjustable top plate, Height level adjustment indicators, Vibration damping base plate feet, Removable vibration damping top plate mat, Removable cable management tie/piece, Weighted steel & aluminium construction for stability, Alternate coloured components.**



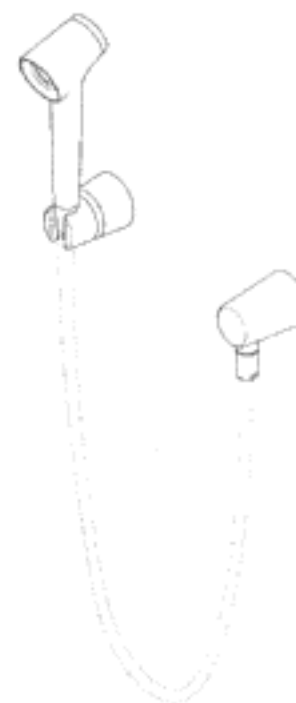
- (21) Design Number: **10759/2012**
(22) Date of Filing Application: **17 February 2012**
(24) Date from which industrial property rights may have effect: **17 February 2012**
(54) Product in respect of which the design is registered: **Headphone stand**
(51) International Design Classification: **14-01**
(74) Name(s) of Attorney(s):
(71) Name(s) and Address(s) of Applicant(s):
Inbiz International Pty Ltd
5/12 Hayberry Street Crows Nest New South Wales 2065 Australia
(72) Name(s) of Designer(s): **Simon Lenz and Dominic Van der Merwe**
(45) Registration Date: **01 March 2012**
(56) Related Art Documents: **Not Applicable**
(57) Statement of Newness and Distinctiveness: **Non slip base plate feet, Central cable management slot, Weighted steel & aluminium construction for stability, Alternate coloured components.**



(21) Design Number: **10609/2012**
(22) Date of Filing Application: **09 February 2012**
(24) Date from which industrial property rights may have effect: **09 February 2012**
(54) Product in respect of which the design is registered: **Sofa ensemble**
(51) International Design Classification: **06-01G**
(74) Name(s) of Attorney(s): **Shelston IP**
(71) Name(s) and Address(s) of Applicant(s):
Ekornes ASA
Industrivegen 1 6222 Ikornnes Norway
(72) Name(s) of Designer(s): **Jan Lade**
(45) Registration Date: **02 March 2012**
(30) Convention priority data:
(31) Number (32) Date (33) Country
20110823 24 Oct 2011 NORWAY
(56) Related Art Documents: **Not Applicable**
(57) Statement of Newness and Distinctiveness: **Novelty and distinctiveness reside in the features of shape and/or configuration of a sofa ensemble as illustrated in the representations.**



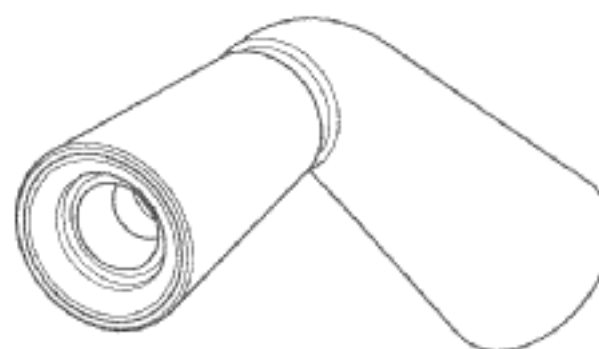
(21) Design Number: **10631/2012**
(22) Date of Filing Application: **09 February 2012**
(24) Date from which industrial property rights may have effect: **09 February 2012**
(54) Product in respect of which the design is registered: **A hand shower**
(51) International Design Classification: **23-02B**
(74) Name(s) of Attorney(s): **SPRUSON & FERGUSON**
(71) Name(s) and Address(s) of Applicant(s):
Caroma Industries Limited
10 Market Street Brisbane Queensland 4000 Australia
(72) Name(s) of Designer(s): **Marc Andrew Newson**
(45) Registration Date: **02 March 2012**
(56) Related Art Documents: **Not Applicable**
(57) Statement of Newness and Distinctiveness: **Newness and distinctiveness is claimed in the features of shape and/or configuration of a hand shower as illustrated in solid lines in the accompanying representations.**



(21) Design Number: **10632/2012**
(22) Date of Filing Application: **09 February 2012**
(24) Date from which industrial property rights may have effect: **09 February 2012**
(54) Product in respect of which the design is registered: **A shower head assembly**
(51) International Design Classification: **23-02B**
(74) Name(s) of Attorney(s): **SPRUSON & FERGUSON**
(71) Name(s) and Address(s) of Applicant(s):
Caroma Industries Limited
10 Market Street Brisbane Queensland 4000 Australia
(72) Name(s) of Designer(s): **Marc Andrew Newson**
(45) Registration Date: **02 March 2012**
(56) Related Art Documents: **Not Applicable**
(57) Statement of Newness and Distinctiveness: **Newness and distinctiveness is claimed in the features of shape and/or configuration of a shower head assembly as illustrated in the accompanying representations.**



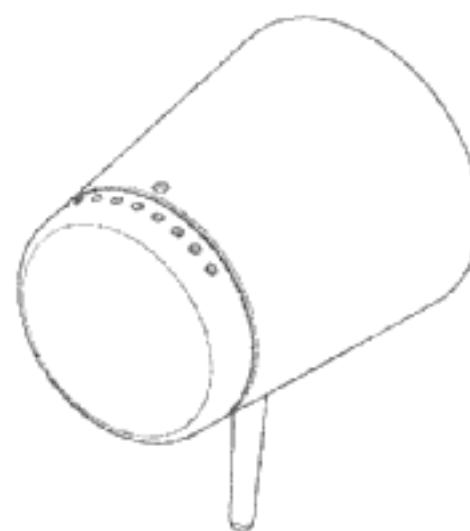
(21) Design Number: **10633/2012**
(22) Date of Filing Application: **09 February 2012**
(24) Date from which industrial property rights may have effect: **09 February 2012**
(54) Product in respect of which the design is registered: **A shower head**
(51) International Design Classification: **23-02B**
(74) Name(s) of Attorney(s): **SPRUSON & FERGUSON**
(71) Name(s) and Address(s) of Applicant(s):
Caroma Industries Limited
10 Market Street Brisbane Queensland 4000 Australia
(72) Name(s) of Designer(s): **Marc Andrew Newson**
(45) Registration Date: **02 March 2012**
(56) Related Art Documents: **Not Applicable**
(57) Statement of Newness and Distinctiveness: **Newness and distinctiveness is claimed in the features of shape and/or configuration of a shower head as illustrated in the accompanying representations.**



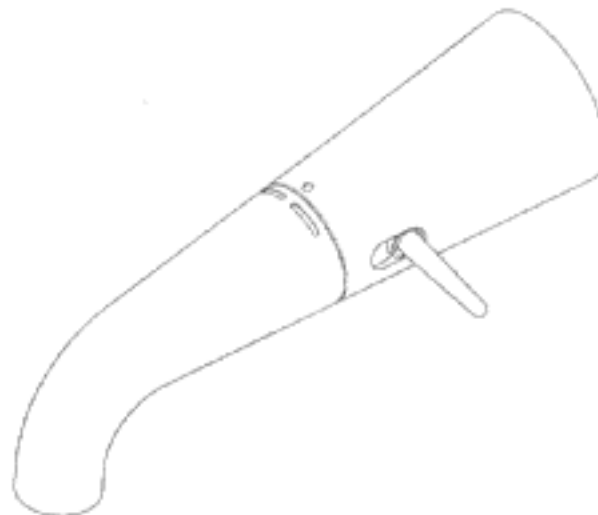
- (21) Design Number: **10634/2012**
(22) Date of Filing Application: **09 February 2012**
(24) Date from which industrial property rights may have effect: **09 February 2012**
(54) Product in respect of which the design is registered: **A mixer tap**
(51) International Design Classification: **23-01H**
(74) Name(s) of Attorney(s): **SPRUSON & FERGUSON**
(71) Name(s) and Address(s) of Applicant(s):
Caroma Industries Limited
10 Market Street Brisbane Queensland 4000 Australia
(72) Name(s) of Designer(s): **Marc Andrew Newson**
(45) Registration Date: **02 March 2012**
(56) Related Art Documents: **Not Applicable**
(57) Statement of Newness and Distinctiveness: **Newness and distinctiveness is claimed in the features of shape and/or configuration of a mixer tap as illustrated in the accompanying representations.**



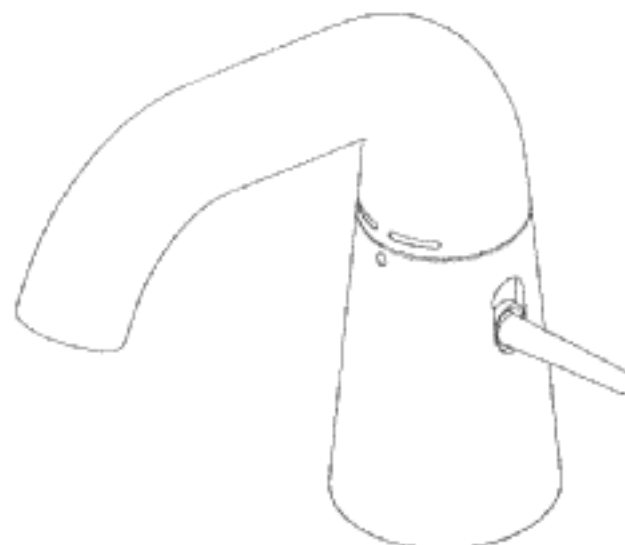
- (21) Design Number: **10635/2012**
(22) Date of Filing Application: **09 February 2012**
(24) Date from which industrial property rights may have effect: **09 February 2012**
(54) Product in respect of which the design is registered: **A mixer controller**
(51) International Design Classification: **23-01H**
(74) Name(s) of Attorney(s): **SPRUSON & FERGUSON**
(71) Name(s) and Address(s) of Applicant(s):
Caroma Industries Limited
10 Market Street Brisbane Queensland 4000 Australia
(72) Name(s) of Designer(s): **Marc Andrew Newson**
(45) Registration Date: **02 March 2012**
(56) Related Art Documents: **Not Applicable**
(57) Statement of Newness and Distinctiveness: **Newness and distinctiveness is claimed in the features of shape and/or configuration of a mixer controller as illustrated in the accompanying representations.**



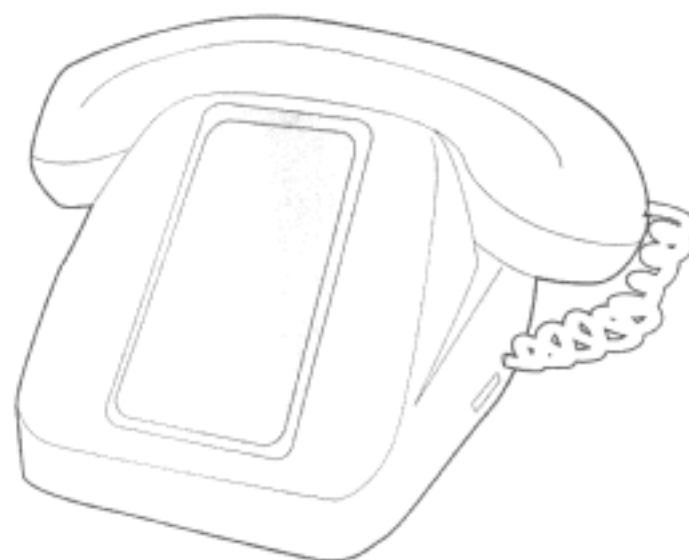
- (21) Design Number: **10637/2012**
(22) Date of Filing Application: **09 February 2012**
(24) Date from which industrial property rights may have effect: **09 February 2012**
(54) Product in respect of which the design is registered: **A mixer tap**
(51) International Design Classification: **23-01H**
(74) Name(s) of Attorney(s): **SPRUSON & FERGUSON**
(71) Name(s) and Address(s) of Applicant(s):
Caroma Industries Limited
10 Market Street Brisbane Queensland 4000 Australia
(72) Name(s) of Designer(s): **Marc Andrew Newson**
(45) Registration Date: **02 March 2012**
(56) Related Art Documents: **Not Applicable**
(57) Statement of Newness and Distinctiveness: **Newness and distinctiveness is claimed in the features of shape and/or configuration of a mixer tap as illustrated in the accompanying representations.**



- (21) Design Number: **10638/2012**
(22) Date of Filing Application: **09 February 2012**
(24) Date from which industrial property rights may have effect: **09 February 2012**
(54) Product in respect of which the design is registered: **A mixer tap**
(51) International Design Classification: **23-01H**
(74) Name(s) of Attorney(s): **SPRUSON & FERGUSON**
(71) Name(s) and Address(s) of Applicant(s):
Caroma Industries Limited
10 Market Street Brisbane Queensland 4000 Australia
(72) Name(s) of Designer(s): **Marc Andrew Newson**
(45) Registration Date: **02 March 2012**
(56) Related Art Documents: **Not Applicable**
(57) Statement of Newness and Distinctiveness: **Newness and distinctiveness is claimed in the features of shape and/or configuration of a mixer tap as illustrated in solid lines in the accompanying representations.**



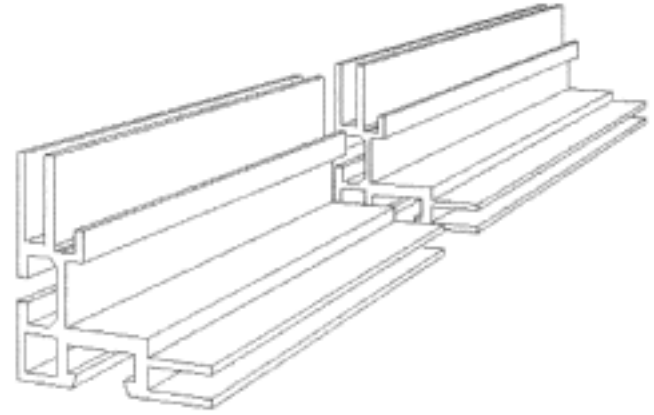
(21) Design Number: **10641/2012**
(22) Date of Filing Application: **09 February 2012**
(24) Date from which industrial property rights may have effect: **09 February 2012**
(54) Product in respect of which the design is registered: **Telephone with docking station**
(51) International Design Classification: **14-03E, 14-02**
(74) Name(s) of Attorney(s): **Collison & Co**
(71) Name(s) and Address(s) of Applicant(s):
Gus Berger
7/130 Flinders Street Melbourne Victoria 3000 Australia
(72) Name(s) of Designer(s): **Gus Berger**
(45) Registration Date: **02 March 2012**
(56) Related Art Documents: **Not Applicable**
(57) Statement of Newness and Distinctiveness: **Newness and distinctiveness is claimed in the shape and configuration of the telephone with the docking stations as shown.**



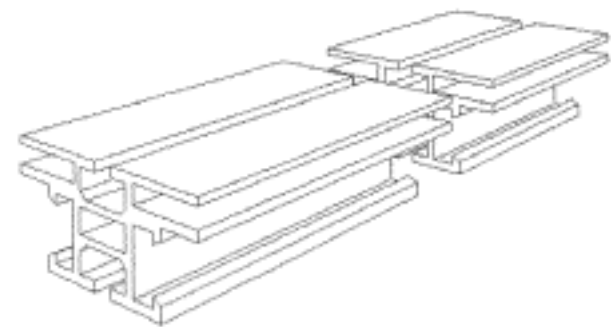
(21) Design Number: **10642/2012**
(22) Date of Filing Application: **10 February 2012**
(24) Date from which industrial property rights may have effect: **10 February 2012**
(54) Product in respect of which the design is registered: **Headset**
(51) International Design Classification: **14-01**
(74) Name(s) of Attorney(s): **Adams Pluck**
(71) Name(s) and Address(s) of Applicant(s):
Noon Technology Co., Ltd
Building C Zhangkeng Industrial Park Minzhi Longhua Shenzhen 518131
China
(72) Name(s) of Designer(s): **Tongyan Zhou**
(45) Registration Date: **02 March 2012**
(30) Convention priority data:
(31) Number (32) Date (33) Country
201130391881.1 28 Oct 2011 CHINA
(56) Related Art Documents: **Not Applicable**
(57) Statement of Newness and Distinctiveness: **Nil**



- (21) Design Number: **10693/2012**
(22) Date of Filing Application: **14 February 2012**
(24) Date from which industrial property rights may have effect: **14 February 2012**
(54) Product in respect of which the design is registered: **Extrusion profile for textile graphic display**
(51) International Design Classification: **25-01K**
(74) Name(s) of Attorney(s):
(71) Name(s) and Address(s) of Applicant(s):
Advanced Digital Imaging Pty Ltd
Unit 3 110 Bonds Road Riverwood New South Wales 2210 Australia
(72) Name(s) of Designer(s): **Bin Xiong Qian**
(45) Registration Date: **02 March 2012**
(56) Related Art Documents: **Not Applicable**
(57) Statement of Newness and Distinctiveness: **Space to accommodate light elements for a low profile illuminate display. Featuring a light diffusion option layer and utility channel for accessory attachments.**



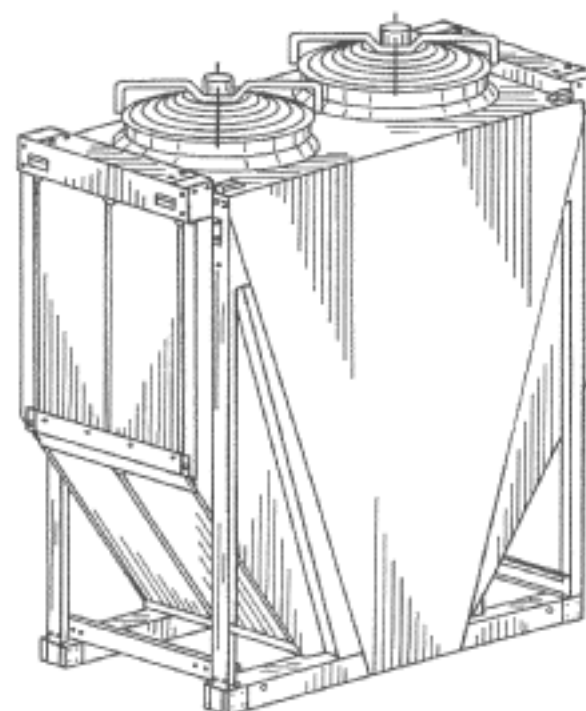
- (21) Design Number: **10694/2012**
(22) Date of Filing Application: **14 February 2012**
(24) Date from which industrial property rights may have effect: **14 February 2012**
(54) Product in respect of which the design is registered: **Extrusion profile for textile graphic display**
(51) International Design Classification: **25-01K**
(74) Name(s) of Attorney(s):
(71) Name(s) and Address(s) of Applicant(s):
Advanced Digital Imaging Pty Ltd
Unit 3 110 Bonds Road Riverwood New South Wales 2210 Australia
(72) Name(s) of Designer(s): **Bin Xiong Qian**
(45) Registration Date: **02 March 2012**
(56) Related Art Documents: **Not Applicable**
(57) Statement of Newness and Distinctiveness: **Features double utility channels (internal and external) for accessory attachments.**



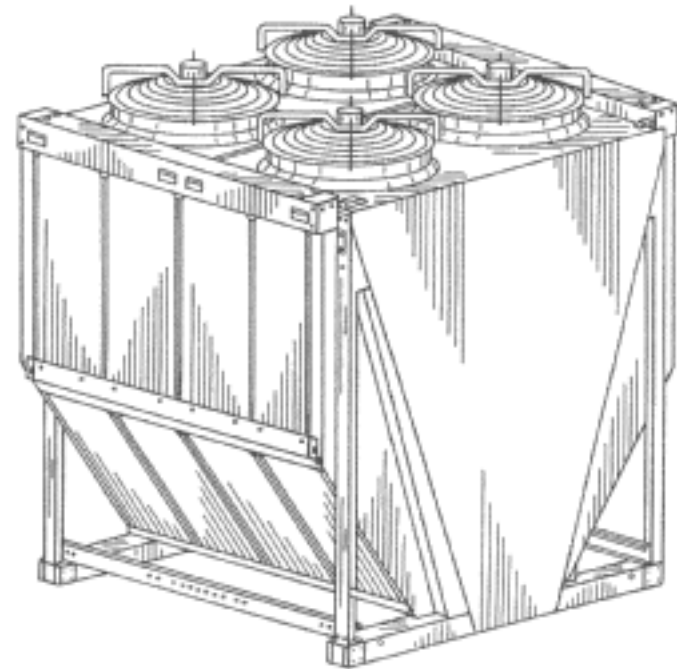
- (21) Design Number: **10617/2012**
(22) Date of Filing Application: **10 February 2012**
(24) Date from which industrial property rights may have effect: **10 February 2012**
(54) Product in respect of which the design is registered: **Timing device**
(51) International Design Classification: **10-03**
(74) Name(s) of Attorney(s):
(71) Name(s) and Address(s) of Applicant(s):
Jacqueline Lesley Shaw
133 Arpenteur Drive Baldivis Western Australia 6171 Australia
(72) Name(s) of Designer(s): **Jacqueline Lesley Shaw and Edward Joseph Khoury**
(45) Registration Date: **02 March 2012**
(56) Related Art Documents: **Not Applicable**
(57) Statement of Newness and Distinctiveness: **Nil**



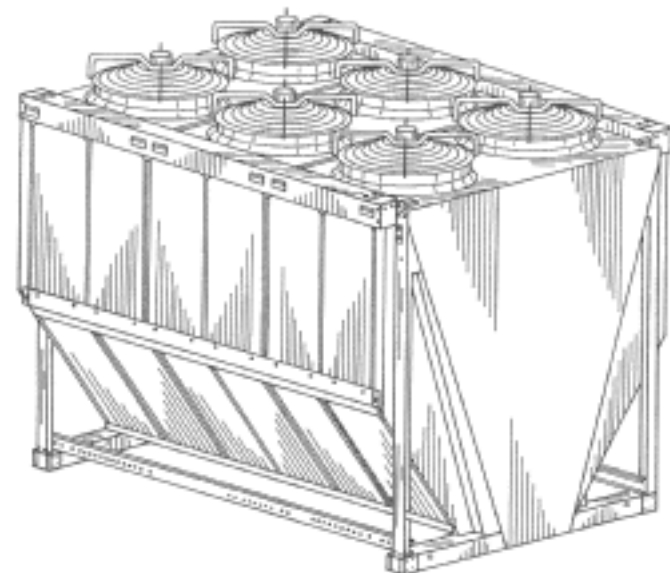
- (21) Design Number: **10618/2012**
(22) Date of Filing Application: **10 February 2012**
(24) Date from which industrial property rights may have effect: **10 February 2012**
(54) Product in respect of which the design is registered: **Heat exchanger**
(51) International Design Classification: **23-03NES**
(74) Name(s) of Attorney(s): **WATERMARK PATENT AND TRADE MARKS ATTORNEYS**
(71) Name(s) and Address(s) of Applicant(s):
A-Heat Allied Heat Exchange Technology AG
Euro Plaza Gebaude G AM Europlatz 2/ Steig 2/6 OG 1120 Wien Austria
(72) Name(s) of Designer(s): **Nicolas Chiaradia**
(45) Registration Date: **02 March 2012**
(30) Convention priority data:
(31) Number (32) Date (33) Country
138402 18 Oct 2011 SWITZERLAND
(56) Related Art Documents: **Not Applicable**
(57) Statement of Newness and Distinctiveness: **Nil**



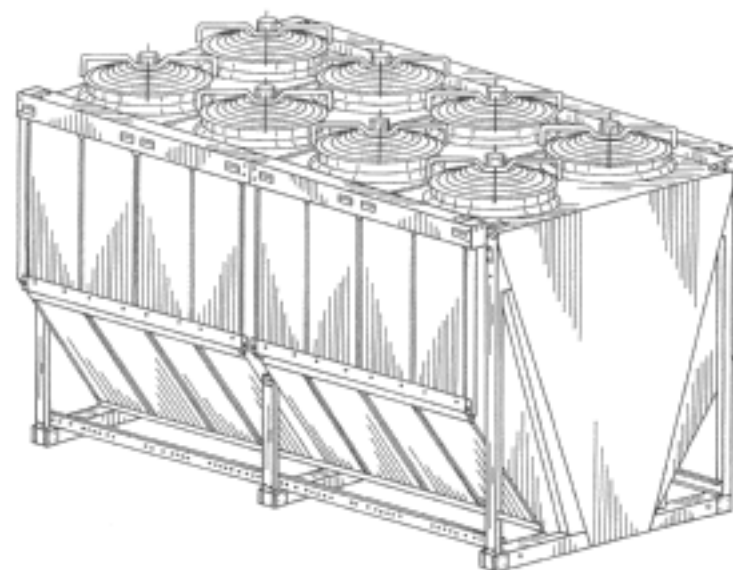
- (21) Design Number: **10619/2012**
(22) Date of Filing Application: **10 February 2012**
(24) Date from which industrial property rights may have effect: **10 February 2012**
(54) Product in respect of which the design is registered: **Heat exchanger**
(51) International Design Classification: **23-03NES**
(74) Name(s) of Attorney(s): **WATERMARK PATENT AND TRADE MARKS ATTORNEYS**
(71) Name(s) and Address(s) of Applicant(s):
A-Heat Allied Heat Exchange Technology AG
Euro Plaza Gebaude G AM Europlatz 2/ Steig 2/6 OG 1120 Wien Austria
(72) Name(s) of Designer(s): **Nicolas Chiaradia**
(45) Registration Date: **02 March 2012**
(30) Convention priority data:
(31) Number (32) Date (33) Country
138402 18 Oct 2011 SWITZERLAND
(56) Related Art Documents: **Not Applicable**
(57) Statement of Newness and Distinctiveness: **Nil**



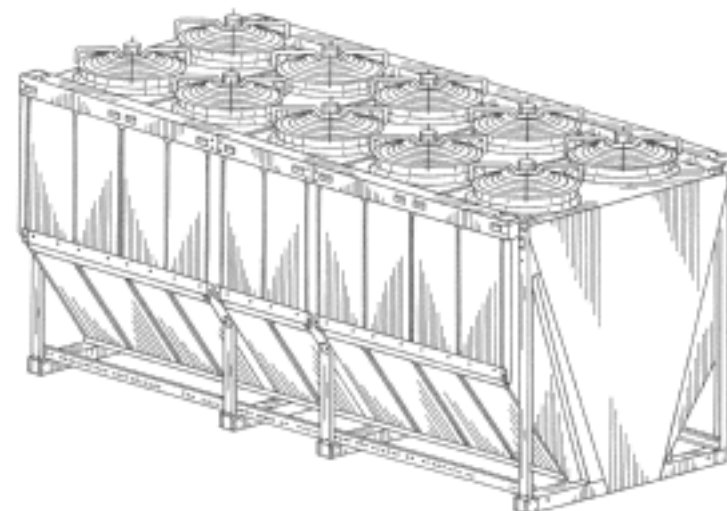
- (21) Design Number: **10620/2012**
(22) Date of Filing Application: **10 February 2012**
(24) Date from which industrial property rights may have effect: **10 February 2012**
(54) Product in respect of which the design is registered: **Heat exchanger**
(51) International Design Classification: **23-03NES**
(74) Name(s) of Attorney(s): **WATERMARK PATENT AND TRADE MARKS ATTORNEYS**
(71) Name(s) and Address(s) of Applicant(s):
A-Heat Allied Heat Exchange Technology AG
Euro Plaza Gebaude G AM Europlatz 2/ Steig 2/6 OG 1120 Wien Austria
(72) Name(s) of Designer(s): **Nicolas Chiaradia**
(45) Registration Date: **02 March 2012**
(30) Convention priority data:
(31) Number (32) Date (33) Country
138402 18 Oct 2011 SWITZERLAND
(56) Related Art Documents: **Not Applicable**
(57) Statement of Newness and Distinctiveness: **Nil**



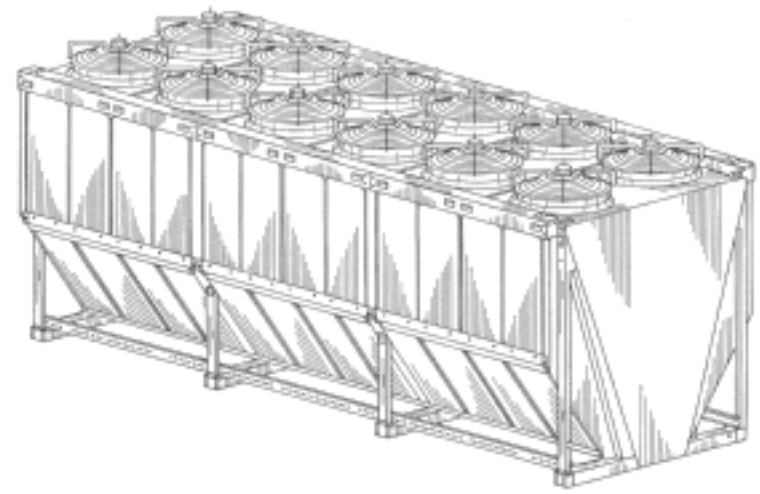
- (21) Design Number: **10621/2012**
(22) Date of Filing Application: **10 February 2012**
(24) Date from which industrial property rights may have effect: **10 February 2012**
(54) Product in respect of which the design is registered: **Heat exchanger**
(51) International Design Classification: **23-03NES**
(74) Name(s) of Attorney(s): **WATERMARK PATENT AND TRADE MARKS ATTORNEYS**
(71) Name(s) and Address(s) of Applicant(s):
A-Heat Allied Heat Exchange Technology AG
Euro Plaza Gebaude G AM Europlatz 2/ Steig 2/6 OG 1120 Wien Austria
(72) Name(s) of Designer(s): **Nicolas Chiaradia**
(45) Registration Date: **02 March 2012**
(30) Convention priority data:
(31) Number (32) Date (33) Country
138402 18 Oct 2011 SWITZERLAND
(56) Related Art Documents: **Not Applicable**
(57) Statement of Newness and Distinctiveness: **Nil**



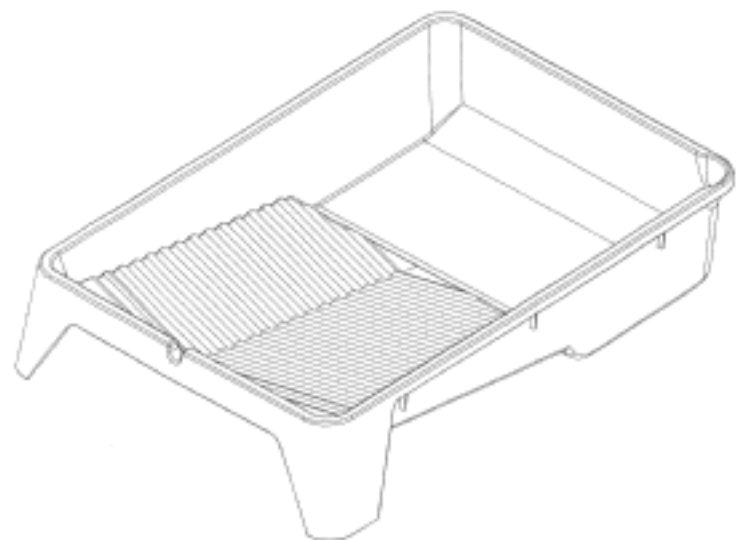
- (21) Design Number: **10622/2012**
(22) Date of Filing Application: **10 February 2012**
(24) Date from which industrial property rights may have effect: **10 February 2012**
(54) Product in respect of which the design is registered: **Heat exchanger**
(51) International Design Classification: **23-03NES**
(74) Name(s) of Attorney(s): **WATERMARK PATENT AND TRADE MARKS ATTORNEYS**
(71) Name(s) and Address(s) of Applicant(s):
A-Heat Allied Heat Exchange Technology AG
Euro Plaza Gebaude G AM Europlatz 2/ Steig 2/6 OG 1120 Wien Austria
(72) Name(s) of Designer(s): **Nicolas Chiaradia**
(45) Registration Date: **02 March 2012**
(30) Convention priority data:
(31) Number (32) Date (33) Country
138402 18 Oct 2011 SWITZERLAND
(56) Related Art Documents: **Not Applicable**
(57) Statement of Newness and Distinctiveness: **Nil**



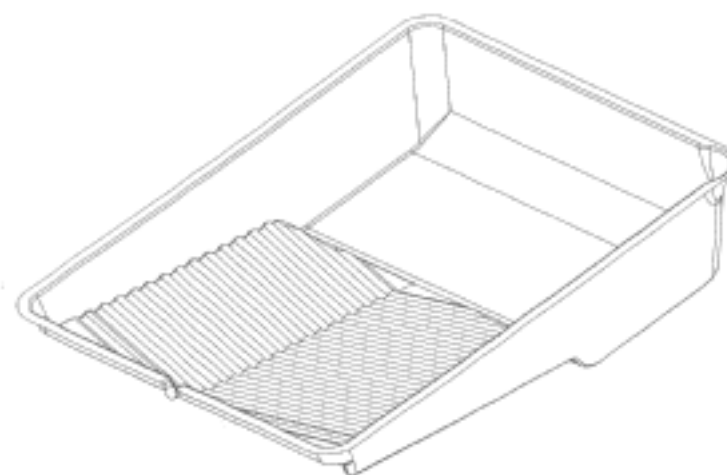
- (21) Design Number: **10623/2012**
(22) Date of Filing Application: **10 February 2012**
(24) Date from which industrial property rights may have effect: **10 February 2012**
(54) Product in respect of which the design is registered: **Heat exchanger**
(51) International Design Classification: **23-03NES**
(74) Name(s) of Attorney(s): **WATERMARK PATENT AND TRADE MARKS ATTORNEYS**
(71) Name(s) and Address(s) of Applicant(s):
A-Heat Allied Heat Exchange Technology AG
Euro Plaza Gebaude G AM Europlatz 2/ Steig 2/6 OG 1120 Wien Austria
(72) Name(s) of Designer(s): **Nicolas Chiaradia**
(45) Registration Date: **02 March 2012**
(30) Convention priority data:
(31) Number (32) Date (33) Country
138402 18 Oct 2011 SWITZERLAND
(56) Related Art Documents: **Not Applicable**
(57) Statement of Newness and Distinctiveness: **Nil**



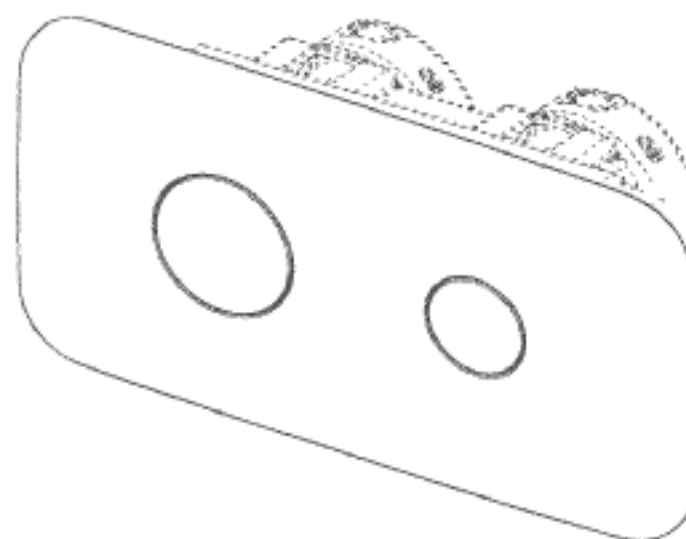
- (21) Design Number: **10625/2012**
(22) Date of Filing Application: **09 February 2012**
(24) Date from which industrial property rights may have effect: **09 February 2012**
(54) Product in respect of which the design is registered: **Paint tray**
(51) International Design Classification: **08-05L**
(74) Name(s) of Attorney(s): **Griffith Hack**
(71) Name(s) and Address(s) of Applicant(s):
UNI-PRO Painting Equipment Pty Ltd
Factory 9/11 144-150 Canterbury Road Kilsyth Victoria 3137 Australia
(72) Name(s) of Designer(s): **Ken Simpson and David Simpson and Ashley Simpson**
(45) Registration Date: **02 March 2012**
(56) Related Art Documents: **Not Applicable**
(57) Statement of Newness and Distinctiveness: **Newness and distinctiveness is claimed in the shape and configuration of the product shown in the representations.**



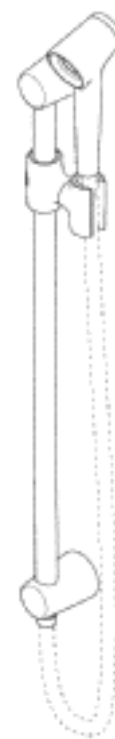
- (21) Design Number: **10626/2012**
(22) Date of Filing Application: **09 February 2012**
(24) Date from which industrial property rights may have effect: **09 February 2012**
(54) Product in respect of which the design is registered: **A paint tray liner**
(51) International Design Classification: **08-05L**
(74) Name(s) of Attorney(s): **Griffith Hack**
(71) Name(s) and Address(s) of Applicant(s):
UNI-PRO Painting Equipment Pty Ltd
Factory 9/11 144-150 Canterbury Road Kilsyth Victoria 3137 Australia
(72) Name(s) of Designer(s): **Ken Simpson and David Simpson and Ashley Simpson**
(45) Registration Date: **02 March 2012**
(56) Related Art Documents: **Not Applicable**
(57) Statement of Newness and Distinctiveness: **Newness and distinctiveness is claimed in the shape and configuration of the product shown in the representations.**



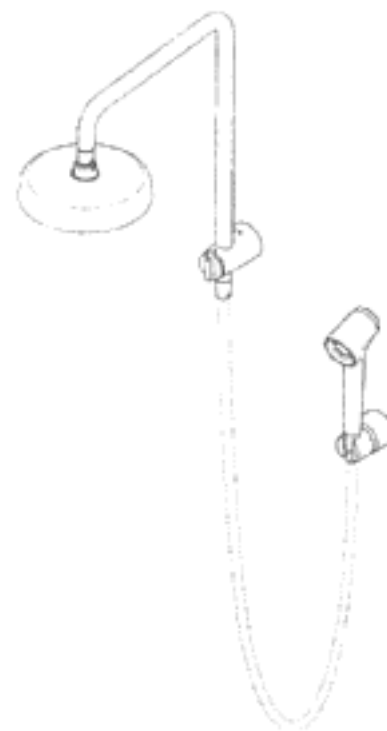
- (21) Design Number: **10628/2012**
(22) Date of Filing Application: **09 February 2012**
(24) Date from which industrial property rights may have effect: **09 February 2012**
(54) Product in respect of which the design is registered: **A cistern flushing buttons assembly**
(51) International Design Classification: **23-02C**
(74) Name(s) of Attorney(s): **SPRUSON & FERGUSON**
(71) Name(s) and Address(s) of Applicant(s):
Caroma Industries Limited
10 Market Street Brisbane Queensland 4000 Australia
(72) Name(s) of Designer(s): **Marc Andrew Newson**
(45) Registration Date: **02 March 2012**
(56) Related Art Documents: **Not Applicable**
(57) Statement of Newness and Distinctiveness: **Newness and distinctiveness is claimed in the features of shape and/or configuration of a cistern flushing buttons assembly as illustrated in solid lines in the accompanying representations.**



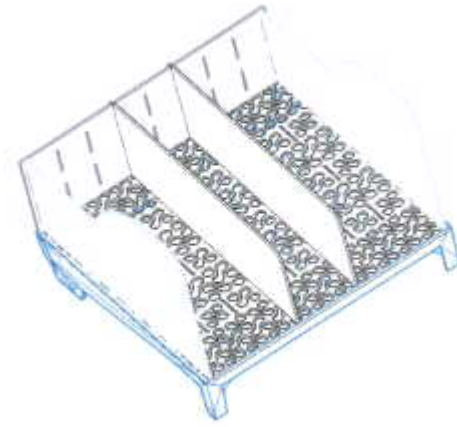
- (21) Design Number: **10629/2012**
(22) Date of Filing Application: **09 February 2012**
(24) Date from which industrial property rights may have effect: **09 February 2012**
(54) Product in respect of which the design is registered: **A shower assembly**
(51) International Design Classification: **23-02B**
(74) Name(s) of Attorney(s): **SPRUSON & FERGUSON**
(71) Name(s) and Address(s) of Applicant(s):
Caroma Industries Limited
10 Market Street Brisbane Queensland 4000 Australia
(72) Name(s) of Designer(s): **Marc Andrew Newson**
(45) Registration Date: **02 March 2012**
(56) Related Art Documents: **Not Applicable**
(57) Statement of Newness and Distinctiveness: **Newness and distinctiveness is claimed in the features of shape and/or configuration of a shower assembly as illustrated in solid lines in the accompanying representations.**



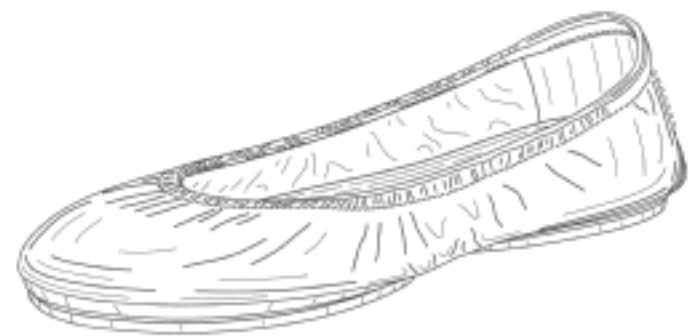
- (21) Design Number: **10630/2012**
(22) Date of Filing Application: **09 February 2012**
(24) Date from which industrial property rights may have effect: **09 February 2012**
(54) Product in respect of which the design is registered: **A shower arrangement**
(51) International Design Classification: **23-02B**
(74) Name(s) of Attorney(s): **SPRUSON & FERGUSON**
(71) Name(s) and Address(s) of Applicant(s):
Caroma Industries Limited
10 Market Street Brisbane Queensland 4000 Australia
(72) Name(s) of Designer(s): **Marc Andrew Newson**
(45) Registration Date: **02 March 2012**
(56) Related Art Documents: **Not Applicable**
(57) Statement of Newness and Distinctiveness: **Newness and distinctiveness is claimed in the features of shape and/or configuration of a shower arrangement as illustrated in solid lines in the accompanying representations.**



(21) Design Number: **10596/2012**
(22) Date of Filing Application: **09 February 2012**
(24) Date from which industrial property rights may have effect: **09 February 2012**
(54) Product in respect of which the design is registered: **Drainer**
(51) International Design Classification: **07-05NES**
(74) Name(s) of Attorney(s): **PIZZEYS**
(71) Name(s) and Address(s) of Applicant(s):
Ruediger Fritz Kopeinig
Miegererstrasse 29/25 Ebenthal 9065 Austria
(72) Name(s) of Designer(s): **Ruediger Fritz Kopeinig**
(45) Registration Date: **05 March 2012**
(30) Convention priority data:
(31) Number (32) Date (33) Country
001903519-0001 11 Aug 2011 EUROPEAN COMMUNITY
(56) Related Art Documents: **Not Applicable**
(57) Statement of Newness and Distinctiveness: **Nil**



(21) Design Number: **10599/2012**
(22) Date of Filing Application: **08 February 2012**
(24) Date from which industrial property rights may have effect: **08 February 2012**
(54) Product in respect of which the design is registered: **Split sole shoe**
(51) International Design Classification: **02-04A**
(74) Name(s) of Attorney(s): **PIZZEYS**
(71) Name(s) and Address(s) of Applicant(s):
Gavrieli Brands, LLC
269 S.Beverly Dr., Suite 1402 Beverly Hills CA 90212 United States of America
(72) Name(s) of Designer(s): **Kfir Gavrieli and Dika Gavrieli**
(45) Registration Date: **05 March 2012**
(30) Convention priority data:
(31) Number (32) Date (33) Country
29/399,222 10 Aug 2011 UNITED STATES OF AMERICA
(56) Related Art Documents: **Not Applicable**
(57) Statement of Newness and Distinctiveness: **Nil**



(21) Design Number: **10600/2012**
(22) Date of Filing Application: **08 February 2012**
(24) Date from which industrial property rights may have effect: **08 February 2012**
(54) Product in respect of which the design is registered: **Confectionery**
(51) International Design Classification: **01-01**
(74) Name(s) of Attorney(s): **Griffith Hack**
(71) Name(s) and Address(s) of Applicant(s):
Cadbury UK Limited
PO Box 12 Bournville Lane Bournville Birmingham West Midlands B30
2LU United Kingdom
(72) Name(s) of Designer(s): **Helen Booden**
(45) Registration Date: **05 March 2012**
(30) Convention priority data:
(31) Number (32) Date (33) Country
001906884-0005 22 Aug 2011 EUROPEAN COMMUNITY
(56) Related Art Documents: **Not Applicable**
(57) Statement of Newness and Distinctiveness: **Nil**



(21) Design Number: **10610/2012**
(22) Date of Filing Application: **09 February 2012**
(24) Date from which industrial property rights may have effect: **09 February 2012**
(54) Product in respect of which the design is registered: **Sofa ensemble**
(51) International Design Classification: **06-01G**
(74) Name(s) of Attorney(s): **Shelston IP**
(71) Name(s) and Address(s) of Applicant(s):
Ekornes ASA
Industrivegen 1 6222 Ikornnes Norway
(72) Name(s) of Designer(s): **Jan Lade**
(45) Registration Date: **05 March 2012**
(30) Convention priority data:
(31) Number (32) Date (33) Country
20110823 24 Oct 2011 NORWAY
(56) Related Art Documents: **Not Applicable**
(57) Statement of Newness and Distinctiveness: **Novelty and distinctiveness reside in the features of shape and/or configuration of a sofa ensemble as illustrated in the representations.**



- (21) Design Number: **10611/2012**
(22) Date of Filing Application: **09 February 2012**
(24) Date from which industrial property rights may have effect: **09 February 2012**
(54) Product in respect of which the design is registered: **Sanitary napkin**
(51) International Design Classification: **24-04**
(74) Name(s) of Attorney(s): **Shelston IP**
(71) Name(s) and Address(s) of Applicant(s):

McNeil-PPC, Inc.
199 Grandview Road Skillman New Jersey 08558 United States of America

- (72) Name(s) of Designer(s): **Fernanda Bruzadin and Manuela Leonel Martines and Fernanda Wiermann Paques and Joana De Oliveira Ferraz Subtil and Steven H. White**

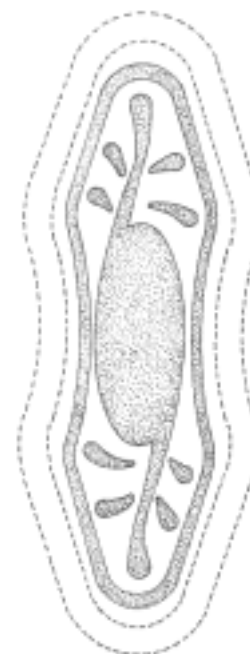
(45) Registration Date: **05 March 2012**

(30) Convention priority data:

(31) Number	(32) Date	(33) Country
29/399345	12 Aug 2011	UNITED STATES OF AMERICA

(56) Related Art Documents: **Not Applicable**

- (57) Statement of Newness and Distinctiveness: **Newness and distinctiveness reside in the visual features shown in solid line of a design for a sanitary napkin as shown in the accompanying representations. Those features in broken line are shown for illustrative purposes only and do not form part of the claimed design.**



- (21) Design Number: **10612/2012**
(22) Date of Filing Application: **09 February 2012**
(24) Date from which industrial property rights may have effect: **09 February 2012**
(54) Product in respect of which the design is registered: **Embossed sanitary napkin**
(51) International Design Classification: **24-04**
(74) Name(s) of Attorney(s): **Shelston IP**
(71) Name(s) and Address(s) of Applicant(s):

McNeil-PPC, Inc.
199 Grandview Road Skillman New Jersey 08558 United States of America

- (72) Name(s) of Designer(s): **Fernanda Bruzadin and Manuela Leonel Martines and Fernanda Wiermann Paques and Joana De Oliveira Ferraz Subtil and Steven H. White**

(45) Registration Date: **05 March 2012**

(30) Convention priority data:

(31) Number	(32) Date	(33) Country
29/399344	12 Aug 2011	UNITED STATES OF AMERICA

(56) Related Art Documents: **Not Applicable**

- (57) Statement of Newness and Distinctiveness: **Newness and distinctiveness reside in the visual features shown in solid line of a design for an embossed sanitary napkin as shown in the accompanying representations. Those features in broken line are shown for illustrative purposes only and do not form part of the claimed design.**

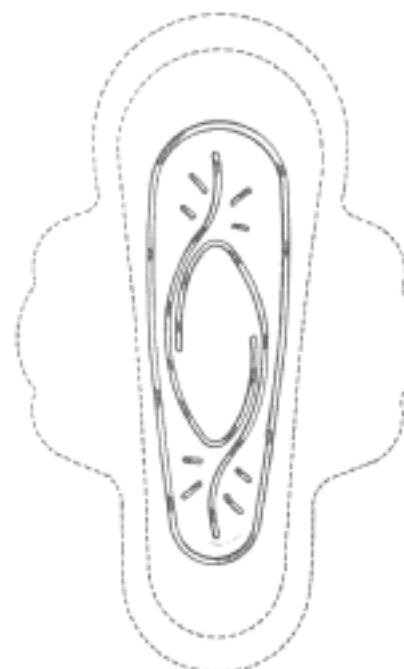


Fig. 1

(21) Design Number: **10613/2012**
(22) Date of Filing Application: **09 February 2012**
(24) Date from which industrial property rights may have effect: **09 February 2012**
(54) Product in respect of which the design is registered: **Sanitary napkin**
(51) International Design Classification: **24-04**
(74) Name(s) of Attorney(s): **Shelston IP**
(71) Name(s) and Address(s) of Applicant(s):

McNeil-PPC, Inc.
199 Grandview Road Skillman New Jersey 08558 United States of America

(72) Name(s) of Designer(s): **Fernanda Wiermann Paques and Joana De Oliveira Ferraz Subtil and Steven H. White**

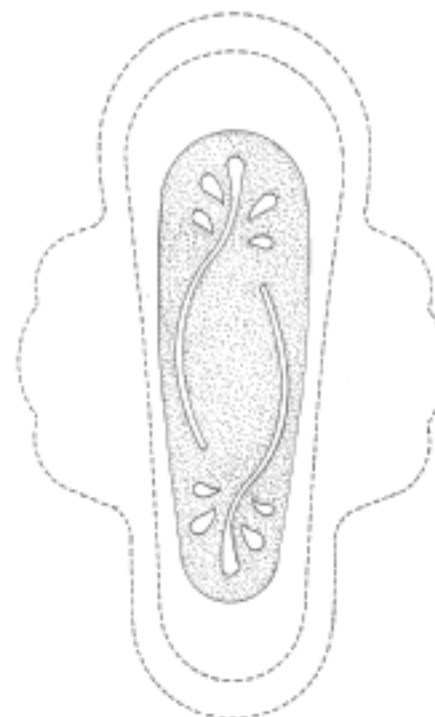
(45) Registration Date: **05 March 2012**

(30) Convention priority data:

(31) Number	(32) Date	(33) Country
29/399341	12 Aug 2011	UNITED STATES OF AMERICA

(56) Related Art Documents: **Not Applicable**

(57) Statement of Newness and Distinctiveness: **Newness and distinctiveness reside in the visual features shown in solid line of a design for a sanitary napkin as shown in the accompanying representations. Those features in broken line are shown for illustrative purposes only and do not form part of the claimed design.**



(21) Design Number: **10614/2012**
(22) Date of Filing Application: **09 February 2012**
(24) Date from which industrial property rights may have effect: **09 February 2012**
(54) Product in respect of which the design is registered: **Sanitary napkin**
(51) International Design Classification: **24-04**
(74) Name(s) of Attorney(s): **Shelston IP**
(71) Name(s) and Address(s) of Applicant(s):

McNeil-PPC, Inc.
199 Grandview Road Skillman New Jersey 08558 United States of America

(72) Name(s) of Designer(s): **Fernanda Wiermann Paques and Joana De Oliveira Ferraz Subtil and Steven H. White**

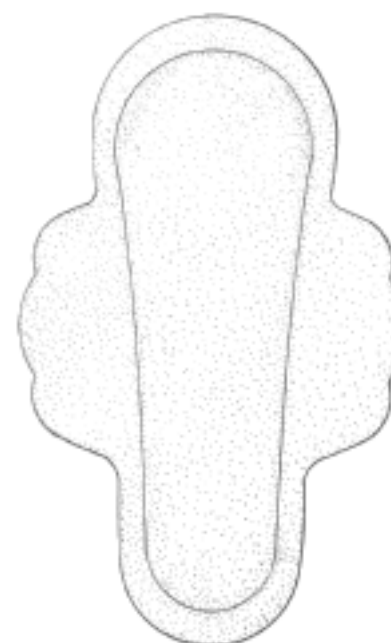
(45) Registration Date: **05 March 2012**

(30) Convention priority data:

(31) Number	(32) Date	(33) Country
29/399347	12 Aug 2011	UNITED STATES OF AMERICA

(56) Related Art Documents: **Not Applicable**

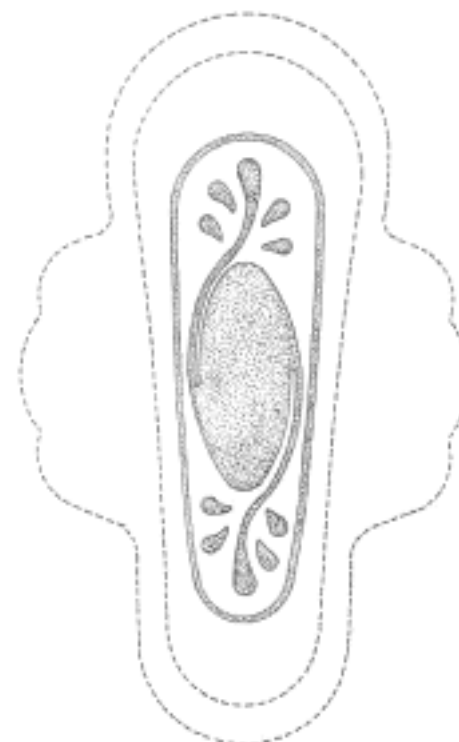
(57) Statement of Newness and Distinctiveness: **Newness and distinctiveness reside in the visual features shown in solid line of a design for a sanitary napkin. Those features shown in broken line are displayed for illustrative purposes only and form no part of the claimed design.**



- (21) Design Number: **10615/2012**
(22) Date of Filing Application: **09 February 2012**
(24) Date from which industrial property rights may have effect: **09 February 2012**
(54) Product in respect of which the design is registered: **Embossed sanitary napkin**
(51) International Design Classification: **24-04**
(74) Name(s) of Attorney(s): **Shelston IP**
(71) Name(s) and Address(s) of Applicant(s):
McNeil-PPC, Inc.
199 Grandview Road Skillman New Jersey 08558 United States of America
(72) Name(s) of Designer(s): **Fernanda Bruzadin and Manuela Leonel Martines and Fernanda Wiermann Paques and Joana De Oliveira Ferraz Subtil and Steven H. White**
(45) Registration Date: **05 March 2012**
(30) Convention priority data:
(31) Number (32) Date (33) Country
29/399346 12 Aug 2011 UNITED STATES OF AMERICA
(56) Related Art Documents: **Not Applicable**
(57) Statement of Newness and Distinctiveness: **Newness and distinctiveness reside in the visual features shown in solid line of a design for an embossed sanitary napkin. Those features shown in broken line are displayed for illustrative purposes only and form no part of the claimed design.**



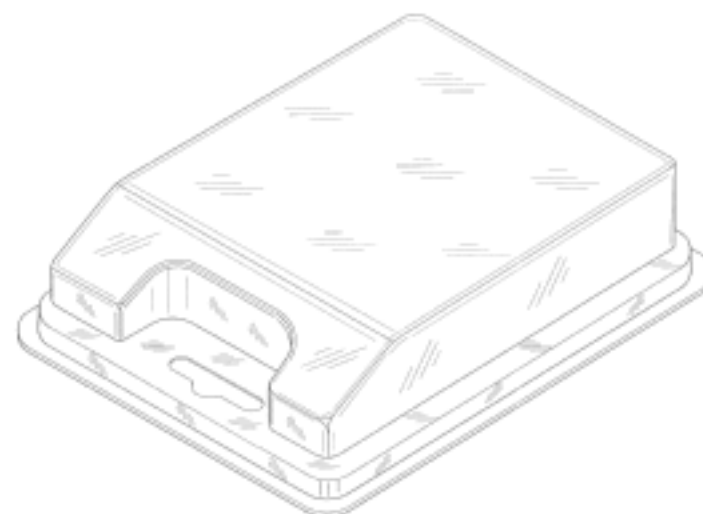
- (21) Design Number: **10616/2012**
(22) Date of Filing Application: **09 February 2012**
(24) Date from which industrial property rights may have effect: **09 February 2012**
(54) Product in respect of which the design is registered: **Embossed sanitary napkin**
(51) International Design Classification: **24-04**
(74) Name(s) of Attorney(s): **Shelston IP**
(71) Name(s) and Address(s) of Applicant(s):
McNeil-PPC, Inc.
199 Grandview Road Skillman New Jersey 08558 United States of America
(72) Name(s) of Designer(s): **Fernanda Bruzadin and Manuela Leonel Martines and Fernanda Wiermann Paques and Joana De Oliveira Ferraz Subtil and Steven H. White**
(45) Registration Date: **05 March 2012**
(30) Convention priority data:
(31) Number (32) Date (33) Country
29/399339 12 Aug 2011 UNITED STATES OF AMERICA
(56) Related Art Documents: **Not Applicable**
(57) Statement of Newness and Distinctiveness: **Newness and distinctiveness reside in the visual features shown in solid line of a design for an embossed sanitary napkin. Those features shown in broken line are displayed for illustrative purposes only and form no part of the claimed design.**



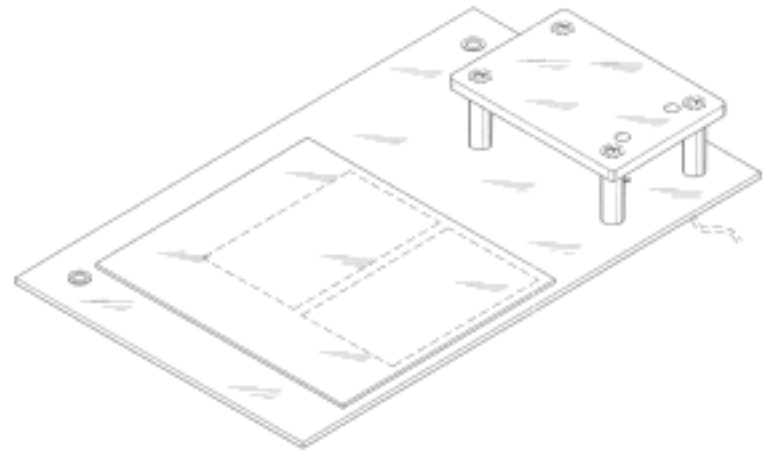
- (21) Design Number: **10650/2012**
(22) Date of Filing Application: **13 February 2012**
(24) Date from which industrial property rights may have effect: **13 February 2012**
(54) Product in respect of which the design is registered: **Trailers**
(51) International Design Classification: **12-10**
(74) Name(s) of Attorney(s):
(71) Name(s) and Address(s) of Applicant(s):
Reginald Leigh Faulkner
2035 Albany Highway Maddington Western Australia 6109 Australia
(72) Name(s) of Designer(s): **Reginald Leigh Faulkner**
(45) Registration Date: **05 March 2012**
(56) Related Art Documents: **Not Applicable**
(57) Statement of Newness and Distinctiveness: **The novelty claimed for the design resides in the shape and configuration of the trailer sides and gates.**



- (21) Design Number: **10651/2012**
(22) Date of Filing Application: **10 February 2012**
(24) Date from which industrial property rights may have effect: **10 February 2012**
(54) Product in respect of which the design is registered: **Display packaging**
(51) International Design Classification: **09-03NES**
(74) Name(s) of Attorney(s): **Griffith Hack**
(71) Name(s) and Address(s) of Applicant(s):
Eighty Eight Investments Pty Ltd
78 Mills Road Braeside Victoria 3195 Australia
(72) Name(s) of Designer(s): **Evan Jones**
(45) Registration Date: **05 March 2012**
(56) Related Art Documents: **Not Applicable**
(57) Statement of Newness and Distinctiveness: **Nil**



(21) Design Number: **10652/2012**
(22) Date of Filing Application: **10 February 2012**
(24) Date from which industrial property rights may have effect: **10 February 2012**
(54) Product in respect of which the design is registered: **Tester for display packaging**
(51) International Design Classification: **10-05**
(74) Name(s) of Attorney(s): **Griffith Hack**
(71) Name(s) and Address(s) of Applicant(s):
Eighty Eight Investments Pty Ltd
78 Mills Road Braeside Victoria 3195 Australia
(72) Name(s) of Designer(s): **Evan Jones**
(45) Registration Date: **05 March 2012**
(56) Related Art Documents: **Not Applicable**
(57) Statement of Newness and Distinctiveness: **Nil**



(21) Design Number: **13847/2011**
(22) Date of Filing Application: **30 August 2011**
(24) Date from which industrial property rights may have effect: **30 August 2011**
(54) Product in respect of which the design is registered: **Espresso machine**
(51) International Design Classification: **07-02L**
(74) Name(s) of Attorney(s): **Freehills Patent & Trade Mark Attorneys**
(71) Name(s) and Address(s) of Applicant(s):
Sunbeam Corporation Limited
Units 5 & 6 13 Lord Street Botany New South Wales 2019 Australia
(72) Name(s) of Designer(s): **Nicholas O'Loughlin**
(45) Registration Date: **05 March 2012**
(56) Related Art Documents: **Not Applicable**
(57) Statement of Newness and Distinctiveness: **Newness and distinctiveness reside in the features of shape and configuration shown in the accompanying representations.**



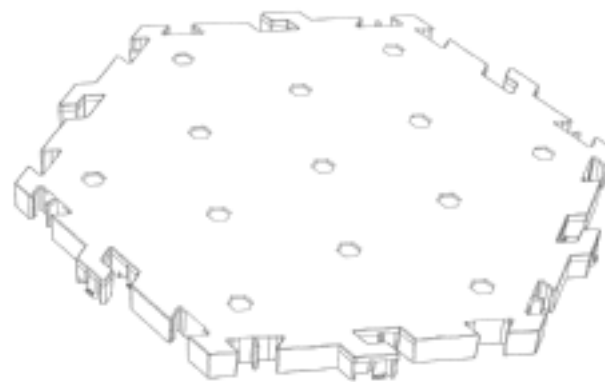
- (21) Design Number: **13848/2011**
(22) Date of Filing Application: **31 August 2011**
(24) Date from which industrial property rights may have effect: **31 August 2011**
(54) Product in respect of which the design is registered: **Bicycle lock**
(51) International Design Classification: **08-07, 14-99**
(74) Name(s) of Attorney(s): **Freehills Patent & Trade Mark Attorneys**
(71) Name(s) and Address(s) of Applicant(s):
Knog Pty Ltd
453 Church Street Richmond Victoria 3121 Australia
(72) Name(s) of Designer(s): **Kynan Taylor and Tim Cannell and Chris Bilanenko and Malcolm McKechnie and Hugo Davidson**
(45) Registration Date: **05 March 2012**
(56) Related Art Documents: **Not Applicable**
(57) Statement of Newness and Distinctiveness: **Nil**



- (21) Design Number: **10334/2012**
(22) Date of Filing Application: **25 January 2012**
(24) Date from which industrial property rights may have effect: **25 January 2012**
(54) Product in respect of which the design is registered: **Aerosol dispenser packaging**
(51) International Design Classification: **09-01A**
(74) Name(s) of Attorney(s): **Davies Collison Cave**
(71) Name(s) and Address(s) of Applicant(s):
Unilever PLC
Unilever House 100 Victoria Embankment London EC4Y 0DY United Kingdom
(72) Name(s) of Designer(s): **Martin-Esteban Garcia**
(45) Registration Date: **05 March 2012**
(30) Convention priority data:
(31) Number (32) Date (33) Country
001900184-0001 03 Aug 2011 EUROPEAN COMMUNITY
(56) Related Art Documents: **Not Applicable**
(57) Statement of Newness and Distinctiveness: **Newness and distinctiveness is claimed in the visual features shown in solid lines in the representations.**



- (21) Design Number: **10647/2012**
(22) Date of Filing Application: **10 February 2012**
(24) Date from which industrial property rights may have effect: **10 February 2012**
(54) Product in respect of which the design is registered: **Toy construction cell component**
(51) International Design Classification: **21-01E**
(74) Name(s) of Attorney(s): **SPRUSON & FERGUSON**
(71) Name(s) and Address(s) of Applicant(s):
Innovation First International, Inc.
1519 Interstate 30 West Greenville Texas 75402 United States of America
(72) Name(s) of Designer(s): **Robert H. Mimlitch III and David A. Norman and Douglas Galletti and Joel Carter and Jeffrey Russell Waegelin and Gregory Needel and Gregory Lavender and Brian Richard Delaney and Christopher Robert Troyak**
(45) Registration Date: **05 March 2012**
(30) Convention priority data:
(31) Number (32) Date (33) Country
29/399268 11 Aug 2011 UNITED STATES OF AMERICA
(56) Related Art Documents: **Not Applicable**
(57) Statement of Newness and Distinctiveness: **Newness and distinctiveness is claimed in the features of shape and/or configuration of a toy construction cell component as illustrated in the accompanying representations.**



- (21) Design Number: **10649/2012**
(22) Date of Filing Application: **10 February 2012**
(24) Date from which industrial property rights may have effect: **10 February 2012**
(54) Product in respect of which the design is registered: **Glove**
(51) International Design Classification: **02-06**
(74) Name(s) of Attorney(s): **Wrays**
(71) Name(s) and Address(s) of Applicant(s):
Gripad USA LLC
999 Willoughby Avenue Brooklyn New York 11221 United States of America
(72) Name(s) of Designer(s): **Roy Eden**
(45) Registration Date: **05 March 2012**
(56) Related Art Documents: **Not Applicable**
(57) Statement of Newness and Distinctiveness: **Newness and distinctiveness is claimed in the features of shape and/or configuration of the Glove depicted in the accompanying representations.**



(21) Design Number: **15883/2011**
(22) Date of Filing Application: **20 December 2011**
(24) Date from which industrial property rights may have effect: **20 December 2011**
(54) Product in respect of which the design is registered: **Shoes**
(51) International Design Classification: **02-04NES**
(74) Name(s) of Attorney(s): **FB Rice**
(71) Name(s) and Address(s) of Applicant(s):

Vibram S.P.A.
Via Cristoforo Colombo 5 I-21041 Albizzate (Varese) Italy

(72) Name(s) of Designer(s): **Marco Bramani and Matteo Conchieri**

(45) Registration Date: **05 March 2012**

(30) Convention priority data:

(31) Number	(32) Date	(33) Country
1881194-0001	21 Jun 2011	EUROPEAN COMMUNITY

(56) Related Art Documents: **Not Applicable**

(57) Statement of Newness and Distinctiveness: **Newness and distinctiveness reside in the features of the design as shown in the representations.**



(21) Design Number: **10645/2012**
(22) Date of Filing Application: **10 February 2012**
(24) Date from which industrial property rights may have effect: **10 February 2012**
(54) Product in respect of which the design is registered: **A wet wipe**
(51) International Design Classification: **05-06NES**
(74) Name(s) of Attorney(s): **SPRUSON & FERGUSON**
(71) Name(s) and Address(s) of Applicant(s):

Kimberly-Clark Worldwide, Inc.
2300 Winchester Road Neenah Wisconsin 54956 United States of America

(72) Name(s) of Designer(s): **Lawrence James Romano III and Lisa LaRae Bushman and Renee Sue Booms**

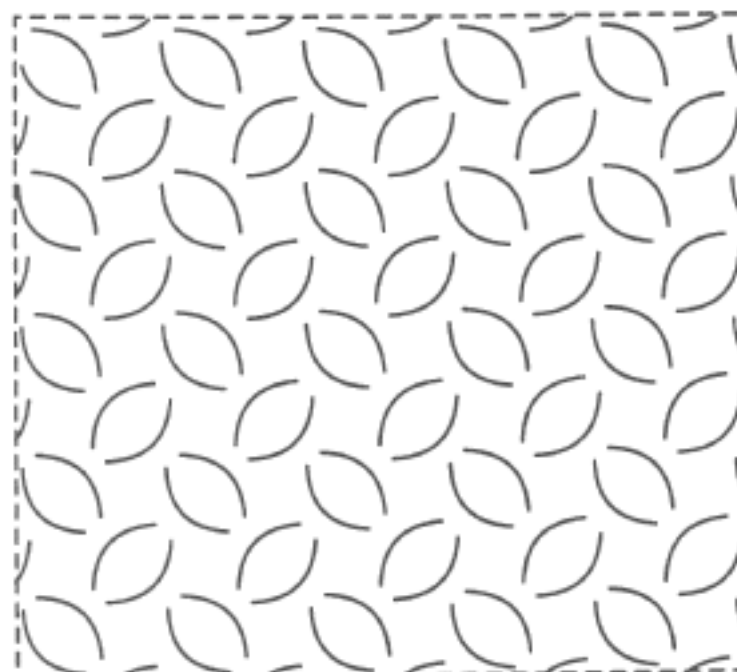
(45) Registration Date: **05 March 2012**

(30) Convention priority data:

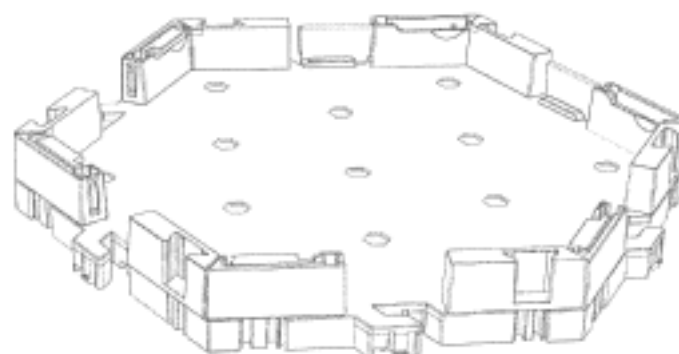
(31) Number	(32) Date	(33) Country
29/401290	09 Sep 2011	UNITED STATES OF AMERICA

(56) Related Art Documents: **Not Applicable**

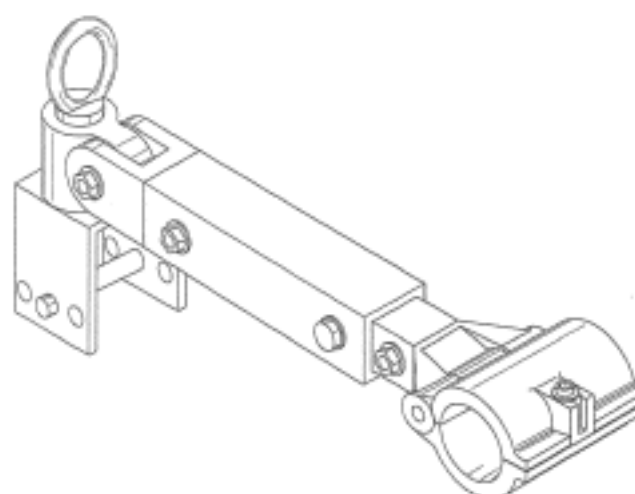
(57) Statement of Newness and Distinctiveness: **Newness and distinctiveness is claimed in the features of pattern and/or ornamentation of a wet wipe as illustrated in the accompanying representations, wherein the wet wipe has a pattern that repeats itself and an element of the pattern is shown bounded by broken lines in the accompanying representations.**



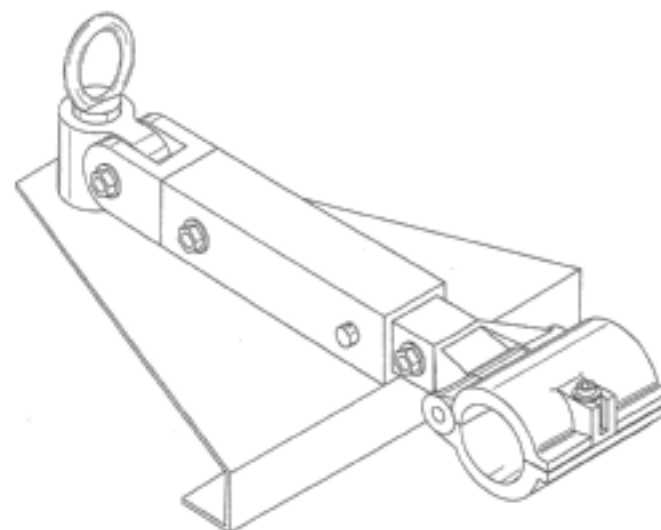
- (21) Design Number: **10646/2012**
(22) Date of Filing Application: **10 February 2012**
(24) Date from which industrial property rights may have effect: **10 February 2012**
(54) Product in respect of which the design is registered: **Toy construction cell component with gates**
(51) International Design Classification: **21-01E**
(74) Name(s) of Attorney(s): **SPRUSON & FERGUSON**
(71) Name(s) and Address(s) of Applicant(s):
Innovation First International, Inc.
1519 Interstate 30 West Greenville Texas 75402 United States of America
(72) Name(s) of Designer(s): **Robert H. Mimplitch III and David A. Norman and Douglas Galletti and Joel Carter and Jeffrey Russell Waegelin and Gregory Needel and Gregory Lavender and Brian Richard Delaney and Christopher Robert Troyak**
(45) Registration Date: **05 March 2012**
(30) Convention priority data:
(31) Number (32) Date (33) Country
29/399269 11 Aug 2011 UNITED STATES OF AMERICA
(56) Related Art Documents: **Not Applicable**
(57) Statement of Newness and Distinctiveness: **Newness and distinctiveness is claimed in the features of shape and/or configuration of a toy construction cell component with gates as illustrated in the accompanying representations.**



- (21) Design Number: **15993/2011**
(22) Date of Filing Application: **23 December 2011**
(24) Date from which industrial property rights may have effect: **23 December 2011**
(54) Product in respect of which the design is registered: **Ladder stabiliser**
(51) International Design Classification: **25-04**
(74) Name(s) of Attorney(s): **Davies Collison Cave**
(71) Name(s) and Address(s) of Applicant(s):
Ryan James Clarkson
PO Box 6883 Baulkham Hills New South Wales 2153 Australia
(72) Name(s) of Designer(s): **Ryan James Clarkson**
(45) Registration Date: **06 March 2012**
(56) Related Art Documents: **Not Applicable**
(57) Statement of Newness and Distinctiveness: **Newness and distinctiveness is claimed in the visual features shown in solid lines in the representations.**



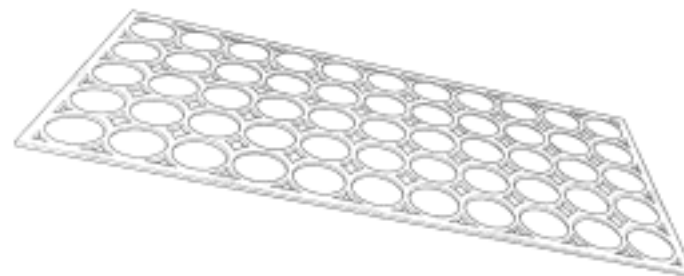
- (21) Design Number: **15994/2011**
(22) Date of Filing Application: **23 December 2011**
(24) Date from which industrial property rights may have effect: **23 December 2011**
(54) Product in respect of which the design is registered: **Ladder stabiliser**
(51) International Design Classification: **25-04**
(74) Name(s) of Attorney(s): **Davies Collison Cave**
(71) Name(s) and Address(s) of Applicant(s):
Ryan James Clarkson
PO Box 6883 Baulkham Hills New South Wales 2153 Australia
(72) Name(s) of Designer(s): **Ryan James Clarkson**
(45) Registration Date: **06 March 2012**
(56) Related Art Documents: **Not Applicable**
(57) Statement of Newness and Distinctiveness: **Newness and distinctiveness is claimed in the visual features shown in solid lines in the representations.**



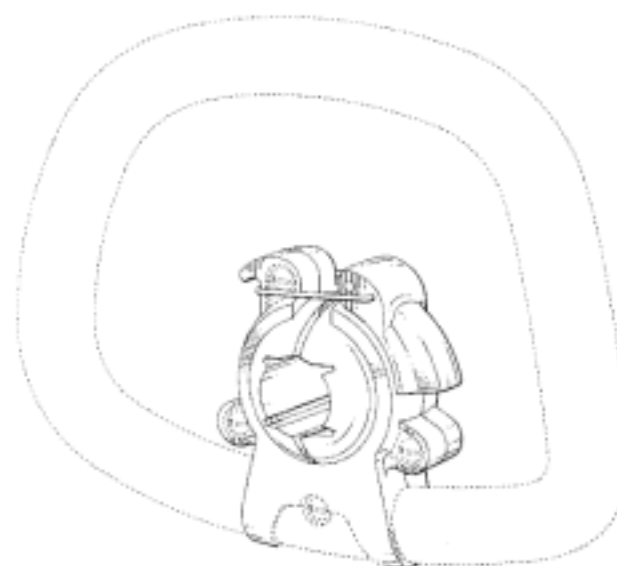
- (21) Design Number: **10658/2012**
(22) Date of Filing Application: **13 February 2012**
(24) Date from which industrial property rights may have effect: **13 February 2012**
(54) Product in respect of which the design is registered: **Vacuum cleaner**
(51) International Design Classification: **15-05**
(74) Name(s) of Attorney(s): **Anderson Taylor & Associates**
(71) Name(s) and Address(s) of Applicant(s):
Grey Technology Limited
Cupola Court Spetchley Worcestershire WR5 1RL England United Kingdom
(72) Name(s) of Designer(s): **Nicholas Gerald Grey and Christopher Vagg**
(45) Registration Date: **06 March 2012**
(56) Related Art Documents: **Not Applicable**
(57) Statement of Newness and Distinctiveness: **The particular visual features which are new and distinctive are shape and configuration.**



- (21) Design Number: **10659/2012**
(22) Date of Filing Application: **13 February 2012**
(24) Date from which industrial property rights may have effect: **13 February 2012**
(54) Product in respect of which the design is registered: **Concrete reinforcing mesh**
(51) International Design Classification: **25-02C**
(74) Name(s) of Attorney(s): **Collison & Co**
(71) Name(s) and Address(s) of Applicant(s):
Charlie Martelli
73 Florence Terrace Rosewater South Australia 5013 Australia
(72) Name(s) of Designer(s): **Charlie Martelli**
(45) Registration Date: **06 March 2012**
(56) Related Art Documents: **Not Applicable**
(57) Statement of Newness and Distinctiveness: **Newness and distinctiveness resides in the shape and/or configuration of the concrete reinforcing mesh as illustrated in the accompanying representations.**



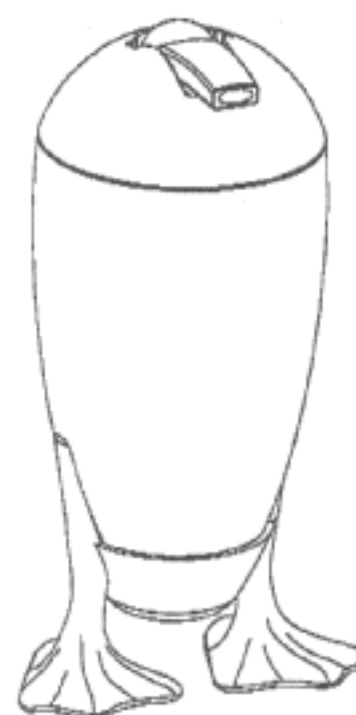
- (21) Design Number: **10660/2012**
(22) Date of Filing Application: **13 February 2012**
(24) Date from which industrial property rights may have effect: **13 February 2012**
(54) Product in respect of which the design is registered: **Ball handle for a handheld tool**
(51) International Design Classification: **08-06**
(74) Name(s) of Attorney(s): **Griffith Hack**
(71) Name(s) and Address(s) of Applicant(s):
MTD Products Inc
5903 Grafton Road Valley City OH 44280 United States of America
(72) Name(s) of Designer(s): **Benjamin Edwin Vierck**
(45) Registration Date: **06 March 2012**
(30) Convention priority data:
(31) Number (32) Date (33) Country
29/400,343 26 Aug 2011 UNITED STATES OF AMERICA
(56) Related Art Documents: **Not Applicable**
(57) Statement of Newness and Distinctiveness: **The shape, configuration and ornamentation of the BALL HANDLE as illustrated in solid lines in the representations is new and distinctive. Any broken lines in the drawings are for illustrative purposes only and form no part of the claimed design.**



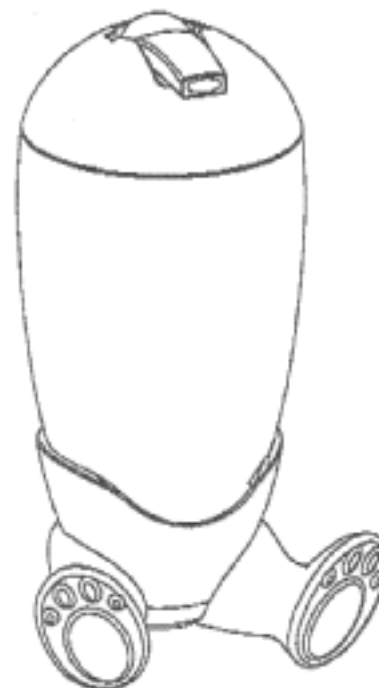
- (21) Design Number: **10661/2012**
(22) Date of Filing Application: **11 February 2012**
(24) Date from which industrial property rights may have effect: **11 February 2012**
(54) Product in respect of which the design is registered: **Food or drink containers including bottles, sippers, bowls and travel snackers**
(51) International Design Classification: **07-01NES, 09-01NES, 07-01B**
(74) Name(s) of Attorney(s): **EKM patent & trade marks**
(71) Name(s) and Address(s) of Applicant(s):
Smash Asset Management Pty Ltd
33 Redland Drive Mitcham Victoria 3132 Australia
(72) Name(s) of Designer(s): **Adam Laracy**
(45) Registration Date: **06 March 2012**
(56) Related Art Documents: **Not Applicable**
(57) Statement of Newness and Distinctiveness: **Newness and distinctiveness resides in the common shape of the feet of and between the various products as shown in the accompanying representations.**



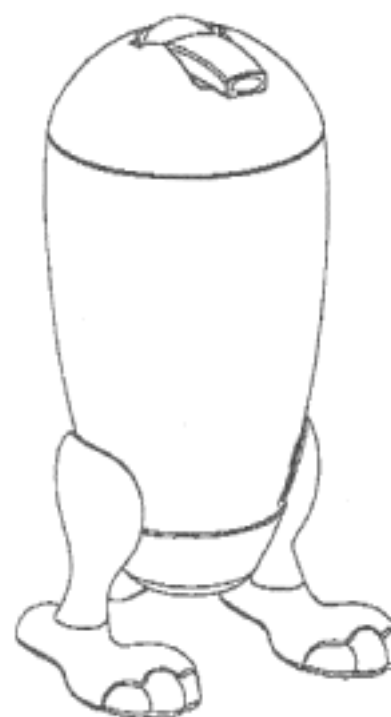
- (21) Design Number: **10662/2012**
(22) Date of Filing Application: **11 February 2012**
(24) Date from which industrial property rights may have effect: **11 February 2012**
(54) Product in respect of which the design is registered: **Food or drink containers including bottles, sippers, bowls, and travel snackers**
(51) International Design Classification: **07-01NES, 09-01NES, 07-01B**
(74) Name(s) of Attorney(s): **EKM patent & trade marks**
(71) Name(s) and Address(s) of Applicant(s):
Smash Asset Management Pty Ltd
33 Redland Drive Mitcham Victoria 3132 Australia
(72) Name(s) of Designer(s): **Adam Laracy**
(45) Registration Date: **06 March 2012**
(56) Related Art Documents: **Not Applicable**
(57) Statement of Newness and Distinctiveness: **Newness and distinctiveness resides in the common shape of the feet of and between the various products as shown in the accompanying representations.**



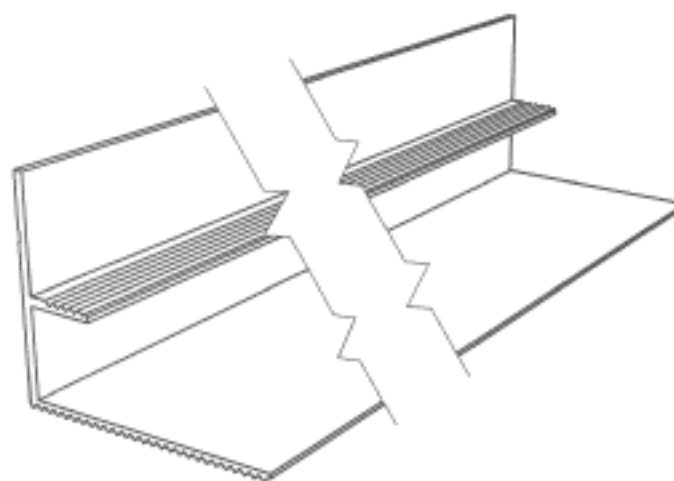
- (21) Design Number: **10663/2012**
(22) Date of Filing Application: **11 February 2012**
(24) Date from which industrial property rights may have effect: **11 February 2012**
(54) Product in respect of which the design is registered: **Food or drink containers including bottles, sippers, bowls and travel snackers**
(51) International Design Classification: **07-01NES, 09-01NES, 07-01B**
(74) Name(s) of Attorney(s): **EKM patent & trade marks**
(71) Name(s) and Address(s) of Applicant(s):
Smash Asset Management Pty Ltd
33 Redland Drive Mitcham Victoria 3132 Australia
(72) Name(s) of Designer(s): **Adam Laracy**
(45) Registration Date: **06 March 2012**
(56) Related Art Documents: **Not Applicable**
(57) Statement of Newness and Distinctiveness: **Newness and distinctiveness resides in the common shape of the feet and legs of and between the various products as shown in the accompanying representations.**



- (21) Design Number: **10664/2012**
(22) Date of Filing Application: **11 February 2012**
(24) Date from which industrial property rights may have effect: **11 February 2012**
(54) Product in respect of which the design is registered: **Food or drink containers including bottles, sippers, bowls and travel snackers**
(51) International Design Classification: **07-01NES, 09-01NES, 07-01B**
(74) Name(s) of Attorney(s): **EKM patent & trade marks**
(71) Name(s) and Address(s) of Applicant(s):
Smash Asset Management Pty Ltd
33 Redland Drive Mitcham Victoria 3132 Australia
(72) Name(s) of Designer(s): **Adam Laracy**
(45) Registration Date: **06 March 2012**
(56) Related Art Documents: **Not Applicable**
(57) Statement of Newness and Distinctiveness: **Newness and distinctiveness resides in the common shape of the feet of and between the various products as shown in the accompanying representations.**



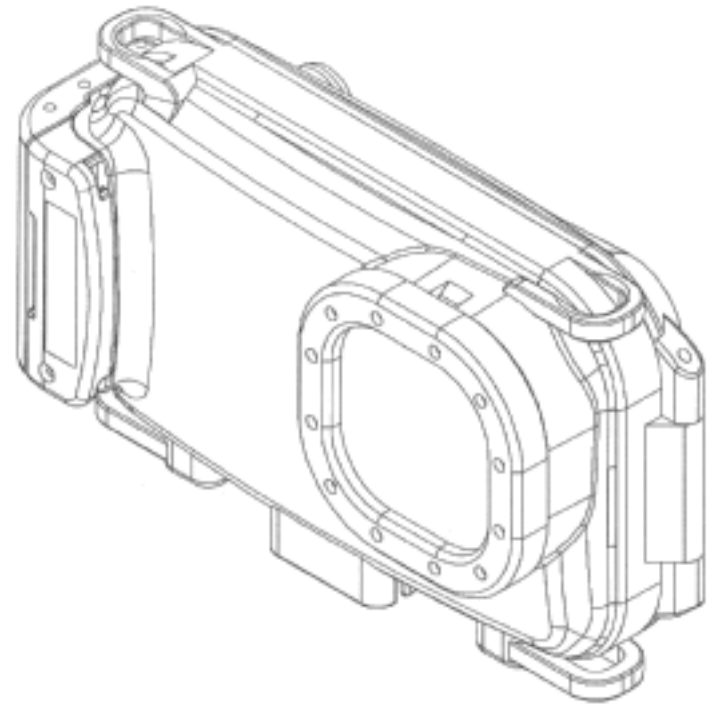
- (21) Design Number: **10675/2012**
(22) Date of Filing Application: **13 February 2012**
(24) Date from which industrial property rights may have effect: **13 February 2012**
(54) Product in respect of which the design is registered: **Solar module mounting bracket**
(51) International Design Classification: **08-08L**
(74) Name(s) of Attorney(s): **Fisher Adams Kelly**
(71) Name(s) and Address(s) of Applicant(s):
Blue Sun Group Pty Ltd
Unit 1 68 Northlink Place Virginia Queensland 4014 Australia
(72) Name(s) of Designer(s): **Geoff Baldwin**
(45) Registration Date: **06 March 2012**
(56) Related Art Documents: **Not Applicable**
(57) Statement of Newness and Distinctiveness: **The newness and distinctiveness of the design resides in the shape and/or configuration of the solar module mounting bracket of indefinite length shown in the representations.**



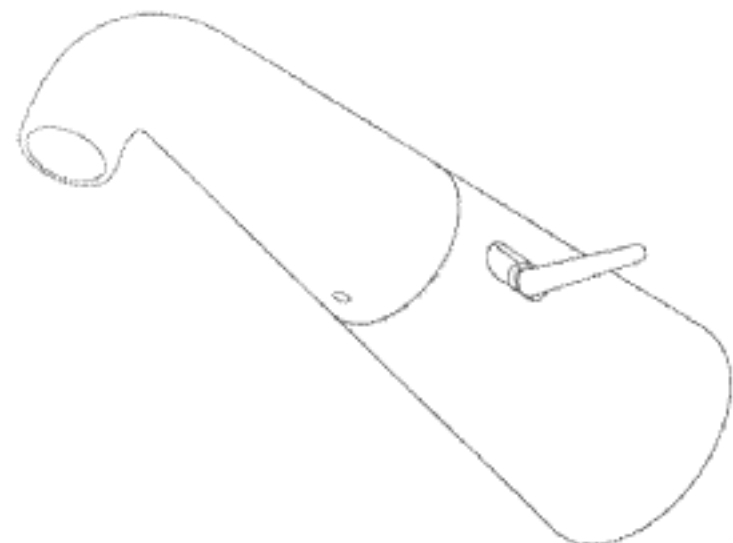
- (21) Design Number: **10676/2012**
(22) Date of Filing Application: **13 February 2012**
(24) Date from which industrial property rights may have effect: **13 February 2012**
(54) Product in respect of which the design is registered: **Receptacle with dispenser**
(51) International Design Classification: **09-03NES**
(74) Name(s) of Attorney(s): **Fisher Adams Kelly**
(71) Name(s) and Address(s) of Applicant(s):
Frank Fortunato Morabito
4 Karu Court Bundoora Victoria 3083 Australia
Giuseppe Cellini
16 Swindon Court Lalor Victoria 3075 Australia
(72) Name(s) of Designer(s): **Frank Fortunato Morabito and Giuseppe Cellini**
(45) Registration Date: **06 March 2012**
(56) Related Art Documents: **Not Applicable**
(57) Statement of Newness and Distinctiveness: **The newness and distinctiveness of the design resides in the shape and configuration of the receptacle with dispenser shown in the accompanying representations.**



- (21) Design Number: **10767/2012**
(22) Date of Filing Application: **18 February 2012**
(24) Date from which industrial property rights may have effect: **18 February 2012**
(54) Product in respect of which the design is registered: **Waterproof case for smart phone with camera**
(51) International Design Classification: **03-01NES**
(74) Name(s) of Attorney(s):
(71) Name(s) and Address(s) of Applicant(s):
Zear Corporation Limited
6B Valiant Industrial Centre 2-12 Au Pui Wan Steet Fotan Shatin New Territories Hong Kong
(72) Name(s) of Designer(s): **Man Fong Chu**
(45) Registration Date: **07 March 2012**
(56) Related Art Documents: **Not Applicable**
(57) Statement of Newness and Distinctiveness: **Nil**



- (21) Design Number: **10636/2012**
(22) Date of Filing Application: **09 February 2012**
(24) Date from which industrial property rights may have effect: **09 February 2012**
(54) Product in respect of which the design is registered: **A mixer tap**
(51) International Design Classification: **23-01H**
(74) Name(s) of Attorney(s): **SPRUSON & FERGUSON**
(71) Name(s) and Address(s) of Applicant(s):
Caroma Industries Limited
10 Market Street Brisbane Queensland 4000 Australia
(72) Name(s) of Designer(s): **Marc Andrew Newson**
(45) Registration Date: **07 March 2012**
(56) Related Art Documents: **Not Applicable**
(57) Statement of Newness and Distinctiveness: **Newness and distinctiveness is claimed in the features of shape and/or configuration of a mixer tap as illustrated in the accompanying representations.**



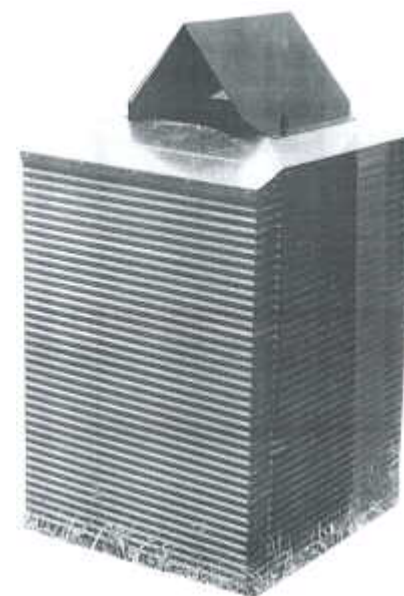
- (21) Design Number: **15998/2011**
(22) Date of Filing Application: **23 December 2011**
(24) Date from which industrial property rights may have effect: **23 December 2011**
(54) Product in respect of which the design is registered: **Cartridge spray gun**
(51) International Design Classification: **08-05L**
(74) Name(s) of Attorney(s): **SPRUSON & FERGUSON**
(71) Name(s) and Address(s) of Applicant(s):
SATA GmbH & Co. KG
Domertalstr. 20 70806 Kornwestheim Germany
(72) Name(s) of Designer(s): **Jens Brose and Peter Dettlaff and Ewald Schmon**
(45) Registration Date: **07 March 2012**
(30) Convention priority data:
(31) Number (32) Date (33) Country
40 2011003344.5 30 Jun 2011 GERMANY
(56) Related Art Documents: **Not Applicable**
(57) Statement of Newness and Distinctiveness: **Newness and distinctiveness is claimed in the features of shape and/or configuration of a recessed region between the trigger and the outlet of a cartridge spray gun as illustrated in the accompanying representations.**



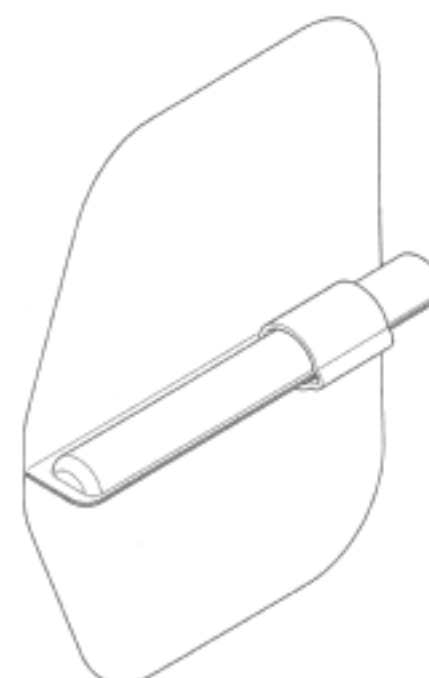
- (21) Design Number: **15997/2011**
(22) Date of Filing Application: **23 December 2011**
(24) Date from which industrial property rights may have effect: **23 December 2011**
(54) Product in respect of which the design is registered: **Cartridge spray gun**
(51) International Design Classification: **08-05L**
(74) Name(s) of Attorney(s): **SPRUSON & FERGUSON**
(71) Name(s) and Address(s) of Applicant(s):
SATA GmbH & Co. KG
Domertalstr. 20 70806 Kornwestheim Germany
(72) Name(s) of Designer(s): **Jens Brose and Peter Dettlaff and Ewald Schmon**
(45) Registration Date: **07 March 2012**
(30) Convention priority data:
(31) Number (32) Date (33) Country
40 2011003344.5 30 Jun 2011 GERMANY
(56) Related Art Documents: **Not Applicable**
(57) Statement of Newness and Distinctiveness: **Newness and distinctiveness is claimed in the features of shape and/or configuration of a recessed region between the trigger and the outlet of a cartridge spray gun as illustrated in the accompanying representations.**



- (21) Design Number: **10738/2012**
(22) Date of Filing Application: **17 February 2012**
(24) Date from which industrial property rights may have effect: **17 February 2012**
(54) Product in respect of which the design is registered: **Wheelie bin enclosure**
(51) International Design Classification: **09-09**
(74) Name(s) of Attorney(s):
(71) Name(s) and Address(s) of Applicant(s):
Russell James Ogilvie Hall
18 Lucy Street Moorooka Queensland 4105 Australia
Ripple Iron Pty Ltd
21 Ellen Street Moorooka Queensland 4105 Australia
(72) Name(s) of Designer(s): **Russell Hall**
(45) Registration Date: **07 March 2012**
(56) Related Art Documents: **Not Applicable**
(57) Statement of Newness and Distinctiveness: **1 Monologue construction. 2 Door & body closure. 3 Rippled material.**



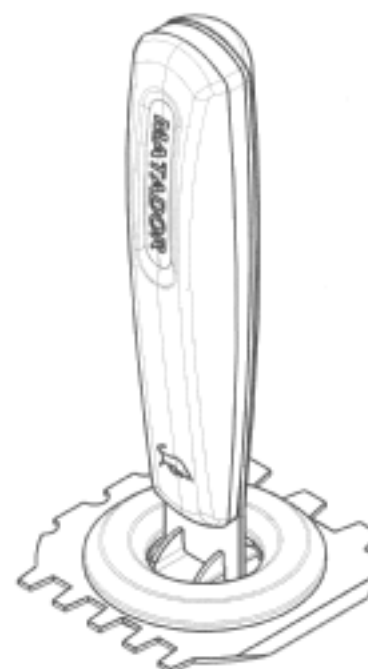
- (21) Design Number: **10540/2012**
(22) Date of Filing Application: **03 February 2012**
(24) Date from which industrial property rights may have effect: **03 February 2012**
(54) Product in respect of which the design is registered: **Sampling and testing device**
(51) International Design Classification: **24-02**
(74) Name(s) of Attorney(s): **FB Rice**
(71) Name(s) and Address(s) of Applicant(s):
Respirio Pty Ltd
1/21 Windorah Street Stafford Queensland 4053 Australia
(72) Name(s) of Designer(s): **Parsons Sean Andrew and Steven David Dahl and Jennifer Maschmann and Kon Euan Gerard Wong and Stephen Robert Wilson and Tim Ian Spink**
(45) Registration Date: **07 March 2012**
(56) Related Art Documents: **Not Applicable**
(57) Statement of Newness and Distinctiveness: **Newness and distinctiveness reside in the features of shape and configuration of the sampling and testing device as shown in the representations.**



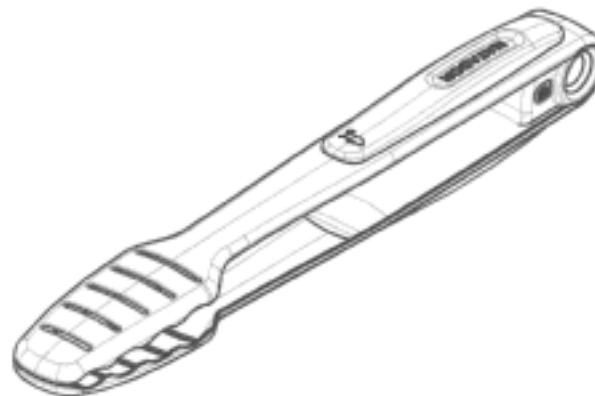
- (21) Design Number: **10667/2012**
(22) Date of Filing Application: **14 February 2012**
(24) Date from which industrial property rights may have effect: **14 February 2012**
(54) Product in respect of which the design is registered: **Grill ring**
(51) International Design Classification: **07-02E, 07-02P**
(74) Name(s) of Attorney(s):
(71) Name(s) and Address(s) of Applicant(s):
Mayo Hardware Pty Ltd
34 Morley Avenue Rosebery New South Wales 2018 Australia
(72) Name(s) of Designer(s): **Barry Crone**
(45) Registration Date: **08 March 2012**
(56) Related Art Documents: **Not Applicable**
(57) Statement of Newness and Distinctiveness: **Stainless steel round grill ring with spike insert.**



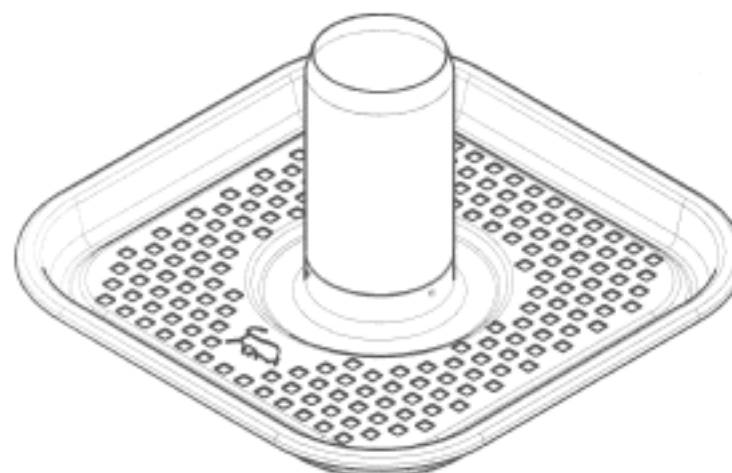
- (21) Design Number: **10668/2012**
(22) Date of Filing Application: **14 February 2012**
(24) Date from which industrial property rights may have effect: **14 February 2012**
(54) Product in respect of which the design is registered: **Grill rake**
(51) International Design Classification: **07-02E, 07-04**
(74) Name(s) of Attorney(s):
(71) Name(s) and Address(s) of Applicant(s):
Mayo Hardware Pty Ltd
34 Morley Avenue Rosebery New South Wales 2018 Australia
(72) Name(s) of Designer(s): **Barry Crone**
(45) Registration Date: **08 March 2012**
(56) Related Art Documents: **Not Applicable**
(57) Statement of Newness and Distinctiveness: **Three side rake, One side scraper.**



- (21) Design Number: **10669/2012**
(22) Date of Filing Application: **14 February 2012**
(24) Date from which industrial property rights may have effect: **14 February 2012**
(54) Product in respect of which the design is registered: **BBQ tongs with push lock**
(51) International Design Classification: **07-02E, 07-04**
(74) Name(s) of Attorney(s):
(71) Name(s) and Address(s) of Applicant(s):
Mayo Hardware Pty Ltd
34 Morley Avenue Rosebery New South Wales 2018 Australia
(72) Name(s) of Designer(s): **Barry Crone and Rosemary Murphy**
(45) Registration Date: **08 March 2012**
(56) Related Art Documents: **Not Applicable**
(57) Statement of Newness and Distinctiveness: **Push lock feature, soft grip handle.**



- (21) Design Number: **10670/2012**
(22) Date of Filing Application: **14 February 2012**
(24) Date from which industrial property rights may have effect: **14 February 2012**
(54) Product in respect of which the design is registered: **Chicken can roaster**
(51) International Design Classification: **07-02N**
(74) Name(s) of Attorney(s):
(71) Name(s) and Address(s) of Applicant(s):
Mayo Hardware Pty Ltd
34 Morley Avenue Rosebery New South Wales 2018 Australia
(72) Name(s) of Designer(s): **Barry Crone**
(45) Registration Date: **08 March 2012**
(56) Related Art Documents: **Not Applicable**
(57) Statement of Newness and Distinctiveness: **Stainless steel tray, with built in juice catcher, can holder with twist lock feature.**



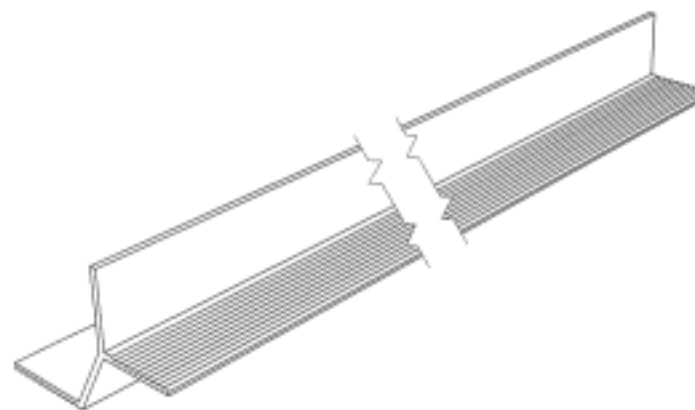
- (21) Design Number: **10671/2012**
(22) Date of Filing Application: **14 February 2012**
(24) Date from which industrial property rights may have effect: **14 February 2012**
(54) Product in respect of which the design is registered: **Grill brush**
(51) International Design Classification: **04-01**
(74) Name(s) of Attorney(s):
(71) Name(s) and Address(s) of Applicant(s):
Mayo Hardware Pty Ltd
34 Morley Avenue Rosebery New South Wales 2018 Australia
(72) Name(s) of Designer(s): **Barry Crone**
(45) Registration Date: **08 March 2012**
(56) Related Art Documents: **Not Applicable**
(57) Statement of Newness and Distinctiveness: **Stainless steel frame,**
removable grill brush head.



- (21) Design Number: **10672/2012**
(22) Date of Filing Application: **14 February 2012**
(24) Date from which industrial property rights may have effect: **14 February 2012**
(54) Product in respect of which the design is registered: **BBQ spatula**
(51) International Design Classification: **07-04**
(74) Name(s) of Attorney(s):
(71) Name(s) and Address(s) of Applicant(s):
Mayo Hardware Pty Ltd
34 Morley Avenue Rosebery New South Wales 2018 Australia
(72) Name(s) of Designer(s): **Rosemary Murphy and Barry Crone**
(45) Registration Date: **08 March 2012**
(56) Related Art Documents: **Not Applicable**
(57) Statement of Newness and Distinctiveness: **Wide angle blade, bottle opener**
in handle, built in stand.



- (21) Design Number: **10674/2012**
(22) Date of Filing Application: **13 February 2012**
(24) Date from which industrial property rights may have effect: **13 February 2012**
(54) Product in respect of which the design is registered: **Solar module mounting bracket**
(51) International Design Classification: **08-08L**
(74) Name(s) of Attorney(s): **Fisher Adams Kelly**
(71) Name(s) and Address(s) of Applicant(s):
Blue Sun Group Pty Ltd
Unit 1 68 Northlink Place Virginia Queensland 4014 Australia
(72) Name(s) of Designer(s): **Geoff Baldwin and Brendon John Shaw**
(45) Registration Date: **08 March 2012**
(56) Related Art Documents: **Not Applicable**
(57) Statement of Newness and Distinctiveness: **The newness and distinctiveness of the design resides in the shape and/or configuration of the solar module mounting bracket of indefinite length shown in the representations. On the end view the angle formed where the inclined wall and the lower ridged wall meet is shown as a preferred 120 degrees but may vary plus or minus by about 20 degrees.**



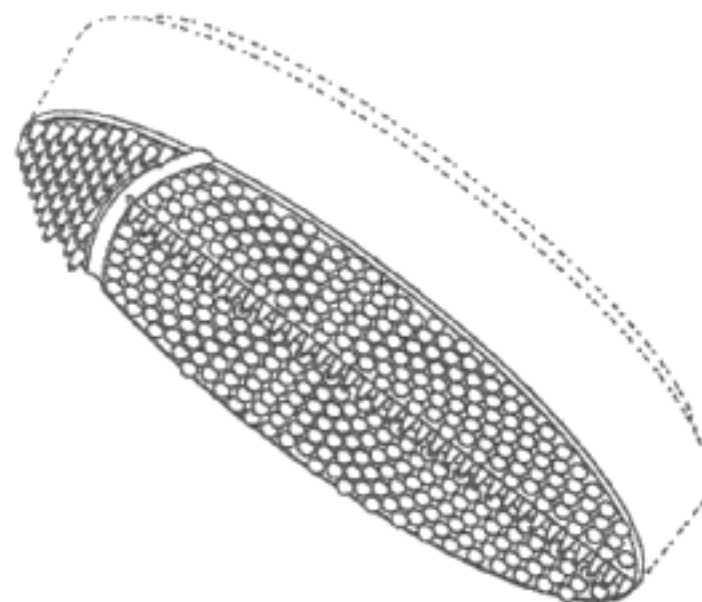
- (21) Design Number: **10677/2012**
(22) Date of Filing Application: **13 February 2012**
(24) Date from which industrial property rights may have effect: **13 February 2012**
(54) Product in respect of which the design is registered: **Oral care implement**
(51) International Design Classification: **04-02**
(74) Name(s) of Attorney(s): **FB Rice**
(71) Name(s) and Address(s) of Applicant(s):
Colgate-Palmolive Company
300 Park Avenue New York New York 10022 United States of America
(72) Name(s) of Designer(s): **Wen Jin Xi and Guang Sheng Guo and Kai Zhang**
(45) Registration Date: **08 March 2012**
(30) Convention priority data:
(31) Number (32) Date (33) Country
29/401309 09 Sep 2011 UNITED STATES OF AMERICA
(56) Related Art Documents: **Not Applicable**
(57) Statement of Newness and Distinctiveness: **Newness and distinctiveness reside in the features of the design shown in solid lines in the representations excluding those features shown in broken lines.**



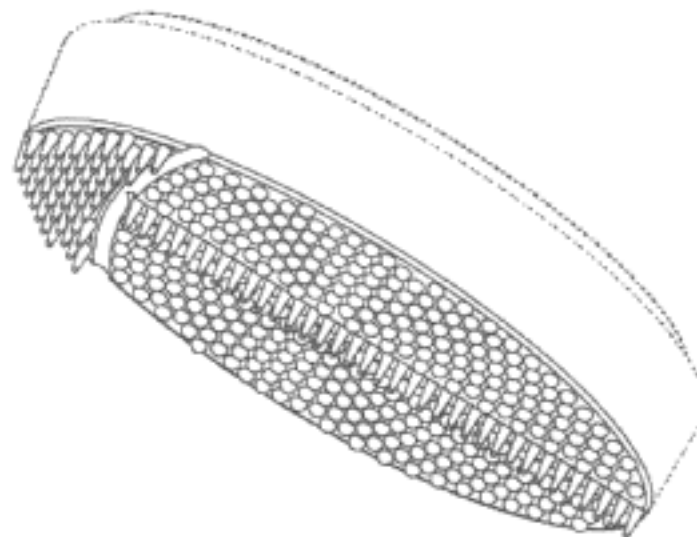
(21) Design Number: **10678/2012**
(22) Date of Filing Application: **13 February 2012**
(24) Date from which industrial property rights may have effect: **13 February 2012**
(54) Product in respect of which the design is registered: **Oral care implement**
(51) International Design Classification: **04-02**
(74) Name(s) of Attorney(s): **FB Rice**
(71) Name(s) and Address(s) of Applicant(s):
Colgate-Palmolive Company
300 Park Avenue New York New York 10022 United States of America
(72) Name(s) of Designer(s): **Wen Jin Xi and Guang Sheng Guo and Kai Zhang**
(45) Registration Date: **08 March 2012**
(30) Convention priority data:
(31) Number (32) Date (33) Country
29/401306 09 Sep 2011 UNITED STATES OF AMERICA
(56) Related Art Documents: **Not Applicable**
(57) Statement of Newness and Distinctiveness: **Newness and distinctiveness reside in the features of the design as shown in the representations.**



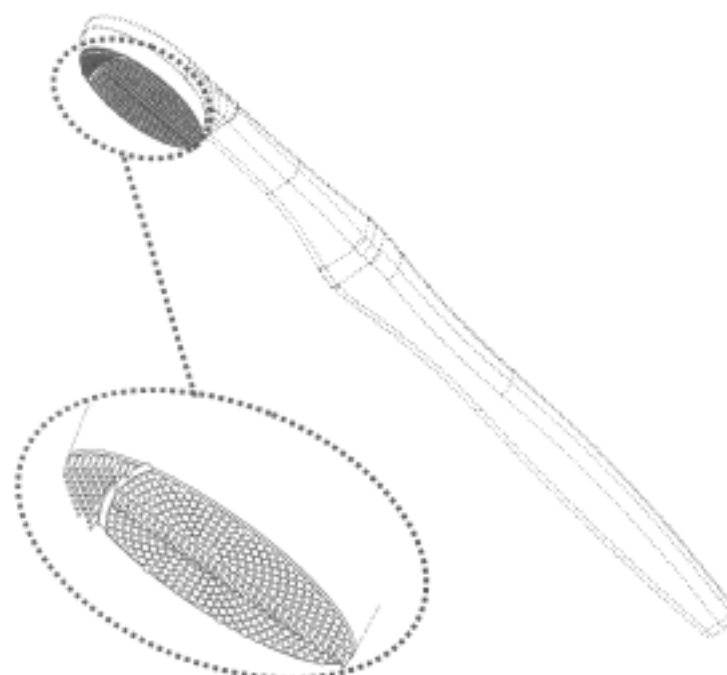
(21) Design Number: **14761/2011**
(22) Date of Filing Application: **20 October 2011**
(24) Date from which industrial property rights may have effect: **20 October 2011**
(54) Product in respect of which the design is registered: **Dental cleaning device**
(51) International Design Classification: **04-02**
(74) Name(s) of Attorney(s): **WATERMARK PATENT AND TRADE MARKS ATTORNEYS**
(71) Name(s) and Address(s) of Applicant(s):
Gruber, LLC
54 Old Pond Road Great Neck NY 11023 United States of America
(72) Name(s) of Designer(s): **Jack Gruber and Edward Kozloski**
(45) Registration Date: **09 March 2012**
(30) Convention priority data:
(31) Number (32) Date (33) Country
13/091,063 20 Apr 2011 UNITED STATES OF AMERICA
(56) Related Art Documents: **Not Applicable**
(57) Statement of Newness and Distinctiveness: **Newness and distinctiveness resides in the visual features of the dental cleaning device shown in the accompanying drawings. Those portions of the dental cleaning device shown in broken lines do not form part of the design.**



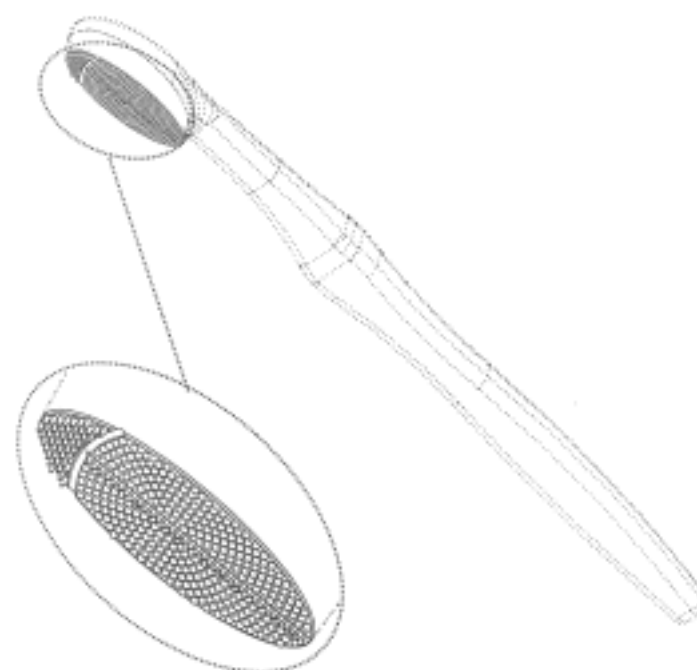
(21) Design Number: **11075/2012**
(22) Date of Filing Application: **20 October 2011**
(24) Date from which industrial property rights may have effect: **20 October 2011**
(54) Product in respect of which the design is registered: **Dental cleaning device**
(51) International Design Classification: **04-02**
(74) Name(s) of Attorney(s): **WATERMARK PATENT AND TRADE MARKS ATTORNEYS**
(71) Name(s) and Address(s) of Applicant(s):
Gruber, LLC
54 Old Pond Road Great Neck NY 11023 United States of America
(72) Name(s) of Designer(s): **Jack Gruber and Edward Kozloski**
(45) Registration Date: **09 March 2012**
(30) Convention priority data:
(31) Number (32) Date (33) Country
13/091,063 20 Apr 2011 UNITED STATES OF AMERICA
(56) Related Art Documents: **Not Applicable**
(57) Statement of Newness and Distinctiveness: **Newness and distinctiveness resides in the visual features of the dental cleaning device shown in the accompanying drawings. Those portions of the dental cleaning device shown in broken lines do not form part of the design.**



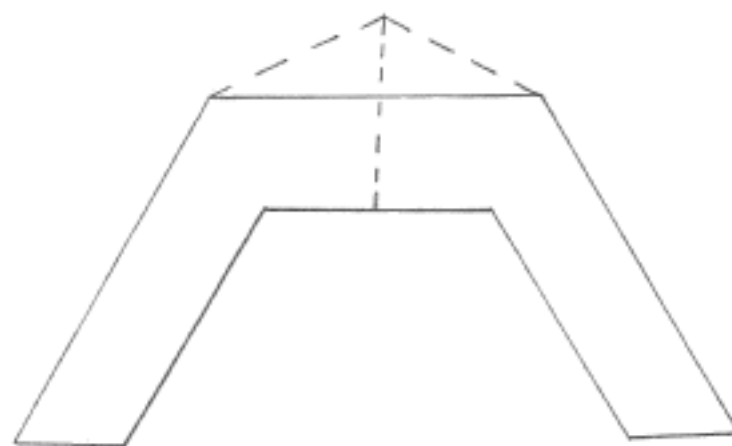
(21) Design Number: **11076/2012**
(22) Date of Filing Application: **20 October 2011**
(24) Date from which industrial property rights may have effect: **20 October 2011**
(54) Product in respect of which the design is registered: **Dental cleaning device**
(51) International Design Classification: **04-02**
(74) Name(s) of Attorney(s): **WATERMARK PATENT AND TRADE MARKS ATTORNEYS**
(71) Name(s) and Address(s) of Applicant(s):
Gruber, LLC
54 Old Pond Road Great Neck NY 11023 United States of America
(72) Name(s) of Designer(s): **Jack Gruber and Edward Kozloski**
(45) Registration Date: **09 March 2012**
(30) Convention priority data:
(31) Number (32) Date (33) Country
13/091,063 20 Apr 2011 UNITED STATES OF AMERICA
(56) Related Art Documents: **Not Applicable**
(57) Statement of Newness and Distinctiveness: **Newness and distinctiveness resides in the visual features of the dental cleaning device shown in the accompanying drawings. Those portions of the dental cleaning device shown in broken lines do not form part of the design.**



(21) Design Number: **11077/2012**
(22) Date of Filing Application: **20 October 2011**
(24) Date from which industrial property rights may have effect: **20 October 2011**
(54) Product in respect of which the design is registered: **Dental cleaning device**
(51) International Design Classification: **04-02**
(74) Name(s) of Attorney(s): **WATERMARK PATENT AND TRADE MARKS ATTORNEYS**
(71) Name(s) and Address(s) of Applicant(s):
Gruber, LLC
54 Old Pond Road Great Neck NY 11023 United States of America
(72) Name(s) of Designer(s): **Jack Gruber and Edward Kozloski**
(45) Registration Date: **09 March 2012**
(30) Convention priority data:
(31) Number (32) Date (33) Country
13/091,063 20 Apr 2011 UNITED STATES OF AMERICA
(56) Related Art Documents: **Not Applicable**
(57) Statement of Newness and Distinctiveness: **Newness and distinctiveness resides in the visual features of the dental cleaning device shown in the accompanying drawings. Those portions of the dental cleaning device shown in broken lines do not form part of the design.**



(21) Design Number: **10408/2012**
(22) Date of Filing Application: **23 January 2012**
(24) Date from which industrial property rights may have effect: **23 January 2012**
(54) Product in respect of which the design is registered: **Waterproof hypoallergenic double sided swimwear/skin adhesive**
(51) International Design Classification: **19-08**
(74) Name(s) of Attorney(s):
(71) Name(s) and Address(s) of Applicant(s):
Hayley Jean Ward
Unit 13/3 Manila Place Woolner Northern Territory 0820 Australia
(72) Name(s) of Designer(s): **Hayley Jean Ward**
(45) Registration Date: **09 March 2012**
(56) Related Art Documents: **Not Applicable**
(57) Statement of Newness and Distinctiveness: **Shape tabs.**



(21) Design Number: **10593/2012**
(22) Date of Filing Application: **08 February 2012**
(24) Date from which industrial property rights may have effect: **08 February 2012**
(54) Product in respect of which the design is registered: **Portable hair/lint roller**
(51) International Design Classification: **07-99NES**
(74) Name(s) of Attorney(s): **Griffith Hack**
(71) Name(s) and Address(s) of Applicant(s):

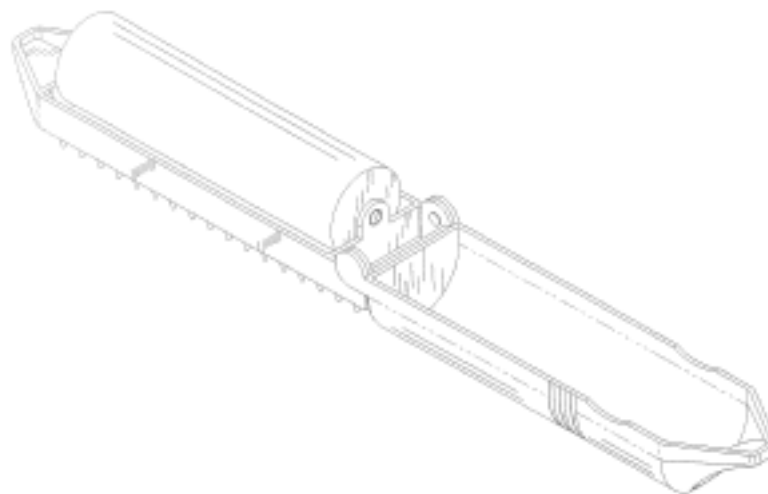
Telebrands Corp.
79 Two Bridges Road Fairfield NJ 07004 United States of America

(72) Name(s) of Designer(s): **Tylor Christian Ross**

(45) Registration Date: **09 March 2012**

(56) Related Art Documents: **Not Applicable**

(57) Statement of Newness and Distinctiveness: **Newness and distinctiveness resides in the visual features, including shape configuration of a portable hair/lint roller as shown in solid outline in the accompanying drawings. When determining whether the design is substantially similar in overall impression to another design, no regard is to be had to those features shown in dotted outline in the accompanying drawings, which features are provided for illustrative purposes only.**



(21) Design Number: **10594/2012**
(22) Date of Filing Application: **08 February 2012**
(24) Date from which industrial property rights may have effect: **08 February 2012**
(54) Product in respect of which the design is registered: **Hair/lint roller**
(51) International Design Classification: **07-99NES**
(74) Name(s) of Attorney(s): **Griffith Hack**
(71) Name(s) and Address(s) of Applicant(s):

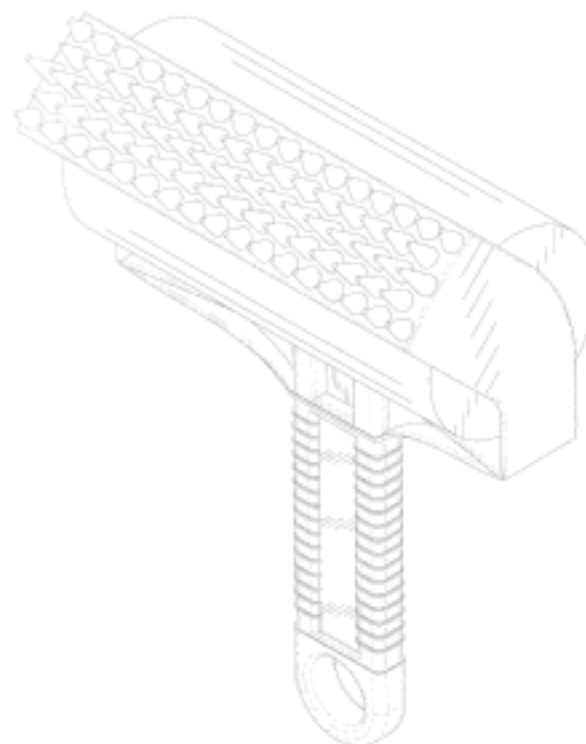
Telebrands Corp.
79 Two Bridges Road Fairfield NJ 07004 United States of America

(72) Name(s) of Designer(s): **Tylor Christian Ross**

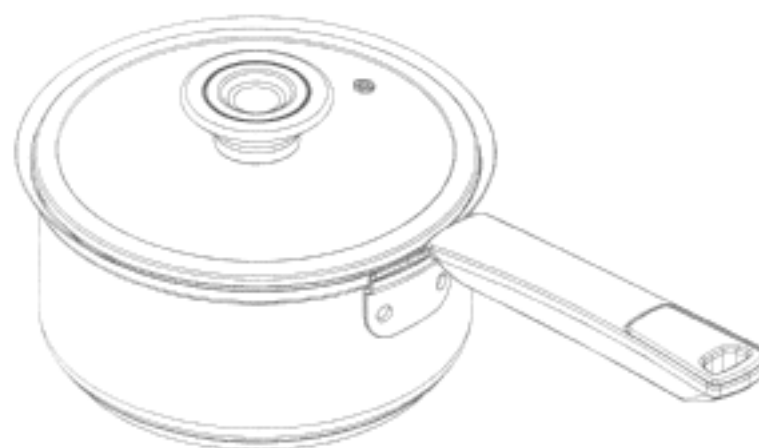
(45) Registration Date: **09 March 2012**

(56) Related Art Documents: **Not Applicable**

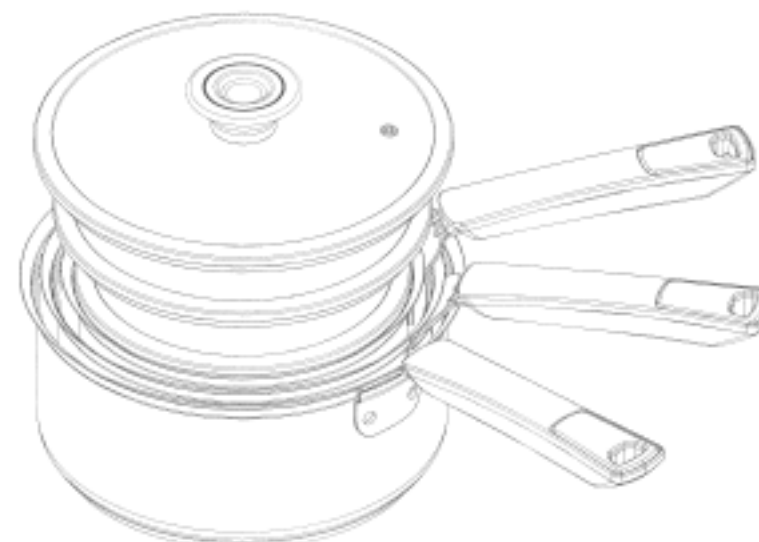
(57) Statement of Newness and Distinctiveness: **Newness and distinctiveness resides in the visual features, including shape configuration, of a portable hair/lint roller as shown in solid outline in the accompanying drawings. When determining whether the design is substantially similar in overall impression to another design, no regard is to be had to those features shown in dotted outline in the accompanying drawings, which features are provided for illustrative purposes only.**



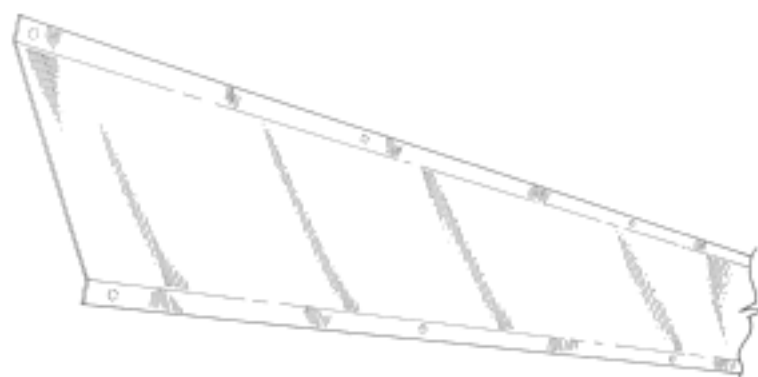
- (21) Design Number: **10680/2012**
(22) Date of Filing Application: **14 February 2012**
(24) Date from which industrial property rights may have effect: **14 February 2012**
(54) Product in respect of which the design is registered: **Cooking pan and lid**
(51) International Design Classification: **07-02N**
(74) Name(s) of Attorney(s): **PHILLIPS ORMONDE FITZPATRICK**
(71) Name(s) and Address(s) of Applicant(s):
McPherson's Limited
5 Dunlop Road Mulgrave Victoria 3170 Australia
(72) Name(s) of Designer(s): **Clive Solari**
(45) Registration Date: **13 March 2012**
(56) Related Art Documents: **Not Applicable**
(57) Statement of Newness and Distinctiveness: **Those features of the cooking pan and lid depicted in the representations that are new and distinctive are the shape and/or configuration.**



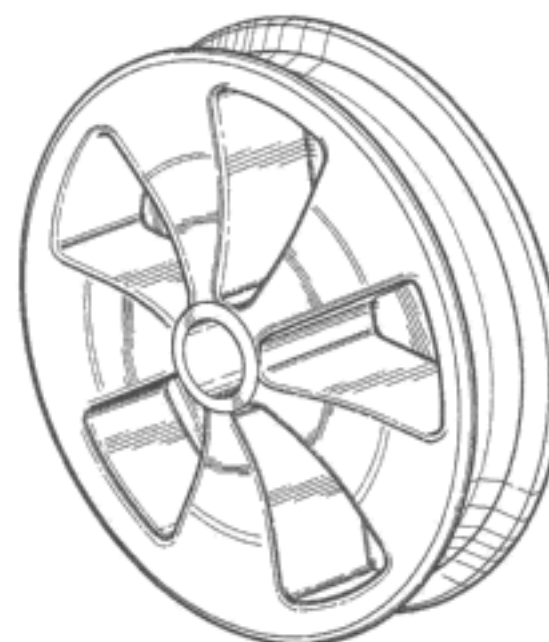
- (21) Design Number: **10681/2012**
(22) Date of Filing Application: **14 February 2012**
(24) Date from which industrial property rights may have effect: **14 February 2012**
(54) Product in respect of which the design is registered: **Set of cooking pans and lids**
(51) International Design Classification: **07-02N**
(74) Name(s) of Attorney(s): **PHILLIPS ORMONDE FITZPATRICK**
(71) Name(s) and Address(s) of Applicant(s):
McPherson's Limited
5 Dunlop Road Mulgrave Victoria 3170 Australia
(72) Name(s) of Designer(s): **Clive Solari**
(45) Registration Date: **13 March 2012**
(56) Related Art Documents: **Not Applicable**
(57) Statement of Newness and Distinctiveness: **Those features of the set of cooking pans and lids depicted in the representations that are new and distinctive are the shape and/or configuration.**



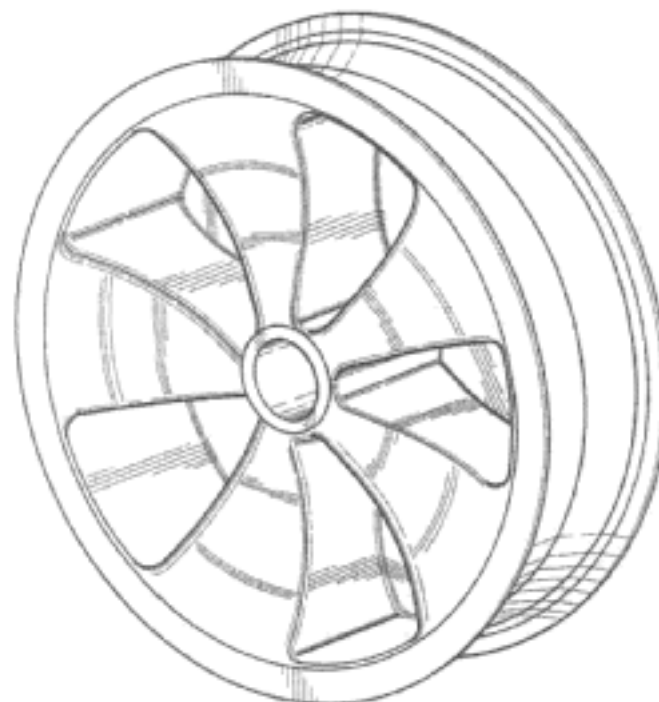
- (21) Design Number: **10682/2012**
(22) Date of Filing Application: **14 February 2012**
(24) Date from which industrial property rights may have effect: **14 February 2012**
(54) Product in respect of which the design is registered: **Fence safety fillet**
(51) International Design Classification: **25-02C**
(74) Name(s) of Attorney(s): **Griffith Hack**
(71) Name(s) and Address(s) of Applicant(s):
Gutter Protection Systems Pty Ltd
PO Box 746 Buddina Queensland 4575 Australia
(72) Name(s) of Designer(s): **Mark Ian Leech and Timothy Jarvis Leech**
(45) Registration Date: **13 March 2012**
(56) Related Art Documents: **Not Applicable**
(57) Statement of Newness and Distinctiveness: **The shape and/or configuration of those parts of the product shown other than by means of dashed or broken lines in the representations are new and distinctive, noting also that the product is of indefinite length.**



- (21) Design Number: **10690/2012**
(22) Date of Filing Application: **14 February 2012**
(24) Date from which industrial property rights may have effect: **14 February 2012**
(54) Product in respect of which the design is registered: **Wheel**
(51) International Design Classification: **12-16A**
(74) Name(s) of Attorney(s): **Shelston IP**
(71) Name(s) and Address(s) of Applicant(s):
Vecto Trade 461 (Proprietary) Limited
Lasher Building 3 Sigma Road Industries West Germiston 1401 Gauteng
Province Republic of South Africa
(72) Name(s) of Designer(s): **Charles William Halsted**
(45) Registration Date: **13 March 2012**
(30) Convention priority data:
(31) Number (32) Date (33) Country
A2011/01182 15 Aug 2011 SOUTH AFRICA
(56) Related Art Documents: **Not Applicable**
(57) Statement of Newness and Distinctiveness: **Nil**



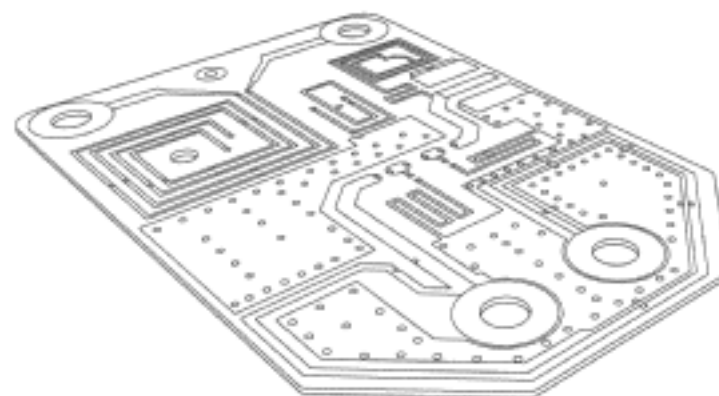
(21) Design Number: **10691/2012**
(22) Date of Filing Application: **14 February 2012**
(24) Date from which industrial property rights may have effect: **14 February 2012**
(54) Product in respect of which the design is registered: **Wheel**
(51) International Design Classification: **12-16A**
(74) Name(s) of Attorney(s): **Shelston IP**
(71) Name(s) and Address(s) of Applicant(s):
Vecto Trade 461 (Proprietary) Limited
Lasher Building 3 Sigma Road Industries West Germiston 1401 Gauteng
Province Republic of South Africa
(72) Name(s) of Designer(s): **Charles William Halsted**
(45) Registration Date: **13 March 2012**
(30) Convention priority data:
(31) Number (32) Date (33) Country
A2011/01181 15 Aug 2011 SOUTH AFRICA
(56) Related Art Documents: **Not Applicable**
(57) Statement of Newness and Distinctiveness: **Nil**



(21) Design Number: **10692/2012**
(22) Date of Filing Application: **14 February 2012**
(24) Date from which industrial property rights may have effect: **14 February 2012**
(54) Product in respect of which the design is registered: **Portable electric driver**
(51) International Design Classification: **08-01**
(74) Name(s) of Attorney(s): **Cullens Patent and Trade Mark Attorneys**
(71) Name(s) and Address(s) of Applicant(s):
Makita Corporation
11-8 Sumiyoshi-cho 3-chome Anjo-shi Aichi-ken Japan
(72) Name(s) of Designer(s): **Shinsuke Okuda and Xingbing Li and Fuzhi Zhang**
(45) Registration Date: **13 March 2012**
(30) Convention priority data:
(31) Number (32) Date (33) Country
2011-19412 26 Aug 2011 JAPAN
(56) Related Art Documents: **Not Applicable**
(57) Statement of Newness and Distinctiveness: **Nil**



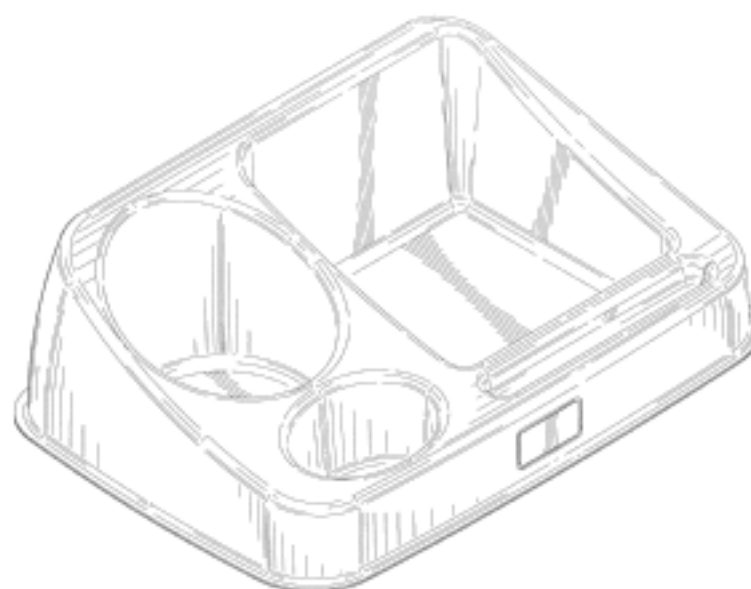
(21) Design Number: **10703/2012**
(22) Date of Filing Application: **15 February 2012**
(24) Date from which industrial property rights may have effect: **15 February 2012**
(54) Product in respect of which the design is registered: **Printed circuit board**
(51) International Design Classification: **14-03NES**
(74) Name(s) of Attorney(s): **Madderns**
(71) Name(s) and Address(s) of Applicant(s):
Hills Holdings Limited
159 Port Road Hindmarsh South Australia 5007 Australia
(72) Name(s) of Designer(s): **Miklos Szabo**
(45) Registration Date: **13 March 2012**
(56) Related Art Documents: **Not Applicable**
(57) Statement of Newness and Distinctiveness: **Newness and distinctiveness resides in the shape and configuration of the tracks on the printed circuit board in the accompanying representations.**



(21) Design Number: **10718/2012**
(22) Date of Filing Application: **15 February 2012**
(24) Date from which industrial property rights may have effect: **15 February 2012**
(54) Product in respect of which the design is registered: **Hygiene product caddy**
(51) International Design Classification: **23-02NES, 09-03NES**
(74) Name(s) of Attorney(s): **Freehills Patent & Trade Mark Attorneys**
(71) Name(s) and Address(s) of Applicant(s):
Kimberly-Clark Worldwide, Inc.
2300 Winchester Road Neenah Wisconsin 54956 United States of America
(72) Name(s) of Designer(s): **Ricky Wayne Purcell and David Jackson Trettin and William Lytell Bridwell III and Trent Kahute**
(45) Registration Date: **13 March 2012**
(30) Convention priority data:
(31) Number (32) Date (33) Country
29/399503 15 Aug 2011 UNITED STATES OF AMERICA
(56) Related Art Documents: **Not Applicable**
(57) Statement of Newness and Distinctiveness: **Newness and distinctiveness in the design resides in the shape and configuration of the hygiene product caddy as shown in the accompanying representations.**



- (21) Design Number: **10719/2012**
(22) Date of Filing Application: **15 February 2012**
(24) Date from which industrial property rights may have effect: **15 February 2012**
(54) Product in respect of which the design is registered: **Hygiene product caddy**
(51) International Design Classification: **23-02NES, 09-03NES**
(74) Name(s) of Attorney(s): **Freehills Patent & Trade Mark Attorneys**
(71) Name(s) and Address(s) of Applicant(s):
Kimberly-Clark Worldwide, Inc.
2300 Winchester Road Neenah Wisconsin 54956 United States of America
(72) Name(s) of Designer(s): **Ricky Wayne Purcell and David Jackson Trettin and William Lytell Bridwell III and Trent Kahute**
(45) Registration Date: **13 March 2012**
(30) Convention priority data:
(31) Number (32) Date (33) Country
29/399531 15 Aug 2011 UNITED STATES OF AMERICA
(56) Related Art Documents: **Not Applicable**
(57) Statement of Newness and Distinctiveness: **Newness and distinctiveness in the design resides in the shape and configuration of the hygiene product caddy as shown in the accompanying representations.**



- (21) Design Number: **10720/2012**
(22) Date of Filing Application: **15 February 2012**
(24) Date from which industrial property rights may have effect: **15 February 2012**
(54) Product in respect of which the design is registered: **Hygiene product caddy**
(51) International Design Classification: **23-02NES, 09-03NES**
(74) Name(s) of Attorney(s): **Freehills Patent & Trade Mark Attorneys**
(71) Name(s) and Address(s) of Applicant(s):
Kimberly-Clark Worldwide, Inc.
2300 Winchester Road Neenah Wisconsin 54956 United States of America
(72) Name(s) of Designer(s): **Ricky Wayne Purcell and David Jackson Trettin and William Lytell Bridwell III and Trent Kahute**
(45) Registration Date: **13 March 2012**
(30) Convention priority data:
(31) Number (32) Date (33) Country
29/399488 15 Aug 2011 UNITED STATES OF AMERICA
(56) Related Art Documents: **Not Applicable**
(57) Statement of Newness and Distinctiveness: **Newness and distinctiveness of the design resides in the shape and configuration of the hygiene product caddy as shown in the accompanying representations.**

