



**Australian Government**

---

**IP Australia**

**AUSTRALIAN OFFICIAL JOURNAL**

**OF**

**DESIGNS**

Did you know a searchable version of this journal is now available online?

It's FREE and EASY to SEARCH.

Find it on our website ([www.ipaustralia.gov.au](http://www.ipaustralia.gov.au))

by using the "Journals" link on the home page.

This Page Left Intentionally Blank

**Contents**

**General Information & Notices**

**Proceedings Under the Designs Act 1906 preserved as a result of the provisions of Chapter 12  
Part 2 of the Designs Act 2003**

<b>Extension of Period of Registration of Designs .....</b>	<b>822</b>
<b>Registrations Ceased .....</b>	<b>822</b>
<b>Subsequent Owners Registered .....</b>	<b>822</b>

**Proceedings Under the Designs Act 2003**

<b>Applications Lapsed .....</b>	<b>837</b>
<b>Applications Lodged .....</b>	<b>826</b>
<b>Applications Withdrawn .....</b>	<b>837</b>
<b>Certificate of Examination .....</b>	<b>840</b>
<b>Extension of Period of Registration of Design .....</b>	<b>838</b>
<b>Extension of Time Granted Under Section 137 .....</b>	<b>838</b>
<b>Names Registered - Alterations and Amendments .....</b>	<b>839</b>
<b>Publication and Registration Proceedings</b>	
<b>Designs Registered 341387 to 341610.....</b>	<b>841</b>
<b>Registrations Ceased .....</b>	<b>838</b>
<b>Subsequent Owners Registered .....</b>	<b>839</b>

This Page Left Intentionally Blank

For information on the following please see our website [www.ipaustralia.gov.au](http://www.ipaustralia.gov.au) or contact our Customer Service Network on 1300651010

[Editorial enquiries](#)

[Contact information](#)

[Freedom of Information ACT](#)

[Professional Standards Board](#)

[Sales](#)

[Requests for Information under Section 194 \(c\)](#)

[Country Codes](#)

[Trade Mark and Designs Hearing Sessions](#)

[INID \(Internationally agreed Numbers for the Identification of Data\)](#)

## “INID” NUMBERS in use on Australian Design Documents

“INID” is an acronym for “Internationally agreed Numbers for the Identification of Data”.

### (10) Data concerning the registration/renewal

- (11) Serial number of the registration and/or number of the design document
- (12) Plain language designation of the kind of published document
- (19) Identification, using the two-letter code according to WIPO Standard ST.3, of the authority publishing or registering the industrial design

### (20) Data concerning the application

- (21) Serial number of the application
- (22) Date of filing of the application
- (24) Date from which the industrial design right has effect

### (30) Data relating to priority under the Paris Convention

- (31) Serial number assigned to the priority application
- (32) Date of filing of the priority application
- (33) Two-letter code, according to WIPO Standard ST.3, identifying the authority with which the priority application was made

### (40) Date(s) of making information available to the public

- (45) Date of publication of the registered industrial design by printing or similar process, or making it available to the public by any other means

### (50) Miscellaneous Information

- (51) International Classification for Industrial Designs (class and subclass of the Locarno Classification)
- (54) Designation of article(s) or product(s) covered by the industrial design or title of the industrial design
- (55) Reproduction of the industrial design (e.g., drawing, photograph) and explanations relating to the reproduction
- (56) List of prior art documents, if separate from descriptive text
- (57) Description of characteristic features of the industrial design including indication of colours

### (60) References to other legally related application(s) and registration(s)

- (62) Serial number(s) and, if available, filing date(s) of application(s), registration(s) or document(s) related by division
- (66) Serial number(s) of the application, or the registration, of the design(s) which is (are) a variant(s) of the present one

### (70) Identification of parties concerned with the application or registration

- (71) Name(s) and address(es) of the applicant(s)
- (72) Name(s) of the creator(s) if known to be such
- (74) Name(s) and address(es) of the representative(s)

This Page Left Intentionally Blank

**Nil notices for this journal issue.**

**Proceedings under the Designs Act 1906 preserved as a result of the provisions of Chapter 12 Part 2 of the Designs Act 2003.**



This Page Left Intentionally Blank

**Applications Lapsed**

There were no Applications Lapsed under this section

**Extension of Period of Registration of Designs**

**1st Period (Section 27A(8))**

**2nd Period (Section 27A(12))**

**3rd Period (Section 27A(13))**

143716	143717	143945
143985	144025	144026
144027	144327	144328
144759	144760	145070
145072	145654	145773
146016	146391	146951
147279	147357	148196
148268	148382	148510
148511	148861	152420

143920	144637	144943
145105	145110	145155
145356	145383	145446
145451	145462	145576
145577	145578	145579
145580	145581	145583
145584	145585	145627
145745	145832	146613
146706	147328	148389
148874	148967	149113
149366	149751	149752
149753	149754	149755
154438	155780	157779
157815	157816	157817

**Subsequent Owners Registered**

(The name in parentheses is that of the subsequent owner)

146617	( Rodelle S.A. )	Roger De Lathouwer
146617	( Delsey Benelux N.V. )	Rodelle S.A.
146617	( Delsey Belgium BVBA )	Delsey Benelux N.V.

**Registrations Ceased**

Note: Some of the following Registrations may have been previously advertised as ceased. In this instance, the previous advertisement still prevails.

127388	127694	127905
127941	127949	127950
127951	127952	127994
128005	128006	128007
128008	128011	128012
128013	128016	128149
128433	128453	128455
128464	128465	128501
128518	128519	128568
128584	128983	129248
129993	130054	130302
131711	131752	132435
132436	132443	133396
134442	135069	142026
143399	143408	143409
143410	143411	143412
143417	143418	143419
143497	143498	143499
143513	143518	143519
143520	143523	143524
143525	143526	143591
143601	143603	143607
143610	143611	143636
143710	143711	143714

This Page Left Intentionally Blank

**Proceedings under the Designs Act 2003.**

This Page Left Intentionally Blank

**Applications Lodged**

Lodgement information is in the following order: **Applicant's Name**; International Classification, Name of Product, Lodgement Date and **Design Number**. If the applicant claims an earlier priority date under an International Convention, the Convention Country and the associated filing date are shown in parentheses before the Lodgement Date. Divisional information will also appear in parentheses before the Lodgement Date.

<b>., Mercedez;Roberts, Heath;</b> 02-02B, Reflective duo safety vest, 08 Mar 2012	<b>11127/2012</b>	<b>Aquaskin Australia Pty Ltd;</b> 09-01D, Bottle, 07 Mar 2012	<b>11281/2012</b>
<b>Adams, Stephen;</b> 26-06, Vehicular LED lighting fixture, (US, 21 Sep 2011) 21 Mar 2012	<b>11474/2012</b>	<b>Aquaskin Australia Pty Ltd;</b> 09-01D, Bottle, 07 Mar 2012	<b>11294/2012</b>
<b>Adams, Stephen;</b> 26-06, Vehicular LED lighting fixture, (US, 21 Sep 2011) 21 Mar 2012	<b>11471/2012</b>	<b>AstraZeneca AB;</b> 24-04, Inhaler, (EM, 14 Nov 2011) 06 Mar 2012	<b>11123/2012</b>
<b>Adams, Stephen;</b> 26-06, Vehicular LED lighting fixture, (US, 21 Sep 2011) 21 Mar 2012	<b>11472/2012</b>	<b>AstraZeneca AB;</b> 24-04, Inhaler, (EM, 14 Nov 2011) 06 Mar 2012	<b>11122/2012</b>
<b>Adams, Stephen;</b> 26-06, Vehicular LED lighting fixture, (US, 21 Sep 2011) 21 Mar 2012	<b>11473/2012</b>	<b>AstraZeneca AB;</b> 24-04, Inhaler, (EM, 14 Nov 2011) 06 Mar 2012	<b>11121/2012</b>
<b>Ager, Gavin;</b> 08-08NES, A gravity pin whereby the rotating gravity toggle does not rotate more than 45 degrees from the horizontal axis of the, main pin shaft, 15 Mar 2012	<b>11382/2012</b>	<b>Astro Tile Pty Ltd;</b> 23-02E, 23-01NES, Drian assembly, 19 Mar 2012	<b>11386/2012</b>
<b>Alquema Pty Ltd;</b> 02-02C, A garment, 05 Mar 2012	<b>11100/2012</b>	<b>Astro Tile Pty Ltd;</b> 23-02E, 23-01NES, Drain assembly, 19 Mar 2012	<b>11387/2012</b>
<b>Aluminium Industries of Australia Pty Ltd;</b> 25-01K, Suspended laboratory system, 20 Mar 2012	<b>11414/2012</b>	<b>Auto Electrical Imports Pty Ltd;</b> 26-06, LED rear combination lamp, 16 Mar 2012	<b>11365/2012</b>
<b>Aluminium Industries of Australia Pty Ltd;</b> 25-01K, Suspended laboratory system, 20 Mar 2012	<b>11416/2012</b>	<b>Auto Electrical Imports Pty Ltd;</b> 25-01K, Aluminium extrusion, 09 Mar 2012	<b>11148/2012</b>
<b>Aluminium Industries of Australia Pty Ltd;</b> 25-01K, Suspended laboratory system, 20 Mar 2012	<b>11415/2012</b>	<b>Avery Dennison Corporation;</b> 06-04NES, File folder assembly and folders for use therein, (US, 22 Sep 2011) 21 Mar 2012	<b>11468/2012</b>
<b>Angelovski, Steven;</b> 08-08B, 12-16NES, Plenum spacer to suit an LLT V6 engine by GM, 19 Mar 2012	<b>11379/2012</b>	<b>Avery Dennison Corporation;</b> 06-04NES, Wall files, (US, 22 Sep 2011) 21 Mar 2012	<b>11467/2012</b>
<b>Angelovski, Steven;</b> 12-16NES, Cold air intake adaptor to suit Holden VE V6 sidi engine, 19 Mar 2012	<b>11380/2012</b>	<b>AFC Group Pty Ltd;</b> 14-01, Splice cassette, 15 Dec 2011	<b>11404/2012</b>
<b>Apex Valves Limited;</b> 23-01K, A float arm operated valve, 05 Mar 2012	<b>11099/2012</b>	<b>AFC Group Pty Ltd;</b> 14-01, Splice cassette, 15 Dec 2011	<b>11431/2012</b>
<b>AptarGroup, Inc.;</b> 09-07B, Dispensing closure, (US, 26 Sep 2011) 08 Mar 2012	<b>11159/2012</b>	<b>ASSA ABLOY Australia Pty Limited;</b> 08-07, Key blank, 15 Mar 2012	<b>11356/2012</b>
<b>AptarGroup, Inc.;</b> 09-07B, Dispensing closure, (US, 26 Sep 2011) 08 Mar 2012	<b>11160/2012</b>	<b>Ball, Michael;</b> 09-03L, 09-07B, Beverage can with ring assembly, (US, 20 Jul 2011) 16 Jan 2012	<b>11402/2012</b>
<b>Aquaskin Australia Pty Ltd;</b> 09-01D, Bottle, 07 Mar 2012	<b>11292/2012</b>	<b>Beath, Russell Stanley;</b> 08-05M, Segmented welding filler rod for use with TIG and oxy acetelyne welding equipment to weld aluminium, steel copper,, bronze etc, 09 Mar 2012	<b>11193/2012</b>
<b>Aquaskin Australia Pty Ltd;</b> 09-01D, Bottle, 07 Mar 2012	<b>11280/2012</b>	<b>Beath, Russell Stanley;</b> 08-05M, Segmented welding filler rod for use with TIG and oxy acetelyne welding equipment to weld aliminium, steel copper,, bronze etc., 09 Mar 2012	<b>11194/2012</b>

<b>Beats Electronics, LLC;</b> 14-01, Audio speaker system, (US, 02 Sep 2011) 01 Mar 2012	<b>10995/2012</b>	<b>BSH Bosch und Siemens Hausgerate GmbH;</b> 15-05, Washing machine/drying machine, (EM, 02 Sep 2011) 01 Mar 2012	<b>11004/2012</b>
<b>Beba Enterprises Pty Ltd;</b> 02-02C, Skirt, 12 Sep 2011	<b>11370/2012</b>	<b>BSH Bosch und Siemens Hausgerate GmbH;</b> 15-05, Washing machine/drying machine, (EM, 02 Sep 2011) 01 Mar 2012	<b>11005/2012</b>
<b>Beba Enterprises Pty Ltd;</b> 02-02NES, Top, 12 Sep 2011	<b>11371/2012</b>	<b>BSH Bosch und Siemens Hausgerate GmbH;</b> 15-05, Washing machine/drying machine, (EM, 02 Sep 2011) 01 Mar 2012	<b>10999/2012</b>
<b>Beba Enterprises Pty Ltd;</b> 02-02C, Shorts, 12 Sep 2011	<b>11368/2012</b>	<b>BSH Bosch und Siemens Hausgerate GmbH;</b> 15-05, Control panel of a washing machine/drying machine, (EM, 02 Sep 2011) 01 Mar 2012	<b>11000/2012</b>
<b>Beba Enterprises Pty Ltd;</b> 02-02NES, Top, 12 Sep 2011	<b>11372/2012</b>	<b>BSH Bosch und Siemens Hausgerate GmbH;</b> 15-05, Control panel of a washing machine/drying machine, (EM, 02 Sep 2011) 01 Mar 2012	<b>10971/2012</b>
<b>Beba Enterprises Pty Ltd;</b> 02-02C, Dress, 12 Sep 2011	<b>11373/2012</b>	<b>BSH Bosch und Siemens Hausgerate GmbH;</b> 13-03D, 15-05, Control panel of a washing machine/drying machine, (EM, 02 Sep 2011) 29 Feb 2012	<b>10970/2012</b>
<b>Beba Enterprises Pty Ltd;</b> 02-02C, Shorts, 12 Sep 2011	<b>11369/2012</b>	<b>BSH Bosch und Siemens Hausgerate GmbH;</b> 15-05, Door of washing machines/drying machines, (EM, 02 Sep 2011) 29 Feb 2012	<b>10967/2012</b>
<b>Bird, Steven;</b> 08-06, 09-99, Supermarket shopping bags and the like, 13 Mar 2012	<b>11339/2012</b>	<b>BSH Bosch und Siemens Hausgerate GmbH;</b> 15-05, Washing machine/drying machine, (EM, 02 Sep 2011) 29 Feb 2012	<b>10968/2012</b>
<b>Bluescope Steel Limited;</b> 25-02C, A fence, 19 Mar 2012	<b>11406/2012</b>	<b>BSH Bosch und Siemens Hausgerate GmbH;</b> 15-05, Door of washing machines/drying machines, (EM, 02 Sep 2011) 01 Mar 2012	<b>10965/2012</b>
<b>Bobby Bebe Pty Ltd;</b> 03-99, Travel crib, 13 Mar 2012	<b>11321/2012</b>	<b>BSH Bosch und Siemens Hausgerate GmbH;</b> 15-05, Door of washing machines/drying machines, (EM, 02 Sep 2011) 29 Feb 2012	<b>10966/2012</b>
<b>Breville Pty Limited;</b> 07-02R, Handle, 01 Mar 2012	<b>10953/2012</b>	<b>BSH Bosch und Siemens Hausgerate GmbH;</b> 15-05, Washing machine/drying machine, (EM, 02 Sep 2011) 29 Feb 2012	<b>10964/2012</b>
<b>Brother Industries, Ltd.;</b> 18-02, Toner cartridge, (JP, 27 Jan 2012) 19 Mar 2012	<b>11422/2012</b>	<b>BSH Bosch und Siemens Hausgerate GmbH;</b> 15-05, Door of washing machines/drying machines, (EM, 02 Sep 2011) 29 Feb 2012	<b>10962/2012</b>
<b>BSH Bosch und Siemens Hausgerate GmbH;</b> 15-05, Washing machine/drying machine, (EM, 02 Sep 2011) 29 Feb 2012	<b>10963/2012</b>	<b>BSH Bosch und Siemens Hausgerate GmbH;</b> 13-03D, 15-05, Control panel of a washing machine/drying machine, (EM, 02 Sep 2011) 01 Mar 2012	<b>10997/2012</b>
<b>BSH Bosch und Siemens Hausgerate GmbH;</b> 15-05, Door of washing machines/drying machines, (EM, 02 Sep 2011) 01 Mar 2012	<b>11006/2012</b>		
<b>BSH Bosch und Siemens Hausgerate GmbH;</b> 15-05, Door of washing machines/drying machines, (EM, 02 Sep 2011) 01 Mar 2012	<b>11007/2012</b>		
<b>BSH Bosch und Siemens Hausgerate GmbH;</b> 15-05, Door washing machines/drying machines, (EM, 02 Sep 2011) 01 Mar 2012	<b>11008/2012</b>		
<b>BSH Bosch und Siemens Hausgerate GmbH;</b> 15-05, Washing machine/drying machine, (EM, 02 Sep 2011) 01 Mar 2012	<b>11002/2012</b>		
<b>BSH Bosch und Siemens Hausgerate GmbH;</b> 15-05, Washing machine/drying machine, (EM, 02 Sep 2011) 01 Mar 2012	<b>11003/2012</b>		
<b>BSH Bosch und Siemens Hausgerate GmbH;</b> 15-05, Door of washing machines/drying machines, (EM, 02 Sep 2011) 29 Feb 2012	<b>10969/2012</b>		



<b>BSH Bosch und Siemens Hausgerate GmbH;</b> 13-03D, 15-05, Control panel of a washing machine/drying machine, (EM, 02 Sep 2011) 01 Mar 2012	<b>10998/2012</b>	<b>Daikin Industries Ltd.;</b> 14-03NES, Controller for air conditioner, (JP, 05 Dec 2011) 16 Mar 2012	<b>11388/2012</b>
<b>Casale Trim Co. Pty Ltd;</b> 13-03NES, Anode, 09 Mar 2012	<b>11279/2012</b>	<b>Daikin Industries Ltd.;</b> 23-04, Air-conditioner, (JP, 08 Dec 2011) 16 Mar 2012	<b>11389/2012</b>
<b>Ceramiche Atlas Concorde SPA;</b> 25-01F, Tile, (EM, 28 Sep 2011) 16 Mar 2012	<b>11398/2012</b>	<b>Direct Compost Solutions Pty Ltd;</b> 09-03G, Lid for composting pot, 20 Mar 2012	<b>11452/2012</b>
<b>Ceramiche Atlas Concorde SPA;</b> 25-01F, Tile, (EM, 28 Sep 2011) 16 Mar 2012	<b>11397/2012</b>	<b>Direct Compost Solutions Pty Ltd;</b> 09-03G, Composting pot, 20 Mar 2012	<b>11453/2012</b>
<b>Checkmate International Pty Ltd;</b> 06-04NES, Shelving, 08 Mar 2012	<b>11152/2012</b>	<b>Direct Compost Solutions Pty Ltd;</b> 09-03G, Cover for composting pot, 20 Mar 2012	<b>11451/2012</b>
<b>Checkmate International Pty Ltd;</b> 06-04NES, Shelving, 08 Mar 2012	<b>11153/2012</b>	<b>Doevendans, Shane;</b> 08-05P, 22-05, Crab holding pliers, 21 Mar 2012	<b>11458/2012</b>
<b>Checkmate International Pty Ltd;</b> 06-04NES, Shelving, 08 Mar 2012	<b>11150/2012</b>	<b>DG International Holdings Limited;</b> 03-01A, Expansion mechanism for expandable luggage in closed configuration, (EM, 08 Dec 2011) 20 Mar 2012	<b>11450/2012</b>
<b>Checkmate International Pty Ltd;</b> 06-04NES, Shelving, 08 Mar 2012	<b>11154/2012</b>	<b>DG International Holdings Limited;</b> 03-01A, Expansion mechanism for expandable luggage in open configuration, (EM, 08 Dec 2011) 20 Mar 2012	<b>11449/2012</b>
<b>Checkmate International Pty Ltd;</b> 06-04NES, Shelving, 08 Mar 2012	<b>11155/2012</b>	<b>DHS (Aust) Pty Ltd;</b> 08-08L, Pipe clamp, 16 Mar 2012	<b>11385/2012</b>
<b>Checkmate International Pty Ltd;</b> 06-04NES, Shelving, 08 Mar 2012	<b>11151/2012</b>	<b>Ekrones ASA;</b> 06-01G, Sofa ensemble, (NO, 24 Oct 2011) 20 Mar 2012	<b>11454/2012</b>
<b>Checkpoint Systems, Inc.;</b> 25-02C, Electronic article surveillance security gate, (US, 13 Sep 2011) 13 Mar 2012	<b>11316/2012</b>	<b>Electrolux Home Products Corporation N.V.;</b> 07-02NES, A combination appliance control panel and an appliance door such as for an oven, (EM, 01 Jul 2011) (Divisional of 15979/2011) 23 Dec 2011	<b>11297/2012</b>
<b>Colgate-Palmolive Company;</b> 09-05, Oral care implement package, (US, 05 Oct 2011) 08 Mar 2012	<b>11262/2012</b>	<b>Electrolux Home Products Corporation N.V.;</b> 07-02NES, A combination appliance control panel and an appliance door such as for an oven, (EM, 01 Jul 2011) (Divisional of 15979/2011) 23 Dec 2011	<b>11298/2012</b>
<b>Colgate-Palmolive Company;</b> 09-05, Oral care implement package, (US, 05 Oct 2011) 08 Mar 2012	<b>11257/2012</b>	<b>Electrolux Home Products Corporation N.V.;</b> 07-02NES, An appliance control panel, (EM, 29 Jun 2011) (Divisional of 15980/2011) 23 Dec 2011	<b>11295/2012</b>
<b>Collins, Paul;Levingston, Geoffrey;</b> 21-02C, The indahole golf putting training aid, 13 Mar 2012	<b>11299/2012</b>	<b>Electrolux Home Products Corporation N.V.;</b> 07-02NES, An appliance control panel, (EM, 29 Jun 2011) (Divisional of 15980/2011) 23 Dec 2011	<b>11296/2012</b>
<b>Conidia Bioscience Limited;</b> 24-01, Testing apparatus, (EM, 22 Sep 2011) 19 Mar 2012	<b>11412/2012</b>	<b>Elemental Energy Technologies;</b> 08-99, 13-99, Twin seurchin installation, 07 Mar 2012	<b>11169/2012</b>
<b>Cooper Technologies Company;</b> 13-02, Voltage regulator control with user shortcuts, (US, 15 Mar 2012) 21 Mar 2012	<b>11456/2012</b>	<b>Everstone International Pty Limited;</b> 25-01F, Tesserae, 08 Mar 2012	<b>11149/2012</b>
<b>Cree, Inc.;</b> 26-05E, 26-05C, 26-04, Lighting device, (US, 02 Sep 2011) 01 Mar 2012	<b>10996/2012</b>		
<b>Cree, Inc.;</b> 26-04, Lighting device, (US, 02 Sep 2011) 01 Mar 2012	<b>11001/2012</b>		
<b>D'Elia, Joanne;</b> 03-01NES, Baby change bag and mat, 13 Mar 2012	<b>11344/2012</b>		

<b>Everstone International Pty Limited;</b> 25-01F, Tesseract, 29 Feb 2012	<b>10954/2012</b>	<b>Fox 40 International Inc.;</b> 21-01NES, Three port whistle, (US, 06 Oct 2011) 16 Mar 2012	<b>11366/2012</b>
<b>Everstone International Pty Limited;</b> 25-01F, Tesseract, 29 Feb 2012	<b>10955/2012</b>	<b>Futtoc Performance, S.L.;</b> 21-01L, Game table top, 07 Mar 2012	<b>11191/2012</b>
<b>Everstone International Pty Limited;</b> 25-01F, Tesseract, 29 Feb 2012	<b>10957/2012</b>	<b>Gandhi &amp; Company (Pty) Limited;</b> 24-04, Urine or other fluid collector, 29 Feb 2012	<b>10994/2012</b>
<b>Everstone International Pty Limited;</b> 25-01F, Tesseract, 29 Feb 2012	<b>10956/2012</b>	<b>General Electric Company;</b> 14-04, Display screens for a vehicle management system, (US, 16 Sep 2011) 16 Mar 2012	<b>11400/2012</b>
<b>Expanded Polystyrene Australia Incorporated;</b> 09-03M, Container lid, 21 Mar 2012	<b>11475/2012</b>	<b>Gough Plastics Pty Ltd;</b> 12-05, Conveyor belt cover, 21 Mar 2012	<b>11447/2012</b>
<b>Expanded Polystyrene Australia Incorporated;</b> 09-03M, Container, 21 Mar 2012	<b>11470/2012</b>	<b>Gripple Limited;</b> 08-08L, Duct trapeze, (EM, 21 Dec 2011) 15 Mar 2012	<b>11353/2012</b>
<b>Fire &amp; Saftey Solutions (Int) Pty Ltd;</b> 02-03, Mako helmet ear muff & chain saw attachment for helmets with a side brim, 03 Mar 2012	<b>11133/2012</b>	<b>Gripple Limited;</b> 08-08NES, Trapeze, (EM, 21 Dec 2011) 15 Mar 2012	<b>11354/2012</b>
<b>Flashlube Pty Ltd;</b> 09-03NES, A container, 16 Mar 2012	<b>11399/2012</b>	<b>Hangzhou Sanofi Minsheng Consumer Healthcare Co., Ltd;</b> 28-01, Vitamin tablets, (CN, 06 Dec 2011) 16 Mar 2012	<b>11374/2012</b>
<b>Flight Extruded Plastics LP Ltd;Flight Plastics Ltd;</b> 09-03F, A tray, (NZ, 21 Dec 2011) 20 Mar 2012	<b>11421/2012</b>	<b>Hangzhou Sanofi Minsheng Consumer Healthcare Co., Ltd;</b> 28-01, Vitamin tablets, (CN, 06 Dec 2011) 16 Mar 2012	<b>11376/2012</b>
<b>Flight Plastics Ltd;Flight Extruded Plastics LP Ltd;</b> 09-03F, A tray, (NZ, 21 Dec 2011) 20 Mar 2012	<b>11421/2012</b>	<b>Hangzhou Sanofi Minsheng Consumer Healthcare Co., Ltd;</b> 28-01, Vitamin tablets, (CN, 06 Dec 2011) 16 Mar 2012	<b>11375/2012</b>
<b>Flir Systems Inc.;</b> 14-01, 14-03B, 16-01, Camera, (US, 07 Sep 2011) 07 Mar 2012	<b>11126/2012</b>	<b>Hansgrohe AG;</b> 23-01H, Sanitary faucet, (EM, 01 Sep 2011) 29 Feb 2012	<b>10960/2012</b>
<b>Foran, Michael;Maughan, Lucas;</b> 02-02C, Resolute jeans highly protective & high visibility tradesman (tradie) pant, 01 Mar 2012	<b>10949/2012</b>	<b>Huang, Wen Dong;Siew, Silas Sao Jin;Prentice, Craig Robert;Salmon, Andrew Paul Maxwell;</b> 24-01, A patient interface, (US, 08 Sep 2011) 08 Mar 2012	<b>11168/2012</b>
<b>Foran, Michael;Maughan, Lucas;</b> 02-02NES, Resolute jeans slip-on highly protective & high visibility long sleeve work shirt, 01 Mar 2012	<b>10951/2012</b>	<b>Jets Swimwear Pty Limited;</b> 02-02A, Swimwear garment, 05 Mar 2012	<b>11049/2012</b>
<b>Foran, Michael;Maughan, Lucas;</b> 02-02C, Resolute jeans highly protective mens pant, 01 Mar 2012	<b>10947/2012</b>	<b>Jets Swimwear Pty Limited;</b> 02-02A, Swimwear garment, 05 Mar 2012	<b>11050/2012</b>
<b>Foran, Michael;Maughan, Lucas;</b> 02-02NES, Resolute jeans button down highly protective & high visibility long sleeve work shirt, 01 Mar 2012	<b>10950/2012</b>	<b>Jets Swimwear Pty Limited;</b> 02-02A, Swimwear garment, 05 Mar 2012	<b>11051/2012</b>
<b>Foran, Michael;Maughan, Lucas;</b> 02-02C, Resolute jeans highly protective ladies pant, 01 Mar 2012	<b>10948/2012</b>	<b>Jets Swimwear Pty Limited;</b> 02-02A, Swimwear garment, 05 Mar 2012	<b>11052/2012</b>
<b>Foran, Michael;Maughan, Lucas;</b> 02-02C, Resolute jeans highly protective & high visibility mining pant, 01 Mar 2012	<b>10952/2012</b>	<b>Jets Swimwear Pty Limited;</b> 02-02A, Swimwear garment, 05 Mar 2012	<b>11053/2012</b>
<b>Forever New Clothing Pty Ltd;</b> 02-02C, 02-02NES, Women's fashion clothing, 09 Mar 2012	<b>11291/2012</b>	<b>Jets Swimwear Pty Limited;</b> 02-02A, Swimwear garment, 05 Mar 2012	<b>11054/2012</b>
		<b>Jets Swimwear Pty Limited;</b> 02-02A, Swimwear garment, 05 Mar 2012	<b>11055/2012</b>

<b>Jets Swimwear Pty Limited;</b> 02-02A, Swimwear garment, 05 Mar 2012	<b>11056/2012</b>	<b>Kimberly-Clark Worldwide, Inc.;</b> 23-99, 23-02NES, Flow control device indicia, (US, 04 Oct 2011) 09 Mar 2012	<b>11301/2012</b>
<b>Jets Swimwear Pty Limited;</b> 02-02A, Swimwear garment, 05 Mar 2012	<b>11057/2012</b>	<b>Kimberly-Clark Worldwide, Inc.;</b> 23-99, 23-02NES, 23-01NES, 10-04, 08-06, Flow control device knob, (US, 04 Oct 2011) 09 Mar 2012	<b>11302/2012</b>
<b>Jets Swimwear Pty Limited;</b> 02-02A, Swimwear garment, 05 Mar 2012	<b>11058/2012</b>	<b>Kiss Nail Products, Inc;</b> 09-03NES, Display package, (US, 07 Sep 2011) 06 Mar 2012	<b>11102/2012</b>
<b>Jets Swimwear Pty Limited;</b> 02-02A, Swimwear garment, 05 Mar 2012	<b>11059/2012</b>	<b>Kleidon, John;</b> 21-04, 26-05E, LED power pole, 16 Mar 2012	<b>11430/2012</b>
<b>Jets Swimwear Pty Limited;</b> 02-02A, Swimwear garment, 05 Mar 2012	<b>11060/2012</b>	<b>KIDS BEDS WA;</b> 06-13NES, This design is to be used for the purpose of covering a sofa/lounge/settee, 13 Mar 2012	<b>11342/2012</b>
<b>Jets Swimwear Pty Limited;</b> 02-02A, Swimwear garment, 05 Mar 2012	<b>11061/2012</b>	<b>KIDS BEDS WA;</b> 06-13NES, This design is to be used for the purpose of covering the boot of a car or the back seat of a car, 13 Mar 2012	<b>11340/2012</b>
<b>Jets Swimwear Pty Limited;</b> 02-02A, Swimwear garment, 05 Mar 2012	<b>11062/2012</b>	<b>KIDS BEDS WA;</b> 06-13B, This design is to be used for the purpose of covering a pet bed, 13 Mar 2012	<b>11341/2012</b>
<b>Jets Swimwear Pty Limited;</b> 02-02A, Swimwear garment, 05 Mar 2012	<b>11063/2012</b>	<b>L E Whittaker &amp; Son Pty Ltd;</b> 06-02, Hammock frames, 06 Mar 2012	<b>11300/2012</b>
<b>Jets Swimwear Pty Limited;</b> 02-02A, Swimwear garment, 05 Mar 2012	<b>11064/2012</b>	<b>Lacoste S.A.;</b> 09-01G, Bottle, (EM, 20 Oct 2011) 07 Mar 2012	<b>11139/2012</b>
<b>Jets Swimwear Pty Limited;</b> 02-02A, Swimwear garment, 05 Mar 2012	<b>11065/2012</b>	<b>Lacoste S.A.;</b> 09-03C, Bottle packaging, (EM, 28 Feb 2012) 07 Mar 2012	<b>11140/2012</b>
<b>Jets Swimwear Pty Limited;</b> 02-02A, Swimwear garment, 05 Mar 2012	<b>11066/2012</b>	<b>Land &amp; Sea Sports Pty Ltd;</b> 21-02E, Retro classic 21' skateboard, 08 Mar 2012	<b>11318/2012</b>
<b>Jets Swimwear Pty Limited;</b> 02-02A, Swimwear garment, 05 Mar 2012	<b>11067/2012</b>	<b>Land &amp; Sea Sports Pty Ltd;</b> 20-02E, Skateboard display stand, 09 Mar 2012	<b>11347/2012</b>
<b>Jets Swimwear Pty Limited;</b> 02-02A, Swimwear garment, 05 Mar 2012	<b>11068/2012</b>	<b>Land &amp; Sea Sports Pty Ltd;</b> 21-02E, Rocket 21' skateboard, 08 Mar 2012	<b>11319/2012</b>
<b>Jets Swimwear Pty Limited;</b> 02-02A, Swimwear garment, 05 Mar 2012	<b>11069/2012</b>	<b>Land &amp; Sea Sports Pty Ltd;</b> 21-02E, The whiz 21' skateboard, 08 Mar 2012	<b>11320/2012</b>
<b>Jets Swimwear Pty Limited;</b> 02-02A, Swimwear garment, 05 Mar 2012	<b>11070/2012</b>	<b>Legrand Australia Pty Ltd;</b> 10-05, Sensor housing, 15 Mar 2012	<b>11349/2012</b>
<b>Jets Swimwear Pty Limited;</b> 02-02A, Swimwear garment, 05 Mar 2012	<b>11071/2012</b>	<b>Legrand Australia Pty Ltd;</b> 10-05, Sensor housing, 15 Mar 2012	<b>11348/2012</b>
<b>Jets Swimwear Pty Limited;</b> 02-02A, Swimwear garment, 05 Mar 2012	<b>11072/2012</b>	<b>Levingston, Geoffrey;Collins, Paul;</b> 21-02C, The indahole golf putting training aid, 13 Mar 2012	<b>11299/2012</b>
<b>Jets Swimwear Pty Limited;</b> 02-02A, Swimwear garment, 05 Mar 2012	<b>11073/2012</b>	<b>Lifetime Products, Inc.;</b> 06-03B, Table top, (US, 05 Sep 2011) 29 Feb 2012	<b>10961/2012</b>
<b>Jets Swimwear Pty Limited;</b> 02-02A, Swimwear garment, 05 Mar 2012	<b>11074/2012</b>		
<b>Joco Group Pty Ltd;</b> 07-01D, Glass reusable barista friendly coffee cup, 20 Mar 2012	<b>11461/2012</b>		
<b>K &amp; Lap Co., Ltd.;</b> 09-07B, Lid of cup, (KR, 20 Sep 2011) 16 Mar 2012	<b>11391/2012</b>		
<b>Keystone Retaining Wall Systems LLC;</b> 25-01A, Patio stone, (US, 08 Sep 2011) 07 Mar 2012	<b>11134/2012</b>		
<b>Keystone Retaining Wall Systems LLC;</b> 25-01A, Paver, (US, 08 Sep 2011) 07 Mar 2012	<b>11135/2012</b>		
<b>Kimberly-Clark Worldwide, Inc.;</b> 05-06NES, A wet wipe, (US, 09 Sep 2011) 06 Mar 2012	<b>11095/2012</b>		

<b>Lili Diamonds;</b> 11-01NES, Gemstone, (IL, 12 Sep 2011) 08 Mar 2012	<b>11288/2012</b>	<b>Mascot International A/S;</b> 02-02C, A garment, (EM, 20 Sep 2011) 20 Mar 2012	<b>11434/2012</b>
<b>Logue and Co. Pty Ltd;</b> 09-01NES, Medicament package, 12 Mar 2012	<b>11305/2012</b>	<b>Mascot International A/S;</b> 02-02NES, A garment, (EM, 20 Sep 2011) 20 Mar 2012	<b>11435/2012</b>
<b>Logue and Co. Pty Ltd;</b> 10-04, Measuring cap, 12 Mar 2012	<b>11307/2012</b>	<b>Mascot International A/S;</b> 02-02NES, A garment, (EM, 20 Sep 2011) 20 Mar 2012	<b>11432/2012</b>
<b>Logue and Co. Pty Ltd;</b> 10-04, Measuring cap, 12 Mar 2012	<b>11308/2012</b>	<b>Mascot International A/S;</b> 02-02NES, A garment, (EM, 20 Sep 2011) 20 Mar 2012	<b>11433/2012</b>
<b>Logue and Co. Pty Ltd;</b> 09-01NES, Medicament package, 12 Mar 2012	<b>11306/2012</b>	<b>Matejic, Daniel;</b> 26-03, 26-05E, GW750 portable light & tripod stand, 20 Mar 2012	<b>11459/2012</b>
<b>Logue and Co. Pty Ltd;</b> 09-01NES, Medicament package, 12 Mar 2012	<b>11303/2012</b>	<b>Matejic, Daniel;</b> 26-03, 26-05E, GW300 portable light & tripod stand, 20 Mar 2012	<b>11460/2012</b>
<b>Logue and Co. Pty Ltd;</b> 09-01NES, Medicament package, 14 Mar 2012	<b>11345/2012</b>	<b>Maughan, Lucas;Foran, Michael;</b> 02-02C, Resolute jeans highly protective ladies pant, 01 Mar 2012	<b>10948/2012</b>
<b>Logue and Co. Pty Ltd;</b> 09-01NES, Medicament package, 12 Mar 2012	<b>11304/2012</b>	<b>Maughan, Lucas;Foran, Michael;</b> 02-02C, Resolute jeans highly protective & high visibility mining pant, 01 Mar 2012	<b>10952/2012</b>
<b>Loyley International Sam Interconti;</b> 02-04B, Sole for footwear, (EM, 01 Sep 2011) 29 Feb 2012	<b>10959/2012</b>	<b>Maughan, Lucas;Foran, Michael;</b> 02-02NES, Resolute jeans button down highly protective & high visibility long sleeve work shirt, 01 Mar 2012	<b>10950/2012</b>
<b>Lysiak, Waclaw;</b> 12-05, Lift base, 16 Mar 2012	<b>11383/2012</b>	<b>Maughan, Lucas;Foran, Michael;</b> 02-02C, Resolute jeans highly protective & high visibility tradesman (tradie) pant, 01 Mar 2012	<b>10949/2012</b>
<b>Lysiak, Waclaw;</b> 12-05, 12-99, Lift brake, 16 Mar 2012	<b>11384/2012</b>	<b>Maughan, Lucas;Foran, Michael;</b> 02-02C, Resolute jeans highly protective mens pant, 01 Mar 2012	<b>10951/2012</b>
<b>LG Electronics Inc.;</b> 14-03A, Cellular phone, (KR, 06 Oct 2011) 20 Mar 2012	<b>11444/2012</b>	<b>Maughan, Lucas;Foran, Michael;</b> 02-02NES, Resolute jeans slip-on highly protective & high visibility long sleeve work shirt, 01 Mar 2012	<b>10947/2012</b>
<b>LG Electronics Inc.;</b> 14-03B, OLED television receiver, (KR, 07 Oct 2011) 15 Mar 2012	<b>11363/2012</b>	<b>McArthur, Donovan;</b> 02-99, 12-16B, 12-16F, Guard, 13 Mar 2012	<b>11327/2012</b>
<b>LG Electronics Inc.;</b> 14-03B, OLED television receiver, (KR, 13 Oct 2011) 15 Mar 2012	<b>11364/2012</b>	<b>McNally Holdings Pty Ltd;</b> 02-99, A triple stitched folded garment seam, 06 Mar 2012	<b>11096/2012</b>
<b>Martelli, Charlie;</b> 25-01B, Concrete reinforcing rod, 08 Mar 2012	<b>11156/2012</b>	<b>Michelin Recherche et Technique S.A.;Societe De Technologie Michelin;</b> 12-15A, A tyre, (EM, 26 Sep 2011) 21 Mar 2012	<b>11455/2012</b>
<b>Mascot International A/S;</b> 02-02C, A garment, (EM, 20 Sep 2011) 20 Mar 2012	<b>11438/2012</b>	<b>Michelin Recherche et Technique S.A.;Societe De Technologie Michelin;</b> 12-15C, A tyre, (FR, 27 Sep 2011) 21 Mar 2012	<b>11442/2012</b>
<b>Mascot International A/S;</b> 02-02C, A garment, (EM, 20 Sep 2011) 20 Mar 2012	<b>11439/2012</b>	<b>Michelin Recherche et Technique S.A.;Societe De Technologie Michelin;</b> 12-15C, A tyre, (FR, 27 Sep 2011) 21 Mar 2012	<b>11441/2012</b>
<b>Mascot International A/S;</b> 02-02C, A garment, (EM, 20 Sep 2011) 20 Mar 2012	<b>11436/2012</b>		
<b>Mascot International A/S;</b> 02-02NES, A garment, (EM, 20 Sep 2011) 20 Mar 2012	<b>11437/2012</b>		

<b>Micro Motion, Inc.;</b> 10-04, Flow meter housing, (US, 29 Sep 2011) 06 Mar 2012	<b>11104/2012</b>	<b>Microsoft Corporation;</b> 14-04, Display screen with icon, (US, 12 Sep 2011) 07 Mar 2012	<b>11267/2012</b>
<b>Micro Motion, Inc.;</b> 23-01NES, Flow meter housing, (US, 29 Sep 2011) 07 Mar 2012	<b>11275/2012</b>	<b>Microsoft Corporation;</b> 14-04, Display screen with icon, (US, 12 Sep 2011) 07 Mar 2012	<b>11268/2012</b>
<b>Micro Motion, Inc.;</b> 10-04, Flow meter housing, (US, 29 Sep 2011) 06 Mar 2012	<b>11103/2012</b>	<b>Microsoft Corporation;</b> 14-04, Display screen with icon, (US, 12 Sep 2011) 07 Mar 2012	<b>11269/2012</b>
<b>Microsoft Corporation;</b> 14-04, Display screen with user interface, (US, 12 Sep 2011) 07 Mar 2012	<b>11198/2012</b>	<b>Microsoft Corporation;</b> 14-04, Display screen with icon, (US, 12 Sep 2011) 07 Mar 2012	<b>11270/2012</b>
<b>Microsoft Corporation;</b> 14-04, Display screen with user interface, (US, 12 Sep 2011) 09 Mar 2012	<b>11282/2012</b>	<b>Microsoft Corporation;</b> 14-04, Display screen with icon, (US, 12 Sep 2011) 07 Mar 2012	<b>11271/2012</b>
<b>Microsoft Corporation;</b> 14-04, Display screen with user interface, (US, 12 Sep 2011) 09 Mar 2012	<b>11283/2012</b>	<b>Microsoft Corporation;</b> 14-04, Display screen with icon, (US, 12 Sep 2011) 07 Mar 2012	<b>11272/2012</b>
<b>Microsoft Corporation;</b> 14-04, Display screen with user interface, (US, 12 Sep 2011) 09 Mar 2012	<b>11284/2012</b>	<b>Microsoft Corporation;</b> 14-04, Display screen with icon, (US, 12 Sep 2011) 07 Mar 2012	<b>11273/2012</b>
<b>Microsoft Corporation;</b> 14-04, Display screen with user interface, (US, 12 Sep 2011) 09 Mar 2012	<b>11285/2012</b>	<b>Microsoft Corporation;</b> 14-04, Display screen with icon, (US, 12 Sep 2011) 07 Mar 2012	<b>11274/2012</b>
<b>Microsoft Corporation;</b> 14-04, Display screen with user interface, (US, 12 Sep 2011) 09 Mar 2012	<b>11286/2012</b>	<b>Microsoft Corporation;</b> 14-04, Display screen with user interface, (US, 12 Sep 2011) 07 Mar 2012	<b>11214/2012</b>
<b>Microsoft Corporation;</b> 14-04, Display screen with user interface, (US, 12 Sep 2011) 09 Mar 2012	<b>11287/2012</b>	<b>Microsoft Corporation;</b> 14-04, Display screen with icon, (US, 12 Sep 2011) 07 Mar 2012	<b>11195/2012</b>
<b>Microsoft Corporation;</b> 14-04, Display screen with user interface, (US, 12 Sep 2011) 07 Mar 2012	<b>11199/2012</b>	<b>Microsoft Corporation;</b> 14-04, Display screen with icon, (US, 12 Sep 2011) 07 Mar 2012	<b>11237/2012</b>
<b>Microsoft Corporation;</b> 14-04, Display screen with user interface, (US, 12 Sep 2011) 07 Mar 2012	<b>11200/2012</b>	<b>Microsoft Corporation;</b> 14-04, Display screen with user interface, (US, 12 Sep 2011) 07 Mar 2012	<b>11238/2012</b>
<b>Microsoft Corporation;</b> 14-04, Display screen with icon, (US, 12 Sep 2011) 07 Mar 2012	<b>11201/2012</b>	<b>Microsoft Corporation;</b> 14-04, Display screen with icon, (US, 12 Sep 2011) 07 Mar 2012	<b>11260/2012</b>
<b>Microsoft Corporation;</b> 14-04, Display screen with user interface, (US, 12 Sep 2011) 07 Mar 2012	<b>11202/2012</b>	<b>Microsoft Corporation;</b> 14-04, Display screen with user interface, (US, 12 Sep 2011) 07 Mar 2012	<b>11221/2012</b>
<b>Microsoft Corporation;</b> 14-04, Display screen with user interface, (US, 12 Sep 2011) 07 Mar 2012	<b>11203/2012</b>	<b>Microsoft Corporation;</b> 14-04, Display screen with user interface, (US, 12 Sep 2011) 07 Mar 2012	<b>11222/2012</b>
<b>Microsoft Corporation;</b> 14-04, Display screen with icon, (US, 12 Sep 2011) 07 Mar 2012	<b>11264/2012</b>	<b>Microsoft Corporation;</b> 14-04, Display screen with user interface, (US, 12 Sep 2011) 07 Mar 2012	<b>11235/2012</b>
<b>Microsoft Corporation;</b> 14-04, Display screen with icon, (US, 12 Sep 2011) 07 Mar 2012	<b>11265/2012</b>	<b>Microsoft Corporation;</b> 14-04, Display screen with icon group, (US, 12 Sep 2011) 07 Mar 2012	<b>11208/2012</b>
<b>Microsoft Corporation;</b> 14-04, Display screen with icon group, (US, 12 Sep 2011) 07 Mar 2012	<b>11266/2012</b>	<b>Microsoft Corporation;</b> 14-04, Display screen with user interface, (US, 12 Sep 2011) 07 Mar 2012	<b>11197/2012</b>



<b>Microsoft Corporation;</b> 14-04, Display screen with icon, (US, 12 Sep 2011) 07 Mar 2012	<b>11254/2012</b>	<b>Microsoft Corporation;</b> 14-04, Display screen with icon, (US, 12 Sep 2011) 07 Mar 2012	<b>11249/2012</b>
<b>Microsoft Corporation;</b> 14-04, Display screen with user interface, (US, 12 Sep 2011) 07 Mar 2012	<b>11205/2012</b>	<b>Microsoft Corporation;</b> 14-04, Display screen with user interface, (US, 12 Sep 2011) 07 Mar 2012	<b>11227/2012</b>
<b>Microsoft Corporation;</b> 14-04, Display screen with user interface, (US, 12 Sep 2011) 07 Mar 2012	<b>11225/2012</b>	<b>Microsoft Corporation;</b> 14-04, Display screen with icon, (US, 12 Sep 2011) 07 Mar 2012	<b>11247/2012</b>
<b>Microsoft Corporation;</b> 14-04, Display screen with user interface, (US, 12 Sep 2011) 07 Mar 2012	<b>11229/2012</b>	<b>Microsoft Corporation;</b> 14-04, Display screen with icon set, (US, 12 Sep 2011) 07 Mar 2012	<b>11251/2012</b>
<b>Microsoft Corporation;</b> 14-04, Display screen with icon, (US, 12 Sep 2011) 07 Mar 2012	<b>11250/2012</b>	<b>Microsoft Corporation;</b> 14-04, Display screen with icon, (US, 12 Sep 2011) 07 Mar 2012	<b>11188/2012</b>
<b>Microsoft Corporation;</b> 14-04, Display screen with icon set, (US, 12 Sep 2011) 07 Mar 2012	<b>11226/2012</b>	<b>Microsoft Corporation;</b> 14-04, Display screen with user interface, (US, 12 Sep 2011) 07 Mar 2012	<b>11181/2012</b>
<b>Microsoft Corporation;</b> 14-04, Display screen with icon, (US, 12 Sep 2011) 07 Mar 2012	<b>11245/2012</b>	<b>Microsoft Corporation;</b> 14-04, Display screen with user interface, (US, 12 Sep 2011) 07 Mar 2012	<b>11231/2012</b>
<b>Microsoft Corporation;</b> 14-04, Display screen with icon, (US, 12 Sep 2011) 07 Mar 2012	<b>11252/2012</b>	<b>Microsoft Corporation;</b> 14-04, Display screen with icon, (US, 12 Sep 2011) 07 Mar 2012	<b>11232/2012</b>
<b>Microsoft Corporation;</b> 14-04, Display screen with icon, (US, 12 Sep 2011) 07 Mar 2012	<b>11253/2012</b>	<b>Microsoft Corporation;</b> 14-04, Display screen with user interface, (US, 12 Sep 2011) 07 Mar 2012	<b>11182/2012</b>
<b>Microsoft Corporation;</b> 14-04, Display screen with user interface, (US, 12 Sep 2011) 07 Mar 2012	<b>11183/2012</b>	<b>Microsoft Corporation;</b> 14-04, Display screen with user interface, (US, 12 Sep 2011) 07 Mar 2012	<b>11179/2012</b>
<b>Microsoft Corporation;</b> 14-04, Display screen with user interface, (US, 12 Sep 2011) 07 Mar 2012	<b>11230/2012</b>	<b>Microsoft Corporation;</b> 14-04, Display screen with icon, (US, 12 Sep 2011) 07 Mar 2012	<b>11244/2012</b>
<b>Microsoft Corporation;</b> 14-04, Display screen with icon, (US, 12 Sep 2011) 07 Mar 2012	<b>11184/2012</b>	<b>Microsoft Corporation;</b> 14-04, Display screen with icon, (US, 12 Sep 2011) 07 Mar 2012	<b>11173/2012</b>
<b>Microsoft Corporation;</b> 14-04, Display screen with icon, (US, 12 Sep 2011) 07 Mar 2012	<b>11246/2012</b>	<b>Microsoft Corporation;</b> 14-04, Display screen with icon, (US, 12 Sep 2011) 07 Mar 2012	<b>11174/2012</b>
<b>Microsoft Corporation;</b> 14-04, Display screen with icon, (US, 12 Sep 2011) 07 Mar 2012	<b>11176/2012</b>	<b>Microsoft Corporation;</b> 14-04, Display Screen with icon, (US, 12 Sep 2011) 07 Mar 2012	<b>11171/2012</b>
<b>Microsoft Corporation;</b> 14-04, Display screen with icon, (US, 12 Sep 2011) 07 Mar 2012	<b>11255/2012</b>	<b>Microsoft Corporation;</b> 14-04, Display screen with icon, (US, 12 Sep 2011) 07 Mar 2012	<b>11172/2012</b>
<b>Microsoft Corporation;</b> 14-04, Display screen with icon group, (US, 12 Sep 2011) 07 Mar 2012	<b>11206/2012</b>	<b>Microsoft Corporation;</b> 14-04, Display screen with icon, (US, 12 Sep 2011) 07 Mar 2012	<b>11170/2012</b>
<b>Microsoft Corporation;</b> 14-04, Display screen with icon, (US, 12 Sep 2011) 07 Mar 2012	<b>11185/2012</b>	<b>Mitsubishi Jidosha Kogyo Kabushiki Kaisha;</b> 12-08, Automobile, (JP, 02 Nov 2011) 20 Mar 2012	<b>11429/2012</b>
<b>Microsoft Corporation;</b> 14-04, Display screen with icon, (US, 12 Sep 2011) 07 Mar 2012	<b>11186/2012</b>	<b>Multimedia Games, Inc.;</b> 21-03, Gaming machine, (US, 23 Sep 2011) 14 Mar 2012	<b>11317/2012</b>

<b>NEC Infrontia Corporation;</b> 14-03A, Telephone main body, (CN, 13 Oct 2011) 20 Mar 2012	<b>11446/2012</b>	<b>PenClic AB;</b> 14-02, Mini Keyboard, (WO, 19 Dec 2011) 20 Mar 2012	<b>11445/2012</b>
<b>Okamura Corporation;</b> 06-01F, Chair, (JP, 15 Sep 2011) 12 Mar 2012	<b>11309/2012</b>	<b>Phillips, Scott;</b> 02-04C, 21-01NES, Ankle cuffs for cycling, 21 Mar 2012	<b>11448/2012</b>
<b>Okamura Corporation;</b> 06-01F, Chair, (JP, 15 Sep 2011) 12 Mar 2012	<b>11310/2012</b>	<b>Pi-Design AG;</b> 07-04, Potato masher (transparent), (EM, 29 Sep 2011) 16 Mar 2012	<b>11352/2012</b>
<b>Oztent Australia Pty. Limited;</b> 06-01H, A chair, 08 Mar 2012	<b>11158/2012</b>	<b>Pi-Design AG;</b> 07-04, Poatato masher, (EM, 29 Sep 2011) 16 Mar 2012	<b>11351/2012</b>
<b>Oztent Australia Pty. Limited;</b> 21-03, A slide, 08 Mar 2012	<b>11157/2012</b>	<b>Pierias, Christopher;</b> 25-01K, An aluminium extension which is secured onto a round barrier leg, either 50mm or 44.45mm leg/pole and secures in, any,, perspex foam board, or hard board products used in advertising, 22 Mar 2012	<b>11469/2012</b>
<b>Paddington Furniture Co Pty Ltd;</b> 06-01G, Fraser, 07 Mar 2012	<b>11313/2012</b>	<b>Piusi S.p.A.;</b> 15-02, Pumps, (EM, 06 Oct 2011) 16 Mar 2012	<b>11367/2012</b>
<b>Pagliari, Dimitra;</b> 28-03NES, Product is an everyday sponge that people use in their kitchen, bathroom etc, 08 Mar 2012	<b>11333/2012</b>	<b>Prentice, Craig Robert;Siew, Silas Sao Jin;Huang, Wen Dong;Salmon, Andrew Paul Maxwell;</b> 24-01, A patient interface, (US, 08 Sep 2011) 08 Mar 2012	<b>11168/2012</b>
<b>Pagliari, Dimitra;</b> 28-03NES, Product is an everyday sponge that people use in their kitchen, bathroom etc, 08 Mar 2012	<b>11331/2012</b>	<b>Pridham, Andrew;</b> 25-04, A ladder support bracket, 08 Mar 2012	<b>11162/2012</b>
<b>Pagliari, Dimitra;</b> 28-03NES, Product is an everyday sponge that people use in their kitchen, bathroom etc, 08 Mar 2012	<b>11332/2012</b>	<b>Pridham, Andrew;</b> 08-08NES, A roof anchor, 08 Mar 2012	<b>11163/2012</b>
<b>Pagliari, Dimitra;</b> 28-03NES, Product is an everyday sponge that people use in their kitchen, bathroom etc., 08 Mar 2012	<b>11330/2012</b>	<b>Pridham, Andrew;</b> 25-04, A ladder support bracket, 08 Mar 2012	<b>11161/2012</b>
<b>Parkinson, Sam;</b> 21-02C, Golf grip, 16 Mar 2012	<b>11392/2012</b>	<b>Pridham, Andrew;</b> 08-08NES, A roof anchor, 08 Mar 2012	<b>11166/2012</b>
<b>Parkinson, Sam;</b> 21-02C, Golf club grip, 19 Mar 2012	<b>11424/2012</b>	<b>Pridham, Andrew;</b> 25-04, A ladder support bracket, 08 Mar 2012	<b>11164/2012</b>
<b>Parkinson, Sam;</b> 21-02C, Golf culb grip, 19 Mar 2012	<b>11425/2012</b>	<b>Pridham, Andrew;</b> 08-08NES, A roof anchor, 08 Mar 2012	<b>11165/2012</b>
<b>Parkinson, Sam;</b> 21-02C, Golf club grip, 19 Mar 2012	<b>11427/2012</b>	<b>Pridham, Andrew;</b> 08-08NES, A roof anchor, 08 Mar 2012	<b>11167/2012</b>
<b>Parkinson, Sam;</b> 21-02C, Golf club grip, 19 Mar 2012	<b>11426/2012</b>	<b>Rein Pty Ltd;</b> 23-01A, Pipe coupling, 13 Mar 2012	<b>11323/2012</b>
<b>Parkinson, Sam;</b> 21-02C, Golf club grip, 19 Mar 2012	<b>11423/2012</b>	<b>Rella Plastics Pty Ltd;</b> 20-02E, 06-04NES, File organizer, 15 Mar 2012	<b>11346/2012</b>
<b>Parkinson, Sam;</b> 21-02C, Golf grip, 16 Mar 2012	<b>11393/2012</b>	<b>Reln Pty Limited;</b> 23-01B, Pipe T piece, 13 Mar 2012	<b>11325/2012</b>
<b>Parkinson, Sam;</b> 21-02C, Golf grip, 16 Mar 2012	<b>11395/2012</b>	<b>Reln Pty Ltd;</b> 23-01B, Pipe, 13 Mar 2012	<b>11322/2012</b>
<b>Parkinson, Sam;</b> 21-02C, Golf grip, 16 Mar 2012	<b>11394/2012</b>	<b>Reln Pty Ltd;</b> 23-01A, Pipe adaptor, 13 Mar 2012	<b>11324/2012</b>
<b>Parkinson, Sam;</b> 21-02C, Golf grip, 16 Mar 2012	<b>11396/2012</b>		
<b>Pensini, Lori Jane;</b> 26-05B, 26-05D, Lamp, 08 Mar 2012	<b>11312/2012</b>		



<b>Roberts, Tony Raymond;</b> 11-02B, Plastic containers for growing plants to be installed on vertical surfaces (wall-mounted planter), 19 Mar 2012	<b>11390/2012</b>	<b>Societe des Produits Nestle S.A.;</b> 09-01G, A container, (CH, 26 Sep 2011) 19 Mar 2012	<b>11401/2012</b>
<b>Roberts, Heath;., Mercedez;</b> 02-02B, Reflective duo safety vest, 08 Mar 2012	<b>11127/2012</b>	<b>Societe des Produits Nestle S.A.;</b> 31-00, An ice cream machine, (CH, 13 Oct 2011) 13 Mar 2012	<b>11290/2012</b>
<b>Robinson, Spencer Lin;</b> 08-05P, A Punch, 29 Feb 2012	<b>10958/2012</b>	<b>Societe des Produits Nestle S.A.;</b> 31-00, An ice cream machine, (CH, 13 Oct 2011) 13 Mar 2012	<b>11311/2012</b>
<b>Rolex SA;</b> 10-07, Watch dial, (CH, 03 Nov 2011) 15 Mar 2012	<b>11359/2012</b>	<b>Societe De Technologie Michelin;Michelin Recherche et Technique S.A.;</b> 12-15C, A tyre, (FR, 27 Sep 2011) 21 Mar 2012	<b>11442/2012</b>
<b>Rolex SA;</b> 10-07, Watch dial, (CH, 03 Nov 2011) 15 Mar 2012	<b>11360/2012</b>	<b>Societe De Technologie Michelin;Michelin Recherche et Technique S.A.;</b> 12-15A, A tyre, (EM, 26 Sep 2011) 21 Mar 2012	<b>11455/2012</b>
<b>Rolex SA;</b> 10-02, Watch, (CH, 03 Nov 2011) 15 Mar 2012	<b>11362/2012</b>	<b>Societe De Technologie Michelin;Michelin Recherche et Technique S.A.;</b> 12-15C, A tyre, (FR, 27 Sep 2011) 21 Mar 2012	<b>11441/2012</b>
<b>Rolex SA;</b> 10-07, Watch dial, (CH, 03 Nov 2011) 15 Mar 2012	<b>11358/2012</b>	<b>Societe Des Produits Nestle S.A.;</b> 09-01D, A container, (CH, 26 Sep 2011) 19 Mar 2012	<b>11381/2012</b>
<b>Rolex SA;</b> 10-02, Watch, (CH, 03 Nov 2011) 15 Mar 2012	<b>11357/2012</b>	<b>Sony Computer Entertainment Inc.;</b> 14-99, Sheet for a portable information terminal, (JP, 18 Oct 2011) 19 Mar 2012	<b>11419/2012</b>
<b>Rolex SA;</b> 10-07, Watch dial, (CH, 03 Nov 2011) 15 Mar 2012	<b>11361/2012</b>	<b>Sony Computer Entertainment Inc.;</b> 14-99, Sheet for a portable information terminal, (JP, 18 Oct 2011) 19 Mar 2012	<b>11420/2012</b>
<b>Runway Blue, LLC.;</b> 07-01F, 09-01NES, Mixing bottle and closure, (US, 14 Sep 2011) 14 Mar 2012	<b>11337/2012</b>	<b>Sony Computer Entertainment Inc.;</b> 14-99, Sheet for a portable information terminal, (JP, 18 Oct 2011) 19 Mar 2012	<b>11417/2012</b>
<b>Runway Blue, LLC.;</b> 07-01F, 09-01NES, Mixing bottle and closure, (US, 14 Sep 2011) 14 Mar 2012	<b>11338/2012</b>	<b>Sony Computer Entertainment Inc.;</b> 14-99, Sheet for a portable information terminal, (JP, 18 Oct 2011) 19 Mar 2012	<b>11418/2012</b>
<b>S.C. Johnson &amp; Son, Inc.;</b> 26-01, A candle holder, (US, 23 Sep 2011) 20 Mar 2012	<b>11443/2012</b>	<b>Strahle, Stephen;</b> 14-02, Computer, 07 Mar 2012	<b>11326/2012</b>
<b>Saade, Dori;</b> 07-02E, BBQ - ajustable hot grill BBQ, 16 Mar 2012	<b>11413/2012</b>	<b>Sunbeam Corporation Limited;</b> 07-02E, Cooking unit, 15 Mar 2012	<b>11350/2012</b>
<b>Salmon, Andrew Paul Maxwell;Siew, Silas Sao Jin;Huang, Wen Dong;Prentice, Craig Robert;</b> 24-01, A patient interface, (US, 08 Sep 2011) 08 Mar 2012	<b>11168/2012</b>	<b>SwitchEasy Limited;</b> 21-01N, Touching pen, (HK, 13 Jan 2012) 19 Mar 2012	<b>11405/2012</b>
<b>Sharp Kabushiki Kaisha;</b> 14-03B, Television set, (JP, 12 Oct 2011) 12 Mar 2012	<b>11278/2012</b>	<b>SMA Solar Technology AG;</b> 13-03NES, 13-99, Electrical apparatus, (EM, 13 Oct 2011) 13 Mar 2012	<b>11329/2012</b>
<b>Siew, Silas Sao Jin;Huang, Wen Dong;Prentice, Craig Robert;Salmon, Andrew Paul Maxwell;</b> 24-01, A patient interface, (US, 08 Sep 2011) 08 Mar 2012	<b>11168/2012</b>	<b>SMA Solar Technology AG;</b> 13-03NES, 13-99, Electrical apparatus, (EM, 13 Oct 2011) 13 Mar 2012	<b>11328/2012</b>
<b>Sistema Plastics Limited;</b> 07-02P, A cake tin base, 14 Mar 2012	<b>11336/2012</b>	<b>Telebrands Corp.;</b> 15-05, Vacuum adapter for lint removal, (US, 12 Jan 2012) 21 Mar 2012	<b>11457/2012</b>
		<b>The Bin Buddie Company Pty. Ltd.;</b> 09-09, Tamper for bin contents, 02 Mar 2012	<b>11101/2012</b>
		<b>The Decor Corporation Pty. Ltd.;</b> 08-06, Lever, 14 Mar 2012	<b>11343/2012</b>

<b>The Decor Corporation Pty. Ltd.;</b> 09-07C, Cap for bottle, 13 Mar 2012	<b>11315/2012</b>	<b>Vuly Pty Ltd;</b> 08-08NES, Hook mount, 16 Mar 2012	<b>11410/2012</b>
<b>The Decor Corporation Pty. Ltd.;</b> 09-01NES, Drink bottle, 13 Mar 2012	<b>11314/2012</b>	<b>Vuly Pty Ltd;</b> 08-08L, Frame connector, 16 Mar 2012	<b>11407/2012</b>
<b>The Laryngeal Mask Company Limited;</b> 24-01, Laryngeal masks / medical equipment, (EM, 07 Sep 2011) 07 Mar 2012	<b>11190/2012</b>	<b>Wahl Clipper Corporation;</b> 28-03D, Multi-piece hair clipper housing lid, (US, 19 Sep 2011) 19 Mar 2012	<b>11428/2012</b>
<b>Thetford Corporation;</b> 23-02C, Portable toilet, (EM, 28 Feb 2012) 20 Mar 2012	<b>11403/2012</b>	<b>Warren Environmental, Inc;</b> 23-02NES, 23-01F, A tank, 08 Mar 2012	<b>11187/2012</b>
<b>Thinking Ergonomix Pty Limited;</b> 06-06E, Table foot, 20 Mar 2012	<b>11440/2012</b>	<b>Winelight Pty Ltd;</b> 26-05NES, Light, 14 Mar 2012	<b>11334/2012</b>
<b>Tratt, Robert John;</b> 21-01F, Kick scooters - Standard compression system (AKA SCS Clamp), 16 Mar 2012	<b>11355/2012</b>	<b>WYW BLOCK AG;</b> 25-01A, Building block, 12 Mar 2012	<b>11289/2012</b>
<b>Underwood Companies Holdings Pty Ltd;</b> 25-01B, 25-04, Dowel ladder for concrete joints, 07 Mar 2012	<b>11141/2012</b>	<b>WYW BLOCK AG;</b> 25-01A, Building Block, 12 Mar 2012	<b>11293/2012</b>
<b>Underwood Companies Holdings Pty Ltd;</b> 25-01B, 25-04, Dowel ladder for concrete joints, 07 Mar 2012	<b>11142/2012</b>	<b>Zee.Aero Inc.;</b> 12-07, Aircraft, (US, 19 Sep 2011) 16 Mar 2012	<b>11377/2012</b>
<b>Unilever PLC;</b> 09-07B, Lid for tub, (EM, 19 Sep 2011) 06 Mar 2012	<b>11097/2012</b>	<b>Zhejiang CFMOTO Power Co., Ltd;</b> 12-08, All-terrain vehicle, (CN, 21 Dec 2011) 16 Mar 2012	<b>11378/2012</b>
<b>Unilever PLC;</b> 09-03NES, Tub, (EM, 19 Sep 2011) 06 Mar 2012	<b>11098/2012</b>	<b>Zoola Industries Limited (UK);</b> 03-01B, Purses, (GB, 10 Sep 2011) 08 Mar 2012	<b>11335/2012</b>
<b>Viking Corporation, The;</b> 23-01B, Flow shaper for a fire protection sprinkler, (US, 01 Nov 2011) 08 Mar 2012	<b>11178/2012</b>	<b>3M Innovative Properties Company;</b> 02-03, Protective helmet, (EM, 13 Sep 2011) 07 Mar 2012	<b>11124/2012</b>
<b>Vuly Pty Ltd;</b> 08-08NES, Hook, 16 Mar 2012	<b>11409/2012</b>	<b>3M Innovative Properties Company;</b> 02-03, Protective helmet, (EM, 13 Sep 2011) 12 Mar 2012	<b>11276/2012</b>
<b>Vuly Pty Ltd;</b> 08-08L, Frame connector, 16 Mar 2012	<b>11408/2012</b>	<b>3M Innovative Properties Company;</b> 02-03, Protective helmet, (EM, 13 Sep 2011) 12 Mar 2012	<b>11277/2012</b>
<b>Vuly Pty Ltd;</b> 08-08C, Spring, 16 Mar 2012	<b>11411/2012</b>	<b>3M Innovative Properties Company;</b> 19-02, Tape dispenser, (US, 09 Sep 2011) 07 Mar 2012	<b>11125/2012</b>

**Applications Withdrawn**

15677 / 2011 (09-02A)                      15678 / 2011 (20-02E)

**Applications Lapsed**

14032 / 2011 (15-99)                      14270 / 2011 (12-16NES)  
 14424 / 2011 (02-02C)                      14693 / 2011 (23-02C)  
 14696 / 2011 (23-02C)                      14697 / 2011 (23-02C)  
 14700 / 2011 (23-02C)                      14895 / 2011 (23-02C)  
 14896 / 2011 (23-02C)                      15545 / 2011 (12-16A)  
 10009 / 2012 (03-01NES)

**Extension of Period of Registration of Designs**

310747	313290	313581
313625	313747	313748
313977	314035	314050
314056	314061	314068
314069	314070	314129
314233	314315	314346
314421	314487	314517
314550	314568	314569
314570	314601	314602
314663	314691	314716
314724	314725	314726
314727	314762	314777
314784	314785	314788
314791	314822	314847
314869	314871	314872
314879	314880	314881
314882	314889	314899
314900	314901	314902
314903	314904	314905
314906	314907	314908
314909	314910	314911
314912	314913	314914
314915	314916	314917
314918	314919	314920
314921	314922	314924
314929	314958	314973
314974	315003	315004
315005	315006	315038
315057	315058	315059
315132	315151	315152
315153	315154	315155
315206	315441	315442
315443	315528	315537
315870	315871	315872
315896	315898	316162
316939	316940	316941
317409	317410	

**Registrations Ceased**

309745	309746	309747
309748	309749	309750
309863	309865	309866
309867	309868	309869
309891	309929	310358
310395	310396	310583
310586	310587	310588
310589	310648	310656
310657	310658	310659
310660	310661	310662

310666	310676	310677
310681	310682	310705
310706	310708	310711
310729	310730	310731
310733	310748	310749
310750	310751	310754
310756	310768	310771
310773	310794	310795
310808	310811	310813
310814	310816	310831
310832	310837	310843
310844	310845	310848
310849	310866	310870
310885	310912	310913
310916	310925	310926
310927	310928	310930
310931	310937	310938
310954	310955	310956
310960	310962	310963
310964	310965	310966
310969	311164	311165
311175	311176	311177
311181	311261	311384
311385	311397	311516
311517	311518	311519
311520	311521	311522
311576	311577	311590
311610	311646	311648
311651	311656	311657
311658	311659	311738
311759	311822	311823
311824	311943	311969
311986	311987	312188
312310	312311	312312
312313	312314	312359
312360	312361	312362
312363	312427	312474
312475	312476	312477
312488	312489	312630
312631	312632	312633
313016	313017	313109
313204	313244	313262
313263	313453	313454
313455	313456	313457
313458	313459	313463
313464	313466	313467
313468	313470	313585
314169	314199	314202
314204	314205	314217
314220	314222	314265
314317	316864	331898
336402		

**Extensions of time granted under Section 137**

Applications lodged under section 137 for extension of time have been granted.

335711 **Removerite Incorporated**

335712 **Removerite Incorporated**

13795/2011 **Julie Ann Spence**

341548 **Peter Warner**

15251/2011 **Ali Industries, Inc.**

341430 **Reckitt Benckiser Healthcare International Limited**

15379/2011 **Microsoft Corporation**

341463 **Glowstix Australia Pty Ltd**

341643 **Clik'n'Fit Pty Ltd**

15677/2011 **Susan Plunkett**

15678/2011 **Susan Plunkett**

15679/2011 **Susan Plunkett**

15680/2011 **Susan Plunkett**

341480 **Powerpac Group Limited**

341577 **AFC Group Pty Ltd**

341433 **Koninklijke Philips Electronics N.V.**

### **Subsequent Owners Registered**

(The name in parentheses is that of the subsequent owner)

332732 ( **Co123456 Limited** ) **Nimbus Lighting Group Limited**

### **Names Registered - Alterations and Amendments**

(The name in parentheses is that of the subsequent applicant)

332732 ( **Nimbus Lighting Group Limited** ) **Co123456 Limited**

**Certificate(s) of Examination**

Examination of the following Design Registration(s) has been completed. Infringement proceedings may now be commenced.

305496	23-02B	19/03/2012
330369	25-01F	25/03/2012
336415	13-02	18/03/2012
336511	06-01G	19/03/2012
336886	14-02	18/03/2012
336963	24-02	20/03/2012
336964	24-02	21/03/2012
337696	21-02NES	16/03/2012
338549	06-02	22/03/2012
339410	04-02	15/03/2012
339613	04-02	15/03/2012
339760	31-00	15/03/2012
339798	20-02E	22/03/2012
339841	14-01	13/03/2012
339853	14-01	13/03/2012
339983	06-01E	22/03/2012
339998	01-01	21/03/2012
339999	01-01	21/03/2012
340012	06-01E	22/03/2012
340075	13-03B	22/03/2012
340076	13-03B	22/03/2012
340097	01-01	21/03/2012
340103	15-01	21/03/2012
340155	28-03NES	14/03/2012
340176	01-01	22/03/2012
340177	01-01	21/03/2012
340178	01-01	21/03/2012
340186	01-01	21/03/2012
340233	20-02C	19/03/2012
340234	20-02C	19/03/2012
340235	20-02C	19/03/2012
340250	09-01NES	18/03/2012
340318	09-05	14/03/2012
340319	09-05	14/03/2012
340325	11-01NES	23/03/2012
340326	09-01G	25/03/2012
340326	09-01G	25/03/2012
340391	15-05	20/03/2012
340392	15-05	20/03/2012
340393	15-05	20/03/2012
340407	08-08L	25/03/2012
340408	08-08L	25/03/2012
340433	02-02C	19/03/2012
340518	09-05	14/03/2012
340638	08-03	20/03/2012
340789	12-03	22/03/2012
340790	12-03	22/03/2012
340791	12-03	22/03/2012
340792	12-03	22/03/2012
340834	12-03	22/03/2012

**Publication and Registration Proceedings**

**Designs Registered**

This section provides a concordance between design number and registration number of Designs covered in this journal. It also shows the main class and registration date.

This section covers Registration numbers 341387 to 341610 .

The registration number shown below should be used in all future correspondence.

<b>Design Number</b>	<b>Registration Number</b>	<b>International Classification Code (IDC)</b>	<b>Registration Date</b>	<b>Design Number</b>	<b>Registration Number</b>	<b>International Classification Code (IDC)</b>	<b>Registration Date</b>
12988/2011	341425	12-16A	15/03/2012	10148/2012	341580	23-04	23/03/2012
12989/2011	341426	12-16A	15/03/2012	10187/2012	341433	24-02	15/03/2012
12990/2011	341427	12-16A	15/03/2012	10198/2012	341434	12-02	15/03/2012
13174/2011	341462	25-02G	19/03/2012	10199/2012	341435	08-03	15/03/2012
13327/2011	341501	19-06	20/03/2012	10222/2012	341436	13-03D	15/03/2012
13465/2011	341596	07-07A	23/03/2012	10256/2012	341459	08-08NES	16/03/2012
13466/2011	341597	07-07A	23/03/2012	10290/2012	341551	20-02B	22/03/2012
13699/2011	341428	15-03B	15/03/2012	10329/2012	341387	12-15A	13/03/2012
13700/2011	341429	15-03B	15/03/2012	10335/2012	341539	08-08C	21/03/2012
13965/2011	341541	07-02K	22/03/2012	10352/2012	341581	15-05	23/03/2012
13966/2011	341542	07-05A	22/03/2012	10394/2012	341396	26-05NES	14/03/2012
14023/2011	341507	02-02NES	20/03/2012	10395/2012	341397	26-05NES	14/03/2012
14046/2011	341448	21-02D	16/03/2012	10396/2012	341398	26-05NES	14/03/2012
14175/2011	341576	08-08A	23/03/2012	10397/2012	341399	26-05NES	14/03/2012
14838/2011	341548	30-02	22/03/2012	10398/2012	341536	26-05D	21/03/2012
15258/2011	341430	09-01NES	15/03/2012	10399/2012	341537	26-05D	21/03/2012
15381/2011	341463	26-05E	19/03/2012	10427/2012	341599	02-04NES	23/03/2012
15390/2011	341598	09-05	23/03/2012	10433/2012	341484	21-01E	20/03/2012
15575/2011	341449	23-04	16/03/2012	10468/2012	341460	12-16K	16/03/2012
15576/2011	341450	23-04	16/03/2012	10486/2012	341514	03-01D	21/03/2012
15619/2011	341503	09-03F	20/03/2012	10590/2012	341515	08-08NES	21/03/2012
15620/2011	341504	09-03F	20/03/2012	10624/2012	341400	03-01NES	14/03/2012
15621/2011	341505	09-03F	20/03/2012	10665/2012	341388	07-02E	13/03/2012
15624/2011	341506	09-03F	20/03/2012	10666/2012	341391	07-02E	13/03/2012
15741/2011	341480	08-03	20/03/2012	10679/2012	341582	02-02A	23/03/2012
15785/2011	341549	14-01	22/03/2012	10695/2012	341464	10-07	19/03/2012
15797/2011	341451	06-01H	16/03/2012	10698/2012	341423	26-05E	15/03/2012
15798/2011	341452	06-01H	16/03/2012	10705/2012	341583	23-02F	23/03/2012
15799/2011	341453	06-01H	16/03/2012	10706/2012	341584	23-02F	23/03/2012
15800/2011	341454	06-01H	16/03/2012	10707/2012	341585	23-02F	23/03/2012
15801/2011	341455	06-01H	16/03/2012	10708/2012	341586	23-02F	23/03/2012
15802/2011	341456	06-01H	16/03/2012	10709/2012	341587	23-02F	23/03/2012
15803/2011	341457	06-01H	16/03/2012	10710/2012	341588	23-02F	23/03/2012
15804/2011	341458	06-01H	16/03/2012	10711/2012	341589	23-02F	23/03/2012
15806/2011	341577	14-01	23/03/2012	10712/2012	341590	23-02F	23/03/2012
15830/2011	341543	09-03F	22/03/2012	10713/2012	341591	23-02F	23/03/2012
15831/2011	341544	09-03F	22/03/2012	10714/2012	341592	23-02F	23/03/2012
15859/2011	341395	30-99	14/03/2012	10715/2012	341593	23-02F	23/03/2012
15970/2011	341528	08-07	21/03/2012	10716/2012	341594	23-02F	23/03/2012
15974/2011	341481	13-03E	20/03/2012	10717/2012	341595	23-02F	23/03/2012
15975/2011	341482	13-03E	20/03/2012	10735/2012	341404	21-02E	15/03/2012
15976/2011	341483	13-03E	20/03/2012	10736/2012	341405	21-02E	15/03/2012
15979/2011	341529	07-02NES	21/03/2012	10737/2012	341406	15-03A	15/03/2012
15980/2011	341532	07-02NES	21/03/2012	10739/2012	341407	09-01A	15/03/2012
15981/2011	341535	15-05	21/03/2012	10740/2012	341408	21-03	15/03/2012
15996/2011	341431	02-02C	15/03/2012	10741/2012	341409	26-05B	15/03/2012
10073/2012	341432	21-02NES	15/03/2012	10742/2012	341410	26-04	15/03/2012
10104/2012	341545	25-02G	22/03/2012	10743/2012	341411	26-04	15/03/2012
10145/2012	341546	30-01	22/03/2012	10744/2012	341412	26-04	15/03/2012
10147/2012	341579	26-05NES	23/03/2012	10745/2012	341413	13-02	15/03/2012

Publication and Registration Proceedings - Designs Registered cont'd

Design Number	Registration Number	International Classification Code (IDC)	Registration Date	Design Number	Registration Number	International Classification Code (IDC)	Registration Date
10746/2012	341414	13-02	15/03/2012	10864/2012	341525	08-06	21/03/2012
10750/2012	341415	13-03E	15/03/2012	10866/2012	341526	28-03A	21/03/2012
10751/2012	341416	23-04	15/03/2012	10867/2012	341527	23-02B	21/03/2012
10757/2012	341417	12-02	15/03/2012	10868/2012	341552	23-02B	22/03/2012
10760/2012	341418	26-04	15/03/2012	10869/2012	341553	23-01H	22/03/2012
10761/2012	341419	26-04	15/03/2012	10870/2012	341554	23-01H	22/03/2012
10763/2012	341420	12-06NES	15/03/2012	10873/2012	341401	20-02NES	14/03/2012
10764/2012	341421	23-01F	15/03/2012	10874/2012	341402	20-02NES	14/03/2012
10766/2012	341422	23-01B	15/03/2012	10875/2012	341555	12-12	22/03/2012
10769/2012	341438	08-03	16/03/2012	10876/2012	341540	06-07	21/03/2012
10772/2012	341439	02-03	16/03/2012	10877/2012	341556	28-03NES	22/03/2012
10774/2012	341440	02-04NES	16/03/2012	10878/2012	341557	28-03NES	22/03/2012
10775/2012	341441	02-04A	16/03/2012	10879/2012	341558	07-04	22/03/2012
10776/2012	341442	02-04A	16/03/2012	10880/2012	341559	07-04	22/03/2012
10777/2012	341443	04-02	16/03/2012	10882/2012	341560	12-15B	22/03/2012
10779/2012	341444	23-01K	16/03/2012	10883/2012	341561	12-15B	22/03/2012
10780/2012	341485	12-02	20/03/2012	10888/2012	341437	08-03	15/03/2012
10785/2012	341445	25-03	16/03/2012	10889/2012	341562	23-04	22/03/2012
10786/2012	341446	25-03	16/03/2012	10893/2012	341403	01-01	14/03/2012
10801/2012	341469	13-03E	19/03/2012	10896/2012	341563	10-04	22/03/2012
10803/2012	341447	08-08NES	16/03/2012	10897/2012	341564	09-07NES	23/03/2012
10807/2012	341470	08-07	19/03/2012	10898/2012	341565	07-02N	23/03/2012
10808/2012	341471	08-07	19/03/2012	10900/2012	341566	14-04	23/03/2012
10809/2012	341472	06-01NES	19/03/2012	10901/2012	341567	14-04	23/03/2012
10810/2012	341473	06-01G	19/03/2012	10902/2012	341568	09-03NES	23/03/2012
10811/2012	341474	06-01G	19/03/2012	10903/2012	341569	26-05C	23/03/2012
10812/2012	341475	06-01G	19/03/2012	10912/2012	341570	08-06	23/03/2012
10813/2012	341461	06-01G	16/03/2012	10913/2012	341571	12-02	23/03/2012
10814/2012	341476	06-01G	19/03/2012	10914/2012	341572	25-03	23/03/2012
10815/2012	341477	06-01G	19/03/2012	10918/2012	341573	07-02E	23/03/2012
10816/2012	341478	09-01NES	19/03/2012	10919/2012	341574	07-02H	23/03/2012
10818/2012	341479	26-05E	19/03/2012	10920/2012	341465	06-01F	19/03/2012
10820/2012	341466	13-03E	19/03/2012	10921/2012	341575	02-04NES	23/03/2012
10821/2012	341467	13-03E	19/03/2012	10924/2012	341600	02-04NES	26/03/2012
10824/2012	341491	12-08	20/03/2012	10926/2012	341601	31-00	26/03/2012
10830/2012	341492	15-07	20/03/2012	10928/2012	341602	02-01A	26/03/2012
10831/2012	341493	23-01NES	20/03/2012	10929/2012	341603	08-08B	26/03/2012
10834/2012	341494	19-99	20/03/2012	10930/2012	341604	14-01	26/03/2012
10835/2012	341495	19-99	20/03/2012	10935/2012	341605	03-01B	26/03/2012
10836/2012	341496	19-99	20/03/2012	10936/2012	341547	30-08	22/03/2012
10838/2012	341497	15-02	20/03/2012	10937/2012	341606	23-02C	26/03/2012
10839/2012	341498	26-03	20/03/2012	10938/2012	341607	23-02C	26/03/2012
10840/2012	341394	06-11	13/03/2012	10939/2012	341608	23-02C	26/03/2012
10841/2012	341499	07-04	20/03/2012	10940/2012	341609	23-02C	26/03/2012
10842/2012	341500	07-04	20/03/2012	10941/2012	341610	23-02C	26/03/2012
10849/2012	341516	07-02A	21/03/2012	10978/2012	341502	19-06	20/03/2012
10850/2012	341517	09-07A	21/03/2012	10992/2012	341486	02-04NES	20/03/2012
10851/2012	341424	25-04	15/03/2012	11032/2012	341538	05-05NES	21/03/2012
10853/2012	341518	12-15B	21/03/2012	11078/2012	341487	25-02B	20/03/2012
10854/2012	341519	09-07C	21/03/2012	11079/2012	341488	25-02B	20/03/2012
10856/2012	341520	26-05C	21/03/2012	11080/2012	341489	13-03D	20/03/2012
10857/2012	341521	26-05C	21/03/2012	11081/2012	341490	13-03D	20/03/2012
10861/2012	341522	11-02NES	21/03/2012	11129/2012	341392	07-99A	13/03/2012
10862/2012	341523	08-06	21/03/2012	11130/2012	341393	07-04	13/03/2012
10863/2012	341524	08-06	21/03/2012	11131/2012	341389	07-02E	13/03/2012

Publication and Registration Proceedings - Designs Registered cont'd

Design Number	Registration Number	International Classification Code (IDC)	Registration Date	Design Number	Registration Number	International Classification Code (IDC)	Registration Date
11132/2012	341390	07-02E	13/03/2012	11370/2012	341510	02-02C	20/03/2012
11147/2012	341468	03-01A	19/03/2012	11371/2012	341511	02-02NES	20/03/2012
11295/2012	341533	07-02NES	21/03/2012	11372/2012	341512	02-02NES	20/03/2012
11296/2012	341534	07-02NES	21/03/2012	11373/2012	341513	02-02C	20/03/2012
11297/2012	341530	07-02NES	21/03/2012	11404/2012	341550	14-01	22/03/2012
11298/2012	341531	07-02NES	21/03/2012	11431/2012	341578	14-01	23/03/2012
11368/2012	341508	02-02C	20/03/2012				
11369/2012	341509	02-02C	20/03/2012				



**Publication and Registration Proceedings**

**Class Listing of Designs Published or Registered**

The following section shows an International Classification Code listing of the Registered or Published Designs covered in this supplement.

<b>Classification</b>	<b>Registration Number</b>	<b>Design Number</b>	<b>Classification</b>	<b>Registration Number</b>	<b>Design Number</b>
01-01	341403	10893/2012	07-02H	341574	10919/2012
02-01A	341602	10928/2012	07-02K	341541	13965/2011
02-02A	341582	10679/2012	07-02N	341565	10898/2012
02-02C	341431	15996/2011	07-02NES	341529	15979/2011
02-02C	341508	11368/2012	07-02NES	341530	11297/2012
02-02C	341509	11369/2012	07-02NES	341531	11298/2012
02-02C	341510	11370/2012	07-02NES	341532	15980/2011
02-02C	341513	11373/2012	07-02NES	341533	11295/2012
02-02NES	341507	14023/2011	07-02NES	341534	11296/2012
02-02NES	341511	11371/2012	07-04	341393	11130/2012
02-02NES	341512	11372/2012	07-04	341499	10841/2012
02-03	341439	10772/2012	07-04	341500	10842/2012
02-04A	341441	10775/2012	07-04	341558	10879/2012
02-04A	341442	10776/2012	07-04	341559	10880/2012
02-04NES	341440	10774/2012	07-05A	341542	13966/2011
02-04NES	341486	10992/2012	07-07A	341596	13465/2011
02-04NES	341575	10921/2012	07-07A	341597	13466/2011
02-04NES	341599	10427/2012	07-99A	341391	10666/2012
02-04NES	341600	10924/2012	07-99A	341392	11129/2012
03-01A	341468	11147/2012	08-01	341406	10737/2012
03-01B	341605	10935/2012	08-03	341435	10199/2012
03-01D	341514	10486/2012	08-03	341437	10888/2012
03-01NES	341400	10624/2012	08-03	341438	10769/2012
03-01NES	341401	10873/2012	08-03	341480	15741/2011
03-01NES	341402	10874/2012	08-06	341523	10862/2012
04-02	341443	10777/2012	08-06	341524	10863/2012
05-05NES	341538	11032/2012	08-06	341525	10864/2012
06-01F	341465	10920/2012	08-06	341570	10912/2012
06-01G	341461	10813/2012	08-07	341470	10807/2012
06-01G	341473	10810/2012	08-07	341471	10808/2012
06-01G	341474	10811/2012	08-07	341528	15970/2011
06-01G	341475	10812/2012	08-08A	341576	14175/2011
06-01G	341476	10814/2012	08-08B	341603	10929/2012
06-01G	341477	10815/2012	08-08C	341397	10395/2012
06-01H	341451	15797/2011	08-08C	341539	10335/2012
06-01H	341452	15798/2011	08-08NES	341447	10803/2012
06-01H	341453	15799/2011	08-08NES	341459	10256/2012
06-01H	341454	15800/2011	08-08NES	341515	10590/2012
06-01H	341455	15801/2011	08-08NES	341576	14175/2011
06-01H	341456	15802/2011	09-01A	341407	10739/2012
06-01H	341457	15803/2011	09-01NES	341430	15258/2011
06-01H	341458	15804/2011	09-01NES	341478	10816/2012
06-01NES	341472	10809/2012	09-03F	341503	15619/2011
06-03B	341492	10830/2012	09-03F	341504	15620/2011
06-07	341540	10876/2012	09-03F	341505	15621/2011
06-11	341394	10840/2012	09-03F	341506	15624/2011
07-01NES	341564	10897/2012	09-03F	341543	15830/2011
07-02A	341516	10849/2012	09-03F	341544	15831/2011
07-02E	341388	10665/2012	09-03NES	341568	10902/2012
07-02E	341389	11131/2012	09-05	341598	15390/2011
07-02E	341390	11132/2012	09-07A	341517	10850/2012
07-02E	341391	10666/2012	09-07C	341519	10854/2012
07-02E	341573	10918/2012	09-07NES	341564	10897/2012

Registration Proceedings - Class Listing of Designs Published or Registered cont'd

Classification	Registration Number	Design Number	Classification	Registration Number	Design Number
10-04	341563	10896/2012	21-01E	341484	10433/2012
10-07	341464	10695/2012	21-02D	341448	14046/2011
11-02NES	341522	10861/2012	21-02E	341404	10735/2012
12-02	341417	10757/2012	21-02E	341405	10736/2012
12-02	341434	10198/2012	21-02NES	341432	10073/2012
12-02	341485	10780/2012	21-03	341408	10740/2012
12-02	341571	10913/2012	21-03	341484	10433/2012
12-06NES	341420	10763/2012	23-01B	341422	10766/2012
12-08	341491	10824/2012	23-01F	341421	10764/2012
12-12	341555	10875/2012	23-01H	341553	10869/2012
12-15A	341387	10329/2012	23-01H	341554	10870/2012
12-15B	341518	10853/2012	23-01K	341444	10779/2012
12-15B	341560	10882/2012	23-01NES	341493	10831/2012
12-15B	341561	10883/2012	23-02B	341527	10867/2012
12-16A	341425	12988/2011	23-02B	341552	10868/2012
12-16A	341426	12989/2011	23-02C	341606	10937/2012
12-16A	341427	12990/2011	23-02C	341607	10938/2012
12-16K	341460	10468/2012	23-02C	341608	10939/2012
13-02	341413	10745/2012	23-02C	341609	10940/2012
13-02	341414	10746/2012	23-02C	341610	10941/2012
13-03D	341399	10397/2012	23-02F	341583	10705/2012
13-03D	341436	10222/2012	23-02F	341584	10706/2012
13-03D	341489	11080/2012	23-02F	341585	10707/2012
13-03D	341490	11081/2012	23-02F	341586	10708/2012
13-03E	341415	10750/2012	23-02F	341587	10709/2012
13-03E	341466	10820/2012	23-02F	341588	10710/2012
13-03E	341467	10821/2012	23-02F	341589	10711/2012
13-03E	341469	10801/2012	23-02F	341590	10712/2012
13-03E	341481	15974/2011	23-02F	341591	10713/2012
13-03E	341482	15975/2011	23-02F	341592	10714/2012
13-03E	341483	15976/2011	23-02F	341593	10715/2012
14-01	341549	15785/2011	23-02F	341594	10716/2012
14-01	341550	11404/2012	23-02F	341595	10717/2012
14-01	341577	15806/2011	23-04	341416	10751/2012
14-01	341578	11431/2012	23-04	341449	15575/2011
14-01	341604	10930/2012	23-04	341450	15576/2011
14-02	341400	10624/2012	23-04	341545	10104/2012
14-03A	341604	10930/2012	23-04	341562	10889/2012
14-04	341566	10900/2012	23-04	341579	10147/2012
14-04	341567	10901/2012	23-04	341580	10148/2012
15-02	341497	10838/2012	24-02	341433	10187/2012
15-03A	341406	10737/2012	25-02B	341487	11078/2012
15-03B	341428	13699/2011	25-02B	341488	11079/2012
15-03B	341429	13700/2011	25-02G	341462	13174/2011
15-05	341535	15981/2011	25-02G	341545	10104/2012
15-05	341581	10352/2012	25-03	341445	10785/2012
15-07	341492	10830/2012	25-03	341446	10786/2012
19-06	341501	13327/2011	25-03	341572	10914/2012
19-06	341502	10978/2012	25-04	341424	10851/2012
19-06	341551	10290/2012	26-03	341498	10839/2012
19-99	341494	10834/2012	26-04	341410	10742/2012
19-99	341495	10835/2012	26-04	341411	10743/2012
19-99	341496	10836/2012	26-04	341412	10744/2012
20-02B	341551	10290/2012	26-04	341418	10760/2012
20-02NES	341401	10873/2012	26-04	341419	10761/2012
20-02NES	341402	10874/2012	26-05B	341409	10741/2012

Registration Proceedings - Class Listing of Designs Published or Registered cont'd

Classification	Registration Number	Design Number	Classification	Registration Number	Design Number
26-05C	341520	10856/2012	28-03A	341526	10866/2012
26-05C	341521	10857/2012	28-03NES	341556	10877/2012
26-05C	341569	10903/2012	28-03NES	341557	10878/2012
26-05D	341536	10398/2012	28-03NES	341581	10352/2012
26-05D	341537	10399/2012	29-01	341515	10590/2012
26-05E	341423	10698/2012	30-01	341546	10145/2012
26-05E	341463	15381/2011	30-02	341548	14838/2011
26-05E	341479	10818/2012	30-08	341547	10936/2012
26-05NES	341396	10394/2012	30-99	341395	15859/2011
26-05NES	341397	10395/2012	31-00	341601	10926/2012
26-05NES	341398	10396/2012			
26-05NES	341399	10397/2012			
26-05NES	341579	10147/2012			

(21) Design Number: **10329/2012**

(22) Date of Filing Application: **25 January 2012**

(24) Date from which industrial property rights may have effect: **25 January 2012**

(54) Product in respect of which the design is registered: **Tyre for an automobile**

(51) International Design Classification: **12-15A**

(74) Name(s) of Attorney(s): **Davies Collison Cave**

(71) Name(s) and Address(s) of Applicant(s):

**Sumitomo Rubber Industries, Ltd.**

**6-9 Wakinohama-cho 3-chome Chuo-ku Kobe-shi Hyogo 651-0072 Japan**

(72) Name(s) of Designer(s): **Hiroki Takahashi**

(45) Registration Date: **13 March 2012**

(30) Convention priority data:

(31) Number	(32) Date	(33) Country
<b>30-2011-0032119</b>	<b>01 Aug 2011</b>	<b>REPUBLIC OF KOREA</b>

(56) Related Art Documents: **Not Applicable**

(57) Statement of Newness and Distinctiveness: **Nil**



(21) Design Number: **10665/2012**

(22) Date of Filing Application: **14 February 2012**

(24) Date from which industrial property rights may have effect: **14 February 2012**

(54) Product in respect of which the design is registered: **BBQ rib rack**

(51) International Design Classification: **07-02E**

(74) Name(s) of Attorney(s):

(71) Name(s) and Address(s) of Applicant(s):

**Mayo Hardware Pty Ltd**

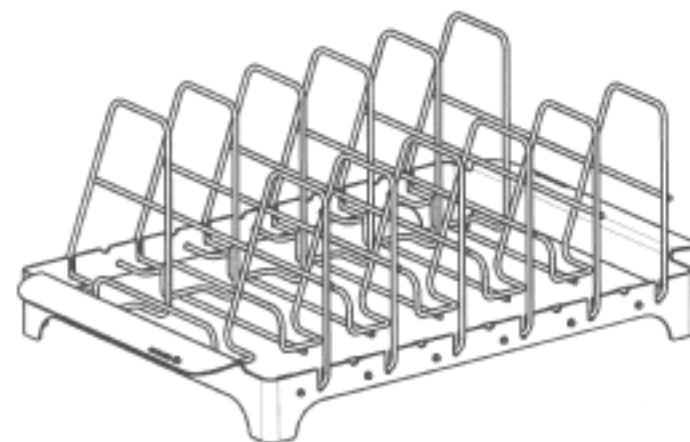
**34 Morley Avenue Rosebery New South Wales 2018 Australia**

(72) Name(s) of Designer(s): **Barry Crone**

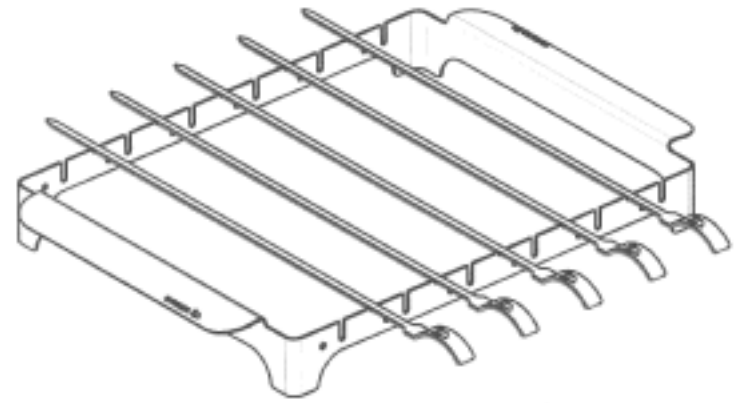
(45) Registration Date: **13 March 2012**

(56) Related Art Documents: **Not Applicable**

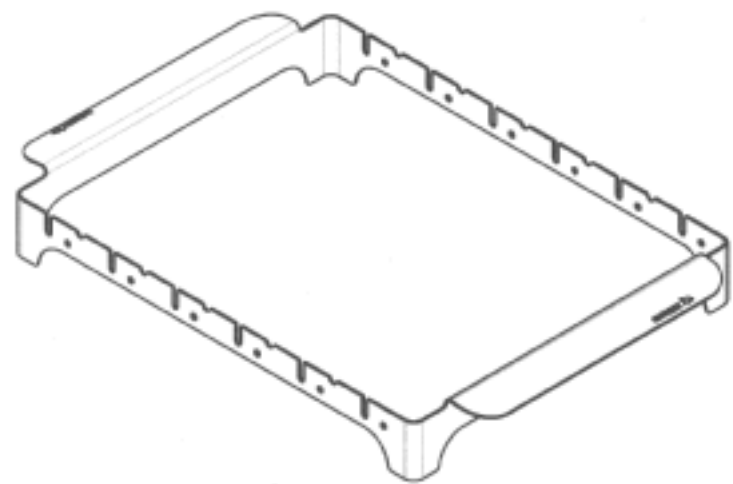
(57) Statement of Newness and Distinctiveness: **Individual stand holder, angled rib rack.**



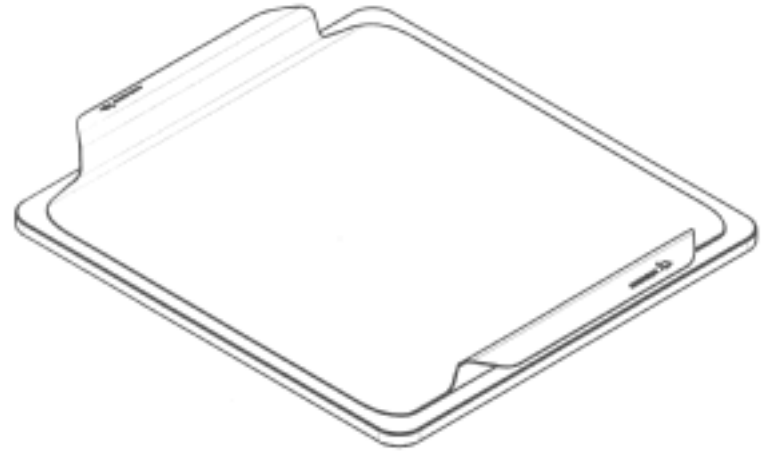
- (21) Design Number: **11131/2012**  
(22) Date of Filing Application: **14 February 2012**  
(24) Date from which industrial property rights may have effect: **14 February 2012**  
(54) Product in respect of which the design is registered: **BBQ rib rack**  
(51) International Design Classification: **07-02E**  
(74) Name(s) of Attorney(s):  
(71) Name(s) and Address(s) of Applicant(s):  
**Mayo Hardware Pty Ltd**  
**34 Morley Avenue Rosebery New South Wales 2018 Australia**  
(72) Name(s) of Designer(s): **Barry Crone**  
(45) Registration Date: **13 March 2012**  
(56) Related Art Documents: **Not Applicable**  
(57) Statement of Newness and Distinctiveness: **Individual stand holder, angled rib rack.**



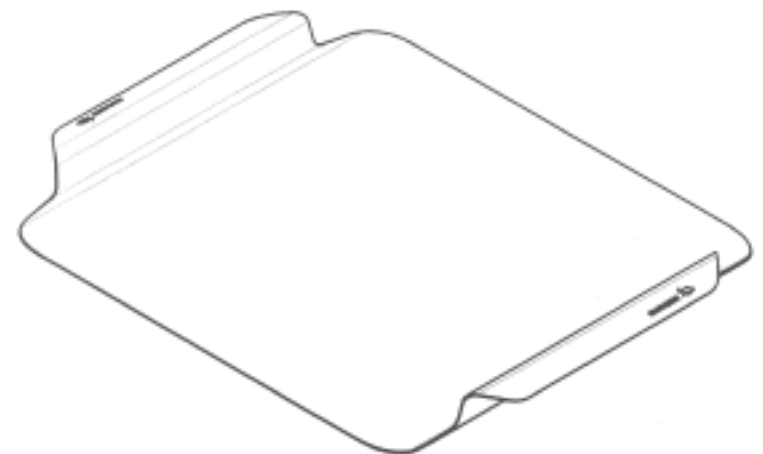
- (21) Design Number: **11132/2012**  
(22) Date of Filing Application: **14 February 2012**  
(24) Date from which industrial property rights may have effect: **14 February 2012**  
(54) Product in respect of which the design is registered: **BBQ rib rack**  
(51) International Design Classification: **07-02E**  
(74) Name(s) of Attorney(s):  
(71) Name(s) and Address(s) of Applicant(s):  
**Mayo Hardware Pty Ltd**  
**34 Morley Avenue Rosebery New South Wales 2018 Australia**  
(72) Name(s) of Designer(s): **Barry Crone**  
(45) Registration Date: **13 March 2012**  
(56) Related Art Documents: **Not Applicable**  
(57) Statement of Newness and Distinctiveness: **Individual stand holder, angled rib rack.**



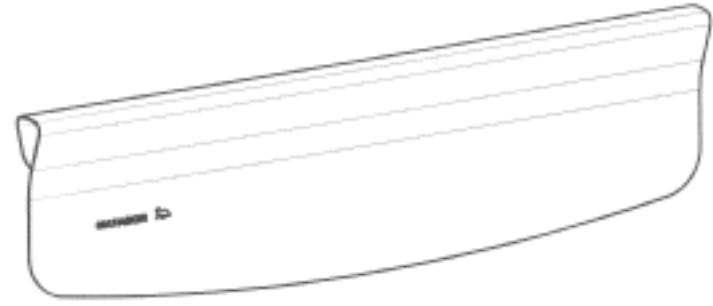
- (21) Design Number: **10666/2012**  
(22) Date of Filing Application: **14 February 2012**  
(24) Date from which industrial property rights may have effect: **14 February 2012**  
(54) Product in respect of which the design is registered: **BBQ pizza stone and serving tray with cutter**  
(51) International Design Classification: **07-02E, 07-99A**  
(74) Name(s) of Attorney(s):  
(71) Name(s) and Address(s) of Applicant(s):  
**Mayo Hardware Pty Ltd**  
**34 Morley Avenue Rosebery New South Wales 2018 Australia**  
(72) Name(s) of Designer(s): **Barry Crone**  
(45) Registration Date: **13 March 2012**  
(56) Related Art Documents: **Not Applicable**  
(57) Statement of Newness and Distinctiveness: **Rectangular pizza stone, stainless steel serving tray with built in handles, pizza cutter.**



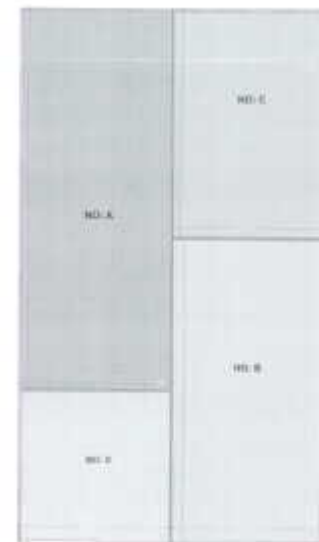
- (21) Design Number: **11129/2012**  
(22) Date of Filing Application: **14 February 2012**  
(24) Date from which industrial property rights may have effect: **14 February 2012**  
(54) Product in respect of which the design is registered: **BBQ pizza stone and serving tray with cutter**  
(51) International Design Classification: **07-99A**  
(74) Name(s) of Attorney(s):  
(71) Name(s) and Address(s) of Applicant(s):  
**Mayo Hardware Pty Ltd**  
**34 Morley Avenue Rosebery New South Wales 2018 Australia**  
(72) Name(s) of Designer(s): **Barry Crone**  
(45) Registration Date: **13 March 2012**  
(56) Related Art Documents: **Not Applicable**  
(57) Statement of Newness and Distinctiveness: **Rectangular pizza stone, stainless steel serving tray with built in handles, pizza cutter.**



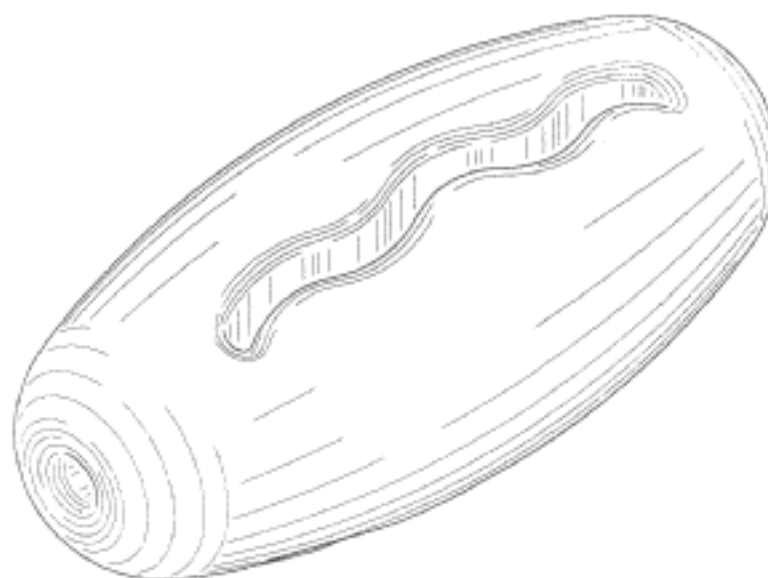
- (21) Design Number: **11130/2012**  
(22) Date of Filing Application: **14 February 2012**  
(24) Date from which industrial property rights may have effect: **14 February 2012**  
(54) Product in respect of which the design is registered: **BBQ pizza stone and serving tray with cutter**  
(51) International Design Classification: **07-04**  
(74) Name(s) of Attorney(s):  
(71) Name(s) and Address(s) of Applicant(s):  
**Mayo Hardware Pty Ltd**  
**34 Morley Avenue Rosebery New South Wales 2018 Australia**  
(72) Name(s) of Designer(s): **Barry Crone**  
(45) Registration Date: **13 March 2012**  
(56) Related Art Documents: **Not Applicable**  
(57) Statement of Newness and Distinctiveness: **Rectangular pizza stone, stainless steel serving tray with built in handles, pizza cutter.**



- (21) Design Number: **10840/2012**  
(22) Date of Filing Application: **23 February 2012**  
(24) Date from which industrial property rights may have effect: **23 February 2012**  
(54) Product in respect of which the design is registered: **Caravan and camping ground mat**  
(51) International Design Classification: **06-11**  
(74) Name(s) of Attorney(s):  
(71) Name(s) and Address(s) of Applicant(s):  
**Grasshopper Outdoors Pty Ltd**  
**1/28 Cessna Drive Caboolture Queensland 4510 Australia**  
(72) Name(s) of Designer(s): **Steven van Schagen and Steve Belli**  
(45) Registration Date: **13 March 2012**  
(56) Related Art Documents: **Not Applicable**  
(57) Statement of Newness and Distinctiveness: **The mat is unique because the structure of a series of interconnecting open weave ground matting allows for its re-design in situ. Its unique design allows for it to be taken to pieces and made into different size and shape. The interlocking connectivity is unique in so far as this connectivity is not being used by any other mat used in the caravan and camping industry until now. The uniqueness allows for the camper to construct a mat to match the required shape desired at the time. Additionally purchased sections can be also attached to extend the size and shape of the mat at any time.**



(21) Design Number: **15859/2011**  
(22) Date of Filing Application: **19 December 2011**  
(24) Date from which industrial property rights may have effect: **19 December 2011**  
(54) Product in respect of which the design is registered: **Pet toy**  
(51) International Design Classification: **30-99**  
(74) Name(s) of Attorney(s): **Davies Collison Cave**  
(71) Name(s) and Address(s) of Applicant(s):  
**Triple Crown Dog Academy Inc.**  
**200 Country Road 197 Hutto Texas 78634 United States of America**  
(72) Name(s) of Designer(s): **Jerry J. Wolfe Jr. and Harold Keith Benson**  
(45) Registration Date: **14 March 2012**  
(30) Convention priority data:  
(31) Number (32) Date (33) Country  
**29/396088 24 Jun 2011 UNITED STATES OF AMERICA**  
(56) Related Art Documents: **Not Applicable**  
(57) Statement of Newness and Distinctiveness: **Nil**

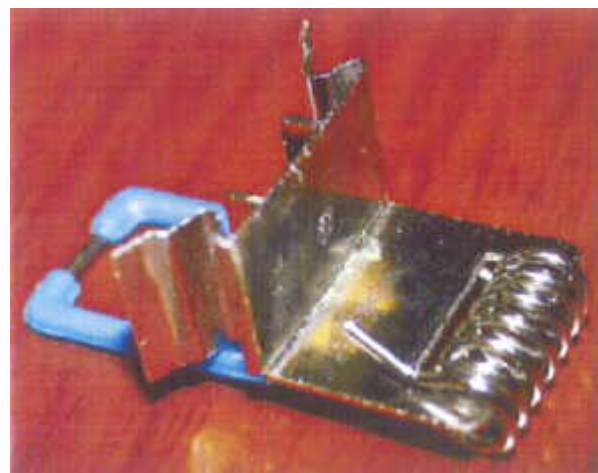


(21) Design Number: **10394/2012**  
(22) Date of Filing Application: **27 January 2012**  
(24) Date from which industrial property rights may have effect: **27 January 2012**  
(54) Product in respect of which the design is registered: **End cap for LED batten**  
(51) International Design Classification: **26-05NES**  
(74) Name(s) of Attorney(s):  
(71) Name(s) and Address(s) of Applicant(s):  
**Anthony Aucone**  
**1/11 Crown Court Varsity Lakes Queensland 4227 Australia**  
(72) Name(s) of Designer(s): **Anthony Aucone**  
(45) Registration Date: **14 March 2012**  
(56) Related Art Documents: **Not Applicable**  
(57) Statement of Newness and Distinctiveness: **A safe protection and design for LED battens, unique and new in the market.**





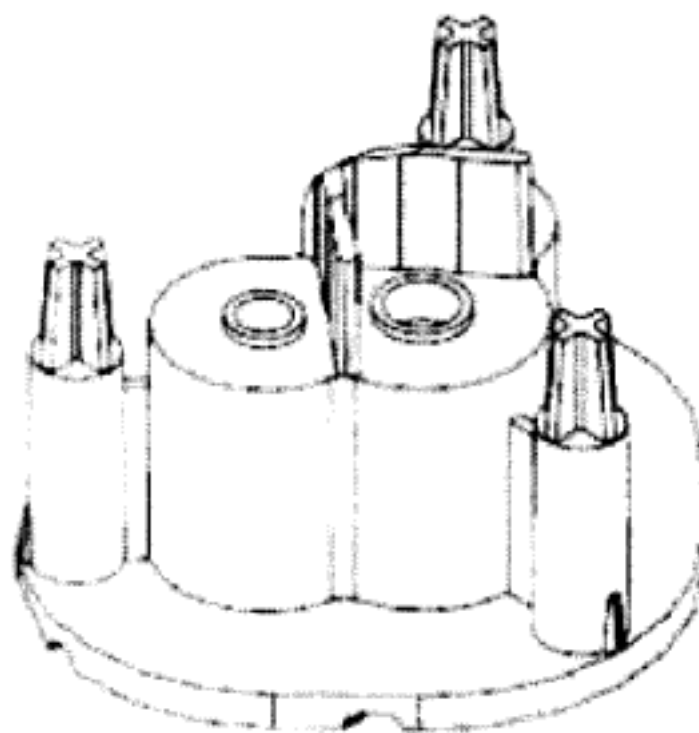
(21) Design Number: **10395/2012**  
(22) Date of Filing Application: **27 January 2012**  
(24) Date from which industrial property rights may have effect: **27 January 2012**  
(54) Product in respect of which the design is registered: **Ceiling clip for LED batten**  
(51) International Design Classification: **26-05NES, 08-08C**  
(74) Name(s) of Attorney(s):  
(71) Name(s) and Address(s) of Applicant(s):  
**Anthony Aucone**  
**1/11 Crown Court Varsity Lakes Queensland 4227 Australia**  
(72) Name(s) of Designer(s): **Anthony Aucone**  
(45) Registration Date: **14 March 2012**  
(56) Related Art Documents: **Not Applicable**  
(57) Statement of Newness and Distinctiveness: **An unique idea of this connection way for batten.**



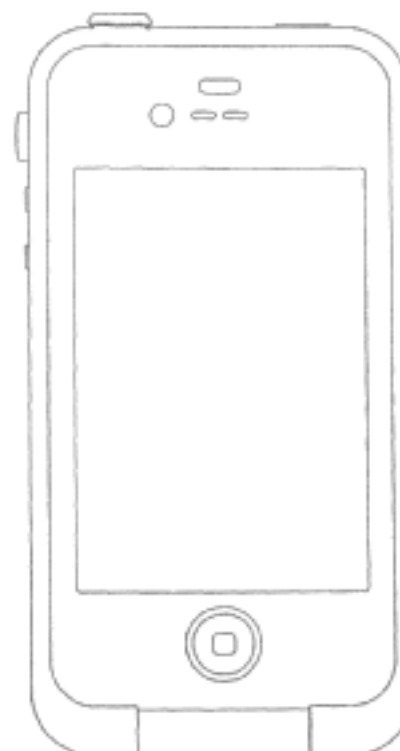
(21) Design Number: **10396/2012**  
(22) Date of Filing Application: **27 January 2012**  
(24) Date from which industrial property rights may have effect: **27 January 2012**  
(54) Product in respect of which the design is registered: **Power jointer for LED batten**  
(51) International Design Classification: **26-05NES**  
(74) Name(s) of Attorney(s):  
(71) Name(s) and Address(s) of Applicant(s):  
**Anthony Aucone**  
**1/11 Crown Court Varsity Lakes Queensland 4227 Australia**  
(72) Name(s) of Designer(s): **Anthony Aucone**  
(45) Registration Date: **14 March 2012**  
(56) Related Art Documents: **Not Applicable**  
(57) Statement of Newness and Distinctiveness: **An unique way to link the battens.**



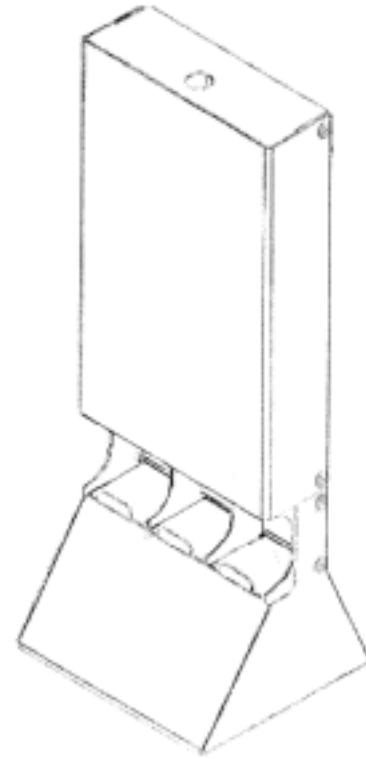
(21) Design Number: **10397/2012**  
(22) Date of Filing Application: **27 January 2012**  
(24) Date from which industrial property rights may have effect: **27 January 2012**  
(54) Product in respect of which the design is registered: **Power connector for LED batten**  
(51) International Design Classification: **26-05NES, 13-03D**  
(74) Name(s) of Attorney(s):  
(71) Name(s) and Address(s) of Applicant(s):  
**Anthony Aucone**  
**1/11 Crown Court Varsity Lakes Queensland 4227 Australia**  
(72) Name(s) of Designer(s): **Anthony Aucone**  
(45) Registration Date: **14 March 2012**  
(56) Related Art Documents: **Not Applicable**  
(57) Statement of Newness and Distinctiveness: **Nil**



(21) Design Number: **10624/2012**  
(22) Date of Filing Application: **09 February 2012**  
(24) Date from which industrial property rights may have effect: **09 February 2012**  
(54) Product in respect of which the design is registered: **Case for an electronic device**  
(51) International Design Classification: **03-01NES, 14-02**  
(74) Name(s) of Attorney(s): **Cullens Patent and Trade Mark Attorneys**  
(71) Name(s) and Address(s) of Applicant(s):  
**TreeFrog Developments, Inc. doing business as LifeProof**  
**4719 ViewRidge Avenue Suite 150 San Diego CA 92132 United States of America**  
(72) Name(s) of Designer(s): **Gary Rayner**  
(45) Registration Date: **14 March 2012**  
(30) Convention priority data:  
(31) Number      (32) Date      (33) Country  
**29/399,102      09 Aug 2011      UNITED STATES OF AMERICA**  
(56) Related Art Documents: **Not Applicable**  
(57) Statement of Newness and Distinctiveness: **Nil**



- (21) Design Number: **10873/2012**  
(22) Date of Filing Application: **24 February 2012**  
(24) Date from which industrial property rights may have effect: **24 February 2012**  
(54) Product in respect of which the design is registered: **Free standing stubby holder dispenser**  
(51) International Design Classification: **20-02NES, 03-01NES**  
(74) Name(s) of Attorney(s):  
(71) Name(s) and Address(s) of Applicant(s):  
**Romeo & Clarke Innovations Limited**  
**1 Ginifer Avenue Altona North Melbourne Victoria 3025 Australia**  
**Sydney Clarke**  
**1 Ginifer Avenue Altona North Melbourne Victoria 3025 Australia**  
(72) Name(s) of Designer(s): **Sydney Clarke**  
(45) Registration Date: **14 March 2012**  
(56) Related Art Documents: **Not Applicable**  
(57) Statement of Newness and Distinctiveness: **The 7221 free standing stubby holder dispenser is distinct from any other in appearance and in usage. The dispenser has been purpose built to give the product a greater surface area. The surface is used for graphic designing to promote companies goods and services or to promote clubs. It can be used by individuals who may choose their own designs.**



- (21) Design Number: **10874/2012**  
(22) Date of Filing Application: **24 February 2012**  
(24) Date from which industrial property rights may have effect: **24 February 2012**  
(54) Product in respect of which the design is registered: **Wall unit stubby holder dispenser**  
(51) International Design Classification: **20-02NES, 03-01NES**  
(74) Name(s) of Attorney(s):  
(71) Name(s) and Address(s) of Applicant(s):  
**Romeo & Clarke Innovations Limited**  
**1 Ginifer Avenue Altona North Melbourne Victoria 3025 Australia**  
**Sydney Clarke**  
**1 Ginifer Avenue Altona North Melbourne Victoria 3025 Australia**  
(72) Name(s) of Designer(s): **Sydney Clarke**  
(45) Registration Date: **14 March 2012**  
(56) Related Art Documents: **Not Applicable**  
(57) Statement of Newness and Distinctiveness: **The 7222 wall unit stubby holder dispenser is similar in design to the 7221 free standing stubby holder dispenser except for the rounded features. It is also built to this particular design for the same reasons as the 7221.**



(21) Design Number: **10893/2012**  
(22) Date of Filing Application: **27 February 2012**  
(24) Date from which industrial property rights may have effect: **27 February 2012**  
(54) Product in respect of which the design is registered: **Moulded cake on sticks designed to represent a flower/rose bouquet**  
(51) International Design Classification: **01-01**  
(74) Name(s) of Attorney(s): **IP Wealth Pty Ltd**  
(71) Name(s) and Address(s) of Applicant(s):  
**Edible Blooms Group Pty Ltd**  
**32 Richmond Road Keswick South Australia 5035 Australia**  
(72) Name(s) of Designer(s): **Kelly Baker-Jamieson**  
(45) Registration Date: **14 March 2012**  
(56) Related Art Documents: **Not Applicable**  
(57) Statement of Newness and Distinctiveness: **The newness and distinctiveness of the design resides in the features of the cake shape and configuration of the design that are shown in the accompanying representations.**



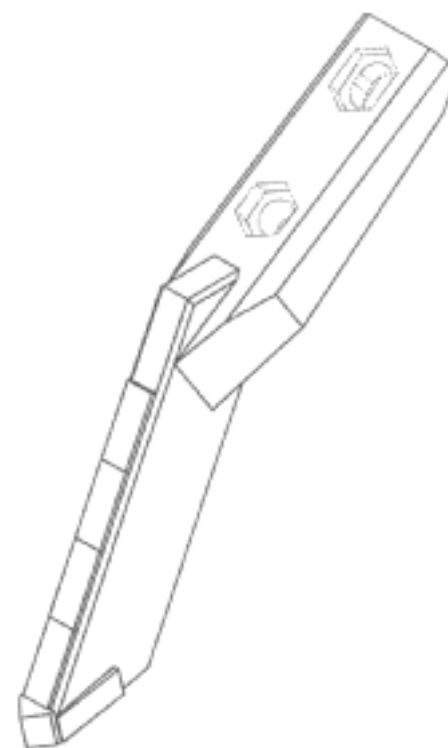
(21) Design Number: **10735/2012**  
(22) Date of Filing Application: **16 February 2012**  
(24) Date from which industrial property rights may have effect: **16 February 2012**  
(54) Product in respect of which the design is registered: **In-line roller skate**  
(51) International Design Classification: **21-02E**  
(74) Name(s) of Attorney(s): **Callinans**  
(71) Name(s) and Address(s) of Applicant(s):  
**TECNICA GROUP S.P.A.**  
**VIA FANTE D'ITALIA 56 31040 GIAVERA DEL MONTELLO (TV) ITALY**  
(72) Name(s) of Designer(s): **Claudio Zampieri**  
(45) Registration Date: **15 March 2012**  
(56) Related Art Documents: **Not Applicable**  
(57) Statement of Newness and Distinctiveness: **Nil**



- (21) Design Number: **10736/2012**  
(22) Date of Filing Application: **16 February 2012**  
(24) Date from which industrial property rights may have effect: **16 February 2012**  
(54) Product in respect of which the design is registered: **In-line roller skate**  
(51) International Design Classification: **21-02E**  
(74) Name(s) of Attorney(s): **Callinans**  
(71) Name(s) and Address(s) of Applicant(s):  
**TECNICA GROUP S.P.A.**  
**VIA FANTE D'ITALIA 56 31040 GIAVERA DEL MONTELLO (TV) ITALY**  
(72) Name(s) of Designer(s): **Claudio Zampieri**  
(45) Registration Date: **15 March 2012**  
(56) Related Art Documents: **Not Applicable**  
(57) Statement of Newness and Distinctiveness: **Nil**



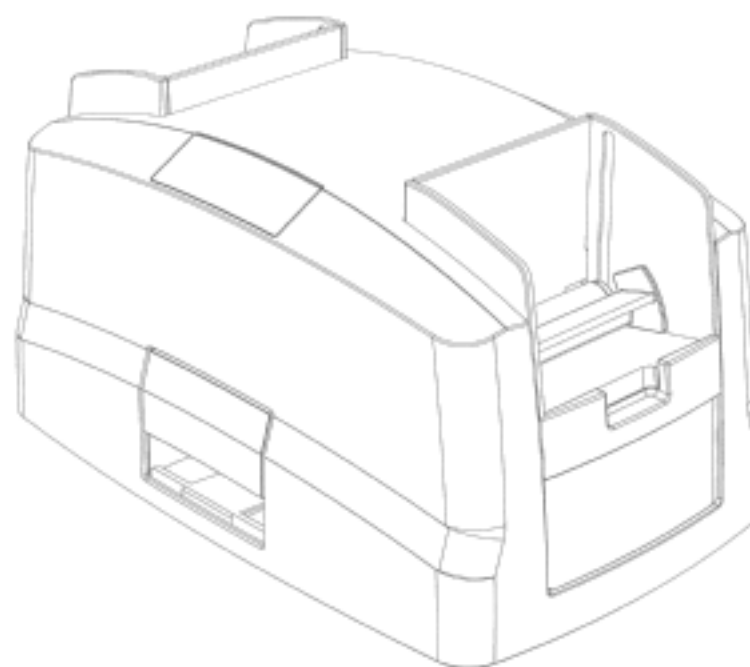
- (21) Design Number: **10737/2012**  
(22) Date of Filing Application: **16 February 2012**  
(24) Date from which industrial property rights may have effect: **16 February 2012**  
(54) Product in respect of which the design is registered: **Knife point agricultural tillage tool**  
(51) International Design Classification: **15-03A, 08-01**  
(74) Name(s) of Attorney(s): **Fisher Adams Kelly**  
(71) Name(s) and Address(s) of Applicant(s):  
**Castpoints Pty Ltd**  
**2 Wyndham Street Toowoomba Queensland 4350 Australia**  
(72) Name(s) of Designer(s): **Robert Edward Steggall**  
(45) Registration Date: **15 March 2012**  
(56) Related Art Documents: **Not Applicable**  
(57) Statement of Newness and Distinctiveness: **The newness and distinctiveness of the design resides in the shape and/or configuration of the KNIFE POINT AGRICULTURAL TILLAGE TOOL shown in the representations.**



- (21) Design Number: **10739/2012**  
(22) Date of Filing Application: **17 February 2012**  
(24) Date from which industrial property rights may have effect: **17 February 2012**  
(54) Product in respect of which the design is registered: **Dispensing device**  
(51) International Design Classification: **09-01A**  
(74) Name(s) of Attorney(s): **WATERMARK PATENT AND TRADE MARKS ATTORNEYS**  
(71) Name(s) and Address(s) of Applicant(s):  
**Sulzer Mixpac AG**  
**Rutistrasse 7 CH-9469 Haag Switzerland**  
(72) Name(s) of Designer(s): **Remo Breitenmoser and Enrico Baldelli**  
(45) Registration Date: **15 March 2012**  
(30) Convention priority data:  
(31) Number      (32) Date      (33) Country  
**2011-00675      31 Aug 2011      SWITZERLAND**  
(56) Related Art Documents: **Not Applicable**  
(57) Statement of Newness and Distinctiveness: **Newness and distinctiveness resides in the shape and configuration of a dispensing device as shown in the accompanying representations. The feature shown in dashed lines in the front perspective view should not be taken into account.**



- (21) Design Number: **10740/2012**  
(22) Date of Filing Application: **17 February 2012**  
(24) Date from which industrial property rights may have effect: **17 February 2012**  
(54) Product in respect of which the design is registered: **Table gaming equipment**  
(51) International Design Classification: **21-03**  
(74) Name(s) of Attorney(s): **WATERMARK PATENT AND TRADE MARKS ATTORNEYS**  
(71) Name(s) and Address(s) of Applicant(s):  
**Angel Playing Cards Co., Ltd.**  
**10-1 Kawarayamachi 2-chome Chuo-ku Osaka-Shi Osaka-fu Japan**  
(72) Name(s) of Designer(s): **Yasushi Shigeta**  
(45) Registration Date: **15 March 2012**  
(30) Convention priority data:  
(31) Number      (32) Date      (33) Country  
**2012-002756      09 Feb 2012      JAPAN**  
(56) Related Art Documents: **Not Applicable**  
(57) Statement of Newness and Distinctiveness: **Nil**



(21) Design Number: **10741/2012**  
(22) Date of Filing Application: **16 February 2012**  
(24) Date from which industrial property rights may have effect: **16 February 2012**  
(54) Product in respect of which the design is registered: **Lighting device**  
(51) International Design Classification: **26-05B**  
(74) Name(s) of Attorney(s): **Halfords IP**  
(71) Name(s) and Address(s) of Applicant(s):  
**Eveready Battery Company, Inc.**  
**533 Maryville University Drive St Louis Missouri 63141 United States of America**

(72) Name(s) of Designer(s): **Donwoong Kang and Jonathan A. Fitch**

(45) Registration Date: **15 March 2012**

(30) Convention priority data:

(31) Number	(32) Date	(33) Country
<b>29/400451</b>	<b>29 Aug 2011</b>	<b>UNITED STATES OF AMERICA</b>

(56) Related Art Documents: **Not Applicable**

(57) Statement of Newness and Distinctiveness: **Newness and distinctiveness is claimed in those features of shape and or configuration of a Lighting device as depicted in the representations in unbroken lines. The representations use broken lines, contour lines and shading to assist in the illustration of features of shape and or configuration. Such broken lines, contour lines and shading do not form part of the design.**



(21) Design Number: **10742/2012**  
(22) Date of Filing Application: **16 February 2012**  
(24) Date from which industrial property rights may have effect: **16 February 2012**  
(54) Product in respect of which the design is registered: **Lighting device**  
(51) International Design Classification: **26-04**  
(74) Name(s) of Attorney(s): **Halfords IP**  
(71) Name(s) and Address(s) of Applicant(s):  
**Eveready Battery Company, Inc.**  
**533 Maryville University Drive St Louis Missouri 63141 United States of America**

(72) Name(s) of Designer(s): **Donwoong Kang and Jonathan A. Fitch**

(45) Registration Date: **15 March 2012**

(30) Convention priority data:

(31) Number	(32) Date	(33) Country
<b>29/400448</b>	<b>29 Aug 2011</b>	<b>UNITED STATES OF AMERICA</b>

(56) Related Art Documents: **Not Applicable**

(57) Statement of Newness and Distinctiveness: **Newness and distinctiveness is claimed in those features of shape and or configuration of a Lighting device as depicted in the representations in unbroken lines. The representations use broken lines, contour lines and shading to assist in the illustration of features of shape and or configuration. Such broken lines, contour lines and shading do not form part of the design.**



(21) Design Number: **10743/2012**  
(22) Date of Filing Application: **16 February 2012**  
(24) Date from which industrial property rights may have effect: **16 February 2012**  
(54) Product in respect of which the design is registered: **Lighting device**  
(51) International Design Classification: **26-04**  
(74) Name(s) of Attorney(s): **Halfords IP**  
(71) Name(s) and Address(s) of Applicant(s):  
**Eveready Battery Company, Inc.**  
**533 Maryville University Drive St Louis Missouri 63141 United States of America**

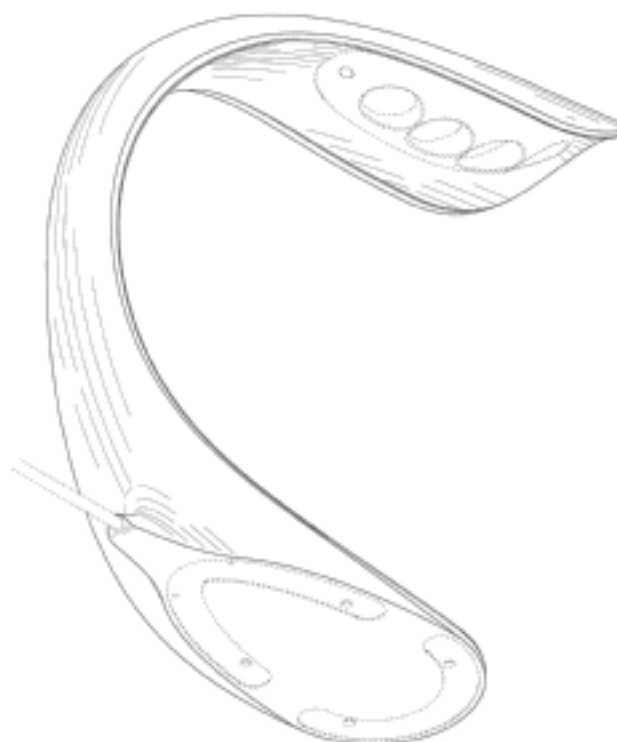
(72) Name(s) of Designer(s): **Zachary Stephanchick and Jonathan A. Fitch**  
(45) Registration Date: **15 March 2012**

(30) Convention priority data:

(31) Number	(32) Date	(33) Country
<b>29/400450</b>	<b>29 Aug 2011</b>	<b>UNITED STATES OF AMERICA</b>

(56) Related Art Documents: **Not Applicable**

(57) Statement of Newness and Distinctiveness: **Newness and distinctiveness is claimed in those features of shape and or configuration of a Lighting device as depicted in the representations in unbroken lines. The representations use broken lines, contour lines and shading to assist in the illustration of features of shape and or configuration. Such broken lines, contour lines and shading do not form part of the design.**



(21) Design Number: **10744/2012**  
(22) Date of Filing Application: **16 February 2012**  
(24) Date from which industrial property rights may have effect: **16 February 2012**  
(54) Product in respect of which the design is registered: **Lighting device**  
(51) International Design Classification: **26-04**  
(74) Name(s) of Attorney(s): **Halfords IP**  
(71) Name(s) and Address(s) of Applicant(s):  
**Eveready Battery Company, Inc.**  
**533 Maryville University Drive St Louis Missouri 63141 United States of America**

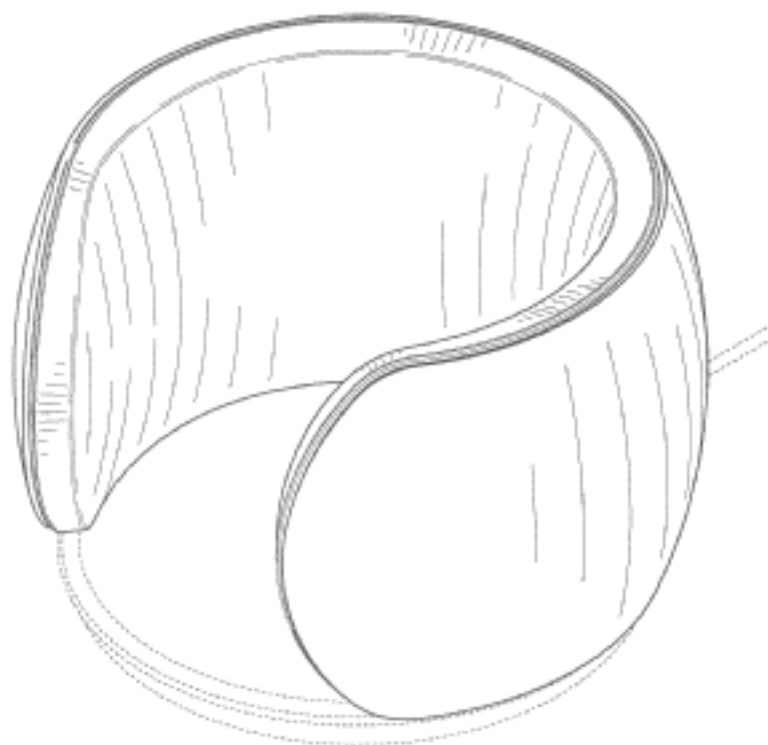
(72) Name(s) of Designer(s): **Zachary Stephanchick and Donwoong Kang**  
(45) Registration Date: **15 March 2012**

(30) Convention priority data:

(31) Number	(32) Date	(33) Country
<b>29/400447</b>	<b>29 Aug 2011</b>	<b>UNITED STATES OF AMERICA</b>

(56) Related Art Documents: **Not Applicable**

(57) Statement of Newness and Distinctiveness: **Newness and distinctiveness is claimed in those features of shape and or configuration of a Lighting device as depicted in the representations in unbroken lines. The representations use broken lines, contour lines and shading to assist in the illustration of features of shape and or configuration. Such broken lines, contour lines and shading do not form part of the design.**





(21) Design Number: **10745/2012**  
(22) Date of Filing Application: **16 February 2012**  
(24) Date from which industrial property rights may have effect: **16 February 2012**  
(54) Product in respect of which the design is registered: **Charger for a lighting device**  
(51) International Design Classification: **13-02**  
(74) Name(s) of Attorney(s): **Halfords IP**  
(71) Name(s) and Address(s) of Applicant(s):  
**Eveready Battery Company, Inc.**  
**533 Maryville University Drive St Louis Missouri 63141 United States of America**

(72) Name(s) of Designer(s): **Zachary Stephanchick and Donwoong Kang**

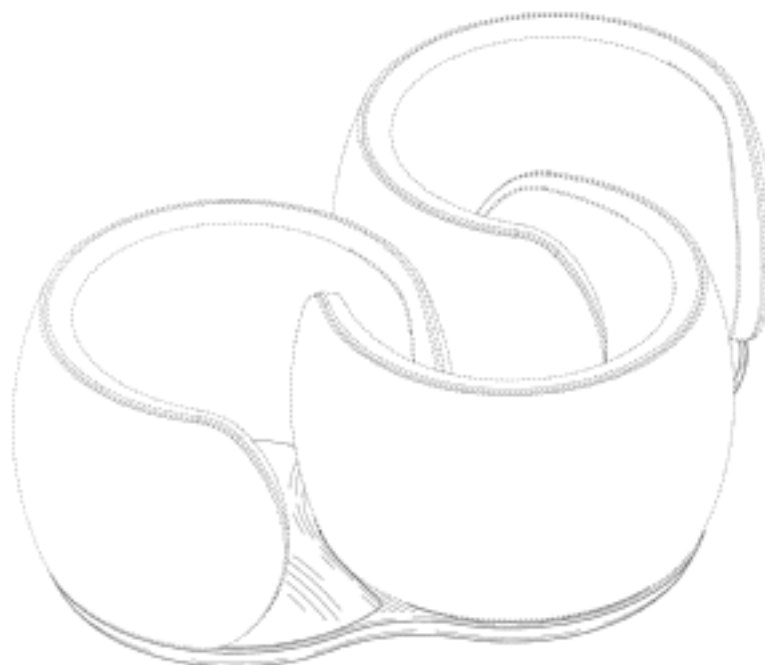
(45) Registration Date: **15 March 2012**

(30) Convention priority data:

(31) Number	(32) Date	(33) Country
<b>29/400453</b>	<b>29 Aug 2011</b>	<b>UNITED STATES OF AMERICA</b>

(56) Related Art Documents: **Not Applicable**

(57) Statement of Newness and Distinctiveness: **Newness and distinctiveness is claimed in those features of shape and or configuration of a Charger for a lighting device as depicted in the representations in unbroken lines. The representations use broken lines, contour lines and shading to assist in the illustration of features of shape and or configuration. Such broken lines, contour lines and shading do not form part of the design.**



(21) Design Number: **10746/2012**  
(22) Date of Filing Application: **16 February 2012**  
(24) Date from which industrial property rights may have effect: **16 February 2012**  
(54) Product in respect of which the design is registered: **Charger for a lighting device**  
(51) International Design Classification: **13-02**  
(74) Name(s) of Attorney(s): **Halfords IP**  
(71) Name(s) and Address(s) of Applicant(s):  
**Eveready Battery Company, Inc.**  
**533 Maryville University Drive St Louis Missouri 63141 United States of America**

(72) Name(s) of Designer(s): **Zachary Stephanchick and Donwoong Kang**

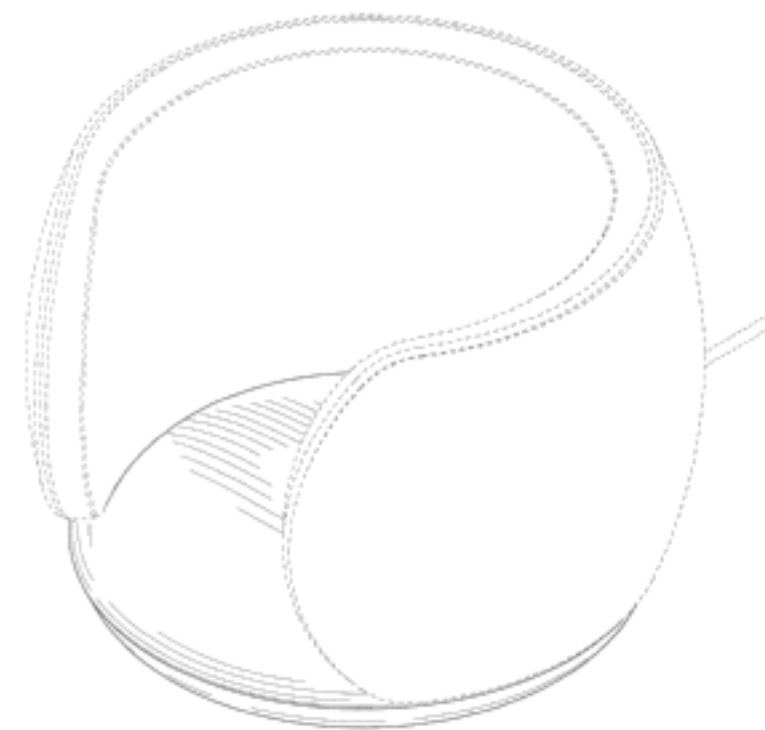
(45) Registration Date: **15 March 2012**

(30) Convention priority data:

(31) Number	(32) Date	(33) Country
<b>29/400456</b>	<b>29 Aug 2011</b>	<b>UNITED STATES OF AMERICA</b>

(56) Related Art Documents: **Not Applicable**

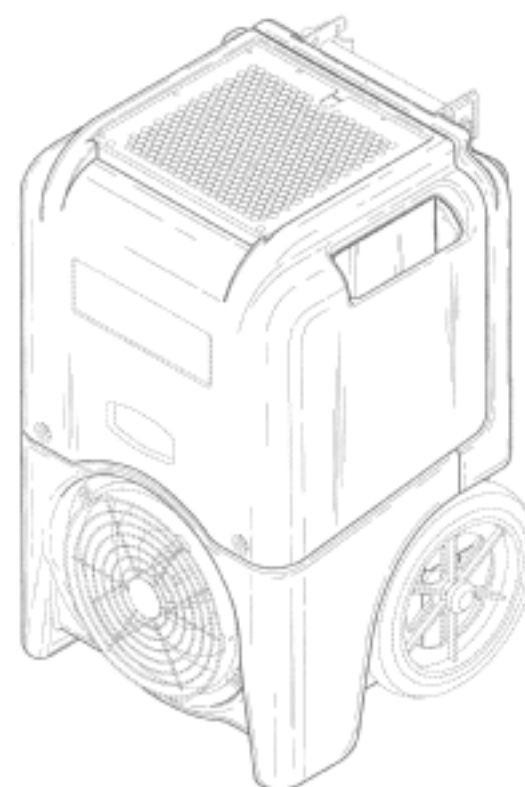
(57) Statement of Newness and Distinctiveness: **Newness and distinctiveness is claimed in those features of shape and or configuration of a charger for a lighting device as depicted in the representations in unbroken lines. The representations use broken lines, contour lines and shading to assist in the illustration of features of shape and or configuration. Such broken lines, contour lines and shading do not form part of the design.**



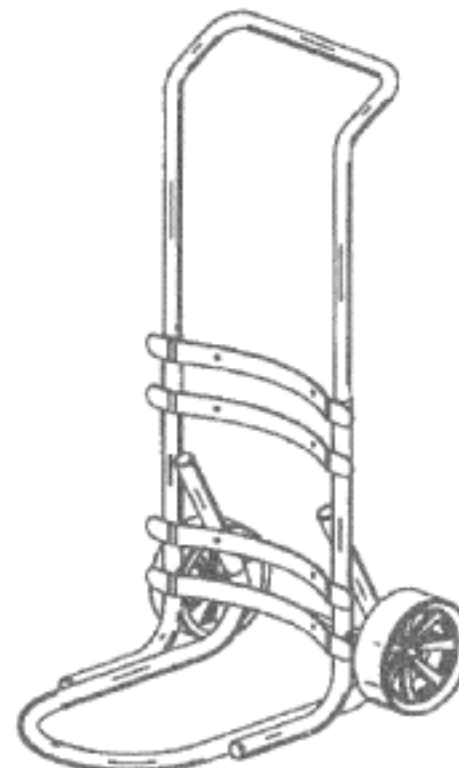
(21) Design Number: **10750/2012**  
(22) Date of Filing Application: **16 February 2012**  
(24) Date from which industrial property rights may have effect: **16 February 2012**  
(54) Product in respect of which the design is registered: **Connector bayonet**  
(51) International Design Classification: **13-03E**  
(74) Name(s) of Attorney(s): **Collison & Co**  
(71) Name(s) and Address(s) of Applicant(s):  
**Barriers International Limited**  
**PO Box 999 Malmesbury Wiltshire SN16 0RX United Kingdom**  
(72) Name(s) of Designer(s): **Robin Seel**  
(45) Registration Date: **15 March 2012**  
(56) Related Art Documents: **Not Applicable**  
(57) Statement of Newness and Distinctiveness: **Nil**



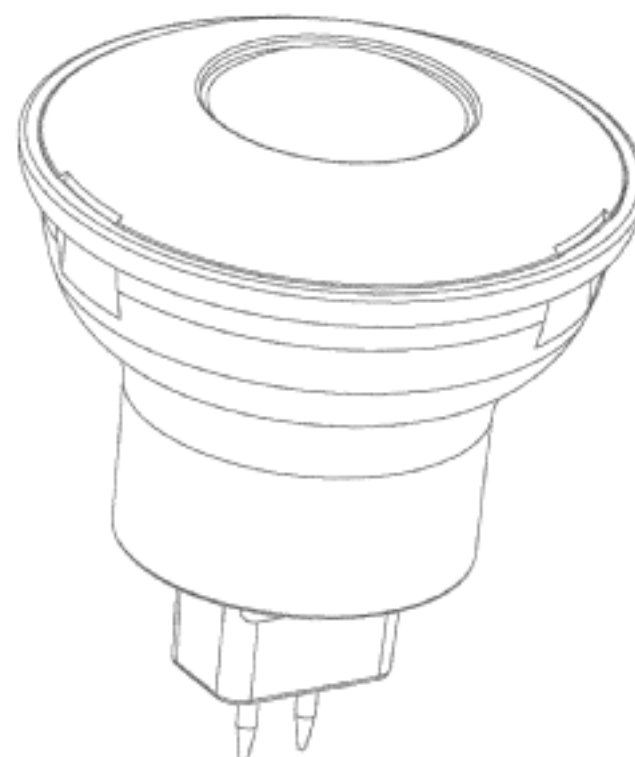
(21) Design Number: **10751/2012**  
(22) Date of Filing Application: **17 February 2012**  
(24) Date from which industrial property rights may have effect: **17 February 2012**  
(54) Product in respect of which the design is registered: **Dehumidifier housing**  
(51) International Design Classification: **23-04**  
(74) Name(s) of Attorney(s): **PIZZEYS**  
(71) Name(s) and Address(s) of Applicant(s):  
**Dri-Eaz Products, Inc.**  
**15180 Josh Wilson Road Burlington WA 98233 United States of America**  
(72) Name(s) of Designer(s): **Kevin A. Wolfe and Richard A. Black and Larry White**  
(45) Registration Date: **15 March 2012**  
(30) Convention priority data:  
(31) Number (32) Date (33) Country  
**29/400,737 31 Aug 2011 UNITED STATES OF AMERICA**  
(56) Related Art Documents: **Not Applicable**  
(57) Statement of Newness and Distinctiveness: **Nil**



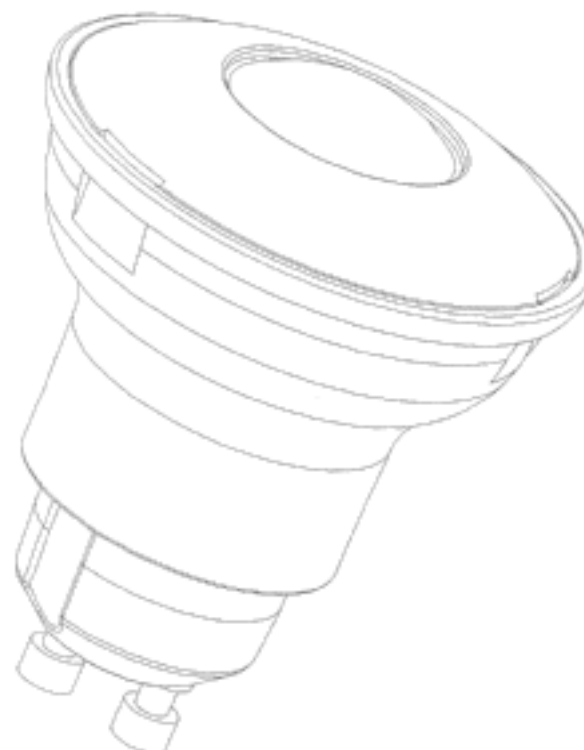
(21) Design Number: **10757/2012**  
(22) Date of Filing Application: **16 February 2012**  
(24) Date from which industrial property rights may have effect: **16 February 2012**  
(54) Product in respect of which the design is registered: **Telescoping dolly**  
(51) International Design Classification: **12-02**  
(74) Name(s) of Attorney(s): **LESICAR MURRAY TRENTO**  
(71) Name(s) and Address(s) of Applicant(s):  
**Ken Blakeman**  
**2416 Manhattan Avenue #1 Manhattan Beach CA 90266 United States of America**  
(72) Name(s) of Designer(s): **Ken Blakeman**  
(45) Registration Date: **15 March 2012**  
(30) Convention priority data:  
(31) Number (32) Date (33) Country  
**US 29/400,734 31 Aug 2011 UNITED STATES OF AMERICA**  
(56) Related Art Documents: **Not Applicable**  
(57) Statement of Newness and Distinctiveness: **Nil**



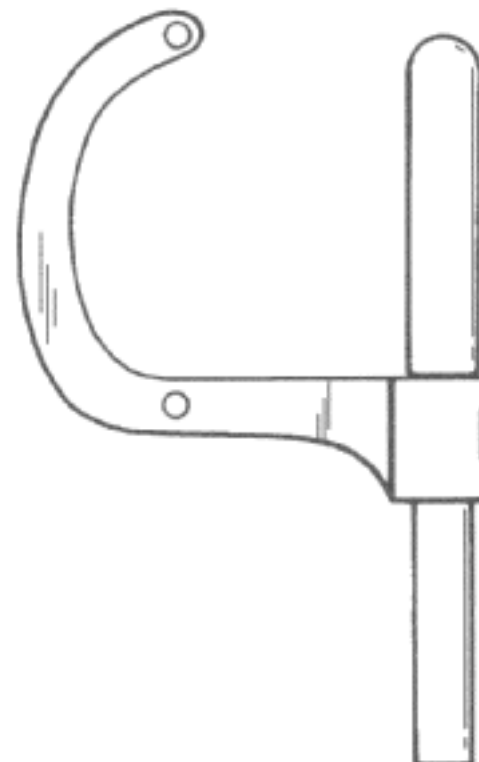
(21) Design Number: **10760/2012**  
(22) Date of Filing Application: **17 February 2012**  
(24) Date from which industrial property rights may have effect: **17 February 2012**  
(54) Product in respect of which the design is registered: **LED light**  
(51) International Design Classification: **26-04**  
(74) Name(s) of Attorney(s): **Molins & Co**  
(71) Name(s) and Address(s) of Applicant(s):  
**Yung Pun Cheng**  
**Suite 223-231 Tsimshatsui Centre 66 Mody Road Tsimshatsui East Kowloon Hong Kong**  
(72) Name(s) of Designer(s): **Yung Pun Cheng**  
(45) Registration Date: **15 March 2012**  
(30) Convention priority data:  
(31) Number (32) Date (33) Country  
**201130310909.4 25 Aug 2011 CHINA**  
(56) Related Art Documents: **Not Applicable**  
(57) Statement of Newness and Distinctiveness: **Newness is claimed in the features of shape and configuration of the LED light as shown in the accompanying representations.**



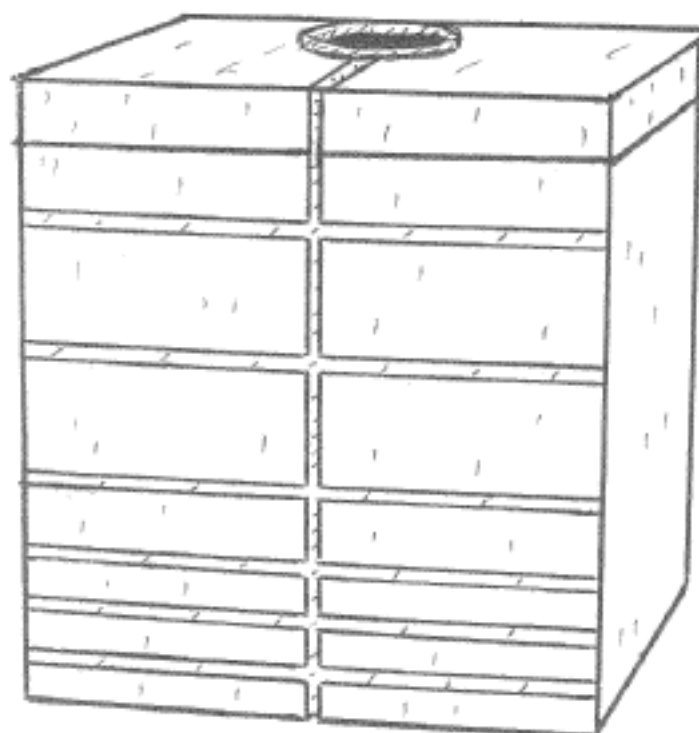
(21) Design Number: **10761/2012**  
(22) Date of Filing Application: **17 February 2012**  
(24) Date from which industrial property rights may have effect: **17 February 2012**  
(54) Product in respect of which the design is registered: **LED light**  
(51) International Design Classification: **26-04**  
(74) Name(s) of Attorney(s): **Molins & Co**  
(71) Name(s) and Address(s) of Applicant(s):  
**Yung Pun Cheng**  
**Suite 223-231 Tsimshatsui Centre 66 Mody Road Tsimshatsui East**  
**Kowloon Hong Kong**  
(72) Name(s) of Designer(s): **Yung Pun Cheng**  
(45) Registration Date: **15 March 2012**  
(30) Convention priority data:  
(31) Number (32) Date (33) Country  
**201130310909.4 25 Aug 2011 CHINA**  
(56) Related Art Documents: **Not Applicable**  
(57) Statement of Newness and Distinctiveness: **Newness is claimed in the features of shape and configuration of the LED light as shown in the accompanying representations.**



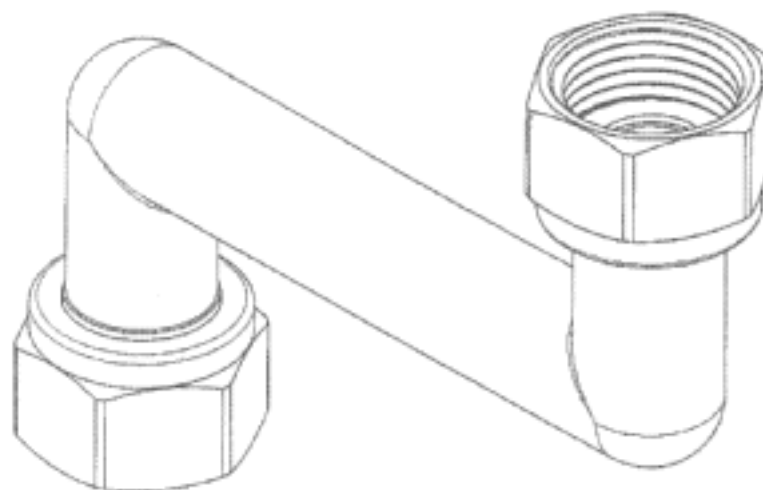
(21) Design Number: **10763/2012**  
(22) Date of Filing Application: **17 February 2012**  
(24) Date from which industrial property rights may have effect: **17 February 2012**  
(54) Product in respect of which the design is registered: **Rowlocks**  
(51) International Design Classification: **12-06NES**  
(74) Name(s) of Attorney(s): **Collison & Co**  
(71) Name(s) and Address(s) of Applicant(s):  
**Richard Antony Morton Maskell**  
**3 Newton Close Newton Ferrers Plymouth Devon PL8 1AL United**  
**Kingdom**  
(72) Name(s) of Designer(s): **Richard Antony Morton Maskell**  
(45) Registration Date: **15 March 2012**  
(30) Convention priority data:  
(31) Number (32) Date (33) Country  
**001 907 759 24 Aug 2011 EUROPEAN COMMUNITY**  
(56) Related Art Documents: **Not Applicable**  
(57) Statement of Newness and Distinctiveness: **Nil**



- (21) Design Number: **10764/2012**  
(22) Date of Filing Application: **20 February 2012**  
(24) Date from which industrial property rights may have effect: **20 February 2012**  
(54) Product in respect of which the design is registered: **A moulded polyethylene liquid holding tank**  
(51) International Design Classification: **23-01F**  
(74) Name(s) of Attorney(s):  
(71) Name(s) and Address(s) of Applicant(s):  
**Richard Johannes Cornelis Huisman**  
**35 Highgrove Close Chambers Flat Queensland 4133 Australia**  
(72) Name(s) of Designer(s): **Richard Johannes Cornelis Huisman**  
(45) Registration Date: **15 March 2012**  
(56) Related Art Documents: **Not Applicable**  
(57) Statement of Newness and Distinctiveness: **Newness and distinctiveness is claimed in the shape and configuration of a moulded polyethylene liquid holding tank designed to fit into an ISO Standard Shipping container.**



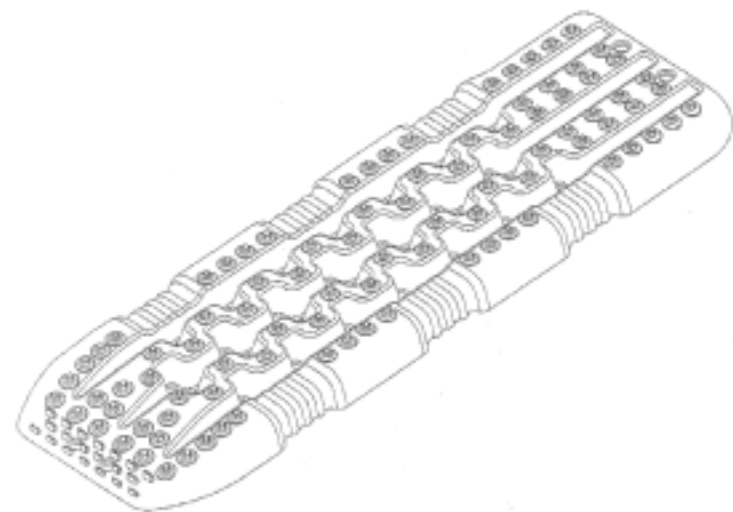
- (21) Design Number: **10766/2012**  
(22) Date of Filing Application: **17 February 2012**  
(24) Date from which industrial property rights may have effect: **17 February 2012**  
(54) Product in respect of which the design is registered: **Pipe connector**  
(51) International Design Classification: **23-01B**  
(74) Name(s) of Attorney(s): **Golja Haines & Friend**  
(71) Name(s) and Address(s) of Applicant(s):  
**Australian Valve Group Pty Ltd**  
**Unit 4 25 Frederick Street Belmont Western Australia 6104 Australia**  
(72) Name(s) of Designer(s): **Peter John Morris**  
(45) Registration Date: **15 March 2012**  
(56) Related Art Documents: **Not Applicable**  
(57) Statement of Newness and Distinctiveness: **Newness and distinctiveness resides in the visual features of shape and/or configuration of the extended transverse mid-section of the pipe connector.**



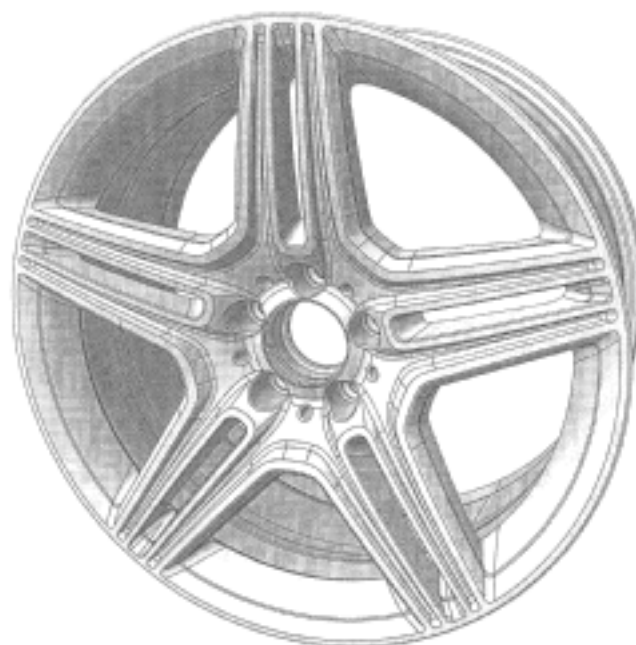
- (21) Design Number: **10698/2012**  
(22) Date of Filing Application: **16 February 2012**  
(24) Date from which industrial property rights may have effect: **16 February 2012**  
(54) Product in respect of which the design is registered: **LED minebar light**  
(51) International Design Classification: **26-05E**  
(74) Name(s) of Attorney(s):  
(71) Name(s) and Address(s) of Applicant(s):  
**Ningbo Beilun Haiyu Automotive Lamp Co Ltd**  
**Daqi Town Beilun District Ningbo 315826 China**  
(72) Name(s) of Designer(s): **Tonny He**  
(45) Registration Date: **15 March 2012**  
(56) Related Art Documents: **Not Applicable**  
(57) Statement of Newness and Distinctiveness: **Fixing method is adjustable, use of T-shaped screw buttoned into side groove of aluminium, screw is adjustable to left or right.**



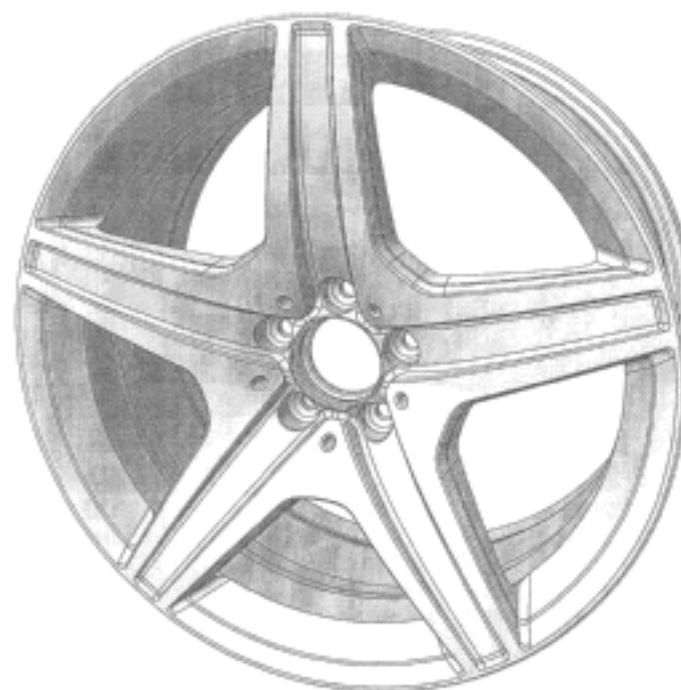
- (21) Design Number: **10851/2012**  
(22) Date of Filing Application: **22 February 2012**  
(24) Date from which industrial property rights may have effect: **22 February 2012**  
(54) Product in respect of which the design is registered: **Vehicular ladder**  
(51) International Design Classification: **25-04**  
(74) Name(s) of Attorney(s): **Ahearn Fox**  
(71) Name(s) and Address(s) of Applicant(s):  
**Geesie Donker**  
**5 Creek Street Redcliffe Queensland 4020 Australia**  
(72) Name(s) of Designer(s): **Bradley Matthew Minnis**  
(45) Registration Date: **15 March 2012**  
(56) Related Art Documents: **Not Applicable**  
(57) Statement of Newness and Distinctiveness: **Newness and distinctiveness reside in the features of shape and configuration of the Vehicular Ladder as shown in the accompanying representations.**



- (21) Design Number: **12988/2011**  
(22) Date of Filing Application: **04 July 2011**  
(24) Date from which industrial property rights may have effect: **04 July 2011**  
(54) Product in respect of which the design is registered: **Wheel for vehicle**  
(51) International Design Classification: **12-16A**  
(74) Name(s) of Attorney(s): **SPRUSON & FERGUSON**  
(71) Name(s) and Address(s) of Applicant(s):  
**Daimler AG**  
**Mercedesstrasse 137 D-70327 Stuttgart Germany**  
(72) Name(s) of Designer(s): **Cengiz Dilber and Marian Hrabck**  
(45) Registration Date: **15 March 2012**  
(56) Related Art Documents: **Not Applicable**  
(57) Statement of Newness and Distinctiveness: **Newness and distinctiveness is claimed in the features of shape and/or configuration of a wheel for vehicle as illustrated in the accompanying representations.**



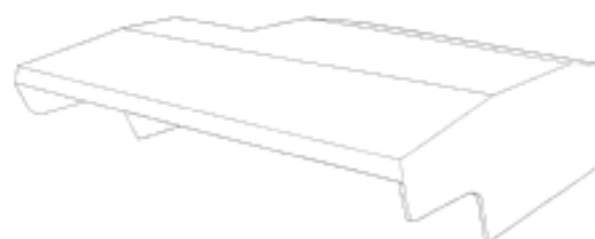
- (21) Design Number: **12989/2011**  
(22) Date of Filing Application: **04 July 2011**  
(24) Date from which industrial property rights may have effect: **04 July 2011**  
(54) Product in respect of which the design is registered: **Wheel for vehicle**  
(51) International Design Classification: **12-16A**  
(74) Name(s) of Attorney(s): **SPRUSON & FERGUSON**  
(71) Name(s) and Address(s) of Applicant(s):  
**Daimler AG**  
**Mercedesstrasse 137 D-70327 Stuttgart Germany**  
(72) Name(s) of Designer(s): **Kai Hilpert and Marian Hrabck**  
(45) Registration Date: **15 March 2012**  
(56) Related Art Documents: **Not Applicable**  
(57) Statement of Newness and Distinctiveness: **Newness and distinctiveness is claimed in the features of shape and/or configuration of a wheel for vehicle as illustrated in the accompanying representations.**



(21) Design Number: **12990/2011**  
(22) Date of Filing Application: **04 July 2011**  
(24) Date from which industrial property rights may have effect: **04 July 2011**  
(54) Product in respect of which the design is registered: **Wheel for vehicle**  
(51) International Design Classification: **12-16A**  
(74) Name(s) of Attorney(s): **SPRUSON & FERGUSON**  
(71) Name(s) and Address(s) of Applicant(s):  
**Daimler AG**  
**Mercedesstrasse 137 D-70327 Stuttgart Germany**  
(72) Name(s) of Designer(s): **Bernhard Hans and Kai Hilpert**  
(45) Registration Date: **15 March 2012**  
(56) Related Art Documents: **Not Applicable**  
(57) Statement of Newness and Distinctiveness: **Newness and distinctiveness is claimed in the features of shape and/or configuration of a wheel for vehicle as illustrated in the accompanying representations.**

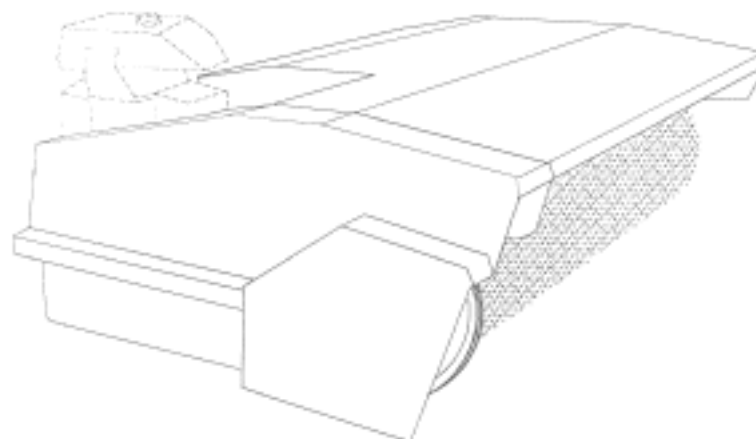


(21) Design Number: **13699/2011**  
(22) Date of Filing Application: **19 August 2011**  
(24) Date from which industrial property rights may have effect: **19 August 2011**  
(54) Product in respect of which the design is registered: **Casing for a brush harvester**  
(51) International Design Classification: **15-03B**  
(74) Name(s) of Attorney(s): **Davies Collison Cave**  
(71) Name(s) and Address(s) of Applicant(s):  
**Paul Alan Alessi**  
**199 Durkin Road Windellama New South Wales 2580 Australia**  
(72) Name(s) of Designer(s): **Paul Alan Alessi**  
(45) Registration Date: **15 March 2012**  
(56) Related Art Documents: **Not Applicable**  
(57) Statement of Newness and Distinctiveness: **Nil**

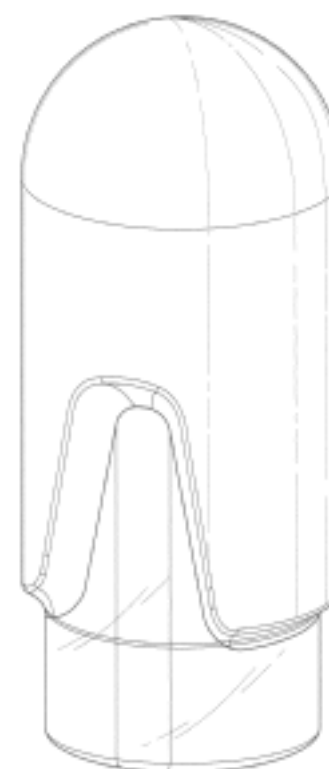




(21) Design Number: **13700/2011**  
(22) Date of Filing Application: **19 August 2011**  
(24) Date from which industrial property rights may have effect: **19 August 2011**  
(54) Product in respect of which the design is registered: **Brush harvester unit**  
(51) International Design Classification: **15-03B**  
(74) Name(s) of Attorney(s): **Davies Collison Cave**  
(71) Name(s) and Address(s) of Applicant(s):  
**Paul Alan Alessi**  
**199 Durkin Road Windellama New South Wales 2580 Australia**  
(72) Name(s) of Designer(s): **Paul Alan Alessi**  
(45) Registration Date: **15 March 2012**  
(56) Related Art Documents: **Not Applicable**  
(57) Statement of Newness and Distinctiveness: **Nil**



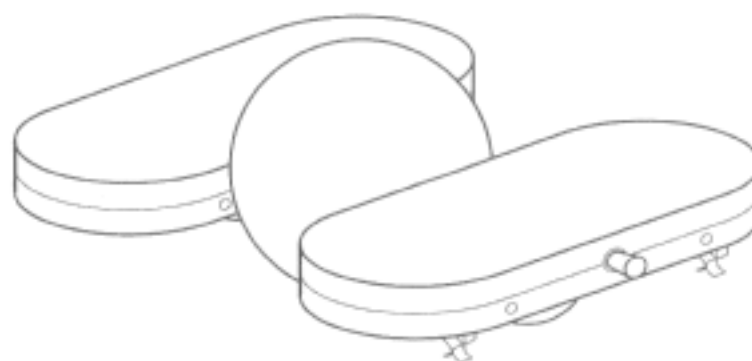
(21) Design Number: **15258/2011**  
(22) Date of Filing Application: **17 November 2011**  
(24) Date from which industrial property rights may have effect: **17 November 2011**  
(54) Product in respect of which the design is registered: **Refill for a fluid dispensing device**  
(51) International Design Classification: **09-01NES**  
(74) Name(s) of Attorney(s): **Madderns**  
(71) Name(s) and Address(s) of Applicant(s):  
**Reckitt Benckiser Healthcare International Limited**  
**103-105 Bath Road Slough Berkshire SL1 3UH United Kingdom**  
(72) Name(s) of Designer(s): **Mohammed Chopdat and Alex Peacop and Richard Brian Clough**  
(45) Registration Date: **15 March 2012**  
(30) Convention priority data:  
(31) Number      (32) Date      (33) Country  
**001867334-0003    23 May 2011      EUROPEAN COMMUNITY**  
(56) Related Art Documents: **Not Applicable**  
(57) Statement of Newness and Distinctiveness: **Newness and distinctiveness resides in the shape and configuration of a dispensing device as shown in the accompanying representations.**



- (21) Design Number: **15996/2011**  
(22) Date of Filing Application: **23 December 2011**  
(24) Date from which industrial property rights may have effect: **23 December 2011**  
(54) Product in respect of which the design is registered: **A garment**  
(51) International Design Classification: **02-02C**  
(74) Name(s) of Attorney(s): **SPRUSON & FERGUSON**  
(71) Name(s) and Address(s) of Applicant(s):  
**Alquema Pty Ltd**  
**9 Regent Street Paddington New South Wales 2021 Australia**  
(72) Name(s) of Designer(s): **Millicent Gilbert**  
(45) Registration Date: **15 March 2012**  
(56) Related Art Documents: **Not Applicable**  
(57) Statement of Newness and Distinctiveness: **Newness and distinctiveness is claimed in the features of a garment resulting from having finely crafted vertical pleating on the upper bodice of the garment which morphs towards the hem of the garment in a twist and crumble crush as illustrated in the accompanying representations.**



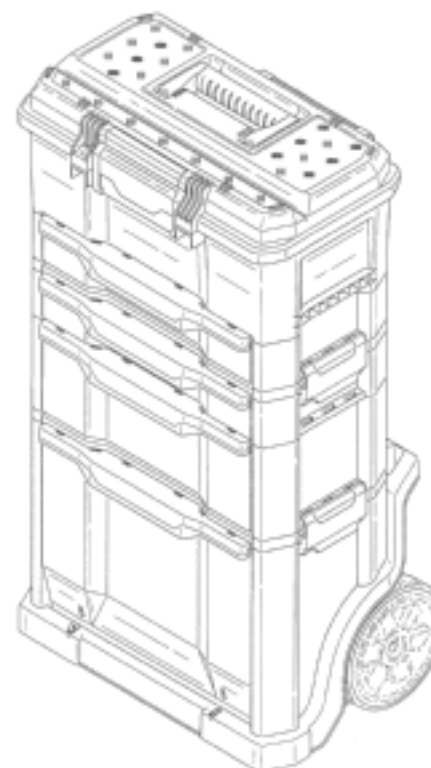
- (21) Design Number: **10073/2012**  
(22) Date of Filing Application: **10 January 2012**  
(24) Date from which industrial property rights may have effect: **10 January 2012**  
(54) Product in respect of which the design is registered: **Ride-on device**  
(51) International Design Classification: **21-02NES**  
(74) Name(s) of Attorney(s): **Actuate IP**  
(71) Name(s) and Address(s) of Applicant(s):  
**Ronald Ian White**  
**10 Sommersby Road Point Cook Victoria 3030 Australia**  
(72) Name(s) of Designer(s): **Ronald Ian White**  
(45) Registration Date: **15 March 2012**  
(56) Related Art Documents: **Not Applicable**  
(57) Statement of Newness and Distinctiveness: **Newness and distinctiveness is claimed in the features of shape and/or configuration of the ride-on device as illustrated in the accompanying representations.**



(21) Design Number: **10187/2012**  
(22) Date of Filing Application: **16 January 2012**  
(24) Date from which industrial property rights may have effect: **16 January 2012**  
(54) Product in respect of which the design is registered: **Breast pump**  
(51) International Design Classification: **24-02**  
(74) Name(s) of Attorney(s): **FB Rice**  
(71) Name(s) and Address(s) of Applicant(s):  
**Koninklijke Philips Electronics N.V.**  
**Groenewoudseweg 1 5621 BA Eindhoven The Netherlands**  
(72) Name(s) of Designer(s): **Elodie Jeanne Claudine Thomas**  
(45) Registration Date: **15 March 2012**  
(30) Convention priority data:  
(31) Number (32) Date (33) Country  
**001890880-0001 13 Jul 2011 EUROPEAN COMMUNITY**  
(56) Related Art Documents: **Not Applicable**  
(57) Statement of Newness and Distinctiveness: **Newness and distinctiveness reside in the features of shape and configuration of the breast pump as shown in the representations.**



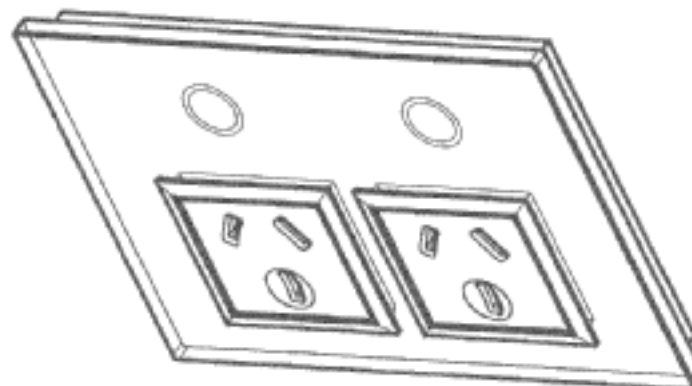
(21) Design Number: **10198/2012**  
(22) Date of Filing Application: **17 January 2012**  
(24) Date from which industrial property rights may have effect: **17 January 2012**  
(54) Product in respect of which the design is registered: **Rolling container assembly**  
(51) International Design Classification: **12-02**  
(74) Name(s) of Attorney(s): **Davies Collison Cave**  
(71) Name(s) and Address(s) of Applicant(s):  
**The Stanley Works Israel Ltd.**  
**19 Ha'Melacha Street Rosh Ha'Ayin 48091 Israel**  
(72) Name(s) of Designer(s): **Omri Lifshitz and Elad Hay Shitrit**  
(45) Registration Date: **15 March 2012**  
(30) Convention priority data:  
(31) Number (32) Date (33) Country  
**29397639 19 Jul 2011 UNITED STATES OF AMERICA**  
(56) Related Art Documents: **Not Applicable**  
(57) Statement of Newness and Distinctiveness: **Nil**



(21) Design Number: **10199/2012**  
(22) Date of Filing Application: **17 January 2012**  
(24) Date from which industrial property rights may have effect: **17 January 2012**  
(54) Product in respect of which the design is registered: **Reciprocating saw**  
(51) International Design Classification: **08-03**  
(74) Name(s) of Attorney(s): **Davies Collison Cave**  
(71) Name(s) and Address(s) of Applicant(s):  
**Black & Decker Inc**  
**1207 Drummond Plaza Newark Delaware 19711 United States of America**  
(72) Name(s) of Designer(s): **Mark Baxter**  
(45) Registration Date: **15 March 2012**  
(30) Convention priority data:  
(31) Number (32) Date (33) Country  
**001286819 27 Jul 2011 EUROPEAN COMMUNITY**  
(56) Related Art Documents: **Not Applicable**  
(57) Statement of Newness and Distinctiveness: **Nil**



(21) Design Number: **10222/2012**  
(22) Date of Filing Application: **18 January 2012**  
(24) Date from which industrial property rights may have effect: **18 January 2012**  
(54) Product in respect of which the design is registered: **Electrical socket**  
(51) International Design Classification: **13-03D**  
(74) Name(s) of Attorney(s): **Jirsch Sutherland IP**  
(71) Name(s) and Address(s) of Applicant(s):  
**Connected Group Australia Pty Ltd**  
**Unit 2 26-28 Whyalla Place Prestons New South Wales 2170 Australia**  
(72) Name(s) of Designer(s): **Dean Lucantonio**  
(45) Registration Date: **15 March 2012**  
(56) Related Art Documents: **Not Applicable**  
(57) Statement of Newness and Distinctiveness: **Monopoly is claimed for in respect of the shape and configuration of the "cover plates" as seen in the original representations files. The shape of these plates is both new and distinctive and monopoly of the shape is relevant regardless of the configuration of the switches and switching mechanisms seen.**



- (21) Design Number: **10888/2012**  
(22) Date of Filing Application: **27 February 2012**  
(24) Date from which industrial property rights may have effect: **27 February 2012**  
(54) Product in respect of which the design is registered: **Cutter bit**  
(51) International Design Classification: **08-03**  
(74) Name(s) of Attorney(s): **IP Gateway Patent & Trademark Attorneys**  
(71) Name(s) and Address(s) of Applicant(s):

**Veisto Oy**  
**Yrittajantie 1 FI-52700 Mantyharju Finland**

- (72) Name(s) of Designer(s): **Tero Monttinen and Raimo Karjalainen and Mauri Nikkinen**

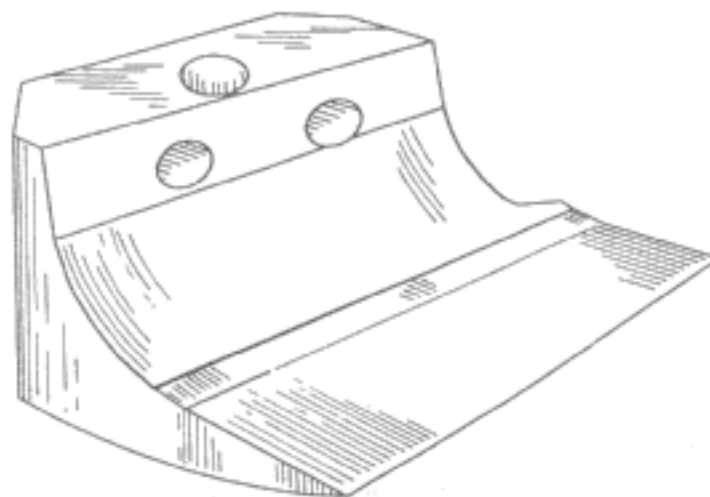
- (45) Registration Date: **15 March 2012**

- (30) Convention priority data:

(31) Number	(32) Date	(33) Country
<b>00 197 5202</b>	<b>13 Jan 2012</b>	<b>EUROPEAN COMMUNITY</b>

- (56) Related Art Documents: **Not Applicable**

- (57) Statement of Newness and Distinctiveness: **The newness and distinctiveness of the design resides in the visual features of shape and/or configuration of a cutter bit as shown in the accompanying representations.**



- (21) Design Number: **10769/2012**  
(22) Date of Filing Application: **17 February 2012**  
(24) Date from which industrial property rights may have effect: **17 February 2012**  
(54) Product in respect of which the design is registered: **A mechanical vehicle tyre cutting machine**  
(51) International Design Classification: **08-03**  
(74) Name(s) of Attorney(s):  
(71) Name(s) and Address(s) of Applicant(s):

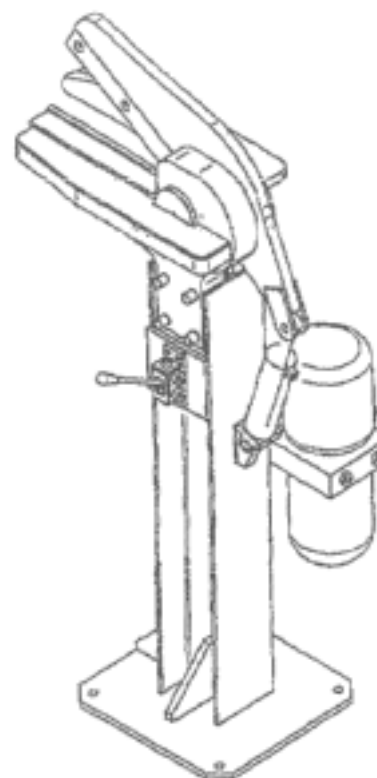
**Tyrennosaurus Limited**  
**C/CT Legal Suite 4 5 Hill Street Hamilton 3204 New Zealand**

- (72) Name(s) of Designer(s): **Raewyn Marshall**

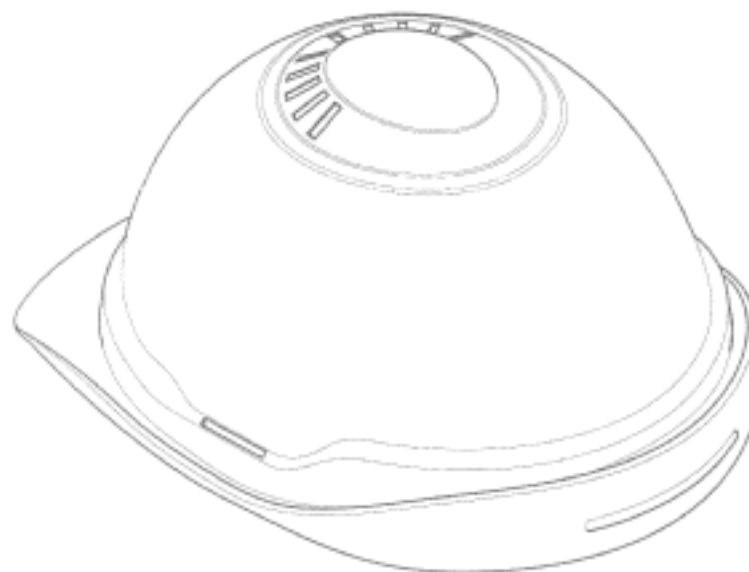
- (45) Registration Date: **16 March 2012**

- (56) Related Art Documents: **Not Applicable**

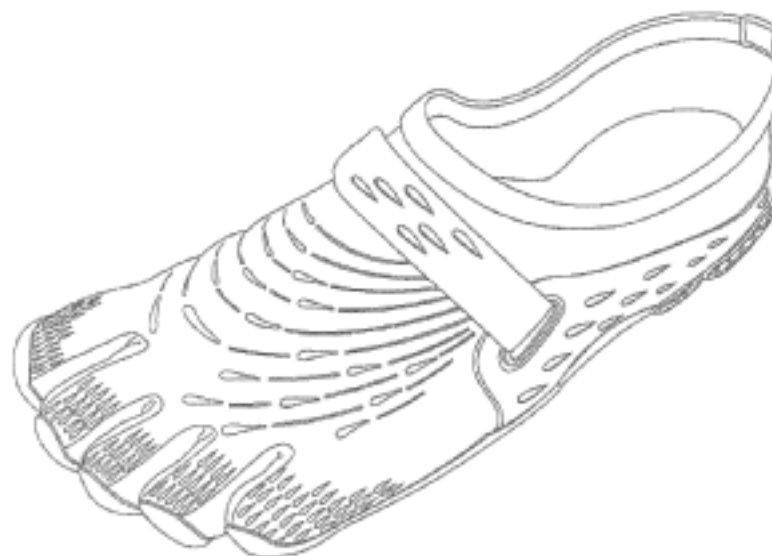
- (57) Statement of Newness and Distinctiveness: **The design is to be applied to a mechanical vehicle tyre cutting machine and the novelty resides in the features of shape and configuration as shown in the accompanying representations.**



(21) Design Number: **10772/2012**  
(22) Date of Filing Application: **17 February 2012**  
(24) Date from which industrial property rights may have effect: **17 February 2012**  
(54) Product in respect of which the design is registered: **Helmet**  
(51) International Design Classification: **02-03**  
(74) Name(s) of Attorney(s): **Griffith Hack**  
(71) Name(s) and Address(s) of Applicant(s):  
**Brian Trevor Bland**  
**Plot 88 Blignautrus Walkerville 1876 South Africa**  
(72) Name(s) of Designer(s): **Brian Trevor Bland**  
(45) Registration Date: **16 March 2012**  
(56) Related Art Documents: **Not Applicable**  
(57) Statement of Newness and Distinctiveness: **Nil**



(21) Design Number: **10774/2012**  
(22) Date of Filing Application: **17 February 2012**  
(24) Date from which industrial property rights may have effect: **17 February 2012**  
(54) Product in respect of which the design is registered: **Footwear**  
(51) International Design Classification: **02-04NES**  
(74) Name(s) of Attorney(s): **FB Rice**  
(71) Name(s) and Address(s) of Applicant(s):  
**Vibram S.p.A.**  
**Via Cristoforo Colombo 5 I-21041 Albizzate (Varese) Italy**  
(72) Name(s) of Designer(s): **Marco Bramani and Robert Fliri**  
(45) Registration Date: **16 March 2012**  
(30) Convention priority data:  
(31) Number      (32) Date      (33) Country  
**1913930-0001      07 Sep 2011      EUROPEAN COMMUNITY**  
(56) Related Art Documents: **Not Applicable**  
(57) Statement of Newness and Distinctiveness: **Newness and distinctiveness reside in the features of the design as shown in the representations.**



(21) Design Number: **10775/2012**  
(22) Date of Filing Application: **17 February 2012**  
(24) Date from which industrial property rights may have effect: **17 February 2012**  
(54) Product in respect of which the design is registered: **Soles**  
(51) International Design Classification: **02-04A**  
(74) Name(s) of Attorney(s): **FB Rice**  
(71) Name(s) and Address(s) of Applicant(s):

**Vibram S.P.A.**  
**Via Cristoforo Colombo 5 I-21041 Albizzate (Varese) Italy**

(72) Name(s) of Designer(s): **Marco Bramani and Paolo Coletto**

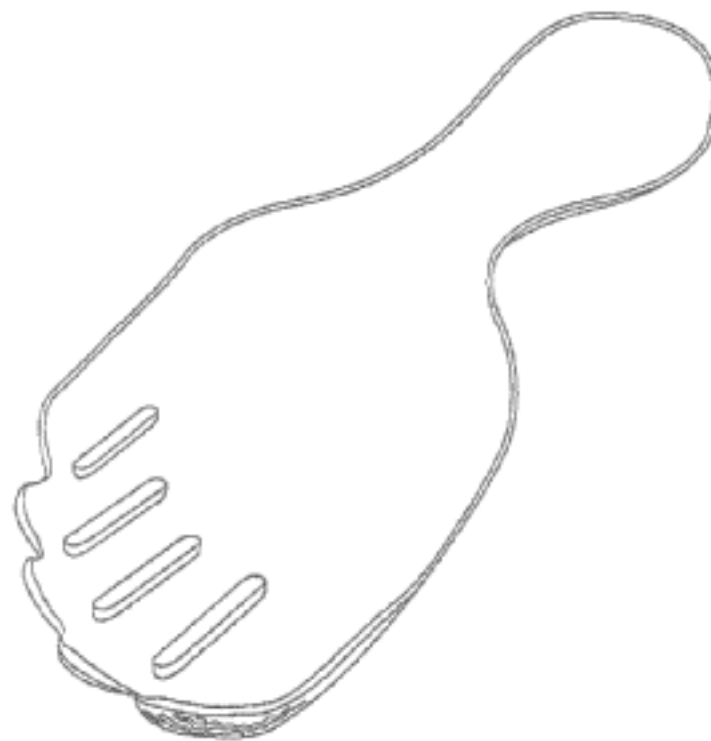
(45) Registration Date: **16 March 2012**

(30) Convention priority data:

(31) Number	(32) Date	(33) Country
<b>1913930-0008</b>	<b>07 Sep 2011</b>	<b>EUROPEAN COMMUNITY</b>

(56) Related Art Documents: **Not Applicable**

(57) Statement of Newness and Distinctiveness: **Newness and distinctiveness reside in the features of the design as shown in the representations.**



(21) Design Number: **10776/2012**  
(22) Date of Filing Application: **17 February 2012**  
(24) Date from which industrial property rights may have effect: **17 February 2012**  
(54) Product in respect of which the design is registered: **Soles**  
(51) International Design Classification: **02-04A**  
(74) Name(s) of Attorney(s): **FB Rice**  
(71) Name(s) and Address(s) of Applicant(s):

**Vibram S.P.A.**  
**Via Cristoforo Colombo 5 I-21041 Albizzate (Varese) Italy**

(72) Name(s) of Designer(s): **Marco Bramani and Robert Fliri**

(45) Registration Date: **16 March 2012**

(30) Convention priority data:

(31) Number	(32) Date	(33) Country
<b>1913930-0011</b>	<b>07 Sep 2011</b>	<b>EUROPEAN COMMUNITY</b>

(56) Related Art Documents: **Not Applicable**

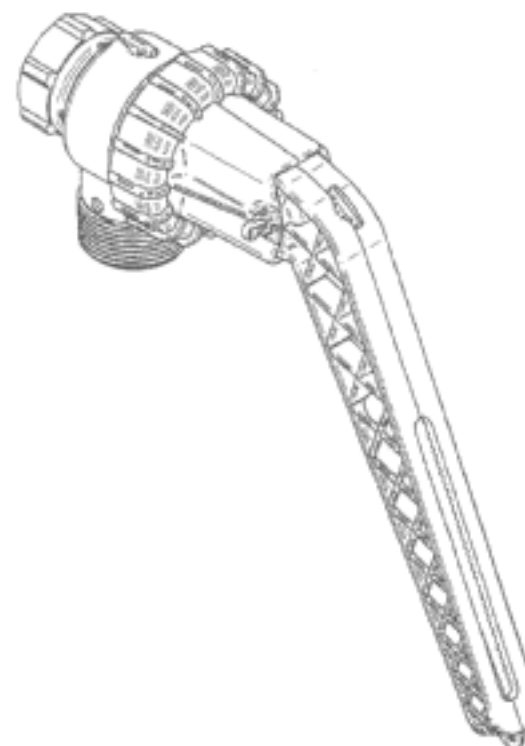
(57) Statement of Newness and Distinctiveness: **Newness and distinctiveness reside in the features of the design as shown in the representations.**



(21) Design Number: **10777/2012**  
(22) Date of Filing Application: **17 February 2012**  
(24) Date from which industrial property rights may have effect: **17 February 2012**  
(54) Product in respect of which the design is registered: **Oral care implement**  
(51) International Design Classification: **04-02**  
(74) Name(s) of Attorney(s): **FB Rice**  
(71) Name(s) and Address(s) of Applicant(s):  
**Colgate-Palmolive Company**  
**300 Park Avenue New York New York 10022 United States of America**  
(72) Name(s) of Designer(s): **Wen Jin Xi and Guang Sheng Guo and Ran Zhang**  
(45) Registration Date: **16 March 2012**  
(30) Convention priority data:  
(31) Number (32) Date (33) Country  
**29/401586 13 Sep 2011 UNITED STATES OF AMERICA**  
(56) Related Art Documents: **Not Applicable**  
(57) Statement of Newness and Distinctiveness: **Newness and distinctiveness reside in the features of the design as shown in the representations.**

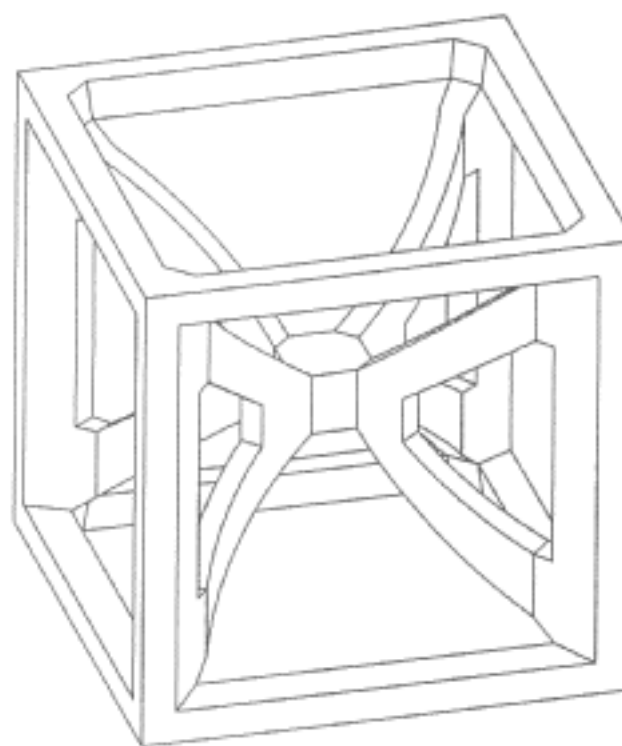


(21) Design Number: **10779/2012**  
(22) Date of Filing Application: **17 February 2012**  
(24) Date from which industrial property rights may have effect: **17 February 2012**  
(54) Product in respect of which the design is registered: **A valve**  
(51) International Design Classification: **23-01K**  
(74) Name(s) of Attorney(s): **A J Park**  
(71) Name(s) and Address(s) of Applicant(s):  
**Hansen Developments Limited**  
**16 Union Street Whangarei New Zealand**  
(72) Name(s) of Designer(s): **Philip John Collins**  
(45) Registration Date: **16 March 2012**  
(30) Convention priority data:  
(31) Number (32) Date (33) Country  
**415354 22 Sep 2011 NEW ZEALAND**  
(56) Related Art Documents: **Not Applicable**  
(57) Statement of Newness and Distinctiveness: **The novelty claimed for the design resides in the features of shape and/or configuration of the valve body as shown in the representations.**

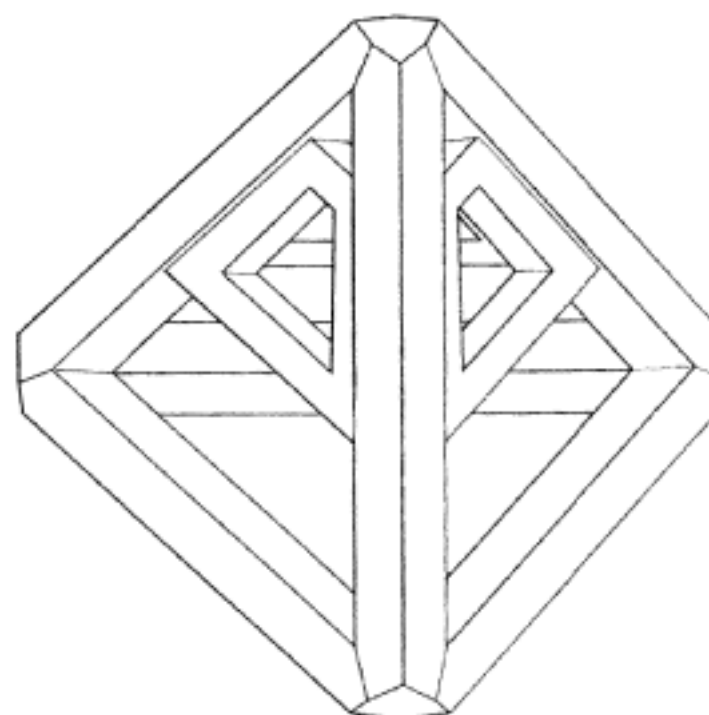




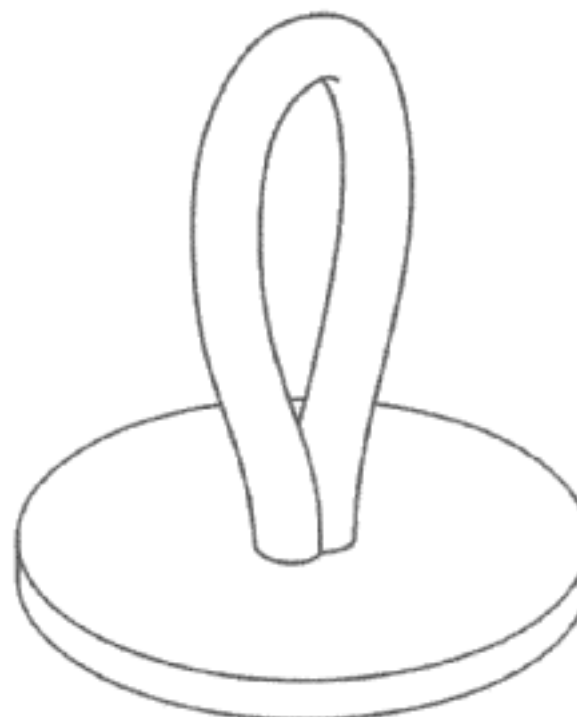
- (21) Design Number: **10785/2012**  
(22) Date of Filing Application: **17 February 2012**  
(24) Date from which industrial property rights may have effect: **17 February 2012**  
(54) Product in respect of which the design is registered: **Artificial reef**  
(51) International Design Classification: **25-03**  
(74) Name(s) of Attorney(s): **Cullens Patent and Trade Mark Attorneys**  
(71) Name(s) and Address(s) of Applicant(s):  
**Ryan Paik**  
**Suite 602/6 Help Street Chatswood New South Wales 2067 Australia**  
**Haejoo Pty Ltd**  
**Suite 602 6 Help Street Chatswood New South Wales 2067 Australia**  
(72) Name(s) of Designer(s): **Ryan Paik**  
(45) Registration Date: **16 March 2012**  
(56) Related Art Documents: **Not Applicable**  
(57) Statement of Newness and Distinctiveness: **Newness and distinctiveness reside in features of shape and configuration of the artificial reef as shown in the accompanying representations.**



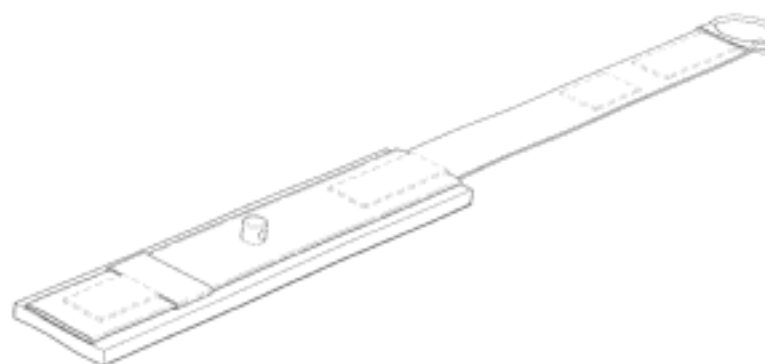
- (21) Design Number: **10786/2012**  
(22) Date of Filing Application: **17 February 2012**  
(24) Date from which industrial property rights may have effect: **17 February 2012**  
(54) Product in respect of which the design is registered: **Artificial reef**  
(51) International Design Classification: **25-03**  
(74) Name(s) of Attorney(s): **Cullens Patent and Trade Mark Attorneys**  
(71) Name(s) and Address(s) of Applicant(s):  
**Ryan Paik**  
**Suite 602/6 Help Street Chatswood New South Wales 2067 Australia**  
**Haejoo Pty Ltd**  
**Suite 602 6 Help Street Chatswood New South Wales 2067 Australia**  
(72) Name(s) of Designer(s): **Ryan Paik**  
(45) Registration Date: **16 March 2012**  
(56) Related Art Documents: **Not Applicable**  
(57) Statement of Newness and Distinctiveness: **Newness and distinctiveness reside in features of shape and configuration of the artificial reef as shown in the accompanying representations.**



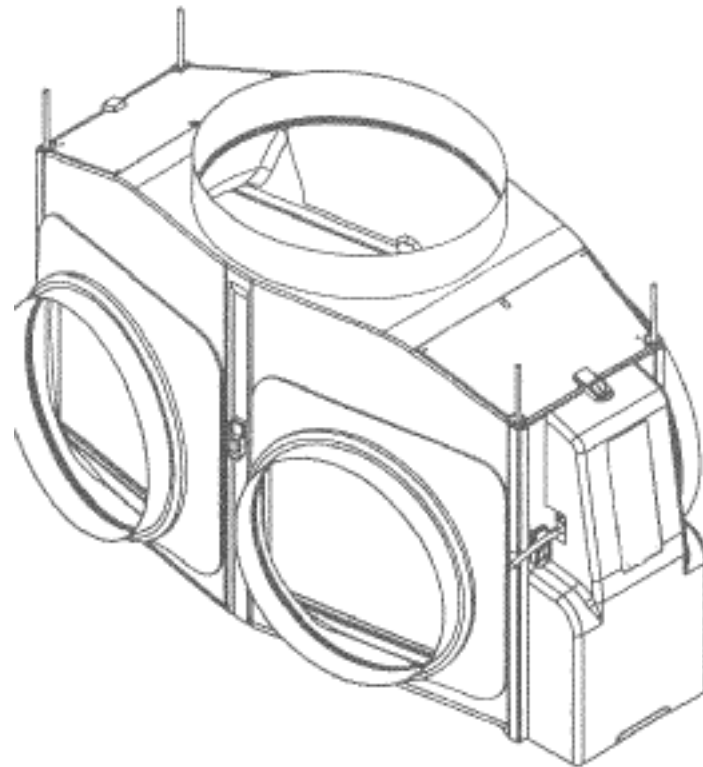
(21) Design Number: **10803/2012**  
(22) Date of Filing Application: **20 February 2012**  
(24) Date from which industrial property rights may have effect: **20 February 2012**  
(54) Product in respect of which the design is registered: **Securing member**  
(51) International Design Classification: **08-08NES**  
(74) Name(s) of Attorney(s): **PHILLIPS ORMONDE FITZPATRICK**  
(71) Name(s) and Address(s) of Applicant(s):  
**Ropeye Ou**  
**Tehnika 1-3 10149 Tallinn Estonia**  
(72) Name(s) of Designer(s): **Jannus Tamme**  
(45) Registration Date: **16 March 2012**  
(30) Convention priority data:  
(31) Number (32) Date (33) Country  
**001974635-0001 12 Jan 2012 EUROPEAN COMMUNITY**  
(56) Related Art Documents: **Not Applicable**  
(57) Statement of Newness and Distinctiveness: **Newness and distinctiveness is claimed in the features of shape and configuration of the securing member as shown in the accompanying representations.**



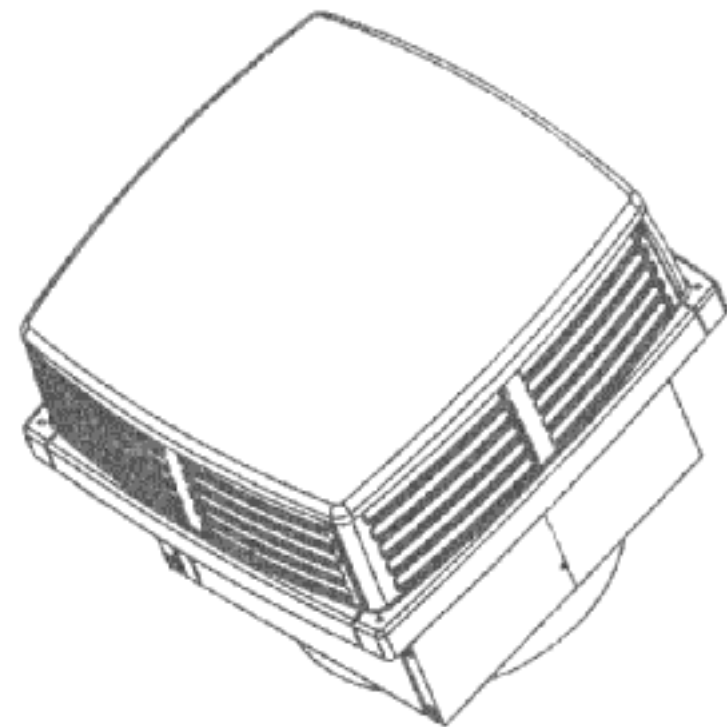
(21) Design Number: **14046/2011**  
(22) Date of Filing Application: **13 September 2011**  
(24) Date from which industrial property rights may have effect: **13 September 2011**  
(54) Product in respect of which the design is registered: **Leash**  
(51) International Design Classification: **21-02D**  
(74) Name(s) of Attorney(s): **Davies Collison Cave**  
(71) Name(s) and Address(s) of Applicant(s):  
**Iglisch Rosi**  
**7 Cowper Street Sandringham Victoria 3191 Australia**  
(72) Name(s) of Designer(s): **Iglisch Rosi**  
(45) Registration Date: **16 March 2012**  
(56) Related Art Documents: **Not Applicable**  
(57) Statement of Newness and Distinctiveness: **Newness and distinctiveness is claimed in the visual features shown in solid lines in the representations.**



- (21) Design Number: **15575/2011**  
(22) Date of Filing Application: **06 December 2011**  
(24) Date from which industrial property rights may have effect: **06 December 2011**  
(54) Product in respect of which the design is registered: **An evaporative cooler evaporator module**  
(51) International Design Classification: **23-04**  
(74) Name(s) of Attorney(s): **SPRUSON & FERGUSON**  
(71) Name(s) and Address(s) of Applicant(s):  
**Brivis Climate Systems Pty Ltd**  
**61 Malcolm Road Braeside Victoria 3195 Australia**  
(72) Name(s) of Designer(s): **Bart Reinders**  
(45) Registration Date: **16 March 2012**  
(56) Related Art Documents: **Not Applicable**  
(57) Statement of Newness and Distinctiveness: **Newness and distinctiveness is claimed in the features of shape and/or configuration of an evaporative cooler evaporator module as illustrated in the accompanying representations.**



- (21) Design Number: **15576/2011**  
(22) Date of Filing Application: **06 December 2011**  
(24) Date from which industrial property rights may have effect: **06 December 2011**  
(54) Product in respect of which the design is registered: **An evaporative cooler fan module**  
(51) International Design Classification: **23-04**  
(74) Name(s) of Attorney(s): **SPRUSON & FERGUSON**  
(71) Name(s) and Address(s) of Applicant(s):  
**Brivis Climate Systems Pty Ltd**  
**61 Malcolm Road Braeside Victoria 3195 Australia**  
(72) Name(s) of Designer(s): **Bart Reinders**  
(45) Registration Date: **16 March 2012**  
(56) Related Art Documents: **Not Applicable**  
(57) Statement of Newness and Distinctiveness: **Newness and distinctiveness is claimed in the features of shape and/or configuration of an evaporative cooler fan module as illustrated in the accompanying representations.**



(21) Design Number: **15797/2011**  
(22) Date of Filing Application: **12 December 2011**  
(24) Date from which industrial property rights may have effect: **12 December 2011**  
(54) Product in respect of which the design is registered: **Full alu armchair**  
(51) International Design Classification: **06-01H**  
(74) Name(s) of Attorney(s):  
(71) Name(s) and Address(s) of Applicant(s):  
**Guangzhou Gardenart Furniture Co. Ltd**  
**Unit 3A-1 4th Building No. 52 Shuiyin Road Yuexiu District Guangzhou**  
**City Guangdong 510075 China**  
(72) Name(s) of Designer(s): **Cao Jianhui**  
(45) Registration Date: **16 March 2012**  
(30) Convention priority data:  
(31) Number (32) Date (33) Country  
**001908559-01-20 25 Aug 2011 EUROPEAN COMMUNITY**  
(56) Related Art Documents: **Not Applicable**  
(57) Statement of Newness and Distinctiveness: **Nil**



(21) Design Number: **15798/2011**  
(22) Date of Filing Application: **12 December 2011**  
(24) Date from which industrial property rights may have effect: **12 December 2011**  
(54) Product in respect of which the design is registered: **Alu' sling sunlounger chair**  
(51) International Design Classification: **06-01H**  
(74) Name(s) of Attorney(s):  
(71) Name(s) and Address(s) of Applicant(s):  
**Guangzhou Gardenart Furniture Co. Ltd**  
**Unit 3A-1 4th Building No. 52 Shuiyin Road Yuexiu District Guangzhou**  
**City Guangdong 510075 China**  
(72) Name(s) of Designer(s): **Cao Jianhui**  
(45) Registration Date: **16 March 2012**  
(30) Convention priority data:  
(31) Number (32) Date (33) Country  
**001908559-01-20 25 Aug 2011 EUROPEAN COMMUNITY**  
(56) Related Art Documents: **Not Applicable**  
(57) Statement of Newness and Distinctiveness: **Nil**



(21) Design Number: **15799/2011**  
(22) Date of Filing Application: **12 December 2011**  
(24) Date from which industrial property rights may have effect: **12 December 2011**  
(54) Product in respect of which the design is registered: **Alu' sofa two seater with two arms**  
(51) International Design Classification: **06-01H**  
(74) Name(s) of Attorney(s):  
(71) Name(s) and Address(s) of Applicant(s):  
**Guangzhou Gardenart Furniture Co. Ltd**  
**Unit 3A-1 4th Building No. 52 Shuiyin Road Yuexiu District Guangzhou**  
**City Guangdong 510075 China**  
(72) Name(s) of Designer(s): **Cao Jianhui**  
(45) Registration Date: **16 March 2012**  
(30) Convention priority data:  
(31) Number (32) Date (33) Country  
**001908559-01-20 25 Aug 2011 EUROPEAN COMMUNITY**  
(56) Related Art Documents: **Not Applicable**  
(57) Statement of Newness and Distinctiveness: **Nil**



(21) Design Number: **15800/2011**  
(22) Date of Filing Application: **12 December 2011**  
(24) Date from which industrial property rights may have effect: **12 December 2011**  
(54) Product in respect of which the design is registered: **Alu' sofa one seater with two arms**  
(51) International Design Classification: **06-01H**  
(74) Name(s) of Attorney(s):  
(71) Name(s) and Address(s) of Applicant(s):  
**Guangzhou Gardenart Furniture Co. Ltd**  
**Unit 3A-1 4th Building No. 52 Shuiyin Road Yuexiu District Guangzhou**  
**City Guangdong 510075 China**  
(72) Name(s) of Designer(s): **Cao Jianhui**  
(45) Registration Date: **16 March 2012**  
(30) Convention priority data:  
(31) Number (32) Date (33) Country  
**001908559-01-20 25 Aug 2011 EUROPEAN COMMUNITY**  
(56) Related Art Documents: **Not Applicable**  
(57) Statement of Newness and Distinctiveness: **Nil**



(21) Design Number: **15801/2011**  
(22) Date of Filing Application: **12 December 2011**  
(24) Date from which industrial property rights may have effect: **12 December 2011**  
(54) Product in respect of which the design is registered: **Alu' olefin chair with recycled look legs**  
(51) International Design Classification: **06-01H**  
(74) Name(s) of Attorney(s):  
(71) Name(s) and Address(s) of Applicant(s):  
**Guangzhou Gardenart Furniture Co. Ltd**  
**Unit 3A-1 4th Building No. 52 Shuiyin Road Yuexiu District Guangzhou**  
**City Guangdong 510075 China**  
(72) Name(s) of Designer(s): **Cao Jianhui**  
(45) Registration Date: **16 March 2012**  
(30) Convention priority data:  
(31) Number (32) Date (33) Country  
**001908559-01-20 25 Aug 2011 EUROPEAN COMMUNITY**  
(56) Related Art Documents: **Not Applicable**  
(57) Statement of Newness and Distinctiveness: **Nil**



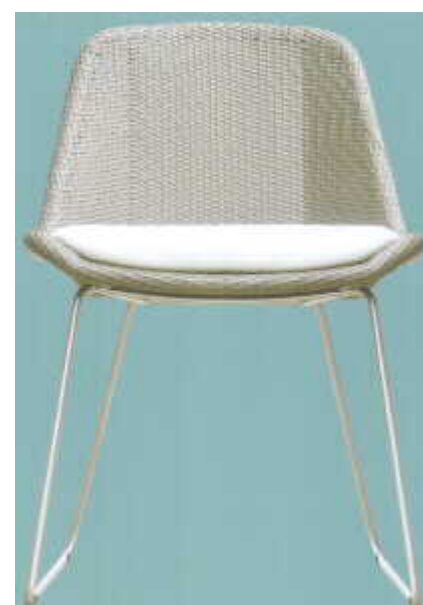
(21) Design Number: **15802/2011**  
(22) Date of Filing Application: **12 December 2011**  
(24) Date from which industrial property rights may have effect: **12 December 2011**  
(54) Product in respect of which the design is registered: **Alu' sling armchair with alu' armrest**  
(51) International Design Classification: **06-01H**  
(74) Name(s) of Attorney(s):  
(71) Name(s) and Address(s) of Applicant(s):  
**Guangzhou Gardenart Furniture Co. Ltd**  
**Unit 3A-1 4th Building No. 52 Shuiyin Road Yuexiu District Guangzhou**  
**City Guangdong 510075 China**  
(72) Name(s) of Designer(s): **Cao Jianhui**  
(45) Registration Date: **16 March 2012**  
(30) Convention priority data:  
(31) Number (32) Date (33) Country  
**001908559-01-20 25 Aug 2011 EUROPEAN COMMUNITY**  
(56) Related Art Documents: **Not Applicable**  
(57) Statement of Newness and Distinctiveness: **Nil**



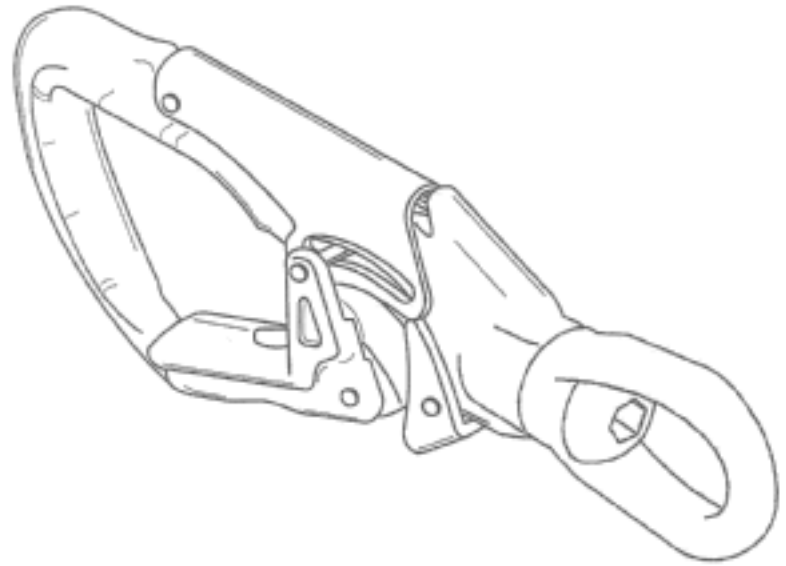
(21) Design Number: **15803/2011**  
(22) Date of Filing Application: **12 December 2011**  
(24) Date from which industrial property rights may have effect: **12 December 2011**  
(54) Product in respect of which the design is registered: **SS sling chair without armrest**  
(51) International Design Classification: **06-01H**  
(74) Name(s) of Attorney(s):  
(71) Name(s) and Address(s) of Applicant(s):  
**Guangzhou Gardenart Furniture Co. Ltd**  
**Unit 3A-1 4th Building No. 52 Shuiyin Road Yuexiu District Guangzhou**  
**City Guangdong 510075 China**  
(72) Name(s) of Designer(s): **Cao Jianhui**  
(45) Registration Date: **16 March 2012**  
(30) Convention priority data:  
(31) Number (32) Date (33) Country  
**001908559-01-20 25 Aug 2011 EUROPEAN COMMUNITY**  
(56) Related Art Documents: **Not Applicable**  
(57) Statement of Newness and Distinctiveness: **Nil**



(21) Design Number: **15804/2011**  
(22) Date of Filing Application: **12 December 2011**  
(24) Date from which industrial property rights may have effect: **12 December 2011**  
(54) Product in respect of which the design is registered: **SS wicker chair without armrest**  
(51) International Design Classification: **06-01H**  
(74) Name(s) of Attorney(s):  
(71) Name(s) and Address(s) of Applicant(s):  
**Guangzhou Gardenart Furniture Co. Ltd**  
**Unit 3A-1 4th Building No. 52 Shuiyin Road Yuexiu District Guangzhou**  
**City Guangdong 510075 China**  
(72) Name(s) of Designer(s): **Cao Jianhui**  
(45) Registration Date: **16 March 2012**  
(30) Convention priority data:  
(31) Number (32) Date (33) Country  
**001908559-01-20 25 Aug 2011 EUROPEAN COMMUNITY**  
(56) Related Art Documents: **Not Applicable**  
(57) Statement of Newness and Distinctiveness: **Nil**



(21) Design Number: **10256/2012**  
(22) Date of Filing Application: **20 January 2012**  
(24) Date from which industrial property rights may have effect: **20 January 2012**  
(54) Product in respect of which the design is registered: **Carabiners**  
(51) International Design Classification: **08-08NES**  
(74) Name(s) of Attorney(s): **Davies Collison Cave**  
(71) Name(s) and Address(s) of Applicant(s):  
**International Safety Components Ltd**  
**Unit 1 Plot 2 Llandygai Industrial Estate Bangor North Wales LL57 4YH**  
**United Kingdom**  
(72) Name(s) of Designer(s): **Wayne Ellis**  
(45) Registration Date: **16 March 2012**  
(30) Convention priority data:  
(31) Number (32) Date (33) Country  
**001904335-0001 12 Aug 2011 EUROPEAN COMMUNITY**  
(56) Related Art Documents: **Not Applicable**  
(57) Statement of Newness and Distinctiveness: **Newness and distinctiveness is claimed in the visual features shown in solid lines in the representations.**



(21) Design Number: **10468/2012**  
(22) Date of Filing Application: **31 January 2012**  
(24) Date from which industrial property rights may have effect: **31 January 2012**  
(54) Product in respect of which the design is registered: **An outboard motor carrier where-by the main axis is angled upward at minimum 10 degrees to maximum 85 degrees to the**  
(51) International Design Classification: **12-16K**  
(74) Name(s) of Attorney(s):  
(71) Name(s) and Address(s) of Applicant(s):  
**Gavin Ager**  
**34 Boronia Road Banjup Western Australia 6164 Australia**  
(72) Name(s) of Designer(s): **Gavin Ronald Ager**  
(45) Registration Date: **16 March 2012**  
(56) Related Art Documents: **Not Applicable**  
(57) Statement of Newness and Distinctiveness: **Nil**





(21) Design Number: **10813/2012**  
(22) Date of Filing Application: **20 February 2012**  
(24) Date from which industrial property rights may have effect: **20 February 2012**  
(54) Product in respect of which the design is registered: **Chair**  
(51) International Design Classification: **06-01G**  
(74) Name(s) of Attorney(s): **Shelston IP**  
(71) Name(s) and Address(s) of Applicant(s):

**Ekornes ASA**  
**Industrivegen 1 N-6222 Ikorntes Norway**

(72) Name(s) of Designer(s): **Jan Lade**

(45) Registration Date: **16 March 2012**

(30) Convention priority data:

(31) Number	(32) Date	(33) Country
<b>20110829</b>	<b>24 Oct 2011</b>	<b>NORWAY</b>

(56) Related Art Documents: **Not Applicable**

(57) Statement of Newness and Distinctiveness: **Newness and distinctiveness reside in the shape and/or configuration of a chair as illustrated in the accompanying representations.**



(21) Design Number: **13174/2011**  
(22) Date of Filing Application: **18 July 2011**  
(24) Date from which industrial property rights may have effect: **18 July 2011**  
(54) Product in respect of which the design is registered: **Vent cover**  
(51) International Design Classification: **25-02G**  
(74) Name(s) of Attorney(s): **Macpherson + Kelley**  
(71) Name(s) and Address(s) of Applicant(s):

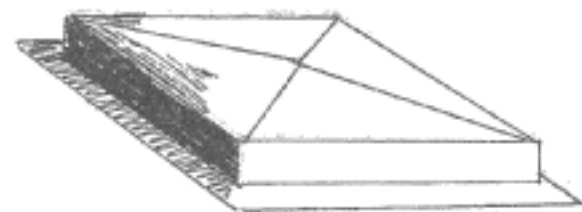
**Con Alexiadis**  
**120 Cavanagh Street Cheltenham Victoria 3192 Australia**

(72) Name(s) of Designer(s): **Con Alexiadis**

(45) Registration Date: **19 March 2012**

(56) Related Art Documents: **Not Applicable**

(57) Statement of Newness and Distinctiveness: **The particular visual features of the design which the Applicant hereby identifies as new and distinctive are as follows: "Vent Cover", as illustrated in the accompanying representations.**



- (21) Design Number: **15381/2011**  
(22) Date of Filing Application: **25 November 2011**  
(24) Date from which industrial property rights may have effect: **25 November 2011**  
(54) Product in respect of which the design is registered: **Plastic battery operated LED candle**  
(51) International Design Classification: **26-05E**  
(74) Name(s) of Attorney(s):  
(71) Name(s) and Address(s) of Applicant(s):  
**Glowstix Australia Pty Ltd**  
**PO Box 456 Plumpton New South Wales 2761 Australia**  
(72) Name(s) of Designer(s): **Norman Nassif and Paul Cohen**  
(45) Registration Date: **19 March 2012**  
(56) Related Art Documents: **Not Applicable**  
(57) Statement of Newness and Distinctiveness: **The candle was designed to include the push button as part of the plastic mould to reduce the need for another part. The screw below the push button allows the top half to be removed to replace the batteries.**



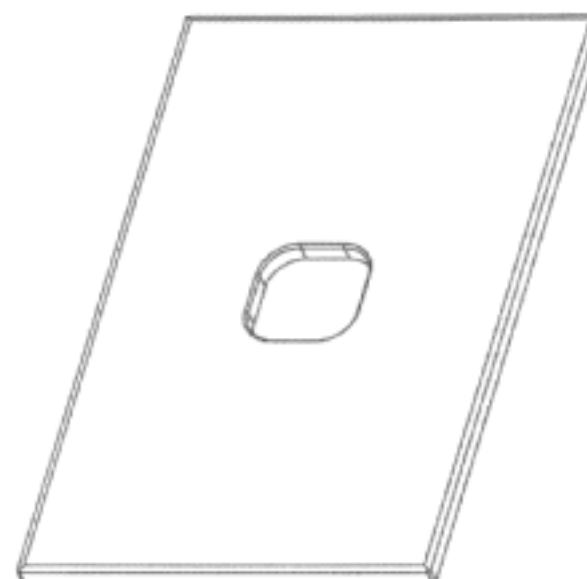
- (21) Design Number: **10695/2012**  
(22) Date of Filing Application: **14 February 2012**  
(24) Date from which industrial property rights may have effect: **14 February 2012**  
(54) Product in respect of which the design is registered: **Watch Bands in particular silicone FOB watches**  
(51) International Design Classification: **10-07**  
(74) Name(s) of Attorney(s):  
(71) Name(s) and Address(s) of Applicant(s):  
**Glen Riverstone**  
**6/519 Tingle Rd Wynnum Brisbane Queensland 4178 Australia**  
(72) Name(s) of Designer(s): **Glen Riverstone**  
(45) Registration Date: **19 March 2012**  
(56) Related Art Documents: **Not Applicable**  
(57) Statement of Newness and Distinctiveness: **The design is a flower based desing that is not an exact representative of any particular flower. The arrangment of the petals around the watch face were carefully created.**



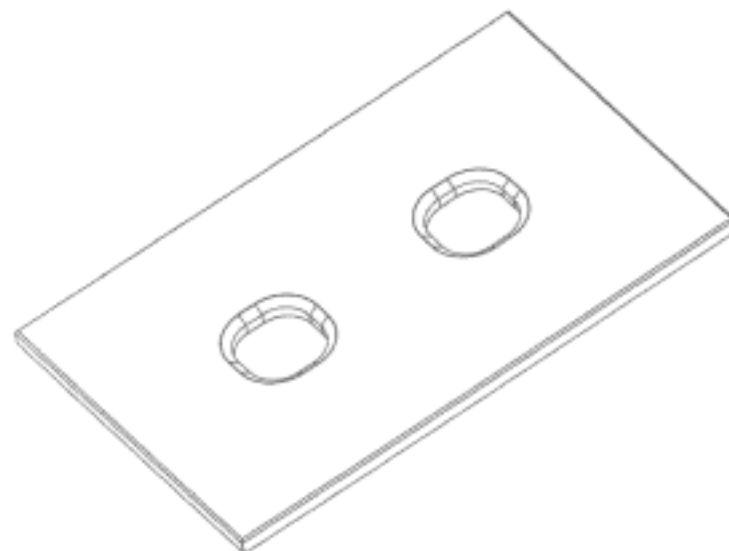
(21) Design Number: **10920/2012**  
(22) Date of Filing Application: **28 February 2012**  
(24) Date from which industrial property rights may have effect: **28 February 2012**  
(54) Product in respect of which the design is registered: **Seat**  
(51) International Design Classification: **06-01F**  
(74) Name(s) of Attorney(s): **Shelston IP**  
(71) Name(s) and Address(s) of Applicant(s):  
**Varier Furniture AS**  
**Haahjem N-6260 Skodje Norway**  
(72) Name(s) of Designer(s): **Olav Eldoy**  
(45) Registration Date: **19 March 2012**  
(30) Convention priority data:  
(31) Number (32) Date (33) Country  
**20110973 07 Dec 2011 NORWAY**  
(56) Related Art Documents: **Not Applicable**  
(57) Statement of Newness and Distinctiveness: **Newness and distinctiveness resides in features of shape and/or configuration of the seat back and seat base portion of the seat as shown in the accompanying representations.**



(21) Design Number: **10820/2012**  
(22) Date of Filing Application: **20 February 2012**  
(24) Date from which industrial property rights may have effect: **20 February 2012**  
(54) Product in respect of which the design is registered: **1 Hole blank**  
(51) International Design Classification: **13-03E**  
(74) Name(s) of Attorney(s):  
(71) Name(s) and Address(s) of Applicant(s):  
**Anthony Aucone**  
**Unit 1/11 Crown Court Varsity Lakes Queensland 4227 Australia**  
(72) Name(s) of Designer(s): **Anthony Aucone**  
(45) Registration Date: **19 March 2012**  
(56) Related Art Documents: **Not Applicable**  
(57) Statement of Newness and Distinctiveness: **Unique design and new on the market.**



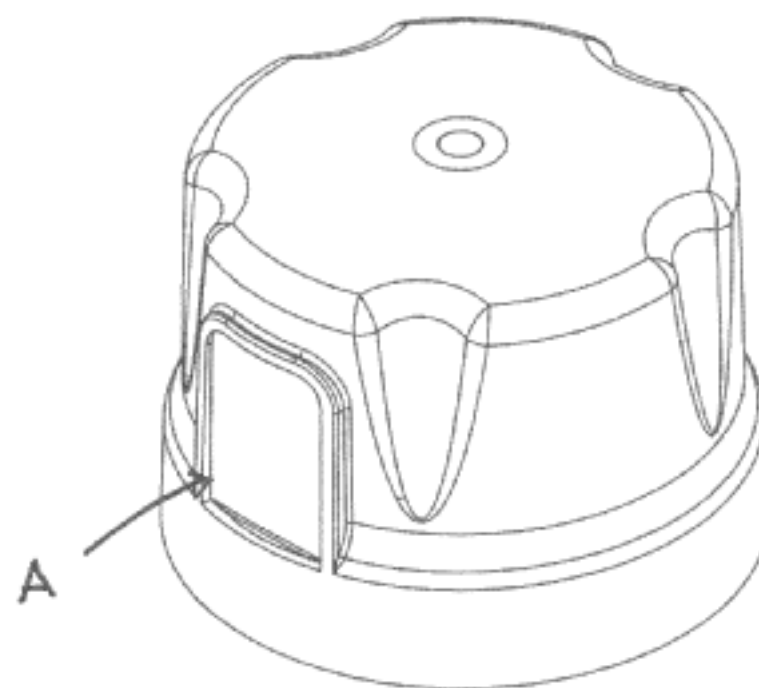
(21) Design Number: **10821/2012**  
(22) Date of Filing Application: **20 February 2012**  
(24) Date from which industrial property rights may have effect: **20 February 2012**  
(54) Product in respect of which the design is registered: **2 Hole blank**  
(51) International Design Classification: **13-03E**  
(74) Name(s) of Attorney(s):  
(71) Name(s) and Address(s) of Applicant(s):  
**Anthony Aucone**  
**Unit 1/11 Crown Court Varsity Lakes Queensland 4227 Australia**  
(72) Name(s) of Designer(s): **Anthony Aucone**  
(45) Registration Date: **19 March 2012**  
(56) Related Art Documents: **Not Applicable**  
(57) Statement of Newness and Distinctiveness: **Unique design and new on the market.**



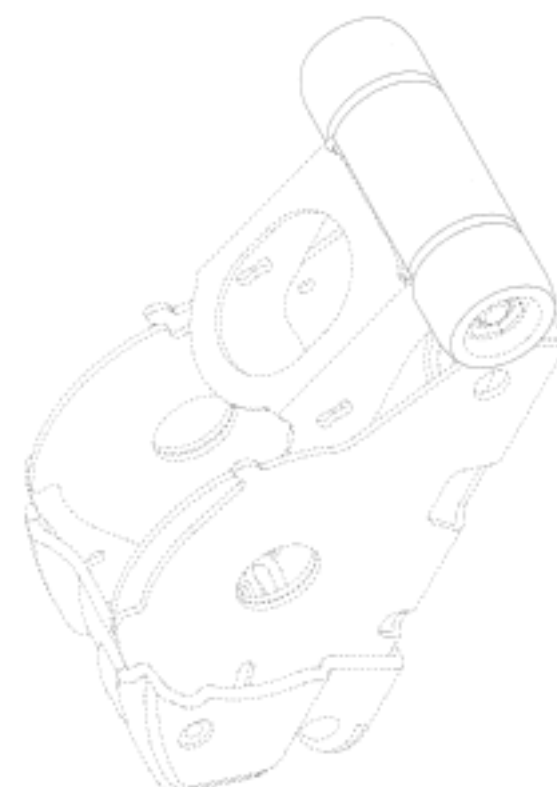
(21) Design Number: **11147/2012**  
(22) Date of Filing Application: **07 March 2012**  
(24) Date from which industrial property rights may have effect: **07 March 2012**  
(54) Product in respect of which the design is registered: **Luggage**  
(51) International Design Classification: **03-01A**  
(74) Name(s) of Attorney(s): **Griffith Hack**  
(71) Name(s) and Address(s) of Applicant(s):  
**Samsonite IP Holdings S.a.r.l.**  
**13-15 Avenue de la Liberte Luxembourg L-1931 Luxembourg**  
(72) Name(s) of Designer(s): **Koert Van Overbeke**  
(45) Registration Date: **19 March 2012**  
(30) Convention priority data:  
(31) Number (32) Date (33) Country  
**001915059-0002 09 Sep 2011 EUROPEAN COMMUNITY**  
(56) Related Art Documents: **Not Applicable**  
(57) Statement of Newness and Distinctiveness: **Newness and Distinctiveness resides in the shape and configuration of the product as represented by the solid lines in the drawings.**



(21) Design Number: **10801/2012**  
(22) Date of Filing Application: **20 February 2012**  
(24) Date from which industrial property rights may have effect: **20 February 2012**  
(54) Product in respect of which the design is registered: **Photoelectric switch**  
(51) International Design Classification: **13-03E**  
(74) Name(s) of Attorney(s): **SPRUSON & FERGUSON**  
(71) Name(s) and Address(s) of Applicant(s):  
**Legend Corporate Service Pty Ltd**  
**1 Butler Drive Hendon South Australia 5014 Australia**  
(72) Name(s) of Designer(s): **Christopher James Hurr and Steven Fraser**  
(45) Registration Date: **19 March 2012**  
(56) Related Art Documents: **Not Applicable**  
(57) Statement of Newness and Distinctiveness: **Newness and distinctiveness is claimed in the following features of shape and/or configuration of a photoelectric switch as illustrated in the accompanying representations: a) the window labelled 'A' in the perspective view; and b) the aspect ratio (height/diameter) of the photoelectric switch.**



(21) Design Number: **10807/2012**  
(22) Date of Filing Application: **20 February 2012**  
(24) Date from which industrial property rights may have effect: **20 February 2012**  
(54) Product in respect of which the design is registered: **Ratchet lock**  
(51) International Design Classification: **08-07**  
(74) Name(s) of Attorney(s): **Callinans**  
(71) Name(s) and Address(s) of Applicant(s):  
**Master Lock Company LLC**  
**137 W. Forest Hill Avenue Oak Creek Wisconsin 53154 United States of America**  
(72) Name(s) of Designer(s): **Jason Qin and Chen Weiguo**  
(45) Registration Date: **19 March 2012**  
(30) Convention priority data:  
(31) Number      (32) Date      (33) Country  
**29/400,523      30 Aug 2011      UNITED STATES OF AMERICA**  
(56) Related Art Documents: **Not Applicable**  
(57) Statement of Newness and Distinctiveness: **Newness and distinctiveness are provided by the shape and/or configuration of the design shown in the representations. The features shown in broken lines in the representations are for illustrative purposes only and should not be considered when construing visual features of the design.**



(21) Design Number: **10808/2012**  
(22) Date of Filing Application: **20 February 2012**  
(24) Date from which industrial property rights may have effect: **20 February 2012**  
(54) Product in respect of which the design is registered: **Ratchet lock**  
(51) International Design Classification: **08-07**  
(74) Name(s) of Attorney(s): **Callinans**  
(71) Name(s) and Address(s) of Applicant(s):  
**Master Lock Company LLC**  
**137 W. Forest Hill Avenue Oak Creek Wisconsin 53154 United States of America**

(72) Name(s) of Designer(s): **Jason Qin and Chen Weiguo**

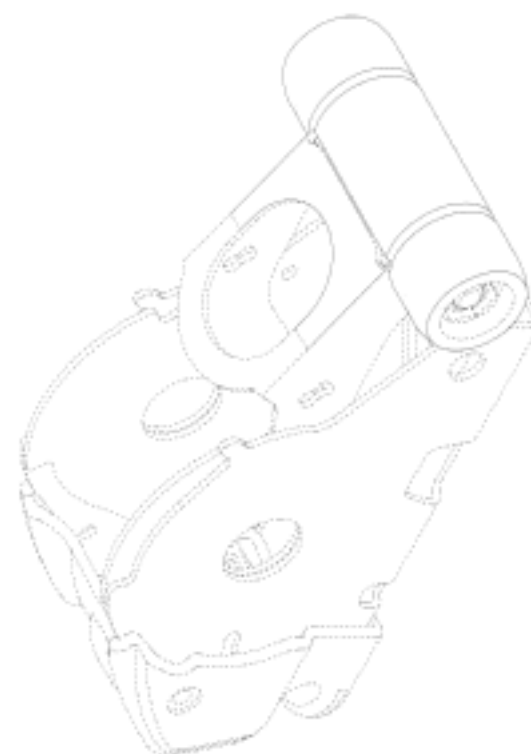
(45) Registration Date: **19 March 2012**

(30) Convention priority data:

(31) Number	(32) Date	(33) Country
<b>29/400,523</b>	<b>30 Aug 2011</b>	<b>UNITED STATES OF AMERICA</b>

(56) Related Art Documents: **Not Applicable**

(57) Statement of Newness and Distinctiveness: **Newness and distinctiveness are provided by the shape and/or configuration of the design shown in the representations. The features shown in broken lines in the representations are for illustrative purposes only and should not be considered when construing visual features of the design.**



(21) Design Number: **10809/2012**  
(22) Date of Filing Application: **20 February 2012**  
(24) Date from which industrial property rights may have effect: **20 February 2012**  
(54) Product in respect of which the design is registered: **Side member for a chair**  
(51) International Design Classification: **06-01NES**  
(74) Name(s) of Attorney(s): **Shelston IP**  
(71) Name(s) and Address(s) of Applicant(s):  
**Ekornes ASA**  
**Industrivegen 1 N-6222 Ikorntnes Norway**

(72) Name(s) of Designer(s): **Jan Lade**

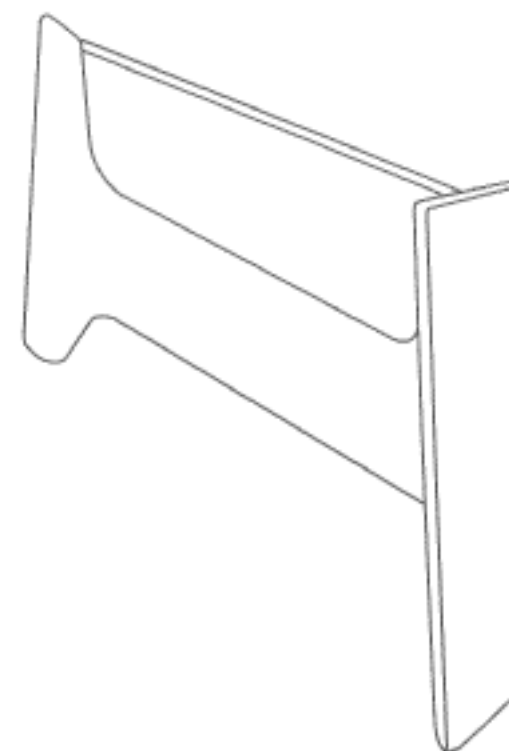
(45) Registration Date: **19 March 2012**

(30) Convention priority data:

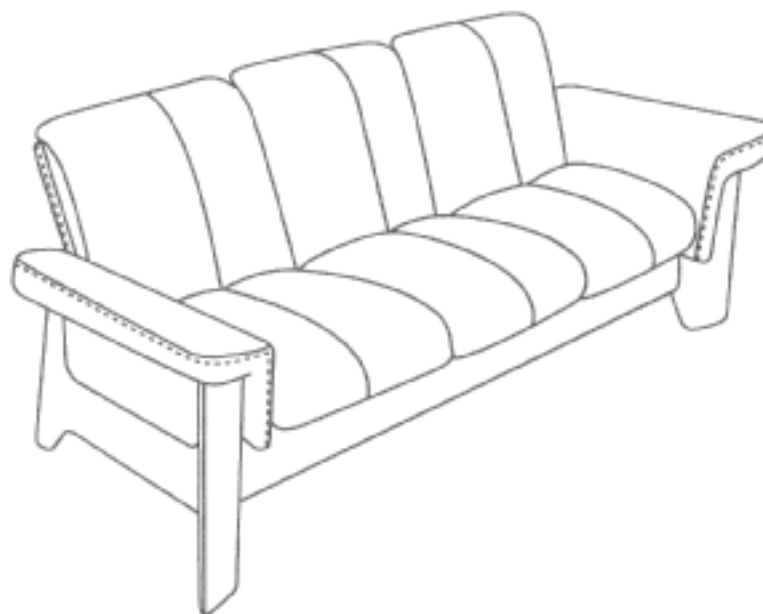
(31) Number	(32) Date	(33) Country
<b>20110829</b>	<b>24 Oct 2011</b>	<b>NORWAY</b>

(56) Related Art Documents: **Not Applicable**

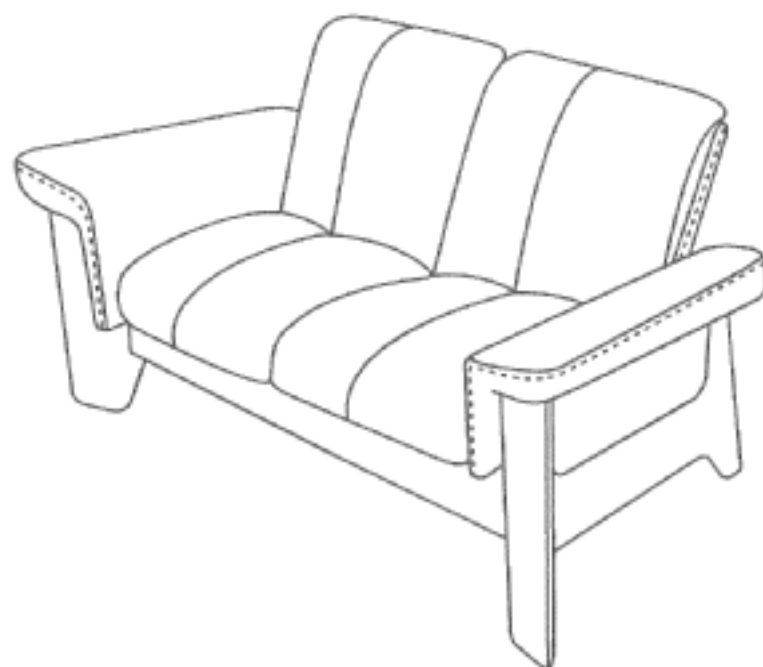
(57) Statement of Newness and Distinctiveness: **Newness and distinctiveness reside in the shape and/or configuration of a side member for a chair as illustrated in the accompanying representations.**



(21) Design Number: **10810/2012**  
(22) Date of Filing Application: **20 February 2012**  
(24) Date from which industrial property rights may have effect: **20 February 2012**  
(54) Product in respect of which the design is registered: **Sofa**  
(51) International Design Classification: **06-01G**  
(74) Name(s) of Attorney(s): **Shelston IP**  
(71) Name(s) and Address(s) of Applicant(s):  
**Ekornes ASA**  
**Industrivegen 1 N-6222 Ikorntnes Norway**  
(72) Name(s) of Designer(s): **Jan Lade**  
(45) Registration Date: **19 March 2012**  
(30) Convention priority data:  
(31) Number      (32) Date      (33) Country  
**20110829      24 Oct 2011      NORWAY**  
(56) Related Art Documents: **Not Applicable**  
(57) Statement of Newness and Distinctiveness: **Newness and distinctiveness reside in the shape and/or configuration of a sofa as illustrated in the accompanying representations.**



(21) Design Number: **10811/2012**  
(22) Date of Filing Application: **20 February 2012**  
(24) Date from which industrial property rights may have effect: **20 February 2012**  
(54) Product in respect of which the design is registered: **Sofa**  
(51) International Design Classification: **06-01G**  
(74) Name(s) of Attorney(s): **Shelston IP**  
(71) Name(s) and Address(s) of Applicant(s):  
**Ekornes ASA**  
**Industrivegen 1 N-6222 Ikorntnes Norway**  
(72) Name(s) of Designer(s): **Jan Lade**  
(45) Registration Date: **19 March 2012**  
(30) Convention priority data:  
(31) Number      (32) Date      (33) Country  
**20110829      24 Oct 2011      NORWAY**  
(56) Related Art Documents: **Not Applicable**  
(57) Statement of Newness and Distinctiveness: **Newness and distinctiveness reside in the shape and/or configuration of a sofa as illustrated in the accompanying representations.**



(21) Design Number: **10812/2012**  
(22) Date of Filing Application: **20 February 2012**  
(24) Date from which industrial property rights may have effect: **20 February 2012**  
(54) Product in respect of which the design is registered: **Chair**  
(51) International Design Classification: **06-01G**  
(74) Name(s) of Attorney(s): **Shelston IP**  
(71) Name(s) and Address(s) of Applicant(s):

**Ekornes ASA**  
**Industrivegen 1 N-6222 Ikorntnes Norway**

(72) Name(s) of Designer(s): **Jan Lade**

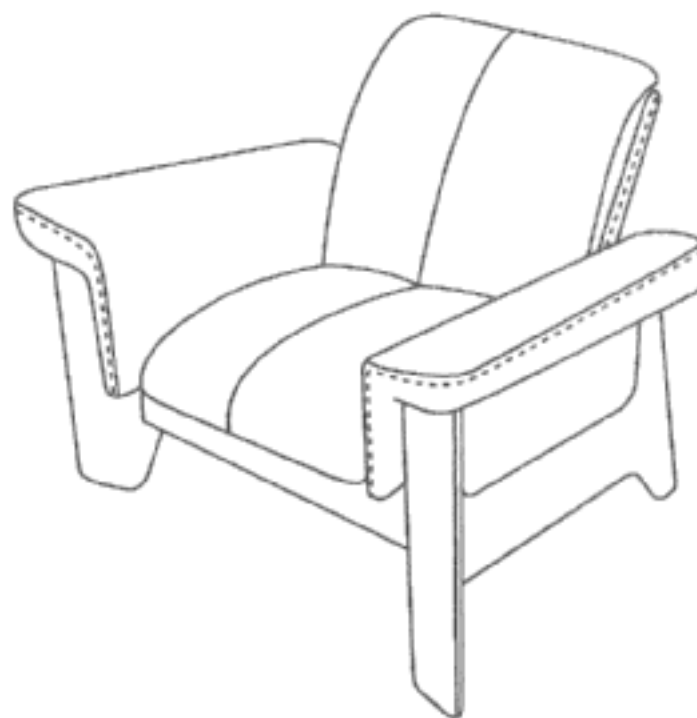
(45) Registration Date: **19 March 2012**

(30) Convention priority data:

(31) Number	(32) Date	(33) Country
<b>20110829</b>	<b>24 Oct 2011</b>	<b>NORWAY</b>

(56) Related Art Documents: **Not Applicable**

(57) Statement of Newness and Distinctiveness: **Newness and distinctiveness reside in the shape and/or configuration of a chair as illustrated in the accompanying representations.**



(21) Design Number: **10814/2012**  
(22) Date of Filing Application: **20 February 2012**  
(24) Date from which industrial property rights may have effect: **20 February 2012**  
(54) Product in respect of which the design is registered: **Sofa**  
(51) International Design Classification: **06-01G**  
(74) Name(s) of Attorney(s): **Shelston IP**  
(71) Name(s) and Address(s) of Applicant(s):

**Ekornes ASA**  
**Industrivegen 1 N-6222 Ikorntnes Norway**

(72) Name(s) of Designer(s): **Jan Lade**

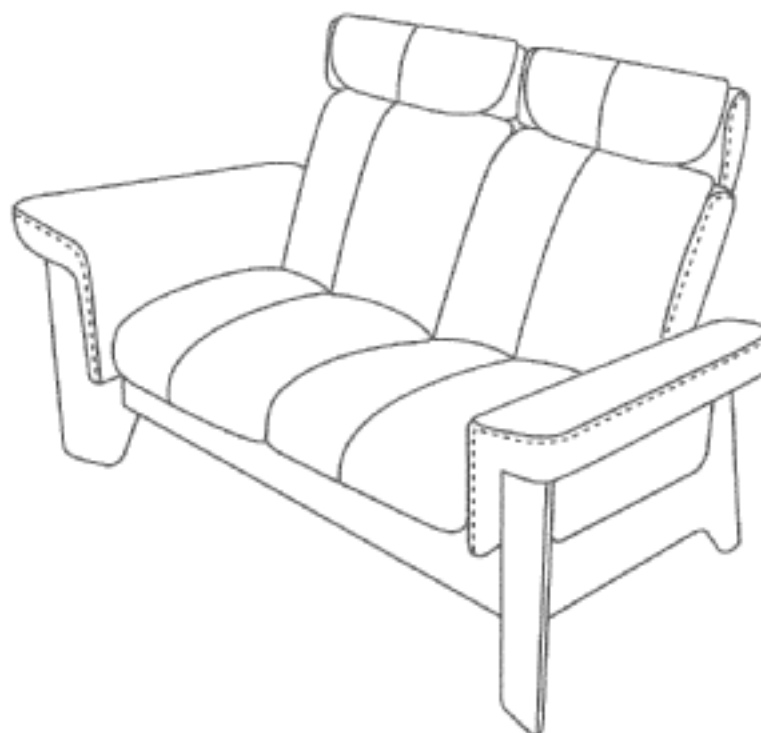
(45) Registration Date: **19 March 2012**

(30) Convention priority data:

(31) Number	(32) Date	(33) Country
<b>20110829</b>	<b>24 Oct 2011</b>	<b>NORWAY</b>

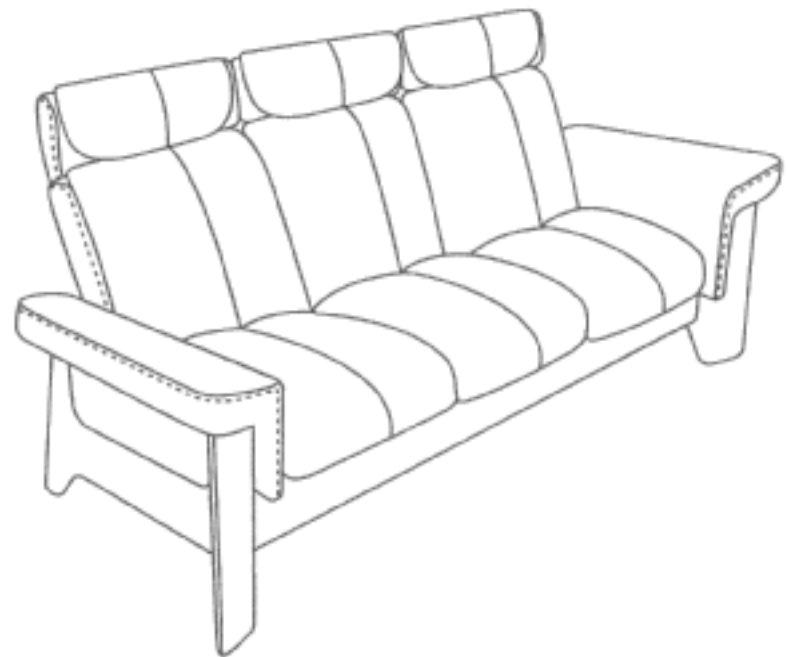
(56) Related Art Documents: **Not Applicable**

(57) Statement of Newness and Distinctiveness: **Newness and distinctiveness reside in the shape and/or configuration of a chair as illustrated in the accompanying representations.**





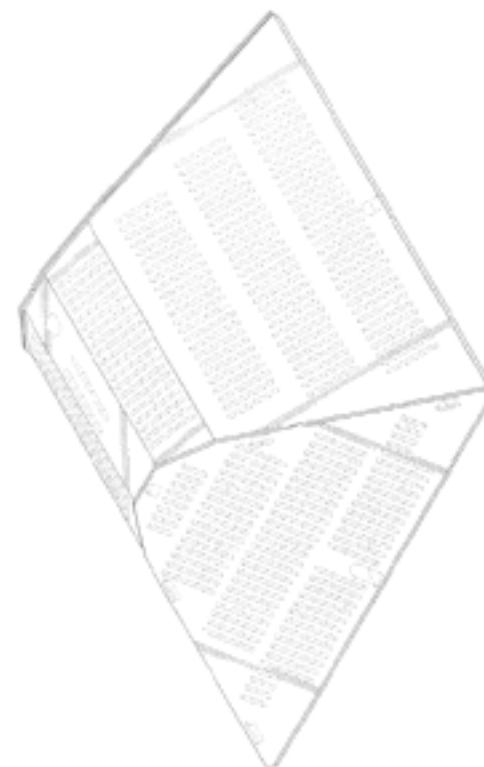
(21) Design Number: **10815/2012**  
(22) Date of Filing Application: **20 February 2012**  
(24) Date from which industrial property rights may have effect: **20 February 2012**  
(54) Product in respect of which the design is registered: **Sofa**  
(51) International Design Classification: **06-01G**  
(74) Name(s) of Attorney(s): **Shelston IP**  
(71) Name(s) and Address(s) of Applicant(s):  
**Ekornes ASA**  
**Industrivegen 1 N-6222 Ikorntnes Norway**  
(72) Name(s) of Designer(s): **Jan Lade**  
(45) Registration Date: **19 March 2012**  
(30) Convention priority data:  
(31) Number      (32) Date      (33) Country  
**20110829      24 Oct 2011      NORWAY**  
(56) Related Art Documents: **Not Applicable**  
(57) Statement of Newness and Distinctiveness: **Newness and distinctiveness reside in the shape and/or configuration of a sofa as illustrated in the accompanying representations.**



(21) Design Number: **10816/2012**  
(22) Date of Filing Application: **20 February 2012**  
(24) Date from which industrial property rights may have effect: **20 February 2012**  
(54) Product in respect of which the design is registered: **Bottle**  
(51) International Design Classification: **09-01NES**  
(74) Name(s) of Attorney(s): **Griffith Hack**  
(71) Name(s) and Address(s) of Applicant(s):  
**Coca-Cola Amatil (Aust) Pty Limited**  
**Level 14 40 Mount Street North Sydney New South Wales 2060 Australia**  
(72) Name(s) of Designer(s): **Stephanie Pietrasche**  
(45) Registration Date: **19 March 2012**  
(56) Related Art Documents: **Not Applicable**  
(57) Statement of Newness and Distinctiveness: **Nil**



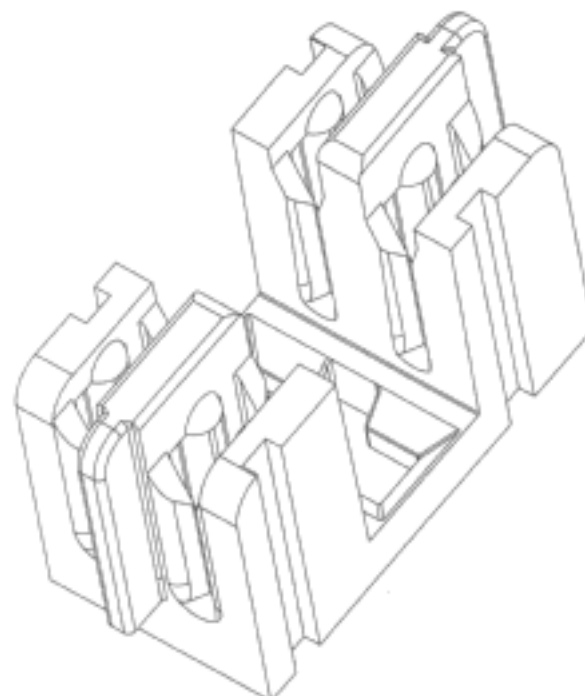
(21) Design Number: **10818/2012**  
(22) Date of Filing Application: **21 February 2012**  
(24) Date from which industrial property rights may have effect: **21 February 2012**  
(54) Product in respect of which the design is registered: **Lighting**  
(51) International Design Classification: **26-05E**  
(74) Name(s) of Attorney(s): **PIZZEYS**  
(71) Name(s) and Address(s) of Applicant(s):  
**LSI Industries, Inc.**  
**10000 Alliance Road Cincinnati Ohio 45242 United States of America**  
(72) Name(s) of Designer(s): **John D. Boyer and Earl G. Boertlein II and Rob Allen Rooms**  
(45) Registration Date: **19 March 2012**  
(30) Convention priority data:  
(31) Number (32) Date (33) Country  
**29/400,827 01 Sep 2011 UNITED STATES OF AMERICA**  
(56) Related Art Documents: **Not Applicable**  
(57) Statement of Newness and Distinctiveness: **Nil**



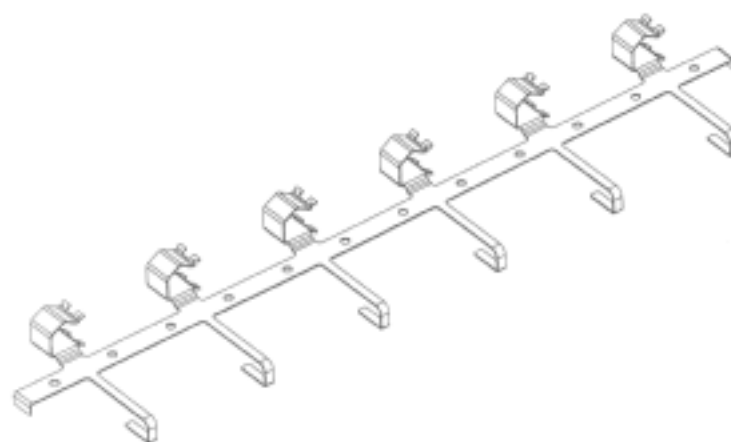
(21) Design Number: **15741/2011**  
(22) Date of Filing Application: **14 December 2011**  
(24) Date from which industrial property rights may have effect: **14 December 2011**  
(54) Product in respect of which the design is registered: **A power tool blade**  
(51) International Design Classification: **08-03**  
(74) Name(s) of Attorney(s):  
(71) Name(s) and Address(s) of Applicant(s):  
**Powerpac Group Limited**  
**Corner Raihia & Sunlight Grove Porirua Wellington 5240 New Zealand**  
(72) Name(s) of Designer(s): **Simon Campbell Suckling**  
(45) Registration Date: **20 March 2012**  
(30) Convention priority data:  
(31) Number (32) Date (33) Country  
**415094 28 Jun 2011 NEW ZEALAND**  
(56) Related Art Documents: **Not Applicable**  
(57) Statement of Newness and Distinctiveness: **Novelty is claimed in the shape and configuration applied to a power tool blade and limited to what is shown within the area of the oval shape as seen in the accompanying representations.**



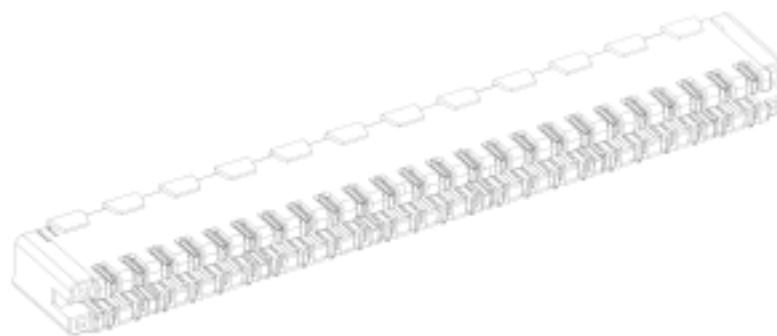
- (21) Design Number: **15974/2011**  
(22) Date of Filing Application: **23 December 2011**  
(24) Date from which industrial property rights may have effect: **23 December 2011**  
(54) Product in respect of which the design is registered: **Electrical contact holder for an electrical connection module**  
(51) International Design Classification: **13-03E**  
(74) Name(s) of Attorney(s): **Davies Collison Cave**  
(71) Name(s) and Address(s) of Applicant(s):  
**ADC Communications (Australia) Pty Limited**  
**2 Hereford Street Berkeley Vale New South Wales 2261 Australia**  
(72) Name(s) of Designer(s): **Brent David Allwood and Wayne William Dennes and Kavita Purohit and Kevin James Truskett and Bryce Lindsay Nicholls**  
(45) Registration Date: **20 March 2012**  
(56) Related Art Documents: **Not Applicable**  
(57) Statement of Newness and Distinctiveness: **The features of shape and configuration of the electrical contact holder shown in the accompanying representations are considered to be new and distinctive.**



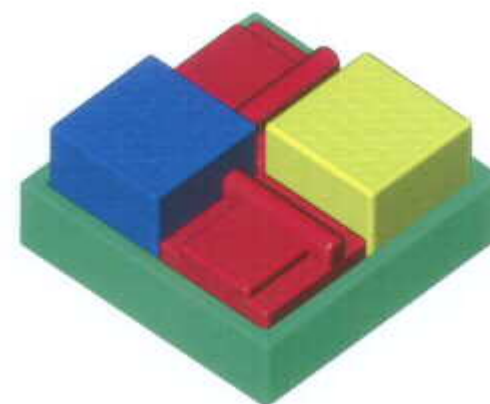
- (21) Design Number: **15975/2011**  
(22) Date of Filing Application: **23 December 2011**  
(24) Date from which industrial property rights may have effect: **23 December 2011**  
(54) Product in respect of which the design is registered: **Shielding interface for an electrical connection module**  
(51) International Design Classification: **13-03E**  
(74) Name(s) of Attorney(s): **Davies Collison Cave**  
(71) Name(s) and Address(s) of Applicant(s):  
**ADC Communications (Australia) Pty Limited**  
**2 Hereford Street Berkeley Vale New South Wales 2261 Australia**  
(72) Name(s) of Designer(s): **Brent David Allwood and Wayne William Dennes and Kavita Purohit and Kevin James Truskett and Bryce Lindsay Nicholls**  
(45) Registration Date: **20 March 2012**  
(56) Related Art Documents: **Not Applicable**  
(57) Statement of Newness and Distinctiveness: **The features of shape and configuration of the shielding interface shown in the accompanying representations are considered to be new and distinctive.**



- (21) Design Number: **15976/2011**  
(22) Date of Filing Application: **23 December 2011**  
(24) Date from which industrial property rights may have effect: **23 December 2011**  
(54) Product in respect of which the design is registered: **Electrical connection module**  
(51) International Design Classification: **13-03E**  
(74) Name(s) of Attorney(s): **Davies Collison Cave**  
(71) Name(s) and Address(s) of Applicant(s):  
**ADC Communications (Australia) Pty Limited**  
**2 Hereford Street Berkeley Vale New South Wales 2261 Australia**  
(72) Name(s) of Designer(s): **Brent David Allwood and Wayne William Dennes and Kavita Purohit and Kevin James Truskett and Bryce Lindsay Nicholls**  
(45) Registration Date: **20 March 2012**  
(56) Related Art Documents: **Not Applicable**  
(57) Statement of Newness and Distinctiveness: **The features of shape and configuration of the electrical connection module shown in the accompanying representations are considered to be new and distinctive.**



- (21) Design Number: **10433/2012**  
(22) Date of Filing Application: **30 January 2012**  
(24) Date from which industrial property rights may have effect: **30 January 2012**  
(54) Product in respect of which the design is registered: **Walk blok**  
(51) International Design Classification: **21-01E, 21-03**  
(74) Name(s) of Attorney(s):  
(71) Name(s) and Address(s) of Applicant(s):  
**Barron and Rawson Pty Ltd**  
**PO Box 42 Revesby New South Wales 2212 Australia**  
(72) Name(s) of Designer(s): **Brad Smyth**  
(45) Registration Date: **20 March 2012**  
(56) Related Art Documents: **Not Applicable**  
(57) Statement of Newness and Distinctiveness: **Linking platform for walkboards, which is used for kids activities and excersize.**



(21) Design Number: **10780/2012**

(22) Date of Filing Application: **17 February 2012**

(24) Date from which industrial property rights may have effect: **17 February 2012**

(54) Product in respect of which the design is registered: **TS&B environmental bag trolley design**

(51) International Design Classification: **12-02**

(74) Name(s) of Attorney(s):

(71) Name(s) and Address(s) of Applicant(s):

**TS&B Retail Systems Pty Ltd**

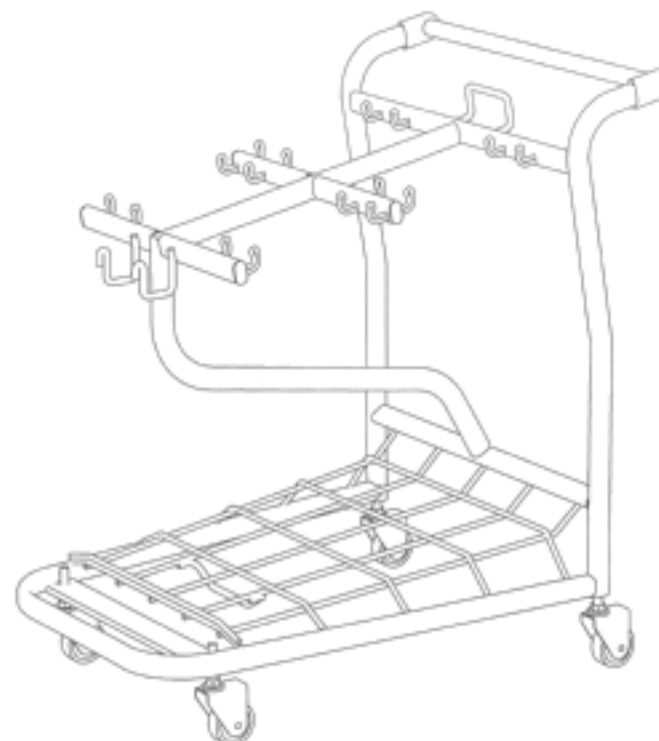
**BLDG 4 Estate One 103-125 Princes Highway Dandenong South Victoria  
3175 Australia**

(72) Name(s) of Designer(s): **Barry Trollope**

(45) Registration Date: **20 March 2012**

(56) Related Art Documents: **Not Applicable**

(57) Statement of Newness and Distinctiveness: **The key difference between the TS&B environmental bag trolley design (EBT) and any existing trolley is the TS&B trolley is designed to specifically utilise the millions of environmental bags that currently exist in the Australian marketplace. Other trolley designs accommodate unique bags that need to be purchased specifically to suit each trolley's design elements. The EBT design provides a cost effective option for the Australian consumer as they are not required to purchase specific bags or additional components to suit an individual trolley design. The EBT is completely constructed of steel, other than plastic handle caps, whilst other trolley designs have many plastic attachments. The simplified design of the EBT provides a far more cost effective trolley for the retailer to purchase for their customer base. The environmental impact is significantly reduced with the EBT by the utilisation of the many millions of existing green bags within Australia. The bag hooks on the EBT are specifically positioned, formed and configured for shopper comfort & packing convenience and to accommodate the existing environmental bags, whilst other trolley designs have bag hooks designed to suit their specific bag needs. The EBT has a specific steel mesh base shelf for accommodating bulky products to a specific height and function to suit the environmental bag whilst other trolley designs with bag holders have either, no base shelf or plastic style base shelves that are a different size and function.**



(21) Design Number: **10992/2012**

(22) Date of Filing Application: **31 January 2012**

(24) Date from which industrial property rights may have effect: **31 January 2012**

(54) Product in respect of which the design is registered: **Footwear upper**

(51) International Design Classification: **02-04NES**

(74) Name(s) of Attorney(s): **FB Rice**

(71) Name(s) and Address(s) of Applicant(s):

**Deckers Outdoor Corporation**

**495-A South Fairview Avenue Goleta California 93117 United States of America**

(72) Name(s) of Designer(s): **Natalie Ng**

(45) Registration Date: **20 March 2012**

(30) Convention priority data:

(31) Number

(32) Date

(33) Country

**29/405532**

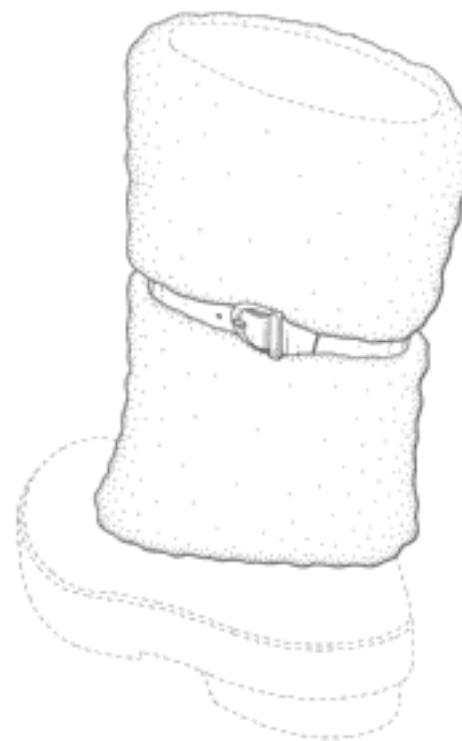
**03 Nov 2011**

**UNITED STATES OF AMERICA**

(62) Divisional of: **341599**

(56) Related Art Documents: **Not Applicable**

(57) Statement of Newness and Distinctiveness: **Newness and distinctiveness reside in the features of shape and configuration of the design on the whole shown in solid lines excluding those features shown in broken lines.**



(21) Design Number: **11078/2012**

(22) Date of Filing Application: **06 March 2012**

(24) Date from which industrial property rights may have effect: **06 March 2012**

(54) Product in respect of which the design is registered: **45mm commercial sliding door**

(51) International Design Classification: **25-02B**

(74) Name(s) of Attorney(s):

(71) Name(s) and Address(s) of Applicant(s):

**Dezinal Pty Ltd**

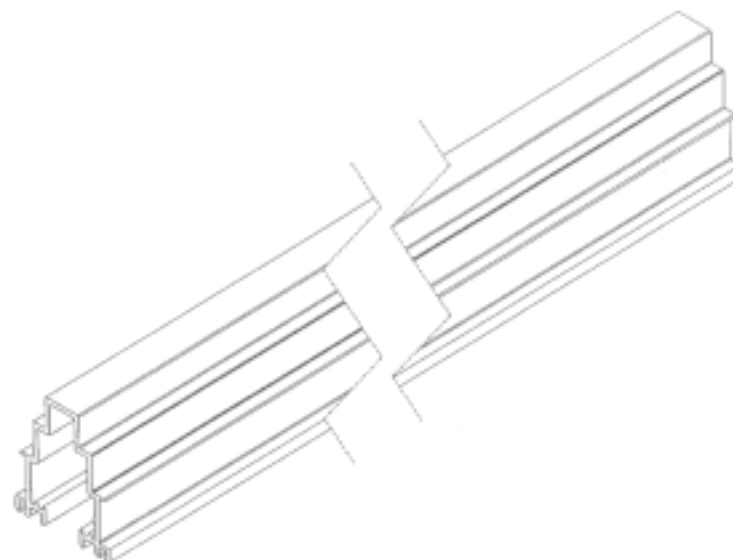
**C/- GCY Accountants Suites 1 & 2 Level 1-67 Lytton Road East Brisbane Queensland 4169 Australia**

(72) Name(s) of Designer(s): **Ronald Maxwell**

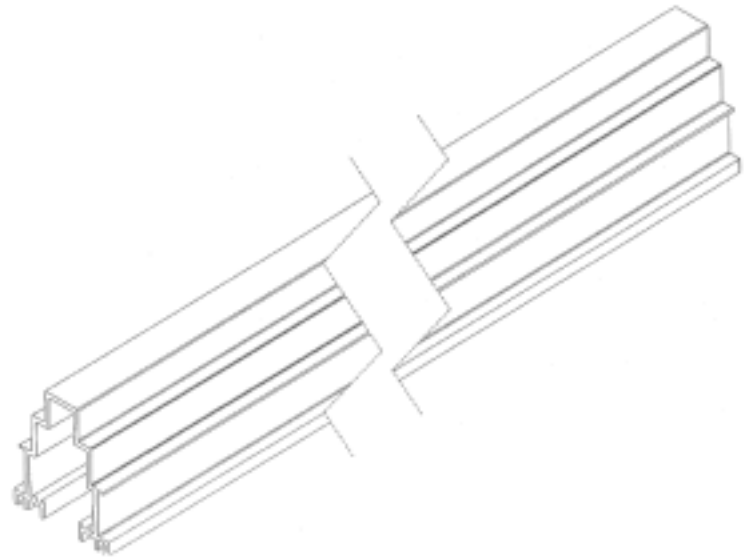
(45) Registration Date: **20 March 2012**

(56) Related Art Documents: **Not Applicable**

(57) Statement of Newness and Distinctiveness: **A unique insert for the top and bottom rail of the 45mm Commercial Sliding Door allowing the Door to accept rollers and seals used in a 45mm Sliding Door System.**



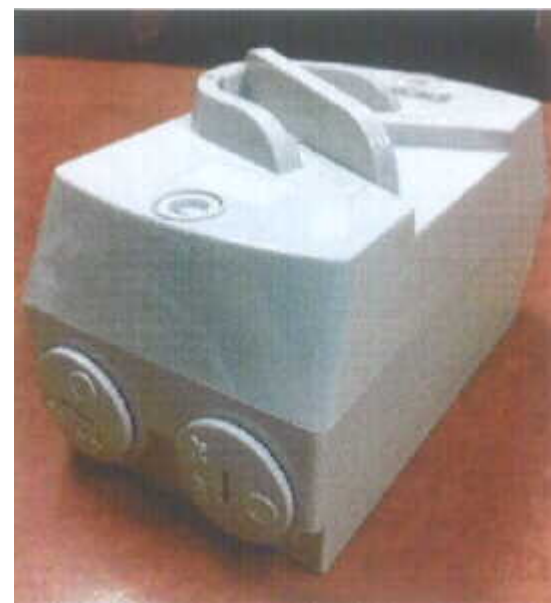
- (21) Design Number: **11079/2012**  
(22) Date of Filing Application: **06 March 2012**  
(24) Date from which industrial property rights may have effect: **06 March 2012**  
(54) Product in respect of which the design is registered: **45mmm comercial sliding door**  
(51) International Design Classification: **25-02B**  
(74) Name(s) of Attorney(s):  
(71) Name(s) and Address(s) of Applicant(s):  
**Dezinal Pty Ltd**  
**C/- GCY Accountants Suites 1 & 2 Level 1-67 Lytton Road East Brisbane**  
**Queensland 4169 Australia**  
(72) Name(s) of Designer(s): **Ronald Maxwell**  
(45) Registration Date: **20 March 2012**  
(56) Related Art Documents: **Not Applicable**  
(57) Statement of Newness and Distinctiveness: **A unique adaptor for use in the Awning Window System to allow the Awning Window Sash to open inwards with optimal weatherability.**



- (21) Design Number: **11080/2012**  
(22) Date of Filing Application: **05 March 2012**  
(24) Date from which industrial property rights may have effect: **05 March 2012**  
(54) Product in respect of which the design is registered: **A powerpoint with weather proof function**  
(51) International Design Classification: **13-03D**  
(74) Name(s) of Attorney(s):  
(71) Name(s) and Address(s) of Applicant(s):  
**Anthony Aucone**  
**Unit 1/11 Crown Court Varsity Lakes Queensland 4227 Australia**  
(72) Name(s) of Designer(s): **Anthony Aucone**  
(45) Registration Date: **20 March 2012**  
(56) Related Art Documents: **Not Applicable**  
(57) Statement of Newness and Distinctiveness: **An unique design for single weather Proof GPO, new on the market.**



(21) Design Number: **11081/2012**  
(22) Date of Filing Application: **05 March 2012**  
(24) Date from which industrial property rights may have effect: **05 March 2012**  
(54) Product in respect of which the design is registered: **An isolator with weather proof function**  
(51) International Design Classification: **13-03D**  
(74) Name(s) of Attorney(s):  
(71) Name(s) and Address(s) of Applicant(s):  
**Anthony Aucone**  
**Unit 1/11 Crown Court Varsity Lakes Queensland 4227 Australia**  
(72) Name(s) of Designer(s): **Anthony Aucone**  
(45) Registration Date: **20 March 2012**  
(56) Related Art Documents: **Not Applicable**  
(57) Statement of Newness and Distinctiveness: **An unique design for weather proof Isolator, new on the market.**



(21) Design Number: **10824/2012**  
(22) Date of Filing Application: **21 February 2012**  
(24) Date from which industrial property rights may have effect: **21 February 2012**  
(54) Product in respect of which the design is registered: **Automobile**  
(51) International Design Classification: **12-08**  
(74) Name(s) of Attorney(s): **SPRUSON & FERGUSON**  
(71) Name(s) and Address(s) of Applicant(s):  
**Honda Motor Co., Ltd.**  
**1-1 Minamiaoyama 2-chome Minato-ku Tokyo Japan**  
(72) Name(s) of Designer(s): **Jun Goto and Toshinobu Minami**  
(45) Registration Date: **20 March 2012**  
(30) Convention priority data:  
(31) Number (32) Date (33) Country  
**29/400833 01 Sep 2011 UNITED STATES OF AMERICA**  
(56) Related Art Documents: **Not Applicable**  
(57) Statement of Newness and Distinctiveness: **Newness and distinctiveness is claimed in the features of shape and/or configuration of an automobile as illustrated in the accompanying representations.**





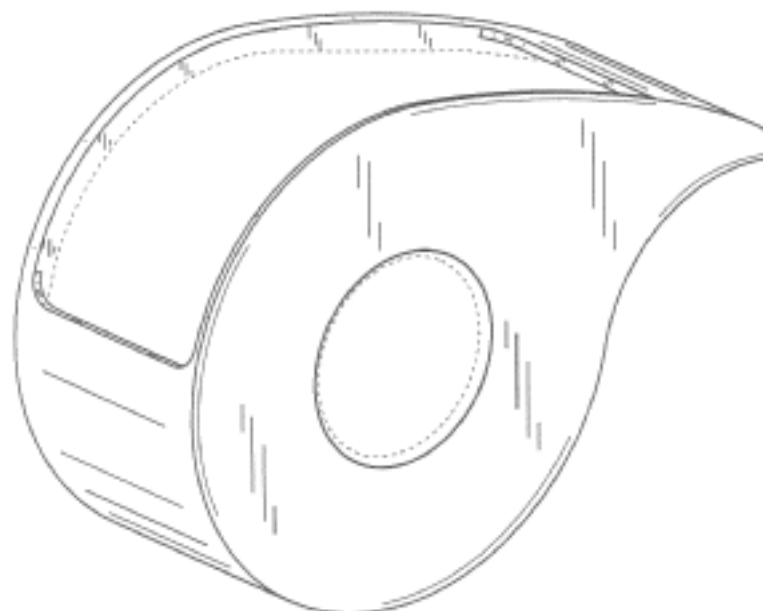
(21) Design Number: **10830/2012**  
(22) Date of Filing Application: **21 February 2012**  
(24) Date from which industrial property rights may have effect: **21 February 2012**  
(54) Product in respect of which the design is registered: **Combined cooler and table**  
(51) International Design Classification: **15-07, 06-03B**  
(74) Name(s) of Attorney(s): **Griffith Hack**  
(71) Name(s) and Address(s) of Applicant(s):  
**Keter Plastic Ltd.**  
**2 Sapir Street Industrial Zone Herzelyia 46852 Israel**  
(72) Name(s) of Designer(s): **Zvi Zak and Reut Sigron**  
(45) Registration Date: **20 March 2012**  
(30) Convention priority data:  
(31) Number (32) Date (33) Country  
**29/400,633 31 Aug 2011 UNITED STATES OF AMERICA**  
(56) Related Art Documents: **Not Applicable**  
(57) Statement of Newness and Distinctiveness: **The shape, configuration and ornamentation of the COMBINED COOLER AND TABLE as shown in the accompanying representations is new and distinctive.**



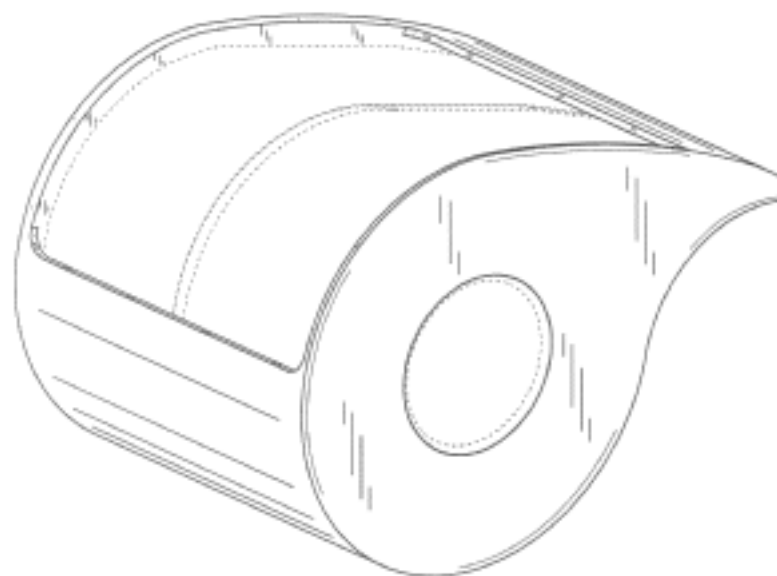
(21) Design Number: **10831/2012**  
(22) Date of Filing Application: **21 February 2012**  
(24) Date from which industrial property rights may have effect: **21 February 2012**  
(54) Product in respect of which the design is registered: **Programmable control unit for a watering system**  
(51) International Design Classification: **23-01NES**  
(74) Name(s) of Attorney(s): **Griffith Hack**  
(71) Name(s) and Address(s) of Applicant(s):  
**Claber S.p.A.**  
**Via Pontebbana 22 Fiume Veneto (PN) I-33080 Italy**  
(72) Name(s) of Designer(s): **Gaetano Franchini**  
(45) Registration Date: **20 March 2012**  
(30) Convention priority data:  
(31) Number (32) Date (33) Country  
**001914599 08 Sep 2011 EUROPEAN COMMUNITY**  
(56) Related Art Documents: **Not Applicable**  
(57) Statement of Newness and Distinctiveness: **The shape, configuration and ornamentation of the PROGRAMMABLE CONTROL UNIT FOR A WATERING SYSTEM as shown in the accompanying representations is new and distinctive.**



- (21) Design Number: **10834/2012**  
(22) Date of Filing Application: **21 February 2012**  
(24) Date from which industrial property rights may have effect: **21 February 2012**  
(54) Product in respect of which the design is registered: **Tape dispenser**  
(51) International Design Classification: **19-99**  
(74) Name(s) of Attorney(s): **Freehills Patent & Trade Mark Attorneys**  
(71) Name(s) and Address(s) of Applicant(s):  
**3M Innovative Properties Company**  
**3M Center PO Box 33427 Saint Paul Minnesota 55133-3427 United States of America**  
(72) Name(s) of Designer(s): **Kristopher William Clover and Thomas Christopher Meier**  
(45) Registration Date: **20 March 2012**  
(30) Convention priority data:  
(31) Number (32) Date (33) Country  
**29/399967 22 Aug 2011 UNITED STATES OF AMERICA**  
(56) Related Art Documents: **Not Applicable**  
(57) Statement of Newness and Distinctiveness: **Newness and distinctiveness reside in the features of shape and/or configuration of a tape dispenser as shown in solid outline in the accompanying representations.**



- (21) Design Number: **10835/2012**  
(22) Date of Filing Application: **21 February 2012**  
(24) Date from which industrial property rights may have effect: **21 February 2012**  
(54) Product in respect of which the design is registered: **Tape dispenser**  
(51) International Design Classification: **19-99**  
(74) Name(s) of Attorney(s): **Freehills Patent & Trade Mark Attorneys**  
(71) Name(s) and Address(s) of Applicant(s):  
**3M Innovative Properties Company**  
**3M Center PO Box 33427 Saint Paul Minnesota 55133-3427 United States of America**  
(72) Name(s) of Designer(s): **Kristopher William Clover and Thomas Christopher Meier**  
(45) Registration Date: **20 March 2012**  
(30) Convention priority data:  
(31) Number (32) Date (33) Country  
**29/399967 22 Aug 2011 UNITED STATES OF AMERICA**  
(56) Related Art Documents: **Not Applicable**  
(57) Statement of Newness and Distinctiveness: **Newness and distinctiveness reside in the features of shape and/or configuration of a tape dispenser as shown in solid outline in the accompanying representations.**



(21) Design Number: **10836/2012**

(22) Date of Filing Application: **21 February 2012**

(24) Date from which industrial property rights may have effect: **21 February 2012**

(54) Product in respect of which the design is registered: **Tape dispenser**

(51) International Design Classification: **19-99**

(74) Name(s) of Attorney(s): **Freehills Patent & Trade Mark Attorneys**

(71) Name(s) and Address(s) of Applicant(s):

**3M Innovative Properties Company**

**3M Center PO Box 33427 Saint Paul Minnesota 55133-3427 United States of America**

(72) Name(s) of Designer(s): **Kristopher William Clover and Thomas Christopher Meier**

(45) Registration Date: **20 March 2012**

(30) Convention priority data:

(31) Number

(32) Date

(33) Country

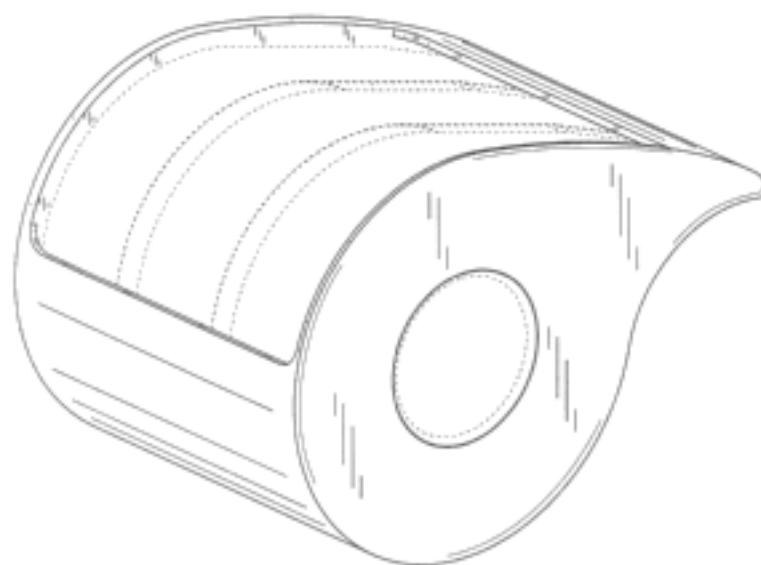
**29/399967**

**22 Aug 2011**

**UNITED STATES OF AMERICA**

(56) Related Art Documents: **Not Applicable**

(57) Statement of Newness and Distinctiveness: **Newness and distinctiveness reside in the features of shape and/or configuration of a tape dispenser as shown in solid outline in the accompanying representations.**



(21) Design Number: **10838/2012**

(22) Date of Filing Application: **23 February 2012**

(24) Date from which industrial property rights may have effect: **23 February 2012**

(54) Product in respect of which the design is registered: **Extractor housing**

(51) International Design Classification: **15-02**

(74) Name(s) of Attorney(s): **PIZZEYS**

(71) Name(s) and Address(s) of Applicant(s):

**Dri-Eaz Products, Inc.**

**15180 Josh Wilson Road Burlington WA 98233 United States of America**

(72) Name(s) of Designer(s): **Kevin A. Wolfe and Richard A. Black and William Bruders**

(45) Registration Date: **20 March 2012**

(30) Convention priority data:

(31) Number

(32) Date

(33) Country

**29/400,735**

**31 Aug 2011**

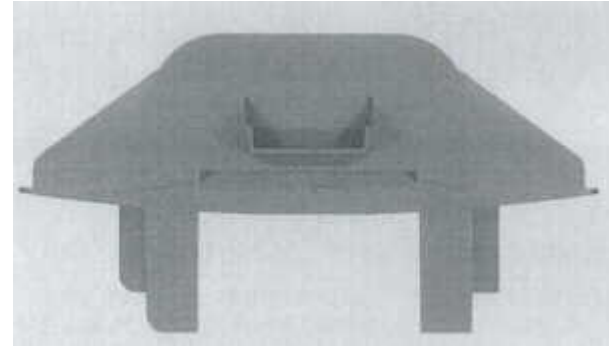
**UNITED STATES OF AMERICA**

(56) Related Art Documents: **Not Applicable**

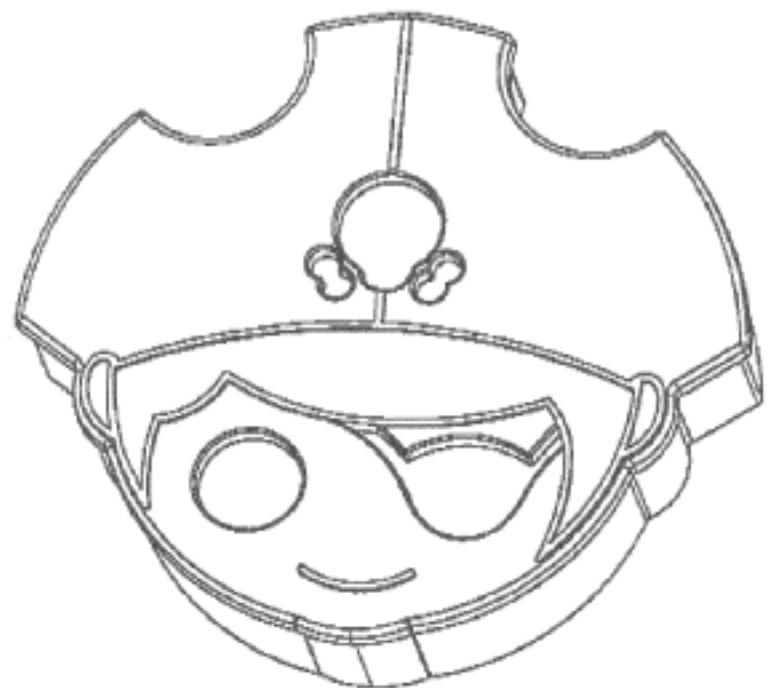
(57) Statement of Newness and Distinctiveness: **Nil**



(21) Design Number: **10839/2012**  
(22) Date of Filing Application: **22 February 2012**  
(24) Date from which industrial property rights may have effect: **22 February 2012**  
(54) Product in respect of which the design is registered: **Street light reflector**  
(51) International Design Classification: **26-03**  
(74) Name(s) of Attorney(s): **Griffith Hack**  
(71) Name(s) and Address(s) of Applicant(s):  
**Streetworx Pty Ltd**  
**185-191 Liverpool Road Kilsyth Victoria 3137 Australia**  
(72) Name(s) of Designer(s): **Urbain du Plessis**  
(45) Registration Date: **20 March 2012**  
(56) Related Art Documents: **Not Applicable**  
(57) Statement of Newness and Distinctiveness: **Nil**



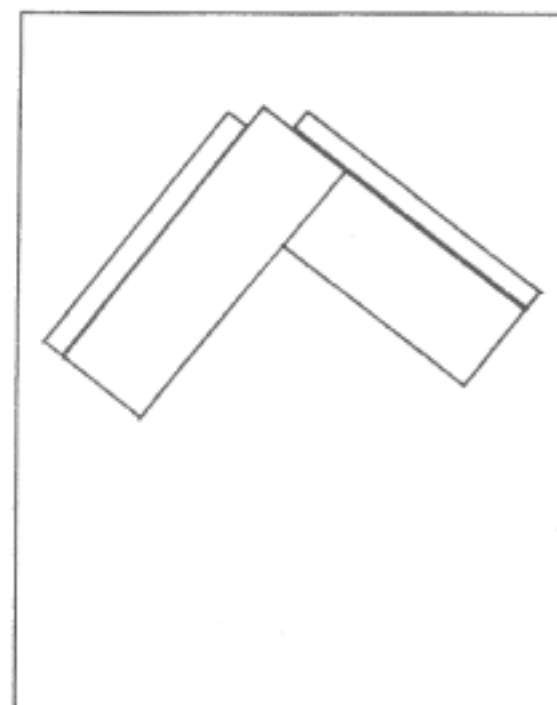
(21) Design Number: **10841/2012**  
(22) Date of Filing Application: **22 February 2012**  
(24) Date from which industrial property rights may have effect: **22 February 2012**  
(54) Product in respect of which the design is registered: **Cookie Cutter**  
(51) International Design Classification: **07-04**  
(74) Name(s) of Attorney(s): **EKM patent & trade marks**  
(71) Name(s) and Address(s) of Applicant(s):  
**Smash Asset Management Pty Ltd**  
**33 Redland Drive Mitcham Victoria 3132 Australia**  
(72) Name(s) of Designer(s): **Adam Laracy**  
(45) Registration Date: **20 March 2012**  
(56) Related Art Documents: **Not Applicable**  
(57) Statement of Newness and Distinctiveness: **Newness and distinctiveness resides in the features of shape and/or configuration of a Cookie Cutter as shown in the accompanying representations.**



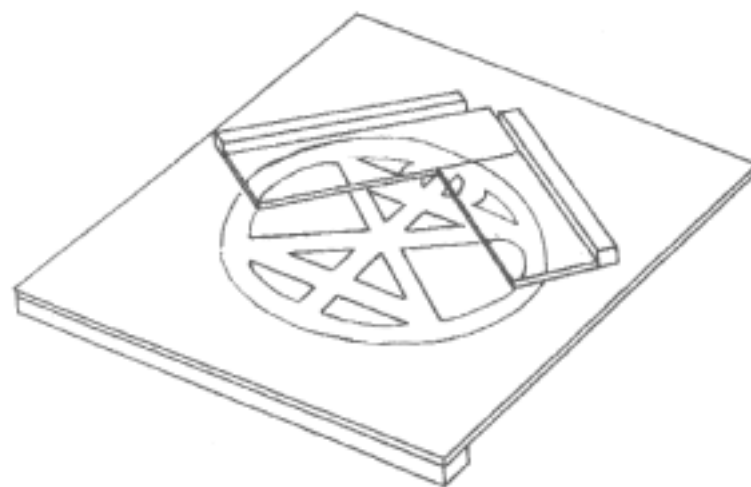
- (21) Design Number: **10842/2012**  
(22) Date of Filing Application: **22 February 2012**  
(24) Date from which industrial property rights may have effect: **22 February 2012**  
(54) Product in respect of which the design is registered: **Cookie Cutter**  
(51) International Design Classification: **07-04**  
(74) Name(s) of Attorney(s): **EKM patent & trade marks**  
(71) Name(s) and Address(s) of Applicant(s):  
**Smash Asset Management Pty Ltd**  
**33 Redland Drive Mitcham Victoria 3132 Australia**  
(72) Name(s) of Designer(s): **Adam Laracy**  
(45) Registration Date: **20 March 2012**  
(56) Related Art Documents: **Not Applicable**  
(57) Statement of Newness and Distinctiveness: **Newness and distinctiveness resides in the features of shape and/or configuration of a Cookie Cutter as shown in the accompanying representations.**



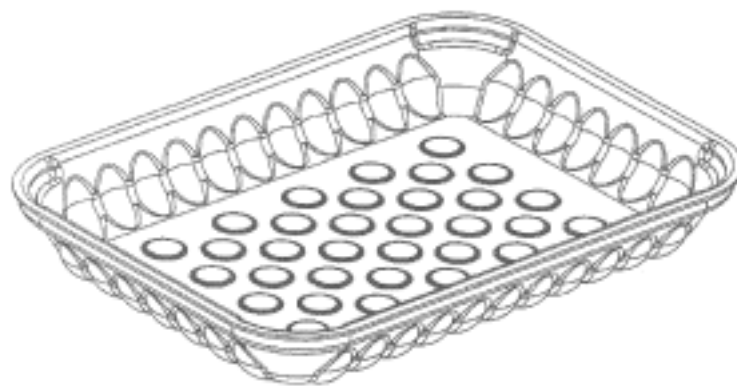
- (21) Design Number: **13327/2011**  
(22) Date of Filing Application: **29 July 2011**  
(24) Date from which industrial property rights may have effect: **29 July 2011**  
(54) Product in respect of which the design is registered: **Artist's utility board**  
(51) International Design Classification: **19-06**  
(74) Name(s) of Attorney(s):  
(71) Name(s) and Address(s) of Applicant(s):  
**Nile Delta Pty Ltd**  
**34 Rothesay Avenue East Malvern Victoria 3145 Australia**  
(72) Name(s) of Designer(s): **Oliver David Hugh Williamson**  
(45) Registration Date: **20 March 2012**  
(56) Related Art Documents: **Not Applicable**  
(57) Statement of Newness and Distinctiveness: **Offset system of fixed and movable stops. Graphic design printed on board and movable stops.**



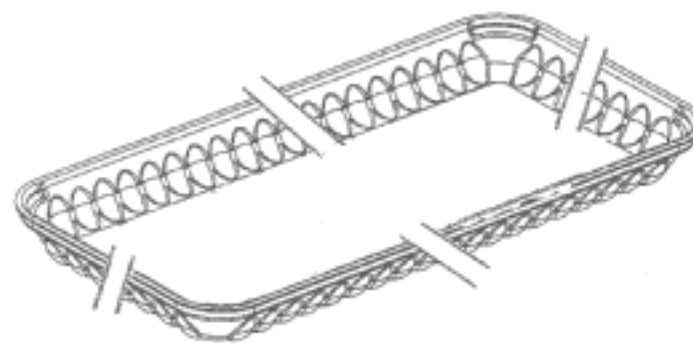
- (21) Design Number: **10978/2012**  
(22) Date of Filing Application: **29 July 2011**  
(24) Date from which industrial property rights may have effect: **29 July 2011**  
(54) Product in respect of which the design is registered: **Artist's utility board**  
(51) International Design Classification: **19-06**  
(74) Name(s) of Attorney(s):  
(71) Name(s) and Address(s) of Applicant(s):  
**Nile Delta Pty Ltd**  
**34 Rothesay Avenue East Malvern Victoria 3145 Australia**  
(72) Name(s) of Designer(s): **Oliver David Hugh Williamson**  
(45) Registration Date: **20 March 2012**  
(56) Related Art Documents: **Not Applicable**  
(57) Statement of Newness and Distinctiveness: **Offset system of fixed and movable stops. Graphic design printed on board and movable stops.**



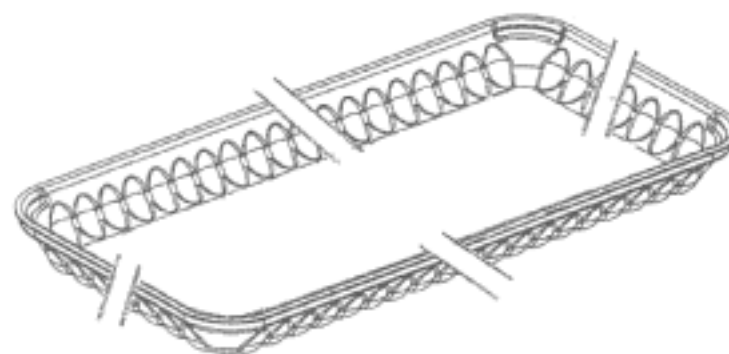
- (21) Design Number: **15619/2011**  
(22) Date of Filing Application: **09 December 2011**  
(24) Date from which industrial property rights may have effect: **09 December 2011**  
(54) Product in respect of which the design is registered: **A tray**  
(51) International Design Classification: **09-03F**  
(74) Name(s) of Attorney(s): **A J Park**  
(71) Name(s) and Address(s) of Applicant(s):  
**Alto Packaging Limited**  
**Level 6 57 Symonds Street Grafton Auckland 1010 New Zealand**  
(72) Name(s) of Designer(s): **Ritchie John Williams**  
(45) Registration Date: **20 March 2012**  
(56) Related Art Documents: **Not Applicable**  
(57) Statement of Newness and Distinctiveness: **Newness and distinctiveness resides in the features of shape and/or configuration of a tray substantially as shown in the accompanying representations.**



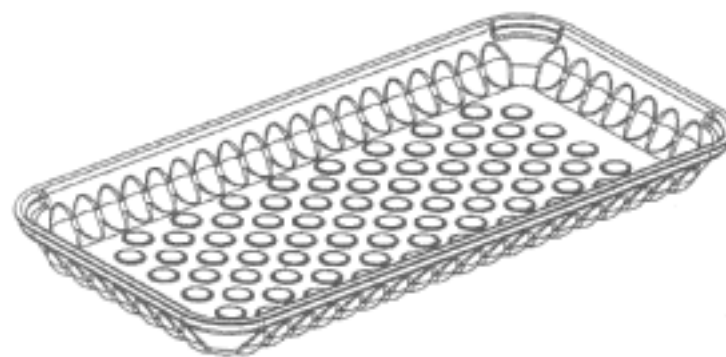
- (21) Design Number: **15620/2011**  
(22) Date of Filing Application: **09 December 2011**  
(24) Date from which industrial property rights may have effect: **09 December 2011**  
(54) Product in respect of which the design is registered: **A tray**  
(51) International Design Classification: **09-03F**  
(74) Name(s) of Attorney(s): **A J Park**  
(71) Name(s) and Address(s) of Applicant(s):  
**Alto Packaging Limited**  
**Level 6 57 Symonds Street Grafton Auckland 1010 New Zealand**  
(72) Name(s) of Designer(s): **Ritchie John Williams**  
(45) Registration Date: **20 March 2012**  
(56) Related Art Documents: **Not Applicable**  
(57) Statement of Newness and Distinctiveness: **Newness and distinctiveness resides in the features of shape and/or configuration of a tray substantially as shown in the accompanying representations.**



- (21) Design Number: **15621/2011**  
(22) Date of Filing Application: **09 December 2011**  
(24) Date from which industrial property rights may have effect: **09 December 2011**  
(54) Product in respect of which the design is registered: **A tray**  
(51) International Design Classification: **09-03F**  
(74) Name(s) of Attorney(s): **A J Park**  
(71) Name(s) and Address(s) of Applicant(s):  
**Alto Packaging Limited**  
**Level 6 57 Symonds Street Grafton Auckland 1010 New Zealand**  
(72) Name(s) of Designer(s): **Ritchie John Williams**  
(45) Registration Date: **20 March 2012**  
(56) Related Art Documents: **Not Applicable**  
(57) Statement of Newness and Distinctiveness: **Newness and distinctiveness resides in the visual features of shape and/or configuration of of the bulbous projections having variable wall thickness substantially as shown in the cross sectional views of the accompanying representations, regardless of the number of such bulbous projections present, and regardless of their positioning about the tray walls.**



- (21) Design Number: **15624/2011**  
(22) Date of Filing Application: **09 December 2011**  
(24) Date from which industrial property rights may have effect: **09 December 2011**  
(54) Product in respect of which the design is registered: **A tray**  
(51) International Design Classification: **09-03F**  
(74) Name(s) of Attorney(s): **A J Park**  
(71) Name(s) and Address(s) of Applicant(s):  
**Alto Packaging Limited**  
**Level 6 57 Symonds Street Grafton Auckland 1010 New Zealand**  
(72) Name(s) of Designer(s): **Ritchie John Williams**  
(45) Registration Date: **20 March 2012**  
(56) Related Art Documents: **Not Applicable**  
(57) Statement of Newness and Distinctiveness: **Newness and distinctiveness resides in the features of shape and/or configuration of a tray substantially as shown in the in the accompanying representations.**



- (21) Design Number: **14023/2011**  
(22) Date of Filing Application: **12 September 2011**  
(24) Date from which industrial property rights may have effect: **12 September 2011**  
(54) Product in respect of which the design is registered: **Jacket**  
(51) International Design Classification: **02-02NES**  
(74) Name(s) of Attorney(s): **MIDDLETONS**  
(71) Name(s) and Address(s) of Applicant(s):  
**Beba Enterprises Pty Ltd**  
**34 Garden Street South Yarra Victoria 3141 Australia**  
(72) Name(s) of Designer(s): **Arthur Soetedja**  
(45) Registration Date: **20 March 2012**  
(56) Related Art Documents: **Not Applicable**  
(57) Statement of Newness and Distinctiveness: **Nil**





(21) Design Number: **11368/2012**  
(22) Date of Filing Application: **12 September 2011**  
(24) Date from which industrial property rights may have effect: **12 September 2011**  
(54) Product in respect of which the design is registered: **Shorts**  
(51) International Design Classification: **02-02C**  
(74) Name(s) of Attorney(s): **MIDDLETONS**  
(71) Name(s) and Address(s) of Applicant(s):  
**Beba Enterprises Pty Ltd**  
**34 Garden Street South Yarra Victoria 3141 Australia**  
(72) Name(s) of Designer(s): **Arthur Soetedja**  
(45) Registration Date: **20 March 2012**  
(56) Related Art Documents: **Not Applicable**  
(57) Statement of Newness and Distinctiveness: **Nil**



(21) Design Number: **11369/2012**  
(22) Date of Filing Application: **12 September 2011**  
(24) Date from which industrial property rights may have effect: **12 September 2011**  
(54) Product in respect of which the design is registered: **Shorts**  
(51) International Design Classification: **02-02C**  
(74) Name(s) of Attorney(s): **MIDDLETONS**  
(71) Name(s) and Address(s) of Applicant(s):  
**Beba Enterprises Pty Ltd**  
**34 Garden Street South Yarra Victoria 3141 Australia**  
(72) Name(s) of Designer(s): **Arthur Soetedja**  
(45) Registration Date: **20 March 2012**  
(56) Related Art Documents: **Not Applicable**  
(57) Statement of Newness and Distinctiveness: **Nil**



(21) Design Number: **11370/2012**  
(22) Date of Filing Application: **12 September 2011**  
(24) Date from which industrial property rights may have effect: **12 September 2011**  
(54) Product in respect of which the design is registered: **Skirt**  
(51) International Design Classification: **02-02C**  
(74) Name(s) of Attorney(s): **MIDDLETONS**  
(71) Name(s) and Address(s) of Applicant(s):  
**Beba Enterprises Pty Ltd**  
**34 Garden Street South Yarra Victoria 3141 Australia**  
(72) Name(s) of Designer(s): **Arthur Soetedja**  
(45) Registration Date: **20 March 2012**  
(56) Related Art Documents: **Not Applicable**  
(57) Statement of Newness and Distinctiveness: **Nil**



(21) Design Number: **11371/2012**  
(22) Date of Filing Application: **12 September 2011**  
(24) Date from which industrial property rights may have effect: **12 September 2011**  
(54) Product in respect of which the design is registered: **Top**  
(51) International Design Classification: **02-02NES**  
(74) Name(s) of Attorney(s): **MIDDLETONS**  
(71) Name(s) and Address(s) of Applicant(s):  
**Beba Enterprises Pty Ltd**  
**34 Garden Street South Yarra Victoria 3141 Australia**  
(72) Name(s) of Designer(s): **Arthur Soetedja**  
(45) Registration Date: **20 March 2012**  
(56) Related Art Documents: **Not Applicable**  
(57) Statement of Newness and Distinctiveness: **Nil**



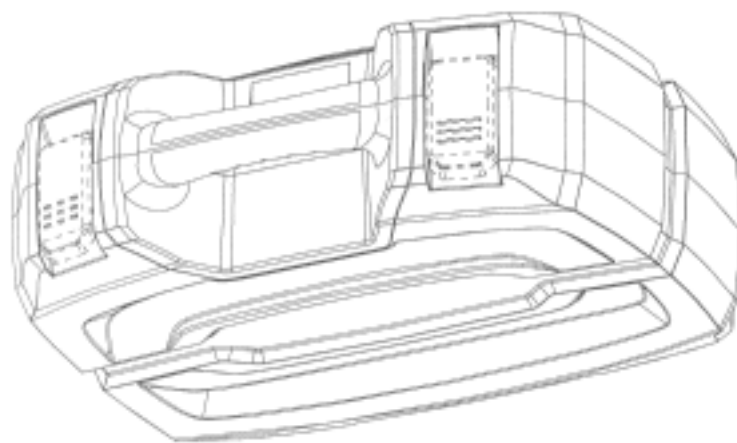
(21) Design Number: **11372/2012**  
(22) Date of Filing Application: **12 September 2011**  
(24) Date from which industrial property rights may have effect: **12 September 2011**  
(54) Product in respect of which the design is registered: **Top**  
(51) International Design Classification: **02-02NES**  
(74) Name(s) of Attorney(s): **MIDDLETONS**  
(71) Name(s) and Address(s) of Applicant(s):  
**Beba Enterprises Pty Ltd**  
**34 Garden Street South Yarra Victoria 3141 Australia**  
(72) Name(s) of Designer(s): **Arthur Soetedja**  
(45) Registration Date: **20 March 2012**  
(56) Related Art Documents: **Not Applicable**  
(57) Statement of Newness and Distinctiveness: **Nil**



(21) Design Number: **11373/2012**  
(22) Date of Filing Application: **12 September 2011**  
(24) Date from which industrial property rights may have effect: **12 September 2011**  
(54) Product in respect of which the design is registered: **Dress**  
(51) International Design Classification: **02-02C**  
(74) Name(s) of Attorney(s): **MIDDLETONS**  
(71) Name(s) and Address(s) of Applicant(s):  
**Beba Enterprises Pty Ltd**  
**34 Garden Street South Yarra Victoria 3141 Australia**  
(72) Name(s) of Designer(s): **Arthur Soetedja**  
(45) Registration Date: **20 March 2012**  
(56) Related Art Documents: **Not Applicable**  
(57) Statement of Newness and Distinctiveness: **Nil**



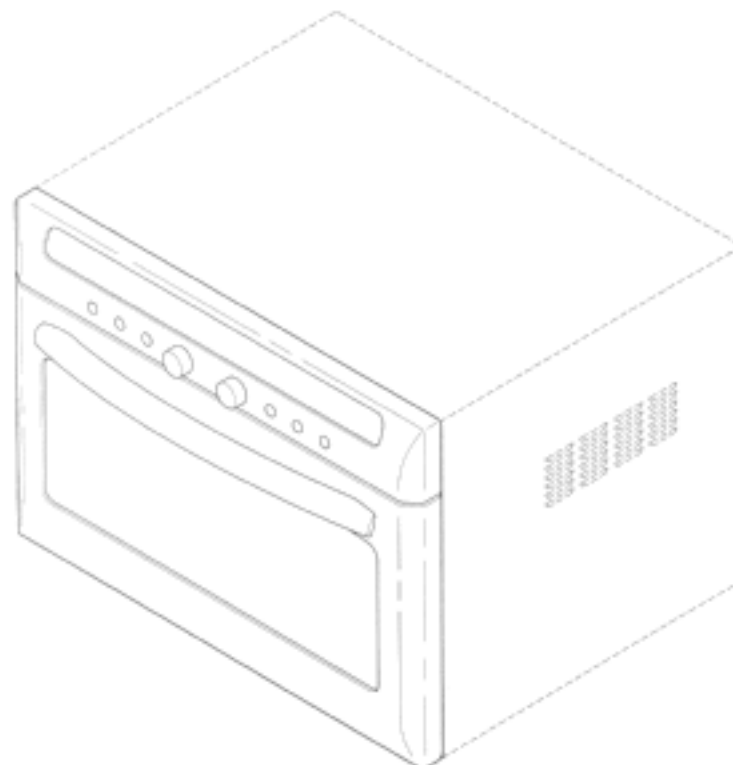
- (21) Design Number: **10486/2012**  
(22) Date of Filing Application: **02 February 2012**  
(24) Date from which industrial property rights may have effect: **02 February 2012**  
(54) Product in respect of which the design is registered: **Case for tools and equipment**  
(51) International Design Classification: **03-01D**  
(74) Name(s) of Attorney(s): **PHILLIPS ORMONDE FITZPATRICK**  
(71) Name(s) and Address(s) of Applicant(s):  
**Bordo International Pty. Ltd.**  
**3 Kingston Park Court Scoresby Victoria 3179 Australia**  
(72) Name(s) of Designer(s): **Jack Magree and Andrew Beard**  
(45) Registration Date: **21 March 2012**  
(56) Related Art Documents: **Not Applicable**  
(57) Statement of Newness and Distinctiveness: **Those features of the case for tools and equipment depicted in the representations that are new and distinctive are the shape and/or configuration. The features shown in broken lines are not part of the design and are to be disregarded when considering the overall impression of the design.**



- (21) Design Number: **10590/2012**  
(22) Date of Filing Application: **07 February 2012**  
(24) Date from which industrial property rights may have effect: **07 February 2012**  
(54) Product in respect of which the design is registered: **Fire extinguisher holder**  
(51) International Design Classification: **08-08NES, 29-01**  
(74) Name(s) of Attorney(s): **Griffith Hack**  
(71) Name(s) and Address(s) of Applicant(s):  
**Richard Stinglhammer**  
**Hofbrunnstr. 52 D-81477 Munchen Germany**  
(72) Name(s) of Designer(s): **Josef Holzer**  
(45) Registration Date: **21 March 2012**  
(30) Convention priority data:  
(31) Number      (32) Date      (33) Country  
**402011005684.4   16 Nov 2011      GERMANY**  
(56) Related Art Documents: **Not Applicable**  
(57) Statement of Newness and Distinctiveness: **Newness and distinctiveness resides in the visual features including shape, configuration and ornamentation of the fire extinguisher holder as shown in the accompanying representations.**



- (21) Design Number: **10849/2012**  
(22) Date of Filing Application: **22 February 2012**  
(24) Date from which industrial property rights may have effect: **22 February 2012**  
(54) Product in respect of which the design is registered: **Oven range**  
(51) International Design Classification: **07-02A**  
(74) Name(s) of Attorney(s): **Freehills Patent & Trade Mark Attorneys**  
(71) Name(s) and Address(s) of Applicant(s):  
**LG Electronics Inc.**  
**20 Yeouido-dong Yeongdeungpo-gu Seoul 150-721 Republic of Korea**  
(72) Name(s) of Designer(s): **Hanjin Jung and Hyunseon Shin**  
(45) Registration Date: **21 March 2012**  
(30) Convention priority data:  
(31) Number (32) Date (33) Country  
**30-2011-0037979 09 Sep 2011 REPUBLIC OF KOREA**  
(56) Related Art Documents: **Not Applicable**  
(57) Statement of Newness and Distinctiveness: **Newness and distinctiveness of the design resides in the shape and/or configuration of the oven range that are shown in solid lines in the accompanying representations.**



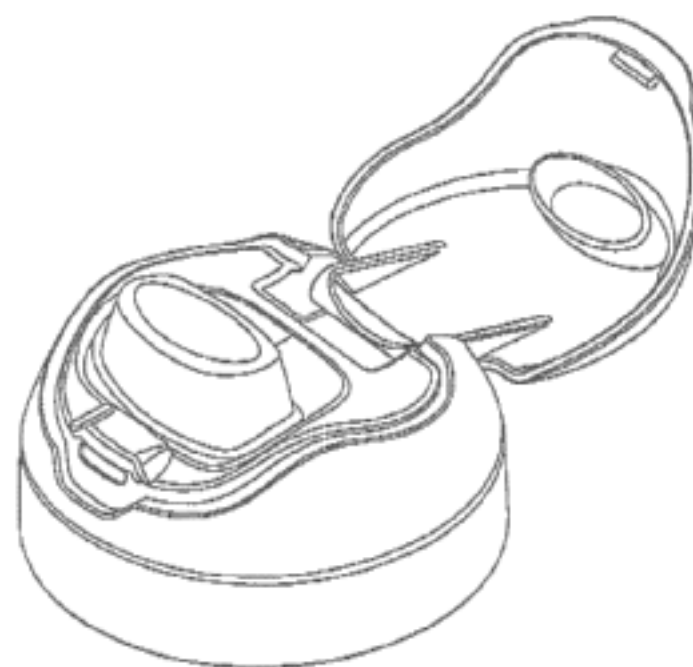
- (21) Design Number: **10850/2012**  
(22) Date of Filing Application: **22 February 2012**  
(24) Date from which industrial property rights may have effect: **22 February 2012**  
(54) Product in respect of which the design is registered: **Cap**  
(51) International Design Classification: **09-07A**  
(74) Name(s) of Attorney(s): **EKM patent & trade marks**  
(71) Name(s) and Address(s) of Applicant(s):  
**Smash Asset Management Pty Ltd**  
**33 Redland Drive Mitcham Victoria 3132 Australia**  
(72) Name(s) of Designer(s): **Adam Laracy**  
(45) Registration Date: **21 March 2012**  
(56) Related Art Documents: **Not Applicable**  
(57) Statement of Newness and Distinctiveness: **Newness and distinctiveness resides in the features of shape and/or configuration of the cap shown, having particular regard to the wide mouth and flip top.**



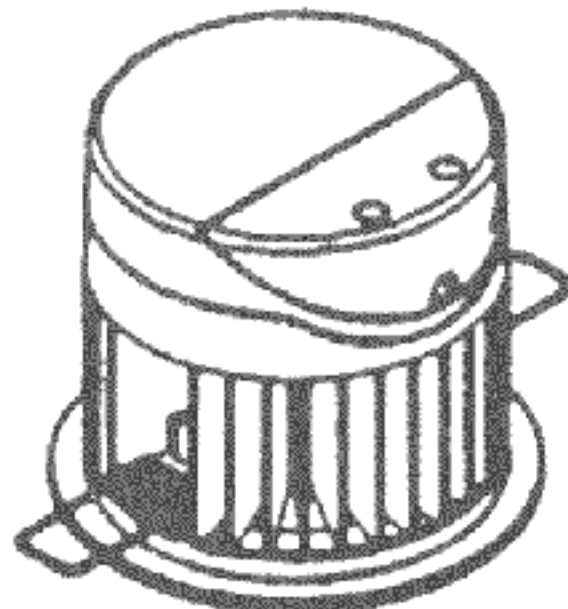
(21) Design Number: **10853/2012**  
(22) Date of Filing Application: **22 February 2012**  
(24) Date from which industrial property rights may have effect: **22 February 2012**  
(54) Product in respect of which the design is registered: **Tyre**  
(51) International Design Classification: **12-15B**  
(74) Name(s) of Attorney(s): **Griffith Hack**  
(71) Name(s) and Address(s) of Applicant(s):  
**Continental Reifen Deutschland GmbH**  
**Vahrenwalder Str. 9 30165 Hannover Germany**  
(72) Name(s) of Designer(s): **Matthew Lamb**  
(45) Registration Date: **21 March 2012**  
(30) Convention priority data:  
(31) Number (32) Date (33) Country  
**001955931 01 Dec 2011 EUROPEAN COMMUNITY**  
(56) Related Art Documents: **Not Applicable**  
(57) Statement of Newness and Distinctiveness: **Newness and distinctiveness resides in the visual features, including shape, configuration and pattern, of a tread for a tyre as shown in the accompanying representations.**



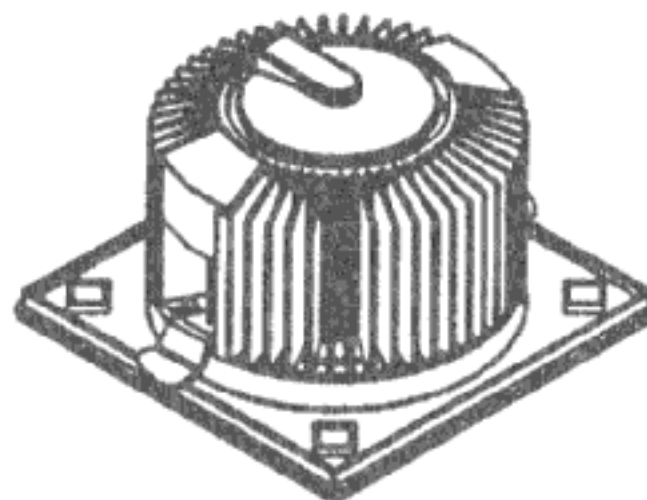
(21) Design Number: **10854/2012**  
(22) Date of Filing Application: **22 February 2012**  
(24) Date from which industrial property rights may have effect: **22 February 2012**  
(54) Product in respect of which the design is registered: **Cap**  
(51) International Design Classification: **09-07C**  
(74) Name(s) of Attorney(s): **EKM patent & trade marks**  
(71) Name(s) and Address(s) of Applicant(s):  
**Smash Asset Management Pty Ltd**  
**33 Redland Drive Mitcham Victoria 3132 Australia**  
(72) Name(s) of Designer(s): **Adam Laracy**  
(45) Registration Date: **21 March 2012**  
(56) Related Art Documents: **Not Applicable**  
(57) Statement of Newness and Distinctiveness: **Newness and distinctiveness resides in the features of shape and/or configuration of the cap shown, having particular regard to the wide mouth and flip top.**



(21) Design Number: **10856/2012**  
(22) Date of Filing Application: **22 February 2012**  
(24) Date from which industrial property rights may have effect: **22 February 2012**  
(54) Product in respect of which the design is registered: **Lighting fixture**  
(51) International Design Classification: **26-05C**  
(74) Name(s) of Attorney(s): **SPRUSON & FERGUSON**  
(71) Name(s) and Address(s) of Applicant(s):  
**Ledeshi Electronic Equipment Co. Ltd.**  
**438 Younger Road Ningbo 315000 China**  
(72) Name(s) of Designer(s): **Wolfram Peters and Michiel de Haan**  
(45) Registration Date: **21 March 2012**  
(30) Convention priority data:  
(31) Number (32) Date (33) Country  
**001290852-0001 25 Aug 2011 EUROPEAN COMMUNITY**  
(56) Related Art Documents: **Not Applicable**  
(57) Statement of Newness and Distinctiveness: **Newness and distinctiveness is claimed in the features of shape and/or configuration of a lighting fixture as illustrated in the accompanying representations.**



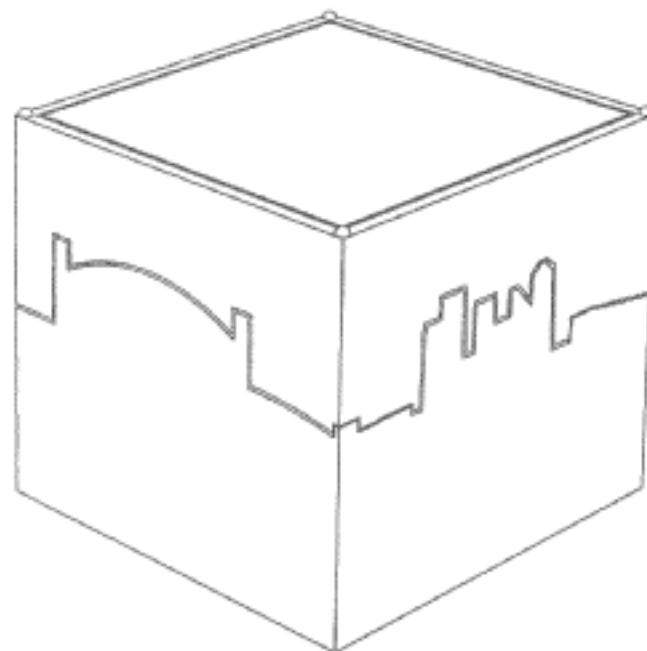
(21) Design Number: **10857/2012**  
(22) Date of Filing Application: **22 February 2012**  
(24) Date from which industrial property rights may have effect: **22 February 2012**  
(54) Product in respect of which the design is registered: **Lighting fixture**  
(51) International Design Classification: **26-05C**  
(74) Name(s) of Attorney(s): **SPRUSON & FERGUSON**  
(71) Name(s) and Address(s) of Applicant(s):  
**Ledeshi Electronic Equipment Co. Ltd.**  
**438 Younger Road Ningbo 315000 China**  
(72) Name(s) of Designer(s): **Wolfram Peters and Michiel de Haan**  
(45) Registration Date: **21 March 2012**  
(30) Convention priority data:  
(31) Number (32) Date (33) Country  
**001290829-0001 25 Aug 2011 EUROPEAN COMMUNITY**  
(56) Related Art Documents: **Not Applicable**  
(57) Statement of Newness and Distinctiveness: **Newness and distinctiveness is claimed in the features of shape and/or configuration of a lighting fixture as illustrated in the accompanying representations.**



(21) Design Number: **10861/2012**  
(22) Date of Filing Application: **23 February 2012**  
(24) Date from which industrial property rights may have effect: **23 February 2012**  
(54) Product in respect of which the design is registered: **A souvenir**  
(51) International Design Classification: **11-02NES**  
(74) Name(s) of Attorney(s): **Matthew Sulman & Associates**  
(71) Name(s) and Address(s) of Applicant(s):  
**Paul Bailey**  
**1 Bevin Avenue Five Dock New South Wales 2046 Australia**

(72) Name(s) of Designer(s): **Paul Bailey**  
(45) Registration Date: **21 March 2012**  
(56) Related Art Documents: **Not Applicable**

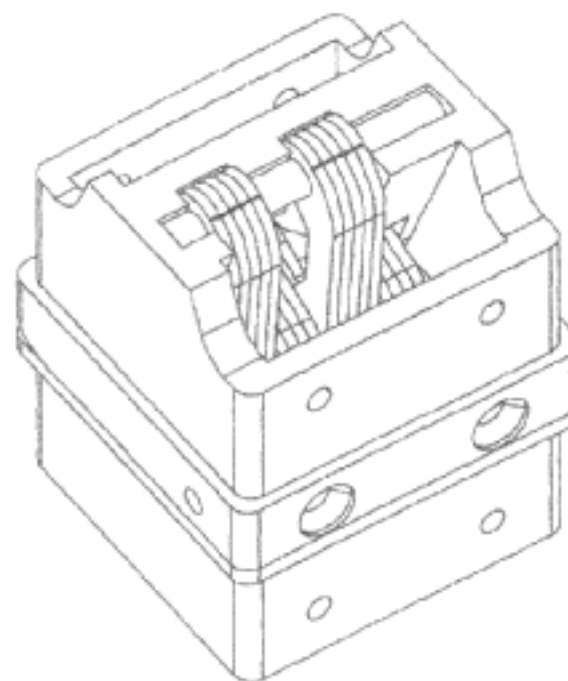
(57) Statement of Newness and Distinctiveness: **Monopoly is claimed in the shape and/or configuration of a souvenir as shown in the representations. The souvenir has a base portion upon which is incorporated a representation or display of an iconic geographical location, cityscape, building or structure in positive or male profile. A complementary removable upper portion incorporates the negative or female profile of the representation or display of the base portion such that the souvenir can be recast from either one of the portions should one of the portions become lost or damaged. Each side of the souvenir displays in side profile an aspect of the representation or display shown on the base and upper portions. The representation of display of the base portion has a recess for retaining a relic taken from or closely associated with the geographical location, cityscape, building or structure represented in the base portion.**



(21) Design Number: **10862/2012**  
(22) Date of Filing Application: **24 February 2012**  
(24) Date from which industrial property rights may have effect: **24 February 2012**  
(54) Product in respect of which the design is registered: **A two part hinge housing**  
(51) International Design Classification: **08-06**  
(74) Name(s) of Attorney(s): **Fraser Old & Sohn**  
(71) Name(s) and Address(s) of Applicant(s):  
**Lift Link Housing Pty Ltd**  
**74A Buckingham Street Surry Hills New South Wales 2010 Australia**

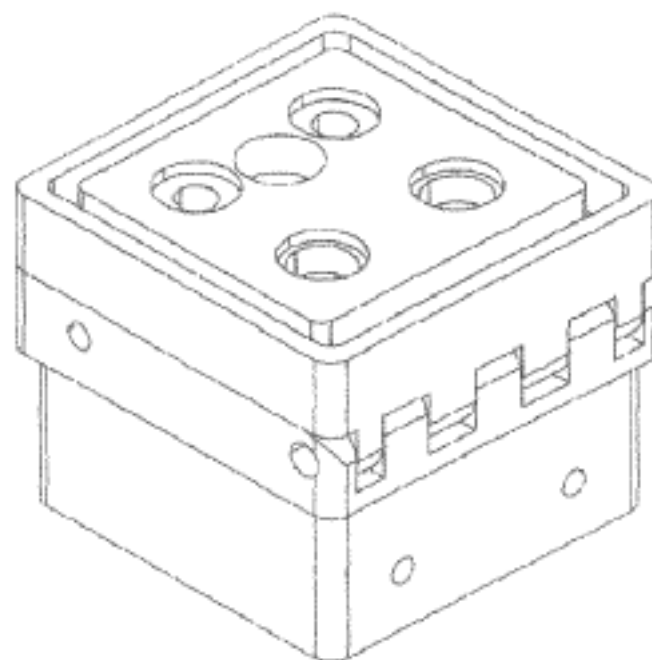
(72) Name(s) of Designer(s): **Ian Lowrey**  
(45) Registration Date: **21 March 2012**  
(56) Related Art Documents: **Not Applicable**

(57) Statement of Newness and Distinctiveness: **Newness and distinctiveness is claimed in respect of the shape and/or configuration of the two part hinge housing moveable between open and closed positions as illustrated in the accompanying representations. In carrying out a consideration in accordance with Section 19 the pattern and/or ornamentation of the apertures illustrated in the representations is/are not to be considered either new or distinctive and do/does not form part of the design.**

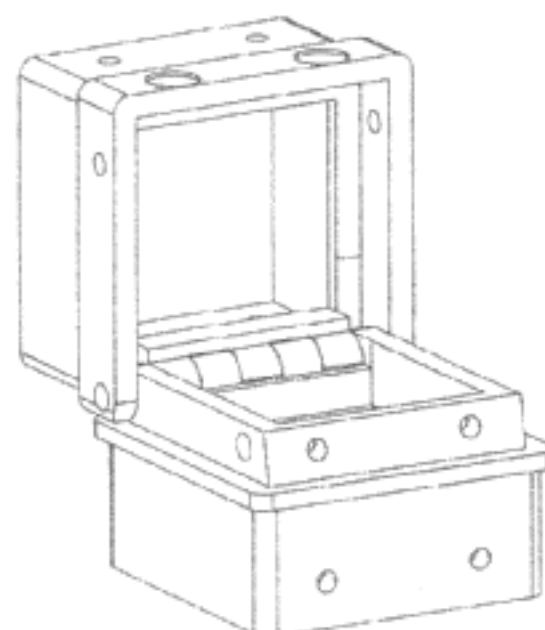




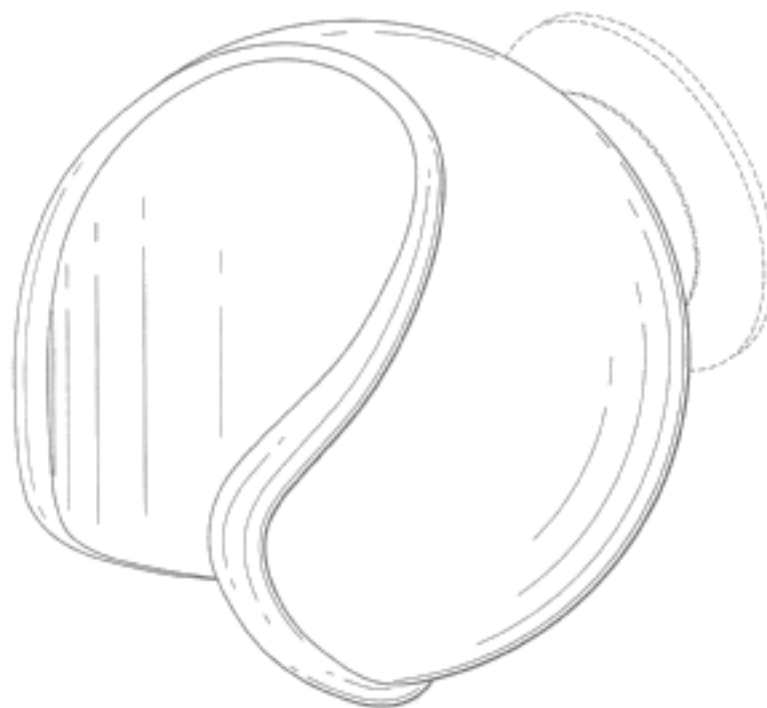
- (21) Design Number: **10863/2012**  
(22) Date of Filing Application: **24 February 2012**  
(24) Date from which industrial property rights may have effect: **24 February 2012**  
(54) Product in respect of which the design is registered: **A two part hinge housing**  
(51) International Design Classification: **08-06**  
(74) Name(s) of Attorney(s): **Fraser Old & Sohn**  
(71) Name(s) and Address(s) of Applicant(s):  
**Lift Link Housing Pty Ltd**  
**74A Buckingham Street Surry Hills New South Wales 2010 Australia**  
(72) Name(s) of Designer(s): **Ian Lowrey**  
(45) Registration Date: **21 March 2012**  
(56) Related Art Documents: **Not Applicable**  
(57) Statement of Newness and Distinctiveness: **Newness and distinctiveness is claimed in respect of the shape and/or configuration of the two part hinge housing moveable between open and closed positions as illustrated in the accompanying representations. In carrying out a consideration in accordance with Section 19 the pattern and/or ornamentation of the apertures illustrated in the representations is/are not to be considered either new or distinctive and do/does not form part of the design.**



- (21) Design Number: **10864/2012**  
(22) Date of Filing Application: **24 February 2012**  
(24) Date from which industrial property rights may have effect: **24 February 2012**  
(54) Product in respect of which the design is registered: **A two part hinge housing**  
(51) International Design Classification: **08-06**  
(74) Name(s) of Attorney(s): **Fraser Old & Sohn**  
(71) Name(s) and Address(s) of Applicant(s):  
**Lift Link Housing Pty Ltd**  
**74A Buckingham Street Surry Hills New South Wales 2010 Australia**  
(72) Name(s) of Designer(s): **Ian Lowrey**  
(45) Registration Date: **21 March 2012**  
(56) Related Art Documents: **Not Applicable**  
(57) Statement of Newness and Distinctiveness: **Newness and distinctiveness is claimed in respect of the shape and/or configuration of the two part hinge housing moveable between open and closed positions as illustrated in the accompanying representations. In carrying out a consideration in accordance with Section 19 the pattern and/or ornamentation of the apertures illustrated in the representations is/are not to be considered either new or distinctive and do/does not form part of the design.**



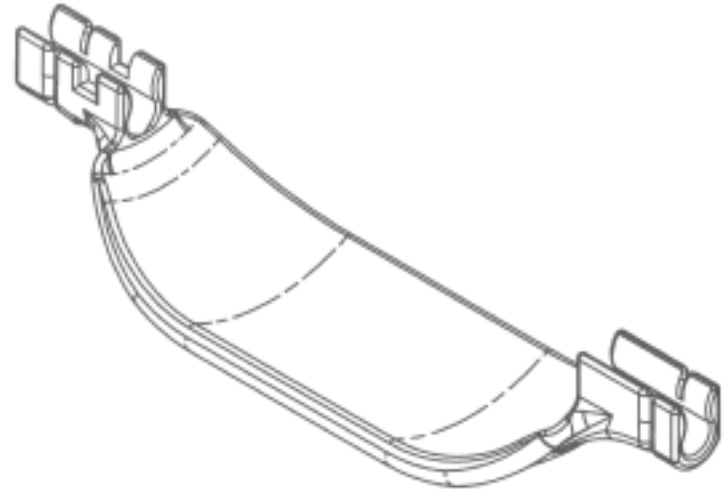
(21) Design Number: **10866/2012**  
(22) Date of Filing Application: **23 February 2012**  
(24) Date from which industrial property rights may have effect: **23 February 2012**  
(54) Product in respect of which the design is registered: **Receiving member for a razor**  
(51) International Design Classification: **28-03A**  
(74) Name(s) of Attorney(s): **PHILLIPS ORMONDE FITZPATRICK**  
(71) Name(s) and Address(s) of Applicant(s):  
**The Gillette Company**  
**One Gillette Park Boston Massachusetts 02127 United States of America**  
(72) Name(s) of Designer(s): **Vanessa Christie**  
(45) Registration Date: **21 March 2012**  
(30) Convention priority data:  
(31) Number (32) Date (33) Country  
**29/400,386 26 Aug 2011 UNITED STATES OF AMERICA**  
(56) Related Art Documents: **Not Applicable**  
(57) Statement of Newness and Distinctiveness: **Those features of the receiving member for a razor depicted in the representations that are new and distinctive are the shape and/or configuration. The feature shown in broken line are not part of the design and are to be disregarded when considering the overall impression of the design.**



(21) Design Number: **10867/2012**  
(22) Date of Filing Application: **23 February 2012**  
(24) Date from which industrial property rights may have effect: **23 February 2012**  
(54) Product in respect of which the design is registered: **Shower head**  
(51) International Design Classification: **23-02B**  
(74) Name(s) of Attorney(s): **Griffith Hack**  
(71) Name(s) and Address(s) of Applicant(s):  
**Hansgrohe AG**  
**Auestrasse 5-9 77761 Schiltach Germany**  
(72) Name(s) of Designer(s): **Matthias Oesterle and Tom Schonherr**  
(45) Registration Date: **21 March 2012**  
(30) Convention priority data:  
(31) Number (32) Date (33) Country  
**001291603-0001 01 Sep 2011 EUROPEAN COMMUNITY**  
(56) Related Art Documents: **Not Applicable**  
(57) Statement of Newness and Distinctiveness: **The shape, configuration and ornamentation of the shower head is new and distinctive.**



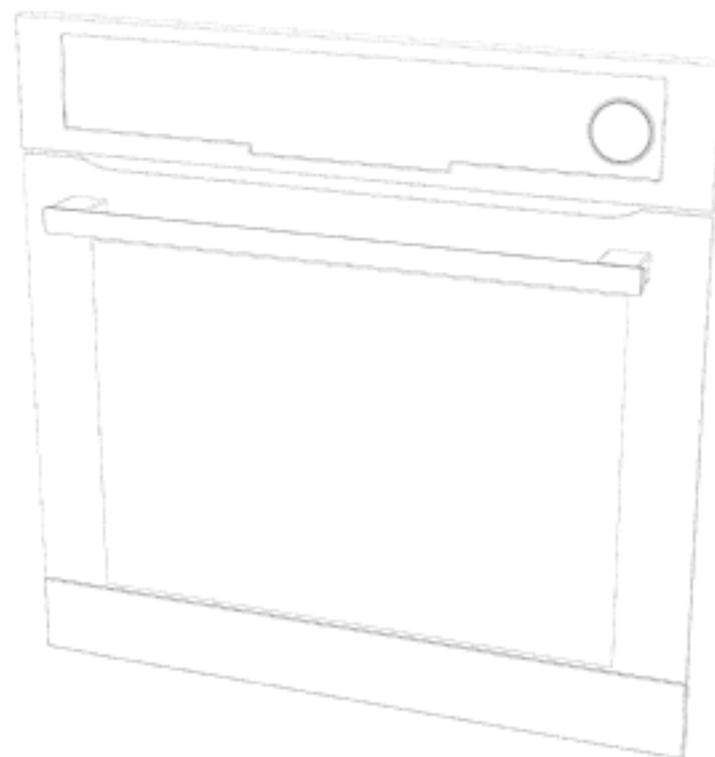
(21) Design Number: **15970/2011**  
(22) Date of Filing Application: **23 December 2011**  
(24) Date from which industrial property rights may have effect: **23 December 2011**  
(54) Product in respect of which the design is registered: **A cable connector lock**  
(51) International Design Classification: **08-07**  
(74) Name(s) of Attorney(s):  
(71) Name(s) and Address(s) of Applicant(s):  
**Matthew David Weeks**  
**113 Pascoe Road Ormeau Queensland 4207 Australia**  
(72) Name(s) of Designer(s): **Matthew David Weeks**  
(45) Registration Date: **21 March 2012**  
(56) Related Art Documents: **Not Applicable**  
(57) Statement of Newness and Distinctiveness: **Nil**



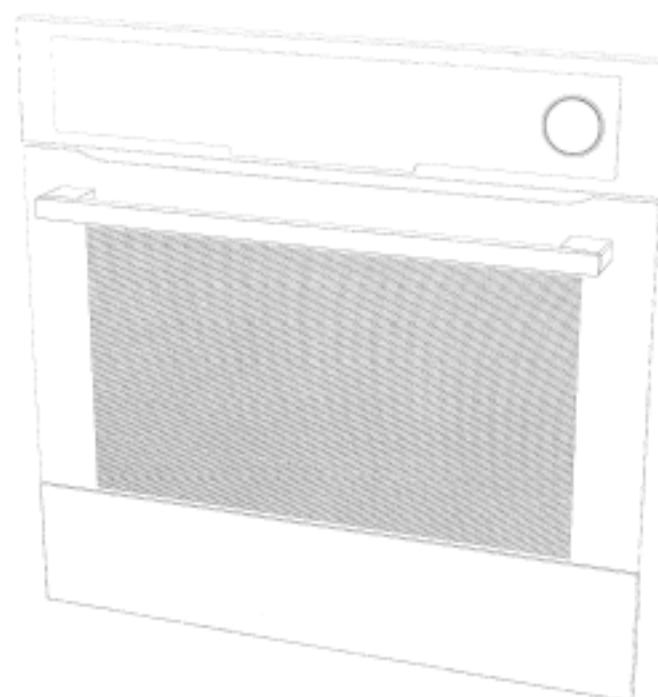
(21) Design Number: **15979/2011**  
(22) Date of Filing Application: **23 December 2011**  
(24) Date from which industrial property rights may have effect: **23 December 2011**  
(54) Product in respect of which the design is registered: **A control panel for an appliance**  
(51) International Design Classification: **07-02NES**  
(74) Name(s) of Attorney(s): **Halfords IP**  
(71) Name(s) and Address(s) of Applicant(s):  
**Electrolux Home Products Corporation N.V.**  
**Raketstraat 40, 1130 Brussels Belgium**  
(72) Name(s) of Designer(s): **Per Borjesson**  
(45) Registration Date: **21 March 2012**  
(30) Convention priority data:  
(31) Number      (32) Date      (33) Country  
**001885427      01 Jul 2011      EUROPEAN COMMUNITY**  
(56) Related Art Documents: **Not Applicable**  
(57) Statement of Newness and Distinctiveness: **Newness and distinctiveness resides in the shape and or configuration of a control panel for an appliance as depicted in the accompanying representations.**



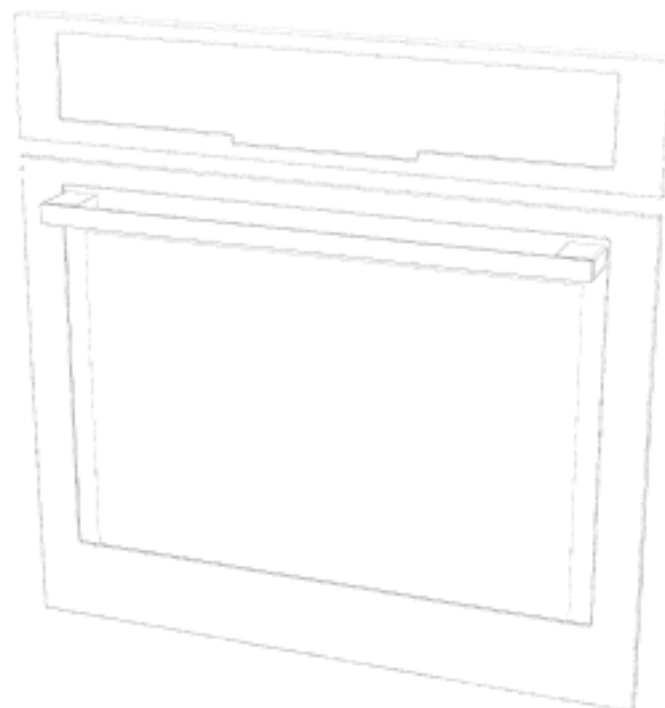
- (21) Design Number: **11297/2012**  
(22) Date of Filing Application: **23 December 2011**  
(24) Date from which industrial property rights may have effect: **23 December 2011**  
(54) Product in respect of which the design is registered: **A combination appliance control panel and an appliance door such as for an oven**  
(51) International Design Classification: **07-02NES**  
(74) Name(s) of Attorney(s): **Halfords IP**  
(71) Name(s) and Address(s) of Applicant(s):  
**Electrolux Home Products Corporation N.V.**  
**Raketstraat 40, 1130 Brussels Belgium**  
(72) Name(s) of Designer(s): **Per Borjesson**  
(45) Registration Date: **21 March 2012**  
(30) Convention priority data:  
(31) Number (32) Date (33) Country  
**001885427 01 Jul 2011 EUROPEAN COMMUNITY**  
(62) Divisional of: **341529**  
(56) Related Art Documents: **Not Applicable**  
(57) Statement of Newness and Distinctiveness: **Newness and distinctiveness resides in the shape and or configuration of a combination appliance control panel and an appliance door such as for an oven as depicted in the accompanying representations.**



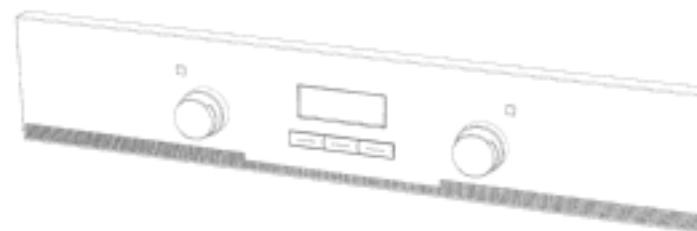
- (21) Design Number: **11298/2012**  
(22) Date of Filing Application: **23 December 2011**  
(24) Date from which industrial property rights may have effect: **23 December 2011**  
(54) Product in respect of which the design is registered: **A combination appliance control panel and an appliance door such as for an oven**  
(51) International Design Classification: **07-02NES**  
(74) Name(s) of Attorney(s): **Halfords IP**  
(71) Name(s) and Address(s) of Applicant(s):  
**Electrolux Home Products Corporation N.V.**  
**Raketstraat 40, 1130 Brussels Belgium**  
(72) Name(s) of Designer(s): **Per Borjesson**  
(45) Registration Date: **21 March 2012**  
(30) Convention priority data:  
(31) Number (32) Date (33) Country  
**001885427 01 Jul 2011 EUROPEAN COMMUNITY**  
(62) Divisional of: **341529**  
(56) Related Art Documents: **Not Applicable**  
(57) Statement of Newness and Distinctiveness: **Newness and distinctiveness resides in the shape and or configuration of a combination appliance control panel and an appliance door such as for an oven as depicted in the accompanying representations.**



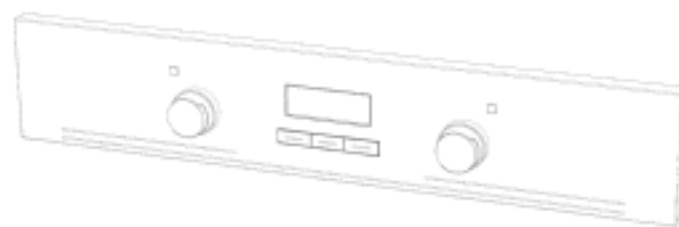
- (21) Design Number: **15980/2011**  
(22) Date of Filing Application: **23 December 2011**  
(24) Date from which industrial property rights may have effect: **23 December 2011**  
(54) Product in respect of which the design is registered: **A combination appliance control panel and an appliance door such as for an oven**  
(51) International Design Classification: **07-02NES**  
(74) Name(s) of Attorney(s): **Halfords IP**  
(71) Name(s) and Address(s) of Applicant(s):  
**Electrolux Home Products Corporation N.V.**  
**Raketstraat 40, 1130 Brussels Belgium**  
(72) Name(s) of Designer(s): **Per Borjesson**  
(45) Registration Date: **21 March 2012**  
(30) Convention priority data:  
(31) Number (32) Date (33) Country  
**001884438 29 Jun 2011 EUROPEAN COMMUNITY**  
(56) Related Art Documents: **Not Applicable**  
(57) Statement of Newness and Distinctiveness: **Newness and distinctiveness resides in the shape and or configuration of a combination appliance control panel and an appliance door such as for an oven as depicted in the accompanying representations.**



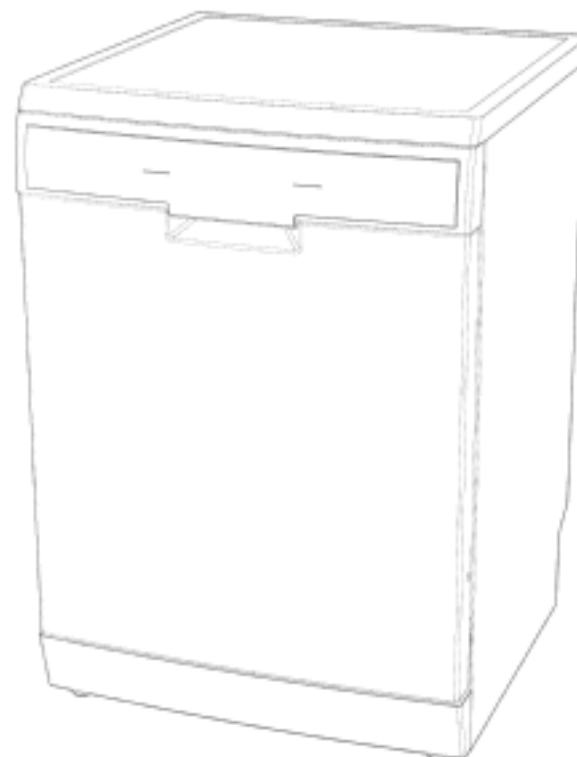
- (21) Design Number: **11295/2012**  
(22) Date of Filing Application: **23 December 2011**  
(24) Date from which industrial property rights may have effect: **23 December 2011**  
(54) Product in respect of which the design is registered: **An appliance control panel**  
(51) International Design Classification: **07-02NES**  
(74) Name(s) of Attorney(s): **Halfords IP**  
(71) Name(s) and Address(s) of Applicant(s):  
**Electrolux Home Products Corporation N.V.**  
**Raketstraat 40, 1130 Brussels Belgium**  
(72) Name(s) of Designer(s): **Per Borjesson**  
(45) Registration Date: **21 March 2012**  
(30) Convention priority data:  
(31) Number (32) Date (33) Country  
**001884438 29 Jun 2011 EUROPEAN COMMUNITY**  
(62) Divisional of: **341532**  
(56) Related Art Documents: **Not Applicable**  
(57) Statement of Newness and Distinctiveness: **Newness and distinctiveness resides in the shape and or configuration of an Appliance Control Panel depicted in the accompanying representations.**



(21) Design Number: **11296/2012**  
(22) Date of Filing Application: **23 December 2011**  
(24) Date from which industrial property rights may have effect: **23 December 2011**  
(54) Product in respect of which the design is registered: **An appliance control panel**  
(51) International Design Classification: **07-02NES**  
(74) Name(s) of Attorney(s): **Halfords IP**  
(71) Name(s) and Address(s) of Applicant(s):  
**Electrolux Home Products Corporation N.V.**  
**Raketstraat 40, 1130 Brussels Belgium**  
(72) Name(s) of Designer(s): **Per Borjesson**  
(45) Registration Date: **21 March 2012**  
(30) Convention priority data:  
(31) Number      (32) Date      (33) Country  
**001884438      29 Jun 2011      EUROPEAN COMMUNITY**  
(62) Divisional of: **341532**  
(56) Related Art Documents: **Not Applicable**  
(57) Statement of Newness and Distinctiveness: **Newness and distinctiveness resides in the shape and or configuration of an Appliance Control Panel depicted in the accompanying representations.**



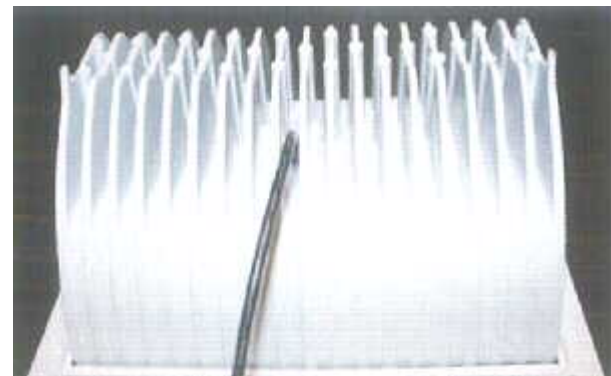
(21) Design Number: **15981/2011**  
(22) Date of Filing Application: **23 December 2011**  
(24) Date from which industrial property rights may have effect: **23 December 2011**  
(54) Product in respect of which the design is registered: **A dishwasher**  
(51) International Design Classification: **15-05**  
(74) Name(s) of Attorney(s): **Halfords IP**  
(71) Name(s) and Address(s) of Applicant(s):  
**Electrolux Home Products Corporation N.V.**  
**Raketstraat 40, 1130 Brussels Belgium**  
(72) Name(s) of Designer(s): **Per Borjesson**  
(45) Registration Date: **21 March 2012**  
(30) Convention priority data:  
(31) Number      (32) Date      (33) Country  
**001884362      29 Jun 2011      EUROPEAN COMMUNITY**  
(56) Related Art Documents: **Not Applicable**  
(57) Statement of Newness and Distinctiveness: **Newness and distinctiveness resides in the shape and or configuration of a dishwasher as depicted in the accompanying representations.**



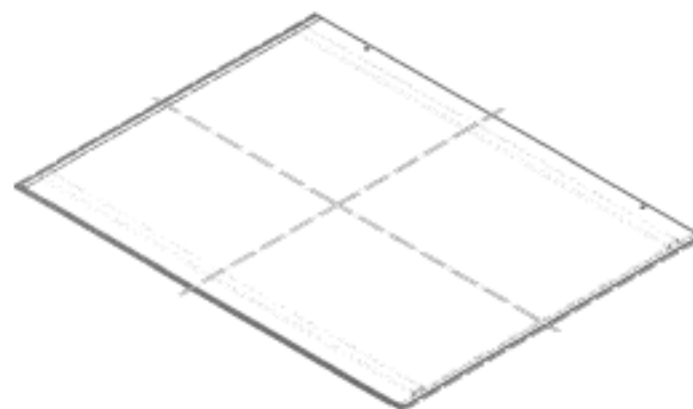
(21) Design Number: **10398/2012**  
(22) Date of Filing Application: **27 January 2012**  
(24) Date from which industrial property rights may have effect: **27 January 2012**  
(54) Product in respect of which the design is registered: **The reflector of 40W square shop fitter**  
(51) International Design Classification: **26-05D**  
(74) Name(s) of Attorney(s):  
(71) Name(s) and Address(s) of Applicant(s):  
**Anthony Aucone**  
**1/11 Crown Court Varsity Lakes Queensland 4227 Australia**  
(72) Name(s) of Designer(s): **Anthony Aucone**  
(45) Registration Date: **21 March 2012**  
(56) Related Art Documents: **Not Applicable**  
(57) Statement of Newness and Distinctiveness: **Nil**



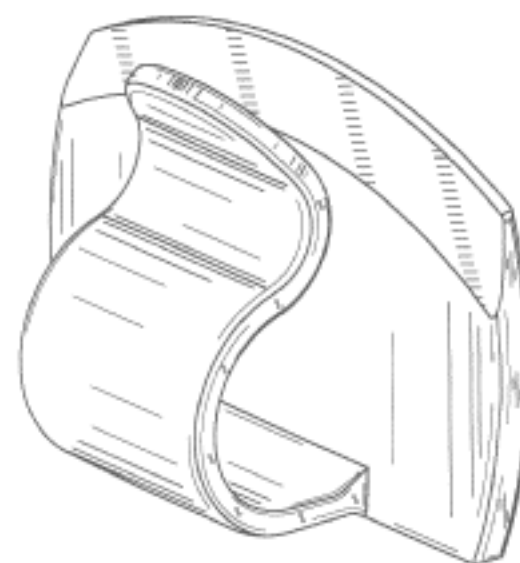
(21) Design Number: **10399/2012**  
(22) Date of Filing Application: **27 January 2012**  
(24) Date from which industrial property rights may have effect: **27 January 2012**  
(54) Product in respect of which the design is registered: **The heat sink for the 40W square shop fitter**  
(51) International Design Classification: **26-05D**  
(74) Name(s) of Attorney(s):  
(71) Name(s) and Address(s) of Applicant(s):  
**Anthony Aucone**  
**1/11 Crown Court Varsity Lakes Queensland 4227 Australia**  
(72) Name(s) of Designer(s): **Anthony Aucone**  
(45) Registration Date: **21 March 2012**  
(56) Related Art Documents: **Not Applicable**  
(57) Statement of Newness and Distinctiveness: **Nil**



(21) Design Number: **11032/2012**  
(22) Date of Filing Application: **05 March 2012**  
(24) Date from which industrial property rights may have effect: **05 March 2012**  
(54) Product in respect of which the design is registered: **Dust cover for furniture, storage or racking**  
(51) International Design Classification: **05-05NES**  
(74) Name(s) of Attorney(s): **Adams Pluck**  
(71) Name(s) and Address(s) of Applicant(s):  
**Bachmann Innovations Pty Limited**  
**193-195 Power Street Glendenning New South Wales 2761 Australia**  
(72) Name(s) of Designer(s): **Walter Bachmann**  
(45) Registration Date: **21 March 2012**  
(56) Related Art Documents: **Not Applicable**  
(57) Statement of Newness and Distinctiveness: **Monopoly is claimed in the features of shape and/or configuration of a dust shield as illustrated in the accompanying representations; and in considering the scope of monopoly any features shown in phantom in the representations should be disregarded.**

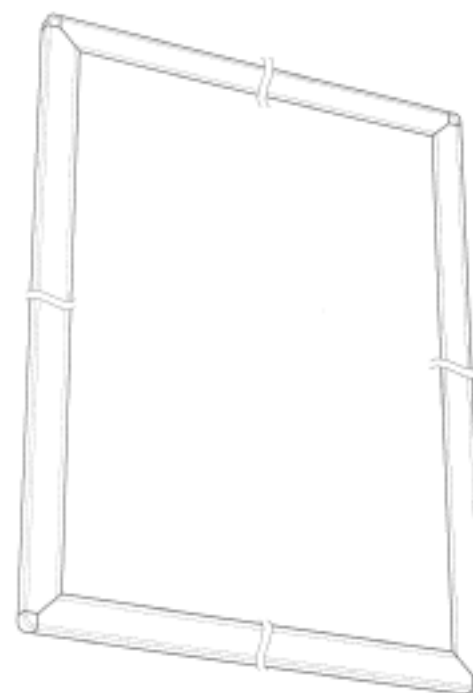


(21) Design Number: **10335/2012**  
(22) Date of Filing Application: **25 January 2012**  
(24) Date from which industrial property rights may have effect: **25 January 2012**  
(54) Product in respect of which the design is registered: **Cord clip**  
(51) International Design Classification: **08-08C**  
(74) Name(s) of Attorney(s): **Davies Collison Cave**  
(71) Name(s) and Address(s) of Applicant(s):  
**3M Innovative Properties Company**  
**3M Center Saint Paul Minnesota 55133-3427 United States of America**  
(72) Name(s) of Designer(s): **Craig Donald Thompson**  
(45) Registration Date: **21 March 2012**  
(30) Convention priority data:  
(31) Number      (32) Date      (33) Country  
**29/397990      25 Jul 2011      UNITED STATES OF AMERICA**  
(56) Related Art Documents: **Not Applicable**  
(57) Statement of Newness and Distinctiveness: **Nil**

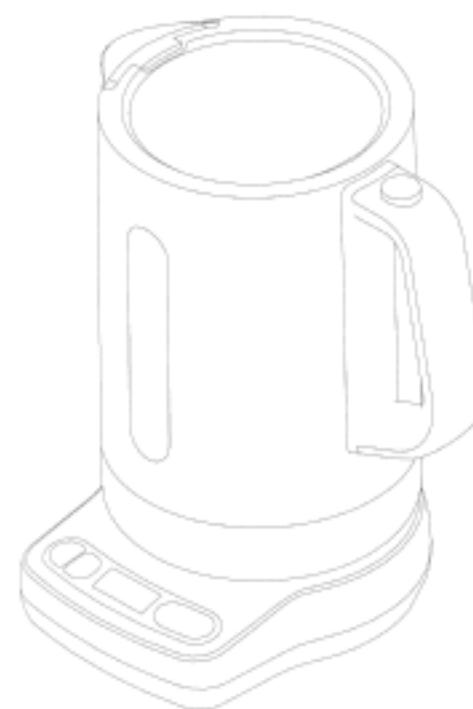




- (21) Design Number: **10876/2012**  
(22) Date of Filing Application: **23 February 2012**  
(24) Date from which industrial property rights may have effect: **23 February 2012**  
(54) Product in respect of which the design is registered: **Snap frame**  
(51) International Design Classification: **06-07**  
(74) Name(s) of Attorney(s): **Griffith Hack**  
(71) Name(s) and Address(s) of Applicant(s):  
**Botak Sign Pte Ltd**  
**22 Yio Chu Kang Road #01-34 Highland Centre 545535 Singapore**  
(72) Name(s) of Designer(s): **Boon Keng Sim**  
(45) Registration Date: **21 March 2012**  
(30) Convention priority data:  
(31) Number (32) Date (33) Country  
**D2011/908/B 23 Aug 2011 SINGAPORE**  
(56) Related Art Documents: **Not Applicable**  
(57) Statement of Newness and Distinctiveness: **The shape, configuration, pattern and ornamentation of a snap frame as shown in the accompanying representations is new and distinctive. As shown in the representations, the snap frame may be of any height and width.**



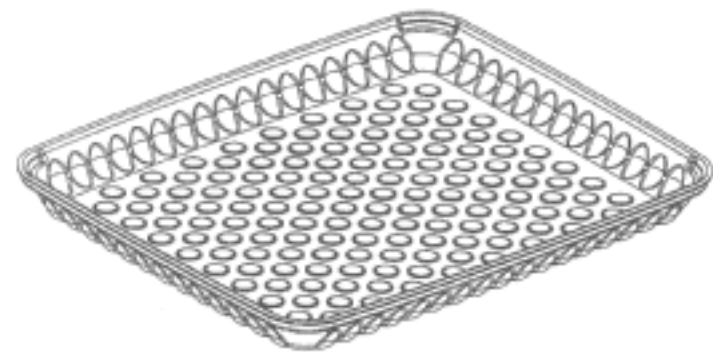
- (21) Design Number: **13965/2011**  
(22) Date of Filing Application: **08 September 2011**  
(24) Date from which industrial property rights may have effect: **08 September 2011**  
(54) Product in respect of which the design is registered: **Kettle**  
(51) International Design Classification: **07-02K**  
(74) Name(s) of Attorney(s): **Freehills Patent & Trade Mark Attorneys**  
(71) Name(s) and Address(s) of Applicant(s):  
**Sunbeam Corporation Limited**  
**Units 5 & 6 13 Lord Street Botany New South Wales 2019 Australia**  
(72) Name(s) of Designer(s): **Nicholas O'Loughlin and Andrew Grigor**  
(45) Registration Date: **22 March 2012**  
(56) Related Art Documents: **Not Applicable**  
(57) Statement of Newness and Distinctiveness: **Newness and distinctiveness reside in the features of shape and configuration shown in solid outline in the accompanying representations.**



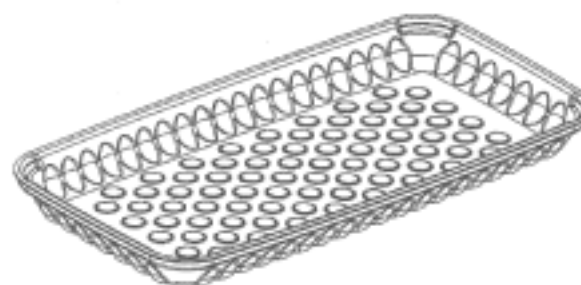
- (21) Design Number: **13966/2011**  
(22) Date of Filing Application: **08 September 2011**  
(24) Date from which industrial property rights may have effect: **08 September 2011**  
(54) Product in respect of which the design is registered: **Steam station**  
(51) International Design Classification: **07-05A**  
(74) Name(s) of Attorney(s): **Freehills Patent & Trade Mark Attorneys**  
(71) Name(s) and Address(s) of Applicant(s):  
**Sunbeam Corporation Limited**  
**Units 5 & 6 13 Lord Street Botany New South Wales 2019 Australia**  
(72) Name(s) of Designer(s): **Phil Rose and Andrew Morgan**  
(45) Registration Date: **22 March 2012**  
(56) Related Art Documents: **Not Applicable**  
(57) Statement of Newness and Distinctiveness: **Newness and distinctiveness reside in the features of shape and configuration shown in solid outline in the accompanying representations.**



- (21) Design Number: **15830/2011**  
(22) Date of Filing Application: **19 December 2011**  
(24) Date from which industrial property rights may have effect: **19 December 2011**  
(54) Product in respect of which the design is registered: **A tray**  
(51) International Design Classification: **09-03F**  
(74) Name(s) of Attorney(s): **A J Park**  
(71) Name(s) and Address(s) of Applicant(s):  
**Alto Packaging Limited**  
**Level 6 57 Symonds Street Grafton Auckland 1010 New Zealand**  
(72) Name(s) of Designer(s): **Ritchie John Williams**  
(45) Registration Date: **22 March 2012**  
(56) Related Art Documents: **Not Applicable**  
(57) Statement of Newness and Distinctiveness: **Newness and distinctiveness resides in the features of shape and/or configuration of a tray substantially as shown in the accompanying representations.**



- (21) Design Number: **15831/2011**  
(22) Date of Filing Application: **19 December 2011**  
(24) Date from which industrial property rights may have effect: **19 December 2011**  
(54) Product in respect of which the design is registered: **A tray**  
(51) International Design Classification: **09-03F**  
(74) Name(s) of Attorney(s): **A J Park**  
(71) Name(s) and Address(s) of Applicant(s):  
**Alto Packaging Limited**  
**Level 6 57 Symonds Street Grafton Auckland 1010 New Zealand**  
(72) Name(s) of Designer(s): **Ritchie John Williams**  
(45) Registration Date: **22 March 2012**  
(56) Related Art Documents: **Not Applicable**  
(57) Statement of Newness and Distinctiveness: **Newness and distinctiveness resides in the features of shape and/or configuration of a tray substantially as shown in the accompanying representations.**



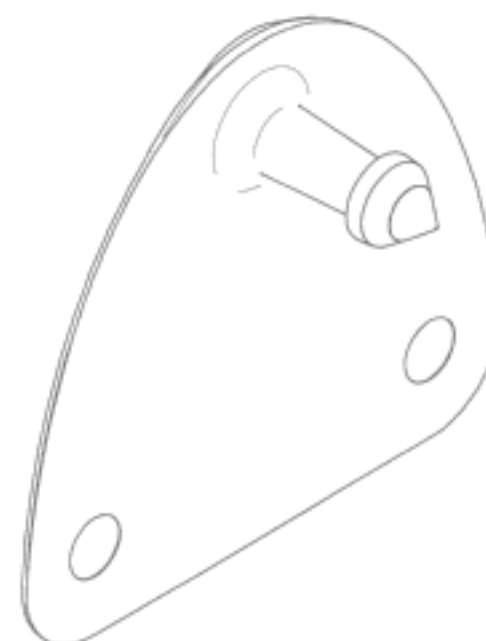
- (21) Design Number: **10104/2012**  
(22) Date of Filing Application: **12 January 2012**  
(24) Date from which industrial property rights may have effect: **12 January 2012**  
(54) Product in respect of which the design is registered: **A cap for a vent for walls**  
(51) International Design Classification: **25-02G, 23-04**  
(74) Name(s) of Attorney(s): **Griffith Hack**  
(71) Name(s) and Address(s) of Applicant(s):  
**Bluescope Steel Limited**  
**Level 11 120 Collins Street Melbourne Victoria 3000 Australia**  
(72) Name(s) of Designer(s): **Brad Stewart Ryan and Luciano Papi**  
(45) Registration Date: **22 March 2012**  
(56) Related Art Documents: **Not Applicable**  
(57) Statement of Newness and Distinctiveness: **The shape and configuration of a cap for a vent for walls is new and distinctive.**



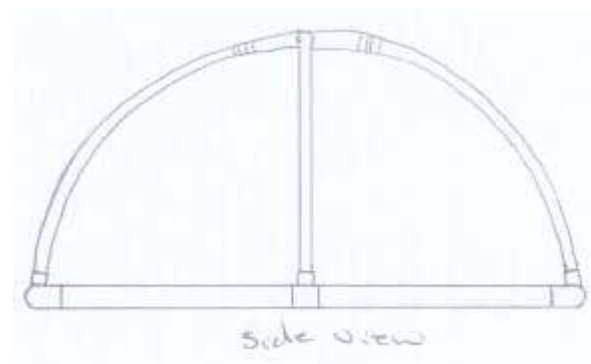
(21) Design Number: **10145/2012**  
(22) Date of Filing Application: **13 January 2012**  
(24) Date from which industrial property rights may have effect: **13 January 2012**  
(54) Product in respect of which the design is registered: **A suit for an animal**  
(51) International Design Classification: **30-01**  
(74) Name(s) of Attorney(s): **Chrysiliou IP**  
(71) Name(s) and Address(s) of Applicant(s):  
**Hidez Pty Limited**  
**100 Argyle Street South Windsor New South Wales 2756 Australia**  
(72) Name(s) of Designer(s): **Matthew Spice**  
(45) Registration Date: **22 March 2012**  
(56) Related Art Documents: **Not Applicable**  
(57) Statement of Newness and Distinctiveness: **Nil**



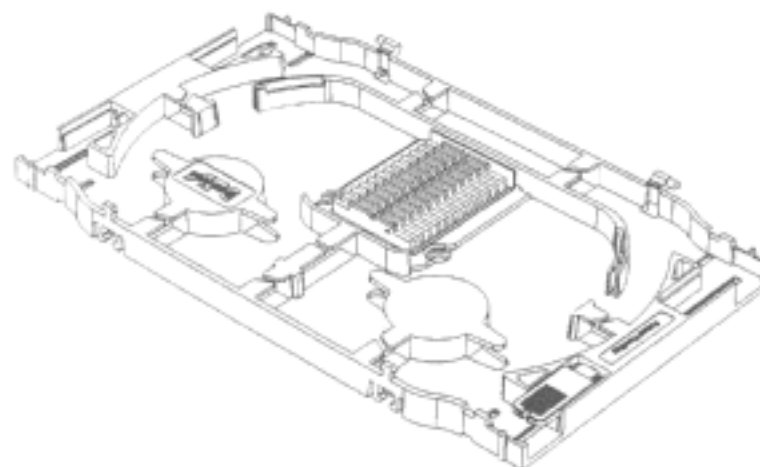
(21) Design Number: **10936/2012**  
(22) Date of Filing Application: **28 February 2012**  
(24) Date from which industrial property rights may have effect: **28 February 2012**  
(54) Product in respect of which the design is registered: **Marker for an animal**  
(51) International Design Classification: **30-08**  
(74) Name(s) of Attorney(s): **Ellis Terry**  
(71) Name(s) and Address(s) of Applicant(s):  
**Allflex Europe SAS**  
**Route des Eaux ZI de Plague 35500 Vitre France**  
(72) Name(s) of Designer(s): **Johan Decaluwe**  
(45) Registration Date: **22 March 2012**  
(30) Convention priority data:  
(31) Number      (32) Date      (33) Country  
**001936287-0001    21 Oct 2011      EUROPEAN COMMUNITY**  
(56) Related Art Documents: **Not Applicable**  
(57) Statement of Newness and Distinctiveness: **Nil**



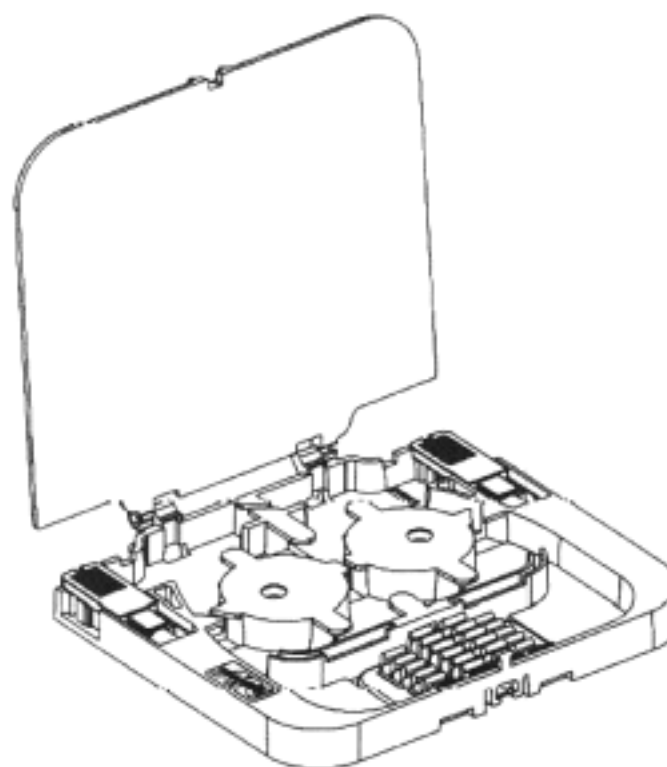
- (21) Design Number: **14838/2011**  
(22) Date of Filing Application: **27 October 2011**  
(24) Date from which industrial property rights may have effect: **27 October 2011**  
(54) Product in respect of which the design is registered: **Dome bird net stand**  
(51) International Design Classification: **30-02**  
(74) Name(s) of Attorney(s):  
(71) Name(s) and Address(s) of Applicant(s):  
**Peter Warner**  
**31 Lady Bay Road Southport Tasmania 7109 Australia**  
(72) Name(s) of Designer(s): **Peter Warner and Scott Gray and Mark Musch and Stuart Read**  
(45) Registration Date: **22 March 2012**  
(56) Related Art Documents: **Not Applicable**  
(57) Statement of Newness and Distinctiveness: **The number and style of the arched top structure as well as the sleeved "T"s on the base structure and the square base structure.**



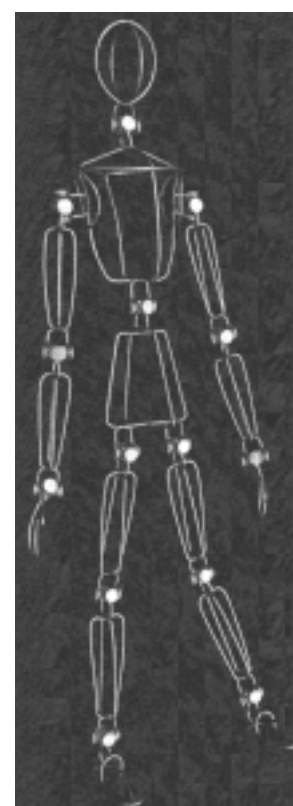
- (21) Design Number: **15785/2011**  
(22) Date of Filing Application: **15 December 2011**  
(24) Date from which industrial property rights may have effect: **15 December 2011**  
(54) Product in respect of which the design is registered: **Splice cassette**  
(51) International Design Classification: **14-01**  
(74) Name(s) of Attorney(s): **Actuate IP**  
(71) Name(s) and Address(s) of Applicant(s):  
**AFC Group Pty Ltd**  
**93-97 Merrindale Drive Croydon Victoria 3136 Australia**  
(72) Name(s) of Designer(s): **Michael Gauci**  
(45) Registration Date: **22 March 2012**  
(56) Related Art Documents: **Not Applicable**  
(57) Statement of Newness and Distinctiveness: **Newness and distinctiveness is claimed in the features of shape and/or configuration of one or more of the splice cassette as illustrated in the accompanying representations with or without an optional lid.**



- (21) Design Number: **11404/2012**  
(22) Date of Filing Application: **15 December 2011**  
(24) Date from which industrial property rights may have effect: **15 December 2011**  
(54) Product in respect of which the design is registered: **Splice cassette**  
(51) International Design Classification: **14-01**  
(74) Name(s) of Attorney(s): **Actuate IP**  
(71) Name(s) and Address(s) of Applicant(s):  
**AFC Group Pty Ltd**  
**93-97 Merrindale Drive Croydon Victoria 3136 Australia**  
(72) Name(s) of Designer(s): **Michael Gauci**  
(45) Registration Date: **22 March 2012**  
(56) Related Art Documents: **Not Applicable**  
(57) Statement of Newness and Distinctiveness: **Newness and distinctiveness is claimed in the features of shape and/or configuration of one or more of the splice cassette as illustrated in the accompanying representations with or without an optional lid.**



- (21) Design Number: **10290/2012**  
(22) Date of Filing Application: **23 January 2012**  
(24) Date from which industrial property rights may have effect: **23 January 2012**  
(54) Product in respect of which the design is registered: **Human model**  
(51) International Design Classification: **20-02B, 19-06**  
(74) Name(s) of Attorney(s): **Freehills Patent & Trade Mark Attorneys**  
(71) Name(s) and Address(s) of Applicant(s):  
**Design Ideas, Ltd.**  
**2521 Stockyard Road Springfield Illinois 62702 United States of America**  
(72) Name(s) of Designer(s): **Christopher Hardy and Jian Hua Xu**  
(45) Registration Date: **22 March 2012**  
(30) Convention priority data:  
(31) Number      (32) Date      (33) Country  
**201130235866.8    22 Jul 2011      CHINA**  
(56) Related Art Documents: **Not Applicable**  
(57) Statement of Newness and Distinctiveness: **Newness and distinctiveness resides in the features of shape and configuration of the design as illustrated in the accompanying representations.**



(21) Design Number: **10868/2012**  
(22) Date of Filing Application: **23 February 2012**  
(24) Date from which industrial property rights may have effect: **23 February 2012**  
(54) Product in respect of which the design is registered: **Hand shower**  
(51) International Design Classification: **23-02B**  
(74) Name(s) of Attorney(s): **Griffith Hack**  
(71) Name(s) and Address(s) of Applicant(s):  
**Hansgrohe AG**  
**Auestrasse 5-9 77761 Schiltach Germany**  
(72) Name(s) of Designer(s): **Matthias Oesterle and Tom Schonherr**  
(45) Registration Date: **22 March 2012**  
(30) Convention priority data:  
(31) Number (32) Date (33) Country  
**001291603-0002 01 Sep 2011 EUROPEAN COMMUNITY**  
(56) Related Art Documents: **Not Applicable**  
(57) Statement of Newness and Distinctiveness: **The shape, configuration and ornamentation of the hand shower as shown in the accompanying figures is new and distinctive.**



(21) Design Number: **10869/2012**  
(22) Date of Filing Application: **23 February 2012**  
(24) Date from which industrial property rights may have effect: **23 February 2012**  
(54) Product in respect of which the design is registered: **Sanitary faucet/fitting**  
(51) International Design Classification: **23-01H**  
(74) Name(s) of Attorney(s): **Griffith Hack**  
(71) Name(s) and Address(s) of Applicant(s):  
**Hansgrohe AG**  
**Auestr. 5-9 D-77761 Schiltach Germany**  
(72) Name(s) of Designer(s): **Marco Flaig**  
(45) Registration Date: **22 March 2012**  
(30) Convention priority data:  
(31) Number (32) Date (33) Country  
**001291439-0003 31 Aug 2011 EUROPEAN COMMUNITY**  
(56) Related Art Documents: **Not Applicable**  
(57) Statement of Newness and Distinctiveness: **The shape, configuration and ornamentation of the sanitary faucet/fitting is new and distinctive.**



(21) Design Number: **10870/2012**  
(22) Date of Filing Application: **23 February 2012**  
(24) Date from which industrial property rights may have effect: **23 February 2012**  
(54) Product in respect of which the design is registered: **Sanitary faucet/fitting**  
(51) International Design Classification: **23-01H**  
(74) Name(s) of Attorney(s): **Griffith Hack**  
(71) Name(s) and Address(s) of Applicant(s):  
**Hansgrohe AG**  
**Austr. 5-9 D-77761 Schiltach Germany**  
(72) Name(s) of Designer(s): **Marco Flaig**  
(45) Registration Date: **22 March 2012**  
(30) Convention priority data:  
(31) Number (32) Date (33) Country  
**001291439-0001 31 Aug 2011 EUROPEAN COMMUNITY**  
(56) Related Art Documents: **Not Applicable**  
(57) Statement of Newness and Distinctiveness: **The shape, configuration and ornamentation of the sanitary faucet/fitting is new and distinctive.**

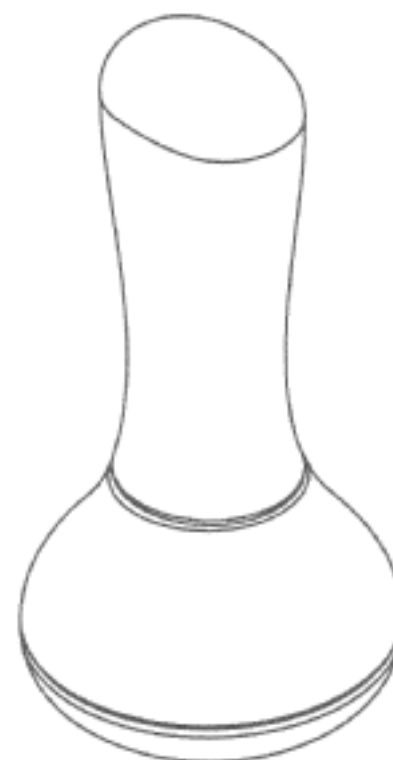


(21) Design Number: **10875/2012**  
(22) Date of Filing Application: **23 February 2012**  
(24) Date from which industrial property rights may have effect: **23 February 2012**  
(54) Product in respect of which the design is registered: **Perambulator**  
(51) International Design Classification: **12-12**  
(74) Name(s) of Attorney(s): **Fisher Adams Kelly**  
(71) Name(s) and Address(s) of Applicant(s):  
**Otto Bock Mobility Solutions GmbH**  
**Lindenstrasse 13 07426 Koenigsee Germany**  
(72) Name(s) of Designer(s): **Matthias Dohm**  
(45) Registration Date: **22 March 2012**  
(30) Convention priority data:  
(31) Number (32) Date (33) Country  
**001920612 21 Sep 2011 EUROPEAN COMMUNITY**  
(56) Related Art Documents: **Not Applicable**  
(57) Statement of Newness and Distinctiveness: **The newness and distinctiveness of the design resides in the shape and/or configuration of the PERAMBULATOR shown in the representations.**





(21) Design Number: **10877/2012**  
(22) Date of Filing Application: **23 February 2012**  
(24) Date from which industrial property rights may have effect: **23 February 2012**  
(54) Product in respect of which the design is registered: **Skin treatment applicator**  
(51) International Design Classification: **28-03NES**  
(74) Name(s) of Attorney(s): **SPRUSON & FERGUSON**  
(71) Name(s) and Address(s) of Applicant(s):  
**Pollogen Ltd**  
**6 Kaufman Street PO Box 50320 68012 Tel Aviv Israel**  
(72) Name(s) of Designer(s): **Avner Sadot and Omar Kotzer and Sahar Batsry and Sivan Postelnick and Daniel Keidar**  
(45) Registration Date: **22 March 2012**  
(30) Convention priority data:  
(31) Number (32) Date (33) Country  
**001908716-0001 26 Aug 2011 EUROPEAN COMMUNITY**  
(56) Related Art Documents: **Not Applicable**  
(57) Statement of Newness and Distinctiveness: **Newness and distinctiveness is claimed in the features of shape and/or configuration of a skin treatment applicator as illustrated in the accompanying representations.**



(21) Design Number: **10878/2012**  
(22) Date of Filing Application: **23 February 2012**  
(24) Date from which industrial property rights may have effect: **23 February 2012**  
(54) Product in respect of which the design is registered: **Skin treatment applicator**  
(51) International Design Classification: **28-03NES**  
(74) Name(s) of Attorney(s): **SPRUSON & FERGUSON**  
(71) Name(s) and Address(s) of Applicant(s):  
**Pollogen Ltd**  
**6 Kaufman Street PO Box 50320 68012 Tel Aviv Israel**  
(72) Name(s) of Designer(s): **Avner Sadot and Omar Kotzer and Sahar Batsry and Sivan Postelnick and Daniel Keidar**  
(45) Registration Date: **22 March 2012**  
(30) Convention priority data:  
(31) Number (32) Date (33) Country  
**001908716-0002 26 Aug 2011 EUROPEAN COMMUNITY**  
(56) Related Art Documents: **Not Applicable**  
(57) Statement of Newness and Distinctiveness: **Newness and distinctiveness is claimed in the features of shape and/or configuration of a skin treatment applicator as illustrated in the accompanying representations.**



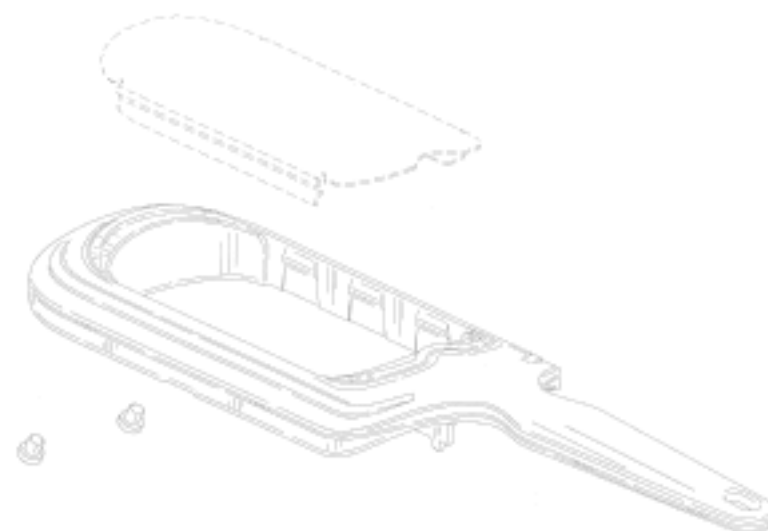
(21) Design Number: **10879/2012**  
(22) Date of Filing Application: **24 February 2012**  
(24) Date from which industrial property rights may have effect: **24 February 2012**  
(54) Product in respect of which the design is registered: **Hand-held grater**  
(51) International Design Classification: **07-04**  
(74) Name(s) of Attorney(s): **PHILLIPS ORMONDE FITZPATRICK**  
(71) Name(s) and Address(s) of Applicant(s):  
**Dart Industries Inc.**  
**14901 S. Orange Blossom Trail Orlando Florida 32837 United States of America**

(72) Name(s) of Designer(s): **Vincent Jalet**  
(45) Registration Date: **22 March 2012**

(30) Convention priority data:  
(31) Number (32) Date (33) Country  
**29/374,668 19 Sep 2011 UNITED STATES OF AMERICA**

(56) Related Art Documents: **Not Applicable**

(57) Statement of Newness and Distinctiveness: **Those features of the hand-held grater depicted in the representations that are new and distinctive are the shape and/or configuration. The view shown in Fig.1 shows the hand-held grater with a blade exploded in broken line and the feet exploded below. The blade is not part of the design and is to be disregarded when considering the overall impression of the design.**



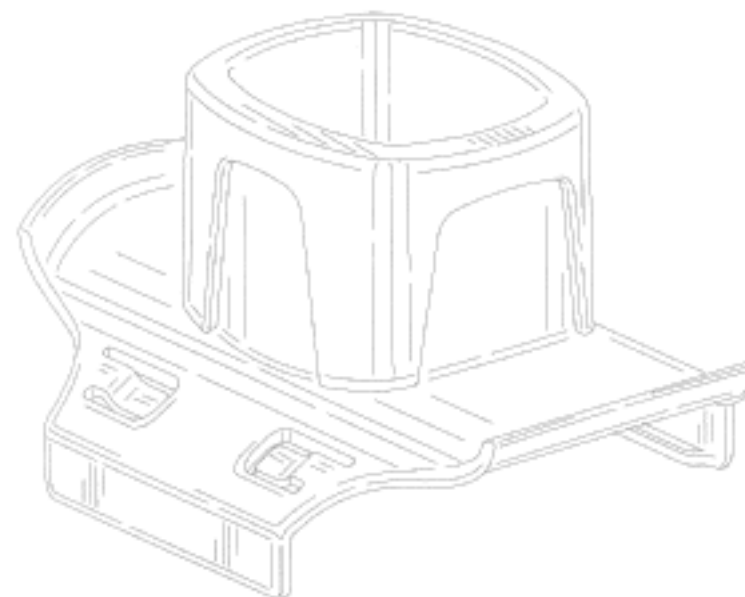
(21) Design Number: **10880/2012**  
(22) Date of Filing Application: **24 February 2012**  
(24) Date from which industrial property rights may have effect: **24 February 2012**  
(54) Product in respect of which the design is registered: **Slider for hand-held grater**  
(51) International Design Classification: **07-04**  
(74) Name(s) of Attorney(s): **PHILLIPS ORMONDE FITZPATRICK**  
(71) Name(s) and Address(s) of Applicant(s):  
**Dart Industries Inc.**  
**14901 S. Orange Blossom Trail Orlando Florida 32837 United States of America**

(72) Name(s) of Designer(s): **Vincent Jalet**  
(45) Registration Date: **22 March 2012**

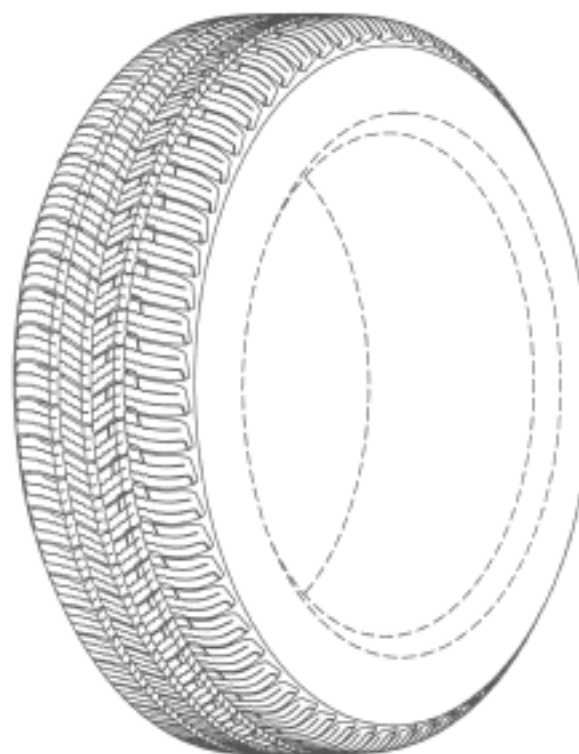
(30) Convention priority data:  
(31) Number (32) Date (33) Country  
**29/374,667 19 Sep 2011 UNITED STATES OF AMERICA**

(56) Related Art Documents: **Not Applicable**

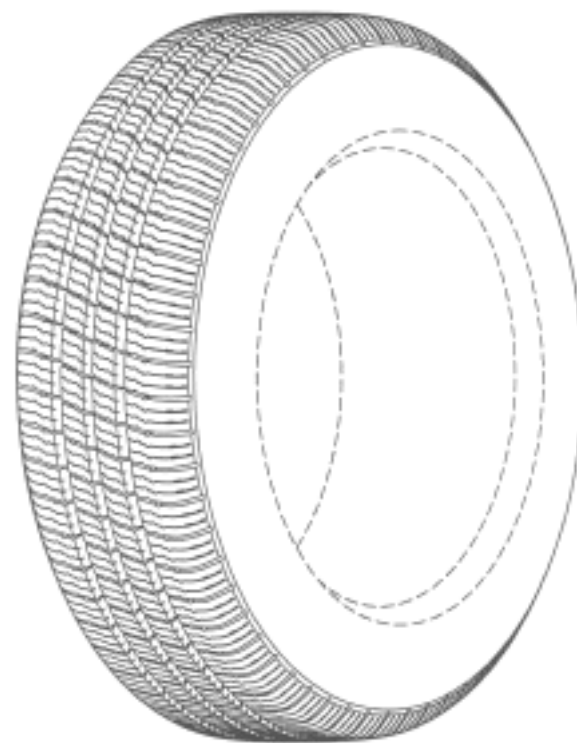
(57) Statement of Newness and Distinctiveness: **Those features of the slider for hand-held grater depicted in the representations that are new and distinctive are the shape and/or configuration.**



- (21) Design Number: **10882/2012**  
(22) Date of Filing Application: **27 February 2012**  
(24) Date from which industrial property rights may have effect: **27 February 2012**  
(54) Product in respect of which the design is registered: **A tyre**  
(51) International Design Classification: **12-15B**  
(74) Name(s) of Attorney(s): **WATERMARK PATENT AND TRADE MARKS ATTORNEYS**  
(71) Name(s) and Address(s) of Applicant(s):  
**Michelin Recherche et Technique SA**  
**Route Louis Braille 10 et 12 CH-1763 Granges-Paccot Switzerland**  
**Societe De Technologie Michelin**  
**23 rue Breschet F-63000 Clermont-Ferrand Cedex France**  
(72) Name(s) of Designer(s): **Derick Lonell Harris and David Scott Morgan**  
(45) Registration Date: **22 March 2012**  
(30) Convention priority data:  
(31) Number      (32) Date      (33) Country  
**29/402,960      29 Sep 2011      UNITED STATES OF AMERICA**  
(56) Related Art Documents: **Not Applicable**  
(57) Statement of Newness and Distinctiveness: **Newness and distinctiveness resides in the appearance of the tread region of the tyre, the remainder of the tyre not forming part of the design.**



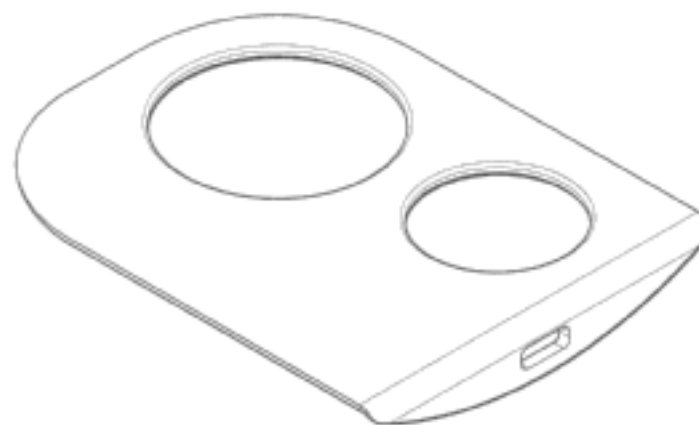
- (21) Design Number: **10883/2012**  
(22) Date of Filing Application: **27 February 2012**  
(24) Date from which industrial property rights may have effect: **27 February 2012**  
(54) Product in respect of which the design is registered: **A tyre**  
(51) International Design Classification: **12-15B**  
(74) Name(s) of Attorney(s): **WATERMARK PATENT AND TRADE MARKS ATTORNEYS**  
(71) Name(s) and Address(s) of Applicant(s):  
**Michelin Recherche et Technique SA**  
**Route Louis Braille 10 et 12 CH-1763 Granges-Paccot Switzerland**  
**Societe De Technologie Michelin**  
**23 rue Breschet F-63000 Clermont-Ferrand Cedex France**  
(72) Name(s) of Designer(s): **John Anthony Hutz and Derick Lonell Harris**  
(45) Registration Date: **22 March 2012**  
(30) Convention priority data:  
(31) Number      (32) Date      (33) Country  
**29/402,968      29 Sep 2011      UNITED STATES OF AMERICA**  
(56) Related Art Documents: **Not Applicable**  
(57) Statement of Newness and Distinctiveness: **Newness and distinctiveness resides in the appearance of the tread region of the tyre, the remainder of the tyre not forming part of the design.**



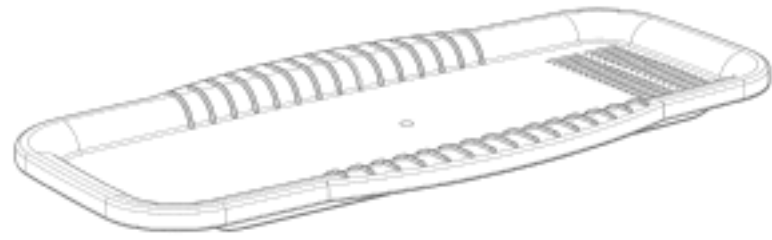
(21) Design Number: **10889/2012**  
(22) Date of Filing Application: **24 February 2012**  
(24) Date from which industrial property rights may have effect: **24 February 2012**  
(54) Product in respect of which the design is registered: **Air conditioner**  
(51) International Design Classification: **23-04**  
(74) Name(s) of Attorney(s): **Shelston IP**  
(71) Name(s) and Address(s) of Applicant(s):  
**Gree Electric Appliances, Inc.**  
**No. 6 Qianshan Jinji West Road Zhuhai City Gaungdong 519070 People's**  
**Republic of China**  
(72) Name(s) of Designer(s): **Yubin Li and Huanlong Wu and Liang Li and**  
**Kangquan Xu and Yin Li**  
(45) Registration Date: **22 March 2012**  
(30) Convention priority data:  
(31) Number (32) Date (33) Country  
**201130289848.8 25 Aug 2011 CHINA**  
(56) Related Art Documents: **Not Applicable**  
(57) Statement of Newness and Distinctiveness: **Nil**



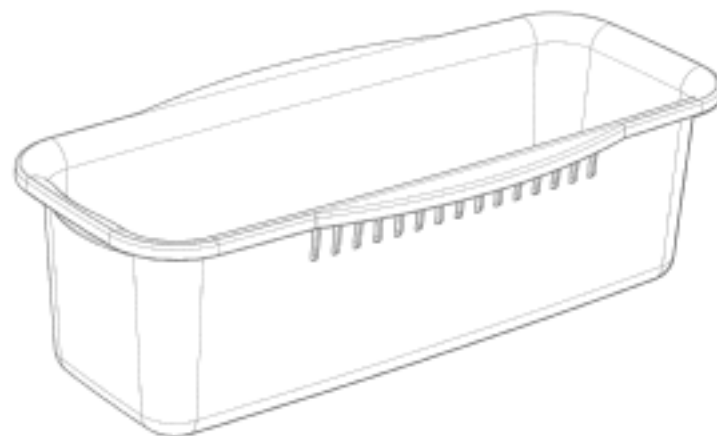
(21) Design Number: **10896/2012**  
(22) Date of Filing Application: **27 February 2012**  
(24) Date from which industrial property rights may have effect: **27 February 2012**  
(54) Product in respect of which the design is registered: **Measuring device**  
(51) International Design Classification: **10-04**  
(74) Name(s) of Attorney(s): **Callinans**  
(71) Name(s) and Address(s) of Applicant(s):  
**The Decor Corporation Pty. Ltd.**  
**1314 Ferntree Gully Road Scoresby Victoria 3179 Australia**  
(72) Name(s) of Designer(s): **Arthur Richard Carlson**  
(45) Registration Date: **22 March 2012**  
(56) Related Art Documents: **Not Applicable**  
(57) Statement of Newness and Distinctiveness: **Nil**



(21) Design Number: **10897/2012**  
(22) Date of Filing Application: **27 February 2012**  
(24) Date from which industrial property rights may have effect: **27 February 2012**  
(54) Product in respect of which the design is registered: **Pasta cooker lid**  
(51) International Design Classification: **09-07NES, 07-01NES**  
(74) Name(s) of Attorney(s): **Callinans**  
(71) Name(s) and Address(s) of Applicant(s):  
**The Decor Corporation Pty. Ltd.**  
**1314 Ferntree Gully Road Scoresby Victoria 3179 Australia**  
(72) Name(s) of Designer(s): **Arthur Richard Carlson**  
(45) Registration Date: **23 March 2012**  
(56) Related Art Documents: **Not Applicable**  
(57) Statement of Newness and Distinctiveness: **Nil**



(21) Design Number: **10898/2012**  
(22) Date of Filing Application: **27 February 2012**  
(24) Date from which industrial property rights may have effect: **27 February 2012**  
(54) Product in respect of which the design is registered: **Pasta cooker base**  
(51) International Design Classification: **07-02N**  
(74) Name(s) of Attorney(s): **Callinans**  
(71) Name(s) and Address(s) of Applicant(s):  
**The Decor Corporation Pty. Ltd.**  
**1314 Ferntree Gully Road Scoresby Victoria 3179 Australia**  
(72) Name(s) of Designer(s): **Arthur Richard Carlson**  
(45) Registration Date: **23 March 2012**  
(56) Related Art Documents: **Not Applicable**  
(57) Statement of Newness and Distinctiveness: **Nil**



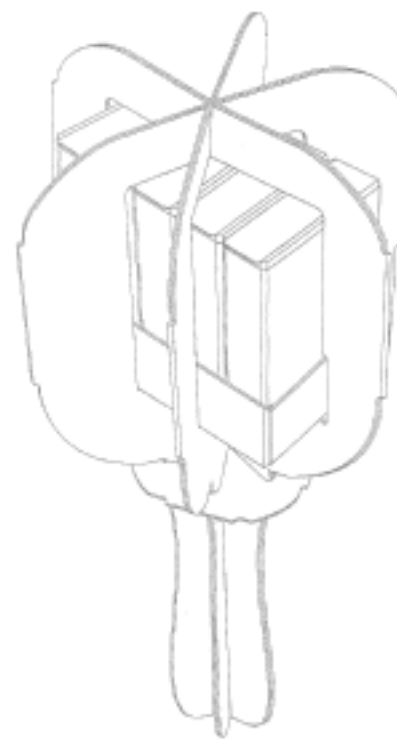
(21) Design Number: **10900/2012**  
(22) Date of Filing Application: **28 February 2012**  
(24) Date from which industrial property rights may have effect: **28 February 2012**  
(54) Product in respect of which the design is registered: **Graphic display device**  
(51) International Design Classification: **14-04**  
(74) Name(s) of Attorney(s): **Griffith Hack**  
(71) Name(s) and Address(s) of Applicant(s):  
**SMA Solar Technology AG**  
**Sonnenallee 1 34266 Niestetal Germany**  
(72) Name(s) of Designer(s): **Lydia Schacht**  
(45) Registration Date: **23 March 2012**  
(30) Convention priority data:  
(31) Number (32) Date (33) Country  
**001918889-0001 16 Sep 2011 EUROPEAN COMMUNITY**  
(56) Related Art Documents: **Not Applicable**  
(57) Statement of Newness and Distinctiveness: **The shape, configuration and ornamentation of the GRAPHIC DISPLAY DEVICE as shown in the accompanying representations is new and distinctive. Letters, numbers and symbols appearing on the graphic display device do not form any part of the present design.**



(21) Design Number: **10901/2012**  
(22) Date of Filing Application: **28 February 2012**  
(24) Date from which industrial property rights may have effect: **28 February 2012**  
(54) Product in respect of which the design is registered: **Graphic display device**  
(51) International Design Classification: **14-04**  
(74) Name(s) of Attorney(s): **Griffith Hack**  
(71) Name(s) and Address(s) of Applicant(s):  
**SMA Solar Technology AG**  
**Sonnenallee 1 34266 Niestetal Germany**  
(72) Name(s) of Designer(s): **Lydia Schacht**  
(45) Registration Date: **23 March 2012**  
(30) Convention priority data:  
(31) Number (32) Date (33) Country  
**001918889-0002 16 Sep 2011 EUROPEAN COMMUNITY**  
(56) Related Art Documents: **Not Applicable**  
(57) Statement of Newness and Distinctiveness: **The shape, configuration and ornamentation of the GRAPHIC DISPLAY DEVICE as shown in the accompanying representations is new and distinctive. Letters, numbers and symbols appearing on the graphic display device do not form any part of the present design.**



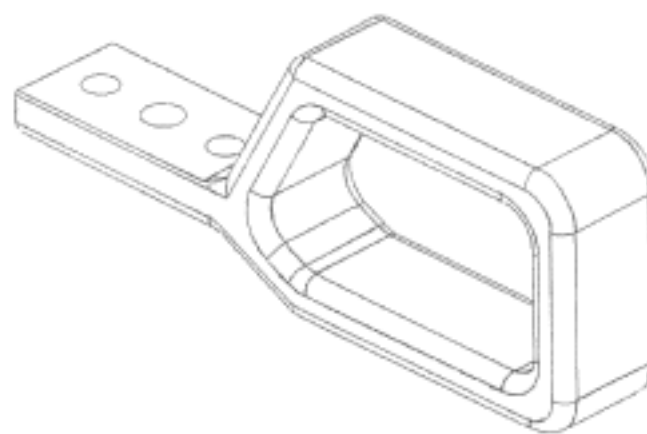
- (21) Design Number: **10902/2012**  
(22) Date of Filing Application: **28 February 2012**  
(24) Date from which industrial property rights may have effect: **28 February 2012**  
(54) Product in respect of which the design is registered: **Packaging for foodstuffs**  
(51) International Design Classification: **09-03NES**  
(74) Name(s) of Attorney(s): **Wrays**  
(71) Name(s) and Address(s) of Applicant(s):  
**Ferrero Offene Handelsgesellschaft m.b.H.**  
**Hainer Weg 120 60599 Frankfurt am Main Germany**  
**Ferrero Deutschland GmbH**  
**Hainer Weg 120 60599 Frankfurt am Main Germany**  
(72) Name(s) of Designer(s): **Andreas Pohl**  
(45) Registration Date: **23 March 2012**  
(30) Convention priority data:  
(31) Number (32) Date (33) Country  
**402011004292.4 31 Aug 2011 GERMANY**  
(56) Related Art Documents: **Not Applicable**  
(57) Statement of Newness and Distinctiveness: **Newness and distinctiveness is claimed in the features of shape and/or configuration of the packaging for foodstuffs depicted in the accompanying representations.**



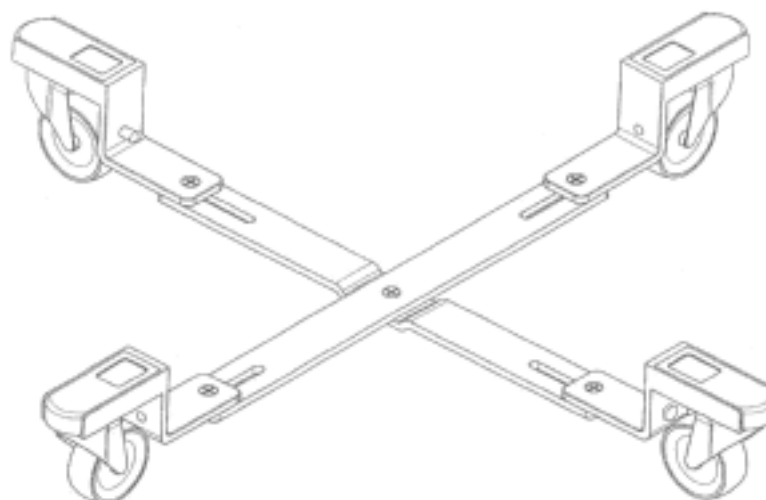
- (21) Design Number: **10903/2012**  
(22) Date of Filing Application: **28 February 2012**  
(24) Date from which industrial property rights may have effect: **28 February 2012**  
(54) Product in respect of which the design is registered: **Lamp**  
(51) International Design Classification: **26-05C**  
(74) Name(s) of Attorney(s): **Wrays**  
(71) Name(s) and Address(s) of Applicant(s):  
**Mass Technology (H.K.) Limited**  
**31/F. Two Landmark East 100 How Ming Street Kwun Tong Kowloon**  
**Hong Kong**  
(72) Name(s) of Designer(s): **Onn Fah Foo**  
(45) Registration Date: **23 March 2012**  
(30) Convention priority data:  
(31) Number (32) Date (33) Country  
**1101871.0 21 Oct 2011 HONG KONG**  
(56) Related Art Documents: **Not Applicable**  
(57) Statement of Newness and Distinctiveness: **Newness and distinctiveness is claimed in the features of shape and/or configuration of the lamp depicted in the accompanying representations.**



(21) Design Number: **10912/2012**  
(22) Date of Filing Application: **28 February 2012**  
(24) Date from which industrial property rights may have effect: **28 February 2012**  
(54) Product in respect of which the design is registered: **Vehicle emergency escape window handle**  
(51) International Design Classification: **08-06**  
(74) Name(s) of Attorney(s): **SPRUSON & FERGUSON**  
(71) Name(s) and Address(s) of Applicant(s):  
**BAE Systems Land & Armaments L.P.**  
**1205 Coleman Avenue M/D-N30 Santa Clara California 95050 United States of America**  
(72) Name(s) of Designer(s): **Gregory W. Gulseth**  
(45) Registration Date: **23 March 2012**  
(30) Convention priority data:  
(31) Number (32) Date (33) Country  
**29/400788 01 Sep 2011 UNITED STATES OF AMERICA**  
(56) Related Art Documents: **Not Applicable**  
(57) Statement of Newness and Distinctiveness: **Newness and distinctiveness is claimed in the features of shape and/or configuration of a vehicle emergency escape window handle as illustrated in the accompanying representations.**



(21) Design Number: **10913/2012**  
(22) Date of Filing Application: **28 February 2012**  
(24) Date from which industrial property rights may have effect: **28 February 2012**  
(54) Product in respect of which the design is registered: **Trolley**  
(51) International Design Classification: **12-02**  
(74) Name(s) of Attorney(s): **Griffith Hack**  
(71) Name(s) and Address(s) of Applicant(s):  
**Astrid Frances Marie Haydon**  
**Wath Cottage The Cross Damerham Fordingbridge Hants SP63HD United Kingdom**  
**Corinne Elizabeth Elstow**  
**2 Rabley Hill Cottages Mildenhall Marlborough Wilts SN8 2LW United Kingdom**  
(72) Name(s) of Designer(s): **Astrid Frances Marie Haydon and Corinne Elizabeth Elstow**  
(45) Registration Date: **23 March 2012**  
(30) Convention priority data:  
(31) Number (32) Date (33) Country  
**0019200554-0001 21 Sep 2011 EUROPEAN COMMUNITY**  
(56) Related Art Documents: **Not Applicable**  
(57) Statement of Newness and Distinctiveness: **Newness and distinctiveness resides in the visual features, including shape and configuration, of a TROLLEY as shown in solid outline in the accompanying drawings. When determining whether the design is substantially similar in overall impression to another design, no regard is to be had to those features shown in dotted outline in the accompanying drawings, which features are provided for illustrative purposes only.**

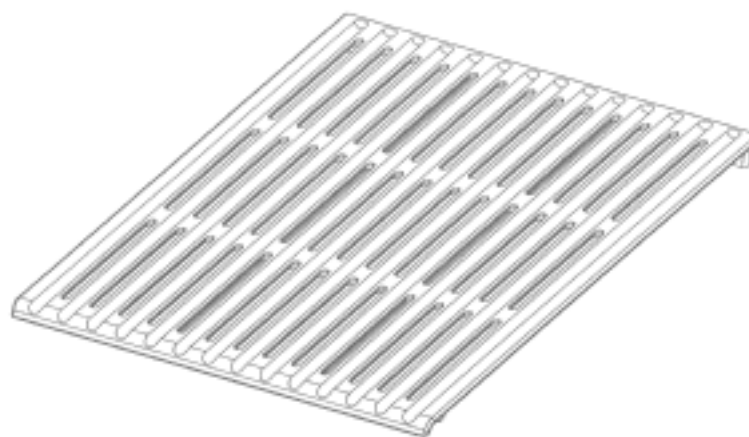




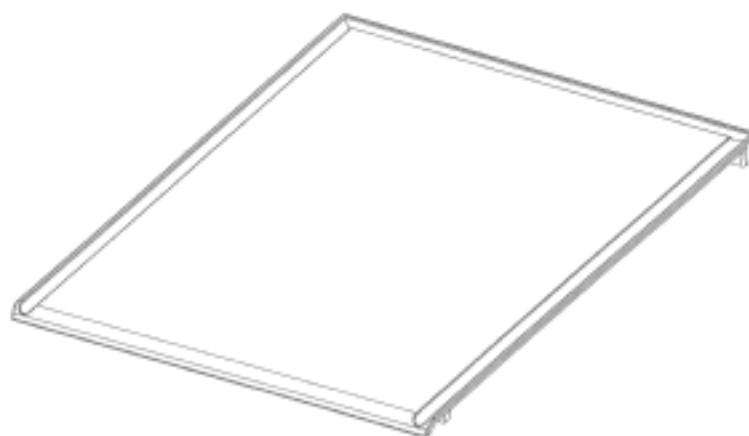
(21) Design Number: **10914/2012**  
(22) Date of Filing Application: **27 February 2012**  
(24) Date from which industrial property rights may have effect: **27 February 2012**  
(54) Product in respect of which the design is registered: **A demountable shelter frame**  
(51) International Design Classification: **25-03**  
(74) Name(s) of Attorney(s): **Pegasus IP**  
(71) Name(s) and Address(s) of Applicant(s):  
**Mattock Design Pty Ltd**  
**27 Hazelmere Parade Sherwood Brisbane Queensland 4075 Australia**  
(72) Name(s) of Designer(s): **Lambertus De Graaf**  
(45) Registration Date: **23 March 2012**  
(56) Related Art Documents: **Not Applicable**  
(57) Statement of Newness and Distinctiveness: **Newness and distinctiveness resides in the features of shape and/or configuration of the product as shown in the reps.**



(21) Design Number: **10918/2012**  
(22) Date of Filing Application: **28 February 2012**  
(24) Date from which industrial property rights may have effect: **28 February 2012**  
(54) Product in respect of which the design is registered: **Cooking grill**  
(51) International Design Classification: **07-02E**  
(74) Name(s) of Attorney(s): **FB Rice**  
(71) Name(s) and Address(s) of Applicant(s):  
**Garth Australia Pty Ltd**  
**Level 14 140 William Street Melbourne Victoria 3000 Australia**  
(72) Name(s) of Designer(s): **Gavin Hill**  
(45) Registration Date: **23 March 2012**  
(56) Related Art Documents: **Not Applicable**  
(57) Statement of Newness and Distinctiveness: **Newness and distinctiveness reside in the features of the design as shown in the representations.**



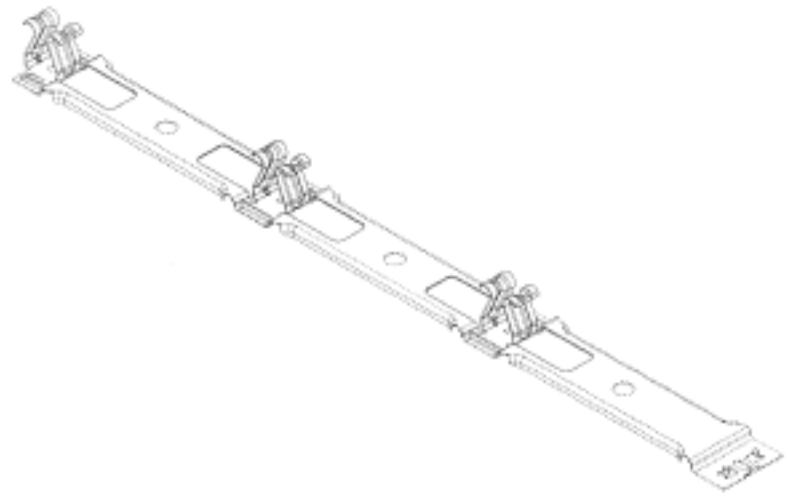
- (21) Design Number: **10919/2012**  
(22) Date of Filing Application: **28 February 2012**  
(24) Date from which industrial property rights may have effect: **28 February 2012**  
(54) Product in respect of which the design is registered: **Cooking plate**  
(51) International Design Classification: **07-02H**  
(74) Name(s) of Attorney(s): **FB Rice**  
(71) Name(s) and Address(s) of Applicant(s):  
**Garth Australia Pty Ltd**  
**Level 14 140 William Street Melbourne Victoria 3000 Australia**  
(72) Name(s) of Designer(s): **Gavin Hill**  
(45) Registration Date: **23 March 2012**  
(56) Related Art Documents: **Not Applicable**  
(57) Statement of Newness and Distinctiveness: **Newness and distinctiveness reside in the features of the design as shown in the representations.**



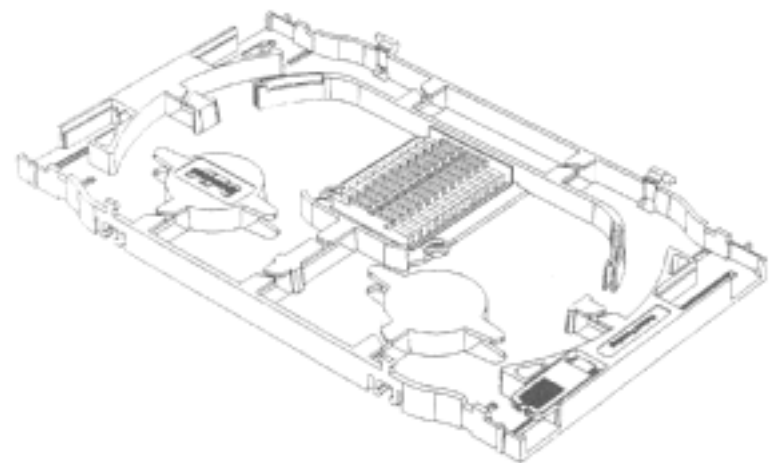
- (21) Design Number: **10921/2012**  
(22) Date of Filing Application: **28 February 2012**  
(24) Date from which industrial property rights may have effect: **28 February 2012**  
(54) Product in respect of which the design is registered: **Footwear**  
(51) International Design Classification: **02-04NES**  
(74) Name(s) of Attorney(s): **FB Rice**  
(71) Name(s) and Address(s) of Applicant(s):  
**Vibram S.P.A.**  
**Via Cristoforo Colombo 5 I-21041 Albizzate (Varese) Italy**  
(72) Name(s) of Designer(s): **Marco Bramani and Robert Fliri**  
(45) Registration Date: **23 March 2012**  
(30) Convention priority data:  
(31) Number      (32) Date      (33) Country  
**001913930      07 Sep 2011      EUROPEAN COMMUNITY**  
(56) Related Art Documents: **Not Applicable**  
(57) Statement of Newness and Distinctiveness: **Newness and distinctiveness reside in the features of the design as shown in the representations.**



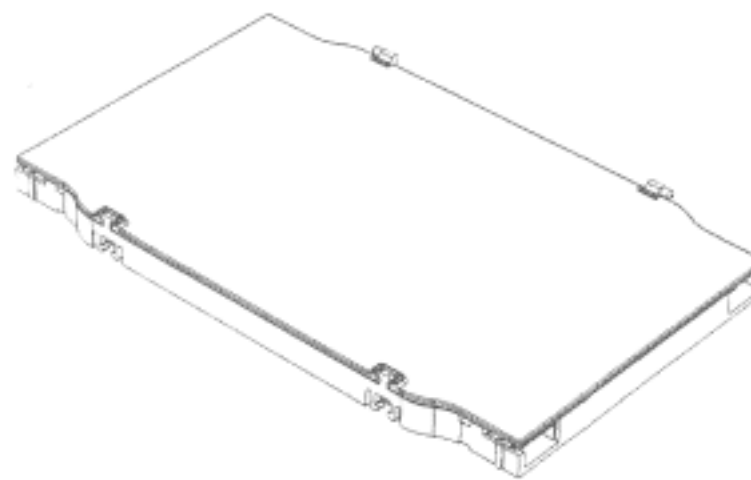
- (21) Design Number: **14175/2011**  
(22) Date of Filing Application: **16 September 2011**  
(24) Date from which industrial property rights may have effect: **16 September 2011**  
(54) Product in respect of which the design is registered: **Sheeting fastener**  
(51) International Design Classification: **08-08A, 08-08NES**  
(74) Name(s) of Attorney(s): **Davies Collison Cave**  
(71) Name(s) and Address(s) of Applicant(s):  
**Apex Building Products Pty Ltd**  
**4 Cojo Place Dandenong South Victoria 3175 Australia**  
(72) Name(s) of Designer(s): **Frank Caccetta and Randell West and Steve Penman and Steve Cannon and Helmut Blaedel and Michael Fischer and Rick Heintz and Artur Heintz and Wilfred Geissler**  
(45) Registration Date: **23 March 2012**  
(56) Related Art Documents: **Not Applicable**  
(57) Statement of Newness and Distinctiveness: **Newness and distinctiveness is claimed in the visual features shown in solid lines in the representations, the number of units "X" being indefinite.**



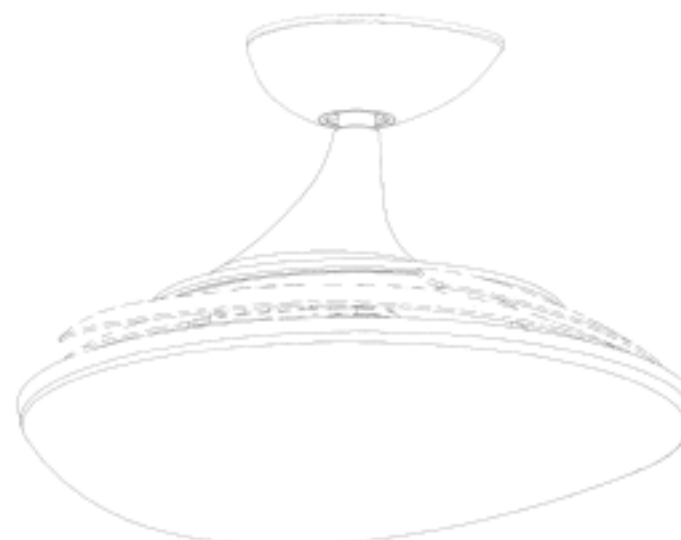
- (21) Design Number: **15806/2011**  
(22) Date of Filing Application: **15 December 2011**  
(24) Date from which industrial property rights may have effect: **15 December 2011**  
(54) Product in respect of which the design is registered: **Splice cassette**  
(51) International Design Classification: **14-01**  
(74) Name(s) of Attorney(s): **Actuate IP**  
(71) Name(s) and Address(s) of Applicant(s):  
**AFC Group Pty Ltd**  
**93-97 Merrindale Drive Croydon Victoria 3136 Australia**  
(72) Name(s) of Designer(s): **Michael Gauci**  
(45) Registration Date: **23 March 2012**  
(56) Related Art Documents: **Not Applicable**  
(57) Statement of Newness and Distinctiveness: **Newness and distinctiveness is claimed in the features of shape and/or configuration of one or more of the splice cassette as illustrated in the accompanying representations with or without an optional lid.**



- (21) Design Number: **11431/2012**  
(22) Date of Filing Application: **15 December 2011**  
(24) Date from which industrial property rights may have effect: **15 December 2011**  
(54) Product in respect of which the design is registered: **Splice cassette**  
(51) International Design Classification: **14-01**  
(74) Name(s) of Attorney(s): **Actuate IP**  
(71) Name(s) and Address(s) of Applicant(s):  
**AFC Group Pty Ltd**  
**93-97 Merrindale Drive Croydon Victoria 3136 Australia**  
(72) Name(s) of Designer(s): **Michael Gauci**  
(45) Registration Date: **23 March 2012**  
(56) Related Art Documents: **Not Applicable**  
(57) Statement of Newness and Distinctiveness: **Newness and distinctiveness is claimed in the features of shape and/or configuration of one or more of the splice cassette as illustrated in the accompanying representations with or without an optional lid.**



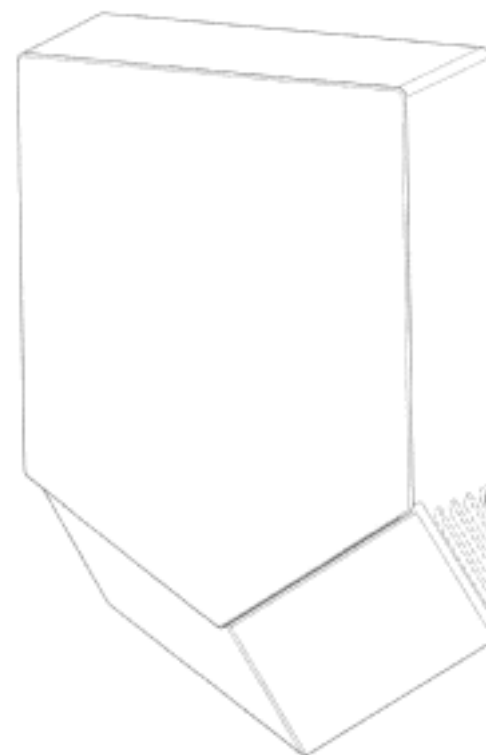
- (21) Design Number: **10147/2012**  
(22) Date of Filing Application: **13 January 2012**  
(24) Date from which industrial property rights may have effect: **13 January 2012**  
(54) Product in respect of which the design is registered: **Ceiling fan light**  
(51) International Design Classification: **26-05NES, 23-04**  
(74) Name(s) of Attorney(s): **Davies Collison Cave**  
(71) Name(s) and Address(s) of Applicant(s):  
**Fanaway Technology Hong Kong Ltd.**  
**Room 2501 Hopewell Centre 183 Queen's Road East Hong Kong**  
(72) Name(s) of Designer(s): **Joe Vilella and Neil Stewart Waldbaum**  
(45) Registration Date: **23 March 2012**  
(56) Related Art Documents: **Not Applicable**  
(57) Statement of Newness and Distinctiveness: **The retractable blades shown in broken lines in the representations do not form part of the design.**



- (21) Design Number: **10148/2012**  
(22) Date of Filing Application: **13 January 2012**  
(24) Date from which industrial property rights may have effect: **13 January 2012**  
(54) Product in respect of which the design is registered: **A fan blade for a retractable blade ceiling fan**  
(51) International Design Classification: **23-04**  
(74) Name(s) of Attorney(s): **Davies Collison Cave**  
(71) Name(s) and Address(s) of Applicant(s):  
**Fanaway Technology Hong Kong Ltd.**  
**Room 2501 Hopewell Centre 183 Queen's Road East Hong Kong**  
(72) Name(s) of Designer(s): **Joe Vilella**  
(45) Registration Date: **23 March 2012**  
(56) Related Art Documents: **Not Applicable**  
(57) Statement of Newness and Distinctiveness: **The features of shape and configuration of the cross-section of the fan blade for a retractable ceiling fan as shown in cross-section in Figures 7 to 16 of the accompanying representations are considered to be new and distinctive.**



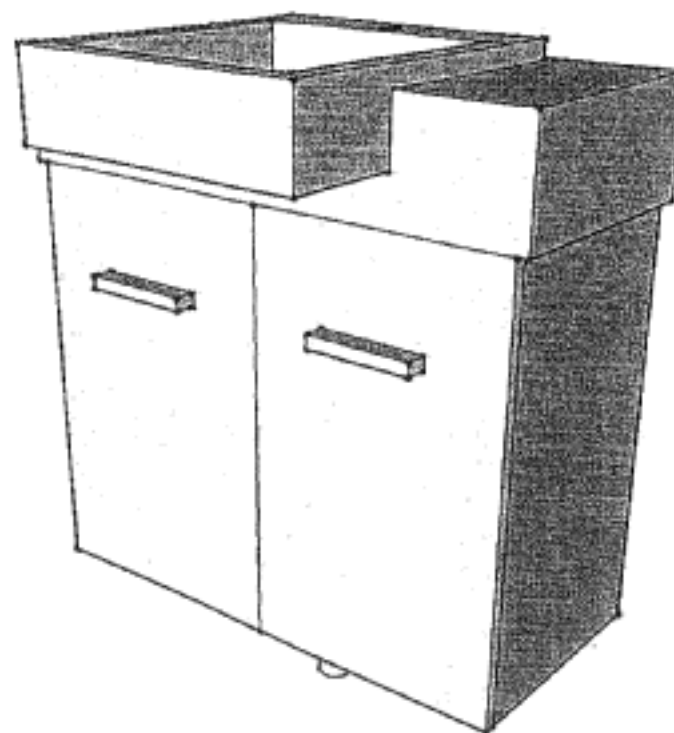
- (21) Design Number: **10352/2012**  
(22) Date of Filing Application: **25 January 2012**  
(24) Date from which industrial property rights may have effect: **25 January 2012**  
(54) Product in respect of which the design is registered: **A hand dryer**  
(51) International Design Classification: **15-05, 28-03NES**  
(74) Name(s) of Attorney(s): **Shelston IP**  
(71) Name(s) and Address(s) of Applicant(s):  
**Dyson Limited**  
**Tetbury Hill Malmesbury Wiltshire SN16 0RP United Kingdom**  
(72) Name(s) of Designer(s): **James Dyson and Peter David Gammack and Leigh Michael Ryan**  
(45) Registration Date: **23 March 2012**  
(30) Convention priority data:  
(31) Number      (32) Date      (33) Country  
**001905449-0002    17 Aug 2011      EUROPEAN COMMUNITY**  
(56) Related Art Documents: **Not Applicable**  
(57) Statement of Newness and Distinctiveness: **Newness and distinctiveness reside in the features of shape and/or configuration of a hand dryer as illustrated in solid lines in the accompanying representations. The features shown in broken or discontinuous lines do not form part of the design.**



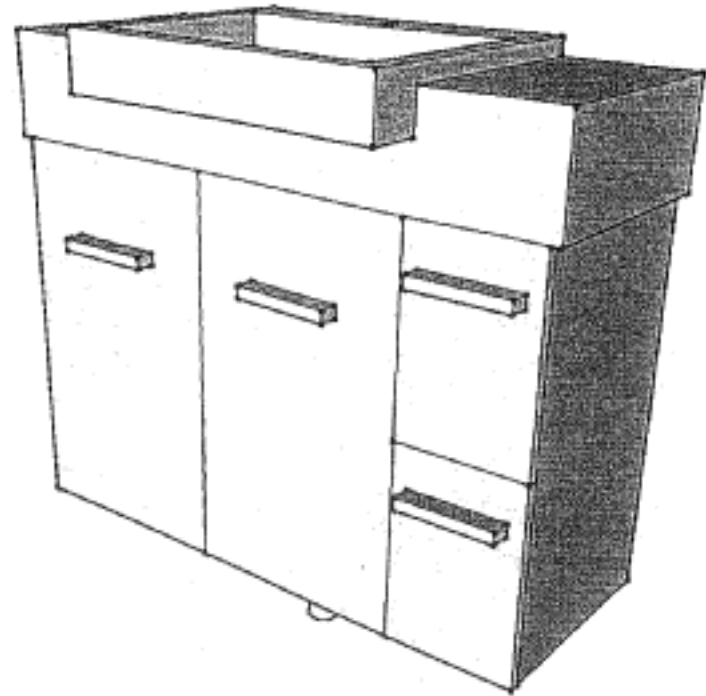
- (21) Design Number: **10679/2012**  
(22) Date of Filing Application: **15 February 2012**  
(24) Date from which industrial property rights may have effect: **15 February 2012**  
(54) Product in respect of which the design is registered: **Bandeau style one-piece swimsuit**  
(51) International Design Classification: **02-02A**  
(74) Name(s) of Attorney(s):  
(71) Name(s) and Address(s) of Applicant(s):  
**Mason Forshaw Apparel Pty Ltd**  
**11 Tonita Court Birkdale Queensland 4159 Australia**  
(72) Name(s) of Designer(s): **Julie Ann Forshaw**  
(45) Registration Date: **23 March 2012**  
(56) Related Art Documents: **Not Applicable**  
(57) Statement of Newness and Distinctiveness: **The newness & distinctiveness of this swimsuit is in the attachment of the straps, into the underbust seam as shown by point A on the diagram and a loop at the back of the garment shown by point B. This allows the straps to be tied in multiple ways at the front and back to give the wearer various looks from one garment.**



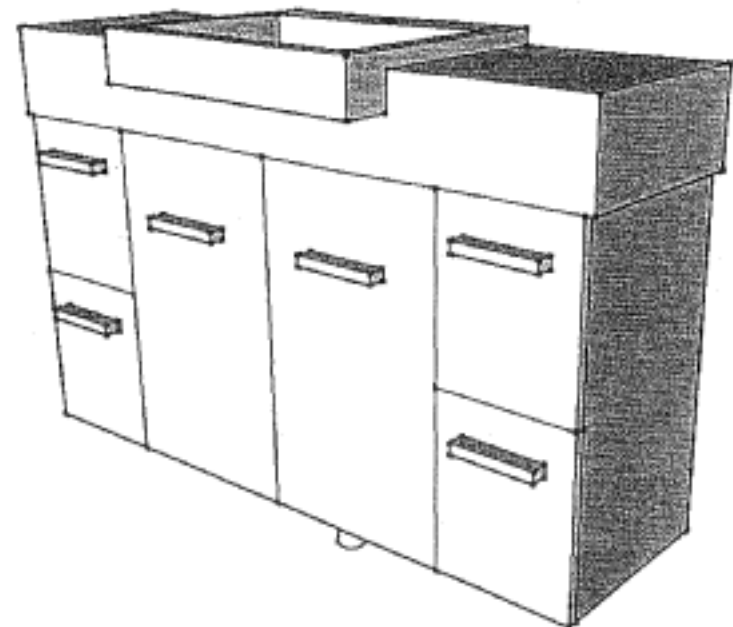
- (21) Design Number: **10705/2012**  
(22) Date of Filing Application: **15 February 2012**  
(24) Date from which industrial property rights may have effect: **15 February 2012**  
(54) Product in respect of which the design is registered: **Vanity**  
(51) International Design Classification: **23-02F**  
(74) Name(s) of Attorney(s):  
(71) Name(s) and Address(s) of Applicant(s):  
**Astivita Renewables Limited**  
**15 Suscatand Street Rocklea Queensland 4106 Australia**  
(72) Name(s) of Designer(s): **Tim Bartholomaeus and Lev Mizikovsky**  
(45) Registration Date: **23 March 2012**  
(56) Related Art Documents: **Not Applicable**  
(57) Statement of Newness and Distinctiveness: **The newness and distinctiveness of the design resides in the shape and/or configuration of the vanity shown in the representations.**



- (21) Design Number: **10706/2012**  
(22) Date of Filing Application: **15 February 2012**  
(24) Date from which industrial property rights may have effect: **15 February 2012**  
(54) Product in respect of which the design is registered: **Vanity**  
(51) International Design Classification: **23-02F**  
(74) Name(s) of Attorney(s):  
(71) Name(s) and Address(s) of Applicant(s):  
**Astivita Renewables Limited**  
**15 Suscatand Street Rocklea Queensland 4106 Australia**  
(72) Name(s) of Designer(s): **Tim Bartholomaeus and Lev Mizikovsky**  
(45) Registration Date: **23 March 2012**  
(56) Related Art Documents: **Not Applicable**  
(57) Statement of Newness and Distinctiveness: **The newness and distinctiveness of the design resides in the shape and/or configuration of the vanity shown in the representations.**



- (21) Design Number: **10707/2012**  
(22) Date of Filing Application: **15 February 2012**  
(24) Date from which industrial property rights may have effect: **15 February 2012**  
(54) Product in respect of which the design is registered: **Vanity**  
(51) International Design Classification: **23-02F**  
(74) Name(s) of Attorney(s):  
(71) Name(s) and Address(s) of Applicant(s):  
**Astivita Renewables Limited**  
**15 Suscatand Street Rocklea Queensland 4106 Australia**  
(72) Name(s) of Designer(s): **Tim Bartholomaeus and Lev Mizikovsky**  
(45) Registration Date: **23 March 2012**  
(56) Related Art Documents: **Not Applicable**  
(57) Statement of Newness and Distinctiveness: **The newness and distinctiveness of the design resides in the shape and/or configuration of the vanity shown in the representations.**



- (21) Design Number: **10708/2012**  
(22) Date of Filing Application: **15 February 2012**  
(24) Date from which industrial property rights may have effect: **15 February 2012**  
(54) Product in respect of which the design is registered: **Vanity**  
(51) International Design Classification: **23-02F**  
(74) Name(s) of Attorney(s):  
(71) Name(s) and Address(s) of Applicant(s):  
**Astivita Renewables Limited**  
**15 Suscatand Street Rocklea Queensland 4106 Australia**  
(72) Name(s) of Designer(s): **Tim Bartholomaeus and Lev Mizikovsky**  
(45) Registration Date: **23 March 2012**  
(56) Related Art Documents: **Not Applicable**  
(57) Statement of Newness and Distinctiveness: **The newness and distinctiveness of the design resides in the shape and/or configuration of the vanity shown in the representations.**



- (21) Design Number: **10709/2012**  
(22) Date of Filing Application: **15 February 2012**  
(24) Date from which industrial property rights may have effect: **15 February 2012**  
(54) Product in respect of which the design is registered: **Vanity**  
(51) International Design Classification: **23-02F**  
(74) Name(s) of Attorney(s):  
(71) Name(s) and Address(s) of Applicant(s):  
**Astivita Renewables Limited**  
**15 Suscatand Street Rocklea Queensland 4106 Australia**  
(72) Name(s) of Designer(s): **Tim Bartholomaeus and Lev Mizikovsky**  
(45) Registration Date: **23 March 2012**  
(56) Related Art Documents: **Not Applicable**  
(57) Statement of Newness and Distinctiveness: **The newness and distinctiveness of the design resides in the shape and/or configuration of the vanity shown in the representations.**

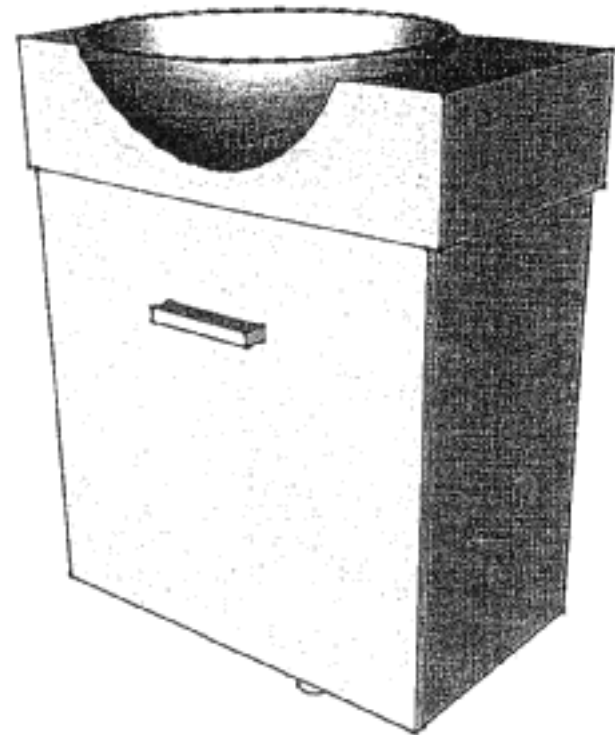




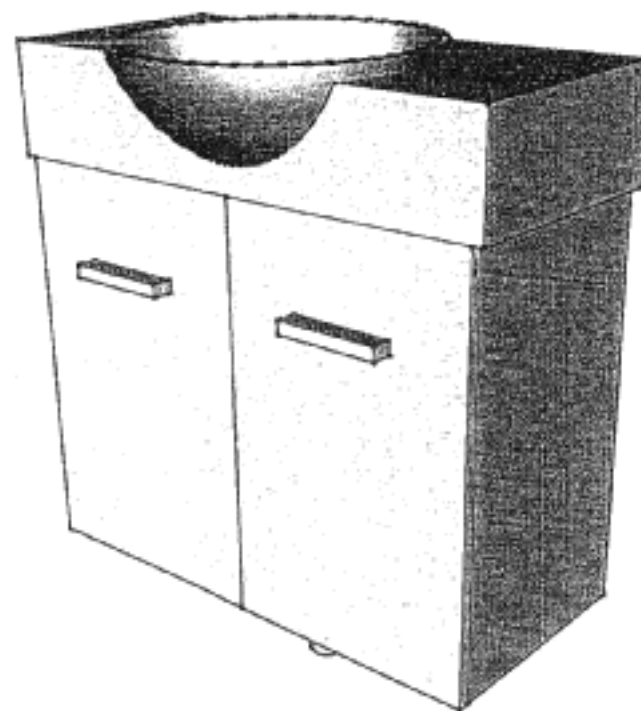
- (21) Design Number: **10710/2012**  
(22) Date of Filing Application: **15 February 2012**  
(24) Date from which industrial property rights may have effect: **15 February 2012**  
(54) Product in respect of which the design is registered: **Vanity**  
(51) International Design Classification: **23-02F**  
(74) Name(s) of Attorney(s):  
(71) Name(s) and Address(s) of Applicant(s):  
**Astivita Renewables Limited**  
**15 Suscatand Street Rocklea Queensland 4106 Australia**  
(72) Name(s) of Designer(s): **Tim Bartholomaeus and Lev Mizikovsky**  
(45) Registration Date: **23 March 2012**  
(56) Related Art Documents: **Not Applicable**  
(57) Statement of Newness and Distinctiveness: **The newness and distinctiveness of the design resides in the shape and/or configuration of the vanity shown in the representations.**



- (21) Design Number: **10711/2012**  
(22) Date of Filing Application: **15 February 2012**  
(24) Date from which industrial property rights may have effect: **15 February 2012**  
(54) Product in respect of which the design is registered: **Vanity**  
(51) International Design Classification: **23-02F**  
(74) Name(s) of Attorney(s):  
(71) Name(s) and Address(s) of Applicant(s):  
**Astivita Renewables Limited**  
**15 Suscatand Street Rocklea Queensland 4106 Australia**  
(72) Name(s) of Designer(s): **Tim Bartholomaeus and Lev Mizikovsky**  
(45) Registration Date: **23 March 2012**  
(56) Related Art Documents: **Not Applicable**  
(57) Statement of Newness and Distinctiveness: **The newness and distinctiveness of the design resides in the shape and/or configuration of the vanity shown in the representations.**



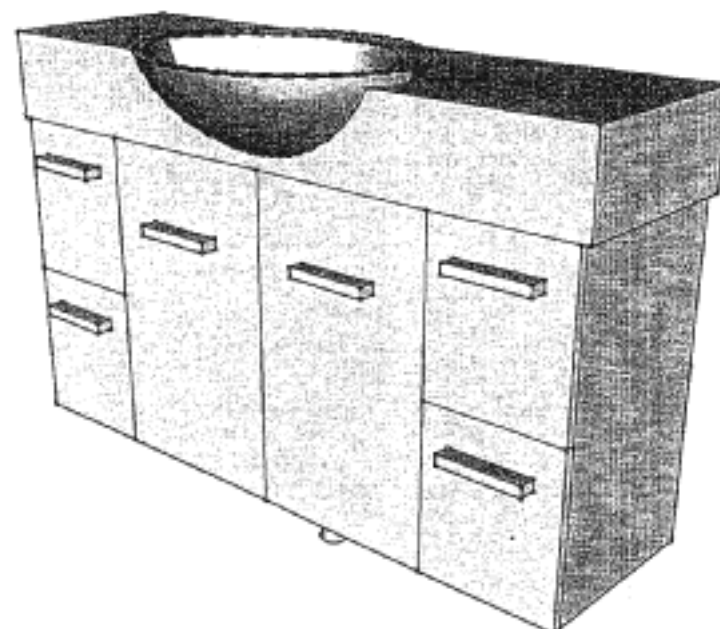
- (21) Design Number: **10712/2012**  
(22) Date of Filing Application: **15 February 2012**  
(24) Date from which industrial property rights may have effect: **15 February 2012**  
(54) Product in respect of which the design is registered: **Vanity**  
(51) International Design Classification: **23-02F**  
(74) Name(s) of Attorney(s):  
(71) Name(s) and Address(s) of Applicant(s):  
**Astivita Renewables Limited**  
**15 Suscatand Street Rocklea Queensland 4106 Australia**  
(72) Name(s) of Designer(s): **Tim Bartholomaeus and Lev Mizikovsky**  
(45) Registration Date: **23 March 2012**  
(56) Related Art Documents: **Not Applicable**  
(57) Statement of Newness and Distinctiveness: **The newness and distinctiveness of the design resides in the shape and/or configuration of the vanity shown in the representations.**



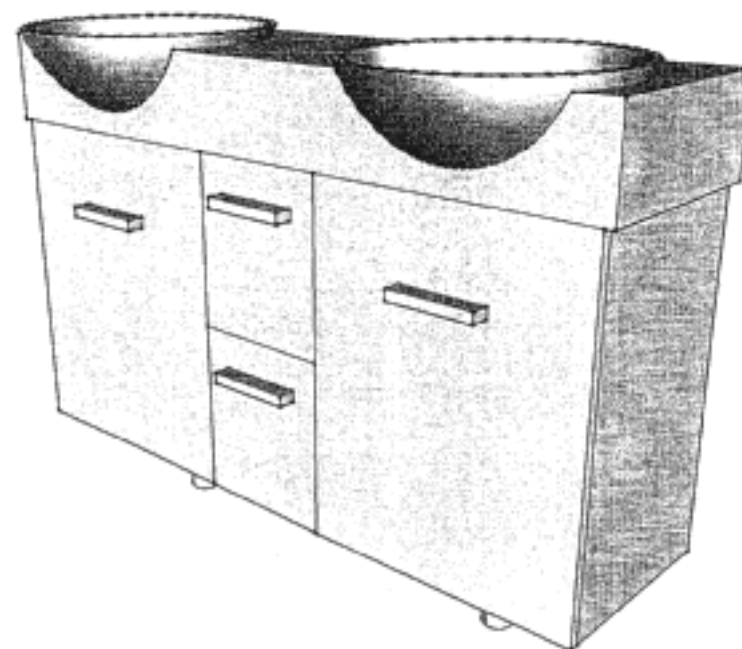
- (21) Design Number: **10713/2012**  
(22) Date of Filing Application: **15 February 2012**  
(24) Date from which industrial property rights may have effect: **15 February 2012**  
(54) Product in respect of which the design is registered: **Vanity**  
(51) International Design Classification: **23-02F**  
(74) Name(s) of Attorney(s):  
(71) Name(s) and Address(s) of Applicant(s):  
**Astivita Renewables Limited**  
**15 Suscatand Street Rocklea Queensland 4106 Australia**  
(72) Name(s) of Designer(s): **Tim Bartholomaeus and Lev Mizikovsky**  
(45) Registration Date: **23 March 2012**  
(56) Related Art Documents: **Not Applicable**  
(57) Statement of Newness and Distinctiveness: **The newness and distinctiveness of the design resides in the shape and/or configuration of the vanity shown in the representations.**



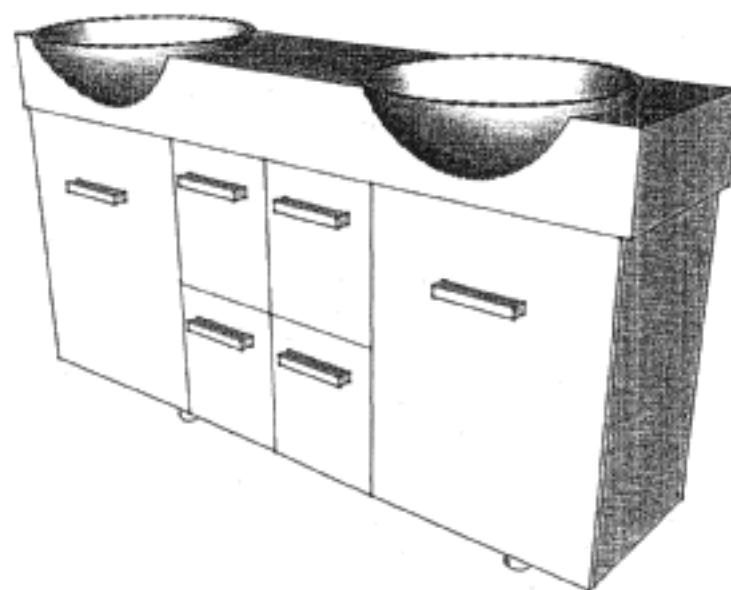
- (21) Design Number: **10714/2012**  
(22) Date of Filing Application: **15 February 2012**  
(24) Date from which industrial property rights may have effect: **15 February 2012**  
(54) Product in respect of which the design is registered: **Vanity**  
(51) International Design Classification: **23-02F**  
(74) Name(s) of Attorney(s):  
(71) Name(s) and Address(s) of Applicant(s):  
    **Astivita Renewables Limited**  
    **15 Suscatand Street Rocklea Queensland 4106 Australia**  
(72) Name(s) of Designer(s): **Tim Bartholomaeus and Lev Mizikovsky**  
(45) Registration Date: **23 March 2012**  
(56) Related Art Documents: **Not Applicable**  
(57) Statement of Newness and Distinctiveness: **The newness and distinctiveness of the design resides in the shape and/or configuration of the vanity shown in the representations.**



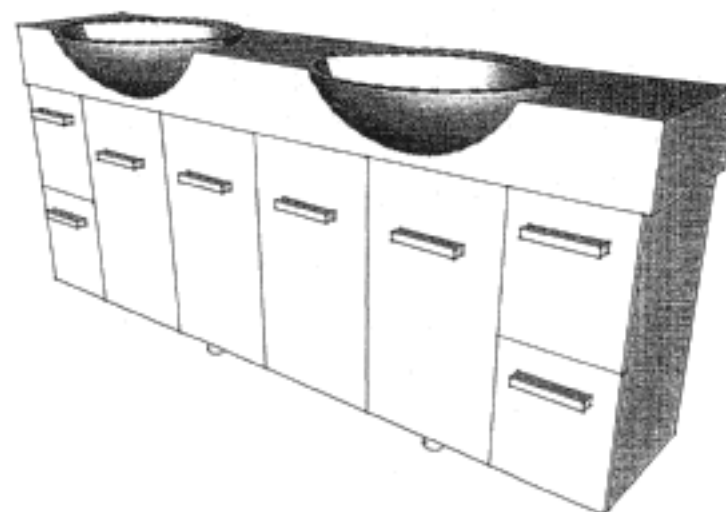
- (21) Design Number: **10715/2012**  
(22) Date of Filing Application: **15 February 2012**  
(24) Date from which industrial property rights may have effect: **15 February 2012**  
(54) Product in respect of which the design is registered: **Vanity**  
(51) International Design Classification: **23-02F**  
(74) Name(s) of Attorney(s):  
(71) Name(s) and Address(s) of Applicant(s):  
    **Astivita Renewables Limited**  
    **15 Suscatand Street Rocklea Queensland 4106 Australia**  
(72) Name(s) of Designer(s): **Tim Bartholomaeus and Lev Mizikovsky**  
(45) Registration Date: **23 March 2012**  
(56) Related Art Documents: **Not Applicable**  
(57) Statement of Newness and Distinctiveness: **The newness and distinctiveness of the design resides in the shape and/or configuration of the vanity shown in the representations.**



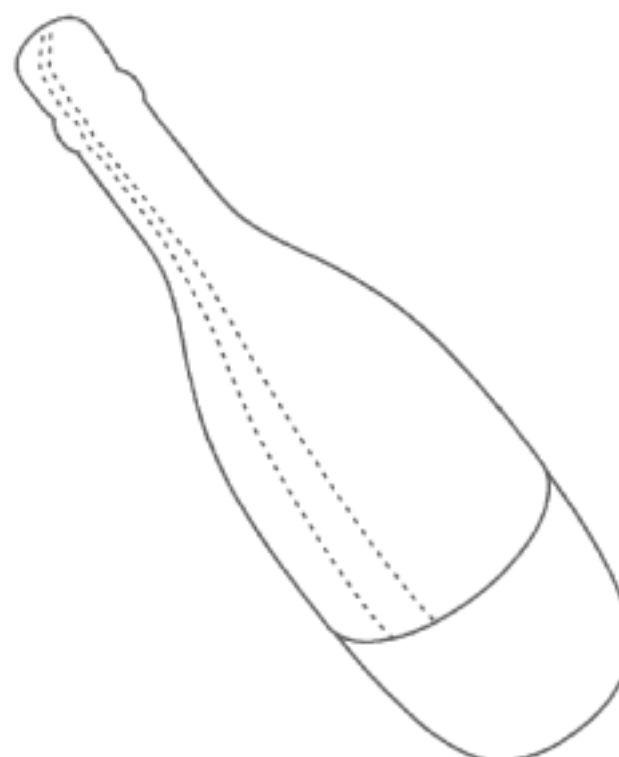
- (21) Design Number: **10716/2012**  
(22) Date of Filing Application: **15 February 2012**  
(24) Date from which industrial property rights may have effect: **15 February 2012**  
(54) Product in respect of which the design is registered: **Vanity**  
(51) International Design Classification: **23-02F**  
(74) Name(s) of Attorney(s):  
(71) Name(s) and Address(s) of Applicant(s):  
**Astivita Renewables Limited**  
**15 Suscatand Street Rocklea Queensland 4106 Australia**  
(72) Name(s) of Designer(s): **Tim Bartholomaeus and Lev Mizikovsky**  
(45) Registration Date: **23 March 2012**  
(56) Related Art Documents: **Not Applicable**  
(57) Statement of Newness and Distinctiveness: **The newness and distinctiveness of the design resides in the shape and/or configuration of the vanity shown in the representations.**



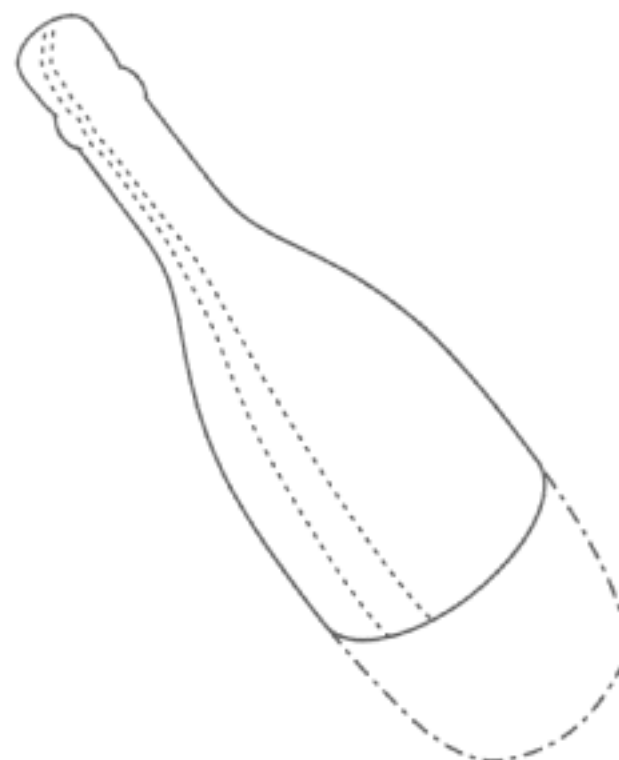
- (21) Design Number: **10717/2012**  
(22) Date of Filing Application: **15 February 2012**  
(24) Date from which industrial property rights may have effect: **15 February 2012**  
(54) Product in respect of which the design is registered: **Vanity**  
(51) International Design Classification: **23-02F**  
(74) Name(s) of Attorney(s):  
(71) Name(s) and Address(s) of Applicant(s):  
**Astivita Renewables Limited**  
**15 Suscatand Street Rocklea Queensland 4106 Australia**  
(72) Name(s) of Designer(s): **Tim Bartholomaeus and Lev Mizikovsky**  
(45) Registration Date: **23 March 2012**  
(56) Related Art Documents: **Not Applicable**  
(57) Statement of Newness and Distinctiveness: **The newness and distinctiveness of the design resides in the shape and/or configuration of the vanity shown in the representations.**



(21) Design Number: **13465/2011**  
(22) Date of Filing Application: **05 August 2011**  
(24) Date from which industrial property rights may have effect: **05 August 2011**  
(54) Product in respect of which the design is registered: **Bottle coverings**  
(51) International Design Classification: **07-07A**  
(74) Name(s) of Attorney(s): **Shelston IP**  
(71) Name(s) and Address(s) of Applicant(s):  
**V&S Vin & Sprit AB**  
**117 97 Stockholm Sweden**  
(72) Name(s) of Designer(s): **Urban Ahlgren and Thomas Schaad and Patrik Gebhardt**  
(45) Registration Date: **23 March 2012**  
(30) Convention priority data:  
(31) Number (32) Date (33) Country  
**1899006 01 Aug 2011 EUROPEAN COMMUNITY**  
(56) Related Art Documents: **Not Applicable**  
(57) Statement of Newness and Distinctiveness: **Newness and distinctiveness reside in the features of shape and/or configuration of a bottle covering as illustrated by the solid lines and the dotted lines in the accompanying representations.**



(21) Design Number: **13466/2011**  
(22) Date of Filing Application: **05 August 2011**  
(24) Date from which industrial property rights may have effect: **05 August 2011**  
(54) Product in respect of which the design is registered: **Bottle coverings**  
(51) International Design Classification: **07-07A**  
(74) Name(s) of Attorney(s): **Shelston IP**  
(71) Name(s) and Address(s) of Applicant(s):  
**V&S Vin & Sprit AB**  
**117 97 Stockholm Sweden**  
(72) Name(s) of Designer(s): **Urban Ahlgren and Thomas Schaad and Patrik Gebhardt**  
(45) Registration Date: **23 March 2012**  
(30) Convention priority data:  
(31) Number (32) Date (33) Country  
**1899006 01 Aug 2011 EUROPEAN COMMUNITY**  
(56) Related Art Documents: **Not Applicable**  
(57) Statement of Newness and Distinctiveness: **Newness and distinctiveness reside in the features of shape and/or configuration of a bottle covering as illustrated by the solid lines and the dotted lines in the accompanying representations. The features shown in the dot-dashed lines are shown for illustrative purposes only and do not form part of the design.**



(21) Design Number: **15390/2011**  
(22) Date of Filing Application: **25 November 2011**  
(24) Date from which industrial property rights may have effect: **25 November 2011**  
(54) Product in respect of which the design is registered: **Sachet/tube packaging**  
(51) International Design Classification: **09-05**  
(74) Name(s) of Attorney(s):  
(71) Name(s) and Address(s) of Applicant(s):

**Garry Benjamin David**  
**Suite 29 9 Dr. Ivan Bogorov Street Varna 9002 Bulgaria**

(72) Name(s) of Designer(s): **Garry Benjamin David**

(45) Registration Date: **23 March 2012**

(56) Related Art Documents: **Not Applicable**

(57) Statement of Newness and Distinctiveness: **1. A new sachet/tube is designed to hold and dispense various food (liquid) products as a single serve application via a pull tap section. 2. A new tear tab section shape incorporates a explicit (hole provision) for hanging or displaying within a retail type environment. 3. A distinct pressed shaped "shoulder" section also forms part of the pull tab section. 4. A distinct pressed shaped "curved" section seals and forms the bottom of the pack.**



(21) Design Number: **10427/2012**  
(22) Date of Filing Application: **31 January 2012**  
(24) Date from which industrial property rights may have effect: **31 January 2012**  
(54) Product in respect of which the design is registered: **Footwear upper**  
(51) International Design Classification: **02-04NES**  
(74) Name(s) of Attorney(s): **FB Rice**  
(71) Name(s) and Address(s) of Applicant(s):

**Deckers Outdoor Corporation**  
**495-A South Fairview Avenue Goleta California 93117 United States of America**

(72) Name(s) of Designer(s): **Natalie Ng**

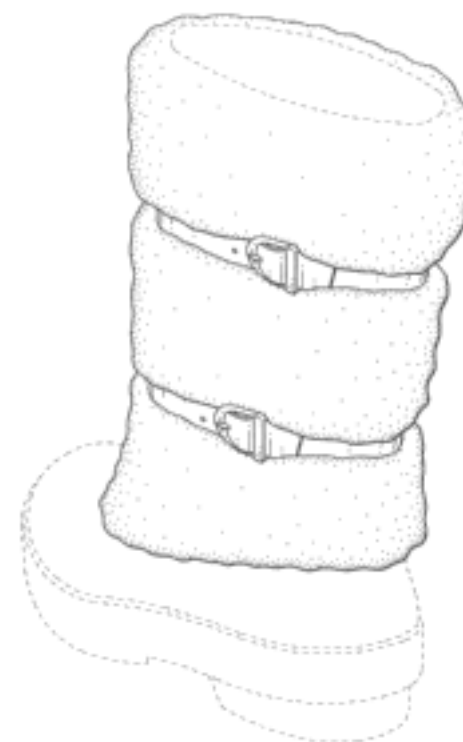
(45) Registration Date: **23 March 2012**

(30) Convention priority data:

(31) Number	(32) Date	(33) Country
<b>29/405532</b>	<b>03 Nov 2011</b>	<b>UNITED STATES OF AMERICA</b>

(56) Related Art Documents: **Not Applicable**

(57) Statement of Newness and Distinctiveness: **Newness and distinctiveness reside in the features of shape and configuration of the design on the whole shown in solid lines in the representations excluding those features shown in broken lines.**



(21) Design Number: **10924/2012**  
(22) Date of Filing Application: **28 February 2012**  
(24) Date from which industrial property rights may have effect: **28 February 2012**  
(54) Product in respect of which the design is registered: **Footwear**  
(51) International Design Classification: **02-04NES**  
(74) Name(s) of Attorney(s): **FB Rice**  
(71) Name(s) and Address(s) of Applicant(s):

**Vibram S.P.A.**  
**Via Cristoforo Colombo 5 I-21041 Albizzate (Varese) Italy**

(72) Name(s) of Designer(s): **Marco Bramani and Robert Fliri**

(45) Registration Date: **26 March 2012**

(30) Convention priority data:

(31) Number	(32) Date	(33) Country
<b>001913930</b>	<b>07 Sep 2011</b>	<b>EUROPEAN COMMUNITY</b>

(56) Related Art Documents: **Not Applicable**

(57) Statement of Newness and Distinctiveness: **Newness and distinctiveness reside in the features of the design as shown in the representations.**



(21) Design Number: **10926/2012**  
(22) Date of Filing Application: **21 February 2012**  
(24) Date from which industrial property rights may have effect: **21 February 2012**  
(54) Product in respect of which the design is registered: **An ice-cream machine**  
(51) International Design Classification: **31-00**  
(74) Name(s) of Attorney(s): **Banki Haddock Fiora**  
(71) Name(s) and Address(s) of Applicant(s):

**Societe des Produits Nestle S.A.**  
**1800 Vevey Switzerland**

(72) Name(s) of Designer(s): **Marco Ugolini and Silvano Garavaglia**

(45) Registration Date: **26 March 2012**

(30) Convention priority data:

(31) Number	(32) Date	(33) Country
<b>138564</b>	<b>25 Jan 2012</b>	<b>SWITZERLAND</b>

(56) Related Art Documents: **Not Applicable**

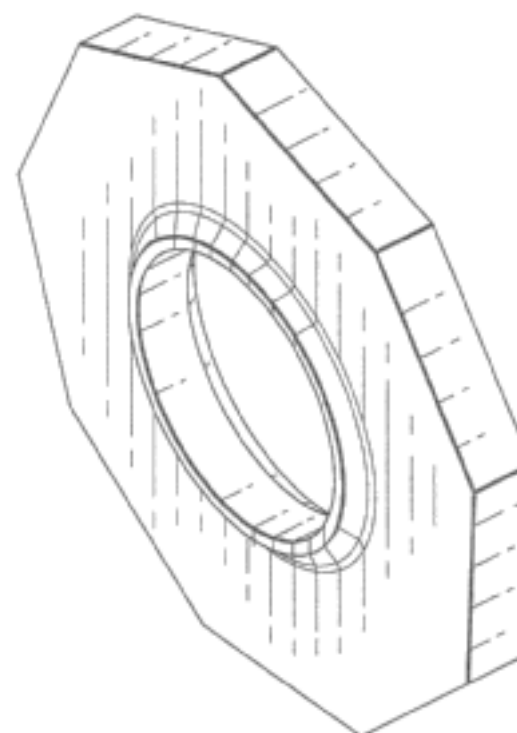
(57) Statement of Newness and Distinctiveness: **Nil**



(21) Design Number: **10928/2012**  
(22) Date of Filing Application: **29 February 2012**  
(24) Date from which industrial property rights may have effect: **29 February 2012**  
(54) Product in respect of which the design is registered: **Bra stiffening rib**  
(51) International Design Classification: **02-01A**  
(74) Name(s) of Attorney(s): **Cotters Patent & Trade Mark Attorneys**  
(71) Name(s) and Address(s) of Applicant(s):  
**Curvesence Pty Limited**  
**5 Shellbank Parade Cremorne New South Wales 2090 Australia**  
(72) Name(s) of Designer(s): **Kathleen Siddall-Cohen**  
(45) Registration Date: **26 March 2012**  
(56) Related Art Documents: **Not Applicable**  
(57) Statement of Newness and Distinctiveness: **Newness and distinctiveness is claimed in the features of shape and/or configuration of a bra stiffening rib as depicted in the accompanying drawings, and when considering the extent of monopoly protection sought, the text visible in the rear view is to be disregarded.**



(21) Design Number: **10929/2012**  
(22) Date of Filing Application: **29 February 2012**  
(24) Date from which industrial property rights may have effect: **29 February 2012**  
(54) Product in respect of which the design is registered: **Washer**  
(51) International Design Classification: **08-08B**  
(74) Name(s) of Attorney(s): **PHILLIPS ORMONDE FITZPATRICK**  
(71) Name(s) and Address(s) of Applicant(s):  
**Kennametal Inc.**  
**1600 Technology Way Latrobe Pennsylvania 15650-0231 United States of America**  
(72) Name(s) of Designer(s): **Don Carlin Rowlett and Randall Walter Ojanen**  
(45) Registration Date: **26 March 2012**  
(30) Convention priority data:  
(31) Number      (32) Date      (33) Country  
**29/402,439      23 Sep 2011      UNITED STATES OF AMERICA**  
(56) Related Art Documents: **Not Applicable**  
(57) Statement of Newness and Distinctiveness: **Those features of the washer depicted in the representations that are new and distinctive are the shape and/or configuration.**

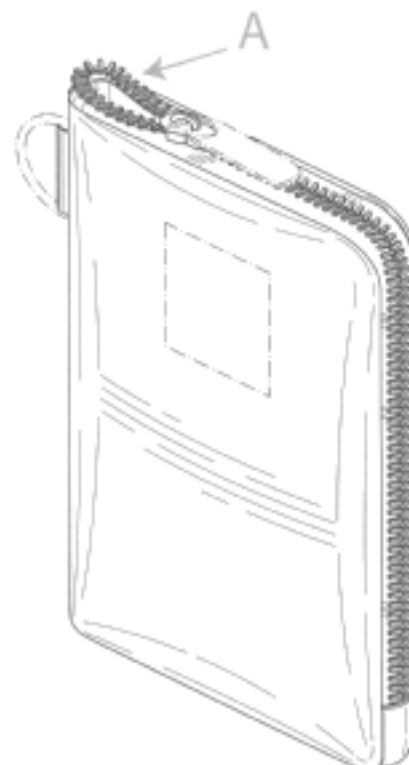




- (21) Design Number: **10930/2012**  
(22) Date of Filing Application: **29 February 2012**  
(24) Date from which industrial property rights may have effect: **29 February 2012**  
(54) Product in respect of which the design is registered: **Headset**  
(51) International Design Classification: **14-01, 14-03A**  
(74) Name(s) of Attorney(s): **PHILLIPS ORMONDE FITZPATRICK**  
(71) Name(s) and Address(s) of Applicant(s):  
**Bose Corporation**  
**The Mountain MS 40 Framingham Massachusetts 01701-9168 United States of America**  
(72) Name(s) of Designer(s): **Adam A. Carr and Kevin M. Krauss and Michael E. Laude and Nathan David Schaal and Julie E. Tierney and Jonathan D. Turner**  
(45) Registration Date: **26 March 2012**  
(30) Convention priority data:  
(31) Number (32) Date (33) Country  
**29/402,138 21 Sep 2011 UNITED STATES OF AMERICA**  
(56) Related Art Documents: **Not Applicable**  
(57) Statement of Newness and Distinctiveness: **Those features of the headset depicted in the representations that are new and distinctive are the shape and/or configuration. The features shown in broken lines are not part of the design and are to be disregarded when considering the overall impression of the design.**



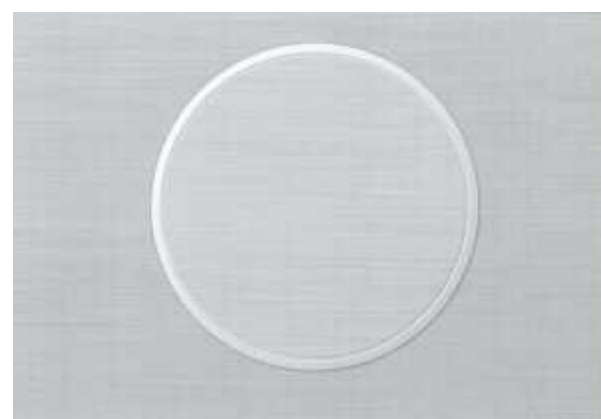
- (21) Design Number: **10935/2012**  
(22) Date of Filing Application: **29 February 2012**  
(24) Date from which industrial property rights may have effect: **29 February 2012**  
(54) Product in respect of which the design is registered: **Pouch**  
(51) International Design Classification: **03-01B**  
(74) Name(s) of Attorney(s): **Baxter IP**  
(71) Name(s) and Address(s) of Applicant(s):  
**DayMen Canada Acquisition ULC**  
**2800 Park Place 666 Burrard Street Vancouver British Columbia V6C 2Z7 Canada**  
(72) Name(s) of Designer(s): **Kendra Hargens**  
(45) Registration Date: **26 March 2012**  
(30) Convention priority data:  
(31) Number (32) Date (33) Country  
**29/400,766 01 Sep 2011 UNITED STATES OF AMERICA**  
(56) Related Art Documents: **Not Applicable**  
(57) Statement of Newness and Distinctiveness: **Newness and Distinctiveness is claimed in the features of shape and/or configuration of a pouch as shown in the representations, and in particular the following features: the zipper, and particularly the closed end of the zipper marked "A"; and the pocket marked "B".**



(21) Design Number: **10937/2012**  
(22) Date of Filing Application: **29 February 2012**  
(24) Date from which industrial property rights may have effect: **29 February 2012**  
(54) Product in respect of which the design is registered: **Control panel for toilets and/or urinals**  
(51) International Design Classification: **23-02C**  
(74) Name(s) of Attorney(s): **Fisher Adams Kelly**  
(71) Name(s) and Address(s) of Applicant(s):  
**Geberit International AG**  
**Schachenstrasse 77 8645 Jona Switzerland**  
(72) Name(s) of Designer(s): **Christoph Behling**  
(45) Registration Date: **26 March 2012**  
(30) Convention priority data:  
(31) Number (32) Date (33) Country  
**DM/077295 29 Nov 2011 WORLD INTELLECTUAL**  
**PROPERTY ORGANIZATION**  
**(WIPO)**  
(56) Related Art Documents: **Not Applicable**  
(57) Statement of Newness and Distinctiveness: **The newness and distinctiveness of the design resides in the shape and/or configuration of the CONTROL PANEL FOR TOILETS AND/OR URINALS shown in the representations.**



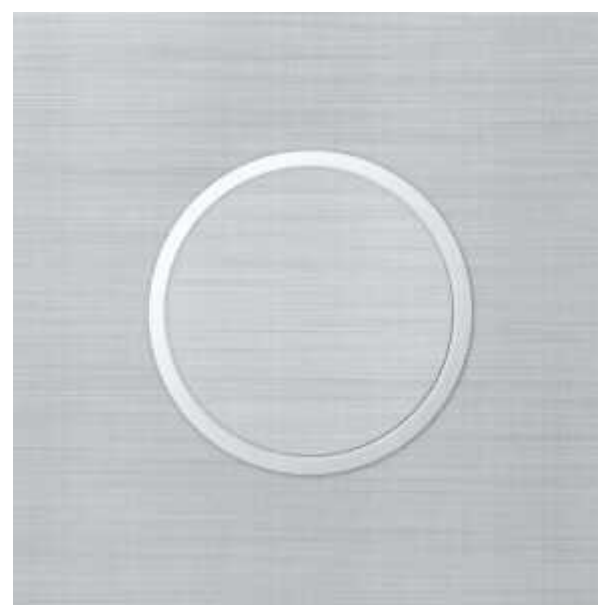
(21) Design Number: **10938/2012**  
(22) Date of Filing Application: **29 February 2012**  
(24) Date from which industrial property rights may have effect: **29 February 2012**  
(54) Product in respect of which the design is registered: **Control panel for toilets and/or urinals**  
(51) International Design Classification: **23-02C**  
(74) Name(s) of Attorney(s): **Fisher Adams Kelly**  
(71) Name(s) and Address(s) of Applicant(s):  
**Geberit International AG**  
**Schachenstrasse 77 8645 Jona Switzerland**  
(72) Name(s) of Designer(s): **Christoph Behling**  
(45) Registration Date: **26 March 2012**  
(30) Convention priority data:  
(31) Number (32) Date (33) Country  
**DM/077295 29 Nov 2011 WORLD INTELLECTUAL**  
**PROPERTY ORGANIZATION**  
**(WIPO)**  
(56) Related Art Documents: **Not Applicable**  
(57) Statement of Newness and Distinctiveness: **The newness and distinctiveness of the design resides in the shape and/or configuration of the CONTROL PANEL FOR TOILETS AND/OR URINALS shown in the representations.**



(21) Design Number: **10939/2012**  
(22) Date of Filing Application: **29 February 2012**  
(24) Date from which industrial property rights may have effect: **29 February 2012**  
(54) Product in respect of which the design is registered: **Control panel for toilets and/or urinals**  
(51) International Design Classification: **23-02C**  
(74) Name(s) of Attorney(s): **Fisher Adams Kelly**  
(71) Name(s) and Address(s) of Applicant(s):  
**Geberit International AG**  
**Schachenstrasse 77 8645 Jona Switzerland**  
(72) Name(s) of Designer(s): **Christoph Behling**  
(45) Registration Date: **26 March 2012**  
(30) Convention priority data:  
(31) Number (32) Date (33) Country  
**DM/077295 29 Nov 2011 WORLD INTELLECTUAL**  
**PROPERTY ORGANIZATION**  
**(WIPO)**  
(56) Related Art Documents: **Not Applicable**  
(57) Statement of Newness and Distinctiveness: **The newness and distinctiveness of the design resides in the shape and/or configuration of the CONTROL PANEL FOR TOILETS AND/OR URINALS shown in the representations.**



(21) Design Number: **10940/2012**  
(22) Date of Filing Application: **29 February 2012**  
(24) Date from which industrial property rights may have effect: **29 February 2012**  
(54) Product in respect of which the design is registered: **Control panel for toilets and/or urinals**  
(51) International Design Classification: **23-02C**  
(74) Name(s) of Attorney(s): **Fisher Adams Kelly**  
(71) Name(s) and Address(s) of Applicant(s):  
**Geberit International AG**  
**Schachenstrasse 77 8645 Jona Switzerland**  
(72) Name(s) of Designer(s): **Christoph Behling**  
(45) Registration Date: **26 March 2012**  
(30) Convention priority data:  
(31) Number (32) Date (33) Country  
**DM/077295 29 Nov 2011 WORLD INTELLECTUAL**  
**PROPERTY ORGANIZATION**  
**(WIPO)**  
(56) Related Art Documents: **Not Applicable**  
(57) Statement of Newness and Distinctiveness: **The newness and distinctiveness of the design resides in the shape and/or configuration of the CONTROL PANEL FOR TOILETS AND/OR URINALS shown in the representations.**



(21) Design Number: **10941/2012**

(22) Date of Filing Application: **29 February 2012**

(24) Date from which industrial property rights may have effect: **29 February 2012**

(54) Product in respect of which the design is registered: **Control panel for toilets and/or urinals**

(51) International Design Classification: **23-02C**

(74) Name(s) of Attorney(s): **Fisher Adams Kelly**

(71) Name(s) and Address(s) of Applicant(s):

**Geberit International AG  
Schachenstrasse 77 8645 Jona Switzerland**

(72) Name(s) of Designer(s): **Christoph Behling**

(45) Registration Date: **26 March 2012**

(30) Convention priority data:

(31) Number  
**DM/077295**

(32) Date  
**29 Nov 2011**

(33) Country  
**WORLD INTELLECTUAL  
PROPERTY ORGANIZATION  
(WIPO)**

(56) Related Art Documents: **Not Applicable**

(57) Statement of Newness and Distinctiveness: **The newness and distinctiveness of the design resides in the shape and/or configuration of the CONTROL PANEL FOR TOILETS AND/OR URINALS shown in the representations.**

