



Australian Government

IP Australia

AUSTRALIAN OFFICIAL JOURNAL

OF

DESIGNS

Did you know a searchable version of this journal is now available online?

It's FREE and EASY to SEARCH.

Find it on our website (www.ipaustralia.gov.au)

by using the "Journals" link on the home page.

This Page Left Intentionally Blank

Contents

General Information & Notices

**Proceedings Under the Designs Act 1906 preserved as a result of the provisions of Chapter 12
Part 2 of the Designs Act 2003**

Extension of Period of Registration of Designs	962
Registrations Ceased	962
Subsequent Owners Registered	962

Proceedings Under the Designs Act 2003

Applications Lapsed	971
Applications Lodged	966
Applications Withdrawn	971
Certificate of Examination	974
Extension of Period of Registration of Design	972
Extension of Time Granted Under Section 137	972
Names Registered - Alterations and Amendments	973
Publication and Registration Proceedings	
Designs Registered 341611 to 341826.....	975
Registrations Ceased	972
Revocation of Design Registrations	972
Subsequent Owners Registered	972

This Page Left Intentionally Blank

For information on the following please see our website www.ipaustralia.gov.au or contact our Customer Service Network on 1300651010

[Editorial enquiries](#)

[Contact information](#)

[Freedom of Information ACT](#)

[Professional Standards Board](#)

[Sales](#)

[Requests for Information under Section 194 \(c\)](#)

[Country Codes](#)

[Trade Mark and Designs Hearing Sessions](#)

[INID \(Internationally agreed Numbers for the Identification of Data\)](#)

“INID” NUMBERS in use on Australian Design Documents

“INID” is an acronym for “Internationally agreed Numbers for the Identification of Data”.

(10) Data concerning the registration/renewal

- (11) Serial number of the registration and/or number of the design document
- (12) Plain language designation of the kind of published document
- (19) Identification, using the two-letter code according to WIPO Standard ST.3, of the authority publishing or registering the industrial design

(20) Data concerning the application

- (21) Serial number of the application
- (22) Date of filing of the application
- (24) Date from which the industrial design right has effect

(30) Data relating to priority under the Paris Convention

- (31) Serial number assigned to the priority application
- (32) Date of filing of the priority application
- (33) Two-letter code, according to WIPO Standard ST.3, identifying the authority with which the priority application was made

(40) Date(s) of making information available to the public

- (45) Date of publication of the registered industrial design by printing or similar process, or making it available to the public by any other means

(50) Miscellaneous Information

- (51) International Classification for Industrial Designs (class and subclass of the Locarno Classification)
- (54) Designation of article(s) or product(s) covered by the industrial design or title of the industrial design
- (55) Reproduction of the industrial design (e.g., drawing, photograph) and explanations relating to the reproduction
- (56) List of prior art documents, if separate from descriptive text
- (57) Description of characteristic features of the industrial design including indication of colours

(60) References to other legally related application(s) and registration(s)

- (62) Serial number(s) and, if available, filing date(s) of application(s), registration(s) or document(s) related by division
- (66) Serial number(s) of the application, or the registration, of the design(s) which is (are) a variant(s) of the present one

(70) Identification of parties concerned with the application or registration

- (71) Name(s) and address(es) of the applicant(s)
- (72) Name(s) of the creator(s) if known to be such
- (74) Name(s) and address(es) of the representative(s)

This Page Left Intentionally Blank

Nil notices for this journal issue.

Proceedings under the Designs Act 1906 preserved as a result of the provisions of Chapter 12 Part 2 of the Designs Act 2003.

This Page Left Intentionally Blank

Applications Lapsed

There were no Applications Lapsed under this section

Extension of Period of Registration of Designs

1st Period (Section 27A(8))

2nd Period (Section 27A(12))

3rd Period (Section 27A(13))

145326	145520	145521
145622	145683	145982
146076	146927	147093
147158	147159	147236
147311	147573	147574
149534	154030	154031
158250		

Subsequent Owners Registered

156720	(Trudeau Corporation 1889 Inc.) Trudeau Corporation America Inc.
137170	(Julie Gibbins) Alicia Simpson
137270	(Julie Gibbins) Alicia Simpson
153516	(Julie Gibbins) Alicia Simpson
153517	(Julie Gibbins) Alicia Simpson

Registrations Ceased

Note: Some of the following Registrations may have been previously advertised as ceased. In this instance, the previous advertisement still prevails.

126862	126863	126864
126865	126866	126867
126868	126869	126870
127958	127962	128084
128085	128093	128150
128221	128222	128223
128225	128226	128270
128396	128490	128491
128551	128645	128689
128690	128984	128985
128986	129023	129067
129151	129170	129312
129696	131156	131872
132019	132045	132092
132606	133672	140658
143606	143619	143620
143638	143641	143683
143684	143719	143756
143786	143790	144474
144522	144523	144756
144761	144970	145178
145179	145294	145555
145977	147653	148447
148449	148450	

Subsequent Owners Registered

(The name in parentheses is that of the subsequent owner)

156720	(Trudeau Corporation America Inc.) Wenco L.L.C.
--------	--

This Page Left Intentionally Blank

Proceedings under the Designs Act 2003.

This Page Left Intentionally Blank

Applications Lodged

Lodgement information is in the following order: **Applicant's Name**; International Classification, Name of Product, Lodgement Date and **Design Number**. If the applicant claims an earlier priority date under an International Convention, the Convention Country and the associated filing date are shown in parentheses before the Lodgement Date. Divisional information will also appear in parentheses before the Lodgement Date.

ioco Pty Ltd;Encore Music Pty Ltd; 06-09, 14-02, Tablet PC cushion, 30 Mar 2012	11643/2012	ARB Corporation Ltd; 26-06, Driving lights; lights for use with or on vehicles; LED driving lights, 26 Mar 2012	11519/2012
totes Isotoner Corporation; 02-06, Glove, (US, 11 Oct 2011) 28 Mar 2012	11579/2012	ASSA ABLOY Australia Pty Limited; 08-06, Lever, 23 Mar 2012	11513/2012
Alive Girl Pty Ltd;AG (Syd) Fashion Pty Ltd; 02-02C, Dress, (Divisional of 14450/2011) 30 Sep 2011	11649/2012	ASSA ABLOY Australia Pty Limited; 08-06, Lever, 23 Mar 2012	11514/2012
Aluminium Industries of Australia Pty Ltd; 25-01K, Thermal break framing system, 27 Mar 2012	11554/2012	ASSA ABLOY Australia Pty Limited; 08-06, Lever, 23 Mar 2012	11512/2012
Aluminium Industries of Australia Pty Ltd; 25-01K, Thermal break framing system, 27 Mar 2012	11555/2012	Barbeques Galore (Aust) Pty Limited; 07-02E, A barbecue, (Divisional of 13642/2011) 17 Aug 2011	11563/2012
Aluminium Industries of Australia Pty Ltd; 25-01K, Thermal break framing system, 27 Mar 2012	11549/2012	Barbeques Galore (Aust) Pty Limited; 07-02E, A barbecue, (Divisional of 13642/2011) 17 Aug 2011	11564/2012
Aluminium Industries of Australia Pty Ltd; 25-01K, Thermal break framing system, 27 Mar 2012	11551/2012	Beaute Prestige International; 09-01G, Flask, (EM, 07 Oct 2011) 02 Apr 2012	11664/2012
Aluminium Industries of Australia Pty Ltd; 25-01K, Thermal break framing system, 27 Mar 2012	11552/2012	Becton Dickinson and Company; 24-01, 24-02, Reagent holder, (US, 30 Sep 2011) 28 Mar 2012	11585/2012
Aluminium Industries of Australia Pty Ltd; 25-01K, Thermal break framing system, 27 Mar 2012	11550/2012	Becton Dickinson and Company; 24-01, 24-02, Reagent holder, (US, 30 Sep 2011) 28 Mar 2012	11589/2012
Aluminium Industries of Australia Pty Ltd; 25-01K, Thermal break framing system, 27 Mar 2012	11547/2012	Becton Dickinson and Company; 24-01, 24-02, Reagent holder, (US, 30 Sep 2011) 28 Mar 2012	11588/2012
Aluminium Industries of Australia Pty Ltd; 25-01K, Thermal break framing system, 27 Mar 2012	11553/2012	Becton Dickinson and Company; 24-01, Reagent holder, (US, 30 Sep 2011) 28 Mar 2012	11580/2012
Aluminium Industries of Australia Pty Ltd; 25-01K, Thermal break framing system, 27 Mar 2012	11548/2012	Becton Dickinson and Company; 24-01, 24-02, Reagent holder, (US, 30 Sep 2011) 28 Mar 2012	11587/2012
Aluminium Industries of Australia Pty Ltd; 25-01K, Thermal break framing system, 27 Mar 2012	11548/2012	Becton Dickinson and Company; 24-01, Reagent holder, (US, 30 Sep 2011) 28 Mar 2012	11581/2012
Amory, John Arthur; 11-04, Decorative Christmas tree, 26 Mar 2012	11574/2012	Becton Dickinson and Company; 24-01, Reagent holder, (US, 30 Sep 2011) 28 Mar 2012	11582/2012
Anson-Smith, Brian; 09-03L, Permanently sealable container or time capsule, 23 Mar 2012	11521/2012	Becton Dickinson and Company; 24-01, 24-02, Reagent holder, (US, 30 Sep 2011) 28 Mar 2012	11586/2012
Avery Dennison Corporation; 20-02E, Organizers, organizer racks, and portions thereof, (US, 26 Sep 2011) 22 Mar 2012	11495/2012	Becton Dickinson and Company; 24-01, 24-02, Reagent holder, (US, 30 Sep 2011) 28 Mar 2012	11584/2012
AG (Syd) Fashion Pty Ltd;Alive Girl Pty Ltd; 02-02C, Dress, (Divisional of 14450/2011) 30 Sep 2011	11649/2012	Becton Dickinson and Company; 24-01, 24-02, Reagent holder, (US, 30 Sep 2011) 28 Mar 2012	11583/2012

Bomi Furniture Pty Ltd; 06-02, Bed, 26 Mar 2012	11509/2012	Ethicon Endo-Surgery; 24-02, Linear stapler, (US, 23 Sep 2011) 22 Mar 2012	11517/2012
Brightgreen Pty Ltd; 26-05C, 26-05A, Lighting apparatus, 22 Mar 2012	11476/2012	Ethicon Endo-Surgery; 24-02, Circular stapler, (US, 23 Sep 2011) 22 Mar 2012	11516/2012
Brown, Paul William; Vivian-Jones, David William; 02-01NES, 24-04, Pelvic support, 22 Mar 2012	11482/2012	Ethicon Endo-Surgery, Inc.; 24-02, Circular stapler, (US, 23 Sep 2011) 22 Mar 2012	11515/2012
Chipper, Adrian Ronald; 08-07, Latching device, 27 Mar 2012	11567/2012	Ethicon Endo-Surgery, Inc.; 24-02, Circular stapler, (US, 26 Sep 2011) 23 Mar 2012	11507/2012
Cook, Michael John; 21-01A, Stuffed toy and cushion, 30 Mar 2012	11685/2012	Ethicon Endo-Surgery, Inc.; 24-02, User interface for a surgical instrument, (US, 26 Sep 2011) 23 Mar 2012	11505/2012
Davies, Emma-Jayne; Nunn, Sheree; Davies, Jenna; 11-01NES, Sole bandz, 24 Feb 2012	11493/2012	Ethicon Endo-Surgery, Inc.; 24-02, User interface for a surgical instrument, (US, 26 Sep 2011) 23 Mar 2012	11506/2012
Davies, Jenna; Nunn, Sheree; Davies, Emma-Jayne; 11-01NES, Sole bandz, 24 Feb 2012	11493/2012	Eveready Battery Company, Inc.; 28-03A, Safety razor, (US, 17 Oct 2011) 26 Mar 2012	11528/2012
Deckers Outdoor Corporation; 02-04A, Footwear, (US, 07 Nov 2011) (Divisional of 10426/2012) 31 Jan 2012	11562/2012	Eveready Battery Company, Inc.; 14-04, Display screen with icon, (US, 17 Oct 2011) 26 Mar 2012	11527/2012
Deckers Outdoor Corporation; 02-04A, Footwear, (US, 07 Nov 2011) (Divisional of 10426/2012) 31 Jan 2012	11561/2012	Evergreen Land Limited; 09-03NES, 11-01C, Insect repellent band packaging, 29 Mar 2012	11646/2012
Diamond, Craig H.; Mack, Adam Mekeel; 21-02NES, Protective cup, (US, 28 Sep 2011) 27 Mar 2012	11560/2012	Evergreen Land Limited; 22-06, Insect repellent clip, 29 Mar 2012	11627/2012
Dixon, Gavin; 06-04NES, Cellar/larder storage system, 19 Feb 2012	11675/2012	Evergreen Land Limited; 22-06, 09-03NES, Insect repellent clip packaging, 29 Mar 2012	11640/2012
Dixon, Gavin; 06-04NES, Cellar/larder storage system, 19 Feb 2012	11676/2012	Evergreen Land Limited; 22-06, Insect repellent band, 29 Mar 2012	11628/2012
Doneux, Philippe Pierre Marie Joseph; 05-06NES, Sheeting material including a foil surface, 03 Apr 2012	11673/2012	Evergreen Land Limited; 22-06, 09-03NES, Insect repellent refill packaging, 29 Mar 2012	11629/2012
DG International Holdings Limited; 03-01A, 08-06, Expansion arm for expandable luggage, (EM, 08 Dec 2011) 21 Mar 2012	11462/2012	ED Oates Pty Ltd; 07-07B, Mop bucket, 23 Mar 2012	11499/2012
Eco.Logic Brands Inc.; 09-01NES, Shaped container, (US, 26 Sep 2011) 26 Mar 2012	11534/2012	Fire & Safety Solutions (Int) Pty Ltd; 02-03, Mako wildland multifunctional helmet, 02 Mar 2012	11106/2012
Eco.Logic Brands Inc.; 09-01NES, Shaped container, (US, 26 Sep 2011) 26 Mar 2012	11535/2012	Firth, Robert Anthony; 25-02H, Awning, 29 Mar 2012	11667/2012
Eco.Logic Brands Inc.; 09-01NES, Shaped container, (US, 26 Sep 2011) 26 Mar 2012	11536/2012	Fleetwood Pty Ltd; 25-03, Transportable building, 02 Apr 2012	11665/2012
Elmich Pte Ltd; 08-08NES, Bearer holder, 28 Mar 2012	11577/2012	Forever New Clothing Pty Ltd; 02-02C, 02-02NES, Women's fashion clothing, 29 Mar 2012	11639/2012
Encore Music Pty Ltd; ioco Pty Ltd; 06-09, 14-02, Tablet PC cushion, 30 Mar 2012	11643/2012	Gallagher, Glenn; 20-02NES, Display device, 22 Mar 2012	11496/2012
		GlaxoSmithKline Consumer Healthcare GmbH & Co. KG; 09-05, Toothbrush packaging, (GB, 03 Oct 2011) 02 Apr 2012	11672/2012

Gooden, Benjamin D.; 11-02B, Root director, (US, 23 Sep 2011) 22 Mar 2012	11483/2012	Little Thingz Pty Ltd; 99-00, Sustainable living and environmentally-friendly products, 03 Apr 2012	11669/2012
Gurney, Nicholas; 06-03B, Coffee tables - 'furniture', 29 Mar 2012	11668/2012	Lockhart, Richard; 11-02NES, This product is called the 'Real Gold Flake Snowdome'. This product is the 'Lucky Prospector' version of the 'Real Gold, Flake Snowdome'. , 23 Mar 2012	11508/2012
Holman Fresh Pty Ltd; 09-03M, Packaging product, 28 Mar 2012	11578/2012	Mack, Adam Mekeel;Diamond, Craig H.; 21-02NES, Protective cup, (US, 28 Sep 2011) 27 Mar 2012	11560/2012
Hutzler Manufacturing Co., Inc.; 07-01NES, Container, (US, 12 Mar 2012) 30 Mar 2012	11644/2012	Maggs, Tony; 28-03NES, A vibrator, (EM, 04 Oct 2011) 29 Mar 2012	11610/2012
Hutzler Manufacturing Co., Inc.; 07-01NES, 09-01D, Container, (US, 12 Mar 2012) 30 Mar 2012	11645/2012	Markham, Andrew Robert; 21-01F, 12-11, Foot peg 5, 30 Mar 2012	11630/2012
Iwasaki Electric Co., Ltd.; 26-05C, Lighting equipment, (JP, 05 Oct 2011) 29 Mar 2012	11631/2012	Mayo Hardware Pty Ltd; 07-02NES, Skewers, 27 Mar 2012	11526/2012
IP Holdings Pty Ltd; 21-02F, Gym and fitness equipment, 26 Mar 2012	11511/2012	McNicholl, Ivan William; 02-07C, A spectacle holder, (NZ, 05 Oct 2011) 30 Mar 2012	11613/2012
JinJiang Hengsheng Toys Co., Ltd.; 21-01C, Toy motor cycle, (CN, 13 Mar 2012) 02 Apr 2012	11663/2012	McNicholl, Ivan William; 02-07C, 16-06, A spectacle holder, (NZ, 05 Oct 2011) 30 Mar 2012	11612/2012
JETS Swimwear Pty Ltd; 02-02A, Swimwear garment, 29 Mar 2012	11621/2012	McNicholl, Ivan William; 02-07C, 16-06, A spectacle holder, (NZ, 05 Oct 2011) 30 Mar 2012	11611/2012
JETS Swimwear Pty Ltd; 02-02A, Swimwear garment, 29 Mar 2012	11623/2012	Meant-2-Move LLC; 21-02F, Upper body exercise device, (US, 06 Oct 2011) 23 Mar 2012	11510/2012
JETS Swimwear Pty Ltd; 02-02A, Swimwear garment, 29 Mar 2012	11619/2012	Melro Distributors Pty Ltd; 02-02C, 02-02NES, Ladies clothing, 29 Mar 2012	11609/2012
JETS Swimwear Pty Ltd; 02-02A, Swimwear garment, 29 Mar 2012	11620/2012	Method Products, Inc.; 09-01K, Bottle, (US, 26 Sep 2011) 22 Mar 2012	11518/2012
JETS Swimwear Pty Ltd; 02-02A, Swimwear garment, 29 Mar 2012	11615/2012	Mothercare UK Limited; 12-12, Stroller hood, (EM, 09 Mar 2012) 26 Mar 2012	11538/2012
JETS Swimwear Pty Ltd; 02-02A, Swimwear garment, 29 Mar 2012	11622/2012	Naim, Ossama; 12-16A, Alloy mag wheels/rims, 22 Mar 2012	11463/2012
JETS Swimwear Pty Ltd; 02-02A, Swimwear garment, 29 Mar 2012	11616/2012	Naim, Ossama; 12-16A, Alloy mag wheels/rims, 22 Mar 2012	11465/2012
JETS Swimwear Pty Ltd; 02-02A, Swimwear garment, 29 Mar 2012	11617/2012	Naim, Ossama; 12-16A, Alloy mag wheels/rims, 22 Mar 2012	11466/2012
JETS Swimwear Pty Ltd; 02-02A, Swimwear garment, 29 Mar 2012	11618/2012	Naim, Ossama; 12-16A, Alloy mag wheels/rims, 22 Mar 2012	11464/2012
Kohler Mira Limited; 23-02NES, Interface for sanitary appliances, (EM, 27 Sep 2011) 23 Mar 2012	11478/2012	Nautilus Hyosung Inc.; 14-02, Automated teller machine, (KR, 06 Oct 2011) 27 Mar 2012	11568/2012
LauraStar S.A.; 07-05A, Iron, (WO, 21 Oct 2011) 29 Mar 2012	11575/2012	Nautilus Hyosung Inc.; 14-02, Automated teller machine, (KR, 06 Oct 2011) 27 Mar 2012	11569/2012
LauraStar S.A.; 07-05A, Steam generator for iron, (WO, 21 Oct 2011) 29 Mar 2012	11576/2012		
Lightforce USA, Inc.; 22-01, Riflescope saddle, 22 Mar 2012	11479/2012		

Nevatia, Shishir Balkrishna; 11-01NES, Jewellery setting, (IN, 15 Mar 2012) 22 Mar 2012	11489/2012	Perrin Holdings (WA) Pty Ltd; 26-05NES, 23-04, An illuminated fan, 22 Mar 2012	11488/2012
Nevatia, Shishir Balkrishna; 11-01NES, Jewellery setting, (IN, 15 Mar 2012) 22 Mar 2012	11485/2012	Power Box AG; 08-01, Powered tool bit driver, (EM, 02 Mar 2012) 26 Mar 2012	11524/2012
Nevatia, Shishir Balkrishna; 11-01NES, Jewellery setting, (IN, 20 Mar 2012) 22 Mar 2012	11497/2012	Power Box AG; 08-01, Powered tool bit driver, (EM, 02 Mar 2012) 26 Mar 2012	11525/2012
Nevatia, Shishir Balkrishna; 11-01NES, Jewellery setting, (IN, 15 Mar 2012) 22 Mar 2012	11484/2012	Power Box AG; 08-05F, Clamping device, (EM, 02 Mar 2012) 26 Mar 2012	11522/2012
Nevatia, Shishir Balkrishna; 11-01NES, Jewellery setting, (IN, 15 Mar 2012) 22 Mar 2012	11498/2012	Power Box AG; 08-03, A power saw, (EM, 02 Mar 2012) 26 Mar 2012	11523/2012
Nevatia, Shishir Balkrishna; 11-01NES, Jewellery setting, (IN, 15 Mar 2012) 22 Mar 2012	11490/2012	Pragma Design Pty Ltd; 25-03, Sales Booth, 27 Mar 2012	11546/2012
Nevatia, Shishir Balkrishna; 11-01NES, Jewellery setting, (IN, 15 Mar 2012) 22 Mar 2012	11486/2012	Procter & Gamble Company, The; 19-08, Label, (US, 28 Jun 2011) 23 Dec 2011	11494/2012
Nevatia, Shishir Balkrishna; 11-01NES, Jewellery setting, (IN, 15 Mar 2012) 22 Mar 2012	11487/2012	Prospectors Pty Ltd; 15-99, A core tray, 26 Mar 2012	11557/2012
Nevatia, Shishir Balkrishna; 11-01NES, Jewellery setting, (IN, 15 Mar 2012) 22 Mar 2012	11477/2012	Prospectors Pty Ltd; 15-99, 09-07A, A core tray, 26 Mar 2012	11558/2012
Nevatia, Shishir Balkrishna; 11-01NES, Jewellery setting, (IN, 15 Mar 2012) 22 Mar 2012	11477/2012	Prospectors Pty Ltd; 15-99, 09-07NES, A core tray, 26 Mar 2012	11556/2012
Nicholas Holden Pty Ltd; 25-01D, 25-01K, A wall member, a wall assembly and wall frame, 29 Mar 2012	11636/2012	Prospectors Pty Ltd; 15-99, A core tray, 26 Mar 2012	11559/2012
Novo-Tech GmbH & Co. KG; 25-01D, Panel, (EM, 28 Oct 2011) 29 Mar 2012	11635/2012	Reckitt Benckiser LLC; 09-01NES, Dispensing device (without skin), (EM, 06 Oct 2011) 29 Mar 2012	11624/2012
Novo-Tech GmbH & Co. KG; 25-01D, Panel, (EM, 21 Dec 2011) 29 Mar 2012	11632/2012	Reckitt Benckiser LLC; 09-01NES, (part of) dispensing device, (EM, 06 Oct 2011) 29 Mar 2012	11625/2012
Novo-Tech GmbH & Co. KG; 25-01D, Panel, (EM, 28 Oct 2011) 29 Mar 2012	11634/2012	Rees Operations Pty Ltd; 09-02A, A materials handling container, 22 Mar 2012	11480/2012
Novo-Tech GmbH & Co. KG; 25-01D, Panel, (EM, 28 Oct 2011) 29 Mar 2012	11633/2012	Reutlinger Australia Pty Ltd; 25-01K, Corner member and/or member section, 27 Mar 2012	11565/2012
Nunn, Sheree;Davies, Emma-Jayne;Davies, Jenna; 11-01NES, Sole bandz, 24 Feb 2012	11493/2012	Russell & George Pty Ltd; 26-05NES, Lamp, 27 Mar 2012	11572/2012
Omron Healthcare Co., Ltd.; 04-02, Electric toothbrush, (JP, 27 Oct 2011) 22 Mar 2012	11503/2012	Russell & George Pty Ltd; 26-05D, Chandelier, 27 Mar 2012	11573/2012
Omron Healthcare Co., Ltd.; 28-03NES, Electric toothbrush, (JP, 24 Oct 2011) 22 Mar 2012	11504/2012	Russell & George Pty Ltd; 06-06E, Table base, 27 Mar 2012	11570/2012
Out of town 4WD; 12-16NES, 23-01F, Vehile fuel tank, 02 Mar 2012	11107/2012	Russell & George Pty Ltd; 26-05NES, Lamp, 27 Mar 2012	11571/2012
		Scania CV AB; 12-16C, Bumper cover rear for a bus, 28 Mar 2012	11590/2012
		Scania CV AB; 12-16C, Bumper cover rear for a bus, 28 Mar 2012	11593/2012

Scania CV AB; 12-16B, Front hatch for a bus, 28 Mar 2012	11607/2012	Sealy Technology LLC; 06-09, Mattress, (US, 26 Sep 2011) 23 Mar 2012	11502/2012
Scania CV AB; 12-16C, Bumper cover rear for a bus, 28 Mar 2012	11591/2012	Sealy Technology LLC; 06-09, Mattress, (US, 26 Sep 2011) 23 Mar 2012	11501/2012
Scania CV AB; 12-16B, Front corner panel lower for a bus, 28 Mar 2012	11606/2012	Sharp Kabushiki Kaisha; 28-03B, Hair dryer, (JP, 24 Oct 2011) 30 Mar 2012	11641/2012
Scania CV AB; 12-16F, Windscreen for a bus, 28 Mar 2012	11594/2012	Stratco (Australia) Pty Limited; 08-08A, A tile panel clip, 29 Mar 2012	11637/2012
Scania CV AB; 12-16C, Front bumper hatch panel for a bus, 28 Mar 2012	11595/2012	Stratco (Australia) Pty Limited; 25-01F, A tile panel, 29 Mar 2012	11638/2012
Scania CV AB; 12-08, Bus, 28 Mar 2012	11608/2012	Swatch A.G. (Swatch S.A.) (Swatch Ltd); 10-07, Watchcase, (CH, 14 Oct 2011) 02 Apr 2012	11647/2012
Scania CV AB; 12-16C, Bumper cover rear for a bus, 28 Mar 2012	11592/2012	Swatch A.G. (Swatch S.A.) (Swatch Ltd); 10-07, Watchcase, (CH, 14 Oct 2011) 02 Apr 2012	11648/2012
Scania CV AB; 12-16NES, Information plate for a bus, 28 Mar 2012	11603/2012	Swatch AG (Swatch SA) (Swatch Ltd); 10-07, Watchcase, (CH, 05 Oct 2011) 02 Apr 2012	11642/2012
Scania CV AB; 12-16B, Front corner panel upper for a bus, 28 Mar 2012	11605/2012	Tabb, Walter C.; 22-01, Projectile for launching a rope from a firearm, (US, 23 Sep 2011) 22 Mar 2012	11481/2012
Scania CV AB; 12-16B, Wheel arch strip for a bus, 28 Mar 2012	11604/2012	Taylor, Sophie Claire;Young, Benjamin James; 07-01C, Reusable bottle, 05 Mar 2012	11110/2012
Scania CV AB; 12-16NES, Inner ceiling for a bus, 28 Mar 2012	11602/2012	Taylor, Sophie Claire;Young, Benjamin James; 07-01C, Reusable fluid filtering bottle, 05 Mar 2012	11109/2012
Scania CV AB; 12-16NES, Instrument panel for a bus, 28 Mar 2012	11601/2012	Taylor, Sophie Claire;Young, Benjamin James; 07-01C, Reusable cup, 05 Mar 2012	11108/2012
Scania CV AB; 12-16B, Lamp panel strip for a bus, 28 Mar 2012	11599/2012	The Glad Products Company; 09-03M, Container for food, (US, 05 Oct 2011) 22 Mar 2012	11491/2012
Scania CV AB; 12-16E, Lamp panel for a bus, 28 Mar 2012	11600/2012	The Glad Products Company; 09-03M, Container for food, (US, 05 Oct 2011) 22 Mar 2012	11492/2012
Scania CV AB; 12-16B, Side skirt for a bus, 28 Mar 2012	11597/2012	Thule Sweden AB; 12-16K, Kayak carrier for vehicles, (EM, 05 Oct 2011) 27 Mar 2012	11520/2012
Scania CV AB; 12-16B, Air intake panel for a bus, 28 Mar 2012	11598/2012	Toul Meditech AB; 06-03NES, Instrument table, (EM, 07 Oct 2011) 02 Apr 2012	11666/2012
Scania CV AB; 12-16C, Front bumper cover for a bus, 28 Mar 2012	11596/2012	Toyota Jidosha Kabushiki Kaisha; 12-08, Automobile, 26 Mar 2012	11539/2012
Scott, Antony; 25-01NES, A rail for a suspended rail system, 30 Mar 2012	11651/2012	Trading AC Pty Ltd; 12-16NES, Snorkel, 28 Mar 2012	11626/2012
Seafolly Pty Ltd; 02-02A, Swimwear, 06 Mar 2012	11105/2012	Treuel, Allan Robert; 02-02C, Robe, 29 Mar 2012	11671/2012
Sealy Technology LLC; 06-09, Mattress, (US, 26 Sep 2011) 23 Mar 2012	11500/2012		

TS&B Retail Systems Pty Ltd; 20-02E, TS&B rotary dispensing unit, 03 Apr 2012	11670/2012	X-Technology Swiss GmbH; 02-02NES, Upper body garment, (EM, 28 Sep 2011) 26 Mar 2012	11531/2012
Unilever PLC; 09-01C, A jar, (EM, 07 Oct 2011) 27 Mar 2012	11566/2012	X-Technology Swiss GmbH; 02-02NES, Upper body garment, (EM, 28 Sep 2011) 26 Mar 2012	11529/2012
Visa International Service Association; 19-08, Card, (US, 10 Oct 2011) 26 Mar 2012	11540/2012	X-Technology Swiss GmbH; 02-02NES, Upper body garment, (EM, 28 Sep 2011) 26 Mar 2012	11530/2012
Visa International Service Association; 19-08, Card, (US, 10 Oct 2011) 26 Mar 2012	11541/2012	X-Technology Swiss GmbH; 02-01NES, Sports underwear, (EM, 27 Sep 2011) 26 Mar 2012	11532/2012
Visa International Service Association; 19-08, Card, (US, 10 Oct 2011) 26 Mar 2012	11543/2012	X-Technology Swiss GmbH; 02-01NES, Sports underwear, (EM, 27 Sep 2011) 26 Mar 2012	11533/2012
Visa International Service Association; 19-08, Card, (US, 10 Oct 2011) 26 Mar 2012	11542/2012	Young, Benjamin James;Taylor, Sophie Claire; 07-01C, Reusable cup, 05 Mar 2012	11108/2012
Visa International Service Association; 19-08, Card, (US, 10 Oct 2011) 26 Mar 2012	11544/2012	Young, Benjamin James;Taylor, Sophie Claire; 07-01C, Reusable bottle, 05 Mar 2012	11110/2012
Visa International Service Association; 19-08, Card, (US, 10 Oct 2011) 26 Mar 2012	11545/2012	Young, Benjamin James;Taylor, Sophie Claire; 07-01C, Reusable fluid filtering bottle, 05 Mar 2012	11109/2012
Vivian-Jones, David William;Brown, Paul William; 02-01NES, 24-04, Pelvic support, 22 Mar 2012	11482/2012		
Waboba Ltd; 21-02A, Ball, 29 Mar 2012	11614/2012		
Wang, Jonathan Hwan; 12-02, Four wheel golf cart, (US, 22 Feb 2012) 26 Mar 2012	11537/2012		

Applications Withdrawn

10279 / 2012 (23-02C) 10280 / 2012 (23-02C)
10282 / 2012 (23-02C)

Applications Lapsed

16005 / 2011 (19-08) 10178 / 2012 (08-08NES)
10234 / 2012 (12-02) 10250 / 2012 (02-02NES)

Extension of Period of Registration of Designs

311164	313739	313740
313946	313947	313948
313949	313950	313951
313952	313953	314518
314525	314660	314699
314710	314711	314771
314772	314778	314807
314808	314809	314810
314811	314812	314813
314814	314815	314816
314817	314818	314819
314820	314821	314831
314888	314972	315014
315018	315060	315061
315062	315067	315068
315075	315076	315077
315078	315093	315094
315097	315100	315110
315111	315128	315134
315137	315138	315148
315149	315150	315168
315220	315222	315223
315228	315230	315234
315514	315550	315589
315590	315620	315621
315673	315706	315814
315897	316128	316129
316130	316131	316132
316133	316134	316245
316246	316297	316298
316299	316361	316362
316363	316364	316365
316366	316367	316368
316369	316405	316406
316407	316408	316409
316410	316411	316412
316413	316424	316456
316537	316748	316749
316750	316751	316818
316819	316882	317467
317884		

Revocation of Design Registrations

The following Design Registration(s) have been revoked and are taken never to have been registered:

340108 09-01G

Registrations Ceased

310683	310686	310687
310688	310689	310690
310691	310797	310890
310891	310892	310893
310894	310895	310896
310898	310899	310921
310940	310942	310944
310945	310946	310981
310982	310983	310985
310986	311042	311043
311044	311058	311059
311289	312070	312125
312126	312127	312128
312129	312179	312180
312612	312614	312615
313471	313868	314673
318004	318006	319731
319764	319765	

Extensions of time granted under Section 137

Applications lodged under section 137 for extension of time have been granted.

- 311164 **Damian K. Lee**
- 341630 **Mark Holding**
- 341631 **Mark Holding**
- 341632 **Mark Holding**
- 341736 **Paul Geoffrey Spittle**
- 341737 **Paul Geoffrey Spittle**
- 341738 **Paul Geoffrey Spittle**
- 341739 **Paul Geoffrey Spittle**
- 15967/2011 **Mick Minz**
- 341713 **The Procter & Gamble Company**
- 341715 **Shop Vac Corporation**
- 341716 **Shop Vac Corporation**

Subsequent Owners Registered

(The name in parentheses is that of the subsequent owner)

- 339731 (**Australian Performance Vehicles Pty Ltd**) APV Automotive Components Pty Ltd
- 339732 (**Australian Performance Vehicles Pty Ltd**) APV Automotive Components Pty Ltd
- 333075 (**Bulgari Time (Switzerland) SA**) Daniel Roth et Gerald Genta Haute Horlogerie SA
- 332643 (**Bulgari Time (Switzerland) SA**) Daniel Roth et Gerald Genta Haute Horlogerie SA
- 330176 (**MTI Group Pty Limited**) MTI Products Pty Ltd
- 330175 (**MTI Group Pty Limited**) MTI Products Pty Ltd
- 330174 (**MTI Group Pty Limited**) MTI Products Pty Ltd

317447 (**MTI Group Pty Limited**) MTI Products Pty Ltd
 317448 (**MTI Group Pty Limited**) MTI Products Pty Ltd
 304766 (**Direct Property Investments Pty Ltd**) Tassone
 Property Group Pty Ltd
 319934 (**George Spirits Kabushiki Kaisha**) Avanti
 Corporation
 319344 (**Nissan Forklift Co. Ltd.**) Nissan Jidosha Kabushiki
 Kaisha
 323379 (**Nissan Forklift Co. Ltd.**) Nissan Jidosha Kabushiki
 Kaisha
 326603 (**Julie Gibbins**) Alicia Simpson
 326604 (**Julie Gibbins**) Alicia Simpson
 308305 (**Mountain H2O Pty Ltd**) Cash Holdings Pty Ltd
 317115 (**Astrapak Manufacturing Holdings (Proprietary)
 Limited**) Saflite Cape (Proprietary) Limited

**Names Registered - Alterations and
 Amendments**

(The name in parentheses is that of the subsequent
 applicant)

333075 (**Bulgari Horlogerie SA**) Bulgari Time (Switzerland)
 SA
 332643 (**Bulgari Horlogerie SA**) Bulgari Time (Switzerland)
 SA

Certificate(s) of Examination

Examination of the following Design Registration(s) has been completed. Infringement proceedings may now be commenced.

316664	25-01F	30/03/2012
316665	25-01F	30/03/2012
326502	25-02NES	28/03/2012
337602	16-06	26/03/2012
339014	14-03B	10/04/2012
339086	09-03A	28/03/2012
339617	04-02	10/04/2012
339618	04-02	10/04/2012
339619	04-02	10/04/2012
339620	04-02	10/04/2012
339731	12-16C	26/03/2012
339732	12-16C	26/03/2012
340109	14-03A	17/03/2012
340165	13-03C	30/03/2012
340167	13-03C	30/03/2012
340168	23-04	28/03/2012
340169	23-04	05/04/2012
340171	23-04	29/03/2012
340190	14-02	03/04/2012
340191	14-02	03/04/2012
340358	12-16NES	05/04/2012
340359	12-16NES	05/04/2012
340474	07-02A	20/03/2012
340498	28-03NES	30/03/2012
340499	28-03NES	30/03/2012
340593	09-01K	29/03/2012
340611	21-02C	28/03/2012
340660	12-15A	30/03/2012
340662	12-15A	30/03/2012
340672	21-01B	29/03/2012
340677	21-01F	30/03/2012
340700	12-15B	30/03/2012
340734	21-02C	28/03/2012
340775	21-02F	29/03/2012
340891	09-03A	10/04/2012
340919	09-03A	10/04/2012
340920	09-03A	10/04/2012
340921	09-03A	10/04/2012
340975	09-01NES	30/03/2012
340979	09-01NES	30/03/2012
340980	09-01NES	30/03/2012
340985	09-01NES	30/03/2012
340986	09-01NES	30/03/2012
341245	26-03	28/03/2012

Publication and Registration Proceedings

Designs Registered

This section provides a concordance between design number and registration number of Designs covered in this journal. It also shows the main class and registration date.

This section covers Registration numbers 341611 to 341826 .

The registration number shown below should be used in all future correspondence.

Design Number	Registration Number	International Classification Code (IDC)	Registration Date	Design Number	Registration Number	International Classification Code (IDC)	Registration Date
13642/2011	341717	07-02E	02/04/2012	10283/2012	341646	23-02C	28/03/2012
13795/2011	341774	05-06NES	04/04/2012	10284/2012	341647	23-02C	28/03/2012
13809/2011	341704	12-08	30/03/2012	10285/2012	341648	23-02C	28/03/2012
14155/2011	341630	08-08N	27/03/2012	10286/2012	341649	23-02C	28/03/2012
14156/2011	341631	08-08N	27/03/2012	10287/2012	341650	23-02NES	28/03/2012
14157/2011	341632	08-08N	27/03/2012	10288/2012	341651	23-02NES	28/03/2012
14220/2011	341633	07-02A	27/03/2012	10289/2012	341652	23-02NES	28/03/2012
14302/2011	341705	12-08	30/03/2012	10320/2012	341809	07-01D	05/04/2012
14303/2011	341706	12-08	30/03/2012	10321/2012	341810	07-01D	05/04/2012
14304/2011	341707	12-16NES	30/03/2012	10358/2012	341785	25-01E	05/04/2012
14305/2011	341718	26-06	02/04/2012	10426/2012	341811	02-04A	05/04/2012
14306/2011	341719	26-06	02/04/2012	10455/2012	341653	21-01C	28/03/2012
14307/2011	341708	12-08	30/03/2012	10459/2012	341765	09-05	04/04/2012
14308/2011	341720	12-16B	02/04/2012	10597/2012	341641	03-01D	27/03/2012
14309/2011	341709	12-08	30/03/2012	10643/2012	341777	09-01K	04/04/2012
14310/2011	341680	12-16C	29/03/2012	10656/2012	341715	15-05	30/03/2012
14311/2011	341681	12-08	29/03/2012	10657/2012	341716	15-05	30/03/2012
14312/2011	341711	26-06	30/03/2012	10685/2012	341778	21-01F	04/04/2012
14313/2011	341710	12-08	30/03/2012	10686/2012	341779	21-01F	04/04/2012
14314/2011	341682	12-16C	29/03/2012	10687/2012	341780	08-08D	04/04/2012
14315/2011	341683	12-16C	29/03/2012	10688/2012	341781	08-08D	04/04/2012
14316/2011	341684	12-16B	29/03/2012	10689/2012	341782	08-08D	04/04/2012
14317/2011	341685	12-16C	29/03/2012	10726/2012	341640	06-13NES	27/03/2012
14318/2011	341686	12-16C	29/03/2012	10762/2012	341814	12-02	10/04/2012
14319/2011	341687	26-06	29/03/2012	10768/2012	341612	03-99	27/03/2012
14450/2011	341807	02-02C	05/04/2012	10771/2012	341789	12-02	05/04/2012
14693/2011	341736	23-02C	03/04/2012	10781/2012	341786	12-02	05/04/2012
14696/2011	341737	23-02C	03/04/2012	10799/2012	341788	12-02	05/04/2012
14697/2011	341738	23-02C	03/04/2012	10804/2012	341787	02-02NES	05/04/2012
14700/2011	341739	23-02C	03/04/2012	10805/2012	341783	02-02A	04/04/2012
14825/2011	341721	08-06	02/04/2012	10825/2012	341766	07-04	04/04/2012
15251/2011	341688	08-05N	29/03/2012	10826/2012	341767	07-04	04/04/2012
15485/2011	341643	25-02K	28/03/2012	10827/2012	341768	07-04	04/04/2012
15832/2011	341615	09-03F	27/03/2012	10828/2012	341769	07-04	04/04/2012
15833/2011	341740	09-03F	03/04/2012	10829/2012	341770	07-04	04/04/2012
15834/2011	341616	09-03F	27/03/2012	10855/2012	341784	09-03NES	04/04/2012
15835/2011	341617	09-03F	27/03/2012	10881/2012	341613	13-03D	27/03/2012
15978/2011	341644	15-05	28/03/2012	10891/2012	341666	30-04	29/03/2012
16005/2011	341713	19-08	30/03/2012	10923/2012	341792	02-04B	05/04/2012
10016/2012	341689	14-03E	29/03/2012	10942/2012	341618	06-03NES	27/03/2012
10084/2012	341634	01-06	27/03/2012	10943/2012	341619	26-06	27/03/2012
10086/2012	341637	30-08	27/03/2012	10944/2012	341620	26-06	27/03/2012
10102/2012	341638	07-07A	27/03/2012	10945/2012	341621	26-06	27/03/2012
10103/2012	341611	23-01NES	27/03/2012	10946/2012	341622	26-06	27/03/2012
10113/2012	341794	14-03E	05/04/2012	10954/2012	341623	25-01F	27/03/2012
10159/2012	341639	19-08	27/03/2012	10955/2012	341624	25-01F	27/03/2012
10184/2012	341635	09-03L	27/03/2012	10956/2012	341625	25-01F	27/03/2012
10258/2012	341775	02-04NES	04/04/2012	10957/2012	341626	25-01F	27/03/2012
10259/2012	341776	02-04NES	04/04/2012	10959/2012	341627	02-04B	27/03/2012
10281/2012	341645	23-02C	28/03/2012	10960/2012	341628	23-01H	27/03/2012

Publication and Registration Proceedings - Designs Registered cont'd

Design Number	Registration Number	International Classification Code (IDC)	Registration Date	Design Number	Registration Number	International Classification Code (IDC)	Registration Date
10964/2012	341629	15-05	27/03/2012	11046/2012	341747	14-03B	03/04/2012
10965/2012	341654	15-05	28/03/2012	11047/2012	341748	14-99	03/04/2012
10969/2012	341655	15-05	28/03/2012	11048/2012	341749	14-99	03/04/2012
10970/2012	341656	15-05	28/03/2012	11082/2012	341750	12-06NES	03/04/2012
10971/2012	341657	13-03D	28/03/2012	11084/2012	341751	09-07C	03/04/2012
10973/2012	341658	03-01NES	28/03/2012	11086/2012	341614	02-01NES	27/03/2012
10974/2012	341659	03-01NES	28/03/2012	11087/2012	341752	07-02E	03/04/2012
10975/2012	341660	03-01NES	28/03/2012	11088/2012	341753	14-01	03/04/2012
10979/2012	341661	03-01NES	28/03/2012	11089/2012	341754	26-04	04/04/2012
10980/2012	341662	03-01NES	28/03/2012	11090/2012	341793	09-09	05/04/2012
10981/2012	341663	03-01NES	28/03/2012	11091/2012	341755	09-01K	04/04/2012
10983/2012	341664	03-01NES	28/03/2012	11099/2012	341756	23-01K	04/04/2012
10984/2012	341665	03-01NES	28/03/2012	11100/2012	341757	02-02C	04/04/2012
10985/2012	341667	03-01NES	29/03/2012	11103/2012	341758	10-04	04/04/2012
10987/2012	341668	03-01NES	29/03/2012	11104/2012	341759	10-04	04/04/2012
10989/2012	341669	07-02L	29/03/2012	11111/2012	341760	23-01K	04/04/2012
10990/2012	341670	08-03	29/03/2012	11112/2012	341741	03-01NES	03/04/2012
10991/2012	341671	08-03	29/03/2012	11124/2012	341761	02-03	04/04/2012
10995/2012	341672	14-01	29/03/2012	11125/2012	341762	19-02	04/04/2012
10996/2012	341673	26-05E	29/03/2012	11126/2012	341763	14-01	04/04/2012
10997/2012	341674	13-03D	29/03/2012	11134/2012	341764	25-01A	04/04/2012
10998/2012	341675	13-03D	29/03/2012	11135/2012	341795	25-01A	05/04/2012
10999/2012	341676	15-05	29/03/2012	11136/2012	341796	25-01A	05/04/2012
11000/2012	341677	15-05	29/03/2012	11137/2012	341797	25-01E	05/04/2012
11001/2012	341678	26-04	29/03/2012	11138/2012	341798	25-01E	05/04/2012
11002/2012	341692	15-05	30/03/2012	11139/2012	341791	09-01G	05/04/2012
11003/2012	341693	15-05	30/03/2012	11140/2012	341790	09-03C	05/04/2012
11004/2012	341694	15-05	30/03/2012	11145/2012	341799	09-01H	05/04/2012
11005/2012	341695	15-05	30/03/2012	11146/2012	341800	03-01A	05/04/2012
11006/2012	341696	15-05	30/03/2012	11148/2012	341642	25-01K	27/03/2012
11007/2012	341697	15-05	30/03/2012	11149/2012	341801	25-01F	05/04/2012
11008/2012	341698	15-05	30/03/2012	11150/2012	341802	06-04NES	05/04/2012
11009/2012	341699	15-05	30/03/2012	11151/2012	341803	06-04NES	05/04/2012
11010/2012	341700	15-05	30/03/2012	11152/2012	341804	06-04NES	05/04/2012
11011/2012	341701	15-05	30/03/2012	11153/2012	341805	06-04NES	05/04/2012
11018/2012	341702	06-02	30/03/2012	11154/2012	341806	06-04NES	05/04/2012
11019/2012	341703	23-01A	30/03/2012	11155/2012	341815	06-04NES	10/04/2012
11020/2012	341724	23-01A	02/04/2012	11156/2012	341816	25-01B	10/04/2012
11021/2012	341725	06-11	02/04/2012	11157/2012	341817	21-03	10/04/2012
11023/2012	341726	11-01NES	02/04/2012	11158/2012	341818	06-01H	10/04/2012
11024/2012	341727	07-01NES	02/04/2012	11159/2012	341819	09-07B	10/04/2012
11025/2012	341728	25-99	02/04/2012	11160/2012	341820	09-07B	10/04/2012
11026/2012	341729	09-05	02/04/2012	11161/2012	341821	25-04	10/04/2012
11027/2012	341730	09-05	02/04/2012	11162/2012	341822	25-04	10/04/2012
11028/2012	341731	09-05	02/04/2012	11163/2012	341679	08-08NES	29/03/2012
11029/2012	341732	09-05	02/04/2012	11164/2012	341823	25-04	10/04/2012
11030/2012	341733	10-04	02/04/2012	11165/2012	341824	08-08NES	10/04/2012
11031/2012	341734	10-04	02/04/2012	11166/2012	341825	08-08NES	10/04/2012
11036/2012	341735	12-08	02/04/2012	11167/2012	341826	08-08NES	10/04/2012
11039/2012	341742	25-01F	03/04/2012	11292/2012	341690	09-01D	29/03/2012
11040/2012	341743	25-02C	03/04/2012	11294/2012	341691	09-01D	29/03/2012
11042/2012	341712	02-02NES	30/03/2012	11351/2012	341771	07-04	04/04/2012
11043/2012	341744	09-03M	03/04/2012	11352/2012	341772	07-04	04/04/2012
11044/2012	341745	31-00	03/04/2012	11402/2012	341636	09-03L	27/03/2012
11045/2012	341746	30-03	03/04/2012	11475/2012	341773	09-03M	04/04/2012

Publication and Registration Proceedings - Designs Registered cont'd

Design Number	Registration Number	International Classification Code (IDC)	Registration Date	Design Number	Registration Number	International Classification Code (IDC)	Registration Date
11494/2012	341714	19-08	30/03/2012	11564/2012	341723	07-02E	02/04/2012
11561/2012	341812	02-04A	05/04/2012	11649/2012	341808	02-02C	05/04/2012
11562/2012	341813	02-04A	05/04/2012				
11563/2012	341722	07-02E	02/04/2012				

Publication and Registration Proceedings

Class Listing of Designs Published or Registered

The following section shows an International Classification Code listing of the Registered or Published Designs covered in this supplement.

Classification	Registration Number	Design Number	Classification	Registration Number	Design Number
01-06	341634	10084/2012	06-13NES	341640	10726/2012
02-01NES	341614	11086/2012	07-01D	341809	10320/2012
02-02A	341783	10805/2012	07-01D	341810	10321/2012
02-02C	341757	11100/2012	07-01NES	341727	11024/2012
02-02C	341807	14450/2011	07-02A	341633	14220/2011
02-02C	341808	11649/2012	07-02E	341717	13642/2011
02-02NES	341712	11042/2012	07-02E	341722	11563/2012
02-02NES	341787	10804/2012	07-02E	341723	11564/2012
02-03	341761	11124/2012	07-02E	341752	11087/2012
02-04A	341811	10426/2012	07-02L	341669	10989/2012
02-04A	341812	11561/2012	07-04	341766	10825/2012
02-04A	341813	11562/2012	07-04	341767	10826/2012
02-04B	341627	10959/2012	07-04	341768	10827/2012
02-04B	341792	10923/2012	07-04	341769	10828/2012
02-04NES	341775	10258/2012	07-04	341770	10829/2012
02-04NES	341776	10259/2012	07-04	341771	11351/2012
03-01A	341800	11146/2012	07-04	341772	11352/2012
03-01D	341641	10597/2012	07-07A	341638	10102/2012
03-01NES	341658	10973/2012	08-03	341670	10990/2012
03-01NES	341659	10974/2012	08-03	341671	10991/2012
03-01NES	341660	10975/2012	08-05N	341688	15251/2011
03-01NES	341661	10979/2012	08-06	341721	14825/2011
03-01NES	341662	10980/2012	08-08D	341780	10687/2012
03-01NES	341663	10981/2012	08-08D	341781	10688/2012
03-01NES	341664	10983/2012	08-08D	341782	10689/2012
03-01NES	341665	10984/2012	08-08N	341630	14155/2011
03-01NES	341667	10985/2012	08-08N	341631	14156/2011
03-01NES	341668	10987/2012	08-08N	341632	14157/2011
03-01NES	341741	11112/2012	08-08NES	341679	11163/2012
03-99	341612	10768/2012	08-08NES	341824	11165/2012
05-06NES	341774	13795/2011	08-08NES	341825	11166/2012
06-01H	341818	11158/2012	08-08NES	341826	11167/2012
06-01NES	341645	10281/2012	09-01D	341690	11292/2012
06-01NES	341646	10283/2012	09-01D	341691	11294/2012
06-01NES	341647	10284/2012	09-01G	341791	11139/2012
06-01NES	341648	10285/2012	09-01H	341799	11145/2012
06-01NES	341649	10286/2012	09-01K	341755	11091/2012
06-02	341612	10768/2012	09-01K	341777	10643/2012
06-02	341702	11018/2012	09-03C	341790	11140/2012
06-03NES	341618	10942/2012	09-03F	341615	15832/2011
06-04NES	341802	11150/2012	09-03F	341616	15834/2011
06-04NES	341803	11151/2012	09-03F	341617	15835/2011
06-04NES	341804	11152/2012	09-03F	341740	15833/2011
06-04NES	341805	11153/2012	09-03L	341635	10184/2012
06-04NES	341806	11154/2012	09-03L	341636	11402/2012
06-04NES	341815	11155/2012	09-03M	341744	11043/2012
06-06E	341651	10288/2012	09-03M	341773	11475/2012
06-06E	341652	10289/2012	09-03NES	341784	10855/2012
06-06G	341650	10287/2012	09-05	341729	11026/2012
06-06G	341651	10288/2012	09-05	341730	11027/2012
06-06G	341652	10289/2012	09-05	341731	11028/2012
06-11	341725	11021/2012	09-05	341732	11029/2012
06-13B	341774	13795/2011	09-05	341765	10459/2012

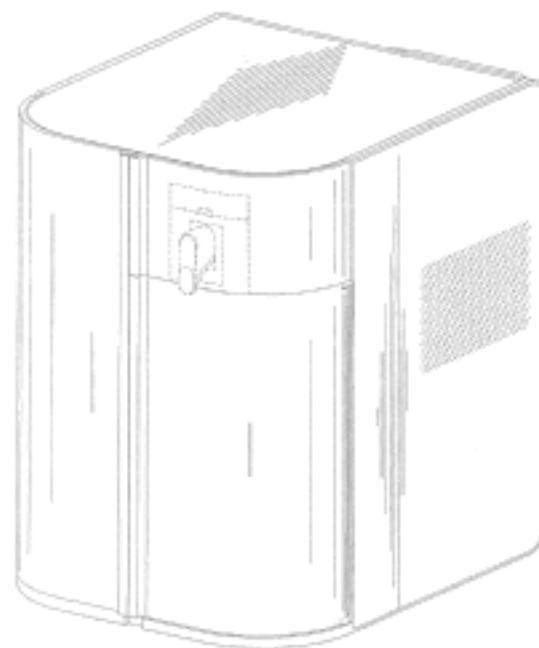
Registration Proceedings - Class Listing of Designs Published or Registered cont'd

Classification	Registration Number	Design Number	Classification	Registration Number	Design Number
09-07B	341635	10184/2012	15-05	341644	15978/2011
09-07B	341636	11402/2012	15-05	341654	10965/2012
09-07B	341819	11159/2012	15-05	341655	10969/2012
09-07B	341820	11160/2012	15-05	341656	10970/2012
09-07C	341751	11084/2012	15-05	341657	10971/2012
09-09	341793	11090/2012	15-05	341674	10997/2012
10-04	341729	11026/2012	15-05	341675	10998/2012
10-04	341730	11027/2012	15-05	341676	10999/2012
10-04	341731	11028/2012	15-05	341677	11000/2012
10-04	341732	11029/2012	15-05	341692	11002/2012
10-04	341733	11030/2012	15-05	341693	11003/2012
10-04	341734	11031/2012	15-05	341694	11004/2012
10-04	341758	11103/2012	15-05	341695	11005/2012
10-04	341759	11104/2012	15-05	341696	11006/2012
11-01NES	341726	11023/2012	15-05	341697	11007/2012
12-02	341786	10781/2012	15-05	341698	11008/2012
12-02	341788	10799/2012	15-05	341699	11009/2012
12-02	341789	10771/2012	15-05	341700	11010/2012
12-02	341814	10762/2012	15-05	341701	11011/2012
12-06NES	341750	11082/2012	15-05	341715	10656/2012
12-08	341681	14311/2011	15-05	341716	10657/2012
12-08	341704	13809/2011	16-01	341763	11126/2012
12-08	341705	14302/2011	19-01	341777	10643/2012
12-08	341706	14303/2011	19-02	341762	11125/2012
12-08	341708	14307/2011	19-08	341639	10159/2012
12-08	341709	14309/2011	19-08	341713	16005/2011
12-08	341710	14313/2011	19-08	341714	11494/2012
12-08	341735	11036/2012	21-01C	341653	10455/2012
12-11	341778	10685/2012	21-01F	341778	10685/2012
12-11	341779	10686/2012	21-01F	341779	10686/2012
12-11	341780	10687/2012	21-01F	341780	10687/2012
12-11	341781	10688/2012	21-01F	341781	10688/2012
12-11	341782	10689/2012	21-01F	341782	10689/2012
12-12	341612	10768/2012	21-03	341817	11157/2012
12-16B	341684	14316/2011	23-01A	341703	11019/2012
12-16B	341720	14308/2011	23-01A	341724	11020/2012
12-16C	341680	14310/2011	23-01H	341628	10960/2012
12-16C	341682	14314/2011	23-01K	341756	11099/2012
12-16C	341683	14315/2011	23-01K	341760	11111/2012
12-16C	341685	14317/2011	23-01NES	341611	10103/2012
12-16C	341686	14318/2011	23-02C	341645	10281/2012
12-16NES	341707	14304/2011	23-02C	341646	10283/2012
13-03D	341613	10881/2012	23-02C	341647	10284/2012
13-03D	341657	10971/2012	23-02C	341648	10285/2012
13-03D	341674	10997/2012	23-02C	341649	10286/2012
13-03D	341675	10998/2012	23-02C	341736	14693/2011
14-01	341672	10995/2012	23-02C	341737	14696/2011
14-01	341753	11088/2012	23-02C	341738	14697/2011
14-01	341763	11126/2012	23-02C	341739	14700/2011
14-03B	341747	11046/2012	23-02NES	341650	10287/2012
14-03B	341763	11126/2012	23-02NES	341651	10288/2012
14-03E	341689	10016/2012	23-02NES	341652	10289/2012
14-03E	341794	10113/2012	25-01A	341764	11134/2012
14-99	341748	11047/2012	25-01A	341795	11135/2012
14-99	341749	11048/2012	25-01A	341796	11136/2012
15-05	341629	10964/2012	25-01B	341816	11156/2012

Registration Proceedings - Class Listing of Designs Published or Registered cont'd

Classification	Registration Number	Design Number	Classification	Registration Number	Design Number
25-01E	341785	10358/2012	26-05C	341673	10996/2012
25-01E	341797	11137/2012	26-05E	341620	10944/2012
25-01E	341798	11138/2012	26-05E	341621	10945/2012
25-01F	341623	10954/2012	26-05E	341622	10946/2012
25-01F	341624	10955/2012	26-05E	341673	10996/2012
25-01F	341625	10956/2012	26-06	341619	10943/2012
25-01F	341626	10957/2012	26-06	341620	10944/2012
25-01F	341742	11039/2012	26-06	341621	10945/2012
25-01F	341801	11149/2012	26-06	341622	10946/2012
25-01K	341642	11148/2012	26-06	341687	14319/2011
25-02C	341743	11040/2012	26-06	341711	14312/2011
25-02K	341643	15485/2011	26-06	341718	14305/2011
25-04	341821	11161/2012	26-06	341719	14306/2011
25-04	341822	11162/2012	30-03	341746	11045/2012
25-04	341823	11164/2012	30-04	341666	10891/2012
25-99	341728	11025/2012	30-08	341637	10086/2012
26-04	341673	10996/2012	31-00	341745	11044/2012
26-04	341678	11001/2012			
26-04	341754	11089/2012			

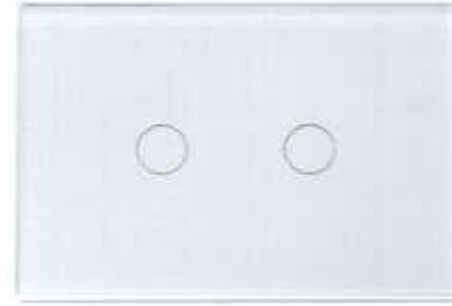
- (21) Design Number: **10103/2012**
(22) Date of Filing Application: **12 January 2012**
(24) Date from which industrial property rights may have effect: **12 January 2012**
(54) Product in respect of which the design is registered: **Dual function wine system**
(51) International Design Classification: **23-01NES**
(74) Name(s) of Attorney(s): **Griffith Hack**
(71) Name(s) and Address(s) of Applicant(s):
Sunbeam Products, Inc.
2381 Executive Center Drive Boca Raton FL 33431 United States of America
(72) Name(s) of Designer(s): **William Goralski and Phetsouvanh Kounlavong and Brooks Rorke**
(45) Registration Date: **27 March 2012**
(30) Convention priority data:
(31) Number (32) Date (33) Country
29/397,111 12 Jul 2011 UNITED STATES OF AMERICA
(56) Related Art Documents: **Not Applicable**
(57) Statement of Newness and Distinctiveness: **Shape, configuration and ornamentation of those parts of the design of the PRODUCT shown by solid lines in the representations is new and distinctive. Those parts shown in dashed lines have been included to exemplify the design.**



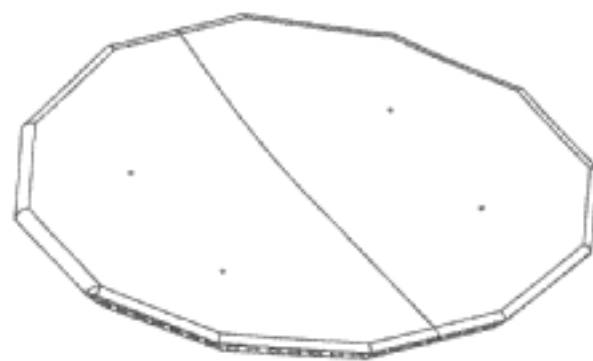
- (21) Design Number: **10768/2012**
(22) Date of Filing Application: **17 February 2012**
(24) Date from which industrial property rights may have effect: **17 February 2012**
(54) Product in respect of which the design is registered: **Travel cot**
(51) International Design Classification: **03-99, 06-02, 12-12**
(74) Name(s) of Attorney(s):
(71) Name(s) and Address(s) of Applicant(s):
Aarti Shah
407/15 Atchinson Street St Leonards New South Wales 2065 Australia
(72) Name(s) of Designer(s): **Aarti Shah**
(45) Registration Date: **27 March 2012**
(56) Related Art Documents: **Not Applicable**
(57) Statement of Newness and Distinctiveness: **Newness and distinctiveness is claimed in the visual features of shape and configuration of the travel cot as illustrated in the accompanying representations.**



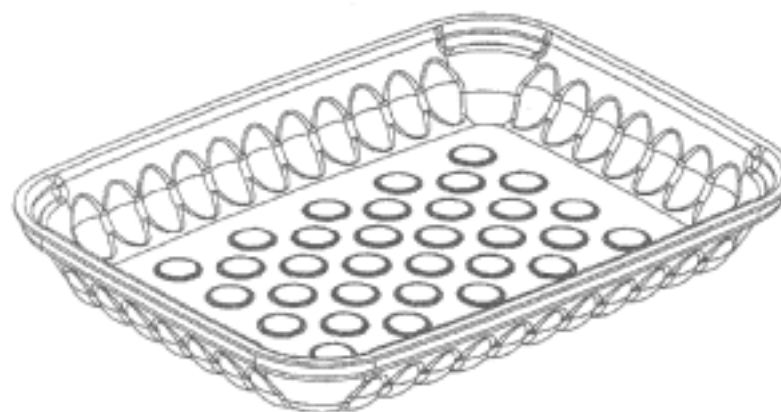
- (21) Design Number: **10881/2012**
(22) Date of Filing Application: **24 February 2012**
(24) Date from which industrial property rights may have effect: **24 February 2012**
(54) Product in respect of which the design is registered: **Electrical switch**
(51) International Design Classification: **13-03D**
(74) Name(s) of Attorney(s): **Jirsch Sutherland IP**
(71) Name(s) and Address(s) of Applicant(s):
Connected Group Australia Pty Ltd
Unit 2 26-28 Whyalla Place Prestons New South Wales 2170 Australia
(72) Name(s) of Designer(s): **Dean Lucantonio**
(45) Registration Date: **27 March 2012**
(56) Related Art Documents: **Not Applicable**
(57) Statement of Newness and Distinctiveness: **Monopoly is claimed for in respect of the shape and configuration of the "cover plates" as seen in the original representations files. The shape of these plates is both new and distinctive and monopoly of the shape is relevant regardless of the configuration of the switches and switching mechanisms seen.**



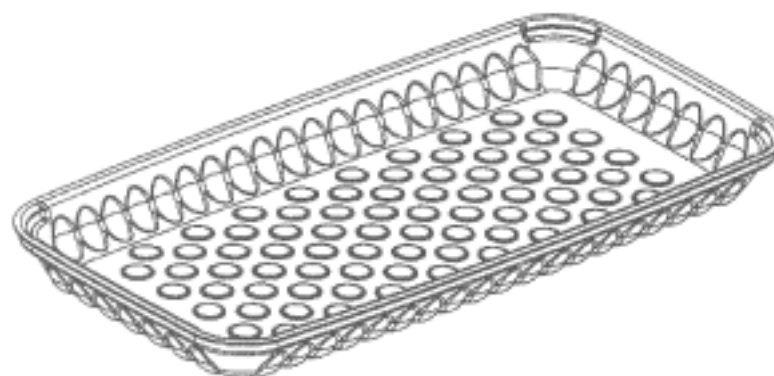
- (21) Design Number: **11086/2012**
(22) Date of Filing Application: **02 March 2012**
(24) Date from which industrial property rights may have effect: **02 March 2012**
(54) Product in respect of which the design is registered: **Pelvic support**
(51) International Design Classification: **02-01NES**
(74) Name(s) of Attorney(s): **SPRUSON & FERGUSON**
(71) Name(s) and Address(s) of Applicant(s):
Paul William Brown
18/77 Ramsgate Avenue North Bondi New South Wales 2026 Australia
David William Vivian-Jones
30 Manning Road Double Bay New South Wales 2028 Australia
(72) Name(s) of Designer(s): **Siegfried Holler and Paul William Brown and David William Vivian-Jones**
(45) Registration Date: **27 March 2012**
(56) Related Art Documents: **Not Applicable**
(57) Statement of Newness and Distinctiveness: **Newness and distinctiveness is claimed in the features of shape and/or configuration of a pelvic support as illustrated in the accompanying representations.**



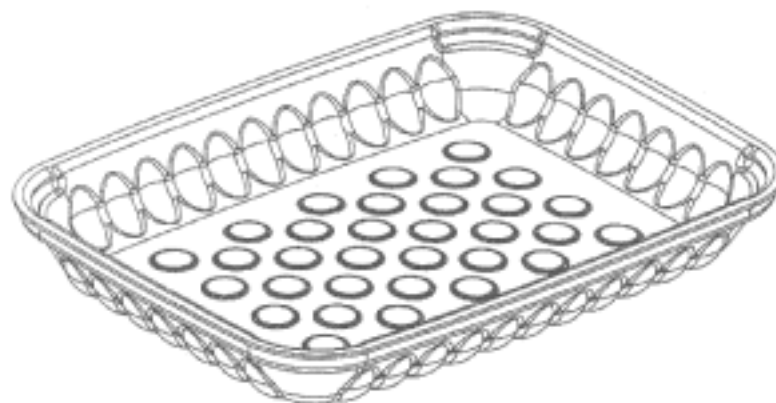
- (21) Design Number: **15832/2011**
(22) Date of Filing Application: **19 December 2011**
(24) Date from which industrial property rights may have effect: **19 December 2011**
(54) Product in respect of which the design is registered: **A tray**
(51) International Design Classification: **09-03F**
(74) Name(s) of Attorney(s): **A J Park**
(71) Name(s) and Address(s) of Applicant(s):
Alto Packaging Limited
Level 6 57 Symonds Street Grafton Auckland 1010 New Zealand
(72) Name(s) of Designer(s): **Ritchie John Williams**
(45) Registration Date: **27 March 2012**
(56) Related Art Documents: **Not Applicable**
(57) Statement of Newness and Distinctiveness: **Newness and distinctiveness resides in the features of shape and/or configuration of a tray substantially as shown in the accompanying representations.**



- (21) Design Number: **15834/2011**
(22) Date of Filing Application: **19 December 2011**
(24) Date from which industrial property rights may have effect: **19 December 2011**
(54) Product in respect of which the design is registered: **A tray**
(51) International Design Classification: **09-03F**
(74) Name(s) of Attorney(s): **A J Park**
(71) Name(s) and Address(s) of Applicant(s):
Alto Packaging Limited
Level 6 57 Symonds Street Grafton Auckland 1010 New Zealand
(72) Name(s) of Designer(s): **Ritchie John Williams**
(45) Registration Date: **27 March 2012**
(56) Related Art Documents: **Not Applicable**
(57) Statement of Newness and Distinctiveness: **The features of shape and/or configuration shown in the sectional views in respect of curvature in the walls, curvature in the base, and/or the transition from the base into the walls.**



- (21) Design Number: **15835/2011**
(22) Date of Filing Application: **19 December 2011**
(24) Date from which industrial property rights may have effect: **19 December 2011**
(54) Product in respect of which the design is registered: **A tray**
(51) International Design Classification: **09-03F**
(74) Name(s) of Attorney(s): **A J Park**
(71) Name(s) and Address(s) of Applicant(s):
Alto Packaging Limited
Level 6 57 Symonds Street Grafton Auckland 1010 New Zealand
(72) Name(s) of Designer(s): **Ritchie John Williams**
(45) Registration Date: **27 March 2012**
(56) Related Art Documents: **Not Applicable**
(57) Statement of Newness and Distinctiveness: **The features of shape and/or configuration shown in the sectional views in respect of curvature in the walls, curvature in the base, and/or the transition from the base into the walls.**



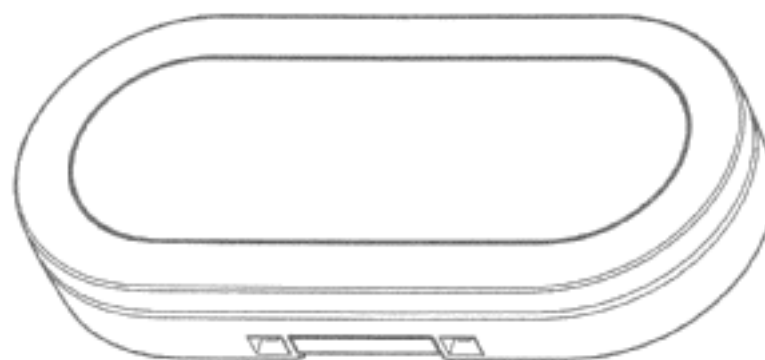
- (21) Design Number: **10942/2012**
(22) Date of Filing Application: **29 February 2012**
(24) Date from which industrial property rights may have effect: **29 February 2012**
(54) Product in respect of which the design is registered: **Table**
(51) International Design Classification: **06-03NES**
(74) Name(s) of Attorney(s): **FB Rice**
(71) Name(s) and Address(s) of Applicant(s):
Okamura Corporation
7-18 Kitasaiwai 2-chome Nishi-ku Yokohama-shi Kanagawa 220-0004
Japan
(72) Name(s) of Designer(s): **Kanya Matsushita and Ayako Aratani**
(45) Registration Date: **27 March 2012**
(30) Convention priority data:
(31) Number (32) Date (33) Country
2011-019848 01 Sep 2011 JAPAN
(56) Related Art Documents: **Not Applicable**
(57) Statement of Newness and Distinctiveness: **Newness and distinctiveness reside in the features of shape and configuration of the table as shown in the representations.**



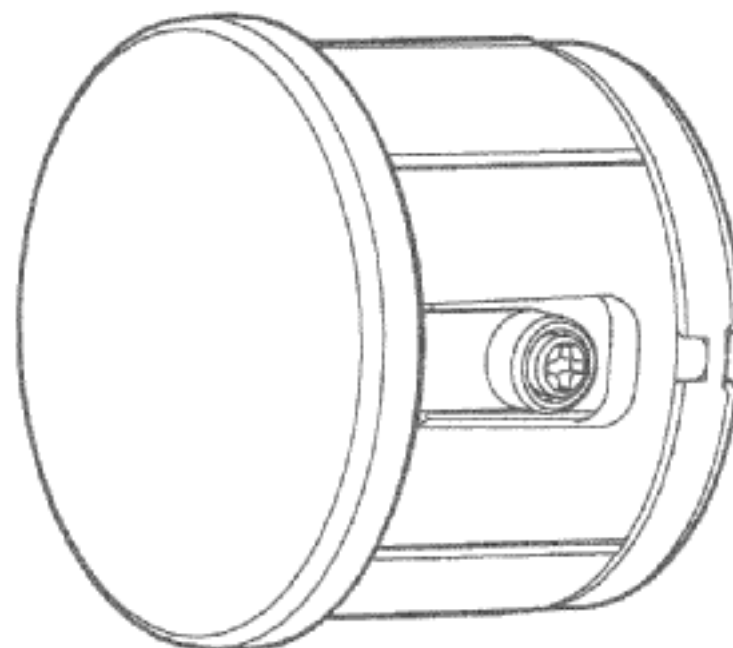
(21) Design Number: **10943/2012**
(22) Date of Filing Application: **29 February 2012**
(24) Date from which industrial property rights may have effect: **29 February 2012**
(54) Product in respect of which the design is registered: **Bicycle LED light**
(51) International Design Classification: **26-06**
(74) Name(s) of Attorney(s): **FB Rice**
(71) Name(s) and Address(s) of Applicant(s):
Koninklijke Philips Electronics N.V.
Groenewoudseweg 1 5621 BA Eindhoven The Netherlands
(72) Name(s) of Designer(s): **Ramon Janssen**
(45) Registration Date: **27 March 2012**
(30) Convention priority data:
(31) Number (32) Date (33) Country
001909789-0003 30 Aug 2011 EUROPEAN COMMUNITY
(56) Related Art Documents: **Not Applicable**
(57) Statement of Newness and Distinctiveness: **Newness and distinctiveness reside in the features of shape and configuration of the bicycle LED light as shown in the representations.**



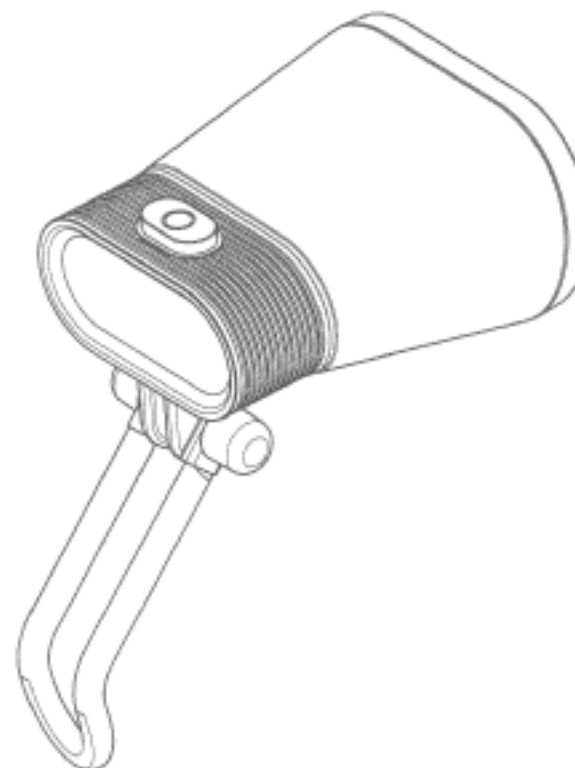
(21) Design Number: **10944/2012**
(22) Date of Filing Application: **29 February 2012**
(24) Date from which industrial property rights may have effect: **29 February 2012**
(54) Product in respect of which the design is registered: **Bicycle LED light**
(51) International Design Classification: **26-06, 26-05E**
(74) Name(s) of Attorney(s): **FB Rice**
(71) Name(s) and Address(s) of Applicant(s):
Koninklijke Philips Electronics N.V.
Groenewoudseweg 1 5621 BA Eindhoven The Netherlands
(72) Name(s) of Designer(s): **Ramon Janssen**
(45) Registration Date: **27 March 2012**
(30) Convention priority data:
(31) Number (32) Date (33) Country
001909789-0001 30 Aug 2011 EUROPEAN COMMUNITY
(56) Related Art Documents: **Not Applicable**
(57) Statement of Newness and Distinctiveness: **Newness and distinctiveness reside in the features of shape and configuration of the bicycle LED light as shown in the representations.**



(21) Design Number: **10945/2012**
(22) Date of Filing Application: **29 February 2012**
(24) Date from which industrial property rights may have effect: **29 February 2012**
(54) Product in respect of which the design is registered: **Bicycle LED light**
(51) International Design Classification: **26-06, 26-05E**
(74) Name(s) of Attorney(s): **FB Rice**
(71) Name(s) and Address(s) of Applicant(s):
Koninklijke Philips Electronics N.V.
Groenewoudseweg 1 5621 BA Eindhoven The Netherlands
(72) Name(s) of Designer(s): **Ramon Janssen**
(45) Registration Date: **27 March 2012**
(30) Convention priority data:
(31) Number (32) Date (33) Country
001909789-0004 30 Aug 2011 EUROPEAN COMMUNITY
(56) Related Art Documents: **Not Applicable**
(57) Statement of Newness and Distinctiveness: **Newness and distinctiveness reside in the features of shape and configuration of the bicycle LED light as shown in the representations.**



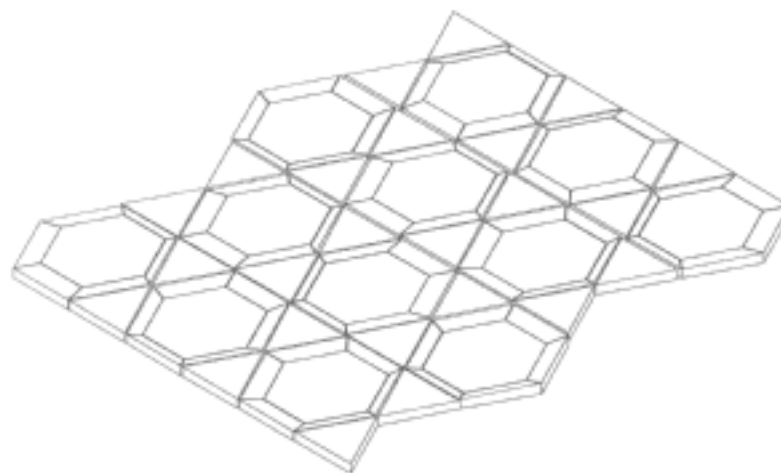
(21) Design Number: **10946/2012**
(22) Date of Filing Application: **29 February 2012**
(24) Date from which industrial property rights may have effect: **29 February 2012**
(54) Product in respect of which the design is registered: **Bicycle LED light**
(51) International Design Classification: **26-06, 26-05E**
(74) Name(s) of Attorney(s): **FB Rice**
(71) Name(s) and Address(s) of Applicant(s):
Koninklijke Philips Electronics N.V.
Groenewoudseweg 1 5621 BA Eindhoven The Netherlands
(72) Name(s) of Designer(s): **Ramon Janssen**
(45) Registration Date: **27 March 2012**
(30) Convention priority data:
(31) Number (32) Date (33) Country
001909789-0002 30 Aug 2011 EUROPEAN COMMUNITY
(56) Related Art Documents: **Not Applicable**
(57) Statement of Newness and Distinctiveness: **Newness and distinctiveness reside in the features of shape and configuration of the bicycle LED light as shown in the representations.**



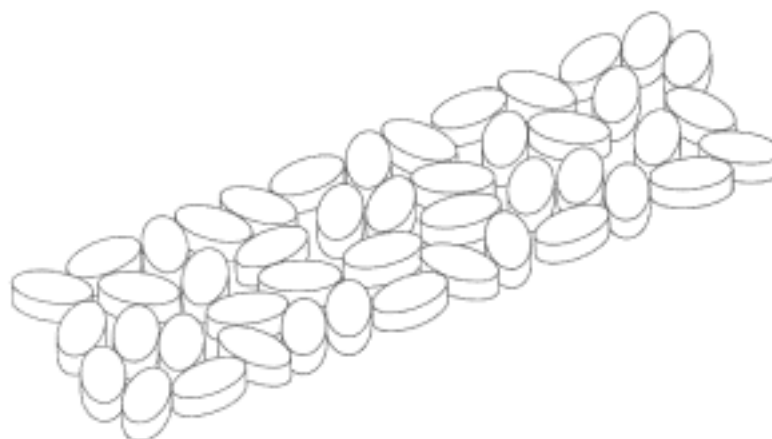
- (21) Design Number: **10954/2012**
(22) Date of Filing Application: **29 February 2012**
(24) Date from which industrial property rights may have effect: **29 February 2012**
(54) Product in respect of which the design is registered: **Tesserae**
(51) International Design Classification: **25-01F**
(74) Name(s) of Attorney(s): **Allens Arthur Robinson**
(71) Name(s) and Address(s) of Applicant(s):
Everstone International Pty Limited
20 Princes Road East Auburn New South Wales 2144 Australia
(72) Name(s) of Designer(s): **John Zeng**
(45) Registration Date: **27 March 2012**
(56) Related Art Documents: **Not Applicable**
(57) Statement of Newness and Distinctiveness: **Newness and distinctiveness is claimed in the shape and configuration of the Tesserae as shown in the representations. It is to be understood that the Tesserae may repeat in both the longitudinal and lateral directions, wherein for laterally-disposed Tesserae, each one may be offset longitudinally so as to fit snugly into an adjacent Tesserae.**



- (21) Design Number: **10955/2012**
(22) Date of Filing Application: **29 February 2012**
(24) Date from which industrial property rights may have effect: **29 February 2012**
(54) Product in respect of which the design is registered: **Tesserae**
(51) International Design Classification: **25-01F**
(74) Name(s) of Attorney(s): **Allens Arthur Robinson**
(71) Name(s) and Address(s) of Applicant(s):
Everstone International Pty Limited
20 Princes Road East Auburn New South Wales 2144 Australia
(72) Name(s) of Designer(s): **John Zeng**
(45) Registration Date: **27 March 2012**
(56) Related Art Documents: **Not Applicable**
(57) Statement of Newness and Distinctiveness: **Newness and distinctiveness is claimed in the shape and configuration of the Tesserae as shown in the representations. It is to be understood that the Tesserae may repeat in both longitudinal and lateral directions.**



- (21) Design Number: **10956/2012**
(22) Date of Filing Application: **29 February 2012**
(24) Date from which industrial property rights may have effect: **29 February 2012**
(54) Product in respect of which the design is registered: **Tesserae**
(51) International Design Classification: **25-01F**
(74) Name(s) of Attorney(s): **Allens Arthur Robinson**
(71) Name(s) and Address(s) of Applicant(s):
Everstone International Pty Limited
20 Princes Road East Auburn New South Wales 2144 Australia
(72) Name(s) of Designer(s): **John Zeng**
(45) Registration Date: **27 March 2012**
(56) Related Art Documents: **Not Applicable**
(57) Statement of Newness and Distinctiveness: **Newness and Distinctiveness is claimed in the shape and configuration of the Tesserae as shown in the representations. It is to be understood that the Tesserae may repeat in the longitudinal direction.**



- (21) Design Number: **10957/2012**
(22) Date of Filing Application: **29 February 2012**
(24) Date from which industrial property rights may have effect: **29 February 2012**
(54) Product in respect of which the design is registered: **Tesserae**
(51) International Design Classification: **25-01F**
(74) Name(s) of Attorney(s): **Allens Arthur Robinson**
(71) Name(s) and Address(s) of Applicant(s):
Everstone International Pty Limited
20 Princes Road East Auburn New South Wales 2144 Australia
(72) Name(s) of Designer(s): **John Zeng**
(45) Registration Date: **27 March 2012**
(56) Related Art Documents: **Not Applicable**
(57) Statement of Newness and Distinctiveness: **Newness and distinctiveness is claimed in the shape and configuration of the Tesserae as shown in the representations. It is to be understood that the Tesserae may repeat in both longitudinal and lateral directions.**



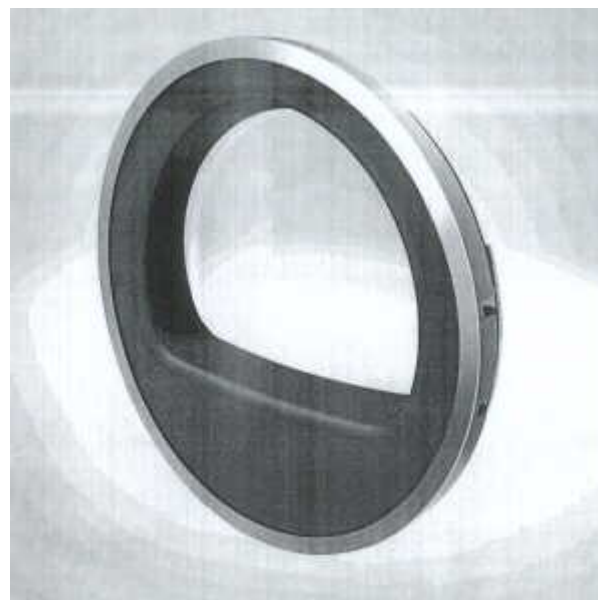
(21) Design Number: **10959/2012**
(22) Date of Filing Application: **29 February 2012**
(24) Date from which industrial property rights may have effect: **29 February 2012**
(54) Product in respect of which the design is registered: **Sole for footwear**
(51) International Design Classification: **02-04B**
(74) Name(s) of Attorney(s): **Griffith Hack**
(71) Name(s) and Address(s) of Applicant(s):
Loyley International Sam Interconti
30 Boulevard Princesse Charlotte 9800 Monaco
(72) Name(s) of Designer(s): **Phillip Loyley**
(45) Registration Date: **27 March 2012**
(30) Convention priority data:
(31) Number (32) Date (33) Country
001910977 01 Sep 2011 EUROPEAN COMMUNITY
(56) Related Art Documents: **Not Applicable**
(57) Statement of Newness and Distinctiveness: **The shape, configuration and ornamentation of the visual features of the sole for footwear is new and distinctive.**



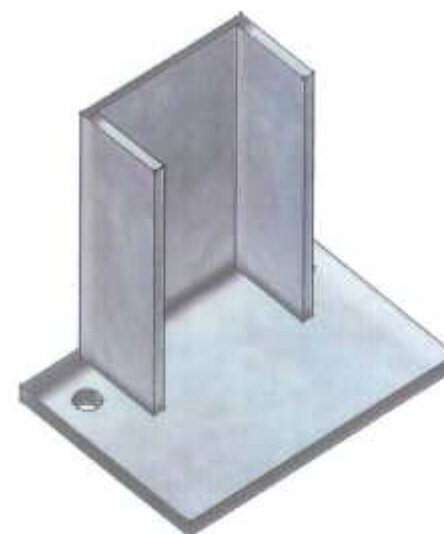
(21) Design Number: **10960/2012**
(22) Date of Filing Application: **29 February 2012**
(24) Date from which industrial property rights may have effect: **29 February 2012**
(54) Product in respect of which the design is registered: **Sanitary faucet**
(51) International Design Classification: **23-01H**
(74) Name(s) of Attorney(s): **Griffith Hack**
(71) Name(s) and Address(s) of Applicant(s):
Hansgrohe AG
Auestr. 5-9 D-77761 Schiltach Germany
(72) Name(s) of Designer(s): **Bernd Kronenbitter**
(45) Registration Date: **27 March 2012**
(30) Convention priority data:
(31) Number (32) Date (33) Country
001291595-0003 01 Sep 2011 EUROPEAN COMMUNITY
(56) Related Art Documents: **Not Applicable**
(57) Statement of Newness and Distinctiveness: **The shape, configuration and ornamentation of the visual features of the sanitary faucet is new and distinctive.**



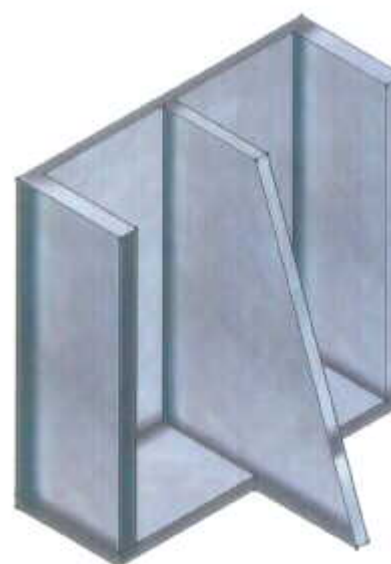
- (21) Design Number: **10964/2012**
(22) Date of Filing Application: **29 February 2012**
(24) Date from which industrial property rights may have effect: **29 February 2012**
(54) Product in respect of which the design is registered: **Door of washing machines/drying machines**
(51) International Design Classification: **15-05**
(74) Name(s) of Attorney(s): **SPRUSON & FERGUSON**
(71) Name(s) and Address(s) of Applicant(s):
BSH Bosch und Siemens Hausgerate GmbH
Carl-Wery-Str. 34 81739 Munchen Germany
(72) Name(s) of Designer(s): **Johannes Geyer and Roger Munsterrmann**
(45) Registration Date: **27 March 2012**
(30) Convention priority data:
(31) Number (32) Date (33) Country
001293732 02 Sep 2011 EUROPEAN COMMUNITY
(56) Related Art Documents: **Not Applicable**
(57) Statement of Newness and Distinctiveness: **Newness and distinctiveness is claimed in the features of shape and/or configuration of a door for a washing machine and/or drying machine as illustrated in the accompanying representations. The door includes an outer ring and an inner ring smoothly bended towards the inner glass. The outer ring has two cavities in the "half-past-seven and half-past-ten o'clock positions used as an handle. The inner ring includes at its lower portion a segment of circle.**



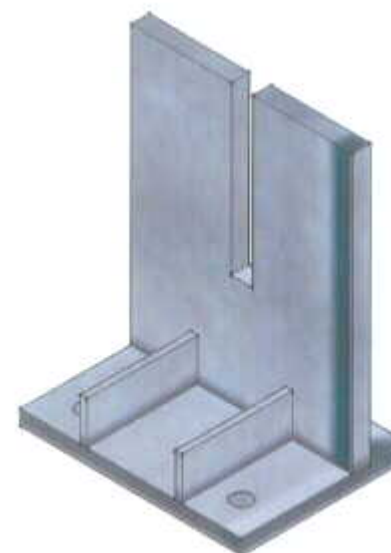
- (21) Design Number: **14155/2011**
(22) Date of Filing Application: **14 September 2011**
(24) Date from which industrial property rights may have effect: **14 September 2011**
(54) Product in respect of which the design is registered: **Steel storage racking end frame protection - option (type) 1**
(51) International Design Classification: **08-08N**
(74) Name(s) of Attorney(s):
(71) Name(s) and Address(s) of Applicant(s):
Mark Holding
Level 8 350 Collins Street Melbourne Victoria 3000 Australia
(72) Name(s) of Designer(s): **Jonathan Xie**
(45) Registration Date: **27 March 2012**
(56) Related Art Documents: **Not Applicable**
(57) Statement of Newness and Distinctiveness: **Rack end protection for steel storage racking is generally constructed of steel. The proposed design is of a composite construction type.**



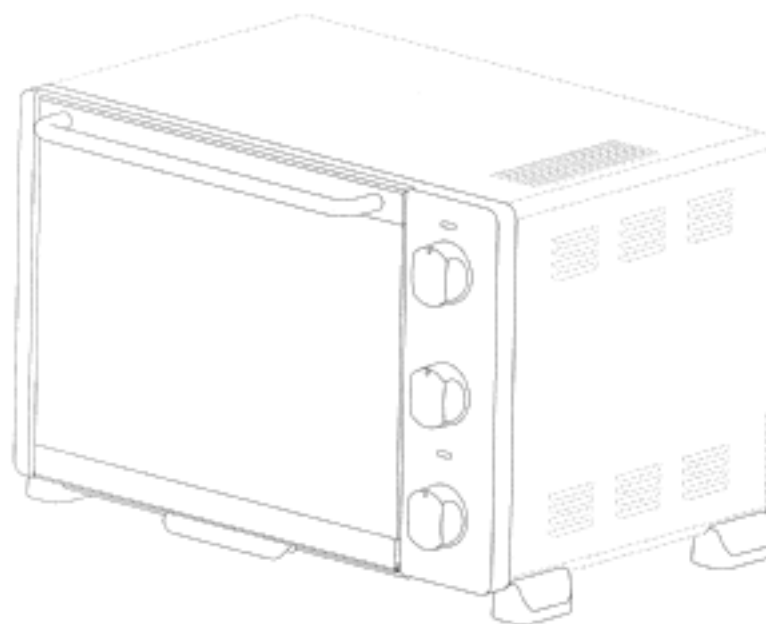
- (21) Design Number: **14156/2011**
(22) Date of Filing Application: **14 September 2011**
(24) Date from which industrial property rights may have effect: **14 September 2011**
(54) Product in respect of which the design is registered: **Steel storage racking end frame protection - option (type) 2**
(51) International Design Classification: **08-08N**
(74) Name(s) of Attorney(s):
(71) Name(s) and Address(s) of Applicant(s):
Mark Holding
Level 8 350 Collins Street Melbourne Victoria 3000 Australia
(72) Name(s) of Designer(s): **Jonathan Xie**
(45) Registration Date: **27 March 2012**
(56) Related Art Documents: **Not Applicable**
(57) Statement of Newness and Distinctiveness: **Rack end protection for steel storage racking is generally constructed of steel. The proposed design is of a composite construction type.**



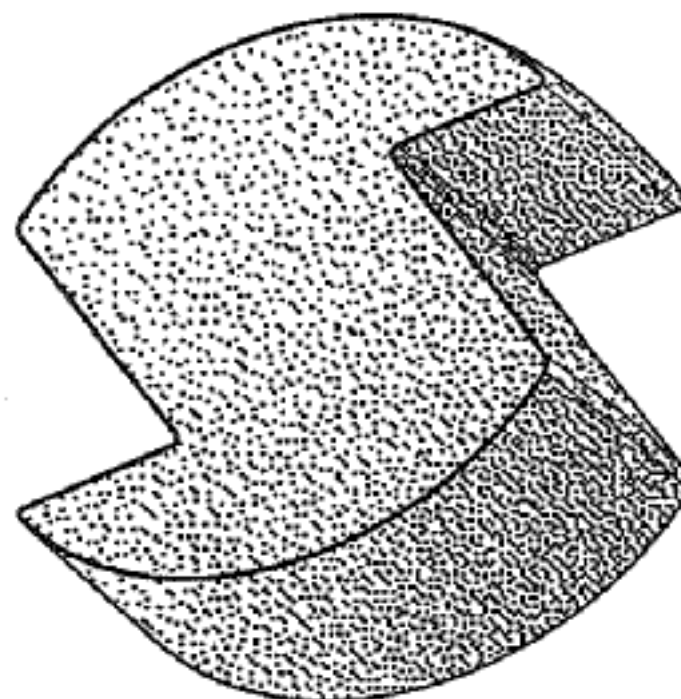
- (21) Design Number: **14157/2011**
(22) Date of Filing Application: **14 September 2011**
(24) Date from which industrial property rights may have effect: **14 September 2011**
(54) Product in respect of which the design is registered: **Steel storage racking end frame protection - option (type) 3**
(51) International Design Classification: **08-08N**
(74) Name(s) of Attorney(s):
(71) Name(s) and Address(s) of Applicant(s):
Mark Holding
Level 8 350 Collins Street Melbourne Victoria 3000 Australia
(72) Name(s) of Designer(s): **Jonathan Xie**
(45) Registration Date: **27 March 2012**
(56) Related Art Documents: **Not Applicable**
(57) Statement of Newness and Distinctiveness: **Rack end protection for steel storage racking is generally constructed of steel. The proposed design is of a composite construction type.**



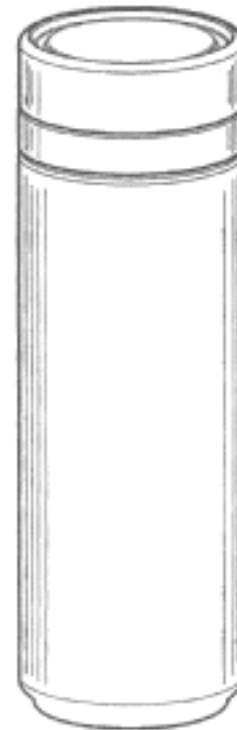
(21) Design Number: **14220/2011**
(22) Date of Filing Application: **21 September 2011**
(24) Date from which industrial property rights may have effect: **21 September 2011**
(54) Product in respect of which the design is registered: **Compact oven**
(51) International Design Classification: **07-02A**
(74) Name(s) of Attorney(s): **Freehills Patent & Trade Mark Attorneys**
(71) Name(s) and Address(s) of Applicant(s):
Sunbeam Corporation Limited
Units 5 & 6 13 Lord Street Botany New South Wales 2019 Australia
(72) Name(s) of Designer(s): **Hugh Francis Stewart Thomas**
(45) Registration Date: **27 March 2012**
(56) Related Art Documents: **Not Applicable**
(57) Statement of Newness and Distinctiveness: **Newness and distinctiveness reside in the features of shape and configuration shown in solid outline in the accompanying representations.**



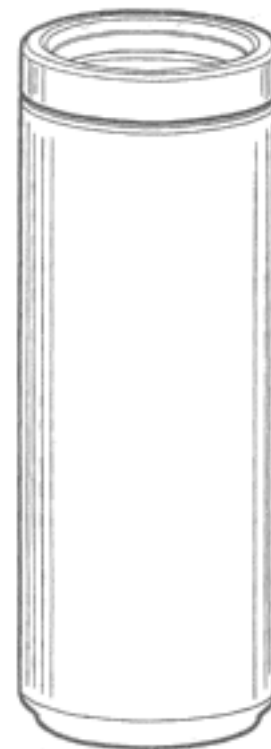
(21) Design Number: **10084/2012**
(22) Date of Filing Application: **11 January 2012**
(24) Date from which industrial property rights may have effect: **11 January 2012**
(54) Product in respect of which the design is registered: **Companion animal food compositions**
(51) International Design Classification: **01-06**
(74) Name(s) of Attorney(s): **PHILLIPS ORMONDE FITZPATRICK**
(71) Name(s) and Address(s) of Applicant(s):
The IAMS Company
One Procter & Gamble Plaza Cincinnati Ohio 45202 United States of America
(72) Name(s) of Designer(s): **Edward Russell Cox and Jeffrey Alan Litzinger**
(45) Registration Date: **27 March 2012**
(30) Convention priority data:
(31) Number (32) Date (33) Country
29/397,229 13 Jul 2011 UNITED STATES OF AMERICA
(56) Related Art Documents: **Not Applicable**
(57) Statement of Newness and Distinctiveness: **Those features of the companion animal food compositions depicted in the representations that are new and distinctive are the shape and/or configuration. The stippling indicates a colour, but not a particular colour.**



(21) Design Number: **10184/2012**
(22) Date of Filing Application: **16 January 2012**
(24) Date from which industrial property rights may have effect: **16 January 2012**
(54) Product in respect of which the design is registered: **Beverage can with ring and cap assembly**
(51) International Design Classification: **09-03L, 09-07B**
(74) Name(s) of Attorney(s): **Davies Collison Cave**
(71) Name(s) and Address(s) of Applicant(s):
Michael Ball
250 W. Ivy Avenue Inglewood California 90302 United States of America
(72) Name(s) of Designer(s): **Michael Ball**
(45) Registration Date: **27 March 2012**
(30) Convention priority data:
(31) Number (32) Date (33) Country
29/397742 20 Jul 2011 UNITED STATES OF AMERICA
(56) Related Art Documents: **Not Applicable**
(57) Statement of Newness and Distinctiveness: **Nil features shown in solid lines in the representations and the various components of the assembly in combination or separately.**



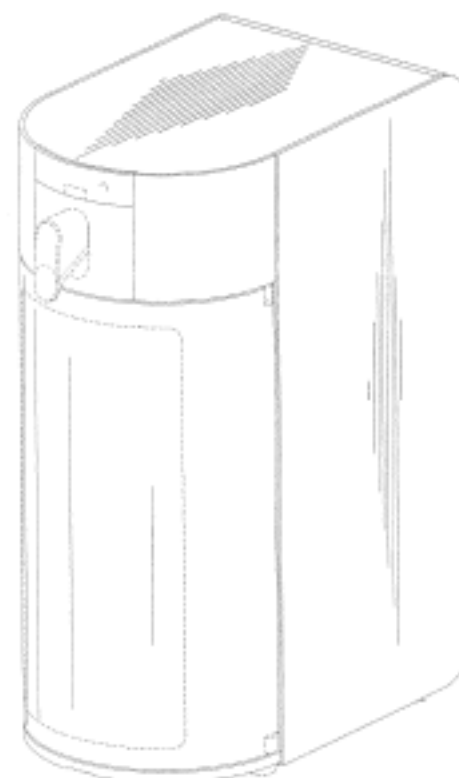
(21) Design Number: **11402/2012**
(22) Date of Filing Application: **16 January 2012**
(24) Date from which industrial property rights may have effect: **16 January 2012**
(54) Product in respect of which the design is registered: **Beverage can with ring assembly**
(51) International Design Classification: **09-03L, 09-07B**
(74) Name(s) of Attorney(s): **Davies Collison Cave**
(71) Name(s) and Address(s) of Applicant(s):
Michael Ball
250 W. Ivy Avenue Inglewood California 90302 United States of America
(72) Name(s) of Designer(s): **Michael Ball**
(45) Registration Date: **27 March 2012**
(30) Convention priority data:
(31) Number (32) Date (33) Country
29/397742 20 Jul 2011 UNITED STATES OF AMERICA
(56) Related Art Documents: **Not Applicable**
(57) Statement of Newness and Distinctiveness: **Nil**



- (21) Design Number: **10086/2012**
(22) Date of Filing Application: **11 January 2012**
(24) Date from which industrial property rights may have effect: **11 January 2012**
(54) Product in respect of which the design is registered: **Ear tag**
(51) International Design Classification: **30-08**
(74) Name(s) of Attorney(s): **Davies Collison Cave**
(71) Name(s) and Address(s) of Applicant(s):
Clinton Simpson
4621 Wangaratta-Whitfield Road Whitfield Victoria 3733 Australia
(72) Name(s) of Designer(s): **Clinton Simpson**
(45) Registration Date: **27 March 2012**
(56) Related Art Documents: **Not Applicable**
(57) Statement of Newness and Distinctiveness: **Newness and distinctiveness is claimed in visual features shown in solid lines in the representations.**



- (21) Design Number: **10102/2012**
(22) Date of Filing Application: **12 January 2012**
(24) Date from which industrial property rights may have effect: **12 January 2012**
(54) Product in respect of which the design is registered: **Single chamber wine chilling and dispersing system**
(51) International Design Classification: **07-07A**
(74) Name(s) of Attorney(s): **Griffith Hack**
(71) Name(s) and Address(s) of Applicant(s):
Sunbeam Products, Inc.
2381 Executive Center Drive Boca Raton FL 33431 United States of America
(72) Name(s) of Designer(s): **William Goralski and Phetsouvanh Kounlavong and Brooks Rorke**
(45) Registration Date: **27 March 2012**
(30) Convention priority data:
(31) Number (32) Date (33) Country
29/397,112 12 Jul 2011 UNITED STATES OF AMERICA
(56) Related Art Documents: **Not Applicable**
(57) Statement of Newness and Distinctiveness: **Shape, configuration and ornamentation of those parts of the design of the PRODUCT shown by solid lines in the representations is new and distinctive. Those parts shown in dashed lines have been included to exemplify the design**



(19) AU

(21) Design Number: **10159/2012**

(22) Date of Filing Application: **16 January 2012**

(24) Date from which industrial property rights may have effect: **16 January 2012**

(54) Product in respect of which the design is registered: **Car bumper sticker**

(51) International Design Classification: **19-08**

(74) Name(s) of Attorney(s):

(71) Name(s) and Address(s) of Applicant(s):

Owen Seymour Scott

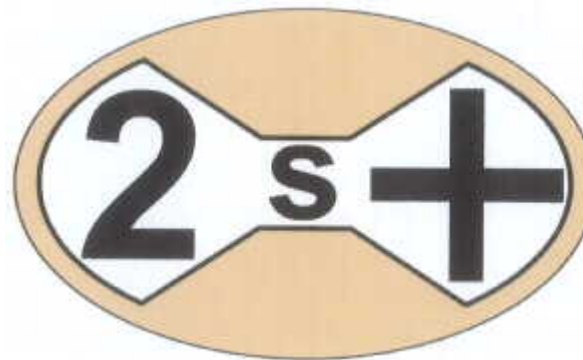
15 Pontee Parade Alexandra Headland Queensland 4572 Australia

(72) Name(s) of Designer(s): **Owen Seymour Scott**

(45) Registration Date: **27 March 2012**

(56) Related Art Documents: **Not Applicable**

(57) Statement of Newness and Distinctiveness: **The visual features of the design which is shown in Figure 1 are: The motif "2 s +" (not to include the inverted commas) presented in contrasting colours (The example shown in Figure 1 uses Black on White). The size of the design is sufficiently large to be able to be read from as far away as possible but taking into account 3 below. The design is no larger than can reasonably be used on the rear of a car or similar vehicle. The nominal size is an ellipse 125 mm long and 75 mm high. The sizes of the individual components of the motif are chosen to be as large as possible to fill the ellipse without producing a cramped or ungainly lettering arrangement. The size of the motif component "s" is chosen to be smaller than the other components to represent the word "seconds", but this size reduction is not essential to the design. The design can be made at a larger scale for example if to be used on trucks, flags, shirts etc. The black border shown can represent the edge of the design or can be a real line inside the edge of the design. Any contrasting colours can be used and the design can be incorporated in any border shape as well as the ellipse shape indicated. In this version of the design a "dumbbell" shape is used (to give an impression of reducing vehicle separation and to add recognisability to the design from long range). This precise shape of the dumbbell is not essential, for example the "2" and "+" could be in large circles and the "s" in a small circle intersecting the others. The dumbbell shape is centred on an elliptical background of colour different from the rest of the design so that the dumbbell shape and colour is recognisable at a long range, further than the range at which the motif "2s+" can be read. The design is such that the shapes can indicate the message of the motif at ranges greater than the ranges at which the motif components themselves can be visually resolved, provided that the design has been viewed previously at sufficiently close range to visually resolve the motif components. For example, after having previously seen the design at a range at which the motif can be read, an approaching motorist would appreciate the message "2s+" well before he or she could read it owing to the unique shapes and colour of the design. The objective is to remind the approaching motorist to consider ensuring that he/she does not approach closer**



(21) Design Number: **10726/2012**
(22) Date of Filing Application: **15 February 2012**
(24) Date from which industrial property rights may have effect: **15 February 2012**
(54) Product in respect of which the design is registered: **Infant car seat liner**
(51) International Design Classification: **06-13NES**
(74) Name(s) of Attorney(s):
(71) Name(s) and Address(s) of Applicant(s):

Natalie Yates
289 Port Hacking Road Miranda New South Wales 2228 Australia

(72) Name(s) of Designer(s): **Natalie Yates**

(45) Registration Date: **27 March 2012**

(56) Related Art Documents: **Not Applicable**

(57) Statement of Newness and Distinctiveness: **The main body of the liner incorporates 'angel wing' panels for the upright back rest of the infant seat. These are connected and fixed into place on the seat by a harness strap/clip at rear. The head piece panel, situated between the 'angel wing' panels is constructed to allow the car seat shoulder harness straps to slide into position at any height between the 'angel wing' and head panel. Velcro and/or press studs are fixed to allow the head piece to connect to the 'angel wing' panels once shoulder straps are in place. The main body of the liner additionally covers the base seat of the infant car seat and incorporates two outer panels that cover the arm rests. These panels have a harness strap/clip that connect at the rear of the seat holding these panels in place. A harness hole exists in the base for ease of access to a 5 point harness. The car seat liner is constructed with a medium to heavy weight denim at rear (100% cotton), polyester wadding lining, and a 100% cotton feature front. The harness straps are constructed of 19mm strapping and plastic buckle clips.**



(21) Design Number: **10597/2012**
(22) Date of Filing Application: **08 February 2012**
(24) Date from which industrial property rights may have effect: **08 February 2012**
(54) Product in respect of which the design is registered: **Tool storage box**
(51) International Design Classification: **03-01D**
(74) Name(s) of Attorney(s): **Davies Collison Cave**
(71) Name(s) and Address(s) of Applicant(s):

Stanley Works (Europe) GmbH
Company 420 Sitz Duebendorf In der Luberzen 42 Urdorf 8902
Switzerland

(72) Name(s) of Designer(s): **Axel Lehovetzki**

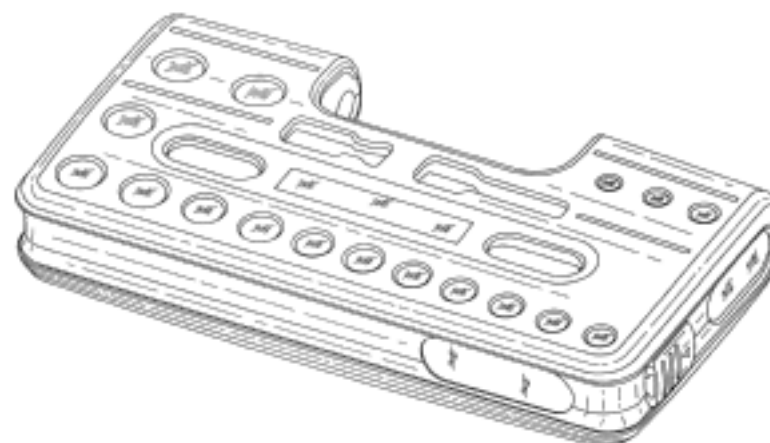
(45) Registration Date: **27 March 2012**

(30) Convention priority data:

(31) Number	(32) Date	(33) Country
001289250	16 Aug 2011	EUROPEAN COMMUNITY

(56) Related Art Documents: **Not Applicable**

(57) Statement of Newness and Distinctiveness: **Nil**



(21) Design Number: **11148/2012**

(22) Date of Filing Application: **09 March 2012**

(24) Date from which industrial property rights may have effect: **09 March 2012**

(54) Product in respect of which the design is registered: **Aluminium extrusion**

(51) International Design Classification: **25-01K**

(74) Name(s) of Attorney(s):

(71) Name(s) and Address(s) of Applicant(s):

Auto Electrical Imports Pty Ltd

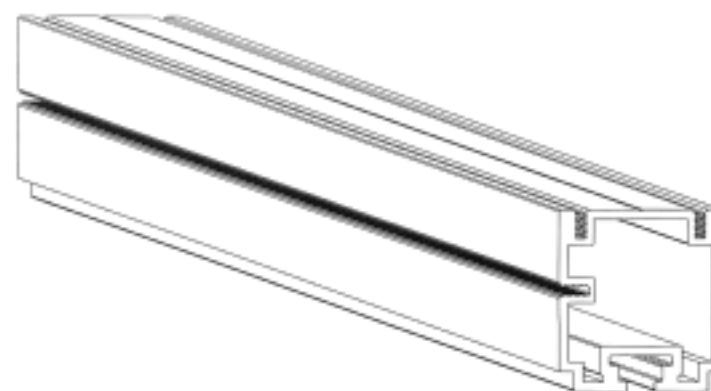
C/- Nicholsons Solicitors GPO Box 454 Queensland 4001 Australia

(72) Name(s) of Designer(s): **Norman John Haupt**

(45) Registration Date: **27 March 2012**

(56) Related Art Documents: **Not Applicable**

(57) Statement of Newness and Distinctiveness: **The aluminium extrusion provides the base for a product known as a mine site light bar (or 'minebar'). The extrusion is new and distinctive as it has been designed to accept electrical components that may be required to be mounted to it, and has a dedicated mounting track system in the bottom of it facilitating installation across all vehicle types. The new and distinctive visual features of the extrusion are: channel in and profile of the base to facilitate mounting of the completed apparatus; channels (x2) on the rear face facilitating the installation/mounting of components to the minebar; channels (x2) on the top facilitating the installation/mounting of components to the minebar; and black anodised finish of the minebar.**



(21) Design Number: **15485/2011**

(22) Date of Filing Application: **01 December 2011**

(24) Date from which industrial property rights may have effect: **01 December 2011**

(54) Product in respect of which the design is registered: **Louvre post insert**

(51) International Design Classification: **25-02K**

(74) Name(s) of Attorney(s):

(71) Name(s) and Address(s) of Applicant(s):

Clik'n'Fit Pty Ltd

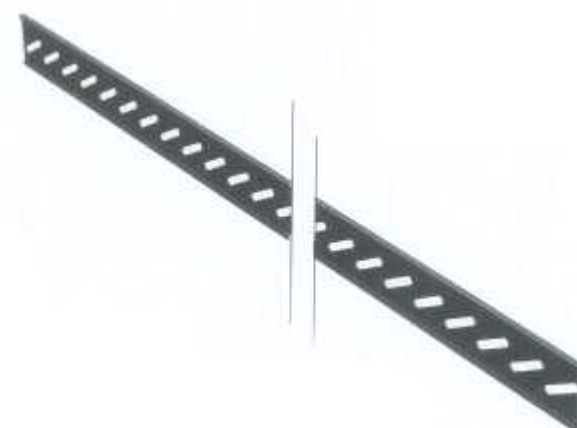
PO Box 3265 Norman Park Queensland 4170 Australia

(72) Name(s) of Designer(s): **Edward Turnour and Neville Sherlock**

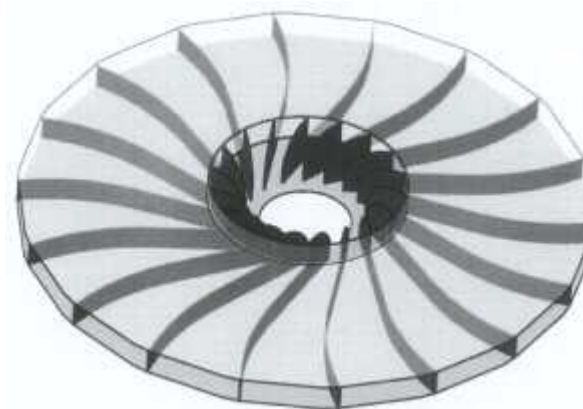
(45) Registration Date: **28 March 2012**

(56) Related Art Documents: **Not Applicable**

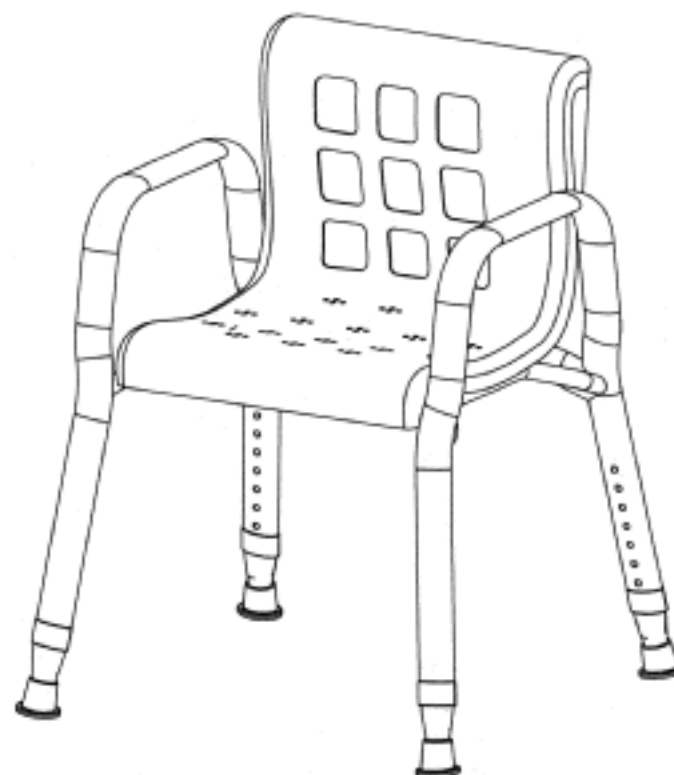
(57) Statement of Newness and Distinctiveness: **Monopoly and novelty reside in the shape and configuration of the metal slotted fence picket holder of indefinite length. The size, shape and location of holes will vary according to picket size.**



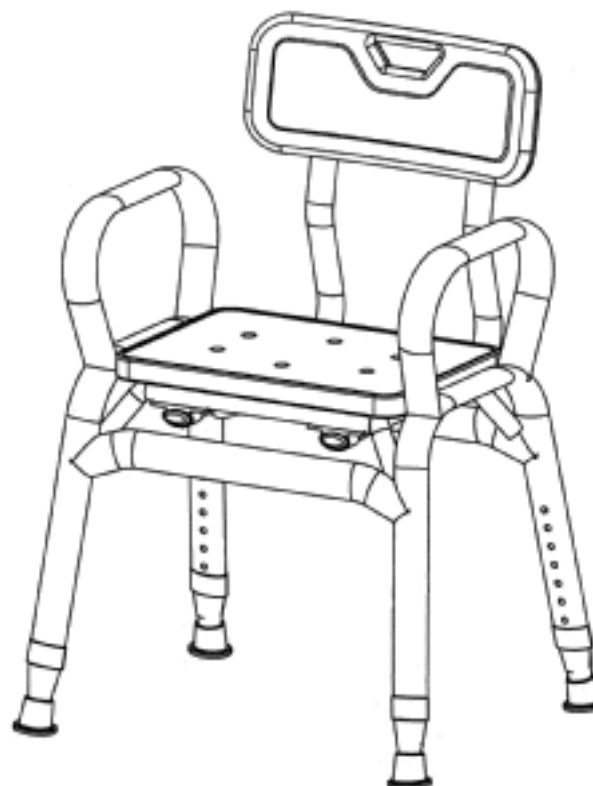
- (21) Design Number: **15978/2011**
(22) Date of Filing Application: **23 December 2011**
(24) Date from which industrial property rights may have effect: **23 December 2011**
(54) Product in respect of which the design is registered: **Blower impeller**
(51) International Design Classification: **15-05**
(74) Name(s) of Attorney(s): **Actuate IP**
(71) Name(s) and Address(s) of Applicant(s):
Smallaire Pty Ltd
PO Box 8352 Angelo Street South Perth Western Australia 6151
Australia
(72) Name(s) of Designer(s): **Gary Small**
(45) Registration Date: **28 March 2012**
(56) Related Art Documents: **Not Applicable**
(57) Statement of Newness and Distinctiveness: **Newness and distinctiveness is claimed in the features of the general shape and/or configuration of the Blower Impeller, as shown in the accompanying representations.**



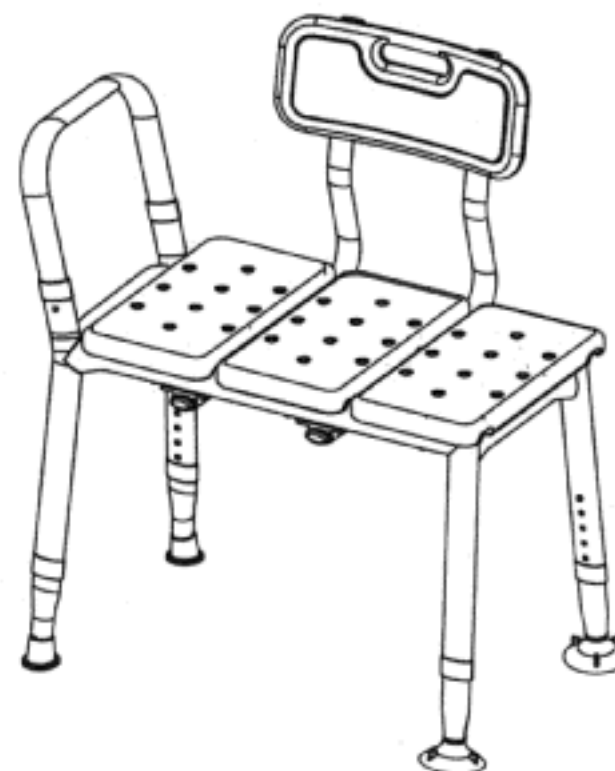
- (21) Design Number: **10281/2012**
(22) Date of Filing Application: **24 January 2012**
(24) Date from which industrial property rights may have effect: **24 January 2012**
(54) Product in respect of which the design is registered: **Seat with ventilated back rest and adjustable legs**
(51) International Design Classification: **23-02C, 06-01NES**
(74) Name(s) of Attorney(s):
(71) Name(s) and Address(s) of Applicant(s):
Gainsky Pty Ltd t/as Freedom Healthcare
88 Parramatta Road Underwood Queensland 4119 Australia
(72) Name(s) of Designer(s): **Mohamed Ismail Cajee**
(45) Registration Date: **28 March 2012**
(56) Related Art Documents: **Not Applicable**
(57) Statement of Newness and Distinctiveness: **Oval tubing used in construction is bent and formed into circle shape. Also has height adjusters in legs.**



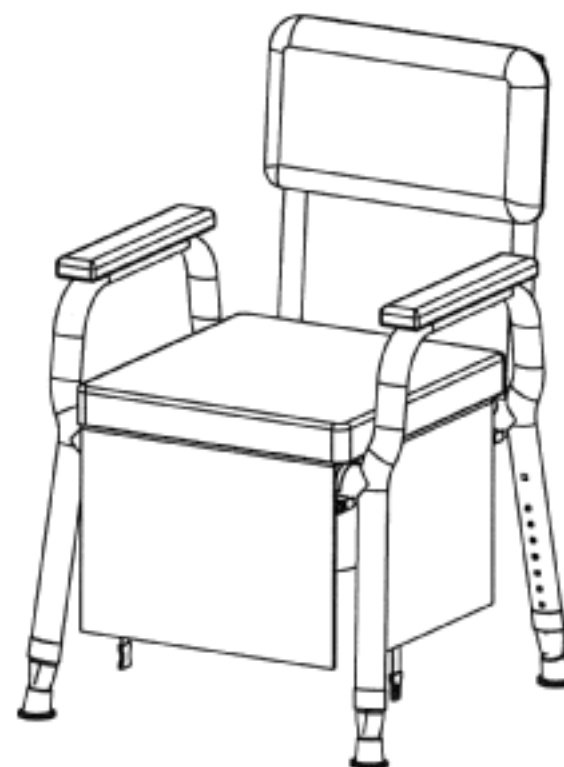
- (21) Design Number: **10283/2012**
(22) Date of Filing Application: **24 January 2012**
(24) Date from which industrial property rights may have effect: **24 January 2012**
(54) Product in respect of which the design is registered: **Flat top bench seat with back rest**
(51) International Design Classification: **23-02C, 06-01NES**
(74) Name(s) of Attorney(s):
(71) Name(s) and Address(s) of Applicant(s):
Gainsky Pty Ltd t/as Freedom Healthcare
88 Parramatta Road Underwood Queensland 4119 Australia
(72) Name(s) of Designer(s): **Mohamed Ismail Cajee**
(45) Registration Date: **28 March 2012**
(56) Related Art Documents: **Not Applicable**
(57) Statement of Newness and Distinctiveness: **Oval tubing used in construction is bent and formed into circle shape. Also has height adjusters in legs.**



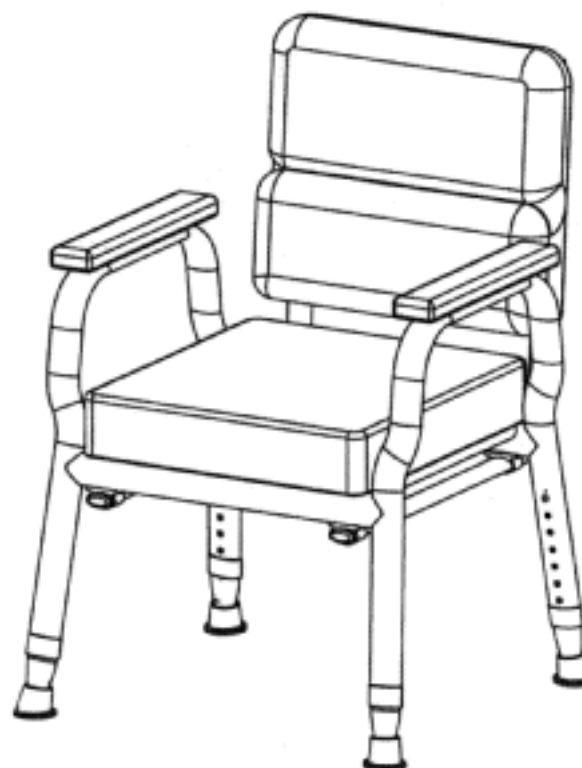
- (21) Design Number: **10284/2012**
(22) Date of Filing Application: **24 January 2012**
(24) Date from which industrial property rights may have effect: **24 January 2012**
(54) Product in respect of which the design is registered: **3 panel flat bottom seat, with single arm rest and back rest**
(51) International Design Classification: **23-02C, 06-01NES**
(74) Name(s) of Attorney(s):
(71) Name(s) and Address(s) of Applicant(s):
Gainsky Pty Ltd t/as Freedom Healthcare
88 Parramatta Road Underwood Queensland 4119 Australia
(72) Name(s) of Designer(s): **Mohamed Ismail Cajee**
(45) Registration Date: **28 March 2012**
(56) Related Art Documents: **Not Applicable**
(57) Statement of Newness and Distinctiveness: **Oval tubing used in construction is bent and formed into circle shape. Also has height adjusters in legs.**



- (21) Design Number: **10285/2012**
(22) Date of Filing Application: **24 January 2012**
(24) Date from which industrial property rights may have effect: **24 January 2012**
(54) Product in respect of which the design is registered: **Toilet pan seat with backrest that encloses and covers seat**
(51) International Design Classification: **23-02C, 06-01NES**
(74) Name(s) of Attorney(s):
(71) Name(s) and Address(s) of Applicant(s):
Gainsky Pty Ltd t/as Freedom Healthcare
88 Parramatta Road Underwood Queensland 4119 Australia
(72) Name(s) of Designer(s): **Mohamed Ismail Cajee**
(45) Registration Date: **28 March 2012**
(56) Related Art Documents: **Not Applicable**
(57) Statement of Newness and Distinctiveness: **Oval tubing used in construction is bent and formed into circle shape. Also has height adjusters in legs.**



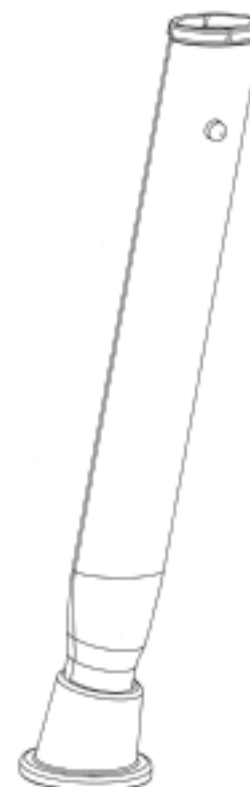
- (21) Design Number: **10286/2012**
(22) Date of Filing Application: **24 January 2012**
(24) Date from which industrial property rights may have effect: **24 January 2012**
(54) Product in respect of which the design is registered: **Seat with arm rests and back rest**
(51) International Design Classification: **23-02C, 06-01NES**
(74) Name(s) of Attorney(s):
(71) Name(s) and Address(s) of Applicant(s):
Gainsky Pty Ltd t/as Freedom Healthcare
88 Parramatta Road Underwood Queensland 4119 Australia
(72) Name(s) of Designer(s): **Mohamed Ismail Cajee**
(45) Registration Date: **28 March 2012**
(56) Related Art Documents: **Not Applicable**
(57) Statement of Newness and Distinctiveness: **Oval tubing used in construction is bent and formed into circle shape. Also has height adjusters in legs.**



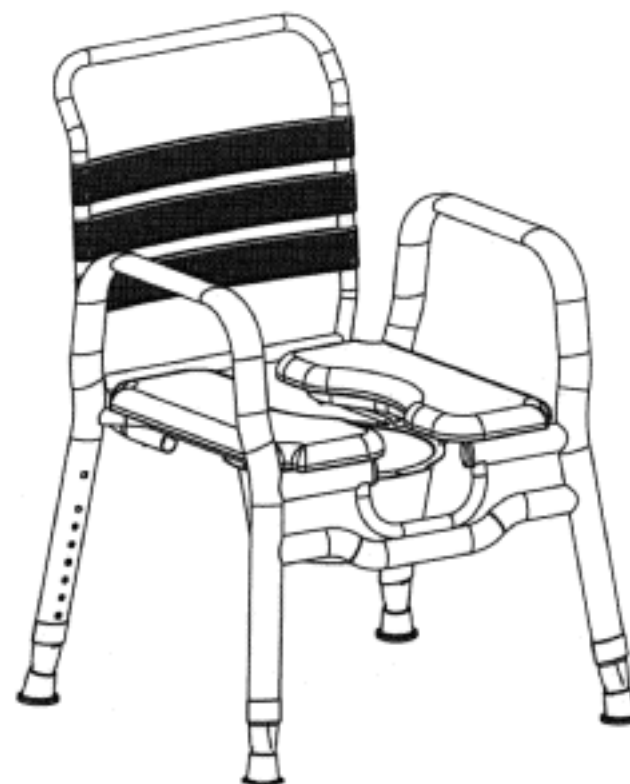
- (21) Design Number: **10287/2012**
(22) Date of Filing Application: **24 January 2012**
(24) Date from which industrial property rights may have effect: **24 January 2012**
(54) Product in respect of which the design is registered: **Connected arms and legs that are adjustable for bench or seat**
(51) International Design Classification: **23-02NES, 06-06G**
(74) Name(s) of Attorney(s):
(71) Name(s) and Address(s) of Applicant(s):
Gainsky Pty Ltd t/as Freedom Healthcare
88 Parramatta Road Underwood Queensland 4119 Australia
(72) Name(s) of Designer(s): **Mohamed Ismail Cajee**
(45) Registration Date: **28 March 2012**
(56) Related Art Documents: **Not Applicable**
(57) Statement of Newness and Distinctiveness: **Oval tubing used in construction is bent.**



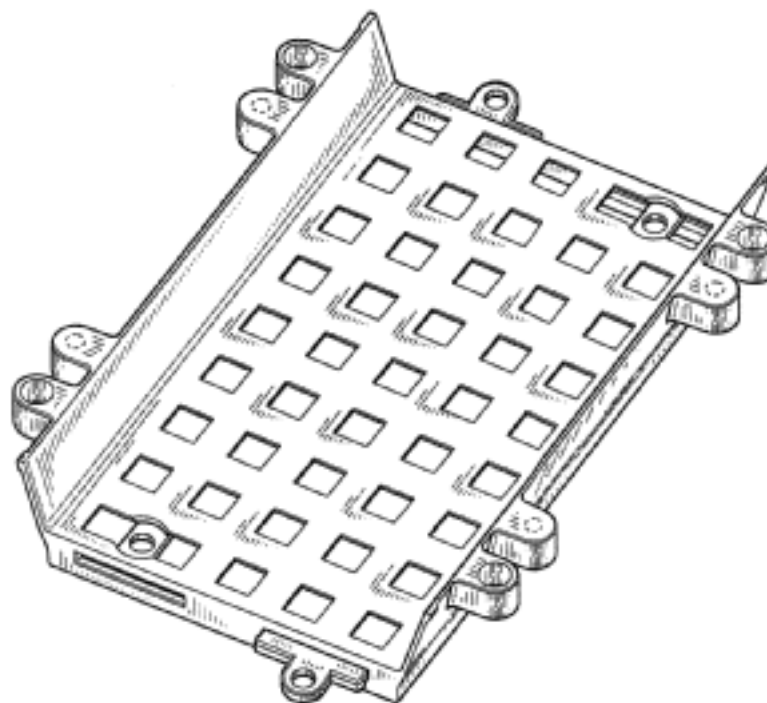
- (21) Design Number: **10288/2012**
(22) Date of Filing Application: **24 January 2012**
(24) Date from which industrial property rights may have effect: **24 January 2012**
(54) Product in respect of which the design is registered: **Extendable leg for bench or seat**
(51) International Design Classification: **23-02NES, 06-06G, 06-06E**
(74) Name(s) of Attorney(s):
(71) Name(s) and Address(s) of Applicant(s):
Gainsky Pty Ltd t/as Freedom Healthcare
88 Parramatta Road Underwood Queensland 4119 Australia
(72) Name(s) of Designer(s): **Mohamed Ismail Cajee**
(45) Registration Date: **28 March 2012**
(56) Related Art Documents: **Not Applicable**
(57) Statement of Newness and Distinctiveness: **Oval tubing formed into circle shape.**



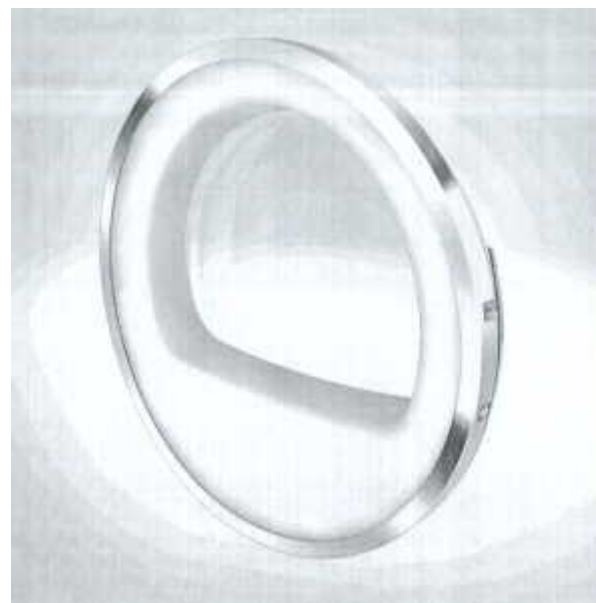
(21) Design Number: **10289/2012**
(22) Date of Filing Application: **24 January 2012**
(24) Date from which industrial property rights may have effect: **24 January 2012**
(54) Product in respect of which the design is registered: **Connected arms and legs with multiple bends that are adjustable for bench or seat**
(51) International Design Classification: **23-02NES, 06-06G, 06-06E**
(74) Name(s) of Attorney(s):
(71) Name(s) and Address(s) of Applicant(s):
Gainsky Pty Ltd t/as Freedom Healthcare
88 Parramatta Road Underwood Queensland 4119 Australia
(72) Name(s) of Designer(s): **Mohamed Ismail Cajee**
(45) Registration Date: **28 March 2012**
(56) Related Art Documents: **Not Applicable**
(57) Statement of Newness and Distinctiveness: **Oval tubing used in construction is bent.**



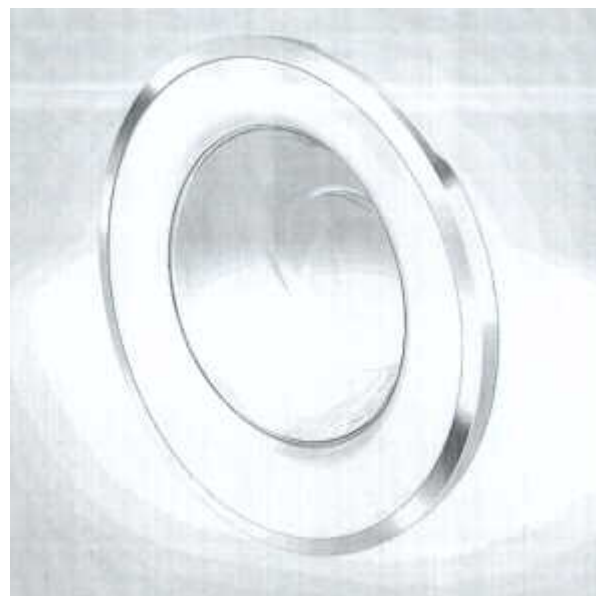
(21) Design Number: **10455/2012**
(22) Date of Filing Application: **31 January 2012**
(24) Date from which industrial property rights may have effect: **31 January 2012**
(54) Product in respect of which the design is registered: **1. Straight track section for toy cars. 2. Curved track section for toy cars. 3. Transitional track section for**
(51) International Design Classification: **21-01C**
(74) Name(s) of Attorney(s): **Davies Collison Cave**
(71) Name(s) and Address(s) of Applicant(s):
K'NEX Limited Partnership Group
2990 Bergey Road Hatfield Pennsylvania 19440-0700 United States of America
(72) Name(s) of Designer(s): **Joel I. Glickman**
(45) Registration Date: **28 March 2012**
(30) Convention priority data:
(31) Number (32) Date (33) Country
29/399368 12 Aug 2011 UNITED STATES OF AMERICA
(56) Related Art Documents: **Not Applicable**
(57) Statement of Newness and Distinctiveness: **Nil**



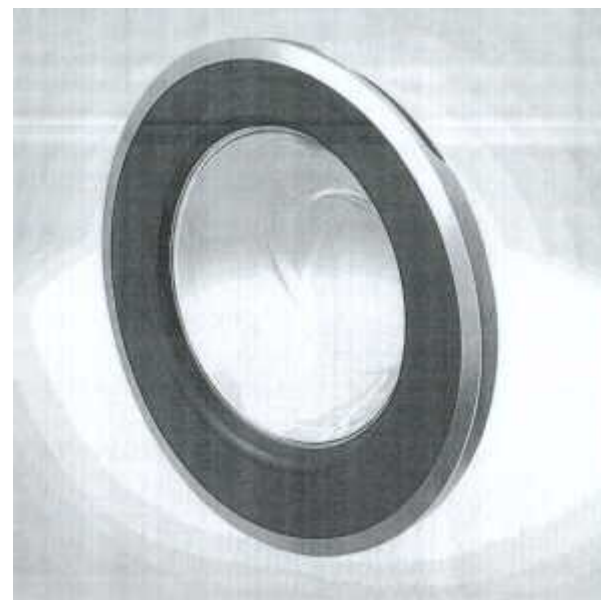
(21) Design Number: **10965/2012**
(22) Date of Filing Application: **29 February 2012**
(24) Date from which industrial property rights may have effect: **29 February 2012**
(54) Product in respect of which the design is registered: **Door of washing machines/drying machines**
(51) International Design Classification: **15-05**
(74) Name(s) of Attorney(s): **SPRUSON & FERGUSON**
(71) Name(s) and Address(s) of Applicant(s):
BSH Bosch und Siemens Hausgerate GmbH
Carl-Wery-Str. 34 81739 Munchen Germany
(72) Name(s) of Designer(s): **Johannes Geyer and Roger Munstermann**
(45) Registration Date: **28 March 2012**
(30) Convention priority data:
(31) Number (32) Date (33) Country
001293732 02 Sep 2011 EUROPEAN COMMUNITY
(56) Related Art Documents: **Not Applicable**
(57) Statement of Newness and Distinctiveness: **Newness and distinctiveness is claimed in the features of shape and/or configuration of a door for a washing machine and/or drying machine as illustrated in the accompanying representations. The door includes an outer ring and an inner ring smoothly bended towards the inner glass. The outer ring has two cavities in the "half-past-seven and half-past-ten o'clock positions used as an handle. The inner ring includes at its lower portion a segment of circle.**



(21) Design Number: **10969/2012**
(22) Date of Filing Application: **29 February 2012**
(24) Date from which industrial property rights may have effect: **29 February 2012**
(54) Product in respect of which the design is registered: **Door of washing machines/drying machines**
(51) International Design Classification: **15-05**
(74) Name(s) of Attorney(s): **SPRUSON & FERGUSON**
(71) Name(s) and Address(s) of Applicant(s):
BSH Bosch und Siemens Hausgerate GmbH
Carl-Wery-Str. 34 81739 Munchen Germany
(72) Name(s) of Designer(s): **Johannes Geyer and Roger Munstermann**
(45) Registration Date: **28 March 2012**
(30) Convention priority data:
(31) Number (32) Date (33) Country
001293732 02 Sep 2011 EUROPEAN COMMUNITY
(56) Related Art Documents: **Not Applicable**
(57) Statement of Newness and Distinctiveness: **Newness and distinctiveness is claimed in the features of shape and/or configuration of a door for a washing and/or drying machine as illustrated in the accompanying representations. The door includes an outer ring and an inner ring smoothly bended towards the inner glass. The outer ring has a cavity in the "half-past-one o'clock" position used as a handle.**



(21) Design Number: **10970/2012**
(22) Date of Filing Application: **29 February 2012**
(24) Date from which industrial property rights may have effect: **29 February 2012**
(54) Product in respect of which the design is registered: **Door of washing machines/drying machines**
(51) International Design Classification: **15-05**
(74) Name(s) of Attorney(s): **SPRUSON & FERGUSON**
(71) Name(s) and Address(s) of Applicant(s):
BSH Bosch und Siemens Hausgerate GmbH
Carl-Wery-Str. 34 81739 Munchen Germany
(72) Name(s) of Designer(s): **Johannes Geyer and Roger Munstermann**
(45) Registration Date: **28 March 2012**
(30) Convention priority data:
(31) Number (32) Date (33) Country
001293732 02 Sep 2011 EUROPEAN COMMUNITY
(56) Related Art Documents: **Not Applicable**
(57) Statement of Newness and Distinctiveness: **Newness and distinctiveness is claimed in the features of shape and/or configuration of a door for a washing and/or drying machine as illustrated in the accompanying representations. The door includes an outer ring and an inner ring smoothly bended towards the inner glass. The outer ring has a cavity in the "half-past-one o'clock" position used as a handle.**



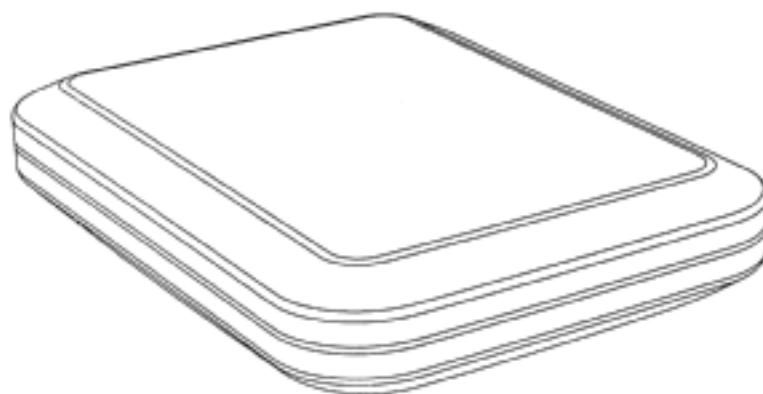
(21) Design Number: **10971/2012**
(22) Date of Filing Application: **29 February 2012**
(24) Date from which industrial property rights may have effect: **29 February 2012**
(54) Product in respect of which the design is registered: **Control panel of a washing machine/drying machine**
(51) International Design Classification: **13-03D, 15-05**
(74) Name(s) of Attorney(s): **SPRUSON & FERGUSON**
(71) Name(s) and Address(s) of Applicant(s):
BSH Bosch und Siemens Hausgerate GmbH
Carl-Wery-Str. 34 81739 Munchen Germany
(72) Name(s) of Designer(s): **Johannes Geyer and Roger Munstermann**
(45) Registration Date: **28 March 2012**
(30) Convention priority data:
(31) Number (32) Date (33) Country
001293807 02 Sep 2011 EUROPEAN COMMUNITY
(56) Related Art Documents: **Not Applicable**
(57) Statement of Newness and Distinctiveness: **Newness and distinctiveness is claimed in the features of shape and/or configuration of a display, control buttons, a central round dial and indication lights of a control panel for a washing and/or drying machine as illustrated in the accompanying representations. The indication lights are arranged in two vertical lines left and right of the central round dial. The controls buttons arranged in a long horizontal line at a lower portion of the control panel. The line of the control buttons is optically extended on the drawer handle. The display is provided with control fields arranged below and above the display field.**



(21) Design Number: **10973/2012**
(22) Date of Filing Application: **29 February 2012**
(24) Date from which industrial property rights may have effect: **29 February 2012**
(54) Product in respect of which the design is registered: **Carry case**
(51) International Design Classification: **03-01NES**
(74) Name(s) of Attorney(s): **SPRUSON & FERGUSON**
(71) Name(s) and Address(s) of Applicant(s):
TomTom International B.V.
Rembrandtplein 35 1017 Amsterdam CT The Netherlands
(72) Name(s) of Designer(s): **Andrew Vernall and Christopher Vernall**
(45) Registration Date: **28 March 2012**
(30) Convention priority data:
(31) Number (32) Date (33) Country
001911199-0001 01 Sep 2011 EUROPEAN COMMUNITY
(56) Related Art Documents: **Not Applicable**
(57) Statement of Newness and Distinctiveness: **Newness and distinctiveness is claimed in the features of shape and/or configuration of a carry case as illustrated in the accompanying representations.**



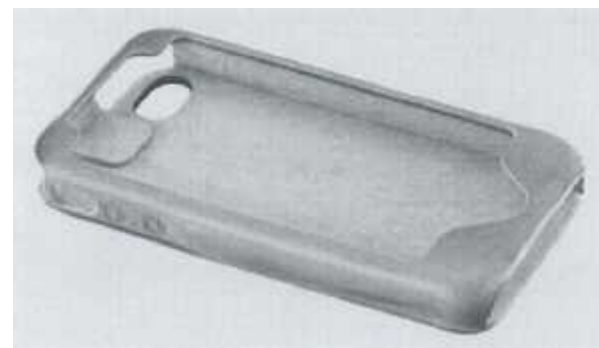
(21) Design Number: **10974/2012**
(22) Date of Filing Application: **29 February 2012**
(24) Date from which industrial property rights may have effect: **29 February 2012**
(54) Product in respect of which the design is registered: **Carry case**
(51) International Design Classification: **03-01NES**
(74) Name(s) of Attorney(s): **SPRUSON & FERGUSON**
(71) Name(s) and Address(s) of Applicant(s):
TomTom International B.V.
Rembrandtplein 35 1017 Amsterdam CT The Netherlands
(72) Name(s) of Designer(s): **Andrew Vernall and Christopher Vernall**
(45) Registration Date: **28 March 2012**
(30) Convention priority data:
(31) Number (32) Date (33) Country
001911199-0003 01 Sep 2011 EUROPEAN COMMUNITY
(56) Related Art Documents: **Not Applicable**
(57) Statement of Newness and Distinctiveness: **Newness and distinctiveness is claimed in the features of shape and/or configuration of a carry case as illustrated in the accompanying representations.**



(21) Design Number: **10975/2012**
(22) Date of Filing Application: **29 February 2012**
(24) Date from which industrial property rights may have effect: **29 February 2012**
(54) Product in respect of which the design is registered: **Carry case**
(51) International Design Classification: **03-01NES**
(74) Name(s) of Attorney(s): **SPRUSON & FERGUSON**
(71) Name(s) and Address(s) of Applicant(s):
TomTom International B.V.
Rembrandtplein 35 1017 Amsterdam CT The Netherlands
(72) Name(s) of Designer(s): **Andrew Vernall and Christopher Vernall**
(45) Registration Date: **28 March 2012**
(30) Convention priority data:
(31) Number (32) Date (33) Country
0019111990005 01 Sep 2011 EUROPEAN COMMUNITY
(56) Related Art Documents: **Not Applicable**
(57) Statement of Newness and Distinctiveness: **Newness and distinctiveness is claimed in the features of shape and/or configuration of a carry case as illustrated in the accompanying representations.**



(21) Design Number: **10979/2012**
(22) Date of Filing Application: **01 March 2012**
(24) Date from which industrial property rights may have effect: **01 March 2012**
(54) Product in respect of which the design is registered: **Protective casing for portable handheld electronic device**
(51) International Design Classification: **03-01NES**
(74) Name(s) of Attorney(s): **Griffith Hack**
(71) Name(s) and Address(s) of Applicant(s):
SwitchEasy Limited
Room 314 Sing Win Factory Building 15-17 Shing Yip Street Kwun Tong Kowloon Hong Kong
(72) Name(s) of Designer(s): **Chi Vun Steven Bau**
(45) Registration Date: **28 March 2012**
(30) Convention priority data:
(31) Number (32) Date (33) Country
1102007.0M002 14 Nov 2011 HONG KONG
(56) Related Art Documents: **Not Applicable**
(57) Statement of Newness and Distinctiveness: **The shape, configuration and ornamentation of the visual features of the PROTECTIVE CASING FOR A PORTABLE HANDHELD ELECTRONIC DEVICE as shown in the accompanying representations is new and distinctive.**



(21) Design Number: **10980/2012**
(22) Date of Filing Application: **01 March 2012**
(24) Date from which industrial property rights may have effect: **01 March 2012**
(54) Product in respect of which the design is registered: **Protective casing for portable handheld electronic device**
(51) International Design Classification: **03-01NES**
(74) Name(s) of Attorney(s): **Griffith Hack**
(71) Name(s) and Address(s) of Applicant(s):
SwitchEasy Limited
Room 314 Sing Win Factory Building 15-17 Shing Yip Street Kwun Tong
Kowloon Hong Kong
(72) Name(s) of Designer(s): **Chi Vun Steven Bau**
(45) Registration Date: **28 March 2012**
(30) Convention priority data:
(31) Number (32) Date (33) Country
1102007.0M003 14 Nov 2011 HONG KONG
(56) Related Art Documents: **Not Applicable**
(57) Statement of Newness and Distinctiveness: **The shape, configuration and ornamentation of the visual features of the PROTECTIVE CASING FOR A PORTABLE HANDHELD ELECTRONIC DEVICE as shown in the accompanying representations is new and distinctive.**



(21) Design Number: **10981/2012**
(22) Date of Filing Application: **01 March 2012**
(24) Date from which industrial property rights may have effect: **01 March 2012**
(54) Product in respect of which the design is registered: **Protective casing for portable handheld electronic device**
(51) International Design Classification: **03-01NES**
(74) Name(s) of Attorney(s): **Griffith Hack**
(71) Name(s) and Address(s) of Applicant(s):
SwitchEasy Limited
Room 314 Sing Win Factory Building 15-17 Shing Yip Street Kwun Tong
Kowloon Hong Kong
(72) Name(s) of Designer(s): **Chi Vun Steven Bau**
(45) Registration Date: **28 March 2012**
(30) Convention priority data:
(31) Number (32) Date (33) Country
1102007.0M004 14 Nov 2011 HONG KONG
(56) Related Art Documents: **Not Applicable**
(57) Statement of Newness and Distinctiveness: **The shape, configuration and ornamentation of the visual features of the PROTECTIVE CASING FOR A PORTABLE HANDHELD ELECTRONIC DEVICE as shown in the accompanying representations is new and distinctive.**



(21) Design Number: **10983/2012**

(22) Date of Filing Application: **01 March 2012**

(24) Date from which industrial property rights may have effect: **01 March 2012**

(54) Product in respect of which the design is registered: **Protective casing for portable handheld electronic device**

(51) International Design Classification: **03-01NES**

(74) Name(s) of Attorney(s): **Griffith Hack**

(71) Name(s) and Address(s) of Applicant(s):

SwitchEasy Limited

**Room 314 Sing Win Factory Building 15-17 Shing Yip Street Kwun Tong
Kowloon Hong Kong**

(72) Name(s) of Designer(s): **Chi Vun Steven Bau**

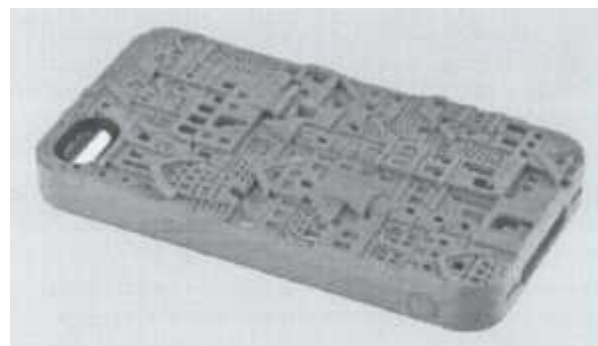
(45) Registration Date: **28 March 2012**

(30) Convention priority data:

(31) Number	(32) Date	(33) Country
1102007.0M007	14 Nov 2011	HONG KONG

(56) Related Art Documents: **Not Applicable**

(57) Statement of Newness and Distinctiveness: **The shape, configuration and ornamentation of the visual features of the PROTECTIVE CASING FOR A PORTABLE HANDHELD ELECTRONIC DEVICE as shown in the accompanying representations is new and distinctive.**



(21) Design Number: **10984/2012**

(22) Date of Filing Application: **01 March 2012**

(24) Date from which industrial property rights may have effect: **01 March 2012**

(54) Product in respect of which the design is registered: **Protective casing for portable handheld electronic device**

(51) International Design Classification: **03-01NES**

(74) Name(s) of Attorney(s): **Griffith Hack**

(71) Name(s) and Address(s) of Applicant(s):

SwitchEasy Limited

**Room 314 Sing Win Factory Building 15-17 Shing Yip Street Kwun Tong
Kowloon Hong Kong**

(72) Name(s) of Designer(s): **Chi Vun Steven Bau**

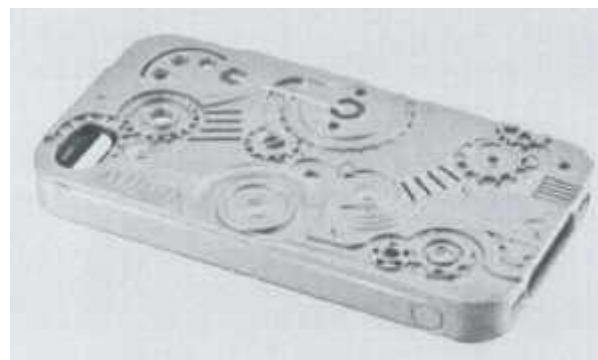
(45) Registration Date: **28 March 2012**

(30) Convention priority data:

(31) Number	(32) Date	(33) Country
1102007.0M006	14 Nov 2011	HONG KONG

(56) Related Art Documents: **Not Applicable**

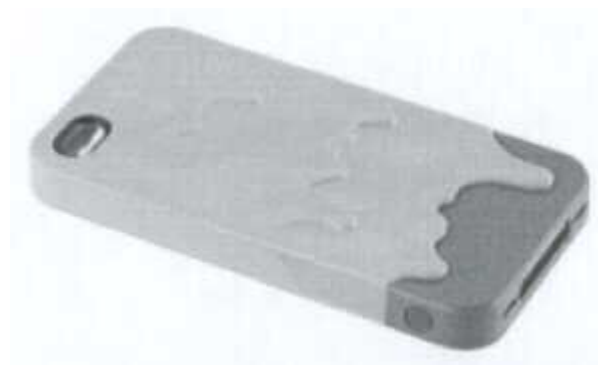
(57) Statement of Newness and Distinctiveness: **The shape, configuration and ornamentation of the visual features of the protective casing for a portable handheld electronic device as shown in the accompanying representations is new and distinctive.**



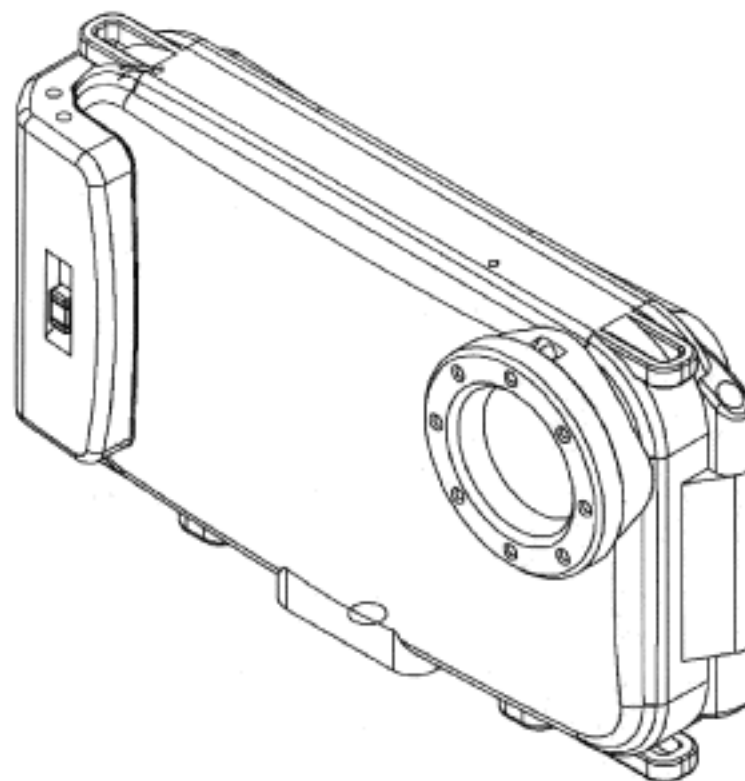
- (21) Design Number: **10891/2012**
(22) Date of Filing Application: **27 February 2012**
(24) Date from which industrial property rights may have effect: **27 February 2012**
(54) Product in respect of which the design is registered: **A saddle tree for quarter horses**
(51) International Design Classification: **30-04**
(74) Name(s) of Attorney(s): **GO trademarks**
(71) Name(s) and Address(s) of Applicant(s):
Peter Brophy
154 Pringles Road Kobble Creek Queensland 4520 Australia
(72) Name(s) of Designer(s): **Peter Brophy**
(45) Registration Date: **29 March 2012**
(56) Related Art Documents: **Not Applicable**
(57) Statement of Newness and Distinctiveness: **Newness and distinctiveness is claimed in the features of shape and configuration of the saddle tree as shown in the accompanying representations.**



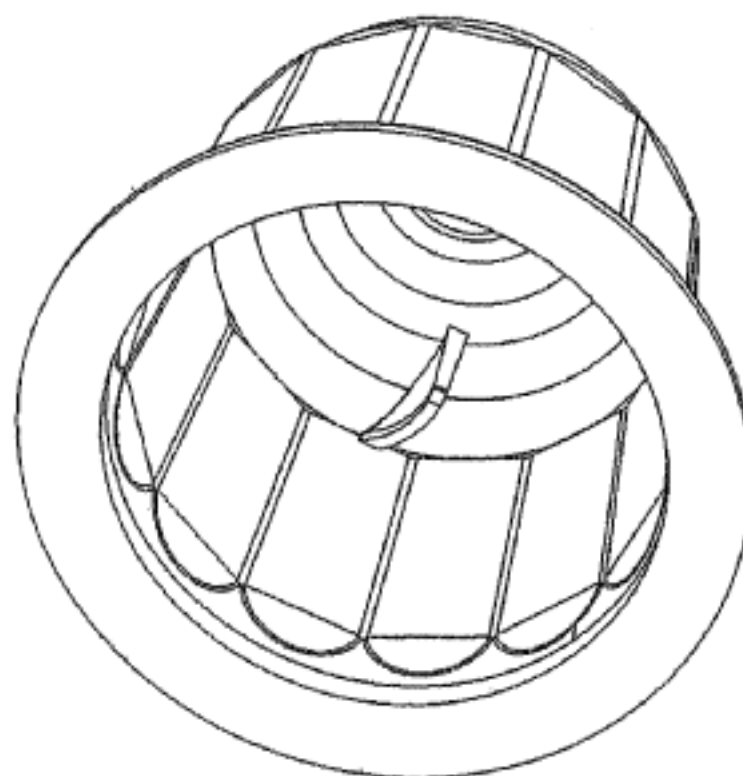
- (21) Design Number: **10985/2012**
(22) Date of Filing Application: **01 March 2012**
(24) Date from which industrial property rights may have effect: **01 March 2012**
(54) Product in respect of which the design is registered: **Protective casing for portable handheld electronic device**
(51) International Design Classification: **03-01NES**
(74) Name(s) of Attorney(s): **Griffith Hack**
(71) Name(s) and Address(s) of Applicant(s):
SwitchEasy Limited
Room 314 Sing Win Factory Building 15-17 Shing Yip Street Kwun Tong
Kowloon Hong Kong
(72) Name(s) of Designer(s): **Chi Vun Steven Bau**
(45) Registration Date: **29 March 2012**
(30) Convention priority data:
(31) Number (32) Date (33) Country
1102007.0M001 14 Nov 2011 HONG KONG
(56) Related Art Documents: **Not Applicable**
(57) Statement of Newness and Distinctiveness: **The shape, configuration and ornamentation of the visual features of the protective casing for a portable handheld electronic device as shown in the accompanying representations is new and distinctive.**



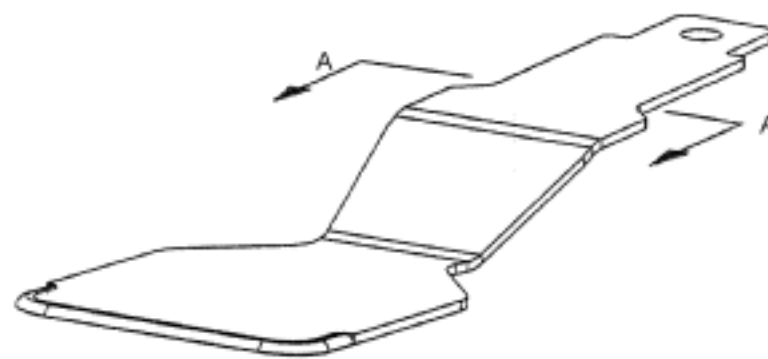
- (21) Design Number: **10987/2012**
(22) Date of Filing Application: **01 March 2012**
(24) Date from which industrial property rights may have effect: **01 March 2012**
(54) Product in respect of which the design is registered: **Waterproof case for smart phone with camera**
(51) International Design Classification: **03-01NES**
(74) Name(s) of Attorney(s):
(71) Name(s) and Address(s) of Applicant(s):
Zear Corporation Limited
6B Valiant Industrial Centre 2-12 Au Pui Wan Steet Fotan Shatin New Territories Hong Kong
(72) Name(s) of Designer(s): **Man Fong Chu**
(45) Registration Date: **29 March 2012**
(56) Related Art Documents: **Not Applicable**
(57) Statement of Newness and Distinctiveness: **Nil**



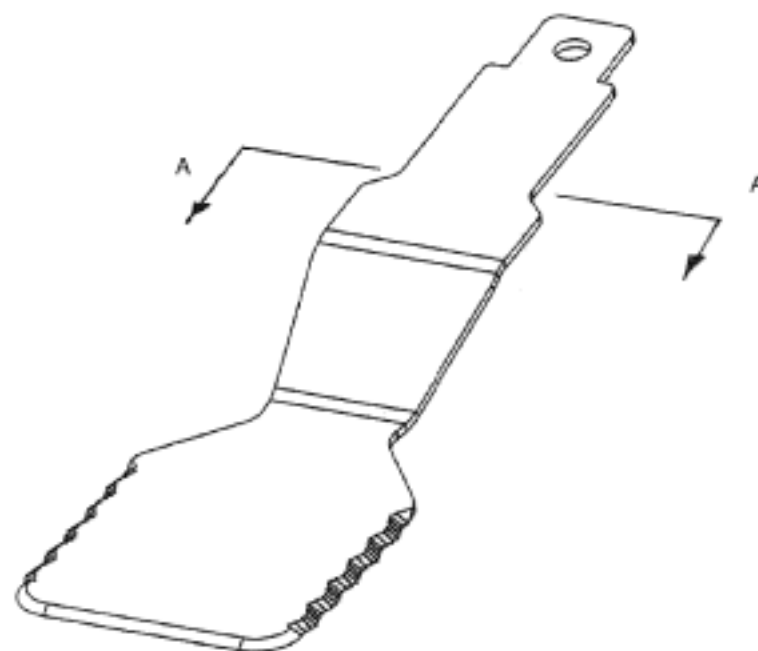
- (21) Design Number: **10989/2012**
(22) Date of Filing Application: **01 March 2012**
(24) Date from which industrial property rights may have effect: **01 March 2012**
(54) Product in respect of which the design is registered: **Coffee capsule**
(51) International Design Classification: **07-02L**
(74) Name(s) of Attorney(s): **Ellis Terry**
(71) Name(s) and Address(s) of Applicant(s):
Rialto Coffee Company Ltd.
3 Yosef Chachmi Street POX 16115 Jerusalem 91160 Israel
(72) Name(s) of Designer(s): **Hanan Ben David**
(45) Registration Date: **29 March 2012**
(56) Related Art Documents: **Not Applicable**
(57) Statement of Newness and Distinctiveness: **Nil**



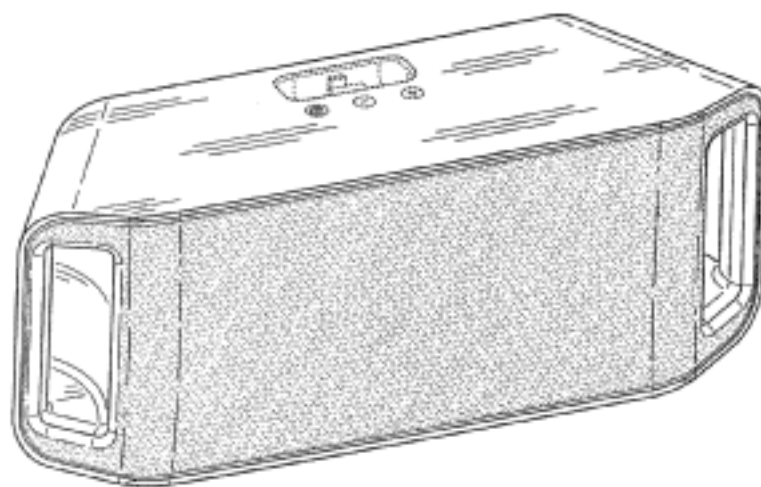
- (21) Design Number: **10990/2012**
- (22) Date of Filing Application: **02 March 2012**
- (24) Date from which industrial property rights may have effect: **02 March 2012**
- (54) Product in respect of which the design is registered: **Removal blade for panels or mouldings**
- (51) International Design Classification: **08-03**
- (74) Name(s) of Attorney(s): **WATERMARK PATENT AND TRADE MARKS ATTORNEYS**
- (71) Name(s) and Address(s) of Applicant(s):
BTB Automotive Pty Ltd
1b Wood Street Bendigo Victoria 3550 Australia
- (72) Name(s) of Designer(s): **Trevor Lock**
- (45) Registration Date: **29 March 2012**
- (56) Related Art Documents: **Not Applicable**
- (57) Statement of Newness and Distinctiveness: **Newness and distinctiveness resides in the appearance of the blade from the line AA to the forward cutting edge.**



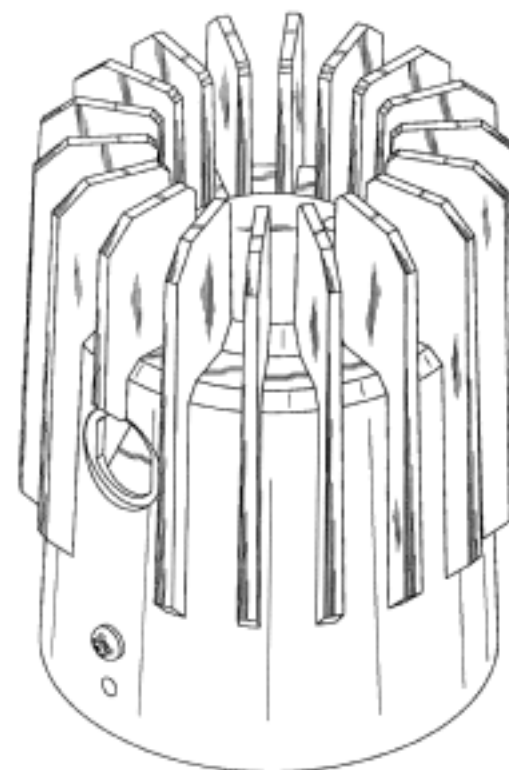
- (21) Design Number: **10991/2012**
- (22) Date of Filing Application: **02 March 2012**
- (24) Date from which industrial property rights may have effect: **02 March 2012**
- (54) Product in respect of which the design is registered: **Removal blade for panels or mouldings**
- (51) International Design Classification: **08-03**
- (74) Name(s) of Attorney(s): **WATERMARK PATENT AND TRADE MARKS ATTORNEYS**
- (71) Name(s) and Address(s) of Applicant(s):
BTB Automotive Pty Ltd
1b Wood Street Bendigo Victoria 3550 Australia
- (72) Name(s) of Designer(s): **Trevor Lock**
- (45) Registration Date: **29 March 2012**
- (56) Related Art Documents: **Not Applicable**
- (57) Statement of Newness and Distinctiveness: **Newness and distinctiveness resides in the appearance of the blade from the line AA to the forward cutting edge.**



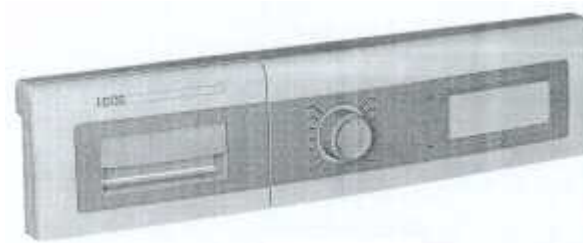
(21) Design Number: **10995/2012**
(22) Date of Filing Application: **01 March 2012**
(24) Date from which industrial property rights may have effect: **01 March 2012**
(54) Product in respect of which the design is registered: **Audio speaker system**
(51) International Design Classification: **14-01**
(74) Name(s) of Attorney(s): **SPRUSON & FERGUSON**
(71) Name(s) and Address(s) of Applicant(s):
Beats Electronics, LLC
1601 Cloverfield Boulevard Suite 5000N Santa Monica California 90404
United States of America
(72) Name(s) of Designer(s): **Robert Brunner and Kenny Sweet**
(45) Registration Date: **29 March 2012**
(30) Convention priority data:
(31) Number (32) Date (33) Country
29/400963 02 Sep 2011 UNITED STATES OF AMERICA
(56) Related Art Documents: **Not Applicable**
(57) Statement of Newness and Distinctiveness: **Newness and distinctiveness is claimed in the features of shape and/or configuration of an audio speaker system as illustrated in continuous lines in the accompanying representations.**



(21) Design Number: **10996/2012**
(22) Date of Filing Application: **01 March 2012**
(24) Date from which industrial property rights may have effect: **01 March 2012**
(54) Product in respect of which the design is registered: **Lighting device**
(51) International Design Classification: **26-05E, 26-05C, 26-04**
(74) Name(s) of Attorney(s): **SPRUSON & FERGUSON**
(71) Name(s) and Address(s) of Applicant(s):
Cree, Inc.
4600 Silicon Drive Durham North Carolina 27703 United States of America
(72) Name(s) of Designer(s): **Antony Paul Van De Ven and Wai Kwan Chan and Chin Wah Ho**
(45) Registration Date: **29 March 2012**
(30) Convention priority data:
(31) Number (32) Date (33) Country
29/400957 02 Sep 2011 UNITED STATES OF AMERICA
(56) Related Art Documents: **Not Applicable**
(57) Statement of Newness and Distinctiveness: **Newness and distinctiveness is claimed in the features of shape and/or configuration of a lighting device as illustrated in the accompanying representations.**



- (21) Design Number: **10997/2012**
(22) Date of Filing Application: **01 March 2012**
(24) Date from which industrial property rights may have effect: **01 March 2012**
(54) Product in respect of which the design is registered: **Control panel of a washing machine/drying machine**
(51) International Design Classification: **13-03D, 15-05**
(74) Name(s) of Attorney(s): **SPRUSON & FERGUSON**
(71) Name(s) and Address(s) of Applicant(s):
BSH Bosch und Siemens Hausgerate GmbH
Carl-Wery-Str. 34 81739 Munchen Germany
(72) Name(s) of Designer(s): **Carsten Weber and Florian Metz**
(45) Registration Date: **29 March 2012**
(30) Convention priority data:
(31) Number (32) Date (33) Country
001293807 02 Sep 2011 EUROPEAN COMMUNITY
(56) Related Art Documents: **Not Applicable**
(57) Statement of Newness and Distinctiveness: **Newness and distinctiveness is claimed in the features of shape and/or configuration of a display, a central round dial and indication lights of a control panel for a washing and/or drying machine as illustrated in the accompanying representations. The control panel has an inner rectangular section including a portion of the drawer. The indication lights are arranged in two vertical lines left and right of the central dial. The indication lights are shaped like legs of an insect so that the central round dial and indication lights resemble a centipede. The display is provided with control fields arranged right and left of the display field. The drawer has a horizontal indication bar.**



- (21) Design Number: **10998/2012**
(22) Date of Filing Application: **01 March 2012**
(24) Date from which industrial property rights may have effect: **01 March 2012**
(54) Product in respect of which the design is registered: **Control panel of a washing machine/drying machine**
(51) International Design Classification: **13-03D, 15-05**
(74) Name(s) of Attorney(s): **SPRUSON & FERGUSON**
(71) Name(s) and Address(s) of Applicant(s):
BSH Bosch und Siemens Hausgerate GmbH
Carl-Wery-Str. 34 81739 Munchen Germany
(72) Name(s) of Designer(s): **Florian Metz and Carsten Weber**
(45) Registration Date: **29 March 2012**
(30) Convention priority data:
(31) Number (32) Date (33) Country
001293807 02 Sep 2011 EUROPEAN COMMUNITY
(56) Related Art Documents: **Not Applicable**
(57) Statement of Newness and Distinctiveness: **Newness and distinctiveness is claimed in the features of shape and/or configuration of a display, a central round dial and indication lights of a control panel for a washing and/or drying machine as illustrated in the accompanying representations. The control panel has an inner rectangular section including a portion of the drawer. The indication lights are arranged in two vertical lines left and right of the central dial. The indication lights are shaped like legs of an insect so that the central round dial and the indication lights resemble a centipede. The display is provided with control fields arranged right and left of the display field.**

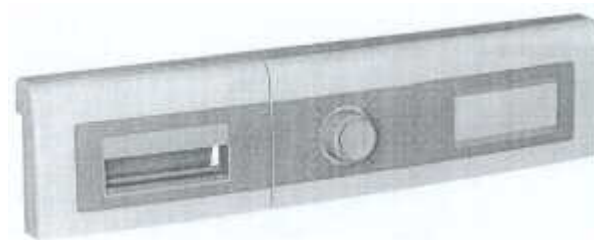


(21) Design Number: **10999/2012**
(22) Date of Filing Application: **01 March 2012**
(24) Date from which industrial property rights may have effect: **01 March 2012**
(54) Product in respect of which the design is registered: **Control panel of a washing machine/drying machine**
(51) International Design Classification: **15-05**
(74) Name(s) of Attorney(s): **SPRUSON & FERGUSON**
(71) Name(s) and Address(s) of Applicant(s):
BSH Bosch und Siemens Hausgerate GmbH
Carl-Wery-Str. 34 81739 Munchen Germany
(72) Name(s) of Designer(s): **Florian Metz and Carsten Weber**
(45) Registration Date: **29 March 2012**
(30) Convention priority data:
(31) Number (32) Date (33) Country
001293807 02 Sep 2011 EUROPEAN COMMUNITY



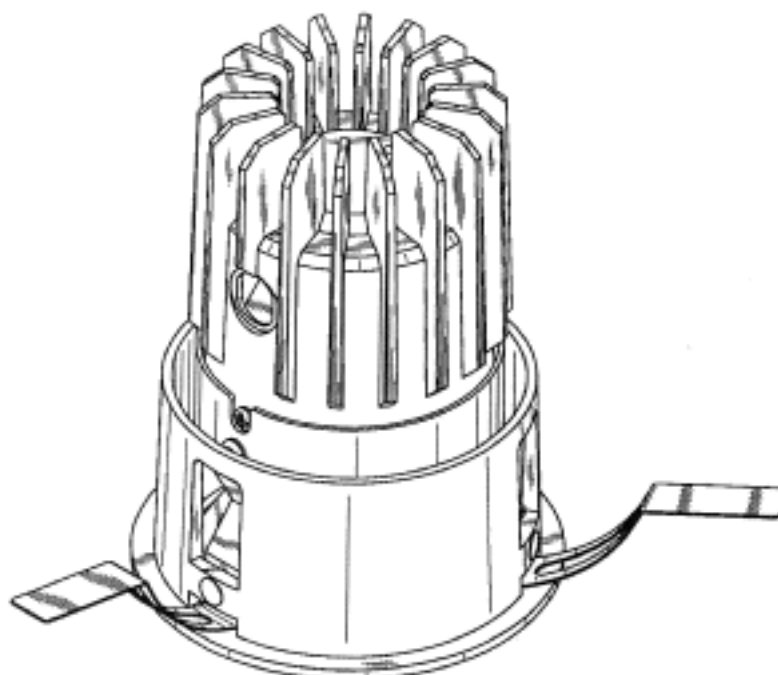
(56) Related Art Documents: **Not Applicable**
(57) Statement of Newness and Distinctiveness: **Newness and distinctiveness is claimed in the features of shape and/or configuration of a display, a central round dial and indication lights of a control panel for a washing and/or drying machine as illustrated in the accompanying representations. The control panel has an inner rectangular section including a portion of the drawer. The indication lights are arranged in two vertical lines left and right of the central dial. The indication lights are shaped like legs of an insect so that the central round dial and indication lights resemble a centipede. The display is provided with control fields arranged right and left of the display field.**

(21) Design Number: **11000/2012**
(22) Date of Filing Application: **01 March 2012**
(24) Date from which industrial property rights may have effect: **01 March 2012**
(54) Product in respect of which the design is registered: **Control panel of a washing machine/drying machine**
(51) International Design Classification: **15-05**
(74) Name(s) of Attorney(s): **SPRUSON & FERGUSON**
(71) Name(s) and Address(s) of Applicant(s):
BSH Bosch und Siemens Hausgerate GmbH
Carl-Wery-Str. 34 81739 Munchen Germany
(72) Name(s) of Designer(s): **Florian Metz and Carsten Weber**
(45) Registration Date: **29 March 2012**
(30) Convention priority data:
(31) Number (32) Date (33) Country
001293807 02 Sep 2011 EUROPEAN COMMUNITY

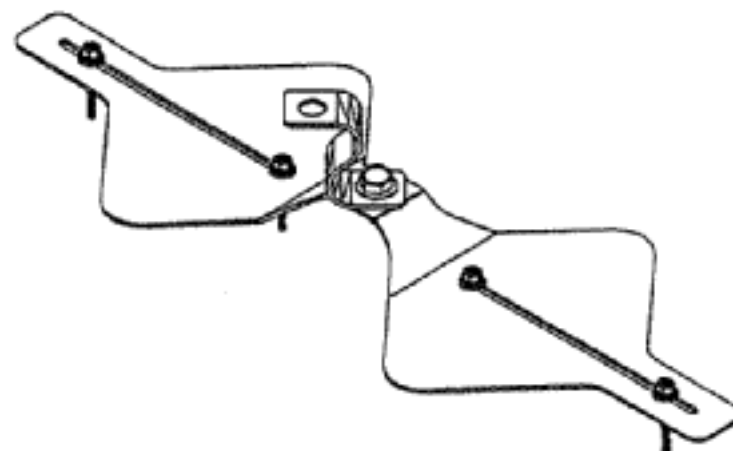


(56) Related Art Documents: **Not Applicable**
(57) Statement of Newness and Distinctiveness: **Newness and distinctiveness is claimed in the features of shape and/or configuration of a display, a central round dial and indication lights of a control panel for a washing and/or drying machine as illustrated in the accompanying representations. The control panel has an inner rectangular section including a portion of the drawer. The indication lights are arranged in two vertical lines left and right of the central dial. The indication lights are shaped like legs of an insect so that the central round dial and indication lights resemble a centipede. The display is provided with control fields arranged right and left of the display field.**

- (21) Design Number: **11001/2012**
(22) Date of Filing Application: **01 March 2012**
(24) Date from which industrial property rights may have effect: **01 March 2012**
(54) Product in respect of which the design is registered: **Lighting device**
(51) International Design Classification: **26-04**
(74) Name(s) of Attorney(s): **SPRUSON & FERGUSON**
(71) Name(s) and Address(s) of Applicant(s):
Cree, Inc.
4600 Silicon Drive Durham North Carolina 27703 United States of America
(72) Name(s) of Designer(s): **Antony Paul Van De Ven and Wai Kwan Chan and Chin Wah Ho**
(45) Registration Date: **29 March 2012**
(30) Convention priority data:
(31) Number (32) Date (33) Country
29/400957 02 Sep 2011 UNITED STATES OF AMERICA
(56) Related Art Documents: **Not Applicable**
(57) Statement of Newness and Distinctiveness: **Newness and distinctiveness is claimed in the features of shape and/or configuration of a lighting device as illustrated in the accompanying representations.**



- (21) Design Number: **11163/2012**
(22) Date of Filing Application: **08 March 2012**
(24) Date from which industrial property rights may have effect: **08 March 2012**
(54) Product in respect of which the design is registered: **A roof anchor**
(51) International Design Classification: **08-08NES**
(74) Name(s) of Attorney(s): **SPRUSON & FERGUSON**
(71) Name(s) and Address(s) of Applicant(s):
Andrew Pridham
40 Saggart Field Road Minto New South Wales 2566 Australia
(72) Name(s) of Designer(s): **Andrew Pridham**
(45) Registration Date: **29 March 2012**
(56) Related Art Documents: **Not Applicable**
(57) Statement of Newness and Distinctiveness: **Newness and distinctiveness is claimed in the features of shape and/or configuration of a roof anchor as illustrated in the accompanying representations.**



- (21) Design Number: **14310/2011**
(22) Date of Filing Application: **26 September 2011**
(24) Date from which industrial property rights may have effect: **26 September 2011**
(54) Product in respect of which the design is registered: **Rear bumper for an automobile**
(51) International Design Classification: **12-16C**
(74) Name(s) of Attorney(s): **SPRUSON & FERGUSON**
(71) Name(s) and Address(s) of Applicant(s):
Toyota Jidosha Kabushiki Kaisha
1 Toyota-cho Toyota-shi Aichi-ken 471-8571 Japan
Fuji Jukogyo Kabushiki Kaisha
7-2 Nishishinjuku 1-chome Shinjuku-ku Tokyo 160-8316 Japan
(72) Name(s) of Designer(s): **Kenji Kido and Kosuke Kubo**
(45) Registration Date: **29 March 2012**
(56) Related Art Documents: **Not Applicable**
(57) Statement of Newness and Distinctiveness: **Newness and distinctiveness is claimed in the features of shape and/or configuration of a rear bumper for an automobile as illustrated in the accompanying representations, apart from the attachment lugs.**



- (21) Design Number: **14311/2011**
(22) Date of Filing Application: **26 September 2011**
(24) Date from which industrial property rights may have effect: **26 September 2011**
(54) Product in respect of which the design is registered: **Automobile**
(51) International Design Classification: **12-08**
(74) Name(s) of Attorney(s): **SPRUSON & FERGUSON**
(71) Name(s) and Address(s) of Applicant(s):
Toyota Jidosha Kabushiki Kaisha
1 Toyota-cho Toyota-shi Aichi-ken 471-8571 Japan
Fuji Jukogyo Kabushiki Kaisha
7-2 Nishishinjuku 1-chome Shinjuku-ku Tokyo 160-8316 Japan
(72) Name(s) of Designer(s): **Hiroyuki Kobayashi and Kouhei Kobayashi**
(45) Registration Date: **29 March 2012**
(56) Related Art Documents: **Not Applicable**
(57) Statement of Newness and Distinctiveness: **Newness and distinctiveness is claimed in the features of shape and/or configuration of an automobile as illustrated in the accompanying representations, apart from the emblems.**



- (21) Design Number: **14314/2011**
(22) Date of Filing Application: **26 September 2011**
(24) Date from which industrial property rights may have effect: **26 September 2011**
(54) Product in respect of which the design is registered: **Rear bumper for an automobile**
(51) International Design Classification: **12-16C**
(74) Name(s) of Attorney(s): **SPRUSON & FERGUSON**
(71) Name(s) and Address(s) of Applicant(s):
Toyota Jidosha Kabushiki Kaisha
1 Toyota-cho Toyota-shi Aichi-ken 471-8571 Japan
Fuji Jukogyo Kabushiki Kaisha
7-2 Nishishinjuku 1-chome Shinjuku-ku Tokyo 160-8316 Japan
(72) Name(s) of Designer(s): **Takanori Ito**
(45) Registration Date: **29 March 2012**
(56) Related Art Documents: **Not Applicable**
(57) Statement of Newness and Distinctiveness: **Newness and distinctiveness is claimed in the features of shape and/or configuration of a rear bumper for an automobile as illustrated in the accompanying representations, apart from the attachment lugs.**



- (21) Design Number: **14315/2011**
(22) Date of Filing Application: **26 September 2011**
(24) Date from which industrial property rights may have effect: **26 September 2011**
(54) Product in respect of which the design is registered: **Front bumper for an automobile**
(51) International Design Classification: **12-16C**
(74) Name(s) of Attorney(s): **SPRUSON & FERGUSON**
(71) Name(s) and Address(s) of Applicant(s):
Toyota Jidosha Kabushiki Kaisha
1 Toyota-cho Toyota-shi Aichi-ken 471-8571 Japan
Fuji Jukogyo Kabushiki Kaisha
7-2 Nishishinjuku 1-chome Shinjuku-ku Tokyo 160-8316 Japan
(72) Name(s) of Designer(s): **Kenji Kido and Ryota Nakai and Tatsuya Sonoda**
(45) Registration Date: **29 March 2012**
(56) Related Art Documents: **Not Applicable**
(57) Statement of Newness and Distinctiveness: **Newness and distinctiveness is claimed in the features of shape and/or configuration of a front bumper for an automobile as illustrated in the accompanying representations, apart from the attachment lugs.**



- (21) Design Number: **14316/2011**
(22) Date of Filing Application: **26 September 2011**
(24) Date from which industrial property rights may have effect: **26 September 2011**
(54) Product in respect of which the design is registered: **Front door for an automobile**
(51) International Design Classification: **12-16B**
(74) Name(s) of Attorney(s): **SPRUSON & FERGUSON**
(71) Name(s) and Address(s) of Applicant(s):
Toyota Jidosha Kabushiki Kaisha
1 Toyota-cho Toyota-shi Aichi-ken 471-8571 Japan
Fuji Jukogyo Kabushiki Kaisha
7-2 Nishishinjuku 1-chome Shinjuku-ku Tokyo 160-8316 Japan
(72) Name(s) of Designer(s): **Kenji Kido and Kosuke Kubo**
(45) Registration Date: **29 March 2012**
(56) Related Art Documents: **Not Applicable**
(57) Statement of Newness and Distinctiveness: **Newness and distinctiveness is claimed in the features of shape and/or configuration of a front door for an automobile as illustrated in the accompanying representations.**



- (21) Design Number: **14317/2011**
(22) Date of Filing Application: **26 September 2011**
(24) Date from which industrial property rights may have effect: **26 September 2011**
(54) Product in respect of which the design is registered: **Front bumper for an automobile**
(51) International Design Classification: **12-16C**
(74) Name(s) of Attorney(s): **SPRUSON & FERGUSON**
(71) Name(s) and Address(s) of Applicant(s):
Toyota Jidosha Kabushiki Kaisha
1 Toyota-cho Toyota-shi Aichi-ken 471-8571 Japan
Fuji Jukogyo Kabushiki Kaisha
7-2 Nishishinjuku 1-chome Shinjuku-ku Tokyo 160-8316 Japan
(72) Name(s) of Designer(s): **Takanori Ito**
(45) Registration Date: **29 March 2012**
(56) Related Art Documents: **Not Applicable**
(57) Statement of Newness and Distinctiveness: **Newness and distinctiveness is claimed in the features of shape and/or configuration of a front bumper for an automobile as illustrated in the accompanying representations, apart from the attachment lugs.**



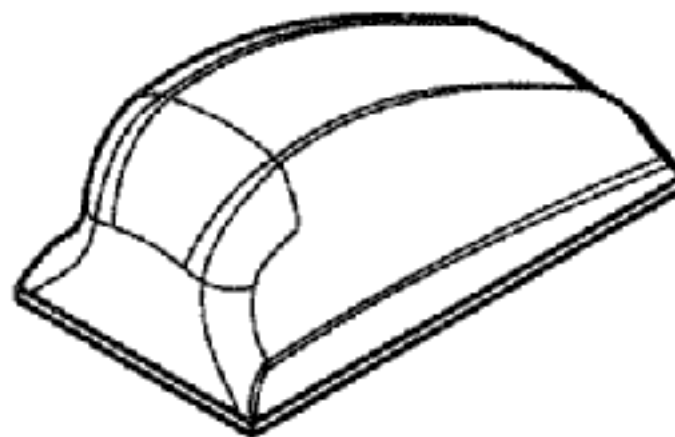
- (21) Design Number: **14318/2011**
(22) Date of Filing Application: **26 September 2011**
(24) Date from which industrial property rights may have effect: **26 September 2011**
(54) Product in respect of which the design is registered: **Front bumper for an automobile**
(51) International Design Classification: **12-16C**
(74) Name(s) of Attorney(s): **SPRUSON & FERGUSON**
(71) Name(s) and Address(s) of Applicant(s):
Toyota Jidosha Kabushiki Kaisha
1 Toyota-cho Toyota-shi Aichi-ken 471-8571 Japan
Fuji Jukogyo Kabushiki Kaisha
7-2 Nishishinjuku 1-chome Shinjuku-ku Tokyo 160-8316 Japan
(72) Name(s) of Designer(s): **Hiroyuki Kobayashi and Kouhei Kobayashi**
(45) Registration Date: **29 March 2012**
(56) Related Art Documents: **Not Applicable**
(57) Statement of Newness and Distinctiveness: **Newness and distinctiveness is claimed in the features of shape and/or configuration of a front bumper for an automobile as illustrated in the accompanying representations, apart from the attachment lugs.**



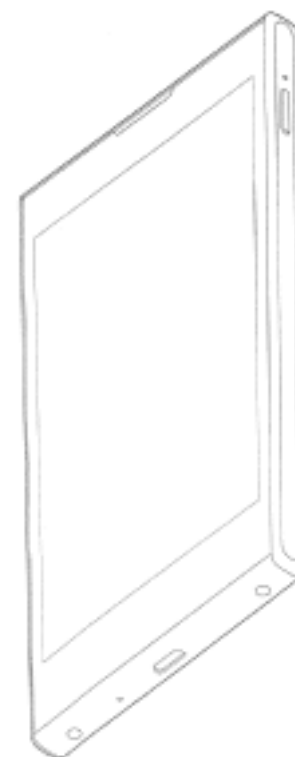
- (21) Design Number: **14319/2011**
(22) Date of Filing Application: **26 September 2011**
(24) Date from which industrial property rights may have effect: **26 September 2011**
(54) Product in respect of which the design is registered: **Front combination lamp for an automobile**
(51) International Design Classification: **26-06**
(74) Name(s) of Attorney(s): **SPRUSON & FERGUSON**
(71) Name(s) and Address(s) of Applicant(s):
Toyota Jidosha Kabushiki Kaisha
1 Toyota-cho Toyota-shi Aichi-ken 471-8571 Japan
Fuji Jukogyo Kabushiki Kaisha
7-2 Nishishinjuku 1-chome Shinjuku-ku Tokyo 160-8316 Japan
(72) Name(s) of Designer(s): **Kenji Kido and Takanori Ito**
(45) Registration Date: **29 March 2012**
(56) Related Art Documents: **Not Applicable**
(57) Statement of Newness and Distinctiveness: **Newness and distinctiveness is claimed in the features of shape and/or configuration of a front combination lamp for an automobile as illustrated in the accompanying representations, apart from the attachment lugs.**



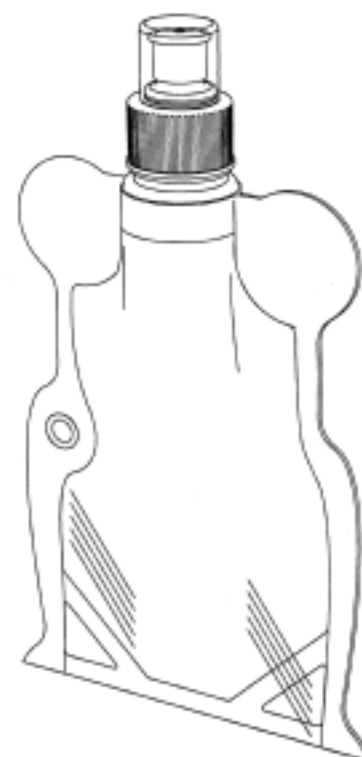
(21) Design Number: **15251/2011**
(22) Date of Filing Application: **09 November 2011**
(24) Date from which industrial property rights may have effect: **09 November 2011**
(54) Product in respect of which the design is registered: **Sanding block**
(51) International Design Classification: **08-05N**
(74) Name(s) of Attorney(s): **Cullens Patent and Trade Mark Attorneys**
(71) Name(s) and Address(s) of Applicant(s):
Ali Industries, Inc.
747 East Xenia Drive Fairborn OH 45324 United States of America
(72) Name(s) of Designer(s): **Terry Ali and Christopher Ali and Frank Ali and Wayne Carl Leblanc**
(45) Registration Date: **29 March 2012**
(30) Convention priority data:
(31) Number (32) Date (33) Country
29/405736 04 Nov 2011 UNITED STATES OF AMERICA
(56) Related Art Documents: **Not Applicable**
(57) Statement of Newness and Distinctiveness: **Nil**



(21) Design Number: **10016/2012**
(22) Date of Filing Application: **03 January 2012**
(24) Date from which industrial property rights may have effect: **03 January 2012**
(54) Product in respect of which the design is registered: **Mobile phone**
(51) International Design Classification: **14-03E**
(74) Name(s) of Attorney(s): **Freehills Patent & Trade Mark Attorneys**
(71) Name(s) and Address(s) of Applicant(s):
LG Electronics Inc.
20 Yeouido-dong Yeongdeungpo-gu Seoul 150-721 Republic of Korea
(72) Name(s) of Designer(s): **Hyunggon Ryu**
(45) Registration Date: **29 March 2012**
(30) Convention priority data:
(31) Number (32) Date (33) Country
30-2011-55756 28 Dec 2011 REPUBLIC OF KOREA
(56) Related Art Documents: **Not Applicable**
(57) Statement of Newness and Distinctiveness: **Nil**



- (21) Design Number: **11292/2012**
(22) Date of Filing Application: **07 March 2012**
(24) Date from which industrial property rights may have effect: **07 March 2012**
(54) Product in respect of which the design is registered: **Bottle**
(51) International Design Classification: **09-01D**
(74) Name(s) of Attorney(s):
(71) Name(s) and Address(s) of Applicant(s):
Aquaskin Australia Pty Ltd
Suite 402 250 Pitt Street Sydney New South Wales 2000 Australia
(72) Name(s) of Designer(s): **Rocco Vincenzo Panetta**
(45) Registration Date: **29 March 2012**
(56) Related Art Documents: **Not Applicable**
(57) Statement of Newness and Distinctiveness: **Newness and distinctiveness is claimed in the features of shape and/or configuration of a roll up/fold up/collapsible bottle shaped as a frog as illustrated in the accompanying representations.**



- (21) Design Number: **11294/2012**
(22) Date of Filing Application: **07 March 2012**
(24) Date from which industrial property rights may have effect: **07 March 2012**
(54) Product in respect of which the design is registered: **Bottle**
(51) International Design Classification: **09-01D**
(74) Name(s) of Attorney(s):
(71) Name(s) and Address(s) of Applicant(s):
Aquaskin Australia Pty Ltd
Suite 402 250 Pitt Street Sydney New South Wales 2000 Australia
(72) Name(s) of Designer(s): **Rocco Vincenzo Panetta**
(45) Registration Date: **29 March 2012**
(56) Related Art Documents: **Not Applicable**
(57) Statement of Newness and Distinctiveness: **Newness and distinctiveness is claimed in the features of shape and/or configuration of a roll up/fold up/collapsible bottle shaped as an elephant as illustrated in the accompanying representations.**



(21) Design Number: **11002/2012**
(22) Date of Filing Application: **01 March 2012**
(24) Date from which industrial property rights may have effect: **01 March 2012**
(54) Product in respect of which the design is registered: **Washing machine/
drying machine**
(51) International Design Classification: **15-05**
(74) Name(s) of Attorney(s): **SPRUSON & FERGUSON**
(71) Name(s) and Address(s) of Applicant(s):
BSH Bosch und Siemens Hausgerate GmbH
Carl-Wery-Str. 34 81739 Munchen Germany
(72) Name(s) of Designer(s): **Florian Metz and Carsten Weber**
(45) Registration Date: **30 March 2012**
(30) Convention priority data:
(31) Number (32) Date (33) Country
001293799 02 Sep 2011 EUROPEAN COMMUNITY



(56) Related Art Documents: **Not Applicable**
(57) Statement of Newness and Distinctiveness: **Newness and distinctiveness is claimed in the features of shape and/or configuration of a control panel, a door and a drawer of a washing machine as illustrated in the accompanying representations. The control panel includes a display, a central round dial and indication lights. The control panel has inner rectangular section including a portion of the drawer. The indication lights are arranged in two vertical lines left and right of the central dial. The indication lights are shaped like legs of an insect so that the central round dial and indication lights resemble a centipede. The display is provided with control fields arranged right and left of the display field. The door includes an outer ring and an inner ring inclined towards the inner glass. The outer ring has an arc line in the "half-past-one o'clock" position and a long groove except the area of the hinge used as a handle. The drawer has a horizontal indication bar.**

(21) Design Number: **11003/2012**
(22) Date of Filing Application: **01 March 2012**
(24) Date from which industrial property rights may have effect: **01 March 2012**
(54) Product in respect of which the design is registered: **Washing machine/
drying machine**
(51) International Design Classification: **15-05**
(74) Name(s) of Attorney(s): **SPRUSON & FERGUSON**
(71) Name(s) and Address(s) of Applicant(s):
BSH Bosch und Siemens Hausgerate GmbH
Carl-Wery-Str. 34 81739 Munchen Germany
(72) Name(s) of Designer(s): **Florian Metz and Carsten Weber**
(45) Registration Date: **30 March 2012**
(30) Convention priority data:
(31) Number (32) Date (33) Country
001293799 02 Sep 2011 EUROPEAN COMMUNITY



(56) Related Art Documents: **Not Applicable**
(57) Statement of Newness and Distinctiveness: **Newness and distinctiveness is claimed in the features of shape and/or configuration of a control panel and a door of a washing machine as illustrated in the accompanying representations. The control panel includes a display, a central round dial and indication lights. The control panel has an inner rectangular section including a portion of the drawer. The indication lights are arranged in two vertical lines left and right of the central dial. The indication lights are shaped like legs of an insect so that the central round dial and indication lights resemble a centipede. The display is provided with control fields arranged right and left of the display field. The door includes an outer ring and an inner ring inclined towards the inner glass. The outer ring has an arc line in the "half-past-one o'clock" position and a long groove except the area of the hinge used as a handle.**

(21) Design Number: **11004/2012**
 (22) Date of Filing Application: **01 March 2012**
 (24) Date from which industrial property rights may have effect: **01 March 2012**
 (54) Product in respect of which the design is registered: **Washing machine/ drying machine**
 (51) International Design Classification: **15-05**
 (74) Name(s) of Attorney(s): **SPRUSON & FERGUSON**
 (71) Name(s) and Address(s) of Applicant(s):
BSH Bosch und Siemens Hausgerate GmbH
Carl-Wery-Str. 34 81739 Munchen Germany
 (72) Name(s) of Designer(s): **Florian Metz and Carsten Weber**
 (45) Registration Date: **30 March 2012**
 (30) Convention priority data:
 (31) Number (32) Date (33) Country
001293799 02 Sep 2011 EUROPEAN COMMUNITY



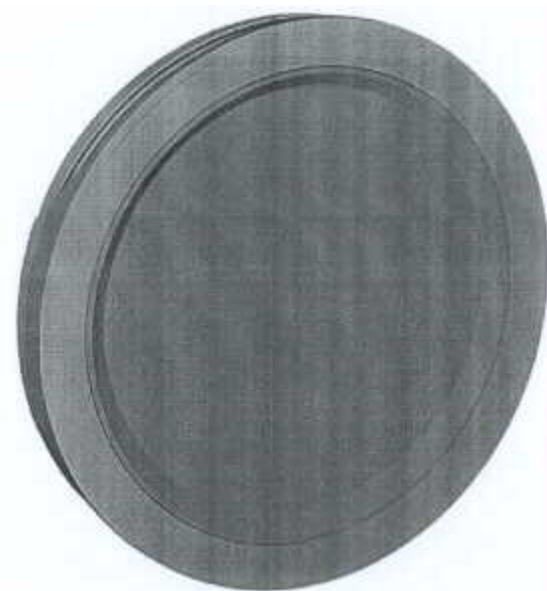
(56) Related Art Documents: **Not Applicable**
 (57) Statement of Newness and Distinctiveness: **Newness and distinctiveness is claimed in the features of shape and/or configuration of a control panel and a door of a drying machine as illustrated in the accompanying representations. The control panel includes a display, a central round dial and indication lights. The control panel has an inner rectangular section including a portion of the drawer. The indication lights are arranged in two vertical lines left and right of the central dial. The indication lights are shaped like legs of an insect so that the central round dial and indication lights resemble a centipede. The display is provided with control fields arranged right and left of the display field. The door includes an outer ring and an inner ring inclined towards the inner glass. The outer ring has two arc lines in the "half-past-seven and half-past-ten o'clock" position and a long groove in the outer ring except the upper and lower area used as a handle. The inner ring includes at its lower portion a segment of a circle.**

(21) Design Number: **11005/2012**
 (22) Date of Filing Application: **01 March 2012**
 (24) Date from which industrial property rights may have effect: **01 March 2012**
 (54) Product in respect of which the design is registered: **Washing machine/ drying machine**
 (51) International Design Classification: **15-05**
 (74) Name(s) of Attorney(s): **SPRUSON & FERGUSON**
 (71) Name(s) and Address(s) of Applicant(s):
BSH Bosch und Siemens Hausgerate GmbH
Carl-Wery-Str. 34 81739 Munchen Germany
 (72) Name(s) of Designer(s): **Florian Metz and Carsten Weber**
 (45) Registration Date: **30 March 2012**
 (30) Convention priority data:
 (31) Number (32) Date (33) Country
001293799 02 Sep 2011 EUROPEAN COMMUNITY

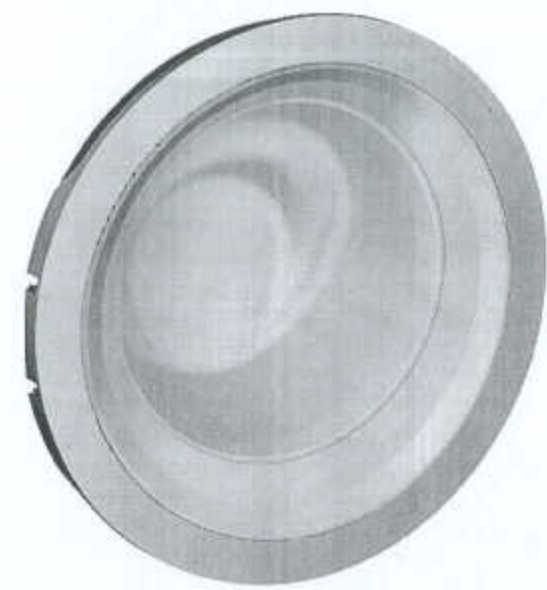


(56) Related Art Documents: **Not Applicable**
 (57) Statement of Newness and Distinctiveness: **Newness and distinctiveness is claimed in the features of shape and/or configuration of a control panel and a door of a drying machine as illustrated in the accompanying representations. The control panel includes a display, a central round dial and indication lights. The control panel has an inner rectangular section including a portion of the drawer. The indication lights are arranged in two vertical lines left and right of the central dial. The indication lights are shaped like legs of an insect so that the central round dial and indication lights resemble a centipede. The display is provided with control fields arranged right and left of the display field. The door includes an outer ring and an inner ring inclined towards the inner glass. The outer ring has two arc lines in the "half-past-seven and half-past-ten o'clock" position and a long groove in the outer ring except the upper and lower area used as a handle. The inner ring includes at its lower portion a segment of a circle.**

- (21) Design Number: **11006/2012**
(22) Date of Filing Application: **01 March 2012**
(24) Date from which industrial property rights may have effect: **01 March 2012**
(54) Product in respect of which the design is registered: **Door of washing machines/drying machines**
(51) International Design Classification: **15-05**
(74) Name(s) of Attorney(s): **SPRUSON & FERGUSON**
(71) Name(s) and Address(s) of Applicant(s):
BSH Bosch und Siemens Hausgerate GmbH
Carl-Wery-Str. 34 81739 Munchen Germany
(72) Name(s) of Designer(s): **Florian Metz and Carsten Weber**
(45) Registration Date: **30 March 2012**
(30) Convention priority data:
(31) Number (32) Date (33) Country
001293732 02 Sep 2011 EUROPEAN COMMUNITY
(56) Related Art Documents: **Not Applicable**
(57) Statement of Newness and Distinctiveness: **Newness and distinctiveness is claimed in the features of shape and/or configuration of a door for a washing and/or drying machine as illustrated in the accompanying representations. The door includes an outer ring and an inner ring inclined towards the inner glass. The outer ring has two arc lines in the "half-past-seven and half-past-ten o'clock" positions and a long groove except the upper and lower area used as a handle. The inner ring includes at its lower portion a segment of a circle. The door has a cover over the inner ring and the glass bowl.**

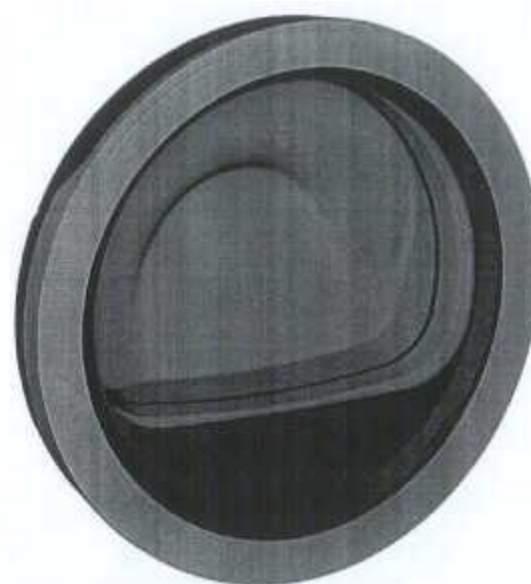


- (21) Design Number: **11007/2012**
(22) Date of Filing Application: **01 March 2012**
(24) Date from which industrial property rights may have effect: **01 March 2012**
(54) Product in respect of which the design is registered: **Door of washing machines/drying machines**
(51) International Design Classification: **15-05**
(74) Name(s) of Attorney(s): **SPRUSON & FERGUSON**
(71) Name(s) and Address(s) of Applicant(s):
BSH Bosch und Siemens Hausgerate GmbH
Carl-Wery-Str. 34 81739 Munchen Germany
(72) Name(s) of Designer(s): **Florian Metz and Carsten Weber**
(45) Registration Date: **30 March 2012**
(30) Convention priority data:
(31) Number (32) Date (33) Country
001293732 02 Sep 2011 EUROPEAN COMMUNITY
(56) Related Art Documents: **Not Applicable**
(57) Statement of Newness and Distinctiveness: **Newness and distinctiveness is claimed in the features of shape and/or configuration of a door for a washing and/or drying machine as illustrated in the accompanying representations. The door includes an outer ring and an inner ring inclined towards the inner glass. The outer ring has an arc line in the "half-past-one o'clock" position and a long groove except the area of the hinge used as a handle.**



(21) Design Number: **11008/2012**
(22) Date of Filing Application: **01 March 2012**
(24) Date from which industrial property rights may have effect: **01 March 2012**
(54) Product in respect of which the design is registered: **Door washing machines/
drying machines**
(51) International Design Classification: **15-05**
(74) Name(s) of Attorney(s): **SPRUSON & FERGUSON**
(71) Name(s) and Address(s) of Applicant(s):
BSH Bosch und Siemens Hausgerate GmbH
Carl-Wery-Str. 34 81739 Munchen Germany
(72) Name(s) of Designer(s): **Florian Metz and Carsten Weber**
(45) Registration Date: **30 March 2012**
(30) Convention priority data:
(31) Number (32) Date (33) Country
001293732 02 Sep 2011 EUROPEAN COMMUNITY

(56) Related Art Documents: **Not Applicable**
(57) Statement of Newness and Distinctiveness: **Newness and distinctiveness is claimed in the features of shape and/or configuration of a door for a washing and/or drying machine as illustrated in the accompanying representations. The door includes an outer ring and an inner ring inclined towards the inner glass. The outer ring has two arc lines in the "half-past-seven and half-past-ten o'clock" positions and a long groove except the upper and lower area used as a handle. The inner ring includes at its lower portion a segment of a circle.**

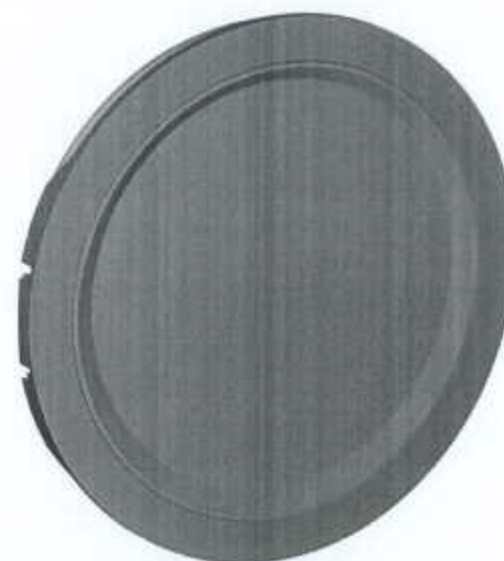


(21) Design Number: **11009/2012**
(22) Date of Filing Application: **01 March 2012**
(24) Date from which industrial property rights may have effect: **01 March 2012**
(54) Product in respect of which the design is registered: **Door of washing
machines/drying machines**
(51) International Design Classification: **15-05**
(74) Name(s) of Attorney(s): **SPRUSON & FERGUSON**
(71) Name(s) and Address(s) of Applicant(s):
BSH Bosch und Siemens Hausgerate GmbH
Carl-Wery-Str. 34 81739 Munchen Germany
(72) Name(s) of Designer(s): **Florian Metz and Carsten Weber**
(45) Registration Date: **30 March 2012**
(30) Convention priority data:
(31) Number (32) Date (33) Country
001293732 02 Sep 2011 EUROPEAN COMMUNITY

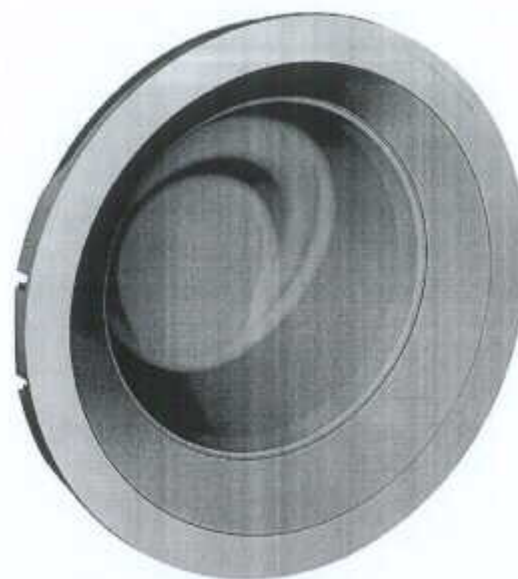
(56) Related Art Documents: **Not Applicable**
(57) Statement of Newness and Distinctiveness: **Newness and distinctiveness is claimed in the features of shape and/or configuration of a door for a washing and/or drying machine as illustrated in the accompanying representations. The door includes an outer ring and an inner ring inclined towards the inner glass. The outer ring has two arc lines in the "half-past-seven and half-past-ten o'clock" positions and a long groove except the upper and lower area used as a handle. The inner ring includes at its lower portion a segment of a circle. The door has a cover over the inner ring and the glass bowl.**



- (21) Design Number: **11010/2012**
(22) Date of Filing Application: **01 March 2012**
(24) Date from which industrial property rights may have effect: **01 March 2012**
(54) Product in respect of which the design is registered: **Door of washing machines/drying machines**
(51) International Design Classification: **15-05**
(74) Name(s) of Attorney(s): **SPRUSON & FERGUSON**
(71) Name(s) and Address(s) of Applicant(s):
BSH Bosch und Siemens Hausgerate GmbH
Carl-Wery-Str. 34 81739 Munchen Germany
(72) Name(s) of Designer(s): **Florian Metz and Carsten Weber**
(45) Registration Date: **30 March 2012**
(30) Convention priority data:
(31) Number (32) Date (33) Country
001293732 02 Sep 2011 EUROPEAN COMMUNITY
(56) Related Art Documents: **Not Applicable**
(57) Statement of Newness and Distinctiveness: **Newness and distinctiveness is claimed in the features of shape and/or configuration of a door for a washing and/or drying machine as illustrated in the accompanying representations. The door includes an outer ring and an inner ring inclined towards the inner glass. The outer ring has an arc line in the "half-past-one o'clock" position and a long groove except the area of the hinge used as a handle. The door has a cover over the inner ring and the glass bowl.**



- (21) Design Number: **11011/2012**
(22) Date of Filing Application: **01 March 2012**
(24) Date from which industrial property rights may have effect: **01 March 2012**
(54) Product in respect of which the design is registered: **Door of washing machines/drying machines**
(51) International Design Classification: **15-05**
(74) Name(s) of Attorney(s): **SPRUSON & FERGUSON**
(71) Name(s) and Address(s) of Applicant(s):
BSH Bosch und Siemens Hausgerate GmbH
Carl-Wery-Str. 34 81739 Munchen Germany
(72) Name(s) of Designer(s): **Florian Metz and Carsten Weber**
(45) Registration Date: **30 March 2012**
(30) Convention priority data:
(31) Number (32) Date (33) Country
001293732 02 Sep 2011 EUROPEAN COMMUNITY
(56) Related Art Documents: **Not Applicable**
(57) Statement of Newness and Distinctiveness: **Newness and distinctiveness is claimed in the features of shape and/or configuration of a door for a washing and/or drying machine as illustrated in the accompanying representations. The door includes an outer ring and an inner ring inclined towards the inner glass. The outer ring has an arc line in the "half-past-one o'clock" position and a long groove except the area of the hinge used as a handle.**



(21) Design Number: **11018/2012**
(22) Date of Filing Application: **05 March 2012**
(24) Date from which industrial property rights may have effect: **05 March 2012**
(54) Product in respect of which the design is registered: **Racing car single bed**
(51) International Design Classification: **06-02**
(74) Name(s) of Attorney(s):
(71) Name(s) and Address(s) of Applicant(s):
IQ Kids & Furniture Pty Ltd
Unit 4 3-7 Rhur Street Dandenong South Victoria 3175 Australia
(72) Name(s) of Designer(s): **Wee Koon Ng**
(45) Registration Date: **30 March 2012**
(56) Related Art Documents: **Not Applicable**
(57) Statement of Newness and Distinctiveness: **Nil**



(21) Design Number: **11019/2012**
(22) Date of Filing Application: **02 March 2012**
(24) Date from which industrial property rights may have effect: **02 March 2012**
(54) Product in respect of which the design is registered: **Garden hose**
(51) International Design Classification: **23-01A**
(74) Name(s) of Attorney(s): **Cotters Patent & Trade Mark Attorneys**
(71) Name(s) and Address(s) of Applicant(s):
Tecnotubi Picena S.r.l.
Via Critoforo Colombo 106 Monsampolo del Tronto Ascoli Piceno
I-36100 Italy
(72) Name(s) of Designer(s): **Roberto Spinelli and Alessandro Cegalin**
(45) Registration Date: **30 March 2012**
(30) Convention priority data:
(31) Number (32) Date (33) Country
EM 001923012 27 Sep 2011 EUROPEAN COMMUNITY
(56) Related Art Documents: **Not Applicable**
(57) Statement of Newness and Distinctiveness: **Newness and distinctiveness is claimed in the features of pattern and/or ornamentation of a garden hose of indefinite length as illustrated in the accompanying drawings.**



- (21) Design Number: **13809/2011**
(22) Date of Filing Application: **30 August 2011**
(24) Date from which industrial property rights may have effect: **30 August 2011**
(54) Product in respect of which the design is registered: **Automobile**
(51) International Design Classification: **12-08**
(74) Name(s) of Attorney(s): **SPRUSON & FERGUSON**
(71) Name(s) and Address(s) of Applicant(s):
Toyota Jidosha Kabushiki Kaisha
1 Toyota-cho Toyota-shi Aichi-Ken 471-8571 Japan
(72) Name(s) of Designer(s): **Takanori Ito and Kuniaki Toyooka and Tetsu Endoh and Hisataka Tokizane and Manabu Kojima**
(45) Registration Date: **30 March 2012**
(56) Related Art Documents: **Not Applicable**
(57) Statement of Newness and Distinctiveness: **Newness and distinctiveness is claimed in the features of shape and/or configuration of an automobile as illustrated in the accompanying representations, apart from Toyota emblems.**



Front Left Perspective View

- (21) Design Number: **14302/2011**
(22) Date of Filing Application: **26 September 2011**
(24) Date from which industrial property rights may have effect: **26 September 2011**
(54) Product in respect of which the design is registered: **Automobile**
(51) International Design Classification: **12-08**
(74) Name(s) of Attorney(s): **SPRUSON & FERGUSON**
(71) Name(s) and Address(s) of Applicant(s):
Toyota Jidosha Kabushiki Kaisha
1 Toyota-cho Toyota-shi Aichi-ken 471-8571 Japan
Fuji Jukogyo Kabushiki Kaisha
7-2 Nishishinjuku 1-chome Shinjuku-ku Tokyo 160-8316 Japan
(72) Name(s) of Designer(s): **Takanori Ito**
(45) Registration Date: **30 March 2012**
(56) Related Art Documents: **Not Applicable**
(57) Statement of Newness and Distinctiveness: **Newness and distinctiveness is claimed in the features of shape and/or configuration of an automobile as illustrated in the accompanying representations, apart from the Toyota emblems.**



- (21) Design Number: **14303/2011**
(22) Date of Filing Application: **26 September 2011**
(24) Date from which industrial property rights may have effect: **26 September 2011**
(54) Product in respect of which the design is registered: **Automobile**
(51) International Design Classification: **12-08**
(74) Name(s) of Attorney(s): **SPRUSON & FERGUSON**
(71) Name(s) and Address(s) of Applicant(s):
Toyota Jidosha Kabushiki Kaisha
1 Toyota-cho Toyota-shi Aichi-ken 471-8571 Japan
Fuji Jukogyo Kabushiki Kaisha
7-2 Nishishinjuku 1-chome Shinjuku-ku Tokyo 160-8316 Japan
(72) Name(s) of Designer(s): **Kenji Kido and Tatsuya Sonoda and Takanori Ito and Ryota Nakai**
(45) Registration Date: **30 March 2012**
(56) Related Art Documents: **Not Applicable**
(57) Statement of Newness and Distinctiveness: **Newness and distinctiveness is claimed in those features of shape and/or configuration of an automobile illustrated in darker shades in the additional views of the accompanying representations, apart from the Toyota emblems.**



- (21) Design Number: **14304/2011**
(22) Date of Filing Application: **26 September 2011**
(24) Date from which industrial property rights may have effect: **26 September 2011**
(54) Product in respect of which the design is registered: **Instrument panel for an automobile**
(51) International Design Classification: **12-16NES**
(74) Name(s) of Attorney(s): **SPRUSON & FERGUSON**
(71) Name(s) and Address(s) of Applicant(s):
Toyota Jidosha Kabushiki Kaisha
1 Toyota-cho Toyota-shi Aichi-ken 471-8571 Japan
Fuji Jukogyo Kabushiki Kaisha
7-2 Nishishinjuku 1-chome Shinjuku-ku Tokyo 160-8316 Japan
(72) Name(s) of Designer(s): **Kei Yamamoto and Yoshiko Hayashi**
(45) Registration Date: **30 March 2012**
(56) Related Art Documents: **Not Applicable**
(57) Statement of Newness and Distinctiveness: **Newness and distinctiveness is claimed in the features of shape and/or configuration of an instrument panel for an automobile as illustrated in the accompanying representations, apart from the attachment structures.**



- (21) Design Number: **14307/2011**
(22) Date of Filing Application: **26 September 2011**
(24) Date from which industrial property rights may have effect: **26 September 2011**
(54) Product in respect of which the design is registered: **Automobile**
(51) International Design Classification: **12-08**
(74) Name(s) of Attorney(s): **SPRUSON & FERGUSON**
(71) Name(s) and Address(s) of Applicant(s):
 Toyota Jidosha Kabushiki Kaisha
 1 Toyota-cho Toyota-shi Aichi-ken 471-8571 Japan
 Fuji Jukogyo Kabushiki Kaisha
 7-2 Nishishinjuku 1-chome Shinjuku-ku Tokyo 160-8316 Japan
(72) Name(s) of Designer(s): **Kenji Kido and Tatsuya Sonoda and Kosuke Kubo and Takanori Ito and Ryota Nakai**
(45) Registration Date: **30 March 2012**
(56) Related Art Documents: **Not Applicable**
(57) Statement of Newness and Distinctiveness: **Newness and distinctiveness is claimed in the features of shape and/or configuration of an automobile as illustrated in the accompanying representations, apart from the Toyota emblems.**



- (21) Design Number: **14309/2011**
(22) Date of Filing Application: **26 September 2011**
(24) Date from which industrial property rights may have effect: **26 September 2011**
(54) Product in respect of which the design is registered: **Automobile**
(51) International Design Classification: **12-08**
(74) Name(s) of Attorney(s): **SPRUSON & FERGUSON**
(71) Name(s) and Address(s) of Applicant(s):
 Toyota Jidosha Kabushiki Kaisha
 1 Toyota-cho Toyota-shi Aichi-ken 471-8571 Japan
 Fuji Jukogyo Kabushiki Kaisha
 7-2 Nishishinjuku 1-chome Shinjuku-ku Tokyo 160-8316 Japan
(72) Name(s) of Designer(s): **Kenji Kido and Tatsuya Sonoda and Kosuke Kubo and Takanori Ito and Ryota Nakai**
(45) Registration Date: **30 March 2012**
(56) Related Art Documents: **Not Applicable**
(57) Statement of Newness and Distinctiveness: **Newness and distinctiveness is claimed in the features of shape and/or configuration of an automobile as illustrated in the accompanying representations, apart from the Toyota emblems.**



- (21) Design Number: **14313/2011**
(22) Date of Filing Application: **26 September 2011**
(24) Date from which industrial property rights may have effect: **26 September 2011**
(54) Product in respect of which the design is registered: **Automobile**
(51) International Design Classification: **12-08**
(74) Name(s) of Attorney(s): **SPRUSON & FERGUSON**
(71) Name(s) and Address(s) of Applicant(s):
Toyota Jidosha Kabushiki Kaisha
1 Toyota-cho Toyota-shi Aichi-ken 471-8571 Japan
Fuji Jukogyo Kabushiki Kaisha
7-2 Nishishinjuku 1-chome Shinjuku-ku Tokyo 160-8316 Japan
(72) Name(s) of Designer(s): **Kenji Kido and Tatsuya Sonoda and Takanori Ito and Ryota Nakai**
(45) Registration Date: **30 March 2012**
(56) Related Art Documents: **Not Applicable**
(57) Statement of Newness and Distinctiveness: **Newness and distinctiveness is claimed in those features of shape and/or configuration of an automobile illustrated in darker shades in the additional views of the accompanying representations, apart from the Toyota emblems.**



- (21) Design Number: **14312/2011**
(22) Date of Filing Application: **26 September 2011**
(24) Date from which industrial property rights may have effect: **26 September 2011**
(54) Product in respect of which the design is registered: **Rear combination lamp for an automobile**
(51) International Design Classification: **26-06**
(74) Name(s) of Attorney(s): **SPRUSON & FERGUSON**
(71) Name(s) and Address(s) of Applicant(s):
Toyota Jidosha Kabushiki Kaisha
1 Toyota-cho Toyota-shi Aichi-ken 471-8571 Japan
Fuji Jukogyo Kabushiki Kaisha
7-2 Nishishinjuku 1-chome Shinjuku-ku Tokyo 160-8316 Japan
(72) Name(s) of Designer(s): **Kosuke Kubo**
(45) Registration Date: **30 March 2012**
(56) Related Art Documents: **Not Applicable**
(57) Statement of Newness and Distinctiveness: **Newness and distinctiveness is claimed in the features of shape and/or configuration of a rear combination lamp for an automobile as illustrated in the accompanying representations, apart from the attachment lugs.**



(21) Design Number: **11042/2012**
(22) Date of Filing Application: **05 March 2012**
(24) Date from which industrial property rights may have effect: **05 March 2012**
(54) Product in respect of which the design is registered: **An article of clothing**
(51) International Design Classification: **02-02NES**
(74) Name(s) of Attorney(s): **A.P.T. Patent and Trade Mark Attorneys**
(71) Name(s) and Address(s) of Applicant(s):
Nicholas Barry Schriever
20 Shipsters Road Kensington South Australia 5068 Australia
(72) Name(s) of Designer(s): **Nicholas Barry Schriever**
(45) Registration Date: **30 March 2012**
(56) Related Art Documents: **Not Applicable**
(57) Statement of Newness and Distinctiveness: **Newness and distinctiveness is claimed in the pattern and/or ornamentation of the article of clothing illustrated in the representations.**



(21) Design Number: **16005/2011**
(22) Date of Filing Application: **23 December 2011**
(24) Date from which industrial property rights may have effect: **23 December 2011**
(54) Product in respect of which the design is registered: **Label**
(51) International Design Classification: **19-08**
(74) Name(s) of Attorney(s): **PHILLIPS ORMONDE FITZPATRICK**
(71) Name(s) and Address(s) of Applicant(s):
The Procter & Gamble Company
One Procter & Gamble Plaza Cincinnati Ohio 45202 United States of America
(72) Name(s) of Designer(s): **David Lawton Corr and Christopher Murphy**
(45) Registration Date: **30 March 2012**
(30) Convention priority data:
(31) Number (32) Date (33) Country
29/396,232 28 Jun 2011 UNITED STATES OF AMERICA
(56) Related Art Documents: **Not Applicable**
(57) Statement of Newness and Distinctiveness: **The newness and distinctiveness resides in the visual features of a label as shown in the accompanying representations. The broken lines are not part of the design and are to be disregarded when considering the overall impression of the design.**



(21) Design Number: **11494/2012**
(22) Date of Filing Application: **23 December 2011**
(24) Date from which industrial property rights may have effect: **23 December 2011**
(54) Product in respect of which the design is registered: **Label**
(51) International Design Classification: **19-08**
(74) Name(s) of Attorney(s): **PHILLIPS ORMONDE FITZPATRICK**
(71) Name(s) and Address(s) of Applicant(s):

The Procter & Gamble Company
One Procter & Gamble Plaza Cincinnati Ohio 45202 United States of America

(72) Name(s) of Designer(s): **Christopher Murphy and David Lawton Corr**

(45) Registration Date: **30 March 2012**

(30) Convention priority data:

(31) Number	(32) Date	(33) Country
29/396,232	28 Jun 2011	UNITED STATES OF AMERICA

(56) Related Art Documents: **Not Applicable**

(57) Statement of Newness and Distinctiveness: **The newness and distinctiveness resides in the visual features of a label as shown in the accompanying representations. The broken lines are not part of the design and are to be disregarded when considering the overall impression of the design.**



(21) Design Number: **10656/2012**
(22) Date of Filing Application: **13 February 2012**
(24) Date from which industrial property rights may have effect: **13 February 2012**
(54) Product in respect of which the design is registered: **Vacuum cleaner**
(51) International Design Classification: **15-05**
(74) Name(s) of Attorney(s): **Griffith Hack**
(71) Name(s) and Address(s) of Applicant(s):

Shop Vac Corporation
2323 Reach Road Williamsport PA 17701 United States of America

(72) Name(s) of Designer(s): **Jason Gottschall and Craig A. Seasholtz and John Griffin**

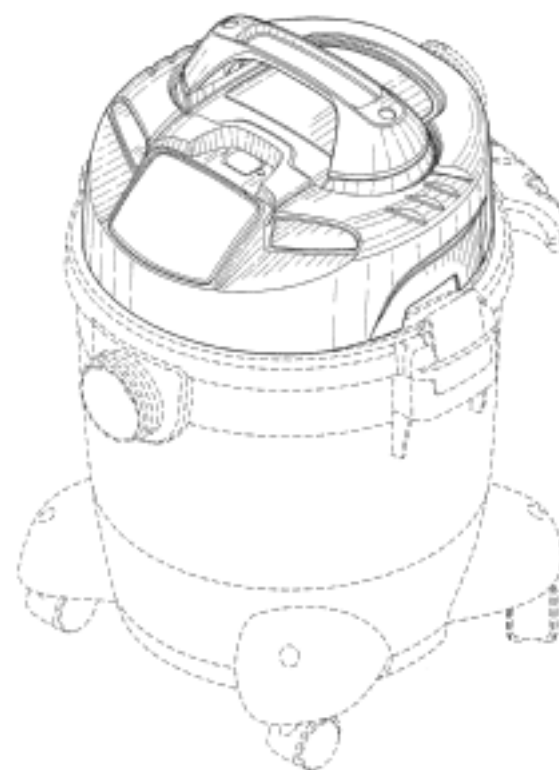
(45) Registration Date: **30 March 2012**

(30) Convention priority data:

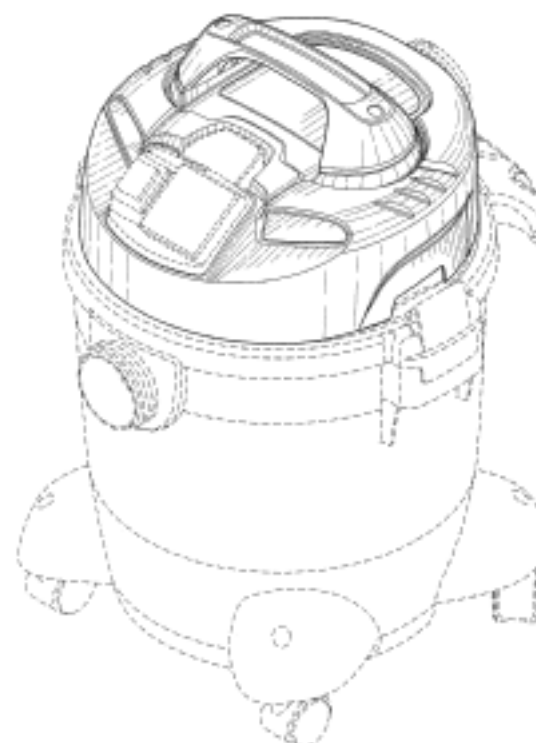
(31) Number	(32) Date	(33) Country
29/399146	10 Aug 2011	UNITED STATES OF AMERICA

(56) Related Art Documents: **Not Applicable**

(57) Statement of Newness and Distinctiveness: **Newness and distinctiveness resides in the visual features, including shape and configuration of a vacuum cleaner as shown in solid outline in the accompanying drawings. When determining whether the design is substantially similar in overall impression to another design, no regard is to be had to the features shown in dotted outline in the accompanying drawings, which features are provided for illustrative purposes only.**

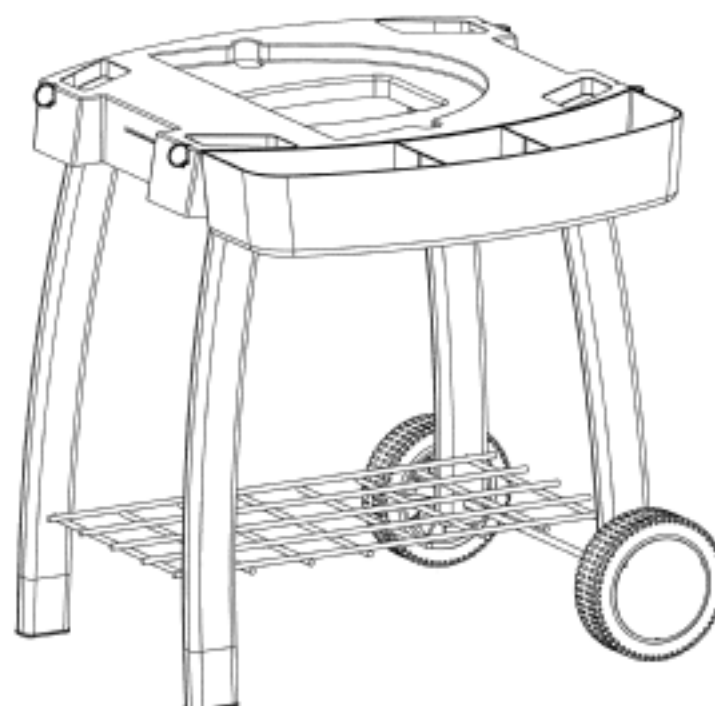


(21) Design Number: **10657/2012**
(22) Date of Filing Application: **13 February 2012**
(24) Date from which industrial property rights may have effect: **13 February 2012**
(54) Product in respect of which the design is registered: **Vacuum cleaner**
(51) International Design Classification: **15-05**
(74) Name(s) of Attorney(s): **Griffith Hack**
(71) Name(s) and Address(s) of Applicant(s):
Shop Vac Corporation
2323 Reach Road Williamsport PA 17701 United States of America
(72) Name(s) of Designer(s): **Jason Gottschall and Craig A. Seasholtz and John Griffin**
(45) Registration Date: **30 March 2012**
(30) Convention priority data:
(31) Number (32) Date (33) Country
29/399146 10 Aug 2011 UNITED STATES OF AMERICA



(56) Related Art Documents: **Not Applicable**
(57) Statement of Newness and Distinctiveness: **Newness and distinctiveness resides in the visual features, including shape and configuration of a vacuum cleaner as shown in solid outline in the accompanying drawings. When determining whether the design is substantially similar in overall impression to another design, no regard is to be had to the features shown in dotted outline in the accompanying drawings, which features are provided for illustrative purposes only.**

(21) Design Number: **13642/2011**
(22) Date of Filing Application: **17 August 2011**
(24) Date from which industrial property rights may have effect: **17 August 2011**
(54) Product in respect of which the design is registered: **Barbecue trolley or stand**
(51) International Design Classification: **07-02E**
(74) Name(s) of Attorney(s): **Halfords IP**
(71) Name(s) and Address(s) of Applicant(s):
Barbeques Galore (Aust) Pty Limited
Building 2A Campus Business Park 350-374 Parramatta Road
Homebush New South Wales 2140 Australia
(72) Name(s) of Designer(s): **Hsien Chih Chien and Stephen John Spencer and Nick Lin and Peter Anderson**
(45) Registration Date: **02 April 2012**
(56) Related Art Documents: **Not Applicable**
(57) Statement of Newness and Distinctiveness: **Newness and distinctiveness resides in the shape and or configuration of a barbecue trolley or stand as depicted in the accompanying representations.**



- (21) Design Number: **14305/2011**
(22) Date of Filing Application: **26 September 2011**
(24) Date from which industrial property rights may have effect: **26 September 2011**
(54) Product in respect of which the design is registered: **Front combination lamp for an automobile**
(51) International Design Classification: **26-06**
(74) Name(s) of Attorney(s): **SPRUSON & FERGUSON**
(71) Name(s) and Address(s) of Applicant(s):
Toyota Jidosha Kabushiki Kaisha
1 Toyota-cho Toyota-shi Aichi-ken 471-8571 Japan
Fuji Jukogyo Kabushiki Kaisha
7-2 Nishishinjuku 1-chome Shinjuku-ku Tokyo 160-8316 Japan
(72) Name(s) of Designer(s): **Hiroyuki Kobayashi**
(45) Registration Date: **02 April 2012**
(56) Related Art Documents: **Not Applicable**
(57) Statement of Newness and Distinctiveness: **Newness and distinctiveness is claimed in the features of shape and/or configuration of a front combination lamp for an automobile as illustrated in the accompanying representations, apart from the attachment lugs.**



- (21) Design Number: **14306/2011**
(22) Date of Filing Application: **26 September 2011**
(24) Date from which industrial property rights may have effect: **26 September 2011**
(54) Product in respect of which the design is registered: **Rear combination lamp for an automobile**
(51) International Design Classification: **26-06**
(74) Name(s) of Attorney(s): **SPRUSON & FERGUSON**
(71) Name(s) and Address(s) of Applicant(s):
Toyota Jidosha Kabushiki Kaisha
1 Toyota-cho Toyota-shi Aichi-ken 471-8571 Japan
Fuji Jukogyo Kabushiki Kaisha
7-2 Nishishinjuku 1-chome Shinjuku-ku Tokyo 160-8316 Japan
(72) Name(s) of Designer(s): **Kosuke Kubo and Kenji Kido**
(45) Registration Date: **02 April 2012**
(56) Related Art Documents: **Not Applicable**
(57) Statement of Newness and Distinctiveness: **Newness and distinctiveness is claimed in the features of shape and/or configuration of a rear combination lamp for an automobile as illustrated in the accompanying representations, apart from the attachment lugs.**



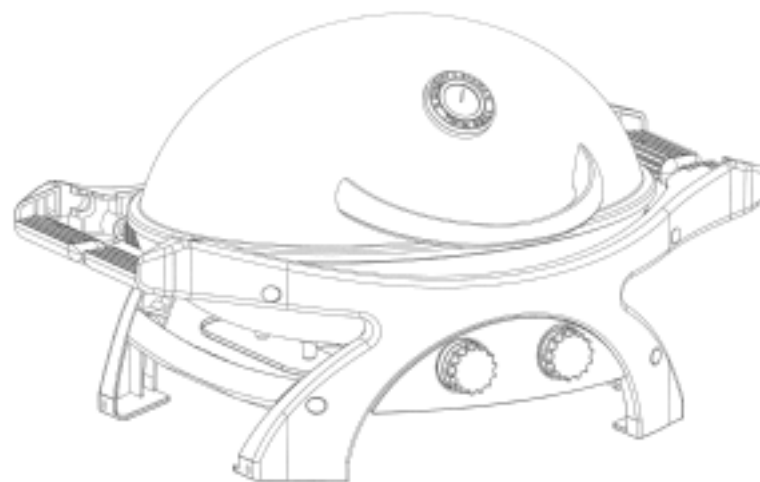
- (21) Design Number: **14308/2011**
(22) Date of Filing Application: **26 September 2011**
(24) Date from which industrial property rights may have effect: **26 September 2011**
(54) Product in respect of which the design is registered: **Spoiler for an automobile**
(51) International Design Classification: **12-16B**
(74) Name(s) of Attorney(s): **SPRUSON & FERGUSON**
(71) Name(s) and Address(s) of Applicant(s):
Toyota Jidosha Kabushiki Kaisha
1 Toyota-cho Toyota-shi Aichi-ken 471-8571 Japan
Fuji Jukogyo Kabushiki Kaisha
7-2 Nishishinjuku 1-chome Shinjuku-ku Tokyo 160-8316 Japan
(72) Name(s) of Designer(s): **Takanori Ito**
(45) Registration Date: **02 April 2012**
(56) Related Art Documents: **Not Applicable**
(57) Statement of Newness and Distinctiveness: **Newness and distinctiveness is claimed in the features of shape and/or configuration of a spoiler for an automobile as illustrated in the accompanying representations.**



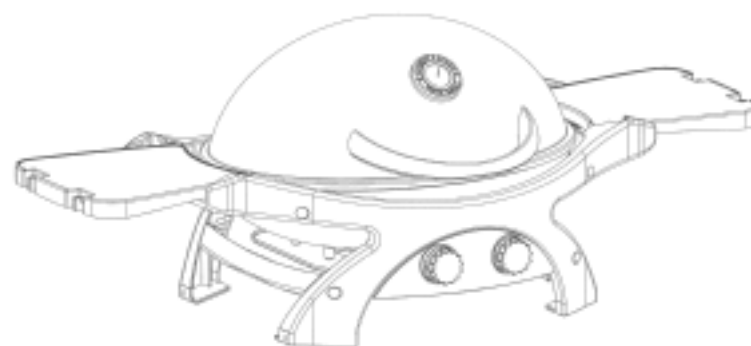
- (21) Design Number: **14825/2011**
(22) Date of Filing Application: **25 October 2011**
(24) Date from which industrial property rights may have effect: **25 October 2011**
(54) Product in respect of which the design is registered: **Hinge with covering plate**
(51) International Design Classification: **08-06**
(74) Name(s) of Attorney(s): **Lord & Company**
(71) Name(s) and Address(s) of Applicant(s):
Design Investments Pty Ltd
47 Esther Street Belmont Western Australia 6104 Australia
(72) Name(s) of Designer(s): **Kevin David Goldman**
(45) Registration Date: **02 April 2012**
(56) Related Art Documents: **Not Applicable**
(57) Statement of Newness and Distinctiveness: **Nil**



- (21) Design Number: **11563/2012**
(22) Date of Filing Application: **17 August 2011**
(24) Date from which industrial property rights may have effect: **17 August 2011**
(54) Product in respect of which the design is registered: **A barbecue**
(51) International Design Classification: **07-02E**
(74) Name(s) of Attorney(s): **Halfords IP**
(71) Name(s) and Address(s) of Applicant(s):
Barbeques Galore (Aust) Pty Limited
Building 2A Campus Business Park 350-374 Parramatta Road
Homebush New South Wales 2140 Australia
(72) Name(s) of Designer(s): **Hsien Chih Chien and Stephen John Spencer and Nick Lin and Peter Anderson**
(45) Registration Date: **02 April 2012**
(62) Divisional of: **341717**
(56) Related Art Documents: **Not Applicable**
(57) Statement of Newness and Distinctiveness: **Newness and distinctiveness resides in the shape and or configuration of a barbecue as depicted in the accompanying representations.**



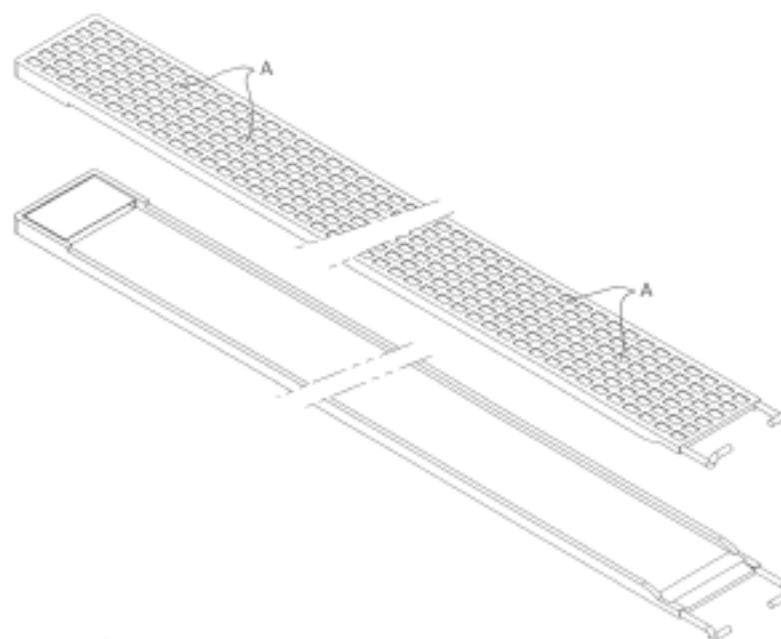
- (21) Design Number: **11564/2012**
(22) Date of Filing Application: **17 August 2011**
(24) Date from which industrial property rights may have effect: **17 August 2011**
(54) Product in respect of which the design is registered: **A barbecue**
(51) International Design Classification: **07-02E**
(74) Name(s) of Attorney(s): **Halfords IP**
(71) Name(s) and Address(s) of Applicant(s):
Barbeques Galore (Aust) Pty Limited
Building 2A Campus Business Park 350-374 Parramatta Road
Homebush New South Wales 2140 Australia
(72) Name(s) of Designer(s): **Hsien Chih Chien and Stephen John Spencer and Nick Lin and Peter Anderson**
(45) Registration Date: **02 April 2012**
(62) Divisional of: **341717**
(56) Related Art Documents: **Not Applicable**
(57) Statement of Newness and Distinctiveness: **Newness and distinctiveness resides in the shape and or configuration of a barbecue as depicted in the accompanying representations.**



- (21) Design Number: **11020/2012**
(22) Date of Filing Application: **02 March 2012**
(24) Date from which industrial property rights may have effect: **02 March 2012**
(54) Product in respect of which the design is registered: **Garden hose**
(51) International Design Classification: **23-01A**
(74) Name(s) of Attorney(s): **Cotters Patent & Trade Mark Attorneys**
(71) Name(s) and Address(s) of Applicant(s):
Tecnotubi Picena S.r.l.
Via Critoforo Colombo 106 Monsampolo del Tronto Ascoli Piceno
I-36100 Italy
(72) Name(s) of Designer(s): **Roberto Spinelli and Alessandro Cegalin**
(45) Registration Date: **02 April 2012**
(30) Convention priority data:
(31) Number (32) Date (33) Country
EM 001923012 27 Sep 2011 EUROPEAN COMMUNITY
(56) Related Art Documents: **Not Applicable**
(57) Statement of Newness and Distinctiveness: **Newness and distinctiveness is claimed in the features of pattern and/or ornamentation of a garden hose of indefinite length as illustrated in the accompanying drawings.**



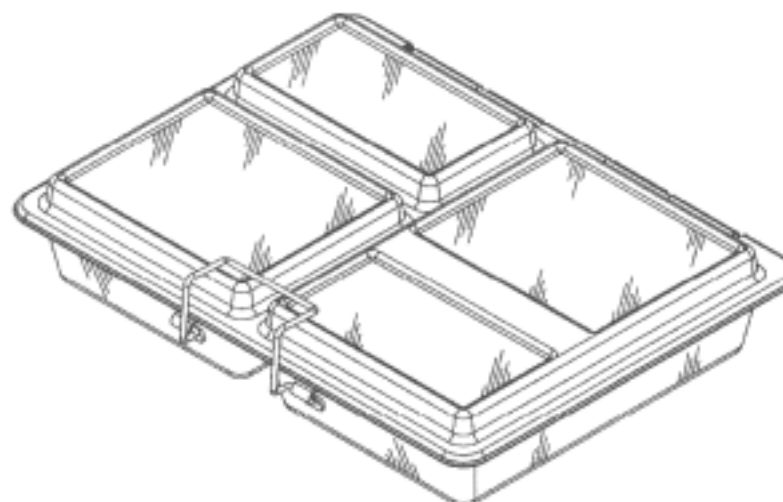
- (21) Design Number: **11021/2012**
(22) Date of Filing Application: **02 March 2012**
(24) Date from which industrial property rights may have effect: **02 March 2012**
(54) Product in respect of which the design is registered: **Tyne mat**
(51) International Design Classification: **06-11**
(74) Name(s) of Attorney(s): **PHILLIPS ORMONDE FITZPATRICK**
(71) Name(s) and Address(s) of Applicant(s):
Singlese Pty Ltd
26 Gatwick Road Bayswater Victoria 3153 Australia
(72) Name(s) of Designer(s): **Robert Antonio Simionato and Michael John Inglese and Louise Gaye Inglese and Sandra Simionato**
(45) Registration Date: **02 April 2012**
(56) Related Art Documents: **Not Applicable**
(57) Statement of Newness and Distinctiveness: **Those features of the tyne mat depicted in the representations that are new and distinctive are the shape and/or configuration. The tyne mat may be of indefinite length. The upper surface pattern of the tyne mat marked "A" is not part of the design and is to be disregarded when considering the overall impression of the design.**



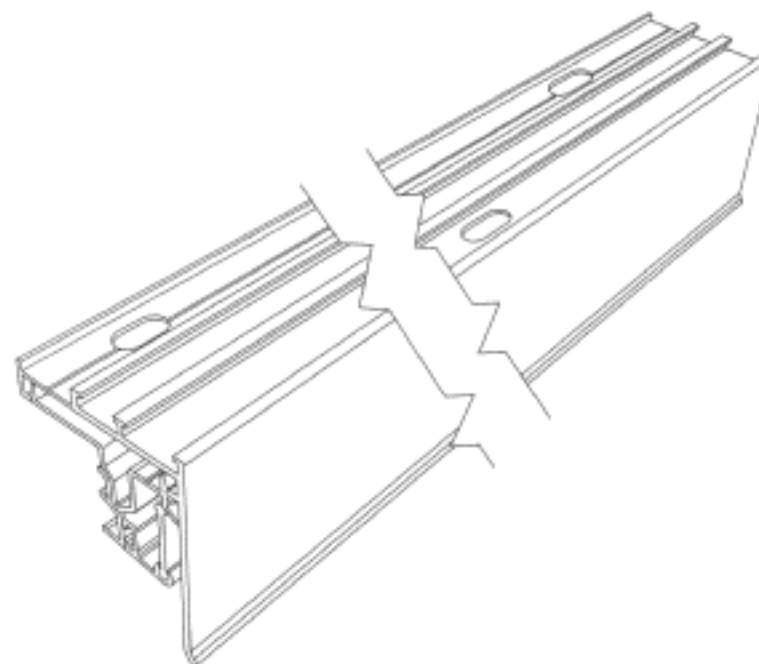
(21) Design Number: **11023/2012**
(22) Date of Filing Application: **02 March 2012**
(24) Date from which industrial property rights may have effect: **02 March 2012**
(54) Product in respect of which the design is registered: **Pendant set**
(51) International Design Classification: **11-01NES**
(74) Name(s) of Attorney(s): **Baxter IP**
(71) Name(s) and Address(s) of Applicant(s):
Duo Productions Pty Ltd trading as UBERKATE
15b 1-15 Tramore House Tramore Place New South Wales 2087 Australia
(72) Name(s) of Designer(s): **Kate Sutton**
(45) Registration Date: **02 April 2012**
(56) Related Art Documents: **Not Applicable**
(57) Statement of Newness and Distinctiveness: **Newness and Distinctiveness is claimed in the features of shape and/or configuration of a pendant set as shown in the representations.**



(21) Design Number: **11024/2012**
(22) Date of Filing Application: **05 March 2012**
(24) Date from which industrial property rights may have effect: **05 March 2012**
(54) Product in respect of which the design is registered: **Food container**
(51) International Design Classification: **07-01NES**
(74) Name(s) of Attorney(s): **WATERMARK PATENT AND TRADE MARKS ATTORNEYS**
(71) Name(s) and Address(s) of Applicant(s):
3rd Stone Design Inc.
2935 Kerner Blvd Suite B San Rafael CA 94901 United States of America
(72) Name(s) of Designer(s): **Robert H.J. Miros**
(45) Registration Date: **02 April 2012**
(30) Convention priority data:
(31) Number (32) Date (33) Country
29/401,137 07 Sep 2011 UNITED STATES OF AMERICA
(56) Related Art Documents: **Not Applicable**
(57) Statement of Newness and Distinctiveness: **Nil**



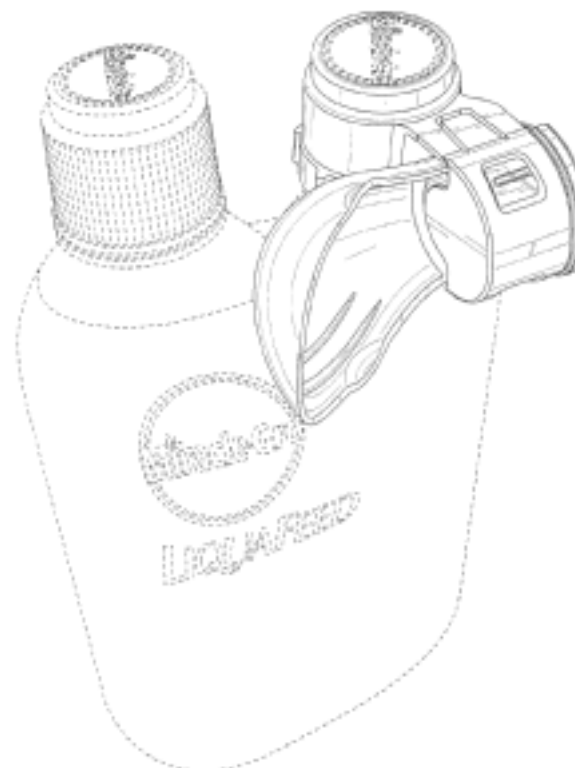
(21) Design Number: **11025/2012**
(22) Date of Filing Application: **02 March 2012**
(24) Date from which industrial property rights may have effect: **02 March 2012**
(54) Product in respect of which the design is registered: **Weather strip**
(51) International Design Classification: **25-99**
(74) Name(s) of Attorney(s): **Fisher Adams Kelly**
(71) Name(s) and Address(s) of Applicant(s):
Preference Manufacturing (Aust) Pty Ltd
1/5 Welch Street Underwood Queensland 4119 Australia
(72) Name(s) of Designer(s): **Timothy Tan Kok Boon**
(45) Registration Date: **02 April 2012**
(56) Related Art Documents: **Not Applicable**
(57) Statement of Newness and Distinctiveness: **Nil**



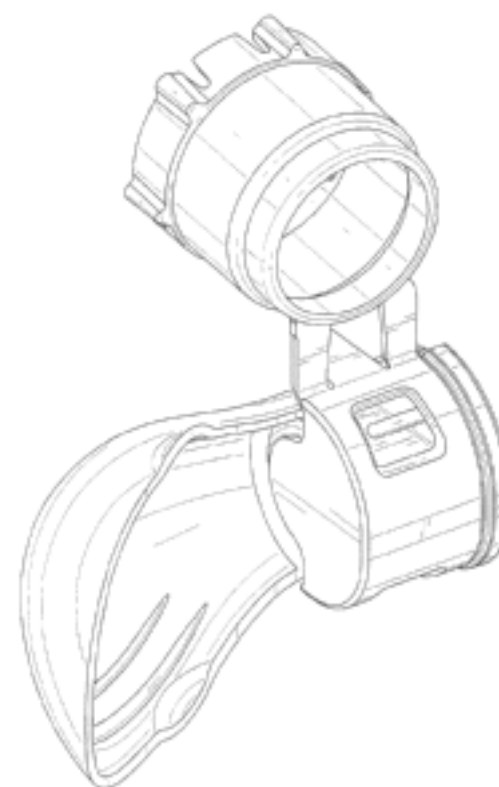
(21) Design Number: **11026/2012**
(22) Date of Filing Application: **02 March 2012**
(24) Date from which industrial property rights may have effect: **02 March 2012**
(54) Product in respect of which the design is registered: **Blister pack with a dosing spoon and holding clip assembly**
(51) International Design Classification: **09-05, 10-04**
(74) Name(s) of Attorney(s): **A J Park**
(71) Name(s) and Address(s) of Applicant(s):
SMG BRANDS, INC.
1105 North Market Street Wilmington Delaware 19801 United States of America
(72) Name(s) of Designer(s): **Paul Hsu and Jay F. Perkins and Ryan R. Beger**
(45) Registration Date: **02 April 2012**
(30) Convention priority data:
(31) Number (32) Date (33) Country
29/400,948 02 Sep 2011 UNITED STATES OF AMERICA
(56) Related Art Documents: **Not Applicable**
(57) Statement of Newness and Distinctiveness: **Newness and distinctiveness reside in the features of shape and/or configuration of the blister pack with a dosing spoon and holding clip assembly, as shown in the representations. Newness and distinctiveness are not claimed in relation to the features shown in broken lines in the representations, which features are shown for illustrative purposes only.**



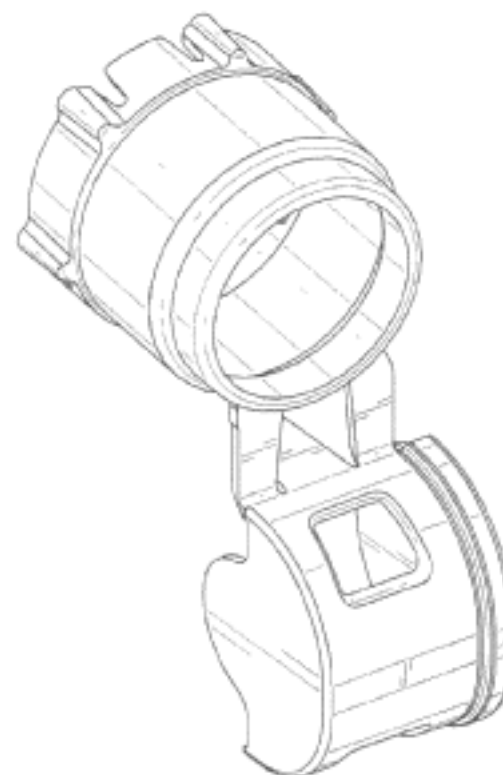
(21) Design Number: **11027/2012**
(22) Date of Filing Application: **02 March 2012**
(24) Date from which industrial property rights may have effect: **02 March 2012**
(54) Product in respect of which the design is registered: **Dosing spoon and holding clip assembly**
(51) International Design Classification: **09-05, 10-04**
(74) Name(s) of Attorney(s): **A J Park**
(71) Name(s) and Address(s) of Applicant(s):
SMG BRANDS, INC.
1105 North Market Street Wilmington Delaware 19801 United States of America
(72) Name(s) of Designer(s): **Paul Hsu and Jay F. Perkins and Ryan R. Beger**
(45) Registration Date: **02 April 2012**
(30) Convention priority data:
(31) Number (32) Date (33) Country
29/400,948 02 Sep 2011 UNITED STATES OF AMERICA
(56) Related Art Documents: **Not Applicable**
(57) Statement of Newness and Distinctiveness: **Newness and distinctiveness reside in the features of shape and/or configuration of the dosing spoon and holding clip assembly, as shown in the representations. Newness and distinctiveness are not claimed in relation to the features shown in broken lines in the representations, which features are shown for illustrative purposes only.**



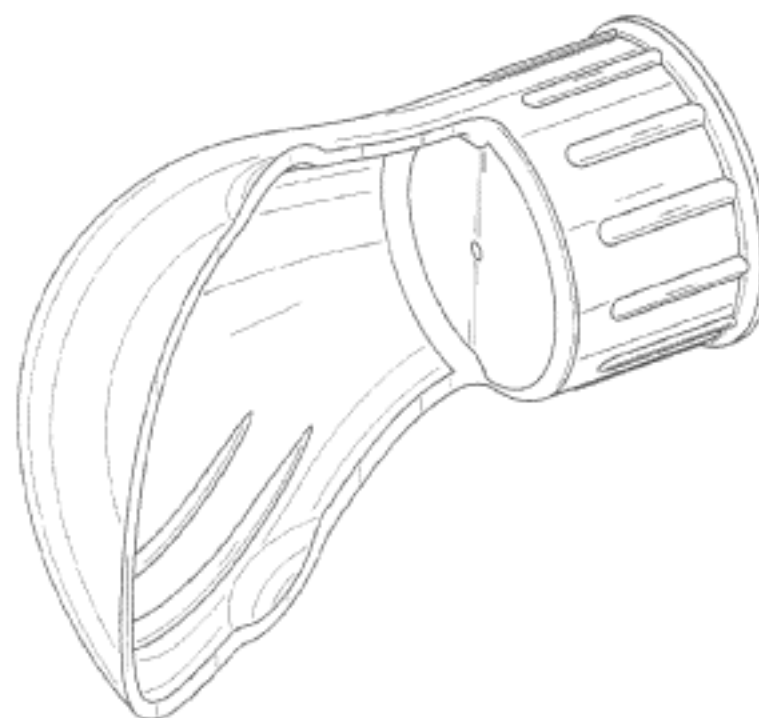
(21) Design Number: **11028/2012**
(22) Date of Filing Application: **02 March 2012**
(24) Date from which industrial property rights may have effect: **02 March 2012**
(54) Product in respect of which the design is registered: **Dosing spoon and holding clip assembly**
(51) International Design Classification: **09-05, 10-04**
(74) Name(s) of Attorney(s): **A J Park**
(71) Name(s) and Address(s) of Applicant(s):
SMG BRANDS, INC.
1105 North Market Street Wilmington Delaware 19801 United States of America
(72) Name(s) of Designer(s): **Paul Hsu and Jay F. Perkins and Ryan R. Beger**
(45) Registration Date: **02 April 2012**
(30) Convention priority data:
(31) Number (32) Date (33) Country
29/400,948 02 Sep 2011 UNITED STATES OF AMERICA
(56) Related Art Documents: **Not Applicable**
(57) Statement of Newness and Distinctiveness: **Newness and distinctiveness reside in the features of shape and/or configuration of the dosing spoon and holding clip assembly, as shown in the representations. Newness and distinctiveness are not claimed in relation to the features shown in broken lines in the representations, which features are shown for illustrative purposes only.**



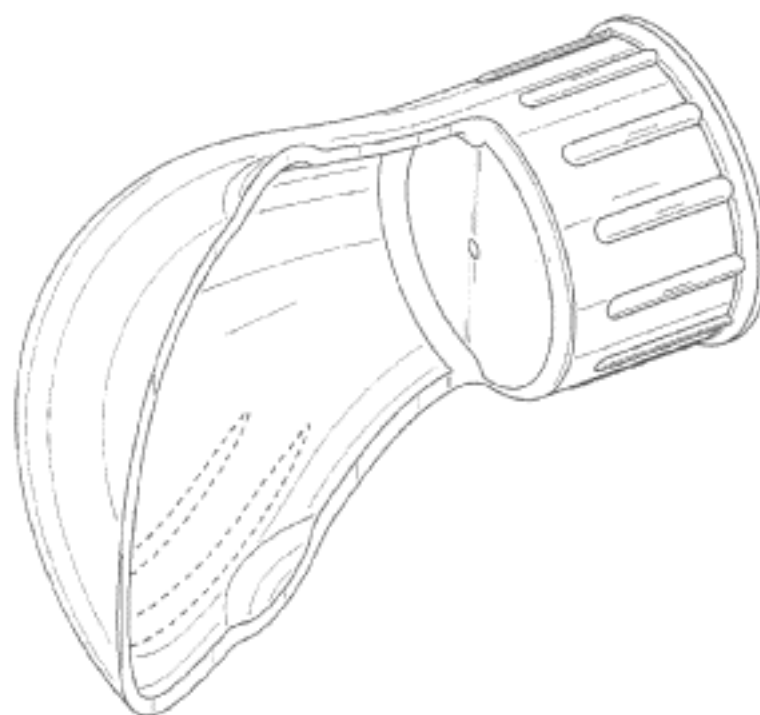
- (21) Design Number: **11029/2012**
(22) Date of Filing Application: **02 March 2012**
(24) Date from which industrial property rights may have effect: **02 March 2012**
(54) Product in respect of which the design is registered: **Holding clip assembly for a dosing spoon**
(51) International Design Classification: **09-05, 10-04**
(74) Name(s) of Attorney(s): **A J Park**
(71) Name(s) and Address(s) of Applicant(s):
SMG BRANDS, INC.
1105 North Market Street Wilmington Delaware 19801 United States of America
(72) Name(s) of Designer(s): **Paul Hsu and Jay F. Perkins and Ryan R. Beger**
(45) Registration Date: **02 April 2012**
(30) Convention priority data:
(31) Number (32) Date (33) Country
29/400,948 02 Sep 2011 UNITED STATES OF AMERICA
(56) Related Art Documents: **Not Applicable**
(57) Statement of Newness and Distinctiveness: **Newness and distinctiveness reside in the features of shape and/or configuration of the holding clip assembly for a dosing spoon, as shown in the representations.**



- (21) Design Number: **11030/2012**
(22) Date of Filing Application: **02 March 2012**
(24) Date from which industrial property rights may have effect: **02 March 2012**
(54) Product in respect of which the design is registered: **Dosing spoon**
(51) International Design Classification: **10-04**
(74) Name(s) of Attorney(s): **A J Park**
(71) Name(s) and Address(s) of Applicant(s):
SMG BRANDS, INC.
1105 North Market Street Wilmington Delaware 19801 United States of America
(72) Name(s) of Designer(s): **Paul Hsu and Jay F. Perkins and Ryan R. Beger**
(45) Registration Date: **02 April 2012**
(30) Convention priority data:
(31) Number (32) Date (33) Country
29/400,948 02 Sep 2011 UNITED STATES OF AMERICA
(56) Related Art Documents: **Not Applicable**
(57) Statement of Newness and Distinctiveness: **Newness and distinctiveness reside in the features of shape and/or configuration of the dosing spoon, as shown in the representations. Newness and distinctiveness are not claimed in relation to the features shown in broken lines in the representations, which features are shown for illustrative purposes only.**



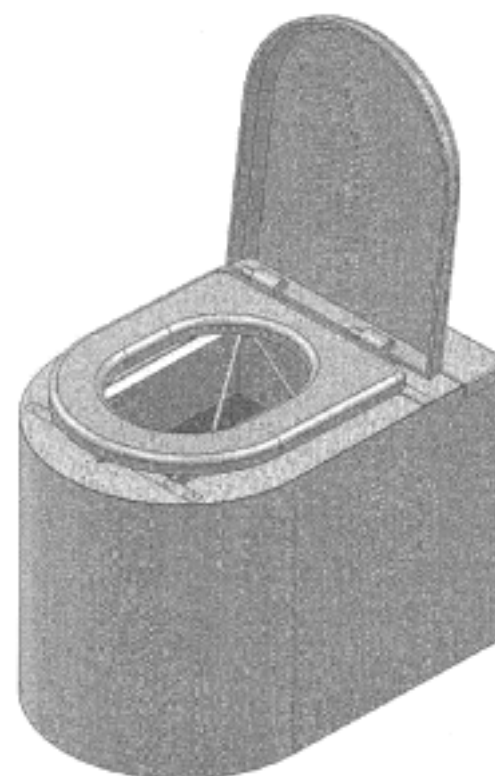
(21) Design Number: **11031/2012**
(22) Date of Filing Application: **02 March 2012**
(24) Date from which industrial property rights may have effect: **02 March 2012**
(54) Product in respect of which the design is registered: **Dosing spoon**
(51) International Design Classification: **10-04**
(74) Name(s) of Attorney(s): **A J Park**
(71) Name(s) and Address(s) of Applicant(s):
SMG BRANDS, INC.
1105 North Market Street Wilmington Delaware 19801 United States of America
(72) Name(s) of Designer(s): **Paul Hsu and Jay F. Perkins and Ryan R. Beger**
(45) Registration Date: **02 April 2012**
(30) Convention priority data:
(31) Number (32) Date (33) Country
29/400,948 02 Sep 2011 UNITED STATES OF AMERICA
(56) Related Art Documents: **Not Applicable**
(57) Statement of Newness and Distinctiveness: **Newness and distinctiveness reside in the features of shape and/or configuration of the dosing spoon, as shown in the representations. Newness and distinctiveness are not claimed in relation to the features shown in broken lines in the representations, which features are shown for illustrative purposes only.**



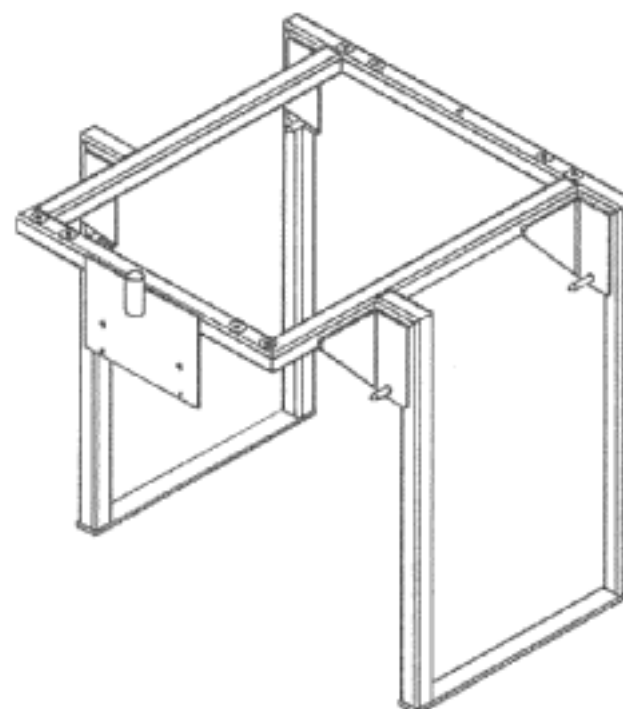
(21) Design Number: **11036/2012**
(22) Date of Filing Application: **05 March 2012**
(24) Date from which industrial property rights may have effect: **05 March 2012**
(54) Product in respect of which the design is registered: **Whole body of car**
(51) International Design Classification: **12-08**
(74) Name(s) of Attorney(s): **Baxter IP**
(71) Name(s) and Address(s) of Applicant(s):
GM Global Technology Operations, LLC
300 Renaissance Center Michigan 48265-3000 United States of America
(72) Name(s) of Designer(s): **Byung-kwon Jeon**
(45) Registration Date: **02 April 2012**
(30) Convention priority data:
(31) Number (32) Date (33) Country
30-2011-0038081 09 Sep 2011 REPUBLIC OF KOREA
(56) Related Art Documents: **Not Applicable**
(57) Statement of Newness and Distinctiveness: **Newness and distinctiveness is claimed in the shape and/or configuration of whole body of car as shown in the representations.**



- (21) Design Number: **14693/2011**
(22) Date of Filing Application: **16 October 2011**
(24) Date from which industrial property rights may have effect: **16 October 2011**
(54) Product in respect of which the design is registered: **Waterless toilet**
(51) International Design Classification: **23-02C**
(74) Name(s) of Attorney(s):
(71) Name(s) and Address(s) of Applicant(s):
Paul Geoffrey Spittle
6 Crossland Street Esperance Western Australia 6450 Australia
(72) Name(s) of Designer(s): **Paul Spittle**
(45) Registration Date: **03 April 2012**
(56) Related Art Documents: **Not Applicable**
(57) Statement of Newness and Distinctiveness: **Newness and distinctiveness resides in the features of shape and configuration of the toilet design. In deciding if the design is substantially similar to another design disregard features shown in phantom.**



- (21) Design Number: **14696/2011**
(22) Date of Filing Application: **16 October 2011**
(24) Date from which industrial property rights may have effect: **16 October 2011**
(54) Product in respect of which the design is registered: **Frame for use with waterless toilet**
(51) International Design Classification: **23-02C**
(74) Name(s) of Attorney(s):
(71) Name(s) and Address(s) of Applicant(s):
Paul Geoffrey Spittle
6 Crossland Street Esperance Western Australia 6450 Australia
(72) Name(s) of Designer(s): **Paul Spittle**
(45) Registration Date: **03 April 2012**
(56) Related Art Documents: **Not Applicable**
(57) Statement of Newness and Distinctiveness: **Newness and distinctiveness resides in the features of shape and configuration of the frame design. In deciding if the design is substantially similar to another design disregard features shown in phantom.**



(21) Design Number: **14697/2011**

(22) Date of Filing Application: **16 October 2011**

(24) Date from which industrial property rights may have effect: **16 October 2011**

(54) Product in respect of which the design is registered: **Waterless toilet bowl**

(51) International Design Classification: **23-02C**

(74) Name(s) of Attorney(s):

(71) Name(s) and Address(s) of Applicant(s):

Paul Geoffrey Spittle

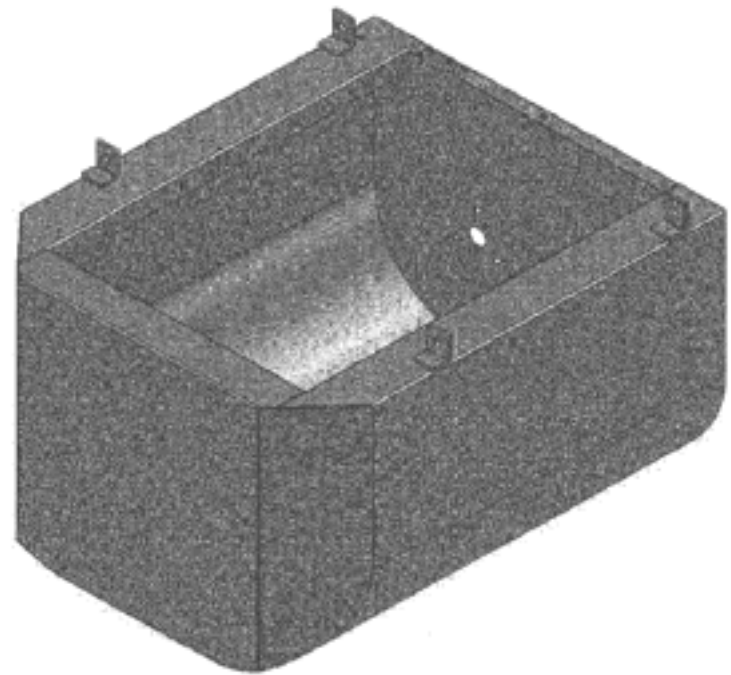
6 Crossland Street Esperance Western Australia 6450 Australia

(72) Name(s) of Designer(s): **Paul Spittle**

(45) Registration Date: **03 April 2012**

(56) Related Art Documents: **Not Applicable**

(57) Statement of Newness and Distinctiveness: **Newness and distinctiveness resides in the features of shape and configuration of the toilet bowl design. In deciding if the design is substantially similar to another design disregard features shown in phantom.**



(21) Design Number: **14700/2011**

(22) Date of Filing Application: **16 October 2011**

(24) Date from which industrial property rights may have effect: **16 October 2011**

(54) Product in respect of which the design is registered: **Cover for waterless toilet**

(51) International Design Classification: **23-02C**

(74) Name(s) of Attorney(s):

(71) Name(s) and Address(s) of Applicant(s):

Paul Geoffrey Spittle

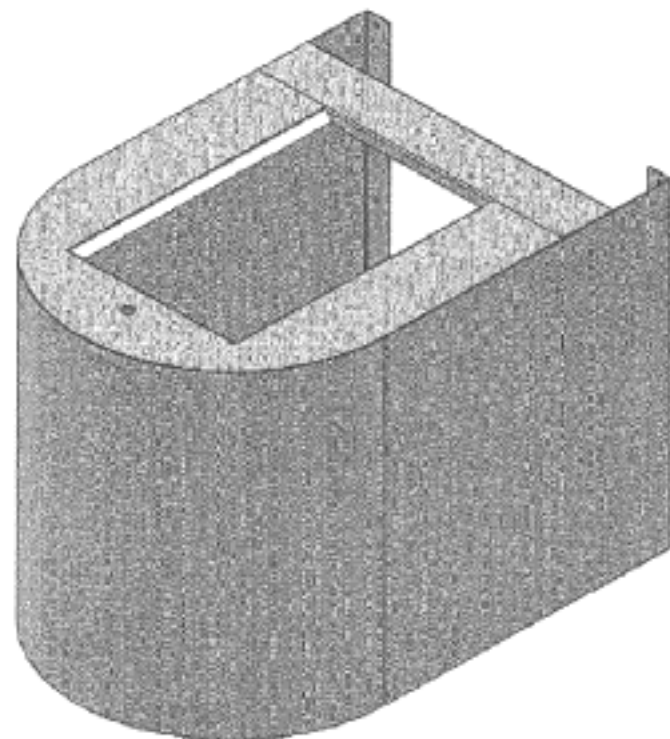
6 Crossland Street Esperance Western Australia 6450 Australia

(72) Name(s) of Designer(s): **Paul Spittle**

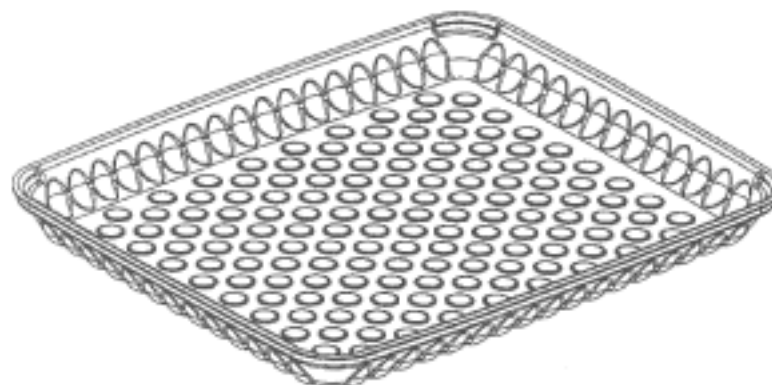
(45) Registration Date: **03 April 2012**

(56) Related Art Documents: **Not Applicable**

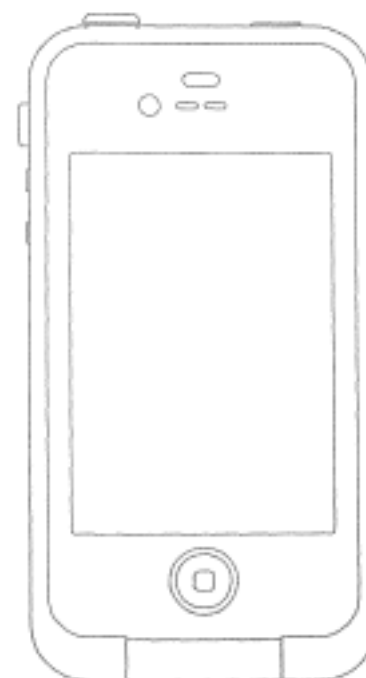
(57) Statement of Newness and Distinctiveness: **Newness and distinctiveness resides in the features of shape and configuration of the toilet cover design. In deciding if the design is substantially similar to another design disregard features shown in phantom.**



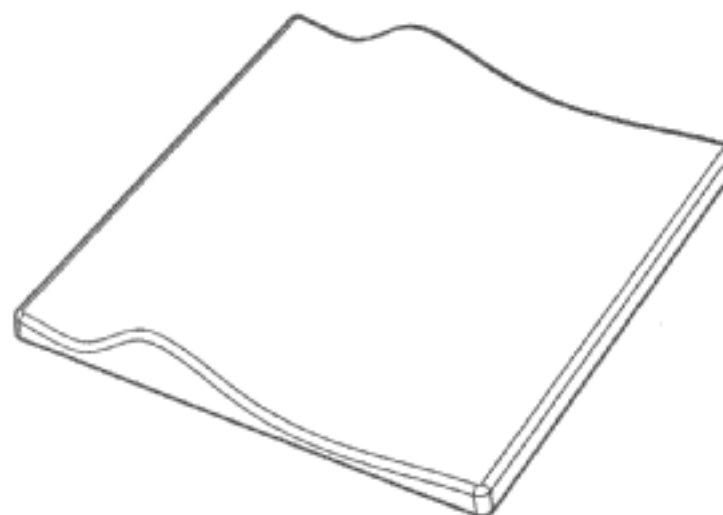
- (21) Design Number: **15833/2011**
(22) Date of Filing Application: **19 December 2011**
(24) Date from which industrial property rights may have effect: **19 December 2011**
(54) Product in respect of which the design is registered: **A tray**
(51) International Design Classification: **09-03F**
(74) Name(s) of Attorney(s): **A J Park**
(71) Name(s) and Address(s) of Applicant(s):
Alto Packaging Limited
Level 6 57 Symonds Street Grafton Auckland 1010 New Zealand
(72) Name(s) of Designer(s): **Ritchie John Williams**
(45) Registration Date: **03 April 2012**
(56) Related Art Documents: **Not Applicable**
(57) Statement of Newness and Distinctiveness: **The features of shape and/or configuration shown in the sectional views in respect of curvature in the walls, curvature in the base, and/or the transition from the base into the walls.**



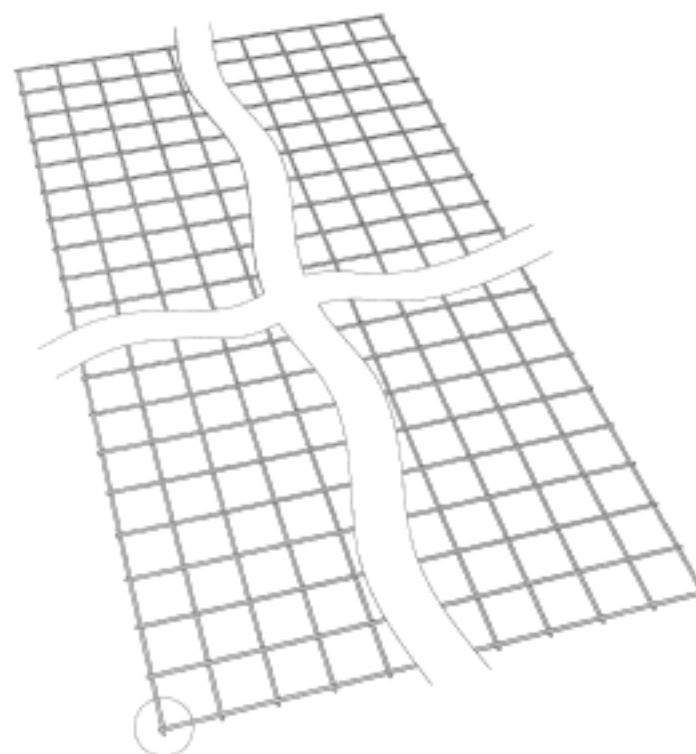
- (21) Design Number: **11112/2012**
(22) Date of Filing Application: **09 February 2012**
(24) Date from which industrial property rights may have effect: **09 February 2012**
(54) Product in respect of which the design is registered: **Case for an electronic device**
(51) International Design Classification: **03-01NES**
(74) Name(s) of Attorney(s): **Cullens Patent and Trade Mark Attorneys**
(71) Name(s) and Address(s) of Applicant(s):
TreeFrog Developments, Inc. doing business as LifeProof
4719 ViewRidge Avenue Suite 150 San Diego CA 92132 United States of America
(72) Name(s) of Designer(s): **Gary Rayner**
(45) Registration Date: **03 April 2012**
(30) Convention priority data:
(31) Number (32) Date (33) Country
29/399,102 09 Aug 2011 UNITED STATES OF AMERICA
(62) Divisional of: **341400**
(56) Related Art Documents: **Not Applicable**
(57) Statement of Newness and Distinctiveness: **Nil**



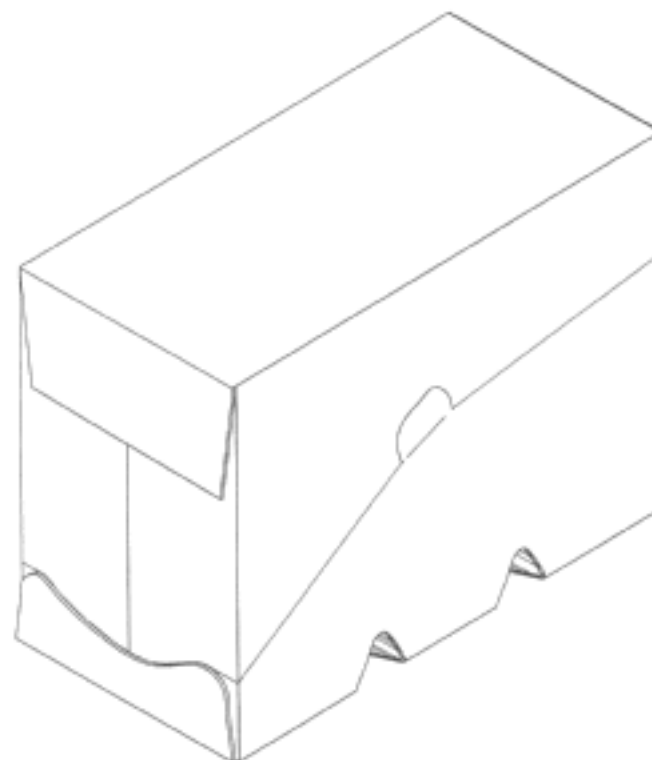
- (21) Design Number: **11039/2012**
(22) Date of Filing Application: **29 February 2012**
(24) Date from which industrial property rights may have effect: **29 February 2012**
(54) Product in respect of which the design is registered: **Contoured wall tile**
(51) International Design Classification: **25-01F**
(74) Name(s) of Attorney(s): **HODGKINSON McINNES PATENTS**
(71) Name(s) and Address(s) of Applicant(s):
Woven Image Pty Limited
37-39 Chard Road Brookvale New South Wales 2100 Australia
(72) Name(s) of Designer(s): **Bryan Marshall**
(45) Registration Date: **03 April 2012**
(56) Related Art Documents: **Not Applicable**
(57) Statement of Newness and Distinctiveness: **Newness and distinctiveness is claimed in the shape and configuration and not the surface pattern and ornamentation of a "Contoured Wall Tile" as shown in the attached representations. The ghost lines shown in Figures 8 and 9 merely assist in showing the three-dimensional contours and shape of the wall tile and do not form part of the design.**



- (21) Design Number: **11040/2012**
(22) Date of Filing Application: **05 March 2012**
(24) Date from which industrial property rights may have effect: **05 March 2012**
(54) Product in respect of which the design is registered: **Underground mining mesh panel**
(51) International Design Classification: **25-02C**
(74) Name(s) of Attorney(s): **WALLINGTON-DUMMER**
(71) Name(s) and Address(s) of Applicant(s):
Angas Industrial Pty Ltd
11 Angas Street Meadowbank New South Wales 2114 Australia
(72) Name(s) of Designer(s): **Alister Kennard**
(45) Registration Date: **03 April 2012**
(56) Related Art Documents: **Not Applicable**
(57) Statement of Newness and Distinctiveness: **Distinctiveness resides in a wire mesh panel as illustrated, and comprised of circular cross-section wires; the panel of indefinite length and width; the wires having rounded wire ends projecting between 0 and 5mm beyond the panel edges.**



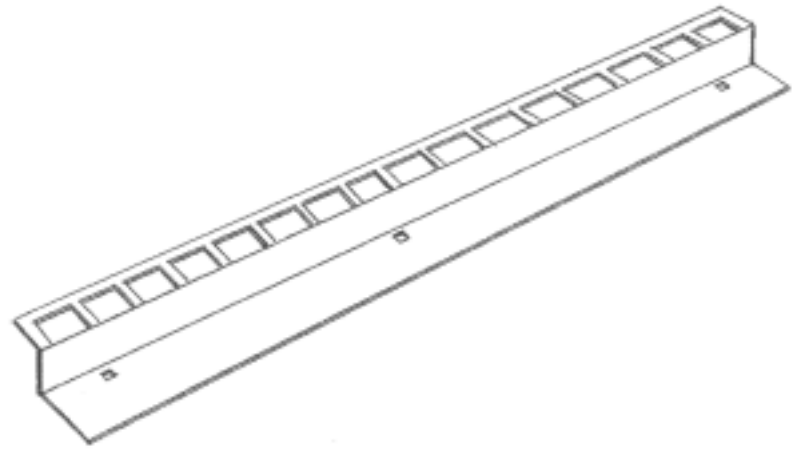
- (21) Design Number: **11043/2012**
(22) Date of Filing Application: **05 March 2012**
(24) Date from which industrial property rights may have effect: **05 March 2012**
(54) Product in respect of which the design is registered: **A carton and blank**
(51) International Design Classification: **09-03M**
(74) Name(s) of Attorney(s): **Griffith Hack**
(71) Name(s) and Address(s) of Applicant(s):
Amcor Limited
109 Burwood Road Hawthorn Victoria 3122 Australia
(72) Name(s) of Designer(s): **Andrew Jackson**
(45) Registration Date: **03 April 2012**
(56) Related Art Documents: **Not Applicable**
(57) Statement of Newness and Distinctiveness: **The shape, configuration and ornamentation of the visual features of the carton and blank as shown in the accompanying representations is new and distinctive.**



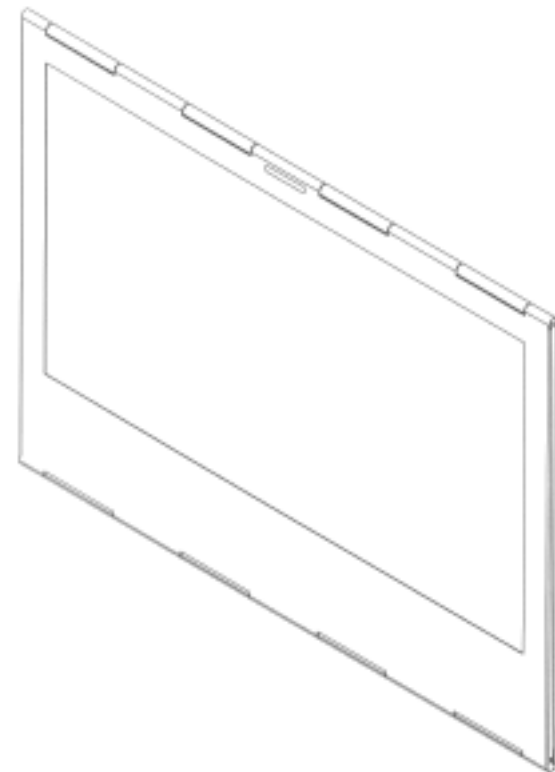
- (21) Design Number: **11044/2012**
(22) Date of Filing Application: **05 March 2012**
(24) Date from which industrial property rights may have effect: **05 March 2012**
(54) Product in respect of which the design is registered: **Electric mixer**
(51) International Design Classification: **31-00**
(74) Name(s) of Attorney(s): **Griffith Hack**
(71) Name(s) and Address(s) of Applicant(s):
Santos (a French societe par actions simpliffee)
140/150 Avenue Roger Salengro 69120 Vaulx-en-velin France
(72) Name(s) of Designer(s): **Nicolas Fouquet**
(45) Registration Date: **03 April 2012**
(30) Convention priority data:
(31) Number (32) Date (33) Country
001922683-0001 26 Sep 2011 EUROPEAN COMMUNITY
(56) Related Art Documents: **Not Applicable**
(57) Statement of Newness and Distinctiveness: **Newness and distinctiveness resides in the visual features including, shape and configuration of the electric mixer as shown in the accompanying representation. The container/jug shown in broken lines in the representations has been included for illustrative purposes only and does not form part of the design.**



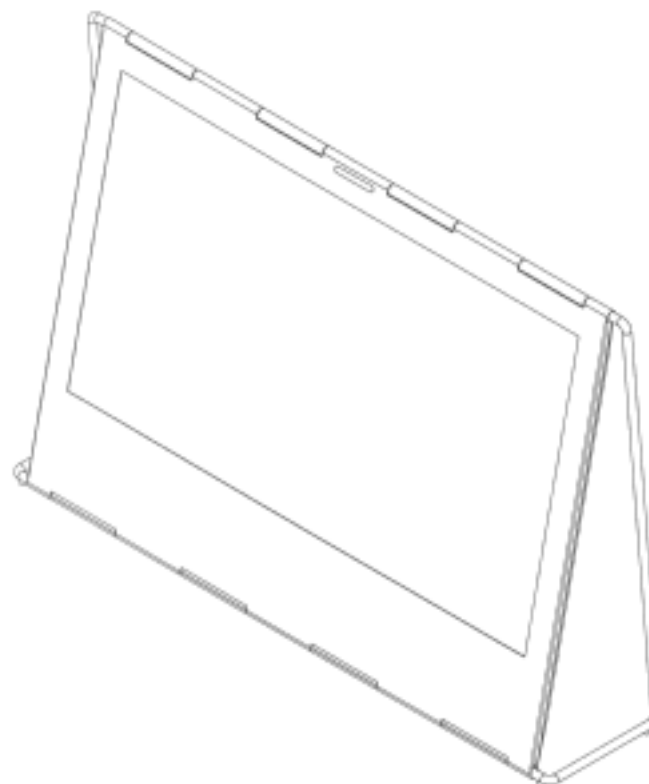
- (21) Design Number: **11045/2012**
(22) Date of Filing Application: **05 March 2012**
(24) Date from which industrial property rights may have effect: **05 March 2012**
(54) Product in respect of which the design is registered: **Restrictor for livestock feeder**
(51) International Design Classification: **30-03**
(74) Name(s) of Attorney(s): **Baxter IP**
(71) Name(s) and Address(s) of Applicant(s):
Bruce Richard Clarke
78 Beecroft Road Goomalling Western Australia 6460 Australia
(72) Name(s) of Designer(s): **Bruce Richard Clarke**
(45) Registration Date: **03 April 2012**
(56) Related Art Documents: **Not Applicable**
(57) Statement of Newness and Distinctiveness: **Newness and distinctiveness is claimed in the shape and/or configuration of a restrictor for livestock feeder as shown in the representations.**



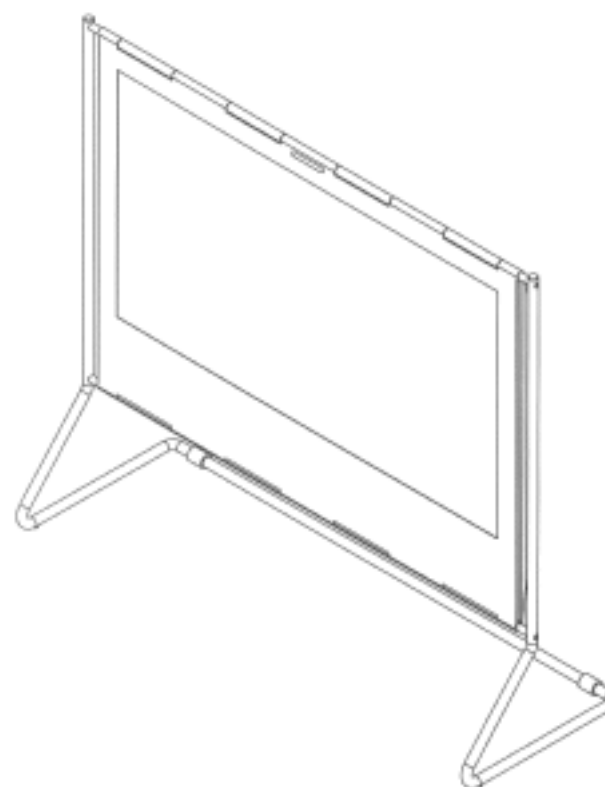
- (21) Design Number: **11046/2012**
(22) Date of Filing Application: **05 March 2012**
(24) Date from which industrial property rights may have effect: **05 March 2012**
(54) Product in respect of which the design is registered: **Television**
(51) International Design Classification: **14-03B**
(74) Name(s) of Attorney(s): **MIDDLETONS**
(71) Name(s) and Address(s) of Applicant(s):
Aktieselskabet af 18.juli 2011 A/S
Peter Bangs Vej 15 7600 Struer Denmark
(72) Name(s) of Designer(s): **Anders Hermansen**
(45) Registration Date: **03 April 2012**
(30) Convention priority data:
(31) Number (32) Date (33) Country
001915224-0004 09 Sep 2011 EUROPEAN COMMUNITY
(56) Related Art Documents: **Not Applicable**
(57) Statement of Newness and Distinctiveness: **Nil**



(21) Design Number: **11047/2012**
(22) Date of Filing Application: **05 March 2012**
(24) Date from which industrial property rights may have effect: **05 March 2012**
(54) Product in respect of which the design is registered: **Television floor stand**
(51) International Design Classification: **14-99**
(74) Name(s) of Attorney(s): **MIDDLETONS**
(71) Name(s) and Address(s) of Applicant(s):
Aktieselskabet af 18.juli 2011 A/S
Peter Bangs Vej 15 7600 Struer Denmark
(72) Name(s) of Designer(s): **Anders Hermansen**
(45) Registration Date: **03 April 2012**
(30) Convention priority data:
(31) Number (32) Date (33) Country
001915224-0006 09 Sep 2011 EUROPEAN COMMUNITY
(56) Related Art Documents: **Not Applicable**
(57) Statement of Newness and Distinctiveness: **Nil**



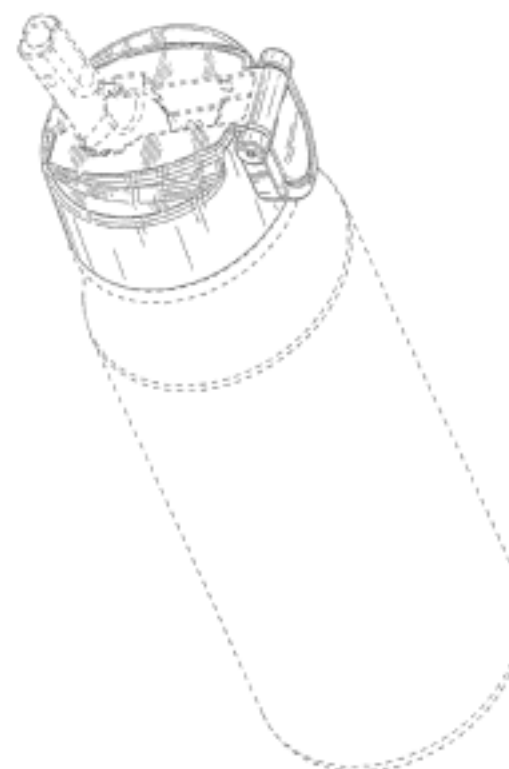
(21) Design Number: **11048/2012**
(22) Date of Filing Application: **05 March 2012**
(24) Date from which industrial property rights may have effect: **05 March 2012**
(54) Product in respect of which the design is registered: **Television table stand**
(51) International Design Classification: **14-99**
(74) Name(s) of Attorney(s): **MIDDLETONS**
(71) Name(s) and Address(s) of Applicant(s):
Aktieselskabet af 18.juli 2011 A/S
Peter Bangs Vej 15 7600 Struer Denmark
(72) Name(s) of Designer(s): **Anders Hermansen**
(45) Registration Date: **03 April 2012**
(30) Convention priority data:
(31) Number (32) Date (33) Country
001915224-0005 09 Sep 2011 EUROPEAN COMMUNITY
(56) Related Art Documents: **Not Applicable**
(57) Statement of Newness and Distinctiveness: **Nil**



(21) Design Number: **11082/2012**
(22) Date of Filing Application: **05 March 2012**
(24) Date from which industrial property rights may have effect: **05 March 2012**
(54) Product in respect of which the design is registered: **Line deflector guide**
(51) International Design Classification: **12-06NES**
(74) Name(s) of Attorney(s):
(71) Name(s) and Address(s) of Applicant(s):
Ronstan International Pty Ltd
19 Park Way Braeside Victoria 3195 Australia
(72) Name(s) of Designer(s): **Michael Buffinton**
(45) Registration Date: **03 April 2012**
(56) Related Art Documents: **Not Applicable**
(57) Statement of Newness and Distinctiveness: **Nil**



(21) Design Number: **11084/2012**
(22) Date of Filing Application: **05 March 2012**
(24) Date from which industrial property rights may have effect: **05 March 2012**
(54) Product in respect of which the design is registered: **Lid for a bottle**
(51) International Design Classification: **09-07C**
(74) Name(s) of Attorney(s): **SPRUSON & FERGUSON**
(71) Name(s) and Address(s) of Applicant(s):
Thermos L.L.C.
2550 W. Golf Road Suite 800 Rolling Meadows Illinois 60008 United States of America
(72) Name(s) of Designer(s): **Dwayne Boroski**
(45) Registration Date: **03 April 2012**
(30) Convention priority data:
(31) Number (32) Date (33) Country
29/401205 08 Sep 2011 UNITED STATES OF AMERICA
(56) Related Art Documents: **Not Applicable**
(57) Statement of Newness and Distinctiveness: **Newness and distinctiveness is claimed in those features of shape and/or configuration of a lid for a bottle illustrated in continuous lines in the accompanying representations.**



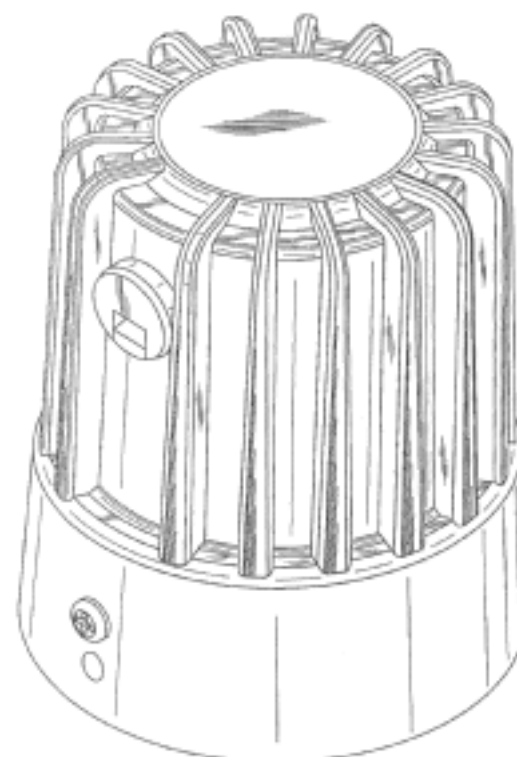
- (21) Design Number: **11087/2012**
(22) Date of Filing Application: **02 March 2012**
(24) Date from which industrial property rights may have effect: **02 March 2012**
(54) Product in respect of which the design is registered: **A pizza oven**
(51) International Design Classification: **07-02E**
(74) Name(s) of Attorney(s): **SPRUSON & FERGUSON**
(71) Name(s) and Address(s) of Applicant(s):
Marcello Claudio Lantelme
3/10 Fairway Close Manly Vale New South Wales 2093 Australia
(72) Name(s) of Designer(s): **Daniel Anderson**
(45) Registration Date: **03 April 2012**
(56) Related Art Documents: **Not Applicable**
(57) Statement of Newness and Distinctiveness: **Newness and distinctiveness is claimed in the features of shape and/or configuration of a pizza oven as illustrated in the accompanying representations.**



- (21) Design Number: **11088/2012**
(22) Date of Filing Application: **02 March 2012**
(24) Date from which industrial property rights may have effect: **02 March 2012**
(54) Product in respect of which the design is registered: **Audio listening system**
(51) International Design Classification: **14-01**
(74) Name(s) of Attorney(s): **SPRUSON & FERGUSON**
(71) Name(s) and Address(s) of Applicant(s):
Beats Electronics, LLC
1601 Cloverfield Boulevard Suite 5000N Santa Monica California 90404
United States of America
(72) Name(s) of Designer(s): **Robert Brunner and Gregoire Vandebussche**
(45) Registration Date: **03 April 2012**
(30) Convention priority data:
(31) Number (32) Date (33) Country
29/400961 02 Sep 2011 UNITED STATES OF AMERICA
(56) Related Art Documents: **Not Applicable**
(57) Statement of Newness and Distinctiveness: **Newness and distinctiveness is claimed in the features of shape and/or configuration of an audio listening system as illustrated in continuous lines in the accompanying representations.**



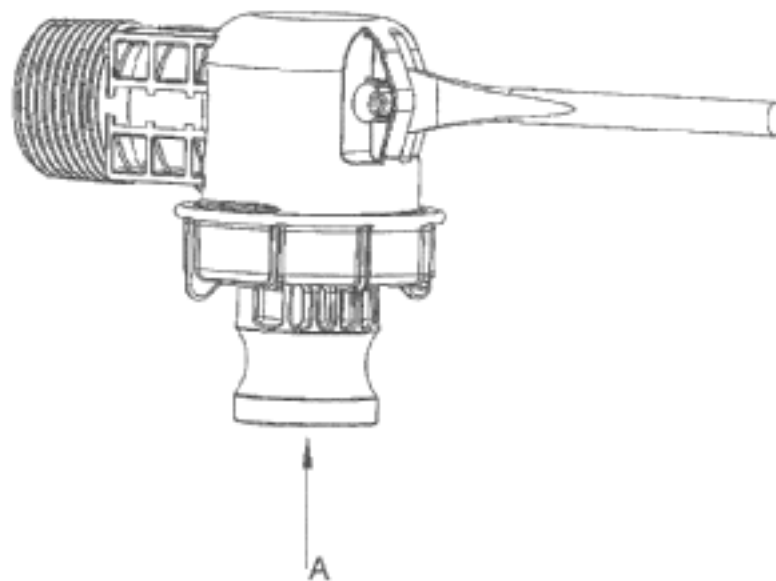
(21) Design Number: **11089/2012**
(22) Date of Filing Application: **02 March 2012**
(24) Date from which industrial property rights may have effect: **02 March 2012**
(54) Product in respect of which the design is registered: **Lighting device**
(51) International Design Classification: **26-04**
(74) Name(s) of Attorney(s): **SPRUSON & FERGUSON**
(71) Name(s) and Address(s) of Applicant(s):
Cree, Inc.
4600 Silicon Drive Durham North Carolina 27703 United States of America
(72) Name(s) of Designer(s): **Antony Paul Van De Ven and Wai Kwan Chan and Chin Wah Ho**
(45) Registration Date: **04 April 2012**
(30) Convention priority data:
(31) Number (32) Date (33) Country
29/400957 02 Sep 2011 UNITED STATES OF AMERICA
(56) Related Art Documents: **Not Applicable**
(57) Statement of Newness and Distinctiveness: **Newness and distinctiveness is claimed in the features of shape and/or configuration of a lighting device as illustrated in the accompanying representations.**



(21) Design Number: **11091/2012**
(22) Date of Filing Application: **06 March 2012**
(24) Date from which industrial property rights may have effect: **06 March 2012**
(54) Product in respect of which the design is registered: **Bottle**
(51) International Design Classification: **09-01K**
(74) Name(s) of Attorney(s): **Freehills Patent & Trade Mark Attorneys**
(71) Name(s) and Address(s) of Applicant(s):
Method Products, Inc.
637 Commercial Street Suite 300 San Francisco California 94111 United States of America
(72) Name(s) of Designer(s): **Francis J. Handy**
(45) Registration Date: **04 April 2012**
(30) Convention priority data:
(31) Number (32) Date (33) Country
29/401850 16 Sep 2011 UNITED STATES OF AMERICA
(56) Related Art Documents: **Not Applicable**
(57) Statement of Newness and Distinctiveness: **The newness and distinctiveness lies in the shape and configuration as illustrated on the accompanying figures.**



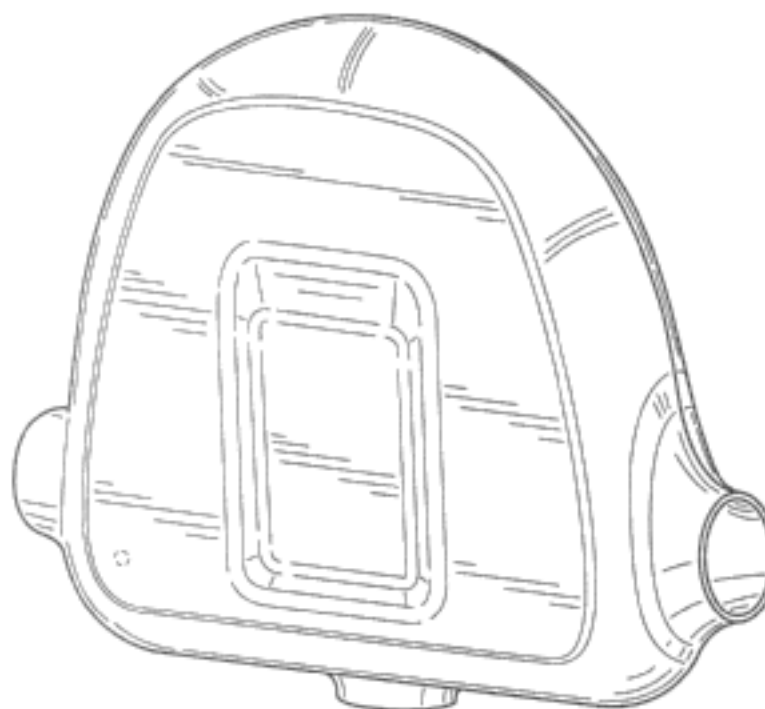
- (21) Design Number: **11099/2012**
(22) Date of Filing Application: **05 March 2012**
(24) Date from which industrial property rights may have effect: **05 March 2012**
(54) Product in respect of which the design is registered: **A float arm operated valve**
(51) International Design Classification: **23-01K**
(74) Name(s) of Attorney(s):
(71) Name(s) and Address(s) of Applicant(s):
Apex Valves Limited
367 Rosebank Road Rosebank Auckland New Zealand
(72) Name(s) of Designer(s): **David Gordon Arthur Crichton**
(45) Registration Date: **04 April 2012**
(56) Related Art Documents: **Not Applicable**
(57) Statement of Newness and Distinctiveness: **The design is to be applied to a float arm operated valve and the novelty thereof resides in the configuration of the outlet indicated by arrow A as shown in the accompanying representations. It is to be noted that the float arm is shown truncated solely for the purposes of clarity, that is, to allow for larger representations of the valve to be depicted**



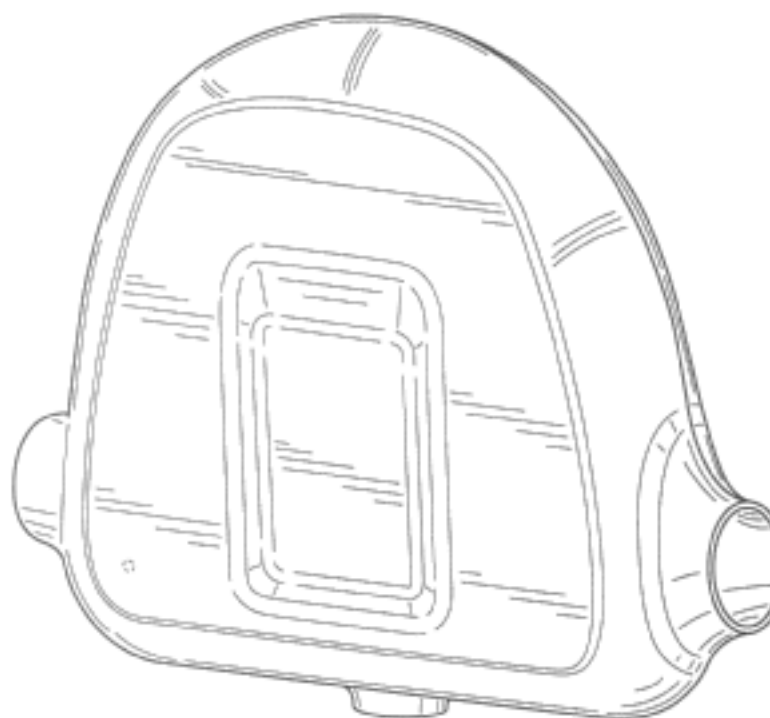
- (21) Design Number: **11100/2012**
(22) Date of Filing Application: **05 March 2012**
(24) Date from which industrial property rights may have effect: **05 March 2012**
(54) Product in respect of which the design is registered: **A garment**
(51) International Design Classification: **02-02C**
(74) Name(s) of Attorney(s): **SPRUSON & FERGUSON**
(71) Name(s) and Address(s) of Applicant(s):
Alquema Pty Ltd
9 Regent Street Paddington New South Wales 2021 Australia
(72) Name(s) of Designer(s): **Millicent Gilbert**
(45) Registration Date: **04 April 2012**
(56) Related Art Documents: **Not Applicable**
(57) Statement of Newness and Distinctiveness: **Newness and distinctiveness is claimed in those features of a garment resulting from having a twist and crumple crush in the area shown in continuous lines in the accompanying representation.**



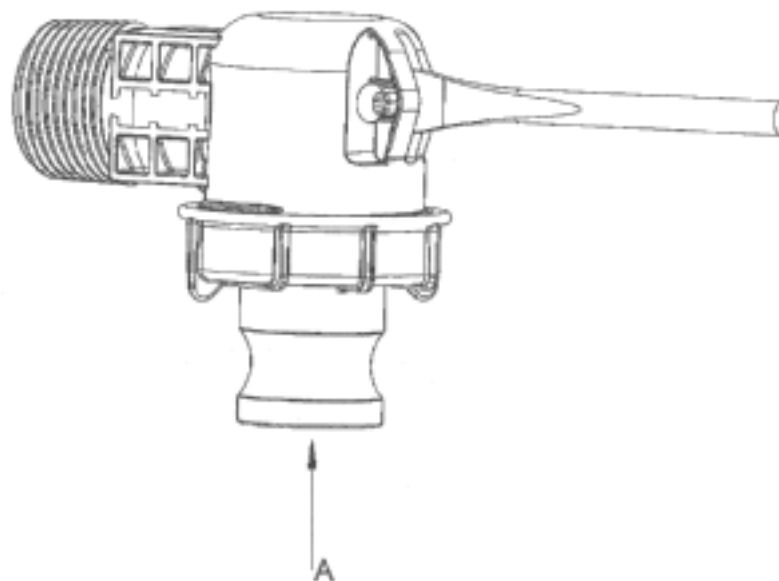
- (21) Design Number: **11103/2012**
(22) Date of Filing Application: **06 March 2012**
(24) Date from which industrial property rights may have effect: **06 March 2012**
(54) Product in respect of which the design is registered: **Flow meter housing**
(51) International Design Classification: **10-04**
(74) Name(s) of Attorney(s): **PHILLIPS ORMONDE FITZPATRICK**
(71) Name(s) and Address(s) of Applicant(s):
Micro Motion, Inc.
7070 Winchester Circle Boulder Colorado 80301 United States of America
(72) Name(s) of Designer(s): **Linda Robb and Gregory Treat Lanham and Christopher A. Werbach**
(45) Registration Date: **04 April 2012**
(30) Convention priority data:
(31) Number (32) Date (33) Country
29/402,942 29 Sep 2011 UNITED STATES OF AMERICA
(56) Related Art Documents: **Not Applicable**
(57) Statement of Newness and Distinctiveness: **Those features of the flow meter housing depicted in the representations that are new and distinctive are the shape and/or configuration. The dashed lines shown in Fig. 1 and Fig. 2 are not part of the design and are to be disregarded when considering the overall impression of the design.**



- (21) Design Number: **11104/2012**
(22) Date of Filing Application: **06 March 2012**
(24) Date from which industrial property rights may have effect: **06 March 2012**
(54) Product in respect of which the design is registered: **Flow meter housing**
(51) International Design Classification: **10-04**
(74) Name(s) of Attorney(s): **PHILLIPS ORMONDE FITZPATRICK**
(71) Name(s) and Address(s) of Applicant(s):
Micro Motion, Inc.
7070 Winchester Circle Boulder Colorado 80301 United States of America
(72) Name(s) of Designer(s): **Linda Robb and Christopher A. Werbach and Gregory Treat Lanham**
(45) Registration Date: **04 April 2012**
(30) Convention priority data:
(31) Number (32) Date (33) Country
29/402,936 29 Sep 2011 UNITED STATES OF AMERICA
(56) Related Art Documents: **Not Applicable**
(57) Statement of Newness and Distinctiveness: **Those features of the flow meter housing depicted in the representations that are new and distinctive are the shape and/or configuration. The dashed lines shown in Fig. 1 and Fig. 2 are not part of the design and are to be disregarded when considering the overall impression of the design.**



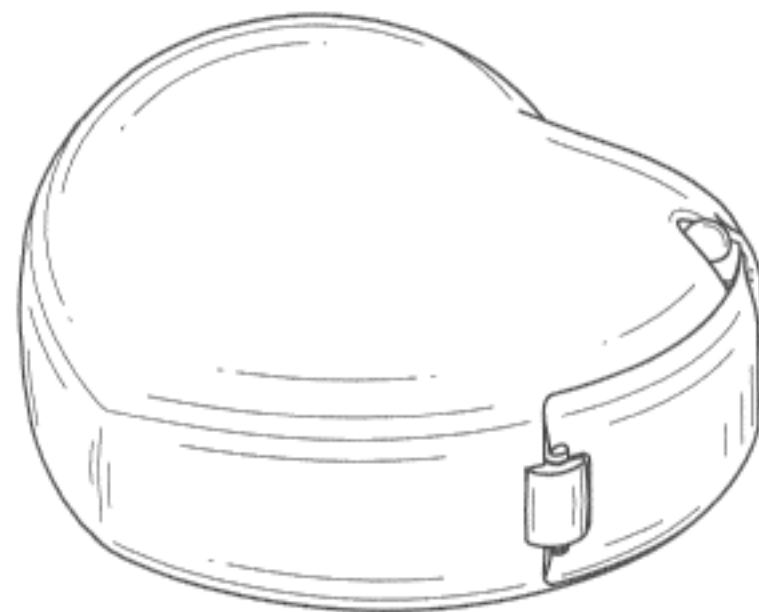
- (21) Design Number: **11111/2012**
(22) Date of Filing Application: **05 March 2012**
(24) Date from which industrial property rights may have effect: **05 March 2012**
(54) Product in respect of which the design is registered: **A float arm operated valve**
(51) International Design Classification: **23-01K**
(74) Name(s) of Attorney(s):
(71) Name(s) and Address(s) of Applicant(s):
Apex Valves Limited
367 Rosebank Road Rosebank Auckland New Zealand
(72) Name(s) of Designer(s): **David Gordon Arthur Crichton**
(45) Registration Date: **04 April 2012**
(56) Related Art Documents: **Not Applicable**
(57) Statement of Newness and Distinctiveness: **The design is to be applied to a float arm operated valve and the novelty thereof resides in the configuration of the outlet indicated by arrow A as shown in the accompanying representations. It is to be noted that the float arm is shown truncated solely for the purposes of clarity, that is, to allow for larger representations of the valve to be depicted.**



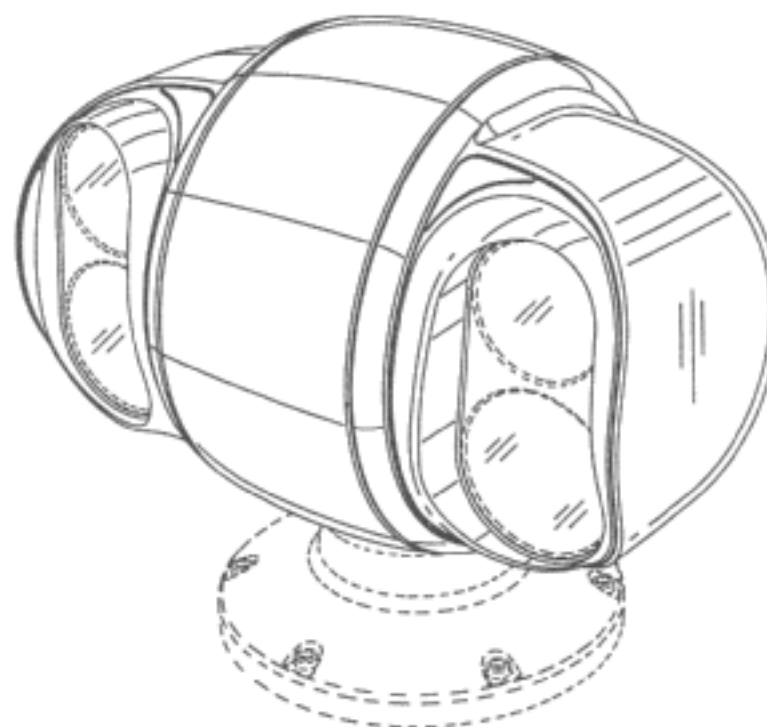
- (21) Design Number: **11124/2012**
(22) Date of Filing Application: **07 March 2012**
(24) Date from which industrial property rights may have effect: **07 March 2012**
(54) Product in respect of which the design is registered: **Protective helmet**
(51) International Design Classification: **02-03**
(74) Name(s) of Attorney(s): **Freehills Patent & Trade Mark Attorneys**
(71) Name(s) and Address(s) of Applicant(s):
3M Innovative Properties Company
3M Center Saint Paul Minnesota 55133-3427 United States of America
(72) Name(s) of Designer(s): **Bjorn Daniels and Oskar Erik Juhlin and Martin Lars Erik Birath and Henrik Carl Olsson and Kristian Nils Eke**
(45) Registration Date: **04 April 2012**
(30) Convention priority data:
(31) Number (32) Date (33) Country
1293062-0001 13 Sep 2011 EUROPEAN COMMUNITY
(56) Related Art Documents: **Not Applicable**
(57) Statement of Newness and Distinctiveness: **Newness and distinctiveness of the design resides in the features of shape and/or configuration of a protective helmet having a contour as shown in solid outline in the accompanying representations.**



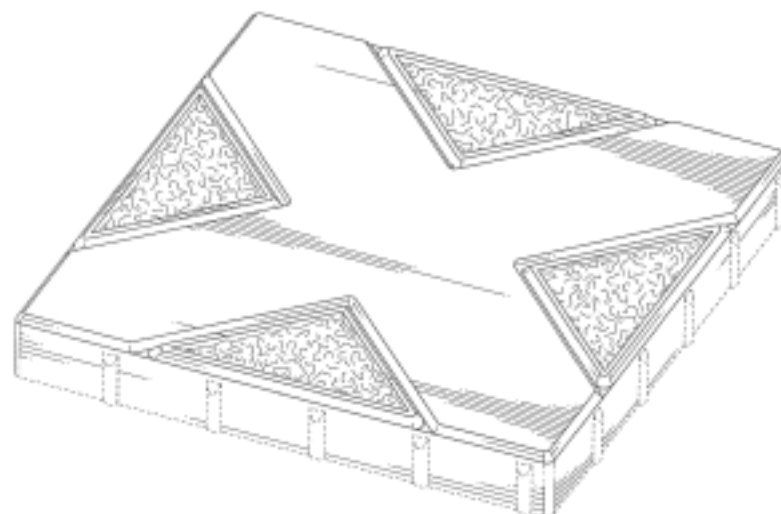
(21) Design Number: **11125/2012**
(22) Date of Filing Application: **07 March 2012**
(24) Date from which industrial property rights may have effect: **07 March 2012**
(54) Product in respect of which the design is registered: **Tape dispenser**
(51) International Design Classification: **19-02**
(74) Name(s) of Attorney(s): **Freehills Patent & Trade Mark Attorneys**
(71) Name(s) and Address(s) of Applicant(s):
3M Innovative Properties Company
3M Center Saint Paul Minnesota 55133-3427 United States of America
(72) Name(s) of Designer(s): **Michitomo Kugimiya and Philipp Hans Refior**
(45) Registration Date: **04 April 2012**
(30) Convention priority data:
(31) Number (32) Date (33) Country
29/401317 09 Sep 2011 UNITED STATES OF AMERICA
(56) Related Art Documents: **Not Applicable**
(57) Statement of Newness and Distinctiveness: **Newness and distinctiveness of the design resides in the shape and configuration of the tape dispenser as shown in the accompanying representations.**



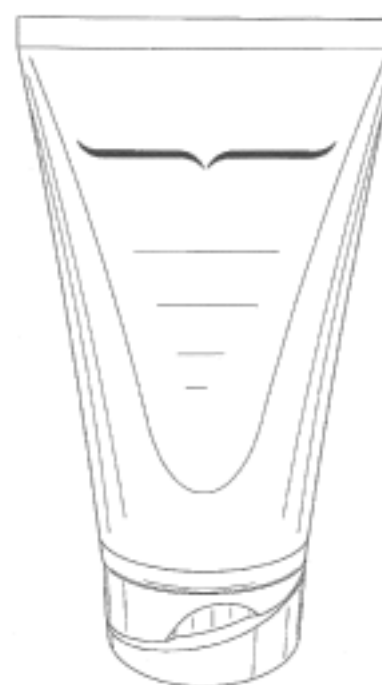
(21) Design Number: **11126/2012**
(22) Date of Filing Application: **07 March 2012**
(24) Date from which industrial property rights may have effect: **07 March 2012**
(54) Product in respect of which the design is registered: **Camera**
(51) International Design Classification: **14-01, 14-03B, 16-01**
(74) Name(s) of Attorney(s): **SPRUSON & FERGUSON**
(71) Name(s) and Address(s) of Applicant(s):
Flir Systems Inc.
27700 SW Parkway Avenue Wilsonville Oregon 97070 United States of America
(72) Name(s) of Designer(s): **Patrick B. Richardson and Xiang Li and Zhen Mei Mao and Jonathan Li**
(45) Registration Date: **04 April 2012**
(30) Convention priority data:
(31) Number (32) Date (33) Country
29/401094 07 Sep 2011 UNITED STATES OF AMERICA
(56) Related Art Documents: **Not Applicable**
(57) Statement of Newness and Distinctiveness: **Newness and distinctiveness is claimed in the features of shape and/or configurations of a camera as illustrated in the accompanying representations.**



(21) Design Number: **11134/2012**
(22) Date of Filing Application: **07 March 2012**
(24) Date from which industrial property rights may have effect: **07 March 2012**
(54) Product in respect of which the design is registered: **Patio stone**
(51) International Design Classification: **25-01A**
(74) Name(s) of Attorney(s): **MIDDLETONS**
(71) Name(s) and Address(s) of Applicant(s):
Keystone Retaining Wall Systems LLC
4444 West 78th Street Minneapolis Minnesota 55435 United States of America
(72) Name(s) of Designer(s): **Thomas S. Riccobene**
(45) Registration Date: **04 April 2012**
(30) Convention priority data:
(31) Number (32) Date (33) Country
29401218 08 Sep 2011 UNITED STATES OF AMERICA
(56) Related Art Documents: **Not Applicable**
(57) Statement of Newness and Distinctiveness: **Nil**



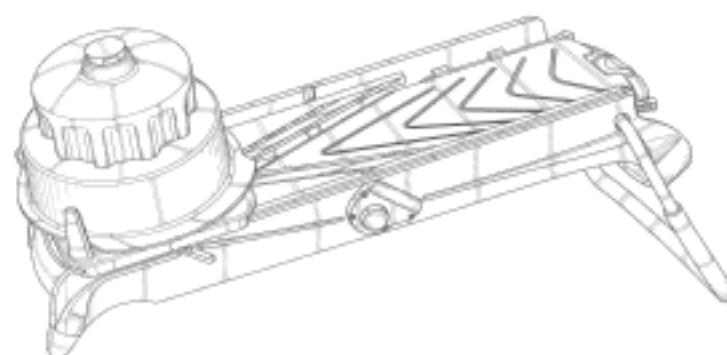
(21) Design Number: **10459/2012**
(22) Date of Filing Application: **01 February 2012**
(24) Date from which industrial property rights may have effect: **01 February 2012**
(54) Product in respect of which the design is registered: **Packaging for products**
(51) International Design Classification: **09-05**
(74) Name(s) of Attorney(s):
(71) Name(s) and Address(s) of Applicant(s):
Reckitt & Colman (Overseas) Limited
Dansom Lane Hull HU8 7DS United Kingdom
(72) Name(s) of Designer(s): **Paul Ponting**
(45) Registration Date: **04 April 2012**
(30) Convention priority data:
(31) Number (32) Date (33) Country
001902552-0010 09 Aug 2011 EUROPEAN COMMUNITY
(56) Related Art Documents: **Not Applicable**
(57) Statement of Newness and Distinctiveness: **Nil**



(21) Design Number: **10825/2012**
(22) Date of Filing Application: **21 February 2012**
(24) Date from which industrial property rights may have effect: **21 February 2012**
(54) Product in respect of which the design is registered: **Movable platform for a mandolin slicer**
(51) International Design Classification: **07-04**
(74) Name(s) of Attorney(s): **Davies Collison Cave**
(71) Name(s) and Address(s) of Applicant(s):
De Buyer Industries
25 Faymont Le Val d'Ajol F-88340 France
(72) Name(s) of Designer(s): **Julien De Buyer and Jean-Noel Mathieu**
(45) Registration Date: **04 April 2012**
(30) Convention priority data:
(31) Number (32) Date (33) Country
DM/076886 22 Aug 2011 WORLD INTELLECTUAL
PROPERTY ORGANIZATION
(WIPO)
(56) Related Art Documents: **Not Applicable**
(57) Statement of Newness and Distinctiveness: **Nil**



(21) Design Number: **10826/2012**
(22) Date of Filing Application: **21 February 2012**
(24) Date from which industrial property rights may have effect: **21 February 2012**
(54) Product in respect of which the design is registered: **Mandolin slicer**
(51) International Design Classification: **07-04**
(74) Name(s) of Attorney(s): **Davies Collison Cave**
(71) Name(s) and Address(s) of Applicant(s):
De Buyer Industries
25 Faymont Le Val d'Ajol F-88340 France
(72) Name(s) of Designer(s): **Julien De Buyer and Jean-Noel Mathieu**
(45) Registration Date: **04 April 2012**
(30) Convention priority data:
(31) Number (32) Date (33) Country
DM/076886 22 Aug 2011 WORLD INTELLECTUAL
PROPERTY ORGANIZATION
(WIPO)
(56) Related Art Documents: **Not Applicable**
(57) Statement of Newness and Distinctiveness: **Nil**



(21) Design Number: **10827/2012**
(22) Date of Filing Application: **21 February 2012**
(24) Date from which industrial property rights may have effect: **21 February 2012**
(54) Product in respect of which the design is registered: **Mandolin slicer**
(51) International Design Classification: **07-04**
(74) Name(s) of Attorney(s): **Davies Collison Cave**
(71) Name(s) and Address(s) of Applicant(s):

De Buyer Industries
25 Faymont Le Val d'Ajol F-88340 France

(72) Name(s) of Designer(s): **Julien De Buyer and Jean-Noel Mathieu**

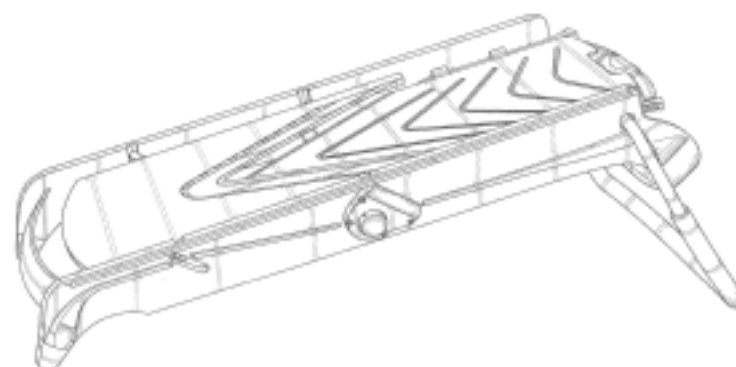
(45) Registration Date: **04 April 2012**

(30) Convention priority data:

(31) Number	(32) Date	(33) Country
DM/076886	22 Aug 2011	WORLD INTELLECTUAL PROPERTY ORGANIZATION (WIPO)

(56) Related Art Documents: **Not Applicable**

(57) Statement of Newness and Distinctiveness: **Nil**



(21) Design Number: **10828/2012**
(22) Date of Filing Application: **21 February 2012**
(24) Date from which industrial property rights may have effect: **21 February 2012**
(54) Product in respect of which the design is registered: **Blade for a mandolin slicer**
(51) International Design Classification: **07-04**
(74) Name(s) of Attorney(s): **Davies Collison Cave**
(71) Name(s) and Address(s) of Applicant(s):

De Buyer Industries
25 Faymont Le Val d'Ajol F-88340 France

(72) Name(s) of Designer(s): **Julien De Buyer and Jean-Noel Mathieu**

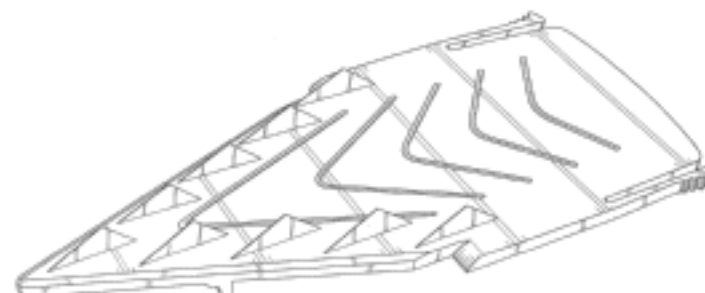
(45) Registration Date: **04 April 2012**

(30) Convention priority data:

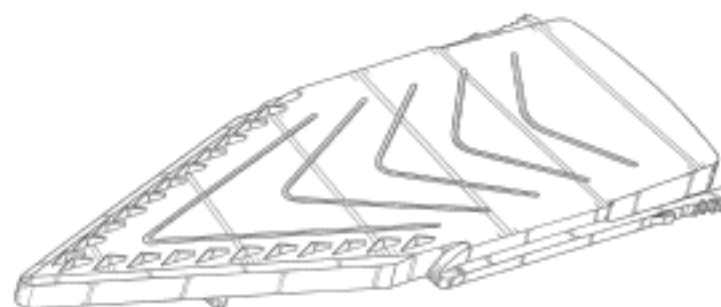
(31) Number	(32) Date	(33) Country
DM/076886	22 Aug 2011	WORLD INTELLECTUAL PROPERTY ORGANIZATION (WIPO)

(56) Related Art Documents: **Not Applicable**

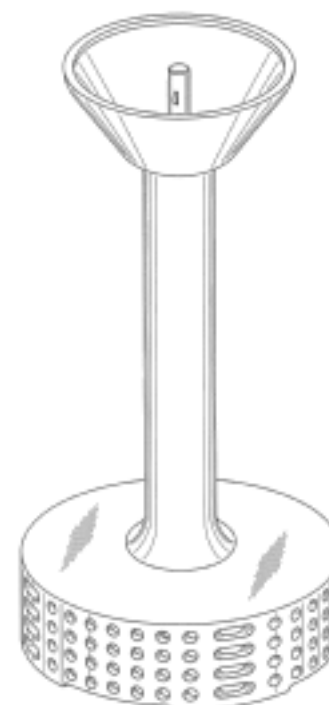
(57) Statement of Newness and Distinctiveness: **Nil**



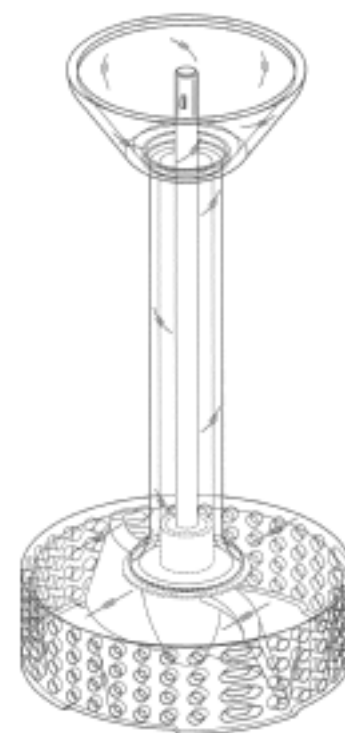
(21) Design Number: **10829/2012**
(22) Date of Filing Application: **21 February 2012**
(24) Date from which industrial property rights may have effect: **21 February 2012**
(54) Product in respect of which the design is registered: **Blade for a mandolin slicer**
(51) International Design Classification: **07-04**
(74) Name(s) of Attorney(s): **Davies Collison Cave**
(71) Name(s) and Address(s) of Applicant(s):
De Buyer Industries
25 Faymont Le Val d'Ajol F-88340 France
(72) Name(s) of Designer(s): **Julien De Buyer and Jean-Noel Mathieu**
(45) Registration Date: **04 April 2012**
(30) Convention priority data:
(31) Number (32) Date (33) Country
DM/076886 22 Aug 2011 WORLD INTELLECTUAL
PROPERTY ORGANIZATION
(WIPO)
(56) Related Art Documents: **Not Applicable**
(57) Statement of Newness and Distinctiveness: **Nil**



(21) Design Number: **11351/2012**
(22) Date of Filing Application: **16 March 2012**
(24) Date from which industrial property rights may have effect: **16 March 2012**
(54) Product in respect of which the design is registered: **Poatato masher**
(51) International Design Classification: **07-04**
(74) Name(s) of Attorney(s): **King & Wood Mallesons**
(71) Name(s) and Address(s) of Applicant(s):
Pi-Design AG
Kantonsstrasse 100 6234 Triengen Switzerland
(72) Name(s) of Designer(s): **Jorgen Bodum**
(45) Registration Date: **04 April 2012**
(30) Convention priority data:
(31) Number (32) Date (33) Country
DM/077038 29 Sep 2011 EUROPEAN COMMUNITY
(56) Related Art Documents: **Not Applicable**
(57) Statement of Newness and Distinctiveness: **Nil**



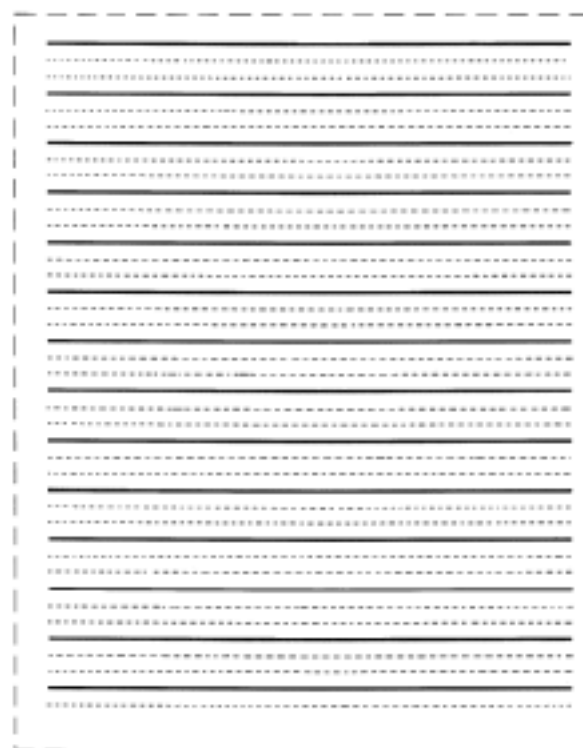
(21) Design Number: **11352/2012**
(22) Date of Filing Application: **16 March 2012**
(24) Date from which industrial property rights may have effect: **16 March 2012**
(54) Product in respect of which the design is registered: **Potato masher (transparent)**
(51) International Design Classification: **07-04**
(74) Name(s) of Attorney(s): **King & Wood Mallesons**
(71) Name(s) and Address(s) of Applicant(s):
Pi-Design AG
Kantonsstrasse 100 6234 Triengen Switzerland
(72) Name(s) of Designer(s): **Jorgen Bodum**
(45) Registration Date: **04 April 2012**
(30) Convention priority data:
(31) Number (32) Date (33) Country
DM/077 038 29 Sep 2011 EUROPEAN COMMUNITY
(56) Related Art Documents: **Not Applicable**
(57) Statement of Newness and Distinctiveness: **Nil**



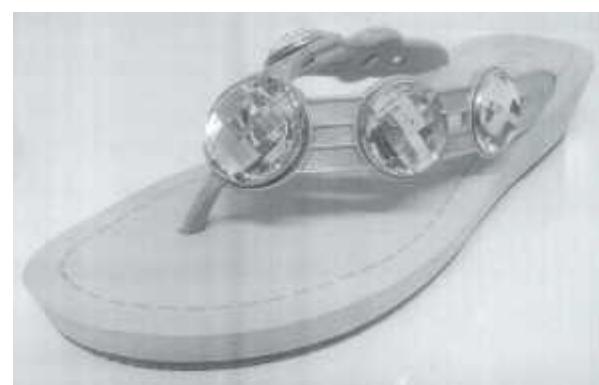
(21) Design Number: **11475/2012**
(22) Date of Filing Application: **21 March 2012**
(24) Date from which industrial property rights may have effect: **21 March 2012**
(54) Product in respect of which the design is registered: **Container lid**
(51) International Design Classification: **09-03M**
(74) Name(s) of Attorney(s): **Ascot Martin Registered Patent & Trade Mark Attorneys**
(71) Name(s) and Address(s) of Applicant(s):
Expanded Polystyrene Australia Incorporated
Level 2 69 Reservoir Street Surry Hills New South Wales 2010 Australia
(72) Name(s) of Designer(s): **Nick Tandy**
(45) Registration Date: **04 April 2012**
(56) Related Art Documents: **Not Applicable**
(57) Statement of Newness and Distinctiveness: **The features of the design which are new and distinctive are the shape and configuration of the protuberant and recessed formations on the top and bottom of the container lid.**



- (21) Design Number: **13795/2011**
(22) Date of Filing Application: **26 August 2011**
(24) Date from which industrial property rights may have effect: **26 August 2011**
(54) Product in respect of which the design is registered: **Sheet with surface pattern**
(51) International Design Classification: **05-06NES, 06-13B**
(74) Name(s) of Attorney(s): **Smooenburg Pini Patent & Trade Mark Attorneys**
(71) Name(s) and Address(s) of Applicant(s):
Julie Ann Spence
29 Horseshoe Crescent Epping Victoria 3076 Australia
Judith Spence
29 Horseshoe Crescent Epping Victoria 3076 Australia
(72) Name(s) of Designer(s): **Julie Ann Spence and Judith Spence**
(45) Registration Date: **04 April 2012**
(56) Related Art Documents: **Not Applicable**
(57) Statement of Newness and Distinctiveness: **Newness and distinctiveness is claimed in features of surface pattern comprising solid and dotted lines in any colour applied to a sheet as shown in the accompanying representation. The broken lines (in contradistinction to the solid and dotted lines) denote an exemplary border of the sheet and do not form part of the design.**



- (21) Design Number: **10258/2012**
(22) Date of Filing Application: **20 January 2012**
(24) Date from which industrial property rights may have effect: **20 January 2012**
(54) Product in respect of which the design is registered: **An upper for footwear**
(51) International Design Classification: **02-04NES**
(74) Name(s) of Attorney(s): **Cullens Patent and Trade Mark Attorneys**
(71) Name(s) and Address(s) of Applicant(s):
Holster Fashion Pty Ltd
6-55 Gateway Drive Noosaville Queensland 4566 Australia
(72) Name(s) of Designer(s): **Natalie Miller**
(45) Registration Date: **04 April 2012**
(56) Related Art Documents: **Not Applicable**
(57) Statement of Newness and Distinctiveness: **The design is applied to an upper for footwear, and the novelty resides in features of shape and configuration of an upper for footwear as shown in the accompanying representations.**



- (21) Design Number: **10259/2012**
(22) Date of Filing Application: **20 January 2012**
(24) Date from which industrial property rights may have effect: **20 January 2012**
(54) Product in respect of which the design is registered: **An upper for footwear**
(51) International Design Classification: **02-04NES**
(74) Name(s) of Attorney(s): **Cullens Patent and Trade Mark Attorneys**
(71) Name(s) and Address(s) of Applicant(s):
Holster Fashion Pty Ltd
6-55 Gateway Drive Noosaville Queensland 4566 Australia
(72) Name(s) of Designer(s): **Natalie Miller**
(45) Registration Date: **04 April 2012**
(56) Related Art Documents: **Not Applicable**
(57) Statement of Newness and Distinctiveness: **The design is applied to an upper for footwear, and the novelty resides in features of shape and configuration of an upper for footwear as shown in the accompanying representations.**



- (21) Design Number: **10643/2012**
(22) Date of Filing Application: **10 February 2012**
(24) Date from which industrial property rights may have effect: **10 February 2012**
(54) Product in respect of which the design is registered: **Mailing envelope in the shape of a bottle**
(51) International Design Classification: **09-01K, 19-01**
(74) Name(s) of Attorney(s):
(71) Name(s) and Address(s) of Applicant(s):
Howard Warren
PO Box 921 Frankston Victoria 3199 Australia
(72) Name(s) of Designer(s): **Howard Warren**
(45) Registration Date: **04 April 2012**
(56) Related Art Documents: **Not Applicable**
(57) Statement of Newness and Distinctiveness: **The "mailing envelope in the shape of a bottle" has been specifically made to go through the standard post. It is a novel mailing envelope bottle for tourists to send a message back home. The "mailing envelope in the shape of a bottle" is designed to be sent as standard post (\$1.20). The design of the mailing envelope is so unique that it is the only one of its kind thus far in the world to meet both Australia Post Standards and International mailing standards. The "mailing envelope in the shape of the bottle" is proposed to be made from biodegradable material to ensure it is environmentally friendly. A final "mailing envelope in the shape of the bottle" will incorporate a special plug that is inserted to keep out moisture and can be easily removed to read the message. A sample message slip is attached for reference. These messages are personalized per region.**



(21) Design Number: **10685/2012**

(22) Date of Filing Application: **14 February 2012**

(24) Date from which industrial property rights may have effect: **14 February 2012**

(54) Product in respect of which the design is registered: **35mm beast handle bars**

(51) International Design Classification: **21-01F, 12-11**

(74) Name(s) of Attorney(s):

(71) Name(s) and Address(s) of Applicant(s):

Andrew Robert Markham

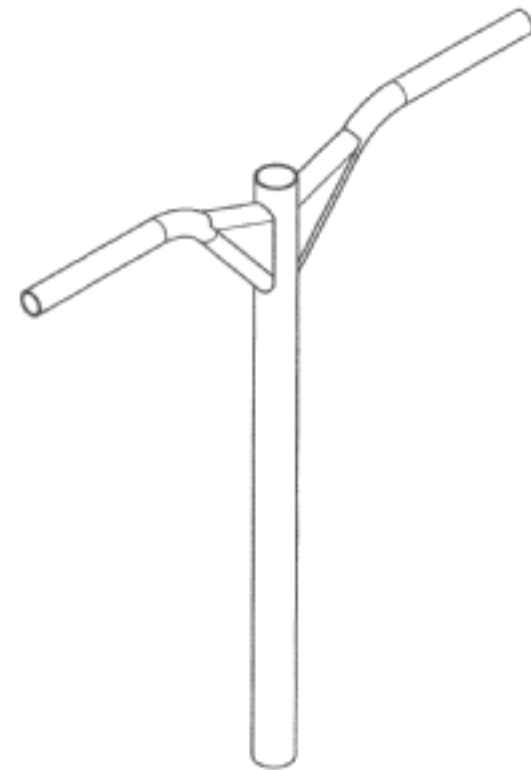
21/2 Kohl Street Coomera Queensland 4209 Australia

(72) Name(s) of Designer(s): **Andrew Robert Markham**

(45) Registration Date: **04 April 2012**

(56) Related Art Documents: **Not Applicable**

(57) Statement of Newness and Distinctiveness: **Nil**



(21) Design Number: **10686/2012**

(22) Date of Filing Application: **14 February 2012**

(24) Date from which industrial property rights may have effect: **14 February 2012**

(54) Product in respect of which the design is registered: **Foot peg 4**

(51) International Design Classification: **21-01F, 12-11**

(74) Name(s) of Attorney(s):

(71) Name(s) and Address(s) of Applicant(s):

Andrew Robert Markham

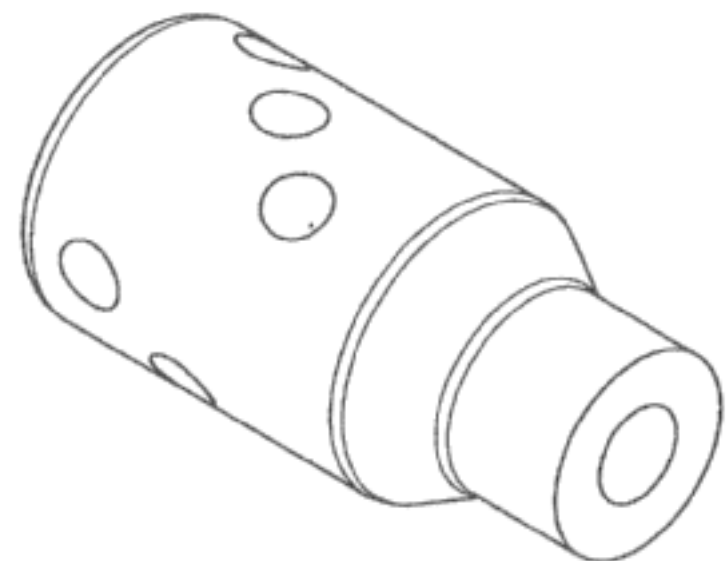
21/2 Kohl Street Coomera Queensland 4209 Australia

(72) Name(s) of Designer(s): **Andrew Robert Markham**

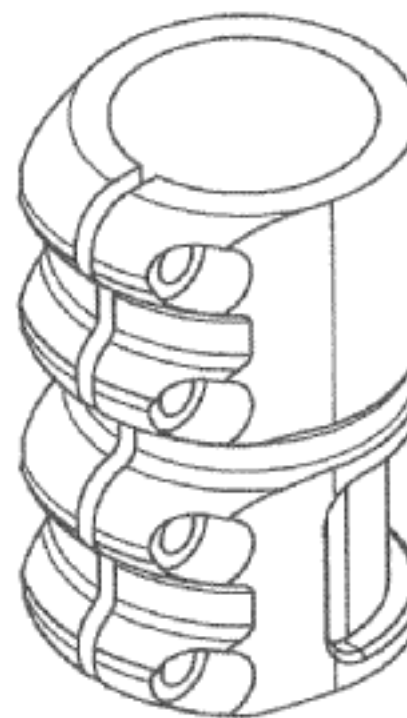
(45) Registration Date: **04 April 2012**

(56) Related Art Documents: **Not Applicable**

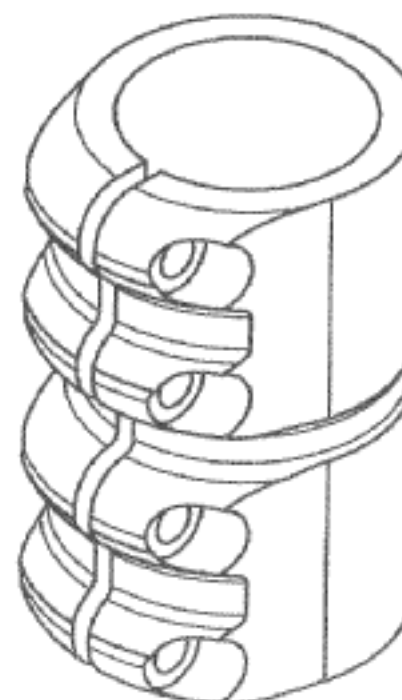
(57) Statement of Newness and Distinctiveness: **Nil**



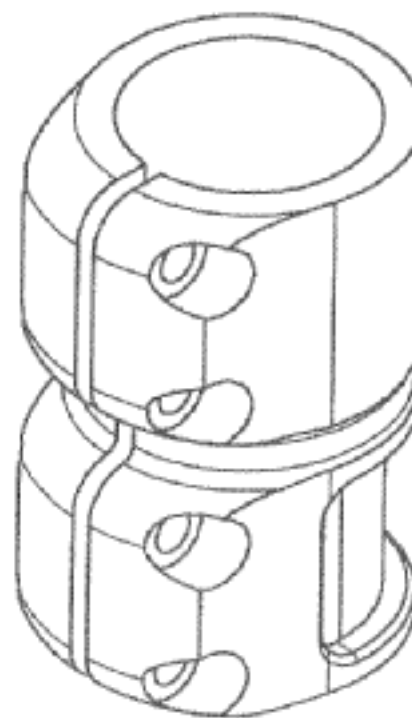
(21) Design Number: **10687/2012**
(22) Date of Filing Application: **14 February 2012**
(24) Date from which industrial property rights may have effect: **14 February 2012**
(54) Product in respect of which the design is registered: **SCS clamp V3**
(51) International Design Classification: **08-08D, 12-11, 21-01F**
(74) Name(s) of Attorney(s):
(71) Name(s) and Address(s) of Applicant(s):
Andrew Robert Markham
21/2 Kohl Street Coomera Queensland 4209 Australia
(72) Name(s) of Designer(s): **Andrew Robert Markham**
(45) Registration Date: **04 April 2012**
(56) Related Art Documents: **Not Applicable**
(57) Statement of Newness and Distinctiveness: **Nil**



(21) Design Number: **10688/2012**
(22) Date of Filing Application: **14 February 2012**
(24) Date from which industrial property rights may have effect: **14 February 2012**
(54) Product in respect of which the design is registered: **SCS clamp V4**
(51) International Design Classification: **08-08D, 21-01F, 12-11**
(74) Name(s) of Attorney(s):
(71) Name(s) and Address(s) of Applicant(s):
Andrew Robert Markham
21/2 Kohl Street Coomera Queensland 4209 Australia
(72) Name(s) of Designer(s): **Andrew Robert Markham**
(45) Registration Date: **04 April 2012**
(56) Related Art Documents: **Not Applicable**
(57) Statement of Newness and Distinctiveness: **Nil**



- (21) Design Number: **10689/2012**
(22) Date of Filing Application: **14 February 2012**
(24) Date from which industrial property rights may have effect: **14 February 2012**
(54) Product in respect of which the design is registered: **SCS clamp V5**
(51) International Design Classification: **08-08D, 21-01F, 12-11**
(74) Name(s) of Attorney(s):
(71) Name(s) and Address(s) of Applicant(s):
Andrew Robert Markham
21/2 Kohl Street Coomera Queensland 4209 Australia
(72) Name(s) of Designer(s): **Andrew Robert Markham**
(45) Registration Date: **04 April 2012**
(56) Related Art Documents: **Not Applicable**
(57) Statement of Newness and Distinctiveness: **Nil**



- (21) Design Number: **10805/2012**
(22) Date of Filing Application: **15 February 2012**
(24) Date from which industrial property rights may have effect: **15 February 2012**
(54) Product in respect of which the design is registered: **Swim suit**
(51) International Design Classification: **02-02A**
(74) Name(s) of Attorney(s):
(71) Name(s) and Address(s) of Applicant(s):
Graham Roger Dicken
46 Gould Street North Bondi New South Wales 2026 Australia
(72) Name(s) of Designer(s): **Simon Thompson**
(45) Registration Date: **04 April 2012**
(56) Related Art Documents: **Not Applicable**
(57) Statement of Newness and Distinctiveness: **Sea snake pattern and black and white horizontal stripes with scales and large snake eyes on chest, in the middle of the body and on the legs and on various places of the body. All the spots are placed around the body.**



(21) Design Number: **10855/2012**
(22) Date of Filing Application: **22 February 2012**
(24) Date from which industrial property rights may have effect: **22 February 2012**
(54) Product in respect of which the design is registered: **Container**
(51) International Design Classification: **09-03NES**
(74) Name(s) of Attorney(s): **PHILLIPS ORMONDE FITZPATRICK**
(71) Name(s) and Address(s) of Applicant(s):

The Procter & Gamble Company
One Procter & Gamble Plaza Cincinnati Ohio 45202 United States of America

(72) Name(s) of Designer(s): **Nicole Buscemi and Brian Daniel Guzzi**

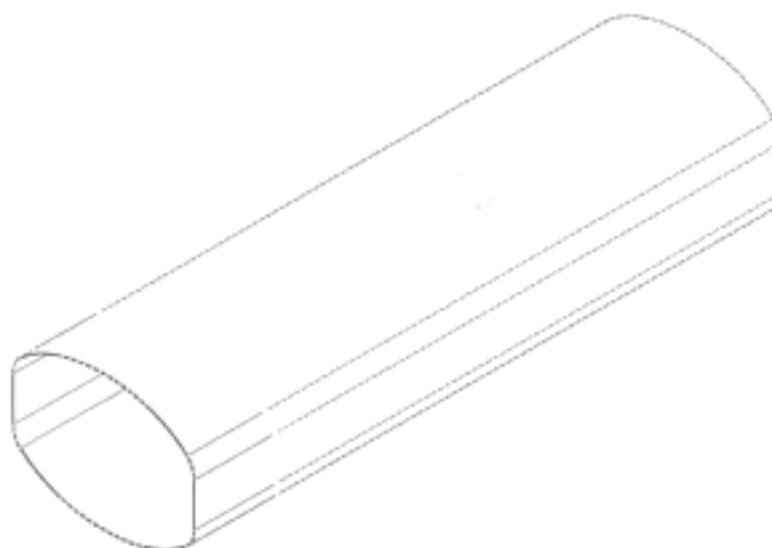
(45) Registration Date: **04 April 2012**

(30) Convention priority data:

(31) Number	(32) Date	(33) Country
29/399,968	22 Aug 2011	UNITED STATES OF AMERICA

(56) Related Art Documents: **Not Applicable**

(57) Statement of Newness and Distinctiveness: **Those features of the container depicted in the representations that are new and distinctive are the shape and/or configuration. The features shown in broken lines are not part of the design and are to be disregarded when considering the overall impression of the design.**



(21) Design Number: **10358/2012**
(22) Date of Filing Application: **27 January 2012**
(24) Date from which industrial property rights may have effect: **27 January 2012**
(54) Product in respect of which the design is registered: **Ballast board**
(51) International Design Classification: **25-01E**
(74) Name(s) of Attorney(s): **Davies Collison Cave**
(71) Name(s) and Address(s) of Applicant(s):

Trojan Services Limited
Ground Floor 50 Fountain Street Manchester M2 2AS United Kingdom

(72) Name(s) of Designer(s): **Philip Forrest-Smith**

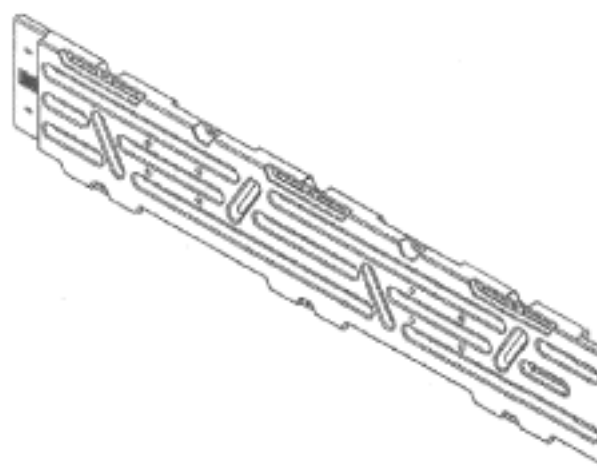
(45) Registration Date: **05 April 2012**

(30) Convention priority data:

(31) Number	(32) Date	(33) Country
001897323-0001	28 Jul 2011	EUROPEAN COMMUNITY

(56) Related Art Documents: **Not Applicable**

(57) Statement of Newness and Distinctiveness: **Nil**



(21) Design Number: **10781/2012**
(22) Date of Filing Application: **20 February 2012**
(24) Date from which industrial property rights may have effect: **20 February 2012**
(54) Product in respect of which the design is registered: **A shopping trolley**
(51) International Design Classification: **12-02**
(74) Name(s) of Attorney(s):
(71) Name(s) and Address(s) of Applicant(s):
QHDC Australia Pty Ltd
11 Greg Chappell Drive Burleigh Gardens Industrial Park Queensland
4220 Australia
(72) Name(s) of Designer(s): **Wayne Sully**
(45) Registration Date: **05 April 2012**
(56) Related Art Documents: **Not Applicable**
(57) Statement of Newness and Distinctiveness: **Nil**



(21) Design Number: **10804/2012**
(22) Date of Filing Application: **21 February 2012**
(24) Date from which industrial property rights may have effect: **21 February 2012**
(54) Product in respect of which the design is registered: **Denim jacket**
(51) International Design Classification: **02-02NES**
(74) Name(s) of Attorney(s):
(71) Name(s) and Address(s) of Applicant(s):
The Discovery Clothing Company Pty Ltd
10/26-34 Dunning Avenue Rosebery New South Wales 2018 Australia
(72) Name(s) of Designer(s): **Charlie Brown**
(45) Registration Date: **05 April 2012**
(56) Related Art Documents: **Not Applicable**
(57) Statement of Newness and Distinctiveness: **Nil**



(21) Design Number: **10799/2012**
(22) Date of Filing Application: **20 February 2012**
(24) Date from which industrial property rights may have effect: **20 February 2012**
(54) Product in respect of which the design is registered: **A shopping trolley**
(51) International Design Classification: **12-02**
(74) Name(s) of Attorney(s):
(71) Name(s) and Address(s) of Applicant(s):
QHDC Australia Pty Ltd
11 Greg Chappell Drive Burleigh Gardens Industrial Park Queensland
4220 Australia
(72) Name(s) of Designer(s): **Wayne Sully**
(45) Registration Date: **05 April 2012**
(56) Related Art Documents: **Not Applicable**
(57) Statement of Newness and Distinctiveness: **Nil**



(21) Design Number: **10771/2012**
(22) Date of Filing Application: **20 February 2012**
(24) Date from which industrial property rights may have effect: **20 February 2012**
(54) Product in respect of which the design is registered: **A shopping trolley**
(51) International Design Classification: **12-02**
(74) Name(s) of Attorney(s):
(71) Name(s) and Address(s) of Applicant(s):
QHDC Australia Pty Ltd
11 Greg Chappell Drive Burleigh Gardens Industrial Park Queensland
4220 Australia
(72) Name(s) of Designer(s): **Wayne Sully**
(45) Registration Date: **05 April 2012**
(56) Related Art Documents: **Not Applicable**
(57) Statement of Newness and Distinctiveness: **Nil**



(21) Design Number: **11140/2012**
(22) Date of Filing Application: **07 March 2012**
(24) Date from which industrial property rights may have effect: **07 March 2012**
(54) Product in respect of which the design is registered: **Bottle packaging**
(51) International Design Classification: **09-03C**
(74) Name(s) of Attorney(s): **Corrs Chambers Westgarth**
(71) Name(s) and Address(s) of Applicant(s):
Lacoste S.A.
8 Rue de Castiglione 75001 Paris France
(72) Name(s) of Designer(s): **Christophe Pillet**
(45) Registration Date: **05 April 2012**
(30) Convention priority data:
(31) Number (32) Date (33) Country
001999-426-0001 28 Feb 2012 EUROPEAN COMMUNITY
(56) Related Art Documents: **Not Applicable**
(57) Statement of Newness and Distinctiveness: **Nil**



(21) Design Number: **11139/2012**
(22) Date of Filing Application: **07 March 2012**
(24) Date from which industrial property rights may have effect: **07 March 2012**
(54) Product in respect of which the design is registered: **Bottle**
(51) International Design Classification: **09-01G**
(74) Name(s) of Attorney(s): **Corrs Chambers Westgarth**
(71) Name(s) and Address(s) of Applicant(s):
Lacoste S.A.
8 Rue de Castiglione 75001 Paris France
(72) Name(s) of Designer(s): **Christophe Pillet**
(45) Registration Date: **05 April 2012**
(30) Convention priority data:
(31) Number (32) Date (33) Country
001935289-0001 20 Oct 2011 EUROPEAN COMMUNITY
(56) Related Art Documents: **Not Applicable**
(57) Statement of Newness and Distinctiveness: **Nil**



- (21) Design Number: **10923/2012**
(22) Date of Filing Application: **28 February 2012**
(24) Date from which industrial property rights may have effect: **28 February 2012**
(54) Product in respect of which the design is registered: **Sole of a shoe**
(51) International Design Classification: **02-04B**
(74) Name(s) of Attorney(s): **FB Rice**
(71) Name(s) and Address(s) of Applicant(s):
Vibram S.P.A.
Via Cristoforo Colombo 5 I-21041 Albizzate (Varese) Italy
(72) Name(s) of Designer(s): **Marco Bramani and Robert Fliri**
(45) Registration Date: **05 April 2012**
(30) Convention priority data:
(31) Number (32) Date (33) Country
001913930 07 Sep 2011 EUROPEAN COMMUNITY
(56) Related Art Documents: **Not Applicable**
(57) Statement of Newness and Distinctiveness: **Newness and distinctiveness reside in the features of the design as shown in the representations.**



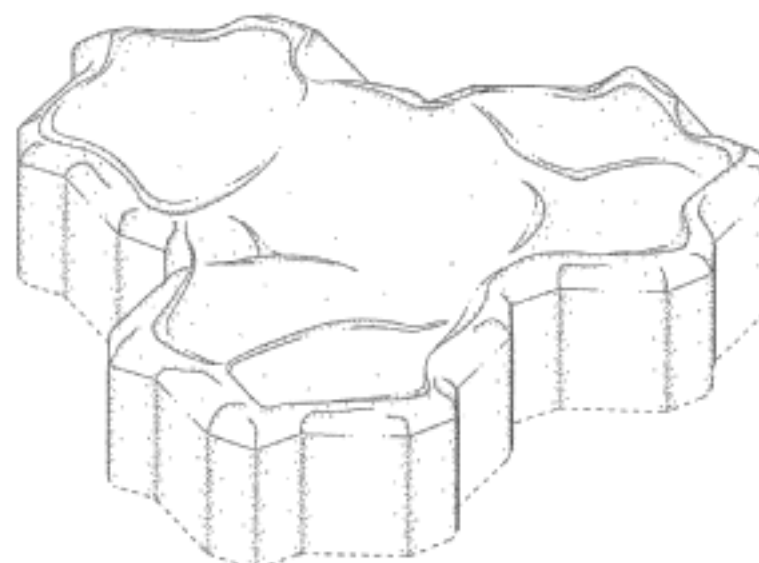
- (21) Design Number: **11090/2012**
(22) Date of Filing Application: **06 March 2012**
(24) Date from which industrial property rights may have effect: **06 March 2012**
(54) Product in respect of which the design is registered: **Rubbish bin enclosure/shell**
(51) International Design Classification: **09-09**
(74) Name(s) of Attorney(s):
(71) Name(s) and Address(s) of Applicant(s):
Glenorchy City Council
374 Main Road Glenorchy Tasmania 7010 Australia
(72) Name(s) of Designer(s): **Simon John Williams**
(45) Registration Date: **05 April 2012**
(56) Related Art Documents: **Not Applicable**
(57) Statement of Newness and Distinctiveness: **Newness and distinctiveness is claimed in the shape and configuration of the bin enclosure, particularly in relation to the location and relative size of the opening, location of the lock and location of the hinges as illustrated in the accompanying drawings. No newness and distinctiveness is claimed in respect of the pattern and ornamentation comprising the logos or in the removable hamper which is shown for information only.**



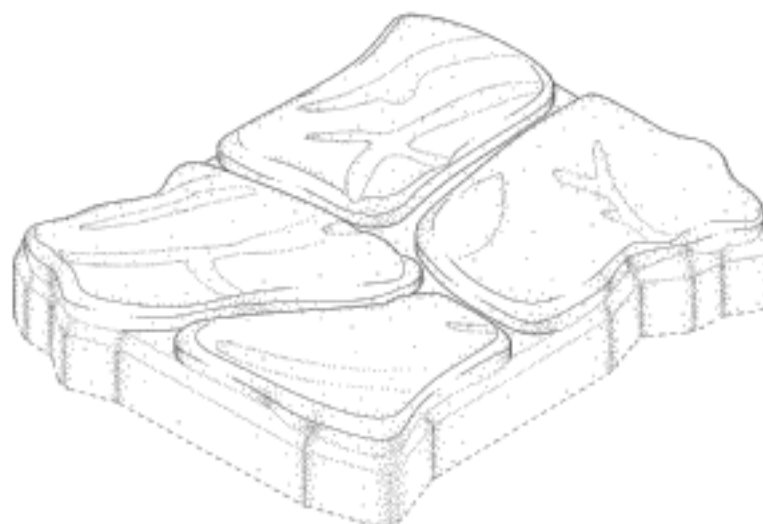
(21) Design Number: **10113/2012**
(22) Date of Filing Application: **12 January 2012**
(24) Date from which industrial property rights may have effect: **12 January 2012**
(54) Product in respect of which the design is registered: **Telephone comprising a base component and a handset component**
(51) International Design Classification: **14-03E**
(74) Name(s) of Attorney(s): **Knightsbridge Patent Attorneys**
(71) Name(s) and Address(s) of Applicant(s):
Binatone Telecom plc
1 Apsley Way London NW2 7HF United Kingdom
(72) Name(s) of Designer(s): **Sebastien Sauvage**
(45) Registration Date: **05 April 2012**
(30) Convention priority data:
(31) Number (32) Date (33) Country
001893744-001 20 Jul 2011 EUROPEAN COMMUNITY
(56) Related Art Documents: **Not Applicable**
(57) Statement of Newness and Distinctiveness: **The Applicant claims that newness and distinctiveness reside in the features of shape and configuration of a telephone comprising, in combination, a base component and a handset component, as shown in the accompanying drawings.**



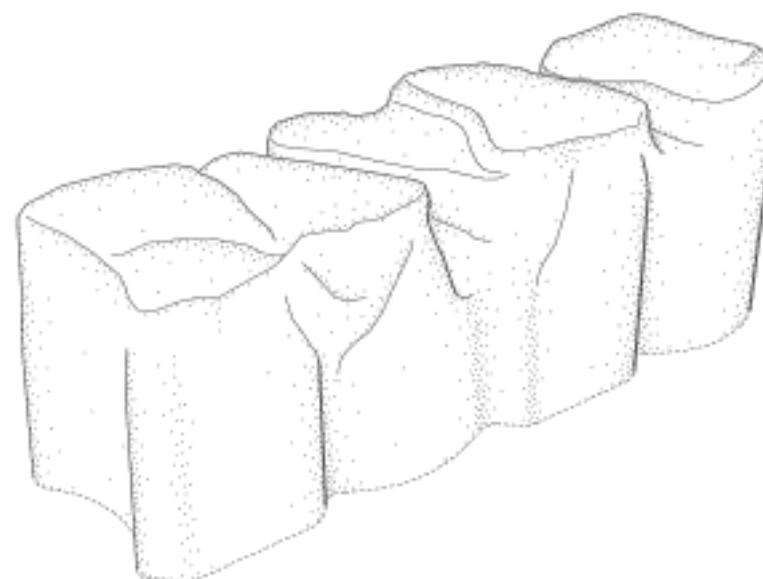
(21) Design Number: **11135/2012**
(22) Date of Filing Application: **07 March 2012**
(24) Date from which industrial property rights may have effect: **07 March 2012**
(54) Product in respect of which the design is registered: **Paver**
(51) International Design Classification: **25-01A**
(74) Name(s) of Attorney(s): **MIDDLETONS**
(71) Name(s) and Address(s) of Applicant(s):
Keystone Retaining Wall Systems LLC
4444 West 78th Street Minneapolis Minnesota 55435 United States of America
(72) Name(s) of Designer(s): **Thomas S. Riccobene**
(45) Registration Date: **05 April 2012**
(30) Convention priority data:
(31) Number (32) Date (33) Country
29401210 08 Sep 2011 UNITED STATES OF AMERICA
(56) Related Art Documents: **Not Applicable**
(57) Statement of Newness and Distinctiveness: **Nil**



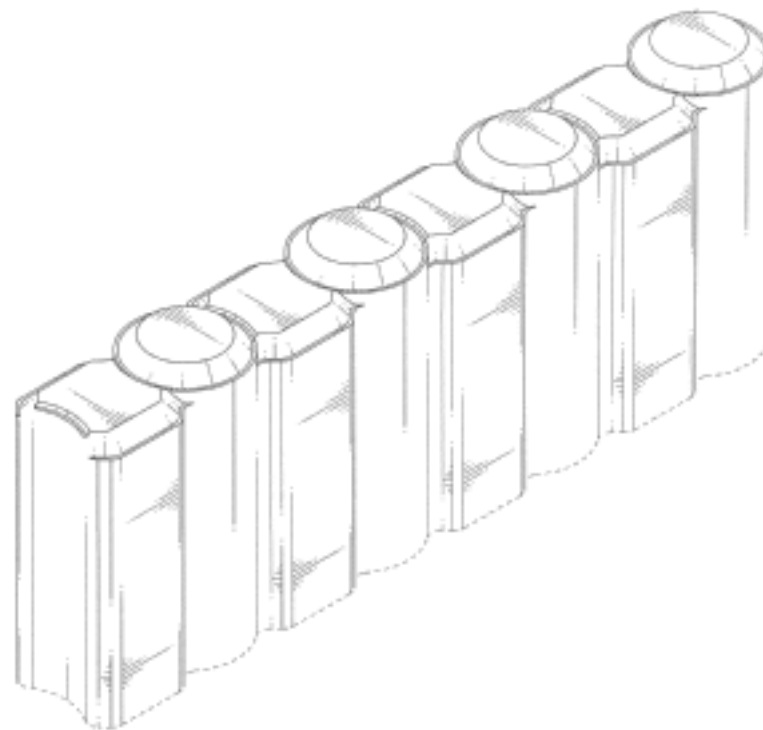
(21) Design Number: **11136/2012**
(22) Date of Filing Application: **07 March 2012**
(24) Date from which industrial property rights may have effect: **07 March 2012**
(54) Product in respect of which the design is registered: **Patio stone**
(51) International Design Classification: **25-01A**
(74) Name(s) of Attorney(s): **MIDDLETONS**
(71) Name(s) and Address(s) of Applicant(s):
Keystone Retaining Wall Systems LLC
4444 West 78th Street Minneapolis Minnesota 55435 United States of America
(72) Name(s) of Designer(s): **Thomas S. Riccobene**
(45) Registration Date: **05 April 2012**
(30) Convention priority data:
(31) Number (32) Date (33) Country
29401904 16 Sep 2011 UNITED STATES OF AMERICA
(56) Related Art Documents: **Not Applicable**
(57) Statement of Newness and Distinctiveness: **Nil**



(21) Design Number: **11137/2012**
(22) Date of Filing Application: **07 March 2012**
(24) Date from which industrial property rights may have effect: **07 March 2012**
(54) Product in respect of which the design is registered: **Landscape edger**
(51) International Design Classification: **25-01E**
(74) Name(s) of Attorney(s): **MIDDLETONS**
(71) Name(s) and Address(s) of Applicant(s):
Keystone Retaining Wall Systems LLC
4444 West 78th Street Minneapolis Minnesota 55435 United States of America
(72) Name(s) of Designer(s): **Thomas S. Riccobene**
(45) Registration Date: **05 April 2012**
(30) Convention priority data:
(31) Number (32) Date (33) Country
29401166 08 Sep 2011 UNITED STATES OF AMERICA
(56) Related Art Documents: **Not Applicable**
(57) Statement of Newness and Distinctiveness: **Nil**



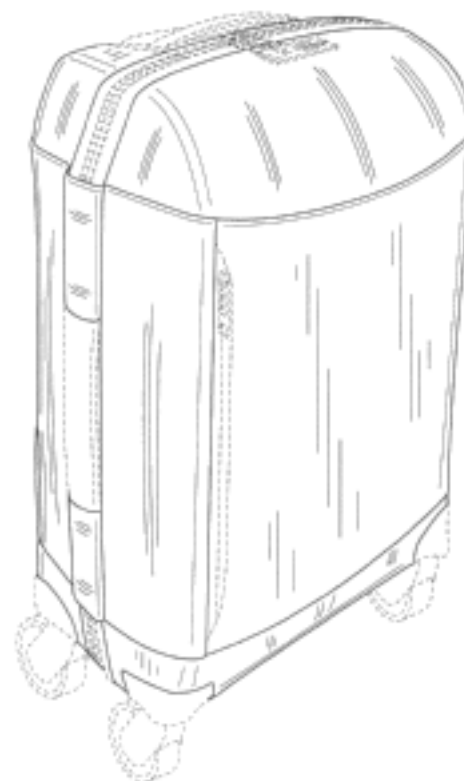
(21) Design Number: **11138/2012**
 (22) Date of Filing Application: **07 March 2012**
 (24) Date from which industrial property rights may have effect: **07 March 2012**
 (54) Product in respect of which the design is registered: **Landscape edger**
 (51) International Design Classification: **25-01E**
 (74) Name(s) of Attorney(s): **MIDDLETONS**
 (71) Name(s) and Address(s) of Applicant(s):
Keystone Retaining Wall Systems LLC
4444 West 78th Street Minneapolis Minnesota 55435 United States of America
 (72) Name(s) of Designer(s): **Thomas S. Riccobene**
 (45) Registration Date: **05 April 2012**
 (30) Convention priority data:
 (31) Number (32) Date (33) Country
29401164 08 Sep 2011 UNITED STATES OF AMERICA
 (56) Related Art Documents: **Not Applicable**
 (57) Statement of Newness and Distinctiveness: **Nil**



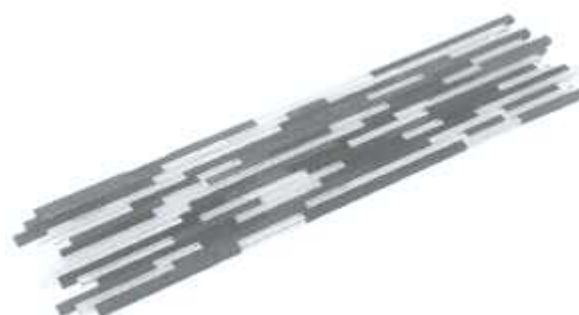
(21) Design Number: **11145/2012**
 (22) Date of Filing Application: **07 March 2012**
 (24) Date from which industrial property rights may have effect: **07 March 2012**
 (54) Product in respect of which the design is registered: **A bottle**
 (51) International Design Classification: **09-01H**
 (74) Name(s) of Attorney(s): **Griffith Hack**
 (71) Name(s) and Address(s) of Applicant(s):
Amcor Limited
109 Burwood Road Hawthorn Victoria 3122 Australia
 (72) Name(s) of Designer(s): **Steve Allitt**
 (45) Registration Date: **05 April 2012**
 (56) Related Art Documents: **Not Applicable**
 (57) Statement of Newness and Distinctiveness: **The shape, configuration and ornamentation of those parts of the PRODUCT shown in solid lines is new and distinctive.**



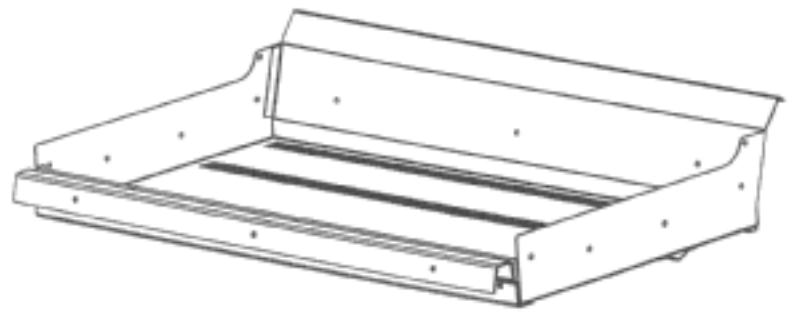
- (21) Design Number: **11146/2012**
(22) Date of Filing Application: **07 March 2012**
(24) Date from which industrial property rights may have effect: **07 March 2012**
(54) Product in respect of which the design is registered: **Luggage**
(51) International Design Classification: **03-01A**
(74) Name(s) of Attorney(s): **Griffith Hack**
(71) Name(s) and Address(s) of Applicant(s):
Samsonite IP Holdings S.a.r.l.
13-15 Avenue de la Liberte Luxembourg L-1931 Luxembourg
(72) Name(s) of Designer(s): **Koert Van Overbeke**
(45) Registration Date: **05 April 2012**
(30) Convention priority data:
(31) Number (32) Date (33) Country
001915059-0001 09 Sep 2011 EUROPEAN COMMUNITY
(56) Related Art Documents: **Not Applicable**
(57) Statement of Newness and Distinctiveness: **Newness and Distinctiveness resides in the shape and configuration of the product as represented by the solid lines in the drawings.**



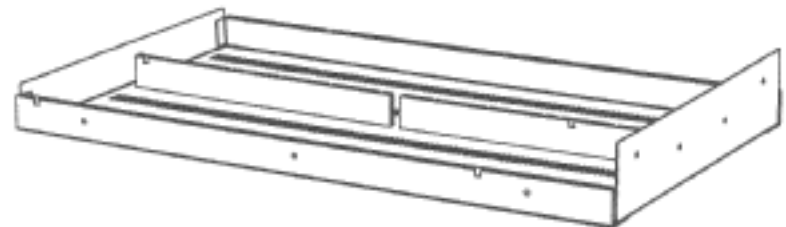
- (21) Design Number: **11149/2012**
(22) Date of Filing Application: **08 March 2012**
(24) Date from which industrial property rights may have effect: **08 March 2012**
(54) Product in respect of which the design is registered: **Tesserae**
(51) International Design Classification: **25-01F**
(74) Name(s) of Attorney(s): **Allens Arthur Robinson**
(71) Name(s) and Address(s) of Applicant(s):
Everstone International Pty Limited
20 Princes Road East Auburn New South Wales 2144 Australia
(72) Name(s) of Designer(s): **John Zeng**
(45) Registration Date: **05 April 2012**
(56) Related Art Documents: **Not Applicable**
(57) Statement of Newness and Distinctiveness: **Newness and Distinctiveness is claimed in the shape and configuration of a sheet of the tesserae shown in the attached representations, wherein the tesserae is an arrangement of a plurality of stone tiles having a rough face, a plurality of stone tiles having a smooth face, and a plurality of glass tiles, and the tesserae shown typically repeats when installed, in both lateral and longitudinal directions.**



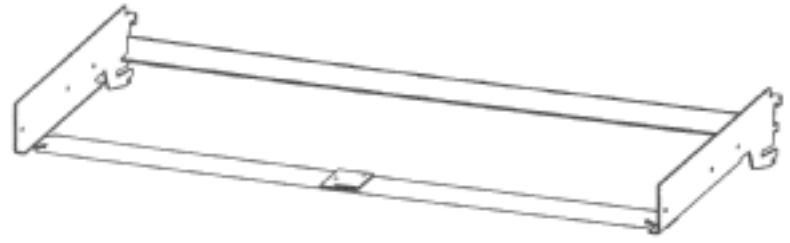
- (21) Design Number: **11150/2012**
(22) Date of Filing Application: **08 March 2012**
(24) Date from which industrial property rights may have effect: **08 March 2012**
(54) Product in respect of which the design is registered: **Shelving**
(51) International Design Classification: **06-04NES**
(74) Name(s) of Attorney(s):
(71) Name(s) and Address(s) of Applicant(s):
Checkmate International Pty Ltd
1/13 Network Drive Carrum Downs Victoria 3201 Australia
(72) Name(s) of Designer(s): **John Leahy**
(45) Registration Date: **05 April 2012**
(56) Related Art Documents: **Not Applicable**
(57) Statement of Newness and Distinctiveness: **Monopoly is claimed in the features of shape or configuration of the drawer with high back as illustrated in the presentations.**



- (21) Design Number: **11151/2012**
(22) Date of Filing Application: **08 March 2012**
(24) Date from which industrial property rights may have effect: **08 March 2012**
(54) Product in respect of which the design is registered: **Shelving**
(51) International Design Classification: **06-04NES**
(74) Name(s) of Attorney(s):
(71) Name(s) and Address(s) of Applicant(s):
Checkmate International Pty Ltd
1/13 Network Drive Carrum Downs Victoria 3201 Australia
(72) Name(s) of Designer(s): **John Leahy**
(45) Registration Date: **05 April 2012**
(56) Related Art Documents: **Not Applicable**
(57) Statement of Newness and Distinctiveness: **Monopoly is claimed in the features of shape or configuration of the drawer with compartments as illustrated in the presentations.**



- (21) Design Number: **11152/2012**
(22) Date of Filing Application: **08 March 2012**
(24) Date from which industrial property rights may have effect: **08 March 2012**
(54) Product in respect of which the design is registered: **Shelving**
(51) International Design Classification: **06-04NES**
(74) Name(s) of Attorney(s):
(71) Name(s) and Address(s) of Applicant(s):
Checkmate International Pty Ltd
1/13 Network Drive Carrum Downs Victoria 3201 Australia
(72) Name(s) of Designer(s): **John Leahy**
(45) Registration Date: **05 April 2012**
(56) Related Art Documents: **Not Applicable**
(57) Statement of Newness and Distinctiveness: **Monopoly is claimed in the features of shape or configuration of the bracketframe with front slot as illustrated in the presentations.**



- (21) Design Number: **11153/2012**
(22) Date of Filing Application: **08 March 2012**
(24) Date from which industrial property rights may have effect: **08 March 2012**
(54) Product in respect of which the design is registered: **Shelving**
(51) International Design Classification: **06-04NES**
(74) Name(s) of Attorney(s):
(71) Name(s) and Address(s) of Applicant(s):
Checkmate International Pty Ltd
1/13 Network Drive Carrum Downs Victoria 3201 Australia
(72) Name(s) of Designer(s): **John Leahy**
(45) Registration Date: **05 April 2012**
(56) Related Art Documents: **Not Applicable**
(57) Statement of Newness and Distinctiveness: **Monopoly is claimed in the features of shape or configuration of the shelf frame with three sides as illustrated in the presentations.**



- (21) Design Number: **11154/2012**
(22) Date of Filing Application: **08 March 2012**
(24) Date from which industrial property rights may have effect: **08 March 2012**
(54) Product in respect of which the design is registered: **Shelving**
(51) International Design Classification: **06-04NES**
(74) Name(s) of Attorney(s):
(71) Name(s) and Address(s) of Applicant(s):
Checkmate International Pty Ltd
1/13 Network Drive Carrum Downs Victoria 3201 Australia
(72) Name(s) of Designer(s): **John Leahy**
(45) Registration Date: **05 April 2012**
(56) Related Art Documents: **Not Applicable**
(57) Statement of Newness and Distinctiveness: **Monopoly is claimed in the features of shape or configuration of the shelf frame with parralel slots as illustrated in the presentations.**



- (21) Design Number: **14450/2011**
(22) Date of Filing Application: **30 September 2011**
(24) Date from which industrial property rights may have effect: **30 September 2011**
(54) Product in respect of which the design is registered: **Dress**
(51) International Design Classification: **02-02C**
(74) Name(s) of Attorney(s): **Davies Collison Cave**
(71) Name(s) and Address(s) of Applicant(s):
Alive Girl Pty Ltd
125-135 Langridge Street Collingwood Victoria 3066 Australia
AG (Syd) Fashion Pty Ltd
125-135 Langridge Street Collingwood Victoria 3066 Australia
(72) Name(s) of Designer(s): **Vanessa Kortlang**
(45) Registration Date: **05 April 2012**
(56) Related Art Documents: **Not Applicable**
(57) Statement of Newness and Distinctiveness: **Newness and distinctiveness is claimed in the shape and configuration of the dress shown in the representations.**



- (21) Design Number: **11649/2012**
(22) Date of Filing Application: **30 September 2011**
(24) Date from which industrial property rights may have effect: **30 September 2011**
(54) Product in respect of which the design is registered: **Dress**
(51) International Design Classification: **02-02C**
(74) Name(s) of Attorney(s): **Davies Collison Cave**
(71) Name(s) and Address(s) of Applicant(s):
Alive Girl Pty Ltd
125-135 Langridge Street Collingwood Victoria 3066 Australia
AG (Syd) Fashion Pty Ltd
125-135 Langridge Street Collingwood Victoria 3066 Australia
(72) Name(s) of Designer(s): **Vanessa Kortlang**
(45) Registration Date: **05 April 2012**
(62) Divisional of: **341807**
(56) Related Art Documents: **Not Applicable**
(57) Statement of Newness and Distinctiveness: **Newness and distinctiveness is claimed in the shape and configuration of the top shown in the representations.**



- (21) Design Number: **10320/2012**
(22) Date of Filing Application: **24 January 2012**
(24) Date from which industrial property rights may have effect: **24 January 2012**
(54) Product in respect of which the design is registered: **Cup**
(51) International Design Classification: **07-01D**
(74) Name(s) of Attorney(s): **WATERMARK PATENT AND TRADE MARKS ATTORNEYS**
(71) Name(s) and Address(s) of Applicant(s):
Alto Manufacturing Pty Ltd
225 Wellington Road Mulgrave Victoria 3170 Australia
(72) Name(s) of Designer(s): **Ian Janetzki and Chris White**
(45) Registration Date: **05 April 2012**
(56) Related Art Documents: **Not Applicable**
(57) Statement of Newness and Distinctiveness: **Newness and distinctiveness is claimed in the features of shape and/or configuration of a cup, closure and seal assembly as illustrated in the accompanying representations, however, the hatching shown on the seal should not be taken as limiting to a seal with hatching but is only to aid viewing of the seal in the representations.**



- (21) Design Number: **10321/2012**
(22) Date of Filing Application: **24 January 2012**
(24) Date from which industrial property rights may have effect: **24 January 2012**
(54) Product in respect of which the design is registered: **Cup**
(51) International Design Classification: **07-01D**
(74) Name(s) of Attorney(s): **WATERMARK PATENT AND TRADE MARKS ATTORNEYS**
(71) Name(s) and Address(s) of Applicant(s):
Alto Manufacturing Pty Ltd
225 Wellington Road Mulgrave Victoria 3170 Australia
(72) Name(s) of Designer(s): **Ian Janetzki and Chris White**
(45) Registration Date: **05 April 2012**
(56) Related Art Documents: **Not Applicable**
(57) Statement of Newness and Distinctiveness: **Newness and distinctiveness is claimed in the features of shape and/or configuration of a cup, closure and seal assembly as illustrated in the accompanying representations, however, the hatching shown on the seal should not be taken as limiting to a seal with hatching but is only to aid viewing of the seal in the representations.**



- (21) Design Number: **10426/2012**
(22) Date of Filing Application: **31 January 2012**
(24) Date from which industrial property rights may have effect: **31 January 2012**
(54) Product in respect of which the design is registered: **Footwear**
(51) International Design Classification: **02-04A**
(74) Name(s) of Attorney(s): **FB Rice**
(71) Name(s) and Address(s) of Applicant(s):
Deckers Outdoor Corporation
495-A South Fairview Avenue Goleta California 93117 United States of America
(72) Name(s) of Designer(s): **Alexandre Mentha**
(45) Registration Date: **05 April 2012**
(30) Convention priority data:
(31) Number (32) Date (33) Country
29/405786 07 Nov 2011 UNITED STATES OF AMERICA
(56) Related Art Documents: **Not Applicable**
(57) Statement of Newness and Distinctiveness: **Newness and distinctiveness reside in the features of shape and configuration of the design on the whole shown in solid lines in the representations excluding those features shown in broken lines. The upper and outsole of the boot shown in broken lines are not features of the design. The design is a heel portion of the upper, and a peripheral portion of the upper that is adjacent to the outsole.**



(21) Design Number: **11561/2012**
(22) Date of Filing Application: **31 January 2012**
(24) Date from which industrial property rights may have effect: **31 January 2012**
(54) Product in respect of which the design is registered: **Footwear**
(51) International Design Classification: **02-04A**
(74) Name(s) of Attorney(s): **FB Rice**
(71) Name(s) and Address(s) of Applicant(s):
Deckers Outdoor Corporation
495-A South Fairview Avenue Goleta California 93117 United States of America
(72) Name(s) of Designer(s): **Alexandre Mentha**
(45) Registration Date: **05 April 2012**
(30) Convention priority data:
(31) Number (32) Date (33) Country
29/405786 07 Nov 2011 UNITED STATES OF AMERICA
(62) Divisional of: **341811**
(56) Related Art Documents: **Not Applicable**
(57) Statement of Newness and Distinctiveness: **Newness and distinctiveness reside in the features of the design shown in solid lines in the representations excluding those features shown in broken lines.**



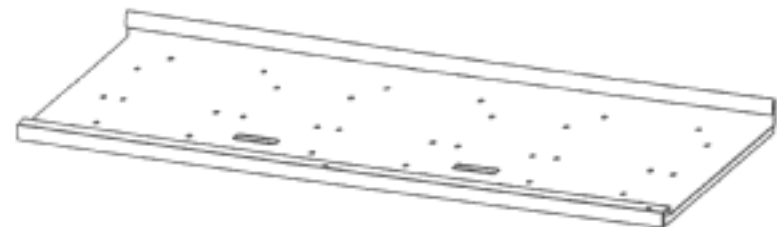
(21) Design Number: **11562/2012**
(22) Date of Filing Application: **31 January 2012**
(24) Date from which industrial property rights may have effect: **31 January 2012**
(54) Product in respect of which the design is registered: **Footwear**
(51) International Design Classification: **02-04A**
(74) Name(s) of Attorney(s): **FB Rice**
(71) Name(s) and Address(s) of Applicant(s):
Deckers Outdoor Corporation
495-A South Fairview Avenue Goleta California 93117 United States of America
(72) Name(s) of Designer(s): **Alexandre Mentha**
(45) Registration Date: **05 April 2012**
(30) Convention priority data:
(31) Number (32) Date (33) Country
29/405786 07 Nov 2011 UNITED STATES OF AMERICA
(62) Divisional of: **341811**
(56) Related Art Documents: **Not Applicable**
(57) Statement of Newness and Distinctiveness: **Newness and distinctiveness reside in the features of the design shown in solid lines in the representations excluding those features shown in broken lines.**



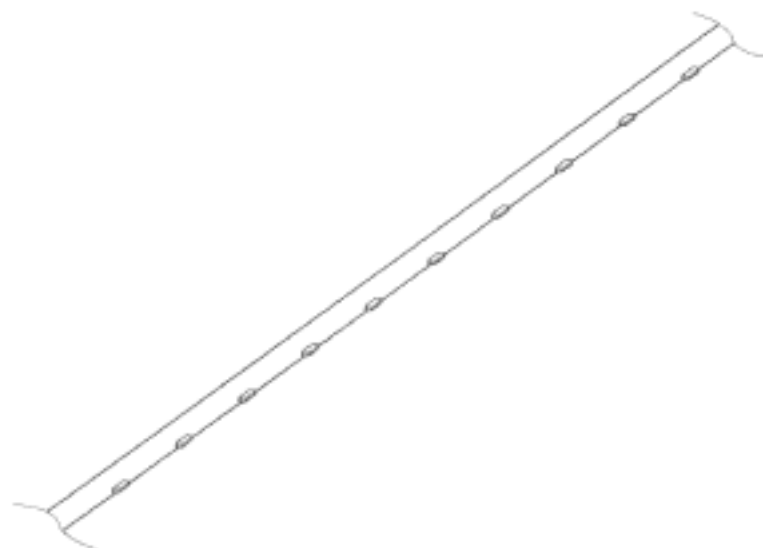
- (21) Design Number: **10762/2012**
(22) Date of Filing Application: **20 February 2012**
(24) Date from which industrial property rights may have effect: **20 February 2012**
(54) Product in respect of which the design is registered: **A shopping trolley**
(51) International Design Classification: **12-02**
(74) Name(s) of Attorney(s):
(71) Name(s) and Address(s) of Applicant(s):
QHDC Australia Pty Ltd
11 Greg Chappell Drive Burleigh Gardens Industrial Park Queensland
4220 Australia
(72) Name(s) of Designer(s): **Wayne Sully**
(45) Registration Date: **10 April 2012**
(56) Related Art Documents: **Not Applicable**
(57) Statement of Newness and Distinctiveness: **Nil**



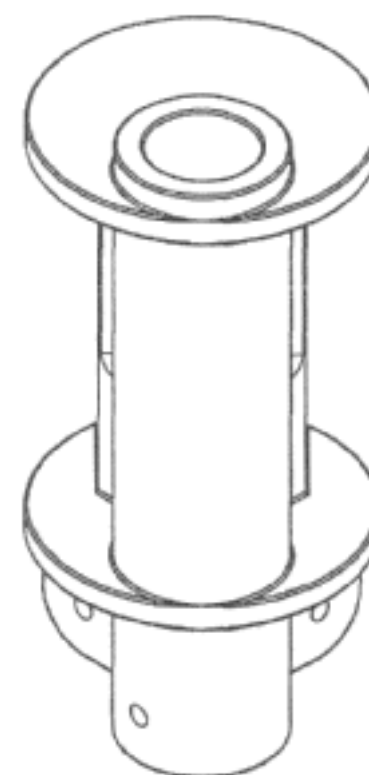
- (21) Design Number: **11155/2012**
(22) Date of Filing Application: **08 March 2012**
(24) Date from which industrial property rights may have effect: **08 March 2012**
(54) Product in respect of which the design is registered: **Shelving**
(51) International Design Classification: **06-04NES**
(74) Name(s) of Attorney(s):
(71) Name(s) and Address(s) of Applicant(s):
Checkmate International Pty Ltd
1/13 Network Drive Carrum Downs Victoria 3201 Australia
(72) Name(s) of Designer(s): **John Leahy**
(45) Registration Date: **10 April 2012**
(56) Related Art Documents: **Not Applicable**
(57) Statement of Newness and Distinctiveness: **Monopoly is claimed in the features of shape or configuration of the shelf frame with front channel as illustrated in the presentations.**



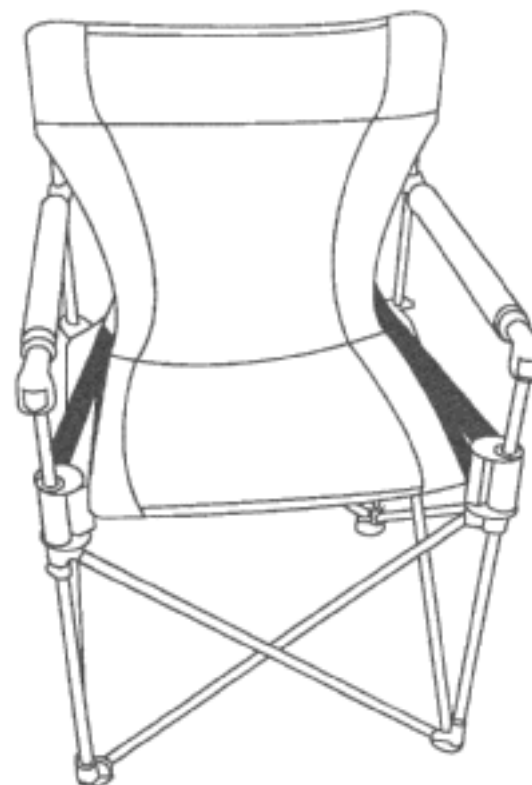
- (21) Design Number: **11156/2012**
(22) Date of Filing Application: **08 March 2012**
(24) Date from which industrial property rights may have effect: **08 March 2012**
(54) Product in respect of which the design is registered: **Concrete reinforcing rod**
(51) International Design Classification: **25-01B**
(74) Name(s) of Attorney(s): **Collison & Co**
(71) Name(s) and Address(s) of Applicant(s):
Charlie Martelli
73 Florence Terrace Rosewater South Australia 5013 Australia
(72) Name(s) of Designer(s): **Charlie Martelli**
(45) Registration Date: **10 April 2012**
(56) Related Art Documents: **Not Applicable**
(57) Statement of Newness and Distinctiveness: **Newness and distinctiveness resides in the shape and/or configuration of the concrete reinforcing rod as illustrated in the accompanying representations.**



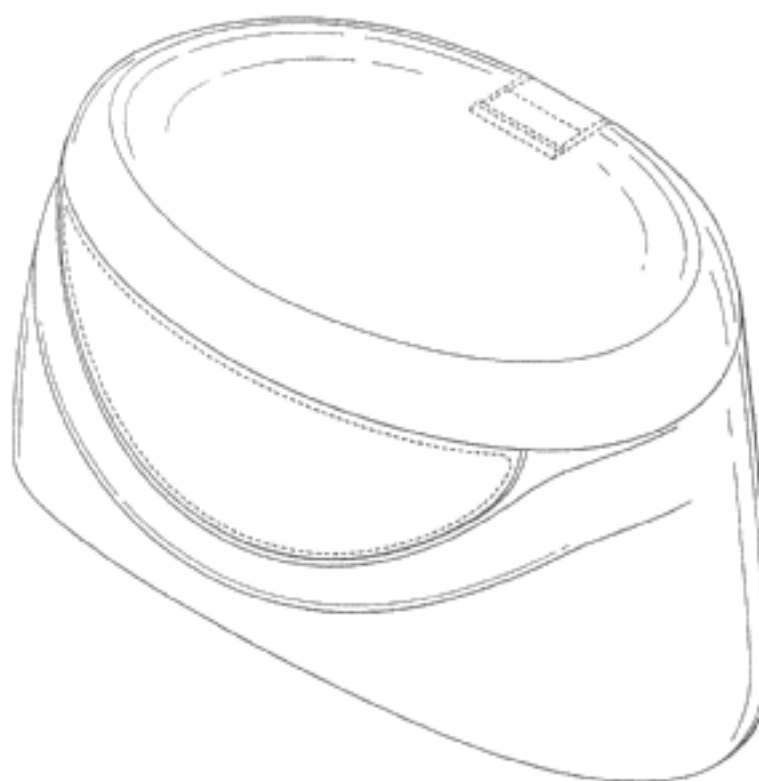
- (21) Design Number: **11157/2012**
(22) Date of Filing Application: **08 March 2012**
(24) Date from which industrial property rights may have effect: **08 March 2012**
(54) Product in respect of which the design is registered: **A slide**
(51) International Design Classification: **21-03**
(74) Name(s) of Attorney(s): **SPRUSON & FERGUSON**
(71) Name(s) and Address(s) of Applicant(s):
Oztent Australia Pty. Limited
1273 The Horsley Drive Wetherill Park New South Wales 2164 Australia
(72) Name(s) of Designer(s): **Chris Mercieca and Nyein Aung**
(45) Registration Date: **10 April 2012**
(56) Related Art Documents: **Not Applicable**
(57) Statement of Newness and Distinctiveness: **Newness and distinctiveness is claimed in the features of shape and/or configuration of a slide as illustrated in the accompanying representations.**



(21) Design Number: **11158/2012**
(22) Date of Filing Application: **08 March 2012**
(24) Date from which industrial property rights may have effect: **08 March 2012**
(54) Product in respect of which the design is registered: **A chair**
(51) International Design Classification: **06-01H**
(74) Name(s) of Attorney(s): **SPRUSON & FERGUSON**
(71) Name(s) and Address(s) of Applicant(s):
Oztent Australia Pty. Limited
1273 The Horsley Drive Wetherill Park New South Wales 2164 Australia
(72) Name(s) of Designer(s): **Chris Mercieca and Nyein Aung**
(45) Registration Date: **10 April 2012**
(56) Related Art Documents: **Not Applicable**
(57) Statement of Newness and Distinctiveness: **Newness and distinctiveness is claimed in those features of shape and/or configuration of a chair as illustrated in continuous lines in the accompanying representations.**



(21) Design Number: **11159/2012**
(22) Date of Filing Application: **08 March 2012**
(24) Date from which industrial property rights may have effect: **08 March 2012**
(54) Product in respect of which the design is registered: **Dispensing closure**
(51) International Design Classification: **09-07B**
(74) Name(s) of Attorney(s): **SPRUSON & FERGUSON**
(71) Name(s) and Address(s) of Applicant(s):
AptarGroup, Inc.
475 West Terra Cotta Suite E Crystal Lake Illinois 60014-9695 United States of America
(72) Name(s) of Designer(s): **Timothy M. Mazurkiewicz and Daniel Gotsmich**
(45) Registration Date: **10 April 2012**
(30) Convention priority data:
(31) Number (32) Date (33) Country
29/402663 26 Sep 2011 UNITED STATES OF AMERICA
(56) Related Art Documents: **Not Applicable**
(57) Statement of Newness and Distinctiveness: **Newness and distinctiveness is claimed in the following features of a dispensing closure illustrated in continuous lines in the accompanying representations: (1) With reference to Front View - the arcuate left and right sides, the arcuate bottom edge, and the arcuate band-like surface contour extending between the left and right sides; (2) With reference to Side View - the arcuate upper edge of the lid, the band-like surface contour extending upwardly from the left hand side, and the arcuate bottom edge; and (3) With reference to Rear View - the arcuate left and right sides, and the arcuate bottom edge.**



(21) Design Number: **11160/2012**
(22) Date of Filing Application: **08 March 2012**
(24) Date from which industrial property rights may have effect: **08 March 2012**
(54) Product in respect of which the design is registered: **Dispensing closure**
(51) International Design Classification: **09-07B**
(74) Name(s) of Attorney(s): **SPRUSON & FERGUSON**
(71) Name(s) and Address(s) of Applicant(s):
AptarGroup, Inc.
475 West Terra Cotta Suite E Crystal Lake Illinois 60014-9695 United States of America

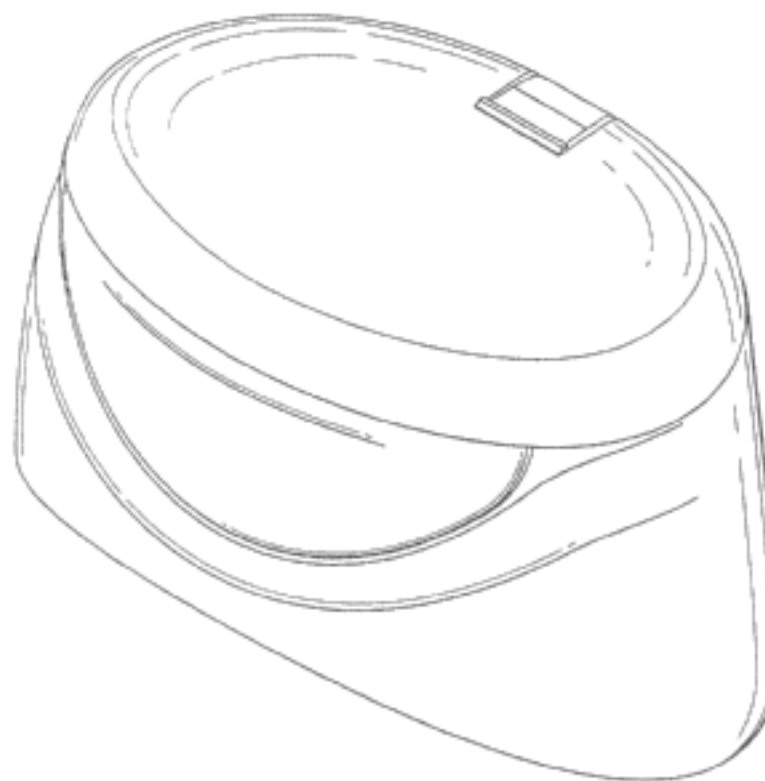
(72) Name(s) of Designer(s): **Timothy M. Mazurkiewicz and Daniel Gotsmich**
(45) Registration Date: **10 April 2012**

(30) Convention priority data:

(31) Number	(32) Date	(33) Country
29/402663	26 Sep 2011	UNITED STATES OF AMERICA

(56) Related Art Documents: **Not Applicable**

(57) Statement of Newness and Distinctiveness: **Newness and distinctiveness is claimed in the following features of a dispensing closure illustrated in the accompanying representations: (1) With reference to Front View - the arcuate left and right sides, the arcuate bottom edge, and the arcuate band-like surface contour extending between the left and right sides; (2) With reference to Side View - the arcuate upper edge of the lid, the band-like surface contour extending upwardly from the left hand side, and the arcuate bottom edge; and (3) With reference to Rear View - the arcuate left and right sides, and the arcuate bottom edge.**



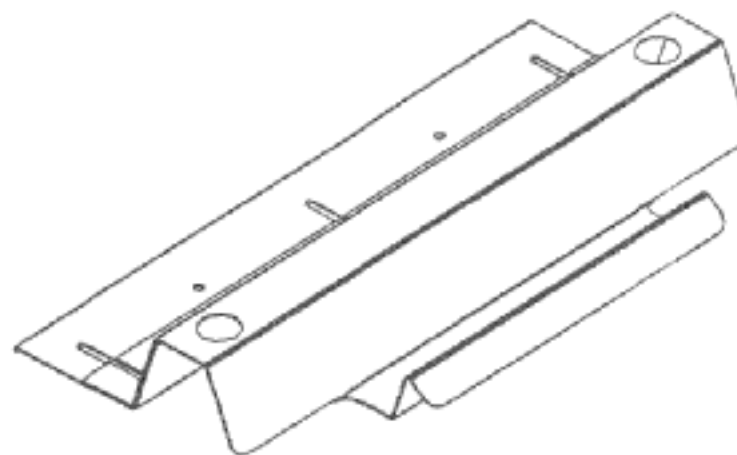
(21) Design Number: **11161/2012**
(22) Date of Filing Application: **08 March 2012**
(24) Date from which industrial property rights may have effect: **08 March 2012**
(54) Product in respect of which the design is registered: **A ladder support bracket**
(51) International Design Classification: **25-04**
(74) Name(s) of Attorney(s): **SPRUSON & FERGUSON**
(71) Name(s) and Address(s) of Applicant(s):
Andrew Pridham
40 Saggart Field Road Minto New South Wales 2566 Australia

(72) Name(s) of Designer(s): **Andrew Pridham**

(45) Registration Date: **10 April 2012**

(56) Related Art Documents: **Not Applicable**

(57) Statement of Newness and Distinctiveness: **Newness and distinctiveness is claimed in the features of shape and/or configuration of a ladder support bracket as illustrated in the accompanying representations.**



(21) Design Number: **11162/2012**

(22) Date of Filing Application: **08 March 2012**

(24) Date from which industrial property rights may have effect: **08 March 2012**

(54) Product in respect of which the design is registered: **A ladder support bracket**

(51) International Design Classification: **25-04**

(74) Name(s) of Attorney(s): **SPRUSON & FERGUSON**

(71) Name(s) and Address(s) of Applicant(s):

Andrew Pridham

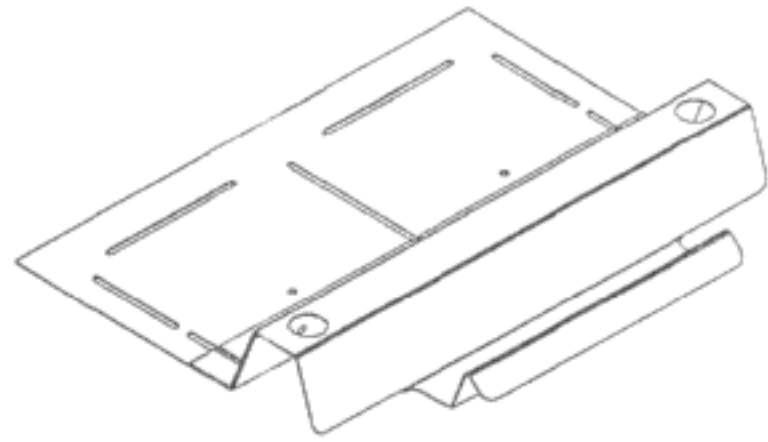
40 Saggart Field Road Minto New South Wales 2566 Australia

(72) Name(s) of Designer(s): **Andrew Pridham**

(45) Registration Date: **10 April 2012**

(56) Related Art Documents: **Not Applicable**

(57) Statement of Newness and Distinctiveness: **Newness and distinctiveness is claimed in the features of shape and/or configuration of a ladder support bracket as illustrated in the accompanying representations.**



(21) Design Number: **11164/2012**

(22) Date of Filing Application: **08 March 2012**

(24) Date from which industrial property rights may have effect: **08 March 2012**

(54) Product in respect of which the design is registered: **A ladder support bracket**

(51) International Design Classification: **25-04**

(74) Name(s) of Attorney(s): **SPRUSON & FERGUSON**

(71) Name(s) and Address(s) of Applicant(s):

Andrew Pridham

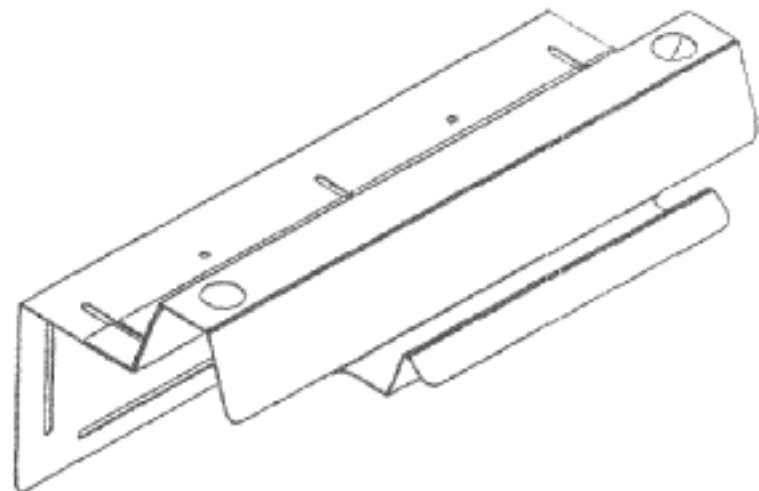
40 Saggart Field Road Minto New South Wales 2566 Australia

(72) Name(s) of Designer(s): **Andrew Pridham**

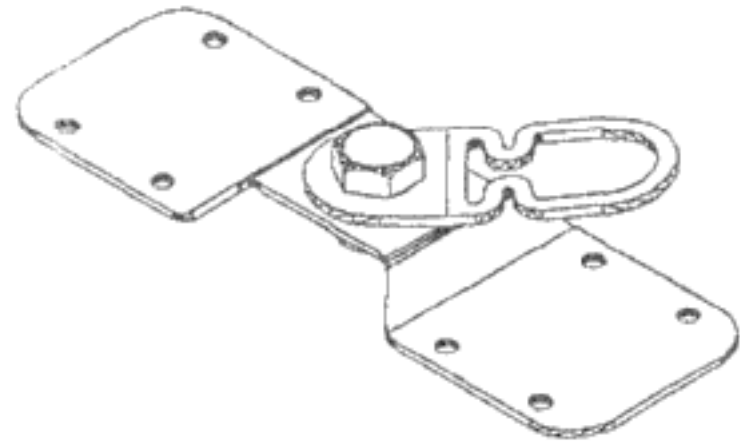
(45) Registration Date: **10 April 2012**

(56) Related Art Documents: **Not Applicable**

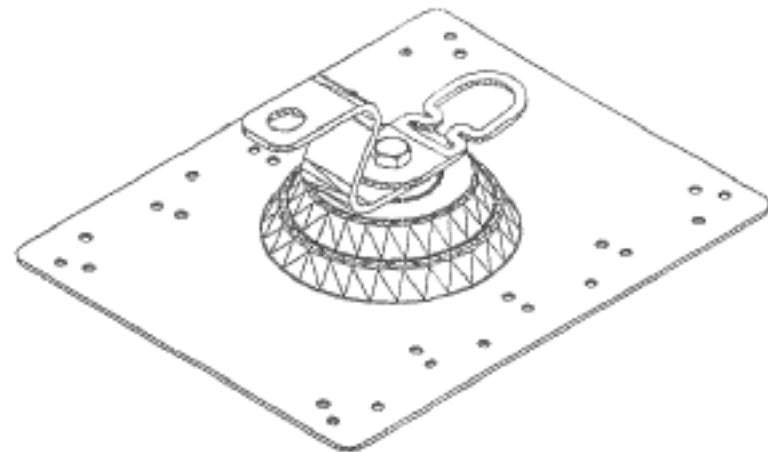
(57) Statement of Newness and Distinctiveness: **Newness and distinctiveness is claimed in the features of shape and/or configuration of a ladder support bracket as illustrated in the accompanying representations.**



- (21) Design Number: **11165/2012**
(22) Date of Filing Application: **08 March 2012**
(24) Date from which industrial property rights may have effect: **08 March 2012**
(54) Product in respect of which the design is registered: **A roof anchor**
(51) International Design Classification: **08-08NES**
(74) Name(s) of Attorney(s): **SPRUSON & FERGUSON**
(71) Name(s) and Address(s) of Applicant(s):
Andrew Pridham
40 Saggart Field Road Minto New South Wales 2566 Australia
(72) Name(s) of Designer(s): **Andrew Pridham**
(45) Registration Date: **10 April 2012**
(56) Related Art Documents: **Not Applicable**
(57) Statement of Newness and Distinctiveness: **Newness and distinctiveness is claimed in the features of shape and/or configuration of a roof anchor as illustrated in the accompanying representations.**



- (21) Design Number: **11166/2012**
(22) Date of Filing Application: **08 March 2012**
(24) Date from which industrial property rights may have effect: **08 March 2012**
(54) Product in respect of which the design is registered: **A roof anchor**
(51) International Design Classification: **08-08NES**
(74) Name(s) of Attorney(s): **SPRUSON & FERGUSON**
(71) Name(s) and Address(s) of Applicant(s):
Andrew Pridham
40 Saggart Field Road Minto New South Wales 2566 Australia
(72) Name(s) of Designer(s): **Andrew Pridham**
(45) Registration Date: **10 April 2012**
(56) Related Art Documents: **Not Applicable**
(57) Statement of Newness and Distinctiveness: **Newness and distinctiveness is claimed in the features of shape and/or configuration of a roof anchor as illustrated in the accompanying representations.**



- (21) Design Number: **11167/2012**
(22) Date of Filing Application: **08 March 2012**
(24) Date from which industrial property rights may have effect: **08 March 2012**
(54) Product in respect of which the design is registered: **A roof anchor**
(51) International Design Classification: **08-08NES**
(74) Name(s) of Attorney(s): **SPRUSON & FERGUSON**
(71) Name(s) and Address(s) of Applicant(s):
Andrew Pridham
40 Saggart Field Road Minto New South Wales 2566 Australia
(72) Name(s) of Designer(s): **Andrew Pridham**
(45) Registration Date: **10 April 2012**
(56) Related Art Documents: **Not Applicable**
(57) Statement of Newness and Distinctiveness: **Newness and distinctiveness is claimed in the features of shape and/or configuration of a roof anchor as illustrated in the accompanying representations.**

