



Australian Government

IP Australia

AUSTRALIAN OFFICIAL JOURNAL

OF

DESIGNS

Did you know a searchable version of this journal is now available online?

It's FREE and EASY to SEARCH.

Find it on our website (www.ipaustralia.gov.au)

by using the "Journals" link on the home page.

This Page Left Intentionally Blank

Contents

General Information & Notices

**Proceedings Under the Designs Act 1906 preserved as a result of the provisions of Chapter 12
Part 2 of the Designs Act 2003**

Extension of Period of Registration of Designs	1212
Registrations Ceased	1212
Subsequent Owners Registered	1212

Proceedings Under the Designs Act 2003

Applications Assigned	1225
Applications Lapsed	1223
Applications Lodged	1216
Applications Withdrawn	1223
Certificate of Examination	1227
Corrigenda	1226
Extension of Period of Registration of Design	1224
Extension of Time Granted Under Section 137	1225
Names Registered - Alterations and Amendments	1225
Publication and Registration Proceedings	
Designs Registered 342027 to 342434.....	1228
Registrations Ceased	1224
Subsequent Owners Registered	1225

This Page Left Intentionally Blank

For information on the following please see our website www.ipaustralia.gov.au or contact our Customer Service Network on 1300651010

[Editorial enquiries](#)

[Contact information](#)

[Freedom of Information ACT](#)

[Professional Standards Board](#)

[Sales](#)

[Requests for Information under Section 194 \(c\)](#)

[Country Codes](#)

[Trade Mark and Designs Hearing Sessions](#)

[INID \(Internationally agreed Numbers for the Identification of Data\)](#)

“INID” NUMBERS in use on Australian Design Documents

“INID” is an acronym for “Internationally agreed Numbers for the Identification of Data”.

(10) Data concerning the registration/renewal

- (11) Serial number of the registration and/or number of the design document
- (12) Plain language designation of the kind of published document
- (19) Identification, using the two-letter code according to WIPO Standard ST.3, of the authority publishing or registering the industrial design

(20) Data concerning the application

- (21) Serial number of the application
- (22) Date of filing of the application
- (24) Date from which the industrial design right has effect

(30) Data relating to priority under the Paris Convention

- (31) Serial number assigned to the priority application
- (32) Date of filing of the priority application
- (33) Two-letter code, according to WIPO Standard ST.3, identifying the authority with which the priority application was made

(40) Date(s) of making information available to the public

- (45) Date of publication of the registered industrial design by printing or similar process, or making it available to the public by any other means

(50) Miscellaneous Information

- (51) International Classification for Industrial Designs (class and subclass of the Locarno Classification)
- (54) Designation of article(s) or product(s) covered by the industrial design or title of the industrial design
- (55) Reproduction of the industrial design (e.g., drawing, photograph) and explanations relating to the reproduction
- (56) List of prior art documents, if separate from descriptive text
- (57) Description of characteristic features of the industrial design including indication of colours

(60) References to other legally related application(s) and registration(s)

- (62) Serial number(s) and, if available, filing date(s) of application(s), registration(s) or document(s) related by division
- (66) Serial number(s) of the application, or the registration, of the design(s) which is (are) a variant(s) of the present one

(70) Identification of parties concerned with the application or registration

- (71) Name(s) and address(es) of the applicant(s)
- (72) Name(s) of the creator(s) if known to be such
- (74) Name(s) and address(es) of the representative(s)

This Page Left Intentionally Blank

OFFICIAL NOTICE

Revocation of Secrecy

Details of the following designs applications filed under the provisions of Section 108 of the *Designs Act 2003*, wherein the provisions of this section have subsequently been revoked:

Design applications 15012/2012 & 10276/2012

Queries: Gary Flint
Trademarks and Designs Administration
+61 2 6283 2023

Contact: IP Australia
Phone: 1300 651 010
Fax: +61 2 6283 7999
E-mail: assist@ipaaustralia.gov.au
Web: www.ipaustralia.gov.au

Proceedings under the Designs Act 1906 preserved as a result of the provisions of Chapter 12 Part 2 of the Designs Act 2003.

This Page Left Intentionally Blank

Applications Lapsed

There were no Applications Lapsed under this section

Extension of Period of Registration of Designs

1st Period (Section 27A(8))

2nd Period (Section 27A(12))

3rd Period (Section 27A(13))

144170	144171	144199
144241	144550	145454
145640	145950	145951
145989	146022	146144
146197	146199	146293
146295	146340	146617
146842	146928	147165
147332	147516	147638
147698	147921	147924
147925	147926	148408
148589	148915	148920
148983	149290	149550
149551	149552	149575
149576	149577	149578
149579	149662	149918
150315	150409	152084

143816	143817	143818
143819	143820	143828
143934	143935	143995
144103	144104	144105
144159	144168	144413
144660	144766	144929
145027	145124	145180
145295	146281	147322
147654	147655	147656
147657	147741	147801
148009	148010	148011
148121	148487	148530
148699	148810	148936
148941	148942	149074
149081	150498	154373

Subsequent Owners Registered

(The name in parentheses is that of the subsequent owner)

156828	(Progressive Performance Technology LLC) Barbarian V8 Motorcycles Pty Ltd
--------	---

Registrations Ceased

Note: Some of the following Registrations may have been previously advertised as ceased. In this instance, the previous advertisement still prevails.

127908	128258	128271
128304	128322	128373
128374	128375	128376
128415	128416	128417
128419	128435	128436
128466	128467	128468
128471	128503	128504
128523	128542	128552
128554	128555	128558
128559	128560	128561
128631	128648	128667
128692	128706	128723
128724	128725	128745
128750	128774	128787
128801	128907	128922
129068	129413	129414
129553	129568	129633
129651	129697	129952
130034	130105	130484
130643	131557	132025
132247	132855	132856
142141	142369	142650

This Page Left Intentionally Blank

Proceedings under the Designs Act 2003.

This Page Left Intentionally Blank

Applications Lodged

Lodgement information is in the following order: **Applicant's Name**; International Classification, Name of Product, Lodgement Date and **Design Number**. If the applicant claims an earlier priority date under an International Convention, the Convention Country and the associated filing date are shown in parentheses before the Lodgement Date. Divisional information will also appear in parentheses before the Lodgement Date.

Absolut Holding Inc.; 09-01H, Malibu bottle, 27 Apr 2012	12073/2012	Ball Corporation; 09-07B, Vented container end closure, (US, 27 Oct 2011) 20 Apr 2012	11960/2012
Absolut Holding Inc.; 09-01H, Malibu bottle, 27 Apr 2012	12077/2012	Ball Corporation; 09-07B, Vented container end closure, (US, 27 Oct 2011) 20 Apr 2012	11958/2012
Absolut Holding Inc.; 09-01H, Malibu bottle, 27 Apr 2012	12075/2012	Bayer New Zealand Limited; 23-01NES, 30-99, Fluid dispenser, (NZ, 30 Nov 2011) 19 Apr 2012	11949/2012
Absolut Holding Inc.; 09-01H, Malibu bottle, 27 Apr 2012	12074/2012	Beba Enterprises Pty Ltd; 02-02NES, Articles of clothing, 20 Apr 2012	11972/2012
Adam, Greg; 23-01L, Gutter Outlet (POP), 19 Apr 2012	11941/2012	Becton, Dickinson and Company; 07-01F, Flask with off-center cap orientation, (US, 26 Oct 2011) 16 Apr 2012	11883/2012
Ager, Gavin; 12-02, 1. Outboard motor trolley 2. Hand manouvering trailer dolly, 3. General carry trolley 4. Tow out boat trailer dolly, 20 Apr 2012	11996/2012	Becton, Dickinson and Company; 07-01F, Rhombus shaped flask, (US, 26 Oct 2011) 16 Apr 2012	11882/2012
Anderton, Debra; 03-01NES, Mobile phone case, 20 Apr 2012	11961/2012	Becton, Dickinson and Company; 07-01F, Tilting flask, (US, 26 Oct 2011) 16 Apr 2012	11881/2012
Anderton, Debra; 03-01NES, Mobile phone case, 20 Apr 2012	11962/2012	Becton, Dickinson and Company; 07-01F, Diamond shaped flask, (US, 26 Oct 2011) 16 Apr 2012	11886/2012
Antelco Pty Ltd; 23-01K, Irrigation valve box, 18 Apr 2012	11932/2012	Becton, Dickinson and Company; 07-01F, Octagon shaped flask, (US, 26 Oct 2011) 16 Apr 2012	11884/2012
Arnold, Brian Keith; 02-02NES, T-shirt, 22 Apr 2012	11752/2012	Becton, Dickinson and Company; 07-01F, Canteen shaped flask, (US, 26 Oct 2011) 16 Apr 2012	11885/2012
Arnold, Brian Keith; 02-02NES, T-shirt, 22 Apr 2012	11753/2012	Bevco; 09-07C, Sports drink cap, 20 Apr 2012	11987/2012
Ashcroft, Danielle; 20-02C, 09-03B, Container for garment display and storage, 30 Apr 2012	12083/2012	Biegert & Funk Product GmbH & Co.,KG; 10-02, Watch, (EM, 20 Oct 2011) 18 Apr 2012	11920/2012
Astra Tech AB; 24-03, Dental implant, (EM, 14 Sep 2011) 28 Feb 2012	12020/2012	Biggs, Peter Edward; 22-03, Explosive booster, 08 Nov 2011	15012/2011
Aucone, Anthony; 08-08C, A clip for holding the LED batten to the ceiling, 26 Apr 2012	12057/2012	Bokela Ingenieurgesellschaft fuer mechanische Verfahrenstechnik mbH; 23-01G, Filters, (EM, 28 Nov 2011) 18 Apr 2012	11931/2012
Australian Sciences; 03-01NES, Electronic device cover, 02 May 2012	12144/2012	Brabeck, Teresa Jane; 30-01, Horse Leggings, 26 Apr 2012	12022/2012
Australian Sciences; 03-01NES, Electronic device cover, 02 May 2012	12143/2012	Brackley, Paul; 24-04, Sports medical hot cold compress with tieable wrap, 18 Apr 2012	11988/2012
AMSA, Inc.; 12-02, Cart, (US, 03 Apr 2012) 17 Apr 2012	11904/2012	Bravilor Holding B.V.; 07-02L, Coffee machine, (EM, 15 Mar 2012) 18 Apr 2012	11927/2012
Ball Corporation; 09-07B, Vented container end closure, (US, 27 Oct 2011) 20 Apr 2012	11957/2012		
Ball Corporation; 09-07B, Vented container end closure, (US, 27 Oct 2011) 20 Apr 2012	11959/2012		

Bravilor Holding B.V.; 07-02L, Coffee machine, (EM, 15 Mar 2012) 18 Apr 2012	11923/2012	Cook, Elisha Christine; 25-02NES, Roof barrier, 17 Apr 2012	11919/2012
Bravilor Holding B.V.; 07-02L, Coffee machine, (EM, 15 Mar 2012) 18 Apr 2012	11925/2012	Cordenet-Produtora de Redes Agricolas, S.A.; 09-99, Material for packaging, (EM, 18 Oct 2011) 18 Apr 2012	11934/2012
Bravilor Holding B.V.; 07-02L, Coffee machine, (EM, 05 Mar 2012) 18 Apr 2012	11924/2012	Cordenet-Produtora de Redes Agricolas, S.A.; 09-99, Material for packaging, (EM, 18 Oct 2011) 18 Apr 2012	11933/2012
Bravilor Holding B.V.; 07-02L, Coffee machine, (EM, 15 Mar 2012) 18 Apr 2012	11929/2012	Creative Technology Ltd; 14-01, Speaker, 27 Apr 2012	12071/2012
Bravilor Holding B.V.; 07-02L, Coffee machine, (EM, 15 Mar 2012) 18 Apr 2012	11928/2012	COMPAGNIE GENERALE DES ETABLISSEMENTS MICHELIN; Michelin Recherche et Technique S.A.; 12-15A, A tyre, (FR, 21 Oct 2011) 18 Apr 2012	11908/2012
Bravilor Holding B.V.; 07-02L, Coffee machine, (EM, 15 Mar 2012) 18 Apr 2012	11926/2012	Daikin Australia Pty Limited; 23-03H, A water heater, 27 Apr 2012	12061/2012
Buon Amici Pty Ltd; Monaghan, Reynolds; 06-04NES, Garden tool holder bin attachment, 20 Apr 2012	11965/2012	David Stuckey Investments Pty Ltd; 08-06, Handle, 01 May 2012	12138/2012
Cannon, Kate Louise; 08-06, Backplate for handle assembly, 01 May 2012	12139/2012	Di Stefano, Carmelo Joseph Licciardi; 08-05NES, 03-01NES, Spindle cover, 16 Apr 2012	11872/2012
Challenge Implements Holdings Pty Limited; 15-04, Grader attachment assembly and components, 17 Apr 2012	11905/2012	Didier, Ross; 06-01F, Armchair, 27 Apr 2012	12062/2012
Checkpoint Systems, Inc.; 10-05, 14-03NES, Electronic article surveillance security gate (Translucent antenna), (US, 13 Sep 2011) (Divisional of 11316/2012) 13 Mar 2012	12029/2012	Dietzel Gesellschaft MBH; 08-08NES, 13-03B, A fixing device for electrical installations, (AT, 29 Jul 2011) 30 Jan 2012	11998/2012
Chilewich Sultan LLC; 05-05A, Fabric, 02 May 2012	12124/2012	Diversiary Therapy Technologies Pty Ltd; 20-02E, Tablet with stand/tablet/stand, 02 May 2012	12142/2012
Chilewich Sultan LLC; 05-05D, Fabric, 02 May 2012	12125/2012	Dixon, Gavin; 06-04NES, Cellar/larder storage system, 27 Apr 2012	12070/2012
Chilewich Sultan LLC; 05-05NES, Fabric, 02 May 2012	12123/2012	Dog Owners Outdoor Gear Pty Ltd; 30-99, Dog Toys, 30 Apr 2012	12112/2012
Chilewich Sultan LLC; 05-05D, Fabric, 02 May 2012	12126/2012	Dog Owners Outdoor Gear Pty Ltd; 30-99, Dog Toys, 30 Apr 2012	12111/2012
Clawz Shoes LLC; 02-04NES, Footwear, 20 Apr 2012	11984/2012	Edwards, Luke John; 02-02NES, T-shirt, 13 Apr 2012	11946/2012
Coffey, Kieran; 12-13, 12-14, Land yacht, (EM, 06 Feb 2012) 18 Apr 2012	11910/2012	Edwards, Luke John; 02-02NES, T-shirt, 13 Apr 2012	11948/2012
Cole, Paul Dennis; 21-02D, 5th generation surfboard fin design, 23 Apr 2012	11952/2012	Edwards, Luke John; 02-02NES, T-shirt, 13 Apr 2012	11947/2012
Colgate-Palmolive Company; 04-02, Toothbrush, (US, 30 Nov 2011) 30 Apr 2012	12095/2012	Edwards, Luke John; 02-02NES, T-shirt, 13 Apr 2012	11937/2012
Colgate-Palmolive Company; 04-02, Toothbrush, (US, 30 Nov 2011) 30 Apr 2012	12096/2012	Electrolux Home Products Corporation N.V.; 07-02B, A cooking appliance, (EM, 28 Oct 2011) 26 Apr 2012	12023/2012
		Energy Options International Pty Ltd; 26-02, Submersible lamp, 01 May 2012	12136/2012

Ethicon Endo-Surgery, Inc.; 24-02, Ornamental design for surgical instrument, (US, 24 Oct 2011) 17 Apr 2012	11907/2012	Gondwana Outdoor Clothing Pty Ltd; 02-02C, Pant, 26 Oct 2011	12045/2012
Exquisite & Co Pty Ltd; 21-02NES, Exercise equipment and or exercise equipment frame, 18 Apr 2012	11913/2012	Gottschalk, Manfred; 19-03, Biweekly postcard calendar 160 x 210mm with 27 detachable picture postcards with alternative table top stand and wall, hanging fixture, 27 Apr 2012	12068/2012
Fine Garment Industries Pty Ltd; 02-02C, Pants, 18 Apr 2012	11930/2012	GM & CB Pty Ltd; 06-09, Mattress, 23 Apr 2012	11985/2012
Forde, Ben; 08-08NES, A bracket, 24 Apr 2012	12001/2012	Helen of Troy Limited; 07-01D, Measuring cup, (US, 15 Feb 2012) 30 Apr 2012	12097/2012
FBA Imports Pty Ltd; 07-07NES, Clothes hamper, 27 Apr 2012	12054/2012	Hollister Incorporated; 09-03M, 23-01A, Clam shell package for a seal, (EM, 28 Oct 2011) 27 Apr 2012	12067/2012
FBA Imports Pty Ltd; 07-05C, Peg basket, 27 Apr 2012	12056/2012	Honda Motor Co., Ltd.; 26-06, Headlight for motor scooter, (JP, 27 Oct 2011) 23 Apr 2012	11993/2012
FBA Imports Pty Ltd; 23-02NES, Caddy, 27 Apr 2012	12055/2012	Honda Motor Co., Ltd.; 12-08, An automobile, (JP, 04 Nov 2011) 01 May 2012	12113/2012
FSP Technology Inc.; 13-02, Portable battery, 12 Apr 2012	11887/2012	Honda Motor Co., Ltd.; 12-11, Motor scooter, (JP, 27 Oct 2011) 23 Apr 2012	11991/2012
FSP Technology Inc.; 13-02, Portable battery, 12 Apr 2012	11888/2012	Honda Motor Co., Ltd.; 22-06, Rear combination lamp for motor scooter, (JP, 27 Oct 2011) 23 Apr 2012	11995/2012
Garden City Plastics Pty Ltd; 11-02B, A plant pot, 18 Apr 2012	11909/2012	Honda Motor Co., Ltd.; 12-08, Automobile, (JP, 31 Oct 2011) 27 Apr 2012	12052/2012
Geiger, James Erwin; 08-08H, Roller shade bracket pair, 20 Apr 2012	11963/2012	Horton, Ashley; 26-02, Light head, 19 Apr 2012	11980/2012
Gill, Brent; 23-01NES, Material control system with rotating spray bars, 16 Apr 2012	11868/2012	Horton, Ashley; 13-02, Waterproof battery cover, 19 Apr 2012	11981/2012
Global Esprit, Inc.; 16-06, Swimming goggles, 02 May 2012	12115/2012	Hosokawa Yoko Co. Ltd.; 09-05, Pouch, (JP, 17 Oct 2011) 17 Apr 2012	11891/2012
Gondwana Outdoor Clothing Pty Ltd; 02-02NES, Jacket, 26 Oct 2011	12040/2012	Hua, Liu Yan; 08-03, A diamond cutting blade, 26 Apr 2012	12010/2012
Gondwana Outdoor Clothing Pty Ltd; 02-06, Glove, 26 Oct 2011	12050/2012	Huffy Corporation; 12-11, Three wheeled vehicle, (US, 26 Oct 2011) 24 Apr 2012	12002/2012
Gondwana Outdoor Clothing Pty Ltd; 02-02C, Pant, 26 Oct 2011	12046/2012	Huffy Corporation; 12-11, 12-16NES, Steering lever for a three wheeled vehicle, (US, 26 Oct 2011) 24 Apr 2012	12004/2012
Gondwana Outdoor Clothing Pty Ltd; 02-02C, Pant, 26 Oct 2011	12047/2012	Huffy Corporation; 12-11, 12-16NES, Frame member for a three wheeled vehicle, (US, 26 Oct 2011) 24 Apr 2012	12005/2012
Gondwana Outdoor Clothing Pty Ltd; 02-02NES, Jacket, 26 Oct 2011	12042/2012	Huffy Corporation; 12-16NES, Frame member for a three wheeled vehicle, (US, 26 Oct 2011) 24 Apr 2012	12007/2012
Gondwana Outdoor Clothing Pty Ltd; 02-02NES, Jacket, 26 Oct 2011	12043/2012		
Gondwana Outdoor Clothing Pty Ltd; 02-02NES, Jacket, 26 Oct 2011	12041/2012		
Gondwana Outdoor Clothing Pty Ltd; 02-02NES, Jacket, 26 Oct 2011	12039/2012		
Gondwana Outdoor Clothing Pty Ltd; 02-06, Glove, 26 Oct 2011	12048/2012		
Gondwana Outdoor Clothing Pty Ltd; 02-06, Glove, 26 Oct 2011	12049/2012		
Gondwana Outdoor Clothing Pty Ltd; 02-02C, Pant, 26 Oct 2011	12044/2012		

Huffy Corporation; 12-11, Three wheeled vehicle, (US, 26 Oct 2011) 24 Apr 2012	12003/2012	JETS Swimwear Pty Limited; 02-02A, Swimwear garment, 01 May 2012	12116/2012
Huhtamaki Inc; 09-03L, Multi-panel sidewall container, (US, 25 Oct 2011) 24 Apr 2012	12021/2012	Kabushiki Kaisha Toshiba; 14-01, Recording medium, (JP, 09 Dec 2011) 27 Apr 2012	12053/2012
Huhtamaki Inc; 09-03L, Container, (US, 25 Oct 2011) 24 Apr 2012	12013/2012	Kassel, Harry Dean; 23-03F, A heat exchanger assembly, (ZA, 02 Mar 2012) 30 Apr 2012	12090/2012
Huhtamaki Inc; 07-01C, 09-03L, Multi-panel sidewall container, (US, 24 Oct 2011) 20 Apr 2012	11994/2012	Kassel, Harry Dean; 23-03F, A heat exchanger assembly, (ZA, 02 Mar 2012) 30 Apr 2012	12089/2012
Huhtamaki Inc; 09-03NES, Multi-panel sidewall container, (US, 24 Oct 2011) 20 Apr 2012	11955/2012	Khim, Hong Gay; 06-02, Bed, 02 May 2012	12108/2012
Hutzler Manufacturing Co., Inc.; 09-03NES, Container, (US, 19 Jan 2012) 23 Apr 2012	11989/2012	Khim, Hong Gay; 06-04F, Chest, 02 May 2012	12109/2012
Infusion Brands, Inc.; 08-03, Rotary saw, 20 Apr 2012	11970/2012	Khim, Hong Gay; 06-02, Bed, 02 May 2012	12107/2012
Infusion Brands, Inc.; 08-03, Rotary saw, 20 Apr 2012	11971/2012	Kia Rere Innovations Limited; 16-01, 16-05, A photographic mount, (NZ, 23 Mar 2012) 13 Apr 2012	11855/2012
Ismiel, Sue Seham;Ismiel, Samoel; 28-03NES, Wax applicator, 30 Apr 2012	12106/2012	Kistler Holding AG; 10-04, 25-01K, Hollow profile for a force sensor, (CN, 07 Nov 2011) 01 May 2012	12104/2012
Ismiel, Samoel;Ismiel, Sue Seham; 28-03NES, Wax applicator, 30 Apr 2012	12106/2012	Kistler Holding AG; 10-04, 25-01K, Hollow profile for a force sensor, (CN, 07 Nov 2011) 01 May 2012	12103/2012
Jemella Group Limited; 28-03B, Grille for a hair dryer, (EM, 31 Oct 2011) 30 Apr 2012	12084/2012	Kistler Holding AG; 10-04, 25-01K, Hollow profile for a force sensor, (CH, 07 Nov 2011) 01 May 2012	12105/2012
Jemella Group Limited; 28-03B, Hair dryer, (EM, 31 Oct 2011) 30 Apr 2012	12086/2012	Knog Pty Ltd; 09-03NES, Packaging for bicycle accessory, 31 Aug 2011	11974/2012
Jemella Group Limited; 28-03B, Grille for a hair dryer, (EM, 31 Oct 2011) 30 Apr 2012	12085/2012	Knog Pty Ltd; 09-03NES, Packaging for bicycle accessory, 31 Aug 2011	11975/2012
Johnson Controls Technology Company; 13-02, Vehicle battery charger, (US, 21 Oct 2011) 13 Apr 2012	11856/2012	Knog Pty Ltd; 09-03NES, Packaging for bicycle accessory, 31 Aug 2011	11973/2012
Just Premiums Pty Ltd; 07-03, Spoon, 17 Apr 2012	11890/2012	Koninklijke Philips Electronics N.V.; 28-03A, Total body shaver, (EM, 01 Nov 2011) 30 Apr 2012	12094/2012
JustIdeas Company; 14-99, Monitor stand, (US, 17 Oct 2011) 17 Apr 2012	11900/2012	Koninklijke Philips Electronics N.V.; 28-03A, Styler for shaver, (EM, 26 Oct 2011) 26 Apr 2012	12051/2012
JustIdeas Company; 14-99, Monitor stand, (US, 17 Oct 2011) 17 Apr 2012	11901/2012	Koninklijke Philips Electronics N.V.; 28-03A, Styler for shaver, (EM, 26 Oct 2011) 24 Apr 2012	12012/2012
JETS Swimwear Pty Limited; 02-02A, Swimwear garment, 01 May 2012	12118/2012	Laboratoires La Prairie SA; 09-01G, Cosmetic bottle with lid, 24 Apr 2012	12008/2012
JETS Swimwear Pty Limited; 02-02A, Swimwear garment, 01 May 2012	12120/2012	Lawler, Yvette;Lawler, Kelvin; 11-02B, Planter, 13 Apr 2012	11854/2012
JETS Swimwear Pty Limited; 02-02A, Swimwear garment, 01 May 2012	12119/2012	Lawler, Kelvin;Lawler, Yvette; 11-02B, Planter, 13 Apr 2012	11854/2012
JETS Swimwear Pty Limited; 02-02A, Swimwear garment, 01 May 2012	12117/2012		

Leeding Innovations Pty Ltd; 08-08L, "Survey stake with attachable label holder", 30 Apr 2012	12079/2012	Mayo Hardware; 22-06, Gecko cylindrical lantern zapper, 20 Apr 2012	11979/2012
Legrand France;Legrand SNC; 14-02, USB key charger, (FR, 21 Nov 2011) 17 Apr 2012	11866/2012	Mayo Hardware; 26-99, 22-06, Gecko rectangular lantern zapper, 20 Apr 2012	11977/2012
Legrand SNC;Legrand France; 14-02, USB key charger, (FR, 21 Nov 2011) 17 Apr 2012	11866/2012	Michael Hill Franchise Pty Limited; 11-01A, 11-01D, Article of jewellery, (NZ, 31 Oct 2011) 30 Apr 2012	12121/2012
Lightfoot, Mark; 08-07, Combination padlock, 01 May 2012	12101/2012	Michelin Recherche et Technique S.A.;COMPAGNIE GENERALE DES ETABLISSEMENTS MICHELIN; 12-15A, A tyre, (FR, 21 Oct 2011) 18 Apr 2012	11908/2012
Lightforce USA, Inc.; 16-99, Reticle for an optical aiming device, (US, 30 Nov 2011) 30 Apr 2012	12081/2012	Monaghan, Reynolds;Buon Amici Pty Ltd; 06-04NES, Garden tool holder bin attachment, 20 Apr 2012	11965/2012
Lightforce USA, Inc.; 16-99, Reticle for an optical aiming device, (US, 30 Nov 2011) 30 Apr 2012	12080/2012	Montgomery, Fiona; 14-02, Sleeveless sports design usb, 04 Apr 2012	11823/2012
Lightforce USA, Inc.; 16-99, Reticle for an optical aiming device, (US, 30 Nov 2011) 30 Apr 2012	12082/2012	Moruya Decking and Cladding Pty Limited; 25-01D, Panel, 18 Apr 2012	11912/2012
Lu, Mei Fang; 25-01C, Hollow I beam. Can be roll formed or extruded together with a unique clip design forming a joining detail, 17 Apr 2012	11938/2012	MAM Babyartikel Gesellschaft m.b.H.; 24-04, Pacifier, (EM, 30 Nov 2011) 17 Apr 2012	11902/2012
Lucas, Kain; 25-02NES, Wire mesh structure, 11 Apr 2012	11894/2012	Nautilus Hyosung Inc.; 20-01, 14-02, Automated Teller Machine, (KR, 03 Nov 2011) 16 Apr 2012	11880/2012
Lucidity Enterprise Co., Ltd.; 26-06, Vehicle Lamp, 20 Apr 2012	11964/2012	Nokia Corporation; 14-03A, Handset, (US, 03 Feb 2012) 02 May 2012	12128/2012
Ly, Khai;Lyson Trading Pty Ltd; 07-02P, Muffin cup / baking cup, 30 Apr 2012	12099/2012	Nokia Corporation; 14-03A, Handset, (US, 28 Feb 2012) 02 May 2012	12127/2012
Lyson Trading Pty Ltd;Ly, Khai; 07-02P, Muffin cup / baking cup, 30 Apr 2012	12099/2012	Nova Hardware Pty Ltd; 08-07, Latch bolt, 17 Apr 2012	11892/2012
LSI Industries, Inc.; 26-05B, Lighting, (US, 02 Nov 2011) 02 May 2012	12137/2012	Nuna International B.V.; 12-12, Stroller, (CN, 17 Nov 2011) 20 Apr 2012	11956/2012
Mag Instrument, Inc.; 26-02, Flashlight, (US, 19 Oct 2011) 19 Apr 2012	11982/2012	NCS Wholesalers Pty Ltd; 25-01NES, 25-04, A scaffold transom extrusion, 18 Apr 2012	11953/2012
Mailybayeva, Anara; 06-06A, Clothes stand, clothes valet, suit stand, suit valet, 02 May 2012	12110/2012	NCS Wholesalers Pty Ltd; 25-04, 25-01NES, A scaffold transom extrusion, 18 Apr 2012	11915/2012
Mannkind Corporation; 24-04, Inhaler device, (US, 20 Oct 2011) 20 Apr 2012	11976/2012	NCS Wholesalers Pty Ltd; 25-04, A scaffold ledger, 18 Apr 2012	11916/2012
Maserati S.p.A.; 12-08, 21-01C, Car and toy-car, (WO, 24 Oct 2011) 19 Apr 2012	11940/2012	NCS Wholesalers Pty Ltd; 25-04, A scaffold transom assembly, 18 Apr 2012	11918/2012
Master Lock Company LLC; 08-07, Lock and lock parts, (US, 25 Oct 2011) 23 Apr 2012	11986/2012	NCS Wholesalers Pty Ltd; 25-04, A scaffold transom assembly, 18 Apr 2012	11917/2012
Mayo Hardware; 22-06, Gecko slim line bug zapper, 20 Apr 2012	11978/2012		

Okamura Corporation; 06-01F, Chair, (JP, 24 Oct 2011) 23 Apr 2012	11990/2012	Piaggio & C. S.p.A.; 12-11, Motor scooter, (EM, 04 Nov 2011) 26 Apr 2012	11999/2012
Okamura Corporation; 06-01F, Chair, (JP, 31 Oct 2011) 24 Apr 2012	12014/2012	Piaggio & C. S.p.A.; 12-11, Motor scooter, (EM, 04 Nov 2011) 26 Apr 2012	12000/2012
Okamura Corporation; 06-03B, Table, (JP, 24 Oct 2011) 23 Apr 2012	11992/2012	Piusi S.p.A.; 15-02, Pumps, (EM, 06 Oct 2011) 16 Mar 2012	12032/2012
Oki Data Corporation; 14-02, Toner cartridge, (JP, 31 Oct 2011) 30 Apr 2012	12091/2012	Piusi S.p.A.; 15-02, Pumps, (EM, 06 Oct 2011) 16 Mar 2012	12031/2012
Oki Data Corporation; 14-02, Toner cartridge, (JP, 31 Oct 2011) 30 Apr 2012	12087/2012	Pomper, John Robert; 22-05, Bait pump, 17 Apr 2012	11939/2012
Oki Data Corporation; 14-02, Image drum cartridge, (JP, 31 Oct 2011) 30 Apr 2012	12093/2012	Realizeworks Inc.; 02-04NES, Shoe, (JP, 03 Apr 2012) 20 Apr 2012	11966/2012
Owens-Brockway Glass Container Inc.; 09-01H, A bottle, (US, 26 Oct 2011) 19 Apr 2012	11942/2012	Realizeworks Inc.; 02-04NES, Shoe, (JP, 03 Apr 2012) 20 Apr 2012	11967/2012
Owens-Brockway Glass Container Inc.; 09-01NES, Container, (US, 28 Oct 2011) 27 Apr 2012	12076/2012	Revlon Consumer Products Corporation; 28-03NES, Nail file, (US, 03 Apr 2012) 04 Apr 2012	12019/2012
Owens-Brockway Glass Container Inc.; 09-01H, A bottle, (US, 26 Oct 2011) 19 Apr 2012	11945/2012	Revlon Consumer Products Corporation; 28-03NES, Nail file, (US, 03 Apr 2012) 04 Apr 2012	12018/2012
Owens-Brockway Glass Container Inc.; 09-01H, A bottle, (US, 26 Oct 2011) 19 Apr 2012	11943/2012	Revlon Consumer Products Corporation; 28-03NES, Nail file, (US, 03 Apr 2012) 04 Apr 2012	12017/2012
Owens-Brockway Glass Container Inc.; 09-01H, A bottle, (US, 26 Oct 2011) 19 Apr 2012	11944/2012	Riordan, Monica; 10-05, 19-99, 3D adhesive label incorporating a security device within label for theft prevention in retail stores. A flat 2D label, can also be used, 22 Feb 2012	12072/2012
Oyj, Marimekko; 07-01C, Sparkling wine glass, (EM, 16 Feb 2012) 13 Apr 2012	11853/2012	Riordan, Monica; 19-08, 19-99, Collectible cards covering horse racing in Australia and around the world, 22 Feb 2012	12069/2012
Paddock, Michael Thomas; 29-02, 07-02C, The design is to be applied to a hob guard and the novelty resides in the features of shape and configuration of the, hob guard as shown in the accompanying representations., (NZ, 30 Nov 2011) 30 Apr 2012	12122/2012	Rochfort, Ian; 06-09, Mattress, 18 Apr 2012	11911/2012
Panasonic Avionics Corporation; 14-04, 06-01D, Intergrated user interface system for user seat, (Divisional of 10725/2012) 15 Feb 2012	12016/2012	Roofsafe-T-Systems Pty Limited; 25-02C, Handrail, 13 Apr 2012	11851/2012
Panasonic Corporation; 07-02B, Microwave oven, 24 Apr 2012	12009/2012	Russell & George Pty Ltd; 06-01F, Chair, 16 Apr 2012	11935/2012
Panasonic Corporation; 16-01, Document camera, (JP, 08 Nov 2011) 18 Apr 2012	11921/2012	Russell & George Pty Ltd; 06-01F, Chair, 16 Apr 2012	11936/2012
Pardon, Christopher; 21-02F, Improved excercise device, 20 Apr 2012	11954/2012	Seymour Powell Limited; 09-01A, Aerosole dispenser, (EM, 15 Nov 2011) 01 May 2012	12114/2012
		Sheepfeet Pty Ltd; 02-04NES, Sheep skin boots with fluorescent soles as shown in the annexed representations, 30 Apr 2012	12064/2012

Sheepfeet Pty Ltd; 02-04NES, Sheep skin boots with fluorescent soles as shown in the annexed representations, 30 Apr 2012	12065/2012	The Laryngeal Mask Company Limited; 24-01, Laryngeal mask airway device, (EM, 18 Oct 2011) 17 Apr 2012	11906/2012
Sheepfeet Pty Ltd; 02-04NES, Sheep skin boots with fluorescent soles as shown in the annexed representations, 30 Apr 2012	12066/2012	Thin Tanks Pty Ltd; 23-01F, Slim line rain water tank, 23 Apr 2012	11983/2012
Sheepfeet Pty Ltd; 02-04NES, Sheep skin boots with fluorescent soles as shown in the annexed representations, 30 Apr 2012	12063/2012	Thomas, Llewellyn; 15-05, A washing device, (NZ, 18 Oct 2011) 17 Apr 2012	11903/2012
Sign-Safe-Kids; 20-03NES, Sign holder, 20 Apr 2012	11951/2012	Torma, Olivia; 03-01NES, Case for a pair of spectacles/eyeglasses/sunglasses, 27 Apr 2012	12058/2012
Small, William Karl; 08-08NES, Stair tread clip, 27 Apr 2012	12140/2012	Torma, Olivia; 03-01NES, A compact contact lens case for storing contact lenses in solution, 27 Apr 2012	12060/2012
Smith, Maurice Hilton; 13-03D, Double power outlet with 2 switches plus extra switch, 10 AMP. HQE brand., 26 Apr 2012	12035/2012	Torma, Olivia; 03-01NES, Combination case for storing spectacles/eyeglasses/ sunglasses (one pair only of either) together, 27 Apr 2012	12059/2012
Smith, Maurice Hilton; 13-03D, Double power outlet with switches, 10 AMP HQE brand, 26 Apr 2012	12034/2012	Townsin, Paul; 12-02, 24-01, Hospital trolley, 01 May 2012	12098/2012
Smith, Maurice Hilton; 13-03D, 1 Gang light switch, 16 AMP HOE brand, 26 Apr 2012	12036/2012	TCV Pty Limited; 12-10, Caravan, 24 Apr 2012	12033/2012
Smith, Maurice Hilton; 13-03D, 4 Gang light switch, 16 AMP HQE brand., 26 Apr 2012	12037/2012	TIC (Retail Accessories) Pty Ltd; 06-08, Garment hanger, (Divisional of 15877/2011) 19 Dec 2011	12078/2012
Smith, Maurice Hilton; 26-05E, 26-05C, Led down light fitting including led light source 240 volt, 26 Apr 2012	12038/2012	United States Fire Arms Manufacturing Co., Inc.; 22-01, Firearm, (US, 22 Jul 2011) 23 Jan 2012	10276/2012
Stanley, Gary Paul; 23-01NES, A coated flange having an elemental copper coating on all exposed surfaces in which the copper coating has the, appearance of reddish orange tarnish of elemental copper when exposed to air, 18 Apr 2012	11922/2012	UNI-PRO Painting Equipment Pty Ltd; 08-05L, Paint pot, 20 Apr 2012	11950/2012
Stanley Black & Decker, Inc.; 15-05, Hand-held vacuum cleaner, (EM, 21 Oct 2011) 20 Apr 2012	11968/2012	Vater, Lance Malcolm; 08-07, A gate D-latch, 26 Apr 2012	12028/2012
Stanley Black & Decker, Inc.; 15-05, Hand-held vacuum cleaner, (EM, 21 Oct 2011) 20 Apr 2012	11969/2012	Vater, Lance Malcolm; 08-07, A striker plate for a gate d-latch, 26 Apr 2012	12025/2012
Streamlight, Inc.; 26-05C, Mountable light, (US, 31 Oct 2011) 30 Apr 2012	12088/2012	Vater, Lance Malcolm; 08-09, 25-02B, An in-ground floor guide channel for a sliding door, 26 Apr 2012	12026/2012
Streamlight, Inc.; 26-05C, Mountable light, (US, 31 Oct 2011) 30 Apr 2012	12092/2012	Vater, Lance Malcolm; 25-01NES, An above-ground floor track for a sliding door, 26 Apr 2012	12027/2012
Suttie, Gerard; 30-03, Push feed device, 19 Apr 2012	11997/2012	Vater, Lance Malcolm; 08-09, 25-02B, An in-ground floor track for a sliding door, 26 Apr 2012	12024/2012
Textile House Pty Ltd; 02-02NES, Jacket, (Divisional of 14835/2011) 24 Apr 2012	12100/2012	Vectura Delivery Devices Limited; 24-04, Inhaler, (EM, 24 Oct 2011) 24 Apr 2012	12030/2012
		Visy R & D Pty Ltd; 09-03M, A blank for a container, 24 Apr 2012	12006/2012
		Visy R & D Pty Ltd; 09-03M, A blank for a container, 30 Apr 2012	12102/2012

Water Tech LLC; 15-05, Pool and spa cleaner, 23 Apr 2012	12011/2012	Zound Industries International AB; 14-01, Headphone, (EM, 27 Oct 2011) 18 Apr 2012	11914/2012
Wilson, Martyn S; 08-10, Bike parking rail/rack, 11 Apr 2012	11893/2012	Zorganise Pty Limited; 19-03, 19-04, Sheet material, 20 Feb 2012	12015/2012

Applications Withdrawn

10806 / 2012 (09-03M)

Applications Lapsed

14651 / 2011 (24-02)	14683 / 2011 (15-07)
15032 / 2011 (07-02F)	10333 / 2012 (01-01)
10487 / 2012 (06-01NES)	10488 / 2012 (06-01NES)
10655 / 2012 (26-05B)	10754 / 2012 (26-03)
10755 / 2012 (26-03)	10756 / 2012 (21-02F)
10782 / 2012 (02-02NES)	10783 / 2012 (02-02NES)
10860 / 2012 (13-99)	

Extension of Period of Registration of Designs

314239	314275	314610
314611	314612	314613
314614	314615	314780
314938	315007	315019
315020	315021	315022
315023	315025	315026
315027	315028	315041
315042	315133	315242
315261	315280	315281
315282	315312	315325
315335	315345	315346
315347	315363	315364
315365	315366	315367
315368	315370	315385
315386	315387	315388
315389	315390	315391
315415	315416	315417
315421	315427	315453
315454	315462	315463
315471	315472	315473
315474	315501	315502
315503	315504	315513
315520	315521	315539
315540	315541	315547
315548	315552	315581
315594	315595	315596
315597	315599	315603
315619	315624	315625
315630	315631	315643
315644	315645	315825
315826	315827	315829
315830	315831	315832
315837	315838	315908
315943	316011	316044
316064	316071	316158
316159	316217	316327
316382	316421	316481
316581	316582	316657
316740	316742	316743
316983	316985	316986
318350	319108	319109

Registrations Ceased

311194	311203	311205
311291	311292	311298
311318	311352	311389
311390	311391	311392
311462	311505	311557
311563	311582	311594

311596	311599	311600
311604	311606	311614
311619	311629	311630
311631	311698	311699
311700	311727	311728
311729	311742	311743
311745	311746	311747
311748	311765	311768
311769	311771	311809
311810	311811	311812
311826	311834	311846
311847	311848	311850
311851	311852	311853
311855	311856	311858
311860	311906	311907
311909	311911	311912
311913	311914	311917
311918	311919	311921
311925	311926	311928
311946	311953	311954
311955	311956	311957
311958	311959	311960
311973	311977	311978
311990	311991	311992
311995	311997	311998
312025	312026	312028
312049	312050	312095
312097	312099	312102
312103	312104	312105
312116	312117	312189
312280	312308	312385
312386	312387	312439
312481	312482	312483
312496	312497	312498
312539	312617	312629
312636	312637	312638
312707	312738	312739
312740	312741	312742
312743	312744	312830
312831	312832	312836
312891	312892	312893
312894	312895	313311
313312	313314	313315
313376	313377	313378
313422	313474	314115
314443	314444	314445
314446	314447	314448
314449	314450	314451
314452	314455	314456
314457	314458	314459
314460	314461	314462
314463	314592	314933
316388	316389	316390
316391	316392	316393

316394	316395	316396
316397	316398	316399
316400	316401	316402
316403	316404	316865
317881	317882	317883
331171	331172	331173
331174	331175	331176
331177	331178	331179
331180	331181	331182

Extensions of time granted under Section 137

Applications lodged under section 137 for extension of time have been granted.

15379/2011 **Microsoft Corporation**

342163 **Unique Product & Design Co., Ltd.**

342315 **Escape Fitness Limited**

11821/2012 **Kistler Holding AG**

Applications Assigned

(The name in parentheses is that of the subsequent applicant)

10993/2012 (**Ceillite Machinery Sales Pty Ltd**) Ceillite Pty Ltd

11472/2012 (**JST Performance Inc. doing business as Rigid Industries Inc.**) Stephen Adams

11473/2012 (**JST Performance Inc. doing business as Rigid Industries Inc.**) Stephen Adams

Subsequent Owners Registered

(The name in parentheses is that of the subsequent owner)

327659 (**Scholle Industries Pty Ltd**) Zork Pty Ltd

315937 (**Scholle Industries Pty Ltd**) Zork Pty Ltd

309624 (**Scholle Industries Pty Ltd**) Zork Pty Ltd

327659 (**Scholle Corporation**) Scholle Industries Pty Ltd

315937 (**Scholle Corporation**) Scholle Industries Pty Ltd

309624 (**Scholle Corporation**) Scholle Industries Pty Ltd

341922 (**JST Performance Inc. doing business as Rigid Industries Inc.**) Stephen Adams

341959 (**JST Performance Inc. doing business as Rigid Industries Inc.**) Stephen Adams

333070 (**Daniel Matejic**) David J. Rosenberg and Daniel Matejic T/A Gwardar Australia

324020 (**Patti Wolf Holdings Pty Limited**) Silvertrees Properties Pty Ltd

Names Registered - Alterations and Amendments

(The name in parentheses is that of the subsequent applicant)

307191 (**Tunturi Fitness B.V**) Accell Fitness Division B.V.

307192 (**Tunturi Fitness B.V**) Accell Fitness Division B.V.

Corrigenda

Number 11752/2012

In Vol 26 , No 8 , page 1097 under the heading **Applications Lodged**; This entry is to be deleted in toto.

Number 11753/2012

In Vol 26 , No 8 , page 1097 under the heading **Applications Lodged**; This entry is to be deleted in toto.

Certificate(s) of Examination

Examination of the following Design Registration(s) has been completed. Infringement proceedings may now be commenced.

316382	02-03	24/04/2012	341120	14-03NES	27/04/2012
330154	14-01	24/04/2012	341143	04-02	27/04/2012
330155	14-01	24/04/2012	341144	04-02	27/04/2012
331404	06-13B	01/05/2012	341145	04-02	27/04/2012
331942	14-01	24/04/2012	341146	04-02	27/04/2012
332397	14-03NES	27/04/2012	341187	08-05M	29/04/2012
333117	24-01	24/04/2012	341202	02-04NES	30/04/2012
333118	24-01	24/04/2012	341203	02-04B	06/05/2012
334260	04-02	07/05/2012	341204	02-04B	06/05/2012
336727	24-04	26/04/2012	341218	27-99	06/05/2012
337513	09-01G	27/04/2012	341323	07-05D	24/04/2012
337852	14-01	24/04/2012	341376	07-99NES	03/05/2012
338124	14-03NES	13/04/2012	341416	23-04	02/05/2012
338349	14-02	04/05/2012	341431	02-02C	20/04/2012
338472	09-07NES	29/04/2012	341443	04-02	26/04/2012
339376	24-01	30/04/2012	341486	02-04NES	15/04/2012
339423	09-03M	24/04/2012	341497	15-02	02/05/2012
339424	09-03M	20/04/2012	341599	02-04NES	15/04/2012
339425	09-03M	20/04/2012			
339562	09-07A	30/04/2012			
339563	09-07A	30/04/2012			
339773	14-02	24/04/2012			
339835	08-03	04/05/2012			
339845	02-04NES	06/05/2012			
339846	02-04NES	06/05/2012			
339947	02-04NES	02/05/2012			
339948	02-04NES	03/05/2012			
339957	07-02L	24/04/2012			
339972	22-05	30/04/2012			
339982	06-03A	27/04/2012			
339984	06-01E	27/04/2012			
340166	13-03C	20/04/2012			
340379	15-99	22/04/2012			
340380	15-99	22/04/2012			
340381	15-99	27/04/2012			
340429	02-02NES	03/05/2012			
340520	13-03D	26/04/2012			
340521	13-03D	26/04/2012			
340522	13-03D	26/04/2012			
340548	24-03	27/04/2012			
340549	24-03	27/04/2012			
340550	24-03	27/04/2012			
340551	24-03	27/04/2012			
340552	24-03	27/04/2012			
340553	24-03	27/04/2012			
340622	14-03NES	30/04/2012			
340632	03-01NES	07/05/2012			
340682	23-04	20/04/2012			
340721	08-08B	30/04/2012			
340742	09-05	22/04/2012			
340743	09-05	22/04/2012			
340777	26-05C	26/04/2012			
340877	21-02C	20/04/2012			
340910	14-03D	30/04/2012			
340913	24-02	20/04/2012			
340928	06-02	26/04/2012			
341095	12-15A	27/04/2012			
341096	12-15A	20/04/2012			
341100	07-01NES	20/04/2012			

Publication and Registration Proceedings

Designs Registered

This section provides a concordance between design number and registration number of Designs covered in this journal. It also shows the main class and registration date.

This section covers Registration numbers 342027 to 342434 .

The registration number shown below should be used in all future correspondence.

Design Number	Registration Number	International Classification Code (IDC)	Registration Date	Design Number	Registration Number	International Classification Code (IDC)	Registration Date
13860/2011	342147	09-03NES	27/04/2012	10904/2012	342099	26-06	26/04/2012
13861/2011	342148	09-03NES	27/04/2012	10905/2012	342100	26-06	26/04/2012
13862/2011	342149	09-03NES	27/04/2012	10906/2012	342101	26-06	26/04/2012
14534/2011	342082	29-02	24/04/2012	10907/2012	342102	26-06	26/04/2012
14835/2011	342377	02-02NES	04/05/2012	10908/2012	342103	26-06	26/04/2012
14836/2011	342302	02-02NES	02/05/2012	10909/2012	342104	26-06	26/04/2012
15012/2011	342127	22-03	27/04/2012	10910/2012	342105	26-06	26/04/2012
15252/2011	342090	10-05	24/04/2012	10911/2012	342106	26-06	26/04/2012
15877/2011	342379	06-08	04/05/2012	10916/2012	342248	24-03	01/05/2012
15967/2011	342097	09-03H	24/04/2012	10917/2012	342316	24-03	02/05/2012
10114/2012	342062	09-01A	23/04/2012	10925/2012	342086	12-16NES	24/04/2012
10115/2012	342063	09-07A	23/04/2012	10947/2012	342121	02-02C	26/04/2012
10234/2012	342163	12-02	27/04/2012	10948/2012	342122	02-02C	26/04/2012
10434/2012	342381	21-03	04/05/2012	10949/2012	342249	02-02C	01/05/2012
10595/2012	342076	08-07	24/04/2012	10950/2012	342251	02-02NES	01/05/2012
10699/2012	342027	23-03F	20/04/2012	10951/2012	342250	02-02NES	01/05/2012
10700/2012	342028	23-03F	20/04/2012	10952/2012	342252	02-02C	01/05/2012
10701/2012	342029	23-03F	20/04/2012	10958/2012	342043	08-05P	20/04/2012
10721/2012	342083	07-06A	24/04/2012	10972/2012	342382	15-05	04/05/2012
10722/2012	342164	09-07C	27/04/2012	10976/2012	342427	15-05	07/05/2012
10723/2012	342084	14-04	24/04/2012	10977/2012	342428	15-05	07/05/2012
10724/2012	342165	14-04	27/04/2012	10993/2012	342429	08-08L	07/05/2012
10725/2012	342166	14-04	27/04/2012	11083/2012	342426	08-07	07/05/2012
10756/2012	342315	21-02F	02/05/2012	11096/2012	342318	02-99	02/05/2012
10770/2012	342291	19-04	02/05/2012	11101/2012	342064	09-09	23/04/2012
10773/2012	342259	08-08B	01/05/2012	11117/2012	342044	24-04	20/04/2012
10778/2012	342119	26-04	26/04/2012	11118/2012	342045	24-04	20/04/2012
10788/2012	342066	07-04	23/04/2012	11119/2012	342046	24-04	20/04/2012
10789/2012	342067	07-04	23/04/2012	11120/2012	342047	24-04	20/04/2012
10790/2012	342068	07-04	23/04/2012	11121/2012	342091	24-04	24/04/2012
10791/2012	342069	07-04	23/04/2012	11122/2012	342092	24-04	24/04/2012
10792/2012	342070	07-04	23/04/2012	11123/2012	342093	24-04	24/04/2012
10793/2012	342071	07-01B	23/04/2012	11233/2012	342430	14-04	07/05/2012
10794/2012	342072	07-01B	23/04/2012	11272/2012	342030	14-04	20/04/2012
10795/2012	342073	07-03	23/04/2012	11273/2012	342031	14-04	20/04/2012
10796/2012	342074	07-01B	23/04/2012	11274/2012	342032	14-04	20/04/2012
10797/2012	342075	07-04	23/04/2012	11275/2012	342033	23-01NES	20/04/2012
10819/2012	342085	12-07	24/04/2012	11276/2012	342034	02-03	20/04/2012
10832/2012	342344	21-02F	03/05/2012	11277/2012	342035	02-03	20/04/2012
10833/2012	342345	21-02F	03/05/2012	11282/2012	342036	14-04	20/04/2012
10843/2012	342243	20-02C	01/05/2012	11283/2012	342037	14-04	20/04/2012
10844/2012	342244	20-02C	01/05/2012	11284/2012	342038	14-04	20/04/2012
10845/2012	342245	20-02C	01/05/2012	11285/2012	342346	14-04	03/05/2012
10846/2012	342246	20-02C	01/05/2012	11286/2012	342039	14-04	20/04/2012
10847/2012	342247	20-02C	01/05/2012	11287/2012	342040	14-04	20/04/2012
10848/2012	342120	09-01NES	26/04/2012	11288/2012	342041	11-01NES	20/04/2012
10858/2012	342342	11-01C	02/05/2012	11289/2012	342049	25-01A	23/04/2012
10859/2012	342343	11-01E	02/05/2012	11290/2012	342050	31-00	23/04/2012
10865/2012	342128	11-01NES	27/04/2012	11293/2012	342051	25-01A	23/04/2012
10884/2012	342386	13-03D	04/05/2012	11300/2012	342042	06-02	20/04/2012

Publication and Registration Proceedings - Designs Registered cont'd

Design Number	Registration Number	International Classification Code (IDC)	Registration Date	Design Number	Registration Number	International Classification Code (IDC)	Registration Date
11301/2012	342052	23-99	23/04/2012	11394/2012	342144	21-02C	27/04/2012
11302/2012	342053	23-99	23/04/2012	11395/2012	342145	21-02C	27/04/2012
11303/2012	342054	09-01NES	23/04/2012	11396/2012	342146	21-02C	27/04/2012
11304/2012	342055	09-01NES	23/04/2012	11397/2012	342168	25-01F	27/04/2012
11305/2012	342056	09-01NES	23/04/2012	11398/2012	342169	25-01F	27/04/2012
11306/2012	342057	09-01NES	23/04/2012	11399/2012	342170	09-03NES	27/04/2012
11307/2012	342058	10-04	23/04/2012	11401/2012	342171	09-01NES	27/04/2012
11308/2012	342059	10-04	23/04/2012	11403/2012	342172	23-02C	27/04/2012
11309/2012	342060	06-01F	23/04/2012	11406/2012	342173	25-02C	27/04/2012
11310/2012	342061	06-01F	23/04/2012	11411/2012	342347	08-08C	03/05/2012
11311/2012	342065	31-00	23/04/2012	11412/2012	342348	24-01	03/05/2012
11314/2012	342077	09-01NES	24/04/2012	11417/2012	342174	14-99	27/04/2012
11315/2012	342078	09-07C	24/04/2012	11418/2012	342153	14-99	27/04/2012
11317/2012	342079	21-03	24/04/2012	11419/2012	342154	14-99	27/04/2012
11321/2012	342080	03-99	24/04/2012	11420/2012	342155	14-99	27/04/2012
11323/2012	342431	23-01A	07/05/2012	11421/2012	342156	09-03F	27/04/2012
11328/2012	342081	13-03NES	24/04/2012	11422/2012	342157	18-02	27/04/2012
11329/2012	342107	13-03NES	26/04/2012	11423/2012	342158	21-02C	27/04/2012
11334/2012	342108	26-05NES	26/04/2012	11424/2012	342159	21-02C	27/04/2012
11335/2012	342109	03-01B	26/04/2012	11425/2012	342160	21-02C	27/04/2012
11336/2012	342110	07-02P	26/04/2012	11426/2012	342349	21-02C	03/05/2012
11337/2012	342111	07-01F	26/04/2012	11427/2012	342350	21-02C	03/05/2012
11338/2012	342112	07-01F	26/04/2012	11429/2012	342351	12-08	03/05/2012
11340/2012	342287	06-13NES	01/05/2012	11440/2012	342352	06-06E	03/05/2012
11341/2012	342288	06-13B	01/05/2012	11441/2012	342161	12-15C	27/04/2012
11342/2012	342289	06-13NES	01/05/2012	11442/2012	342162	12-15C	27/04/2012
11343/2012	342383	08-06	04/05/2012	11444/2012	342175	14-03A	27/04/2012
11344/2012	342048	03-01NES	20/04/2012	11446/2012	342176	14-03A	27/04/2012
11345/2012	342113	09-01NES	26/04/2012	11447/2012	342177	12-05	27/04/2012
11346/2012	342114	20-02E	26/04/2012	11449/2012	342178	03-01A	27/04/2012
11348/2012	342115	10-05	26/04/2012	11450/2012	342179	03-01A	27/04/2012
11349/2012	342116	10-05	26/04/2012	11451/2012	342180	09-03G	27/04/2012
11353/2012	342117	08-08L	26/04/2012	11452/2012	342181	09-03G	27/04/2012
11355/2012	342118	21-01F	26/04/2012	11453/2012	342182	09-03G	27/04/2012
11356/2012	342123	08-07	26/04/2012	11454/2012	342183	06-01G	27/04/2012
11364/2012	342167	14-03B	27/04/2012	11455/2012	342184	12-15A	27/04/2012
11366/2012	342124	21-01NES	26/04/2012	11456/2012	342185	13-02	27/04/2012
11367/2012	342293	15-02	02/05/2012	11457/2012	342186	15-05	27/04/2012
11374/2012	342125	28-01	26/04/2012	11462/2012	342187	03-01A	27/04/2012
11375/2012	342126	28-01	26/04/2012	11463/2012	342188	12-16A	27/04/2012
11376/2012	342130	28-01	27/04/2012	11464/2012	342189	12-16A	27/04/2012
11377/2012	342131	12-07	27/04/2012	11465/2012	342190	12-16A	27/04/2012
11378/2012	342132	12-08	27/04/2012	11466/2012	342191	12-16A	27/04/2012
11379/2012	342133	08-08B	27/04/2012	11470/2012	342192	09-03M	27/04/2012
11380/2012	342134	12-16NES	27/04/2012	11476/2012	342087	26-05C	24/04/2012
11381/2012	342135	09-01D	27/04/2012	11477/2012	342193	11-01NES	27/04/2012
11382/2012	342094	08-08NES	24/04/2012	11478/2012	342194	23-02NES	27/04/2012
11386/2012	342136	23-02E	27/04/2012	11479/2012	342195	22-01	27/04/2012
11387/2012	342137	23-02E	27/04/2012	11480/2012	342202	09-02A	30/04/2012
11388/2012	342138	14-03NES	27/04/2012	11481/2012	342203	22-01	30/04/2012
11389/2012	342139	23-04	27/04/2012	11482/2012	342204	02-01NES	30/04/2012
11390/2012	342140	11-02B	27/04/2012	11483/2012	342205	11-02B	30/04/2012
11391/2012	342141	09-07B	27/04/2012	11484/2012	342206	11-01NES	30/04/2012
11392/2012	342142	21-02C	27/04/2012	11485/2012	342207	11-01NES	30/04/2012
11393/2012	342143	21-02C	27/04/2012	11486/2012	342260	11-01NES	01/05/2012

Publication and Registration Proceedings - Designs Registered cont'd

Design Number	Registration Number	International Classification Code (IDC)	Registration Date	Design Number	Registration Number	International Classification Code (IDC)	Registration Date
11487/2012	342208	11-01NES	30/04/2012	11625/2012	342270	09-01NES	01/05/2012
11489/2012	342209	11-01NES	30/04/2012	11629/2012	342098	22-06	24/04/2012
11490/2012	342210	11-01NES	30/04/2012	11630/2012	342388	21-01F	04/05/2012
11491/2012	342211	09-03M	30/04/2012	11640/2012	342271	22-06	01/05/2012
11492/2012	342212	09-03M	30/04/2012	11642/2012	342272	10-07	01/05/2012
11493/2012	342129	11-01NES	27/04/2012	11643/2012	342389	06-09	04/05/2012
11497/2012	342261	11-01NES	01/05/2012	11644/2012	342273	07-01NES	01/05/2012
11498/2012	342262	11-01NES	01/05/2012	11645/2012	342274	07-01NES	01/05/2012
11500/2012	342213	06-09	30/04/2012	11646/2012	342275	09-03NES	01/05/2012
11501/2012	342214	06-09	30/04/2012	11647/2012	342276	10-07	01/05/2012
11502/2012	342215	06-09	30/04/2012	11648/2012	342277	10-07	01/05/2012
11503/2012	342216	04-02	30/04/2012	11651/2012	342278	25-01NES	01/05/2012
11504/2012	342217	28-03NES	30/04/2012	11652/2012	342279	12-16NES	01/05/2012
11505/2012	342218	24-02	30/04/2012	11654/2012	342280	25-02C	01/05/2012
11506/2012	342219	24-02	30/04/2012	11655/2012	342281	25-02C	01/05/2012
11508/2012	342095	11-02NES	24/04/2012	11656/2012	342282	22-06	01/05/2012
11509/2012	342296	06-02	02/05/2012	11657/2012	342283	25-02C	01/05/2012
11510/2012	342263	21-02F	01/05/2012	11658/2012	342390	25-02C	04/05/2012
11511/2012	342220	21-02F	30/04/2012	11659/2012	342384	08-03	04/05/2012
11512/2012	342221	08-06	30/04/2012	11661/2012	342253	15-03B	01/05/2012
11513/2012	342196	08-06	30/04/2012	11662/2012	342284	15-99	01/05/2012
11514/2012	342197	08-06	30/04/2012	11663/2012	342391	21-01C	04/05/2012
11517/2012	342198	24-02	30/04/2012	11666/2012	342392	06-03NES	04/05/2012
11518/2012	342199	09-01K	30/04/2012	11667/2012	342393	25-02H	04/05/2012
11520/2012	342200	12-16K	30/04/2012	11668/2012	342394	06-03B	04/05/2012
11521/2012	342201	09-03L	30/04/2012	11670/2012	342395	20-02E	04/05/2012
11522/2012	342236	08-05F	30/04/2012	11671/2012	342324	02-02C	02/05/2012
11523/2012	342237	08-03	30/04/2012	11672/2012	342325	09-05	02/05/2012
11524/2012	342238	08-01	30/04/2012	11677/2012	342326	08-08L	02/05/2012
11525/2012	342239	08-01	30/04/2012	11678/2012	342327	08-05A	02/05/2012
11526/2012	342240	07-02NES	30/04/2012	11679/2012	342328	08-05NES	02/05/2012
11527/2012	342241	14-04	30/04/2012	11682/2012	342254	21-01NES	01/05/2012
11528/2012	342230	28-03A	30/04/2012	11683/2012	342255	21-01NES	01/05/2012
11534/2012	342231	09-01NES	30/04/2012	11684/2012	342329	08-05NES	02/05/2012
11535/2012	342232	09-01NES	30/04/2012	11686/2012	342396	09-07C	04/05/2012
11536/2012	342233	09-01NES	30/04/2012	11687/2012	342256	06-02	01/05/2012
11540/2012	342234	19-08	30/04/2012	11688/2012	342330	09-01NES	02/05/2012
11541/2012	342235	19-08	30/04/2012	11689/2012	342257	06-02	01/05/2012
11542/2012	342222	19-08	30/04/2012	11690/2012	342353	09-01NES	03/05/2012
11543/2012	342223	19-08	30/04/2012	11691/2012	342331	09-01NES	02/05/2012
11544/2012	342224	19-08	30/04/2012	11692/2012	342332	09-01NES	02/05/2012
11545/2012	342225	19-08	30/04/2012	11693/2012	342333	09-01NES	02/05/2012
11546/2012	342290	25-03	01/05/2012	11694/2012	342334	06-01F	02/05/2012
11560/2012	342226	21-02NES	30/04/2012	11699/2012	342335	14-03A	02/05/2012
11575/2012	342387	07-05A	04/05/2012	11700/2012	342336	14-03A	02/05/2012
11576/2012	342264	07-05A	01/05/2012	11701/2012	342337	14-03A	02/05/2012
11577/2012	342088	08-08NES	24/04/2012	11702/2012	342338	14-03A	02/05/2012
11578/2012	342265	09-03M	01/05/2012	11703/2012	342339	14-04	02/05/2012
11579/2012	342266	02-06	01/05/2012	11704/2012	342340	09-01H	02/05/2012
11610/2012	342227	28-03NES	30/04/2012	11705/2012	342341	09-01H	02/05/2012
11611/2012	342228	02-07C	30/04/2012	11706/2012	342397	09-01H	04/05/2012
11612/2012	342229	02-07C	30/04/2012	11708/2012	342398	16-06	04/05/2012
11613/2012	342267	02-07C	01/05/2012	11709/2012	342258	21-01H	01/05/2012
11614/2012	342268	21-02A	01/05/2012	11710/2012	342319	25-01K	02/05/2012
11624/2012	342269	09-01NES	01/05/2012	11711/2012	342320	25-01K	02/05/2012

Publication and Registration Proceedings - Designs Registered cont'd

Design Number	Registration Number	International Classification Code (IDC)	Registration Date	Design Number	Registration Number	International Classification Code (IDC)	Registration Date
11712/2012	342321	25-01K	02/05/2012	11781/2012	342416	15-04	07/05/2012
11716/2012	342354	14-01	03/05/2012	11782/2012	342417	15-04	07/05/2012
11717/2012	342355	14-01	03/05/2012	11783/2012	342418	15-04	07/05/2012
11721/2012	342322	08-05NES	02/05/2012	11784/2012	342419	15-04	07/05/2012
11722/2012	342356	16-06	03/05/2012	11785/2012	342420	15-04	07/05/2012
11727/2012	342323	24-04	02/05/2012	11788/2012	342421	07-01NES	07/05/2012
11729/2012	342357	02-04NES	03/05/2012	11791/2012	342422	07-01D	07/05/2012
11730/2012	342358	24-04	03/05/2012	11792/2012	342423	07-01D	07/05/2012
11731/2012	342359	09-03M	03/05/2012	11793/2012	342424	07-01F	07/05/2012
11732/2012	342360	09-03M	03/05/2012	11794/2012	342425	20-02NES	07/05/2012
11733/2012	342361	14-99	03/05/2012	11795/2012	342096	12-07	24/04/2012
11734/2012	342362	23-01G	03/05/2012	11800/2012	342089	06-03A	24/04/2012
11735/2012	342363	21-02C	03/05/2012	11887/2012	342432	13-02	07/05/2012
11736/2012	342364	06-13C	03/05/2012	11893/2012	342399	08-10	04/05/2012
11737/2012	342365	10-05	03/05/2012	11912/2012	342242	25-01D	30/04/2012
11740/2012	342366	23-02NES	03/05/2012	11919/2012	342433	25-02NES	07/05/2012
11742/2012	342298	28-03NES	02/05/2012	11939/2012	342434	22-05	07/05/2012
11743/2012	342297	26-06	02/05/2012	11973/2012	342150	09-03NES	27/04/2012
11747/2012	342385	20-03NES	04/05/2012	11974/2012	342151	09-03NES	27/04/2012
11748/2012	342367	02-04NES	04/05/2012	11975/2012	342152	09-03NES	27/04/2012
11749/2012	342368	07-04	04/05/2012	12015/2012	342292	19-03	02/05/2012
11750/2012	342369	12-08	04/05/2012	12016/2012	342285	14-04	01/05/2012
11751/2012	342370	25-01A	04/05/2012	12017/2012	342299	28-03NES	02/05/2012
11756/2012	342371	15-99	04/05/2012	12018/2012	342300	28-03NES	02/05/2012
11757/2012	342372	12-11	04/05/2012	12019/2012	342301	28-03NES	02/05/2012
11758/2012	342373	19-08	04/05/2012	12020/2012	342317	24-03	02/05/2012
11759/2012	342374	19-08	04/05/2012	12029/2012	342286	10-05	01/05/2012
11760/2012	342375	19-08	04/05/2012	12031/2012	342294	15-02	02/05/2012
11764/2012	342376	15-04	04/05/2012	12032/2012	342295	15-02	02/05/2012
11765/2012	342401	15-04	07/05/2012	12039/2012	342303	02-02NES	02/05/2012
11766/2012	342402	15-04	07/05/2012	12040/2012	342304	02-02NES	02/05/2012
11767/2012	342403	15-04	07/05/2012	12041/2012	342305	02-02NES	02/05/2012
11768/2012	342404	15-04	07/05/2012	12042/2012	342306	02-02NES	02/05/2012
11769/2012	342405	15-04	07/05/2012	12043/2012	342307	02-02NES	02/05/2012
11770/2012	342406	15-04	07/05/2012	12044/2012	342308	02-02C	02/05/2012
11771/2012	342407	15-04	07/05/2012	12045/2012	342309	02-02C	02/05/2012
11772/2012	342408	15-04	07/05/2012	12046/2012	342310	02-02C	02/05/2012
11773/2012	342409	15-04	07/05/2012	12047/2012	342311	02-02C	02/05/2012
11774/2012	342410	15-04	07/05/2012	12048/2012	342312	02-06	02/05/2012
11775/2012	342411	15-04	07/05/2012	12049/2012	342313	02-06	02/05/2012
11776/2012	342400	15-04	04/05/2012	12050/2012	342314	02-06	02/05/2012
11777/2012	342412	15-04	07/05/2012	12078/2012	342380	06-08	04/05/2012
11778/2012	342413	15-04	07/05/2012	12100/2012	342378	02-02NES	04/05/2012
11779/2012	342414	15-04	07/05/2012				
11780/2012	342415	15-04	07/05/2012				

Publication and Registration Proceedings

Class Listing of Designs Published or Registered

The following section shows an International Classification Code listing of the Registered or Published Designs covered in this supplement.

Classification	Registration Number	Design Number	Classification	Registration Number	Design Number
02-01NES	342204	11482/2012	06-04NES	342114	11346/2012
02-02C	342121	10947/2012	06-06E	342352	11440/2012
02-02C	342122	10948/2012	06-08	342379	15877/2011
02-02C	342249	10949/2012	06-08	342380	12078/2012
02-02C	342252	10952/2012	06-09	342213	11500/2012
02-02C	342308	12044/2012	06-09	342214	11501/2012
02-02C	342309	12045/2012	06-09	342215	11502/2012
02-02C	342310	12046/2012	06-09	342389	11643/2012
02-02C	342311	12047/2012	06-13B	342288	11341/2012
02-02C	342324	11671/2012	06-13C	342364	11736/2012
02-02NES	342250	10951/2012	06-13NES	342287	11340/2012
02-02NES	342251	10950/2012	06-13NES	342289	11342/2012
02-02NES	342302	14836/2011	07-01B	342071	10793/2012
02-02NES	342303	12039/2012	07-01B	342072	10794/2012
02-02NES	342304	12040/2012	07-01B	342074	10796/2012
02-02NES	342305	12041/2012	07-01D	342422	11791/2012
02-02NES	342306	12042/2012	07-01D	342423	11792/2012
02-02NES	342307	12043/2012	07-01F	342111	11337/2012
02-02NES	342377	14835/2011	07-01F	342112	11338/2012
02-02NES	342378	12100/2012	07-01F	342424	11793/2012
02-03	342034	11276/2012	07-01NES	342273	11644/2012
02-03	342035	11277/2012	07-01NES	342274	11645/2012
02-04NES	342357	11729/2012	07-01NES	342421	11788/2012
02-04NES	342367	11748/2012	07-01NES	342423	11792/2012
02-06	342266	11579/2012	07-02NES	342240	11526/2012
02-06	342312	12048/2012	07-02P	342110	11336/2012
02-06	342313	12049/2012	07-03	342073	10795/2012
02-06	342314	12050/2012	07-04	342066	10788/2012
02-07C	342228	11611/2012	07-04	342067	10789/2012
02-07C	342229	11612/2012	07-04	342068	10790/2012
02-07C	342267	11613/2012	07-04	342069	10791/2012
02-99	342318	11096/2012	07-04	342070	10792/2012
03-01A	342178	11449/2012	07-04	342075	10797/2012
03-01A	342179	11450/2012	07-04	342368	11749/2012
03-01A	342187	11462/2012	07-05A	342264	11576/2012
03-01B	342109	11335/2012	07-05A	342387	11575/2012
03-01NES	342048	11344/2012	07-06A	342083	10721/2012
03-99	342080	11321/2012	08-01	342238	11524/2012
04-02	342216	11503/2012	08-01	342239	11525/2012
06-01D	342084	10723/2012	08-03	342237	11523/2012
06-01D	342166	10725/2012	08-03	342384	11659/2012
06-01D	342285	12016/2012	08-05A	342327	11678/2012
06-01F	342060	11309/2012	08-05F	342236	11522/2012
06-01F	342061	11310/2012	08-05NES	342322	11721/2012
06-01F	342334	11694/2012	08-05NES	342328	11679/2012
06-01G	342183	11454/2012	08-05NES	342329	11684/2012
06-02	342042	11300/2012	08-05P	342043	10958/2012
06-02	342256	11687/2012	08-06	342053	11302/2012
06-02	342257	11689/2012	08-06	342187	11462/2012
06-02	342296	11509/2012	08-06	342196	11513/2012
06-03A	342089	11800/2012	08-06	342197	11514/2012
06-03B	342394	11668/2012	08-06	342221	11512/2012
06-03NES	342392	11666/2012	08-06	342383	11343/2012

Registration Proceedings - Class Listing of Designs Published or Registered cont'd

Classification	Registration Number	Design Number	Classification	Registration Number	Design Number
08-07	342076	10595/2012	09-03NES	342147	13860/2011
08-07	342123	11356/2012	09-03NES	342148	13861/2011
08-07	342426	11083/2012	09-03NES	342149	13862/2011
08-08B	342133	11379/2012	09-03NES	342150	11973/2012
08-08B	342259	10773/2012	09-03NES	342151	11974/2012
08-08C	342347	11411/2012	09-03NES	342152	11975/2012
08-08L	342117	11353/2012	09-03NES	342170	11399/2012
08-08L	342326	11677/2012	09-03NES	342271	11640/2012
08-08L	342429	10993/2012	09-03NES	342275	11646/2012
08-08NES	342088	11577/2012	09-05	342325	11672/2012
08-08NES	342094	11382/2012	09-07A	342063	10115/2012
08-10	342399	11893/2012	09-07B	342141	11391/2012
08-99	342328	11679/2012	09-07C	342078	11315/2012
08-99	342329	11684/2012	09-07C	342164	10722/2012
08-99	342371	11756/2012	09-07C	342396	11686/2012
09-01A	342062	10114/2012	09-09	342064	11101/2012
09-01D	342135	11381/2012	10-04	342053	11302/2012
09-01D	342274	11645/2012	10-04	342058	11307/2012
09-01H	342340	11704/2012	10-04	342059	11308/2012
09-01H	342341	11705/2012	10-04	342073	10795/2012
09-01H	342397	11706/2012	10-05	342090	15252/2011
09-01K	342199	11518/2012	10-05	342115	11348/2012
09-01NES	342054	11303/2012	10-05	342116	11349/2012
09-01NES	342055	11304/2012	10-05	342286	12029/2012
09-01NES	342056	11305/2012	10-05	342365	11737/2012
09-01NES	342057	11306/2012	10-07	342272	11642/2012
09-01NES	342077	11314/2012	10-07	342276	11647/2012
09-01NES	342111	11337/2012	10-07	342277	11648/2012
09-01NES	342112	11338/2012	11-01C	342275	11646/2012
09-01NES	342113	11345/2012	11-01C	342342	10858/2012
09-01NES	342120	10848/2012	11-01E	342343	10859/2012
09-01NES	342171	11401/2012	11-01NES	342041	11288/2012
09-01NES	342231	11534/2012	11-01NES	342128	10865/2012
09-01NES	342232	11535/2012	11-01NES	342129	11493/2012
09-01NES	342233	11536/2012	11-01NES	342193	11477/2012
09-01NES	342269	11624/2012	11-01NES	342206	11484/2012
09-01NES	342270	11625/2012	11-01NES	342207	11485/2012
09-01NES	342330	11688/2012	11-01NES	342208	11487/2012
09-01NES	342331	11691/2012	11-01NES	342209	11489/2012
09-01NES	342332	11692/2012	11-01NES	342210	11490/2012
09-01NES	342333	11693/2012	11-01NES	342260	11486/2012
09-01NES	342353	11690/2012	11-01NES	342261	11497/2012
09-02A	342202	11480/2012	11-01NES	342262	11498/2012
09-03F	342156	11421/2012	11-02B	342140	11390/2012
09-03G	342180	11451/2012	11-02B	342205	11483/2012
09-03G	342181	11452/2012	11-02NES	342095	11508/2012
09-03G	342182	11453/2012	12-02	342163	10234/2012
09-03H	342097	15967/2011	12-05	342177	11447/2012
09-03L	342201	11521/2012	12-07	342085	10819/2012
09-03M	342192	11470/2012	12-07	342096	11795/2012
09-03M	342211	11491/2012	12-07	342131	11377/2012
09-03M	342212	11492/2012	12-08	342132	11378/2012
09-03M	342265	11578/2012	12-08	342351	11429/2012
09-03M	342359	11731/2012	12-08	342369	11750/2012
09-03M	342360	11732/2012	12-11	342372	11757/2012
09-03NES	342098	11629/2012	12-11	342388	11630/2012

Registration Proceedings - Class Listing of Designs Published or Registered cont'd

Classification	Registration Number	Design Number	Classification	Registration Number	Design Number
12-15A	342184	11455/2012	14-99	342361	11733/2012
12-15C	342161	11441/2012	15-02	342293	11367/2012
12-15C	342162	11442/2012	15-02	342294	12031/2012
12-16A	342188	11463/2012	15-02	342295	12032/2012
12-16A	342189	11464/2012	15-03B	342253	11661/2012
12-16A	342190	11465/2012	15-04	342376	11764/2012
12-16A	342191	11466/2012	15-04	342400	11776/2012
12-16K	342200	11520/2012	15-04	342401	11765/2012
12-16NES	342086	10925/2012	15-04	342402	11766/2012
12-16NES	342133	11379/2012	15-04	342403	11767/2012
12-16NES	342134	11380/2012	15-04	342404	11768/2012
12-16NES	342279	11652/2012	15-04	342405	11769/2012
13-02	342185	11456/2012	15-04	342406	11770/2012
13-02	342432	11887/2012	15-04	342407	11771/2012
13-03D	342386	10884/2012	15-04	342408	11772/2012
13-03NES	342081	11328/2012	15-04	342409	11773/2012
13-03NES	342107	11329/2012	15-04	342410	11774/2012
13-99	342081	11328/2012	15-04	342411	11775/2012
13-99	342107	11329/2012	15-04	342412	11777/2012
14-01	342354	11716/2012	15-04	342413	11778/2012
14-01	342355	11717/2012	15-04	342414	11779/2012
14-02	342361	11733/2012	15-04	342415	11780/2012
14-02	342389	11643/2012	15-04	342416	11781/2012
14-03A	342175	11444/2012	15-04	342417	11782/2012
14-03A	342176	11446/2012	15-04	342418	11783/2012
14-03A	342335	11699/2012	15-04	342419	11784/2012
14-03A	342336	11700/2012	15-04	342420	11785/2012
14-03A	342337	11701/2012	15-05	342186	11457/2012
14-03A	342338	11702/2012	15-05	342382	10972/2012
14-03B	342167	11364/2012	15-05	342427	10976/2012
14-03NES	342138	11388/2012	15-05	342428	10977/2012
14-03NES	342286	12029/2012	15-99	342284	11662/2012
14-04	342030	11272/2012	15-99	342371	11756/2012
14-04	342031	11273/2012	15-99	342415	11780/2012
14-04	342032	11274/2012	15-99	342416	11781/2012
14-04	342036	11282/2012	15-99	342417	11782/2012
14-04	342037	11283/2012	15-99	342418	11783/2012
14-04	342038	11284/2012	15-99	342419	11784/2012
14-04	342039	11286/2012	15-99	342420	11785/2012
14-04	342040	11287/2012	16-06	342228	11611/2012
14-04	342084	10723/2012	16-06	342229	11612/2012
14-04	342165	10724/2012	16-06	342356	11722/2012
14-04	342166	10725/2012	16-06	342398	11708/2012
14-04	342241	11527/2012	18-02	342157	11422/2012
14-04	342285	12016/2012	19-03	342291	10770/2012
14-04	342335	11699/2012	19-03	342292	12015/2012
14-04	342336	11700/2012	19-04	342291	10770/2012
14-04	342337	11701/2012	19-04	342292	12015/2012
14-04	342338	11702/2012	19-08	342222	11542/2012
14-04	342339	11703/2012	19-08	342223	11543/2012
14-04	342346	11285/2012	19-08	342224	11544/2012
14-04	342430	11233/2012	19-08	342225	11545/2012
14-99	342153	11418/2012	19-08	342234	11540/2012
14-99	342154	11419/2012	19-08	342235	11541/2012
14-99	342155	11420/2012	19-08	342373	11758/2012
14-99	342174	11417/2012	19-08	342374	11759/2012

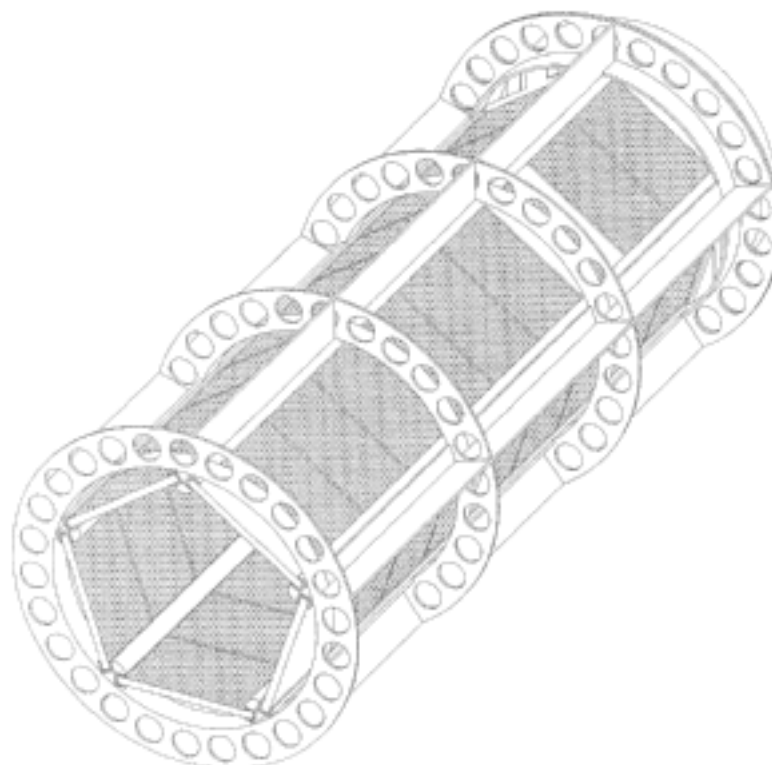
Registration Proceedings - Class Listing of Designs Published or Registered cont'd

Classification	Registration Number	Design Number	Classification	Registration Number	Design Number
19-08	342375	11760/2012	23-02NES	342053	11302/2012
20-02C	342243	10843/2012	23-02NES	342194	11478/2012
20-02C	342244	10844/2012	23-02NES	342366	11740/2012
20-02C	342245	10845/2012	23-03F	342027	10699/2012
20-02C	342246	10846/2012	23-03F	342028	10700/2012
20-02C	342247	10847/2012	23-03F	342029	10701/2012
20-02E	342114	11346/2012	23-03NES	342027	10699/2012
20-02E	342395	11670/2012	23-03NES	342028	10700/2012
20-02NES	342425	11794/2012	23-03NES	342029	10701/2012
20-03NES	342385	11747/2012	23-04	342139	11389/2012
21-01C	342391	11663/2012	23-99	342052	11301/2012
21-01F	342118	11355/2012	23-99	342053	11302/2012
21-01F	342388	11630/2012	24-01	342348	11412/2012
21-01H	342258	11709/2012	24-02	342198	11517/2012
21-01NES	342124	11366/2012	24-02	342218	11505/2012
21-01NES	342254	11682/2012	24-02	342219	11506/2012
21-01NES	342255	11683/2012	24-03	342248	10916/2012
21-02A	342268	11614/2012	24-03	342316	10917/2012
21-02C	342142	11392/2012	24-03	342317	12020/2012
21-02C	342143	11393/2012	24-04	342044	11117/2012
21-02C	342144	11394/2012	24-04	342045	11118/2012
21-02C	342145	11395/2012	24-04	342046	11119/2012
21-02C	342146	11396/2012	24-04	342047	11120/2012
21-02C	342158	11423/2012	24-04	342091	11121/2012
21-02C	342159	11424/2012	24-04	342092	11122/2012
21-02C	342160	11425/2012	24-04	342093	11123/2012
21-02C	342349	11426/2012	24-04	342204	11482/2012
21-02C	342350	11427/2012	24-04	342323	11727/2012
21-02C	342363	11735/2012	24-04	342358	11730/2012
21-02F	342220	11511/2012	25-01A	342049	11289/2012
21-02F	342263	11510/2012	25-01A	342051	11293/2012
21-02F	342315	10756/2012	25-01A	342370	11751/2012
21-02F	342344	10832/2012	25-01D	342242	11912/2012
21-02F	342345	10833/2012	25-01F	342168	11397/2012
21-02NES	342226	11560/2012	25-01F	342169	11398/2012
21-03	342079	11317/2012	25-01K	342319	11710/2012
21-03	342381	10434/2012	25-01K	342320	11711/2012
22-01	342195	11479/2012	25-01K	342321	11712/2012
22-01	342203	11481/2012	25-01NES	342278	11651/2012
22-03	342127	15012/2011	25-02C	342173	11406/2012
22-05	342434	11939/2012	25-02C	342280	11654/2012
22-06	342098	11629/2012	25-02C	342281	11655/2012
22-06	342271	11640/2012	25-02C	342283	11657/2012
22-06	342282	11656/2012	25-02C	342390	11658/2012
23-01A	342431	11323/2012	25-02H	342393	11667/2012
23-01G	342362	11734/2012	25-02NES	342433	11919/2012
23-01L	342259	10773/2012	25-03	342290	11546/2012
23-01NES	342033	11275/2012	26-04	342119	10778/2012
23-01NES	342053	11302/2012	26-05A	342087	11476/2012
23-01NES	342136	11386/2012	26-05C	342087	11476/2012
23-01NES	342137	11387/2012	26-05NES	342108	11334/2012
23-02C	342172	11403/2012	26-06	342099	10904/2012
23-02E	342136	11386/2012	26-06	342100	10905/2012
23-02E	342137	11387/2012	26-06	342101	10906/2012
23-02E	342366	11740/2012	26-06	342102	10907/2012
23-02NES	342052	11301/2012	26-06	342103	10908/2012

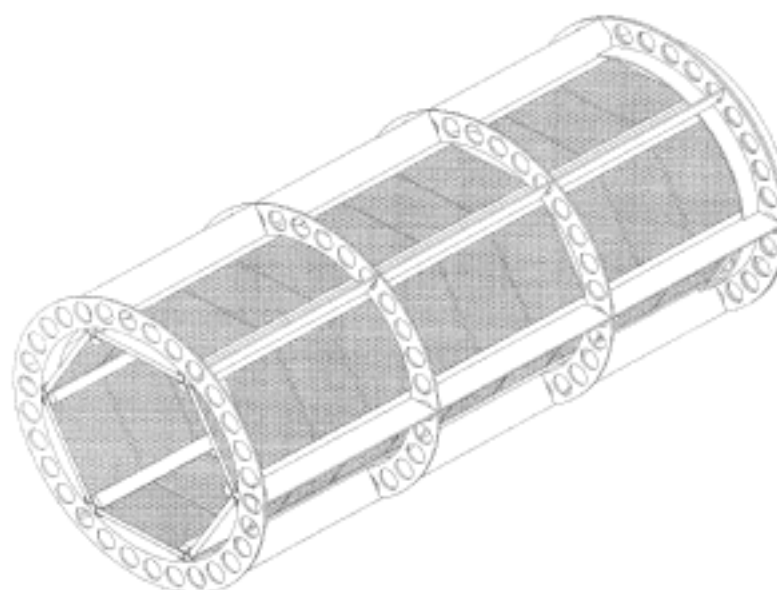
Registration Proceedings - Class Listing of Designs Published or Registered cont'd

Classification	Registration Number	Design Number	Classification	Registration Number	Design Number
26-06	342104	10909/2012	28-03NES	342298	11742/2012
26-06	342105	10910/2012	28-03NES	342299	12017/2012
26-06	342106	10911/2012	28-03NES	342300	12018/2012
26-06	342297	11743/2012	28-03NES	342301	12019/2012
28-01	342125	11374/2012	29-02	342082	14534/2011
28-01	342126	11375/2012	30-99	342288	11341/2012
28-01	342130	11376/2012	31-00	342050	11290/2012
28-03A	342230	11528/2012	31-00	342065	11311/2012
28-03NES	342217	11504/2012			
28-03NES	342227	11610/2012			

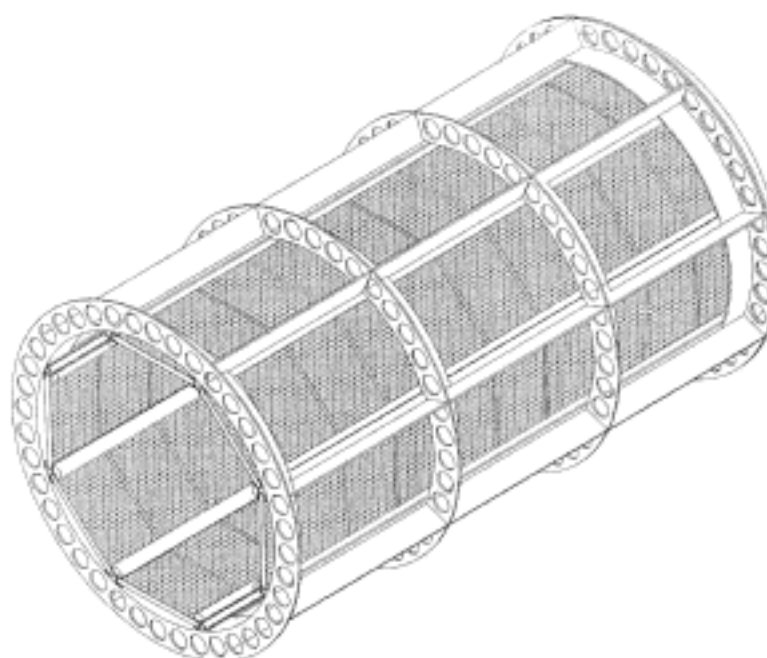
- (21) Design Number: **10699/2012**
(22) Date of Filing Application: **15 February 2012**
(24) Date from which industrial property rights may have effect: **15 February 2012**
(54) Product in respect of which the design is registered: **Heat exchanger**
(51) International Design Classification: **23-03F, 23-03NES**
(74) Name(s) of Attorney(s): **SPRUSON & FERGUSON**
(71) Name(s) and Address(s) of Applicant(s):
Dhiti Towiwat
163/71 Phahonyothin 32 Khwaeng Lat Yao Khet Chatuchak Bangkok
Thailand
(72) Name(s) of Designer(s): **Dhiti Towiwat**
(45) Registration Date: **20 April 2012**
(30) Convention priority data:
(31) Number (32) Date (33) Country
1102002443 16 Aug 2011 THAILAND
(56) Related Art Documents: **Not Applicable**
(57) Statement of Newness and Distinctiveness: **Newness and distinctiveness is claimed in the features of shape and/or configuration of a heat exchanger as illustrated in the accompanying representations.**



- (21) Design Number: **10700/2012**
(22) Date of Filing Application: **15 February 2012**
(24) Date from which industrial property rights may have effect: **15 February 2012**
(54) Product in respect of which the design is registered: **Heat exchanger**
(51) International Design Classification: **23-03F, 23-03NES**
(74) Name(s) of Attorney(s): **SPRUSON & FERGUSON**
(71) Name(s) and Address(s) of Applicant(s):
Dhiti Towiwat
163/71 Phahonyothin 32 Khwaeng Lat Yao Khet Chatuchak Bangkok
Thailand
(72) Name(s) of Designer(s): **Dhiti Towiwat**
(45) Registration Date: **20 April 2012**
(30) Convention priority data:
(31) Number (32) Date (33) Country
1102002445 16 Aug 2011 THAILAND
(56) Related Art Documents: **Not Applicable**
(57) Statement of Newness and Distinctiveness: **Newness and distinctiveness is claimed in the features of shape and/or configuration of a heat exchanger as illustrated in the accompanying representations.**



(21) Design Number: **10701/2012**
(22) Date of Filing Application: **15 February 2012**
(24) Date from which industrial property rights may have effect: **15 February 2012**
(54) Product in respect of which the design is registered: **Heat exchanger**
(51) International Design Classification: **23-03F, 23-03NES**
(74) Name(s) of Attorney(s): **SPRUSON & FERGUSON**
(71) Name(s) and Address(s) of Applicant(s):
Dhiti Towiwat
163/71 Phahonyothin 32 Khwaeng Lat Yao Khet Chatuchak Bangkok
Thailand
(72) Name(s) of Designer(s): **Dhiti Towiwat**
(45) Registration Date: **20 April 2012**
(30) Convention priority data:
(31) Number (32) Date (33) Country
1102002449 16 Aug 2011 THAILAND
(56) Related Art Documents: **Not Applicable**
(57) Statement of Newness and Distinctiveness: **Newness and distinctiveness is claimed in the features of shape and/or configuration of a heat exchanger as illustrated in the accompanying representations.**



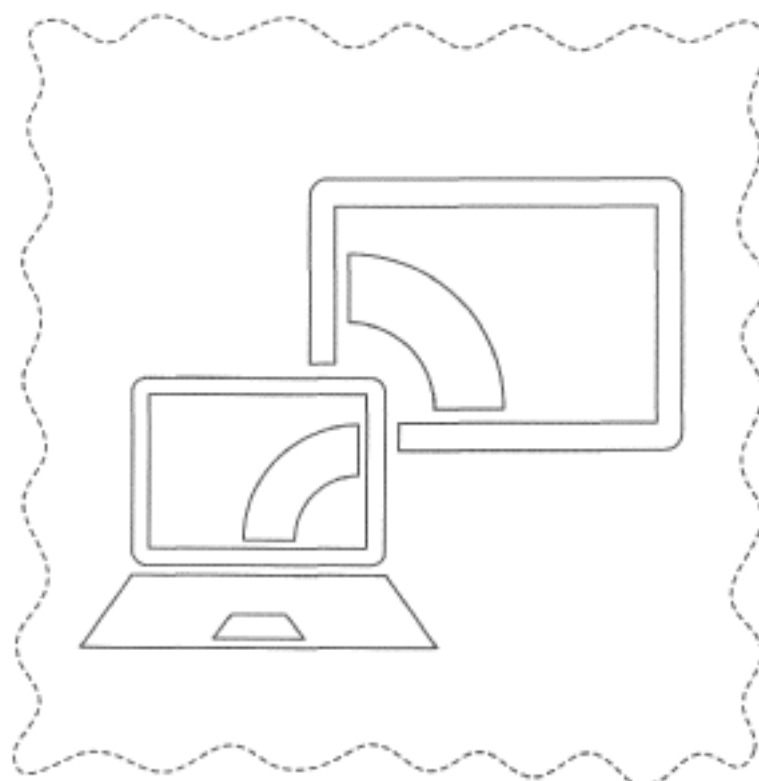
(21) Design Number: **11272/2012**
(22) Date of Filing Application: **07 March 2012**
(24) Date from which industrial property rights may have effect: **07 March 2012**
(54) Product in respect of which the design is registered: **Display screen with icon**
(51) International Design Classification: **14-04**
(74) Name(s) of Attorney(s): **Shelston IP**
(71) Name(s) and Address(s) of Applicant(s):
Microsoft Corporation
One Microsoft Way Redmond Washington 98052 United States of
America
(72) Name(s) of Designer(s): **Michael H. LaManna and Travis Eby and Jessica**
Murray and Kieran Phelan and Catherine White
(45) Registration Date: **20 April 2012**
(30) Convention priority data:
(31) Number (32) Date (33) Country
29/401422 12 Sep 2011 UNITED STATES OF AMERICA
(56) Related Art Documents: **Not Applicable**
(57) Statement of Newness and Distinctiveness: **Newness and distinctiveness reside in the pattern and/or ornamentation of a display screen with icon as illustrated by solid lines in the accompanying representations. The features shown in broken outline are for illustrative purposes only and do not form part of the design.**



(21) Design Number: **11273/2012**
(22) Date of Filing Application: **07 March 2012**
(24) Date from which industrial property rights may have effect: **07 March 2012**
(54) Product in respect of which the design is registered: **Display screen with icon**
(51) International Design Classification: **14-04**
(74) Name(s) of Attorney(s): **Shelston IP**
(71) Name(s) and Address(s) of Applicant(s):
Microsoft Corporation
One Microsoft Way Redmond Washington 98052 United States of America
(72) Name(s) of Designer(s): **Michael H. LaManna and Travis Eby and Jessica Murray and Kieran Phelan and Catherine White**
(45) Registration Date: **20 April 2012**
(30) Convention priority data:
(31) Number (32) Date (33) Country
29/401423 12 Sep 2011 UNITED STATES OF AMERICA
(56) Related Art Documents: **Not Applicable**
(57) Statement of Newness and Distinctiveness: **Newness and distinctiveness reside in the pattern and/or ornamentation of a display screen with icon as illustrated by solid lines in the accompanying representations. The features shown in broken outline are for illustrative purposes only and do not form part of the design.**



(21) Design Number: **11274/2012**
(22) Date of Filing Application: **07 March 2012**
(24) Date from which industrial property rights may have effect: **07 March 2012**
(54) Product in respect of which the design is registered: **Display screen with icon**
(51) International Design Classification: **14-04**
(74) Name(s) of Attorney(s): **Shelston IP**
(71) Name(s) and Address(s) of Applicant(s):
Microsoft Corporation
One Microsoft Way Redmond Washington 98052 United States of America
(72) Name(s) of Designer(s): **Michael H. LaManna and Travis Eby and Jessica Murray and Kieran Phelan and Catherine White**
(45) Registration Date: **20 April 2012**
(30) Convention priority data:
(31) Number (32) Date (33) Country
29/401428 12 Sep 2011 UNITED STATES OF AMERICA
(56) Related Art Documents: **Not Applicable**
(57) Statement of Newness and Distinctiveness: **Newness and distinctiveness reside in the pattern and/or ornamentation of a display screen with icon as illustrated by solid lines in the accompanying representations. The features shown in broken outline are for illustrative purposes only and do not form part of the design.**



- (21) Design Number: **11275/2012**
(22) Date of Filing Application: **07 March 2012**
(24) Date from which industrial property rights may have effect: **07 March 2012**
(54) Product in respect of which the design is registered: **Flow meter housing**
(51) International Design Classification: **23-01NES**
(74) Name(s) of Attorney(s): **PHILLIPS ORMONDE FITZPATRICK**
(71) Name(s) and Address(s) of Applicant(s):
Micro Motion, Inc.
7070 Winchester Circle Boulder Colorado 80301 United States of America
(72) Name(s) of Designer(s): **Linda Robb and Gregory Treat Lanham and Christopher A. Werbach**
(45) Registration Date: **20 April 2012**
(30) Convention priority data:
(31) Number (32) Date (33) Country
29/402,944 29 Sep 2011 UNITED STATES OF AMERICA
(56) Related Art Documents: **Not Applicable**
(57) Statement of Newness and Distinctiveness: **Those features of the flow meter housing depicted in the representations that are new and distinctive are the shape and/or configuration. The dashed lines shown in Fig. 1 and Fig. 2 are not part of the design and are to be disregarded when considering the overall impression of the design.**



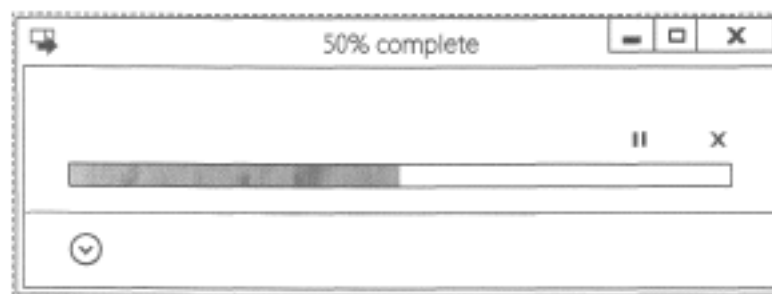
- (21) Design Number: **11276/2012**
(22) Date of Filing Application: **12 March 2012**
(24) Date from which industrial property rights may have effect: **12 March 2012**
(54) Product in respect of which the design is registered: **Protective helmet**
(51) International Design Classification: **02-03**
(74) Name(s) of Attorney(s): **Freehills Patent & Trade Mark Attorneys**
(71) Name(s) and Address(s) of Applicant(s):
3M Innovative Properties Company
3M Center Saint Paul Minnesota 55133-3427 United States of America
(72) Name(s) of Designer(s): **Bjorn Daniels and Oskar Erik Juhlin and Henrik Carl Olsson and Martin Lars Erik Birath and Kristian Nils Eke**
(45) Registration Date: **20 April 2012**
(30) Convention priority data:
(31) Number (32) Date (33) Country
001293013-0001 13 Sep 2011 EUROPEAN COMMUNITY
(56) Related Art Documents: **Not Applicable**
(57) Statement of Newness and Distinctiveness: **Newness and distinctiveness of the design resides in the features of shape and/or configuration of a protective helmet having a contour as shown in solid outline in the accompanying representations.**



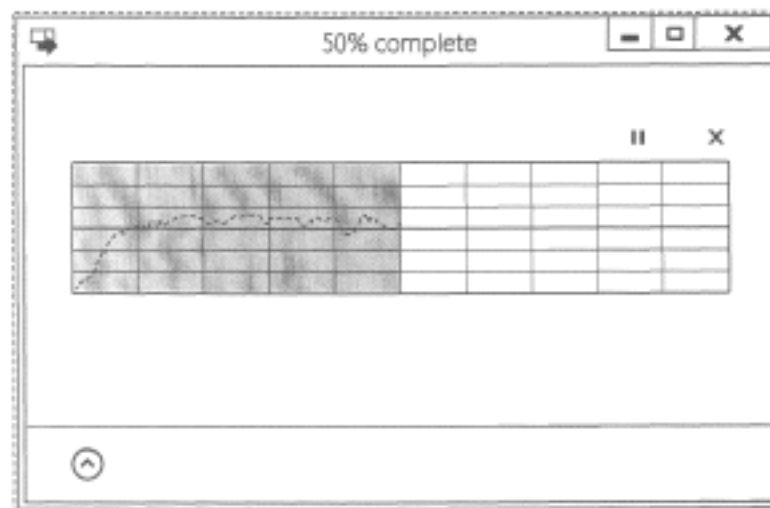
- (21) Design Number: **11277/2012**
(22) Date of Filing Application: **12 March 2012**
(24) Date from which industrial property rights may have effect: **12 March 2012**
(54) Product in respect of which the design is registered: **Protective helmet**
(51) International Design Classification: **02-03**
(74) Name(s) of Attorney(s): **Freehills Patent & Trade Mark Attorneys**
(71) Name(s) and Address(s) of Applicant(s):
3M Innovative Properties Company
3M Center Saint Paul Minnesota 55133-3427 United States of America
(72) Name(s) of Designer(s): **Bjorn Daniels and Oskar Erik Juhlin and Henrik Carl Olsson and Martin Lars Erik Birath and Kristian Nils Eke**
(45) Registration Date: **20 April 2012**
(30) Convention priority data:
(31) Number (32) Date (33) Country
001293054-0001 13 Sep 2011 EUROPEAN COMMUNITY
(56) Related Art Documents: **Not Applicable**
(57) Statement of Newness and Distinctiveness: **Newness and distinctiveness of the design resides in the features of shape and/or configuration of a protective helmet having a contour as shown in solid outline in the accompanying representations.**



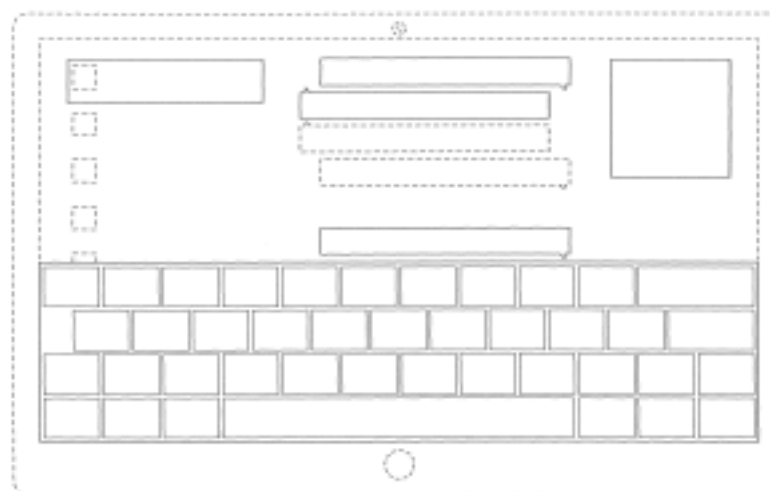
- (21) Design Number: **11282/2012**
(22) Date of Filing Application: **09 March 2012**
(24) Date from which industrial property rights may have effect: **09 March 2012**
(54) Product in respect of which the design is registered: **Display screen with user interface**
(51) International Design Classification: **14-04**
(74) Name(s) of Attorney(s): **Shelston IP**
(71) Name(s) and Address(s) of Applicant(s):
Microsoft Corporation
One Microsoft Way Redmond Washington 98052 United States of America
(72) Name(s) of Designer(s): **Benjamin Nicholas Truelove and Jonathan M. Class and Christine Stawitz**
(45) Registration Date: **20 April 2012**
(30) Convention priority data:
(31) Number (32) Date (33) Country
29/401530 12 Sep 2011 UNITED STATES OF AMERICA
(56) Related Art Documents: **Not Applicable**
(57) Statement of Newness and Distinctiveness: **Newness and distinctiveness reside in the pattern and/or ornamentation of a display screen with user interface as illustrated by solid lines in the accompanying representations. The features shown in broken outline are for illustrative purposes only and do not form part of the design.**



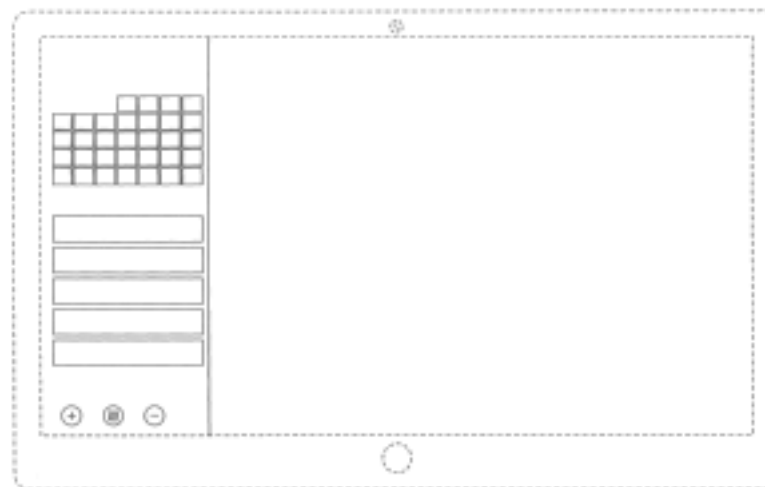
- (21) Design Number: **11283/2012**
(22) Date of Filing Application: **09 March 2012**
(24) Date from which industrial property rights may have effect: **09 March 2012**
(54) Product in respect of which the design is registered: **Display screen with user interface**
(51) International Design Classification: **14-04**
(74) Name(s) of Attorney(s): **Shelston IP**
(71) Name(s) and Address(s) of Applicant(s):
Microsoft Corporation
One Microsoft Way Redmond Washington 98052 United States of America
(72) Name(s) of Designer(s): **Benjamin Nicholas Truelove and Jonathan M. Class and Christine Stawitz**
(45) Registration Date: **20 April 2012**
(30) Convention priority data:
(31) Number (32) Date (33) Country
29/401468 12 Sep 2011 UNITED STATES OF AMERICA
(56) Related Art Documents: **Not Applicable**
(57) Statement of Newness and Distinctiveness: **Newness and distinctiveness reside in the pattern and/or ornamentation of a display screen with user interface as illustrated by solid lines in the accompanying representations. The features shown in broken outline are for illustrative purposes only and do not form part of the design.**



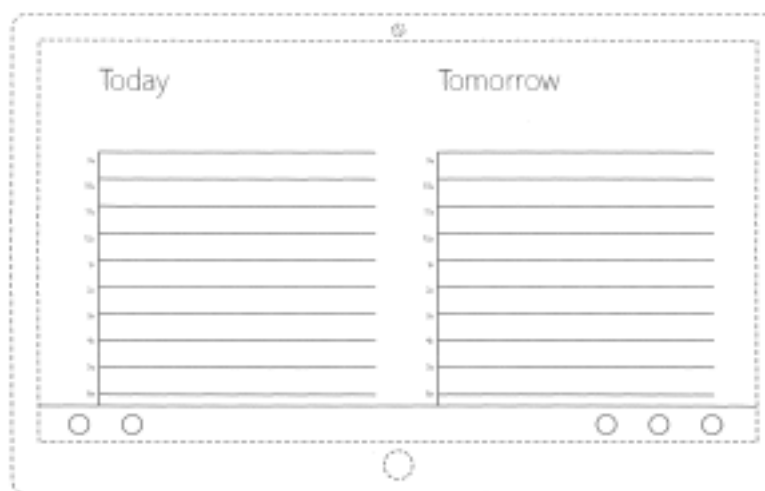
- (21) Design Number: **11284/2012**
(22) Date of Filing Application: **09 March 2012**
(24) Date from which industrial property rights may have effect: **09 March 2012**
(54) Product in respect of which the design is registered: **Display screen with user interface**
(51) International Design Classification: **14-04**
(74) Name(s) of Attorney(s): **Shelston IP**
(71) Name(s) and Address(s) of Applicant(s):
Microsoft Corporation
One Microsoft Way Redmond Washington 98052 United States of America
(72) Name(s) of Designer(s): **Ann Marie Hudspeth and Orry Wijanarko Soegiono and Hui Chun Ku**
(45) Registration Date: **20 April 2012**
(30) Convention priority data:
(31) Number (32) Date (33) Country
29/401441 12 Sep 2011 UNITED STATES OF AMERICA
(56) Related Art Documents: **Not Applicable**
(57) Statement of Newness and Distinctiveness: **Newness and distinctiveness reside in the pattern and/or ornamentation of a display screen with user interface as illustrated by solid lines in the accompanying representations. The features shown in broken outline are for illustrative purposes only and do not form part of the design.**



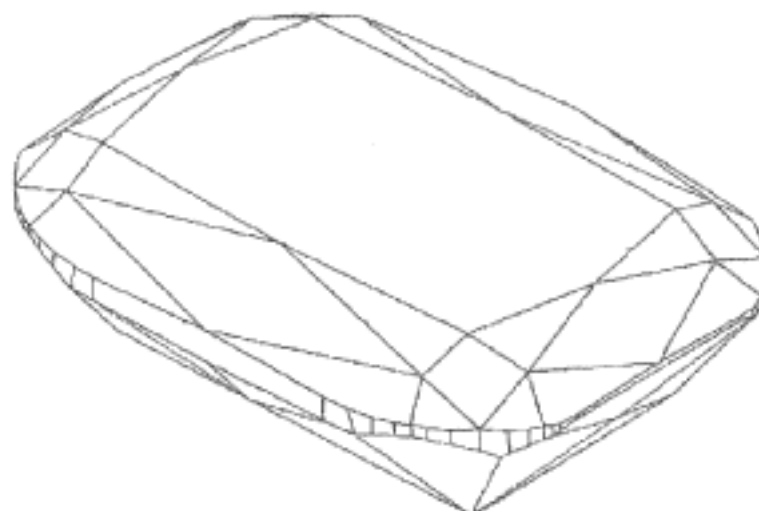
(21) Design Number: **11286/2012**
(22) Date of Filing Application: **09 March 2012**
(24) Date from which industrial property rights may have effect: **09 March 2012**
(54) Product in respect of which the design is registered: **Display screen with user interface**
(51) International Design Classification: **14-04**
(74) Name(s) of Attorney(s): **Shelston IP**
(71) Name(s) and Address(s) of Applicant(s):
Microsoft Corporation
One Microsoft Way Redmond Washington 98052 United States of America
(72) Name(s) of Designer(s): **Ben Perry and Jacob Bomgardner**
(45) Registration Date: **20 April 2012**
(30) Convention priority data:
(31) Number (32) Date (33) Country
29/401487 12 Sep 2011 UNITED STATES OF AMERICA
(56) Related Art Documents: **Not Applicable**
(57) Statement of Newness and Distinctiveness: **Newness and distinctiveness reside in the pattern and/or ornamentation of a display screen with user interface as illustrated by solid lines in the accompanying representations. The features shown in broken outline are for illustrative purposes only and do not form part of the design.**



(21) Design Number: **11287/2012**
(22) Date of Filing Application: **09 March 2012**
(24) Date from which industrial property rights may have effect: **09 March 2012**
(54) Product in respect of which the design is registered: **Display screen with user interface**
(51) International Design Classification: **14-04**
(74) Name(s) of Attorney(s): **Shelston IP**
(71) Name(s) and Address(s) of Applicant(s):
Microsoft Corporation
One Microsoft Way Redmond Washington 98052 United States of America
(72) Name(s) of Designer(s): **Ben Perry and Andrew Clifford Wassying**
(45) Registration Date: **20 April 2012**
(30) Convention priority data:
(31) Number (32) Date (33) Country
29/401498 12 Sep 2011 UNITED STATES OF AMERICA
(56) Related Art Documents: **Not Applicable**
(57) Statement of Newness and Distinctiveness: **Newness and distinctiveness reside in the pattern and/or ornamentation of a display screen with user interface as illustrated by solid lines in the accompanying representations. The features shown in broken outline are for illustrative purposes only and do not form part of the design.**



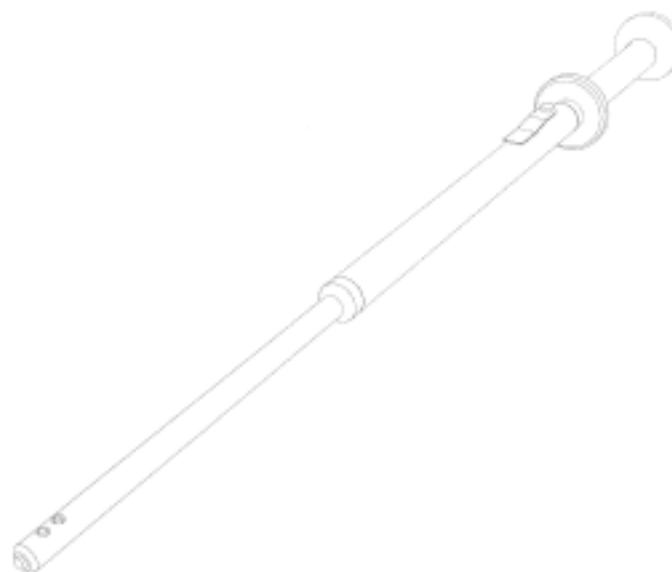
- (21) Design Number: **11288/2012**
(22) Date of Filing Application: **08 March 2012**
(24) Date from which industrial property rights may have effect: **08 March 2012**
(54) Product in respect of which the design is registered: **Gemstone**
(51) International Design Classification: **11-01NES**
(74) Name(s) of Attorney(s): **Wrays**
(71) Name(s) and Address(s) of Applicant(s):
Lili Diamonds
The Diamond Exchange Maccabi Building 1 Jabotinsky Street 52520
Ramat Gan Israel
(72) Name(s) of Designer(s): **Jacob Siman-Tov and Itzhak Siman-Tov and**
Avraham Siman-Tov
(45) Registration Date: **20 April 2012**
(30) Convention priority data:
(31) Number (32) Date (33) Country
51540 12 Sep 2011 ISRAEL
(56) Related Art Documents: **Not Applicable**
(57) Statement of Newness and Distinctiveness: **Newness and distinctiveness**
is claimed in the features of shape and/or configuration of the Gemstone
depicted in the accompanying representations.



- (21) Design Number: **11300/2012**
(22) Date of Filing Application: **06 March 2012**
(24) Date from which industrial property rights may have effect: **06 March 2012**
(54) Product in respect of which the design is registered: **Hammock frames**
(51) International Design Classification: **06-02**
(74) Name(s) of Attorney(s):
(71) Name(s) and Address(s) of Applicant(s):
L E Whittaker & Son Pty Ltd
45 Limestone Street Darra Queensland 4076 Australia
(72) Name(s) of Designer(s): **Graeme Leslie Whittaker and Roy Gordon**
Whittaker
(45) Registration Date: **20 April 2012**
(56) Related Art Documents: **Not Applicable**
(57) Statement of Newness and Distinctiveness: **This design is a**
significant improvement over existing hammock frames. The additional
strengthening bar between the 'forks' at either end of the frame
give improved strength and additional safety to the design. The
distinctiveness and newness of this bar is claimed as a key element of
the design.



- (21) Design Number: **10958/2012**
(22) Date of Filing Application: **29 February 2012**
(24) Date from which industrial property rights may have effect: **29 February 2012**
(54) Product in respect of which the design is registered: **A Punch**
(51) International Design Classification: **08-05P**
(74) Name(s) of Attorney(s): **Cullens Patent and Trade Mark Attorneys**
(71) Name(s) and Address(s) of Applicant(s):
Spencer Lin Robinson
15 Anne Street Southport Queensland 4215 Australia
(72) Name(s) of Designer(s): **Spencer Lin Robinson**
(45) Registration Date: **20 April 2012**
(56) Related Art Documents: **Not Applicable**
(57) Statement of Newness and Distinctiveness: **The newness and distinctiveness of the design resides in the features of shape and/or configuration of the punch shown in unbroken lines in the accompanying representations.**



- (21) Design Number: **11117/2012**
(22) Date of Filing Application: **06 March 2012**
(24) Date from which industrial property rights may have effect: **06 March 2012**
(54) Product in respect of which the design is registered: **Inhaler**
(51) International Design Classification: **24-04**
(74) Name(s) of Attorney(s): **Davies Collison Cave**
(71) Name(s) and Address(s) of Applicant(s):
AstraZeneca AB
Sodertalje SE-151 85 Sweden
(72) Name(s) of Designer(s): **Rasmus Logstrup Jensen and Thomas Aagaard Jensen**
(45) Registration Date: **20 April 2012**
(30) Convention priority data:
(31) Number (32) Date (33) Country
001917204-0001 14 Nov 2011 EUROPEAN COMMUNITY
(56) Related Art Documents: **Not Applicable**
(57) Statement of Newness and Distinctiveness: **Nil**



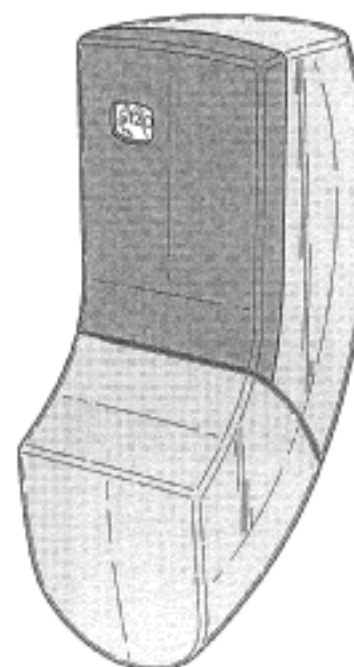
(21) Design Number: **11118/2012**
(22) Date of Filing Application: **06 March 2012**
(24) Date from which industrial property rights may have effect: **06 March 2012**
(54) Product in respect of which the design is registered: **Inhaler**
(51) International Design Classification: **24-04**
(74) Name(s) of Attorney(s): **Davies Collison Cave**
(71) Name(s) and Address(s) of Applicant(s):
AstraZeneca AB
Sodertalje SE-151 85 Sweden
(72) Name(s) of Designer(s): **Rasmus Logstrup Jensen and Thomas Aagaard Jensen**
(45) Registration Date: **20 April 2012**
(30) Convention priority data:
(31) Number (32) Date (33) Country
001917204-0001 14 Nov 2011 EUROPEAN COMMUNITY
(56) Related Art Documents: **Not Applicable**
(57) Statement of Newness and Distinctiveness: **Nil**



(21) Design Number: **11119/2012**
(22) Date of Filing Application: **06 March 2012**
(24) Date from which industrial property rights may have effect: **06 March 2012**
(54) Product in respect of which the design is registered: **Inhaler**
(51) International Design Classification: **24-04**
(74) Name(s) of Attorney(s): **Davies Collison Cave**
(71) Name(s) and Address(s) of Applicant(s):
AstraZeneca AB
Sodertalje SE-151 85 Sweden
(72) Name(s) of Designer(s): **Rasmus Logstrup Jensen and Thomas Aagaard Jensen**
(45) Registration Date: **20 April 2012**
(30) Convention priority data:
(31) Number (32) Date (33) Country
001917204-0001 14 Nov 2011 EUROPEAN COMMUNITY
(56) Related Art Documents: **Not Applicable**
(57) Statement of Newness and Distinctiveness: **Nil**



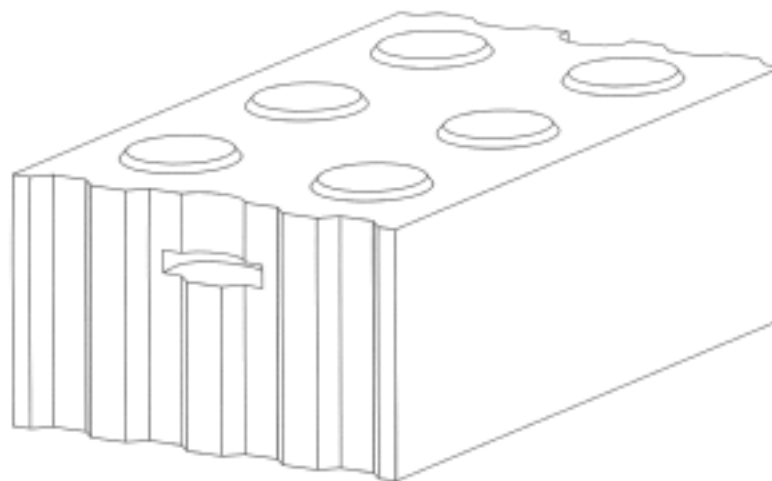
(21) Design Number: **11120/2012**
(22) Date of Filing Application: **06 March 2012**
(24) Date from which industrial property rights may have effect: **06 March 2012**
(54) Product in respect of which the design is registered: **Inhaler**
(51) International Design Classification: **24-04**
(74) Name(s) of Attorney(s): **Davies Collison Cave**
(71) Name(s) and Address(s) of Applicant(s):
AstraZeneca AB
Sodertalje SE-151 85 Sweden
(72) Name(s) of Designer(s): **Rasmus Logstrup Jensen and Thomas Aagaard Jensen**
(45) Registration Date: **20 April 2012**
(30) Convention priority data:
(31) Number (32) Date (33) Country
001917204-0001 14 Nov 2011 EUROPEAN COMMUNITY
(56) Related Art Documents: **Not Applicable**
(57) Statement of Newness and Distinctiveness: **Nil**



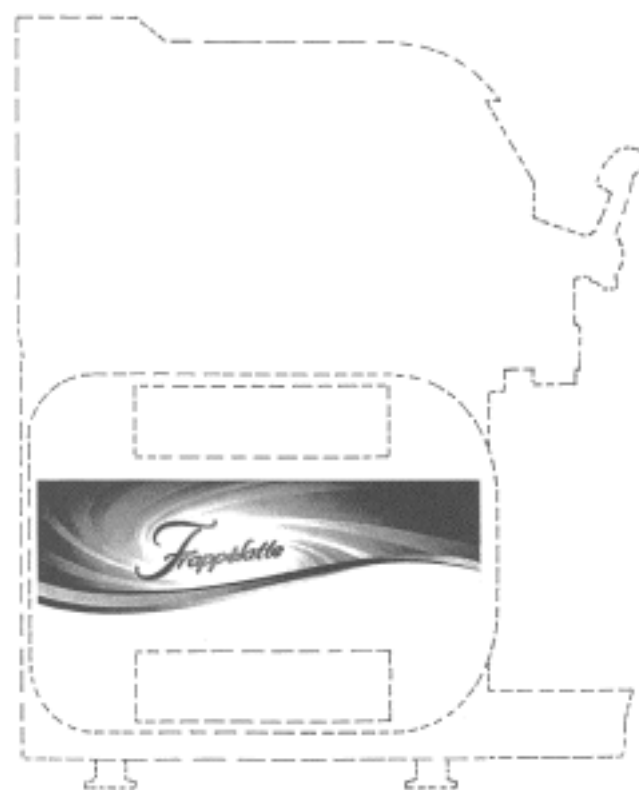
(21) Design Number: **11344/2012**
(22) Date of Filing Application: **13 March 2012**
(24) Date from which industrial property rights may have effect: **13 March 2012**
(54) Product in respect of which the design is registered: **Baby change bag including mat**
(51) International Design Classification: **03-01NES**
(74) Name(s) of Attorney(s): **Madgwicks**
(71) Name(s) and Address(s) of Applicant(s):
Joanne D'Elia
323 Murrumbeena Road Murrumbeena Victoria 3163 Australia
(72) Name(s) of Designer(s): **Joanne D'Elia**
(45) Registration Date: **20 April 2012**
(56) Related Art Documents: **Not Applicable**
(57) Statement of Newness and Distinctiveness: **Monopoly is claimed in the features of shape and/or configuration of the article as illustrated in the accompanying representations.**



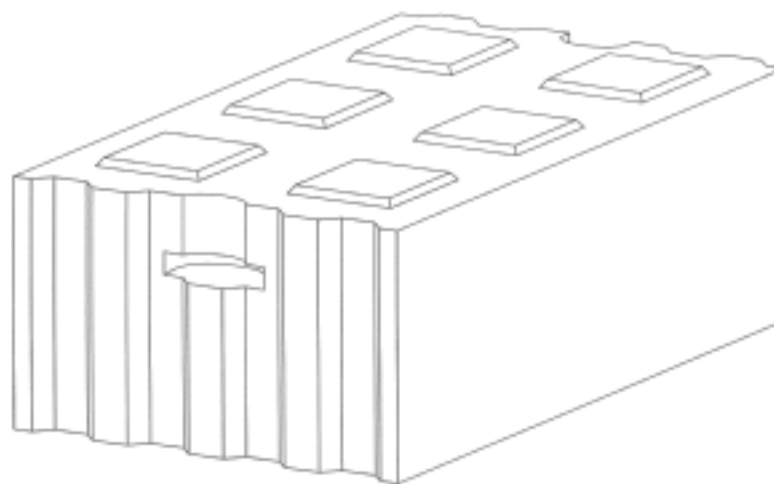
- (21) Design Number: **11289/2012**
(22) Date of Filing Application: **12 March 2012**
(24) Date from which industrial property rights may have effect: **12 March 2012**
(54) Product in respect of which the design is registered: **Building block**
(51) International Design Classification: **25-01A**
(74) Name(s) of Attorney(s): **Baxter IP**
(71) Name(s) and Address(s) of Applicant(s):
WYW BLOCK AG
Landstrasse 140 Schaan Liechtenstein
(72) Name(s) of Designer(s): **Istvan Antal**
(45) Registration Date: **23 April 2012**
(56) Related Art Documents: **Not Applicable**
(57) Statement of Newness and Distinctiveness: **Newness and distinctiveness is claimed in the shape and/or configuration of a building block as shown in the representations.**



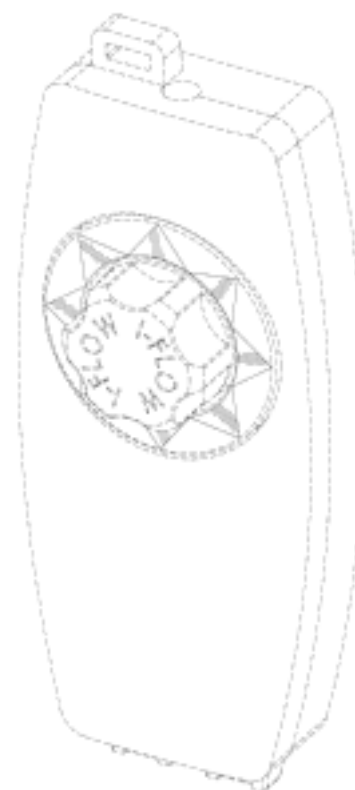
- (21) Design Number: **11290/2012**
(22) Date of Filing Application: **13 March 2012**
(24) Date from which industrial property rights may have effect: **13 March 2012**
(54) Product in respect of which the design is registered: **An ice cream machine**
(51) International Design Classification: **31-00**
(74) Name(s) of Attorney(s): **Banki Haddock Fiora**
(71) Name(s) and Address(s) of Applicant(s):
Societe des Produits Nestle S.A.
1800 Vevey Switzerland
(72) Name(s) of Designer(s): **Guillaume Collinet**
(45) Registration Date: **23 April 2012**
(30) Convention priority data:
(31) Number (32) Date (33) Country
138312 13 Oct 2011 SWITZERLAND
(56) Related Art Documents: **Not Applicable**
(57) Statement of Newness and Distinctiveness: **The visual features of the ice cream machine depicted in the representations that are new and distinctive are the pattern and/or ornamentation. The features shown in broken outline are not part of the design and should be disregarded when considering the overall impression of the design. The pattern and/or ornamentation can be in colour, but is not restricted to a particular colour or colours. The shape and configuration of the ice cream machine shown in broken outline and the position and relative size of the features of pattern and ornamentation in relation to the ice cream machine are illustrative only and do not form part of the design.**



- (21) Design Number: **11293/2012**
(22) Date of Filing Application: **12 March 2012**
(24) Date from which industrial property rights may have effect: **12 March 2012**
(54) Product in respect of which the design is registered: **Building Block**
(51) International Design Classification: **25-01A**
(74) Name(s) of Attorney(s): **Baxter IP**
(71) Name(s) and Address(s) of Applicant(s):
WYW BLOCK AG
Landstrasse 140 Schaan Liechtenstein
(72) Name(s) of Designer(s): **Istvan Antal**
(45) Registration Date: **23 April 2012**
(56) Related Art Documents: **Not Applicable**
(57) Statement of Newness and Distinctiveness: **Newness and distinctiveness is claimed in the shape and/or configuration of a building block as shown in the representations.**



- (21) Design Number: **11301/2012**
(22) Date of Filing Application: **09 March 2012**
(24) Date from which industrial property rights may have effect: **09 March 2012**
(54) Product in respect of which the design is registered: **Flow control device indicia**
(51) International Design Classification: **23-99, 23-02NES**
(74) Name(s) of Attorney(s): **Freehills Patent & Trade Mark Attorneys**
(71) Name(s) and Address(s) of Applicant(s):
Kimberly-Clark Worldwide, Inc.
2300 Winchester Road Neenah Wisconsin 54956 United States of America
(72) Name(s) of Designer(s): **Siddharth Desai and Quang Ngoc Vu**
(45) Registration Date: **23 April 2012**
(30) Convention priority data:
(31) Number (32) Date (33) Country
29/403272 04 Oct 2011 UNITED STATES OF AMERICA
(56) Related Art Documents: **Not Applicable**
(57) Statement of Newness and Distinctiveness: **Newness and distinctiveness of the design resides in the shape and configuration of the flow control device as shown in solid outline in the accompanying representations. In deciding whether the design is similar in overall impression to another design, no regard is to be given to the parts shown the broken lines.**



(21) Design Number: **11302/2012**
(22) Date of Filing Application: **09 March 2012**
(24) Date from which industrial property rights may have effect: **09 March 2012**
(54) Product in respect of which the design is registered: **Flow control device knob**
(51) International Design Classification: **23-99, 23-02NES, 23-01NES, 10-04, 08-06**
(74) Name(s) of Attorney(s): **Freehills Patent & Trade Mark Attorneys**
(71) Name(s) and Address(s) of Applicant(s):
Kimberly-Clark Worldwide, Inc.
2300 Winchester Road Neenah Wisconsin 54956 United States of America
(72) Name(s) of Designer(s): **Siddharth Desai and Quang Ngoc Vu**
(45) Registration Date: **23 April 2012**
(30) Convention priority data:
(31) Number (32) Date (33) Country
29/403271 04 Oct 2011 UNITED STATES OF AMERICA
(56) Related Art Documents: **Not Applicable**
(57) Statement of Newness and Distinctiveness: **Newness and distinctiveness of the design resides in the shape and configuration of the flow control device knob as shown in solid outline in the accompanying drawings. When determining whether the design is substantially similar in overall impression to another design, no regard is to be had to these features shown in broken lines.**



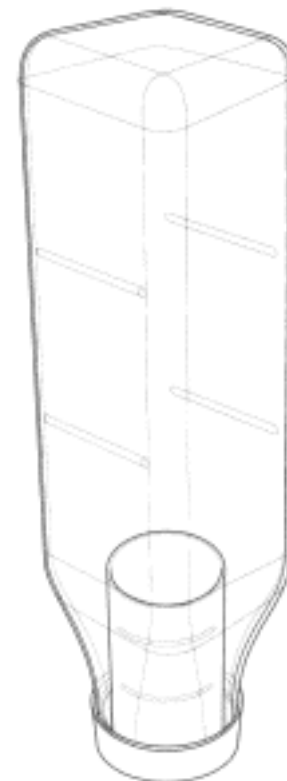
(21) Design Number: **11303/2012**
(22) Date of Filing Application: **12 March 2012**
(24) Date from which industrial property rights may have effect: **12 March 2012**
(54) Product in respect of which the design is registered: **Medicament package**
(51) International Design Classification: **09-01NES**
(74) Name(s) of Attorney(s):
(71) Name(s) and Address(s) of Applicant(s):
Logue and Co. Pty Ltd
199 Kiora Road Yowie Bay New South Wales 2228 Australia
(72) Name(s) of Designer(s): **Anthony Thomas Logue**
(45) Registration Date: **23 April 2012**
(56) Related Art Documents: **Not Applicable**
(57) Statement of Newness and Distinctiveness: **Newness and distinctiveness is claimed in the features of shape and/or configuration of a medicament package as depicted in the accompanying drawings.**



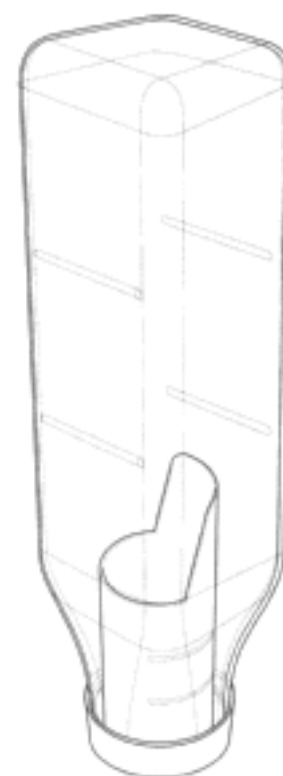
- (21) Design Number: **11304/2012**
(22) Date of Filing Application: **12 March 2012**
(24) Date from which industrial property rights may have effect: **12 March 2012**
(54) Product in respect of which the design is registered: **Medicament package**
(51) International Design Classification: **09-01NES**
(74) Name(s) of Attorney(s):
(71) Name(s) and Address(s) of Applicant(s):
Logue and Co. Pty Ltd
199 Kiora Road Yowie Bay New South Wales 2228 Australia
(72) Name(s) of Designer(s): **Anthony Thomas Logue**
(45) Registration Date: **23 April 2012**
(56) Related Art Documents: **Not Applicable**
(57) Statement of Newness and Distinctiveness: **Newness and distinctiveness is claimed in the features of shape and/or configuration of a medicament package as depicted in the accompanying drawings.**



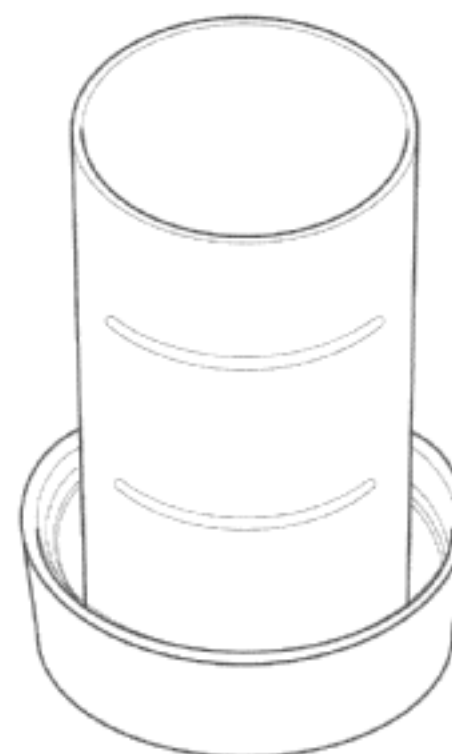
- (21) Design Number: **11305/2012**
(22) Date of Filing Application: **12 March 2012**
(24) Date from which industrial property rights may have effect: **12 March 2012**
(54) Product in respect of which the design is registered: **Medicament package**
(51) International Design Classification: **09-01NES**
(74) Name(s) of Attorney(s):
(71) Name(s) and Address(s) of Applicant(s):
Logue and Co. Pty Ltd
199 Kiora Road Yowie Bay New South Wales 2228 Australia
(72) Name(s) of Designer(s): **Anthony Thomas Logue**
(45) Registration Date: **23 April 2012**
(56) Related Art Documents: **Not Applicable**
(57) Statement of Newness and Distinctiveness: **Newness and distinctiveness is claimed in the features of shape and/or configuration of a medicament package as depicted in the accompanying drawings.**



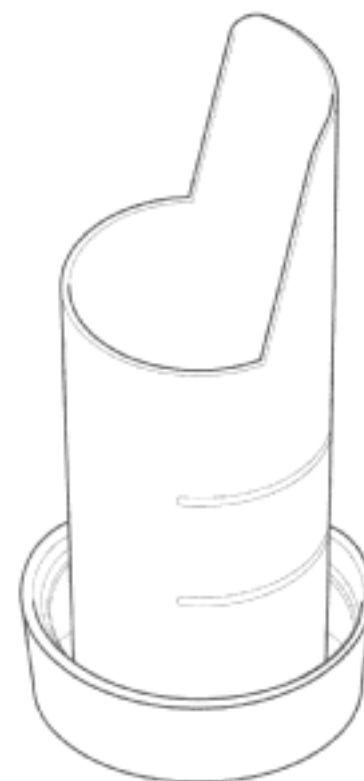
- (21) Design Number: **11306/2012**
(22) Date of Filing Application: **12 March 2012**
(24) Date from which industrial property rights may have effect: **12 March 2012**
(54) Product in respect of which the design is registered: **Medicament package**
(51) International Design Classification: **09-01NES**
(74) Name(s) of Attorney(s):
(71) Name(s) and Address(s) of Applicant(s):
Logue and Co. Pty Ltd
199 Kiora Road Yowie Bay New South Wales 2228 Australia
(72) Name(s) of Designer(s): **Anthony Thomas Logue**
(45) Registration Date: **23 April 2012**
(56) Related Art Documents: **Not Applicable**
(57) Statement of Newness and Distinctiveness: **Newness and distinctiveness is claimed in the features of shape and/or configuration of a medicament package as depicted in the accompanying drawings.**



- (21) Design Number: **11307/2012**
(22) Date of Filing Application: **12 March 2012**
(24) Date from which industrial property rights may have effect: **12 March 2012**
(54) Product in respect of which the design is registered: **Measuring cap**
(51) International Design Classification: **10-04**
(74) Name(s) of Attorney(s):
(71) Name(s) and Address(s) of Applicant(s):
Logue and Co. Pty Ltd
199 Kiora Road Yowie Bay New South Wales 2228 Australia
(72) Name(s) of Designer(s): **Anthony Thomas Logue**
(45) Registration Date: **23 April 2012**
(56) Related Art Documents: **Not Applicable**
(57) Statement of Newness and Distinctiveness: **Newness and distinctiveness is claimed in the features of shape and/or configuration of a measuring cap as depicted in the accompanying drawings.**



(21) Design Number: **11308/2012**
(22) Date of Filing Application: **12 March 2012**
(24) Date from which industrial property rights may have effect: **12 March 2012**
(54) Product in respect of which the design is registered: **Measuring cap**
(51) International Design Classification: **10-04**
(74) Name(s) of Attorney(s):
(71) Name(s) and Address(s) of Applicant(s):
Logue and Co. Pty Ltd
199 Kiara Road Yowie Bay New South Wales 2228 Australia
(72) Name(s) of Designer(s): **Anthony Thomas Logue**
(45) Registration Date: **23 April 2012**
(56) Related Art Documents: **Not Applicable**
(57) Statement of Newness and Distinctiveness: **Newness and distinctiveness is claimed in the features of shape and/or configuration of a measuring cap as depicted in the accompanying drawings.**



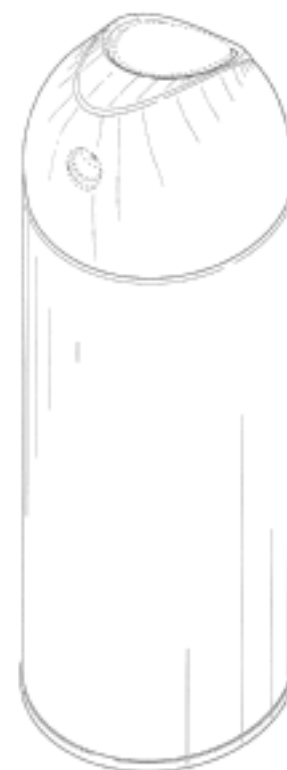
(21) Design Number: **11309/2012**
(22) Date of Filing Application: **12 March 2012**
(24) Date from which industrial property rights may have effect: **12 March 2012**
(54) Product in respect of which the design is registered: **Chair**
(51) International Design Classification: **06-01F**
(74) Name(s) of Attorney(s): **FB Rice**
(71) Name(s) and Address(s) of Applicant(s):
Okamura Corporation
7-18 Kitasaiwai 2-chome Nishi-ku Yokohama-shi Kanagawa 220-0004
Japan
(72) Name(s) of Designer(s): **Alexander Hurford**
(45) Registration Date: **23 April 2012**
(30) Convention priority data:
(31) Number (32) Date (33) Country
2011-21080 15 Sep 2011 JAPAN
(56) Related Art Documents: **Not Applicable**
(57) Statement of Newness and Distinctiveness: **Newness and distinctiveness reside in the features of the design as shown in the representations.**



(21) Design Number: **11310/2012**
(22) Date of Filing Application: **12 March 2012**
(24) Date from which industrial property rights may have effect: **12 March 2012**
(54) Product in respect of which the design is registered: **Chair**
(51) International Design Classification: **06-01F**
(74) Name(s) of Attorney(s): **FB Rice**
(71) Name(s) and Address(s) of Applicant(s):
Okamura Corporation
7-18 Kitasaiwai 2-chome Nishi-ku Yokohama-shi Kanagawa 220-0004
Japan
(72) Name(s) of Designer(s): **Alexander Hurford**
(45) Registration Date: **23 April 2012**
(30) Convention priority data:
(31) Number (32) Date (33) Country
2011-21081 15 Sep 2011 JAPAN
(56) Related Art Documents: **Not Applicable**
(57) Statement of Newness and Distinctiveness: **Newness and distinctiveness reside in the features of the design as shown in the representations.**



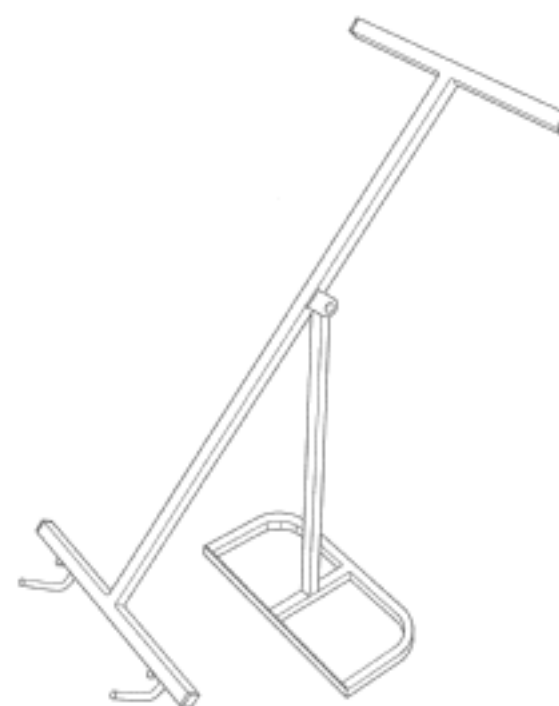
(21) Design Number: **10114/2012**
(22) Date of Filing Application: **12 January 2012**
(24) Date from which industrial property rights may have effect: **12 January 2012**
(54) Product in respect of which the design is registered: **Overcap and container**
(51) International Design Classification: **09-01A**
(74) Name(s) of Attorney(s): **SPRUSON & FERGUSON**
(71) Name(s) and Address(s) of Applicant(s):
S.C. Johnson & Son, Inc.
1525 Howe Street Racine Wisconsin 53403 United States of America
(72) Name(s) of Designer(s): **Mary Beth Adams and Daniel A. Andersen and Jeffrey J. Christianson and Matthew Grossman and Kit R. Morris and Han Xin**
(45) Registration Date: **23 April 2012**
(30) Convention priority data:
(31) Number (32) Date (33) Country
29/397465 15 Jul 2011 UNITED STATES OF AMERICA
(56) Related Art Documents: **Not Applicable**
(57) Statement of Newness and Distinctiveness: **Newness and distinctiveness is claimed in those features of shape and/or configuration of an overcap and container as illustrated in the continuous lines in the accompanying representations.**



- (21) Design Number: **10115/2012**
(22) Date of Filing Application: **12 January 2012**
(24) Date from which industrial property rights may have effect: **12 January 2012**
(54) Product in respect of which the design is registered: **Overcap**
(51) International Design Classification: **09-07A**
(74) Name(s) of Attorney(s): **SPRUSON & FERGUSON**
(71) Name(s) and Address(s) of Applicant(s):
S.C. Johnson & Son, Inc.
1525 Howe Street Racine Wisconsin 53403 United States of America
(72) Name(s) of Designer(s): **Mary Beth Adams and Daniel A. Andersen and Jeffrey J. Christianson and Matthew Grossman and Kit R. Morris and Han Xin**
(45) Registration Date: **23 April 2012**
(30) Convention priority data:
(31) Number (32) Date (33) Country
29/397465 15 Jul 2011 UNITED STATES OF AMERICA
(56) Related Art Documents: **Not Applicable**
(57) Statement of Newness and Distinctiveness: **Newness and distinctiveness is claimed in those features of shape and/or configuration of an overcap illustrated in the continuous lines in the accompanying representations.**

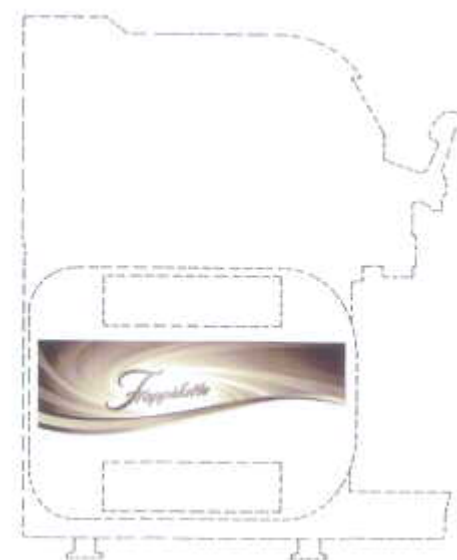


- (21) Design Number: **11101/2012**
(22) Date of Filing Application: **02 March 2012**
(24) Date from which industrial property rights may have effect: **02 March 2012**
(54) Product in respect of which the design is registered: **Tamper for bin contents**
(51) International Design Classification: **09-09**
(74) Name(s) of Attorney(s): **Sandercock & Cowie**
(71) Name(s) and Address(s) of Applicant(s):
The Bin Buddie Company Pty. Ltd.
25 Maberley Crescent Frankston South Victoria 3199 Australia
(72) Name(s) of Designer(s): **Martin O'Connor and James Rylands**
(45) Registration Date: **23 April 2012**
(56) Related Art Documents: **Not Applicable**
(57) Statement of Newness and Distinctiveness: **Newness and distinctiveness reside in the shape and configuration of the tamper for bin contents as shown in the accompanying representations.**



(21) Design Number: **11311/2012**
(22) Date of Filing Application: **13 March 2012**
(24) Date from which industrial property rights may have effect: **13 March 2012**
(54) Product in respect of which the design is registered: **An ice cream machine**
(51) International Design Classification: **31-00**
(74) Name(s) of Attorney(s): **Banki Haddock Fiora**
(71) Name(s) and Address(s) of Applicant(s):
Societe des Produits Nestle S.A.
1800 Vevey Switzerland
(72) Name(s) of Designer(s): **Guillaume Collinet**
(45) Registration Date: **23 April 2012**
(30) Convention priority data:
(31) Number (32) Date (33) Country
138312 13 Oct 2011 SWITZERLAND
(56) Related Art Documents: **Not Applicable**

(57) Statement of Newness and Distinctiveness: **The visual features of the ice cream machine depicted in the representations that are new and distinctive are the pattern and/or ornamentation. The features shown in broken outline are not part of the design and should be disregarded when considering the overall impression of the design. The pattern and/or ornamentation can be in colour, but is not restricted to a particular colour or colours. The shape and configuration of the ice cream machine shown in broken outline and the position and relative size of the features of pattern and ornamentation in relation to the ice cream machine are illustrative only and do not form part of the design.**



(21) Design Number: **10788/2012**
(22) Date of Filing Application: **20 February 2012**
(24) Date from which industrial property rights may have effect: **20 February 2012**
(54) Product in respect of which the design is registered: **Cutting board**
(51) International Design Classification: **07-04**
(74) Name(s) of Attorney(s): **Trademark Works**
(71) Name(s) and Address(s) of Applicant(s):
Joseph Joseph Ltd
The Grove 30 Great Guildford Street London SE1 9PH United Kingdom
(72) Name(s) of Designer(s): **Bill Holding and Ben Cox**
(45) Registration Date: **23 April 2012**
(30) Convention priority data:
(31) Number (32) Date (33) Country
001930124-0005 11 Oct 2011 EUROPEAN COMMUNITY
(56) Related Art Documents: **Not Applicable**

(57) Statement of Newness and Distinctiveness: **Newness and distinctiveness is claimed in those features of shape and/or configuration of a cutting board as illustrated in the accompanying illustrations.**



(21) Design Number: **10789/2012**
(22) Date of Filing Application: **20 February 2012**
(24) Date from which industrial property rights may have effect: **20 February 2012**
(54) Product in respect of which the design is registered: **Dual whisk**
(51) International Design Classification: **07-04**
(74) Name(s) of Attorney(s): **Trademark Works**
(71) Name(s) and Address(s) of Applicant(s):
Joseph Joseph Ltd
The Grove 30 Great Guildford Street London SE1 9PH United Kingdom
(72) Name(s) of Designer(s): **Antony Joseph**
(45) Registration Date: **23 April 2012**
(30) Convention priority data:
(31) Number (32) Date (33) Country
001930124-0006 11 Oct 2011 EUROPEAN COMMUNITY
(56) Related Art Documents: **Not Applicable**
(57) Statement of Newness and Distinctiveness: **Newness and distinctiveness is claimed in those features of shape and/or configuration of a whisk as illustrated in the accompanying illustrations.**



(21) Design Number: **10790/2012**
(22) Date of Filing Application: **20 February 2012**
(24) Date from which industrial property rights may have effect: **20 February 2012**
(54) Product in respect of which the design is registered: **Mill**
(51) International Design Classification: **07-04**
(74) Name(s) of Attorney(s): **Trademark Works**
(71) Name(s) and Address(s) of Applicant(s):
Joseph Joseph Ltd
The Grove 30 Great Guildford Street London SE1 9PH United Kingdom
(72) Name(s) of Designer(s): **Bill Holding and Ben Cox**
(45) Registration Date: **23 April 2012**
(30) Convention priority data:
(31) Number (32) Date (33) Country
001930124-0007 11 Oct 2011 EUROPEAN COMMUNITY
(56) Related Art Documents: **Not Applicable**
(57) Statement of Newness and Distinctiveness: **Newness and distinctiveness is claimed in those features of shape and/or configuration of a mill as illustrated in the accompanying illustrations.**



(21) Design Number: **10791/2012**
(22) Date of Filing Application: **20 February 2012**
(24) Date from which industrial property rights may have effect: **20 February 2012**
(54) Product in respect of which the design is registered: **Set of kitchen utensils**
(51) International Design Classification: **07-04**
(74) Name(s) of Attorney(s): **Trademark Works**
(71) Name(s) and Address(s) of Applicant(s):
Joseph Joseph Ltd
The Grove 30 Great Guildford Street London SE1 9PH United Kingdom
(72) Name(s) of Designer(s): **Ashley May and David Evans**
(45) Registration Date: **23 April 2012**
(30) Convention priority data:
(31) Number (32) Date (33) Country
001930124-0008 11 Oct 2011 EUROPEAN COMMUNITY
(56) Related Art Documents: **Not Applicable**
(57) Statement of Newness and Distinctiveness: **Newness and distinctiveness is claimed in those features of shape and/or configuration of a set of utensil tools as illustrated in the accompanying illustrations.**



(21) Design Number: **10792/2012**
(22) Date of Filing Application: **20 February 2012**
(24) Date from which industrial property rights may have effect: **20 February 2012**
(54) Product in respect of which the design is registered: **Set of kitchen utensils**
(51) International Design Classification: **07-04**
(74) Name(s) of Attorney(s): **Trademark Works**
(71) Name(s) and Address(s) of Applicant(s):
Joseph Joseph Ltd
The Grove 30 Great Guildford Street London SE1 9PH United Kingdom
(72) Name(s) of Designer(s): **Ashley May and David Evans**
(45) Registration Date: **23 April 2012**
(30) Convention priority data:
(31) Number (32) Date (33) Country
001930124-0008 11 Oct 2011 EUROPEAN COMMUNITY
(56) Related Art Documents: **Not Applicable**
(57) Statement of Newness and Distinctiveness: **Newness and distinctiveness is claimed in those features of shape and/or configuration of a set of utensil tools illustrated in the accompanying illustrations.**



(21) Design Number: **10793/2012**
(22) Date of Filing Application: **20 February 2012**
(24) Date from which industrial property rights may have effect: **20 February 2012**
(54) Product in respect of which the design is registered: **Large bowl**
(51) International Design Classification: **07-01B**
(74) Name(s) of Attorney(s): **Trademark Works**
(71) Name(s) and Address(s) of Applicant(s):
Joseph Joseph Ltd
The Grove 30 Great Guildford Street London SE1 9PH United Kingdom
(72) Name(s) of Designer(s): **Bill Holding and Ben Cox**
(45) Registration Date: **23 April 2012**
(30) Convention priority data:
(31) Number (32) Date (33) Country
001930124-0004 11 Oct 2011 EUROPEAN COMMUNITY
(56) Related Art Documents: **Not Applicable**
(57) Statement of Newness and Distinctiveness: **Newness and distinctiveness is claimed in those features of shape and/or configuration of a bowl as illustrated in the accompanying illustrations.**



(21) Design Number: **10794/2012**
(22) Date of Filing Application: **20 February 2012**
(24) Date from which industrial property rights may have effect: **20 February 2012**
(54) Product in respect of which the design is registered: **Bowl with pouring lip**
(51) International Design Classification: **07-01B**
(74) Name(s) of Attorney(s): **Trademark Works**
(71) Name(s) and Address(s) of Applicant(s):
Joseph Joseph Ltd
The Grove 30 Great Guildford Street London SE1 9PH United Kingdom
(72) Name(s) of Designer(s): **Bill Holding and Ben Cox**
(45) Registration Date: **23 April 2012**
(30) Convention priority data:
(31) Number (32) Date (33) Country
001930124-0004 11 Oct 2011 EUROPEAN COMMUNITY
(56) Related Art Documents: **Not Applicable**
(57) Statement of Newness and Distinctiveness: **Newness and distinctiveness is claimed in those features of shape and/or configuration of a bowl as illustrated in the accompanying illustrations.**



(21) Design Number: **10795/2012**
(22) Date of Filing Application: **20 February 2012**
(24) Date from which industrial property rights may have effect: **20 February 2012**
(54) Product in respect of which the design is registered: **Measuring spoon**
(51) International Design Classification: **07-03, 10-04**
(74) Name(s) of Attorney(s): **Trademark Works**
(71) Name(s) and Address(s) of Applicant(s):
Joseph Joseph Ltd
The Grove 30 Great Guildford Street London SE1 9PH United Kingdom
(72) Name(s) of Designer(s): **Bill Holding and Ben Cox**
(45) Registration Date: **23 April 2012**
(30) Convention priority data:
(31) Number (32) Date (33) Country
001930124-0004 11 Oct 2011 EUROPEAN COMMUNITY
(56) Related Art Documents: **Not Applicable**
(57) Statement of Newness and Distinctiveness: **Newness and distinctiveness is claimed in those features of shape and/or configuration of a measuring spoon as illustrated in the accompanying illustrations.**



(21) Design Number: **10796/2012**
(22) Date of Filing Application: **20 February 2012**
(24) Date from which industrial property rights may have effect: **20 February 2012**
(54) Product in respect of which the design is registered: **Set of interlocking bowls**
(51) International Design Classification: **07-01B**
(74) Name(s) of Attorney(s): **Trademark Works**
(71) Name(s) and Address(s) of Applicant(s):
Joseph Joseph Ltd
The Grove 30 Great Guildford Street London SE1 9PH United Kingdom
(72) Name(s) of Designer(s): **Bill Holding and Ben Cox**
(45) Registration Date: **23 April 2012**
(30) Convention priority data:
(31) Number (32) Date (33) Country
001930124-0004 11 Oct 2011 EUROPEAN COMMUNITY
(56) Related Art Documents: **Not Applicable**
(57) Statement of Newness and Distinctiveness: **Newness and distinctiveness is claimed in those features of shape and/or configuration of a set of interlocking bowls as illustrated in the accompanying illustrations.**



(21) Design Number: **10797/2012**

(22) Date of Filing Application: **20 February 2012**

(24) Date from which industrial property rights may have effect: **20 February 2012**

(54) Product in respect of which the design is registered: **Peeler**

(51) International Design Classification: **07-04**

(74) Name(s) of Attorney(s): **Trademark Works**

(71) Name(s) and Address(s) of Applicant(s):

Joseph Joseph Ltd

The Grove 30 Great Guildford Street London SE1 9PH United Kingdom

(72) Name(s) of Designer(s): **Antony Joseph and Ben Cox**

(45) Registration Date: **23 April 2012**

(30) Convention priority data:

(31) Number	(32) Date	(33) Country
001930124-0006	11 Oct 2011	EUROPEAN COMMUNITY

(56) Related Art Documents: **Not Applicable**

(57) Statement of Newness and Distinctiveness: **Newness and distinctiveness is claimed in those features of shape and/or configuration of a peeler as illustrated in the accompanying illustrations.**



(21) Design Number: **10595/2012**

(22) Date of Filing Application: **08 February 2012**

(24) Date from which industrial property rights may have effect: **08 February 2012**

(54) Product in respect of which the design is registered: **Clasp or ornamental fitting for a bag**

(51) International Design Classification: **08-07**

(74) Name(s) of Attorney(s): **Shelston IP**

(71) Name(s) and Address(s) of Applicant(s):

Chanel Limited

Queensway Croydon Surrey England CR9 4DL United Kingdom

(72) Name(s) of Designer(s): **Karl Lagerfeld**

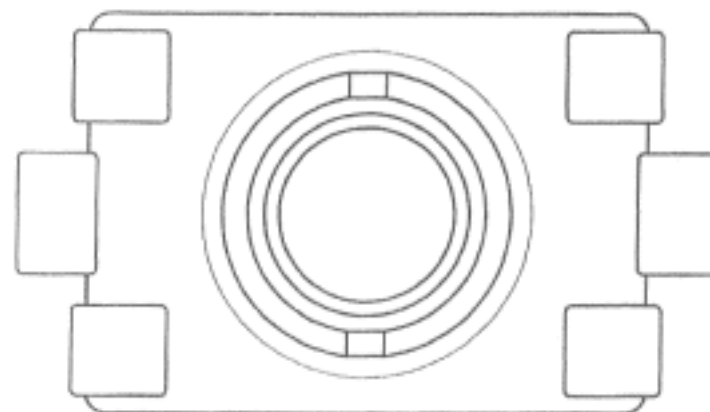
(45) Registration Date: **24 April 2012**

(30) Convention priority data:

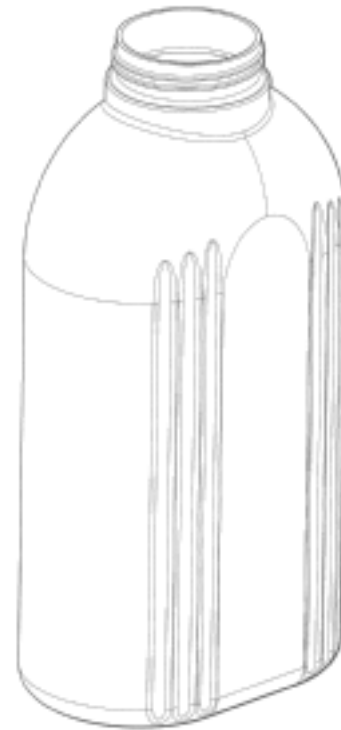
(31) Number	(32) Date	(33) Country
4021531	08 Sep 2011	UNITED KINGDOM

(56) Related Art Documents: **Not Applicable**

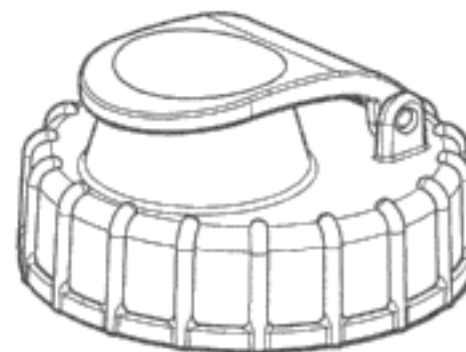
(57) Statement of Newness and Distinctiveness: **Nil**



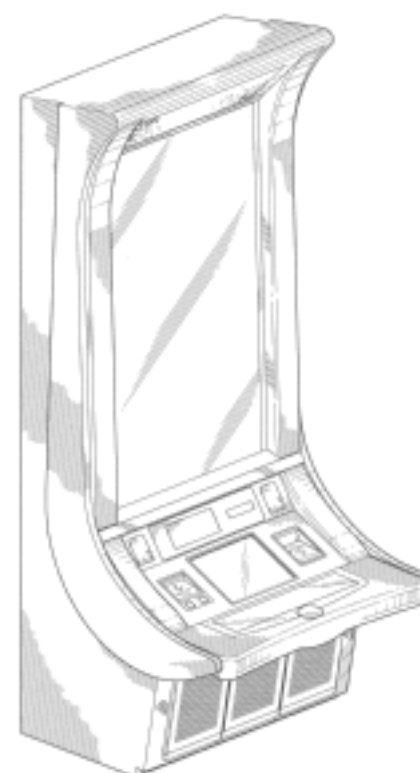
(21) Design Number: **11314/2012**
(22) Date of Filing Application: **13 March 2012**
(24) Date from which industrial property rights may have effect: **13 March 2012**
(54) Product in respect of which the design is registered: **Drink bottle**
(51) International Design Classification: **09-01NES**
(74) Name(s) of Attorney(s): **Callinans**
(71) Name(s) and Address(s) of Applicant(s):
The Decor Corporation Pty. Ltd.
1314 Ferntree Gully Road Scoresby Victoria 3179 Australia
(72) Name(s) of Designer(s): **Arthur Richard Carlson**
(45) Registration Date: **24 April 2012**
(56) Related Art Documents: **Not Applicable**
(57) Statement of Newness and Distinctiveness: **Nil**



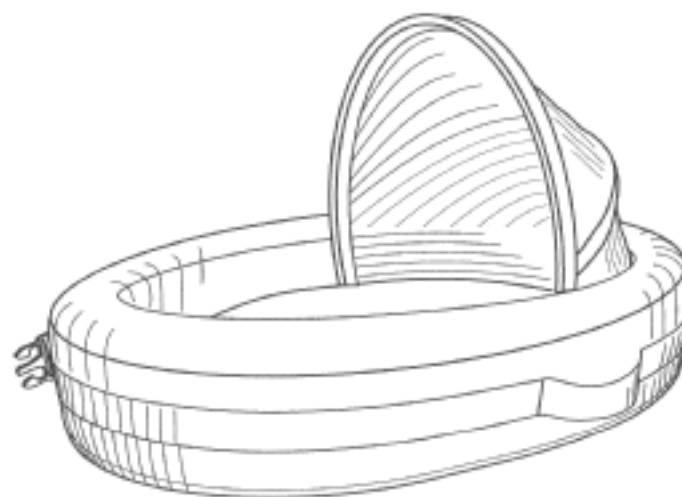
(21) Design Number: **11315/2012**
(22) Date of Filing Application: **13 March 2012**
(24) Date from which industrial property rights may have effect: **13 March 2012**
(54) Product in respect of which the design is registered: **Cap for bottle**
(51) International Design Classification: **09-07C**
(74) Name(s) of Attorney(s): **Callinans**
(71) Name(s) and Address(s) of Applicant(s):
The Decor Corporation Pty. Ltd.
1314 Ferntree Gully Road Scoresby Victoria 3179 Australia
(72) Name(s) of Designer(s): **Arthur Richard Carlson**
(45) Registration Date: **24 April 2012**
(56) Related Art Documents: **Not Applicable**
(57) Statement of Newness and Distinctiveness: **Nil**



- (21) Design Number: **11317/2012**
(22) Date of Filing Application: **14 March 2012**
(24) Date from which industrial property rights may have effect: **14 March 2012**
(54) Product in respect of which the design is registered: **Gaming machine**
(51) International Design Classification: **21-03**
(74) Name(s) of Attorney(s): **PIZZEYS**
(71) Name(s) and Address(s) of Applicant(s):
Multimedia Games, Inc.
206 South Wild Basin Road Building B Fourth Floor Austin TX 78746
United States of America
(72) Name(s) of Designer(s): **Bradley W. Johnson and Travis Bussey and Juan Salazar and Clint Owen and Frank DeSimone and Michael Kolodziej and Leroy H. Gutknecht**
(45) Registration Date: **24 April 2012**
(30) Convention priority data:
(31) Number (32) Date (33) Country
29/402,581 23 Sep 2011 UNITED STATES OF AMERICA
(56) Related Art Documents: **Not Applicable**
(57) Statement of Newness and Distinctiveness: **Nil**



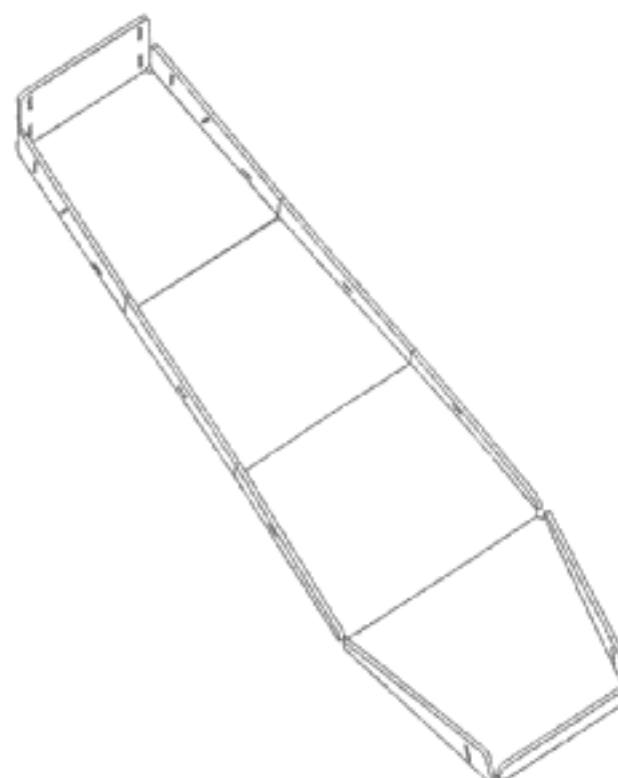
- (21) Design Number: **11321/2012**
(22) Date of Filing Application: **13 March 2012**
(24) Date from which industrial property rights may have effect: **13 March 2012**
(54) Product in respect of which the design is registered: **Travel crib**
(51) International Design Classification: **03-99**
(74) Name(s) of Attorney(s): **Fisher Adams Kelly**
(71) Name(s) and Address(s) of Applicant(s):
Bobby Bebe Pty Ltd
132-134 Compton Road Woodridge Queensland 4114 Australia
(72) Name(s) of Designer(s): **Fazila Bhamjee**
(45) Registration Date: **24 April 2012**
(56) Related Art Documents: **Not Applicable**
(57) Statement of Newness and Distinctiveness: **The newness and distinctiveness of the design resides in the shape and/or configuration of a Travel Crib as shown in the representations. The Travel Crib can be folded for portability as shown in the "perspective view being carried" representation.**



(21) Design Number: **11328/2012**
(22) Date of Filing Application: **13 March 2012**
(24) Date from which industrial property rights may have effect: **13 March 2012**
(54) Product in respect of which the design is registered: **Electrical apparatus**
(51) International Design Classification: **13-03NES, 13-99**
(74) Name(s) of Attorney(s): **Griffith Hack**
(71) Name(s) and Address(s) of Applicant(s):
SMA Solar Technology AG
Sonnenallee 1 34266 Niestetal Germany
(72) Name(s) of Designer(s): **Peter Scharf**
(45) Registration Date: **24 April 2012**
(30) Convention priority data:
(31) Number (32) Date (33) Country
001931528-0002 13 Oct 2011 EUROPEAN COMMUNITY
(56) Related Art Documents: **Not Applicable**
(57) Statement of Newness and Distinctiveness: **The shape, configuration and ornamentation of the PRODUCT as shown in the accompanying representations is new and distinctive.**



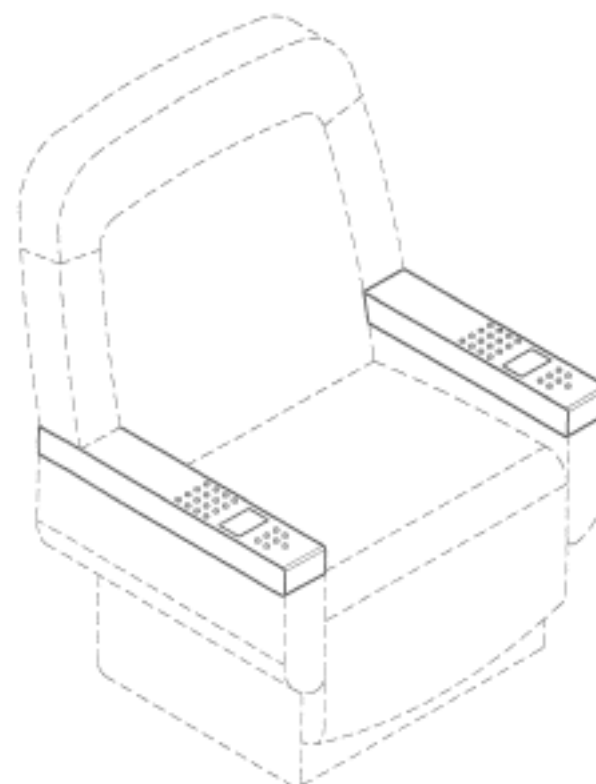
(21) Design Number: **14534/2011**
(22) Date of Filing Application: **06 October 2011**
(24) Date from which industrial property rights may have effect: **06 October 2011**
(54) Product in respect of which the design is registered: **Rescue board**
(51) International Design Classification: **29-02**
(74) Name(s) of Attorney(s): **Lord & Company**
(71) Name(s) and Address(s) of Applicant(s):
John Anthony Neville Bromberger
5 Ruse Street Osborne Park Western Australia 6017 Australia
(72) Name(s) of Designer(s): **John Anthony Neville Bromberger**
(45) Registration Date: **24 April 2012**
(56) Related Art Documents: **Not Applicable**
(57) Statement of Newness and Distinctiveness: **Nil**



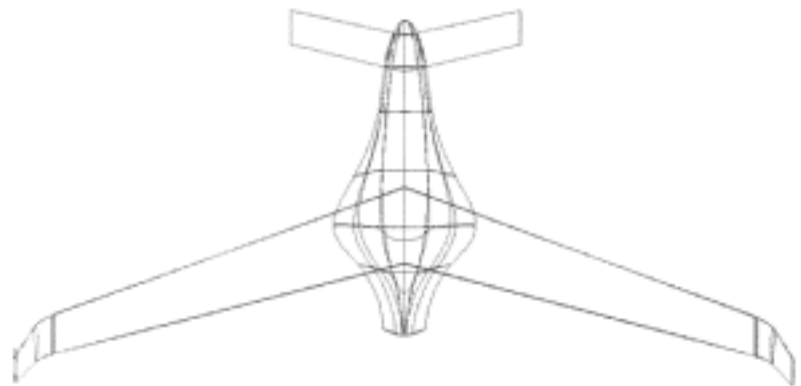
- (21) Design Number: **10721/2012**
(22) Date of Filing Application: **13 February 2012**
(24) Date from which industrial property rights may have effect: **13 February 2012**
(54) Product in respect of which the design is registered: **Handle for a drink can.**
(51) International Design Classification: **07-06A**
(74) Name(s) of Attorney(s):
(71) Name(s) and Address(s) of Applicant(s):
Andrew Yaw
Factory 4/93 Abbott Road Hallam Victoria 3803 Australia
(72) Name(s) of Designer(s): **Andrew Yaw**
(45) Registration Date: **24 April 2012**
(56) Related Art Documents: **Not Applicable**
(57) Statement of Newness and Distinctiveness: **Design allows for use with standard 375ml aluminium cans. Design provides a handle for the aluminium can. Design allows the can to be hung off a persons belt. Is lightweight. Has rounded edges to avoid physical injuries.**



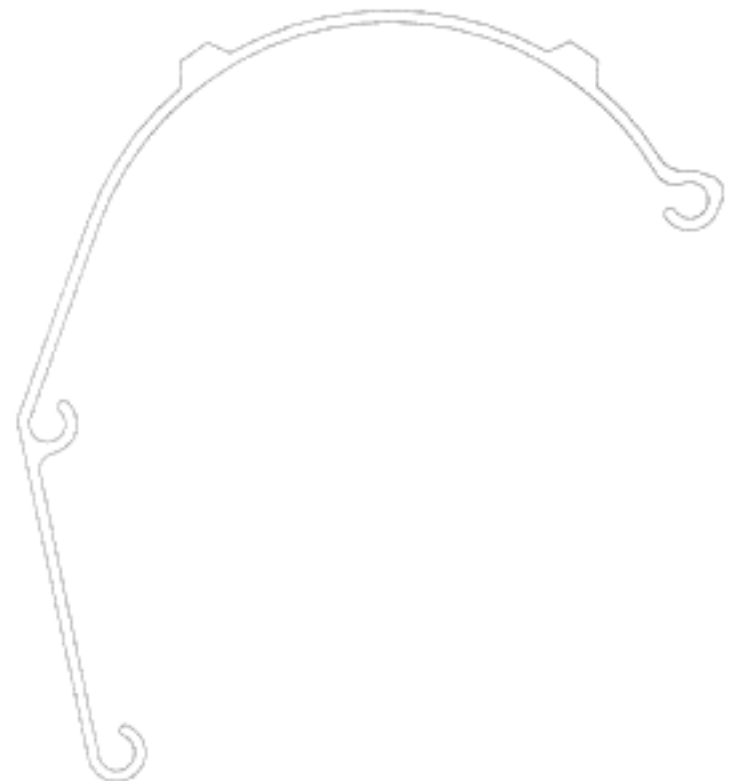
- (21) Design Number: **10723/2012**
(22) Date of Filing Application: **15 February 2012**
(24) Date from which industrial property rights may have effect: **15 February 2012**
(54) Product in respect of which the design is registered: **Integrated user interface system for user seat**
(51) International Design Classification: **14-04, 06-01D**
(74) Name(s) of Attorney(s): **FB Rice**
(71) Name(s) and Address(s) of Applicant(s):
Panasonic Avionics Corporation
26200 Enterprise Way Lake Forest California 92630-8400 United States of America
(72) Name(s) of Designer(s): **Steven Lee Sizelove**
(45) Registration Date: **24 April 2012**
(30) Convention priority data:
(31) Number (32) Date (33) Country
29/401253 09 Sep 2011 UNITED STATES OF AMERICA
(56) Related Art Documents: **Not Applicable**
(57) Statement of Newness and Distinctiveness: **Newness and distinctiveness reside in the features of the design shown in solid lines in the representations excluding those features shown in broken lines and the representation of the person's hand shown in Fig. 1 of the drawings, the buttons and screen display being invisible prior to the person's hand approaching them and, upon being approached by the person's hand, the buttons and screen display become visible as illustrated.**



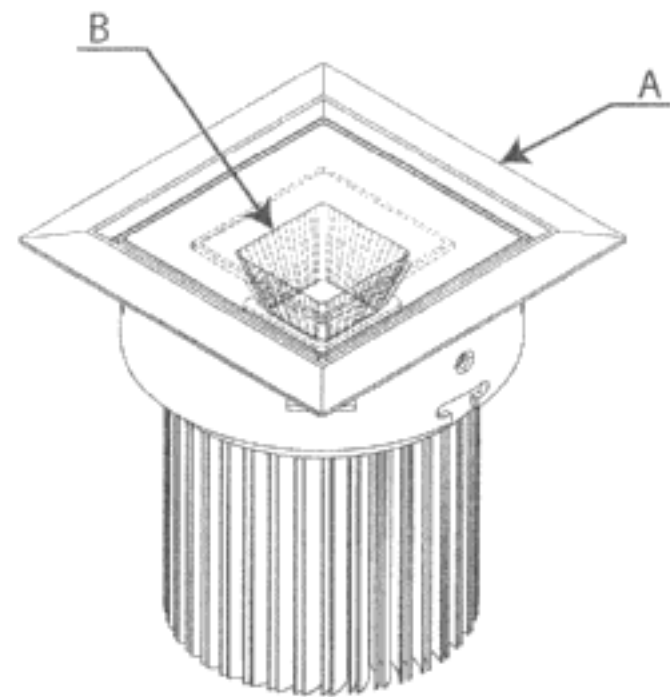
- (21) Design Number: **10819/2012**
(22) Date of Filing Application: **17 February 2012**
(24) Date from which industrial property rights may have effect: **17 February 2012**
(54) Product in respect of which the design is registered: **Aircraft**
(51) International Design Classification: **12-07**
(74) Name(s) of Attorney(s):
(71) Name(s) and Address(s) of Applicant(s):
Mark Wilson
7 Bangalla Street Warrabee New South Wales 2074 Australia
(72) Name(s) of Designer(s): **Dan Reteif**
(45) Registration Date: **24 April 2012**
(56) Related Art Documents: **Not Applicable**
(57) Statement of Newness and Distinctiveness: **Aircraft is a canard configuration, horizontal stabiliser is the front wing, main located at the rear of fuselage and swept back, use of the Eppler 214 airfoil on the front wing, Mainplane utilises the Eppler 216 airfoil.**



- (21) Design Number: **10925/2012**
(22) Date of Filing Application: **29 February 2012**
(24) Date from which industrial property rights may have effect: **29 February 2012**
(54) Product in respect of which the design is registered: **Aluminium extrusion cover for an RV or caravan awning**
(51) International Design Classification: **12-16NES**
(74) Name(s) of Attorney(s):
(71) Name(s) and Address(s) of Applicant(s):
Peter John Lacey
21 Illawong Street Buderim Queensland 4556 Australia
(72) Name(s) of Designer(s): **Peter Lacey**
(45) Registration Date: **24 April 2012**
(56) Related Art Documents: **Not Applicable**
(57) Statement of Newness and Distinctiveness: **Awning cover covers awning to protect from sun and damage - stays on van/RV and swings up when opening awning.**

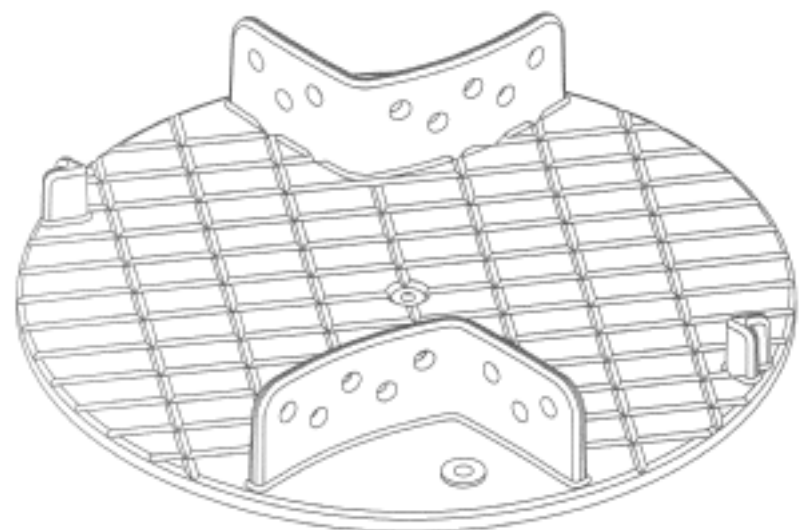


- (21) Design Number: **11476/2012**
(22) Date of Filing Application: **22 March 2012**
(24) Date from which industrial property rights may have effect: **22 March 2012**
(54) Product in respect of which the design is registered: **Lighting apparatus**
(51) International Design Classification: **26-05C, 26-05A**
(74) Name(s) of Attorney(s): **Janet Stead & Associates, Patent and Trade Mark Attorneys**
(71) Name(s) and Address(s) of Applicant(s):
Brightgreen Pty Ltd
PO Box 1400 Collingwood Victoria 3066 Australia
(72) Name(s) of Designer(s): **David O'Driscoll and Nathan Moffat**
(45) Registration Date: **24 April 2012**
(56) Related Art Documents: **Not Applicable**
(57) Statement of Newness and Distinctiveness: **Newness and distinctiveness is claimed in the shape and/or configuration of a Lighting Apparatus having a ribbed section B in the square reflector portion generally marked A, as illustrated in the accompanying representations.**

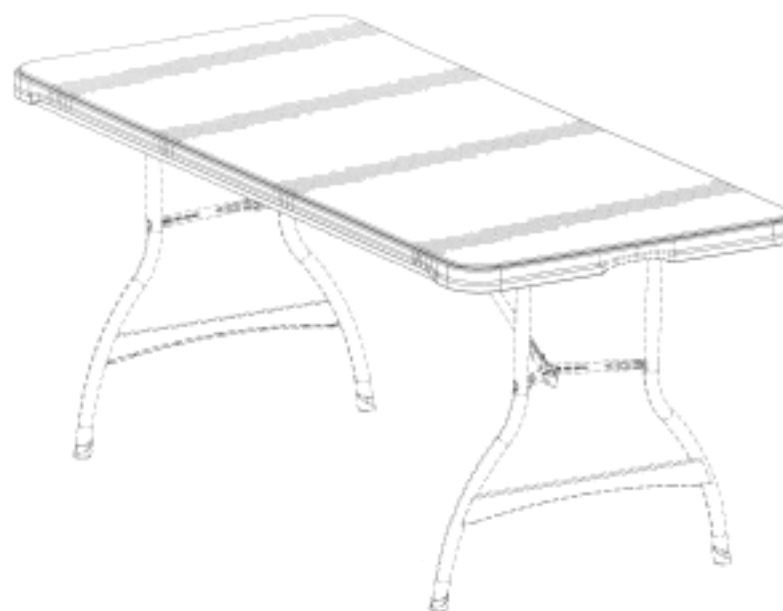


FRONT PERSPECTIVE VIEW

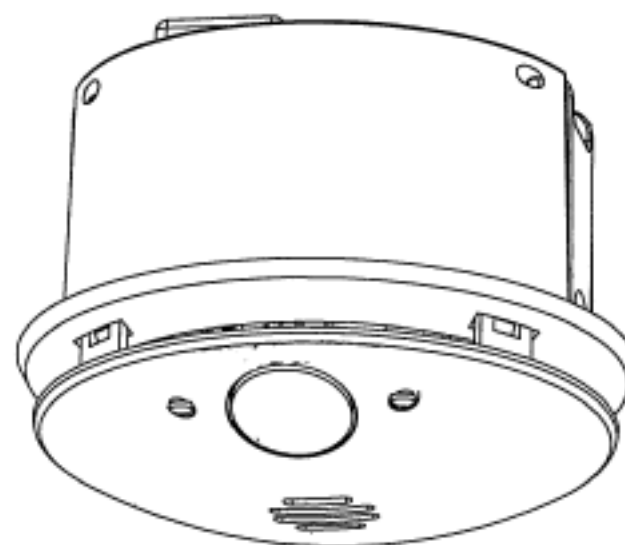
- (21) Design Number: **11577/2012**
(22) Date of Filing Application: **28 March 2012**
(24) Date from which industrial property rights may have effect: **28 March 2012**
(54) Product in respect of which the design is registered: **Bearer holder**
(51) International Design Classification: **08-08NES**
(74) Name(s) of Attorney(s): **FB Rice**
(71) Name(s) and Address(s) of Applicant(s):
Elmich Pte Ltd
15 Joan Road Singapore 298899 Singapore
(72) Name(s) of Designer(s): **Alan Sian Ghee Lee and Henry Greaves**
(45) Registration Date: **24 April 2012**
(56) Related Art Documents: **Not Applicable**
(57) Statement of Newness and Distinctiveness: **Newness and distinctiveness reside in the features of shape and configuration of the bearer holder as shown in the representations excluding those features shown in the broken lines.**



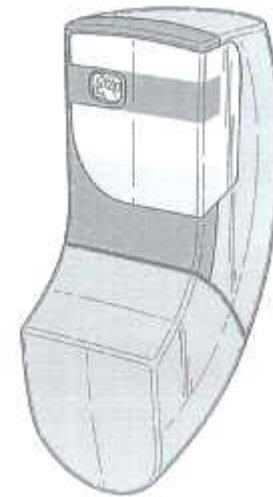
- (21) Design Number: **11800/2012**
(22) Date of Filing Application: **29 February 2012**
(24) Date from which industrial property rights may have effect: **29 February 2012**
(54) Product in respect of which the design is registered: **Table top**
(51) International Design Classification: **06-03A**
(74) Name(s) of Attorney(s): **Griffith Hack**
(71) Name(s) and Address(s) of Applicant(s):
Lifetime Products, Inc.
Freeport Center Building D-11 Clearfield UT 84016 United States of America
(72) Name(s) of Designer(s): **Frank Clegg and Wendell Peery**
(45) Registration Date: **24 April 2012**
(62) Divisional of: **341982**
(56) Related Art Documents: **Not Applicable**
(57) Statement of Newness and Distinctiveness: **Newness and distinctiveness is shown in the shape and configuration of the product as illustrated and having particular regard to those features shown in solid lines.**



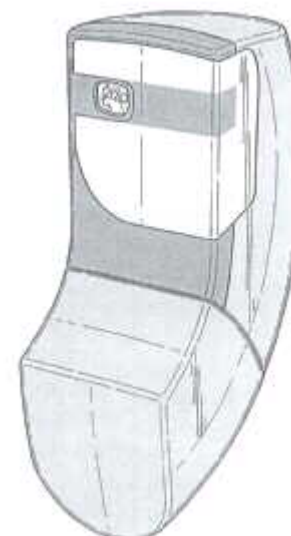
- (21) Design Number: **15252/2011**
(22) Date of Filing Application: **18 November 2011**
(24) Date from which industrial property rights may have effect: **18 November 2011**
(54) Product in respect of which the design is registered: **Smoke detector and alarm device**
(51) International Design Classification: **10-05**
(74) Name(s) of Attorney(s): **PATENT ATTORNEY SERVICES**
(71) Name(s) and Address(s) of Applicant(s):
PSA Products Pty Ltd
PSA House 17 Millicent Street Burwood Victoria 3125 Australia
(72) Name(s) of Designer(s): **Michael Ooi**
(45) Registration Date: **24 April 2012**
(56) Related Art Documents: **Not Applicable**
(57) Statement of Newness and Distinctiveness: **Visual features of the design which are new and distinctive are the features of shape and configuration of a smoke detector and alarm device as illustrated in the representations.**



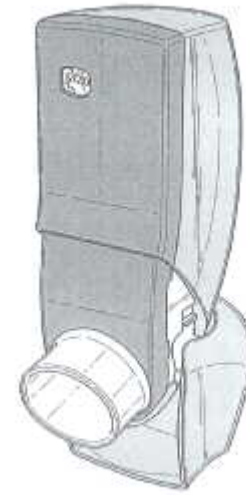
(21) Design Number: **11121/2012**
(22) Date of Filing Application: **06 March 2012**
(24) Date from which industrial property rights may have effect: **06 March 2012**
(54) Product in respect of which the design is registered: **Inhaler**
(51) International Design Classification: **24-04**
(74) Name(s) of Attorney(s): **Davies Collison Cave**
(71) Name(s) and Address(s) of Applicant(s):
AstraZeneca AB
SE-151 85 Sodertalje Sweden
(72) Name(s) of Designer(s): **Rasmus Logstrup Jensen and Thomas Aagaard Jensen**
(45) Registration Date: **24 April 2012**
(30) Convention priority data:
(31) Number (32) Date (33) Country
001917204-0001 14 Nov 2011 EUROPEAN COMMUNITY
(56) Related Art Documents: **Not Applicable**
(57) Statement of Newness and Distinctiveness: **Nil**



(21) Design Number: **11122/2012**
(22) Date of Filing Application: **06 March 2012**
(24) Date from which industrial property rights may have effect: **06 March 2012**
(54) Product in respect of which the design is registered: **Inhaler**
(51) International Design Classification: **24-04**
(74) Name(s) of Attorney(s): **Davies Collison Cave**
(71) Name(s) and Address(s) of Applicant(s):
AstraZeneca AB
SE-151 85 Sodertalje Sweden
(72) Name(s) of Designer(s): **Rasmus Logstrup Jensen and Thomas Aagaard Jensen**
(45) Registration Date: **24 April 2012**
(30) Convention priority data:
(31) Number (32) Date (33) Country
001917204-0001 14 Nov 2011 EUROPEAN COMMUNITY
(56) Related Art Documents: **Not Applicable**
(57) Statement of Newness and Distinctiveness: **Nil**



(21) Design Number: **11123/2012**
(22) Date of Filing Application: **06 March 2012**
(24) Date from which industrial property rights may have effect: **06 March 2012**
(54) Product in respect of which the design is registered: **Inhaler**
(51) International Design Classification: **24-04**
(74) Name(s) of Attorney(s): **Davies Collison Cave**
(71) Name(s) and Address(s) of Applicant(s):
AstraZeneca AB
SE-151 85 Sodertalje Sweden
(72) Name(s) of Designer(s): **Rasmus Logstrup Jensen and Thomas Aagaard Jensen**
(45) Registration Date: **24 April 2012**
(30) Convention priority data:
(31) Number (32) Date (33) Country
001917204-0001 14 Nov 2011 EUROPEAN COMMUNITY
(56) Related Art Documents: **Not Applicable**
(57) Statement of Newness and Distinctiveness: **Nil**



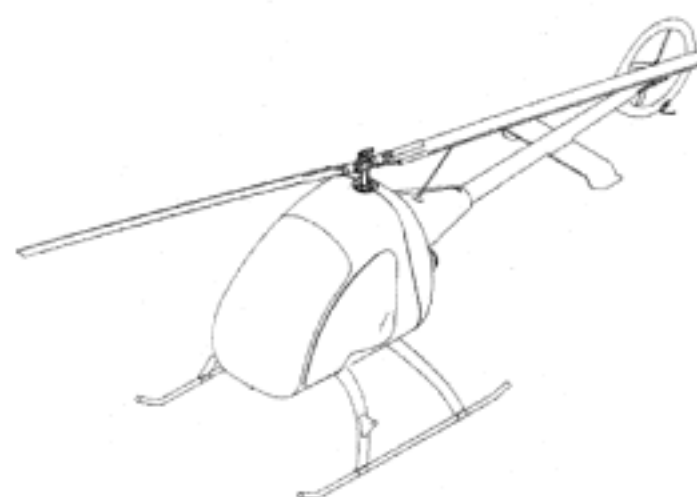
(21) Design Number: **11382/2012**
(22) Date of Filing Application: **15 March 2012**
(24) Date from which industrial property rights may have effect: **15 March 2012**
(54) Product in respect of which the design is registered: **A gravity pin whereby the rotating gravity toggle does not rotate more than 45 degrees from the horizontal axis of the**
(51) International Design Classification: **08-08NES**
(74) Name(s) of Attorney(s):
(71) Name(s) and Address(s) of Applicant(s):
Gavin Ager
34 Boronia Road Banjup Western Australia 6164 Australia
(72) Name(s) of Designer(s): **Gavin Ronald Ager**
(45) Registration Date: **24 April 2012**
(56) Related Art Documents: **Not Applicable**
(57) Statement of Newness and Distinctiveness: **The gravity toggle will not rotate more than 45 degrees to the horizontal axis of the main pin shaft.**



- (21) Design Number: **11508/2012**
(22) Date of Filing Application: **23 March 2012**
(24) Date from which industrial property rights may have effect: **23 March 2012**
(54) Product in respect of which the design is registered: **Snowdome**
(51) International Design Classification: **11-02NES**
(74) Name(s) of Attorney(s):
(71) Name(s) and Address(s) of Applicant(s):
Richard Lockhart
42 Hatfield Street Balwyn North Victoria 3104 Australia
(72) Name(s) of Designer(s): **Richard Lockhart**
(45) Registration Date: **24 April 2012**
(56) Related Art Documents: **Not Applicable**
(57) Statement of Newness and Distinctiveness: **The main distinctive feature of this design is the use of real gold flakes as the snow material. Other design features include the figurine (bronze-look statuette of an old-timer prospector jumping for joy, hat in one hand, pick in the other hand, and a discovered nugget at his feet) and the wooden-look snowdome base.**



- (21) Design Number: **11795/2012**
(22) Date of Filing Application: **11 April 2012**
(24) Date from which industrial property rights may have effect: **11 April 2012**
(54) Product in respect of which the design is registered: **A helicopter**
(51) International Design Classification: **12-07**
(74) Name(s) of Attorney(s): **James & Wells Intellectual Property**
(71) Name(s) and Address(s) of Applicant(s):
Helicopter Systems Limited
992 Auroa Road RD 28 Manaia Taranaki 4678 New Zealand
(72) Name(s) of Designer(s): **Dick Sybrandy and Andrew Hilton Kevsley**
(45) Registration Date: **24 April 2012**
(30) Convention priority data:
(31) Number (32) Date (33) Country
415401 11 Oct 2011 NEW ZEALAND
(56) Related Art Documents: **Not Applicable**
(57) Statement of Newness and Distinctiveness: **This design is to be applied to A HELICOPTER and the novelty resides in features of shape and configuration, of the article, all as shown in the accompanying representations.**



(21) Design Number: **15967/2011**

(22) Date of Filing Application: **19 December 2011**

(24) Date from which industrial property rights may have effect: **19 December 2011**

(54) Product in respect of which the design is registered: **The IPACK bulkhead**

(51) International Design Classification: **09-03H**

(74) Name(s) of Attorney(s):

(71) Name(s) and Address(s) of Applicant(s):

Mick Minz

17 Christensen Street Cheltenham Victoria 3192 Australia

Tony Brand

17 Christensen Street Cheltenham Victoria 3192 Australia

(72) Name(s) of Designer(s): **Mick Minz and Tony Brand**

(45) Registration Date: **24 April 2012**

(56) Related Art Documents: **Not Applicable**

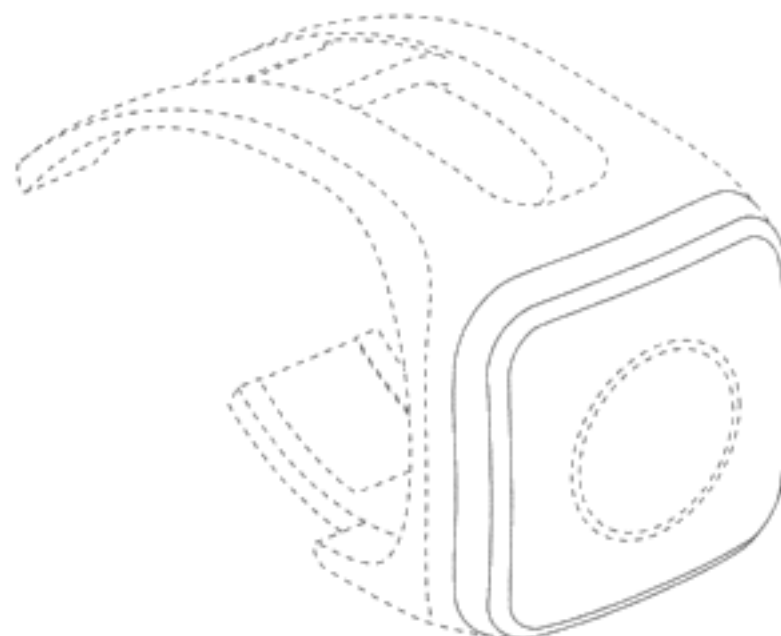
(57) Statement of Newness and Distinctiveness: **The uniqueness of the IPACK Bulk head design is in the locking mechanism that is die cut into the cardboard. This die cut locking mechanism, which locks the steel house purlins into the correct position in the cardboard, combined with the correct gauge purlins, gives the required rigidity to withstand the force of the grain at the container door. The locking mechanism in conjunction with a rolled edge purlin gives a superior lock in fit. By doubling, the amount of die - cut locks it also enables the purlins to be moved once the bulkhead is fitted into the door recess. This avoids the need for cutting through wood or steel when the bulkhead is fitted around the tie down lugs in the door recess. The IPACK Bulk head design uses minimal labour. The locking mechanism is pushed into place by hand and can be assembled in less than a minute without the need for screws and staples. OH&S benefits include much lighter weight structure than wood/ cardboard bulkheads. There is no need for power tools and repetitive labour as on other steel/cardboard designs both in manufacturing and at the packing yard. Other cardboard bulkheads on the market utilise heat or chemically treated wood for structural rigidity. The wood/cardboard is heavy and expensive and is held together by staples. Other cardboard/ steel manufacturers use screws to hold the cardboard to metal type purlins. This is time consuming and requires an amount of energy from operators with power tools. The screws often pull through the cardboard rendering the bulkhead useless. Metal is hard to cut when fitting around tie down lugs at container door.**



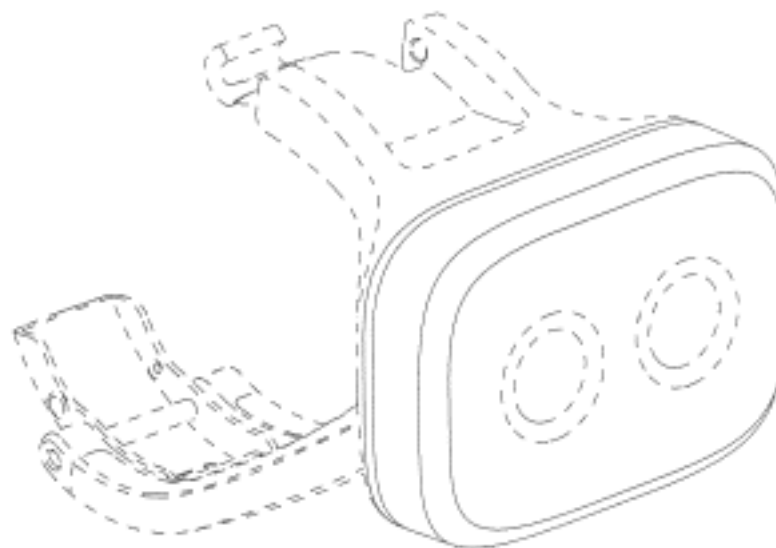
- (21) Design Number: **11629/2012**
(22) Date of Filing Application: **29 March 2012**
(24) Date from which industrial property rights may have effect: **29 March 2012**
(54) Product in respect of which the design is registered: **Insect repellent refill packaging**
(51) International Design Classification: **22-06, 09-03NES**
(74) Name(s) of Attorney(s): **James & Wells**
(71) Name(s) and Address(s) of Applicant(s):
Evergreen Land Limited
Unit 1A 20/F Far East Consortium Building 121 Des Voeux Road Central
Hong Kong Hong Kong
(72) Name(s) of Designer(s): **Olivier Partrat**
(45) Registration Date: **24 April 2012**
(56) Related Art Documents: **Not Applicable**
(57) Statement of Newness and Distinctiveness: **The design is to be applied to an Insect Repellent Refill Packaging, and the novelty resides in features of shape and configuration as shown in the accompanying representations. Novelty is disclaimed in the pattern and ornamentation of the article.**



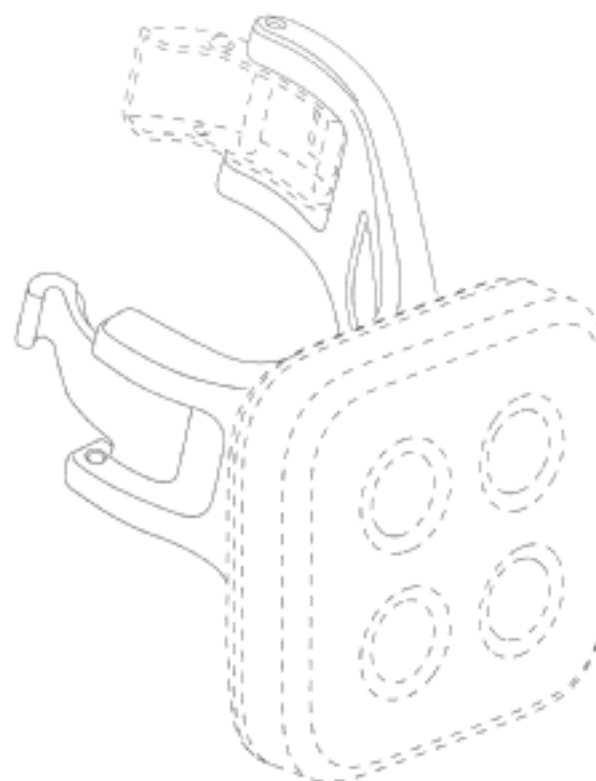
- (21) Design Number: **10904/2012**
(22) Date of Filing Application: **28 February 2012**
(24) Date from which industrial property rights may have effect: **28 February 2012**
(54) Product in respect of which the design is registered: **Portable light**
(51) International Design Classification: **26-06**
(74) Name(s) of Attorney(s): **Freehills Patent & Trade Mark Attorneys**
(71) Name(s) and Address(s) of Applicant(s):
Knog Pty Ltd
453 Church Street Richmond Victoria 3121 Australia
(72) Name(s) of Designer(s): **Hugo Davidson and Malcolm McKechnie and Jonathan Chan and Tim Besley and Kynan Taylor and Joelene Tee and Chris Bilanenko**
(45) Registration Date: **26 April 2012**
(56) Related Art Documents: **Not Applicable**
(57) Statement of Newness and Distinctiveness: **Newness and distinctiveness resides in the features of shape, configuration, pattern and ornamentation of the portable light shown by solid lines in the drawings wherein the parts shown in broken lines do not form part of the design.**



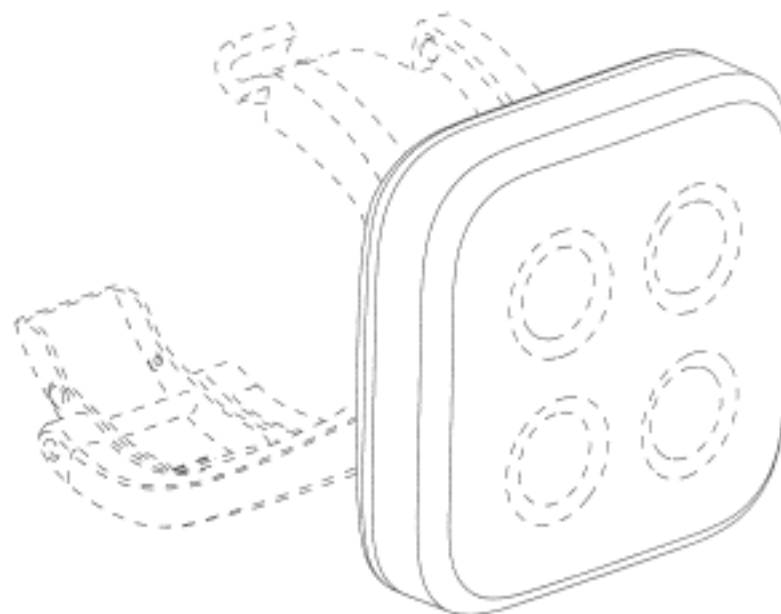
- (21) Design Number: **10905/2012**
(22) Date of Filing Application: **28 February 2012**
(24) Date from which industrial property rights may have effect: **28 February 2012**
(54) Product in respect of which the design is registered: **Portable light**
(51) International Design Classification: **26-06**
(74) Name(s) of Attorney(s): **Freehills Patent & Trade Mark Attorneys**
(71) Name(s) and Address(s) of Applicant(s):
Knog Pty Ltd
453 Church Street Richmond Victoria 3121 Australia
(72) Name(s) of Designer(s): **Hugo Davidson and Malcolm McKechnie and Jonathan Chan and Tim Besley and Kynan Taylor and Joelene Tee and Chris Bilanenko**
(45) Registration Date: **26 April 2012**
(56) Related Art Documents: **Not Applicable**
(57) Statement of Newness and Distinctiveness: **Newness and distinctiveness resides in the features of shape, configuration, pattern and ornamentation of the portable light shown by solid lines in the drawings wherein the parts shown in broken lines do not form part of the design.**



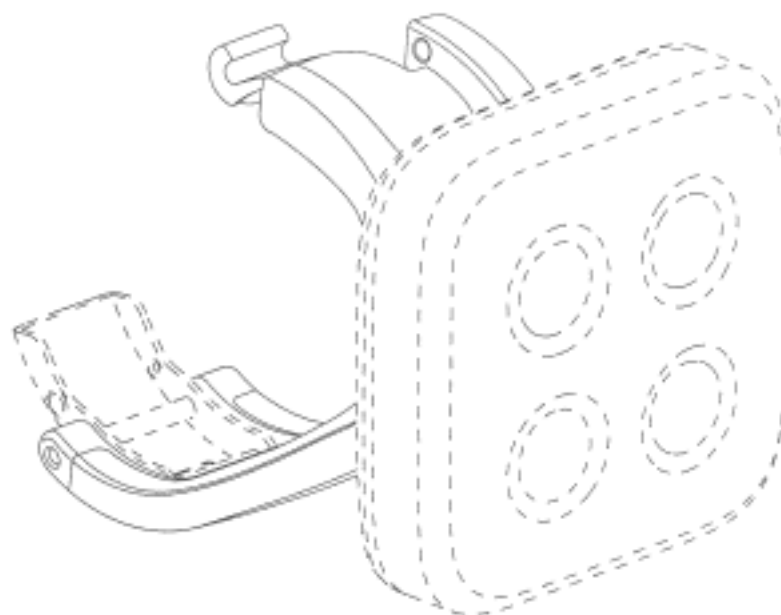
- (21) Design Number: **10906/2012**
(22) Date of Filing Application: **28 February 2012**
(24) Date from which industrial property rights may have effect: **28 February 2012**
(54) Product in respect of which the design is registered: **Portable light**
(51) International Design Classification: **26-06**
(74) Name(s) of Attorney(s): **Freehills Patent & Trade Mark Attorneys**
(71) Name(s) and Address(s) of Applicant(s):
Knog Pty Ltd
453 Church Street Richmond Victoria 3121 Australia
(72) Name(s) of Designer(s): **Hugo Davidson and Malcolm McKechnie and Jonathan Chan and Tim Besley and Kynan Taylor and Joelene Tee and Chris Bilanenko**
(45) Registration Date: **26 April 2012**
(56) Related Art Documents: **Not Applicable**
(57) Statement of Newness and Distinctiveness: **Newness and distinctiveness resides in the features of shape, configuration, pattern and ornamentation of the portable light shown by solid lines in the drawings wherein the parts shown in broken lines do not form part of the design.**



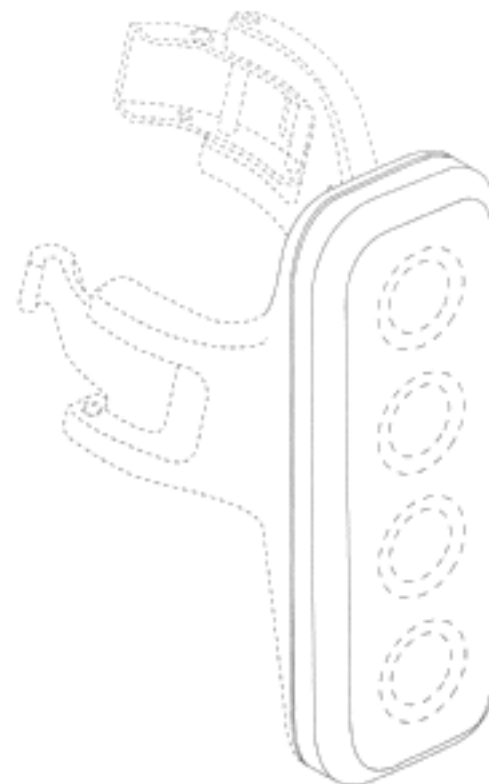
- (21) Design Number: **10907/2012**
(22) Date of Filing Application: **28 February 2012**
(24) Date from which industrial property rights may have effect: **28 February 2012**
(54) Product in respect of which the design is registered: **Portable light**
(51) International Design Classification: **26-06**
(74) Name(s) of Attorney(s): **Freehills Patent & Trade Mark Attorneys**
(71) Name(s) and Address(s) of Applicant(s):
Knog Pty Ltd
453 Church Street Richmond Victoria 3121 Australia
(72) Name(s) of Designer(s): **Hugo Davidson and Malcolm McKechnie and Jonathan Chan and Tim Besley and Kynan Taylor and Joelene Tee and Chris Bilanenko**
(45) Registration Date: **26 April 2012**
(56) Related Art Documents: **Not Applicable**
(57) Statement of Newness and Distinctiveness: **Newness and distinctiveness resides in the features of shape, configuration, pattern and ornamentation of the portable light shown by solid lines in the drawings wherein the parts shown in broken lines do not form part of the design.**



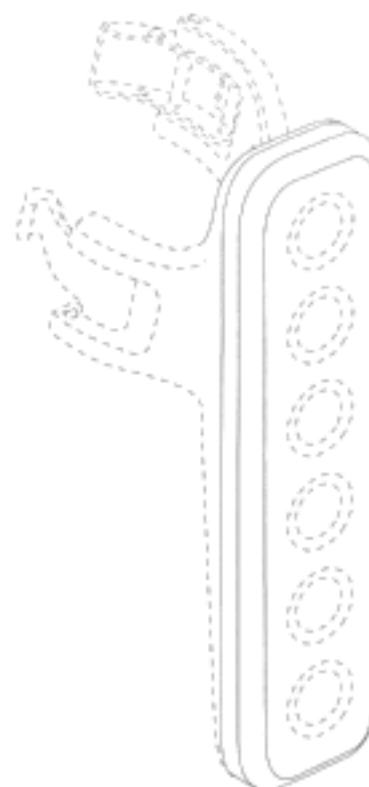
- (21) Design Number: **10908/2012**
(22) Date of Filing Application: **28 February 2012**
(24) Date from which industrial property rights may have effect: **28 February 2012**
(54) Product in respect of which the design is registered: **Portable light**
(51) International Design Classification: **26-06**
(74) Name(s) of Attorney(s): **Freehills Patent & Trade Mark Attorneys**
(71) Name(s) and Address(s) of Applicant(s):
Knog Pty Ltd
453 Church Street Richmond Victoria 3121 Australia
(72) Name(s) of Designer(s): **Hugo Davidson and Malcolm McKechnie and Jonathan Chan and Tim Besley and Kynan Taylor and Joelene Tee and Chris Bilanenko**
(45) Registration Date: **26 April 2012**
(56) Related Art Documents: **Not Applicable**
(57) Statement of Newness and Distinctiveness: **Newness and distinctiveness resides in the features of shape, configuration, pattern and ornamentation of the portable light shown by solid lines in the drawings wherein the parts shown in broken lines do not form part of the design.**



- (21) Design Number: **10909/2012**
(22) Date of Filing Application: **28 February 2012**
(24) Date from which industrial property rights may have effect: **28 February 2012**
(54) Product in respect of which the design is registered: **Portable light**
(51) International Design Classification: **26-06**
(74) Name(s) of Attorney(s): **Freehills Patent & Trade Mark Attorneys**
(71) Name(s) and Address(s) of Applicant(s):
Knog Pty Ltd
453 Church Street Richmond Victoria 3121 Australia
(72) Name(s) of Designer(s): **Hugo Davidson and Malcolm McKechnie and Jonathan Chan and Tim Besley and Kynan Taylor and Joelene Tee and Chris Bilanenko**
(45) Registration Date: **26 April 2012**
(56) Related Art Documents: **Not Applicable**
(57) Statement of Newness and Distinctiveness: **Newness and distinctiveness resides in the features of shape, configuration, pattern and ornamentation of the portable light shown by solid lines in the drawings wherein the parts shown in broken lines do not form part of the design.**



- (21) Design Number: **10910/2012**
(22) Date of Filing Application: **28 February 2012**
(24) Date from which industrial property rights may have effect: **28 February 2012**
(54) Product in respect of which the design is registered: **Portable light**
(51) International Design Classification: **26-06**
(74) Name(s) of Attorney(s): **Freehills Patent & Trade Mark Attorneys**
(71) Name(s) and Address(s) of Applicant(s):
Knog Pty Ltd
453 Church Street Richmond Victoria 3121 Australia
(72) Name(s) of Designer(s): **Hugo Davidson and Malcolm McKechnie and Jonathan Chan and Tim Besley and Kynan Taylor and Joelene Tee and Chris Bilanenko**
(45) Registration Date: **26 April 2012**
(56) Related Art Documents: **Not Applicable**
(57) Statement of Newness and Distinctiveness: **Newness and distinctiveness resides in the features of shape, configuration, pattern and ornamentation of the portable light shown by solid lines in the drawings wherein the parts shown in broken lines do not form part of the design.**



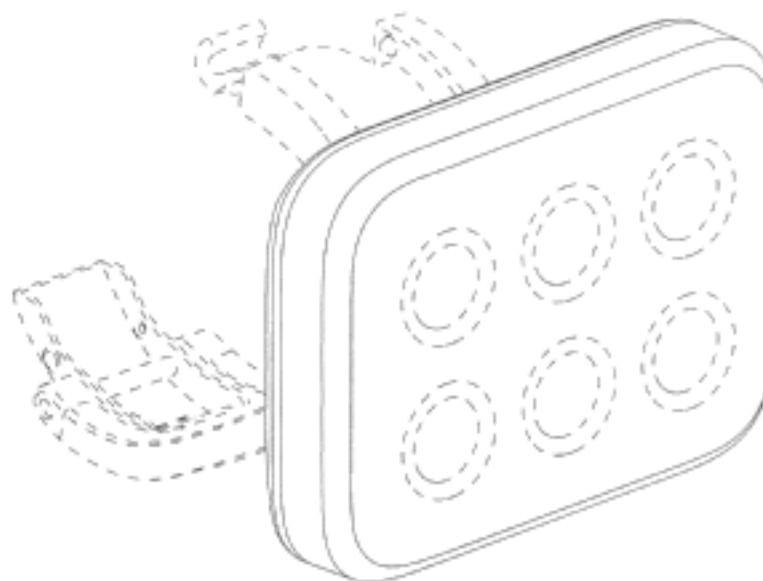
- (21) Design Number: **10911/2012**
(22) Date of Filing Application: **28 February 2012**
(24) Date from which industrial property rights may have effect: **28 February 2012**
(54) Product in respect of which the design is registered: **Portable light**
(51) International Design Classification: **26-06**
(74) Name(s) of Attorney(s): **Freehills Patent & Trade Mark Attorneys**
(71) Name(s) and Address(s) of Applicant(s):

Knog Pty Ltd
453 Church Street Richmond Victoria 3121 Australia

- (72) Name(s) of Designer(s): **Hugo Davidson and Malcolm McKechnie and Jonathan Chan and Tim Besley and Kynan Taylor and Joelene Tee and Chris Bilanenko**

- (45) Registration Date: **26 April 2012**
(56) Related Art Documents: **Not Applicable**

- (57) Statement of Newness and Distinctiveness: **Newness and distinctiveness resides in the features of shape, configuration, pattern and ornamentation of the portable light shown by solid lines in the drawings wherein the parts shown in broken lines do not form part of the design.**



- (21) Design Number: **11329/2012**
(22) Date of Filing Application: **13 March 2012**
(24) Date from which industrial property rights may have effect: **13 March 2012**
(54) Product in respect of which the design is registered: **Electrical apparatus**
(51) International Design Classification: **13-03NES, 13-99**
(74) Name(s) of Attorney(s): **Griffith Hack**
(71) Name(s) and Address(s) of Applicant(s):

SMA Solar Technology AG
Sonnenallee 1 34266 Niestetal Germany

- (72) Name(s) of Designer(s): **Peter Scharf and Giberg Robel**

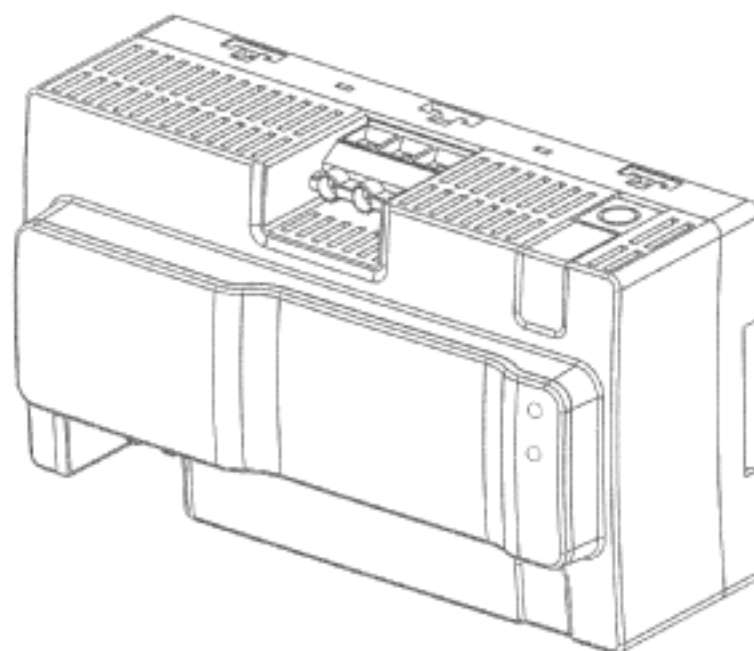
- (45) Registration Date: **26 April 2012**

- (30) Convention priority data:

(31) Number	(32) Date	(33) Country
001931528-0001	13 Oct 2011	EUROPEAN COMMUNITY

- (56) Related Art Documents: **Not Applicable**

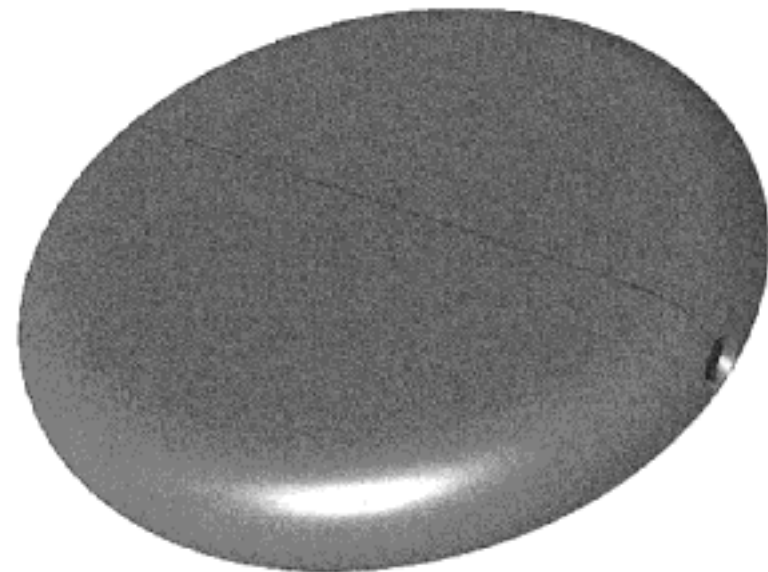
- (57) Statement of Newness and Distinctiveness: **The shape, configuration and ornamentation of the PRODUCT as shown in the accompanying representations is new and distinctive.**



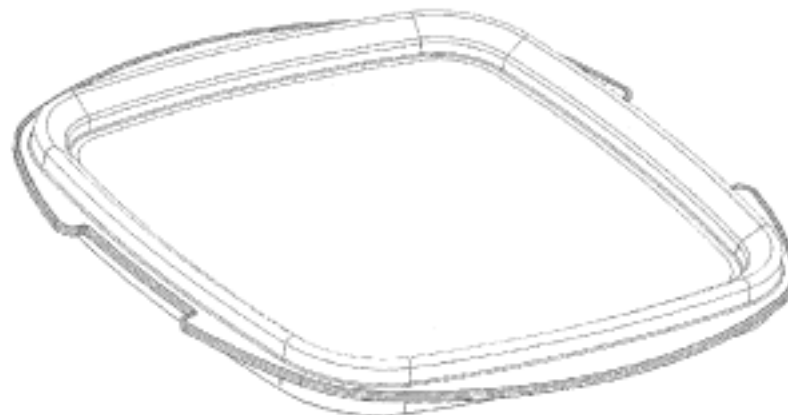
(21) Design Number: **11334/2012**
(22) Date of Filing Application: **14 March 2012**
(24) Date from which industrial property rights may have effect: **14 March 2012**
(54) Product in respect of which the design is registered: **Light**
(51) International Design Classification: **26-05NES**
(74) Name(s) of Attorney(s): **WATERMARK PATENT AND TRADE MARKS ATTORNEYS**
(71) Name(s) and Address(s) of Applicant(s):
Winelight Pty Ltd
28 Outram Street West Perth 6005 Western Australia Australia
(72) Name(s) of Designer(s): **Michael Hoppe**
(45) Registration Date: **26 April 2012**
(56) Related Art Documents: **Not Applicable**
(57) Statement of Newness and Distinctiveness: **Nil**



(21) Design Number: **11335/2012**
(22) Date of Filing Application: **08 March 2012**
(24) Date from which industrial property rights may have effect: **08 March 2012**
(54) Product in respect of which the design is registered: **Purses**
(51) International Design Classification: **03-01B**
(74) Name(s) of Attorney(s):
(71) Name(s) and Address(s) of Applicant(s):
Zoola Industries Limited (UK)
9 Station Road Slough Berkshire SL1 6JJ United Kingdom
(72) Name(s) of Designer(s): **Jon Corbitt**
(45) Registration Date: **26 April 2012**
(30) Convention priority data:
(31) Number (32) Date (33) Country
4021565 10 Sep 2011 UNITED KINGDOM
(56) Related Art Documents: **Not Applicable**
(57) Statement of Newness and Distinctiveness: **Nil**



(21) Design Number: **11336/2012**
(22) Date of Filing Application: **14 March 2012**
(24) Date from which industrial property rights may have effect: **14 March 2012**
(54) Product in respect of which the design is registered: **A cake tin base**
(51) International Design Classification: **07-02P**
(74) Name(s) of Attorney(s): **A J Park**
(71) Name(s) and Address(s) of Applicant(s):
Sistema Plastics Limited
80 Hugo Johnson Drive Penrose Auckland New Zealand
(72) Name(s) of Designer(s): **James Richard Manly**
(45) Registration Date: **26 April 2012**
(56) Related Art Documents: **Not Applicable**
(57) Statement of Newness and Distinctiveness: **Nil**



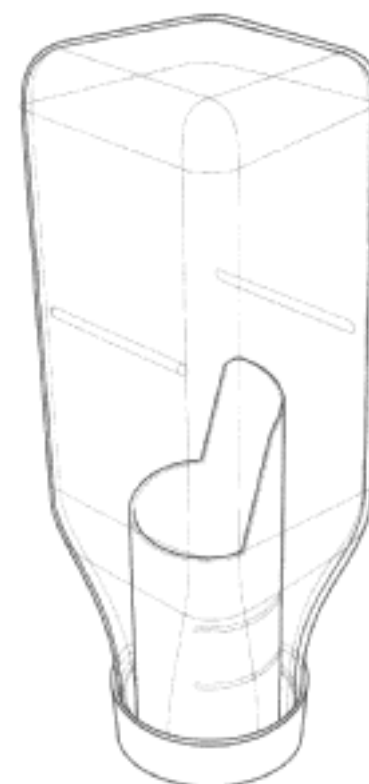
(21) Design Number: **11337/2012**
(22) Date of Filing Application: **14 March 2012**
(24) Date from which industrial property rights may have effect: **14 March 2012**
(54) Product in respect of which the design is registered: **Mixing bottle and closure**
(51) International Design Classification: **07-01F, 09-01NES**
(74) Name(s) of Attorney(s): **Cullens Patent and Trade Mark Attorneys**
(71) Name(s) and Address(s) of Applicant(s):
Runway Blue, LLC.
35 South Pfeifferhorn Drive Alpine UT 84004-1555 United States of America
(72) Name(s) of Designer(s): **Steven M. Sorensen and David O. Meyers**
(45) Registration Date: **26 April 2012**
(30) Convention priority data:
(31) Number (32) Date (33) Country
29/401732 14 Sep 2011 UNITED STATES OF AMERICA
(56) Related Art Documents: **Not Applicable**
(57) Statement of Newness and Distinctiveness: **Nil**



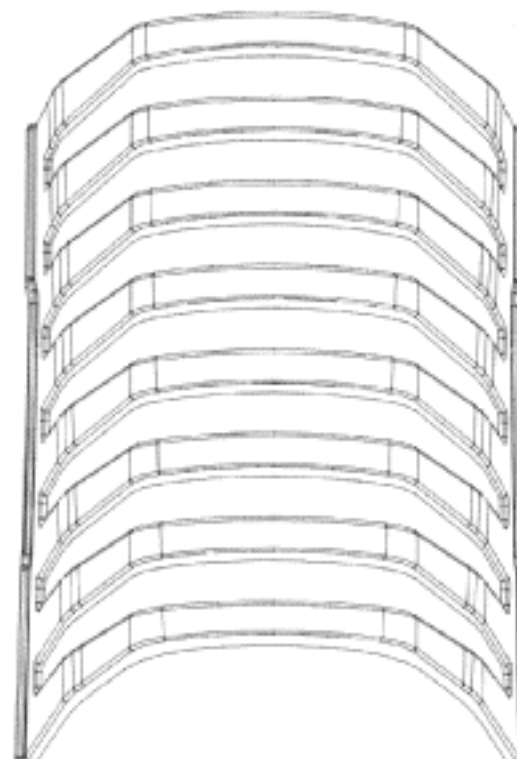
(21) Design Number: **11338/2012**
(22) Date of Filing Application: **14 March 2012**
(24) Date from which industrial property rights may have effect: **14 March 2012**
(54) Product in respect of which the design is registered: **Mixing bottle and closure**
(51) International Design Classification: **07-01F, 09-01NES**
(74) Name(s) of Attorney(s): **Cullens Patent and Trade Mark Attorneys**
(71) Name(s) and Address(s) of Applicant(s):
Runway Blue, LLC.
35 South Pfeifferhorn Drive Alpine UT 84004-1555 United States of America
(72) Name(s) of Designer(s): **Steven M. Sorensen and David O. Meyers**
(45) Registration Date: **26 April 2012**
(30) Convention priority data:
(31) Number (32) Date (33) Country
29/401734 14 Sep 2011 UNITED STATES OF AMERICA
(56) Related Art Documents: **Not Applicable**
(57) Statement of Newness and Distinctiveness: **Nil**



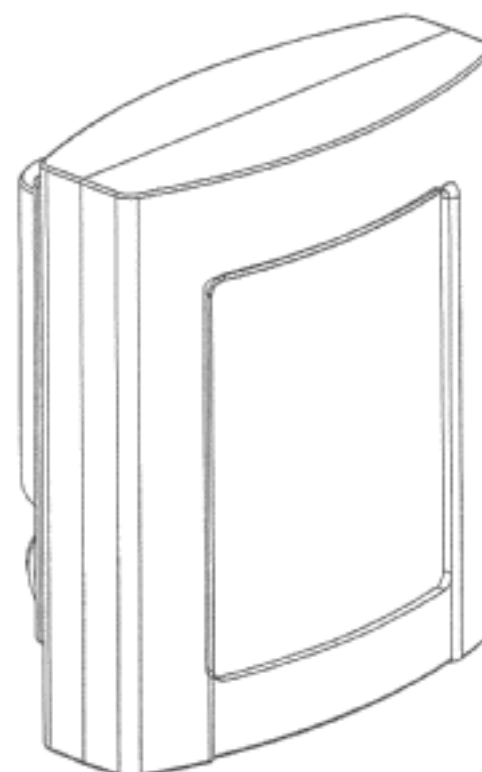
(21) Design Number: **11345/2012**
(22) Date of Filing Application: **14 March 2012**
(24) Date from which industrial property rights may have effect: **14 March 2012**
(54) Product in respect of which the design is registered: **Medicament package**
(51) International Design Classification: **09-01NES**
(74) Name(s) of Attorney(s):
(71) Name(s) and Address(s) of Applicant(s):
Logue and Co. Pty Ltd
199 Kiora Road Yowie Bay New South Wales 2228 Australia
(72) Name(s) of Designer(s): **Anthony Thomas Logue**
(45) Registration Date: **26 April 2012**
(56) Related Art Documents: **Not Applicable**
(57) Statement of Newness and Distinctiveness: **Newness and distinctiveness is claimed in the features of shape and/or configuration of a medicament package as depicted in the accompanying drawings.**



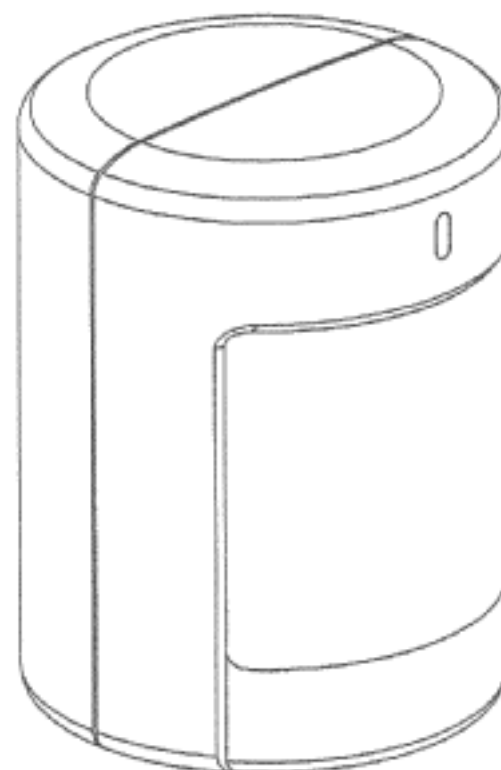
- (21) Design Number: **11346/2012**
(22) Date of Filing Application: **15 March 2012**
(24) Date from which industrial property rights may have effect: **15 March 2012**
(54) Product in respect of which the design is registered: **File organizer**
(51) International Design Classification: **20-02E, 06-04NES**
(74) Name(s) of Attorney(s): **Churchill Attorneys**
(71) Name(s) and Address(s) of Applicant(s):
Rella Plastics Pty Ltd
43-45 Kylta Road West Heidelberg Victoria 3081 Australia
(72) Name(s) of Designer(s): **Lou Ciavarella**
(45) Registration Date: **26 April 2012**
(56) Related Art Documents: **Not Applicable**
(57) Statement of Newness and Distinctiveness: **Newness and distinctiveness resides in features of shape and/or configuration of a file organizer as shown in the accompanying representations.**



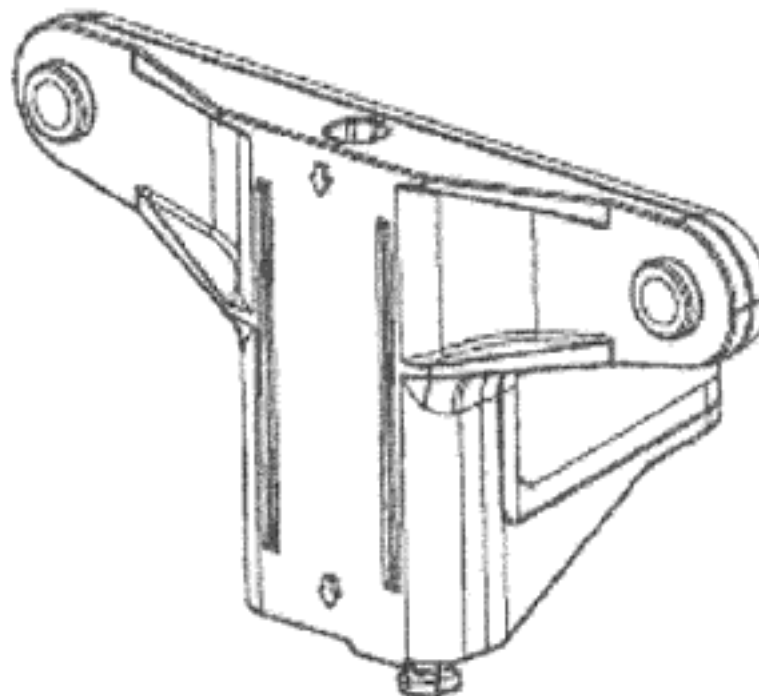
- (21) Design Number: **11348/2012**
(22) Date of Filing Application: **15 March 2012**
(24) Date from which industrial property rights may have effect: **15 March 2012**
(54) Product in respect of which the design is registered: **Sensor housing**
(51) International Design Classification: **10-05**
(74) Name(s) of Attorney(s): **Griffith Hack**
(71) Name(s) and Address(s) of Applicant(s):
Legrand Australia Pty Ltd
Unit 99 79-99 St Hilliers Road Auburn New South Wales 2144 Australia
(72) Name(s) of Designer(s): **Dinesh Vijayaraman and Florent Glennison**
(45) Registration Date: **26 April 2012**
(56) Related Art Documents: **Not Applicable**
(57) Statement of Newness and Distinctiveness: **Newness and distinctiveness resides in the visual features, including shape, configuration, pattern and ornamentation of a SENSOR HOUSING as shown in solid outline in the accompanying drawings. When determining whether the design is substantially similar in overall impression to another design, no regard is to be had to those features shown in dotted outline in the accompanying drawings, which features are provided for illustrative purposes only.**



(21) Design Number: **11349/2012**
(22) Date of Filing Application: **15 March 2012**
(24) Date from which industrial property rights may have effect: **15 March 2012**
(54) Product in respect of which the design is registered: **Sensor housing**
(51) International Design Classification: **10-05**
(74) Name(s) of Attorney(s): **Griffith Hack**
(71) Name(s) and Address(s) of Applicant(s):
Legrand Australia Pty Ltd
Unit 99 79-99 St Hilliers Road Auburn New South Wales 2144 Australia
(72) Name(s) of Designer(s): **Dinesh Vijayaraman and Florent Glennison**
(45) Registration Date: **26 April 2012**
(56) Related Art Documents: **Not Applicable**
(57) Statement of Newness and Distinctiveness: **Newness and distinctiveness resides in the visual features, including shape, configuration, pattern and ornamentation of a SENSOR HOUSING as shown in solid outline in the accompanying drawings. When determining whether the design is substantially similar in overall impression to another design, no regard is to be had to those features shown in dotted outline in the accompanying drawings, which features are provided for illustrative purposes only.**



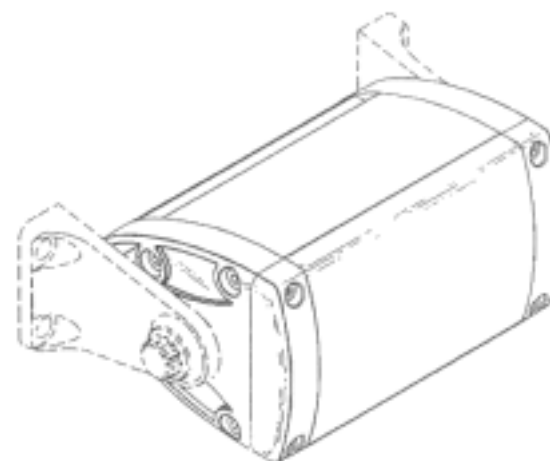
(21) Design Number: **11353/2012**
(22) Date of Filing Application: **15 March 2012**
(24) Date from which industrial property rights may have effect: **15 March 2012**
(54) Product in respect of which the design is registered: **Duct trapeze**
(51) International Design Classification: **08-08L**
(74) Name(s) of Attorney(s): **Cullens Patent and Trade Mark Attorneys**
(71) Name(s) and Address(s) of Applicant(s):
Gripple Limited
The Old West Gun Works Saville Street East Sheffield S4 7UQ United Kingdom
(72) Name(s) of Designer(s): **Matthew Bacon**
(45) Registration Date: **26 April 2012**
(30) Convention priority data:
(31) Number (32) Date (33) Country
001966623-0001 21 Dec 2011 EUROPEAN COMMUNITY
(56) Related Art Documents: **Not Applicable**
(57) Statement of Newness and Distinctiveness: **Nil**



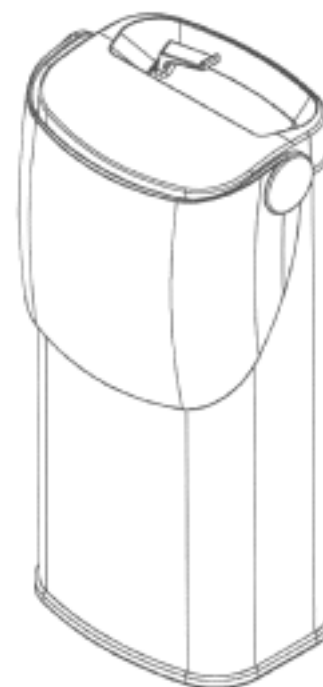
(21) Design Number: **11355/2012**
(22) Date of Filing Application: **16 March 2012**
(24) Date from which industrial property rights may have effect: **16 March 2012**
(54) Product in respect of which the design is registered: **Kick scooters - Standard compression system (AKA SCS Clamp)**
(51) International Design Classification: **21-01F**
(74) Name(s) of Attorney(s):
(71) Name(s) and Address(s) of Applicant(s):
Robert John Tratt
1 Menzies Street Bethania Queensland 4205 Australia
(72) Name(s) of Designer(s): **Robert John Tratt**
(45) Registration Date: **26 April 2012**
(56) Related Art Documents: **Not Applicable**
(57) Statement of Newness and Distinctiveness: **The pair of angular cut outs on the sides of the clamp, specifically the flat base of the cut out with the angled walls.**



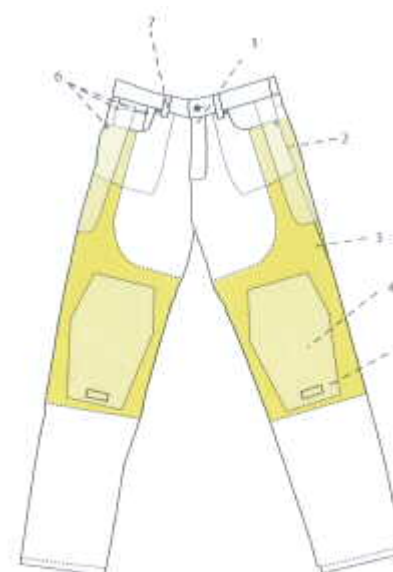
(21) Design Number: **10778/2012**
(22) Date of Filing Application: **17 February 2012**
(24) Date from which industrial property rights may have effect: **17 February 2012**
(54) Product in respect of which the design is registered: **LED light fixture body**
(51) International Design Classification: **26-04**
(74) Name(s) of Attorney(s): **FB Rice**
(71) Name(s) and Address(s) of Applicant(s):
Sammy Chu
15 Edelman Irvine California 92618 United States of America
(72) Name(s) of Designer(s): **Sammy Chu**
(45) Registration Date: **26 April 2012**
(30) Convention priority data:
(31) Number (32) Date (33) Country
29/400718 31 Aug 2011 UNITED STATES OF AMERICA
(56) Related Art Documents: **Not Applicable**
(57) Statement of Newness and Distinctiveness: **Newness and distinctiveness reside in the features of the curved faces, tapered housing and cooling fins of the LED light fixture body shown in the representations, excluding those features shown in broken lines.**



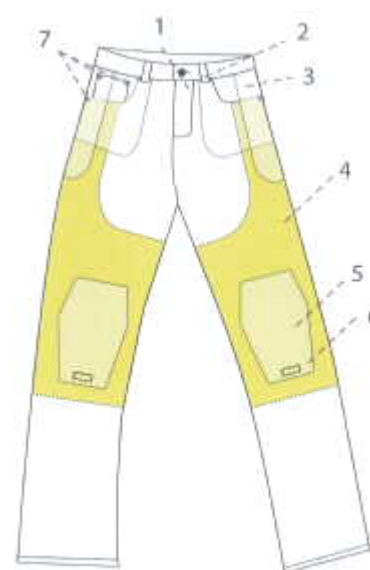
- (21) Design Number: **10848/2012**
(22) Date of Filing Application: **22 February 2012**
(24) Date from which industrial property rights may have effect: **22 February 2012**
(54) Product in respect of which the design is registered: **Container**
(51) International Design Classification: **09-01NES**
(74) Name(s) of Attorney(s): **Davies Collison Cave**
(71) Name(s) and Address(s) of Applicant(s):
Wiberg Besitz GmbH
Adolf-Schemel-Str. 9 Salzburg 5020 Austria
(72) Name(s) of Designer(s): **Leon Widdison**
(45) Registration Date: **26 April 2012**
(30) Convention priority data:
(31) Number (32) Date (33) Country
001907775-0001 24 Aug 2011 EUROPEAN COMMUNITY
(56) Related Art Documents: **Not Applicable**
(57) Statement of Newness and Distinctiveness: **Newness and distinctiveness is claimed in features of shape and configuration of the container as shown in the representations.**



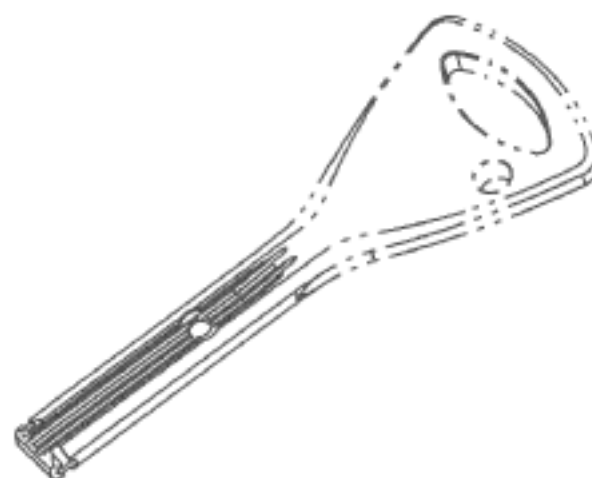
- (21) Design Number: **10947/2012**
(22) Date of Filing Application: **01 March 2012**
(24) Date from which industrial property rights may have effect: **01 March 2012**
(54) Product in respect of which the design is registered: **Resolute jeans highly protective mens pant**
(51) International Design Classification: **02-02C**
(74) Name(s) of Attorney(s):
(71) Name(s) and Address(s) of Applicant(s):
Michael Foran
PO Box 1064 Kunyung Victoria 3930 Australia
Lucas Maughan
55 Walkers Road Mount Eliza Victoria 3930 Australia
(72) Name(s) of Designer(s): **Michael Foran**
(45) Registration Date: **26 April 2012**
(56) Related Art Documents: **Not Applicable**
(57) Statement of Newness and Distinctiveness: **Highly protective Kevlar(r) reinforced jean for motorcycle and high risk environment use. 100% pure knitted Kevlar(r) integrated into +400GSM high quality cotton denim outer. Includes integrated CE approved armor and inserts.**



- (21) Design Number: **10948/2012**
(22) Date of Filing Application: **01 March 2012**
(24) Date from which industrial property rights may have effect: **01 March 2012**
(54) Product in respect of which the design is registered: **Resolute jeans highly protective ladies pant**
(51) International Design Classification: **02-02C**
(74) Name(s) of Attorney(s):
(71) Name(s) and Address(s) of Applicant(s):
Michael Foran
PO Box 1064 Kunyung Victoria 3930 Australia
Lucas Maughan
55 Walkers Road Mount Eliza Victoria 3930 Australia
(72) Name(s) of Designer(s): **Michael Foran**
(45) Registration Date: **26 April 2012**
(56) Related Art Documents: **Not Applicable**
(57) Statement of Newness and Distinctiveness: **Highly protective Kevlar(r) reinforced jean for motorcycle and high risk environment use. 100% pure knitted Kevlar(r) integrated into +400GSM high quality cotton denim outer. Includes integrated CE approved armor and inserts.**



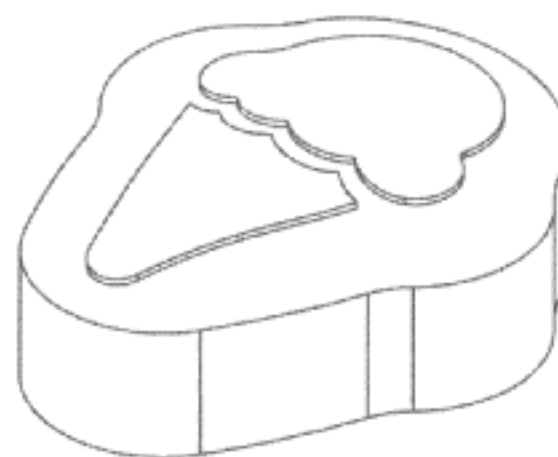
- (21) Design Number: **11356/2012**
(22) Date of Filing Application: **15 March 2012**
(24) Date from which industrial property rights may have effect: **15 March 2012**
(54) Product in respect of which the design is registered: **Key blank**
(51) International Design Classification: **08-07**
(74) Name(s) of Attorney(s): **PHILLIPS ORMONDE FITZPATRICK**
(71) Name(s) and Address(s) of Applicant(s):
ASSA ABLOY Australia Pty Limited
235 Huntingdale Road Oakleigh Victoria 3166 Australia
(72) Name(s) of Designer(s): **Seppo Kiiski**
(45) Registration Date: **26 April 2012**
(56) Related Art Documents: **Not Applicable**
(57) Statement of Newness and Distinctiveness: **Those features of the key blank that are new and distinctive are the cross-sectional shape of the blade of the key blank as depicted in the profile of the key blank as shown in section A-A, B-B and C-C views. The shape and/or configuration of the head of the key blank shown in broken line is not part of the design and is to be disregarded when considering the overall impression of the design.**



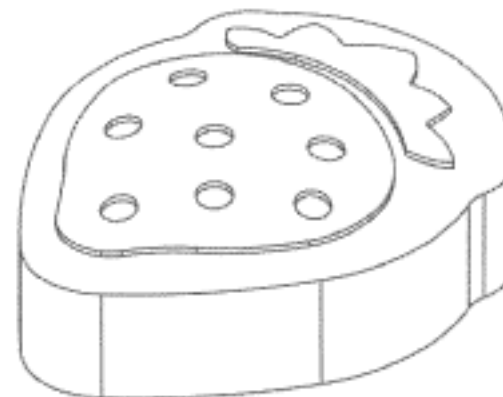
(21) Design Number: **11366/2012**
(22) Date of Filing Application: **16 March 2012**
(24) Date from which industrial property rights may have effect: **16 March 2012**
(54) Product in respect of which the design is registered: **Three port whistle**
(51) International Design Classification: **21-01NES**
(74) Name(s) of Attorney(s): **WATERMARK PATENT AND TRADE MARKS ATTORNEYS**
(71) Name(s) and Address(s) of Applicant(s):
Fox 40 International Inc.
560 Arvin Avenue Stoney Creek Ontario L8E 5P1 Canada
(72) Name(s) of Designer(s): **Ronald Foxcroft and David Foxcroft and Graham Hills and Stephen Orzel and Kirk Mosna**
(45) Registration Date: **26 April 2012**
(30) Convention priority data:
(31) Number (32) Date (33) Country
29/403,431 06 Oct 2011 UNITED STATES OF AMERICA
(56) Related Art Documents: **Not Applicable**
(57) Statement of Newness and Distinctiveness: **Nil**



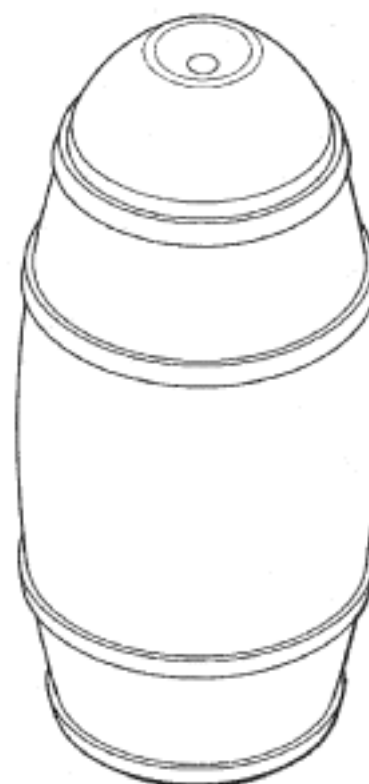
(21) Design Number: **11374/2012**
(22) Date of Filing Application: **16 March 2012**
(24) Date from which industrial property rights may have effect: **16 March 2012**
(54) Product in respect of which the design is registered: **Vitamin tablets**
(51) International Design Classification: **28-01**
(74) Name(s) of Attorney(s): **Janet Stead & Associates, Patent and Trade Mark Attorneys**
(71) Name(s) and Address(s) of Applicant(s):
Hangzhou Sanofi Minsheng Consumer Healthcare Co., Ltd
Building 115 108 Yuhangtang Road Hangzhou City Zhejiang 310000
China
(72) Name(s) of Designer(s): **Xian Chen and Ying Li**
(45) Registration Date: **26 April 2012**
(30) Convention priority data:
(31) Number (32) Date (33) Country
201130460155.0 06 Dec 2011 CHINA
(56) Related Art Documents: **Not Applicable**
(57) Statement of Newness and Distinctiveness: **Nil**



(21) Design Number: **11375/2012**
(22) Date of Filing Application: **16 March 2012**
(24) Date from which industrial property rights may have effect: **16 March 2012**
(54) Product in respect of which the design is registered: **Vitamin tablets**
(51) International Design Classification: **28-01**
(74) Name(s) of Attorney(s): **Janet Stead & Associates, Patent and Trade Mark Attorneys**
(71) Name(s) and Address(s) of Applicant(s):
Hangzhou Sanofi Minsheng Consumer Healthcare Co., Ltd
Building 115 108 Yuhangtang Road Hangzhou City Zhejiang 310000
China
(72) Name(s) of Designer(s): **Ying Li and Xian Chen**
(45) Registration Date: **26 April 2012**
(30) Convention priority data:
(31) Number (32) Date (33) Country
201130460088.2 06 Dec 2011 CHINA
(56) Related Art Documents: **Not Applicable**
(57) Statement of Newness and Distinctiveness: **Nil**



(21) Design Number: **15012/2011**
(22) Date of Filing Application: **08 November 2011**
(24) Date from which industrial property rights may have effect: **08 November 2011**
(54) Product in respect of which the design is registered: **Explosive booster**
(51) International Design Classification: **22-03**
(74) Name(s) of Attorney(s): **Callinans**
(71) Name(s) and Address(s) of Applicant(s):
Peter Edward Biggs
3 Graemar Court Kangaroo Flat Victoria 3555 Australia
(72) Name(s) of Designer(s): **Peter Edward Biggs**
(45) Registration Date: **27 April 2012**
(56) Related Art Documents: **Not Applicable**
(57) Statement of Newness and Distinctiveness: **Nil**



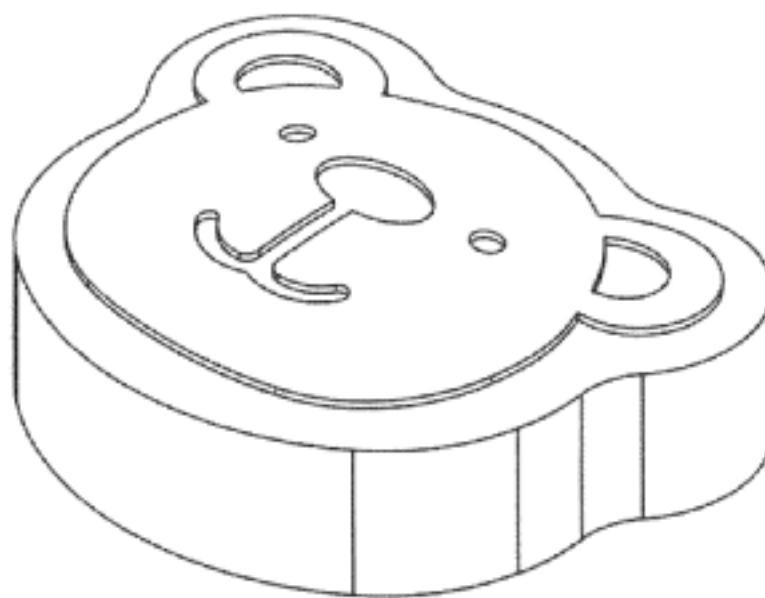
- (21) Design Number: **10865/2012**
(22) Date of Filing Application: **24 February 2012**
(24) Date from which industrial property rights may have effect: **24 February 2012**
(54) Product in respect of which the design is registered: **Clasp band**
(51) International Design Classification: **11-01NES**
(74) Name(s) of Attorney(s):
(71) Name(s) and Address(s) of Applicant(s):
Sheree Nunn
143 Church Street Abermain New South Wales 2326 Australia
Emma-Jayne Davies
143 Church Street Abermain New South Wales 2326 Australia
Jenna Davies
143 Church Street Abermain New South Wales 2326 Australia
(72) Name(s) of Designer(s): **Sheree Nunn and Emma-Jayne Davies and Jenna Davies**
(45) Registration Date: **27 April 2012**
(56) Related Art Documents: **Not Applicable**
(57) Statement of Newness and Distinctiveness: **"Sole Bandz" - Is a band worn on the foot over the arch and under the sole above the ball of the foot. Specifically over the 1st & 2nd cuneiform bones, the lateral cuneiform bone, the cuboid bone and the tuberosity of the 5th metatarsal. The "Sole Bandz" can be either a) a continuous band worn around the foot. b) a length of band joined by a clasp.**



- (21) Design Number: **11493/2012**
(22) Date of Filing Application: **24 February 2012**
(24) Date from which industrial property rights may have effect: **24 February 2012**
(54) Product in respect of which the design is registered: **Slip-on band**
(51) International Design Classification: **11-01NES**
(74) Name(s) of Attorney(s):
(71) Name(s) and Address(s) of Applicant(s):
Sheree Nunn
143 Church Street Abermain New South Wales 2326 Australia
Emma-Jayne Davies
143 Church Street Abermain New South Wales 2326 Australia
Jenna Davies
143 Church Street Abermain New South Wales 2326 Australia
(72) Name(s) of Designer(s): **Sheree Nunn and Emma-Jayne Davies and Jenna Davies**
(45) Registration Date: **27 April 2012**
(56) Related Art Documents: **Not Applicable**
(57) Statement of Newness and Distinctiveness: **"Sole Bandz" - Is a band worn on the foot over the arch and under the sole above the ball of the foot. Specifically over the 1st & 2nd cuneiform bones, the lateral cuneiform bone, the cuboid bone and the tuberosity of the 5th metatarsal. The "Sole Bandz" can be either a) a continuous band worn around the foot. b) a length of band joined by a clasp.**



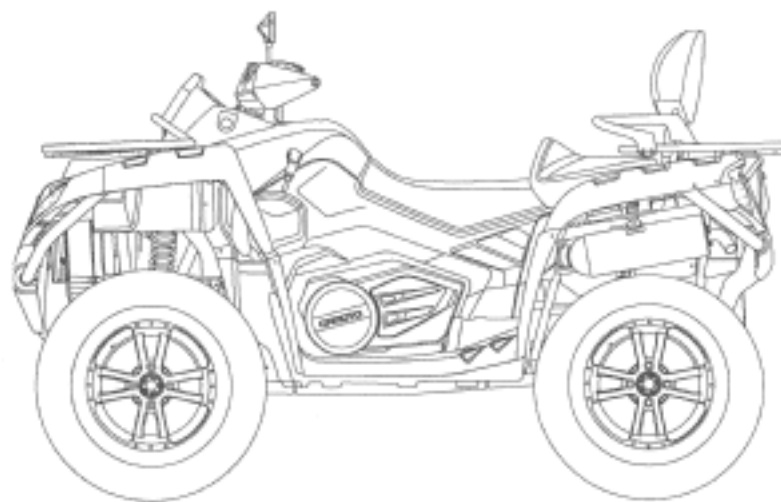
(21) Design Number: **11376/2012**
(22) Date of Filing Application: **16 March 2012**
(24) Date from which industrial property rights may have effect: **16 March 2012**
(54) Product in respect of which the design is registered: **Vitamin tablets**
(51) International Design Classification: **28-01**
(74) Name(s) of Attorney(s): **Janet Stead & Associates, Patent and Trade Mark Attorneys**
(71) Name(s) and Address(s) of Applicant(s):
Hangzhou Sanofi Minsheng Consumer Healthcare Co., Ltd
Building 115, 108 Yuhangtang Road Hangzhou City Zhejiang 310000
China
(72) Name(s) of Designer(s): **Ying Li and Xian Chen**
(45) Registration Date: **27 April 2012**
(30) Convention priority data:
(31) Number (32) Date (33) Country
201130460160.1 06 Dec 2011 CHINA
(56) Related Art Documents: **Not Applicable**
(57) Statement of Newness and Distinctiveness: **Nil**



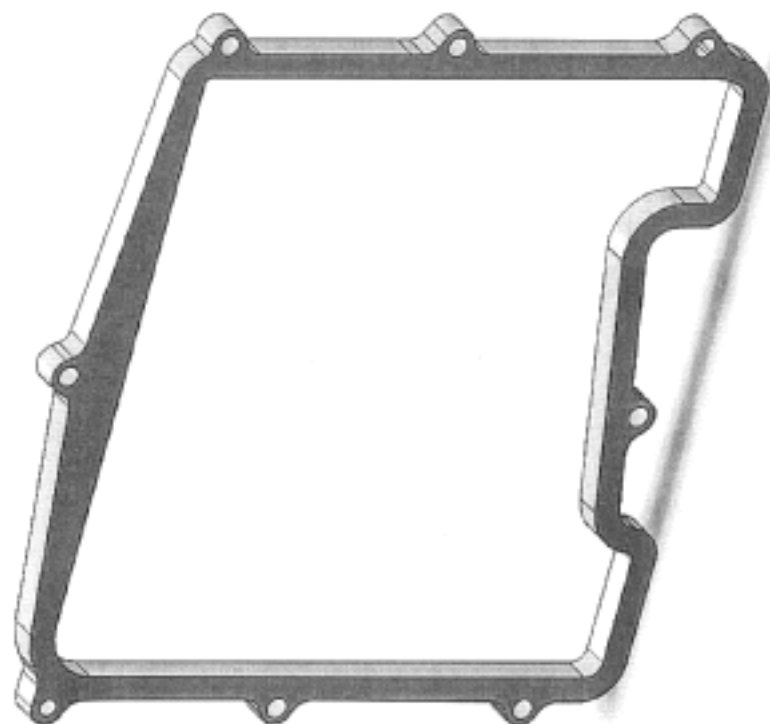
(21) Design Number: **11377/2012**
(22) Date of Filing Application: **16 March 2012**
(24) Date from which industrial property rights may have effect: **16 March 2012**
(54) Product in respect of which the design is registered: **Aircraft**
(51) International Design Classification: **12-07**
(74) Name(s) of Attorney(s): **FB Rice**
(71) Name(s) and Address(s) of Applicant(s):
Zee.Aero Inc.
2700 Broderick Way Mountain View California 94043 United States of
America
(72) Name(s) of Designer(s): **Calder Hughes and Eric Allison and Ilan Kroo and**
Brendan Kennelly and Geoffrey Long and Uri Tzarnotzky
(45) Registration Date: **27 April 2012**
(30) Convention priority data:
(31) Number (32) Date (33) Country
29/402034 19 Sep 2011 UNITED STATES OF AMERICA
(56) Related Art Documents: **Not Applicable**
(57) Statement of Newness and Distinctiveness: **Newness and distinctiveness**
reside in the features of the design as shown in the representations.



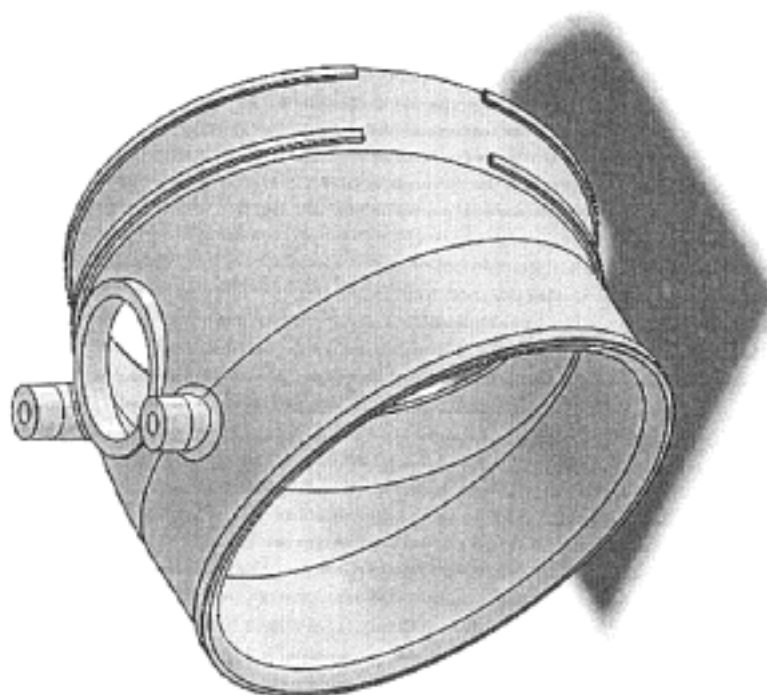
- (21) Design Number: **11378/2012**
(22) Date of Filing Application: **16 March 2012**
(24) Date from which industrial property rights may have effect: **16 March 2012**
(54) Product in respect of which the design is registered: **All-terrain vehicle**
(51) International Design Classification: **12-08**
(74) Name(s) of Attorney(s): **Freehills Patent & Trade Mark Attorneys**
(71) Name(s) and Address(s) of Applicant(s):
Zhejiang CFMOTO Power Co., Ltd
No 116 Wuzhou Road Yuhang Economic Development Zone Hangzhou
Zhejiang Province 311100 P.R, China
(72) Name(s) of Designer(s): **Guogui Lai and Zhangping Yuan and Jinpin Zheng**
and Hui XU and Yibin Yang and Duanzheng Wei
(45) Registration Date: **27 April 2012**
(30) Convention priority data:
(31) Number (32) Date (33) Country
201130492849.2 21 Dec 2011 CHINA
(56) Related Art Documents: **Not Applicable**
(57) Statement of Newness and Distinctiveness: **Newness and distinctiveness**
of the design resides in the shape and configuration of the all-terrain
vehicle as shown in the accompanying representations.



- (21) Design Number: **11379/2012**
(22) Date of Filing Application: **19 March 2012**
(24) Date from which industrial property rights may have effect: **19 March 2012**
(54) Product in respect of which the design is registered: **Plenum spacer to suit**
an LLT V6 engine by GM
(51) International Design Classification: **08-08B, 12-16NES**
(74) Name(s) of Attorney(s):
(71) Name(s) and Address(s) of Applicant(s):
Steven Angelovski
1A East Court Lalor Victoria 3075 Australia
(72) Name(s) of Designer(s): **Steven Angelovski**
(45) Registration Date: **27 April 2012**
(56) Related Art Documents: **Not Applicable**
(57) Statement of Newness and Distinctiveness: **The uniqueness is within the**
shape and form.



(21) Design Number: **11380/2012**
(22) Date of Filing Application: **19 March 2012**
(24) Date from which industrial property rights may have effect: **19 March 2012**
(54) Product in respect of which the design is registered: **Cold air intake adaptor to suit Holden VE V6 sidi engine**
(51) International Design Classification: **12-16NES**
(74) Name(s) of Attorney(s):
(71) Name(s) and Address(s) of Applicant(s):
Steven Angelovski
1A East Court Lalor Victoria 3075 Australia
(72) Name(s) of Designer(s): **Steven Angelovski**
(45) Registration Date: **27 April 2012**
(56) Related Art Documents: **Not Applicable**
(57) Statement of Newness and Distinctiveness: **The uniqueness is within the shape and form.**



(21) Design Number: **11381/2012**
(22) Date of Filing Application: **19 March 2012**
(24) Date from which industrial property rights may have effect: **19 March 2012**
(54) Product in respect of which the design is registered: **A container**
(51) International Design Classification: **09-01D**
(74) Name(s) of Attorney(s): **Banki Haddock Fiora**
(71) Name(s) and Address(s) of Applicant(s):
Societe Des Produits Nestle S.A.
1800 Vevey Switzerland
(72) Name(s) of Designer(s): **Michel Bourguignon**
(45) Registration Date: **27 April 2012**
(30) Convention priority data:
(31) Number (32) Date (33) Country
138266 26 Sep 2011 SWITZERLAND
(56) Related Art Documents: **Not Applicable**
(57) Statement of Newness and Distinctiveness: **Nil**



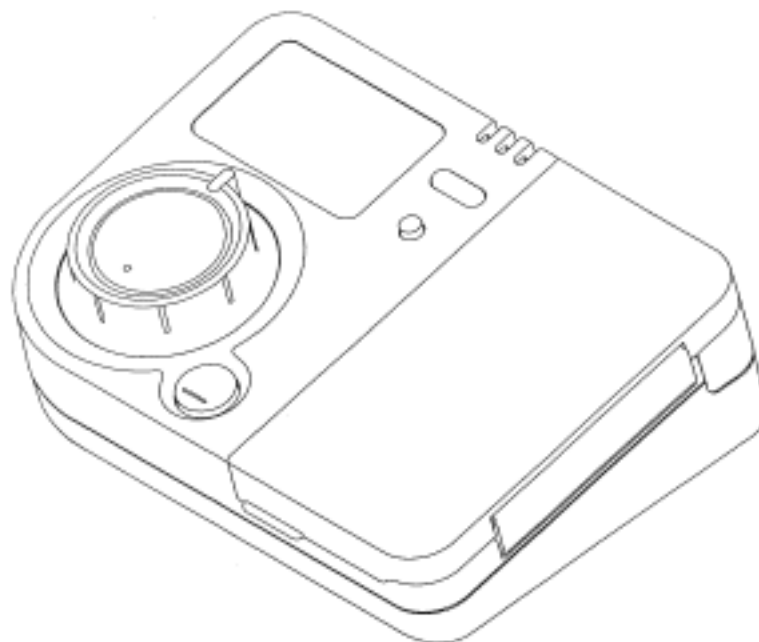
- (21) Design Number: **11386/2012**
(22) Date of Filing Application: **19 March 2012**
(24) Date from which industrial property rights may have effect: **19 March 2012**
(54) Product in respect of which the design is registered: **Drian assembly**
(51) International Design Classification: **23-02E, 23-01NES**
(74) Name(s) of Attorney(s): **WATERMARK PATENT AND TRADE MARKS ATTORNEYS**
(71) Name(s) and Address(s) of Applicant(s):
Astro Tile Pty Ltd
20 Wetherill Street Lidcombe New South Wales 2141 Australia
(72) Name(s) of Designer(s): **Kwan Hee Lyou**
(45) Registration Date: **27 April 2012**
(56) Related Art Documents: **Not Applicable**
(57) Statement of Newness and Distinctiveness: **Newness and distinctiveness is claimed in the shape and configuration of a drain cover assembly suitable for use with domestic drains.**



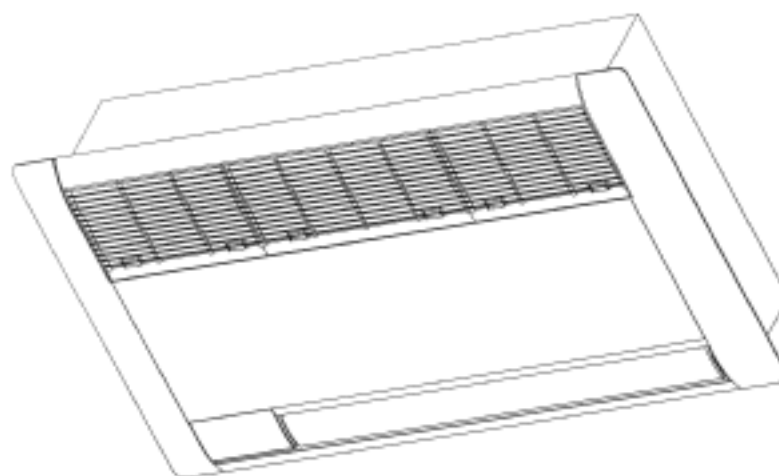
- (21) Design Number: **11387/2012**
(22) Date of Filing Application: **19 March 2012**
(24) Date from which industrial property rights may have effect: **19 March 2012**
(54) Product in respect of which the design is registered: **Drain assembly**
(51) International Design Classification: **23-02E, 23-01NES**
(74) Name(s) of Attorney(s): **WATERMARK PATENT AND TRADE MARKS ATTORNEYS**
(71) Name(s) and Address(s) of Applicant(s):
Astro Tile Pty Ltd
20 Wetherill Street Lidcombe New South Wales 2141 Australia
(72) Name(s) of Designer(s): **Kwan Hee Lyou**
(45) Registration Date: **27 April 2012**
(56) Related Art Documents: **Not Applicable**
(57) Statement of Newness and Distinctiveness: **Newness and distinctiveness is claimed in the shape and configuration of a drain cover assembly suitable for use with domestic drains.**



- (21) Design Number: **11388/2012**
(22) Date of Filing Application: **16 March 2012**
(24) Date from which industrial property rights may have effect: **16 March 2012**
(54) Product in respect of which the design is registered: **Controller for air conditioner**
(51) International Design Classification: **14-03NES**
(74) Name(s) of Attorney(s): **Freehills Patent & Trade Mark Attorneys**
(71) Name(s) and Address(s) of Applicant(s):
Daikin Industries Ltd.
Umeda Center Building, 4-12 Nakazaki-Nishi 2-chome, Kita-Ku, Osaka-shi, Osaka-fu Japan
(72) Name(s) of Designer(s): **Yumi Saitou**
(45) Registration Date: **27 April 2012**
(30) Convention priority data:
(31) Number (32) Date (33) Country
2011-028161 05 Dec 2011 JAPAN
(56) Related Art Documents: **Not Applicable**
(57) Statement of Newness and Distinctiveness: **Newness and distinctiveness of the design resides in the shape and configuration of the controller for air conditioner as illustrated in the accompanying drawings.**



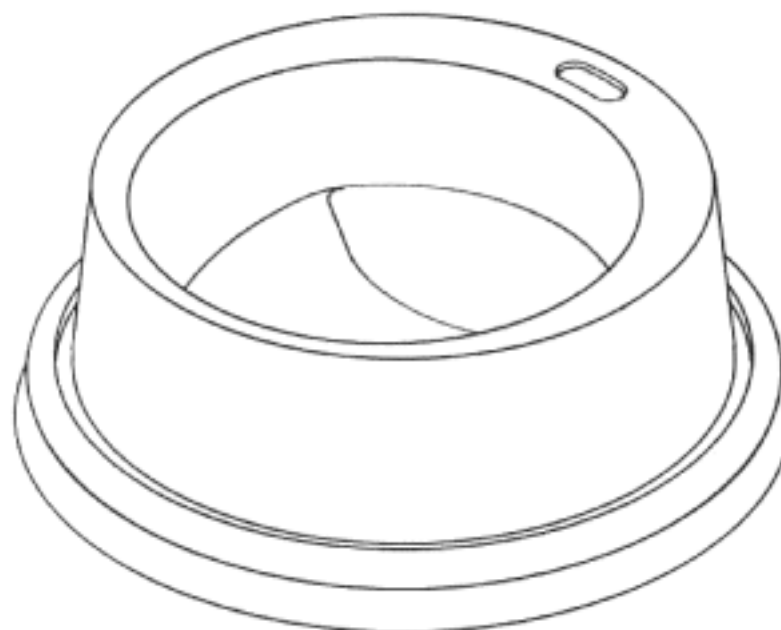
- (21) Design Number: **11389/2012**
(22) Date of Filing Application: **16 March 2012**
(24) Date from which industrial property rights may have effect: **16 March 2012**
(54) Product in respect of which the design is registered: **Air-conditioner**
(51) International Design Classification: **23-04**
(74) Name(s) of Attorney(s): **Freehills Patent & Trade Mark Attorneys**
(71) Name(s) and Address(s) of Applicant(s):
Daikin Industries Ltd.
Umeda Center Building, 4-12 Nakazaki-Nishi 2-chome, Kita-Ku, Osaka-shi, Osaka-fu Japan
(72) Name(s) of Designer(s): **Hiroko Kashimoto and Kaichi Tsuji**
(45) Registration Date: **27 April 2012**
(30) Convention priority data:
(31) Number (32) Date (33) Country
2011-028543 08 Dec 2011 JAPAN
(56) Related Art Documents: **Not Applicable**
(57) Statement of Newness and Distinctiveness: **Newness and distinctiveness of the design resides in the shape and configuration of the air-conditioner as illustrated in the accompanying drawings.**



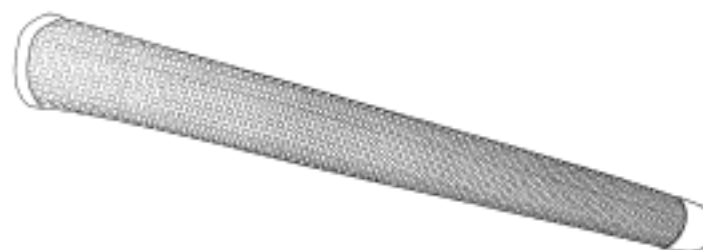
- (21) Design Number: **11390/2012**
(22) Date of Filing Application: **19 March 2012**
(24) Date from which industrial property rights may have effect: **19 March 2012**
(54) Product in respect of which the design is registered: **Plastic containers for growing plants to be installed on vertical surfaces (wall-mounted planter)**
(51) International Design Classification: **11-02B**
(74) Name(s) of Attorney(s):
(71) Name(s) and Address(s) of Applicant(s):
Tony Raymond Roberts
PO Box 1306 GPO Launceston Tasmania 7250 Australia
(72) Name(s) of Designer(s): **Tony Raymond Roberts**
(45) Registration Date: **27 April 2012**
(56) Related Art Documents: **Not Applicable**
(57) Statement of Newness and Distinctiveness: **Curved front, lip profile on top edge, curved edges and corners.**



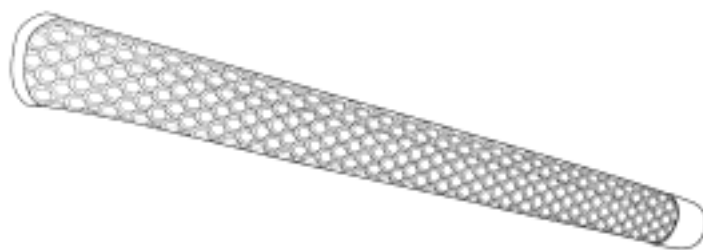
- (21) Design Number: **11391/2012**
(22) Date of Filing Application: **16 March 2012**
(24) Date from which industrial property rights may have effect: **16 March 2012**
(54) Product in respect of which the design is registered: **Lid of cup**
(51) International Design Classification: **09-07B**
(74) Name(s) of Attorney(s): **Collison & Co**
(71) Name(s) and Address(s) of Applicant(s):
K & Lap Co., Ltd.
(4 fl. Polikem Bldg. Gwanyang- dong) 374 Simin-daero Anyang Si
Dongan-gu Gyeonggi-do 431-804 Republic of Korea
(72) Name(s) of Designer(s): **Sung Il Kim**
(45) Registration Date: **27 April 2012**
(30) Convention priority data:
(31) Number (32) Date (33) Country
KR302011003905320 Sep 2011 REPUBLIC OF KOREA
(56) Related Art Documents: **Not Applicable**
(57) Statement of Newness and Distinctiveness: **Newness and distinctiveness resides in the shape and/or configuration of the lid of a cup as illustrated in the attached representations, excluding the broken lines.**



- (21) Design Number: **11392/2012**
(22) Date of Filing Application: **16 March 2012**
(24) Date from which industrial property rights may have effect: **16 March 2012**
(54) Product in respect of which the design is registered: **Golf grip**
(51) International Design Classification: **21-02C**
(74) Name(s) of Attorney(s): **Collison & Co**
(71) Name(s) and Address(s) of Applicant(s):
Sam Parkinson
115 Rundle Street Kent Town South Australia 5067 Australia
(72) Name(s) of Designer(s): **Sam Parkinson**
(45) Registration Date: **27 April 2012**
(56) Related Art Documents: **Not Applicable**
(57) Statement of Newness and Distinctiveness: **Newness and distinctiveness resides in the pattern and ornamentation of the design as shown in the representations.**



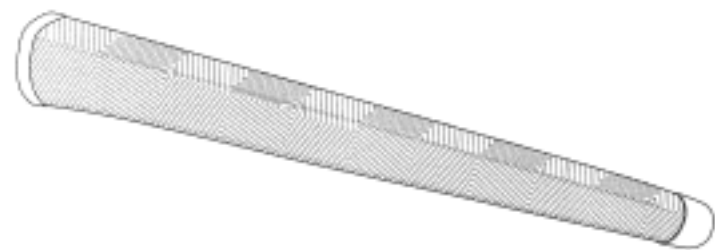
- (21) Design Number: **11393/2012**
(22) Date of Filing Application: **16 March 2012**
(24) Date from which industrial property rights may have effect: **16 March 2012**
(54) Product in respect of which the design is registered: **Golf grip**
(51) International Design Classification: **21-02C**
(74) Name(s) of Attorney(s): **Collison & Co**
(71) Name(s) and Address(s) of Applicant(s):
Sam Parkinson
115 Rundle Street Kent Town South Australia 5067 Australia
(72) Name(s) of Designer(s): **Sam Parkinson**
(45) Registration Date: **27 April 2012**
(56) Related Art Documents: **Not Applicable**
(57) Statement of Newness and Distinctiveness: **Newness and distinctiveness resides in the pattern and ornamentation of the design as shown in the representations.**



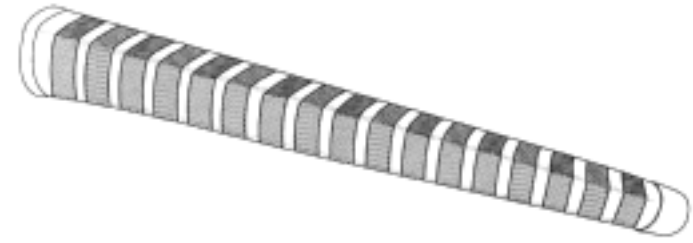
- (21) Design Number: **11394/2012**
(22) Date of Filing Application: **16 March 2012**
(24) Date from which industrial property rights may have effect: **16 March 2012**
(54) Product in respect of which the design is registered: **Golf grip**
(51) International Design Classification: **21-02C**
(74) Name(s) of Attorney(s): **Collison & Co**
(71) Name(s) and Address(s) of Applicant(s):
Sam Parkinson
115 Rundle Street Kent Town South Australia 5067 Australia
(72) Name(s) of Designer(s): **Sam Parkinson**
(45) Registration Date: **27 April 2012**
(56) Related Art Documents: **Not Applicable**
(57) Statement of Newness and Distinctiveness: **Newness and distinctiveness resides in the pattern and ornamentation of the design as shown in the representations.**



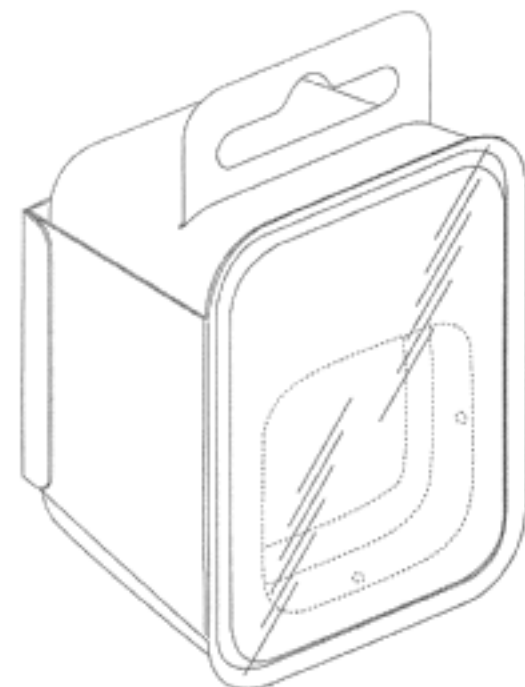
- (21) Design Number: **11395/2012**
(22) Date of Filing Application: **16 March 2012**
(24) Date from which industrial property rights may have effect: **16 March 2012**
(54) Product in respect of which the design is registered: **Golf grip**
(51) International Design Classification: **21-02C**
(74) Name(s) of Attorney(s): **Collison & Co**
(71) Name(s) and Address(s) of Applicant(s):
Sam Parkinson
115 Rundle Street Kent Town South Australia 5067 Australia
(72) Name(s) of Designer(s): **Sam Parkinson**
(45) Registration Date: **27 April 2012**
(56) Related Art Documents: **Not Applicable**
(57) Statement of Newness and Distinctiveness: **Newness and distinctiveness resides in the pattern and ornamentation of the design as shown in the representations.**



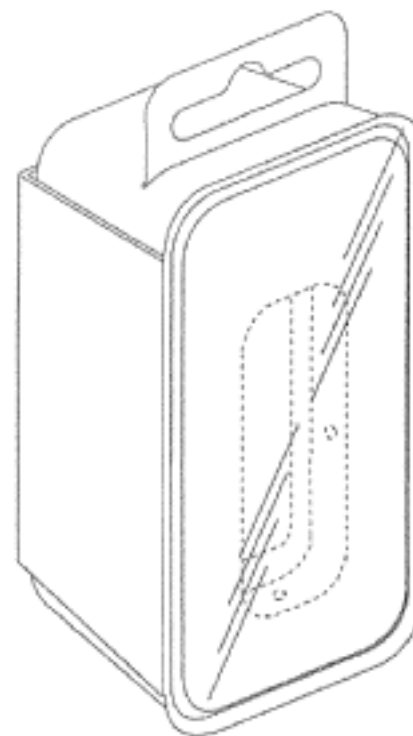
- (21) Design Number: **11396/2012**
(22) Date of Filing Application: **16 March 2012**
(24) Date from which industrial property rights may have effect: **16 March 2012**
(54) Product in respect of which the design is registered: **Golf grip**
(51) International Design Classification: **21-02C**
(74) Name(s) of Attorney(s): **Collison & Co**
(71) Name(s) and Address(s) of Applicant(s):
Sam Parkinson
115 Rundle Street Kent Town South Australia 5067 Australia
(72) Name(s) of Designer(s): **Sam Parkinson**
(45) Registration Date: **27 April 2012**
(56) Related Art Documents: **Not Applicable**
(57) Statement of Newness and Distinctiveness: **Newness and distinctiveness resides in the pattern and ornamentation of the design as shown in the representations.**



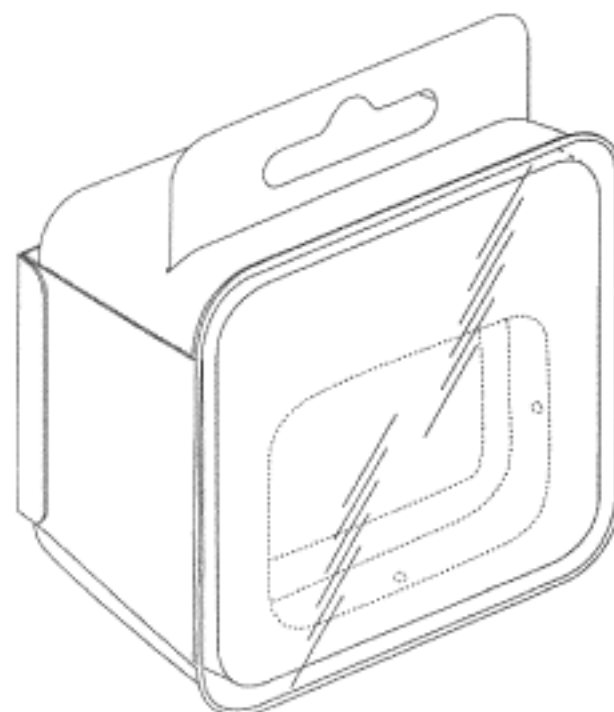
- (21) Design Number: **13860/2011**
(22) Date of Filing Application: **31 August 2011**
(24) Date from which industrial property rights may have effect: **31 August 2011**
(54) Product in respect of which the design is registered: **Packaging for bicycle accessory**
(51) International Design Classification: **09-03NES**
(74) Name(s) of Attorney(s): **Freehills Patent & Trade Mark Attorneys**
(71) Name(s) and Address(s) of Applicant(s):
Knog Pty Ltd
453 Church Street Richmond Victoria 3121 Australia
(72) Name(s) of Designer(s): **Hugo Davidson and Chris Bilanenko and Lucy Glade Wright and Tim Besley**
(45) Registration Date: **27 April 2012**
(56) Related Art Documents: **Not Applicable**
(57) Statement of Newness and Distinctiveness: **Newness and distinctiveness of the design resides in the features of shape and configuration shown in solid lines in the accompanying representations.**



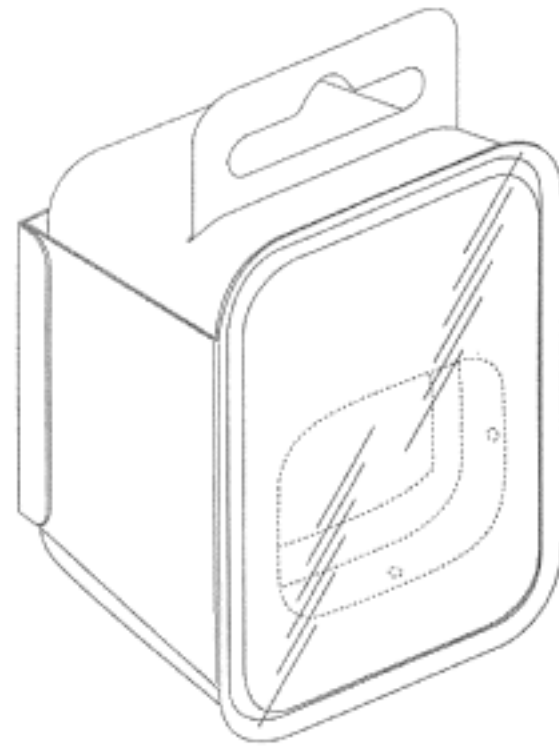
- (21) Design Number: **13861/2011**
- (22) Date of Filing Application: **31 August 2011**
- (24) Date from which industrial property rights may have effect: **31 August 2011**
- (54) Product in respect of which the design is registered: **Packaging for bicycle accessory**
- (51) International Design Classification: **09-03NES**
- (74) Name(s) of Attorney(s): **Freehills Patent & Trade Mark Attorneys**
- (71) Name(s) and Address(s) of Applicant(s):
Knog Pty Ltd
453 Church Street Richmond Victoria 3121 Australia
- (72) Name(s) of Designer(s): **Hugo Davidson and Chris Bilanenko and Lucy Glade Wright and Tim Besley**
- (45) Registration Date: **27 April 2012**
- (56) Related Art Documents: **Not Applicable**
- (57) Statement of Newness and Distinctiveness: **Newness and distinctiveness of the design resides in the features of shape and configuration shown in solid lines in the accompanying representations.**



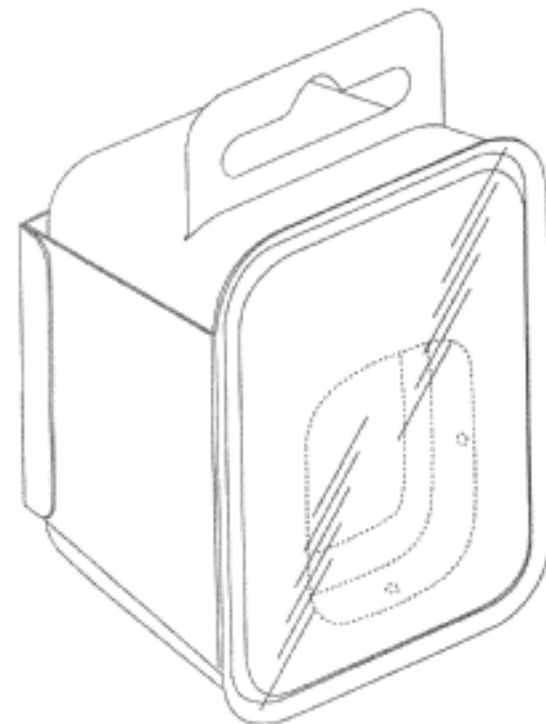
- (21) Design Number: **13862/2011**
- (22) Date of Filing Application: **31 August 2011**
- (24) Date from which industrial property rights may have effect: **31 August 2011**
- (54) Product in respect of which the design is registered: **Packaging for bicycle accessory**
- (51) International Design Classification: **09-03NES**
- (74) Name(s) of Attorney(s): **Freehills Patent & Trade Mark Attorneys**
- (71) Name(s) and Address(s) of Applicant(s):
Knog Pty Ltd
453 Church Street Richmond Victoria 3121 Australia
- (72) Name(s) of Designer(s): **Hugo Davidson and Chris Bilanenko and Lucy Glade Wright and Tim Besley**
- (45) Registration Date: **27 April 2012**
- (56) Related Art Documents: **Not Applicable**
- (57) Statement of Newness and Distinctiveness: **Newness and distinctiveness of the design resides in the features of shape and configuration shown in solid lines in the accompanying representations.**



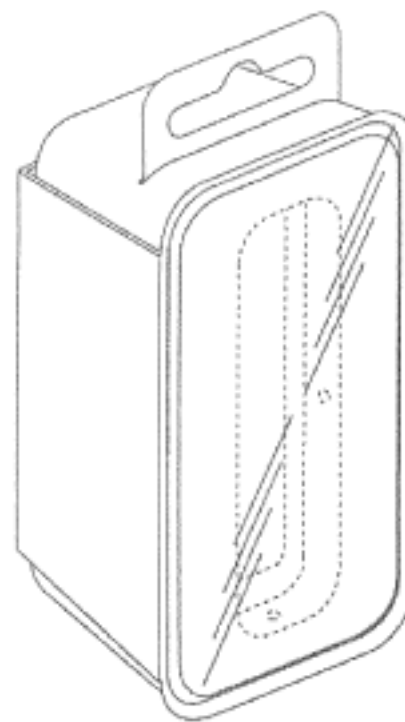
- (21) Design Number: **11973/2012**
(22) Date of Filing Application: **31 August 2011**
(24) Date from which industrial property rights may have effect: **31 August 2011**
(54) Product in respect of which the design is registered: **Packaging for bicycle accessory**
(51) International Design Classification: **09-03NES**
(74) Name(s) of Attorney(s): **Freehills Patent & Trade Mark Attorneys**
(71) Name(s) and Address(s) of Applicant(s):
Knog Pty Ltd
453 Church Street Richmond Victoria 3121 Australia
(72) Name(s) of Designer(s): **Hugo Davidson and Chris Bilanenko and Lucy Glade Wright and Tim Besley**
(45) Registration Date: **27 April 2012**
(56) Related Art Documents: **Not Applicable**
(57) Statement of Newness and Distinctiveness: **Newness and distinctiveness of the design resides in the features of shape and configuration shown in solid lines in the accompanying representations.**



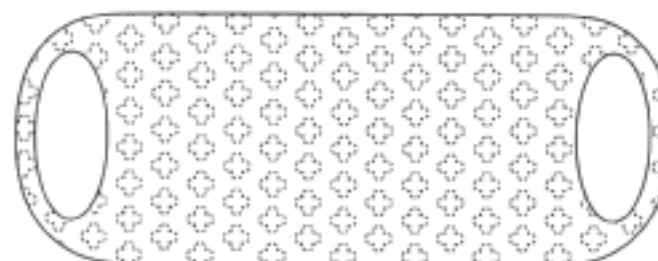
- (21) Design Number: **11974/2012**
(22) Date of Filing Application: **31 August 2011**
(24) Date from which industrial property rights may have effect: **31 August 2011**
(54) Product in respect of which the design is registered: **Packaging for bicycle accessory**
(51) International Design Classification: **09-03NES**
(74) Name(s) of Attorney(s): **Freehills Patent & Trade Mark Attorneys**
(71) Name(s) and Address(s) of Applicant(s):
Knog Pty Ltd
453 Church Street Richmond Victoria 3121 Australia
(72) Name(s) of Designer(s): **Hugo Davidson and Chris Bilanenko and Lucy Glade Wright and Tim Besley**
(45) Registration Date: **27 April 2012**
(56) Related Art Documents: **Not Applicable**
(57) Statement of Newness and Distinctiveness: **Newness and distinctiveness of the design resides in the features of shape and configuration shown in solid lines in the accompanying representations.**



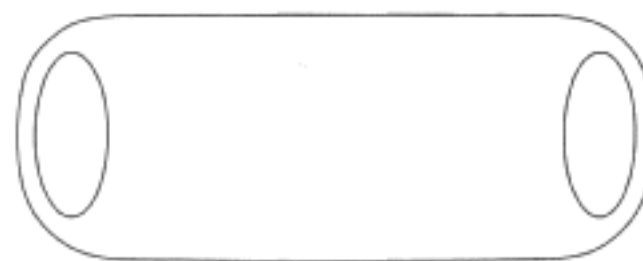
- (21) Design Number: **11975/2012**
(22) Date of Filing Application: **31 August 2011**
(24) Date from which industrial property rights may have effect: **31 August 2011**
(54) Product in respect of which the design is registered: **Packaging for bicycle accessory**
(51) International Design Classification: **09-03NES**
(74) Name(s) of Attorney(s): **Freehills Patent & Trade Mark Attorneys**
(71) Name(s) and Address(s) of Applicant(s):
Knog Pty Ltd
453 Church Street Richmond Victoria 3121 Australia
(72) Name(s) of Designer(s): **Hugo Davidson and Chris Bilanenko and Lucy Glade Wright and Tim Besley**
(45) Registration Date: **27 April 2012**
(56) Related Art Documents: **Not Applicable**
(57) Statement of Newness and Distinctiveness: **Newness and distinctiveness of the design resides in the features of shape and configuration shown in solid lines in the accompanying representations.**



- (21) Design Number: **11418/2012**
(22) Date of Filing Application: **19 March 2012**
(24) Date from which industrial property rights may have effect: **19 March 2012**
(54) Product in respect of which the design is registered: **Sheet for a portable information terminal**
(51) International Design Classification: **14-99**
(74) Name(s) of Attorney(s): **Shelston IP**
(71) Name(s) and Address(s) of Applicant(s):
Sony Computer Entertainment Inc.
1-7-1 Konan Minato-ku Tokyo Japan
(72) Name(s) of Designer(s): **Satoshi Satake and Toshiyuki Kawahara and Daikichi Watanabe and Tetsugoro Ihara**
(45) Registration Date: **27 April 2012**
(30) Convention priority data:
(31) Number (32) Date (33) Country
2011-023874 18 Oct 2011 JAPAN
(56) Related Art Documents: **Not Applicable**
(57) Statement of Newness and Distinctiveness: **Newness and distinctiveness reside in the shape and/or configuration of a sheet for a portable information terminal as illustrated by solid lines in the accompanying representations. The features shown in broken lines are shown for illustrative purposes only and do not form any part of the design.**



(21) Design Number: **11419/2012**
(22) Date of Filing Application: **19 March 2012**
(24) Date from which industrial property rights may have effect: **19 March 2012**
(54) Product in respect of which the design is registered: **Sheet for a portable information terminal**
(51) International Design Classification: **14-99**
(74) Name(s) of Attorney(s): **Shelston IP**
(71) Name(s) and Address(s) of Applicant(s):
Sony Computer Entertainment Inc.
1-7-1 Konan Minato-ku Tokyo Japan
(72) Name(s) of Designer(s): **Satoshi Satake and Toshiyuki Kawahara and Daikichi Watanabe**
(45) Registration Date: **27 April 2012**
(30) Convention priority data:
(31) Number (32) Date (33) Country
2011-023875 18 Oct 2011 JAPAN
(56) Related Art Documents: **Not Applicable**
(57) Statement of Newness and Distinctiveness: **Nil**



(21) Design Number: **11420/2012**
(22) Date of Filing Application: **19 March 2012**
(24) Date from which industrial property rights may have effect: **19 March 2012**
(54) Product in respect of which the design is registered: **Sheet for a portable information terminal**
(51) International Design Classification: **14-99**
(74) Name(s) of Attorney(s): **Shelston IP**
(71) Name(s) and Address(s) of Applicant(s):
Sony Computer Entertainment Inc.
1-7-1 Konan Minato-ku Tokyo Japan
(72) Name(s) of Designer(s): **Satoshi Satake and Toshiyuki Kawahara and Daikichi Watanabe**
(45) Registration Date: **27 April 2012**
(30) Convention priority data:
(31) Number (32) Date (33) Country
2011-023873 18 Oct 2011 JAPAN
(56) Related Art Documents: **Not Applicable**
(57) Statement of Newness and Distinctiveness: **Nil**



(21) Design Number: **11421/2012**
(22) Date of Filing Application: **20 March 2012**
(24) Date from which industrial property rights may have effect: **20 March 2012**
(54) Product in respect of which the design is registered: **A tray**
(51) International Design Classification: **09-03F**
(74) Name(s) of Attorney(s):
(71) Name(s) and Address(s) of Applicant(s):

Flight Plastics Ltd
PO Box 38252 Wellington Mail Centre 5045 New Zealand

Flight Extruded Plastics LP Ltd
PO Box 199 Dry Creek South Australia 5094 Australia

(72) Name(s) of Designer(s): **Keith Smith**

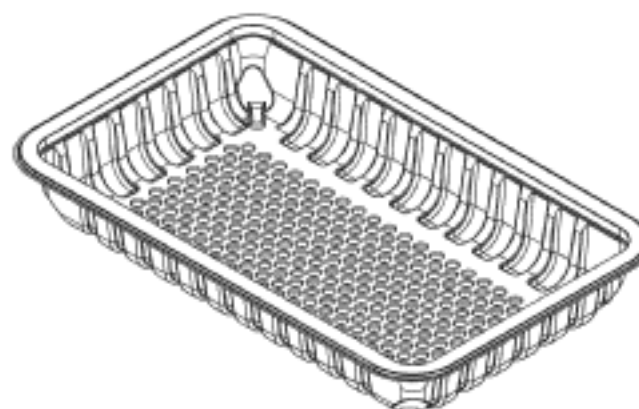
(45) Registration Date: **27 April 2012**

(30) Convention priority data:

(31) Number	(32) Date	(33) Country
415421	21 Dec 2011	NEW ZEALAND

(56) Related Art Documents: **Not Applicable**

(57) Statement of Newness and Distinctiveness: **The features of the tray that are new and distinctive are the round depressions in its base as shown in the representations.**



(21) Design Number: **11422/2012**
(22) Date of Filing Application: **19 March 2012**
(24) Date from which industrial property rights may have effect: **19 March 2012**
(54) Product in respect of which the design is registered: **Toner cartridge**
(51) International Design Classification: **18-02**
(74) Name(s) of Attorney(s): **Collison & Co**
(71) Name(s) and Address(s) of Applicant(s):

Brother Industries, Ltd.
15-1 Naeshiro-cho Mizuho-ku Nagoya-shi Aichi-ken Japan

(72) Name(s) of Designer(s): **Yasuo Fukamachi and Motoaki Mushika and Fumikazu Sato**

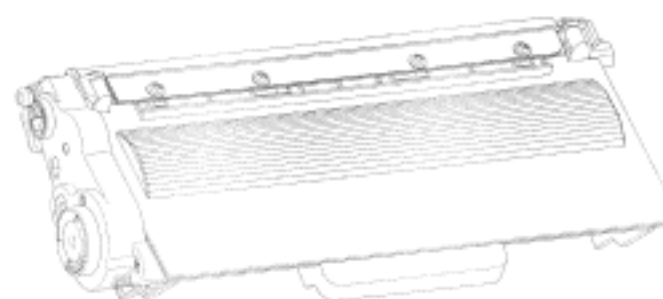
(45) Registration Date: **27 April 2012**

(30) Convention priority data:

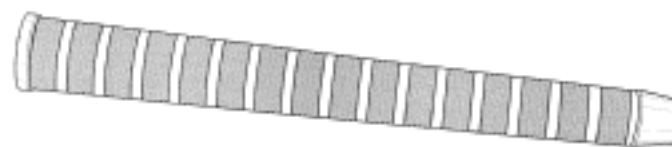
(31) Number	(32) Date	(33) Country
2012-001577	27 Jan 2012	JAPAN

(56) Related Art Documents: **Not Applicable**

(57) Statement of Newness and Distinctiveness: **Nil**



- (21) Design Number: **11423/2012**
(22) Date of Filing Application: **19 March 2012**
(24) Date from which industrial property rights may have effect: **19 March 2012**
(54) Product in respect of which the design is registered: **Golf club grip**
(51) International Design Classification: **21-02C**
(74) Name(s) of Attorney(s): **Collison & Co**
(71) Name(s) and Address(s) of Applicant(s):
Sam Parkinson
115 Rundle Street Kent Town South Australia 5067 Australia
(72) Name(s) of Designer(s): **Sam Parkinson**
(45) Registration Date: **27 April 2012**
(56) Related Art Documents: **Not Applicable**
(57) Statement of Newness and Distinctiveness: **Newness and distinctiveness resides in the pattern and ornamentation of the design as shown in the representations.**



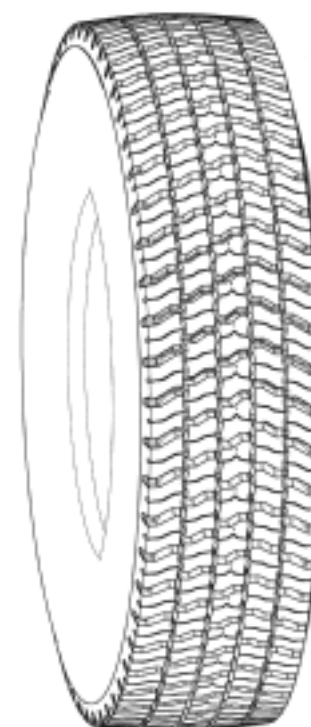
- (21) Design Number: **11424/2012**
(22) Date of Filing Application: **19 March 2012**
(24) Date from which industrial property rights may have effect: **19 March 2012**
(54) Product in respect of which the design is registered: **Golf club grip**
(51) International Design Classification: **21-02C**
(74) Name(s) of Attorney(s): **Collison & Co**
(71) Name(s) and Address(s) of Applicant(s):
Sam Parkinson
115 Rundle Street Kent Town South Australia 5067 Australia
(72) Name(s) of Designer(s): **Sam Parkinson**
(45) Registration Date: **27 April 2012**
(56) Related Art Documents: **Not Applicable**
(57) Statement of Newness and Distinctiveness: **Newness and distinctiveness resides in the pattern and ornamentation of the design as shown in the representations.**



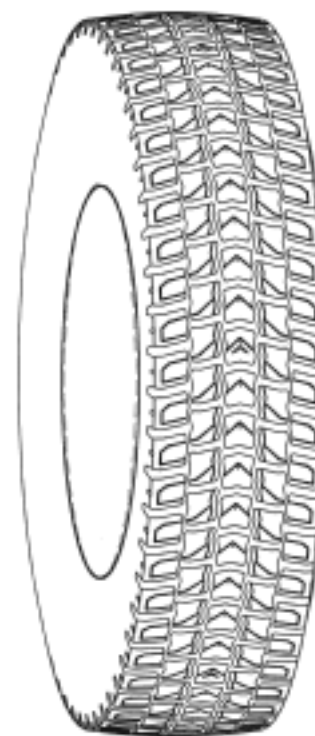
- (21) Design Number: **11425/2012**
(22) Date of Filing Application: **19 March 2012**
(24) Date from which industrial property rights may have effect: **19 March 2012**
(54) Product in respect of which the design is registered: **Golf club grip**
(51) International Design Classification: **21-02C**
(74) Name(s) of Attorney(s): **Collison & Co**
(71) Name(s) and Address(s) of Applicant(s):
Sam Parkinson
115 Rundle Street Kent Town South Australia 5067 Australia
(72) Name(s) of Designer(s): **Sam Parkinson**
(45) Registration Date: **27 April 2012**
(56) Related Art Documents: **Not Applicable**
(57) Statement of Newness and Distinctiveness: **Newness and distinctiveness resides in the pattern and ornamentation of the design as shown in the representations.**



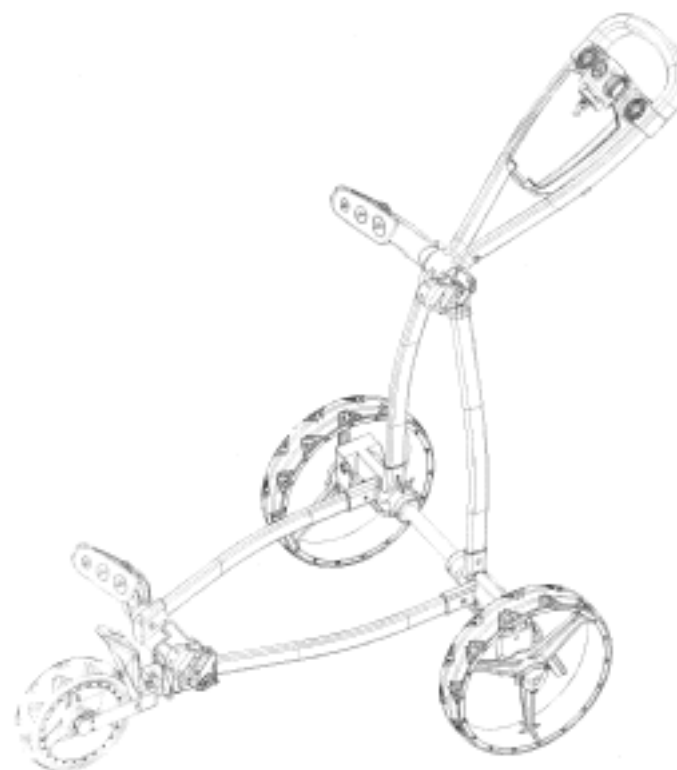
- (21) Design Number: **11441/2012**
(22) Date of Filing Application: **21 March 2012**
(24) Date from which industrial property rights may have effect: **21 March 2012**
(54) Product in respect of which the design is registered: **A tyre**
(51) International Design Classification: **12-15C**
(74) Name(s) of Attorney(s): **WATERMARK PATENT AND TRADE MARKS ATTORNEYS**
(71) Name(s) and Address(s) of Applicant(s):
Societe De Technologie Michelin
23 rue Breschet F-63000 Clermont-Ferrand Cedex France
Michelin Recherche et Technique S.A.
Route Louis Braille 10 et 12 CH-1763 Granges-Paccot Switzerland
(72) Name(s) of Designer(s): **Patrick Corsi and Eve Hagendorf and Jonathan Lejeune**
(45) Registration Date: **27 April 2012**
(30) Convention priority data:
(31) Number (32) Date (33) Country
11/4627 27 Sep 2011 FRANCE
(56) Related Art Documents: **Not Applicable**
(57) Statement of Newness and Distinctiveness: **Newness and distinctiveness resides in the appearance of the tread region of the tyre, the remainder of the tyre not forming part of the design.**



- (21) Design Number: **11442/2012**
(22) Date of Filing Application: **21 March 2012**
(24) Date from which industrial property rights may have effect: **21 March 2012**
(54) Product in respect of which the design is registered: **A tyre**
(51) International Design Classification: **12-15C**
(74) Name(s) of Attorney(s): **WATERMARK PATENT AND TRADE MARKS ATTORNEYS**
(71) Name(s) and Address(s) of Applicant(s):
Societe De Technologie Michelin
23 rue Breschet F-63000 Clermont-Ferrand Cedex France
Michelin Recherche et Technique S.A.
Route Louis Braille 10 et 12 CH-1763 Granges-Paccot Switzerland
(72) Name(s) of Designer(s): **Patrick Corsi and Eve Hagendorf and Jonathan Lejeune**
(45) Registration Date: **27 April 2012**
(30) Convention priority data:
(31) Number (32) Date (33) Country
11/4628 27 Sep 2011 FRANCE
(56) Related Art Documents: **Not Applicable**
(57) Statement of Newness and Distinctiveness: **Newness and distinctiveness resides in the appearance of the tread region of the tyre, the remainder of the tyre not forming part of the design.**



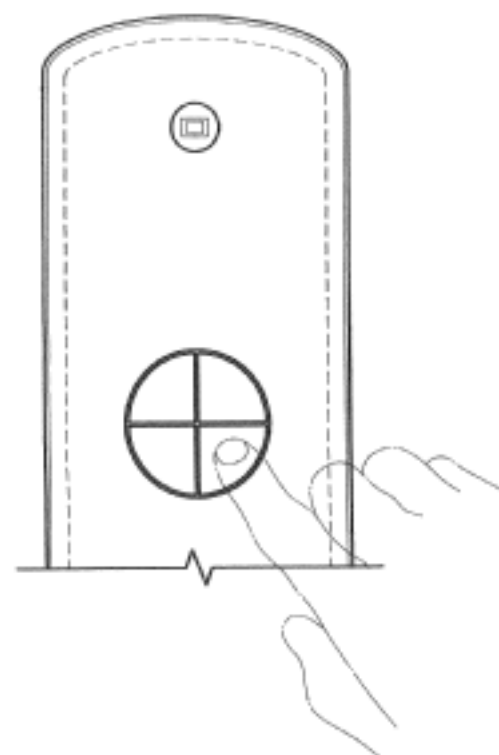
- (21) Design Number: **10234/2012**
(22) Date of Filing Application: **19 January 2012**
(24) Date from which industrial property rights may have effect: **19 January 2012**
(54) Product in respect of which the design is registered: **Golf cart**
(51) International Design Classification: **12-02**
(74) Name(s) of Attorney(s):
(71) Name(s) and Address(s) of Applicant(s):
Unique Product & Design Co., Ltd.
No. 5 Ming Dong Road Yongkang District Tainan City Taiwan
(72) Name(s) of Designer(s): **Gordon Liao**
(45) Registration Date: **27 April 2012**
(56) Related Art Documents: **Not Applicable**
(57) Statement of Newness and Distinctiveness: **Novelty resides in the ornamental design for a golf cart as shown in the drawings.**



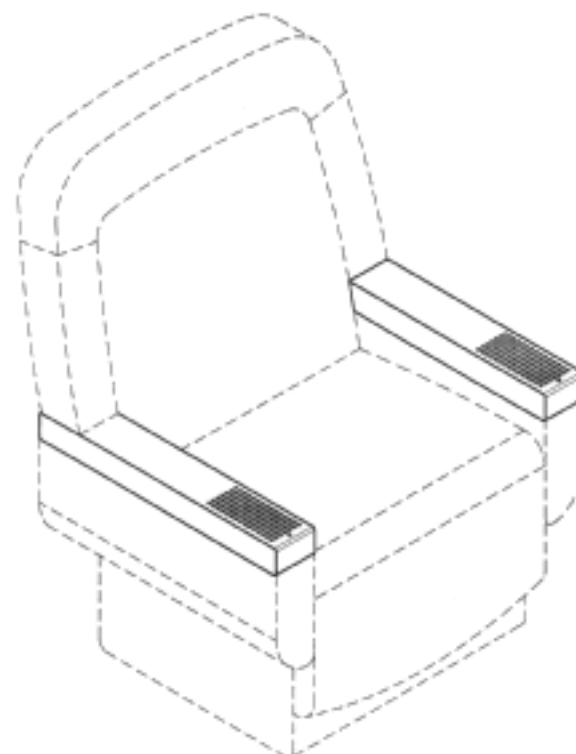
- (21) Design Number: **10722/2012**
(22) Date of Filing Application: **14 February 2012**
(24) Date from which industrial property rights may have effect: **14 February 2012**
(54) Product in respect of which the design is registered: **Polymeric closures for containers**
(51) International Design Classification: **09-07C**
(74) Name(s) of Attorney(s):
(71) Name(s) and Address(s) of Applicant(s):
Closure Developments Pty. Ltd
5 Currunghi Court St Albans Victoria 3021 Australia
(72) Name(s) of Designer(s): **Phillip Higgins**
(45) Registration Date: **27 April 2012**
(56) Related Art Documents: **Not Applicable**
(57) Statement of Newness and Distinctiveness: **A closure displays a disc of contrasting colour on the external surface of the closure that is visually distinctive and displays a band of the contrasting colour on the internal surface. Any 2 colours may be selected.**



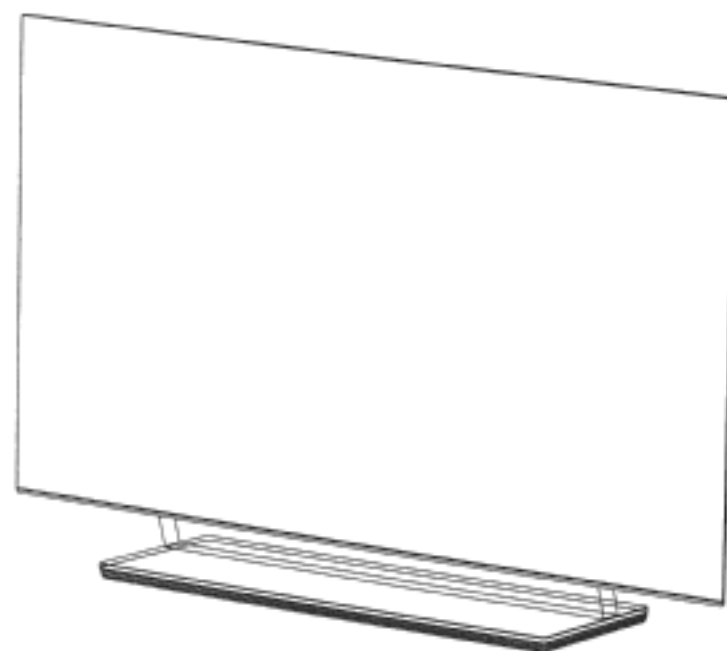
- (21) Design Number: **10724/2012**
(22) Date of Filing Application: **15 February 2012**
(24) Date from which industrial property rights may have effect: **15 February 2012**
(54) Product in respect of which the design is registered: **Integrated user interface system for user seat**
(51) International Design Classification: **14-04**
(74) Name(s) of Attorney(s): **FB Rice**
(71) Name(s) and Address(s) of Applicant(s):
Panasonic Avionics Corporation
26200 Enterprise Way Lake Forest California 92630-8400 United States of America
(72) Name(s) of Designer(s): **Steven Lee Sizelove**
(45) Registration Date: **27 April 2012**
(30) Convention priority data:
(31) Number (32) Date (33) Country
29/401253 09 Sep 2011 UNITED STATES OF AMERICA
(56) Related Art Documents: **Not Applicable**
(57) Statement of Newness and Distinctiveness: **Newness and distinctiveness reside in the features of the design shown in solid lines in the representations excluding those features shown in broken lines and the representation of the person's hand shown in Figs. 1 and 2 of the drawings, the representation of the buttons and the track ball being invisible prior to the person's hand approaching them and, upon being approached by the person's hand, the buttons and the track ball become visible as illustrated.**



- (21) Design Number: **10725/2012**
(22) Date of Filing Application: **15 February 2012**
(24) Date from which industrial property rights may have effect: **15 February 2012**
(54) Product in respect of which the design is registered: **Integrated user interface system for user seat**
(51) International Design Classification: **14-04, 06-01D**
(74) Name(s) of Attorney(s): **FB Rice**
(71) Name(s) and Address(s) of Applicant(s):
Panasonic Avionics Corporation
26200 Enterprise Way Lake Forest California 92630-8400 United States of America
(72) Name(s) of Designer(s): **Steven Lee Sizelove**
(45) Registration Date: **27 April 2012**
(30) Convention priority data:
(31) Number (32) Date (33) Country
29/401253 09 Sep 2011 UNITED STATES OF AMERICA
(56) Related Art Documents: **Not Applicable**
(57) Statement of Newness and Distinctiveness: **Newness and distinctiveness reside in the features of the design shown in solid lines in the representations excluding those features shown in broken lines and the representation of the person's hand shown in Figs. 1 of the drawings, the buttons being invisible prior to the person's hand approaching them and, upon being approached by the person's hand, the buttons become visible as illustrated.**



- (21) Design Number: **11364/2012**
(22) Date of Filing Application: **15 March 2012**
(24) Date from which industrial property rights may have effect: **15 March 2012**
(54) Product in respect of which the design is registered: **OLED television receiver**
(51) International Design Classification: **14-03B**
(74) Name(s) of Attorney(s): **FB Rice**
(71) Name(s) and Address(s) of Applicant(s):
LG Electronics Inc.
20 Yeouido-dong Yeongdeungpo-gu Seoul 150-721 Republic of Korea
(72) Name(s) of Designer(s): **Yoo Seok Kim and Woo Suk Park and Hye Young Hong and Ji Yeon Lee**
(45) Registration Date: **27 April 2012**
(30) Convention priority data:
(31) Number (32) Date (33) Country
30-2011-0042581 13 Oct 2011 REPUBLIC OF KOREA
(56) Related Art Documents: **Not Applicable**
(57) Statement of Newness and Distinctiveness: **Newness and distinctiveness reside in the visual features of the design as shown in the representations.**



(21) Design Number: **11397/2012**
(22) Date of Filing Application: **16 March 2012**
(24) Date from which industrial property rights may have effect: **16 March 2012**
(54) Product in respect of which the design is registered: **Tile**
(51) International Design Classification: **25-01F**
(74) Name(s) of Attorney(s): **Griffith Hack**
(71) Name(s) and Address(s) of Applicant(s):
Ceramiche Atlas Concorde SPA
Via Canaletto 141 Spezzano di Fiorano 41042 Italy
(72) Name(s) of Designer(s): **Luca Mussini**
(45) Registration Date: **27 April 2012**
(30) Convention priority data:
(31) Number (32) Date (33) Country
001923608-0006 28 Sep 2011 EUROPEAN COMMUNITY
(56) Related Art Documents: **Not Applicable**
(57) Statement of Newness and Distinctiveness: **The design of the front of the product, which product is of indefinite thickness and width, is new and distinctive.**



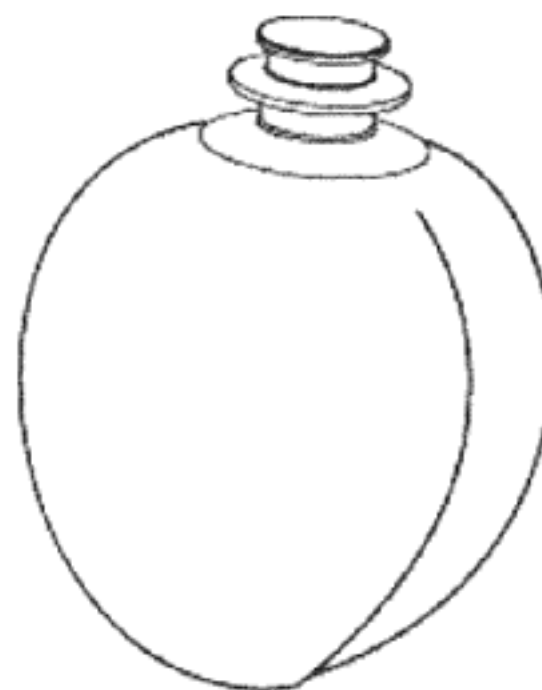
(21) Design Number: **11398/2012**
(22) Date of Filing Application: **16 March 2012**
(24) Date from which industrial property rights may have effect: **16 March 2012**
(54) Product in respect of which the design is registered: **Tile**
(51) International Design Classification: **25-01F**
(74) Name(s) of Attorney(s): **Griffith Hack**
(71) Name(s) and Address(s) of Applicant(s):
Ceramiche Atlas Concorde SPA
Via Canaletto 141 Spezzano di Fiorano 41042 Italy
(72) Name(s) of Designer(s): **Luca Mussini**
(45) Registration Date: **27 April 2012**
(30) Convention priority data:
(31) Number (32) Date (33) Country
001923608-0005 28 Sep 2011 EUROPEAN COMMUNITY
(56) Related Art Documents: **Not Applicable**
(57) Statement of Newness and Distinctiveness: **The design of the front of the product, which product is of indefinite thickness and width, is new and distinctive.**



- (21) Design Number: **11399/2012**
(22) Date of Filing Application: **16 March 2012**
(24) Date from which industrial property rights may have effect: **16 March 2012**
(54) Product in respect of which the design is registered: **A container**
(51) International Design Classification: **09-03NES**
(74) Name(s) of Attorney(s): **Griffith Hack**
(71) Name(s) and Address(s) of Applicant(s):
Flashlube Pty Ltd
172 Roden Street West Melbourne Victoria 3003 Australia
(72) Name(s) of Designer(s): **Frank Hutchinson**
(45) Registration Date: **27 April 2012**
(56) Related Art Documents: **Not Applicable**
(57) Statement of Newness and Distinctiveness: **Newness and distinctiveness resides in the shape and configuration of the product as represented by the solid lines in the drawings.**



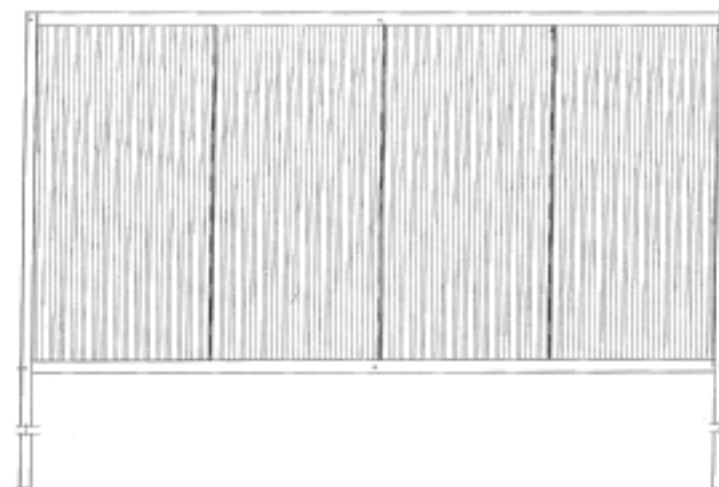
- (21) Design Number: **11401/2012**
(22) Date of Filing Application: **19 March 2012**
(24) Date from which industrial property rights may have effect: **19 March 2012**
(54) Product in respect of which the design is registered: **A container**
(51) International Design Classification: **09-01NES**
(74) Name(s) of Attorney(s): **Banki Haddock Fiora**
(71) Name(s) and Address(s) of Applicant(s):
Societe des Produits Nestle S.A.
1800 Vevey Switzerland
(72) Name(s) of Designer(s): **Michel Bourguignon**
(45) Registration Date: **27 April 2012**
(30) Convention priority data:
(31) Number (32) Date (33) Country
138267 26 Sep 2011 SWITZERLAND
(56) Related Art Documents: **Not Applicable**
(57) Statement of Newness and Distinctiveness: **Nil**



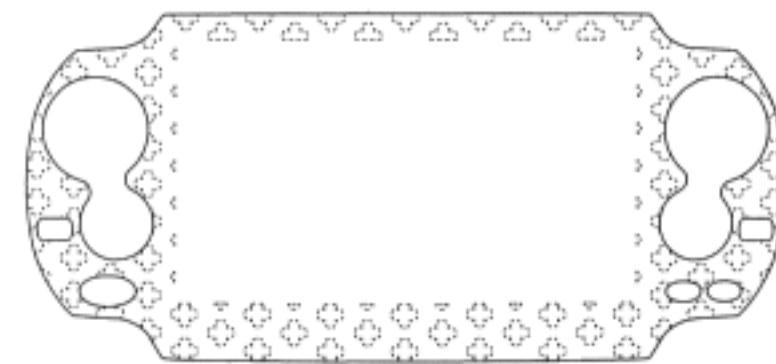
(21) Design Number: **11403/2012**
(22) Date of Filing Application: **20 March 2012**
(24) Date from which industrial property rights may have effect: **20 March 2012**
(54) Product in respect of which the design is registered: **Portable toilet**
(51) International Design Classification: **23-02C**
(74) Name(s) of Attorney(s): **Cullens Patent and Trade Mark Attorneys**
(71) Name(s) and Address(s) of Applicant(s):
Thetford Corporation
7101 Jackson Road Ann Arbor MI 48106 United States of America
(72) Name(s) of Designer(s): **Thomas Cornille**
(45) Registration Date: **27 April 2012**
(30) Convention priority data:
(31) Number (32) Date (33) Country
001315808 28 Feb 2012 EUROPEAN COMMUNITY
(56) Related Art Documents: **Not Applicable**
(57) Statement of Newness and Distinctiveness: **Nil**



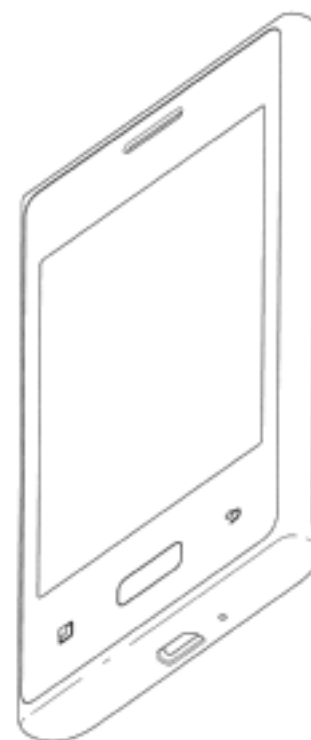
(21) Design Number: **11406/2012**
(22) Date of Filing Application: **19 March 2012**
(24) Date from which industrial property rights may have effect: **19 March 2012**
(54) Product in respect of which the design is registered: **A fence**
(51) International Design Classification: **25-02C**
(74) Name(s) of Attorney(s): **Griffith Hack**
(71) Name(s) and Address(s) of Applicant(s):
Bluescope Steel Limited
Level 11 120 Collins Street Melbourne Victoria 3000 Australia
(72) Name(s) of Designer(s): **Graeme Stephen O'Malley**
(45) Registration Date: **27 April 2012**
(56) Related Art Documents: **Not Applicable**
(57) Statement of Newness and Distinctiveness: **The shape and configuration of a fence comprising two posts that may be any length, a top rail, a bottom rail and four adjacent infill panels arranged between the posts, as shown by means of solid lines in the accompanying drawings, is new and distinctive. The infill panels include vertical ribs which are shown by solid lines in the side views. The ribs do not form part of the design and have been included for illustrative purposes only.**



- (21) Design Number: **11417/2012**
(22) Date of Filing Application: **19 March 2012**
(24) Date from which industrial property rights may have effect: **19 March 2012**
(54) Product in respect of which the design is registered: **Sheet for a portable information terminal**
(51) International Design Classification: **14-99**
(74) Name(s) of Attorney(s): **Shelston IP**
(71) Name(s) and Address(s) of Applicant(s):
Sony Computer Entertainment Inc.
1-7-1 Konan Minato-ku Tokyo Japan
(72) Name(s) of Designer(s): **Satoshi Satake and Toshiyuki Kawahara and Daikichi Watanabe and Tetsugoro Ihara**
(45) Registration Date: **27 April 2012**
(30) Convention priority data:
(31) Number (32) Date (33) Country
2011-023872 18 Oct 2011 JAPAN
(56) Related Art Documents: **Not Applicable**
(57) Statement of Newness and Distinctiveness: **Newness and distinctiveness reside in the shape and/or configuration of a sheet for a portable information terminal as illustrated by solid lines in the accompanying representations. The features shown in broken lines are shown for illustrative purposes only and do not form any part of the design.**



- (21) Design Number: **11444/2012**
(22) Date of Filing Application: **20 March 2012**
(24) Date from which industrial property rights may have effect: **20 March 2012**
(54) Product in respect of which the design is registered: **Cellular phone**
(51) International Design Classification: **14-03A**
(74) Name(s) of Attorney(s): **Freehills Patent & Trade Mark Attorneys**
(71) Name(s) and Address(s) of Applicant(s):
LG Electronics Inc.
20 Yeouido-dong Youngdeungpo-gu Seoul 150-721 Republic of Korea
(72) Name(s) of Designer(s): **Seihyun Cho**
(45) Registration Date: **27 April 2012**
(30) Convention priority data:
(31) Number (32) Date (33) Country
30-2011-0041462 06 Oct 2011 REPUBLIC OF KOREA
(56) Related Art Documents: **Not Applicable**
(57) Statement of Newness and Distinctiveness: **Newness and distinctiveness of the design resides in the shape and configuration of the cellular phone as shown in the accompanying representations.**



(21) Design Number: **11446/2012**

(22) Date of Filing Application: **20 March 2012**

(24) Date from which industrial property rights may have effect: **20 March 2012**

(54) Product in respect of which the design is registered: **Telephone main body**

(51) International Design Classification: **14-03A**

(74) Name(s) of Attorney(s): **Griffith Hack**

(71) Name(s) and Address(s) of Applicant(s):

NEC Infrontia Corporation

6-1 Kitamikata 2-chome Takatsu-ku Kawasaki-shi Kanagawa Japan

(72) Name(s) of Designer(s): **Masafuku Akatsu and Eiichi Taniguchi and Tadamine Toh and Jun Tamatsu and Naoki Ozawa**

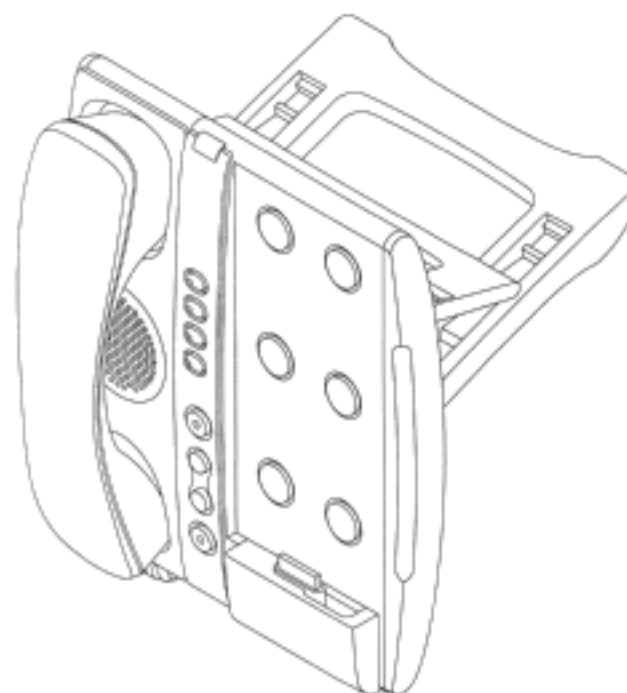
(45) Registration Date: **27 April 2012**

(30) Convention priority data:

(31) Number	(32) Date	(33) Country
201130361591.2	13 Oct 2011	CHINA

(56) Related Art Documents: **Not Applicable**

(57) Statement of Newness and Distinctiveness: **Newness and distinctiveness resides in the visual features, including shape, configuration and ornamentation, of the product as shown in the accompanying Figures. Figure 9 includes a handheld information terminal device shown in dashed lines which does not form part of the design and has been included for illustrative purposes only.**



(21) Design Number: **11447/2012**

(22) Date of Filing Application: **21 March 2012**

(24) Date from which industrial property rights may have effect: **21 March 2012**

(54) Product in respect of which the design is registered: **Conveyor belt cover**

(51) International Design Classification: **12-05**

(74) Name(s) of Attorney(s):

(71) Name(s) and Address(s) of Applicant(s):

Gough Plastics Pty Ltd

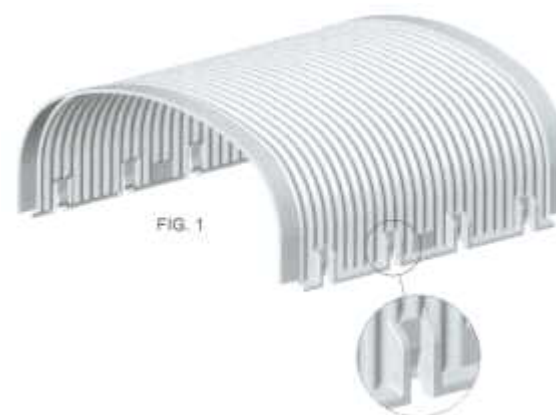
833 Ingham Road Townsville Queensland 4818 Australia

(72) Name(s) of Designer(s): **Simon John Gough**

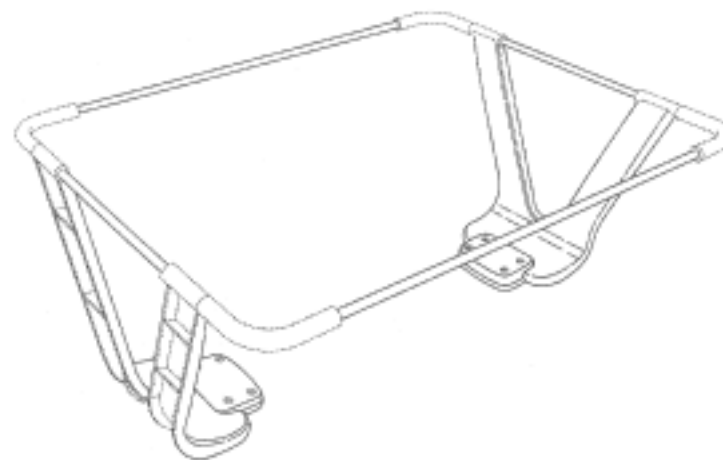
(45) Registration Date: **27 April 2012**

(56) Related Art Documents: **Not Applicable**

(57) Statement of Newness and Distinctiveness: **Newness and distinctiveness resides in the features of shape and configuration as shown in the accompanying representations.**



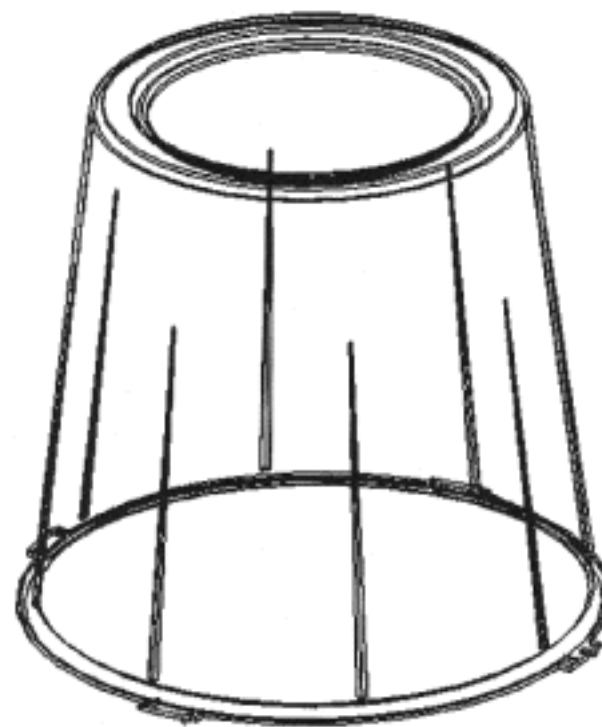
(21) Design Number: **11449/2012**
(22) Date of Filing Application: **20 March 2012**
(24) Date from which industrial property rights may have effect: **20 March 2012**
(54) Product in respect of which the design is registered: **Expansion mechanism for expandable luggage in open configuration**
(51) International Design Classification: **03-01A**
(74) Name(s) of Attorney(s):
(71) Name(s) and Address(s) of Applicant(s):
DG International Holdings Limited
Unit 1 Mill Hill Industrial Estate Flower Lane, London NW7 2HU United Kingdom
(72) Name(s) of Designer(s): **Barnaby Bevan Edwards and Jean-Phillipe Henri Denat**
(45) Registration Date: **27 April 2012**
(30) Convention priority data:
(31) Number (32) Date (33) Country
001959974-0002 08 Dec 2011 EUROPEAN COMMUNITY
(56) Related Art Documents: **Not Applicable**
(57) Statement of Newness and Distinctiveness: **Nil**



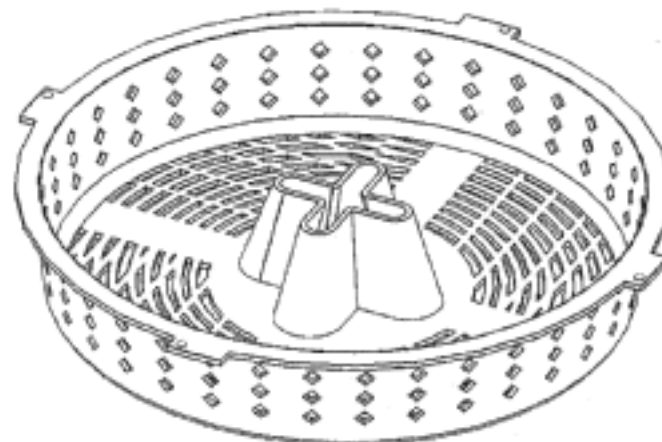
(21) Design Number: **11450/2012**
(22) Date of Filing Application: **20 March 2012**
(24) Date from which industrial property rights may have effect: **20 March 2012**
(54) Product in respect of which the design is registered: **Expansion mechanism for expandable luggage in closed configuration**
(51) International Design Classification: **03-01A**
(74) Name(s) of Attorney(s):
(71) Name(s) and Address(s) of Applicant(s):
DG International Holdings Limited
Unit 1 Mill Hill Industrial Estate Flower Lane, London NW7 2HU United Kingdom
(72) Name(s) of Designer(s): **Barnaby Bevan Edwards and Jean-Philippe Henri Denat**
(45) Registration Date: **27 April 2012**
(30) Convention priority data:
(31) Number (32) Date (33) Country
001959974-0003 08 Dec 2011 EUROPEAN COMMUNITY
(56) Related Art Documents: **Not Applicable**
(57) Statement of Newness and Distinctiveness: **Nil**



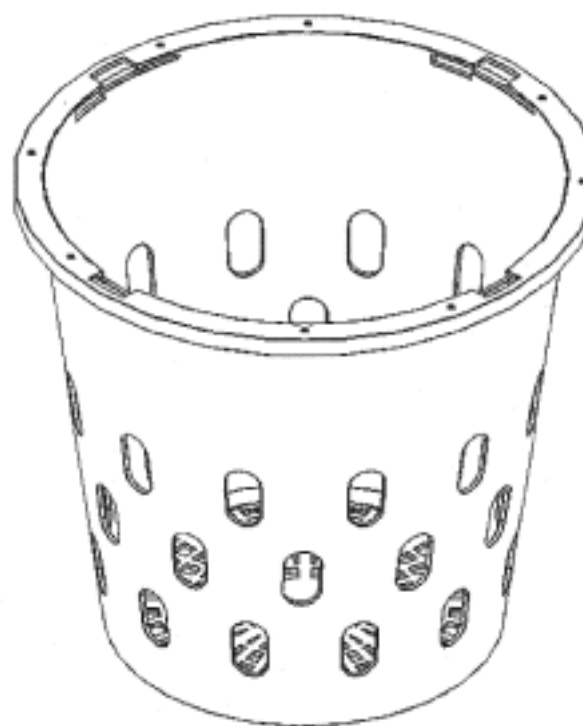
- (21) Design Number: **11451/2012**
(22) Date of Filing Application: **20 March 2012**
(24) Date from which industrial property rights may have effect: **20 March 2012**
(54) Product in respect of which the design is registered: **Cover for composting pot**
(51) International Design Classification: **09-03G**
(74) Name(s) of Attorney(s): **LESICAR MURRAY TRENTO**
(71) Name(s) and Address(s) of Applicant(s):
Direct Compost Solutions Pty Ltd
59 Browne Street New Farm Queensland 4005 Australia
(72) Name(s) of Designer(s): **Victoria Brun and Mahesh Pujari**
(45) Registration Date: **27 April 2012**
(56) Related Art Documents: **Not Applicable**
(57) Statement of Newness and Distinctiveness: **Newness and distinctiveness resides in the shape and/or configuration of the Cover for Composting Pot as shown in the accompanying representations.**



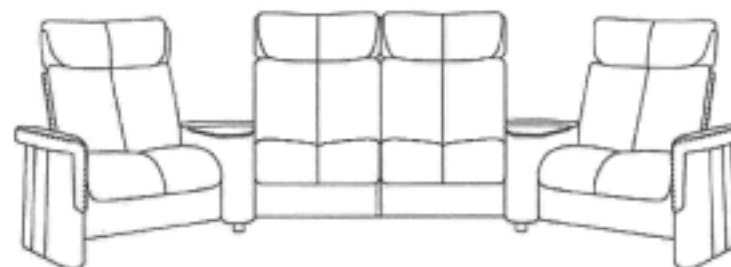
- (21) Design Number: **11452/2012**
(22) Date of Filing Application: **20 March 2012**
(24) Date from which industrial property rights may have effect: **20 March 2012**
(54) Product in respect of which the design is registered: **Lid for composting pot**
(51) International Design Classification: **09-03G**
(74) Name(s) of Attorney(s): **LESICAR MURRAY TRENTO**
(71) Name(s) and Address(s) of Applicant(s):
Direct Compost Solutions Pty Ltd
59 Browne Street New Farm Queensland 4005 Australia
(72) Name(s) of Designer(s): **Victoria Brun and Mahesh Pujari**
(45) Registration Date: **27 April 2012**
(56) Related Art Documents: **Not Applicable**
(57) Statement of Newness and Distinctiveness: **Newness and distinctiveness resides in the shape and/or configuration of the Lid for Composting Pot as shown in the accompanying representations.**



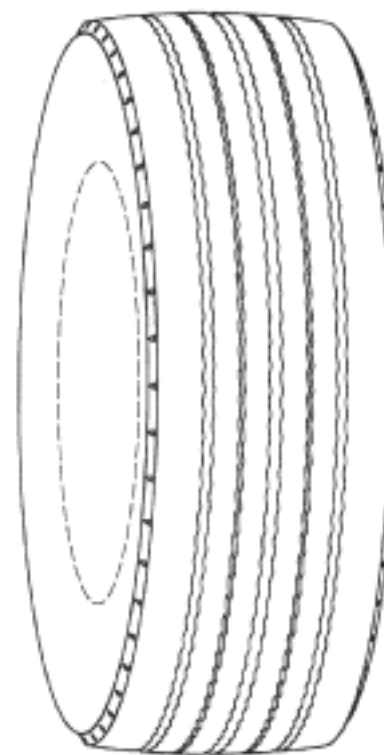
(21) Design Number: **11453/2012**
(22) Date of Filing Application: **20 March 2012**
(24) Date from which industrial property rights may have effect: **20 March 2012**
(54) Product in respect of which the design is registered: **Composting pot**
(51) International Design Classification: **09-03G**
(74) Name(s) of Attorney(s): **LESICAR MURRAY TRENTO**
(71) Name(s) and Address(s) of Applicant(s):
Direct Compost Solutions Pty Ltd
59 Browne Street New Farm Queensland 4005 Australia
(72) Name(s) of Designer(s): **Victoria Brun and Mahesh Pujari**
(45) Registration Date: **27 April 2012**
(56) Related Art Documents: **Not Applicable**
(57) Statement of Newness and Distinctiveness: **Newness and distinctiveness resides in the shape and/or configuration of the Composting Pot as shown in the accompanying representations.**



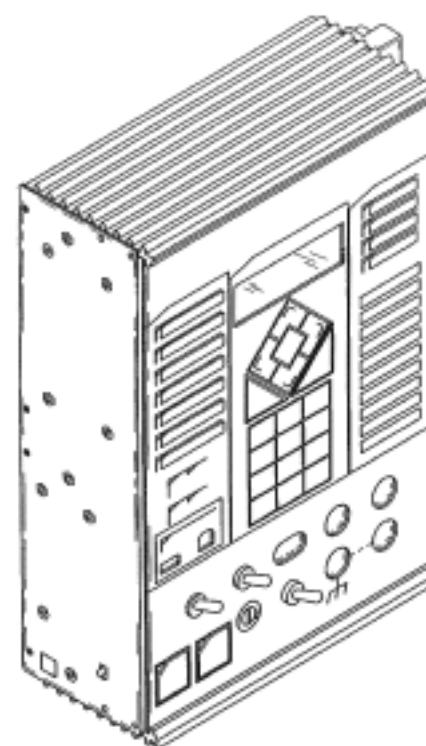
(21) Design Number: **11454/2012**
(22) Date of Filing Application: **20 March 2012**
(24) Date from which industrial property rights may have effect: **20 March 2012**
(54) Product in respect of which the design is registered: **Sofa ensemble**
(51) International Design Classification: **06-01G**
(74) Name(s) of Attorney(s): **Shelston IP**
(71) Name(s) and Address(s) of Applicant(s):
Ekornes ASA
Industrivegen 1 6222 Ikornnes Norway
(72) Name(s) of Designer(s): **Jan Lade**
(45) Registration Date: **27 April 2012**
(30) Convention priority data:
(31) Number (32) Date (33) Country
20110823 24 Oct 2011 NORWAY
(56) Related Art Documents: **Not Applicable**
(57) Statement of Newness and Distinctiveness: **Novelty and distinctiveness reside in the features of shape and/or configuration of a sofa ensemble as illustrated in the representations.**



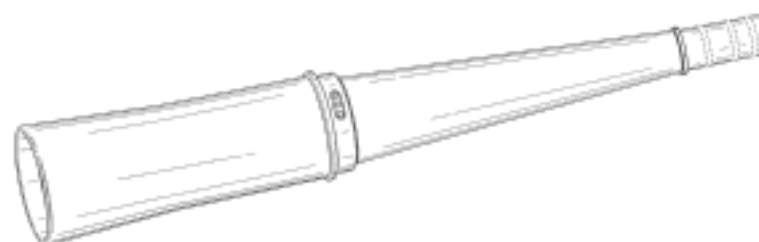
(21) Design Number: **11455/2012**
(22) Date of Filing Application: **21 March 2012**
(24) Date from which industrial property rights may have effect: **21 March 2012**
(54) Product in respect of which the design is registered: **A tyre**
(51) International Design Classification: **12-15A**
(74) Name(s) of Attorney(s): **WATERMARK PATENT AND TRADE MARKS ATTORNEYS**
(71) Name(s) and Address(s) of Applicant(s):
Societe De Technologie Michelin
23 rue Breschet F-63000 Clermont-Ferrand Cedex France
Michelin Recherche et Technique S.A.
Route Louis-Braille 10 et 12 CH-1763 Granges-Paccot Switzerland
(72) Name(s) of Designer(s): **Stephane Oraison and Eric Slachmuylders**
(45) Registration Date: **27 April 2012**
(30) Convention priority data:
(31) Number (32) Date (33) Country
001922659-0001 26 Sep 2011 EUROPEAN COMMUNITY
(56) Related Art Documents: **Not Applicable**
(57) Statement of Newness and Distinctiveness: **Newness and distinctiveness resides in the appearance of the tread region of the tyre, the remainder of the tyre not forming part of the design.**



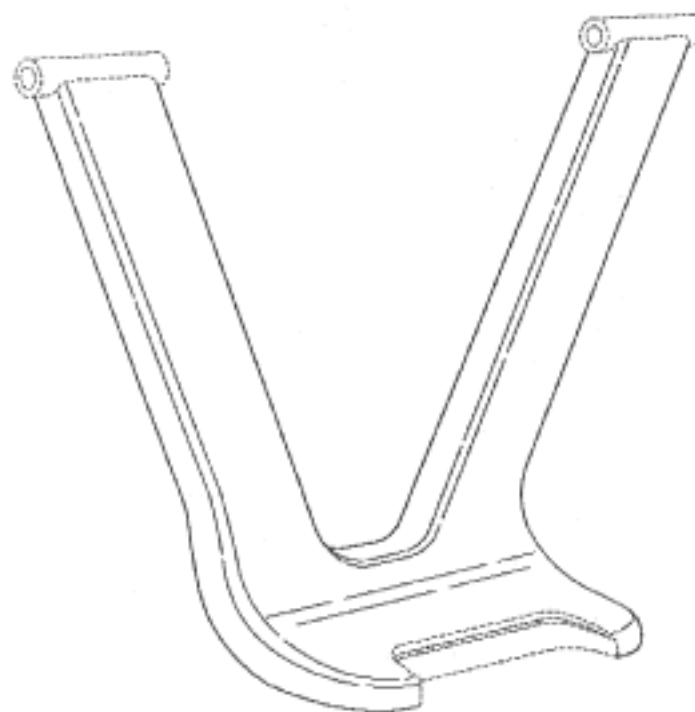
(21) Design Number: **11456/2012**
(22) Date of Filing Application: **21 March 2012**
(24) Date from which industrial property rights may have effect: **21 March 2012**
(54) Product in respect of which the design is registered: **Voltage regulator control with user shortcuts**
(51) International Design Classification: **13-02**
(74) Name(s) of Attorney(s): **SPRUSON & FERGUSON**
(71) Name(s) and Address(s) of Applicant(s):
Cooper Technologies Company
600 Travis Street Suite 5600 Houston Texas 77002 United States of America
(72) Name(s) of Designer(s): **Richard L. Hein and Thomas G. Dolnik and Douglas J. Carpiaux and Matthew T. Zabel**
(45) Registration Date: **27 April 2012**
(30) Convention priority data:
(31) Number (32) Date (33) Country
29/415880 15 Mar 2012 UNITED STATES OF AMERICA
(56) Related Art Documents: **Not Applicable**
(57) Statement of Newness and Distinctiveness: **Newness and distinctiveness is claimed in the features of shape and/or configuration of the components along the bottom and on the side of a voltage regulator control with user shortcuts as illustrated in the accompanying representations.**



(21) Design Number: **11457/2012**
(22) Date of Filing Application: **21 March 2012**
(24) Date from which industrial property rights may have effect: **21 March 2012**
(54) Product in respect of which the design is registered: **Vacuum adapter for lint removal**
(51) International Design Classification: **15-05**
(74) Name(s) of Attorney(s): **Griffith Hack**
(71) Name(s) and Address(s) of Applicant(s):
Telebrands Corp.
77 Two Bridges Road Fairfield New Jersey 07004 United States of America
(72) Name(s) of Designer(s): **Chan Yin WU and Jun Yang**
(45) Registration Date: **27 April 2012**
(30) Convention priority data:
(31) Number (32) Date (33) Country
29/410872 12 Jan 2012 UNITED STATES OF AMERICA
(56) Related Art Documents: **Not Applicable**
(57) Statement of Newness and Distinctiveness: **Newness and distinctiveness resides in the visual features, including shape and configuration of a VACUUM ADAPTER FOR LINT REMOVAL as shown in solid outline in the accompanying drawings. When determining whether the design is substantially similar in overall impression to another design, no regard is to be had to those features shown in dotted outline in the accompanying drawings, which features are provided for illustrative purposes only.**



(21) Design Number: **11462/2012**
(22) Date of Filing Application: **21 March 2012**
(24) Date from which industrial property rights may have effect: **21 March 2012**
(54) Product in respect of which the design is registered: **Expansion arm for expandable luggage**
(51) International Design Classification: **03-01A, 08-06**
(74) Name(s) of Attorney(s): **Marks & Clerk Australia**
(71) Name(s) and Address(s) of Applicant(s):
DG International Holdings Limited
Unit 1 Mill Hill Industrial Estate Flower Lane London NW7 2HU United Kingdom
(72) Name(s) of Designer(s): **Barnaby Bevan Edwards and Jean-Philippe Henri Denat**
(45) Registration Date: **27 April 2012**
(30) Convention priority data:
(31) Number (32) Date (33) Country
001959974-0001 08 Dec 2011 EUROPEAN COMMUNITY
(56) Related Art Documents: **Not Applicable**
(57) Statement of Newness and Distinctiveness: **Nil**



(21) Design Number: **11463/2012**
(22) Date of Filing Application: **22 March 2012**
(24) Date from which industrial property rights may have effect: **22 March 2012**
(54) Product in respect of which the design is registered: **Alloy mag wheels/rims**
(51) International Design Classification: **12-16A**
(74) Name(s) of Attorney(s):
(71) Name(s) and Address(s) of Applicant(s):
Ossama Naim
1 Alexander Circuit Patterson Lakes Victoria 3197 Australia
(72) Name(s) of Designer(s): **Ossama Naim**
(45) Registration Date: **27 April 2012**
(56) Related Art Documents: **Not Applicable**
(57) Statement of Newness and Distinctiveness: **Three semetrical blade like edges.**



(21) Design Number: **11464/2012**
(22) Date of Filing Application: **22 March 2012**
(24) Date from which industrial property rights may have effect: **22 March 2012**
(54) Product in respect of which the design is registered: **Alloy mag wheels/rims**
(51) International Design Classification: **12-16A**
(74) Name(s) of Attorney(s):
(71) Name(s) and Address(s) of Applicant(s):
Ossama Naim
1 Alexander Circuit Patterson Lakes Victoria 3197 Australia
(72) Name(s) of Designer(s): **Ossama Naim**
(45) Registration Date: **27 April 2012**
(56) Related Art Documents: **Not Applicable**
(57) Statement of Newness and Distinctiveness: **Three thin semetrical blade with three thinner two stroke black spokes that divide between each blade.**



(21) Design Number: **11465/2012**

(22) Date of Filing Application: **22 March 2012**

(24) Date from which industrial property rights may have effect: **22 March 2012**

(54) Product in respect of which the design is registered: **Alloy mag wheels/rims**

(51) International Design Classification: **12-16A**

(74) Name(s) of Attorney(s):

(71) Name(s) and Address(s) of Applicant(s):

Ossama Naim

1 Alexander Circuit Patterson Lakes Victoria 3197 Australia

(72) Name(s) of Designer(s): **Ossama Naim**

(45) Registration Date: **27 April 2012**

(56) Related Art Documents: **Not Applicable**

(57) Statement of Newness and Distinctiveness: **Three identical and semetrical V shape structures that are silver. Each V shape is seperated by a single black spoke.**



(21) Design Number: **11466/2012**

(22) Date of Filing Application: **22 March 2012**

(24) Date from which industrial property rights may have effect: **22 March 2012**

(54) Product in respect of which the design is registered: **Alloy mag wheels/rims**

(51) International Design Classification: **12-16A**

(74) Name(s) of Attorney(s):

(71) Name(s) and Address(s) of Applicant(s):

Ossama Naim

1 Alexander Circuit Patterson Lakes Victoria 3197 Australia

(72) Name(s) of Designer(s): **Ossama Naim**

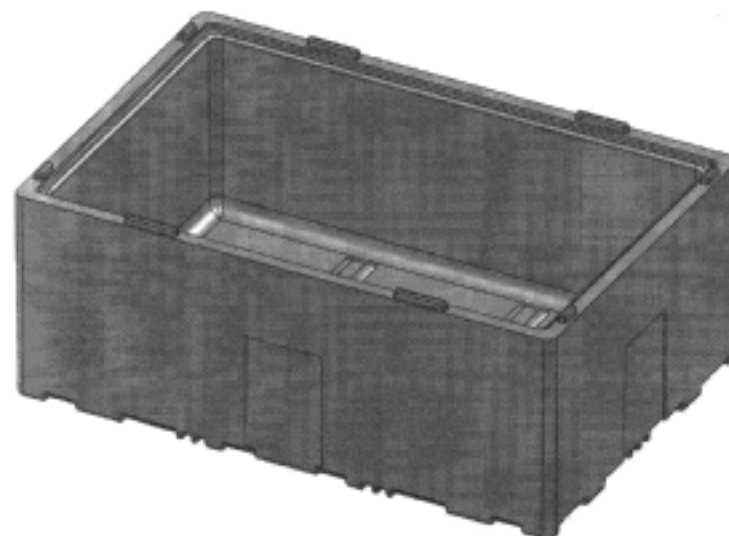
(45) Registration Date: **27 April 2012**

(56) Related Art Documents: **Not Applicable**

(57) Statement of Newness and Distinctiveness: **Three semetrical V shape structures that are black, outlined with silver. Each V shape is seperated by a single black spoke.**



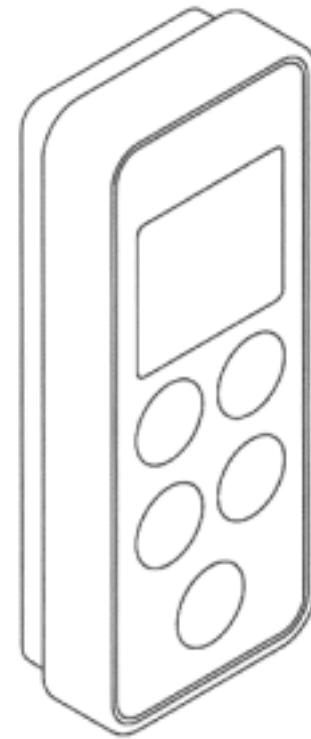
- (21) Design Number: **11470/2012**
(22) Date of Filing Application: **21 March 2012**
(24) Date from which industrial property rights may have effect: **21 March 2012**
(54) Product in respect of which the design is registered: **Container**
(51) International Design Classification: **09-03M**
(74) Name(s) of Attorney(s): **Ascot Martin Registered Patent & Trade Mark Attorneys**
(71) Name(s) and Address(s) of Applicant(s):
Expanded Polystyrene Australia Incorporated
Level 2, 69 Reservoir Street Surry Hills New South Wales 2010 Australia
(72) Name(s) of Designer(s): **Nick Tandy**
(45) Registration Date: **27 April 2012**
(56) Related Art Documents: **Not Applicable**
(57) Statement of Newness and Distinctiveness: **The features of the design which are new and distinctive are the shape and configuration of the protuberant and recessed formations on the bottom of the container and inside floor of the container, and at the top of, and outer surfaces of, the front, back and side walls.**



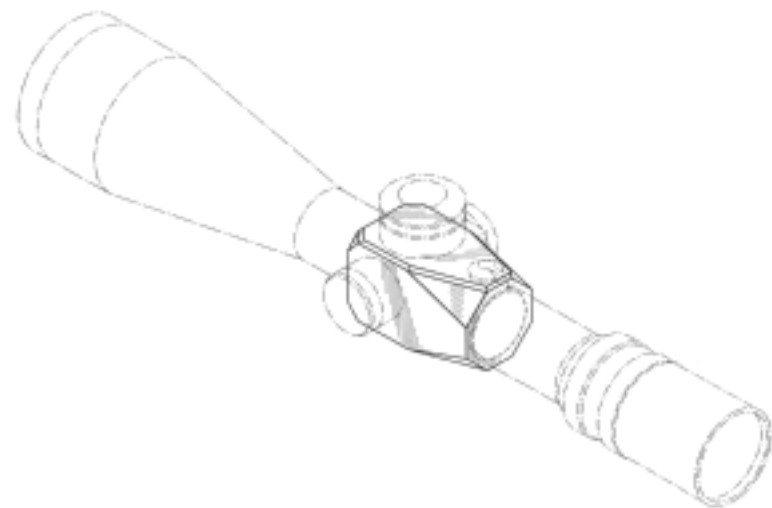
- (21) Design Number: **11477/2012**
(22) Date of Filing Application: **22 March 2012**
(24) Date from which industrial property rights may have effect: **22 March 2012**
(54) Product in respect of which the design is registered: **Jewellery setting**
(51) International Design Classification: **11-01NES**
(74) Name(s) of Attorney(s): **Wadson**
(71) Name(s) and Address(s) of Applicant(s):
Shishir Balkrishna Nevatia
102/103 SDF IV S.E.E.P.Z. Andheri (e) Mumbai 400093 Maharashtra State India
(72) Name(s) of Designer(s): **Shishir Balkrishna Nevatia**
(45) Registration Date: **27 April 2012**
(30) Convention priority data:
(31) Number (32) Date (33) Country
243880 15 Mar 2012 INDIA
(56) Related Art Documents: **Not Applicable**
(57) Statement of Newness and Distinctiveness: **Nil**



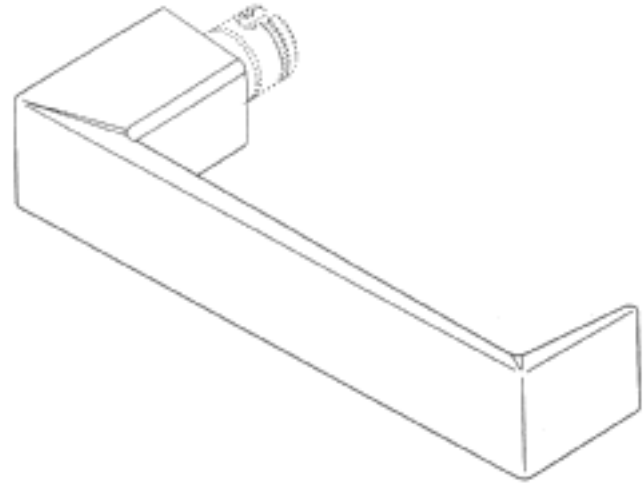
(21) Design Number: **11478/2012**
(22) Date of Filing Application: **23 March 2012**
(24) Date from which industrial property rights may have effect: **23 March 2012**
(54) Product in respect of which the design is registered: **Interface for sanitary appliances**
(51) International Design Classification: **23-02NES**
(74) Name(s) of Attorney(s): **Ellis Terry**
(71) Name(s) and Address(s) of Applicant(s):
Kohler Mira Limited
Whaddon Works Cromwell Road Cheltenham Gloucestershire GL52 5EP
United Kingdom
(72) Name(s) of Designer(s): **David Pixton**
(45) Registration Date: **27 April 2012**
(30) Convention priority data:
(31) Number (32) Date (33) Country
001295935-0001 27 Sep 2011 EUROPEAN COMMUNITY
(56) Related Art Documents: **Not Applicable**
(57) Statement of Newness and Distinctiveness: **Nil**



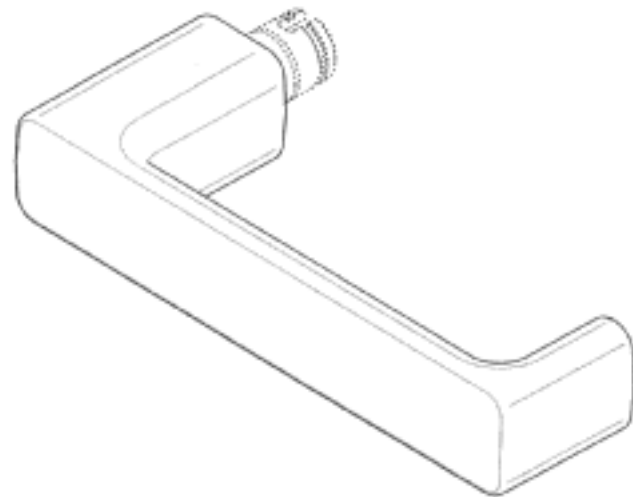
(21) Design Number: **11479/2012**
(22) Date of Filing Application: **22 March 2012**
(24) Date from which industrial property rights may have effect: **22 March 2012**
(54) Product in respect of which the design is registered: **Riflescope saddle**
(51) International Design Classification: **22-01**
(74) Name(s) of Attorney(s): **Madderns**
(71) Name(s) and Address(s) of Applicant(s):
Lightforce USA, Inc.
336 Hazen Lane Orofino 83544 Idaho United States of America
(72) Name(s) of Designer(s): **Jeff Huber**
(45) Registration Date: **27 April 2012**
(56) Related Art Documents: **Not Applicable**
(57) Statement of Newness and Distinctiveness: **Nil**



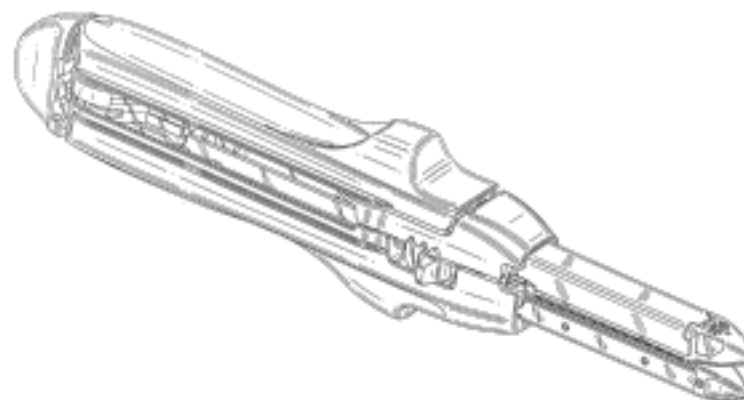
- (21) Design Number: **11513/2012**
(22) Date of Filing Application: **23 March 2012**
(24) Date from which industrial property rights may have effect: **23 March 2012**
(54) Product in respect of which the design is registered: **Lever**
(51) International Design Classification: **08-06**
(74) Name(s) of Attorney(s): **PHILLIPS ORMONDE FITZPATRICK**
(71) Name(s) and Address(s) of Applicant(s):
ASSA ABLOY Australia Pty Limited
235 Huntingdale Road Oakleigh Victoria 3166 Australia
(72) Name(s) of Designer(s): **Craig Anthony Caspersz**
(45) Registration Date: **30 April 2012**
(56) Related Art Documents: **Not Applicable**
(57) Statement of Newness and Distinctiveness: **Those features of the lever depicted in the representations that are new and distinctive are the shape and/or configuration. The feature shown in broken line is not part of the design and is not to be considered when considering the overall impression of the design.**



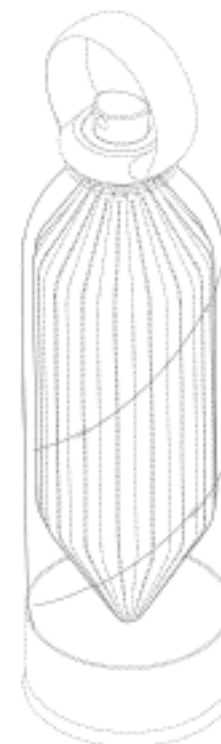
- (21) Design Number: **11514/2012**
(22) Date of Filing Application: **23 March 2012**
(24) Date from which industrial property rights may have effect: **23 March 2012**
(54) Product in respect of which the design is registered: **Lever**
(51) International Design Classification: **08-06**
(74) Name(s) of Attorney(s): **PHILLIPS ORMONDE FITZPATRICK**
(71) Name(s) and Address(s) of Applicant(s):
ASSA ABLOY Australia Pty Limited
235 Huntingdale Road Oakleigh Victoria 3166 Australia
(72) Name(s) of Designer(s): **Craig Anthony Caspersz**
(45) Registration Date: **30 April 2012**
(56) Related Art Documents: **Not Applicable**
(57) Statement of Newness and Distinctiveness: **Those features of the lever depicted in the representations that are new and distinctive are the shape and/or configuration. The feature shown in broken line is not part of the design and is not to be considered when considering the overall impression of the design.**



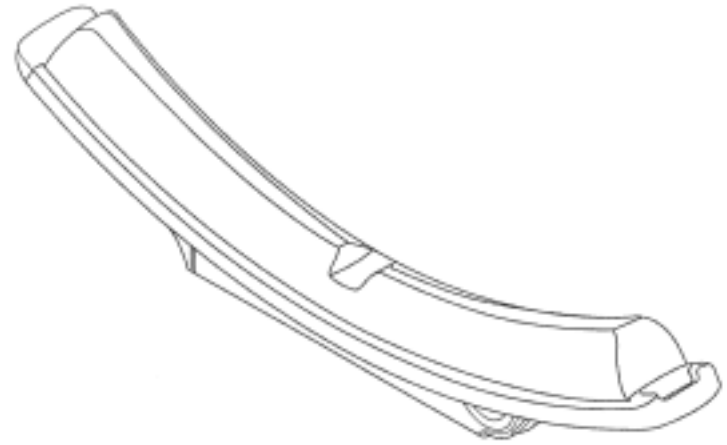
(21) Design Number: **11517/2012**
(22) Date of Filing Application: **22 March 2012**
(24) Date from which industrial property rights may have effect: **22 March 2012**
(54) Product in respect of which the design is registered: **Linear stapler**
(51) International Design Classification: **24-02**
(74) Name(s) of Attorney(s): **Freehills Patent & Trade Mark Attorneys**
(71) Name(s) and Address(s) of Applicant(s):
Ethicon Endo-Surgery, Inc.
4545 Creek Road Cincinnati Ohio 45242 United States of America
(72) Name(s) of Designer(s): **John V. Hunt and Cory G. Kimball and Gregory W. Johnson**
(45) Registration Date: **30 April 2012**
(30) Convention priority data:
(31) Number (32) Date (33) Country
29/398468 23 Sep 2011 UNITED STATES OF AMERICA
(56) Related Art Documents: **Not Applicable**
(57) Statement of Newness and Distinctiveness: **Newness and distinctiveness resides in the features of shape and configuration of the linear stapler as shown in the representations.**



(21) Design Number: **11518/2012**
(22) Date of Filing Application: **22 March 2012**
(24) Date from which industrial property rights may have effect: **22 March 2012**
(54) Product in respect of which the design is registered: **Bottle**
(51) International Design Classification: **09-01K**
(74) Name(s) of Attorney(s): **Freehills Patent & Trade Mark Attorneys**
(71) Name(s) and Address(s) of Applicant(s):
Method Products, Inc.
637 Commercial Street Suite 300 San Francisco California 94111 United States of America
(72) Name(s) of Designer(s): **Rudiger Becker and Francis J. Handy and Douglas John Howard**
(45) Registration Date: **30 April 2012**
(30) Convention priority data:
(31) Number (32) Date (33) Country
29/402684 26 Sep 2011 UNITED STATES OF AMERICA
(56) Related Art Documents: **Not Applicable**
(57) Statement of Newness and Distinctiveness: **Newness and distinctiveness lie in the shape and configuration of the part of the bottle shown in solid lines in the accompanying drawings.**



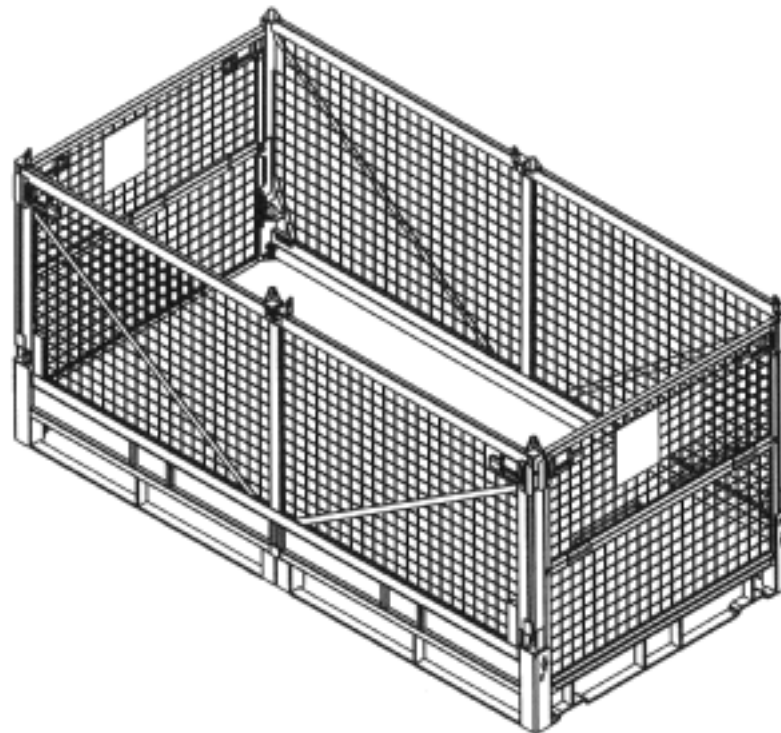
(21) Design Number: **11520/2012**
(22) Date of Filing Application: **27 March 2012**
(24) Date from which industrial property rights may have effect: **27 March 2012**
(54) Product in respect of which the design is registered: **Kayak carrier for vehicles**
(51) International Design Classification: **12-16K**
(74) Name(s) of Attorney(s): **WATERMARK PATENT AND TRADE MARKS ATTORNEYS**
(71) Name(s) and Address(s) of Applicant(s):
Thule Sweden AB
Borggatan 2 SE-330 33 Hillerstorp Sweden
(72) Name(s) of Designer(s): **Henrik Eriksson**
(45) Registration Date: **30 April 2012**
(30) Convention priority data:
(31) Number (32) Date (33) Country
001927534-0001 05 Oct 2011 EUROPEAN COMMUNITY
(56) Related Art Documents: **Not Applicable**
(57) Statement of Newness and Distinctiveness: **Nil**



(21) Design Number: **11521/2012**
(22) Date of Filing Application: **23 March 2012**
(24) Date from which industrial property rights may have effect: **23 March 2012**
(54) Product in respect of which the design is registered: **Permanently sealable container or time capsule**
(51) International Design Classification: **09-03L**
(74) Name(s) of Attorney(s): **Pegasus IP**
(71) Name(s) and Address(s) of Applicant(s):
Brian Anson-Smith
PO Box 797 Buderim Queensland 4556 Australia
(72) Name(s) of Designer(s): **Brian Anson-Smith**
(45) Registration Date: **30 April 2012**
(56) Related Art Documents: **Not Applicable**
(57) Statement of Newness and Distinctiveness: **Newness & distinctiveness resides in the features of shape and/or configuration of the product shown in the reps.**



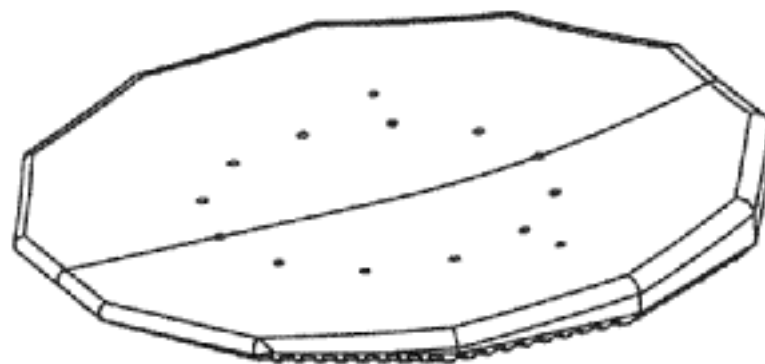
- (21) Design Number: **11480/2012**
(22) Date of Filing Application: **22 March 2012**
(24) Date from which industrial property rights may have effect: **22 March 2012**
(54) Product in respect of which the design is registered: **A materials handling container**
(51) International Design Classification: **09-02A**
(74) Name(s) of Attorney(s): **Madderns**
(71) Name(s) and Address(s) of Applicant(s):
Rees Operations Pty Ltd
20 Fitzroy Avenue Camden Park South Australia 5038 Australia
(72) Name(s) of Designer(s): **Matthew Reimers and Ian Millhouse**
(45) Registration Date: **30 April 2012**
(56) Related Art Documents: **Not Applicable**
(57) Statement of Newness and Distinctiveness: **Nil**



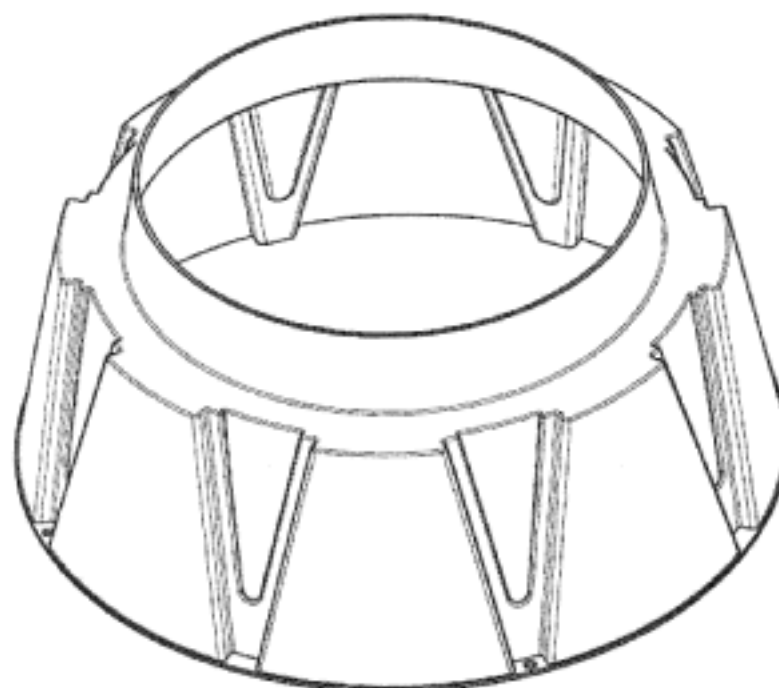
- (21) Design Number: **11481/2012**
(22) Date of Filing Application: **22 March 2012**
(24) Date from which industrial property rights may have effect: **22 March 2012**
(54) Product in respect of which the design is registered: **Projectile for launching a rope from a firearm**
(51) International Design Classification: **22-01**
(74) Name(s) of Attorney(s): **SPRUSON & FERGUSON**
(71) Name(s) and Address(s) of Applicant(s):
Walter C. Tabb
120 Corbett Lane Coram Montana 59913 United States of America
(72) Name(s) of Designer(s): **Walter C. Tabb**
(45) Registration Date: **30 April 2012**
(30) Convention priority data:
(31) Number (32) Date (33) Country
29/402458 23 Sep 2011 UNITED STATES OF AMERICA
(56) Related Art Documents: **Not Applicable**
(57) Statement of Newness and Distinctiveness: **Newness and distinctiveness is claimed in those features of shape and/or configuration of a projectile for launching a rope from a firearm illustrated in continuous lines in the accompanying representations.**



- (21) Design Number: **11482/2012**
(22) Date of Filing Application: **22 March 2012**
(24) Date from which industrial property rights may have effect: **22 March 2012**
(54) Product in respect of which the design is registered: **Pelvic support**
(51) International Design Classification: **02-01NES, 24-04**
(74) Name(s) of Attorney(s): **SPRUSON & FERGUSON**
(71) Name(s) and Address(s) of Applicant(s):
Paul William Brown
18/77 Ramsgate Avenue North Bondi New South Wales 2026 Australia
David William Vivian-Jones
30 Manning Road Double Bay New South Wales 2028 Australia
(72) Name(s) of Designer(s): **Paul William Brown and David William Vivian-Jones and Siegfried Holler**
(45) Registration Date: **30 April 2012**
(56) Related Art Documents: **Not Applicable**
(57) Statement of Newness and Distinctiveness: **Newness and distinctiveness is claimed in the features of shape and/or configuration of a pelvic support as illustrated in the accompanying representations.**



- (21) Design Number: **11483/2012**
(22) Date of Filing Application: **22 March 2012**
(24) Date from which industrial property rights may have effect: **22 March 2012**
(54) Product in respect of which the design is registered: **Root director**
(51) International Design Classification: **11-02B**
(74) Name(s) of Attorney(s): **SPRUSON & FERGUSON**
(71) Name(s) and Address(s) of Applicant(s):
Benjamin D. Gooden
31 Enterprise Crescent Singleton New South Wales 2330 Australia
(72) Name(s) of Designer(s): **Benjamin D. Gooden**
(45) Registration Date: **30 April 2012**
(30) Convention priority data:
(31) Number (32) Date (33) Country
29/402538 23 Sep 2011 UNITED STATES OF AMERICA
(56) Related Art Documents: **Not Applicable**
(57) Statement of Newness and Distinctiveness: **Newness and distinctiveness is claimed in the features of shape and/or configuration of the indentations spaced around the wall of a root director as illustrated in the accompanying representations.**



(21) Design Number: **11484/2012**
(22) Date of Filing Application: **22 March 2012**
(24) Date from which industrial property rights may have effect: **22 March 2012**
(54) Product in respect of which the design is registered: **Jewellery setting**
(51) International Design Classification: **11-01NES**
(74) Name(s) of Attorney(s): **Wadeson**
(71) Name(s) and Address(s) of Applicant(s):
Shishir Balkrishna Nevatia
102/103 SDF IV S.E.E.P.Z. Andheri (e) Mumbai 400093 Maharashtra State
India
(72) Name(s) of Designer(s): **Shishir Balkrishna Nevatia**
(45) Registration Date: **30 April 2012**
(30) Convention priority data:
(31) Number (32) Date (33) Country
243879 15 Mar 2012 INDIA
(56) Related Art Documents: **Not Applicable**
(57) Statement of Newness and Distinctiveness: **Nil**



(21) Design Number: **11485/2012**
(22) Date of Filing Application: **22 March 2012**
(24) Date from which industrial property rights may have effect: **22 March 2012**
(54) Product in respect of which the design is registered: **Jewellery setting**
(51) International Design Classification: **11-01NES**
(74) Name(s) of Attorney(s): **Wadeson**
(71) Name(s) and Address(s) of Applicant(s):
Shishir Balkrishna Nevatia
102/103 SDF IV S.E.E.P.Z. Andheri (e) Mumbai 400093 Maharashtra State
India
(72) Name(s) of Designer(s): **Shishir Balkrishna Nevatia**
(45) Registration Date: **30 April 2012**
(30) Convention priority data:
(31) Number (32) Date (33) Country
243881 15 Mar 2012 INDIA
(56) Related Art Documents: **Not Applicable**
(57) Statement of Newness and Distinctiveness: **Nil**



(21) Design Number: **11487/2012**
(22) Date of Filing Application: **22 March 2012**
(24) Date from which industrial property rights may have effect: **22 March 2012**
(54) Product in respect of which the design is registered: **Jewellery setting**
(51) International Design Classification: **11-01NES**
(74) Name(s) of Attorney(s): **Wadeson**
(71) Name(s) and Address(s) of Applicant(s):
Shishir Balkrishna Nevatia
102/103 SDF IV S.E.E.P.Z. Andheri (e) Mumbai 400093 Maharashtra State
India
(72) Name(s) of Designer(s): **Shishir Balkrishna Nevatia**
(45) Registration Date: **30 April 2012**
(30) Convention priority data:
(31) Number (32) Date (33) Country
243886 15 Mar 2012 INDIA
(56) Related Art Documents: **Not Applicable**
(57) Statement of Newness and Distinctiveness: **Nil**



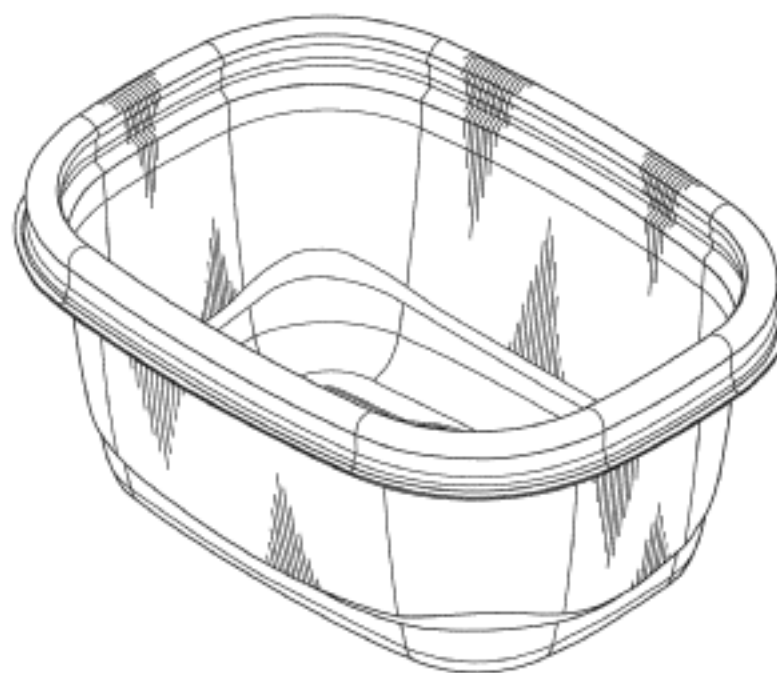
(21) Design Number: **11489/2012**
(22) Date of Filing Application: **22 March 2012**
(24) Date from which industrial property rights may have effect: **22 March 2012**
(54) Product in respect of which the design is registered: **Jewellery setting**
(51) International Design Classification: **11-01NES**
(74) Name(s) of Attorney(s): **Wadeson**
(71) Name(s) and Address(s) of Applicant(s):
Shishir Balkrishna Nevatia
102/103 SDF IV S.E.E.P.Z. Andheri (e) Mumbai 400093 Maharashtra State
India
(72) Name(s) of Designer(s): **Shishir Balkrishna Nevatia**
(45) Registration Date: **30 April 2012**
(30) Convention priority data:
(31) Number (32) Date (33) Country
243883 15 Mar 2012 INDIA
(56) Related Art Documents: **Not Applicable**
(57) Statement of Newness and Distinctiveness: **Nil**



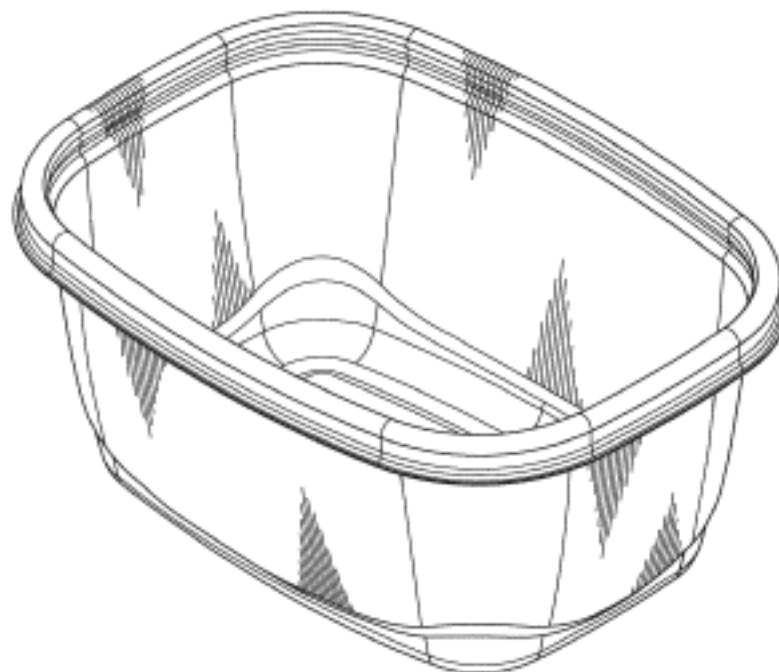
(21) Design Number: **11490/2012**
(22) Date of Filing Application: **22 March 2012**
(24) Date from which industrial property rights may have effect: **22 March 2012**
(54) Product in respect of which the design is registered: **Jewellery setting**
(51) International Design Classification: **11-01NES**
(74) Name(s) of Attorney(s): **Wadeson**
(71) Name(s) and Address(s) of Applicant(s):
Shishir Balkrishna Nevatia
102/103 SDF IV S.E.E.P.Z. Andheri (e) Mumbai 400093 Maharashtra State
India
(72) Name(s) of Designer(s): **Shishir Balkrishna Nevatia**
(45) Registration Date: **30 April 2012**
(30) Convention priority data:
(31) Number (32) Date (33) Country
243884 15 Mar 2012 INDIA
(56) Related Art Documents: **Not Applicable**
(57) Statement of Newness and Distinctiveness: **Nil**



(21) Design Number: **11491/2012**
(22) Date of Filing Application: **22 March 2012**
(24) Date from which industrial property rights may have effect: **22 March 2012**
(54) Product in respect of which the design is registered: **Container for food**
(51) International Design Classification: **09-03M**
(74) Name(s) of Attorney(s): **PIZZEYS**
(71) Name(s) and Address(s) of Applicant(s):
The Glad Products Company
1221 Broadway Oakland CA 94612 United States of America
(72) Name(s) of Designer(s): **John E. Rusnak**
(45) Registration Date: **30 April 2012**
(30) Convention priority data:
(31) Number (32) Date (33) Country
29/403,409 05 Oct 2011 UNITED STATES OF AMERICA
(56) Related Art Documents: **Not Applicable**
(57) Statement of Newness and Distinctiveness: **Nil**



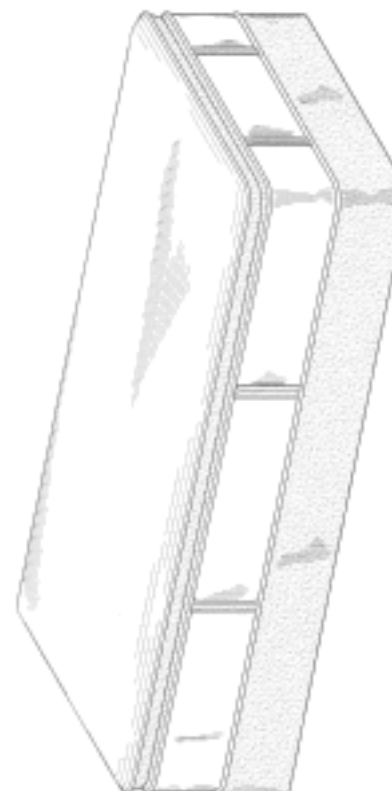
(21) Design Number: **11492/2012**
(22) Date of Filing Application: **22 March 2012**
(24) Date from which industrial property rights may have effect: **22 March 2012**
(54) Product in respect of which the design is registered: **Container for food**
(51) International Design Classification: **09-03M**
(74) Name(s) of Attorney(s): **PIZZEYS**
(71) Name(s) and Address(s) of Applicant(s):
The Glad Products Company
1221 Broadway Oakland CA 94612 United States of America
(72) Name(s) of Designer(s): **John E. Rusnak**
(45) Registration Date: **30 April 2012**
(30) Convention priority data:
(31) Number (32) Date (33) Country
29/403,413 05 Oct 2011 UNITED STATES OF AMERICA
(56) Related Art Documents: **Not Applicable**
(57) Statement of Newness and Distinctiveness: **Nil**



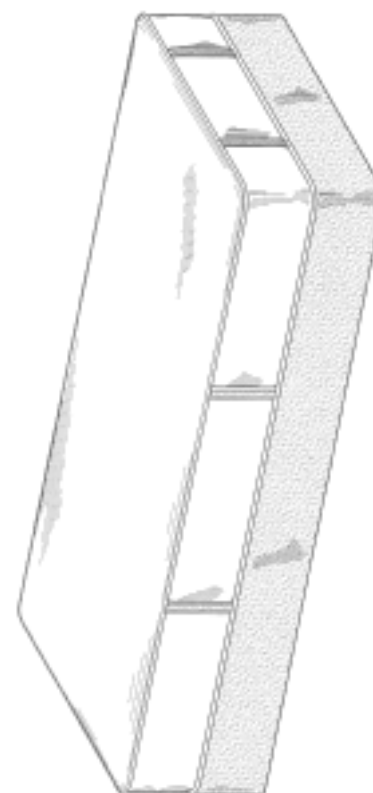
(21) Design Number: **11500/2012**
(22) Date of Filing Application: **23 March 2012**
(24) Date from which industrial property rights may have effect: **23 March 2012**
(54) Product in respect of which the design is registered: **Mattress**
(51) International Design Classification: **06-09**
(74) Name(s) of Attorney(s): **Callinans**
(71) Name(s) and Address(s) of Applicant(s):
Sealy Technology LLC
One Trinity Parkway Trinity North Carolina 27370 United States of America
(72) Name(s) of Designer(s): **John Shive**
(45) Registration Date: **30 April 2012**
(30) Convention priority data:
(31) Number (32) Date (33) Country
29/402,658 26 Sep 2011 UNITED STATES OF AMERICA
(56) Related Art Documents: **Not Applicable**
(57) Statement of Newness and Distinctiveness: **Nil**



(21) Design Number: **11501/2012**
(22) Date of Filing Application: **23 March 2012**
(24) Date from which industrial property rights may have effect: **23 March 2012**
(54) Product in respect of which the design is registered: **Mattress**
(51) International Design Classification: **06-09**
(74) Name(s) of Attorney(s): **Callinans**
(71) Name(s) and Address(s) of Applicant(s):
Sealy Technology LLC
One Trinity Parkway Trinity North Carolina 27370 United States of America
(72) Name(s) of Designer(s): **John Shive**
(45) Registration Date: **30 April 2012**
(30) Convention priority data:
(31) Number (32) Date (33) Country
29/402,661 26 Sep 2011 UNITED STATES OF AMERICA
(56) Related Art Documents: **Not Applicable**
(57) Statement of Newness and Distinctiveness: **Nil**



(21) Design Number: **11502/2012**
(22) Date of Filing Application: **23 March 2012**
(24) Date from which industrial property rights may have effect: **23 March 2012**
(54) Product in respect of which the design is registered: **Mattress**
(51) International Design Classification: **06-09**
(74) Name(s) of Attorney(s): **Callinans**
(71) Name(s) and Address(s) of Applicant(s):
Sealy Technology LLC
One Trinity Parkway Trinity North Carolina 27370 United States of America
(72) Name(s) of Designer(s): **John Shive**
(45) Registration Date: **30 April 2012**
(30) Convention priority data:
(31) Number (32) Date (33) Country
29/402,662 26 Sep 2011 UNITED STATES OF AMERICA
(56) Related Art Documents: **Not Applicable**
(57) Statement of Newness and Distinctiveness: **Nil**



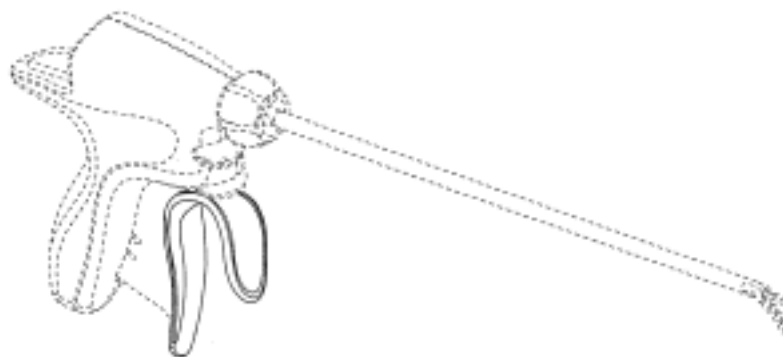
- (21) Design Number: **11503/2012**
(22) Date of Filing Application: **22 March 2012**
(24) Date from which industrial property rights may have effect: **22 March 2012**
(54) Product in respect of which the design is registered: **Electric toothbrush**
(51) International Design Classification: **04-02**
(74) Name(s) of Attorney(s): **PHILLIPS ORMONDE FITZPATRICK**
(71) Name(s) and Address(s) of Applicant(s):
Omron Healthcare Co., Ltd.
53 Kunotsubo Terado-cho Muko-shi Kyoto 617-0002 Japan
(72) Name(s) of Designer(s): **Takashi Shigeno and Kazuya Andachi and Tamaki Ito**
(45) Registration Date: **30 April 2012**
(30) Convention priority data:
(31) Number (32) Date (33) Country
2011-024778 27 Oct 2011 JAPAN
(56) Related Art Documents: **Not Applicable**
(57) Statement of Newness and Distinctiveness: **Those features of the electric toothbrush depicted in the representations that are new and distinctive are the features shown in the representations. The broken lines shown in the figures are for illustrative purposes only and form no part of the claimed design.**



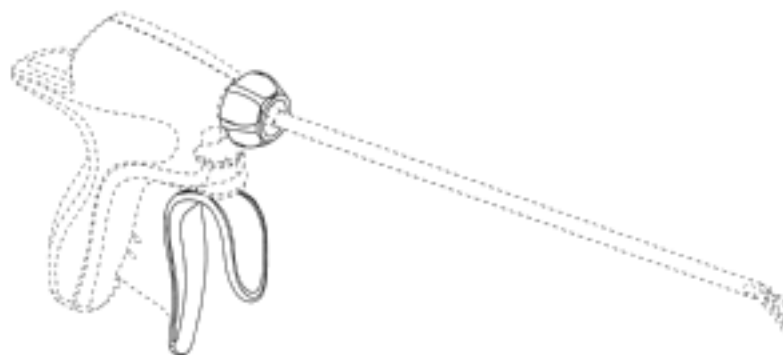
- (21) Design Number: **11504/2012**
(22) Date of Filing Application: **22 March 2012**
(24) Date from which industrial property rights may have effect: **22 March 2012**
(54) Product in respect of which the design is registered: **Electric toothbrush**
(51) International Design Classification: **28-03NES**
(74) Name(s) of Attorney(s): **PHILLIPS ORMONDE FITZPATRICK**
(71) Name(s) and Address(s) of Applicant(s):
Omron Healthcare Co., Ltd.
53 Kunotsubo Terado-cho Muko-shi Kyoto 617-0002 Japan
(72) Name(s) of Designer(s): **Takashi Shigeno and Kazuya Andachi and Tamaki Ito**
(45) Registration Date: **30 April 2012**
(30) Convention priority data:
(31) Number (32) Date (33) Country
2011-024779 24 Oct 2011 JAPAN
(56) Related Art Documents: **Not Applicable**
(57) Statement of Newness and Distinctiveness: **Those features of the electric toothbrush depicted in the representations that are new and distinctive are the features shown in the representations. The broken lines shown in the figures are for illustrative purposes only and form no part of the claimed design.**



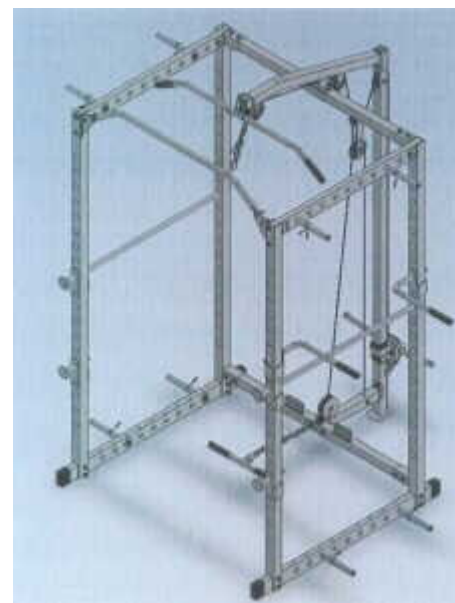
- (21) Design Number: **11505/2012**
(22) Date of Filing Application: **23 March 2012**
(24) Date from which industrial property rights may have effect: **23 March 2012**
(54) Product in respect of which the design is registered: **User interface for a surgical instrument**
(51) International Design Classification: **24-02**
(74) Name(s) of Attorney(s): **Freehills Patent & Trade Mark Attorneys**
(71) Name(s) and Address(s) of Applicant(s):
Ethicon Endo-Surgery, Inc.
4545 Creek Road Cincinnati Ohio 45242 United States of America
(72) Name(s) of Designer(s): **Daniel W. Price and Galen C. Robertson and Cory G. Kimball and Scott A. Woodruff and Matthew C. Miller and Kip M. Rupp and Carrie I. Fihe and Jane A. Sheetz and Carl J. Draginoff Jr.**
(45) Registration Date: **30 April 2012**
(30) Convention priority data:
(31) Number (32) Date (33) Country
29/402697 26 Sep 2011 UNITED STATES OF AMERICA
(56) Related Art Documents: **Not Applicable**
(57) Statement of Newness and Distinctiveness: **Newness and distinctiveness resides in the shape and configuration of the user interface for a surgical instrument as shown in the representations. In considering whether the design is substantially similar in overall impression to another design, no regard is to be given to the features shown in dotted lines.**



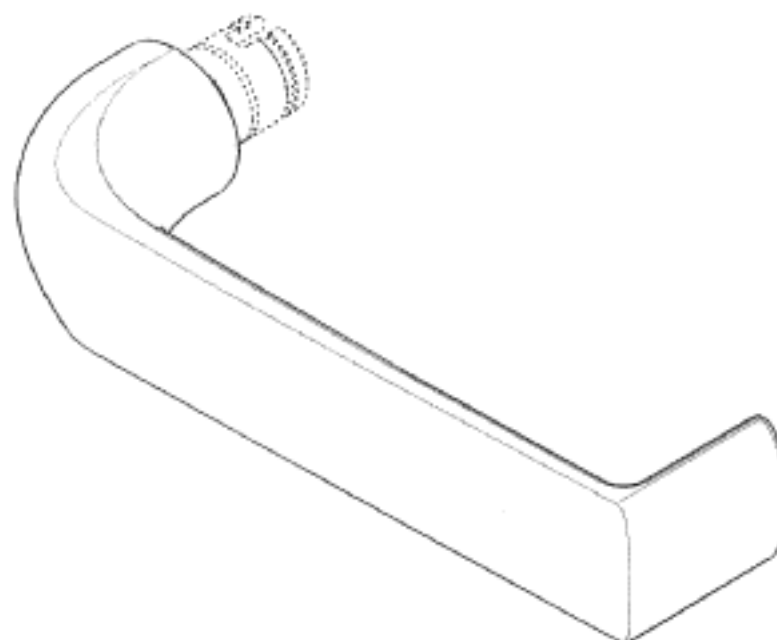
- (21) Design Number: **11506/2012**
(22) Date of Filing Application: **23 March 2012**
(24) Date from which industrial property rights may have effect: **23 March 2012**
(54) Product in respect of which the design is registered: **User interface for a surgical instrument**
(51) International Design Classification: **24-02**
(74) Name(s) of Attorney(s): **Freehills Patent & Trade Mark Attorneys**
(71) Name(s) and Address(s) of Applicant(s):
Ethicon Endo-Surgery, Inc.
4545 Creek Road Cincinnati Ohio 45242 United States of America
(72) Name(s) of Designer(s): **Daniel W. Price and Galen C. Robertson and Cory G. Kimball and Scott A. Woodruff and Matthew C. Miller and Kip M. Rupp and Carrie I. Fihe and Jane A. Sheetz and Carl J. Draginoff Jr.**
(45) Registration Date: **30 April 2012**
(30) Convention priority data:
(31) Number (32) Date (33) Country
29/402699 26 Sep 2011 UNITED STATES OF AMERICA
(56) Related Art Documents: **Not Applicable**
(57) Statement of Newness and Distinctiveness: **Newness and distinctiveness resides in the shape and configuration of the user interface for a surgical instrument as shown in the representations. In considering whether the design is substantially similar in overall impression to another design, no regard is to be given to the features shown in dotted lines.**



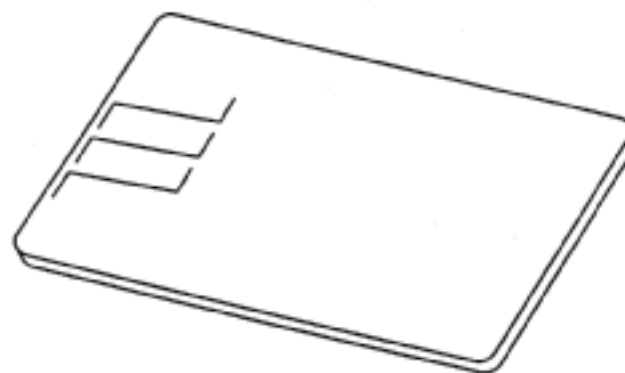
- (21) Design Number: **11511/2012**
(22) Date of Filing Application: **26 March 2012**
(24) Date from which industrial property rights may have effect: **26 March 2012**
(54) Product in respect of which the design is registered: **Gym and fitness equipment**
(51) International Design Classification: **21-02F**
(74) Name(s) of Attorney(s):
(71) Name(s) and Address(s) of Applicant(s):
IP Holdings Pty Ltd
PO Box 204 Kensington Park South Australia 5065 Australia
(72) Name(s) of Designer(s): **Daniel Alenaddaf**
(45) Registration Date: **30 April 2012**
(56) Related Art Documents: **Not Applicable**
(57) Statement of Newness and Distinctiveness: **Newness and distinctiveness is claimed in the shape and/or configuration of the equipment as illustrated in the representations accompanying the application.**



- (21) Design Number: **11512/2012**
(22) Date of Filing Application: **23 March 2012**
(24) Date from which industrial property rights may have effect: **23 March 2012**
(54) Product in respect of which the design is registered: **Lever**
(51) International Design Classification: **08-06**
(74) Name(s) of Attorney(s): **PHILLIPS ORMONDE FITZPATRICK**
(71) Name(s) and Address(s) of Applicant(s):
ASSA ABLOY Australia Pty Limited
235 Huntingdale Road Oakleigh Victoria 3166 Australia
(72) Name(s) of Designer(s): **Craig Anthony Caspersz**
(45) Registration Date: **30 April 2012**
(56) Related Art Documents: **Not Applicable**
(57) Statement of Newness and Distinctiveness: **Those features of the lever depicted in the representations that are new and distinctive are the shape and/or configuration. The feature shown in broken line is not part of the design and is not to be considered when considering the overall impression of the design.**



(21) Design Number: **11542/2012**
(22) Date of Filing Application: **26 March 2012**
(24) Date from which industrial property rights may have effect: **26 March 2012**
(54) Product in respect of which the design is registered: **Card**
(51) International Design Classification: **19-08**
(74) Name(s) of Attorney(s): **SPRUSON & FERGUSON**
(71) Name(s) and Address(s) of Applicant(s):
Visa International Service Association
PO Box 8999 San Francisco California 94128 United States of America
(72) Name(s) of Designer(s): **Sonia Reed and Kenneth Sippola and Julian Schmidt**
(45) Registration Date: **30 April 2012**
(30) Convention priority data:
(31) Number (32) Date (33) Country
29/403725 10 Oct 2011 UNITED STATES OF AMERICA
(56) Related Art Documents: **Not Applicable**
(57) Statement of Newness and Distinctiveness: **Newness and distinctiveness is claimed in the features of pattern and/or ornamentation of a card as illustrated in the accompanying representations.**



(21) Design Number: **11543/2012**
(22) Date of Filing Application: **26 March 2012**
(24) Date from which industrial property rights may have effect: **26 March 2012**
(54) Product in respect of which the design is registered: **Card**
(51) International Design Classification: **19-08**
(74) Name(s) of Attorney(s): **SPRUSON & FERGUSON**
(71) Name(s) and Address(s) of Applicant(s):
Visa International Service Association
PO Box 8999 San Francisco California 94128 United States of America
(72) Name(s) of Designer(s): **Sonia Reed and Kenneth Sippola and Julian Schmidt**
(45) Registration Date: **30 April 2012**
(30) Convention priority data:
(31) Number (32) Date (33) Country
29/403725 10 Oct 2011 UNITED STATES OF AMERICA
(56) Related Art Documents: **Not Applicable**
(57) Statement of Newness and Distinctiveness: **Newness and distinctiveness is claimed in the features of pattern and/or ornamentation of the position of the numerals of a card as illustrated in the accompanying representations, wherein each numeral shown merely represents the position of any numeral.**



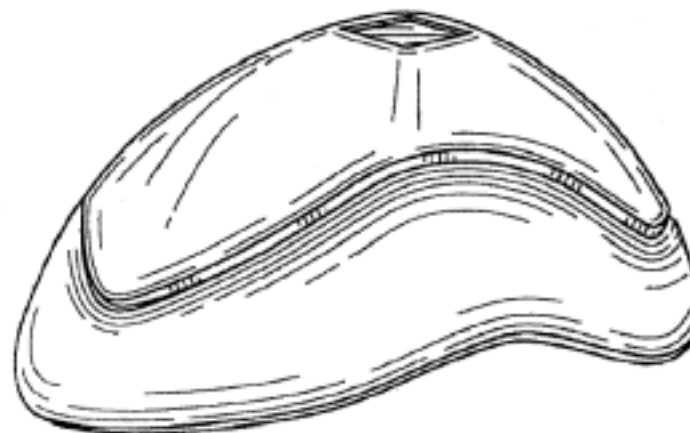
- (21) Design Number: **11544/2012**
(22) Date of Filing Application: **26 March 2012**
(24) Date from which industrial property rights may have effect: **26 March 2012**
(54) Product in respect of which the design is registered: **Card**
(51) International Design Classification: **19-08**
(74) Name(s) of Attorney(s): **SPRUSON & FERGUSON**
(71) Name(s) and Address(s) of Applicant(s):
Visa International Service Association
PO Box 8999 San Francisco California 94128 United States of America
(72) Name(s) of Designer(s): **Sonia Reed and Kenneth Sippola and Julian Schmidt**
(45) Registration Date: **30 April 2012**
(30) Convention priority data:
(31) Number (32) Date (33) Country
29/403725 10 Oct 2011 UNITED STATES OF AMERICA
(56) Related Art Documents: **Not Applicable**
(57) Statement of Newness and Distinctiveness: **Newness and distinctiveness is claimed in the features of pattern and/or ornamentation of the position of the numerals of a card as illustrated in the accompanying representations, wherein each numeral shown merely represents the position of any numeral.**



- (21) Design Number: **11545/2012**
(22) Date of Filing Application: **26 March 2012**
(24) Date from which industrial property rights may have effect: **26 March 2012**
(54) Product in respect of which the design is registered: **Card**
(51) International Design Classification: **19-08**
(74) Name(s) of Attorney(s): **SPRUSON & FERGUSON**
(71) Name(s) and Address(s) of Applicant(s):
Visa International Service Association
PO Box 8999 San Francisco California 94128 United States of America
(72) Name(s) of Designer(s): **Sonia Reed and Kenneth Sippola and Julian Schmidt**
(45) Registration Date: **30 April 2012**
(30) Convention priority data:
(31) Number (32) Date (33) Country
29/403725 10 Oct 2011 UNITED STATES OF AMERICA
(56) Related Art Documents: **Not Applicable**
(57) Statement of Newness and Distinctiveness: **Newness and distinctiveness is claimed in the features of pattern and/or ornamentation of the position of the numerals of a card as illustrated in the accompanying representations, wherein each numeral shown merely represents the position of any numeral.**



(21) Design Number: **11560/2012**
(22) Date of Filing Application: **27 March 2012**
(24) Date from which industrial property rights may have effect: **27 March 2012**
(54) Product in respect of which the design is registered: **Protective cup**
(51) International Design Classification: **21-02NES**
(74) Name(s) of Attorney(s): **PIZZEYS**
(71) Name(s) and Address(s) of Applicant(s):
Craig H. Diamond
1831 Beverly Place Highland Park IL 60035 United States of America
Adam Mekeel Mack
1347 Hoover Street Menlo Park CA 94025 United States of America
(72) Name(s) of Designer(s): **Craig H. Diamond and Adam Mekeel Mack**
(45) Registration Date: **30 April 2012**
(30) Convention priority data:
(31) Number (32) Date (33) Country
29/402,879 28 Sep 2011 UNITED STATES OF AMERICA
(56) Related Art Documents: **Not Applicable**
(57) Statement of Newness and Distinctiveness: **Nil**



(21) Design Number: **11610/2012**
(22) Date of Filing Application: **29 March 2012**
(24) Date from which industrial property rights may have effect: **29 March 2012**
(54) Product in respect of which the design is registered: **A vibrator**
(51) International Design Classification: **28-03NES**
(74) Name(s) of Attorney(s): **Gilbert + Tobin Lawyers**
(71) Name(s) and Address(s) of Applicant(s):
Tony Maggs
5A Chaiyos Mansions 40 Sukhumvit Soi 11 Klong Toey Wattana
Bangkok 10110 Thailand
(72) Name(s) of Designer(s): **Tony Maggs**
(45) Registration Date: **30 April 2012**
(30) Convention priority data:
(31) Number (32) Date (33) Country
001296685 04 Oct 2011 EUROPEAN COMMUNITY
(56) Related Art Documents: **Not Applicable**
(57) Statement of Newness and Distinctiveness: **Nil**



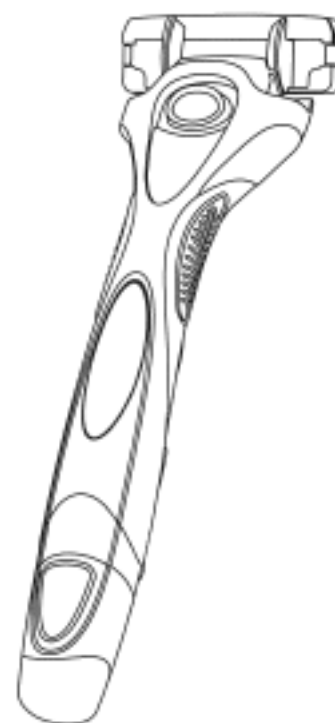
(21) Design Number: **11611/2012**
(22) Date of Filing Application: **30 March 2012**
(24) Date from which industrial property rights may have effect: **30 March 2012**
(54) Product in respect of which the design is registered: **A spectacle holder**
(51) International Design Classification: **02-07C, 16-06**
(74) Name(s) of Attorney(s): **Henry Hughes Ltd**
(71) Name(s) and Address(s) of Applicant(s):
Ivan William McNicholl
7a Gurney Road Lower Hutt New Zealand 5010
(72) Name(s) of Designer(s): **Ivan William McNicholl**
(45) Registration Date: **30 April 2012**
(30) Convention priority data:
(31) Number (32) Date (33) Country
415384 05 Oct 2011 NEW ZEALAND
(56) Related Art Documents: **Not Applicable**
(57) Statement of Newness and Distinctiveness: **Nil**



(21) Design Number: **11612/2012**
(22) Date of Filing Application: **30 March 2012**
(24) Date from which industrial property rights may have effect: **30 March 2012**
(54) Product in respect of which the design is registered: **A spectacle holder**
(51) International Design Classification: **02-07C, 16-06**
(74) Name(s) of Attorney(s): **Henry Hughes Ltd**
(71) Name(s) and Address(s) of Applicant(s):
Ivan William McNicholl
7a Gurney Road Lower Hutt New Zealand 5010
(72) Name(s) of Designer(s): **Ivan William McNicholl**
(45) Registration Date: **30 April 2012**
(30) Convention priority data:
(31) Number (32) Date (33) Country
415386 05 Oct 2011 NEW ZEALAND
(56) Related Art Documents: **Not Applicable**
(57) Statement of Newness and Distinctiveness: **Nil**



- (21) Design Number: **11528/2012**
(22) Date of Filing Application: **26 March 2012**
(24) Date from which industrial property rights may have effect: **26 March 2012**
(54) Product in respect of which the design is registered: **Safety razor**
(51) International Design Classification: **28-03A**
(74) Name(s) of Attorney(s): **Halfords IP**
(71) Name(s) and Address(s) of Applicant(s):
Eveready Battery Company, Inc.
533 Maryville University Drive St Louis Missouri 63141 United States of America
(72) Name(s) of Designer(s): **Sean Lukan and Andrew Hitchcock and Jiajun Shen**
(45) Registration Date: **30 April 2012**
(30) Convention priority data:
(31) Number (32) Date (33) Country
29/404142 17 Oct 2011 UNITED STATES OF AMERICA
(56) Related Art Documents: **Not Applicable**
(57) Statement of Newness and Distinctiveness: **Newness and Distinctiveness resides in the shape and or configuration of a safety razor being as depicted in the accompanying representations.**



- (21) Design Number: **11534/2012**
(22) Date of Filing Application: **26 March 2012**
(24) Date from which industrial property rights may have effect: **26 March 2012**
(54) Product in respect of which the design is registered: **Shaped container**
(51) International Design Classification: **09-01NES**
(74) Name(s) of Attorney(s): **PIZZEYS**
(71) Name(s) and Address(s) of Applicant(s):
Eco.Logic Brands Inc.
One Kaiser Plaza Suite 1440 Oakland CA 94612 United States of America
(72) Name(s) of Designer(s): **Julie Corbett and Romeo Graham and Robert Watters**
(45) Registration Date: **30 April 2012**
(30) Convention priority data:
(31) Number (32) Date (33) Country
29/402,730 26 Sep 2011 UNITED STATES OF AMERICA
(56) Related Art Documents: **Not Applicable**
(57) Statement of Newness and Distinctiveness: **The newness and distinctiveness of the design resides in the features of pattern and/or ornamentation OR shape and/or configuration shown in unbroken lines in the accompanying representations. (if required, see Convention document).**



(21) Design Number: **11535/2012**

(22) Date of Filing Application: **26 March 2012**

(24) Date from which industrial property rights may have effect: **26 March 2012**

(54) Product in respect of which the design is registered: **Shaped container**

(51) International Design Classification: **09-01NES**

(74) Name(s) of Attorney(s): **PIZZEYS**

(71) Name(s) and Address(s) of Applicant(s):

Eco.Logic Brands Inc.

One Kaiser Plaza Suite 1440 Oakland CA 94612 United States of America

(72) Name(s) of Designer(s): **Julie Corbett and Romeo Graham and Robert Watters**

(45) Registration Date: **30 April 2012**

(30) Convention priority data:

(31) Number

(32) Date

(33) Country

29/402,731

26 Sep 2011

UNITED STATES OF AMERICA

(56) Related Art Documents: **Not Applicable**

(57) Statement of Newness and Distinctiveness: **The newness and distinctiveness of the design resides in the features of pattern and/or ornamentation OR shape and/or configuration shown in unbroken lines in the accompanying representations. (if required, see Convention document).**



(21) Design Number: **11536/2012**

(22) Date of Filing Application: **26 March 2012**

(24) Date from which industrial property rights may have effect: **26 March 2012**

(54) Product in respect of which the design is registered: **Shaped container**

(51) International Design Classification: **09-01NES**

(74) Name(s) of Attorney(s): **PIZZEYS**

(71) Name(s) and Address(s) of Applicant(s):

Eco.Logic Brands Inc.

One Kaiser Plaza Suite 1440 Oakland CA 94612 United States of America

(72) Name(s) of Designer(s): **Julie Corbett and Romeo Graham and Robert Watters**

(45) Registration Date: **30 April 2012**

(30) Convention priority data:

(31) Number

(32) Date

(33) Country

29/402,732

26 Sep 2011

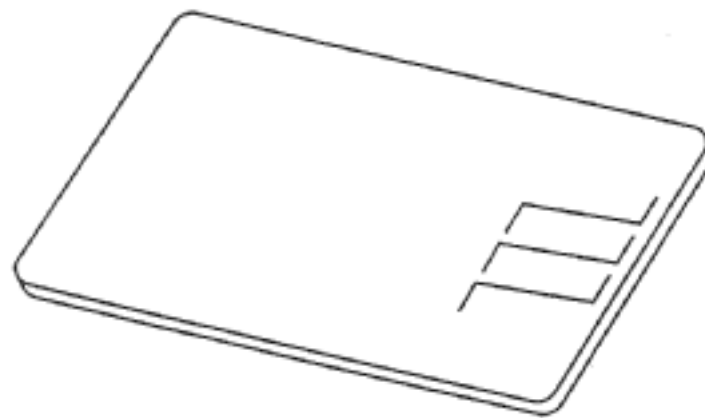
UNITED STATES OF AMERICA

(56) Related Art Documents: **Not Applicable**

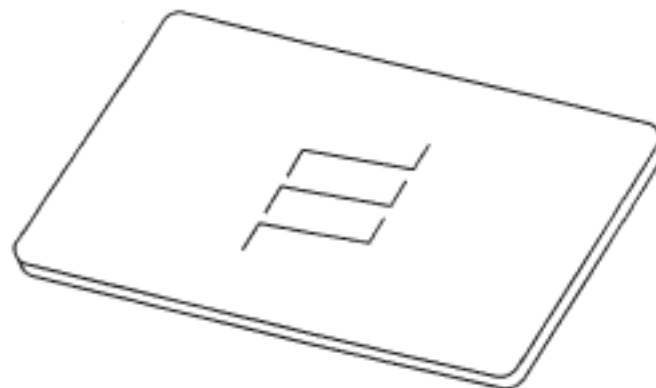
(57) Statement of Newness and Distinctiveness: **The newness and distinctiveness of the design resides in the features of pattern and/or ornamentation OR shape and/or configuration shown in unbroken lines in the accompanying representations. (if required, see Convention document).**



- (21) Design Number: **11540/2012**
(22) Date of Filing Application: **26 March 2012**
(24) Date from which industrial property rights may have effect: **26 March 2012**
(54) Product in respect of which the design is registered: **Card**
(51) International Design Classification: **19-08**
(74) Name(s) of Attorney(s): **SPRUSON & FERGUSON**
(71) Name(s) and Address(s) of Applicant(s):
Visa International Service Association
PO Box 8999 San Francisco California 94128 United States of America
(72) Name(s) of Designer(s): **Sonia Reed and Kenneth Sippola and Julian Schmidt**
(45) Registration Date: **30 April 2012**
(30) Convention priority data:
(31) Number (32) Date (33) Country
29/403725 10 Oct 2011 UNITED STATES OF AMERICA
(56) Related Art Documents: **Not Applicable**
(57) Statement of Newness and Distinctiveness: **Newness and distinctiveness is claimed in the features of pattern and/or ornamentation of a card as illustrated in the accompanying representations.**



- (21) Design Number: **11541/2012**
(22) Date of Filing Application: **26 March 2012**
(24) Date from which industrial property rights may have effect: **26 March 2012**
(54) Product in respect of which the design is registered: **Card**
(51) International Design Classification: **19-08**
(74) Name(s) of Attorney(s): **SPRUSON & FERGUSON**
(71) Name(s) and Address(s) of Applicant(s):
Visa International Service Association
PO Box 8999 San Francisco California 94128 United States of America
(72) Name(s) of Designer(s): **Sonia Reed and Kenneth Sippola and Julian Schmidt**
(45) Registration Date: **30 April 2012**
(30) Convention priority data:
(31) Number (32) Date (33) Country
29/403725 10 Oct 2011 UNITED STATES OF AMERICA
(56) Related Art Documents: **Not Applicable**
(57) Statement of Newness and Distinctiveness: **Newness and distinctiveness is claimed in the features of pattern and/or ornamentation of a card as illustrated in the accompanying representations.**



(21) Design Number: **11522/2012**
(22) Date of Filing Application: **26 March 2012**
(24) Date from which industrial property rights may have effect: **26 March 2012**
(54) Product in respect of which the design is registered: **Clamping device**
(51) International Design Classification: **08-05F**
(74) Name(s) of Attorney(s): **Madderns**
(71) Name(s) and Address(s) of Applicant(s):

Power Box AG
Poststrasse 6 6301 Zug Switzerland

(72) Name(s) of Designer(s): **Michael Waldron**

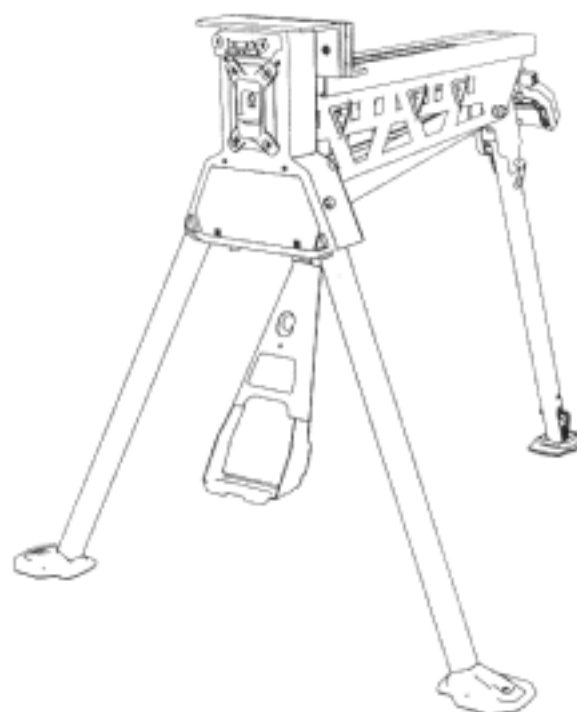
(45) Registration Date: **30 April 2012**

(30) Convention priority data:

(31) Number	(32) Date	(33) Country
002001941	02 Mar 2012	EUROPEAN COMMUNITY

(56) Related Art Documents: **Not Applicable**

(57) Statement of Newness and Distinctiveness: **Nil**



(21) Design Number: **11523/2012**
(22) Date of Filing Application: **26 March 2012**
(24) Date from which industrial property rights may have effect: **26 March 2012**
(54) Product in respect of which the design is registered: **A power saw**
(51) International Design Classification: **08-03**
(74) Name(s) of Attorney(s): **Madderns**
(71) Name(s) and Address(s) of Applicant(s):

Power Box AG
Poststrasse 6 6301 Zug Switzerland

(72) Name(s) of Designer(s): **John Hogarth**

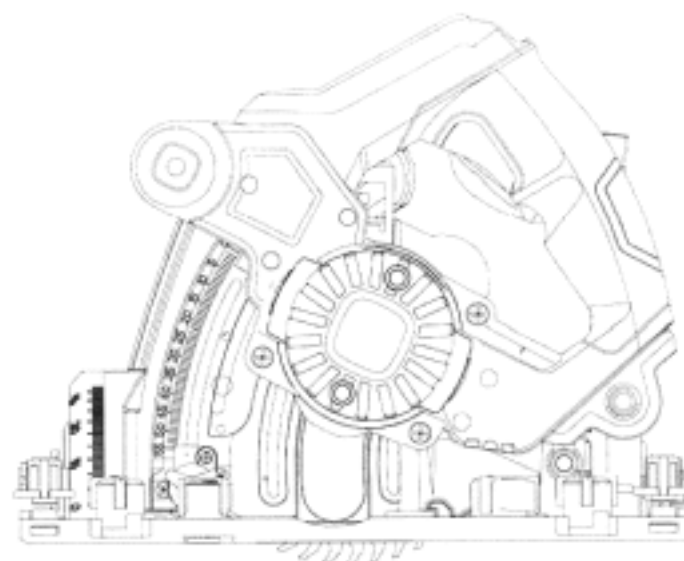
(45) Registration Date: **30 April 2012**

(30) Convention priority data:

(31) Number	(32) Date	(33) Country
002001974	02 Mar 2012	EUROPEAN COMMUNITY

(56) Related Art Documents: **Not Applicable**

(57) Statement of Newness and Distinctiveness: **Nil**



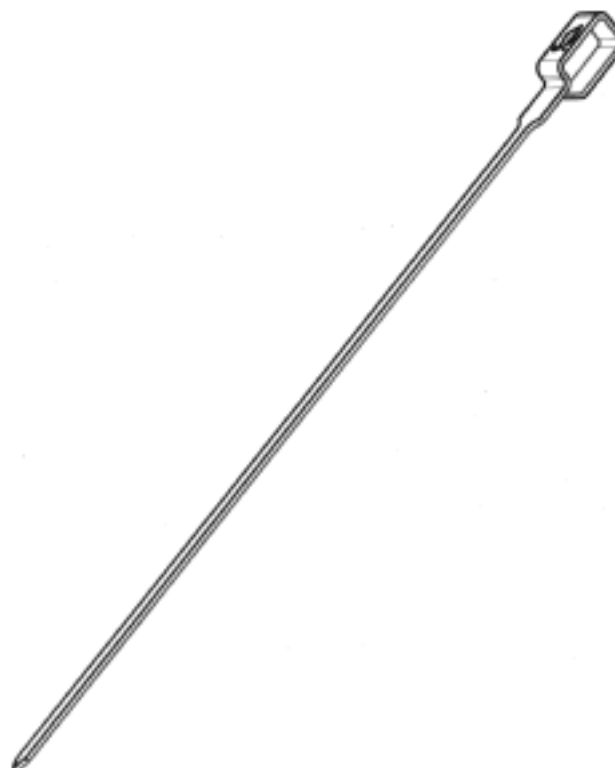
(21) Design Number: **11524/2012**
(22) Date of Filing Application: **26 March 2012**
(24) Date from which industrial property rights may have effect: **26 March 2012**
(54) Product in respect of which the design is registered: **Powered tool bit driver**
(51) International Design Classification: **08-01**
(74) Name(s) of Attorney(s): **Madderns**
(71) Name(s) and Address(s) of Applicant(s):
Power Box AG
Poststrasse 6 6301 Zug Switzerland
(72) Name(s) of Designer(s): **Michael Waldron**
(45) Registration Date: **30 April 2012**
(30) Convention priority data:
(31) Number (32) Date (33) Country
002002055 02 Mar 2012 EUROPEAN COMMUNITY
(56) Related Art Documents: **Not Applicable**
(57) Statement of Newness and Distinctiveness: **Nil**



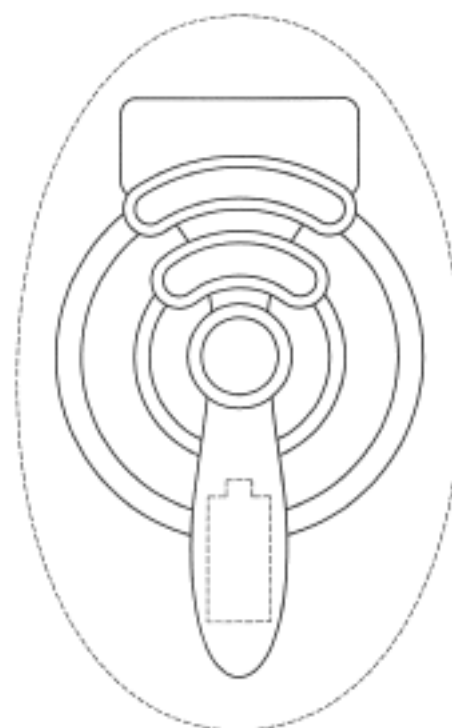
(21) Design Number: **11525/2012**
(22) Date of Filing Application: **26 March 2012**
(24) Date from which industrial property rights may have effect: **26 March 2012**
(54) Product in respect of which the design is registered: **Powered tool bit driver**
(51) International Design Classification: **08-01**
(74) Name(s) of Attorney(s): **Madderns**
(71) Name(s) and Address(s) of Applicant(s):
Power Box AG
Poststrasse 6 6301 Zug Switzerland
(72) Name(s) of Designer(s): **Michael Waldron**
(45) Registration Date: **30 April 2012**
(30) Convention priority data:
(31) Number (32) Date (33) Country
002002055 02 Mar 2012 EUROPEAN COMMUNITY
(56) Related Art Documents: **Not Applicable**
(57) Statement of Newness and Distinctiveness: **Nil**



- (21) Design Number: **11526/2012**
(22) Date of Filing Application: **27 March 2012**
(24) Date from which industrial property rights may have effect: **27 March 2012**
(54) Product in respect of which the design is registered: **Skewers**
(51) International Design Classification: **07-02NES**
(74) Name(s) of Attorney(s):
(71) Name(s) and Address(s) of Applicant(s):
Mayo Hardware Pty Ltd
34 Morley Avenue Rosebery New South Wales 2018 Australia
(72) Name(s) of Designer(s): **Barry Crone**
(45) Registration Date: **30 April 2012**
(56) Related Art Documents: **Not Applicable**
(57) Statement of Newness and Distinctiveness: **Rectangular shaped round handle.**



- (21) Design Number: **11527/2012**
(22) Date of Filing Application: **26 March 2012**
(24) Date from which industrial property rights may have effect: **26 March 2012**
(54) Product in respect of which the design is registered: **Display screen with icon**
(51) International Design Classification: **14-04**
(74) Name(s) of Attorney(s): **Halfords IP**
(71) Name(s) and Address(s) of Applicant(s):
Eveready Battery Company, Inc.
533 Maryville University Drive St Louis Missouri 63141 United States of America
(72) Name(s) of Designer(s): **Sean Lukan and Andrew Hitchcock**
(45) Registration Date: **30 April 2012**
(30) Convention priority data:
(31) Number (32) Date (33) Country
29/404128 17 Oct 2011 UNITED STATES OF AMERICA
(56) Related Art Documents: **Not Applicable**
(57) Statement of Newness and Distinctiveness: **Newness and Distinctiveness resides in the pattern and or ornamentation of a display screen with icon being as depicted in the accompanying representations. Features shown in broken line work do not form part of the design.**



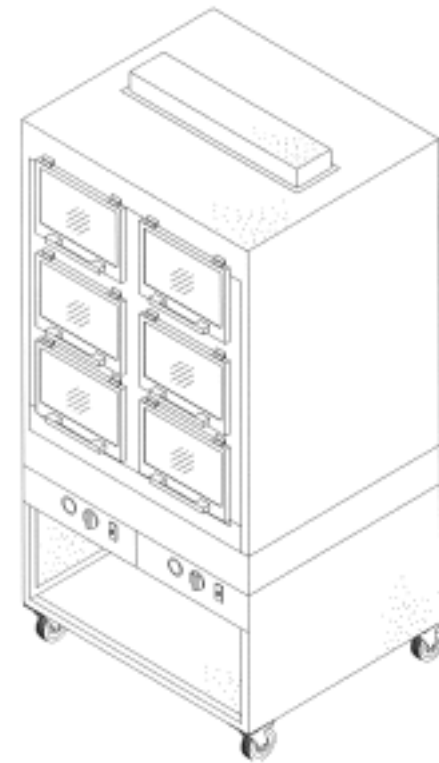
- (21) Design Number: **11912/2012**
(22) Date of Filing Application: **18 April 2012**
(24) Date from which industrial property rights may have effect: **18 April 2012**
(54) Product in respect of which the design is registered: **Panel**
(51) International Design Classification: **25-01D**
(74) Name(s) of Attorney(s):
(71) Name(s) and Address(s) of Applicant(s):
Moruya Decking and Cladding Pty Limited
25 Shelley Road Moruya Business Park Moruya New South Wales 2537
Australia
(72) Name(s) of Designer(s): **John Nader**
(45) Registration Date: **30 April 2012**
(56) Related Art Documents: **Not Applicable**
(57) Statement of Newness and Distinctiveness: **Monopoly is claimed in the shape and/or configuration of a panel of indefinite length and width as illustrated in the accompanying representations.**



- (21) Design Number: **10843/2012**
(22) Date of Filing Application: **22 February 2012**
(24) Date from which industrial property rights may have effect: **22 February 2012**
(54) Product in respect of which the design is registered: **Food storage and display cabinet**
(51) International Design Classification: **20-02C**
(74) Name(s) of Attorney(s): **Lord & Company**
(71) Name(s) and Address(s) of Applicant(s):
Y-Gen Enterprises Pty Ltd
PO Box 4513 Myaree BC Western Australia 6960 Australia
(72) Name(s) of Designer(s): **Mark Victor Keefe Fiori**
(45) Registration Date: **01 May 2012**
(56) Related Art Documents: **Not Applicable**
(57) Statement of Newness and Distinctiveness: **Nil**



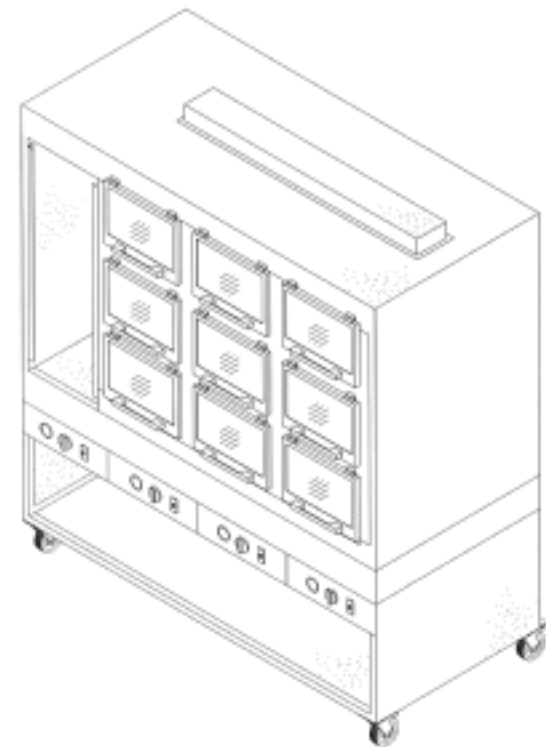
- (21) Design Number: **10844/2012**
(22) Date of Filing Application: **22 February 2012**
(24) Date from which industrial property rights may have effect: **22 February 2012**
(54) Product in respect of which the design is registered: **Food storage and display cabinet**
(51) International Design Classification: **20-02C**
(74) Name(s) of Attorney(s): **Lord & Company**
(71) Name(s) and Address(s) of Applicant(s):
Y-Gen Enterprises Pty Ltd
PO Box 4513 Myaree BC Western Australia 6960 Australia
(72) Name(s) of Designer(s): **Mark Victor Keefe Fiori**
(45) Registration Date: **01 May 2012**
(56) Related Art Documents: **Not Applicable**
(57) Statement of Newness and Distinctiveness: **Nil**



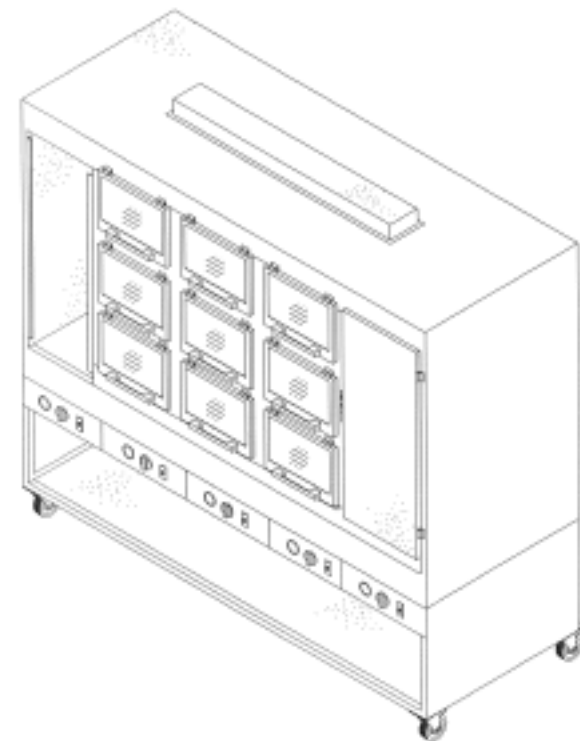
- (21) Design Number: **10845/2012**
(22) Date of Filing Application: **22 February 2012**
(24) Date from which industrial property rights may have effect: **22 February 2012**
(54) Product in respect of which the design is registered: **Food storage and display cabinet**
(51) International Design Classification: **20-02C**
(74) Name(s) of Attorney(s): **Lord & Company**
(71) Name(s) and Address(s) of Applicant(s):
Y-Gen Enterprises Pty Ltd
PO Box 4513 Myaree BC Western Australia 6960 Australia
(72) Name(s) of Designer(s): **Mark Victor Keefe Fiori**
(45) Registration Date: **01 May 2012**
(56) Related Art Documents: **Not Applicable**
(57) Statement of Newness and Distinctiveness: **Nil**



- (21) Design Number: **10846/2012**
(22) Date of Filing Application: **22 February 2012**
(24) Date from which industrial property rights may have effect: **22 February 2012**
(54) Product in respect of which the design is registered: **Food storage and display cabinet**
(51) International Design Classification: **20-02C**
(74) Name(s) of Attorney(s): **Lord & Company**
(71) Name(s) and Address(s) of Applicant(s):
Y-Gen Enterprises Pty Ltd
PO Box 4513 Myaree BC Western Australia 6960 Australia
(72) Name(s) of Designer(s): **Mark Victor Keefe Fiori**
(45) Registration Date: **01 May 2012**
(56) Related Art Documents: **Not Applicable**
(57) Statement of Newness and Distinctiveness: **Nil**



- (21) Design Number: **10847/2012**
(22) Date of Filing Application: **22 February 2012**
(24) Date from which industrial property rights may have effect: **22 February 2012**
(54) Product in respect of which the design is registered: **Food storage and display cabinet**
(51) International Design Classification: **20-02C**
(74) Name(s) of Attorney(s): **Lord & Company**
(71) Name(s) and Address(s) of Applicant(s):
Y-Gen Enterprises Pty Ltd
PO Box 4513 Myaree BC Western Australia 6960 Australia
(72) Name(s) of Designer(s): **Mark Victor Keefe Fiori**
(45) Registration Date: **01 May 2012**
(56) Related Art Documents: **Not Applicable**
(57) Statement of Newness and Distinctiveness: **Nil**



(21) Design Number: **10916/2012**
(22) Date of Filing Application: **28 February 2012**
(24) Date from which industrial property rights may have effect: **28 February 2012**
(54) Product in respect of which the design is registered: **Dental implant**
(51) International Design Classification: **24-03**
(74) Name(s) of Attorney(s): **PHILLIPS ORMONDE FITZPATRICK**
(71) Name(s) and Address(s) of Applicant(s):

Astra Tech AB
Aminogatan 1 SE-431 21 Molndal Sweden

(72) Name(s) of Designer(s): **Josef Saltell and Daniel Magnusson**

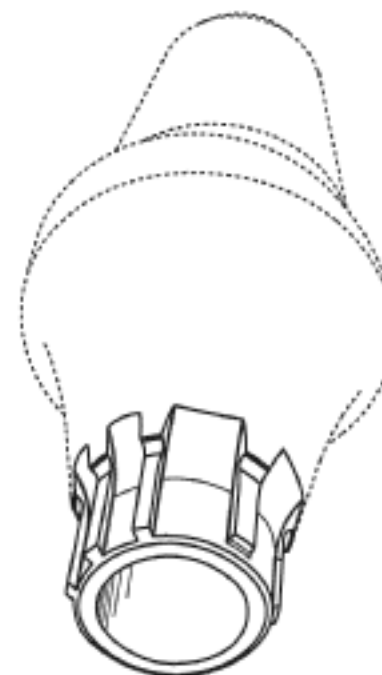
(45) Registration Date: **01 May 2012**

(30) Convention priority data:

(31) Number	(32) Date	(33) Country
001917261	14 Sep 2011	EUROPEAN COMMUNITY

(56) Related Art Documents: **Not Applicable**

(57) Statement of Newness and Distinctiveness: **Those features of the dental implant depicted in the representations that are new and distinctive are the shape and/or configuration. The features shown in broken line are not part of the design and are to be disregarded when considering the overall impression of the design.**



(21) Design Number: **10949/2012**
(22) Date of Filing Application: **01 March 2012**
(24) Date from which industrial property rights may have effect: **01 March 2012**
(54) Product in respect of which the design is registered: **Highly protective tradie pant - visible**
(51) International Design Classification: **02-02C**
(74) Name(s) of Attorney(s):
(71) Name(s) and Address(s) of Applicant(s):

Michael Foran
PO Box 1064 Kunyung Victoria 3930 Australia
Lucas Maughan
55 Walkers Road Mount Eliza Victoria 3930 Australia

(72) Name(s) of Designer(s): **Michael Foran**

(45) Registration Date: **01 May 2012**

(56) Related Art Documents: **Not Applicable**

(57) Statement of Newness and Distinctiveness: **High visibility, high UVA rated Kevlar(r) integrated work pant. Category 09 highly protective garment providing cut, burn, tear and stab resistance to the wearer. Utilises 100% knitted Kevlar(r) by DuPont integrated into the +250 GSM cotton.**



(21) Design Number: **10951/2012**

(22) Date of Filing Application: **01 March 2012**

(24) Date from which industrial property rights may have effect: **01 March 2012**

(54) Product in respect of which the design is registered: **Highly protective slip-on long sleeve workwear shirt - visible**

(51) International Design Classification: **02-02NES**

(74) Name(s) of Attorney(s):

(71) Name(s) and Address(s) of Applicant(s):

Michael Foran
PO Box 1064 Kunyung Victoria 3930 Australia
Lucas Maughan
55 Walkers Road Mount Eliza Victoria 3930 Australia

(72) Name(s) of Designer(s): **Michael Foran**

(45) Registration Date: **01 May 2012**

(56) Related Art Documents: **Not Applicable**

(57) Statement of Newness and Distinctiveness: **High visibility, high UVA rated Kevlar(r) integrated work shirt. Category 09 highly protective garment affording cut, burn, tear and stab resistance to the wearer. Utilises 100% knitted Kevlar(r) by DuPont integrated into the +250 GSM cotton.**



(21) Design Number: **10950/2012**

(22) Date of Filing Application: **01 March 2012**

(24) Date from which industrial property rights may have effect: **01 March 2012**

(54) Product in respect of which the design is registered: **Highly protective button down long sleeve shirt - visible**

(51) International Design Classification: **02-02NES**

(74) Name(s) of Attorney(s):

(71) Name(s) and Address(s) of Applicant(s):

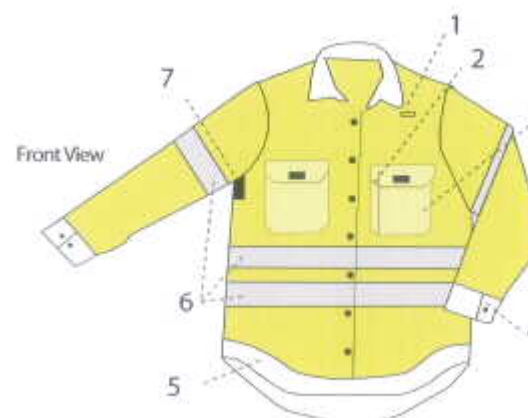
Michael Foran
PO Box 1064 Kunyung Victoria 3930 Australia
Lucas Maughan
55 Walkers Road Mount Eliza Victoria 3930 Australia

(72) Name(s) of Designer(s): **Michael Foran**

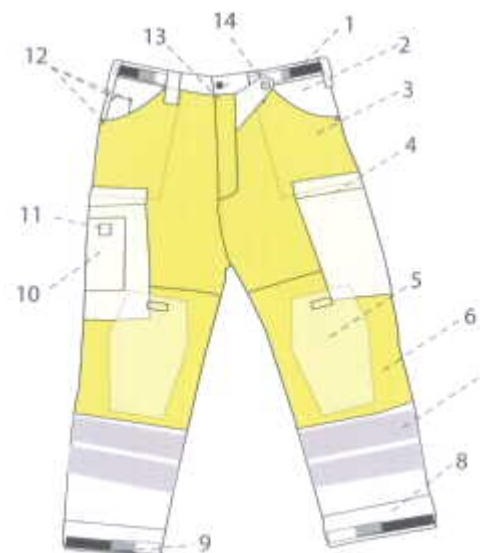
(45) Registration Date: **01 May 2012**

(56) Related Art Documents: **Not Applicable**

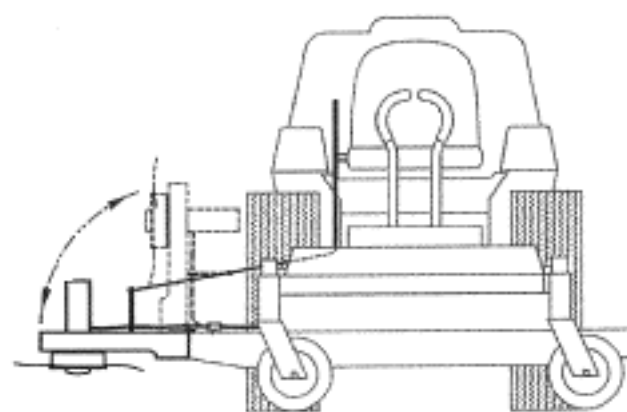
(57) Statement of Newness and Distinctiveness: **High visibility, high UVA rated Kevlar(r) integrated work shirt. Category 09 highly protective garment affording cut, burn, tear and stab resistance to the wearer. Utilises 100% knitted Kevlar(r) by DuPont integrated into the +250 GSM cotton.**



- (21) Design Number: **10952/2012**
(22) Date of Filing Application: **01 March 2012**
(24) Date from which industrial property rights may have effect: **01 March 2012**
(54) Product in respect of which the design is registered: **Highly protective miner pant - visible**
(51) International Design Classification: **02-02C**
(74) Name(s) of Attorney(s):
(71) Name(s) and Address(s) of Applicant(s):
Michael Foran
PO Box 1064 Kunyung Victoria 3930 Australia
Lucas Maughan
55 Walkers Road Mount Eliza Victoria 3930 Australia
(72) Name(s) of Designer(s): **Michael Foran**
(45) Registration Date: **01 May 2012**
(56) Related Art Documents: **Not Applicable**
(57) Statement of Newness and Distinctiveness: **High visibility, high UVA rated Kevlar(r) integrated work pant. Category 09 highly protective garment affording cut, burn, tear and stab resistance to the wearer. Utilises 100% knitted Kevlar(r) by DuPont integrated into the +250 GSM cotton.**

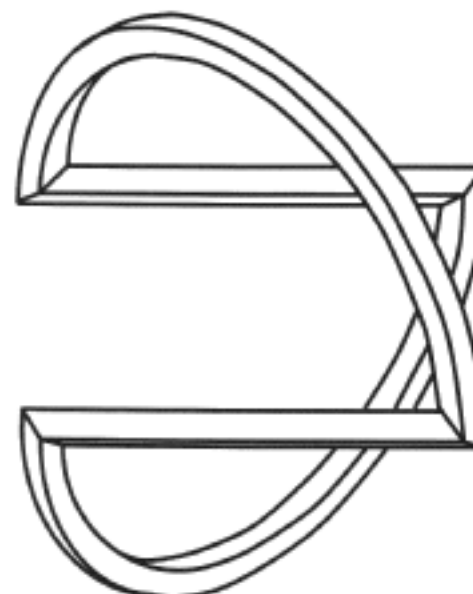


- (21) Design Number: **11661/2012**
(22) Date of Filing Application: **03 April 2012**
(24) Date from which industrial property rights may have effect: **03 April 2012**
(54) Product in respect of which the design is registered: **Electric brush cutter attachment for ride on lawn mower/ tractor**
(51) International Design Classification: **15-03B**
(74) Name(s) of Attorney(s):
(71) Name(s) and Address(s) of Applicant(s):
Michael Nassar
51 Wangie Street Cooma New South Wales 2630 Australia
(72) Name(s) of Designer(s): **Michael Nassar**
(45) Registration Date: **01 May 2012**
(56) Related Art Documents: **Not Applicable**
(57) Statement of Newness and Distinctiveness: **My electric brush cutter attachment can lift and lower 90 degrees by a cable and lever mechanism. The design of the unit has only 180 degree of the cutting line exposed the other 180 degree is behind a safety guard.**

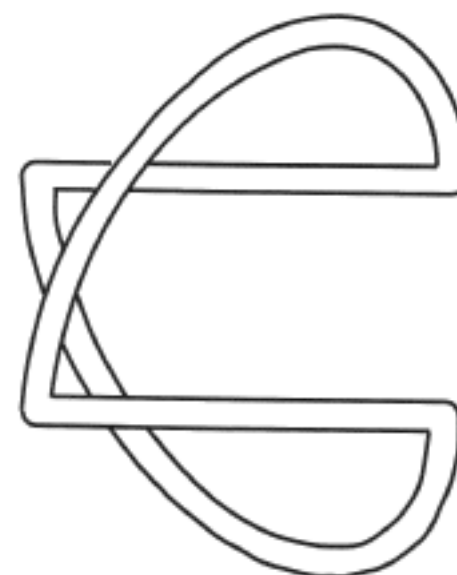


SIDE VIEW
NTS

- (21) Design Number: **11682/2012**
(22) Date of Filing Application: **03 April 2012**
(24) Date from which industrial property rights may have effect: **03 April 2012**
(54) Product in respect of which the design is registered: **A rolling toy**
(51) International Design Classification: **21-01NES**
(74) Name(s) of Attorney(s):
(71) Name(s) and Address(s) of Applicant(s):
John Reeves Taylor
6 Hillview Street Dulwich South Australia 5065 Australia
(72) Name(s) of Designer(s): **John Reeves Taylor**
(45) Registration Date: **01 May 2012**
(56) Related Art Documents: **Not Applicable**
(57) Statement of Newness and Distinctiveness: **Newness and distinctiveness of the design reside in the shape and/or cross section and/or configuration of the toy as shown in the accompanying representations.**



- (21) Design Number: **11683/2012**
(22) Date of Filing Application: **03 April 2012**
(24) Date from which industrial property rights may have effect: **03 April 2012**
(54) Product in respect of which the design is registered: **A rolling toy**
(51) International Design Classification: **21-01NES**
(74) Name(s) of Attorney(s):
(71) Name(s) and Address(s) of Applicant(s):
John Reeves Taylor
6 Hillview Street Dulwich South Australia 5065 Australia
(72) Name(s) of Designer(s): **John Reeves Taylor**
(45) Registration Date: **01 May 2012**
(56) Related Art Documents: **Not Applicable**
(57) Statement of Newness and Distinctiveness: **Newness and distinctiveness of the design reside in the shape and/or cross section and/or configuration of the toy as shown in the accompanying representations.**



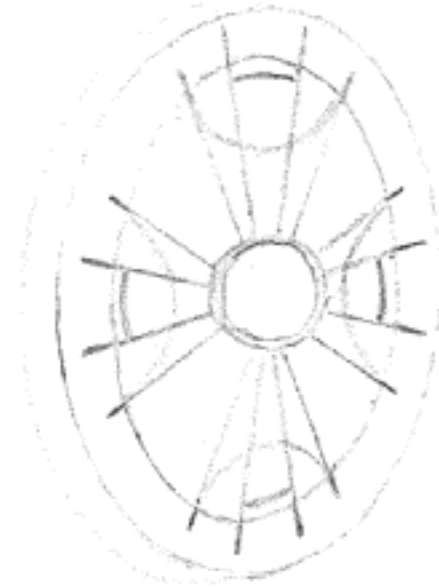
- (21) Design Number: **11687/2012**
(22) Date of Filing Application: **02 April 2012**
(24) Date from which industrial property rights may have effect: **02 April 2012**
(54) Product in respect of which the design is registered: **Fairy bed**
(51) International Design Classification: **06-02**
(74) Name(s) of Attorney(s):
(71) Name(s) and Address(s) of Applicant(s):
Funky Theme Kids Beds Pty Ltd
PO Box 85 Quinns Rocks Western Australia 6030 Australia
(72) Name(s) of Designer(s): **Anne-Marie Bevis**
(45) Registration Date: **01 May 2012**
(56) Related Art Documents: **Not Applicable**
(57) Statement of Newness and Distinctiveness: **This is the Side Panel and Front Panel of Bed. The shape of Side Panel is new along with design of Side Panel and Front Panel of Bed.**



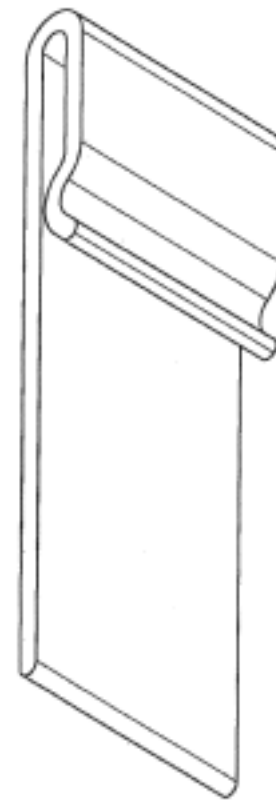
- (21) Design Number: **11689/2012**
(22) Date of Filing Application: **02 April 2012**
(24) Date from which industrial property rights may have effect: **02 April 2012**
(54) Product in respect of which the design is registered: **Fairy bed**
(51) International Design Classification: **06-02**
(74) Name(s) of Attorney(s):
(71) Name(s) and Address(s) of Applicant(s):
Funky Theme Kids Beds Pty Ltd
PO Box 85 Quinns Rocks Western Australia 6030 Australia
(72) Name(s) of Designer(s): **Anne-Marie Bevis**
(45) Registration Date: **01 May 2012**
(56) Related Art Documents: **Not Applicable**
(57) Statement of Newness and Distinctiveness: **This is the Side Panel and Front Panel of Bed. The shape of Side Panel is new along with design of Side Panel and Front Panel of Bed.**



- (21) Design Number: **11709/2012**
(22) Date of Filing Application: **05 April 2012**
(24) Date from which industrial property rights may have effect: **05 April 2012**
(54) Product in respect of which the design is registered: **Footy dart board game**
(51) International Design Classification: **21-01H**
(74) Name(s) of Attorney(s):
(71) Name(s) and Address(s) of Applicant(s):
Darren Jamieson
1 Crisp Road Elizabeth Downs South Australia 5113 Australia
(72) Name(s) of Designer(s): **Darren Jamieson**
(45) Registration Date: **01 May 2012**
(56) Related Art Documents: **Not Applicable**
(57) Statement of Newness and Distinctiveness: **New-distinctive, with wire change from normal dart board; goals & points added - attached drawing.**



- (21) Design Number: **10773/2012**
(22) Date of Filing Application: **17 February 2012**
(24) Date from which industrial property rights may have effect: **17 February 2012**
(54) Product in respect of which the design is registered: **A gutter spacer**
(51) International Design Classification: **08-08B, 23-01L**
(74) Name(s) of Attorney(s): **Griffith Hack**
(71) Name(s) and Address(s) of Applicant(s):
BLUESCOPE STEEL LIMITED
Level 11 120 Collins Street Melbourne Victoria 3000 Australia
(72) Name(s) of Designer(s): **Rod Gallaty**
(45) Registration Date: **01 May 2012**
(56) Related Art Documents: **Not Applicable**
(57) Statement of Newness and Distinctiveness: **The shape and configuration of a gutter spacer is new and distinctive.**



(21) Design Number: **11486/2012**

(22) Date of Filing Application: **22 March 2012**

(24) Date from which industrial property rights may have effect: **22 March 2012**

(54) Product in respect of which the design is registered: **Jewellery setting**

(51) International Design Classification: **11-01NES**

(74) Name(s) of Attorney(s): **Wadeson**

(71) Name(s) and Address(s) of Applicant(s):

Shishir Balkrishna Nevatia
102/103 SDF IV S.E.E.P.Z. Andheri (e) Mumbai 400093 Maharashtra State
India

(72) Name(s) of Designer(s): **Shishir Balkrishna Nevatia**

(45) Registration Date: **01 May 2012**

(30) Convention priority data:

(31) Number	(32) Date	(33) Country
243885	15 Mar 2012	INDIA

(56) Related Art Documents: **Not Applicable**

(57) Statement of Newness and Distinctiveness: **Nil**



(21) Design Number: **11497/2012**

(22) Date of Filing Application: **22 March 2012**

(24) Date from which industrial property rights may have effect: **22 March 2012**

(54) Product in respect of which the design is registered: **Jewellery setting**

(51) International Design Classification: **11-01NES**

(74) Name(s) of Attorney(s): **Wadeson**

(71) Name(s) and Address(s) of Applicant(s):

Shishir Balkrishna Nevatia
102/103 SDF IV S.E.E.P.Z. Andheri (e) Mumbai 400093 Maharashtra State
India

(72) Name(s) of Designer(s): **Shishir Balkrishna Nevatia**

(45) Registration Date: **01 May 2012**

(30) Convention priority data:

(31) Number	(32) Date	(33) Country
243965	20 Mar 2012	INDIA

(56) Related Art Documents: **Not Applicable**

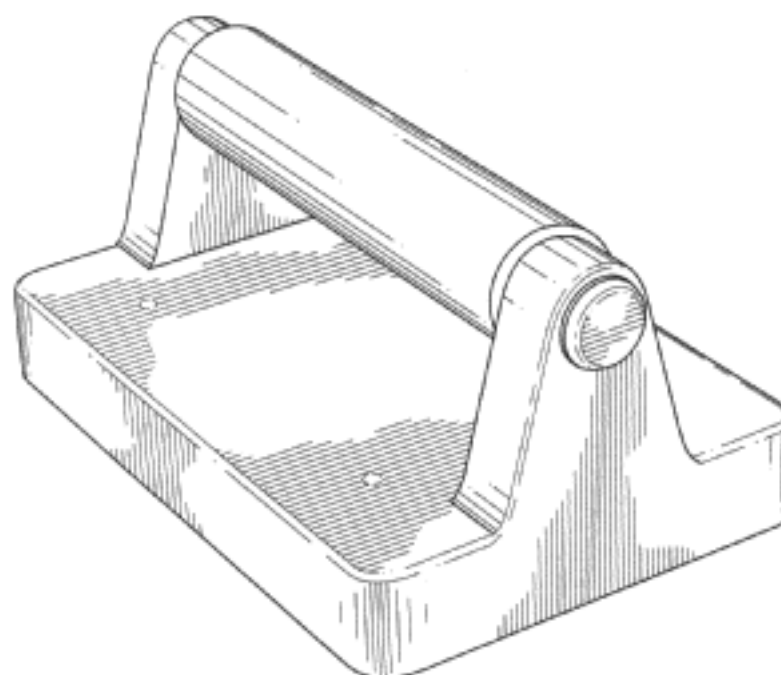
(57) Statement of Newness and Distinctiveness: **Nil**



(21) Design Number: **11498/2012**
(22) Date of Filing Application: **22 March 2012**
(24) Date from which industrial property rights may have effect: **22 March 2012**
(54) Product in respect of which the design is registered: **Jewellery setting**
(51) International Design Classification: **11-01NES**
(74) Name(s) of Attorney(s): **Wadeson**
(71) Name(s) and Address(s) of Applicant(s):
Shishir Balkrishna Nevatia
102/103 SDF IV S.E.E.P.Z. Andheri (e) Mumbai 400093 Maharashtra State
India
(72) Name(s) of Designer(s): **Shishir Balkrishna Nevatia**
(45) Registration Date: **01 May 2012**
(30) Convention priority data:
(31) Number (32) Date (33) Country
243882 15 Mar 2012 INDIA
(56) Related Art Documents: **Not Applicable**
(57) Statement of Newness and Distinctiveness: **Nil**



(21) Design Number: **11510/2012**
(22) Date of Filing Application: **23 March 2012**
(24) Date from which industrial property rights may have effect: **23 March 2012**
(54) Product in respect of which the design is registered: **Upper body exercise device**
(51) International Design Classification: **21-02F**
(74) Name(s) of Attorney(s):
(71) Name(s) and Address(s) of Applicant(s):
Meant-2-Move LLC
Unit 210 7751 Southampton Terrace Florida 33321 United States of
America
(72) Name(s) of Designer(s): **Justin B. Meininer and Steven J. Miller**
(45) Registration Date: **01 May 2012**
(30) Convention priority data:
(31) Number (32) Date (33) Country
29/403,519 06 Oct 2011 UNITED STATES OF AMERICA
(56) Related Art Documents: **Not Applicable**
(57) Statement of Newness and Distinctiveness: **Nil**



(21) Design Number: **11576/2012**
(22) Date of Filing Application: **29 March 2012**
(24) Date from which industrial property rights may have effect: **29 March 2012**
(54) Product in respect of which the design is registered: **Steam generator for iron**
(51) International Design Classification: **07-05A**
(74) Name(s) of Attorney(s): **IP Gateway Patent & Trademark Attorneys**
(71) Name(s) and Address(s) of Applicant(s):

LauraStar S.A.
Route de Pra de Plan 18 CH-1618 Chatel-St-Denis Switzerland

(72) Name(s) of Designer(s): **Antoine Cahen**

(45) Registration Date: **01 May 2012**

(30) Convention priority data:

(31) Number	(32) Date	(33) Country
DM/077 182	21 Oct 2011	WORLD INTELLECTUAL PROPERTY ORGANIZATION (WIPO)

(56) Related Art Documents: **Not Applicable**

(57) Statement of Newness and Distinctiveness: **The newness and distinctiveness of the design resides in the visual features of shape and/or configuration of a steam generator for an iron as shown in the accompanying representations.**



(21) Design Number: **11578/2012**
(22) Date of Filing Application: **28 March 2012**
(24) Date from which industrial property rights may have effect: **28 March 2012**
(54) Product in respect of which the design is registered: **Packaging product**
(51) International Design Classification: **09-03M**
(74) Name(s) of Attorney(s): **FB Rice**
(71) Name(s) and Address(s) of Applicant(s):

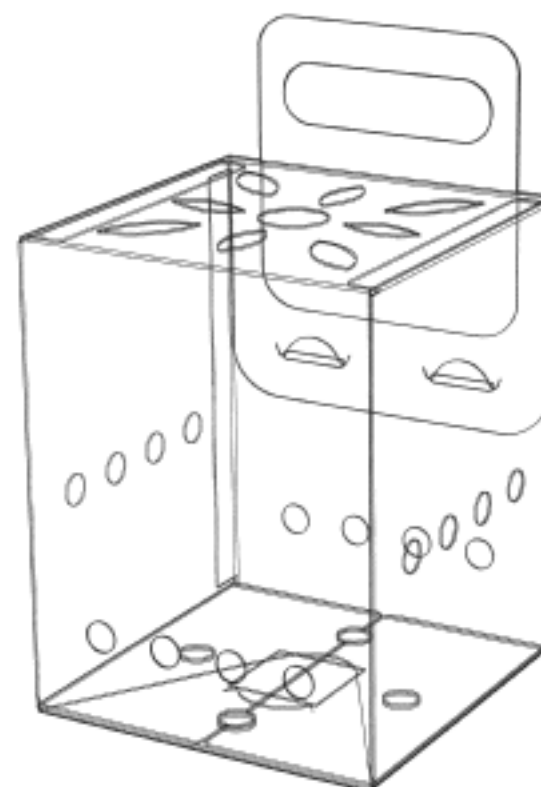
Holman Fresh Pty Ltd
6/2 Sommerville Road Yarraville Victoria 3013 Australia

(72) Name(s) of Designer(s): **Gerome Raco**

(45) Registration Date: **01 May 2012**

(56) Related Art Documents: **Not Applicable**

(57) Statement of Newness and Distinctiveness: **Newness and distinctiveness resides in the features of the air vents and mount as applied to the packaging, as shown in the accompanying representations.**



(21) Design Number: **11579/2012**
(22) Date of Filing Application: **28 March 2012**
(24) Date from which industrial property rights may have effect: **28 March 2012**
(54) Product in respect of which the design is registered: **Glove**
(51) International Design Classification: **02-06**
(74) Name(s) of Attorney(s): **Shelston IP**
(71) Name(s) and Address(s) of Applicant(s):
totes Isotoner Corporation
9655 International Blvd Cincinnati Ohio 45246-5658 United States of America
(72) Name(s) of Designer(s): **Michelle Renee Hatfield and Tina Bartman Cornish and Douglas Flatt**
(45) Registration Date: **01 May 2012**
(30) Convention priority data:
(31) Number (32) Date (33) Country
29/403819 11 Oct 2011 UNITED STATES OF AMERICA
(56) Related Art Documents: **Not Applicable**
(57) Statement of Newness and Distinctiveness: **Newness and distinctiveness reside in the features of shape and/or configuration of a GLOVE as illustrated in solid lines in the accompanying representations. The features shown in broken or discontinuous lines do not form part of the design.**



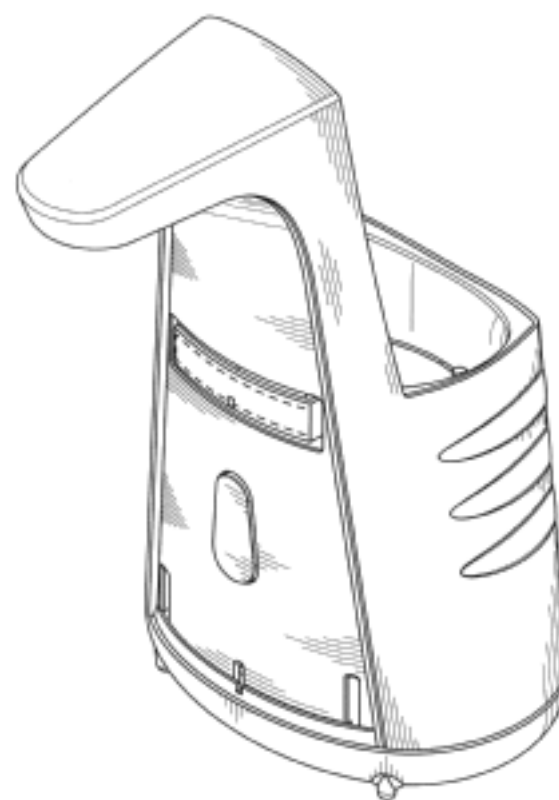
(21) Design Number: **11613/2012**
(22) Date of Filing Application: **30 March 2012**
(24) Date from which industrial property rights may have effect: **30 March 2012**
(54) Product in respect of which the design is registered: **A spectacle holder**
(51) International Design Classification: **02-07C**
(74) Name(s) of Attorney(s): **Henry Hughes Ltd**
(71) Name(s) and Address(s) of Applicant(s):
Ivan William McNicholl
7a Gurney Road Lower Hutt Wellington 5010 New Zealand
(72) Name(s) of Designer(s): **Ivan William McNicholl**
(45) Registration Date: **01 May 2012**
(30) Convention priority data:
(31) Number (32) Date (33) Country
415385 05 Oct 2011 NEW ZEALAND
(56) Related Art Documents: **Not Applicable**
(57) Statement of Newness and Distinctiveness: **Nil**



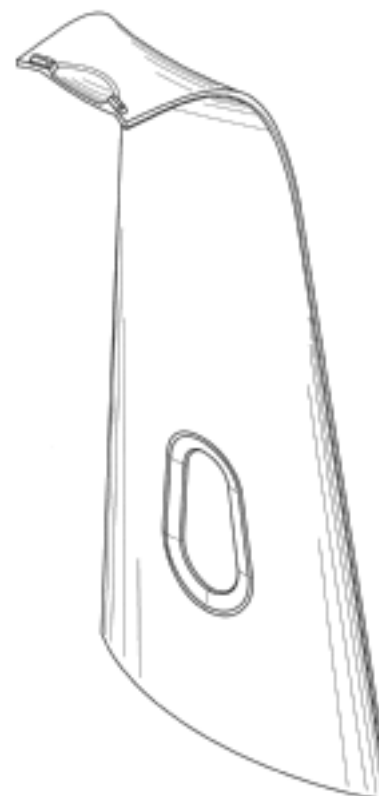
(21) Design Number: **11614/2012**
(22) Date of Filing Application: **29 March 2012**
(24) Date from which industrial property rights may have effect: **29 March 2012**
(54) Product in respect of which the design is registered: **Ball**
(51) International Design Classification: **21-02A**
(74) Name(s) of Attorney(s): **PIZZEYS**
(71) Name(s) and Address(s) of Applicant(s):
Waboba Ltd
RM 1702 17/F Asian House 1 Hennessy Road Wanchai Hong Kong
(72) Name(s) of Designer(s): **Jan von Heland**
(45) Registration Date: **01 May 2012**
(56) Related Art Documents: **Not Applicable**
(57) Statement of Newness and Distinctiveness: **Nil**



(21) Design Number: **11624/2012**
(22) Date of Filing Application: **29 March 2012**
(24) Date from which industrial property rights may have effect: **29 March 2012**
(54) Product in respect of which the design is registered: **Dispensing device (without skin)**
(51) International Design Classification: **09-01NES**
(74) Name(s) of Attorney(s): **Shelston IP**
(71) Name(s) and Address(s) of Applicant(s):
Reckitt Benckiser LLC
Morris Corporate Center IV 399 Interpace Parkway Parsippany New Jersey 07054 United States of America
(72) Name(s) of Designer(s): **Richard Brian Clough and Jesse DeIGigante and Peter Kay and Christopher Leonard Padain and Clive John Southernwood and Stephanie Anne Marije Verschoor**
(45) Registration Date: **01 May 2012**
(30) Convention priority data:
(31) Number (32) Date (33) Country
001927971-0001 06 Oct 2011 EUROPEAN COMMUNITY
(56) Related Art Documents: **Not Applicable**
(57) Statement of Newness and Distinctiveness: **Newness and distinctiveness resides in the features of shape and configuration of the dispensing device (without skin) as shown in the accompanying representations.**



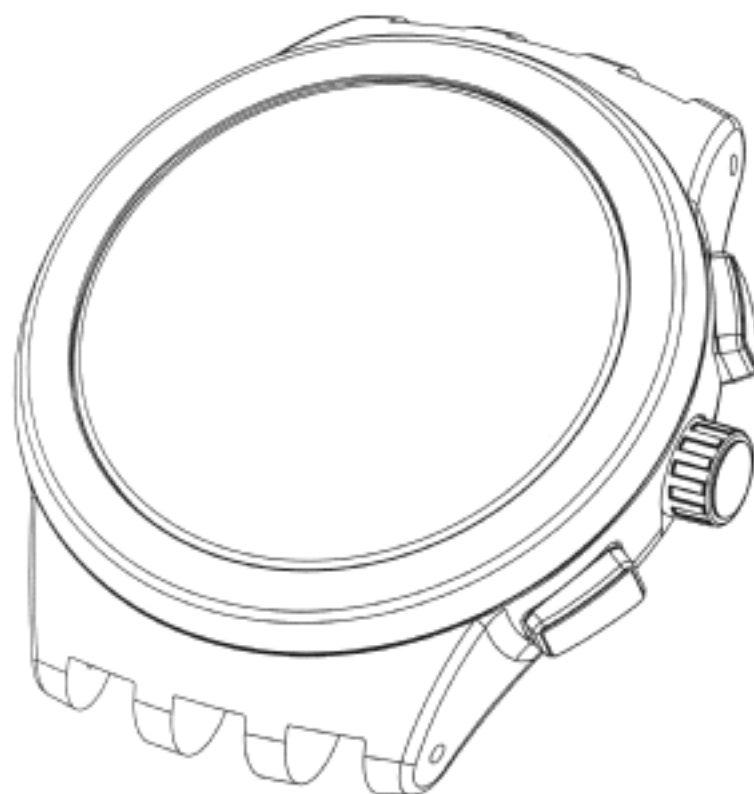
- (21) Design Number: **11625/2012**
(22) Date of Filing Application: **29 March 2012**
(24) Date from which industrial property rights may have effect: **29 March 2012**
(54) Product in respect of which the design is registered: **(part of) dispensing device**
(51) International Design Classification: **09-01NES**
(74) Name(s) of Attorney(s): **Shelston IP**
(71) Name(s) and Address(s) of Applicant(s):
Reckitt Benckiser LLC
Morris Corporate Center IV 399 Interpace Parkway Parsippany New Jersey 07054 United States of America
(72) Name(s) of Designer(s): **Richard Brian Clough and Jesse DelGigante and Peter Kay and Christopher Leonard Padain and Clive John Southernwood and Stephanie Anne Marije Verschoor**
(45) Registration Date: **01 May 2012**
(30) Convention priority data:
(31) Number (32) Date (33) Country
001927971-0002 06 Oct 2011 EUROPEAN COMMUNITY
(56) Related Art Documents: **Not Applicable**
(57) Statement of Newness and Distinctiveness: **Newness and distinctiveness resides in the shape and configuration of the part of a dispensing device as shown in the accompanying representations.**



- (21) Design Number: **11640/2012**
(22) Date of Filing Application: **29 March 2012**
(24) Date from which industrial property rights may have effect: **29 March 2012**
(54) Product in respect of which the design is registered: **Insect repellent clip packaging**
(51) International Design Classification: **22-06, 09-03NES**
(74) Name(s) of Attorney(s): **James & Wells Intellectual Property**
(71) Name(s) and Address(s) of Applicant(s):
Evergreen Land Limited
Unit 1A 20/F Far East Consortium Bld 121 Des Voeux Road Central Hong Kong Hong Kong
(72) Name(s) of Designer(s): **Olivier Partrat**
(45) Registration Date: **01 May 2012**
(56) Related Art Documents: **Not Applicable**
(57) Statement of Newness and Distinctiveness: **The design is to be applied to an Insect Repellent Clip Packaging, and the novelty resides in features of shape and configuration as shown in the accompanying representations. Novelty is disclaimed in the parts marked with blue wash and the pattern and ornamentation of the article.**



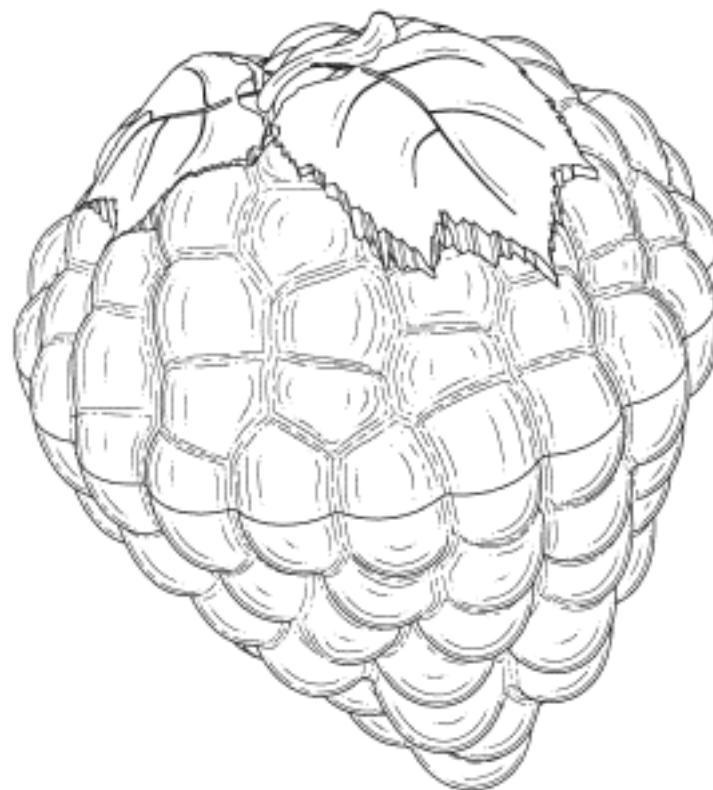
(21) Design Number: **11642/2012**
(22) Date of Filing Application: **02 April 2012**
(24) Date from which industrial property rights may have effect: **02 April 2012**
(54) Product in respect of which the design is registered: **Watchcase**
(51) International Design Classification: **10-07**
(74) Name(s) of Attorney(s): **WATERMARK PATENT AND TRADE MARKS ATTORNEYS**
(71) Name(s) and Address(s) of Applicant(s):
Swatch AG (Swatch SA) (Swatch Ltd)
94 rue Jakob Stampfli Bienne Switzerland
(72) Name(s) of Designer(s): **Alphonse Arellano**
(45) Registration Date: **01 May 2012**
(30) Convention priority data:
(31) Number (32) Date (33) Country
DM/076 901 05 Oct 2011 SWITZERLAND
(56) Related Art Documents: **Not Applicable**
(57) Statement of Newness and Distinctiveness: **Nil**



(21) Design Number: **11644/2012**
(22) Date of Filing Application: **30 March 2012**
(24) Date from which industrial property rights may have effect: **30 March 2012**
(54) Product in respect of which the design is registered: **Container**
(51) International Design Classification: **07-01NES**
(74) Name(s) of Attorney(s): **FB Rice**
(71) Name(s) and Address(s) of Applicant(s):
Hutzler Manufacturing Co., Inc.
4 Grace Way Canaan Connecticut 06018 United States of America
(72) Name(s) of Designer(s): **Richard Ehrenhaus**
(45) Registration Date: **01 May 2012**
(30) Convention priority data:
(31) Number (32) Date (33) Country
29/415515 12 Mar 2012 UNITED STATES OF AMERICA
(56) Related Art Documents: **Not Applicable**
(57) Statement of Newness and Distinctiveness: **Newness and distinctiveness reside in the features of the design as shown in the representations.**



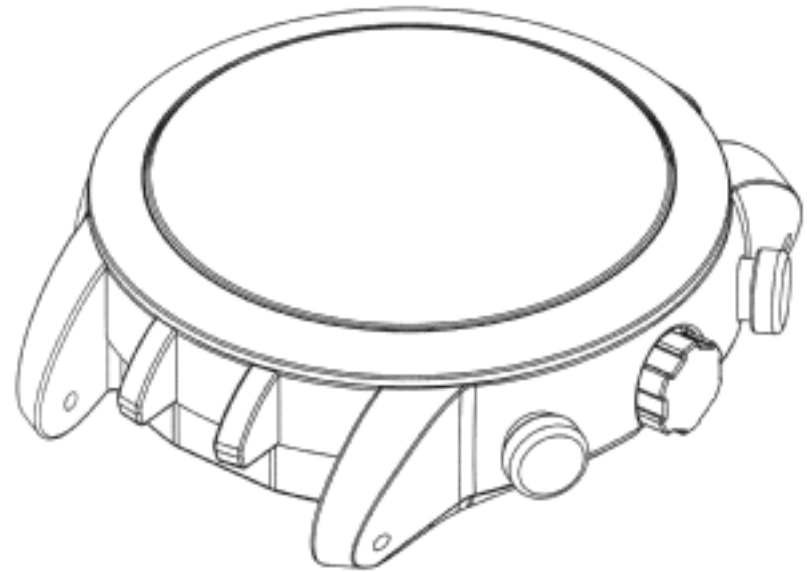
(21) Design Number: **11645/2012**
(22) Date of Filing Application: **30 March 2012**
(24) Date from which industrial property rights may have effect: **30 March 2012**
(54) Product in respect of which the design is registered: **Container**
(51) International Design Classification: **07-01NES, 09-01D**
(74) Name(s) of Attorney(s): **FB Rice**
(71) Name(s) and Address(s) of Applicant(s):
Hutzler Manufacturing Co., Inc.
4 Grace Way Canaan Connecticut 06018 United States of America
(72) Name(s) of Designer(s): **Richard Ehrenhaus**
(45) Registration Date: **01 May 2012**
(30) Convention priority data:
(31) Number (32) Date (33) Country
29/415505 12 Mar 2012 UNITED STATES OF AMERICA
(56) Related Art Documents: **Not Applicable**
(57) Statement of Newness and Distinctiveness: **Newness and distinctiveness reside in the features of the design as shown in the representations.**



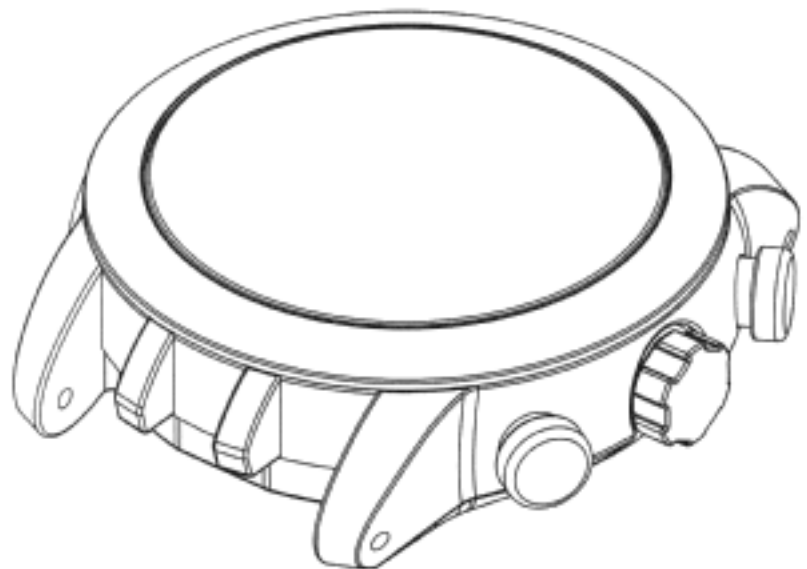
(21) Design Number: **11646/2012**
(22) Date of Filing Application: **29 March 2012**
(24) Date from which industrial property rights may have effect: **29 March 2012**
(54) Product in respect of which the design is registered: **Insect repellent band packaging**
(51) International Design Classification: **09-03NES, 11-01C**
(74) Name(s) of Attorney(s): **James & Wells Intellectual Property**
(71) Name(s) and Address(s) of Applicant(s):
Evergreen Land Limited
Unit 1A 20/F Far East Consortium Bld 121 Des Voeux Road Central Hong Kong Hong Kong
(72) Name(s) of Designer(s): **Olivier Partrat**
(45) Registration Date: **01 May 2012**
(56) Related Art Documents: **Not Applicable**
(57) Statement of Newness and Distinctiveness: **The design is to be applied to an Insect Repellent Band Packaging, and the novelty resides in features of shape and configuration as shown in the representations. Novelty is disclaimed in the parts marked with blue wash and the pattern and ornamentation of the article.**



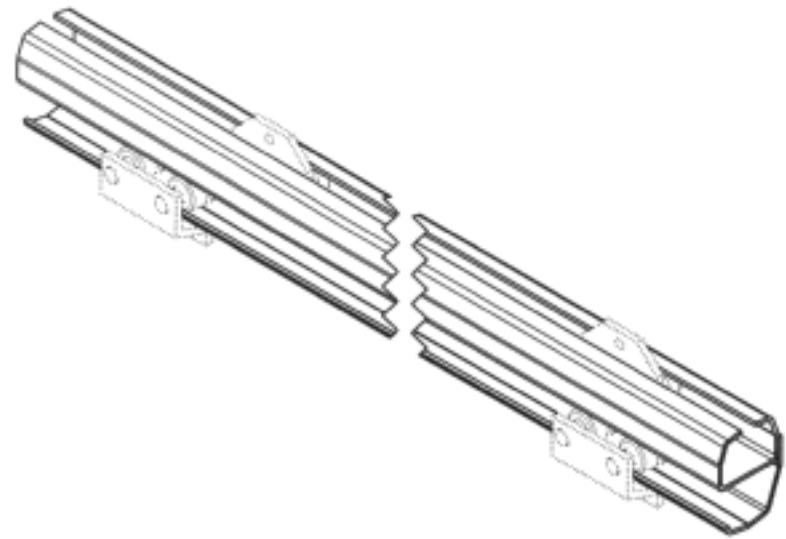
(21) Design Number: **11647/2012**
(22) Date of Filing Application: **02 April 2012**
(24) Date from which industrial property rights may have effect: **02 April 2012**
(54) Product in respect of which the design is registered: **Watchcase**
(51) International Design Classification: **10-07**
(74) Name(s) of Attorney(s): **WATERMARK PATENT AND TRADE MARKS ATTORNEYS**
(71) Name(s) and Address(s) of Applicant(s):
Swatch A.G. (Swatch S.A.) (Swatch Ltd)
94 rue Jakob Stampfli Bienne Switzerland
(72) Name(s) of Designer(s): **Emmanuel Dietrich**
(45) Registration Date: **01 May 2012**
(30) Convention priority data:
(31) Number (32) Date (33) Country
DM/076 929 14 Oct 2011 SWITZERLAND
(56) Related Art Documents: **Not Applicable**
(57) Statement of Newness and Distinctiveness: **Nil**



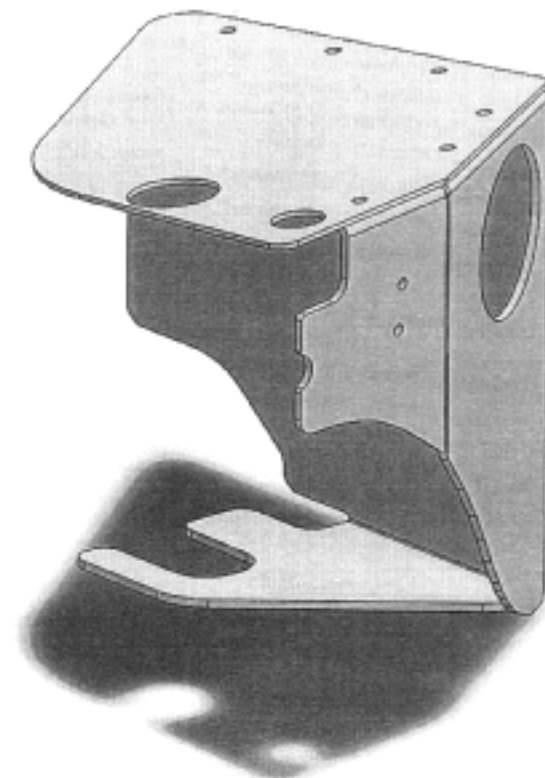
(21) Design Number: **11648/2012**
(22) Date of Filing Application: **02 April 2012**
(24) Date from which industrial property rights may have effect: **02 April 2012**
(54) Product in respect of which the design is registered: **Watchcase**
(51) International Design Classification: **10-07**
(74) Name(s) of Attorney(s): **WATERMARK PATENT AND TRADE MARKS ATTORNEYS**
(71) Name(s) and Address(s) of Applicant(s):
Swatch A.G. (Swatch S.A.) (Swatch Ltd)
94 rue Jakob Stampfli Bienne Switzerland
(72) Name(s) of Designer(s): **Emmanuel Dietrich**
(45) Registration Date: **01 May 2012**
(30) Convention priority data:
(31) Number (32) Date (33) Country
DM/076 929 14 Oct 2011 SWITZERLAND
(56) Related Art Documents: **Not Applicable**
(57) Statement of Newness and Distinctiveness: **Nil**



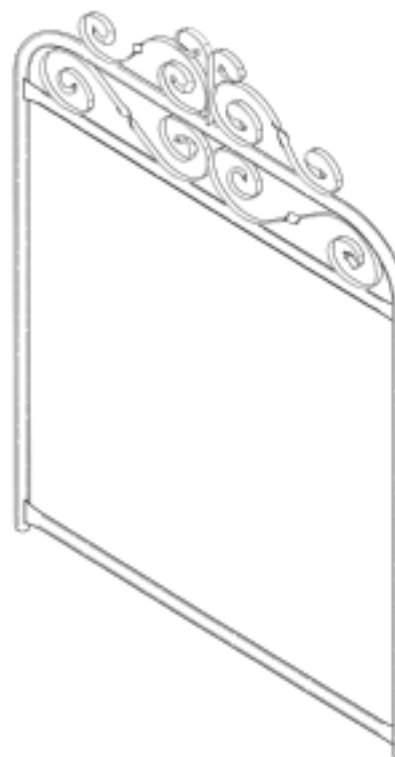
- (21) Design Number: **11651/2012**
(22) Date of Filing Application: **30 March 2012**
(24) Date from which industrial property rights may have effect: **30 March 2012**
(54) Product in respect of which the design is registered: **A rail for a suspended rail system**
(51) International Design Classification: **25-01NES**
(74) Name(s) of Attorney(s):
(71) Name(s) and Address(s) of Applicant(s):
Antony Scott
12 Satinwood Court Caves Beach New South Wales 2281 Australia
(72) Name(s) of Designer(s): **Antony Scott**
(45) Registration Date: **01 May 2012**
(56) Related Art Documents: **Not Applicable**
(57) Statement of Newness and Distinctiveness: **The rail shown in the accompanying representations of the design is of indefinite length. In considering the extent of monopoly protection the features shown in phantom outline in the accompanying representations are to be disregarded.**



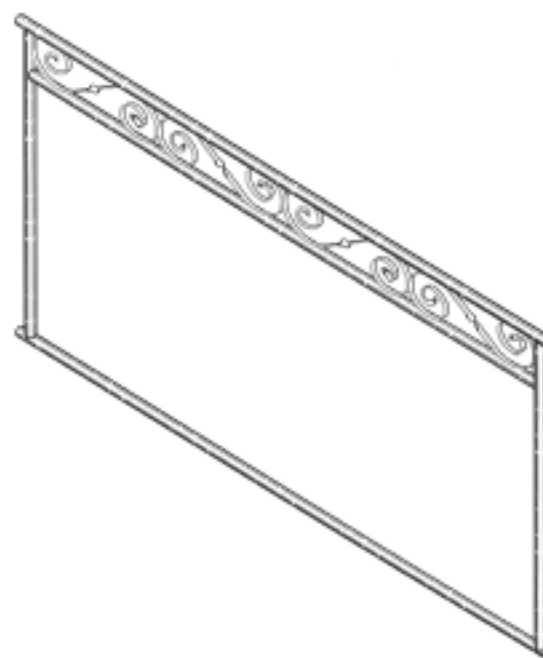
- (21) Design Number: **11652/2012**
(22) Date of Filing Application: **02 April 2012**
(24) Date from which industrial property rights may have effect: **02 April 2012**
(54) Product in respect of which the design is registered: **Ford motor vehicle air intake**
(51) International Design Classification: **12-16NES**
(74) Name(s) of Attorney(s):
(71) Name(s) and Address(s) of Applicant(s):
Mace Engineering Group
1A East Court Lalor Victoria 3075 Australia
(72) Name(s) of Designer(s): **Steven Angelovski**
(45) Registration Date: **01 May 2012**
(56) Related Art Documents: **Not Applicable**
(57) Statement of Newness and Distinctiveness: **The uniqueness is within the shape and form.**



- (21) Design Number: **11654/2012**
(22) Date of Filing Application: **30 March 2012**
(24) Date from which industrial property rights may have effect: **30 March 2012**
(54) Product in respect of which the design is registered: **Gate frame**
(51) International Design Classification: **25-02C**
(74) Name(s) of Attorney(s): **Cotters Patent & Trade Mark Attorneys**
(71) Name(s) and Address(s) of Applicant(s):
Paul Andrew Disher
PO Box 4053 Nemingha New South Wales 2340 Australia
(72) Name(s) of Designer(s): **Paul Andrew Disher**
(45) Registration Date: **01 May 2012**
(56) Related Art Documents: **Not Applicable**
(57) Statement of Newness and Distinctiveness: **Newness and distinctiveness is claimed in the features of shape and/or configuration of the scroll ornaments of a gate frame as depicted in the accompanying drawings.**



- (21) Design Number: **11655/2012**
(22) Date of Filing Application: **30 March 2012**
(24) Date from which industrial property rights may have effect: **30 March 2012**
(54) Product in respect of which the design is registered: **Fence panel frame**
(51) International Design Classification: **25-02C**
(74) Name(s) of Attorney(s): **Cotters Patent & Trade Mark Attorneys**
(71) Name(s) and Address(s) of Applicant(s):
Paul Andrew Disher
PO Box 4053 Nemingha New South Wales 2340 Australia
(72) Name(s) of Designer(s): **Paul Andrew Disher**
(45) Registration Date: **01 May 2012**
(56) Related Art Documents: **Not Applicable**
(57) Statement of Newness and Distinctiveness: **Newness and distinctiveness is claimed in the features of shape and/or configuration of the scroll ornaments of a fence panel frame as depicted in the accompanying drawings.**



(21) Design Number: **11656/2012**

(22) Date of Filing Application: **29 March 2012**

(24) Date from which industrial property rights may have effect: **29 March 2012**

(54) Product in respect of which the design is registered: **Insect repellent refill tablet**

(51) International Design Classification: **22-06**

(74) Name(s) of Attorney(s): **James & Wells Intellectual Property**

(71) Name(s) and Address(s) of Applicant(s):

Evergreen Land Limited
Unit 1A 20/F Far East Consortium Bld 121 Des Voeux Road Central Hong Kong Hong Kong

(72) Name(s) of Designer(s): **Olivier Partrat**

(45) Registration Date: **01 May 2012**

(56) Related Art Documents: **Not Applicable**

(57) Statement of Newness and Distinctiveness: **The design is to be applied to an insect repellent tablet, and the novelty resides in features of shape and configuration as shown in the accompanying representations.**



(21) Design Number: **11657/2012**

(22) Date of Filing Application: **30 March 2012**

(24) Date from which industrial property rights may have effect: **30 March 2012**

(54) Product in respect of which the design is registered: **Gate frame**

(51) International Design Classification: **25-02C**

(74) Name(s) of Attorney(s): **Cotters Patent & Trade Mark Attorneys**

(71) Name(s) and Address(s) of Applicant(s):

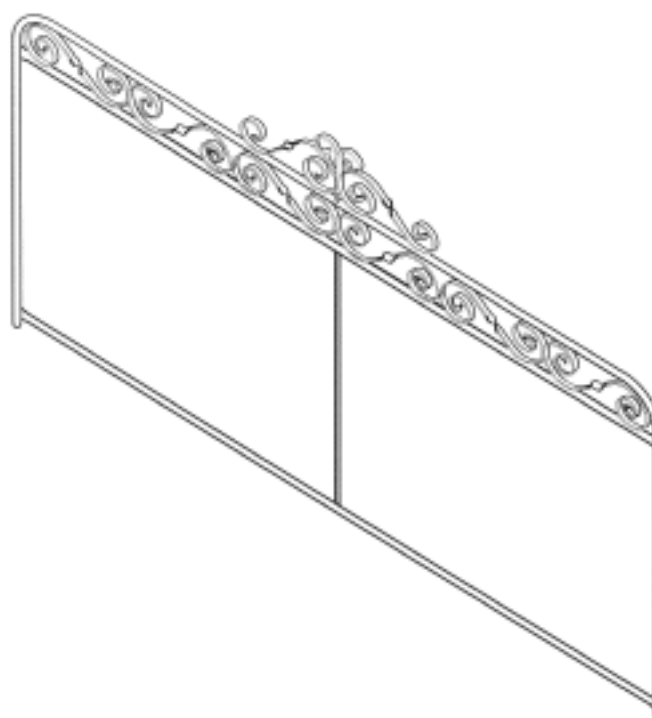
Paul Andrew Disher
PO Box 4053 Nemingha New South Wales 2340 Australia

(72) Name(s) of Designer(s): **Paul Andrew Disher**

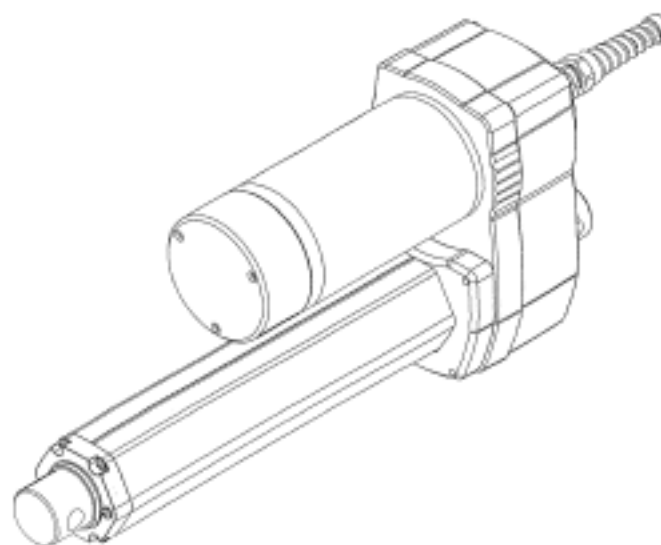
(45) Registration Date: **01 May 2012**

(56) Related Art Documents: **Not Applicable**

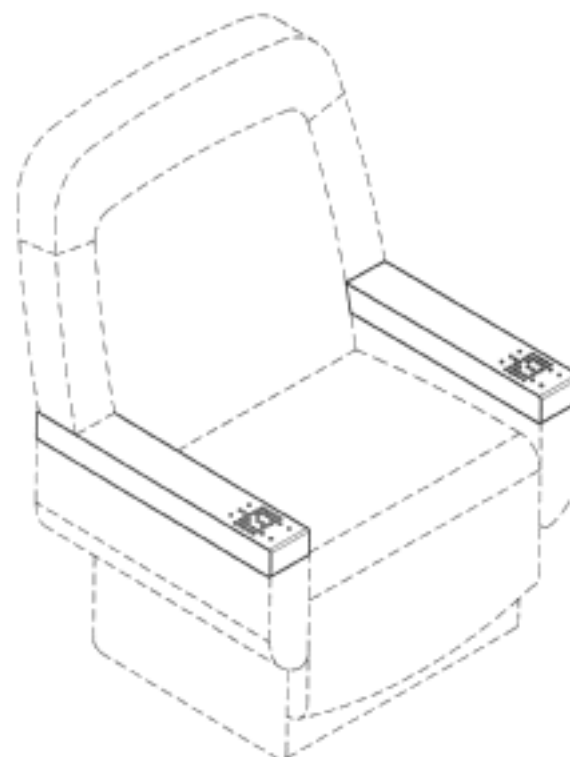
(57) Statement of Newness and Distinctiveness: **Newness and distinctiveness is claimed in the features of shape and/or configuration of the scroll ornaments of a gate frame as depicted in the accompanying drawings.**



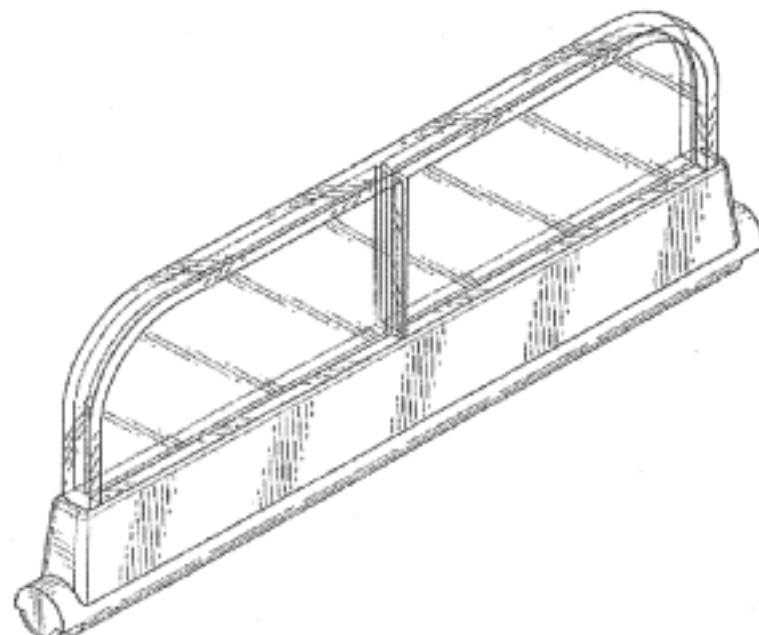
(21) Design Number: **11662/2012**
(22) Date of Filing Application: **02 April 2012**
(24) Date from which industrial property rights may have effect: **02 April 2012**
(54) Product in respect of which the design is registered: **Linear actuator**
(51) International Design Classification: **15-99**
(74) Name(s) of Attorney(s): **Freehills Patent & Trade Mark Attorneys**
(71) Name(s) and Address(s) of Applicant(s):
Columbus McKinnon Corporation
140 John James Audubon Parkway Amherst New York 14228 United States of America
(72) Name(s) of Designer(s): **Michael S. Beam and Daniel A. Mast**
(45) Registration Date: **01 May 2012**
(30) Convention priority data:
(31) Number (32) Date (33) Country
29/403652 09 Oct 2011 UNITED STATES OF AMERICA
(56) Related Art Documents: **Not Applicable**
(57) Statement of Newness and Distinctiveness: **Nil**



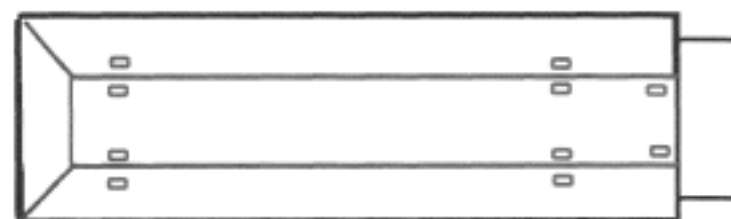
(21) Design Number: **12016/2012**
(22) Date of Filing Application: **15 February 2012**
(24) Date from which industrial property rights may have effect: **15 February 2012**
(54) Product in respect of which the design is registered: **Integrated user interface system for user seat**
(51) International Design Classification: **14-04, 06-01D**
(74) Name(s) of Attorney(s): **FB Rice**
(71) Name(s) and Address(s) of Applicant(s):
Panasonic Avionics Corporation
26200 Enterprise Way Lake Forest California 92630-8400 United States of America
(72) Name(s) of Designer(s): **Steven Lee Sizelove**
(45) Registration Date: **01 May 2012**
(62) Divisional of: **342166**
(56) Related Art Documents: **Not Applicable**
(57) Statement of Newness and Distinctiveness: **Newness and distinctiveness reside in the features of the design shown in solid lines in the representations excluding those features shown in broken lines and the representation of the person's hand shown in Fig. 1 of the drawings, the buttons being invisible prior to the person's hand approaching them and, upon being approached by the person's hand, the buttons become visible as illustrated.**



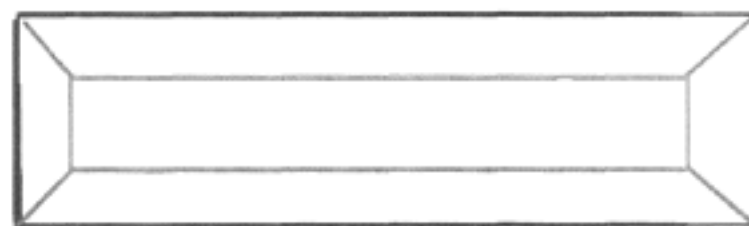
- (21) Design Number: **12029/2012**
(22) Date of Filing Application: **13 March 2012**
(24) Date from which industrial property rights may have effect: **13 March 2012**
(54) Product in respect of which the design is registered: **Electronic article surveillance security gate (Translucent antenna)**
(51) International Design Classification: **10-05, 14-03NES**
(74) Name(s) of Attorney(s): **LESICAR MURRAY TRENTO**
(71) Name(s) and Address(s) of Applicant(s):
Checkpoint Systems, Inc
101 Wolf Drive Thorofare NJ 08086 United States of America
(72) Name(s) of Designer(s): **Lee H Eckert and Brian Vincent Conti and Gary Mark Shafer and Brian Wiese and David P Christianson**
(45) Registration Date: **01 May 2012**
(30) Convention priority data:
(31) Number (32) Date (33) Country
US29/401578 13 Sep 2011 UNITED STATES OF AMERICA
(62) Divisional of: **342455**
(56) Related Art Documents: **Not Applicable**
(57) Statement of Newness and Distinctiveness: **Newness and distinctiveness reside in the shape and/or configuration of the Electronic Article Surveillance Security Gate as shown in the accompanying representations.**



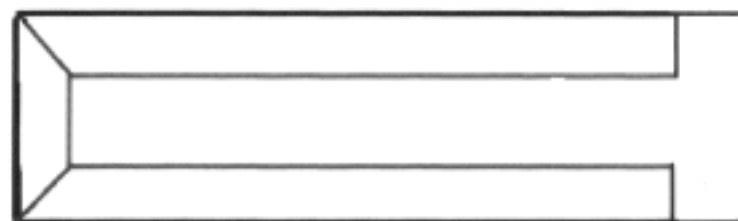
- (21) Design Number: **11340/2012**
(22) Date of Filing Application: **13 March 2012**
(24) Date from which industrial property rights may have effect: **13 March 2012**
(54) Product in respect of which the design is registered: **Cover for car boot**
(51) International Design Classification: **06-13NES**
(74) Name(s) of Attorney(s):
(71) Name(s) and Address(s) of Applicant(s):
Funky Theme Kids Beds Pty Ltd
PO Box 85 Quinns Rocks Western Australia 6030 Australia
(72) Name(s) of Designer(s): **Anne-Marie Bevis**
(45) Registration Date: **01 May 2012**
(56) Related Art Documents: **Not Applicable**
(57) Statement of Newness and Distinctiveness: **This is a new designed cover for a car boot, it covers the sides, the floor and hangs over the bumper. It will be easy to install and remove and made especially for short term use.**



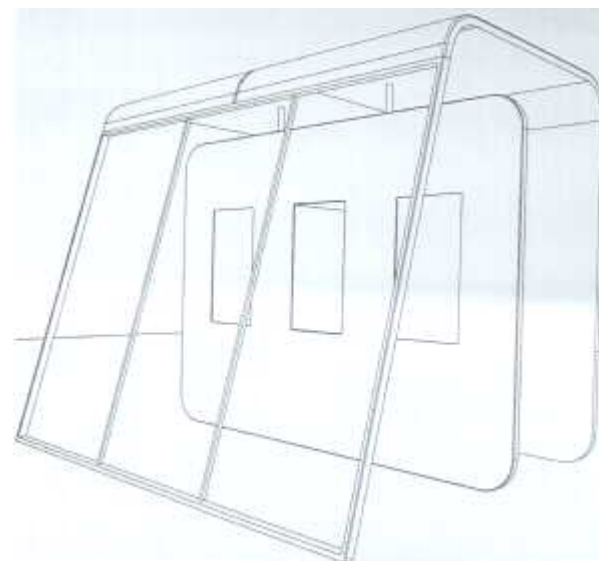
- (21) Design Number: **11341/2012**
(22) Date of Filing Application: **13 March 2012**
(24) Date from which industrial property rights may have effect: **13 March 2012**
(54) Product in respect of which the design is registered: **Cover for pet bed**
(51) International Design Classification: **06-13B, 30-99**
(74) Name(s) of Attorney(s):
(71) Name(s) and Address(s) of Applicant(s):
Funky Theme Kids Beds Pty Ltd
PO Box 85 Quinns Rocks Western Australia 6030 Australia
(72) Name(s) of Designer(s): **Anne-Marie Bevis**
(45) Registration Date: **01 May 2012**
(56) Related Art Documents: **Not Applicable**
(57) Statement of Newness and Distinctiveness: **This is a new designed for a pet bed, it covers the side and the top of the bed. It will be easy to install and remove and made especially for short term use.**



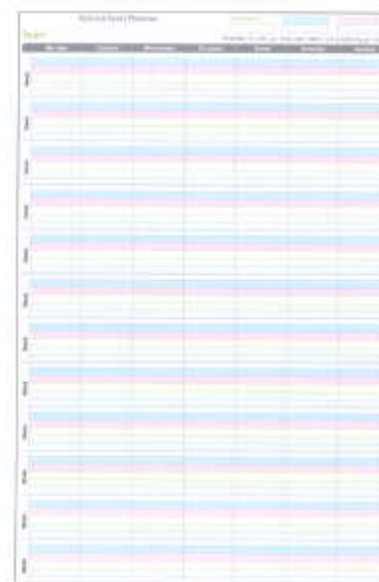
- (21) Design Number: **11342/2012**
(22) Date of Filing Application: **13 March 2012**
(24) Date from which industrial property rights may have effect: **13 March 2012**
(54) Product in respect of which the design is registered: **Cover for sofa/lounge**
(51) International Design Classification: **06-13NES**
(74) Name(s) of Attorney(s):
(71) Name(s) and Address(s) of Applicant(s):
Funky Theme Kids Beds Pty Ltd
PO Box 85 Quinns Rocks Western Australia 6030 Australia
(72) Name(s) of Designer(s): **Anne-Marie Bevis**
(45) Registration Date: **01 May 2012**
(56) Related Art Documents: **Not Applicable**
(57) Statement of Newness and Distinctiveness: **This is a new designed cover for a sofa/lounge, it covers the sides and the top and hangs down the front. It will be easy to install and remove and made especially for short term use.**



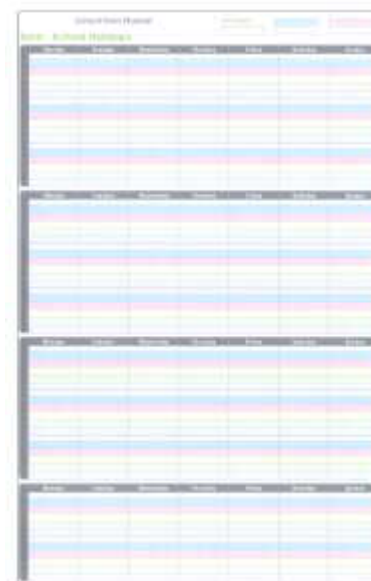
(21) Design Number: **11546/2012**
(22) Date of Filing Application: **27 March 2012**
(24) Date from which industrial property rights may have effect: **27 March 2012**
(54) Product in respect of which the design is registered: **Sales Booth**
(51) International Design Classification: **25-03**
(74) Name(s) of Attorney(s):
(71) Name(s) and Address(s) of Applicant(s):
Pragma Design Pty Ltd
1/3 Dunlop Road Mulgrave Victoria 3170 Australia
(72) Name(s) of Designer(s): **Angelo Alateras and Andrew Lau and Simon Hedt**
(45) Registration Date: **01 May 2012**
(56) Related Art Documents: **Not Applicable**
(57) Statement of Newness and Distinctiveness: **Newness and distinctiveness is claimed in the features of the shape, arrangement and configuration of the illustrated booth.**



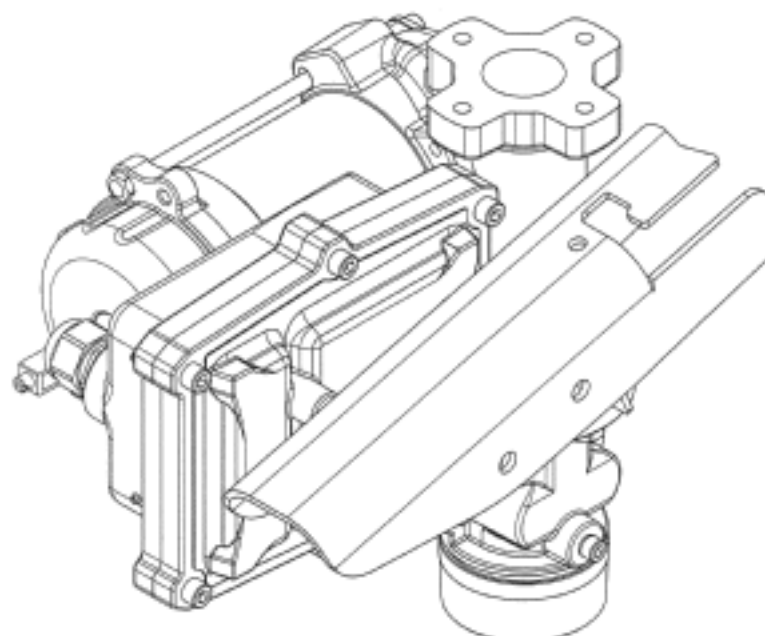
(21) Design Number: **10770/2012**
(22) Date of Filing Application: **20 February 2012**
(24) Date from which industrial property rights may have effect: **20 February 2012**
(54) Product in respect of which the design is registered: **School planner**
(51) International Design Classification: **19-04, 19-03**
(74) Name(s) of Attorney(s): **Adams Pluck**
(71) Name(s) and Address(s) of Applicant(s):
2organise Pty Limited
67/81-82 Bonar Street Wollli Creek New South Wales 2205 Australia
(72) Name(s) of Designer(s): **Laura Elizabeth Powell and Montserrat Vidal-Wallace**
(45) Registration Date: **02 May 2012**
(56) Related Art Documents: **Not Applicable**
(57) Statement of Newness and Distinctiveness: **Nil**



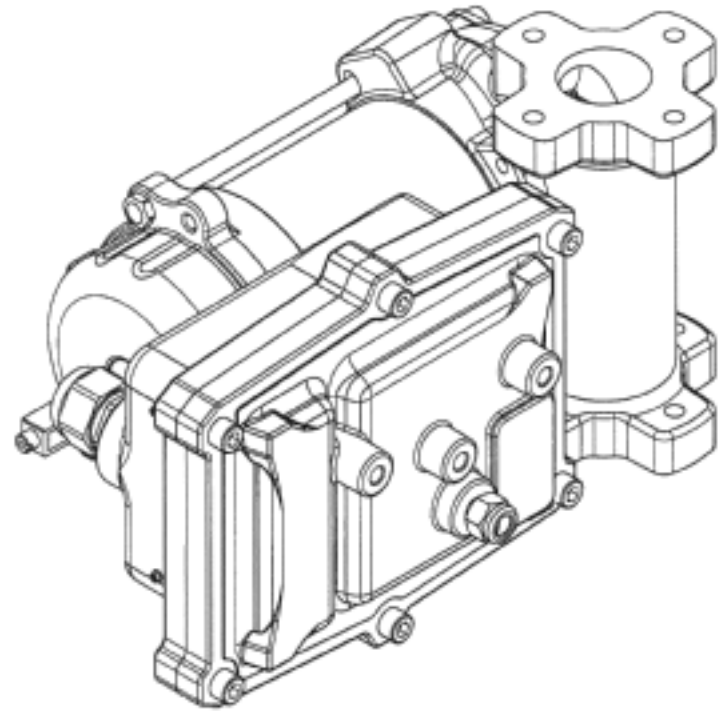
- (21) Design Number: **12015/2012**
(22) Date of Filing Application: **20 February 2012**
(24) Date from which industrial property rights may have effect: **20 February 2012**
(54) Product in respect of which the design is registered: **Sheet material**
(51) International Design Classification: **19-03, 19-04**
(74) Name(s) of Attorney(s): **Adams Pluck**
(71) Name(s) and Address(s) of Applicant(s):
Zorganise Pty Limited
67/81-82 Bonar Street Wolli Creek New South Wales 2205 Australia
(72) Name(s) of Designer(s): **Laura Elizabeth Powell and Montserrat Vidal-Wallace**
(45) Registration Date: **02 May 2012**
(56) Related Art Documents: **Not Applicable**
(57) Statement of Newness and Distinctiveness: **Newness and distinctiveness reside in the features of pattern and/or ornamentation applied to the top surface of a sheet material as shown in the accompany representations.**



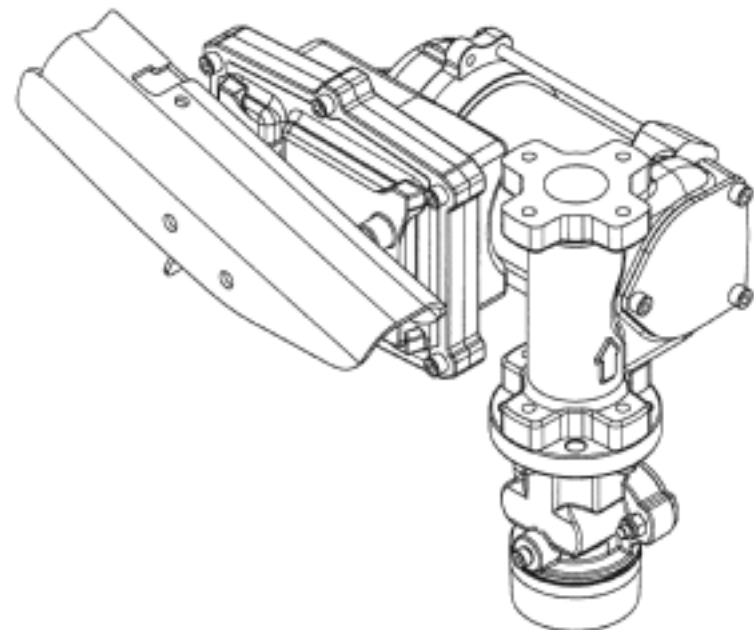
- (21) Design Number: **11367/2012**
(22) Date of Filing Application: **16 March 2012**
(24) Date from which industrial property rights may have effect: **16 March 2012**
(54) Product in respect of which the design is registered: **Pumps**
(51) International Design Classification: **15-02**
(74) Name(s) of Attorney(s): **WATERMARK PATENT AND TRADE MARKS ATTORNEYS**
(71) Name(s) and Address(s) of Applicant(s):
Piusi S.p.A.
Via Pacinotti, 16/A-Z.I Rangavino, 46029 Suzzara, Prov. of Mantova, Italy
(72) Name(s) of Designer(s): **Otto Varini**
(45) Registration Date: **02 May 2012**
(30) Convention priority data:
(31) Number (32) Date (33) Country
001928433 06 Oct 2011 EUROPEAN COMMUNITY
(56) Related Art Documents: **Not Applicable**
(57) Statement of Newness and Distinctiveness: **Nil**



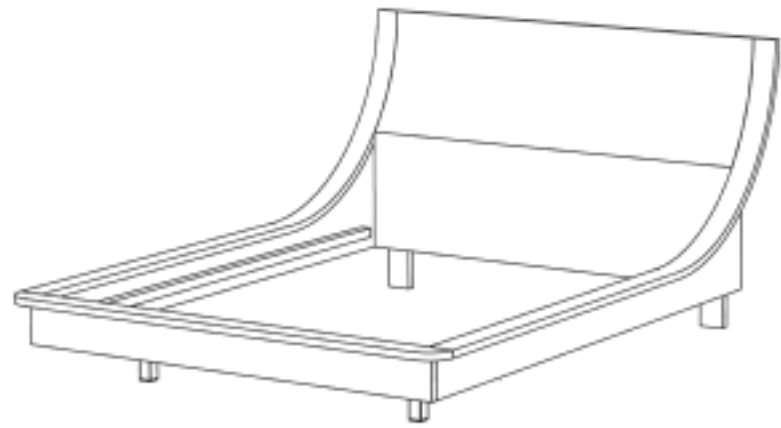
(21) Design Number: **12031/2012**
(22) Date of Filing Application: **16 March 2012**
(24) Date from which industrial property rights may have effect: **16 March 2012**
(54) Product in respect of which the design is registered: **Pumps**
(51) International Design Classification: **15-02**
(74) Name(s) of Attorney(s): **WATERMARK PATENT AND TRADE MARKS ATTORNEYS**
(71) Name(s) and Address(s) of Applicant(s):
Piusi S.p.A.
Via Pacinotti, 16/A-Z.I Rangavino, 46029 Suzzara, Prov. of Mantova, Italy
(72) Name(s) of Designer(s): **Otto Varini**
(45) Registration Date: **02 May 2012**
(30) Convention priority data:
(31) Number (32) Date (33) Country
001928433 06 Oct 2011 EUROPEAN COMMUNITY
(56) Related Art Documents: **Not Applicable**
(57) Statement of Newness and Distinctiveness: **Nil**



(21) Design Number: **12032/2012**
(22) Date of Filing Application: **16 March 2012**
(24) Date from which industrial property rights may have effect: **16 March 2012**
(54) Product in respect of which the design is registered: **Pumps**
(51) International Design Classification: **15-02**
(74) Name(s) of Attorney(s): **WATERMARK PATENT AND TRADE MARKS ATTORNEYS**
(71) Name(s) and Address(s) of Applicant(s):
Piusi S.p.A.
Via Pacinotti, 16/A-Z.I Rangavino, 46029 Suzzara, Prov. of Mantova, Italy
(72) Name(s) of Designer(s): **Otto Varini**
(45) Registration Date: **02 May 2012**
(30) Convention priority data:
(31) Number (32) Date (33) Country
001928433 06 Oct 2011 EUROPEAN COMMUNITY
(56) Related Art Documents: **Not Applicable**
(57) Statement of Newness and Distinctiveness: **Nil**



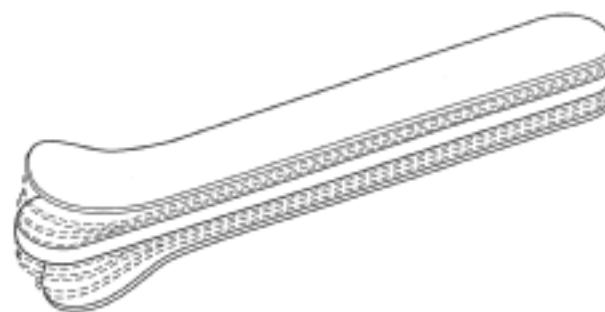
- (21) Design Number: **11509/2012**
(22) Date of Filing Application: **26 March 2012**
(24) Date from which industrial property rights may have effect: **26 March 2012**
(54) Product in respect of which the design is registered: **Bed**
(51) International Design Classification: **06-02**
(74) Name(s) of Attorney(s):
(71) Name(s) and Address(s) of Applicant(s):
Bomi Furniture Pty Ltd
11-17 Sages Road Glenroy Victoria 3046 Australia
(72) Name(s) of Designer(s): **Simon Bowler and Damir Tankovic**
(45) Registration Date: **02 May 2012**
(56) Related Art Documents: **Not Applicable**
(57) Statement of Newness and Distinctiveness: **Nil**



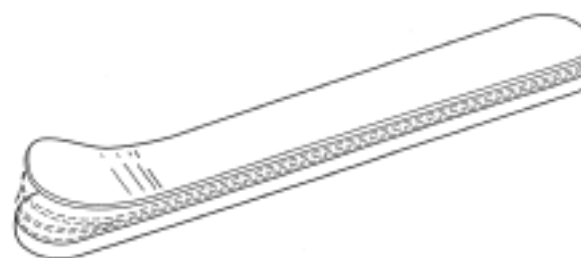
- (21) Design Number: **11743/2012**
(22) Date of Filing Application: **10 April 2012**
(24) Date from which industrial property rights may have effect: **10 April 2012**
(54) Product in respect of which the design is registered: **Led bullbar lamp**
(51) International Design Classification: **26-06**
(74) Name(s) of Attorney(s):
(71) Name(s) and Address(s) of Applicant(s):
Ningbo Beilun Automotive Lamp Co Ltd
Daqi Town Beilun District Ningbo 315826 China
(72) Name(s) of Designer(s): **Tonny He and Mark Young**
(45) Registration Date: **02 May 2012**
(56) Related Art Documents: **Not Applicable**
(57) Statement of Newness and Distinctiveness: **Dual mounting points. Combination of day time running lamp, park lamp and indicator is new and distinctive.**



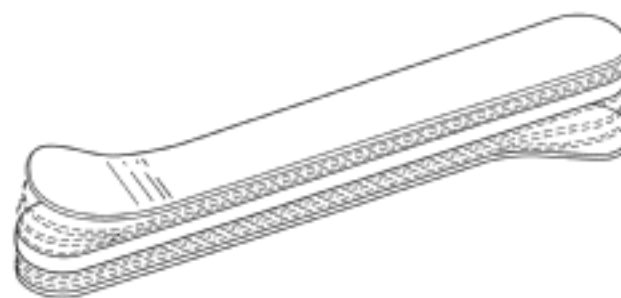
(21) Design Number: **11742/2012**
(22) Date of Filing Application: **04 April 2012**
(24) Date from which industrial property rights may have effect: **04 April 2012**
(54) Product in respect of which the design is registered: **Nail file**
(51) International Design Classification: **28-03NES**
(74) Name(s) of Attorney(s): **PHILLIPS ORMONDE FITZPATRICK**
(71) Name(s) and Address(s) of Applicant(s):
Revlon Consumer Products Corporation
237 Park Avenue, New York, New York, 10017 United States of America
(72) Name(s) of Designer(s): **James C. Paccagnini and John D. Butcher**
(45) Registration Date: **02 May 2012**
(30) Convention priority data:
(31) Number (32) Date (33) Country
29/417377 03 Apr 2012 UNITED STATES OF AMERICA
(56) Related Art Documents: **Not Applicable**
(57) Statement of Newness and Distinctiveness: **Those features of the nail file depicted in the representations that are new and distinctive are the shape and/or configuration. The features shown in broken line are not part of the design and are to be disregarded when considering the overall impression of the design.**



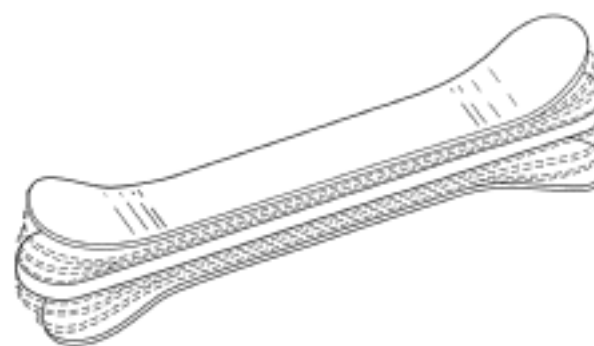
(21) Design Number: **12017/2012**
(22) Date of Filing Application: **04 April 2012**
(24) Date from which industrial property rights may have effect: **04 April 2012**
(54) Product in respect of which the design is registered: **Nail file**
(51) International Design Classification: **28-03NES**
(74) Name(s) of Attorney(s): **PHILLIPS ORMONDE FITZPATRICK**
(71) Name(s) and Address(s) of Applicant(s):
Revlon Consumer Products Corporation
237 Park Avenue, New York, New York, 10017 United States of America
(72) Name(s) of Designer(s): **James C. Paccagnini and John D. Butcher**
(45) Registration Date: **02 May 2012**
(30) Convention priority data:
(31) Number (32) Date (33) Country
29/417377 03 Apr 2012 UNITED STATES OF AMERICA
(56) Related Art Documents: **Not Applicable**
(57) Statement of Newness and Distinctiveness: **Those features of the nail file depicted in the representations that are new and distinctive are the shape and/or configuration. The features shown in broken line are not part of the design and are to be disregarded when considering the overall impression of the design.**



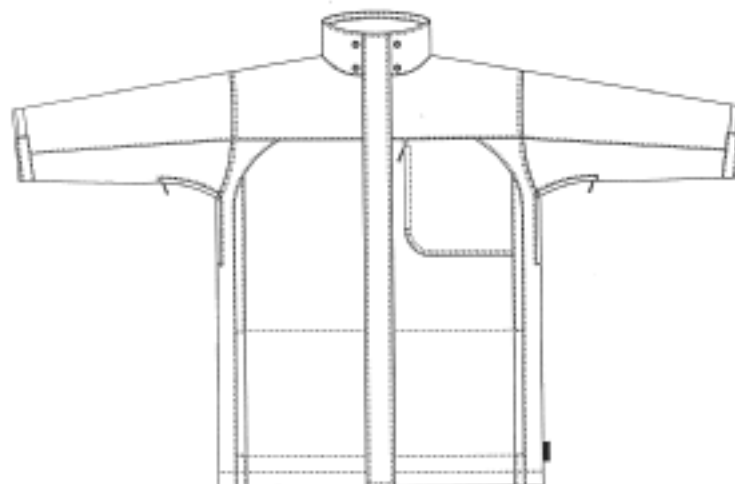
(21) Design Number: **12018/2012**
(22) Date of Filing Application: **04 April 2012**
(24) Date from which industrial property rights may have effect: **04 April 2012**
(54) Product in respect of which the design is registered: **Nail file**
(51) International Design Classification: **28-03NES**
(74) Name(s) of Attorney(s): **PHILLIPS ORMONDE FITZPATRICK**
(71) Name(s) and Address(s) of Applicant(s):
Revlon Consumer Products Corporation
237 Park Avenue, New York, New York, 10017 United States of America
(72) Name(s) of Designer(s): **James C. Paccagnini and John D. Butcher**
(45) Registration Date: **02 May 2012**
(30) Convention priority data:
(31) Number (32) Date (33) Country
29/417377 03 Apr 2012 UNITED STATES OF AMERICA
(56) Related Art Documents: **Not Applicable**
(57) Statement of Newness and Distinctiveness: **Those features of the nail file depicted in the representations that are new and distinctive are the shape and/or configuration. The features shown in broken line are not part of the design and are to be disregarded when considering the overall impression of the design.**



(21) Design Number: **12019/2012**
(22) Date of Filing Application: **04 April 2012**
(24) Date from which industrial property rights may have effect: **04 April 2012**
(54) Product in respect of which the design is registered: **Nail file**
(51) International Design Classification: **28-03NES**
(74) Name(s) of Attorney(s): **PHILLIPS ORMONDE FITZPATRICK**
(71) Name(s) and Address(s) of Applicant(s):
Revlon Consumer Products Corporation
237 Park Avenue, New York, New York, 10017 United States of America
(72) Name(s) of Designer(s): **James C. Paccagnini and John D. Butcher**
(45) Registration Date: **02 May 2012**
(30) Convention priority data:
(31) Number (32) Date (33) Country
29/417377 03 Apr 2012 UNITED STATES OF AMERICA
(56) Related Art Documents: **Not Applicable**
(57) Statement of Newness and Distinctiveness: **Those features of the nail file depicted in the representations that are new and distinctive are the shape and/or configuration. The features shown in broken line are not part of the design and are to be disregarded when considering the overall impression of the design.**



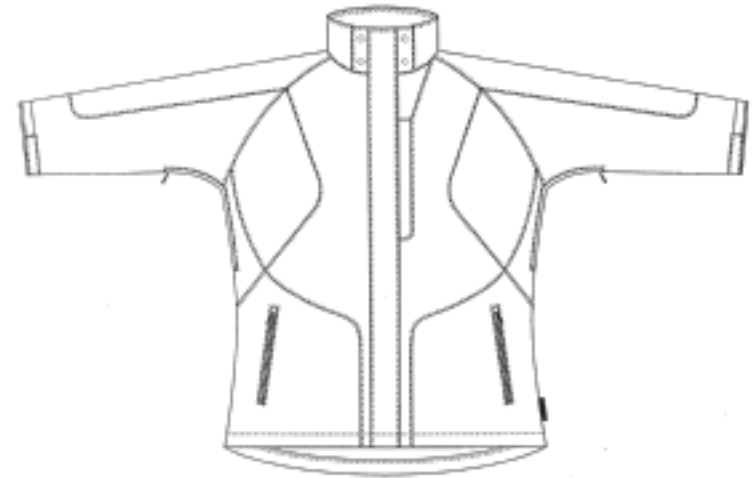
(21) Design Number: **14836/2011**
(22) Date of Filing Application: **26 October 2011**
(24) Date from which industrial property rights may have effect: **26 October 2011**
(54) Product in respect of which the design is registered: **Jacket**
(51) International Design Classification: **02-02NES**
(74) Name(s) of Attorney(s): **MIDDLETONS**
(71) Name(s) and Address(s) of Applicant(s):
Gondwana Outdoor Clothing Pty Ltd
30 Barrett Street Kensington Victoria 3031 Australia
(72) Name(s) of Designer(s): **Catriona Dolphin**
(45) Registration Date: **02 May 2012**
(56) Related Art Documents: **Not Applicable**
(57) Statement of Newness and Distinctiveness: **Nil**



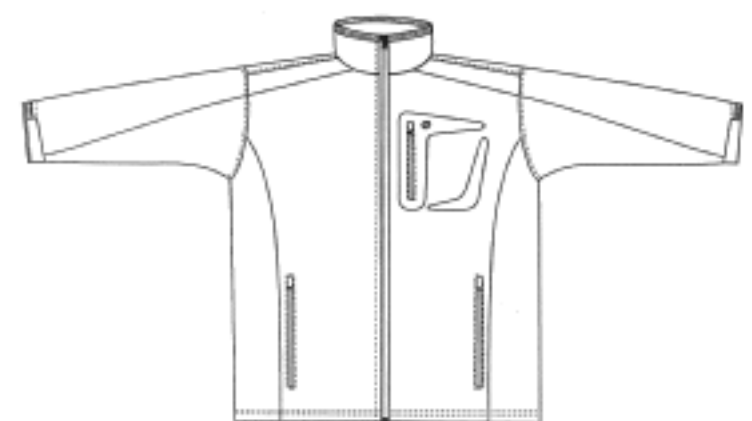
(21) Design Number: **12039/2012**
(22) Date of Filing Application: **26 October 2011**
(24) Date from which industrial property rights may have effect: **26 October 2011**
(54) Product in respect of which the design is registered: **Jacket**
(51) International Design Classification: **02-02NES**
(74) Name(s) of Attorney(s): **MIDDLETONS**
(71) Name(s) and Address(s) of Applicant(s):
Gondwana Outdoor Clothing Pty Ltd
30 Barrett Street Kensington Victoria 3031 Australia
(72) Name(s) of Designer(s): **Catriona Dolphin**
(45) Registration Date: **02 May 2012**
(56) Related Art Documents: **Not Applicable**
(57) Statement of Newness and Distinctiveness: **Nil**



(21) Design Number: **12040/2012**
(22) Date of Filing Application: **26 October 2011**
(24) Date from which industrial property rights may have effect: **26 October 2011**
(54) Product in respect of which the design is registered: **Jacket**
(51) International Design Classification: **02-02NES**
(74) Name(s) of Attorney(s): **MIDDLETONS**
(71) Name(s) and Address(s) of Applicant(s):
Gondwana Outdoor Clothing Pty Ltd
30 Barrett Street Kensington Victoria 3031 Australia
(72) Name(s) of Designer(s): **Catriona Dolphin**
(45) Registration Date: **02 May 2012**
(56) Related Art Documents: **Not Applicable**
(57) Statement of Newness and Distinctiveness: **Nil**



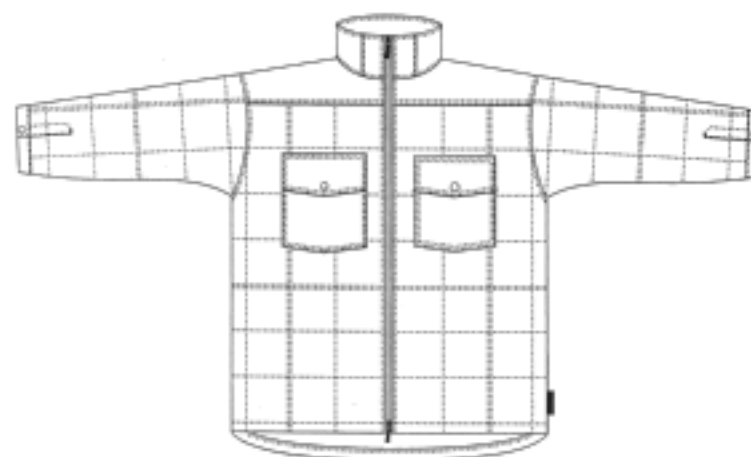
(21) Design Number: **12041/2012**
(22) Date of Filing Application: **26 October 2011**
(24) Date from which industrial property rights may have effect: **26 October 2011**
(54) Product in respect of which the design is registered: **Jacket**
(51) International Design Classification: **02-02NES**
(74) Name(s) of Attorney(s): **MIDDLETONS**
(71) Name(s) and Address(s) of Applicant(s):
Gondwana Outdoor Clothing Pty Ltd
30 Barrett Street Kensington Victoria 3031 Australia
(72) Name(s) of Designer(s): **Catriona Dolphin**
(45) Registration Date: **02 May 2012**
(56) Related Art Documents: **Not Applicable**
(57) Statement of Newness and Distinctiveness: **Nil**



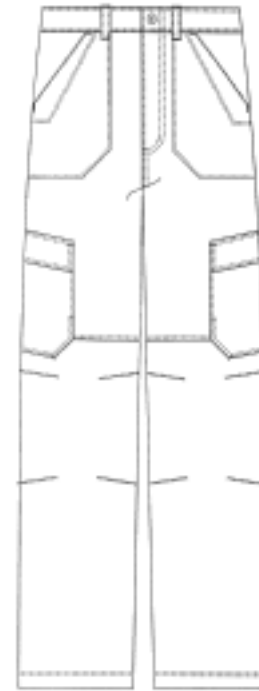
(21) Design Number: **12042/2012**
(22) Date of Filing Application: **26 October 2011**
(24) Date from which industrial property rights may have effect: **26 October 2011**
(54) Product in respect of which the design is registered: **Jacket**
(51) International Design Classification: **02-02NES**
(74) Name(s) of Attorney(s): **MIDDLETONS**
(71) Name(s) and Address(s) of Applicant(s):
Gondwana Outdoor Clothing Pty Ltd
30 Barrett Street Kensington Victoria 3031 Australia
(72) Name(s) of Designer(s): **Catriona Dolphin**
(45) Registration Date: **02 May 2012**
(56) Related Art Documents: **Not Applicable**
(57) Statement of Newness and Distinctiveness: **Nil**



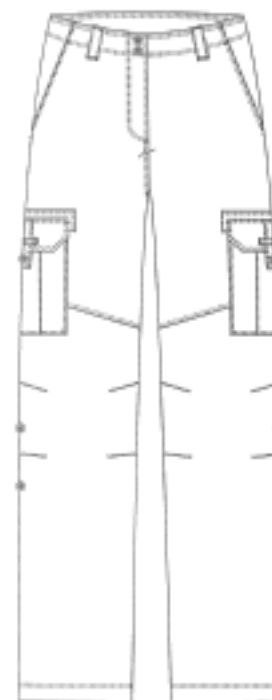
(21) Design Number: **12043/2012**
(22) Date of Filing Application: **26 October 2011**
(24) Date from which industrial property rights may have effect: **26 October 2011**
(54) Product in respect of which the design is registered: **Jacket**
(51) International Design Classification: **02-02NES**
(74) Name(s) of Attorney(s): **MIDDLETONS**
(71) Name(s) and Address(s) of Applicant(s):
Gondwana Outdoor Clothing Pty Ltd
30 Barrett Street Kensington Victoria 3031 Australia
(72) Name(s) of Designer(s): **Catriona Dolphin**
(45) Registration Date: **02 May 2012**
(56) Related Art Documents: **Not Applicable**
(57) Statement of Newness and Distinctiveness: **Nil**



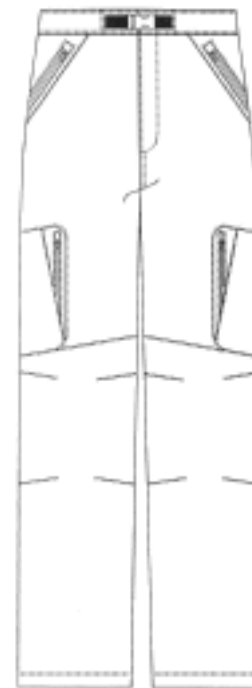
- (21) Design Number: **12044/2012**
(22) Date of Filing Application: **26 October 2011**
(24) Date from which industrial property rights may have effect: **26 October 2011**
(54) Product in respect of which the design is registered: **Pant**
(51) International Design Classification: **02-02C**
(74) Name(s) of Attorney(s): **MIDDLETONS**
(71) Name(s) and Address(s) of Applicant(s):
Gondwana Outdoor Clothing Pty Ltd
30 Barrett Street Kensington Victoria 3031 Australia
(72) Name(s) of Designer(s): **Catriona Dolphin**
(45) Registration Date: **02 May 2012**
(56) Related Art Documents: **Not Applicable**
(57) Statement of Newness and Distinctiveness: **Nil**



- (21) Design Number: **12045/2012**
(22) Date of Filing Application: **26 October 2011**
(24) Date from which industrial property rights may have effect: **26 October 2011**
(54) Product in respect of which the design is registered: **Pant**
(51) International Design Classification: **02-02C**
(74) Name(s) of Attorney(s): **MIDDLETONS**
(71) Name(s) and Address(s) of Applicant(s):
Gondwana Outdoor Clothing Pty Ltd
30 Barrett Street Kensington Victoria 3031 Australia
(72) Name(s) of Designer(s): **Catriona Dolphin**
(45) Registration Date: **02 May 2012**
(56) Related Art Documents: **Not Applicable**
(57) Statement of Newness and Distinctiveness: **Nil**



(21) Design Number: **12046/2012**
(22) Date of Filing Application: **26 October 2011**
(24) Date from which industrial property rights may have effect: **26 October 2011**
(54) Product in respect of which the design is registered: **Pant**
(51) International Design Classification: **02-02C**
(74) Name(s) of Attorney(s): **MIDDLETONS**
(71) Name(s) and Address(s) of Applicant(s):
Gondwana Outdoor Clothing Pty Ltd
30 Barrett Street Kensington Victoria 3031 Australia
(72) Name(s) of Designer(s): **Catriona Dolphin**
(45) Registration Date: **02 May 2012**
(56) Related Art Documents: **Not Applicable**
(57) Statement of Newness and Distinctiveness: **Nil**



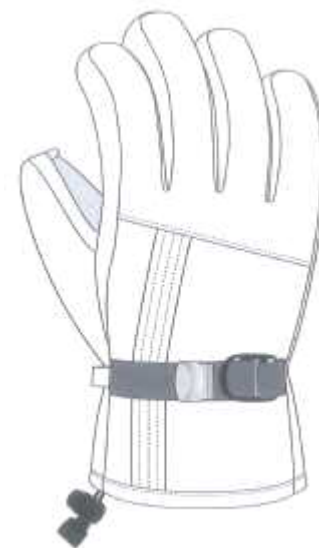
(21) Design Number: **12047/2012**
(22) Date of Filing Application: **26 October 2011**
(24) Date from which industrial property rights may have effect: **26 October 2011**
(54) Product in respect of which the design is registered: **Pant**
(51) International Design Classification: **02-02C**
(74) Name(s) of Attorney(s): **MIDDLETONS**
(71) Name(s) and Address(s) of Applicant(s):
Gondwana Outdoor Clothing Pty Ltd
30 Barrett Street Kensington Victoria 3031 Australia
(72) Name(s) of Designer(s): **Catriona Dolphin**
(45) Registration Date: **02 May 2012**
(56) Related Art Documents: **Not Applicable**
(57) Statement of Newness and Distinctiveness: **Nil**



(21) Design Number: **12048/2012**
(22) Date of Filing Application: **26 October 2011**
(24) Date from which industrial property rights may have effect: **26 October 2011**
(54) Product in respect of which the design is registered: **Glove**
(51) International Design Classification: **02-06**
(74) Name(s) of Attorney(s): **MIDDLETONS**
(71) Name(s) and Address(s) of Applicant(s):
Gondwana Outdoor Clothing Pty Ltd
30 Barrett Street Kensington Victoria 3031 Australia
(72) Name(s) of Designer(s): **Catriona Dolphin**
(45) Registration Date: **02 May 2012**
(56) Related Art Documents: **Not Applicable**
(57) Statement of Newness and Distinctiveness: **Nil**



(21) Design Number: **12049/2012**
(22) Date of Filing Application: **26 October 2011**
(24) Date from which industrial property rights may have effect: **26 October 2011**
(54) Product in respect of which the design is registered: **Glove**
(51) International Design Classification: **02-06**
(74) Name(s) of Attorney(s): **MIDDLETONS**
(71) Name(s) and Address(s) of Applicant(s):
Gondwana Outdoor Clothing Pty Ltd
30 Barrett Street Kensington Victoria 3031 Australia
(72) Name(s) of Designer(s): **Catriona Dolphin**
(45) Registration Date: **02 May 2012**
(56) Related Art Documents: **Not Applicable**
(57) Statement of Newness and Distinctiveness: **Nil**



(21) Design Number: **12050/2012**
(22) Date of Filing Application: **26 October 2011**
(24) Date from which industrial property rights may have effect: **26 October 2011**
(54) Product in respect of which the design is registered: **Glove**
(51) International Design Classification: **02-06**
(74) Name(s) of Attorney(s): **MIDDLETONS**
(71) Name(s) and Address(s) of Applicant(s):
Gondwana Outdoor Clothing Pty Ltd
30 Barrett Street Kensington Victoria 3031 Australia
(72) Name(s) of Designer(s): **Catriona Dolphin**
(45) Registration Date: **02 May 2012**
(56) Related Art Documents: **Not Applicable**
(57) Statement of Newness and Distinctiveness: **Nil**



(21) Design Number: **10756/2012**
(22) Date of Filing Application: **16 February 2012**
(24) Date from which industrial property rights may have effect: **16 February 2012**
(54) Product in respect of which the design is registered: **Exercise equipment**
(51) International Design Classification: **21-02F**
(74) Name(s) of Attorney(s): **Davies Collison Cave**
(71) Name(s) and Address(s) of Applicant(s):
Escape Fitness Limited
Eastwood House The Office Village Cygnet Park Hampton Peterborough
PE7 8FD United Kingdom
(72) Name(s) of Designer(s): **Martin Childs**
(45) Registration Date: **02 May 2012**
(30) Convention priority data:
(31) Number (32) Date (33) Country
001896754 27 Jun 2011 EUROPEAN COMMUNITY
(56) Related Art Documents: **Not Applicable**
(57) Statement of Newness and Distinctiveness: **Nil**



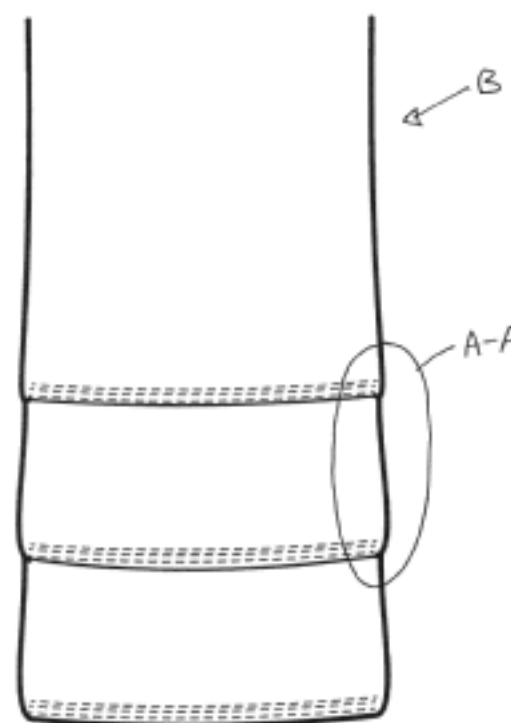
(21) Design Number: **10917/2012**
(22) Date of Filing Application: **28 February 2012**
(24) Date from which industrial property rights may have effect: **28 February 2012**
(54) Product in respect of which the design is registered: **Dental implant**
(51) International Design Classification: **24-03**
(74) Name(s) of Attorney(s): **PHILLIPS ORMONDE FITZPATRICK**
(71) Name(s) and Address(s) of Applicant(s):
Astra Tech AB
Aminogatan 1 SE-431 21 Molndal Sweden
(72) Name(s) of Designer(s): **Josef Saltell and Marcel Kiefer**
(45) Registration Date: **02 May 2012**
(30) Convention priority data:
(31) Number (32) Date (33) Country
001917402 14 Sep 2011 EUROPEAN COMMUNITY
(56) Related Art Documents: **Not Applicable**
(57) Statement of Newness and Distinctiveness: **Those features of the dental implant depicted in the representations that are new and distinctive are the shape and/or configuration.**



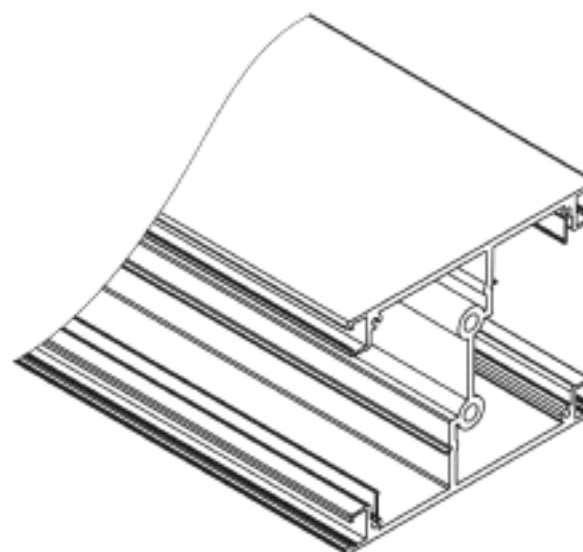
(21) Design Number: **12020/2012**
(22) Date of Filing Application: **28 February 2012**
(24) Date from which industrial property rights may have effect: **28 February 2012**
(54) Product in respect of which the design is registered: **Dental implant**
(51) International Design Classification: **24-03**
(74) Name(s) of Attorney(s): **PHILLIPS ORMONDE FITZPATRICK**
(71) Name(s) and Address(s) of Applicant(s):
Astra Tech AB
Aminogatan 1 SE-431 21 Molndal Sweden
(72) Name(s) of Designer(s): **Josef Saltell and Marcel Kiefer**
(45) Registration Date: **02 May 2012**
(30) Convention priority data:
(31) Number (32) Date (33) Country
001917402 14 Sep 2011 EUROPEAN COMMUNITY
(56) Related Art Documents: **Not Applicable**
(57) Statement of Newness and Distinctiveness: **Those features of the dental implant depicted in the representations that new and distinctive are the shape and/or configuration. The features shown in broken lines are not part of the design and are to be disregarded when considering the overall impression of the design.**



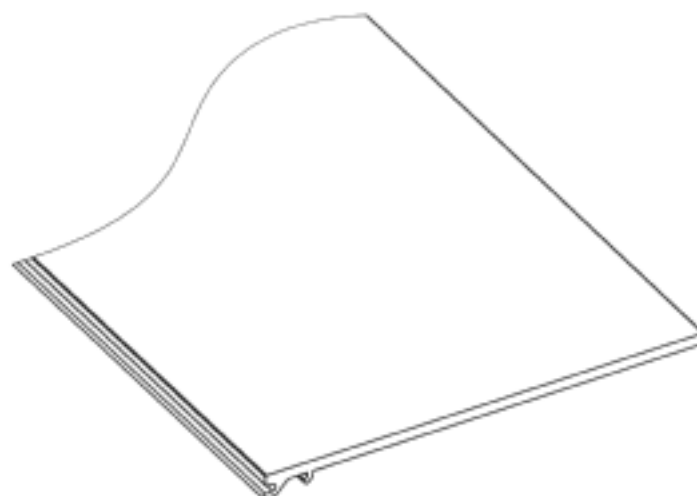
- (21) Design Number: **11096/2012**
(22) Date of Filing Application: **06 March 2012**
(24) Date from which industrial property rights may have effect: **06 March 2012**
(54) Product in respect of which the design is registered: **Garments**
(51) International Design Classification: **02-99**
(74) Name(s) of Attorney(s): **SPRUSON & FERGUSON**
(71) Name(s) and Address(s) of Applicant(s):
McNally Holdings Pty Ltd
33 Lloyd Street Merewether New South Wales 2291 Australia
(72) Name(s) of Designer(s): **Troy McNally**
(45) Registration Date: **02 May 2012**
(56) Related Art Documents: **Not Applicable**
(57) Statement of Newness and Distinctiveness: **Newness and distinctiveness is claimed in the features of shape and/or configuration of a triple stitched folded seam of garments as illustrated in continuous lines of the accompanying representations.**



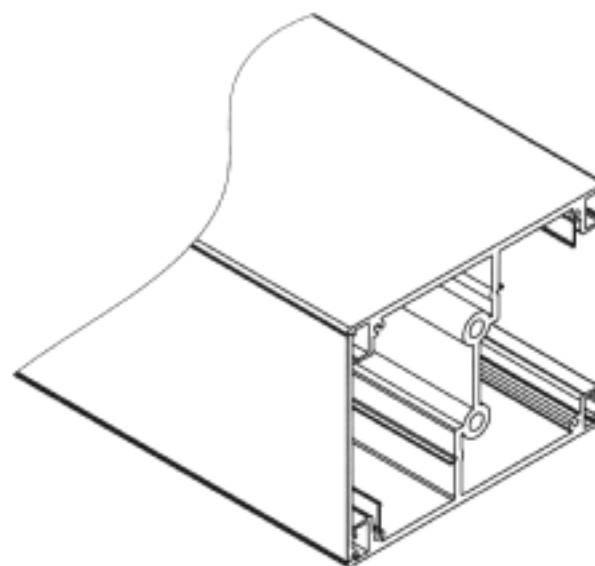
- (21) Design Number: **11710/2012**
(22) Date of Filing Application: **05 April 2012**
(24) Date from which industrial property rights may have effect: **05 April 2012**
(54) Product in respect of which the design is registered: **Extrusion**
(51) International Design Classification: **25-01K**
(74) Name(s) of Attorney(s):
(71) Name(s) and Address(s) of Applicant(s):
Aluminium Industries of Australia Pty Ltd.
160 Ordish Road Dandenong South Victoria 3175 Australia
(72) Name(s) of Designer(s): **Matthew Keen and Tracey Coad and Mark Hill**
(45) Registration Date: **02 May 2012**
(56) Related Art Documents: **Not Applicable**
(57) Statement of Newness and Distinctiveness: **Monopoly is claimed in the shape and/or configuration of the Dropper Extrusion as illustrated in the representations. Particularly, monopoly is claimed in the four corner channel recesses and the two central screw flutes.**



- (21) Design Number: **11711/2012**
(22) Date of Filing Application: **05 April 2012**
(24) Date from which industrial property rights may have effect: **05 April 2012**
(54) Product in respect of which the design is registered: **Extrusion**
(51) International Design Classification: **25-01K**
(74) Name(s) of Attorney(s):
(71) Name(s) and Address(s) of Applicant(s):
Aluminium Industries of Australia Pty Ltd.
160 Ordish Road Dandenong South Victoria 3175 Australia
(72) Name(s) of Designer(s): **Matthew Keen and Tracey Coad and Mark Hill**
(45) Registration Date: **02 May 2012**
(56) Related Art Documents: **Not Applicable**
(57) Statement of Newness and Distinctiveness: **Monopoly is claimed in the shape and/or configuration of the Tilt Cover Plate Extrusion as illustrated in the representations. Particularly, monopoly is claimed in the Hook in Area of the Tilt Cover Plate Extrusion.**



- (21) Design Number: **11712/2012**
(22) Date of Filing Application: **05 April 2012**
(24) Date from which industrial property rights may have effect: **05 April 2012**
(54) Product in respect of which the design is registered: **Extrusion**
(51) International Design Classification: **25-01K**
(74) Name(s) of Attorney(s):
(71) Name(s) and Address(s) of Applicant(s):
Aluminium Industries of Australia Pty Ltd.
160 Ordish Road Dandenong South Victoria 3175 Australia
(72) Name(s) of Designer(s): **Matthew Keen and Tracey Coad and Mark Hill**
(45) Registration Date: **02 May 2012**
(56) Related Art Documents: **Not Applicable**
(57) Statement of Newness and Distinctiveness: **Monopoly is claimed in the shape and/or configuration of the Dropper Extrusion Assembly as illustrated in the representations. Particularly, monopoly is claimed in the four corner channel recesses and the two central screw flutes.**



(21) Design Number: **11721/2012**
(22) Date of Filing Application: **04 April 2012**
(24) Date from which industrial property rights may have effect: **04 April 2012**
(54) Product in respect of which the design is registered: **Fastening tool**
(51) International Design Classification: **08-05NES**
(74) Name(s) of Attorney(s): **Baldwins Intellectual Property**
(71) Name(s) and Address(s) of Applicant(s):
Arrow Fastener Co., LLC
271 Mayhill Street Saddle Brook NJ 07663 United States of America
(72) Name(s) of Designer(s): **Christian Freissler and Robert Christopher Frost and Ryan Alan Heiser and Hannah Rose May and Stephen Craig Pennington and Michael Reedy and Kyle Waters**
(45) Registration Date: **02 May 2012**
(30) Convention priority data:
(31) Number (32) Date (33) Country
29/403,799 11 Oct 2011 UNITED STATES OF AMERICA
(56) Related Art Documents: **Not Applicable**
(57) Statement of Newness and Distinctiveness: **Newness and distinctiveness resides in the shape and configuration of the Fastening Tool.**



(21) Design Number: **11727/2012**
(22) Date of Filing Application: **05 April 2012**
(24) Date from which industrial property rights may have effect: **05 April 2012**
(54) Product in respect of which the design is registered: **Thermal pack**
(51) International Design Classification: **24-04**
(74) Name(s) of Attorney(s): **Callinans**
(71) Name(s) and Address(s) of Applicant(s):
Therapearl, LLC
8106 Stayton Drive Suite B Jessup Maryland 20795 United States of America
(72) Name(s) of Designer(s): **Daniel Jared Baumwald and Carol Baltazar**
(45) Registration Date: **02 May 2012**
(30) Convention priority data:
(31) Number (32) Date (33) Country
29/403,478 06 Oct 2011 UNITED STATES OF AMERICA
(56) Related Art Documents: **Not Applicable**
(57) Statement of Newness and Distinctiveness: **Newness and distinctiveness are provided by the shape and/or configuration of the design shown in the representations. The bead fill-volume depicted in the drawings of the thermal pack is shown for example purposes only and is not intended to limit the design with respect to any specific bead fill-volume amount.**



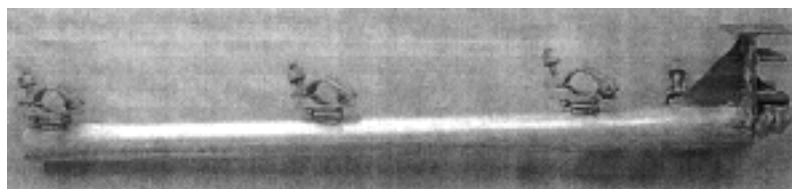
- (21) Design Number: **11671/2012**
(22) Date of Filing Application: **29 March 2012**
(24) Date from which industrial property rights may have effect: **29 March 2012**
(54) Product in respect of which the design is registered: **Robe**
(51) International Design Classification: **02-02C**
(74) Name(s) of Attorney(s):
(71) Name(s) and Address(s) of Applicant(s):
Allan Robert Treuel
Unit 60 Breakfree 17 Buccaneer Drive Urangan Queensland 4655
Australia
(72) Name(s) of Designer(s): **Allan Robert Treuel**
(45) Registration Date: **02 May 2012**
(56) Related Art Documents: **Not Applicable**
(57) Statement of Newness and Distinctiveness: **The colours in order Red Orange Yellow Green Blue Purple and the colours reversed**



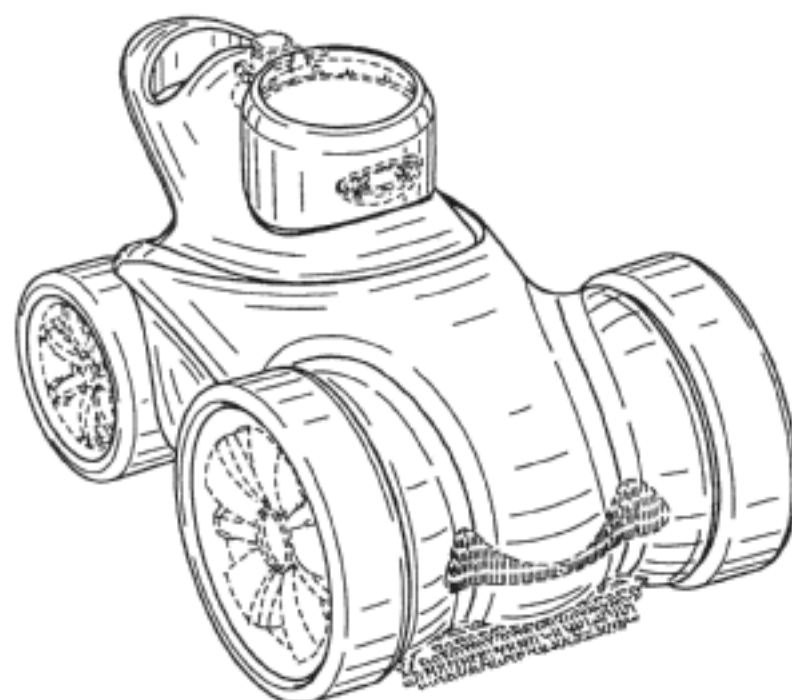
- (21) Design Number: **11672/2012**
(22) Date of Filing Application: **02 April 2012**
(24) Date from which industrial property rights may have effect: **02 April 2012**
(54) Product in respect of which the design is registered: **Toothbrush packaging**
(51) International Design Classification: **09-05**
(74) Name(s) of Attorney(s): **PHILLIPS ORMONDE FITZPATRICK**
(71) Name(s) and Address(s) of Applicant(s):
GlaxoSmithKline Consumer Healthcare GmbH & Co. KG
Bussmatten 1 D-77815 Buehl (Baden) Germany
(72) Name(s) of Designer(s): **Christoph Geiberger**
(45) Registration Date: **02 May 2012**
(30) Convention priority data:
(31) Number (32) Date (33) Country
4021808 03 Oct 2011 UNITED KINGDOM
(56) Related Art Documents: **Not Applicable**
(57) Statement of Newness and Distinctiveness: **Those features of the toothbrush packaging depicted in the representations that are new and distinctive are the shape and/or configuration.**



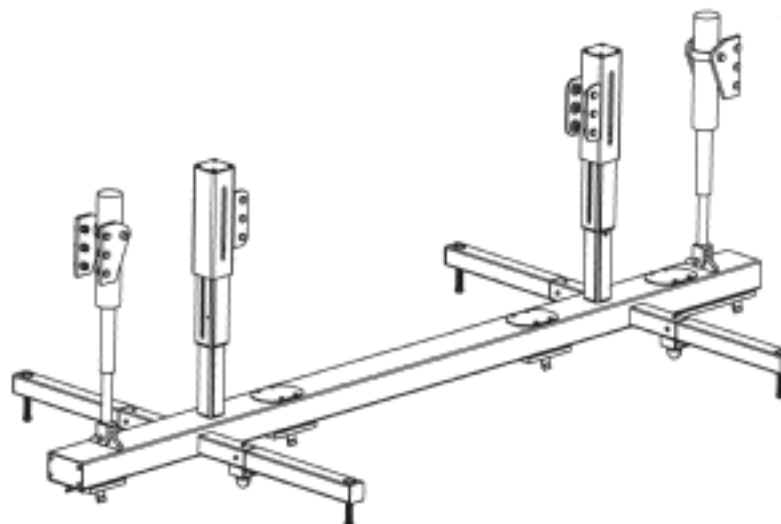
(21) Design Number: **11677/2012**
(22) Date of Filing Application: **03 April 2012**
(24) Date from which industrial property rights may have effect: **03 April 2012**
(54) Product in respect of which the design is registered: **A bracket**
(51) International Design Classification: **08-08L**
(74) Name(s) of Attorney(s): **SPRUSON & FERGUSON**
(71) Name(s) and Address(s) of Applicant(s):
Stephen Strange
30 Dunlop Drive Boambee New South Wales 2452 Australia
(72) Name(s) of Designer(s): **Stephen Strange**
(45) Registration Date: **02 May 2012**
(56) Related Art Documents: **Not Applicable**
(57) Statement of Newness and Distinctiveness: **Newness and distinctiveness is claimed in the features of shape and/or configuration of a bracket as illustrated in the accompanying representations.**



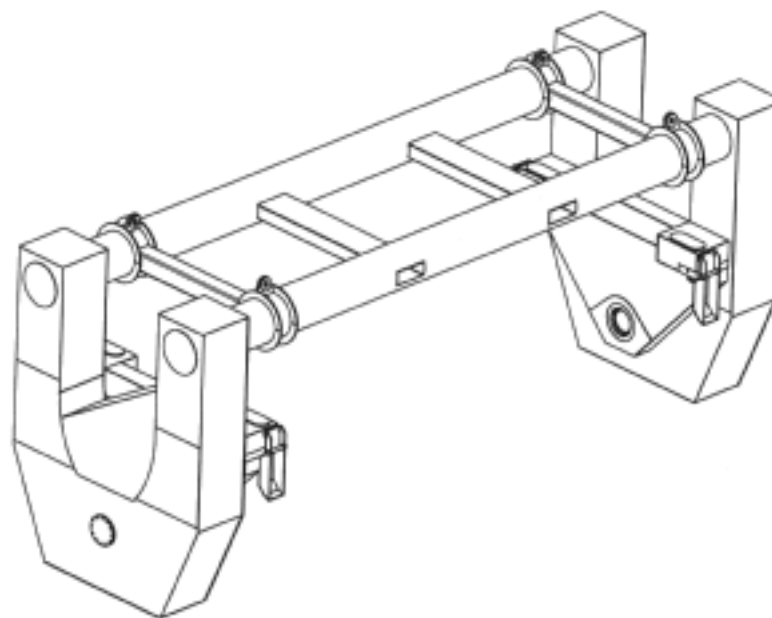
(21) Design Number: **11678/2012**
(22) Date of Filing Application: **03 April 2012**
(24) Date from which industrial property rights may have effect: **03 April 2012**
(54) Product in respect of which the design is registered: **A pool cleaner**
(51) International Design Classification: **08-05A**
(74) Name(s) of Attorney(s): **SPRUSON & FERGUSON**
(71) Name(s) and Address(s) of Applicant(s):
Pentair Water Pool and Spa, Inc.
1620 Hawkins Avenue Sanford North Carolina 27330 United States of America
(72) Name(s) of Designer(s): **Leonard Richiuso and Suresh Gopalan**
(45) Registration Date: **02 May 2012**
(30) Convention priority data:
(31) Number (32) Date (33) Country
29/403243 03 Oct 2011 UNITED STATES OF AMERICA
(56) Related Art Documents: **Not Applicable**
(57) Statement of Newness and Distinctiveness: **Newness and distinctiveness is claimed in those features of shape and/or configuration of a pool cleaner illustrated in continuous lines in the accompanying representations.**



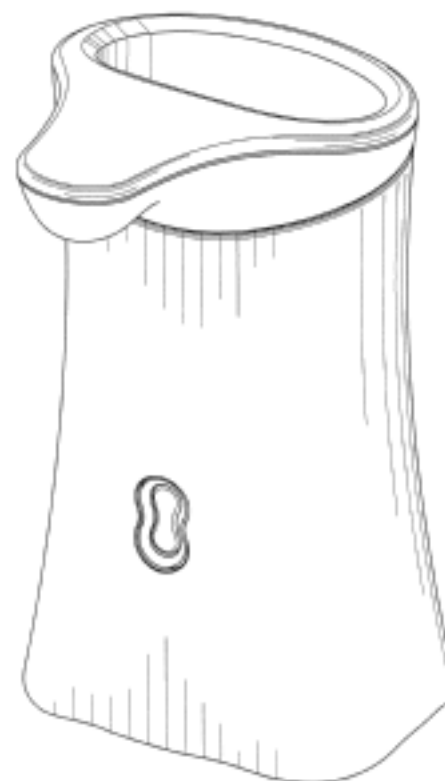
- (21) Design Number: **11679/2012**
(22) Date of Filing Application: **02 April 2012**
(24) Date from which industrial property rights may have effect: **02 April 2012**
(54) Product in respect of which the design is registered: **A device for unlocking/
opening, lifting and replacing a lid or cover on a container**
(51) International Design Classification: **08-05NES, 08-99**
(74) Name(s) of Attorney(s): **Australian Patent and TradeMark Services**
(71) Name(s) and Address(s) of Applicant(s):
**Australian Mobile Mining Equipment Systems and Accessories Pty. Limited
5 Sammut Street Smithfield New South Wales 2164 Australia**
(72) Name(s) of Designer(s): **Murray Robert Bridle**
(45) Registration Date: **02 May 2012**
(56) Related Art Documents: **Not Applicable**
(57) Statement of Newness and Distinctiveness: **Newness and distinctiveness
is claimed in the shape and/or configuration of a device for unlocking/
opening, lifting and replacing a lid or cover on a container, as illustrated
in the accompanying representations.**



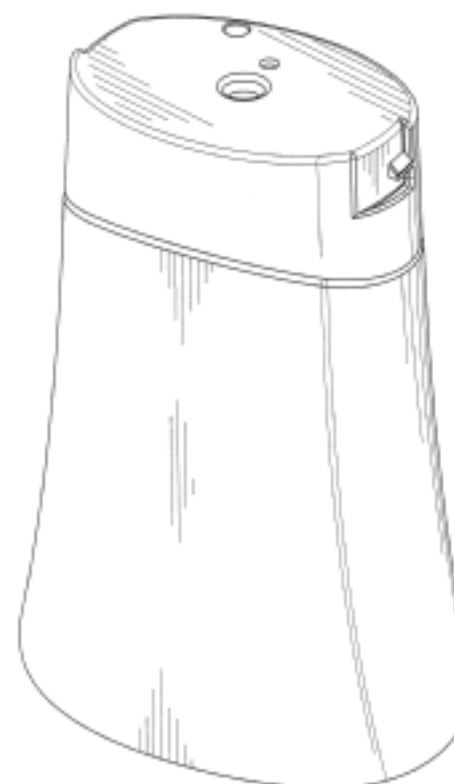
- (21) Design Number: **11684/2012**
(22) Date of Filing Application: **02 April 2012**
(24) Date from which industrial property rights may have effect: **02 April 2012**
(54) Product in respect of which the design is registered: **Apparatus for rotating
a container**
(51) International Design Classification: **08-05NES, 08-99**
(74) Name(s) of Attorney(s): **Australian Patent and TradeMark Services**
(71) Name(s) and Address(s) of Applicant(s):
**Australian Mobile Mining Equipment Systems and Accessories Pty. Limited
5 Sammut Street Smithfield New South Wales 2164 Australia**
(72) Name(s) of Designer(s): **Murray Robert Bridle**
(45) Registration Date: **02 May 2012**
(56) Related Art Documents: **Not Applicable**
(57) Statement of Newness and Distinctiveness: **Newness and distinctiveness
is claimed in the shape and/or configuration of apparatus for rotating a
container, as illustrated in the accompanying representations.**



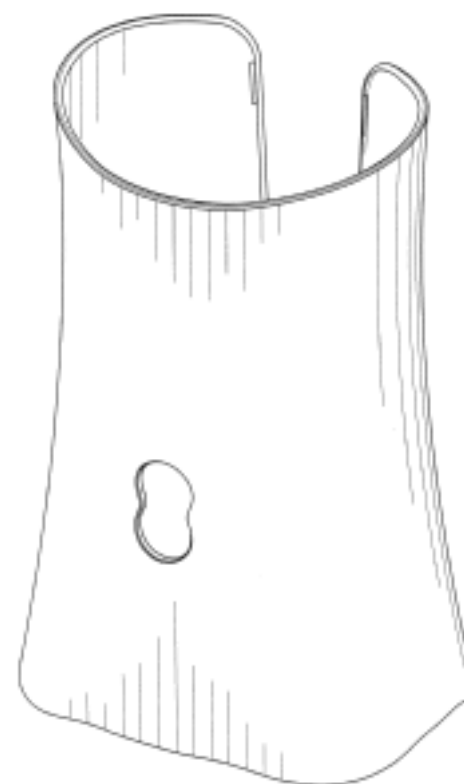
(21) Design Number: **11688/2012**
(22) Date of Filing Application: **03 April 2012**
(24) Date from which industrial property rights may have effect: **03 April 2012**
(54) Product in respect of which the design is registered: **Dispensing device**
(51) International Design Classification: **09-01NES**
(74) Name(s) of Attorney(s): **Madderns**
(71) Name(s) and Address(s) of Applicant(s):
Reckitt & Colman (Overseas) Limited
103-105 Bath Road Slough Berks SL1 3UH United Kingdom
(72) Name(s) of Designer(s): **Peter Kay and Stephanie Anne Marije Verschoor**
and Christopher Leonard Padain and Richard Brian Clough
(45) Registration Date: **02 May 2012**
(30) Convention priority data:
(31) Number (32) Date (33) Country
001926361-0004 03 Oct 2011 EUROPEAN COMMUNITY
(56) Related Art Documents: **Not Applicable**
(57) Statement of Newness and Distinctiveness: **Nil**



(21) Design Number: **11691/2012**
(22) Date of Filing Application: **03 April 2012**
(24) Date from which industrial property rights may have effect: **03 April 2012**
(54) Product in respect of which the design is registered: **Dispensing device**
(51) International Design Classification: **09-01NES**
(74) Name(s) of Attorney(s): **Madderns**
(71) Name(s) and Address(s) of Applicant(s):
Reckitt & Colman (Overseas) Limited
103-105 Bath Road Slough Berkshire SL1 3UH United Kingdom
(72) Name(s) of Designer(s): **Peter Kay and Stephanie Anne Marije Verschoor**
and Christopher Leonard Padain and Richard Brian Clough
(45) Registration Date: **02 May 2012**
(30) Convention priority data:
(31) Number (32) Date (33) Country
001926361-0002 03 Oct 2011 EUROPEAN COMMUNITY
(56) Related Art Documents: **Not Applicable**
(57) Statement of Newness and Distinctiveness: **Nil**



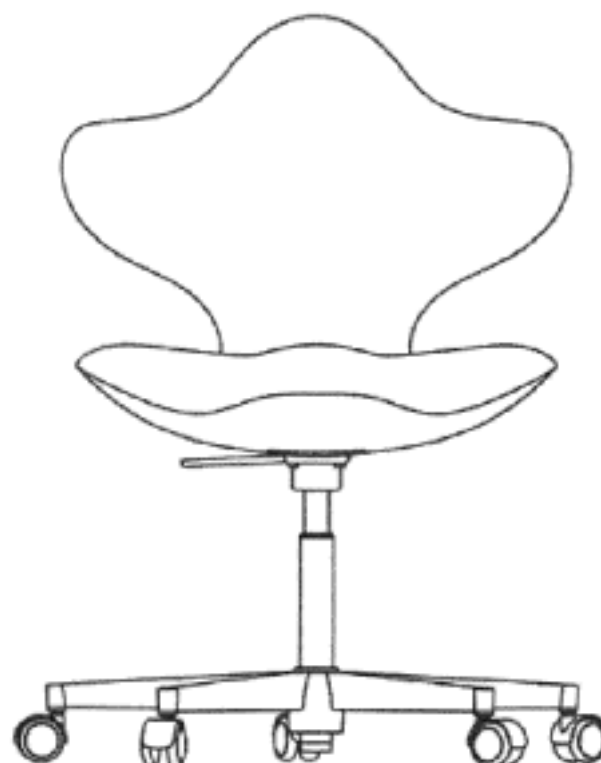
(21) Design Number: **11692/2012**
(22) Date of Filing Application: **03 April 2012**
(24) Date from which industrial property rights may have effect: **03 April 2012**
(54) Product in respect of which the design is registered: **Part of dispensing device**
(51) International Design Classification: **09-01NES**
(74) Name(s) of Attorney(s): **Madderns**
(71) Name(s) and Address(s) of Applicant(s):
Reckitt & Colman (Overseas) Limited
103-105 Bath Road Slough Berkshire SL1 3UH United Kingdom
(72) Name(s) of Designer(s): **Peter Kay and Stephanie Anne Marije Verschoor and Christopher Leonard Padain and Richard Brian Clough**
(45) Registration Date: **02 May 2012**
(30) Convention priority data:
(31) Number (32) Date (33) Country
001926361-0001 03 Oct 2011 EUROPEAN COMMUNITY
(56) Related Art Documents: **Not Applicable**
(57) Statement of Newness and Distinctiveness: **Nil**



(21) Design Number: **11693/2012**
(22) Date of Filing Application: **03 April 2012**
(24) Date from which industrial property rights may have effect: **03 April 2012**
(54) Product in respect of which the design is registered: **Dispensing device**
(51) International Design Classification: **09-01NES**
(74) Name(s) of Attorney(s): **Madderns**
(71) Name(s) and Address(s) of Applicant(s):
Reckitt & Colman (Overseas) Limited
103-105 Bath Road Slough Berkshire SL1 3UH United Kingdom
(72) Name(s) of Designer(s): **Peter Kay and Stephanie Anne Marije Verschoor and Christopher Leonard Padain and Richard Brian Clough**
(45) Registration Date: **02 May 2012**
(30) Convention priority data:
(31) Number (32) Date (33) Country
001926361-0005 03 Oct 2011 EUROPEAN COMMUNITY
(56) Related Art Documents: **Not Applicable**
(57) Statement of Newness and Distinctiveness: **Nil**



(21) Design Number: **11694/2012**
(22) Date of Filing Application: **03 April 2012**
(24) Date from which industrial property rights may have effect: **03 April 2012**
(54) Product in respect of which the design is registered: **Seat**
(51) International Design Classification: **06-01F**
(74) Name(s) of Attorney(s): **Shelston IP**
(71) Name(s) and Address(s) of Applicant(s):
Varier Furniture AS
Haahjem N-6260 Skodje Norway
(72) Name(s) of Designer(s): **Olav Eldoy**
(45) Registration Date: **02 May 2012**
(30) Convention priority data:
(31) Number (32) Date (33) Country
20120226 12 Mar 2012 NORWAY
(56) Related Art Documents: **Not Applicable**
(57) Statement of Newness and Distinctiveness: **Newness and distinctiveness resides in the features of shape and/or configuration of the seat back and seat base portion of the seat design shown in the accompanying representations.**



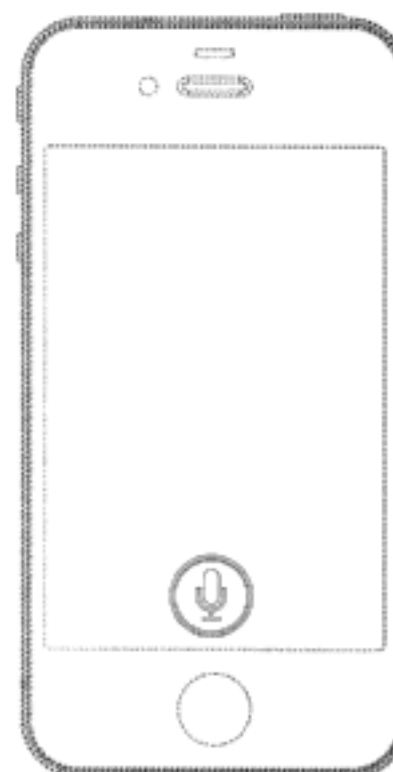
(21) Design Number: **11699/2012**
(22) Date of Filing Application: **04 April 2012**
(24) Date from which industrial property rights may have effect: **04 April 2012**
(54) Product in respect of which the design is registered: **Electronic device**
(51) International Design Classification: **14-03A, 14-04**
(74) Name(s) of Attorney(s): **Freehills Patent & Trade Mark Attorneys**
(71) Name(s) and Address(s) of Applicant(s):
Apple Inc.
1 Infinite Loop Cupertino California 95014 United States of America
(72) Name(s) of Designer(s): **Freddy Anzures and Elizabeth Caroline Cranfill and Alessandro Francesco Sabatelli**
(45) Registration Date: **02 May 2012**
(30) Convention priority data:
(31) Number (32) Date (33) Country
29/403334 04 Oct 2011 UNITED STATES OF AMERICA
(56) Related Art Documents: **Not Applicable**
(57) Statement of Newness and Distinctiveness: **Newness and distinctiveness is claimed in the features of pattern and/or ornamentation of the front of an electronic device as shown in solid outline in the accompanying representations.**



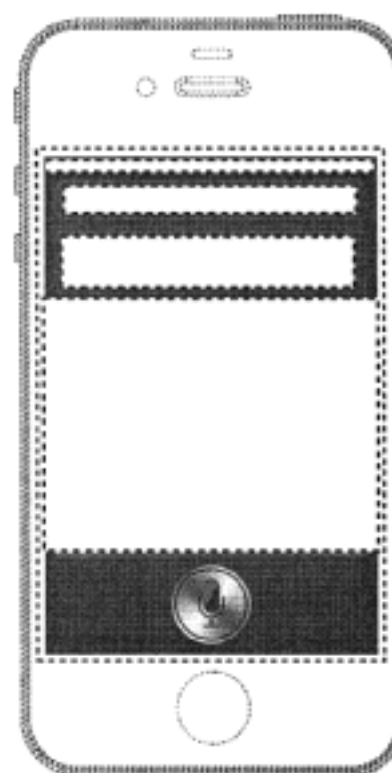
- (21) Design Number: **11700/2012**
(22) Date of Filing Application: **04 April 2012**
(24) Date from which industrial property rights may have effect: **04 April 2012**
(54) Product in respect of which the design is registered: **Electronic device**
(51) International Design Classification: **14-03A, 14-04**
(74) Name(s) of Attorney(s): **Freehills Patent & Trade Mark Attorneys**
(71) Name(s) and Address(s) of Applicant(s):
Apple Inc.
1 Infinite Loop Cupertino California 95014 United States of America
(72) Name(s) of Designer(s): **Freddy Anzures and Elizabeth Caroline Cranfill and Alessandro Francesco Sabatelli**
(45) Registration Date: **02 May 2012**
(30) Convention priority data:
(31) Number (32) Date (33) Country
29/403334 04 Oct 2011 UNITED STATES OF AMERICA
(56) Related Art Documents: **Not Applicable**
(57) Statement of Newness and Distinctiveness: **Newness and distinctiveness is claimed in the features of pattern and/or ornamentation of the front of an electronic device as shown in solid outline in the accompanying representations.**



- (21) Design Number: **11701/2012**
(22) Date of Filing Application: **04 April 2012**
(24) Date from which industrial property rights may have effect: **04 April 2012**
(54) Product in respect of which the design is registered: **Electronic device**
(51) International Design Classification: **14-03A, 14-04**
(74) Name(s) of Attorney(s): **Freehills Patent & Trade Mark Attorneys**
(71) Name(s) and Address(s) of Applicant(s):
Apple Inc.
1 Infinite Loop Cupertino California 95014 United States of America
(72) Name(s) of Designer(s): **Freddy Anzures and Alessandro Francesco Sabatelli**
(45) Registration Date: **02 May 2012**
(30) Convention priority data:
(31) Number (32) Date (33) Country
29/403334 04 Oct 2011 UNITED STATES OF AMERICA
(56) Related Art Documents: **Not Applicable**
(57) Statement of Newness and Distinctiveness: **Newness and distinctiveness is claimed in the features of pattern and/or ornamentation of the front of an electronic device as shown in solid outline in the accompanying representations.**



- (21) Design Number: **11702/2012**
(22) Date of Filing Application: **04 April 2012**
(24) Date from which industrial property rights may have effect: **04 April 2012**
(54) Product in respect of which the design is registered: **Electronic device**
(51) International Design Classification: **14-03A, 14-04**
(74) Name(s) of Attorney(s): **Freehills Patent & Trade Mark Attorneys**
(71) Name(s) and Address(s) of Applicant(s):
Apple Inc.
1 Infinite Loop Cupertino California 95014 United States of America
(72) Name(s) of Designer(s): **Freddy Anzures and Chanaka Karunamuni and Alessandro Francesco Sabatelli**
(45) Registration Date: **02 May 2012**
(30) Convention priority data:
(31) Number (32) Date (33) Country
29/403334 04 Oct 2011 UNITED STATES OF AMERICA
(56) Related Art Documents: **Not Applicable**
(57) Statement of Newness and Distinctiveness: **Newness and distinctiveness is claimed in the features of pattern and/or ornamentation of the front of an electronic device as shown in solid outline in the accompanying representations.**



- (21) Design Number: **11703/2012**
(22) Date of Filing Application: **04 April 2012**
(24) Date from which industrial property rights may have effect: **04 April 2012**
(54) Product in respect of which the design is registered: **Display screen for electronic device**
(51) International Design Classification: **14-04**
(74) Name(s) of Attorney(s): **Freehills Patent & Trade Mark Attorneys**
(71) Name(s) and Address(s) of Applicant(s):
Apple Inc.
1 Infinite Loop Cupertino California 95014 United States of America
(72) Name(s) of Designer(s): **Freddy Anzures and Alessandro Francesco Sabatelli**
(45) Registration Date: **02 May 2012**
(30) Convention priority data:
(31) Number (32) Date (33) Country
29/403334 04 Oct 2011 UNITED STATES OF AMERICA
(56) Related Art Documents: **Not Applicable**
(57) Statement of Newness and Distinctiveness: **Newness and distinctiveness is claimed in the features of pattern and/or ornamentation of a display screen for an electronic device as shown in solid outline in the accompanying representations.**



(21) Design Number: **11704/2012**
(22) Date of Filing Application: **04 April 2012**
(24) Date from which industrial property rights may have effect: **04 April 2012**
(54) Product in respect of which the design is registered: **Bottle**
(51) International Design Classification: **09-01H**
(74) Name(s) of Attorney(s): **FB Rice**
(71) Name(s) and Address(s) of Applicant(s):

SAVERGLASS
3 rue de la Gare 60960 Feuquieres France

(72) Name(s) of Designer(s): **Fraser Reynolds**
(45) Registration Date: **02 May 2012**

(30) Convention priority data:

(31) Number	(32) Date	(33) Country
001297196-0002	11 Oct 2011	EUROPEAN COMMUNITY

(56) Related Art Documents: **Not Applicable**

(57) Statement of Newness and Distinctiveness: **Newness and distinctiveness reside in the features of the bottle shown in solid lines in the representations (excluding those features shown in broken lines), and in particular in the vertical rectangular shape of the body of the bottle, in its generally square section which is wider at the top than at the bottom and has all angles cut, in its medium neck length, in the bevel which links the flat shoulder to each side and each cut angle of the body, and in the small bevel that links the body of the bottle to its bottom.**



(21) Design Number: **11705/2012**
(22) Date of Filing Application: **04 April 2012**
(24) Date from which industrial property rights may have effect: **04 April 2012**
(54) Product in respect of which the design is registered: **Bottle**
(51) International Design Classification: **09-01H**
(74) Name(s) of Attorney(s): **FB Rice**
(71) Name(s) and Address(s) of Applicant(s):

SAVERGLASS
3 rue de la Gare 60960 Feuquieres France

(72) Name(s) of Designer(s): **Fraser Reynolds**
(45) Registration Date: **02 May 2012**

(30) Convention priority data:

(31) Number	(32) Date	(33) Country
001930314-0002	11 Oct 2011	EUROPEAN COMMUNITY

(56) Related Art Documents: **Not Applicable**

(57) Statement of Newness and Distinctiveness: **Newness and distinctiveness reside in the features of the bottle shown in solid lines in the representations (excluding those features shown in broken lines), and in particular in the short neck with slightly sloping shoulders linked to a "guitar" shape body, in the front side and the back side of the body being flat whereas each lateral side is curved, in that small rectangular upper section has its corners cut, and in that cut-off sides of the body expand towards the largely cut angles of the rectangular bottom section.**



(21) Design Number: **10858/2012**
(22) Date of Filing Application: **22 February 2012**
(24) Date from which industrial property rights may have effect: **22 February 2012**
(54) Product in respect of which the design is registered: **Bracelet**
(51) International Design Classification: **11-01C**
(74) Name(s) of Attorney(s): **SPRUSON & FERGUSON**
(71) Name(s) and Address(s) of Applicant(s):



Bulgari S.p.A.
Lungotevere Marzio 11 I-00186 Rome Italy

(72) Name(s) of Designer(s): **Paolo Bulgari**

(45) Registration Date: **02 May 2012**

(30) Convention priority data:

(31) Number	(32) Date	(33) Country
DM 076683	31 Aug 2011	SWITZERLAND

(56) Related Art Documents: **Not Applicable**

(57) Statement of Newness and Distinctiveness: **Newness and distinctiveness is claimed in the features of shape and/or configuration of a bracelet as illustrated in the accompanying representations.**

(21) Design Number: **10859/2012**
(22) Date of Filing Application: **22 February 2012**
(24) Date from which industrial property rights may have effect: **22 February 2012**
(54) Product in respect of which the design is registered: **Necklace**
(51) International Design Classification: **11-01E**
(74) Name(s) of Attorney(s): **SPRUSON & FERGUSON**
(71) Name(s) and Address(s) of Applicant(s):



Bulgari S.p.A.
Lungotevere Marzio 11 I-00186 Rome Italy

(72) Name(s) of Designer(s): **Paolo Bulgari**

(45) Registration Date: **02 May 2012**

(30) Convention priority data:

(31) Number	(32) Date	(33) Country
DM 076683	31 Aug 2011	SWITZERLAND

(56) Related Art Documents: **Not Applicable**

(57) Statement of Newness and Distinctiveness: **Newness and distinctiveness is claimed in the features of shape and/or configuration of a necklace as illustrated in the accompanying representations.**

(21) Design Number: **10832/2012**
(22) Date of Filing Application: **21 February 2012**
(24) Date from which industrial property rights may have effect: **21 February 2012**
(54) Product in respect of which the design is registered: **Trampoline tent**
(51) International Design Classification: **21-02F**
(74) Name(s) of Attorney(s): **Ahearn Fox**
(71) Name(s) and Address(s) of Applicant(s):

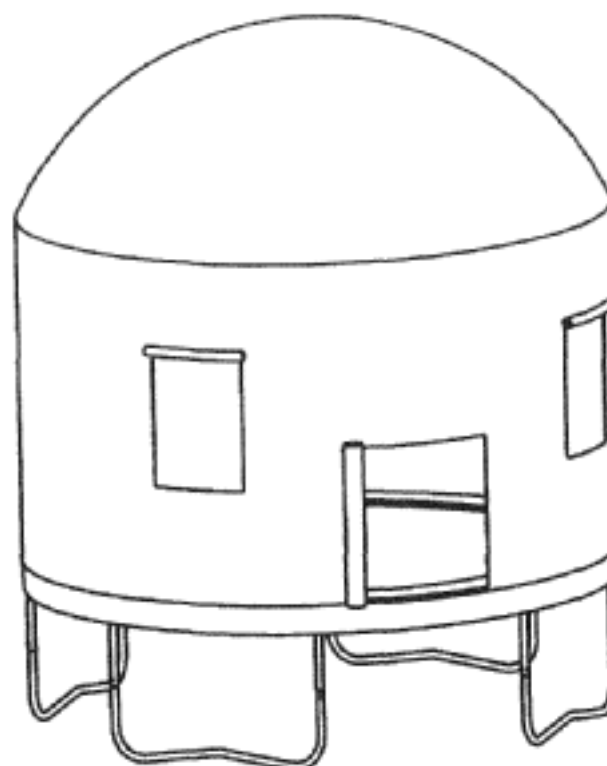
Vuly Pty Ltd
1/95 Ingleston Road Wakerley Queensland 4154 Australia

(72) Name(s) of Designer(s): **Joe Andon and David Francis and Wei Yang and Michael Connolly**

(45) Registration Date: **03 May 2012**

(56) Related Art Documents: **Not Applicable**

(57) Statement of Newness and Distinctiveness: **Newness and distinctiveness reside in the features of shape and configuration of the trampoline tent as shown in the accompanying drawings wherein: Fig. 1 is a pictorial representation of a trampoline tent according to the design mounted on a trampoline with the roof and walls adjoining; Fig. 2 is a front elevation of the trampoline tent mounted on the trampoline as shown in Fig. 1; Fig. 3 is a rear elevation of the trampoline tent mounted on the trampoline as shown in Fig. 1; Fig. 4 is a sectional elevation from the rear of the trampoline mounted on the trampoline as shown in Fig. 1; Fig. 5 is a pictorial representation of a trampoline tent according to the design mounted on a trampoline with the tent wall lowered from the roof to allow ventilation; Fig. 6 is a front elevation of the trampoline tent mounted on the trampoline as shown in Fig. 5; Fig. 7 is a rear elevation of the trampoline tent mounted on the trampoline as shown in Fig. 5; Fig. 8 is a sectional elevation from the rear of the trampoline mounted on the trampoline as shown in Fig. 5;**



(21) Design Number: **10833/2012**
(22) Date of Filing Application: **21 February 2012**
(24) Date from which industrial property rights may have effect: **21 February 2012**
(54) Product in respect of which the design is registered: **Trampoline tent**
(51) International Design Classification: **21-02F**
(74) Name(s) of Attorney(s): **Ahearn Fox**
(71) Name(s) and Address(s) of Applicant(s):

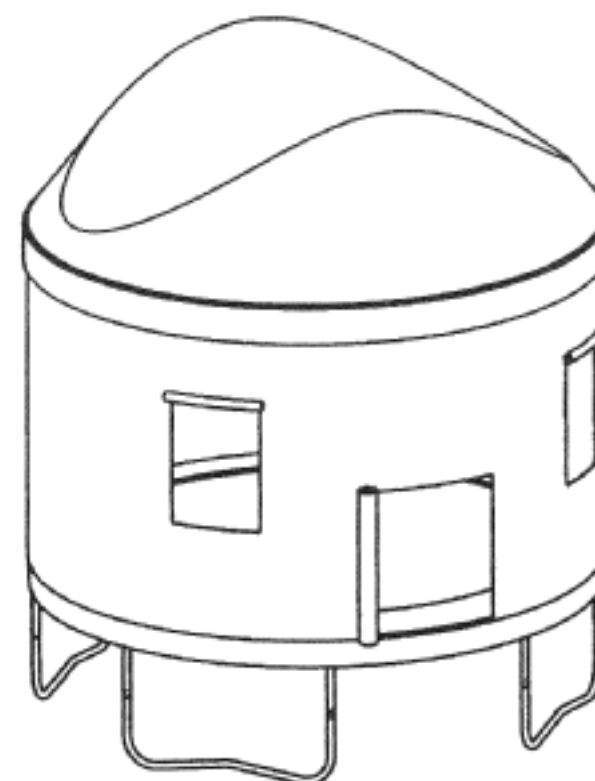
Vuly Pty Ltd
1/95 Ingleston Road Wakerley Queensland 4154 Australia

(72) Name(s) of Designer(s): **Joe Andon and David Francis and Wei Yang and Michael Connolly**

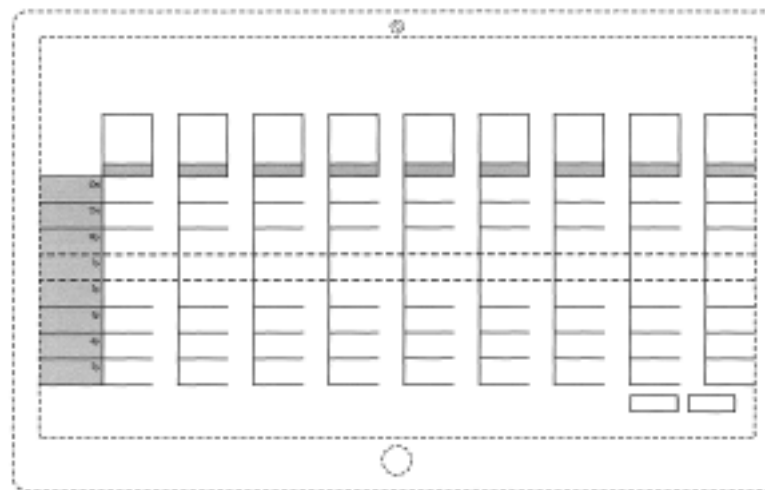
(45) Registration Date: **03 May 2012**

(56) Related Art Documents: **Not Applicable**

(57) Statement of Newness and Distinctiveness: **Newness and distinctiveness reside in the features of shape and configuration of the trampoline tent as shown in the accompanying drawings wherein: Fig. 1 is a pictorial representation of a trampoline tent according to the design mounted on a trampoline with the roof and walls adjoining; Fig. 2 is a front elevation of the trampoline tent mounted on the trampoline as shown in Fig. 1; Fig. 3 is a rear elevation of the trampoline tent mounted on the trampoline as shown in Fig. 1; Fig. 4 is a sectional elevation from the rear of the trampoline mounted on the trampoline as shown in Fig. 1; Fig. 5 is a pictorial representation of a trampoline tent according to the design mounted on a trampoline with the tent wall lowered from the roof to allow ventilation; Fig. 6 is a front elevation of the trampoline tent mounted on the trampoline as shown in Fig. 5; Fig. 7 is a rear elevation of the trampoline tent mounted on the trampoline as shown in Fig. 5, and Fig. 8 is a sectional elevation from the rear of the trampoline mounted on the trampoline as shown in Fig. 5;**



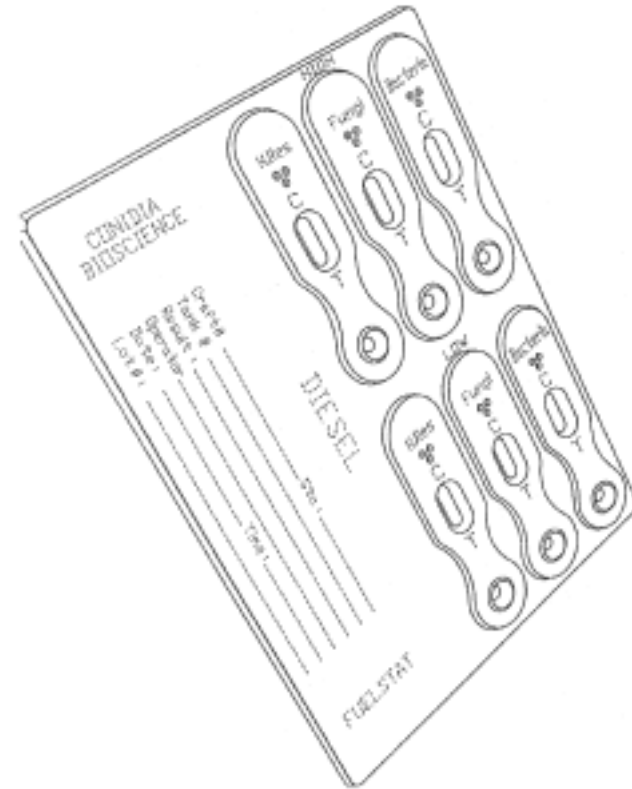
- (21) Design Number: **11285/2012**
(22) Date of Filing Application: **09 March 2012**
(24) Date from which industrial property rights may have effect: **09 March 2012**
(54) Product in respect of which the design is registered: **Display screen with user interface**
(51) International Design Classification: **14-04**
(74) Name(s) of Attorney(s): **Shelston IP**
(71) Name(s) and Address(s) of Applicant(s):
Microsoft Corporation
One Microsoft Way Redmond Washington 98052 United States of America
(72) Name(s) of Designer(s): **Ben Perry and Andrew Clifford Wassying**
(45) Registration Date: **03 May 2012**
(30) Convention priority data:
(31) Number (32) Date (33) Country
29/401558 12 Sep 2011 UNITED STATES OF AMERICA
(56) Related Art Documents: **Not Applicable**
(57) Statement of Newness and Distinctiveness: **Newness and distinctiveness reside in the pattern and/or ornamentation of a display screen with user interface as illustrated by solid lines in the accompanying representations. The features shown in broken outline are for illustrative purposes only and do not form part of the design.**



- (21) Design Number: **11411/2012**
(22) Date of Filing Application: **16 March 2012**
(24) Date from which industrial property rights may have effect: **16 March 2012**
(54) Product in respect of which the design is registered: **Spring**
(51) International Design Classification: **08-08C**
(74) Name(s) of Attorney(s): **Ahearn Fox**
(71) Name(s) and Address(s) of Applicant(s):
Vuly Pty Ltd
1/95 Ingleston Road Wakerley Queensland 4154 Australia
(72) Name(s) of Designer(s): **Wei Yang and David Eager and Joe Andon and Michael Connolly**
(45) Registration Date: **03 May 2012**
(56) Related Art Documents: **Not Applicable**
(57) Statement of Newness and Distinctiveness: **Newness and distinctiveness reside in the features of shape and configuration of a leaf spring as shown in the accompanying drawings wherein: Fig.1 is a pictorial representation of the leaf spring from above and one side; Fig.2 is a pictorial representation of the leaf spring from below and the other side; Fig.3 is a view of the leaf spring from above; and Fig.4 is a view of the leaf spring from one side.**



- (21) Design Number: **11412/2012**
(22) Date of Filing Application: **19 March 2012**
(24) Date from which industrial property rights may have effect: **19 March 2012**
(54) Product in respect of which the design is registered: **Testing apparatus**
(51) International Design Classification: **24-01**
(74) Name(s) of Attorney(s):
(71) Name(s) and Address(s) of Applicant(s):
Conidia Bioscience Limited
Bakeham Lane Egham Surrey TW20 9TY United Kingdom
(72) Name(s) of Designer(s): **George Tippett and Keith Elliot**
(45) Registration Date: **03 May 2012**
(30) Convention priority data:
(31) Number (32) Date (33) Country
001921420-0001 22 Sep 2011 EUROPEAN COMMUNITY
(56) Related Art Documents: **Not Applicable**
(57) Statement of Newness and Distinctiveness: **Nil**



- (21) Design Number: **11426/2012**
(22) Date of Filing Application: **19 March 2012**
(24) Date from which industrial property rights may have effect: **19 March 2012**
(54) Product in respect of which the design is registered: **Golf club grip**
(51) International Design Classification: **21-02C**
(74) Name(s) of Attorney(s): **Collison & Co**
(71) Name(s) and Address(s) of Applicant(s):
Sam Parkinson
115 Rundle Street Kent Town South Australia 5067 Australia
(72) Name(s) of Designer(s): **Sam Parkinson**
(45) Registration Date: **03 May 2012**
(56) Related Art Documents: **Not Applicable**
(57) Statement of Newness and Distinctiveness: **Newness and distinctiveness resides in the pattern and ornamentation of the design as shown in the representations.**



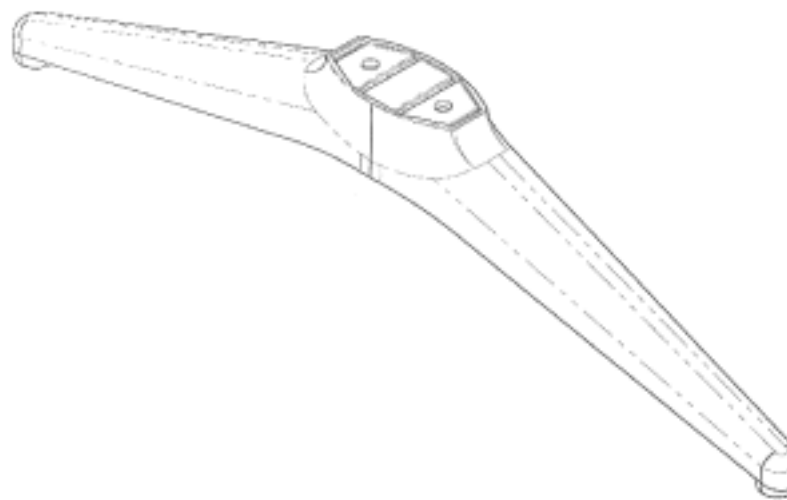
- (21) Design Number: **11427/2012**
(22) Date of Filing Application: **19 March 2012**
(24) Date from which industrial property rights may have effect: **19 March 2012**
(54) Product in respect of which the design is registered: **Golf club grip**
(51) International Design Classification: **21-02C**
(74) Name(s) of Attorney(s): **Collison & Co**
(71) Name(s) and Address(s) of Applicant(s):
Sam Parkinson
115 Rundle Street Kent Town South Australia 5067 Australia
(72) Name(s) of Designer(s): **Sam Parkinson**
(45) Registration Date: **03 May 2012**
(56) Related Art Documents: **Not Applicable**
(57) Statement of Newness and Distinctiveness: **Newness and distinctiveness resides in the pattern and ornamentation of the design as shown in the representations.**



- (21) Design Number: **11429/2012**
(22) Date of Filing Application: **20 March 2012**
(24) Date from which industrial property rights may have effect: **20 March 2012**
(54) Product in respect of which the design is registered: **Automobile**
(51) International Design Classification: **12-08**
(74) Name(s) of Attorney(s): **PIZZEYS**
(71) Name(s) and Address(s) of Applicant(s):
Mitsubishi Jidosha Kogyo Kabushiki Kaisha
33-8 Shiba 5-chome Minato-ku Tokyo 108-8410 Japan
(72) Name(s) of Designer(s): **Hideaki Kanazawa and Kenichi Noda and Ryosuke Matsuoka and Atsushi Goto**
(45) Registration Date: **03 May 2012**
(30) Convention priority data:
(31) Number (32) Date (33) Country
2011-025376 02 Nov 2011 JAPAN
(56) Related Art Documents: **Not Applicable**
(57) Statement of Newness and Distinctiveness: **Newness and distinctiveness resides in the shape and configuration of the Automobile as shown in solid line in the accompanying representations.**



- (21) Design Number: **11440/2012**
(22) Date of Filing Application: **20 March 2012**
(24) Date from which industrial property rights may have effect: **20 March 2012**
(54) Product in respect of which the design is registered: **Table foot**
(51) International Design Classification: **06-06E**
(74) Name(s) of Attorney(s): **HODGKINSON McINNES PATENTS**
(71) Name(s) and Address(s) of Applicant(s):
Thinking Ergonomix Pty Limited
6A Childs Road Chipping Norton New South Wales 2170 Australia
(72) Name(s) of Designer(s): **Matthew Thomas Cramsie**
(45) Registration Date: **03 May 2012**
(56) Related Art Documents: **Not Applicable**
(57) Statement of Newness and Distinctiveness: **Newness and distinctiveness is claimed in the shape and configuration of a Table Foot as shown in the representations. The ghost lines do not form part of the design and show the three-dimensional contours and shape of the table foot.**



- (21) Design Number: **11690/2012**
(22) Date of Filing Application: **03 April 2012**
(24) Date from which industrial property rights may have effect: **03 April 2012**
(54) Product in respect of which the design is registered: **Dispensing device**
(51) International Design Classification: **09-01NES**
(74) Name(s) of Attorney(s): **Madderns**
(71) Name(s) and Address(s) of Applicant(s):
Reckitt & Colman (Overseas) Limited
103-105 Bath Road Slough Berkshire SL1 3UH United Kingdom
(72) Name(s) of Designer(s): **Peter Kay and Stephanie Anne Marije Verschoor and Christopher Leonard Padain and Richard Brian Clough**
(45) Registration Date: **03 May 2012**
(30) Convention priority data:
(31) Number (32) Date (33) Country
001926361-0003 03 Oct 2011 EUROPEAN COMMUNITY
(56) Related Art Documents: **Not Applicable**
(57) Statement of Newness and Distinctiveness: **Nil**



(21) Design Number: **11716/2012**
(22) Date of Filing Application: **05 April 2012**
(24) Date from which industrial property rights may have effect: **05 April 2012**
(54) Product in respect of which the design is registered: **Loudspeaker**
(51) International Design Classification: **14-01**
(74) Name(s) of Attorney(s): **MIDDLETONS**
(71) Name(s) and Address(s) of Applicant(s):
Bang & Olufsen A/S
Peter Bangs Vej 15 7600 Struer Denmark
(72) Name(s) of Designer(s): **David Lewis**
(45) Registration Date: **03 May 2012**
(30) Convention priority data:
(31) Number (32) Date (33) Country
001929985-0001 11 Oct 2011 EUROPEAN COMMUNITY
(56) Related Art Documents: **Not Applicable**
(57) Statement of Newness and Distinctiveness: **Nil**



(21) Design Number: **11717/2012**
(22) Date of Filing Application: **05 April 2012**
(24) Date from which industrial property rights may have effect: **05 April 2012**
(54) Product in respect of which the design is registered: **Loudspeaker**
(51) International Design Classification: **14-01**
(74) Name(s) of Attorney(s): **MIDDLETONS**
(71) Name(s) and Address(s) of Applicant(s):
Bang & Olufsen A/S
Peter Bangs Vej 15 7600 Struer Denmark
(72) Name(s) of Designer(s): **David Lewis**
(45) Registration Date: **03 May 2012**
(30) Convention priority data:
(31) Number (32) Date (33) Country
001929985-0002 11 Oct 2011 EUROPEAN COMMUNITY
(56) Related Art Documents: **Not Applicable**
(57) Statement of Newness and Distinctiveness: **Nil**



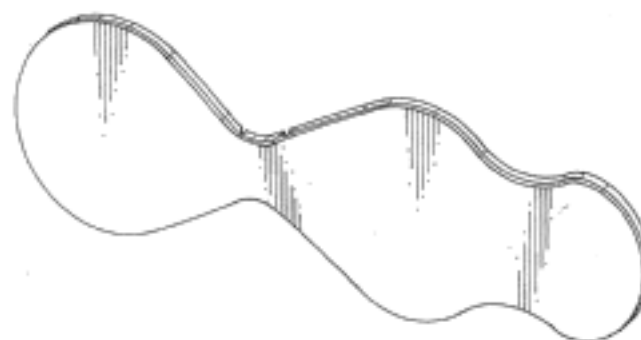
(21) Design Number: **11722/2012**
(22) Date of Filing Application: **03 April 2012**
(24) Date from which industrial property rights may have effect: **03 April 2012**
(54) Product in respect of which the design is registered: **Sunglasses**
(51) International Design Classification: **16-06**
(74) Name(s) of Attorney(s):
(71) Name(s) and Address(s) of Applicant(s):
Lava Ltd
PO Box No 80589 Cheung Sha Wan Post Office Hong Kong
(72) Name(s) of Designer(s): **Paul Stables**
(45) Registration Date: **03 May 2012**
(56) Related Art Documents: **Not Applicable**
(57) Statement of Newness and Distinctiveness: **Nil**



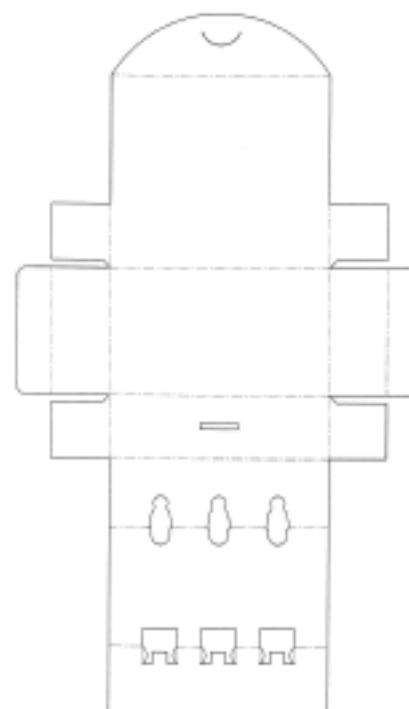
(21) Design Number: **11729/2012**
(22) Date of Filing Application: **10 April 2012**
(24) Date from which industrial property rights may have effect: **10 April 2012**
(54) Product in respect of which the design is registered: **An article of footwear**
(51) International Design Classification: **02-04NES**
(74) Name(s) of Attorney(s): **Gadens Lawyers**
(71) Name(s) and Address(s) of Applicant(s):
Binder Production Pty Ltd
1 Keys Road Moorabbin Victoria 3189 Australia
(72) Name(s) of Designer(s): **Michael Kaper**
(45) Registration Date: **03 May 2012**
(56) Related Art Documents: **Not Applicable**
(57) Statement of Newness and Distinctiveness: **Newness and distinctiveness is claimed in the features of shape and configuration of the article shown in the representation including the shape, configuration and location of the zipper and its binding included therewith.**



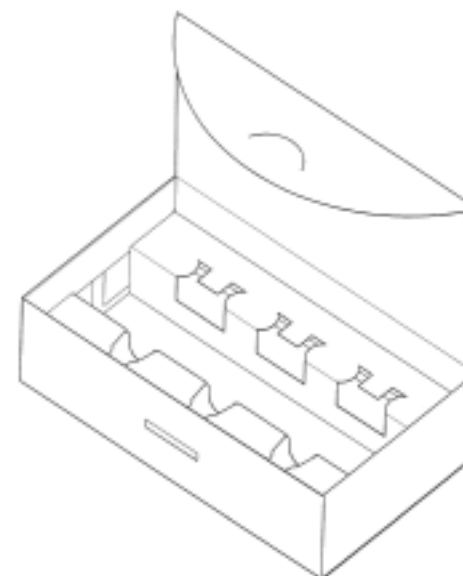
(21) Design Number: **11730/2012**
(22) Date of Filing Application: **10 April 2012**
(24) Date from which industrial property rights may have effect: **10 April 2012**
(54) Product in respect of which the design is registered: **Dental bite block**
(51) International Design Classification: **24-04**
(74) Name(s) of Attorney(s): **PATENT ATTORNEY SERVICES**
(71) Name(s) and Address(s) of Applicant(s):
CENTRIX, INC.
770 River Road Shelton Connecticut 06484 United States of America
(72) Name(s) of Designer(s): **William B Dragan**
(45) Registration Date: **03 May 2012**
(30) Convention priority data:
(31) Number (32) Date (33) Country
29/404,209 17 Oct 2011 UNITED STATES OF AMERICA
(56) Related Art Documents: **Not Applicable**
(57) Statement of Newness and Distinctiveness: **Visual features of the design which are new and distinctive are the features of shape and configuration of DENTAL BITE BLOCK as illustrated in the representations.**



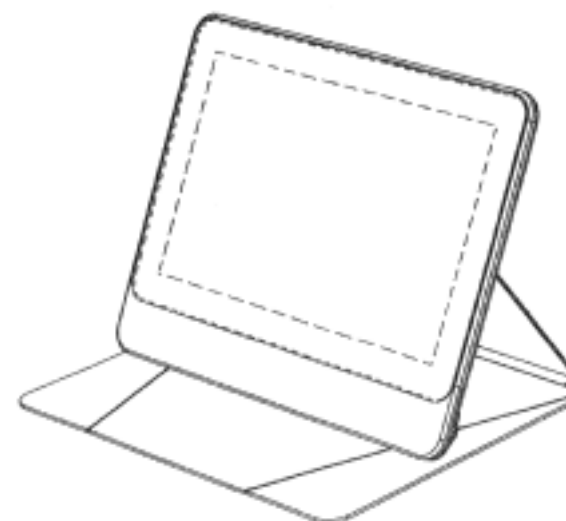
(21) Design Number: **11731/2012**
(22) Date of Filing Application: **04 April 2012**
(24) Date from which industrial property rights may have effect: **04 April 2012**
(54) Product in respect of which the design is registered: **Packaging blank**
(51) International Design Classification: **09-03M**
(74) Name(s) of Attorney(s): **Callinans**
(71) Name(s) and Address(s) of Applicant(s):
LEO Laboratories Limited
285 Cashel Road Dublin 12 Ireland
(72) Name(s) of Designer(s): **Lone Loessin**
(45) Registration Date: **03 May 2012**
(56) Related Art Documents: **Not Applicable**
(57) Statement of Newness and Distinctiveness: **Nil**



- (21) Design Number: **11732/2012**
(22) Date of Filing Application: **04 April 2012**
(24) Date from which industrial property rights may have effect: **04 April 2012**
(54) Product in respect of which the design is registered: **Package**
(51) International Design Classification: **09-03M**
(74) Name(s) of Attorney(s): **Callinans**
(71) Name(s) and Address(s) of Applicant(s):
LEO Laboratories Limited
285 Cashel Road Dublin 12 Ireland
(72) Name(s) of Designer(s): **Lone Loessin**
(45) Registration Date: **03 May 2012**
(56) Related Art Documents: **Not Applicable**
(57) Statement of Newness and Distinctiveness: **These features of the package depicted in the representations that are new and distinctive is the shape and/or configuration of the interior of the package.**



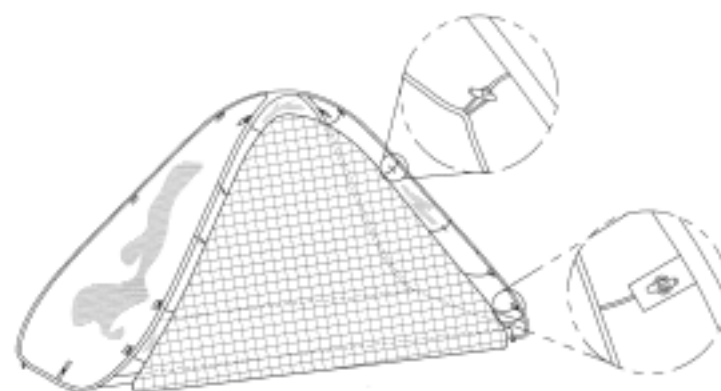
- (21) Design Number: **11733/2012**
(22) Date of Filing Application: **05 April 2012**
(24) Date from which industrial property rights may have effect: **05 April 2012**
(54) Product in respect of which the design is registered: **Holders for computers**
(51) International Design Classification: **14-99, 14-02**
(74) Name(s) of Attorney(s): **Janet Stead & Associates, Patent and Trade Mark Attorneys**
(71) Name(s) and Address(s) of Applicant(s):
Mezzo Movies Limited
Moor Lane Derby Derbyshire DE24 8BJ United Kingdom
(72) Name(s) of Designer(s): **David Sampson and Neil McColl and Ian Stead and Jamie Stead**
(45) Registration Date: **03 May 2012**
(30) Convention priority data:
(31) Number (32) Date (33) Country
001929134-0001 07 Oct 2011 EUROPEAN COMMUNITY
(56) Related Art Documents: **Not Applicable**
(57) Statement of Newness and Distinctiveness: **Nil**



(21) Design Number: **11734/2012**
(22) Date of Filing Application: **04 April 2012**
(24) Date from which industrial property rights may have effect: **04 April 2012**
(54) Product in respect of which the design is registered: **Bucket trap**
(51) International Design Classification: **23-01G**
(74) Name(s) of Attorney(s): **WALLINGTON-DUMMER**
(71) Name(s) and Address(s) of Applicant(s):
Larkin & Shoushani Solutions Pty Ltd
28 Davies Street Mollymook New South Wales 2539 Australia
(72) Name(s) of Designer(s): **Anthony William Larkin and Ronnie Shoushani**
(45) Registration Date: **03 May 2012**
(56) Related Art Documents: **Not Applicable**
(57) Statement of Newness and Distinctiveness: **Newness and distinctiveness resides in a bucket trap as illustrated of indefinite depth. When considering the extent of monopoly, the pattern of the holes in the base should be disregarded.**



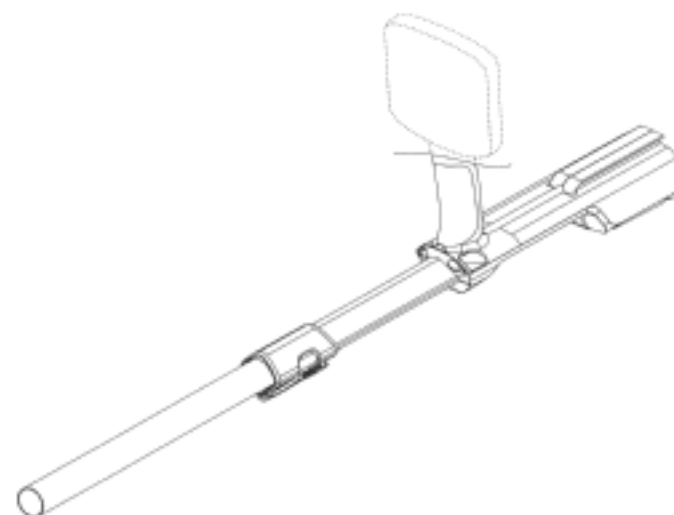
(21) Design Number: **11735/2012**
(22) Date of Filing Application: **05 April 2012**
(24) Date from which industrial property rights may have effect: **05 April 2012**
(54) Product in respect of which the design is registered: **Portable multi-sport practice net**
(51) International Design Classification: **21-02C**
(74) Name(s) of Attorney(s): **Shelston IP**
(71) Name(s) and Address(s) of Applicant(s):
RGS Direct LLC
1631 Hillside Mill Road Wilmington Delaware 19807 United States of America
(72) Name(s) of Designer(s): **Ryan Dickerson**
(45) Registration Date: **03 May 2012**
(30) Convention priority data:
(31) Number (32) Date (33) Country
29/404790 25 Oct 2011 UNITED STATES OF AMERICA
(56) Related Art Documents: **Not Applicable**
(57) Statement of Newness and Distinctiveness: **Newness and distinctiveness resides in the features of shape and/or configuration of the portable multi-sport practice net illustrated in the accompanying representations. The person shown in broken lines in Figure 1 of the representatons is for illustrative purposes only to show enviroment and forms no part of the design.**



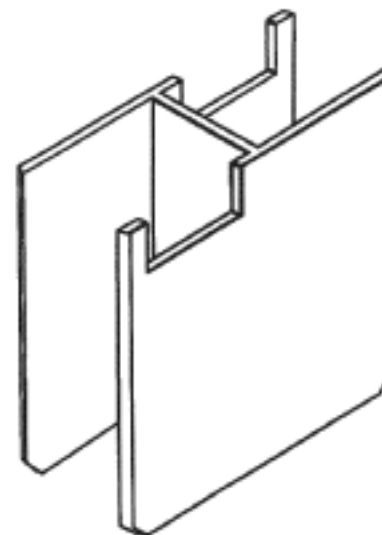
(21) Design Number: **11736/2012**
(22) Date of Filing Application: **05 April 2012**
(24) Date from which industrial property rights may have effect: **05 April 2012**
(54) Product in respect of which the design is registered: **Towel**
(51) International Design Classification: **06-13C**
(74) Name(s) of Attorney(s): **Madderns**
(71) Name(s) and Address(s) of Applicant(s):
Philippa L Amey
448 West 19th Street Apt 2F New York 10011 New York United States of America
(72) Name(s) of Designer(s): **Philippa L Amey**
(45) Registration Date: **03 May 2012**
(30) Convention priority data:
(31) Number (32) Date (33) Country
29/403677 10 Oct 2011 UNITED STATES OF AMERICA
(56) Related Art Documents: **Not Applicable**
(57) Statement of Newness and Distinctiveness: **Newness and distinctiveness is claimed in the shape and/or configuration of a towel having an animal skin shape as shown in the representations.**



(21) Design Number: **11737/2012**
(22) Date of Filing Application: **05 April 2012**
(24) Date from which industrial property rights may have effect: **05 April 2012**
(54) Product in respect of which the design is registered: **Metal detector body**
(51) International Design Classification: **10-05**
(74) Name(s) of Attorney(s): **Madderns**
(71) Name(s) and Address(s) of Applicant(s):
Minelab Electronics Pty Limited
118 Hayward Avenue Torrensville South Australia 5031 Australia
(72) Name(s) of Designer(s): **Skye McQuillen and Brendan Smith and Richard Escane and Liam Gall and Evan Price and Cosmo Luppino**
(45) Registration Date: **03 May 2012**
(56) Related Art Documents: **Not Applicable**
(57) Statement of Newness and Distinctiveness: **Newness and distinctiveness is claimed in the shape and/or configuration of a metal detector body as shown in the accompanying drawings. In considering the scope of protection, no regard is to be given to the portion shown in dotted lines.**



- (21) Design Number: **11740/2012**
(22) Date of Filing Application: **05 April 2012**
(24) Date from which industrial property rights may have effect: **05 April 2012**
(54) Product in respect of which the design is registered: **Grease/silt arrestor**
(51) International Design Classification: **23-02NES, 23-02E**
(74) Name(s) of Attorney(s): **Fisher Adams Kelly**
(71) Name(s) and Address(s) of Applicant(s):
Everhard Industries Pty Ltd
405 Newman Road Geebung Queensland 4034 Australia
(72) Name(s) of Designer(s): **Brett Davies**
(45) Registration Date: **03 May 2012**
(56) Related Art Documents: **Not Applicable**
(57) Statement of Newness and Distinctiveness: **The newness and distinctiveness of the design resides in the shape and/or configuration of the Grease/Silt Arrestor shown in the representations. In considering the scope of protection, features shown in the broken lines are to be disregarded.**



- (21) Design Number: **11748/2012**
(22) Date of Filing Application: **10 April 2012**
(24) Date from which industrial property rights may have effect: **10 April 2012**
(54) Product in respect of which the design is registered: **Sport shoe**
(51) International Design Classification: **02-04NES**
(74) Name(s) of Attorney(s): **Griffith Hack**
(71) Name(s) and Address(s) of Applicant(s):
Asics Corporation
1-1 Minatojima-Nakamachi 7-chome Chuo-Ku Kobe-Shi Hyogo 6508555
Japan
(72) Name(s) of Designer(s): **Hiroaki Hishimura and Shuhei Takemura**
(45) Registration Date: **04 May 2012**
(56) Related Art Documents: **Not Applicable**
(57) Statement of Newness and Distinctiveness: **The shape and configuration of the sole of the shoe as shown in the representations is new and distinctive. Those parts of the shoe shown in dashed lines do not form part of the design and have been included for illustrative purposes only.**



(21) Design Number: **11749/2012**
(22) Date of Filing Application: **10 April 2012**
(24) Date from which industrial property rights may have effect: **10 April 2012**
(54) Product in respect of which the design is registered: **Coffee grinder**
(51) International Design Classification: **07-04**
(74) Name(s) of Attorney(s): **Griffith Hack**
(71) Name(s) and Address(s) of Applicant(s):
Santos (a French societe par actions simpliffee)
140/150 Avenue Roger Salengro Vaulx En Velin 69120 France
(72) Name(s) of Designer(s): **Nicolas Fouquet**
(45) Registration Date: **04 May 2012**
(30) Convention priority data:
(31) Number (32) Date (33) Country
001934100-0001 18 Oct 2011 EUROPEAN COMMUNITY
(56) Related Art Documents: **Not Applicable**
(57) Statement of Newness and Distinctiveness: **The shape, configuration and ornamentation of the product as shown in the accompanying Figures is new and distinctive.**



(21) Design Number: **11750/2012**
(22) Date of Filing Application: **10 April 2012**
(24) Date from which industrial property rights may have effect: **10 April 2012**
(54) Product in respect of which the design is registered: **Automobile**
(51) International Design Classification: **12-08**
(74) Name(s) of Attorney(s): **Wrays**
(71) Name(s) and Address(s) of Applicant(s):
Suzuki Motor Corporation
300 Takatsuka-cho Minami-ku Hamamatsu-shi Shizuoka-ken Japan
(72) Name(s) of Designer(s): **Yasukazu Yuki**
(45) Registration Date: **04 May 2012**
(30) Convention priority data:
(31) Number (32) Date (33) Country
2011-023295 11 Oct 2011 JAPAN
(56) Related Art Documents: **Not Applicable**
(57) Statement of Newness and Distinctiveness: **Newness and distinctiveness is claimed in the features of shape and/or configuration of the Automobile depicted in the accompanying representations.**



- (21) Design Number: **11751/2012**
(22) Date of Filing Application: **10 April 2012**
(24) Date from which industrial property rights may have effect: **10 April 2012**
(54) Product in respect of which the design is registered: **Brick stack**
(51) International Design Classification: **25-01A**
(74) Name(s) of Attorney(s): **Wrays**
(71) Name(s) and Address(s) of Applicant(s):

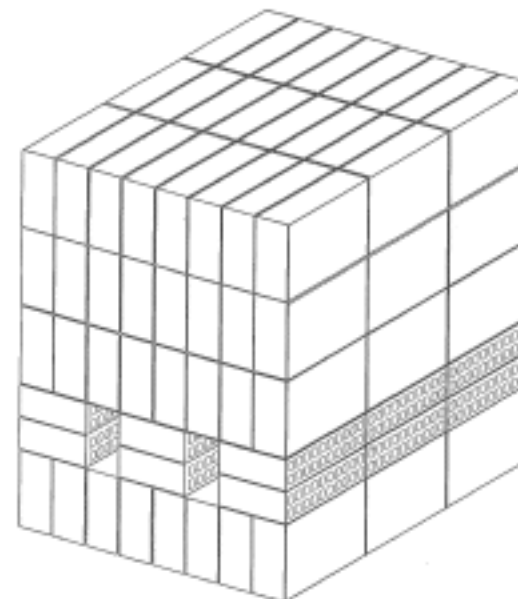
BGC (Australia) Pty Ltd
Level 6 18 Mount Street Perth Western Australia 6000 Australia

- (72) Name(s) of Designer(s): **Vasyl Bill Swerlowycz**

(45) Registration Date: **04 May 2012**

(56) Related Art Documents: **Not Applicable**

- (57) Statement of Newness and Distinctiveness: **The accompanying representations depict the same brick stack, one set having banding therearound, the other without. This is for illustrative purposes. Newness and distinctiveness is claimed in the features of shape and/or configuration of the brick stack as depicted in the accompanying representations. In considering the newness and distinctiveness of the design the banding as depicted in the second set of drawings is to be excluded from consideration.**



- (21) Design Number: **11756/2012**
(22) Date of Filing Application: **10 April 2012**
(24) Date from which industrial property rights may have effect: **10 April 2012**
(54) Product in respect of which the design is registered: **Sprocket**
(51) International Design Classification: **15-99, 08-99**
(74) Name(s) of Attorney(s): **Fisher Adams Kelly**
(71) Name(s) and Address(s) of Applicant(s):

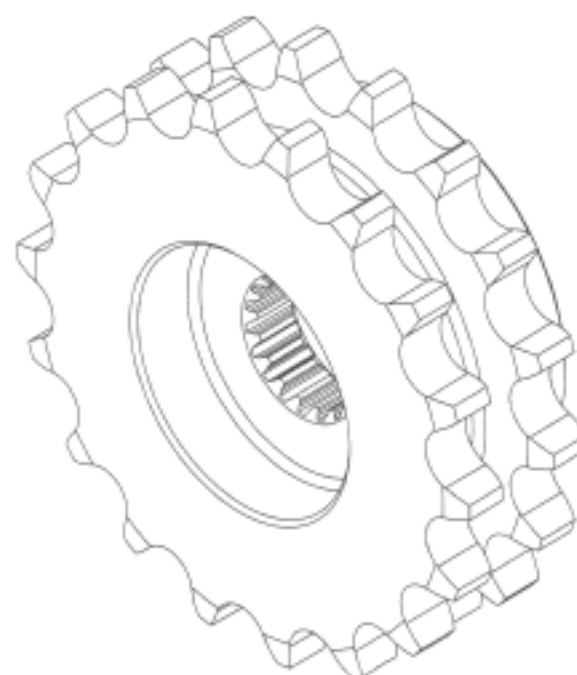
Calcino Corporation Pty Ltd
311 Bancroft Road Myrtle town Queensland 4008 Australia

- (72) Name(s) of Designer(s): **Paul Calcino**

(45) Registration Date: **04 May 2012**

(56) Related Art Documents: **Not Applicable**

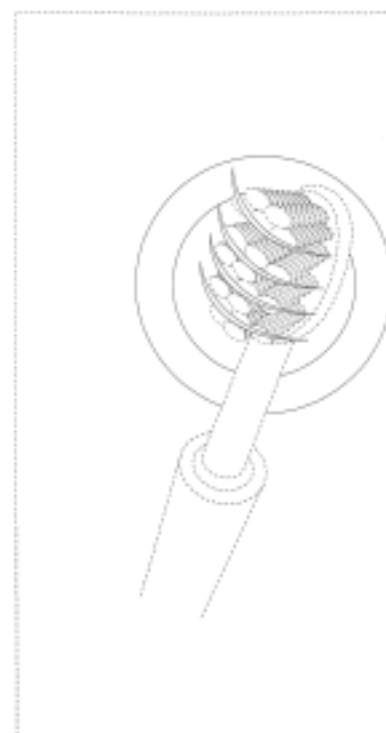
- (57) Statement of Newness and Distinctiveness: **The newness and distinctiveness of the design resides in the shape and/or configuration of the SPROCKET shown in the representations.**



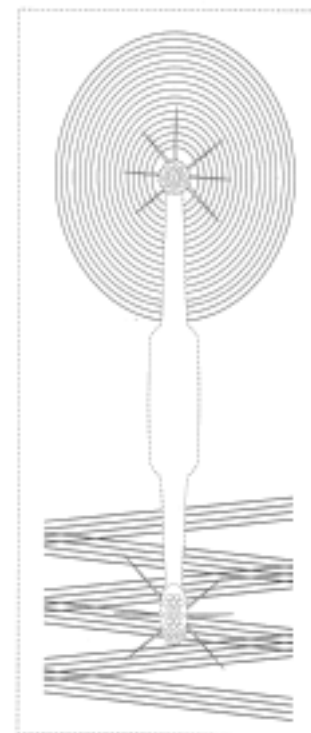
(21) Design Number: **11757/2012**
(22) Date of Filing Application: **11 April 2012**
(24) Date from which industrial property rights may have effect: **11 April 2012**
(54) Product in respect of which the design is registered: **Motor scooter**
(51) International Design Classification: **12-11**
(74) Name(s) of Attorney(s): **WATERMARK PATENT AND TRADE MARKS ATTORNEYS**
(71) Name(s) and Address(s) of Applicant(s):
Piaggio & C. S.p.A.
Viale Rinaldo Piaggio 25 56025 Pontedera Pisa Italy
(72) Name(s) of Designer(s): **Marco Lambri and Mirko Zocco**
(45) Registration Date: **04 May 2012**
(30) Convention priority data:
(31) Number (32) Date (33) Country
001931551 13 Oct 2011 ITALY
(56) Related Art Documents: **Not Applicable**
(57) Statement of Newness and Distinctiveness: **Nil**



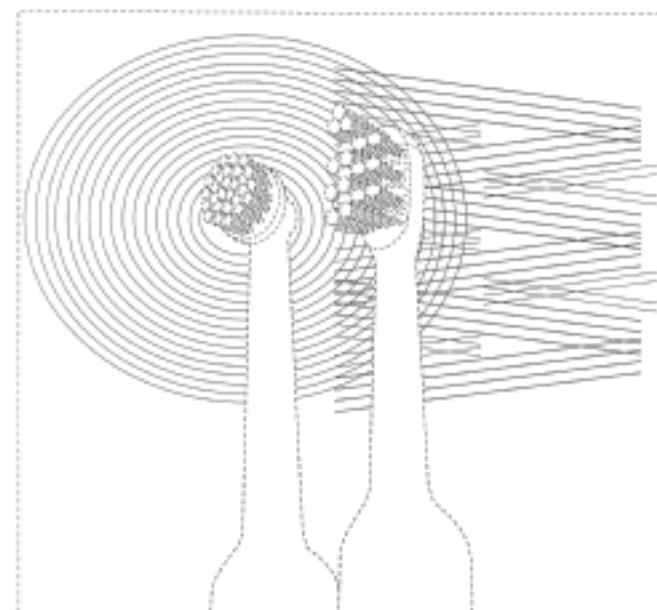
(21) Design Number: **11758/2012**
(22) Date of Filing Application: **10 April 2012**
(24) Date from which industrial property rights may have effect: **10 April 2012**
(54) Product in respect of which the design is registered: **Label for an oral care product**
(51) International Design Classification: **19-08**
(74) Name(s) of Attorney(s): **PHILLIPS ORMONDE FITZPATRICK**
(71) Name(s) and Address(s) of Applicant(s):
The Proctor & Gamble Company
1 Proctor & Gamble Plaza Cincinnati Ohio 45202 United States of America
(72) Name(s) of Designer(s): **Mindy Sue Barry and Sara Mundy Keating and Michael Cohen-Dumani and Adam Christian Waugh and Paul Anthony Brinkler and Alissa Joan Jones and Birte Thurow and Robert Eugene Heard and Lisa Buchholz**
(45) Registration Date: **04 May 2012**
(30) Convention priority data:
(31) Number (32) Date (33) Country
29/403,688 10 Oct 2011 UNITED STATES OF AMERICA
(56) Related Art Documents: **Not Applicable**
(57) Statement of Newness and Distinctiveness: **The newness and distinctiveness resides in the visual features of a label as shown in the accompanying representations. The broken lines are not part of the design and are to be disregarded when considering the overall impression of the design.**



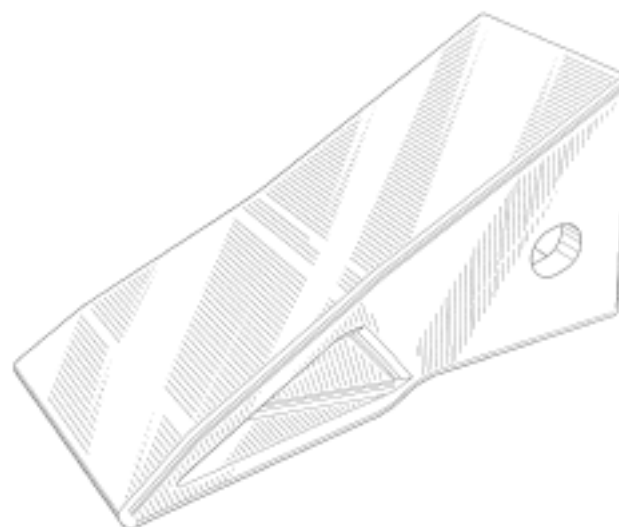
- (21) Design Number: **11759/2012**
(22) Date of Filing Application: **10 April 2012**
(24) Date from which industrial property rights may have effect: **10 April 2012**
(54) Product in respect of which the design is registered: **Label for an oral care product**
(51) International Design Classification: **19-08**
(74) Name(s) of Attorney(s): **PHILLIPS ORMONDE FITZPATRICK**
(71) Name(s) and Address(s) of Applicant(s):
The Procter & Gamble Company
1 Procter & Gamble Plaza Cincinnati Ohio 45202 United States of America
(72) Name(s) of Designer(s): **Mindy Sue Barry and Sara Mundy Keating and Michael Cohen-Dumani and Jessica Lynn Berry**
(45) Registration Date: **04 May 2012**
(30) Convention priority data:
(31) Number (32) Date (33) Country
29/403,686 10 Oct 2011 UNITED STATES OF AMERICA
(56) Related Art Documents: **Not Applicable**
(57) Statement of Newness and Distinctiveness: **The newness and distinctiveness resides in the visual features of a label as shown in the accompanying representations. The broken lines are not part of the design and are to be disregarded when considering the overall impression of the design.**



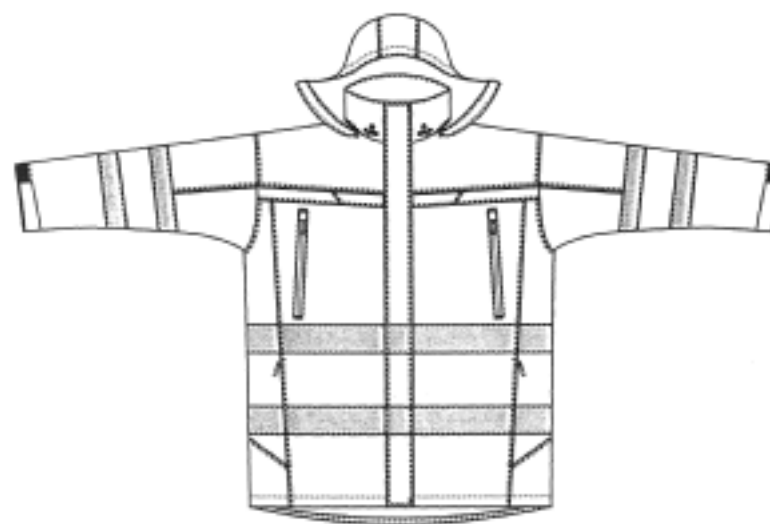
- (21) Design Number: **11760/2012**
(22) Date of Filing Application: **10 April 2012**
(24) Date from which industrial property rights may have effect: **10 April 2012**
(54) Product in respect of which the design is registered: **Label for an oral care product**
(51) International Design Classification: **19-08**
(74) Name(s) of Attorney(s): **PHILLIPS ORMONDE FITZPATRICK**
(71) Name(s) and Address(s) of Applicant(s):
The Procter & Gamble Company
One Procter & Gamble Plaza Cincinnati Ohio 45202 United States of America
(72) Name(s) of Designer(s): **Mindy Sue Barry and Sara Mundy Keating and Michael Cohen-Dumani and Jessica Lynn Berry**
(45) Registration Date: **04 May 2012**
(30) Convention priority data:
(31) Number (32) Date (33) Country
29/403,686 10 Oct 2011 UNITED STATES OF AMERICA
(56) Related Art Documents: **Not Applicable**
(57) Statement of Newness and Distinctiveness: **The newness and distinctiveness resides in the visual features of a label as shown in the accompanying representations. The broken lines are not part of the design and are to be disregarded when considering the overall impression of the design.**



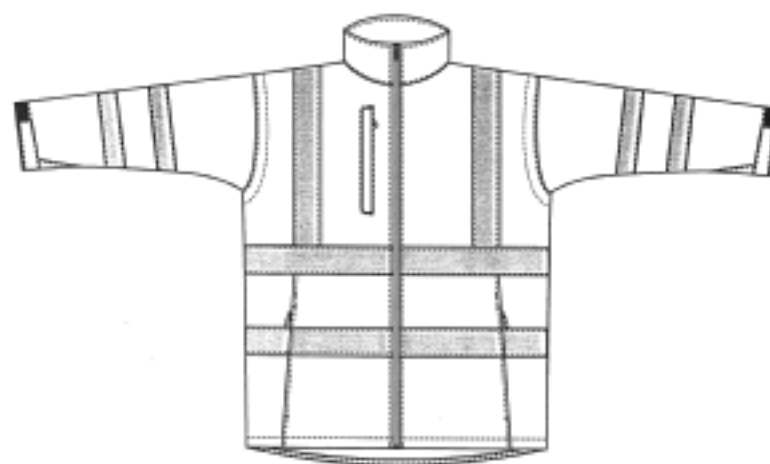
(21) Design Number: **11764/2012**
(22) Date of Filing Application: **10 April 2012**
(24) Date from which industrial property rights may have effect: **10 April 2012**
(54) Product in respect of which the design is registered: **Tip for a ground engaging machine implement**
(51) International Design Classification: **15-04**
(74) Name(s) of Attorney(s): **Freehills Patent & Trade Mark Attorneys**
(71) Name(s) and Address(s) of Applicant(s):
Caterpillar Inc.
100 N.E. Adams Street Peoria Illinois 61629 United States of America
(72) Name(s) of Designer(s): **William J. Renski and Thomas Marshall Congdon**
(45) Registration Date: **04 May 2012**
(30) Convention priority data:
(31) Number (32) Date (33) Country
29/403570 07 Oct 2011 UNITED STATES OF AMERICA
(56) Related Art Documents: **Not Applicable**
(57) Statement of Newness and Distinctiveness: **Newness and distinctiveness resides in the features of shape and configuration illustrated in solid lines in the accompanying representations.**



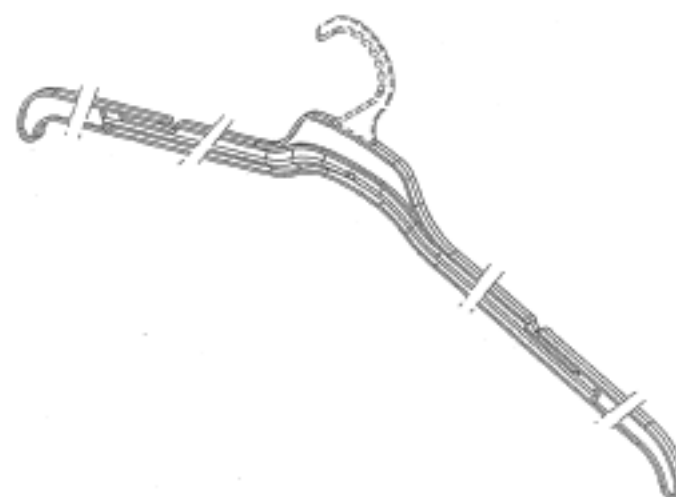
(21) Design Number: **14835/2011**
(22) Date of Filing Application: **26 October 2011**
(24) Date from which industrial property rights may have effect: **26 October 2011**
(54) Product in respect of which the design is registered: **Jacket**
(51) International Design Classification: **02-02NES**
(74) Name(s) of Attorney(s): **MIDDLETONS**
(71) Name(s) and Address(s) of Applicant(s):
Textile House Pty Ltd
30 Barrett Street Kensington Victoria 3031 Australia
(72) Name(s) of Designer(s): **Catriona Dolphin**
(45) Registration Date: **04 May 2012**
(56) Related Art Documents: **Not Applicable**
(57) Statement of Newness and Distinctiveness: **Nil**



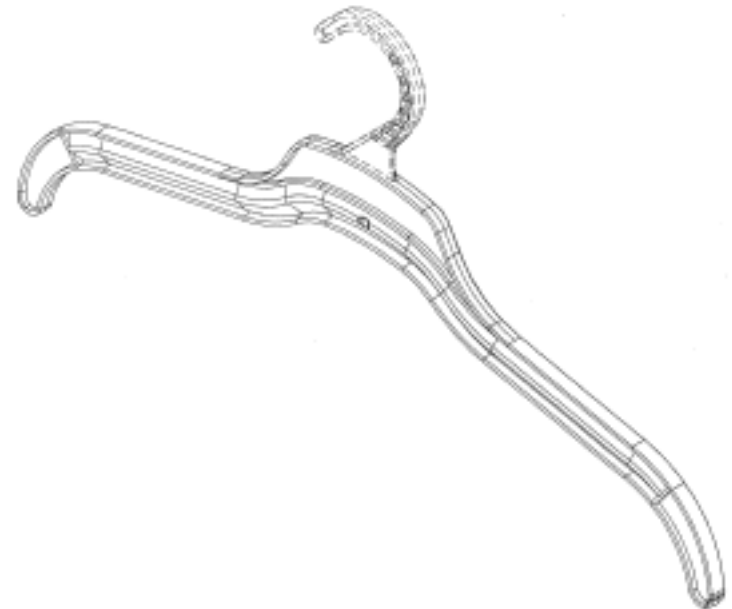
- (21) Design Number: **12100/2012**
(22) Date of Filing Application: **24 April 2012**
(24) Date from which industrial property rights may have effect: **26 October 2011**
(54) Product in respect of which the design is registered: **Jacket**
(51) International Design Classification: **02-02NES**
(74) Name(s) of Attorney(s): **MIDDLETONS**
(71) Name(s) and Address(s) of Applicant(s):
Textile House Pty Ltd
30 Barrett Street Kensington Victoria 3031 Australia
(72) Name(s) of Designer(s): **Catriona Dolphin**
(45) Registration Date: **04 May 2012**
(62) Divisional of: **342377**
(56) Related Art Documents: **Not Applicable**
(57) Statement of Newness and Distinctiveness: **Nil**



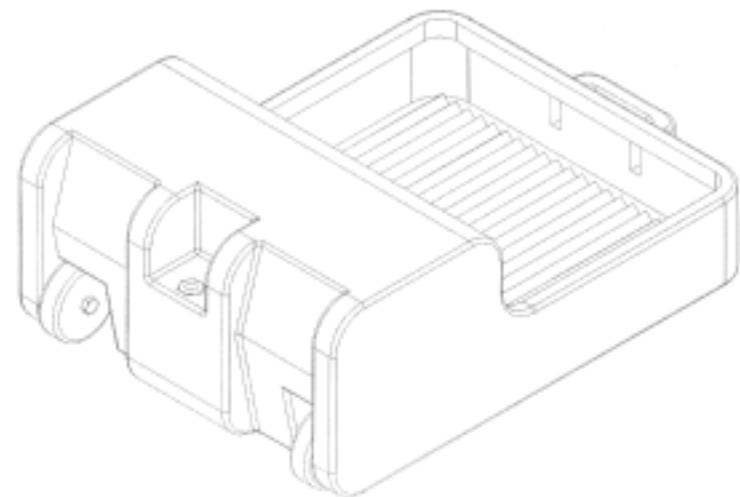
- (21) Design Number: **15877/2011**
(22) Date of Filing Application: **19 December 2011**
(24) Date from which industrial property rights may have effect: **19 December 2011**
(54) Product in respect of which the design is registered: **Garment hanger**
(51) International Design Classification: **06-08**
(74) Name(s) of Attorney(s): **PHILLIPS ORMONDE FITZPATRICK**
(71) Name(s) and Address(s) of Applicant(s):
TIC (Retail Accessories) Pty Ltd
214-228 Blackshaws Road Altona North Victoria 3025 Australia
(72) Name(s) of Designer(s): **Mark Victor Gandur**
(45) Registration Date: **04 May 2012**
(56) Related Art Documents: **Not Applicable**
(57) Statement of Newness and Distinctiveness: **Newness and distinctiveness resides in the features of shape and configuration of a garment hanger as shown in representations 1/7 to 7/7 in which the arms of the garment hanger can vary in length and in the relative length of their respective end portions as shown in the representations of the garment hanger in sheets 2/7 to 4/7 and 5/7 to 7/7 and as depicted by the breaks shown in the arms of the garment hanger shown in the isometric view in sheet 1/7. The shape and configuration of the hook portion (that part shown in broken outline in each of sheets 1/7 to 7/7) of the garment hanger is to be disregarded when considering the overall impression of the design.**



- (21) Design Number: **12078/2012**
(22) Date of Filing Application: **19 December 2011**
(24) Date from which industrial property rights may have effect: **19 December 2011**
(54) Product in respect of which the design is registered: **Garment hanger**
(51) International Design Classification: **06-08**
(74) Name(s) of Attorney(s): **PHILLIPS ORMONDE FITZPATRICK**
(71) Name(s) and Address(s) of Applicant(s):
TIC (Retail Accessories) Pty Ltd
214-228 Blackshaws Road Altona North Victoria 3025 Australia
(72) Name(s) of Designer(s): **Mark Gandur**
(45) Registration Date: **04 May 2012**
(62) Divisional of: **342379**
(56) Related Art Documents: **Not Applicable**
(57) Statement of Newness and Distinctiveness: **Newness and distinctiveness resides in the features of shape and configuration of the garment hanger shown in the representations 1/3 to 3/3. The shape and configuration of the hook portion (that part shown in broken outline in each of sheets 1/3 to 3/3) of the garment hanger is to be disregarded when considering the overall impression of the design.**



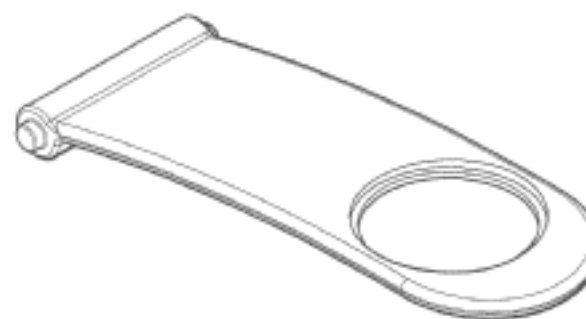
- (21) Design Number: **10434/2012**
(22) Date of Filing Application: **30 January 2012**
(24) Date from which industrial property rights may have effect: **30 January 2012**
(54) Product in respect of which the design is registered: **25 litre bund with wheels**
(51) International Design Classification: **21-03**
(74) Name(s) of Attorney(s):
(71) Name(s) and Address(s) of Applicant(s):
Barron and Rawson Pty Ltd
PO Box 42 Revesby New South Wales 2212 Australia
(72) Name(s) of Designer(s): **Brad Smyth**
(45) Registration Date: **04 May 2012**
(56) Related Art Documents: **Not Applicable**
(57) Statement of Newness and Distinctiveness: **Single piece intergrated catch and capture liquid tray on wheels.**



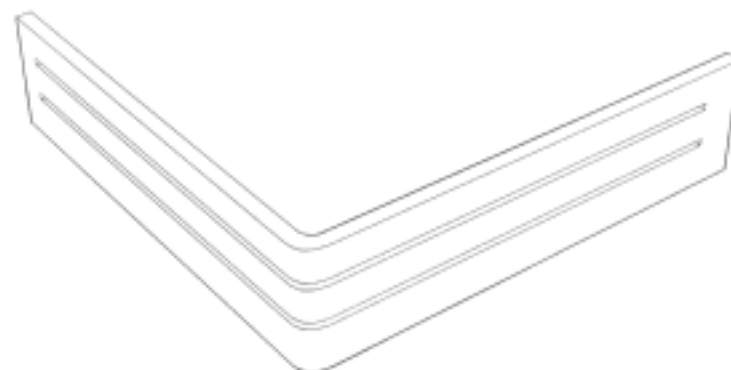
- (21) Design Number: **10972/2012**
(22) Date of Filing Application: **29 February 2012**
(24) Date from which industrial property rights may have effect: **29 February 2012**
(54) Product in respect of which the design is registered: **Control panel of a washing machine/drying machine**
(51) International Design Classification: **15-05**
(74) Name(s) of Attorney(s): **SPRUSON & FERGUSON**
(71) Name(s) and Address(s) of Applicant(s):
BSH Bosch und Siemens Hausgerate GmbH
Carl-Wery-Str. 34 81739 Munchen Germany
(72) Name(s) of Designer(s): **Johannes Geyer and Roger Munstermann**
(45) Registration Date: **04 May 2012**
(30) Convention priority data:
(31) Number (32) Date (33) Country
001293807 02 Sep 2011 EUROPEAN COMMUNITY
(56) Related Art Documents: **Not Applicable**
(57) Statement of Newness and Distinctiveness: **Newness and distinctiveness is claimed in the features of shape and/or configuration of a display, control buttons, a central round dial and indication lights of a control panel for a washing and/or drying machine as illustrated in the accompanying representaitons. The indication lights are arranged in two vertical lines left and right of the central round dial. The controls buttons are arranged in a long horizontal line at a lower portion of the control panel. The line of the control buttons is optically extended on the drawer handle. The display is provided with control fields arranged below the display field.**



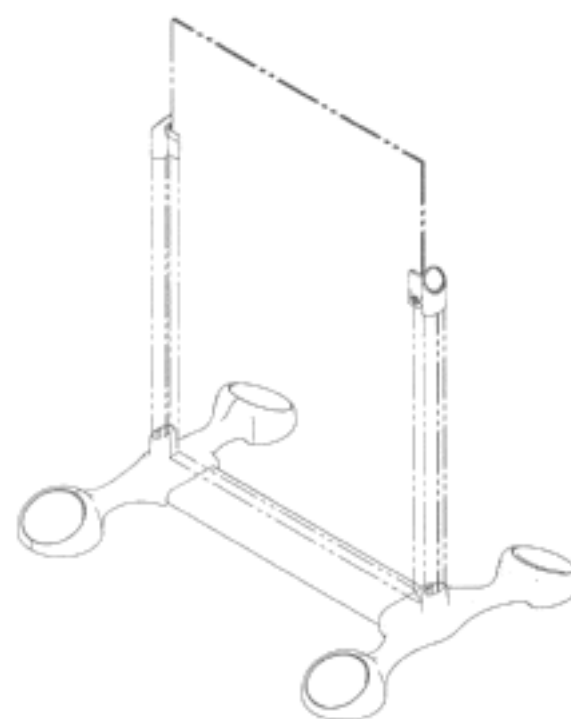
- (21) Design Number: **11343/2012**
(22) Date of Filing Application: **14 March 2012**
(24) Date from which industrial property rights may have effect: **14 March 2012**
(54) Product in respect of which the design is registered: **Lever for a container lid**
(51) International Design Classification: **08-06**
(74) Name(s) of Attorney(s): **Callinans**
(71) Name(s) and Address(s) of Applicant(s):
The Decor Corporation Pty. Ltd.
1314 Ferntree Gully Road Scoresby Victoria 3179 Australia
(72) Name(s) of Designer(s): **Arthur Richard Carlson**
(45) Registration Date: **04 May 2012**
(56) Related Art Documents: **Not Applicable**
(57) Statement of Newness and Distinctiveness: **Nil**



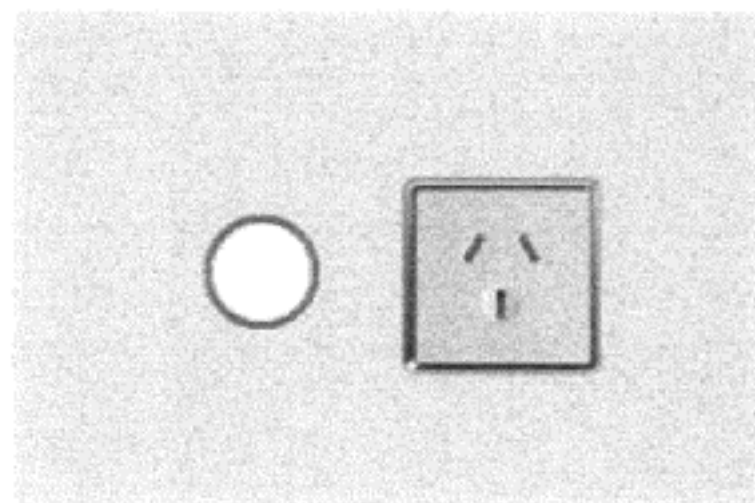
- (21) Design Number: **11659/2012**
(22) Date of Filing Application: **30 March 2012**
(24) Date from which industrial property rights may have effect: **30 March 2012**
(54) Product in respect of which the design is registered: **Knife guilding implement**
(51) International Design Classification: **08-03**
(74) Name(s) of Attorney(s): **WATERMARK PATENT AND TRADE MARKS ATTORNEYS**
(71) Name(s) and Address(s) of Applicant(s):
Andrea Debora Pompey
39 Portia Road Toongabbie New South Wales 2146 Australia
(72) Name(s) of Designer(s): **Andrea Debora Portney**
(45) Registration Date: **04 May 2012**
(56) Related Art Documents: **Not Applicable**
(57) Statement of Newness and Distinctiveness: **The newness and distinctiveness of the design resides in the shape and configuration of the implement and the provision of the slots. The spacing between the feet of the implement and the slots and the edges of the implement can vary marginally.**



- (21) Design Number: **11747/2012**
(22) Date of Filing Application: **10 April 2012**
(24) Date from which industrial property rights may have effect: **10 April 2012**
(54) Product in respect of which the design is registered: **Display sign**
(51) International Design Classification: **20-03NES**
(74) Name(s) of Attorney(s): **Pappas IP**
(71) Name(s) and Address(s) of Applicant(s):
Advantage Line Pty Ltd
1 Middleton Road Cromer New South Wales 2099 Australia
(72) Name(s) of Designer(s): **Matt Clegg**
(45) Registration Date: **04 May 2012**
(56) Related Art Documents: **Not Applicable**
(57) Statement of Newness and Distinctiveness: **Newness and distinctiveness is claimed in the external shape and/or configuration of the Display Sign as illustrated in the representations. In considering the extent of the newness and distinctiveness of the external shape and/or configuration of the display sign, the detail of the upper portion of display sign shown in phantom is to be disregarded.**



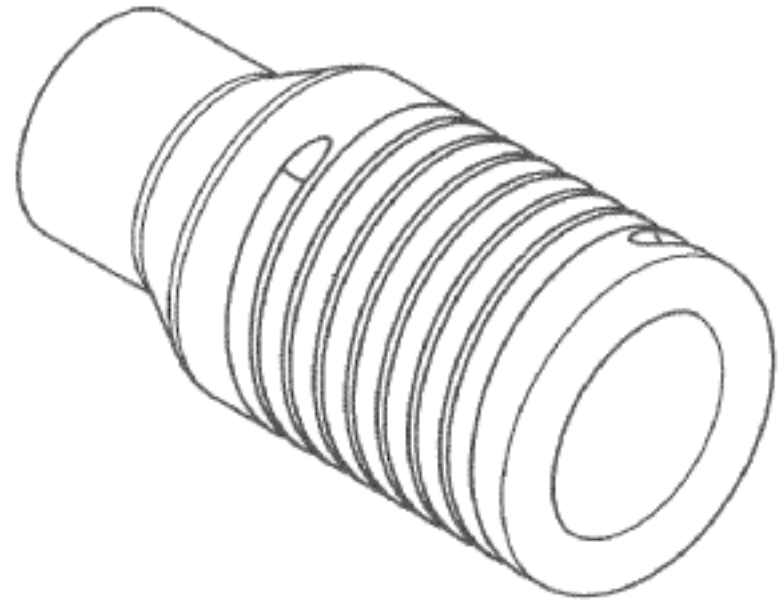
(21) Design Number: **10884/2012**
(22) Date of Filing Application: **24 February 2012**
(24) Date from which industrial property rights may have effect: **24 February 2012**
(54) Product in respect of which the design is registered: **Electrical socket**
(51) International Design Classification: **13-03D**
(74) Name(s) of Attorney(s): **Jirsch Sutherland IP**
(71) Name(s) and Address(s) of Applicant(s):
Connected Group Australia Pty Ltd
Unit 2 26-28 Whyalla Place Prestons New South Wales 2170 Australia
(72) Name(s) of Designer(s): **Dean Lucantonio**
(45) Registration Date: **04 May 2012**
(56) Related Art Documents: **Not Applicable**
(57) Statement of Newness and Distinctiveness: **Monopoly is claimed for in respect of the shape and configuration of the "cover plates" as seen in the original representations files. The shape of these plates is both new and distinctive and monopoly of the shape is relevant regardless of the configuration of the switches and switching mechanisms seen.**



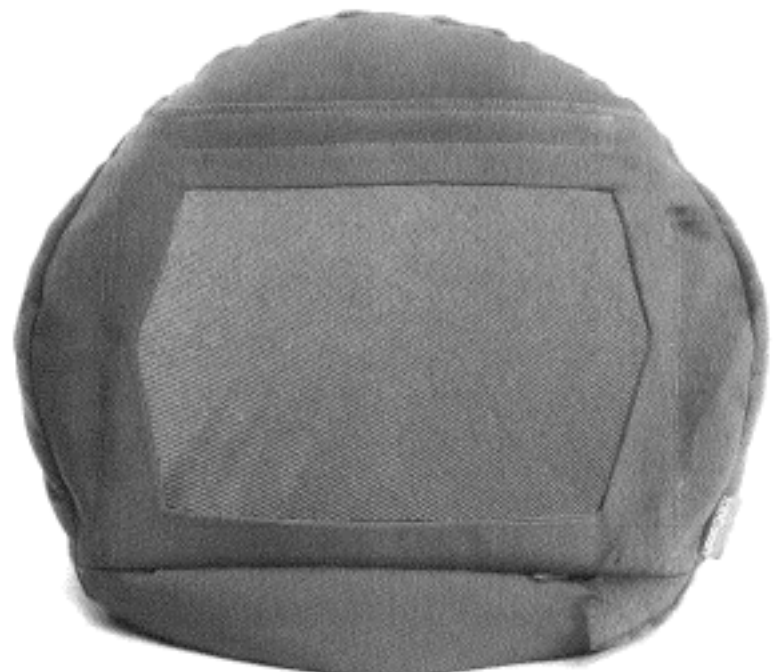
(21) Design Number: **11575/2012**
(22) Date of Filing Application: **29 March 2012**
(24) Date from which industrial property rights may have effect: **29 March 2012**
(54) Product in respect of which the design is registered: **Iron**
(51) International Design Classification: **07-05A**
(74) Name(s) of Attorney(s): **IP Gateway Patent & Trademark Attorneys**
(71) Name(s) and Address(s) of Applicant(s):
LauraStar S.A.
Route de Pra de Plan 18 CH-1618 Chatel-St-Denis Switzerland
(72) Name(s) of Designer(s): **Antoine Cahen**
(45) Registration Date: **04 May 2012**
(30) Convention priority data:
(31) Number (32) Date (33) Country
**DM/077 182 21 Oct 2011 WORLD INTELLECTUAL
PROPERTY ORGANIZATION
(WIPO)**
(56) Related Art Documents: **Not Applicable**
(57) Statement of Newness and Distinctiveness: **The newness and distinctiveness of the design resides in the visual features of shape and/or configuration of an iron as shown in the accompanying representations.**



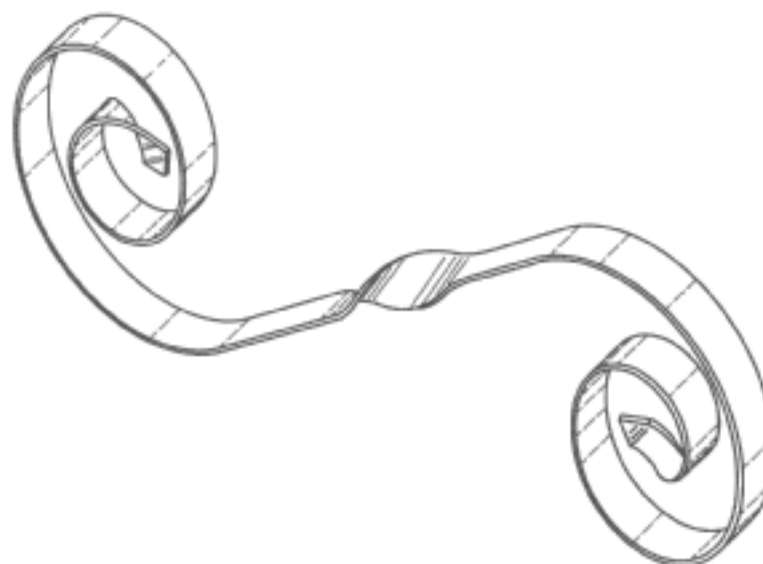
- (21) Design Number: **11630/2012**
(22) Date of Filing Application: **30 March 2012**
(24) Date from which industrial property rights may have effect: **30 March 2012**
(54) Product in respect of which the design is registered: **Foot peg 5**
(51) International Design Classification: **21-01F, 12-11**
(74) Name(s) of Attorney(s):
(71) Name(s) and Address(s) of Applicant(s):
Andrew Robert Markham
21/2 Kohl Street Coomera QLD 4209
(72) Name(s) of Designer(s): **Andrew Robert Markham**
(45) Registration Date: **04 May 2012**
(56) Related Art Documents: **Not Applicable**
(57) Statement of Newness and Distinctiveness: **Nil**



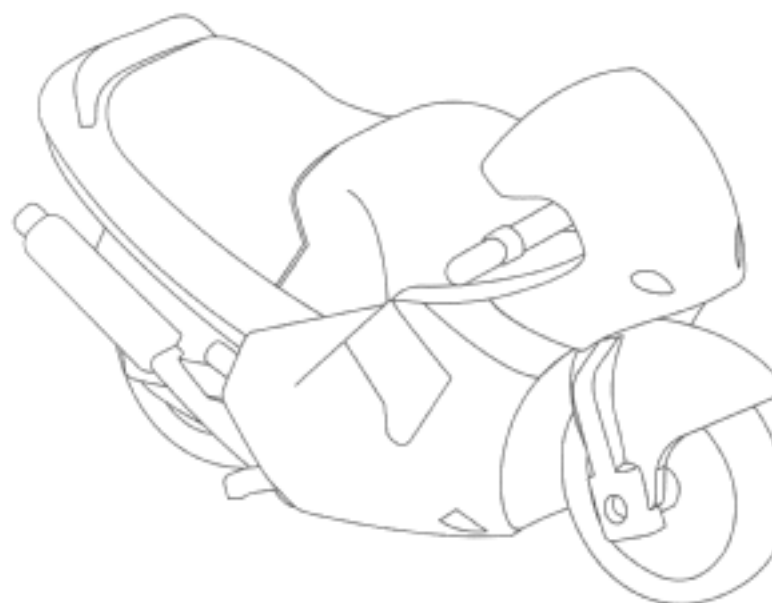
- (21) Design Number: **11643/2012**
(22) Date of Filing Application: **30 March 2012**
(24) Date from which industrial property rights may have effect: **30 March 2012**
(54) Product in respect of which the design is registered: **Tablet PC cushion**
(51) International Design Classification: **06-09, 14-02**
(74) Name(s) of Attorney(s): **FB Rice**
(71) Name(s) and Address(s) of Applicant(s):
ioco Pty Ltd
76 Justin Street Lilyfield New South Wales 2040 Australia
Encore Music Pty Ltd
29 Turner Place Yarralumla ACT 2600 Australia
(72) Name(s) of Designer(s): **Stuart Turvey**
(45) Registration Date: **04 May 2012**
(56) Related Art Documents: **Not Applicable**
(57) Statement of Newness and Distinctiveness: **Newness and distinctiveness reside in the features of the design as shown in the representations and in the features of the frame visible in the front view, without limitation to the colour, pattern or texture of the material.**



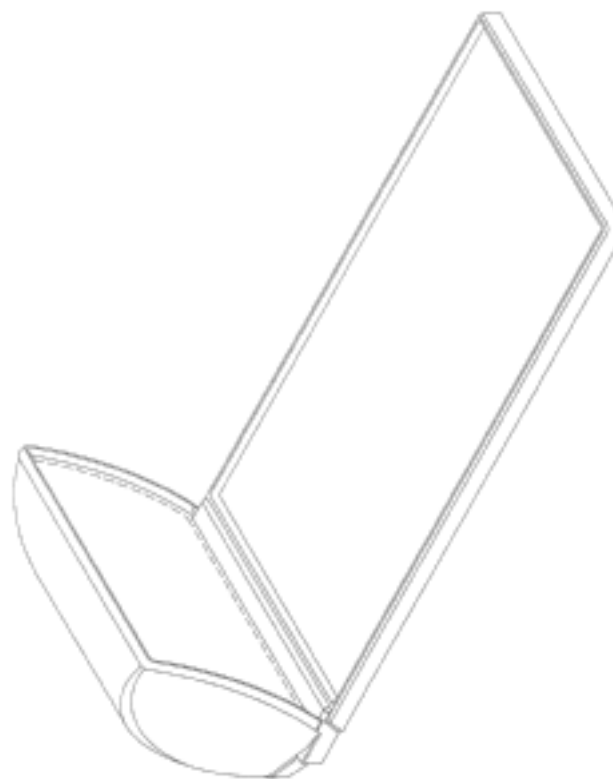
- (21) Design Number: **11658/2012**
(22) Date of Filing Application: **30 March 2012**
(24) Date from which industrial property rights may have effect: **30 March 2012**
(54) Product in respect of which the design is registered: **Scroll ornament**
(51) International Design Classification: **25-02C**
(74) Name(s) of Attorney(s): **Cotters Patent & Trade Mark Attorneys**
(71) Name(s) and Address(s) of Applicant(s):
Paul Andrew Disher
PO Box 4053 Nemingha New South Wales 2340 Australia
(72) Name(s) of Designer(s): **Paul Andrew Disher**
(45) Registration Date: **04 May 2012**
(56) Related Art Documents: **Not Applicable**
(57) Statement of Newness and Distinctiveness: **Newness and distinctiveness is claimed in the features of shape and/or configuration of a scroll ornament as depicted in the accompanying drawings.**



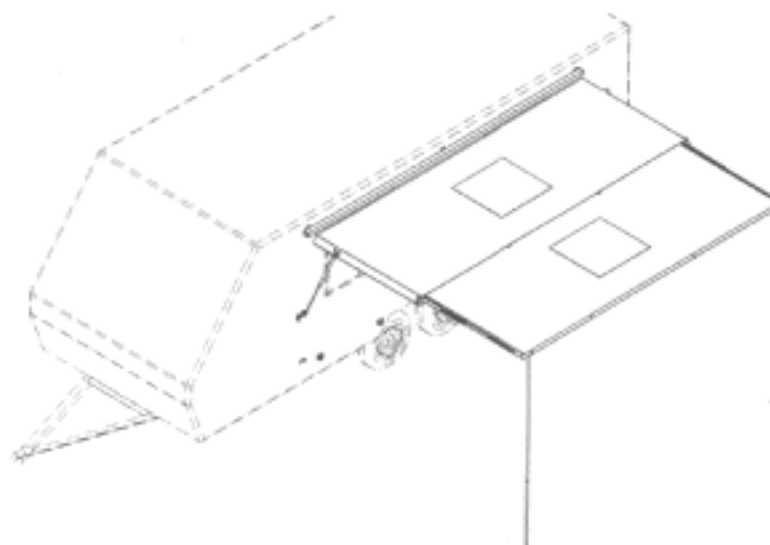
- (21) Design Number: **11663/2012**
(22) Date of Filing Application: **02 April 2012**
(24) Date from which industrial property rights may have effect: **02 April 2012**
(54) Product in respect of which the design is registered: **Toy motor cycle**
(51) International Design Classification: **21-01C**
(74) Name(s) of Attorney(s):
(71) Name(s) and Address(s) of Applicant(s):
JinJiang Hengsheng Toys Co., Ltd
HengSheng Ind. Zone Longhu JinJiang Fujian China
(72) Name(s) of Designer(s): **Liang Chao Guan**
(45) Registration Date: **04 May 2012**
(30) Convention priority data:
(31) Number (32) Date (33) Country
1200437.0 13 Mar 2012 CHINA
(56) Related Art Documents: **Not Applicable**
(57) Statement of Newness and Distinctiveness: **The features of the design for which novelty is claimed are the shape or configuration of the article as shown in the representations.**



- (21) Design Number: **11666/2012**
(22) Date of Filing Application: **02 April 2012**
(24) Date from which industrial property rights may have effect: **02 April 2012**
(54) Product in respect of which the design is registered: **Instrument table**
(51) International Design Classification: **06-03NES**
(74) Name(s) of Attorney(s): **Griffith Hack**
(71) Name(s) and Address(s) of Applicant(s):
Toul Meditech AB
Anghammargatan 4 Vasteras 721 33 Sweden
(72) Name(s) of Designer(s): **Jens Bernhardsson and Stina Karlsson and Magnus Goransson**
(45) Registration Date: **04 May 2012**
(30) Convention priority data:
(31) Number (32) Date (33) Country
001928763-0001 07 Oct 2011 EUROPEAN COMMUNITY
(56) Related Art Documents: **Not Applicable**
(57) Statement of Newness and Distinctiveness: **Newness and distinctiveness resides in the visual features, including shape and configuration, of an INSTRUMENT TABLE as shown in solid outline in the accompanying drawings. When determining whether the design is substantially similar in overall impression to another design, no regard is to be had to those features shown in dotted outline in the accompanying drawings, which features are provided for illustrative purposes only.**



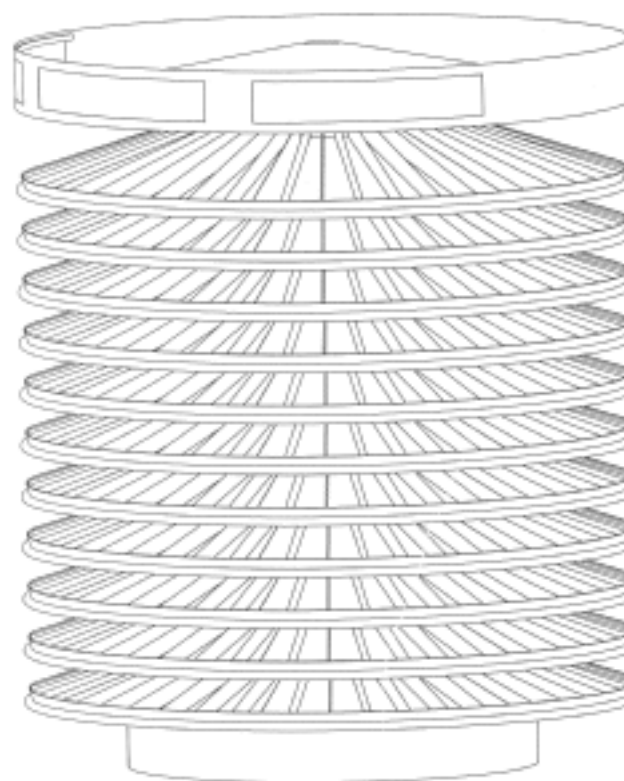
- (21) Design Number: **11667/2012**
(22) Date of Filing Application: **29 March 2012**
(24) Date from which industrial property rights may have effect: **29 March 2012**
(54) Product in respect of which the design is registered: **Awning**
(51) International Design Classification: **25-02H**
(74) Name(s) of Attorney(s): **Trademark Central**
(71) Name(s) and Address(s) of Applicant(s):
Robert Anthony Firth
PO Box 616 Buderim Queensland 4556 Australia
(72) Name(s) of Designer(s): **Robert Anthony Firth**
(45) Registration Date: **04 May 2012**
(56) Related Art Documents: **Not Applicable**
(57) Statement of Newness and Distinctiveness: **Novelty resides in the shape of the awning and its collapsible and expandable configurations, being especially designed for use with caravans, camper vehicles, buses, and other recreational and transport vehicles.**



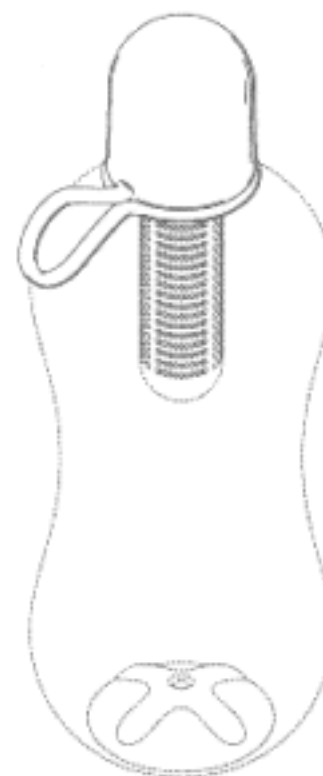
- (21) Design Number: **11668/2012**
(22) Date of Filing Application: **03 April 2012**
(24) Date from which industrial property rights may have effect: **03 April 2012**
(54) Product in respect of which the design is registered: **Coffee tables - 'furniture'**
(51) International Design Classification: **06-03B**
(74) Name(s) of Attorney(s):
(71) Name(s) and Address(s) of Applicant(s):
Nicholas Gurney
39/2 Greenknowe Avenue Elizabeth Bay New South Wales 2011 Australia
(72) Name(s) of Designer(s): **Nicholas Gurney**
(45) Registration Date: **04 May 2012**
(56) Related Art Documents: **Not Applicable**
(57) Statement of Newness and Distinctiveness: **A triangular timber profile repeats six times to form a structure. The flat surfaces, created by joining the timber at opposing angles support the glass top.**



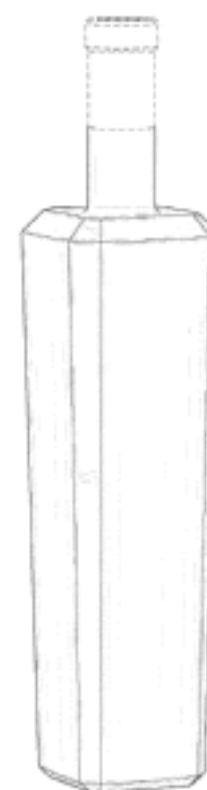
- (21) Design Number: **11670/2012**
(22) Date of Filing Application: **03 April 2012**
(24) Date from which industrial property rights may have effect: **03 April 2012**
(54) Product in respect of which the design is registered: **TS&B rotary dispensing unit**
(51) International Design Classification: **20-02E**
(74) Name(s) of Attorney(s):
(71) Name(s) and Address(s) of Applicant(s):
TS&B Retail Systems Pty Ltd
BLDG 4 Estate One 103-125 Princes Highway Dandenong South Victoria
3175 Australia
(72) Name(s) of Designer(s): **Barry Trollope**
(45) Registration Date: **04 May 2012**
(56) Related Art Documents: **Not Applicable**
(57) Statement of Newness and Distinctiveness: **The TS&B Rotary Dispensing Unit (RDU) has been developed with thrust bearings located on the central column as the key design component to ensure smooth rotation of the individual shelves. This differs significantly from other designs which utilise a series of wheels as the mechanism for the rotation of the shelves. Each RDU shelf is one complete piece with no separating segments or slide out components (fig.1) Each shelf has a fixed opening to assist with replenishment from a single point (fig.2) The canopy of the RDU has been designed with cut out components (fig.3) allowing for the pharmacy to provide their own signage requirements as opposed to the manufacturers name detailed on existing units The shelves positioned on the central column are located on a collar that is fixed into the column, ensuring there is no chance of the shelves slipping onto one another The design of the RDU has been developed to minimise ongoing maintenance issues by simplifying the manufacture process and limiting the numbers of moving parts The RDU is manufactured in China, significantly reducing the supply cost when compared to European designs. This provides a significant cost benefit to the Pharmacy groups who purchase this unit**



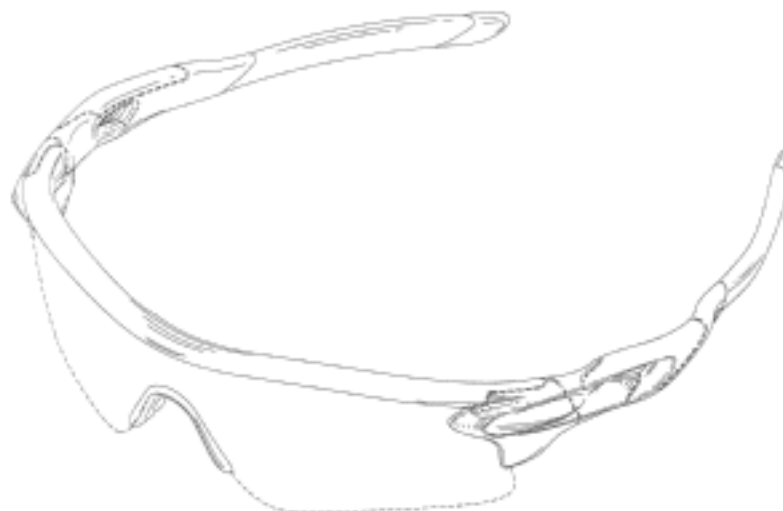
(21) Design Number: **11686/2012**
(22) Date of Filing Application: **03 April 2012**
(24) Date from which industrial property rights may have effect: **03 April 2012**
(54) Product in respect of which the design is registered: **Bottle cap**
(51) International Design Classification: **09-07C**
(74) Name(s) of Attorney(s): **PIZZEYS**
(71) Name(s) and Address(s) of Applicant(s):
Move Collective LLC
17 Vestry Street 1st Floor New York NY 10013 United States of America
(72) Name(s) of Designer(s): **Karim Rashid and Richard Smiedt**
(45) Registration Date: **04 May 2012**
(30) Convention priority data:
(31) Number (32) Date (33) Country
29/403,184 03 Oct 2011 UNITED STATES OF AMERICA
(56) Related Art Documents: **Not Applicable**
(57) Statement of Newness and Distinctiveness: **Nil**



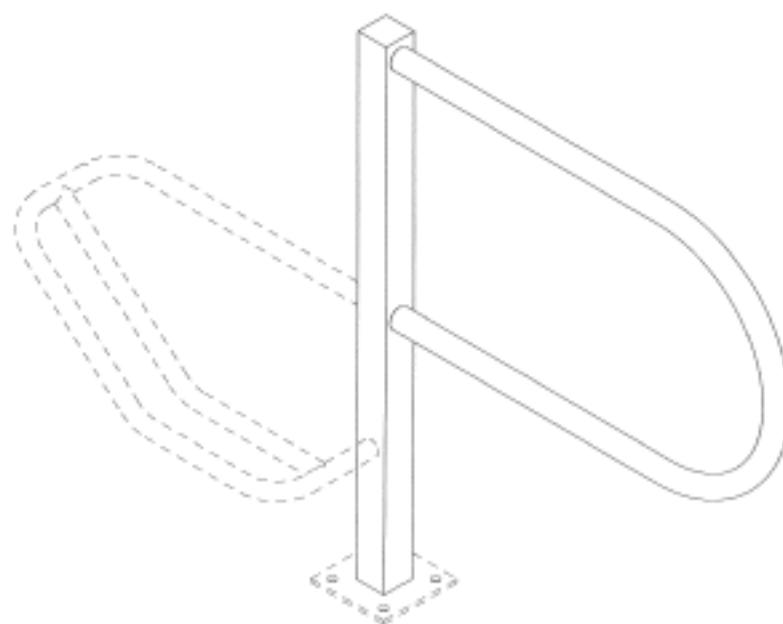
(21) Design Number: **11706/2012**
(22) Date of Filing Application: **04 April 2012**
(24) Date from which industrial property rights may have effect: **04 April 2012**
(54) Product in respect of which the design is registered: **Bottle**
(51) International Design Classification: **09-01H**
(74) Name(s) of Attorney(s): **FB Rice**
(71) Name(s) and Address(s) of Applicant(s):
SAVERGLASS
3 rue de la Gare 60960 Feuquieres France
(72) Name(s) of Designer(s): **Fraser Reynolds**
(45) Registration Date: **04 May 2012**
(30) Convention priority data:
(31) Number (32) Date (33) Country
001297188-0002 11 Oct 2011 EUROPEAN COMMUNITY
(56) Related Art Documents: **Not Applicable**
(57) Statement of Newness and Distinctiveness: **Newness and distinctiveness reside in the features of the bottle shown in solid lines in the representations (excluding those features shown in broken lines), and in particular in that the bottle has a verticle rectangular elongated shaped body, in its generally square section being wider at the top than at the bottom and having all angles cut in its long neck, in the bevel linking the flat shoulder to each side and each cut angle of the body, and in the small bevel linking the body of the bottle to its bottom.**



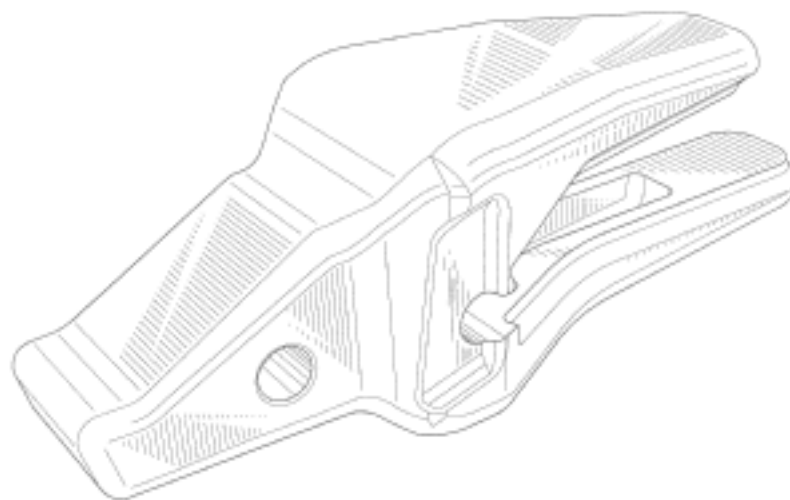
(21) Design Number: **11708/2012**
(22) Date of Filing Application: **04 April 2012**
(24) Date from which industrial property rights may have effect: **04 April 2012**
(54) Product in respect of which the design is registered: **Eyeglass**
(51) International Design Classification: **16-06**
(74) Name(s) of Attorney(s): **FB Rice**
(71) Name(s) and Address(s) of Applicant(s):
Oakley, Inc
1 Icon Foothill Ranch California 92610 United States of America
(72) Name(s) of Designer(s): **Hans Moritz**
(45) Registration Date: **04 May 2012**
(30) Convention priority data:
(31) Number (32) Date (33) Country
29/403414 05 Oct 2011 UNITED STATES OF AMERICA
(56) Related Art Documents: **Not Applicable**
(57) Statement of Newness and Distinctiveness: **Newness and distinctiveness reside in the features of shape and configuration of the eyeglass as shown in the representations excluding those features shown in broken lines.**



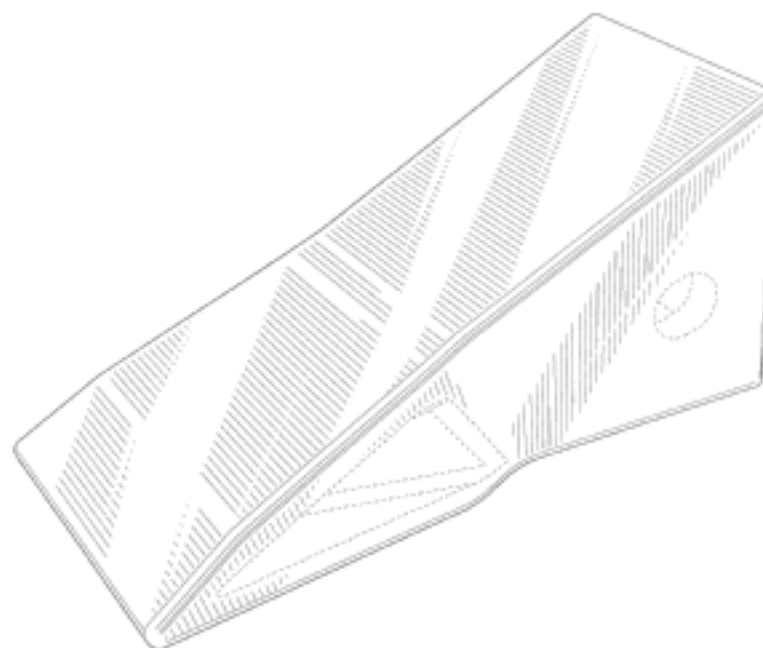
(21) Design Number: **11893/2012**
(22) Date of Filing Application: **11 April 2012**
(24) Date from which industrial property rights may have effect: **11 April 2012**
(54) Product in respect of which the design is registered: **Bike parking rail/rack**
(51) International Design Classification: **08-10**
(74) Name(s) of Attorney(s):
(71) Name(s) and Address(s) of Applicant(s):
Martyn S Wilson
8-10 Giffard Street Silverwater New South Wales 2128 Australia
(72) Name(s) of Designer(s): **Martyn S Wilson**
(45) Registration Date: **04 May 2012**
(56) Related Art Documents: **Not Applicable**
(57) Statement of Newness and Distinctiveness: **The shape and configuration of the Bicycle Rail/Rack as shown in the representation is claimed to be new and distinctive, regardless of the shape of the sections used to construct the Rail/Rack and regardless of the shape of the foot mounting plate or wheel support portions both shown by the dashed outline. The claim is also made for the Rail as an individual item or more than one connected or installed together.**



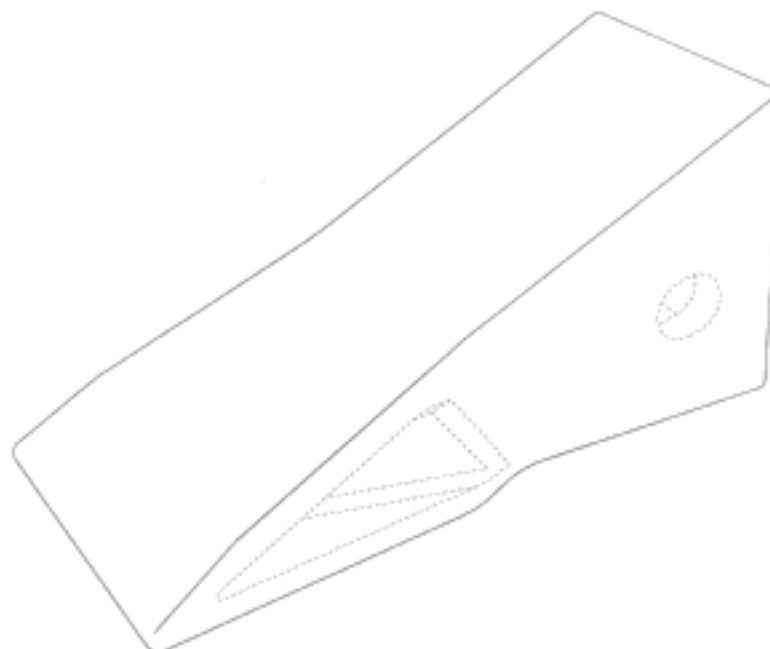
- (21) Design Number: **11776/2012**
(22) Date of Filing Application: **10 April 2012**
(24) Date from which industrial property rights may have effect: **10 April 2012**
(54) Product in respect of which the design is registered: **Adapter for a ground engaging machine implement**
(51) International Design Classification: **15-04**
(74) Name(s) of Attorney(s): **Freehills Patent & Trade Mark Attorneys**
(71) Name(s) and Address(s) of Applicant(s):
Caterpillar Inc.
100 N.E. Adams Street Peoria Illinois 61629 United States of America
(72) Name(s) of Designer(s): **William J. Renski and James Robert Lahood**
(45) Registration Date: **04 May 2012**
(30) Convention priority data:
(31) Number (32) Date (33) Country
29/403566 07 Oct 2011 UNITED STATES OF AMERICA
(56) Related Art Documents: **Not Applicable**
(57) Statement of Newness and Distinctiveness: **Newness and distinctiveness resides in the features of shape and configuration illustrated in solid lines in the accompanying representations.**



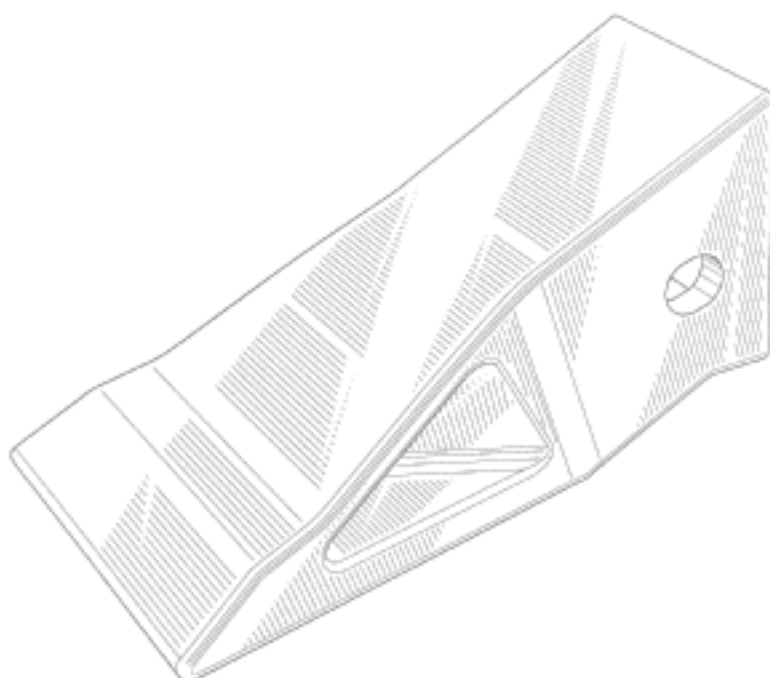
- (21) Design Number: **11765/2012**
(22) Date of Filing Application: **10 April 2012**
(24) Date from which industrial property rights may have effect: **10 April 2012**
(54) Product in respect of which the design is registered: **Tip for a ground engaging machine implement**
(51) International Design Classification: **15-04**
(74) Name(s) of Attorney(s): **Freehills Patent & Trade Mark Attorneys**
(71) Name(s) and Address(s) of Applicant(s):
Caterpillar Inc.
100 N.E. Adams Street Peoria Illinois 61629 United States of America
(72) Name(s) of Designer(s): **William J. Renski and Thomas Marshall Congdon**
(45) Registration Date: **07 May 2012**
(30) Convention priority data:
(31) Number (32) Date (33) Country
29/403570 07 Oct 2011 UNITED STATES OF AMERICA
(56) Related Art Documents: **Not Applicable**
(57) Statement of Newness and Distinctiveness: **Newness and distinctiveness resides in the features of shape and configuration illustrated in solid lines in the accompanying representations.**



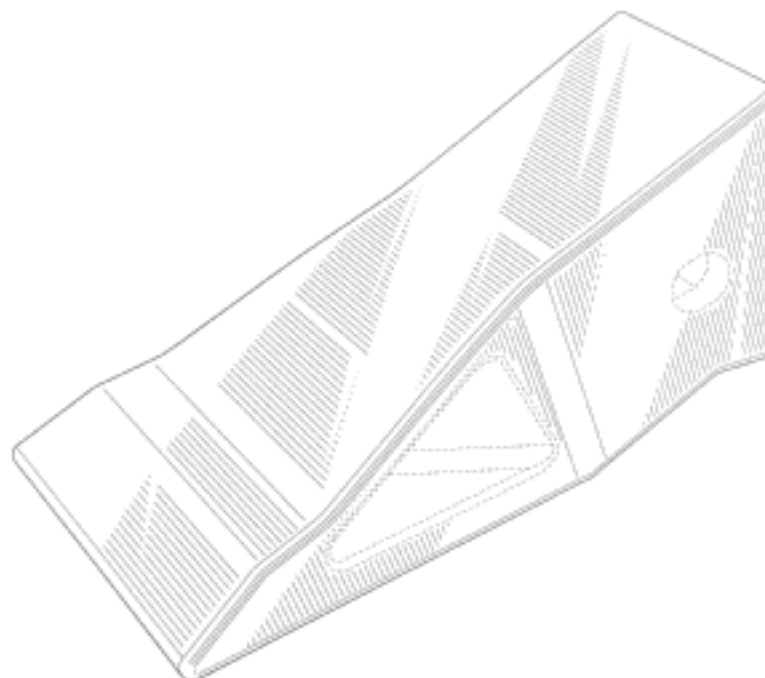
- (21) Design Number: **11766/2012**
(22) Date of Filing Application: **10 April 2012**
(24) Date from which industrial property rights may have effect: **10 April 2012**
(54) Product in respect of which the design is registered: **Tip for a ground engaging machine implement**
(51) International Design Classification: **15-04**
(74) Name(s) of Attorney(s): **Freehills Patent & Trade Mark Attorneys**
(71) Name(s) and Address(s) of Applicant(s):
Caterpillar Inc.
100 N.E. Adams Street Peoria Illinois 61629 United States of America
(72) Name(s) of Designer(s): **William J. Renski and Thomas Marshall Congdon**
(45) Registration Date: **07 May 2012**
(30) Convention priority data:
(31) Number (32) Date (33) Country
29/403570 07 Oct 2011 UNITED STATES OF AMERICA
(56) Related Art Documents: **Not Applicable**
(57) Statement of Newness and Distinctiveness: **Newness and distinctiveness resides in the features of shape and configuration illustrated in solid lines in the accompanying representations.**



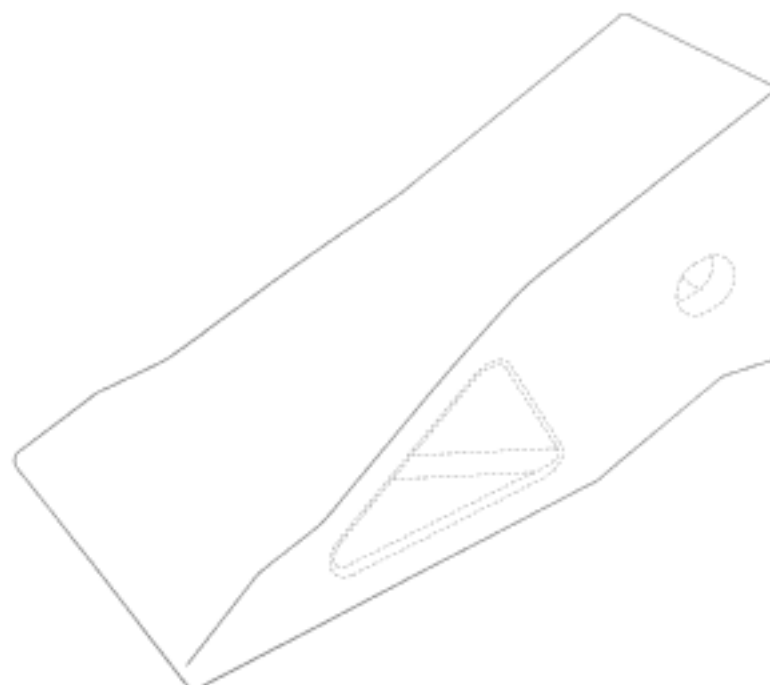
- (21) Design Number: **11767/2012**
(22) Date of Filing Application: **10 April 2012**
(24) Date from which industrial property rights may have effect: **10 April 2012**
(54) Product in respect of which the design is registered: **Tip for a ground engaging machine implement**
(51) International Design Classification: **15-04**
(74) Name(s) of Attorney(s): **Freehills Patent & Trade Mark Attorneys**
(71) Name(s) and Address(s) of Applicant(s):
Caterpillar Inc.
100 N.E. Adams Street Peoria Illinois 61629 United States of America
(72) Name(s) of Designer(s): **William J. Renski and Thomas Marshall Congdon**
(45) Registration Date: **07 May 2012**
(30) Convention priority data:
(31) Number (32) Date (33) Country
29/403570 07 Oct 2011 UNITED STATES OF AMERICA
(56) Related Art Documents: **Not Applicable**
(57) Statement of Newness and Distinctiveness: **Newness and distinctiveness resides in the features of shape and configuration illustrated in solid lines in the accompanying representations.**



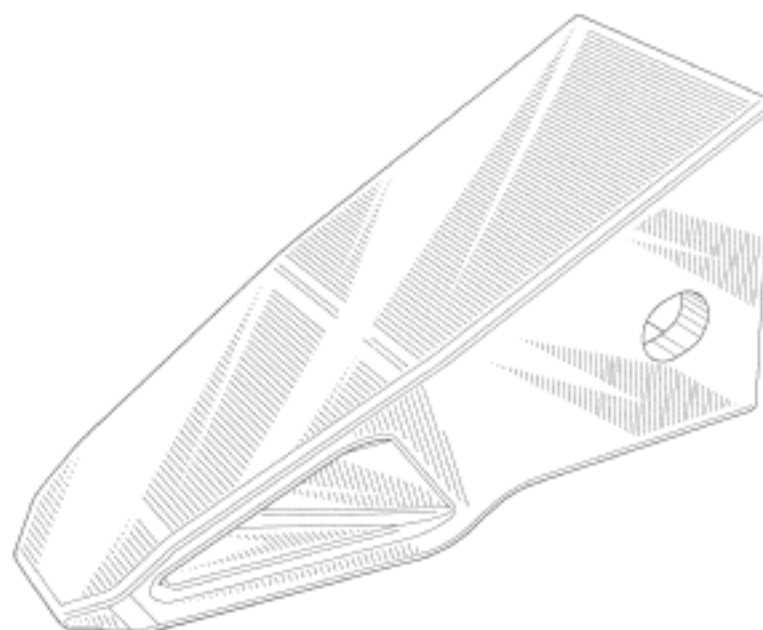
(21) Design Number: **11768/2012**
(22) Date of Filing Application: **10 April 2012**
(24) Date from which industrial property rights may have effect: **10 April 2012**
(54) Product in respect of which the design is registered: **Tip for a ground engaging machine implement**
(51) International Design Classification: **15-04**
(74) Name(s) of Attorney(s): **Freehills Patent & Trade Mark Attorneys**
(71) Name(s) and Address(s) of Applicant(s):
Caterpillar Inc.
100 N.E. Adams Street Peoria Illinois 61629 United States of America
(72) Name(s) of Designer(s): **William J. Renski and Thomas Marshall Congdon**
(45) Registration Date: **07 May 2012**
(30) Convention priority data:
(31) Number (32) Date (33) Country
29/403570 07 Oct 2011 UNITED STATES OF AMERICA
(56) Related Art Documents: **Not Applicable**
(57) Statement of Newness and Distinctiveness: **Newness and distinctiveness resides in the features of shape and configuration illustrated in solid lines in the accompanying representations.**



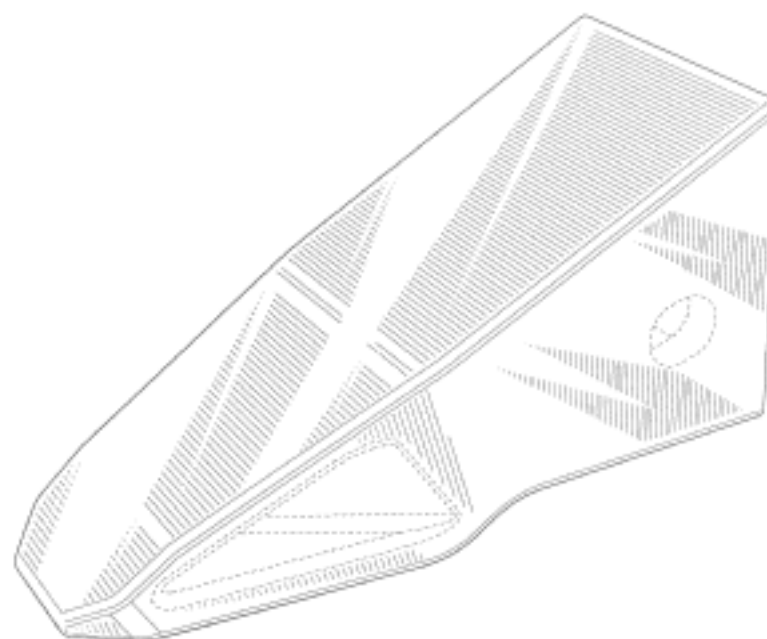
(21) Design Number: **11769/2012**
(22) Date of Filing Application: **10 April 2012**
(24) Date from which industrial property rights may have effect: **10 April 2012**
(54) Product in respect of which the design is registered: **Tip for a ground engaging machine implement**
(51) International Design Classification: **15-04**
(74) Name(s) of Attorney(s): **Freehills Patent & Trade Mark Attorneys**
(71) Name(s) and Address(s) of Applicant(s):
Caterpillar Inc.
100 N.E. Adams Street Peoria Illinois 61629 United States of America
(72) Name(s) of Designer(s): **William J. Renski and Thomas Marshall Congdon**
(45) Registration Date: **07 May 2012**
(30) Convention priority data:
(31) Number (32) Date (33) Country
29/403570 07 Oct 2011 UNITED STATES OF AMERICA
(56) Related Art Documents: **Not Applicable**
(57) Statement of Newness and Distinctiveness: **Newness and distinctiveness resides in the features of shape and configuration illustrated in solid lines in the accompanying representations.**



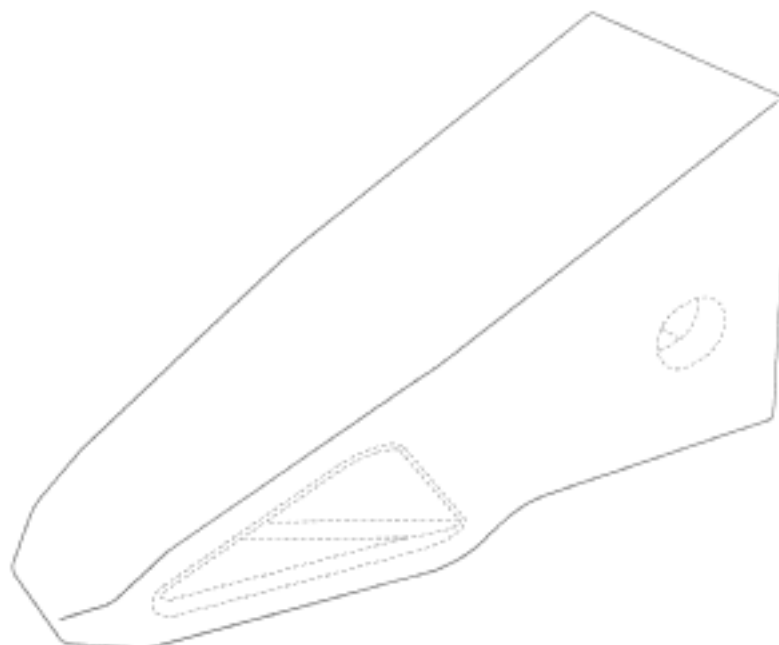
(21) Design Number: **11770/2012**
(22) Date of Filing Application: **10 April 2012**
(24) Date from which industrial property rights may have effect: **10 April 2012**
(54) Product in respect of which the design is registered: **Tip for a ground engaging machine implement**
(51) International Design Classification: **15-04**
(74) Name(s) of Attorney(s): **Freehills Patent & Trade Mark Attorneys**
(71) Name(s) and Address(s) of Applicant(s):
Caterpillar Inc.
100 N.E. Adams Street Peoria Illinois 61629 United States of America
(72) Name(s) of Designer(s): **William J. Renski and Thomas Marshall Congdon**
(45) Registration Date: **07 May 2012**
(30) Convention priority data:
(31) Number (32) Date (33) Country
29/403570 07 Oct 2011 UNITED STATES OF AMERICA
(56) Related Art Documents: **Not Applicable**
(57) Statement of Newness and Distinctiveness: **Newness and distinctiveness resides in the features of shape and configuration illustrated in solid lines in the accompanying representations.**



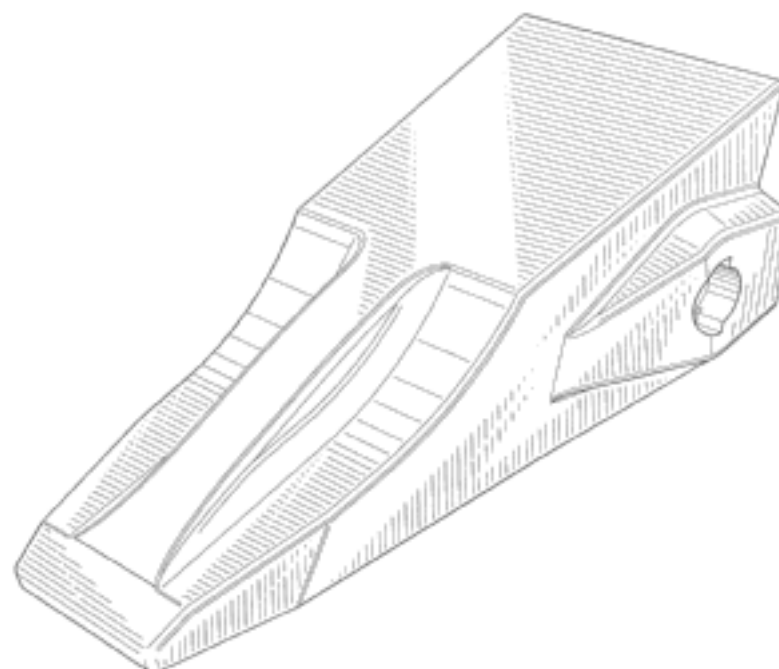
(21) Design Number: **11771/2012**
(22) Date of Filing Application: **10 April 2012**
(24) Date from which industrial property rights may have effect: **10 April 2012**
(54) Product in respect of which the design is registered: **Tip for a ground engaging machine implement**
(51) International Design Classification: **15-04**
(74) Name(s) of Attorney(s): **Freehills Patent & Trade Mark Attorneys**
(71) Name(s) and Address(s) of Applicant(s):
Caterpillar Inc.
100 N.E. Adams Street Peoria Illinois 61629 United States of America
(72) Name(s) of Designer(s): **William J. Renski and Thomas Marshall Congdon**
(45) Registration Date: **07 May 2012**
(30) Convention priority data:
(31) Number (32) Date (33) Country
29/403570 07 Oct 2011 UNITED STATES OF AMERICA
(56) Related Art Documents: **Not Applicable**
(57) Statement of Newness and Distinctiveness: **Newness and distinctiveness resides in the features of shape and configuration illustrated in solid lines in the accompanying representations.**



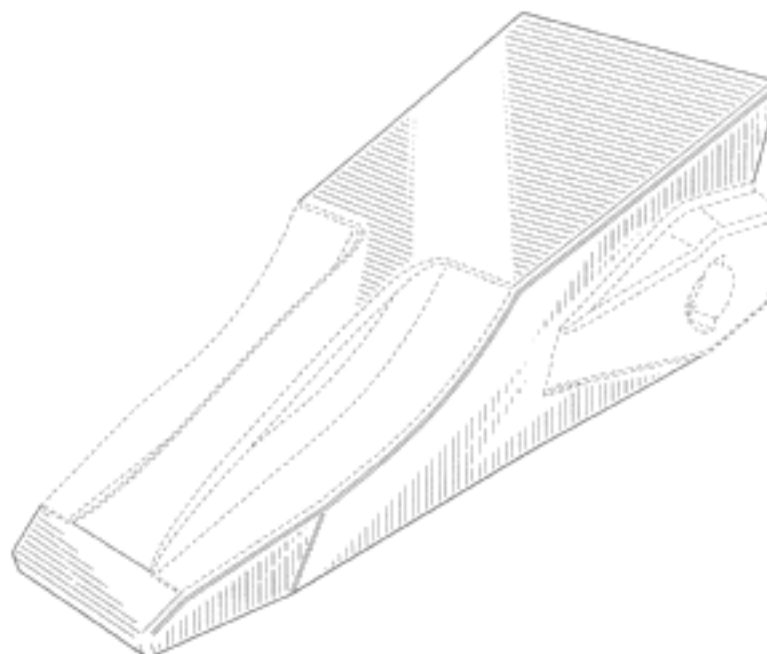
(21) Design Number: **11772/2012**
(22) Date of Filing Application: **10 April 2012**
(24) Date from which industrial property rights may have effect: **10 April 2012**
(54) Product in respect of which the design is registered: **Tip for a ground engaging machine implement**
(51) International Design Classification: **15-04**
(74) Name(s) of Attorney(s): **Freehills Patent & Trade Mark Attorneys**
(71) Name(s) and Address(s) of Applicant(s):
Caterpillar Inc.
100 N.E. Adams Street Peoria Illinois 61629 United States of America
(72) Name(s) of Designer(s): **William J. Renski and Thomas Marshall Congdon**
(45) Registration Date: **07 May 2012**
(30) Convention priority data:
(31) Number (32) Date (33) Country
29/403570 07 Oct 2011 UNITED STATES OF AMERICA
(56) Related Art Documents: **Not Applicable**
(57) Statement of Newness and Distinctiveness: **Newness and distinctiveness resides in the features of shape and configuration illustrated in solid lines in the accompanying representations.**



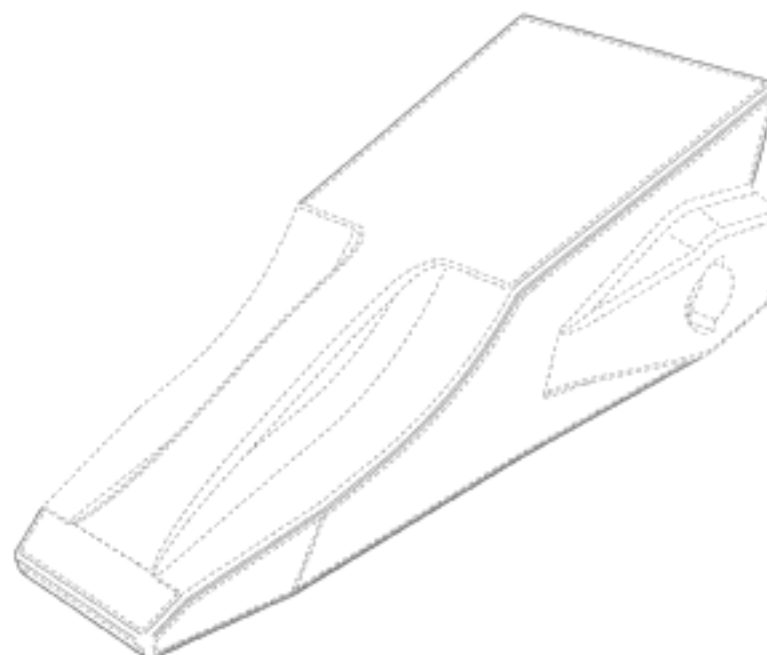
(21) Design Number: **11773/2012**
(22) Date of Filing Application: **10 April 2012**
(24) Date from which industrial property rights may have effect: **10 April 2012**
(54) Product in respect of which the design is registered: **Tip for a ground engaging machine implement**
(51) International Design Classification: **15-04**
(74) Name(s) of Attorney(s): **Freehills Patent & Trade Mark Attorneys**
(71) Name(s) and Address(s) of Applicant(s):
Caterpillar Inc.
100 N.E. Adams Street Peoria Illinois 61629 United States of America
(72) Name(s) of Designer(s): **William J. Renski and Sudha Kottakapu**
(45) Registration Date: **07 May 2012**
(30) Convention priority data:
(31) Number (32) Date (33) Country
29/403600 07 Oct 2011 UNITED STATES OF AMERICA
(56) Related Art Documents: **Not Applicable**
(57) Statement of Newness and Distinctiveness: **Newness and distinctiveness resides in the features of shape and configuration illustrated in solid lines in the accompanying representations.**



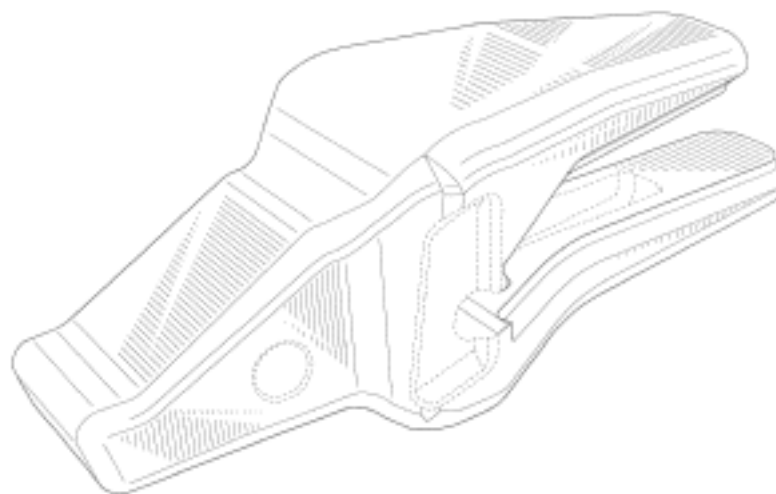
(21) Design Number: **11774/2012**
(22) Date of Filing Application: **10 April 2012**
(24) Date from which industrial property rights may have effect: **10 April 2012**
(54) Product in respect of which the design is registered: **Tip for a ground engaging machine implement**
(51) International Design Classification: **15-04**
(74) Name(s) of Attorney(s): **Freehills Patent & Trade Mark Attorneys**
(71) Name(s) and Address(s) of Applicant(s):
Caterpillar Inc.
100 N.E. Adams Street Peoria Illinois 61629 United States of America
(72) Name(s) of Designer(s): **William J. Renski and Sudha Kottakapu**
(45) Registration Date: **07 May 2012**
(30) Convention priority data:
(31) Number (32) Date (33) Country
29/403600 07 Oct 2011 UNITED STATES OF AMERICA
(56) Related Art Documents: **Not Applicable**
(57) Statement of Newness and Distinctiveness: **Newness and distinctiveness resides in the features of shape and configuration illustrated in solid lines in the accompanying representations.**



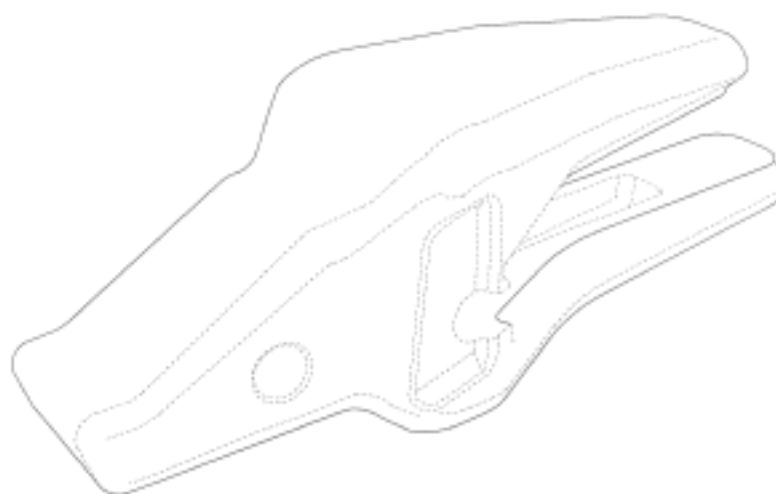
(21) Design Number: **11775/2012**
(22) Date of Filing Application: **10 April 2012**
(24) Date from which industrial property rights may have effect: **10 April 2012**
(54) Product in respect of which the design is registered: **Tip for a ground engaging machine implement**
(51) International Design Classification: **15-04**
(74) Name(s) of Attorney(s): **Freehills Patent & Trade Mark Attorneys**
(71) Name(s) and Address(s) of Applicant(s):
Caterpillar Inc.
100 N.E. Adams Street Peoria Illinois 61629 United States of America
(72) Name(s) of Designer(s): **William J. Renski and Sudha Kottakapu**
(45) Registration Date: **07 May 2012**
(30) Convention priority data:
(31) Number (32) Date (33) Country
29/403600 07 Oct 2011 UNITED STATES OF AMERICA
(56) Related Art Documents: **Not Applicable**
(57) Statement of Newness and Distinctiveness: **Newness and distinctiveness resides in the features of shape and configuration illustrated in solid lines in the accompanying representations.**



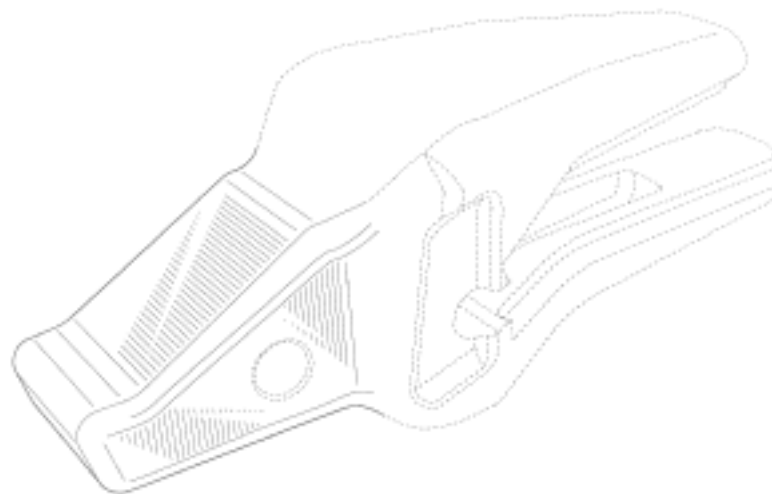
- (21) Design Number: **11777/2012**
(22) Date of Filing Application: **10 April 2012**
(24) Date from which industrial property rights may have effect: **10 April 2012**
(54) Product in respect of which the design is registered: **Adapter for a ground engaging machine implement**
(51) International Design Classification: **15-04**
(74) Name(s) of Attorney(s): **Freehills Patent & Trade Mark Attorneys**
(71) Name(s) and Address(s) of Applicant(s):
Caterpillar Inc.
100 N.E. Adams Street Peoria Illinois 61629 United States of America
(72) Name(s) of Designer(s): **William J. Renski and James Robert Lahood**
(45) Registration Date: **07 May 2012**
(30) Convention priority data:
(31) Number (32) Date (33) Country
29/403566 07 Oct 2011 UNITED STATES OF AMERICA
(56) Related Art Documents: **Not Applicable**
(57) Statement of Newness and Distinctiveness: **Newness and distinctiveness resides in the features of shape and configuration illustrated in solid lines in the accompanying representations.**



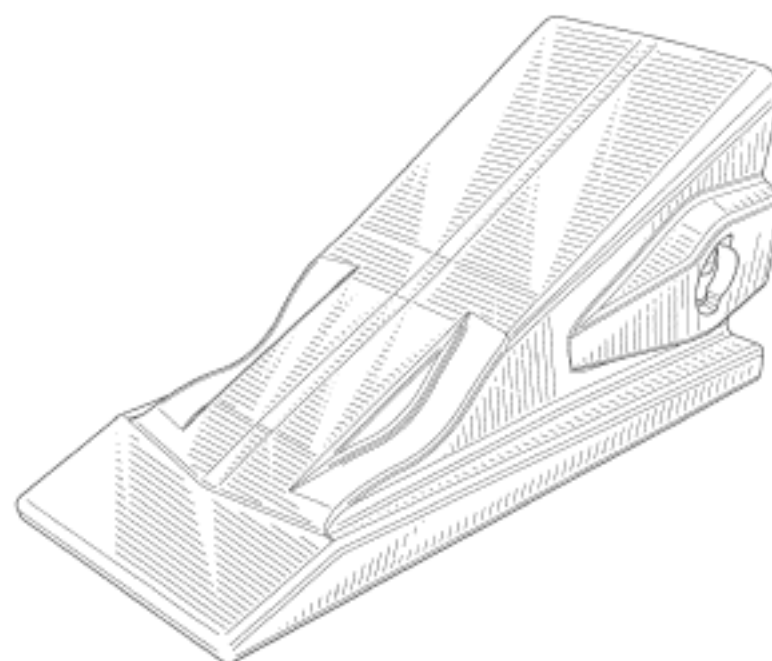
- (21) Design Number: **11778/2012**
(22) Date of Filing Application: **10 April 2012**
(24) Date from which industrial property rights may have effect: **10 April 2012**
(54) Product in respect of which the design is registered: **Adapter for a ground engaging machine implement**
(51) International Design Classification: **15-04**
(74) Name(s) of Attorney(s): **Freehills Patent & Trade Mark Attorneys**
(71) Name(s) and Address(s) of Applicant(s):
Caterpillar Inc.
100 N.E. Adams Street Peoria Illinois 61629 United States of America
(72) Name(s) of Designer(s): **William J. Renski and James Robert Lahood**
(45) Registration Date: **07 May 2012**
(30) Convention priority data:
(31) Number (32) Date (33) Country
29/403566 07 Oct 2011 UNITED STATES OF AMERICA
(56) Related Art Documents: **Not Applicable**
(57) Statement of Newness and Distinctiveness: **Newness and distinctiveness resides in the features of shape and configuration illustrated in solid lines in the accompanying representations.**



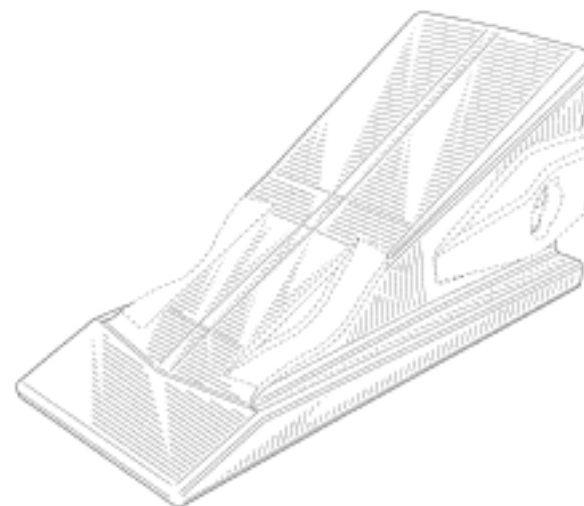
(21) Design Number: **11779/2012**
(22) Date of Filing Application: **10 April 2012**
(24) Date from which industrial property rights may have effect: **10 April 2012**
(54) Product in respect of which the design is registered: **Adapter for a ground engaging machine implement**
(51) International Design Classification: **15-04**
(74) Name(s) of Attorney(s): **Freehills Patent & Trade Mark Attorneys**
(71) Name(s) and Address(s) of Applicant(s):
Caterpillar Inc.
100 N.E. Adams Street Peoria Illinois 61629 United States of America
(72) Name(s) of Designer(s): **William J. Renski and James Robert Lahood**
(45) Registration Date: **07 May 2012**
(30) Convention priority data:
(31) Number (32) Date (33) Country
29/403566 07 Oct 2011 UNITED STATES OF AMERICA
(56) Related Art Documents: **Not Applicable**
(57) Statement of Newness and Distinctiveness: **Newness and distinctiveness resides in the features of shape and configuration illustrated in solid lines in the accompanying representations.**



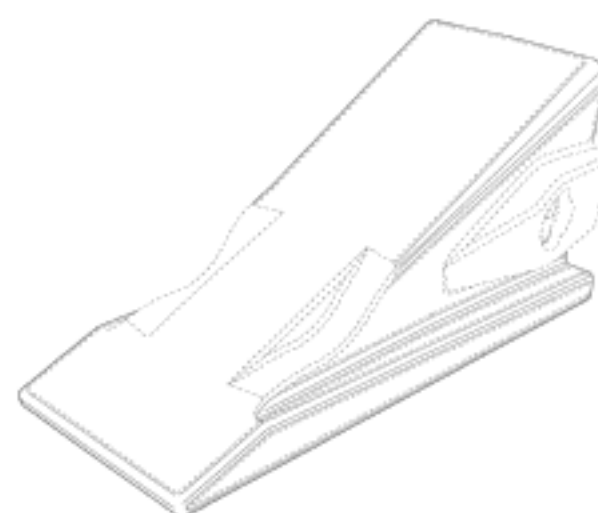
(21) Design Number: **11780/2012**
(22) Date of Filing Application: **10 April 2012**
(24) Date from which industrial property rights may have effect: **10 April 2012**
(54) Product in respect of which the design is registered: **Tip for ground engaging machine implement**
(51) International Design Classification: **15-04, 15-99**
(74) Name(s) of Attorney(s): **Freehills Patent & Trade Mark Attorneys**
(71) Name(s) and Address(s) of Applicant(s):
Caterpillar Inc.
100 N.E. Adams Street Peoria Illinois 61629 United States of America
(72) Name(s) of Designer(s): **William J. Renski and Sudha Kottakapu**
(45) Registration Date: **07 May 2012**
(56) Related Art Documents: **Not Applicable**
(57) Statement of Newness and Distinctiveness: **Newness and distinctiveness resides in the features of shape and configuration illustrated in solid lines in the accompanying representations.**



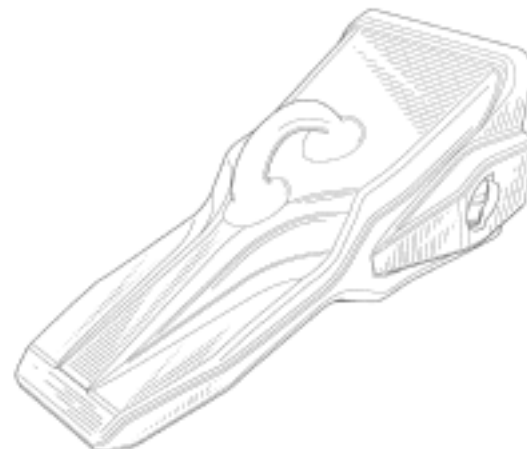
- (21) Design Number: **11781/2012**
(22) Date of Filing Application: **10 April 2012**
(24) Date from which industrial property rights may have effect: **10 April 2012**
(54) Product in respect of which the design is registered: **Tip for a ground engaging machine implement**
(51) International Design Classification: **15-04, 15-99**
(74) Name(s) of Attorney(s): **Freehills Patent & Trade Mark Attorneys**
(71) Name(s) and Address(s) of Applicant(s):
Caterpillar Inc.
100 N.E. Adams Street Peoria Illinois 61629 United States of America
(72) Name(s) of Designer(s): **William J. Renski and Sudha Kottakapu**
(45) Registration Date: **07 May 2012**
(56) Related Art Documents: **Not Applicable**
(57) Statement of Newness and Distinctiveness: **Newness and distinctiveness resides in the features of shape and configuration illustrated in solid lines in the accompanying representations.**



- (21) Design Number: **11782/2012**
(22) Date of Filing Application: **10 April 2012**
(24) Date from which industrial property rights may have effect: **10 April 2012**
(54) Product in respect of which the design is registered: **Tip for a ground engaging machine implement**
(51) International Design Classification: **15-04, 15-99**
(74) Name(s) of Attorney(s): **Freehills Patent & Trade Mark Attorneys**
(71) Name(s) and Address(s) of Applicant(s):
Caterpillar Inc.
100 N.E. Adams Street Peoria Illinois 61629 United States of America
(72) Name(s) of Designer(s): **William J. Renski and Sudha Kottakapu**
(45) Registration Date: **07 May 2012**
(56) Related Art Documents: **Not Applicable**
(57) Statement of Newness and Distinctiveness: **Newness and distinctiveness resides in the features of shape and configuration illustrated in solid lines in the accompanying representations.**



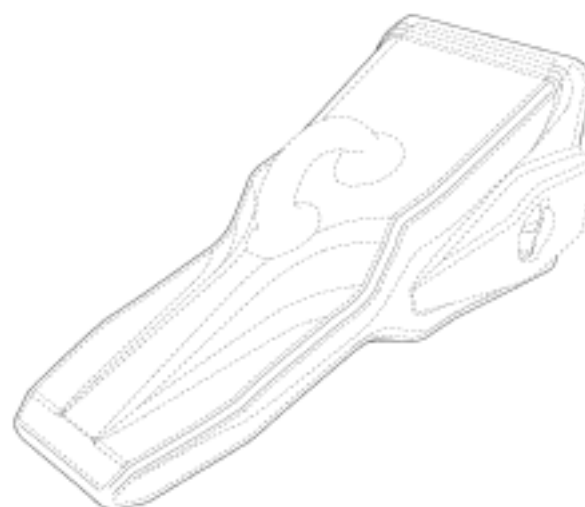
(21) Design Number: **11783/2012**
(22) Date of Filing Application: **10 April 2012**
(24) Date from which industrial property rights may have effect: **10 April 2012**
(54) Product in respect of which the design is registered: **Tip for a ground engaging machine implement**
(51) International Design Classification: **15-04, 15-99**
(74) Name(s) of Attorney(s): **Freehills Patent & Trade Mark Attorneys**
(71) Name(s) and Address(s) of Applicant(s):
Caterpillar Inc.
100 N.E. Adams Street Peoria Illinois 61629 United States of America
(72) Name(s) of Designer(s): **William J. Renski and James Robert Lahood**
(45) Registration Date: **07 May 2012**
(30) Convention priority data:
(31) Number (32) Date (33) Country
29/403595 07 Oct 2011 UNITED STATES OF AMERICA
(56) Related Art Documents: **Not Applicable**
(57) Statement of Newness and Distinctiveness: **Newness and distinctiveness resides in the features of shape and configuration illustrated in solid lines in the accompanying representations.**



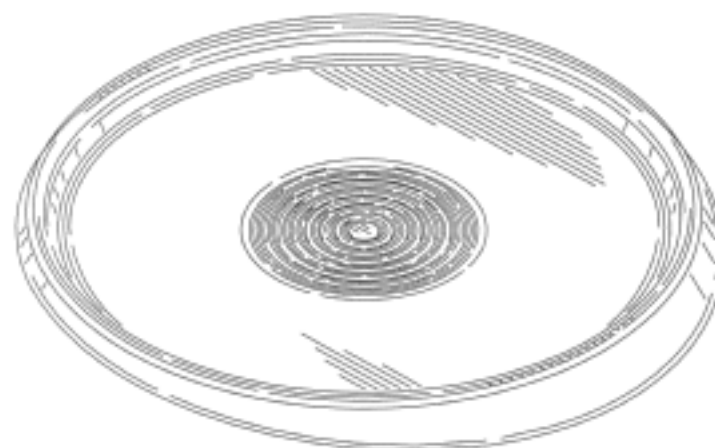
(21) Design Number: **11784/2012**
(22) Date of Filing Application: **10 April 2012**
(24) Date from which industrial property rights may have effect: **10 April 2012**
(54) Product in respect of which the design is registered: **Tip for a ground engaging machine implement**
(51) International Design Classification: **15-04, 15-99**
(74) Name(s) of Attorney(s): **Freehills Patent & Trade Mark Attorneys**
(71) Name(s) and Address(s) of Applicant(s):
Caterpillar Inc.
100 N.E. Adams Street Peoria Illinois 61629 United States of America
(72) Name(s) of Designer(s): **William J. Renski and James Robert Lahood**
(45) Registration Date: **07 May 2012**
(30) Convention priority data:
(31) Number (32) Date (33) Country
29/403595 07 Oct 2011 UNITED STATES OF AMERICA
(56) Related Art Documents: **Not Applicable**
(57) Statement of Newness and Distinctiveness: **Newness and distinctiveness resides in the features of shape and configuration illustrated in solid lines in the accompanying representations.**



- (21) Design Number: **11785/2012**
(22) Date of Filing Application: **10 April 2012**
(24) Date from which industrial property rights may have effect: **10 April 2012**
(54) Product in respect of which the design is registered: **Tip for ground engaging machine implement**
(51) International Design Classification: **15-04, 15-99**
(74) Name(s) of Attorney(s): **Freehills Patent & Trade Mark Attorneys**
(71) Name(s) and Address(s) of Applicant(s):
Caterpillar Inc.
100 N.E. Adams Street Peoria Illinois 61629 United States of America
(72) Name(s) of Designer(s): **William J. Renski and James Robert Lahood**
(45) Registration Date: **07 May 2012**
(30) Convention priority data:
(31) Number (32) Date (33) Country
29/403595 07 Oct 2011 UNITED STATES OF AMERICA
(56) Related Art Documents: **Not Applicable**
(57) Statement of Newness and Distinctiveness: **Newness and distinctiveness resides in the features of shape and configuration illustrated in solid lines in the accompanying representations.**



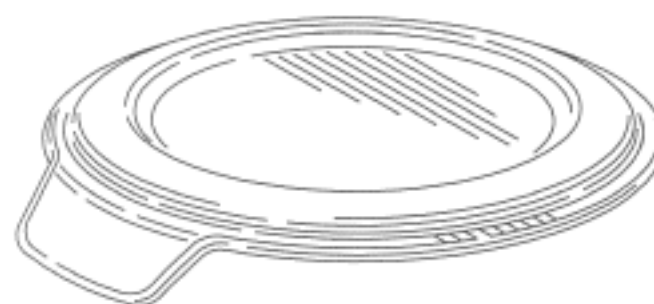
- (21) Design Number: **11788/2012**
(22) Date of Filing Application: **11 April 2012**
(24) Date from which industrial property rights may have effect: **11 April 2012**
(54) Product in respect of which the design is registered: **Cover for a container**
(51) International Design Classification: **07-01NES**
(74) Name(s) of Attorney(s): **PHILLIPS ORMONDE FITZPATRICK**
(71) Name(s) and Address(s) of Applicant(s):
Dart Industries Inc.
14901 S. Orange Blossom Trail Orlando Florida 32837 United States of America
(72) Name(s) of Designer(s): **Rui Yuan Chen**
(45) Registration Date: **07 May 2012**
(30) Convention priority data:
(31) Number (32) Date (33) Country
29/395,105 22 Nov 2011 UNITED STATES OF AMERICA
(56) Related Art Documents: **Not Applicable**
(57) Statement of Newness and Distinctiveness: **Those features of the cover for a container depicted in the representations that are new and distinctive are the shape and/or configuration.**



(21) Design Number: **11791/2012**
(22) Date of Filing Application: **11 April 2012**
(24) Date from which industrial property rights may have effect: **11 April 2012**
(54) Product in respect of which the design is registered: **Cup**
(51) International Design Classification: **07-01D**
(74) Name(s) of Attorney(s): **PHILLIPS ORMONDE FITZPATRICK**
(71) Name(s) and Address(s) of Applicant(s):
Dart Industries Inc.
14901 S. Orange Blossom Trail Orlando Florida 32837 United States of America
(72) Name(s) of Designer(s): **Alex Muspratt-Williams**
(45) Registration Date: **07 May 2012**
(30) Convention priority data:
(31) Number (32) Date (33) Country
29/395,229 21 Dec 2011 UNITED STATES OF AMERICA
(56) Related Art Documents: **Not Applicable**
(57) Statement of Newness and Distinctiveness: **Those features of the cup depicted in the representations that are new and distinctive are the shape and/or configuration.**



(21) Design Number: **11792/2012**
(22) Date of Filing Application: **11 April 2012**
(24) Date from which industrial property rights may have effect: **11 April 2012**
(54) Product in respect of which the design is registered: **Combined cover and saucer**
(51) International Design Classification: **07-01D, 07-01NES**
(74) Name(s) of Attorney(s): **PHILLIPS ORMONDE FITZPATRICK**
(71) Name(s) and Address(s) of Applicant(s):
Dart Industries Inc.
14901 S. Orange Blossom Trail Orlando Florida 32837 United States of America
(72) Name(s) of Designer(s): **Alex Muspratt-Williams**
(45) Registration Date: **07 May 2012**
(30) Convention priority data:
(31) Number (32) Date (33) Country
29/395,228 11 Dec 2011 UNITED STATES OF AMERICA
(56) Related Art Documents: **Not Applicable**
(57) Statement of Newness and Distinctiveness: **Those features of the combined cover and saucer depicted in the representations that are new and distinctive are the shape and/or configuration.**



- (21) Design Number: **11793/2012**
(22) Date of Filing Application: **11 April 2012**
(24) Date from which industrial property rights may have effect: **11 April 2012**
(54) Product in respect of which the design is registered: **Pitcher**
(51) International Design Classification: **07-01F**
(74) Name(s) of Attorney(s): **PHILLIPS ORMONDE FITZPATRICK**
(71) Name(s) and Address(s) of Applicant(s):
Dart Industries Inc.
14901 S. Orange Blossom Trail Orlando Florida 32837 United States of America
(72) Name(s) of Designer(s): **Jan-Hendrik De Grootte and Alex Muspratt-Williams**
(45) Registration Date: **07 May 2012**
(30) Convention priority data:
(31) Number (32) Date (33) Country
29/395,230 21 Dec 2011 UNITED STATES OF AMERICA
(56) Related Art Documents: **Not Applicable**
(57) Statement of Newness and Distinctiveness: **Those features of the pitcher depicted in the representations that are new and distinctive are the shape and/or configuration.**



- (21) Design Number: **11794/2012**
(22) Date of Filing Application: **10 April 2012**
(24) Date from which industrial property rights may have effect: **10 April 2012**
(54) Product in respect of which the design is registered: **Combination dispenser and advertising display**
(51) International Design Classification: **20-02NES**
(74) Name(s) of Attorney(s): **A J Park**
(71) Name(s) and Address(s) of Applicant(s):
Brian Morrison
1872 South Bayshore Lane Miami Florida 33131 United States of America
(72) Name(s) of Designer(s): **Brian Morrison**
(45) Registration Date: **07 May 2012**
(30) Convention priority data:
(31) Number (32) Date (33) Country
29/403,662 10 Oct 2011 UNITED STATES OF AMERICA
(56) Related Art Documents: **Not Applicable**
(57) Statement of Newness and Distinctiveness: **Newness and distinctiveness reside in the features of shape and/or configuration of the COMBINATION DISPENSER AND ADVERTISING DISPLAY as shown in the representations.**



(21) Design Number: **11083/2012**

(22) Date of Filing Application: **05 March 2012**

(24) Date from which industrial property rights may have effect: **05 March 2012**

(54) Product in respect of which the design is registered: **Combination padlock**

(51) International Design Classification: **08-07**

(74) Name(s) of Attorney(s): **Callinans**

(71) Name(s) and Address(s) of Applicant(s):

Mark Lightfoot

155 Ruapehu Street Taupo 3330 New Zealand

(72) Name(s) of Designer(s): **Mark Lightfoot**

(45) Registration Date: **07 May 2012**

(30) Convention priority data:

(31) Number

(32) Date

(33) Country

415473

31 Oct 2011

NEW ZEALAND

(56) Related Art Documents: **Not Applicable**

(57) Statement of Newness and Distinctiveness: **Novelty resides in the features of the shape and configuration of the padlock shown in the representations.**



(21) Design Number: **10976/2012**

(22) Date of Filing Application: **29 February 2012**

(24) Date from which industrial property rights may have effect: **29 February 2012**

(54) Product in respect of which the design is registered: **Control panel of a washing machine/drying machine**

(51) International Design Classification: **15-05**

(74) Name(s) of Attorney(s): **SPRUSON & FERGUSON**

(71) Name(s) and Address(s) of Applicant(s):

BSH Bosch und Siemens Hausgerate GmbH

Carl-Wery-Str. 34 81739 Munchen Germany

(72) Name(s) of Designer(s): **Johannes Geyer and Roger Munstermann**

(45) Registration Date: **07 May 2012**

(30) Convention priority data:

(31) Number

(32) Date

(33) Country

001293807

02 Sep 2011

EUROPEAN COMMUNITY

(56) Related Art Documents: **Not Applicable**

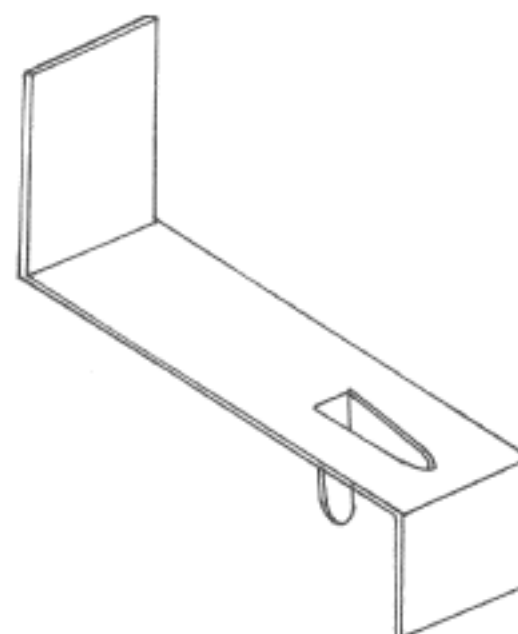
(57) Statement of Newness and Distinctiveness: **Newness and distinctiveness is claimed in the features of shape and/or configuration of a display, control buttons, a central round dial and indication lights of a control panel for a washing and/or drying machine as illustrated in the accompanying representations. The indication lights are arranged in two vertical lines left and right of the central round dial. The controls buttons are arranged in a long horizontal line at a lower portion of the control panel. The line of the control buttons is optically extended on the drawer handle. The display is provided with control fields arranged below and above the display field.**



- (21) Design Number: **10977/2012**
(22) Date of Filing Application: **29 February 2012**
(24) Date from which industrial property rights may have effect: **29 February 2012**
(54) Product in respect of which the design is registered: **Control panel of a washing machine/drying machine**
(51) International Design Classification: **15-05**
(74) Name(s) of Attorney(s): **SPRUSON & FERGUSON**
(71) Name(s) and Address(s) of Applicant(s):
BSH Bosch und Siemens Hausgerate GmbH
Carl-Wery-Str. 34 81739 Munchen Germany
(72) Name(s) of Designer(s): **Johannes Geyer and Roger Munstermann**
(45) Registration Date: **07 May 2012**
(30) Convention priority data:
(31) Number (32) Date (33) Country
001293807 02 Sep 2011 EUROPEAN COMMUNITY
(56) Related Art Documents: **Not Applicable**
(57) Statement of Newness and Distinctiveness: **Newness and distinctiveness is claimed in the features of shape and/or configuration of a display, control buttons, a central round dial and indication lights of a control panel for a washing and/or drying machine as illustrated in the accompanying representations. The indication lights are arranged in two vertical lines left and right of the central round dial. The controls buttons are arranged in a long horizontal line at a lower portion of the control panel. The line of the control buttons is optically extended on the drawer handle. The display is provided with control fields arranged below and above the display field.**

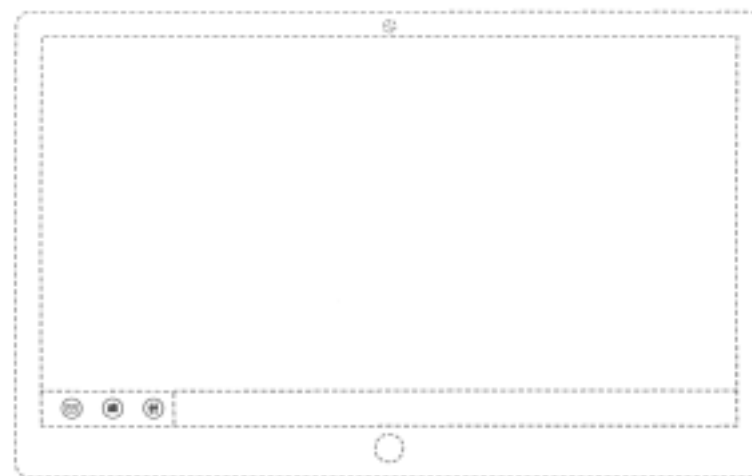


- (21) Design Number: **10993/2012**
(22) Date of Filing Application: **01 March 2012**
(24) Date from which industrial property rights may have effect: **01 March 2012**
(54) Product in respect of which the design is registered: **A bracket**
(51) International Design Classification: **08-08L**
(74) Name(s) of Attorney(s): **Cullens Patent and Trade Mark Attorneys**
(71) Name(s) and Address(s) of Applicant(s):
Ceilite Machinery Sales Pty Ltd
4/22 Eastern Road Stapylton Queensland 4207 Australia
(72) Name(s) of Designer(s): **James Edwards**
(45) Registration Date: **07 May 2012**
(56) Related Art Documents: **Not Applicable**
(57) Statement of Newness and Distinctiveness: **The new and distinctive features are the features of shape and/or configuration of a bracket as shown in the representations.**



(19) AU

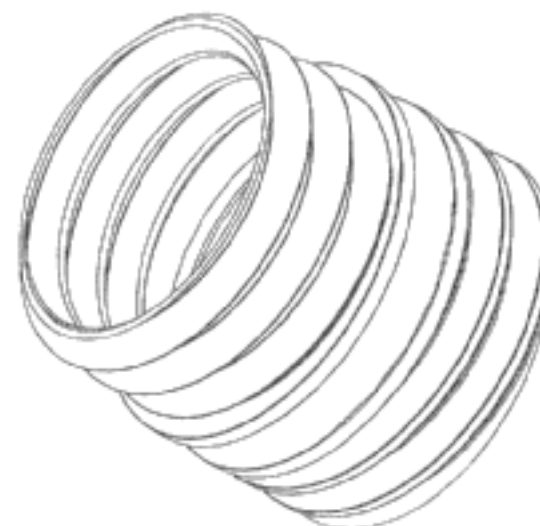
(21) Design Number: **11233/2012**
 (22) Date of Filing Application: **07 March 2012**
 (24) Date from which industrial property rights may have effect: **07 March 2012**
 (54) Product in respect of which the design is registered: **Display screen with icon set**
 (51) International Design Classification: **14-04**
 (74) Name(s) of Attorney(s): **Shelston IP**
 (71) Name(s) and Address(s) of Applicant(s):
Microsoft Corporation
One Microsoft Way Redmond Washington 98052 United States of America



(72) Name(s) of Designer(s): **Kieran Phelan**
 (45) Registration Date: **07 May 2012**
 (30) Convention priority data:
 (31) Number (32) Date (33) Country
29/401535 12 Sep 2011 UNITED STATES OF AMERICA
 (56) Related Art Documents: **Not Applicable**
 (57) Statement of Newness and Distinctiveness: **Newness and distinctiveness reside in the pattern and/or ornamentation of a display screen with icon set as illustrated by solid lines in the accompanying representations. The features shown in broken outline are for illustrative purposes only and do not form part of the design.**

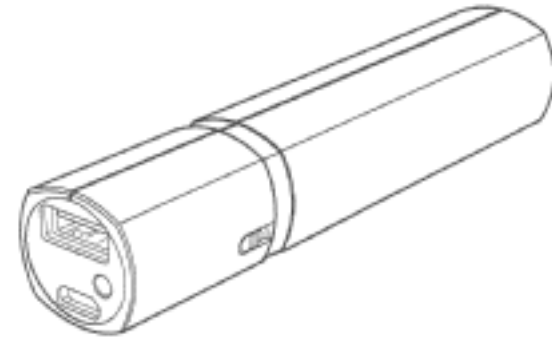
(19) AU

(21) Design Number: **11323/2012**
 (22) Date of Filing Application: **13 March 2012**
 (24) Date from which industrial property rights may have effect: **13 March 2012**
 (54) Product in respect of which the design is registered: **Pipe coupling**
 (51) International Design Classification: **23-01A**
 (74) Name(s) of Attorney(s): **PHILLIPS ORMONDE FITZPATRICK**
 (71) Name(s) and Address(s) of Applicant(s):
Rein Pty Ltd
14 Williamson Road Ingleburn New South Wales 2565 Australia

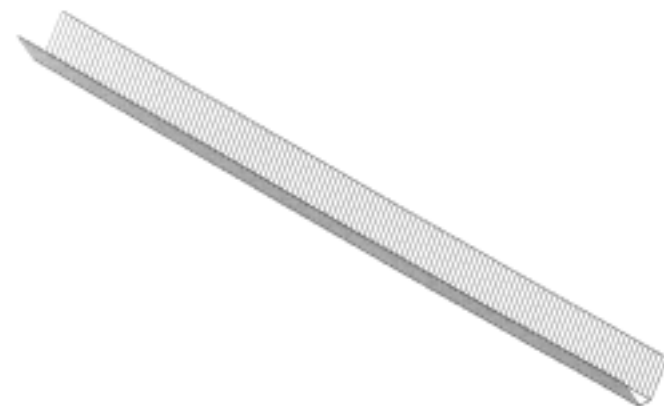


(72) Name(s) of Designer(s): **Owen Edward Luke**
 (45) Registration Date: **07 May 2012**
 (56) Related Art Documents: **Not Applicable**
 (57) Statement of Newness and Distinctiveness: **Nil**

(21) Design Number: **11887/2012**
(22) Date of Filing Application: **12 April 2012**
(24) Date from which industrial property rights may have effect: **12 April 2012**
(54) Product in respect of which the design is registered: **Portable battery**
(51) International Design Classification: **13-02**
(74) Name(s) of Attorney(s): **WATERMARK PATENT AND TRADE MARKS ATTORNEYS**
(71) Name(s) and Address(s) of Applicant(s):
FSP Technology Inc.
No. 22 Jianguo East Road Taoyuan City Taoyuan County Taiwan
(72) Name(s) of Designer(s): **Te-Fu Chen and Chien-Ming Huang**
(45) Registration Date: **07 May 2012**
(56) Related Art Documents: **Not Applicable**
(57) Statement of Newness and Distinctiveness: **Nil**



(21) Design Number: **11919/2012**
(22) Date of Filing Application: **17 April 2012**
(24) Date from which industrial property rights may have effect: **17 April 2012**
(54) Product in respect of which the design is registered: **Roof barrier**
(51) International Design Classification: **25-02NES**
(74) Name(s) of Attorney(s): **WATERMARK PATENT AND TRADE MARKS ATTORNEYS**
(71) Name(s) and Address(s) of Applicant(s):
Elisha Christine Cook
25 Citius Close Lara Victoria 3212 Australia
(72) Name(s) of Designer(s): **Elisha Christine Cook**
(45) Registration Date: **07 May 2012**
(56) Related Art Documents: **Not Applicable**
(57) Statement of Newness and Distinctiveness: **Nil**



- (21) Design Number: **11939/2012**
(22) Date of Filing Application: **17 April 2012**
(24) Date from which industrial property rights may have effect: **17 April 2012**
(54) Product in respect of which the design is registered: **Bait pump**
(51) International Design Classification: **22-05**
(74) Name(s) of Attorney(s):
(71) Name(s) and Address(s) of Applicant(s):
John Robert Pomper
46 Cove Boulevard River Heads Queensland 4655 Australia
(72) Name(s) of Designer(s): **John Robert Pomper**
(45) Registration Date: **07 May 2012**
(56) Related Art Documents: **Not Applicable**
(57) Statement of Newness and Distinctiveness: **Handle at the top of outer tube**
Handle and flared end at top of inner tube.

