



Australian Government

IP Australia

AUSTRALIAN OFFICIAL JOURNAL

OF

DESIGNS

Did you know a searchable version of this journal is now available online?

It's FREE and EASY to SEARCH.

Find it on our website (www.ipaustralia.gov.au)

by using the "Journals" link on the home page.

This Page Left Intentionally Blank

Contents

General Information & Notices

**Proceedings Under the Designs Act 1906 preserved as a result of the provisions of Chapter 12
Part 2 of the Designs Act 2003**

Applications for Extension of Time	1444
Extension of Period of Registration of Designs	1444
Registrations Ceased	1444

Proceedings Under the Designs Act 2003

Applications Lapsed	1453
Applications Lodged	1448
Certificate of Examination	1457
Extension of Period of Registration of Design	1455
Extension of Time Granted Under Section 137	1455
Names Registered - Alterations and Amendments	1456
Publication and Registration Proceedings	
Designs Registered 342435 to 342620.....	1458
Registrations Ceased	1455
Subsequent Owners Registered	1456

This Page Left Intentionally Blank

For information on the following please see our website www.ipaustralia.gov.au or contact our Customer Service Network on 1300651010

[Editorial enquiries](#)

[Contact information](#)

[Freedom of Information ACT](#)

[Professional Standards Board](#)

[Sales](#)

[Requests for Information under Section 194 \(c\)](#)

[Country Codes](#)

[Trade Mark and Designs Hearing Sessions](#)

[INID \(Internationally agreed Numbers for the Identification of Data\)](#)

“INID” NUMBERS in use on Australian Design Documents

“INID” is an acronym for “Internationally agreed Numbers for the Identification of Data”.

(10) Data concerning the registration/renewal

- (11) Serial number of the registration and/or number of the design document
- (12) Plain language designation of the kind of published document
- (19) Identification, using the two-letter code according to WIPO Standard ST.3, of the authority publishing or registering the industrial design

(20) Data concerning the application

- (21) Serial number of the application
- (22) Date of filing of the application
- (24) Date from which the industrial design right has effect

(30) Data relating to priority under the Paris Convention

- (31) Serial number assigned to the priority application
- (32) Date of filing of the priority application
- (33) Two-letter code, according to WIPO Standard ST.3, identifying the authority with which the priority application was made

(40) Date(s) of making information available to the public

- (45) Date of publication of the registered industrial design by printing or similar process, or making it available to the public by any other means

(50) Miscellaneous Information

- (51) International Classification for Industrial Designs (class and subclass of the Locarno Classification)
- (54) Designation of article(s) or product(s) covered by the industrial design or title of the industrial design
- (55) Reproduction of the industrial design (e.g., drawing, photograph) and explanations relating to the reproduction
- (56) List of prior art documents, if separate from descriptive text
- (57) Description of characteristic features of the industrial design including indication of colours

(60) References to other legally related application(s) and registration(s)

- (62) Serial number(s) and, if available, filing date(s) of application(s), registration(s) or document(s) related by division
- (66) Serial number(s) of the application, or the registration, of the design(s) which is (are) a variant(s) of the present one

(70) Identification of parties concerned with the application or registration

- (71) Name(s) and address(es) of the applicant(s)
- (72) Name(s) of the creator(s) if known to be such
- (74) Name(s) and address(es) of the representative(s)

This Page Left Intentionally Blank

Official Notice***Intellectual Property Legislation Amendment Regulation 2012 (No. 1)***

On 10 May 2012, the Federal Executive Council made the [Intellectual Property Legislation Amendment Regulation 2012 \(No. 1\)](#) ('the Regulation'). The Regulation has been registered in the Federal Register of Legislative Instruments and can be viewed on the ComLaw website (www.comlaw.gov.au).

The Regulation amends:

- the *Designs Regulations 2004*, the *Patents Regulations 1991*, the *Plant Breeder's Rights Regulations 1994* and the *Trade Marks Regulations 1995* to implement changes in fees arising from the fee review conducted by IP Australia – the majority of changes commencing on **1 July 2012** and the remaining changes commencing on **1 October 2012**;
- the *Designs Regulations*, the *Patents Regulations* and the *Trade Marks Regulations* to enable customers to provide statutory declarations electronically and simplify the requirements for filing a declaration – commencing on **1 July 2012**;
- the *Trade Marks Regulations* to implement provisions of the *Trade Marks Act*, as amended by the *Personal Property Securities (Consequential Amendments) Act 2009* – commencing on **1 July 2012**;
- the *Designs Regulations*, the *Patents Regulations* and the *Trade Marks Regulations* to include the Netherlands (including Aruba, Curaçao and Sint Maarten) and Samoa in the list of Convention countries – commencing on **1 July 2012**; and
- the *Patents Regulations* to reflect changes to the *Regulations under the Patent Cooperation Treaty* as approved by the International Patent Cooperation Union Assembly at its 2011 meeting – commencing on **1 July 2012**.

Further details are set out in the [Explanatory Statement to the Regulation](#) and the [News Item](#) on the IP Australia website.

Queries**Fee changes:**

Kieran Sloan
Director, Budget and Reporting
+61 2 6283 2715

Other matters:

Frances Roden
A/g Director, Domestic Policy
+61 2 6283 2151

Contact IP Australia
Phone 1300 651 010
Fax +61 2 6283 7999
E-mail assist@ipaustrialia.gov.au
Web www.ipaustrialia.gov.au

Official Notice

Notification of Fee Changes

Further to the official notice on 29 September 2011, the Australian Government has approved changes to fees charged for IP Australia's products and services.

Some of the key changes that customers should note include:

- The majority of fee changes will occur on 1 July 2012, with the exception of new application filing fees which will change from 1 October 2012.
- Incentives for customers to use the approved form of transaction. The Commissioner and Registrar will advise of the approved form in advance. These will generally be specified electronic and web-based transaction channels. Customers that file in this way will benefit through a lower relative fee.
- New fee structures for new applications (including TM Headstart), registrations and renewals. This is for both Trade Marks and Designs.

Customers are advised to familiarise themselves with the new fee structures in order to avoid payment discrepancies and delays in the processing of IP Rights.

The new fee structures can be found at www.ipaustralia.gov.au.

For further information please contact IP Australia on 1300 651 010 or by email to assist@ipaustralia.gov.au.

Contact: IP Australia
Phone: 1300 651 010
Fax: +61 2 6283 7999
E-mail: assist@ipaustralia.gov.au
Web: www.ipaustralia.gov.au

Proceedings under the Designs Act 1906 preserved as a result of the provisions of Chapter 12 Part 2 of the Designs Act 2003.

This Page Left Intentionally Blank

Applications Lapsed

There were no Applications Lapsed under this section

Extension of Period of Registration of Designs

Applications for extension of time have been lodged. Objections must be lodged within 1 month from the date of this journal.

1st Period (Section 27A(8))

153399 **Cuddle Fish Aquatics Pty Ltd** Extension of time to extend a registration. Address for Service: Gibsons Solicitors Pty Ltd Level 8 91 William Street MELBOURNE VIC 3000

2nd Period (Section 27A(12))

3rd Period (Section 27A(13))

144180	144440	145690
145691	145692	145694
145738	145741	145795
145961	145998	146087
146151	146153	146198
146406	146407	146459
146963	147035	147360
147778	148013	149509
149812	149835	150042
150257	150640	156422

Registrations Ceased

Note: Some of the following Registrations may have been previously advertised as ceased. In this instance, the previous advertisement still prevails.

127290	128524	128556
128599	128600	128601
128605	128626	128627
128649	128731	128748
128788	128867	128964
128987	128989	129043
129131	129153	129154
129196	129197	129293
129295	129493	129509
129536	129649	129698
130282	131181	131285
133157	142309	142391
142590	144057	144058
144059	144114	144115
144116	144136	144172
144173	144175	144176
144177	144209	144210
144269	144270	144366
144371	144414	144415
144416	144972	145932
146229	146322	146388
147087	147088	147091
147092	147150	147391
147854		

Applications for Extension of time

This Page Left Intentionally Blank

Proceedings under the Designs Act 2003.

This Page Left Intentionally Blank

Applications Lodged

Lodgement information is in the following order: **Applicant's Name**; International Classification, Name of Product, Lodgement Date and **Design Number**. If the applicant claims an earlier priority date under an International Convention, the Convention Country and the associated filing date are shown in parentheses before the Lodgement Date. Divisional information will also appear in parentheses before the Lodgement Date.

Advanced View Saftey Systems Pty Ltd; 12-16H, Proximity view mirror assembly, 11 May 2012	12285/2012	Cairns, Simon;Mortimer, Michael; 06-09, The design relates to a mattress, 03 May 2012	12237/2012
Asics Corporation; 02-04NES, Sport shoe, 09 May 2012	12249/2012	Cairns, Simon;Mortimer, Michael; 06-09, The design relates to a mattress, 03 May 2012	12240/2012
Austin, Julian; 12-16NES, Fuel surge tank kit, 19 Apr 2012	12163/2012	Cairns, Simon;Mortimer, Michael; 06-09, The design relates to a mattress, 03 May 2012	12236/2012
Ballarat Holdings Pty Ltd; 08-08NES, A backing plate and wiring housing unit, 11 May 2012	12282/2012	Cairns, Simon;Mortimer, Michael; 06-09, The design relates to a mattress, 03 May 2012	12238/2012
Barfield, Jennifer; 06-06H, An acrylic/plastic/timber chair with stainless steel legs, 03 May 2012	12259/2012	Cairns, Simon;Mortimer, Michael; 06-09, The design relates to a mattress, 03 May 2012	12235/2012
Beba Enterprises Pty Ltd; 02-02NES, Articles of clothing, 08 May 2012	12210/2012	Cairns, Simon;Mortimer, Michael; 06-09, The design relates to a mattress, 03 May 2012	12239/2012
Bellinger, Michael;James, Warren D.; 07-06A, Lounge chair drink holder, 09 May 2012	12208/2012	Clarke, Karina; 11-02F, Garden memorial plaque, 04 May 2012	12166/2012
Bentley, Rex; 12-02, A caster wheel design to fit a golf buggy. The wheel can either be in a locked position or unlocked to allow the, wheel to rotate, 09 May 2012	12247/2012	Cryovac Australia Pty Ltd; 09-03F, Tray, 14 May 2012	12299/2012
Bialkowski, Eliza; 28-99, Air freshner, 09 May 2012	12253/2012	COMPAGNIE GENERALE DES ETABLISSEMENTS MICHELIN;Michelin Recherche et Technique S.A.; 12-15B, A tyre, (FR, 22 Nov 2011) 11 May 2012	12276/2012
Black & Decker Inc; 15-99, Cordless framing nailer, (US, 21 Nov 2011) 11 May 2012	12290/2012	COMPAGNIE GENERALE DES ETABLISSEMENTS MICHELIN;Michelin Recherche et Technique S.A.; 12-15B, A tyre, (FR, 22 Nov 2011) 11 May 2012	12275/2012
Brohier, Peter; 02-01B, 02-02NES, Get up on set of upper body garments & lower body garments, 08 May 2012	12195/2012	Dias Aluminium Products Pty. Ltd.; 08-08NES, Corner stake, 14 May 2012	12333/2012
Brohier, Peter; 06-13C, Tea towel, 08 May 2012	12196/2012	Dias Aluminium Products Pty. Ltd.; 08-08NES, Corner stake, 14 May 2012	12325/2012
Buy Direct Warehouse Pty Ltd; 06-03NES, Fold down table, 11 May 2012	12272/2012	Dias Aluminium Products Pty. Ltd.; 08-08NES, Corner stake, 14 May 2012	12334/2012
Cairns, Simon;Mortimer, Michael; 06-09, The design relates to a mattress, 03 May 2012	12242/2012	Donnelly, Douglas F.; 22-01, Firearm, (US, 22 Jul 2011) (Divisional of 10276/2012) 11 May 2012	12294/2012
Cairns, Simon;Mortimer, Michael; 06-09, The design relates to a mattress, 03 May 2012	12244/2012	DKB Household UK Limited; 07-04, Garlic press with removable cleaner, (EM, 17 Nov 2011) 16 May 2012	12342/2012
Cairns, Simon;Mortimer, Michael; 06-09, The design relates to a mattress, 03 May 2012	12243/2012	DKB Household UK Limited; 07-04, Herb chopper, (EM, 17 Nov 2011) 16 May 2012	12343/2012
Cairns, Simon;Mortimer, Michael; 06-09, The design relates to a mattress, 03 May 2012	12241/2012		

DKB Household UK Limited; 07-04, Handheld slicer with hand guard, (EM, 17 Nov 2011) 16 May 2012	12340/2012	Fifty-Fourth Rischell Pty Ltd; 02-02NES, Alpha stretch shirt, 16 Nov 2011	12200/2012
DKB Household UK Limited; 07-04, Folding box grater in a removable sleeve, (EM, 17 Nov 2011) 16 May 2012	12341/2012	Fifty-Fourth Rischell Pty Ltd; 02-02NES, Stretch tipped shirt, 16 Nov 2011	12201/2012
Elmich Pte Ltd; 08-05K, Spacer for pavers, 10 May 2012	12280/2012	Fifty-Fourth Rischell Pty Ltd; 02-02NES, Linear stretch check, 16 Nov 2011	12198/2012
Fielders Australia Pty Ltd; 25-01G, A sheet for roofing or walling, 08 May 2012	12192/2012	Fifty-Fourth Rischell Pty Ltd; 02-02NES, Bailey laundered shirt, 16 Nov 2011	12199/2012
Fielders Australia Pty Ltd; 25-01G, A sheet for roofing or walling, 08 May 2012	12191/2012	Fifty-Fourth Rischell Pty Ltd; 02-02NES, Tate rigid shirt, 16 Nov 2011	12197/2012
Fielders Australia Pty Ltd; 25-01G, A sheet for roofing or walling, 08 May 2012	12193/2012	Ford, Frank Allen; 24-04, Bunion pad, 14 May 2012	12300/2012
Fielders Australia Pty Ltd; 25-01G, A sheet for roofing or walling, 08 May 2012	12194/2012	Furuland, Lisa; 06-02, Multifunctional infant bed, (US, 09 Nov 2011) 09 May 2012	12209/2012
Fifty-Fourth Rischell Pty Ltd; 02-02NES, Nardo LS top, 16 Nov 2011	12207/2012	FSP Holdings Pty Ltd; 03-01NES, 29-01, Covered mount for fire extinguisher or the like, 07 May 2012	12170/2012
Fifty-Fourth Rischell Pty Ltd; 02-02NES, Men's clothing, 29 Nov 2011	12185/2012	General Cable Technologies Corporation; 13-03C, Electrical connector, (US, 09 Dec 2011) 16 May 2012	12355/2012
Fifty-Fourth Rischell Pty Ltd; 02-02NES, Men's clothing, 29 Nov 2011	12189/2012	Gration, Tristan Kent; 06-06NES, Workstation screening system, 04 May 2012	12161/2012
Fifty-Fourth Rischell Pty Ltd; 02-02C, Men's clothing, 29 Nov 2011	12186/2012	Growinska, Malgorzata; 25-01F, Tile, 09 May 2012	12230/2012
Fifty-Fourth Rischell Pty Ltd; 02-02NES, Men's clothing, 29 Nov 2011	12183/2012	Hamilton, Bradley Clarke;Refalo, Brendan Joseph; 08-08L, A mounting bracket, 04 May 2012	12160/2012
Fifty-Fourth Rischell Pty Ltd; 02-02NES, Men's clothing, 29 Nov 2011	12184/2012	Happy Soldier Group Pty Ltd; 14-01, Headphones, 15 May 2012	12326/2012
Fifty-Fourth Rischell Pty Ltd; 02-02NES, Men's clothing, 29 Nov 2011	12181/2012	Herbst, Andrew F.; 09-01G, 09-01D, Bottle, (US, 07 Nov 2011) 04 May 2012	12162/2012
Fifty-Fourth Rischell Pty Ltd; 02-02C, Men's clothing, 29 Nov 2011	12187/2012	Horsfall, Harvey David; 99-00, , 04 May 2012	12234/2012
Fifty-Fourth Rischell Pty Ltd; 02-02C, Men's clothing, 29 Nov 2011	12188/2012	Hunza Holdings Limited; 26-99, A lighting gimbal assembly, 14 May 2012	12289/2012
Fifty-Fourth Rischell Pty Ltd; 02-02NES, Men's clothing, 29 Nov 2011	12182/2012	Hunza Holdings Limited; 26-99, A lighting module, 14 May 2012	12302/2012
Fifty-Fourth Rischell Pty Ltd; 02-02NES, Martock funnel neck, 16 Nov 2011	12206/2012	Hunza Holdings Limited; 26-99, A lighting module, 14 May 2012	12301/2012
Fifty-Fourth Rischell Pty Ltd; 02-02NES, Aspen ski pullover, 16 Nov 2011	12204/2012	Hunza Holdings Limited; 26-99, A lighting module, 14 May 2012	12319/2012
Fifty-Fourth Rischell Pty Ltd; 02-02NES, Davos V neck pullover, 16 Nov 2011	12205/2012	Hunza Holdings Limited; 26-05NES, A lighting unit, 14 May 2012	12303/2012
Fifty-Fourth Rischell Pty Ltd; 02-02NES, Alder check shirt, 16 Nov 2011	12202/2012	Imperial Tobacco Limited; 09-03A, Cigarette pack, (EM, 09 Nov 2011) 04 May 2012	12164/2012
Fifty-Fourth Rischell Pty Ltd; 02-02NES, Stretch one shirt, 16 Nov 2011	12203/2012		

Innovative Office Products, Inc.; 20-02NES, Multi-display pole arm system, (US, 16 Mar 2012) 11 May 2012	12271/2012	Lauwers, Jeremy; 99-00, This is a front view of the product, 16 May 2012	12335/2012
Interior Co. Qld Pty Ltd; 25-01K, Neatwall, 02 May 2012	12134/2012	Lucas, Kain; 06-06H, Bar stool, 03 May 2012	12168/2012
Interior Co. Qld Pty Ltd; 25-01K, Neatwall, 02 May 2012	12135/2012	LG Electronics Inc.; 14-03A, Cellular phone, (KR, 15 Nov 2011) 11 May 2012	12286/2012
Interior Co. Qld Pty Ltd; 25-01K, Neatwall, 02 May 2012	12133/2012	Manson Anchors Limited; 12-16P, An anchor, (NZ, 09 Nov 2011) 09 May 2012	12190/2012
Interior Co. Qld Pty Ltd; 25-01K, Neatwall, 02 May 2012	12132/2012	Manson Anchors Limited; 12-16P, An Anchor, (NZ, 09 Nov 2011) 09 May 2012	12245/2012
Interphase Corporation; 08-99, Electronic pointing device, (US, 11 Nov 2011) 09 May 2012	12251/2012	Mars Australia Pty Ltd; 09-99, 09-05, Packaging, 14 May 2012	12298/2012
James, Warren D.;Bellinger, Michael; 07-06A, Lounge chair drink holder, 09 May 2012	12208/2012	Master Lock Company LLC; 08-07, , (US, 22 Nov 2011) 16 May 2012	12358/2012
Karsten Manufacturing Corporation; 21-02C, Golf club head, (US, 16 Feb 2012) 15 May 2012	12323/2012	Meco Australia Pty Limited; 23-02F, A semi recessed basin, 07 May 2012	12213/2012
Karsten Manufacturing Corporation; 21-02C, Golf club head, (US, 09 Feb 2012) 15 May 2012	12322/2012	Michelin Recherche et Technique S.A.;COMPAGNIE GENERALE DES ETABLISSEMENTS MICHELIN; 12-15B, A tyre, (FR, 22 Nov 2011) 11 May 2012	12276/2012
Karsten Manufacturing Corporation; 21-02C, Golf club head, (US, 09 Feb 2012) 15 May 2012	12321/2012	Michelin Recherche et Technique S.A.;COMPAGNIE GENERALE DES ETABLISSEMENTS MICHELIN; 12-15B, A tyre, (FR, 22 Nov 2011) 11 May 2012	12275/2012
Karsten Manufacturing Corporation; 21-02C, Golf club head, (US, 12 Jan 2012) 10 May 2012	12269/2012	Mildon Pty Ltd; 23-01H, Taps (classification 23-01H), 08 May 2012	12264/2012
Karsten Manufacturing Corporation; 21-02C, Golf club head, (US, 12 Jan 2012) 10 May 2012	12270/2012	Mildon Pty Ltd; 23-01H, Taps (classification 23-01H), 08 May 2012	12265/2012
Kenwood Limited; 07-04, Food processor blade, (EM, 22 Nov 2011) 16 May 2012	12356/2012	Mildon Pty Ltd; 23-01H, Taps (classification 23-01H), 08 May 2012	12266/2012
Koninklijke Philips Electronics N.V.; 15-05, Handheld garment steamer, (EM, 16 Nov 2011) 16 May 2012	12339/2012	Mildon Pty Ltd; 23-01H, Taps (classification 23-01H), 08 May 2012	12261/2012
Koninklijke Philips Electronics N.V.; 24-01, Patient interface assembly, (EM, 10 Nov 2011) 09 May 2012	12258/2012	Mildon Pty Ltd; 23-01H, Taps (classification 23-01H), 08 May 2012	12262/2012
Koninklijke Philips Electronics N.V.; 24-01, Frame for a patient interface assembly, (EM, 10 Nov 2011) 09 May 2012	12256/2012	Mildon Pty Ltd; 23-01H, Taps (classification 23-01H), 08 May 2012	12260/2012
Koninklijke Philips Electronics N.V.; 24-01, Patient interface assembly, (EM, 10 Nov 2011) 09 May 2012	12257/2012	Mildon Pty Ltd; 23-01H, Taps (classification 23-01H), 08 May 2012	12267/2012
Koninklijke Philips Electronics N.V.; 24-01, Cushion for a patient interface assembly, (EM, 10 Nov 2011) 09 May 2012	12254/2012	Mildon Pty Ltd; 23-01H, Taps (classification 23-01H), 08 May 2012	12268/2012
Koninklijke Philips Electronics N.V.; 24-01, Cushion for a patient interface assembly, (EM, 10 Nov 2011) 09 May 2012	12255/2012		

Mildon Pty Ltd; 23-01H, Taps (classification 23-01H), 08 May 2012	12263/2012	O'Connell, Michael; 08-05NES, Scraper, 27 Apr 2012	12273/2012
Miranda, Steve; 02-02B, A martial arts uniform, 04 May 2012	12159/2012	O'Sullivan, Frances Anne;O'Sullivan, Timothy Charles; 07-05C, Rigid plastic clothes pegs, 09 May 2012	12215/2012
Mortimer, Michael;Cairns, Simon; 06-09, The design relates to a mattress, 03 May 2012	12239/2012	O'Sullivan, Timothy Charles;O'Sullivan, Frances Anne; 07-05C, Rigid plastic clothes pegs, 09 May 2012	12215/2012
Mortimer, Michael;Cairns, Simon; 06-09, The design relates to a mattress, 03 May 2012	12244/2012	Off-Road Camping Accessories Pty Limited; 12-10, Camper trailer, (Divisional of 14044/2011) 15 May 2012	12336/2012
Mortimer, Michael;Cairns, Simon; 06-09, The design relates to a mattress, 03 May 2012	12243/2012	Outlook Australia Pty Ltd; 03-03, 12-12, A cover for an infant stroller, 07 May 2012	12175/2012
Mortimer, Michael;Cairns, Simon; 06-09, The design relates to a mattress, 03 May 2012	12238/2012	Owens-Brockway Glass Container Inc.; 09-01H, Bottle, (US, 23 Mar 2012) 10 May 2012	12274/2012
Mortimer, Michael;Cairns, Simon; 06-09, The design relates to a mattress, 03 May 2012	12242/2012	OMF Engineering P/L; 12-16NES, Air intake for a motor vehicle, 08 May 2012	12171/2012
Mortimer, Michael;Cairns, Simon; 06-09, The design relates to a mattress, 03 May 2012	12240/2012	Pagnian Imports Pty Ltd; 06-01NES, 21-03, Gaming simulator frame and seat, 07 May 2012	12174/2012
Mortimer, Michael;Cairns, Simon; 06-09, The design relates to a mattress, 03 May 2012	12237/2012	Panasonic Corporation; 14-01, Electronic board, (JP, 08 Nov 2011) 03 May 2012	12146/2012
Mortimer, Michael;Cairns, Simon; 06-09, The design relates to a mattress, 03 May 2012	12241/2012	Panasonic Corporation; 14-01, Electronic board, (JP, 08 Nov 2011) 03 May 2012	12145/2012
Mortimer, Michael;Cairns, Simon; 06-09, The design relates to a mattress, 03 May 2012	12236/2012	Philip Morris Products S.A.; 09-99, Smokers accessories, (EM, 21 Nov 2011) 16 May 2012	12357/2012
Mortimer, Michael;Cairns, Simon; 06-09, The design relates to a mattress, 03 May 2012	12235/2012	Preston, Timothy John; 21-02F, Wobble board (ballance and injury rehabilitation), 01 May 2012	12131/2012
Mothercare UK Limited; 31-00, Bottle sterilizer, (EM, 17 Nov 2011) 11 May 2012	12281/2012	Pridham, Andrew; 08-08NES, A roof anchor, 15 May 2012	12328/2012
Mothercare UK Limited; 24-02, Breast pump, (EM, 17 Nov 2011) 14 May 2012	12297/2012	Pridham, Andrew; 08-08NES, A roof anchor, 15 May 2012	12330/2012
Newman, Mark; 06-13NES, 23-02B, Rug tub cover, 14 May 2012	12287/2012	Pridham, Andrew; 08-08NES, A roof anchor, 15 May 2012	12331/2012
Newman, Mark; 06-13NES, 23-02B, Rug tub cover, 14 May 2012	12288/2012	Pridham, Andrew; 08-08NES, A roof anchor, 15 May 2012	12329/2012
Nokia Corporation; 14-03A, Handset, (US, 23 Jan 2012) 02 May 2012	12129/2012	Primus Australia Pty Ltd; 21-04, Tent pole, 03 May 2012	12167/2012
NEC Corporation; 14-02, Portable information terminal, (JP, 08 Nov 2011) 08 May 2012	12212/2012	Procson Pty Ltd; 06-04NES, Storage rack for bakeware, 14 May 2012	12318/2012
		Procson Pty Ltd; 06-06NES, Lectern, 14 May 2012	12296/2012

Punch International Pty Ltd; 21-02F, A martial arts training pad, 10 May 2012	12293/2012	Rosy Blue, Inc.; 11-01NES, Multifaceted gemstone design, (US, 09 Apr 2012) 08 May 2012	12228/2012
POD Ware Pty Ltd; 21-02D, Leash connector - water sports, 14 May 2012	12332/2012	Rosy Blue, Inc.; 11-01NES, Multifaceted gemstone design, (US, 09 Apr 2012) 08 May 2012	12225/2012
Reckitt & Colman (Overseas) Limited; 09-01NES, Bottle, (EM, 16 Nov 2011) 14 May 2012	12314/2012	Rosy Blue, Inc.; 11-01NES, Multifaceted gemstone design, (US, 09 Apr 2012) 08 May 2012	12226/2012
Reckitt & Colman (Overseas) Limited; 09-07C, Cap, (EM, 16 Nov 2011) 14 May 2012	12315/2012	Rosy Blue, Inc.; 11-01NES, Multifaceted gemstone design, (US, 09 Apr 2012) 08 May 2012	12224/2012
Reckitt & Colman (Overseas) Limited; 28-99, Air freshener, (EM, 16 Nov 2011) 14 May 2012	12313/2012	Ryan, Gary; 08-08L, Support for rooftop utility, 03 May 2012	12157/2012
Reckitt & Colman (Overseas) Limited; 09-01NES, Translucent bottle, (EM, 16 Nov 2011) 14 May 2012	12316/2012	Samsonite IP Holdings S.a.r.l.; 03-01A, Luggage, (EM, 15 Nov 2011) 14 May 2012	12304/2012
Reckitt & Colman (Overseas) Limited; 28-99, Air freshener, (EM, 16 Nov 2011) 14 May 2012	12312/2012	Samsonite IP Holdings S.a.r.l.; 03-01A, Front panel of luggage, 14 May 2012	12305/2012
Reckitt & Colman (Overseas) Limited; 28-99, Air freshener, (EM, 16 Nov 2011) 14 May 2012	12317/2012	Samsung Electronics Co., Ltd.; 14-03A, Mobile communication terminal, (KR, 16 Jan 2012) 03 May 2012	12158/2012
Refalo, Brendan Joseph;Hamilton, Bradley Clarke; 08-08L, A mounting bracket, 04 May 2012	12160/2012	Scarlett, Rouand James Mortimer; 06-09, A cushion, (NZ, 03 May 2012) 07 May 2012	12165/2012
Refined Sands Pty. Ltd.; 12-10, Caravan end wall, 10 May 2012	12246/2012	Schlauer Electric Pty Ltd; 25-01K, Electrical conduit, 16 May 2012	12353/2012
Rix, Dieter; 26-02, Flashlight, (EM, 08 Nov 2011) 08 May 2012	12217/2012	Setup 4 Life Pty Ltd; 15-05, A dust collector housing, 03 May 2012	12180/2012
Rix, Dieter; 26-02, Flashlight, (EM, 08 Nov 2011) 08 May 2012	12223/2012	Shriro Australia Pty Limited; 07-02E, A barbeque burner, 08 May 2012	12211/2012
Rix, Dieter; 26-02, Flashlight, (EM, 08 Nov 2011) 08 May 2012	12219/2012	Simmer, Garrett Paul; 03-01NES, Case for electronic device, (US, 09 Nov 2011) 08 May 2012	12216/2012
Rix, Dieter; 26-02, Flashlight, (EM, 08 Nov 2011) 08 May 2012	12221/2012	Societe des Produits Nestle S.A.; 07-02L, A coffee machine, (CH, 24 Feb 2012) 10 May 2012	12231/2012
Rix, Dieter; 26-02, Flashlight, (EM, 08 Nov 2011) 08 May 2012	12222/2012	Societe des Produits Nestle S.A.; 07-02L, A coffee machine, (CH, 24 Feb 2012) 10 May 2012	12252/2012
Rix, Dieter; 26-02, Flashlight, (EM, 08 Nov 2011) 08 May 2012	12220/2012	Societe des Produits Nestle S.A.; 07-02L, A coffee machine, (CH, 24 Feb 2012) 10 May 2012	12248/2012
Rix, Dieter; 26-02, Flashlight, (EM, 08 Nov 2011) 08 May 2012	12218/2012	Societe des Produits Nestle S.A.; 07-02L, A coffee machine, (CH, 24 Feb 2012) 10 May 2012	12250/2012
Rosy Blue, Inc.; 11-01NES, Multifaceted gemstone design, (US, 09 Apr 2012) 08 May 2012	12227/2012	Societe des Produits Nestle S.A.; 07-02L, A coffee machine, (CH, 24 Feb 2012) 10 May 2012	12233/2012
Rosy Blue, Inc.; 11-01NES, Multifaceted gemstone design, (US, 09 Apr 2012) 08 May 2012	12229/2012	Societe des Produits Nestle S.A.; 07-02L, A coffee machine, (CH, 24 Feb 2012) 10 May 2012	12232/2012

Soremartec S.A.; 07-01NES, Container for food products, (EM, 21 Nov 2011) 10 May 2012	12283/2012	SAVERGLASS; 09-01NES, Bottle, (EM, 30 Jan 2012) 14 May 2012	12311/2012
Southern Australia Wool Products Pty Ltd; 06-13B, Dual quilt case, 11 May 2012	12284/2012	SAVERGLASS; 09-01H, Bottle, (EM, 18 Nov 2011) 10 May 2012	12277/2012
Structure Enterprises N.V.; 09-01H, Bottle, 15 May 2012	12327/2012	SAVERGLASS; 09-01H, Bottle, (EM, 18 Nov 2011) 10 May 2012	12278/2012
Super A-Mart Pty Ltd; 06-03A, Outdoor coffee table, 04 May 2012	12155/2012	Tanom Motors, LLC; 12-11, Reverse trike, (US, 31 Oct 2011) 30 Apr 2012	12130/2012
Super A-Mart Pty Ltd; 06-03A, Outdoor table, 04 May 2012	12156/2012	Telstra Corporation Limited; 14-03NES, Utility pit with extension component, 07 May 2012	12169/2012
Super A-Mart Pty Ltd; 06-01H, Outdoor patio setting, 04 May 2012	12151/2012	The Decor Corporation Pty. Ltd.; 09-01K, Drink flask, 07 May 2012	12176/2012
Super A-Mart Pty Ltd; 06-03A, Outdoor table, 04 May 2012	12152/2012	The Decor Corporation Pty. Ltd.; 07-01NES, Lunchbox base, 07 May 2012	12179/2012
Super A-Mart Pty Ltd; 06-01H, Outdoor sun lounge, 04 May 2012	12149/2012	The Decor Corporation Pty. Ltd.; 07-01NES, Latch for lunchbox, 07 May 2012	12177/2012
Super A-Mart Pty Ltd; 06-01H, Outdoor dining chair, 04 May 2012	12147/2012	The Decor Corporation Pty. Ltd.; 07-01NES, Lunchbox lid, 07 May 2012	12178/2012
Super A-Mart Pty Ltd; 06-03A, Outdoor bar table, 04 May 2012	12153/2012	The Stanley Works Israel Ltd.; 03-01D, 12-02, Rolling container assembly, (US, 22 Nov 2011) 11 May 2012	12291/2012
Super A-Mart Pty Ltd; 06-01E, Outdoor bar stool, 04 May 2012	12154/2012	The Stanley Works Israel Ltd.; 03-01D, 12-02, Rolling container assembly, (US, 22 Nov 2011) 11 May 2012	12292/2012
Super A-Mart Pty Ltd; 06-01H, Outdoor sofa chair, 04 May 2012	12150/2012	Transcom Industries Pty Ltd; 20-03NES, A novelty sign, 08 May 2012	12214/2012
Super A-Mart Pty Ltd; 06-01H, Outdoor lounge chair, 04 May 2012	12148/2012	TS&B Retail Systems Pty Ltd; 12-02, Shopping trolley comfort handle, 16 May 2012	12324/2012
SAVERGLASS; 09-01H, Bottle, (EM, 18 Nov 2011) 10 May 2012	12279/2012	United States Fire Arms Manufacturing Co., Inc.; 22-01, Firearm, (US, 22 Jul 2011) (Divisional of 10276/2012) 11 May 2012	12295/2012
SAVERGLASS; 09-01NES, Bottle, (EM, 18 Nov 2011) 14 May 2012	12306/2012	Waardenberg, John Henry; 11-01E, Jewellery, 17 May 2012	12354/2012
SAVERGLASS; 09-01NES, Bottle, (EM, 05 Dec 2011) 14 May 2012	12309/2012	Zipperlock Steel Buildings Pty. Ltd.; 25-01G, Double skin roof panel, 08 May 2012	12172/2012
SAVERGLASS; 09-01NES, Bottle, (EM, 18 Nov 2011) 14 May 2012	12307/2012	Zipperlock Steel Buildings Pty. Ltd.; 25-01G, Double skin roof panel, 08 May 2012	12173/2012
SAVERGLASS; 09-01NES, Bottle, (EM, 05 Dec 2011) 14 May 2012	12308/2012		
SAVERGLASS; 09-01NES, Bottle, (EM, 30 Jan 2012) 14 May 2012	12310/2012		

Applications Lapsed

14827 / 2011 (21-02A)

14829 / 2011 (21-02A)	14828 / 2011 (21-02A)
10304 / 2012 (07-01D)	14999 / 2011 (02-02C)
10871 / 2012 (03-01A)	10852 / 2012 (26-03)
10915 / 2012 (08-09)	10892 / 2012 (07-05E)
11107 / 2012 (12-16NES)	11013 / 2012 (21-02E)
11109 / 2012 (07-01C)	11108 / 2012 (07-01C)
	11110 / 2012 (07-01C)

Extension of Period of Registration of Designs

314583	314769	314779
314939	314940	314941
314953	315245	315246
315247	315248	315278
315288	315290	315304
315305	315306	315321
315322	315323	315327
315328	315329	315330
315331	315332	315333
315355	315356	315357
315358	315360	315371
315372	315398	315413
315418	315426	315444
315445	315446	315447
315448	315449	315450
315451	315464	315465
315478	315480	315545
315575	315576	315586
315613	315626	315637
315638	315639	315640
315641	315642	315651
315654	315655	315656
315661	315675	315690
315691	315692	315693
315694	315698	315703
315705	315707	315708
315709	315721	315722
315723	315726	315727
315729	315730	315763
315779	315841	315977
315979	316106	316114
316141	316157	316182
316199	316200	316265
316269	316272	316274
316275	316276	316328
316329	316330	316331
316332	316333	316484
316849	316850	316851
316852	316853	316854
316890	316891	316892
316893	316894	316895
316896	316897	316898
316899	316900	316901
316902	316903	316904
317146	317154	319292
319293	320167	320168
320169		

Registrations Ceased

311449	311450	311465
311866	311938	311939
311940	311996	311999
312001	312002	312041
312052	312053	312054
312062	312063	312064
312076	312077	312078
312079	312080	312083
312084	312086	312087
312088	312118	312119
312122	312123	312124
312132	312133	312134
312135	312136	312137
312138	312139	312141
312146	312148	312149
312150	312181	312182
312183	312184	312190
312191	312204	312212
312213	312214	312215
312216	312220	312221
312222	312223	312224
312225	312226	312227
312232	312233	312238
312246	312247	312270
312365	312366	312368
312389	312461	312486
312573	312640	312641
312665	312746	312765
312833	312951	312953
312954	312957	313238
313379	314006	314177
315684	315685	315686
320883	331137	331431
331600	332758	332768
336626	336664	336665
337856	338088	

Extensions of time granted under Section 137

Applications lodged under section 137 for extension of time have been granted.

311392 **Crab'n Gear Pty Ltd**

342606 **Spartan Sports Holdings Pty Ltd**

342607 **Spartan Sports Holdings Pty Ltd**

342608 **Spartan Sports Holdings Pty Ltd**

15032/2011 **Breville Pty Limited**

342548 **Schreder S.A.**

342549 **Schreder S.A.**

10782/2012 **Mason Forshaw Apparel Pty Ltd**

10783/2012 **Mason Forshaw Apparel Pty Ltd**

10860/2012 **William Robert Wilson**

342603 **Frank Friedrich Mayer**

Subsequent Owners Registered

(The name in parentheses is that of the subsequent owner)

- 342121 (**Being Protected Pty Ltd**) Michael Foran;Lucas Maughan
- 342122 (**Being Protected Pty Ltd**) Michael Foran;Lucas Maughan
- 342249 (**Being Protected Pty Ltd**) Michael Foran;Lucas Maughan
- 342250 (**Being Protected Pty Ltd**) Michael Foran;Lucas Maughan
- 342251 (**Being Protected Pty Ltd**) Michael Foran;Lucas Maughan
- 342252 (**Being Protected Pty Ltd**) Michael Foran;Lucas Maughan

Names Registered - Alterations and Amendments

(The name in parentheses is that of the subsequent applicant)

- 342474 (**Marine Acquisition (US) Incorporated**) TFXMarine, Inc.
- 342473 (**Marine Acquisition (US) Incorporated**) TFXMarine, Inc.
- 339763 (**Ensitech IP Pty Limited**) Ensitech Pty Ltd

Certificate(s) of Examination

Examination of the following Design Registration(s) has been completed. Infringement proceedings may now be commenced.

300351	09-05	10/05/2012	341476	06-01G	11/05/2012
306472	25-04	17/05/2012	341477	06-01G	11/05/2012
306473	25-04	17/05/2012	341581	15-05	14/05/2012
306474	25-04	17/05/2012	341688	08-05N	18/05/2012
306475	25-04	17/05/2012	341745	31-00	11/05/2012
306476	25-04	17/05/2012	341811	02-04A	11/05/2012
306477	25-04	17/05/2012	341812	02-04A	11/05/2012
306482	25-04	17/05/2012	341813	02-04A	11/05/2012
306498	25-04	17/05/2012	342351	12-08	18/05/2012
306500	25-04	17/05/2012	342452	03-01D	17/05/2012
328609	06-06G	14/05/2012			
328855	25-01K	14/05/2012			
332423	12-16N	16/05/2012			
335994	06-13B	18/05/2012			
336003	15-05	17/05/2012			
336004	15-05	18/05/2012			
338383	08-99	18/05/2012			
338733	06-06F	11/05/2012			
338734	06-06F	11/05/2012			
338735	06-09	11/05/2012			
338736	06-06F	11/05/2012			
339253	26-05E	17/05/2012			
339398	14-01	18/05/2012			
339454	23-01E	17/05/2012			
339455	23-01E	17/05/2012			
339456	23-01NES	17/05/2012			
339805	02-06	15/05/2012			
339869	02-02C	20/05/2012			
339870	02-02C	20/05/2012			
340000	02-04NES	09/05/2012			
340001	02-04NES	09/05/2012			
340002	02-04NES	09/05/2012			
340160	06-03A	08/05/2012			
340170	23-04	04/04/2012			
340172	06-03A	08/05/2012			
340173	06-03A	08/05/2012			
340174	06-03A	08/05/2012			
340768	14-02	10/05/2012			
340830	14-03E	18/05/2012			
340831	14-03E	18/05/2012			
340835	14-03E	18/05/2012			
340836	14-03E	18/05/2012			
340837	14-03E	18/05/2012			
340846	15-99	14/05/2012			
340941	02-04NES	14/05/2012			
340942	02-04NES	14/05/2012			
340968	15-03NES	09/05/2012			
340969	15-03NES	08/05/2012			
341191	15-01	08/05/2012			
341211	13-03E	10/05/2012			
341238	01-01	18/05/2012			
341286	09-03M	18/05/2012			
341299	06-01G	11/05/2012			
341374	24-04	11/05/2012			
341375	07-99NES	18/05/2012			
341461	06-01G	18/05/2012			
341465	06-01F	18/05/2012			
341472	06-06G	18/05/2012			
341475	06-01G	18/05/2012			

Publication and Registration Proceedings

Designs Registered

This section provides a concordance between design number and registration number of Designs covered in this journal. It also shows the main class and registration date.

This section covers Registration numbers 342435 to 342620 .

The registration number shown below should be used in all future correspondence.

Design Number	Registration Number	International Classification Code (IDC)	Registration Date	Design Number	Registration Number	International Classification Code (IDC)	Registration Date
13723/2011	342517	26-06	11/05/2012	11362/2012	342571	10-02	15/05/2012
14827/2011	342606	21-02A	18/05/2012	11407/2012	342457	08-08L	08/05/2012
14828/2011	342607	21-02A	18/05/2012	11408/2012	342458	08-08L	08/05/2012
14829/2011	342608	21-02A	18/05/2012	11409/2012	342459	08-08NES	08/05/2012
14907/2011	342450	09-01K	08/05/2012	11459/2012	342555	26-03	15/05/2012
14908/2011	342451	09-01K	08/05/2012	11460/2012	342556	26-03	15/05/2012
15024/2011	342518	23-01H	11/05/2012	11507/2012	342488	24-02	10/05/2012
15025/2011	342519	23-01H	11/05/2012	11515/2012	342489	24-02	10/05/2012
15026/2011	342467	23-01H	09/05/2012	11516/2012	342490	24-02	10/05/2012
15027/2011	342468	23-01H	09/05/2012	11569/2012	342553	14-02	15/05/2012
15074/2011	342574	02-02C	15/05/2012	11583/2012	342557	24-01	15/05/2012
15075/2011	342576	02-02C	15/05/2012	11584/2012	342558	24-01	15/05/2012
15078/2011	342480	02-01B	10/05/2012	11585/2012	342559	24-01	15/05/2012
15080/2011	342481	02-01A	10/05/2012	11586/2012	342572	24-01	15/05/2012
15083/2011	342482	02-01A	10/05/2012	11615/2012	342612	02-02A	18/05/2012
15084/2011	342483	02-01B	10/05/2012	11616/2012	342613	02-02A	18/05/2012
15089/2011	342484	02-02NES	10/05/2012	11617/2012	342614	02-02A	18/05/2012
15098/2011	342485	02-02C	10/05/2012	11618/2012	342615	02-02A	18/05/2012
15100/2011	342486	02-02C	10/05/2012	11619/2012	342616	02-02A	18/05/2012
15131/2011	342469	23-02B	09/05/2012	11620/2012	342617	02-02A	18/05/2012
15132/2011	342470	23-02B	09/05/2012	11621/2012	342618	02-02A	18/05/2012
15858/2011	342520	07-01NES	11/05/2012	11622/2012	342619	02-02A	18/05/2012
10503/2012	342547	07-02R	15/05/2012	11623/2012	342620	02-02A	18/05/2012
10754/2012	342548	26-03	15/05/2012	11626/2012	342604	12-16NES	17/05/2012
10755/2012	342549	26-03	15/05/2012	11632/2012	342471	25-01D	09/05/2012
10800/2012	342452	03-01D	08/05/2012	11633/2012	342472	25-01D	09/05/2012
10885/2012	342487	13-02	10/05/2012	11634/2012	342577	25-01D	15/05/2012
10915/2012	342603	08-09	17/05/2012	11635/2012	342579	25-01D	15/05/2012
10962/2012	342610	15-05	18/05/2012	11637/2012	342560	08-08A	15/05/2012
10968/2012	342611	15-05	18/05/2012	11638/2012	342561	25-01F	15/05/2012
10982/2012	342550	03-01NES	15/05/2012	11723/2012	342460	16-06	08/05/2012
11022/2012	342551	25-02H	15/05/2012	11752/2012	342575	02-02NES	15/05/2012
11037/2012	342453	02-05	08/05/2012	11753/2012	342578	02-02NES	15/05/2012
11127/2012	342454	02-02B	08/05/2012	11761/2012	342508	07-02P	11/05/2012
11278/2012	342521	14-03B	11/05/2012	11762/2012	342509	07-02P	11/05/2012
11299/2012	342552	21-02C	15/05/2012	11763/2012	342510	07-02P	11/05/2012
11313/2012	342573	06-01G	15/05/2012	11789/2012	342435	07-01F	08/05/2012
11316/2012	342455	25-02C	08/05/2012	11790/2012	342436	07-02K	08/05/2012
11322/2012	342516	23-01B	11/05/2012	11796/2012	342437	09-01H	08/05/2012
11325/2012	342522	23-01B	11/05/2012	11798/2012	342438	08-08O	08/05/2012
11330/2012	342562	07-05E	15/05/2012	11799/2012	342439	07-01NES	08/05/2012
11331/2012	342563	07-05E	15/05/2012	11805/2012	342440	09-01NES	08/05/2012
11332/2012	342564	07-05E	15/05/2012	11807/2012	342441	31-00	08/05/2012
11333/2012	342565	07-05E	15/05/2012	11808/2012	342442	31-00	08/05/2012
11354/2012	342456	08-08NES	08/05/2012	11809/2012	342443	31-00	08/05/2012
11357/2012	342566	10-02	15/05/2012	11810/2012	342444	07-02P	08/05/2012
11358/2012	342567	10-07	15/05/2012	11811/2012	342445	07-02P	08/05/2012
11359/2012	342568	10-07	15/05/2012	11812/2012	342446	07-99A	08/05/2012
11360/2012	342569	10-07	15/05/2012	11813/2012	342447	07-02P	08/05/2012
11361/2012	342570	10-07	15/05/2012	11814/2012	342448	07-02P	08/05/2012

Publication and Registration Proceedings - Designs Registered cont'd

Design Number	Registration Number	International Classification Code (IDC)	Registration Date	Design Number	Registration Number	International Classification Code (IDC)	Registration Date
11815/2012	342449	07-02P	08/05/2012	11911/2012	342515	06-09	11/05/2012
11820/2012	342523	26-03	11/05/2012	11914/2012	342542	14-01	14/05/2012
11821/2012	342580	10-05	15/05/2012	11915/2012	342543	25-04	14/05/2012
11841/2012	342473	12-16A	09/05/2012	11916/2012	342544	25-04	14/05/2012
11842/2012	342474	12-16A	09/05/2012	11917/2012	342545	25-04	14/05/2012
11843/2012	342475	23-04	09/05/2012	11918/2012	342546	25-04	14/05/2012
11844/2012	342476	21-01E	09/05/2012	11921/2012	342528	16-01	14/05/2012
11847/2012	342477	25-01F	09/05/2012	11922/2012	342529	23-01NES	14/05/2012
11848/2012	342478	25-01F	09/05/2012	11923/2012	342530	07-02L	14/05/2012
11849/2012	342479	25-01F	09/05/2012	11924/2012	342531	07-02L	14/05/2012
11850/2012	342462	25-01F	09/05/2012	11925/2012	342532	07-02L	14/05/2012
11852/2012	342609	26-06	18/05/2012	11926/2012	342533	07-02L	14/05/2012
11853/2012	342463	07-01C	09/05/2012	11927/2012	342534	07-02L	14/05/2012
11855/2012	342464	16-01	09/05/2012	11928/2012	342535	07-02L	14/05/2012
11856/2012	342465	13-02	09/05/2012	11929/2012	342536	07-02L	14/05/2012
11857/2012	342466	13-02	09/05/2012	11932/2012	342537	23-01K	14/05/2012
11858/2012	342496	15-05	10/05/2012	11933/2012	342538	09-99	14/05/2012
11859/2012	342497	15-05	10/05/2012	11934/2012	342539	09-99	14/05/2012
11860/2012	342498	08-05P	10/05/2012	11940/2012	342582	12-08	15/05/2012
11861/2012	342499	08-05P	10/05/2012	11943/2012	342584	09-01H	15/05/2012
11862/2012	342500	08-01	10/05/2012	11944/2012	342585	09-01H	15/05/2012
11863/2012	342501	08-01	10/05/2012	11945/2012	342583	09-01H	15/05/2012
11864/2012	342502	08-01	10/05/2012	11949/2012	342586	23-01NES	16/05/2012
11865/2012	342503	08-01	10/05/2012	11950/2012	342587	08-05L	16/05/2012
11866/2012	342504	14-02	10/05/2012	11953/2012	342588	25-01NES	16/05/2012
11872/2012	342505	08-05NES	10/05/2012	11955/2012	342589	09-03NES	16/05/2012
11880/2012	342506	20-01	10/05/2012	11956/2012	342590	12-12	16/05/2012
11881/2012	342507	07-01F	10/05/2012	11963/2012	342591	08-08H	16/05/2012
11882/2012	342491	07-01F	10/05/2012	11965/2012	342592	06-04NES	16/05/2012
11883/2012	342492	07-01F	10/05/2012	11970/2012	342593	08-03	16/05/2012
11884/2012	342493	07-01F	10/05/2012	11971/2012	342594	08-03	16/05/2012
11885/2012	342494	07-01F	10/05/2012	11976/2012	342595	24-04	16/05/2012
11886/2012	342495	07-01F	10/05/2012	11983/2012	342596	23-01F	17/05/2012
11890/2012	342511	07-03	11/05/2012	11985/2012	342461	06-09	08/05/2012
11891/2012	342512	09-05	11/05/2012	11989/2012	342597	09-03NES	17/05/2012
11892/2012	342513	08-07	11/05/2012	11990/2012	342598	06-01F	17/05/2012
11900/2012	342514	14-99	11/05/2012	11991/2012	342599	12-11	17/05/2012
11901/2012	342524	14-99	11/05/2012	11992/2012	342600	06-03B	17/05/2012
11902/2012	342525	24-04	11/05/2012	11993/2012	342601	26-06	17/05/2012
11903/2012	342526	15-05	11/05/2012	11994/2012	342602	07-01C	17/05/2012
11904/2012	342527	12-02	11/05/2012	11995/2012	342605	22-06	17/05/2012
11907/2012	342540	24-02	14/05/2012	12033/2012	342554	12-10	15/05/2012
11908/2012	342541	12-15A	14/05/2012				
11910/2012	342581	12-13	15/05/2012				

Publication and Registration Proceedings

Class Listing of Designs Published or Registered

The following section shows an International Classification Code listing of the Registered or Published Designs covered in this supplement.

Classification	Registration Number	Design Number	Classification	Registration Number	Design Number
02-01A	342481	15080/2011	07-02P	342445	11811/2012
02-01A	342482	15083/2011	07-02P	342446	11812/2012
02-01B	342480	15078/2011	07-02P	342447	11813/2012
02-01B	342483	15084/2011	07-02P	342448	11814/2012
02-02A	342612	11615/2012	07-02P	342449	11815/2012
02-02A	342613	11616/2012	07-02P	342508	11761/2012
02-02A	342614	11617/2012	07-02P	342509	11762/2012
02-02A	342615	11618/2012	07-02P	342510	11763/2012
02-02A	342616	11619/2012	07-02R	342547	10503/2012
02-02A	342617	11620/2012	07-03	342511	11890/2012
02-02A	342618	11621/2012	07-05E	342562	11330/2012
02-02A	342619	11622/2012	07-05E	342563	11331/2012
02-02A	342620	11623/2012	07-05E	342564	11332/2012
02-02B	342454	11127/2012	07-05E	342565	11333/2012
02-02C	342485	15098/2011	07-99A	342444	11810/2012
02-02C	342486	15100/2011	07-99A	342445	11811/2012
02-02C	342574	15074/2011	07-99A	342446	11812/2012
02-02C	342576	15075/2011	07-99A	342447	11813/2012
02-02NES	342484	15089/2011	07-99A	342448	11814/2012
02-02NES	342575	11752/2012	07-99A	342449	11815/2012
02-02NES	342578	11753/2012	08-01	342500	11862/2012
02-04C	342574	15074/2011	08-01	342501	11863/2012
02-04C	342576	15075/2011	08-01	342502	11864/2012
02-05	342453	11037/2012	08-01	342503	11865/2012
03-01D	342452	10800/2012	08-03	342593	11970/2012
03-01NES	342505	11872/2012	08-03	342594	11971/2012
03-01NES	342550	10982/2012	08-05L	342587	11950/2012
06-01F	342598	11990/2012	08-05NES	342505	11872/2012
06-01G	342573	11313/2012	08-05P	342498	11860/2012
06-03B	342600	11992/2012	08-05P	342499	11861/2012
06-04NES	342592	11965/2012	08-07	342513	11892/2012
06-09	342461	11985/2012	08-08A	342560	11637/2012
06-09	342515	11911/2012	08-08H	342591	11963/2012
07-01C	342463	11853/2012	08-08L	342457	11407/2012
07-01C	342602	11994/2012	08-08L	342458	11408/2012
07-01F	342435	11789/2012	08-08NES	342456	11354/2012
07-01F	342491	11882/2012	08-08NES	342459	11409/2012
07-01F	342492	11883/2012	08-08O	342438	11798/2012
07-01F	342493	11884/2012	08-09	342603	10915/2012
07-01F	342494	11885/2012	09-01H	342437	11796/2012
07-01F	342495	11886/2012	09-01H	342583	11945/2012
07-01F	342507	11881/2012	09-01H	342584	11943/2012
07-01NES	342439	11799/2012	09-01H	342585	11944/2012
07-01NES	342520	15858/2011	09-01K	342450	14907/2011
07-02K	342436	11790/2012	09-01K	342451	14908/2011
07-02L	342530	11923/2012	09-01NES	342440	11805/2012
07-02L	342531	11924/2012	09-03L	342602	11994/2012
07-02L	342532	11925/2012	09-03NES	342589	11955/2012
07-02L	342533	11926/2012	09-03NES	342597	11989/2012
07-02L	342534	11927/2012	09-05	342512	11891/2012
07-02L	342535	11928/2012	09-99	342538	11933/2012
07-02L	342536	11929/2012	09-99	342539	11934/2012
07-02P	342444	11810/2012	10-02	342566	11357/2012

Registration Proceedings - Class Listing of Designs Published or Registered cont'd

Classification	Registration Number	Design Number	Classification	Registration Number	Design Number
10-02	342571	11362/2012	23-01NES	342586	11949/2012
10-05	342580	11821/2012	23-02B	342469	15131/2011
10-07	342567	11358/2012	23-02B	342470	15132/2011
10-07	342568	11359/2012	23-04	342475	11843/2012
10-07	342569	11360/2012	24-01	342557	11583/2012
10-07	342570	11361/2012	24-01	342558	11584/2012
12-02	342527	11904/2012	24-01	342559	11585/2012
12-08	342582	11940/2012	24-01	342572	11586/2012
12-10	342554	12033/2012	24-02	342488	11507/2012
12-11	342599	11991/2012	24-02	342489	11515/2012
12-12	342590	11956/2012	24-02	342490	11516/2012
12-13	342581	11910/2012	24-02	342540	11907/2012
12-14	342581	11910/2012	24-02	342557	11583/2012
12-15A	342541	11908/2012	24-02	342558	11584/2012
12-16A	342473	11841/2012	24-02	342559	11585/2012
12-16A	342474	11842/2012	24-02	342572	11586/2012
12-16NES	342604	11626/2012	24-04	342525	11902/2012
13-02	342465	11856/2012	24-04	342595	11976/2012
13-02	342466	11857/2012	25-01D	342471	11632/2012
13-02	342487	10885/2012	25-01D	342472	11633/2012
14-01	342542	11914/2012	25-01D	342577	11634/2012
14-02	342504	11866/2012	25-01D	342579	11635/2012
14-02	342506	11880/2012	25-01E	342438	11798/2012
14-02	342553	11569/2012	25-01F	342462	11850/2012
14-03B	342521	11278/2012	25-01F	342477	11847/2012
14-99	342514	11900/2012	25-01F	342478	11848/2012
14-99	342524	11901/2012	25-01F	342479	11849/2012
15-05	342496	11858/2012	25-01F	342561	11638/2012
15-05	342497	11859/2012	25-01NES	342543	11915/2012
15-05	342526	11903/2012	25-01NES	342588	11953/2012
15-05	342610	10962/2012	25-02C	342455	11316/2012
15-05	342611	10968/2012	25-02H	342551	11022/2012
16-01	342464	11855/2012	25-04	342543	11915/2012
16-01	342528	11921/2012	25-04	342544	11916/2012
16-05	342464	11855/2012	25-04	342545	11917/2012
16-06	342460	11723/2012	25-04	342546	11918/2012
20-01	342506	11880/2012	25-04	342588	11953/2012
21-01C	342582	11940/2012	26-03	342523	11820/2012
21-01E	342476	11844/2012	26-03	342548	10754/2012
21-02A	342606	14827/2011	26-03	342549	10755/2012
21-02A	342607	14828/2011	26-03	342555	11459/2012
21-02A	342608	14829/2011	26-03	342556	11460/2012
21-02C	342552	11299/2012	26-05E	342555	11459/2012
22-06	342605	11995/2012	26-05E	342556	11460/2012
23-01B	342516	11322/2012	26-06	342517	13723/2011
23-01B	342522	11325/2012	26-06	342601	11993/2012
23-01F	342596	11983/2012	26-06	342609	11852/2012
23-01H	342467	15026/2011	30-99	342586	11949/2012
23-01H	342468	15027/2011	31-00	342441	11807/2012
23-01H	342518	15024/2011	31-00	342442	11808/2012
23-01H	342519	15025/2011	31-00	342443	11809/2012
23-01K	342537	11932/2012			
23-01NES	342529	11922/2012			

(21) Design Number: **11789/2012**
(22) Date of Filing Application: **11 April 2012**
(24) Date from which industrial property rights may have effect: **11 April 2012**
(54) Product in respect of which the design is registered: **Covered pitcher**
(51) International Design Classification: **07-01F**
(74) Name(s) of Attorney(s): **PHILLIPS ORMONDE FITZPATRICK**
(71) Name(s) and Address(s) of Applicant(s):
Dart Industries Inc.
14901 S. Orange Blossom Trail Orlando Florida 32837 United States of America



(72) Name(s) of Designer(s): **Alex Muspratt-Williams and Jakob Heiberg**
(45) Registration Date: **08 May 2012**
(30) Convention priority data:
(31) Number (32) Date (33) Country
29/395,231 21 Dec 2011 UNITED STATES OF AMERICA
(56) Related Art Documents: **Not Applicable**
(57) Statement of Newness and Distinctiveness: **Those features of the covered pitcher depicted in the representations that are new and distinctive are the shape and/or configuration.**

(21) Design Number: **11790/2012**
(22) Date of Filing Application: **11 April 2012**
(24) Date from which industrial property rights may have effect: **11 April 2012**
(54) Product in respect of which the design is registered: **Teapot**
(51) International Design Classification: **07-02K**
(74) Name(s) of Attorney(s): **PHILLIPS ORMONDE FITZPATRICK**
(71) Name(s) and Address(s) of Applicant(s):
Dart Industries Inc.
14901 S. Orange Blossom Trail Orlando Florida 32837 United States of America



(72) Name(s) of Designer(s): **Jan-Hendrik De Groot and Alex Muspratt-Williams**
(45) Registration Date: **08 May 2012**
(30) Convention priority data:
(31) Number (32) Date (33) Country
29/395,310 29 Dec 2011 UNITED STATES OF AMERICA
(56) Related Art Documents: **Not Applicable**
(57) Statement of Newness and Distinctiveness: **Those features of the teapot depicted in the representations that are new and distinctive are the shape and/or configuration.**

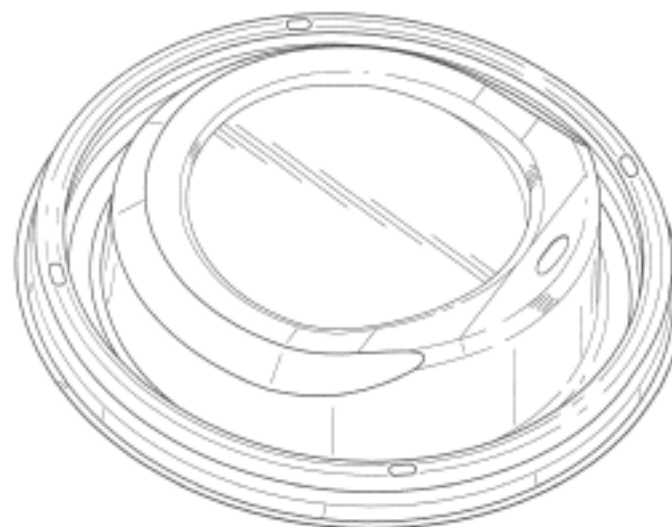
- (21) Design Number: **11796/2012**
(22) Date of Filing Application: **11 April 2012**
(24) Date from which industrial property rights may have effect: **11 April 2012**
(54) Product in respect of which the design is registered: **Bottle**
(51) International Design Classification: **09-01H**
(74) Name(s) of Attorney(s): **Madderns**
(71) Name(s) and Address(s) of Applicant(s):
Manfred Imand Kurmis
16 Gulfview Road Blackwood South Australia 5051 Australia
(72) Name(s) of Designer(s): **Manfred Imand Kurmis**
(45) Registration Date: **08 May 2012**
(56) Related Art Documents: **Not Applicable**
(57) Statement of Newness and Distinctiveness: **Newness and distinctiveness resides in the visual features of shape and/or configuration of a bottle as illustrated in solid (as opposed to dashed) lines in the accompanying representations.**



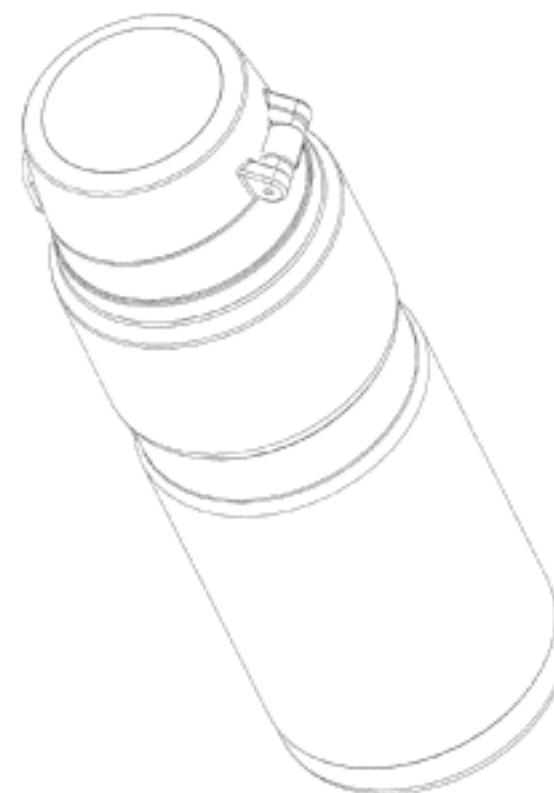
- (21) Design Number: **11798/2012**
(22) Date of Filing Application: **11 April 2012**
(24) Date from which industrial property rights may have effect: **11 April 2012**
(54) Product in respect of which the design is registered: **Stake**
(51) International Design Classification: **08-08O, 25-01E**
(74) Name(s) of Attorney(s): **FB Rice**
(71) Name(s) and Address(s) of Applicant(s):
Whites Group Pty Ltd
4 Decker Place Hungtingwood New South Wales 2148 Australia
(72) Name(s) of Designer(s): **Brian Gray and Peter Kelly**
(45) Registration Date: **08 May 2012**
(56) Related Art Documents: **Not Applicable**
(57) Statement of Newness and Distinctiveness: **Newness and distinctiveness reside in the features of the design as shown in the representations, and in particular in that the top of the stake which is shaded is typically a contrasting colour to the lower part of the stake, typically a white or light colour, noting that the length of the stake may be varied, as shown, and the elongate slot in the top of the post may vary in size and position.**



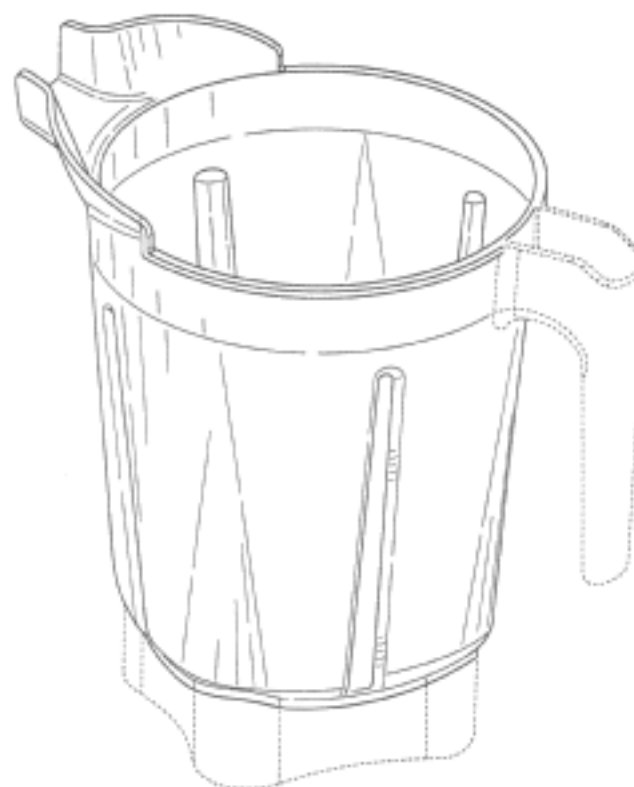
(21) Design Number: **11799/2012**
(22) Date of Filing Application: **11 April 2012**
(24) Date from which industrial property rights may have effect: **11 April 2012**
(54) Product in respect of which the design is registered: **Lid for a container**
(51) International Design Classification: **07-01NES**
(74) Name(s) of Attorney(s): **FB Rice**
(71) Name(s) and Address(s) of Applicant(s):
uVu Lid Company, LLC
751 Park of Commerce Drive Suite 128 Boca Raton Florida 33487 United States of America
(72) Name(s) of Designer(s): **David Weiss**
(45) Registration Date: **08 May 2012**
(30) Convention priority data:
(31) Number (32) Date (33) Country
29/408780 16 Dec 2011 UNITED STATES OF AMERICA
(56) Related Art Documents: **Not Applicable**
(57) Statement of Newness and Distinctiveness: **Newness and distinctiveness reside in the features of shape and configuration of the lid for a container as shown in the representations.**



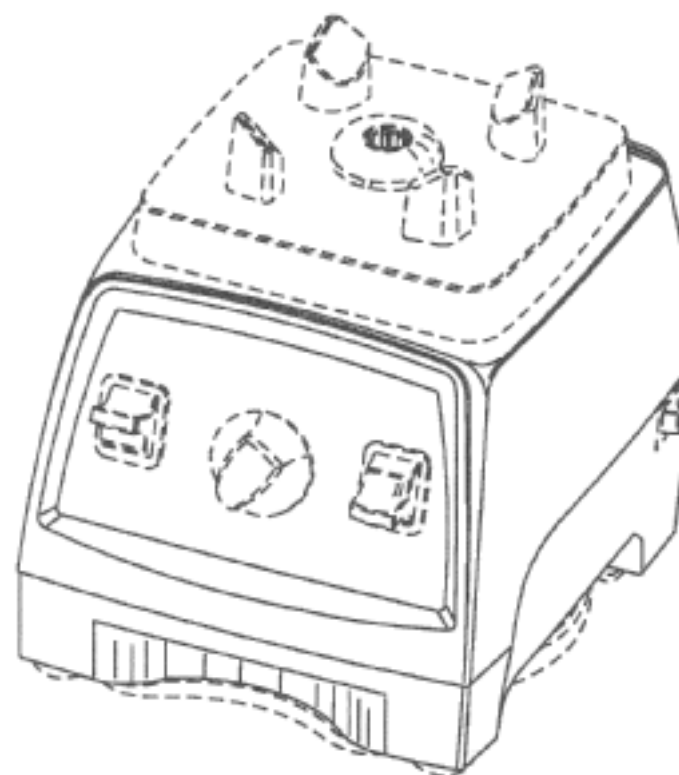
(21) Design Number: **11805/2012**
(22) Date of Filing Application: **12 April 2012**
(24) Date from which industrial property rights may have effect: **12 April 2012**
(54) Product in respect of which the design is registered: **A drink bottle with lid incorporating a button release cover**
(51) International Design Classification: **09-01NES**
(74) Name(s) of Attorney(s): **SPRUSON & FERGUSON**
(71) Name(s) and Address(s) of Applicant(s):
Thermos L.L.C.
2550 W. Golf Road Suite 800 Rolling Meadows Illinois 60008 United States of America
(72) Name(s) of Designer(s): **Marvin Lane**
(45) Registration Date: **08 May 2012**
(30) Convention priority data:
(31) Number (32) Date (33) Country
29/403945 13 Oct 2011 UNITED STATES OF AMERICA
(56) Related Art Documents: **Not Applicable**
(57) Statement of Newness and Distinctiveness: **Newness and distinctiveness is claimed in the features of shape and/or configuration of the lid of a drink bottle with lid incorporating a button release cover illustrated in the accompanying representations.**



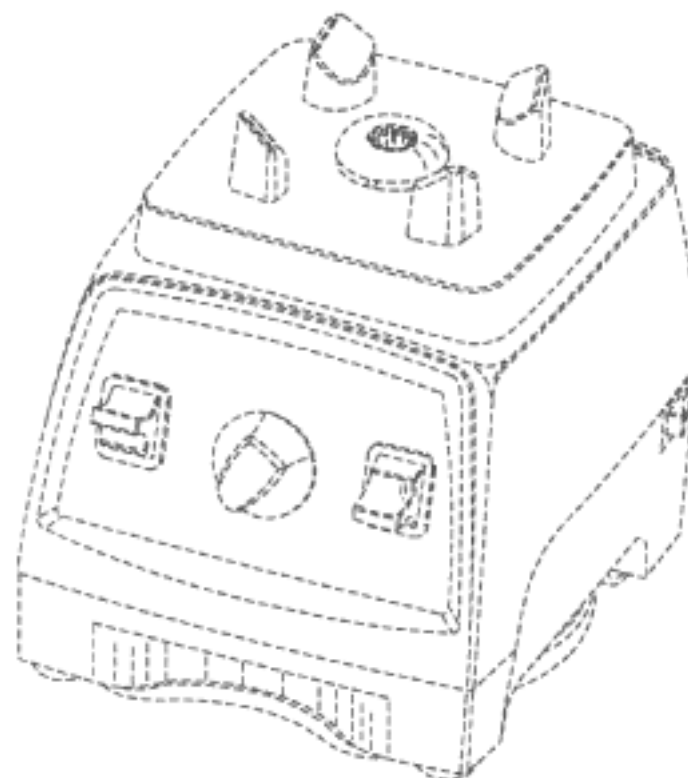
(21) Design Number: **11807/2012**
(22) Date of Filing Application: **12 April 2012**
(24) Date from which industrial property rights may have effect: **12 April 2012**
(54) Product in respect of which the design is registered: **Blender container**
(51) International Design Classification: **31-00**
(74) Name(s) of Attorney(s): **PETER MAXWELL & ASSOCIATES**
(71) Name(s) and Address(s) of Applicant(s):
Vita-Mix Corporation
8615 Usher Road Olmsted Township Ohio 44138 United States of America
(72) Name(s) of Designer(s): **Richard D. Boozer and Fred H. Mehlman and Steffen F. Koury and Paul K. Metaxatos**
(45) Registration Date: **08 May 2012**
(30) Convention priority data:
(31) Number (32) Date (33) Country
29/408,008 06 Dec 2011 UNITED STATES OF AMERICA
(56) Related Art Documents: **Not Applicable**
(57) Statement of Newness and Distinctiveness: **Newness and distinctiveness is claimed in the shape and/or configuration of BLENDER CONTAINER as illustrated by the unbroken lines in the accompanying representations.**



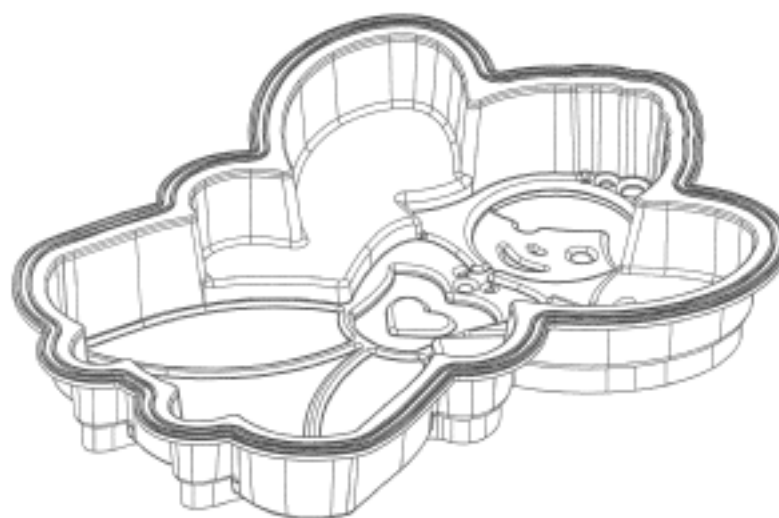
(21) Design Number: **11808/2012**
(22) Date of Filing Application: **12 April 2012**
(24) Date from which industrial property rights may have effect: **12 April 2012**
(54) Product in respect of which the design is registered: **Blender base**
(51) International Design Classification: **31-00**
(74) Name(s) of Attorney(s): **PETER MAXWELL & ASSOCIATES**
(71) Name(s) and Address(s) of Applicant(s):
Vita-Mix Corporation
8615 Usher Road Olmsted Township Ohio 44138 United States of America
(72) Name(s) of Designer(s): **Richard D. Boozer and Fred H. Mehlman and Steffen F. Koury and Paul K. Metaxatos**
(45) Registration Date: **08 May 2012**
(30) Convention priority data:
(31) Number (32) Date (33) Country
29/408,020 06 Dec 2011 UNITED STATES OF AMERICA
(56) Related Art Documents: **Not Applicable**
(57) Statement of Newness and Distinctiveness: **Newness and distinctiveness is claimed in the shape and/or configuration of BLENDER BASE as illustrated by the unbroken lines in the accompanying representations.**



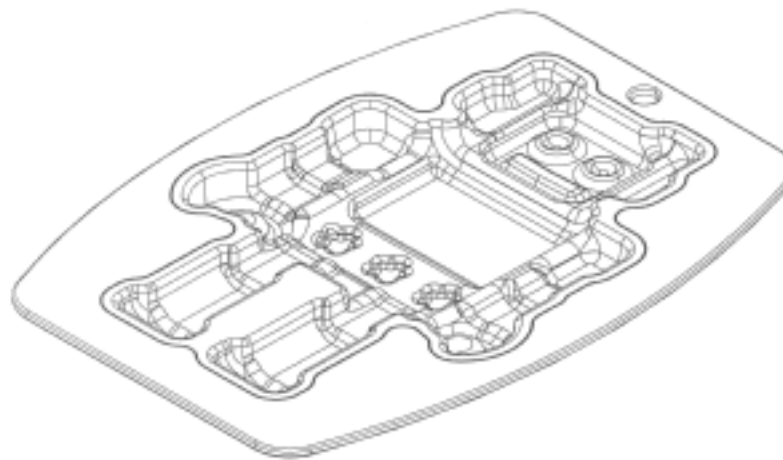
- (21) Design Number: **11809/2012**
(22) Date of Filing Application: **12 April 2012**
(24) Date from which industrial property rights may have effect: **12 April 2012**
(54) Product in respect of which the design is registered: **Blender base**
(51) International Design Classification: **31-00**
(74) Name(s) of Attorney(s): **PETER MAXWELL & ASSOCIATES**
(71) Name(s) and Address(s) of Applicant(s):
Vita-Mix Corporation
8615 Usher Road Olmsted Township Ohio 44138 United States of America
(72) Name(s) of Designer(s): **Richard D. Boozer and Fred H. Mehlman and Steffen F. Koury and Paul K. Metaxatos**
(45) Registration Date: **08 May 2012**
(30) Convention priority data:
(31) Number (32) Date (33) Country
29/409,219 21 Dec 2011 UNITED STATES OF AMERICA
(56) Related Art Documents: **Not Applicable**
(57) Statement of Newness and Distinctiveness: **Newness and distinctiveness is claimed in the shape and/or configuration of BLENDER BASE as illustrated by the unbroken lines in the accompanying representations.**



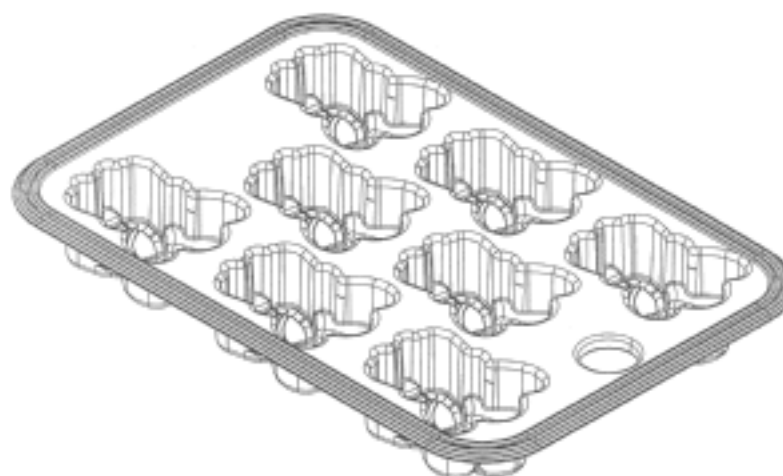
- (21) Design Number: **11810/2012**
(22) Date of Filing Application: **12 April 2012**
(24) Date from which industrial property rights may have effect: **12 April 2012**
(54) Product in respect of which the design is registered: **Baking tray**
(51) International Design Classification: **07-02P, 07-99A**
(74) Name(s) of Attorney(s): **PHILLIPS ORMONDE FITZPATRICK**
(71) Name(s) and Address(s) of Applicant(s):
McPherson's Limited
5 Dunlop Road Mulgrave Victoria 3170 Australia
(72) Name(s) of Designer(s): **Ian Edwards**
(45) Registration Date: **08 May 2012**
(56) Related Art Documents: **Not Applicable**
(57) Statement of Newness and Distinctiveness: **Those features of the baking tray depicted in the representations that are new and distinctive are the shape and/or configuration.**



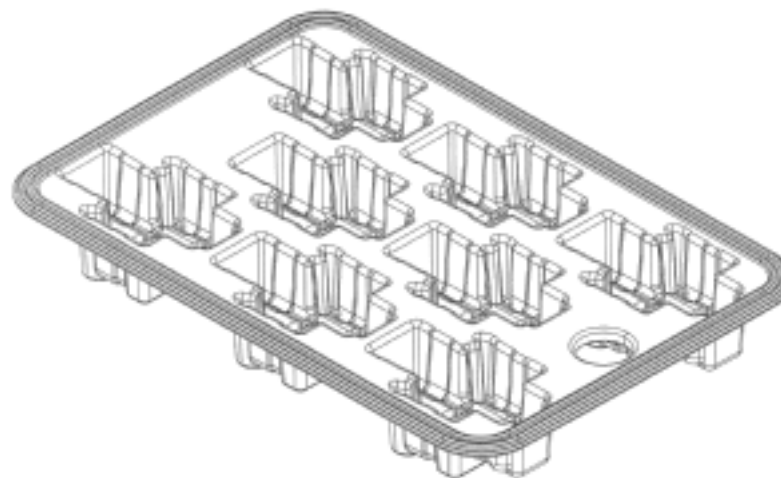
- (21) Design Number: **11811/2012**
(22) Date of Filing Application: **12 April 2012**
(24) Date from which industrial property rights may have effect: **12 April 2012**
(54) Product in respect of which the design is registered: **Baking tray**
(51) International Design Classification: **07-02P, 07-99A**
(74) Name(s) of Attorney(s): **PHILLIPS ORMONDE FITZPATRICK**
(71) Name(s) and Address(s) of Applicant(s):
McPherson's Limited
5 Dunlop Road Mulgrave Victoria 3170 Australia
(72) Name(s) of Designer(s): **Ian Edwards and Jonathan Lowe**
(45) Registration Date: **08 May 2012**
(56) Related Art Documents: **Not Applicable**
(57) Statement of Newness and Distinctiveness: **Those features of the baking tray depicted in the representations that are new and distinctive are the shape and/or configuration.**



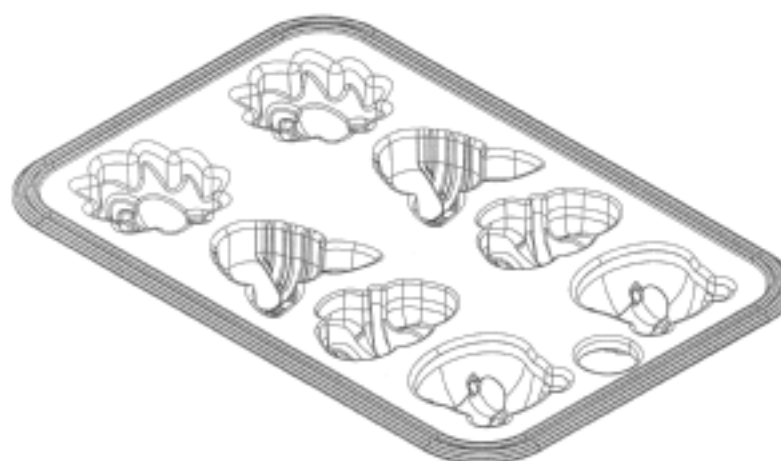
- (21) Design Number: **11812/2012**
(22) Date of Filing Application: **12 April 2012**
(24) Date from which industrial property rights may have effect: **12 April 2012**
(54) Product in respect of which the design is registered: **Baking tray**
(51) International Design Classification: **07-99A, 07-02P**
(74) Name(s) of Attorney(s): **PHILLIPS ORMONDE FITZPATRICK**
(71) Name(s) and Address(s) of Applicant(s):
McPherson's Limited
5 Dunlop Road Mulgrave Victoria 3170 Australia
(72) Name(s) of Designer(s): **Ian Edwards**
(45) Registration Date: **08 May 2012**
(56) Related Art Documents: **Not Applicable**
(57) Statement of Newness and Distinctiveness: **Those features of the baking tray depicted in the representations that are new and distinctive are the shape and/or configuration.**



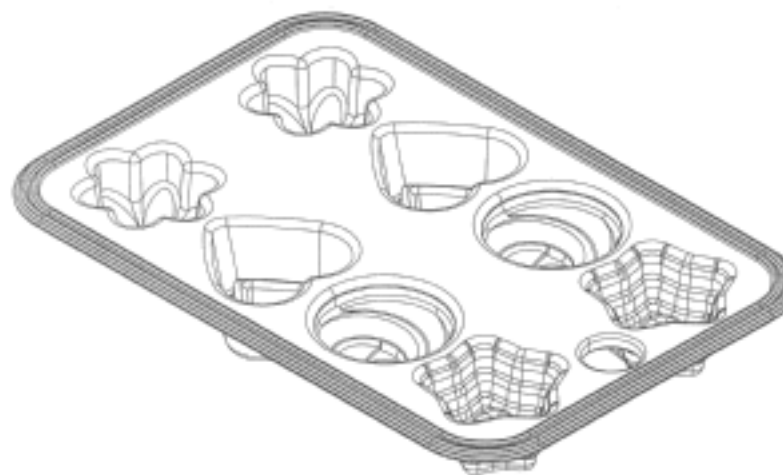
- (21) Design Number: **11813/2012**
(22) Date of Filing Application: **12 April 2012**
(24) Date from which industrial property rights may have effect: **12 April 2012**
(54) Product in respect of which the design is registered: **Baking tray**
(51) International Design Classification: **07-02P, 07-99A**
(74) Name(s) of Attorney(s): **PHILLIPS ORMONDE FITZPATRICK**
(71) Name(s) and Address(s) of Applicant(s):
McPherson's Limited
5 Dunlop Road Mulgrave Victoria 3170 Australia
(72) Name(s) of Designer(s): **Ian Edwards and Jonathan Lowe**
(45) Registration Date: **08 May 2012**
(56) Related Art Documents: **Not Applicable**
(57) Statement of Newness and Distinctiveness: **Those features of the baking tray depicted in the representations that are new and distinctive are the shape and/or configuration.**



- (21) Design Number: **11814/2012**
(22) Date of Filing Application: **12 April 2012**
(24) Date from which industrial property rights may have effect: **12 April 2012**
(54) Product in respect of which the design is registered: **Baking tray**
(51) International Design Classification: **07-02P, 07-99A**
(74) Name(s) of Attorney(s): **PHILLIPS ORMONDE FITZPATRICK**
(71) Name(s) and Address(s) of Applicant(s):
McPherson's Limited
5 Dunlop Road Mulgrave Victoria 3170 Australia
(72) Name(s) of Designer(s): **Ian Edwards**
(45) Registration Date: **08 May 2012**
(56) Related Art Documents: **Not Applicable**
(57) Statement of Newness and Distinctiveness: **Those features of the baking tray depicted in the representations that are new and distinctive are the shape and/or configuration.**



- (21) Design Number: **11815/2012**
(22) Date of Filing Application: **12 April 2012**
(24) Date from which industrial property rights may have effect: **12 April 2012**
(54) Product in respect of which the design is registered: **Baking tray**
(51) International Design Classification: **07-02P, 07-99A**
(74) Name(s) of Attorney(s): **PHILLIPS ORMONDE FITZPATRICK**
(71) Name(s) and Address(s) of Applicant(s):
McPherson's Limited
5 Dunlop Road Mulgrave Victoria 3170 Australia
(72) Name(s) of Designer(s): **Ian Edwards**
(45) Registration Date: **08 May 2012**
(56) Related Art Documents: **Not Applicable**
(57) Statement of Newness and Distinctiveness: **Those features of the baking tray depicted in the representations that are new and distinctive are the shape and/or configuration.**



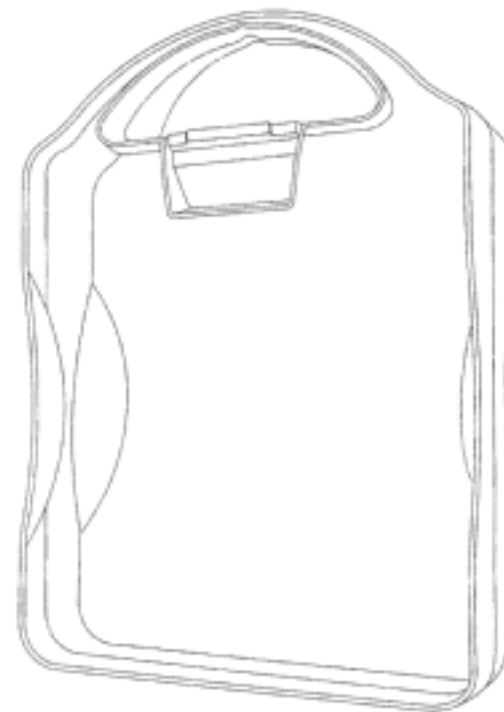
- (21) Design Number: **14907/2011**
(22) Date of Filing Application: **31 October 2011**
(24) Date from which industrial property rights may have effect: **31 October 2011**
(54) Product in respect of which the design is registered: **Bottle**
(51) International Design Classification: **09-01K**
(74) Name(s) of Attorney(s): **Freehills Patent & Trade Mark Attorneys**
(71) Name(s) and Address(s) of Applicant(s):
Brownes Foods Operations Pty Limited
22 Geddes Street Balcatta Western Australia 6021 Australia
(72) Name(s) of Designer(s): **Dean Prestidge**
(45) Registration Date: **08 May 2012**
(56) Related Art Documents: **Not Applicable**
(57) Statement of Newness and Distinctiveness: **Newness and distinctiveness resides in the features of shape and configuration as shown in solid lines in the representations. When considering whether the design is substantially similar in overall impression to another design, no regard is to be had to those features shown in broken lines in the representations.**



- (21) Design Number: **14908/2011**
(22) Date of Filing Application: **31 October 2011**
(24) Date from which industrial property rights may have effect: **31 October 2011**
(54) Product in respect of which the design is registered: **Bottle**
(51) International Design Classification: **09-01K**
(74) Name(s) of Attorney(s): **Freehills Patent & Trade Mark Attorneys**
(71) Name(s) and Address(s) of Applicant(s):
Brownes Foods Operations Pty Limited
22 Geddes Street Balcatta Western Australia 6021 Australia
(72) Name(s) of Designer(s): **Dean Prestidge**
(45) Registration Date: **08 May 2012**
(56) Related Art Documents: **Not Applicable**
(57) Statement of Newness and Distinctiveness: **Newness and distinctiveness resides in the features of shape and configuration as shown in solid lines in the representations. When considering whether the design is substantially similar in overall impression to another design, no regard is to be given to those features shown in broken lines in the representations.**



- (21) Design Number: **10800/2012**
(22) Date of Filing Application: **17 February 2012**
(24) Date from which industrial property rights may have effect: **17 February 2012**
(54) Product in respect of which the design is registered: **Packaging for dressings**
(51) International Design Classification: **03-01D**
(74) Name(s) of Attorney(s):
(71) Name(s) and Address(s) of Applicant(s):
Oppenheim & Jansson A/S
Bakkegardsvej 408 DK-3050 Humlebaek DENMARK
(72) Name(s) of Designer(s): **Ullrich Oppenheim**
(45) Registration Date: **08 May 2012**
(30) Convention priority data:
(31) Number (32) Date (33) Country
001906207-0001 19 Aug 2011 EUROPEAN COMMUNITY
(56) Related Art Documents: **Not Applicable**
(57) Statement of Newness and Distinctiveness: **Monopoly is claimed in the shape and configuration shown in the attached representations.**



(21) Design Number: **11037/2012**

(22) Date of Filing Application: **05 March 2012**

(24) Date from which industrial property rights may have effect: **05 March 2012**

(54) Product in respect of which the design is registered: **Kerchief**

(51) International Design Classification: **02-05**

(74) Name(s) of Attorney(s):

(71) Name(s) and Address(s) of Applicant(s):

Anthony Kwaw Quansah

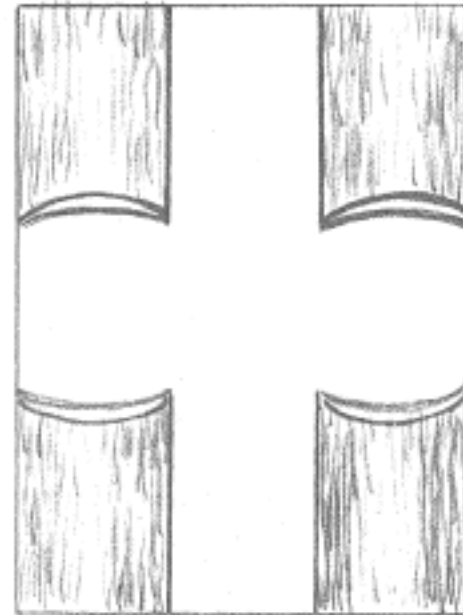
5-299 Mansfield Street Thornbury Victoria 3071 Australia

(72) Name(s) of Designer(s): **Anthony Kwaw Quansah**

(45) Registration Date: **08 May 2012**

(56) Related Art Documents: **Not Applicable**

(57) Statement of Newness and Distinctiveness: **This product has four pockets, each corner of the base has one pocket.**



(21) Design Number: **11127/2012**

(22) Date of Filing Application: **08 March 2012**

(24) Date from which industrial property rights may have effect: **08 March 2012**

(54) Product in respect of which the design is registered: **Reflective duo safety vest**

(51) International Design Classification: **02-02B**

(74) Name(s) of Attorney(s):

(71) Name(s) and Address(s) of Applicant(s):

Heath Roberts

24 Dewar Crescent Maddingley Victoria 3340 Australia

Mercedez Lekka

24 Dewar Crescent Maddingley Victoria 3340 Australia

(72) Name(s) of Designer(s): **Mercedez Lekka and Heath Roberts**

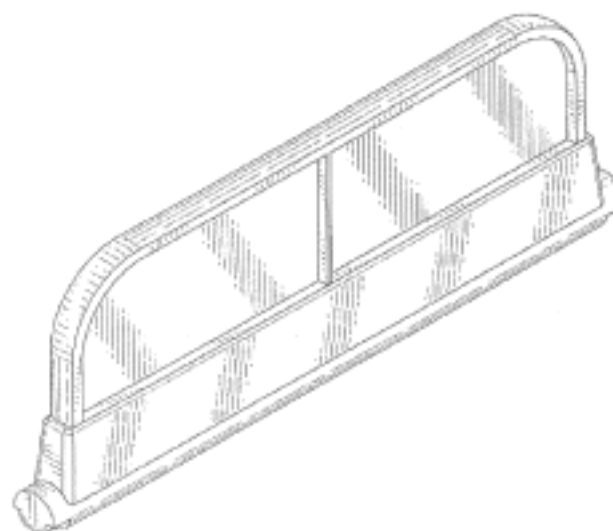
(45) Registration Date: **08 May 2012**

(56) Related Art Documents: **Not Applicable**

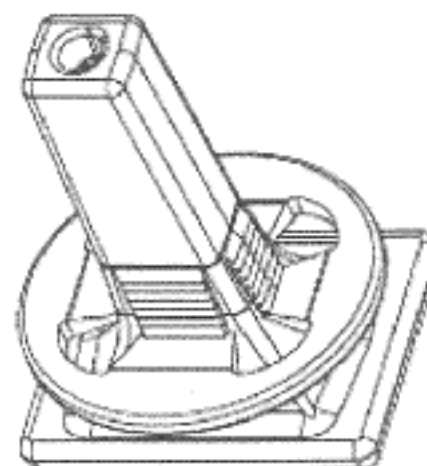
(57) Statement of Newness and Distinctiveness: **Reversible all in one safety vest, used for both roadworks and construction, eliminates the need for various vests as currently worn, this vest provides all in one reflectives as required by VICROADS.**



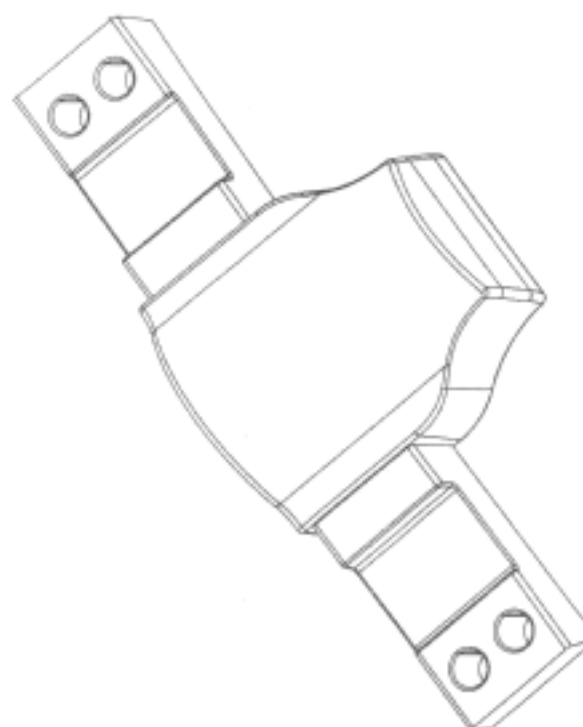
(21) Design Number: **11316/2012**
(22) Date of Filing Application: **13 March 2012**
(24) Date from which industrial property rights may have effect: **13 March 2012**
(54) Product in respect of which the design is registered: **Electronic article surveillance security gate**
(51) International Design Classification: **25-02C**
(74) Name(s) of Attorney(s): **LESICAR MURRAY TRENTO**
(71) Name(s) and Address(s) of Applicant(s):
Checkpoint Systems, Inc
101 Wolf Drive, Thorofare, NJ 08086 United States of America
(72) Name(s) of Designer(s): **Lee H Eckert and Brian Vincent Conti and Gary Mark Shafer and Brian Wiese and David P Christianson**
(45) Registration Date: **08 May 2012**
(30) Convention priority data:
(31) Number (32) Date (33) Country
US29/401578 13 Sep 2011 UNITED STATES OF AMERICA
(56) Related Art Documents: **Not Applicable**
(57) Statement of Newness and Distinctiveness: **Newness and distinctiveness reside in the shape and/or configuration of the Electronic Article Surveillance Security Gate as shown in the accompanying representations. Pages 1-2 show an embodiment using opaque components, pages 3-4 show an embodiment using some at least partially clear components.**



(21) Design Number: **11354/2012**
(22) Date of Filing Application: **15 March 2012**
(24) Date from which industrial property rights may have effect: **15 March 2012**
(54) Product in respect of which the design is registered: **A wire gripping device**
(51) International Design Classification: **08-08NES**
(74) Name(s) of Attorney(s): **Cullens Patent and Trade Mark Attorneys**
(71) Name(s) and Address(s) of Applicant(s):
Gripple Limited
The Old West Gun Works Saville Street East Sheffield S4 7UQ United Kingdom
(72) Name(s) of Designer(s): **Andre Ferreira**
(45) Registration Date: **08 May 2012**
(30) Convention priority data:
(31) Number (32) Date (33) Country
001966623-0002 21 Dec 2011 EUROPEAN COMMUNITY
(56) Related Art Documents: **Not Applicable**
(57) Statement of Newness and Distinctiveness: **Nil**



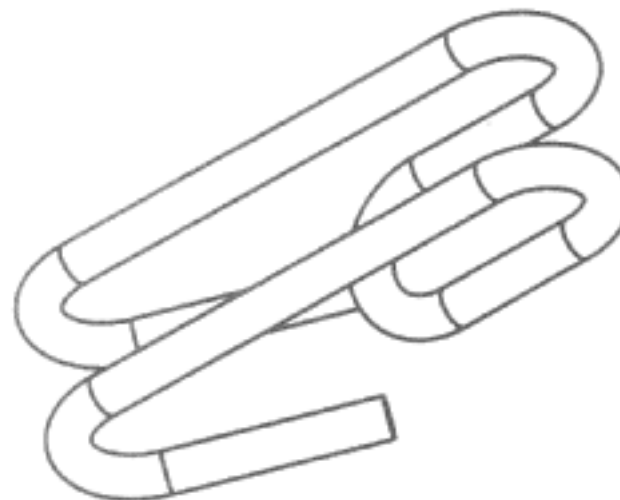
- (21) Design Number: **11407/2012**
(22) Date of Filing Application: **16 March 2012**
(24) Date from which industrial property rights may have effect: **16 March 2012**
(54) Product in respect of which the design is registered: **Frame connector**
(51) International Design Classification: **08-08L**
(74) Name(s) of Attorney(s): **Ahearn Fox**
(71) Name(s) and Address(s) of Applicant(s):
Vuly Pty Ltd
1/95 Ingleston Road Wakerley Queensland 4154 Australia
(72) Name(s) of Designer(s): **David Francis and Wei Yang and Joe Andon and Michael Connolly**
(45) Registration Date: **08 May 2012**
(56) Related Art Documents: **Not Applicable**
(57) Statement of Newness and Distinctiveness: **Newness and distinctiveness reside in the features of shape and configuration of a frame connector as shown in the accompanying drawings wherein: Fig. 1.1 is a pictorial representation of the frame connector from one end showing the underside and front (view from other end is a mirror image); Fig. 1.2 is a pictorial representation of the frame connector from above; Fig. 1.3 is a pictorial representation of the frame connector from one end showing the topside and rear (view from other end is a mirror image); Fig. 1.4 is a pictorial representation of the frame connector from the front; Fig. 1.5 is a pictorial representation of the frame connector from one end (view from opposite end is a mirror image); and Fig. 1.6 is a pictorial representation of the frame connector from the rear.**



- (21) Design Number: **11408/2012**
(22) Date of Filing Application: **16 March 2012**
(24) Date from which industrial property rights may have effect: **16 March 2012**
(54) Product in respect of which the design is registered: **Frame connector**
(51) International Design Classification: **08-08L**
(74) Name(s) of Attorney(s): **Ahearn Fox**
(71) Name(s) and Address(s) of Applicant(s):
Vuly Pty Ltd
1/95 Ingleston Road Wakerley Queensland 4154 Australia
(72) Name(s) of Designer(s): **David Francis and Wei Yang and Joe Andon and Michael Connolly**
(45) Registration Date: **08 May 2012**
(56) Related Art Documents: **Not Applicable**
(57) Statement of Newness and Distinctiveness: **Newness and distinctiveness reside in the features of shape and configuration of a frame connector as shown in the accompanying drawings wherein: Fig. 2.1 is a pictorial representation of the frame connector from one end showing the underside and front (view from other end is a mirror image); Fig. 2.2 is a pictorial representation of the frame connector from above; Fig. 2.3 is a pictorial representation of the frame connector from one end showing the topside and rear (view from other end is a mirror image); Fig. 2.4 is a pictorial representation of the frame connector from the front; Fig. 2.5 is a pictorial representation of the frame connector from one end (view from opposite end is a mirror image); and Fig. 2.6 is a pictorial representation of the frame connector from the rear.**



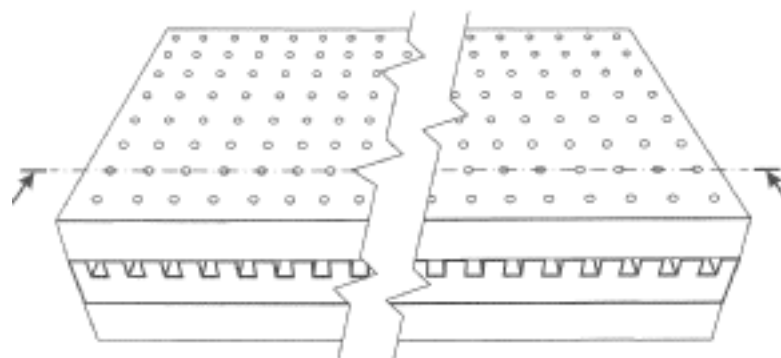
- (21) Design Number: **11409/2012**
(22) Date of Filing Application: **16 March 2012**
(24) Date from which industrial property rights may have effect: **16 March 2012**
(54) Product in respect of which the design is registered: **Hook**
(51) International Design Classification: **08-08NES**
(74) Name(s) of Attorney(s): **Ahearn Fox**
(71) Name(s) and Address(s) of Applicant(s):
Vuly Pty Ltd
1/95 Ingleston Road Wakerley Queensland 4154 Australia
(72) Name(s) of Designer(s): **Wei Yang**
(45) Registration Date: **08 May 2012**
(56) Related Art Documents: **Not Applicable**
(57) Statement of Newness and Distinctiveness: **Newness and distinctiveness reside in the features of shape and configuration of a hook as shown in the accompanying drawings wherein: Fig.1 is a pictorial representation of the hook from one side and above; Fig.2 is a pictorial representation of the hook from below; Fig.3 is a pictorial representation of the hook from one side (opposite side is the mirror image); and Fig.4 is a pictorial representation of the hook from one end.**



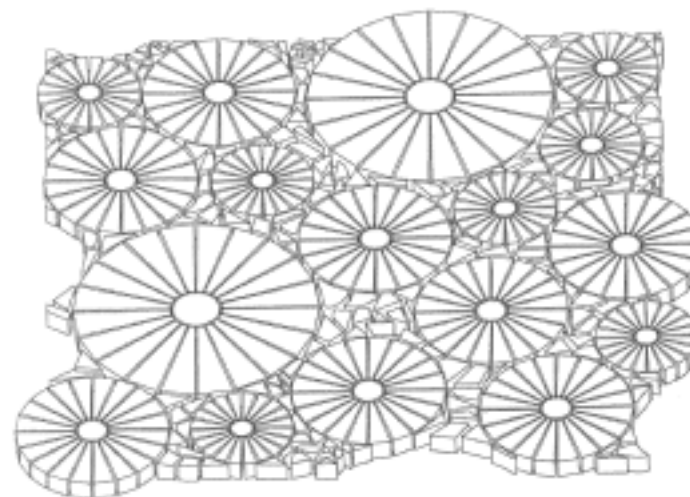
- (21) Design Number: **11723/2012**
(22) Date of Filing Application: **03 April 2012**
(24) Date from which industrial property rights may have effect: **03 April 2012**
(54) Product in respect of which the design is registered: **Sunglasses**
(51) International Design Classification: **16-06**
(74) Name(s) of Attorney(s):
(71) Name(s) and Address(s) of Applicant(s):
Lava Ltd
PO Box No 80589 Cheung Sha Wan Post Office Hong Kong
(72) Name(s) of Designer(s): **Paul Stables**
(45) Registration Date: **08 May 2012**
(56) Related Art Documents: **Not Applicable**
(57) Statement of Newness and Distinctiveness: **Nil**



- (21) Design Number: **11985/2012**
(22) Date of Filing Application: **23 April 2012**
(24) Date from which industrial property rights may have effect: **23 April 2012**
(54) Product in respect of which the design is registered: **Mattress**
(51) International Design Classification: **06-09**
(74) Name(s) of Attorney(s): **Fisher Adams Kelly**
(71) Name(s) and Address(s) of Applicant(s):
GM & CB Pty Ltd
1/25 South Pine Road Strathpine 4500 Queensland Australia
(72) Name(s) of Designer(s): **Christopher Mervyn Bovell and Diane Anderson**
(45) Registration Date: **08 May 2012**
(56) Related Art Documents: **Not Applicable**
(57) Statement of Newness and Distinctiveness: **The newness and distinctiveness of the design resides in the shape and/or configuration of the mattress of three layers as shown in the representations. Although only visible in a cut away section the path of the channels through the upper layer of the mattress to intersect channels of the middle layer have been shown in dotted lines.**



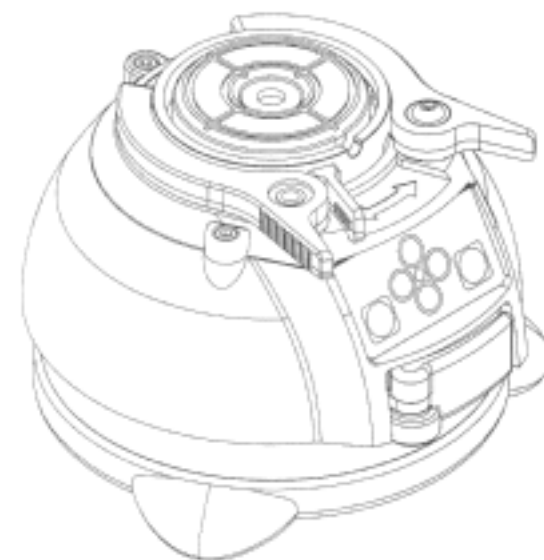
- (21) Design Number: **11850/2012**
(22) Date of Filing Application: **13 April 2012**
(24) Date from which industrial property rights may have effect: **13 April 2012**
(54) Product in respect of which the design is registered: **Tesserae**
(51) International Design Classification: **25-01F**
(74) Name(s) of Attorney(s): **Allens Patent & Trade Mark Attorneys**
(71) Name(s) and Address(s) of Applicant(s):
Everstone International Pty Limited
20 Princes Road East Auburn New South Wales 2144 Australia
(72) Name(s) of Designer(s): **Antonio Salvatore Brugellis**
(45) Registration Date: **09 May 2012**
(56) Related Art Documents: **Not Applicable**
(57) Statement of Newness and Distinctiveness: **Newness and distinctiveness is claimed in the shape and configuration of the tesserae shown in the attached representations. It is to be understood that a basic element of the tesserae is shown in the representations and the basic element may repeat in the longitudinal and lateral directions.**



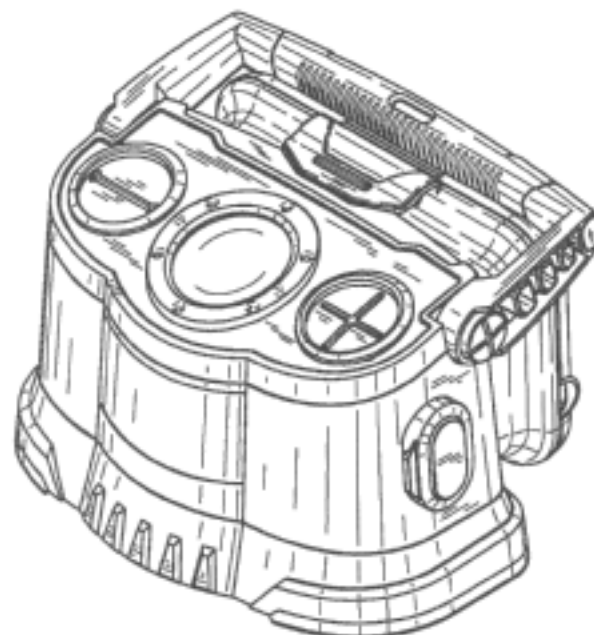
(21) Design Number: **11853/2012**
(22) Date of Filing Application: **13 April 2012**
(24) Date from which industrial property rights may have effect: **13 April 2012**
(54) Product in respect of which the design is registered: **Sparkling wine glass**
(51) International Design Classification: **07-01C**
(74) Name(s) of Attorney(s):
(71) Name(s) and Address(s) of Applicant(s):
Marimekko Oyj
Puusepankatu 4 00880 Helsinki Finland
(72) Name(s) of Designer(s): **Anu Penttinen**
(45) Registration Date: **09 May 2012**
(30) Convention priority data:
(31) Number (32) Date (33) Country
001993056-0001 16 Feb 2012 EUROPEAN COMMUNITY
(56) Related Art Documents: **Not Applicable**
(57) Statement of Newness and Distinctiveness: **Nil**



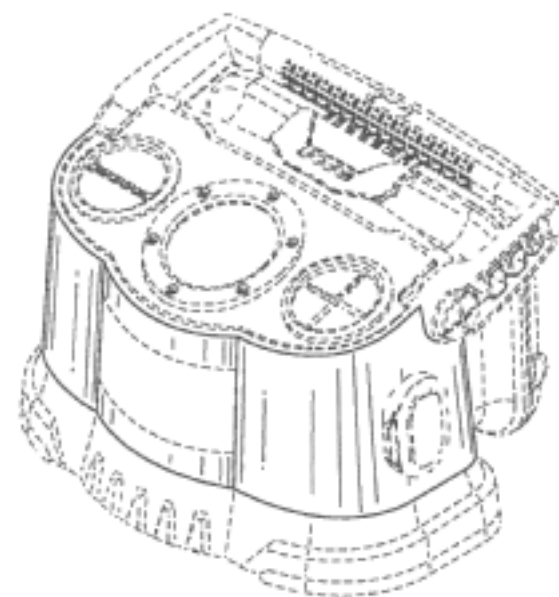
(21) Design Number: **11855/2012**
(22) Date of Filing Application: **13 April 2012**
(24) Date from which industrial property rights may have effect: **13 April 2012**
(54) Product in respect of which the design is registered: **A photographic mount**
(51) International Design Classification: **16-01, 16-05**
(74) Name(s) of Attorney(s):
(71) Name(s) and Address(s) of Applicant(s):
Kia Rere Innovations Limited
15 Torlesse Street Enner Glynn Nelson New Zealand 7011
(72) Name(s) of Designer(s): **Graham Manson**
(45) Registration Date: **09 May 2012**
(30) Convention priority data:
(31) Number (32) Date (33) Country
415447 25 Oct 2011 NEW ZEALAND
(56) Related Art Documents: **Not Applicable**
(57) Statement of Newness and Distinctiveness: **Nil**



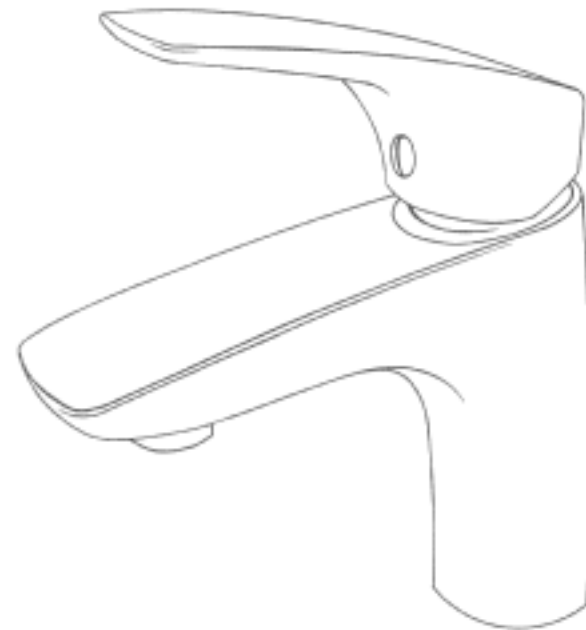
(21) Design Number: **11856/2012**
(22) Date of Filing Application: **13 April 2012**
(24) Date from which industrial property rights may have effect: **13 April 2012**
(54) Product in respect of which the design is registered: **Vehicle battery charger**
(51) International Design Classification: **13-02**
(74) Name(s) of Attorney(s): **SPRUSON & FERGUSON**
(71) Name(s) and Address(s) of Applicant(s):
Johnson Controls Technology Company
915 East 32nd Street Holland Michigan 49423 United States of America
(72) Name(s) of Designer(s): **Julie Christine Roberts and Daryl Charles Brockman and James Cameron Douglass and Gerald Jay Demirjian and Robert Fred Unger and Timothy Corcoran Repp**
(45) Registration Date: **09 May 2012**
(30) Convention priority data:
(31) Number (32) Date (33) Country
29/404498 21 Oct 2011 UNITED STATES OF AMERICA
(56) Related Art Documents: **Not Applicable**
(57) Statement of Newness and Distinctiveness: **Newness and distinctiveness is claimed in the features of shape and/or configuration of a vehicle battery charger as illustrated in continuous lines in the accompanying representations.**



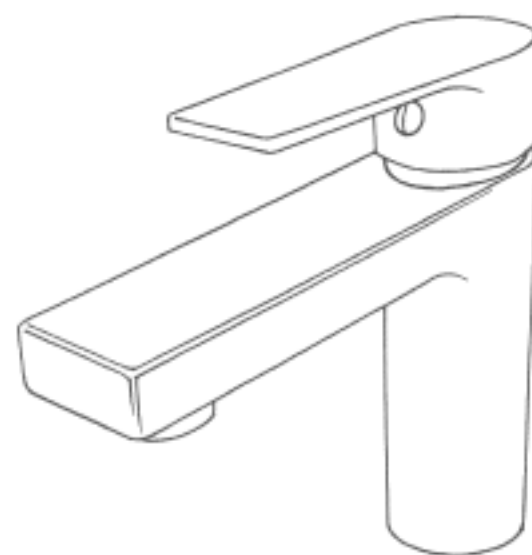
(21) Design Number: **11857/2012**
(22) Date of Filing Application: **13 April 2012**
(24) Date from which industrial property rights may have effect: **13 April 2012**
(54) Product in respect of which the design is registered: **Battery charger housing**
(51) International Design Classification: **13-02**
(74) Name(s) of Attorney(s): **SPRUSON & FERGUSON**
(71) Name(s) and Address(s) of Applicant(s):
Johnson Controls Technology Company
915 East 32nd Street Holland Michigan 49423 United States of America
(72) Name(s) of Designer(s): **Daryl Charles Brockman and James Cameron Douglass and Robert Fred Unger and Timothy Corcoran Repp**
(45) Registration Date: **09 May 2012**
(30) Convention priority data:
(31) Number (32) Date (33) Country
29/404492 21 Oct 2011 UNITED STATES OF AMERICA
(56) Related Art Documents: **Not Applicable**
(57) Statement of Newness and Distinctiveness: **Newness and distinctiveness is claimed in the features of shape and/or configuration of a battery charger housing as illustrated in continuous lines in the accompanying representations.**



- (21) Design Number: **15026/2011**
(22) Date of Filing Application: **08 November 2011**
(24) Date from which industrial property rights may have effect: **08 November 2011**
(54) Product in respect of which the design is registered: **Mixer tap**
(51) International Design Classification: **23-01H**
(74) Name(s) of Attorney(s): **Lord & Company**
(71) Name(s) and Address(s) of Applicant(s):
Novetec Building Products Pty Ltd
Level 1 46 King Edward Road Osborne Park Western Australia 6017
Australia
(72) Name(s) of Designer(s): **Kathy Wu**
(45) Registration Date: **09 May 2012**
(56) Related Art Documents: **Not Applicable**
(57) Statement of Newness and Distinctiveness: **The particular visual features of the design which are new and distinctive are shape or configuration.**



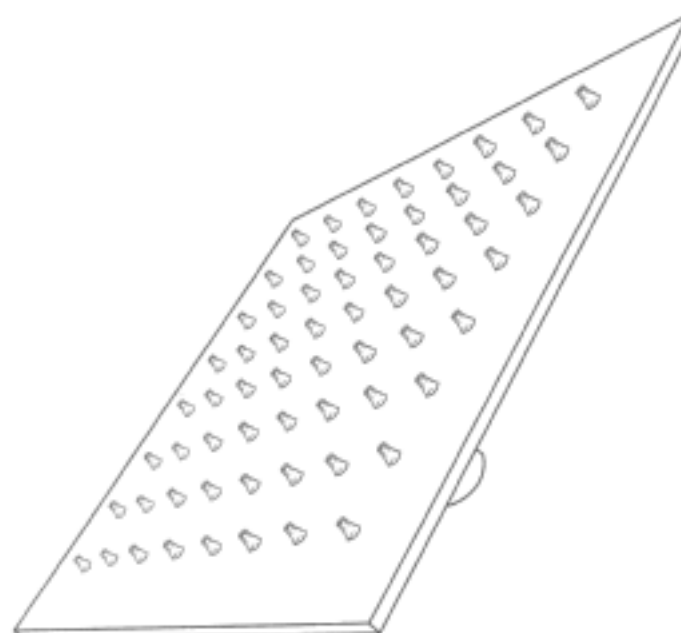
- (21) Design Number: **15027/2011**
(22) Date of Filing Application: **08 November 2011**
(24) Date from which industrial property rights may have effect: **08 November 2011**
(54) Product in respect of which the design is registered: **Mixer tap**
(51) International Design Classification: **23-01H**
(74) Name(s) of Attorney(s): **Lord & Company**
(71) Name(s) and Address(s) of Applicant(s):
Novetec Building Products Pty Ltd
Level 1 46 King Edward Road Osborne Park Western Australia 6017
Australia
(72) Name(s) of Designer(s): **Kathy Wu**
(45) Registration Date: **09 May 2012**
(56) Related Art Documents: **Not Applicable**
(57) Statement of Newness and Distinctiveness: **The particular visual features of the design which are new and distinctive are shape or configuration.**



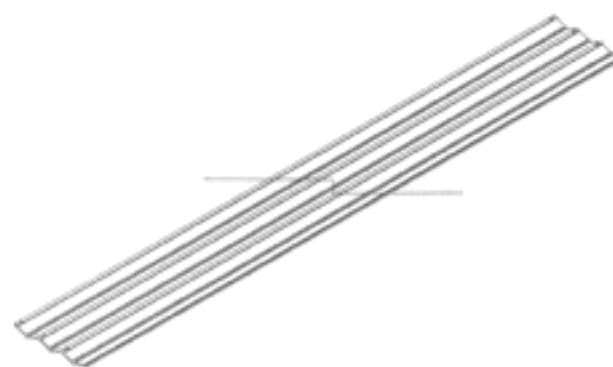
- (21) Design Number: **15131/2011**
(22) Date of Filing Application: **11 November 2011**
(24) Date from which industrial property rights may have effect: **11 November 2011**
(54) Product in respect of which the design is registered: **Shower head**
(51) International Design Classification: **23-02B**
(74) Name(s) of Attorney(s): **Lord & Company**
(71) Name(s) and Address(s) of Applicant(s):
Novetec Building Products Pty Ltd
Level 1 46 King Edward Road Osborne Park Western Australia 6017
Australia
(72) Name(s) of Designer(s): **Elvis Wu**
(45) Registration Date: **09 May 2012**
(56) Related Art Documents: **Not Applicable**
(57) Statement of Newness and Distinctiveness: **The particular visual features of the design which are new and distinctive are shape OR configuration.**



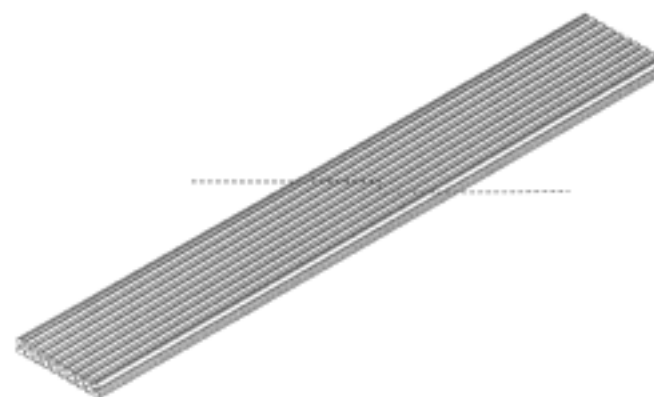
- (21) Design Number: **15132/2011**
(22) Date of Filing Application: **11 November 2011**
(24) Date from which industrial property rights may have effect: **11 November 2011**
(54) Product in respect of which the design is registered: **Shower head**
(51) International Design Classification: **23-02B**
(74) Name(s) of Attorney(s): **Lord & Company**
(71) Name(s) and Address(s) of Applicant(s):
Novetec Building Products Pty Ltd
Level 1 46 King Edward Road Osborne Park Western Australia 6017
Australia
(72) Name(s) of Designer(s): **Elvis Wu**
(45) Registration Date: **09 May 2012**
(56) Related Art Documents: **Not Applicable**
(57) Statement of Newness and Distinctiveness: **The particular visual features of the design which are new and distinctive are shape OR configuration.**



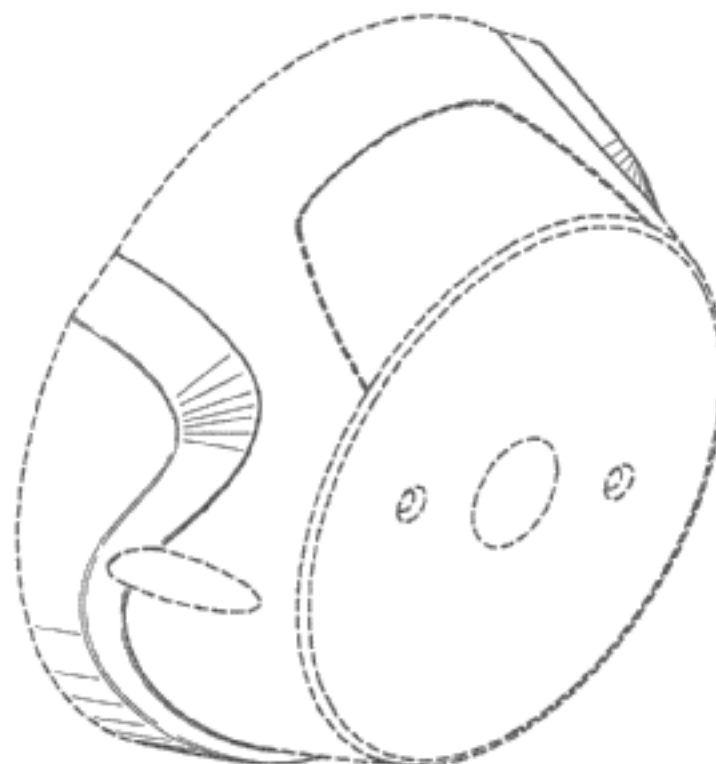
(21) Design Number: **11632/2012**
(22) Date of Filing Application: **29 March 2012**
(24) Date from which industrial property rights may have effect: **29 March 2012**
(54) Product in respect of which the design is registered: **Panel**
(51) International Design Classification: **25-01D**
(74) Name(s) of Attorney(s): **Griffith Hack**
(71) Name(s) and Address(s) of Applicant(s):
Novo-Tech GmbH & Co. KG
Siemensstr. 31 06449 Aschersleben Germany
(72) Name(s) of Designer(s): **Holger Sasse**
(45) Registration Date: **09 May 2012**
(30) Convention priority data:
(31) Number (32) Date (33) Country
001966409-0001 21 Dec 2011 EUROPEAN COMMUNITY
(56) Related Art Documents: **Not Applicable**
(57) Statement of Newness and Distinctiveness: **The shape and configuration of the product as shown in the accompanying Figures is new and distinctive. The product may be of any length.**



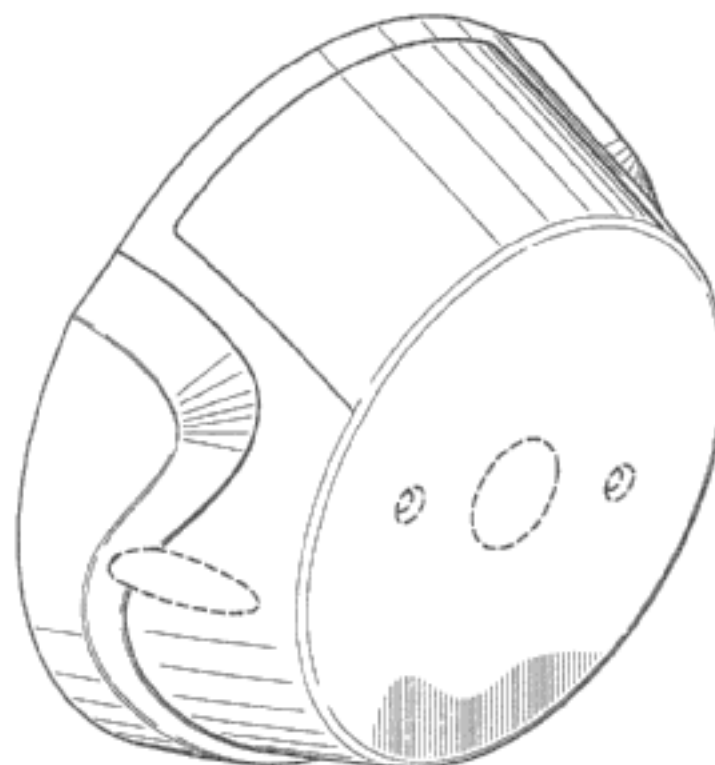
(21) Design Number: **11633/2012**
(22) Date of Filing Application: **29 March 2012**
(24) Date from which industrial property rights may have effect: **29 March 2012**
(54) Product in respect of which the design is registered: **Panel**
(51) International Design Classification: **25-01D**
(74) Name(s) of Attorney(s): **Griffith Hack**
(71) Name(s) and Address(s) of Applicant(s):
Novo-Tech GmbH & Co. KG
Siemensstr. 31 06449 Aschersleben Germany
(72) Name(s) of Designer(s): **Holger Sasse**
(45) Registration Date: **09 May 2012**
(30) Convention priority data:
(31) Number (32) Date (33) Country
001939588-0003 28 Oct 2011 EUROPEAN COMMUNITY
(56) Related Art Documents: **Not Applicable**
(57) Statement of Newness and Distinctiveness: **The shape and configuration of the product as shown in the accompanying Figures is new and distinctive. The product may also be of any length.**



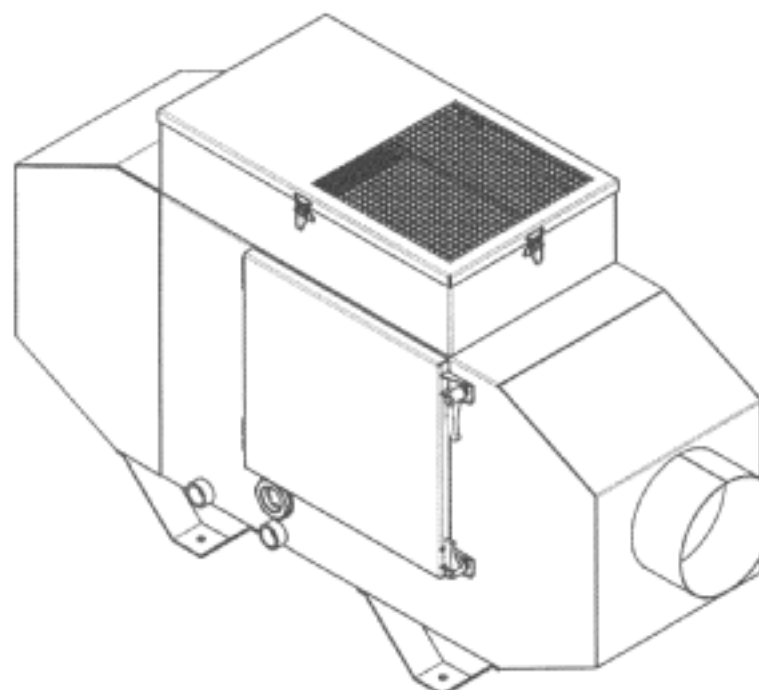
- (21) Design Number: **11841/2012**
(22) Date of Filing Application: **13 April 2012**
(24) Date from which industrial property rights may have effect: **13 April 2012**
(54) Product in respect of which the design is registered: **Steering bezel**
(51) International Design Classification: **12-16A**
(74) Name(s) of Attorney(s): **FB Rice**
(71) Name(s) and Address(s) of Applicant(s):
Marine Acquisition (US) Incorporated
640 North Lewis Road Limerick Pennsylvania 19468 United States of America
(72) Name(s) of Designer(s): **Patrick Mainville and Antoine Dubois**
(45) Registration Date: **09 May 2012**
(30) Convention priority data:
(31) Number (32) Date (33) Country
29/404061 14 Oct 2011 UNITED STATES OF AMERICA
(56) Related Art Documents: **Not Applicable**
(57) Statement of Newness and Distinctiveness: **Newness and distinctiveness reside in the features of shape and configuration of the steering bezel as shown in the representations, and excluding those features shown in broken lines.**



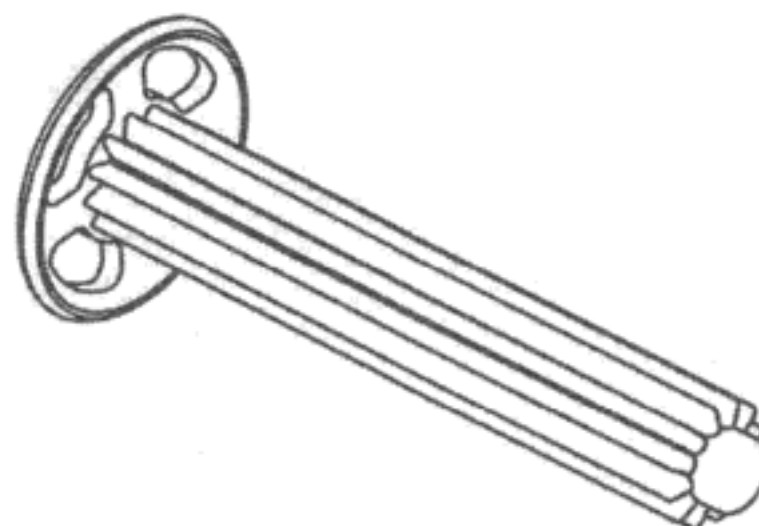
- (21) Design Number: **11842/2012**
(22) Date of Filing Application: **13 April 2012**
(24) Date from which industrial property rights may have effect: **13 April 2012**
(54) Product in respect of which the design is registered: **Steering bezel**
(51) International Design Classification: **12-16A**
(74) Name(s) of Attorney(s): **FB Rice**
(71) Name(s) and Address(s) of Applicant(s):
Marine Acquisition (US) Incorporated
640 North Lewis Road Limerick Pennsylvania 19468 United States of America
(72) Name(s) of Designer(s): **Patrick Mainville and Antoine Dubois**
(45) Registration Date: **09 May 2012**
(30) Convention priority data:
(31) Number (32) Date (33) Country
29/404061 14 Oct 2011 UNITED STATES OF AMERICA
(56) Related Art Documents: **Not Applicable**
(57) Statement of Newness and Distinctiveness: **Newness and distinctiveness reside in the features of shape and configuration of the steering bezel as shown in the representations, and excluding those features shown in broken lines.**



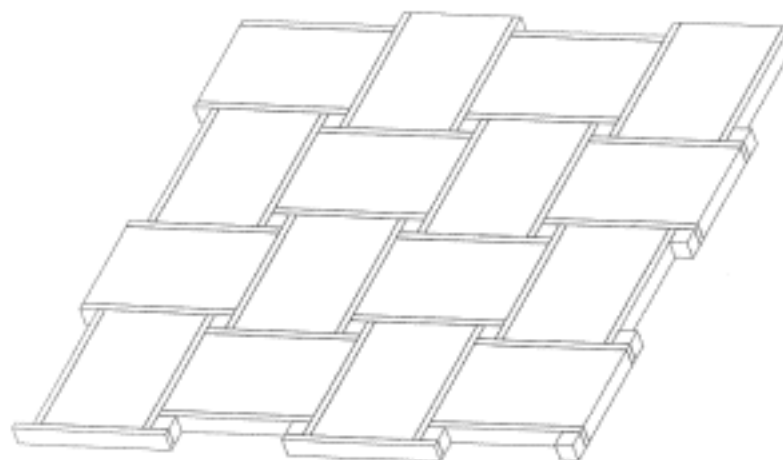
(21) Design Number: **11843/2012**
(22) Date of Filing Application: **13 April 2012**
(24) Date from which industrial property rights may have effect: **13 April 2012**
(54) Product in respect of which the design is registered: **Air cleaner**
(51) International Design Classification: **23-04**
(74) Name(s) of Attorney(s): **Griffith Hack**
(71) Name(s) and Address(s) of Applicant(s):
Rentschler Reven-Luftungssysteme GmbH
Ludwigstrasse 16-18 74372 Sersheim Germany
(72) Name(s) of Designer(s): **Sven Rentschler**
(45) Registration Date: **09 May 2012**
(30) Convention priority data:
(31) Number (32) Date (33) Country
001990771 13 Feb 2012 EUROPEAN COMMUNITY
(56) Related Art Documents: **Not Applicable**
(57) Statement of Newness and Distinctiveness: **The shape, configuration and ornamentation of the product as shown in the accompanying representation is new and distinctive.**



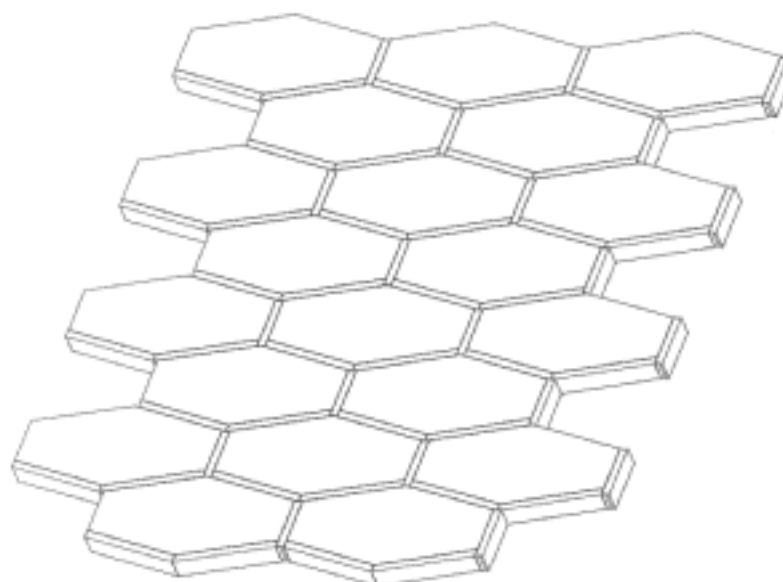
(21) Design Number: **11844/2012**
(22) Date of Filing Application: **13 April 2012**
(24) Date from which industrial property rights may have effect: **13 April 2012**
(54) Product in respect of which the design is registered: **A toy building element**
(51) International Design Classification: **21-01E**
(74) Name(s) of Attorney(s): **Collison & Co**
(71) Name(s) and Address(s) of Applicant(s):
Morphun Research Limited
167 Fleet Street London ED4A 2JB United Kingdom
(72) Name(s) of Designer(s): **Colin Simonds**
(45) Registration Date: **09 May 2012**
(30) Convention priority data:
(31) Number (32) Date (33) Country
001957499 05 Dec 2011 EUROPEAN COMMUNITY
(56) Related Art Documents: **Not Applicable**
(57) Statement of Newness and Distinctiveness: **Newness and distinctiveness is claimed in the shape and or configuration of the construction component as illustrated in the accompanying representations.**



- (21) Design Number: **11847/2012**
(22) Date of Filing Application: **13 April 2012**
(24) Date from which industrial property rights may have effect: **13 April 2012**
(54) Product in respect of which the design is registered: **Tesserae**
(51) International Design Classification: **25-01F**
(74) Name(s) of Attorney(s): **Allens Patent & Trade Mark Attorneys**
(71) Name(s) and Address(s) of Applicant(s):
Everstone International Pty Limited
20 Princes Road East Auburn New South Wales 2144 Australia
(72) Name(s) of Designer(s): **Antonio Salvatore Brugellis**
(45) Registration Date: **09 May 2012**
(56) Related Art Documents: **Not Applicable**
(57) Statement of Newness and Distinctiveness: **Newness and distinctiveness is claimed in the shape and configuration of the tesserae shown in the attached representations. It is to be understood that a basic element of the tesserae is shown in the representations and the basic element may repeat in the longitudinal and lateral directions.**



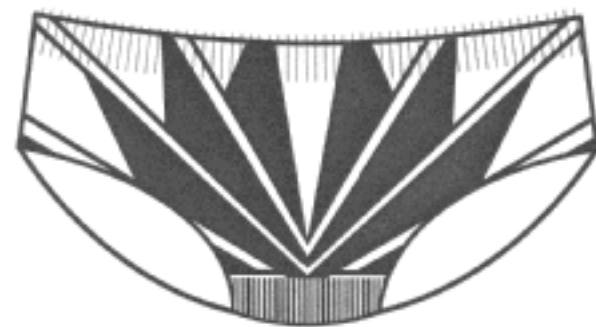
- (21) Design Number: **11848/2012**
(22) Date of Filing Application: **13 April 2012**
(24) Date from which industrial property rights may have effect: **13 April 2012**
(54) Product in respect of which the design is registered: **Tesserae**
(51) International Design Classification: **25-01F**
(74) Name(s) of Attorney(s): **Allens Patent & Trade Mark Attorneys**
(71) Name(s) and Address(s) of Applicant(s):
Everstone International Pty Limited
20 Princes Road East Auburn New South Wales 2144 Australia
(72) Name(s) of Designer(s): **Antonio Salvatore Brugellis**
(45) Registration Date: **09 May 2012**
(56) Related Art Documents: **Not Applicable**
(57) Statement of Newness and Distinctiveness: **Newness and distinctiveness is claimed in the shape and configuration of the tesserae shown in the attached representations. It is to be understood that a basic element of the tesserae is shown in the representations and the basic element may repeat in the longitudinal and lateral directions.**



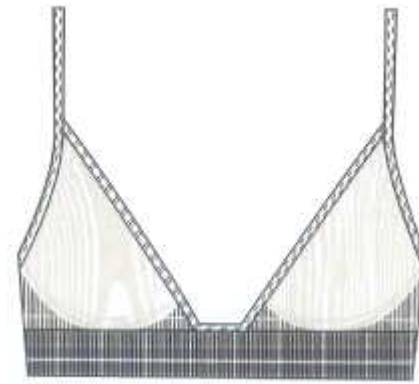
- (21) Design Number: **11849/2012**
(22) Date of Filing Application: **13 April 2012**
(24) Date from which industrial property rights may have effect: **13 April 2012**
(54) Product in respect of which the design is registered: **Tesserae**
(51) International Design Classification: **25-01F**
(74) Name(s) of Attorney(s): **Allens Patent & Trade Mark Attorneys**
(71) Name(s) and Address(s) of Applicant(s):
Everstone International Pty Limited
20 Princes Road East Auburn New South Wales 2144 Australia
(72) Name(s) of Designer(s): **Antonio Salvatore Brugellis**
(45) Registration Date: **09 May 2012**
(56) Related Art Documents: **Not Applicable**
(57) Statement of Newness and Distinctiveness: **Newness and distinctiveness is claimed in the shape and configuration of the tesserae shown in the attached representations. It is to be understood that a basic element of the tesserae is shown in the representations and the basic element may repeat in the longitudinal and lateral directions.**



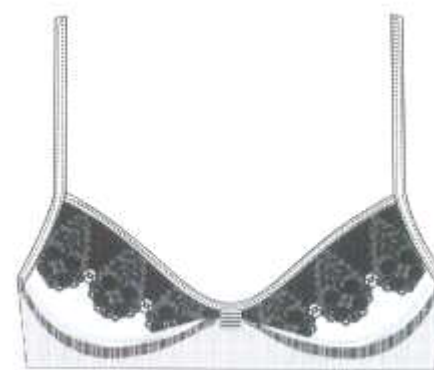
- (21) Design Number: **15078/2011**
(22) Date of Filing Application: **04 November 2011**
(24) Date from which industrial property rights may have effect: **04 November 2011**
(54) Product in respect of which the design is registered: **Womens underwear**
(51) International Design Classification: **02-01B**
(74) Name(s) of Attorney(s):
(71) Name(s) and Address(s) of Applicant(s):
LM Australia Pty Ltd
Level 1 14-24 Easey Street Collingwood Victoria 3066 Australia
(72) Name(s) of Designer(s): **Lesley Abeysekera**
(45) Registration Date: **10 May 2012**
(56) Related Art Documents: **Not Applicable**
(57) Statement of Newness and Distinctiveness: **This breif is made with seamless construction and unique jacquard.**



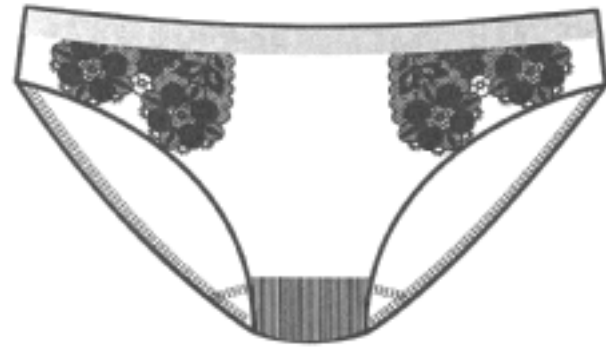
- (21) Design Number: **15080/2011**
(22) Date of Filing Application: **04 November 2011**
(24) Date from which industrial property rights may have effect: **04 November 2011**
(54) Product in respect of which the design is registered: **Womens underwear**
(51) International Design Classification: **02-01A**
(74) Name(s) of Attorney(s):
(71) Name(s) and Address(s) of Applicant(s):
LM Australia Pty Ltd
Level 1 14-24 Easey Street Collingwood Victoria 3066 Australia
(72) Name(s) of Designer(s): **Lesley Abeysekera**
(45) Registration Date: **10 May 2012**
(56) Related Art Documents: **Not Applicable**
(57) Statement of Newness and Distinctiveness: **This triangle cup bralet is made with seamless construction and unique jacquard.**



- (21) Design Number: **15083/2011**
(22) Date of Filing Application: **04 November 2011**
(24) Date from which industrial property rights may have effect: **04 November 2011**
(54) Product in respect of which the design is registered: **Womens underwear**
(51) International Design Classification: **02-01A**
(74) Name(s) of Attorney(s):
(71) Name(s) and Address(s) of Applicant(s):
LM Australia Pty Ltd
Level 1 14-24 Easey Street Collingwood Victoria 3066 Australia
(72) Name(s) of Designer(s): **Lesley Abeysekera**
(45) Registration Date: **10 May 2012**
(56) Related Art Documents: **Not Applicable**
(57) Statement of Newness and Distinctiveness: **This bra is made with seamless construction and unique jacquard with perforated holes in a floral pattern.**



- (21) Design Number: **15084/2011**
(22) Date of Filing Application: **04 November 2011**
(24) Date from which industrial property rights may have effect: **04 November 2011**
(54) Product in respect of which the design is registered: **Womens underwear**
(51) International Design Classification: **02-01B**
(74) Name(s) of Attorney(s):
(71) Name(s) and Address(s) of Applicant(s):
LM Australia Pty Ltd
Level 1 14-24 Easey Street Collingwood Victoria 3066 Australia
(72) Name(s) of Designer(s): **Lesley Abeysekera**
(45) Registration Date: **10 May 2012**
(56) Related Art Documents: **Not Applicable**
(57) Statement of Newness and Distinctiveness: **This brief is made with seamless construction and unique jacquard with perforated holes in a floral pattern.**



- (21) Design Number: **15089/2011**
(22) Date of Filing Application: **04 November 2011**
(24) Date from which industrial property rights may have effect: **04 November 2011**
(54) Product in respect of which the design is registered: **Womens underwear**
(51) International Design Classification: **02-02NES**
(74) Name(s) of Attorney(s):
(71) Name(s) and Address(s) of Applicant(s):
LM Australia Pty Ltd
Level 1 14-24 Easey Street Collingwood Victoria 3066 Australia
(72) Name(s) of Designer(s): **Lesley Abeysekera**
(45) Registration Date: **10 May 2012**
(56) Related Art Documents: **Not Applicable**
(57) Statement of Newness and Distinctiveness: **This shapewear slip dress is made with seamless construction and unique jacquard in a sculpted pattern.**



- (21) Design Number: **15098/2011**
(22) Date of Filing Application: **04 November 2011**
(24) Date from which industrial property rights may have effect: **04 November 2011**
(54) Product in respect of which the design is registered: **Womens dress**
(51) International Design Classification: **02-02C**
(74) Name(s) of Attorney(s):
(71) Name(s) and Address(s) of Applicant(s):
LM Australia Pty Ltd
Level 1 14-24 Easey Street Collingwood Victoria 3066 Australia
(72) Name(s) of Designer(s): **Lesley Abeysekera**
(45) Registration Date: **10 May 2012**
(56) Related Art Documents: **Not Applicable**
(57) Statement of Newness and Distinctiveness: **This sleeveless dress is made with seamless construction and unique maze jacquard using bright divine yarn.**



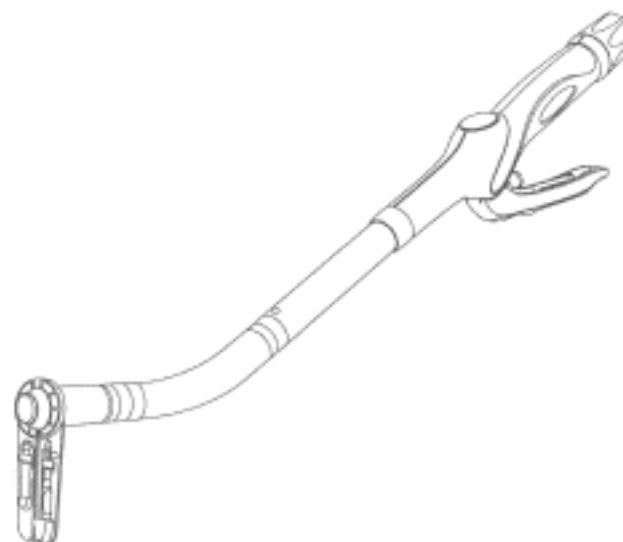
- (21) Design Number: **15100/2011**
(22) Date of Filing Application: **04 November 2011**
(24) Date from which industrial property rights may have effect: **04 November 2011**
(54) Product in respect of which the design is registered: **Womens dress**
(51) International Design Classification: **02-02C**
(74) Name(s) of Attorney(s):
(71) Name(s) and Address(s) of Applicant(s):
LM Australia Pty Ltd
Level 1 14-24 Easey Street Collingwood Victoria 3066 Australia
(72) Name(s) of Designer(s): **Lesley Abeysekera**
(45) Registration Date: **10 May 2012**
(56) Related Art Documents: **Not Applicable**
(57) Statement of Newness and Distinctiveness: **This 3/4 sleeve dress is made with seamless construction and unique block jacquard using bright divine yarn.**



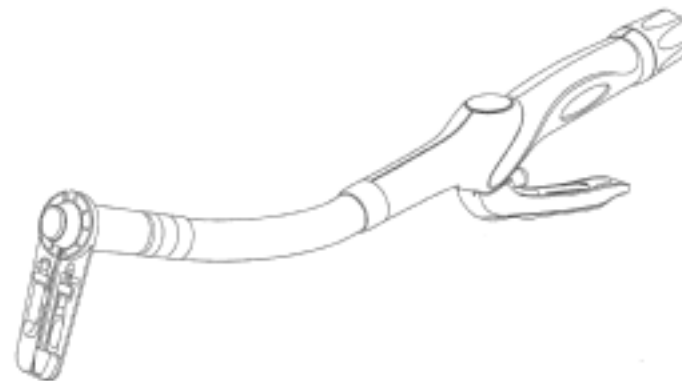
(21) Design Number: **10885/2012**
(22) Date of Filing Application: **24 February 2012**
(24) Date from which industrial property rights may have effect: **24 February 2012**
(54) Product in respect of which the design is registered: **Inverter**
(51) International Design Classification: **13-02**
(74) Name(s) of Attorney(s): **Griffith Hack**
(71) Name(s) and Address(s) of Applicant(s):
SMA Solar Technology AG
Sonnenallee 1 34266 Niestetal Germany
(72) Name(s) of Designer(s): **Harry Eppinger**
(45) Registration Date: **10 May 2012**
(30) Convention priority data:
(31) Number (32) Date (33) Country
001916792-0001 13 Sep 2011 EUROPEAN COMMUNITY
(56) Related Art Documents: **Not Applicable**
(57) Statement of Newness and Distinctiveness: **The shape and configuration of the PRODUCT as shown in the accompanying representations is new and distinctive.**



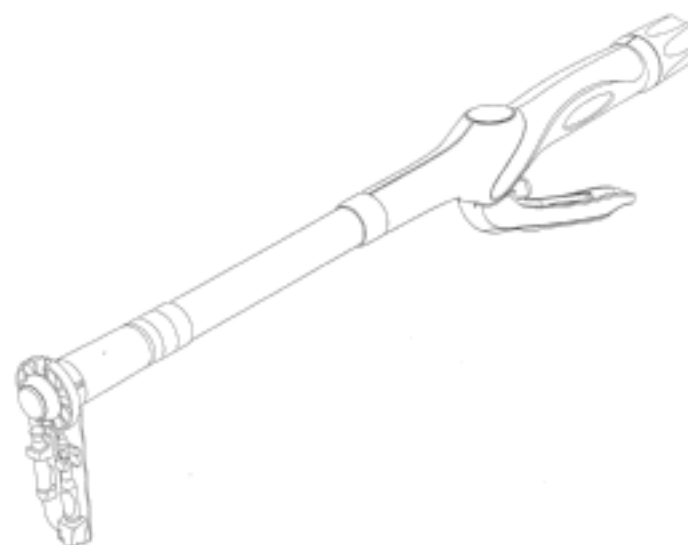
(21) Design Number: **11507/2012**
(22) Date of Filing Application: **23 March 2012**
(24) Date from which industrial property rights may have effect: **23 March 2012**
(54) Product in respect of which the design is registered: **Circular stapler**
(51) International Design Classification: **24-02**
(74) Name(s) of Attorney(s): **Freehills Patent & Trade Mark Attorneys**
(71) Name(s) and Address(s) of Applicant(s):
Ethicon Endo-Surgery, Inc.
4545 Creek Road Cincinnati Ohio 45242 United States of America
(72) Name(s) of Designer(s): **John V. Hunt and Cory G. Kimball**
(45) Registration Date: **10 May 2012**
(30) Convention priority data:
(31) Number (32) Date (33) Country
29/398667 26 Sep 2011 UNITED STATES OF AMERICA
(56) Related Art Documents: **Not Applicable**
(57) Statement of Newness and Distinctiveness: **Newness and distinctiveness resides in the features of shape and configuration of the surgical stapler as shown in the representations.**



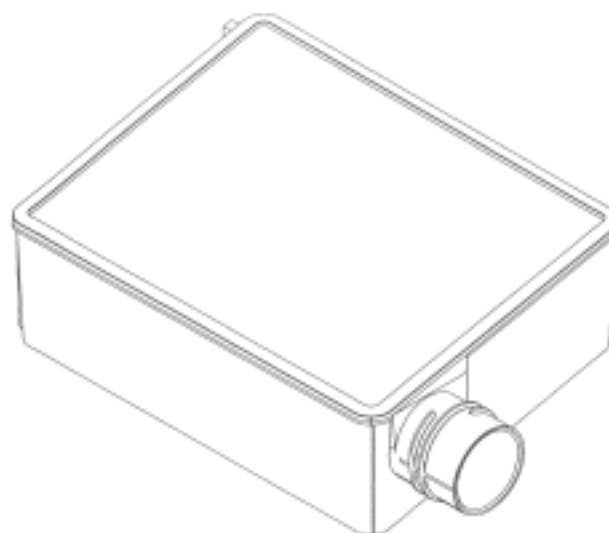
(21) Design Number: **11515/2012**
(22) Date of Filing Application: **22 March 2012**
(24) Date from which industrial property rights may have effect: **22 March 2012**
(54) Product in respect of which the design is registered: **Circular stapler**
(51) International Design Classification: **24-02**
(74) Name(s) of Attorney(s): **Freehills Patent & Trade Mark Attorneys**
(71) Name(s) and Address(s) of Applicant(s):
Ethicon Endo-Surgery, Inc.
4545 Creek Road Cincinnati Ohio 45242 United States of America
(72) Name(s) of Designer(s): **John V. Hunt and Cory G. Kimball**
(45) Registration Date: **10 May 2012**
(30) Convention priority data:
(31) Number (32) Date (33) Country
29/398666 23 Sep 2011 UNITED STATES OF AMERICA
(56) Related Art Documents: **Not Applicable**
(57) Statement of Newness and Distinctiveness: **Newness and distinctiveness resides in the shape and configuration of the circular stapler as shown in the representations.**



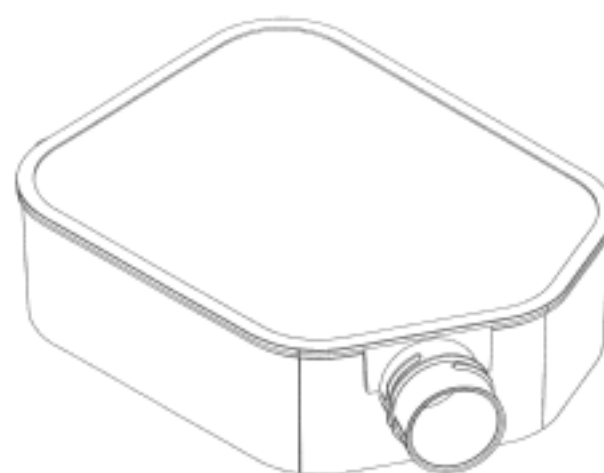
(21) Design Number: **11516/2012**
(22) Date of Filing Application: **22 March 2012**
(24) Date from which industrial property rights may have effect: **22 March 2012**
(54) Product in respect of which the design is registered: **Circular stapler**
(51) International Design Classification: **24-02**
(74) Name(s) of Attorney(s): **Freehills Patent & Trade Mark Attorneys**
(71) Name(s) and Address(s) of Applicant(s):
Ethicon Endo-Surgery, Inc.
4545 Creek Road Cincinnati Ohio 45242 United States of America
(72) Name(s) of Designer(s): **John V. Hunt and Cory G. Kimball**
(45) Registration Date: **10 May 2012**
(30) Convention priority data:
(31) Number (32) Date (33) Country
29/398467 23 Sep 2011 UNITED STATES OF AMERICA
(56) Related Art Documents: **Not Applicable**
(57) Statement of Newness and Distinctiveness: **Newness and distinctiveness resides in the features of shape and configuration of the circular stapler as shown in the representations.**



(21) Design Number: **11882/2012**
(22) Date of Filing Application: **16 April 2012**
(24) Date from which industrial property rights may have effect: **16 April 2012**
(54) Product in respect of which the design is registered: **Rhombus shaped flask**
(51) International Design Classification: **07-01F**
(74) Name(s) of Attorney(s): **FB Rice**
(71) Name(s) and Address(s) of Applicant(s):
Becton, Dickinson and Company
1 Becton Drive Franklin Lakes New Jersey 07417-1880 United States of America
(72) Name(s) of Designer(s): **Michael S Shanler**
(45) Registration Date: **10 May 2012**
(30) Convention priority data:
(31) Number (32) Date (33) Country
29/404822 26 Oct 2011 UNITED STATES OF AMERICA
(56) Related Art Documents: **Not Applicable**
(57) Statement of Newness and Distinctiveness: **Newness and distinctiveness reside in the features of shape and configuration of the rhombus shaped flask as a shown in the representations.**



(21) Design Number: **11883/2012**
(22) Date of Filing Application: **16 April 2012**
(24) Date from which industrial property rights may have effect: **16 April 2012**
(54) Product in respect of which the design is registered: **Flask with off-center cap orientation**
(51) International Design Classification: **07-01F**
(74) Name(s) of Attorney(s): **FB Rice**
(71) Name(s) and Address(s) of Applicant(s):
Becton, Dickinson and Company
1 Becton Drive Franklin Lakes New Jersey 07417-1880 United States of America
(72) Name(s) of Designer(s): **Michael S Shanler**
(45) Registration Date: **10 May 2012**
(30) Convention priority data:
(31) Number (32) Date (33) Country
29/404823 26 Oct 2011 UNITED STATES OF AMERICA
(56) Related Art Documents: **Not Applicable**
(57) Statement of Newness and Distinctiveness: **Newness and distinctiveness reside in the features of shape and configuration of the flask with off-center cap orientation as shown in the representations.**



(21) Design Number: **11884/2012**

(22) Date of Filing Application: **16 April 2012**

(24) Date from which industrial property rights may have effect: **16 April 2012**

(54) Product in respect of which the design is registered: **Octagon shaped flask**

(51) International Design Classification: **07-01F**

(74) Name(s) of Attorney(s): **FB Rice**

(71) Name(s) and Address(s) of Applicant(s):

Becton, Dickinson and Company

1 Becton Drive Franklin Lakes New Jersey 07417-1880 United States of America

(72) Name(s) of Designer(s): **Michael S Shanler**

(45) Registration Date: **10 May 2012**

(30) Convention priority data:

(31) Number

(32) Date

(33) Country

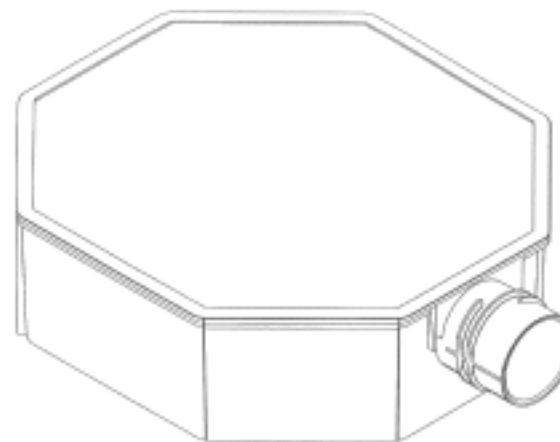
29/404826

26 Oct 2011

UNITED STATES OF AMERICA

(56) Related Art Documents: **Not Applicable**

(57) Statement of Newness and Distinctiveness: **Newness and distinctiveness reside in the features of shape and configuration of the octagon shaped flask as shown in the representations.**



(21) Design Number: **11885/2012**

(22) Date of Filing Application: **16 April 2012**

(24) Date from which industrial property rights may have effect: **16 April 2012**

(54) Product in respect of which the design is registered: **Canteen shaped flask**

(51) International Design Classification: **07-01F**

(74) Name(s) of Attorney(s): **FB Rice**

(71) Name(s) and Address(s) of Applicant(s):

Becton, Dickinson and Company

1 Becton Drive Franklin Lakes New Jersey 07417-1880 United States of America

(72) Name(s) of Designer(s): **Michael S Shanler**

(45) Registration Date: **10 May 2012**

(30) Convention priority data:

(31) Number

(32) Date

(33) Country

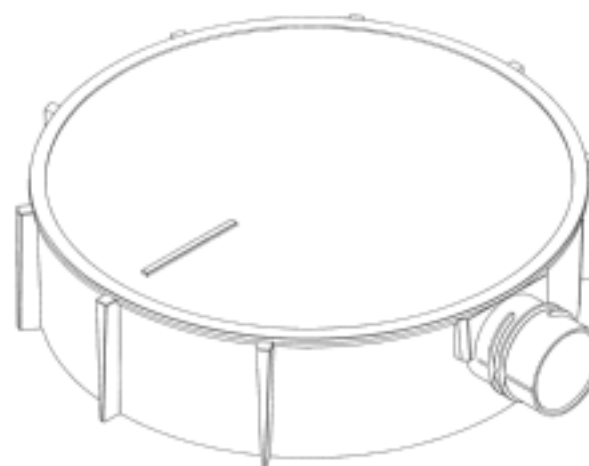
29/404829

26 Oct 2011

UNITED STATES OF AMERICA

(56) Related Art Documents: **Not Applicable**

(57) Statement of Newness and Distinctiveness: **Newness and distinctiveness reside in the features of shape and configuration of the canteen shaped flask as shown in the representations.**



(21) Design Number: **11886/2012**

(22) Date of Filing Application: **16 April 2012**

(24) Date from which industrial property rights may have effect: **16 April 2012**

(54) Product in respect of which the design is registered: **Diamond shaped flask**

(51) International Design Classification: **07-01F**

(74) Name(s) of Attorney(s): **FB Rice**

(71) Name(s) and Address(s) of Applicant(s):

Becton, Dickinson and Company
1 Becton Drive Franklin Lakes New Jersey 07417-1880 United States of America

(72) Name(s) of Designer(s): **Michael S Shanler**

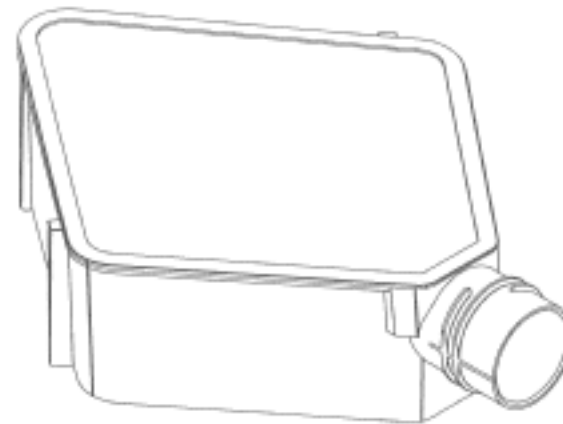
(45) Registration Date: **10 May 2012**

(30) Convention priority data:

(31) Number	(32) Date	(33) Country
29/404833	26 Oct 2011	UNITED STATES OF AMERICA

(56) Related Art Documents: **Not Applicable**

(57) Statement of Newness and Distinctiveness: **Newness and distinctiveness reside in the features of shape and configuration of the diamond shaped flask as shown in the representations.**



(21) Design Number: **11858/2012**

(22) Date of Filing Application: **16 April 2012**

(24) Date from which industrial property rights may have effect: **16 April 2012**

(54) Product in respect of which the design is registered: **High pressure washer**

(51) International Design Classification: **15-05**

(74) Name(s) of Attorney(s): **PHILLIPS ORMONDE FITZPATRICK**

(71) Name(s) and Address(s) of Applicant(s):

Actervis GmbH
c/o Prv Provides Treuhandgesellschaft Lindenhof Dorfstr. 38 CH-6341 Baar (Zug) Switzerland

(72) Name(s) of Designer(s): **Juan Ramon Torres Martin**

(45) Registration Date: **10 May 2012**

(30) Convention priority data:

(31) Number	(32) Date	(33) Country
001301766-0001	10 Nov 2011	EUROPEAN COMMUNITY

(56) Related Art Documents: **Not Applicable**

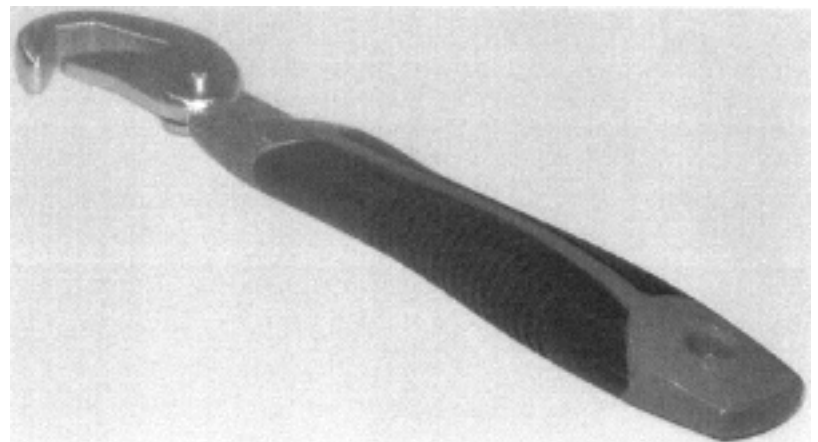
(57) Statement of Newness and Distinctiveness: **Nil**



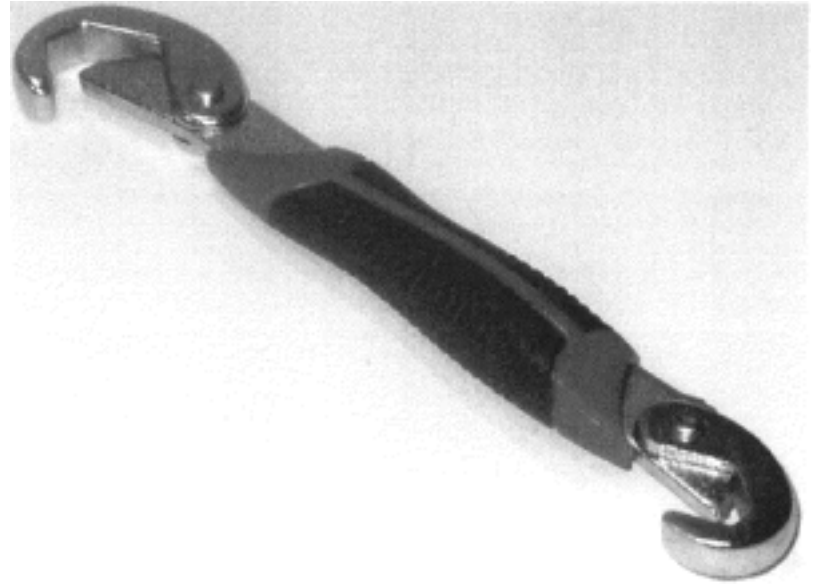
(21) Design Number: **11859/2012**
(22) Date of Filing Application: **16 April 2012**
(24) Date from which industrial property rights may have effect: **16 April 2012**
(54) Product in respect of which the design is registered: **High pressure washer**
(51) International Design Classification: **15-05**
(74) Name(s) of Attorney(s): **PHILLIPS ORMONDE FITZPATRICK**
(71) Name(s) and Address(s) of Applicant(s):
Actervis GmbH
c/o Prv Provides Treuhandgesellschaft Lindenhof Dorfstr. 38 CH-6341
Baar (Zug) Switzerland
(72) Name(s) of Designer(s): **Juan Ramon Torres Martin**
(45) Registration Date: **10 May 2012**
(30) Convention priority data:
(31) Number (32) Date (33) Country
001301766-0002 10 Nov 2011 EUROPEAN COMMUNITY
(56) Related Art Documents: **Not Applicable**
(57) Statement of Newness and Distinctiveness: **Nil**



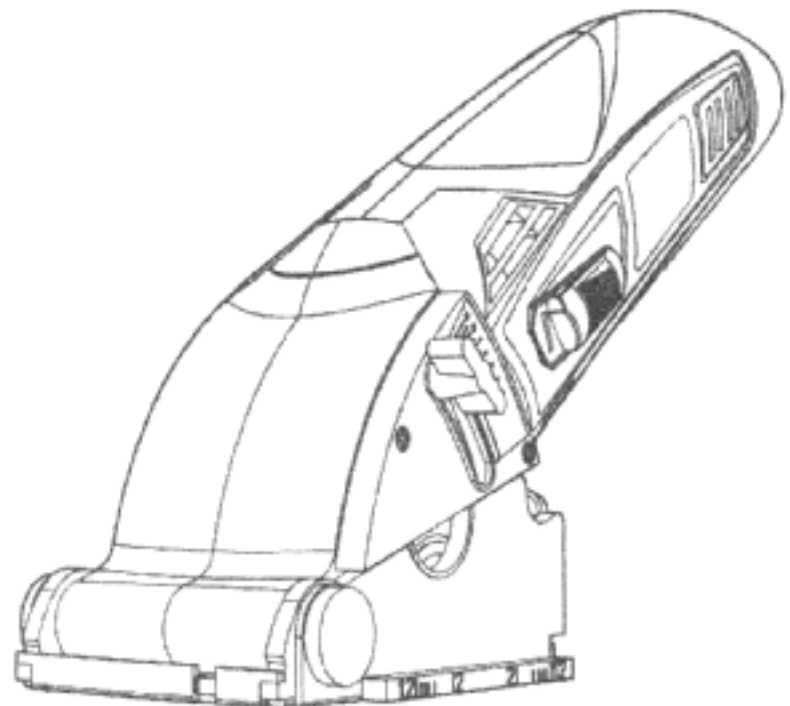
(21) Design Number: **11860/2012**
(22) Date of Filing Application: **16 April 2012**
(24) Date from which industrial property rights may have effect: **16 April 2012**
(54) Product in respect of which the design is registered: **Spanner**
(51) International Design Classification: **08-05P**
(74) Name(s) of Attorney(s): **PHILLIPS ORMONDE FITZPATRICK**
(71) Name(s) and Address(s) of Applicant(s):
Actervis GmbH
c/o Prv Provides Treuhandgesellschaft Lindenhof Dorfstr. 38 CH-6341
Baar (Zug) Switzerland
(72) Name(s) of Designer(s): **Juan Ramon Torres Martin**
(45) Registration Date: **10 May 2012**
(30) Convention priority data:
(31) Number (32) Date (33) Country
001301212-0002 08 Nov 2011 EUROPEAN COMMUNITY
(56) Related Art Documents: **Not Applicable**
(57) Statement of Newness and Distinctiveness: **Nil**



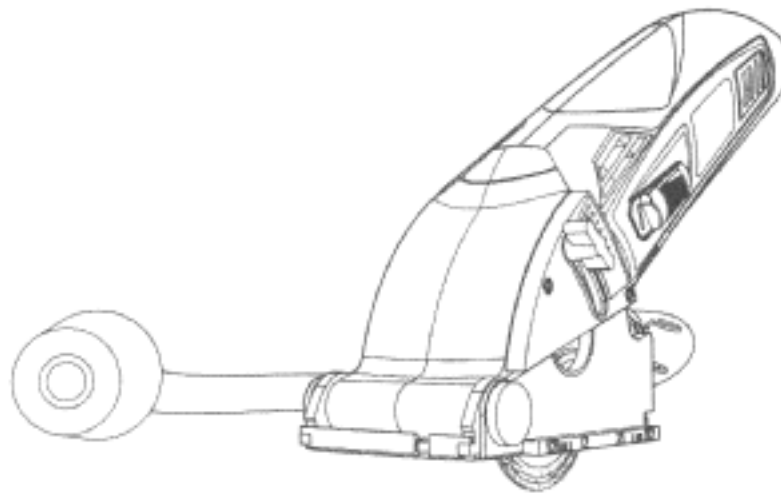
(21) Design Number: **11861/2012**
(22) Date of Filing Application: **16 April 2012**
(24) Date from which industrial property rights may have effect: **16 April 2012**
(54) Product in respect of which the design is registered: **Spanner**
(51) International Design Classification: **08-05P**
(74) Name(s) of Attorney(s): **PHILLIPS ORMONDE FITZPATRICK**
(71) Name(s) and Address(s) of Applicant(s):
Actervis GmbH
c/o Prv Provides Treuhandgesellschaft Lindenhof Dorfstr. 38 CH-6341
Baar (Zug) Switzerland
(72) Name(s) of Designer(s): **Juan Ramon Torres Martin**
(45) Registration Date: **10 May 2012**
(30) Convention priority data:
(31) Number (32) Date (33) Country
001301212-0001 08 Nov 2011 EUROPEAN COMMUNITY
(56) Related Art Documents: **Not Applicable**
(57) Statement of Newness and Distinctiveness: **Nil**



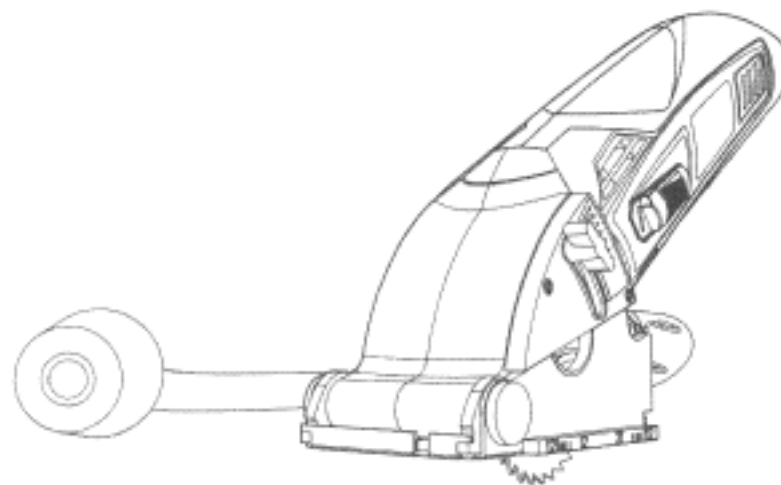
(21) Design Number: **11862/2012**
(22) Date of Filing Application: **16 April 2012**
(24) Date from which industrial property rights may have effect: **16 April 2012**
(54) Product in respect of which the design is registered: **Rotary tool**
(51) International Design Classification: **08-01**
(74) Name(s) of Attorney(s): **PHILLIPS ORMONDE FITZPATRICK**
(71) Name(s) and Address(s) of Applicant(s):
Actervis GmbH
c/o Prv Provides Treuhandgesellschaft Lindenhof Dorfstr. 38 CH-6341
Baar (Zug) Switzerland
(72) Name(s) of Designer(s): **Juan Ramon Torres Martin**
(45) Registration Date: **10 May 2012**
(30) Convention priority data:
(31) Number (32) Date (33) Country
001302277-0001 15 Nov 2011 EUROPEAN COMMUNITY
(56) Related Art Documents: **Not Applicable**
(57) Statement of Newness and Distinctiveness: **Nil**



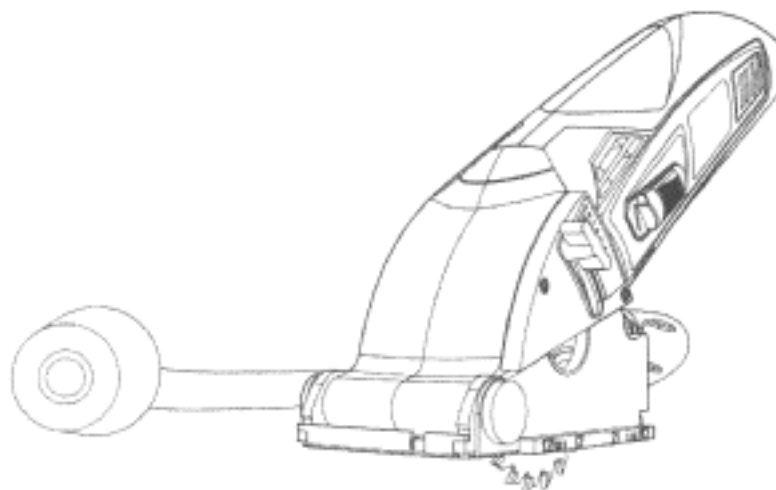
(21) Design Number: **11863/2012**
(22) Date of Filing Application: **16 April 2012**
(24) Date from which industrial property rights may have effect: **16 April 2012**
(54) Product in respect of which the design is registered: **Rotary tool**
(51) International Design Classification: **08-01**
(74) Name(s) of Attorney(s): **PHILLIPS ORMONDE FITZPATRICK**
(71) Name(s) and Address(s) of Applicant(s):
Actervis GmbH
c/o Prv Provides Treuhandgesellschaft Lindenhof Dorfstr. 38 CH-6341
Baar (Zug) Switzerland
(72) Name(s) of Designer(s): **Juan Ramon Torres Martin**
(45) Registration Date: **10 May 2012**
(30) Convention priority data:
(31) Number (32) Date (33) Country
001302277-0003 15 Nov 2011 EUROPEAN COMMUNITY
(56) Related Art Documents: **Not Applicable**
(57) Statement of Newness and Distinctiveness: **Nil**



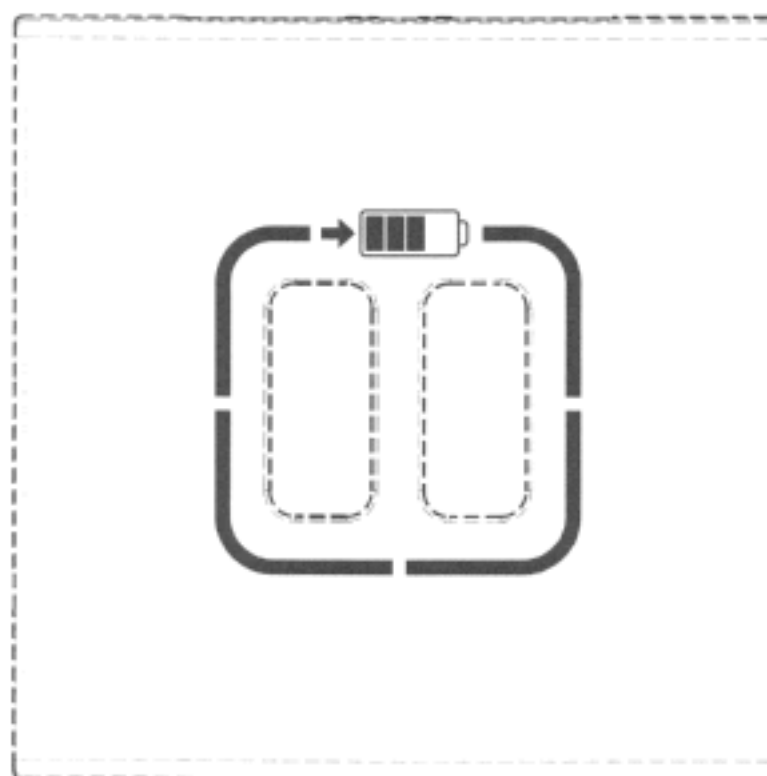
(21) Design Number: **11864/2012**
(22) Date of Filing Application: **16 April 2012**
(24) Date from which industrial property rights may have effect: **16 April 2012**
(54) Product in respect of which the design is registered: **Rotary tool**
(51) International Design Classification: **08-01**
(74) Name(s) of Attorney(s): **PHILLIPS ORMONDE FITZPATRICK**
(71) Name(s) and Address(s) of Applicant(s):
Actervis GmbH
c/o Prv Provides Treuhandgesellschaft Lindenhof Dorfstr. 38 CH-6341
Baar (Zug) Switzerland
(72) Name(s) of Designer(s): **Juan Ramon Torres Martin**
(45) Registration Date: **10 May 2012**
(30) Convention priority data:
(31) Number (32) Date (33) Country
001302277-0005 15 Nov 2011 EUROPEAN COMMUNITY
(56) Related Art Documents: **Not Applicable**
(57) Statement of Newness and Distinctiveness: **Nil**



(21) Design Number: **11865/2012**
(22) Date of Filing Application: **16 April 2012**
(24) Date from which industrial property rights may have effect: **16 April 2012**
(54) Product in respect of which the design is registered: **Rotary tool**
(51) International Design Classification: **08-01**
(74) Name(s) of Attorney(s): **PHILLIPS ORMONDE FITZPATRICK**
(71) Name(s) and Address(s) of Applicant(s):
Actervis GmbH
c/o Prv Provides Treuhandgesellschaft Lindenhof Dorfstr. 38 CH-6341
Baar (Zug) Switzerland
(72) Name(s) of Designer(s): **Juan Ramon Torres Martin**
(45) Registration Date: **10 May 2012**
(30) Convention priority data:
(31) Number (32) Date (33) Country
001302277-0007 15 Nov 2011 EUROPEAN COMMUNITY
(56) Related Art Documents: **Not Applicable**
(57) Statement of Newness and Distinctiveness: **Nil**



(21) Design Number: **11866/2012**
(22) Date of Filing Application: **17 April 2012**
(24) Date from which industrial property rights may have effect: **17 April 2012**
(54) Product in respect of which the design is registered: **USB key charger**
(51) International Design Classification: **14-02**
(74) Name(s) of Attorney(s): **WATERMARK PATENT AND TRADE MARKS ATTORNEYS**
(71) Name(s) and Address(s) of Applicant(s):
Legrand France
128 avenue du Marechal de Lattre-de-Tassigny 87000 Limoges France
Legrand SNC
128 avenue du Marechal de Lattre-de-Tassigny 87000 Limoges France
(72) Name(s) of Designer(s): **Vincent Palicki**
(45) Registration Date: **10 May 2012**
(30) Convention priority data:
(31) Number (32) Date (33) Country
115568 21 Nov 2011 FRANCE
(56) Related Art Documents: **Not Applicable**
(57) Statement of Newness and Distinctiveness: **The newness and distinctiveness resides in the pictogram shown on the front view of the USB key charger shown in the accompanying representation. The shape and configuration of the USB key charger shown in dashed lines in the accompanying representation should not be taken into account.**



(21) Design Number: **11872/2012**

(22) Date of Filing Application: **16 April 2012**

(24) Date from which industrial property rights may have effect: **16 April 2012**

(54) Product in respect of which the design is registered: **Spindle cover**

(51) International Design Classification: **08-05NES, 03-01NES**

(74) Name(s) of Attorney(s): **King & Wood Mallesons**

(71) Name(s) and Address(s) of Applicant(s):

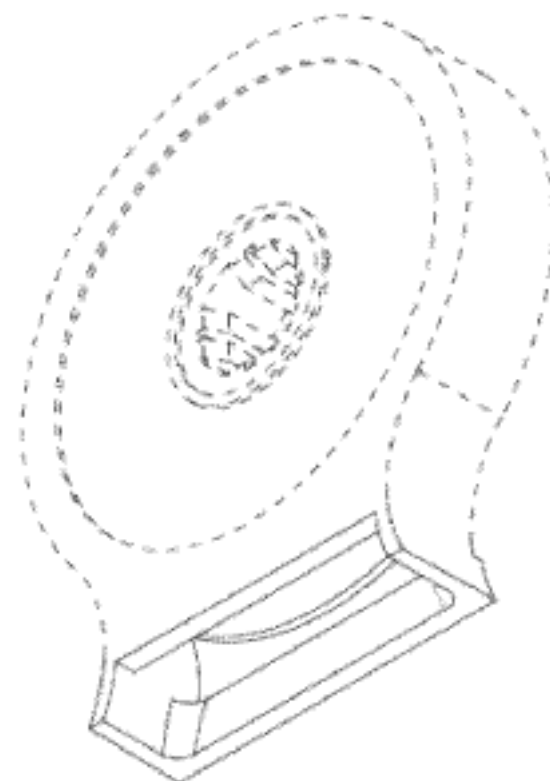
Carmelo Joseph Licciardi Di Stefano
110 Northcorp Boulevard Broadmeadows Victoria 3047 Australia

(72) Name(s) of Designer(s): **Carmelo Joseph Licciardi Di Stefano**

(45) Registration Date: **10 May 2012**

(56) Related Art Documents: **Not Applicable**

(57) Statement of Newness and Distinctiveness: **The following visual features of the design are new and distinctive: the shape and configuration of a spindle cover as shown in solid lines in the accompanying drawings. In considering the newness and distinctiveness of the design, no regard is to be had to the visual features depicted by the broken lines.**



(21) Design Number: **11880/2012**

(22) Date of Filing Application: **16 April 2012**

(24) Date from which industrial property rights may have effect: **16 April 2012**

(54) Product in respect of which the design is registered: **Automated Teller Machine**

(51) International Design Classification: **20-01, 14-02**

(74) Name(s) of Attorney(s):

(71) Name(s) and Address(s) of Applicant(s):

Nautilus Hyosung Inc.
Cheongdam Bldg 52 Cheongdam-dong Gangnam-gu Seoul Korea

(72) Name(s) of Designer(s): **Hee Yeoun Lee and Chang Hwan Moon and Jae Min Cha**

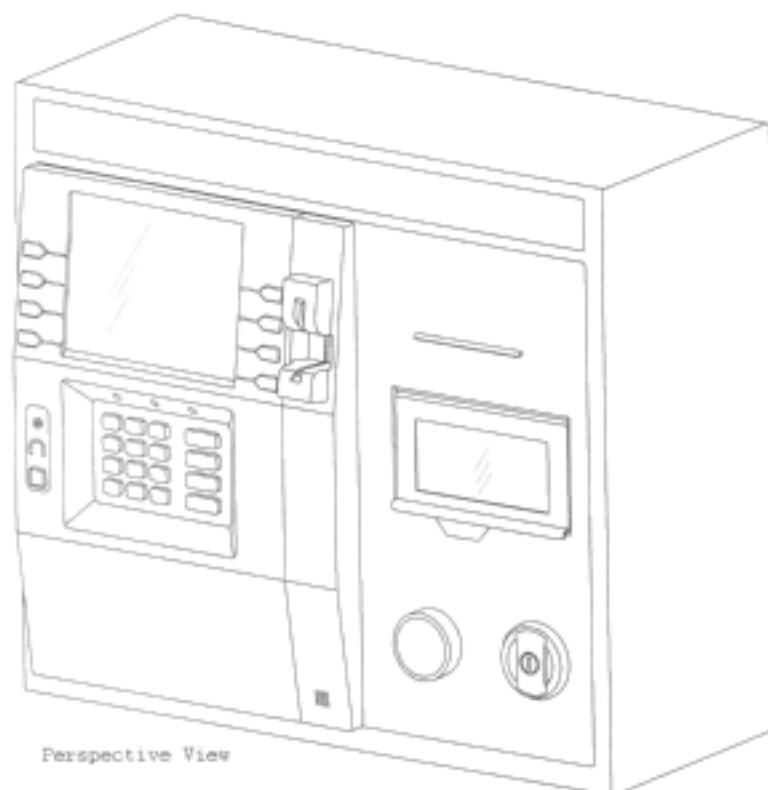
(45) Registration Date: **10 May 2012**

(30) Convention priority data:

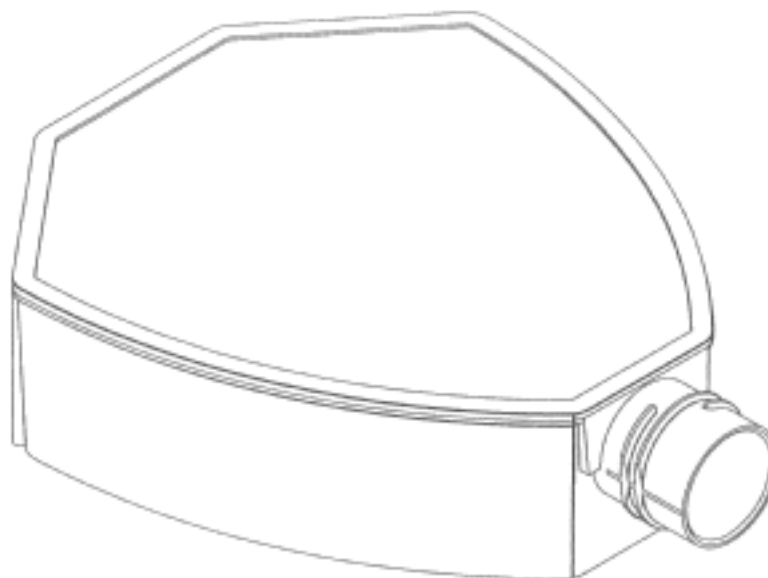
(31) Number	(32) Date	(33) Country
30-2011-0046125	03 Nov 2011	REPUBLIC OF KOREA

(56) Related Art Documents: **Not Applicable**

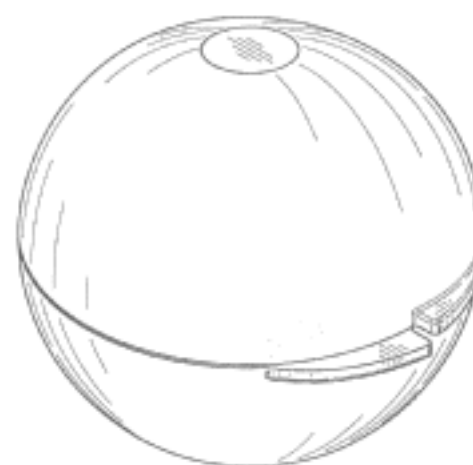
(57) Statement of Newness and Distinctiveness: **Nil**



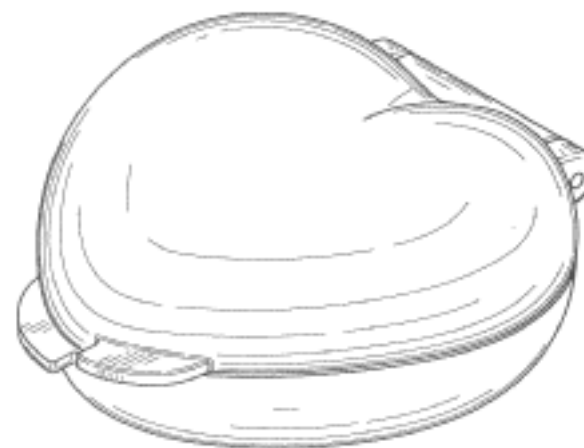
(21) Design Number: **11881/2012**
(22) Date of Filing Application: **16 April 2012**
(24) Date from which industrial property rights may have effect: **16 April 2012**
(54) Product in respect of which the design is registered: **Tilting flask**
(51) International Design Classification: **07-01F**
(74) Name(s) of Attorney(s): **FB Rice**
(71) Name(s) and Address(s) of Applicant(s):
Becton, Dickinson and Company
1 Becton Drive Franklin Lakes New Jersey 07417-1880 United States of America
(72) Name(s) of Designer(s): **Michael S Shanler**
(45) Registration Date: **10 May 2012**
(30) Convention priority data:
(31) Number (32) Date (33) Country
29/404820 26 Oct 2011 UNITED STATES OF AMERICA
(56) Related Art Documents: **Not Applicable**
(57) Statement of Newness and Distinctiveness: **Newness and distinctiveness reside in the features of shape and configuration of the tilting flask as a shown in the representations.**



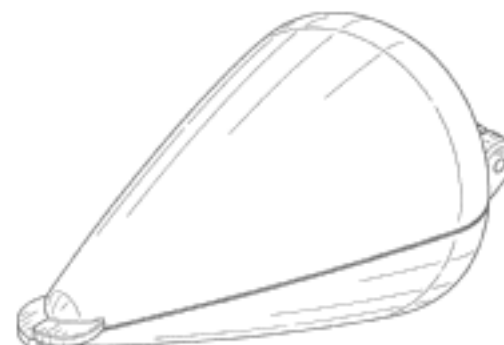
(21) Design Number: **11761/2012**
(22) Date of Filing Application: **10 April 2012**
(24) Date from which industrial property rights may have effect: **10 April 2012**
(54) Product in respect of which the design is registered: **Cake pop mold**
(51) International Design Classification: **07-02P**
(74) Name(s) of Attorney(s): **PIZZEYS**
(71) Name(s) and Address(s) of Applicant(s):
Jeanette Facey
846 Main Street Osterville MA 02655 United States of America
(72) Name(s) of Designer(s): **Jeanette Facey**
(45) Registration Date: **11 May 2012**
(30) Convention priority data:
(31) Number (32) Date (33) Country
29/403,462 06 Oct 2011 UNITED STATES OF AMERICA
(56) Related Art Documents: **Not Applicable**
(57) Statement of Newness and Distinctiveness: **Nil**



(21) Design Number: **11762/2012**
(22) Date of Filing Application: **10 April 2012**
(24) Date from which industrial property rights may have effect: **10 April 2012**
(54) Product in respect of which the design is registered: **Cake pop mold**
(51) International Design Classification: **07-02P**
(74) Name(s) of Attorney(s): **PIZZEYS**
(71) Name(s) and Address(s) of Applicant(s):
Jeanette Facey
846 Main Street Osterville MA 02655 United States of America
(72) Name(s) of Designer(s): **Jeanette Facey**
(45) Registration Date: **11 May 2012**
(30) Convention priority data:
(31) Number (32) Date (33) Country
29/403,458 06 Oct 2011 UNITED STATES OF AMERICA
(56) Related Art Documents: **Not Applicable**
(57) Statement of Newness and Distinctiveness: **Nil**



(21) Design Number: **11763/2012**
(22) Date of Filing Application: **10 April 2012**
(24) Date from which industrial property rights may have effect: **10 April 2012**
(54) Product in respect of which the design is registered: **Cake pop mold**
(51) International Design Classification: **07-02P**
(74) Name(s) of Attorney(s): **PIZZEYS**
(71) Name(s) and Address(s) of Applicant(s):
Jeanette Facey
846 Main Street Osterville MA 02655 United States of America
(72) Name(s) of Designer(s): **Jeanette Facey**
(45) Registration Date: **11 May 2012**
(30) Convention priority data:
(31) Number (32) Date (33) Country
29/403,464 06 Oct 2011 UNITED STATES OF AMERICA
(56) Related Art Documents: **Not Applicable**
(57) Statement of Newness and Distinctiveness: **Nil**



- (21) Design Number: **11890/2012**
(22) Date of Filing Application: **17 April 2012**
(24) Date from which industrial property rights may have effect: **17 April 2012**
(54) Product in respect of which the design is registered: **Spoon**
(51) International Design Classification: **07-03**
(74) Name(s) of Attorney(s): **Griffith Hack**
(71) Name(s) and Address(s) of Applicant(s):
Just Premiums Pty Ltd
Level 1 350 South Road Hampton East Victoria 3188 Australia
(72) Name(s) of Designer(s): **John Isaac**
(45) Registration Date: **11 May 2012**
(56) Related Art Documents: **Not Applicable**
(57) Statement of Newness and Distinctiveness: **The shape and configuration of the product as shown in the accompanying representations is new and distinctive.**



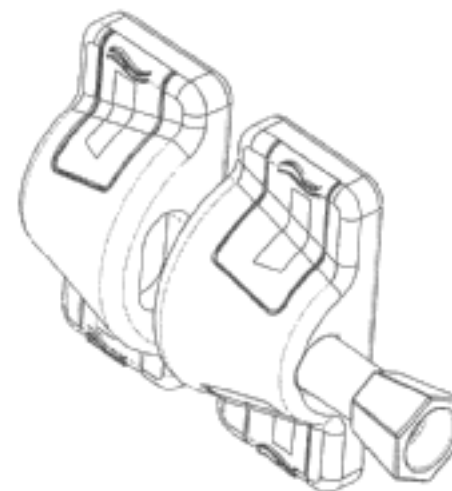
- (21) Design Number: **11891/2012**
(22) Date of Filing Application: **17 April 2012**
(24) Date from which industrial property rights may have effect: **17 April 2012**
(54) Product in respect of which the design is registered: **Pouch**
(51) International Design Classification: **09-05**
(74) Name(s) of Attorney(s): **Griffith Hack**
(71) Name(s) and Address(s) of Applicant(s):
Hosokawa Yoko Co. Ltd
11-5 Nibancho Chiyoda-ku Tokyo Japan
(72) Name(s) of Designer(s): **Toshikazu Kenmotsu and Kazuhiro Umenaka**
(45) Registration Date: **11 May 2012**
(30) Convention priority data:

(31) Number	(32) Date	(33) Country
2011-023755	17 Oct 2011	JAPAN

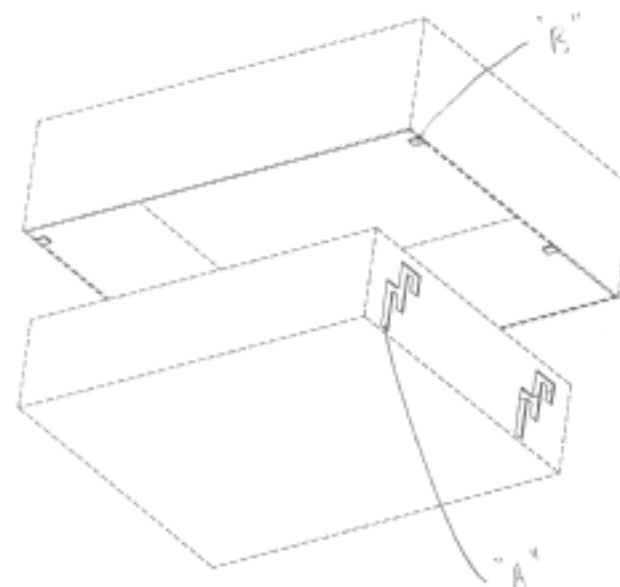
(56) Related Art Documents: **Not Applicable**
(57) Statement of Newness and Distinctiveness: **The shape and configuration of the product as illustrated in solid lines in the representations is new and distinctive. The portion of the product shown in broken lines in the representations is for illustrative purposes only and does not form part of the present design.**



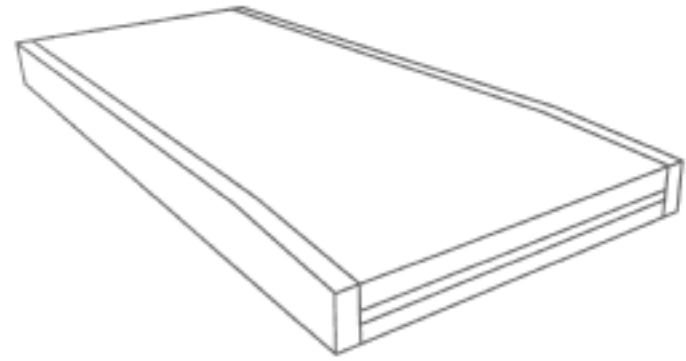
- (21) Design Number: **11892/2012**
(22) Date of Filing Application: **17 April 2012**
(24) Date from which industrial property rights may have effect: **17 April 2012**
(54) Product in respect of which the design is registered: **Latch bolt**
(51) International Design Classification: **08-07**
(74) Name(s) of Attorney(s): **Griffith Hack**
(71) Name(s) and Address(s) of Applicant(s):
Nova Hardware Pty Ltd
Unit 11 899 Wellington Road Rowville Victoria 3178 Australia
(72) Name(s) of Designer(s): **Dennis Yu**
(45) Registration Date: **11 May 2012**
(56) Related Art Documents: **Not Applicable**
(57) Statement of Newness and Distinctiveness: **Newness and distinctiveness resides in the shape and configuration of the product as represented in the drawings.**



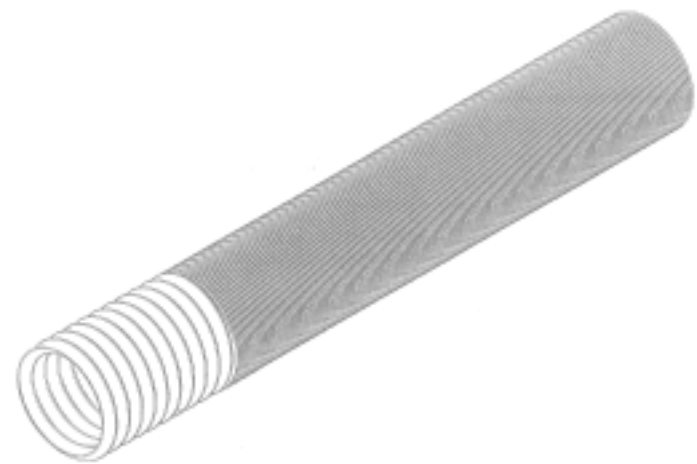
- (21) Design Number: **11900/2012**
(22) Date of Filing Application: **17 April 2012**
(24) Date from which industrial property rights may have effect: **17 April 2012**
(54) Product in respect of which the design is registered: **Monitor stand**
(51) International Design Classification: **14-99**
(74) Name(s) of Attorney(s): **SPRUSON & FERGUSON**
(71) Name(s) and Address(s) of Applicant(s):
JustIdeas Company
9233 King Street Franklin Park Illinois 60131 United States of America
(72) Name(s) of Designer(s): **Thomas Bellair**
(45) Registration Date: **11 May 2012**
(30) Convention priority data:
(31) Number (32) Date (33) Country
29/404119 17 Oct 2011 UNITED STATES OF AMERICA
(56) Related Art Documents: **Not Applicable**
(57) Statement of Newness and Distinctiveness: **Newness and distinctiveness is claimed in those features of shape and/or configuration of the following parts of a monitor stand as illustrated in continuous lines and labelled in the accompanying representations: slot A; tab B.**



- (21) Design Number: **11911/2012**
(22) Date of Filing Application: **18 April 2012**
(24) Date from which industrial property rights may have effect: **18 April 2012**
(54) Product in respect of which the design is registered: **Mattress**
(51) International Design Classification: **06-09**
(74) Name(s) of Attorney(s):
(71) Name(s) and Address(s) of Applicant(s):
Ian Rochfort
177 Lackrana Road Ranga Tasmania 7255 Australia
(72) Name(s) of Designer(s): **Ian Rochfort**
(45) Registration Date: **11 May 2012**
(56) Related Art Documents: **Not Applicable**
(57) Statement of Newness and Distinctiveness: **Monopoly is claimed in the shape and/or configuration of the mattress as shown in the accompanying representations.**



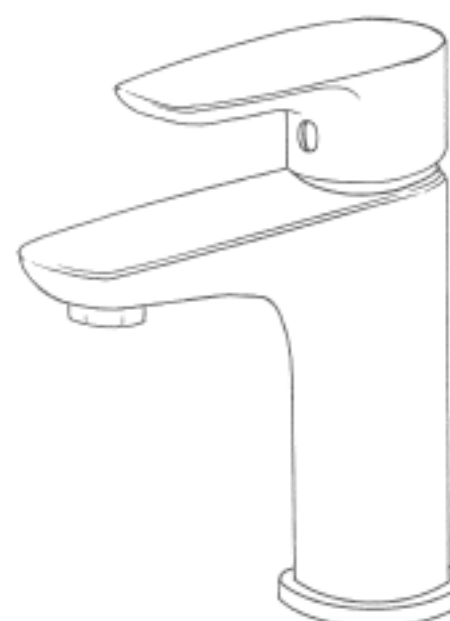
- (21) Design Number: **11322/2012**
(22) Date of Filing Application: **13 March 2012**
(24) Date from which industrial property rights may have effect: **13 March 2012**
(54) Product in respect of which the design is registered: **Pipe**
(51) International Design Classification: **23-01B**
(74) Name(s) of Attorney(s): **PHILLIPS ORMONDE FITZPATRICK**
(71) Name(s) and Address(s) of Applicant(s):
ReIn Pty Ltd
14 Williamson Road Ingleburn New South Wales 2565 Australia
(72) Name(s) of Designer(s): **Luke Nigel Natrass**
(45) Registration Date: **11 May 2012**
(56) Related Art Documents: **Not Applicable**
(57) Statement of Newness and Distinctiveness: **Those features of the pipe depicted in the representations that are new and distinctive are the shape and/or configuration. The pipe may be of indefinite length.**



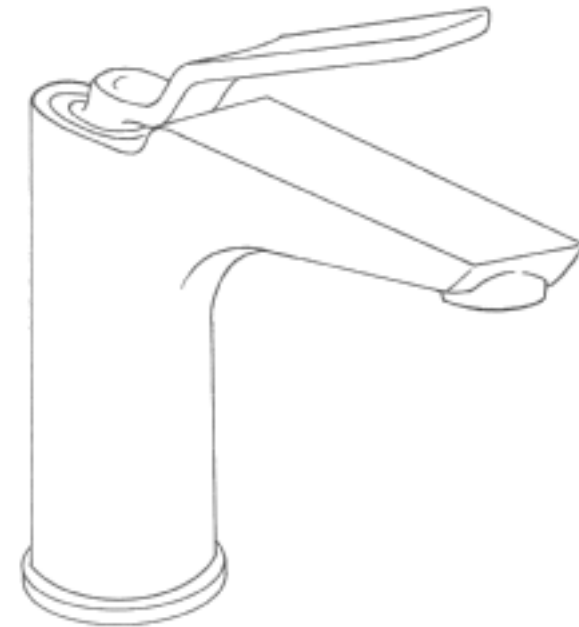
(21) Design Number: **13723/2011**
(22) Date of Filing Application: **22 August 2011**
(24) Date from which industrial property rights may have effect: **22 August 2011**
(54) Product in respect of which the design is registered: **Lamp**
(51) International Design Classification: **26-06**
(74) Name(s) of Attorney(s): **PHILLIPS ORMONDE FITZPATRICK**
(71) Name(s) and Address(s) of Applicant(s):
Brown & Watson International Pty Ltd
1500 Ferntree Gully Road Knoxfield Victoria 3180 Australia
(72) Name(s) of Designer(s): **Paul Davies**
(45) Registration Date: **11 May 2012**
(56) Related Art Documents: **Not Applicable**
(57) Statement of Newness and Distinctiveness: **Nil**



(21) Design Number: **15024/2011**
(22) Date of Filing Application: **08 November 2011**
(24) Date from which industrial property rights may have effect: **08 November 2011**
(54) Product in respect of which the design is registered: **Mixer tap**
(51) International Design Classification: **23-01H**
(74) Name(s) of Attorney(s): **Lord & Company**
(71) Name(s) and Address(s) of Applicant(s):
Novetec Building Products Pty Ltd
Level 1 46 King Edward Road Osborne Park Western Australia 6017
Australia
(72) Name(s) of Designer(s): **Kathy Wu**
(45) Registration Date: **11 May 2012**
(56) Related Art Documents: **Not Applicable**
(57) Statement of Newness and Distinctiveness: **The particular visual features of the design which are new and distinctive are the shape or configuration.**



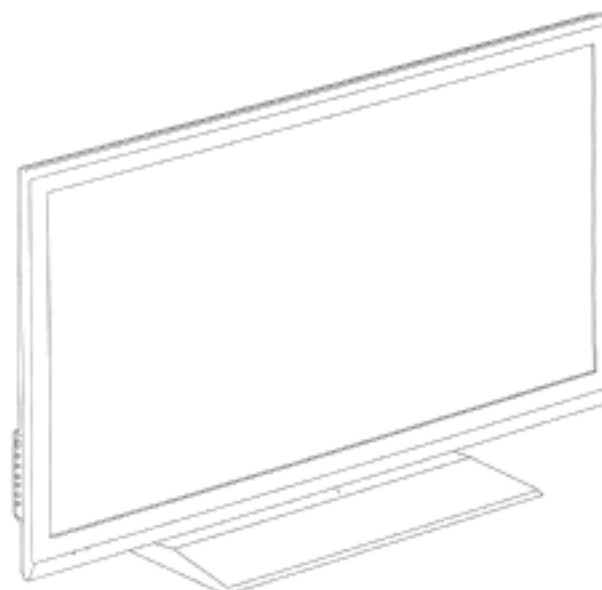
- (21) Design Number: **15025/2011**
(22) Date of Filing Application: **08 November 2011**
(24) Date from which industrial property rights may have effect: **08 November 2011**
(54) Product in respect of which the design is registered: **Mixer tap**
(51) International Design Classification: **23-01H**
(74) Name(s) of Attorney(s): **Lord & Company**
(71) Name(s) and Address(s) of Applicant(s):
Novetec Building Products Pty Ltd
Level 1 46 King Edward Road Osborne Park Western Australia 6017
Australia
(72) Name(s) of Designer(s): **Kathy Wu**
(45) Registration Date: **11 May 2012**
(56) Related Art Documents: **Not Applicable**
(57) Statement of Newness and Distinctiveness: **The particular visual features of the design which are new and distinctive are shape or configuration.**



- (21) Design Number: **15858/2011**
(22) Date of Filing Application: **19 December 2011**
(24) Date from which industrial property rights may have effect: **19 December 2011**
(54) Product in respect of which the design is registered: **Cupcake carrier**
(51) International Design Classification: **07-01NES**
(74) Name(s) of Attorney(s): **PHILLIPS ORMONDE FITZPATRICK**
(71) Name(s) and Address(s) of Applicant(s):
RL Industry Company Ltd.
20th Floor Titan Tower 535 Tiantong South Road Ningbo 315194 Peoples
Republic of China
(72) Name(s) of Designer(s): **Roni Dagan and Noa Moyal and Michael Librus**
(45) Registration Date: **11 May 2012**
(56) Related Art Documents: **Not Applicable**
(57) Statement of Newness and Distinctiveness: **Those features of the cupcake carrier depicted in the representations that are new and distinctive are the shape and/or configuration.**



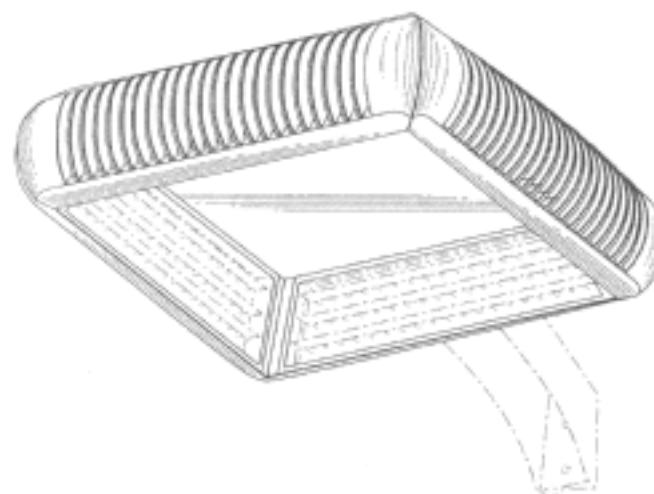
(21) Design Number: **11278/2012**
(22) Date of Filing Application: **12 March 2012**
(24) Date from which industrial property rights may have effect: **12 March 2012**
(54) Product in respect of which the design is registered: **Television set**
(51) International Design Classification: **14-03B**
(74) Name(s) of Attorney(s): **Davies Collison Cave**
(71) Name(s) and Address(s) of Applicant(s):
Sharp Kabushiki Kaisha
22-22 Nagaike-cho Abeno-ku Osaka Japan
(72) Name(s) of Designer(s): **Hiroshi Yamamizu and Masaki Inuma and Yoshito Fujii**
(45) Registration Date: **11 May 2012**
(30) Convention priority data:
(31) Number (32) Date (33) Country
2011-023361 12 Oct 2011 JAPAN
(56) Related Art Documents: **Not Applicable**
(57) Statement of Newness and Distinctiveness: **Nil**



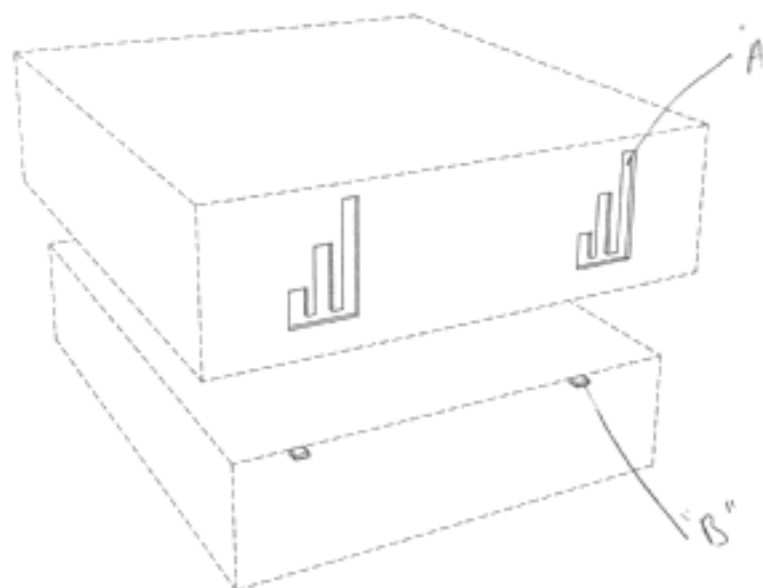
(21) Design Number: **11325/2012**
(22) Date of Filing Application: **13 March 2012**
(24) Date from which industrial property rights may have effect: **13 March 2012**
(54) Product in respect of which the design is registered: **Pipe T piece**
(51) International Design Classification: **23-01B**
(74) Name(s) of Attorney(s): **PHILLIPS ORMONDE FITZPATRICK**
(71) Name(s) and Address(s) of Applicant(s):
ReIn Pty Limited
14 Williamson Road Ingleburn New South Wales 2565 Australia
(72) Name(s) of Designer(s): **Owen Edward Luke**
(45) Registration Date: **11 May 2012**
(56) Related Art Documents: **Not Applicable**
(57) Statement of Newness and Distinctiveness: **Nil**



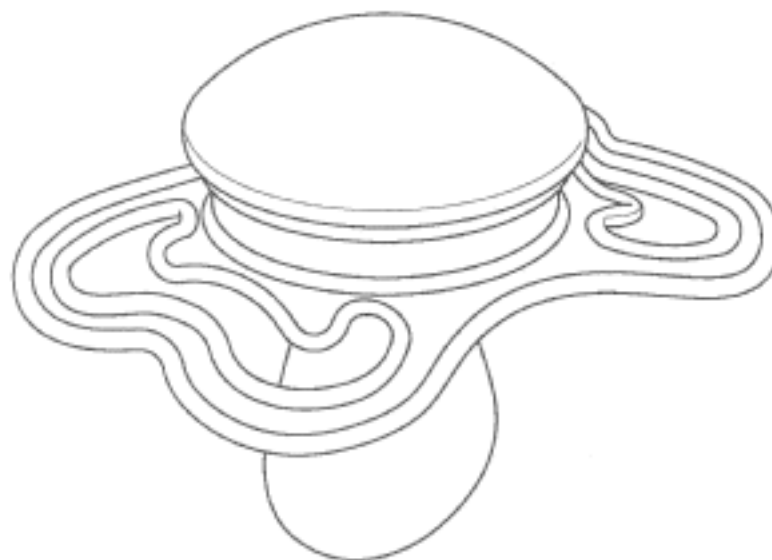
(21) Design Number: **11820/2012**
(22) Date of Filing Application: **13 April 2012**
(24) Date from which industrial property rights may have effect: **13 April 2012**
(54) Product in respect of which the design is registered: **Lighting**
(51) International Design Classification: **26-03**
(74) Name(s) of Attorney(s): **PIZZEYS**
(71) Name(s) and Address(s) of Applicant(s):
LSI Industries, Inc.
10000 Alliance Road Cincinnati OH 45242 United States of America
(72) Name(s) of Designer(s): **John D. Boyer and James G. Vanden Eynden and Larry Akers**
(45) Registration Date: **11 May 2012**
(30) Convention priority data:
(31) Number (32) Date (33) Country
29/405,425 02 Nov 2011 UNITED STATES OF AMERICA
(56) Related Art Documents: **Not Applicable**
(57) Statement of Newness and Distinctiveness: **Nil**



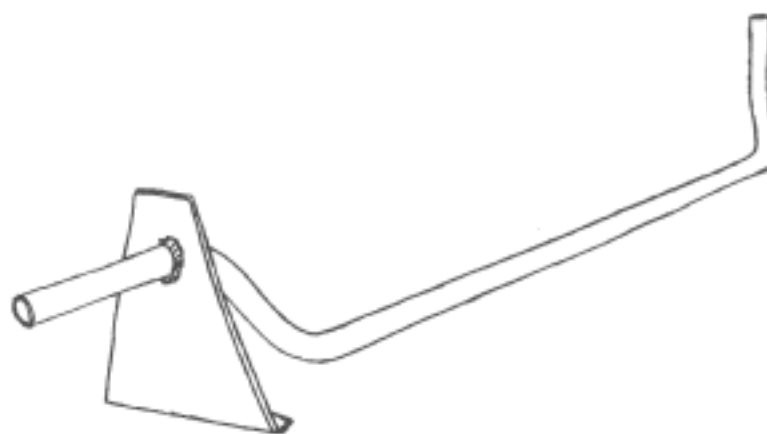
(21) Design Number: **11901/2012**
(22) Date of Filing Application: **17 April 2012**
(24) Date from which industrial property rights may have effect: **17 April 2012**
(54) Product in respect of which the design is registered: **Monitor stand**
(51) International Design Classification: **14-99**
(74) Name(s) of Attorney(s): **SPRUSON & FERGUSON**
(71) Name(s) and Address(s) of Applicant(s):
JustIdeas Company
9233 King Street Franklin Park Illinois 60131 United States of America
(72) Name(s) of Designer(s): **Thomas Bellair**
(45) Registration Date: **11 May 2012**
(30) Convention priority data:
(31) Number (32) Date (33) Country
29/404119 17 Oct 2011 UNITED STATES OF AMERICA
(56) Related Art Documents: **Not Applicable**
(57) Statement of Newness and Distinctiveness: **Newness and distinctiveness is claimed in those features of shape and/or configuration of the following parts of a monitor stand as illustrated in continuous lines and labelled in the accompanying representations: slot A; tab B.**



(21) Design Number: **11902/2012**
(22) Date of Filing Application: **17 April 2012**
(24) Date from which industrial property rights may have effect: **17 April 2012**
(54) Product in respect of which the design is registered: **Pacifier**
(51) International Design Classification: **24-04**
(74) Name(s) of Attorney(s): **SPRUSON & FERGUSON**
(71) Name(s) and Address(s) of Applicant(s):
MAM Babyartikel Gesellschaft m.b.H
Lorenz-Mandl-Gasse 50 1160 Wien Austria
(72) Name(s) of Designer(s): **Peter Rohrig and Ernst Beranek**
(45) Registration Date: **11 May 2012**
(30) Convention priority data:
(31) Number (32) Date (33) Country
1955527-0001 30 Nov 2011 EUROPEAN COMMUNITY
(56) Related Art Documents: **Not Applicable**
(57) Statement of Newness and Distinctiveness: **Newness and distinctiveness is claimed in the features of shape and/or configuration of a pacifier as illustrated in the accompanying representations.**



(21) Design Number: **11903/2012**
(22) Date of Filing Application: **17 April 2012**
(24) Date from which industrial property rights may have effect: **17 April 2012**
(54) Product in respect of which the design is registered: **A washing device**
(51) International Design Classification: **15-05**
(74) Name(s) of Attorney(s):
(71) Name(s) and Address(s) of Applicant(s):
Llewellyn Thomas
258 McKinley Road Maungatapere RD9 Northland New Zealand
(72) Name(s) of Designer(s): **Llewellyn Thomas**
(45) Registration Date: **11 May 2012**
(30) Convention priority data:
(31) Number (32) Date (33) Country
415431 18 Oct 2011 NEW ZEALAND
(56) Related Art Documents: **Not Applicable**
(57) Statement of Newness and Distinctiveness: **Nil**



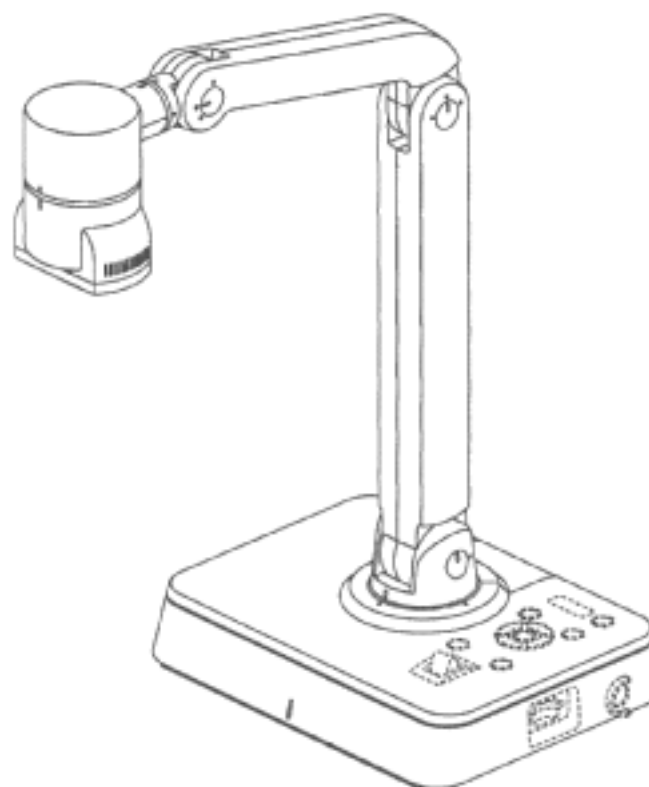
(21) Design Number: **11904/2012**
(22) Date of Filing Application: **17 April 2012**
(24) Date from which industrial property rights may have effect: **17 April 2012**
(54) Product in respect of which the design is registered: **Cart**
(51) International Design Classification: **12-02**
(74) Name(s) of Attorney(s): **Fisher Adams Kelly**
(71) Name(s) and Address(s) of Applicant(s):
AMSA, Inc.
PO Box 17425 Boulder 80308 Colorado United States of America
(72) Name(s) of Designer(s): **Ivor Michel Walter**
(45) Registration Date: **11 May 2012**
(30) Convention priority data:
(31) Number (32) Date (33) Country
29/417407 03 Apr 2012 UNITED STATES OF AMERICA

(56) Related Art Documents: **Not Applicable**
(57) Statement of Newness and Distinctiveness: **The newness and distinctiveness of the design resides in the shape and/or configuration of the CART shown in the representations. The dotted lines indicate elements to which the present design is not limited and for which no protection is sought.**



(21) Design Number: **11921/2012**
(22) Date of Filing Application: **18 April 2012**
(24) Date from which industrial property rights may have effect: **18 April 2012**
(54) Product in respect of which the design is registered: **Document camera**
(51) International Design Classification: **16-01**
(74) Name(s) of Attorney(s): **SPRUSON & FERGUSON**
(71) Name(s) and Address(s) of Applicant(s):
Panasonic Corporation
1006 Oaza Kadoma Kadoma-shi Osaka 571-8501 Japan
(72) Name(s) of Designer(s): **Toshihiro Nakashima**
(45) Registration Date: **14 May 2012**
(30) Convention priority data:
(31) Number (32) Date (33) Country
2011-025708 08 Nov 2011 JAPAN

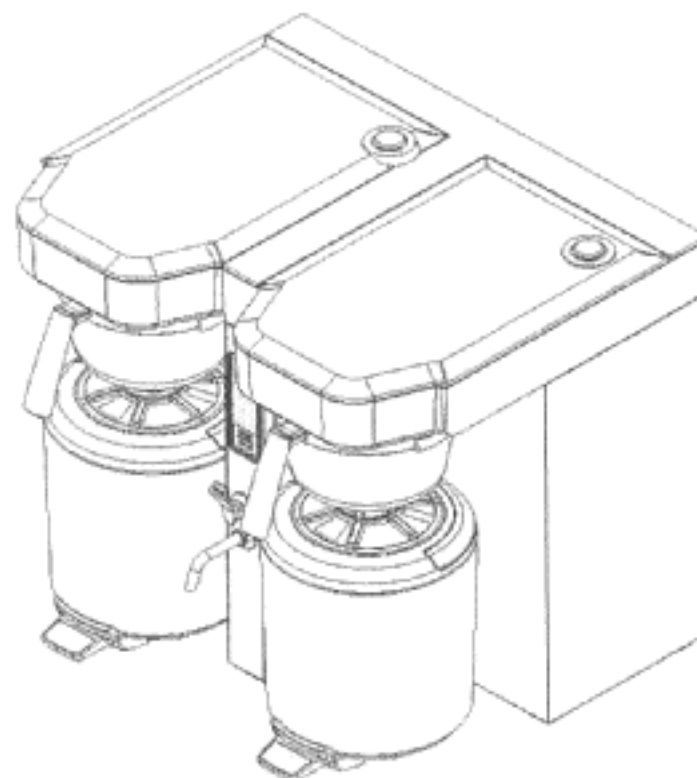
(56) Related Art Documents: **Not Applicable**
(57) Statement of Newness and Distinctiveness: **Newness and distinctiveness is claimed in the features of shape and/or configuration of a document camera as illustrated in continuous lines in the accompanying representations.**



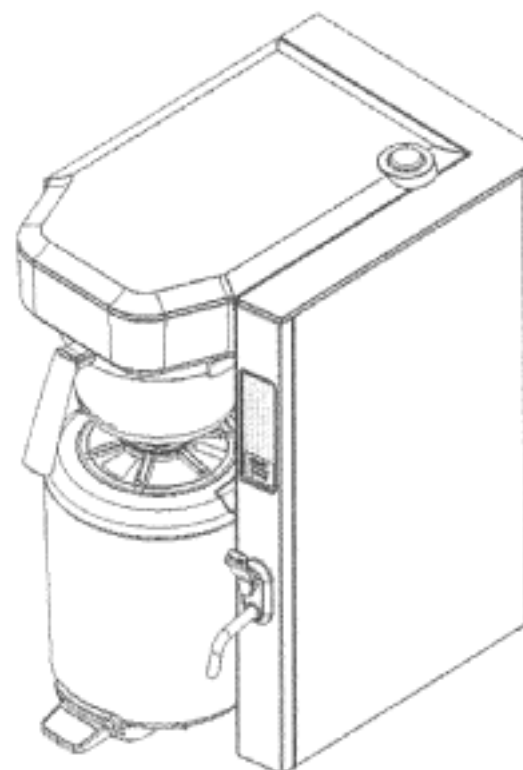
- (21) Design Number: **11922/2012**
(22) Date of Filing Application: **18 April 2012**
(24) Date from which industrial property rights may have effect: **18 April 2012**
(54) Product in respect of which the design is registered: **A coated flange having an elemental copper coating on all exposed surfaces in which the copper coating has the**
(51) International Design Classification: **23-01NES**
(74) Name(s) of Attorney(s): **Griffith Hack**
(71) Name(s) and Address(s) of Applicant(s):
Gary Paul Stanley
20 Water Road Preston Victoria 3072 Australia
(72) Name(s) of Designer(s): **Gary Paul Stanley**
(45) Registration Date: **14 May 2012**
(56) Related Art Documents: **Not Applicable**
(57) Statement of Newness and Distinctiveness: **The features of pattern, ornamentation or pattern and ornamentation applied to the surface of a flange as shown in the accompanying representations in which the surface of the flange has the characteristic reddish-orange tarnished appearance of elemental copper when exposed to air. When determining the newness and distinctiveness of the design, the number peripheral apertures in the copper coated flange can be ignored.**



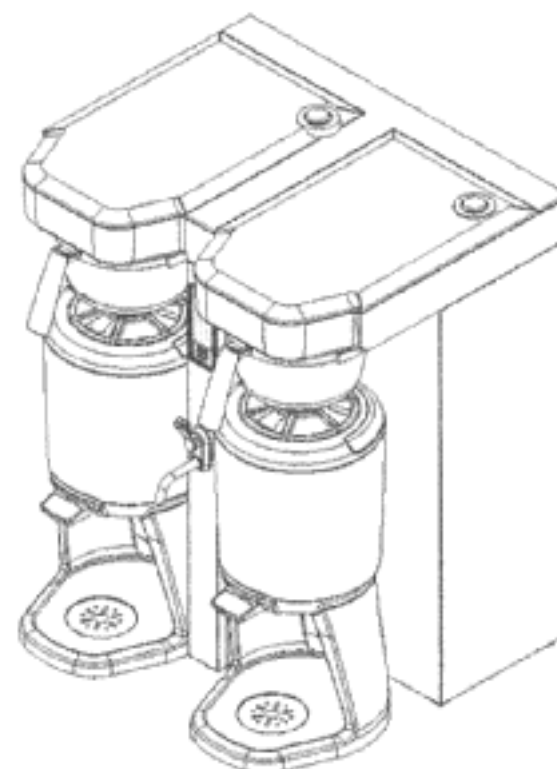
- (21) Design Number: **11923/2012**
(22) Date of Filing Application: **18 April 2012**
(24) Date from which industrial property rights may have effect: **18 April 2012**
(54) Product in respect of which the design is registered: **Coffee machine**
(51) International Design Classification: **07-02L**
(74) Name(s) of Attorney(s): **Griffith Hack**
(71) Name(s) and Address(s) of Applicant(s):
Bravilor Holding B.V.
Pascalstraat 20 Heerhugowaard 1704 RD Netherlands
(72) Name(s) of Designer(s): **Jeroen Harthoorn and Maximiliaan Noordanus**
(45) Registration Date: **14 May 2012**
(30) Convention priority data:
(31) Number (32) Date (33) Country
002009290-0007 15 Mar 2012 EUROPEAN COMMUNITY
(56) Related Art Documents: **Not Applicable**
(57) Statement of Newness and Distinctiveness: **The shape and configuration of the product as shown in the accompanying representations is new and distinctive.**



(21) Design Number: **11924/2012**
(22) Date of Filing Application: **18 April 2012**
(24) Date from which industrial property rights may have effect: **18 April 2012**
(54) Product in respect of which the design is registered: **Coffee machine**
(51) International Design Classification: **07-02L**
(74) Name(s) of Attorney(s): **Griffith Hack**
(71) Name(s) and Address(s) of Applicant(s):
Bravilor Holding B.V.
Pascalstraat 20 Heerhugowaard 1704 RD Netherlands
(72) Name(s) of Designer(s): **Jeroen Harthoorn and Maximiliaan Noordanus**
(45) Registration Date: **14 May 2012**
(30) Convention priority data:
(31) Number (32) Date (33) Country
002009290-0006 15 Mar 2012 EUROPEAN COMMUNITY
(56) Related Art Documents: **Not Applicable**
(57) Statement of Newness and Distinctiveness: **The shape and configuration of the product as shown in the accompanying representations is new and distinctive.**



(21) Design Number: **11925/2012**
(22) Date of Filing Application: **18 April 2012**
(24) Date from which industrial property rights may have effect: **18 April 2012**
(54) Product in respect of which the design is registered: **Coffee machine**
(51) International Design Classification: **07-02L**
(74) Name(s) of Attorney(s): **Griffith Hack**
(71) Name(s) and Address(s) of Applicant(s):
Bravilor Holding B.V.
Pascalstraat 20 Heerhugowaard 1704 RD Netherlands
(72) Name(s) of Designer(s): **Jeroen Harthoorn and Maximiliaan Noordanus**
(45) Registration Date: **14 May 2012**
(30) Convention priority data:
(31) Number (32) Date (33) Country
002009290-0004 15 Mar 2012 EUROPEAN COMMUNITY
(56) Related Art Documents: **Not Applicable**
(57) Statement of Newness and Distinctiveness: **The shape and configuration of the product as shown in the accompanying representations is new and distinctive.**



(21) Design Number: **11926/2012**

(22) Date of Filing Application: **18 April 2012**

(24) Date from which industrial property rights may have effect: **18 April 2012**

(54) Product in respect of which the design is registered: **Coffee machine**

(51) International Design Classification: **07-02L**

(74) Name(s) of Attorney(s): **Griffith Hack**

(71) Name(s) and Address(s) of Applicant(s):

Bravilor Holding B.V.

Pascalstraat 20 Heerhugowaard 1704 RD Netherlands

(72) Name(s) of Designer(s): **Jeroen Harthoorn and Maximiliaan Noordanus**

(45) Registration Date: **14 May 2012**

(30) Convention priority data:

(31) Number

(32) Date

(33) Country

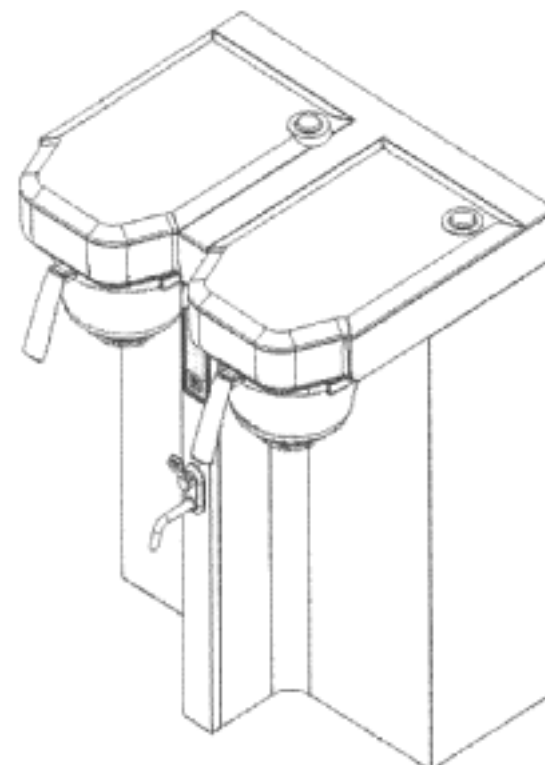
002009290-0005

15 Mar 2012

EUROPEAN COMMUNITY

(56) Related Art Documents: **Not Applicable**

(57) Statement of Newness and Distinctiveness: **The shape and configuration of the product as shown in the accompanying representations is new and distinctive.**



(21) Design Number: **11927/2012**

(22) Date of Filing Application: **18 April 2012**

(24) Date from which industrial property rights may have effect: **18 April 2012**

(54) Product in respect of which the design is registered: **Coffee machine**

(51) International Design Classification: **07-02L**

(74) Name(s) of Attorney(s): **Griffith Hack**

(71) Name(s) and Address(s) of Applicant(s):

Bravilor Holding B.V.

Pascalstraat 20 Heerhugowaard 1704 RD Netherlands

(72) Name(s) of Designer(s): **Jeroen Harthoorn and Maximiliaan Noordanus**

(45) Registration Date: **14 May 2012**

(30) Convention priority data:

(31) Number

(32) Date

(33) Country

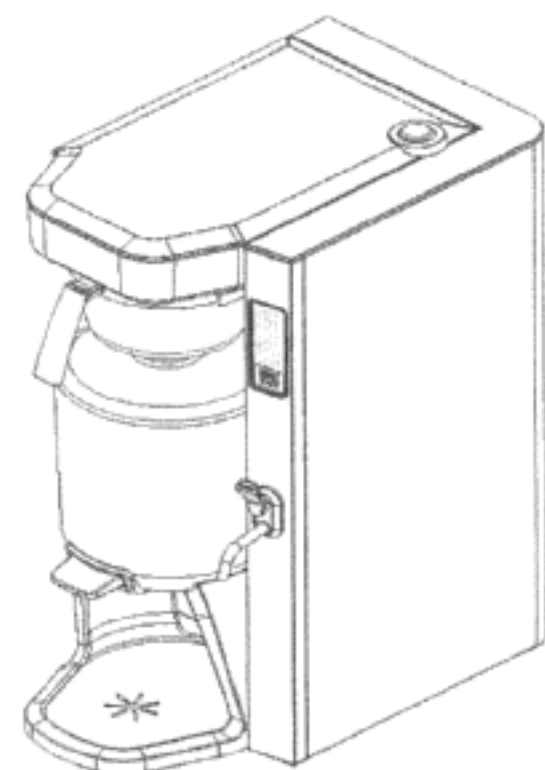
002009290-0001

15 Mar 2012

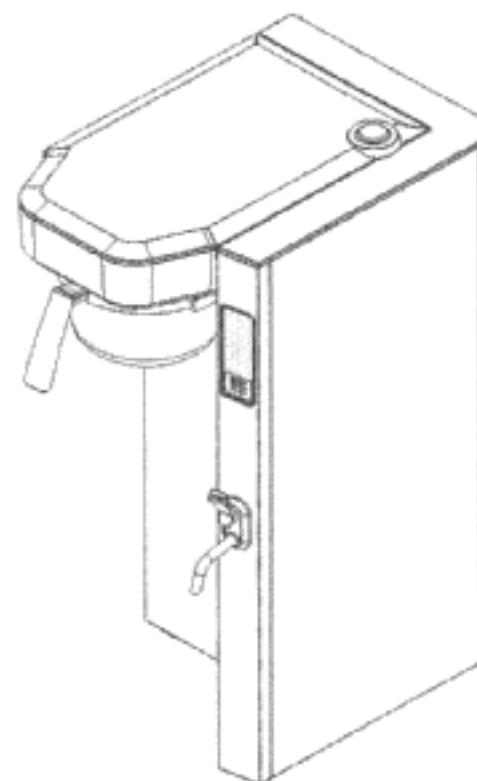
EUROPEAN COMMUNITY

(56) Related Art Documents: **Not Applicable**

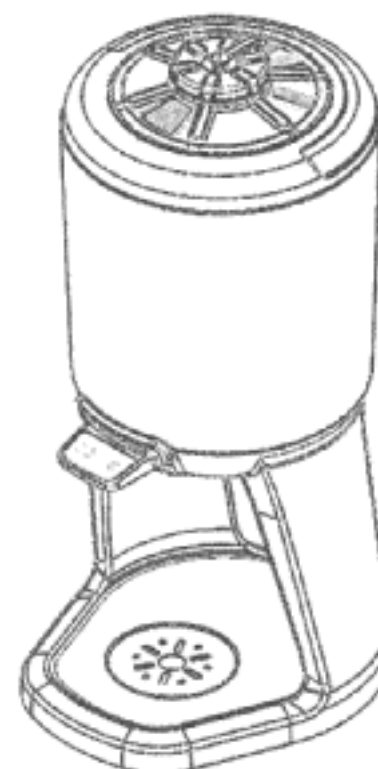
(57) Statement of Newness and Distinctiveness: **The shape and configuration of the product as shown in the accompanying representations is new and distinctive.**



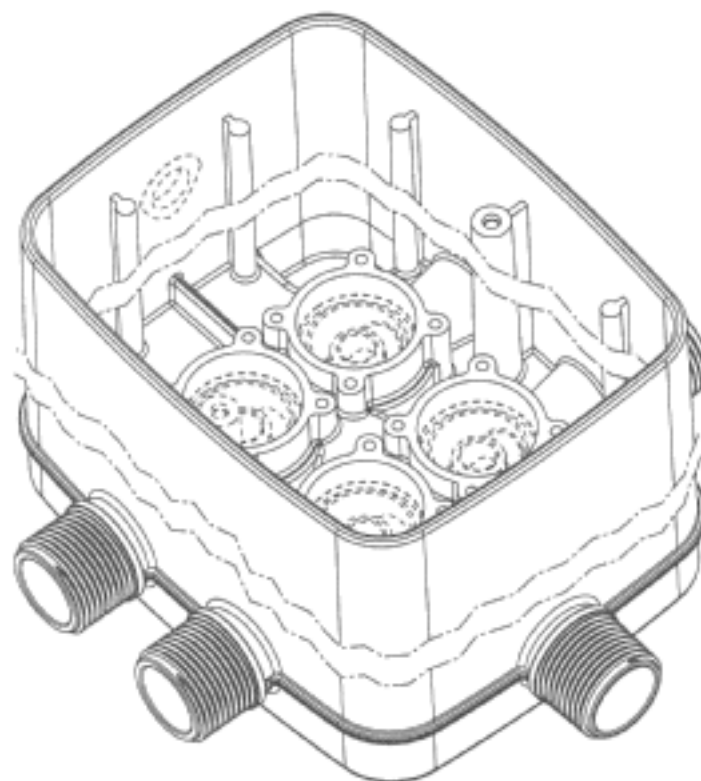
(21) Design Number: **11928/2012**
(22) Date of Filing Application: **18 April 2012**
(24) Date from which industrial property rights may have effect: **18 April 2012**
(54) Product in respect of which the design is registered: **Coffee machine**
(51) International Design Classification: **07-02L**
(74) Name(s) of Attorney(s): **Griffith Hack**
(71) Name(s) and Address(s) of Applicant(s):
Bravilor Holding B.V.
Pascalstraat 20 Heerhugowaard 1704 RD Netherlands
(72) Name(s) of Designer(s): **Jeroen Harthoorn and Maximiliaan Noordanus**
(45) Registration Date: **14 May 2012**
(30) Convention priority data:
(31) Number (32) Date (33) Country
002009290-0002 15 Mar 2012 EUROPEAN COMMUNITY
(56) Related Art Documents: **Not Applicable**
(57) Statement of Newness and Distinctiveness: **The shape and configuration of the product as shown in the accompanying representations is new and distinctive.**



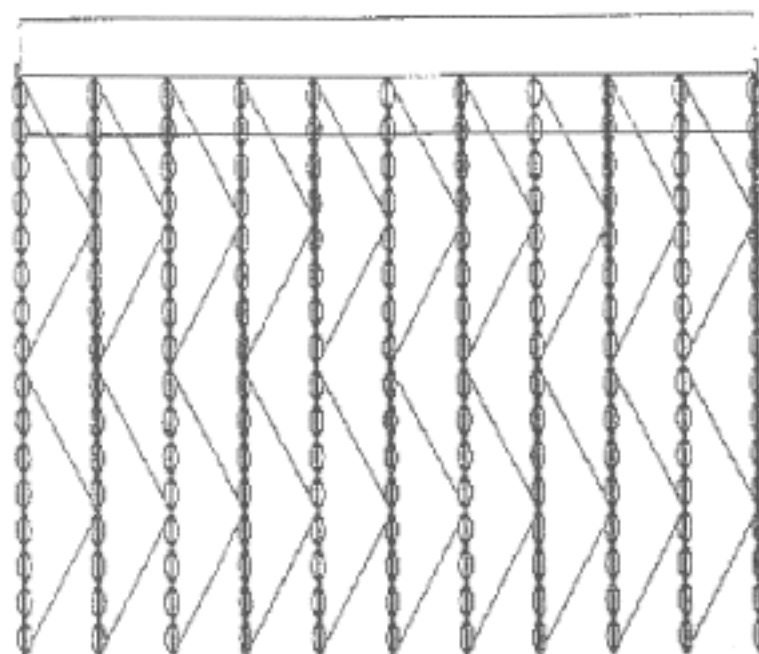
(21) Design Number: **11929/2012**
(22) Date of Filing Application: **18 April 2012**
(24) Date from which industrial property rights may have effect: **18 April 2012**
(54) Product in respect of which the design is registered: **Coffee machine**
(51) International Design Classification: **07-02L**
(74) Name(s) of Attorney(s): **Griffith Hack**
(71) Name(s) and Address(s) of Applicant(s):
Bravilor Holding B.V.
Pascalstraat 20 Heerhugowaard 1704 RD Netherlands
(72) Name(s) of Designer(s): **Jeroen Harthoorn and Maximiliaan Noordanus**
(45) Registration Date: **14 May 2012**
(30) Convention priority data:
(31) Number (32) Date (33) Country
002009290-0003 15 Mar 2012 EUROPEAN COMMUNITY
(56) Related Art Documents: **Not Applicable**
(57) Statement of Newness and Distinctiveness: **The shape and configuration of the product as shown in the accompanying representations is new and distinctive.**



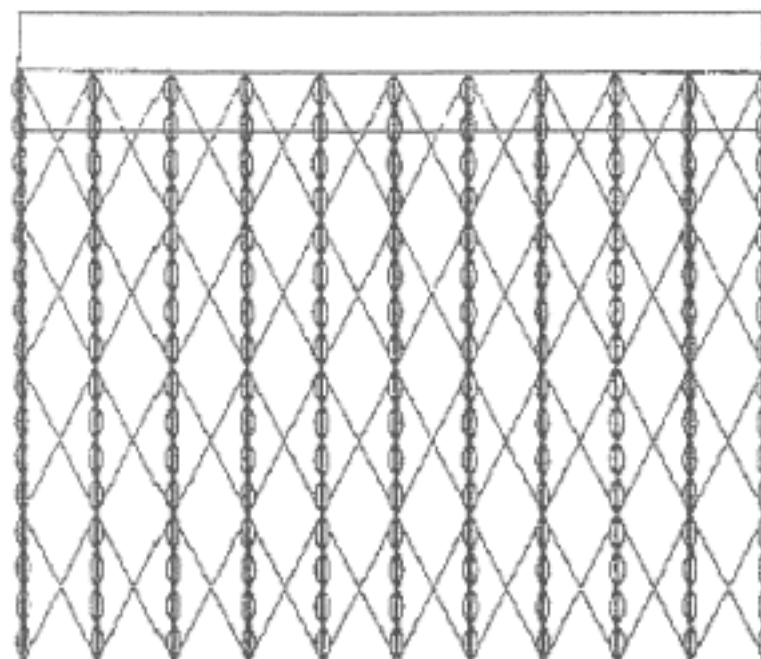
- (21) Design Number: **11932/2012**
(22) Date of Filing Application: **18 April 2012**
(24) Date from which industrial property rights may have effect: **18 April 2012**
(54) Product in respect of which the design is registered: **Irrigation valve box**
(51) International Design Classification: **23-01K**
(74) Name(s) of Attorney(s): **Madderns**
(71) Name(s) and Address(s) of Applicant(s):
Antelco Pty Ltd
14-18 Rosslyn Street Mile End South Australia 5031 Australia
(72) Name(s) of Designer(s): **Lyall Causby and William Eric Antel and Robert Sigston and Malcom Fry**
(45) Registration Date: **14 May 2012**
(56) Related Art Documents: **Not Applicable**
(57) Statement of Newness and Distinctiveness: **Newness and distinctiveness resides in the visual features of the shape and/or configuration of an irrigation valve box having a sidewall of indefinite length as illustrated in solid lines (as opposed to dashed lines) in the accompanying representations.**



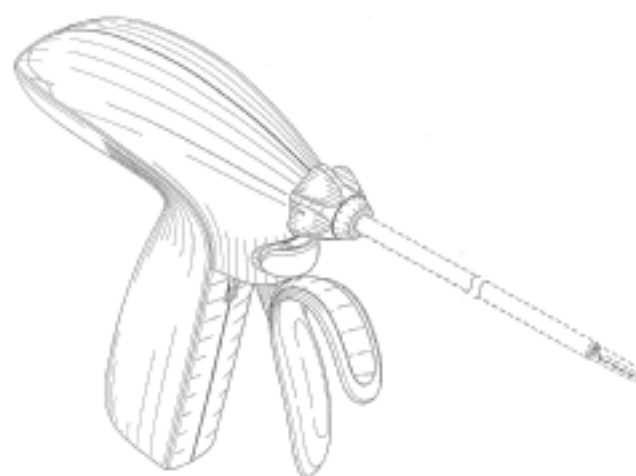
- (21) Design Number: **11933/2012**
(22) Date of Filing Application: **18 April 2012**
(24) Date from which industrial property rights may have effect: **18 April 2012**
(54) Product in respect of which the design is registered: **Material for packaging**
(51) International Design Classification: **09-99**
(74) Name(s) of Attorney(s): **Madderns**
(71) Name(s) and Address(s) of Applicant(s):
Cordenet-Produtora de Redes Agricolas, S.A.
R Estrada Nova No 785 Esmoriz 3885-456 Portugal
(72) Name(s) of Designer(s): **Manuel Alberto Rodrigues Pereira and Jose Manuel Carvalho Sousa and Paula Cristina Ferreira Nunes Ventura**
(45) Registration Date: **14 May 2012**
(30) Convention priority data:
(31) Number (32) Date (33) Country
001934167-0002 18 Oct 2011 EUROPEAN COMMUNITY
(56) Related Art Documents: **Not Applicable**
(57) Statement of Newness and Distinctiveness: **Nil**



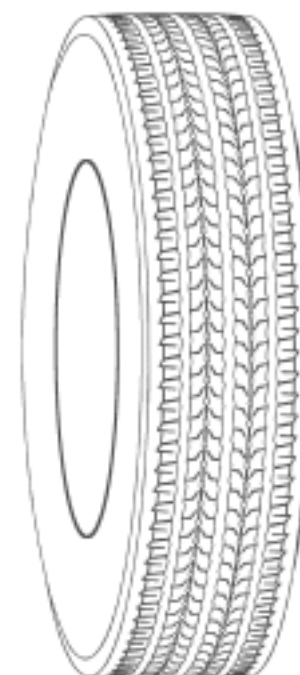
(21) Design Number: **11934/2012**
(22) Date of Filing Application: **18 April 2012**
(24) Date from which industrial property rights may have effect: **18 April 2012**
(54) Product in respect of which the design is registered: **Material for packaging**
(51) International Design Classification: **09-99**
(74) Name(s) of Attorney(s): **Madderns**
(71) Name(s) and Address(s) of Applicant(s):
Cordenet-Produtora de Redes Agricolas, S.A.
R Estrada Nova No 785 Esmoriz 3885-456 Portugal
(72) Name(s) of Designer(s): **Manuel Alberto Rodrigues Pereira and Jose Manuel Carvalho Sousa and Paula Cristina Ferreira Nunes Ventura**
(45) Registration Date: **14 May 2012**
(30) Convention priority data:
(31) Number (32) Date (33) Country
001934167-0001 18 Oct 2011 EUROPEAN COMMUNITY
(56) Related Art Documents: **Not Applicable**
(57) Statement of Newness and Distinctiveness: **Nil**



(21) Design Number: **11907/2012**
(22) Date of Filing Application: **17 April 2012**
(24) Date from which industrial property rights may have effect: **17 April 2012**
(54) Product in respect of which the design is registered: **Ornamental design for surgical instrument**
(51) International Design Classification: **24-02**
(74) Name(s) of Attorney(s): **Freehills Patent & Trade Mark Attorneys**
(71) Name(s) and Address(s) of Applicant(s):
Ethicon Endo-Surgery, Inc.
4545 Creek Road Cincinnati Ohio 45242 United States of America
(72) Name(s) of Designer(s): **Gregory W. Johnson and Daniel W. Price and Gregory A. Trees**
(45) Registration Date: **14 May 2012**
(30) Convention priority data:
(31) Number (32) Date (33) Country
29/404676 24 Oct 2011 UNITED STATES OF AMERICA
(56) Related Art Documents: **Not Applicable**
(57) Statement of Newness and Distinctiveness: **Newness and distinctiveness resides in the shape and configuration of the surgical instrument as shown in the representations. In considering whether the design is substantially similar in overall impression to another design, no regard is to be given to the part shown in phantom.**



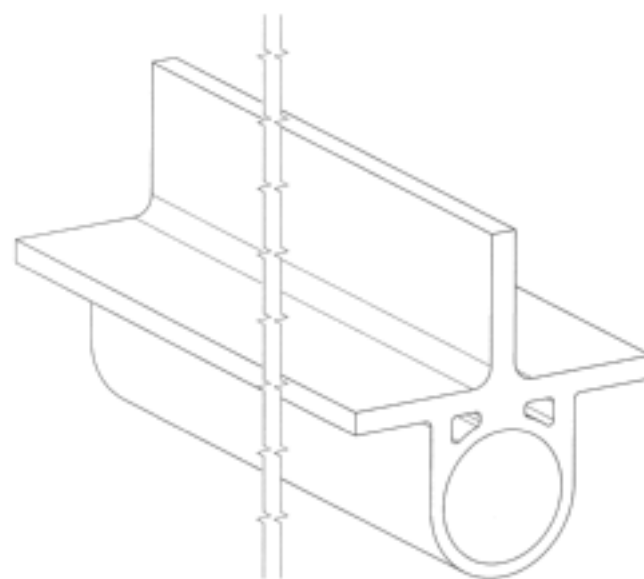
- (21) Design Number: **11908/2012**
(22) Date of Filing Application: **18 April 2012**
(24) Date from which industrial property rights may have effect: **18 April 2012**
(54) Product in respect of which the design is registered: **A tyre**
(51) International Design Classification: **12-15A**
(74) Name(s) of Attorney(s): **WATERMARK PATENT AND TRADE MARKS ATTORNEYS**
(71) Name(s) and Address(s) of Applicant(s):
COMPAGNIE GENERALE DES ETABLISSEMENTS MICHELIN
12 cours Sablon 63000 Clermont-Ferrande France
Michelin Recherche et Technique S.A.
Route Louis-Braille 10 et 12 CH-1763 Granges-Paccot Switzerland
(72) Name(s) of Designer(s): **Richard Audigier and Jonathan LeJeune and Stephane Oraison**
(45) Registration Date: **14 May 2012**
(30) Convention priority data:
(31) Number (32) Date (33) Country
11/5108 21 Oct 2011 FRANCE
(56) Related Art Documents: **Not Applicable**
(57) Statement of Newness and Distinctiveness: **Newness and distinctiveness resides in the appearance of the tread region of the tyre, the remainder of the tyre not forming part of the design.**



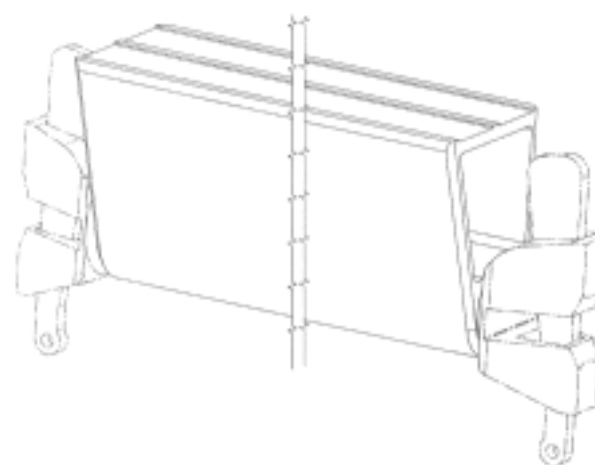
- (21) Design Number: **11914/2012**
(22) Date of Filing Application: **18 April 2012**
(24) Date from which industrial property rights may have effect: **18 April 2012**
(54) Product in respect of which the design is registered: **Headphone**
(51) International Design Classification: **14-01**
(74) Name(s) of Attorney(s): **Fisher Adams Kelly**
(71) Name(s) and Address(s) of Applicant(s):
Zound Industries International AB
Torsgatan 2 Stockholm 11123 Sweden
(72) Name(s) of Designer(s): **Members of the design team at Norra Norr HB.**
(45) Registration Date: **14 May 2012**
(30) Convention priority data:
(31) Number (32) Date (33) Country
001938689 27 Oct 2011 EUROPEAN COMMUNITY
(56) Related Art Documents: **Not Applicable**
(57) Statement of Newness and Distinctiveness: **The newness and distinctiveness of the design resides in the shape and/or configuration of the HEADPHONE shown in the representations.**



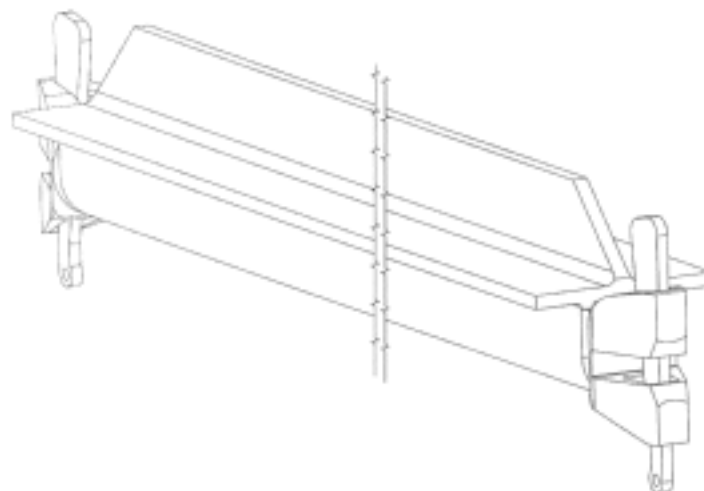
- (21) Design Number: **11915/2012**
(22) Date of Filing Application: **18 April 2012**
(24) Date from which industrial property rights may have effect: **18 April 2012**
(54) Product in respect of which the design is registered: **A scaffold transom extrusion**
(51) International Design Classification: **25-04, 25-01NES**
(74) Name(s) of Attorney(s): **Adams Pluck**
(71) Name(s) and Address(s) of Applicant(s):
NCS Wholesalers Pty Ltd
18 Nelson Road Cardiff New South Wales 2285 Australia
(72) Name(s) of Designer(s): **Ken Bedford**
(45) Registration Date: **14 May 2012**
(56) Related Art Documents: **Not Applicable**
(57) Statement of Newness and Distinctiveness: **Newness and distinctiveness resides in the visual features of shape and/or configuration of an extrusion of indefinite length as shown in the accompanying drawings.**



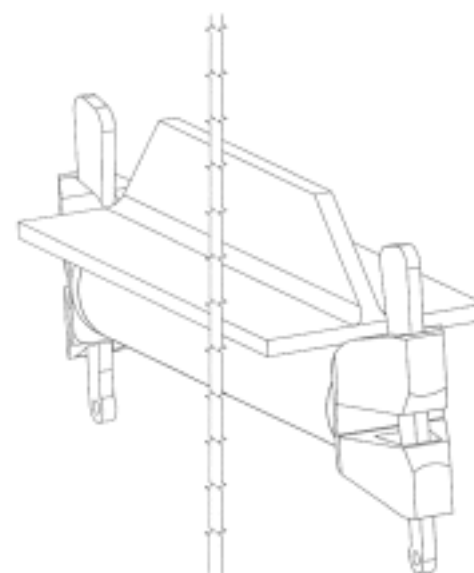
- (21) Design Number: **11916/2012**
(22) Date of Filing Application: **18 April 2012**
(24) Date from which industrial property rights may have effect: **18 April 2012**
(54) Product in respect of which the design is registered: **A scaffold ledger**
(51) International Design Classification: **25-04**
(74) Name(s) of Attorney(s): **Adams Pluck**
(71) Name(s) and Address(s) of Applicant(s):
NCS Wholesalers Pty Ltd
18 Nelson Road Cardiff New South Wales 2285 Australia
(72) Name(s) of Designer(s): **Ken Bedford**
(45) Registration Date: **14 May 2012**
(56) Related Art Documents: **Not Applicable**
(57) Statement of Newness and Distinctiveness: **Newness and distinctiveness resides in the visual features of shape and/or configuration of a scaffold ledger of indefinite length as shown in the accompanying drawings. When determining whether the design is substantially similar in overall impression to another design, no regard is to be had to the coupling elements shown in dotted outline on either end of the ledger, which elements are provided for illustrative purposes only.**



- (21) Design Number: **11917/2012**
(22) Date of Filing Application: **18 April 2012**
(24) Date from which industrial property rights may have effect: **18 April 2012**
(54) Product in respect of which the design is registered: **A scaffold transom assembly**
(51) International Design Classification: **25-04**
(74) Name(s) of Attorney(s): **Adams Pluck**
(71) Name(s) and Address(s) of Applicant(s):
NCS Wholesalers Pty Ltd
18 Nelson Road Cardiff New South Wales 2285 Australia
(72) Name(s) of Designer(s): **Ken Bedford**
(45) Registration Date: **14 May 2012**
(56) Related Art Documents: **Not Applicable**
(57) Statement of Newness and Distinctiveness: **Newness and distinctiveness resides in the visual features of shape and/or configuration of a scaffold transom bar of indefinite length as shown in the accompanying drawings.**



- (21) Design Number: **11918/2012**
(22) Date of Filing Application: **18 April 2012**
(24) Date from which industrial property rights may have effect: **18 April 2012**
(54) Product in respect of which the design is registered: **A scaffold transom assembly**
(51) International Design Classification: **25-04**
(74) Name(s) of Attorney(s): **Adams Pluck**
(71) Name(s) and Address(s) of Applicant(s):
NCS Wholesalers Pty Ltd
18 Nelson Road Cardiff New South Wales 2285 Australia
(72) Name(s) of Designer(s): **Ken Bedford**
(45) Registration Date: **14 May 2012**
(56) Related Art Documents: **Not Applicable**
(57) Statement of Newness and Distinctiveness: **Newness and distinctiveness resides in the visual features of shape and/or configuration of a scaffold transom bar of indefinite length as shown in the accompanying drawings.**



(21) Design Number: **10503/2012**
(22) Date of Filing Application: **02 February 2012**
(24) Date from which industrial property rights may have effect: **02 February 2012**
(54) Product in respect of which the design is registered: **Handle for cooking utensil**
(51) International Design Classification: **07-02R**
(74) Name(s) of Attorney(s): **MIDDLETONS**
(71) Name(s) and Address(s) of Applicant(s):
Food Fight Limited
B5 13/F Hankow Centre 4A Ashley Road Tsimshatsui Kowloon Hong Kong
(72) Name(s) of Designer(s): **Harry Pourounidis and Curtis Stone**
(45) Registration Date: **15 May 2012**
(56) Related Art Documents: **Not Applicable**
(57) Statement of Newness and Distinctiveness: **The visual feature of the design claimed as new and distinctive is the handle as shown in the non-faded sections of the representations labelled A to I and in the representations labelled J to O.**



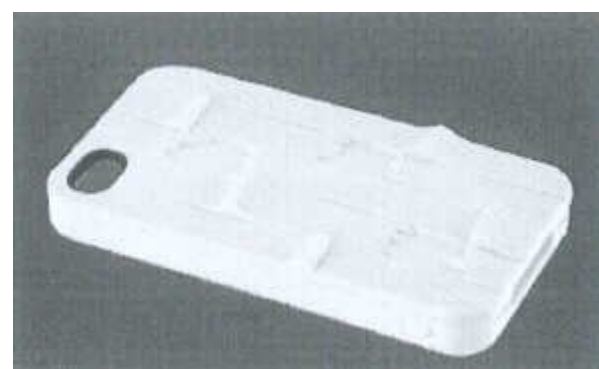
(21) Design Number: **10754/2012**
(22) Date of Filing Application: **16 February 2012**
(24) Date from which industrial property rights may have effect: **16 February 2012**
(54) Product in respect of which the design is registered: **Outdoor lighting fixture**
(51) International Design Classification: **26-03**
(74) Name(s) of Attorney(s): **PHILLIPS ORMONDE FITZPATRICK**
(71) Name(s) and Address(s) of Applicant(s):
Schreder S.A.
Rue de Lusambo 67 B-1190 Brussels Belgium
(72) Name(s) of Designer(s): **Michel Tortel**
(45) Registration Date: **15 May 2012**
(30) Convention priority data:
(31) Number (32) Date (33) Country
001289912-005 18 Aug 2011 EUROPEAN COMMUNITY
(56) Related Art Documents: **Not Applicable**
(57) Statement of Newness and Distinctiveness: **Nil**



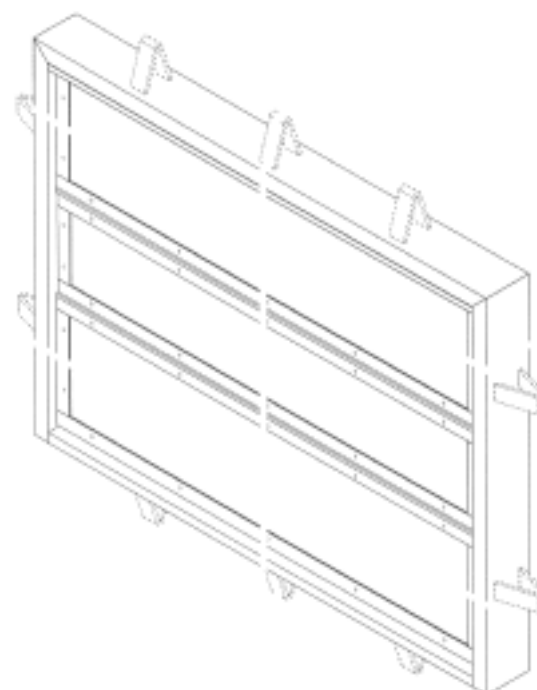
(21) Design Number: **10755/2012**
(22) Date of Filing Application: **16 February 2012**
(24) Date from which industrial property rights may have effect: **16 February 2012**
(54) Product in respect of which the design is registered: **Outdoor lighting fixture**
(51) International Design Classification: **26-03**
(74) Name(s) of Attorney(s): **PHILLIPS ORMONDE FITZPATRICK**
(71) Name(s) and Address(s) of Applicant(s):
Schreder S.A.
Rue de Lusambo 67 B-1190 Brussels Belgium
(72) Name(s) of Designer(s): **Michel Tortel**
(45) Registration Date: **15 May 2012**
(30) Convention priority data:
(31) Number (32) Date (33) Country
001289912-0002 18 Aug 2011 EUROPEAN COMMUNITY
(56) Related Art Documents: **Not Applicable**
(57) Statement of Newness and Distinctiveness: **Nil**



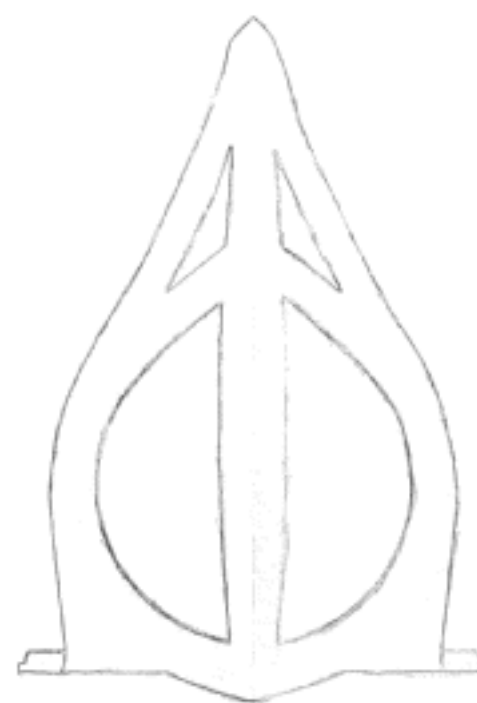
(21) Design Number: **10982/2012**
(22) Date of Filing Application: **01 March 2012**
(24) Date from which industrial property rights may have effect: **01 March 2012**
(54) Product in respect of which the design is registered: **Protective casing for portable handheld electronic device**
(51) International Design Classification: **03-01NES**
(74) Name(s) of Attorney(s): **Griffith Hack**
(71) Name(s) and Address(s) of Applicant(s):
SwitchEasy Limited
Room 314 Sing Win Factory Building 15-17 Shing Yip Street Kwun Tong Kowloon Hong Kong
(72) Name(s) of Designer(s): **Chi Vun Steven Bau**
(45) Registration Date: **15 May 2012**
(30) Convention priority data:
(31) Number (32) Date (33) Country
1102007.0M005 14 Nov 2011 HONG KONG
(56) Related Art Documents: **Not Applicable**
(57) Statement of Newness and Distinctiveness: **The shape, configuration and ornamentation of the visual features of the PROTECTIVE CASING FOR A PORTABLE HANDHELD ELECTRONIC DEVICE as shown in the accompanying representations is new and distinctive.**



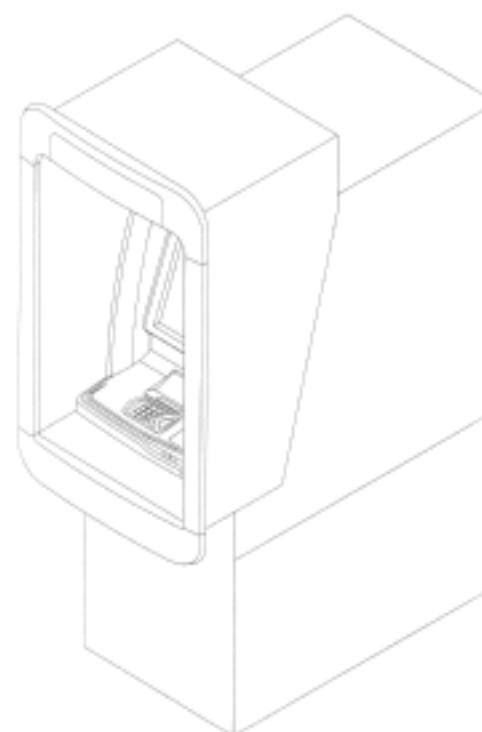
- (21) Design Number: **11022/2012**
(22) Date of Filing Application: **02 March 2012**
(24) Date from which industrial property rights may have effect: **02 March 2012**
(54) Product in respect of which the design is registered: **Security window**
(51) International Design Classification: **25-02H**
(74) Name(s) of Attorney(s): **Davies Collison Cave**
(71) Name(s) and Address(s) of Applicant(s):
Steelforce Pty Ltd
11 Chong Court Berwick Victoria 3806 Australia
(72) Name(s) of Designer(s): **David Gooley and John Chaponnel**
(45) Registration Date: **15 May 2012**
(56) Related Art Documents: **Not Applicable**
(57) Statement of Newness and Distinctiveness: **Newness and distinctiveness is claimed in the visual features shown in solid lines in the representations, the height and width of the window being of indefinite length at locations indicated by discontinuous lines.**



- (21) Design Number: **11299/2012**
(22) Date of Filing Application: **13 March 2012**
(24) Date from which industrial property rights may have effect: **13 March 2012**
(54) Product in respect of which the design is registered: **The indahole golf putting training aid**
(51) International Design Classification: **21-02C**
(74) Name(s) of Attorney(s):
(71) Name(s) and Address(s) of Applicant(s):
Geoffrey Levingston
1 Randall Court Mount Waverly Victoria 3149 Australia
Paul Collins
13 Creswick Street Balwyn Victoria 3103 Australia
(72) Name(s) of Designer(s): **Geoffrey Levingston**
(45) Registration Date: **15 May 2012**
(56) Related Art Documents: **Not Applicable**
(57) Statement of Newness and Distinctiveness: **The indahole golf putting training aid is a removable device which can easily attach and detach from the face of most putters. It is unique in so far as it is a forward sighted training aid design to work with all putter back alignment methods.**



(21) Design Number: **11569/2012**
(22) Date of Filing Application: **27 March 2012**
(24) Date from which industrial property rights may have effect: **27 March 2012**
(54) Product in respect of which the design is registered: **Automated teller machine**
(51) International Design Classification: **14-02**
(74) Name(s) of Attorney(s):
(71) Name(s) and Address(s) of Applicant(s):
Nautilus Hyosung Inc.
Cheongdam Building 52 Cheongdam-dong Gangnam-gu Seoul Korea
(72) Name(s) of Designer(s): **Hee Yeoun Lee and Jae Min Cha**
(45) Registration Date: **15 May 2012**
(30) Convention priority data:
(31) Number (32) Date (33) Country
30-2011-0041366 06 Oct 2011 REPUBLIC OF KOREA
(56) Related Art Documents: **Not Applicable**
(57) Statement of Newness and Distinctiveness: **Nil**



(21) Design Number: **12033/2012**
(22) Date of Filing Application: **24 April 2012**
(24) Date from which industrial property rights may have effect: **24 April 2012**
(54) Product in respect of which the design is registered: **Caravan**
(51) International Design Classification: **12-10**
(74) Name(s) of Attorney(s):
(71) Name(s) and Address(s) of Applicant(s):
TCV Pty Limited
Level 9 5 Elizabeth Street Sydney New South Wales 2000 Australia
(72) Name(s) of Designer(s): **Trevor Keith Dutch**
(45) Registration Date: **15 May 2012**
(56) Related Art Documents: **Not Applicable**
(57) Statement of Newness and Distinctiveness: **Newness and distinctiveness is claimed in the shape, configuration and appearance of the caravan illustrated in the accompanying representations.**



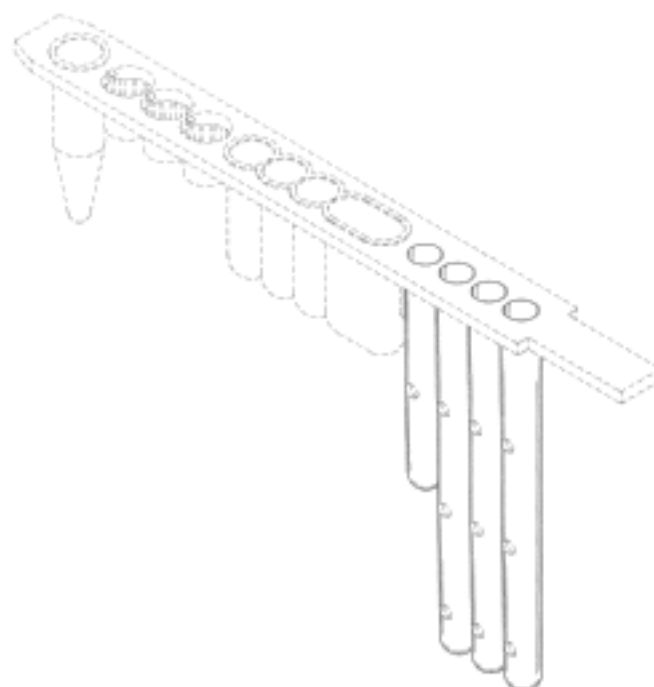
- (21) Design Number: **11459/2012**
(22) Date of Filing Application: **20 March 2012**
(24) Date from which industrial property rights may have effect: **20 March 2012**
(54) Product in respect of which the design is registered: **Portable light & tripod stand with power source**
(51) International Design Classification: **26-03, 26-05E**
(74) Name(s) of Attorney(s):
(71) Name(s) and Address(s) of Applicant(s):
Daniel Matejic
44 Joe Ford Drive Tatura Victoria 3616 Australia
(72) Name(s) of Designer(s): **Daniel Matejic**
(45) Registration Date: **15 May 2012**
(56) Related Art Documents: **Not Applicable**
(57) Statement of Newness and Distinctiveness: **Mounted LED Flood light or lights, of the type(s) shown in the attached photographs, to a portable tripod stand with or without reflective markings and powered by an external electrical DC (Direct Current) power source separate to the to light(s) and tripod stand is new and distinctive.**



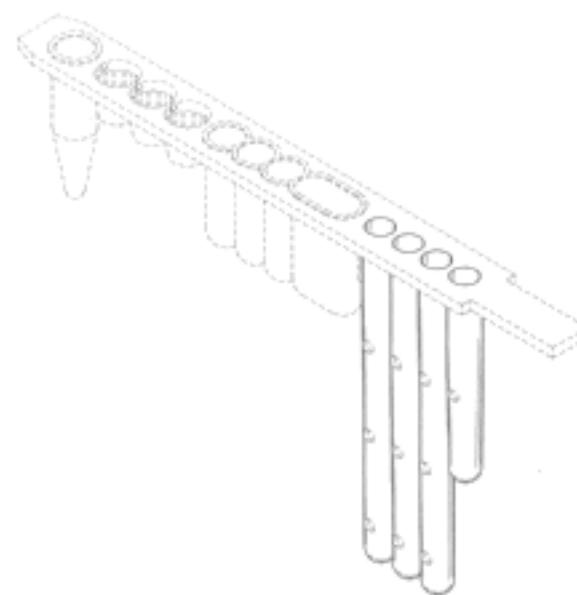
- (21) Design Number: **11460/2012**
(22) Date of Filing Application: **20 March 2012**
(24) Date from which industrial property rights may have effect: **20 March 2012**
(54) Product in respect of which the design is registered: **Portable light & tripod stand with power source**
(51) International Design Classification: **26-03, 26-05E**
(74) Name(s) of Attorney(s):
(71) Name(s) and Address(s) of Applicant(s):
Daniel Matejic
44 Joe Ford Drive Tatura Victoria 3616 Australia
(72) Name(s) of Designer(s): **Daniel Matejic**
(45) Registration Date: **15 May 2012**
(56) Related Art Documents: **Not Applicable**
(57) Statement of Newness and Distinctiveness: **Mounted LED Flood light or lights, of the type(s) shown in the attached photographs, to a portable tripod stand with or without reflective markings and powered by an external electrical DC (Direct Current) power source separate to the to light(s) and tripod stand is new and distinctive.**



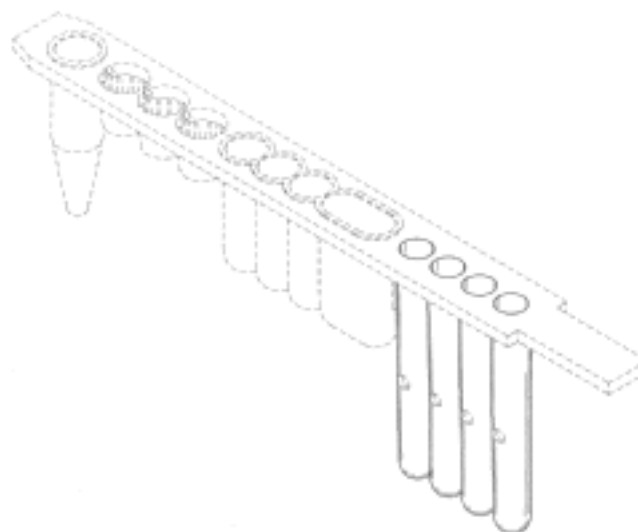
- (21) Design Number: **11583/2012**
(22) Date of Filing Application: **28 March 2012**
(24) Date from which industrial property rights may have effect: **28 March 2012**
(54) Product in respect of which the design is registered: **Reagent holder**
(51) International Design Classification: **24-01, 24-02**
(74) Name(s) of Attorney(s): **Davies Collison Cave**
(71) Name(s) and Address(s) of Applicant(s):
Becton Dickinson and Company
1 Becton Drive Franklin Lakes New Jersey 07417-1880 United States of America
(72) Name(s) of Designer(s): **Ammon David Lentz and Richard St-Pierre and Dwight Livingston and Adam Bruce Steel**
(45) Registration Date: **15 May 2012**
(30) Convention priority data:
(31) Number (32) Date (33) Country
29/403131 30 Sep 2011 UNITED STATES OF AMERICA
(56) Related Art Documents: **Not Applicable**
(57) Statement of Newness and Distinctiveness: **Newness and distinctiveness is claimed in the visual features shown in solid lines in the representations.**



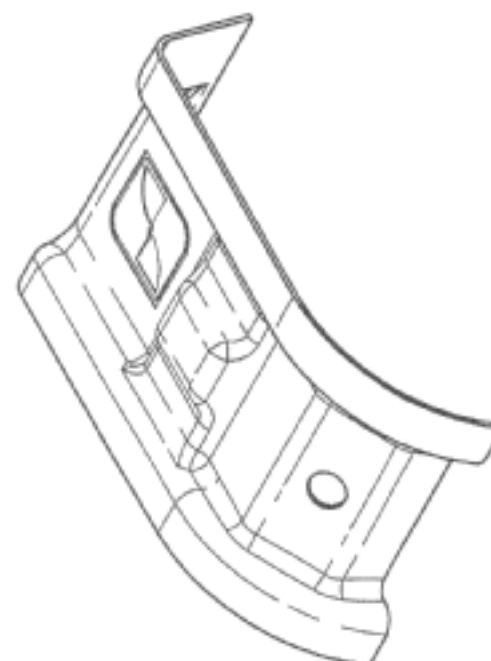
- (21) Design Number: **11584/2012**
(22) Date of Filing Application: **28 March 2012**
(24) Date from which industrial property rights may have effect: **28 March 2012**
(54) Product in respect of which the design is registered: **Reagent holder**
(51) International Design Classification: **24-01, 24-02**
(74) Name(s) of Attorney(s): **Davies Collison Cave**
(71) Name(s) and Address(s) of Applicant(s):
Becton Dickinson and Company
1 Becton Drive Franklin Lakes New Jersey 07417-1880 United States of America
(72) Name(s) of Designer(s): **Ammon David Lentz and Richard St-Pierre and Dwight Livingston and Adam Bruce Steel**
(45) Registration Date: **15 May 2012**
(30) Convention priority data:
(31) Number (32) Date (33) Country
29/403131 30 Sep 2011 UNITED STATES OF AMERICA
(56) Related Art Documents: **Not Applicable**
(57) Statement of Newness and Distinctiveness: **Newness and distinctiveness is claimed in the visual features shown in solid lines in the representations.**



(21) Design Number: **11585/2012**
(22) Date of Filing Application: **28 March 2012**
(24) Date from which industrial property rights may have effect: **28 March 2012**
(54) Product in respect of which the design is registered: **Reagent holder**
(51) International Design Classification: **24-01, 24-02**
(74) Name(s) of Attorney(s): **Davies Collison Cave**
(71) Name(s) and Address(s) of Applicant(s):
Becton Dickinson and Company
1 Becton Drive Franklin Lakes New Jersey 07417-1880 United States of America
(72) Name(s) of Designer(s): **Ammon David Lentz and Richard St-Pierre and Dwight Livingston and Adam Bruce Steel**
(45) Registration Date: **15 May 2012**
(30) Convention priority data:
(31) Number (32) Date (33) Country
29/403131 30 Sep 2011 UNITED STATES OF AMERICA
(56) Related Art Documents: **Not Applicable**
(57) Statement of Newness and Distinctiveness: **Newness and distinctiveness is claimed in the visual features shown in solid lines in the representations.**



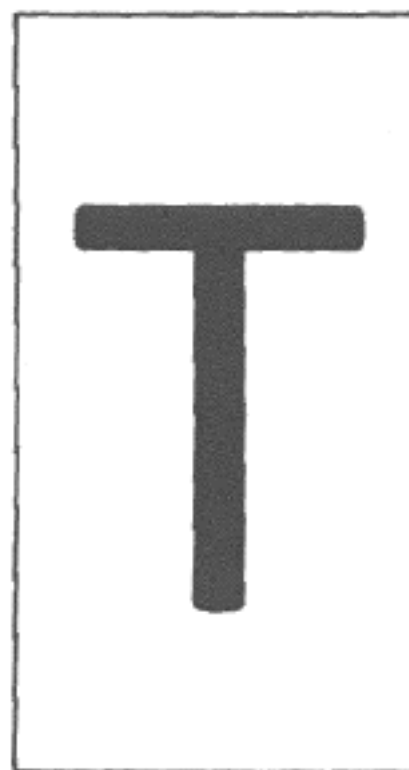
(21) Design Number: **11637/2012**
(22) Date of Filing Application: **29 March 2012**
(24) Date from which industrial property rights may have effect: **29 March 2012**
(54) Product in respect of which the design is registered: **A tile panel clip**
(51) International Design Classification: **08-08A**
(74) Name(s) of Attorney(s): **PHILLIPS ORMONDE FITZPATRICK**
(71) Name(s) and Address(s) of Applicant(s):
Stratco (Australia) Pty Limited
125 Cavan Road Gepps Cross South Australia 5094 Australia
(72) Name(s) of Designer(s): **Michael Robert Farr**
(45) Registration Date: **15 May 2012**
(56) Related Art Documents: **Not Applicable**
(57) Statement of Newness and Distinctiveness: **Nil**



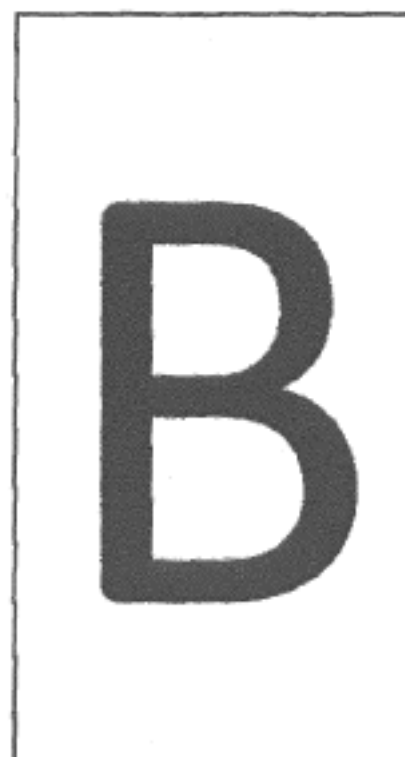
(21) Design Number: **11638/2012**
(22) Date of Filing Application: **29 March 2012**
(24) Date from which industrial property rights may have effect: **29 March 2012**
(54) Product in respect of which the design is registered: **A tile panel**
(51) International Design Classification: **25-01F**
(74) Name(s) of Attorney(s): **PHILLIPS ORMONDE FITZPATRICK**
(71) Name(s) and Address(s) of Applicant(s):
Stratco (Australia) Pty Limited
125 Cavan Road Gepps Cross South Australia 5094 Australia
(72) Name(s) of Designer(s): **Michael Robert Farr**
(45) Registration Date: **15 May 2012**
(56) Related Art Documents: **Not Applicable**
(57) Statement of Newness and Distinctiveness: **Nil**



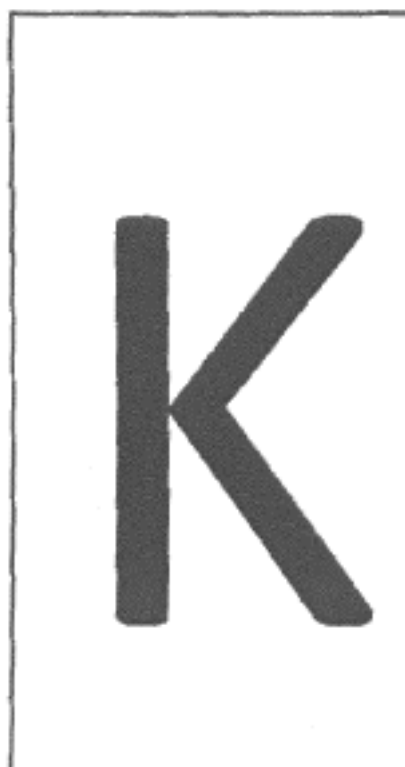
(21) Design Number: **11330/2012**
(22) Date of Filing Application: **08 March 2012**
(24) Date from which industrial property rights may have effect: **08 March 2012**
(54) Product in respect of which the design is registered: **Product is an everyday sponge that people use in their kitchen, bathroom etc.**
(51) International Design Classification: **07-05E**
(74) Name(s) of Attorney(s):
(71) Name(s) and Address(s) of Applicant(s):
Dimitra Pagliaro
6 Sunset Avenue Templestowe Victoria 3106 Australia
(72) Name(s) of Designer(s): **Dimitra Pagliaro**
(45) Registration Date: **15 May 2012**
(56) Related Art Documents: **Not Applicable**
(57) Statement of Newness and Distinctiveness: **The sponge has an intial (letter) as an identifier on the head of the sponge ie T = toilet, K = kitchen, B = bathroom, L = laundry.**



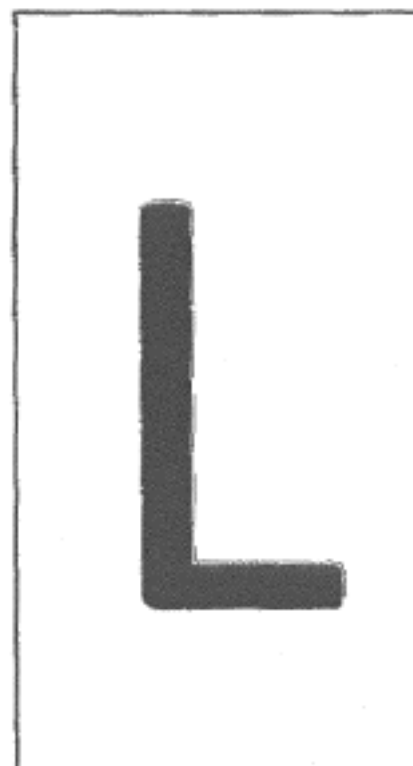
- (21) Design Number: **11331/2012**
(22) Date of Filing Application: **08 March 2012**
(24) Date from which industrial property rights may have effect: **08 March 2012**
(54) Product in respect of which the design is registered: **Product is an everyday sponge that people use in their kitchen, bathroom etc**
(51) International Design Classification: **07-05E**
(74) Name(s) of Attorney(s):
(71) Name(s) and Address(s) of Applicant(s):
Dimitra Pagliaro
6 Sunset Avenue Templestowe Victoria 3106 Australia
(72) Name(s) of Designer(s): **Dimitra Pagliaro**
(45) Registration Date: **15 May 2012**
(56) Related Art Documents: **Not Applicable**
(57) Statement of Newness and Distinctiveness: **The sponge has an intial (letter) as an identifier on the head of the sponge ie T = toilet, K = kitchen, B = bathroom, L = laundry.**



- (21) Design Number: **11332/2012**
(22) Date of Filing Application: **08 March 2012**
(24) Date from which industrial property rights may have effect: **08 March 2012**
(54) Product in respect of which the design is registered: **Product is an everyday sponge that people use in their kitchen, bathroom etc**
(51) International Design Classification: **07-05E**
(74) Name(s) of Attorney(s):
(71) Name(s) and Address(s) of Applicant(s):
Dimitra Pagliaro
6 Sunset Avenue Templestowe Victoria 3106 Australia
(72) Name(s) of Designer(s): **Dimitra Pagliaro**
(45) Registration Date: **15 May 2012**
(56) Related Art Documents: **Not Applicable**
(57) Statement of Newness and Distinctiveness: **The sponge has an intial (letter) as an identifier on the head of the sponge ie T = toilet, K = kitchen, B = bathroom, L = laundry.**



- (21) Design Number: **11333/2012**
(22) Date of Filing Application: **08 March 2012**
(24) Date from which industrial property rights may have effect: **08 March 2012**
(54) Product in respect of which the design is registered: **Product is an everyday sponge that people use in their kitchen, bathroom etc**
(51) International Design Classification: **07-05E**
(74) Name(s) of Attorney(s):
(71) Name(s) and Address(s) of Applicant(s):
Dimitra Pagliaro
6 Sunset Avenue Templestowe Victoria 3106 Australia
(72) Name(s) of Designer(s): **Dimitra Pagliaro**
(45) Registration Date: **15 May 2012**
(56) Related Art Documents: **Not Applicable**
(57) Statement of Newness and Distinctiveness: **The sponge has an intial (letter) as an identifier on the head of the sponge ie T = toilet, K = kitchen, B = bathroom, L = laundry.**



- (21) Design Number: **11357/2012**
(22) Date of Filing Application: **15 March 2012**
(24) Date from which industrial property rights may have effect: **15 March 2012**
(54) Product in respect of which the design is registered: **Watch**
(51) International Design Classification: **10-02**
(74) Name(s) of Attorney(s): **SPRUSON & FERGUSON**
(71) Name(s) and Address(s) of Applicant(s):
Rolex SA
3-5-7, rue Francois Dussaud, Geneva, Switzerland
(72) Name(s) of Designer(s): **Maria Cristina Calvani**
(45) Registration Date: **15 May 2012**
(30) Convention priority data:
(31) Number (32) Date (33) Country
138387 03 Nov 2011 SWITZERLAND
(56) Related Art Documents: **Not Applicable**
(57) Statement of Newness and Distinctiveness: **Newness and distinctiveness is claimed in the features of shape and/or configuration of a watch as illustrated in the accompanying representations.**



(19) AU

- (21) Design Number: **11358/2012**
- (22) Date of Filing Application: **15 March 2012**
- (24) Date from which industrial property rights may have effect: **15 March 2012**
- (54) Product in respect of which the design is registered: **Watch dial**
- (51) International Design Classification: **10-07**
- (74) Name(s) of Attorney(s): **SPRUSON & FERGUSON**
- (71) Name(s) and Address(s) of Applicant(s):

Rolex SA
3-5-7, rue Francois Dussaud, Geneva, Switzerland

(72) Name(s) of Designer(s): **Maria Cristina Calvani**

(45) Registration Date: **15 May 2012**

(30) Convention priority data:

(31) Number	(32) Date	(33) Country
138387	03 Nov 2011	SWITZERLAND

(56) Related Art Documents: **Not Applicable**

(57) Statement of Newness and Distinctiveness: **Newness and distinctiveness is claimed in the features of shape and/or configuration of a watch dial as illustrated in the accompanying representations.**



(19) AU

- (21) Design Number: **11359/2012**
- (22) Date of Filing Application: **15 March 2012**
- (24) Date from which industrial property rights may have effect: **15 March 2012**
- (54) Product in respect of which the design is registered: **Watch dial**
- (51) International Design Classification: **10-07**
- (74) Name(s) of Attorney(s): **SPRUSON & FERGUSON**
- (71) Name(s) and Address(s) of Applicant(s):

Rolex SA
3-5-7, rue Francois Dussaud, Geneva, Switzerland

(72) Name(s) of Designer(s): **Maria Cristina Calvani**

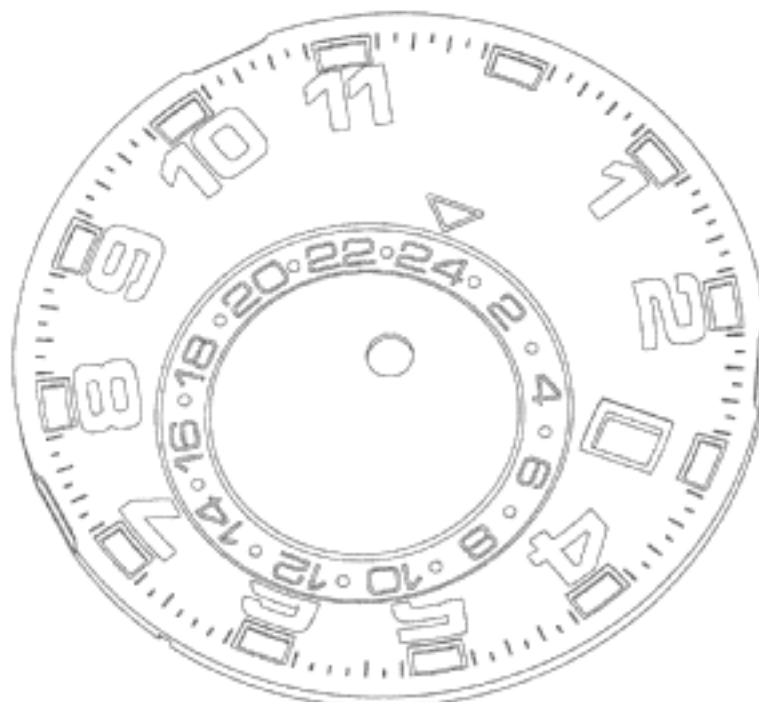
(45) Registration Date: **15 May 2012**

(30) Convention priority data:

(31) Number	(32) Date	(33) Country
138387	03 Nov 2011	SWITZERLAND

(56) Related Art Documents: **Not Applicable**

(57) Statement of Newness and Distinctiveness: **Newness and distinctiveness is claimed in the features of shape and/or configuration of a watch dial as illustrated in the accompanying representations.**



(21) Design Number: **11360/2012**
(22) Date of Filing Application: **15 March 2012**
(24) Date from which industrial property rights may have effect: **15 March 2012**
(54) Product in respect of which the design is registered: **Watch dial**
(51) International Design Classification: **10-07**
(74) Name(s) of Attorney(s): **SPRUSON & FERGUSON**
(71) Name(s) and Address(s) of Applicant(s):

Rolex SA
3-5-7, rue Francois Dussaud, Geneva, Switzerland

(72) Name(s) of Designer(s): **Maria Cristina Calvani**

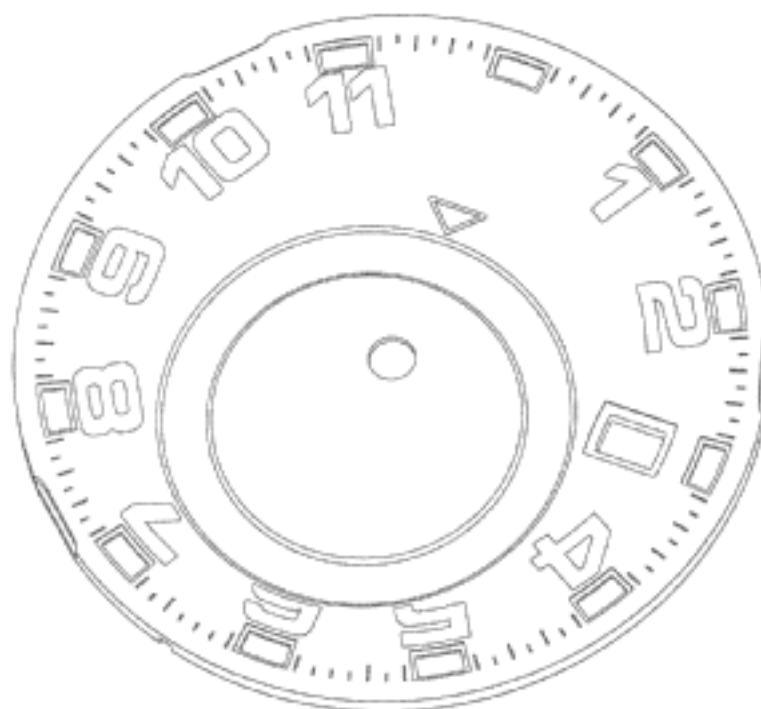
(45) Registration Date: **15 May 2012**

(30) Convention priority data:

(31) Number	(32) Date	(33) Country
138387	03 Nov 2011	SWITZERLAND

(56) Related Art Documents: **Not Applicable**

(57) Statement of Newness and Distinctiveness: **Newness and distinctiveness is claimed in the features of shape and/or configuration of a watch dial as illustrated in the accompanying representations.**



(21) Design Number: **11361/2012**
(22) Date of Filing Application: **15 March 2012**
(24) Date from which industrial property rights may have effect: **15 March 2012**
(54) Product in respect of which the design is registered: **Watch dial**
(51) International Design Classification: **10-07**
(74) Name(s) of Attorney(s): **SPRUSON & FERGUSON**
(71) Name(s) and Address(s) of Applicant(s):

Rolex SA
3-5-7, rue Francois Dussaud, Geneva, Switzerland

(72) Name(s) of Designer(s): **Maria Cristina Calvani**

(45) Registration Date: **15 May 2012**

(30) Convention priority data:

(31) Number	(32) Date	(33) Country
138387	03 Nov 2011	SWITZERLAND

(56) Related Art Documents: **Not Applicable**

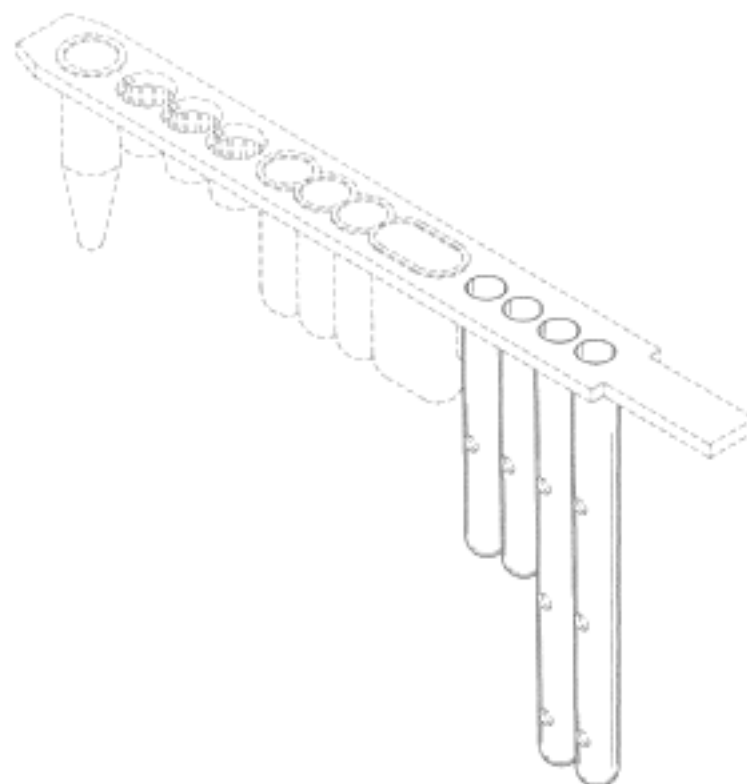
(57) Statement of Newness and Distinctiveness: **Newness and distinctiveness is claimed in the features of shape and/or configuration of a watch dial as illustrated in the accompanying representations.**



(21) Design Number: **11362/2012**
(22) Date of Filing Application: **15 March 2012**
(24) Date from which industrial property rights may have effect: **15 March 2012**
(54) Product in respect of which the design is registered: **Watch**
(51) International Design Classification: **10-02**
(74) Name(s) of Attorney(s): **SPRUSON & FERGUSON**
(71) Name(s) and Address(s) of Applicant(s):
Rolex SA
3-5-7, rue Francois Dussaud, Geneva, Switzerland
(72) Name(s) of Designer(s): **Maria Cristina Calvani**
(45) Registration Date: **15 May 2012**
(30) Convention priority data:
(31) Number (32) Date (33) Country
138387 03 Nov 2011 SWITZERLAND
(56) Related Art Documents: **Not Applicable**
(57) Statement of Newness and Distinctiveness: **Newness and distinctiveness is claimed in the features of shape and/or configuration of a watch as illustrated in the accompanying representations.**



(21) Design Number: **11586/2012**
(22) Date of Filing Application: **28 March 2012**
(24) Date from which industrial property rights may have effect: **28 March 2012**
(54) Product in respect of which the design is registered: **Reagent holder**
(51) International Design Classification: **24-01, 24-02**
(74) Name(s) of Attorney(s): **Davies Collison Cave**
(71) Name(s) and Address(s) of Applicant(s):
Becton Dickinson and Company
1 Becton Drive Franklin Lakes New Jersey 07417-1880 United States of America
(72) Name(s) of Designer(s): **Ammon David Lentz and Richard St-Pierre and Dwight Livingston and Adam Bruce Steel**
(45) Registration Date: **15 May 2012**
(30) Convention priority data:
(31) Number (32) Date (33) Country
29/403131 30 Sep 2011 UNITED STATES OF AMERICA
(56) Related Art Documents: **Not Applicable**
(57) Statement of Newness and Distinctiveness: **Newness and distinctiveness is claimed in the visual features shown in solid lines in the representations.**



(21) Design Number: **11313/2012**
(22) Date of Filing Application: **07 March 2012**
(24) Date from which industrial property rights may have effect: **07 March 2012**
(54) Product in respect of which the design is registered: **Upholstered lounge suite**
(51) International Design Classification: **06-01G**
(74) Name(s) of Attorney(s):
(71) Name(s) and Address(s) of Applicant(s):
Paddington Furniture Co Pty Ltd
37 Bentley Street Wetherill Park New South Wales 2164 Australia
(72) Name(s) of Designer(s): **Simon Noble**
(45) Registration Date: **15 May 2012**
(56) Related Art Documents: **Not Applicable**
(57) Statement of Newness and Distinctiveness: **Nil**



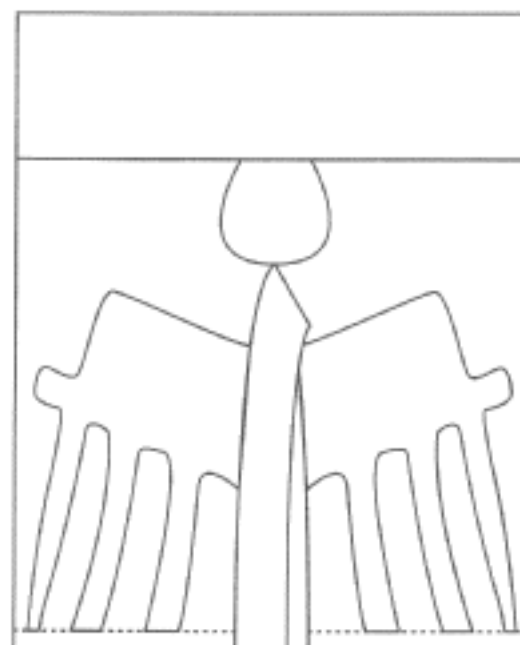
(21) Design Number: **15074/2011**
(22) Date of Filing Application: **04 November 2011**
(24) Date from which industrial property rights may have effect: **04 November 2011**
(54) Product in respect of which the design is registered: **Sports leggings**
(51) International Design Classification: **02-02C, 02-04C**
(74) Name(s) of Attorney(s):
(71) Name(s) and Address(s) of Applicant(s):
LM Australasia Pty Ltd
Level 1 14-24 Easey Street Collingwood Victoria 3066 Australia
(72) Name(s) of Designer(s): **Michel Abeysekera**
(45) Registration Date: **15 May 2012**
(56) Related Art Documents: **Not Applicable**
(57) Statement of Newness and Distinctiveness: **These leggings are constructed using seamless knitting technology and have speciality yarns and unique jacquard to create a compression which assists with the recovery of sporting injuries.**



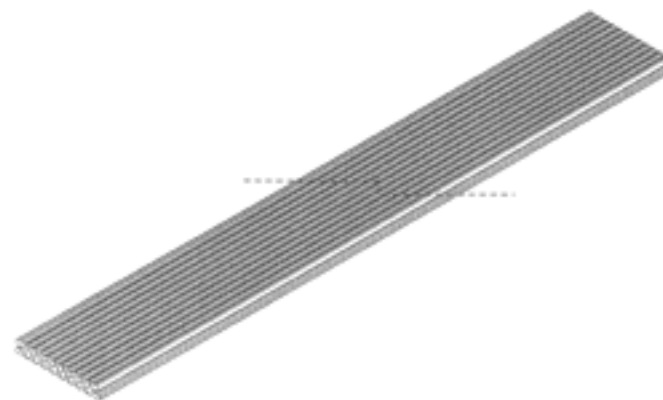
- (21) Design Number: **11752/2012**
(22) Date of Filing Application: **22 April 2012**
(24) Date from which industrial property rights may have effect: **22 April 2012**
(54) Product in respect of which the design is registered: **T-shirt**
(51) International Design Classification: **02-02NES**
(74) Name(s) of Attorney(s): **TJ IP Patents, Trade Marks & Designs**
(71) Name(s) and Address(s) of Applicant(s):
Brian Keith Arnold
45 Pacific Avenue Bushland Beach Queensland 4818 Australia
(72) Name(s) of Designer(s): **Brian Keith Arnold**
(45) Registration Date: **15 May 2012**
(56) Related Art Documents: **Not Applicable**
(57) Statement of Newness and Distinctiveness: **Registration is sought for a new and distinctive design applied to a T-shirt as shown in the accompanying representation. In considering the scope of monopoly the particular shape and shade of the article of clothing is to be disregarded**



- (21) Design Number: **15075/2011**
(22) Date of Filing Application: **04 November 2011**
(24) Date from which industrial property rights may have effect: **04 November 2011**
(54) Product in respect of which the design is registered: **Sports shorts**
(51) International Design Classification: **02-02C, 02-04C**
(74) Name(s) of Attorney(s):
(71) Name(s) and Address(s) of Applicant(s):
LM Australasia Pty Ltd
Level 1 14-24 Easey Street Collingwood Victoria 3066 Australia
(72) Name(s) of Designer(s): **Michel Abeysekera**
(45) Registration Date: **15 May 2012**
(56) Related Art Documents: **Not Applicable**
(57) Statement of Newness and Distinctiveness: **These sports shorts are constructed using seamless knitting technology and have speciality yarns and unique jacquard to create a compression which assists with the recovery of sporting injuries.**



(21) Design Number: **11634/2012**
(22) Date of Filing Application: **29 March 2012**
(24) Date from which industrial property rights may have effect: **29 March 2012**
(54) Product in respect of which the design is registered: **Panel**
(51) International Design Classification: **25-01D**
(74) Name(s) of Attorney(s): **Griffith Hack**
(71) Name(s) and Address(s) of Applicant(s):
Novo-Tech GmbH & Co. KG
Seimensstr. 31 06449 Aschersleben Germany
(72) Name(s) of Designer(s): **Holger Sasse**
(45) Registration Date: **15 May 2012**
(30) Convention priority data:
(31) Number (32) Date (33) Country
001939588-0002 28 Oct 2011 EUROPEAN COMMUNITY
(56) Related Art Documents: **Not Applicable**
(57) Statement of Newness and Distinctiveness: **The shape and configuration of the product as shown in the accompanying representations is new and distinctive. The product may be of any length.**



(21) Design Number: **11753/2012**
(22) Date of Filing Application: **22 April 2012**
(24) Date from which industrial property rights may have effect: **22 April 2012**
(54) Product in respect of which the design is registered: **T-shirt**
(51) International Design Classification: **02-02NES**
(74) Name(s) of Attorney(s): **TJ IP Patents, Trade Marks & Designs**
(71) Name(s) and Address(s) of Applicant(s):
Brian Keith Arnold
45 Pacific Avenue Bushland Beach Queensland 4818 Australia
(72) Name(s) of Designer(s): **Brian Keith Arnold**
(45) Registration Date: **15 May 2012**
(56) Related Art Documents: **Not Applicable**
(57) Statement of Newness and Distinctiveness: **Registration is sought for a new and distinctive design applied to a T-shirt as shown in the accompanying representation. In considering the scope of monopoly the particular shape and shade of the article of clothing is to be disregarded**



(21) Design Number: **11635/2012**
(22) Date of Filing Application: **29 March 2012**
(24) Date from which industrial property rights may have effect: **29 March 2012**
(54) Product in respect of which the design is registered: **Panel**
(51) International Design Classification: **25-01D**
(74) Name(s) of Attorney(s): **Griffith Hack**
(71) Name(s) and Address(s) of Applicant(s):

Novo-Tech GmbH & Co. KG
Seimensstr. 31 06449 Aschersleben Germany

(72) Name(s) of Designer(s): **Holger Sasse**

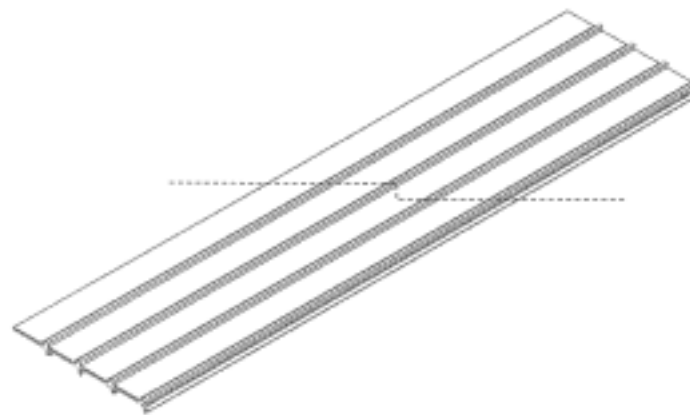
(45) Registration Date: **15 May 2012**

(30) Convention priority data:

(31) Number	(32) Date	(33) Country
001939588-0001	28 Oct 2011	EUROPEAN COMMUNITY

(56) Related Art Documents: **Not Applicable**

(57) Statement of Newness and Distinctiveness: **The shape and configuration of the product as shown in the accompanying representations is new and distinctive. The product may be of any length.**



(21) Design Number: **11821/2012**
(22) Date of Filing Application: **12 April 2012**
(24) Date from which industrial property rights may have effect: **12 April 2012**
(54) Product in respect of which the design is registered: **Force sensor**
(51) International Design Classification: **10-05**
(74) Name(s) of Attorney(s): **Griffith Hack**
(71) Name(s) and Address(s) of Applicant(s):

Kistler Holding AG
Eulachstrasse 22 8408 Winterthur Switzerland

(72) Name(s) of Designer(s): **David Cornu**

(45) Registration Date: **15 May 2012**

(30) Convention priority data:

(31) Number	(32) Date	(33) Country
201130367089.2	11 Oct 2011	CHINA

(56) Related Art Documents: **Not Applicable**

(57) Statement of Newness and Distinctiveness: **The shape, configuration and ornamentation of the product as shown in the accompanying representations is new and distinctive. The product may be of any length.**



(21) Design Number: **11910/2012**
(22) Date of Filing Application: **18 April 2012**
(24) Date from which industrial property rights may have effect: **18 April 2012**
(54) Product in respect of which the design is registered: **Land yacht**
(51) International Design Classification: **12-13, 12-14**
(74) Name(s) of Attorney(s):
(71) Name(s) and Address(s) of Applicant(s):

Kieran Coffey
8 Cluain Reidh Ballymakeera Co Cork Ireland

(72) Name(s) of Designer(s): **Kieran Coffey**

(45) Registration Date: **15 May 2012**

(30) Convention priority data:

(31) Number	(32) Date	(33) Country
001987132-0001	06 Feb 2012	EUROPEAN COMMUNITY

(56) Related Art Documents: **Not Applicable**

(57) Statement of Newness and Distinctiveness: **The DB Landyacht is a new leap in design with its unique trusses which are integral to it's look. There are three trusses. The front truss features an attractive curved shape giving it a very sleek design and emulating the character of the landyacht. There are two rear trusses acting as support arms. The body showcases a distinctive design feature with the main body of the landyacht exposed with no cover. This again gives a very distinctive look and highlights the character of the landyacht.**



(21) Design Number: **11940/2012**
(22) Date of Filing Application: **19 April 2012**
(24) Date from which industrial property rights may have effect: **19 April 2012**
(54) Product in respect of which the design is registered: **Car and toy-car**
(51) International Design Classification: **12-08, 21-01C**
(74) Name(s) of Attorney(s): **PHILLIPS ORMONDE FITZPATRICK**
(71) Name(s) and Address(s) of Applicant(s):

Maserati S.p.A.
Viale Ciro Menotti 322 I-41100 Modena Italy

(72) Name(s) of Designer(s): **Lorenzo Ramaciotti**

(45) Registration Date: **15 May 2012**

(30) Convention priority data:

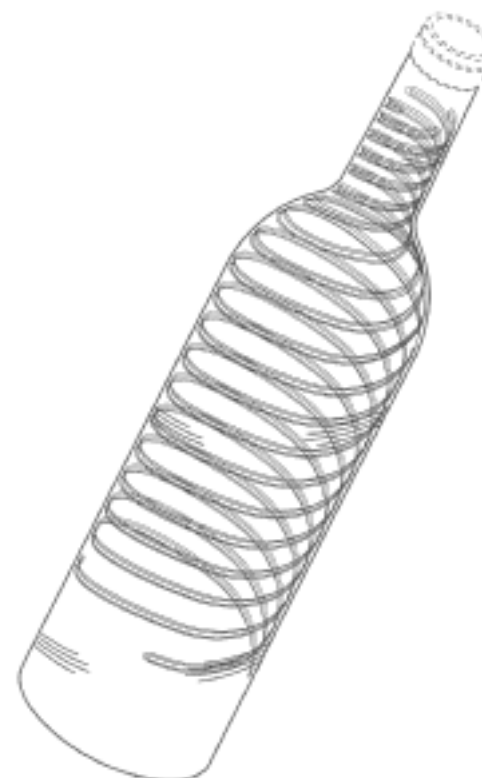
(31) Number	(32) Date	(33) Country
DM/077567	24 Oct 2011	WORLD INTELLECTUAL PROPERTY ORGANIZATION (WIPO)

(56) Related Art Documents: **Not Applicable**

(57) Statement of Newness and Distinctiveness: **Those features of the car and toy-car depicted in the representations that are new and distinctive are the shape and/or configuration. The features of the inside of the car and toy-car and the wheels and tyres of the car and toy-car are not part of the design and are to be disregarded when considering the overall impression of the design.**



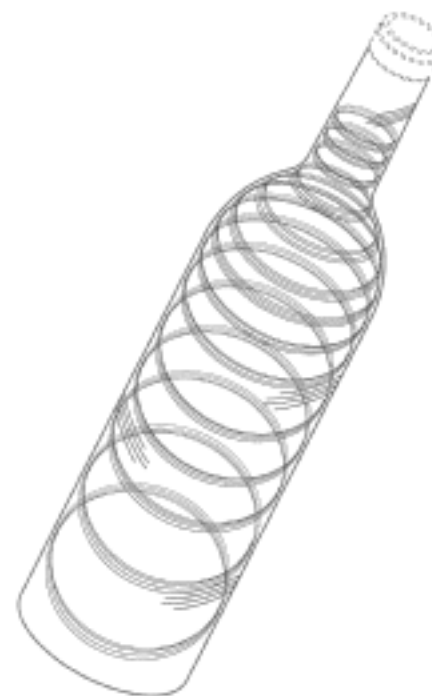
(21) Design Number: **11945/2012**
(22) Date of Filing Application: **19 April 2012**
(24) Date from which industrial property rights may have effect: **19 April 2012**
(54) Product in respect of which the design is registered: **A bottle**
(51) International Design Classification: **09-01H**
(74) Name(s) of Attorney(s): **Shelston IP**
(71) Name(s) and Address(s) of Applicant(s):
Owens-Brockway Glass Container Inc.
One Michael Owens Way Perrysburg Ohio 43551 United States of America
(72) Name(s) of Designer(s): **Roger P. Smith**
(45) Registration Date: **15 May 2012**
(30) Convention priority data:
(31) Number (32) Date (33) Country
29/404900 26 Oct 2011 UNITED STATES OF AMERICA
(56) Related Art Documents: **Not Applicable**
(57) Statement of Newness and Distinctiveness: **Nil**



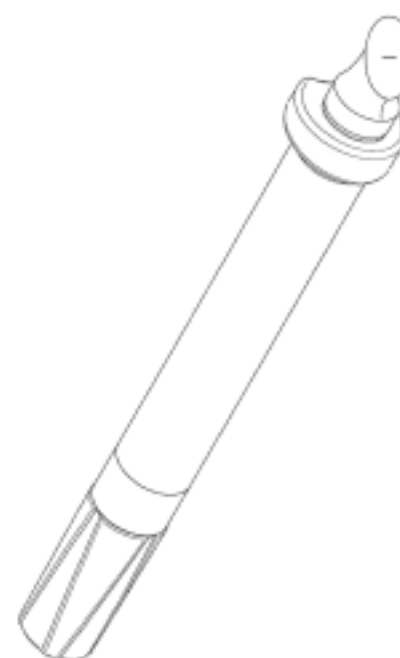
(21) Design Number: **11943/2012**
(22) Date of Filing Application: **19 April 2012**
(24) Date from which industrial property rights may have effect: **19 April 2012**
(54) Product in respect of which the design is registered: **A bottle**
(51) International Design Classification: **09-01H**
(74) Name(s) of Attorney(s): **Shelston IP**
(71) Name(s) and Address(s) of Applicant(s):
Owens-Brockway Glass Container Inc.
One Michael Owens Way Perrysburg Ohio 43551 United States of America
(72) Name(s) of Designer(s): **Roger P. Smith**
(45) Registration Date: **15 May 2012**
(30) Convention priority data:
(31) Number (32) Date (33) Country
29/404900 26 Oct 2011 UNITED STATES OF AMERICA
(56) Related Art Documents: **Not Applicable**
(57) Statement of Newness and Distinctiveness: **Nil**



(21) Design Number: **11944/2012**
(22) Date of Filing Application: **19 April 2012**
(24) Date from which industrial property rights may have effect: **19 April 2012**
(54) Product in respect of which the design is registered: **A bottle**
(51) International Design Classification: **09-01H**
(74) Name(s) of Attorney(s): **Shelston IP**
(71) Name(s) and Address(s) of Applicant(s):
Owens-Brockway Glass Container Inc.
One Michael Owens Way Perrysburg Ohio 43551 United States of America
(72) Name(s) of Designer(s): **Roger P. Smith**
(45) Registration Date: **15 May 2012**
(30) Convention priority data:
(31) Number (32) Date (33) Country
29/404900 26 Oct 2011 UNITED STATES OF AMERICA
(56) Related Art Documents: **Not Applicable**
(57) Statement of Newness and Distinctiveness: **Nil**



(21) Design Number: **11949/2012**
(22) Date of Filing Application: **19 April 2012**
(24) Date from which industrial property rights may have effect: **19 April 2012**
(54) Product in respect of which the design is registered: **Fluid dispenser**
(51) International Design Classification: **23-01NES, 30-99**
(74) Name(s) of Attorney(s): **Halfords IP**
(71) Name(s) and Address(s) of Applicant(s):
Bayer New Zealand Limited
3 Argus Place Glenfield Auckland 3031 New Zealand
(72) Name(s) of Designer(s): **John Edward Fox Fowler and Gavin Tetley**
(45) Registration Date: **16 May 2012**
(30) Convention priority data:
(31) Number (32) Date (33) Country
415598 30 Nov 2011 NEW ZEALAND
(56) Related Art Documents: **Not Applicable**
(57) Statement of Newness and Distinctiveness: **Nil**



(21) Design Number: **11950/2012**

(22) Date of Filing Application: **20 April 2012**

(24) Date from which industrial property rights may have effect: **20 April 2012**

(54) Product in respect of which the design is registered: **Paint pot**

(51) International Design Classification: **08-05L**

(74) Name(s) of Attorney(s): **Griffith Hack**

(71) Name(s) and Address(s) of Applicant(s):

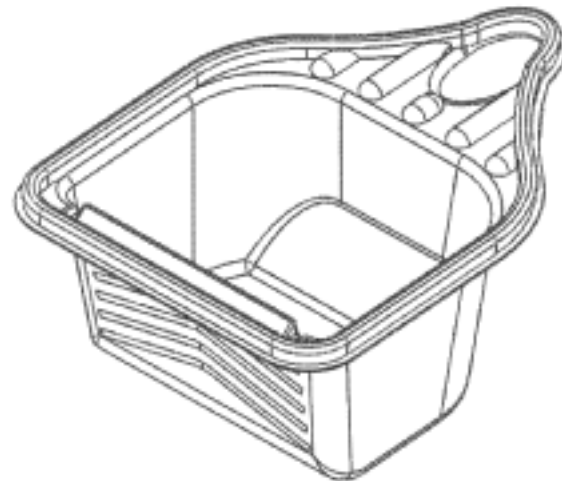
**UNI-PRO Painting Equipment Pty Ltd
Factory 9/11 144-150 Canterbury Road Kilsyth Victoria 3137 Australia**

(72) Name(s) of Designer(s): **David Simpson and Ken Simpson and Ashley Simpson**

(45) Registration Date: **16 May 2012**

(56) Related Art Documents: **Not Applicable**

(57) Statement of Newness and Distinctiveness: **Newness and distinctiveness resides in the shape and configuration of the product as represented in the drawings.**



(21) Design Number: **11953/2012**

(22) Date of Filing Application: **18 April 2012**

(24) Date from which industrial property rights may have effect: **18 April 2012**

(54) Product in respect of which the design is registered: **A scaffold transom extrusion**

(51) International Design Classification: **25-01NES, 25-04**

(74) Name(s) of Attorney(s): **Adams Pluck**

(71) Name(s) and Address(s) of Applicant(s):

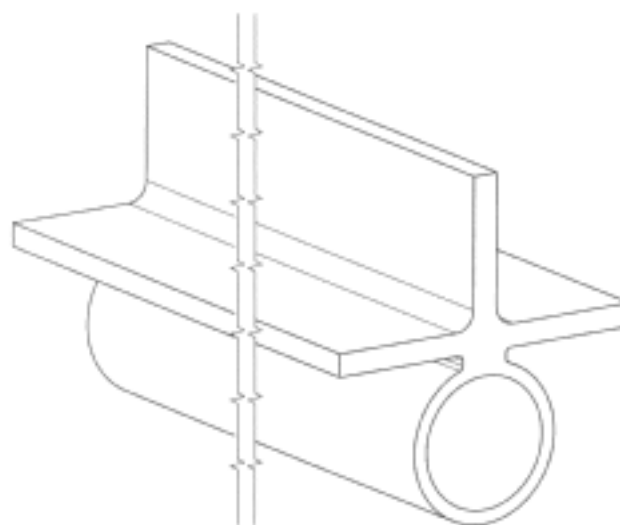
**NCS Wholesalers Pty Ltd
18 Nelson Road Cardiff New South Wales 2285 Australia**

(72) Name(s) of Designer(s): **Ken Bedford**

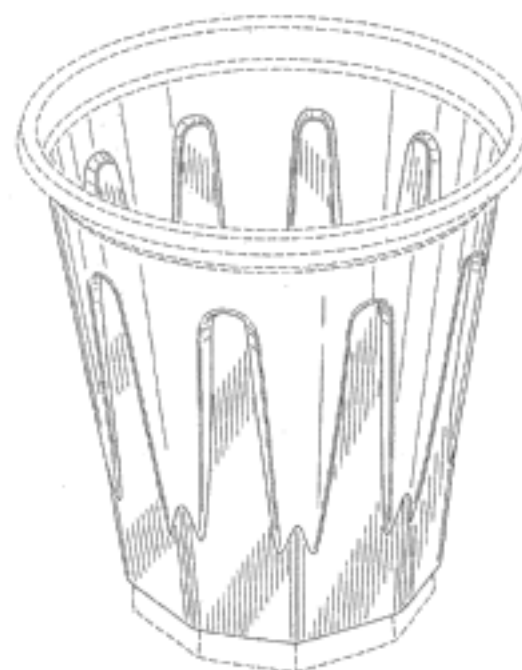
(45) Registration Date: **16 May 2012**

(56) Related Art Documents: **Not Applicable**

(57) Statement of Newness and Distinctiveness: **Newness and distinctiveness resides in the visual features of shape and/or configuration of an extrusion of indefinite length as shown in the accompanying drawings.**



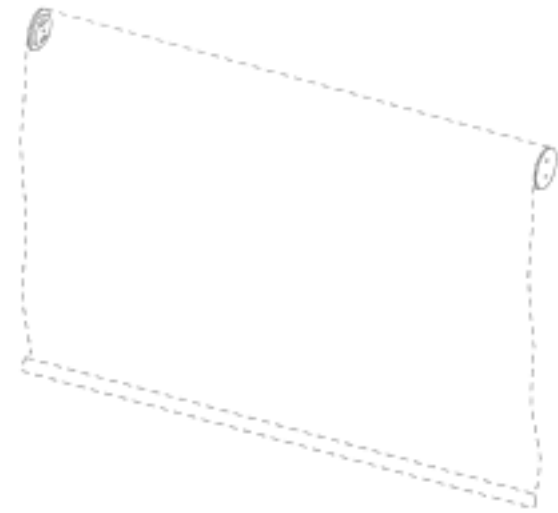
- (21) Design Number: **11955/2012**
(22) Date of Filing Application: **20 April 2012**
(24) Date from which industrial property rights may have effect: **20 April 2012**
(54) Product in respect of which the design is registered: **Multi-panel sidewall container**
(51) International Design Classification: **09-03NES**
(74) Name(s) of Attorney(s): **Smootenburg Pini Patent & Trade Mark Attorneys**
(71) Name(s) and Address(s) of Applicant(s):
Huhtamaki Inc
9201 Packaging Drive De Soto KS 66018 United States
(72) Name(s) of Designer(s): **Don Hodge and Don Tomalia and Jason Osentoski and Joe Trombley and Dan Maciag and Peter Brushaber and Mike Liming**
(45) Registration Date: **16 May 2012**
(30) Convention priority data:
(31) Number (32) Date (33) Country
29/404,667 24 Oct 2011 UNITED STATES OF AMERICA
(56) Related Art Documents: **Not Applicable**
(57) Statement of Newness and Distinctiveness: **Newness and distinctiveness is claimed in features of shape and/or configuration of a container as illustrated in the accompanying representations. No regard is to be had to the dashed lines in the figures; they are for environmental purposes only and form no part of the claimed design.**



- (21) Design Number: **11956/2012**
(22) Date of Filing Application: **20 April 2012**
(24) Date from which industrial property rights may have effect: **20 April 2012**
(54) Product in respect of which the design is registered: **Stroller**
(51) International Design Classification: **12-12**
(74) Name(s) of Attorney(s): **Shelston IP**
(71) Name(s) and Address(s) of Applicant(s):
Nuna International B.V.
De Beeke 8 5469 DW ERP The Netherlands
(72) Name(s) of Designer(s): **Yu-Ping Siao**
(45) Registration Date: **16 May 2012**
(30) Convention priority data:
(31) Number (32) Date (33) Country
201130423100.2 17 Nov 2011 CHINA
(56) Related Art Documents: **Not Applicable**
(57) Statement of Newness and Distinctiveness: **Newness and Distinctiveness reside in the features of shape and/or configuration of a STROLLER as illustrated in the accompanying representations.**



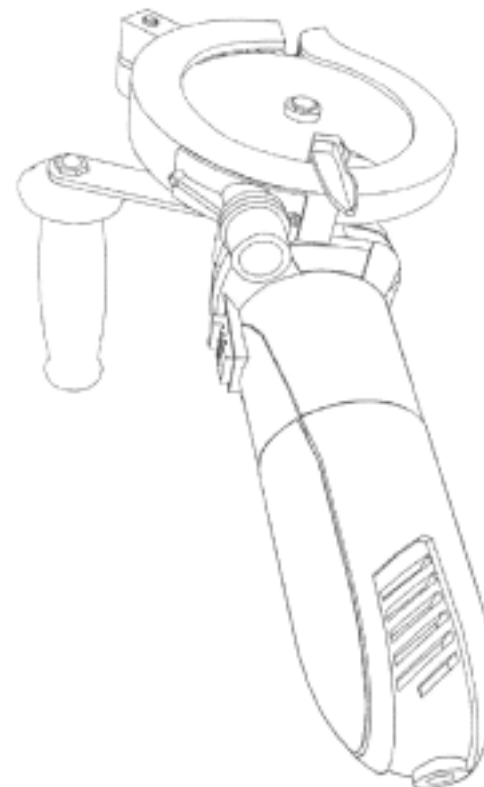
- (21) Design Number: **11963/2012**
(22) Date of Filing Application: **20 April 2012**
(24) Date from which industrial property rights may have effect: **20 April 2012**
(54) Product in respect of which the design is registered: **Roller shade bracket pair**
(51) International Design Classification: **08-08H**
(74) Name(s) of Attorney(s): **A.P.T. Patent and Trade Mark Attorneys**
(71) Name(s) and Address(s) of Applicant(s):
James Erwin Geiger
143 East Bay Street Charleston South Carolina 29401 United States of America
(72) Name(s) of Designer(s): **James Erwin Geiger**
(45) Registration Date: **16 May 2012**
(56) Related Art Documents: **Not Applicable**
(57) Statement of Newness and Distinctiveness: **Nil**



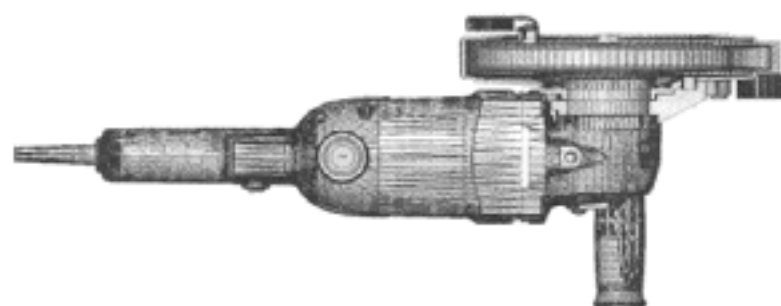
- (21) Design Number: **11965/2012**
(22) Date of Filing Application: **20 April 2012**
(24) Date from which industrial property rights may have effect: **20 April 2012**
(54) Product in respect of which the design is registered: **Garden tool holder bin attachment**
(51) International Design Classification: **06-04NES**
(74) Name(s) of Attorney(s):
(71) Name(s) and Address(s) of Applicant(s):
Buon Amici Pty Ltd
2 Tulukera Place Bangor New South Wales 2234 Australia
Reynolds Monaghan
27 Tristan Court Castle Hill New South Wales 2154 Australia
(72) Name(s) of Designer(s): **Reynolds Monaghan**
(45) Registration Date: **16 May 2012**
(56) Related Art Documents: **Not Applicable**
(57) Statement of Newness and Distinctiveness: **The Garden Tool Holder Bin Attachment is designed to clip onto the front of the Green Organic Wheelie Waste Bin. It attaches by sliding the rear clip over the front edge of the open bin. The Garden Tool Holder Bin Attachment includes a handle on both sides for easy fitting and removal aswell as carrying. The design allows the Wheelie Bin lid to be closed when attached.**



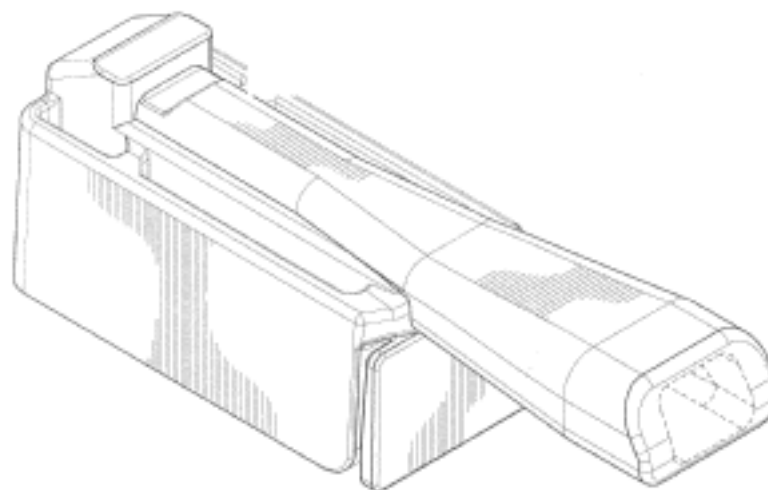
- (21) Design Number: **11970/2012**
(22) Date of Filing Application: **20 April 2012**
(24) Date from which industrial property rights may have effect: **20 April 2012**
(54) Product in respect of which the design is registered: **Rotary saw**
(51) International Design Classification: **08-03**
(74) Name(s) of Attorney(s): **SPRUSON & FERGUSON**
(71) Name(s) and Address(s) of Applicant(s):
Infusion Brands, Inc.
14375 Myer Lake Circle Clearwater Florida 33760 United States of America
(72) Name(s) of Designer(s): **Frederic Sciamma**
(45) Registration Date: **16 May 2012**
(56) Related Art Documents: **Not Applicable**
(57) Statement of Newness and Distinctiveness: **Newness and distinctiveness is claimed in those features of shape and/or configuration of a rotary saw illustrated in continuous lines in the accompanying representations.**



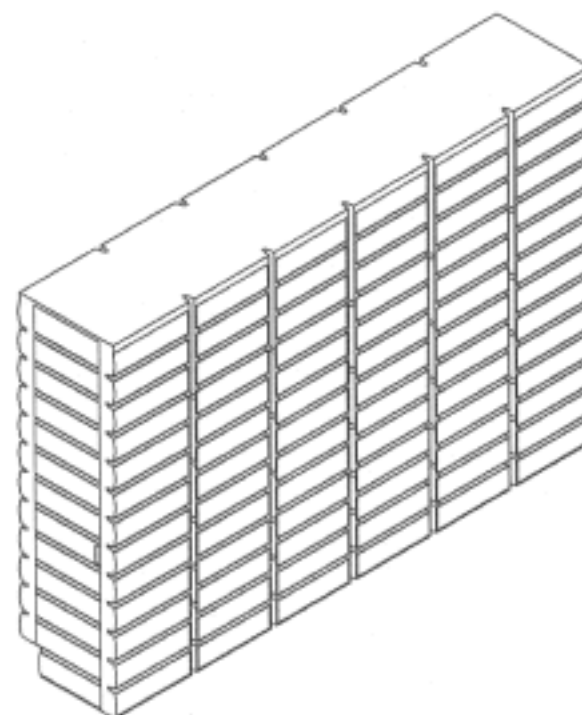
- (21) Design Number: **11971/2012**
(22) Date of Filing Application: **20 April 2012**
(24) Date from which industrial property rights may have effect: **20 April 2012**
(54) Product in respect of which the design is registered: **Rotary saw**
(51) International Design Classification: **08-03**
(74) Name(s) of Attorney(s): **SPRUSON & FERGUSON**
(71) Name(s) and Address(s) of Applicant(s):
Infusion Brands, Inc.
14375 Myer Lake Circle Clearwater Florida 33760 United States of America
(72) Name(s) of Designer(s): **Frederic Sciamma**
(45) Registration Date: **16 May 2012**
(56) Related Art Documents: **Not Applicable**
(57) Statement of Newness and Distinctiveness: **Newness and distinctiveness is claimed in the features of shape and/or configuration of a rotary saw as illustrated in the accompanying representations.**



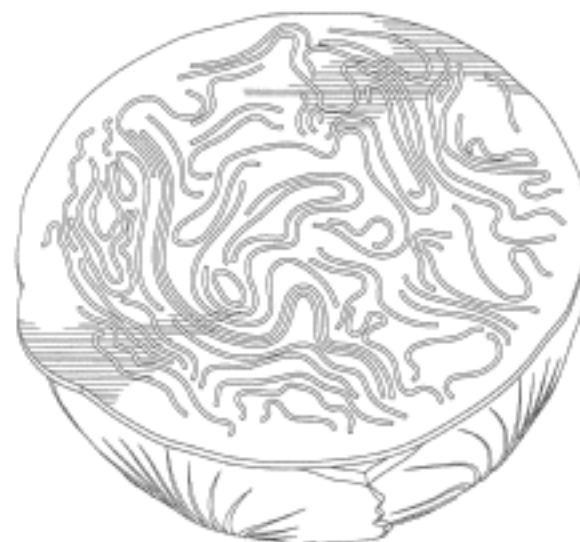
(21) Design Number: **11976/2012**
(22) Date of Filing Application: **20 April 2012**
(24) Date from which industrial property rights may have effect: **20 April 2012**
(54) Product in respect of which the design is registered: **Inhaler device**
(51) International Design Classification: **24-04**
(74) Name(s) of Attorney(s): **PIZZEYS**
(71) Name(s) and Address(s) of Applicant(s):
Mankind Corporation
28903 North Avenue Paine Valencia CA 91355 Unite States of America
(72) Name(s) of Designer(s): **P. Spencer Kinsey and Benoit Adamo**
(45) Registration Date: **16 May 2012**
(30) Convention priority data:
(31) Number (32) Date (33) Country
29/404,464 20 Oct 2011 UNITED STATES OF AMERICA
(56) Related Art Documents: **Not Applicable**
(57) Statement of Newness and Distinctiveness: **Nil**



(21) Design Number: **11983/2012**
(22) Date of Filing Application: **23 April 2012**
(24) Date from which industrial property rights may have effect: **23 April 2012**
(54) Product in respect of which the design is registered: **Slim line rain water tank**
(51) International Design Classification: **23-01F**
(74) Name(s) of Attorney(s): **Collison & Co**
(71) Name(s) and Address(s) of Applicant(s):
Thin Tanks Pty Ltd
3-5 Walsh Avenue St Marys South Australia 5042 Australia
(72) Name(s) of Designer(s): **Peter Snelling**
(45) Registration Date: **17 May 2012**
(56) Related Art Documents: **Not Applicable**
(57) Statement of Newness and Distinctiveness: **Newness and distinctiveness resides in the shape and/or configuration of the tank as shown.**



(21) Design Number: **11989/2012**
(22) Date of Filing Application: **23 April 2012**
(24) Date from which industrial property rights may have effect: **23 April 2012**
(54) Product in respect of which the design is registered: **Container**
(51) International Design Classification: **09-03NES**
(74) Name(s) of Attorney(s): **FB Rice**
(71) Name(s) and Address(s) of Applicant(s):
Hutzler Manufacturing Co., Inc.
4 Grace Way Canaan Connecticut 06018 United States of America
(72) Name(s) of Designer(s): **Richard Ehrenhaus**
(45) Registration Date: **17 May 2012**
(30) Convention priority data:
(31) Number (32) Date (33) Country
29/411324 19 Jan 2012 UNITED STATES OF AMERICA
(56) Related Art Documents: **Not Applicable**
(57) Statement of Newness and Distinctiveness: **Newness and distinctiveness reside in the features of the design as shown in the representations, in particular in the unique salad design on the bowl and the curving lines on the lid which replicate a lettuce cut in half.**



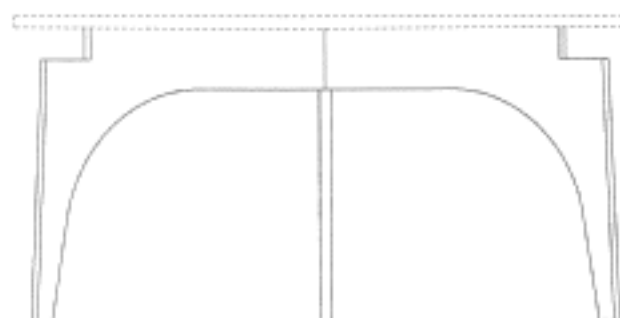
(21) Design Number: **11990/2012**
(22) Date of Filing Application: **23 April 2012**
(24) Date from which industrial property rights may have effect: **23 April 2012**
(54) Product in respect of which the design is registered: **Chair**
(51) International Design Classification: **06-01F**
(74) Name(s) of Attorney(s): **FB Rice**
(71) Name(s) and Address(s) of Applicant(s):
Okamura Corporation
7-18 Kitasaiwai 2-chome Nishi-ku Yokohama-shi Kanagawa 220-0004
Japan
(72) Name(s) of Designer(s): **Noriaki Okabe**
(45) Registration Date: **17 May 2012**
(30) Convention priority data:
(31) Number (32) Date (33) Country
2011-024365 24 Oct 2011 JAPAN
(56) Related Art Documents: **Not Applicable**
(57) Statement of Newness and Distinctiveness: **Newness and distinctiveness reside in the features of shape and configuration of the chair as shown in the representations.**



(21) Design Number: **11991/2012**
(22) Date of Filing Application: **23 April 2012**
(24) Date from which industrial property rights may have effect: **23 April 2012**
(54) Product in respect of which the design is registered: **Motor scooter**
(51) International Design Classification: **12-11**
(74) Name(s) of Attorney(s): **SPRUSON & FERGUSON**
(71) Name(s) and Address(s) of Applicant(s):
Honda Motor Co., Ltd.
1-1 Minamiaoyama 2-chome Minato-ku Tokyo Japan
(72) Name(s) of Designer(s): **Aashish Chaudhary and Charnchai Jarngprasert**
(45) Registration Date: **17 May 2012**
(30) Convention priority data:
(31) Number (32) Date (33) Country
2011-024781 27 Oct 2011 JAPAN
(56) Related Art Documents: **Not Applicable**
(57) Statement of Newness and Distinctiveness: **Newness and distinctiveness is claimed in the features of shape and/or configuration of a motor scooter as illustrated in the accompanying representations.**



(21) Design Number: **11992/2012**
(22) Date of Filing Application: **23 April 2012**
(24) Date from which industrial property rights may have effect: **23 April 2012**
(54) Product in respect of which the design is registered: **Table**
(51) International Design Classification: **06-03B**
(74) Name(s) of Attorney(s): **FB Rice**
(71) Name(s) and Address(s) of Applicant(s):
Okamura Corporation
7-18 Kitasaiwai 2-chome Nishi-ku Yokohama-shi Kanagawa 220-0004
Japan
(72) Name(s) of Designer(s): **Noriaki Okabe**
(45) Registration Date: **17 May 2012**
(30) Convention priority data:
(31) Number (32) Date (33) Country
2011-024371 24 Oct 2011 JAPAN
(56) Related Art Documents: **Not Applicable**
(57) Statement of Newness and Distinctiveness: **Newness and distinctiveness reside in the features of shape and configuration of the table as shown in the representations and excluding those features shown in broken lines.**



- (21) Design Number: **11993/2012**
(22) Date of Filing Application: **23 April 2012**
(24) Date from which industrial property rights may have effect: **23 April 2012**
(54) Product in respect of which the design is registered: **Headlight for motor scooter**
(51) International Design Classification: **26-06**
(74) Name(s) of Attorney(s): **SPRUSON & FERGUSON**
(71) Name(s) and Address(s) of Applicant(s):
Honda Motor Co., Ltd.
1-1 Minamiaoyama 2-chome Minato-ku Tokyo Japan
(72) Name(s) of Designer(s): **Charnchai Jarngprasert and Wid Choksuwattanasakul**
(45) Registration Date: **17 May 2012**
(30) Convention priority data:
(31) Number (32) Date (33) Country
2011-024782 27 Oct 2011 JAPAN
(56) Related Art Documents: **Not Applicable**
(57) Statement of Newness and Distinctiveness: **Newness and distinctiveness is claimed in the features of shape and/or configuration of a headlight for motor scooter as illustrated in the accompanying representations.**



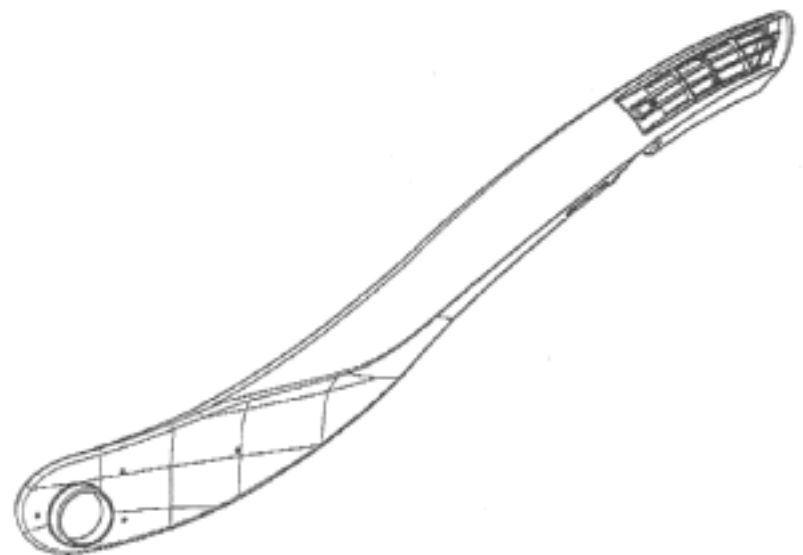
- (21) Design Number: **11994/2012**
(22) Date of Filing Application: **20 April 2012**
(24) Date from which industrial property rights may have effect: **20 April 2012**
(54) Product in respect of which the design is registered: **Multi-panel sidewall container**
(51) International Design Classification: **07-01C, 09-03L**
(74) Name(s) of Attorney(s): **Smooenburg Pini Patent & Trade Mark Attorneys**
(71) Name(s) and Address(s) of Applicant(s):
Huhtamaki Inc
9201 Packaging Drive De Soto KS 66018 United States of America
(72) Name(s) of Designer(s): **Don Hodge and Don Tomalia and Jason Osentoski and Joe Trombley and Dan Maciag and Peter Brushaber and Mike Liming**
(45) Registration Date: **17 May 2012**
(30) Convention priority data:
(31) Number (32) Date (33) Country
29/404,656 24 Oct 2011 UNITED STATES OF AMERICA
(56) Related Art Documents: **Not Applicable**
(57) Statement of Newness and Distinctiveness: **Newness and distinctiveness is claimed in features of shape and/or configuration of a container as illustrated in the accompanying representations. No regard is to be had to the dashed lines in the figures; they are for enviromental purposes only and form no part of the claimed design.**



(21) Design Number: **10915/2012**
(22) Date of Filing Application: **28 February 2012**
(24) Date from which industrial property rights may have effect: **28 February 2012**
(54) Product in respect of which the design is registered: **A stop for a door or window**
(51) International Design Classification: **08-09**
(74) Name(s) of Attorney(s): **Davies Collison Cave**
(71) Name(s) and Address(s) of Applicant(s):
Frank Friedrich Mayer
Gerberstrasse 8 Bad Durkheim 67098 Germany
(72) Name(s) of Designer(s): **Frank Friedrich Mayer and Ralph Kramer**
(45) Registration Date: **17 May 2012**
(30) Convention priority data:
(31) Number (32) Date (33) Country
001913336-001/2 06 Sep 2011 EUROPEAN COMMUNITY
(56) Related Art Documents: **Not Applicable**
(57) Statement of Newness and Distinctiveness: **Nil**



(21) Design Number: **11626/2012**
(22) Date of Filing Application: **28 March 2012**
(24) Date from which industrial property rights may have effect: **28 March 2012**
(54) Product in respect of which the design is registered: **Snorkel**
(51) International Design Classification: **12-16NES**
(74) Name(s) of Attorney(s): **EKM patent & trade marks**
(71) Name(s) and Address(s) of Applicant(s):
Trading AC Pty Ltd
18 Houghton Road Warrandyte Victoria 3113 Australia
(72) Name(s) of Designer(s): **Peter George Luxon**
(45) Registration Date: **17 May 2012**
(56) Related Art Documents: **Not Applicable**
(57) Statement of Newness and Distinctiveness: **Newness and distinctiveness resides generally in the 3-dimensional features of shape and/or configuration, as well as in the features of the air intake and grill and water drainage outlet, of the snorkel shown in the accompanying representations.**



- (21) Design Number: **11995/2012**
(22) Date of Filing Application: **23 April 2012**
(24) Date from which industrial property rights may have effect: **23 April 2012**
(54) Product in respect of which the design is registered: **Rear combination lamp for motor scooter**
(51) International Design Classification: **22-06**
(74) Name(s) of Attorney(s): **SPRUSON & FERGUSON**
(71) Name(s) and Address(s) of Applicant(s):
Honda Motor Co., Ltd.
1-1 Minamiaoyama 2-chome Minato-ku Tokyo Japan
(72) Name(s) of Designer(s): **Wid Choksuwattanasakul and Charnchai Jarngrasert**
(45) Registration Date: **17 May 2012**
(30) Convention priority data:
(31) Number (32) Date (33) Country
2011-024783 27 Oct 2011 JAPAN
(56) Related Art Documents: **Not Applicable**
(57) Statement of Newness and Distinctiveness: **Newness and distinctiveness is claimed in the features of shape and/or configuration of a rear combination lamp for motor scooter as illustrated in the accompanying representations.**



- (21) Design Number: **14827/2011**
(22) Date of Filing Application: **27 October 2011**
(24) Date from which industrial property rights may have effect: **27 October 2011**
(54) Product in respect of which the design is registered: **Crazy bounce ball**
(51) International Design Classification: **21-02A**
(74) Name(s) of Attorney(s):
(71) Name(s) and Address(s) of Applicant(s):
Spartan Sports Holdings Pty Ltd
10A Commerce Drive Warilla New South Wales 2528 Australia
(72) Name(s) of Designer(s): **Kunal Sharma**
(45) Registration Date: **18 May 2012**
(56) Related Art Documents: **Not Applicable**
(57) Statement of Newness and Distinctiveness: **Newness and distinctiveness is claimed in the shape and location of the recesses in the crazy bounce ball.**



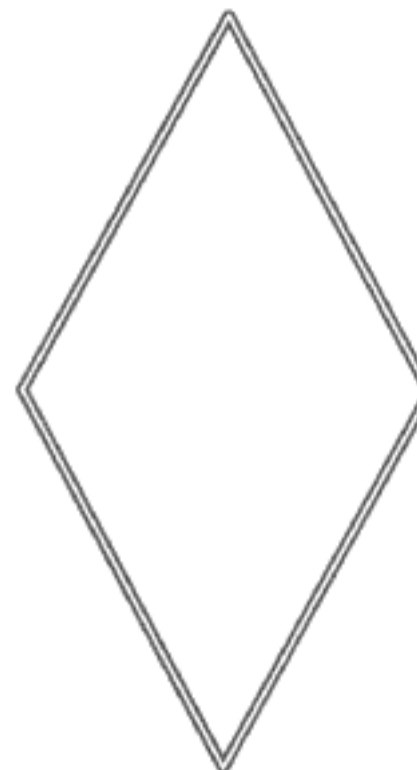
- (21) Design Number: **14828/2011**
(22) Date of Filing Application: **27 October 2011**
(24) Date from which industrial property rights may have effect: **27 October 2011**
(54) Product in respect of which the design is registered: **Crazy bounce ball**
(51) International Design Classification: **21-02A**
(74) Name(s) of Attorney(s):
(71) Name(s) and Address(s) of Applicant(s):
Spartan Sports Holdings Pty Ltd
10A Commerce Drive Warilla New South Wales 2528 Australia
(72) Name(s) of Designer(s): **Kunal Sharma**
(45) Registration Date: **18 May 2012**
(56) Related Art Documents: **Not Applicable**
(57) Statement of Newness and Distinctiveness: **Newness and distinctiveness is claimed in the shape and location of the recesses in the crazy bounce ball.**



- (21) Design Number: **14829/2011**
(22) Date of Filing Application: **27 October 2011**
(24) Date from which industrial property rights may have effect: **27 October 2011**
(54) Product in respect of which the design is registered: **Crazy bounce ball**
(51) International Design Classification: **21-02A**
(74) Name(s) of Attorney(s):
(71) Name(s) and Address(s) of Applicant(s):
Spartan Sports Holdings Pty Ltd
10A Commerce Drive Warilla New South Wales 2528 Australia
(72) Name(s) of Designer(s): **Kunal Sharma**
(45) Registration Date: **18 May 2012**
(56) Related Art Documents: **Not Applicable**
(57) Statement of Newness and Distinctiveness: **Newness and distinctiveness is claimed in the shape and location of the recesses in the crazy bounce ball.**



(21) Design Number: **11852/2012**
(22) Date of Filing Application: **13 April 2012**
(24) Date from which industrial property rights may have effect: **13 April 2012**
(54) Product in respect of which the design is registered: **LED for a vehicle emergency-hazard warning light**
(51) International Design Classification: **26-06**
(74) Name(s) of Attorney(s):
(71) Name(s) and Address(s) of Applicant(s):
Robert Lancellotti
55A De Carle Street Brunswick Victoria 3056 Australia
(72) Name(s) of Designer(s): **Robert Lancellotti**
(45) Registration Date: **18 May 2012**
(56) Related Art Documents: **Not Applicable**
(57) Statement of Newness and Distinctiveness: **Ultra thin-sleek diamond shape**



(21) Design Number: **10962/2012**
(22) Date of Filing Application: **29 February 2012**
(24) Date from which industrial property rights may have effect: **29 February 2012**
(54) Product in respect of which the design is registered: **Washing machine**
(51) International Design Classification: **15-05**
(74) Name(s) of Attorney(s): **SPRUSON & FERGUSON**
(71) Name(s) and Address(s) of Applicant(s):
BSH Bosch und Siemens Hausgerate GmbH
Carl-Wery-Str. 34 81739 Munchen Germany
(72) Name(s) of Designer(s): **Johannes Geyer and Roger Munsterrmann**
(45) Registration Date: **18 May 2012**
(30) Convention priority data:
(31) Number (32) Date (33) Country
001293799 02 Sep 2011 EUROPEAN COMMUNITY
(56) Related Art Documents: **Not Applicable**
(57) Statement of Newness and Distinctiveness: **Newness and distinctiveness is claimed in the features of shape and/or configuration of a control panel and a door for a washing machine as illustrated in the accompanying representations. The control panel includes a display, control buttons, a central round dial and indication lights. The indication lights are arranged in two vertical lines left and right of the central round dial. The control buttons are arranged in a long horizontal line at a lower portion of the control panel. The line of the control buttons is optically extended on the drawer handle. The display is provided with control fields arranged below the display field. The door includes an outer ring and an inner ring smoothly bended towards the inner glass. The outer ring has a cavity in the "half-past-one o'clock" position used as a handle.**



- (21) Design Number: **10968/2012**
(22) Date of Filing Application: **29 February 2012**
(24) Date from which industrial property rights may have effect: **29 February 2012**
(54) Product in respect of which the design is registered: **Washing machine**
(51) International Design Classification: **15-05**
(74) Name(s) of Attorney(s): **SPRUSON & FERGUSON**
(71) Name(s) and Address(s) of Applicant(s):
BSH Bosch und Siemens Hausgerate GmbH
Carl-Wery-Str. 34 81739 Munchen Germany
(72) Name(s) of Designer(s): **Johannes Geyer and Roger Munstermann**
(45) Registration Date: **18 May 2012**
(30) Convention priority data:
(31) Number (32) Date (33) Country
001293799 02 Sep 2011 EUROPEAN COMMUNITY
(56) Related Art Documents: **Not Applicable**

(57) Statement of Newness and Distinctiveness: **Newness and distinctiveness is claimed in the features of shape and/or configuration of a control panel and a door for a washing machine as illustrated in the accompanying representations. The control panel includes a display, control buttons, a central round dial and indication lights. The indication lights are arranged in two vertical lines left and right of the central round dial. The control buttons are arranged in a long horizontal line at a lower portion of the control panel. The line of the control buttons is optically extended on the drawer handle. The display is provided with control fields arranged below the display field. The door includes an outer ring and an inner ring smoothly bended towards in the inner glass. The outer ring has a cavity in the "half-past-one o'clock" position used as a handle.**



- (21) Design Number: **11615/2012**
(22) Date of Filing Application: **29 March 2012**
(24) Date from which industrial property rights may have effect: **29 March 2012**
(54) Product in respect of which the design is registered: **Swimwear garment**
(51) International Design Classification: **02-02A**
(74) Name(s) of Attorney(s): **Herbert Geer Lawyers**
(71) Name(s) and Address(s) of Applicant(s):
JETS Swimwear Pty Ltd
8-18 Bowden Street Alexandria New South Wales 2015 Australia
(72) Name(s) of Designer(s): **Jessika Allen**
(45) Registration Date: **18 May 2012**
(56) Related Art Documents: **Not Applicable**

(57) Statement of Newness and Distinctiveness: **Newness and distinctiveness is claimed in the shape, configuration, ornamentation and/or pattern of the swimwear garment as depicted in the accompanying representations. In considering the newness and distinctiveness of the design, the bow tie shown in the back view indicated at "A", is to be disregarded.**



- (21) Design Number: **11616/2012**
(22) Date of Filing Application: **29 March 2012**
(24) Date from which industrial property rights may have effect: **29 March 2012**
(54) Product in respect of which the design is registered: **Swimwear garment**
(51) International Design Classification: **02-02A**
(74) Name(s) of Attorney(s): **Herbert Geer Lawyers**
(71) Name(s) and Address(s) of Applicant(s):

JETS Swimwear Pty Ltd
8-18 Bowden Street Alexandria New South Wales 2015 Australia

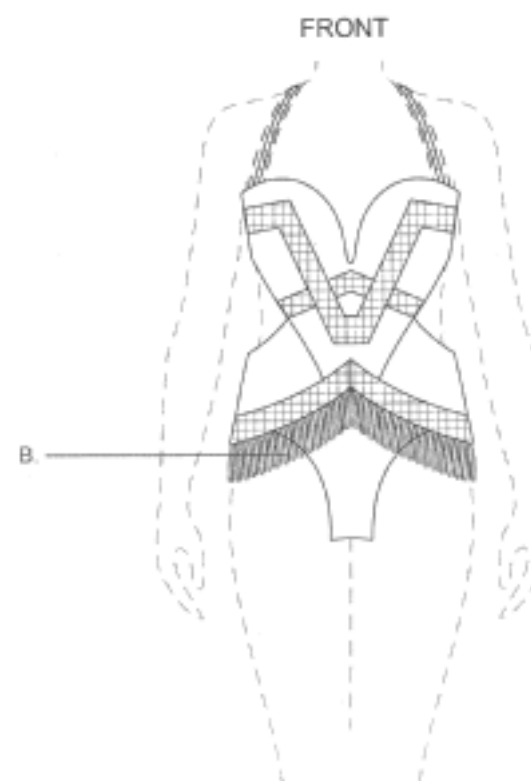
- (72) Name(s) of Designer(s): **Jessika Allen**
(45) Registration Date: **18 May 2012**
(56) Related Art Documents: **Not Applicable**
(57) Statement of Newness and Distinctiveness: **Newness and distinctiveness is claimed in the shape, configuration, pattern and/or ornamentation of the swimwear garment as depicted in the accompanying representations. We note that in the line drawing the cross-hatched sections represent sequined panels and the grey shaded sections represent transparent mesh. In the line drawing the outline of the wearer shown in dotted lines forms no part of the design.**



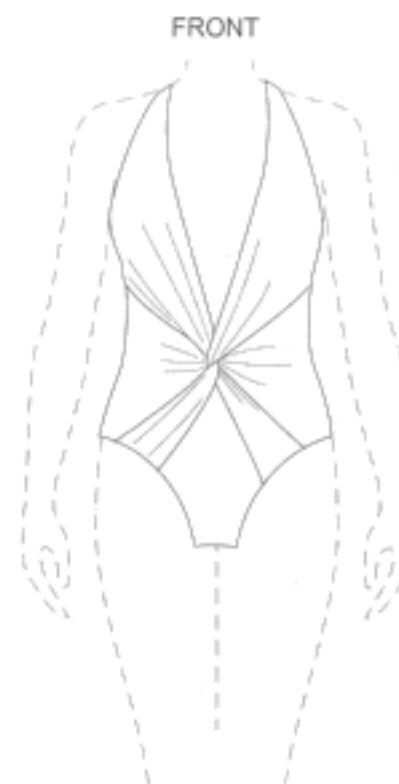
- (21) Design Number: **11617/2012**
(22) Date of Filing Application: **29 March 2012**
(24) Date from which industrial property rights may have effect: **29 March 2012**
(54) Product in respect of which the design is registered: **Swimwear garment**
(51) International Design Classification: **02-02A**
(74) Name(s) of Attorney(s): **Herbert Geer Lawyers**
(71) Name(s) and Address(s) of Applicant(s):

JETS Swimwear Pty Ltd
8-18 Bowden Street Alexandria New South Wales 2015 Australia

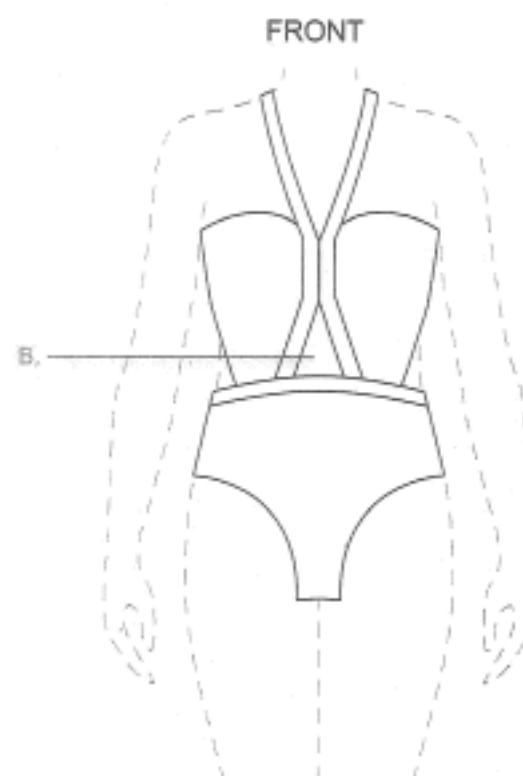
- (72) Name(s) of Designer(s): **Jessika Allen**
(45) Registration Date: **18 May 2012**
(56) Related Art Documents: **Not Applicable**
(57) Statement of Newness and Distinctiveness: **Newness and distinctiveness is claimed in the shape, configuration, pattern and/or ornamentation of the swimwear garment as depicted in the accompanying representations. We note that in the line drawing the cross-hatched sections in the front and back views represent sequined panels. We note that the fringe detail indicated at "B" wraps continuously around the garment as best exhibited in the line drawing. In considering the newness and distinctiveness of the design the halter neck shown in dotted lines in the front view and the clasp and the bow-tie shown in the back view indicated at "A" are to be disregarded. In the line drawing the outline of the wearer shown in dotted lines forms no part of the design.**



- (21) Design Number: **11618/2012**
(22) Date of Filing Application: **29 March 2012**
(24) Date from which industrial property rights may have effect: **29 March 2012**
(54) Product in respect of which the design is registered: **Swimwear garment**
(51) International Design Classification: **02-02A**
(74) Name(s) of Attorney(s): **Herbert Geer Lawyers**
(71) Name(s) and Address(s) of Applicant(s):
JETS Swimwear Pty Ltd
8-18 Bowden Street Alexandria New South Wales 2015 Australia
(72) Name(s) of Designer(s): **Jessika Allen**
(45) Registration Date: **18 May 2012**
(56) Related Art Documents: **Not Applicable**
(57) Statement of Newness and Distinctiveness: **Newness and distinctiveness is claimed in the shape, configuration and/or pattern of the swimwear garment as depicted in the accompanying representations. In considering the newness and distinctiveness of the design, the bow-tie in the back view as indicated at "A" is to be disregarded. In the line drawing the outline of the wearer shown in dotted lines forms no part of the design.**



- (21) Design Number: **11619/2012**
(22) Date of Filing Application: **29 March 2012**
(24) Date from which industrial property rights may have effect: **29 March 2012**
(54) Product in respect of which the design is registered: **Swimwear garment**
(51) International Design Classification: **02-02A**
(74) Name(s) of Attorney(s): **Herbert Geer Lawyers**
(71) Name(s) and Address(s) of Applicant(s):
JETS Swimwear Pty Ltd
8-18 Bowden Street Alexandria New South Wales 2015 Australia
(72) Name(s) of Designer(s): **Jessika Allen**
(45) Registration Date: **18 May 2012**
(56) Related Art Documents: **Not Applicable**
(57) Statement of Newness and Distinctiveness: **Newness and distinctiveness is claimed in the shape, configuration and/or pattern of the swimwear garment as depicted in the accompanying representations. In considering the newness and distinctiveness of the design, the back straps shown in dotted lines in the back view, are to be disregarded. We note that there is a cut-out panel indicated at "B". The outline of the wearer shown in dotted lines forms no part of the design.**



- (21) Design Number: **11620/2012**
(22) Date of Filing Application: **29 March 2012**
(24) Date from which industrial property rights may have effect: **29 March 2012**
(54) Product in respect of which the design is registered: **Swimwear garment**
(51) International Design Classification: **02-02A**
(74) Name(s) of Attorney(s): **Herbert Geer Lawyers**
(71) Name(s) and Address(s) of Applicant(s):

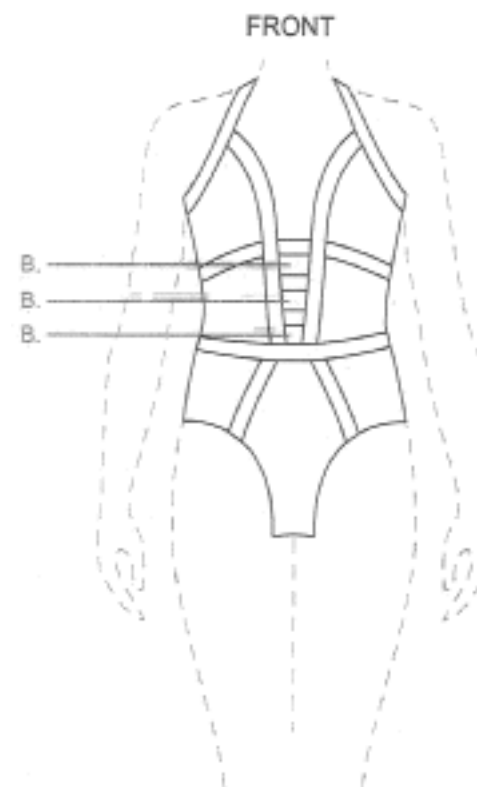
JETS Swimwear Pty Ltd
8-18 Bowden Street Alexandria New South Wales 2015 Australia

- (72) Name(s) of Designer(s): **Jessika Allen**

(45) Registration Date: **18 May 2012**

(56) Related Art Documents: **Not Applicable**

- (57) Statement of Newness and Distinctiveness: **Newness and distinctiveness is claimed in the shape, configuration and/or pattern of the swimwear garment as depicted in the accompanying representations. In considering the newness and distinctiveness of the design, the bow-tie shown in dotted lines in the back view is to be disregarded. We note that the sections indicated at "B" are cut-out panels. The outline of the wearer shown in dotted lines forms no part of the design.**



- (21) Design Number: **11621/2012**
(22) Date of Filing Application: **29 March 2012**
(24) Date from which industrial property rights may have effect: **29 March 2012**
(54) Product in respect of which the design is registered: **Swimwear garment**
(51) International Design Classification: **02-02A**
(74) Name(s) of Attorney(s): **Herbert Geer Lawyers**
(71) Name(s) and Address(s) of Applicant(s):

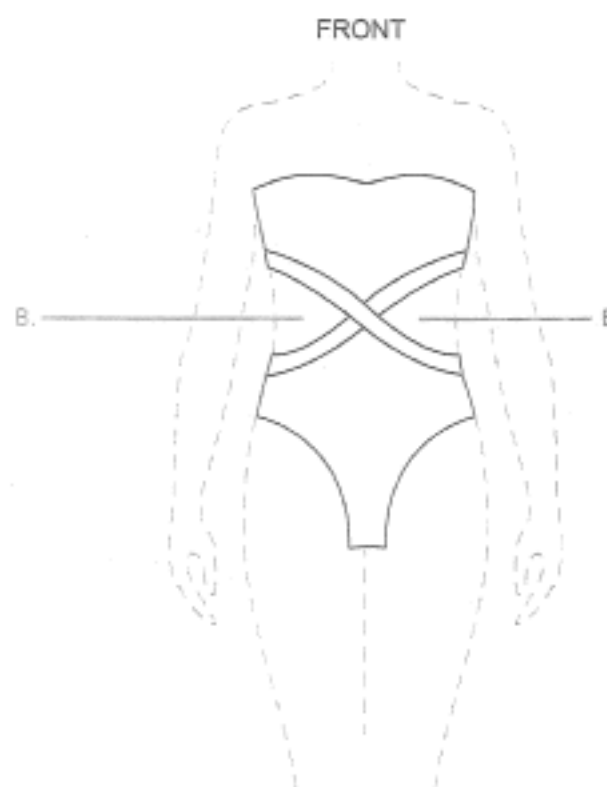
JETS Swimwear Pty Ltd
8-18 Bowden Street Alexandria New South Wales 2015 Australia

- (72) Name(s) of Designer(s): **Jessika Allen**

(45) Registration Date: **18 May 2012**

(56) Related Art Documents: **Not Applicable**

- (57) Statement of Newness and Distinctiveness: **Newness and distinctiveness is claimed in the shape, configuration and/or pattern of the swimwear garment as depicted in the accompanying representations. In considering the newness and distinctiveness of the design, the clasp shown in the back view, as indicated at "A" is to be disregarded. We note that the areas indicated at "B" are cut-out panels. The outline of the wearer shown in dotted lines forms no part of the design.**



- (21) Design Number: **11622/2012**
(22) Date of Filing Application: **29 March 2012**
(24) Date from which industrial property rights may have effect: **29 March 2012**
(54) Product in respect of which the design is registered: **Swimwear garment**
(51) International Design Classification: **02-02A**
(74) Name(s) of Attorney(s): **Herbert Geer Lawyers**
(71) Name(s) and Address(s) of Applicant(s):

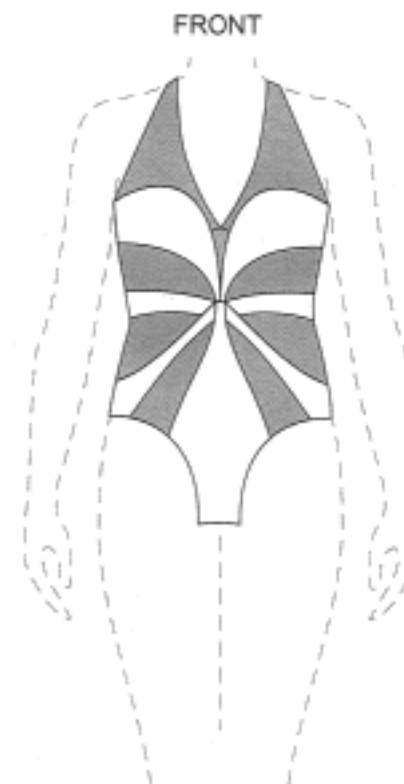
JETS Swimwear Pty Ltd
8-18 Bowden Street Alexandria New South Wales 2015 Australia

(72) Name(s) of Designer(s): **Jessika Allen**

(45) Registration Date: **18 May 2012**

(56) Related Art Documents: **Not Applicable**

(57) Statement of Newness and Distinctiveness: **Newness and distinctiveness is claimed in the shape, configuration and/or pattern of the swimwear garment as depicted in the accompanying representations. In considering the newness and distinctiveness of the design, the bow-tie shown in dotted lines in the back view is to be disregarded. We note that the grey shaded sections represent transparent mesh. The outline of the wearer shown in dotted lines forms no part of the design.**



- (21) Design Number: **11623/2012**
(22) Date of Filing Application: **29 March 2012**
(24) Date from which industrial property rights may have effect: **29 March 2012**
(54) Product in respect of which the design is registered: **Swimwear garment**
(51) International Design Classification: **02-02A**
(74) Name(s) of Attorney(s): **Herbert Geer Lawyers**
(71) Name(s) and Address(s) of Applicant(s):

JETS Swimwear Pty Ltd
8-18 Bowden Street Alexandria New South Wales 2015 Australia

(72) Name(s) of Designer(s): **Jessika Allen**

(45) Registration Date: **18 May 2012**

(56) Related Art Documents: **Not Applicable**

(57) Statement of Newness and Distinctiveness: **Newness and distinctiveness is claimed in the shape, configuration and/or pattern of the swimwear garment as depicted in the accompanying representations. We note that the grey shaded sections in the line drawing represents transparent mesh.**

