



**Australian Government**

---

**IP Australia**

**AUSTRALIAN OFFICIAL JOURNAL**

**OF**

**DESIGNS**

Did you know a searchable version of this journal is now available online?

It's FREE and EASY to SEARCH.

Find it on our website ([www.ipaustralia.gov.au](http://www.ipaustralia.gov.au))

by using the "Journals" link on the home page.

This Page Left Intentionally Blank

**Contents**

**General Information & Notices**

**Proceedings Under the Designs Act 1906 preserved as a result of the provisions of Chapter 12  
Part 2 of the Designs Act 2003**

<b>Extension of Period of Registration of Designs .....</b>	<b>1556</b>
<b>Extensions of Time Granted .....</b>	<b>1556</b>
<b>Names Registered - Alterations and Amendments .....</b>	<b>1556</b>
<b>Registrations Ceased .....</b>	<b>1556</b>
<b>Subsequent Owners Registered .....</b>	<b>1556</b>

**Proceedings Under the Designs Act 2003**

<b>Applications Lapsed .....</b>	<b>1566</b>
<b>Applications Lodged .....</b>	<b>1560</b>
<b>Applications Withdrawn .....</b>	<b>1566</b>
<b>Certificate of Examination .....</b>	<b>1570</b>
<b>Extension of Period of Registration of Design .....</b>	<b>1568</b>
<b>Extension of Time Granted Under Section 137 .....</b>	<b>1568</b>
<b>Publication and Registration Proceedings</b>	
<b>Designs Registered 342621 to 342822.....</b>	<b>1571</b>
<b>Registrations Ceased .....</b>	<b>1568</b>
<b>Subsequent Owners Registered .....</b>	<b>1569</b>

This Page Left Intentionally Blank

For information on the following please see our website [www.ipaustralia.gov.au](http://www.ipaustralia.gov.au) or contact our Customer Service Network on 1300651010

[Editorial enquiries](#)

[Contact information](#)

[Freedom of Information ACT](#)

[Professional Standards Board](#)

[Sales](#)

[Requests for Information under Section 194 \(c\)](#)

[Country Codes](#)

[Trade Mark and Designs Hearing Sessions](#)

[INID \(Internationally agreed Numbers for the Identification of Data\)](#)

## “INID” NUMBERS in use on Australian Design Documents

“INID” is an acronym for “Internationally agreed Numbers for the Identification of Data”.

### (10) Data concerning the registration/renewal

- (11) Serial number of the registration and/or number of the design document
- (12) Plain language designation of the kind of published document
- (19) Identification, using the two-letter code according to WIPO Standard ST.3, of the authority publishing or registering the industrial design

### (20) Data concerning the application

- (21) Serial number of the application
- (22) Date of filing of the application
- (24) Date from which the industrial design right has effect

### (30) Data relating to priority under the Paris Convention

- (31) Serial number assigned to the priority application
- (32) Date of filing of the priority application
- (33) Two-letter code, according to WIPO Standard ST.3, identifying the authority with which the priority application was made

### (40) Date(s) of making information available to the public

- (45) Date of publication of the registered industrial design by printing or similar process, or making it available to the public by any other means

### (50) Miscellaneous Information

- (51) International Classification for Industrial Designs (class and subclass of the Locarno Classification)
- (54) Designation of article(s) or product(s) covered by the industrial design or title of the industrial design
- (55) Reproduction of the industrial design (e.g., drawing, photograph) and explanations relating to the reproduction
- (56) List of prior art documents, if separate from descriptive text
- (57) Description of characteristic features of the industrial design including indication of colours

### (60) References to other legally related application(s) and registration(s)

- (62) Serial number(s) and, if available, filing date(s) of application(s), registration(s) or document(s) related by division
- (66) Serial number(s) of the application, or the registration, of the design(s) which is (are) a variant(s) of the present one

### (70) Identification of parties concerned with the application or registration

- (71) Name(s) and address(es) of the applicant(s)
- (72) Name(s) of the creator(s) if known to be such
- (74) Name(s) and address(es) of the representative(s)

This Page Left Intentionally Blank

**OFFICIAL NOTICE****Official Notification of Approved Means**

On 10 May 2012 we announced that the Australian Government has approved within the context of its 2012 Budget changes to fees charged for IP Australia's products and services.

The fee changes include incentives for customers to use an *approved means* for specific transactions. Customers that file in this way will benefit through a lower fee.

The Commissioner and the Registrar have specified that from 1 July 2012 the *approved means* is as follows:

- when renewing an IP Right (patent, trade mark, design or plant breeder's right) the transaction must be made using eServices or by Business to Business (B2B).

When a renewal is completed by another means from 1 July 2012 (for example by mail, facsimile or at a counter) the lower fee will not apply.

A lower relative fee currently exists for Patents and Trade Marks when filing a new application using the relevant means approved by the Commissioner and Registrar.

The Commissioner and the Registrar have specified that from 1 July 2012 the *approved means* is as follows:

- when applying for a new patent or trade mark, the application must be filed using the existing relevant application type available through Online Services (<http://www.ipaustralia.gov.au/get-the-right-ip/online-services/>).

When a new patent or trade mark is filed by another means from 1 July 2012 (for example by mail, facsimile or at a counter) the lower fee will not apply.

The *approved means* will be amended in advance of further releases of eServices and B2B as they are made available.

More information about the new fee structures, eServices and B2B can be found at [www.ipaustralia.gov.au](http://www.ipaustralia.gov.au)

**Contact:** IP Australia  
**Phone:** 1300 651 010  
**Fax:** +61 2 6283 7999  
**E-mail:** [assist@ipaustralia.gov.au](mailto:assist@ipaustralia.gov.au)

**Proceedings under the Designs Act 1906 preserved as a result of the provisions of Chapter 12 Part 2 of the Designs Act 2003.**



This Page Left Intentionally Blank

**Applications Lapsed**

There were no Applications Lapsed under this section

**Extension of Period of Registration of Designs**

143756 **Phillip Graham Calow** An Extension of time to extend a registration has been granted to 25/04/2012

**1st Period (Section 27A(8))**

**Subsequent Owners Registered**

(The name in parentheses is that of the subsequent owner)

**2nd Period (Section 27A(12))**

134164 ( **Longyear TM, Inc.** ) Boart Longyear Australia Pty Ltd

**3rd Period (Section 27A(13))**

131975 ( **Furi Brands, Inc** ) Furitechnics Group Pty Ltd

144954	145389	145761
145993	146107	146292
146399	146620	147095
147171	147469	147563
147577	148029	149510
149511	149715	149909
150236	150237	150937
151199		

131975 ( **Furi Global, LLC** ) Furi Brands, Inc

131975 ( **McPherson's Consumer Products Pty Ltd** ) Furi Global, LLC

154068 ( **Delkor Technik B.V.** ) Bateman Luxembourg S.A.

153088 ( **Delkor Technik B.V.** ) Bateman Luxembourg S.A.

**Names Registered - Alterations and Amendments**

(The name in parentheses is the new name of the proprietor)

**Registrations Ceased**

134164 ( **Boart Longyear Australia Pty Ltd** ) Boart Longyear Pty Ltd

Note: Some of the following Registrations may have been previously advertised as ceased. In this instance, the previous advertisement still prevails.

128769	128791	128792
128798	128819	128888
128890	128909	128930
128991	129044	129117
129118	129129	129319
129339	129416	129632
129699	129701	130875
132383	132421	132777
132893	144216	144274
144376	144380	144383
144389	144392	144420
144421	144422	144423
144424	144425	144446
144447	144448	144497
144498	144668	144670
144671	144807	144860
144861	145029	145078
145405	146059	146122
146123	146186	146210
146323	147434	147702
147703	147704	147943
147944	148123	149281
149649	151363	156703
158302	158313	

**Extensions of time granted**

Applications lodged for extension of time have been granted.

This Page Left Intentionally Blank

**Proceedings under the Designs Act 2003.**

This Page Left Intentionally Blank

**Applications Lodged**

Lodgement information is in the following order: **Applicant's Name**; International Classification, Name of Product, Lodgement Date and **Design Number**. If the applicant claims an earlier priority date under an International Convention, the Convention Country and the associated filing date are shown in parentheses before the Lodgement Date. Divisional information will also appear in parentheses before the Lodgement Date.

<b>Abbott, Allan;Lesinskis, Peter;</b> 06-09, Pillow for the postural support of the head and neck while sleeping and for use in conjunction with continuous positive, airways pressure (CPAP) use, 24 May 2012	<b>12463/2012</b>	<b>ARB Corporation Ltd;</b> 21-04, swag, 30 May 2012	<b>12559/2012</b>
<b>Alvin International Pty Ltd;</b> 21-02D, Body board for children, 24 May 2012	<b>12490/2012</b>	<b>ARB Corporation Ltd;</b> 21-04, swag, 30 May 2012	<b>12560/2012</b>
<b>Anderson, Renee Skye;</b> 02-02NES, T-shirt, 17 May 2012	<b>12361/2012</b>	<b>ARB Corporation Ltd;</b> 08-08NES, rear bracket to brace vehicle utility tub using existing vehicle mounting points, 30 May 2012	<b>12550/2012</b>
<b>Anderson, Renee Skye;</b> 02-02NES, T-shirt, 17 May 2012	<b>12360/2012</b>	<b>ARB Corporation Ltd;</b> 08-08NES, front bracket to brace vehicle utility tub using existing vehicle mounting points, 30 May 2012	<b>12549/2012</b>
<b>Arlec Australia Pty Ltd;</b> 13-03D, Power outlet, 17 May 2012	<b>12367/2012</b>	<b>Beath, Russell Stanley;</b> 08-05M, Segmented welding filler rod for use with tig and oxy acetelyne welding equipment to weld aluminium, steel,, copper, bronze etc., 25 May 2012	<b>12493/2012</b>
<b>Arlec Australia Pty Ltd;</b> 23-04, Ceiling fan, 17 May 2012	<b>12365/2012</b>	<b>Beba Enterprises Pty Ltd;</b> 02-02C, Womens clothing, (Divisional of 15639/2011) 22 May 2012	<b>12481/2012</b>
<b>Arlec Australia Pty Ltd;</b> 13-03D, Cover plate for a wiring accessory, 17 May 2012	<b>12366/2012</b>	<b>Beba Enterprises Pty Ltd;</b> 02-02C, 02-02NES, Articles of clothing, 29 May 2012	<b>12563/2012</b>
<b>Ask Grace Pty Ltd;</b> 02-02C, , (Divisional of 15263/2011) 15 May 2012	<b>12337/2012</b>	<b>Beba Enterprises Pty Ltd;</b> 02-02NES, Women's clothing, (Divisional of 15639/0201) 22 May 2012	<b>12482/2012</b>
<b>Ask Grace Pty Ltd;</b> 02-02C, , (Divisional of 15263/2011) 15 May 2012	<b>12338/2012</b>	<b>Beba Enterprises Pty Ltd;</b> 02-02NES, Women's clothing, (Divisional of 15432/2011) 16 May 2012	<b>12363/2012</b>
<b>Australian Performance Vehicles Pty Ltd;</b> 12-16B, Header structure for vehicle cabin, 24 May 2012	<b>12489/2012</b>	<b>Bialkowski, Eliza;</b> 28-99, Air freshener, 09 May 2012	<b>12413/2012</b>
<b>Australian Scaffold Sales &amp; Rental Pty Ltd;</b> 19-08, "Scaffold tag", 30 May 2012	<b>12581/2012</b>	<b>Bialkowski, Eliza;</b> 28-99, Air freshener, 09 May 2012	<b>12412/2012</b>
<b>Avery Dennison Corporation;</b> 19-08, A sheet of label material, (US, 30 Nov 2011) 30 May 2012	<b>12565/2012</b>	<b>Bottles of Australia Pty Limited;</b> 09-01K, Sports and water drink bottles, 23 May 2012	<b>12446/2012</b>
<b>Avery Dennison Corporation;</b> 19-08, A sheet of label material, (US, 30 Nov 2011) 30 May 2012	<b>12566/2012</b>	<b>Bottles of Australia Pty Limited;</b> 09-01K, Sports and water drink bottles, 23 May 2012	<b>12447/2012</b>
<b>Avery Dennison Corporation;</b> 19-04, File folder, (Divisional of 11468/2012) 23 May 2012	<b>12475/2012</b>	<b>Bridgestone Corporation;</b> 12-15C, Automobile tyre, (JP, 21 Nov 2011) 17 May 2012	<b>12369/2012</b>
<b>Avery Dennison Corporation;</b> 19-02, Organizer, 25 May 2012	<b>12527/2012</b>	<b>Bridgestone Corporation;</b> 12-15A, Automobile tyre, 24 May 2012	<b>12517/2012</b>
<b>Avery Dennison Corporation;</b> 19-04, File folder, (Divisional of 11468/2011) 23 May 2012	<b>12476/2012</b>	<b>Brown &amp; Watson International Pty Ltd;</b> 26-02, Inspection lamp, 23 May 2012	<b>12486/2012</b>
<b>Avery Dennison Corporation;</b> 19-04, File Folder, (Divisional of 11468/2012) 23 May 2012	<b>12474/2012</b>	<b>Buckley, Joel;</b> 11-01C, Wristband, (US, 09 Nov 2011) 09 May 2012	<b>12430/2012</b>
<b>ACAMBA Pty Ltd;</b> 23-01L, Guttering system, 14 May 2012	<b>12373/2012</b>		

<b>Buckley, Joel;</b> 11-01C, Wristband, (US, 09 Nov 2011) 09 May 2012	<b>12428/2012</b>	<b>Electric Cable Duct Systems Pty Ltd;</b> 13-03C, Cable duct, 25 May 2012	<b>12514/2012</b>
<b>Buckley, Joel;</b> 11-01C, Wristband, (US, 09 Nov 2011) 09 May 2012	<b>12429/2012</b>	<b>Electric Cable Duct Systems Pty Ltd;</b> 23-04, Ducting lid, 30 May 2012	<b>12571/2012</b>
<b>Buckley, Joel;</b> 11-01C, Wristband, (US, 09 Nov 2011) 09 May 2012	<b>12427/2012</b>	<b>Electrolux Home Products Corporation N.V.;</b> 07-02R, 15-07, An appliance and appliance handle, (EM, 30 Nov 2011) 28 May 2012	<b>12535/2012</b>
<b>Cadbury UK Limited;</b> 01-01, Confectionery, 29 May 2012	<b>12557/2012</b>	<b>Electrolux Home Products Corporation N.V.;</b> 06-04E, Appliance panel, shelf and components, (EM, 30 Nov 2011) 28 May 2012	<b>12534/2012</b>
<b>Cadbury UK Limited;</b> 01-01, Confectionery, 29 May 2012	<b>12556/2012</b>	<b>Electrolux Home Products Corporation N.V.;</b> 15-05, A fabric care appliance, control panel, knob and door, (EM, 22 Nov 2011) 22 May 2012	<b>12439/2012</b>
<b>Case-Mate, Inc;</b> 14-03A, Electronic device case, (US, 30 Nov 2011) 28 May 2012	<b>12564/2012</b>	<b>Evans, Michael;</b> 02-02NES, Jumper, 29 May 2012	<b>12542/2012</b>
<b>Celedon, Cristian;Vasquez, Virginia;</b> 06-13C, Beach towel with a protective backing attached with velcro this product is to protect car seat covers, 31 May 2012	<b>12568/2012</b>	<b>Facey, Jeanette;</b> 07-02P, Cake pop mold, (US, 21 May 2012) 22 May 2012	<b>12444/2012</b>
<b>Colgate-Palmolive Company;</b> 04-02, Toothbrush, (US, 22 Dec 2011) 28 May 2012	<b>12547/2012</b>	<b>Facey, Jeanette;</b> 07-02P, Cake pop mold, (US, 15 May 2012) 23 May 2012	<b>12487/2012</b>
<b>Country Road Clothing Pty Ltd;</b> 02-02NES, A garment, 21 May 2012	<b>12472/2012</b>	<b>Facey, Jeanette;</b> 07-02P, Cake pop mold, (US, 21 May 2012) 22 May 2012	<b>12445/2012</b>
<b>Cree, Inc.;</b> 16-06, Lens, (US, 30 Nov 2011) 24 May 2012	<b>12513/2012</b>	<b>Fifty-Fourth Rischell Pty Ltd;</b> 02-02C, Men's Clothing, 25 May 2012	<b>12504/2012</b>
<b>COMPAGNIE GENERALE DES ETABLISSEMENTS MICHELIN;Michelin Recherche et Technique S.A.;</b> 12-15A, A tyre, (FR, 01 Dec 2011) 30 May 2012	<b>12552/2012</b>	<b>Filk Skateboards Pty Ltd;</b> 21-02E, Golf Skateboard, 23 May 2012	<b>12464/2012</b>
<b>COMPAGNIE GENERALE DES ETABLISSEMENTS MICHELIN;Michelin Recherche et Technique S.A.;</b> 12-15A, A tyre, (US, 06 Dec 2011) 30 May 2012	<b>12554/2012</b>	<b>Floods Pty Ltd;</b> 08-08NES, Raiser bracket for supporting electrical wiring, 30 May 2012	<b>12578/2012</b>
<b>COMPAGNIE GENERALE DES ETABLISSEMENTS MICHELIN;Michelin Recherche et Technique S.A.;</b> 12-15A, A tyre, (US, 06 Dec 2011) 30 May 2012	<b>12553/2012</b>	<b>Flow Control LLC;</b> 15-02, Utility pump, (US, 18 Nov 2011) 17 May 2012	<b>12408/2012</b>
<b>Drilling Tools Australia Pty Ltd;</b> 08-01, Drill bit, 17 May 2012	<b>12362/2012</b>	<b>Forever New Clothing Pty Ltd;</b> 02-02C, Women's fashion clothing, (Divisional of 13870/2011) 18 May 2012	<b>12388/2012</b>
<b>Dynamic Concepts (Victoria) Pty Ltd;</b> 06-03B, Jigsaw tables, 24 May 2012	<b>12551/2012</b>	<b>Forever New Clothing Pty Ltd;</b> 02-02C, Women's fashion clothing, (Divisional of 13870/2011) 18 May 2012	<b>12389/2012</b>
<b>DC Comics;</b> 21-01C, Toy vehicle, (GB, 16 May 2012) 18 May 2012	<b>12377/2012</b>	<b>Forever New Clothing Pty Ltd;</b> 02-02C, Women's fashion clothing, (Divisional of 13870/2011) 18 May 2012	<b>12386/2012</b>
<b>DC Comics;</b> 21-01C, Toy vehicle, (GB, 16 May 2012) 18 May 2012	<b>12378/2012</b>	<b>Forever New Clothing Pty Ltd;</b> 02-02C, Women's fashion clothing, (Divisional of 13870/2011) 18 May 2012	<b>12390/2012</b>
<b>DC Comics;</b> 21-01C, Toy vehicle, (GB, 16 May 2012) 18 May 2012	<b>12376/2012</b>	<b>Forever New Clothing Pty Ltd;</b> 02-02C, Women's fashion clothing, (Divisional of 13870/2011) 18 May 2012	<b>12387/2012</b>



<b>Forever New Clothing Pty Ltd;</b> 02-02C, Women's fashion clothing, (Divisional of 13870/2011) 18 May 2012	<b>12385/2012</b>	<b>GARDENA Manufacturing GmbH;</b> 23-01C, garden hose, (EM, 22 Nov 2011) 16 May 2012	<b>12352/2012</b>
<b>Forever New Clothing Pty Ltd;</b> 02-02C, Women's fashion clothing, (Divisional of 13870/2011) 18 May 2012	<b>12391/2012</b>	<b>GARDENA Manufacturing GmbH;</b> 23-01C, Garden hose, (EM, 22 Nov 2011) 16 May 2012	<b>12350/2012</b>
<b>Forever New Clothing Pty Ltd;</b> 02-02C, Women's fashion clothing, (Divisional of 13870/2011) 18 May 2012	<b>12392/2012</b>	<b>GARDENA Manufacturing GmbH;</b> 23-01C, Garden hose, (EM, 22 Nov 2011) 16 May 2012	<b>12351/2012</b>
<b>Forever New Clothing Pty Ltd;</b> 02-02C, Women's fashion clothing, (Divisional of 13870/2011) 18 May 2012	<b>12383/2012</b>	<b>GARDENA Manufacturing GmbH;</b> 23-01C, Garden hose, (EM, 22 Nov 2011) 16 May 2012	<b>12348/2012</b>
<b>Forever New Clothing Pty Ltd;</b> 02-02C, Women's fashion clothing, (Divisional of 13870/2011) 18 May 2012	<b>12393/2012</b>	<b>GARDENA Manufacturing GmbH;</b> 23-01C, Garden hose, (EM, 22 Nov 2011) 16 May 2012	<b>12349/2012</b>
<b>Forever New Clothing Pty Ltd;</b> 02-02C, Women's fashion clothing, (Divisional of 13870/2011) 18 May 2012	<b>12394/2012</b>	<b>Harnischfeger Technologies Inc.;</b> 15-99, Pick holder, (US, 30 Nov 2011) 30 May 2012	<b>12574/2012</b>
<b>Forever New Clothing Pty Ltd;</b> 02-02C, Women's fashion clothing, (Divisional of 13870/2011) 18 May 2012	<b>12384/2012</b>	<b>Harnischfeger Technologies Inc.;</b> 15-99, Pick holder, (US, 30 Nov 2011) 30 May 2012	<b>12575/2012</b>
<b>Forever New Clothing Pty Ltd;</b> 02-02C, Women's fashion clothing, (Divisional of 13870/2011) 18 May 2012	<b>12380/2012</b>	<b>Harnischfeger Technologies Inc.;</b> 15-99, Pick holder, (US, 30 Nov 2011) 30 May 2012	<b>12576/2012</b>
<b>Forever New Clothing Pty Ltd;</b> 02-02C, Women's fashion clothing, (Divisional of 13870/2011) 18 May 2012	<b>12396/2012</b>	<b>Hillstone Architectural Lighting Pty Ltd;</b> 26-05C, LED square down light, 04 May 2012	<b>12424/2012</b>
<b>Forever New Clothing Pty Ltd;</b> 02-02C, Women's fashion clothing, 21 May 2012	<b>12414/2012</b>	<b>Hopman, J.L. Bloembollenbedrijf;</b> 09-07NES, 09-03NES, Packaging for flower bulbs, (EM, 01 Dec 2011) 30 May 2012	<b>12572/2012</b>
<b>Forever New Clothing Pty Ltd;</b> 02-02C, Women's fashion clothing, (Divisional of 13870/2011) 18 May 2012	<b>12381/2012</b>	<b>Hutchin Exports Ltd;</b> 08-05N, Sander, (US, 11 May 2012) 17 May 2012	<b>12368/2012</b>
<b>Forever New Clothing Pty Ltd;</b> 02-02C, Women's fashion clothing, (Divisional of 13870/2011) 18 May 2012	<b>12395/2012</b>	<b>Illinois Tool Works Inc.;</b> 20-02NES, Display unit, 24 May 2012	<b>12499/2012</b>
<b>Forever New Clothing Pty Ltd;</b> 02-02C, Women's fashion clothing, (Divisional of 13870/2011) 18 May 2012	<b>12382/2012</b>	<b>Illuminated Industries Pty Ltd;</b> 09-01K, "A bottle", 21 May 2012	<b>12442/2012</b>
<b>Forever New Clothing Pty Ltd;</b> 02-02C, Women's fashion clothing, (Divisional of 13870/2011) 18 May 2012	<b>12382/2012</b>	<b>Illuminated Industries Pty Ltd;</b> 09-01K, "A bottle", 21 May 2012	<b>12440/2012</b>
<b>Freiberg Australia Pty Ltd;</b> 06-03C, Office furniture workstation desking leg support component system, 21 May 2012	<b>12397/2012</b>	<b>Illuminated Industries Pty Ltd;</b> 09-01K, "A bottle", 21 May 2012	<b>12441/2012</b>
<b>Fresenius Medical Care Holdings, Inc.;</b> 24-01, Blood flow chamber, (US, 24 Feb 2012) 28 May 2012	<b>12533/2012</b>	<b>Illuminated Industries Pty Ltd;</b> 09-01K, A bottle, 21 May 2012	<b>12443/2012</b>
<b>Galawood Pty Ltd as Trustee for the McCormack Family Trust Trading as the;Outdoor Connection;</b> 21-04, Swag with a top cover that can be pegged out at an angle on both sides, 17 May 2012	<b>12379/2012</b>	<b>Innovation First International, Inc.;</b> 21-01B, Robotic toy having a cylindrical top, (US, 10 Jan 2012) 21 May 2012	<b>12419/2012</b>
<b>Gemini Industries Pty Ltd;</b> 23-02C, Urinal, 22 May 2012	<b>12453/2012</b>	<b>Innovation First International, Inc.;</b> 21-01B, Robotic toy having a triangular top, (US, 10 Jan 2012) 21 May 2012	<b>12422/2012</b>
<b>GARDENA Manufacturing GmbH;</b> 23-01C, Garden hose, (EM, 22 Nov 2011) 16 May 2012	<b>12347/2012</b>	<b>Innovation First International, Inc.;</b> 21-01B, Robotic toy base, (US, 19 Jan 2012) 21 May 2012	<b>12423/2012</b>
		<b>Innovation First International, Inc.;</b> 21-01B, Robotic toy without a top, (US, 10 Jan 2012) 21 May 2012	<b>12420/2012</b>

<b>Innovation First International, Inc.;</b> 21-01B, Robotic toy having an elliptical top, (US, 10 Jan 2012) 21 May 2012	<b>12421/2012</b>	<b>Kapman AB;</b> 08-03, Knives, (WO, 07 Dec 2011) 30 May 2012	<b>12588/2012</b>
<b>Innovation First International, Inc.;</b> 21-01B, Robotic toy having a cylindrical top, (US, 10 Jan 2012) 21 May 2012	<b>12416/2012</b>	<b>Kimberly-Clark Worldwide, Inc.;</b> 24-01, Enteral feeding tube base, (US, 22 Dec 2011) 28 May 2012	<b>12539/2012</b>
<b>Innovation First International, Inc.;</b> 21-01B, Robotic toy having a triangular top, (US, 10 Jan 2012) 21 May 2012	<b>12417/2012</b>	<b>Kimberly-Clark Worldwide, Inc.;</b> 24-01, Enteral feeding tube base, (US, 22 Dec 2011) 28 May 2012	<b>12541/2012</b>
<b>Innovation First International, Inc.;</b> 21-01B, Robotic toy having a dome top, (US, 10 Jan 2012) 21 May 2012	<b>12418/2012</b>	<b>Kimberly-Clark Worldwide, Inc.;</b> 02-06, 02-02NES, Protective sleeve and glove combination, (US, 19 Dec 2011) 28 May 2012	<b>12540/2012</b>
<b>Invent Umwelt- und Verfahrenstechnik AG;</b> 07-01F, Decanter, (EM, 08 Dec 2011) 23 May 2012	<b>12496/2012</b>	<b>Knowles, Steven;Knowles, Anne;</b> 07-99A, 07-02P, 12 oyster tray, 23 May 2012	<b>12484/2012</b>
<b>Invent Umwelt- und Verfahrenstechnik AG;</b> 07-01F, Decanter, (EM, 08 Dec 2011) 23 May 2012	<b>12495/2012</b>	<b>Knowles, Anne;Knowles, Steven;</b> 07-99A, 07-02P, 12 oyster tray, 23 May 2012	<b>12484/2012</b>
<b>Joy Continental Limited (BVI);</b> 06-01G, Chair, 24 May 2012	<b>12469/2012</b>	<b>Knowles, Steven;Knowles, Anne;</b> 07-99A, 07-02P, 6 oyster tray, 23 May 2012	<b>12483/2012</b>
<b>Joy Continental Limited (BVI);</b> 06-01G, 06-01F, Chair, 24 May 2012	<b>12470/2012</b>	<b>Knowles, Anne;Knowles, Steven;</b> 07-99A, 07-02P, 6 oyster tray, 23 May 2012	<b>12483/2012</b>
<b>Kabushiki Kaisha Toshiba, also Trading as Toshiba Corporation;</b> 14-03B, Television receiver, (JP, 27 Dec 2011) 30 May 2012	<b>12580/2012</b>	<b>Langdon, Peter;</b> 25-01D, 25-01K, A building panel, 22 May 2012	<b>12320/2012</b>
<b>Kabushiki Kaisha Toshiba, also Trading as Toshiba Corporation;</b> 14-03B, Television receiver, (JP, 27 Dec 2011) 30 May 2012	<b>12579/2012</b>	<b>Lesinskis, Peter;Abbott, Allan;</b> 06-09, Pillow for the postural support of the head and neck while sleeping and for use in conjunction with continuous positive, airways pressure (CPAP) use, 24 May 2012	<b>12463/2012</b>
<b>Kahlua AG;</b> 09-01H, Bottle, 25 May 2012	<b>12528/2012</b>	<b>Liang, Zhou Jing;</b> 09-01K, Beverage bottle, 21 May 2012	<b>12448/2012</b>
<b>Kahlua AG;</b> 09-01H, Bottle, 25 May 2012	<b>12529/2012</b>	<b>Logue and Co. Pty Ltd;</b> 09-01NES, Medicament package, 21 May 2012	<b>12458/2012</b>
<b>Kapman AB;</b> 08-03, Knives, (WO, 07 Dec 2011) 30 May 2012	<b>12583/2012</b>	<b>Logue and Co. Pty Ltd;</b> 09-01NES, Medicament package, 21 May 2012	<b>12461/2012</b>
<b>Kapman AB;</b> 08-03, Knives, (WO, 07 Dec 2011) 30 May 2012	<b>12585/2012</b>	<b>Logue and Co. Pty Ltd;</b> 09-01NES, Cap for a medicament package, 21 May 2012	<b>12462/2012</b>
<b>Kapman AB;</b> 08-03, Knives, (WO, 07 Dec 2011) 30 May 2012	<b>12586/2012</b>	<b>Logue and Co. Pty Ltd;</b> 09-01NES, Medicament package, 21 May 2012	<b>12459/2012</b>
<b>Kapman AB;</b> 08-03, Knives, (WO, 07 Dec 2011) 30 May 2012	<b>12584/2012</b>	<b>Logue and Co. Pty Ltd;</b> 09-01NES, Medicament package, 21 May 2012	<b>12460/2012</b>
<b>Kapman AB;</b> 08-03, Knives, (WO, 07 Dec 2011) 30 May 2012	<b>12582/2012</b>	<b>Logue and Co. Pty Ltd;</b> 09-07C, Cap for medicament package, 21 May 2012	<b>12434/2012</b>
<b>Kapman AB;</b> 08-03, Knives, (WO, 07 Dec 2011) 30 May 2012	<b>12587/2012</b>	<b>Logue and Co. Pty Ltd;</b> 09-07C, Cap for a medicament package, 21 May 2012	<b>12432/2012</b>
<b>Kapman AB;</b> 08-03, Knives, (WO, 07 Dec 2011) 30 May 2012		<b>Logue and Co. Pty Ltd;</b> 09-07C, Cap for a medicament package, 21 May 2012	<b>12433/2012</b>

<b>Logue and Co. Pty Ltd;</b> 09-07B, 24-99, Cap for a medicament package, 21 May 2012	<b>12431/2012</b>	<b>MM&amp;R Products Inc.;</b> 28-03B, Hair styling device, 25 May 2012	<b>12505/2012</b>
<b>Maco Lighting Pty Ltd;</b> 26-05C, Front face of a light fitting, 16 May 2012	<b>12371/2012</b>	<b>MM&amp;R Products Inc.;</b> 14-02, Brush component for a hair styling device, 25 May 2012	<b>12508/2012</b>
<b>Malone, Daniel;</b> 12-02, Trunk trolley, 21 May 2012	<b>12471/2012</b>	<b>MM&amp;R Products Inc.;</b> 14-02, Brush component for a hair styling device, 25 May 2012	<b>12509/2012</b>
<b>Michelin Recherche et Technique S.A.;COMPAGNIE GENERALE DES ETABLISSEMENTS MICHELIN;</b> 12-15A, A tyre, (US, 06 Dec 2011) 30 May 2012	<b>12553/2012</b>	<b>Nadeswaran, Naren;Sahebekhtiari, Mehrak;</b> 09-09, Car bins, 28 May 2012	<b>12569/2012</b>
<b>Michelin Recherche et Technique S.A.;COMPAGNIE GENERALE DES ETABLISSEMENTS MICHELIN;</b> 12-15A, A tyre, (FR, 01 Dec 2011) 30 May 2012	<b>12552/2012</b>	<b>Nordkapp Trading AS;</b> 15-04, Concrete mixer, (WO, 23 Mar 2012) 23 May 2012	<b>12465/2012</b>
<b>Michelin Recherche et Technique S.A.;COMPAGNIE GENERALE DES ETABLISSEMENTS MICHELIN;</b> 12-15A, A tyre, (US, 06 Dec 2011) 30 May 2012	<b>12554/2012</b>	<b>Novartis AG;</b> 24-02, Medicine injector, (US, 18 Nov 2011) 17 May 2012	<b>12364/2012</b>
<b>Morais, Reginald Gabriel;</b> 04-01, Mop head, 24 May 2012	<b>12530/2012</b>	<b>O'Sullivan, Frances Anne;O'Sullivan, Timothy Charles;</b> 07-05C, Rigid plastic clothes pegs, 23 May 2012	<b>12488/2012</b>
<b>Morphun Research Limited;</b> 21-01E, , (EM, 04 Apr 2012) 29 May 2012	<b>12555/2012</b>	<b>O'Sullivan, Timothy Charles;O'Sullivan, Frances Anne;</b> 07-05C, Rigid plastic clothes pegs, 23 May 2012	<b>12488/2012</b>
<b>MFC Manufacturing Company Limited;</b> 09-03M, Container, 17 May 2012	<b>12404/2012</b>	<b>Panasonic Corporation;</b> 26-04, Light-emitting diode lamp, (JP, 22 Feb 2012) 29 May 2012	<b>12561/2012</b>
<b>MM&amp;R Products Inc.;</b> 28-03B, Hair styling device, 25 May 2012	<b>12518/2012</b>	<b>Panasonic Corporation;</b> 26-04, Light-emitting diode lamp, (JP, 22 Feb 2012) 29 May 2012	<b>12562/2012</b>
<b>MM&amp;R Products Inc.;</b> 28-03B, Hair styling device, 25 May 2012	<b>12512/2012</b>	<b>PenClic AB;</b> 14-02, Mini keyboard, (Divisional of 11445/2012) 28 May 2012	<b>12515/2012</b>
<b>MM&amp;R Products Inc.;</b> 28-03D, Brush component for a hair styling device, 25 May 2012	<b>12520/2012</b>	<b>Perrin Holdings (WA) Pty Ltd;</b> 26-05NES, 23-04, An illuminated fan, 30 May 2012	<b>12589/2012</b>
<b>MM&amp;R Products Inc.;</b> 28-03D, Brush component for a hair styling device, 25 May 2012	<b>12521/2012</b>	<b>Phonewoa Pty Ltd;</b> 03-01NES, Flip case set for electrical devices with card pouches, 22 May 2012	<b>12477/2012</b>
<b>MM&amp;R Products Inc.;</b> 28-03B, Hair styling device, 25 May 2012	<b>12519/2012</b>	<b>Phonewoa Pty Ltd;</b> 03-01NES, Wallet with a case set for electrical devices, 22 May 2012	<b>12479/2012</b>
<b>MM&amp;R Products Inc.;</b> 28-03B, Hair styling device, 25 May 2012	<b>12507/2012</b>	<b>Phonewoa Pty Ltd;</b> 03-01A, Bags (eg: school bag, handbag, briefcase and other bags in class 3) with a case set for electrical devices, 22 May 2012	<b>12480/2012</b>
<b>MM&amp;R Products Inc.;</b> 28-03B, Hair styling device, 25 May 2012	<b>12502/2012</b>	<b>Phonewoa Pty Ltd;</b> 03-01NES, Wallet case set for electrical devices with card pouches and a retractable strap, 22 May 2012	<b>12478/2012</b>
<b>MM&amp;R Products Inc.;</b> 28-03B, Hair styling device, 25 May 2012	<b>12500/2012</b>	<b>Power Box AG;</b> 08-03, Mitre saw, (EM, 05 Dec 2011) 25 May 2012	<b>12516/2012</b>
<b>MM&amp;R Products Inc.;</b> 28-03B, Brush component for a hair styling device, 25 May 2012	<b>12501/2012</b>	<b>Pragma Design Pty Ltd;</b> 20-03NES, Signbox, 25 May 2012	<b>12491/2012</b>
<b>MM&amp;R Products Inc.;</b> 28-03B, Hair styling device, 25 May 2012	<b>12506/2012</b>		
<b>MM&amp;R Products Inc.;</b> 28-03B, Hair styling device, 25 May 2012	<b>12510/2012</b>		

<b>Radhakrishnan, Yashin;</b> 02-04NES, Kusa girl flip flops: artificial grass flip flops (slippers, thongs) artificial flower on strap, 21 May 2012	<b>12415/2012</b>	<b>Setup 4 Life Pty Ltd;</b> 15-05, A dust collector housing, 02 May 2012	<b>12410/2012</b>
<b>Reckitt &amp; Colman (Overseas) Limited;</b> 09-07C, Cap, (EM, 24 Nov 2011) 18 May 2012	<b>12398/2012</b>	<b>Setup 4 Life Pty Ltd;</b> 15-05, A dust collector housing, 02 May 2012	<b>12411/2012</b>
<b>Reckitt &amp; Colman (Overseas) Limited;</b> 09-01A, Container with cap, (EM, 24 Nov 2011) 18 May 2012	<b>12399/2012</b>	<b>Soremartec S.A.;</b> 01-01, Food product, 24 May 2012	<b>12497/2012</b>
<b>Red Dale Holdings Pty Ltd;</b> 08-03, Collar cutter, 30 May 2012	<b>12573/2012</b>	<b>Spa Electrics Pty Ltd;</b> 13-03C, Suction cover, 29 May 2012	<b>12548/2012</b>
<b>Responsive Engineering Australia Pty Ltd;</b> 15-01, Water watch detection system - high temperature catchment bowl for "water watch" water detection system -, 22 May 2012	<b>12425/2012</b>	<b>Speedo International Limited;</b> 16-06, Swimming goggles, (EM, 28 Nov 2011) 28 May 2012	<b>12546/2012</b>
<b>Responsive Engineering Australia Pty Ltd;</b> 15-01, Water watch water detection system - a small seating with rotary fuser for "water watch" water detection system, 22 May 2012	<b>12426/2012</b>	<b>Speedo International Limited;</b> 16-06, Swimming goggles, (EM, 28 Nov 2011) 28 May 2012	<b>12545/2012</b>
<b>Retail &amp; Commercial Properties Pty Ltd;</b> 23-01A, Pipe locator, 23 May 2012	<b>12498/2012</b>	<b>Stacked Wines, LLC;</b> 09-03NES, Stack of wine glass container devices, (US, 27 Jan 2012) 22 May 2012	<b>12449/2012</b>
<b>Riach, Nadia;</b> 12-02, Mobile coffee cart, 25 May 2012	<b>12570/2012</b>	<b>Stacked Wines, LLC;</b> 09-03NES, Wine glass container device, (US, 27 Jan 2012) 22 May 2012	<b>12451/2012</b>
<b>Ruud Lighting, Inc.;</b> 26-05C, Lighting fixture, (US, 28 Nov 2011) 28 May 2012	<b>12532/2012</b>	<b>Stacked Wines, LLC;</b> 09-03NES, Wine glass container device, (US, 27 Jan 2012) 22 May 2012	<b>12452/2012</b>
<b>Ruud Lighting, Inc.;</b> 26-05C, Lighting fixture, (US, 28 Nov 2011) 28 May 2012	<b>12531/2012</b>	<b>Stacked Wines, LLC;</b> 09-03NES, Stack of wine glass container devices, (US, 27 Jan 2012) 22 May 2012	<b>12450/2012</b>
<b>Rydstrand, Victoria;</b> 13-03D, Electrical switch cover Cover plates, Switch cover, 25 May 2012	<b>12577/2012</b>	<b>Steel &amp; Tube Holdings Limited;</b> 25-01G, Roofing or cladding sheet, (NZ, 22 Dec 2011) 21 May 2012	<b>12405/2012</b>
<b>S.C. Johnson &amp; Son, Inc.;</b> 19-99, Dispenser, (US, 21 Nov 2011) 18 May 2012	<b>12406/2012</b>	<b>Steelcase, Inc.;</b> 20-02NES, 20-03NES, Personal display board, (US, 24 Feb 2012) 28 May 2012	<b>12537/2012</b>
<b>S.C. Johnson &amp; Son, Inc.;</b> 19-99, Dispenser, (US, 21 Nov 2011) 18 May 2012	<b>12407/2012</b>	<b>Steelcase, Inc.;</b> 19-06, Easel, (US, 24 Feb 2012) 28 May 2012	<b>12538/2012</b>
<b>Sahebekhtiari, Mehrak;Nadeswaran, Naren;</b> 09-09, Car bins, 28 May 2012	<b>12569/2012</b>	<b>Steelcase, Inc.;</b> 06-03C, Desk, (US, 24 Feb 2012) 28 May 2012	<b>12536/2012</b>
<b>Samsung Electronics Co, Ltd;</b> 14-04, 14-03A, Generated image for a display screen or portion thereof, (KR, 10 Jan 2012) 21 May 2012	<b>12438/2012</b>	<b>Strudwick, Ross Andrew;</b> 21-02NES, Struddys kicking tee, (Divisional of 10322/2012) 02 May 2012	<b>12141/2012</b>
<b>Samsung Electronics Co, Ltd;</b> 14-04, 14-03A, Generated image for a display screen or portion thereof, (KR, 10 Jan 2012) 21 May 2012	<b>12437/2012</b>	<b>Studio Eik;</b> 06-01G, 06-01H, Modular outdoor seating, 24 May 2012	<b>12523/2012</b>
<b>Setup 4 Life Pty Ltd;</b> 15-05, A dust collector housing, 02 May 2012	<b>12409/2012</b>	<b>Sunbeam Products, Inc.;</b> 15-99, Vacuum packaging appliance, (US, 13 Jan 2012) 17 May 2012	<b>12370/2012</b>
		<b>Super A-Mart Pty Ltd;</b> 06-03A, Outdoor table, 28 May 2012	<b>12524/2012</b>
		<b>Super A-Mart Pty Ltd;</b> 06-03A, Outdoor table, 28 May 2012	<b>12525/2012</b>
		<b>SCA Hygiene Products AB;</b> 23-02A, Dispenser, (EM, 30 Aug 2011) (Divisional of 10931/2012) 29 Feb 2012	<b>12402/2012</b>

<b>SCA Hygiene Products AB;</b> 23-02A, Dispenser, (EM, 30 Aug 2011) (Divisional of 10931/2012) 29 Feb 2012	<b>12403/2012</b>	<b>Whites Group Pty Ltd;</b> 25-01E, Fence post, 21 May 2012	<b>12467/2012</b>
<b>SCA Hygiene Products AB;</b> 23-02A, Dispenser, (EM, 30 Aug 2011) (Divisional of 10931/2012) 29 Feb 2012	<b>12400/2012</b>	<b>Whites Group Pty Ltd;</b> 25-01E, Fence post, 21 May 2012	<b>12468/2012</b>
<b>SCA Hygiene Products AB;</b> 23-02A, Dispenser, (EM, 30 Aug 2011) (Divisional of 10931/2012) 29 Feb 2012	<b>12401/2012</b>	<b>Wideline Pty Ltd;</b> 25-01G, 25-01NES, A cladding adapter, 23 May 2012	<b>12466/2012</b>
<b>SMA Solar Technology AG;</b> 13-02, Inverter, (EM, 19 Dec 2011) 21 May 2012	<b>12436/2012</b>	<b>Wilson, Charles;</b> 06-03NES, La nina side table, 16 May 2012	<b>12372/2012</b>
<b>SWS Australia Pty Limited;</b> 12-16B, 12-16NES, An automotive switch panel, 25 May 2012	<b>12511/2012</b>	<b>Wilson, Charles;</b> 06-01E, Counter serif stool, 16 May 2012	<b>12359/2012</b>
<b>Tectonica Australia Pty Ltd;</b> 07-99NES, Load restraint tray, 24 May 2012	<b>12494/2012</b>	<b>Windmiller, David;</b> 09-07C, Top lid assembly for bottle, (US, 16 Nov 2011) 16 May 2012	<b>12344/2012</b>
<b>Tepa Pty Limited;</b> 08-08NES, A clip, (NZ, 23 Dec 2011) 28 May 2012	<b>12526/2012</b>	<b>Wong, Kwai Sun Oliver;</b> 08-05N, Set of replacement heads for a hand-held sanding implement, (NZ, 22 Nov 2011) 22 May 2012	<b>12454/2012</b>
<b>Tepa Pty Limited;</b> 08-08NES, A clip, (NZ, 23 Dec 2011) 29 May 2012	<b>12544/2012</b>	<b>Wong, Kwai Sun Oliver;</b> 08-05N, Hand-held sanding implement, (NZ, 22 Nov 2011) 22 May 2012	<b>12455/2012</b>
<b>Tepa Pty Limited;</b> 08-08NES, A clip, (NZ, 23 Dec 2011) 28 May 2012	<b>12543/2012</b>	<b>Wong, Kwai Sun Oliver;</b> 07-05E, Sponge head for a hand-held cleaning utensil, (NZ, 22 Nov 2011) 22 May 2012	<b>12456/2012</b>
<b>Treasury Wine Estates Vintners Limited;</b> 09-01K, Bottle for wine, 16 May 2012	<b>12346/2012</b>	<b>Wong, Kwai Sun Oliver;</b> 07-05E, Hand-held cleaning utensil, (NZ, 22 Nov 2011) 22 May 2012	<b>12457/2012</b>
<b>Treasury Wine Estates Vintners Limited;</b> 09-01K, Bottle for wine, 16 May 2012	<b>12345/2012</b>	<b>Zhu, Jinping;</b> 15-05, Window vacuum cleaner, (CN, 20 Apr 2012) 23 May 2012	<b>12473/2012</b>
<b>United States Fire Arms Manufacturing Co., Inc.;</b> 22-01, Firearm, (US, 07 Oct 2011) 03 Apr 2012	<b>11680/2012</b>	<b>3M Innovative Properties Company;</b> 08-08NES, Hook, (US, 18 Nov 2011) 18 May 2012	<b>12374/2012</b>
<b>Vasquez, Virginia;Celedon, Cristian;</b> 06-13C, Beach towel with a protective backing attached with velcro this product is to protect car seat covers, 31 May 2012	<b>12568/2012</b>	<b>3M Innovative Properties Company;</b> 08-08NES, Hook, (US, 18 Nov 2011) 18 May 2012	<b>12375/2012</b>

### Applications Withdrawn

14194 / 2011 (29-02)                      11312 / 2012 (26-05B)  
12492 / 2012

### Applications Lapsed

15178 / 2011 (02-02C)

15285 / 2011 (26-05E)	15202 / 2011 (02-02C)
10696 / 2012 (12-12)	10244 / 2012 (23-01F)
10822 / 2012 (23-02F)	10697 / 2012 (12-12)
10994 / 2012 (24-04)	10823 / 2012 (23-02F)
11017 / 2012 (06-03A)	11012 / 2012 (08-08D)
11319 / 2012 (21-02E)	11318 / 2012 (21-02E)
11347 / 2012 (20-02E)	11320 / 2012 (21-02E)
12407 / 2012 (19-99)	12406 / 2012 (19-99)

**Extension of Period of Registration of Designs**

311392	312782	312794	312249	312250	312251
313000	313342	313965	312252	312253	312254
314616	314774	314775	312255	312268	312281
314867	315553	315584	312282	312283	312285
315587	315588	315646	312286	312288	312289
315647	315659	315660	312290	312291	312293
315670	315674	315676	312294	312295	312297
315683	315724	315750	312298	312323	312372
315752	315753	315761	312373	312374	312375
315772	315773	315775	312376	312377	312378
315780	315845	315846	312390	312391	312392
315847	315851	315854	312394	312395	312396
315855	315856	315857	312398	312399	312400
315858	315859	315860	312401	312462	312545
315861	315864	315873	312546	312547	312548
315874	315887	315888	312576	312622	312623
315889	315890	315899	312624	312625	312626
315900	315901	315902	312627	312642	312643
315903	315904	315905	312644	312645	312649
315909	315914	315915	312651	312653	312654
315928	315932	315934	312655	312666	312667
315938	315939	315940	312668	312669	312671
315949	315950	315984	312672	312673	312674
315985	316000	316004	312675	312676	312677
316005	316006	316008	312678	312679	312680
316010	316046	316062	312681	312682	312684
316118	316180	316277	312708	312768	312770
316278	316300	316311	312777	312778	312779
316312	316313	316342	312780	312781	312959
316343	316447	316448	312960	313022	313023
316489	316490	316493	313024	313025	313030
316517	316527	316690	313134	313166	313276
316746	316845	316883	313277	313327	313368
316884	316919	316920	313423	313449	313450
316921	316922	316923	313476	313479	313539
316924	316925	316926	313540	313552	313560
316927	316943	316968	313561	313562	313563
317039	317359	317360	313660	313661	313662
317361	318474	318475	313664	313665	313781
319179	319465		314062	314063	335721
			337745	338288	338289
			338417	338418	

**Extensions of time granted under Section 137**

Applications lodged under section 137 for extension of time have been granted.

- 308514 **Paul Damian Nelson**
- 331601 **Life+Gear, Inc.**
- 336626 **Laerdal Medical AS**
- 336664 **Laerdal Medical AS**
- 336665 **Laerdal Medical AS**

**Registrations Ceased**

311567	312121	312152
312153	312154	312156
312157	312158	312159
312160	312161	312167
312168	312169	312171
312174	312175	312176
312177	312178	312248

342756 De Buyer Industries

**Subsequent Owners Registered**

(The name in parentheses is that of the subsequent owner)

- 330268 ( **Heartland Precision, LLC;AGCO-Amity JV, LLC** )  
Amity Technology, LLC;Heartland Precision, LLC
- 330269 ( **Heartland Precision, LLC;AGCO-Amity JV, LLC** )  
Amity Technology, LLC;Heartland Precision, LLC
- 330270 ( **Heartland Precision, LLC;AGCO-Amity JV, LLC** )  
Amity Technology, LLC;Heartland Precision, LLC
- 333710 ( **Innovations Development Australia Pty Ltd** ) Perry  
Mastroyanis
- 325912 ( **Oticon Medical A/S** ) Oticon A/S
- 332949 ( **Nastystop Holdings Pty Ltd** ) Wayne David  
Thomas;Denise Margaret Thomas
- 338391 ( **OOO Rusinvest** ) Pure Crystall Ltd
- 327804 ( **Wenatex-Forschung-Entwicklung-Produktion  
GmbH** ) Wenatex DAS Schlafsystem GmbH
- 315462 ( **Viscount Plastics Pty Ltd** ) Viscount Plastics (NZ)  
Limited
- 315463 ( **Viscount Plastics Pty Ltd** ) Viscount Plastics (NZ)  
Limited
- 317620 ( **Furi Brands, Inc** ) Furitechnics Group Pty Ltd
- 317620 ( **Furi Global, LLC** ) Furi Brands, Inc
- 317620 ( **McPherson's Consumer Products Pty Ltd** ) Furi  
Global, LLC
- 302830 ( **Delkor Technik B.V.** ) Bateman Luxembourg S.A.
- 306185 ( **Delkor Technik B.V.** ) Bateman Luxembourg S.A.
- 337077 ( **JM IP Pty Ltd** ) James Milloy



**Certificate(s) of Examination**

Examination of the following Design Registration(s) has been completed. Infringement proceedings may now be commenced.

310720	12-16B	27/05/2012
316128	12-16B	25/05/2012
316134	12-16B	27/05/2012
323032	09-03F	31/05/2012
327920	12-16A	31/05/2012
334496	06-05	01/06/2012
335015	12-16NES	30/05/2012
336036	03-01NES	24/05/2012
336626	24-01	29/05/2012
336664	14-02	29/05/2012
336665	14-02	29/05/2012
337626	02-04NES	23/05/2012
337761	25-02B	28/05/2012
337762	25-02B	28/05/2012
337763	25-02B	28/05/2012
338520	03-01NES	22/05/2012
338928	12-16NES	30/05/2012
339384	25-02B	28/05/2012
339576	12-02	29/05/2012
339577	24-01	29/05/2012
339578	12-02	29/05/2012
339839	08-08C	24/05/2012
340501	30-02	25/05/2012
340609	09-07A	22/05/2012
340610	09-01K	22/05/2012
340776	30-02	25/05/2012
341166	02-02C	31/05/2012
341168	02-02C	31/05/2012
341217	08-08M	24/05/2012
341368	04-02	20/05/2012
341369	04-02	20/05/2012
341479	26-05E	29/05/2012
341611	23-01NES	29/05/2012
341638	07-07A	29/05/2012
341777	19-01	24/05/2012
341921	31-00	21/05/2012
342079	21-03	24/05/2012
342084	14-04	23/05/2012
342095	11-02NES	31/05/2012
342165	14-04	23/05/2012
342166	14-04	23/05/2012
342173	25-02C	24/05/2012
342211	07-01NES	31/05/2012
342212	07-01NES	31/05/2012
342226	02-01B	24/05/2012
342263	21-02F	24/05/2012
342285	14-04	23/05/2012
342439	07-01NES	24/05/2012

**Publication and Registration Proceedings**

**Designs Registered**

This section provides a concordance between design number and registration number of Designs covered in this journal. It also shows the main class and registration date.

This section covers Registration numbers 342621 to 342822 .

The registration number shown below should be used in all future correspondence.

<b>Design Number</b>	<b>Registration Number</b>	<b>International Classification Code (IDC)</b>	<b>Registration Date</b>	<b>Design Number</b>	<b>Registration Number</b>	<b>International Classification Code (IDC)</b>	<b>Registration Date</b>
14035/2011	342649	26-05D	22/05/2012	11582/2012	342692	24-01	24/05/2012
14037/2011	342650	26-05A	22/05/2012	11587/2012	342693	24-01	24/05/2012
14038/2011	342651	26-05A	22/05/2012	11588/2012	342694	24-01	24/05/2012
14039/2011	342652	26-05A	22/05/2012	11589/2012	342695	24-01	24/05/2012
14040/2011	342653	26-05A	22/05/2012	11627/2012	342763	22-06	30/05/2012
14041/2011	342654	26-05A	22/05/2012	11628/2012	342764	22-06	30/05/2012
14042/2011	342655	26-05A	22/05/2012	11631/2012	342816	26-05C	04/06/2012
14043/2011	342656	26-05A	22/05/2012	11641/2012	342796	28-03B	01/06/2012
14044/2011	342680	12-10	24/05/2012	11650/2012	342735	12-06NES	28/05/2012
14279/2011	342730	26-06	28/05/2012	11665/2012	342807	25-03	04/06/2012
15032/2011	342731	07-02F	28/05/2012	11680/2012	342682	22-01	24/05/2012
15679/2011	342806	09-01NES	04/06/2012	11741/2012	342756	31-00	30/05/2012
15680/2011	342771	09-03M	31/05/2012	11845/2012	342817	08-05NES	04/06/2012
10276/2012	342658	22-01	23/05/2012	11868/2012	342818	23-01NES	04/06/2012
10359/2012	342710	26-05E	25/05/2012	11894/2012	342683	25-02NES	24/05/2012
10360/2012	342711	26-05E	25/05/2012	11906/2012	342819	24-01	04/06/2012
10361/2012	342712	26-05E	25/05/2012	11930/2012	342637	02-02C	21/05/2012
10362/2012	342713	26-05E	25/05/2012	11942/2012	342772	09-01H	31/05/2012
10363/2012	342714	26-05E	25/05/2012	11961/2012	342684	03-01NES	24/05/2012
10364/2012	342715	26-05E	25/05/2012	11962/2012	342685	03-01NES	24/05/2012
10365/2012	342716	26-05E	25/05/2012	11964/2012	342638	26-06	21/05/2012
10366/2012	342717	26-05E	25/05/2012	11966/2012	342820	02-04NES	04/06/2012
10490/2012	342687	08-08NES	24/05/2012	11967/2012	342821	02-04NES	04/06/2012
10782/2012	342789	02-02NES	01/06/2012	11968/2012	342822	15-05	04/06/2012
10783/2012	342790	02-02NES	01/06/2012	11969/2012	342797	15-05	01/06/2012
10899/2012	342732	22-01	28/05/2012	11977/2012	342736	26-99	28/05/2012
10927/2012	342733	13-03E	28/05/2012	11987/2012	342773	09-07C	31/05/2012
10931/2012	342745	23-02A	29/05/2012	11998/2012	342696	08-08NES	24/05/2012
10963/2012	342666	15-05	23/05/2012	11999/2012	342639	12-11	21/05/2012
10966/2012	342635	15-05	21/05/2012	12000/2012	342640	12-11	21/05/2012
10967/2012	342667	15-05	23/05/2012	12001/2012	342808	08-08NES	04/06/2012
11092/2012	342668	03-01B	23/05/2012	12002/2012	342641	12-11	21/05/2012
11093/2012	342669	03-01B	23/05/2012	12003/2012	342621	12-11	21/05/2012
11094/2012	342670	05-06NES	23/05/2012	12004/2012	342622	12-11	21/05/2012
11095/2012	342671	05-06NES	23/05/2012	12005/2012	342623	12-11	21/05/2012
11102/2012	342681	09-03NES	24/05/2012	12007/2012	342624	12-16NES	21/05/2012
11106/2012	342791	02-03	01/06/2012	12008/2012	342774	09-01G	31/05/2012
11116/2012	342672	09-03M	23/05/2012	12009/2012	342625	07-02B	21/05/2012
11133/2012	342792	02-03	01/06/2012	12012/2012	342626	28-03A	21/05/2012
11190/2012	342734	24-01	28/05/2012	12013/2012	342627	09-03L	21/05/2012
11193/2012	342688	08-05M	24/05/2012	12014/2012	342628	06-01F	21/05/2012
11194/2012	342689	08-05M	24/05/2012	12021/2012	342629	09-03L	21/05/2012
11363/2012	342750	14-03B	29/05/2012	12022/2012	342630	30-01	21/05/2012
11405/2012	342636	21-01N	21/05/2012	12024/2012	342631	08-09	21/05/2012
11443/2012	342815	26-01	04/06/2012	12025/2012	342632	08-07	21/05/2012
11537/2012	342793	12-02	01/06/2012	12026/2012	342633	08-09	21/05/2012
11538/2012	342794	12-12	01/06/2012	12051/2012	342642	28-03A	22/05/2012
11567/2012	342795	08-07	01/06/2012	12052/2012	342643	12-08	22/05/2012
11580/2012	342690	24-01	24/05/2012	12053/2012	342644	14-01	22/05/2012
11581/2012	342691	24-01	24/05/2012	12058/2012	342751	03-01NES	29/05/2012

Publication and Registration Proceedings - Designs Registered cont'd

Design Number	Registration Number	International Classification Code (IDC)	Registration Date	Design Number	Registration Number	International Classification Code (IDC)	Registration Date
12059/2012	342752	03-01NES	29/05/2012	12149/2012	342742	06-01H	28/05/2012
12060/2012	342753	03-01NES	29/05/2012	12150/2012	342743	06-01H	28/05/2012
12063/2012	342645	02-04NES	22/05/2012	12151/2012	342744	06-01H	28/05/2012
12064/2012	342646	02-04NES	22/05/2012	12157/2012	342737	08-08L	28/05/2012
12065/2012	342647	02-04NES	22/05/2012	12158/2012	342754	14-03A	29/05/2012
12066/2012	342648	02-04NES	22/05/2012	12162/2012	342765	09-01G	30/05/2012
12068/2012	342697	19-03	24/05/2012	12163/2012	342766	12-16NES	30/05/2012
12071/2012	342657	14-01	22/05/2012	12165/2012	342757	06-09	30/05/2012
12080/2012	342673	16-99	23/05/2012	12166/2012	342758	11-02F	30/05/2012
12081/2012	342674	16-99	23/05/2012	12171/2012	342759	12-16NES	30/05/2012
12082/2012	342675	16-99	23/05/2012	12172/2012	342760	25-01G	30/05/2012
12083/2012	342698	20-02C	24/05/2012	12173/2012	342761	25-01G	30/05/2012
12087/2012	342676	14-02	23/05/2012	12174/2012	342762	06-01NES	30/05/2012
12088/2012	342677	26-05C	23/05/2012	12176/2012	342767	09-01K	30/05/2012
12089/2012	342678	23-03F	23/05/2012	12177/2012	342768	07-01NES	30/05/2012
12090/2012	342679	23-03F	23/05/2012	12178/2012	342769	07-01NES	30/05/2012
12091/2012	342659	14-02	23/05/2012	12179/2012	342770	07-01NES	30/05/2012
12093/2012	342660	14-02	23/05/2012	12190/2012	342798	12-16P	01/06/2012
12094/2012	342661	28-03A	23/05/2012	12208/2012	342799	07-06A	01/06/2012
12095/2012	342662	04-02	23/05/2012	12211/2012	342800	07-02E	01/06/2012
12096/2012	342663	04-02	23/05/2012	12213/2012	342801	23-02F	01/06/2012
12097/2012	342664	07-01D	23/05/2012	12214/2012	342802	20-03NES	01/06/2012
12099/2012	342634	07-02P	21/05/2012	12217/2012	342803	26-02	01/06/2012
12101/2012	342665	08-07	23/05/2012	12218/2012	342804	26-02	01/06/2012
12103/2012	342699	10-04	24/05/2012	12219/2012	342809	26-02	04/06/2012
12104/2012	342700	10-04	24/05/2012	12220/2012	342810	26-02	04/06/2012
12105/2012	342701	10-04	24/05/2012	12222/2012	342811	26-02	04/06/2012
12106/2012	342702	28-03NES	24/05/2012	12230/2012	342776	25-01F	31/05/2012
12107/2012	342686	06-02	24/05/2012	12231/2012	342777	07-02L	31/05/2012
12108/2012	342703	06-02	25/05/2012	12232/2012	342778	07-02L	31/05/2012
12109/2012	342704	06-04F	25/05/2012	12233/2012	342779	07-02L	31/05/2012
12115/2012	342705	16-06	25/05/2012	12245/2012	342780	12-16P	31/05/2012
12116/2012	342706	02-02A	25/05/2012	12246/2012	342805	12-10	01/06/2012
12117/2012	342707	02-02A	25/05/2012	12248/2012	342781	07-02L	31/05/2012
12118/2012	342708	02-02A	25/05/2012	12252/2012	342782	07-02L	31/05/2012
12119/2012	342709	02-02A	25/05/2012	12253/2012	342783	28-99	31/05/2012
12120/2012	342718	02-02A	25/05/2012	12254/2012	342784	24-01	31/05/2012
12122/2012	342719	29-02	25/05/2012	12255/2012	342785	24-01	31/05/2012
12123/2012	342720	05-05NES	25/05/2012	12256/2012	342786	24-01	31/05/2012
12124/2012	342721	05-05A	25/05/2012	12257/2012	342787	24-01	31/05/2012
12125/2012	342722	05-05D	25/05/2012	12258/2012	342788	24-01	31/05/2012
12126/2012	342723	05-05D	25/05/2012	12273/2012	342775	07-06NES	31/05/2012
12127/2012	342724	14-03A	25/05/2012	12297/2012	342755	24-02	29/05/2012
12128/2012	342725	14-03A	25/05/2012	12300/2012	342812	24-04	04/06/2012
12129/2012	342726	14-03A	25/05/2012	12400/2012	342746	23-02A	29/05/2012
12137/2012	342727	26-05B	25/05/2012	12401/2012	342747	23-02A	29/05/2012
12139/2012	342728	08-06	25/05/2012	12402/2012	342748	23-02A	29/05/2012
12140/2012	342729	08-08NES	25/05/2012	12403/2012	342749	23-02A	29/05/2012
12145/2012	342738	14-01	28/05/2012	12412/2012	342813	28-99	04/06/2012
12146/2012	342739	14-01	28/05/2012	12413/2012	342814	28-99	04/06/2012
12147/2012	342740	06-01H	28/05/2012				
12148/2012	342741	06-01H	28/05/2012				

**Publication and Registration Proceedings**

**Class Listing of Designs Published or Registered**

The following section shows an International Classification Code listing of the Registered or Published Designs covered in this supplement.

<b>Classification</b>	<b>Registration Number</b>	<b>Design Number</b>	<b>Classification</b>	<b>Registration Number</b>	<b>Design Number</b>
02-02A	342706	12116/2012	07-02L	342781	12248/2012
02-02A	342707	12117/2012	07-02L	342782	12252/2012
02-02A	342708	12118/2012	07-02P	342634	12099/2012
02-02A	342709	12119/2012	07-05E	342670	11094/2012
02-02A	342718	12120/2012	07-06A	342799	12208/2012
02-02C	342637	11930/2012	07-06NES	342775	12273/2012
02-02NES	342789	10782/2012	08-05M	342688	11193/2012
02-02NES	342790	10783/2012	08-05M	342689	11194/2012
02-03	342791	11106/2012	08-05NES	342817	11845/2012
02-03	342792	11133/2012	08-06	342728	12139/2012
02-04NES	342645	12063/2012	08-07	342632	12025/2012
02-04NES	342646	12064/2012	08-07	342665	12101/2012
02-04NES	342647	12065/2012	08-07	342795	11567/2012
02-04NES	342648	12066/2012	08-08L	342737	12157/2012
02-04NES	342820	11966/2012	08-08NES	342687	10490/2012
02-04NES	342821	11967/2012	08-08NES	342696	11998/2012
03-01B	342668	11092/2012	08-08NES	342729	12140/2012
03-01B	342669	11093/2012	08-08NES	342808	12001/2012
03-01NES	342684	11961/2012	08-09	342631	12024/2012
03-01NES	342685	11962/2012	08-09	342633	12026/2012
03-01NES	342751	12058/2012	09-01D	342765	12162/2012
03-01NES	342752	12059/2012	09-01G	342765	12162/2012
03-01NES	342753	12060/2012	09-01G	342774	12008/2012
04-02	342662	12095/2012	09-01H	342772	11942/2012
04-02	342663	12096/2012	09-01K	342767	12176/2012
05-05A	342721	12124/2012	09-01NES	342806	15679/2011
05-05D	342722	12125/2012	09-03B	342698	12083/2012
05-05D	342723	12126/2012	09-03L	342627	12013/2012
05-05NES	342720	12123/2012	09-03L	342629	12021/2012
05-06NES	342670	11094/2012	09-03M	342672	11116/2012
05-06NES	342671	11095/2012	09-03M	342771	15680/2011
06-01F	342628	12014/2012	09-03NES	342681	11102/2012
06-01H	342740	12147/2012	09-07C	342773	11987/2012
06-01H	342741	12148/2012	10-04	342699	12103/2012
06-01H	342742	12149/2012	10-04	342700	12104/2012
06-01H	342743	12150/2012	10-04	342701	12105/2012
06-01H	342744	12151/2012	11-02F	342758	12166/2012
06-01NES	342762	12174/2012	12-02	342793	11537/2012
06-02	342686	12107/2012	12-06NES	342735	11650/2012
06-02	342703	12108/2012	12-08	342643	12052/2012
06-04F	342704	12109/2012	12-10	342680	14044/2011
06-09	342757	12165/2012	12-10	342805	12246/2012
07-01D	342664	12097/2012	12-11	342621	12003/2012
07-01NES	342768	12177/2012	12-11	342622	12004/2012
07-01NES	342769	12178/2012	12-11	342623	12005/2012
07-01NES	342770	12179/2012	12-11	342639	11999/2012
07-02B	342625	12009/2012	12-11	342640	12000/2012
07-02C	342719	12122/2012	12-11	342641	12002/2012
07-02E	342800	12211/2012	12-12	342794	11538/2012
07-02F	342731	15032/2011	12-16NES	342622	12004/2012
07-02L	342777	12231/2012	12-16NES	342623	12005/2012
07-02L	342778	12232/2012	12-16NES	342624	12007/2012
07-02L	342779	12233/2012	12-16NES	342759	12171/2012

Registration Proceedings - Class Listing of Designs Published or Registered cont'd

Classification	Registration Number	Design Number	Classification	Registration Number	Design Number
12-16NES	342766	12163/2012	24-01	342734	11190/2012
12-16NES	342817	11845/2012	24-01	342784	12254/2012
12-16P	342780	12245/2012	24-01	342785	12255/2012
12-16P	342798	12190/2012	24-01	342786	12256/2012
13-03B	342687	10490/2012	24-01	342787	12257/2012
13-03B	342696	11998/2012	24-01	342788	12258/2012
13-03E	342733	10927/2012	24-01	342819	11906/2012
14-01	342644	12053/2012	24-02	342693	11587/2012
14-01	342657	12071/2012	24-02	342694	11588/2012
14-01	342738	12145/2012	24-02	342695	11589/2012
14-01	342739	12146/2012	24-02	342755	12297/2012
14-02	342659	12091/2012	24-04	342812	12300/2012
14-02	342660	12093/2012	25-01F	342776	12230/2012
14-02	342676	12087/2012	25-01G	342760	12172/2012
14-03A	342724	12127/2012	25-01G	342761	12173/2012
14-03A	342725	12128/2012	25-01K	342699	12103/2012
14-03A	342726	12129/2012	25-01K	342700	12104/2012
14-03A	342754	12158/2012	25-01K	342701	12105/2012
14-03B	342750	11363/2012	25-02B	342631	12024/2012
15-05	342635	10966/2012	25-02B	342633	12026/2012
15-05	342666	10963/2012	25-02NES	342683	11894/2012
15-05	342667	10967/2012	25-03	342807	11665/2012
15-05	342797	11969/2012	26-01	342815	11443/2012
15-05	342822	11968/2012	26-02	342803	12217/2012
16-06	342705	12115/2012	26-02	342804	12218/2012
16-99	342673	12080/2012	26-02	342809	12219/2012
16-99	342674	12081/2012	26-02	342810	12220/2012
16-99	342675	12082/2012	26-02	342811	12222/2012
19-03	342697	12068/2012	26-05A	342650	14037/2011
20-02C	342698	12083/2012	26-05A	342651	14038/2011
20-03NES	342802	12214/2012	26-05A	342652	14039/2011
21-01N	342636	11405/2012	26-05A	342653	14040/2011
21-02D	342705	12115/2012	26-05A	342654	14041/2011
21-03	342762	12174/2012	26-05A	342655	14042/2011
22-01	342658	10276/2012	26-05A	342656	14043/2011
22-01	342682	11680/2012	26-05B	342727	12137/2012
22-01	342732	10899/2012	26-05C	342677	12088/2012
22-06	342736	11977/2012	26-05C	342816	11631/2012
22-06	342763	11627/2012	26-05D	342649	14035/2011
22-06	342764	11628/2012	26-05E	342710	10359/2012
23-01NES	342818	11868/2012	26-05E	342711	10360/2012
23-02A	342745	10931/2012	26-05E	342712	10361/2012
23-02A	342746	12400/2012	26-05E	342713	10362/2012
23-02A	342747	12401/2012	26-05E	342714	10363/2012
23-02A	342748	12402/2012	26-05E	342715	10364/2012
23-02A	342749	12403/2012	26-05E	342716	10365/2012
23-02F	342801	12213/2012	26-05E	342717	10366/2012
23-03F	342678	12089/2012	26-06	342638	11964/2012
23-03F	342679	12090/2012	26-06	342730	14279/2011
23-03NES	342678	12089/2012	26-99	342736	11977/2012
24-01	342690	11580/2012	28-03A	342626	12012/2012
24-01	342691	11581/2012	28-03A	342642	12051/2012
24-01	342692	11582/2012	28-03A	342661	12094/2012
24-01	342693	11587/2012	28-03B	342796	11641/2012
24-01	342694	11588/2012	28-03NES	342702	12106/2012
24-01	342695	11589/2012	28-99	342783	12253/2012

**Registration Proceedings - Class Listing of Designs Published or Registered cont'd**

<b>Classification</b>	<b>Registration Number</b>	<b>Design Number</b>	<b>Classification</b>	<b>Registration Number</b>	<b>Design Number</b>
28-99	342813	12412/2012	31-00	342756	11741/2012
28-99	342814	12413/2012			
29-02	342719	12122/2012			
30-01	342630	12022/2012			

(21) Design Number: **12003/2012**  
(22) Date of Filing Application: **24 April 2012**  
(24) Date from which industrial property rights may have effect: **24 April 2012**  
(54) Product in respect of which the design is registered: **Three wheeled vehicle**  
(51) International Design Classification: **12-11**  
(74) Name(s) of Attorney(s): **SPRUSON & FERGUSON**  
(71) Name(s) and Address(s) of Applicant(s):

**Huffy Corporation**  
**6551 Centerville Business Parkway Centerville Ohio 45459 United States of America**

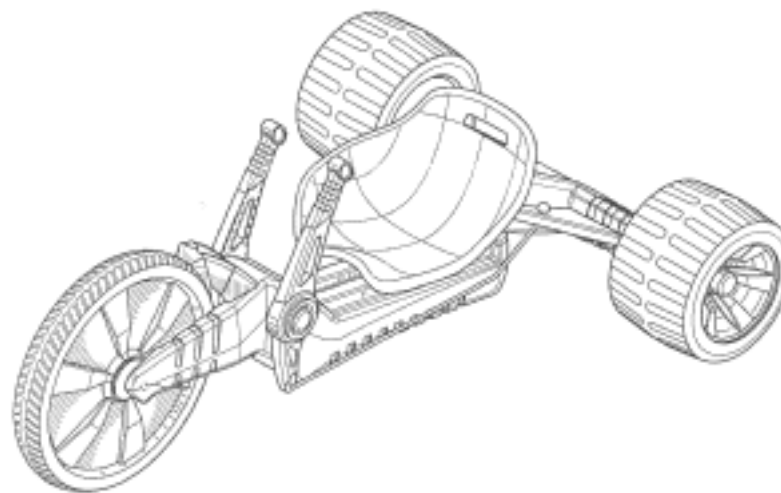
(72) Name(s) of Designer(s): **Gregory Jerome Doherty and Andrew Bean**  
(45) Registration Date: **21 May 2012**

(30) Convention priority data:

(31) Number	(32) Date	(33) Country
<b>29/404915</b>	<b>26 Oct 2011</b>	<b>UNITED STATES OF AMERICA</b>

(56) Related Art Documents: **Not Applicable**

(57) Statement of Newness and Distinctiveness: **Nil**



(21) Design Number: **12004/2012**  
(22) Date of Filing Application: **24 April 2012**  
(24) Date from which industrial property rights may have effect: **24 April 2012**  
(54) Product in respect of which the design is registered: **Steering lever for a three wheeled vehicle**  
(51) International Design Classification: **12-11, 12-16NES**  
(74) Name(s) of Attorney(s): **SPRUSON & FERGUSON**  
(71) Name(s) and Address(s) of Applicant(s):

**Huffy Corporation**  
**6551 Centerville Business Parkway Centerville Ohio 45459 United States of America**

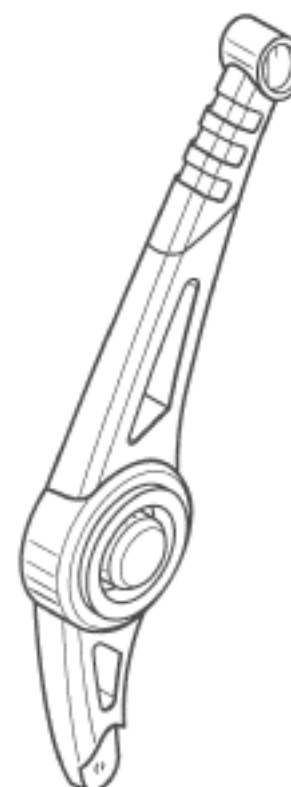
(72) Name(s) of Designer(s): **Gregory Jerome Doherty and Andrew Bean**  
(45) Registration Date: **21 May 2012**

(30) Convention priority data:

(31) Number	(32) Date	(33) Country
<b>29/404915</b>	<b>26 Oct 2011</b>	<b>UNITED STATES OF AMERICA</b>

(56) Related Art Documents: **Not Applicable**

(57) Statement of Newness and Distinctiveness: **Newness and distinctiveness is claimed in those features of a steering lever for a three wheeled vehicle illustrated in continuous lines in the accompanying representations.**



(21) Design Number: **12005/2012**

(22) Date of Filing Application: **24 April 2012**

(24) Date from which industrial property rights may have effect: **24 April 2012**

(54) Product in respect of which the design is registered: **Frame member for a three wheeled vehicle**

(51) International Design Classification: **12-11, 12-16NES**

(74) Name(s) of Attorney(s): **SPRUSON & FERGUSON**

(71) Name(s) and Address(s) of Applicant(s):

**Huffy Corporation**

**6551 Centerville Business Parkway Centerville Ohio 45459 United States of America**

(72) Name(s) of Designer(s): **Gregory Jerome Doherty and Andrew Bean**

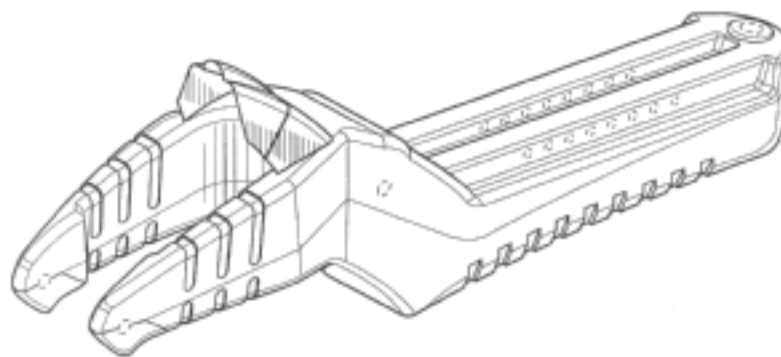
(45) Registration Date: **21 May 2012**

(30) Convention priority data:

(31) Number	(32) Date	(33) Country
<b>29/404915</b>	<b>26 Oct 2011</b>	<b>UNITED STATES OF AMERICA</b>

(56) Related Art Documents: **Not Applicable**

(57) Statement of Newness and Distinctiveness: **Newness and distinctiveness is claimed in those features of a frame member for a three wheeled vehicle illustrated in continuous lines in the accompanying representations.**



(21) Design Number: **12007/2012**

(22) Date of Filing Application: **24 April 2012**

(24) Date from which industrial property rights may have effect: **24 April 2012**

(54) Product in respect of which the design is registered: **Frame member for a three wheeled vehicle**

(51) International Design Classification: **12-16NES**

(74) Name(s) of Attorney(s): **SPRUSON & FERGUSON**

(71) Name(s) and Address(s) of Applicant(s):

**Huffy Corporation**

**6551 Centerville Business Parkway Centerville Ohio 45459 United States of America**

(72) Name(s) of Designer(s): **Gregory Jerome Doherty and Andrew Bean**

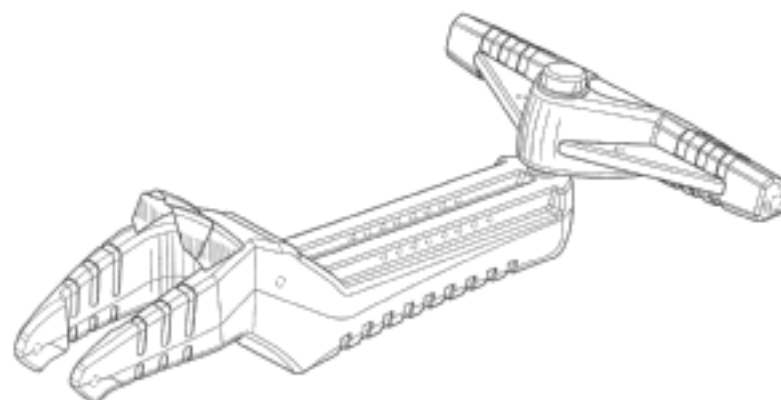
(45) Registration Date: **21 May 2012**

(30) Convention priority data:

(31) Number	(32) Date	(33) Country
<b>29/404915</b>	<b>26 Oct 2011</b>	<b>UNITED STATES OF AMERICA</b>

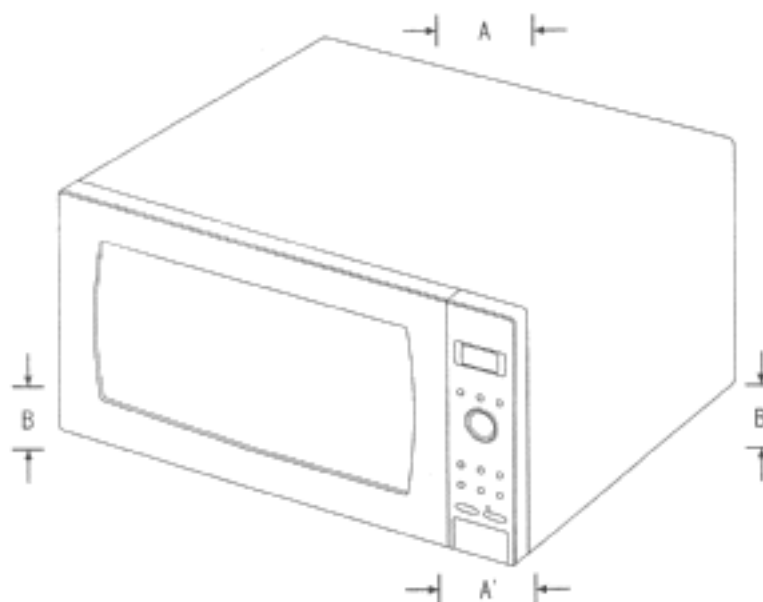
(56) Related Art Documents: **Not Applicable**

(57) Statement of Newness and Distinctiveness: **Newness and distinctiveness is claimed in those features of a frame member for a three wheeled vehicle illustrated in continuous lines in the accompanying representations.**

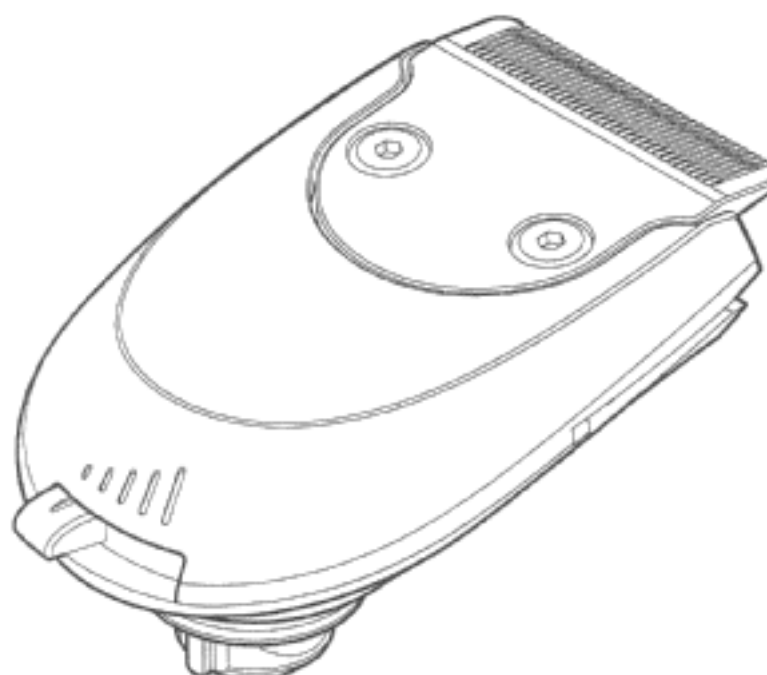




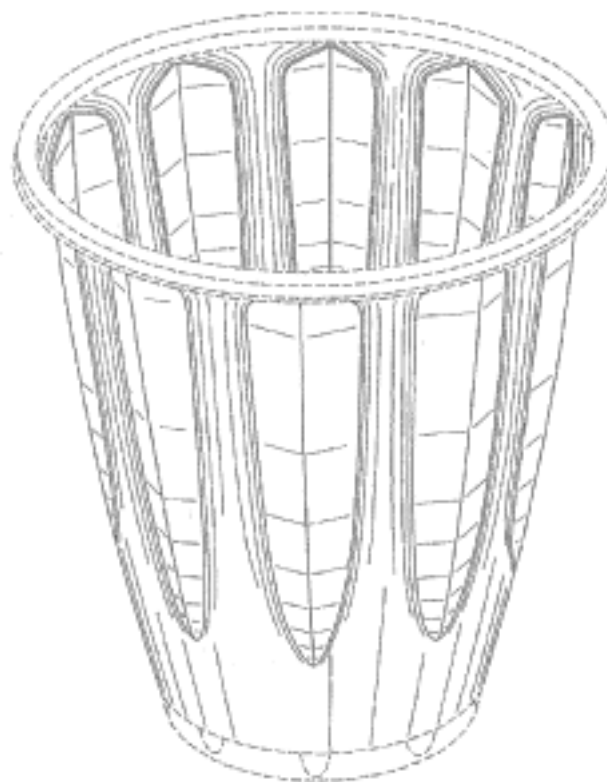
- (21) Design Number: **12009/2012**  
(22) Date of Filing Application: **24 April 2012**  
(24) Date from which industrial property rights may have effect: **24 April 2012**  
(54) Product in respect of which the design is registered: **Microwave oven**  
(51) International Design Classification: **07-02B**  
(74) Name(s) of Attorney(s): **SPRUSON & FERGUSON**  
(71) Name(s) and Address(s) of Applicant(s):  
**Panasonic Corporation**  
**1006 Oaza Kadoma Kadoma-shi Osaka 571-8501 Japan**  
(72) Name(s) of Designer(s): **Haruka Ohno**  
(45) Registration Date: **21 May 2012**  
(56) Related Art Documents: **Not Applicable**  
(57) Statement of Newness and Distinctiveness: **Newness and distinctiveness is claimed in the features of shape and/or configuration of a microwave oven as illustrated in the accompanying representations.**



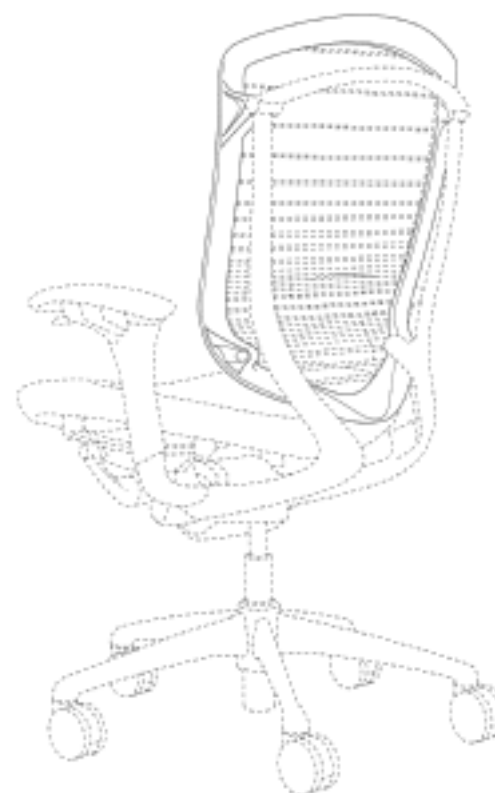
- (21) Design Number: **12012/2012**  
(22) Date of Filing Application: **24 April 2012**  
(24) Date from which industrial property rights may have effect: **24 April 2012**  
(54) Product in respect of which the design is registered: **Styler for shaver**  
(51) International Design Classification: **28-03A**  
(74) Name(s) of Attorney(s): **FB Rice**  
(71) Name(s) and Address(s) of Applicant(s):  
**Koninklijke Philips Electronics N.V.**  
**Groenewoudseweg 1, 5621 BA Eindhoven, The Netherlands**  
(72) Name(s) of Designer(s): **Ki-Hyun Yoon**  
(45) Registration Date: **21 May 2012**  
(30) Convention priority data:  
(31) Number (32) Date (33) Country  
**001938283-0001 26 Oct 2011 EUROPEAN COMMUNITY**  
(56) Related Art Documents: **Not Applicable**  
(57) Statement of Newness and Distinctiveness: **Newness and distinctiveness reside in the features of shape and configuration of the styler for shaver as shown in the representations.**



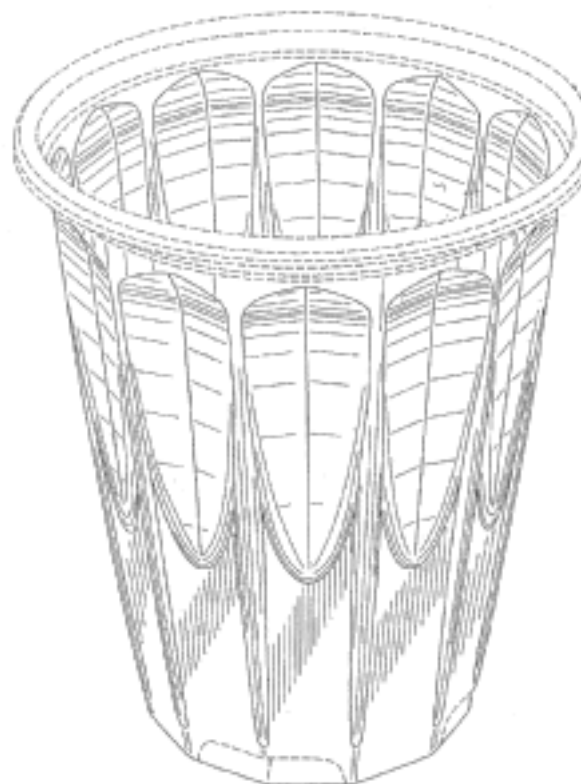
- (21) Design Number: **12013/2012**  
(22) Date of Filing Application: **24 April 2012**  
(24) Date from which industrial property rights may have effect: **24 April 2012**  
(54) Product in respect of which the design is registered: **Container**  
(51) International Design Classification: **09-03L**  
(74) Name(s) of Attorney(s): **Smootenburg Pini Patent & Trade Mark Attorneys**  
(71) Name(s) and Address(s) of Applicant(s):  
**Huhtamaki Inc**  
**9201 Packaging Drive De Soto KS 66018 United States**  
(72) Name(s) of Designer(s): **Don Hodge and Don Tomalia and Jason Osentoski and Joe Trombley and Dan Maciag and Peter Brushaber and Mike Liming**  
(45) Registration Date: **21 May 2012**  
(30) Convention priority data:  
(31) Number (32) Date (33) Country  
**29/404,718 25 Oct 2011 UNITED STATES OF AMERICA**  
(56) Related Art Documents: **Not Applicable**  
(57) Statement of Newness and Distinctiveness: **Newness and distinctives is claimed in features of shape and/or configuration of a container as illustrated in the accompanying representations. No regard is to be had to the dashed lines in the figures; they are for environmental purposes only and form no part of the claimed design.**



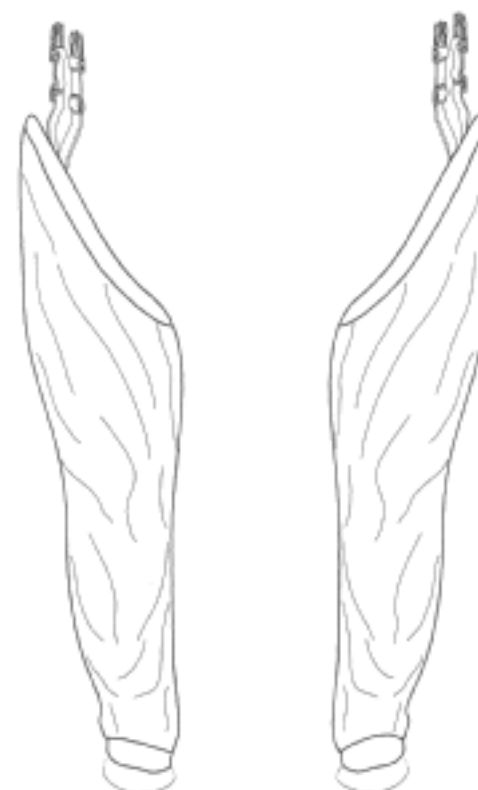
- (21) Design Number: **12014/2012**  
(22) Date of Filing Application: **24 April 2012**  
(24) Date from which industrial property rights may have effect: **24 April 2012**  
(54) Product in respect of which the design is registered: **Chair**  
(51) International Design Classification: **06-01F**  
(74) Name(s) of Attorney(s): **FB Rice**  
(71) Name(s) and Address(s) of Applicant(s):  
**Okamura Corporation**  
**7-18 Kitasaiwai 2-chome Nishi-ku Yokohama-shi Kanagawa 220-0004 Japan**  
(72) Name(s) of Designer(s): **Fabrizio Giugiaro**  
(45) Registration Date: **21 May 2012**  
(30) Convention priority data:  
(31) Number (32) Date (33) Country  
**2011-025187 31 Oct 2011 JAPAN**  
(56) Related Art Documents: **Not Applicable**  
(57) Statement of Newness and Distinctiveness: **Newness and distinctiveness reside in the features of shape and configuration of the chair as shown in the representations excluding those features shown in broken lines.**



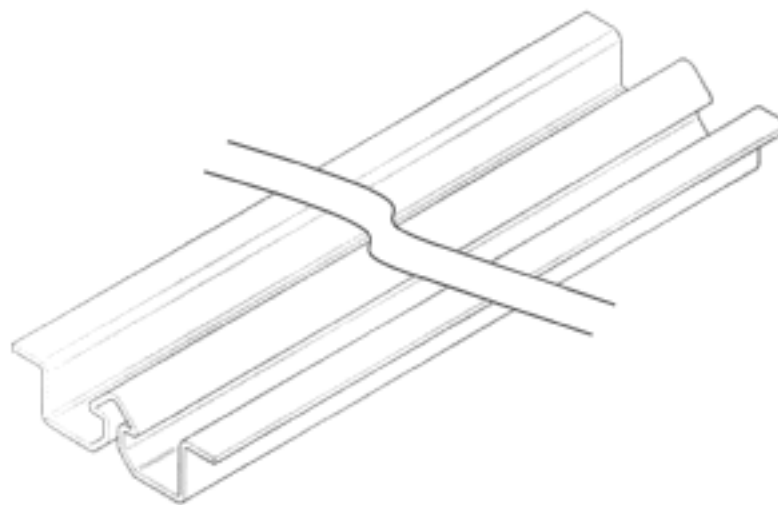
- (21) Design Number: **12021/2012**  
(22) Date of Filing Application: **24 April 2012**  
(24) Date from which industrial property rights may have effect: **24 April 2012**  
(54) Product in respect of which the design is registered: **Multi-panel sidewall container**  
(51) International Design Classification: **09-03L**  
(74) Name(s) of Attorney(s): **Smootenburg Pini Patent & Trade Mark Attorneys**  
(71) Name(s) and Address(s) of Applicant(s):  
**Huhtamaki Inc**  
**9201 Packaging Drive De Soto KS 66018 United States**  
(72) Name(s) of Designer(s): **Don Hodge and Don Tomalia and Jason Osentoski and Joe Trombley and Dan Maciag and Peter Brushaber and Mike Liming**  
(45) Registration Date: **21 May 2012**  
(30) Convention priority data:  
(31) Number (32) Date (33) Country  
**29/404,701 25 Oct 2011 UNITED STATES OF AMERICA**  
(56) Related Art Documents: **Not Applicable**  
(57) Statement of Newness and Distinctiveness: **Newness and distinctiveness is claimed in features of shape and/or configuration of a container as illustrated in the accompanying representations. No regard is to be had to the dashed lines in the figures; they are for environmental purposes only and form no part of the claimed design.**



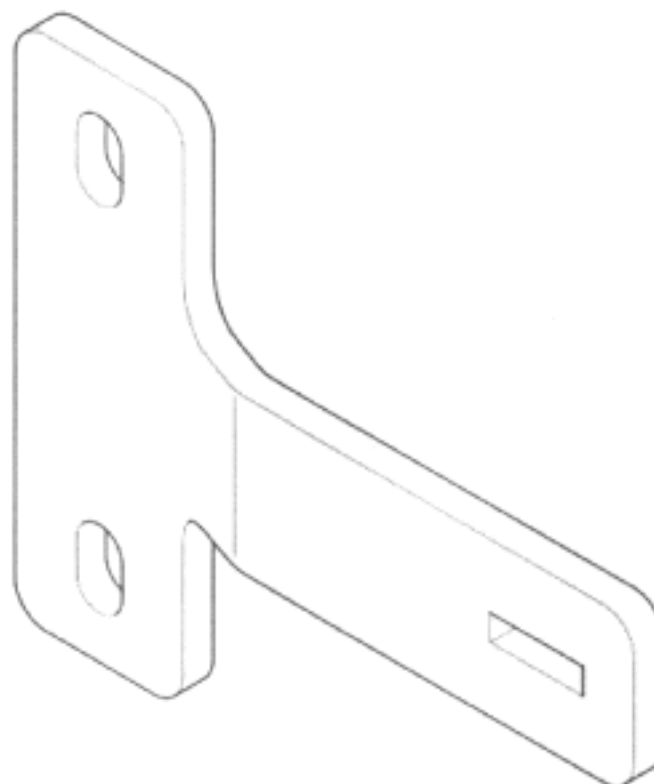
- (21) Design Number: **12022/2012**  
(22) Date of Filing Application: **26 April 2012**  
(24) Date from which industrial property rights may have effect: **26 April 2012**  
(54) Product in respect of which the design is registered: **Horse Leggings**  
(51) International Design Classification: **30-01**  
(74) Name(s) of Attorney(s): **Fisher Adams Kelly**  
(71) Name(s) and Address(s) of Applicant(s):  
**Teresa Jane Brabeck**  
**1 Blanck Street ORMEAU Queensland 4208 Australia**  
(72) Name(s) of Designer(s): **Teresa Jane Brabeck**  
(45) Registration Date: **21 May 2012**  
(56) Related Art Documents: **Not Applicable**  
(57) Statement of Newness and Distinctiveness: **The newness and distinctiveness of the design resides in the shape and/or configuration of the HORSE LEGGINGS shown in the representations.**



- (21) Design Number: **12024/2012**  
(22) Date of Filing Application: **26 April 2012**  
(24) Date from which industrial property rights may have effect: **26 April 2012**  
(54) Product in respect of which the design is registered: **An in-ground floor track for a sliding door**  
(51) International Design Classification: **08-09, 25-02B**  
(74) Name(s) of Attorney(s): **Collison & Co**  
(71) Name(s) and Address(s) of Applicant(s):  
**Lance Malcolm Vater**  
**Unit 7 538 Portrush Road St Georges South Australia 5064 Australia**  
(72) Name(s) of Designer(s): **Lance Malcolm Vater**  
(45) Registration Date: **21 May 2012**  
(56) Related Art Documents: **Not Applicable**  
(57) Statement of Newness and Distinctiveness: **Newness and distinctiveness resides in the shape and/or configuration of the in-ground floor track for a sliding door as shown in the accompanying drawings.**



- (21) Design Number: **12025/2012**  
(22) Date of Filing Application: **26 April 2012**  
(24) Date from which industrial property rights may have effect: **26 April 2012**  
(54) Product in respect of which the design is registered: **A striker plate for a gate d-latch**  
(51) International Design Classification: **08-07**  
(74) Name(s) of Attorney(s): **Collison & Co**  
(71) Name(s) and Address(s) of Applicant(s):  
**Lance Malcolm Vater**  
**Unit 7 538 Portrush Road St Georges South Australia 5064 Australia**  
(72) Name(s) of Designer(s): **Lance Malcolm Vater**  
(45) Registration Date: **21 May 2012**  
(56) Related Art Documents: **Not Applicable**  
(57) Statement of Newness and Distinctiveness: **Newness and distinctiveness resides in the shape and/or configuration of the striker plate for a gate d-latch.**



(21) Design Number: **12026/2012**

(22) Date of Filing Application: **26 April 2012**

(24) Date from which industrial property rights may have effect: **26 April 2012**

(54) Product in respect of which the design is registered: **An in-ground floor guide channel for a sliding door**

(51) International Design Classification: **08-09, 25-02B**

(74) Name(s) of Attorney(s): **Collison & Co**

(71) Name(s) and Address(s) of Applicant(s):

**Lance Malcolm Vater**

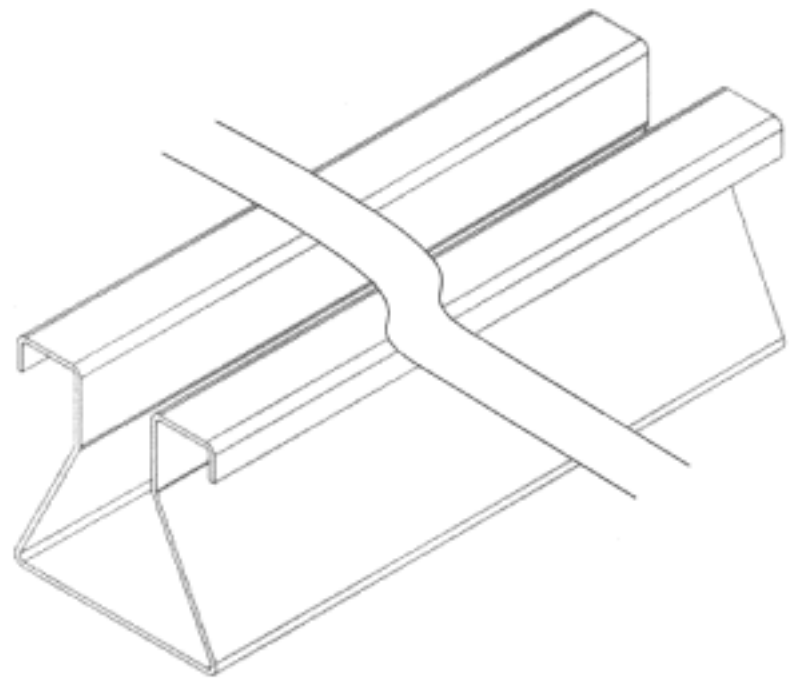
**Unit 7 538 Portrush Road St Georges South Australia 5064 Australia**

(72) Name(s) of Designer(s): **Lance Malcolm Vater**

(45) Registration Date: **21 May 2012**

(56) Related Art Documents: **Not Applicable**

(57) Statement of Newness and Distinctiveness: **Newness and distinctiveness resides in the shape and/or configuration of the in-ground floor guide channel for a sliding door as shown in the accompanying drawings.**



(21) Design Number: **12099/2012**

(22) Date of Filing Application: **30 April 2012**

(24) Date from which industrial property rights may have effect: **30 April 2012**

(54) Product in respect of which the design is registered: **Muffin cup**

(51) International Design Classification: **07-02P**

(74) Name(s) of Attorney(s):

(71) Name(s) and Address(s) of Applicant(s):

**Khai Ly**

**3 Pemberton Street Stathfield New South Wales 2135 Australia**

**Lyson Trading Pty Ltd**

**11/25-33 Alfred Road Chipping Norton New South Wales 2170 Australia**

(72) Name(s) of Designer(s): **Khai Ly**

(45) Registration Date: **21 May 2012**

(56) Related Art Documents: **Not Applicable**

(57) Statement of Newness and Distinctiveness: **Muffin cup / baking cup The design differs from the usual in that the muffin cup has rounded edges. Usually the muffin cups are formed from square pieces of paper. This design is a square piece of paper with round corners. When the muffin cup is formed it has rounded edges on top, which is distinctive of muffin cup design.**

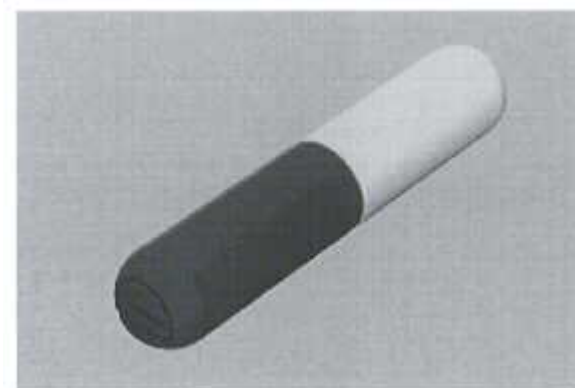


(21) Design Number: **10966/2012**  
(22) Date of Filing Application: **29 February 2012**  
(24) Date from which industrial property rights may have effect: **29 February 2012**  
(54) Product in respect of which the design is registered: **Washing machine**  
(51) International Design Classification: **15-05**  
(74) Name(s) of Attorney(s): **SPRUSON & FERGUSON**  
(71) Name(s) and Address(s) of Applicant(s):  
**BSH Bosch und Siemens Hausgerate GmbH**  
**Carl-Wery-Str. 34 81739 Munchen Germany**  
(72) Name(s) of Designer(s): **Johannes Geyer and Roger Munstermann**  
(45) Registration Date: **21 May 2012**  
(30) Convention priority data:  
(31) Number (32) Date (33) Country  
**001293799 02 Sep 2011 EUROPEAN COMMUNITY**



(56) Related Art Documents: **Not Applicable**  
(57) Statement of Newness and Distinctiveness: **Newness and distinctiveness is claimed in the features of shape and/or configuration of a control panel, a drawer panel and a door for a washing machine as illustrated in the accompanying representations. The control panel includes a display, control buttons, a central round dial and indication lights. The indication lights are arranged in two vertical lines left and right of the central round dial. The controls buttons are arranged in a long horizontal line at a lower portion of the control panel. The line of the control buttons is optically extended on the drawer handle. The display is provided with control fields arranged below the display field. The door includes outer ring and an inner ring smoothly bended towards the inner glass. The outer ring has a cavity in the "half-past-one o'clock" position used as a handle. The drawer panel has two indication lights.**

(21) Design Number: **11405/2012**  
(22) Date of Filing Application: **19 March 2012**  
(24) Date from which industrial property rights may have effect: **19 March 2012**  
(54) Product in respect of which the design is registered: **Touching pen**  
(51) International Design Classification: **21-01N**  
(74) Name(s) of Attorney(s): **Griffith Hack**  
(71) Name(s) and Address(s) of Applicant(s):  
**SwitchEasy Limited**  
**Room 314 Sing Win Factory Building 15-17 Shing Yip Street Kwun Tong**  
**Kowloon Hong Kong**  
(72) Name(s) of Designer(s): **Chi Vun Steven Bau**  
(45) Registration Date: **21 May 2012**  
(30) Convention priority data:  
(31) Number (32) Date (33) Country  
**1200067.5 13 Jan 2012 HONG KONG**

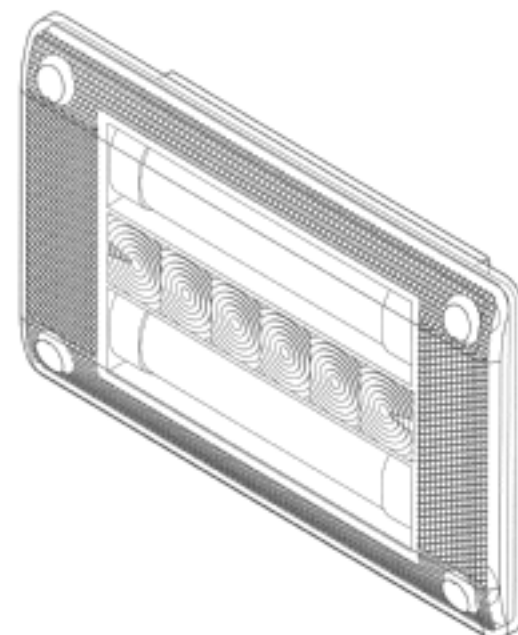


(56) Related Art Documents: **Not Applicable**  
(57) Statement of Newness and Distinctiveness: **The shape and configuration of the product as shown in the accompanying representations is new and distinctive.**

- (21) Design Number: **11930/2012**  
(22) Date of Filing Application: **18 April 2012**  
(24) Date from which industrial property rights may have effect: **18 April 2012**  
(54) Product in respect of which the design is registered: **Pants**  
(51) International Design Classification: **02-02C**  
(74) Name(s) of Attorney(s): **Complete IP Pty Limited**  
(71) Name(s) and Address(s) of Applicant(s):  
**Fine Garment Industries Pty Ltd**  
**137A Leach Highway Wilson Western Australia 6107 Australia**  
(72) Name(s) of Designer(s): **Junaid Ikram**  
(45) Registration Date: **21 May 2012**  
(56) Related Art Documents: **Not Applicable**  
(57) Statement of Newness and Distinctiveness: **The monopoly of newness and distinctiveness is claimed in the shape and configuration pattern and ornamentation of the pants as shown in the accompanying representations.**



- (21) Design Number: **11964/2012**  
(22) Date of Filing Application: **20 April 2012**  
(24) Date from which industrial property rights may have effect: **20 April 2012**  
(54) Product in respect of which the design is registered: **Vehicle Lamp**  
(51) International Design Classification: **26-06**  
(74) Name(s) of Attorney(s): **A.P.T. Patent and Trade Mark Attorneys**  
(71) Name(s) and Address(s) of Applicant(s):  
**Lucidity Enterprise Co., Ltd.**  
**No 18 Gongye 1st Rd Annan Dist Tainan City Taiwan R.O.C.**  
(72) Name(s) of Designer(s): **Kuo-Yang Yeh and Chi-Hsuan Chou**  
(45) Registration Date: **21 May 2012**  
(56) Related Art Documents: **Not Applicable**  
(57) Statement of Newness and Distinctiveness: **Nil**





(21) Design Number: **11999/2012**  
(22) Date of Filing Application: **26 April 2012**  
(24) Date from which industrial property rights may have effect: **26 April 2012**  
(54) Product in respect of which the design is registered: **Motor scooter**  
(51) International Design Classification: **12-11**  
(74) Name(s) of Attorney(s): **WATERMARK PATENT AND TRADE MARKS ATTORNEYS**  
(71) Name(s) and Address(s) of Applicant(s):  
**Piaggio & C. S.p.A.**  
**Viale Rinaldo Piaggio 25 56025 Pontedera Pisa Italy**  
(72) Name(s) of Designer(s): **Marco Lambri and Mirko Zocco and Marco Canepa**  
(45) Registration Date: **21 May 2012**  
(30) Convention priority data:  
(31) Number (32) Date (33) Country  
**001942657 04 Nov 2011 EUROPEAN COMMUNITY**  
(56) Related Art Documents: **Not Applicable**  
(57) Statement of Newness and Distinctiveness: **Nil**



(21) Design Number: **12000/2012**  
(22) Date of Filing Application: **26 April 2012**  
(24) Date from which industrial property rights may have effect: **26 April 2012**  
(54) Product in respect of which the design is registered: **Motor scooter**  
(51) International Design Classification: **12-11**  
(74) Name(s) of Attorney(s): **WATERMARK PATENT AND TRADE MARKS ATTORNEYS**  
(71) Name(s) and Address(s) of Applicant(s):  
**Piaggio & C. S.p.A.**  
**Viale Rinaldo Piaggio 25 56025 Pontedera Pisa Italy**  
(72) Name(s) of Designer(s): **Marco Lambri and Roberto Palla**  
(45) Registration Date: **21 May 2012**  
(30) Convention priority data:  
(31) Number (32) Date (33) Country  
**001942624 04 Nov 2011 EUROPEAN COMMUNITY**  
(56) Related Art Documents: **Not Applicable**  
(57) Statement of Newness and Distinctiveness: **Nil**





(21) Design Number: **12002/2012**  
(22) Date of Filing Application: **24 April 2012**  
(24) Date from which industrial property rights may have effect: **24 April 2012**  
(54) Product in respect of which the design is registered: **Three wheeled vehicle**  
(51) International Design Classification: **12-11**  
(74) Name(s) of Attorney(s): **SPRUSON & FERGUSON**  
(71) Name(s) and Address(s) of Applicant(s):

**Huffy Corporation**  
**6551 Centerville Business Parkway Centerville Ohio 45459 United States of America**

(72) Name(s) of Designer(s): **Gregory Jerome Doherty and Andrew Bean**

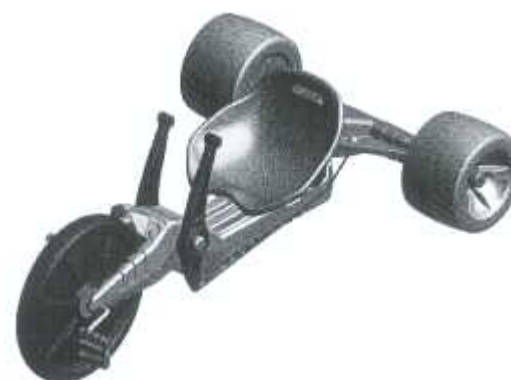
(45) Registration Date: **21 May 2012**

(30) Convention priority data:

(31) Number	(32) Date	(33) Country
<b>29/404915</b>	<b>26 Oct 2011</b>	<b>UNITED STATES OF AMERICA</b>

(56) Related Art Documents: **Not Applicable**

(57) Statement of Newness and Distinctiveness: **Nil**



(21) Design Number: **12051/2012**  
(22) Date of Filing Application: **26 April 2012**  
(24) Date from which industrial property rights may have effect: **26 April 2012**  
(54) Product in respect of which the design is registered: **Styler for shaver**  
(51) International Design Classification: **28-03A**  
(74) Name(s) of Attorney(s): **FB Rice**  
(71) Name(s) and Address(s) of Applicant(s):

**Koninklijke Philips Electronics N.V.**  
**Groenewoudseweg 1, 5621 BA Eindhoven, The Netherlands**

(72) Name(s) of Designer(s): **Ki-Hyun Yoon**

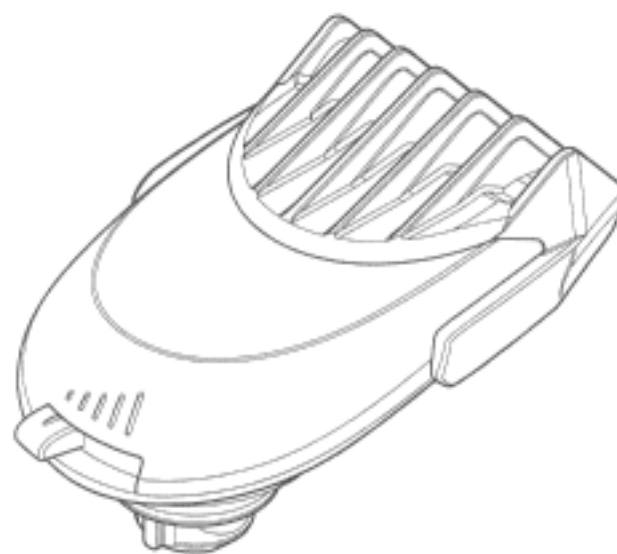
(45) Registration Date: **22 May 2012**

(30) Convention priority data:

(31) Number	(32) Date	(33) Country
<b>001938283-0002</b>	<b>26 Oct 2011</b>	<b>EUROPEAN COMMUNITY</b>

(56) Related Art Documents: **Not Applicable**

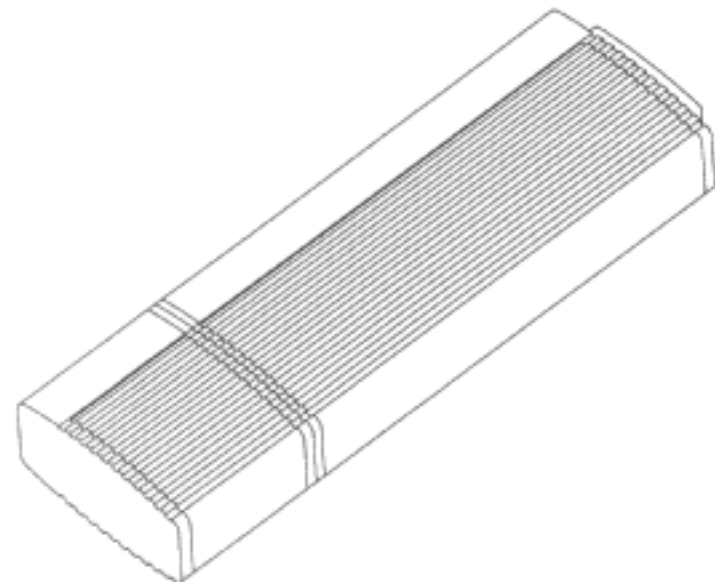
(57) Statement of Newness and Distinctiveness: **Newness and distinctiveness reside in the features of shape and configuration of the styler for shaver as shown in the representations.**



(21) Design Number: **12052/2012**  
(22) Date of Filing Application: **27 April 2012**  
(24) Date from which industrial property rights may have effect: **27 April 2012**  
(54) Product in respect of which the design is registered: **Automobile**  
(51) International Design Classification: **12-08**  
(74) Name(s) of Attorney(s): **Griffith Hack**  
(71) Name(s) and Address(s) of Applicant(s):  
**Honda Motor Co., Ltd.**  
**1-1 Minami-Aoyama 2-Chome Minato-Ku Tokyo 107-8556 Japan**  
(72) Name(s) of Designer(s): **Daisuke Tsutamori**  
(45) Registration Date: **22 May 2012**  
(30) Convention priority data:  
(31) Number (32) Date (33) Country  
**2011-025151 31 Oct 2011 JAPAN**  
(56) Related Art Documents: **Not Applicable**  
(57) Statement of Newness and Distinctiveness: **The shape and configuration of the product as shown in the accompanying representations is new and distinctive.**



(21) Design Number: **12053/2012**  
(22) Date of Filing Application: **27 April 2012**  
(24) Date from which industrial property rights may have effect: **27 April 2012**  
(54) Product in respect of which the design is registered: **Recording medium**  
(51) International Design Classification: **14-01**  
(74) Name(s) of Attorney(s): **Griffith Hack**  
(71) Name(s) and Address(s) of Applicant(s):  
**Kabushiki Kaisha Toshiba**  
**1-1 Shibaura 1-chome Minato-ku Tokyo Japan**  
(72) Name(s) of Designer(s): **Kousuke Yoneta and Yasushi Fukuoka**  
(45) Registration Date: **22 May 2012**  
(30) Convention priority data:  
(31) Number (32) Date (33) Country  
**2011-028677 09 Dec 2011 JAPAN**  
(56) Related Art Documents: **Not Applicable**  
(57) Statement of Newness and Distinctiveness: **The shape and configuration of the product as shown in the accompanying representations is new and distinctive. The product includes a removable cap which when removed allows a terminal of the product to be connected to an electronic device.**



- (21) Design Number: **12063/2012**  
(22) Date of Filing Application: **30 April 2012**  
(24) Date from which industrial property rights may have effect: **30 April 2012**  
(54) Product in respect of which the design is registered: **Sheep skin boots with fluorescent soles as shown in the annexed representations**  
(51) International Design Classification: **02-04NES**  
(74) Name(s) of Attorney(s):  
(71) Name(s) and Address(s) of Applicant(s):  
**Sheepfeet Pty Ltd**  
**33 Jasper Road Bentleigh Victoria 3204 Australia**  
(72) Name(s) of Designer(s): **Scott Kennedy**  
(45) Registration Date: **22 May 2012**  
(56) Related Art Documents: **Not Applicable**  
(57) Statement of Newness and Distinctiveness: **The design is applicable to the shape, colour and patterns of the soles of the Sheep skin boots as shown in the accompanying representation. The colour, height and size of the boot is not part of the design and can be disregarded.**



- (21) Design Number: **12064/2012**  
(22) Date of Filing Application: **30 April 2012**  
(24) Date from which industrial property rights may have effect: **30 April 2012**  
(54) Product in respect of which the design is registered: **Sheep skin boots with fluorescent soles as shown in the annexed representations**  
(51) International Design Classification: **02-04NES**  
(74) Name(s) of Attorney(s):  
(71) Name(s) and Address(s) of Applicant(s):  
**Sheepfeet Pty Ltd**  
**33 Jasper Road Bentleigh Victoria 3204 Australia**  
(72) Name(s) of Designer(s): **Scott Kennedy**  
(45) Registration Date: **22 May 2012**  
(56) Related Art Documents: **Not Applicable**  
(57) Statement of Newness and Distinctiveness: **The design is applicable to the shape, colour and patterns of the soles of the Sheep skin boots as shown in the accompanying representation. The colour, height and size of the boot is not part of the design and can be disregarded.**



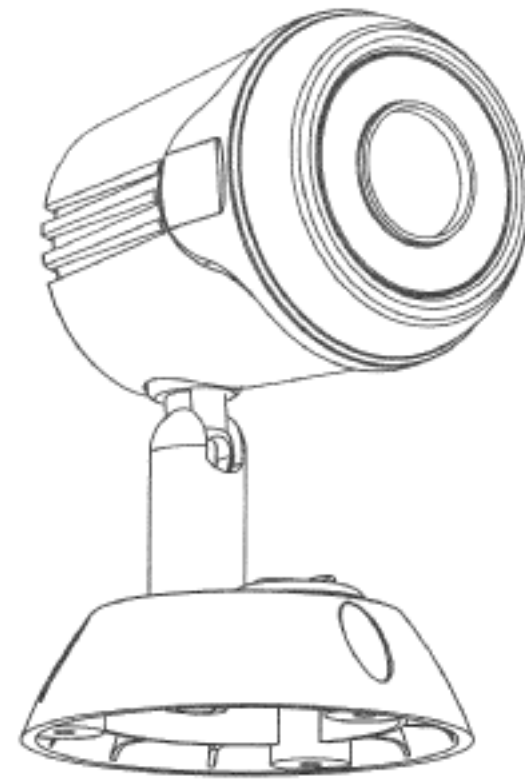
- (21) Design Number: **12065/2012**  
(22) Date of Filing Application: **30 April 2012**  
(24) Date from which industrial property rights may have effect: **30 April 2012**  
(54) Product in respect of which the design is registered: **Sheep skin boots with fluorescent soles as shown in the annexed representations**  
(51) International Design Classification: **02-04NES**  
(74) Name(s) of Attorney(s):  
(71) Name(s) and Address(s) of Applicant(s):  
**Sheepfeet Pty Ltd**  
**33 Jasper Road Bentleigh Victoria 3204 Australia**  
(72) Name(s) of Designer(s): **Scott Kennedy**  
(45) Registration Date: **22 May 2012**  
(56) Related Art Documents: **Not Applicable**  
(57) Statement of Newness and Distinctiveness: **The design is applicable to the shape, colour and patterns of the soles of the Sheep skin boots as shown in the accompanying representation. The colour, height and size of the boot is not part of the design and can be disregarded.**



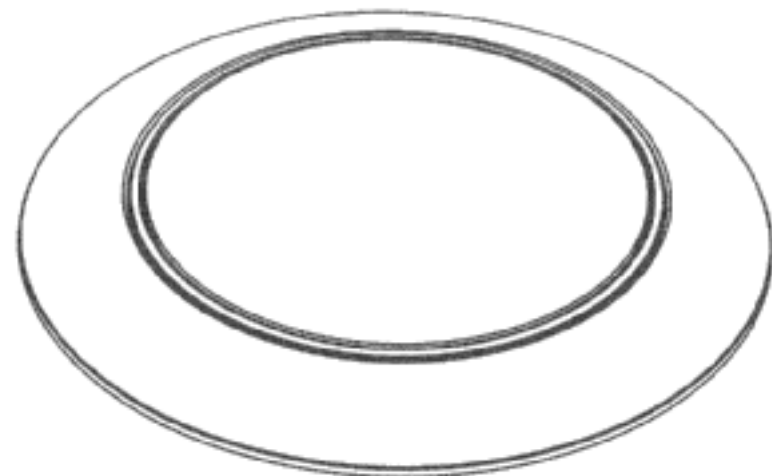
- (21) Design Number: **12066/2012**  
(22) Date of Filing Application: **30 April 2012**  
(24) Date from which industrial property rights may have effect: **30 April 2012**  
(54) Product in respect of which the design is registered: **Sheep skin boots with fluorescent soles as shown in the annexed representations**  
(51) International Design Classification: **02-04NES**  
(74) Name(s) of Attorney(s):  
(71) Name(s) and Address(s) of Applicant(s):  
**Sheepfeet Pty Ltd**  
**33 Jasper Road Bentleigh Victoria 3204 Australia**  
(72) Name(s) of Designer(s): **Scott Kennedy**  
(45) Registration Date: **22 May 2012**  
(56) Related Art Documents: **Not Applicable**  
(57) Statement of Newness and Distinctiveness: **The design is applicable to the shape, colour and patterns of the soles of the Sheep skin boots as shown in the accompanying representation. The colour, height and size of the boot is not part of the design and can be disregarded.**



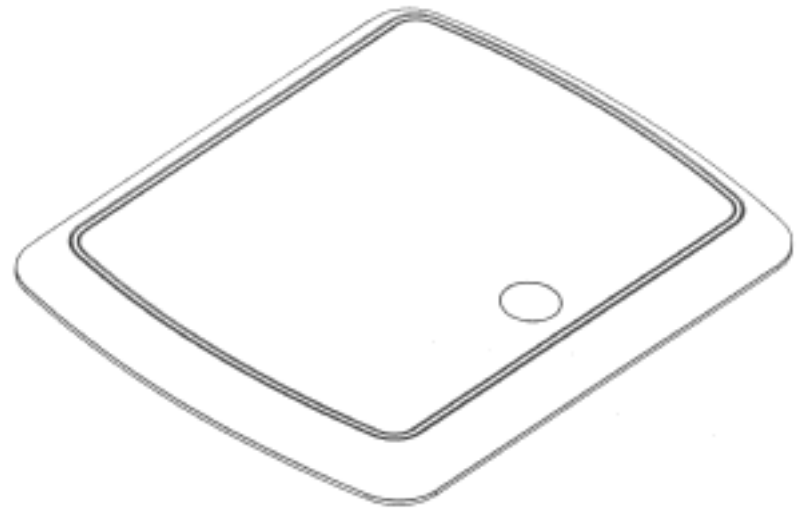
(21) Design Number: **14035/2011**  
(22) Date of Filing Application: **13 September 2011**  
(24) Date from which industrial property rights may have effect: **13 September 2011**  
(54) Product in respect of which the design is registered: **Pendant light**  
(51) International Design Classification: **26-05D**  
(74) Name(s) of Attorney(s): **PHILLIPS ORMONDE FITZPATRICK**  
(71) Name(s) and Address(s) of Applicant(s):  
**Brown & Watson International Pty Ltd**  
**1500 Ferntree Gully Road Knoxfield Victoria 3180 Australia**  
(72) Name(s) of Designer(s): **Paul Davies**  
(45) Registration Date: **22 May 2012**  
(56) Related Art Documents: **Not Applicable**  
(57) Statement of Newness and Distinctiveness: **Nil**



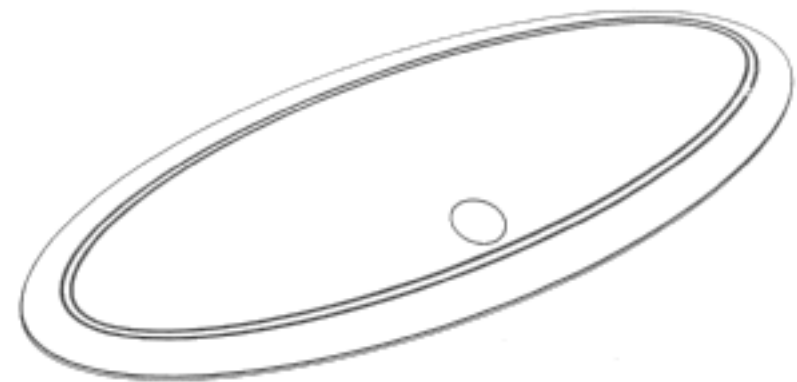
(21) Design Number: **14037/2011**  
(22) Date of Filing Application: **13 September 2011**  
(24) Date from which industrial property rights may have effect: **13 September 2011**  
(54) Product in respect of which the design is registered: **Lamp**  
(51) International Design Classification: **26-05A**  
(74) Name(s) of Attorney(s): **PHILLIPS ORMONDE FITZPATRICK**  
(71) Name(s) and Address(s) of Applicant(s):  
**Brown & Watson International Pty Ltd**  
**1500 Ferntree Gully Road Knoxfield Victoria 3180 Australia**  
(72) Name(s) of Designer(s): **Paul Davies**  
(45) Registration Date: **22 May 2012**  
(56) Related Art Documents: **Not Applicable**  
(57) Statement of Newness and Distinctiveness: **Nil**



(21) Design Number: **14038/2011**  
(22) Date of Filing Application: **13 September 2011**  
(24) Date from which industrial property rights may have effect: **13 September 2011**  
(54) Product in respect of which the design is registered: **Lamp**  
(51) International Design Classification: **26-05A**  
(74) Name(s) of Attorney(s): **PHILLIPS ORMONDE FITZPATRICK**  
(71) Name(s) and Address(s) of Applicant(s):  
**Brown & Watson International Pty Ltd**  
**1500 Ferntree Gully Road Knoxfield Victoria 3180 Australia**  
(72) Name(s) of Designer(s): **Paul Davies**  
(45) Registration Date: **22 May 2012**  
(56) Related Art Documents: **Not Applicable**  
(57) Statement of Newness and Distinctiveness: **Nil**



(21) Design Number: **14039/2011**  
(22) Date of Filing Application: **13 September 2011**  
(24) Date from which industrial property rights may have effect: **13 September 2011**  
(54) Product in respect of which the design is registered: **Lamp**  
(51) International Design Classification: **26-05A**  
(74) Name(s) of Attorney(s): **PHILLIPS ORMONDE FITZPATRICK**  
(71) Name(s) and Address(s) of Applicant(s):  
**Brown & Watson International Pty Ltd**  
**1500 Ferntree Gully Road Knoxfield Victoria 3180 Australia**  
(72) Name(s) of Designer(s): **Paul Davies**  
(45) Registration Date: **22 May 2012**  
(56) Related Art Documents: **Not Applicable**  
(57) Statement of Newness and Distinctiveness: **Nil**



(21) Design Number: **14040/2011**

(22) Date of Filing Application: **13 September 2011**

(24) Date from which industrial property rights may have effect: **13 September 2011**

(54) Product in respect of which the design is registered: **Lamp**

(51) International Design Classification: **26-05A**

(74) Name(s) of Attorney(s): **PHILLIPS ORMONDE FITZPATRICK**

(71) Name(s) and Address(s) of Applicant(s):

**Brown & Watson International Pty Ltd  
1500 Ferntree Gully Road Knoxfield Victoria 3180 Australia**

(72) Name(s) of Designer(s): **Paul Davies**

(45) Registration Date: **22 May 2012**

(56) Related Art Documents: **Not Applicable**

(57) Statement of Newness and Distinctiveness: **Nil**



(21) Design Number: **14041/2011**

(22) Date of Filing Application: **13 September 2011**

(24) Date from which industrial property rights may have effect: **13 September 2011**

(54) Product in respect of which the design is registered: **Lamp**

(51) International Design Classification: **26-05A**

(74) Name(s) of Attorney(s): **PHILLIPS ORMONDE FITZPATRICK**

(71) Name(s) and Address(s) of Applicant(s):

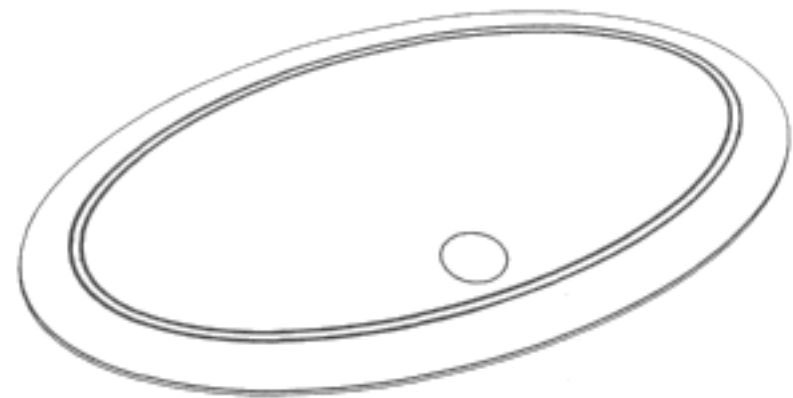
**Brown & Watson International Pty Ltd  
1500 Ferntree Gully Road Knoxfield Victoria 3180 Australia**

(72) Name(s) of Designer(s): **Paul Davies**

(45) Registration Date: **22 May 2012**

(56) Related Art Documents: **Not Applicable**

(57) Statement of Newness and Distinctiveness: **Nil**





- (21) Design Number: **14042/2011**  
(22) Date of Filing Application: **13 September 2011**  
(24) Date from which industrial property rights may have effect: **13 September 2011**  
(54) Product in respect of which the design is registered: **Strip light**  
(51) International Design Classification: **26-05A**  
(74) Name(s) of Attorney(s): **PHILLIPS ORMONDE FITZPATRICK**  
(71) Name(s) and Address(s) of Applicant(s):  
**Brown & Watson International Pty Ltd**  
**1500 Ferntree Gully Road Knoxfield Victoria 3180 Australia**  
(72) Name(s) of Designer(s): **Paul Davies**  
(45) Registration Date: **22 May 2012**  
(56) Related Art Documents: **Not Applicable**  
(57) Statement of Newness and Distinctiveness: **Newness and distinctiveness resides in the shape and/or configuration of the end sections of the strip light as shown in continuous lines in the accompanying representations. The features shown in broken lines are not part of the design and are to be disregarded when considering the overall impression of the design.**



- (21) Design Number: **14043/2011**  
(22) Date of Filing Application: **13 September 2011**  
(24) Date from which industrial property rights may have effect: **13 September 2011**  
(54) Product in respect of which the design is registered: **Strip light**  
(51) International Design Classification: **26-05A**  
(74) Name(s) of Attorney(s): **PHILLIPS ORMONDE FITZPATRICK**  
(71) Name(s) and Address(s) of Applicant(s):  
**Brown & Watson International Pty Ltd**  
**1500 Ferntree Gully Road Knoxfield Victoria 3180 Australia**  
(72) Name(s) of Designer(s): **Paul Davies**  
(45) Registration Date: **22 May 2012**  
(56) Related Art Documents: **Not Applicable**  
(57) Statement of Newness and Distinctiveness: **Newness and distinctiveness resides in the shape and/or configuration of the end sections of the strip light as shown in continuous lines in the accompanying representations. The features shown in broken lines are not part of the design and are to be disregarded when considering the overall impression of the design.**

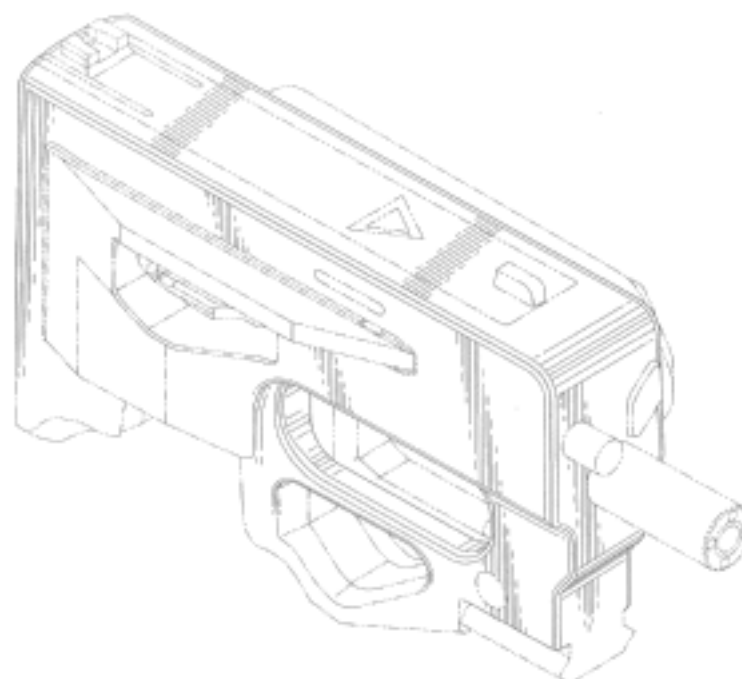




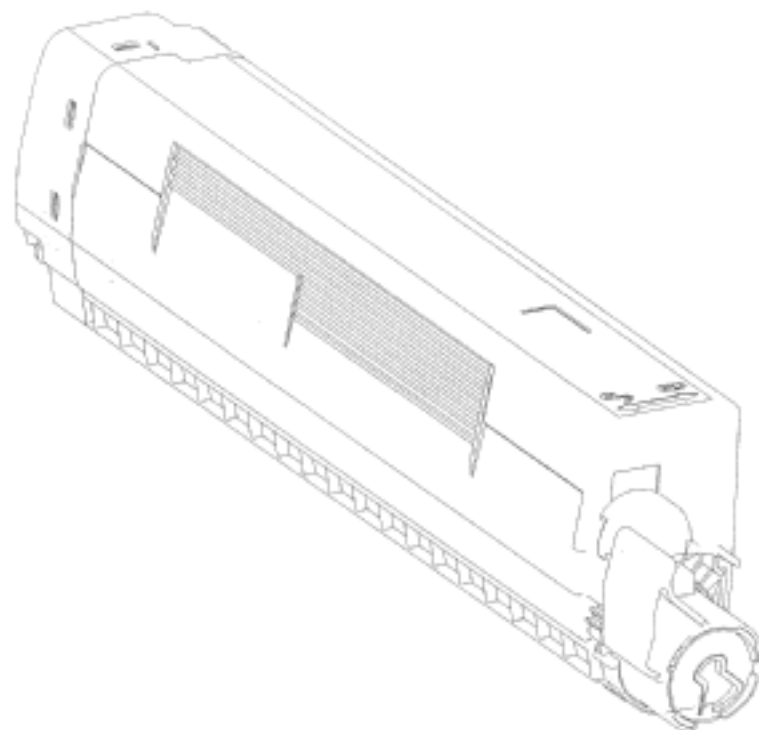
- (21) Design Number: **12071/2012**  
(22) Date of Filing Application: **27 April 2012**  
(24) Date from which industrial property rights may have effect: **27 April 2012**  
(54) Product in respect of which the design is registered: **Speaker**  
(51) International Design Classification: **14-01**  
(74) Name(s) of Attorney(s): **Baker & McKenzie**  
(71) Name(s) and Address(s) of Applicant(s):  
**Creative Technology Ltd**  
**31 International Business Park Creative Resource Singapore 609921**  
(72) Name(s) of Designer(s): **Soo Beng Damien Khoo and Fei Xiang**  
(45) Registration Date: **22 May 2012**  
(56) Related Art Documents: **Not Applicable**  
(57) Statement of Newness and Distinctiveness: **The newness and distinctiveness of the design resides in the following visual features: a) the shape and configuration of the speaker; b) the top surface of the speaker declines from back to front in a smooth line at an angle as depicted in figures 5 and 6; c) the top surface of the speaker is unadorned as depicted in figures 1,2 and 3; D) the bottom section of the speaker has an hexagonal shape as depicted in figure 8 and is unadorned and forms a right angle with the base on which the speaker rests.**



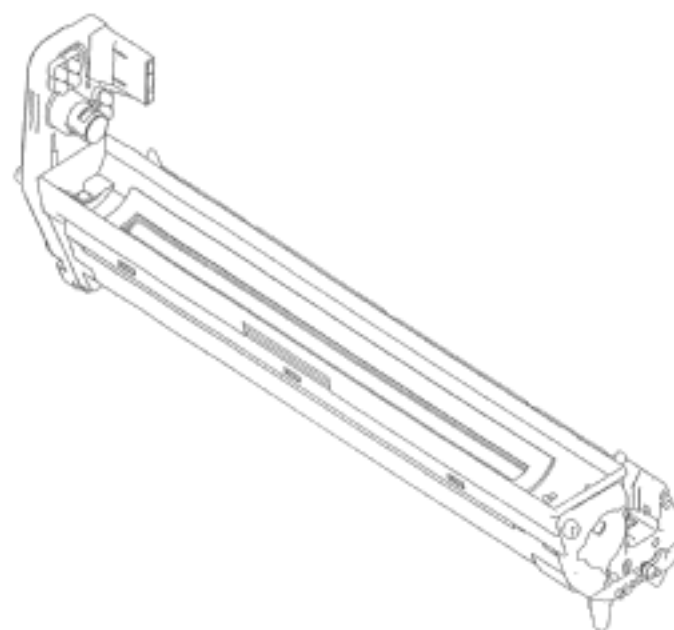
- (21) Design Number: **10276/2012**  
(22) Date of Filing Application: **23 January 2012**  
(24) Date from which industrial property rights may have effect: **23 January 2012**  
(54) Product in respect of which the design is registered: **Firearm**  
(51) International Design Classification: **22-01**  
(74) Name(s) of Attorney(s): **Fisher Adams Kelly**  
(71) Name(s) and Address(s) of Applicant(s):  
**United States Fire Arms Manufacturing Co., Inc.**  
**445-453 Ledyard Street Hartford Connecticut 06114-3211 United States of America**  
(72) Name(s) of Designer(s): **Douglas F. Donnelly**  
(45) Registration Date: **23 May 2012**  
(30) Convention priority data:  
(31) Number      (32) Date      (33) Country  
**29/397915      22 Jul 2011      UNITED STATES OF AMERICA**  
(56) Related Art Documents: **Not Applicable**  
(57) Statement of Newness and Distinctiveness: **The newness and distinctiveness of the design reside in the shape and/or configuration of the firearm shown in the representations.**



(21) Design Number: **12091/2012**  
(22) Date of Filing Application: **30 April 2012**  
(24) Date from which industrial property rights may have effect: **30 April 2012**  
(54) Product in respect of which the design is registered: **Toner cartridge**  
(51) International Design Classification: **14-02**  
(74) Name(s) of Attorney(s): **SPRUSON & FERGUSON**  
(71) Name(s) and Address(s) of Applicant(s):  
**Oki Data Corporation**  
**11-22 Shibaura 4-chome Minato-ku Tokyo Japan**  
(72) Name(s) of Designer(s): **Yoshihiro Goto and Takuya Kitta**  
(45) Registration Date: **23 May 2012**  
(30) Convention priority data:  
(31) Number (32) Date (33) Country  
**2011-25084 31 Oct 2011 JAPAN**  
(56) Related Art Documents: **Not Applicable**  
(57) Statement of Newness and Distinctiveness: **Newness and distinctiveness is claimed in the features of shape and/or configuration of a toner cartridge as illustrated in the accompanying representations.**



(21) Design Number: **12093/2012**  
(22) Date of Filing Application: **30 April 2012**  
(24) Date from which industrial property rights may have effect: **30 April 2012**  
(54) Product in respect of which the design is registered: **Image drum cartridge**  
(51) International Design Classification: **14-02**  
(74) Name(s) of Attorney(s): **SPRUSON & FERGUSON**  
(71) Name(s) and Address(s) of Applicant(s):  
**Oki Data Corporation**  
**11-22 Shibaura 4-chome Minato-ku Tokyo Japan**  
(72) Name(s) of Designer(s): **Masayuki Suzuki**  
(45) Registration Date: **23 May 2012**  
(30) Convention priority data:  
(31) Number (32) Date (33) Country  
**2011-25079 31 Oct 2011 JAPAN**  
(56) Related Art Documents: **Not Applicable**  
(57) Statement of Newness and Distinctiveness: **Newness and distinctiveness is claimed in the features of shape and/or configuration of an image drum cartridge as illustrated in the accompanying representations.**



(21) Design Number: **12094/2012**  
(22) Date of Filing Application: **30 April 2012**  
(24) Date from which industrial property rights may have effect: **30 April 2012**  
(54) Product in respect of which the design is registered: **Total body shaver**  
(51) International Design Classification: **28-03A**  
(74) Name(s) of Attorney(s): **FB Rice**  
(71) Name(s) and Address(s) of Applicant(s):  
**Koninklijke Philips Electronics N.V.**  
**Groenewoudseweg 1 5621 BA Eindhoven The Netherlands**  
(72) Name(s) of Designer(s): **Florian Jeremy Fabrice Boulanger**  
(45) Registration Date: **23 May 2012**  
(30) Convention priority data:  
(31) Number (32) Date (33) Country  
**001940990-0001 01 Nov 2011 EUROPEAN COMMUNITY**  
(56) Related Art Documents: **Not Applicable**  
(57) Statement of Newness and Distinctiveness: **Newness and distinctiveness reside in the features of shape and configuration of the design as shown in the representations.**



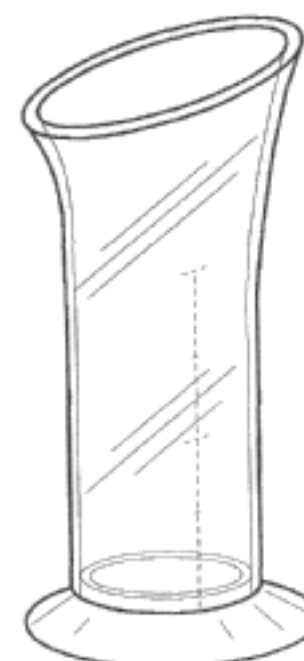
(21) Design Number: **12095/2012**  
(22) Date of Filing Application: **30 April 2012**  
(24) Date from which industrial property rights may have effect: **30 April 2012**  
(54) Product in respect of which the design is registered: **Toothbrush**  
(51) International Design Classification: **04-02**  
(74) Name(s) of Attorney(s): **FB Rice**  
(71) Name(s) and Address(s) of Applicant(s):  
**Colgate-Palmolive Company**  
**300 Park Avenue New York New York 10022 United States of America**  
(72) Name(s) of Designer(s): **Wen Jin Xi**  
(45) Registration Date: **23 May 2012**  
(30) Convention priority data:  
(31) Number (32) Date (33) Country  
**29/407559 30 Nov 2011 UNITED STATES OF AMERICA**  
(56) Related Art Documents: **Not Applicable**  
(57) Statement of Newness and Distinctiveness: **Newness and distinctiveness reside in the features of the design as shown in the representations.**



(21) Design Number: **12096/2012**  
(22) Date of Filing Application: **30 April 2012**  
(24) Date from which industrial property rights may have effect: **30 April 2012**  
(54) Product in respect of which the design is registered: **Toothbrush**  
(51) International Design Classification: **04-02**  
(74) Name(s) of Attorney(s): **FB Rice**  
(71) Name(s) and Address(s) of Applicant(s):  
**Colgate-Palmolive Company**  
**300 Park Avenue New York New York 10022 United States of America**  
(72) Name(s) of Designer(s): **Wen Jin Xi**  
(45) Registration Date: **23 May 2012**  
(30) Convention priority data:  
(31) Number (32) Date (33) Country  
**29/407566 30 Nov 2011 UNITED STATES OF AMERICA**  
(56) Related Art Documents: **Not Applicable**  
(57) Statement of Newness and Distinctiveness: **Newness and distinctiveness reside in the features of the design as shown in the representations.**



(21) Design Number: **12097/2012**  
(22) Date of Filing Application: **30 April 2012**  
(24) Date from which industrial property rights may have effect: **30 April 2012**  
(54) Product in respect of which the design is registered: **Measuring cup**  
(51) International Design Classification: **07-01D**  
(74) Name(s) of Attorney(s): **Cullens Patent and Trade Mark Attorneys**  
(71) Name(s) and Address(s) of Applicant(s):  
**Helen of Troy Limited**  
**13 8th Avenue Belleville PO Box 836E St Michael Barbados**  
(72) Name(s) of Designer(s): **Marco Perry and Avi Bajpai and Mark Prommel**  
(45) Registration Date: **23 May 2012**  
(30) Convention priority data:  
(31) Number (32) Date (33) Country  
**29/413471 15 Feb 2012 UNITED STATES OF AMERICA**  
(56) Related Art Documents: **Not Applicable**  
(57) Statement of Newness and Distinctiveness: **Nil**



- (21) Design Number: **12101/2012**  
(22) Date of Filing Application: **01 May 2012**  
(24) Date from which industrial property rights may have effect: **01 May 2012**  
(54) Product in respect of which the design is registered: **Combination padlock**  
(51) International Design Classification: **08-07**  
(74) Name(s) of Attorney(s): **Callinans**  
(71) Name(s) and Address(s) of Applicant(s):  
**Mark Lightfoot**  
**155 Ruapehu Street Taupo 3330 New Zealand**  
(72) Name(s) of Designer(s): **Mark Lightfoot**  
(45) Registration Date: **23 May 2012**  
(56) Related Art Documents: **Not Applicable**  
(57) Statement of Newness and Distinctiveness: **Novelty resides in the features of the shape and configuration of the combination padlock shown in the representations.**



- (21) Design Number: **10963/2012**  
(22) Date of Filing Application: **29 February 2012**  
(24) Date from which industrial property rights may have effect: **29 February 2012**  
(54) Product in respect of which the design is registered: **Drying machine**  
(51) International Design Classification: **15-05**  
(74) Name(s) of Attorney(s): **SPRUSON & FERGUSON**  
(71) Name(s) and Address(s) of Applicant(s):  
**BSH Bosch und Siemens Hausgerate GmbH**  
**Carl-Wery-Str. 34 81739 Munchen Germany**  
(72) Name(s) of Designer(s): **Johannes Geyer and Roger Munstermann**  
(45) Registration Date: **23 May 2012**  
(30) Convention priority data:  
(31) Number      (32) Date      (33) Country  
**001293799      02 Sep 2011      EUROPEAN COMMUNITY**  
(56) Related Art Documents: **Not Applicable**  
(57) Statement of Newness and Distinctiveness: **Newness and distinctiveness is claimed in the features of shape and/or configuration of a control panel and a door for a drying machine as illustrated in the accompanying representations. The control panel includes a display, control buttons, a central round dial and indication lights. The indication lights are arranged in two vertical lines left and right of the central round dial. The controls buttons are arranged in a long horizontal line at a lower portion of the control panel. The line of control buttons is optically extended on the drawer handle. The display is provided with control fields arranged below the display field. The door includes an outer ring and an inner ring smoothly bended towards the inner glass. The outer ring has two cavities in the "half-past-seven and half-past-ten o'clock" positions used as a handle. The inner ring includes at its lower portion a segment of circle.**

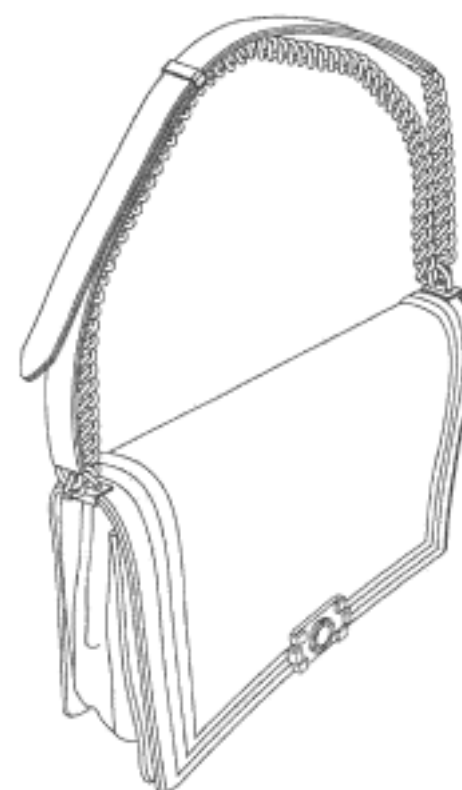


(21) Design Number: **10967/2012**  
(22) Date of Filing Application: **29 February 2012**  
(24) Date from which industrial property rights may have effect: **29 February 2012**  
(54) Product in respect of which the design is registered: **Drying machine**  
(51) International Design Classification: **15-05**  
(74) Name(s) of Attorney(s): **SPRUSON & FERGUSON**  
(71) Name(s) and Address(s) of Applicant(s):  
**BSH Bosch und Siemens Hausgerate GmbH**  
**Carl-Wery-Str. 34 81739 Munchen Germany**  
(72) Name(s) of Designer(s): **Johannes Geyer and Roger Munstermann**  
(45) Registration Date: **23 May 2012**  
(30) Convention priority data:  
(31) Number (32) Date (33) Country  
**001293799 02 Sep 2011 EUROPEAN COMMUNITY**

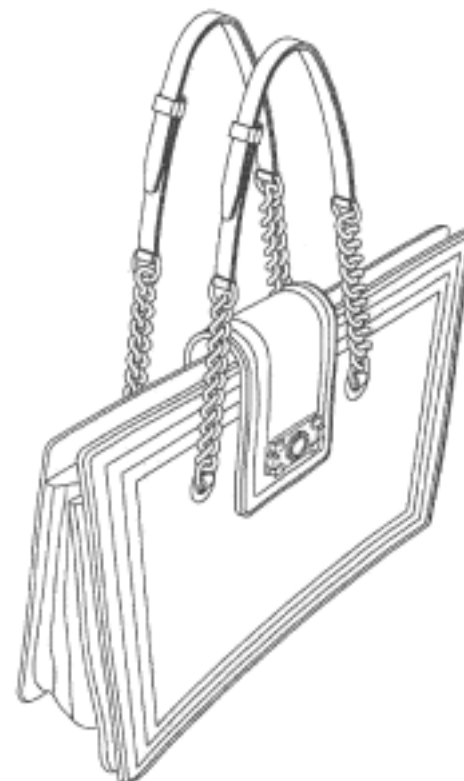
(56) Related Art Documents: **Not Applicable**  
(57) Statement of Newness and Distinctiveness: **Newness and distinctiveness is claimed in the features of shape and/or configuration of a control panel and a door for a drying machine as illustrated in the accompanying representations. The control panel includes a display, control buttons, a central round dial and indication lights. The indication lights are arranged in two vertical lines left and right of the central round dial. The controls buttons are arranged in a long horizontal line at a lower portion of the control panel. The line of the control buttons is optically extended on the drawer handle. The display is provided with control fields arranged below the display field. The door includes an outer ring and an inner ring smoothly bended towards the inner glass. The outer ring has two cavities in the "half-past-seven and half-past-ten o'clock" position used as an handle. The inner ring includes at its lower portion a segment of circle.**



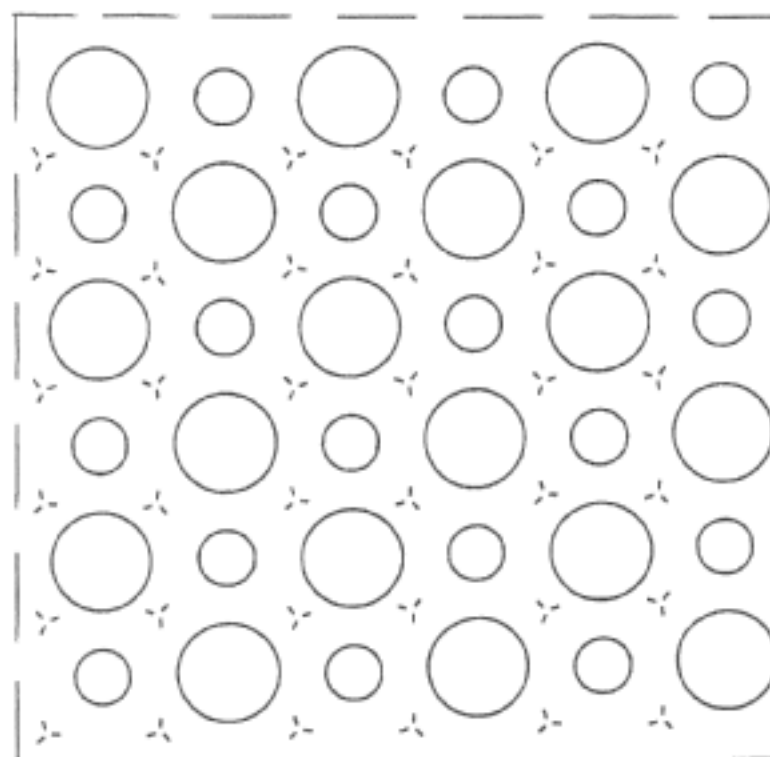
(21) Design Number: **11092/2012**  
(22) Date of Filing Application: **06 March 2012**  
(24) Date from which industrial property rights may have effect: **06 March 2012**  
(54) Product in respect of which the design is registered: **A bag**  
(51) International Design Classification: **03-01B**  
(74) Name(s) of Attorney(s): **Shelston IP**  
(71) Name(s) and Address(s) of Applicant(s):  
**Chanel Limited**  
**Queensway Croydon Surrey CR9 4DL United Kingdom**  
(72) Name(s) of Designer(s): **Karl Lagerfeld**  
(45) Registration Date: **23 May 2012**  
(56) Related Art Documents: **Not Applicable**  
(57) Statement of Newness and Distinctiveness: **Newness and Distinctiveness reside in the features shown in solid line of the design for a bag. The clasp feature displayed in broken line in the design of Figures 4, 5 and 6 is shown for illustrative purposes only and forms no part of the claimed design.**



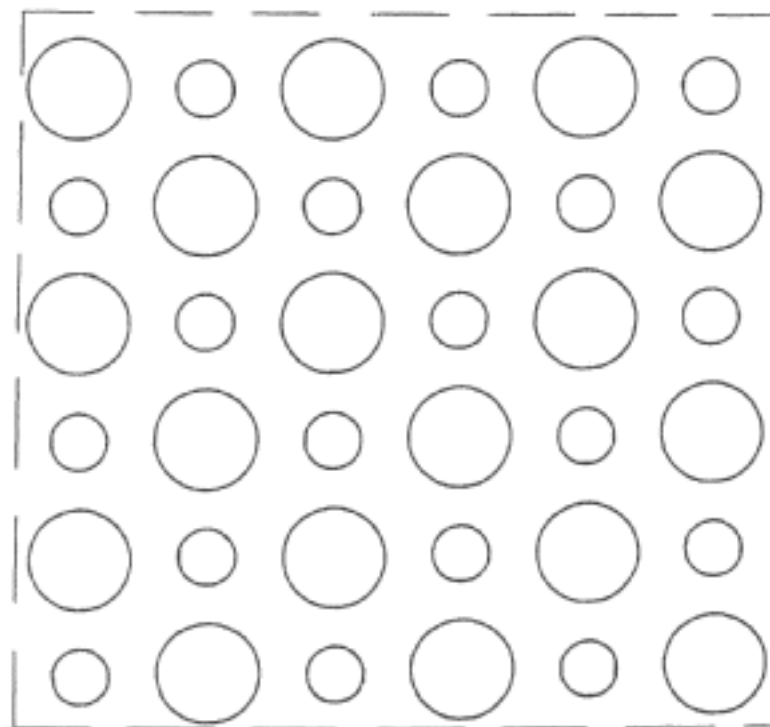
- (21) Design Number: **11093/2012**  
(22) Date of Filing Application: **06 March 2012**  
(24) Date from which industrial property rights may have effect: **06 March 2012**  
(54) Product in respect of which the design is registered: **A bag**  
(51) International Design Classification: **03-01B**  
(74) Name(s) of Attorney(s): **Shelston IP**  
(71) Name(s) and Address(s) of Applicant(s):  
**Chanel Limited**  
**Queensway Croydon Surrey CR9 4DL United Kingdom**  
(72) Name(s) of Designer(s): **Karl Lagerfeld**  
(45) Registration Date: **23 May 2012**  
(56) Related Art Documents: **Not Applicable**  
(57) Statement of Newness and Distinctiveness: **Newness and Distinctiveness reside in the features shown in solid line of the design for a bag. The clasp feature displayed in broken line in the design of Figures 4, 5 and 6 is shown for illustrative purposes only and forms no part of the claimed design.**



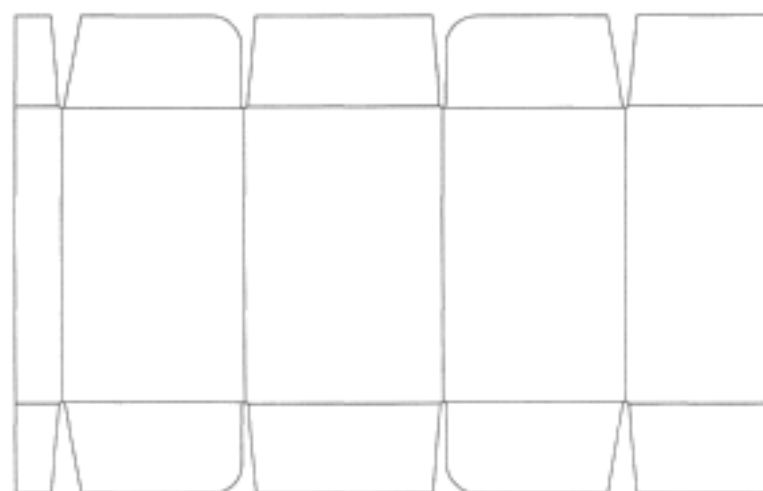
- (21) Design Number: **11094/2012**  
(22) Date of Filing Application: **06 March 2012**  
(24) Date from which industrial property rights may have effect: **06 March 2012**  
(54) Product in respect of which the design is registered: **A wet wipe**  
(51) International Design Classification: **05-06NES, 07-05E**  
(74) Name(s) of Attorney(s): **SPRUSON & FERGUSON**  
(71) Name(s) and Address(s) of Applicant(s):  
**Kimberly-Clark Worldwide, Inc.**  
**2300 Winchester Road Neenah Wisconsin 54956 United States of America**  
(72) Name(s) of Designer(s): **Lawrence James Romano III and Lisa LaRae Bushman and Renee Sue Booms**  
(45) Registration Date: **23 May 2012**  
(30) Convention priority data:  
(31) Number (32) Date (33) Country  
**29/401287 09 Sep 2011 UNITED STATES OF AMERICA**  
(56) Related Art Documents: **Not Applicable**  
(57) Statement of Newness and Distinctiveness: **Newness and distinctiveness is claimed in the features of pattern and/or ornamentation of a wet wipe as illustrated in the accompanying representations, wherein the wet wipe has a pattern that repeats itself and an element of the pattern is shown bounded by a broken line in the accompanying representation.**



- (21) Design Number: **11095/2012**  
(22) Date of Filing Application: **06 March 2012**  
(24) Date from which industrial property rights may have effect: **06 March 2012**  
(54) Product in respect of which the design is registered: **A wet wipe**  
(51) International Design Classification: **05-06NES**  
(74) Name(s) of Attorney(s): **SPRUSON & FERGUSON**  
(71) Name(s) and Address(s) of Applicant(s):  
**Kimberly-Clark Worldwide, Inc.**  
**2300 Winchester Road Neenah Wisconsin 54956 United States of America**  
(72) Name(s) of Designer(s): **Lawrence James Romano III and Lisa LaRae Bushman and Renee Sue Booms**  
(45) Registration Date: **23 May 2012**  
(30) Convention priority data:  
(31) Number (32) Date (33) Country  
**29/401287 09 Sep 2011 UNITED STATES OF AMERICA**  
(56) Related Art Documents: **Not Applicable**  
(57) Statement of Newness and Distinctiveness: **Newness and distinctiveness is claimed in the features of pattern and/or ornamentation of a wet wipe as illustrated in the accompanying representations, wherein the wet wipe has a pattern that repeats itself and an element of the pattern is shown bounded by a broken line in the accompanying representation.**

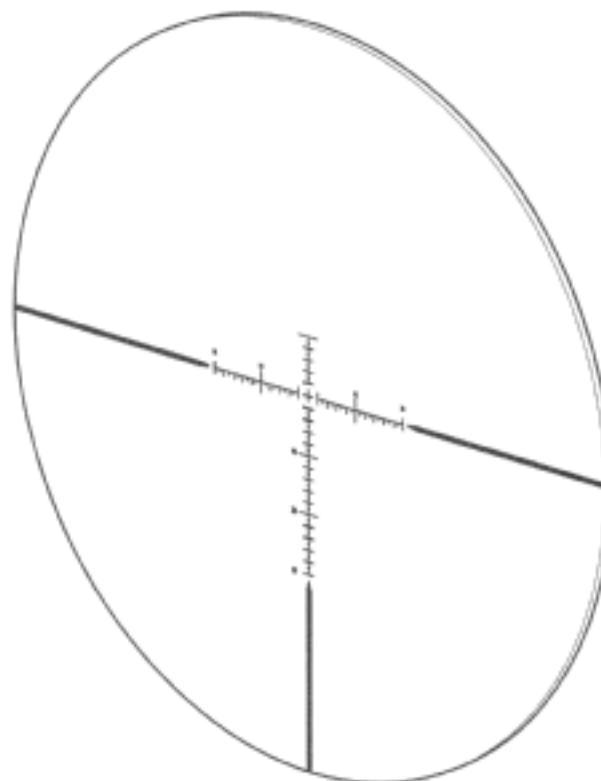


- (21) Design Number: **11116/2012**  
(22) Date of Filing Application: **06 March 2012**  
(24) Date from which industrial property rights may have effect: **06 March 2012**  
(54) Product in respect of which the design is registered: **A blank for a container**  
(51) International Design Classification: **09-03M**  
(74) Name(s) of Attorney(s): **Davies Collison Cave**  
(71) Name(s) and Address(s) of Applicant(s):  
**Visy R & D Pty Ltd**  
**Level 11 2 Southbank Boulevard Southbank Victoria 3006 Australia**  
(72) Name(s) of Designer(s): **Gregory Johnson**  
(45) Registration Date: **23 May 2012**  
(56) Related Art Documents: **Not Applicable**  
(57) Statement of Newness and Distinctiveness: **The features of shape and configuration of the blank shown in the accompanying representations are considered to be new and distinctive.**

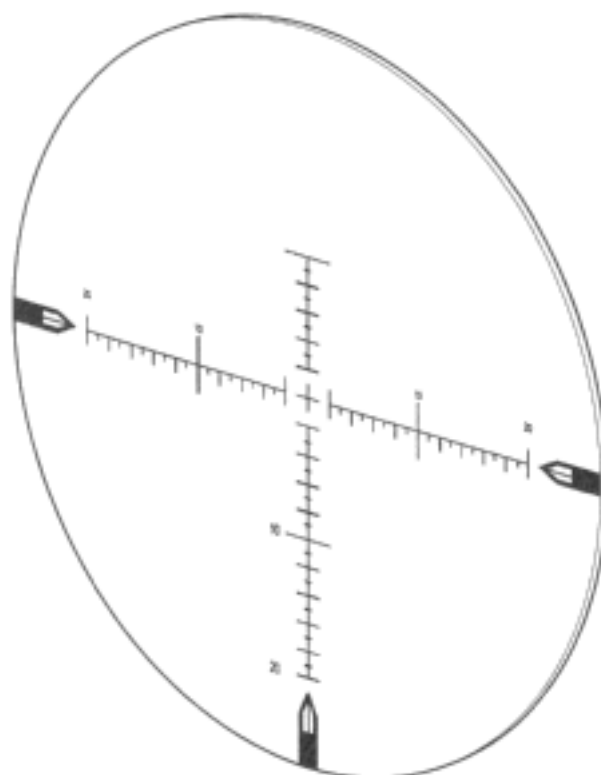




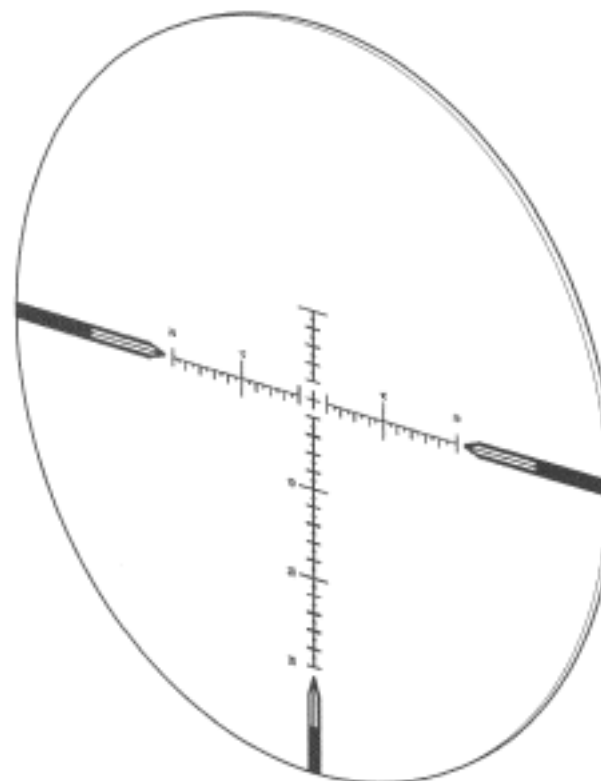
(21) Design Number: **12080/2012**  
(22) Date of Filing Application: **30 April 2012**  
(24) Date from which industrial property rights may have effect: **30 April 2012**  
(54) Product in respect of which the design is registered: **Reticle for an optical aiming device**  
(51) International Design Classification: **16-99**  
(74) Name(s) of Attorney(s): **Madderns**  
(71) Name(s) and Address(s) of Applicant(s):  
**Lightforce USA, Inc.**  
**336 Hazen Lane Orofino 83544 Idaho United States of America**  
(72) Name(s) of Designer(s): **William J Bracken and Michael T Litt and Arthur K Brown and Kevin Stockdill**  
(45) Registration Date: **23 May 2012**  
(30) Convention priority data:  
(31) Number (32) Date (33) Country  
**29/407649 30 Nov 2011 UNITED STATES OF AMERICA**  
(56) Related Art Documents: **Not Applicable**  
(57) Statement of Newness and Distinctiveness: **Newness and distinctiveness relate to the pattern and ornamentation of the reticle.**



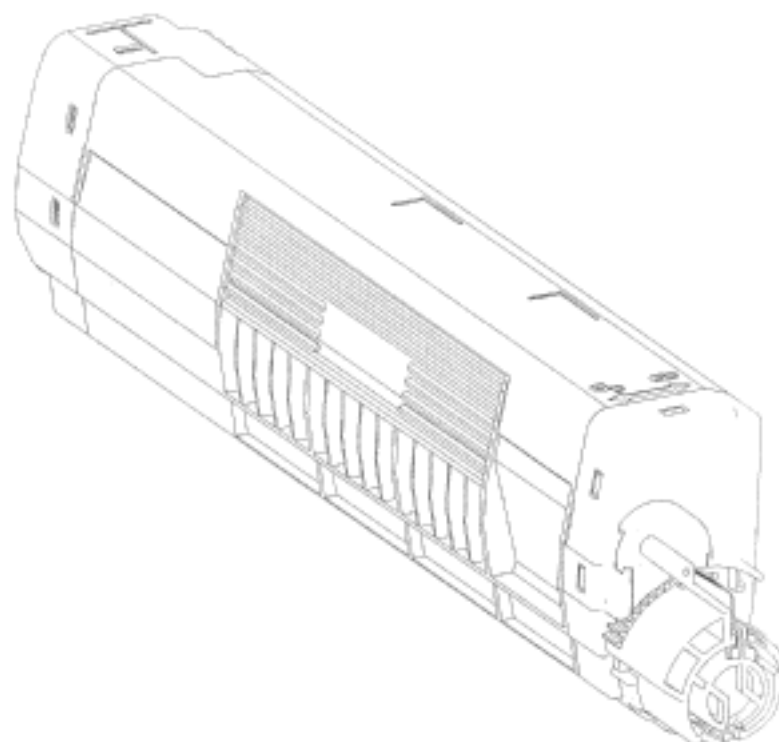
(21) Design Number: **12081/2012**  
(22) Date of Filing Application: **30 April 2012**  
(24) Date from which industrial property rights may have effect: **30 April 2012**  
(54) Product in respect of which the design is registered: **Reticle for an optical aiming device**  
(51) International Design Classification: **16-99**  
(74) Name(s) of Attorney(s): **Madderns**  
(71) Name(s) and Address(s) of Applicant(s):  
**Lightforce USA, Inc.**  
**336 Hazen Lane Orofino 83544 Idaho United States of America**  
(72) Name(s) of Designer(s): **William J Bracken and Michael T Litt and Arthur K Brown and Kevin Stockdill**  
(45) Registration Date: **23 May 2012**  
(30) Convention priority data:  
(31) Number (32) Date (33) Country  
**29/407647 30 Nov 2011 UNITED STATES OF AMERICA**  
(56) Related Art Documents: **Not Applicable**  
(57) Statement of Newness and Distinctiveness: **Newness and distinctiveness relate to the pattern and ornamentation of the reticle.**



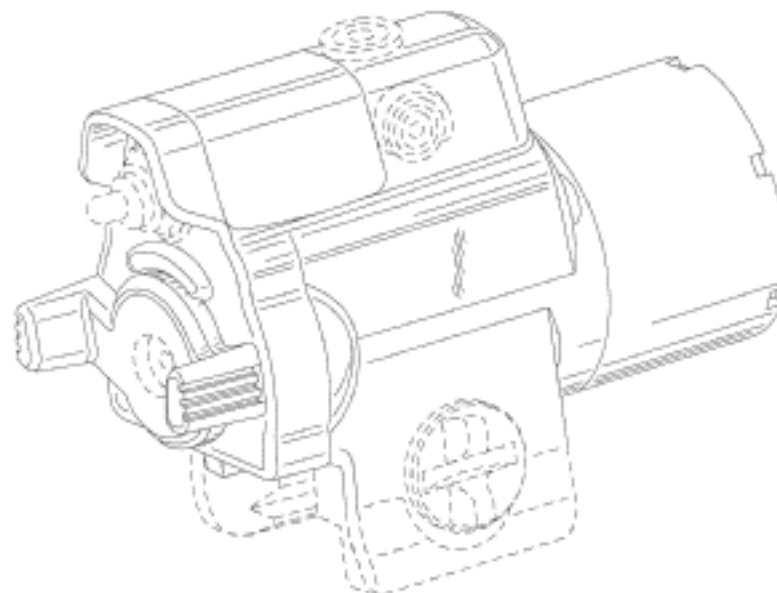
(21) Design Number: **12082/2012**  
(22) Date of Filing Application: **30 April 2012**  
(24) Date from which industrial property rights may have effect: **30 April 2012**  
(54) Product in respect of which the design is registered: **Reticle for an optical aiming device**  
(51) International Design Classification: **16-99**  
(74) Name(s) of Attorney(s): **Madderns**  
(71) Name(s) and Address(s) of Applicant(s):  
**Lightforce USA, Inc.**  
**336 Hazen Lane Orofino 83544 Idaho United States of America**  
(72) Name(s) of Designer(s): **William J Bracken and Michael T Litt and Arthur K Brown and Kevin Stockdill**  
(45) Registration Date: **23 May 2012**  
(30) Convention priority data:  
(31) Number (32) Date (33) Country  
**29/407648 30 Nov 2011 UNITED STATES OF AMERICA**  
(56) Related Art Documents: **Not Applicable**  
(57) Statement of Newness and Distinctiveness: **Newness and distinctiveness relate to the pattern and ornamentation of the reticle.**



(21) Design Number: **12087/2012**  
(22) Date of Filing Application: **30 April 2012**  
(24) Date from which industrial property rights may have effect: **30 April 2012**  
(54) Product in respect of which the design is registered: **Toner cartridge**  
(51) International Design Classification: **14-02**  
(74) Name(s) of Attorney(s): **SPRUSON & FERGUSON**  
(71) Name(s) and Address(s) of Applicant(s):  
**Oki Data Corporation**  
**11-22 Shibaura 4-chome Minato-ku Tokyo Japan**  
(72) Name(s) of Designer(s): **Yoshihiro Goto and Takuya Kitta**  
(45) Registration Date: **23 May 2012**  
(30) Convention priority data:  
(31) Number (32) Date (33) Country  
**2011-25082 31 Oct 2011 JAPAN**  
(56) Related Art Documents: **Not Applicable**  
(57) Statement of Newness and Distinctiveness: **Newness and distinctiveness is claimed in the features of shape and/or configuration of a toner cartridge as illustrated in the accompanying representations.**



(21) Design Number: **12088/2012**  
(22) Date of Filing Application: **30 April 2012**  
(24) Date from which industrial property rights may have effect: **30 April 2012**  
(54) Product in respect of which the design is registered: **Mountable light**  
(51) International Design Classification: **26-05C**  
(74) Name(s) of Attorney(s): **SPRUSON & FERGUSON**  
(71) Name(s) and Address(s) of Applicant(s):  
**Streamlight, Inc.**  
**30 Eagleville Road Eagleville Pennsylvania 19403 United States of America**  
(72) Name(s) of Designer(s): **Raymond L. Sharrah and John C. DiNenna**  
(45) Registration Date: **23 May 2012**  
(30) Convention priority data:  
(31) Number (32) Date (33) Country  
**29/405184 31 Oct 2011 UNITED STATES OF AMERICA**  
(56) Related Art Documents: **Not Applicable**  
(57) Statement of Newness and Distinctiveness: **Newness and distinctiveness is claimed in the features of shape and/or configuration of the body and cylindrical reflector housing of a mountable light as illustrated in continuous lines in the accompanying representations.**



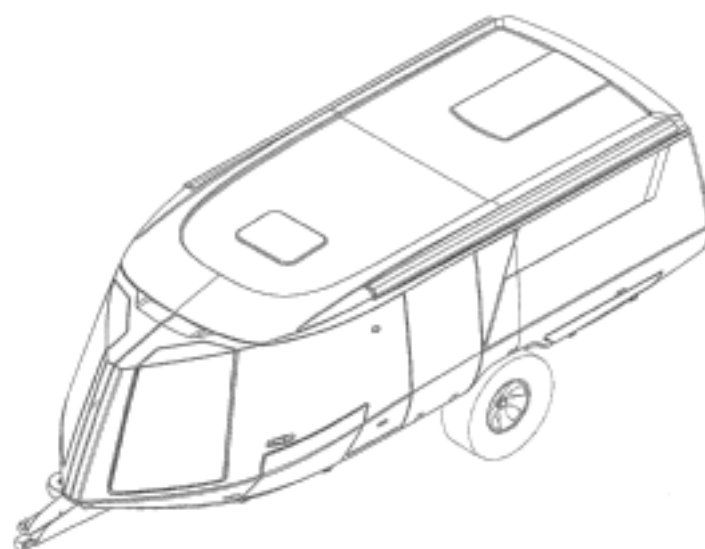
(21) Design Number: **12089/2012**  
(22) Date of Filing Application: **30 April 2012**  
(24) Date from which industrial property rights may have effect: **30 April 2012**  
(54) Product in respect of which the design is registered: **A heat exchanger assembly**  
(51) International Design Classification: **23-03F, 23-03NES**  
(74) Name(s) of Attorney(s): **SPRUSON & FERGUSON**  
(71) Name(s) and Address(s) of Applicant(s):  
**Harry Dean Kassel**  
**No.1 Short Road Morningside Sandton Gauteng Republic of South Africa**  
(72) Name(s) of Designer(s): **Harry Dean Kassel**  
(45) Registration Date: **23 May 2012**  
(30) Convention priority data:  
(31) Number (32) Date (33) Country  
**F2012/00217 02 Mar 2012 SOUTH AFRICA**  
(56) Related Art Documents: **Not Applicable**  
(57) Statement of Newness and Distinctiveness: **Newness and distinctiveness is claimed in those features of shape and/or configuration of a heat exchanger assembly illustrated in continuous lines in the accompanying representations.**



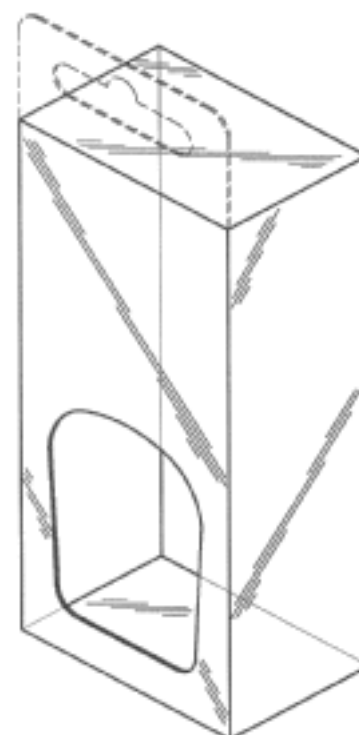
- (21) Design Number: **12090/2012**  
(22) Date of Filing Application: **30 April 2012**  
(24) Date from which industrial property rights may have effect: **30 April 2012**  
(54) Product in respect of which the design is registered: **A heat exchanger assembly**  
(51) International Design Classification: **23-03F**  
(74) Name(s) of Attorney(s): **SPRUSON & FERGUSON**  
(71) Name(s) and Address(s) of Applicant(s):  
**Harry Dean Kassel**  
**No.1 Short Road Morningside Sandton Gauteng Republic of South Africa**  
(72) Name(s) of Designer(s): **Harry Dean Kassel**  
(45) Registration Date: **23 May 2012**  
(30) Convention priority data:  
(31) Number (32) Date (33) Country  
**F2012/00216 02 Mar 2012 SOUTH AFRICA**  
(56) Related Art Documents: **Not Applicable**  
(57) Statement of Newness and Distinctiveness: **Newness and distinctiveness is claimed in the features of shape and/or configuration of a heat exchanger assembly as illustrated in the accompanying representations.**



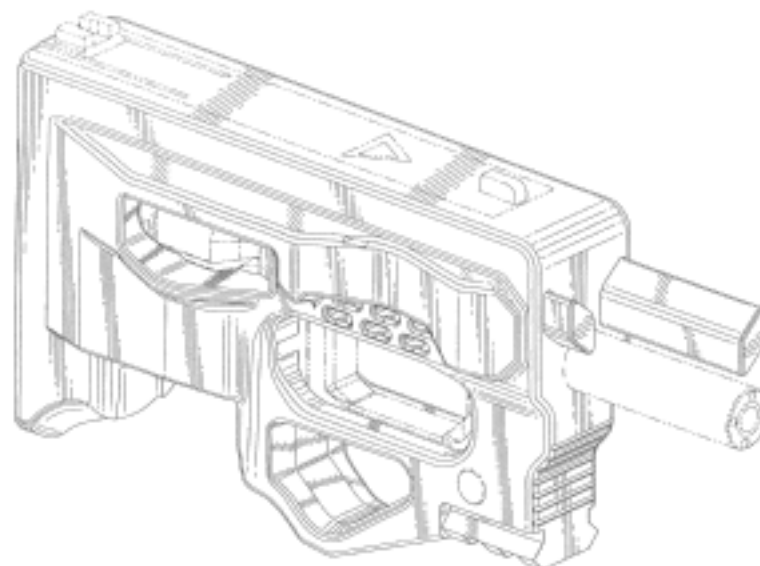
- (21) Design Number: **14044/2011**  
(22) Date of Filing Application: **13 September 2011**  
(24) Date from which industrial property rights may have effect: **13 September 2011**  
(54) Product in respect of which the design is registered: **Camper trailer**  
(51) International Design Classification: **12-10**  
(74) Name(s) of Attorney(s): **Halfords IP**  
(71) Name(s) and Address(s) of Applicant(s):  
**Off-Road Camping Accessories Pty Limited**  
**39-41 Shelley Road Moruya New South Wales 2537 Australia**  
(72) Name(s) of Designer(s): **Michael Hackett and Perry Lithgow**  
(45) Registration Date: **24 May 2012**  
(56) Related Art Documents: **Not Applicable**  
(57) Statement of Newness and Distinctiveness: **Statement of newness and distinctiveness resides in the shape and or configuration of a camper trailer as depicted in the representations. Broken lines for not form part of the design. Wheels, tyres and jockey wheels do not form part of the design.**



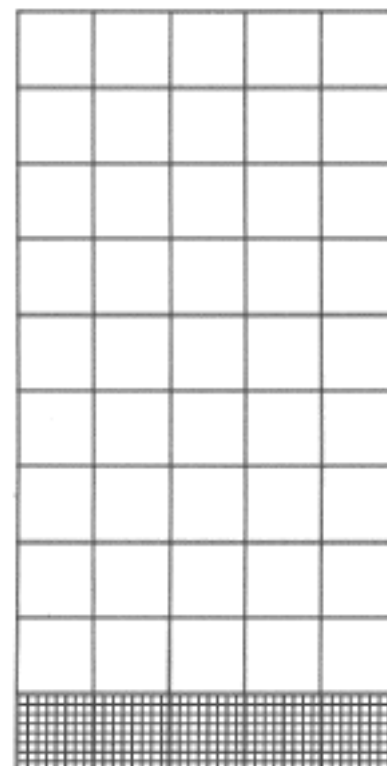
(21) Design Number: **11102/2012**  
(22) Date of Filing Application: **06 March 2012**  
(24) Date from which industrial property rights may have effect: **06 March 2012**  
(54) Product in respect of which the design is registered: **Display package**  
(51) International Design Classification: **09-03NES**  
(74) Name(s) of Attorney(s): **PHILLIPS ORMONDE FITZPATRICK**  
(71) Name(s) and Address(s) of Applicant(s):  
**Kiss Nail Products, Inc.**  
**57 Seaview Boulevard Port Washington New York 11050 United States of America**  
(72) Name(s) of Designer(s): **Siyong Sung**  
(45) Registration Date: **24 May 2012**  
(30) Convention priority data:  
(31) Number (32) Date (33) Country  
**29/401,117 07 Sep 2011 UNITED STATES OF AMERICA**  
(56) Related Art Documents: **Not Applicable**  
(57) Statement of Newness and Distinctiveness: **Those features of the display package depicted in the representations that are new and distinctive are the shape and/or configuration. The features shown in broken lines are not part of the design and are to be disregarded when considering the overall impression of the design.**



(21) Design Number: **11680/2012**  
(22) Date of Filing Application: **03 April 2012**  
(24) Date from which industrial property rights may have effect: **03 April 2012**  
(54) Product in respect of which the design is registered: **Firearm**  
(51) International Design Classification: **22-01**  
(74) Name(s) of Attorney(s): **FB Rice**  
(71) Name(s) and Address(s) of Applicant(s):  
**United States Fire Arms Manufacturing Co., Inc.**  
**445-453 Ledyard Street Hartford Connecticut 06114-3211 United States of America**  
(72) Name(s) of Designer(s): **Douglas F. Donnelly**  
(45) Registration Date: **24 May 2012**  
(30) Convention priority data:  
(31) Number (32) Date (33) Country  
**29/403621 07 Oct 2011 UNITED STATES OF AMERICA**  
(56) Related Art Documents: **Not Applicable**  
(57) Statement of Newness and Distinctiveness: **Newness and distinctiveness reside in the features of the design shown in solid lines in the representations excluding those features shown in broken lines.**



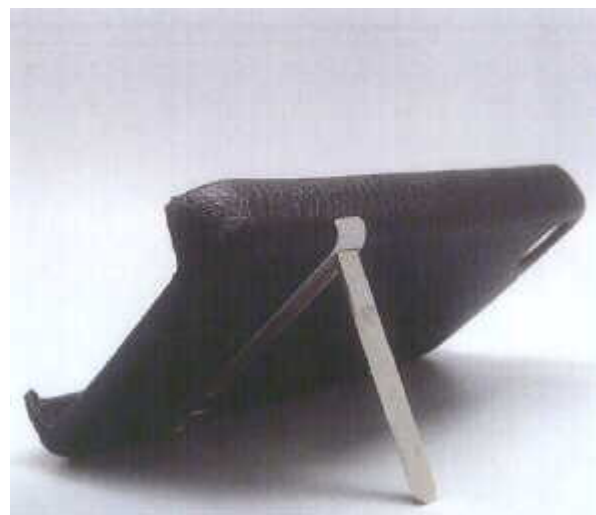
- (21) Design Number: **11894/2012**  
(22) Date of Filing Application: **11 April 2012**  
(24) Date from which industrial property rights may have effect: **11 April 2012**  
(54) Product in respect of which the design is registered: **Wire mesh structure**  
(51) International Design Classification: **25-02NES**  
(74) Name(s) of Attorney(s):  
(71) Name(s) and Address(s) of Applicant(s):  
**Kain Lucas**  
**7 Dalgety Drive Ascot Vale Victoria 3032 Australia**  
(72) Name(s) of Designer(s): **Kain Lucas**  
(45) Registration Date: **24 May 2012**  
(56) Related Art Documents: **Not Applicable**  
(57) Statement of Newness and Distinctiveness: **Newness and distinctiveness is claimed in respect of the shape and/or configuration of the product illustrated in the accompanying representations.**



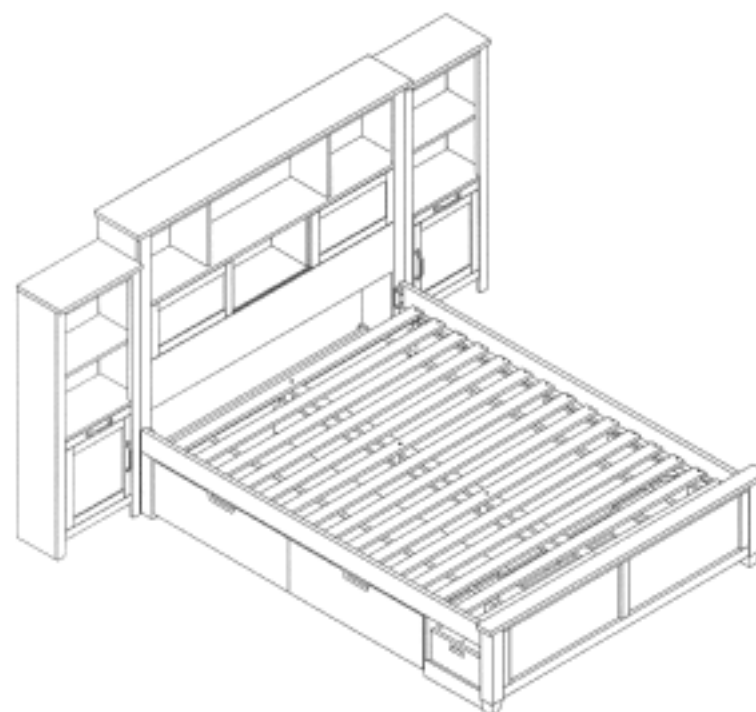
- (21) Design Number: **11961/2012**  
(22) Date of Filing Application: **20 April 2012**  
(24) Date from which industrial property rights may have effect: **20 April 2012**  
(54) Product in respect of which the design is registered: **Mobile phone case**  
(51) International Design Classification: **03-01NES**  
(74) Name(s) of Attorney(s):  
(71) Name(s) and Address(s) of Applicant(s):  
**Debra Anderton**  
**1/32 McKinnon Street East Ballina New South Wales 2478 Australia**  
(72) Name(s) of Designer(s): **Debra Anderton**  
(45) Registration Date: **24 May 2012**  
(56) Related Art Documents: **Not Applicable**  
(57) Statement of Newness and Distinctiveness: **Silicone suction cups hold the phone firmly in place whilst still allowing easy removal without damaging the phone. Lid is also held closed with a silicone suction cup.**



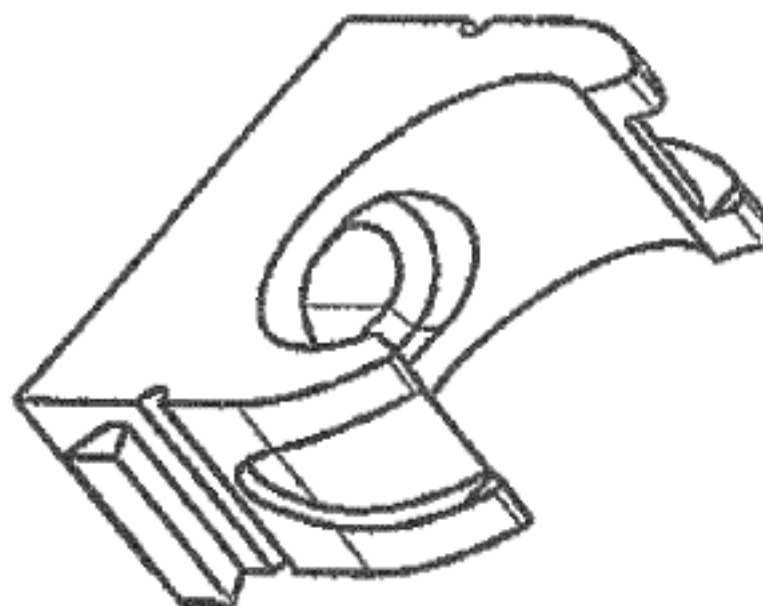
- (21) Design Number: **11962/2012**  
(22) Date of Filing Application: **20 April 2012**  
(24) Date from which industrial property rights may have effect: **20 April 2012**  
(54) Product in respect of which the design is registered: **Mobile phone case**  
(51) International Design Classification: **03-01NES**  
(74) Name(s) of Attorney(s):  
(71) Name(s) and Address(s) of Applicant(s):  
**Debra Anderton**  
**1/32 McKinnon Street East Ballina New South Wales 2478 Australia**  
(72) Name(s) of Designer(s): **Debra Anderton**  
(45) Registration Date: **24 May 2012**  
(56) Related Art Documents: **Not Applicable**  
(57) Statement of Newness and Distinctiveness: **Leather covered case clips firmly onto phone and has a fold out metal stand for ease of hands free use.**



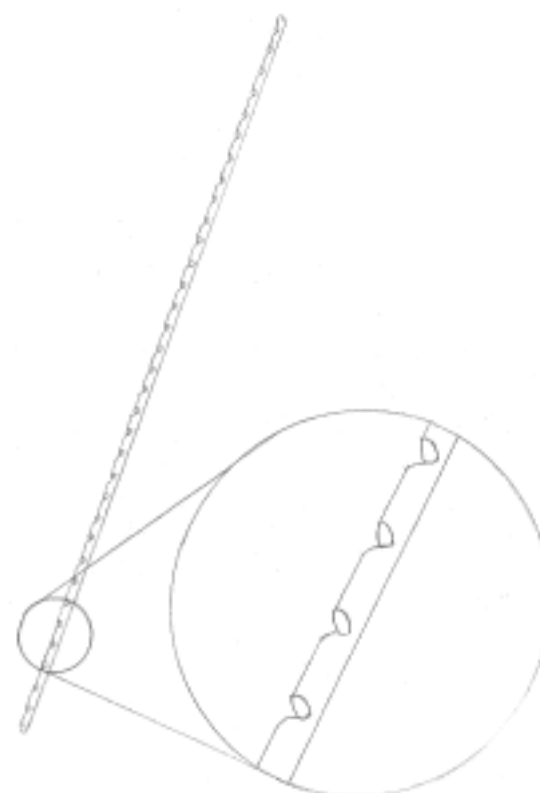
- (21) Design Number: **12107/2012**  
(22) Date of Filing Application: **02 May 2012**  
(24) Date from which industrial property rights may have effect: **02 May 2012**  
(54) Product in respect of which the design is registered: **Bed**  
(51) International Design Classification: **06-02**  
(74) Name(s) of Attorney(s): **WATERMARK PATENT AND TRADE MARKS ATTORNEYS**  
(71) Name(s) and Address(s) of Applicant(s):  
**Hong Gay Khim**  
**Lot 102 & 103 Jalan Perusahaan Lima Taman Perindustrian Mahkota**  
**43700 Beranang Selangor Malaysia**  
(72) Name(s) of Designer(s): **Hong Gay Khim**  
(45) Registration Date: **24 May 2012**  
(56) Related Art Documents: **Not Applicable**  
(57) Statement of Newness and Distinctiveness: **Nil**



- (21) Design Number: **10490/2012**  
(22) Date of Filing Application: **30 January 2012**  
(24) Date from which industrial property rights may have effect: **30 January 2012**  
(54) Product in respect of which the design is registered: **A fixing device for electrical installations**  
(51) International Design Classification: **08-08NES, 13-03B**  
(74) Name(s) of Attorney(s): **Lord & Company**  
(71) Name(s) and Address(s) of Applicant(s):  
**Dietzel Gesellschaft MBH**  
**Haidequerstrabe 3-5 A1111 Wein Austria**  
(72) Name(s) of Designer(s): **Alexander Gold**  
(45) Registration Date: **24 May 2012**  
(30) Convention priority data:  
(31) Number (32) Date (33) Country  
**MU 495/2011 29 Jul 2011 AUSTRIA**  
(56) Related Art Documents: **Not Applicable**  
(57) Statement of Newness and Distinctiveness: **The particular visual features of the design which are new and distinctive are shape OR configuration.**

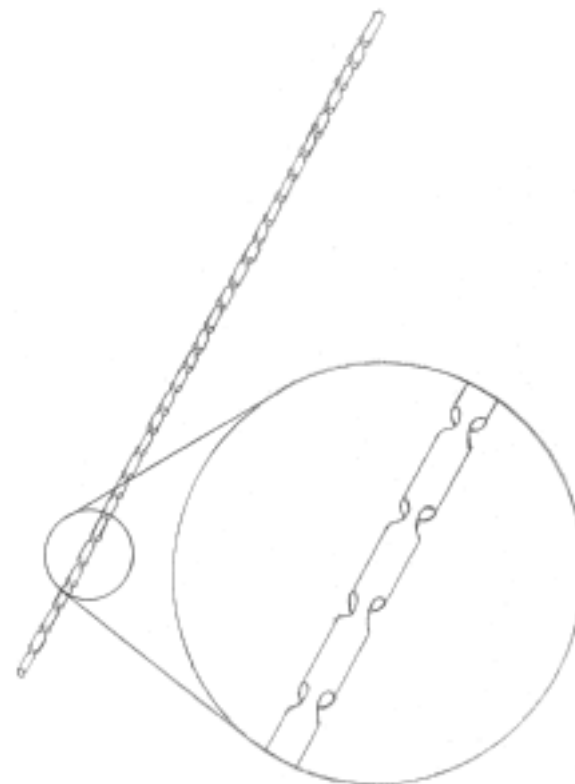


- (21) Design Number: **11193/2012**  
(22) Date of Filing Application: **09 March 2012**  
(24) Date from which industrial property rights may have effect: **09 March 2012**  
(54) Product in respect of which the design is registered: **Segmented welding filler rod for use with TIG and oxy acetelyne welding equipment to weld aluminium, steel copper,**  
(51) International Design Classification: **08-05M**  
(74) Name(s) of Attorney(s):  
(71) Name(s) and Address(s) of Applicant(s):  
**Russell Stanley Beath**  
**4 Jenkins Street Curtin 2605 Austrlian Capital Territory Australia**  
(72) Name(s) of Designer(s): **Russell Stanley Beath**  
(45) Registration Date: **24 May 2012**  
(56) Related Art Documents: **Not Applicable**  
(57) Statement of Newness and Distinctiveness: **Segmented to allow a precise volume of filler to be deposited.**

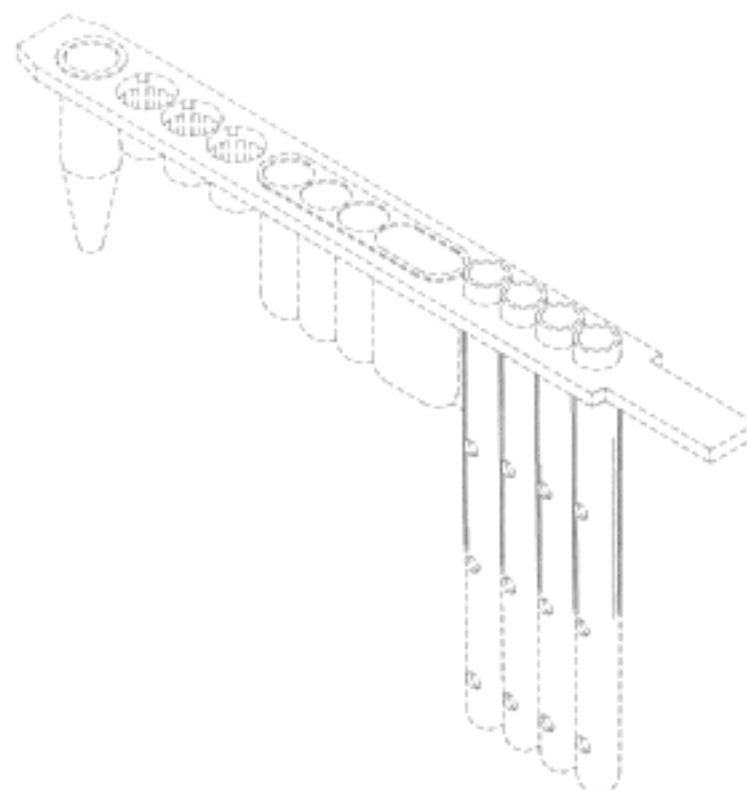




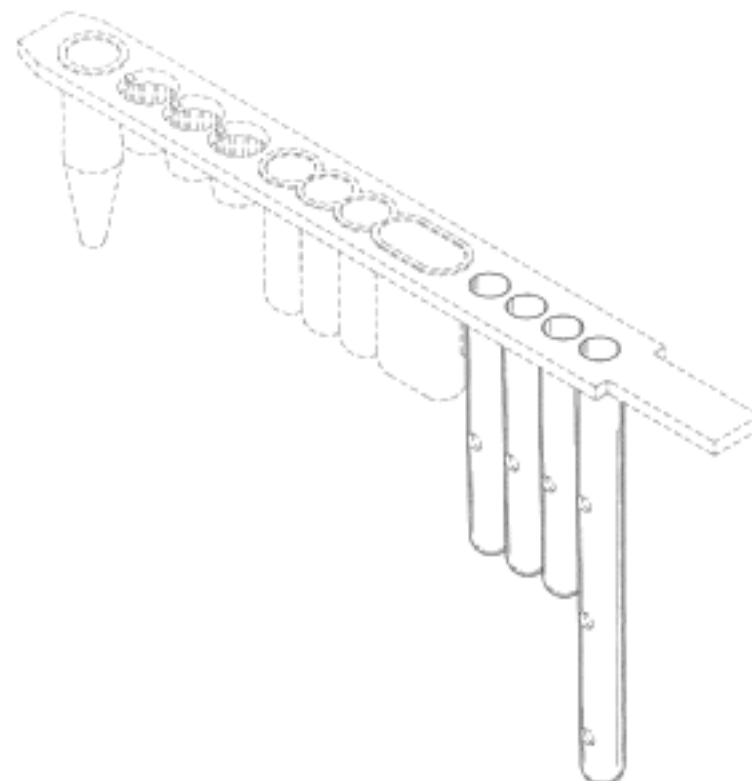
- (21) Design Number: **11194/2012**  
(22) Date of Filing Application: **09 March 2012**  
(24) Date from which industrial property rights may have effect: **09 March 2012**  
(54) Product in respect of which the design is registered: **Segmented welding filler rod for use with TIG and oxy acetelyne welding equipment to weld aliminium, steel copper,**  
(51) International Design Classification: **08-05M**  
(74) Name(s) of Attorney(s):  
(71) Name(s) and Address(s) of Applicant(s):  
**Russell Stanley Beath**  
**4 Jenkins Street Curtin 2605 Austrlian Capital Territory Australia**  
(72) Name(s) of Designer(s): **Russell Stanley Beath**  
(45) Registration Date: **24 May 2012**  
(56) Related Art Documents: **Not Applicable**  
(57) Statement of Newness and Distinctiveness: **Segmented to allow a precise volume of filler to be deposited.**



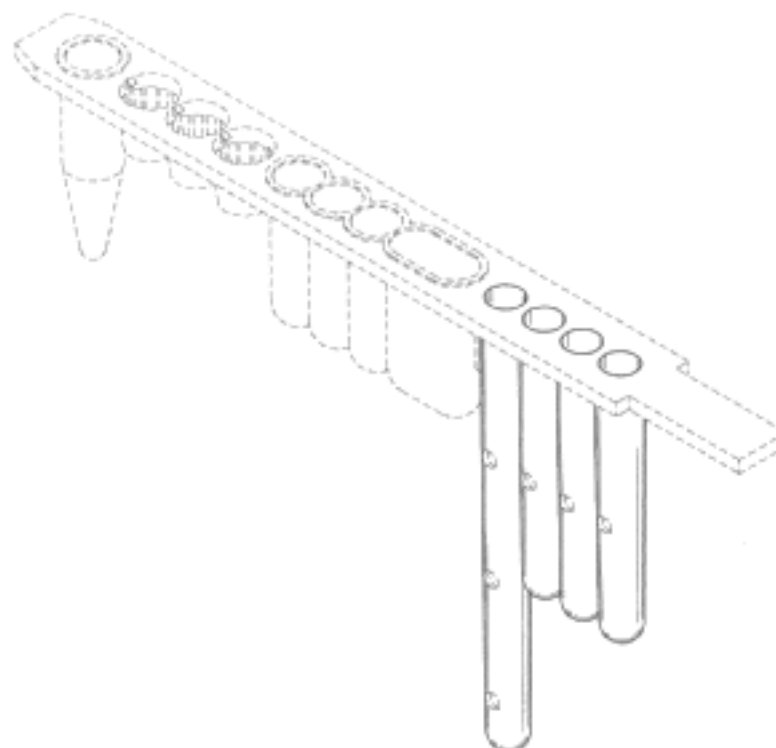
- (21) Design Number: **11580/2012**  
(22) Date of Filing Application: **28 March 2012**  
(24) Date from which industrial property rights may have effect: **28 March 2012**  
(54) Product in respect of which the design is registered: **Reagent holder**  
(51) International Design Classification: **24-01**  
(74) Name(s) of Attorney(s): **Davies Collison Cave**  
(71) Name(s) and Address(s) of Applicant(s):  
**Becton Dickinson and Company**  
**1 Becton Drive Franklin Lakes New Jersey 07417-1880 United States of America**  
(72) Name(s) of Designer(s): **Ammon David Lentz and Richard St-Pierre and Dwight Livingston and Adam Bruce Steel**  
(45) Registration Date: **24 May 2012**  
(30) Convention priority data:  
(31) Number (32) Date (33) Country  
**29/403131 30 Sep 2011 UNITED STATES OF AMERICA**  
(56) Related Art Documents: **Not Applicable**  
(57) Statement of Newness and Distinctiveness: **Newness and distinctiveness is claimed in the visual features shown in solid lines in the representations.**



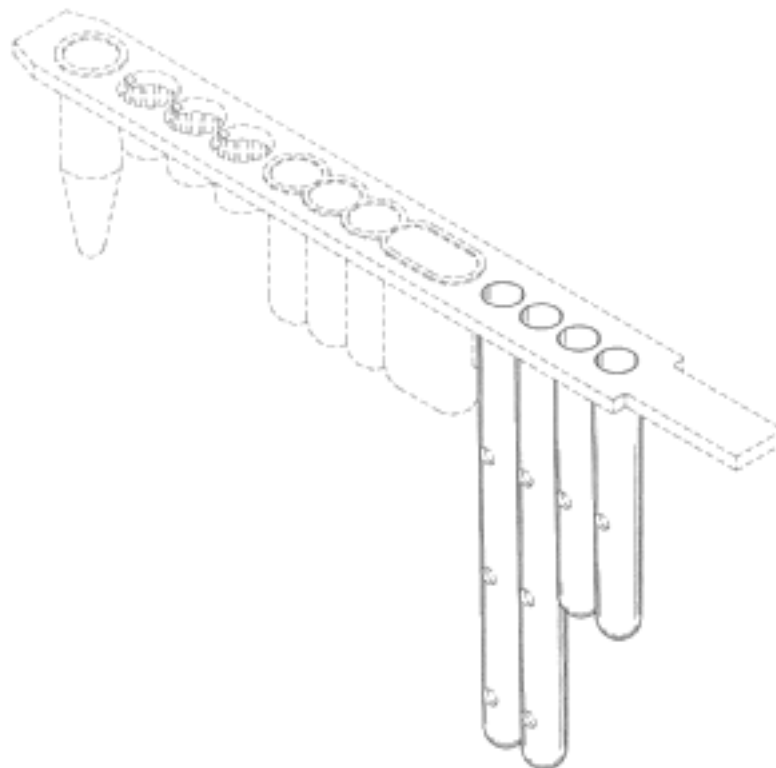
- (21) Design Number: **11581/2012**  
(22) Date of Filing Application: **28 March 2012**  
(24) Date from which industrial property rights may have effect: **28 March 2012**  
(54) Product in respect of which the design is registered: **Reagent holder**  
(51) International Design Classification: **24-01**  
(74) Name(s) of Attorney(s): **Davies Collison Cave**  
(71) Name(s) and Address(s) of Applicant(s):  
**Becton Dickinson and Company**  
**1 Becton Drive Franklin Lakes New Jersey 07417-1880 United States of America**  
(72) Name(s) of Designer(s): **Ammon David Lentz and Richard St-Pierre and Dwight Livingston and Adam Bruce Steel**  
(45) Registration Date: **24 May 2012**  
(30) Convention priority data:  
(31) Number (32) Date (33) Country  
**29/403131 30 Sep 2011 UNITED STATES OF AMERICA**  
(56) Related Art Documents: **Not Applicable**  
(57) Statement of Newness and Distinctiveness: **Newness and distinctiveness is claimed in the visual features shown in solid lines in the representations.**



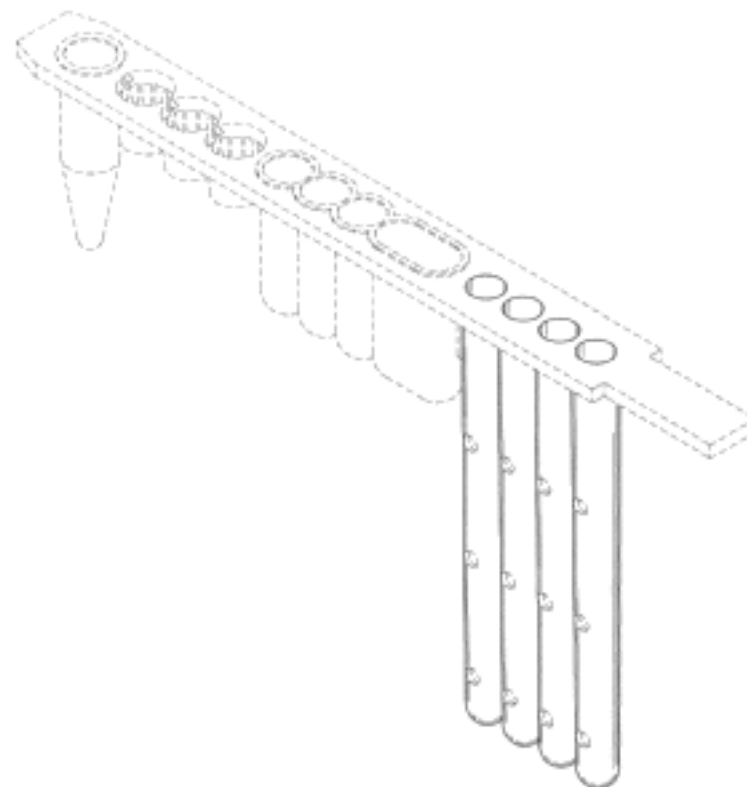
- (21) Design Number: **11582/2012**  
(22) Date of Filing Application: **28 March 2012**  
(24) Date from which industrial property rights may have effect: **28 March 2012**  
(54) Product in respect of which the design is registered: **Reagent holder**  
(51) International Design Classification: **24-01**  
(74) Name(s) of Attorney(s): **Davies Collison Cave**  
(71) Name(s) and Address(s) of Applicant(s):  
**Becton Dickinson and Company**  
**1 Becton Drive Franklin Lakes New Jersey 07417-1880 United States of America**  
(72) Name(s) of Designer(s): **Ammon David Lentz and Richard St-Pierre and Dwight Livingstone and Adam Bruce Steel**  
(45) Registration Date: **24 May 2012**  
(30) Convention priority data:  
(31) Number (32) Date (33) Country  
**29/403131 30 Sep 2011 UNITED STATES OF AMERICA**  
(56) Related Art Documents: **Not Applicable**  
(57) Statement of Newness and Distinctiveness: **Newness and distinctiveness is claimed in the visual features shown in solid lines in the representations.**



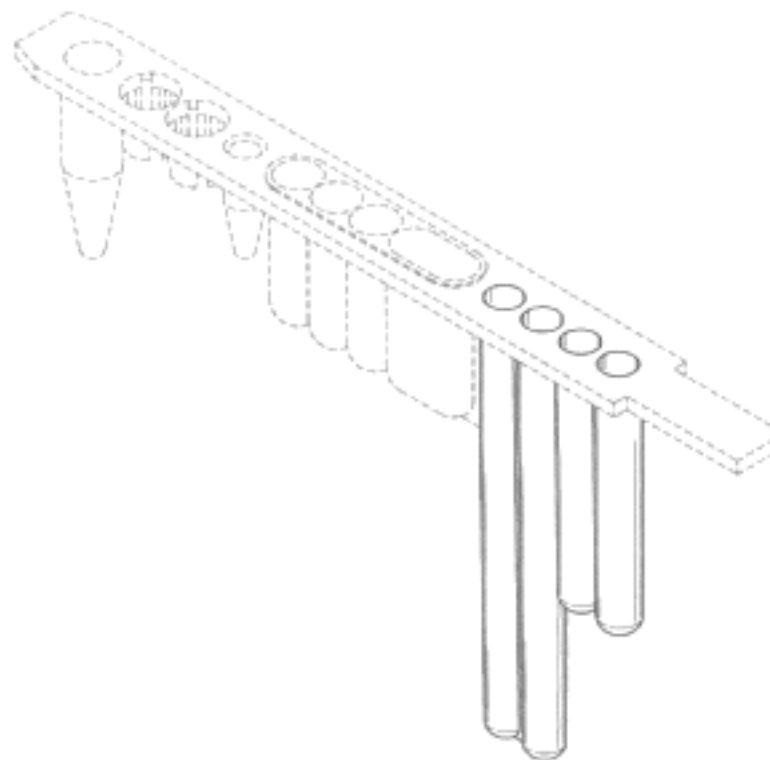
- (21) Design Number: **11587/2012**  
(22) Date of Filing Application: **28 March 2012**  
(24) Date from which industrial property rights may have effect: **28 March 2012**  
(54) Product in respect of which the design is registered: **Reagent holder**  
(51) International Design Classification: **24-01, 24-02**  
(74) Name(s) of Attorney(s): **Davies Collison Cave**  
(71) Name(s) and Address(s) of Applicant(s):  
**Becton Dickinson and Company**  
**1 Becton Drive Franklin Lakes New Jersey 07417-1880 United States of America**  
(72) Name(s) of Designer(s): **Ammon David Lentz and Richard St-Pierre and Dwight Livingston and Adam Bruce Steel**  
(45) Registration Date: **24 May 2012**  
(30) Convention priority data:  
(31) Number (32) Date (33) Country  
**29/403131 30 Sep 2011 UNITED STATES OF AMERICA**  
(56) Related Art Documents: **Not Applicable**  
(57) Statement of Newness and Distinctiveness: **Newness and distinctiveness is claimed in the visual features shown in solid lines in the representations.**



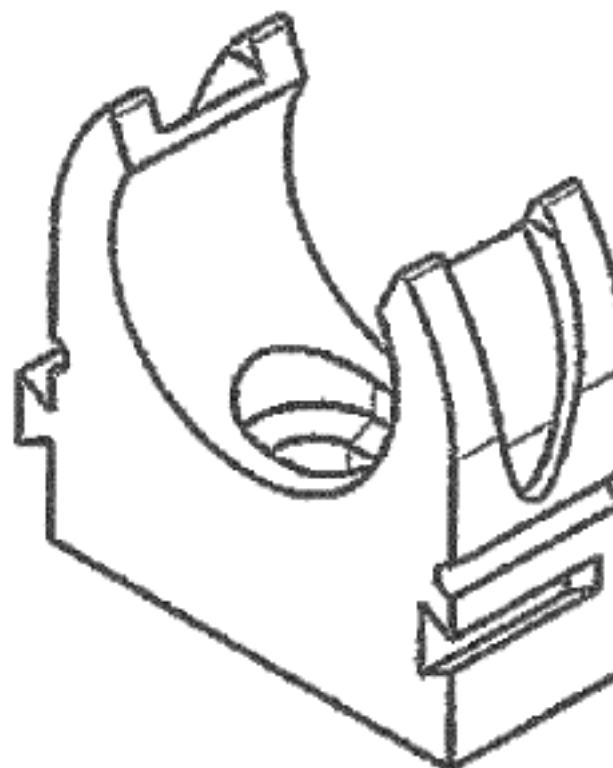
- (21) Design Number: **11588/2012**  
(22) Date of Filing Application: **28 March 2012**  
(24) Date from which industrial property rights may have effect: **28 March 2012**  
(54) Product in respect of which the design is registered: **Reagent holder**  
(51) International Design Classification: **24-01, 24-02**  
(74) Name(s) of Attorney(s): **Davies Collison Cave**  
(71) Name(s) and Address(s) of Applicant(s):  
**Becton Dickinson and Company**  
**1 Becton Drive Franklin Lakes New Jersey 07417-1880 United States of America**  
(72) Name(s) of Designer(s): **Ammon David Lentz and Richard St-Pierre and Dwight Livingston and Adam Bruce Steel**  
(45) Registration Date: **24 May 2012**  
(30) Convention priority data:  
(31) Number (32) Date (33) Country  
**29/403131 30 Sep 2011 UNITED STATES OF AMERICA**  
(56) Related Art Documents: **Not Applicable**  
(57) Statement of Newness and Distinctiveness: **Newness and distinctiveness is claimed in the visual features shown in solid lines in the representations.**



(21) Design Number: **11589/2012**  
(22) Date of Filing Application: **28 March 2012**  
(24) Date from which industrial property rights may have effect: **28 March 2012**  
(54) Product in respect of which the design is registered: **Reagent holder**  
(51) International Design Classification: **24-01, 24-02**  
(74) Name(s) of Attorney(s): **Davies Collison Cave**  
(71) Name(s) and Address(s) of Applicant(s):  
**Becton Dickinson and Company**  
**1 Becton Drive Franklin Lakes New Jersey 07417-1880 United States of America**  
(72) Name(s) of Designer(s): **Ammon David Lentz and Richard St-Pierre and Dwight Livingston and Adam Bruce Steel**  
(45) Registration Date: **24 May 2012**  
(30) Convention priority data:  
(31) Number (32) Date (33) Country  
**29/403131 30 Sep 2011 UNITED STATES OF AMERICA**  
(56) Related Art Documents: **Not Applicable**  
(57) Statement of Newness and Distinctiveness: **Newness and distinctiveness is claimed in the visual features shown in solid lines in the representations.**



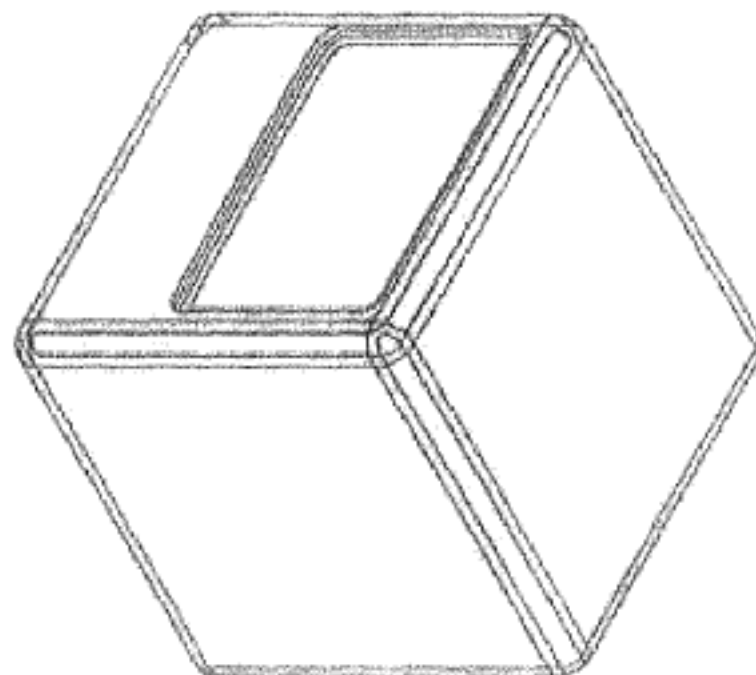
(21) Design Number: **11998/2012**  
(22) Date of Filing Application: **30 January 2012**  
(24) Date from which industrial property rights may have effect: **30 January 2012**  
(54) Product in respect of which the design is registered: **A fixing device for electrical installations**  
(51) International Design Classification: **08-08NES, 13-03B**  
(74) Name(s) of Attorney(s): **Lord & Company**  
(71) Name(s) and Address(s) of Applicant(s):  
**Dietzel Gesellschaft MBH**  
**Haidequerstrabe 3-5 A1111 Wein Austria**  
(72) Name(s) of Designer(s): **Alexander Gold**  
(45) Registration Date: **24 May 2012**  
(30) Convention priority data:  
(31) Number (32) Date (33) Country  
**MU 495/2011 29 Jul 2011 AUSTRIA**  
(56) Related Art Documents: **Not Applicable**  
(57) Statement of Newness and Distinctiveness: **The particular visual features of the design which are new and distinctive are shape OR configuration.**



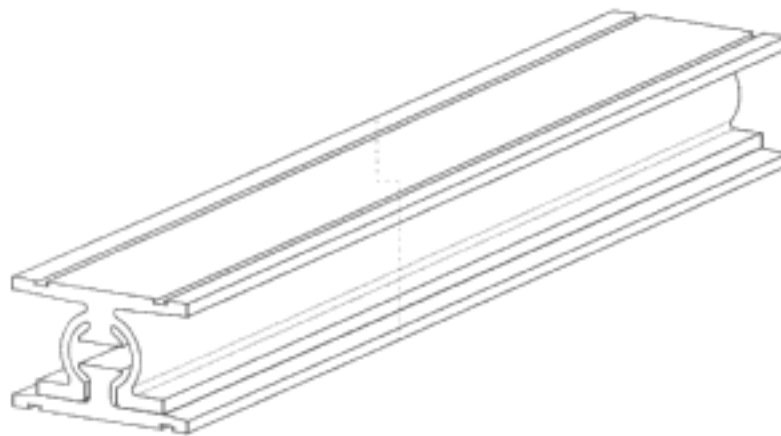
- (21) Design Number: **12068/2012**  
(22) Date of Filing Application: **27 April 2012**  
(24) Date from which industrial property rights may have effect: **27 April 2012**  
(54) Product in respect of which the design is registered: **Biweekly postcard calendar**  
(51) International Design Classification: **19-03**  
(74) Name(s) of Attorney(s):  
(71) Name(s) and Address(s) of Applicant(s):  
**Manfred Gottschalk**  
**20 The Citadel Umina Beach New South Wales 2257 Australia**  
(72) Name(s) of Designer(s): **Manfred Gottschalk**  
(45) Registration Date: **24 May 2012**  
(56) Related Art Documents: **Not Applicable**  
(57) Statement of Newness and Distinctiveness: **Nil**



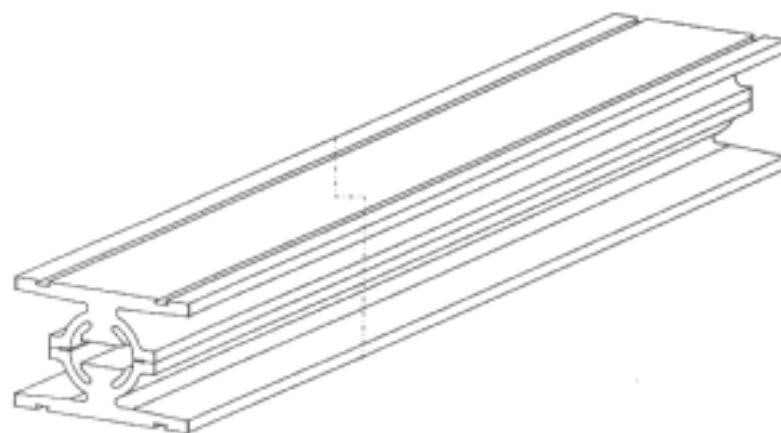
- (21) Design Number: **12083/2012**  
(22) Date of Filing Application: **30 April 2012**  
(24) Date from which industrial property rights may have effect: **30 April 2012**  
(54) Product in respect of which the design is registered: **Container for garment display and storage**  
(51) International Design Classification: **20-02C, 09-03B**  
(74) Name(s) of Attorney(s): **PHILLIPS ORMONDE FITZPATRICK**  
(71) Name(s) and Address(s) of Applicant(s):  
**Danielle Ashcroft**  
**PO Box 31 Balwyn North Victoria 3104 Australia**  
(72) Name(s) of Designer(s): **Danielle Ashcroft**  
(45) Registration Date: **24 May 2012**  
(56) Related Art Documents: **Not Applicable**  
(57) Statement of Newness and Distinctiveness: **Nil**



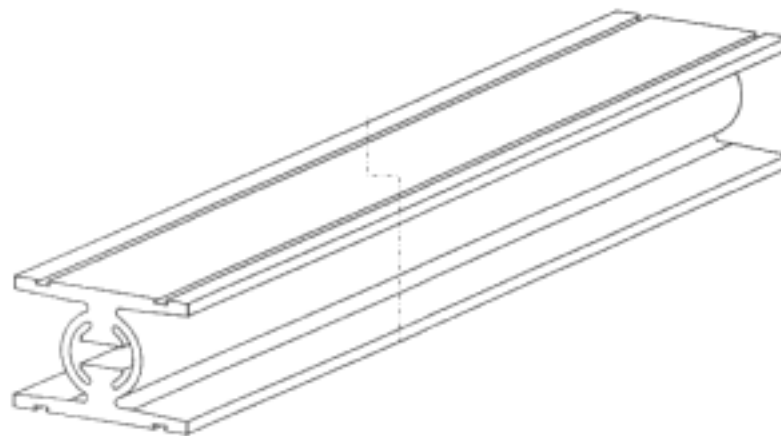
- (21) Design Number: **12103/2012**  
(22) Date of Filing Application: **01 May 2012**  
(24) Date from which industrial property rights may have effect: **01 May 2012**  
(54) Product in respect of which the design is registered: **Hollow profile for a force sensor**  
(51) International Design Classification: **10-04, 25-01K**  
(74) Name(s) of Attorney(s): **Griffith Hack**  
(71) Name(s) and Address(s) of Applicant(s):  
**Kistler Holding AG**  
**Eulachstrasse 22 8408 Winterthur Switzerland**  
(72) Name(s) of Designer(s): **David Cornu**  
(45) Registration Date: **24 May 2012**  
(30) Convention priority data:  
(31) Number      (32) Date      (33) Country  
**201130410764.5   07 Nov 2011      CHINA**  
(56) Related Art Documents: **Not Applicable**  
(57) Statement of Newness and Distinctiveness: **The shape and configuration of the product as shown in the accompanying representations is new and distinctive. The product may be of any length.**



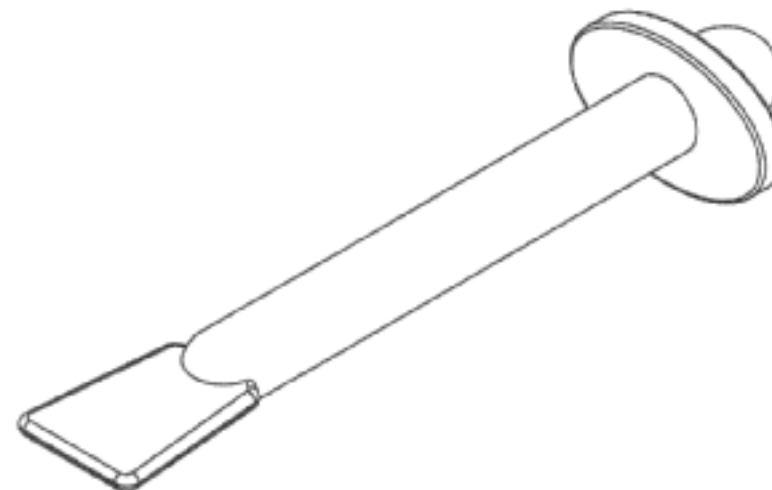
- (21) Design Number: **12104/2012**  
(22) Date of Filing Application: **01 May 2012**  
(24) Date from which industrial property rights may have effect: **01 May 2012**  
(54) Product in respect of which the design is registered: **Hollow profile for a force sensor**  
(51) International Design Classification: **10-04, 25-01K**  
(74) Name(s) of Attorney(s): **Griffith Hack**  
(71) Name(s) and Address(s) of Applicant(s):  
**Kistler Holding AG**  
**Eulachstrasse 22 8408 Winterthur Switzerland**  
(72) Name(s) of Designer(s): **David Cornu**  
(45) Registration Date: **24 May 2012**  
(30) Convention priority data:  
(31) Number      (32) Date      (33) Country  
**201130410764.5   07 Nov 2011      CHINA**  
(56) Related Art Documents: **Not Applicable**  
(57) Statement of Newness and Distinctiveness: **The shape and configuration of the product as shown in the accompanying representations is new and distinctive. The product may be of any length.**



- (21) Design Number: **12105/2012**  
(22) Date of Filing Application: **01 May 2012**  
(24) Date from which industrial property rights may have effect: **01 May 2012**  
(54) Product in respect of which the design is registered: **Hollow profile for a force sensor**  
(51) International Design Classification: **10-04, 25-01K**  
(74) Name(s) of Attorney(s): **Griffith Hack**  
(71) Name(s) and Address(s) of Applicant(s):  
**Kistler Holding AG**  
**Eulachstrasse 22 8408 Winterthur Switzerland**  
(72) Name(s) of Designer(s): **David Cornu**  
(45) Registration Date: **24 May 2012**  
(30) Convention priority data:  
(31) Number      (32) Date      (33) Country  
**201130410764.5   07 Nov 2011      SWITZERLAND**  
(56) Related Art Documents: **Not Applicable**  
(57) Statement of Newness and Distinctiveness: **The shape and configuration of the product as shown in the accompanying representations is new and distinctive. The product may be of any length.**



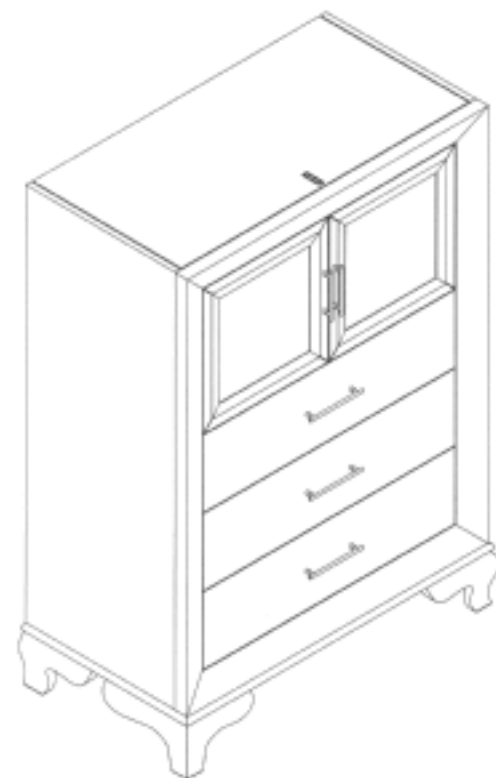
- (21) Design Number: **12106/2012**  
(22) Date of Filing Application: **30 April 2012**  
(24) Date from which industrial property rights may have effect: **30 April 2012**  
(54) Product in respect of which the design is registered: **Wax applicator**  
(51) International Design Classification: **28-03NES**  
(74) Name(s) of Attorney(s): **WATERMARK PATENT AND TRADE MARKS ATTORNEYS**  
(71) Name(s) and Address(s) of Applicant(s):  
**Sue Seham Ismiel**  
**2 Goodier Place Kenthurst New South Wales 2156 Australia**  
**Samoel Ismiel**  
**2 Goodier Place Kenthurst New South Wales 2156 Australia**  
(72) Name(s) of Designer(s): **Sue Seham Ismiel and Samoel Ismiel**  
(45) Registration Date: **24 May 2012**  
(56) Related Art Documents: **Not Applicable**  
(57) Statement of Newness and Distinctiveness: **Newness and distinctiveness is claimed in the features of shape and/or configuration of the wax applicator as illustrated in the accompanying representations.**



- (21) Design Number: **12108/2012**  
(22) Date of Filing Application: **02 May 2012**  
(24) Date from which industrial property rights may have effect: **02 May 2012**  
(54) Product in respect of which the design is registered: **Bed**  
(51) International Design Classification: **06-02**  
(74) Name(s) of Attorney(s): **WATERMARK PATENT AND TRADE MARKS ATTORNEYS**  
(71) Name(s) and Address(s) of Applicant(s):  
**Hong Gay Khim**  
**Lot 102 & 103 Jalan Perusahaan Lima Taman Perindustrian Mahkota**  
**43700 Beranang Selangor Malaysia**  
(72) Name(s) of Designer(s): **Hong Gay Khim**  
(45) Registration Date: **25 May 2012**  
(56) Related Art Documents: **Not Applicable**  
(57) Statement of Newness and Distinctiveness: **Nil**

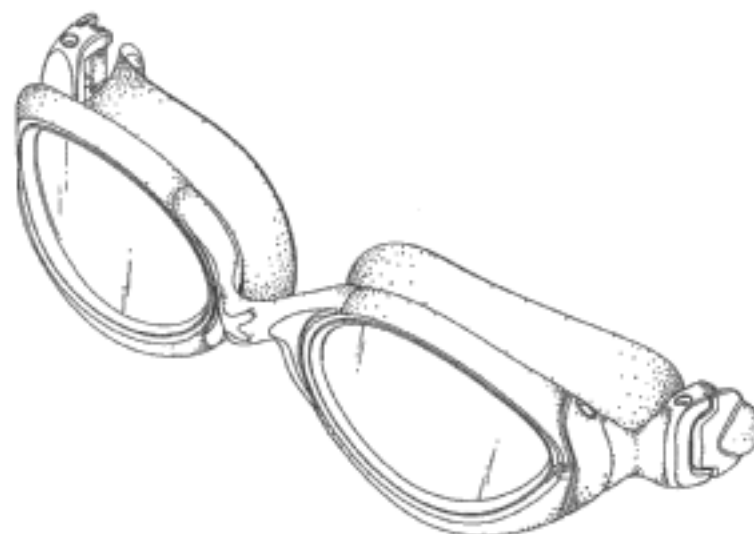


- (21) Design Number: **12109/2012**  
(22) Date of Filing Application: **02 May 2012**  
(24) Date from which industrial property rights may have effect: **02 May 2012**  
(54) Product in respect of which the design is registered: **Chest**  
(51) International Design Classification: **06-04F**  
(74) Name(s) of Attorney(s): **WATERMARK PATENT AND TRADE MARKS ATTORNEYS**  
(71) Name(s) and Address(s) of Applicant(s):  
**Hong Gay Khim**  
**Lot 102 & 103 Jalan Perusahaan Lima Taman Perindustrian Mahkota**  
**43700 Beranang Selangor Malaysia**  
(72) Name(s) of Designer(s): **Hong Gay Khim**  
(45) Registration Date: **25 May 2012**  
(56) Related Art Documents: **Not Applicable**  
(57) Statement of Newness and Distinctiveness: **Nil**

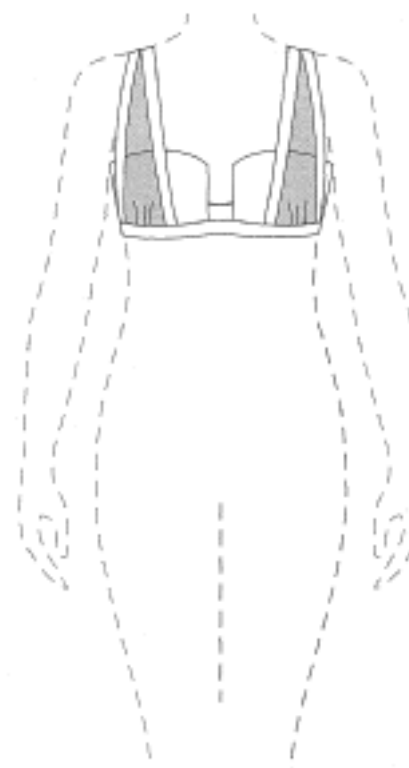




- (21) Design Number: **12115/2012**  
(22) Date of Filing Application: **02 May 2012**  
(24) Date from which industrial property rights may have effect: **02 May 2012**  
(54) Product in respect of which the design is registered: **Swimming goggles**  
(51) International Design Classification: **16-06, 21-02D**  
(74) Name(s) of Attorney(s): **A.P.T. Patent and Trade Mark Attorneys**  
(71) Name(s) and Address(s) of Applicant(s):  
**Global Esprit, Inc.**  
**8F No. 506 Yuen Shan Road Chung-Ho City Taipei Hsien Taiwan**  
(72) Name(s) of Designer(s): **Herman Chiang**  
(45) Registration Date: **25 May 2012**  
(56) Related Art Documents: **Not Applicable**  
(57) Statement of Newness and Distinctiveness: **Nil**



- (21) Design Number: **12116/2012**  
(22) Date of Filing Application: **01 May 2012**  
(24) Date from which industrial property rights may have effect: **01 May 2012**  
(54) Product in respect of which the design is registered: **Swimwear garment**  
(51) International Design Classification: **02-02A**  
(74) Name(s) of Attorney(s): **Herbert Geer Lawyers**  
(71) Name(s) and Address(s) of Applicant(s):  
**JETS Swimwear Pty Limited**  
**8-18 Bowden Street Alexandria New South Wales 2015 Australia**  
(72) Name(s) of Designer(s): **Jessika Allen**  
(45) Registration Date: **25 May 2012**  
(56) Related Art Documents: **Not Applicable**  
(57) Statement of Newness and Distinctiveness: **Newness and distinctiveness is claimed in the shape, configuration, ornamentation and/or pattern of the swimwear garment as depicted in the accompanying representation. We note that the grey-shaded sections represent transparent mesh. In considering the newness and distinctiveness of the design, the bow tie shown in the back view indicated at "A", is to be disregarded. The outline of the wearer shown by dotted lines forms no part of the design.**



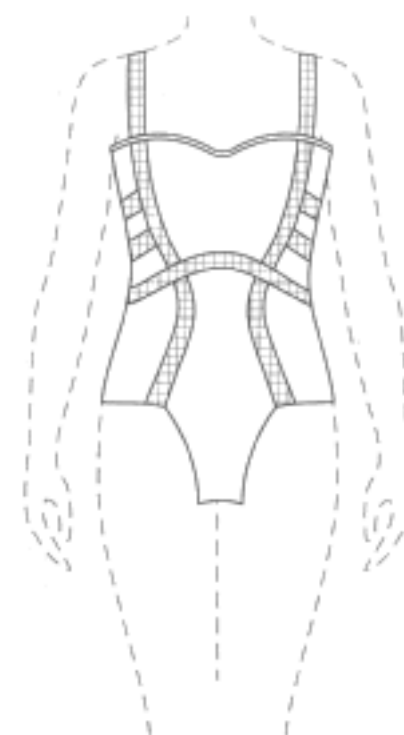
- (21) Design Number: **12117/2012**  
(22) Date of Filing Application: **01 May 2012**  
(24) Date from which industrial property rights may have effect: **01 May 2012**  
(54) Product in respect of which the design is registered: **Swimwear garment**  
(51) International Design Classification: **02-02A**  
(74) Name(s) of Attorney(s): **Herbert Geer Lawyers**  
(71) Name(s) and Address(s) of Applicant(s):  
**JETS Swimwear Pty Limited**  
**8-18 Bowden Street Alexandria New South Wales 2015 Australia**  
(72) Name(s) of Designer(s): **Jessika Allen**  
(45) Registration Date: **25 May 2012**  
(56) Related Art Documents: **Not Applicable**

(57) Statement of Newness and Distinctiveness: **Newness and distinctiveness is claimed in the shape, configuration, ornamentation and/or pattern of the swimwear garment as depicted in the accompanying representation. In considering the newness and distinctiveness of the design, the halter neck strap shown in the front view, and the bow-tie shown in the back view in dotted lines and the clasp shown in the back view indicated at "A" are to be disregarded. The outline of the wearer shown by dotted lines forms no part of the design.**



- (21) Design Number: **12118/2012**  
(22) Date of Filing Application: **01 May 2012**  
(24) Date from which industrial property rights may have effect: **01 May 2012**  
(54) Product in respect of which the design is registered: **Swimwear garment**  
(51) International Design Classification: **02-02A**  
(74) Name(s) of Attorney(s): **Herbert Geer Lawyers**  
(71) Name(s) and Address(s) of Applicant(s):  
**JETS Swimwear Pty Limited**  
**8-18 Bowden Street Alexandria New South Wales 2015 Australia**  
(72) Name(s) of Designer(s): **Jessika Allen**  
(45) Registration Date: **25 May 2012**  
(56) Related Art Documents: **Not Applicable**

(57) Statement of Newness and Distinctiveness: **Newness and distinctiveness is claimed in the shape, configuration, ornamentation and/or pattern of the swimwear garment as depicted in the accompanying representation. We note that the area indicated by "B" is a cut out. The areas shown in cross-hatching comprise a colour or print and the remainder of the swimwear comprises at least one other colour or print. The outline of the wearer shown by dotted lines forms no part of the design.**



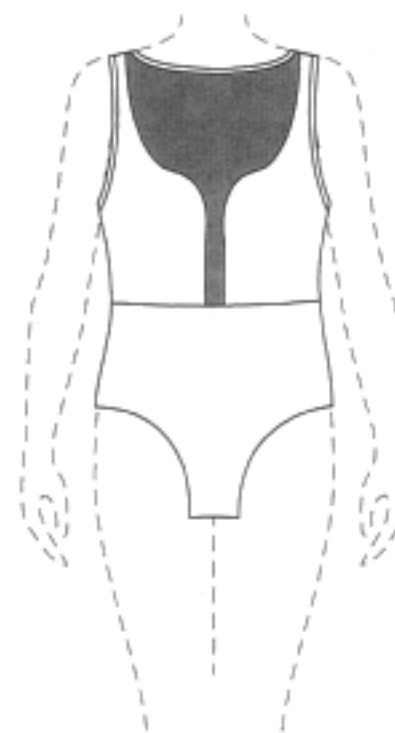
(21) Design Number: **12119/2012**  
(22) Date of Filing Application: **01 May 2012**  
(24) Date from which industrial property rights may have effect: **01 May 2012**  
(54) Product in respect of which the design is registered: **Swimwear garment**  
(51) International Design Classification: **02-02A**  
(74) Name(s) of Attorney(s): **Herbert Geer Lawyers**  
(71) Name(s) and Address(s) of Applicant(s):  
**JETS Swimwear Pty Limited**  
**8-18 Bowden Street Alexandria New South Wales 2015 Australia**

(72) Name(s) of Designer(s): **Jessika Allen**

(45) Registration Date: **25 May 2012**

(56) Related Art Documents: **Not Applicable**

(57) Statement of Newness and Distinctiveness: **Newness and distinctiveness is claimed in the shape, configuration, ornamentation and/or pattern of the swimwear garment as depicted in the accompanying representation. We note that the grey-shaded sections represent transparent mesh and the area indicated by "B" is a cut out. In considering the newness and distinctiveness of the design, the clasp indicated at "A" is to be disregarded. The outline of the wearer shown by dotted lines forms no part of the design.**



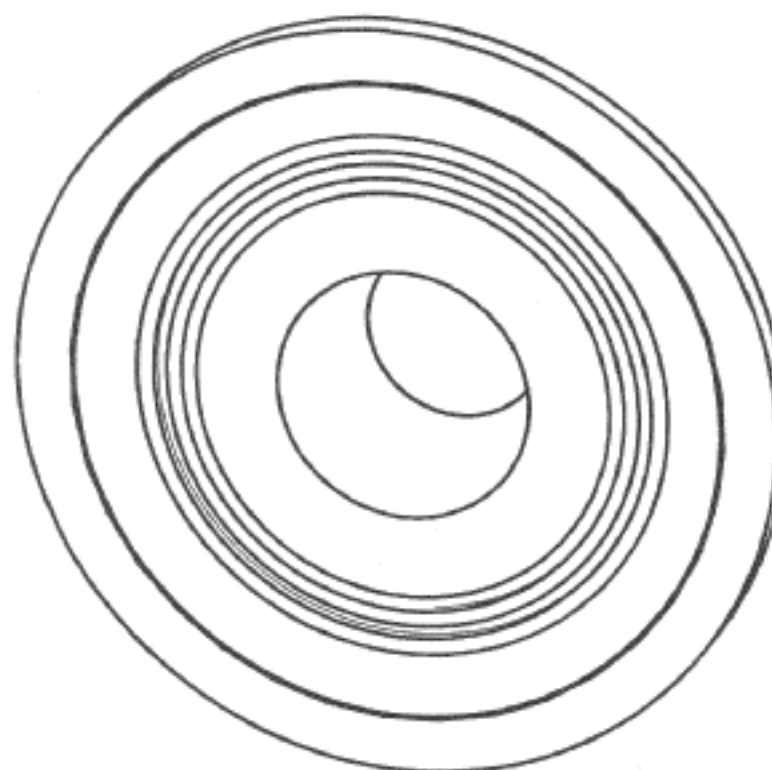
(21) Design Number: **10359/2012**  
(22) Date of Filing Application: **18 January 2012**  
(24) Date from which industrial property rights may have effect: **18 January 2012**  
(54) Product in respect of which the design is registered: **Front face of a light fitting**  
(51) International Design Classification: **26-05E**  
(74) Name(s) of Attorney(s):  
(71) Name(s) and Address(s) of Applicant(s):  
**Maco Lighting Pty Ltd**  
**Aviation Commerce Centre Unit 3 Building 221 Qantas Ave Archerfield**  
**4108 Queensland Australia**

(72) Name(s) of Designer(s): **Ben Tennent and Joshua Newell**

(45) Registration Date: **25 May 2012**

(56) Related Art Documents: **Not Applicable**

(57) Statement of Newness and Distinctiveness: **Visual features of the design are features of the shape and configuration of the front face of a light fitting as illustrated in the representation.**



(21) Design Number: **10360/2012**

(22) Date of Filing Application: **18 January 2012**

(24) Date from which industrial property rights may have effect: **18 January 2012**

(54) Product in respect of which the design is registered: **Front face of a light fitting**

(51) International Design Classification: **26-05E**

(74) Name(s) of Attorney(s):

(71) Name(s) and Address(s) of Applicant(s):

**Maco Lighting Pty Ltd**

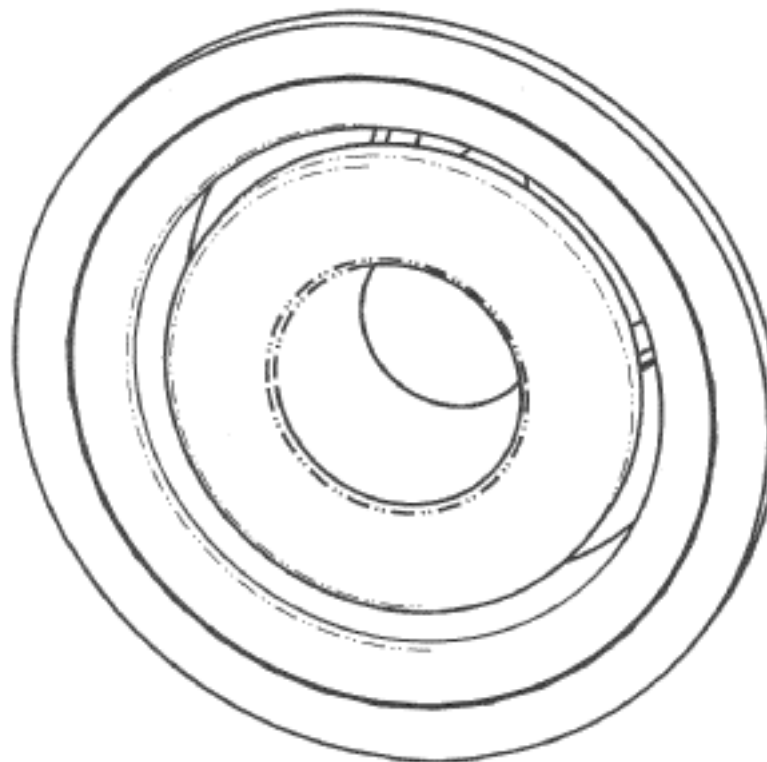
**Aviation Commerce Centre Unit 3 Building 221 Qantas Ave Archerfield  
4108 Queensland Australia**

(72) Name(s) of Designer(s): **Ben Tennent and Joshua Newell**

(45) Registration Date: **25 May 2012**

(56) Related Art Documents: **Not Applicable**

(57) Statement of Newness and Distinctiveness: **Visual features of the design are features of the shape and configuration of the front face of a light fitting as illustrated in the representation.**



(21) Design Number: **10361/2012**

(22) Date of Filing Application: **18 January 2012**

(24) Date from which industrial property rights may have effect: **18 January 2012**

(54) Product in respect of which the design is registered: **Front face of a light fitting**

(51) International Design Classification: **26-05E**

(74) Name(s) of Attorney(s):

(71) Name(s) and Address(s) of Applicant(s):

**Maco Lighting Pty Ltd**

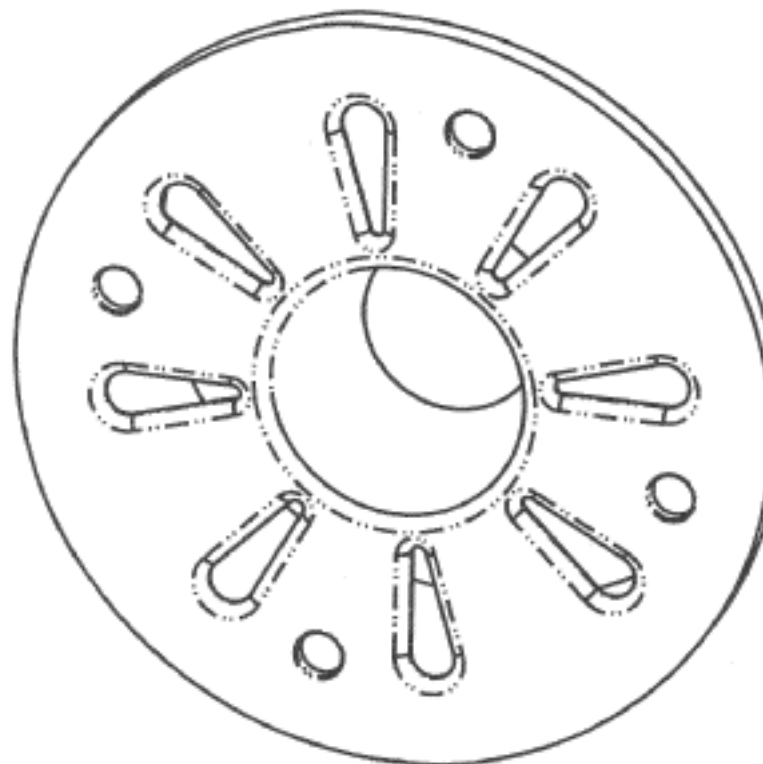
**Aviation Commerce Centre Unit 3 Building 221 Qantas Ave Archerfield  
4108 Queensland Australia**

(72) Name(s) of Designer(s): **Ben Tennent and Joshua Newell**

(45) Registration Date: **25 May 2012**

(56) Related Art Documents: **Not Applicable**

(57) Statement of Newness and Distinctiveness: **Visual features of the design are features of the shape and configuration of the front face of a light fitting as illustrated in the representation.**



(21) Design Number: **10362/2012**

(22) Date of Filing Application: **18 January 2012**

(24) Date from which industrial property rights may have effect: **18 January 2012**

(54) Product in respect of which the design is registered: **Front face of a light fitting**

(51) International Design Classification: **26-05E**

(74) Name(s) of Attorney(s):

(71) Name(s) and Address(s) of Applicant(s):

**Maco Lighting Pty Ltd**

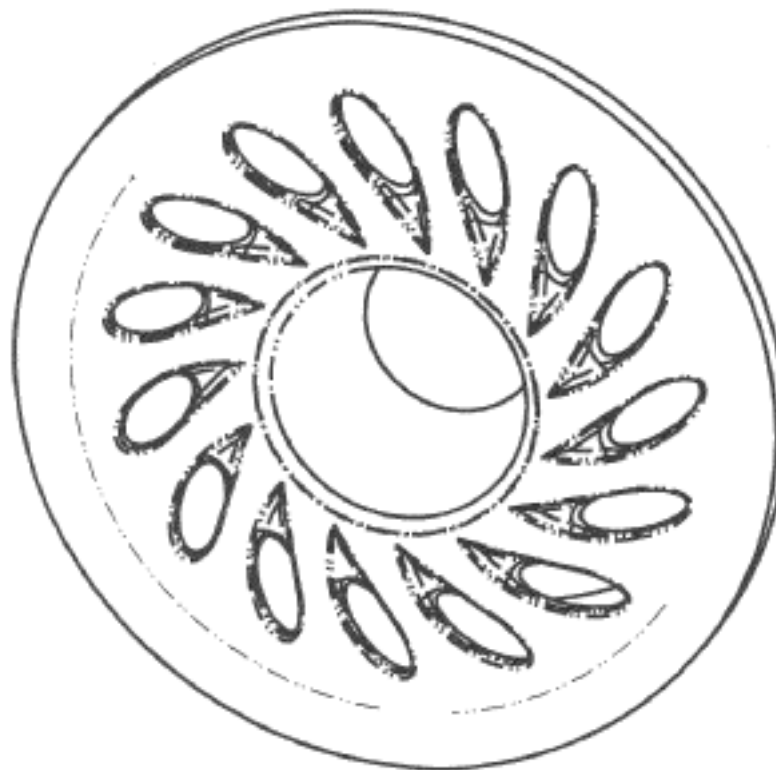
**Aviation Commerce Centre Unit 3 Building 221 Qantas Ave Archerfield  
4108 Queensland Australia**

(72) Name(s) of Designer(s): **Ben Tennent and Joshua Newell**

(45) Registration Date: **25 May 2012**

(56) Related Art Documents: **Not Applicable**

(57) Statement of Newness and Distinctiveness: **Visual features of the design are features of the shape and configuration of the front face of a light fitting as illustrated in the representation.**



(21) Design Number: **10363/2012**

(22) Date of Filing Application: **18 January 2012**

(24) Date from which industrial property rights may have effect: **18 January 2012**

(54) Product in respect of which the design is registered: **Front face of a light fitting**

(51) International Design Classification: **26-05E**

(74) Name(s) of Attorney(s):

(71) Name(s) and Address(s) of Applicant(s):

**Maco Lighting Pty Ltd**

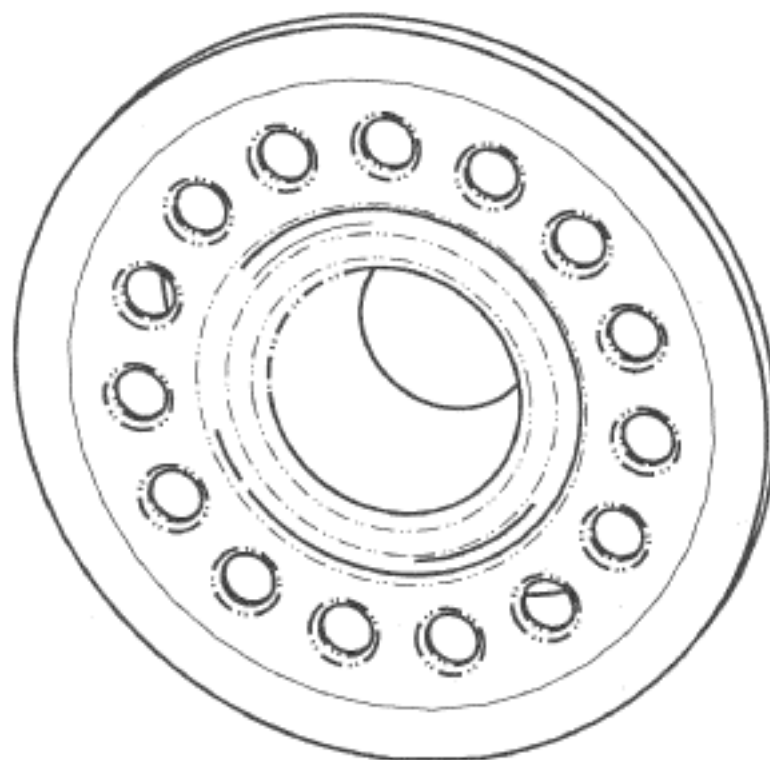
**Aviation Commerce Centre Unit 3 Building 221 Qantas Ave Archerfield  
4108 Queensland Australia**

(72) Name(s) of Designer(s): **Ben Tennent and Joshua Newell**

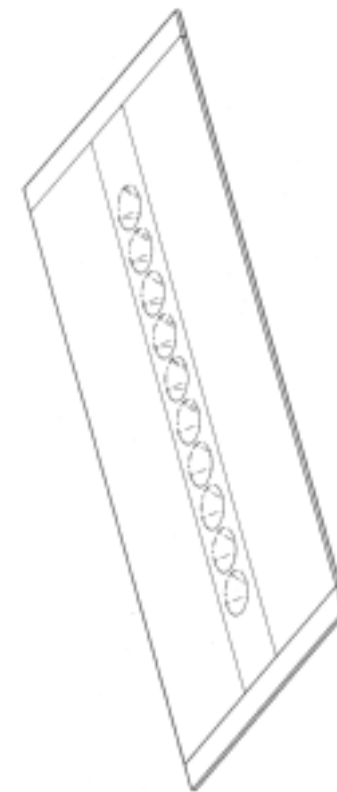
(45) Registration Date: **25 May 2012**

(56) Related Art Documents: **Not Applicable**

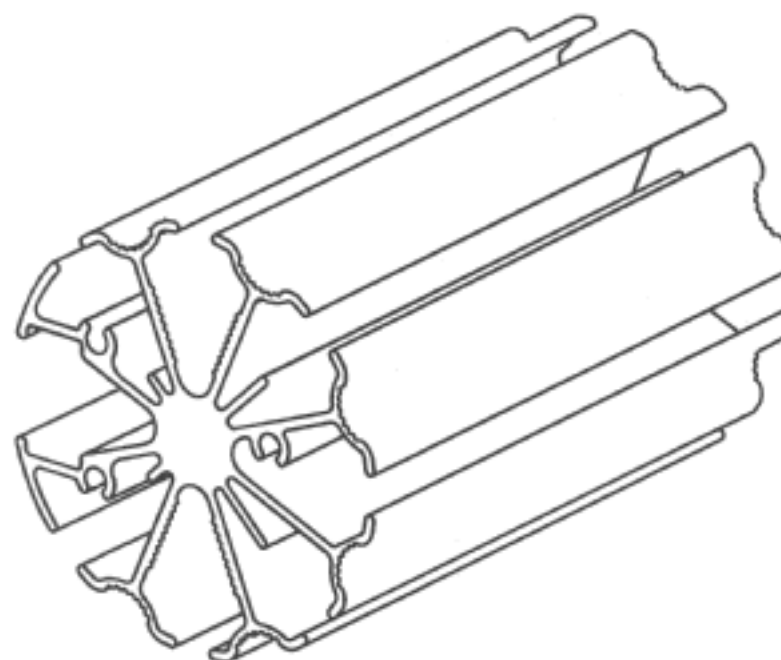
(57) Statement of Newness and Distinctiveness: **Visual features of the design are features of the shape and configuration of the front face of a light fitting as illustrated in the representation.**



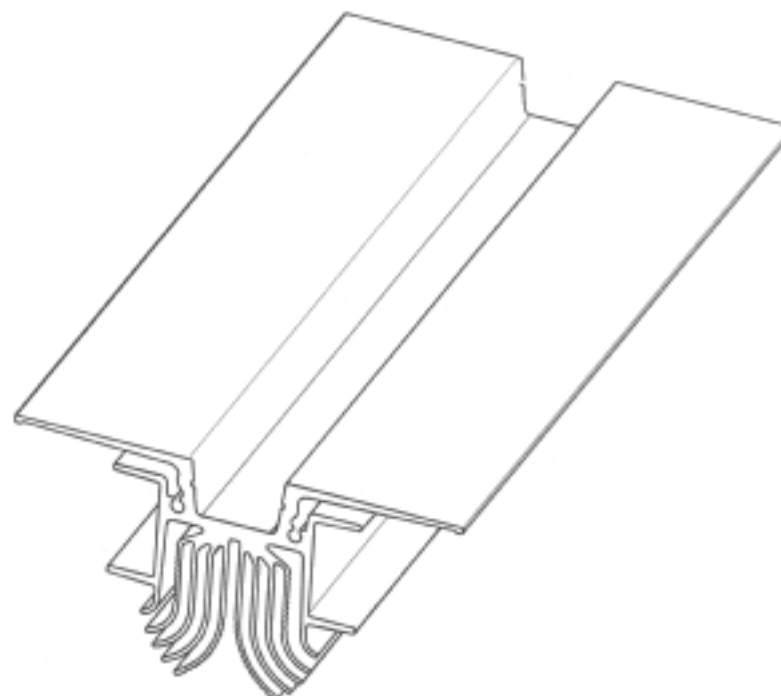
- (21) Design Number: **10364/2012**  
(22) Date of Filing Application: **18 January 2012**  
(24) Date from which industrial property rights may have effect: **18 January 2012**  
(54) Product in respect of which the design is registered: **Front face of a light fitting**  
(51) International Design Classification: **26-05E**  
(74) Name(s) of Attorney(s):  
(71) Name(s) and Address(s) of Applicant(s):  
**Maco Lighting Pty Ltd**  
**Aviation Commerce Centre Unit 3 Building 221 Qantas Ave Archerfield**  
**4108 Queensland Australia**  
(72) Name(s) of Designer(s): **Ben Tennent and Joshua Newell**  
(45) Registration Date: **25 May 2012**  
(56) Related Art Documents: **Not Applicable**  
(57) Statement of Newness and Distinctiveness: **Visual features of the design are features of the shape and configuration of the front face of a light fitting as illustrated in the representation.**



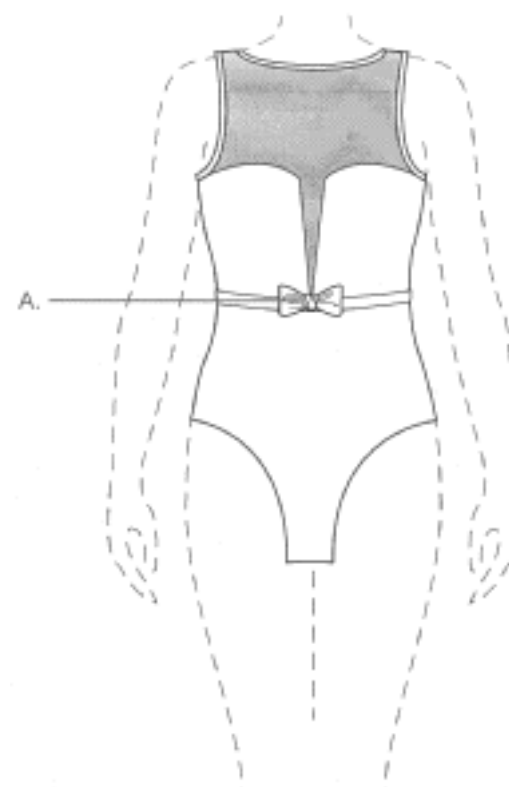
- (21) Design Number: **10365/2012**  
(22) Date of Filing Application: **18 January 2012**  
(24) Date from which industrial property rights may have effect: **18 January 2012**  
(54) Product in respect of which the design is registered: **Heat sink extrusion for a light fitting**  
(51) International Design Classification: **26-05E**  
(74) Name(s) of Attorney(s):  
(71) Name(s) and Address(s) of Applicant(s):  
**Maco Lighting Pty Ltd**  
**Aviation Commerce Centre Unit 3 Building 221 Qantas Ave Archerfield**  
**4108 Queensland Australia**  
(72) Name(s) of Designer(s): **Ben Tennent and Joshua Newell**  
(45) Registration Date: **25 May 2012**  
(56) Related Art Documents: **Not Applicable**  
(57) Statement of Newness and Distinctiveness: **Visual features of the design are features of the shape and configuration of an aluminium heat sink extrusion a light fitting as illustrated in the representation.**



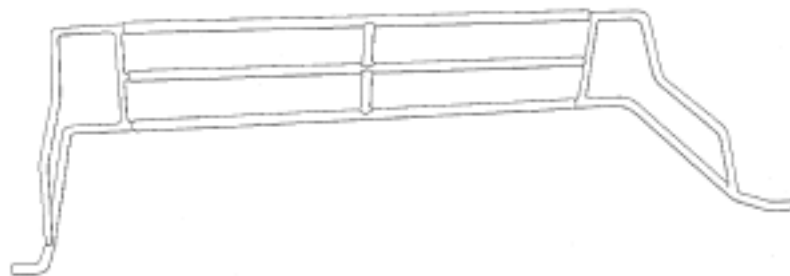
- (21) Design Number: **10366/2012**  
(22) Date of Filing Application: **18 January 2012**  
(24) Date from which industrial property rights may have effect: **18 January 2012**  
(54) Product in respect of which the design is registered: **Heat sink extrusion for a light fitting**  
(51) International Design Classification: **26-05E**  
(74) Name(s) of Attorney(s):  
(71) Name(s) and Address(s) of Applicant(s):  
**Maco Lighting Pty Ltd**  
**Aviation Commerce Centre Unit 3 Building 221 Qantas Ave Archerfield**  
**4108 Queensland Australia**  
(72) Name(s) of Designer(s): **Ben Tennent and Joshua Newell**  
(45) Registration Date: **25 May 2012**  
(56) Related Art Documents: **Not Applicable**  
(57) Statement of Newness and Distinctiveness: **Visual features of the design are features of the shape and configuration of an aluminium heat sink extrusion a light fitting as illustrated in the representation.**



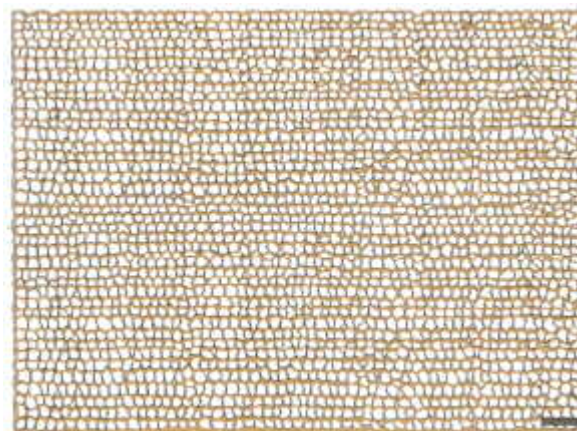
- (21) Design Number: **12120/2012**  
(22) Date of Filing Application: **01 May 2012**  
(24) Date from which industrial property rights may have effect: **01 May 2012**  
(54) Product in respect of which the design is registered: **Swimwear garment**  
(51) International Design Classification: **02-02A**  
(74) Name(s) of Attorney(s): **Herbert Geer Lawyers**  
(71) Name(s) and Address(s) of Applicant(s):  
**JETS Swimwear Pty Limited**  
**8-18 Bowden Street Alexandria New South Wales 2015 Australia**  
(72) Name(s) of Designer(s): **Jessika Allen**  
(45) Registration Date: **25 May 2012**  
(56) Related Art Documents: **Not Applicable**  
(57) Statement of Newness and Distinctiveness: **Newness and distinctiveness is claimed in the shape, configuration, ornamentation and/or pattern of the swimwear garment as depicted in the accompanying representation. We note that the grey-shaded sections represent transparent mesh. In considering the newness and distinctiveness of the design, the bow detail shown in the front view indicated at "A", is to be disregarded. The outline of the wearer shown by dotted lines forms no part of the design.**



(21) Design Number: **12122/2012**  
(22) Date of Filing Application: **30 April 2012**  
(24) Date from which industrial property rights may have effect: **30 April 2012**  
(54) Product in respect of which the design is registered: **The design is to be applied to a hob guard and the novelty resides in the features of shape and configuration of the**  
(51) International Design Classification: **29-02, 07-02C**  
(74) Name(s) of Attorney(s): **PIPERS**  
(71) Name(s) and Address(s) of Applicant(s):  
**Michael Thomas Paddock**  
**1/24 Manuwai Road Torbay North Shore City 0630 New Zealand**  
(72) Name(s) of Designer(s): **Michael Thomas Paddock**  
(45) Registration Date: **25 May 2012**  
(30) Convention priority data:  
(31) Number (32) Date (33) Country  
**415591 30 Nov 2011 NEW ZEALAND**  
(56) Related Art Documents: **Not Applicable**  
(57) Statement of Newness and Distinctiveness: **The design is to be applied to a hob guard and the novelty resides in the features of shape and configuration of the hob guard as shown in the accompanying representations.**



(21) Design Number: **12123/2012**  
(22) Date of Filing Application: **02 May 2012**  
(24) Date from which industrial property rights may have effect: **02 May 2012**  
(54) Product in respect of which the design is registered: **Fabric**  
(51) International Design Classification: **05-05NES**  
(74) Name(s) of Attorney(s): **SPRUSON & FERGUSON**  
(71) Name(s) and Address(s) of Applicant(s):  
**Chilewich Sultan LLC**  
**44 East 32nd Street New York New York 10016 United States of America**  
(72) Name(s) of Designer(s): **Sandra Chilewich**  
(45) Registration Date: **25 May 2012**  
(56) Related Art Documents: **Not Applicable**  
(57) Statement of Newness and Distinctiveness: **Newness and distinctiveness is claimed in the features of pattern and/or ornamentation of a fabric as shown in the accompanying representation, in particular the distressed surface look of the fabric.**





- (21) Design Number: **12124/2012**  
(22) Date of Filing Application: **02 May 2012**  
(24) Date from which industrial property rights may have effect: **02 May 2012**  
(54) Product in respect of which the design is registered: **Fabric**  
(51) International Design Classification: **05-05A**  
(74) Name(s) of Attorney(s): **SPRUSON & FERGUSON**  
(71) Name(s) and Address(s) of Applicant(s):  
**Chilewich Sultan LLC**  
**44 East 32nd Street New York New York 10016 United States of America**  
(72) Name(s) of Designer(s): **Sandra Chilewich**  
(45) Registration Date: **25 May 2012**  
(56) Related Art Documents: **Not Applicable**  
(57) Statement of Newness and Distinctiveness: **Newness and distinctiveness is claimed in the features of pattern and/or ornamentation of a fabric as shown in the accompanying representations, in particular the appearance of the colours as small specks, or flecks and the row of leaf shapes on the surface of the fabric.**



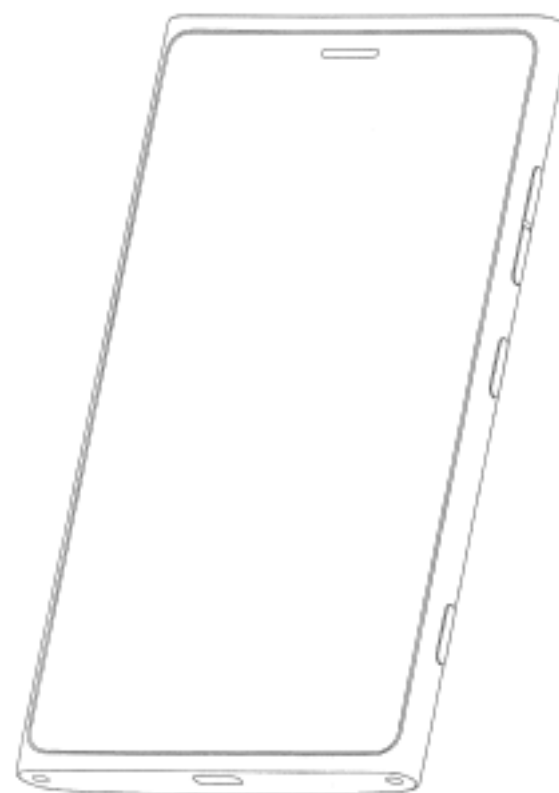
- (21) Design Number: **12125/2012**  
(22) Date of Filing Application: **02 May 2012**  
(24) Date from which industrial property rights may have effect: **02 May 2012**  
(54) Product in respect of which the design is registered: **Fabric**  
(51) International Design Classification: **05-05D**  
(74) Name(s) of Attorney(s): **SPRUSON & FERGUSON**  
(71) Name(s) and Address(s) of Applicant(s):  
**Chilewich Sultan LLC**  
**44 East 32nd Street New York New York 10016 United States of America**  
(72) Name(s) of Designer(s): **Sandra Chilewich**  
(45) Registration Date: **25 May 2012**  
(56) Related Art Documents: **Not Applicable**  
(57) Statement of Newness and Distinctiveness: **Newness and distinctiveness is claimed in the features of pattern and/or ornamentation of a fabric as shown in the accompanying representations.**



- (21) Design Number: **12126/2012**  
(22) Date of Filing Application: **02 May 2012**  
(24) Date from which industrial property rights may have effect: **02 May 2012**  
(54) Product in respect of which the design is registered: **Fabric**  
(51) International Design Classification: **05-05D**  
(74) Name(s) of Attorney(s): **SPRUSON & FERGUSON**  
(71) Name(s) and Address(s) of Applicant(s):  
**Chilewich Sultan LLC**  
**44 East 32nd Street New York New York 10016 United States of America**  
(72) Name(s) of Designer(s): **Sandra Chilewich**  
(45) Registration Date: **25 May 2012**  
(56) Related Art Documents: **Not Applicable**  
(57) Statement of Newness and Distinctiveness: **Newness and distinctiveness is claimed in the features of pattern and/or ornamentation of a fabric as shown in the accompanying representations, in particular the appearance of the colours as small specks, or flecks, on the surface of the fabric.**



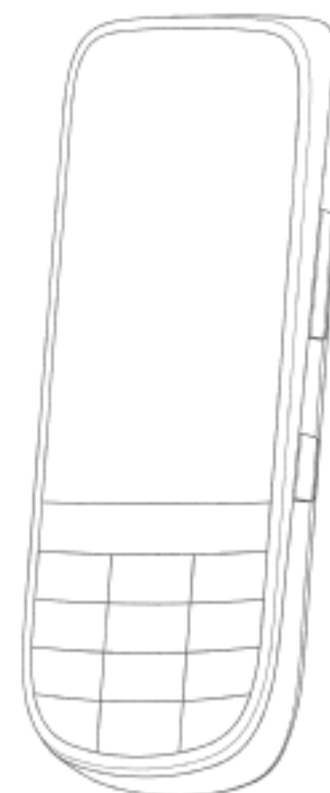
- (21) Design Number: **12127/2012**  
(22) Date of Filing Application: **02 May 2012**  
(24) Date from which industrial property rights may have effect: **02 May 2012**  
(54) Product in respect of which the design is registered: **Handset**  
(51) International Design Classification: **14-03A**  
(74) Name(s) of Attorney(s): **SPRUSON & FERGUSON**  
(71) Name(s) and Address(s) of Applicant(s):  
**Nokia Corporation**  
**Keilalahdentie 4 FIN-02150 Espoo Finland**  
(72) Name(s) of Designer(s): **Shunjiro Eguchi**  
(45) Registration Date: **25 May 2012**  
(30) Convention priority data:  
(31) Number      (32) Date      (33) Country  
**29/414430      28 Feb 2012      UNITED STATES OF AMERICA**  
(56) Related Art Documents: **Not Applicable**  
(57) Statement of Newness and Distinctiveness: **Newness and distinctiveness is claimed in the features of shape and/or configuration of a handset as illustrated in the accompanying representations.**



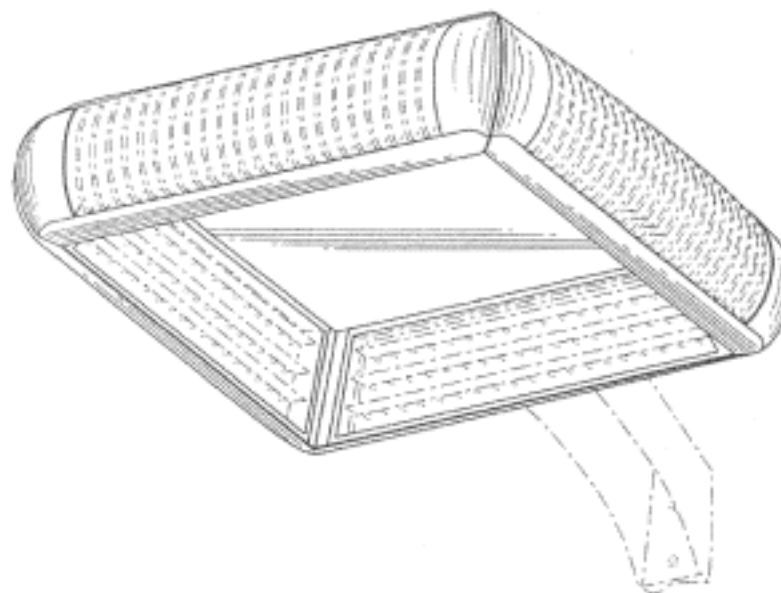
(21) Design Number: **12128/2012**  
(22) Date of Filing Application: **02 May 2012**  
(24) Date from which industrial property rights may have effect: **02 May 2012**  
(54) Product in respect of which the design is registered: **Handset**  
(51) International Design Classification: **14-03A**  
(74) Name(s) of Attorney(s): **SPRUSON & FERGUSON**  
(71) Name(s) and Address(s) of Applicant(s):  
**Nokia Corporation**  
**Keilalahdentie 4 FIN-02150 Espoo Finland**  
(72) Name(s) of Designer(s): **Ka Yuen Choi and Chonyang Cui**  
(45) Registration Date: **25 May 2012**  
(30) Convention priority data:  
(31) Number (32) Date (33) Country  
**29/412448 03 Feb 2012 UNITED STATES OF AMERICA**  
(56) Related Art Documents: **Not Applicable**  
(57) Statement of Newness and Distinctiveness: **Newness and distinctiveness is claimed in the features of shape and/or configuration of a handset as illustrated in the accompanying representations.**



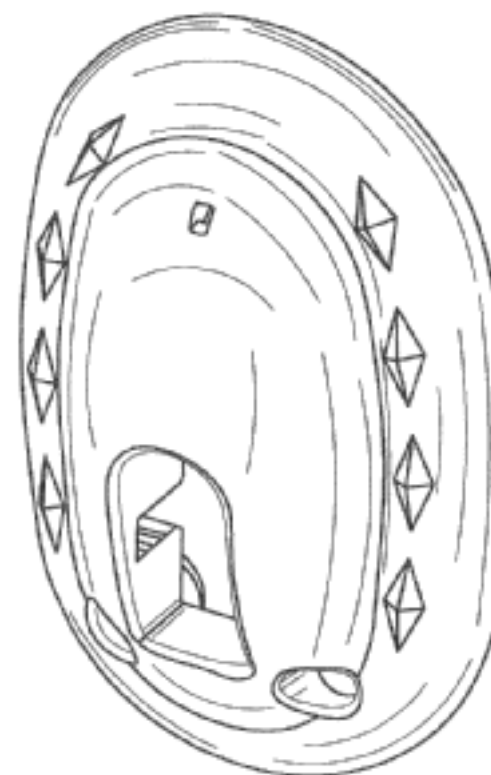
(21) Design Number: **12129/2012**  
(22) Date of Filing Application: **02 May 2012**  
(24) Date from which industrial property rights may have effect: **02 May 2012**  
(54) Product in respect of which the design is registered: **Handset**  
(51) International Design Classification: **14-03A**  
(74) Name(s) of Attorney(s): **SPRUSON & FERGUSON**  
(71) Name(s) and Address(s) of Applicant(s):  
**Nokia Corporation**  
**Keilalahdentie 4 FIN-02150 Espoo Finland**  
(72) Name(s) of Designer(s): **Yangyang Cai**  
(45) Registration Date: **25 May 2012**  
(30) Convention priority data:  
(31) Number (32) Date (33) Country  
**29/411544 23 Jan 2012 UNITED STATES OF AMERICA**  
(56) Related Art Documents: **Not Applicable**  
(57) Statement of Newness and Distinctiveness: **Newness and distinctiveness is claimed in the features of shape and/or configuration of a handset as illustrated in the accompanying representations.**



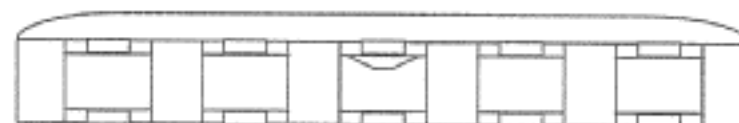
(21) Design Number: **12137/2012**  
(22) Date of Filing Application: **13 April 2012**  
(24) Date from which industrial property rights may have effect: **13 April 2012**  
(54) Product in respect of which the design is registered: **Lighting**  
(51) International Design Classification: **26-05B**  
(74) Name(s) of Attorney(s): **PIZZEYS**  
(71) Name(s) and Address(s) of Applicant(s):  
**LSI Industries, Inc.**  
**10000 Alliance Road Cincinnati OH 45242 United States of America**  
(72) Name(s) of Designer(s): **John D. Boyer and James G. Vanden Eynden and Larry Akers**  
(45) Registration Date: **25 May 2012**  
(30) Convention priority data:  
(31) Number (32) Date (33) Country  
**29/405,425 02 Nov 2011 UNITED STATES OF AMERICA**  
(62) Divisional of: **342523**  
(56) Related Art Documents: **Not Applicable**  
(57) Statement of Newness and Distinctiveness: **Nil**



(21) Design Number: **12139/2012**  
(22) Date of Filing Application: **01 May 2012**  
(24) Date from which industrial property rights may have effect: **01 May 2012**  
(54) Product in respect of which the design is registered: **Backplate for handle assembly**  
(51) International Design Classification: **08-06**  
(74) Name(s) of Attorney(s): **Henry Davis York**  
(71) Name(s) and Address(s) of Applicant(s):  
**Kate Louise Cannon**  
**71-77 Audley Street Petersham New South Wales 2049 Australia**  
(72) Name(s) of Designer(s): **Kate Louise Cannon**  
(45) Registration Date: **25 May 2012**  
(56) Related Art Documents: **Not Applicable**  
(57) Statement of Newness and Distinctiveness: **Newness and distinctiveness reside in the shape and/or configuration of a backplate for a handle assembly, as illustrated by solid lines in the accompanying representations. The discontinuous lines are for illustrative purposes only.**



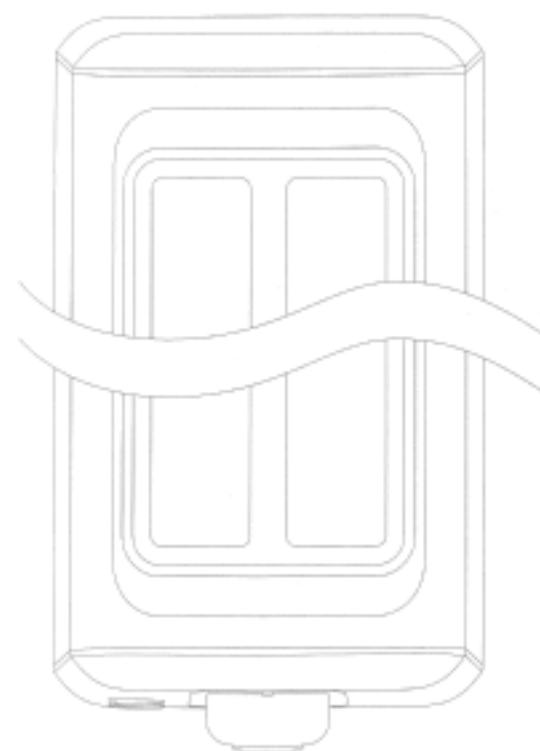
(21) Design Number: **12140/2012**  
(22) Date of Filing Application: **27 April 2012**  
(24) Date from which industrial property rights may have effect: **27 April 2012**  
(54) Product in respect of which the design is registered: **Stair tread clip**  
(51) International Design Classification: **08-08NES**  
(74) Name(s) of Attorney(s): **WALLINGTON-DUMMER**  
(71) Name(s) and Address(s) of Applicant(s):  
**William Karl Small**  
**19 Foster Street Lake Cargelligo New South Wales 2672 Australia**  
(72) Name(s) of Designer(s): **William Karl Small**  
(45) Registration Date: **25 May 2012**



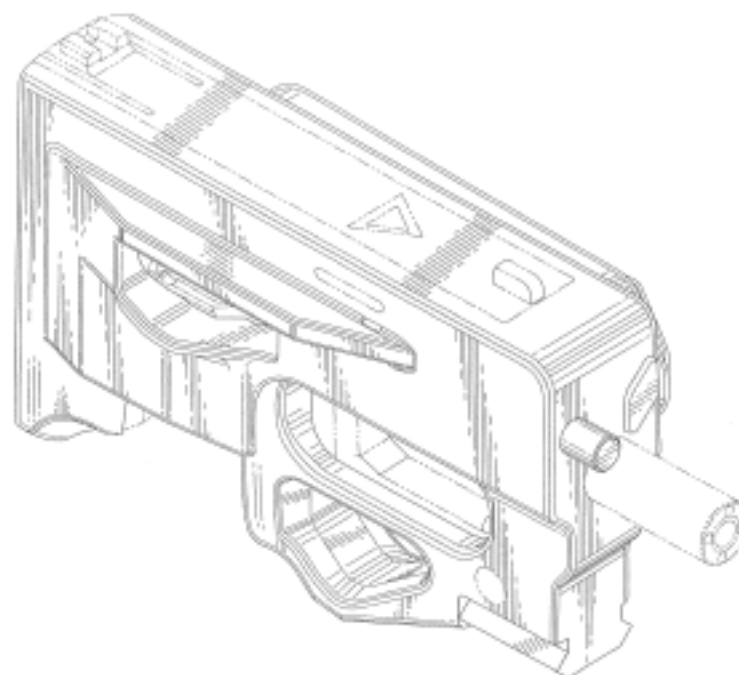
(21) Design Number: **14279/2011**  
(22) Date of Filing Application: **23 September 2011**  
(24) Date from which industrial property rights may have effect: **23 September 2011**  
(54) Product in respect of which the design is registered: **Light fitting**  
(51) International Design Classification: **26-06**  
(74) Name(s) of Attorney(s): **PHILLIPS ORMONDE FITZPATRICK**  
(71) Name(s) and Address(s) of Applicant(s):  
**Brown & Watson International Pty Ltd**  
**1500 Ferntree Gully Road Knoxfield Victoria 3180 Australia**  
(72) Name(s) of Designer(s): **Paul Davies**  
(45) Registration Date: **28 May 2012**  
(56) Related Art Documents: **Not Applicable**  
(57) Statement of Newness and Distinctiveness: **Those features of the light fitting depicted in the representations that are new and distinctive are the shape and/or configuration. The feature marked "A" is not part of the design and is to be disregarded when considering the overall impression of the design.**



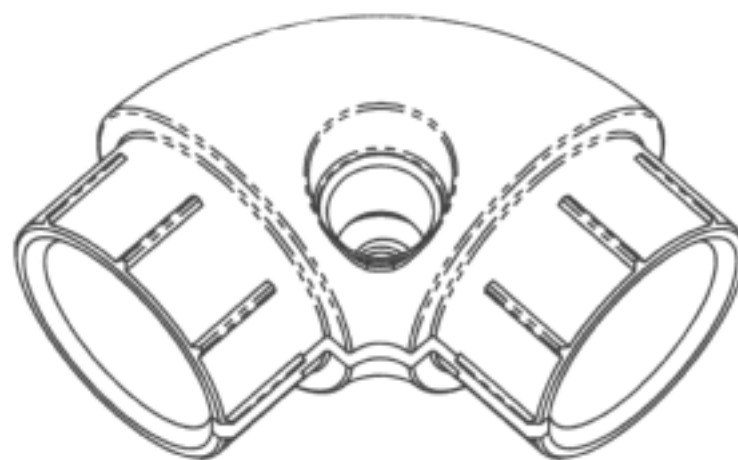
- (21) Design Number: **15032/2011**  
(22) Date of Filing Application: **09 November 2011**  
(24) Date from which industrial property rights may have effect: **09 November 2011**  
(54) Product in respect of which the design is registered: **Toaster**  
(51) International Design Classification: **07-02F**  
(74) Name(s) of Attorney(s): **Molins & Co**  
(71) Name(s) and Address(s) of Applicant(s):  
**Breville Pty Limited**  
**Building 2 Port Air Industrial Estate 1A Hale Street Botany New South**  
**Wales 2019 Australia**  
(72) Name(s) of Designer(s): **Richard Harrod and Paul Cohen and Richard**  
**Hoare and Graeme MacDonald**  
(45) Registration Date: **28 May 2012**  
(30) Convention priority data:  
(31) Number (32) Date (33) Country  
**201130361650.6 10 Oct 2011 CHINA**  
(56) Related Art Documents: **Not Applicable**  
(57) Statement of Newness and Distinctiveness: **Newness is claimed in the**  
**features of shape and configuration of the toaster as shown in the**  
**accompanying representations.**



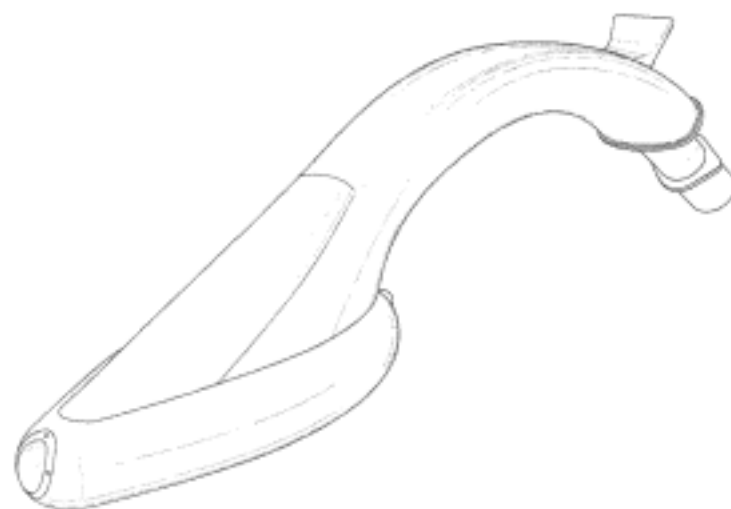
- (21) Design Number: **10899/2012**  
(22) Date of Filing Application: **27 February 2012**  
(24) Date from which industrial property rights may have effect: **27 February 2012**  
(54) Product in respect of which the design is registered: **Firearm**  
(51) International Design Classification: **22-01**  
(74) Name(s) of Attorney(s): **FB Rice**  
(71) Name(s) and Address(s) of Applicant(s):  
**United States Fire Arms Manufacturing Co., Inc.**  
**445-453 Ledyard Street Hartford Connecticut 06114-3211 United States**  
**of America**  
(72) Name(s) of Designer(s): **Douglas F. Donnelly**  
(45) Registration Date: **28 May 2012**  
(30) Convention priority data:  
(31) Number (32) Date (33) Country  
**29/400417 26 Aug 2011 UNITED STATES OF AMERICA**  
(56) Related Art Documents: **Not Applicable**  
(57) Statement of Newness and Distinctiveness: **Newness and distinctiveness**  
**reside in the features of shape and configuration of the firearm as shown**  
**in the representations but excluding those features shown in broken**  
**lines.**



(21) Design Number: **10927/2012**  
(22) Date of Filing Application: **29 February 2012**  
(24) Date from which industrial property rights may have effect: **29 February 2012**  
(54) Product in respect of which the design is registered: **Rail connector**  
(51) International Design Classification: **13-03E**  
(74) Name(s) of Attorney(s): **Actuate IP**  
(71) Name(s) and Address(s) of Applicant(s):  
**Moddex Group Pty Ltd**  
**14 Enterprise Street Maryborough Queensland 4650 Australia**  
(72) Name(s) of Designer(s): **Alvin Charles Rowland**  
(45) Registration Date: **28 May 2012**  
(56) Related Art Documents: **Not Applicable**  
(57) Statement of Newness and Distinctiveness: **Newness and distinctiveness is claimed in the features of shape and/or configuration of the rail connector as illustrated in the accompanying representations.**



(21) Design Number: **11190/2012**  
(22) Date of Filing Application: **07 March 2012**  
(24) Date from which industrial property rights may have effect: **07 March 2012**  
(54) Product in respect of which the design is registered: **Laryngeal mask / medical equipment**  
(51) International Design Classification: **24-01**  
(74) Name(s) of Attorney(s): **Shelston IP**  
(71) Name(s) and Address(s) of Applicant(s):  
**The Laryngeal Mask Company Limited**  
**PO Box 221 Le Rocher Victoria Mahe Seychelles**  
(72) Name(s) of Designer(s): **Archibald Ian Jeremy Brain**  
(45) Registration Date: **28 May 2012**  
(30) Convention priority data:  
(31) Number      (32) Date      (33) Country  
**001292742      07 Sep 2011      EUROPEAN COMMUNITY**  
(56) Related Art Documents: **Not Applicable**  
(57) Statement of Newness and Distinctiveness: **Newness and distinctiveness resides in the features of shape and/or configuration of a laryngeal mask/ medical equipment as illustrated in the accompanying representations.**



- (21) Design Number: **11650/2012**  
(22) Date of Filing Application: **02 April 2012**  
(24) Date from which industrial property rights may have effect: **02 April 2012**  
(54) Product in respect of which the design is registered: **Houseboat**  
(51) International Design Classification: **12-06NES**  
(74) Name(s) of Attorney(s):  
(71) Name(s) and Address(s) of Applicant(s):

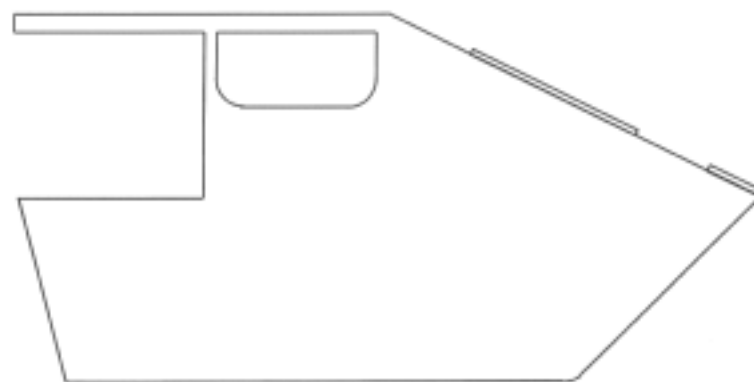
**Christopher Laurie Mills**  
**10 Stingray Point Mallacoota Victoria 3892 Australia**

(72) Name(s) of Designer(s): **Christopher Laurie Mills**

(45) Registration Date: **28 May 2012**

(56) Related Art Documents: **Not Applicable**

(57) Statement of Newness and Distinctiveness: **The objective of this design is to provide a combination of a Houseboat and Caravan which will accommodate up to four adults. Use is as a caravan independently or on the way to deployment on lakes, rivers and estuaries. Relatively light weight and with an aerodynamically low-drag, it can be towed by a sedan and powered by a portable outboard. The design is based on 2,400mm \* 1,200mm marine ply sheets with low-density framing, cut to minimise waste and weight. Assembly is glue-and-screw to facilitate kit-build or rapid commercial build. Structure has been designed so that each element adds strength and stiffness while keeping weight to a minimum. Outdoor and indoor sheltered spaces are provided to maximise utility. Carriage and launch is on a purpose-designed flat top trailer.**



- (21) Design Number: **11977/2012**  
(22) Date of Filing Application: **20 April 2012**  
(24) Date from which industrial property rights may have effect: **20 April 2012**  
(54) Product in respect of which the design is registered: **Gecko rectangular lantern zapper**  
(51) International Design Classification: **26-99, 22-06**  
(74) Name(s) of Attorney(s):  
(71) Name(s) and Address(s) of Applicant(s):

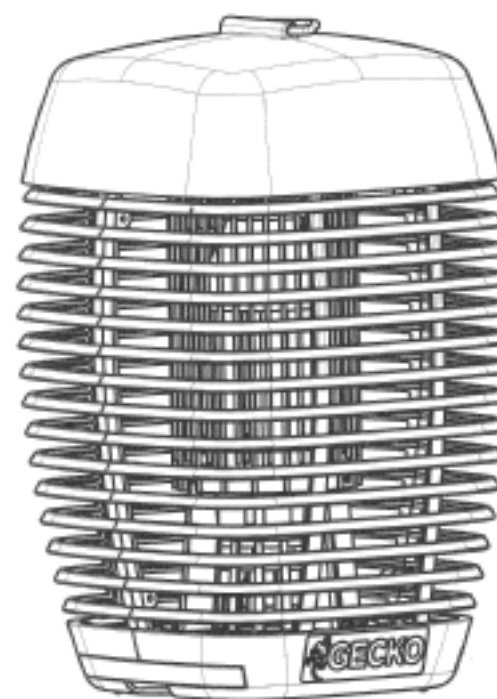
**Daniel Jaegers**  
**34 Morley Avenue Rosebery New South Wales 2018 Australia**

(72) Name(s) of Designer(s): **David Campbell**

(45) Registration Date: **28 May 2012**

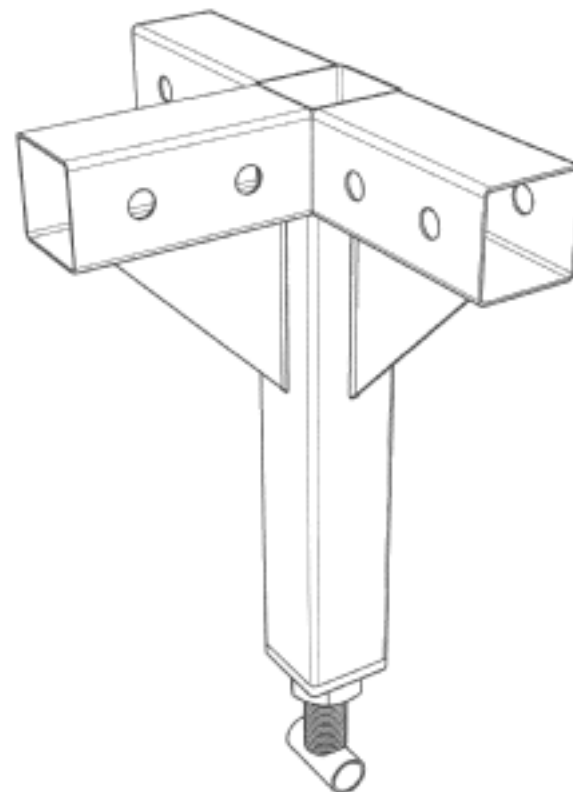
(56) Related Art Documents: **Not Applicable**

(57) Statement of Newness and Distinctiveness: **Nil**

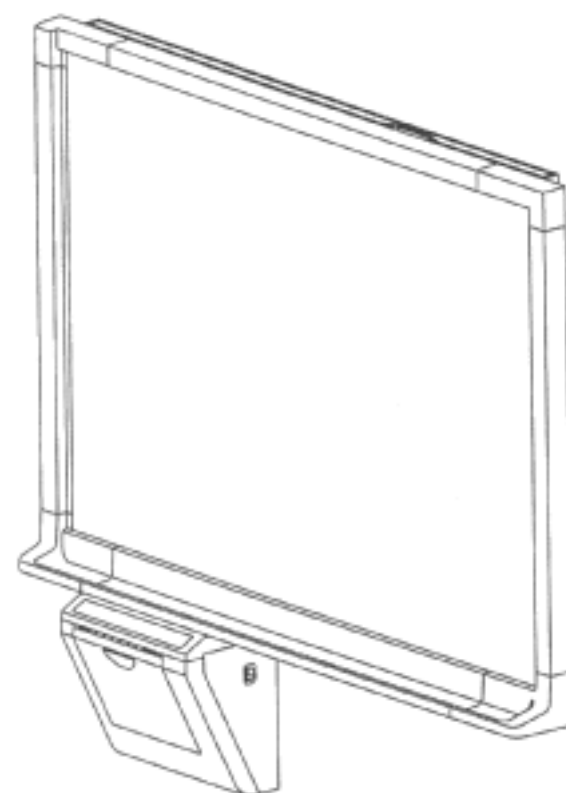




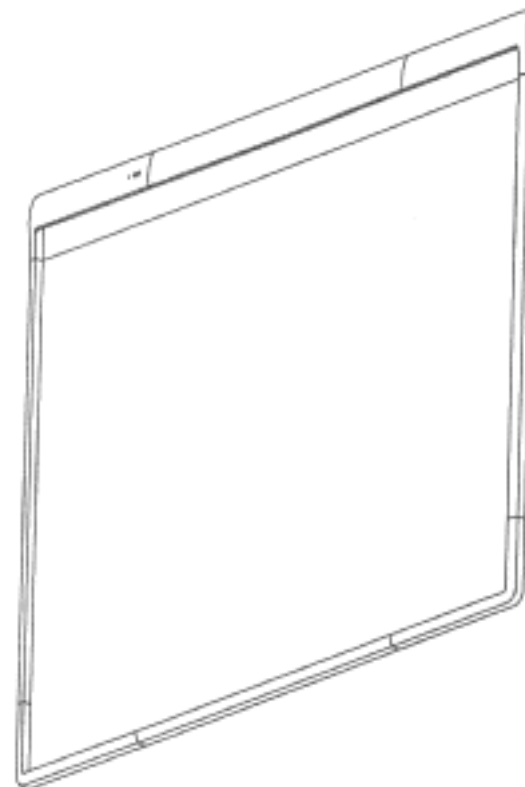
(21) Design Number: **12157/2012**  
(22) Date of Filing Application: **03 May 2012**  
(24) Date from which industrial property rights may have effect: **03 May 2012**  
(54) Product in respect of which the design is registered: **Support for rooftop utility**  
(51) International Design Classification: **08-08L**  
(74) Name(s) of Attorney(s): **Madderns**  
(71) Name(s) and Address(s) of Applicant(s):  
**Gary Ryan**  
**5 St Vincent Close Hallet Cove South Australia 5158 Australia**  
(72) Name(s) of Designer(s): **Gary Ryan**  
(45) Registration Date: **28 May 2012**  
(56) Related Art Documents: **Not Applicable**  
(57) Statement of Newness and Distinctiveness: **Nil**



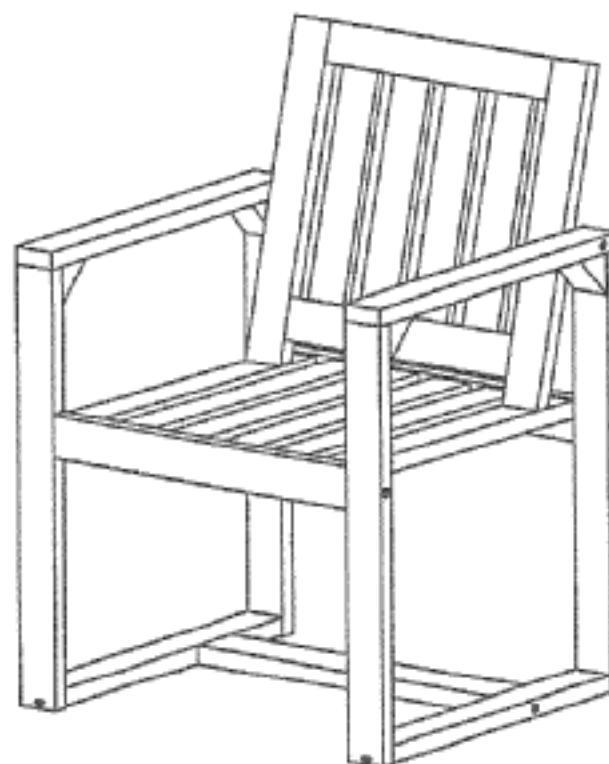
(21) Design Number: **12145/2012**  
(22) Date of Filing Application: **03 May 2012**  
(24) Date from which industrial property rights may have effect: **03 May 2012**  
(54) Product in respect of which the design is registered: **Electronic board**  
(51) International Design Classification: **14-01**  
(74) Name(s) of Attorney(s): **SPRUSON & FERGUSON**  
(71) Name(s) and Address(s) of Applicant(s):  
**Panasonic Corporation**  
**1006 Oaza Kadoma Kadoma-shi Osaka 571-8501 Japan**  
(72) Name(s) of Designer(s): **Toshihiro Nakashima**  
(45) Registration Date: **28 May 2012**  
(30) Convention priority data:  
(31) Number      (32) Date      (33) Country  
**2011-025707      08 Nov 2011      JAPAN**  
(56) Related Art Documents: **Not Applicable**  
(57) Statement of Newness and Distinctiveness: **Newness and distinctiveness is claimed in the features of shape and/or configuration of an electronic board as illustrated in the accompanying representations.**



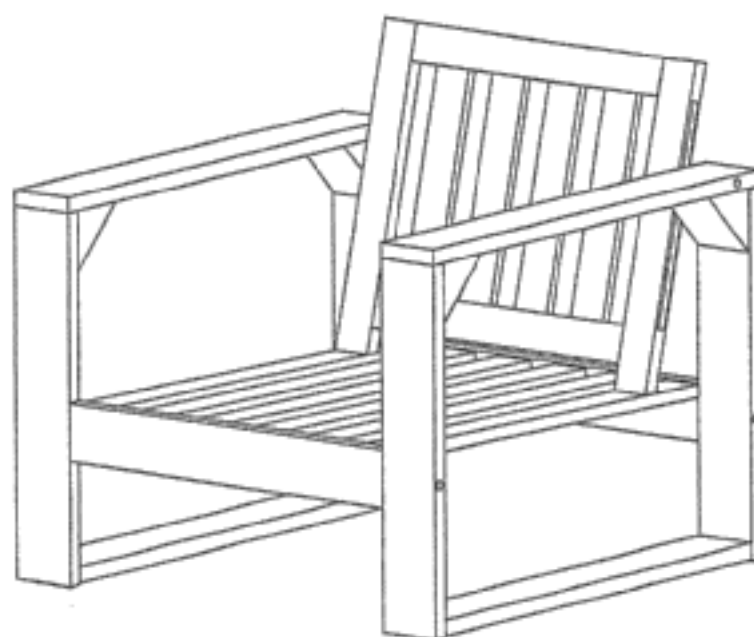
- (21) Design Number: **12146/2012**  
(22) Date of Filing Application: **03 May 2012**  
(24) Date from which industrial property rights may have effect: **03 May 2012**  
(54) Product in respect of which the design is registered: **Electronic board**  
(51) International Design Classification: **14-01**  
(74) Name(s) of Attorney(s): **SPRUSON & FERGUSON**  
(71) Name(s) and Address(s) of Applicant(s):  
**Panasonic Corporation**  
**1006 Oaza Kadoma Kadoma-shi Osaka 571-8501 Japan**  
(72) Name(s) of Designer(s): **Keiichi Okabe and Toshihiro Nakashima and Atsushi Tani**  
(45) Registration Date: **28 May 2012**  
(30) Convention priority data:  
(31) Number (32) Date (33) Country  
**2011-025709 08 Nov 2011 JAPAN**  
(56) Related Art Documents: **Not Applicable**  
(57) Statement of Newness and Distinctiveness: **Newness and distinctiveness is claimed in the features of shape and/or configuration of an electronic board as illustrated in the accompanying representations.**



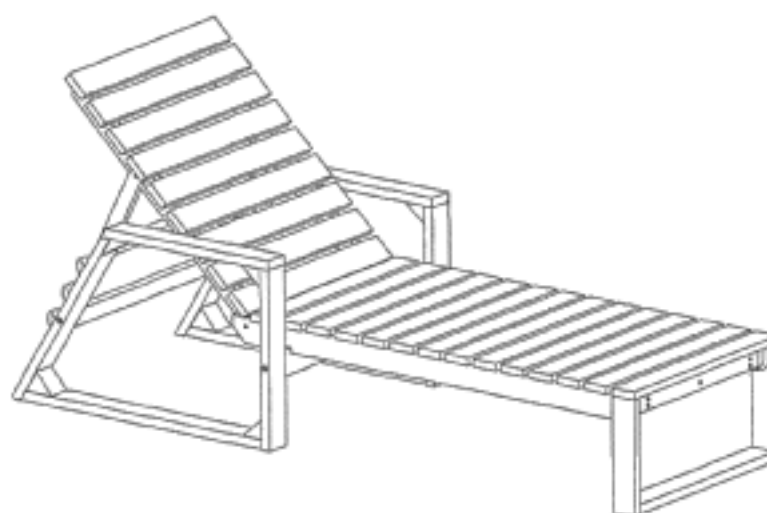
- (21) Design Number: **12147/2012**  
(22) Date of Filing Application: **04 May 2012**  
(24) Date from which industrial property rights may have effect: **04 May 2012**  
(54) Product in respect of which the design is registered: **Outdoor dining chair**  
(51) International Design Classification: **06-01H**  
(74) Name(s) of Attorney(s):  
(71) Name(s) and Address(s) of Applicant(s):  
**Super A-Mart Pty Ltd**  
**Cnr Pacific Motorway and Springwood Road Springwood Queensland**  
**4217 Australia**  
(72) Name(s) of Designer(s): **Casey Moore**  
(45) Registration Date: **28 May 2012**  
(56) Related Art Documents: **Not Applicable**  
(57) Statement of Newness and Distinctiveness: **Novelty is claimed in the shape and configuration as illustrated in the representation.**



- (21) Design Number: **12148/2012**  
(22) Date of Filing Application: **04 May 2012**  
(24) Date from which industrial property rights may have effect: **04 May 2012**  
(54) Product in respect of which the design is registered: **Outdoor lounge chair**  
(51) International Design Classification: **06-01H**  
(74) Name(s) of Attorney(s):  
(71) Name(s) and Address(s) of Applicant(s):  
**Super A-Mart Pty Ltd**  
**Corner Pacific Motorway Springwood Road Springwood Queensland**  
**4127 Australia**  
(72) Name(s) of Designer(s): **Casey Moore**  
(45) Registration Date: **28 May 2012**  
(56) Related Art Documents: **Not Applicable**  
(57) Statement of Newness and Distinctiveness: **Novelty is claimed in the shape and configuration as illustrated in the representation.**



- (21) Design Number: **12149/2012**  
(22) Date of Filing Application: **04 May 2012**  
(24) Date from which industrial property rights may have effect: **04 May 2012**  
(54) Product in respect of which the design is registered: **Outdoor sun lounge**  
(51) International Design Classification: **06-01H**  
(74) Name(s) of Attorney(s):  
(71) Name(s) and Address(s) of Applicant(s):  
**Super A-Mart Pty Ltd**  
**Corner Pacific Motorway Springwood Road Springwood Queensland**  
**4127 Australia**  
(72) Name(s) of Designer(s): **Casey Moore**  
(45) Registration Date: **28 May 2012**  
(56) Related Art Documents: **Not Applicable**  
(57) Statement of Newness and Distinctiveness: **Novelty is claimed in the shape and configuration as illustrated in the representation.**



(21) Design Number: **12150/2012**

(22) Date of Filing Application: **04 May 2012**

(24) Date from which industrial property rights may have effect: **04 May 2012**

(54) Product in respect of which the design is registered: **Outdoor sofa chair**

(51) International Design Classification: **06-01H**

(74) Name(s) of Attorney(s):

(71) Name(s) and Address(s) of Applicant(s):

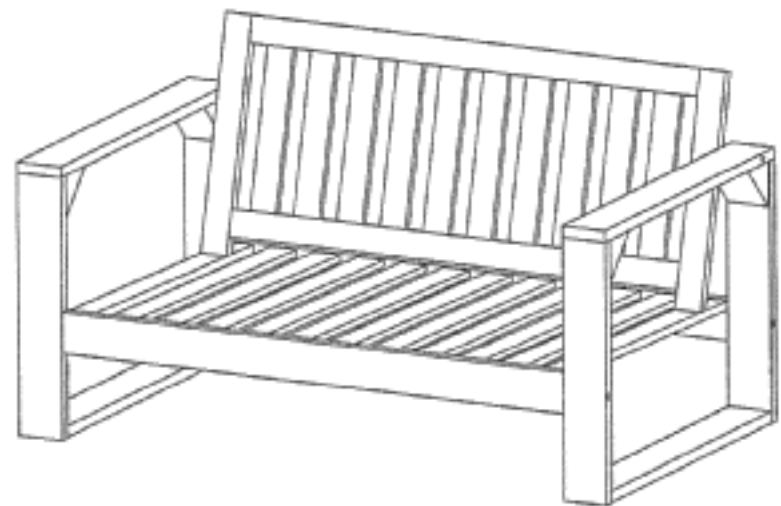
**Super A-Mart Pty Ltd**  
**Corner Pacific Motorway Springwood Road Springwood Queensland**  
**4127 Australia**

(72) Name(s) of Designer(s): **Casey Moore**

(45) Registration Date: **28 May 2012**

(56) Related Art Documents: **Not Applicable**

(57) Statement of Newness and Distinctiveness: **Novelty is claimed in the shape and configuration as illustrated in the representation.**



(21) Design Number: **12151/2012**

(22) Date of Filing Application: **04 May 2012**

(24) Date from which industrial property rights may have effect: **04 May 2012**

(54) Product in respect of which the design is registered: **Outdoor patio setting**

(51) International Design Classification: **06-01H**

(74) Name(s) of Attorney(s):

(71) Name(s) and Address(s) of Applicant(s):

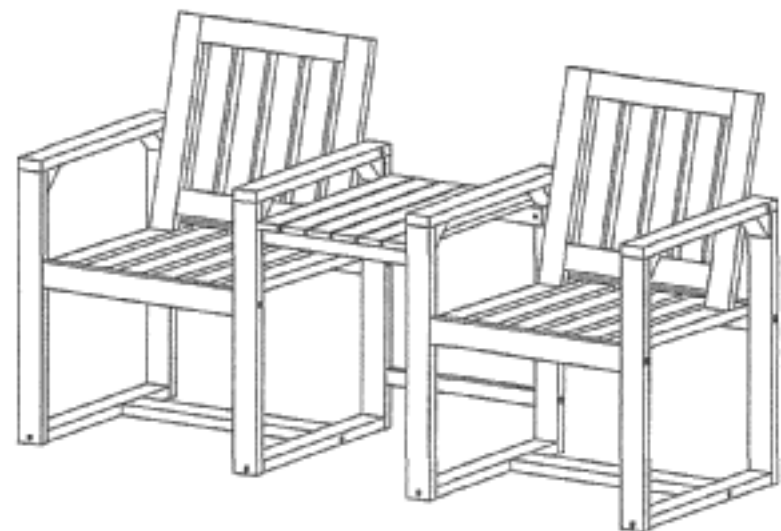
**Super A-Mart Pty Ltd**  
**Corner Pacific Motorway Springwood Road Springwood Queensland**  
**4127 Australia**

(72) Name(s) of Designer(s): **Casey Moore**

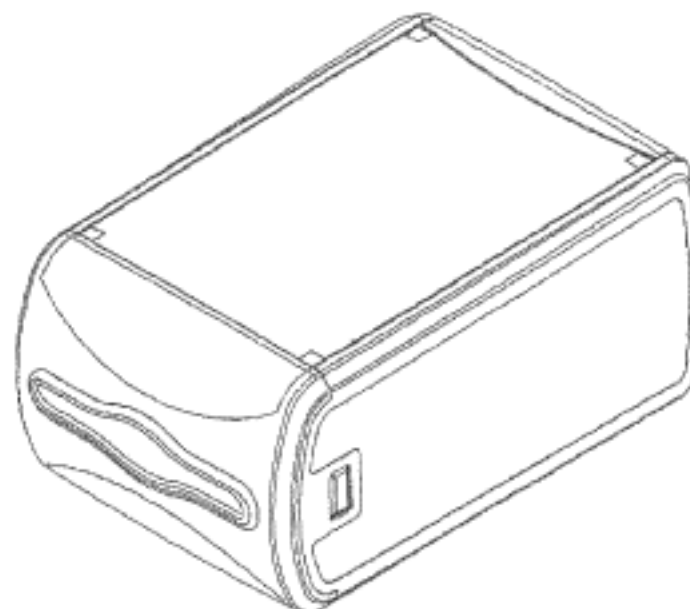
(45) Registration Date: **28 May 2012**

(56) Related Art Documents: **Not Applicable**

(57) Statement of Newness and Distinctiveness: **Novelty is claimed in the shape and configuration as illustrated in the representation.**



(21) Design Number: **10931/2012**  
(22) Date of Filing Application: **29 February 2012**  
(24) Date from which industrial property rights may have effect: **29 February 2012**  
(54) Product in respect of which the design is registered: **Dispenser**  
(51) International Design Classification: **23-02A**  
(74) Name(s) of Attorney(s): **WATERMARK PATENT AND TRADE MARKS ATTORNEYS**  
(71) Name(s) and Address(s) of Applicant(s):  
**SCA Hygiene Products AB**  
**S-405 03 Goteborg Sweden**  
(72) Name(s) of Designer(s): **Rodney A. Wilson Jr. and Justin Siebel and Leo Gonzales**  
(45) Registration Date: **29 May 2012**  
(30) Convention priority data:  
(31) Number (32) Date (33) Country  
**001293070 30 Aug 2011 EUROPEAN COMMUNITY**  
(56) Related Art Documents: **Not Applicable**  
(57) Statement of Newness and Distinctiveness: **Nil**



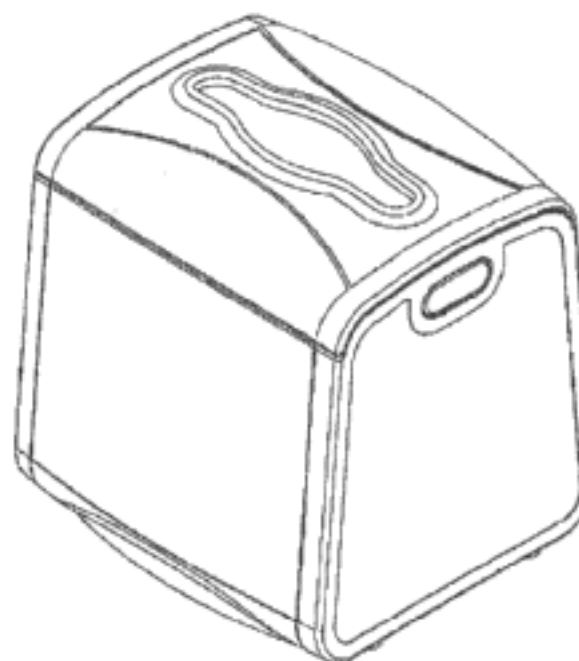
(21) Design Number: **12400/2012**  
(22) Date of Filing Application: **29 February 2012**  
(24) Date from which industrial property rights may have effect: **29 February 2012**  
(54) Product in respect of which the design is registered: **Dispenser**  
(51) International Design Classification: **23-02A**  
(74) Name(s) of Attorney(s): **WATERMARK PATENT AND TRADE MARKS ATTORNEYS**  
(71) Name(s) and Address(s) of Applicant(s):  
**SCA Hygiene Products AB**  
**S-405 03 Goteborg Sweden**  
(72) Name(s) of Designer(s): **Rodney A. Wilson Jr. and Justin Siebel and Leo Gonzales**  
(45) Registration Date: **29 May 2012**  
(30) Convention priority data:  
(31) Number (32) Date (33) Country  
**001293070 30 Aug 2011 EUROPEAN COMMUNITY**  
(62) Divisional of: **342745**  
(56) Related Art Documents: **Not Applicable**  
(57) Statement of Newness and Distinctiveness: **Nil**



(21) Design Number: **12401/2012**  
(22) Date of Filing Application: **29 February 2012**  
(24) Date from which industrial property rights may have effect: **29 February 2012**  
(54) Product in respect of which the design is registered: **Dispenser**  
(51) International Design Classification: **23-02A**  
(74) Name(s) of Attorney(s): **WATERMARK PATENT AND TRADE MARKS ATTORNEYS**  
(71) Name(s) and Address(s) of Applicant(s):  
**SCA Hygiene Products AB**  
**S-405 03 Goteborg Sweden**  
(72) Name(s) of Designer(s): **Rodney A. Wilson Jr. and Justin Siebel and Leo Gonzales**  
(45) Registration Date: **29 May 2012**  
(30) Convention priority data:  
(31) Number (32) Date (33) Country  
**001293070 30 Aug 2011 EUROPEAN COMMUNITY**  
(62) Divisional of: **342745**  
(56) Related Art Documents: **Not Applicable**  
(57) Statement of Newness and Distinctiveness: **Nil**



(21) Design Number: **12402/2012**  
(22) Date of Filing Application: **29 February 2012**  
(24) Date from which industrial property rights may have effect: **29 February 2012**  
(54) Product in respect of which the design is registered: **Dispenser**  
(51) International Design Classification: **23-02A**  
(74) Name(s) of Attorney(s): **WATERMARK PATENT AND TRADE MARKS ATTORNEYS**  
(71) Name(s) and Address(s) of Applicant(s):  
**SCA Hygiene Products AB**  
**S-405 03 Goteborg Sweden**  
(72) Name(s) of Designer(s): **Rodney A. Wilson Jr. and Justin Siebel and Leo Gonzales**  
(45) Registration Date: **29 May 2012**  
(30) Convention priority data:  
(31) Number (32) Date (33) Country  
**001293070 30 Aug 2011 EUROPEAN COMMUNITY**  
(62) Divisional of: **342745**  
(56) Related Art Documents: **Not Applicable**  
(57) Statement of Newness and Distinctiveness: **Nil**



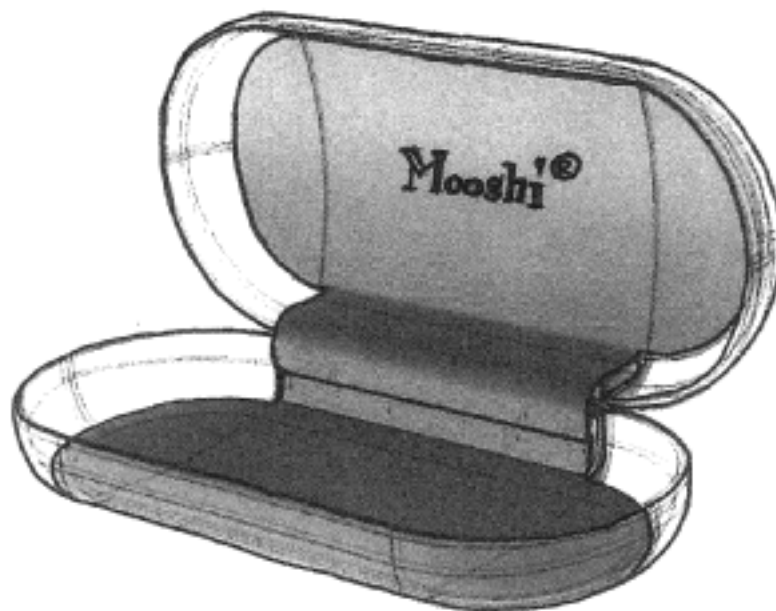
- (21) Design Number: **12403/2012**  
(22) Date of Filing Application: **29 February 2012**  
(24) Date from which industrial property rights may have effect: **29 February 2012**  
(54) Product in respect of which the design is registered: **Dispenser**  
(51) International Design Classification: **23-02A**  
(74) Name(s) of Attorney(s): **WATERMARK PATENT AND TRADE MARKS ATTORNEYS**  
(71) Name(s) and Address(s) of Applicant(s):  
**SCA Hygiene Products AB**  
**S-405 03 Goteborg Sweden**  
(72) Name(s) of Designer(s): **Rodney A. Wilson Jr. and Justin Siebel and Leo Gonzales**  
(45) Registration Date: **29 May 2012**  
(30) Convention priority data:  
(31) Number (32) Date (33) Country  
**001293070 30 Aug 2011 EUROPEAN COMMUNITY**  
(62) Divisional of: **342745**  
(56) Related Art Documents: **Not Applicable**  
(57) Statement of Newness and Distinctiveness: **Nil**



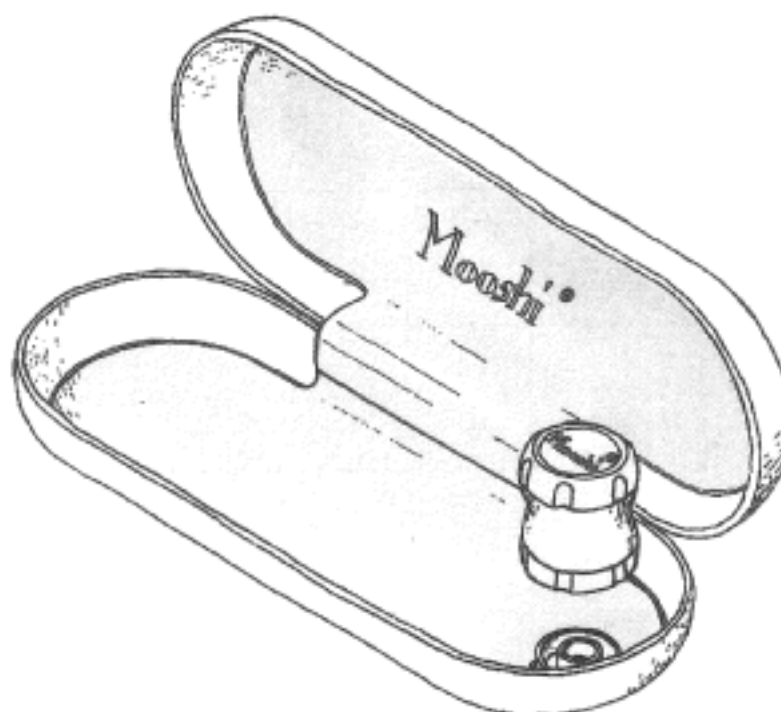
- (21) Design Number: **11363/2012**  
(22) Date of Filing Application: **15 March 2012**  
(24) Date from which industrial property rights may have effect: **15 March 2012**  
(54) Product in respect of which the design is registered: **OLED television receiver**  
(51) International Design Classification: **14-03B**  
(74) Name(s) of Attorney(s): **FB Rice**  
(71) Name(s) and Address(s) of Applicant(s):  
**LG Electronics Inc.,**  
**20 Yeouido-dong Yeongdeungpo-gu Seoul 150-721 Republic of Korea**  
(72) Name(s) of Designer(s): **Yoo Seok Kim and Woo Suk Park and Hye Young Hong and Ji Yeon Lee**  
(45) Registration Date: **29 May 2012**  
(30) Convention priority data:  
(31) Number (32) Date (33) Country  
**30-2011-0041681 07 Oct 2011 REPUBLIC OF KOREA**  
(56) Related Art Documents: **Not Applicable**  
(57) Statement of Newness and Distinctiveness: **Newness and distinctiveness reside in the visual features of the design as shown in the representations.**



- (21) Design Number: **12058/2012**  
(22) Date of Filing Application: **27 April 2012**  
(24) Date from which industrial property rights may have effect: **27 April 2012**  
(54) Product in respect of which the design is registered: **Case for a pair of spectacles/eyeglasses/sunglasses**  
(51) International Design Classification: **03-01NES**  
(74) Name(s) of Attorney(s):  
(71) Name(s) and Address(s) of Applicant(s):  
**Olivia Torma**  
**10 Lords Street Wellington Point Queensland 4160 Australia**  
(72) Name(s) of Designer(s): **Olivia Torma**  
(45) Registration Date: **29 May 2012**  
(56) Related Art Documents: **Not Applicable**  
(57) Statement of Newness and Distinctiveness: **A plastic case with the benefit of a combination of an In-Mould Decoration (IMD) label and textile lining to the interior and exterior surfaces with a transparent or clear interior viewing perimeter.**

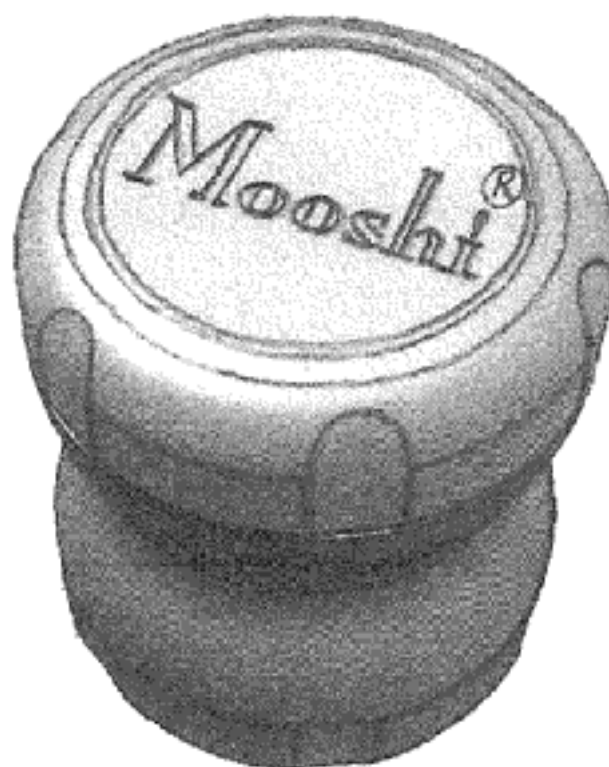


- (21) Design Number: **12059/2012**  
(22) Date of Filing Application: **27 April 2012**  
(24) Date from which industrial property rights may have effect: **27 April 2012**  
(54) Product in respect of which the design is registered: **Combination case for storing spectacles/eyeglasses/ sunglasses (one pair only of either) together**  
(51) International Design Classification: **03-01NES**  
(74) Name(s) of Attorney(s):  
(71) Name(s) and Address(s) of Applicant(s):  
**Olivia Torma**  
**10 Lords Street Wellington Point Queensland 4160 Australia**  
(72) Name(s) of Designer(s): **Olivia Torma**  
(45) Registration Date: **29 May 2012**  
(56) Related Art Documents: **Not Applicable**  
(57) Statement of Newness and Distinctiveness: **A plastic case with a combination of an In-Mould Decoration label and textile lining to the interior and exterior surfaces with a transparent or clear viewing perimeter and a compact and fitted contact lens case.**

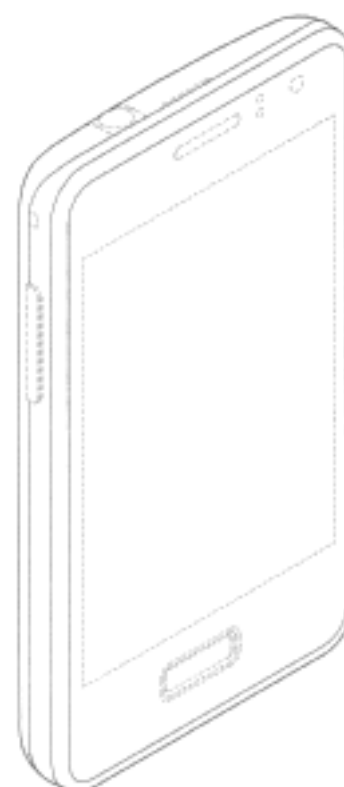




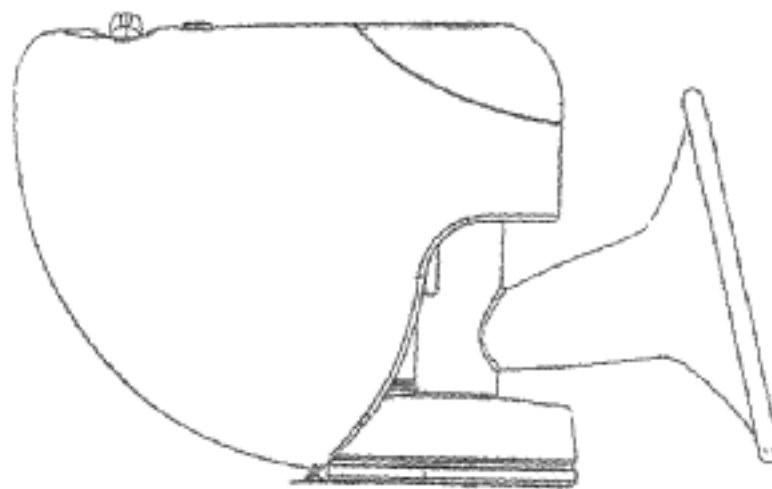
- (21) Design Number: **12060/2012**  
(22) Date of Filing Application: **27 April 2012**  
(24) Date from which industrial property rights may have effect: **27 April 2012**  
(54) Product in respect of which the design is registered: **A compact contact lens case for storing contact lenses in solution**  
(51) International Design Classification: **03-01NES**  
(74) Name(s) of Attorney(s):  
(71) Name(s) and Address(s) of Applicant(s):  
**Olivia Torma**  
**10 Lords Street Wellington Point Queensland 4160 Australia**  
(72) Name(s) of Designer(s): **Olivia Torma**  
(45) Registration Date: **29 May 2012**  
(56) Related Art Documents: **Not Applicable**  
(57) Statement of Newness and Distinctiveness: **A compact double ended contact lens case which can be fitted to an eyeglasses case as described in design No. 2 of this application, and for which it is solely designed.**



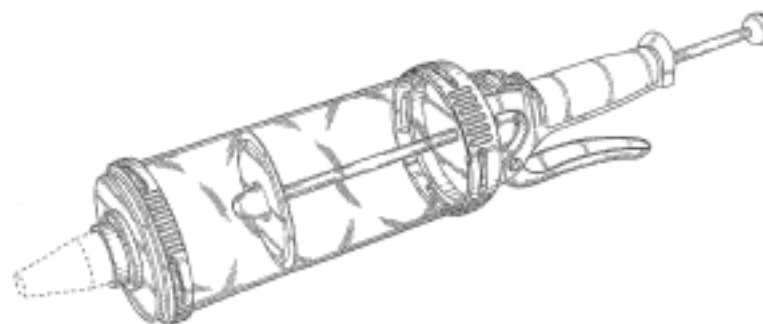
- (21) Design Number: **12158/2012**  
(22) Date of Filing Application: **03 May 2012**  
(24) Date from which industrial property rights may have effect: **03 May 2012**  
(54) Product in respect of which the design is registered: **Mobile communication terminal**  
(51) International Design Classification: **14-03A**  
(74) Name(s) of Attorney(s): **Griffith Hack**  
(71) Name(s) and Address(s) of Applicant(s):  
**Samsung Electronics Co., Ltd.**  
**416 Maetang-dong Yeongtong-gu Suwon-si Gyeonggi-do 442-742**  
**Republic of Korea**  
(72) Name(s) of Designer(s): **Kim Chang-Hwan**  
(45) Registration Date: **29 May 2012**  
(30) Convention priority data:  
(31) Number (32) Date (33) Country  
**30-2012-0002147 16 Jan 2012 REPUBLIC OF KOREA**  
(56) Related Art Documents: **Not Applicable**  
(57) Statement of Newness and Distinctiveness: **The shape and configuration of the product as illustrated by solid lines in the representations is new and distinctive. Those parts illustrated by means of dashed lines has been included for illustrative purposes and does not form part of the design.**



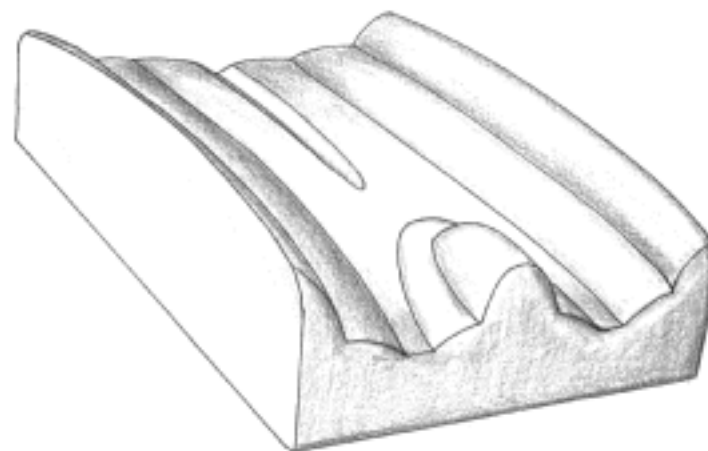
(21) Design Number: **12297/2012**  
(22) Date of Filing Application: **14 May 2012**  
(24) Date from which industrial property rights may have effect: **14 May 2012**  
(54) Product in respect of which the design is registered: **Breast pump**  
(51) International Design Classification: **24-02**  
(74) Name(s) of Attorney(s): **Gilbert + Tobin Lawyers**  
(71) Name(s) and Address(s) of Applicant(s):  
**Mothercare UK Limited**  
**Cherry Tree Road Watford Hertfordshire WD24 6SH United Kingdom**  
(72) Name(s) of Designer(s): **Paul Walker and Paul Oxley and Gareth McNeil**  
(45) Registration Date: **29 May 2012**  
(30) Convention priority data:  
(31) Number (32) Date (33) Country  
**001302814 17 Nov 2011 EUROPEAN COMMUNITY**  
(56) Related Art Documents: **Not Applicable**  
(57) Statement of Newness and Distinctiveness: **Nil**



(21) Design Number: **11741/2012**  
(22) Date of Filing Application: **05 April 2012**  
(24) Date from which industrial property rights may have effect: **05 April 2012**  
(54) Product in respect of which the design is registered: **Culinary paste gun**  
(51) International Design Classification: **31-00**  
(74) Name(s) of Attorney(s): **Davies Collison Cave**  
(71) Name(s) and Address(s) of Applicant(s):  
**De Buyer Industries**  
**25 Faymont Le Val d'Ajol F-88340 France**  
(72) Name(s) of Designer(s): **Jean-Noel Mathieu**  
(45) Registration Date: **30 May 2012**  
(30) Convention priority data:  
(31) Number (32) Date (33) Country  
**629335701 04 Oct 2011 WORLD INTELLECTUAL  
PROPERTY ORGANIZATION  
(WIPO)**  
(56) Related Art Documents: **Not Applicable**  
(57) Statement of Newness and Distinctiveness: **Newness and distinctiveness is  
claimed in the visual features shown in solid lines in the representations.**



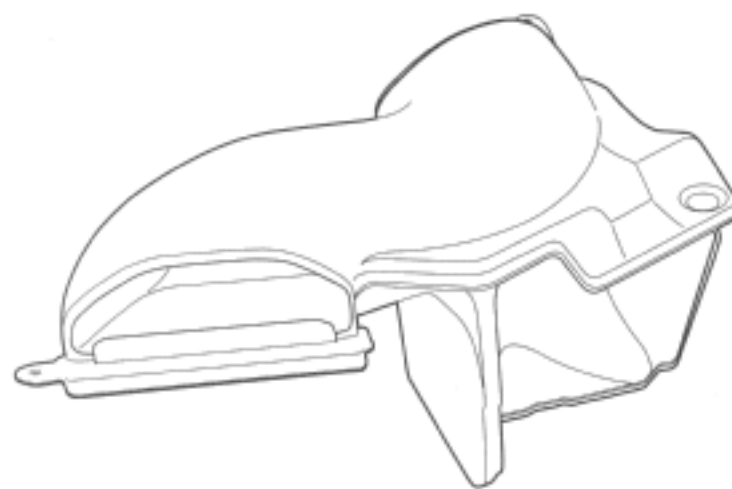
(21) Design Number: **12165/2012**  
(22) Date of Filing Application: **07 May 2012**  
(24) Date from which industrial property rights may have effect: **07 May 2012**  
(54) Product in respect of which the design is registered: **A cushion**  
(51) International Design Classification: **06-09**  
(74) Name(s) of Attorney(s): **A.J. Pietras & Co**  
(71) Name(s) and Address(s) of Applicant(s):  
**Rouand James Mortimer Scarlett**  
**67 Trafalgar Street Onehunga Auckland 1061 New Zealand**  
(72) Name(s) of Designer(s): **Rouand James Mortimer Scarlett**  
(45) Registration Date: **30 May 2012**  
(30) Convention priority data:  
(31) Number (32) Date (33) Country  
**416218 03 May 2012 NEW ZEALAND**  
(56) Related Art Documents: **Not Applicable**  
(57) Statement of Newness and Distinctiveness: **Novelty resides in the features of shape and configuration shown in the accompanying representations.**



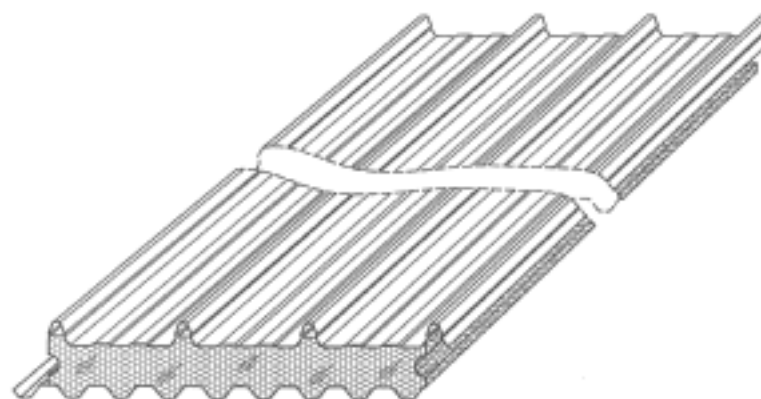
(21) Design Number: **12166/2012**  
(22) Date of Filing Application: **04 May 2012**  
(24) Date from which industrial property rights may have effect: **04 May 2012**  
(54) Product in respect of which the design is registered: **Garden memorial plaque**  
(51) International Design Classification: **11-02F**  
(74) Name(s) of Attorney(s):  
(71) Name(s) and Address(s) of Applicant(s):  
**Karina Clarke**  
**16 Drew Street Yarraville Victoria 3013 Australia**  
(72) Name(s) of Designer(s): **Karina Clarke**  
(45) Registration Date: **30 May 2012**  
(56) Related Art Documents: **Not Applicable**  
(57) Statement of Newness and Distinctiveness: **Anodised aluminium garden memorial plaque with folded flange for additional strength.**



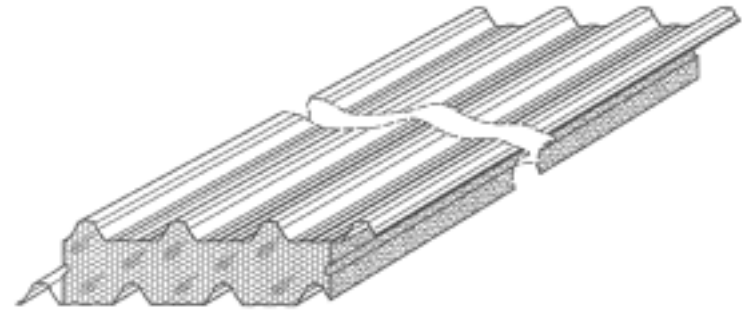
- (21) Design Number: **12171/2012**  
(22) Date of Filing Application: **08 May 2012**  
(24) Date from which industrial property rights may have effect: **08 May 2012**  
(54) Product in respect of which the design is registered: **Air intake for a motor vehicle**  
(51) International Design Classification: **12-16NES**  
(74) Name(s) of Attorney(s):  
(71) Name(s) and Address(s) of Applicant(s):  
**OMF Engineering P/L**  
**90 Waterloo Road Moe Victoria 3825 Australia**  
(72) Name(s) of Designer(s): **Jonathon Ouellette**  
(45) Registration Date: **30 May 2012**  
(56) Related Art Documents: **Not Applicable**  
(57) Statement of Newness and Distinctiveness: **Newness & distinctiveness is claimed in the feature of shape and or configuration of a motor vehicle air intake device as illustrated in the accompanying representations.**



- (21) Design Number: **12172/2012**  
(22) Date of Filing Application: **08 May 2012**  
(24) Date from which industrial property rights may have effect: **08 May 2012**  
(54) Product in respect of which the design is registered: **Double skin roof panel**  
(51) International Design Classification: **25-01G**  
(74) Name(s) of Attorney(s): **Sandercock & Cowie**  
(71) Name(s) and Address(s) of Applicant(s):  
**Zipperlock Steel Buildings Pty. Ltd.**  
**42-44 Malvern Street Bayswater Victoria 3153 Australia**  
(72) Name(s) of Designer(s): **Dean Moreland Rusling**  
(45) Registration Date: **30 May 2012**  
(56) Related Art Documents: **Not Applicable**  
(57) Statement of Newness and Distinctiveness: **Newness and distinctiveness reside in the shape and configuration of the double skin roof panel section as shown in the accompanying representations. The section is of indefinite length. The core appearance is not limited to the hexagonal motif shown.**



- (21) Design Number: **12173/2012**  
(22) Date of Filing Application: **08 May 2012**  
(24) Date from which industrial property rights may have effect: **08 May 2012**  
(54) Product in respect of which the design is registered: **Double skin roof panel**  
(51) International Design Classification: **25-01G**  
(74) Name(s) of Attorney(s): **Sandercock & Cowie**  
(71) Name(s) and Address(s) of Applicant(s):  
**Zipperlock Steel Buildings Pty. Ltd.**  
**42-44 Malvern Street Bayswater Victoria 3153 Australia**  
(72) Name(s) of Designer(s): **Dean Moreland Rusling**  
(45) Registration Date: **30 May 2012**  
(56) Related Art Documents: **Not Applicable**  
(57) Statement of Newness and Distinctiveness: **Newness and distinctiveness reside in the shape and configuration of the double skin roof panel section as shown in the accompanying representations. The section is of indefinite length. The core appearance is not limited to the hexagonal motif shown.**



- (21) Design Number: **12174/2012**  
(22) Date of Filing Application: **07 May 2012**  
(24) Date from which industrial property rights may have effect: **07 May 2012**  
(54) Product in respect of which the design is registered: **Gaming simulator frame and seat**  
(51) International Design Classification: **06-01NES, 21-03**  
(74) Name(s) of Attorney(s): **Collison & Co**  
(71) Name(s) and Address(s) of Applicant(s):  
**Pagnian Imports Pty Ltd**  
**3/26 Taree Street West Burleigh Queensland 4219 Australia**  
(72) Name(s) of Designer(s): **Hessam Ghahramanian**  
(45) Registration Date: **30 May 2012**  
(56) Related Art Documents: **Not Applicable**  
(57) Statement of Newness and Distinctiveness: **Nil**



(21) Design Number: **11627/2012**

(22) Date of Filing Application: **29 March 2012**

(24) Date from which industrial property rights may have effect: **29 March 2012**

(54) Product in respect of which the design is registered: **Insect Repellent Clip**

(51) International Design Classification: **22-06**

(74) Name(s) of Attorney(s): **James & Wells Intellectual Property**

(71) Name(s) and Address(s) of Applicant(s):

**Evergreen Land Limited**

**Unit 1A 20/F Far East Consortium Building 121 Des Voeux Road Central  
Hong Kong Hong Kong**

(72) Name(s) of Designer(s): **Olivier Partrat**

(45) Registration Date: **30 May 2012**

(56) Related Art Documents: **Not Applicable**

(57) Statement of Newness and Distinctiveness: **The design is to be applied to an insect repellent clip and the novelty resides in features of shape and configuration and pattern and ornamentation as shown in the accompanying representations. Novelty is disclaimed in the parts marked with blue wash.**



(21) Design Number: **11628/2012**

(22) Date of Filing Application: **29 March 2012**

(24) Date from which industrial property rights may have effect: **29 March 2012**

(54) Product in respect of which the design is registered: **Insect Repellent Band**

(51) International Design Classification: **22-06**

(74) Name(s) of Attorney(s): **James & Wells Intellectual Property**

(71) Name(s) and Address(s) of Applicant(s):

**Evergreen Land Limited**

**Unit 1A 20/F Far East Consortium Building 121 Des Voeux Road Central  
Hong Kong Hong Kong**

(72) Name(s) of Designer(s): **Olivier Partrat**

(45) Registration Date: **30 May 2012**

(56) Related Art Documents: **Not Applicable**

(57) Statement of Newness and Distinctiveness: **The design is to be applied to an insect repellent band and the novelty resides in features of shape and configuration and pattern and ornamentation as shown in the accompanying representations. Novelty is disclaimed in the parts marked with blue wash.**



(21) Design Number: **12162/2012**

(22) Date of Filing Application: **04 May 2012**

(24) Date from which industrial property rights may have effect: **04 May 2012**

(54) Product in respect of which the design is registered: **Bottle**

(51) International Design Classification: **09-01G, 09-01D**

(74) Name(s) of Attorney(s): **SPRUSON & FERGUSON**

(71) Name(s) and Address(s) of Applicant(s):

**Andrew F. Herbst**

**54 Copper Meadow Drive Copperopolis California 95228 United States of America**

(72) Name(s) of Designer(s): **Andrew F. Herbst**

(45) Registration Date: **30 May 2012**

(30) Convention priority data:

(31) Number	(32) Date	(33) Country
<b>29/405798</b>	<b>07 Nov 2011</b>	<b>UNITED STATES OF AMERICA</b>

(56) Related Art Documents: **Not Applicable**

(57) Statement of Newness and Distinctiveness: **Newness and distinctiveness is claimed in the features of shape and/or configuration of a bottle as illustrated in the accompanying representations.**



(21) Design Number: **12163/2012**

(22) Date of Filing Application: **04 May 2012**

(24) Date from which industrial property rights may have effect: **04 May 2012**

(54) Product in respect of which the design is registered: **Fuel surge tank kit**

(51) International Design Classification: **12-16NES**

(74) Name(s) of Attorney(s):

(71) Name(s) and Address(s) of Applicant(s):

**Julian Austin**

**13 Holbrook Street Bossley Park New South Wales 2176 Australia**

(72) Name(s) of Designer(s): **Julian Austin**

(45) Registration Date: **30 May 2012**

(56) Related Art Documents: **Not Applicable**

(57) Statement of Newness and Distinctiveness: **Integration of fuel pumps and fuel surge tank in a manner which has never been attempted. Allows users to operate system in a compact space whilst visually clear design.**

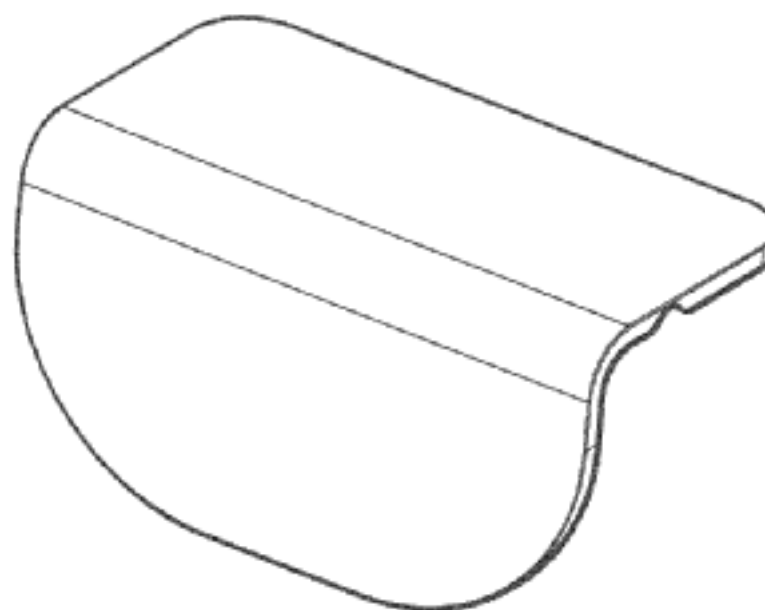




(21) Design Number: **12176/2012**  
(22) Date of Filing Application: **07 May 2012**  
(24) Date from which industrial property rights may have effect: **07 May 2012**  
(54) Product in respect of which the design is registered: **Drink flask**  
(51) International Design Classification: **09-01K**  
(74) Name(s) of Attorney(s): **Callinans**  
(71) Name(s) and Address(s) of Applicant(s):  
**The Decor Corporation Pty. Ltd.**  
**1314 Ferntree Gully Road Scoresby Victoria 3179 Australia**  
(72) Name(s) of Designer(s): **Arthur Richard Carlson**  
(45) Registration Date: **30 May 2012**  
(56) Related Art Documents: **Not Applicable**  
(57) Statement of Newness and Distinctiveness: **Nil**

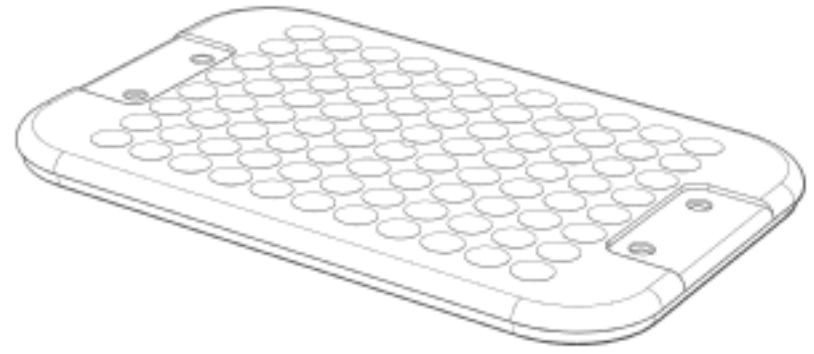


(21) Design Number: **12177/2012**  
(22) Date of Filing Application: **07 May 2012**  
(24) Date from which industrial property rights may have effect: **07 May 2012**  
(54) Product in respect of which the design is registered: **Latch for lunchbox**  
(51) International Design Classification: **07-01NES**  
(74) Name(s) of Attorney(s): **Callinans**  
(71) Name(s) and Address(s) of Applicant(s):  
**The Decor Corporation Pty. Ltd.**  
**1314 Ferntree Gully Road Scoresby Victoria 3179 Australia**  
(72) Name(s) of Designer(s): **Arthur Richard Carlson**  
(45) Registration Date: **30 May 2012**  
(56) Related Art Documents: **Not Applicable**  
(57) Statement of Newness and Distinctiveness: **Nil**

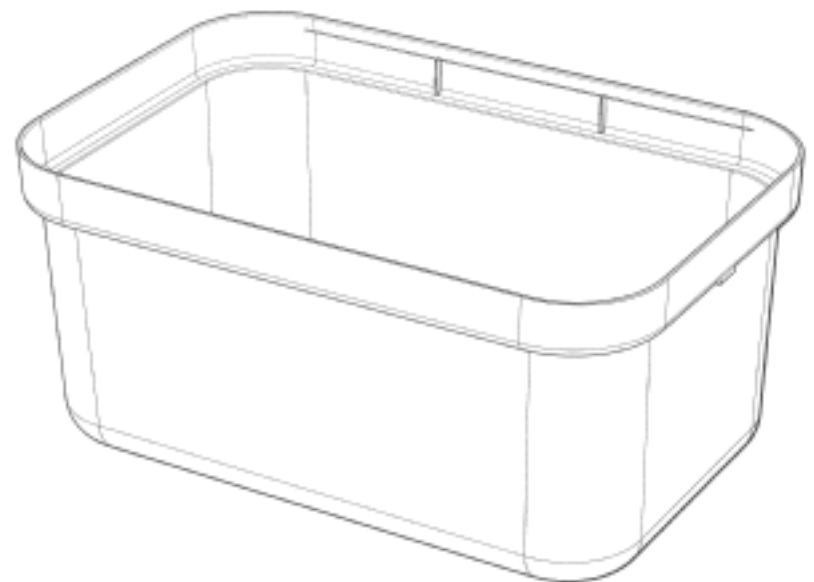




- (21) Design Number: **12178/2012**  
(22) Date of Filing Application: **07 May 2012**  
(24) Date from which industrial property rights may have effect: **07 May 2012**  
(54) Product in respect of which the design is registered: **Lunchbox lid**  
(51) International Design Classification: **07-01NES**  
(74) Name(s) of Attorney(s): **Callinans**  
(71) Name(s) and Address(s) of Applicant(s):  
**The Decor Corporation Pty. Ltd.**  
**1314 Ferntree Gully Road Scoresby Victoria 3179 Australia**  
(72) Name(s) of Designer(s): **Arthur Richard Carlson**  
(45) Registration Date: **30 May 2012**  
(56) Related Art Documents: **Not Applicable**  
(57) Statement of Newness and Distinctiveness: **Nil**



- (21) Design Number: **12179/2012**  
(22) Date of Filing Application: **07 May 2012**  
(24) Date from which industrial property rights may have effect: **07 May 2012**  
(54) Product in respect of which the design is registered: **Lunchbox base**  
(51) International Design Classification: **07-01NES**  
(74) Name(s) of Attorney(s): **Callinans**  
(71) Name(s) and Address(s) of Applicant(s):  
**The Decor Corporation Pty. Ltd.**  
**1314 Ferntree Gully Road Scoresby Victoria 3179 Australia**  
(72) Name(s) of Designer(s): **Arthur Richard Carlson**  
(45) Registration Date: **30 May 2012**  
(56) Related Art Documents: **Not Applicable**  
(57) Statement of Newness and Distinctiveness: **Nil**



(21) Design Number: **15680/2011**  
(22) Date of Filing Application: **08 December 2011**  
(24) Date from which industrial property rights may have effect: **08 December 2011**  
(54) Product in respect of which the design is registered: **Split juice box**  
(51) International Design Classification: **09-03M**  
(74) Name(s) of Attorney(s):  
(71) Name(s) and Address(s) of Applicant(s):  
**Susan Plunkett**  
**23/32-42 Rosehill Street Redfern New South Wales 2016 Australia**  
(72) Name(s) of Designer(s): **Susan Plunkett**  
(45) Registration Date: **31 May 2012**  
(56) Related Art Documents: **Not Applicable**  
(57) Statement of Newness and Distinctiveness: **Nil**



(21) Design Number: **11942/2012**  
(22) Date of Filing Application: **19 April 2012**  
(24) Date from which industrial property rights may have effect: **19 April 2012**  
(54) Product in respect of which the design is registered: **A bottle**  
(51) International Design Classification: **09-01H**  
(74) Name(s) of Attorney(s): **Shelston IP**  
(71) Name(s) and Address(s) of Applicant(s):  
**Owens-Brockway Glass Container Inc.**  
**One Michael Owens Way Perrysburg Ohio 43551 United States of America**  
(72) Name(s) of Designer(s): **Roger P. Smith**  
(45) Registration Date: **31 May 2012**  
(30) Convention priority data:  
(31) Number      (32) Date      (33) Country  
**29/404900      26 Oct 2011      UNITED STATES OF AMERICA**  
(56) Related Art Documents: **Not Applicable**  
(57) Statement of Newness and Distinctiveness: **Nil**



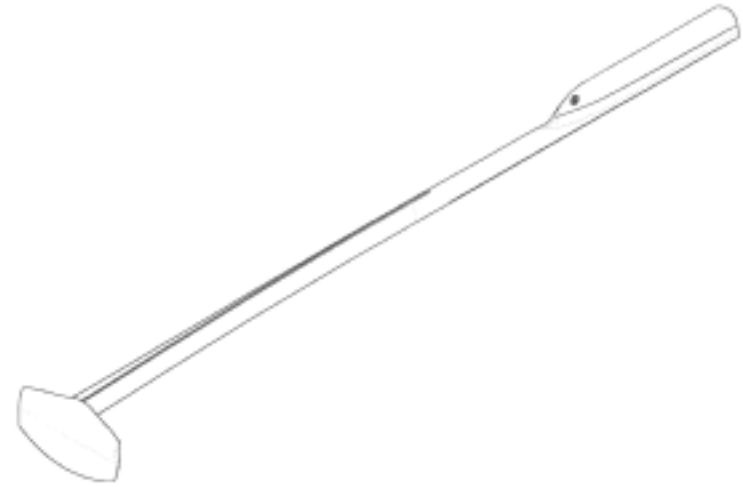
- (21) Design Number: **11987/2012**  
(22) Date of Filing Application: **20 April 2012**  
(24) Date from which industrial property rights may have effect: **20 April 2012**  
(54) Product in respect of which the design is registered: **Sports drink cap**  
(51) International Design Classification: **09-07C**  
(74) Name(s) of Attorney(s): **Franke Hyland**  
(71) Name(s) and Address(s) of Applicant(s):  
**Bevco Pty Ltd**  
**PO Box 1024 Mudgee New South Wales 2850 Australia**  
(72) Name(s) of Designer(s): **Phillip Higgins and Larry Etherington**  
(45) Registration Date: **31 May 2012**  
(56) Related Art Documents: **Not Applicable**  
(57) Statement of Newness and Distinctiveness: **Newness and distinctiveness is claimed in the shape and configuration of the sports drink cap as represented in the drawings.**



- (21) Design Number: **12008/2012**  
(22) Date of Filing Application: **24 April 2012**  
(24) Date from which industrial property rights may have effect: **24 April 2012**  
(54) Product in respect of which the design is registered: **Cosmetic bottle with lid**  
(51) International Design Classification: **09-01G**  
(74) Name(s) of Attorney(s): **SPRUSON & FERGUSON**  
(71) Name(s) and Address(s) of Applicant(s):  
**Laboratoires La Prairie SA**  
**Industriestrasse 8 8604 Volketswil Switzerland**  
(72) Name(s) of Designer(s): **Anil Kalyanpur and Richard Suhr**  
(45) Registration Date: **31 May 2012**  
(56) Related Art Documents: **Not Applicable**  
(57) Statement of Newness and Distinctiveness: **Newness and distinctiveness is claimed in the features of shape and/or configuration of a cosmetic bottle with lid as illustrated in the accompanying representations, apart from the cosmetic product that is visible through the transparent portion of the cosmetic bottle, and apart from the text on the lid.**



(21) Design Number: **12273/2012**  
(22) Date of Filing Application: **27 April 2012**  
(24) Date from which industrial property rights may have effect: **27 April 2012**  
(54) Product in respect of which the design is registered: **Scraper for use in extracting contents of jars or other cylindrical containers**  
(51) International Design Classification: **07-06NES**  
(74) Name(s) of Attorney(s):  
(71) Name(s) and Address(s) of Applicant(s):  
**Michael O'Connell**  
**22 Luccomb Way Karrinyup Western Australia 6018 Australia**  
(72) Name(s) of Designer(s): **Michael O'Connell and Edward Joseph Khoury**  
(45) Registration Date: **31 May 2012**  
(56) Related Art Documents: **Not Applicable**  
(57) Statement of Newness and Distinctiveness: **Nil**



(21) Design Number: **12230/2012**  
(22) Date of Filing Application: **09 May 2012**  
(24) Date from which industrial property rights may have effect: **09 May 2012**  
(54) Product in respect of which the design is registered: **Tile**  
(51) International Design Classification: **25-01F**  
(74) Name(s) of Attorney(s):  
(71) Name(s) and Address(s) of Applicant(s):  
**Malgorzata Growinska**  
**470B Williamstown Road Port Melbourne Victoria 3207 Australia**  
(72) Name(s) of Designer(s): **Malgorzata Growinska**  
(45) Registration Date: **31 May 2012**  
(56) Related Art Documents: **Not Applicable**  
(57) Statement of Newness and Distinctiveness: **Those 3-dimentional, architectural tiles are creating a very rich, organic and sculptural surface.**



(21) Design Number: **12231/2012**  
(22) Date of Filing Application: **10 May 2012**  
(24) Date from which industrial property rights may have effect: **10 May 2012**  
(54) Product in respect of which the design is registered: **A coffee machine**  
(51) International Design Classification: **07-02L**  
(74) Name(s) of Attorney(s): **Banki Haddock Fiora**  
(71) Name(s) and Address(s) of Applicant(s):  
**Societe des Produits Nestle S.A.**  
**1800 Vevey Switzerland**  
(72) Name(s) of Designer(s): **Antoine Cahen**  
(45) Registration Date: **31 May 2012**  
(30) Convention priority data:  
(31) Number (32) Date (33) Country  
**138617 24 Feb 2012 SWITZERLAND**  
(56) Related Art Documents: **Not Applicable**  
(57) Statement of Newness and Distinctiveness: **Nil**



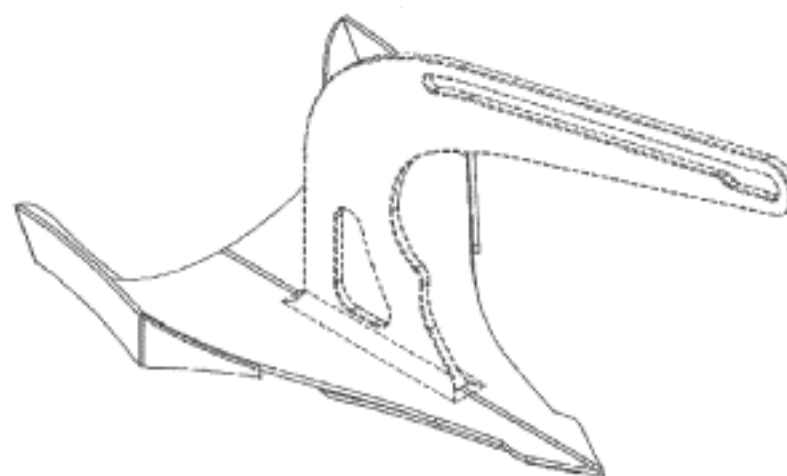
(21) Design Number: **12232/2012**  
(22) Date of Filing Application: **10 May 2012**  
(24) Date from which industrial property rights may have effect: **10 May 2012**  
(54) Product in respect of which the design is registered: **A coffee machine**  
(51) International Design Classification: **07-02L**  
(74) Name(s) of Attorney(s): **Banki Haddock Fiora**  
(71) Name(s) and Address(s) of Applicant(s):  
**Societe des Produits Nestle S.A.**  
**1800 Vevey Switzerland**  
(72) Name(s) of Designer(s): **Antoine Cahen**  
(45) Registration Date: **31 May 2012**  
(30) Convention priority data:  
(31) Number (32) Date (33) Country  
**138617 24 Feb 2012 SWITZERLAND**  
(56) Related Art Documents: **Not Applicable**  
(57) Statement of Newness and Distinctiveness: **Nil**



(21) Design Number: **12233/2012**  
(22) Date of Filing Application: **10 May 2012**  
(24) Date from which industrial property rights may have effect: **10 May 2012**  
(54) Product in respect of which the design is registered: **A coffee machine**  
(51) International Design Classification: **07-02L**  
(74) Name(s) of Attorney(s): **Banki Haddock Fiora**  
(71) Name(s) and Address(s) of Applicant(s):  
**Societe des Produits Nestle S.A.**  
**1800 Vevey Switzerland**  
(72) Name(s) of Designer(s): **Antoine Cahen**  
(45) Registration Date: **31 May 2012**  
(30) Convention priority data:  
(31) Number (32) Date (33) Country  
**138617 24 Feb 2012 SWITZERLAND**  
(56) Related Art Documents: **Not Applicable**  
(57) Statement of Newness and Distinctiveness: **Nil**



(21) Design Number: **12245/2012**  
(22) Date of Filing Application: **09 May 2012**  
(24) Date from which industrial property rights may have effect: **09 May 2012**  
(54) Product in respect of which the design is registered: **An Anchor**  
(51) International Design Classification: **12-16P**  
(74) Name(s) of Attorney(s): **A J Park**  
(71) Name(s) and Address(s) of Applicant(s):  
**Manson Anchors Limited**  
**Bowden Williams & Assoc Ltd 2/3 Margot Street Newmarket Auckland**  
**New Zealand**  
(72) Name(s) of Designer(s): **Alexander Patrick Sheridan Wood and Stephen Michael Mair and Robert Steven Brown**  
(45) Registration Date: **31 May 2012**  
(30) Convention priority data:  
(31) Number (32) Date (33) Country  
**415512 09 Nov 2011 NEW ZEALAND**  
(56) Related Art Documents: **Not Applicable**  
(57) Statement of Newness and Distinctiveness: **Newness and distinctiveness is claimed in the features of shape and/or configuration of AN ANCHOR as shown in solid lines in the representations. Those features shown in broken lines are disclaimed.**





(21) Design Number: **12248/2012**  
(22) Date of Filing Application: **10 May 2012**  
(24) Date from which industrial property rights may have effect: **10 May 2012**  
(54) Product in respect of which the design is registered: **A coffee machine**  
(51) International Design Classification: **07-02L**  
(74) Name(s) of Attorney(s): **Banki Haddock Fiora**  
(71) Name(s) and Address(s) of Applicant(s):  
**Societe des Produits Nestle S.A.**  
**1800 Vevey Switzerland**  
(72) Name(s) of Designer(s): **Antoine Cahen**  
(45) Registration Date: **31 May 2012**  
(30) Convention priority data:  
(31) Number (32) Date (33) Country  
**138617 24 Feb 2012 SWITZERLAND**  
(56) Related Art Documents: **Not Applicable**  
(57) Statement of Newness and Distinctiveness: **Nil**



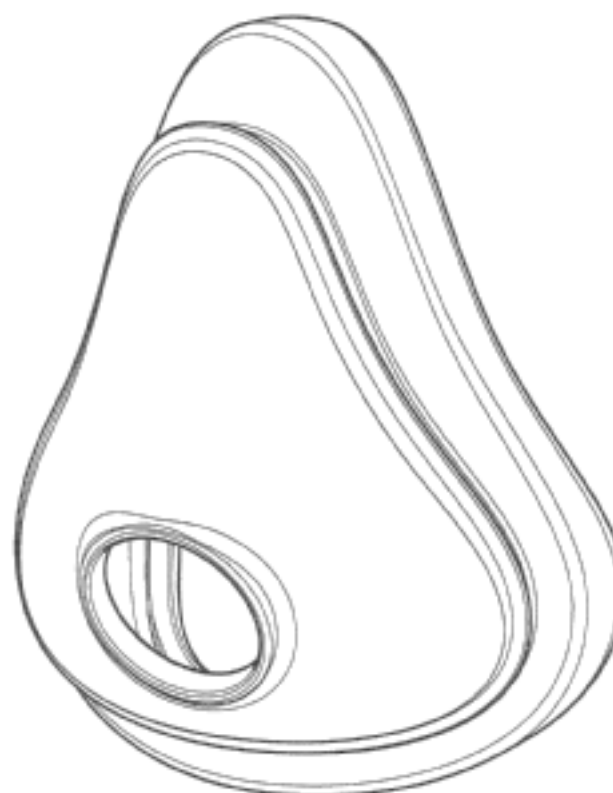
(21) Design Number: **12252/2012**  
(22) Date of Filing Application: **10 May 2012**  
(24) Date from which industrial property rights may have effect: **10 May 2012**  
(54) Product in respect of which the design is registered: **A coffee machine**  
(51) International Design Classification: **07-02L**  
(74) Name(s) of Attorney(s): **Banki Haddock Fiora**  
(71) Name(s) and Address(s) of Applicant(s):  
**Societe des Produits Nestle S.A.**  
**1800 Vevey Switzerland**  
(72) Name(s) of Designer(s): **Antoine Cahen**  
(45) Registration Date: **31 May 2012**  
(30) Convention priority data:  
(31) Number (32) Date (33) Country  
**138617 24 Feb 2012 SWITZERLAND**  
(56) Related Art Documents: **Not Applicable**  
(57) Statement of Newness and Distinctiveness: **Nil**



(21) Design Number: **12253/2012**  
(22) Date of Filing Application: **09 May 2012**  
(24) Date from which industrial property rights may have effect: **09 May 2012**  
(54) Product in respect of which the design is registered: **Air freshner**  
(51) International Design Classification: **28-99**  
(74) Name(s) of Attorney(s):  
(71) Name(s) and Address(s) of Applicant(s):  
**Eliza Bialkowski**  
**17 Godfrey Street Darlington South Australia 5047 Australia**  
(72) Name(s) of Designer(s): **Eliza Bialkowski and Louis Vuitton**  
(45) Registration Date: **31 May 2012**  
(56) Related Art Documents: **Not Applicable**  
(57) Statement of Newness and Distinctiveness: **LV name- Design**

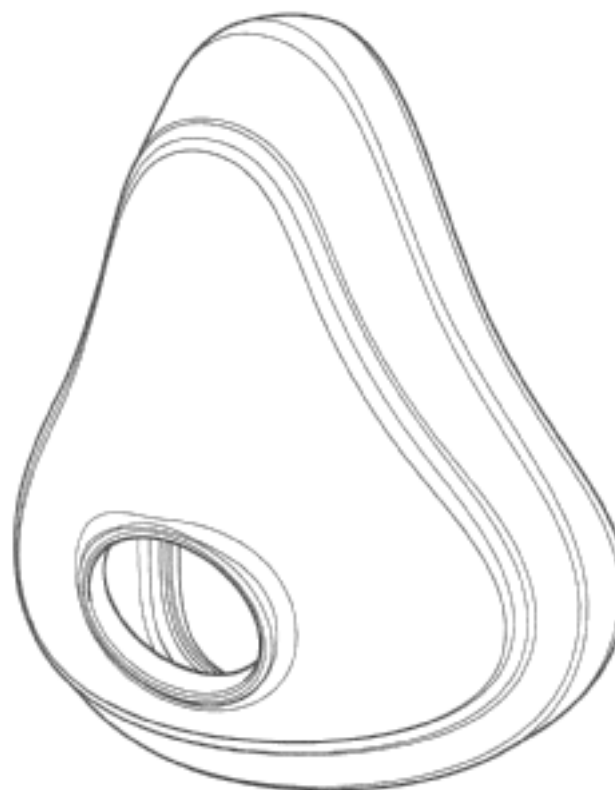


(21) Design Number: **12254/2012**  
(22) Date of Filing Application: **09 May 2012**  
(24) Date from which industrial property rights may have effect: **09 May 2012**  
(54) Product in respect of which the design is registered: **Cushion for a patient interface assembly**  
(51) International Design Classification: **24-01**  
(74) Name(s) of Attorney(s): **FB Rice**  
(71) Name(s) and Address(s) of Applicant(s):  
**Koninklijke Philips Electronics N.V.,**  
**Groenewoudseweg 1 5621 BA Eindhoven The Netherlands**  
(72) Name(s) of Designer(s): **Justin Rothermel**  
(45) Registration Date: **31 May 2012**  
(30) Convention priority data:  
(31) Number (32) Date (33) Country  
**001945833-0004 10 Nov 2011 EUROPEAN COMMUNITY**  
(56) Related Art Documents: **Not Applicable**  
(57) Statement of Newness and Distinctiveness: **Newness and distinctiveness reside in the features of shape and configuration of the cushion for a patient interface assembly as shown in the representations.**

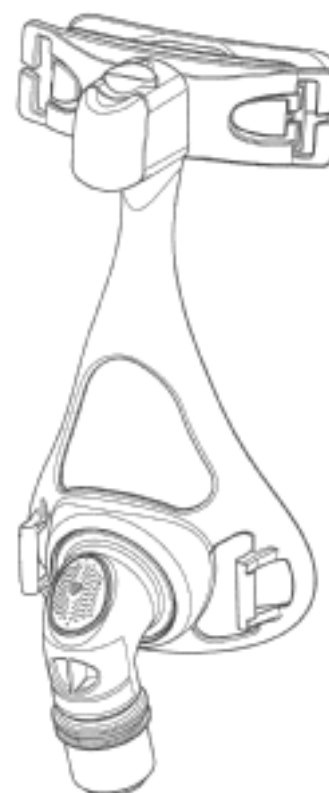




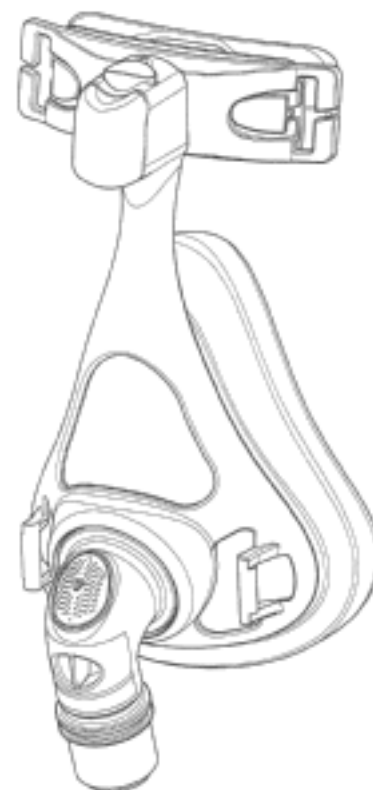
(21) Design Number: **12255/2012**  
(22) Date of Filing Application: **09 May 2012**  
(24) Date from which industrial property rights may have effect: **09 May 2012**  
(54) Product in respect of which the design is registered: **Cushion for a patient interface assembly**  
(51) International Design Classification: **24-01**  
(74) Name(s) of Attorney(s): **FB Rice**  
(71) Name(s) and Address(s) of Applicant(s):  
**Koninklijke Philips Electronics N.V.,  
Groenewoudseweg 1 5621 BA Eindhoven The Netherlands**  
(72) Name(s) of Designer(s): **Justin Rothermel and Justin Angert**  
(45) Registration Date: **31 May 2012**  
(30) Convention priority data:  
(31) Number (32) Date (33) Country  
**001945833-0003 10 Nov 2011 EUROPEAN COMMUNITY**  
(56) Related Art Documents: **Not Applicable**  
(57) Statement of Newness and Distinctiveness: **Newness and distinctiveness reside in the features of shape and configuration of the cushion for a patient interface assembly as shown in the representations.**



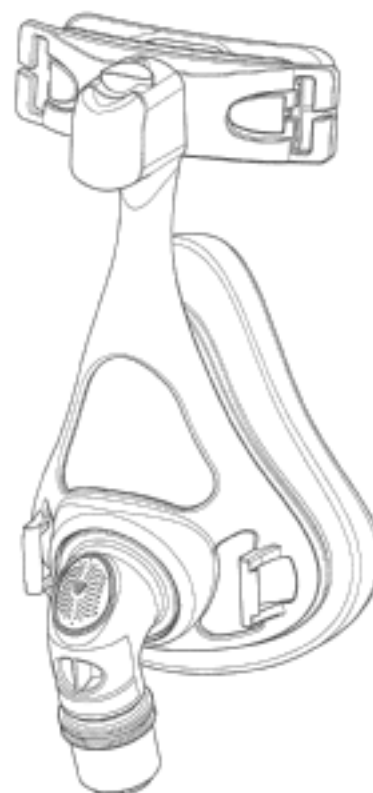
(21) Design Number: **12256/2012**  
(22) Date of Filing Application: **09 May 2012**  
(24) Date from which industrial property rights may have effect: **09 May 2012**  
(54) Product in respect of which the design is registered: **Frame for a patient interface assembly**  
(51) International Design Classification: **24-01**  
(74) Name(s) of Attorney(s): **FB Rice**  
(71) Name(s) and Address(s) of Applicant(s):  
**Koninklijke Philips Electronics N.V.,  
Groenewoudseweg 1 5621 BA Eindhoven The Netherlands**  
(72) Name(s) of Designer(s): **Justin Rothermel**  
(45) Registration Date: **31 May 2012**  
(30) Convention priority data:  
(31) Number (32) Date (33) Country  
**001945833-0005 10 Nov 2011 EUROPEAN COMMUNITY**  
(56) Related Art Documents: **Not Applicable**  
(57) Statement of Newness and Distinctiveness: **Newness and distinctiveness reside in the features of shape and configuration of the frame for a patient interface assembly as shown in the representations.**



- (21) Design Number: **12257/2012**  
(22) Date of Filing Application: **09 May 2012**  
(24) Date from which industrial property rights may have effect: **09 May 2012**  
(54) Product in respect of which the design is registered: **Patient interface assembly**  
(51) International Design Classification: **24-01**  
(74) Name(s) of Attorney(s): **FB Rice**  
(71) Name(s) and Address(s) of Applicant(s):  
**Koninklijke Philips Electronics N.V.,  
Groenewoudseweg 1 5621 BA Eindhoven The Netherlands**  
(72) Name(s) of Designer(s): **Peter Chi Fai Ho and Justin Rothermel and Justin Angert**  
(45) Registration Date: **31 May 2012**  
(30) Convention priority data:  
(31) Number (32) Date (33) Country  
**001945833-0001 10 Nov 2011 EUROPEAN COMMUNITY**  
(56) Related Art Documents: **Not Applicable**  
(57) Statement of Newness and Distinctiveness: **Newness and distinctiveness reside in the features of shape and configuration of the patient interface assembly as shown in the representations.**



- (21) Design Number: **12258/2012**  
(22) Date of Filing Application: **09 May 2012**  
(24) Date from which industrial property rights may have effect: **09 May 2012**  
(54) Product in respect of which the design is registered: **Patient interface assembly**  
(51) International Design Classification: **24-01**  
(74) Name(s) of Attorney(s): **FB Rice**  
(71) Name(s) and Address(s) of Applicant(s):  
**Koninklijke Philips Electronics N.V.,  
Groenewoudseweg 1 5621 BA Eindhoven The Netherlands**  
(72) Name(s) of Designer(s): **Peter Chi Fai Ho and Justin Rothermel**  
(45) Registration Date: **31 May 2012**  
(30) Convention priority data:  
(31) Number (32) Date (33) Country  
**001945833-0002 10 Nov 2011 EUROPEAN COMMUNITY**  
(56) Related Art Documents: **Not Applicable**  
(57) Statement of Newness and Distinctiveness: **Newness and distinctiveness reside in the features of shape and configuration of the patient interface assembly as shown in the representations.**



- (21) Design Number: **10782/2012**  
(22) Date of Filing Application: **17 February 2012**  
(24) Date from which industrial property rights may have effect: **17 February 2012**  
(54) Product in respect of which the design is registered: **Swimwear - a cover-up for back and shoulders**  
(51) International Design Classification: **02-02NES**  
(74) Name(s) of Attorney(s): **Ahearn Fox**  
(71) Name(s) and Address(s) of Applicant(s):  
**Mason Forshaw Apparel Pty Ltd**  
**11 Tonita Court Birkdale Queensland 4159 Australia**  
(72) Name(s) of Designer(s): **Julie Forshaw**  
(45) Registration Date: **01 June 2012**  
(56) Related Art Documents: **Not Applicable**  
(57) Statement of Newness and Distinctiveness: **Newness and distinctiveness reside in the features of shape and configuration of the back and shoulder cover-up as shown in the accompanying drawings wherein: Fig. 1 is a front view of a back and shoulder cover-up; Fig. 2 is a rear view of the back and shoudler cover-up; Fig. 3 is a view from of the back and shoulder cover-up when turned inside out; Fig. 4 is a another view of the back and shoulder cover-up when turned inside out; Fig. 5 is a front view of the back and shoulder cover-up; Fig. 6 is a rear view of the back and shoudler cover-up, and Fig. 7 is a side view of the back and shoulder cover-up.**



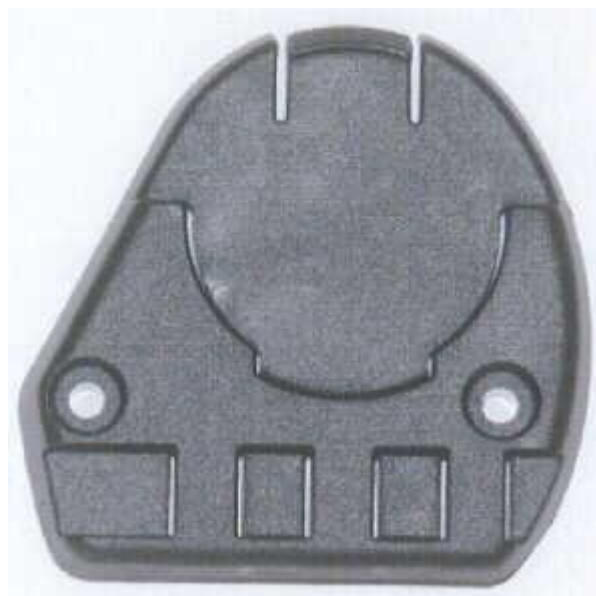
- (21) Design Number: **10783/2012**  
(22) Date of Filing Application: **17 February 2012**  
(24) Date from which industrial property rights may have effect: **17 February 2012**  
(54) Product in respect of which the design is registered: **Swimwear - a cover-up for back and shoulders**  
(51) International Design Classification: **02-02NES**  
(74) Name(s) of Attorney(s): **Ahearn Fox**  
(71) Name(s) and Address(s) of Applicant(s):  
**Mason Forshaw Apparel Pty Ltd**  
**11 Tonita Court Birkdale Queensland 4159 Australia**  
(72) Name(s) of Designer(s): **Julie Forshaw**  
(45) Registration Date: **01 June 2012**  
(56) Related Art Documents: **Not Applicable**  
(57) Statement of Newness and Distinctiveness: **Newness and distinctiveness reside in the features of shape and configuration of the back and shoulder cover-up as shown in the accompanying drawings wherein: Fig. 1 is a front view of a back and shoulder cover-up; Fig. 2 is a rear view of the back and shoudler cover-up; Fig. 3 is a view from of the back and shoulder cover-up when turned inside out; Fig. 4 is a is another view of the back and shoulder cover-up when turned inside out; Fig. 5 is a front view of the back and shoulder cover-up; Fig. 6 is a rear view of the back and shoudler cover-up, and Fig. 7 is a side view of the back and shoulder cover-up.**



- (21) Design Number: **11106/2012**  
(22) Date of Filing Application: **02 March 2012**  
(24) Date from which industrial property rights may have effect: **02 March 2012**  
(54) Product in respect of which the design is registered: **Mako wildland multifunctional helmet**  
(51) International Design Classification: **02-03**  
(74) Name(s) of Attorney(s):  
(71) Name(s) and Address(s) of Applicant(s):  
**Fire & Safety Solutions (Int) Pty Ltd**  
**30 Old Don Road Don Valley Victoria 3139 Australia**  
(72) Name(s) of Designer(s): **Joe Seddon**  
(45) Registration Date: **01 June 2012**  
(56) Related Art Documents: **Not Applicable**  
(57) Statement of Newness and Distinctiveness: **This helmet conforms to AS1801 Type 3 specifications, as required by fire agencies. The helmet is manufactured from a high heat resistant Poly Carbonate material. It has a brim all the way around its circumference, and has specially uniquely designed moulded clips to enable it to be able to accept ear muffs and a chain saw visor. It has heat resistant plugs for when the moulded clip is not in use. The clear visor is brim mounted by customised brackets, not attached to the crown. The crown ridge is wider than any other helmet on the market and has harder square features. The front face also covers the entire width of the helmet, which is unique.**



- (21) Design Number: **11133/2012**  
(22) Date of Filing Application: **03 March 2012**  
(24) Date from which industrial property rights may have effect: **03 March 2012**  
(54) Product in respect of which the design is registered: **Mako helmet ear muff & chain saw attachment for helmets with a side brim**  
(51) International Design Classification: **02-03**  
(74) Name(s) of Attorney(s):  
(71) Name(s) and Address(s) of Applicant(s):  
**Fire & Safety Solutions (Int) Pty Ltd**  
**30 Old Don Rd Don Valley Victoria 3139 Australia**  
(72) Name(s) of Designer(s): **Tim Miller and Jon Seddon**  
(45) Registration Date: **01 June 2012**  
(56) Related Art Documents: **Not Applicable**  
(57) Statement of Newness and Distinctiveness: **Original custom designed bracket that enables existing protective noise reducing earmuffs and Chain Saw Visors to be used on a side brimmed helmet**



(21) Design Number: **11537/2012**  
(22) Date of Filing Application: **26 March 2012**  
(24) Date from which industrial property rights may have effect: **26 March 2012**  
(54) Product in respect of which the design is registered: **Four wheel golf cart**  
(51) International Design Classification: **12-02**  
(74) Name(s) of Attorney(s):  
(71) Name(s) and Address(s) of Applicant(s):

**Jonathan Hwan Wang**  
**46980 Octillo Court Fremont CA 94539 United States of America**

(72) Name(s) of Designer(s): **Jonathan Hwan Wang**

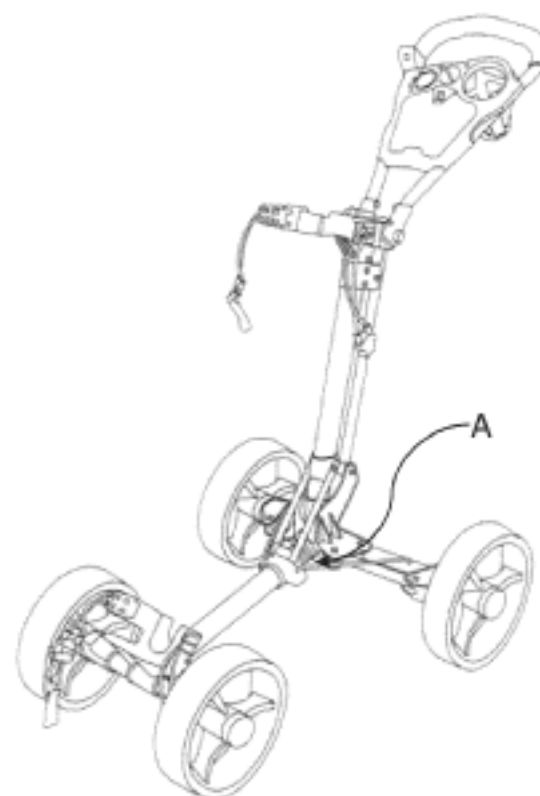
(45) Registration Date: **01 June 2012**

(30) Convention priority data:

(31) Number	(32) Date	(33) Country
<b>29/413,949</b>	<b>22 Feb 2012</b>	<b>UNITED STATES OF AMERICA</b>

(56) Related Art Documents: **Not Applicable**

(57) Statement of Newness and Distinctiveness: **Newness and distinctiveness is claimed in the shape and/or configuration of a four wheel golf cart as shown in the representations, in particular the spring portion of the chassis marked "A".**



(21) Design Number: **11538/2012**  
(22) Date of Filing Application: **26 March 2012**  
(24) Date from which industrial property rights may have effect: **26 March 2012**  
(54) Product in respect of which the design is registered: **Stroller hood**  
(51) International Design Classification: **12-12**  
(74) Name(s) of Attorney(s): **Gilbert + Tobin Lawyers**  
(71) Name(s) and Address(s) of Applicant(s):

**Mothercare UK Limited**  
**Cherry Tree Road Watford Hertfordshire WD24 6SH United Kingdom**

(72) Name(s) of Designer(s): **Gareth McNeill and Paul Walker and Ben Heald and Shawn Xie**

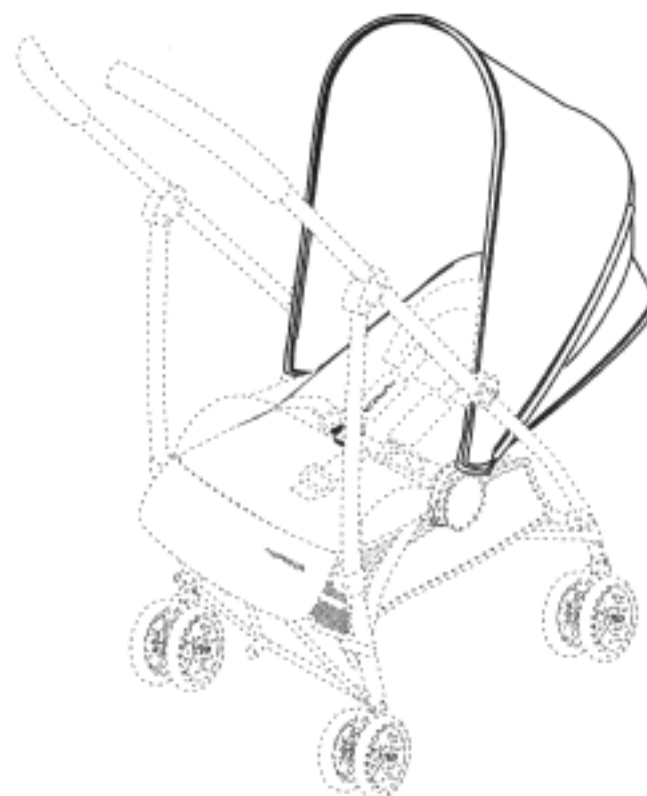
(45) Registration Date: **01 June 2012**

(30) Convention priority data:

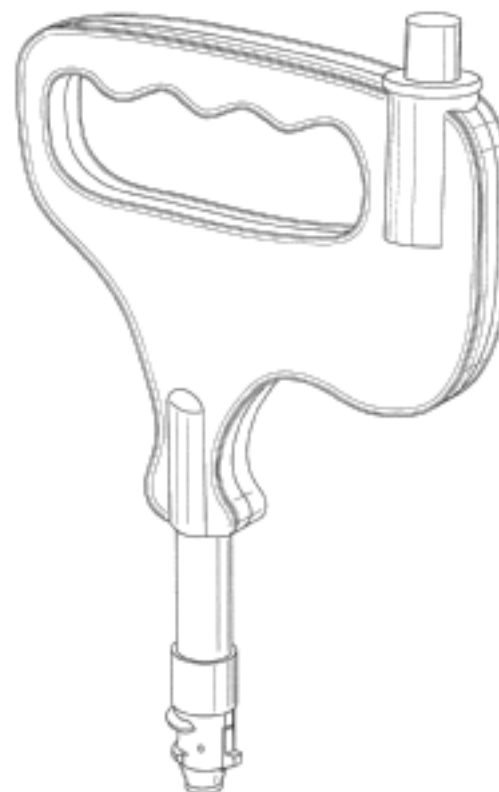
(31) Number	(32) Date	(33) Country
<b>002006023</b>	<b>09 Mar 2012</b>	<b>EUROPEAN COMMUNITY</b>

(56) Related Art Documents: **Not Applicable**

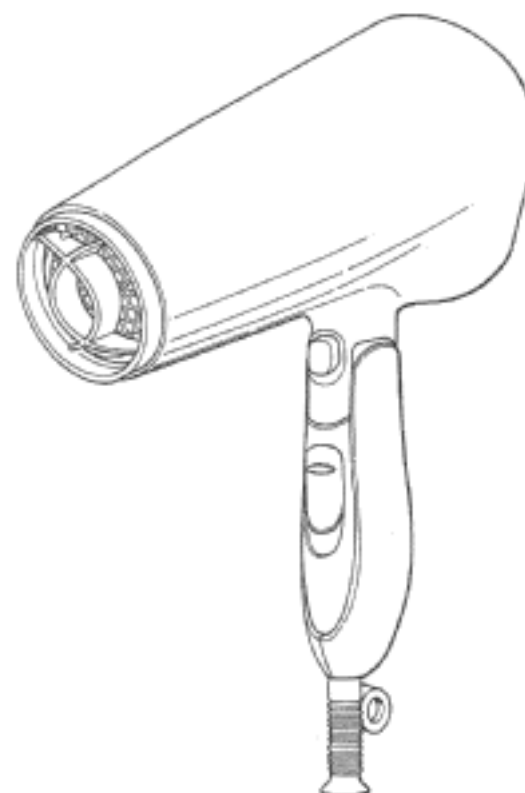
(57) Statement of Newness and Distinctiveness: **The shape and configuration of the article is new and distinctive. Dotted lines do not form part of the design.**



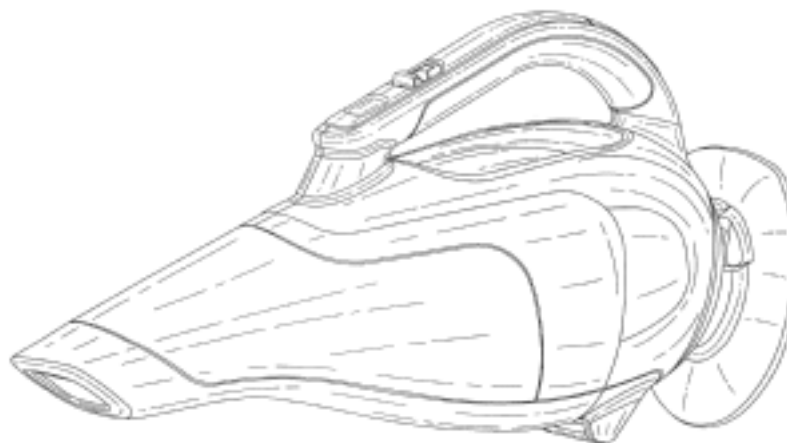
(21) Design Number: **11567/2012**  
(22) Date of Filing Application: **27 March 2012**  
(24) Date from which industrial property rights may have effect: **27 March 2012**  
(54) Product in respect of which the design is registered: **Latching device**  
(51) International Design Classification: **08-07**  
(74) Name(s) of Attorney(s): **Davies Collison Cave**  
(71) Name(s) and Address(s) of Applicant(s):  
**Adrian Ronald Chipper**  
**25 Short Road Macclesfield Victoria 3782 Australia**  
(72) Name(s) of Designer(s): **Adrian Ronald Chipper**  
(45) Registration Date: **01 June 2012**  
(56) Related Art Documents: **Not Applicable**  
(57) Statement of Newness and Distinctiveness: **The features of shape and configuration of the latching device shown in the accompanying representations are considered to be new and distinctive.**



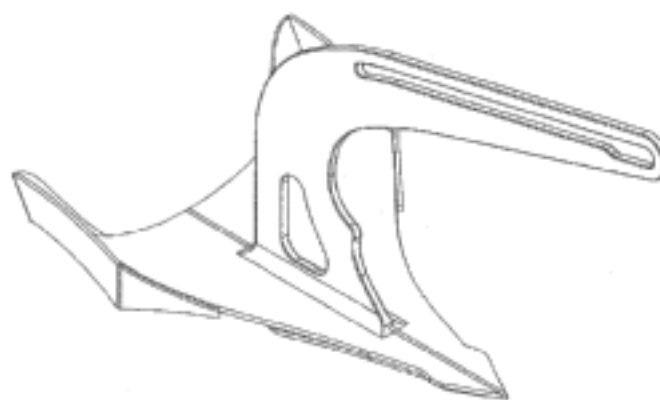
(21) Design Number: **11641/2012**  
(22) Date of Filing Application: **30 March 2012**  
(24) Date from which industrial property rights may have effect: **30 March 2012**  
(54) Product in respect of which the design is registered: **Hair dryer**  
(51) International Design Classification: **28-03B**  
(74) Name(s) of Attorney(s): **Davies Collison Cave**  
(71) Name(s) and Address(s) of Applicant(s):  
**Sharp Kabushiki Kaisha**  
**22-22 Nagaike-cho Abeno-ku Osaka Japan**  
(72) Name(s) of Designer(s): **Takashi Matsushima and Miki Choya and Shiroh Suzuki and Yumiko Takeshita**  
(45) Registration Date: **01 June 2012**  
(30) Convention priority data:  
(31) Number      (32) Date      (33) Country  
**2011-024274      24 Oct 2011      JAPAN**  
(56) Related Art Documents: **Not Applicable**  
(57) Statement of Newness and Distinctiveness: **Nil**



(21) Design Number: **11969/2012**  
(22) Date of Filing Application: **20 April 2012**  
(24) Date from which industrial property rights may have effect: **20 April 2012**  
(54) Product in respect of which the design is registered: **Hand-held vacuum cleaner**  
(51) International Design Classification: **15-05**  
(74) Name(s) of Attorney(s): **Davies Collison Cave**  
(71) Name(s) and Address(s) of Applicant(s):  
**Stanley Black & Decker, Inc.**  
**1000 Stanley Drive New Britain Connecticut 06053 United States of America**  
(72) Name(s) of Designer(s): **Stephen Houghton**  
(45) Registration Date: **01 June 2012**  
(30) Convention priority data:  
(31) Number (32) Date (33) Country  
**001298665-0001 21 Oct 2011 EUROPEAN COMMUNITY**  
(56) Related Art Documents: **Not Applicable**  
(57) Statement of Newness and Distinctiveness: **Nil**



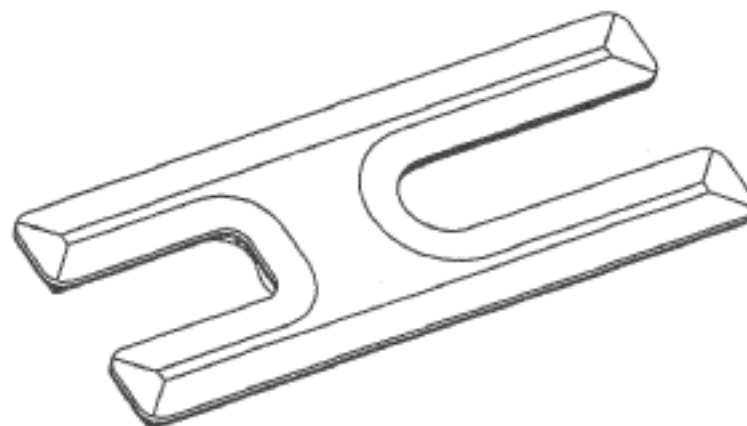
(21) Design Number: **12190/2012**  
(22) Date of Filing Application: **09 May 2012**  
(24) Date from which industrial property rights may have effect: **09 May 2012**  
(54) Product in respect of which the design is registered: **An anchor**  
(51) International Design Classification: **12-16P**  
(74) Name(s) of Attorney(s): **A J Park**  
(71) Name(s) and Address(s) of Applicant(s):  
**Manson Anchors Limited**  
**Bowden Williams & Assoc Ltd 2/3 Margot Street Newmarket Auckland New Zealand**  
(72) Name(s) of Designer(s): **Alexander Patrick Sheridan Wood and Stephen Michael Mair and Robert Steven Brown**  
(45) Registration Date: **01 June 2012**  
(30) Convention priority data:  
(31) Number (32) Date (33) Country  
**415511 09 Nov 2011 NEW ZEALAND**  
(56) Related Art Documents: **Not Applicable**  
(57) Statement of Newness and Distinctiveness: **Newness and distinctiveness are claimed in the shape and/or configuration of AN ANCHOR as shown in the representations.**



- (21) Design Number: **12208/2012**  
(22) Date of Filing Application: **09 May 2012**  
(24) Date from which industrial property rights may have effect: **09 May 2012**  
(54) Product in respect of which the design is registered: **Lounge chair drink holder**  
(51) International Design Classification: **07-06A**  
(74) Name(s) of Attorney(s):  
(71) Name(s) and Address(s) of Applicant(s):  
**Warren D. James**  
**29 Sunset Boulevard Tweed Heads West New South Wales 2485**  
**Australia**  
**Michael Bellinger**  
**92 Sunset Boulevard Tweed Heads New South Wales 2485 Australia**  
(72) Name(s) of Designer(s): **Warren D. James and Michael Bellinger**  
(45) Registration Date: **01 June 2012**  
(56) Related Art Documents: **Not Applicable**  
(57) Statement of Newness and Distinctiveness: **Two adjustable arms able to clamp on various - sized lounge arm rests for the purpose of supporting a drink receptacle.**

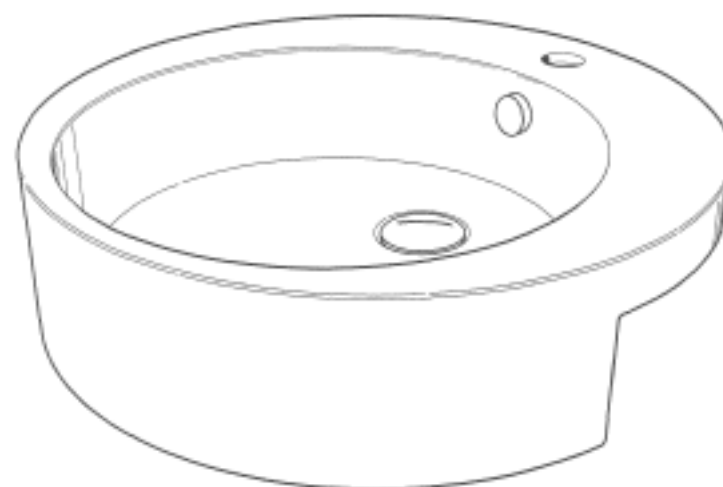


- (21) Design Number: **12211/2012**  
(22) Date of Filing Application: **08 May 2012**  
(24) Date from which industrial property rights may have effect: **08 May 2012**  
(54) Product in respect of which the design is registered: **A barbeque burner**  
(51) International Design Classification: **07-02E**  
(74) Name(s) of Attorney(s): **SPRUSON & FERGUSON**  
(71) Name(s) and Address(s) of Applicant(s):  
**Shriro Australia Pty Limited**  
**23-27 Chaplin Drive Lane Cove New South Wales 2066 Australia**  
(72) Name(s) of Designer(s): **Alan Mark Roper**  
(45) Registration Date: **01 June 2012**  
(56) Related Art Documents: **Not Applicable**  
(57) Statement of Newness and Distinctiveness: **Newness and distinctiveness is claimed in the features of shape and/or configuration of the general H-shape of a barbeque burner illustrated in the accompanying representations.**





- (21) Design Number: **12213/2012**  
(22) Date of Filing Application: **07 May 2012**  
(24) Date from which industrial property rights may have effect: **07 May 2012**  
(54) Product in respect of which the design is registered: **A semi recessed basin**  
(51) International Design Classification: **23-02F**  
(74) Name(s) of Attorney(s): **PETER MAXWELL & ASSOCIATES**  
(71) Name(s) and Address(s) of Applicant(s):  
**Meco Australia Pty Limited**  
**30 Stennett Road Ingleburn New South Wales 2565 Australia**  
(72) Name(s) of Designer(s): **Nicholas Kroopin**  
(45) Registration Date: **01 June 2012**  
(56) Related Art Documents: **Not Applicable**  
(57) Statement of Newness and Distinctiveness: **Newness and distinctiveness is claimed in the shape and/or configuration of A SEMI RECESSED BASIN as illustrated by the unbroken lines in the accompanying representations.**



- (21) Design Number: **12214/2012**  
(22) Date of Filing Application: **08 May 2012**  
(24) Date from which industrial property rights may have effect: **08 May 2012**  
(54) Product in respect of which the design is registered: **A novelty sign**  
(51) International Design Classification: **20-03NES**  
(74) Name(s) of Attorney(s): **Fraser Old & Sohn**  
(71) Name(s) and Address(s) of Applicant(s):  
**Transcom Industries Pty Ltd**  
**14/5 Salsbury Road Castle Hill New South Wales 2154 Australia**  
(72) Name(s) of Designer(s): **Stephen Clarence Langham**  
(45) Registration Date: **01 June 2012**  
(56) Related Art Documents: **Not Applicable**  
(57) Statement of Newness and Distinctiveness: **Newness and distinctiveness is claimed in respect of the shape and/or configuration of a Novelty Sign having the appearance of a mud flap, the Novelty Sign being as illustrated in the accompanying representations. In carrying out a consideration in accordance with Section 19 the pattern and/or ornamentation formed by the indicia illustrated in the representations do(es) not form part of the design.**



(21) Design Number: **12217/2012**  
(22) Date of Filing Application: **08 May 2012**  
(24) Date from which industrial property rights may have effect: **08 May 2012**  
(54) Product in respect of which the design is registered: **Flashlight**  
(51) International Design Classification: **26-02**  
(74) Name(s) of Attorney(s): **SPRUSON & FERGUSON**  
(71) Name(s) and Address(s) of Applicant(s):



**Dieter Rix**  
**Im Klinkenhagen 50 48653 Coesfeld Germany**

(72) Name(s) of Designer(s): **Benjamin Kamm**  
(45) Registration Date: **01 June 2012**  
(30) Convention priority data:  
(31) Number      (32) Date      (33) Country  
**001944042      08 Nov 2011      EUROPEAN COMMUNITY**  
(56) Related Art Documents: **Not Applicable**  
(57) Statement of Newness and Distinctiveness: **Newness and distinctiveness is claimed in the features of shape and/or configuration of a flashlight as illustrated in the accompanying representations.**

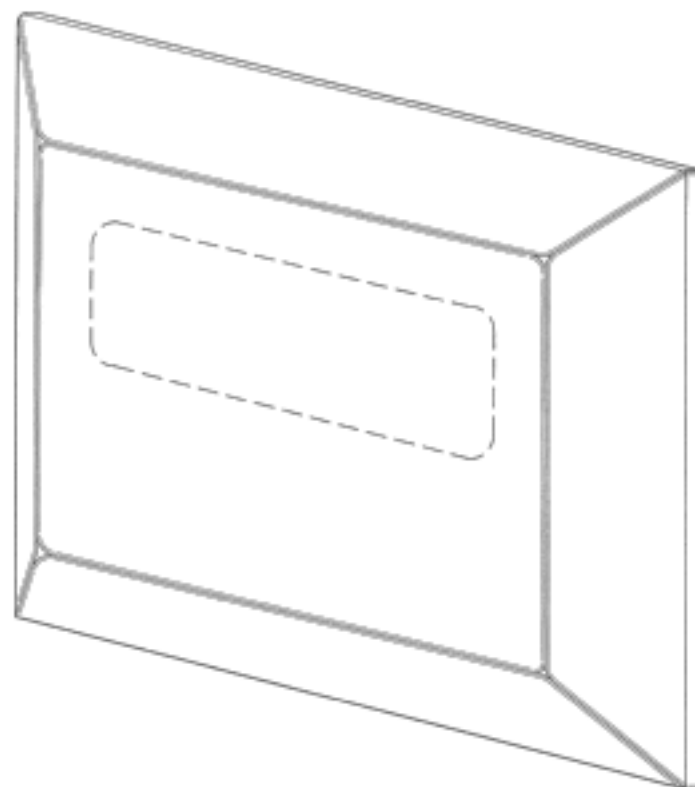
(21) Design Number: **12218/2012**  
(22) Date of Filing Application: **08 May 2012**  
(24) Date from which industrial property rights may have effect: **08 May 2012**  
(54) Product in respect of which the design is registered: **Flashlight**  
(51) International Design Classification: **26-02**  
(74) Name(s) of Attorney(s): **SPRUSON & FERGUSON**  
(71) Name(s) and Address(s) of Applicant(s):



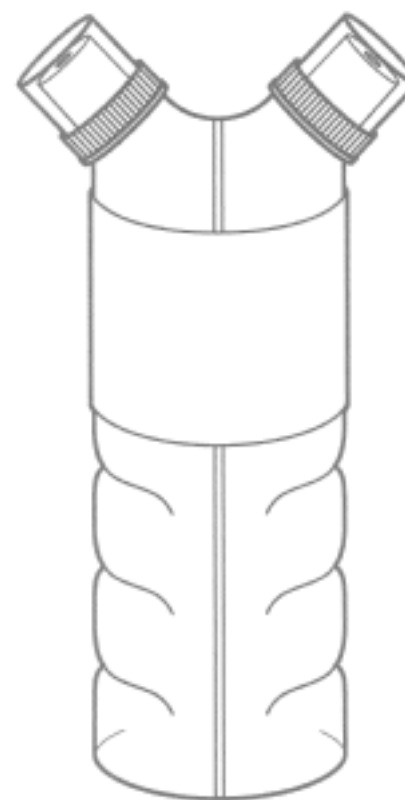
**Dieter Rix**  
**Im Klinkenhagen 50 48653 Coesfeld Germany**

(72) Name(s) of Designer(s): **Benjamin Kamm**  
(45) Registration Date: **01 June 2012**  
(30) Convention priority data:  
(31) Number      (32) Date      (33) Country  
**001944042      08 Nov 2011      EUROPEAN COMMUNITY**  
(56) Related Art Documents: **Not Applicable**  
(57) Statement of Newness and Distinctiveness: **Newness and distinctiveness is claimed in the features of shape and/or configuration of a flashlight as illustrated in the accompanying representations.**

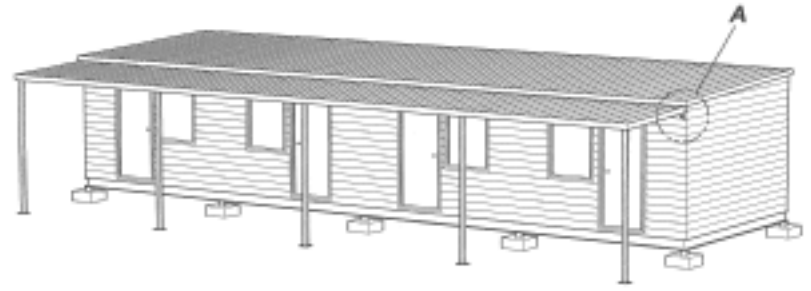
- (21) Design Number: **12246/2012**  
(22) Date of Filing Application: **10 May 2012**  
(24) Date from which industrial property rights may have effect: **10 May 2012**  
(54) Product in respect of which the design is registered: **Caravan end wall**  
(51) International Design Classification: **12-10**  
(74) Name(s) of Attorney(s): **Sandercock & Cowie**  
(71) Name(s) and Address(s) of Applicant(s):  
**Refined Sands Pty. Ltd.**  
**845 Princes Highway Springvale Victoria 3171 Australia**  
(72) Name(s) of Designer(s): **Brett Vincent Bell**  
(45) Registration Date: **01 June 2012**  
(56) Related Art Documents: **Not Applicable**  
(57) Statement of Newness and Distinctiveness: **Newness and Distinctiveness resides in the shape and configuration of the caravan end wall as shown in the accompanying representations.**



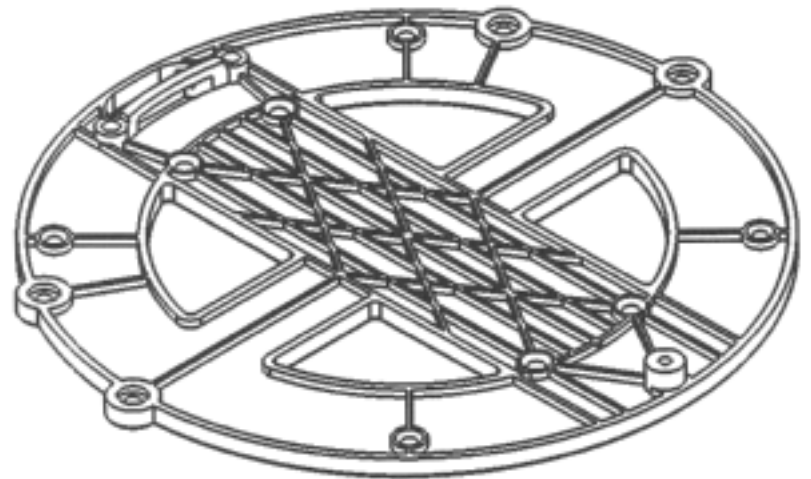
- (21) Design Number: **15679/2011**  
(22) Date of Filing Application: **08 December 2011**  
(24) Date from which industrial property rights may have effect: **08 December 2011**  
(54) Product in respect of which the design is registered: **Split/divided drink bottle**  
(51) International Design Classification: **09-01NES**  
(74) Name(s) of Attorney(s):  
(71) Name(s) and Address(s) of Applicant(s):  
**Susan Plunkett**  
**23/32-42 Rosehill Street Redfern New South Wales 2016 Australia**  
(72) Name(s) of Designer(s): **Susan Plunkett**  
(45) Registration Date: **04 June 2012**  
(56) Related Art Documents: **Not Applicable**  
(57) Statement of Newness and Distinctiveness: **Nil**



- (21) Design Number: **11665/2012**  
(22) Date of Filing Application: **02 April 2012**  
(24) Date from which industrial property rights may have effect: **02 April 2012**  
(54) Product in respect of which the design is registered: **Transportable building**  
(51) International Design Classification: **25-03**  
(74) Name(s) of Attorney(s): **Allens Patent & Trade Mark Attorneys**  
(71) Name(s) and Address(s) of Applicant(s):  
**Fleetwood Pty Ltd**  
**1240 Abernethy Road High Wycombe Western Australia 6057 Australia**  
(72) Name(s) of Designer(s): **David Emery**  
(45) Registration Date: **04 June 2012**  
(56) Related Art Documents: **Not Applicable**  
(57) Statement of Newness and Distinctiveness: **Newness and distinctiveness resides in the visual features of shape and/or configuration of a transportable building as illustrated in the accompanying representations.**



- (21) Design Number: **12001/2012**  
(22) Date of Filing Application: **24 April 2012**  
(24) Date from which industrial property rights may have effect: **24 April 2012**  
(54) Product in respect of which the design is registered: **A bracket**  
(51) International Design Classification: **08-08NES**  
(74) Name(s) of Attorney(s): **Cullens Patent and Trade Mark Attorneys**  
(71) Name(s) and Address(s) of Applicant(s):  
**Ben Forde**  
**PO Box 670 Palm Beach Queensland 4221 Australia**  
(72) Name(s) of Designer(s): **Ben Forde**  
(45) Registration Date: **04 June 2012**  
(56) Related Art Documents: **Not Applicable**  
(57) Statement of Newness and Distinctiveness: **Nil**



(21) Design Number: **12219/2012**  
(22) Date of Filing Application: **08 May 2012**  
(24) Date from which industrial property rights may have effect: **08 May 2012**  
(54) Product in respect of which the design is registered: **Flashlight**  
(51) International Design Classification: **26-02**  
(74) Name(s) of Attorney(s): **SPRUSON & FERGUSON**  
(71) Name(s) and Address(s) of Applicant(s):

**Dieter Rix**  
**Im Klinkenhagen 50 48653 Coesfeld Germany**

(72) Name(s) of Designer(s): **Benjamin Kamm**

(45) Registration Date: **04 June 2012**

(30) Convention priority data:

(31) Number	(32) Date	(33) Country
<b>001944042</b>	<b>08 Nov 2011</b>	<b>EUROPEAN COMMUNITY</b>

(56) Related Art Documents: **Not Applicable**

(57) Statement of Newness and Distinctiveness: **Newness and distinctiveness is claimed in the features of shape and/or configuration of a flashlight as illustrated in the accompanying representations.**



(21) Design Number: **12220/2012**  
(22) Date of Filing Application: **08 May 2012**  
(24) Date from which industrial property rights may have effect: **08 May 2012**  
(54) Product in respect of which the design is registered: **Flashlight**  
(51) International Design Classification: **26-02**  
(74) Name(s) of Attorney(s): **SPRUSON & FERGUSON**  
(71) Name(s) and Address(s) of Applicant(s):

**Dieter Rix**  
**Im Klinkenhagen 50 48653 Coesfeld Germany**

(72) Name(s) of Designer(s): **Benjamin Kamm**

(45) Registration Date: **04 June 2012**

(30) Convention priority data:

(31) Number	(32) Date	(33) Country
<b>001944042</b>	<b>08 Nov 2011</b>	<b>EUROPEAN COMMUNITY</b>

(56) Related Art Documents: **Not Applicable**

(57) Statement of Newness and Distinctiveness: **Newness and distinctiveness is claimed in the features of shape and/or configuration of a flashlight as illustrated in the accompanying representations.**



(21) Design Number: **12222/2012**  
(22) Date of Filing Application: **08 May 2012**  
(24) Date from which industrial property rights may have effect: **08 May 2012**  
(54) Product in respect of which the design is registered: **Flashlight**  
(51) International Design Classification: **26-02**  
(74) Name(s) of Attorney(s): **SPRUSON & FERGUSON**  
(71) Name(s) and Address(s) of Applicant(s):

**Dieter Rix**  
**Im Klinkenhagen 50 48653 Coesfeld Germany**

(72) Name(s) of Designer(s): **Benjamin Kamm**

(45) Registration Date: **04 June 2012**

(30) Convention priority data:

(31) Number	(32) Date	(33) Country
<b>001944042</b>	<b>08 Nov 2011</b>	<b>EUROPEAN COMMUNITY</b>

(56) Related Art Documents: **Not Applicable**

(57) Statement of Newness and Distinctiveness: **Newness and distinctiveness is claimed in the features of shape and/or configuration of a flashlight as illustrated in the accompanying representations.**



(21) Design Number: **12300/2012**  
(22) Date of Filing Application: **14 May 2012**  
(24) Date from which industrial property rights may have effect: **14 May 2012**  
(54) Product in respect of which the design is registered: **Bunion pad**  
(51) International Design Classification: **24-04**  
(74) Name(s) of Attorney(s):  
(71) Name(s) and Address(s) of Applicant(s):

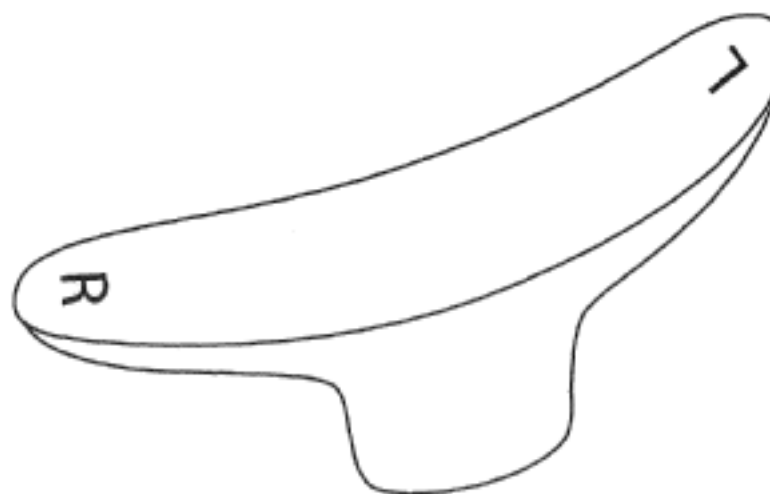
**Frank Allen Ford**  
**PO Box 2036 Hawthorn Victoria 3122 Australia**

(72) Name(s) of Designer(s): **Frank Allen Ford**

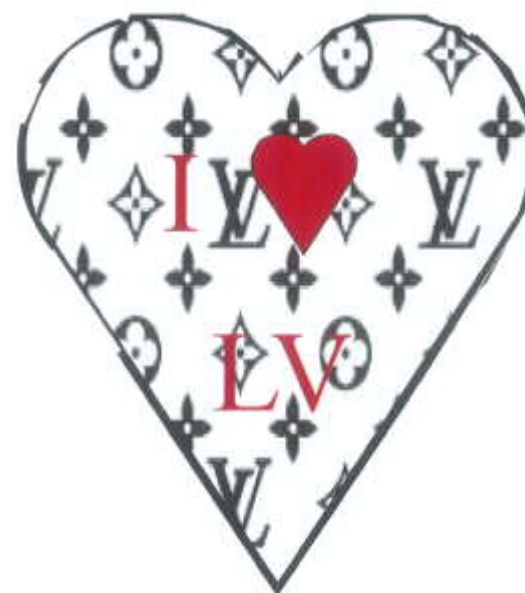
(45) Registration Date: **04 June 2012**

(56) Related Art Documents: **Not Applicable**

(57) Statement of Newness and Distinctiveness: **Monopoly is claimed in the features of shape and configuration of a Pad as shown in the representations.**



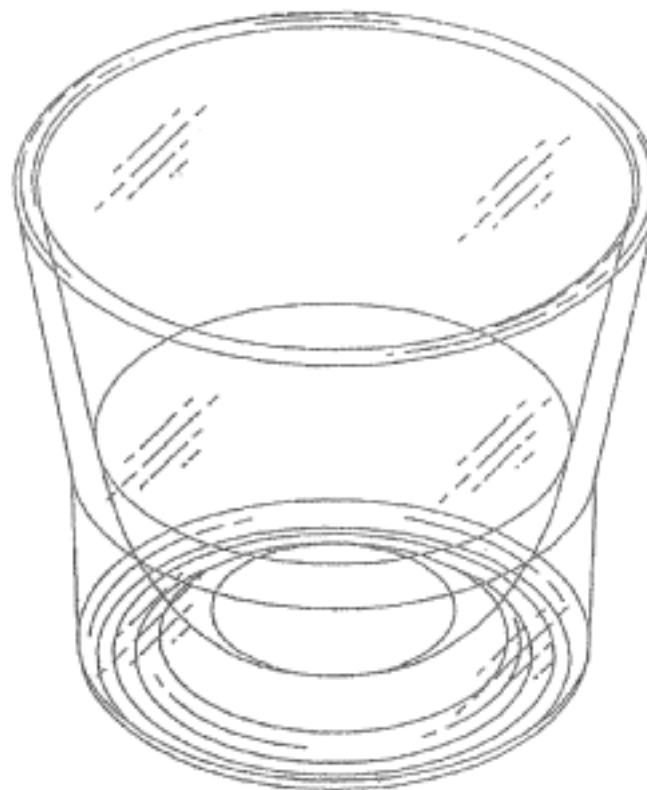
(21) Design Number: **12412/2012**  
(22) Date of Filing Application: **09 May 2012**  
(24) Date from which industrial property rights may have effect: **09 May 2012**  
(54) Product in respect of which the design is registered: **Air freshener**  
(51) International Design Classification: **28-99**  
(74) Name(s) of Attorney(s):  
(71) Name(s) and Address(s) of Applicant(s):  
**Eliza Bialkowski**  
**17 Godfrey Street Darlington South Australia 5047 Australia**  
(72) Name(s) of Designer(s): **Eliza Bialkowski and Louis Vuitton**  
(45) Registration Date: **04 June 2012**  
(56) Related Art Documents: **Not Applicable**  
(57) Statement of Newness and Distinctiveness: **LV name - Design.**



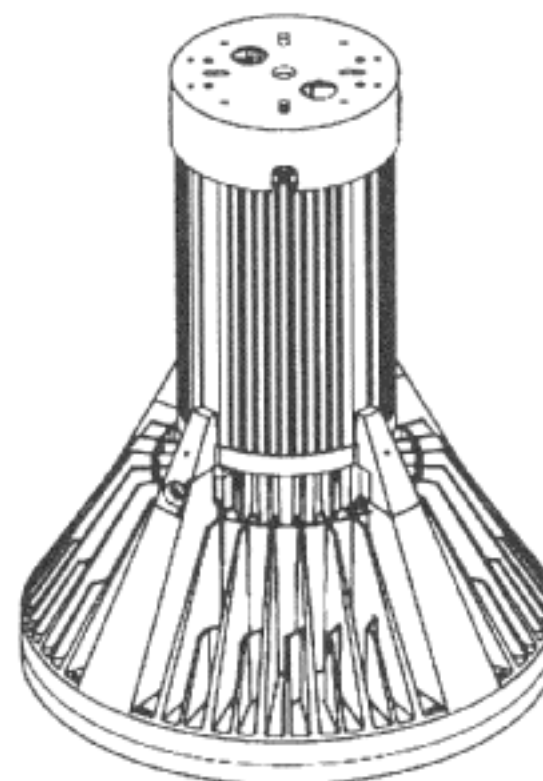
(21) Design Number: **12413/2012**  
(22) Date of Filing Application: **09 May 2012**  
(24) Date from which industrial property rights may have effect: **09 May 2012**  
(54) Product in respect of which the design is registered: **Air freshener**  
(51) International Design Classification: **28-99**  
(74) Name(s) of Attorney(s):  
(71) Name(s) and Address(s) of Applicant(s):  
**Eliza Bialkowski**  
**17 Godfrey Street Darlington South Australia 5047 Australia**  
(72) Name(s) of Designer(s): **Eliza Bialkowski and Louis Vuitton**  
(45) Registration Date: **04 June 2012**  
(56) Related Art Documents: **Not Applicable**  
(57) Statement of Newness and Distinctiveness: **LV name - Design.**



(21) Design Number: **11443/2012**  
(22) Date of Filing Application: **20 March 2012**  
(24) Date from which industrial property rights may have effect: **20 March 2012**  
(54) Product in respect of which the design is registered: **A candle holder**  
(51) International Design Classification: **26-01**  
(74) Name(s) of Attorney(s): **SPRUSON & FERGUSON**  
(71) Name(s) and Address(s) of Applicant(s):  
**S.C. Johnson & Son, Inc.**  
**1525 Howe Street, Racine, Wisconsin, 53403-2236, United States of America**  
(72) Name(s) of Designer(s): **Christopher B. Hisey and Russell Lewis Ernest Blanchard and Vanessa S. Sattelle**  
(45) Registration Date: **04 June 2012**  
(30) Convention priority data:  
(31) Number (32) Date (33) Country  
**29/402476 23 Sep 2011 UNITED STATES OF AMERICA**  
(56) Related Art Documents: **Not Applicable**  
(57) Statement of Newness and Distinctiveness: **Newness and distinctiveness is claimed in the features of shape and/or configuration of a candle holder as illustrated in the accompanying representations.**

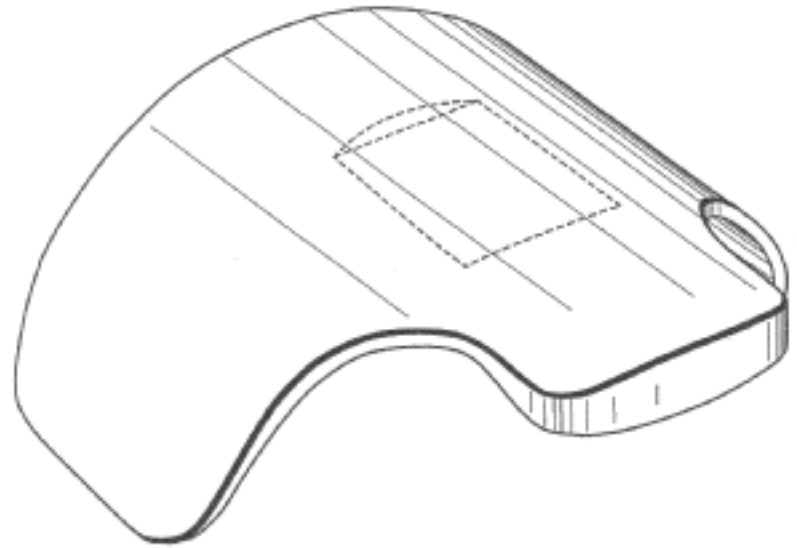


(21) Design Number: **11631/2012**  
(22) Date of Filing Application: **29 March 2012**  
(24) Date from which industrial property rights may have effect: **29 March 2012**  
(54) Product in respect of which the design is registered: **Lighting equipment**  
(51) International Design Classification: **26-05C**  
(74) Name(s) of Attorney(s): **SPRUSON & FERGUSON**  
(71) Name(s) and Address(s) of Applicant(s):  
**Iwasaki Electric Co., Ltd.**  
**1-4-16 Nihonbashi-bakurocho Chuo-ku Tokyo 103-0002 Japan**  
(72) Name(s) of Designer(s): **Masayoshi Miura and Shuusaku Shibata and Keiichirou Kinoshita and Tomoaki Saeki**  
(45) Registration Date: **04 June 2012**  
(30) Convention priority data:  
(31) Number (32) Date (33) Country  
**2011-022924 05 Oct 2011 JAPAN**  
(56) Related Art Documents: **Not Applicable**  
(57) Statement of Newness and Distinctiveness: **Newness and distinctiveness is claimed in the features of shape and/or configuration of lighting equipment as illustrated in the accompanying representations.**

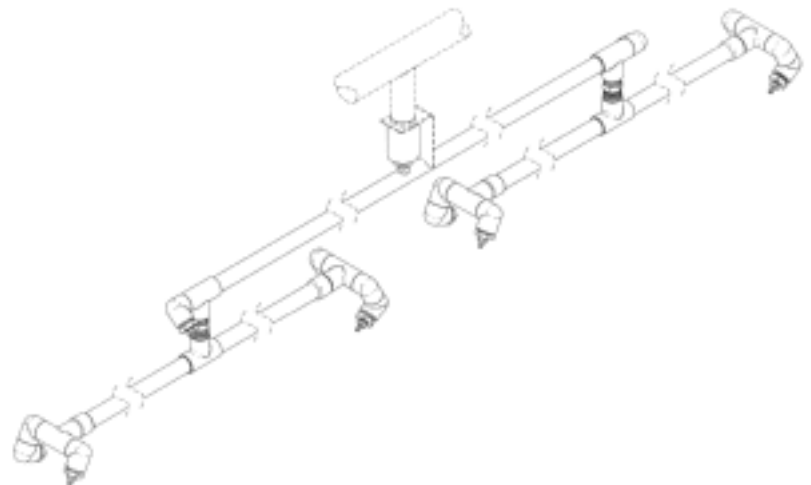




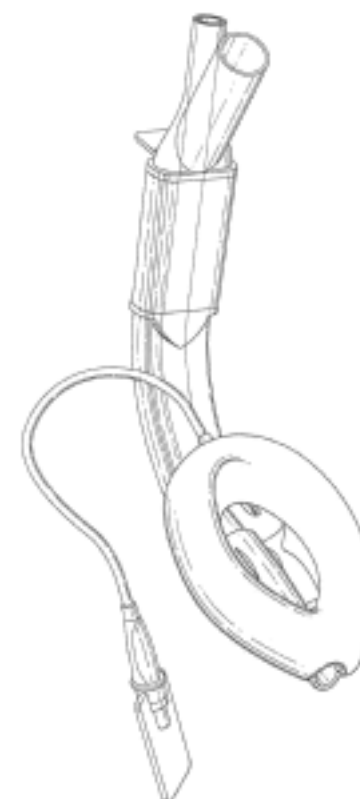
(21) Design Number: **11845/2012**  
(22) Date of Filing Application: **13 April 2012**  
(24) Date from which industrial property rights may have effect: **13 April 2012**  
(54) Product in respect of which the design is registered: **Timing belt spacer tool**  
(51) International Design Classification: **08-05NES, 12-16NES**  
(74) Name(s) of Attorney(s): **PHILLIPS ORMONDE FITZPATRICK**  
(71) Name(s) and Address(s) of Applicant(s):  
**The Gates Corporation**  
**1551 Wewatta Street Denver Colorado 80202 United States of America**  
(72) Name(s) of Designer(s): **Scott Johnson**  
(45) Registration Date: **04 June 2012**  
(56) Related Art Documents: **Not Applicable**  
(57) Statement of Newness and Distinctiveness: **Nil**



(21) Design Number: **11868/2012**  
(22) Date of Filing Application: **16 April 2012**  
(24) Date from which industrial property rights may have effect: **16 April 2012**  
(54) Product in respect of which the design is registered: **Material control system with rotating spray bars**  
(51) International Design Classification: **23-01NES**  
(74) Name(s) of Attorney(s): **Davies Collison Cave**  
(71) Name(s) and Address(s) of Applicant(s):  
**Brent Gill**  
**6107 SW Murray Blvd. #321 Beaverton Oregon 97008 United States of America**  
(72) Name(s) of Designer(s): **Brent Gill**  
(45) Registration Date: **04 June 2012**  
(56) Related Art Documents: **Not Applicable**  
(57) Statement of Newness and Distinctiveness: **Newness and distinctiveness is claimed in the visual features shown in solid lines in the representations.**



(21) Design Number: **11906/2012**  
(22) Date of Filing Application: **17 April 2012**  
(24) Date from which industrial property rights may have effect: **17 April 2012**  
(54) Product in respect of which the design is registered: **Laryngeal mask**  
(51) International Design Classification: **24-01**  
(74) Name(s) of Attorney(s): **Shelston IP**  
(71) Name(s) and Address(s) of Applicant(s):  
**The Laryngeal Mask Company Limited**  
**PO Box 221 Le Rocher Victoria Mahe Seychelles**  
(72) Name(s) of Designer(s): **Archibald Ian Jeremy Brain**  
(45) Registration Date: **04 June 2012**  
(30) Convention priority data:  
(31) Number (32) Date (33) Country  
**001298780 18 Oct 2011 EUROPEAN COMMUNITY**  
(56) Related Art Documents: **Not Applicable**  
(57) Statement of Newness and Distinctiveness: **Newness and distinctiveness resides in the features of shape and/or configuration of a laryngeal mask as illustrated in the accompanying representations.**



(21) Design Number: **11966/2012**  
(22) Date of Filing Application: **20 April 2012**  
(24) Date from which industrial property rights may have effect: **20 April 2012**  
(54) Product in respect of which the design is registered: **Shoe**  
(51) International Design Classification: **02-04NES**  
(74) Name(s) of Attorney(s): **Allens Patent & Trade Mark Attorneys**  
(71) Name(s) and Address(s) of Applicant(s):  
**Realizeworks Inc.**  
**4-8-12 Black Garden #B Jingumae Shibuya-ku Tokyo Japan 150-0001**  
(72) Name(s) of Designer(s): **Motoki Takenaka**  
(45) Registration Date: **04 June 2012**  
(30) Convention priority data:  
(31) Number (32) Date (33) Country  
**2012-009248 03 Apr 2012 JAPAN**  
(56) Related Art Documents: **Not Applicable**  
(57) Statement of Newness and Distinctiveness: **Newness and distinctiveness resides in the visual features of shape and/or configuration of a shoe as shown in solid lines in the accompanying representations.**



(21) Design Number: **11967/2012**  
(22) Date of Filing Application: **20 April 2012**  
(24) Date from which industrial property rights may have effect: **20 April 2012**  
(54) Product in respect of which the design is registered: **Shoe**  
(51) International Design Classification: **02-04NES**  
(74) Name(s) of Attorney(s): **Allens Patent & Trade Mark Attorneys**  
(71) Name(s) and Address(s) of Applicant(s):  
**Realizeworks Inc.**  
**4-8-12 Black Garden #B Jingumae Shibuya-ku Tokyo Japan 150-0001**  
(72) Name(s) of Designer(s): **Motoki Takenaka**  
(45) Registration Date: **04 June 2012**  
(30) Convention priority data:  
(31) Number      (32) Date      (33) Country  
**2012-009248      03 Apr 2012      JAPAN**  
(56) Related Art Documents: **Not Applicable**  
(57) Statement of Newness and Distinctiveness: **Newness and distinctiveness resides in the visual features of shape and/or configuration of a shoe as shown in solid lines in the accompanying representations.**



(21) Design Number: **11968/2012**  
(22) Date of Filing Application: **20 April 2012**  
(24) Date from which industrial property rights may have effect: **20 April 2012**  
(54) Product in respect of which the design is registered: **Hand-held vacuum cleaner**  
(51) International Design Classification: **15-05**  
(74) Name(s) of Attorney(s): **Davies Collison Cave**  
(71) Name(s) and Address(s) of Applicant(s):  
**Stanley Black & Decker, Inc.**  
**1000 Stanley Drive New Britain Connecticut 06053 United States of America**  
(72) Name(s) of Designer(s): **Stephen Houghton**  
(45) Registration Date: **04 June 2012**  
(30) Convention priority data:  
(31) Number      (32) Date      (33) Country  
**001298657-0001      21 Oct 2011      EUROPEAN COMMUNITY**  
(56) Related Art Documents: **Not Applicable**  
(57) Statement of Newness and Distinctiveness: **Nil**

