



**Australian Government**

---

**IP Australia**

**AUSTRALIAN OFFICIAL JOURNAL**

**OF**

**DESIGNS**

Did you know a searchable version of this journal is now available online?

It's FREE and EASY to SEARCH.

Find it on our website ([www.ipaustralia.gov.au](http://www.ipaustralia.gov.au))

by using the "Journals" link on the home page.

This Page Left Intentionally Blank

**Contents**

**General Information & Notices**

**Proceedings Under the Designs Act 1906 preserved as a result of the provisions of Chapter 12  
Part 2 of the Designs Act 2003**

**Extension of Period of Registration of Designs ..... 1678**  
**Extensions of Time Granted ..... 1678**  
**Registrations Ceased ..... 1678**  
**Subsequent Owners Registered ..... 1678**

**Proceedings Under the Designs Act 2003**

**Applications for Extension of Time Under Section 137 ..... 1687**  
**Applications Assigned ..... 1688**  
**Applications Lapsed ..... 1686**  
**Applications Lodged ..... 1682**  
**Certificate of Examination ..... 1689**  
**Extension of Period of Registration of Design ..... 1687**  
**Extension of Time Granted Under Section 137 ..... 1687**  
**Names Registered - Alterations and Amendments ..... 1688**  
**Publication and Registration Proceedings**  
**Designs Registered 342823 to 342960..... 1690**  
**Registrations Ceased ..... 1687**  
**Subsequent Owners Registered ..... 1688**

This Page Left Intentionally Blank

For information on the following please see our website [www.ipaustralia.gov.au](http://www.ipaustralia.gov.au) or contact our Customer Service Network on 1300651010

[Editorial enquiries](#)

[Contact information](#)

[Freedom of Information ACT](#)

[Professional Standards Board](#)

[Sales](#)

[Requests for Information under Section 194 \(c\)](#)

[Country Codes](#)

[Trade Mark and Designs Hearing Sessions](#)

[INID \(Internationally agreed Numbers for the Identification of Data\)](#)

## “INID” NUMBERS in use on Australian Design Documents

“INID” is an acronym for “Internationally agreed Numbers for the Identification of Data”.

### (10) Data concerning the registration/renewal

- (11) Serial number of the registration and/or number of the design document
- (12) Plain language designation of the kind of published document
- (19) Identification, using the two-letter code according to WIPO Standard ST.3, of the authority publishing or registering the industrial design

### (20) Data concerning the application

- (21) Serial number of the application
- (22) Date of filing of the application
- (24) Date from which the industrial design right has effect

### (30) Data relating to priority under the Paris Convention

- (31) Serial number assigned to the priority application
- (32) Date of filing of the priority application
- (33) Two-letter code, according to WIPO Standard ST.3, identifying the authority with which the priority application was made

### (40) Date(s) of making information available to the public

- (45) Date of publication of the registered industrial design by printing or similar process, or making it available to the public by any other means

### (50) Miscellaneous Information

- (51) International Classification for Industrial Designs (class and subclass of the Locarno Classification)
- (54) Designation of article(s) or product(s) covered by the industrial design or title of the industrial design
- (55) Reproduction of the industrial design (e.g., drawing, photograph) and explanations relating to the reproduction
- (56) List of prior art documents, if separate from descriptive text
- (57) Description of characteristic features of the industrial design including indication of colours

### (60) References to other legally related application(s) and registration(s)

- (62) Serial number(s) and, if available, filing date(s) of application(s), registration(s) or document(s) related by division
- (66) Serial number(s) of the application, or the registration, of the design(s) which is (are) a variant(s) of the present one

### (70) Identification of parties concerned with the application or registration

- (71) Name(s) and address(es) of the applicant(s)
- (72) Name(s) of the creator(s) if known to be such
- (74) Name(s) and address(es) of the representative(s)

This Page Left Intentionally Blank

**OFFICIAL NOTICE****Reminder of Fee Changes**

Further to the official notice on 24 May 2012, the Australian Government has approved changes to fees charged for IP Australia's products and services.

Some of the key changes that customers should note include:

- The majority of fee changes will occur on 1 July 2012, with the exception of new application filing fees which will change from 1 October 2012.
- Incentives for customers to use the approved means of transaction. The Commissioner and Registrar have specified the approved means when renewing an IP Right will be when the transaction is made using eServices or Business to Business (B2B). Customers that file in this way will benefit through a lower relative fee.
- New fee structures for new applications (including TM Headstart), registrations and renewals. This is for both Trade Marks and Designs.

Customers are advised to familiarise themselves with the new fee structures in order to avoid payment discrepancies and delays in the processing of IP Rights.

The new fee structures can be found at [www.ipaustralia.gov.au](http://www.ipaustralia.gov.au).

For further information please contact IP Australia on 1300 651 010 or by email to [assist@ipaustralia.gov.au](mailto:assist@ipaustralia.gov.au).

**Contact:** IP Australia  
**Phone:** 1300 651 010  
**Fax:** +61 2 6283 7999  
**E-mail:** [assist@ipaustralia.gov.au](mailto:assist@ipaustralia.gov.au)  
**Web:** [www.ipaustralia.gov.au](http://www.ipaustralia.gov.au)

**Proceedings under the Designs Act 1906 preserved as a result of the provisions of Chapter 12 Part 2 of the Designs Act 2003.**



This Page Left Intentionally Blank

**Applications Lapsed**

There were no Applications Lapsed under this section

**Extension of Period of Registration of Designs**

Applications lodged for extension of time have been granted.

**1st Period (Section 27A(8))**

143708 **Harlequin International Group Pty Ltd** An Extension of time to extend a registration has been granted to 26/03/2012

**2nd Period (Section 27A(12))**

**Subsequent Owners Registered**

(The name in parentheses is that of the subsequent owner)

**3rd Period (Section 27A(13))**

153910 ( **noBULL Accessories Pty Ltd** ) Juan Dauwalder

143708	143756	145963
145995	146100	146105
146240	146574	146575
146773	146966	146967
147097	147174	147175
147176	147177	147178
147598	148088	149348
149595	149774	

**Registrations Ceased**

Note: Some of the following Registrations may have been previously advertised as ceased. In this instance, the previous advertisement still prevails.

127292	127909	128324
128668	128853	128931
128932	128933	128946
128947	128948	128950
128969	128975	129010
129036	129047	129048
129049	129052	129072
129073	129119	129251
129323	129386	129494
129537	129613	129615
129739	130363	130445
130752	130753	130754
130755	130972	131158
131376	131656	132695
133011	133961	142919
143299	144429	144430
144431	144432	144433
144434	144532	144560
144561	144567	144568
144570	144632	144634
144676	144680	144681
144782	144809	145080
145186	145487	145718
146654	146718	147153
148452	148514	148601
149325	149326	149393
151704	157319	

**Extensions of time granted**

This Page Left Intentionally Blank

**Proceedings under the Designs Act 2003.**

This Page Left Intentionally Blank

**Applications Lodged**

Lodgement information is in the following order: **Applicant's Name**; International Classification, Name of Product, Lodgement Date and **Design Number**. If the applicant claims an earlier priority date under an International Convention, the Convention Country and the associated filing date are shown in parentheses before the Lodgement Date. Divisional information will also appear in parentheses before the Lodgement Date.

<b>A. Royale &amp; Co (Aust) Pty Ltd;</b> 03-03, Umbrella stand, 06 Jun 2012	<b>12673/2012</b>	<b>Cordaid Pty Ltd;</b> 09-06, Cord wrap, 01 Jun 2012	<b>12631/2012</b>
<b>Alpargatas S.A.;</b> 02-04NES, Footwear, (EM, 15 Dec 2011) 07 Jun 2012	<b>12696/2012</b>	<b>Daimler AG;</b> 12-16A, Wheel for vehicle, (EM, 07 Dec 2011) 06 Jun 2012	<b>12683/2012</b>
<b>Alpargatas S.A.;</b> 02-04NES, Footwear, (EM, 15 Dec 2011) 07 Jun 2012	<b>12697/2012</b>	<b>Daimler AG;</b> 12-16A, Wheel for vehicle, (EM, 07 Dec 2011) 06 Jun 2012	<b>12685/2012</b>
<b>Ames True Temper, Inc.;</b> 23-01C, "Hose reel deck box", 01 Jun 2012	<b>12629/2012</b>	<b>Daimler AG;</b> 12-16A, Wheel for vehicle, (EM, 07 Dec 2011) 06 Jun 2012	<b>12686/2012</b>
<b>Arlec Australia Pty Ltd;</b> 07-02E, A barbeque, 06 Jun 2012	<b>12695/2012</b>	<b>Daimler AG;</b> 12-16A, Wheel for vehicle, (EM, 07 Dec 2011) 06 Jun 2012	<b>12684/2012</b>
<b>ARB Corporation Ltd;</b> 21-04, Small swag for boots, 08 Jun 2012	<b>12720/2012</b>	<b>Daimler AG;</b> 12-16A, Wheel for vehicle, (EM, 07 Dec 2011) 06 Jun 2012	<b>12682/2012</b>
<b>Bannister, Caroline;</b> 06-13B, Pillow, 04 Jun 2012	<b>12649/2012</b>	<b>Daimler AG;</b> 12-16A, Wheel for vehicle, (EM, 07 Dec 2011) 06 Jun 2012	<b>12689/2012</b>
<b>Bartlett Transport Improvements Pty Ltd;</b> 12-16L, Towbar adaptor, 08 Jun 2012	<b>12738/2012</b>	<b>Diversiary Therapy Technologies Pty Ltd;</b> 20-02E, Tablet, 06 Jun 2012	<b>12688/2012</b>
<b>Bialkowski, Eliza;</b> 28-99, Air freshner of Louis Vuitton, 31 May 2012	<b>12599/2012</b>	<b>Diversiary Therapy Technologies Pty Ltd;</b> 20-02E, Stand, (Divisional of 12142/2012) 06 Jun 2012	<b>12601/2012</b>
<b>Blackney, Tyson Glenn;</b> 02-07A, Zipper securing aid, 05 Jun 2012	<b>12668/2012</b>	<b>Durance, David;</b> 06-02, Bed frame, 01 Jun 2012	<b>12744/2012</b>
<b>Blackney, Tyson Glenn;</b> 02-07A, Zipper securing aid, 05 Jun 2012	<b>12669/2012</b>	<b>DORMA GmbH + Co. KG;</b> 08-07, A head of a key, (EM, 12 Dec 2011) 08 Jun 2012	<b>12700/2012</b>
<b>Branson, Ros;</b> 19-06, 19-01, Stationery and office equipment; pen holders; holders for visiting cards, 31 May 2012	<b>12628/2012</b>	<b>Emerson Electric Co.;</b> 09-09, Food waste disposer, (US, 21 Dec 2011) 07 Jun 2012	<b>12702/2012</b>
<b>BuildSmart (Aust.) Pty. Ltd.;</b> 25-01C, Starting channel, 01 Jun 2012	<b>12606/2012</b>	<b>Emerson Electric Co.;</b> 09-09, Food waste disposer, (US, 21 Dec 2011) 07 Jun 2012	<b>12701/2012</b>
<b>BuildSmart (Aust.) Pty. Ltd.;</b> 25-01C, Starting channel, 01 Jun 2012	<b>12607/2012</b>	<b>Emerson Electric Co.;</b> 09-09, Food waste disposer, (US, 21 Dec 2011) 07 Jun 2012	<b>12598/2012</b>
<b>C.E. Niehoff &amp; Co.;</b> 13-02, Battery isolator device, (US, 09 Dec 2011) 08 Jun 2012	<b>12736/2012</b>	<b>Eyston Company Limited;</b> 10-05, Alarm, 31 May 2012	<b>12670/2012</b>
<b>Calamansi Pty Ltd;</b> 12-11, 12-16NES, Motor tricycle chassis, 30 May 2012	<b>12610/2012</b>	<b>F.V. Bilotto Nominess Pty Ltd;</b> 09-08, A pallet and enclosure therefore, 05 Jun 2012	<b>12733/2012</b>
<b>Calamansi Pty Ltd;</b> 12-11, 12-16NES, Motor tricycle body assembly, 30 May 2012	<b>12611/2012</b>	<b>Ford, Thomas C.;</b> 09-01NES, Bottle, (US, 14 Dec 2011) 07 Jun 2012	<b>12734/2012</b>
<b>Chen, Chu;</b> 25-01F, A set of mahjong tiles, (CN, 10 Mar 2012) 12 Jun 2012	<b>12735/2012</b>	<b>Ford, Thomas C.;</b> 09-01NES, Cap for a bottle, (US, 14 Dec 2011) 07 Jun 2012	
<b>Container Pty Ltd;</b> 09-01K, Kevin murphy products: anti gravity, motion lotion, hydrate-me wash,, hydrate-me rinse, angel wash, angel rinse, 06 Jun 2012	<b>12707/2012</b>		

<b>Ford, Thomas C.;</b> 09-01NES, Bottle with cap, (US, 14 Dec 2011) 07 Jun 2012	<b>12731/2012</b>	<b>Harnischfeger Technologies Inc.;</b> 15-99, Cab module, (US, 01 Dec 2011) 31 May 2012	<b>12596/2012</b>
<b>Ford, Thomas C.;</b> 09-01NES, Bottle, (US, 14 Dec 2011) 07 Jun 2012	<b>12732/2012</b>	<b>Harnischfeger Technologies Inc.;</b> 15-99, Cab module, (US, 01 Dec 2011) 31 May 2012	<b>12597/2012</b>
<b>Fujikura Ltd.;</b> 15-05, Optical connector cleaner, (JP, 05 Apr 2012) 31 May 2012	<b>12605/2012</b>	<b>Hendon Semiconductors Pty Ltd;</b> 14-01, A hand-held electronic display device, 06 Jun 2012	<b>12727/2012</b>
<b>Graham Engineering Corporation;</b> 09-01C, Jar, (US, 10 Feb 2012) 05 Jun 2012	<b>12667/2012</b>	<b>Hendon Semiconductors Pty Ltd;</b> 10-04, A housing unit for an electronic meter, 06 Jun 2012	<b>12723/2012</b>
<b>GARDENA Manufacturing GmbH;</b> 23-01C, Garden hose, (EM, 23 May 2012) 07 Jun 2012	<b>12708/2012</b>	<b>Hendon Semiconductors Pty Ltd;</b> 10-04, A housing unit and display for an electronic meter, 06 Jun 2012	<b>12724/2012</b>
<b>GARDENA Manufacturing GmbH;</b> 23-01C, Garden hose, (EM, 23 May 2012) 07 Jun 2012	<b>12714/2012</b>	<b>Honda Motor Co., Ltd.;</b> 12-08, An automobile, (JP, 07 Dec 2011) 05 Jun 2012	<b>12671/2012</b>
<b>GARDENA Manufacturing GmbH;</b> 23-01C, Garden hose, (EM, 23 May 2012) 07 Jun 2012	<b>12717/2012</b>	<b>Illinois Tool Works Inc.;</b> 08-03, Cutting insert for a masonry drill bit, (EM, 25 Jan 2012) 04 Jun 2012	<b>12652/2012</b>
<b>GARDENA Manufacturing GmbH;</b> 23-01C, Garden hose, (EM, 23 May 2012) 07 Jun 2012	<b>12713/2012</b>	<b>Illinois Tool Works Inc.;</b> 08-01, Masonry drill bit, (EM, 25 Jan 2012) 04 Jun 2012	<b>12650/2012</b>
<b>GARDENA Manufacturing GmbH;</b> 23-01C, Garden hose, (EM, 23 May 2012) 07 Jun 2012	<b>12719/2012</b>	<b>Illinois Tool Works Inc.;</b> 08-03, Cutting insert for a masonry drill bit, (EM, 25 Jan 2012) 04 Jun 2012	<b>12651/2012</b>
<b>GARDENA Manufacturing GmbH;</b> 23-01C, Garden hose, (EM, 23 May 2012) 07 Jun 2012	<b>12709/2012</b>	<b>Innovation Pet Products Pty Ltd;</b> 30-99, 21-02B, A Thrower, 05 Jun 2012	<b>12664/2012</b>
<b>GARDENA Manufacturing GmbH;</b> 23-01C, Garden hose, (EM, 23 May 2012) 07 Jun 2012	<b>12705/2012</b>	<b>Innovative Pet Products Pty Ltd;</b> 30-03, An Animal Feeding Bowl, 05 Jun 2012	<b>12665/2012</b>
<b>GARDENA Manufacturing GmbH;</b> 23-01C, Garden hose, (EM, 23 May 2012) 07 Jun 2012	<b>12715/2012</b>	<b>IDC Solutions Pty Ltd;</b> 25-01D, A panel, 07 Jun 2012	<b>12718/2012</b>
<b>GARDENA Manufacturing GmbH;</b> 23-01C, Garden hose, (EM, 23 May 2012) 07 Jun 2012	<b>12716/2012</b>	<b>J.R. Simplot Company;</b> 01-02, Spiral potato piece, (US, 16 Jan 2012) 05 Jun 2012	<b>12656/2012</b>
<b>GARDENA Manufacturing GmbH;</b> 23-01C, Garden hose, (EM, 23 May 2012) 07 Jun 2012	<b>12710/2012</b>	<b>J.R. Simplot Company;</b> 01-02, Spiral potato piece, (US, 16 Jan 2012) 05 Jun 2012	<b>12657/2012</b>
<b>GARDENA Manufacturing GmbH;</b> 23-01C, Garden hose, (EM, 23 May 2012) 07 Jun 2012	<b>12711/2012</b>	<b>Janome Sewing Machine Company Limited;</b> 15-06, Sewing machine, (JP, 09 Mar 2012) 05 Jun 2012	<b>12648/2012</b>
<b>GARDENA Manufacturing GmbH;</b> 23-01C, Garden hose, (EM, 23 May 2012) 07 Jun 2012	<b>12712/2012</b>	<b>John Guest International Limited;</b> 23-01A, Connector, (EM, 09 Dec 2011) 08 Jun 2012	<b>12739/2012</b>
<b>Hansa Metallwerke AG;</b> 23-01H, Mixing tap, (EM, 12 Dec 2011) 08 Jun 2012	<b>12743/2012</b>	<b>John Guest International Limited;</b> 23-01A, Connector, (EM, 09 Dec 2011) 08 Jun 2012	<b>12741/2012</b>
<b>Harnischfeger Technologies Inc.;</b> 06-01D, Seat module, (US, 01 Dec 2011) 31 May 2012	<b>12594/2012</b>	<b>John Guest International Limited;</b> 23-01A, Connector, (EM, 09 Dec 2011) 08 Jun 2012	<b>12742/2012</b>
<b>Harnischfeger Technologies Inc.;</b> 06-01D, Seat module, (US, 01 Dec 2011) 31 May 2012	<b>12595/2012</b>	<b>John Guest International Limited;</b> 23-01A, Connector, (EM, 09 Dec 2011) 08 Jun 2012	<b>12740/2012</b>



<b>John Guest International Limited;</b> 23-01A, Connector, (EM, 09 Dec 2011) 06 Jun 2012	<b>12694/2012</b>	<b>King Furniture (Australia) Pty Ltd;</b> 06-01G, A modular airmchair, 04 Jun 2012	<b>12645/2012</b>
<b>John Guest International Limited;</b> 23-01A, Connector, (EM, 09 Dec 2011) 06 Jun 2012	<b>12693/2012</b>	<b>King Furniture (Australia) Pty Ltd;</b> 06-01G, An armchair, 04 Jun 2012	<b>12647/2012</b>
<b>John Guest International Limited;</b> 23-01A, Connector, (EM, 09 Dec 2011) 06 Jun 2012	<b>12691/2012</b>	<b>King Furniture (Australia) Pty Ltd;</b> 06-01G, A modular armchair, 04 Jun 2012	<b>12643/2012</b>
<b>John Guest International Limited;</b> 23-01A, Connector, (EM, 09 Dec 2011) 06 Jun 2012	<b>12692/2012</b>	<b>King Furniture (Australia) Pty Ltd;</b> 06-01G, A sofa, 04 Jun 2012	<b>12644/2012</b>
<b>John Guest International Limited;</b> 23-01A, Connector, (EM, 09 Dec 2011) 06 Jun 2012	<b>12692/2012</b>	<b>King Furniture (Australia) Pty Ltd;</b> 06-01G, An armchair, 04 Jun 2012	<b>12646/2012</b>
<b>Keter Plastic Ltd.;</b> 08-99, Container for tools, (EM, 06 Dec 2011) 06 Jun 2012	<b>12678/2012</b>	<b>Koninklijke Philips Electronics N.V.;</b> 24-02, Base unit for breastpump, (EM, 06 Dec 2011) 05 Jun 2012	<b>12661/2012</b>
<b>Keter Plastic Ltd.;</b> 08-99, Container for tools, (EM, 06 Dec 2011) 06 Jun 2012	<b>12681/2012</b>	<b>Koninklijke Philips Electronics N.V.;</b> 28-03D, Beardtrimmer, (EM, 07 Dec 2011) 07 Jun 2012	<b>12703/2012</b>
<b>Keter Plastic Ltd.;</b> 08-99, Container for tools, (EM, 06 Dec 2011) 06 Jun 2012	<b>12679/2012</b>	<b>Koninklijke Philips Electronics N.V.;</b> 07-02L, Coffee maker, (EM, 08 Dec 2011) 08 Jun 2012	<b>12754/2012</b>
<b>Keter Plastic Ltd.;</b> 08-99, Container for tools, (EM, 16 Dec 2011) 06 Jun 2012	<b>12680/2012</b>	<b>Koninklijke Philips Electronics N.V.;</b> 24-02, Base unit for breast pump, (EM, 06 Dec 2011) 05 Jun 2012	<b>12662/2012</b>
<b>Kimberly-Clark Worldwide, Inc.;</b> 23-02A, Viscous liquid dispenser, (US, 19 Dec 2011) 08 Jun 2012	<b>12747/2012</b>	<b>Lekka, Mercedes;Roberts, Heath;</b> 02-02B, Reversible hi-visibility safety vest as required by AS/NZS4602:1999 safety standards and vicroads, design is, yellow reflective tape of both sides, reversible zip, 04 Jun 2012	<b>12634/2012</b>
<b>Kimberly-Clark Worldwide, Inc.;</b> 23-02A, Rolled paper product dispenser, (US, 19 Dec 2011) 08 Jun 2012	<b>12745/2012</b>	<b>Lekka, Mercedes;Roberts, Heath;</b> 02-02B, Reversible hi-visibility safety vest as required by AS/NZS4602:1999 safety standards and vicroads, design is, silver reflective tape of both sides, reversible zip, 04 Jun 2012	<b>12635/2012</b>
<b>Kimberly-Clark Worldwide, Inc.;</b> 23-02A, Paper product dispenser, (US, 19 Dec 2011) 08 Jun 2012	<b>12746/2012</b>	<b>Lekka, Mercedes;Roberts, Heath;</b> 02-02B, Reversible hi-visibility safety vests as required by AS/NZS4602:1999 safety standards and vicroads, design is, yellow on one side and silver reflective tape on other reversible zip, 04 Jun 2012	<b>12633/2012</b>
<b>Kimberly-Clark Worldwide, Inc.;</b> 23-02A, Rolled paper product dispenser, (US, 19 Dec 2011) 08 Jun 2012	<b>12748/2012</b>	<b>Lynch Group Australia Pty Limited;</b> 20-02E, Stand, 08 Jun 2012	<b>12737/2012</b>
<b>King Furniture (Australia) Pty Ltd;</b> 06-01G, Sofa, 08 Jun 2012	<b>12749/2012</b>	<b>LG Electronics Inc.;</b> 15-07, Refrigerator, (KR, 22 Dec 2011) 06 Jun 2012	<b>12690/2012</b>
<b>King Furniture (Australia) Pty Ltd;</b> 06-01G, Modular chair, 08 Jun 2012	<b>12751/2012</b>	<b>LG Electronics Inc.;</b> 07-02B, Microwave oven, (KR, 13 Dec 2011) 06 Jun 2012	<b>12674/2012</b>
<b>King Furniture (Australia) Pty Ltd;</b> 06-01G, Modular chair, 08 Jun 2012	<b>12752/2012</b>	<b>LG Electronics Inc.;</b> 15-07, Refrigerator, (KR, 01 Dec 2011) 31 May 2012	<b>12604/2012</b>
<b>King Furniture (Australia) Pty Ltd;</b> 06-01G, Sofa, 08 Jun 2012	<b>12750/2012</b>	<b>LG Electronics Inc.;</b> 15-07, Refrigerator, (KR, 01 Dec 2011) 31 May 2012	<b>12603/2012</b>
<b>King Furniture (Australia) Pty Ltd;</b> 06-01B, A daybed, 07 Jun 2012	<b>12704/2012</b>		
<b>King Furniture (Australia) Pty Ltd;</b> 06-01G, Furniture module, 08 Jun 2012	<b>12753/2012</b>		
<b>King Furniture (Australia) Pty Ltd;</b> 06-01G, A sofa, 04 Jun 2012	<b>12642/2012</b>		
<b>King Furniture (Australia) Pty Ltd;</b> 06-01F, An armchair, 06 Jun 2012	<b>12675/2012</b>		
<b>King Furniture (Australia) Pty Ltd;</b> 06-01F, An armchair, 06 Jun 2012	<b>12676/2012</b>		

<b>Marshall Amplification Plc;</b> 15-07, Refrigerator, (EM, 17 Apr 2012) 05 Jun 2012	<b>12666/2012</b>	<b>Rydstrand, Victoria;The Switch Decor Company Pty Ltd;</b> 13-03D, Electrical switch cover, switch cover, 29 May 2012	<b>12593/2012</b>
<b>Masprodenkoh Kabushikikaisha;</b> 14-03NES, Antennas, (JP, 08 Mar 2012) 29 May 2012	<b>12558/2012</b>	<b>Shahar, Shimon;</b> 26-04, Illumination apparatus, (IL, 05 Dec 2011) 04 Jun 2012	<b>12655/2012</b>
<b>Mattane Pty Ltd;</b> 24-04, Outdoor industry, foot plate, 01 Jun 2012	<b>12600/2012</b>	<b>Solarark Pty Ltd;</b> 08-08L, Mounting for a solar evacuated tube, 31 May 2012	<b>12591/2012</b>
<b>Mengel, Katrin;Wingerter, Thomas;</b> 03-01NES, Credit card case, (EM, 08 Dec 2011) 01 Jun 2012	<b>12636/2012</b>	<b>Spa Electrics Pty Ltd;</b> 13-03C, Suction cover, 01 Jun 2012	<b>12627/2012</b>
<b>Mengel, Katrin;Wingerter, Thomas;</b> 03-01NES, Credit card case, (EM, 08 Dec 2011) 01 Jun 2012	<b>12637/2012</b>	<b>Straightmark Nominees Pty Ltd;</b> 23-01E, Drain cover assembly, 07 Jun 2012	<b>12687/2012</b>
<b>Myers, Roxxie;</b> 09-01K, Mouthwash bottle, (MY, 28 May 2012) 05 Jun 2012	<b>12640/2012</b>	<b>Telezygology Inc;</b> 09-03M, Delivery receptacle, 06 Jun 2012	<b>12698/2012</b>
<b>MM&amp;R Products, Inc.;</b> 28-03B, Hair styling device, 25 May 2012	<b>12672/2012</b>	<b>Telezygology Inc;</b> 09-03M, Insulated container, 06 Jun 2012	<b>12699/2012</b>
<b>MSD Consumer Care, Inc.;</b> 09-01H, Bottle, (US, 02 Dec 2011) 01 Jun 2012	<b>12639/2012</b>	<b>The Coca-Cola Company;</b> 20-02NES, Merchandiser, (US, 01 Jun 2012) 05 Jun 2012	<b>12658/2012</b>
<b>Nanscawen, Goeffrey;</b> 07-02E, Combination BBQ/cooker with oven and swinging doors, 07 Jun 2012	<b>12677/2012</b>	<b>The Coca-Cola Company;</b> 20-02NES, Merchandiser, (US, 01 Jun 2012) 05 Jun 2012	<b>12660/2012</b>
<b>Nicholson, Cody;</b> 15-01, 2 stroke cylinder block, 01 Jun 2012	<b>12641/2012</b>	<b>The Coca-Cola Company;</b> 20-02NES, Merchandiser, (US, 01 Jun 2012) 05 Jun 2012	<b>12659/2012</b>
<b>Oakley, Inc.;</b> 16-06, Eyeglasses, (US, 05 Dec 2011) 01 Jun 2012	<b>12632/2012</b>	<b>The Gillette Company;</b> 28-03A, Shaving cartridge connector, (US, 09 Dec 2011) 07 Jun 2012	<b>12725/2012</b>
<b>Owens-Brockway Glass Container Inc.;</b> 09-01NES, Container, (US, 28 Oct 2011) 30 May 2012	<b>12567/2012</b>	<b>The Gillette Company;</b> 28-03A, Shaving cartridge connector, (US, 09 Dec 2011) 07 Jun 2012	<b>12722/2012</b>
<b>Rediwall Pty Ltd;</b> 25-01D, A building panel, 01 Jun 2012	<b>12638/2012</b>	<b>The Gillette Company;</b> 09-01NES, Bottle, (US, 09 Dec 2011) 07 Jun 2012	<b>12721/2012</b>
<b>Roberts, Heath;Lekka, Mercedes;</b> 02-02B, Reversible hi-visibility safety vest as required by AS/NZS4602:1999 safety standards and vicroads, design is, silver reflective tape of both sides, reversible zip, 04 Jun 2012	<b>12635/2012</b>	<b>The Gillette Company;</b> 28-03A, Shaving razor handle, (US, 09 Dec 2011) 07 Jun 2012	<b>12728/2012</b>
<b>Roberts, Heath;Lekka, Mercedes;</b> 02-02B, Reversible hi-visibility safety vest as required by AS/NZS4602:1999 safety standards and vicroads, design is, yellow reflective tape of both sides, reversible zip, 04 Jun 2012	<b>12634/2012</b>	<b>The Gillette Company;</b> 28-03A, Shaving razor handle, (US, 09 Dec 2011) 07 Jun 2012	<b>12729/2012</b>
<b>Roberts, Heath;Lekka, Mercedes;</b> 02-02B, Reversible hi-visibility safety vests as required by AS/NZS4602:1999 safety standards and vicroads, design is, yellow on one side and silver reflective tape on other reversible zip, 04 Jun 2012	<b>12633/2012</b>	<b>The Gillette Company;</b> 28-03A, Shaving cartridge connector, (US, 09 Dec 2011) 07 Jun 2012	<b>12726/2012</b>
<b>Round Point Peg Company Pty Ltd;</b> 08-07, Cam lock, (CN, 15 Nov 2011) 23 May 2012	<b>12485/2012</b>	<b>The Gillette Company;</b> 09-01K, Bottle, (US, 09 Dec 2011) 07 Jun 2012	<b>12730/2012</b>
		<b>The Switch Decor Company Pty Ltd;Rydstrand, Victoria;</b> 13-03D, Electrical switch cover, switch cover, 29 May 2012	<b>12593/2012</b>
		<b>Threbank, Florian;</b> 08-06, 21-02C, Golf club handle grip, (EM, 15 Dec 2011) 01 Jun 2012	<b>12630/2012</b>

<b>Trail Blazing Design Limited;</b> 09-99, A blank for a package, 31 May 2012	<b>12592/2012</b>	<b>Zetco Pty Limited;</b> 23-01A, A plumbing fitting, 04 Jun 2012	<b>12620/2012</b>
<b>Walker, John;</b> 26-03, Lighting Apparatus, 05 Jun 2012	<b>12663/2012</b>	<b>Zetco Pty Limited;</b> 23-01A, A plumbing fitting, 04 Jun 2012	<b>12626/2012</b>
<b>Warner, Peter;</b> 29-99, The products are for a walkway system to be installed on sea cages, 29 May 2012	<b>12609/2012</b>	<b>Zetco Pty Limited;</b> 23-01A, A plumbing fitting, 04 Jun 2012	<b>12625/2012</b>
<b>Warner, Peter;</b> 29-99, Walkway system for sea cages, 29 May 2012	<b>12608/2012</b>	<b>Zetco Pty Limited;</b> 23-01A, A plumbing fitting, 04 Jun 2012	<b>12615/2012</b>
<b>Wilson, Martyn S;</b> 08-10, Skateboard and scooter parking rack, 06 Jun 2012	<b>12706/2012</b>	<b>Zetco Pty Limited;</b> 23-01A, A plumbing fitting, 04 Jun 2012	<b>12622/2012</b>
<b>Wingerter, Thomas;Mengel, Katrin;</b> 03-01NES, Credit card case, (EM, 08 Dec 2011) 01 Jun 2012	<b>12636/2012</b>	<b>Zetco Pty Limited;</b> 23-01A, A plumbing fitting, 04 Jun 2012	<b>12617/2012</b>
<b>Wingerter, Thomas;Mengel, Katrin;</b> 03-01NES, Credit card case, (EM, 08 Dec 2011) 01 Jun 2012	<b>12637/2012</b>	<b>Zetco Pty Limited;</b> 23-01A, A plumbing fitting, 04 Jun 2012	<b>12623/2012</b>
<b>Xylem IP Holdings LLC;</b> 15-02, Pump, (EM, 13 Dec 2011) 04 Jun 2012	<b>12653/2012</b>	<b>Zetco Pty Limited;</b> 23-01A, A plumbing fitting, 04 Jun 2012	<b>12614/2012</b>
<b>Xylem IP Holdings LLC;</b> 15-02, Pump, (EM, 13 Dec 2011) 04 Jun 2012	<b>12654/2012</b>	<b>Zetco Pty Limited;</b> 23-01A, A plumbing fitting, 04 Jun 2012	<b>12612/2012</b>
<b>Zetco Pty Limited;</b> 23-01A, A plumbing fitting, 04 Jun 2012	<b>12619/2012</b>	<b>Zetco Pty Limited;</b> 23-01A, A plumbing fitting, 04 Jun 2012	<b>12618/2012</b>
<b>Zetco Pty Limited;</b> 23-01A, A plumbing fitting, 04 Jun 2012	<b>12621/2012</b>	<b>Zetco Pty Limited;</b> 23-01A, A plumbing fitting, 04 Jun 2012	<b>12624/2012</b>
		<b>Zetco Pty Limited;</b> 23-01A, A plumbing fitting, 04 Jun 2012	<b>12613/2012</b>

**Applications Lapsed**

13870 / 2011 (02-02NES)	15379 / 2011 (14-04)
15497 / 2011 (28-03A)	10704 / 2012 (09-07C)
11400 / 2012 (14-04)	11469 / 2012 (25-01K)
11547 / 2012 (25-01K)	11548 / 2012 (25-01K)
11549 / 2012 (25-01K)	11550 / 2012 (25-01K)
11551 / 2012 (25-01K)	11552 / 2012 (25-01K)
11553 / 2012 (25-01K)	11554 / 2012 (25-01K)
11555 / 2012 (25-01K)	11568 / 2012 (14-02)
11570 / 2012 (06-06E)	11571 / 2012 (26-05NES)
11572 / 2012 (26-05NES)	11573 / 2012 (26-05D)
11574 / 2012 (11-04)	

**Extension of Period of Registration of Designs**

308514	314670	315534
315650	315664	315665
315666	315667	315737
315778	315792	315793
315794	315795	315849
315850	315910	315911
315920	315921	315933
315944	315945	315946
315947	316001	316002
316009	316015	316016
316020	316047	316051
316052	316053	316068
316122	316123	316124
316146	316267	316268
316271	316309	316310
316425	316464	316465
316483	316501	316503
316504	316505	316506
316507	316508	316509
316598	316600	316603
316615	316631	316683
316684	316698	316699
317115	317785	318180
318181	319089	319090
319594	319595	319596
319597	319598	319695

**Registrations Ceased**

308332	308448	308466
308659	309922	310529
311329	311353	311355
312068	312112	312379
312569	312578	312579
312580	312581	312582
312657	312658	312660
312661	312687	312688
312690	312691	312692
312693	312694	312695
312696	312698	312747
312748	312751	312752
312753	312754	312756
312757	312758	312759
312760	312764	312776
312785	312786	312787
312796	312798	312806
312809	312810	312811
312812	312813	312814
312816	312835	312843
312844	312845	312853

312854	312855	312856
312857	312858	312859
312860	312861	312862
312866	312869	312874
312876	312877	312878
312879	312881	312882
312883	312884	312899
312901	312902	312903
312904	312905	312906
312907	312908	312910
312912	312913	312914
312915	312916	312917
312918	312924	312931
312932	312933	312934
312935	312936	312949
312950	312962	312963
312964	312967	312968
312969	312988	312989
312990	312993	312997
313001	313012	313020
313028	313039	313040
313063	313064	313065
313105	313119	313140
313141	313142	313143
313144	313184	313243
313274	313275	313307
313308	313445	313446
313462	313481	313483
313484	313509	313510
313512	313513	313514
313558	313559	313587
313666	313684	313685
313710	313780	313894
313963	313967	314491
314640	315490	315491
315492	315493	315494
315495	315496	316510
317073	317074	317075
317076	338278	338452

**Applications for Extension of time under Section 137**

Applications under section 137 for extension of time have been lodged. Objections must be lodged within 1 month from the date of this journal.

13484/2011 **Forever New Clothing Pty Ltd** Address for Service: Macpherson + Kelley Level 22 114 William Street MELBOURNE VIC 3000

**Extensions of time granted under Section 137**

Applications lodged under section 137 for extension of time have been granted.

308514 **Paul Damian Nelson**

15202/2011 **Forever New Clothing Pty Ltd**

342886 **Gandhi & Company (Pty) Limited**

### **Applications Assigned**

(The name in parentheses is that of the subsequent applicant)

12216/2012 ( **Case-Mate, Inc. )** Garrett Paul Simmer

### **Subsequent Owners Registered**

(The name in parentheses is that of the subsequent owner)

317359 ( **TriFlex Manufacturing Pty Ltd )** Triflex Electrical Pty Ltd

317360 ( **TriFlex Manufacturing Pty Ltd )** Triflex Electrical Pty Ltd

317361 ( **TriFlex Manufacturing Pty Ltd )** Triflex Electrical Pty Ltd

311387 ( **Alpha Springwater Pty Ltd )** Snowy Mountain Australian Exporters Pty Ltd

### **Names Registered - Alterations and Amendments**

(The name in parentheses is that of the subsequent applicant)

339127 ( **Tait Limited )** Tait Electronics Limited

339391 ( **Tait Limited )** Tait Electronics Limited

**Certificate(s) of Examination**

Examination of the following Design Registration(s) has been completed. Infringement proceedings may now be commenced.

308107	02-04NES	15/06/2012
315815	25-01K	15/06/2012
326126	23-01E	07/06/2012
337150	07-01F	15/06/2012
337699	06-01G	15/06/2012
337800	07-02L	14/06/2012
337824	07-01NES	14/06/2012
338659	08-08NES	04/06/2012
339157	15-01	15/06/2012
339763	13-01	14/06/2012
340771	28-03D	08/06/2012
340772	28-03D	08/06/2012
341110	23-01A	07/06/2012
341111	23-01A	07/06/2012
341112	23-01A	07/06/2012
341113	23-01A	07/06/2012
341114	23-01A	07/06/2012
341127	21-02C	08/06/2012
341128	21-02C	08/06/2012
341133	15-01	15/06/2012
341177	23-01A	07/06/2012
341178	23-01A	07/06/2012
341179	23-01A	07/06/2012
341180	23-01A	07/06/2012
341181	23-01A	07/06/2012
341182	23-01A	07/06/2012
341183	23-01A	07/06/2012
341184	23-01A	07/06/2012
341185	23-01A	07/06/2012
341186	23-01A	07/06/2012
341205	23-01A	07/06/2012
341480	08-03	08/06/2012
341642	25-01K	07/06/2012
341672	14-01	15/06/2012
341753	14-01	15/06/2012
341837	29-01	08/06/2012
342125	28-01	06/06/2012
342130	28-01	07/06/2012
342357	02-04NES	12/06/2012
342396	09-07C	13/06/2012
342516	23-01B	05/06/2012
342522	23-01B	05/06/2012
342523	26-03	08/06/2012
342562	07-05E	07/06/2012
342595	24-04	12/06/2012
342637	02-02C	15/06/2012

**Publication and Registration Proceedings**

**Designs Registered**

This section provides a concordance between design number and registration number of Designs covered in this journal. It also shows the main class and registration date.

This section covers Registration numbers 342823 to 342960 .

The registration number shown below should be used in all future correspondence.

<b>Design Number</b>	<b>Registration Number</b>	<b>International Classification Code (IDC)</b>	<b>Registration Date</b>	<b>Design Number</b>	<b>Registration Number</b>	<b>International Classification Code (IDC)</b>	<b>Registration Date</b>
14661/2011	342913	08-06	13/06/2012	12057/2012	342938	08-08C	14/06/2012
15639/2011	342955	02-02NES	15/06/2012	12061/2012	342881	23-03H	08/06/2012
10887/2012	342958	12-16A	15/06/2012	12084/2012	342939	28-03B	14/06/2012
10994/2012	342886	24-04	13/06/2012	12085/2012	342882	28-03B	08/06/2012
11113/2012	342874	07-07B	08/06/2012	12086/2012	342883	28-03B	08/06/2012
11339/2012	342875	08-06	08/06/2012	12111/2012	342884	30-99	08/06/2012
11432/2012	342921	02-02NES	14/06/2012	12112/2012	342885	30-99	08/06/2012
11433/2012	342922	02-02NES	14/06/2012	12131/2012	342914	21-02F	13/06/2012
11434/2012	342923	02-02C	14/06/2012	12136/2012	342940	26-02	14/06/2012
11435/2012	342924	02-02NES	14/06/2012	12152/2012	342941	06-03A	14/06/2012
11436/2012	342925	02-02C	14/06/2012	12153/2012	342942	06-03A	14/06/2012
11437/2012	342926	02-02NES	14/06/2012	12160/2012	342943	08-08L	14/06/2012
11438/2012	342927	02-02C	14/06/2012	12216/2012	342867	03-01NES	08/06/2012
11439/2012	342928	02-02C	14/06/2012	12223/2012	342944	26-02	14/06/2012
11445/2012	342876	14-02	08/06/2012	12224/2012	342847	11-01NES	07/06/2012
11461/2012	342838	07-01D	07/06/2012	12225/2012	342848	11-01NES	07/06/2012
11467/2012	342845	06-04NES	07/06/2012	12226/2012	342849	11-01NES	07/06/2012
11468/2012	342846	06-04NES	07/06/2012	12227/2012	342850	11-01NES	07/06/2012
11472/2012	342959	26-06	15/06/2012	12228/2012	342851	11-01NES	07/06/2012
11473/2012	342960	26-06	15/06/2012	12229/2012	342852	11-01NES	07/06/2012
11488/2012	342840	26-05NES	07/06/2012	12270/2012	342823	21-02C	05/06/2012
11529/2012	342887	02-02NES	13/06/2012	12271/2012	342824	20-02NES	05/06/2012
11530/2012	342888	02-02NES	13/06/2012	12274/2012	342825	09-01H	05/06/2012
11531/2012	342929	02-02NES	14/06/2012	12275/2012	342826	12-15B	05/06/2012
11532/2012	342930	02-01NES	14/06/2012	12276/2012	342827	12-15B	05/06/2012
11533/2012	342931	02-01NES	14/06/2012	12277/2012	342828	09-01H	05/06/2012
11566/2012	342877	09-01C	08/06/2012	12278/2012	342829	09-01H	05/06/2012
11592/2012	342932	12-16C	14/06/2012	12279/2012	342830	09-01H	05/06/2012
11593/2012	342933	12-16C	14/06/2012	12281/2012	342915	31-00	13/06/2012
11598/2012	342934	12-16B	14/06/2012	12284/2012	342833	06-13B	06/06/2012
11599/2012	342935	12-16B	14/06/2012	12285/2012	342834	12-16H	06/06/2012
11602/2012	342831	12-16NES	06/06/2012	12287/2012	342835	06-13NES	06/06/2012
11603/2012	342832	12-16NES	06/06/2012	12288/2012	342836	06-13NES	06/06/2012
11604/2012	342855	12-16B	07/06/2012	12293/2012	342837	21-02F	06/06/2012
11605/2012	342856	12-16B	07/06/2012	12294/2012	342898	22-01	13/06/2012
11606/2012	342857	12-16B	07/06/2012	12295/2012	342899	22-01	13/06/2012
11607/2012	342858	12-16B	07/06/2012	12296/2012	342900	06-06NES	13/06/2012
11608/2012	342859	12-08	07/06/2012	12298/2012	342901	09-99	13/06/2012
11673/2012	342878	05-06NES	08/06/2012	12302/2012	342902	26-99	13/06/2012
11707/2012	342936	02-04A	14/06/2012	12303/2012	342903	26-05NES	13/06/2012
11720/2012	342879	08-08NES	08/06/2012	12304/2012	342904	03-01A	13/06/2012
11920/2012	342937	10-02	14/06/2012	12305/2012	342905	03-01A	13/06/2012
11957/2012	342860	09-07B	07/06/2012	12308/2012	342906	09-01NES	13/06/2012
11958/2012	342861	09-07B	07/06/2012	12309/2012	342907	09-01NES	13/06/2012
11960/2012	342862	09-07B	07/06/2012	12311/2012	342908	09-01NES	13/06/2012
12027/2012	342863	25-01NES	07/06/2012	12312/2012	342909	28-99	13/06/2012
12028/2012	342864	08-07	07/06/2012	12313/2012	342910	28-99	13/06/2012
12054/2012	342865	07-07NES	07/06/2012	12314/2012	342868	09-01NES	08/06/2012
12055/2012	342866	23-02NES	07/06/2012	12315/2012	342869	09-07C	08/06/2012
12056/2012	342880	07-05C	08/06/2012	12316/2012	342870	09-01NES	08/06/2012

Publication and Registration Proceedings - Designs Registered cont'd

Design Number	Registration Number	International Classification Code (IDC)	Registration Date	Design Number	Registration Number	International Classification Code (IDC)	Registration Date
12317/2012	342871	28-99	08/06/2012	12408/2012	342950	15-02	15/06/2012
12318/2012	342911	06-04NES	13/06/2012	12419/2012	342951	21-01B	15/06/2012
12319/2012	342872	26-99	08/06/2012	12420/2012	342952	21-01B	15/06/2012
12321/2012	342889	21-02C	13/06/2012	12421/2012	342953	21-01B	15/06/2012
12322/2012	342890	21-02C	13/06/2012	12422/2012	342954	21-01B	15/06/2012
12323/2012	342891	21-02C	13/06/2012	12424/2012	342916	26-05C	13/06/2012
12324/2012	342892	12-02	13/06/2012	12464/2012	342873	21-02E	08/06/2012
12326/2012	342893	14-01	13/06/2012	12470/2012	342839	06-01G	07/06/2012
12327/2012	342894	09-01H	13/06/2012	12473/2012	342842	15-05	07/06/2012
12328/2012	342895	08-08NES	13/06/2012	12474/2012	342843	19-04	07/06/2012
12329/2012	342896	08-08NES	13/06/2012	12475/2012	342844	19-04	07/06/2012
12331/2012	342897	08-08NES	13/06/2012	12481/2012	342956	02-02C	15/06/2012
12336/2012	342912	12-10	13/06/2012	12482/2012	342957	02-02NES	15/06/2012
12360/2012	342854	02-02NES	07/06/2012	12500/2012	342917	28-03B	13/06/2012
12361/2012	342853	02-02NES	07/06/2012	12501/2012	342918	28-03B	13/06/2012
12369/2012	342945	12-15C	15/06/2012	12502/2012	342919	28-03B	13/06/2012
12370/2012	342946	15-99	15/06/2012	12527/2012	342920	19-02	13/06/2012
12398/2012	342947	09-07C	15/06/2012	12589/2012	342841	26-05NES	07/06/2012
12399/2012	342948	09-01A	15/06/2012				
12405/2012	342949	25-01G	15/06/2012				



**Publication and Registration Proceedings**

**Class Listing of Designs Published or Registered**

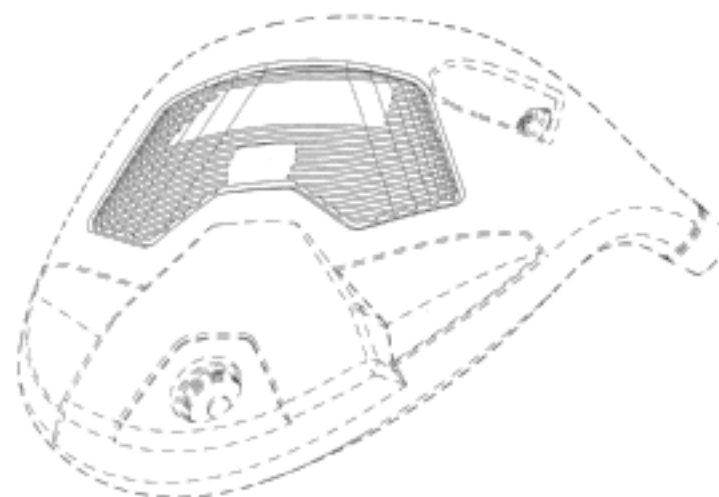
The following section shows an International Classification Code listing of the Registered or Published Designs covered in this supplement.

<b>Classification</b>	<b>Registration Number</b>	<b>Design Number</b>	<b>Classification</b>	<b>Registration Number</b>	<b>Design Number</b>
02-01NES	342930	11532/2012	09-01H	342829	12278/2012
02-01NES	342931	11533/2012	09-01H	342830	12279/2012
02-02C	342923	11434/2012	09-01H	342894	12327/2012
02-02C	342925	11436/2012	09-01NES	342868	12314/2012
02-02C	342927	11438/2012	09-01NES	342870	12316/2012
02-02C	342928	11439/2012	09-01NES	342906	12308/2012
02-02C	342956	12481/2012	09-01NES	342907	12309/2012
02-02NES	342853	12361/2012	09-01NES	342908	12311/2012
02-02NES	342854	12360/2012	09-05	342901	12298/2012
02-02NES	342887	11529/2012	09-07B	342860	11957/2012
02-02NES	342888	11530/2012	09-07B	342861	11958/2012
02-02NES	342921	11432/2012	09-07B	342862	11960/2012
02-02NES	342922	11433/2012	09-07C	342869	12315/2012
02-02NES	342924	11435/2012	09-07C	342947	12398/2012
02-02NES	342926	11437/2012	09-99	342875	11339/2012
02-02NES	342929	11531/2012	09-99	342901	12298/2012
02-02NES	342955	15639/2011	10-02	342937	11920/2012
02-02NES	342957	12482/2012	11-01NES	342847	12224/2012
02-04A	342936	11707/2012	11-01NES	342848	12225/2012
03-01A	342904	12304/2012	11-01NES	342849	12226/2012
03-01A	342905	12305/2012	11-01NES	342850	12227/2012
03-01NES	342867	12216/2012	11-01NES	342851	12228/2012
05-06NES	342878	11673/2012	11-01NES	342852	12229/2012
06-01F	342839	12470/2012	12-02	342892	12324/2012
06-01G	342839	12470/2012	12-08	342859	11608/2012
06-03A	342941	12152/2012	12-10	342912	12336/2012
06-03A	342942	12153/2012	12-15B	342826	12275/2012
06-04NES	342845	11467/2012	12-15B	342827	12276/2012
06-04NES	342846	11468/2012	12-15C	342945	12369/2012
06-04NES	342911	12318/2012	12-16A	342958	10887/2012
06-06NES	342900	12296/2012	12-16B	342855	11604/2012
06-13B	342833	12284/2012	12-16B	342856	11605/2012
06-13NES	342835	12287/2012	12-16B	342857	11606/2012
06-13NES	342836	12288/2012	12-16B	342858	11607/2012
07-01D	342838	11461/2012	12-16B	342934	11598/2012
07-05C	342880	12056/2012	12-16B	342935	11599/2012
07-07B	342874	11113/2012	12-16C	342932	11592/2012
07-07NES	342865	12054/2012	12-16C	342933	11593/2012
08-05NES	342879	11720/2012	12-16H	342834	12285/2012
08-06	342875	11339/2012	12-16NES	342831	11602/2012
08-06	342913	14661/2011	12-16NES	342832	11603/2012
08-07	342864	12028/2012	14-01	342893	12326/2012
08-08C	342938	12057/2012	14-02	342876	11445/2012
08-08L	342943	12160/2012	15-02	342950	12408/2012
08-08NES	342879	11720/2012	15-05	342842	12473/2012
08-08NES	342895	12328/2012	15-99	342946	12370/2012
08-08NES	342896	12329/2012	19-02	342920	12527/2012
08-08NES	342897	12331/2012	19-04	342843	12474/2012
08-99	342879	11720/2012	19-04	342844	12475/2012
09-01A	342948	12399/2012	20-02E	342920	12527/2012
09-01C	342877	11566/2012	20-02NES	342824	12271/2012
09-01H	342825	12274/2012	21-01B	342951	12419/2012
09-01H	342828	12277/2012	21-01B	342952	12420/2012

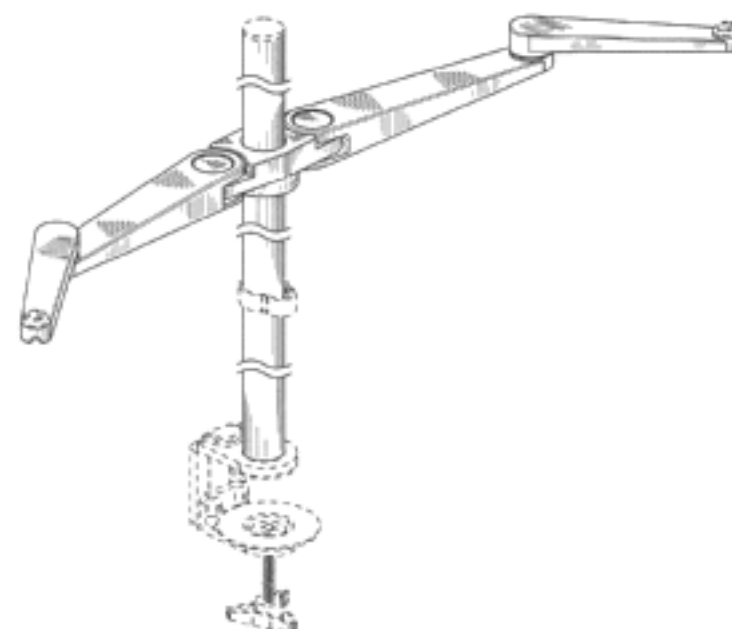
Registration Proceedings - Class Listing of Designs Published or Registered cont'd

Classification	Registration Number	Design Number	Classification	Registration Number	Design Number
21-01B	342953	12421/2012	26-05C	342916	12424/2012
21-01B	342954	12422/2012	26-05NES	342840	11488/2012
21-02C	342823	12270/2012	26-05NES	342841	12589/2012
21-02C	342889	12321/2012	26-05NES	342903	12303/2012
21-02C	342890	12322/2012	26-06	342959	11472/2012
21-02C	342891	12323/2012	26-06	342960	11473/2012
21-02E	342873	12464/2012	26-99	342872	12319/2012
21-02F	342837	12293/2012	26-99	342902	12302/2012
21-02F	342914	12131/2012	28-03B	342882	12085/2012
22-01	342898	12294/2012	28-03B	342883	12086/2012
22-01	342899	12295/2012	28-03B	342917	12500/2012
23-01NES	342958	10887/2012	28-03B	342918	12501/2012
23-02B	342835	12287/2012	28-03B	342919	12502/2012
23-02B	342836	12288/2012	28-03B	342939	12084/2012
23-02NES	342866	12055/2012	28-99	342871	12317/2012
23-03H	342881	12061/2012	28-99	342909	12312/2012
23-04	342840	11488/2012	28-99	342910	12313/2012
23-04	342841	12589/2012	30-99	342884	12111/2012
24-04	342886	10994/2012	30-99	342885	12112/2012
25-01G	342949	12405/2012	31-00	342915	12281/2012
25-01NES	342863	12027/2012			
26-02	342940	12136/2012			
26-02	342944	12223/2012			

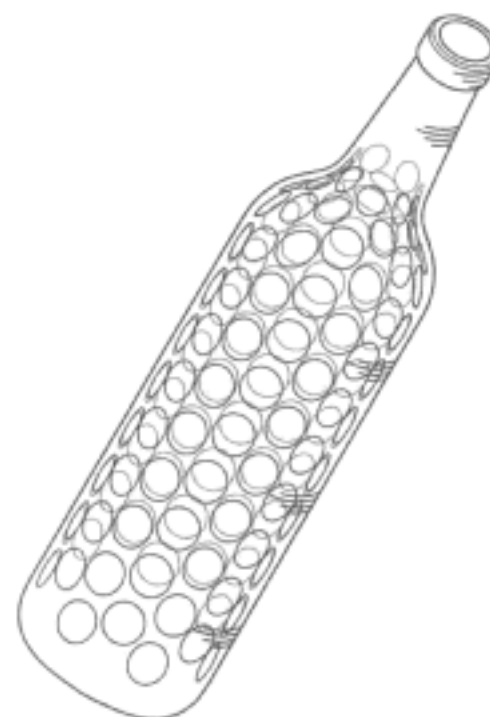
(21) Design Number: **12270/2012**  
(22) Date of Filing Application: **10 May 2012**  
(24) Date from which industrial property rights may have effect: **10 May 2012**  
(54) Product in respect of which the design is registered: **Golf club head**  
(51) International Design Classification: **21-02C**  
(74) Name(s) of Attorney(s): **Davies Collison Cave**  
(71) Name(s) and Address(s) of Applicant(s):  
**Karsten Manufacturing Corporation**  
**2201 West Desert Cove Phoenix Arizona 85029 United States of America**  
(72) Name(s) of Designer(s): **Michael R. Nicolette and Marty R. Jertson and Ryan M. Stokke and Xiaojian Chen**  
(45) Registration Date: **05 June 2012**  
(30) Convention priority data:  
(31) Number (32) Date (33) Country  
**29/410836 12 Jan 2012 UNITED STATES OF AMERICA**  
(56) Related Art Documents: **Not Applicable**  
(57) Statement of Newness and Distinctiveness: **Newness and distinctiveness is claimed in the visual features shown in solid lines in the representations. In considering the extent of the design rights, the broken lines in the representations are for illustrative purposes only and do not form part of the design.**



(21) Design Number: **12271/2012**  
(22) Date of Filing Application: **11 May 2012**  
(24) Date from which industrial property rights may have effect: **11 May 2012**  
(54) Product in respect of which the design is registered: **Multi-display pole arm system**  
(51) International Design Classification: **20-02NES**  
(74) Name(s) of Attorney(s): **Fraser Old & Sohn**  
(71) Name(s) and Address(s) of Applicant(s):  
**Innovative Office Products, Inc.**  
**100 Kuebler Road Easton Pennsylvania 18040 United States of America**  
(72) Name(s) of Designer(s): **Bradley A. Derry and Stephen J. Bowman**  
(45) Registration Date: **05 June 2012**  
(30) Convention priority data:  
(31) Number (32) Date (33) Country  
**29/415,961 16 Mar 2012 UNITED STATES OF AMERICA**  
(56) Related Art Documents: **Not Applicable**  
(57) Statement of Newness and Distinctiveness: **Newness and distinctiveness is claimed in respect of the shape and/or configuration of a Multi-Displayed Pole Arm System having a pole of indefinite length, the system being illustrated in the accompanying representations. In carrying out a consideration in accordance with Section 19 the shape and / or configuration of the portions illustrated with dashed lines in the in the representations is / are not to be considered either new or distinctive and do / does not form part of the design.**



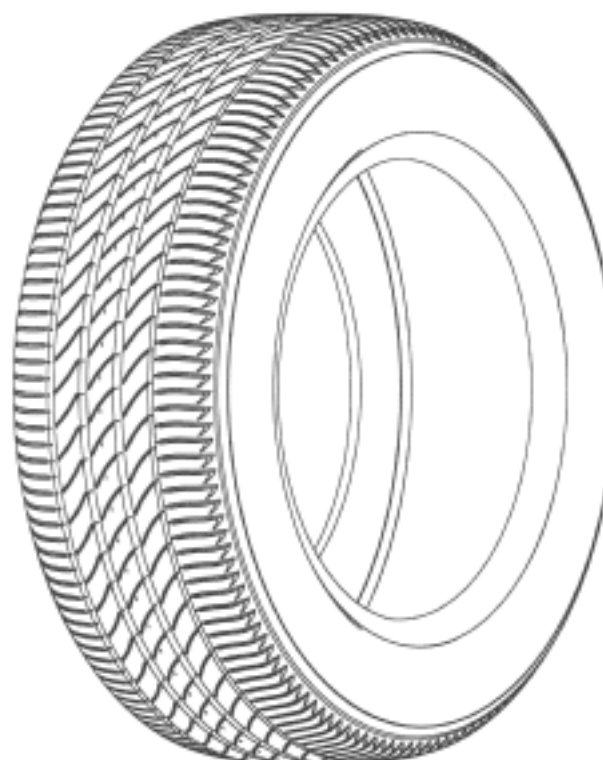
(21) Design Number: **12274/2012**  
(22) Date of Filing Application: **10 May 2012**  
(24) Date from which industrial property rights may have effect: **10 May 2012**  
(54) Product in respect of which the design is registered: **Bottle**  
(51) International Design Classification: **09-01H**  
(74) Name(s) of Attorney(s): **Shelston IP**  
(71) Name(s) and Address(s) of Applicant(s):  
**Owens-Brockway Glass Container Inc.**  
**One Michael Owens Way Perrysburg Ohio 43551 United States of America**  
(72) Name(s) of Designer(s): **Stephen Wallace and Stuart Wild and Stuart Faulks**  
(45) Registration Date: **05 June 2012**  
(30) Convention priority data:  
(31) Number (32) Date (33) Country  
**29/416582 23 Mar 2012 UNITED STATES OF AMERICA**  
(56) Related Art Documents: **Not Applicable**  
(57) Statement of Newness and Distinctiveness: **Nil**



(21) Design Number: **12275/2012**  
(22) Date of Filing Application: **11 May 2012**  
(24) Date from which industrial property rights may have effect: **11 May 2012**  
(54) Product in respect of which the design is registered: **A tyre**  
(51) International Design Classification: **12-15B**  
(74) Name(s) of Attorney(s): **WATERMARK PATENT AND TRADE MARKS ATTORNEYS**  
(71) Name(s) and Address(s) of Applicant(s):  
**COMPAGNIE GENERALE DES ETABLISSEMENTS MICHELIN**  
**12 cours Sablon 63000 Clermont-Ferrande France**  
**Michelin Recherche et Technique S.A.**  
**Route Louis-Braille 10 et 12 CH-1763 Granges-Paccot Switzerland**  
(72) Name(s) of Designer(s): **Fumitaka Nemoto and Kohei Moribe and Kazutaka Yokokawa**  
(45) Registration Date: **05 June 2012**  
(30) Convention priority data:  
(31) Number (32) Date (33) Country  
**11/5613 22 Nov 2011 FRANCE**  
(56) Related Art Documents: **Not Applicable**  
(57) Statement of Newness and Distinctiveness: **Newness and distinctiveness resides in the appearance of the tread region of the tyre, the remainder of the tyre no forming part of the design.**



- (21) Design Number: **12276/2012**  
(22) Date of Filing Application: **11 May 2012**  
(24) Date from which industrial property rights may have effect: **11 May 2012**  
(54) Product in respect of which the design is registered: **A tyre**  
(51) International Design Classification: **12-15B**  
(74) Name(s) of Attorney(s): **WATERMARK PATENT AND TRADE MARKS ATTORNEYS**  
(71) Name(s) and Address(s) of Applicant(s):  
**COMPAGNIE GENERALE DES ETABLISSEMENTS MICHELIN**  
**12 cours Sablon 63000 Clermont-Ferrande France**  
**Michelin Recherche et Technique S.A.**  
**Route Louis-Braille 10 et 12 CH-1763 Granges-Paccot Switzerland**  
(72) Name(s) of Designer(s): **Fumitaka Nemoto and Kohei Moribe and Kazutaka Yokokawa**  
(45) Registration Date: **05 June 2012**  
(30) Convention priority data:  
(31) Number (32) Date (33) Country  
**11/5609 22 Nov 2011 FRANCE**  
(56) Related Art Documents: **Not Applicable**  
(57) Statement of Newness and Distinctiveness: **Newness and distinctiveness resides in the appearance of the tread region of the tyre, the remainder of the tyre no forming part of the design.**



- (21) Design Number: **12277/2012**  
(22) Date of Filing Application: **10 May 2012**  
(24) Date from which industrial property rights may have effect: **10 May 2012**  
(54) Product in respect of which the design is registered: **Bottle**  
(51) International Design Classification: **09-01H**  
(74) Name(s) of Attorney(s): **FB Rice**  
(71) Name(s) and Address(s) of Applicant(s):  
**SAVERGLASS**  
**3 rue de la Gare 60960 Feuquieres France**  
(72) Name(s) of Designer(s): **Fraser Reynolds**  
(45) Registration Date: **05 June 2012**  
(30) Convention priority data:  
(31) Number (32) Date (33) Country  
**001953928-0001 18 Nov 2011 EUROPEAN COMMUNITY**  
(56) Related Art Documents: **Not Applicable**  
(57) Statement of Newness and Distinctiveness: **Newness and distinctiveness reside in the features of the bottle as shown in solid lines in the representations, (excluding those features shown in dashed lines), having a neck, a body with shoulders and a bottom, and in particular in the cylindrical body, the rounded convex shoulders, the small rounded radius of the join where the neck joins the shoulders, the body being a truncated cone narrowing downwards and slightly expanding on the lower part of the body towards the cylindrical edge of the bottom, and in the thickened bottom.**



(21) Design Number: **12278/2012**  
(22) Date of Filing Application: **10 May 2012**  
(24) Date from which industrial property rights may have effect: **10 May 2012**  
(54) Product in respect of which the design is registered: **Bottle**  
(51) International Design Classification: **09-01H**  
(74) Name(s) of Attorney(s): **FB Rice**  
(71) Name(s) and Address(s) of Applicant(s):

**SAVERGLASS**  
**3 rue de la Gare 60960 Feuquieres France**

(72) Name(s) of Designer(s): **Catherine Lecetre and Thierry Bernard**

(45) Registration Date: **05 June 2012**

(30) Convention priority data:

(31) Number	(32) Date	(33) Country
<b>001949397-0001</b>	<b>18 Nov 2011</b>	<b>EUROPEAN COMMUNITY</b>

(56) Related Art Documents: **Not Applicable**

(57) Statement of Newness and Distinctiveness: **Newness and distinctiveness reside in the features of the bottle as shown in solid lines in the representations, the bottle having a neck, a body with shoulders and a bottom, (excluding the features shown in dashed lines), and in particular in the cylindrical neck, in the inclined shoulders defining a slightly convex surface, in the joining of the shoulders to the neck by a rounded portion having a small radius, and to the body by a circular edge, the body being cylindrical, and the lower part of the body being a smoothly chamfered towards the bottom and wherein the height of the body is approximately three times greater then the height of the neck.**



(21) Design Number: **12279/2012**  
(22) Date of Filing Application: **10 May 2012**  
(24) Date from which industrial property rights may have effect: **10 May 2012**  
(54) Product in respect of which the design is registered: **Bottle**  
(51) International Design Classification: **09-01H**  
(74) Name(s) of Attorney(s): **FB Rice**  
(71) Name(s) and Address(s) of Applicant(s):

**SAVERGLASS**  
**3 rue de la Gare 60960 Feuquieres France**

(72) Name(s) of Designer(s): **Oliver Lemaitre**

(45) Registration Date: **05 June 2012**

(30) Convention priority data:

(31) Number	(32) Date	(33) Country
<b>001949355-0001</b>	<b>18 Nov 2011</b>	<b>EUROPEAN COMMUNITY</b>

(56) Related Art Documents: **Not Applicable**

(57) Statement of Newness and Distinctiveness: **Newness and distinctiveness reside in the features of the bottle as shown in solid lines in the representations, (excluding the features shown in dashed lines), the bottle having a neck, a body with shoulders and a bottom, and in particular in that neck is cylindrical with a radiused join with the shoulders, the shoulders being flat, inclined, and joined with the body through a circular edge and in that the body is based on a truncated cone with a slightly convex lateral surface narrowing towards the bottom and in that the body has a smooth radiused round portion towards the bottom of the bottle.**



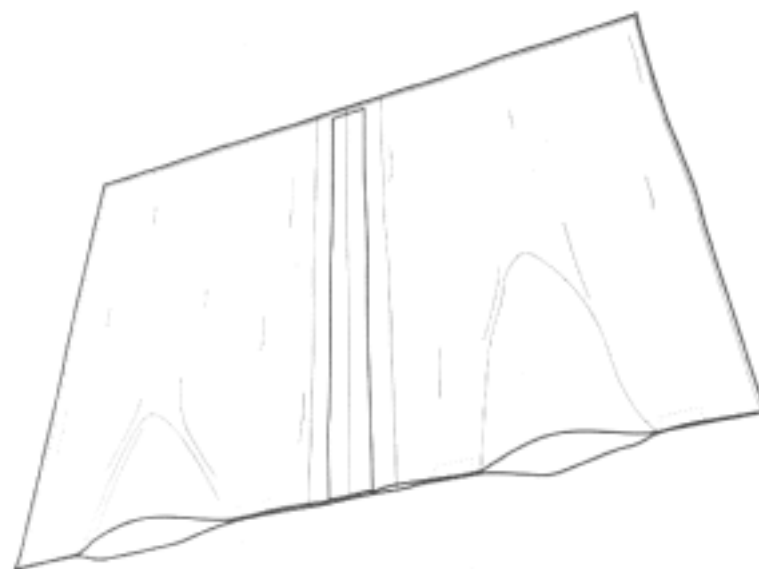
- (21) Design Number: **11602/2012**  
(22) Date of Filing Application: **28 March 2012**  
(24) Date from which industrial property rights may have effect: **28 March 2012**  
(54) Product in respect of which the design is registered: **Inner ceiling for a bus**  
(51) International Design Classification: **12-16NES**  
(74) Name(s) of Attorney(s): **Davies Collison Cave**  
(71) Name(s) and Address(s) of Applicant(s):  
**Scania CV AB**  
**Sodertalje SE-151 87 Sweden**  
(72) Name(s) of Designer(s): **Ingrid Nilsson Czornyj and Kristofer Hansen and Berit Persson and Johnny Pettersson**  
(45) Registration Date: **06 June 2012**  
(56) Related Art Documents: **Not Applicable**  
(57) Statement of Newness and Distinctiveness: **Nil**



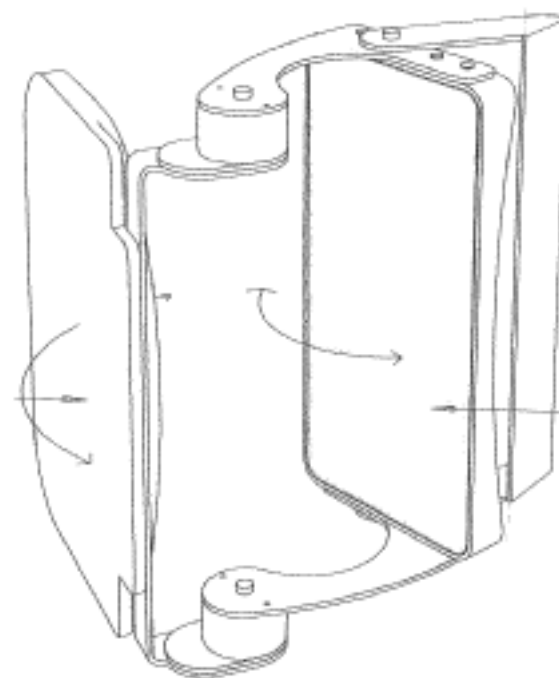
- (21) Design Number: **11603/2012**  
(22) Date of Filing Application: **28 March 2012**  
(24) Date from which industrial property rights may have effect: **28 March 2012**  
(54) Product in respect of which the design is registered: **Information plate for a bus**  
(51) International Design Classification: **12-16NES**  
(74) Name(s) of Attorney(s): **Davies Collison Cave**  
(71) Name(s) and Address(s) of Applicant(s):  
**Scania CV AB**  
**Sodertalje SE-151 87 Sweden**  
(72) Name(s) of Designer(s): **Ingrid Nilsson Czornyj and Kristofer Hansen and Karolina Dansk and Johnny Pettersson**  
(45) Registration Date: **06 June 2012**  
(56) Related Art Documents: **Not Applicable**  
(57) Statement of Newness and Distinctiveness: **Nil**



- (21) Design Number: **12284/2012**  
(22) Date of Filing Application: **11 May 2012**  
(24) Date from which industrial property rights may have effect: **11 May 2012**  
(54) Product in respect of which the design is registered: **Dual quilt case**  
(51) International Design Classification: **06-13B**  
(74) Name(s) of Attorney(s): **Collison & Co**  
(71) Name(s) and Address(s) of Applicant(s):  
**Southern Australia Wool Products Pty Ltd**  
**61 Smith Street Naracoorte South Australia 5271 Australia**  
(72) Name(s) of Designer(s): **Donald Neil Wray**  
(45) Registration Date: **06 June 2012**  
(56) Related Art Documents: **Not Applicable**  
(57) Statement of Newness and Distinctiveness: **Newness and distinctiveness resides in the shape and/or configuration of the dual quilt case as shown in the accompanying drawings, excluding the features shown in broken lines.**

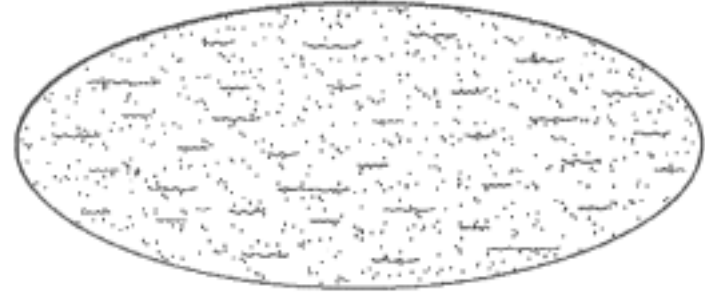


- (21) Design Number: **12285/2012**  
(22) Date of Filing Application: **11 May 2012**  
(24) Date from which industrial property rights may have effect: **11 May 2012**  
(54) Product in respect of which the design is registered: **Proximity view mirror assembly**  
(51) International Design Classification: **12-16H**  
(74) Name(s) of Attorney(s): **FB Rice**  
(71) Name(s) and Address(s) of Applicant(s):  
**Advanced View Saftey Systems Pty Ltd**  
**45 Alex Avenue Moorabbin Victoria 3189 Australia**  
(72) Name(s) of Designer(s): **Craig Hart MacDougall**  
(45) Registration Date: **06 June 2012**  
(56) Related Art Documents: **Not Applicable**  
(57) Statement of Newness and Distinctiveness: **Each feature of the Proximity view mirror assembly considered separately or in combination with any other feature or features.**

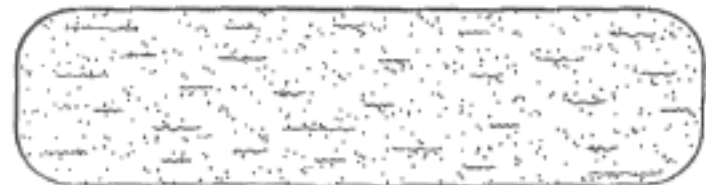




(21) Design Number: **12287/2012**  
(22) Date of Filing Application: **14 May 2012**  
(24) Date from which industrial property rights may have effect: **14 May 2012**  
(54) Product in respect of which the design is registered: **Rug tub cover**  
(51) International Design Classification: **06-13NES, 23-02B**  
(74) Name(s) of Attorney(s): **Marks & Clerk Australia**  
(71) Name(s) and Address(s) of Applicant(s):  
**Mark Newman**  
**1125 Magnolia Avenue No 110 Anaheim CA 92801 United States of America**  
(72) Name(s) of Designer(s): **Mark Newman**  
(45) Registration Date: **06 June 2012**  
(56) Related Art Documents: **Not Applicable**  
(57) Statement of Newness and Distinctiveness: **Nil**



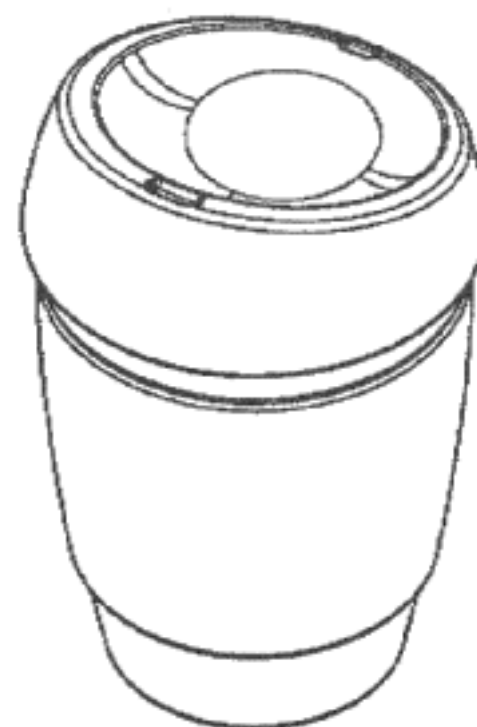
(21) Design Number: **12288/2012**  
(22) Date of Filing Application: **14 May 2012**  
(24) Date from which industrial property rights may have effect: **14 May 2012**  
(54) Product in respect of which the design is registered: **Rug tub cover**  
(51) International Design Classification: **06-13NES, 23-02B**  
(74) Name(s) of Attorney(s): **Marks & Clerk Australia**  
(71) Name(s) and Address(s) of Applicant(s):  
**Mark Newman**  
**1125 Magnolia Avenue No 110 Anaheim CA 92801 United States of America**  
(72) Name(s) of Designer(s): **Mark Newman**  
(45) Registration Date: **06 June 2012**  
(56) Related Art Documents: **Not Applicable**  
(57) Statement of Newness and Distinctiveness: **Nil**



- (21) Design Number: **12293/2012**  
(22) Date of Filing Application: **10 May 2012**  
(24) Date from which industrial property rights may have effect: **10 May 2012**  
(54) Product in respect of which the design is registered: **A martial arts training pad**  
(51) International Design Classification: **21-02F**  
(74) Name(s) of Attorney(s):  
(71) Name(s) and Address(s) of Applicant(s):  
**Punch International Pty Ltd**  
**Shop 4B/47 Ashmore Road Bundall Queensland 4217 Australia**  
(72) Name(s) of Designer(s): **Bruce William Noel Townhill**  
(45) Registration Date: **06 June 2012**  
(56) Related Art Documents: **Not Applicable**  
(57) Statement of Newness and Distinctiveness: **The shape and configuration of a martial arts training pad as depicted in the accompanying representations.**



- (21) Design Number: **11461/2012**  
(22) Date of Filing Application: **20 March 2012**  
(24) Date from which industrial property rights may have effect: **20 March 2012**  
(54) Product in respect of which the design is registered: **Glass reusable barista friendly coffee cup**  
(51) International Design Classification: **07-01D**  
(74) Name(s) of Attorney(s):  
(71) Name(s) and Address(s) of Applicant(s):  
**Joco Group Pty Ltd**  
**25 Gladman Avenue Winchelsea Victoria 3241 Australia**  
(72) Name(s) of Designer(s): **Michael Choma and Greg Jones and Matthew Colegate**  
(45) Registration Date: **07 June 2012**  
(56) Related Art Documents: **Not Applicable**  
(57) Statement of Newness and Distinctiveness: **Joco's Barista friendly glass coffee cup is unique and distinct with its look. Developed from ground up over a long period of time. The design has a new age visual flare on existing disposable coffee cups, with the combination of the glass, lid and sleeve. Distinct features include: 1.The lid angles from the rear breather hole up to the front sipper hole. There is a bowl shape through the lid. These provide not only a unique pleasing look but serve a functional purpose, being; the nose of the consumer does not uncomfortably press against the lid. Excess liquid is directed through the breather hole 2. The underside of the lid has a ridge that leads to the sipper hole, this helps prevent splashback of liquid and does not hinder flow. As we understand this is the first glass barista friendly reusable cup.**



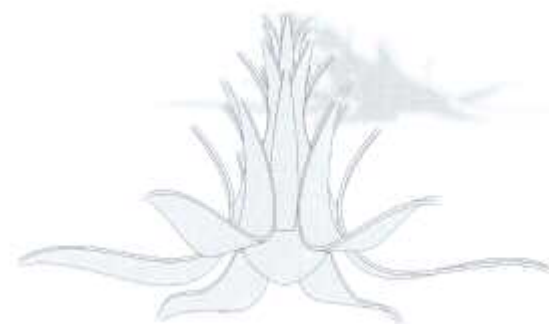
(21) Design Number: **12470/2012**  
(22) Date of Filing Application: **24 May 2012**  
(24) Date from which industrial property rights may have effect: **24 May 2012**  
(54) Product in respect of which the design is registered: **Chair**  
(51) International Design Classification: **06-01G, 06-01F**  
(74) Name(s) of Attorney(s): **A.P.T. Patent and Trade Mark Attorneys**  
(71) Name(s) and Address(s) of Applicant(s):  
**Joy Continental Limited (BVI)**  
**Wickhams Cay 1 Road Town Tortola British Virgin Islands**  
(72) Name(s) of Designer(s): **Shu-Chi Chiu**  
(45) Registration Date: **07 June 2012**  
(56) Related Art Documents: **Not Applicable**  
(57) Statement of Newness and Distinctiveness: **Nil**



(21) Design Number: **11488/2012**  
(22) Date of Filing Application: **22 March 2012**  
(24) Date from which industrial property rights may have effect: **22 March 2012**  
(54) Product in respect of which the design is registered: **An illuminated fan**  
(51) International Design Classification: **26-05NES, 23-04**  
(74) Name(s) of Attorney(s): **Cullens Patent and Trade Mark Attorneys**  
(71) Name(s) and Address(s) of Applicant(s):  
**Perrin Holdings (WA) Pty Ltd**  
**Lot 274 Norwoods Road Esperance Western Australia 6450 Australia**  
(72) Name(s) of Designer(s): **Suzanne Perrin**  
(45) Registration Date: **07 June 2012**  
(56) Related Art Documents: **Not Applicable**  
(57) Statement of Newness and Distinctiveness: **Nil**



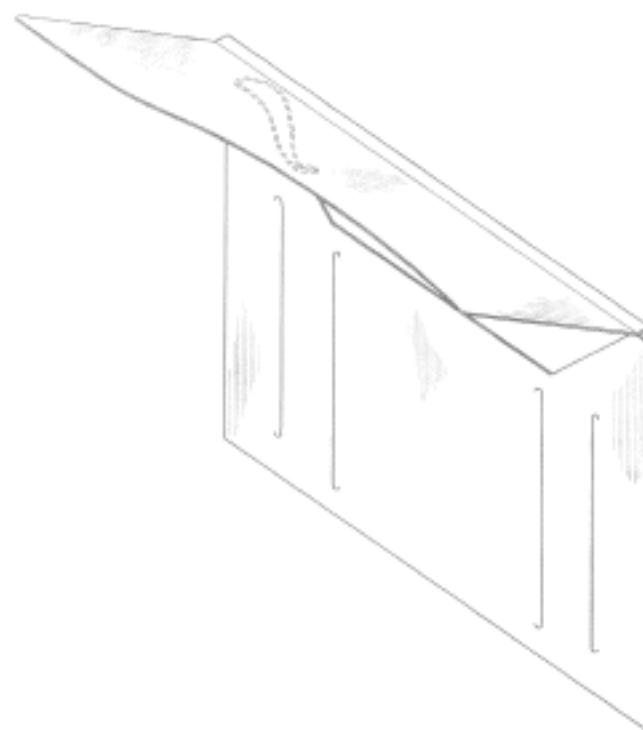
(21) Design Number: **12589/2012**  
(22) Date of Filing Application: **30 May 2012**  
(24) Date from which industrial property rights may have effect: **30 May 2012**  
(54) Product in respect of which the design is registered: **An illuminated fan**  
(51) International Design Classification: **26-05NES, 23-04**  
(74) Name(s) of Attorney(s): **Cullens Patent and Trade Mark Attorneys**  
(71) Name(s) and Address(s) of Applicant(s):  
**Perrin Holdings (WA) Pty Ltd**  
**Lot 274 Norwoods Road Esperance Western Australia 6450 Australia**  
(72) Name(s) of Designer(s): **Suzanne Perrin**  
(45) Registration Date: **07 June 2012**  
(56) Related Art Documents: **Not Applicable**  
(57) Statement of Newness and Distinctiveness: **Nil**



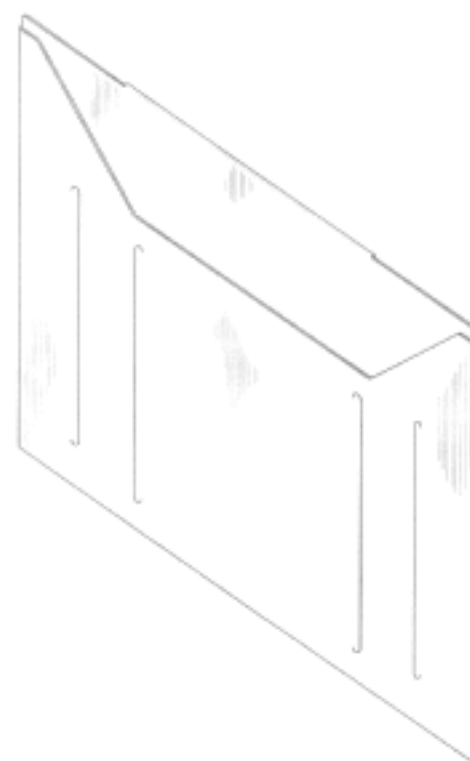
(21) Design Number: **12473/2012**  
(22) Date of Filing Application: **23 May 2012**  
(24) Date from which industrial property rights may have effect: **23 May 2012**  
(54) Product in respect of which the design is registered: **Window vacuum cleaner**  
(51) International Design Classification: **15-05**  
(74) Name(s) of Attorney(s): **Shelston IP**  
(71) Name(s) and Address(s) of Applicant(s):  
**Jinping Zhu**  
**Room 904 A Section Shijiweiye Building Haishu District Ningbo Zhejiang**  
**315010 People's Republic of China**  
(72) Name(s) of Designer(s): **Jinping Zhu**  
(45) Registration Date: **07 June 2012**  
(30) Convention priority data:  
(31) Number      (32) Date      (33) Country  
**201230120913.9**   **20 Apr 2012**   **CHINA**  
(56) Related Art Documents: **Not Applicable**  
(57) Statement of Newness and Distinctiveness: **Newness and Distinctiveness resides in the features of shape and configuration of the window vacuum cleaner as shown in the accompanying representations. The colours illustrated are for exemplary purposes only and are not intended to limit the design.**



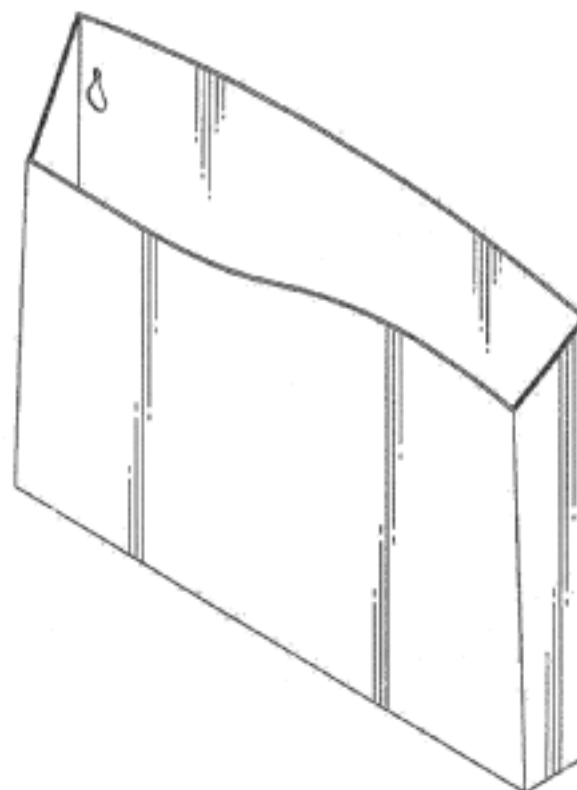
- (21) Design Number: **12474/2012**  
(22) Date of Filing Application: **23 May 2012**  
(24) Date from which industrial property rights may have effect: **21 March 2012**  
(54) Product in respect of which the design is registered: **File Folder**  
(51) International Design Classification: **19-04**  
(74) Name(s) of Attorney(s): **Shelston IP**  
(71) Name(s) and Address(s) of Applicant(s):  
**Avery Dennison Corporation**  
**150 North Orange Grove Boulevard Law Dept Pasadena California 91103**  
**United States of America**  
(72) Name(s) of Designer(s): **Vincent H. Bowman and Jeffrey Herz and Jay K. Sato**  
(45) Registration Date: **07 June 2012**  
(62) Divisional of: **342846**  
(56) Related Art Documents: **Not Applicable**  
(57) Statement of Newness and Distinctiveness: **Newness and distinctiveness resides in the features of shape and/or configuration of the file folder shown in the accompanying representations. The dashed lines shown in the representations represent features of the file folder that do not form part of the design.**



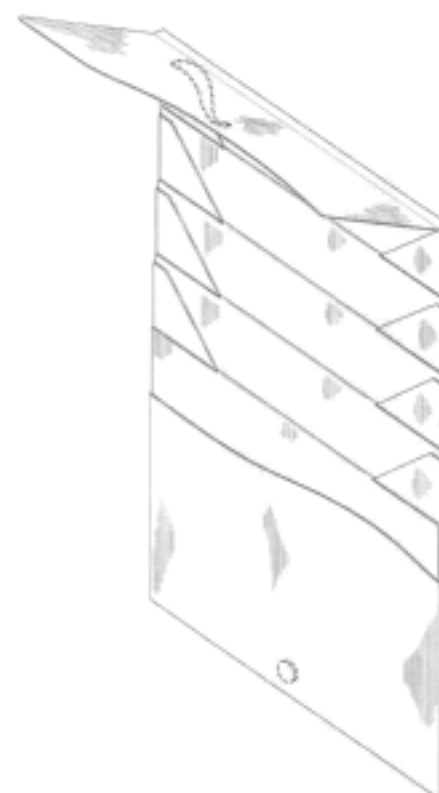
- (21) Design Number: **12475/2012**  
(22) Date of Filing Application: **23 May 2012**  
(24) Date from which industrial property rights may have effect: **21 March 2012**  
(54) Product in respect of which the design is registered: **File folder**  
(51) International Design Classification: **19-04**  
(74) Name(s) of Attorney(s): **Shelston IP**  
(71) Name(s) and Address(s) of Applicant(s):  
**Avery Dennison Corporation**  
**150 North Orange Grove Boulevard Law Dept Pasadena California 91103**  
**United States of America**  
(72) Name(s) of Designer(s): **Vincent H. Bowman and Jeffrey Herz and Jay K. Sato**  
(45) Registration Date: **07 June 2012**  
(62) Divisional of: **342846**  
(56) Related Art Documents: **Not Applicable**  
(57) Statement of Newness and Distinctiveness: **Newness and distinctiveness resides in the features of shape and/or configuration of the file folder shown in the accompanying representations. The dashed lines shown in the representations represent features of the file folder that do not form part of the design.**



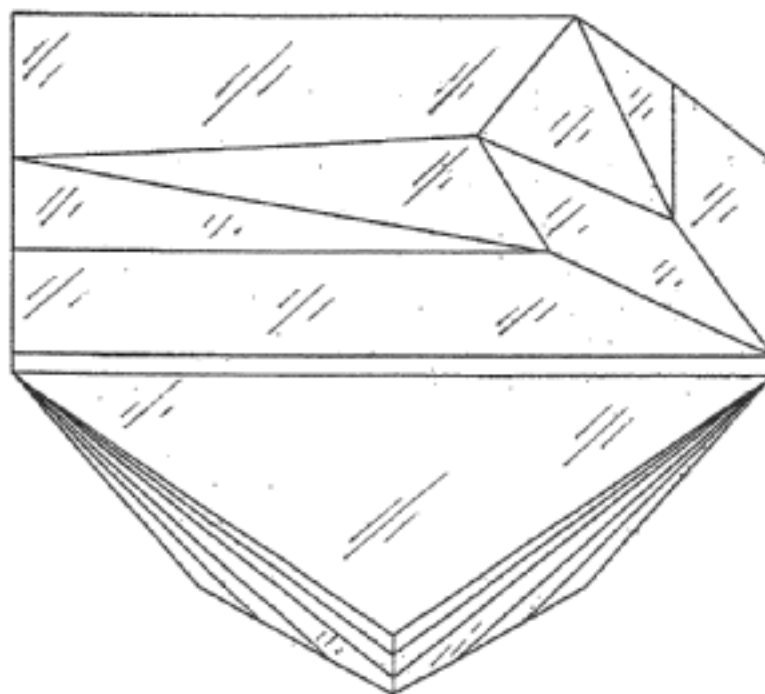
(21) Design Number: **11467/2012**  
(22) Date of Filing Application: **21 March 2012**  
(24) Date from which industrial property rights may have effect: **21 March 2012**  
(54) Product in respect of which the design is registered: **Wall file**  
(51) International Design Classification: **06-04NES**  
(74) Name(s) of Attorney(s): **Shelston IP**  
(71) Name(s) and Address(s) of Applicant(s):  
**Avery Dennison Corporation**  
**150 N. Orange Grove Blvd Law Dept., Pasadena California 91103 United States of America**  
(72) Name(s) of Designer(s): **Vincent H. Bowman and Jeffrey Herz and Zechun Li**  
(45) Registration Date: **07 June 2012**  
(30) Convention priority data:  
(31) Number (32) Date (33) Country  
**29/402383 22 Sep 2011 UNITED STATES OF AMERICA**  
(56) Related Art Documents: **Not Applicable**  
(57) Statement of Newness and Distinctiveness: **Newness and distinctiveness resides in the features of shape and/or configuration of the wall file shown in the accompanying representations. The broken lines in the representations are shown for illustrative purposes only and form no part of the design.**



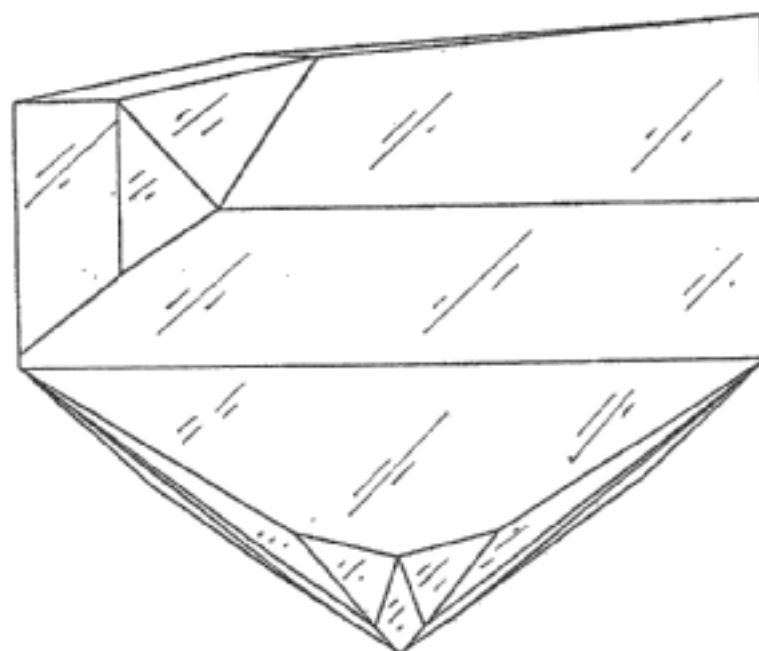
(21) Design Number: **11468/2012**  
(22) Date of Filing Application: **21 March 2012**  
(24) Date from which industrial property rights may have effect: **21 March 2012**  
(54) Product in respect of which the design is registered: **File folder assembly**  
(51) International Design Classification: **06-04NES**  
(74) Name(s) of Attorney(s): **Shelston IP**  
(71) Name(s) and Address(s) of Applicant(s):  
**Avery Dennison Corporation**  
**150 N. Orange Grove Blvd Law Dept., Pasadena California 91103 United States of America**  
(72) Name(s) of Designer(s): **Vincent H. Bowman and Jeffrey Herz and Jay K. Sato**  
(45) Registration Date: **07 June 2012**  
(30) Convention priority data:  
(31) Number (32) Date (33) Country  
**29/402327 22 Sep 2011 UNITED STATES OF AMERICA**  
(56) Related Art Documents: **Not Applicable**  
(57) Statement of Newness and Distinctiveness: **Newness and distinctiveness resides in the features of shape and/or configuration of the file folder assembly shown in the accompanying representations. The dashed lines shown in the representations represent features of the file folder assembly that do not form part of the design.**



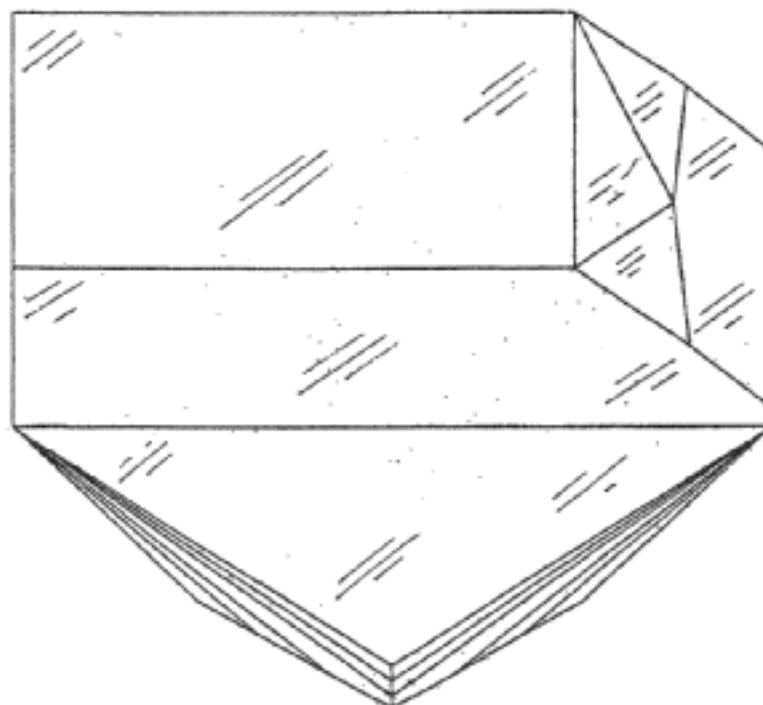
(21) Design Number: **12224/2012**  
(22) Date of Filing Application: **08 May 2012**  
(24) Date from which industrial property rights may have effect: **08 May 2012**  
(54) Product in respect of which the design is registered: **Multifaceted gemstone design**  
(51) International Design Classification: **11-01NES**  
(74) Name(s) of Attorney(s): **Swaab Attorneys**  
(71) Name(s) and Address(s) of Applicant(s):  
**Rosy Blue, Inc.**  
**529 Fifth Avenue New York 10017 United States of America**  
(72) Name(s) of Designer(s): **Aashish Jhaveri**  
(45) Registration Date: **07 June 2012**  
(30) Convention priority data:  
(31) Number (32) Date (33) Country  
**29/417782 09 Apr 2012 UNITED STATES OF AMERICA**  
(56) Related Art Documents: **Not Applicable**  
(57) Statement of Newness and Distinctiveness: **Gemstone shape and cut as set out in the attached specification.**



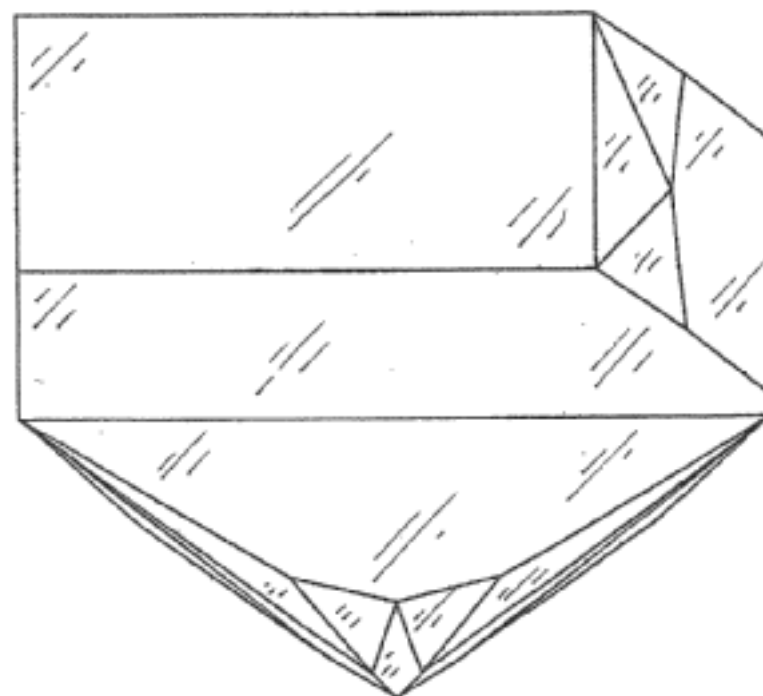
(21) Design Number: **12225/2012**  
(22) Date of Filing Application: **08 May 2012**  
(24) Date from which industrial property rights may have effect: **08 May 2012**  
(54) Product in respect of which the design is registered: **Multifaceted gemstone design**  
(51) International Design Classification: **11-01NES**  
(74) Name(s) of Attorney(s): **Swaab Attorneys**  
(71) Name(s) and Address(s) of Applicant(s):  
**Rosy Blue, Inc.**  
**529 Fifth Avenue New York 10017 United States of America**  
(72) Name(s) of Designer(s): **Aashish Jhaveri**  
(45) Registration Date: **07 June 2012**  
(30) Convention priority data:  
(31) Number (32) Date (33) Country  
**29/417782 09 Apr 2012 UNITED STATES OF AMERICA**  
(56) Related Art Documents: **Not Applicable**  
(57) Statement of Newness and Distinctiveness: **Gemstone shape and cut as set out in the attached specification.**



(21) Design Number: **12226/2012**  
(22) Date of Filing Application: **08 May 2012**  
(24) Date from which industrial property rights may have effect: **08 May 2012**  
(54) Product in respect of which the design is registered: **Multifaceted gemstone design**  
(51) International Design Classification: **11-01NES**  
(74) Name(s) of Attorney(s): **Swaab Attorneys**  
(71) Name(s) and Address(s) of Applicant(s):  
**Rosy Blue, Inc.**  
**529 Fifth Avenue New York 10017 United States of America**  
(72) Name(s) of Designer(s): **Aashish Jhaveri**  
(45) Registration Date: **07 June 2012**  
(30) Convention priority data:  
(31) Number (32) Date (33) Country  
**29/417788 09 Apr 2012 UNITED STATES OF AMERICA**  
(56) Related Art Documents: **Not Applicable**  
(57) Statement of Newness and Distinctiveness: **Gemstone shape and cut as set out in the attached specification.**

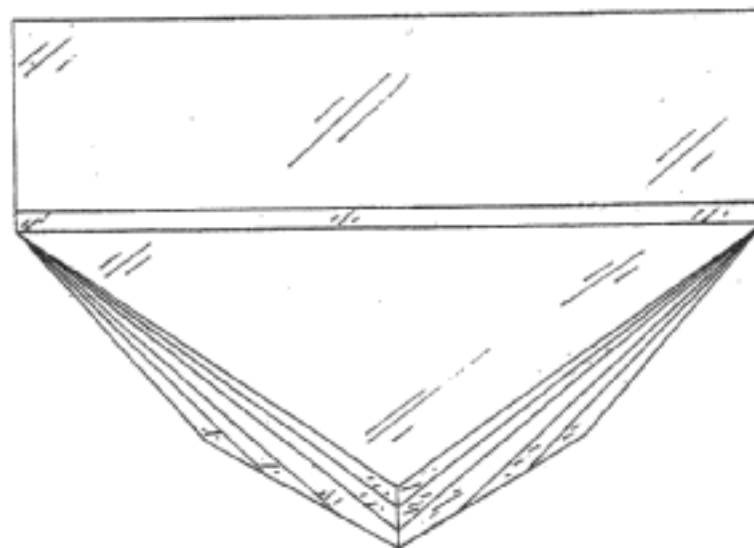


(21) Design Number: **12227/2012**  
(22) Date of Filing Application: **08 May 2012**  
(24) Date from which industrial property rights may have effect: **08 May 2012**  
(54) Product in respect of which the design is registered: **Multifaceted gemstone design**  
(51) International Design Classification: **11-01NES**  
(74) Name(s) of Attorney(s): **Swaab Attorneys**  
(71) Name(s) and Address(s) of Applicant(s):  
**Rosy Blue, Inc.**  
**529 Fifth Avenue New York 10017 United States of America**  
(72) Name(s) of Designer(s): **Aashish Jhaveri**  
(45) Registration Date: **07 June 2012**  
(30) Convention priority data:  
(31) Number (32) Date (33) Country  
**29/417788 09 Apr 2012 UNITED STATES OF AMERICA**  
(56) Related Art Documents: **Not Applicable**  
(57) Statement of Newness and Distinctiveness: **Gemstone shape and cut as set out in the attached specification.**

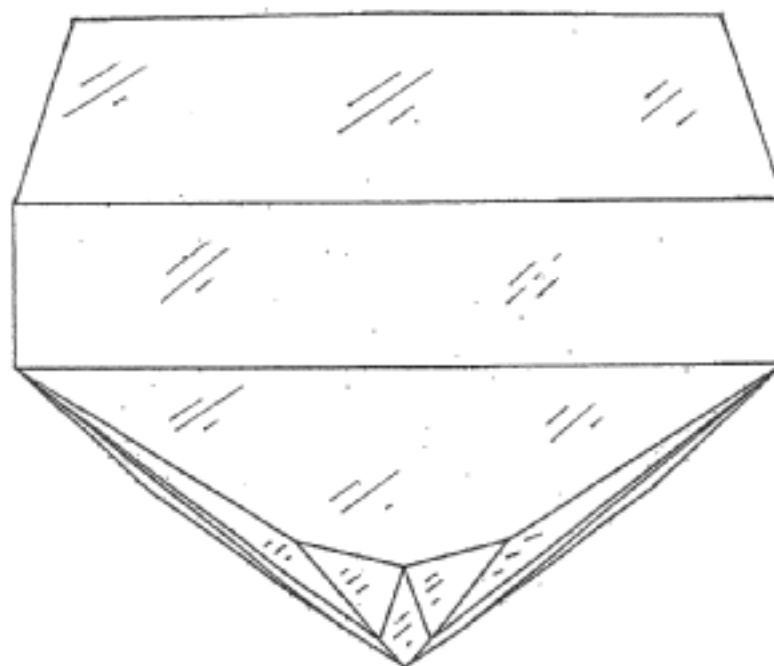




(21) Design Number: **12228/2012**  
 (22) Date of Filing Application: **08 May 2012**  
 (24) Date from which industrial property rights may have effect: **08 May 2012**  
 (54) Product in respect of which the design is registered: **Multifaceted gemstone design**  
 (51) International Design Classification: **11-01NES**  
 (74) Name(s) of Attorney(s): **Swaab Attorneys**  
 (71) Name(s) and Address(s) of Applicant(s):  
**Rosy Blue, Inc.**  
**529 Fifth Avenue New York 10017 United States of America**  
 (72) Name(s) of Designer(s): **Aashish Jhaveri**  
 (45) Registration Date: **07 June 2012**  
 (30) Convention priority data:  
 (31) Number      (32) Date      (33) Country  
**29/417791      09 Apr 2012      UNITED STATES OF AMERICA**  
 (56) Related Art Documents: **Not Applicable**  
 (57) Statement of Newness and Distinctiveness: **Gemstone shape and cut as set out in the attached specification.**



(21) Design Number: **12229/2012**  
 (22) Date of Filing Application: **08 May 2012**  
 (24) Date from which industrial property rights may have effect: **08 May 2012**  
 (54) Product in respect of which the design is registered: **Multifaceted gemstone design**  
 (51) International Design Classification: **11-01NES**  
 (74) Name(s) of Attorney(s): **Swaab Attorneys**  
 (71) Name(s) and Address(s) of Applicant(s):  
**Rosy Blue, Inc.**  
**529 Fifth Avenue New York 10017 United States of America**  
 (72) Name(s) of Designer(s): **Aashish Jhaveri**  
 (45) Registration Date: **07 June 2012**  
 (30) Convention priority data:  
 (31) Number      (32) Date      (33) Country  
**29/417791      09 Apr 2012      UNITED STATES OF AMERICA**  
 (56) Related Art Documents: **Not Applicable**  
 (57) Statement of Newness and Distinctiveness: **Gemstone shape and cut as set out in the attached specification.**



- (21) Design Number: **12361/2012**  
(22) Date of Filing Application: **17 May 2012**  
(24) Date from which industrial property rights may have effect: **17 May 2012**  
(54) Product in respect of which the design is registered: **T-shirt**  
(51) International Design Classification: **02-02NES**  
(74) Name(s) of Attorney(s): **Baxter IP**  
(71) Name(s) and Address(s) of Applicant(s):  
**Renee Skye Anderson**  
**113-117 Wagonwheel Road Boyland Queensland 4275 Australia**  
(72) Name(s) of Designer(s): **Renee Skye Anderson**  
(45) Registration Date: **07 June 2012**  
(56) Related Art Documents: **Not Applicable**  
(57) Statement of Newness and Distinctiveness: **Newness and distinctiveness is claimed in the features of the pattern and/or ornamentation of the T-SHIRT as shown in the representations.**



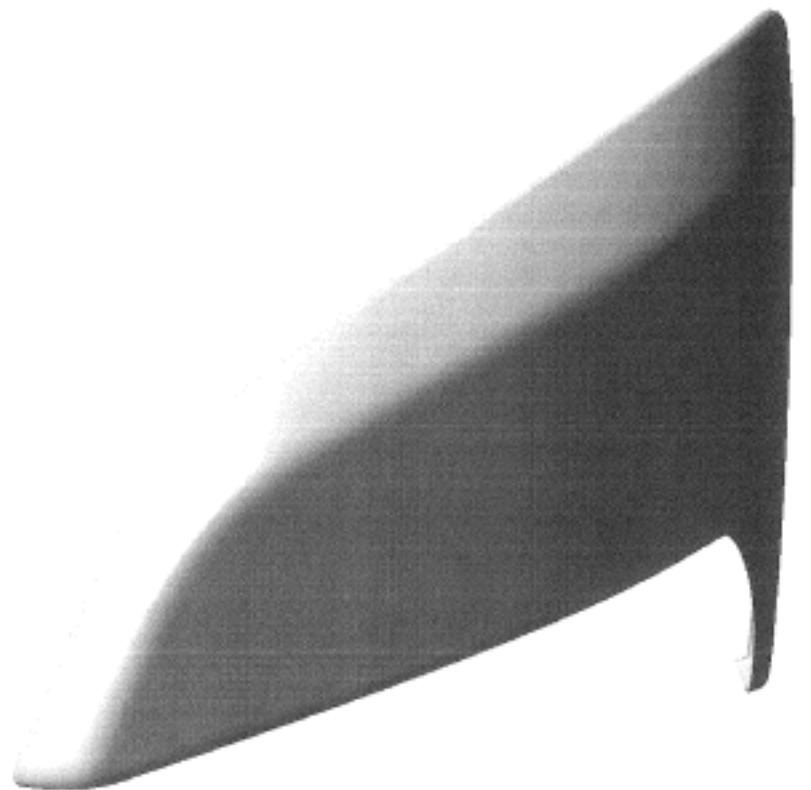
- (21) Design Number: **12360/2012**  
(22) Date of Filing Application: **17 May 2012**  
(24) Date from which industrial property rights may have effect: **17 May 2012**  
(54) Product in respect of which the design is registered: **T-shirt**  
(51) International Design Classification: **02-02NES**  
(74) Name(s) of Attorney(s): **Baxter IP**  
(71) Name(s) and Address(s) of Applicant(s):  
**Renee Skye Anderson**  
**113-117 Wagonwheel Road Boyland Queensland 4275 Australia**  
(72) Name(s) of Designer(s): **Renee Skye Anderson**  
(45) Registration Date: **07 June 2012**  
(56) Related Art Documents: **Not Applicable**  
(57) Statement of Newness and Distinctiveness: **Newness and distinctiveness is claimed in the features of the pattern and/or ornamentation of the T-SHIRT as shown in the representations.**



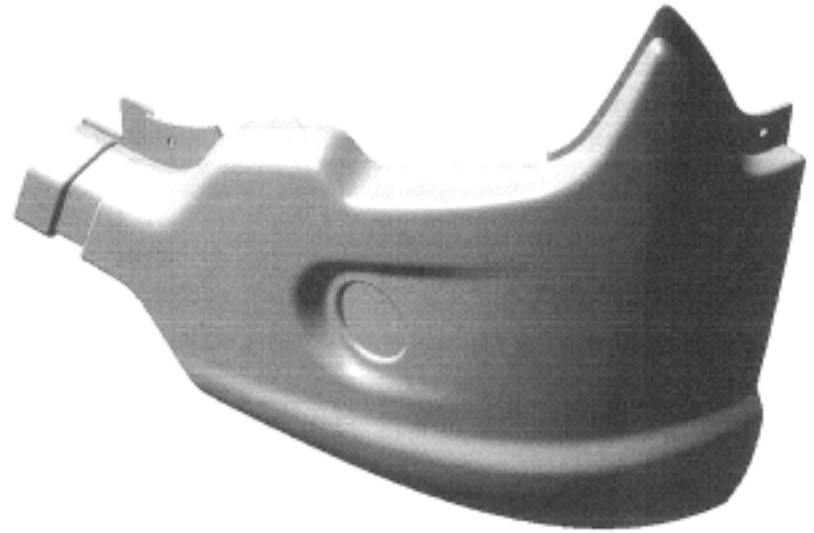
- (21) Design Number: **11604/2012**  
(22) Date of Filing Application: **28 March 2012**  
(24) Date from which industrial property rights may have effect: **28 March 2012**  
(54) Product in respect of which the design is registered: **Wheel arch strip for a bus**  
(51) International Design Classification: **12-16B**  
(74) Name(s) of Attorney(s): **Davies Collison Cave**  
(71) Name(s) and Address(s) of Applicant(s):  
**Scania CV AB**  
**Sodertalje SE-151 87 Sweden**  
(72) Name(s) of Designer(s): **Ingrid Nilsson Czornyj and Kristofer Hansen and Karolina Dansk and Johnny Pettersson**  
(45) Registration Date: **07 June 2012**  
(56) Related Art Documents: **Not Applicable**  
(57) Statement of Newness and Distinctiveness: **Nil**



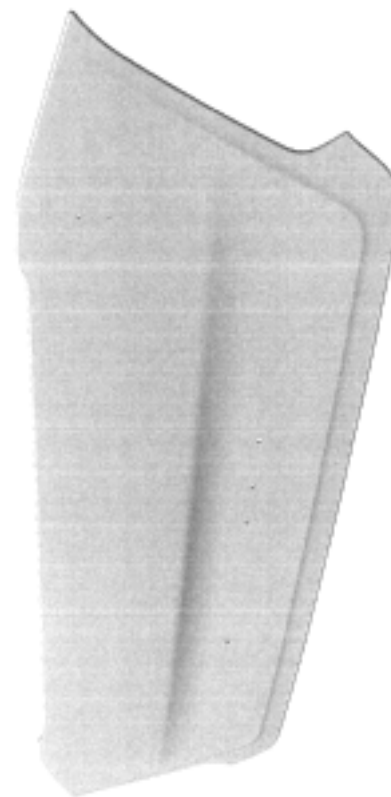
- (21) Design Number: **11605/2012**  
(22) Date of Filing Application: **28 March 2012**  
(24) Date from which industrial property rights may have effect: **28 March 2012**  
(54) Product in respect of which the design is registered: **Front corner panel upper for a bus**  
(51) International Design Classification: **12-16B**  
(74) Name(s) of Attorney(s): **Davies Collison Cave**  
(71) Name(s) and Address(s) of Applicant(s):  
**Scania CV AB**  
**Sodertalje SE-151 87 Sweden**  
(72) Name(s) of Designer(s): **Ingrid Nilsson Czornyj and Kristofer Hansen and Karolina Dansk and Johnny Pettersson**  
(45) Registration Date: **07 June 2012**  
(56) Related Art Documents: **Not Applicable**  
(57) Statement of Newness and Distinctiveness: **Nil**



- (21) Design Number: **11606/2012**  
(22) Date of Filing Application: **28 March 2012**  
(24) Date from which industrial property rights may have effect: **28 March 2012**  
(54) Product in respect of which the design is registered: **Front corner panel lower for a bus**  
(51) International Design Classification: **12-16B**  
(74) Name(s) of Attorney(s): **Davies Collison Cave**  
(71) Name(s) and Address(s) of Applicant(s):  
**Scania CV AB**  
**Sodertalje SE-151 87 Sweden**  
(72) Name(s) of Designer(s): **Ingrid Nilsson Czornyj and Kristofer Hansen and Karolina Dansk and Johnny Pettersson**  
(45) Registration Date: **07 June 2012**  
(56) Related Art Documents: **Not Applicable**  
(57) Statement of Newness and Distinctiveness: **Nil**



- (21) Design Number: **11607/2012**  
(22) Date of Filing Application: **28 March 2012**  
(24) Date from which industrial property rights may have effect: **28 March 2012**  
(54) Product in respect of which the design is registered: **Front hatch for a bus**  
(51) International Design Classification: **12-16B**  
(74) Name(s) of Attorney(s): **Davies Collison Cave**  
(71) Name(s) and Address(s) of Applicant(s):  
**Scania CV AB**  
**Sodertalje SE-151 87 Sweden**  
(72) Name(s) of Designer(s): **Ingrid Nilsson Czornyj and Kristofer Hansen and Karolina Dansk and Johnny Pettersson**  
(45) Registration Date: **07 June 2012**  
(56) Related Art Documents: **Not Applicable**  
(57) Statement of Newness and Distinctiveness: **Nil**



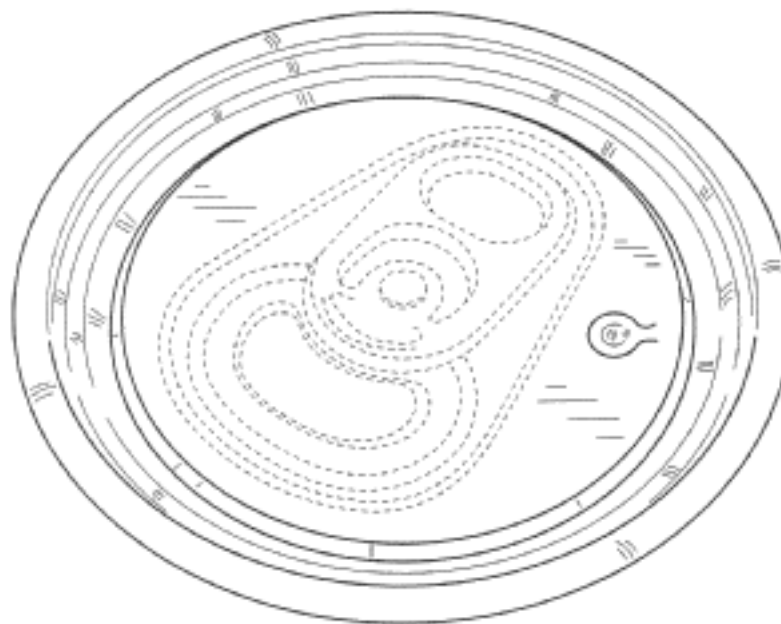
(21) Design Number: **11608/2012**  
(22) Date of Filing Application: **28 March 2012**  
(24) Date from which industrial property rights may have effect: **28 March 2012**  
(54) Product in respect of which the design is registered: **Bus**  
(51) International Design Classification: **12-08**  
(74) Name(s) of Attorney(s): **Davies Collison Cave**  
(71) Name(s) and Address(s) of Applicant(s):  
**Scania CV AB**  
**Sodertalje SE-151 87 Sweden**  
(72) Name(s) of Designer(s): **Ingrid Nilsson Czornyj and Kristofer Hansen and Karolina Dansk and Johnny Pettersson**  
(45) Registration Date: **07 June 2012**  
(56) Related Art Documents: **Not Applicable**  
(57) Statement of Newness and Distinctiveness: **Newness and distinctiveness is claimed in the shape and configuration of the bus as shown in the representations.**



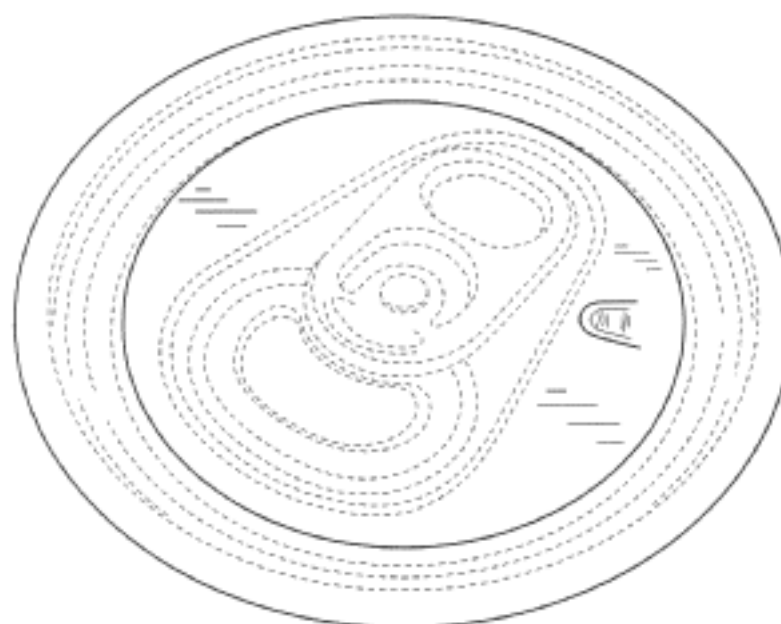
(21) Design Number: **11957/2012**  
(22) Date of Filing Application: **20 April 2012**  
(24) Date from which industrial property rights may have effect: **20 April 2012**  
(54) Product in respect of which the design is registered: **Vented container end closure**  
(51) International Design Classification: **09-07B**  
(74) Name(s) of Attorney(s): **Madderns**  
(71) Name(s) and Address(s) of Applicant(s):  
**Ball Corporation**  
**10 Longs Peak Drive Broomfield Colorado 80021-2510 United States of America**  
(72) Name(s) of Designer(s): **Howard C Chasteen and Mark A Jacober**  
(45) Registration Date: **07 June 2012**  
(30) Convention priority data:  
(31) Number      (32) Date      (33) Country  
**29/404996      27 Oct 2011      UNITED STATES OF AMERICA**  
(56) Related Art Documents: **Not Applicable**  
(57) Statement of Newness and Distinctiveness: **Newness and distinctiveness is claimed in the shape and/or configuration of a vented container end closure as depicted in the accompanying drawings. In considering the scope of protection, no regard is to be given to the features shown in dotted lines.**



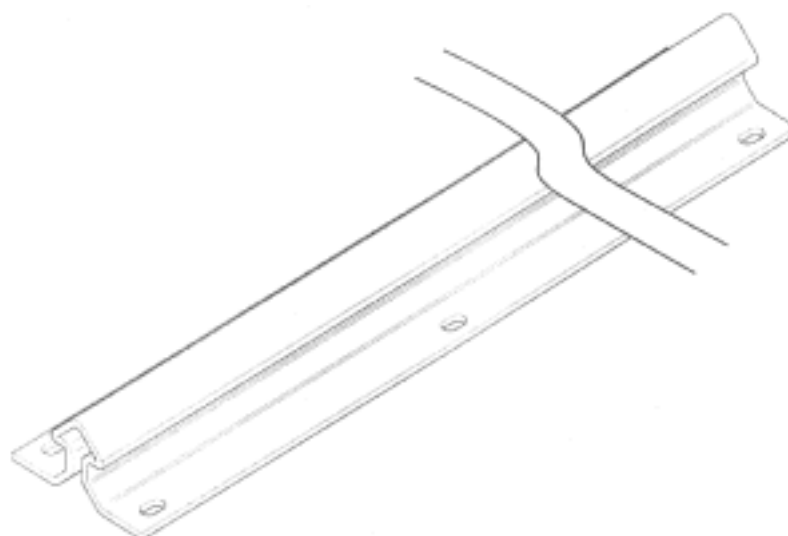
(21) Design Number: **11958/2012**  
(22) Date of Filing Application: **20 April 2012**  
(24) Date from which industrial property rights may have effect: **20 April 2012**  
(54) Product in respect of which the design is registered: **Vented container end closure**  
(51) International Design Classification: **09-07B**  
(74) Name(s) of Attorney(s): **Madderns**  
(71) Name(s) and Address(s) of Applicant(s):  
**Ball Corporation**  
**10 Longs Peak Drive Broomfield Colorado 80021-2510 United States of America**  
(72) Name(s) of Designer(s): **Howard C Chasteen and Mark A Jacober**  
(45) Registration Date: **07 June 2012**  
(30) Convention priority data:  
(31) Number (32) Date (33) Country  
**29/404996 27 Oct 2011 UNITED STATES OF AMERICA**  
(56) Related Art Documents: **Not Applicable**  
(57) Statement of Newness and Distinctiveness: **Newness and distinctiveness is claimed in the shape and/or configuration of a vented container end closure as depicted in the accompanying drawings. In considering the scope of protection, no regard is to be given to the features shown in dotted lines.**



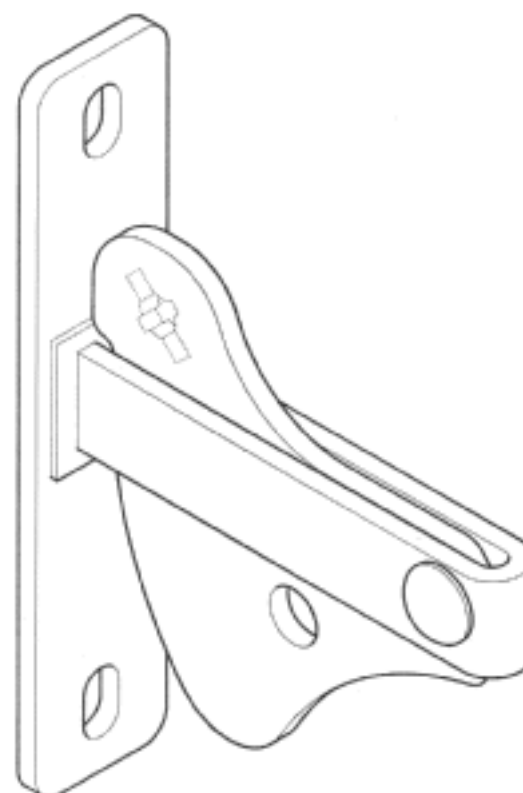
(21) Design Number: **11960/2012**  
(22) Date of Filing Application: **20 April 2012**  
(24) Date from which industrial property rights may have effect: **20 April 2012**  
(54) Product in respect of which the design is registered: **Vented container end closure**  
(51) International Design Classification: **09-07B**  
(74) Name(s) of Attorney(s): **Madderns**  
(71) Name(s) and Address(s) of Applicant(s):  
**Ball Corporation**  
**10 Longs Peak Drive Broomfield Colorado 80021-2510 United States of America**  
(72) Name(s) of Designer(s): **Howard C Chasteen and Mark A Jacober**  
(45) Registration Date: **07 June 2012**  
(30) Convention priority data:  
(31) Number (32) Date (33) Country  
**29/404996 27 Oct 2011 UNITED STATES OF AMERICA**  
(56) Related Art Documents: **Not Applicable**  
(57) Statement of Newness and Distinctiveness: **Newness and distinctiveness is claimed in the shape and/or configuration of a vented container end closure as depicted in the accompanying drawings. In considering the scope of protection, no regard is to be given to the features shown in dotted lines.**



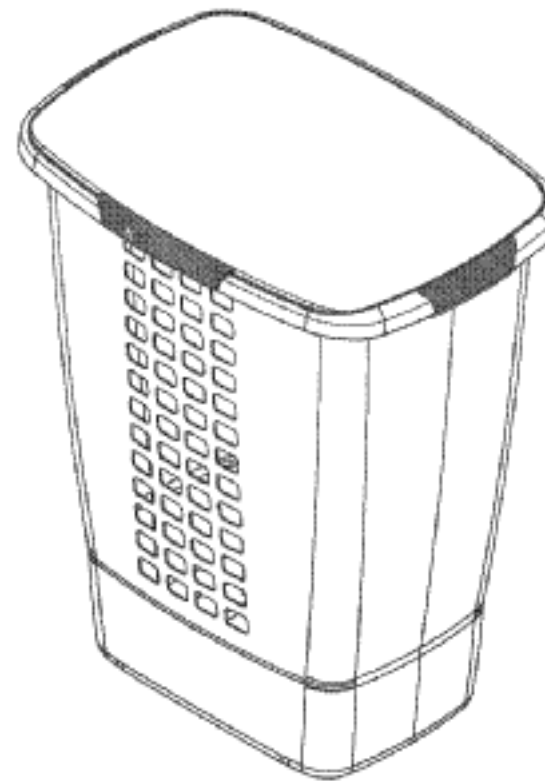
- (21) Design Number: **12027/2012**  
(22) Date of Filing Application: **26 April 2012**  
(24) Date from which industrial property rights may have effect: **26 April 2012**  
(54) Product in respect of which the design is registered: **An above-ground floor track for a sliding door**  
(51) International Design Classification: **25-01NES**  
(74) Name(s) of Attorney(s): **Collison & Co**  
(71) Name(s) and Address(s) of Applicant(s):  
**Lance Malcolm Vater**  
**Unit 7 538 Portrush Road St Georges South Australia 5064 Australia**  
(72) Name(s) of Designer(s): **Lance Malcolm Vater**  
(45) Registration Date: **07 June 2012**  
(56) Related Art Documents: **Not Applicable**  
(57) Statement of Newness and Distinctiveness: **Newness and distinctiveness resides in the shape and/or configuration of the above-ground floor track for a sliding door as shown in the accompanying drawings.**



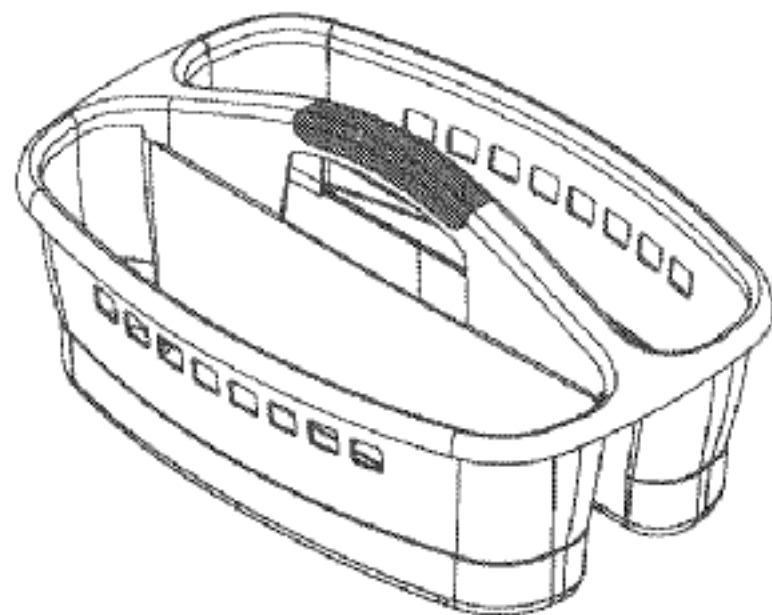
- (21) Design Number: **12028/2012**  
(22) Date of Filing Application: **26 April 2012**  
(24) Date from which industrial property rights may have effect: **26 April 2012**  
(54) Product in respect of which the design is registered: **A gate D-latch**  
(51) International Design Classification: **08-07**  
(74) Name(s) of Attorney(s): **Collison & Co**  
(71) Name(s) and Address(s) of Applicant(s):  
**Lance Malcolm Vater**  
**Unit 7 538 Portrush Road St Georges South Australia 5064 Australia**  
(72) Name(s) of Designer(s): **Lance Malcolm Vater**  
(45) Registration Date: **07 June 2012**  
(56) Related Art Documents: **Not Applicable**  
(57) Statement of Newness and Distinctiveness: **Newness and distinctiveness resides in the shape and/or configuration of the gate d-latch excluding the broken lines.**



(21) Design Number: **12054/2012**  
(22) Date of Filing Application: **27 April 2012**  
(24) Date from which industrial property rights may have effect: **27 April 2012**  
(54) Product in respect of which the design is registered: **Clothes hamper**  
(51) International Design Classification: **07-07NES**  
(74) Name(s) of Attorney(s): **Choy Lawyers**  
(71) Name(s) and Address(s) of Applicant(s):  
**FBA Imports Pty Ltd**  
**35-77 Emu Road Maidstone Victoria 3012 Australia**  
(72) Name(s) of Designer(s): **Matthew Reeves**  
(45) Registration Date: **07 June 2012**  
(56) Related Art Documents: **Not Applicable**  
(57) Statement of Newness and Distinctiveness: **Nil**

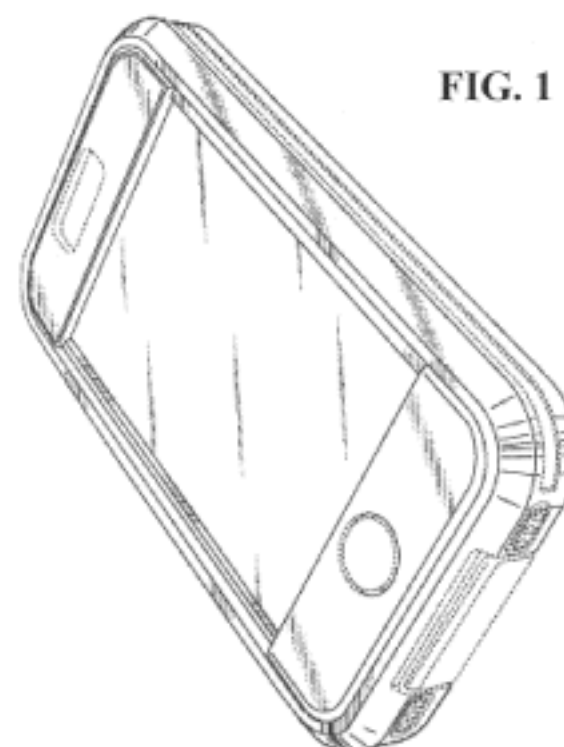


(21) Design Number: **12055/2012**  
(22) Date of Filing Application: **27 April 2012**  
(24) Date from which industrial property rights may have effect: **27 April 2012**  
(54) Product in respect of which the design is registered: **Caddy**  
(51) International Design Classification: **23-02NES**  
(74) Name(s) of Attorney(s): **Choy Lawyers**  
(71) Name(s) and Address(s) of Applicant(s):  
**FBA Imports Pty Ltd**  
**35-77 Emu Road Maidstone Victoria 3012 Australia**  
(72) Name(s) of Designer(s): **Matthew Reeves**  
(45) Registration Date: **07 June 2012**  
(56) Related Art Documents: **Not Applicable**  
(57) Statement of Newness and Distinctiveness: **Nil**





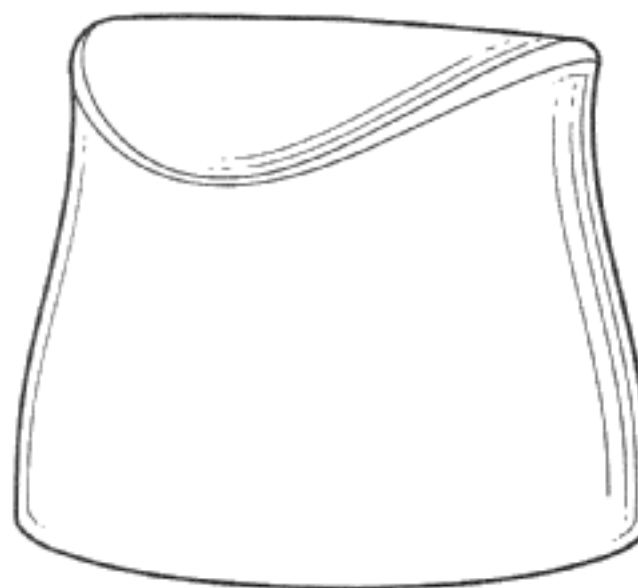
(21) Design Number: **12216/2012**  
(22) Date of Filing Application: **08 May 2012**  
(24) Date from which industrial property rights may have effect: **08 May 2012**  
(54) Product in respect of which the design is registered: **Case for electronic device**  
(51) International Design Classification: **03-01NES**  
(74) Name(s) of Attorney(s): **PIZZEYS**  
(71) Name(s) and Address(s) of Applicant(s):  
**Case-Mate, Inc.**  
**2048 Weems Road Tucker GA 30084 United States of America**  
(72) Name(s) of Designer(s): **Garrett Paul Simmer**  
(45) Registration Date: **08 June 2012**  
(30) Convention priority data:  
(31) Number (32) Date (33) Country  
**29/406,050 09 Nov 2011 UNITED STATES OF AMERICA**  
(56) Related Art Documents: **Not Applicable**  
(57) Statement of Newness and Distinctiveness: **Nil**



(21) Design Number: **12314/2012**  
(22) Date of Filing Application: **14 May 2012**  
(24) Date from which industrial property rights may have effect: **14 May 2012**  
(54) Product in respect of which the design is registered: **Bottle**  
(51) International Design Classification: **09-01NES**  
(74) Name(s) of Attorney(s): **Shelston IP**  
(71) Name(s) and Address(s) of Applicant(s):  
**Reckitt & Colman (Overseas) Limited**  
**103-105 Bath Road Slough Berkshire SL1 3UH United Kingdom**  
(72) Name(s) of Designer(s): **Marcus James Blachford and James Andrew Holt and Daniel Huw Reynolds and Dai Sanders**  
(45) Registration Date: **08 June 2012**  
(30) Convention priority data:  
(31) Number (32) Date (33) Country  
**001948290-0001 16 Nov 2011 EUROPEAN COMMUNITY**  
(56) Related Art Documents: **Not Applicable**  
(57) Statement of Newness and Distinctiveness: **Newness and distinctiveness resides in the features of shape and/or configuration of a bottle as illustrated in the accompanying representations.**



(21) Design Number: **12315/2012**  
(22) Date of Filing Application: **14 May 2012**  
(24) Date from which industrial property rights may have effect: **14 May 2012**  
(54) Product in respect of which the design is registered: **Cap**  
(51) International Design Classification: **09-07C**  
(74) Name(s) of Attorney(s): **Shelston IP**  
(71) Name(s) and Address(s) of Applicant(s):  
**Reckitt & Colman (Overseas) Limited**  
**103-105 Bath Road Slough Berkshire SL1 3UH United Kingdom**  
(72) Name(s) of Designer(s): **Dai Sanders**  
(45) Registration Date: **08 June 2012**  
(30) Convention priority data:  
(31) Number (32) Date (33) Country  
**001948324-0001 16 Nov 2011 EUROPEAN COMMUNITY**  
(56) Related Art Documents: **Not Applicable**  
(57) Statement of Newness and Distinctiveness: **Newness and distinctiveness resides in the features of shape and/or configuration of the cap illustrated in the accompanying representations.**



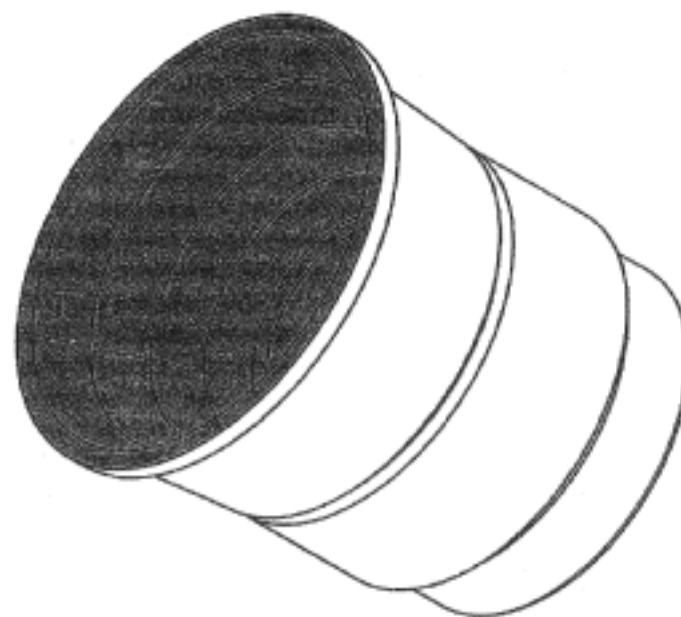
(21) Design Number: **12316/2012**  
(22) Date of Filing Application: **14 May 2012**  
(24) Date from which industrial property rights may have effect: **14 May 2012**  
(54) Product in respect of which the design is registered: **Translucent bottle**  
(51) International Design Classification: **09-01NES**  
(74) Name(s) of Attorney(s): **Shelston IP**  
(71) Name(s) and Address(s) of Applicant(s):  
**Reckitt & Colman (Overseas) Limited**  
**103-105 Bath Road Slough Berkshire SL1 3UH United Kingdom**  
(72) Name(s) of Designer(s): **Marcus James Blachford and James Andrew Holt and Daniel Huw Reynolds and Dai Sanders**  
(45) Registration Date: **08 June 2012**  
(30) Convention priority data:  
(31) Number (32) Date (33) Country  
**001948290-0002 16 Nov 2011 EUROPEAN COMMUNITY**  
(56) Related Art Documents: **Not Applicable**  
(57) Statement of Newness and Distinctiveness: **Newness and distinctiveness resides in the features of shape and/or configuration of the translucent bottle illustrated in the accompanying representations. The features shown in broken line do not form part of the design but are included to help illustrate the translucent element of the design.**



- (21) Design Number: **12317/2012**  
(22) Date of Filing Application: **14 May 2012**  
(24) Date from which industrial property rights may have effect: **14 May 2012**  
(54) Product in respect of which the design is registered: **Air freshener**  
(51) International Design Classification: **28-99**  
(74) Name(s) of Attorney(s): **Shelston IP**  
(71) Name(s) and Address(s) of Applicant(s):  
**Reckitt & Colman (Overseas) Limited**  
**103-105 Bath Road Slough Berkshire SL1 3UH United Kingdom**  
(72) Name(s) of Designer(s): **Marcus James Blachford and James Andrew Holt and Daniel Huw Reynolds and Dai Sanders**  
(45) Registration Date: **08 June 2012**  
(30) Convention priority data:  
(31) Number (32) Date (33) Country  
**001948266-0001 16 Nov 2011 EUROPEAN COMMUNITY**  
(56) Related Art Documents: **Not Applicable**  
(57) Statement of Newness and Distinctiveness: **Newness and distinctiveness resides in the features of shape and/or configuration of an air freshener illustrated in the accompanying representations.**



- (21) Design Number: **12319/2012**  
(22) Date of Filing Application: **14 May 2012**  
(24) Date from which industrial property rights may have effect: **14 May 2012**  
(54) Product in respect of which the design is registered: **A lighting module**  
(51) International Design Classification: **26-99**  
(74) Name(s) of Attorney(s): **James & Wells**  
(71) Name(s) and Address(s) of Applicant(s):  
**Hunza Holdings Limited**  
**C/- James & Wells Intellectual Property Level 12 KPMG Centre 85**  
**Alexandra Street Hamilton New Zealand 3204**  
(72) Name(s) of Designer(s): **Guy McLean**  
(45) Registration Date: **08 June 2012**  
(56) Related Art Documents: **Not Applicable**  
(57) Statement of Newness and Distinctiveness: **Newness and distinctiveness reside in the shape and/or configuration of the lighting module as illustrated in the accompanying illustrations. Features of the illustrations identified by solid shading are disclaimed from the design.**



- (21) Design Number: **12464/2012**  
(22) Date of Filing Application: **23 May 2012**  
(24) Date from which industrial property rights may have effect: **23 May 2012**  
(54) Product in respect of which the design is registered: **Golf Skateboard**  
(51) International Design Classification: **21-02E**  
(74) Name(s) of Attorney(s): **Fisher Adams Kelly**  
(71) Name(s) and Address(s) of Applicant(s):  
**Fiik Skateboards Pty Ltd**  
**Unit 2/3366 Pacific Highway Springwood Queensland 4127 Australia**  
(72) Name(s) of Designer(s): **Mathew Quinn and Daniel Quinn**  
(45) Registration Date: **08 June 2012**  
(56) Related Art Documents: **Not Applicable**  
(57) Statement of Newness and Distinctiveness: **The newness and distinctiveness of the design resides in the shape and/or configuration of the GOLF SKATEBOARD shown in the representations.**



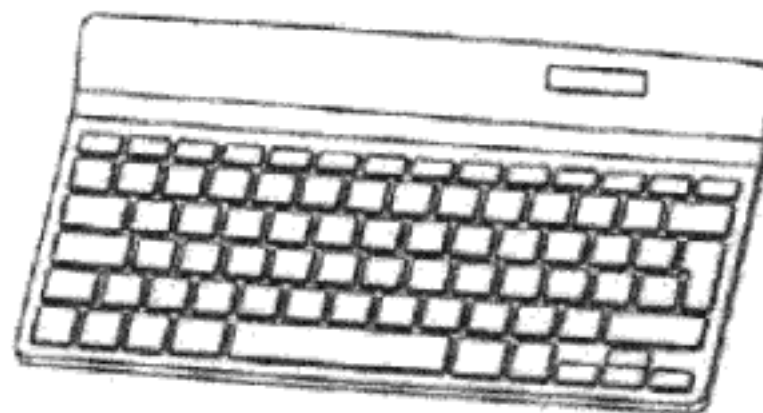
- (21) Design Number: **11113/2012**  
(22) Date of Filing Application: **02 March 2012**  
(24) Date from which industrial property rights may have effect: **02 March 2012**  
(54) Product in respect of which the design is registered: **A pail with lid**  
(51) International Design Classification: **07-07B**  
(74) Name(s) of Attorney(s):  
(71) Name(s) and Address(s) of Applicant(s):  
**Mach IV Pty Ltd ACN 154 569 105**  
**C/ Stephens Tilley Services GPO Box 7055 Sydney New South Wales**  
**2001 Australia**  
(72) Name(s) of Designer(s): **Alexandra Hutchinson and Michael Schmaedeke**  
(45) Registration Date: **08 June 2012**  
(56) Related Art Documents: **Not Applicable**  
(57) Statement of Newness and Distinctiveness: **Newness and distinctiveness is claimed in the shape and configuration of both the pail and the lid, with two (2) rings on the rim of the bucket and unique base design, handle design and spacing on the profile as shown in the representation.**



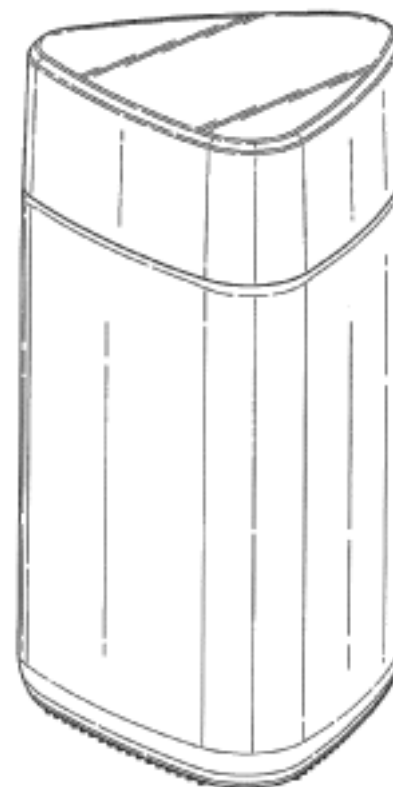
(21) Design Number: **11339/2012**  
(22) Date of Filing Application: **13 March 2012**  
(24) Date from which industrial property rights may have effect: **13 March 2012**  
(54) Product in respect of which the design is registered: **Shopping bag carry handle**  
(51) International Design Classification: **08-06, 09-99**  
(74) Name(s) of Attorney(s):  
(71) Name(s) and Address(s) of Applicant(s):  
**Steven Bird**  
**41 Marlee Street Wingham New South Wales 2429 Australia**  
(72) Name(s) of Designer(s): **Steven Bird**  
(45) Registration Date: **08 June 2012**  
(56) Related Art Documents: **Not Applicable**  
(57) Statement of Newness and Distinctiveness: **A triangular shaped handle for carrying and stringing together multiple shopping bags.**



(21) Design Number: **11445/2012**  
(22) Date of Filing Application: **20 March 2012**  
(24) Date from which industrial property rights may have effect: **20 March 2012**  
(54) Product in respect of which the design is registered: **Mini Keyboard**  
(51) International Design Classification: **14-02**  
(74) Name(s) of Attorney(s): **Griffith Hack**  
(71) Name(s) and Address(s) of Applicant(s):  
**PenClic AB**  
**Vendevagen 90 DANDERYD 182 32 SWEDEN**  
(72) Name(s) of Designer(s): **Jonas Stahl**  
(45) Registration Date: **08 June 2012**  
(30) Convention priority data:  
(31) Number (32) Date (33) Country  
**DM/077 346 19 Dec 2011 WORLD INTELLECTUAL  
PROPERTY ORGANIZATION  
(WIPO)**  
(56) Related Art Documents: **Not Applicable**  
(57) Statement of Newness and Distinctiveness: **The shape, configuration and ornamentation of the product as shown in the accompanying representations is new and distinctive.**



(21) Design Number: **11566/2012**  
(22) Date of Filing Application: **27 March 2012**  
(24) Date from which industrial property rights may have effect: **27 March 2012**  
(54) Product in respect of which the design is registered: **A jar**  
(51) International Design Classification: **09-01C**  
(74) Name(s) of Attorney(s): **Davies Collison Cave**  
(71) Name(s) and Address(s) of Applicant(s):  
**Unilever PLC**  
**Unilever House 100 Victoria Embankment London EC4Y 0DY United Kingdom**  
(72) Name(s) of Designer(s): **Shyamsunder Balakrishna Karekar**  
(45) Registration Date: **08 June 2012**  
(30) Convention priority data:  
(31) Number (32) Date (33) Country  
**001928631-0001 07 Oct 2011 EUROPEAN COMMUNITY**  
(56) Related Art Documents: **Not Applicable**  
(57) Statement of Newness and Distinctiveness: **Newness and distinctiveness is claimed in the visual features shown in solid lines in the representations.**



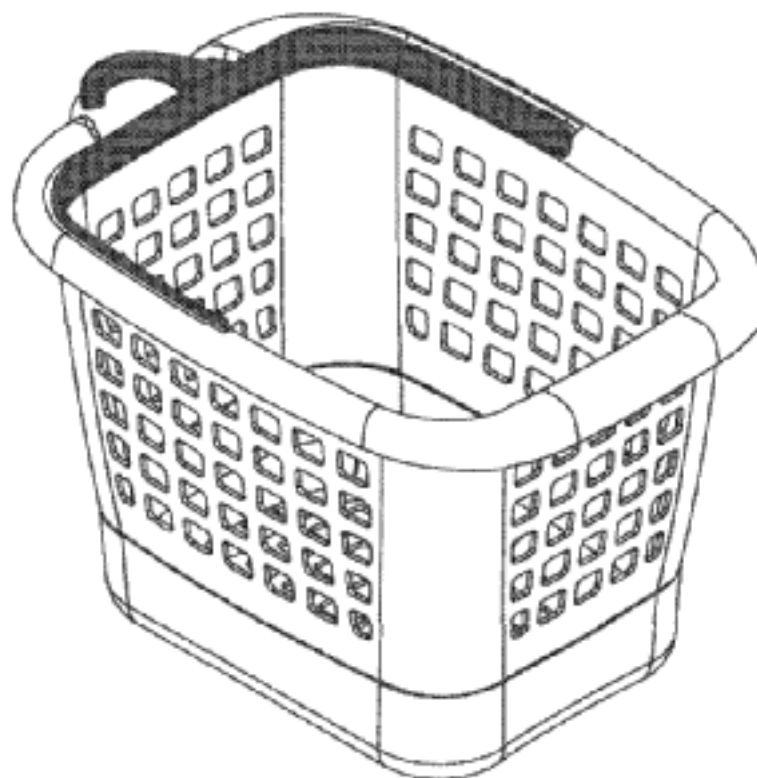
(21) Design Number: **11673/2012**  
(22) Date of Filing Application: **03 April 2012**  
(24) Date from which industrial property rights may have effect: **03 April 2012**  
(54) Product in respect of which the design is registered: **Sheeting material including a foil surface**  
(51) International Design Classification: **05-06NES**  
(74) Name(s) of Attorney(s): **Davies Collison Cave**  
(71) Name(s) and Address(s) of Applicant(s):  
**Philippe Pierre Marie Joseph Doneux**  
**C/- Acoustica Pty Limited Ground Floor 6A Nelson Street Annandale New South Wales 2038 Australia**  
(72) Name(s) of Designer(s): **Philippe Pierre Marie Joseph Doneux**  
(45) Registration Date: **08 June 2012**  
(56) Related Art Documents: **Not Applicable**  
(57) Statement of Newness and Distinctiveness: **Nil**



- (21) Design Number: **11720/2012**  
(22) Date of Filing Application: **05 April 2012**  
(24) Date from which industrial property rights may have effect: **05 April 2012**  
(54) Product in respect of which the design is registered: **A cover**  
(51) International Design Classification: **08-08NES, 08-99, 08-05NES**  
(74) Name(s) of Attorney(s): **SPRUSON & FERGUSON**  
(71) Name(s) and Address(s) of Applicant(s):  
**Murray John Knight**  
**12 Wee Waa Road Narrabri New South Wales 2390 Australia**  
(72) Name(s) of Designer(s): **Murray John Knight**  
(45) Registration Date: **08 June 2012**  
(56) Related Art Documents: **Not Applicable**  
(57) Statement of Newness and Distinctiveness: **Newness and distinctiveness is claimed in the features of shape and/or configuration of a cover as illustrated in the accompanying representations.**



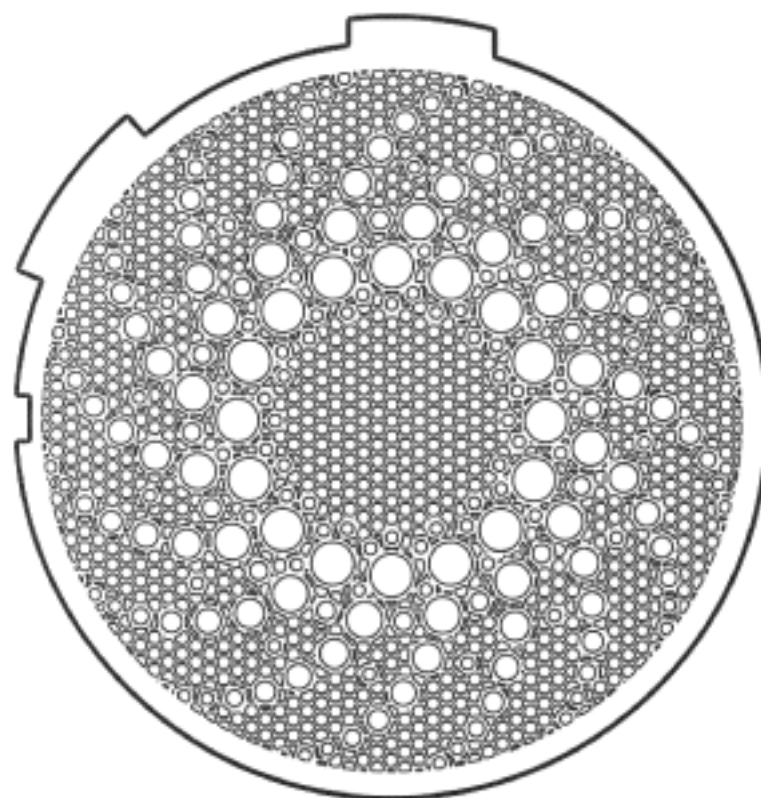
- (21) Design Number: **12056/2012**  
(22) Date of Filing Application: **27 April 2012**  
(24) Date from which industrial property rights may have effect: **27 April 2012**  
(54) Product in respect of which the design is registered: **Peg basket**  
(51) International Design Classification: **07-05C**  
(74) Name(s) of Attorney(s): **Choy Lawyers**  
(71) Name(s) and Address(s) of Applicant(s):  
**FBA Imports Pty Ltd**  
**35-77 Emu Road Maidstone Victoria 3012 Australia**  
(72) Name(s) of Designer(s): **Matthew Reeves**  
(45) Registration Date: **08 June 2012**  
(56) Related Art Documents: **Not Applicable**  
(57) Statement of Newness and Distinctiveness: **Nil**



- (21) Design Number: **12061/2012**  
(22) Date of Filing Application: **27 April 2012**  
(24) Date from which industrial property rights may have effect: **27 April 2012**  
(54) Product in respect of which the design is registered: **A water heater**  
(51) International Design Classification: **23-03H**  
(74) Name(s) of Attorney(s): **SPRUSON & FERGUSON**  
(71) Name(s) and Address(s) of Applicant(s):  
**Daikin Australia Pty Limited**  
**62-66 Governor Macquarie Drive Chipping Norton New South Wales**  
**2170 Australia**  
(72) Name(s) of Designer(s): **Robert Beggs and Bruno Sintive and Rohit Chitre**  
**and Alex Kan and Angelo Kotsis**  
(45) Registration Date: **08 June 2012**  
(56) Related Art Documents: **Not Applicable**  
(57) Statement of Newness and Distinctiveness: **Newness and distinctiveness**  
**is claimed in the features of shape and/or configuration of the generally**  
**D-shaped cross section and the inclined frontward top surface of a water**  
**heater as illustrated in the accompanying representations.**

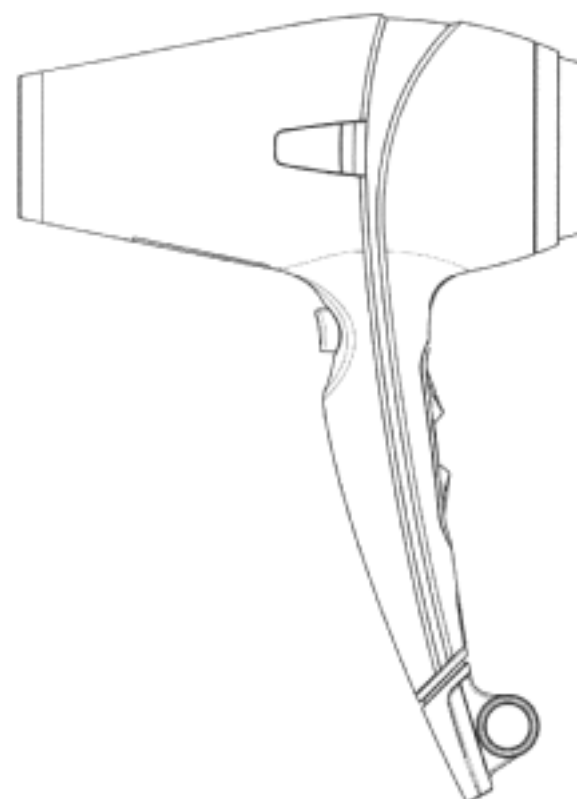


- (21) Design Number: **12085/2012**  
(22) Date of Filing Application: **30 April 2012**  
(24) Date from which industrial property rights may have effect: **30 April 2012**  
(54) Product in respect of which the design is registered: **Grille for a hair dryer**  
(51) International Design Classification: **28-03B**  
(74) Name(s) of Attorney(s): **PHILLIPS ORMONDE FITZPATRICK**  
(71) Name(s) and Address(s) of Applicant(s):  
**Jemella Group Limited**  
**c/o Eversheds LLP Eversheds House Great Bridgewater Street**  
**Manchester M1 5ES United Kingdom**  
(72) Name(s) of Designer(s): **Stephen Anthony Sayers and Daniel Brady**  
(45) Registration Date: **08 June 2012**  
(30) Convention priority data:  
(31) Number (32) Date (33) Country  
**001940388-0003 31 Oct 2011 EUROPEAN COMMUNITY**  
(56) Related Art Documents: **Not Applicable**  
(57) Statement of Newness and Distinctiveness: **Newness and distinctiveness**  
**resides in the shape, configuration, pattern and/or ornamentation of**  
**the pattern of perforations in a grille for a hair dryer as shown in the**  
**accompanying representations.**





(21) Design Number: **12086/2012**  
(22) Date of Filing Application: **30 April 2012**  
(24) Date from which industrial property rights may have effect: **30 April 2012**  
(54) Product in respect of which the design is registered: **Hair dryer**  
(51) International Design Classification: **28-03B**  
(74) Name(s) of Attorney(s): **PHILLIPS ORMONDE FITZPATRICK**  
(71) Name(s) and Address(s) of Applicant(s):  
**Jemella Group Limited**  
**c/o Eversheds LLP Eversheds House Great Bridgewater Street**  
**Manchester M1 5ES United Kingdom**  
(72) Name(s) of Designer(s): **Stephen Anthony Sayers and Daniel Brady**  
(45) Registration Date: **08 June 2012**  
(30) Convention priority data:  
(31) Number (32) Date (33) Country  
**001940388-0001 31 Oct 2011 EUROPEAN COMMUNITY**  
(56) Related Art Documents: **Not Applicable**  
(57) Statement of Newness and Distinctiveness: **Those features of the hair dryer depicted in the representations that are new and distinctive are the shape and/or configuration. Colour forms no part of the design.**



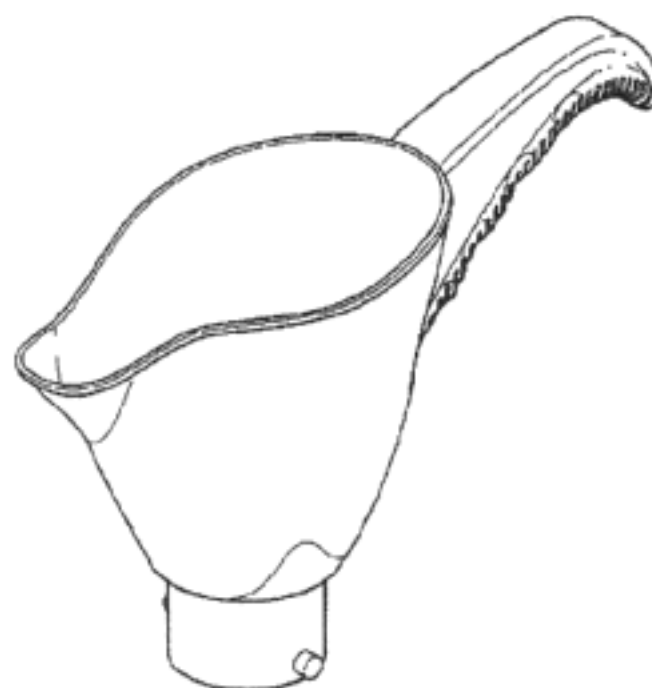
(21) Design Number: **12111/2012**  
(22) Date of Filing Application: **30 April 2012**  
(24) Date from which industrial property rights may have effect: **30 April 2012**  
(54) Product in respect of which the design is registered: **Dog Toy**  
(51) International Design Classification: **30-99**  
(74) Name(s) of Attorney(s):  
(71) Name(s) and Address(s) of Applicant(s):  
**Dog Owners Outdoor Gear Pty Ltd**  
**175 Dawson Street Cooks Hill New South Wales 2300 Australia**  
(72) Name(s) of Designer(s): **Jessica Knight**  
(45) Registration Date: **08 June 2012**  
(56) Related Art Documents: **Not Applicable**  
(57) Statement of Newness and Distinctiveness: **These are totally unique characters, designed by Dog Owners Outdoor Gear. The faces & expressions & packaging all form new & distinctive design.**



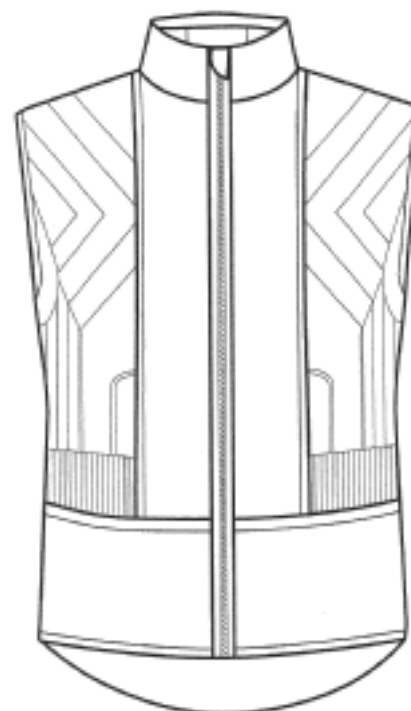
- (21) Design Number: **12112/2012**  
(22) Date of Filing Application: **30 April 2012**  
(24) Date from which industrial property rights may have effect: **30 April 2012**  
(54) Product in respect of which the design is registered: **Dog Toy**  
(51) International Design Classification: **30-99**  
(74) Name(s) of Attorney(s):  
(71) Name(s) and Address(s) of Applicant(s):  
**Dog Owners Outdoor Gear Pty Ltd**  
**175 Dawson Street Cooks Hill New South Wales 2300 Australia**  
(72) Name(s) of Designer(s): **Jessica Knight**  
(45) Registration Date: **08 June 2012**  
(56) Related Art Documents: **Not Applicable**  
(57) Statement of Newness and Distinctiveness: **These are totally unique characters designed by Dog Owners Outdoor Gear. The faces & expressions & packaging all form new & distinctive design.**



- (21) Design Number: **10994/2012**  
(22) Date of Filing Application: **29 February 2012**  
(24) Date from which industrial property rights may have effect: **29 February 2012**  
(54) Product in respect of which the design is registered: **Urine or other fluid collector**  
(51) International Design Classification: **24-04**  
(74) Name(s) of Attorney(s): **WATERMARK PATENT AND TRADE MARKS ATTORNEYS**  
(71) Name(s) and Address(s) of Applicant(s):  
**Gandhi & Company (Pty) Limited**  
**457 Main Road 4399 Tongaat Kwa Zulu Natal South Africa**  
(72) Name(s) of Designer(s): **Akhil Rasendra Desai**  
(45) Registration Date: **13 June 2012**  
(56) Related Art Documents: **Not Applicable**  
(57) Statement of Newness and Distinctiveness: **Newness and distinctiveness resides in the shape and/or configuration of the fluid receiver. The features of the base and connector between the fluid receiver and base are not essential to the newness or distinctiveness of the design.**



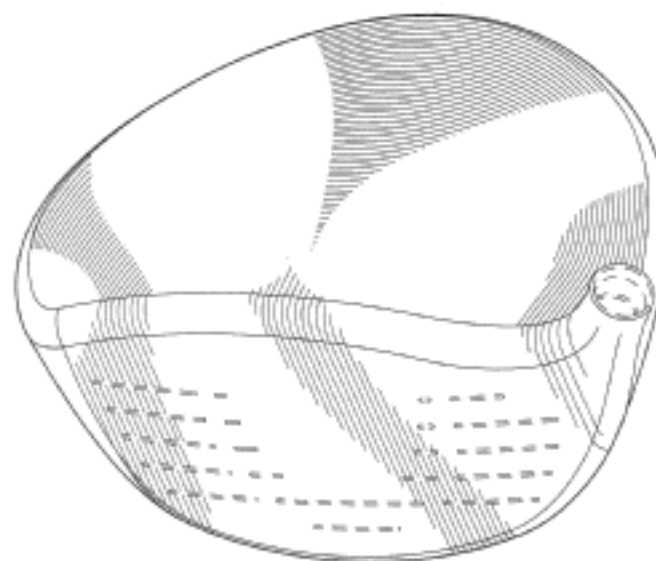
(21) Design Number: **11529/2012**  
(22) Date of Filing Application: **26 March 2012**  
(24) Date from which industrial property rights may have effect: **26 March 2012**  
(54) Product in respect of which the design is registered: **Upper body garment**  
(51) International Design Classification: **02-02NES**  
(74) Name(s) of Attorney(s): **Davies Collison Cave**  
(71) Name(s) and Address(s) of Applicant(s):  
**X-Technology Swiss GmbH**  
**Samstagernstr 45 CH-8832 Wollerau Switzerland**  
(72) Name(s) of Designer(s): **Bodo W. Lambertz**  
(45) Registration Date: **13 June 2012**  
(30) Convention priority data:  
(31) Number (32) Date (33) Country  
**001924069-0002 28 Sep 2011 EUROPEAN COMMUNITY**  
(56) Related Art Documents: **Not Applicable**  
(57) Statement of Newness and Distinctiveness: **Nil**



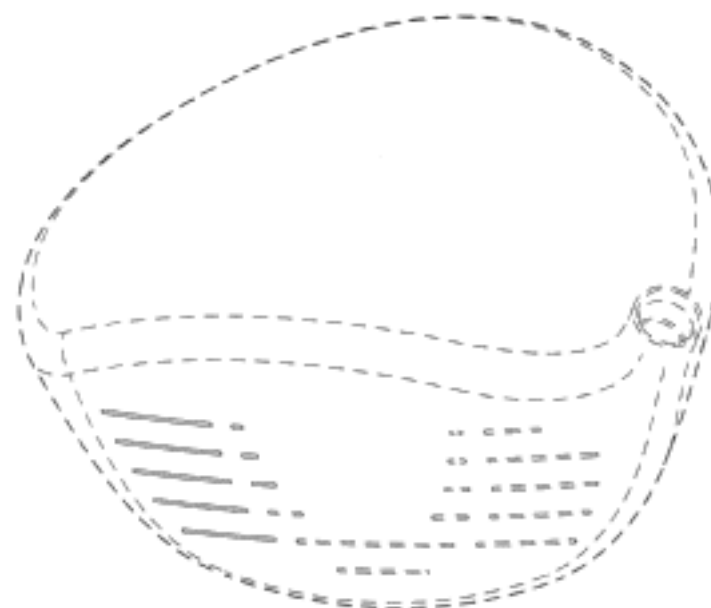
(21) Design Number: **11530/2012**  
(22) Date of Filing Application: **26 March 2012**  
(24) Date from which industrial property rights may have effect: **26 March 2012**  
(54) Product in respect of which the design is registered: **Upper body garment**  
(51) International Design Classification: **02-02NES**  
(74) Name(s) of Attorney(s): **Davies Collison Cave**  
(71) Name(s) and Address(s) of Applicant(s):  
**X-Technology Swiss GmbH**  
**Samstagernstr 45 CH-8832 Wollerau Switzerland**  
(72) Name(s) of Designer(s): **Bodo W. Lambertz**  
(45) Registration Date: **13 June 2012**  
(30) Convention priority data:  
(31) Number (32) Date (33) Country  
**001924069-0001 28 Sep 2011 EUROPEAN COMMUNITY**  
(56) Related Art Documents: **Not Applicable**  
(57) Statement of Newness and Distinctiveness: **Nil**



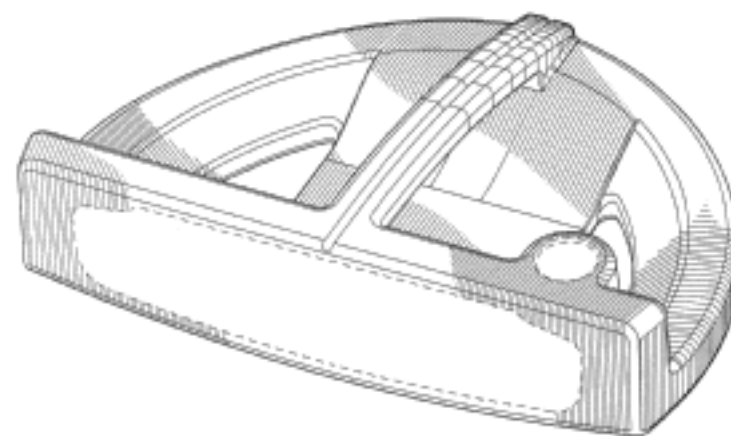
(21) Design Number: **12321/2012**  
(22) Date of Filing Application: **15 May 2012**  
(24) Date from which industrial property rights may have effect: **15 May 2012**  
(54) Product in respect of which the design is registered: **Golf club head**  
(51) International Design Classification: **21-02C**  
(74) Name(s) of Attorney(s): **Davies Collison Cave**  
(71) Name(s) and Address(s) of Applicant(s):  
**Karsten Manufacturing Corporation**  
**2201 West Desert Cove Phoenix Arizona 85029 United States of America**  
(72) Name(s) of Designer(s): **Ryan M. Stokke and John H. Loudenslager and**  
**Marty R. Jertson and Nicholas S. Radeleff**  
(45) Registration Date: **13 June 2012**  
(30) Convention priority data:  
(31) Number (32) Date (33) Country  
**29/412909 09 Feb 2012 UNITED STATES OF AMERICA**  
(56) Related Art Documents: **Not Applicable**  
(57) Statement of Newness and Distinctiveness: **Newness and distinctiveness is**  
**claimed in the visual features shown in solid lines in the representations.**  
**In considering the extent of the design rights, the broken lines in the**  
**representations are for illustrative purposes only and do not form part**  
**of the design.**



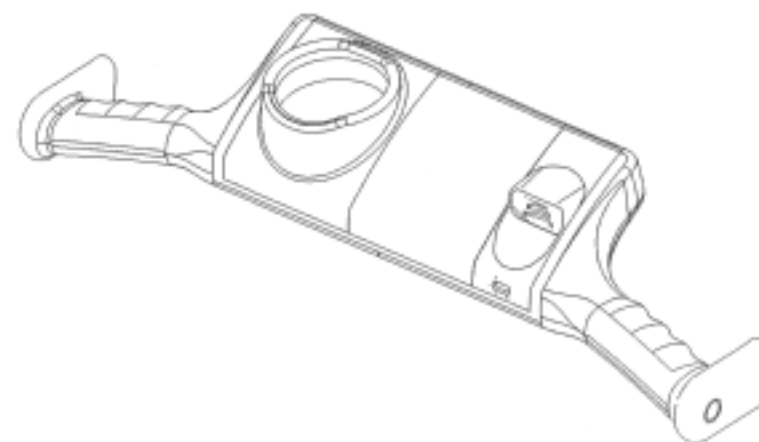
(21) Design Number: **12322/2012**  
(22) Date of Filing Application: **15 May 2012**  
(24) Date from which industrial property rights may have effect: **15 May 2012**  
(54) Product in respect of which the design is registered: **Golf club head**  
(51) International Design Classification: **21-02C**  
(74) Name(s) of Attorney(s): **Davies Collison Cave**  
(71) Name(s) and Address(s) of Applicant(s):  
**Karsten Manufacturing Corporation**  
**2201 West Desert Cove Phoenix Arizona 85029 United States of America**  
(72) Name(s) of Designer(s): **Ryan M. Stokke and John H. Loudenslager and**  
**Marty R. Jertson and Nicholas S. Radeleff**  
(45) Registration Date: **13 June 2012**  
(30) Convention priority data:  
(31) Number (32) Date (33) Country  
**29/412924 09 Feb 2012 UNITED STATES OF AMERICA**  
(56) Related Art Documents: **Not Applicable**  
(57) Statement of Newness and Distinctiveness: **Newness and distinctiveness is**  
**claimed in the visual features shown in solid lines in the representations.**  
**In considering the extent of the design rights, the broken lines in the**  
**representations are for illustrative purposes only and do not form part**  
**of the design.**



(21) Design Number: **12323/2012**  
(22) Date of Filing Application: **15 May 2012**  
(24) Date from which industrial property rights may have effect: **15 May 2012**  
(54) Product in respect of which the design is registered: **Golf club head**  
(51) International Design Classification: **21-02C**  
(74) Name(s) of Attorney(s): **Davies Collison Cave**  
(71) Name(s) and Address(s) of Applicant(s):  
**Karsten Manufacturing Corporation**  
**2201 West Desert Cove Phoenix Arizona 85029 United States of America**  
(72) Name(s) of Designer(s): **Anthony D. Serrano**  
(45) Registration Date: **13 June 2012**  
(30) Convention priority data:  
(31) Number (32) Date (33) Country  
**29/413505 16 Feb 2012 UNITED STATES OF AMERICA**  
(56) Related Art Documents: **Not Applicable**  
(57) Statement of Newness and Distinctiveness: **Newness and distinctiveness is claimed in the visual features shown in solid lines in the representations. In considering the extent of the design rights, the broken lines in the representations are for illustrative purposes only and do not form part of the design.**



(21) Design Number: **12324/2012**  
(22) Date of Filing Application: **16 May 2012**  
(24) Date from which industrial property rights may have effect: **16 May 2012**  
(54) Product in respect of which the design is registered: **Shopping trolley comfort handle**  
(51) International Design Classification: **12-02**  
(74) Name(s) of Attorney(s):  
(71) Name(s) and Address(s) of Applicant(s):  
**TS&B Retail Systems Pty Ltd**  
**Building 4 Estate One 103-125 Princes Highway Dandenong South**  
**Victoria 3175 Australia**  
(72) Name(s) of Designer(s): **Barry Trollope**  
(45) Registration Date: **13 June 2012**  
(56) Related Art Documents: **Not Applicable**  
(57) Statement of Newness and Distinctiveness: **This handle is designed to meet the very robust trolley collection process particularly present in Australia and New Zealand. The design has the body set back behind the end caps to ensure the body has no contact with the trailers or being damaged by coming into contact with walls, poles etc. providing for impact protection & reduction of maintenance & damage replacement. The design is "unique" due to its combination of a drink/cup holder, trolley lock and merchandise panel in one. The design incorporates simplified & improved end caps to handle collection that removes unsightly cap ends, ridges that are prevalent in most other handles. This also adds to customer comfort.**



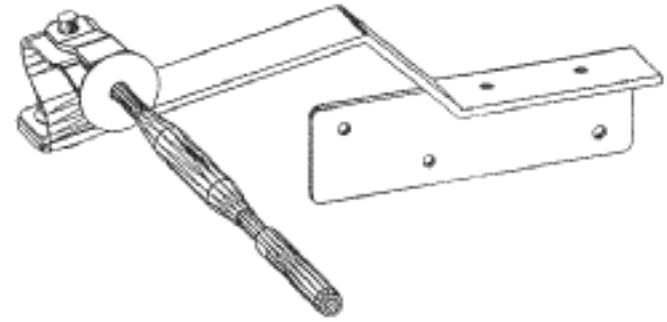
- (21) Design Number: **12326/2012**  
(22) Date of Filing Application: **15 May 2012**  
(24) Date from which industrial property rights may have effect: **15 May 2012**  
(54) Product in respect of which the design is registered: **Headphones**  
(51) International Design Classification: **14-01**  
(74) Name(s) of Attorney(s): **Cotters Patent & Trade Mark Attorneys**  
(71) Name(s) and Address(s) of Applicant(s):  
**Happy Soldier Group Pty Ltd**  
**PO Box 896 Leichhardt New South Wales 2040 Australia**  
(72) Name(s) of Designer(s): **Mark Cole and Dan Hua**  
(45) Registration Date: **13 June 2012**  
(56) Related Art Documents: **Not Applicable**  
(57) Statement of Newness and Distinctiveness: **Newness and distinctiveness is claimed in the features of shape and/or configuration of a pair of headphones as depicted in the accompanying drawings.**



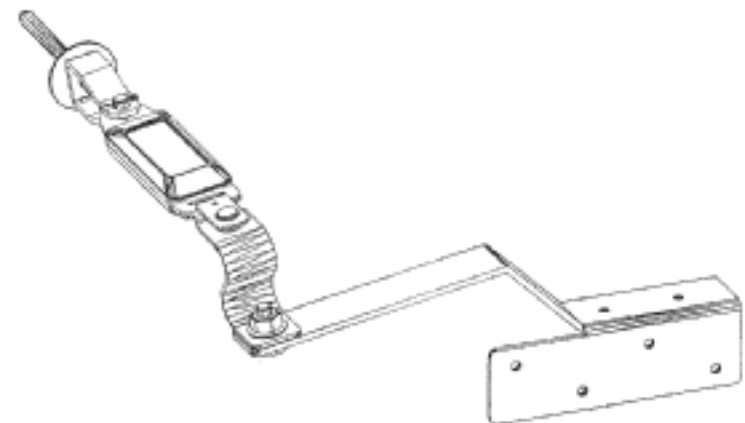
- (21) Design Number: **12327/2012**  
(22) Date of Filing Application: **15 May 2012**  
(24) Date from which industrial property rights may have effect: **15 May 2012**  
(54) Product in respect of which the design is registered: **Bottle**  
(51) International Design Classification: **09-01H**  
(74) Name(s) of Attorney(s): **SPRUSON & FERGUSON**  
(71) Name(s) and Address(s) of Applicant(s):  
**Structure Enterprises N.V.**  
**San Sebastian B15 Willemstad Curacao**  
(72) Name(s) of Designer(s): **Andrew Eyles**  
(45) Registration Date: **13 June 2012**  
(56) Related Art Documents: **Not Applicable**  
(57) Statement of Newness and Distinctiveness: **Newness and distinctiveness is claimed in the features of shape and/or configuration of a bottle as illustrated in the accompanying representations.**



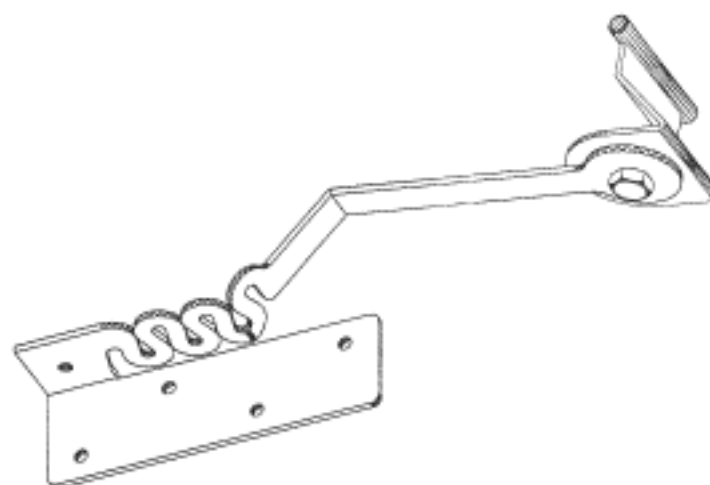
- (21) Design Number: **12328/2012**  
(22) Date of Filing Application: **15 May 2012**  
(24) Date from which industrial property rights may have effect: **15 May 2012**  
(54) Product in respect of which the design is registered: **A roof anchor**  
(51) International Design Classification: **08-08NES**  
(74) Name(s) of Attorney(s): **SPRUSON & FERGUSON**  
(71) Name(s) and Address(s) of Applicant(s):  
**Andrew Pridham**  
**40 Saggart Field Road Minto New South Wales 2566 Australia**  
(72) Name(s) of Designer(s): **Andrew Pridham**  
(45) Registration Date: **13 June 2012**  
(56) Related Art Documents: **Not Applicable**  
(57) Statement of Newness and Distinctiveness: **Newness and distinctiveness is claimed in the features of shape and/or configuration of a roof anchor as illustrated in the accompanying representations.**



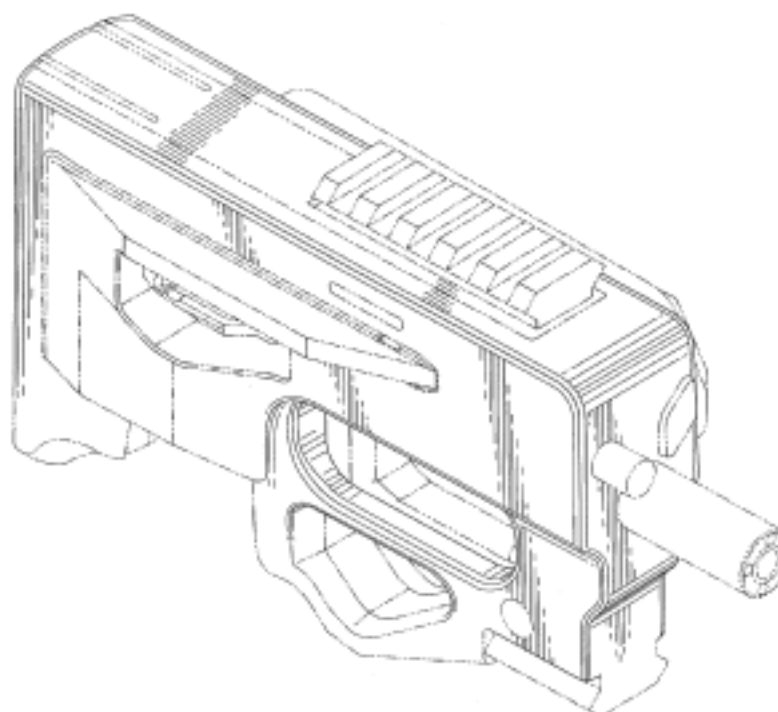
- (21) Design Number: **12329/2012**  
(22) Date of Filing Application: **15 May 2012**  
(24) Date from which industrial property rights may have effect: **15 May 2012**  
(54) Product in respect of which the design is registered: **A roof anchor**  
(51) International Design Classification: **08-08NES**  
(74) Name(s) of Attorney(s): **SPRUSON & FERGUSON**  
(71) Name(s) and Address(s) of Applicant(s):  
**Andrew Pridham**  
**40 Saggart Field Road Minto New South Wales 2566 Australia**  
(72) Name(s) of Designer(s): **Andrew Pridham**  
(45) Registration Date: **13 June 2012**  
(56) Related Art Documents: **Not Applicable**  
(57) Statement of Newness and Distinctiveness: **Newness and distinctiveness is claimed in the features of shape and/or configuration of a roof anchor as illustrated in the accompanying representations.**



- (21) Design Number: **12331/2012**  
(22) Date of Filing Application: **15 May 2012**  
(24) Date from which industrial property rights may have effect: **15 May 2012**  
(54) Product in respect of which the design is registered: **A roof anchor**  
(51) International Design Classification: **08-08NES**  
(74) Name(s) of Attorney(s): **SPRUSON & FERGUSON**  
(71) Name(s) and Address(s) of Applicant(s):  
**Andrew Pridham**  
**40 Saggart Field Road Minto New South Wales 2566 Australia**  
(72) Name(s) of Designer(s): **Andrew Pridham**  
(45) Registration Date: **13 June 2012**  
(56) Related Art Documents: **Not Applicable**  
(57) Statement of Newness and Distinctiveness: **Newness and distinctiveness is claimed in the features of shape and/or configuration of a roof anchor as illustrated in the accompanying representations.**

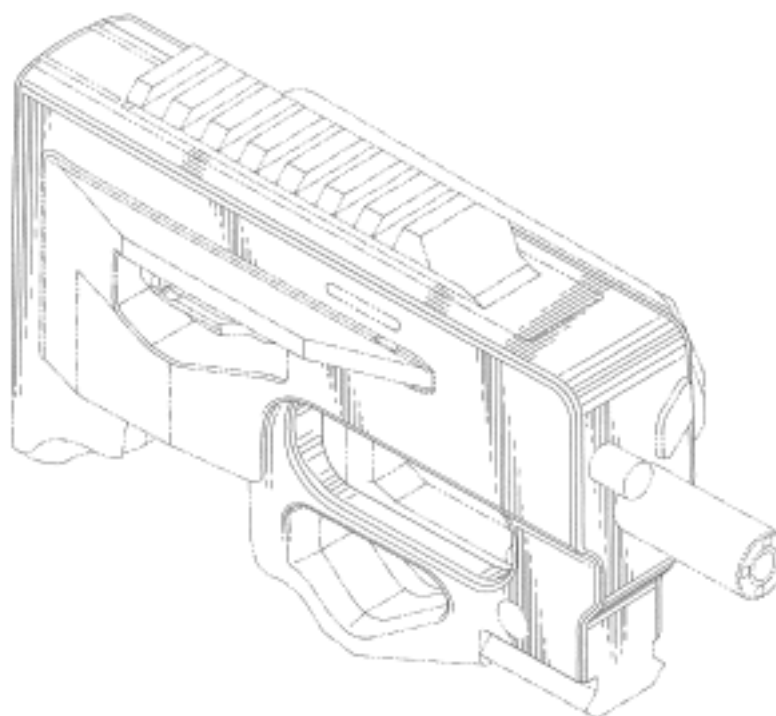


- (21) Design Number: **12294/2012**  
(22) Date of Filing Application: **23 January 2012**  
(24) Date from which industrial property rights may have effect: **23 January 2012**  
(54) Product in respect of which the design is registered: **Firearm**  
(51) International Design Classification: **22-01**  
(74) Name(s) of Attorney(s): **Fisher Adams Kelly**  
(71) Name(s) and Address(s) of Applicant(s):  
**United States Fire Arms Manufacturing Co., Inc.**  
**445-453 Ledyard Street Hartford Connecticut 06114-3211 United States of America**  
(72) Name(s) of Designer(s): **Douglas F. Donnelly**  
(45) Registration Date: **13 June 2012**  
(30) Convention priority data:  
(31) Number      (32) Date      (33) Country  
**29/397915      22 Jul 2011      UNITED STATES OF AMERICA**  
(56) Related Art Documents: **Not Applicable**  
(57) Statement of Newness and Distinctiveness: **The newness and distinctiveness of the design resides in the shape and/or configuration of the Firearm shown in the representations.**

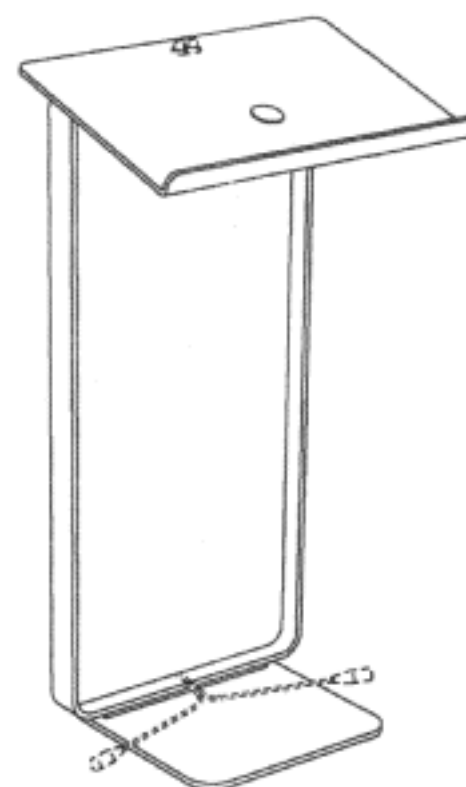




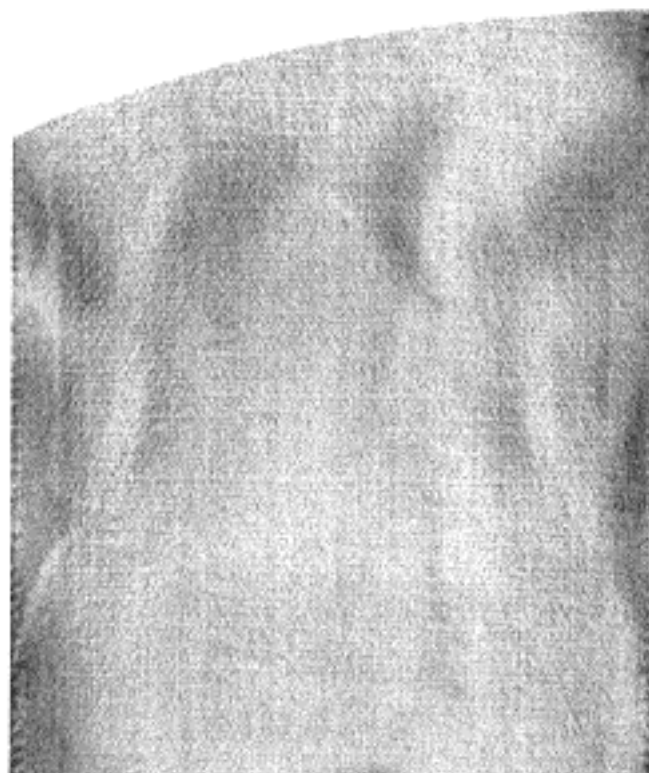
(21) Design Number: **12295/2012**  
(22) Date of Filing Application: **23 January 2012**  
(24) Date from which industrial property rights may have effect: **23 January 2012**  
(54) Product in respect of which the design is registered: **Firearm**  
(51) International Design Classification: **22-01**  
(74) Name(s) of Attorney(s): **Fisher Adams Kelly**  
(71) Name(s) and Address(s) of Applicant(s):  
**United States Fire Arms Manufacturing Co., Inc.**  
**445-453 Ledyard Street Hartford Connecticut 06114-3211 United States of America**  
(72) Name(s) of Designer(s): **Douglas F. Donnelly**  
(45) Registration Date: **13 June 2012**  
(30) Convention priority data:  
(31) Number (32) Date (33) Country  
**29/397915 22 Jul 2011 UNITED STATES OF AMERICA**  
(56) Related Art Documents: **Not Applicable**  
(57) Statement of Newness and Distinctiveness: **The newness and distinctiveness of the design resides in the shape and/or configuration of the Firearm shown in the representations.**



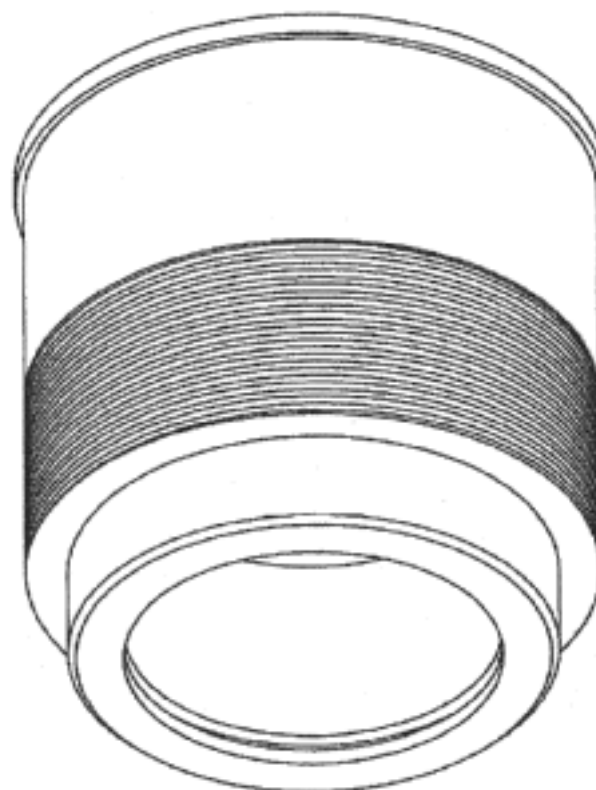
(21) Design Number: **12296/2012**  
(22) Date of Filing Application: **14 May 2012**  
(24) Date from which industrial property rights may have effect: **14 May 2012**  
(54) Product in respect of which the design is registered: **Lectern**  
(51) International Design Classification: **06-06NES**  
(74) Name(s) of Attorney(s):  
(71) Name(s) and Address(s) of Applicant(s):  
**Procson Pty Ltd**  
**29 Spark Street Earlwood New South Wales 2206 Australia**  
(72) Name(s) of Designer(s): **Stephen Procter**  
(45) Registration Date: **13 June 2012**  
(56) Related Art Documents: **Not Applicable**  
(57) Statement of Newness and Distinctiveness: **Monopoly is claimed on the shape and/or configuration of the article. The microphone sockets and microphone leads (shown dashed) are not part of the design.**



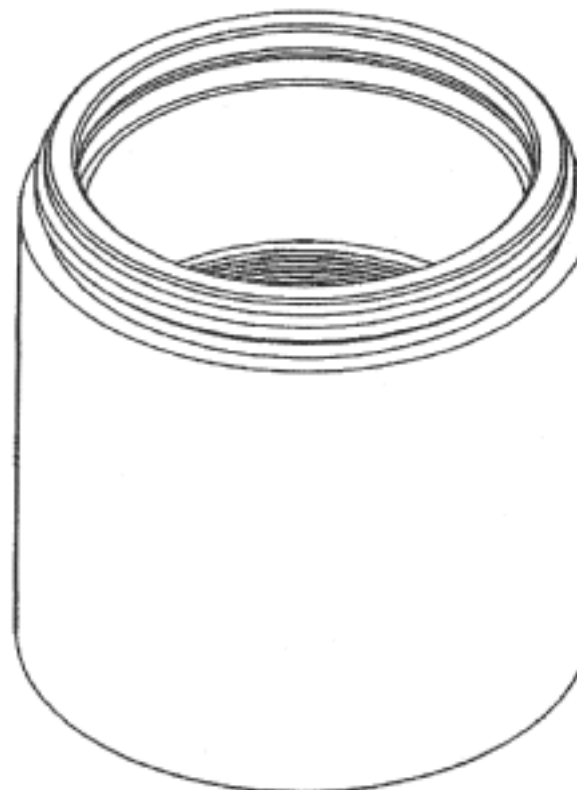
- (21) Design Number: **12298/2012**  
(22) Date of Filing Application: **14 May 2012**  
(24) Date from which industrial property rights may have effect: **14 May 2012**  
(54) Product in respect of which the design is registered: **Packaging**  
(51) International Design Classification: **09-99, 09-05**  
(74) Name(s) of Attorney(s): **Baker & McKenzie**  
(71) Name(s) and Address(s) of Applicant(s):  
**Mars Australia Pty Ltd**  
**4 Corella Close Wyong New South Wales 2259 Australia**  
(72) Name(s) of Designer(s): **Gavin Greenhalf**  
(45) Registration Date: **13 June 2012**  
(56) Related Art Documents: **Not Applicable**  
(57) Statement of Newness and Distinctiveness: **The newness and distinctiveness of the design resides on the feature of ornamentation consisting of the combination of a solid background contrasted with a hessian pattern as depicted in the representation.**



- (21) Design Number: **12302/2012**  
(22) Date of Filing Application: **14 May 2012**  
(24) Date from which industrial property rights may have effect: **14 May 2012**  
(54) Product in respect of which the design is registered: **A lighting module**  
(51) International Design Classification: **26-99**  
(74) Name(s) of Attorney(s): **James & Wells**  
(71) Name(s) and Address(s) of Applicant(s):  
**Hunza Holdings Limited**  
**C/- James & Wells Intellectual Property Level 12 KPMG Centre 85**  
**Alexandra Street Hamilton New Zealand 3204**  
(72) Name(s) of Designer(s): **Guy McLean**  
(45) Registration Date: **13 June 2012**  
(56) Related Art Documents: **Not Applicable**  
(57) Statement of Newness and Distinctiveness: **Newness and distinctiveness resides in the shape and/or configuration of the lighting module as illustrated in the accompanying illustrations. Features of the illustrations identified by solid shading are disclaimed from the design.**



(21) Design Number: **12303/2012**  
(22) Date of Filing Application: **14 May 2012**  
(24) Date from which industrial property rights may have effect: **14 May 2012**  
(54) Product in respect of which the design is registered: **A lighting unit**  
(51) International Design Classification: **26-05NES**  
(74) Name(s) of Attorney(s): **James & Wells**  
(71) Name(s) and Address(s) of Applicant(s):  
**Hunza Holdings Limited**  
**C/- James & Wells Intellectual Property Level 12 KPMG Centre 85**  
**Alexandra Street Hamilton New Zealand 3204**  
(72) Name(s) of Designer(s): **Guy McLean**  
(45) Registration Date: **13 June 2012**  
(56) Related Art Documents: **Not Applicable**  
(57) Statement of Newness and Distinctiveness: **Newness and distinctiveness resides in the shape and/or configuration of the lighting unit as illustrated in the accompanying illustrations.**



(21) Design Number: **12304/2012**  
(22) Date of Filing Application: **14 May 2012**  
(24) Date from which industrial property rights may have effect: **14 May 2012**  
(54) Product in respect of which the design is registered: **Luggage**  
(51) International Design Classification: **03-01A**  
(74) Name(s) of Attorney(s): **Griffith Hack**  
(71) Name(s) and Address(s) of Applicant(s):  
**Samsonite IP Holdings S.a.r.l.**  
**13-15 Avenue de la Liberte Luxembourg L-1931 Luxembourg**  
(72) Name(s) of Designer(s): **Corrado Vecellio**  
(45) Registration Date: **13 June 2012**  
(30) Convention priority data:  
(31) Number (32) Date (33) Country  
**001947599-0003 15 Nov 2011 EUROPEAN COMMUNITY**  
(56) Related Art Documents: **Not Applicable**  
(57) Statement of Newness and Distinctiveness: **Newness and distinctiveness resides in the shape and configuration of the product as represented in the drawings.**



(21) Design Number: **12305/2012**  
(22) Date of Filing Application: **14 May 2012**  
(24) Date from which industrial property rights may have effect: **14 May 2012**  
(54) Product in respect of which the design is registered: **Front panel of luggage**  
(51) International Design Classification: **03-01A**  
(74) Name(s) of Attorney(s): **Griffith Hack**  
(71) Name(s) and Address(s) of Applicant(s):  
**Samsonite IP Holdings S.a.r.l.**  
**13-15 Avenue de la Liberte Luxembourg L-1931 Luxembourg**  
(72) Name(s) of Designer(s): **Corrado Vecellio**  
(45) Registration Date: **13 June 2012**  
(30) Convention priority data:  
(31) Number (32) Date (33) Country  
**001947599-0001 15 Nov 2011 EUROPEAN COMMUNITY**  
(56) Related Art Documents: **Not Applicable**  
(57) Statement of Newness and Distinctiveness: **Newness and distinctiveness resides in the shape and configuration of the product as represented in the drawings.**



(21) Design Number: **12308/2012**  
(22) Date of Filing Application: **14 May 2012**  
(24) Date from which industrial property rights may have effect: **14 May 2012**  
(54) Product in respect of which the design is registered: **Bottle**  
(51) International Design Classification: **09-01NES**  
(74) Name(s) of Attorney(s): **FB Rice**  
(71) Name(s) and Address(s) of Applicant(s):  
**SAVERGLASS**  
**3 rue de la Gare 60960 Feuquieres France**  
(72) Name(s) of Designer(s): **Oliver Lemaitre**  
(45) Registration Date: **13 June 2012**  
(30) Convention priority data:  
(31) Number (32) Date (33) Country  
**001957614-0001 05 Dec 2011 EUROPEAN COMMUNITY**  
(56) Related Art Documents: **Not Applicable**  
(57) Statement of Newness and Distinctiveness: **Newness and distinctiveness reside in the features of the bottle as shown in solid lines in the representations, (excluding the features shown in dashed lines), the bottle having a neck, a body with shoulders and a bottom, and in particular in that the neck is based on the shape of a truncated cone widening downwards and in that the body is based on the shape of a polyhedron with a square base with cut angles, and in that the upper part of the body has four convex shoulders expands vertically into four cut corners of the body separating four equal flat sides of the body and in that in the places where the sides of the body join there are defined portions formed by vertical lines converging in the upper part of the body and diverging with the formation of a wedge-shaped contour of the body, and wherein in the lower part of the body where the sides join there are chamfered quadrangular portions and wherein the ratio between the width and the height of the body is approximately 1:2.5.**



(21) Design Number: **12309/2012**  
(22) Date of Filing Application: **14 May 2012**  
(24) Date from which industrial property rights may have effect: **14 May 2012**  
(54) Product in respect of which the design is registered: **Bottle**  
(51) International Design Classification: **09-01NES**  
(74) Name(s) of Attorney(s): **FB Rice**  
(71) Name(s) and Address(s) of Applicant(s):

**SAVERGLASS**  
**3 rue de la Gare 60960 Feuquieres France**

(72) Name(s) of Designer(s): **Oliver Lemaitre**

(45) Registration Date: **13 June 2012**

(30) Convention priority data:

(31) Number	(32) Date	(33) Country
<b>001958042-0001</b>	<b>05 Dec 2011</b>	<b>EUROPEAN COMMUNITY</b>

(56) Related Art Documents: **Not Applicable**

(57) Statement of Newness and Distinctiveness: **Newness and distinctiveness reside in the features of the bottle as shown in solid lines in the representations, (excluding the features shown in dashed lines), the bottle having a neck, a body with shoulders and a bottom, and in particular in that the neck is based on the shape of a truncated cone widening downwards and in that the body is based on the shape of a polyhedron with a square base with cut angles, and in that the upper part of the body with four convex shoulders expands vertically into four cut corners of the body separating four equal flat sides of the body and in that in the places where the sides of the body join there are defined portions formed by vertical lines converging in the upper part of the body and diverging with the formation of a wedge-shaped contour of the body, and wherein in the lower part of the body where the sides join there are chamfered quadrangular portions and wherein the ratio between the width and the height of the body is approximately 1:1.6.**



(21) Design Number: **12311/2012**  
(22) Date of Filing Application: **14 May 2012**  
(24) Date from which industrial property rights may have effect: **14 May 2012**  
(54) Product in respect of which the design is registered: **Bottle**  
(51) International Design Classification: **09-01NES**  
(74) Name(s) of Attorney(s): **FB Rice**  
(71) Name(s) and Address(s) of Applicant(s):

**SAVERGLASS**  
**3 rue de la Gare 60960 Feuquieres France**

(72) Name(s) of Designer(s): **Richard Lauret**

(45) Registration Date: **13 June 2012**

(30) Convention priority data:

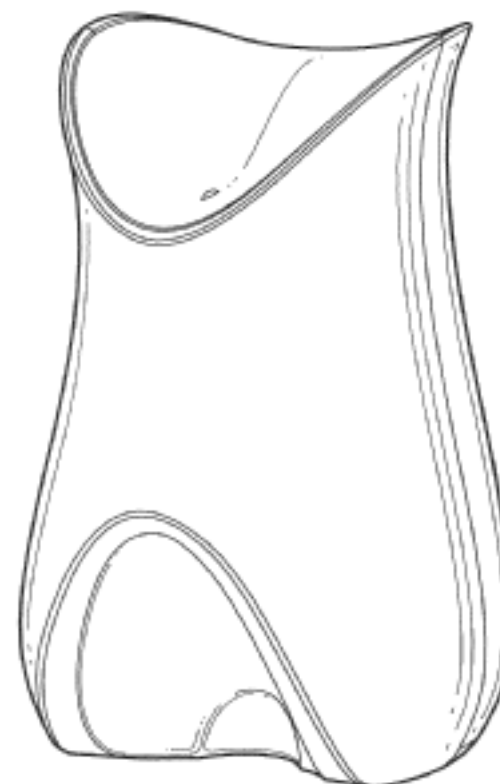
(31) Number	(32) Date	(33) Country
<b>001983024-0001</b>	<b>30 Jan 2012</b>	<b>EUROPEAN COMMUNITY</b>

(56) Related Art Documents: **Not Applicable**

(57) Statement of Newness and Distinctiveness: **Newness and distinctiveness reside in the features of the bottle as shown in solid lines in the representations, (excluding the features shown in dashed lines), the bottle having a neck, a body with shoulders and bottom, and in particular in the cylindrical neck and its radiused join with the shoulders, in that the shoulders are flat and joined with the sides of the body through transversal convex curved ribs, in that the body shape is based on a truncated pyramid with a quadrangular section in plan view which expands towards the bottom, in that the lateral sides of the body are of equal width and the front and rear sides of the body are of equal width, with the front and rear sides of the body being wider than the lateral sides, in the thickened bottom having a high glass base and in that the ratio between the height of the neck and the height of the body is approximately 1:3.4 and in that the ratio between the height of the body with the shoulders, and the greater width of the body is approximately 2.8:1**



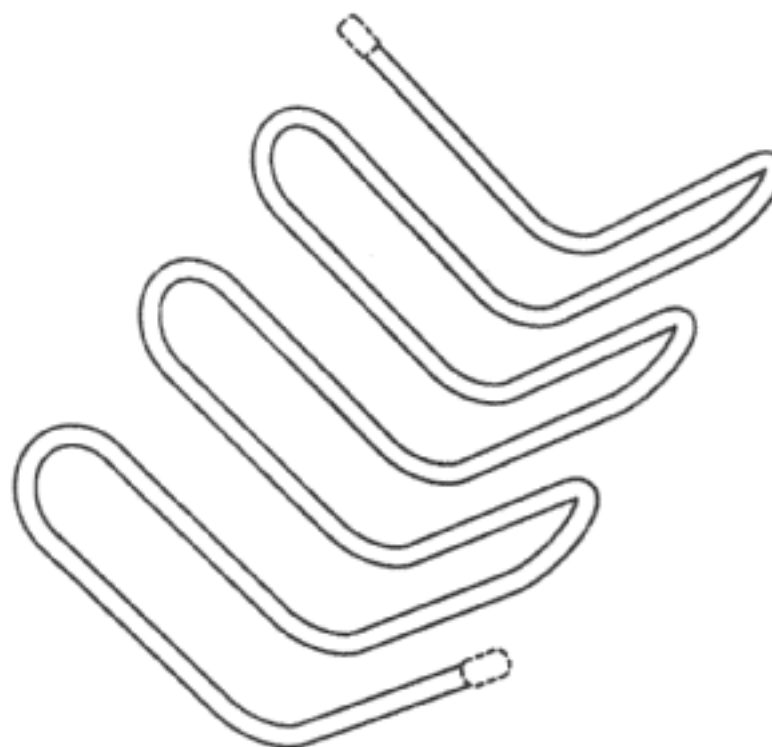
(21) Design Number: **12312/2012**  
(22) Date of Filing Application: **14 May 2012**  
(24) Date from which industrial property rights may have effect: **14 May 2012**  
(54) Product in respect of which the design is registered: **Air freshener**  
(51) International Design Classification: **28-99**  
(74) Name(s) of Attorney(s): **Shelston IP**  
(71) Name(s) and Address(s) of Applicant(s):  
**Reckitt & Colman (Overseas) Limited**  
**103-105 Bath Road Slough Berkshire SL1 3UH United Kingdom**  
(72) Name(s) of Designer(s): **Marcus James Blachford and Dai Sanders**  
(45) Registration Date: **13 June 2012**  
(30) Convention priority data:  
(31) Number (32) Date (33) Country  
**001948381-0001 16 Nov 2011 EUROPEAN COMMUNITY**  
(56) Related Art Documents: **Not Applicable**  
(57) Statement of Newness and Distinctiveness: **Newness and distinctiveness resides in the features of shape and/or configuration of the air freshener illustrated in the accompanying representations.**



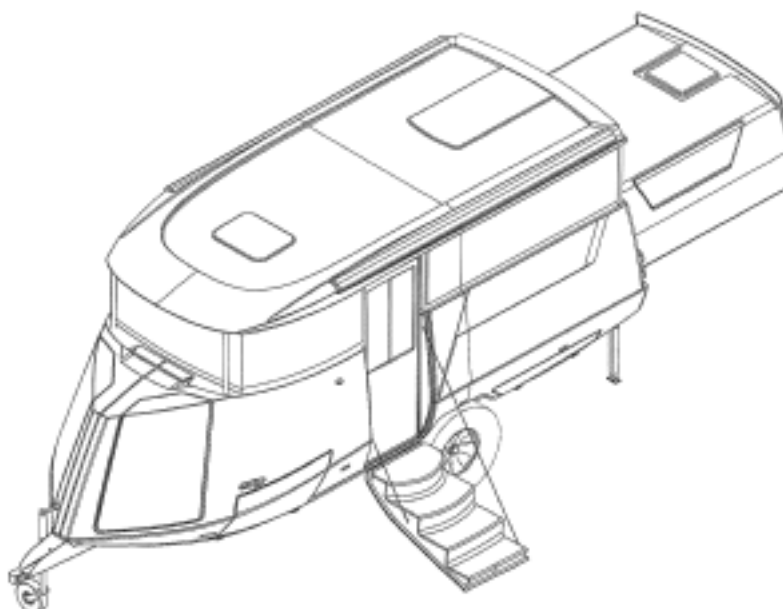
(21) Design Number: **12313/2012**  
(22) Date of Filing Application: **14 May 2012**  
(24) Date from which industrial property rights may have effect: **14 May 2012**  
(54) Product in respect of which the design is registered: **Air freshener**  
(51) International Design Classification: **28-99**  
(74) Name(s) of Attorney(s): **Shelston IP**  
(71) Name(s) and Address(s) of Applicant(s):  
**Reckitt & Colman (Overseas) Limited**  
**103-105 Bath Road Slough Berkshire SL1 3UH United Kingdom**  
(72) Name(s) of Designer(s): **Marcus James Blachford and Daniel Huw Reynolds and Dai Sanders**  
(45) Registration Date: **13 June 2012**  
(30) Convention priority data:  
(31) Number (32) Date (33) Country  
**001948365-0001 16 Nov 2011 EUROPEAN COMMUNITY**  
(56) Related Art Documents: **Not Applicable**  
(57) Statement of Newness and Distinctiveness: **Newness and distinctiveness resides in the features of shape and/or configuration of the air freshener illustrated in the accompanying representations.**



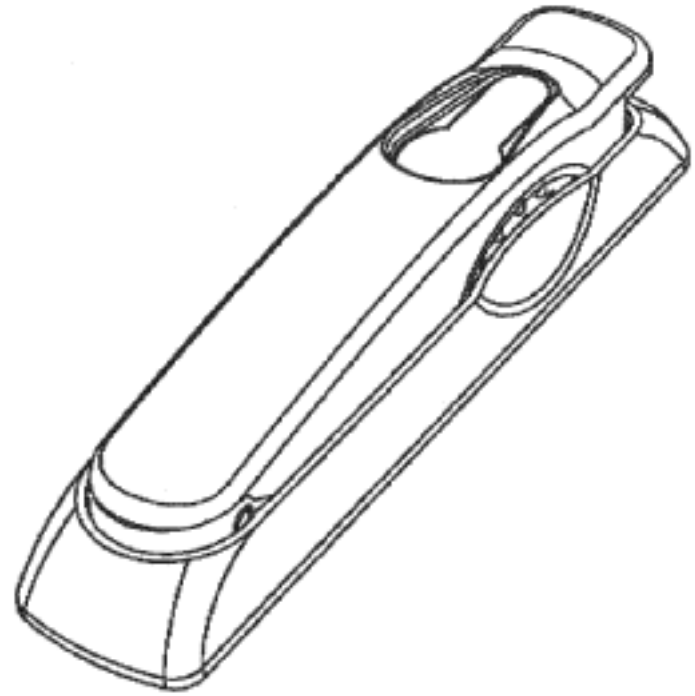
- (21) Design Number: **12318/2012**  
(22) Date of Filing Application: **14 May 2012**  
(24) Date from which industrial property rights may have effect: **14 May 2012**  
(54) Product in respect of which the design is registered: **Storage rack for bakeware**  
(51) International Design Classification: **06-04NES**  
(74) Name(s) of Attorney(s):  
(71) Name(s) and Address(s) of Applicant(s):  
**Procson Pty Ltd**  
**29 Spark Street Earlwood New South Wales 2206 Australia**  
(72) Name(s) of Designer(s): **Stephen Proctor**  
(45) Registration Date: **13 June 2012**  
(56) Related Art Documents: **Not Applicable**  
(57) Statement of Newness and Distinctiveness: **Monopoly is claimed on the shape and/or configuration of the article. The feet (shown dashed) are not part of the design.**



- (21) Design Number: **12336/2012**  
(22) Date of Filing Application: **13 September 2011**  
(24) Date from which industrial property rights may have effect: **13 September 2011**  
(54) Product in respect of which the design is registered: **Camper trailer**  
(51) International Design Classification: **12-10**  
(74) Name(s) of Attorney(s): **Halfords IP**  
(71) Name(s) and Address(s) of Applicant(s):  
**Off-Road Camping Accessories Pty Limited**  
**39-41 Shelley Road Moruya New South Wales 2537 Australia**  
(72) Name(s) of Designer(s): **Michael Hackett and Perry Lithgow**  
(45) Registration Date: **13 June 2012**  
(62) Divisional of: **342680**  
(56) Related Art Documents: **Not Applicable**  
(57) Statement of Newness and Distinctiveness: **Statement of newness and distinctiveness resides in the shape and or configuration of a camper trailer as depicted in the representations. Broken lines do not form part of the design. Wheels, tyres and jockey wheels do not form part of the design.**



- (21) Design Number: **14661/2011**  
(22) Date of Filing Application: **13 October 2011**  
(24) Date from which industrial property rights may have effect: **13 October 2011**  
(54) Product in respect of which the design is registered: **Handle**  
(51) International Design Classification: **08-06**  
(74) Name(s) of Attorney(s): **Houlihan2**  
(71) Name(s) and Address(s) of Applicant(s):  
**David Stuckey Investments Pty Ltd**  
**Pitcher Partners 6th Floor 161 Collins Street Melbourne Victoria 3000**  
**Australia**  
(72) Name(s) of Designer(s): **David Martin Stuckey and Marc Fraser**  
(45) Registration Date: **13 June 2012**  
(56) Related Art Documents: **Not Applicable**  
(57) Statement of Newness and Distinctiveness: **Nil**

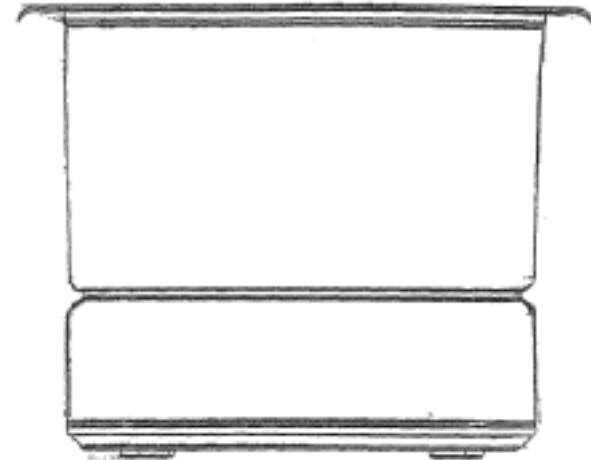


- (21) Design Number: **12131/2012**  
(22) Date of Filing Application: **01 May 2012**  
(24) Date from which industrial property rights may have effect: **01 May 2012**  
(54) Product in respect of which the design is registered: **Wobble board (ballance and injury rehabilitation)**  
(51) International Design Classification: **21-02F**  
(74) Name(s) of Attorney(s):  
(71) Name(s) and Address(s) of Applicant(s):  
**Timothy John Preston**  
**50 Greenhill Avenue Castlemaine Victoria 3450 Australia**  
(72) Name(s) of Designer(s): **Timothy John Preston**  
(45) Registration Date: **13 June 2012**  
(56) Related Art Documents: **Not Applicable**  
(57) Statement of Newness and Distinctiveness: **The distinctive aspect of this design is the elliptical shape, all other wobble boards are round. The elliptical shape offers advantages in the function of the board - the types of exercises that can be performed on it.**





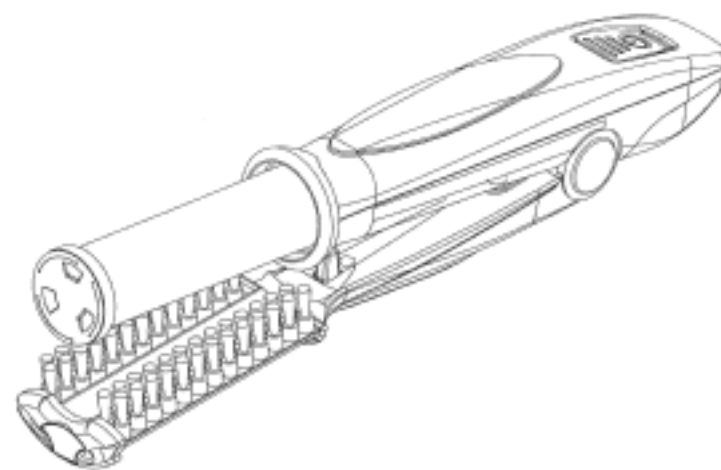
(21) Design Number: **12281/2012**  
(22) Date of Filing Application: **11 May 2012**  
(24) Date from which industrial property rights may have effect: **11 May 2012**  
(54) Product in respect of which the design is registered: **Bottle steriliser**  
(51) International Design Classification: **31-00**  
(74) Name(s) of Attorney(s): **Gilbert + Tobin Lawyers**  
(71) Name(s) and Address(s) of Applicant(s):  
**Mothercare UK Limited**  
**Cherry Tree Road Watford Hertfordshire WD24 6SH United Kingdom**  
(72) Name(s) of Designer(s): **Daniel Weil and Louise Swindle and Paul Oxley**  
(45) Registration Date: **13 June 2012**  
(30) Convention priority data:  
(31) Number (32) Date (33) Country  
**001302822 17 Nov 2011 EUROPEAN COMMUNITY**  
(56) Related Art Documents: **Not Applicable**  
(57) Statement of Newness and Distinctiveness: **Nil**



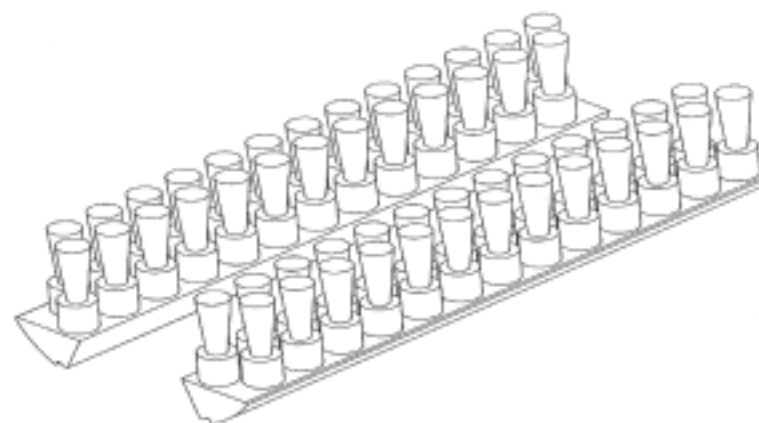
(21) Design Number: **12424/2012**  
(22) Date of Filing Application: **04 May 2012**  
(24) Date from which industrial property rights may have effect: **04 May 2012**  
(54) Product in respect of which the design is registered: **LED square down light**  
(51) International Design Classification: **26-05C**  
(74) Name(s) of Attorney(s):  
(71) Name(s) and Address(s) of Applicant(s):  
**Hillstone Architectural Lighting Pty Ltd**  
**41 Westwood Meander Carramar Western Australia 6031 Australia**  
(72) Name(s) of Designer(s): **Scott Johnstone**  
(45) Registration Date: **13 June 2012**  
(56) Related Art Documents: **Not Applicable**  
(57) Statement of Newness and Distinctiveness: **The design has a square face with a unique internal reflector covered by a textured frosted lens. The frosted lens cover conceals all internal components while providing a diffused beam.**



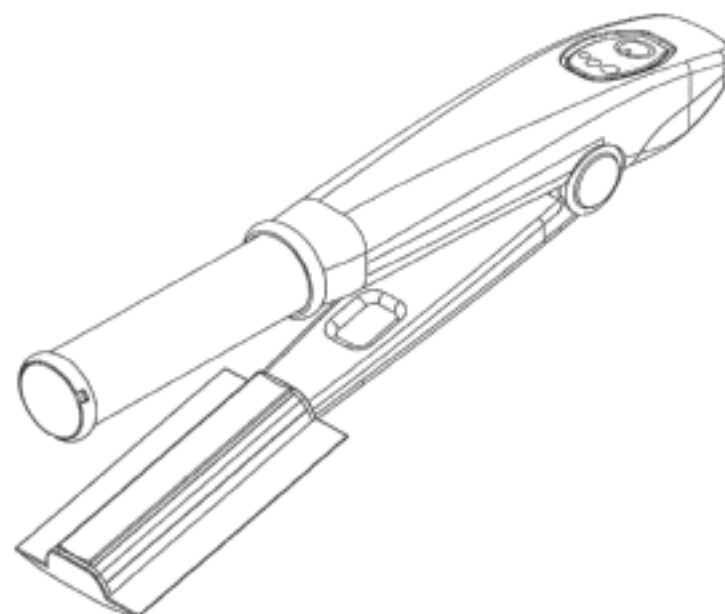
- (21) Design Number: **12500/2012**  
(22) Date of Filing Application: **25 May 2012**  
(24) Date from which industrial property rights may have effect: **25 May 2012**  
(54) Product in respect of which the design is registered: **Hair styling device**  
(51) International Design Classification: **28-03B**  
(74) Name(s) of Attorney(s): **Griffith Hack**  
(71) Name(s) and Address(s) of Applicant(s):  
**MM&R Products, Inc.**  
**5000 North Parkway Calabasas CA 91327 United States Of America**  
(72) Name(s) of Designer(s): **Jason Lee Cooper**  
(45) Registration Date: **13 June 2012**  
(56) Related Art Documents: **Not Applicable**  
(57) Statement of Newness and Distinctiveness: **Newness and distinctiveness resides in the visual features, including shape and configuration of a hair styling device, as shown in the solid outline in the accompanying drawings.**



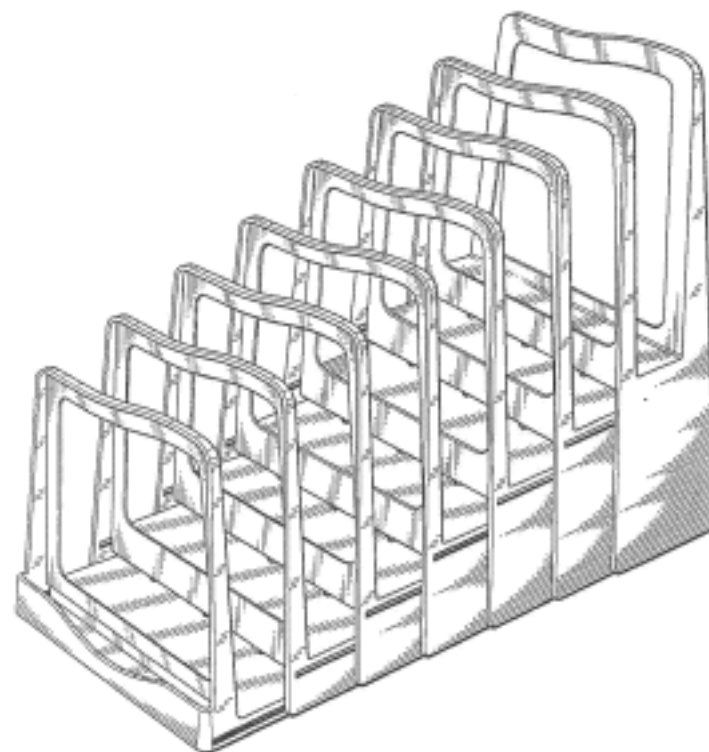
- (21) Design Number: **12501/2012**  
(22) Date of Filing Application: **25 May 2012**  
(24) Date from which industrial property rights may have effect: **25 May 2012**  
(54) Product in respect of which the design is registered: **Brush component for a hair styling device**  
(51) International Design Classification: **28-03B**  
(74) Name(s) of Attorney(s): **Griffith Hack**  
(71) Name(s) and Address(s) of Applicant(s):  
**MM&R Products, Inc.**  
**5000 North Parkway Calabasas CA 91327 United States Of America**  
(72) Name(s) of Designer(s): **Jason Lee Cooper**  
(45) Registration Date: **13 June 2012**  
(56) Related Art Documents: **Not Applicable**  
(57) Statement of Newness and Distinctiveness: **Newness and distinctiveness resides in the visual features, including shape and configuration of a brush component for a hair styling device, as shown in the solid outline in the accompanying drawings.**



- (21) Design Number: **12502/2012**  
(22) Date of Filing Application: **25 May 2012**  
(24) Date from which industrial property rights may have effect: **25 May 2012**  
(54) Product in respect of which the design is registered: **Hair styling device**  
(51) International Design Classification: **28-03B**  
(74) Name(s) of Attorney(s): **Griffith Hack**  
(71) Name(s) and Address(s) of Applicant(s):  
**MM&R Products, Inc.**  
**5000 North Parkway Calabasas CA 91327 United States Of America**  
(72) Name(s) of Designer(s): **Jason Lee Cooper**  
(45) Registration Date: **13 June 2012**  
(56) Related Art Documents: **Not Applicable**  
(57) Statement of Newness and Distinctiveness: **Newness and distinctiveness resides in the visual features, including shape and configuration of a hair styling device, as shown in the solid outline in the accompanying drawings.**



- (21) Design Number: **12527/2012**  
(22) Date of Filing Application: **25 May 2012**  
(24) Date from which industrial property rights may have effect: **22 March 2012**  
(54) Product in respect of which the design is registered: **Organizer**  
(51) International Design Classification: **19-02, 20-02E**  
(74) Name(s) of Attorney(s): **Shelston IP**  
(71) Name(s) and Address(s) of Applicant(s):  
**Avery Dennison Corporation**  
**150 N. Orange Grove Boulevard Law Dept. Pasadena California 91103**  
**United States of America**  
(72) Name(s) of Designer(s): **Eric A. MacDonald and Jonathan R. Lucas and Travis Cochran and Vincent H. Bowman and Jeffrey Herz**  
(45) Registration Date: **13 June 2012**  
(30) Convention priority data:  
(31) Number      (32) Date      (33) Country  
**29/402733      26 Sep 2011      UNITED STATES OF AMERICA**  
(62) Divisional of: **11495/2012**  
(56) Related Art Documents: **Not Applicable**  
(57) Statement of Newness and Distinctiveness: **Newness and distinctiveness resides in the features of shape and/or configuration of the organizer shown in the accompanying representations. The dashed lines shown in the representations are for illustrative purposes only and do not form part of the design.**



(21) Design Number: **11432/2012**  
(22) Date of Filing Application: **20 March 2012**  
(24) Date from which industrial property rights may have effect: **20 March 2012**  
(54) Product in respect of which the design is registered: **A garment**  
(51) International Design Classification: **02-02NES**  
(74) Name(s) of Attorney(s): **Allens Patent & Trade Mark Attorneys**  
(71) Name(s) and Address(s) of Applicant(s):

**Mascot International A/S**  
**Julsovej 100 DK-8600 Silkeborg DENMARK**

(72) Name(s) of Designer(s): **Michael Grosbol**

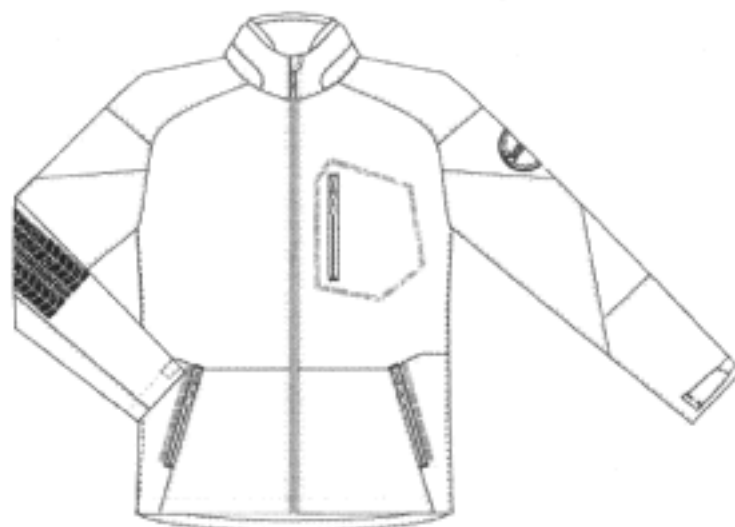
(45) Registration Date: **14 June 2012**

(30) Convention priority data:

(31) Number	(32) Date	(33) Country
<b>1920224-0002</b>	<b>20 Sep 2011</b>	<b>EUROPEAN COMMUNITY</b>

(56) Related Art Documents: **Not Applicable**

(57) Statement of Newness and Distinctiveness: **Newness and distinctiveness resides in the visual features of shape, configuration, pattern and/or ornamentation of the garment as shown in the accompanying representations.**



(21) Design Number: **11433/2012**  
(22) Date of Filing Application: **20 March 2012**  
(24) Date from which industrial property rights may have effect: **20 March 2012**  
(54) Product in respect of which the design is registered: **A garment**  
(51) International Design Classification: **02-02NES**  
(74) Name(s) of Attorney(s): **Allens Patent & Trade Mark Attorneys**  
(71) Name(s) and Address(s) of Applicant(s):

**Mascot International A/S**  
**Julsovej 100 DK-8600 Silkeborg DENMARK**

(72) Name(s) of Designer(s): **Michael Grosbol**

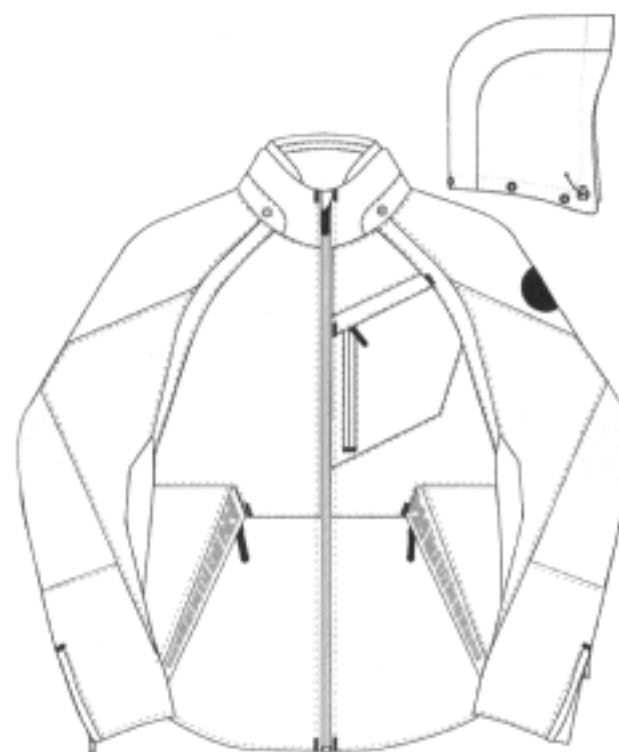
(45) Registration Date: **14 June 2012**

(30) Convention priority data:

(31) Number	(32) Date	(33) Country
<b>1920224-0004</b>	<b>20 Sep 2011</b>	<b>EUROPEAN COMMUNITY</b>

(56) Related Art Documents: **Not Applicable**

(57) Statement of Newness and Distinctiveness: **Newness and distinctiveness resides in the visual features of shape, configuration, pattern and/or ornamentation of the garment as shown in the accompanying representations.**



(21) Design Number: **11434/2012**  
(22) Date of Filing Application: **20 March 2012**  
(24) Date from which industrial property rights may have effect: **20 March 2012**  
(54) Product in respect of which the design is registered: **A garment**  
(51) International Design Classification: **02-02C**  
(74) Name(s) of Attorney(s): **Allens Patent & Trade Mark Attorneys**  
(71) Name(s) and Address(s) of Applicant(s):

**Mascot International A/S**  
**Julsovej 100 DK-8600 Silkeborg DENMARK**

(72) Name(s) of Designer(s): **Michael Grosbol**

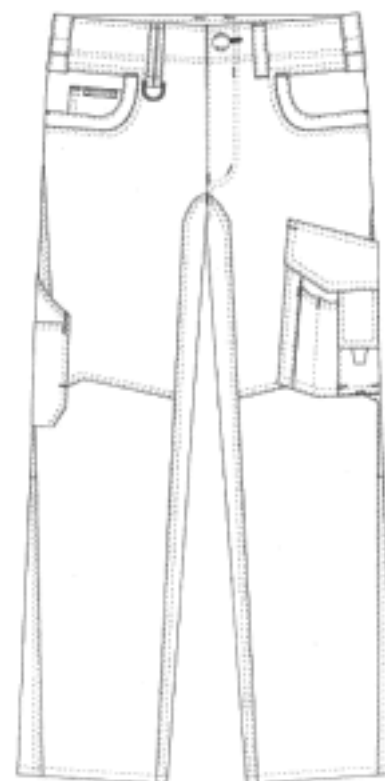
(45) Registration Date: **14 June 2012**

(30) Convention priority data:

(31) Number	(32) Date	(33) Country
<b>1920224-0006</b>	<b>20 Sep 2011</b>	<b>EUROPEAN COMMUNITY</b>

(56) Related Art Documents: **Not Applicable**

(57) Statement of Newness and Distinctiveness: **Newness and distinctiveness resides in the visual features of shape, configuration, pattern and/or ornamentation of the garment as shown in the accompanying representations.**



(21) Design Number: **11435/2012**  
(22) Date of Filing Application: **20 March 2012**  
(24) Date from which industrial property rights may have effect: **20 March 2012**  
(54) Product in respect of which the design is registered: **A garment**  
(51) International Design Classification: **02-02NES**  
(74) Name(s) of Attorney(s): **Allens Patent & Trade Mark Attorneys**  
(71) Name(s) and Address(s) of Applicant(s):

**Mascot International A/S**  
**Julsovej 100 DK-8600 Silkeborg DENMARK**

(72) Name(s) of Designer(s): **Michael Grosbol**

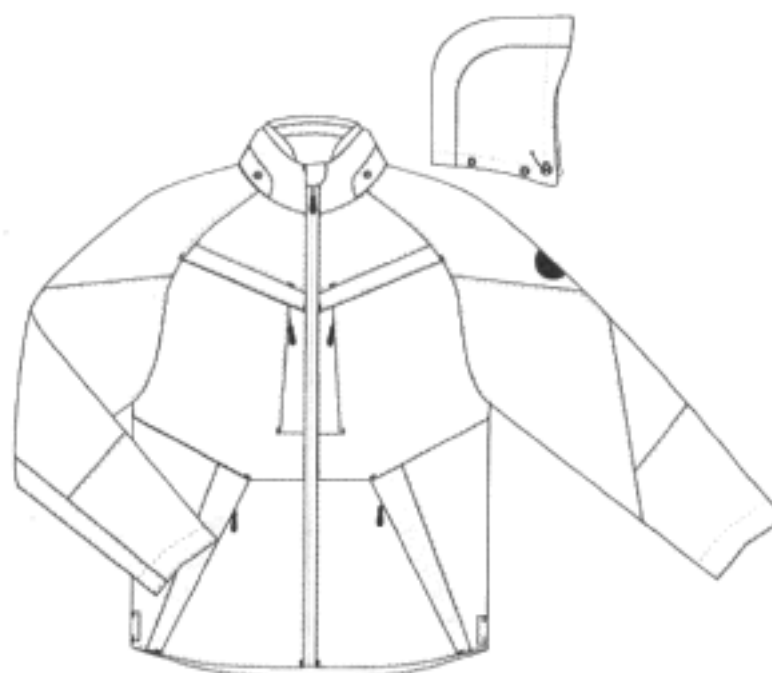
(45) Registration Date: **14 June 2012**

(30) Convention priority data:

(31) Number	(32) Date	(33) Country
<b>1920224-0009</b>	<b>20 Sep 2011</b>	<b>EUROPEAN COMMUNITY</b>

(56) Related Art Documents: **Not Applicable**

(57) Statement of Newness and Distinctiveness: **Newness and distinctiveness resides in the visual features of shape, configuration, pattern and/or ornamentation of the garment as shown in the accompanying representations.**



(21) Design Number: **11436/2012**  
(22) Date of Filing Application: **20 March 2012**  
(24) Date from which industrial property rights may have effect: **20 March 2012**  
(54) Product in respect of which the design is registered: **A garment**  
(51) International Design Classification: **02-02C**  
(74) Name(s) of Attorney(s): **Allens Patent & Trade Mark Attorneys**  
(71) Name(s) and Address(s) of Applicant(s):

**Mascot International A/S**  
**Julsovej 100 DK-8600 Silkeborg DENMARK**

(72) Name(s) of Designer(s): **Michael Grosbol**

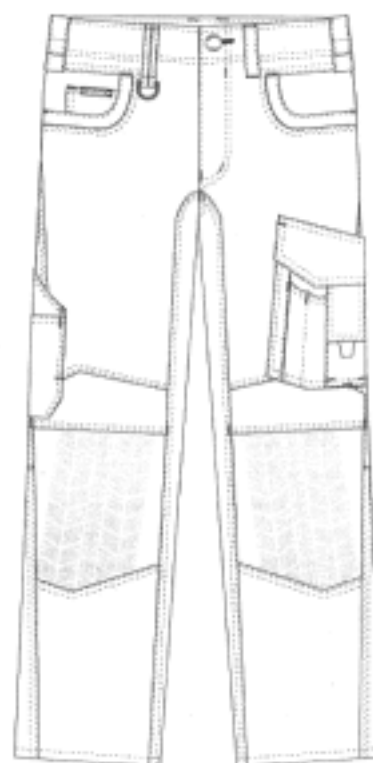
(45) Registration Date: **14 June 2012**

(30) Convention priority data:

(31) Number	(32) Date	(33) Country
<b>1920224-0010</b>	<b>20 Sep 2011</b>	<b>EUROPEAN COMMUNITY</b>

(56) Related Art Documents: **Not Applicable**

(57) Statement of Newness and Distinctiveness: **Newness and distinctiveness resides in the visual features of shape, configuration, pattern and/or ornamentation of the garment as shown in the accompanying representations.**



(21) Design Number: **11437/2012**  
(22) Date of Filing Application: **20 March 2012**  
(24) Date from which industrial property rights may have effect: **20 March 2012**  
(54) Product in respect of which the design is registered: **A garment**  
(51) International Design Classification: **02-02NES**  
(74) Name(s) of Attorney(s): **Allens Patent & Trade Mark Attorneys**  
(71) Name(s) and Address(s) of Applicant(s):

**Mascot International A/S**  
**Julsovej 100 DK-8600 Silkeborg DENMARK**

(72) Name(s) of Designer(s): **Michael Grosbol**

(45) Registration Date: **14 June 2012**

(30) Convention priority data:

(31) Number	(32) Date	(33) Country
<b>1920224-0014</b>	<b>20 Sep 2011</b>	<b>EUROPEAN COMMUNITY</b>

(56) Related Art Documents: **Not Applicable**

(57) Statement of Newness and Distinctiveness: **Newness and distinctiveness resides in the visual features of shape, configuration, pattern and/or ornamentation of the garment as shown in the accompanying representations.**



(21) Design Number: **11438/2012**  
(22) Date of Filing Application: **20 March 2012**  
(24) Date from which industrial property rights may have effect: **20 March 2012**  
(54) Product in respect of which the design is registered: **A garment**  
(51) International Design Classification: **02-02C**  
(74) Name(s) of Attorney(s): **Allens Patent & Trade Mark Attorneys**  
(71) Name(s) and Address(s) of Applicant(s):

**Mascot International A/S**  
**Julsovej 100 DK-8600 Silkeborg DENMARK**

(72) Name(s) of Designer(s): **Michael Grosbol**

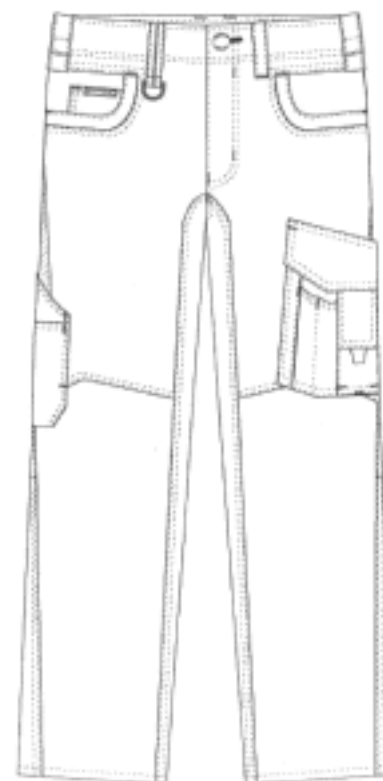
(45) Registration Date: **14 June 2012**

(30) Convention priority data:

(31) Number	(32) Date	(33) Country
<b>1920224-0016</b>	<b>20 Sep 2011</b>	<b>EUROPEAN COMMUNITY</b>

(56) Related Art Documents: **Not Applicable**

(57) Statement of Newness and Distinctiveness: **Newness and distinctiveness resides in the visual features of shape, configuration, pattern and/or ornamentation of the garment as shown in the accompanying representations.**



(21) Design Number: **11439/2012**  
(22) Date of Filing Application: **20 March 2012**  
(24) Date from which industrial property rights may have effect: **20 March 2012**  
(54) Product in respect of which the design is registered: **A garment**  
(51) International Design Classification: **02-02C**  
(74) Name(s) of Attorney(s): **Allens Patent & Trade Mark Attorneys**  
(71) Name(s) and Address(s) of Applicant(s):

**Mascot International A/S**  
**Julsovej 100 DK-8600 Silkeborg DENMARK**

(72) Name(s) of Designer(s): **Michael Grosbol**

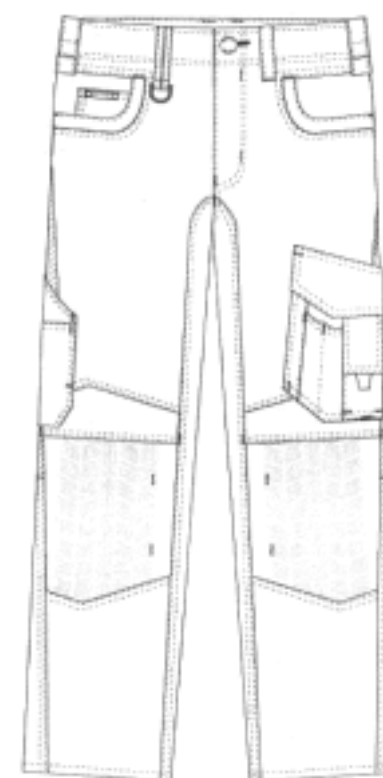
(45) Registration Date: **14 June 2012**

(30) Convention priority data:

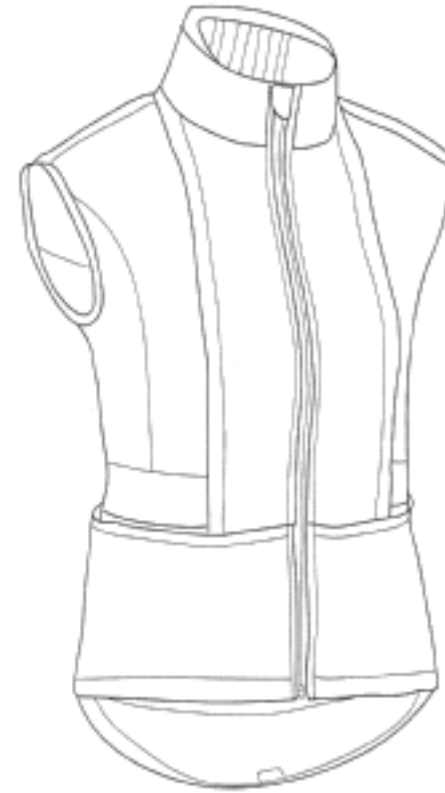
(31) Number	(32) Date	(33) Country
<b>1920224-0017</b>	<b>20 Sep 2011</b>	<b>EUROPEAN COMMUNITY</b>

(56) Related Art Documents: **Not Applicable**

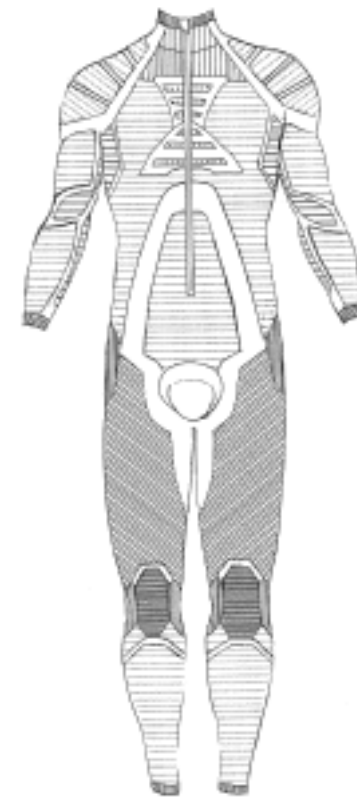
(57) Statement of Newness and Distinctiveness: **Newness and distinctiveness resides in the visual features of shape, configuration, pattern and/or ornamentation of the garment as shown in the accompanying representations.**



(21) Design Number: **11531/2012**  
(22) Date of Filing Application: **26 March 2012**  
(24) Date from which industrial property rights may have effect: **26 March 2012**  
(54) Product in respect of which the design is registered: **Upper body garment**  
(51) International Design Classification: **02-02NES**  
(74) Name(s) of Attorney(s): **Davies Collison Cave**  
(71) Name(s) and Address(s) of Applicant(s):  
**X-Technology Swiss GmbH**  
**Samstagerstr 45 CH-8832 Wollerau Switzerland**  
(72) Name(s) of Designer(s): **Bodo W. Lambertz**  
(45) Registration Date: **14 June 2012**  
(30) Convention priority data:  
(31) Number (32) Date (33) Country  
**001924069-0003 28 Sep 2011 EUROPEAN COMMUNITY**  
(56) Related Art Documents: **Not Applicable**  
(57) Statement of Newness and Distinctiveness: **Nil**

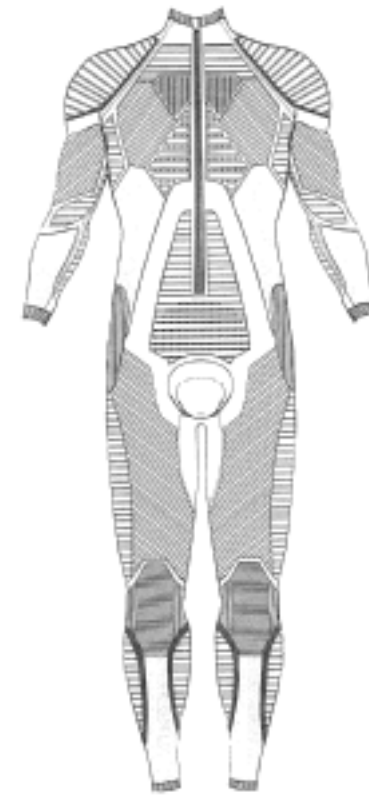


(21) Design Number: **11532/2012**  
(22) Date of Filing Application: **26 March 2012**  
(24) Date from which industrial property rights may have effect: **26 March 2012**  
(54) Product in respect of which the design is registered: **Sports underwear**  
(51) International Design Classification: **02-01NES**  
(74) Name(s) of Attorney(s): **Davies Collison Cave**  
(71) Name(s) and Address(s) of Applicant(s):  
**X-Technology Swiss GmbH**  
**Samstagerstr 45 CH-8832 Wollerau Switzerland**  
(72) Name(s) of Designer(s): **Bodo W. Lambertz**  
(45) Registration Date: **14 June 2012**  
(30) Convention priority data:  
(31) Number (32) Date (33) Country  
**001922873-0001 27 Sep 2011 EUROPEAN COMMUNITY**  
(56) Related Art Documents: **Not Applicable**  
(57) Statement of Newness and Distinctiveness: **Nil**





(21) Design Number: **11533/2012**  
(22) Date of Filing Application: **26 March 2012**  
(24) Date from which industrial property rights may have effect: **26 March 2012**  
(54) Product in respect of which the design is registered: **Sports underwear**  
(51) International Design Classification: **02-01NES**  
(74) Name(s) of Attorney(s): **Davies Collison Cave**  
(71) Name(s) and Address(s) of Applicant(s):  
**X-Technology Swiss GmbH**  
**Samstagerstr 45 CH-8832 Wollerau Switzerland**  
(72) Name(s) of Designer(s): **Bodo W. Lambertz**  
(45) Registration Date: **14 June 2012**  
(30) Convention priority data:  
(31) Number (32) Date (33) Country  
**001922873-0002 27 Sep 2011 EUROPEAN COMMUNITY**  
(56) Related Art Documents: **Not Applicable**  
(57) Statement of Newness and Distinctiveness: **Nil**



(21) Design Number: **11592/2012**  
(22) Date of Filing Application: **28 March 2012**  
(24) Date from which industrial property rights may have effect: **28 March 2012**  
(54) Product in respect of which the design is registered: **Bumper cover rear for a bus**  
(51) International Design Classification: **12-16C**  
(74) Name(s) of Attorney(s): **Davies Collison Cave**  
(71) Name(s) and Address(s) of Applicant(s):  
**Scania CV AB**  
**Sodertalje SE-151 87 Sweden**  
(72) Name(s) of Designer(s): **Ingrid Nilsson Czornyj and Kristofer Hansen and Karolina Dansk and Johnny Pettersson**  
(45) Registration Date: **14 June 2012**  
(56) Related Art Documents: **Not Applicable**  
(57) Statement of Newness and Distinctiveness: **Nil**



- (21) Design Number: **11593/2012**  
(22) Date of Filing Application: **28 March 2012**  
(24) Date from which industrial property rights may have effect: **28 March 2012**  
(54) Product in respect of which the design is registered: **Bumper cover rear for a bus**  
(51) International Design Classification: **12-16C**  
(74) Name(s) of Attorney(s): **Davies Collison Cave**  
(71) Name(s) and Address(s) of Applicant(s):  
**Scania CV AB**  
**Sodertalje SE-151 87 Sweden**  
(72) Name(s) of Designer(s): **Ingrid Nilsson Czornyj and Kristofer Hansen and Karolina Dansk and Johnny Pettersson**  
(45) Registration Date: **14 June 2012**  
(56) Related Art Documents: **Not Applicable**  
(57) Statement of Newness and Distinctiveness: **Nil**



- (21) Design Number: **11598/2012**  
(22) Date of Filing Application: **28 March 2012**  
(24) Date from which industrial property rights may have effect: **28 March 2012**  
(54) Product in respect of which the design is registered: **Air intake panel for a bus**  
(51) International Design Classification: **12-16B**  
(74) Name(s) of Attorney(s): **Davies Collison Cave**  
(71) Name(s) and Address(s) of Applicant(s):  
**Scania CV AB**  
**Sodertalje SE-151 87 Sweden**  
(72) Name(s) of Designer(s): **Ingrid Nilsson Czornyj and Kristofer Hansen and Karolina Dansk and Johnny Pettersson**  
(45) Registration Date: **14 June 2012**  
(56) Related Art Documents: **Not Applicable**  
(57) Statement of Newness and Distinctiveness: **Nil**



- (21) Design Number: **11599/2012**  
(22) Date of Filing Application: **28 March 2012**  
(24) Date from which industrial property rights may have effect: **28 March 2012**  
(54) Product in respect of which the design is registered: **Lamp panel strip for a bus**  
(51) International Design Classification: **12-16B**  
(74) Name(s) of Attorney(s): **Davies Collison Cave**  
(71) Name(s) and Address(s) of Applicant(s):  
**Scania CV AB**  
**Sodertalje SE-151 87 Sweden**  
(72) Name(s) of Designer(s): **Ingrid Nilsson Czornyj and Kristofer Hansen and Karolina Dansk and Johnny Pettersson**  
(45) Registration Date: **14 June 2012**  
(56) Related Art Documents: **Not Applicable**  
(57) Statement of Newness and Distinctiveness: **Nil**



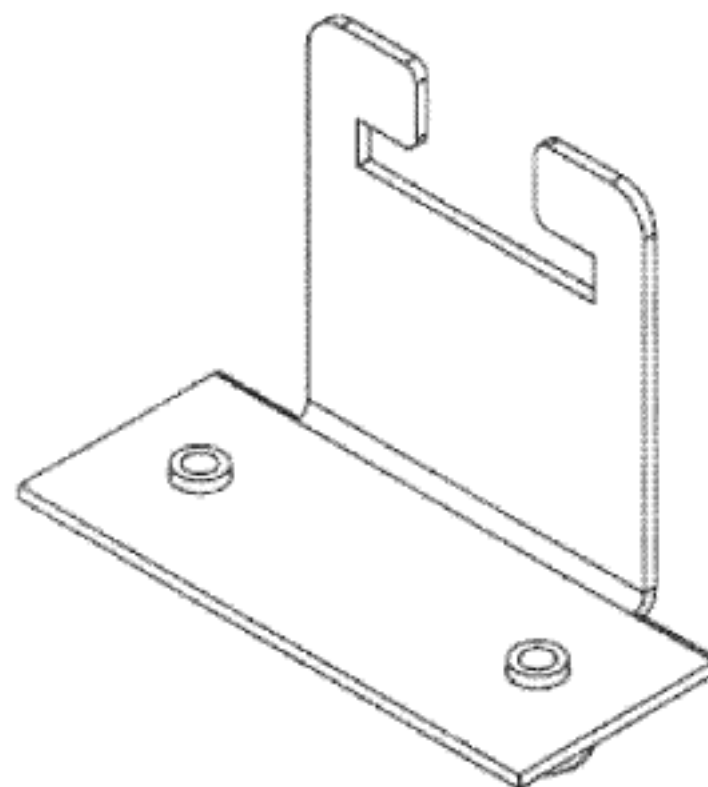
- (21) Design Number: **11707/2012**  
(22) Date of Filing Application: **04 April 2012**  
(24) Date from which industrial property rights may have effect: **04 April 2012**  
(54) Product in respect of which the design is registered: **Insole**  
(51) International Design Classification: **02-04A**  
(74) Name(s) of Attorney(s): **SPRUSON & FERGUSON**  
(71) Name(s) and Address(s) of Applicant(s):  
**S.C. Johnson & Son Inc.**  
**1525 Howe Street Racine Wisconsin 53403-2236 United States of America**  
(72) Name(s) of Designer(s): **Joost Robert Van Haasteren**  
(45) Registration Date: **14 June 2012**  
(30) Convention priority data:  
(31) Number      (32) Date      (33) Country  
**29/403812      11 Oct 2011      UNITED STATES OF AMERICA**  
(56) Related Art Documents: **Not Applicable**  
(57) Statement of Newness and Distinctiveness: **Newness and distinctiveness is claimed in the features of shape and/or configuration of an insole as illustrated in continuous lines in the accompanying representations.**



- (21) Design Number: **11920/2012**  
(22) Date of Filing Application: **18 April 2012**  
(24) Date from which industrial property rights may have effect: **18 April 2012**  
(54) Product in respect of which the design is registered: **Watch**  
(51) International Design Classification: **10-02**  
(74) Name(s) of Attorney(s): **SPRUSON & FERGUSON**  
(71) Name(s) and Address(s) of Applicant(s):  
**Biegert & Funk Product GmbH & Co.,KG**  
**Goethestr 29 73525 Schwabisch Gmund Germany**  
(72) Name(s) of Designer(s): **Marco Biegert and Andreas Funk**  
(45) Registration Date: **14 June 2012**  
(30) Convention priority data:  
(31) Number (32) Date (33) Country  
**001935404-0008 20 Oct 2011 EUROPEAN COMMUNITY**  
(56) Related Art Documents: **Not Applicable**  
(57) Statement of Newness and Distinctiveness: **Newness and distinctiveness is claimed in the features of shape and/or configuration of a watch as illustrated in the accompanying representation, apart from the pattern of illumination of the indicia shown on the watch face.**



- (21) Design Number: **12057/2012**  
(22) Date of Filing Application: **26 April 2012**  
(24) Date from which industrial property rights may have effect: **26 April 2012**  
(54) Product in respect of which the design is registered: **A clip for holding the LED batten to the ceiling**  
(51) International Design Classification: **08-08C**  
(74) Name(s) of Attorney(s):  
(71) Name(s) and Address(s) of Applicant(s):  
**Anthony Aucone**  
**1/11 Crown Court Varsity Lakes Queensland 4227 Australia**  
(72) Name(s) of Designer(s): **Anthony Aucone**  
(45) Registration Date: **14 June 2012**  
(56) Related Art Documents: **Not Applicable**  
(57) Statement of Newness and Distinctiveness: **Nil**



(21) Design Number: **12084/2012**

(22) Date of Filing Application: **30 April 2012**

(24) Date from which industrial property rights may have effect: **30 April 2012**

(54) Product in respect of which the design is registered: **Grille for a hair dryer**

(51) International Design Classification: **28-03B**

(74) Name(s) of Attorney(s): **PHILLIPS ORMONDE FITZPATRICK**

(71) Name(s) and Address(s) of Applicant(s):

**Jemella Group Limited**  
**c/o Eversheds LLP Eversheds House Great Bridgewater Street**  
**Manchester M1 5ES United Kingdom**

(72) Name(s) of Designer(s): **Stephen Anthony Sayers and Daniel Brady**

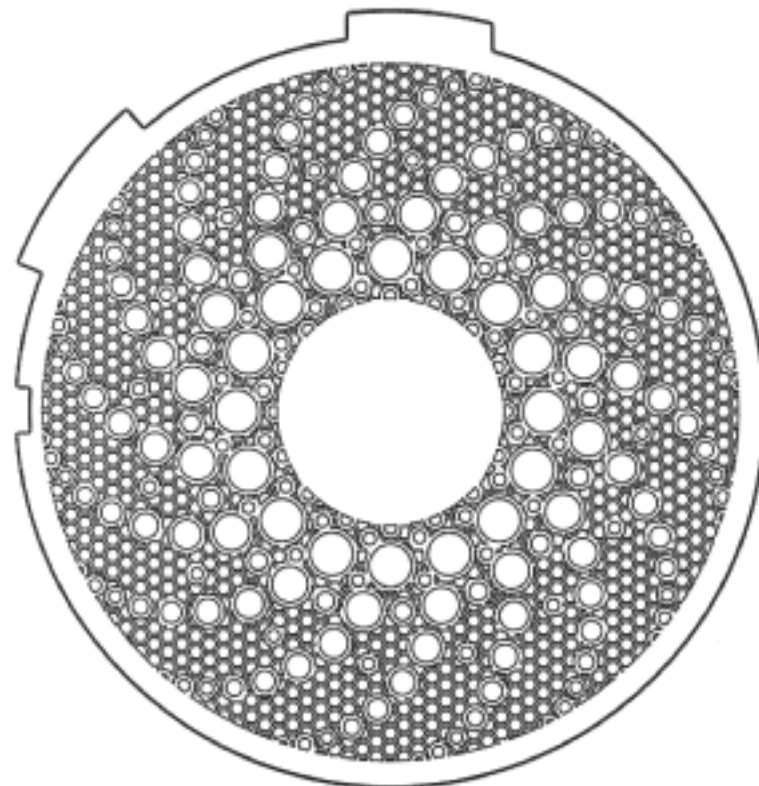
(45) Registration Date: **14 June 2012**

(30) Convention priority data:

(31) Number	(32) Date	(33) Country
<b>001940388-0005</b>	<b>31 Oct 2011</b>	<b>EUROPEAN COMMUNITY</b>

(56) Related Art Documents: **Not Applicable**

(57) Statement of Newness and Distinctiveness: **Newness and distinctiveness resides in the shape, configuration, pattern and/or ornamentation of the perforations around the centre of a grille for a hair dryer as shown in the accompanying representations.**



(21) Design Number: **12136/2012**

(22) Date of Filing Application: **01 May 2012**

(24) Date from which industrial property rights may have effect: **01 May 2012**

(54) Product in respect of which the design is registered: **Submersible lamp**

(51) International Design Classification: **26-02**

(74) Name(s) of Attorney(s):

(71) Name(s) and Address(s) of Applicant(s):

**Energy Options International Pty Ltd**  
**29-33 Wellington Street North Hobart Tasmania 7002 Australia**

(72) Name(s) of Designer(s): **Willem Arthur Fromberg and Wade Willem Fromberg and Nicholas Robert Snadden and Siang Pheng Ong**

(45) Registration Date: **14 June 2012**

(56) Related Art Documents: **Not Applicable**

(57) Statement of Newness and Distinctiveness: **Newness and distinctiveness is claimed in the shape and configuration of the submersible lamp. No newness and distinctiveness is claimed in the cable entry aperture of the handle or in the multiples of LED in the LED array panels.**



(21) Design Number: **12152/2012**

(22) Date of Filing Application: **04 May 2012**

(24) Date from which industrial property rights may have effect: **04 May 2012**

(54) Product in respect of which the design is registered: **Outdoor table**

(51) International Design Classification: **06-03A**

(74) Name(s) of Attorney(s):

(71) Name(s) and Address(s) of Applicant(s):

**Super A-Mart Pty Ltd**

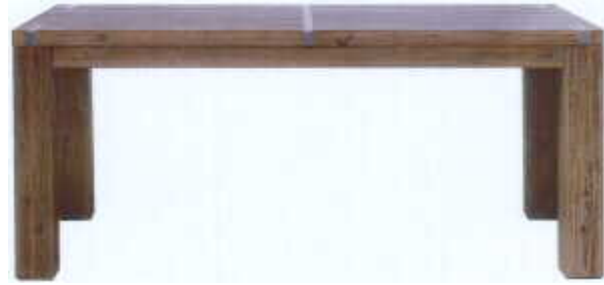
**Corner Pacific Motorway Springwood Road Springwood Queensland  
4127 Australia**

(72) Name(s) of Designer(s): **Casey Moore**

(45) Registration Date: **14 June 2012**

(56) Related Art Documents: **Not Applicable**

(57) Statement of Newness and Distinctiveness: **Novelty is claimed in the  
configuration and ornamentation as illustrated in the representations**



(21) Design Number: **12153/2012**

(22) Date of Filing Application: **04 May 2012**

(24) Date from which industrial property rights may have effect: **04 May 2012**

(54) Product in respect of which the design is registered: **Outdoor bar table**

(51) International Design Classification: **06-03A**

(74) Name(s) of Attorney(s):

(71) Name(s) and Address(s) of Applicant(s):

**Super A-Mart Pty Ltd**

**Corner Pacific Motorway Springwood Road Springwood Queensland  
4127 Australia**

(72) Name(s) of Designer(s): **Casey Moore**

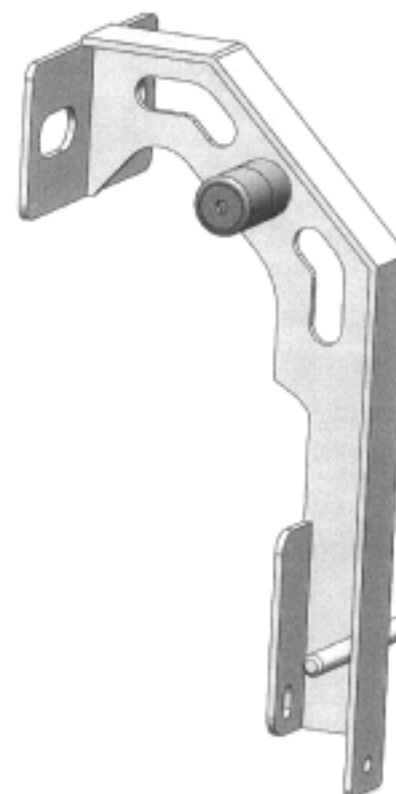
(45) Registration Date: **14 June 2012**

(56) Related Art Documents: **Not Applicable**

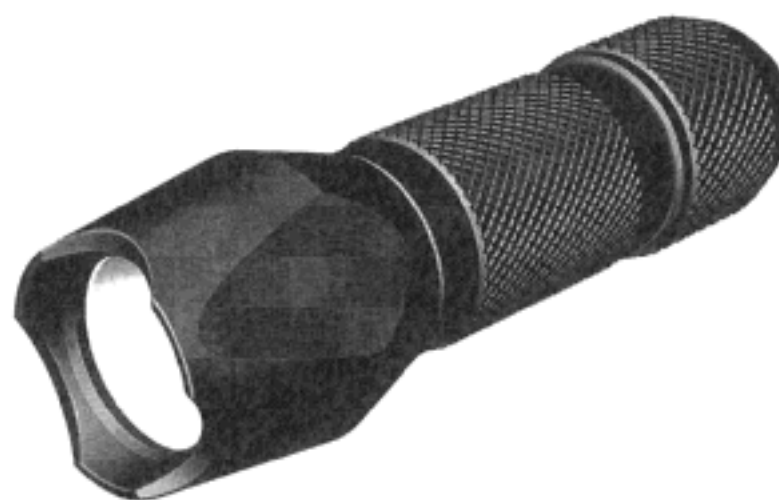
(57) Statement of Newness and Distinctiveness: **Novelty is claimed in the  
configuration and ornamentation as illustrated in the representations**



- (21) Design Number: **12160/2012**  
(22) Date of Filing Application: **04 May 2012**  
(24) Date from which industrial property rights may have effect: **04 May 2012**  
(54) Product in respect of which the design is registered: **A mounting bracket**  
(51) International Design Classification: **08-08L**  
(74) Name(s) of Attorney(s): **Cullens Patent and Trade Mark Attorneys**  
(71) Name(s) and Address(s) of Applicant(s):  
**Brendan Joseph Refalo**  
**8 Hamilton Street North Mackay Queensland 4740 Australia**  
**Bradley Clarke Hamilton**  
**8 Hamilton Street North Mackay Queensland 4740 Australia**  
(72) Name(s) of Designer(s): **Brendan Joseph Refalo and Bradley Clarke Hamilton**  
(45) Registration Date: **14 June 2012**  
(56) Related Art Documents: **Not Applicable**  
(57) Statement of Newness and Distinctiveness: **Nil**



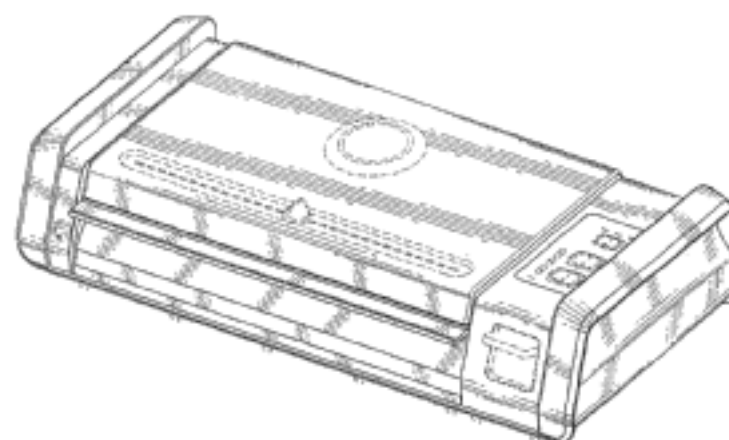
- (21) Design Number: **12223/2012**  
(22) Date of Filing Application: **08 May 2012**  
(24) Date from which industrial property rights may have effect: **08 May 2012**  
(54) Product in respect of which the design is registered: **Flashlight**  
(51) International Design Classification: **26-02**  
(74) Name(s) of Attorney(s): **SPRUSON & FERGUSON**  
(71) Name(s) and Address(s) of Applicant(s):  
**Dieter Rix**  
**Im Klinkenhagen 50 48653 Coesfeld Germany**  
(72) Name(s) of Designer(s): **Benjamin Kamm**  
(45) Registration Date: **14 June 2012**  
(30) Convention priority data:  
(31) Number      (32) Date      (33) Country  
**001944042      08 Nov 2011      EUROPEAN COMMUNITY**  
(56) Related Art Documents: **Not Applicable**  
(57) Statement of Newness and Distinctiveness: **Newness and distinctiveness is claimed in the features of shape and/or configuration of a flashlight as illustrated in the accompanying representations.**



- (21) Design Number: **12369/2012**  
(22) Date of Filing Application: **17 May 2012**  
(24) Date from which industrial property rights may have effect: **17 May 2012**  
(54) Product in respect of which the design is registered: **Automobile tyre**  
(51) International Design Classification: **12-15C**  
(74) Name(s) of Attorney(s): **Griffith Hack**  
(71) Name(s) and Address(s) of Applicant(s):  
**Bridgestone Corporation**  
**10-1 Kyobashi 1-chome Chuo-ku Tokyo 104-8340 Japan**  
(72) Name(s) of Designer(s): **Atsushi Kitora**  
(45) Registration Date: **15 June 2012**  
(30) Convention priority data:  
(31) Number      (32) Date      (33) Country  
**2011-026894      21 Nov 2011      JAPAN**  
(56) Related Art Documents: **Not Applicable**  
(57) Statement of Newness and Distinctiveness: **The shape and configuration of the product as shown in the accompanying drawings is new and distinctive.**

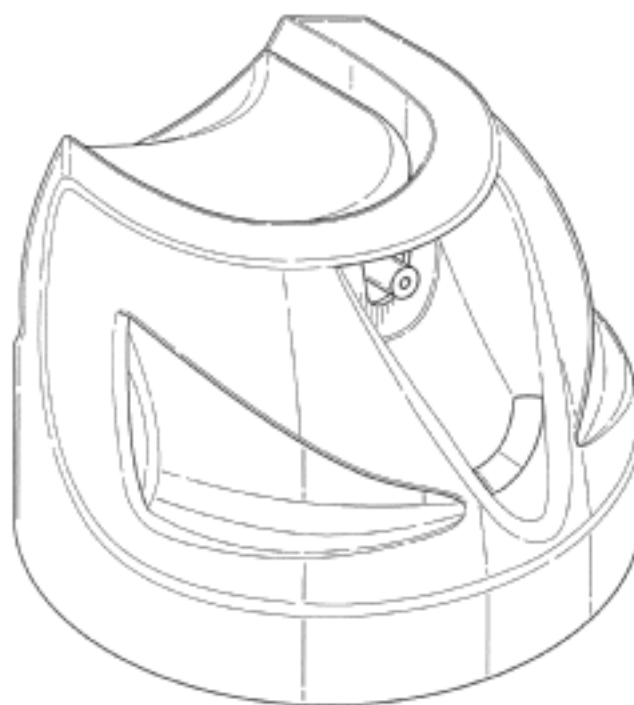


- (21) Design Number: **12370/2012**  
(22) Date of Filing Application: **17 May 2012**  
(24) Date from which industrial property rights may have effect: **17 May 2012**  
(54) Product in respect of which the design is registered: **Vacuum packaging appliance**  
(51) International Design Classification: **15-99**  
(74) Name(s) of Attorney(s): **Griffith Hack**  
(71) Name(s) and Address(s) of Applicant(s):  
**Sunbeam Products, Inc.**  
**2381 Executive Center Drive Boca Raton FL 33431 United States of America**  
(72) Name(s) of Designer(s): **Adam Day and James Sener**  
(45) Registration Date: **15 June 2012**  
(30) Convention priority data:  
(31) Number      (32) Date      (33) Country  
**29/410938      13 Jan 2012      UNITED STATES OF AMERICA**  
(56) Related Art Documents: **Not Applicable**  
(57) Statement of Newness and Distinctiveness: **The shape and configuration of the product shown by means of solid lines in the accompanying drawings is new and distinctive. Those parts shown by means of dashed lines has been included for illustrative purposes and does not form part of the design.**





(21) Design Number: **12398/2012**  
(22) Date of Filing Application: **18 May 2012**  
(24) Date from which industrial property rights may have effect: **18 May 2012**  
(54) Product in respect of which the design is registered: **Cap**  
(51) International Design Classification: **09-07C**  
(74) Name(s) of Attorney(s): **Shelston IP**  
(71) Name(s) and Address(s) of Applicant(s):  
**Reckitt & Colman (Overseas) Limited**  
**103-105 Bath Road Slough Berkshire SL1 3UH United Kingdom**  
(72) Name(s) of Designer(s): **Tan Khiang Seng**  
(45) Registration Date: **15 June 2012**  
(30) Convention priority data:  
(31) Number (32) Date (33) Country  
**001952391-0001 24 Nov 2011 EUROPEAN COMMUNITY**  
(56) Related Art Documents: **Not Applicable**  
(57) Statement of Newness and Distinctiveness: **Newness and distinctiveness reside in the features of shape and/or configuration of the cap illustrated in the accompanying representations.**



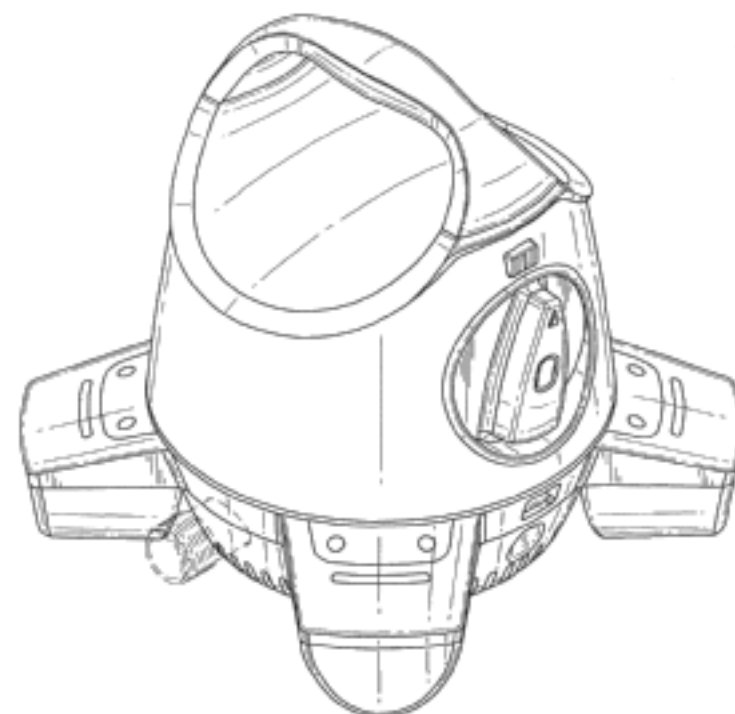
(21) Design Number: **12399/2012**  
(22) Date of Filing Application: **18 May 2012**  
(24) Date from which industrial property rights may have effect: **18 May 2012**  
(54) Product in respect of which the design is registered: **Container with cap**  
(51) International Design Classification: **09-01A**  
(74) Name(s) of Attorney(s): **Shelston IP**  
(71) Name(s) and Address(s) of Applicant(s):  
**Reckitt & Colman (Overseas) Limited**  
**103-105 Bath Road Slough Berkshire SL1 3UH United Kingdom**  
(72) Name(s) of Designer(s): **Tan Khiang Seng**  
(45) Registration Date: **15 June 2012**  
(30) Convention priority data:  
(31) Number (32) Date (33) Country  
**001952417-0001 24 Nov 2011 EUROPEAN COMMUNITY**  
(56) Related Art Documents: **Not Applicable**  
(57) Statement of Newness and Distinctiveness: **Newness and distinctiveness reside in the features of shape and/or configuration of the container with cap illustrated in the accompanying representations.**



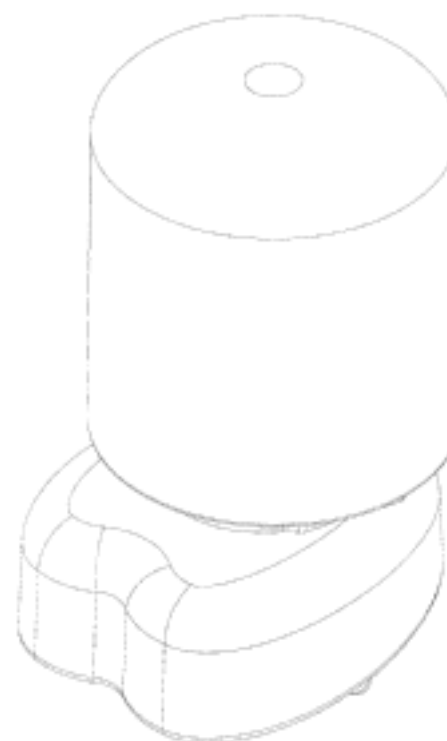
(21) Design Number: **12405/2012**  
(22) Date of Filing Application: **21 May 2012**  
(24) Date from which industrial property rights may have effect: **21 May 2012**  
(54) Product in respect of which the design is registered: **Roofing or cladding sheet**  
(51) International Design Classification: **25-01G**  
(74) Name(s) of Attorney(s):  
(71) Name(s) and Address(s) of Applicant(s):  
**Steel & Tube Holdings Limited**  
**15-17 Kings Crescent Lower Hutt New Zealand 5040**  
(72) Name(s) of Designer(s): **Rodney Donald Newbold and Anthony George Rallis**  
(45) Registration Date: **15 June 2012**  
(30) Convention priority data:  
(31) Number (32) Date (33) Country  
**415680 22 Dec 2011 NEW ZEALAND**  
(56) Related Art Documents: **Not Applicable**  
(57) Statement of Newness and Distinctiveness: **The design is to be applied to a roofing or cladding sheet of constant cross-section and indefinite length. Novelty resides in the features of shape and/or configuration of the ribs of the sheet. No novelty is claimed in the parts of the sheet shown in dashed line in the cross-section.**



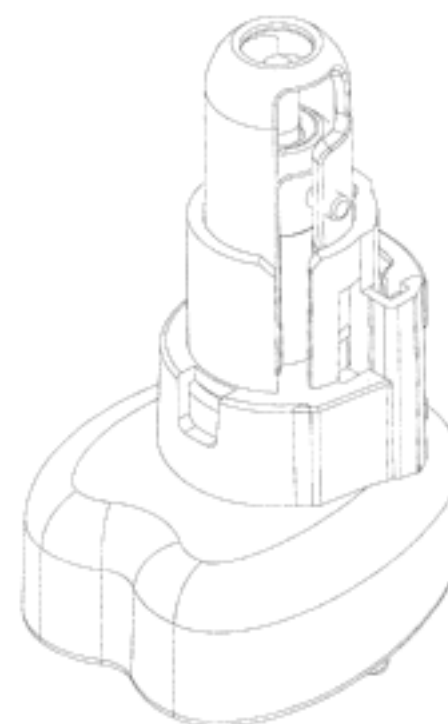
(21) Design Number: **12408/2012**  
(22) Date of Filing Application: **17 May 2012**  
(24) Date from which industrial property rights may have effect: **17 May 2012**  
(54) Product in respect of which the design is registered: **Utility pump**  
(51) International Design Classification: **15-02**  
(74) Name(s) of Attorney(s): **Shelston IP**  
(71) Name(s) and Address(s) of Applicant(s):  
**Flow Control LLC**  
**1 Kondelin Road Gloucester Massachusetts 01930 United States of America**  
(72) Name(s) of Designer(s): **Christopher K. Barmore and Daniel J. DeOreo and Randall H. Moormann**  
(45) Registration Date: **15 June 2012**  
(30) Convention priority data:  
(31) Number (32) Date (33) Country  
**29/406796 18 Nov 2011 UNITED STATES OF AMERICA**  
(56) Related Art Documents: **Not Applicable**  
(57) Statement of Newness and Distinctiveness: **Newness and distinctiveness resides in the features of shape and/or configuration of the utility pump as illustrated by solid lines in the accompanying representations.**



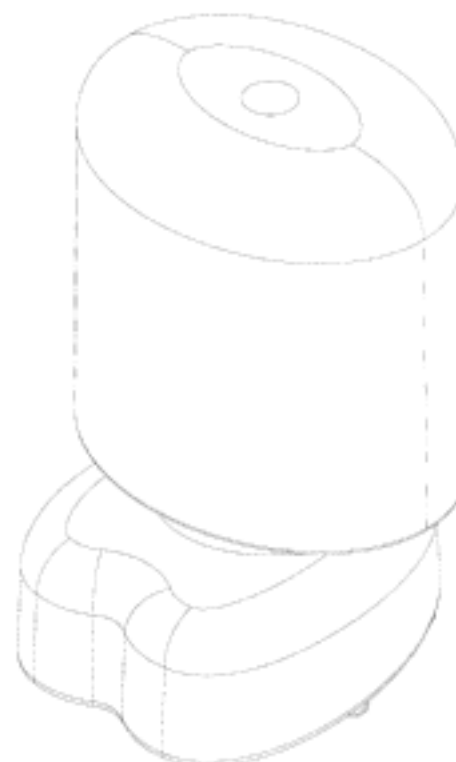
- (21) Design Number: **12419/2012**  
(22) Date of Filing Application: **21 May 2012**  
(24) Date from which industrial property rights may have effect: **21 May 2012**  
(54) Product in respect of which the design is registered: **Robotic toy having a cylindrical top**  
(51) International Design Classification: **21-01B**  
(74) Name(s) of Attorney(s): **SPRUSON & FERGUSON**  
(71) Name(s) and Address(s) of Applicant(s):  
**Innovation First International, Inc.**  
**1519 Interstate 30 West Greenville Texas 75402 United States of America**  
(72) Name(s) of Designer(s): **Robert H. Mimlitch III and David Anthony Norman and Douglas Michael Galletti and Gregory James Lavender and Brian Richard Delaney and Raul Olivera**  
(45) Registration Date: **15 June 2012**  
(30) Convention priority data:  
(31) Number (32) Date (33) Country  
**29/410611 10 Jan 2012 UNITED STATES OF AMERICA**  
(56) Related Art Documents: **Not Applicable**  
(57) Statement of Newness and Distinctiveness: **Newness and distinctiveness is claimed in the features of shape and/or configuration of a robotic toy having a cylindrical top as illustrated in the accompanying representations.**



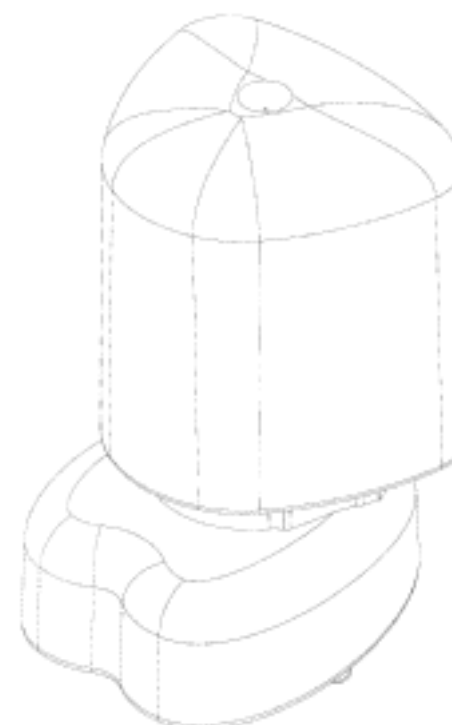
- (21) Design Number: **12420/2012**  
(22) Date of Filing Application: **21 May 2012**  
(24) Date from which industrial property rights may have effect: **21 May 2012**  
(54) Product in respect of which the design is registered: **Robotic toy without a top**  
(51) International Design Classification: **21-01B**  
(74) Name(s) of Attorney(s): **SPRUSON & FERGUSON**  
(71) Name(s) and Address(s) of Applicant(s):  
**Innovation First International, Inc.**  
**1519 Interstate 30 West Greenville Texas 75402 United States of America**  
(72) Name(s) of Designer(s): **Robert H. Mimlitch III and David Anthony Norman and Douglas Michael Galletti and Gregory James Lavender and Raul Olivera and Brian Richard Delaney**  
(45) Registration Date: **15 June 2012**  
(30) Convention priority data:  
(31) Number (32) Date (33) Country  
**29/410615 10 Jan 2012 UNITED STATES OF AMERICA**  
(56) Related Art Documents: **Not Applicable**  
(57) Statement of Newness and Distinctiveness: **Newness and distinctiveness is claimed in the features of shape and/or configuration of a robotic toy without a top as illustrated in the accompanying representations.**



- (21) Design Number: **12421/2012**  
(22) Date of Filing Application: **21 May 2012**  
(24) Date from which industrial property rights may have effect: **21 May 2012**  
(54) Product in respect of which the design is registered: **Robotic toy having an elliptical top**  
(51) International Design Classification: **21-01B**  
(74) Name(s) of Attorney(s): **SPRUSON & FERGUSON**  
(71) Name(s) and Address(s) of Applicant(s):  
**Innovation First International, Inc.**  
**1519 Interstate 30 West Greenville Texas 75402 United States of America**  
(72) Name(s) of Designer(s): **Robert H. Mimplitch III and David Anthony Norman and Douglas Michael Galletti and Gregory James Lavender and Brian Richard Delaney and Raul Olivera**  
(45) Registration Date: **15 June 2012**  
(30) Convention priority data:  
(31) Number (32) Date (33) Country  
**29/410614 10 Jan 2012 UNITED STATES OF AMERICA**  
(56) Related Art Documents: **Not Applicable**  
(57) Statement of Newness and Distinctiveness: **Newness and distinctiveness is claimed in the features of shape and/or configuration of a robotic toy having an elliptical top as illustrated in the accompanying representations.**



- (21) Design Number: **12422/2012**  
(22) Date of Filing Application: **21 May 2012**  
(24) Date from which industrial property rights may have effect: **21 May 2012**  
(54) Product in respect of which the design is registered: **Robotic toy having a triangular top**  
(51) International Design Classification: **21-01B**  
(74) Name(s) of Attorney(s): **SPRUSON & FERGUSON**  
(71) Name(s) and Address(s) of Applicant(s):  
**Innovation First International, Inc.**  
**1519 Interstate 30 West Greenville Texas 75402 United States of America**  
(72) Name(s) of Designer(s): **Robert H. Mimplitch III and David Anthony Norman and Douglas Michael Galletti and Gregory James Lavender and Raul Olivera and Brian Richard Delaney**  
(45) Registration Date: **15 June 2012**  
(30) Convention priority data:  
(31) Number (32) Date (33) Country  
**29/410616 10 Jan 2012 UNITED STATES OF AMERICA**  
(56) Related Art Documents: **Not Applicable**  
(57) Statement of Newness and Distinctiveness: **Newness and distinctiveness is claimed in the features of shape and/or configuration of a robotic toy having a triangular top as illustrated in the accompanying representations.**



(21) Design Number: **15639/2011**  
(22) Date of Filing Application: **09 December 2011**  
(24) Date from which industrial property rights may have effect: **09 December 2011**  
(54) Product in respect of which the design is registered: **Women's clothing**  
(51) International Design Classification: **02-02NES**  
(74) Name(s) of Attorney(s): **MIDDLETONS**  
(71) Name(s) and Address(s) of Applicant(s):  
**Beba Enterprises Pty Ltd**  
**34 Garden Street South Yarra Victoria 3141 Australia**  
(72) Name(s) of Designer(s): **Arthur Soetedja**  
(45) Registration Date: **15 June 2012**  
(56) Related Art Documents: **Not Applicable**  
(57) Statement of Newness and Distinctiveness: **Nil**



(21) Design Number: **12481/2012**  
(22) Date of Filing Application: **22 May 2012**  
(24) Date from which industrial property rights may have effect: **09 December 2011**  
(54) Product in respect of which the design is registered: **Women's clothing**  
(51) International Design Classification: **02-02C**  
(74) Name(s) of Attorney(s): **MIDDLETONS**  
(71) Name(s) and Address(s) of Applicant(s):  
**Beba Enterprises Pty Ltd**  
**34 Garden Street South Yarra Victoria 3141 Australia**  
(72) Name(s) of Designer(s): **Arthur Soetedja**  
(45) Registration Date: **15 June 2012**  
(62) Divisional of: **342955**  
(56) Related Art Documents: **Not Applicable**  
(57) Statement of Newness and Distinctiveness: **Nil**



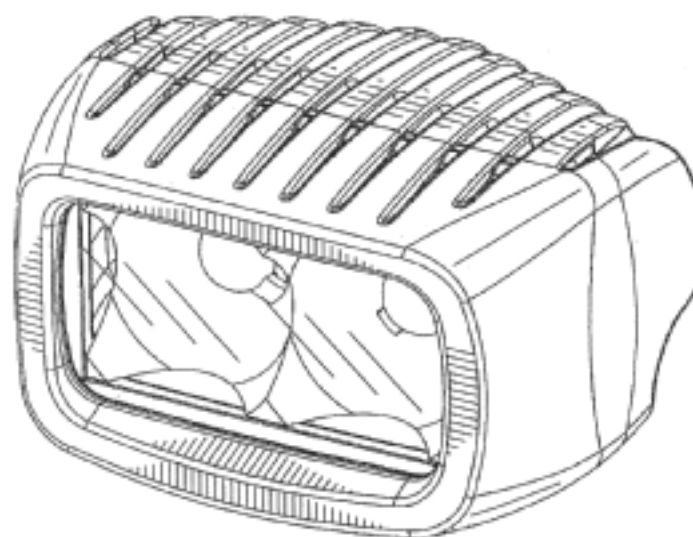
(21) Design Number: **12482/2012**  
(22) Date of Filing Application: **22 May 2012**  
(24) Date from which industrial property rights may have effect: **09 December 2011**  
(54) Product in respect of which the design is registered: **Women's clothing**  
(51) International Design Classification: **02-02NES**  
(74) Name(s) of Attorney(s): **MIDDLETONS**  
(71) Name(s) and Address(s) of Applicant(s):  
**Beba Enterprises Pty Ltd**  
**34 Garden Street South Yarra Victoria 3141 Australia**  
(72) Name(s) of Designer(s): **Arthur Soetedja**  
(45) Registration Date: **15 June 2012**  
(62) Divisional of: **342955**  
(56) Related Art Documents: **Not Applicable**  
(57) Statement of Newness and Distinctiveness: **Nil**



(21) Design Number: **10887/2012**  
(22) Date of Filing Application: **24 February 2012**  
(24) Date from which industrial property rights may have effect: **24 February 2012**  
(54) Product in respect of which the design is registered: **Hub cap**  
(51) International Design Classification: **12-16A, 23-01NES**  
(74) Name(s) of Attorney(s):  
(71) Name(s) and Address(s) of Applicant(s):  
**Allan James Yeomans**  
**60 Sunrise Boulevard Surfers Paradise Queensland 4217 Australia**  
(72) Name(s) of Designer(s): **Allan James Yeomans**  
(45) Registration Date: **15 June 2012**  
(56) Related Art Documents: **Not Applicable**  
(57) Statement of Newness and Distinctiveness: **Newness and distinctiveness reside in the features of shape and configuration of a hub cap as shown in the accompanying representations.**



(21) Design Number: **11472/2012**  
(22) Date of Filing Application: **21 March 2012**  
(24) Date from which industrial property rights may have effect: **21 March 2012**  
(54) Product in respect of which the design is registered: **Vehicular LED lighting fixture**  
(51) International Design Classification: **26-06**  
(74) Name(s) of Attorney(s): **PIZZEYS**  
(71) Name(s) and Address(s) of Applicant(s):  
**JST Performance Inc. doing business as Rigid Industries Inc.**  
**4641 E. Ivy Mesa AZ 85215 United States of America**  
(72) Name(s) of Designer(s): **Stephen Adams**  
(45) Registration Date: **15 June 2012**  
(30) Convention priority data:  
(31) Number (32) Date (33) Country  
**29/402186 21 Sep 2011 UNITED STATES OF AMERICA**  
(56) Related Art Documents: **Not Applicable**  
(57) Statement of Newness and Distinctiveness: **The newness and distinctiveness of the design resides in the features of pattern and/or ornamentations OR shape and/or configuration shown in unbroken lines in the accompanying representations. (if required, see Convention document)**



(21) Design Number: **11473/2012**  
(22) Date of Filing Application: **21 March 2012**  
(24) Date from which industrial property rights may have effect: **21 March 2012**  
(54) Product in respect of which the design is registered: **Vehicular LED lighting fixture**  
(51) International Design Classification: **26-06**  
(74) Name(s) of Attorney(s): **PIZZEYS**  
(71) Name(s) and Address(s) of Applicant(s):  
**JST Performance Inc. doing business as Rigid Industries Inc.**  
**4641 E. Ivy Mesa AZ 85215 United States of America**  
(72) Name(s) of Designer(s): **Stephen Adams**  
(45) Registration Date: **15 June 2012**  
(30) Convention priority data:  
(31) Number (32) Date (33) Country  
**29/402199 21 Sep 2011 UNITED STATES OF AMERICA**  
(56) Related Art Documents: **Not Applicable**  
(57) Statement of Newness and Distinctiveness: **The newness and distinctiveness of the design resides in the features of pattern and/or ornamentations OR shape and/or configuration shown in unbroken lines in the accompanying representations. (if required, see Convention document)**

