



Australian Government

IP Australia

AUSTRALIAN OFFICIAL JOURNAL

OF

DESIGNS

Did you know a searchable version of this journal is now available online?

It's FREE and EASY to SEARCH.

Find it on our website (www.ipaustralia.gov.au)

by using the "Journals" link on the home page.

This Page Left Intentionally Blank

Contents

General Information & Notices

Proceedings Under the Designs Act 1906 preserved as a result of the provisions of Chapter 12 Part 2 of the Designs Act 2003

Extension of Period of Registration of Designs	1764
Registrations Ceased	1764
Subsequent Owners Registered	1764

Proceedings Under the Designs Act 2003

Applications for Extension of Time Under Section 137	1776
Applications Lapsed	1775
Applications Lodged	1768
Certificate of Examination	1779
Corrigenda	1778
Extension of Period of Registration of Design	1776
Extension of Time Granted Under Section 137	1776
Publication and Registration Proceedings	
Designs Registered 342961 to 343170.....	1780
Registrations Ceased	1776
Revocation of Design Registrations	1776
Subsequent Owners Registered	1777

This Page Left Intentionally Blank

For information on the following please see our website www.ipaustralia.gov.au or contact our Customer Service Network on 1300651010

[Editorial enquiries](#)

[Contact information](#)

[Freedom of Information ACT](#)

[Professional Standards Board](#)

[Sales](#)

[Requests for Information under Section 194 \(c\)](#)

[Country Codes](#)

[Trade Mark and Designs Hearing Sessions](#)

[INID \(Internationally agreed Numbers for the Identification of Data\)](#)

“INID” NUMBERS in use on Australian Design Documents

“INID” is an acronym for “Internationally agreed Numbers for the Identification of Data”.

(10) Data concerning the registration/renewal

- (11) Serial number of the registration and/or number of the design document
- (12) Plain language designation of the kind of published document
- (19) Identification, using the two-letter code according to WIPO Standard ST.3, of the authority publishing or registering the industrial design

(20) Data concerning the application

- (21) Serial number of the application
- (22) Date of filing of the application
- (24) Date from which the industrial design right has effect

(30) Data relating to priority under the Paris Convention

- (31) Serial number assigned to the priority application
- (32) Date of filing of the priority application
- (33) Two-letter code, according to WIPO Standard ST.3, identifying the authority with which the priority application was made

(40) Date(s) of making information available to the public

- (45) Date of publication of the registered industrial design by printing or similar process, or making it available to the public by any other means

(50) Miscellaneous Information

- (51) International Classification for Industrial Designs (class and subclass of the Locarno Classification)
- (54) Designation of article(s) or product(s) covered by the industrial design or title of the industrial design
- (55) Reproduction of the industrial design (e.g., drawing, photograph) and explanations relating to the reproduction
- (56) List of prior art documents, if separate from descriptive text
- (57) Description of characteristic features of the industrial design including indication of colours

(60) References to other legally related application(s) and registration(s)

- (62) Serial number(s) and, if available, filing date(s) of application(s), registration(s) or document(s) related by division
- (66) Serial number(s) of the application, or the registration, of the design(s) which is (are) a variant(s) of the present one

(70) Identification of parties concerned with the application or registration

- (71) Name(s) and address(es) of the applicant(s)
- (72) Name(s) of the creator(s) if known to be such
- (74) Name(s) and address(es) of the representative(s)

This Page Left Intentionally Blank

OFFICIAL NOTICE***New approved form for declarations***

On 10 May 2012, the Federal Executive Council made the [Intellectual Property Legislation Amendment Regulation 2012 \(No. 1\)](#) ('the Regulation'). The Regulation has been registered in the Federal Register of Legislative Instruments and can be viewed on the ComLaw website (www.comlaw.gov.au).

In part, the Regulation amends the Patents Regulations, the Trade Marks Regulations and the Designs Regulations to require that a declaration must be in the approved form. The Commissioner and the Registrar have specified that **from 1 July 2012**, the approved form is as follows:

A declaration required by the *Patents Act 1990*, the *Patents Regulations 1991*, the *Trade Marks Act 1995*, the *Trade Marks Regulations 1995*, the *Designs Act 2003* or the *Designs Regulations 2004* to be given to the Commissioner or the Registrar must:

- (a) be headed with the title of the matter for which the declaration is made; and
- (b) be expressed in the first person; and
- (c) state the name and address of the person making the declaration; and
- (d) state the date on which, and the place at which, the declaration is made; and
- (e) be divided into paragraphs, each of which must be:
 - (i) numbered consecutively; and
 - (ii) as far as practicable, confined to 1 subject; and
- (f) be signed by the person making the declaration; and
- (g) state that the person believes the declaration to be true and correct.

If the declaration is made for the purposes of a business whose details are set out in the declaration, it must also state:

- (a) the office or position in the business held by the person who makes the declaration; and
- (b) the address of the place at which the business is conducted or principally conducted.

It is no longer a requirement that a declaration must be made before another person.

Declaration forms that are in the approved form are provided on IP Australia's website. Further details are set out in the [Explanatory Statement to the Regulation](#).

Queries Frances Roden
A/g Director, Domestic Policy
+61 2 6283 2151

Contact IP Australia
Phone 1300 651 010
Fax +61 2 6283 7999
E-mail assist@ipaaustralia.gov.au
Web www.ipaustralia.gov.au

Proceedings under the Designs Act 1906 preserved as a result of the provisions of Chapter 12 Part 2 of the Designs Act 2003.

This Page Left Intentionally Blank

Applications Lapsed

There were no Applications Lapsed under this section

Extension of Period of Registration of Designs

1st Period (Section 27A(8))

2nd Period (Section 27A(12))

3rd Period (Section 27A(13))

146208	146209	146299
146355	146356	146419
146511	146517	146521
146522	146573	146712
146713	146715	146774
146817	146822	146930
146933	147170	147182
147280	147579	147597
147699	147700	147735
147845	147847	148170
148176	148212	148227
148228	148278	148279
148604	148760	149114
149193	149668	149922
149953	150429	150430
150435	150436	150437
150438	150439	150935
150992	151031	151091
151469	153767	156023

Subsequent Owners Registered

136864	(Thomas A. Petterson; Julie-Ann D. Petterson) Rypark Pty Ltd Trading for the Petterson Discretionary Trust
152156	(A.V.H. Electrical Engineering Company Pty Ltd) Fasco Australia Pty Ltd; Fasco Australia Pty Limited

Registrations Ceased

Note: Some of the following Registrations may have been previously advertised as ceased. In this instance, the previous advertisement still prevails.

127581	128380	129053
129054	129066	129102
129177	129178	129180
129208	129299	129320
129334	129387	129496
129660	129702	130283
130320	133104	133501
144256	144257	144258
144259	144687	144688
144692	144693	144695
144696	144813	144976
146836	147435	148060
148061	148062	148515
149608	151724	151725

Subsequent Owners Registered

(The name in parentheses is that of the subsequent owner)

This Page Left Intentionally Blank

Proceedings under the Designs Act 2003.

This Page Left Intentionally Blank

Applications Lodged

Lodgement information is in the following order: **Applicant's Name**; International Classification, Name of Product, Lodgement Date and **Design Number**. If the applicant claims an earlier priority date under an International Convention, the Convention Country and the associated filing date are shown in parentheses before the Lodgement Date. Divisional information will also appear in parentheses before the Lodgement Date.

lululemon athletica canada inc.; 21-02NES, Exercise mat, (US, 28 Dec 2011) 21 Jun 2012	12903/2012	Apple Inc.; 14-02, 13-03NES, Cable hanking, (US, 19 Dec 2011) 19 Jun 2012	12889/2012
Abey Australia Pty Ltd; 08-08NES, Bracket, 15 Jun 2012	12844/2012	Apple Inc.; 14-02, 13-03NES, Cable hanking, (US, 28 Dec 2011) 19 Jun 2012	12893/2012
Abey Australia Pty Ltd; 08-08NES, Bracket, 15 Jun 2012	12855/2012	Apple Inc.; 14-02, 13-03NES, Cable hanking, (US, 28 Dec 2011) 19 Jun 2012	12894/2012
Abey Australia Pty Ltd; 08-08NES, Bracket, 15 Jun 2012	12842/2012	Apple Inc.; 14-02, 13-03NES, Cable hanking, (US, 28 Dec 2011) 19 Jun 2012	12891/2012
Abey Australia Pty Ltd; 12-99, Clip member, 15 Jun 2012	12822/2012	Apple Inc.; 14-02, 13-03NES, Cable hanking, (US, 28 Dec 2011) 19 Jun 2012	12892/2012
Adelaide Control Engineers Pty Ltd; 15-99, A containerised dewatering module, 26 Jun 2012	12988/2012	Apple Inc.; 14-02, 13-03NES, Cable hanking, (US, 28 Dec 2011) 19 Jun 2012	12890/2012
Adelaide Control Engineers Pty Ltd; 15-04, A containerised offgas and bag house module, 26 Jun 2012	12985/2012	Apple Inc.; 14-02, 13-03NES, Cable hanking, (US, 19 Dec 2011) 19 Jun 2012	12886/2012
Adelaide Control Engineers Pty Ltd; 15-99, A containerised automated drum packing module, 26 Jun 2012	12986/2012	Apple Inc.; 14-02, 13-03NES, Cable hanking, (US, 19 Dec 2011) 19 Jun 2012	12887/2012
Adelaide Control Engineers Pty Ltd; 15-99, A containerised rotary kiln dryer module, 26 Jun 2012	12987/2012	Apple Inc.; 14-02, 13-03NES, Cable hanking, (US, 19 Dec 2011) 19 Jun 2012	12888/2012
Allan, Cory;Blanton, Richard John; 07-02E, 15-07, SK-ALF3-120, BBQ, fridge in a stainless steel housing, 22 Jun 2012	12920/2012	Ashley, David; 23-02B, Multiheaded shower rose with 6 shower heads incorporated into a single unit, 19 Jun 2012	12899/2012
Allan, Cory;Blanton, Richard John; 07-02E, 15-07, SK-ALF4-68, BBQ, fridge, in a stainless steel housing, 22 Jun 2012	12921/2012	Ashley, David; 23-02B, Multiheaded shower rose with 6 shower heads incorporated into a single unit, 19 Jun 2012	12900/2012
Allan, Cory;Blanton, Richard John; 07-02E, 15-07, Alfresco # 2 BBQ, fridge, draws in a stainless steel housing, 22 Jun 2012	12919/2012	Beba Enterprises Pty Ltd; 02-02C, Articles of clothing, 22 Jun 2012	12973/2012
American Grease Stick Company; 08-05P, Pliers, (EM, 16 Dec 2011) 15 Jun 2012	12860/2012	Beba Enterprises Pty Ltd; 02-02C, Articles of clothing, 22 Jun 2012	12972/2012
American Grease Stick Company; 08-05P, Trigger for pliers, (EM, 16 Dec 2011) 15 Jun 2012	12857/2012	Beba Enterprises Pty Ltd; 02-02NES, Articles of clothing, 22 Jun 2012	12970/2012
American Greetings Corporation; 19-08, Pop up greeting card, (US, 14 Mar 2012) 19 Jun 2012	12885/2012	Beba Enterprises Pty Ltd; 02-02C, Articles of clothing, 22 Jun 2012	12971/2012
Amit, Noah;Gross, Yosef; 28-03NES, Touch N' lift : an anti-wrinkle device, 22 Jun 2012	12947/2012	Bester, Derek John; 13-03B, Electrical connector, 15 Jun 2012	12838/2012
Anteis SA; 24-02, Needle retaining device, (EM, 04 Jan 2012) 18 Jun 2012	12880/2012	Biocep Ltd.; 24-02, Disposable equipment for cell separation, (IL, 15 Dec 2011) 13 Jun 2012	12763/2012

Blanton, Richard John;Allan, Cory; 07-02E, 15-07, Alfresco # 2 BBQ, fridge, draws in a stainless steel housing, 22 Jun 2012	12919/2012	BISSELL Homecare, Inc.; 15-05, Vacuum cleaner foot, (US, 29 Dec 2011) 15 Jun 2012	12837/2012
Blanton, Richard John;Allan, Cory; 07-02E, 15-07, SK-ALF4-68, BBQ, fridge, in a stainless steel housing, 22 Jun 2012	12921/2012	Carbonart; 12-16NES, Carbonart rear cradle (silver platform), 27 Jun 2012	12981/2012
Blanton, Richard John;Allan, Cory; 07-02E, 15-07, SK-ALF3-120, BBQ, fridge in a stainless steel housing, 22 Jun 2012	12920/2012	Caterpillar Inc.; 15-04, Ripper assembly, (US, 21 Dec 2011) 18 Jun 2012	12853/2012
Brady Worldwide, Inc.; 08-07, Lockout device, (US, 22 Dec 2011) 15 Jun 2012	12821/2012	Chang, Dinh Quan; 25-01K, An extrusion, 25 Jun 2012	12974/2012
Brandywine Product Group International Inc.; 28-99, Air freshener device, (US, 19 Dec 2011) 15 Jun 2012	12790/2012	Choice Solutions Group Pty Ltd; 09-08, Polystyrene pallet, 25 Jun 2012	12991/2012
Brandywine Product Group International Inc.; 28-99, Air freshener device, (US, 19 Dec 2011) 15 Jun 2012	12791/2012	Christian Dior Couture; 10-02, Watch, (CH, 23 Dec 2011) 21 Jun 2012	12929/2012
Brandywine Product Group International Inc.; 28-99, Air freshener device, (US, 19 Dec 2011) 15 Jun 2012	12789/2012	Christian Dior Couture; 10-02, Watch, (CH, 23 Dec 2011) 21 Jun 2012	12931/2012
Breville Pty Limited; 07-02N, Pizza maker, 19 Jun 2012	12881/2012	Christian Dior Couture; 10-02, Watch, (CH, 23 Dec 2011) 21 Jun 2012	12930/2012
Brightgreen Pty Ltd; 26-05D, Downlight, 21 Jun 2012	12908/2012	Christian Dior Couture; 10-02, Watch, (CH, 23 Dec 2011) 21 Jun 2012	12927/2012
Britannia Pharmaceuticals Limited; 03-01NES, Containers for medical devices, (EM, 14 Dec 2011) 15 Jun 2012	12833/2012	Christian Dior Couture; 10-02, Watch, (CH, 23 Dec 2011) 21 Jun 2012	12932/2012
Broadhurst, Sheree; 06-13B, Bottom sheet, 27 Jun 2012	12989/2012	Christian Dior Couture; 10-02, Watch, (CH, 23 Dec 2011) 21 Jun 2012	12928/2012
Brohier, Peter; 02-02NES, Body garments, 08 May 2012	12755/2012	Christian Dior Couture; 10-02, Watch, (CH, 23 Dec 2011) 21 Jun 2012	12926/2012
Brohier, Peter; 02-02NES, Body garments, 08 May 2012	12756/2012	Cleveland, Lewis Roy; 25-04, Scaffolding assembly components, (NZ, 12 Dec 2011) 12 Jun 2012	12762/2012
Bromic Pty Ltd; 23-03A, Mobile radiant heater, 19 Jun 2012	12864/2012	Container Pty Ltd; 09-01D, Kamikaze angel, 06 Jun 2012	12764/2012
Bromic Pty Ltd; 23-03A, Mobile radiant heater, 19 Jun 2012	12862/2012	Cospak Pty Ltd; 09-01H, A container or bottle, 19 Jun 2012	12865/2012
Bromic Pty Ltd; 23-03A, Mobile radiant heater, 19 Jun 2012	12863/2012	Creanova Universal Closures Limited; 09-07NES, Water closure, 15 Jun 2012	12839/2012
Brother Industries, Ltd.; 14-02, Ink cartridge, (JP, 27 Dec 2011) 26 Jun 2012	12983/2012	Cyberkart Pty Ltd; 25-01NES, A building device, 13 Jun 2012	12778/2012
Brother Industries, Ltd.; 14-02, Ink cartridge, (JP, 27 Dec 2011) 26 Jun 2012	12984/2012	Dale, Amy Elizabeth; 06-13B, Bed linen - fitted sheets, for babies 0-12months old, 13 Jun 2012	12760/2012
BISSELL Homecare, Inc.; 15-05, Vacuum cleaner, (US, 29 Dec 2011) 15 Jun 2012	12836/2012	Dasco Data Products Ltd.; 06-04NES, Firearms storage shelf, (US, 09 Dec 2011) 11 Jun 2012	12768/2012
		Datalogic IP Tech S.r.l.; 14-02, Coded information reader, (EM, 30 Dec 2011) 27 Jun 2012	13026/2012

Delcath Systems Inc.; 23-01G, Dual filter, (US, 29 Dec 2011) 25 Jun 2012	12976/2012	Forever New Clothing Pty Ltd; 02-02C, Women's fashion clothing, 14 Jun 2012	12800/2012
Dentsply IH AB; 09-05, Catheter package, (EM, 27 Dec 2011) 22 Jun 2012	12964/2012	Forever New Clothing Pty Ltd; 02-02C, Women's fashion clothing, 14 Jun 2012	12802/2012
Doorn, Peter van; 23-02B, Shower cubicle, 14 Jun 2012	12785/2012	Forever New Clothing Pty Ltd; 03-01B, Women's fashion clothing, (Divisional of 14466/2011) 14 Jun 2012	12818/2012
Draeger Medical GmbH; 24-01, 24-02, Anaesthetic apparatus, (EM, 07 Mar 2012) 22 Jun 2012	12966/2012	Forever New Clothing Pty Ltd; 02-02C, Women's fashion clothing, 14 Jun 2012	12803/2012
Draeger Medical GmbH; 24-01, 24-02, Anaesthetic apparatus, (EM, 12 Jan 2012) 22 Jun 2012	12965/2012	Forever New Clothing Pty Ltd; 02-02C, Women's fashion clothing, 14 Jun 2012	12804/2012
Ecocool Pty Ltd; 23-04, Solar cooling system, 19 Jun 2012	12910/2012	Forever New Clothing Pty Ltd; 02-02NES, Women's fashion clothing, 14 Jun 2012	12805/2012
Elsteel (Private) Ltd.; 08-06, Door hinge, (EM, 20 Jun 2011) 15 Jun 2012	12856/2012	Forever New Clothing Pty Ltd; 02-02NES, Women's fashion clothing, 14 Jun 2012	12806/2012
Energy Matters; 08-08NES, Commercial roof bracket, 06 Jun 2012	12766/2012	Forever New Clothing Pty Ltd; 02-02NES, Women's fashion clothing, 14 Jun 2012	12807/2012
Energy Matters; 08-08NES, Commercial roof brackets, 06 Jun 2012	12765/2012	Forever New Clothing Pty Ltd; 02-02NES, Women's fashion clothing, 14 Jun 2012	12808/2012
Energy Matters; 08-08NES, Commercial roof bracket, 06 Jun 2012	12767/2012	Forever New Clothing Pty Ltd; 02-02NES, Women's fashion clothing, 14 Jun 2012	12809/2012
Energy Matters; 08-08L, Commercial roof bracket, 06 Jun 2012	12769/2012	Forever New Clothing Pty Ltd; 02-02NES, Women's fashion clothing, 14 Jun 2012	12810/2012
Engu, John; 07-02E, A food roaster, 18 Jun 2012	12911/2012	Forever New Clothing Pty Ltd; 02-02NES, Women's fashion clothing, 14 Jun 2012	12811/2012
Ergono Intellectual Properties Limited; 13-03D, Connecting plugs, 28 Jun 2012	13028/2012	Forever New Clothing Pty Ltd; 02-02NES, Women's fashion clothing, 14 Jun 2012	12812/2012
ED Oates Pty Ltd; 08-06, Handle attachment, 15 Jun 2012	12819/2012	Forever New Clothing Pty Ltd; 02-02NES, Women's fashion clothing, 14 Jun 2012	12813/2012
ED Oates Pty Ltd; 08-06, Handle attachment, 14 Jun 2012	12787/2012	Forever New Clothing Pty Ltd; 02-02NES, Women's fashion clothing, 14 Jun 2012	12814/2012
ED Oates Pty Ltd; 08-06, Handle attachment, 14 Jun 2012	12786/2012	Forever New Clothing Pty Ltd; 03-01B, Women's fashion clothing, (Divisional of 14466/2011) 14 Jun 2012	12815/2012
Ford, Thomas C.; 09-01NES, Bottle, (US, 14 Dec 2011) 25 Jun 2012	12977/2012	Forever New Clothing Pty Ltd; 03-01D, Women's fashion clothing, (Divisional of 14466/2011) 14 Jun 2012	12816/2012
Ford, Thomas C.; 09-01NES, Bottle, (US, 14 Dec 2011) 25 Jun 2012	12978/2012	Forever New Clothing Pty Ltd; 03-01B, Women's fashion clothing, (Divisional of 14466/2011) 14 Jun 2012	12817/2012
Forever New Clothing Pty Ltd; 02-02C, 02-02NES, 03-01B, Women's fashion clothing, 25 Jun 2012	12975/2012		
Forever New Clothing Pty Ltd; 02-02C, 02-02NES, 03-01B, 02-04B, 02-04C, Women's fashion clothing, 19 Jun 2012	12866/2012		

Forever New Clothing Pty Ltd; 02-02NES, Women's fashion clothing, 14 Jun 2012	12801/2012	Herrmans Oy Ab; 26-03, Worklight, (EM, 06 Feb 2012) 19 Jun 2012	12871/2012
Forever New Clothing Pty Ltd; 02-02C, Women's fashion clothing, 14 Jun 2012	12799/2012	Herrmans Oy Ab; 26-03, Worklight, (EM, 06 Feb 2012) 19 Jun 2012	12869/2012
Foster, Bradley Ewart; 12-16K, Paddle board/surfboard rack, (ZA, 23 Dec 2011) 21 Jun 2012	12905/2012	Herrmans Oy Ab; 26-03, Worklight, (EM, 06 Feb 2012) 19 Jun 2012	12874/2012
Foster, Bradley Ewart; 21-02D, Fishing ski, (ZA, 23 Dec 2011) 21 Jun 2012	12906/2012	Herrmans Oy Ab; 26-06, 26-06, Worklight, (EM, 06 Feb 2012) 19 Jun 2012	12875/2012
Freeman, Tom;Nguyen, Moana; 07-02NES, A strainer, 15 Jun 2012	12840/2012	Holcim (Australia) Pty Ltd; 25-02G, A grate, 14 Jun 2012	12788/2012
Geo Laser (Australia) Pty Ltd;Li, Yongjun; 10-04, Laser distance measurer, 18 Jun 2012	12902/2012	Hollister Incorporated; 23-01A, 09-03M, Open clam shell package with a seal therein, (EM, 28 Oct 2011) 27 Apr 2012	12774/2012
Geo Laser (Australia) Pty Ltd;Li, Yongjun; 10-04, Laser distance measurer, 18 Jun 2012	12901/2012	Hollister Incorporated; 23-01A, 09-03M, Open clam shell package without a seal therein, (EM, 28 Oct 2011) 27 Apr 2012	12775/2012
Gondwana Outdoor Clothing Pty Ltd; 20-02NES, Display stand, 26 Jun 2012	13001/2012	Honda Motor Co., Ltd; 26-06, Rear combination lamp for motor scooter, (JP, 28 Dec 2011) 21 Jun 2012	12913/2012
Grigson, Ray Ian; 21-04, Spirit tent for wind up campers, 19 Jun 2012	12843/2012	Honda Motor Co., Ltd; 12-11, Motor scooter, (JP, 28 Dec 2011) 21 Jun 2012	12914/2012
Gross, Yosef;Amit, Noah; 28-03NES, Touch N' lift : an anti-wrinkle device, 22 Jun 2012	12947/2012	Honda Motor Co., Ltd.; 26-06, Front combination lamp for motor scooter, (JP, 28 Dec 2011) 21 Jun 2012	12912/2012
Guangdong Jetfast Portable Lighting Co., Ltd.; 13-02, Portable charger with touch-type lighting function, 20 Jun 2012	12904/2012	Hunter Pacific International Pty Ltd; 23-04, Ceiling fan hub, 08 Jun 2012	12782/2012
GRC Environments Pty Ltd; 08-08NES, Assembly for decking or the like, 27 Jun 2012	13027/2012	Hunter Pacific International Pty Ltd; 23-04, Ceiling fan hub, 08 Jun 2012	12783/2012
Hallmark Cards, Incorporated; 11-01C, Wristband, (US, 20 Dec 2011) 19 Jun 2012	12877/2012	I & S Larard Pty Ltd; 08-05F, 25-04, Ladder clamp, 15 Jun 2012	12841/2012
Herbst, Jason Michael;Ivers, Mark Paul; 08-06, Easy hinge jig application, 25 Jun 2012	12990/2012	Imperial Tobacco Limited; 09-03A, Cigarette pack, (Divisional of 12164/2012) 21 Jun 2012	12925/2012
Hero Motocorp Ltd; 12-16NES, Protective covering, (US, 29 Dec 2011) 26 Jun 2012	12979/2012	Imperial Tobacco Limited; 09-03A, Cigarette pack, (Divisional of 12164/2012) 21 Jun 2012	12924/2012
Herrmans Oy Ab; 26-03, Worklight, (EM, 06 Feb 2012) 19 Jun 2012	12870/2012	Ivers, Mark Paul;Herbst, Jason Michael; 08-06, Easy hinge jig application, 25 Jun 2012	12990/2012
Herrmans Oy Ab; 26-03, Worklight, (EM, 06 Feb 2012) 19 Jun 2012	12868/2012	Jenola Oaks Pty Ltd; 12-10, Caravan, 14 Jun 2012	12798/2012
Herrmans Oy Ab; 26-03, Worklight, (EM, 06 Feb 2012) 19 Jun 2012	12872/2012	JK Golf Co., Ltd.; 21-02C, 10-04, Distance measuring device for golf, (KP, 06 Jan 2012) 19 Jun 2012	12882/2012
Herrmans Oy Ab; 26-03, Worklight, (EM, 06 Feb 2012) 19 Jun 2012	12873/2012	K. Hartwall Oy Ab; 12-02, Roll container, (EM, 03 Jan 2012) 25 Jun 2012	12969/2012

K. Hartwall Oy Ab; 09-03NES, Base for roll container, (EM, 03 Jan 2012) 26 Jun 2012	13029/2012	Lynch Group Australia Pty Limited; 20-02E, Display stand, 25 Jun 2012	12967/2012
Kelly, Athol Herrick; 19-08, Food, paper goods, vehicles medical goods Australian manufactured goods, Australian made goods, Australian grown goods, 25 May 2012	12757/2012	Maco Lighting Pty Ltd; 26-05C, Front face of a light fitting, 15 Jun 2012	12895/2012
Kimberly-Clark Worldwide, Inc.; 23-02A, Dispenser window for a front wall of a paper product or viscous liquid dispenser, (US, 19 Dec 2011) 15 Jun 2012	12827/2012	Maco Lighting Pty Ltd; 26-05C, Front face of a light fitting, 15 Jun 2012	12897/2012
Kimberly-Clark Worldwide, Inc.; 23-02A, Stand for consumer paper products, (US, 19 Dec 2011) 15 Jun 2012	12825/2012	Maco Lighting Pty Ltd; 26-05B, Desklamp, 15 Jun 2012	12898/2012
Kimberly-Clark Worldwide, Inc.; 23-02A, Stand for consumer paper products, (US, 19 Dec 2011) 15 Jun 2012	12826/2012	Maco Lighting Pty Ltd; 26-05C, Front face of a light fitting, 15 Jun 2012	12896/2012
Kimberly-Clark Worldwide, Inc.; 23-02A, Dispenser window for a front wall of a paper product or viscous liquid dispenser, (US, 19 Dec 2011) 15 Jun 2012	12823/2012	Mason, Stuart; 23-01NES, Water dispensing fold away unit. Fold away pocket has a funnel. Unit use plastic pet bottles for water resevoir., Bottles fit into shower head., 27 Jun 2012	12980/2012
Kimberly-Clark Worldwide, Inc.; 23-02A, Stand and dispenser combination for a consumer paper products, (US, 19 Dec 2011) 15 Jun 2012	12824/2012	McClenahan, Stephen; 06-01L, 06-03NES, Chair and dry bar, 01 Jun 2012	12602/2012
King Furniture (Australia) Pty Ltd; 06-01G, Furniture module, 14 Jun 2012	12793/2012	McNeil-PPC, Inc.; 24-04, Sanitary napkin, (US, 15 Dec 2011) 13 Jun 2012	12776/2012
Kirsentials, Andris;Zalmansons, Arturs; 09-03M, A container for dog waste, (EM, 27 Dec 2011) 15 Jun 2012	12835/2012	Metlam Australia Pty Limited; 08-06, A hinge, 08 Jun 2012	12759/2012
Koninklijke Philips Electronics N.V.; 14-02, Docking station, (EM, 14 Dec 2011) 14 Jun 2012	12794/2012	Meumann, Rolf Roald; 06-02, Bed (images attached), 12 Jun 2012	12761/2012
Koninklijke Philips Electronics N.V.; 26-04, Wake up light, (EM, 14 Dec 2011) 13 Jun 2012	12779/2012	Moses, Anthony David; 06-08, Clothes hanger poster hanger, 14 Jun 2012	12777/2012
Koninklijke Philips Electronics N.V.; 24-01, Patient interface assembly, (EM, 21 Dec 2011) 19 Jun 2012	12907/2012	Multigate Medical Products Pty Limited; 24-01, A receptacle, 13 Jun 2012	12792/2012
Kramer Electronics Ltd.; 13-03E, Connecting device, (IL, 08 Jan 2012) 22 Jun 2012	12962/2012	Nguyen, Moana;Freeman, Tom; 07-02NES, A strainer, 15 Jun 2012	12840/2012
Kramer Electronics Ltd.; 13-03E, Connecting device, (IL, 19 Jan 2012) 22 Jun 2012	12963/2012	Nicoz Trading Pty Ltd; 17-99, Plectrum, 18 Jun 2012	12852/2012
KRSL Pty Ltd, As Trustee for The Little Investment Trust; 09-09, Waste containment means, 24 May 2012	12503/2012	Nissan Jidosha Kabushiki Kaisha, also trading as Nissan Motor Co., Ltd.; 12-16NES, Instrument panel for automobile, (JP, 21 Dec 2011) 18 Jun 2012	12851/2012
Li, Yongjun;Geo Laser (Australia) Pty Ltd; 10-04, Laser distance measurer, 18 Jun 2012	12902/2012	Nissan Jidosha Kabushiki Kaisha, also trading as Nissan Motor Co., Ltd.; 12-16C, Front bumper for automobile, (JP, 21 Dec 2011) 18 Jun 2012	12850/2012
Li, Yongjun;Geo Laser (Australia) Pty Ltd; 10-04, Laser distance measurer, 18 Jun 2012	12901/2012	Nissan Jidosha Kabushiki Kaisha, also trading as Nissan Motor Co., Ltd.; 12-16B, Radiator grill for automobile, (JP, 21 Dec 2011) 18 Jun 2012	12848/2012
		Nissan Jidosha Kabushiki Kaisha, also trading as Nissan Motor Co., Ltd.; 12-16B, Radiator grill for automobile, (JP, 21 Dec 2011) 18 Jun 2012	12849/2012

Nissan Jidosha Kabushiki Kaisha, also trading as Nissan Motor Co., Ltd.; 12-08, Automobile, (JP, 21 Dec 2011) 18 Jun 2012	12847/2012	Perusahaan Otomobil Nasional Sdn. Bhd.; 06-01D, Rear seat for an aoutomobile, (MY, 22 Dec 2011) 21 Jun 2012	12939/2012
Norton, Mathew; 08-01, Blade bit holder for SDS sized jackhammer, 19 Jun 2012	12858/2012	Philip Morris Products S.A.; 27-01, 27-99, Electronic cigarette, (EM, 23 Dec 2011) 22 Jun 2012	12961/2012
OZKOR Pty. Ltd.; 09-08, A pallet, 14 Jun 2012	12797/2012	Philip Morris Products S.A.; 27-02, Smokers accessory, (EM, 21 Nov 2011) (Divisional of 12357/2012) 26 Jun 2012	12998/2012
Pacific Innovations Pty Ltd; 08-05L, Roller applicator, 20 Jun 2012	12909/2012	Philip Morris Products S.A.; 27-02, Smokers accessory, (EM, 21 Nov 2011) (Divisional of 12357/2012) 26 Jun 2012	12999/2012
Permaban Limited; 25-01B, Joint for concrete slab, (EM, 22 Dec 2011) 21 Jun 2012	12948/2012	Philip Morris Products S.A.; 27-02, Smokers accessory, (EM, 21 Nov 2011) (Divisional of 12357/2012) 26 Jun 2012	13000/2012
Perusahaan Otomobil Nasional Sdn. Bhd.; 06-01D, Rear seat for an automobile, (MY, 22 Dec 2011) 21 Jun 2012	12937/2012	Philip Morris Products S.A.; 27-02, Smokers accessory, (EM, 21 Nov 2011) (Divisional of 12357/2012) 26 Jun 2012	12996/2012
Perusahaan Otomobil Nasional Sdn. Bhd.; 12-16NES, Dashboard with centre console and instrument panel, (MY, 22 Dec 2011) 21 Jun 2012	12934/2012	Philip Morris Products S.A.; 27-02, Smokers accessory, (EM, 21 Nov 2011) (Divisional of 12357/2012) 26 Jun 2012	12997/2012
Perusahaan Otomobil Nasional Sdn. Bhd.; 12-16NES, Dashboard with centre console and instrument panel, (MY, 22 Dec 2011) 21 Jun 2012	12933/2012	Pi-Design AG; 07-02N, Grill cover, (EM, 09 Jan 2012) 26 Jun 2012	12968/2012
Perusahaan Otomobil Nasional Sdn. Bhd.; 12-16H, Side mirror for an automobile, (MY, 22 Dec 2011) 21 Jun 2012	12943/2012	Red Bull GmbH; 09-03L, Can with cap, (EM, 19 Dec 2011) 15 Jun 2012	12831/2012
Perusahaan Otomobil Nasional Sdn. Bhd.; 12-16NES, Gear knob for an automobile, (MY, 22 Dec 2011) 21 Jun 2012	12935/2012	Red Bull GmbH; 09-03L, Can with cap, (US, 19 Dec 2011) 15 Jun 2012	12832/2012
Perusahaan Otomobil Nasional Sdn. Bhd.; 12-16NES, Gear knob for an automobile, (MY, 22 Dec 2011) 21 Jun 2012	12936/2012	Reln Pty Ltd; 23-01A, Pipe adaptor, 13 Mar 2012	12878/2012
Perusahaan Otomobil Nasional Sdn. Bhd.; 12-16A, Steering wheel, (MY, 22 Dec 2011) 21 Jun 2012	12944/2012	Reln Pty Ltd; 23-01A, Drainage channel adaptor, 13 Mar 2012	12879/2012
Perusahaan Otomobil Nasional Sdn. Bhd.; 12-16NES, Floor console for an automobile, (MY, 22 Dec 2011) 21 Jun 2012	12945/2012	Rhino Rack Australia Pty Limited; 08-07, Torque key, 26 Jun 2012	12982/2012
Perusahaan Otomobil Nasional Sdn. Bhd.; 12-16NES, Floor console for an automobile, (MY, 22 Dec 2011) 21 Jun 2012	12946/2012	Ross, Jodie-Marie;Stevens, Aleirah J; 29-02, Trolley capsule, pram, high chair, infant rocker chair. Most infant seating products which require the use of a, harness., 22 Jun 2012	12950/2012
Perusahaan Otomobil Nasional Sdn. Bhd.; 12-08, A vehicle, (MY, 22 Dec 2011) 21 Jun 2012	12942/2012	Ruud Lighting, Inc.; 26-05E, Lighting fixture, (US, 22 Dec 2011) 21 Jun 2012	12915/2012
Perusahaan Otomobil Nasional Sdn. Bhd.; 06-01D, Front seat for an automobile, (MY, 22 Dec 2011) 21 Jun 2012	12940/2012	Ruud Lighting, Inc.; 26-05E, Lighting fixture, (US, 22 Dec 2011) 21 Jun 2012	12916/2012
Perusahaan Otomobil Nasional Sdn. Bhd.; 06-01D, Front seat for an automobile, (MY, 22 Dec 2011) 21 Jun 2012	12941/2012	Ruud Lighting, Inc.; 26-05E, Lighting fixture, (US, 22 Dec 2011) 21 Jun 2012	12917/2012
Perusahaan Otomobil Nasional Sdn. Bhd.; 06-01D, Rear seat for an automobile, (MY, 22 Dec 2011) 21 Jun 2012	12938/2012		

Ruud Lighting, Inc.; 08-08L, 08-08NES, Adjustable support with bar for lighting fixture, (US, 22 Dec 2011) 21 Jun 2012	12918/2012	Toyota Jidosha Kabushiki Kaisha; 12-16B, Rear bumper for an automobile, 27 Jun 2012	13024/2012
S.C. Johnson & Son, Inc.; 08-06, Handle for a cleaning instrument, (US, 14 Dec 2011) 14 Jun 2012	12796/2012	Toyota Jidosha Kabushiki Kaisha; 12-16B, Front bumper for an automobile, 27 Jun 2012	13022/2012
S.C. Johnson & Son, Inc.; 08-06, Handle for a cleaning instrument, (US, 14 Dec 2011) 14 Jun 2012	12795/2012	Truma Geratetechnik GmbH & Co. KG; 10-04, A measuring device, (EM, 21 Dec 2011) 18 Jun 2012	12883/2012
Scanomat A/S; 23-01H, Outlet arrangement, (EM, 28 Dec 2011) 21 Jun 2012	12949/2012	Unilever PLC; 09-01K, Bottle with pump, (EM, 10 Jan 2012) 21 Jun 2012	12922/2012
Seashore Futures Ltd; 25-01D, Building panel, (NZ, 23 Dec 2011) 20 Jun 2012	12876/2012	Unilever PLC; 09-01G, Bottle with flip-top lid, (EM, 10 Jan 2012) 21 Jun 2012	12923/2012
Shachihata Inc; 19-06, Marking pen, (JP, 22 Dec 2011) 19 Jun 2012	12867/2012	Unique Product & Design Co., Ltd.; 12-12, Baby stroller, 13 Jun 2012	12861/2012
Sharp Kabushiki Kaisha; 14-03B, Television set, (JP, 21 Dec 2011) 12 Jun 2012	12770/2012	Veivers, Peter; 25-02NES, Easy access manhole, 05 Jun 2012	12781/2012
Sheepfeet Pty Ltd; 02-04NES, Sheep skin boots with fluorescent soles as shown in the annexed representations, 27 Jun 2012	12995/2012	ViaCyte, Inc.; 14-03NES, Cell encapsulation device, (US, 12 Dec 2011) 12 Jun 2012	12758/2012
Stainless Reflections Australia; 26-05C, LED down light, 08 Jun 2012	12859/2012	Viridi, Kamaldeep Kaur;Viridi, Paramraj Singh; 12-16L, Trailer coupling, 05 Jun 2012	12771/2012
Stevens, Aleirah J;Ross, Jodie-Marie; 29-02, Trolley capsule, pram, high chair, infant rocker chair. Most infant seating products which require the use of a, harness., 22 Jun 2012	12950/2012	Viridi, Paramraj Singh;Viridi, Kamaldeep Kaur; 12-16L, Trailer coupling, 05 Jun 2012	12772/2012
Suzhou Dream Power Electric Co., Ltd; 15-05, Base of a dust cleaner, (CN, 19 Dec 2011) 18 Jun 2012	12854/2012	Viridi, Kamaldeep Kaur;Viridi, Paramraj Singh; 12-16L, Trailer coupling, 05 Jun 2012	12772/2012
SCA Hygiene Products AB; 23-02A, Paper dispenser, (EM, 31 Jan 2012) 19 Jun 2012	12845/2012	Viridi, Paramraj Singh;Viridi, Kamaldeep Kaur; 12-16L, Trailer coupling, 05 Jun 2012	12771/2012
SEASHORE FUTURES LTD; 25-01D, Building panel, (NZ, 23 Dec 2011) 20 Jun 2012	12884/2012	Visy R & D Pty Ltd; 09-08, Pallet, 26 Jun 2012	12992/2012
SULO MGB Australia Pty Ltd; 09-07NES, Lid, 03 Apr 2012	12773/2012	Visy R & D Pty Ltd; 09-08, Blank for a deck of a pallet, 26 Jun 2012	12994/2012
SWS Australia Pty Limited; 08-08L, Automotive bracket, 15 Jun 2012	12820/2012	Visy R & D Pty Ltd; 09-08, Blank for a bearer of a pallet, 26 Jun 2012	12993/2012
Therapearl, LLC; 24-04, Thermal pack, 15 Jun 2012	12834/2012	Warren & Brown Technologies Pty Ltd; 13-03D, A wall plate, 18 Jun 2012	12846/2012
Toyota Jidosha Kabushiki Kaisha; 12-16NES, Instrument patent for an automobile, 27 Jun 2012	13025/2012	Wiles, Colin Norman; 07-06D, Jar opener, 27 Jun 2012	13002/2012
Toyota Jidosha Kabushiki Kaisha; 12-16E, Rear combination lamp for an automobile, 27 Jun 2012	13023/2012	Wiles, Colin Norman; 07-06D, Jar opener, 27 Jun 2012	13003/2012
		Woods Furniture Pty Ltd; 06-04NES, Shelf system, 13 Jun 2012	12780/2012
		Woods Furniture Pty Ltd; 06-03B, Table, 13 Jun 2012	12784/2012

Zalmansons, Arturs;Kirsentals, Andris; 12835/2012
 09-03M, A container for dog waste, (EM, 27
 Dec 2011) 15 Jun 2012

3M Innovative Properties Company; 12829/2012
 19-02, Note dispenser, (US, 16 Dec 2011) 15
 Jun 2012

3M Innovative Properties Company; 12828/2012
 19-02, Note dispenser, (US, 16 Dec 2011) 15
 Jun 2012

3M Innovative Properties Company; 12830/2012
 19-02, Note dispenser, (US, 16 Dec 2011) 15
 Jun 2012

Applications Lapsed

15736 / 2011 (12-05)	15912 / 2011 (24-04)
15913 / 2011 (24-04)	15915 / 2011 (24-04)
11413 / 2012 (07-02E)	11669 / 2012 (99-00)
11718 / 2012 (12-16NES)	11745 / 2012 (06-04F)
11746 / 2012 (06-04F)	11801 / 2012 (06-01NES)
11802 / 2012 (06-01NES)	11803 / 2012 (06-01NES)
11804 / 2012 (07-02E)	11827 / 2012 (02-02NES)
11829 / 2012 (02-02NES)	11830 / 2012 (02-02NES)
11831 / 2012 (02-02NES)	11832 / 2012 (02-02NES)
11834 / 2012 (02-02NES)	11836 / 2012 (02-02NES)
11935 / 2012 (06-01F)	11936 / 2012 (06-01F)
11938 / 2012 (25-01C)	

Extension of Period of Registration of Designs

315122	315123	315160
315161	315403	315500
315511	315512	315662
315681	315791	315936
316043	316067	316070
316072	316073	316074
316077	316078	316085
316086	316088	316091
316095	316096	316098
316115	316116	316117
316121	316125	316147
316148	316149	316171
316172	316173	316174
316175	316177	316178
316185	316198	316218
316219	316220	316221
316223	316224	316229
316230	316247	316256
316259	316260	316263
316273	316285	316292
316304	316305	316318
316334	316335	316336
316340	316346	316347
316356	316360	316386
316387	316415	316431
316443	316449	316450
316451	316467	316468
316469	316491	316496
316498	316499	316515
316516	316518	316525
316526	316528	316529
316530	316531	316532
316544	316545	316546
316547	316548	316549
316557	316567	316604
316622	316625	316635
316642	316679	316776
316791	316792	316793
316794	316795	316796
316797	316798	316799
316800	316801	316802
316846	316848	316912
316945	316946	316952
316971	316972	317003
317005	317019	317020
317024	317047	317147
317159	317160	317161
317310	317331	317383
317414	317456	317590
317591	317592	317593
317595	317596	317767

317768	317769	318684
319450	320194	320195

Revocation of Design Registrations

The following Design Registration(s) have been revoked and are taken never to have been registered:

315013 06-13B

Registrations Ceased

312380	312970	313013
313042	313053	313054
313055	313072	313073
313074	313075	313076
313077	313078	313079
313111	313112	313126
313127	313128	313130
313131	313132	313135
313157	313158	313161
313162	313163	313164
313165	313167	313168
313169	313170	313171
313172	313190	313191
313194	313195	313196
313197	313202	313203
313215	313216	313227
313228	313230	313231
313232	313233	313234
313249	313250	313254
313255	313256	313257
313258	313267	313268
313271	313273	313305
313306	313309	313310
313361	313362	313363
313384	313447	313485
313508	313564	313565
313566	313826	313843
313844	316739	339107

Applications for Extension of time under Section 137

Applications under section 137 for extension of time have been lodged. Objections must be lodged within 1 month from the date of this journal.

308796 **Vent-Axia Group Limited** Address for Service: Freehills Patent Attorneys MLC Centre Martin Place SYDNEY NSW 2000

Extensions of time granted under Section 137

Applications lodged under section 137 for extension of time have been granted.

11574/2012 **John Arthur Amory**

11787/2012 **Kim Fergusson**

11801/2012 **slottogether**

11802/2012 **slottogether**

11803/2012 **slottogether**

343163 **S.C. Johnson & Son, Inc.**

343164 **S.C. Johnson & Son, Inc.**

Subsequent Owners Registered

(The name in parentheses is that of the subsequent owner)

- 315504 **(ITW Australia Pty Ltd)** ITW Construction Systems
Australia Pty Ltd
- 324756 **(ITW Australia Pty Ltd)** ITW Construction Systems
Australia Pty Ltd
- 304766 **(ViperLead Pty Ltd)** Direct Property Investments Pty
Ltd
- 313251 **(A.V.H. Electrical Engineering Company Pty Ltd)**
Fasco Australia Pty Ltd
- 313252 **(A.V.H. Electrical Engineering Company Pty Ltd)**
Fasco Australia Pty Ltd;Fasco Australia Pty Limited

Corrigenda

Number 15497/2011

In Vol 26 , No 12 , page 1686 under the heading **Applications Lapsed**; This entry was entered in error..

Certificate(s) of Examination

Examination of the following Design Registration(s) has been completed. Infringement proceedings may now be commenced.

333223	12-08	30/01/2012
333224	12-08	30/01/2012
336331	14-01	27/06/2012
338447	14-02	29/06/2012
340296	12-15B	27/06/2012
340633	14-02	27/06/2012
341005	24-02	26/06/2012
341122	15-01	26/06/2012
341263	22-99	27/06/2012
341394	06-11	21/06/2012
341793	09-09	28/06/2012
341807	02-02C	28/06/2012
341808	02-02C	28/06/2012
341944	26-06	29/06/2012
341982	06-03A	29/06/2012
342273	07-01NES	26/06/2012
342274	07-01NES	26/06/2012
342389	06-09	29/06/2012
342454	02-02B	29/06/2012
342824	20-02NES	29/06/2012
343020	07-02P	29/06/2012

Publication and Registration Proceedings

Designs Registered

This section provides a concordance between design number and registration number of Designs covered in this journal. It also shows the main class and registration date.

This section covers Registration numbers 342961 to 343170 .

The registration number shown below should be used in all future correspondence.

Design Number	Registration Number	International Classification Code (IDC)	Registration Date	Design Number	Registration Number	International Classification Code (IDC)	Registration Date
15432/2011	343034	02-02NES	22/06/2012	11954/2012	343011	21-02F	20/06/2012
15719/2011	343054	02-02C	25/06/2012	12076/2012	343012	09-01NES	20/06/2012
15721/2011	343055	02-02C	25/06/2012	12079/2012	343013	08-08L	20/06/2012
15723/2011	343056	02-02C	25/06/2012	12098/2012	343088	12-02	27/06/2012
15724/2011	343057	02-02C	25/06/2012	12132/2012	343089	25-01K	27/06/2012
15725/2011	343058	02-02C	25/06/2012	12133/2012	343090	25-01K	27/06/2012
15726/2011	343059	02-02C	25/06/2012	12134/2012	343091	25-01K	27/06/2012
15727/2011	343060	02-02C	25/06/2012	12135/2012	343092	25-01K	27/06/2012
15728/2011	343061	02-02C	25/06/2012	12141/2012	342992	21-02NES	20/06/2012
15729/2011	343062	02-02C	25/06/2012	12154/2012	342982	06-01E	18/06/2012
15730/2011	343063	02-02C	25/06/2012	12155/2012	342983	06-03A	18/06/2012
15731/2011	343064	02-02C	25/06/2012	12156/2012	342984	06-03A	18/06/2012
15732/2011	343065	02-02C	25/06/2012	12159/2012	343014	02-02B	20/06/2012
15733/2011	343110	02-02C	27/06/2012	12161/2012	343093	06-06NES	27/06/2012
15734/2011	343111	02-02C	27/06/2012	12168/2012	343015	06-06H	20/06/2012
10089/2012	343112	09-03H	27/06/2012	12170/2012	343094	03-01NES	27/06/2012
10264/2012	342990	13-03B	20/06/2012	12195/2012	343118	02-02NES	27/06/2012
10322/2012	342991	21-02NES	20/06/2012	12196/2012	343119	06-13C	27/06/2012
10563/2012	342993	15-07	20/06/2012	12215/2012	343037	07-05C	22/06/2012
11114/2012	343007	07-07B	20/06/2012	12247/2012	343095	12-02	27/06/2012
11115/2012	343008	07-07B	20/06/2012	12249/2012	343016	02-04NES	20/06/2012
11169/2012	343082	13-01	27/06/2012	12250/2012	343039	07-02L	22/06/2012
11324/2012	343140	23-01A	28/06/2012	12280/2012	342985	08-05K	18/06/2012
11410/2012	343113	08-08NES	27/06/2012	12289/2012	343096	26-99	27/06/2012
11430/2012	343083	21-04	27/06/2012	12307/2012	343040	09-01NES	22/06/2012
11495/2012	342994	20-02E	20/06/2012	12330/2012	343142	08-08NES	28/06/2012
11556/2012	342995	15-99	20/06/2012	12340/2012	343041	07-04	22/06/2012
11557/2012	342996	15-99	20/06/2012	12342/2012	343042	07-04	22/06/2012
11558/2012	342997	15-99	20/06/2012	12343/2012	343043	07-04	22/06/2012
11559/2012	342998	15-99	20/06/2012	12344/2012	342972	09-07C	18/06/2012
11590/2012	342999	12-16C	20/06/2012	12347/2012	342973	23-01C	18/06/2012
11591/2012	343000	12-16C	20/06/2012	12348/2012	342974	23-01C	18/06/2012
11594/2012	343001	12-16F	20/06/2012	12349/2012	342975	23-01C	18/06/2012
11595/2012	343002	12-16C	20/06/2012	12350/2012	342976	23-01C	18/06/2012
11596/2012	343003	12-16C	20/06/2012	12351/2012	342977	23-01C	18/06/2012
11597/2012	343004	12-16B	20/06/2012	12352/2012	342978	23-01C	18/06/2012
11600/2012	343005	12-16E	20/06/2012	12354/2012	342979	11-01E	18/06/2012
11601/2012	343036	12-16NES	22/06/2012	12355/2012	342980	13-03C	18/06/2012
11653/2012	343009	25-02H	20/06/2012	12356/2012	342981	07-04	18/06/2012
11664/2012	343084	09-01G	27/06/2012	12362/2012	343044	08-01	22/06/2012
11675/2012	343085	06-04NES	27/06/2012	12363/2012	343035	02-02NES	22/06/2012
11713/2012	343141	25-03	28/06/2012	12397/2012	343017	06-03C	21/06/2012
11728/2012	343086	20-03NES	27/06/2012	12406/2012	343163	09-01A	29/06/2012
11818/2012	343114	07-03	27/06/2012	12407/2012	343164	09-01A	29/06/2012
11819/2012	343115	25-03	27/06/2012	12416/2012	343165	21-01B	29/06/2012
11822/2012	343116	02-04NES	27/06/2012	12417/2012	343018	21-01B	21/06/2012
11851/2012	343117	25-02C	27/06/2012	12418/2012	343166	21-01B	29/06/2012
11888/2012	343087	13-02	27/06/2012	12423/2012	343045	21-01B	22/06/2012
11909/2012	343006	11-02B	20/06/2012	12425/2012	343046	15-01	22/06/2012
11931/2012	343010	23-01G	20/06/2012	12426/2012	343047	15-01	22/06/2012

Publication and Registration Proceedings - Designs Registered cont'd

Design Number	Registration Number	International Classification Code (IDC)	Registration Date	Design Number	Registration Number	International Classification Code (IDC)	Registration Date
12431/2012	342986	09-07B	19/06/2012	12544/2012	343030	08-07	22/06/2012
12432/2012	342987	09-07C	19/06/2012	12545/2012	343031	16-06	22/06/2012
12433/2012	342988	09-07C	19/06/2012	12546/2012	343032	16-06	22/06/2012
12434/2012	342989	09-07C	19/06/2012	12547/2012	343033	04-02	22/06/2012
12444/2012	343019	07-02P	21/06/2012	12548/2012	343069	13-03C	26/06/2012
12445/2012	343020	07-02P	21/06/2012	12549/2012	343070	08-08NES	26/06/2012
12446/2012	343167	09-01K	29/06/2012	12550/2012	343071	08-08NES	26/06/2012
12447/2012	343168	09-01K	29/06/2012	12552/2012	343066	12-15A	25/06/2012
12448/2012	343048	09-01H	22/06/2012	12553/2012	343067	12-15A	25/06/2012
12449/2012	342961	09-03NES	18/06/2012	12554/2012	343068	12-15A	25/06/2012
12450/2012	342962	09-03NES	18/06/2012	12559/2012	343169	21-04	29/06/2012
12451/2012	342963	09-03NES	18/06/2012	12561/2012	343072	26-04	26/06/2012
12452/2012	343021	09-03NES	21/06/2012	12562/2012	343073	26-04	26/06/2012
12455/2012	342964	08-05N	18/06/2012	12564/2012	343074	14-03A	26/06/2012
12456/2012	342965	07-05E	18/06/2012	12565/2012	343075	19-08	26/06/2012
12457/2012	342966	07-05E	18/06/2012	12566/2012	343076	19-08	26/06/2012
12458/2012	342967	09-01NES	18/06/2012	12567/2012	343077	09-01NES	26/06/2012
12459/2012	342968	09-01NES	18/06/2012	12571/2012	343078	23-04	26/06/2012
12460/2012	342969	09-01NES	18/06/2012	12579/2012	343079	14-03B	26/06/2012
12461/2012	342970	09-01NES	18/06/2012	12580/2012	343080	14-03B	26/06/2012
12462/2012	342971	09-01NES	18/06/2012	12581/2012	343081	19-08	26/06/2012
12466/2012	343049	25-01G	22/06/2012	12590/2012	343149	07-02L	28/06/2012
12467/2012	343050	25-01E	22/06/2012	12594/2012	343150	06-01D	28/06/2012
12468/2012	343051	25-01E	22/06/2012	12595/2012	343151	06-01D	28/06/2012
12469/2012	343052	06-01G	22/06/2012	12596/2012	343152	12-08	28/06/2012
12476/2012	343053	19-04	22/06/2012	12597/2012	343153	12-08	28/06/2012
12485/2012	343097	08-07	27/06/2012	12598/2012	343154	10-05	28/06/2012
12487/2012	343098	07-02P	27/06/2012	12600/2012	343155	21-04	28/06/2012
12488/2012	343038	07-05C	22/06/2012	12603/2012	343156	15-07	28/06/2012
12491/2012	343099	20-03NES	27/06/2012	12604/2012	343157	15-07	28/06/2012
12495/2012	343100	07-01F	27/06/2012	12605/2012	343121	14-02	27/06/2012
12496/2012	343101	07-01F	27/06/2012	12607/2012	343122	25-01C	27/06/2012
12498/2012	343102	23-01A	27/06/2012	12610/2012	343123	12-11	27/06/2012
12505/2012	343022	28-03B	21/06/2012	12611/2012	343124	12-11	27/06/2012
12506/2012	343023	28-03B	21/06/2012	12612/2012	343158	23-01A	28/06/2012
12507/2012	343024	28-03B	21/06/2012	12613/2012	343159	23-01A	28/06/2012
12508/2012	343025	14-02	21/06/2012	12614/2012	343160	23-01A	28/06/2012
12509/2012	343026	14-02	21/06/2012	12615/2012	343161	23-01A	28/06/2012
12512/2012	343103	28-03B	27/06/2012	12616/2012	343162	23-01A	28/06/2012
12513/2012	343104	16-06	27/06/2012	12617/2012	343125	23-01A	28/06/2012
12514/2012	343105	13-03C	27/06/2012	12618/2012	343126	23-01A	28/06/2012
12516/2012	343120	08-03	27/06/2012	12619/2012	343127	23-01A	28/06/2012
12518/2012	343106	28-03B	27/06/2012	12620/2012	343128	23-01A	28/06/2012
12521/2012	343107	28-03D	27/06/2012	12621/2012	343129	23-01A	28/06/2012
12524/2012	343108	06-03A	27/06/2012	12622/2012	343130	23-01A	28/06/2012
12525/2012	343109	06-03A	27/06/2012	12623/2012	343131	23-01A	28/06/2012
12531/2012	343143	26-05C	28/06/2012	12624/2012	343132	23-01A	28/06/2012
12532/2012	343144	26-05C	28/06/2012	12625/2012	343133	23-01A	28/06/2012
12536/2012	343145	06-03C	28/06/2012	12626/2012	343134	23-01A	28/06/2012
12537/2012	343146	20-02NES	28/06/2012	12627/2012	343135	23-02B	28/06/2012
12538/2012	343147	19-06	28/06/2012	12629/2012	343136	23-01C	28/06/2012
12539/2012	343148	24-01	28/06/2012	12630/2012	343137	21-02C	28/06/2012
12540/2012	343027	02-06	22/06/2012	12636/2012	343138	03-01B	28/06/2012
12541/2012	343028	24-01	22/06/2012	12637/2012	343139	03-01B	28/06/2012
12543/2012	343029	08-08NES	22/06/2012	12641/2012	343170	15-01	29/06/2012

Publication and Registration Proceedings - Designs Registered cont'd

Publication and Registration Proceedings

Class Listing of Designs Published or Registered

The following section shows an International Classification Code listing of the Registered or Published Designs covered in this supplement.

Classification	Registration Number	Design Number	Classification	Registration Number	Design Number
02-02B	343014	12159/2012	07-05C	343038	12488/2012
02-02C	343054	15719/2011	07-05E	342965	12456/2012
02-02C	343055	15721/2011	07-05E	342966	12457/2012
02-02C	343056	15723/2011	07-07B	343007	11114/2012
02-02C	343057	15724/2011	07-07B	343008	11115/2012
02-02C	343058	15725/2011	08-01	343044	12362/2012
02-02C	343059	15726/2011	08-03	343114	11818/2012
02-02C	343060	15727/2011	08-03	343120	12516/2012
02-02C	343061	15728/2011	08-05K	342985	12280/2012
02-02C	343062	15729/2011	08-05N	342964	12455/2012
02-02C	343063	15730/2011	08-07	343030	12544/2012
02-02C	343064	15731/2011	08-07	343097	12485/2012
02-02C	343065	15732/2011	08-08B	343112	10089/2012
02-02C	343110	15733/2011	08-08B	343125	12617/2012
02-02C	343111	15734/2011	08-08B	343126	12618/2012
02-02NES	343027	12540/2012	08-08B	343127	12619/2012
02-02NES	343034	15432/2011	08-08B	343128	12620/2012
02-02NES	343035	12363/2012	08-08B	343129	12621/2012
02-02NES	343118	12195/2012	08-08B	343130	12622/2012
02-04NES	343016	12249/2012	08-08B	343131	12623/2012
02-04NES	343116	11822/2012	08-08B	343132	12624/2012
02-06	343027	12540/2012	08-08B	343133	12625/2012
03-01B	343138	12636/2012	08-08B	343134	12626/2012
03-01B	343139	12637/2012	08-08L	343013	12079/2012
03-01NES	343094	12170/2012	08-08NES	343029	12543/2012
04-02	343033	12547/2012	08-08NES	343070	12549/2012
06-01D	343150	12594/2012	08-08NES	343071	12550/2012
06-01D	343151	12595/2012	08-08NES	343113	11410/2012
06-01E	342982	12154/2012	08-08NES	343142	12330/2012
06-01G	343052	12469/2012	09-01A	343163	12406/2012
06-03A	342983	12155/2012	09-01A	343164	12407/2012
06-03A	342984	12156/2012	09-01G	343084	11664/2012
06-03A	343108	12524/2012	09-01H	343048	12448/2012
06-03A	343109	12525/2012	09-01K	343167	12446/2012
06-03C	343017	12397/2012	09-01K	343168	12447/2012
06-03C	343145	12536/2012	09-01NES	342967	12458/2012
06-04NES	343085	11675/2012	09-01NES	342968	12459/2012
06-06H	343015	12168/2012	09-01NES	342969	12460/2012
06-06NES	343093	12161/2012	09-01NES	342970	12461/2012
06-13C	343119	12196/2012	09-01NES	342971	12462/2012
07-01F	343100	12495/2012	09-01NES	343012	12076/2012
07-01F	343101	12496/2012	09-01NES	343040	12307/2012
07-02L	343039	12250/2012	09-01NES	343077	12567/2012
07-02L	343149	12590/2012	09-03H	343112	10089/2012
07-02P	343019	12444/2012	09-03NES	342961	12449/2012
07-02P	343020	12445/2012	09-03NES	342962	12450/2012
07-02P	343098	12487/2012	09-03NES	342963	12451/2012
07-03	343114	11818/2012	09-03NES	343021	12452/2012
07-04	342981	12356/2012	09-07A	342997	11558/2012
07-04	343041	12340/2012	09-07B	342986	12431/2012
07-04	343042	12342/2012	09-07C	342972	12344/2012
07-04	343043	12343/2012	09-07C	342987	12432/2012
07-05C	343037	12215/2012	09-07C	342988	12433/2012

Registration Proceedings - Class Listing of Designs Published or Registered cont'd

Classification	Registration Number	Design Number	Classification	Registration Number	Design Number
09-07C	342989	12434/2012	20-02E	342994	11495/2012
09-07NES	342995	11556/2012	20-02NES	343146	12537/2012
10-05	343154	12598/2012	20-03NES	343086	11728/2012
11-01B	343029	12543/2012	20-03NES	343099	12491/2012
11-01E	342979	12354/2012	20-03NES	343146	12537/2012
11-02B	343006	11909/2012	21-01B	343018	12417/2012
12-02	343088	12098/2012	21-01B	343045	12423/2012
12-02	343095	12247/2012	21-01B	343165	12416/2012
12-08	343152	12596/2012	21-01B	343166	12418/2012
12-08	343153	12597/2012	21-02C	343137	12630/2012
12-11	343123	12610/2012	21-02F	343011	11954/2012
12-11	343124	12611/2012	21-02NES	342991	10322/2012
12-15A	343066	12552/2012	21-02NES	342992	12141/2012
12-15A	343067	12553/2012	21-04	343083	11430/2012
12-15A	343068	12554/2012	21-04	343155	12600/2012
12-16B	343004	11597/2012	21-04	343169	12559/2012
12-16C	342999	11590/2012	23-01A	343102	12498/2012
12-16C	343000	11591/2012	23-01A	343125	12617/2012
12-16C	343002	11595/2012	23-01A	343126	12618/2012
12-16C	343003	11596/2012	23-01A	343127	12619/2012
12-16E	343005	11600/2012	23-01A	343128	12620/2012
12-16F	343001	11594/2012	23-01A	343129	12621/2012
12-16NES	342990	10264/2012	23-01A	343130	12622/2012
12-16NES	343036	11601/2012	23-01A	343131	12623/2012
12-16NES	343123	12610/2012	23-01A	343132	12624/2012
12-16NES	343124	12611/2012	23-01A	343133	12625/2012
13-01	343082	11169/2012	23-01A	343134	12626/2012
13-02	343087	11888/2012	23-01A	343140	11324/2012
13-03B	342990	10264/2012	23-01A	343158	12612/2012
13-03C	342980	12355/2012	23-01A	343159	12613/2012
13-03C	343069	12548/2012	23-01A	343160	12614/2012
13-03C	343105	12514/2012	23-01A	343161	12615/2012
14-02	343025	12508/2012	23-01A	343162	12616/2012
14-02	343026	12509/2012	23-01C	342973	12347/2012
14-02	343121	12605/2012	23-01C	342974	12348/2012
14-03A	343074	12564/2012	23-01C	342975	12349/2012
14-03B	343079	12579/2012	23-01C	342976	12350/2012
14-03B	343080	12580/2012	23-01C	342977	12351/2012
15-01	343046	12425/2012	23-01C	342978	12352/2012
15-01	343047	12426/2012	23-01C	343136	12629/2012
15-01	343170	12641/2012	23-01G	343010	11931/2012
15-07	342993	10563/2012	23-02B	343135	12627/2012
15-07	343156	12603/2012	23-04	343078	12571/2012
15-07	343157	12604/2012	24-01	343028	12541/2012
15-99	342995	11556/2012	24-01	343088	12098/2012
15-99	342996	11557/2012	24-01	343148	12539/2012
15-99	342997	11558/2012	24-99	342986	12431/2012
15-99	342998	11559/2012	25-01C	343122	12607/2012
16-06	343031	12545/2012	25-01E	343050	12467/2012
16-06	343032	12546/2012	25-01E	343051	12468/2012
16-06	343104	12513/2012	25-01G	343049	12466/2012
19-04	343053	12476/2012	25-01K	343089	12132/2012
19-06	343147	12538/2012	25-01K	343090	12133/2012
19-08	343075	12565/2012	25-01K	343091	12134/2012
19-08	343076	12566/2012	25-01K	343092	12135/2012
19-08	343081	12581/2012	25-01NES	343049	12466/2012

Registration Proceedings - Class Listing of Designs Published or Registered cont'd

Classification	Registration Number	Design Number	Classification	Registration Number	Design Number
25-02C	343117	11851/2012	26-99	343096	12289/2012
25-02H	343009	11653/2012	28-03B	343022	12505/2012
25-02H	343086	11728/2012	28-03B	343023	12506/2012
25-03	343115	11819/2012	28-03B	343024	12507/2012
25-03	343141	11713/2012	28-03B	343103	12512/2012
26-04	343072	12561/2012	28-03B	343106	12518/2012
26-04	343073	12562/2012	28-03D	343107	12521/2012
26-05C	343143	12531/2012	29-01	343094	12170/2012
26-05C	343144	12532/2012			
26-05E	343083	11430/2012			

(21) Design Number: **12449/2012**
(22) Date of Filing Application: **22 May 2012**
(24) Date from which industrial property rights may have effect: **22 May 2012**
(54) Product in respect of which the design is registered: **Stack of wine glass container devices**
(51) International Design Classification: **09-03NES**
(74) Name(s) of Attorney(s): **SPRUSON & FERGUSON**
(71) Name(s) and Address(s) of Applicant(s):
Stacked Wines, LLC
300 Cagney Lane #105 Newport Beach California 92663 United States of America
(72) Name(s) of Designer(s): **Matt Zimmer**
(45) Registration Date: **18 June 2012**
(30) Convention priority data:
(31) Number (32) Date (33) Country
29/411983 27 Jan 2012 UNITED STATES OF AMERICA
(56) Related Art Documents: **Not Applicable**
(57) Statement of Newness and Distinctiveness: **Newness and distinctiveness is claimed in the features of shape and/or configuration of a stack of wine glass container devices as illustrated in the accompanying representations.**



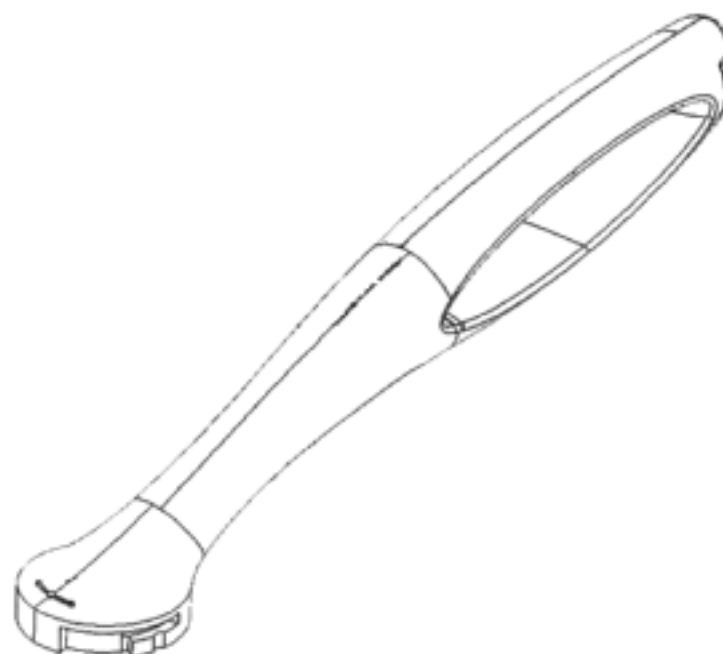
(21) Design Number: **12450/2012**
(22) Date of Filing Application: **22 May 2012**
(24) Date from which industrial property rights may have effect: **22 May 2012**
(54) Product in respect of which the design is registered: **Stack of wine glass container devices**
(51) International Design Classification: **09-03NES**
(74) Name(s) of Attorney(s): **SPRUSON & FERGUSON**
(71) Name(s) and Address(s) of Applicant(s):
Stacked Wines, LLC
300 Cagney Lane #105 Newport Beach California 92663 United States of America
(72) Name(s) of Designer(s): **Matt Zimmer**
(45) Registration Date: **18 June 2012**
(30) Convention priority data:
(31) Number (32) Date (33) Country
29/411983 27 Jan 2012 UNITED STATES OF AMERICA
(56) Related Art Documents: **Not Applicable**
(57) Statement of Newness and Distinctiveness: **Newness and distinctiveness is claimed in the features of shape and/or configuration of a stack of wine glass container devices as illustrated in the accompanying representations.**



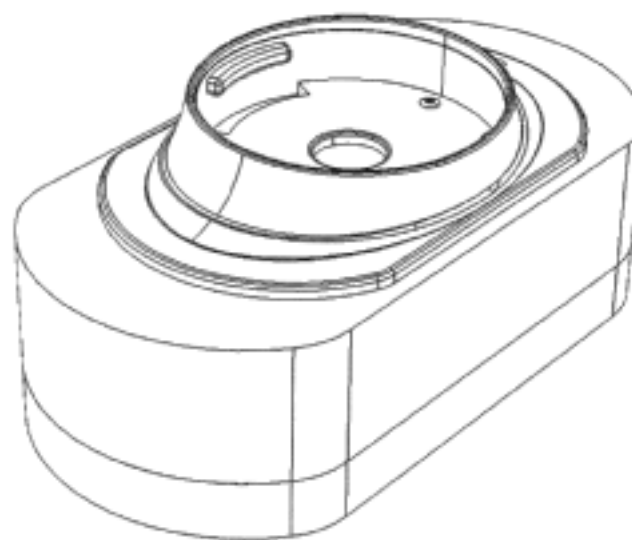
(21) Design Number: **12451/2012**
(22) Date of Filing Application: **22 May 2012**
(24) Date from which industrial property rights may have effect: **22 May 2012**
(54) Product in respect of which the design is registered: **Wine glass container device**
(51) International Design Classification: **09-03NES**
(74) Name(s) of Attorney(s): **SPRUSON & FERGUSON**
(71) Name(s) and Address(s) of Applicant(s):
Stacked Wines, LLC
300 Cagney Lane #105 Newport Beach California 92663 United States of America
(72) Name(s) of Designer(s): **Matt Zimmer**
(45) Registration Date: **18 June 2012**
(30) Convention priority data:
(31) Number (32) Date (33) Country
29/411983 27 Jan 2012 UNITED STATES OF AMERICA
(56) Related Art Documents: **Not Applicable**
(57) Statement of Newness and Distinctiveness: **Newness and distinctiveness is claimed in the features of shape and/or configuration of a wine glass container device as illustrated in the accompanying representations.**



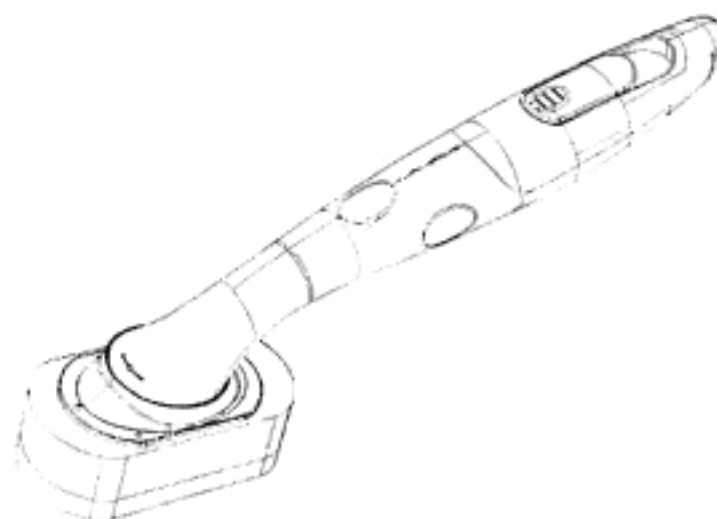
(21) Design Number: **12455/2012**
(22) Date of Filing Application: **22 May 2012**
(24) Date from which industrial property rights may have effect: **22 May 2012**
(54) Product in respect of which the design is registered: **Hand-held sanding implement**
(51) International Design Classification: **08-05N**
(74) Name(s) of Attorney(s): **HODGKINSON McINNES PATENTS**
(71) Name(s) and Address(s) of Applicant(s):
Kwai Sun Oliver Wong
26 Quintana Avenue Baulkham Hills New South Wales 2153 Australia
(72) Name(s) of Designer(s): **Kwai Sun Oliver Wong**
(45) Registration Date: **18 June 2012**
(30) Convention priority data:
(31) Number (32) Date (33) Country
415552 22 Nov 2011 NEW ZEALAND
(56) Related Art Documents: **Not Applicable**
(57) Statement of Newness and Distinctiveness: **Newness and distinctiveness is claimed in relation to the shape and configuration of a hand-held sanding implement as shown in the representations.**



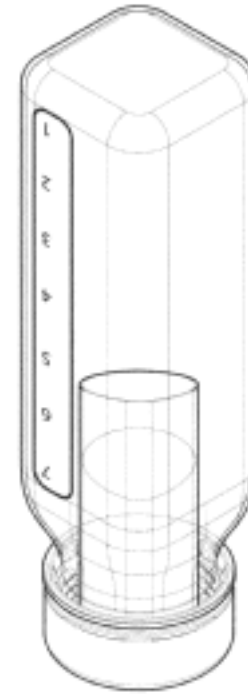
(21) Design Number: **12456/2012**
(22) Date of Filing Application: **22 May 2012**
(24) Date from which industrial property rights may have effect: **22 May 2012**
(54) Product in respect of which the design is registered: **Sponge head for a hand-held cleaning utensil**
(51) International Design Classification: **07-05E**
(74) Name(s) of Attorney(s): **HODGKINSON McINNES PATENTS**
(71) Name(s) and Address(s) of Applicant(s):
Kwai Sun Oliver Wong
26 Quintana Avenue Baulkham Hills New South Wales 2153 Australia
(72) Name(s) of Designer(s): **Kwai Sun Oliver Wong**
(45) Registration Date: **18 June 2012**
(30) Convention priority data:
(31) Number (32) Date (33) Country
415553 22 Nov 2011 NEW ZEALAND
(56) Related Art Documents: **Not Applicable**
(57) Statement of Newness and Distinctiveness: **Newness and distinctiveness is claimed in relation to the shape and configuration of a sponge head for a hand-held cleaning utensil as shown in the representations.**



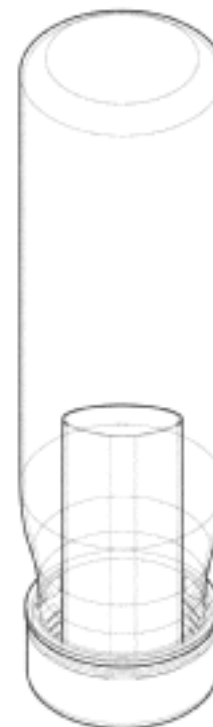
(21) Design Number: **12457/2012**
(22) Date of Filing Application: **22 May 2012**
(24) Date from which industrial property rights may have effect: **22 May 2012**
(54) Product in respect of which the design is registered: **Hand-held cleaning utensil**
(51) International Design Classification: **07-05E**
(74) Name(s) of Attorney(s): **HODGKINSON McINNES PATENTS**
(71) Name(s) and Address(s) of Applicant(s):
Kwai Sun Oliver Wong
26 Quintana Avenue Baulkham Hills New South Wales 2153 Australia
(72) Name(s) of Designer(s): **Kwai Sun Oliver Wong**
(45) Registration Date: **18 June 2012**
(30) Convention priority data:
(31) Number (32) Date (33) Country
415554 22 Nov 2011 NEW ZEALAND
(56) Related Art Documents: **Not Applicable**
(57) Statement of Newness and Distinctiveness: **Newness and distinctiveness is claimed in relation to the shape and configuration of a hand-held cleaning utensil as shown in the representations.**



- (21) Design Number: **12458/2012**
(22) Date of Filing Application: **21 May 2012**
(24) Date from which industrial property rights may have effect: **21 May 2012**
(54) Product in respect of which the design is registered: **Medicament package**
(51) International Design Classification: **09-01NES**
(74) Name(s) of Attorney(s):
(71) Name(s) and Address(s) of Applicant(s):
Logue and Co. Pty Ltd
199 Kiora Road Yowie Bay New South Wales 2228 Australia
(72) Name(s) of Designer(s): **Anthony Thomas Logue**
(45) Registration Date: **18 June 2012**
(57) Statement of Newness and Distinctiveness: **Newness and distinctiveness is claimed in the features of shape and/or configuration of a medicament package as depicted in the accompanying drawing**



- (21) Design Number: **12459/2012**
(22) Date of Filing Application: **21 May 2012**
(24) Date from which industrial property rights may have effect: **21 May 2012**
(54) Product in respect of which the design is registered: **Medicament package**
(51) International Design Classification: **09-01NES**
(74) Name(s) of Attorney(s):
(71) Name(s) and Address(s) of Applicant(s):
Logue and Co. Pty Ltd
199 Kiora Road Yowie Bay New South Wales 2228 Australia
(72) Name(s) of Designer(s): **Anthony Thomas Logue**
(45) Registration Date: **18 June 2012**
(56) Related Art Documents: **Not Applicable**
(57) Statement of Newness and Distinctiveness: **Newness and distinctiveness is claimed in the shape and/or configuration of a medicament package as depicted in the accompanying drawing**



(21) Design Number: **12460/2012**

(22) Date of Filing Application: **21 May 2012**

(24) Date from which industrial property rights may have effect: **21 May 2012**

(54) Product in respect of which the design is registered: **Medicament package**

(51) International Design Classification: **09-01NES**

(74) Name(s) of Attorney(s):

(71) Name(s) and Address(s) of Applicant(s):

Logue and Co. Pty Ltd

199 Kiara Road Yowie Bay New South Wales 2228 Australia

(72) Name(s) of Designer(s): **Anthony Thomas Logue**

(45) Registration Date: **18 June 2012**

(56) Related Art Documents: **Not Applicable**

(57) Statement of Newness and Distinctiveness: **Newness and distinctiveness is claimed in the features of shape and/or configuration of a medicament package as depicted in the accompanying drawing.**



(21) Design Number: **12461/2012**

(22) Date of Filing Application: **21 May 2012**

(24) Date from which industrial property rights may have effect: **21 May 2012**

(54) Product in respect of which the design is registered: **Medicament package**

(51) International Design Classification: **09-01NES**

(74) Name(s) of Attorney(s):

(71) Name(s) and Address(s) of Applicant(s):

Logue and Co. Pty Ltd

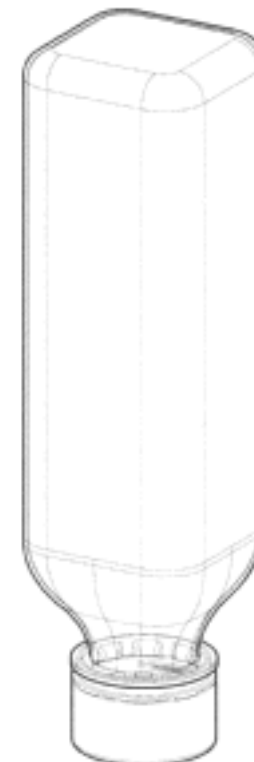
199 Kiara Road Yowie Bay New South Wales 2228 Australia

(72) Name(s) of Designer(s): **Anthony Thomas Logue**

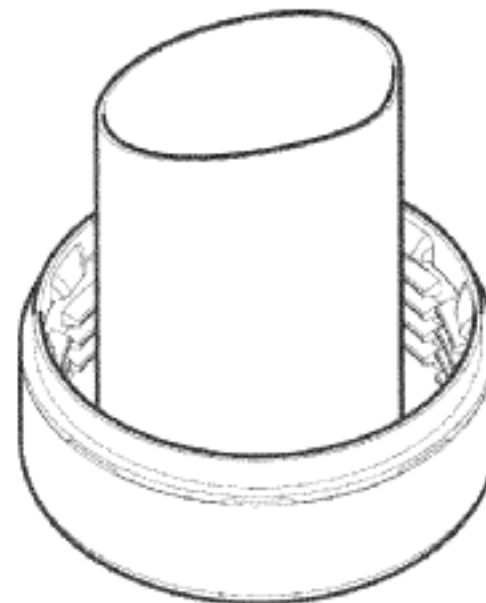
(45) Registration Date: **18 June 2012**

(56) Related Art Documents: **Not Applicable**

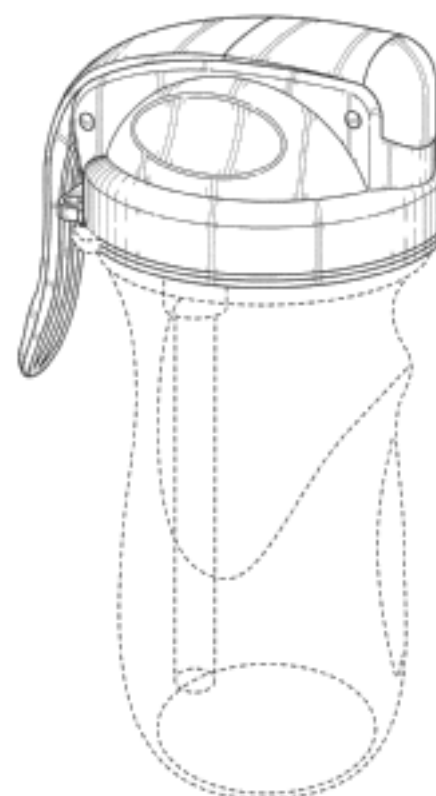
(57) Statement of Newness and Distinctiveness: **Newness and distinctiveness is claimed in the features of shape and/or configuration of a medicament package as depicted in the accompanying drawing.**



- (21) Design Number: **12462/2012**
(22) Date of Filing Application: **21 May 2012**
(24) Date from which industrial property rights may have effect: **21 May 2012**
(54) Product in respect of which the design is registered: **Cap for a medicament package**
(51) International Design Classification: **09-01NES**
(74) Name(s) of Attorney(s):
(71) Name(s) and Address(s) of Applicant(s):
Logue and Co. Pty Ltd
199 Kiora Road Yowie Bay New South Wales 2228 Australia
(72) Name(s) of Designer(s): **Anthony Thomas Logue**
(45) Registration Date: **18 June 2012**
(56) Related Art Documents: **Not Applicable**
(57) Statement of Newness and Distinctiveness: **Newness and distinctiveness is claimed in the features of shape and/or configuration of a cap for a medicament package as depicted in the accompanying drawing.**



- (21) Design Number: **12344/2012**
(22) Date of Filing Application: **16 May 2012**
(24) Date from which industrial property rights may have effect: **16 May 2012**
(54) Product in respect of which the design is registered: **Top lid assembly for bottle**
(51) International Design Classification: **09-07C**
(74) Name(s) of Attorney(s): **Cotters Patent & Trade Mark Attorneys**
(71) Name(s) and Address(s) of Applicant(s):
David Windmiller
18 Gwynne Road Melville New York 11747 United States of America
(72) Name(s) of Designer(s): **David Windmiller**
(45) Registration Date: **18 June 2012**
(30) Convention priority data:
(31) Number (32) Date (33) Country
29/406,584 16 Nov 2011 UNITED STATES OF AMERICA
(56) Related Art Documents: **Not Applicable**
(57) Statement of Newness and Distinctiveness: **Newness and distinctiveness is claimed in the features of shape and/or configuration of a top lid assembly for bottles as depicted in the accompanying drawings, having particular regard to the features shown in continuous lines.**



(21) Design Number: **12347/2012**
(22) Date of Filing Application: **16 May 2012**
(24) Date from which industrial property rights may have effect: **16 May 2012**
(54) Product in respect of which the design is registered: **Garden hose**
(51) International Design Classification: **23-01C**
(74) Name(s) of Attorney(s): **SPRUSON & FERGUSON**
(71) Name(s) and Address(s) of Applicant(s):

GARDENA Manufacturing GmbH
Hans-Lorensen-Strasse 40 89079 Ulm Germany

(72) Name(s) of Designer(s): **Aleksandar Tatic**

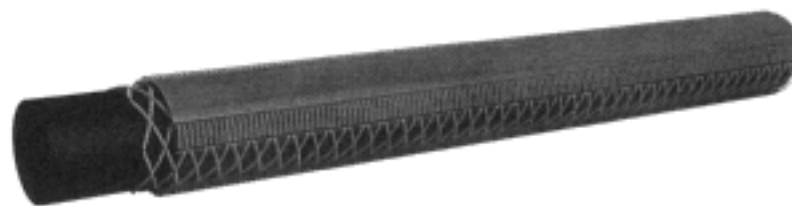
(45) Registration Date: **18 June 2012**

(30) Convention priority data:

(31) Number	(32) Date	(33) Country
001951062	22 Nov 2011	EUROPEAN COMMUNITY

(56) Related Art Documents: **Not Applicable**

(57) Statement of Newness and Distinctiveness: **Newness and distinctiveness is claimed in the features of pattern and/or ornamentation and shape and/or configuration of a garden hose as illustrated in the accompanying representations, apart from the length of the garden hose.**



(21) Design Number: **12348/2012**
(22) Date of Filing Application: **16 May 2012**
(24) Date from which industrial property rights may have effect: **16 May 2012**
(54) Product in respect of which the design is registered: **Garden hose**
(51) International Design Classification: **23-01C**
(74) Name(s) of Attorney(s): **SPRUSON & FERGUSON**
(71) Name(s) and Address(s) of Applicant(s):

GARDENA Manufacturing GmbH
Hans-Lorensen-Strasse 40 89079 Ulm Germany

(72) Name(s) of Designer(s): **Aleksandar Tatic**

(45) Registration Date: **18 June 2012**

(30) Convention priority data:

(31) Number	(32) Date	(33) Country
001951062	22 Nov 2011	EUROPEAN COMMUNITY

(56) Related Art Documents: **Not Applicable**

(57) Statement of Newness and Distinctiveness: **Newness and distinctiveness is claimed in the features of pattern and/or ornamentation (including colour scheme) and shape and/or configuration of a garden hose as illustrated in the accompanying representations, apart from the length of the garden hose.**



(21) Design Number: **12349/2012**
(22) Date of Filing Application: **16 May 2012**
(24) Date from which industrial property rights may have effect: **16 May 2012**
(54) Product in respect of which the design is registered: **Garden hose**
(51) International Design Classification: **23-01C**
(74) Name(s) of Attorney(s): **SPRUSON & FERGUSON**
(71) Name(s) and Address(s) of Applicant(s):

GARDENA Manufacturing GmbH
Hans-Lorensen-Strasse 40 89079 Ulm Germany

(72) Name(s) of Designer(s): **Aleksandar Tatic**

(45) Registration Date: **18 June 2012**

(30) Convention priority data:

(31) Number	(32) Date	(33) Country
001951062	22 Nov 2011	EUROPEAN COMMUNITY

(56) Related Art Documents: **Not Applicable**

(57) Statement of Newness and Distinctiveness: **Newness and distinctiveness is claimed in the features of pattern and/or ornamentation (including colour scheme) and shape and/or configuration of a garden hose as illustrated in the accompanying representations, apart from the length of the garden hose.**



(21) Design Number: **12350/2012**
(22) Date of Filing Application: **16 May 2012**
(24) Date from which industrial property rights may have effect: **16 May 2012**
(54) Product in respect of which the design is registered: **Garden hose**
(51) International Design Classification: **23-01C**
(74) Name(s) of Attorney(s): **SPRUSON & FERGUSON**
(71) Name(s) and Address(s) of Applicant(s):

GARDENA Manufacturing GmbH
Hans-Lorensen-Strasse 40 89079 Ulm Germany

(72) Name(s) of Designer(s): **Aleksandar Tatic**

(45) Registration Date: **18 June 2012**

(30) Convention priority data:

(31) Number	(32) Date	(33) Country
001951062	22 Nov 2011	EUROPEAN COMMUNITY

(56) Related Art Documents: **Not Applicable**

(57) Statement of Newness and Distinctiveness: **Newness and distinctiveness is claimed in the features of pattern and/or ornamentation and shape and/or configuration of a garden hose as illustrated in the accompanying representations, apart from the length of the garden hose.**



(21) Design Number: **12351/2012**
(22) Date of Filing Application: **16 May 2012**
(24) Date from which industrial property rights may have effect: **16 May 2012**
(54) Product in respect of which the design is registered: **Garden hose**
(51) International Design Classification: **23-01C**
(74) Name(s) of Attorney(s): **SPRUSON & FERGUSON**
(71) Name(s) and Address(s) of Applicant(s):

GARDENA Manufacturing GmbH
Hans-Lorenser-Strasse 40 89079 Ulm Germany

(72) Name(s) of Designer(s): **Aleksandar Tatic**

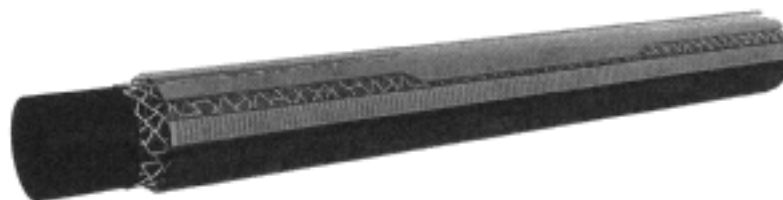
(45) Registration Date: **18 June 2012**

(30) Convention priority data:

(31) Number	(32) Date	(33) Country
001951062	22 Nov 2011	EUROPEAN COMMUNITY

(56) Related Art Documents: **Not Applicable**

(57) Statement of Newness and Distinctiveness: **Newness and distinctiveness is claimed in the features of pattern and/or ornamentation and shape and/or configuration of a garden hose as illustrated in the accompanying representations, apart from the length of the garden hose.**



(21) Design Number: **12352/2012**
(22) Date of Filing Application: **16 May 2012**
(24) Date from which industrial property rights may have effect: **16 May 2012**
(54) Product in respect of which the design is registered: **garden hose**
(51) International Design Classification: **23-01C**
(74) Name(s) of Attorney(s): **SPRUSON & FERGUSON**
(71) Name(s) and Address(s) of Applicant(s):

GARDENA Manufacturing GmbH
Hans-Lorenser-Strasse 40 89079 Ulm Germany

(72) Name(s) of Designer(s): **Aleksandar Tatic**

(45) Registration Date: **18 June 2012**

(30) Convention priority data:

(31) Number	(32) Date	(33) Country
001951062	22 Nov 2011	EUROPEAN COMMUNITY

(56) Related Art Documents: **Not Applicable**

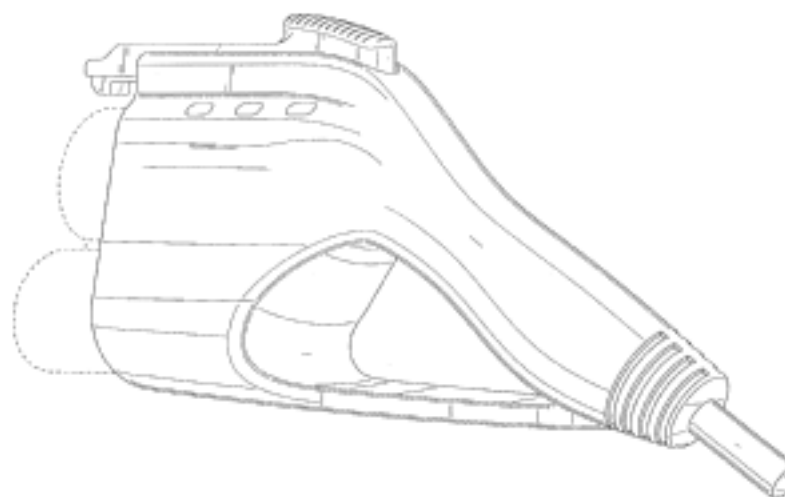
(57) Statement of Newness and Distinctiveness: **Newness and distinctiveness is claimed in the features of pattern and/or ornamentation (including colour scheme) and shape and/or configuration of a garden hose as illustrated in the accompanying representations, apart from the length of the garden hose.**



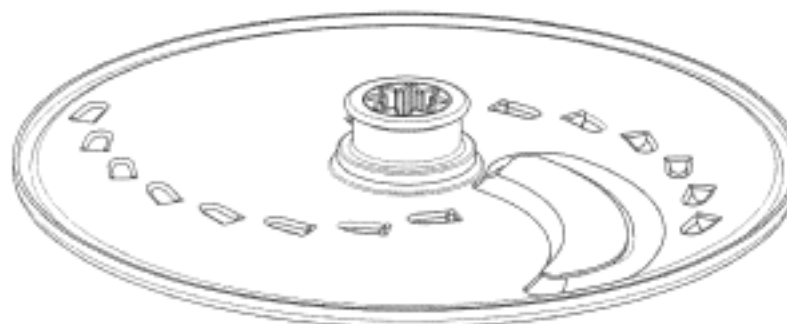
(21) Design Number: **12354/2012**
(22) Date of Filing Application: **17 May 2012**
(24) Date from which industrial property rights may have effect: **17 May 2012**
(54) Product in respect of which the design is registered: **Jewellery**
(51) International Design Classification: **11-01E**
(74) Name(s) of Attorney(s):
(71) Name(s) and Address(s) of Applicant(s):
John Henry Waardenberg
35 Glyndebourne Avenue Thornlie Western Australia 6108 Australia
(72) Name(s) of Designer(s): **John Henry Waardenberg**
(45) Registration Date: **18 June 2012**
(56) Related Art Documents: **Not Applicable**
(57) Statement of Newness and Distinctiveness: **The nuggy in a cradle pendant design has a variable diameter to suit the shape and size of a given nugget. The depth of the cradle is also variable due to nugget size. However, the cradle principal and design remains the same. This allows coarse or crystalline nuggets not suitable as normal pendants to be worn, as the cradle design protects them from the skin and cloths. The cradle design also beautifully enhance's the nugget. '**



(21) Design Number: **12355/2012**
(22) Date of Filing Application: **16 May 2012**
(24) Date from which industrial property rights may have effect: **16 May 2012**
(54) Product in respect of which the design is registered: **Electrical connector**
(51) International Design Classification: **13-03C**
(74) Name(s) of Attorney(s): **PIZZEYS**
(71) Name(s) and Address(s) of Applicant(s):
General Cable Technologies Corporation
4 Tesseneer Drive Highland Heights KY 41076 United States of America
(72) Name(s) of Designer(s): **Damien T. Sebald and Brian D. Smith**
(45) Registration Date: **18 June 2012**
(30) Convention priority data:
(31) Number (32) Date (33) Country
29/408,312 09 Dec 2011 UNITED STATES OF AMERICA
(56) Related Art Documents: **Not Applicable**
(57) Statement of Newness and Distinctiveness: **Nil**



(21) Design Number: **12356/2012**
(22) Date of Filing Application: **16 May 2012**
(24) Date from which industrial property rights may have effect: **16 May 2012**
(54) Product in respect of which the design is registered: **Food processor blade**
(51) International Design Classification: **07-04**
(74) Name(s) of Attorney(s): **Callinans**
(71) Name(s) and Address(s) of Applicant(s):
Kenwood Limited
New Lane Havant Hampshire PO9 2NH England
(72) Name(s) of Designer(s): **David Stephen Faram**
(45) Registration Date: **18 June 2012**
(30) Convention priority data:
(31) Number (32) Date (33) Country
001950858-0001 22 Nov 2011 EUROPEAN COMMUNITY
(56) Related Art Documents: **Not Applicable**
(57) Statement of Newness and Distinctiveness: **Nil**



(21) Design Number: **12154/2012**
(22) Date of Filing Application: **04 May 2012**
(24) Date from which industrial property rights may have effect: **04 May 2012**
(54) Product in respect of which the design is registered: **Outdoor bar stool**
(51) International Design Classification: **06-01E**
(74) Name(s) of Attorney(s):
(71) Name(s) and Address(s) of Applicant(s):
Super A-Mart Pty Ltd
Cnr Pacific Motorway and Springwood Road Springwood Queensland
4127 Australia
(72) Name(s) of Designer(s): **Casey Moore**
(45) Registration Date: **18 June 2012**
(56) Related Art Documents: **Not Applicable**
(57) Statement of Newness and Distinctiveness: **Novelty is claimed in the configuration and ornamentation as illustrated in the representations.**



(21) Design Number: **12155/2012**

(22) Date of Filing Application: **04 May 2012**

(24) Date from which industrial property rights may have effect: **04 May 2012**

(54) Product in respect of which the design is registered: **Outdoor coffee table**

(51) International Design Classification: **06-03A**

(74) Name(s) of Attorney(s):

(71) Name(s) and Address(s) of Applicant(s):

Super A-Mart Pty Ltd

**Cnr Pacific Motorway and Springwood Road Springwood Queensland
4127 Australia**

(72) Name(s) of Designer(s): **Casey Moore**

(45) Registration Date: **18 June 2012**

(56) Related Art Documents: **Not Applicable**

(57) Statement of Newness and Distinctiveness: **Novelty is claimed in the configuration and ornamentation as illustrated in the representations.**



(21) Design Number: **12156/2012**

(22) Date of Filing Application: **04 May 2012**

(24) Date from which industrial property rights may have effect: **04 May 2012**

(54) Product in respect of which the design is registered: **Outdoor table**

(51) International Design Classification: **06-03A**

(74) Name(s) of Attorney(s):

(71) Name(s) and Address(s) of Applicant(s):

Super A-Mart Pty Ltd

**Cnr Pacific Motorway and Springwood Road Springwood Queensland
4127 Australia**

(72) Name(s) of Designer(s): **Casey Moore**

(45) Registration Date: **18 June 2012**

(56) Related Art Documents: **Not Applicable**

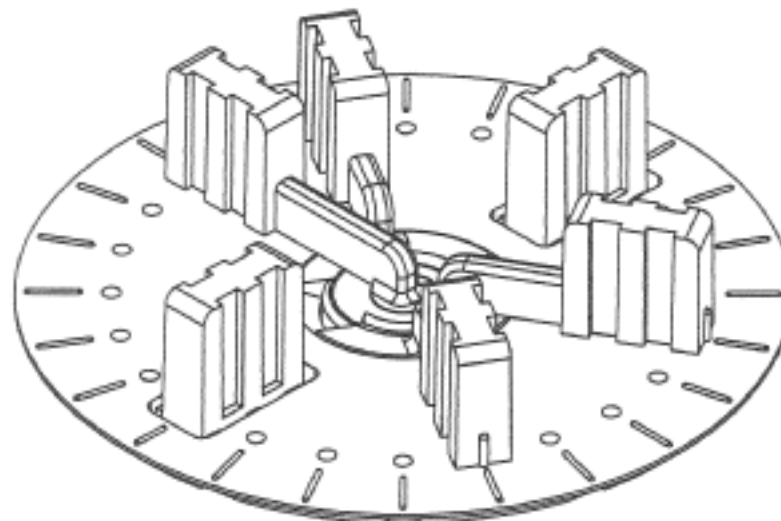
(57) Statement of Newness and Distinctiveness: **Novelty is claimed in the configuration and ornamentation as illustrated in the representations.**



- (21) Design Number: **12280/2012**
(22) Date of Filing Application: **10 May 2012**
(24) Date from which industrial property rights may have effect: **10 May 2012**
(54) Product in respect of which the design is registered: **Spacer for pavers**
(51) International Design Classification: **08-05K**
(74) Name(s) of Attorney(s): **FB Rice**
(71) Name(s) and Address(s) of Applicant(s):

Elmich Pte Ltd
15 Joan Road Singapore 298899 Singapore

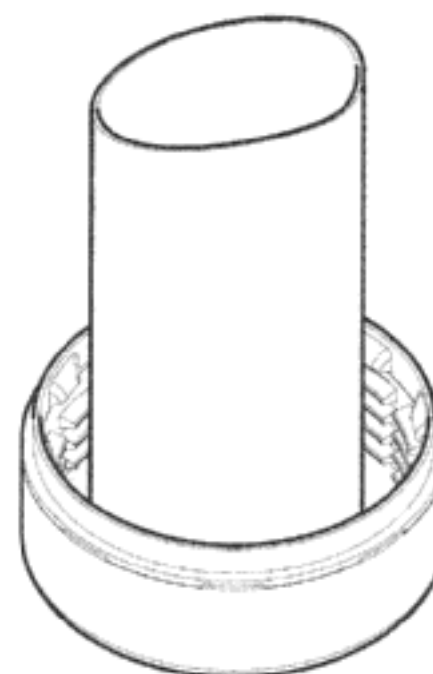
- (72) Name(s) of Designer(s): **Alan Sian Ghee Lee and Henry Greaves**
(45) Registration Date: **18 June 2012**
(56) Related Art Documents: **Not Applicable**
(57) Statement of Newness and Distinctiveness: **Newness and distinctiveness reside in the features of shape and configuration of the spacer tab as shown in the representations excluding those features shown in broken lines noting that four of the six tabs are rotatable about the centre of the spacer and are removable.**



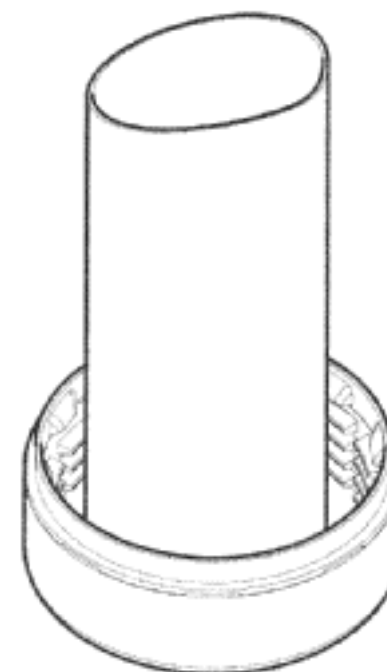
- (21) Design Number: **12431/2012**
(22) Date of Filing Application: **21 May 2012**
(24) Date from which industrial property rights may have effect: **21 May 2012**
(54) Product in respect of which the design is registered: **Cap for a medicament package**
(51) International Design Classification: **09-07B, 24-99**
(74) Name(s) of Attorney(s):
(71) Name(s) and Address(s) of Applicant(s):

Logue and Co. Pty Ltd
199 Kiora Road Yowie Bay New South Wales 2228 Australia

- (72) Name(s) of Designer(s): **Anthony Thomas Logue**
(45) Registration Date: **19 June 2012**
(56) Related Art Documents: **Not Applicable**
(57) Statement of Newness and Distinctiveness: **Newness and distinctiveness is claimed in the features of shape and/or configuration of a cap for a medicament package as depicted in the accompanying drawing.**



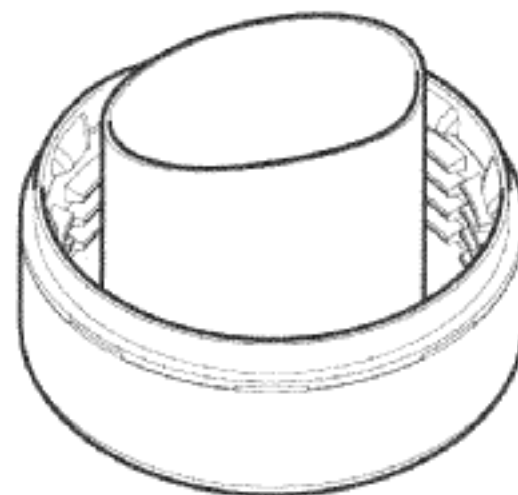
- (21) Design Number: **12432/2012**
(22) Date of Filing Application: **21 May 2012**
(24) Date from which industrial property rights may have effect: **21 May 2012**
(54) Product in respect of which the design is registered: **Cap for a medicament package**
(51) International Design Classification: **09-07C**
(74) Name(s) of Attorney(s):
(71) Name(s) and Address(s) of Applicant(s):
Logue and Co. Pty Ltd
199 Kiora Road Yowie Bay New South Wales 2228 Australia
(72) Name(s) of Designer(s): **Anthony Thomas Logue**
(45) Registration Date: **19 June 2012**
(56) Related Art Documents: **Not Applicable**
(57) Statement of Newness and Distinctiveness: **Newness and distinctiveness is claimed in the features of shape and/or configuration of a cap for a medicament package as depicted in the accompanying drawing.**



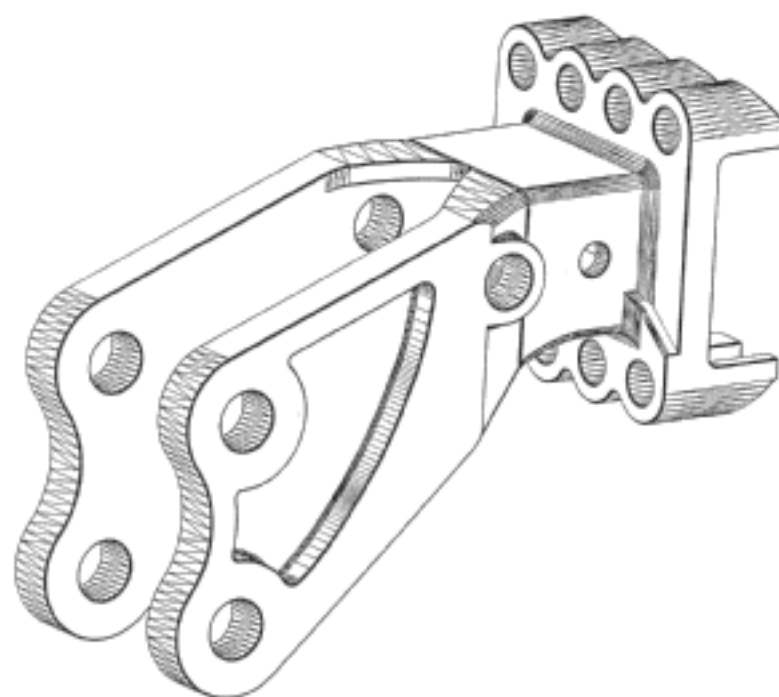
- (21) Design Number: **12433/2012**
(22) Date of Filing Application: **21 May 2012**
(24) Date from which industrial property rights may have effect: **21 May 2012**
(54) Product in respect of which the design is registered: **Cap for a medicament package**
(51) International Design Classification: **09-07C**
(74) Name(s) of Attorney(s):
(71) Name(s) and Address(s) of Applicant(s):
Logue and Co. Pty Ltd
199 Kiora Road Yowie Bay New South Wales 2228 Australia
(72) Name(s) of Designer(s): **Anthony Thomas Logue**
(45) Registration Date: **19 June 2012**
(56) Related Art Documents: **Not Applicable**
(57) Statement of Newness and Distinctiveness: **Newness and distinctiveness is claimed in the features of shape and/or configuration of a cap for a medicament package as depicted in the accompanying drawing.**



- (21) Design Number: **12434/2012**
(22) Date of Filing Application: **21 May 2012**
(24) Date from which industrial property rights may have effect: **21 May 2012**
(54) Product in respect of which the design is registered: **Cap for medicament package**
(51) International Design Classification: **09-07C**
(74) Name(s) of Attorney(s):
(71) Name(s) and Address(s) of Applicant(s):
Logue and Co. Pty Ltd
199 Kiora Road Yowie Bay New South Wales 2228 Australia
(72) Name(s) of Designer(s): **Anthony Thomas Logue**
(45) Registration Date: **19 June 2012**
(56) Related Art Documents: **Not Applicable**
(57) Statement of Newness and Distinctiveness: **Newness and distinctiveness is claimed in the features of shape and/or configuration of a cap for a medicament package as depicted in the accompanying drawing.**



- (21) Design Number: **10264/2012**
(22) Date of Filing Application: **19 January 2012**
(24) Date from which industrial property rights may have effect: **19 January 2012**
(54) Product in respect of which the design is registered: **Three-point linkage mounting bracket**
(51) International Design Classification: **13-03B, 12-16NES**
(74) Name(s) of Attorney(s):
(71) Name(s) and Address(s) of Applicant(s):
Allan James Yeomans
60 Sunrise Boulevard Surfers Paradise Queensland 4217 Australia
(72) Name(s) of Designer(s): **Allan James Yeomans**
(45) Registration Date: **20 June 2012**
(56) Related Art Documents: **Not Applicable**
(57) Statement of Newness and Distinctiveness: **Newness and distinctiveness reside in the features of shape and configuration of a three-point linkage mounting bracket as shown in the accompanying representations.**



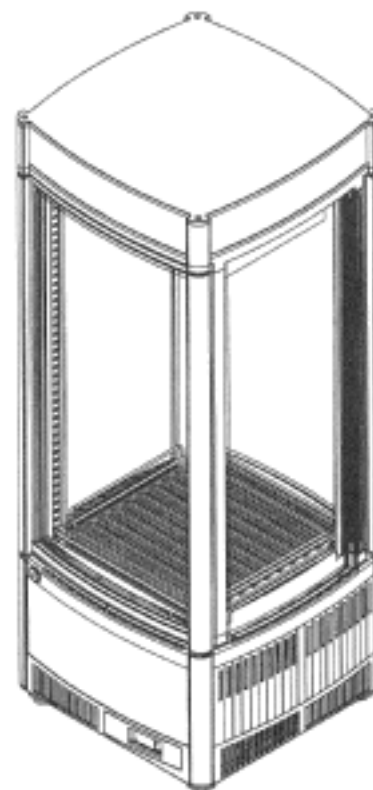
- (21) Design Number: **10322/2012**
(22) Date of Filing Application: **23 January 2012**
(24) Date from which industrial property rights may have effect: **23 January 2012**
(54) Product in respect of which the design is registered: **Kicking tee**
(51) International Design Classification: **21-02NES**
(74) Name(s) of Attorney(s):
(71) Name(s) and Address(s) of Applicant(s):
Ross Andrew Strudwick
9 Torres Street Loganholme Queensland 4129 Australia
(72) Name(s) of Designer(s): **Ross Andrew Strudwick**
(45) Registration Date: **20 June 2012**
(56) Related Art Documents: **Not Applicable**
(57) Statement of Newness and Distinctiveness: **The height of the three supports in this design revolutionises the manner that the football is supported, It minimises the drag that conventional kicking tees cause. The open design allows for better contact, distance and direction.**



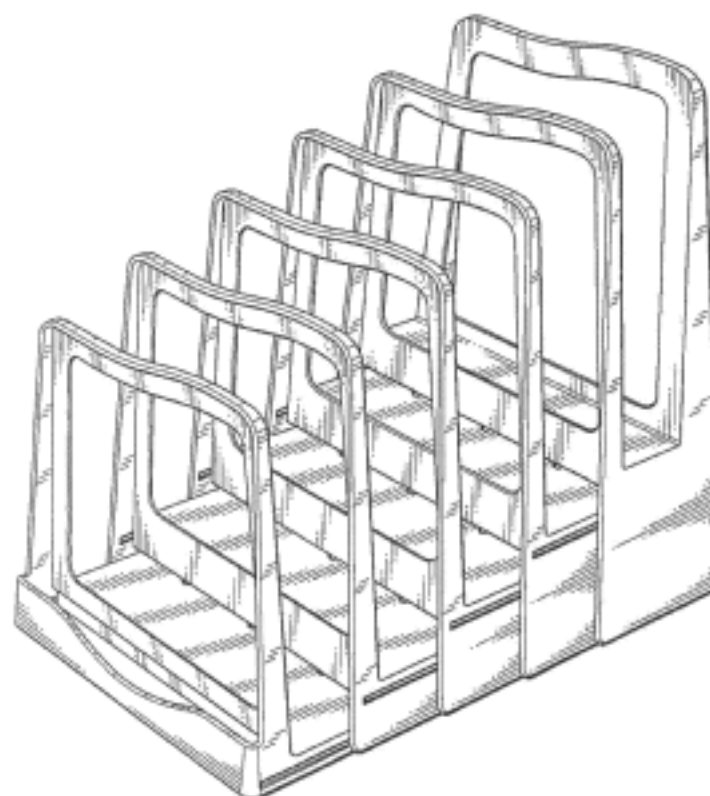
- (21) Design Number: **12141/2012**
(22) Date of Filing Application: **02 May 2012**
(24) Date from which industrial property rights may have effect: **23 January 2012**
(54) Product in respect of which the design is registered: **Kicking tee**
(51) International Design Classification: **21-02NES**
(74) Name(s) of Attorney(s):
(71) Name(s) and Address(s) of Applicant(s):
Ross Andrew Strudwick
9 Torres Street Loganholme Queensland 4129 Australia
(72) Name(s) of Designer(s): **Ross Andrew Strudwick**
(45) Registration Date: **20 June 2012**
(62) Divisional of: **342991**
(56) Related Art Documents: **Not Applicable**
(57) Statement of Newness and Distinctiveness: **The height of the three supports in this design revolutionises the manner that the fooball is supported, It minimises the drag that conventional kicking tees cause. The open design allows for better contact, distance and direction.**



- (21) Design Number: **10563/2012**
(22) Date of Filing Application: **06 February 2012**
(24) Date from which industrial property rights may have effect: **06 February 2012**
(54) Product in respect of which the design is registered: **A chiller**
(51) International Design Classification: **15-07**
(74) Name(s) of Attorney(s): **Lord & Company**
(71) Name(s) and Address(s) of Applicant(s):
Skope Industries Limited
66 Princess Street Christchurch New Zealand
(72) Name(s) of Designer(s): **Ross Adrian Van Dugteren**
(45) Registration Date: **20 June 2012**
(56) Related Art Documents: **Not Applicable**
(57) Statement of Newness and Distinctiveness: **The particular visual features of the design which are new and distinctive are the shape or configuration of the chiller.**



- (21) Design Number: **11495/2012**
(22) Date of Filing Application: **22 March 2012**
(24) Date from which industrial property rights may have effect: **22 March 2012**
(54) Product in respect of which the design is registered: **Organizer**
(51) International Design Classification: **20-02E**
(74) Name(s) of Attorney(s): **Shelston IP**
(71) Name(s) and Address(s) of Applicant(s):
Avery Dennison Corporation
150 N. Orange Grove Blvd Law Dept., Pasadena California 91103 United States of America
(72) Name(s) of Designer(s): **Eric A. MacDonald and Jonathan R. Lucas and Travis Cochran and Vincent H. Bowman and Jeffrey Herz**
(45) Registration Date: **20 June 2012**
(30) Convention priority data:
(31) Number (32) Date (33) Country
29/402733 26 Sep 2011 UNITED STATES OF AMERICA
(56) Related Art Documents: **Not Applicable**
(57) Statement of Newness and Distinctiveness: **Newness and distinctiveness resides in the features of shape and/or configuration of the organizer shown in the accompanying representations. The dashed lines shown in the representations are for illustrative purposes only and do not form part of the design.**



(21) Design Number: **11556/2012**

(22) Date of Filing Application: **26 March 2012**

(24) Date from which industrial property rights may have effect: **26 March 2012**

(54) Product in respect of which the design is registered: **A core tray accessory**

(51) International Design Classification: **15-99, 09-07NES**

(74) Name(s) of Attorney(s): **Wrays**

(71) Name(s) and Address(s) of Applicant(s):

Prospectors Pty Ltd

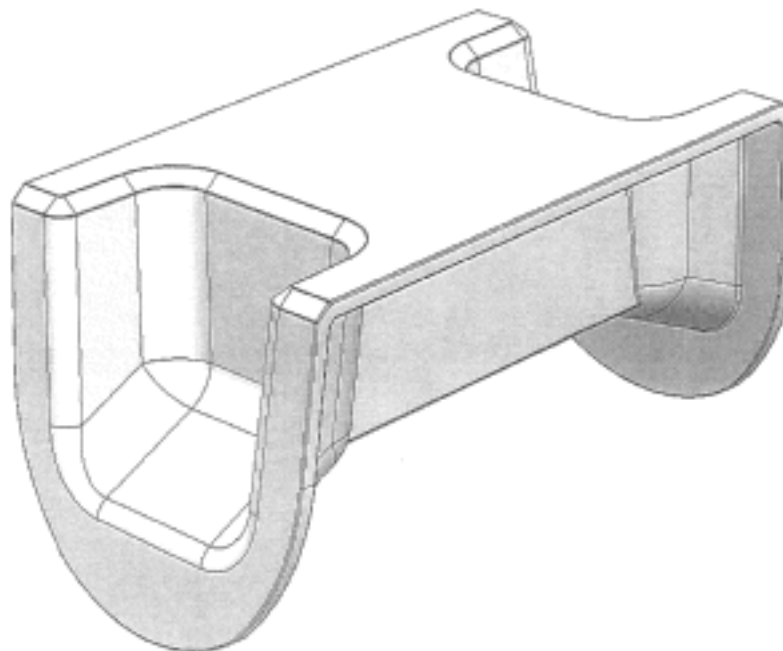
7/22 Lexington Drive Bella Vista New South Wales 2153 Australia

(72) Name(s) of Designer(s): **Neil Davidson and Anton Lee See and Jacob Goodridge**

(45) Registration Date: **20 June 2012**

(56) Related Art Documents: **Not Applicable**

(57) Statement of Newness and Distinctiveness: **Newness and distinctiveness is claimed in the shape and/or configuration of the core tray accessory depicted in the representations provided herein.**



(21) Design Number: **11557/2012**

(22) Date of Filing Application: **26 March 2012**

(24) Date from which industrial property rights may have effect: **26 March 2012**

(54) Product in respect of which the design is registered: **A core tray**

(51) International Design Classification: **15-99**

(74) Name(s) of Attorney(s): **Wrays**

(71) Name(s) and Address(s) of Applicant(s):

Prospectors Pty Ltd

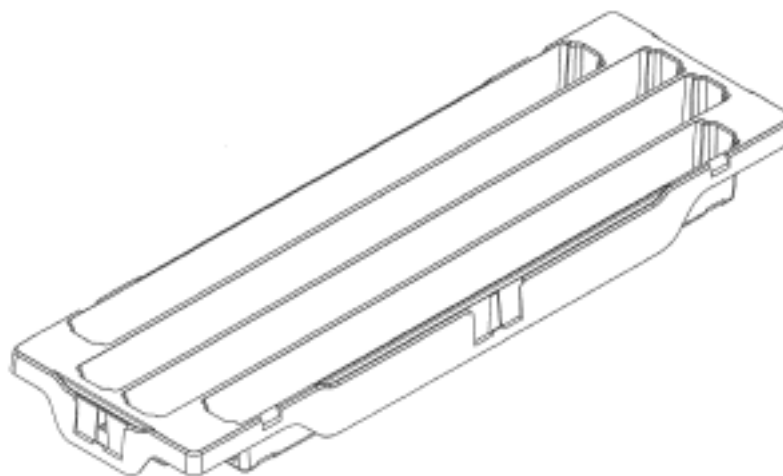
7/22 Lexington Drive Bella Vista New South Wales 2153 Australia

(72) Name(s) of Designer(s): **Neil Davidson and Anton Lee See and Jacob Goodridge**

(45) Registration Date: **20 June 2012**

(56) Related Art Documents: **Not Applicable**

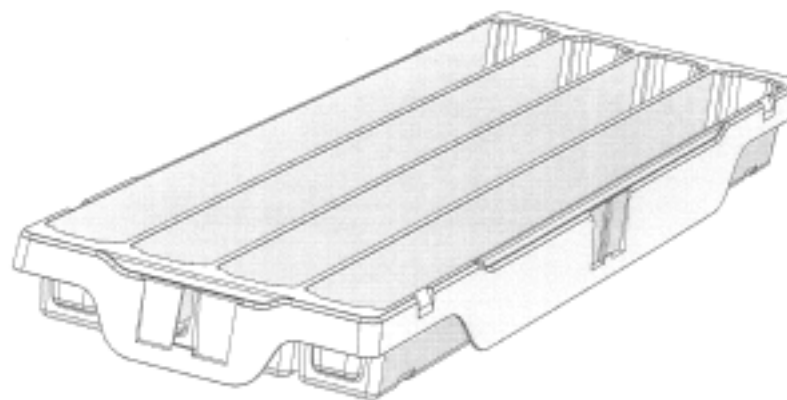
(57) Statement of Newness and Distinctiveness: **Newness and distinctiveness is claimed in the shape and/or configuration of the core tray depicted in the representations provided herein.**



- (21) Design Number: **11558/2012**
(22) Date of Filing Application: **26 March 2012**
(24) Date from which industrial property rights may have effect: **26 March 2012**
(54) Product in respect of which the design is registered: **A core tray lid**
(51) International Design Classification: **15-99, 09-07A**
(74) Name(s) of Attorney(s): **Wrays**
(71) Name(s) and Address(s) of Applicant(s):
Prospectors Pty Ltd
7/22 Lexington Drive Bella Vista New South Wales 2153 Australia
(72) Name(s) of Designer(s): **Neil Davidson and Anton Lee See and Jacob Goodridge**
(45) Registration Date: **20 June 2012**
(56) Related Art Documents: **Not Applicable**
(57) Statement of Newness and Distinctiveness: **Newness and distinctiveness is claimed in the shape and/or configuration of the core tray lid depicted in the representations provided herein.**



- (21) Design Number: **11559/2012**
(22) Date of Filing Application: **26 March 2012**
(24) Date from which industrial property rights may have effect: **26 March 2012**
(54) Product in respect of which the design is registered: **A core tray**
(51) International Design Classification: **15-99**
(74) Name(s) of Attorney(s): **Wrays**
(71) Name(s) and Address(s) of Applicant(s):
Prospectors Pty Ltd
7/22 Lexington Drive Bella Vista New South Wales 2153 Australia
(72) Name(s) of Designer(s): **Neil Davidson and Anton Lee See and Jacob Goodridge**
(45) Registration Date: **20 June 2012**
(56) Related Art Documents: **Not Applicable**
(57) Statement of Newness and Distinctiveness: **Newness and distinctiveness is claimed in the shape and/or configuration of the core tray depicted in the representations provided herein.**



- (21) Design Number: **11590/2012**
(22) Date of Filing Application: **28 March 2012**
(24) Date from which industrial property rights may have effect: **28 March 2012**
(54) Product in respect of which the design is registered: **Bumper cover rear for a bus**
(51) International Design Classification: **12-16C**
(74) Name(s) of Attorney(s): **Davies Collison Cave**
(71) Name(s) and Address(s) of Applicant(s):
Scania CV AB
Sodertalje SE-151 87 Sweden
(72) Name(s) of Designer(s): **Ingrid Nilsson Czornyj and Kristofer Hansen and Karolina Dansk and Johnny Pettersson**
(45) Registration Date: **20 June 2012**
(56) Related Art Documents: **Not Applicable**
(57) Statement of Newness and Distinctiveness: **Nil**



- (21) Design Number: **11591/2012**
(22) Date of Filing Application: **28 March 2012**
(24) Date from which industrial property rights may have effect: **28 March 2012**
(54) Product in respect of which the design is registered: **Bumper cover rear for a bus**
(51) International Design Classification: **12-16C**
(74) Name(s) of Attorney(s): **Davies Collison Cave**
(71) Name(s) and Address(s) of Applicant(s):
Scania CV AB
Sodertalje SE-151 87 Sweden
(72) Name(s) of Designer(s): **Ingrid Nilsson Czornyj and Kristofer Hansen and Karolina Dansk and Johnny Pettersson**
(45) Registration Date: **20 June 2012**
(56) Related Art Documents: **Not Applicable**
(57) Statement of Newness and Distinctiveness: **Nil**



(21) Design Number: **11594/2012**
(22) Date of Filing Application: **28 March 2012**
(24) Date from which industrial property rights may have effect: **28 March 2012**
(54) Product in respect of which the design is registered: **Windscreen for a bus**
(51) International Design Classification: **12-16F**
(74) Name(s) of Attorney(s): **Davies Collison Cave**
(71) Name(s) and Address(s) of Applicant(s):
Scania CV AB
Sodertalje SE-151 87 Sweden
(72) Name(s) of Designer(s): **Ingrid Nilsson Czornyj and Kristofer Hansen and Karolina Dansk and Johnny Pettersson**
(45) Registration Date: **20 June 2012**
(56) Related Art Documents: **Not Applicable**
(57) Statement of Newness and Distinctiveness: **Nil**



(21) Design Number: **11595/2012**
(22) Date of Filing Application: **28 March 2012**
(24) Date from which industrial property rights may have effect: **28 March 2012**
(54) Product in respect of which the design is registered: **Front bumper hatch panel for a bus**
(51) International Design Classification: **12-16C**
(74) Name(s) of Attorney(s): **Davies Collison Cave**
(71) Name(s) and Address(s) of Applicant(s):
Scania CV AB
Sodertalje SE-151 87 Sweden
(72) Name(s) of Designer(s): **Ingrid Nilsson Czornyj and Kristofer Hansen and Karolina Dansk and Johnny Pettersson**
(45) Registration Date: **20 June 2012**
(56) Related Art Documents: **Not Applicable**
(57) Statement of Newness and Distinctiveness: **Nil**



- (21) Design Number: **11596/2012**
(22) Date of Filing Application: **28 March 2012**
(24) Date from which industrial property rights may have effect: **28 March 2012**
(54) Product in respect of which the design is registered: **Front bumper cover for a bus**
(51) International Design Classification: **12-16C**
(74) Name(s) of Attorney(s): **Davies Collison Cave**
(71) Name(s) and Address(s) of Applicant(s):
Scania CV AB
Sodertalje SE-151 87 Sweden
(72) Name(s) of Designer(s): **Ingrid Nilsson Czornyj and Kristofer Hansen and Karolina Dansk and Johnny Pettersson**
(45) Registration Date: **20 June 2012**
(56) Related Art Documents: **Not Applicable**
(57) Statement of Newness and Distinctiveness: **Nil**



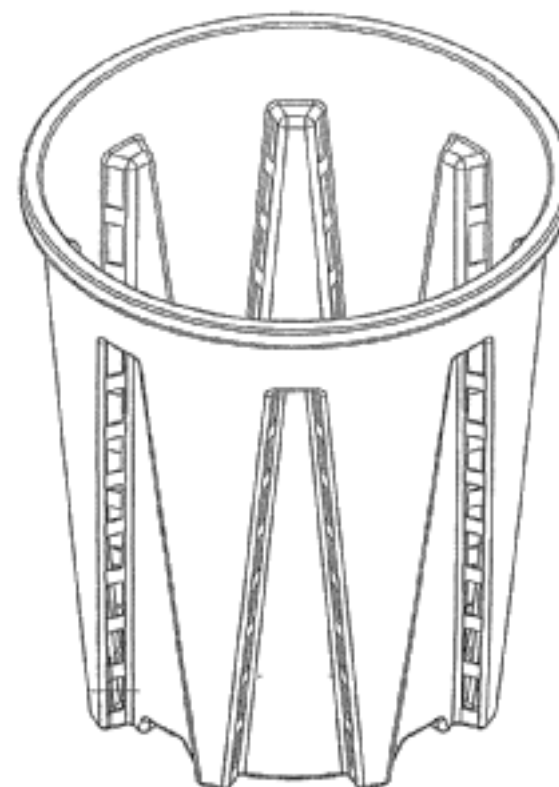
- (21) Design Number: **11597/2012**
(22) Date of Filing Application: **28 March 2012**
(24) Date from which industrial property rights may have effect: **28 March 2012**
(54) Product in respect of which the design is registered: **Side skirt for a bus**
(51) International Design Classification: **12-16B**
(74) Name(s) of Attorney(s): **Davies Collison Cave**
(71) Name(s) and Address(s) of Applicant(s):
Scania CV AB
Sodertalje SE-151 87 Sweden
(72) Name(s) of Designer(s): **Ingrid Nilsson Czornyj and Kristofer Hansen and Karolina Dansk and Johnny Pettersson**
(45) Registration Date: **20 June 2012**
(56) Related Art Documents: **Not Applicable**
(57) Statement of Newness and Distinctiveness: **Nil**



- (21) Design Number: **11600/2012**
(22) Date of Filing Application: **28 March 2012**
(24) Date from which industrial property rights may have effect: **28 March 2012**
(54) Product in respect of which the design is registered: **Lamp panel for a bus**
(51) International Design Classification: **12-16E**
(74) Name(s) of Attorney(s): **Davies Collison Cave**
(71) Name(s) and Address(s) of Applicant(s):
Scania CV AB
Sodertalje SE-151 87 Sweden
(72) Name(s) of Designer(s): **Ingrid Nilsson Czornyj and Kristofer Hansen and Karolina Dansk and Johnny Pettersson**
(45) Registration Date: **20 June 2012**
(56) Related Art Documents: **Not Applicable**
(57) Statement of Newness and Distinctiveness: **Nil**



- (21) Design Number: **11909/2012**
(22) Date of Filing Application: **18 April 2012**
(24) Date from which industrial property rights may have effect: **18 April 2012**
(54) Product in respect of which the design is registered: **A plant pot**
(51) International Design Classification: **11-02B**
(74) Name(s) of Attorney(s): **PATENT ATTORNEY SERVICES**
(71) Name(s) and Address(s) of Applicant(s):
Garden City Plastics Pty Ltd
89 Camms Road Monbulk Victoria 3793 Australia
(72) Name(s) of Designer(s): **Graeme Wilson**
(45) Registration Date: **20 June 2012**
(56) Related Art Documents: **Not Applicable**
(57) Statement of Newness and Distinctiveness: **Visual features of the design which are new and distinctive are the features of shape and configuration of A PLANT POT as illustrated in the representations. The shape and configuration of the bottom of the PLANT POT does not form part of the design and is to be disregarded.**



(21) Design Number: **11114/2012**

(22) Date of Filing Application: **02 March 2012**

(24) Date from which industrial property rights may have effect: **02 March 2012**

(54) Product in respect of which the design is registered: **A pail with lid**

(51) International Design Classification: **07-07B**

(74) Name(s) of Attorney(s):

(71) Name(s) and Address(s) of Applicant(s):

Mach IV Pty Ltd

**C/- Stephens Tilley Services GPO Box 7055 Sydney New South Wales
2001 Australia**

(72) Name(s) of Designer(s): **Alexandra Hutchinson and Michael Schmaedeke**

(45) Registration Date: **20 June 2012**

(56) Related Art Documents: **Not Applicable**

(57) Statement of Newness and Distinctiveness: **Newness and distinctiveness is claimed in the shape and configuration of both the pail and the lid, with two (2) rings on the rim of the bucket and unique base design, handle design and spacing on the profile as shown in the representation.**



(21) Design Number: **11115/2012**

(22) Date of Filing Application: **02 March 2012**

(24) Date from which industrial property rights may have effect: **02 March 2012**

(54) Product in respect of which the design is registered: **A pail with lid**

(51) International Design Classification: **07-07B**

(74) Name(s) of Attorney(s):

(71) Name(s) and Address(s) of Applicant(s):

Mach IV Pty Ltd

**C/- Stephens Tilley Services GPO Box 7055 Sydney New South Wales
2001 Australia**

(72) Name(s) of Designer(s): **Alexandra Hutchinson and Michael Schmaedeke**

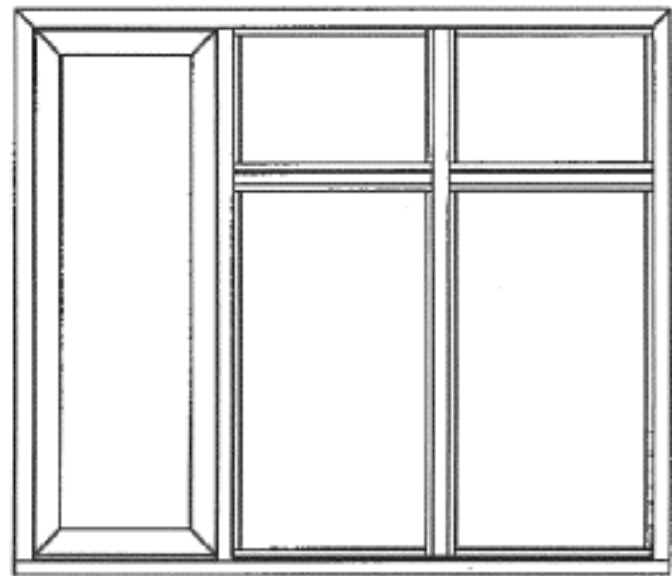
(45) Registration Date: **20 June 2012**

(56) Related Art Documents: **Not Applicable**

(57) Statement of Newness and Distinctiveness: **Newness and distinctiveness is claimed in the shape and configuration of both the pail and the lid, with a single ring on the rim of the bucket and unique base design, handle design and spacing on the profile as shown in the representation.**



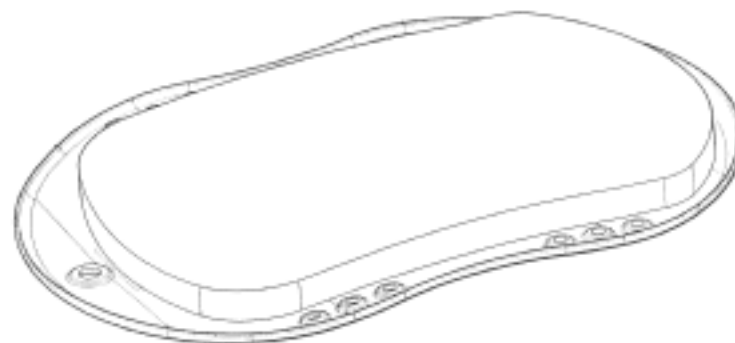
- (21) Design Number: **11653/2012**
(22) Date of Filing Application: **30 March 2012**
(24) Date from which industrial property rights may have effect: **30 March 2012**
(54) Product in respect of which the design is registered: **A window**
(51) International Design Classification: **25-02H**
(74) Name(s) of Attorney(s):
(71) Name(s) and Address(s) of Applicant(s):
Cled Richardson
1/51 Elm Park Drive Hoppers Crossing Victoria 3029 Australia
(72) Name(s) of Designer(s): **Cled Richardson**
(45) Registration Date: **20 June 2012**
(56) Related Art Documents: **Not Applicable**
(57) Statement of Newness and Distinctiveness: **The new window profile includes a 57mm thick timber sash with 24mm thick double glazing with an aluminium skin on the external face of the window. The window also includes European multi point locks and key locking handles.**



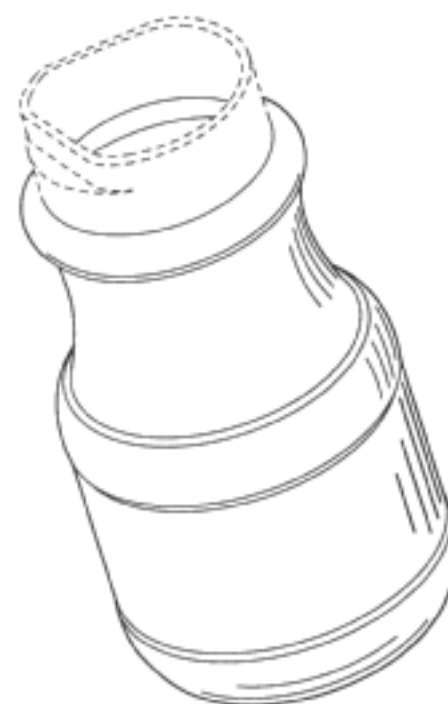
- (21) Design Number: **11931/2012**
(22) Date of Filing Application: **18 April 2012**
(24) Date from which industrial property rights may have effect: **18 April 2012**
(54) Product in respect of which the design is registered: **Filter**
(51) International Design Classification: **23-01G**
(74) Name(s) of Attorney(s): **Madderns**
(71) Name(s) and Address(s) of Applicant(s):
Bokela Ingenieuresellschaft fuer mechanische Verfahrenstechnik mbH
Tullastrasse 64 Karlsruhe 76131 Germany
(72) Name(s) of Designer(s): **Reinhard Bott and Thomas Langeloh and Jurgen Hahn and Bruno Baumgartner**
(45) Registration Date: **20 June 2012**
(30) Convention priority data:
(31) Number (32) Date (33) Country
001954298 28 Nov 2011 EUROPEAN COMMUNITY
(56) Related Art Documents: **Not Applicable**
(57) Statement of Newness and Distinctiveness: **Nil**



(21) Design Number: **11954/2012**
(22) Date of Filing Application: **20 April 2012**
(24) Date from which industrial property rights may have effect: **20 April 2012**
(54) Product in respect of which the design is registered: **Improved exercise device**
(51) International Design Classification: **21-02F**
(74) Name(s) of Attorney(s): **Callinans**
(71) Name(s) and Address(s) of Applicant(s):
Christopher Pardon
C/- XR Slide 17 Goldsmith Street St Kilda Victoria 3182 Australia
(72) Name(s) of Designer(s): **Christopher Pardon**
(45) Registration Date: **20 June 2012**
(56) Related Art Documents: **Not Applicable**
(57) Statement of Newness and Distinctiveness: **Nil**



(21) Design Number: **12076/2012**
(22) Date of Filing Application: **27 April 2012**
(24) Date from which industrial property rights may have effect: **27 April 2012**
(54) Product in respect of which the design is registered: **Container**
(51) International Design Classification: **09-01NES**
(74) Name(s) of Attorney(s): **Shelston IP**
(71) Name(s) and Address(s) of Applicant(s):
Owens-Brockway Glass Container Inc.
One Michael Owens Way Perrysburg Ohio 43551 United States of America
(72) Name(s) of Designer(s): **Donald P. Delagrange and Raul M. Paredes and Edward A. Grant**
(45) Registration Date: **20 June 2012**
(30) Convention priority data:
(31) Number (32) Date (33) Country
29/405129 28 Oct 2011 UNITED STATES OF AMERICA
(56) Related Art Documents: **Not Applicable**
(57) Statement of Newness and Distinctiveness: **Newness and Distinctiveness reside in the shape and/or configuration of the design for a Container as shown in the accompanying representations. Those features displayed in broken lines are displayed for illustrative purposes only and do not form part of the claimed design.**



- (21) Design Number: **12079/2012**
(22) Date of Filing Application: **30 April 2012**
(24) Date from which industrial property rights may have effect: **30 April 2012**
(54) Product in respect of which the design is registered: **"Survey stake with attachable label holder"**
(51) International Design Classification: **08-08L**
(74) Name(s) of Attorney(s): **Davies Collison Cave**
(71) Name(s) and Address(s) of Applicant(s):
Leeding Innovations Pty Ltd
40 Rennie Street Indooroopilly Queensland 4068 Australia
(72) Name(s) of Designer(s): **Richard Lozier**
(45) Registration Date: **20 June 2012**
(56) Related Art Documents: **Not Applicable**
(57) Statement of Newness and Distinctiveness: **"The design relates to the overall appearance and particular visual features of a product, being a survey stake with attachable label holder, having the pattern, shape, configuration or ornamentation as shown in the accompanying representations."**



- (21) Design Number: **12159/2012**
(22) Date of Filing Application: **04 May 2012**
(24) Date from which industrial property rights may have effect: **04 May 2012**
(54) Product in respect of which the design is registered: **A martial arts uniform**
(51) International Design Classification: **02-02B**
(74) Name(s) of Attorney(s): **A.P.T. Patent and Trade Mark Attorneys**
(71) Name(s) and Address(s) of Applicant(s):
Steve Miranda
4 Olinda Court Craigmore South Australia 5114 Australia
(72) Name(s) of Designer(s): **Steve Miranda**
(45) Registration Date: **20 June 2012**
(56) Related Art Documents: **Not Applicable**
(57) Statement of Newness and Distinctiveness: **Newness and distinctiveness is claimed in the pattern and/or ornamentation of the martial arts uniform illustrated in the representations.**



- (21) Design Number: **12168/2012**
(22) Date of Filing Application: **03 May 2012**
(24) Date from which industrial property rights may have effect: **03 May 2012**
(54) Product in respect of which the design is registered: **Bar stool**
(51) International Design Classification: **06-06H**
(74) Name(s) of Attorney(s):
(71) Name(s) and Address(s) of Applicant(s):
Kain Lucas
7 Dalgety Drive Ascot Vale Victoria 3032 Australia
(72) Name(s) of Designer(s): **Kain Lucas**
(45) Registration Date: **20 June 2012**
(56) Related Art Documents: **Not Applicable**
(57) Statement of Newness and Distinctiveness: **Newness and distinctiveness is claimed in respect of the shape and/or configuration of the product illustrated in the accompanying illustrations.**



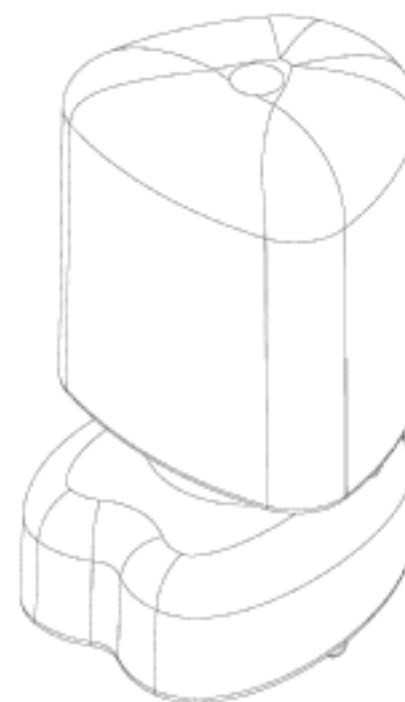
- (21) Design Number: **12249/2012**
(22) Date of Filing Application: **09 May 2012**
(24) Date from which industrial property rights may have effect: **09 May 2012**
(54) Product in respect of which the design is registered: **Sport shoe**
(51) International Design Classification: **02-04NES**
(74) Name(s) of Attorney(s): **Griffith Hack**
(71) Name(s) and Address(s) of Applicant(s):
Asics Corporation
1-1 Minatojima-Nakamachi 7-chome Chuo-ku Kobe-shi Hyogo 650-8555
Japan
(72) Name(s) of Designer(s): **Hiroaki Nishimura and Kentaro Takahama and Takayuki Ueda**
(45) Registration Date: **20 June 2012**
(56) Related Art Documents: **Not Applicable**
(57) Statement of Newness and Distinctiveness: **The shape and configuration of the sole of the shoe as shown in the representations is new and distinctive. Those parts of the shoe shown in dashed lines do not form part of the design and have been included for illustrative purposes only.**



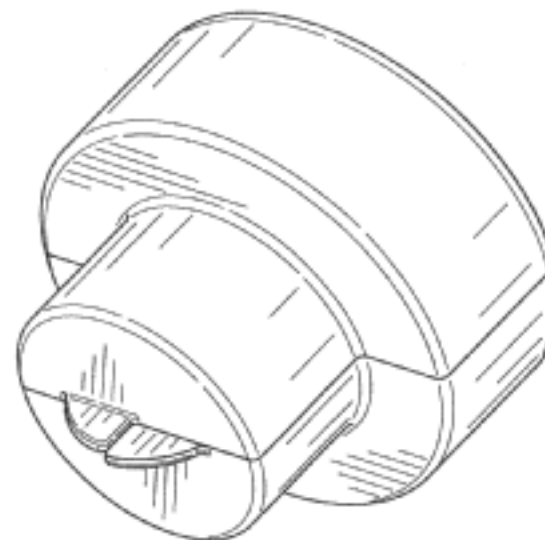
(21) Design Number: **12397/2012**
(22) Date of Filing Application: **21 May 2012**
(24) Date from which industrial property rights may have effect: **21 May 2012**
(54) Product in respect of which the design is registered: **Office furniture workstation desk leg support component system**
(51) International Design Classification: **06-03C**
(74) Name(s) of Attorney(s):
(71) Name(s) and Address(s) of Applicant(s):
Freiberg Australia Pty Ltd
PO Box 570 Cloverdale Western Australia 6985 Australia
(72) Name(s) of Designer(s): **Bob Beaver**
(45) Registration Date: **21 June 2012**
(56) Related Art Documents: **Not Applicable**
(57) Statement of Newness and Distinctiveness: **The identify features are parallel beams capable of carrying different types legs support anywhere along their length and allowing the parallel beams to intersect via a connecting bracket.**



(21) Design Number: **12417/2012**
(22) Date of Filing Application: **21 May 2012**
(24) Date from which industrial property rights may have effect: **21 May 2012**
(54) Product in respect of which the design is registered: **Robotic toy having a triangular top**
(51) International Design Classification: **21-01B**
(74) Name(s) of Attorney(s): **SPRUSON & FERGUSON**
(71) Name(s) and Address(s) of Applicant(s):
Innovation First International, Inc.
1519 Interstate 30 West Greenville Texas 75402 United States of America
(72) Name(s) of Designer(s): **Robert H. Mimlitch III and David Anthony Norman and Douglas Michael Galletti and Gregory James Lavender and Brian Richard Delaney and Raul Olivera**
(45) Registration Date: **21 June 2012**
(30) Convention priority data:
(31) Number (32) Date (33) Country
29/410616 10 Jan 2012 UNITED STATES OF AMERICA
(56) Related Art Documents: **Not Applicable**
(57) Statement of Newness and Distinctiveness: **Newness and distinctiveness is claimed in the features of shape and/or configuration of a robotic toy having a triangular top as illustrated in the accompanying representations.**



(21) Design Number: **12444/2012**
(22) Date of Filing Application: **22 May 2012**
(24) Date from which industrial property rights may have effect: **22 May 2012**
(54) Product in respect of which the design is registered: **Cake pop mold**
(51) International Design Classification: **07-02P**
(74) Name(s) of Attorney(s): **PIZZEYS**
(71) Name(s) and Address(s) of Applicant(s):
Jeanette Facey
846 Main Street Osterville MA 02655 United States of America
(72) Name(s) of Designer(s): **Jeanette Facey**
(45) Registration Date: **21 June 2012**
(30) Convention priority data:
(31) Number (32) Date (33) Country
29/422,415 21 May 2012 UNITED STATES OF AMERICA
(56) Related Art Documents: **Not Applicable**
(57) Statement of Newness and Distinctiveness: **Nil**



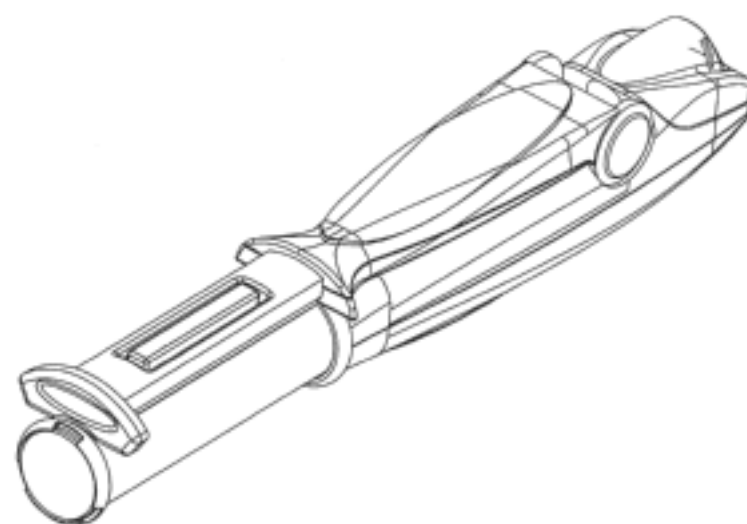
(21) Design Number: **12445/2012**
(22) Date of Filing Application: **22 May 2012**
(24) Date from which industrial property rights may have effect: **22 May 2012**
(54) Product in respect of which the design is registered: **Cake pop mold**
(51) International Design Classification: **07-02P**
(74) Name(s) of Attorney(s): **PIZZEYS**
(71) Name(s) and Address(s) of Applicant(s):
Jeanette Facey
846 Main Street Osterville MA 02655 United States of America
(72) Name(s) of Designer(s): **Jeanette Facey**
(45) Registration Date: **21 June 2012**
(30) Convention priority data:
(31) Number (32) Date (33) Country
29/422,408 21 May 2012 UNITED STATES OF AMERICA
(56) Related Art Documents: **Not Applicable**
(57) Statement of Newness and Distinctiveness: **Nil**



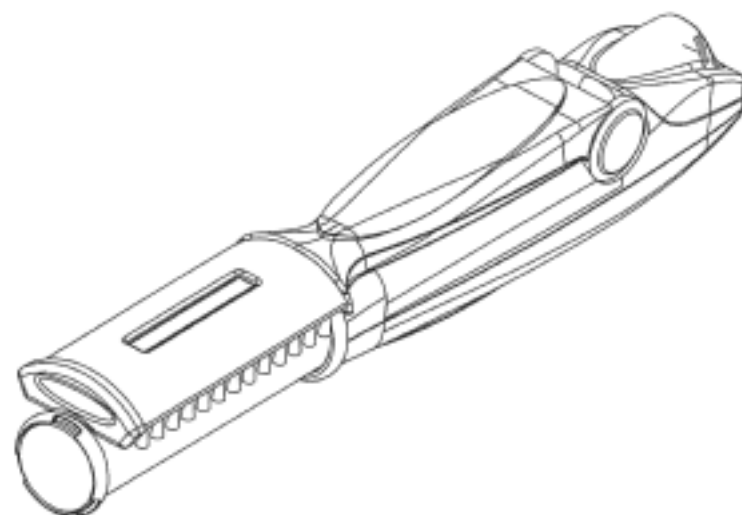
(21) Design Number: **12452/2012**
(22) Date of Filing Application: **22 May 2012**
(24) Date from which industrial property rights may have effect: **22 May 2012**
(54) Product in respect of which the design is registered: **Wine glass container device**
(51) International Design Classification: **09-03NES**
(74) Name(s) of Attorney(s): **SPRUSON & FERGUSON**
(71) Name(s) and Address(s) of Applicant(s):
Stacked Wines, LLC
300 Cagney Lane #105 Newport Beach California 92663 United States of America
(72) Name(s) of Designer(s): **Matt Zimmer**
(45) Registration Date: **21 June 2012**
(30) Convention priority data:
(31) Number (32) Date (33) Country
29/411983 27 Jan 2012 UNITED STATES OF AMERICA
(56) Related Art Documents: **Not Applicable**
(57) Statement of Newness and Distinctiveness: **Newness and distinctiveness is claimed in the features of shape and/or configuration of a wine glass container device illustrated in continuous lines in the accompanying representations.**



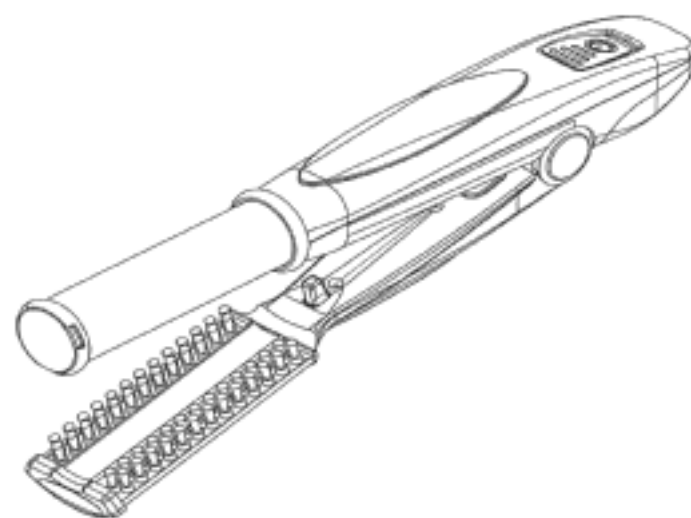
(21) Design Number: **12505/2012**
(22) Date of Filing Application: **25 May 2012**
(24) Date from which industrial property rights may have effect: **25 May 2012**
(54) Product in respect of which the design is registered: **Hair styling device**
(51) International Design Classification: **28-03B**
(74) Name(s) of Attorney(s): **Griffith Hack**
(71) Name(s) and Address(s) of Applicant(s):
MM&R Products, Inc.
5000 North Parkway Calabasas CA 91327 United States Of America
(72) Name(s) of Designer(s): **Jason Lee Cooper**
(45) Registration Date: **21 June 2012**
(56) Related Art Documents: **Not Applicable**
(57) Statement of Newness and Distinctiveness: **Newness and distinctiveness resides in the visual features, including shape and configuration of a hair styling device, as shown in the solid outline in the accompanying drawings.**



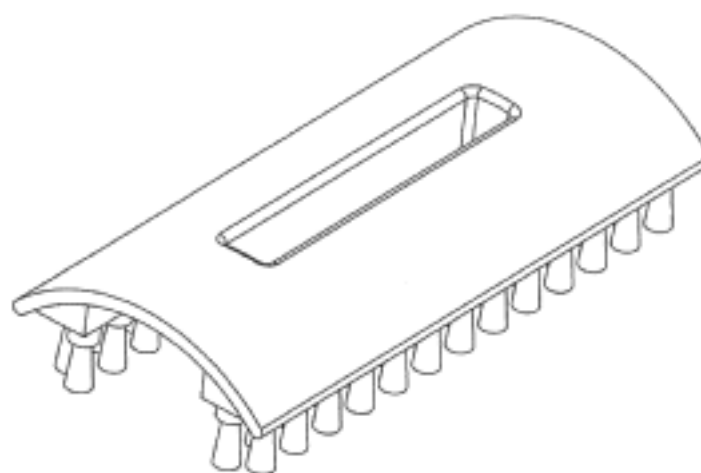
- (21) Design Number: **12506/2012**
- (22) Date of Filing Application: **25 May 2012**
- (24) Date from which industrial property rights may have effect: **25 May 2012**
- (54) Product in respect of which the design is registered: **Hair styling device**
- (51) International Design Classification: **28-03B**
- (74) Name(s) of Attorney(s): **Griffith Hack**
- (71) Name(s) and Address(s) of Applicant(s):
MM&R Products, Inc.
5000 North Parkway Calabasas CA 91327 United States Of America
- (72) Name(s) of Designer(s): **Jason Lee Cooper**
- (45) Registration Date: **21 June 2012**
- (56) Related Art Documents: **Not Applicable**
- (57) Statement of Newness and Distinctiveness: **Newness and distinctiveness resides in the visual features, including shape and configuration of a hair styling device, as shown in the solid outline in the accompanying drawings.**



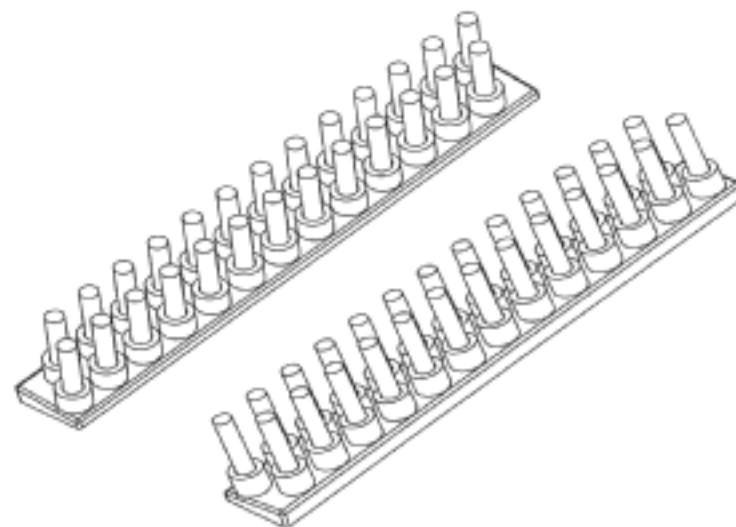
- (21) Design Number: **12507/2012**
- (22) Date of Filing Application: **25 May 2012**
- (24) Date from which industrial property rights may have effect: **25 May 2012**
- (54) Product in respect of which the design is registered: **Hair styling device**
- (51) International Design Classification: **28-03B**
- (74) Name(s) of Attorney(s): **Griffith Hack**
- (71) Name(s) and Address(s) of Applicant(s):
MM&R Products, Inc.
5000 North Parkway Calabasas CA 91327 United States Of America
- (72) Name(s) of Designer(s): **Jason Lee Cooper**
- (45) Registration Date: **21 June 2012**
- (56) Related Art Documents: **Not Applicable**
- (57) Statement of Newness and Distinctiveness: **Newness and distinctiveness resides in the visual features, including shape and configuration of a hair styling device, as shown in the solid outline in the accompanying drawings.**



- (21) Design Number: **12508/2012**
(22) Date of Filing Application: **25 May 2012**
(24) Date from which industrial property rights may have effect: **25 May 2012**
(54) Product in respect of which the design is registered: **Brush component for a hair styling device**
(51) International Design Classification: **14-02**
(74) Name(s) of Attorney(s): **Griffith Hack**
(71) Name(s) and Address(s) of Applicant(s):
MM&R Products, Inc.
5000 North Parkway Calabasas CA 91327 United States Of America
(72) Name(s) of Designer(s): **Jason Lee Cooper**
(45) Registration Date: **21 June 2012**
(56) Related Art Documents: **Not Applicable**
(57) Statement of Newness and Distinctiveness: **Newness and distinctiveness resides in the visual features, including shape and configuration of a brush component for a hair styling device, as shown in the solid outline in the accompanying drawings.**



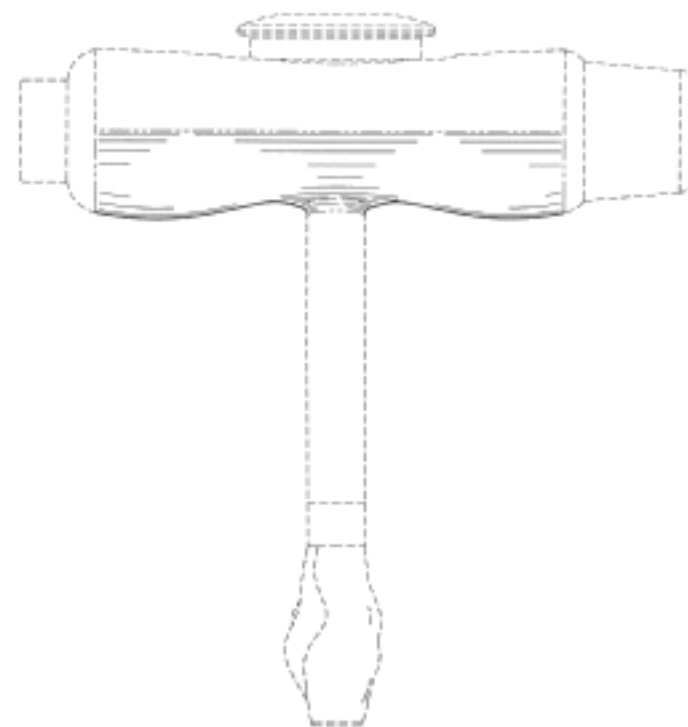
- (21) Design Number: **12509/2012**
(22) Date of Filing Application: **25 May 2012**
(24) Date from which industrial property rights may have effect: **25 May 2012**
(54) Product in respect of which the design is registered: **Brush component for a hair styling device**
(51) International Design Classification: **14-02**
(74) Name(s) of Attorney(s): **Griffith Hack**
(71) Name(s) and Address(s) of Applicant(s):
MM&R Products, Inc.
5000 North Parkway Calabasas CA 91327 United States Of America
(72) Name(s) of Designer(s): **Jason Lee Cooper**
(45) Registration Date: **21 June 2012**
(56) Related Art Documents: **Not Applicable**
(57) Statement of Newness and Distinctiveness: **Newness and distinctiveness resides in the visual features, including shape and configuration of a brush component for a hair styling device, as shown in the solid outline in the accompanying drawings.**



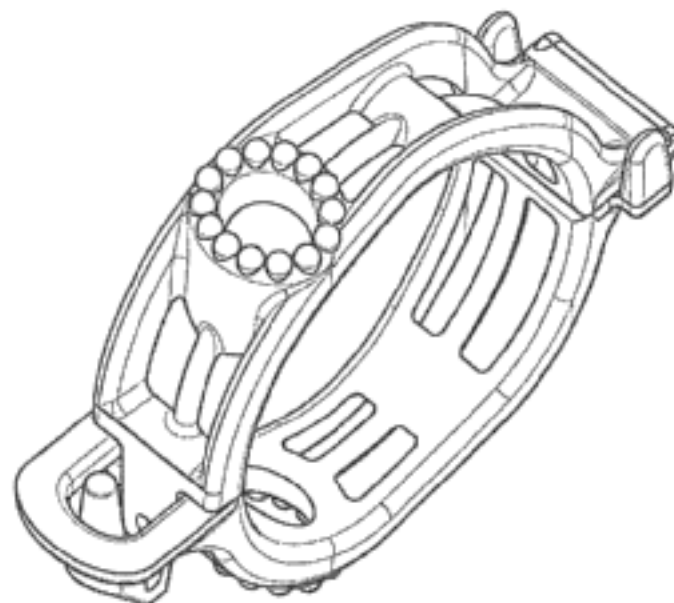
- (21) Design Number: **12540/2012**
(22) Date of Filing Application: **28 May 2012**
(24) Date from which industrial property rights may have effect: **28 May 2012**
(54) Product in respect of which the design is registered: **Protective sleeve and glove combination**
(51) International Design Classification: **02-06, 02-02NES**
(74) Name(s) of Attorney(s): **Freehills Patent Attorneys**
(71) Name(s) and Address(s) of Applicant(s):
Kimberly-Clark Worldwide, Inc.
2300 Winchester Road Neenah Wisconsin 54956 United States of America
(72) Name(s) of Designer(s): **Martin Scott Shamis and Christopher Matthew Sinotte and Lori Ann Shaffer and Marc Anthony Southon**
(45) Registration Date: **22 June 2012**
(30) Convention priority data:
(31) Number (32) Date (33) Country
29/408977 19 Dec 2011 UNITED STATES OF AMERICA
(56) Related Art Documents: **Not Applicable**
(57) Statement of Newness and Distinctiveness: **Newness and distinctiveness of the design resides in the shape and/or configuration of the protective sleeve and glove combination as shown in solid outline in the accompanying representations. When determining whether the design is substantially similar in overall impression to another design, no regard is to be had to the features shown in broken lines.**



- (21) Design Number: **12541/2012**
(22) Date of Filing Application: **28 May 2012**
(24) Date from which industrial property rights may have effect: **28 May 2012**
(54) Product in respect of which the design is registered: **Enteral feeding tube base**
(51) International Design Classification: **24-01**
(74) Name(s) of Attorney(s): **Freehills Patent Attorneys**
(71) Name(s) and Address(s) of Applicant(s):
Kimberly-Clark Worldwide, Inc.
2300 Winchester Road Neenah Wisconsin 54956 United States of America
(72) Name(s) of Designer(s): **Nathan C. Griffith and Donald J. McMichael and John A. Rotella**
(45) Registration Date: **22 June 2012**
(30) Convention priority data:
(31) Number (32) Date (33) Country
29/409355 22 Dec 2011 UNITED STATES OF AMERICA
(56) Related Art Documents: **Not Applicable**
(57) Statement of Newness and Distinctiveness: **Newness and distinctiveness of the design resides in the shape and configuration of enteral the feeding tube base as shown in solid outline in the accompanying representations. When determining whether the design is substantially similar in overall impression to another design, no regard is to be had to the features shown in broken lines.**



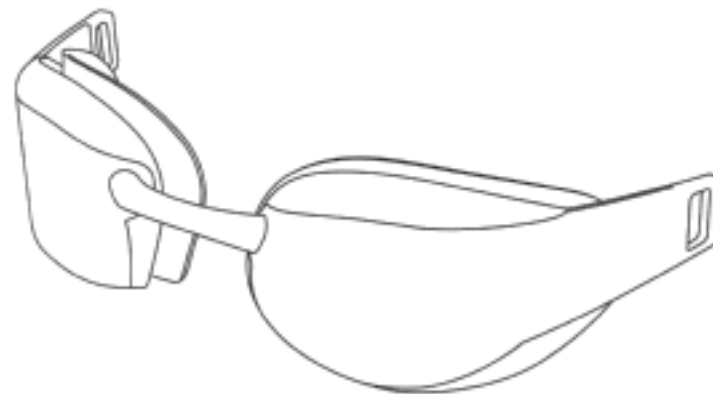
- (21) Design Number: **12543/2012**
(22) Date of Filing Application: **28 May 2012**
(24) Date from which industrial property rights may have effect: **28 May 2012**
(54) Product in respect of which the design is registered: **A clip**
(51) International Design Classification: **08-08NES, 11-01B**
(74) Name(s) of Attorney(s): **Baldwins Intellectual Property**
(71) Name(s) and Address(s) of Applicant(s):
Tepa Pty Limited
Avoncliffe 8754 Guyra Road Guyra New South Wales 2365 Australia
(72) Name(s) of Designer(s): **Christopher John Radford and Stephen David Habershon and Bruce Howard Mutch**
(45) Registration Date: **22 June 2012**
(30) Convention priority data:
(31) Number (32) Date (33) Country
415696 23 Dec 2011 NEW ZEALAND
(56) Related Art Documents: **Not Applicable**
(57) Statement of Newness and Distinctiveness: **Newness and distinctiveness of the design resides in the shape and/or configuration as applied to a clip all as shown in the accompanying representations.**



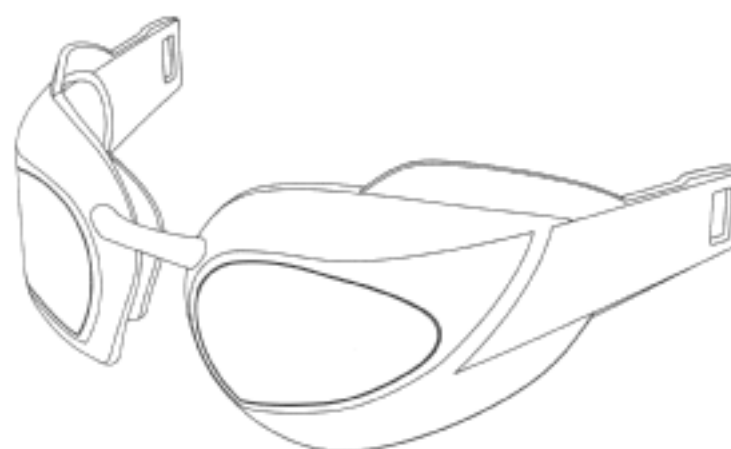
- (21) Design Number: **12544/2012**
(22) Date of Filing Application: **06 June 2012**
(24) Date from which industrial property rights may have effect: **06 June 2012**
(54) Product in respect of which the design is registered: **A lock cover**
(51) International Design Classification: **08-07**
(74) Name(s) of Attorney(s): **Cullens Patent and Trade Mark Attorneys**
(71) Name(s) and Address(s) of Applicant(s):
Assa Abloy Australia Pty Limited
235 Huntingdale Road Oakleigh Victoria 3166 Australia
(72) Name(s) of Designer(s): **David Wood and Colin Horton**
(45) Registration Date: **22 June 2012**
(56) Related Art Documents: **Not Applicable**
(57) Statement of Newness and Distinctiveness: **The new and distinctive features of the lock cover depicted in the representations are the shape and/or configuration. However, features shown in broken lines are not essential features of the design, may be changed or omitted, and are to be disregarded when considering the overall impression of the design.**



(21) Design Number: **12545/2012**
(22) Date of Filing Application: **28 May 2012**
(24) Date from which industrial property rights may have effect: **28 May 2012**
(54) Product in respect of which the design is registered: **Swimming goggles**
(51) International Design Classification: **16-06**
(74) Name(s) of Attorney(s): **FB Rice**
(71) Name(s) and Address(s) of Applicant(s):
Speedo International Limited
8 Manchester Square London W1 3PH United Kingdom
(72) Name(s) of Designer(s): **Tom Waller and Chris Johnson and Joseph Santry**
(45) Registration Date: **22 June 2012**
(30) Convention priority data:
(31) Number (32) Date (33) Country
001954272-0001 28 Nov 2011 EUROPEAN COMMUNITY
(56) Related Art Documents: **Not Applicable**
(57) Statement of Newness and Distinctiveness: **Newness and distinctiveness reside in the features of shape and configuration of the swimming goggles as shown in the representations.**



(21) Design Number: **12546/2012**
(22) Date of Filing Application: **28 May 2012**
(24) Date from which industrial property rights may have effect: **28 May 2012**
(54) Product in respect of which the design is registered: **Swimming goggles**
(51) International Design Classification: **16-06**
(74) Name(s) of Attorney(s): **FB Rice**
(71) Name(s) and Address(s) of Applicant(s):
Speedo International Limited
8 Manchester Square London W1 3PH United Kingdom
(72) Name(s) of Designer(s): **Tom Waller and Chris Johnson and Joseph Santry**
(45) Registration Date: **22 June 2012**
(30) Convention priority data:
(31) Number (32) Date (33) Country
001954272-0002 28 Nov 2011 EUROPEAN COMMUNITY
(56) Related Art Documents: **Not Applicable**
(57) Statement of Newness and Distinctiveness: **Newness and distinctiveness reside in the features of shape and configuration of the swimming goggles as shown in the representations.**



(21) Design Number: **12547/2012**
(22) Date of Filing Application: **28 May 2012**
(24) Date from which industrial property rights may have effect: **28 May 2012**
(54) Product in respect of which the design is registered: **Toothbrush**
(51) International Design Classification: **04-02**
(74) Name(s) of Attorney(s): **FB Rice**
(71) Name(s) and Address(s) of Applicant(s):
Colgate-Palmolive Company
300 Park Avenue New York New York 10022 United States of America
(72) Name(s) of Designer(s): **Wen Jun Xi and Hao Qing and Ting Yan**
(45) Registration Date: **22 June 2012**
(30) Convention priority data:
(31) Number (32) Date (33) Country
29/409369 22 Dec 2011 UNITED STATES OF AMERICA
(56) Related Art Documents: **Not Applicable**
(57) Statement of Newness and Distinctiveness: **Newness and distinctiveness reside in the features of the design as shown in the representations.**



(21) Design Number: **15432/2011**
(22) Date of Filing Application: **29 November 2011**
(24) Date from which industrial property rights may have effect: **29 November 2011**
(54) Product in respect of which the design is registered: **Women's clothing**
(51) International Design Classification: **02-02NES**
(74) Name(s) of Attorney(s): **MIDDLETONS**
(71) Name(s) and Address(s) of Applicant(s):
Beba Enterprises Pty Ltd
34 Garden Street South Yarra Victoria 3141 Australia
(72) Name(s) of Designer(s): **Arthur Soetedja**
(45) Registration Date: **22 June 2012**
(56) Related Art Documents: **Not Applicable**
(57) Statement of Newness and Distinctiveness: **Nil**



(21) Design Number: **12363/2012**
(22) Date of Filing Application: **16 May 2012**
(24) Date from which industrial property rights may have effect: **29 November 2011**
(54) Product in respect of which the design is registered: **Women's clothing**
(51) International Design Classification: **02-02NES**
(74) Name(s) of Attorney(s): **MIDDLETONS**
(71) Name(s) and Address(s) of Applicant(s):
Beba Enterprises Pty Ltd
34 Garden Street South Yarra Victoria 3141 Australia
(72) Name(s) of Designer(s): **Arthur Soetedja**
(45) Registration Date: **22 June 2012**
(62) Divisional of: **343034**
(56) Related Art Documents: **Not Applicable**
(57) Statement of Newness and Distinctiveness: **Nil**



(21) Design Number: **11601/2012**
(22) Date of Filing Application: **28 March 2012**
(24) Date from which industrial property rights may have effect: **28 March 2012**
(54) Product in respect of which the design is registered: **Instrument panel for a bus**
(51) International Design Classification: **12-16NES**
(74) Name(s) of Attorney(s): **Davies Collison Cave**
(71) Name(s) and Address(s) of Applicant(s):
Scania CV AB
Sodertalje SE-151 87 Sweden
(72) Name(s) of Designer(s): **Ingrid Nilsson Czornyj and Kristofer Hansen and Anders Wenell and Johnny Pettersson**
(45) Registration Date: **22 June 2012**
(56) Related Art Documents: **Not Applicable**
(57) Statement of Newness and Distinctiveness: **Nil**



- (21) Design Number: **12215/2012**
(22) Date of Filing Application: **09 May 2012**
(24) Date from which industrial property rights may have effect: **09 May 2012**
(54) Product in respect of which the design is registered: **Rigid plastic clothes pegs**
(51) International Design Classification: **07-05C**
(74) Name(s) of Attorney(s):
(71) Name(s) and Address(s) of Applicant(s):
Frances Anne O'Sullivan
2/7 Friary Court Riverside Tasmania 7250 Australia
Timothy Charles O'Sullivan
3/7 Friary Court Riverside Tasmania 7250 Australia
(72) Name(s) of Designer(s): **Frances Anne O'Sullivan and Timothy Charles O'Sullivan**
(45) Registration Date: **22 June 2012**
(56) Related Art Documents: **Not Applicable**
(57) Statement of Newness and Distinctiveness: **The bi-colour aspect of the design makes it unique and distinctly different from any existing clothes peg. The dominance of a colour on "half peg A" and the impact of the contrasting colour on "half peg B" prove the distinctiveness of this design. To achieve this effect the numeric ranking of each colour, as determined in the Pantone Colour Scale/Chart, is used, thus confirming the uniqueness.**



- (21) Design Number: **12488/2012**
(22) Date of Filing Application: **09 May 2012**
(24) Date from which industrial property rights may have effect: **09 May 2012**
(54) Product in respect of which the design is registered: **Rigid plastic clothes pegs**
(51) International Design Classification: **07-05C**
(74) Name(s) of Attorney(s):
(71) Name(s) and Address(s) of Applicant(s):
Frances Anne O'Sullivan
2/7 Friary Court Riverside Tasmania 7250 Australia
Timothy Charles O'Sullivan
3/7 Friary Court Riverside Tasmania 7250 Australia
(72) Name(s) of Designer(s): **Frances Anne O'Sullivan and Timothy Charles O'Sullivan**
(45) Registration Date: **22 June 2012**
(56) Related Art Documents: **Not Applicable**
(57) Statement of Newness and Distinctiveness: **The bi-colour aspect of the design makes it unique and distinctly different from any existing clothes peg. The dominance of a colour on "half peg A" and the impact of the contrasting colour on "half peg B" prove the distinctiveness of this design. To achieve this effect the numeric ranking of each colour, as determined in the Pantone Colour Scale/Chart, is used, thus confirming the uniqueness.**



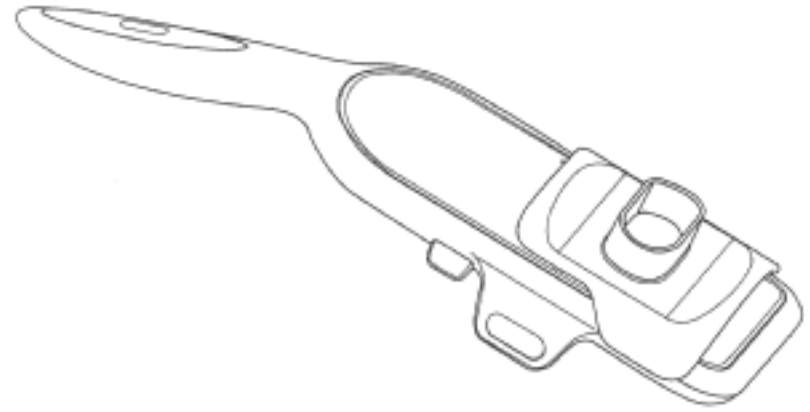
(21) Design Number: **12250/2012**
(22) Date of Filing Application: **10 May 2012**
(24) Date from which industrial property rights may have effect: **10 May 2012**
(54) Product in respect of which the design is registered: **A coffee machine**
(51) International Design Classification: **07-02L**
(74) Name(s) of Attorney(s): **Banki Haddock Fiora**
(71) Name(s) and Address(s) of Applicant(s):
Societe des Produits Nestle S.A.
1800 Vevey Switzerland
(72) Name(s) of Designer(s): **Antoine Cahen**
(45) Registration Date: **22 June 2012**
(30) Convention priority data:
(31) Number (32) Date (33) Country
138617 24 Feb 2012 SWITZERLAND
(56) Related Art Documents: **Not Applicable**
(57) Statement of Newness and Distinctiveness: **Nil**



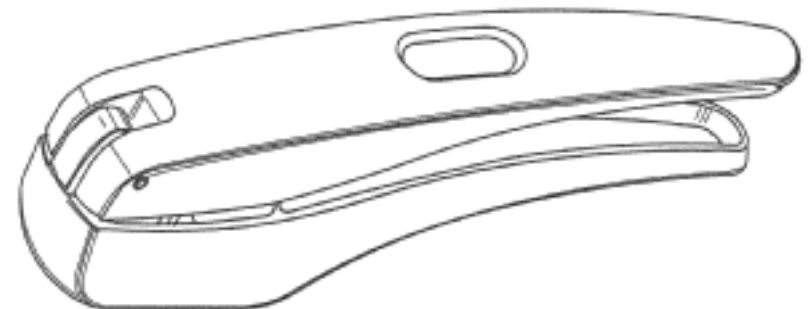
(21) Design Number: **12307/2012**
(22) Date of Filing Application: **14 May 2012**
(24) Date from which industrial property rights may have effect: **14 May 2012**
(54) Product in respect of which the design is registered: **Bottle**
(51) International Design Classification: **09-01NES**
(74) Name(s) of Attorney(s): **FB Rice**
(71) Name(s) and Address(s) of Applicant(s):
SAVERGLASS
3 rue de la Gare 60960 Feuquieres France
(72) Name(s) of Designer(s): **Fraser Reynolds**
(45) Registration Date: **22 June 2012**
(30) Convention priority data:
(31) Number (32) Date (33) Country
001949322-0001 18 Nov 2011 EUROPEAN COMMUNITY
(56) Related Art Documents: **Not Applicable**
(57) Statement of Newness and Distinctiveness: **Newness and distinctiveness resides in the features of the bottle as shown in solid lines in the representations, (excluding the features shown in dashed lines), the bottle having a neck, a body with shoulders and a bottom, and in particular in the neck being cylindrical with a radiused join with the shoulders, in the shoulders being flat, inclined, joined with the sides of the body and forming transversal convex curved ribs, in that the body is based on a polyhedron with an upper quadrangular section which is wider than the quadrangular section of the bottom, both quadrangular sections have two opposite narrow sides slightly curved in a convex form in that the body is of variable width narrowing from the shoulders and slightly widening towards the bottom and in that the body has two wide flat sides and two narrow curved sides which are vertically and horizontally concave and wherein the ratio of the width of the upper part of the body to the height of the body is approximately 1:2.5.**



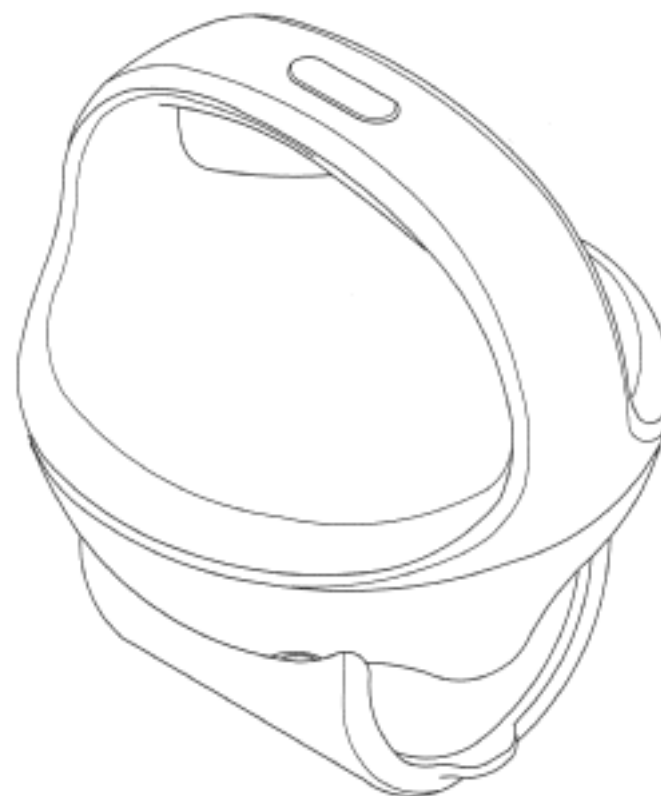
(21) Design Number: **12340/2012**
(22) Date of Filing Application: **16 May 2012**
(24) Date from which industrial property rights may have effect: **16 May 2012**
(54) Product in respect of which the design is registered: **Handheld slicer with hand guard**
(51) International Design Classification: **07-04**
(74) Name(s) of Attorney(s): **Madderns**
(71) Name(s) and Address(s) of Applicant(s):
DKB Household UK Limited
Bridge House Eelmoor Road Farnborough Hampshire GU14 7UE United Kingdom
(72) Name(s) of Designer(s): **Lars Junker and Oliver Breit**
(45) Registration Date: **22 June 2012**
(30) Convention priority data:
(31) Number (32) Date (33) Country
001949082-0005 17 Nov 2011 EUROPEAN COMMUNITY
(56) Related Art Documents: **Not Applicable**
(57) Statement of Newness and Distinctiveness: **Nil**



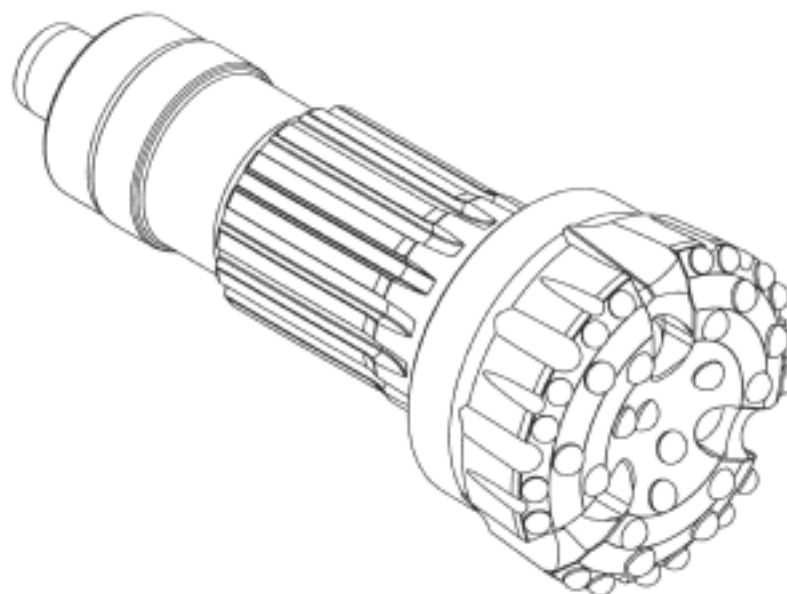
(21) Design Number: **12342/2012**
(22) Date of Filing Application: **16 May 2012**
(24) Date from which industrial property rights may have effect: **16 May 2012**
(54) Product in respect of which the design is registered: **Garlic press with removable cleaner**
(51) International Design Classification: **07-04**
(74) Name(s) of Attorney(s): **Madderns**
(71) Name(s) and Address(s) of Applicant(s):
DKB Household UK Limited
Bridge House Eelmoor Road Farnborough Hampshire GU14 7UE United Kingdom
(72) Name(s) of Designer(s): **Lars Junker and Oliver Breit**
(45) Registration Date: **22 June 2012**
(30) Convention priority data:
(31) Number (32) Date (33) Country
001949082-0003 17 Nov 2011 EUROPEAN COMMUNITY
(56) Related Art Documents: **Not Applicable**
(57) Statement of Newness and Distinctiveness: **Nil**



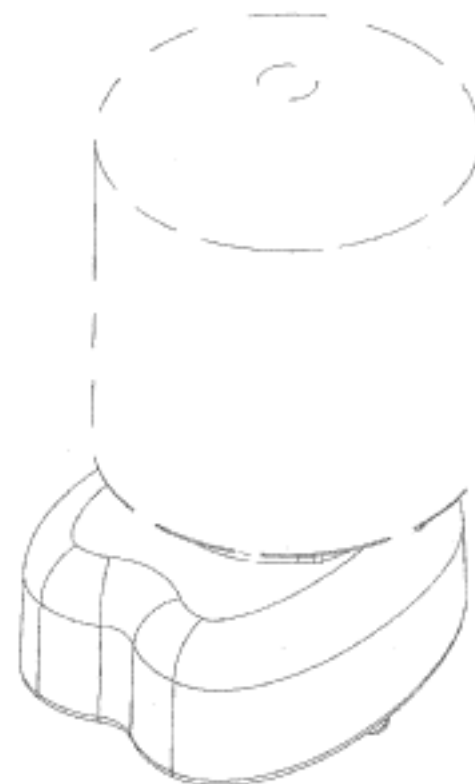
(21) Design Number: **12343/2012**
(22) Date of Filing Application: **16 May 2012**
(24) Date from which industrial property rights may have effect: **16 May 2012**
(54) Product in respect of which the design is registered: **Herb chopper**
(51) International Design Classification: **07-04**
(74) Name(s) of Attorney(s): **Madderns**
(71) Name(s) and Address(s) of Applicant(s):
DKB Household UK Limited
Bridge House Eelmoor Road Farnborough Hampshire GU14 7UE United Kingdom
(72) Name(s) of Designer(s): **Lars Junker and Oliver Breit**
(45) Registration Date: **22 June 2012**
(30) Convention priority data:
(31) Number (32) Date (33) Country
001949082-0007 17 Nov 2011 EUROPEAN COMMUNITY
(56) Related Art Documents: **Not Applicable**
(57) Statement of Newness and Distinctiveness: **Nil**



(21) Design Number: **12362/2012**
(22) Date of Filing Application: **17 May 2012**
(24) Date from which industrial property rights may have effect: **17 May 2012**
(54) Product in respect of which the design is registered: **Drill bit**
(51) International Design Classification: **08-01**
(74) Name(s) of Attorney(s): **WATERMARK PATENT AND TRADE MARKS ATTORNEYS**
(71) Name(s) and Address(s) of Applicant(s):
Drilling Tools Australia Pty Ltd
24-26 Gauge Circuit Canning Vale Western Australia 6155 Australia
(72) Name(s) of Designer(s): **Brian Sanfead**
(45) Registration Date: **22 June 2012**
(56) Related Art Documents: **Not Applicable**
(57) Statement of Newness and Distinctiveness: **Nil**



(21) Design Number: **12423/2012**
(22) Date of Filing Application: **21 May 2012**
(24) Date from which industrial property rights may have effect: **21 May 2012**
(54) Product in respect of which the design is registered: **Robotic toy base**
(51) International Design Classification: **21-01B**
(74) Name(s) of Attorney(s): **SPRUSON & FERGUSON**
(71) Name(s) and Address(s) of Applicant(s):
Innovation First International, Inc.
1519 Interstate 30 West Greenville Texas 75402 United States of America
(72) Name(s) of Designer(s): **Robert H. Mimplitch III and David Anthony Norman and Douglas Michael Galletti and Gregory James Lavender and Brian Richard Delaney and Raul Olivera**
(45) Registration Date: **22 June 2012**
(30) Convention priority data:
(31) Number (32) Date (33) Country
29/411340 19 Jan 2012 UNITED STATES OF AMERICA
(56) Related Art Documents: **Not Applicable**
(57) Statement of Newness and Distinctiveness: **Newness and distinctiveness is claimed in the features of shape and/or configuration of a robotic toy base as illustrated in continuous lines in the accompanying representations.**



(21) Design Number: **12425/2012**
(22) Date of Filing Application: **22 May 2012**
(24) Date from which industrial property rights may have effect: **22 May 2012**
(54) Product in respect of which the design is registered: **A high temperature catchment bowl for a water watch water detection system**
(51) International Design Classification: **15-01**
(74) Name(s) of Attorney(s):
(71) Name(s) and Address(s) of Applicant(s):
Responsive Engineering Australia Pty Ltd
64 Kembla Street Fyshwick ACT 2609 Australia
(72) Name(s) of Designer(s): **David Webster**
(45) Registration Date: **22 June 2012**
(56) Related Art Documents: **Not Applicable**
(57) Statement of Newness and Distinctiveness: **Nil**



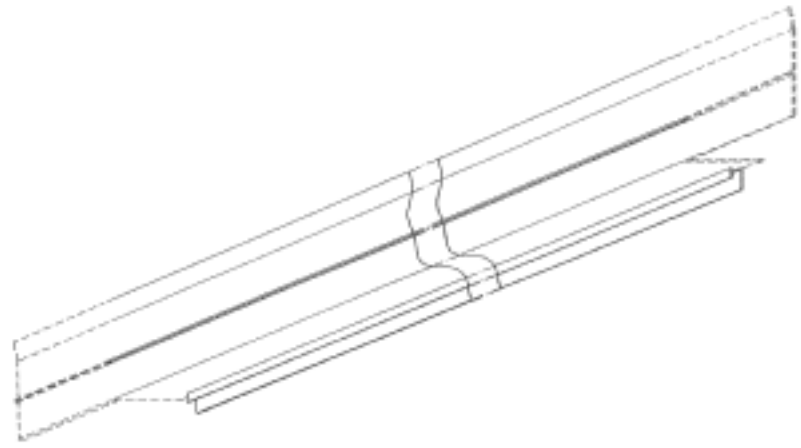
(21) Design Number: **12426/2012**
(22) Date of Filing Application: **22 May 2012**
(24) Date from which industrial property rights may have effect: **22 May 2012**
(54) Product in respect of which the design is registered: **A small seating with rotary fuser for a water watch water detection system**
(51) International Design Classification: **15-01**
(74) Name(s) of Attorney(s):
(71) Name(s) and Address(s) of Applicant(s):
Responsive Engineering Australia Pty Ltd
64 Kembla Street Fyshwick ACT 2609 Australia
(72) Name(s) of Designer(s): **David Webster**
(45) Registration Date: **22 June 2012**
(56) Related Art Documents: **Not Applicable**
(57) Statement of Newness and Distinctiveness: **Nil**



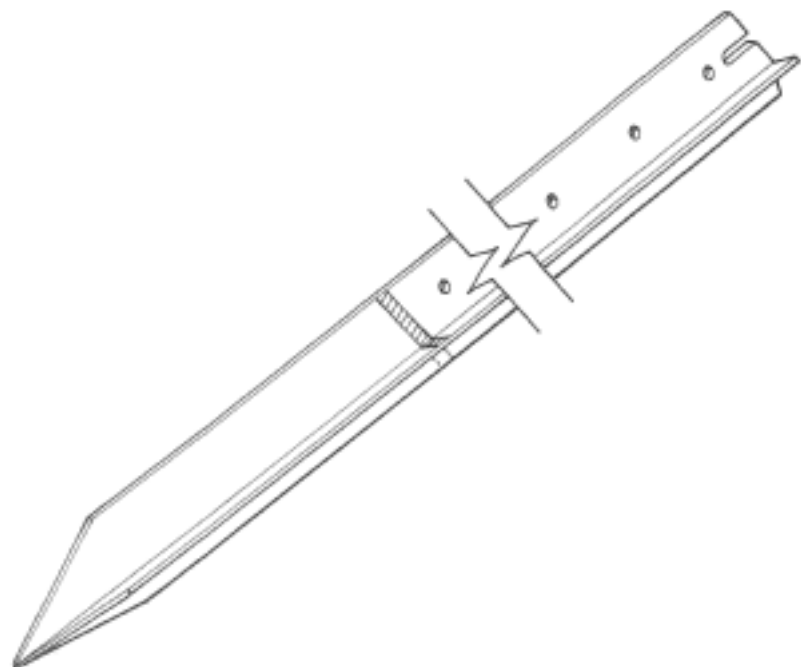
(21) Design Number: **12448/2012**
(22) Date of Filing Application: **21 May 2012**
(24) Date from which industrial property rights may have effect: **21 May 2012**
(54) Product in respect of which the design is registered: **Beverage bottle**
(51) International Design Classification: **09-01H**
(74) Name(s) of Attorney(s): **A.P.T. Patent and Trade Mark Attorneys**
(71) Name(s) and Address(s) of Applicant(s):
Zhou Jing Liang
Longzhu Industrial Estate North Ring Road Nanshan District Shenzhen
People's Republic of China
(72) Name(s) of Designer(s): **Zhou Jing Liang**
(45) Registration Date: **22 June 2012**
(56) Related Art Documents: **Not Applicable**
(57) Statement of Newness and Distinctiveness: **Nil**



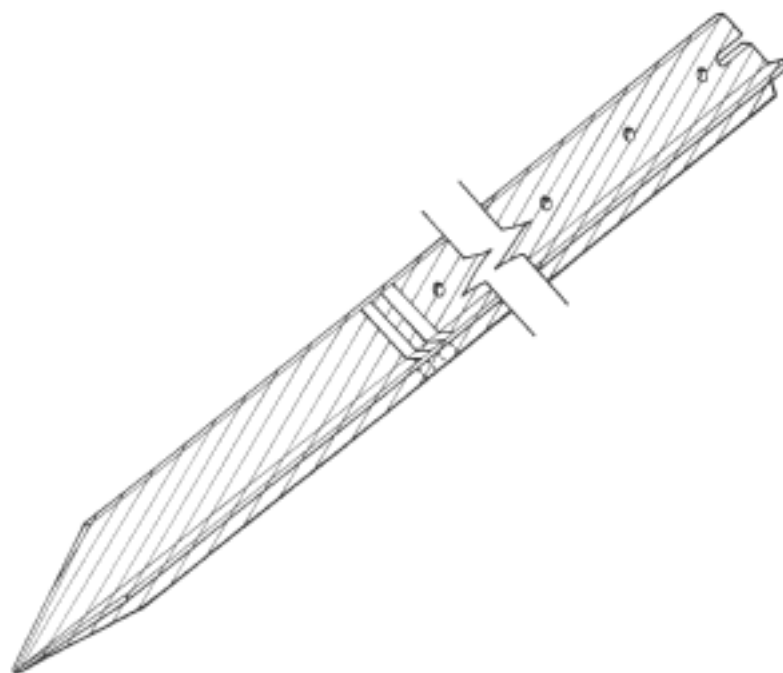
(21) Design Number: **12466/2012**
(22) Date of Filing Application: **23 May 2012**
(24) Date from which industrial property rights may have effect: **23 May 2012**
(54) Product in respect of which the design is registered: **A cladding adapter**
(51) International Design Classification: **25-01G, 25-01NES**
(74) Name(s) of Attorney(s): **Davies Collison Cave**
(71) Name(s) and Address(s) of Applicant(s):
Wideline Pty Ltd
174 Pacific Highway Tuggerah New South Wales 2259 Australia
(72) Name(s) of Designer(s): **Russell Harris**
(45) Registration Date: **22 June 2012**
(56) Related Art Documents: **Not Applicable**
(57) Statement of Newness and Distinctiveness: **Nil**



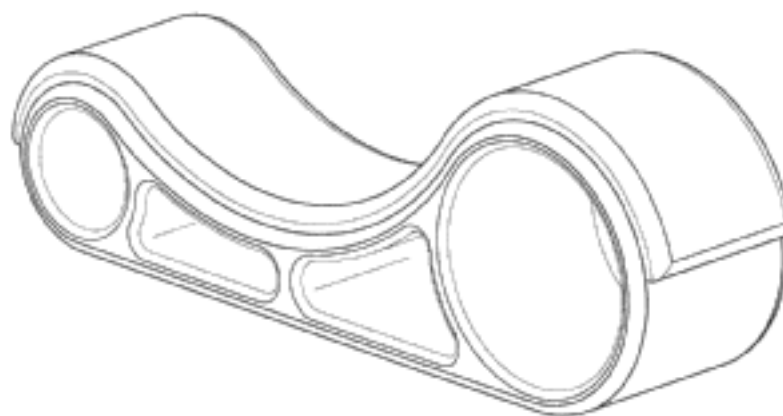
(21) Design Number: **12467/2012**
(22) Date of Filing Application: **21 May 2012**
(24) Date from which industrial property rights may have effect: **21 May 2012**
(54) Product in respect of which the design is registered: **Fence post**
(51) International Design Classification: **25-01E**
(74) Name(s) of Attorney(s): **FB Rice**
(71) Name(s) and Address(s) of Applicant(s):
Whites Group Pty Ltd
4 Decker Place Hungtingwood New South Wales 2148 Australia
(72) Name(s) of Designer(s): **Peter Kelly and Brian Gray**
(45) Registration Date: **22 June 2012**
(56) Related Art Documents: **Not Applicable**
(57) Statement of Newness and Distinctiveness: **Newness and distinctiveness reside in the features of the pattern and ornamentation of the fence post of indefinite length as shown in solid lines in the representations and in particular in the provision of a transverse line of a contrasting appearance to the post (for example of a different colour to the post) visible on at least two faces of the post as shown in the representations, noting that the line may be present on more than two faces and may wrap entirely around the post as shown in dashed lines.**



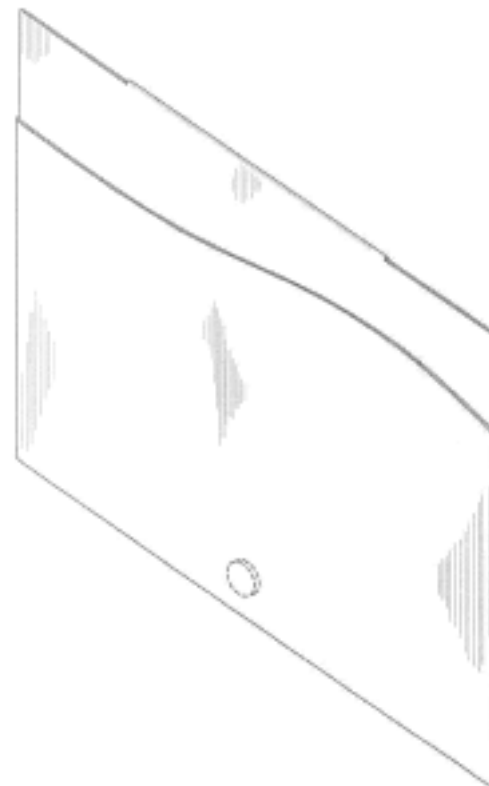
- (21) Design Number: **12468/2012**
(22) Date of Filing Application: **21 May 2012**
(24) Date from which industrial property rights may have effect: **21 May 2012**
(54) Product in respect of which the design is registered: **Fence post**
(51) International Design Classification: **25-01E**
(74) Name(s) of Attorney(s): **FB Rice**
(71) Name(s) and Address(s) of Applicant(s):
Whites Group Pty Ltd
4 Decker Place Hungtingwood New South Wales 2148 Australia
(72) Name(s) of Designer(s): **Peter Kelly and Brian Gray**
(45) Registration Date: **22 June 2012**
(56) Related Art Documents: **Not Applicable**
(57) Statement of Newness and Distinctiveness: **Newness and distinctiveness reside in the features of the pattern and ornamentation of the fence post of indefinite length as shown in the representations, and in particular in the provision of transverse parallel lines of a contrasting appearance to the post (for example of a different colour to the post) visible on at least two faces of the post as shown, noting that the line may be present on more that two faces and may wrap entirely around the post as shown in dashed lines.**



- (21) Design Number: **12469/2012**
(22) Date of Filing Application: **24 May 2012**
(24) Date from which industrial property rights may have effect: **24 May 2012**
(54) Product in respect of which the design is registered: **Chair**
(51) International Design Classification: **06-01G**
(74) Name(s) of Attorney(s): **A.P.T. Patent and Trade Mark Attorneys**
(71) Name(s) and Address(s) of Applicant(s):
Joy Continental Limited (BVI)
Wickhams Cay 1 Road Town Tortola British Virgin Islands
(72) Name(s) of Designer(s): **Shu-Chi Chiu**
(45) Registration Date: **22 June 2012**
(56) Related Art Documents: **Not Applicable**
(57) Statement of Newness and Distinctiveness: **Nil**



- (21) Design Number: **12476/2012**
(22) Date of Filing Application: **23 May 2012**
(24) Date from which industrial property rights may have effect: **05 April 2011**
(54) Product in respect of which the design is registered: **File folder**
(51) International Design Classification: **19-04**
(74) Name(s) of Attorney(s): **Shelston IP**
(71) Name(s) and Address(s) of Applicant(s):
Avery Dennison Corporation
150 North Orange Grove Boulevard Pasadena California 91103 United States of America
(72) Name(s) of Designer(s): **Vincent H. Bowman and Jeffrey Herz and Jay K. Sato**
(45) Registration Date: **22 June 2012**
(62) Divisional of: **337019**
(56) Related Art Documents: **Not Applicable**
(57) Statement of Newness and Distinctiveness: **Newness and distinctiveness resides in the features of shape and/or configuration of the file folder shown in the accompanying representations. The dashed lines shown in the representations represent features of the file folder that do not form part of the design.**



- (21) Design Number: **15719/2011**
(22) Date of Filing Application: **13 December 2011**
(24) Date from which industrial property rights may have effect: **13 December 2011**
(54) Product in respect of which the design is registered: **A woman's garment**
(51) International Design Classification: **02-02C**
(74) Name(s) of Attorney(s):
(71) Name(s) and Address(s) of Applicant(s):
Johanna Johnson
89 Glenmore Road Paddington New South Wales 2021 Australia
(72) Name(s) of Designer(s): **Johanna Johnson**
(45) Registration Date: **25 June 2012**
(56) Related Art Documents: **Not Applicable**
(57) Statement of Newness and Distinctiveness: **Nil**



- (21) Design Number: **15721/2011**
(22) Date of Filing Application: **13 December 2011**
(24) Date from which industrial property rights may have effect: **13 December 2011**
(54) Product in respect of which the design is registered: **A woman's garment, comprising beaded parts**
(51) International Design Classification: **02-02C**
(74) Name(s) of Attorney(s):
(71) Name(s) and Address(s) of Applicant(s):
Johanna Johnson
89 Glenmore Road Paddington New South Wales 2021 Australia
(72) Name(s) of Designer(s): **Johanna Johnson**
(45) Registration Date: **25 June 2012**
(56) Related Art Documents: **Not Applicable**
(57) Statement of Newness and Distinctiveness: **Nil**



- (21) Design Number: **15723/2011**
(22) Date of Filing Application: **13 December 2011**
(24) Date from which industrial property rights may have effect: **13 December 2011**
(54) Product in respect of which the design is registered: **A woman's garment, comprising beaded parts**
(51) International Design Classification: **02-02C**
(74) Name(s) of Attorney(s):
(71) Name(s) and Address(s) of Applicant(s):
Johanna Johnson
89 Glenmore Road Paddington New South Wales 2021 Australia
(72) Name(s) of Designer(s): **Johanna Johnson**
(45) Registration Date: **25 June 2012**
(56) Related Art Documents: **Not Applicable**
(57) Statement of Newness and Distinctiveness: **Nil**



(21) Design Number: **15724/2011**
(22) Date of Filing Application: **13 December 2011**
(24) Date from which industrial property rights may have effect: **13 December 2011**
(54) Product in respect of which the design is registered: **A woman's garment, comprising beaded parts**
(51) International Design Classification: **02-02C**
(74) Name(s) of Attorney(s):
(71) Name(s) and Address(s) of Applicant(s):
Johanna Johnson
89 Glenmore Road Paddington New South Wales 2021 Australia
(72) Name(s) of Designer(s): **Johanna Johnson**
(45) Registration Date: **25 June 2012**
(56) Related Art Documents: **Not Applicable**
(57) Statement of Newness and Distinctiveness: **Nil**



(21) Design Number: **15725/2011**
(22) Date of Filing Application: **13 December 2011**
(24) Date from which industrial property rights may have effect: **13 December 2011**
(54) Product in respect of which the design is registered: **A woman's garment, comprising beaded parts**
(51) International Design Classification: **02-02C**
(74) Name(s) of Attorney(s):
(71) Name(s) and Address(s) of Applicant(s):
Johanna Johnson
89 Glenmore Road Paddington New South Wales 2021 Australia
(72) Name(s) of Designer(s): **Johanna Johnson**
(45) Registration Date: **25 June 2012**
(56) Related Art Documents: **Not Applicable**
(57) Statement of Newness and Distinctiveness: **Nil**



- (21) Design Number: **15726/2011**
(22) Date of Filing Application: **13 December 2011**
(24) Date from which industrial property rights may have effect: **13 December 2011**
(54) Product in respect of which the design is registered: **A woman's garment, comprising beaded parts**
(51) International Design Classification: **02-02C**
(74) Name(s) of Attorney(s):
(71) Name(s) and Address(s) of Applicant(s):
Johanna Johnson
89 Glenmore Road Paddington New South Wales 2021 Australia
(72) Name(s) of Designer(s): **Johanna Johnson**
(45) Registration Date: **25 June 2012**
(56) Related Art Documents: **Not Applicable**
(57) Statement of Newness and Distinctiveness: **Nil**



- (21) Design Number: **15727/2011**
(22) Date of Filing Application: **13 December 2011**
(24) Date from which industrial property rights may have effect: **13 December 2011**
(54) Product in respect of which the design is registered: **A woman's garment, comprising beaded parts**
(51) International Design Classification: **02-02C**
(74) Name(s) of Attorney(s):
(71) Name(s) and Address(s) of Applicant(s):
Johanna Johnson
89 Glenmore Road Paddington New South Wales 2021 Australia
(72) Name(s) of Designer(s): **Johanna Johnson**
(45) Registration Date: **25 June 2012**
(56) Related Art Documents: **Not Applicable**
(57) Statement of Newness and Distinctiveness: **Nil**



- (21) Design Number: **15728/2011**
(22) Date of Filing Application: **13 December 2011**
(24) Date from which industrial property rights may have effect: **13 December 2011**
(54) Product in respect of which the design is registered: **A woman's garment, comprising beaded parts**
(51) International Design Classification: **02-02C**
(74) Name(s) of Attorney(s):
(71) Name(s) and Address(s) of Applicant(s):
Johanna Johnson
89 Glenmore Road Paddington New South Wales 2021 Australia
(72) Name(s) of Designer(s): **Johanna Johnson**
(45) Registration Date: **25 June 2012**
(56) Related Art Documents: **Not Applicable**
(57) Statement of Newness and Distinctiveness: **Nil**



- (21) Design Number: **15729/2011**
(22) Date of Filing Application: **13 December 2011**
(24) Date from which industrial property rights may have effect: **13 December 2011**
(54) Product in respect of which the design is registered: **A woman's garment, comprising beaded parts**
(51) International Design Classification: **02-02C**
(74) Name(s) of Attorney(s):
(71) Name(s) and Address(s) of Applicant(s):
Johanna Johnson
89 Glenmore Road Paddington New South Wales 2021 Australia
(72) Name(s) of Designer(s): **Johanna Johnson**
(45) Registration Date: **25 June 2012**
(56) Related Art Documents: **Not Applicable**
(57) Statement of Newness and Distinctiveness: **Nil**



- (21) Design Number: **15730/2011**
(22) Date of Filing Application: **13 December 2011**
(24) Date from which industrial property rights may have effect: **13 December 2011**
(54) Product in respect of which the design is registered: **A woman's garment, comprising beaded parts**
(51) International Design Classification: **02-02C**
(74) Name(s) of Attorney(s):
(71) Name(s) and Address(s) of Applicant(s):
Johanna Johnson
89 Glenmore Road Paddington New South Wales 2021 Australia
(72) Name(s) of Designer(s): **Johanna Johnson**
(45) Registration Date: **25 June 2012**
(56) Related Art Documents: **Not Applicable**
(57) Statement of Newness and Distinctiveness: **Nil**



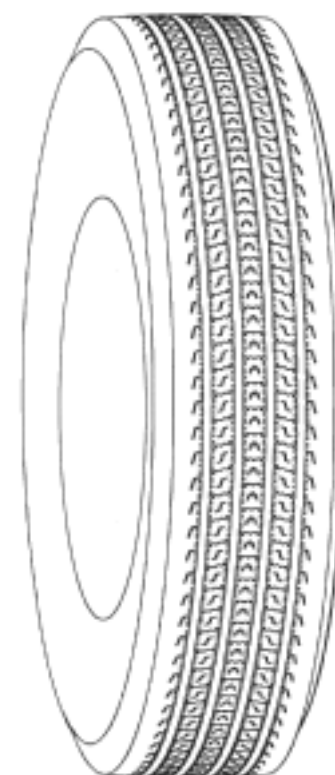
- (21) Design Number: **15731/2011**
(22) Date of Filing Application: **13 December 2011**
(24) Date from which industrial property rights may have effect: **13 December 2011**
(54) Product in respect of which the design is registered: **A woman's garment**
(51) International Design Classification: **02-02C**
(74) Name(s) of Attorney(s):
(71) Name(s) and Address(s) of Applicant(s):
Johanna Johnson
89 Glenmore Road Paddington New South Wales 2021 Australia
(72) Name(s) of Designer(s): **Johanna Johnson**
(45) Registration Date: **25 June 2012**
(56) Related Art Documents: **Not Applicable**
(57) Statement of Newness and Distinctiveness: **Nil**



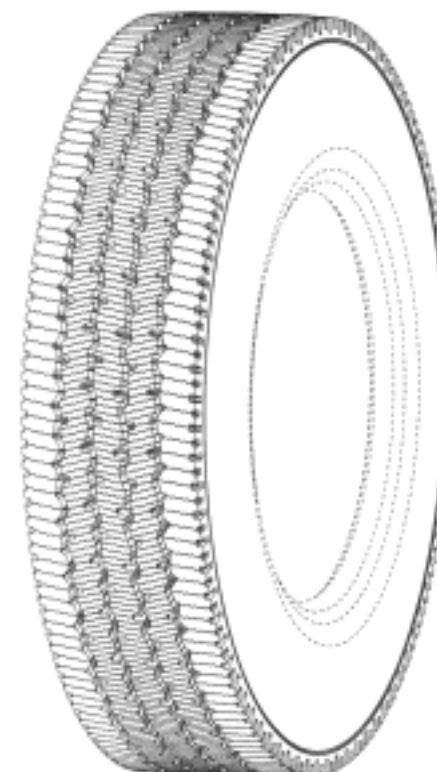
(21) Design Number: **15732/2011**
(22) Date of Filing Application: **13 December 2011**
(24) Date from which industrial property rights may have effect: **13 December 2011**
(54) Product in respect of which the design is registered: **A woman's garment**
(51) International Design Classification: **02-02C**
(74) Name(s) of Attorney(s):
(71) Name(s) and Address(s) of Applicant(s):
Johanna Johnson
89 Glenmore Road Paddington New South Wales 2021 Australia
(72) Name(s) of Designer(s): **Johanna Johnson**
(45) Registration Date: **25 June 2012**
(56) Related Art Documents: **Not Applicable**
(57) Statement of Newness and Distinctiveness: **Nil**



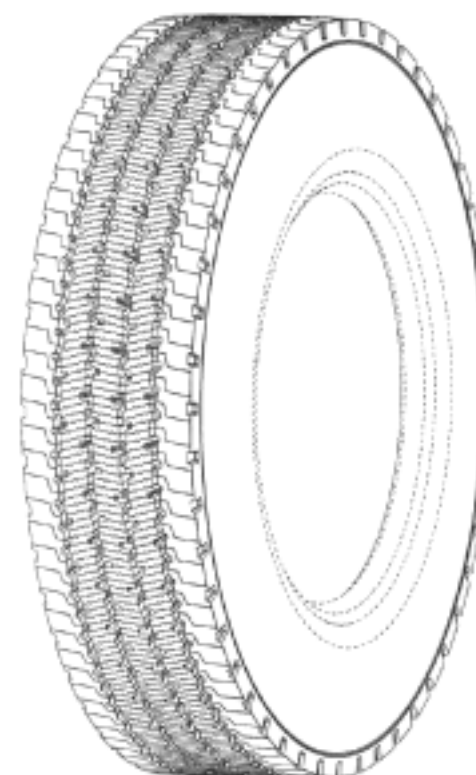
(21) Design Number: **12552/2012**
(22) Date of Filing Application: **30 May 2012**
(24) Date from which industrial property rights may have effect: **30 May 2012**
(54) Product in respect of which the design is registered: **A tyre**
(51) International Design Classification: **12-15A**
(74) Name(s) of Attorney(s): **WATERMARK PATENT AND TRADE MARKS ATTORNEYS**
(71) Name(s) and Address(s) of Applicant(s):
COMPAGNIE GENERALE DES ETABLISSEMENTS MICHELIN
12 cours Sablon 63000 Clermont-Ferrand France
Michelin Recherche et Technique S.A.
Route Louis-Braille 10 et 12 CH-1763 Granges-Paccot Switzerland
(72) Name(s) of Designer(s): **Arnaud Gommez**
(45) Registration Date: **25 June 2012**
(30) Convention priority data:
(31) Number (32) Date (33) Country
11/5792 01 Dec 2011 FRANCE
(56) Related Art Documents: **Not Applicable**
(57) Statement of Newness and Distinctiveness: **Newness and distinctiveness resides in the appearance of the tread region of the tyre, the remainder of the tyre not forming part of the design.**



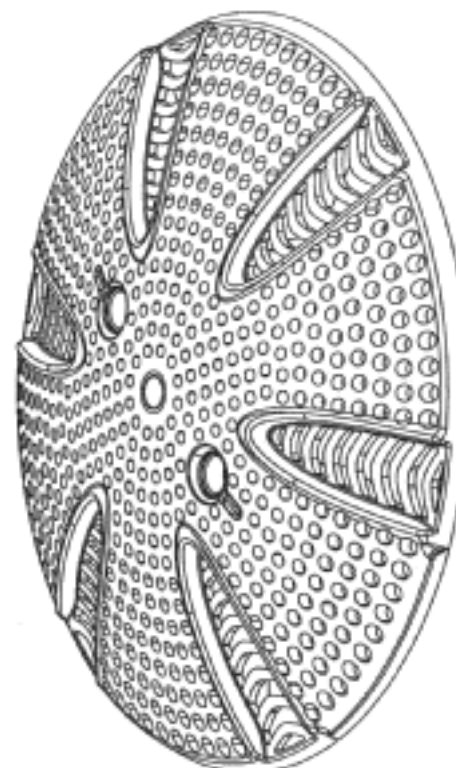
- (21) Design Number: **12553/2012**
(22) Date of Filing Application: **30 May 2012**
(24) Date from which industrial property rights may have effect: **30 May 2012**
(54) Product in respect of which the design is registered: **A tyre**
(51) International Design Classification: **12-15A**
(74) Name(s) of Attorney(s): **WATERMARK PATENT AND TRADE MARKS ATTORNEYS**
(71) Name(s) and Address(s) of Applicant(s):
COMPAGNIE GENERALE DES ETABLISSEMENTS MICHELIN
12 cours Sablon 63000 Clermont-Ferrand France
Michelin Recherche et Technique S.A.
Route Louis-Braille 10 et 12 CH-1763 Granges-Paccot Switzerland
(72) Name(s) of Designer(s): **Lisa Bachtel and Clarence V Hair Jr and Joseph Stain**
(45) Registration Date: **25 June 2012**
(30) Convention priority data:
(31) Number (32) Date (33) Country
29/408,035 06 Dec 2011 UNITED STATES OF AMERICA
(56) Related Art Documents: **Not Applicable**
(57) Statement of Newness and Distinctiveness: **Newness and distinctiveness resides in the appearance of the tread region of the tyre, the remainder of the tyre not forming part of the design.**



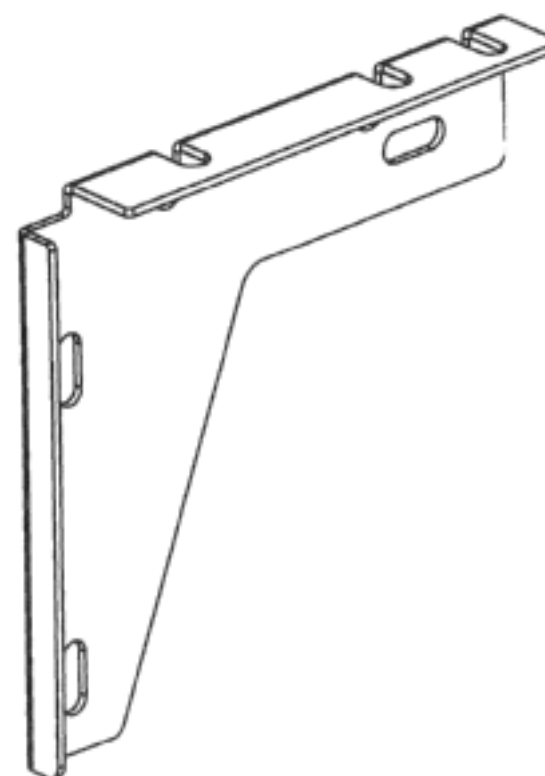
- (21) Design Number: **12554/2012**
(22) Date of Filing Application: **30 May 2012**
(24) Date from which industrial property rights may have effect: **30 May 2012**
(54) Product in respect of which the design is registered: **A tyre**
(51) International Design Classification: **12-15A**
(74) Name(s) of Attorney(s): **WATERMARK PATENT AND TRADE MARKS ATTORNEYS**
(71) Name(s) and Address(s) of Applicant(s):
COMPAGNIE GENERALE DES ETABLISSEMENTS MICHELIN
12 cours Sablon 63000 Clermont-Ferrand France
Michelin Recherche et Technique S.A.
Route Louis-Braille 10 et 12 CH-1763 Granges-Paccot Switzerland
(72) Name(s) of Designer(s): **Lisa Bachtel and Clarence V Hair Jr and Joseph Stain**
(45) Registration Date: **25 June 2012**
(30) Convention priority data:
(31) Number (32) Date (33) Country
29/408,044 06 Dec 2011 UNITED STATES OF AMERICA
(56) Related Art Documents: **Not Applicable**
(57) Statement of Newness and Distinctiveness: **Newness and distinctiveness resides in the appearance of the tread region of the tyre, the remainder of the tyre not forming part of the design.**



- (21) Design Number: **12548/2012**
(22) Date of Filing Application: **29 May 2012**
(24) Date from which industrial property rights may have effect: **29 May 2012**
(54) Product in respect of which the design is registered: **Suction cover**
(51) International Design Classification: **13-03C**
(74) Name(s) of Attorney(s): **PHILLIPS ORMONDE FITZPATRICK**
(71) Name(s) and Address(s) of Applicant(s):
Spa Electrics Pty Ltd
Factory 4 9 Monterey Road Dandenong Victoria 3175 Australia
(72) Name(s) of Designer(s): **David John Webber and Simon Andresen**
(45) Registration Date: **26 June 2012**
(56) Related Art Documents: **Not Applicable**
(57) Statement of Newness and Distinctiveness: **Those features of the suction cover depicted in the representations that are new and distinctive are the shape and/or configuration.**



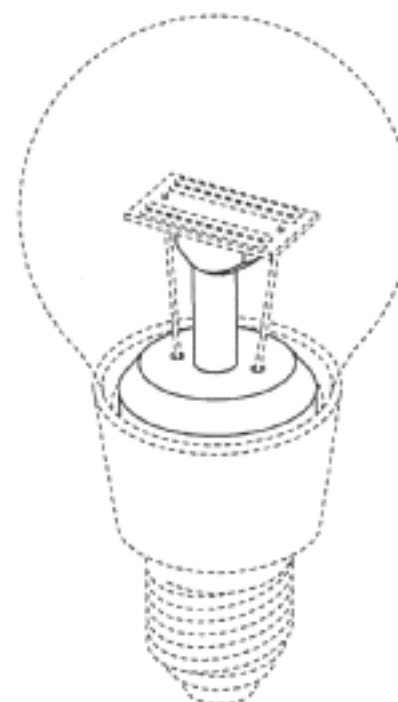
- (21) Design Number: **12549/2012**
(22) Date of Filing Application: **30 May 2012**
(24) Date from which industrial property rights may have effect: **30 May 2012**
(54) Product in respect of which the design is registered: **front bracket to brace vehicle utility tub using existing vehicle mounting points**
(51) International Design Classification: **08-08NES**
(74) Name(s) of Attorney(s):
(71) Name(s) and Address(s) of Applicant(s):
ARB Corporation Ltd
42-44 Garden Street Kilsyth Victoria 3137 Australia
(72) Name(s) of Designer(s): **Gavin Smith**
(45) Registration Date: **26 June 2012**
(56) Related Art Documents: **Not Applicable**
(57) Statement of Newness and Distinctiveness: **Monopoly is claimed in the shape and/or configuration of a bracket as shown in the representations that uses the exiting vehicle mounting points to brace the utility tub.**



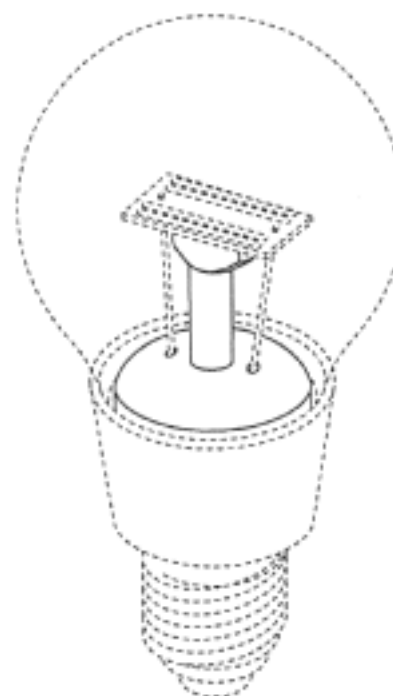
- (21) Design Number: **12550/2012**
(22) Date of Filing Application: **30 May 2012**
(24) Date from which industrial property rights may have effect: **30 May 2012**
(54) Product in respect of which the design is registered: **rear bracket to brace vehicle utility tub using existing vehicle mounting points**
(51) International Design Classification: **08-08NES**
(74) Name(s) of Attorney(s):
(71) Name(s) and Address(s) of Applicant(s):
ARB Corporation Ltd
42-44 Garden Street Kilsyth Victoria 3137 Australia
(72) Name(s) of Designer(s): **Gavin Smith**
(45) Registration Date: **26 June 2012**
(56) Related Art Documents: **Not Applicable**
(57) Statement of Newness and Distinctiveness: **Monopoly is claimed in the shape and/or configuration of a bracket as shown in the representations that uses the exiting vehicle mounting points to brace the utility tub.**



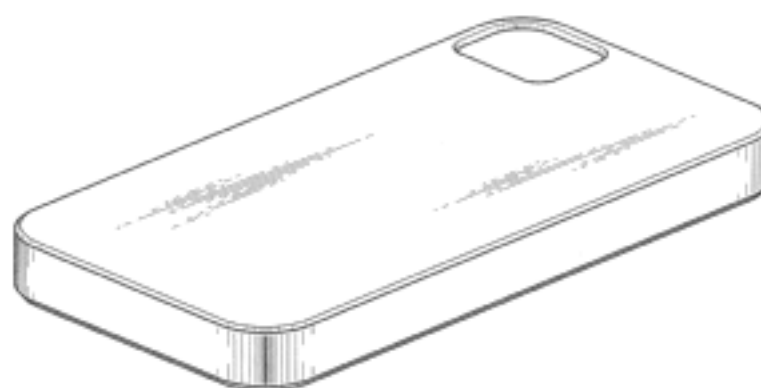
- (21) Design Number: **12561/2012**
(22) Date of Filing Application: **29 May 2012**
(24) Date from which industrial property rights may have effect: **29 May 2012**
(54) Product in respect of which the design is registered: **Light-emitting diode lamp**
(51) International Design Classification: **26-04**
(74) Name(s) of Attorney(s): **SPRUSON & FERGUSON**
(71) Name(s) and Address(s) of Applicant(s):
Panasonic Corporation
1006 Oaza Kadoma Kadoma-shi Osaka 571-8501 Japan
(72) Name(s) of Designer(s): **Tsugihiko Matsuda and Yoshinori Kakuno and Toshio Mori and Nobuyuki Mase**
(45) Registration Date: **26 June 2012**
(30) Convention priority data:
(31) Number (32) Date (33) Country
2012-003604 22 Feb 2012 JAPAN
(56) Related Art Documents: **Not Applicable**
(57) Statement of Newness and Distinctiveness: **Newness and distinctiveness is claimed in the features of shape and/or configuration of a light-emitting diode lamp as illustrated in continuous lines in the accompanying representations.**



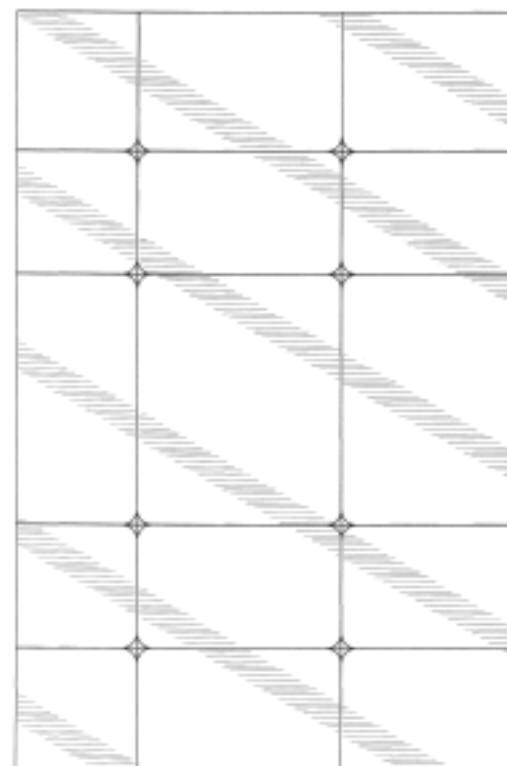
(21) Design Number: **12562/2012**
(22) Date of Filing Application: **29 May 2012**
(24) Date from which industrial property rights may have effect: **29 May 2012**
(54) Product in respect of which the design is registered: **Light-emitting diode lamp**
(51) International Design Classification: **26-04**
(74) Name(s) of Attorney(s): **SPRUSON & FERGUSON**
(71) Name(s) and Address(s) of Applicant(s):
Panasonic Corporation
1006 Oaza Kadoma Kadoma-shi Osaka 571-8501 Japan
(72) Name(s) of Designer(s): **Tsugihiko Matsuda and Yoshinori Kakuno and Toshio Mori and Nobuyuki Mase**
(45) Registration Date: **26 June 2012**
(30) Convention priority data:
(31) Number (32) Date (33) Country
2012-003605 22 Feb 2012 JAPAN
(56) Related Art Documents: **Not Applicable**
(57) Statement of Newness and Distinctiveness: **Newness and distinctiveness is claimed in the features of shape and/or configuration of a light-emitting diode lamp as illustrated in continuous lines in the accompanying representations.**



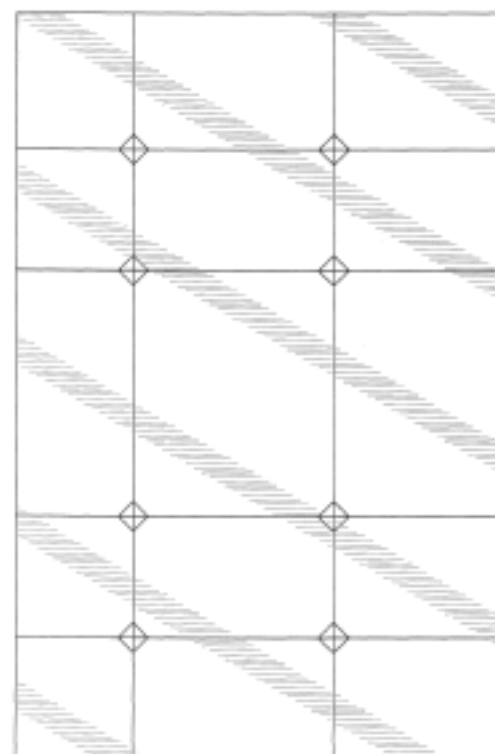
(21) Design Number: **12564/2012**
(22) Date of Filing Application: **28 May 2012**
(24) Date from which industrial property rights may have effect: **28 May 2012**
(54) Product in respect of which the design is registered: **Electronic device case**
(51) International Design Classification: **14-03A**
(74) Name(s) of Attorney(s): **PIZZEYS**
(71) Name(s) and Address(s) of Applicant(s):
Case-Mate, Inc
2048 Weems Road Tucker GA 30084 United States of America
(72) Name(s) of Designer(s): **Garrett Paul Simmer**
(45) Registration Date: **26 June 2012**
(30) Convention priority data:
(31) Number (32) Date (33) Country
29/407,529 30 Nov 2011 UNITED STATES OF AMERICA
(56) Related Art Documents: **Not Applicable**
(57) Statement of Newness and Distinctiveness: **Nil**



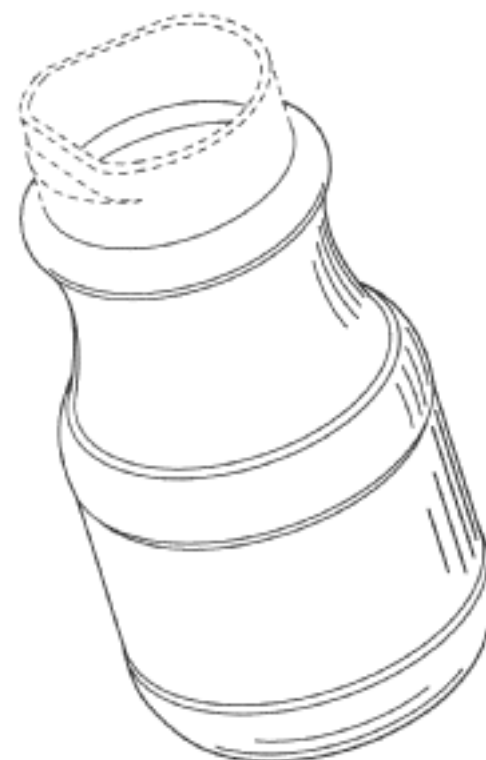
- (21) Design Number: **12565/2012**
(22) Date of Filing Application: **30 May 2012**
(24) Date from which industrial property rights may have effect: **30 May 2012**
(54) Product in respect of which the design is registered: **A sheet of label material**
(51) International Design Classification: **19-08**
(74) Name(s) of Attorney(s): **Shelston IP**
(71) Name(s) and Address(s) of Applicant(s):
Avery Dennison Corporation
150 North Orange Grove Boulevard Pasadena California 91103 United States of America
(72) Name(s) of Designer(s): **Raj Srinivasan and Frank Bogdan Woznic**
(45) Registration Date: **26 June 2012**
(30) Convention priority data:
(31) Number (32) Date (33) Country
29/407564 30 Nov 2011 UNITED STATES OF AMERICA
(56) Related Art Documents: **Not Applicable**
(57) Statement of Newness and Distinctiveness: **Newness and distinctiveness reside in the pattern and/or ornamentation of a sheet of label material having edge formations as illustrated by solid lines in the accompanying representations.**



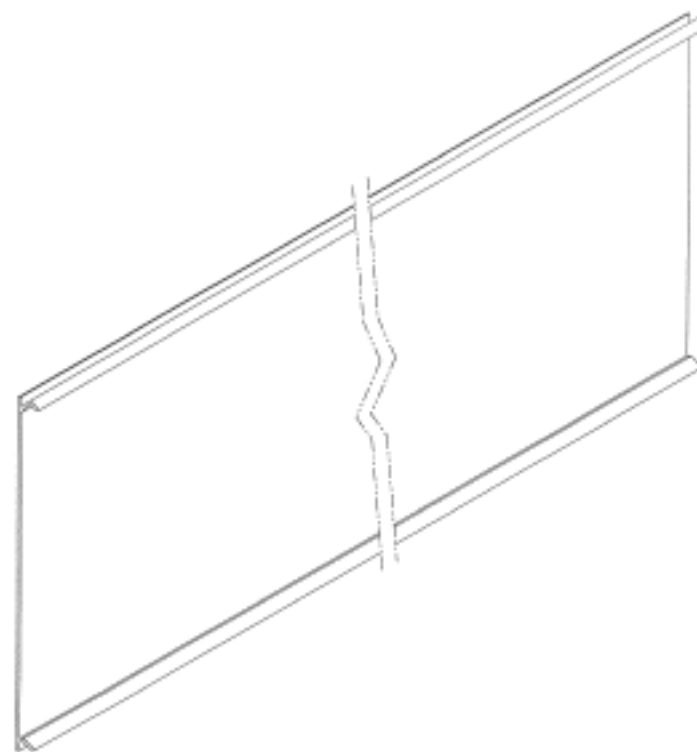
- (21) Design Number: **12566/2012**
(22) Date of Filing Application: **30 May 2012**
(24) Date from which industrial property rights may have effect: **30 May 2012**
(54) Product in respect of which the design is registered: **A sheet of label material**
(51) International Design Classification: **19-08**
(74) Name(s) of Attorney(s): **Shelston IP**
(71) Name(s) and Address(s) of Applicant(s):
Avery Dennison Corporation
150 North Orange Grove Boulevard Pasadena California 91103 United States of America
(72) Name(s) of Designer(s): **Raj Srinivasan and Frank Bogdan Woznic**
(45) Registration Date: **26 June 2012**
(30) Convention priority data:
(31) Number (32) Date (33) Country
29/407564 30 Nov 2011 UNITED STATES OF AMERICA
(56) Related Art Documents: **Not Applicable**
(57) Statement of Newness and Distinctiveness: **Newness and distinctiveness reside in the pattern and/or ornamentation of a sheet of label material having edge formations as illustrated by solid lines in the accompanying representations.**



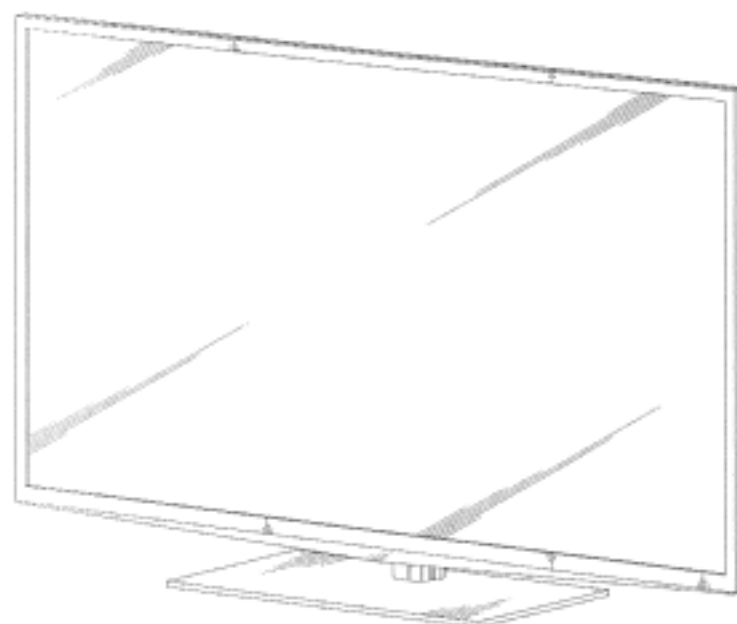
(21) Design Number: **12567/2012**
(22) Date of Filing Application: **30 May 2012**
(24) Date from which industrial property rights may have effect: **27 April 2012**
(54) Product in respect of which the design is registered: **Container**
(51) International Design Classification: **09-01NES**
(74) Name(s) of Attorney(s): **Shelston IP**
(71) Name(s) and Address(s) of Applicant(s):
Owens-Brockway Glass Container Inc.
One Michael Owens Way Perrysburg Ohio 43551 United States of America
(72) Name(s) of Designer(s): **Raul M. Paredes and Edward A. Grant and Donald P. Delagrangre**
(45) Registration Date: **26 June 2012**
(30) Convention priority data:
(31) Number (32) Date (33) Country
29/405129 28 Oct 2011 UNITED STATES OF AMERICA
(62) Divisional of: **343012**
(56) Related Art Documents: **Not Applicable**
(57) Statement of Newness and Distinctiveness: **Newness and distinctiveness reside in the shape and/or configuration of the design for a Container as shown in the accompanying representations. Those features displayed in broken line are displayed for illustrative purposes only and do not form part of the claimed design.**



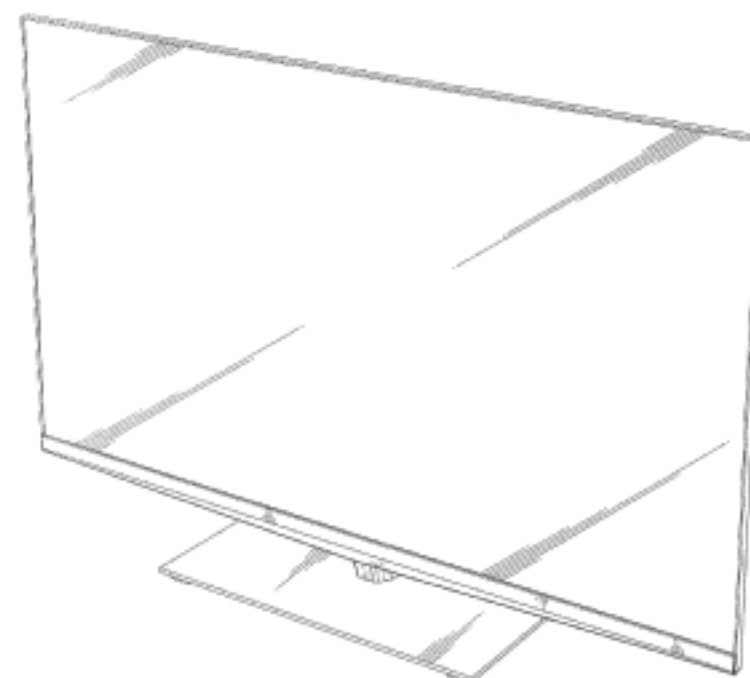
(21) Design Number: **12571/2012**
(22) Date of Filing Application: **30 May 2012**
(24) Date from which industrial property rights may have effect: **30 May 2012**
(54) Product in respect of which the design is registered: **Ducting lid**
(51) International Design Classification: **23-04**
(74) Name(s) of Attorney(s): **PHILLIPS ORMONDE FITZPATRICK**
(71) Name(s) and Address(s) of Applicant(s):
Electric Cable Duct Systems Pty Ltd
8 Clarice Road Box Hill South Victoria 3128 Australia
(72) Name(s) of Designer(s): **Evan Stuart Booth and Balaji Ragupathi**
(45) Registration Date: **26 June 2012**
(56) Related Art Documents: **Not Applicable**
(57) Statement of Newness and Distinctiveness: **Those features of the ducting lid depicted in the representations that are new and distinctive are the shape and/or configuration. The ducting lid may be of indefinite length.**



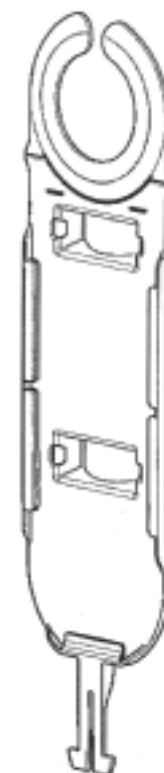
- (21) Design Number: **12579/2012**
(22) Date of Filing Application: **30 May 2012**
(24) Date from which industrial property rights may have effect: **30 May 2012**
(54) Product in respect of which the design is registered: **Television receiver**
(51) International Design Classification: **14-03B**
(74) Name(s) of Attorney(s): **HODGKINSON McINNES PATENTS**
(71) Name(s) and Address(s) of Applicant(s):
Kabushiki Kaisha Toshiba also Trading as Toshiba Corporation
1-1 Shibaura 1-chome Minato-ku Tokyo Japan
(72) Name(s) of Designer(s): **Takashi Asanuma and Kentaro Ichise**
(45) Registration Date: **26 June 2012**
(30) Convention priority data:
(31) Number (32) Date (33) Country
2011-030155 27 Dec 2011 JAPAN
(56) Related Art Documents: **Not Applicable**
(57) Statement of Newness and Distinctiveness: **Newness and distinctiveness is claimed in the features of shape and configuration of a television receiver as shown in the attached representations.**



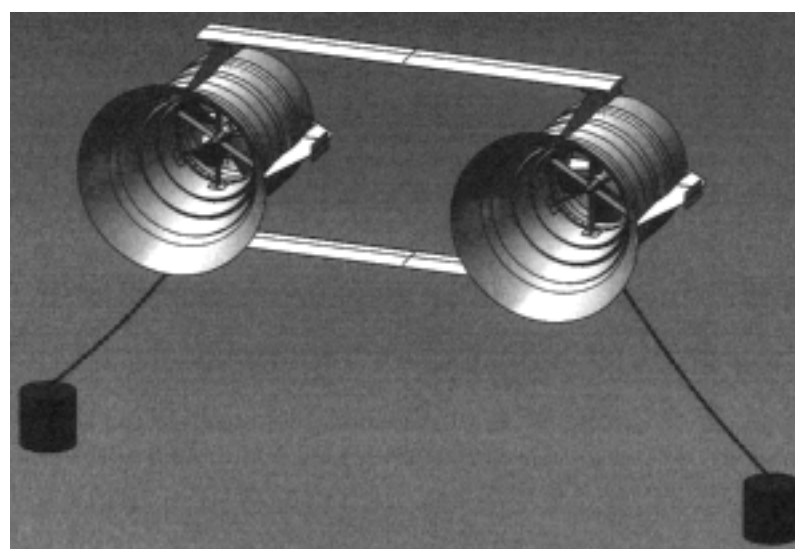
- (21) Design Number: **12580/2012**
(22) Date of Filing Application: **30 May 2012**
(24) Date from which industrial property rights may have effect: **30 May 2012**
(54) Product in respect of which the design is registered: **Television receiver**
(51) International Design Classification: **14-03B**
(74) Name(s) of Attorney(s): **HODGKINSON McINNES PATENTS**
(71) Name(s) and Address(s) of Applicant(s):
Kabushiki Kaisha Toshiba also Trading as Toshiba Corporation
1-1 Shibaura 1-chome Minato-ku Tokyo Japan
(72) Name(s) of Designer(s): **Takashi Asanuma and Takeshi Suzuki and Kentaro Ichise and Taihei Miyaji**
(45) Registration Date: **26 June 2012**
(30) Convention priority data:
(31) Number (32) Date (33) Country
2011-030156 27 Dec 2011 JAPAN
(56) Related Art Documents: **Not Applicable**
(57) Statement of Newness and Distinctiveness: **Newness and distinctiveness is claimed in the features of shape and configuration of a television receiver as shown in the attached representations.**



- (21) Design Number: **12581/2012**
(22) Date of Filing Application: **30 May 2012**
(24) Date from which industrial property rights may have effect: **30 May 2012**
(54) Product in respect of which the design is registered: "**Scaffold tag**"
(51) International Design Classification: **19-08**
(74) Name(s) of Attorney(s): **EKM patent & trade marks**
(71) Name(s) and Address(s) of Applicant(s):
Australian Scaffold Sales & Rental Pty Ltd
1 Faigh Street Mulgrave Victoria 3170 Australia
(72) Name(s) of Designer(s): **David Adshead and Gordon Elkington**
(45) Registration Date: **26 June 2012**
(56) Related Art Documents: **Not Applicable**
(57) Statement of Newness and Distinctiveness: **Newness and distinctiveness resides in the features of shape and/or configuration of a scaffold tag as shown in the accompanying representations.**



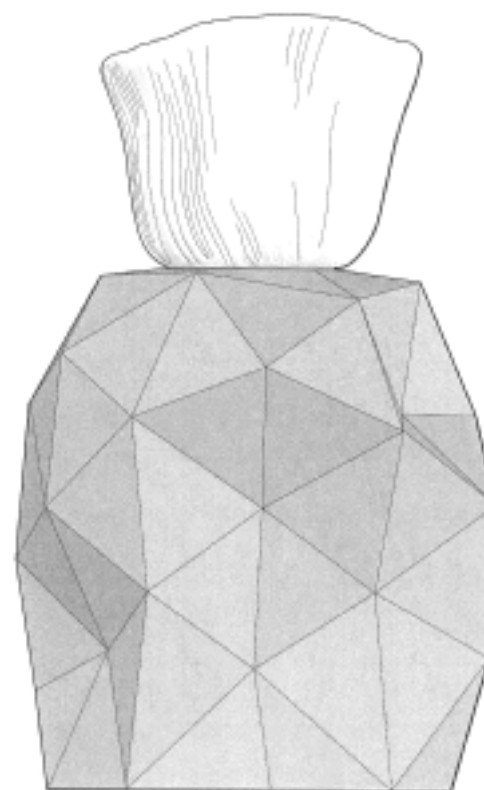
- (21) Design Number: **11169/2012**
(22) Date of Filing Application: **07 March 2012**
(24) Date from which industrial property rights may have effect: **07 March 2012**
(54) Product in respect of which the design is registered: **Twin sea urchin marine vortex reaction generators of electricity**
(51) International Design Classification: **13-01**
(74) Name(s) of Attorney(s):
(71) Name(s) and Address(s) of Applicant(s):
Elemental Energy Technologies Limited
Suite 3 Level 1 49-51 York Street Sydney New South Wales 2000
Australia
(72) Name(s) of Designer(s): **Michael John Urch**
(45) Registration Date: **27 June 2012**
(56) Related Art Documents: **Not Applicable**
(57) Statement of Newness and Distinctiveness: **Twin installation, Three ejector slots Transom mounting with tethers connecting transom to anchors.**



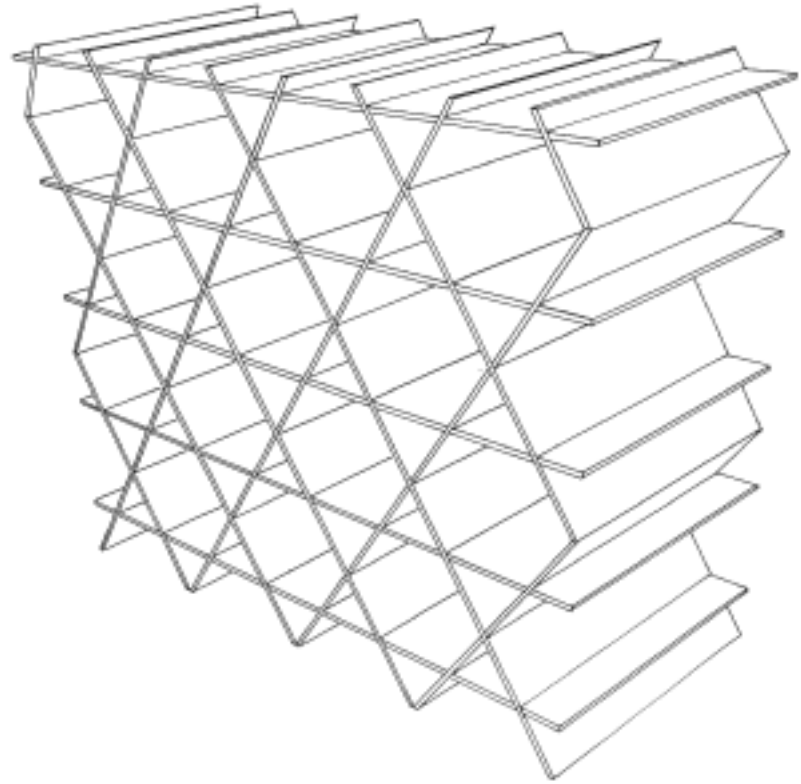
- (21) Design Number: **11430/2012**
(22) Date of Filing Application: **16 March 2012**
(24) Date from which industrial property rights may have effect: **16 March 2012**
(54) Product in respect of which the design is registered: **LED power pole**
(51) International Design Classification: **21-04, 26-05E**
(74) Name(s) of Attorney(s):
(71) Name(s) and Address(s) of Applicant(s):
John Kleidon
68 Old Palmwoods Road West Woombye Queensland 4559 Australia
(72) Name(s) of Designer(s): **John Kleidon**
(45) Registration Date: **27 June 2012**
(56) Related Art Documents: **Not Applicable**
(57) Statement of Newness and Distinctiveness: **LED Power Pole is designed to replace an existing tent pole or spreader bar. The idea is to place a LED strip light into a clear tube (polycarbonate or acrylic) to give off desired light and use it as a tent pole (top half), this way there is no extra mounting time for a separate camp light or the need for hooks etc to mount the light as it is already installed when the tent pole is erected. Simply install the LED POWER POLE where the tent pole would normally be placed and where the light would be required. This is a new concept.**



- (21) Design Number: **11664/2012**
(22) Date of Filing Application: **02 April 2012**
(24) Date from which industrial property rights may have effect: **02 April 2012**
(54) Product in respect of which the design is registered: **Flask**
(51) International Design Classification: **09-01G**
(74) Name(s) of Attorney(s): **Callinans**
(71) Name(s) and Address(s) of Applicant(s):
Beaute Prestige International
28/32 avenue Victor Hugo 75116 Paris France
(72) Name(s) of Designer(s): **Guillaume Carre and Franck Basset**
(45) Registration Date: **27 June 2012**
(30) Convention priority data:
(31) Number (32) Date (33) Country
001929183-0001 07 Oct 2011 EUROPEAN COMMUNITY
(56) Related Art Documents: **Not Applicable**
(57) Statement of Newness and Distinctiveness: **Nil**



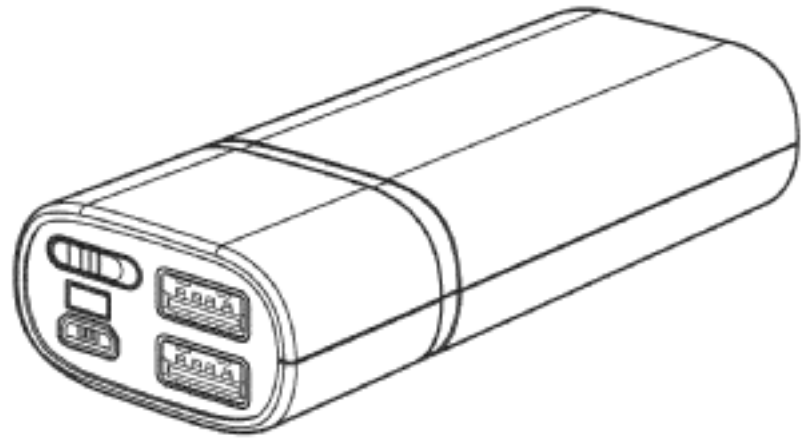
- (21) Design Number: **11675/2012**
(22) Date of Filing Application: **19 February 2012**
(24) Date from which industrial property rights may have effect: **19 February 2012**
(54) Product in respect of which the design is registered: **Cellar/larder storage system**
(51) International Design Classification: **06-04NES**
(74) Name(s) of Attorney(s):
(71) Name(s) and Address(s) of Applicant(s):
Gavin Dixon
19 Nioka Avenue Keiraville New South Wales 2500 Australia
(72) Name(s) of Designer(s): **Gavin Dixon**
(45) Registration Date: **27 June 2012**
(56) Related Art Documents: **Not Applicable**
(57) Statement of Newness and Distinctiveness: **Monopoly is claimed in the features of shape and configuration of a storage system as illustrated in the accompanying representations.**



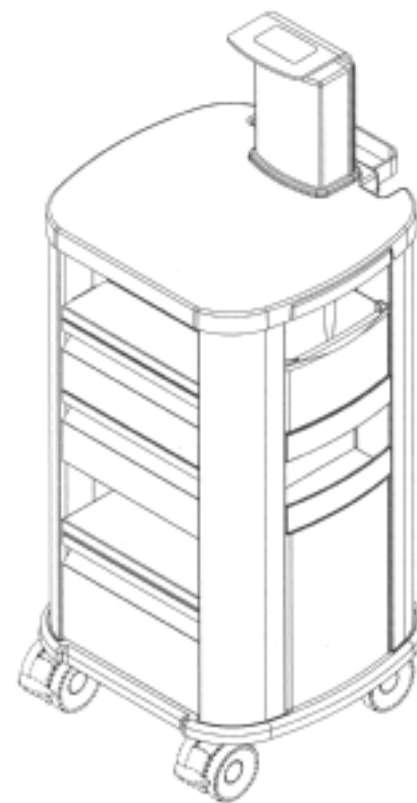
- (21) Design Number: **11728/2012**
(22) Date of Filing Application: **10 April 2012**
(24) Date from which industrial property rights may have effect: **10 April 2012**
(54) Product in respect of which the design is registered: **Shop front window**
(51) International Design Classification: **20-03NES, 25-02H**
(74) Name(s) of Attorney(s):
(71) Name(s) and Address(s) of Applicant(s):
Socram Pty Ltd
76 McEvoy Street Alexandria New South Wales 2015 Australia
(72) Name(s) of Designer(s): **Helio Marcos**
(45) Registration Date: **27 June 2012**
(56) Related Art Documents: **Not Applicable**
(57) Statement of Newness and Distinctiveness: **Shop front window with a red background and a free-hanging car engine in the centre and the company logo on the glass.**



- (21) Design Number: **11888/2012**
(22) Date of Filing Application: **12 April 2012**
(24) Date from which industrial property rights may have effect: **12 April 2012**
(54) Product in respect of which the design is registered: **Portable battery**
(51) International Design Classification: **13-02**
(74) Name(s) of Attorney(s): **WATERMARK PATENT AND TRADE MARKS ATTORNEYS**
(71) Name(s) and Address(s) of Applicant(s):
FSP Technology Inc.
No. 22 Jianguo East Road Taoyuan City Taoyuan County Taiwan
(72) Name(s) of Designer(s): **Te-Fu Chen and Chien-Ming Huang**
(45) Registration Date: **27 June 2012**
(56) Related Art Documents: **Not Applicable**
(57) Statement of Newness and Distinctiveness: **Nil**



- (21) Design Number: **12098/2012**
(22) Date of Filing Application: **01 May 2012**
(24) Date from which industrial property rights may have effect: **01 May 2012**
(54) Product in respect of which the design is registered: **Hospital trolley**
(51) International Design Classification: **12-02, 24-01**
(74) Name(s) of Attorney(s):
(71) Name(s) and Address(s) of Applicant(s):
Paul Townsin
45 Albert Street Clarence Gardens South Australia 5039 Australia
(72) Name(s) of Designer(s): **Paul Michael Townsin**
(45) Registration Date: **27 June 2012**
(56) Related Art Documents: **Not Applicable**
(57) Statement of Newness and Distinctiveness: **Overall form is curved on sides and flat on front and rear surfaces with horizontal recesses in the drawer faces, a protruding rim at base, curver plat tower over flat worktop with curved faced tech housing to both sides of it.**



- (21) Design Number: **12132/2012**
(22) Date of Filing Application: **02 May 2012**
(24) Date from which industrial property rights may have effect: **02 May 2012**
(54) Product in respect of which the design is registered: **Partition**
(51) International Design Classification: **25-01K**
(74) Name(s) of Attorney(s):
(71) Name(s) and Address(s) of Applicant(s):

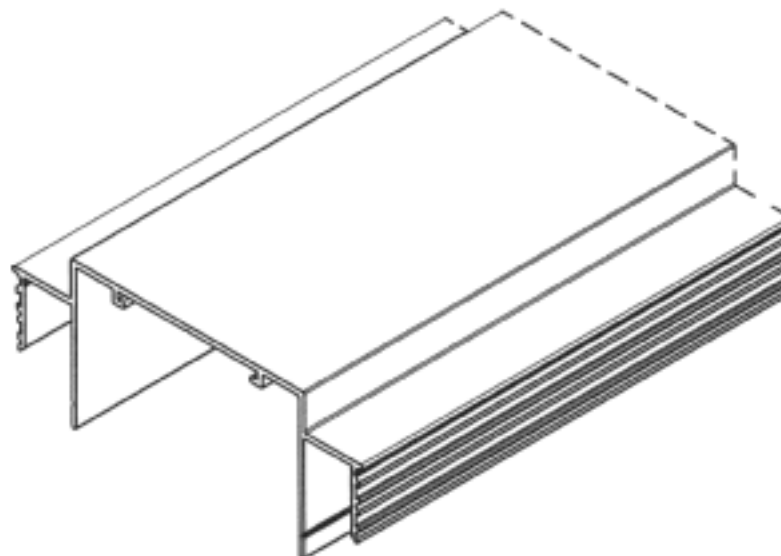
Interior Co. Qld Pty Ltd
21 Wellington Road East Brisbane Queensland 4169 Australia

(72) Name(s) of Designer(s): **John Rayment**

(45) Registration Date: **27 June 2012**

(56) Related Art Documents: **Not Applicable**

(57) Statement of Newness and Distinctiveness: **The unique feature of the partition extrusions is the 45 degree angles of the actual setting profile, which enables the setting compound to key in behind the extrusion without the need for setting tapes or punch outs in the face of the extrusion. The bottom edge of the profile has been designed with a 45 degree angle to enable a sheet of plaster board to be slid into the recess behind snugly, to ensure a firm fit without any possible movement. The partition extrusions have been put through vigorous physical testing to ensure the product actually can sustain the impacts that a typical office fit out would experience over the life of the fit out. The unique setting detail overcomes all issues and gives the designers what their vision is - neat clean lines.**



- (21) Design Number: **12133/2012**
(22) Date of Filing Application: **02 May 2012**
(24) Date from which industrial property rights may have effect: **02 May 2012**
(54) Product in respect of which the design is registered: **Partition**
(51) International Design Classification: **25-01K**
(74) Name(s) of Attorney(s):
(71) Name(s) and Address(s) of Applicant(s):

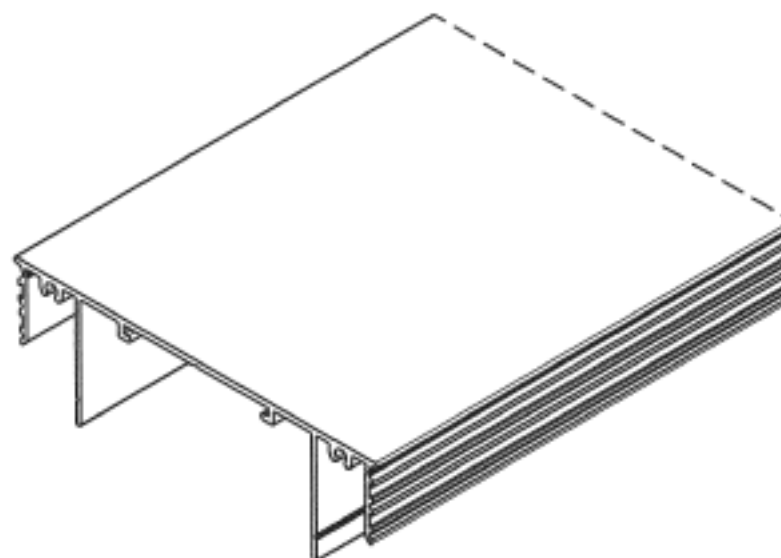
Interior Co. Qld Pty Ltd
21 Wellington Road East Brisbane Queensland 4169 Australia

(72) Name(s) of Designer(s): **John Rayment**

(45) Registration Date: **27 June 2012**

(56) Related Art Documents: **Not Applicable**

(57) Statement of Newness and Distinctiveness: **The unique feature of the partition extrusions is the 45 degree angles of the actual setting profile, which enables the setting compound to key in behind the extrusion without the need for setting tapes or punch outs in the face of the extrusion. The bottom edge of the profile has been designed with a 45 degree angle to enable a sheet of plaster board to be slid into the recess behind snugly, to ensure a firm fit without any possible movement. The partition extrusions have been put through vigorous physical testing to ensure the product actually can sustain the impacts that a typical office fit out would experience over the life of the fit out. The unique setting detail overcomes all issues and gives the designers what their vision is - neat clean lines.**



- (21) Design Number: **12134/2012**
(22) Date of Filing Application: **02 May 2012**
(24) Date from which industrial property rights may have effect: **02 May 2012**
(54) Product in respect of which the design is registered: **Partition**
(51) International Design Classification: **25-01K**
(74) Name(s) of Attorney(s):
(71) Name(s) and Address(s) of Applicant(s):

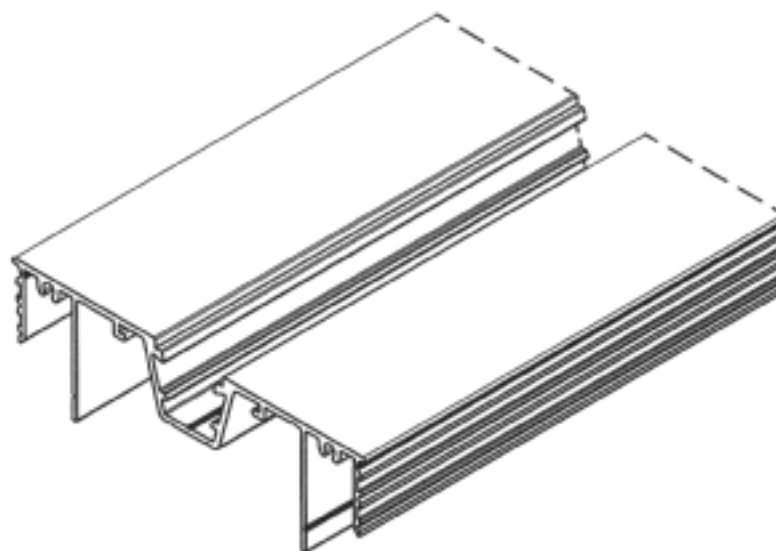
Interior Co. Qld Pty Ltd
21 Wellington Road East Brisbane Queensland 4169 Australia

(72) Name(s) of Designer(s): **John Rayment**

(45) Registration Date: **27 June 2012**

(56) Related Art Documents: **Not Applicable**

(57) Statement of Newness and Distinctiveness: **The unique feature of the partition extrusions is the 45 degree angles of the actual setting profile, which enables the setting compound to key in behind the extrusion without the need for setting tapes or punch outs in the face of the extrusion. The bottom edge of the profile has been designed with a 45 degree angle to enable a sheet of plaster board to be slid into the recess behind snugly, to ensure a firm fit without any possible movement. The partition extrusions have been put through vigorous physical testing to ensure the product actually can sustain the impacts that a typical office fit out would experience over the life of the fit out. The unique setting detail overcomes all issues and gives the designers what their vision is - neat clean lines.**



- (21) Design Number: **12135/2012**
(22) Date of Filing Application: **02 May 2012**
(24) Date from which industrial property rights may have effect: **02 May 2012**
(54) Product in respect of which the design is registered: **Partition**
(51) International Design Classification: **25-01K**
(74) Name(s) of Attorney(s):
(71) Name(s) and Address(s) of Applicant(s):

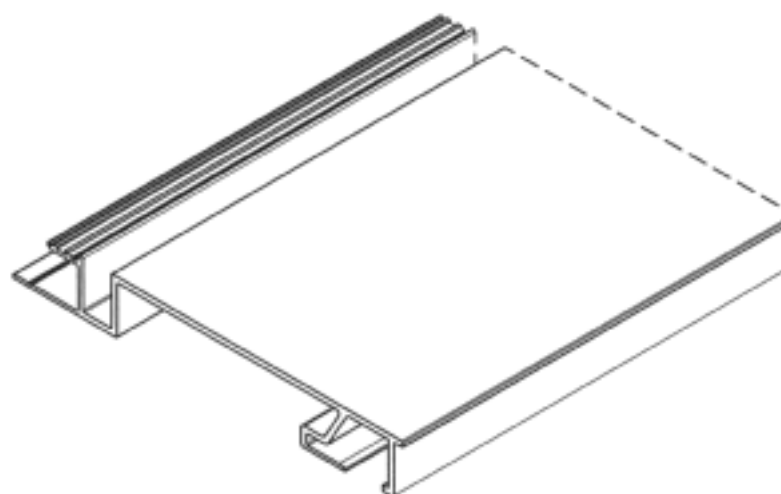
Interior Co. Qld Pty Ltd
21 Wellington Road East Brisbane Queensland 4169 Australia

(72) Name(s) of Designer(s): **John Rayment**

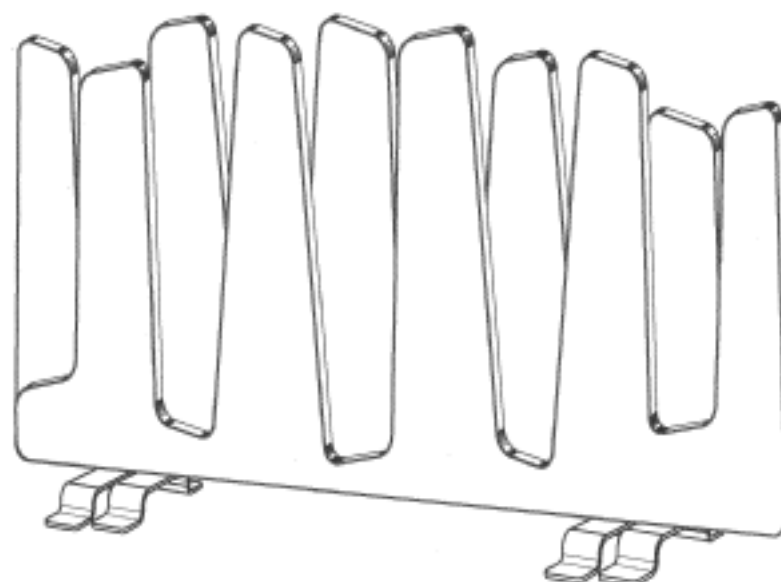
(45) Registration Date: **27 June 2012**

(56) Related Art Documents: **Not Applicable**

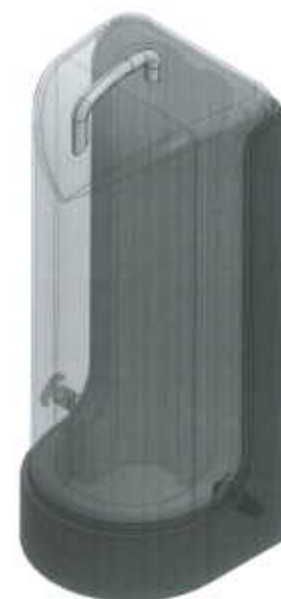
(57) Statement of Newness and Distinctiveness: **The unique feature of the partition extrusions is the 45 degree angles of the actual setting profile, which enables the setting compound to key in behind the extrusion without the need for setting tapes or punch outs in the face of the extrusion. The bottom edge of the profile has been designed with a 45 degree angle to enable a sheet of plaster board to be slid into the recess behind snugly, to ensure a firm fit without any possible movement. The partition extrusions have been put through vigorous physical testing to ensure the product actually can sustain the impacts that a typical office fit out would experience over the life of the fit out. The unique setting detail overcomes all issues and gives the designers what their vision is - neat clean lines.**



- (21) Design Number: **12161/2012**
(22) Date of Filing Application: **04 May 2012**
(24) Date from which industrial property rights may have effect: **04 May 2012**
(54) Product in respect of which the design is registered: **A screen for a workstation**
(51) International Design Classification: **06-06NES**
(74) Name(s) of Attorney(s):
(71) Name(s) and Address(s) of Applicant(s):
Tristan Kent Gratton
54 Swan Terrace Windsor Queensland 4030 Australia
(72) Name(s) of Designer(s): **Tristan Kent Gratton**
(45) Registration Date: **27 June 2012**
(56) Related Art Documents: **Not Applicable**
(57) Statement of Newness and Distinctiveness: **The screening system incorporates two partitions which slide horizontally to create an open and closed position. The base supports are used for power and data cord management.**



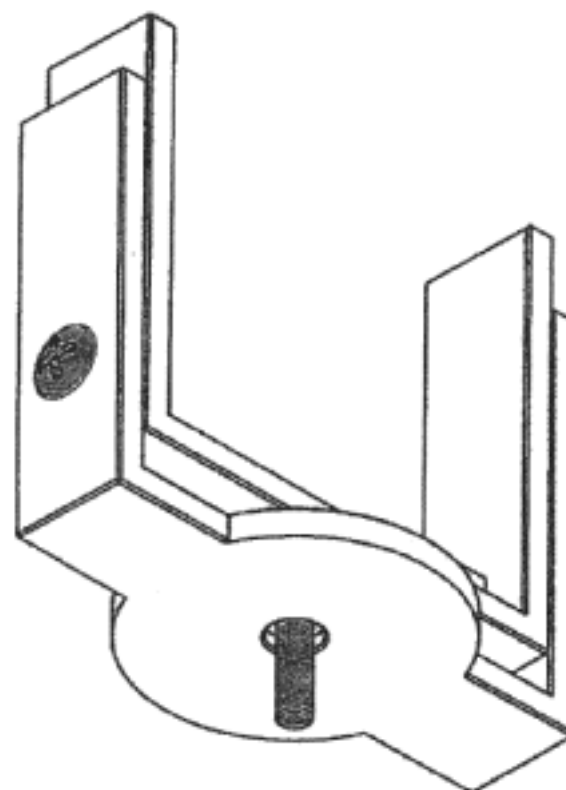
- (21) Design Number: **12170/2012**
(22) Date of Filing Application: **07 May 2012**
(24) Date from which industrial property rights may have effect: **07 May 2012**
(54) Product in respect of which the design is registered: **Covered mount for fire extinguisher or the like**
(51) International Design Classification: **03-01NES, 29-01**
(74) Name(s) of Attorney(s): **FB Rice**
(71) Name(s) and Address(s) of Applicant(s):
FSP Holdings Pty Ltd
4 Hambledon Hill Road Singleton New South Wales 2330 Australia
(72) Name(s) of Designer(s): **Stephan Hewitt**
(45) Registration Date: **27 June 2012**
(56) Related Art Documents: **Not Applicable**
(57) Statement of Newness and Distinctiveness: **Newness and distinctiveness reside in the features of shape and configuration of the covered mount or the like as shown in the representations.**



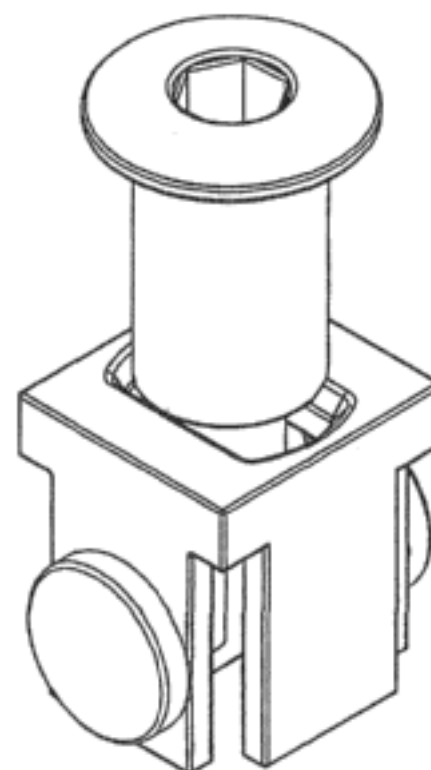
- (21) Design Number: **12247/2012**
(22) Date of Filing Application: **09 May 2012**
(24) Date from which industrial property rights may have effect: **09 May 2012**
(54) Product in respect of which the design is registered: **Caster wheel**
(51) International Design Classification: **12-02**
(74) Name(s) of Attorney(s):
(71) Name(s) and Address(s) of Applicant(s):
Rex Bentley
PO Box 1 Forrestfield Western Australia 6058 Australia
(72) Name(s) of Designer(s): **Rex Bentley**
(45) Registration Date: **27 June 2012**
(56) Related Art Documents: **Not Applicable**
(57) Statement of Newness and Distinctiveness: **This device also includes what I believe to be a unique means of adjusting the alignment of this wheel.**



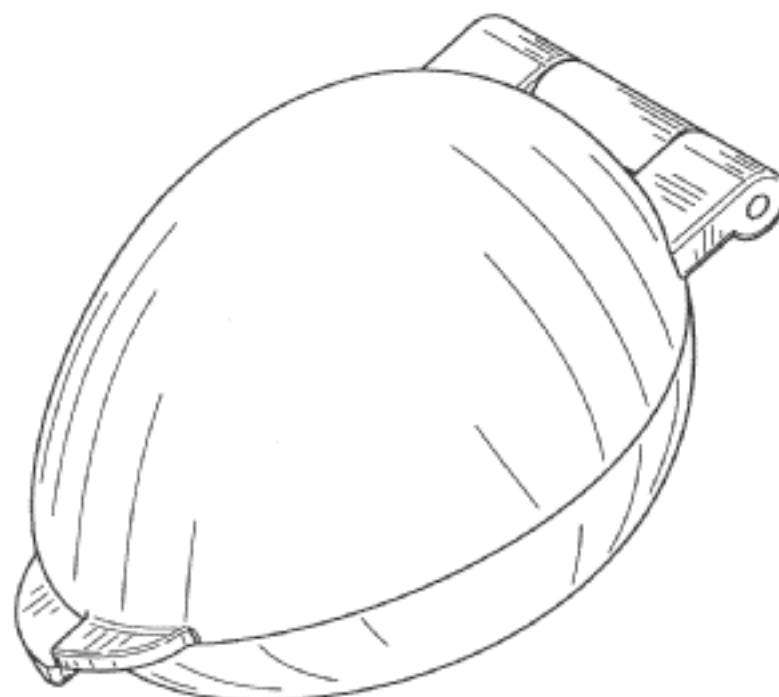
- (21) Design Number: **12289/2012**
(22) Date of Filing Application: **14 May 2012**
(24) Date from which industrial property rights may have effect: **14 May 2012**
(54) Product in respect of which the design is registered: **A lighting gimbal assembly**
(51) International Design Classification: **26-99**
(74) Name(s) of Attorney(s): **James & Wells**
(71) Name(s) and Address(s) of Applicant(s):
Hunza Holdings Limited
C/- James & Wells Intellectual Property Level 12 KPMG Centre 85
Alexandra Street Hamilton New Zealand 3204
(72) Name(s) of Designer(s): **Guy McLean**
(45) Registration Date: **27 June 2012**
(56) Related Art Documents: **Not Applicable**
(57) Statement of Newness and Distinctiveness: **Newness and distinctiveness resides in the shape and/or configuration of a design applied to the lighting gimbal assembly as illustrated in the accompanying illustrations. Features of the illustrations identified by solid shading are disclaimed from the design.**



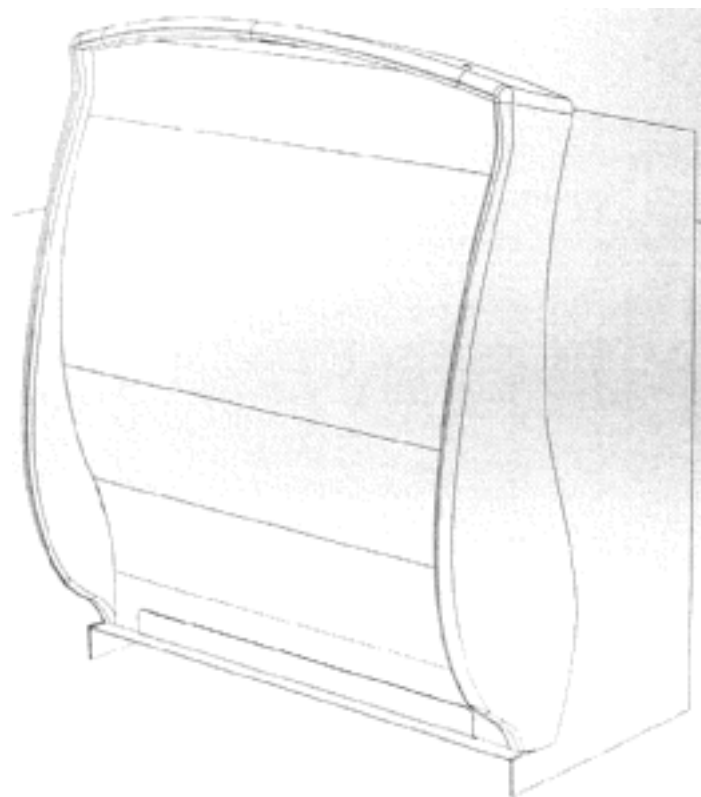
(21) Design Number: **12485/2012**
(22) Date of Filing Application: **23 May 2012**
(24) Date from which industrial property rights may have effect: **23 May 2012**
(54) Product in respect of which the design is registered: **Cam lock**
(51) International Design Classification: **08-07**
(74) Name(s) of Attorney(s): **PHILLIPS ORMONDE FITZPATRICK**
(71) Name(s) and Address(s) of Applicant(s):
Round Point Peg Company Pty Ltd
PO Box 1570 Canningvale 6970 Western Australia
(72) Name(s) of Designer(s): **Peter James Boyle**
(45) Registration Date: **27 June 2012**
(30) Convention priority data:
(31) Number (32) Date (33) Country
201130439917.9 25 Nov 2011 CHINA
(56) Related Art Documents: **Not Applicable**
(57) Statement of Newness and Distinctiveness: **Those features of the cam lock depicted in the representations that are new and distinctive are the shape and/or configuration.**



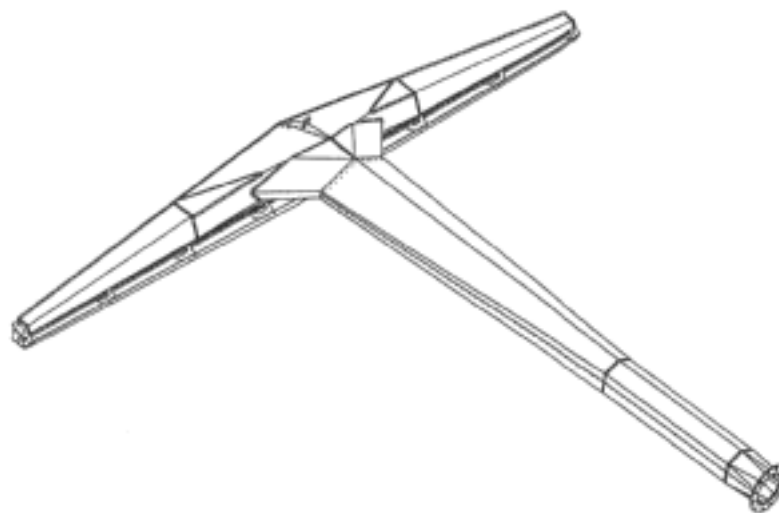
(21) Design Number: **12487/2012**
(22) Date of Filing Application: **23 May 2012**
(24) Date from which industrial property rights may have effect: **23 May 2012**
(54) Product in respect of which the design is registered: **Cake pop mold**
(51) International Design Classification: **07-02P**
(74) Name(s) of Attorney(s): **PIZZEYS**
(71) Name(s) and Address(s) of Applicant(s):
Jeanette Facey
846 Main Street Osterville MA 02655 United States of America
(72) Name(s) of Designer(s): **Jeanette Facey**
(45) Registration Date: **27 June 2012**
(30) Convention priority data:
(31) Number (32) Date (33) Country
29/420,912 15 May 2012 UNITED STATES OF AMERICA
(56) Related Art Documents: **Not Applicable**
(57) Statement of Newness and Distinctiveness: **Nil**



- (21) Design Number: **12491/2012**
(22) Date of Filing Application: **25 May 2012**
(24) Date from which industrial property rights may have effect: **25 May 2012**
(54) Product in respect of which the design is registered: **Signbox**
(51) International Design Classification: **20-03NES**
(74) Name(s) of Attorney(s):
(71) Name(s) and Address(s) of Applicant(s):
Pragma Design Pty Ltd
1/3 Dunlop Road Mulgrave Victoria 3170 Australia
(72) Name(s) of Designer(s): **Angelo Alateras and Simon Hedt and Andrew Lau**
(45) Registration Date: **27 June 2012**
(56) Related Art Documents: **Not Applicable**
(57) Statement of Newness and Distinctiveness: **Newness and distinctiveness is claimed in the features of the shape and configuration of the illustrated signbox.**



- (21) Design Number: **12495/2012**
(22) Date of Filing Application: **23 May 2012**
(24) Date from which industrial property rights may have effect: **23 May 2012**
(54) Product in respect of which the design is registered: **Decanter**
(51) International Design Classification: **07-01F**
(74) Name(s) of Attorney(s):
(71) Name(s) and Address(s) of Applicant(s):
Invent Umwelt- und Verfahrenstechnik AG
Am Pestalozziring 21 91058 Erlangen Germany
(72) Name(s) of Designer(s): **Marcus Hofken**
(45) Registration Date: **27 June 2012**
(30) Convention priority data:
(31) Number (32) Date (33) Country
001959552 08 Dec 2011 EUROPEAN COMMUNITY
(56) Related Art Documents: **Not Applicable**
(57) Statement of Newness and Distinctiveness: **Newness and distinctiveness resides in the features of shape and configuration of a decanter for drawing off a supernatant fluid, as illustrated in the accompanying representations.**



(21) Design Number: **12496/2012**
(22) Date of Filing Application: **23 May 2012**
(24) Date from which industrial property rights may have effect: **23 May 2012**
(54) Product in respect of which the design is registered: **Decanter**
(51) International Design Classification: **07-01F**
(74) Name(s) of Attorney(s):
(71) Name(s) and Address(s) of Applicant(s):

Invent Umwelt- und Verfahrenstechnik AG
Am Pestalozziring 21 91058 Erlangen Germany

(72) Name(s) of Designer(s): **Marcus Hofken**

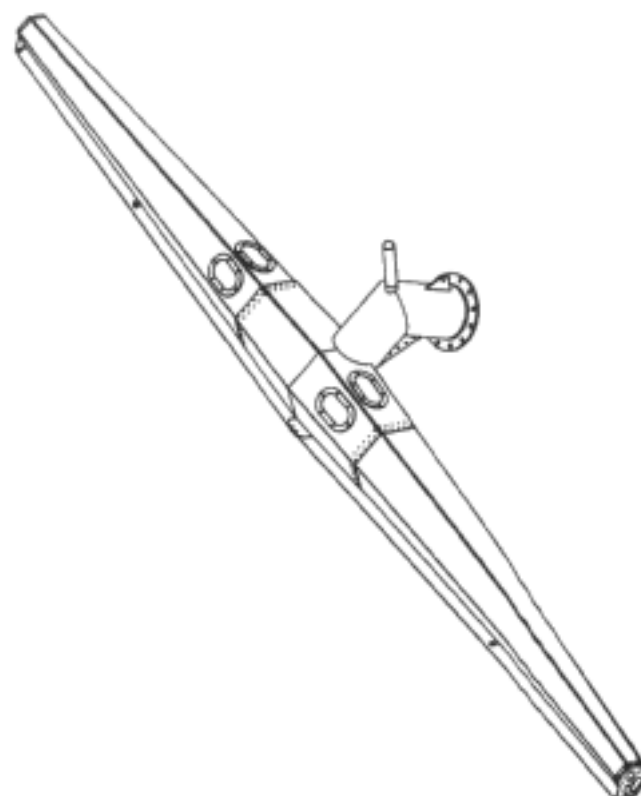
(45) Registration Date: **27 June 2012**

(30) Convention priority data:

(31) Number	(32) Date	(33) Country
001959552	08 Dec 2011	EUROPEAN COMMUNITY

(56) Related Art Documents: **Not Applicable**

(57) Statement of Newness and Distinctiveness: **Newness and distinctiveness resides in the features of shape and configuration of a decanter head for drawing off a supernatant fluid, as illustrated in the accompanying representations.**



(21) Design Number: **12498/2012**
(22) Date of Filing Application: **23 May 2012**
(24) Date from which industrial property rights may have effect: **23 May 2012**
(54) Product in respect of which the design is registered: **Pipe locator**
(51) International Design Classification: **23-01A**
(74) Name(s) of Attorney(s):
(71) Name(s) and Address(s) of Applicant(s):

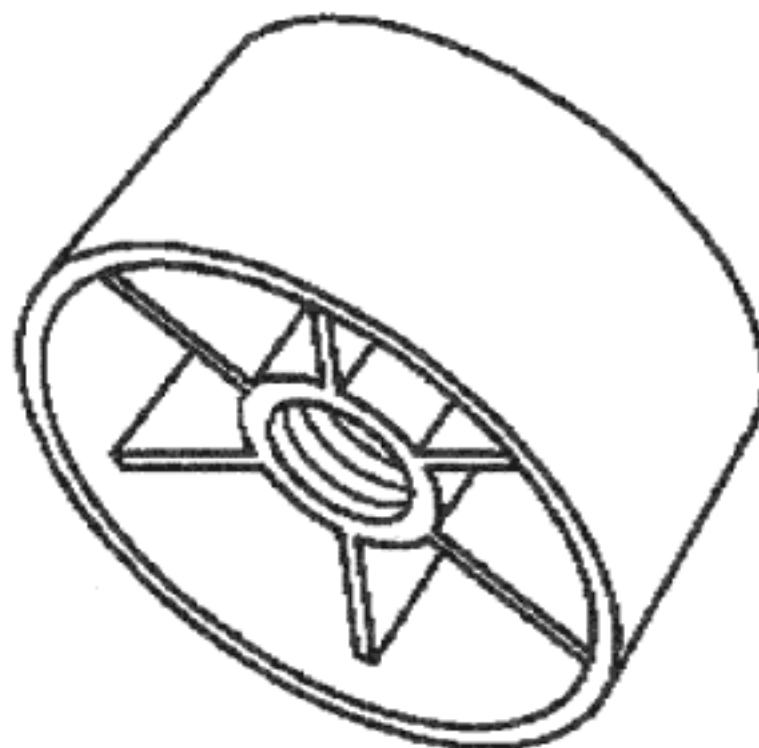
Retail & Commercial Properties Pty Ltd
37 Bordeaux Street Doncaster East Victoria 3108 Australia

(72) Name(s) of Designer(s): **Leonard Samuel**

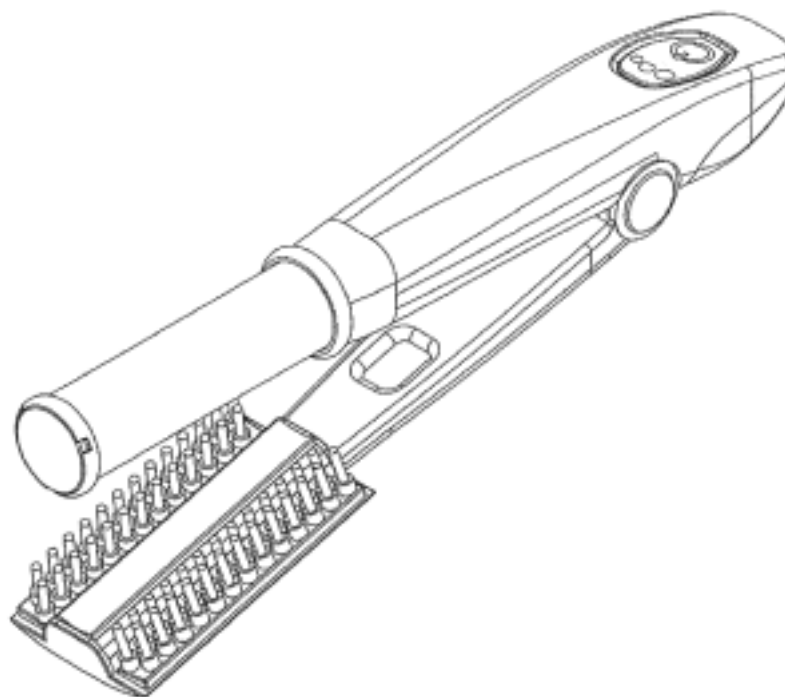
(45) Registration Date: **27 June 2012**

(56) Related Art Documents: **Not Applicable**

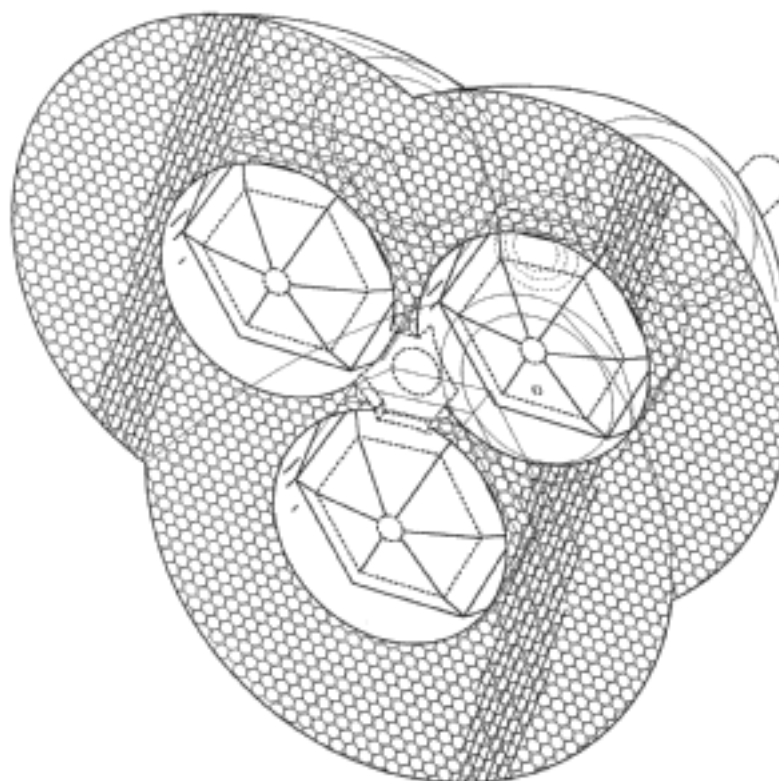
(57) Statement of Newness and Distinctiveness: **Newness and distinctiveness reside in the features of shape and configuration of the pipe locator as shown in the accompanying representations.**



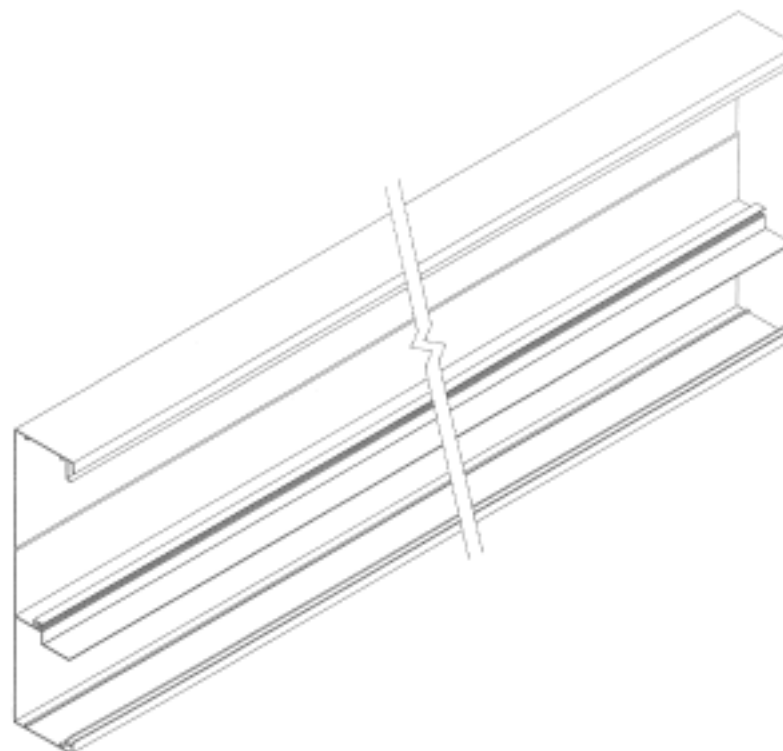
- (21) Design Number: **12512/2012**
(22) Date of Filing Application: **25 May 2012**
(24) Date from which industrial property rights may have effect: **25 May 2012**
(54) Product in respect of which the design is registered: **Hair styling device**
(51) International Design Classification: **28-03B**
(74) Name(s) of Attorney(s): **Griffith Hack**
(71) Name(s) and Address(s) of Applicant(s):
MM&R Products, Inc.
5000 North Parkway Calabasas CA 91327 United States Of America
(72) Name(s) of Designer(s): **Jason Lee Cooper**
(45) Registration Date: **27 June 2012**
(56) Related Art Documents: **Not Applicable**
(57) Statement of Newness and Distinctiveness: **Newness and distinctiveness resides in the visual features, including shape and configuration of a hair styling device, as shown in the solid outline in the accompanying drawings.**



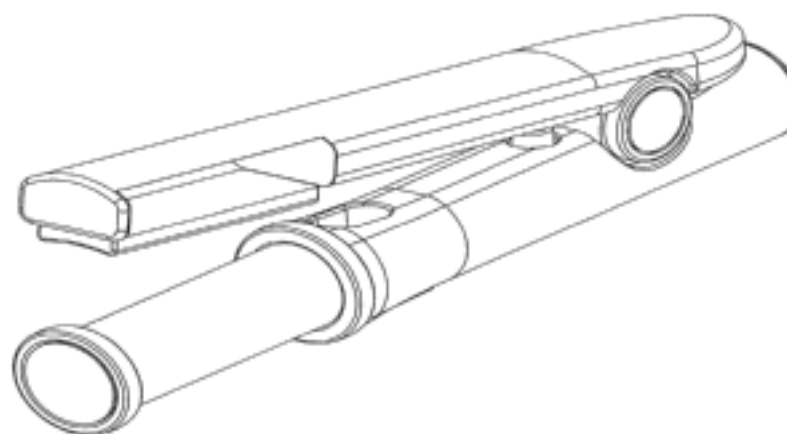
- (21) Design Number: **12513/2012**
(22) Date of Filing Application: **24 May 2012**
(24) Date from which industrial property rights may have effect: **24 May 2012**
(54) Product in respect of which the design is registered: **Lens**
(51) International Design Classification: **16-06**
(74) Name(s) of Attorney(s): **SPRUSON & FERGUSON**
(71) Name(s) and Address(s) of Applicant(s):
Cree, Inc.
4600 Silicon Drive Durham North Carolina 27703 United States of America
(72) Name(s) of Designer(s): **Dong Lu**
(45) Registration Date: **27 June 2012**
(30) Convention priority data:
(31) Number (32) Date (33) Country
29/407549 30 Nov 2011 UNITED STATES OF AMERICA
(56) Related Art Documents: **Not Applicable**
(57) Statement of Newness and Distinctiveness: **Newness and distinctiveness is claimed in the features of shape and/or configuration and pattern and/or ornamentation of a lens as illustrated in continuous lines in the accompanying representations.**



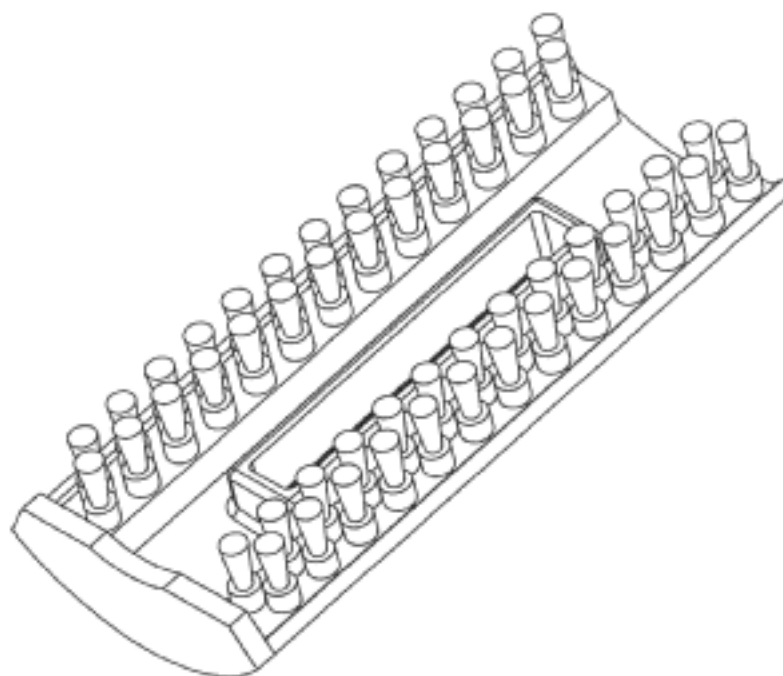
- (21) Design Number: **12514/2012**
(22) Date of Filing Application: **25 May 2012**
(24) Date from which industrial property rights may have effect: **25 May 2012**
(54) Product in respect of which the design is registered: **Cable duct**
(51) International Design Classification: **13-03C**
(74) Name(s) of Attorney(s): **PHILLIPS ORMONDE FITZPATRICK**
(71) Name(s) and Address(s) of Applicant(s):
Electric Cable Duct Systems Pty Ltd
8 Clarice Road Box Hill South Victoria 3128 Australia
(72) Name(s) of Designer(s): **Evan Stuart Booth and Balaji Ragupathi**
(45) Registration Date: **27 June 2012**
(56) Related Art Documents: **Not Applicable**
(57) Statement of Newness and Distinctiveness: **Newness and Distinctiveness resides in the shape and/or configuration of the cross section of the portion of the cable duct labelled "A" as shown in the accompany representations. The cable duct may be of indefinite length.**



- (21) Design Number: **12518/2012**
(22) Date of Filing Application: **25 May 2012**
(24) Date from which industrial property rights may have effect: **25 May 2012**
(54) Product in respect of which the design is registered: **Hair styling device**
(51) International Design Classification: **28-03B**
(74) Name(s) of Attorney(s): **Griffith Hack**
(71) Name(s) and Address(s) of Applicant(s):
MM&R Products, Inc.
5000 North Parkway Calabasas CA 91327 United States Of America
(72) Name(s) of Designer(s): **Jason Lee Cooper**
(45) Registration Date: **27 June 2012**
(56) Related Art Documents: **Not Applicable**
(57) Statement of Newness and Distinctiveness: **Newness and distinctiveness resides in the visual features, including shape and configuration of a hair styling device, as shown in the solid outline in the accompanying drawings.**



- (21) Design Number: **12521/2012**
(22) Date of Filing Application: **25 May 2012**
(24) Date from which industrial property rights may have effect: **25 May 2012**
(54) Product in respect of which the design is registered: **Brush component for a hair styling device**
(51) International Design Classification: **28-03D**
(74) Name(s) of Attorney(s): **Griffith Hack**
(71) Name(s) and Address(s) of Applicant(s):
MM&R Products, Inc.
5000 North Parkway Calabasas CA 91327 United States Of America
(72) Name(s) of Designer(s): **Jason Lee Cooper**
(45) Registration Date: **27 June 2012**
(56) Related Art Documents: **Not Applicable**
(57) Statement of Newness and Distinctiveness: **Newness and distinctiveness resides in the visual features, including shape and configuration of a brush component for a hair styling device, as shown in the solid outline in the accompanying drawings.**



- (21) Design Number: **12524/2012**
(22) Date of Filing Application: **28 May 2012**
(24) Date from which industrial property rights may have effect: **28 May 2012**
(54) Product in respect of which the design is registered: **Outdoor table**
(51) International Design Classification: **06-03A**
(74) Name(s) of Attorney(s):
(71) Name(s) and Address(s) of Applicant(s):
Super A-Mart Pty Ltd
Cnr Pacific Motorway and Springwood Road Springwood Queensland
4127 Australia
(72) Name(s) of Designer(s): **Casey Moore**
(45) Registration Date: **27 June 2012**
(56) Related Art Documents: **Not Applicable**
(57) Statement of Newness and Distinctiveness: **Novelty is claimed in the configuration, pattern and ornamentation as illustrated in the representation.**



(21) Design Number: **12525/2012**
(22) Date of Filing Application: **28 May 2012**
(24) Date from which industrial property rights may have effect: **28 May 2012**
(54) Product in respect of which the design is registered: **Outdoor table**
(51) International Design Classification: **06-03A**
(74) Name(s) of Attorney(s):
(71) Name(s) and Address(s) of Applicant(s):
Super A-Mart Pty Ltd
Cnr Pacific Motorway and Springwood Road Springwood Queensland
4127 Australia
(72) Name(s) of Designer(s): **Casey Moore**
(45) Registration Date: **27 June 2012**
(56) Related Art Documents: **Not Applicable**
(57) Statement of Newness and Distinctiveness: **Novelty is claimed in the configuration, pattern and ornamentation as illustrated in the representation.**



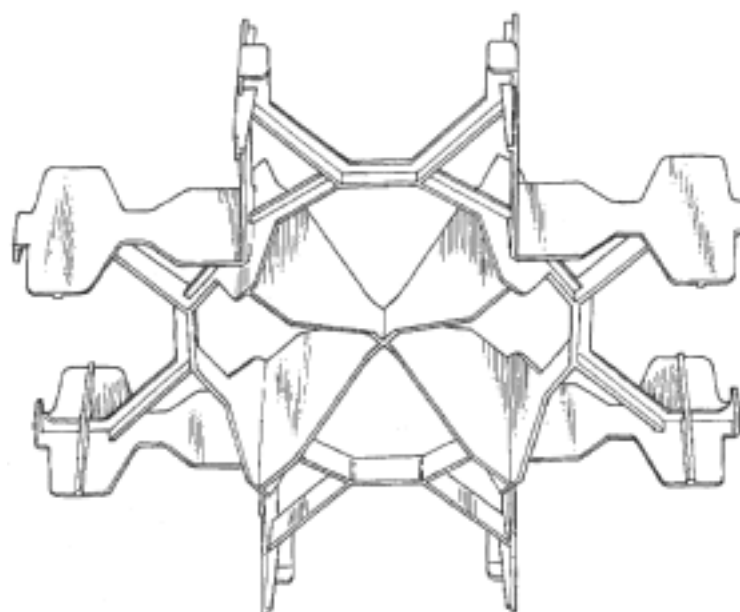
(21) Design Number: **15733/2011**
(22) Date of Filing Application: **13 December 2011**
(24) Date from which industrial property rights may have effect: **13 December 2011**
(54) Product in respect of which the design is registered: **A woman's garment**
(51) International Design Classification: **02-02C**
(74) Name(s) of Attorney(s):
(71) Name(s) and Address(s) of Applicant(s):
Johanna Johnson
89 Glenmore Road Paddington New South Wales 2021 Australia
(72) Name(s) of Designer(s): **Johanna Johnson**
(45) Registration Date: **27 June 2012**
(56) Related Art Documents: **Not Applicable**
(57) Statement of Newness and Distinctiveness: **Nil**



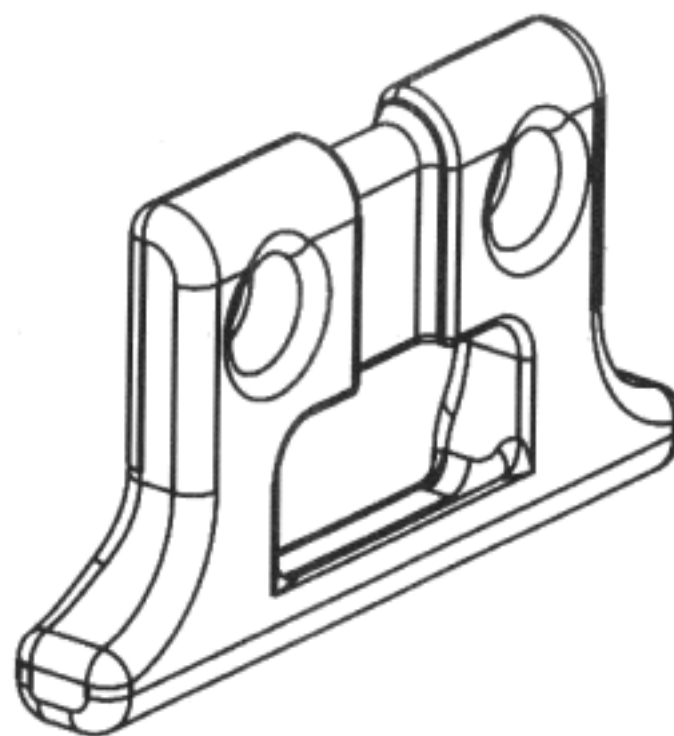
(21) Design Number: **15734/2011**
(22) Date of Filing Application: **13 December 2011**
(24) Date from which industrial property rights may have effect: **13 December 2011**
(54) Product in respect of which the design is registered: **A woman's garment, comprising beaded parts**
(51) International Design Classification: **02-02C**
(74) Name(s) of Attorney(s):
(71) Name(s) and Address(s) of Applicant(s):
Johanna Johnson
89 Glenmore Road Paddington New South Wales 2021 Australia
(72) Name(s) of Designer(s): **Johanna Johnson**
(45) Registration Date: **27 June 2012**
(56) Related Art Documents: **Not Applicable**
(57) Statement of Newness and Distinctiveness: **Nil**



(21) Design Number: **10089/2012**
(22) Date of Filing Application: **10 January 2012**
(24) Date from which industrial property rights may have effect: **10 January 2012**
(54) Product in respect of which the design is registered: **Spacer and bar support**
(51) International Design Classification: **09-03H, 08-08B**
(74) Name(s) of Attorney(s): **Intellepro Patent & Trade Mark Attorneys**
(71) Name(s) and Address(s) of Applicant(s):
Amarula Pty Ltd
596 Boundary Road Richlands Queensland 4077 Australia
(72) Name(s) of Designer(s): **Alex de Muelenaere**
(45) Registration Date: **27 June 2012**
(56) Related Art Documents: **Not Applicable**
(57) Statement of Newness and Distinctiveness: **Nil**



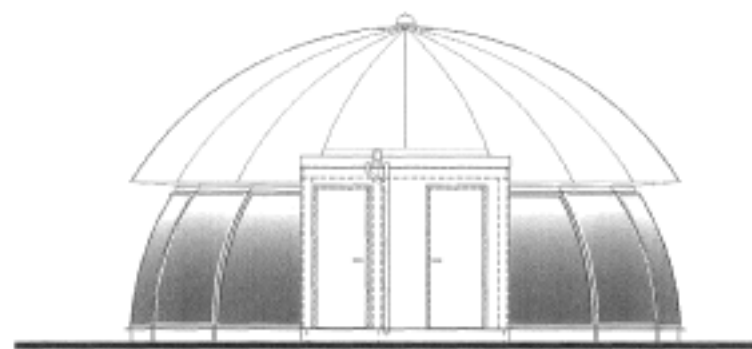
- (21) Design Number: **11410/2012**
(22) Date of Filing Application: **16 March 2012**
(24) Date from which industrial property rights may have effect: **16 March 2012**
(54) Product in respect of which the design is registered: **Hook mount**
(51) International Design Classification: **08-08NES**
(74) Name(s) of Attorney(s): **Ahearn Fox**
(71) Name(s) and Address(s) of Applicant(s):
Vuly Pty Ltd
1/95 Ingleston Road Wakerley Queensland 4154 Australia
(72) Name(s) of Designer(s): **Wei Yang**
(45) Registration Date: **27 June 2012**
(56) Related Art Documents: **Not Applicable**
(57) Statement of Newness and Distinctiveness: **Newness and distinctiveness reside in the features of shape and configuration of the hook mount as shown in the accompanying drawings wherein: Fig.1 is a pictorial representation of the hook mount from one side and above; Fig.2 is a pictorial representation of the other side and above; Fig.3 is a pictorial representation from one side (views from other side is a mirror image); Fig.4 is a pictorial representation from above; Fig.5 is a pictorial representation from below; Fig.6 is a pictorial representation from one end; and Fig.7 is a pictorial representation from the other end.**



- (21) Design Number: **11818/2012**
(22) Date of Filing Application: **12 April 2012**
(24) Date from which industrial property rights may have effect: **12 April 2012**
(54) Product in respect of which the design is registered: **Cutlery handle**
(51) International Design Classification: **07-03, 08-03**
(74) Name(s) of Attorney(s): **Davies Collison Cave**
(71) Name(s) and Address(s) of Applicant(s):
Yoshida Metal Industry Co., Ltd.
2078-3 Yoshida Nishi-ohta Tsubame-shi Niigata Japan
(72) Name(s) of Designer(s): **Komin Yamada**
(45) Registration Date: **27 June 2012**
(30) Convention priority data:
(31) Number (32) Date (33) Country
2012-6810 26 Mar 2012 JAPAN
(56) Related Art Documents: **Not Applicable**
(57) Statement of Newness and Distinctiveness: **Newness and distinctiveness is claimed in the visual features shown in solid lines in the representations.**



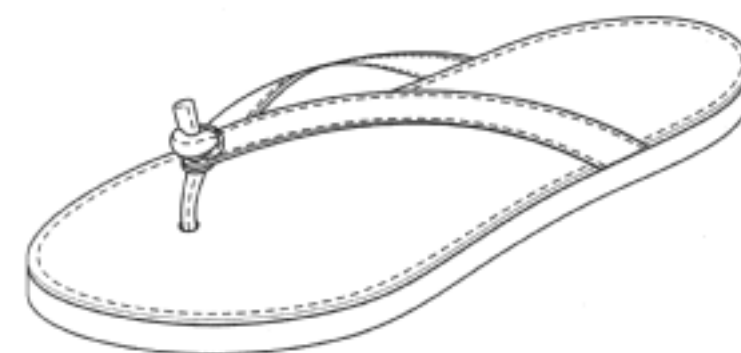
- (21) Design Number: **11819/2012**
(22) Date of Filing Application: **12 April 2012**
(24) Date from which industrial property rights may have effect: **12 April 2012**
(54) Product in respect of which the design is registered: **Building**
(51) International Design Classification: **25-03**
(74) Name(s) of Attorney(s): **Shelston IP**
(71) Name(s) and Address(s) of Applicant(s):
WIK SP.ZO.O.
Kostkowice Ul. Dworska 82 43-426 Debowiec Poland
(72) Name(s) of Designer(s): **Zbigniew Widenka and Tomasz Kluska**
(45) Registration Date: **27 June 2012**
(56) Related Art Documents: **Not Applicable**
(57) Statement of Newness and Distinctiveness: **Newness and distinctiveness reside in the features of shape and/or configuration of a BUILDING as illustrated in the accompanying representations.**



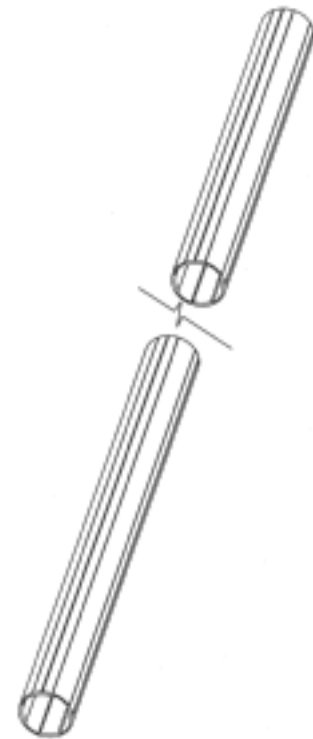
- (21) Design Number: **11822/2012**
(22) Date of Filing Application: **12 April 2012**
(24) Date from which industrial property rights may have effect: **12 April 2012**
(54) Product in respect of which the design is registered: **Footwear**
(51) International Design Classification: **02-04NES**
(74) Name(s) of Attorney(s): **Allens Patent & Trade Mark Attorneys**
(71) Name(s) and Address(s) of Applicant(s):
Corrida Holdings (Pty) Ltd
19 Manchester Road Allandale Pietermaritzburg 3201 Kwa Zulu Natal
South Africa
(72) Name(s) of Designer(s): **Pieter Charles De Kock Maree**
(45) Registration Date: **27 June 2012**
(30) Convention priority data:

(31) Number	(32) Date	(33) Country
A2011/01993	13 Dec 2011	SOUTH AFRICA

(56) Related Art Documents: **Not Applicable**
(57) Statement of Newness and Distinctiveness: **Newness and distinctiveness resides in the visual features of shape and/or configuration of an article of footwear as illustrated in the accompanying representations.**



- (21) Design Number: **11851/2012**
(22) Date of Filing Application: **13 April 2012**
(24) Date from which industrial property rights may have effect: **13 April 2012**
(54) Product in respect of which the design is registered: **Handrail**
(51) International Design Classification: **25-02C**
(74) Name(s) of Attorney(s): **Allens Patent & Trade Mark Attorneys**
(71) Name(s) and Address(s) of Applicant(s):
Roofsafe-T-Systems Pty Limited
130 Gilba Road Girraween New South Wales 2145 Australia
(72) Name(s) of Designer(s): **Todd Harrison and Sean Mitchell**
(45) Registration Date: **27 June 2012**
(56) Related Art Documents: **Not Applicable**
(57) Statement of Newness and Distinctiveness: **Newness and distinctiveness is claimed in the features of shape and configuration of the inner contours of the handrail shown in the representations. No monopoly is claimed in the features of shape and configuration of the outer detailing of the handrail, and the handrail is understood to be of indefinite length.**



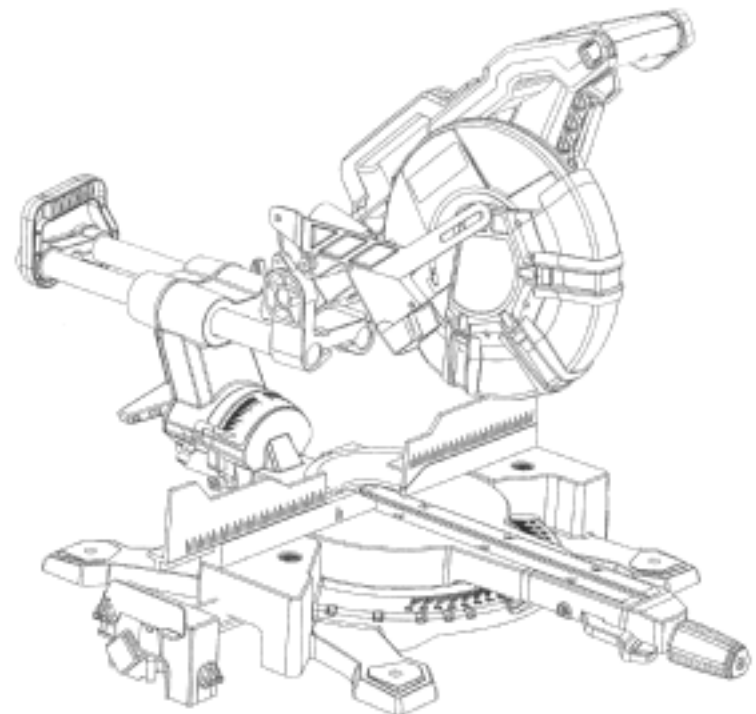
- (21) Design Number: **12195/2012**
(22) Date of Filing Application: **08 May 2012**
(24) Date from which industrial property rights may have effect: **08 May 2012**
(54) Product in respect of which the design is registered: **Body garment**
(51) International Design Classification: **02-02NES**
(74) Name(s) of Attorney(s):
(71) Name(s) and Address(s) of Applicant(s):
Peter Brohier
143 Kooyong Road North Caulfield Victoria 3161 Australia
(72) Name(s) of Designer(s): **Peter Brohier**
(45) Registration Date: **27 June 2012**
(56) Related Art Documents: **Not Applicable**
(57) Statement of Newness and Distinctiveness: **Description of the anatomy in conjunction with a map of Australia in detail as outback, map of Tassie downunder and mountains correspond with the parts of the anatomy as shown.**



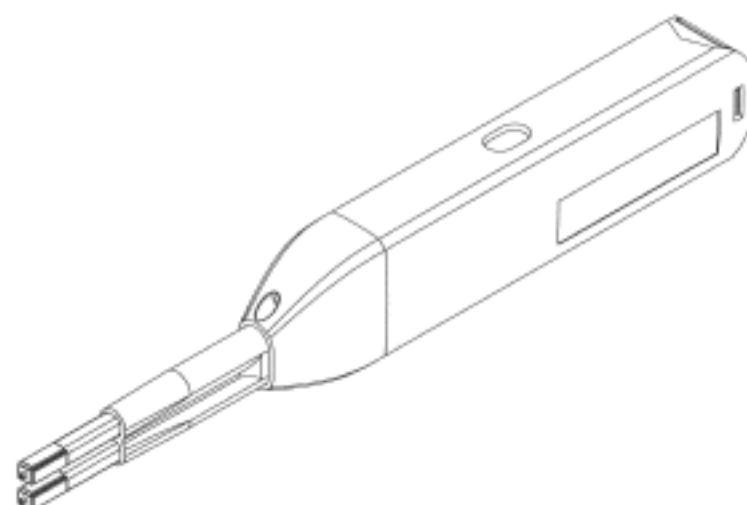
- (21) Design Number: **12196/2012**
(22) Date of Filing Application: **08 May 2012**
(24) Date from which industrial property rights may have effect: **08 May 2012**
(54) Product in respect of which the design is registered: **Tea towel**
(51) International Design Classification: **06-13C**
(74) Name(s) of Attorney(s):
(71) Name(s) and Address(s) of Applicant(s):
Peter Brohier
143 Kooyong Road North Caulfield Victoria 3161 Australia
(72) Name(s) of Designer(s): **Peter Brohier**
(45) Registration Date: **27 June 2012**
(56) Related Art Documents: **Not Applicable**
(57) Statement of Newness and Distinctiveness: **Detailed map of Australia as detailed as a general road**



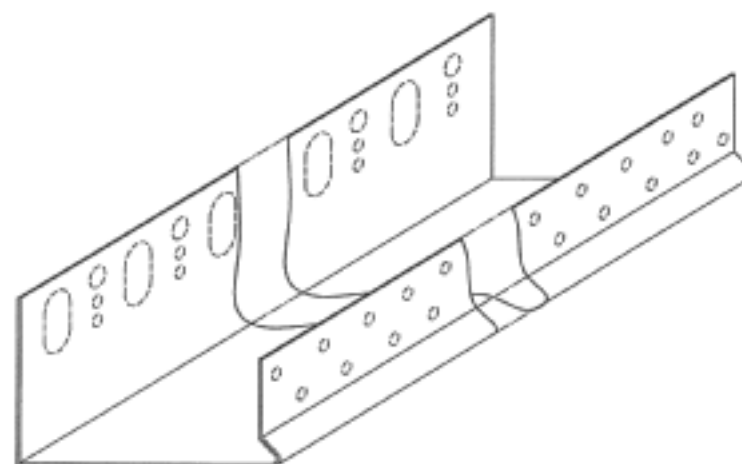
- (21) Design Number: **12516/2012**
(22) Date of Filing Application: **25 May 2012**
(24) Date from which industrial property rights may have effect: **25 May 2012**
(54) Product in respect of which the design is registered: **Mitre saw**
(51) International Design Classification: **08-03**
(74) Name(s) of Attorney(s): **Corrs Chambers Westgarth**
(71) Name(s) and Address(s) of Applicant(s):
Power Box AG
Poststrasse 6 6301 Zug Switzerland
(72) Name(s) of Designer(s): **Robert Firth**
(45) Registration Date: **27 June 2012**
(30) Convention priority data:
(31) Number (32) Date (33) Country
001958166-0001 05 Dec 2011 EUROPEAN COMMUNITY
(56) Related Art Documents: **Not Applicable**
(57) Statement of Newness and Distinctiveness: **Nil**



- (21) Design Number: **12605/2012**
(22) Date of Filing Application: **31 May 2012**
(24) Date from which industrial property rights may have effect: **31 May 2012**
(54) Product in respect of which the design is registered: **Optical connector cleaner**
(51) International Design Classification: **14-02**
(74) Name(s) of Attorney(s): **FB Rice**
(71) Name(s) and Address(s) of Applicant(s):
Fujikura Ltd.
5-1 kiba 1-chome Koto-ku Tokyo 1358512 Japan
(72) Name(s) of Designer(s): **Kunihiko Fujiwara and Junichi Nakane**
(45) Registration Date: **27 June 2012**
(30) Convention priority data:
(31) Number (32) Date (33) Country
2012-008028 05 Apr 2012 JAPAN
(56) Related Art Documents: **Not Applicable**
(57) Statement of Newness and Distinctiveness: **Newness and distinctiveness reside in the features of shape and configuration of the optical connector cleaner as shown in the representations.**



- (21) Design Number: **12607/2012**
(22) Date of Filing Application: **01 June 2012**
(24) Date from which industrial property rights may have effect: **01 June 2012**
(54) Product in respect of which the design is registered: **Starting channel**
(51) International Design Classification: **25-01C**
(74) Name(s) of Attorney(s): **Sandercock & Cowie**
(71) Name(s) and Address(s) of Applicant(s):
BuildSmart (Aust.) Pty. Ltd.
37 Cyber Loop Dandenong South Victoria 3175 Australia
(72) Name(s) of Designer(s): **John Parker**
(45) Registration Date: **27 June 2012**
(56) Related Art Documents: **Not Applicable**
(57) Statement of Newness and Distinctiveness: **Newness and distinctiveness reside in the shape and configuration of a section being a starting channel as illustrated in the accompanying representations. The section is of indefinite length.**



- (21) Design Number: **12610/2012**
(22) Date of Filing Application: **30 May 2012**
(24) Date from which industrial property rights may have effect: **30 May 2012**
(54) Product in respect of which the design is registered: **Motor tricycle chassis**
(51) International Design Classification: **12-11, 12-16NES**
(74) Name(s) of Attorney(s):
(71) Name(s) and Address(s) of Applicant(s):



Calamansi Pty Ltd
10 Sorrento Street Woree Queensland 4868 Australia

- (72) Name(s) of Designer(s): **Shane Neil Subloo and Gordon Neil Subloo**
(45) Registration Date: **27 June 2012**
(56) Related Art Documents: **Not Applicable**
(57) Statement of Newness and Distinctiveness: **The Chassis Design incorporates a distinct large steel round tube perimeter frame with extensive inter-frame cross support tubing. The designs includes a distinctive brake system design that includes forward mounted, foot operated brake and clutch controls/lever/pedals, middle of the chassis, remotely mounted hydraulic brake and clutch system, middle of the chassis mounted engine/transmission bay, removable main chassis cross member, rear mounted fuel tank support and integrated hinges for support and tilting of the main fiberglass body. The front section of the board frame provides ample space to allow the rider to rest their legs in a range of positions. The running board frame incorporates two rounded, raised sections that provide additional support for the riders feet during operation.**

- (21) Design Number: **12611/2012**
(22) Date of Filing Application: **30 May 2012**
(24) Date from which industrial property rights may have effect: **30 May 2012**
(54) Product in respect of which the design is registered: **Motor tricycle body assembly**
(51) International Design Classification: **12-11, 12-16NES**
(74) Name(s) of Attorney(s):
(71) Name(s) and Address(s) of Applicant(s):



Calamansi Pty Ltd
10 Sorrento Street Woree Queensland 4868 Australia

- (72) Name(s) of Designer(s): **Shane Neil Subloo and Gordon Neil Subloo**
(45) Registration Date: **27 June 2012**
(56) Related Art Documents: **Not Applicable**
(57) Statement of Newness and Distinctiveness: **The Body Assembly Design incorporates a distinct shape. The Body Assembly Design includes a one-piece main body section design and construction. The rear bumper, taillight receptors and the rear passenger seating support base are produced as one-piece (no separate components). and passenger seats. The Body Assembly Design includes a distinctive, wide front chopper tank. The design allows the rider instrumentation cluster to be mounted into the chopper tank and provides additional mounting for instrumentation, ignition switch and control switches. The Body Assembly Design includes a distinctive long body design together with longer wheel well skirts to provide additional shielding of the engine bay.**

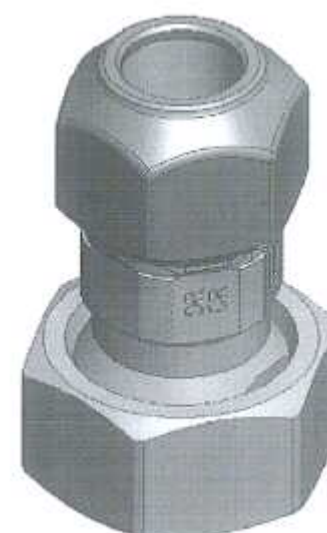
- (21) Design Number: **12617/2012**
(22) Date of Filing Application: **04 June 2012**
(24) Date from which industrial property rights may have effect: **04 June 2012**
(54) Product in respect of which the design is registered: **A plumbing fitting**
(51) International Design Classification: **23-01A, 08-08B**
(74) Name(s) of Attorney(s): **Fraser Old & Sohn**
(71) Name(s) and Address(s) of Applicant(s):
Zetco Pty Limited
Unit 9 33 Maddox Street Alexandria New South Wales 2015 Australia
(72) Name(s) of Designer(s): **Scott Michaels**
(45) Registration Date: **28 June 2012**
(56) Related Art Documents: **Not Applicable**
(57) Statement of Newness and Distinctiveness: **Newness and distinctiveness is claimed in respect of the shape and/or configuration of the product illustrated in the accompanying representations which comprises the assembly of a pipe coupling and a nut and tail. In carrying out a consideration in accordance with Section 19 the shape and / or configuration of the two nuts illustrated in the representations is not to be considered either new or distinctive and does not form part of the design.**



- (21) Design Number: **12618/2012**
(22) Date of Filing Application: **04 June 2012**
(24) Date from which industrial property rights may have effect: **04 June 2012**
(54) Product in respect of which the design is registered: **A plumbing fitting**
(51) International Design Classification: **23-01A, 08-08B**
(74) Name(s) of Attorney(s): **Fraser Old & Sohn**
(71) Name(s) and Address(s) of Applicant(s):
Zetco Pty Limited
Unit 9 33 Maddox Street Alexandria New South Wales 2015 Australia
(72) Name(s) of Designer(s): **Scott Michaels**
(45) Registration Date: **28 June 2012**
(56) Related Art Documents: **Not Applicable**
(57) Statement of Newness and Distinctiveness: **Newness and distinctiveness is claimed in respect of the shape and/or configuration of the product illustrated in the accompanying representations which comprises the assembly of a pipe coupling and a nut and tail. In carrying out a consideration in accordance with Section 19 the shape and / or configuration of the two nuts illustrated in the representations is not to be considered either new or distinctive and does not form part of the design.**



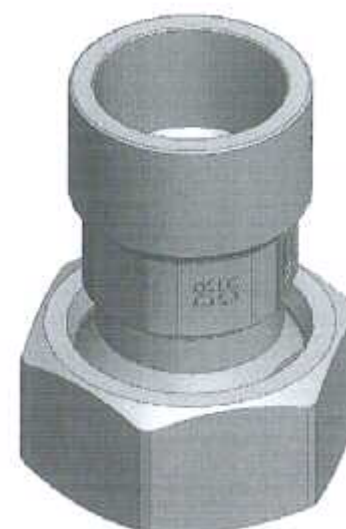
- (21) Design Number: **12619/2012**
(22) Date of Filing Application: **04 June 2012**
(24) Date from which industrial property rights may have effect: **04 June 2012**
(54) Product in respect of which the design is registered: **A plumbing fitting**
(51) International Design Classification: **23-01A, 08-08B**
(74) Name(s) of Attorney(s): **Fraser Old & Sohn**
(71) Name(s) and Address(s) of Applicant(s):
Zetco Pty Limited
Unit 9 33 Maddox Street Alexandria New South Wales 2015 Australia
(72) Name(s) of Designer(s): **Scott Michaels**
(45) Registration Date: **28 June 2012**
(56) Related Art Documents: **Not Applicable**
(57) Statement of Newness and Distinctiveness: **Newness and distinctiveness is claimed in respect of the shape and/or configuration of the product illustrated in the accompanying representations which comprises the assembly of a pipe coupling and a nut and tail. In carrying out a consideration in accordance with Section 19 the shape and / or configuration of the two nuts illustrated in the representations is not to be considered either new or distinctive and does not form part of the design.**



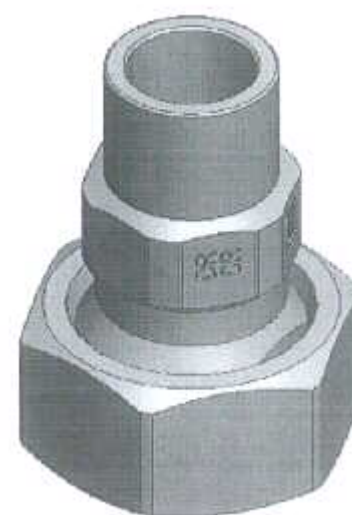
- (21) Design Number: **12620/2012**
(22) Date of Filing Application: **04 June 2012**
(24) Date from which industrial property rights may have effect: **04 June 2012**
(54) Product in respect of which the design is registered: **A plumbing fitting**
(51) International Design Classification: **23-01A, 08-08B**
(74) Name(s) of Attorney(s): **Fraser Old & Sohn**
(71) Name(s) and Address(s) of Applicant(s):
Zetco Pty Limited
Unit 9 33 Maddox Street Alexandria New South Wales 2015 Australia
(72) Name(s) of Designer(s): **Scott Michaels**
(45) Registration Date: **28 June 2012**
(56) Related Art Documents: **Not Applicable**
(57) Statement of Newness and Distinctiveness: **Newness and distinctiveness is claimed in respect of the shape and/or configuration of the product illustrated in the accompanying representations which comprises the assembly of a pipe coupling and a nut and tail. In carrying out a consideration in accordance with Section 19 the shape and / or configuration of the two nuts illustrated in the representations is not to be considered either new or distinctive and does not form part of the design.**



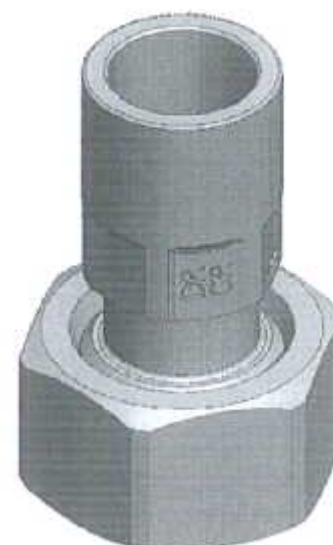
- (21) Design Number: **12621/2012**
(22) Date of Filing Application: **04 June 2012**
(24) Date from which industrial property rights may have effect: **04 June 2012**
(54) Product in respect of which the design is registered: **A plumbing fitting**
(51) International Design Classification: **23-01A, 08-08B**
(74) Name(s) of Attorney(s): **Fraser Old & Sohn**
(71) Name(s) and Address(s) of Applicant(s):
Zetco Pty Limited
Unit 9 33 Maddox Street Alexandria New South Wales 2015 Australia
(72) Name(s) of Designer(s): **Scott Michaels**
(45) Registration Date: **28 June 2012**
(56) Related Art Documents: **Not Applicable**
(57) Statement of Newness and Distinctiveness: **Newness and distinctiveness is claimed in respect of the shape and/or configuration of the product illustrated in the accompanying representations which comprises the assembly of a pipe coupling and a nut and tail. In carrying out a consideration in accordance with Section 19 the shape and / or configuration of the two nuts illustrated in the representations is not to be considered either new or distinctive and does not form part of the design.**



- (21) Design Number: **12622/2012**
(22) Date of Filing Application: **04 June 2012**
(24) Date from which industrial property rights may have effect: **04 June 2012**
(54) Product in respect of which the design is registered: **A plumbing fitting**
(51) International Design Classification: **23-01A, 08-08B**
(74) Name(s) of Attorney(s): **Fraser Old & Sohn**
(71) Name(s) and Address(s) of Applicant(s):
Zetco Pty Limited
Unit 9 33 Maddox Street Alexandria New South Wales 2015 Australia
(72) Name(s) of Designer(s): **Scott Michaels**
(45) Registration Date: **28 June 2012**
(56) Related Art Documents: **Not Applicable**
(57) Statement of Newness and Distinctiveness: **Newness and distinctiveness is claimed in respect of the shape and/or configuration of the product illustrated in the accompanying representations which comprises the assembly of a pipe coupling and a nut and tail. In carrying out a consideration in accordance with Section 19 the shape and / or configuration of the nut illustrated in the representations is not to be considered either new or distinctive and does not form part of the design.**



- (21) Design Number: **12623/2012**
(22) Date of Filing Application: **04 June 2012**
(24) Date from which industrial property rights may have effect: **04 June 2012**
(54) Product in respect of which the design is registered: **A plumbing fitting**
(51) International Design Classification: **23-01A, 08-08B**
(74) Name(s) of Attorney(s): **Fraser Old & Sohn**
(71) Name(s) and Address(s) of Applicant(s):
Zetco Pty Limited
Unit 9 33 Maddox Street Alexandria New South Wales 2015 Australia
(72) Name(s) of Designer(s): **Scott Michaels**
(45) Registration Date: **28 June 2012**
(56) Related Art Documents: **Not Applicable**
(57) Statement of Newness and Distinctiveness: **Newness and distinctiveness is claimed in respect of the shape and/or configuration of the product illustrated in the accompanying representations which comprises the assembly of a pipe coupling and a nut and tail. In carrying out a consideration in accordance with Section 19 the shape and / or configuration of the nut illustrated in the representations is not to be considered either new or distinctive and does not form part of the design.**



- (21) Design Number: **12624/2012**
(22) Date of Filing Application: **04 June 2012**
(24) Date from which industrial property rights may have effect: **04 June 2012**
(54) Product in respect of which the design is registered: **A plumbing fitting**
(51) International Design Classification: **23-01A, 08-08B**
(74) Name(s) of Attorney(s): **Fraser Old & Sohn**
(71) Name(s) and Address(s) of Applicant(s):
Zetco Pty Limited
Unit 9 33 Maddox Street Alexandria New South Wales 2015 Australia
(72) Name(s) of Designer(s): **Scott Michaels**
(45) Registration Date: **28 June 2012**
(56) Related Art Documents: **Not Applicable**
(57) Statement of Newness and Distinctiveness: **Newness and distinctiveness is claimed in respect of the shape and/or configuration of the product illustrated in the accompanying representations which comprises the assembly of a pipe coupling and a nut and tail. In carrying out a consideration in accordance with Section 19 the shape and / or configuration of the nut illustrated in the representations is not to be considered either new or distinctive and does not form part of the design.**



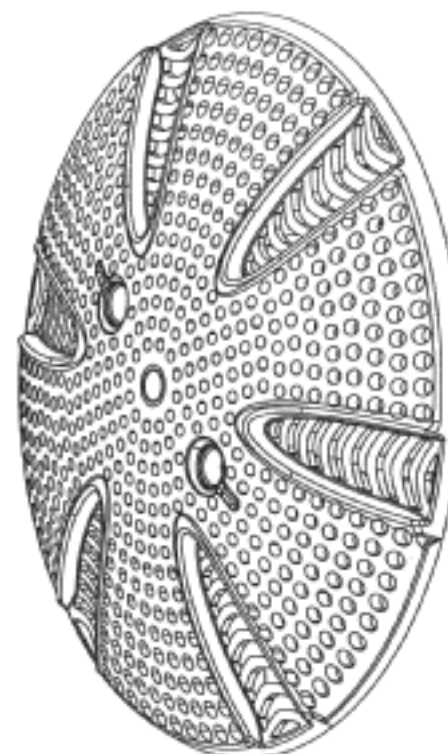
- (21) Design Number: **12625/2012**
(22) Date of Filing Application: **04 June 2012**
(24) Date from which industrial property rights may have effect: **04 June 2012**
(54) Product in respect of which the design is registered: **A plumbing fitting**
(51) International Design Classification: **23-01A, 08-08B**
(74) Name(s) of Attorney(s): **Fraser Old & Sohn**
(71) Name(s) and Address(s) of Applicant(s):
Zetco Pty Limited
Unit 9 33 Maddox Street Alexandria New South Wales 2015 Australia
(72) Name(s) of Designer(s): **Scott Michaels**
(45) Registration Date: **28 June 2012**
(56) Related Art Documents: **Not Applicable**
(57) Statement of Newness and Distinctiveness: **Newness and distinctiveness is claimed in respect of the shape and/or configuration of the product illustrated in the accompanying representations which comprises the assembly of a pipe coupling and a nut and tail. In carrying out a consideration in accordance with Section 19 the shape and / or configuration of the nut illustrated in the representations is not to be considered either new or distinctive and does not form part of the design.**



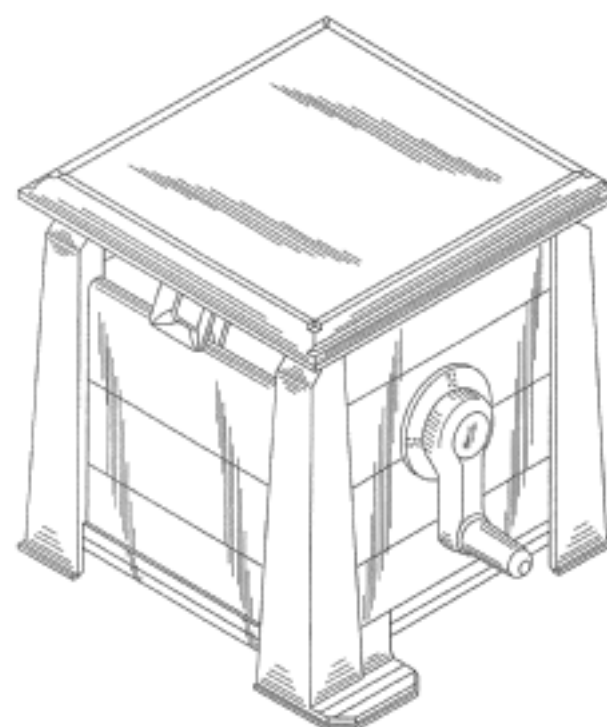
- (21) Design Number: **12626/2012**
(22) Date of Filing Application: **04 June 2012**
(24) Date from which industrial property rights may have effect: **04 June 2012**
(54) Product in respect of which the design is registered: **A plumbing fitting**
(51) International Design Classification: **23-01A, 08-08B**
(74) Name(s) of Attorney(s): **Fraser Old & Sohn**
(71) Name(s) and Address(s) of Applicant(s):
Zetco Pty Limited
Unit 9 33 Maddox Street Alexandria New South Wales 2015 Australia
(72) Name(s) of Designer(s): **Scott Michaels**
(45) Registration Date: **28 June 2012**
(56) Related Art Documents: **Not Applicable**
(57) Statement of Newness and Distinctiveness: **Newness and distinctiveness is claimed in respect of the shape and/or configuration of the product illustrated in the accompanying representations which comprises the assembly of a pipe coupling and a nut and tail. In carrying out a consideration in accordance with Section 19 the shape and / or configuration of the nut illustrated in the representations is not to be considered either new or distinctive and does not form part of the design.**



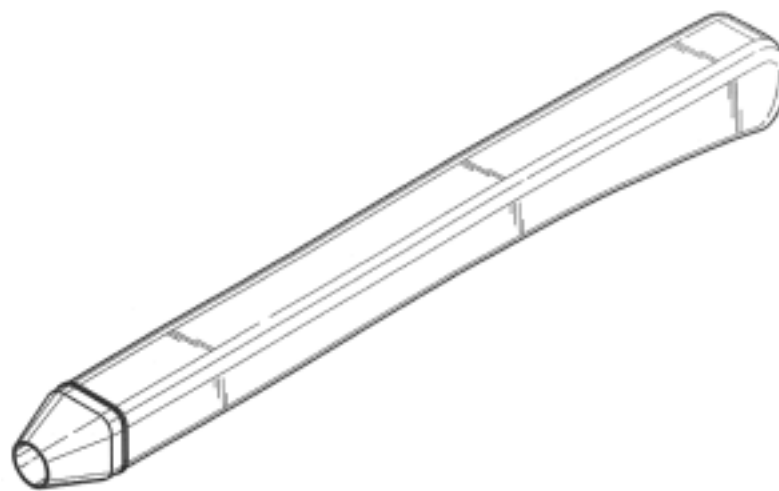
- (21) Design Number: **12627/2012**
(22) Date of Filing Application: **01 June 2012**
(24) Date from which industrial property rights may have effect: **01 June 2012**
(54) Product in respect of which the design is registered: **Suction cover**
(51) International Design Classification: **23-02B**
(74) Name(s) of Attorney(s): **PHILLIPS ORMONDE FITZPATRICK**
(71) Name(s) and Address(s) of Applicant(s):
Spa Electrics Pty Ltd
Factory 4 9 Monterey Road Dandenong Victoria 3175 Australia
(72) Name(s) of Designer(s): **David John Webber and Simon Andresen**
(45) Registration Date: **28 June 2012**
(56) Related Art Documents: **Not Applicable**
(57) Statement of Newness and Distinctiveness: **Those features of the suction cover depicted in the representations that are new and distinctive are the shape and/or configuration.**



- (21) Design Number: **12629/2012**
(22) Date of Filing Application: **01 June 2012**
(24) Date from which industrial property rights may have effect: **01 June 2012**
(54) Product in respect of which the design is registered: **Hose reel deck box**
(51) International Design Classification: **23-01C**
(74) Name(s) of Attorney(s): **FB Rice**
(71) Name(s) and Address(s) of Applicant(s):
Ames True Temper, Inc.
465 Railroad Avenue Camp Hill Pennsylvania 17011 United States of America
(72) Name(s) of Designer(s): **Gregory J. Blaszcak and Peter Arcati and Eric Daniel Hyp**
(45) Registration Date: **28 June 2012**
(30) Convention priority data:
(31) Number (32) Date (33) Country
29/407788 02 Dec 2011 UNITED STATES OF AMERICA
(56) Related Art Documents: **Not Applicable**
(57) Statement of Newness and Distinctiveness: **Newness and distinctiveness reside in the visual features of the design as shown in the representations.**



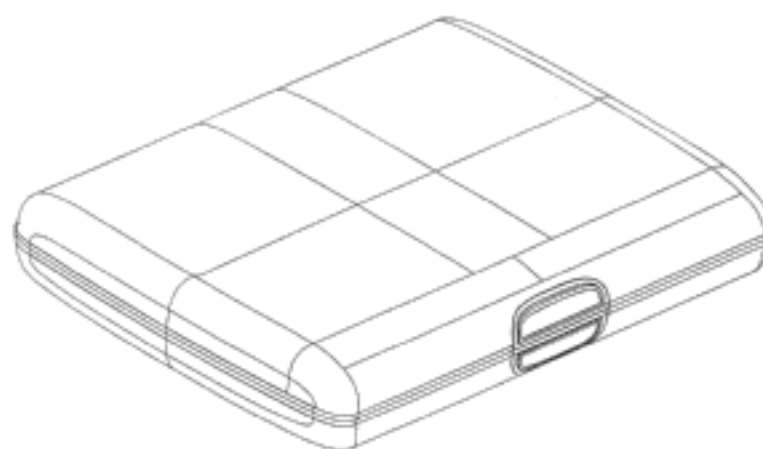
(21) Design Number: **12630/2012**
(22) Date of Filing Application: **01 June 2012**
(24) Date from which industrial property rights may have effect: **01 June 2012**
(54) Product in respect of which the design is registered: **Golf club handle grip**
(51) International Design Classification: **21-02C**
(74) Name(s) of Attorney(s): **Pegasus IP**
(71) Name(s) and Address(s) of Applicant(s):
Florian Threbank
AM Bibergarten 21 92318 Neumarkt Germany
(72) Name(s) of Designer(s): **Florian Threbank**
(45) Registration Date: **28 June 2012**
(30) Convention priority data:
(31) Number (32) Date (33) Country
001958117-0002 05 Dec 2011 EUROPEAN COMMUNITY
(56) Related Art Documents: **Not Applicable**
(57) Statement of Newness and Distinctiveness: **Newness and distinctiveness resides in the features of shape and/or configuration of the golf club handle grip shown in the reps.**



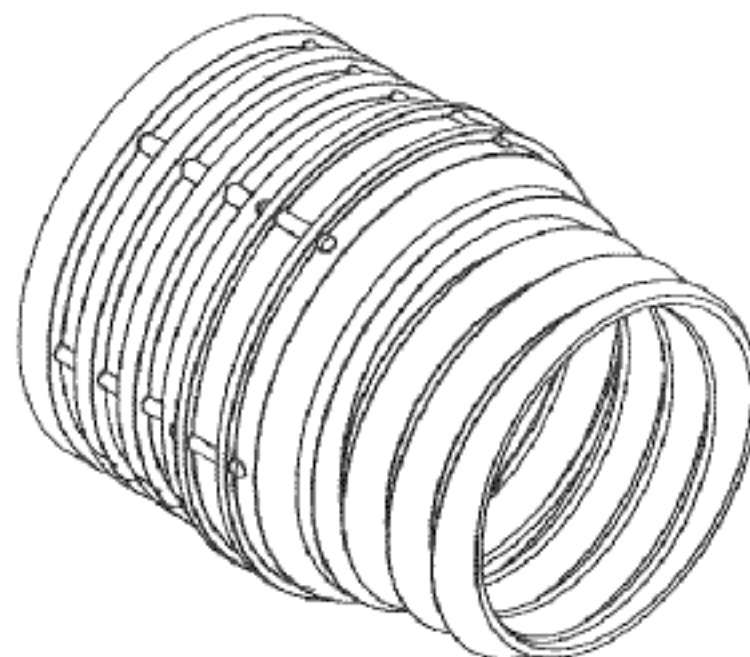
(21) Design Number: **12636/2012**
(22) Date of Filing Application: **01 June 2012**
(24) Date from which industrial property rights may have effect: **01 June 2012**
(54) Product in respect of which the design is registered: **Credit card case**
(51) International Design Classification: **03-01B**
(74) Name(s) of Attorney(s): **SPRUSON & FERGUSON**
(71) Name(s) and Address(s) of Applicant(s):
Katrin Mengel
Schluterstrasse 22 D-20146 Hamburg Germany
Thomas Wingerter
Schluterstrasse 22 D-20146 Hamburg Germany
(72) Name(s) of Designer(s): **Emmanuel Dietrich**
(45) Registration Date: **28 June 2012**
(30) Convention priority data:
(31) Number (32) Date (33) Country
001959644 08 Dec 2011 EUROPEAN COMMUNITY
(56) Related Art Documents: **Not Applicable**
(57) Statement of Newness and Distinctiveness: **Newness and distinctiveness is claimed in the features of shape and/or configuration of a credit card case as illustrated in the accompanying representations.**



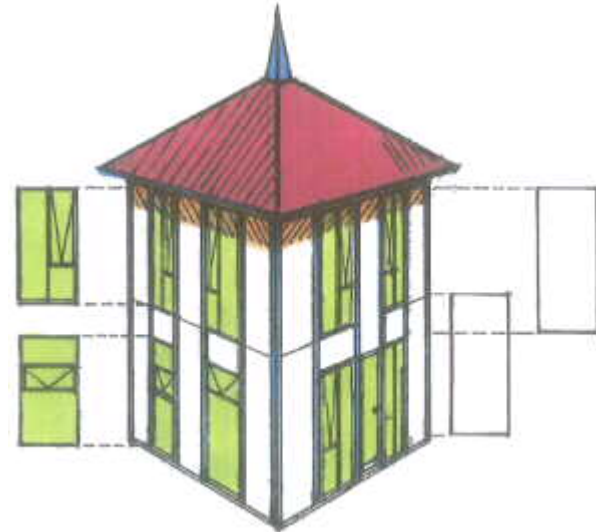
(21) Design Number: **12637/2012**
(22) Date of Filing Application: **01 June 2012**
(24) Date from which industrial property rights may have effect: **01 June 2012**
(54) Product in respect of which the design is registered: **Credit card case**
(51) International Design Classification: **03-01B**
(74) Name(s) of Attorney(s): **SPRUSON & FERGUSON**
(71) Name(s) and Address(s) of Applicant(s):
Katrin Mengel
Schluterstrasse 22 D-20146 Hamburg Germany
Thomas Wingerter
Schluterstrasse 22 D-20146 Hamburg Germany
(72) Name(s) of Designer(s): **Emmanuel Dietrich**
(45) Registration Date: **28 June 2012**
(30) Convention priority data:
(31) Number (32) Date (33) Country
001959644 08 Dec 2011 EUROPEAN COMMUNITY
(56) Related Art Documents: **Not Applicable**
(57) Statement of Newness and Distinctiveness: **Newness and distinctiveness is claimed in the features of shape and/or configuration of a credit card case as illustrated in the accompanying representations.**



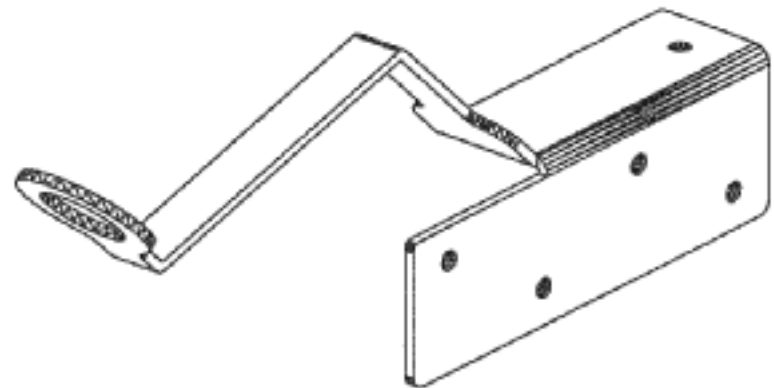
(21) Design Number: **11324/2012**
(22) Date of Filing Application: **13 March 2012**
(24) Date from which industrial property rights may have effect: **13 March 2012**
(54) Product in respect of which the design is registered: **Pipe adaptor**
(51) International Design Classification: **23-01A**
(74) Name(s) of Attorney(s): **PHILLIPS ORMONDE FITZPATRICK**
(71) Name(s) and Address(s) of Applicant(s):
ReIn Pty Ltd
14 Williamson Road Ingleburn New South Wales 2565 Australia
(72) Name(s) of Designer(s): **Owen Edward Luke**
(45) Registration Date: **28 June 2012**
(56) Related Art Documents: **Not Applicable**
(57) Statement of Newness and Distinctiveness: **Nil**



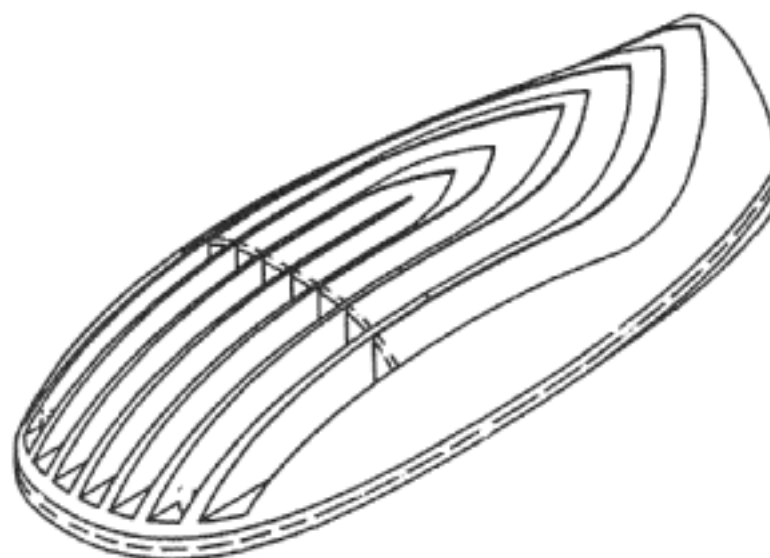
- (21) Design Number: **11713/2012**
(22) Date of Filing Application: **05 April 2012**
(24) Date from which industrial property rights may have effect: **05 April 2012**
(54) Product in respect of which the design is registered: **A two storied house with coloured pyramoidal roof**
(51) International Design Classification: **25-03**
(74) Name(s) of Attorney(s):
(71) Name(s) and Address(s) of Applicant(s):
William John Lubbock
10 Bentham Street Yarralumla 2600 Australian Capital Territory Australia
(72) Name(s) of Designer(s): **William John Lubbock**
(45) Registration Date: **28 June 2012**
(56) Related Art Documents: **Not Applicable**
(57) Statement of Newness and Distinctiveness: **Two storied house with coloured pyramoidal roof and distinctive alternating vertical window & white panel strips with coloured vertical cover strips.**



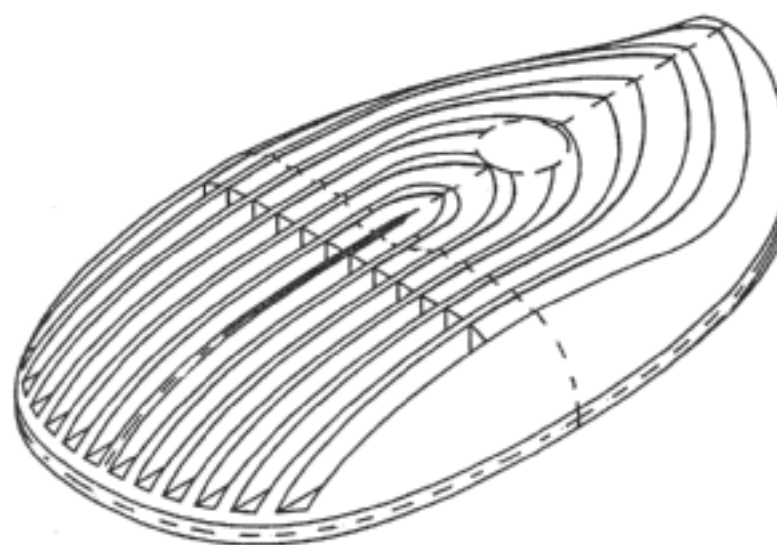
- (21) Design Number: **12330/2012**
(22) Date of Filing Application: **15 May 2012**
(24) Date from which industrial property rights may have effect: **15 May 2012**
(54) Product in respect of which the design is registered: **A roof anchor**
(51) International Design Classification: **08-08NES**
(74) Name(s) of Attorney(s): **SPRUSON & FERGUSON**
(71) Name(s) and Address(s) of Applicant(s):
Andrew Pridham
40 Saggart Field Road Minto New South Wales 2566 Australia
(72) Name(s) of Designer(s): **Andrew Pridham**
(45) Registration Date: **28 June 2012**
(56) Related Art Documents: **Not Applicable**
(57) Statement of Newness and Distinctiveness: **Newness and distinctiveness is claimed in the features of shape and/or configuration of a roof anchor as illustrated in the accompanying representations.**



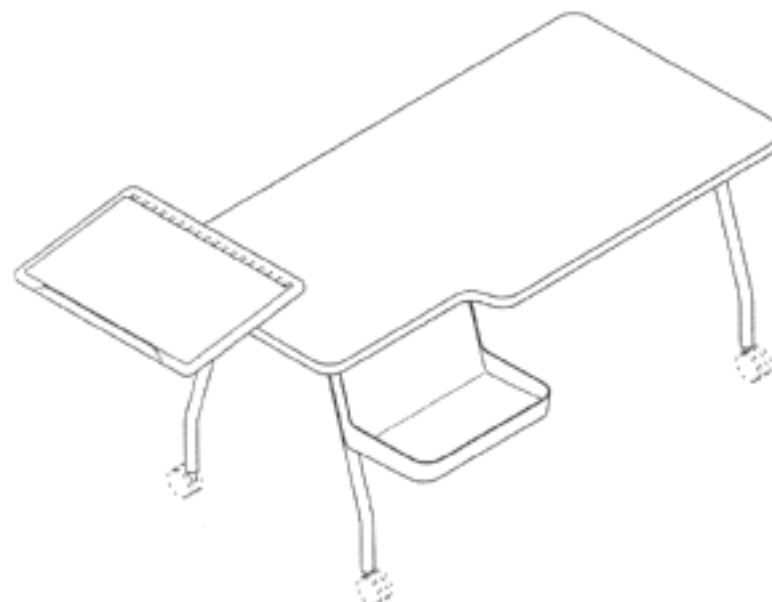
- (21) Design Number: **12531/2012**
(22) Date of Filing Application: **28 May 2012**
(24) Date from which industrial property rights may have effect: **28 May 2012**
(54) Product in respect of which the design is registered: **Lighting fixture**
(51) International Design Classification: **26-05C**
(74) Name(s) of Attorney(s): **SPRUSON & FERGUSON**
(71) Name(s) and Address(s) of Applicant(s):
Ruud Lighting, Inc.
9201 Washington Avenue Racine Wisconsin 53406 United States of America
(72) Name(s) of Designer(s): **Lisa Ruffalo and Alan J. Rudd and Kurt S. Wilcox and Brian Kinnune**
(45) Registration Date: **28 June 2012**
(30) Convention priority data:
(31) Number (32) Date (33) Country
29/407377 28 Nov 2011 UNITED STATES OF AMERICA
(56) Related Art Documents: **Not Applicable**
(57) Statement of Newness and Distinctiveness: **Newness and distinctiveness is claimed in the features of shape and/or configuration of a lighting fixture as illustrated in continuous lines in the accompanying representations.**



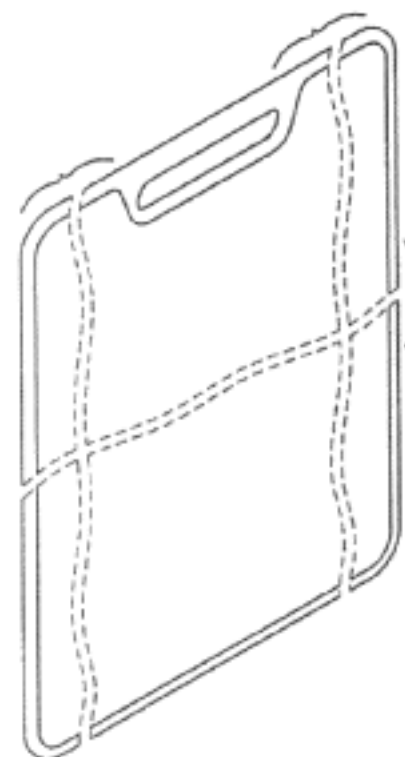
- (21) Design Number: **12532/2012**
(22) Date of Filing Application: **28 May 2012**
(24) Date from which industrial property rights may have effect: **28 May 2012**
(54) Product in respect of which the design is registered: **Lighting fixture**
(51) International Design Classification: **26-05C**
(74) Name(s) of Attorney(s): **SPRUSON & FERGUSON**
(71) Name(s) and Address(s) of Applicant(s):
Ruud Lighting, Inc.
9201 Washington Avenue Racine Wisconsin 53406 United States of America
(72) Name(s) of Designer(s): **Lisa Ruffalo and Alan J. Rudd and Kurt S. Wilcox and Brian Kinnune**
(45) Registration Date: **28 June 2012**
(30) Convention priority data:
(31) Number (32) Date (33) Country
29/407377 28 Nov 2011 UNITED STATES OF AMERICA
(56) Related Art Documents: **Not Applicable**
(57) Statement of Newness and Distinctiveness: **Newness and distinctiveness is claimed in the features of shape and/or configuration of a lighting fixture as illustrated in continuous lines in the accompanying representations.**



(21) Design Number: **12536/2012**
(22) Date of Filing Application: **28 May 2012**
(24) Date from which industrial property rights may have effect: **28 May 2012**
(54) Product in respect of which the design is registered: **Desk**
(51) International Design Classification: **06-03C**
(74) Name(s) of Attorney(s): **Griffith Hack**
(71) Name(s) and Address(s) of Applicant(s):
Steelcase, Inc.
901 44th Street Grand Rapids MI 49508 United States Of America
(72) Name(s) of Designer(s): **Duck Young Kong and Thomas Overthun and Elger Oberwelz**
(45) Registration Date: **28 June 2012**
(30) Convention priority data:
(31) Number (32) Date (33) Country
29/414110 24 Feb 2012 UNITED STATES OF AMERICA
(56) Related Art Documents: **Not Applicable**
(57) Statement of Newness and Distinctiveness: **The shape and configuration of the product as shown by means of solid lines in the accompanying drawings is new and distinctive. The parts shown by means of dashed lines have been included for illustrative purposes and do not form part of the design.**



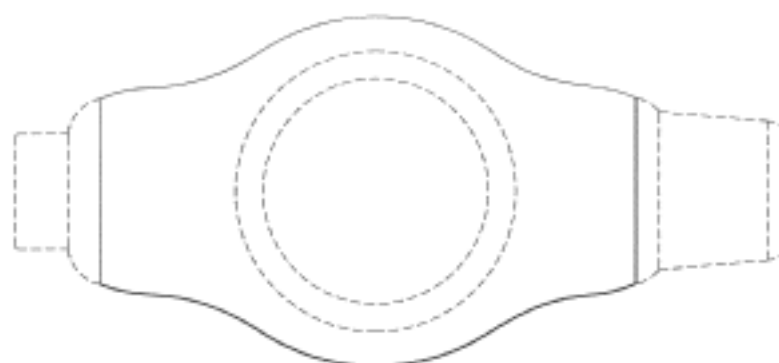
(21) Design Number: **12537/2012**
(22) Date of Filing Application: **28 May 2012**
(24) Date from which industrial property rights may have effect: **28 May 2012**
(54) Product in respect of which the design is registered: **Personal display board**
(51) International Design Classification: **20-02NES, 20-03NES**
(74) Name(s) of Attorney(s): **Griffith Hack**
(71) Name(s) and Address(s) of Applicant(s):
Steelcase, Inc.
901 44th Street Grand Rapids MI 49508 United States Of America
(72) Name(s) of Designer(s): **Duck Young Kong and Thomas Overthun and Elger Oberwelz**
(45) Registration Date: **28 June 2012**
(30) Convention priority data:
(31) Number (32) Date (33) Country
29/414106 24 Feb 2012 UNITED STATES OF AMERICA
(56) Related Art Documents: **Not Applicable**
(57) Statement of Newness and Distinctiveness: **The shape and configuration of the product as shown by means of solid lines in the accompanying drawings is new and distinctive. The dashed lines in the accompanying drawings do not form part of the design and represent that the product may have any height and width.**



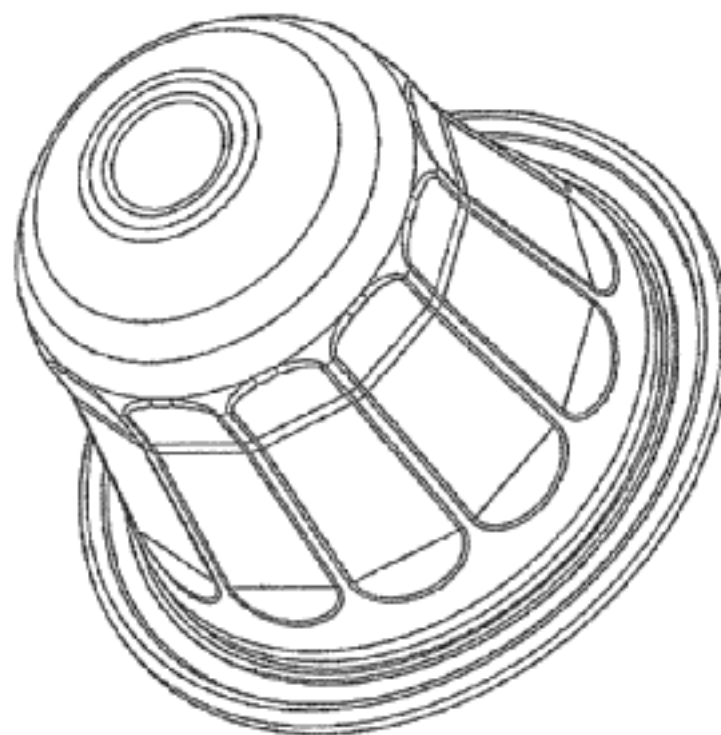
(21) Design Number: **12538/2012**
(22) Date of Filing Application: **28 May 2012**
(24) Date from which industrial property rights may have effect: **28 May 2012**
(54) Product in respect of which the design is registered: **Easel**
(51) International Design Classification: **19-06**
(74) Name(s) of Attorney(s): **Griffith Hack**
(71) Name(s) and Address(s) of Applicant(s):
Steelcase, Inc.
901 44th Street Grand Rapids MI 49508 United States Of America
(72) Name(s) of Designer(s): **Duck Young Kong and Thomas Overthun and Elger Oberwelz and Mark Schoolmeester**
(45) Registration Date: **28 June 2012**
(30) Convention priority data:
(31) Number (32) Date (33) Country
29/414111 24 Feb 2012 UNITED STATES OF AMERICA
(56) Related Art Documents: **Not Applicable**
(57) Statement of Newness and Distinctiveness: **The shape and configuration of the product as shown by means of solid lines in the accompanying drawings is new and distinctive. The parts shown by means of dashed lines have been included for illustrative purposes and do not form part of the design.**



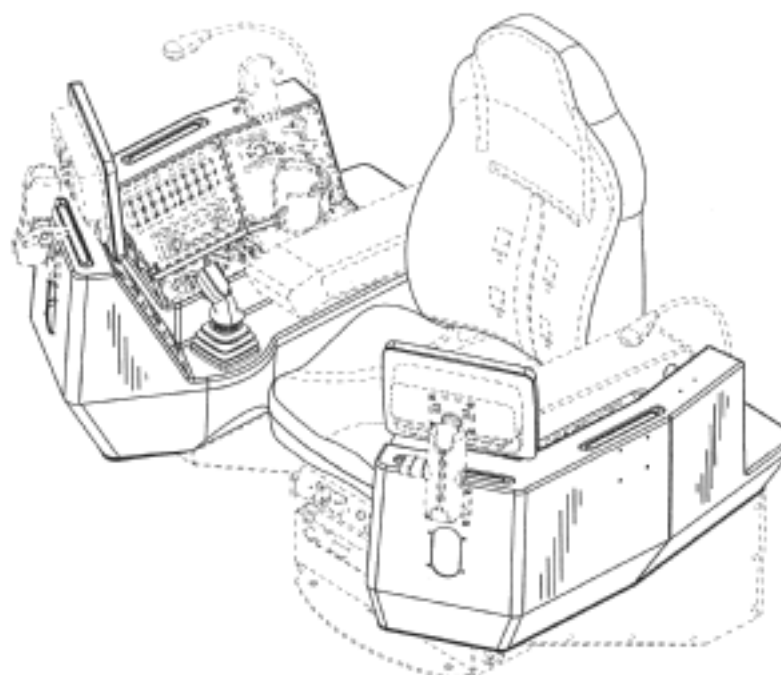
(21) Design Number: **12539/2012**
(22) Date of Filing Application: **28 May 2012**
(24) Date from which industrial property rights may have effect: **28 May 2012**
(54) Product in respect of which the design is registered: **Enteral feeding tube base**
(51) International Design Classification: **24-01**
(74) Name(s) of Attorney(s): **Freehills Patent Attorneys**
(71) Name(s) and Address(s) of Applicant(s):
Kimberly-Clark Worldwide, Inc.
2300 Winchester Road Neenah Wisconsin 54956 United States of America
(72) Name(s) of Designer(s): **Nathan C Griffith and Donald J. McMichael and John A Rotella**
(45) Registration Date: **28 June 2012**
(30) Convention priority data:
(31) Number (32) Date (33) Country
29/409358 22 Dec 2011 UNITED STATES OF AMERICA
(56) Related Art Documents: **Not Applicable**
(57) Statement of Newness and Distinctiveness: **Newness and distinctiveness of the design resides in the shape and configuration of the profile of the enteral feeding tube base as shown in solid outline in the accompanying representations. When determining whether the design is substantially similar in overall impression to another design, no regard is to be had to the features shown in broken lines.**



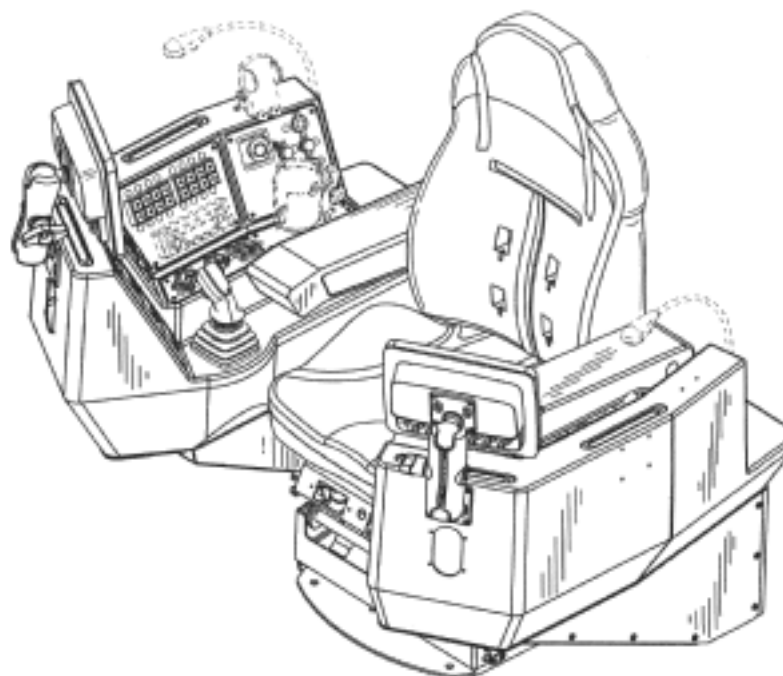
(21) Design Number: **12590/2012**
(22) Date of Filing Application: **31 May 2012**
(24) Date from which industrial property rights may have effect: **31 May 2012**
(54) Product in respect of which the design is registered: **Coffee capsule**
(51) International Design Classification: **07-02L**
(74) Name(s) of Attorney(s):
(71) Name(s) and Address(s) of Applicant(s):
Rialto Coffee Company Ltd
Hayarmuch 1 POB 13061 Yavne Industrial Zone 81220 Israel
(72) Name(s) of Designer(s): **Hanan Ben David**
(45) Registration Date: **28 June 2012**
(56) Related Art Documents: **Not Applicable**
(57) Statement of Newness and Distinctiveness: **Nil**



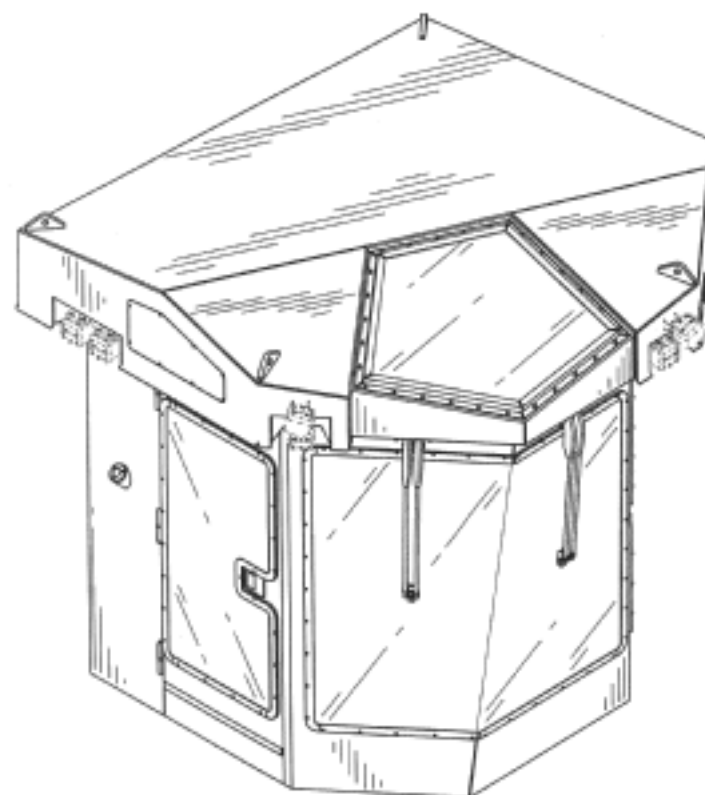
(21) Design Number: **12594/2012**
(22) Date of Filing Application: **31 May 2012**
(24) Date from which industrial property rights may have effect: **31 May 2012**
(54) Product in respect of which the design is registered: **Seat module**
(51) International Design Classification: **06-01D**
(74) Name(s) of Attorney(s): **Fisher Adams Kelly**
(71) Name(s) and Address(s) of Applicant(s):
Harnischfeger Technologies Inc.
2751 Centerville Road Suite 342 Wilmington 19808 Delaware United States of America
(72) Name(s) of Designer(s): **Owen J. Warr**
(45) Registration Date: **28 June 2012**
(30) Convention priority data:
(31) Number (32) Date (33) Country
29/407733 01 Dec 2011 UNITED STATES OF AMERICA
(56) Related Art Documents: **Not Applicable**
(57) Statement of Newness and Distinctiveness: **The newness and distinctiveness of the design resides in the shape and/or configuration of the SEAT MODULE shown in the representations. When considering the newness and distinctiveness of the design, the lines shown in phantom should be disregarded.**



(21) Design Number: **12595/2012**
(22) Date of Filing Application: **31 May 2012**
(24) Date from which industrial property rights may have effect: **31 May 2012**
(54) Product in respect of which the design is registered: **Seat module**
(51) International Design Classification: **06-01D**
(74) Name(s) of Attorney(s): **Fisher Adams Kelly**
(71) Name(s) and Address(s) of Applicant(s):
Harnischfeger Technologies Inc.
2751 Centerville Road Suite 342 Wilmington 19808 Delaware United States of America
(72) Name(s) of Designer(s): **Owen J. Warr**
(45) Registration Date: **28 June 2012**
(30) Convention priority data:
(31) Number (32) Date (33) Country
29/407733 01 Dec 2011 UNITED STATES OF AMERICA
(56) Related Art Documents: **Not Applicable**
(57) Statement of Newness and Distinctiveness: **The newness and distinctiveness of the design resides in the shape and/or configuration of the SEAT MODULE shown in the representations.**



(21) Design Number: **12596/2012**
(22) Date of Filing Application: **31 May 2012**
(24) Date from which industrial property rights may have effect: **31 May 2012**
(54) Product in respect of which the design is registered: **Cab module**
(51) International Design Classification: **12-08**
(74) Name(s) of Attorney(s): **Fisher Adams Kelly**
(71) Name(s) and Address(s) of Applicant(s):
Harnischfeger Technologies Inc.
2751 Centerville Road Suite 342 Wilmington 19808 Delaware United States of America
(72) Name(s) of Designer(s): **Owen J. Warr**
(45) Registration Date: **28 June 2012**
(30) Convention priority data:
(31) Number (32) Date (33) Country
29/407732 01 Dec 2011 UNITED STATES OF AMERICA
(56) Related Art Documents: **Not Applicable**
(57) Statement of Newness and Distinctiveness: **The newness and distinctiveness of the design resides in the shape and/or configuration of the CAB MODULE shown in the representations.**



(21) Design Number: **12597/2012**

(22) Date of Filing Application: **31 May 2012**

(24) Date from which industrial property rights may have effect: **31 May 2012**

(54) Product in respect of which the design is registered: **Cab module**

(51) International Design Classification: **12-08**

(74) Name(s) of Attorney(s): **Fisher Adams Kelly**

(71) Name(s) and Address(s) of Applicant(s):

Harnischfeger Technologies Inc.

2751 Centerville Road Suite 342 Wilmington 19808 Delaware United States of America

(72) Name(s) of Designer(s): **Owen J. Warr**

(45) Registration Date: **28 June 2012**

(30) Convention priority data:

(31) Number

(32) Date

(33) Country

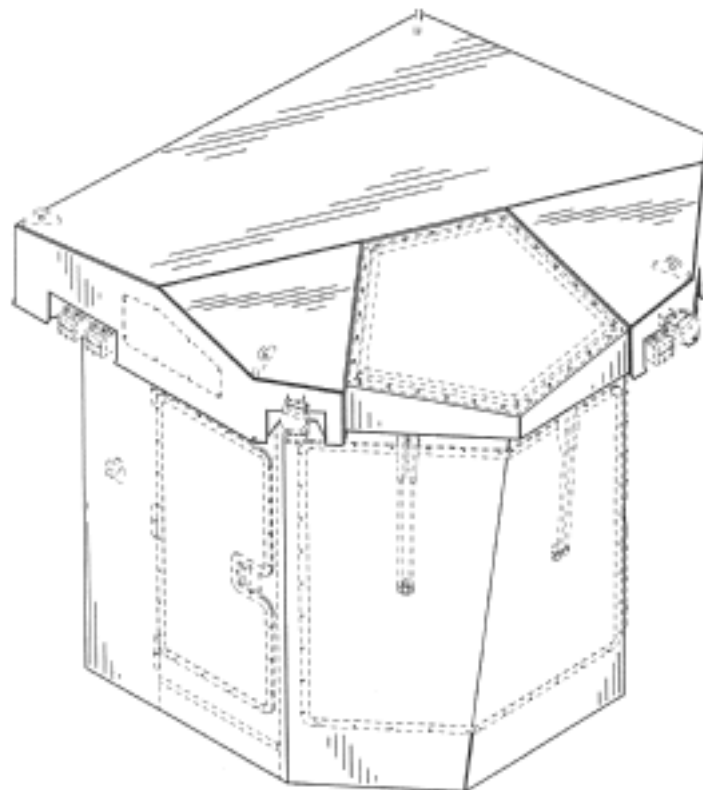
29/407732

01 Dec 2011

UNITED STATES OF AMERICA

(56) Related Art Documents: **Not Applicable**

(57) Statement of Newness and Distinctiveness: **The newness and distinctiveness of the design resides in the shape and/or configuration of the CAB MODULE shown in the representations. When considering the newness and distinctiveness of the design, the lines shown in phantom should be disregarded.**



(21) Design Number: **12598/2012**

(22) Date of Filing Application: **31 May 2012**

(24) Date from which industrial property rights may have effect: **31 May 2012**

(54) Product in respect of which the design is registered: **Alarm**

(51) International Design Classification: **10-05**

(74) Name(s) of Attorney(s): **Cullens Patent and Trade Mark Attorneys**

(71) Name(s) and Address(s) of Applicant(s):

Eyston Company Limited

B2 3/F. Fortune Factory Bldg 40 Lee Chung Street Chai Wan Hong Kong

(72) Name(s) of Designer(s): **Wai Wing Malcolm Lam**

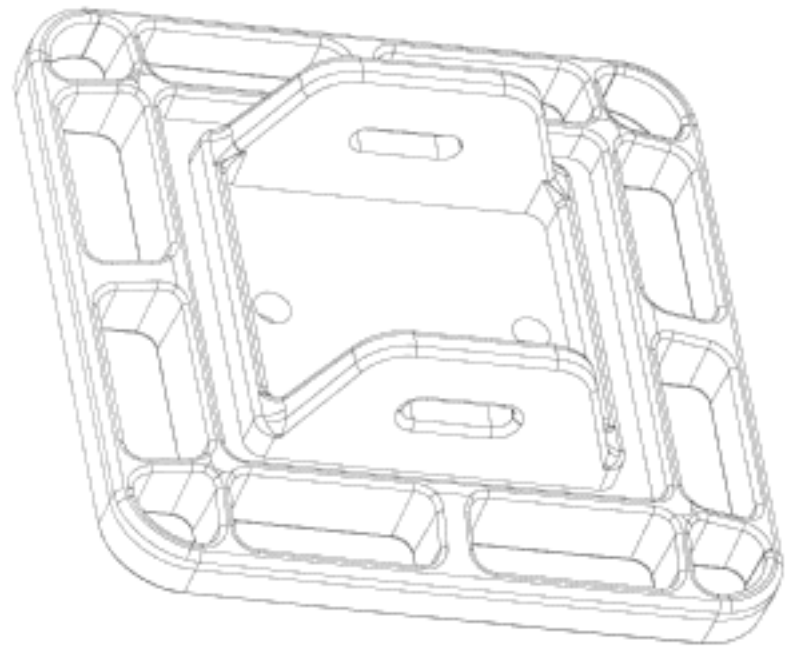
(45) Registration Date: **28 June 2012**

(56) Related Art Documents: **Not Applicable**

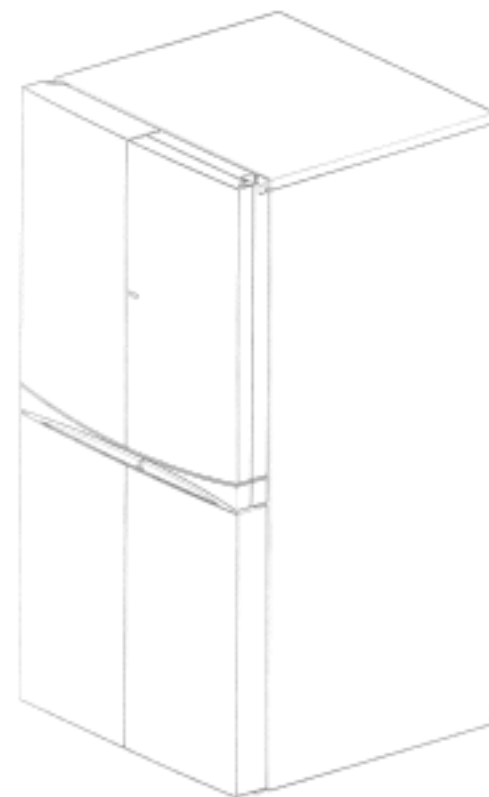
(57) Statement of Newness and Distinctiveness: **Nil**



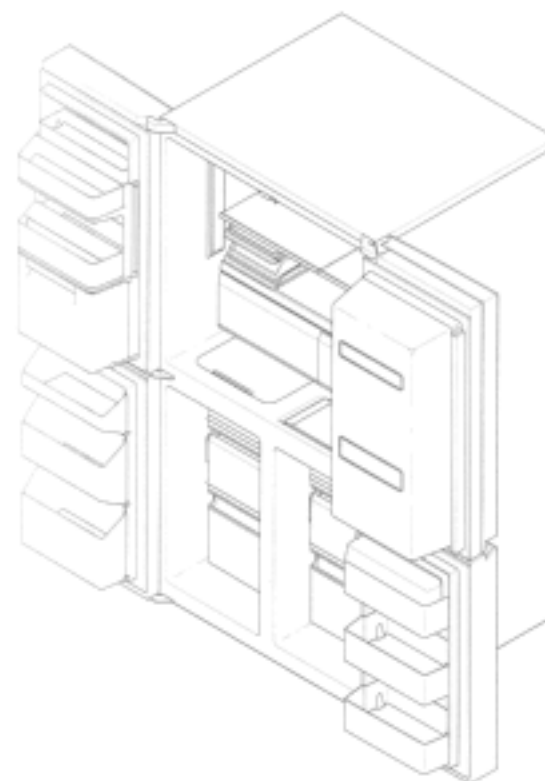
(21) Design Number: **12600/2012**
(22) Date of Filing Application: **01 June 2012**
(24) Date from which industrial property rights may have effect: **01 June 2012**
(54) Product in respect of which the design is registered: **Outdoor industry, foot plate**
(51) International Design Classification: **21-04**
(74) Name(s) of Attorney(s): **Varsity IP**
(71) Name(s) and Address(s) of Applicant(s):
Mattane Pty Ltd
14 Binary Street Yatala Queensland 4207 Australia
(72) Name(s) of Designer(s): **David George Cook**
(45) Registration Date: **28 June 2012**
(56) Related Art Documents: **Not Applicable**
(57) Statement of Newness and Distinctiveness: **Nil**



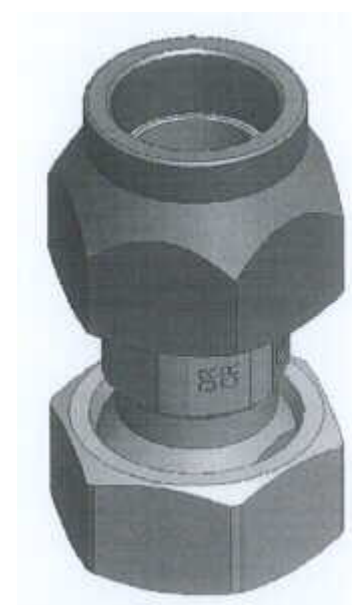
(21) Design Number: **12603/2012**
(22) Date of Filing Application: **31 May 2012**
(24) Date from which industrial property rights may have effect: **31 May 2012**
(54) Product in respect of which the design is registered: **Refrigerator**
(51) International Design Classification: **15-07**
(74) Name(s) of Attorney(s): **FB Rice**
(71) Name(s) and Address(s) of Applicant(s):
LG Electronics Inc.,
20 Yeouido-dong Yeongdeungpo-gu Seoul 150-721 Republic of Korea
(72) Name(s) of Designer(s): **Woonkyu Seo and Jungyeon Hwang and Seonkyu Kim and Seungjin Yoon and Daesung Lee**
(45) Registration Date: **28 June 2012**
(30) Convention priority data:
(31) Number (32) Date (33) Country
30-2011-0051027 01 Dec 2011 REPUBLIC OF KOREA
(56) Related Art Documents: **Not Applicable**
(57) Statement of Newness and Distinctiveness: **Newness and distinctiveness reside in the features of shape and configuration of the refrigerator as shown in the representations.**



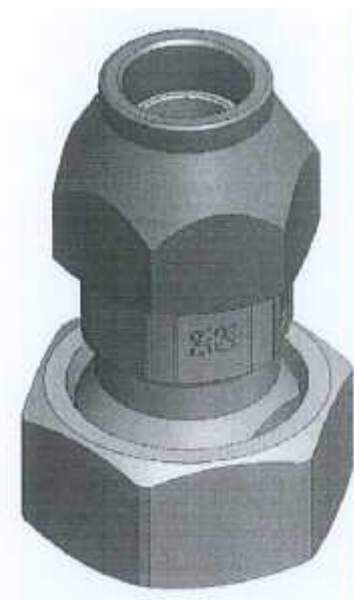
(21) Design Number: **12604/2012**
(22) Date of Filing Application: **31 May 2012**
(24) Date from which industrial property rights may have effect: **31 May 2012**
(54) Product in respect of which the design is registered: **Refrigerator**
(51) International Design Classification: **15-07**
(74) Name(s) of Attorney(s): **FB Rice**
(71) Name(s) and Address(s) of Applicant(s):
LG Electronics Inc.,
20 20 Yeouido-dong Yeongdeungpo-gu Seoul 150-721 Republic of Korea
(72) Name(s) of Designer(s): **Woonkyu Seo and Jungyeon Hwang and Seonkyu Kim and Seungjin Yoon and Daesung Lee**
(45) Registration Date: **28 June 2012**
(30) Convention priority data:
(31) Number (32) Date (33) Country
30-2011-0051032 01 Dec 2011 REPUBLIC OF KOREA
(56) Related Art Documents: **Not Applicable**
(57) Statement of Newness and Distinctiveness: **Newness and distinctiveness reside in the features of shape and configuration of the refrigerator as shown in the representations.**



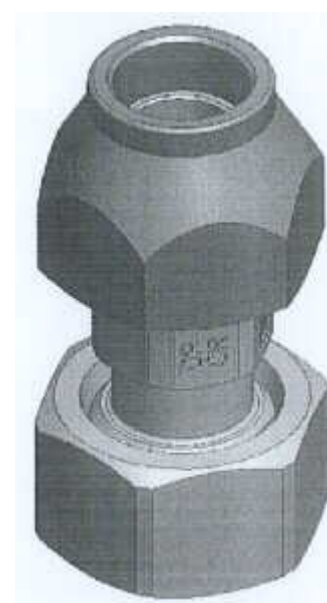
(21) Design Number: **12612/2012**
(22) Date of Filing Application: **04 June 2012**
(24) Date from which industrial property rights may have effect: **04 June 2012**
(54) Product in respect of which the design is registered: **A plumbing fitting**
(51) International Design Classification: **23-01A**
(74) Name(s) of Attorney(s): **Fraser Old & Sohn**
(71) Name(s) and Address(s) of Applicant(s):
Zetco Pty Limited
Unit 9 33 Maddox Street Alexandria New South Wales 2015 Australia
(72) Name(s) of Designer(s): **Scott Michaels**
(45) Registration Date: **28 June 2012**
(56) Related Art Documents: **Not Applicable**
(57) Statement of Newness and Distinctiveness: **Newness and distinctiveness is claimed in respect of the shape and/or configuration of the product illustrated in the accompanying representations which comprises the assembly of a pipe coupling and a nut and tail. In carrying out a consideration in accordance with Section 19 the shape and / or configuration of the two nuts illustrated in the representations is not to be considered either new or distinctive and does not form part of the design.**



- (21) Design Number: **12613/2012**
(22) Date of Filing Application: **04 June 2012**
(24) Date from which industrial property rights may have effect: **04 June 2012**
(54) Product in respect of which the design is registered: **A plumbing fitting**
(51) International Design Classification: **23-01A**
(74) Name(s) of Attorney(s): **Fraser Old & Sohn**
(71) Name(s) and Address(s) of Applicant(s):
Zetco Pty Limited
Unit 9 33 Maddox Street Alexandria New South Wales 2015 Australia
(72) Name(s) of Designer(s): **Scott Michaels**
(45) Registration Date: **28 June 2012**
(56) Related Art Documents: **Not Applicable**
(57) Statement of Newness and Distinctiveness: **Newness and distinctiveness is claimed in respect of the shape and/or configuration of the product illustrated in the accompanying representations which comprises the assembly of a pipe coupling and a nut and tail. In carrying out a consideration in accordance with Section 19 the shape and / or configuration of the two nuts illustrated in the representations is not to be considered either new or distinctive and does not form part of the design.**



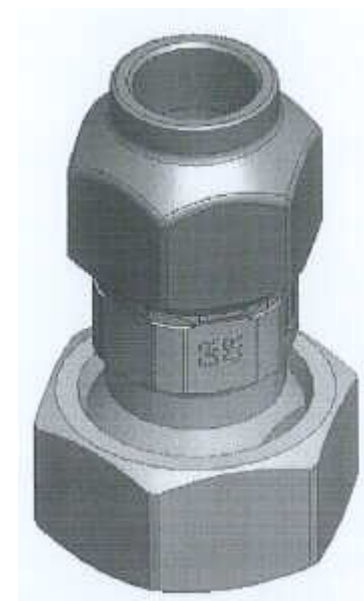
- (21) Design Number: **12614/2012**
(22) Date of Filing Application: **04 June 2012**
(24) Date from which industrial property rights may have effect: **04 June 2012**
(54) Product in respect of which the design is registered: **A plumbing fitting**
(51) International Design Classification: **23-01A**
(74) Name(s) of Attorney(s): **Fraser Old & Sohn**
(71) Name(s) and Address(s) of Applicant(s):
Zetco Pty Limited
Unit 9 33 Maddox Street Alexandria New South Wales 2015 Australia
(72) Name(s) of Designer(s): **Scott Michaels**
(45) Registration Date: **28 June 2012**
(56) Related Art Documents: **Not Applicable**
(57) Statement of Newness and Distinctiveness: **Newness and distinctiveness is claimed in respect of the shape and/or configuration of the product illustrated in the accompanying representations which comprises the assembly of a pipe coupling and a nut and tail. In carrying out a consideration in accordance with Section 19 the shape and / or configuration of the two nuts illustrated in the representations is not to be considered either new or distinctive and does not form part of the design.**



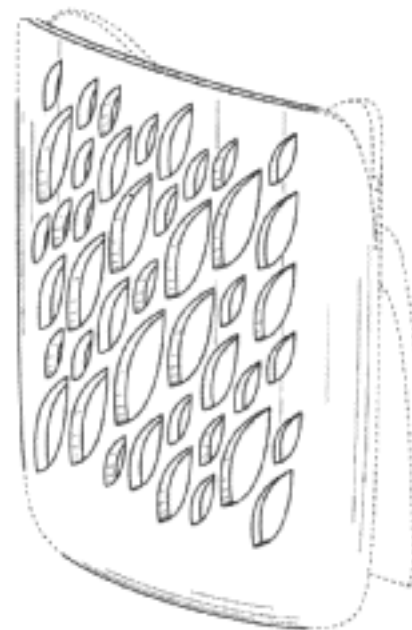
- (21) Design Number: **12615/2012**
(22) Date of Filing Application: **04 June 2012**
(24) Date from which industrial property rights may have effect: **04 June 2012**
(54) Product in respect of which the design is registered: **A plumbing fitting**
(51) International Design Classification: **23-01A**
(74) Name(s) of Attorney(s): **Fraser Old & Sohn**
(71) Name(s) and Address(s) of Applicant(s):
Zetco Pty Limited
Unit 9 33 Maddox Street Alexandria New South Wales 2015 Australia
(72) Name(s) of Designer(s): **Scott Michaels**
(45) Registration Date: **28 June 2012**
(56) Related Art Documents: **Not Applicable**
(57) Statement of Newness and Distinctiveness: **Newness and distinctiveness is claimed in respect of the shape and/or configuration of the product illustrated in the accompanying representations which comprises the assembly of a pipe coupling and a nut and tail. In carrying out a consideration in accordance with Section 19 the shape and / or configuration of the two nuts illustrated in the representations is not to be considered either new or distinctive and does not form part of the design.**



- (21) Design Number: **12616/2012**
(22) Date of Filing Application: **04 June 2012**
(24) Date from which industrial property rights may have effect: **04 June 2012**
(54) Product in respect of which the design is registered: **A plumbing fitting**
(51) International Design Classification: **23-01A**
(74) Name(s) of Attorney(s): **Fraser Old & Sohn**
(71) Name(s) and Address(s) of Applicant(s):
Zetco Pty Limited
Unit 9 33 Maddox Street Alexandria New South Wales 2015 Australia
(72) Name(s) of Designer(s): **Scott Michaels**
(45) Registration Date: **28 June 2012**
(56) Related Art Documents: **Not Applicable**
(57) Statement of Newness and Distinctiveness: **Newness and distinctiveness is claimed in respect of the shape and/or configuration of the product illustrated in the accompanying representations which comprises the assembly of a pipe coupling and a nut and tail. In carrying out a consideration in accordance with Section 19 the shape and / or configuration of the two nuts illustrated in the representations is not to be considered either new or distinctive and does not form part of the design.**



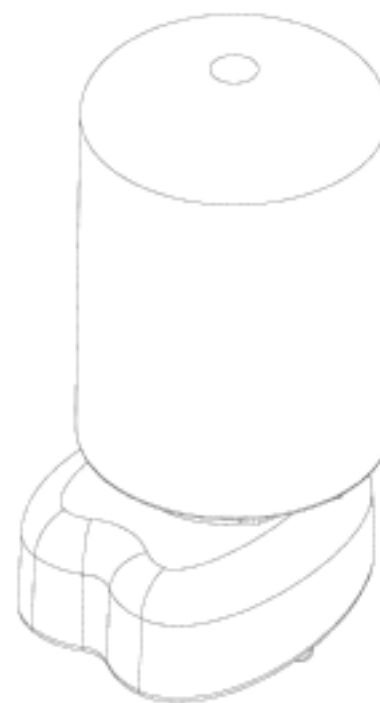
(21) Design Number: **12406/2012**
(22) Date of Filing Application: **18 May 2012**
(24) Date from which industrial property rights may have effect: **18 May 2012**
(54) Product in respect of which the design is registered: **Dispenser**
(51) International Design Classification: **09-01A**
(74) Name(s) of Attorney(s): **SPRUSON & FERGUSON**
(71) Name(s) and Address(s) of Applicant(s):
S.C. Johnson & Son, Inc.
1525 Howe Street Racine Wisconsin 53403 United States of America
(72) Name(s) of Designer(s): **William F. Gordon**
(45) Registration Date: **29 June 2012**
(30) Convention priority data:
(31) Number (32) Date (33) Country
29/406978 21 Nov 2011 UNITED STATES OF AMERICA
(56) Related Art Documents: **Not Applicable**
(57) Statement of Newness and Distinctiveness: **Newness and distinctiveness is claimed in those features of shape and/or configuration of a dispenser as illustrated in continuous lines in the accompanying representations.**



(21) Design Number: **12407/2012**
(22) Date of Filing Application: **18 May 2012**
(24) Date from which industrial property rights may have effect: **18 May 2012**
(54) Product in respect of which the design is registered: **Dispenser**
(51) International Design Classification: **09-01A**
(74) Name(s) of Attorney(s): **SPRUSON & FERGUSON**
(71) Name(s) and Address(s) of Applicant(s):
S.C. Johnson & Son, Inc.
1525 Howe Street Racine Wisconsin 53403 United States of America
(72) Name(s) of Designer(s): **William F. Gordon**
(45) Registration Date: **29 June 2012**
(30) Convention priority data:
(31) Number (32) Date (33) Country
29/406978 21 Nov 2011 UNITED STATES OF AMERICA
(56) Related Art Documents: **Not Applicable**
(57) Statement of Newness and Distinctiveness: **Newness and distinctiveness is claimed in the features of shape and/or configuration of a dispenser as illustrated in the accompanying representations.**



- (21) Design Number: **12416/2012**
(22) Date of Filing Application: **21 May 2012**
(24) Date from which industrial property rights may have effect: **21 May 2012**
(54) Product in respect of which the design is registered: **Robotic toy having a cylindrical top**
(51) International Design Classification: **21-01B**
(74) Name(s) of Attorney(s): **SPRUSON & FERGUSON**
(71) Name(s) and Address(s) of Applicant(s):
Innovation First International, Inc.
1519 Interstate 30 West Greenville Texas 75402 United States of America
(72) Name(s) of Designer(s): **Robert H. Mimplitch III and David Anthony Norman and Douglas Michael Galletti and Gregory James Lavender and Brian Richard Delaney and Raul Olivera**
(45) Registration Date: **29 June 2012**
(30) Convention priority data:
(31) Number (32) Date (33) Country
29/410611 10 Jan 2012 UNITED STATES OF AMERICA
(56) Related Art Documents: **Not Applicable**
(57) Statement of Newness and Distinctiveness: **Newness and distinctiveness is claimed in the features of shape and/or configuration of a robotic toy having a cylindrical top as illustrated in the accompanying representations.**



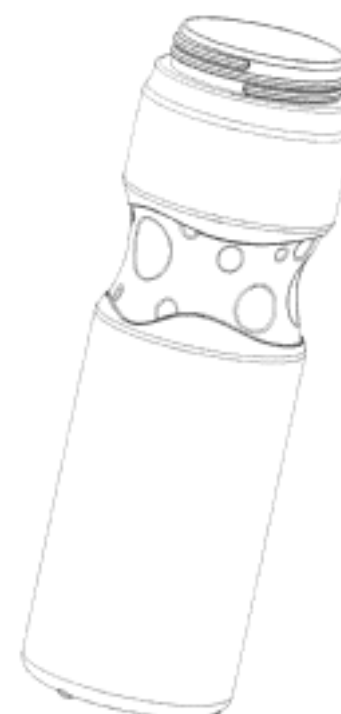
- (21) Design Number: **12418/2012**
(22) Date of Filing Application: **21 May 2012**
(24) Date from which industrial property rights may have effect: **21 May 2012**
(54) Product in respect of which the design is registered: **Robotic toy having a dome top**
(51) International Design Classification: **21-01B**
(74) Name(s) of Attorney(s): **SPRUSON & FERGUSON**
(71) Name(s) and Address(s) of Applicant(s):
Innovation First International, Inc.
1519 Interstate 30 West Greenville Texas 75402 United States of America
(72) Name(s) of Designer(s): **Robert H. Mimplitch III and David Anthony Norman and Gregory James Lavender and Douglas Michael Galletti and Brian Richard Delaney and Raul Olivera**
(45) Registration Date: **29 June 2012**
(30) Convention priority data:
(31) Number (32) Date (33) Country
29/410612 10 Jan 2012 UNITED STATES OF AMERICA
(56) Related Art Documents: **Not Applicable**
(57) Statement of Newness and Distinctiveness: **Newness and distinctiveness is claimed in the features of shape and/or configuration of a robotic toy having a dome top as illustrated in the accompanying representations.**



- (21) Design Number: **12446/2012**
(22) Date of Filing Application: **23 May 2012**
(24) Date from which industrial property rights may have effect: **23 May 2012**
(54) Product in respect of which the design is registered: **Bottle**
(51) International Design Classification: **09-01K**
(74) Name(s) of Attorney(s):
(71) Name(s) and Address(s) of Applicant(s):
 Bottles of Australia Pty Limited
 Units 1-5 6 Sleigh Place Hume ACT 2620 Australia
(72) Name(s) of Designer(s): **Daniel Armstrong**
(45) Registration Date: **29 June 2012**
(56) Related Art Documents: **Not Applicable**
(57) Statement of Newness and Distinctiveness: **The applicant states that the placement, size and indented form of the bubble and wave design which is applied around the neck of the bottle is new and distinctive.**



- (21) Design Number: **12447/2012**
(22) Date of Filing Application: **23 May 2012**
(24) Date from which industrial property rights may have effect: **23 May 2012**
(54) Product in respect of which the design is registered: **Bottle**
(51) International Design Classification: **09-01K**
(74) Name(s) of Attorney(s):
(71) Name(s) and Address(s) of Applicant(s):
 Bottles of Australia Pty Limited
 Units 1-5 6 Sleigh Place Hume ACT 2620 Australia
(72) Name(s) of Designer(s): **Daniel Armstrong**
(45) Registration Date: **29 June 2012**
(56) Related Art Documents: **Not Applicable**
(57) Statement of Newness and Distinctiveness: **The applicant states that the placement, size and indented form of the bubble and wave design which is applied around the neck of the bottle is new and distinctive.**



(21) Design Number: **12559/2012**
(22) Date of Filing Application: **30 May 2012**
(24) Date from which industrial property rights may have effect: **30 May 2012**
(54) Product in respect of which the design is registered: **Swag**
(51) International Design Classification: **21-04**
(74) Name(s) of Attorney(s):
(71) Name(s) and Address(s) of Applicant(s):
ARB Corporation Ltd
42-44 Garden Street Kilsyth Victoria 3137 Australia
(72) Name(s) of Designer(s): **Robert Puts**
(45) Registration Date: **29 June 2012**
(56) Related Art Documents: **Not Applicable**
(57) Statement of Newness and Distinctiveness: **Nil**



(21) Design Number: **12641/2012**
(22) Date of Filing Application: **01 June 2012**
(24) Date from which industrial property rights may have effect: **01 June 2012**
(54) Product in respect of which the design is registered: **A port of a cylinder head**
(51) International Design Classification: **15-01**
(74) Name(s) of Attorney(s):
(71) Name(s) and Address(s) of Applicant(s):
Cody Nicholson
3 Avon Street Leichhardt Queensland 4305 Australia
(72) Name(s) of Designer(s): **Chang Xihong**
(45) Registration Date: **29 June 2012**
(56) Related Art Documents: **Not Applicable**
(57) Statement of Newness and Distinctiveness: **Novelty resides in the shape and configuration of the charging ports as depicted.**

