



**Australian Government**

---

**IP Australia**

**AUSTRALIAN OFFICIAL JOURNAL**

**OF**

**DESIGNS**

Did you know a searchable version of this journal is now available online?

It's FREE and EASY to SEARCH.

Find it on our website ([www.ipaustralia.gov.au](http://www.ipaustralia.gov.au))

by using the "Journals" link on the home page.

This Page Left Intentionally Blank

**Contents**

**General Information & Notices**

**Proceedings Under the Designs Act 1906 preserved as a result of the provisions of Chapter 12  
Part 2 of the Designs Act 2003**

<b>Extension of Period of Registration of Designs .....</b>	<b>1892</b>
<b>Registrations Ceased .....</b>	<b>1892</b>
<b>Subsequent Owners Registered .....</b>	<b>1892</b>

**Proceedings Under the Designs Act 2003**

<b>Applications Lapsed .....</b>	<b>1904</b>
<b>Applications Lodged .....</b>	<b>1896</b>
<b>Certificate of Examination .....</b>	<b>1909</b>
<b>Corrigenda .....</b>	<b>1908</b>
<b>Extension of Period of Registration of Design .....</b>	<b>1906</b>
<b>Extension of Time Granted Under Section 137 .....</b>	<b>1906</b>
<b>Names Registered - Alterations and Amendments .....</b>	<b>1907</b>
<b>Publication and Registration Proceedings</b>	
<b>Designs Registered 343171 to 343361.....</b>	<b>1910</b>
<b>Registrations Ceased .....</b>	<b>1906</b>
<b>Revocation of Design Registrations .....</b>	<b>1906</b>
<b>Subsequent Owners Registered .....</b>	<b>1907</b>

This Page Left Intentionally Blank

For information on the following please see our website [www.ipaustralia.gov.au](http://www.ipaustralia.gov.au) or contact our Customer Service Network on 1300651010

[Editorial enquiries](#)

[Contact information](#)

[Freedom of Information ACT](#)

[Professional Standards Board](#)

[Sales](#)

[Requests for Information under Section 194 \(c\)](#)

[Country Codes](#)

[Trade Mark and Designs Hearing Sessions](#)

[INID \(Internationally agreed Numbers for the Identification of Data\)](#)

## “INID” NUMBERS in use on Australian Design Documents

“INID” is an acronym for “Internationally agreed Numbers for the Identification of Data”.

### (10) Data concerning the registration/renewal

- (11) Serial number of the registration and/or number of the design document
- (12) Plain language designation of the kind of published document
- (19) Identification, using the two-letter code according to WIPO Standard ST.3, of the authority publishing or registering the industrial design

### (20) Data concerning the application

- (21) Serial number of the application
- (22) Date of filing of the application
- (24) Date from which the industrial design right has effect

### (30) Data relating to priority under the Paris Convention

- (31) Serial number assigned to the priority application
- (32) Date of filing of the priority application
- (33) Two-letter code, according to WIPO Standard ST.3, identifying the authority with which the priority application was made

### (40) Date(s) of making information available to the public

- (45) Date of publication of the registered industrial design by printing or similar process, or making it available to the public by any other means

### (50) Miscellaneous Information

- (51) International Classification for Industrial Designs (class and subclass of the Locarno Classification)
- (54) Designation of article(s) or product(s) covered by the industrial design or title of the industrial design
- (55) Reproduction of the industrial design (e.g., drawing, photograph) and explanations relating to the reproduction
- (56) List of prior art documents, if separate from descriptive text
- (57) Description of characteristic features of the industrial design including indication of colours

### (60) References to other legally related application(s) and registration(s)

- (62) Serial number(s) and, if available, filing date(s) of application(s), registration(s) or document(s) related by division
- (66) Serial number(s) of the application, or the registration, of the design(s) which is (are) a variant(s) of the present one

### (70) Identification of parties concerned with the application or registration

- (71) Name(s) and address(es) of the applicant(s)
- (72) Name(s) of the creator(s) if known to be such
- (74) Name(s) and address(es) of the representative(s)

This Page Left Intentionally Blank

**Nil notices for this journal issue.**

**Proceedings under the Designs Act 1906 preserved as a result of the provisions of Chapter 12 Part 2 of the Designs Act 2003.**

This Page Left Intentionally Blank

**Applications Lapsed**

There were no Applications Lapsed under this section

**Extension of Period of Registration of Designs**

**Subsequent Owners Registered**

152706 ( Barbeques Galore (Aust) Pty Ltd ) Clean Air Wood Heating Pty Ltd

**1st Period (Section 27A(8))**

**2nd Period (Section 27A(12))**

**3rd Period (Section 27A(13))**

144839	144841	144842
144844	144845	146162
146251	146268	146305
146369	146414	146523
146529	146636	146722
146855	146884	146885
146887	147100	147419
147808	147976	147977
147978	148092	148311
148312	149877	150157
150509	150813	151234
152259	153282	153283
154183	156952	

**Registrations Ceased**

Note: Some of the following Registrations may have been previously advertised as ceased. In this instance, the previous advertisement still prevails.

127911	127912	128124
128125	128126	128127
128128	128129	128130
128136	128137	128400
129389	129395	129429
129454	129478	129523
129572	129573	129574
129617	129618	129759
129861	129963	130068
130560	130561	130980
131504	131960	132318
132598	133159	134219
142920	144073	144613
144689	144697	144815
144816	144817	145614
145615	145616	145617
146953	147118	147119
147120	147121	147123
147211	147305	147306
148383	148384	148705
148706	149589	150057

**Subsequent Owners Registered**

(The name in parentheses is that of the subsequent owner)

This Page Left Intentionally Blank

**Proceedings under the Designs Act 2003.**

This Page Left Intentionally Blank

**Applications Lodged**

Lodgement information is in the following order: **Applicant's Name**; International Classification, Name of Product, Lodgement Date and **Design Number**. If the applicant claims an earlier priority date under an International Convention, the Convention Country and the associated filing date are shown in parentheses before the Lodgement Date. Divisional information will also appear in parentheses before the Lodgement Date.

<b>A Plus Plastics &amp; Tooling Pty Ltd;</b> 07-01NES, A lid, 05 Jul 2012	<b>13143/2012</b>	<b>Australian Performance Development Pty Ltd;</b> 12-16NES, Air intake snorkel for a vehicle, 22 Jun 2012	<b>12953/2012</b>
<b>Adelaide Control Engineers Pty Ltd;</b> 11-02B, An extractive metallurgy containerised plant, 09 Jul 2012	<b>13239/2012</b>	<b>AMSA, Inc.;</b> 12-02, Cart, (US, 04 Jan 2012) 29 Jun 2012	<b>13061/2012</b>
<b>Adelaide Control Engineers Pty Ltd;</b> 23-01G, A containerised belt filter module, 09 Jul 2012	<b>13240/2012</b>	<b>Backhouse, Troy;</b> 07-01D, Coffee cup, 04 Jul 2012	<b>13098/2012</b>
<b>Adelaide Control Engineers Pty Ltd;</b> 99-00, A containerised well house module, 09 Jul 2012	<b>13241/2012</b>	<b>Beats Electronics, LLC;</b> 14-01, Gaming headset, (US, 29 Jun 2012) 09 Jul 2012	<b>13249/2012</b>
<b>Altinier, Eric;</b> 02-07C, Cap, 29 Jun 2012	<b>13071/2012</b>	<b>Beats Electronics, LLC;</b> 14-01, Gaming headset, (US, 29 Jun 2012) 09 Jul 2012	<b>13250/2012</b>
<b>Altinier, Eric;</b> 02-07C, Cap, 29 Jun 2012	<b>13072/2012</b>	<b>Beats Electronics, LLC;</b> 14-01, Audio speaker system, (US, 09 Jan 2012) 06 Jul 2012	<b>13161/2012</b>
<b>Alto Manufacturing Pty Ltd;</b> 09-03NES, A container, 28 Jun 2012	<b>13079/2012</b>	<b>Beba Enterprises Pty Ltd;</b> 02-02C, Articles of clothing, 04 Jul 2012	<b>13124/2012</b>
<b>Angle Assist Pty Ltd;</b> 25-01C, Angle member, 03 Jul 2012	<b>13083/2012</b>	<b>Bryan, Michael D.;</b> 21-02C, A device for use in making a golf ball with an identifying mark, 04 Jul 2012	<b>13101/2012</b>
<b>Arper S.p.A.;</b> 06-01F, Chair, (WO, 20 Feb 2012) 11 Jul 2012	<b>13276/2012</b>	<b>Byron, Joanne Frances;</b> 20-03NES, Child safety sign attachable to a vehicle, 09 Jul 2012	<b>13168/2012</b>
<b>Arper S.p.A.;</b> 06-01F, Stool, (WO, 16 Apr 2012) 11 Jul 2012	<b>13280/2012</b>	<b>BRITA GmbH;</b> 23-01G, Filter disc, (WO, 22 Jun 2012) 11 Jul 2012	<b>13290/2012</b>
<b>Arper S.p.A.;</b> 06-03B, Table, (WO, 16 Apr 2012) 11 Jul 2012	<b>13281/2012</b>	<b>BRITA GmbH;</b> 23-01G, Filter disc, (WO, 22 Jun 2012) 11 Jul 2012	<b>13291/2012</b>
<b>Arper S.p.A.;</b> 06-01F, Chair, (WO, 16 Apr 2012) 11 Jul 2012	<b>13278/2012</b>	<b>BRITA GMBH;</b> 23-01G, 09-01NES, Filter bottle, (DE, 02 Jan 2012) 29 Jun 2012	<b>13055/2012</b>
<b>Arper S.p.A.;</b> 06-01F, Part of a chair, (WO, 16 Apr 2012) 11 Jul 2012	<b>13279/2012</b>	<b>BRITA GMBH;</b> 23-01G, 09-01NES, Filter bottle, (DE, 02 Jan 2012) 29 Jun 2012	<b>13056/2012</b>
<b>Arper S.p.A.;</b> 06-01F, Chair, (WO, 20 Feb 2012) 11 Jul 2012	<b>13277/2012</b>	<b>Chang, Ju-Chung;</b> 02-01A, Bra, 29 Jun 2012	<b>13066/2012</b>
<b>Asahi Group Holdings, Ltd.;</b> 09-01NES, A bottle, 27 Jun 2012	<b>13032/2012</b>	<b>Chang, Ju-Chung;</b> 02-01A, Bra, 29 Jun 2012	<b>13067/2012</b>
<b>Ask Grace Pty Ltd;</b> 02-02C, Ladies garment, 02 Jul 2012	<b>13078/2012</b>	<b>Colgate-Palmolive Company;Omron Healthcare Co., Ltd.;</b> 04-02, Brush head for electric toothbrush, (CN, 28 Dec 2011) 28 Jun 2012	<b>13035/2012</b>
<b>Astivita Renewables Limited;</b> 23-02F, Vanity, 03 Jul 2012	<b>13087/2012</b>	<b>Colgate-Palmolive Company;Omron Healthcare Co., Ltd.;</b> 04-02, Brush head for electric toothbrush, (JP, 28 Dec 2011) 28 Jun 2012	<b>13034/2012</b>
<b>Astivita Renewables Limited;</b> 23-02F, Vanity, 03 Jul 2012	<b>13085/2012</b>		
<b>Astivita Renewables Limited;</b> 23-02F, Vanity, 03 Jul 2012	<b>13086/2012</b>		

<b>Columbia Sportswear North America, Inc.;</b> 02-99, Printed cooling material, (US, 23 Dec 2011) 22 Jun 2012	<b>12957/2012</b>	<b>Education Projects Pty Ltd;</b> 09-03C, Rubber band car (takeaway container), 04 Jul 2012	<b>13142/2012</b>
<b>Comptoir Nouveau de la Parfumerie;</b> 09-01G, Perfume bottle, (WO, 11 Apr 2012) 29 Jun 2012	<b>13053/2012</b>	<b>Education Projects Pty Ltd;</b> 21-01C, Dragline toy, 04 Jul 2012	<b>13238/2012</b>
<b>Contoleon, Diamanta;Fyfe, Eleanor;Coulson, Megan;Faure, Isabelle;Long, Tabitha;Preston, Caitlin;</b> 06-04NES, Hexagonal modular storage unit, connected by pencils, with pencil detatils inside hexagons, 05 Jul 2012	<b>13139/2012</b>	<b>Education Projects Pty Ltd;</b> 21-01C, Mining truck toy (milk container), 04 Jul 2012	<b>13236/2012</b>
<b>Cospak Pty Ltd;</b> 09-01H, 09-01NES, A bottle, 05 Jul 2012	<b>13140/2012</b>	<b>Education Projects Pty Ltd;</b> 21-01C, Mining truck toy (soft drink), 04 Jul 2012	<b>13237/2012</b>
<b>Coulson, Megan;Fyfe, Eleanor;Contoleon, Diamanta;Faure, Isabelle;Long, Tabitha;Preston, Caitlin;</b> 06-04NES, Hexagonal modular storage unit, connected by pencils, with pencil detatils inside hexagons, 05 Jul 2012	<b>13139/2012</b>	<b>Education Projects Pty Ltd;</b> 21-01C, Rubber band powered toy car, 04 Jul 2012	<b>13235/2012</b>
<b>COMPAGNIE GENERALE DES ETABLISSEMENTS MICHELIN;Michelin Recherche et Technique S.A.;</b> 12-15C, A tyre, (FR, 12 Jan 2012) 10 Jul 2012	<b>13269/2012</b>	<b>Electrolux Home Products Corporation N.V.;</b> 15-05, An appliance knob, (EM, 22 Nov 2011) 22 May 2012	<b>13105/2012</b>
<b>Deckers Outdoor Corporation;</b> 02-04B, Footwear soles, (US, 28 Mar 2012) 06 Jul 2012	<b>13167/2012</b>	<b>Electrolux Home Products Corporation N.V.;</b> 15-05, A fabric care appliance, (EM, 22 Nov 2011) 22 May 2012	<b>13106/2012</b>
<b>Deckers Outdoor Corporation;</b> 02-04B, Footwear sole, (US, 28 Mar 2012) 09 Jul 2012	<b>13229/2012</b>	<b>Electrolux Home Products Corporation N.V.;</b> 15-05, An appliance door, (EM, 22 Nov 2011) 22 May 2012	<b>13104/2012</b>
<b>Delnorth Pty. Ltd.;</b> 25-01E, Roadside post body, 06 Jul 2012	<b>13162/2012</b>	<b>Electrolux Home Products Corporation N.V.;</b> 15-05, A fabric care appliance, (EM, 22 Nov 2011) 22 May 2012	<b>13107/2012</b>
<b>Design Ideas, Ltd.;</b> 20-02B, Human model, (US, 09 Jan 2012) 28 Jun 2012	<b>13030/2012</b>	<b>Electrolux Home Products Corporation N.V.;</b> 15-05, An appliance door, (EM, 22 Nov 2011) 22 May 2012	<b>13109/2012</b>
<b>Despotellis, Neil;</b> 25-01B, Footing plate, 28 Jun 2012	<b>13047/2012</b>	<b>Electrolux Home Products Corporation N.V.;</b> 15-05, An appliance control panel, (EM, 22 Nov 2011) 22 May 2012	<b>13108/2012</b>
<b>Diageo Ireland;</b> 31-00, Drinks dispenser, 22 Jun 2012	<b>12951/2012</b>	<b>Electrolux Home Products Corporation N.V.;</b> 07-02B, An induction hob or induction cooker, (EM, 28 Oct 2011) 26 Apr 2012	<b>13057/2012</b>
<b>Dias Aluminium Products Pty. Ltd.;</b> 08-05F, Off-set pivot clamp, 25 Jun 2012	<b>13017/2012</b>	<b>Electrolux Home Products Corporation N.V.;</b> 07-02B, An induction hob or induction cooker, (EM, 28 Oct 2011) 26 Apr 2012	<b>13059/2012</b>
<b>Duke Manufacturing Co.;</b> 20-02NES, Merchandiser facade, (US, 12 Jan 2012) 09 Jul 2012	<b>13251/2012</b>	<b>Electrolux Home Products Corporation N.V.;</b> 07-02B, An induction hob or induction cooker, (EM, 28 Oct 2011) 26 Apr 2012	<b>13058/2012</b>
<b>DuluxGroup (Australia) Pty Ltd;</b> 25-01D, Display mounting panel, 28 Jun 2012	<b>13031/2012</b>	<b>Erskine Products Pty Ltd;</b> 04-02, A toothbrush, 09 Jul 2012	<b>13245/2012</b>
<b>DuluxGroup (Australia) Pty Ltd;</b> 20-02E, Display, 28 Jun 2012	<b>13075/2012</b>	<b>Erskine Products Pty Ltd;</b> 04-02, A toothbrush, 09 Jul 2012	<b>13246/2012</b>
<b>E.D. Oates Pty Ltd;</b> 07-05E, Cleaning implement, 27 Jun 2012	<b>13015/2012</b>	<b>Erskine Products Pty Ltd;</b> 04-02, A toothbrush, 09 Jul 2012	<b>13247/2012</b>
<b>E.D. Oates Pty Ltd;</b> 07-05E, Cleaning implement, 27 Jun 2012	<b>13016/2012</b>		

<b>Erskine Products Pty Ltd;</b> 04-02, A toothbrush, 09 Jul 2012	<b>13248/2012</b>	<b>Ideas By Design Ltd;</b> 08-08A, Clip for roller-blind rail, (EM, 29 Jun 2012) 09 Jul 2012	<b>13230/2012</b>
<b>Erskine Products Pty Ltd;</b> 14-02, A toothbrush, 09 Jul 2012	<b>13242/2012</b>	<b>Illinois Tool Works Inc.;</b> 25-01B, Lifting anchor for concrete components, 28 Jun 2012	<b>13044/2012</b>
<b>Erskine Products Pty Ltd;</b> 04-02, A body for a toothbrush, 09 Jul 2012	<b>13244/2012</b>	<b>Ineson, Michael;</b> 25-01E, A concrete sleeper, 29 Jun 2012	<b>13064/2012</b>
<b>Erskine Products Pty Ltd;</b> 04-02, A toothbrush, 09 Jul 2012	<b>13243/2012</b>	<b>Ineson, Michael;Ineson, Leanne Robyn;</b> 25-01E, A concrete sleeper, 29 Jun 2012	<b>13065/2012</b>
<b>Eveready Battery Company, Inc.;</b> 13-02, Charger, (US, 05 Jan 2012) 29 Jun 2012	<b>13062/2012</b>	<b>Ineson, Leanne Robyn;Ineson, Michael;</b> 25-01E, A concrete sleeper, 29 Jun 2012	<b>13065/2012</b>
<b>Eveready Battery Company, Inc.;</b> 13-99, Charging sleeve, (US, 05 Jan 2012) 29 Jun 2012	<b>13063/2012</b>	<b>Innovative Office Products, Inc;</b> 08-08NES, A support frame for a tablet computer, (US, 20 Apr 2012) 05 Jul 2012	<b>13103/2012</b>
<b>Faure, Isabelle;Fyfe, Eleanor;Contoleon, Diamanta;Coulson, Megan;Long, Tabitha;Preston, Caitlin;</b> 06-04NES, Hexagonal modular storage unit, connected by pencils, with pencil detatils inside hexagons, 05 Jul 2012	<b>13139/2012</b>	<b>Intellectual Property Group Inc.;</b> 07-02NES, 07-04, Meat grinder, (RU, 05 Jun 2012) 09 Jul 2012	<b>13233/2012</b>
<b>Feleppa, Robert Carmine;</b> 15-09, 15-99, Vac5 multiple purpose vacuum recovery unit, 05 Jul 2012	<b>13160/2012</b>	<b>Johnstone, Trevor;</b> 20-02NES, Information display, 29 Jun 2012	<b>13080/2012</b>
<b>Forge, Kenneth Leslie;</b> 25-01K, Retaining insert, 27 Jun 2012	<b>13009/2012</b>	<b>JETS Swimwear Pty Limited;</b> 02-02A, Swimwear garment, 28 Jun 2012	<b>13081/2012</b>
<b>Forge, Kenneth Leslie;</b> 13-03A, Insulator, 27 Jun 2012	<b>13010/2012</b>	<b>JETS Swimwear Pty Limited;</b> 02-02A, Swimwear garment, 28 Jun 2012	<b>13082/2012</b>
<b>Forge, Kenneth Leslie;</b> 25-01F, Post, 27 Jun 2012	<b>13008/2012</b>	<b>K-fee System GmbH;</b> 07-01G, 07-02L, Portion capsule, (EM, 16 Jan 2012) 05 Jul 2012	<b>13136/2012</b>
<b>Frito-Lay North America, Inc.;</b> 09-05, Elliptical filling tube, (US, 06 Jan 2012) 04 Jul 2012	<b>13102/2012</b>	<b>K-fee System GmbH;</b> 07-01G, 07-02L, Portion capsule, (EM, 16 Jan 2012) 05 Jul 2012	<b>13133/2012</b>
<b>Fyfe, Eleanor;Contoleon, Diamanta;Coulson, Megan;Faure, Isabelle;Long, Tabitha;Preston, Caitlin;</b> 06-04NES, Hexagonal modular storage unit, connected by pencils, with pencil detatils inside hexagons, 05 Jul 2012	<b>13139/2012</b>	<b>K-fee System GmbH;</b> 07-01G, 07-02L, Portion capsule, (EM, 16 Jan 2012) 05 Jul 2012	<b>13131/2012</b>
<b>Graco Minnesota Inc.;</b> 08-05L, Airless paint sprayer, (US, 23 Jan 2012) 03 Jul 2012	<b>13097/2012</b>	<b>K-fee System GmbH;</b> 07-01G, 07-02L, Portion capsule, (EM, 16 Jan 2012) 05 Jul 2012	<b>13134/2012</b>
<b>Gray, Bonita Vivienne;</b> 19-06, Wooden projects board for the "young filmmakers projects", 22 Jun 2012	<b>12958/2012</b>	<b>K-fee System GmbH;</b> 07-01G, 07-02L, Portion capsule, (EM, 16 Jan 2012) 05 Jul 2012	<b>13135/2012</b>
<b>Grimwood Heating Pty Ltd;</b> 23-03NES, Electric boiler element bundle, 11 Jul 2012	<b>13272/2012</b>	<b>K-fee System GmbH;</b> 07-01G, 07-02L, Portion capsule, (EM, 16 Jan 2012) 05 Jul 2012	<b>13132/2012</b>
<b>Hoang, Ho Vinh;Tosy Robotics Joint Stock Company;</b> 21-01B, Dancing toy robot, (VN, 06 Jan 2012) 06 Jul 2012	<b>13166/2012</b>	<b>Karsten Manufacturing Corporation;</b> 21-02NES, A wrench tool for sports equipment, (US, 01 May 2012) 10 Jul 2012	<b>13266/2012</b>
<b>Husqvarna Consumer Outdoor Products N.A. Inc.;</b> 15-03B, Lawn care vehicle hood assembly, (US, 15 Feb 2012) 02 Jul 2012	<b>13073/2012</b>	<b>Karsten Manufacturing Corporation;</b> 21-02C, Golf club head, (US, 12 Jan 2012) 10 May 2012	<b>13312/2012</b>
		<b>Karsten Manufacturing Corporation;</b> 21-02NES, A collar clamp for sports equipment, (US, 23 Mar 2012) 10 Jul 2012	<b>13268/2012</b>

<b>Karsten Manufacturing Corporation;</b> 21-02NES, A collar clamp for sports equipment, (US, 11 Jun 2012) 10 Jul 2012	<b>13267/2012</b>	<b>Magpul Industries Corporation;</b> 22-01, Firearm magazine, (US, 12 Jan 2012) 27 Jun 2012	<b>13011/2012</b>
<b>King Furniture (Australia) Pty Ltd;</b> 06-01G, A sofa, 05 Jul 2012	<b>13129/2012</b>	<b>Magpul Industries Corporation;</b> 22-01, Firearm magazine, (US, 13 Jan 2012) 27 Jun 2012	<b>13012/2012</b>
<b>King Furniture (Australia) Pty Ltd;</b> 06-01E, An ottoman, 05 Jul 2012	<b>13125/2012</b>	<b>Mars Incorporated;</b> 01-06, Pet treat, (US, 27 Dec 2011) 27 Jun 2012	<b>13004/2012</b>
<b>King Furniture (Australia) Pty Ltd;</b> 06-01G, A sofa, 05 Jul 2012	<b>13127/2012</b>	<b>Martinero, Alana;</b> 02-02A, The product is a a design feature in my swimwear range called Surfkini. It is the feature on the bottoms that, enable them to be better for surfing and water sports. It is a drawstring made out of Nylon that is threaded around the, waistband, exiting through a silver eyelet on the inside of, 21 Jun 2012	<b>12956/2012</b>
<b>King Furniture (Australia) Pty Ltd;</b> 06-01G, A sofa, 05 Jul 2012	<b>13128/2012</b>	<b>Master Lock Company LLC;</b> 08-07, Rear face of a lock, (US, 25 Oct 2011) 28 Jun 2012	<b>13045/2012</b>
<b>King Furniture (Australia) Pty Ltd;</b> 06-01G, A sofa, 05 Jul 2012	<b>13126/2012</b>	<b>Master Lock Company LLC;</b> 08-07, Circumferential body part of a lock, (US, 25 Oct 2011) 28 Jun 2012	<b>13046/2012</b>
<b>Koncept Technologies Inc.;</b> 26-05NES, Lamp, (US, 31 May 2012) 10 Jul 2012	<b>13270/2012</b>	<b>McMahon, Liam;</b> 17-03, Guitar turning peg, 12 Jul 2012	<b>13292/2012</b>
<b>Koninklijke Philips Electronics N.V.;</b> 07-02L, Coffee maker, (EM, 03 Jan 2012) 29 Jun 2012	<b>13069/2012</b>	<b>McMahon, Liam;</b> 17-03, Guitar headstock, 12 Jul 2012	<b>13293/2012</b>
<b>Koninklijke Philips Electronics N.V.;</b> 07-02L, Coffee maker, (EM, 03 Jan 2012) 29 Jun 2012	<b>13070/2012</b>	<b>McMahon, Liam;</b> 17-03, Guitar body concert ticket collage, 12 Jul 2012	<b>13294/2012</b>
<b>Koninklijke Philips Electronics N.V.;</b> 07-02L, Coffee maker, (EM, 03 Jan 2012) 29 Jun 2012	<b>13068/2012</b>	<b>McNamara, Michael;</b> 08-08NES, 13-03A, Proximity mounting blocks, 06 Jul 2012	<b>13252/2012</b>
<b>Lifeline Scientific, Inc;</b> 03-01A, Transportation bag, (US, 11 Jan 2012) 04 Jul 2012	<b>13100/2012</b>	<b>McNamara, Michael;</b> 08-08NES, 13-03A, Proximity mounting blocks, 06 Jul 2012	<b>13253/2012</b>
<b>Lighting Science Group Corporation;</b> 26-04, Luminaire, (US, 18 May 2012) 03 Jul 2012	<b>13092/2012</b>	<b>McPherson's Limited;</b> 07-03, Cheese knife, 03 Jul 2012	<b>13089/2012</b>
<b>Loader Construction Engineering Limited;</b> 12-16E, 12-16NES, Quad bike rollover frame, (NZ, 09 Mar 2011) 06 Jul 2012	<b>13157/2012</b>	<b>Mettler-Toledo AG;</b> 10-04, Measuring instrument, (EM, 03 Feb 2012) 06 Jul 2012	<b>13205/2012</b>
<b>Long, Tabitha;Fyfe, Eleanor;Contoleon, Diamanta;Coulson, Megan;Faure, Isabelle;Preston, Caitlin;</b> 06-04NES, Hexagonal modular storage unit, connected by pencils, with pencil detatils inside hexagons, 05 Jul 2012	<b>13139/2012</b>	<b>Michelin Recherche et Technique S.A.;COMPAGNIE GENERALE DES ETABLISSEMENTS MICHELIN;</b> 12-15C, A tyre, (FR, 12 Jan 2012) 10 Jul 2012	<b>13269/2012</b>
<b>Ma, Jinlin;</b> 12-15A, Tyre, (CN, 13 Apr 2012) 06 Jul 2012	<b>13204/2012</b>	<b>Microsoft Corporation;</b> 14-04, Display screen with user interface, (US, 06 Jan 2012) 06 Jul 2012	<b>13197/2012</b>
<b>Mag Instrument, Inc.;</b> 26-02, Flashlight, (US, 19 Oct 2011) 29 Jun 2012	<b>13077/2012</b>	<b>Microsoft Corporation;</b> 14-04, Display screen with icon, (US, 06 Jan 2012) 06 Jul 2012	<b>13203/2012</b>
<b>Magnetic Autocontrol GmbH;</b> 25-02C, Barrier, (EM, 05 Jan 2012) 04 Jul 2012	<b>13119/2012</b>	<b>Microsoft Corporation;</b> 14-04, Display screen with icon, (US, 06 Jan 2012) 06 Jul 2012	<b>13198/2012</b>
<b>Magnetic Autocontrol GmbH;</b> 25-02C, Barrier, (EM, 05 Jan 2012) 04 Jul 2012	<b>13116/2012</b>		
<b>Magnetic Autocontrol GmbH;</b> 25-02C, Barrier, (EM, 05 Jan 2012) 04 Jul 2012	<b>13123/2012</b>		

<b>Microsoft Corporation;</b> 14-04, Display screen with icon, (US, 06 Jan 2012) 06 Jul 2012	<b>13199/2012</b>	<b>Microsoft Corporation;</b> 14-04, Display screen with icon, (US, 06 Jan 2012) 06 Jul 2012	<b>13179/2012</b>
<b>Microsoft Corporation;</b> 14-04, Display screen with user interface, (US, 06 Jan 2012) 06 Jul 2012	<b>13195/2012</b>	<b>Microsoft Corporation;</b> 14-04, Display screen with user interface, (US, 06 Jan 2012) 06 Jul 2012	<b>13190/2012</b>
<b>Microsoft Corporation;</b> 14-02, 14-04, Display screen with icon and a computing device, (US, 06 Jan 2012) 06 Jul 2012	<b>13200/2012</b>	<b>Microsoft Corporation;</b> 14-04, Display screen with user interface, (US, 06 Jan 2012) 06 Jul 2012	<b>13189/2012</b>
<b>Microsoft Corporation;</b> 14-04, Display screen with user interface, (US, 06 Jan 2012) 06 Jul 2012	<b>13196/2012</b>	<b>Microsoft Corporation;</b> 14-04, Display screen with icon, (US, 06 Jan 2012) 06 Jul 2012	<b>13187/2012</b>
<b>Microsoft Corporation;</b> 14-04, Display screen with user interface, (US, 06 Jan 2012) 06 Jul 2012	<b>13194/2012</b>	<b>Microsoft Corporation;</b> 14-04, Display screen with icon, (US, 06 Jan 2012) 06 Jul 2012	<b>13188/2012</b>
<b>Microsoft Corporation;</b> 14-04, Display screen with user interface, (US, 06 Jan 2012) 06 Jul 2012	<b>13193/2012</b>	<b>Microsoft Corporation;</b> 14-04, Display screen with icon set and group, (US, 06 Jan 2012) 06 Jul 2012	<b>13183/2012</b>
<b>Microsoft Corporation;</b> 14-04, Display screen with icon, (US, 06 Jan 2012) 06 Jul 2012	<b>13201/2012</b>	<b>Microsoft Corporation;</b> 14-04, Display screen with icon, (US, 06 Jan 2012) 06 Jul 2012	<b>13184/2012</b>
<b>Microsoft Corporation;</b> 14-04, Display screen with icon, (US, 06 Jan 2012) 06 Jul 2012	<b>13202/2012</b>	<b>Microsoft Corporation;</b> 14-04, Display screen with icon, (US, 06 Jan 2012) 06 Jul 2012	<b>13181/2012</b>
<b>Microsoft Corporation;</b> 14-04, Display screen with user interface, (US, 06 Jan 2012) 06 Jul 2012	<b>13171/2012</b>	<b>Microsoft Corporation;</b> 14-04, Display screen with icon set and group, (US, 06 Jan 2012) 06 Jul 2012	<b>13182/2012</b>
<b>Microsoft Corporation;</b> 14-04, Display screen with user interface, (US, 06 Jan 2012) 06 Jul 2012	<b>13170/2012</b>	<b>Microsoft Corporation;</b> 14-04, Display screen with icon, (US, 06 Jan 2012) 06 Jul 2012	<b>13180/2012</b>
<b>Microsoft Corporation;</b> 14-04, Display screen with icon, (US, 06 Jan 2012) 06 Jul 2012	<b>13173/2012</b>	<b>Microsoft Corporation;</b> 14-04, Display screen with icon, (US, 06 Jan 2012) 06 Jul 2012	<b>13178/2012</b>
<b>Microsoft Corporation;</b> 14-04, Display screen with icon, (US, 06 Jan 2012) 06 Jul 2012	<b>13176/2012</b>	<b>Microsoft Corporation;</b> 14-04, Display screen with icon, (US, 06 Jan 2012) 06 Jul 2012	<b>13185/2012</b>
<b>Microsoft Corporation;</b> 14-04, Display screen with icon, (US, 06 Jan 2012) 06 Jul 2012	<b>13174/2012</b>	<b>Microsoft Corporation;</b> 14-04, Display screen with icon, (US, 06 Jan 2012) 06 Jul 2012	<b>13186/2012</b>
<b>Microsoft Corporation;</b> 14-04, Display screen with user interface, (US, 06 Jan 2012) 06 Jul 2012	<b>13192/2012</b>	<b>Mika Timber Carrum Downs (Vic) Pty Ltd;</b> 25-02C, Gate, 10 Jul 2012	<b>13234/2012</b>
<b>Microsoft Corporation;</b> 14-04, Display screen with icon, (US, 06 Jan 2012) 06 Jul 2012	<b>13172/2012</b>	<b>My Bondi Ltd;</b> 14-03A, Flexible cellular phone holder, (US, 04 Jan 2012) 04 Jul 2012	<b>13158/2012</b>
<b>Microsoft Corporation;</b> 14-04, Display screen with icon, (US, 06 Jan 2012) 06 Jul 2012	<b>13177/2012</b>	<b>Needham Limbert, Stirling;</b> 08-05F, A stake jig, 03 Jul 2012	<b>13090/2012</b>
<b>Microsoft Corporation;</b> 14-04, Display screen with icon, (US, 06 Jan 2012) 06 Jul 2012	<b>13191/2012</b>	<b>Nordischer Maschinenbau Rud. Baader GMBH + CO. KG;</b> 24-01, 10-01, X-ray apparatus for measuring and checking, (WO, 20 Jan 2012) 29 Jun 2012	<b>13060/2012</b>
<b>Microsoft Corporation;</b> 14-04, Display screen with icon, (US, 06 Jan 2012) 06 Jul 2012	<b>13175/2012</b>	<b>North, Scott Andrew;</b> 20-02C, Display cabinet, 10 Jul 2012	<b>13271/2012</b>
		<b>Nukotoys, Inc;</b> 21-01K, Game card, (US, 03 Jan 2012) 03 Jul 2012	<b>13088/2012</b>

<b>O &amp; S Holdings (Vic) Pty Ltd;</b> 02-04B, Footwear sole, 11 Jul 2012	<b>13288/2012</b>	<b>RA Brands L.L.C.;</b> 22-99, Recoil reducer, (US, 05 Jan 2012) 03 Jul 2012	<b>13084/2012</b>
<b>Omron Healthcare Co., Ltd.;Colgate-Palmolive Company;</b> 04-02, Brush head for electric toothbrush, (JP, 28 Dec 2011) 28 Jun 2012	<b>13034/2012</b>	<b>Samsung Electronics Co., Ltd;</b> 14-04, Display screen for an electronic device, (KR, 06 Jan 2012) 04 Jul 2012	<b>13114/2012</b>
<b>Omron Healthcare Co., Ltd.;Colgate-Palmolive Company;</b> 04-02, Brush head for electric toothbrush, (CN, 28 Dec 2011) 28 Jun 2012	<b>13035/2012</b>	<b>Samsung Electronics Co., Ltd;</b> 14-01, Display screen with icon for an electronic device, (KR, 19 Jan 2012) 10 Jul 2012	<b>13259/2012</b>
<b>Origin Fin Systems Pty Ltd;</b> 21-02D, Fin, 11 Jul 2012	<b>13286/2012</b>	<b>Samsung Electronics Co., Ltd;</b> 14-01, Display screen for an electronic device, (KR, 19 Jan 2012) 10 Jul 2012	<b>13258/2012</b>
<b>Oztent Australia Pty. Limited;</b> 06-03NES, A table, 06 Jul 2012	<b>13163/2012</b>	<b>Samsung Electronics Co., Ltd;</b> 14-01, Display screen for an electronic device, (KR, 19 Jan 2012) 10 Jul 2012	<b>13255/2012</b>
<b>OZKOR Pty. Ltd.;</b> 09-08, A pallet, 02 Jul 2012	<b>13074/2012</b>	<b>Samsung Electronics Co., Ltd;</b> 14-01, Display screen for an electronic device, (KR, 19 Jan 2012) 10 Jul 2012	<b>13262/2012</b>
<b>Panasonic Corporation;</b> 07-02A, Oven, 05 Jul 2012	<b>13146/2012</b>	<b>Samsung Electronics Co., Ltd;</b> 14-01, Display screen for an electronic device, (KR, 19 Jan 2012) 10 Jul 2012	<b>13265/2012</b>
<b>Panasonic Corporation;</b> 07-05A, Steam iron, 05 Jul 2012	<b>13144/2012</b>	<b>Samsung Electronics Co., Ltd;</b> 14-01, Display screen for an electronic device, (KR, 19 Jan 2012) 10 Jul 2012	<b>13256/2012</b>
<b>Panasonic Corporation;</b> 07-02A, Oven, 05 Jul 2012	<b>13145/2012</b>	<b>Samsung Electronics Co., Ltd;</b> 14-01, Display screen for an electronic device, (KR, 19 Jan 2012) 10 Jul 2012	<b>13260/2012</b>
<b>Pfanner, Anton;</b> 02-03, Helmet liner, (EM, 11 Jan 2012) 05 Jul 2012	<b>13137/2012</b>	<b>Samsung Electronics Co., Ltd;</b> 14-01, Display screen for an electronic device, (KR, 19 Jan 2012) 10 Jul 2012	<b>13261/2012</b>
<b>Pfanner, Anton;</b> 02-03, Helmet liner, (EM, 11 Jan 2012) 05 Jul 2012	<b>13138/2012</b>	<b>Samsung Electronics Co., Ltd;</b> 14-01, Display screen for an electronic device, (KR, 19 Jan 2012) 10 Jul 2012	<b>13257/2012</b>
<b>Philip Morris Products S.A.;</b> 09-01A, Hand-held aerosol generator, (EM, 23 Dec 2011) 22 Jun 2012	<b>12960/2012</b>	<b>Samsung Electronics Co., Ltd;</b> 14-01, Display screen for an electronic device, (KR, 19 Jan 2012) 10 Jul 2012	<b>13254/2012</b>
<b>Pope, Tony;</b> 21-02D, Body board, (NZ, 13 Jun 2012) 10 Jul 2012	<b>13232/2012</b>	<b>Samsung Electronics Co., Ltd;</b> 14-01, Display screen for an electronic device, (KR, 19 Jan 2012) 10 Jul 2012	<b>13263/2012</b>
<b>Premec S.A.;</b> 19-06, Chalk pen design, (EM, 29 Mar 2012) 27 Jun 2012	<b>13005/2012</b>	<b>Samsung Electronics Co., Ltd;</b> 14-01, Display screen for an electronic device, (KR, 19 Jan 2012) 10 Jul 2012	<b>13264/2012</b>
<b>Premec S.A.;</b> 19-06, Tech pen design, (EM, 29 Mar 2012) 27 Jun 2012	<b>13007/2012</b>	<b>Samsung Electronics Co., Ltd;</b> 14-01, Display screen for an electronic device, (KR, 19 Jan 2012) 10 Jul 2012	<b>13115/2012</b>
<b>Premec S.A.;</b> 19-06, Original pen design, (EM, 29 Mar 2012) 27 Jun 2012	<b>13006/2012</b>	<b>Samsung Electronics Co., Ltd;</b> 14-04, Display screen for an electronic device, (KR, 06 Jan 2012) 04 Jul 2012	<b>13206/2012</b>
<b>Preston, Caitlin;Fyfe, Eleanor;Contoleon, Diamanta;Coulson, Megan;Faure, Isabelle;Long, Tabitha;</b> 06-04NES, Hexagonal modular storage unit, connected by pencils, with pencil detatils inside hexagons, 05 Jul 2012	<b>13139/2012</b>	<b>Samsung Electronics Co., Ltd;</b> 14-04, Display screen sequence for an electronic device, (KR, 06 Jan 2012) 06 Jul 2012	
<b>Proscon P/L;</b> 09-03NES, Offering container, 04 Jul 2012	<b>13099/2012</b>	<b>Samsung Electronics Co., Ltd;</b> 14-04, Display screen sequence for an electronic device, (KR, 09 Jan 2012) 06 Jul 2012	<b>13211/2012</b>
<b>Roads Corporation;</b> 08-05F, Jig, 10 Jul 2012	<b>13274/2012</b>		

<b>Samsung Electronics Co., Ltd;</b> 14-04, Display screen with icon for an electronic device, (KR, 06 Jan 2012) 06 Jul 2012	<b>13212/2012</b>	<b>Samsung Electronics Co., Ltd;</b> 14-04, Display screen for an electronic device, (KR, 09 Jan 2012) 05 Jul 2012	<b>13151/2012</b>
<b>Samsung Electronics Co., Ltd;</b> 14-01, Display screen for an electronic device, (KR, 10 Jan 2012) 09 Jul 2012	<b>13228/2012</b>	<b>Samsung Electronics Co., Ltd;</b> 14-01, Display screen for an electronic device, (KR, 10 Jan 2012) 09 Jul 2012	<b>13220/2012</b>
<b>Samsung Electronics Co., Ltd;</b> 14-04, Display screen for an electronic device, (KR, 09 Jan 2012) 06 Jul 2012	<b>13209/2012</b>	<b>Samsung Electronics Co., Ltd;</b> 14-01, Display screen for an electronic device, (KR, 09 Jan 2012) 09 Jul 2012	<b>13221/2012</b>
<b>Samsung Electronics Co., Ltd;</b> 14-04, Display screen for an electronic device, (KR, 06 Jan 2012) 06 Jul 2012	<b>13210/2012</b>	<b>Samsung Electronics Co., Ltd;</b> 14-04, Display screen for an electronic device, (KR, 09 Jan 2012) 05 Jul 2012	<b>13155/2012</b>
<b>Samsung Electronics Co., Ltd;</b> 14-01, Display screen sequence for an electronic device, (KR, 09 Jan 2012) 09 Jul 2012	<b>13227/2012</b>	<b>Samsung Electronics Co., Ltd;</b> 14-04, Display screen for an electronic device, (KR, 09 Jan 2012) 05 Jul 2012	<b>13150/2012</b>
<b>Samsung Electronics Co., Ltd;</b> 14-04, Display screen sequence for an electronic device, (KR, 09 Jan 2012) 06 Jul 2012	<b>13207/2012</b>	<b>Samsung Electronics Co., Ltd;</b> 14-01, Display screen for an electronic device, (KR, 10 Jan 2012) 09 Jul 2012	<b>13219/2012</b>
<b>Samsung Electronics Co., Ltd;</b> 14-04, Display screen for an electronic device, (KR, 06 Jan 2012) 06 Jul 2012	<b>13208/2012</b>	<b>Samsung Electronics Co., Ltd;</b> 14-01, Display screen sequence for an electronic device, (KR, 09 Jan 2012) 06 Jul 2012	<b>13213/2012</b>
<b>Samsung Electronics Co., Ltd;</b> 14-01, Display screen sequence for an electronic device, (KR, 09 Jan 2012) 09 Jul 2012	<b>13222/2012</b>	<b>Samsung Electronics Co., Ltd;</b> 14-01, Display screen sequence for an electronic device, (KR, 09 Jan 2012) 06 Jul 2012	<b>13214/2012</b>
<b>Samsung Electronics Co., Ltd;</b> 14-01, Display screen sequence for an electronic device, (KR, 09 Jan 2012) 09 Jul 2012	<b>13223/2012</b>	<b>Samsung Electronics Co., Ltd;</b> 14-04, Display screen for an electronic device, (KR, 10 Jan 2012) 05 Jul 2012	<b>13152/2012</b>
<b>Samsung Electronics Co., Ltd;</b> 14-01, Display screen sequence for an electronic device, (KR, 09 Jan 2012) 09 Jul 2012	<b>13224/2012</b>	<b>Samsung Electronics Co., Ltd;</b> 14-04, Display screen for an electronic device, (KR, 06 Jan 2012) 05 Jul 2012	<b>13148/2012</b>
<b>Samsung Electronics Co., Ltd;</b> 14-01, Display screen for an electronic device, (KR, 09 Jan 2012) 09 Jul 2012	<b>13225/2012</b>	<b>Samsung Electronics Co., Ltd;</b> 14-01, Display screen for an electronic device, (KR, 10 Jan 2012) 09 Jul 2012	<b>13218/2012</b>
<b>Samsung Electronics Co., Ltd;</b> 14-01, Display screen sequence for an electronic device, (KR, 09 Jan 2012) 09 Jul 2012	<b>13226/2012</b>	<b>Samsung Electronics Co., Ltd;</b> 14-04, Display screen sequence for an electronic device, (KR, 06 Jan 2012) 05 Jul 2012	<b>13154/2012</b>
<b>Samsung Electronics Co., Ltd;</b> 14-04, Display screen for an electronic device, (KR, 06 Jan 2012) 04 Jul 2012	<b>13118/2012</b>	<b>Samsung Electronics Co., Ltd;</b> 14-04, Display screen for an electronic device, (KR, 06 Jan 2012) 04 Jul 2012	<b>13112/2012</b>
<b>Samsung Electronics Co., Ltd;</b> 14-04, Display screen for an electronic device, (KR, 06 Jan 2012) 05 Jul 2012	<b>13149/2012</b>	<b>Samsung Electronics Co., Ltd;</b> 14-01, Display screen with icon for an electronic device, (KR, 19 Jan 2012) 11 Jul 2012	<b>13295/2012</b>
<b>Samsung Electronics Co., Ltd;</b> 14-01, Display screen sequence for an electronic device, (KR, 06 Jan 2012) 06 Jul 2012	<b>13215/2012</b>	<b>Samsung Electronics Co., Ltd;</b> 14-01, Display screen with icon for an electronic device, (KR, 19 Jan 2012) 11 Jul 2012	<b>13296/2012</b>
<b>Samsung Electronics Co., Ltd;</b> 14-04, Display screen sequence for an electronic device, (KR, 06 Jan 2012) 05 Jul 2012	<b>13153/2012</b>	<b>Samsung Electronics Co., Ltd;</b> 14-01, Display screen with icon for an electronic device, (KR, 19 Jan 2012) 11 Jul 2012	<b>13297/2012</b>

<b>Samsung Electronics Co., Ltd;</b> 14-01, Display screen with icon for an electronic device, (KR, 19 Jan 2012) 11 Jul 2012	<b>13298/2012</b>	<b>Stenford, Michael;</b> 24-01, Blood glucose meter wallet-design B, 03 Jul 2012	<b>13095/2012</b>
<b>Samsung Electronics Co., Ltd;</b> 14-01, Display screen with icon for an electronic device, (KR, 19 Jan 2012) 11 Jul 2012	<b>13299/2012</b>	<b>Stenford, Michael;</b> 24-01, Blood glucose meter wallet-design A, 03 Jul 2012	<b>13094/2012</b>
<b>Samsung Electronics Co., Ltd;</b> 14-01, Display screen with icon for an electronic device, (KR, 19 Jan 2012) 11 Jul 2012	<b>13300/2012</b>	<b>Stirling Mortlock International Pty Limited, as Trustee for Mojo Concepts;Investment of Trust;</b> 23-02C, Toilet seat cover, 22 Jun 2012	<b>12952/2012</b>
<b>Samsung Electronics Co., Ltd;</b> 14-01, Display screen with icon for an electronic device, (KR, 19 Jan 2012) 11 Jul 2012	<b>13301/2012</b>	<b>Stockbrands Co. Pty Ltd;</b> 30-08, An ear tag, 29 Jun 2012	<b>13050/2012</b>
<b>Samsung Electronics Co., Ltd;</b> 14-04, Display screen for an electronic device, (KR, 06 Jan 2012) 04 Jul 2012	<b>13113/2012</b>	<b>Stockbrands Co. Pty Ltd;</b> 30-08, An ear tag, 06 Jul 2012	<b>13169/2012</b>
<b>Samsung Electronics Co., Ltd;</b> 14-04, Display screen for an electronic device, (KR, 06 Jan 2012) 05 Jul 2012	<b>13147/2012</b>	<b>Stockbrands Co. Pty Ltd;</b> 30-08, An ear tag, 29 Jun 2012	<b>13051/2012</b>
<b>Samsung Electronics Co., Ltd;</b> 14-04, Display screen for an electronic device, (KR, 06 Jan 2012) 04 Jul 2012	<b>13120/2012</b>	<b>Stockbrands Co. Pty Ltd;</b> 30-08, An ear tag, 29 Jun 2012	<b>13049/2012</b>
<b>Samsung Electronics Co., Ltd;</b> 14-02, Electronic device, (KR, 06 Jan 2012) 04 Jul 2012	<b>13110/2012</b>	<b>Stockbrands Co. Pty Ltd;</b> 30-08, An ear tag, 29 Jun 2012	<b>13052/2012</b>
<b>Samsung Electronics Co., Ltd;</b> 14-04, Display screen for an electronic device, (KR, 06 Jan 2012) 04 Jul 2012	<b>13117/2012</b>	<b>SwitchEasy Limited;</b> 14-03A, 14-02, Protective casing and stand for portable handheld electronic device, (HK, 15 May 2012) 05 Jul 2012	<b>13159/2012</b>
<b>Samsung Electronics Co., Ltd;</b> 14-04, Display screen for an electronic device, (KR, 06 Jan 2012) 04 Jul 2012	<b>13122/2012</b>	<b>SDI Corporation;</b> 19-06, Pencil sharpener, 03 Jul 2012	<b>13091/2012</b>
<b>Samsung Electronics Co., Ltd;</b> 14-04, Display screen for an electronic device, (KR, 06 Jan 2012) 04 Jul 2012	<b>13121/2012</b>	<b>SEB;</b> 31-00, Electric grater-mincer, (EM, 11 Jan 2012) 28 Jun 2012	<b>13039/2012</b>
<b>Samsung Electronics Co., Ltd;</b> 14-04, Display screen for an electronic device, (KR, 06 Jan 2012) 04 Jul 2012	<b>13111/2012</b>	<b>SEB;</b> 07-04, Electric grater-mincer, (EM, 11 Jan 2012) 28 Jun 2012	<b>13038/2012</b>
<b>Shanghai Magic Wheels Sporting Goods Co., Ltd;</b> 12-16NES, A pivot for a scooter, (CN, 19 Jan 2012) 28 Jun 2012	<b>13036/2012</b>	<b>SWS Australia Pty Limited;</b> 12-16NES, An automotive switch panel, 25 May 2012	<b>13093/2012</b>
<b>Shanghai Renyao Machinery Technology Company;</b> 08-05NES, Hand tool, 28 Jun 2012	<b>13037/2012</b>	<b>Tacca-Plastics Australia Pty Ltd;</b> 09-03M, A container, 28 Jun 2012	<b>13041/2012</b>
<b>Sin, Vincent;</b> 14-01, Headphones, 09 Jul 2012	<b>13231/2012</b>	<b>Takashima, Jiro;</b> 28-03NES, Massage device, (US, 28 Dec 2011) 27 Jun 2012	<b>13014/2012</b>
<b>Smith, Matthew;</b> 19-08, This design relates to stickers/decals, clothing or any material with the 'stick ninja' design applied, 27 Jun 2012	<b>13033/2012</b>	<b>The Procter &amp; Gamble Company;</b> 28-99, Air freshener housing, (US, 09 Jan 2012) 06 Jul 2012	<b>13216/2012</b>
<b>Sony Computer Entertainment Inc.;</b> 14-01, Tuner for television with a recording media, (JP, 16 Mar 2012) 29 Jun 2012	<b>13054/2012</b>	<b>The Procter &amp; Gamble Company;</b> 28-99, Air freshener housing, (US, 09 Jan 2012) 06 Jul 2012	<b>13217/2012</b>
		<b>Thompson, Stewart;</b> 20-02A, Fuel tank for automotive use, of larger size than the original tank, 22 Jun 2012	<b>13275/2012</b>
		<b>Togami Electric Mfg. Co., Ltd;</b> 13-03NES, Control unit, 22 Jun 2012	<b>12954/2012</b>

<b>Togami Electric Mfg. Co., Ltd;</b> 13-03NES, Transformer unit, 22 Jun 2012	<b>12955/2012</b>	<b>Universal Jewellery Design Center Limited;</b> 11-01NES, Jewellery setting, (HK, 08 Feb 2012) 06 Jul 2012	<b>13156/2012</b>
<b>Tosy Robotics Joint Stock Company;Hoang, Ho Vinh;</b> 21-01B, Dancing toy robot, (VN, 06 Jan 2012) 06 Jul 2012	<b>13166/2012</b>	<b>Vessix Vascular, Inc.;</b> 24-01, Medical device housing, (US, 27 Jan 2012) 28 Jun 2012	<b>13042/2012</b>
<b>Toyota Jidosha Kabushiki Kaisha;</b> 26-06, Front combination lamp for an automobile, 27 Jun 2012	<b>13021/2012</b>	<b>Vuly Pty Ltd;</b> 08-08L, "Frame connector", 27 Jun 2012	<b>13013/2012</b>
<b>Toyota Jidosha Kabushiki Kaisha;</b> 12-08, Automobile, 27 Jun 2012	<b>13018/2012</b>	<b>White, Ronald Ian;</b> 21-01F, Ride-on device, 10 Jul 2012	<b>13273/2012</b>
<b>Toyota Jidosha Kabushiki Kaisha;</b> 12-08, Automobile, 27 Jun 2012	<b>13019/2012</b>	<b>Willenborg, Jim;</b> 02-02NES, Jersey, (US, 18 Apr 2012) 28 Jun 2012	<b>13040/2012</b>
<b>Toyota Jidosha Kabushiki Kaisha;</b> 12-08, Automobile, 27 Jun 2012	<b>13020/2012</b>	<b>Wilson, Martyn;</b> 08-10, Bike parking rail/rack, 04 Jul 2012	<b>13141/2012</b>
<b>Tsai, Yu-Chen;</b> 08-06, Scaper handle, 28 Jun 2012	<b>13076/2012</b>	<b>Zear Corporation Limited;</b> 03-01NES, Waterproof case for smart phone, 28 Jun 2012	<b>13043/2012</b>
<b>Tunstall Healthcare (UK) Limited;</b> 10-05, Alarm, (EM, 04 Apr 2012) 04 Jul 2012	<b>13096/2012</b>	<b>Zear Corporation Limited;</b> 03-01NES, Control panel with push buttons for waterproof case for smart phone, 23 Jun 2012	<b>12959/2012</b>
<b>Unilever PLC;</b> 09-03NES, Personal care packaging, (EM, 30 Jan 2012) 06 Jul 2012	<b>13164/2012</b>	<b>3M Innovative Properties Company;</b> 28-03C, Cord clip, (JP, 06 Jan 2012) 06 Jul 2012	<b>13165/2012</b>

## Applications Lapsed

13870 / 2011 (02-02NES)

11895 / 2012 (13-03D)	10017 / 2012 (23-01C)
11897 / 2012 (13-03D)	11896 / 2012 (13-03D)
11899 / 2012 (13-03D)	11898 / 2012 (13-03D)
11947 / 2012 (02-02NES)	11937 / 2012 (02-02NES)
11979 / 2012 (22-06)	11978 / 2012 (22-06)
12034 / 2012 (13-03D)	11988 / 2012 (24-04)
12036 / 2012 (13-03D)	12035 / 2012 (13-03D)
12038 / 2012 (26-05E)	12037 / 2012 (13-03D)
12072 / 2012 (10-05)	12069 / 2012 (19-08)
12144 / 2012 (03-01NES)	12143 / 2012 (03-01NES)
12380 / 2012 (02-02C)	12380 / 2012 (02-02C)
12381 / 2012 (02-02C)	12381 / 2012 (02-02C)
12382 / 2012 (02-02C)	12382 / 2012 (02-02C)
12383 / 2012 (02-02C)	12383 / 2012 (02-02C)
12384 / 2012 (02-02C)	12384 / 2012 (02-02C)
12385 / 2012 (02-02C)	12385 / 2012 (02-02C)
12386 / 2012 (02-02C)	12386 / 2012 (02-02C)
12387 / 2012 (02-02C)	12387 / 2012 (02-02C)
12388 / 2012 (02-02C)	12388 / 2012 (02-02C)
12389 / 2012 (02-02C)	12389 / 2012 (02-02C)
12390 / 2012 (02-02C)	12390 / 2012 (02-02C)
12391 / 2012 (02-02C)	12391 / 2012 (02-02C)
12392 / 2012 (02-02C)	12392 / 2012 (02-02C)
12393 / 2012 (02-02C)	12393 / 2012 (02-02C)
12394 / 2012 (02-02C)	12394 / 2012 (02-02C)
12395 / 2012 (02-02C)	12395 / 2012 (02-02C)
12396 / 2012 (02-02C)	12396 / 2012 (02-02C)

**Extension of Period of Registration of Designs**

313500	314931	315430
315434	315435	315867
315868	315929	315965
315968	315971	315975
316012	316013	316079
316080	316093	316126
316145	316186	316187
316192	316193	316194
316226	316227	316234
316251	316252	316253
316254	316255	316262
316289	316314	316315
316316	316319	316338
316344	316345	316354
316355	316438	316472
316474	316487	316488
316492	316494	316495
316647	316648	316649
316713	316753	316820
316821	316822	316823
316824	316825	316909
316910	316911	316930
316933	317001	317058
317094	317106	317123
317124	317125	317126
317130	317156	317157
317191	317192	317206
317207	317208	317253
317254	317265	317275
317277	317283	317287
317364	317365	317366
317367	317368	317369
317370	317371	317373
317374	317375	317376
317377	317378	317379
317438	317439	317602
317655	317755	319696
319889	319890	

**Revocation of Design Registrations**

The following Design Registration(s) have been revoked and are taken never to have been registered:

325850	12-06NES
337299	06-03NES

**Registrations Ceased**

312552	313046	313047
--------	--------	--------

313048	313218	313219
313220	313223	313224
313266	313289	313302
313326	313329	313330
313339	313340	313348
313349	313350	313351
313352	313353	313354
313357	313397	313398
313399	313400	313403
313404	313405	313412
313413	313414	313416
313417	313427	313428
313429	313430	313436
313495	313497	313499
313517	313518	313521
313526	313532	313536
313553	313554	313588
313596	313597	313598
313599	313601	313603
313731	314096	314097
314200	314224	314225
314226	314227	314245
314278	314279	314280
314281	314282	315567
315568	315569	316758
316759	316760	316761
316762	316763	316764
316765	316766	316767
316768	316769	316770
316771	316772	316773
317244	317245	317246
317247	330015	337727
338337		

**Extensions of time granted under Section 137**

Applications lodged under section 137 for extension of time have been granted.

- 314931 **Total Health & Thermal Imaging Pty Ltd**
- 13870/2011 **Forever New Clothing Pty Ltd**
- 15912/2011 **AstraZeneca A.B.**
- 15913/2011 **AstraZeneca A.B.**
- 15915/2011 **AstraZeneca A.B.**
- 343263 **John Jonker**
- 343353 **Aluminium Industries of Australia Pty Ltd**
- 343354 **Aluminium Industries of Australia Pty Ltd**
- 343355 **Aluminium Industries of Australia Pty Ltd**
- 343356 **Aluminium Industries of Australia Pty Ltd**
- 343357 **Aluminium Industries of Australia Pty Ltd**

343358 Aluminium Industries of Australia Pty Ltd  
 343359 Aluminium Industries of Australia Pty Ltd  
 343360 Aluminium Industries of Australia Pty Ltd  
 343361 Aluminium Industries of Australia Pty Ltd  
 12380/2012 Forever New Clothing Pty Ltd  
 12381/2012 Forever New Clothing Pty Ltd  
 12382/2012 Forever New Clothing Pty Ltd  
 12383/2012 Forever New Clothing Pty Ltd  
 12384/2012 Forever New Clothing Pty Ltd  
 12385/2012 Forever New Clothing Pty Ltd  
 12386/2012 Forever New Clothing Pty Ltd  
 12387/2012 Forever New Clothing Pty Ltd  
 12388/2012 Forever New Clothing Pty Ltd  
 12389/2012 Forever New Clothing Pty Ltd  
 12390/2012 Forever New Clothing Pty Ltd  
 12391/2012 Forever New Clothing Pty Ltd  
 12392/2012 Forever New Clothing Pty Ltd  
 12393/2012 Forever New Clothing Pty Ltd  
 12394/2012 Forever New Clothing Pty Ltd  
 12395/2012 Forever New Clothing Pty Ltd  
 12396/2012 Forever New Clothing Pty Ltd

**Names Registered - Alterations and Amendments**

(The name in parentheses is that of the subsequent applicant)

306148 ( **CKI Utilities Development Limited;CKI Utilities Holdings Pty Limited;HEI Utilities Holdings Pty Limited;CKI/HEI Utilities Distribution Pty Limited;PAI Utilities Development Limited )**  
 CKI Utilities Development Limited;HEI Utilities Development Limited;CKI Utilities Holdings Pty Limited;HEI Utilities Holdings Pty Limited;CKI/HEI Utilities Distribution Pty Limited

**Subsequent Owners Registered**

(The name in parentheses is that of the subsequent owner)

310783 ( **Public Transport Development Authority** ) Director of Public Transport  
 310784 ( **Public Transport Development Authority** ) Director of Public Transport  
 310785 ( **Public Transport Development Authority** ) Director of Public Transport  
 316522 ( **Kraft Foods Global Brands LLC** ) Kraft Foods Holdings, Inc.  
 316523 ( **Kraft Foods Global Brands LLC** ) Kraft Foods Holdings, Inc.  
 316524 ( **Kraft Foods Global Brands LLC** ) Kraft Foods Holdings, Inc.  
 319573 ( **Barbeques Galore (Aust) Pty Ltd** ) Clean Air Wood Heating Pty Ltd  
 339332 ( **Enviro Dome Pty Ltd** ) P.S. Drafting Pty. Ltd.  
 316947 ( **Hustler Equipment Limited** ) Stephen Henry Currie;Denise Marjorie Currie;James Robert Currie;Valerie Kathryn Currie  
 316846 ( **Karalee Investments Pty Ltd** ) Allan Shepherd  
 322527 ( **Thule IP AB** ) Patrick David Maguire  
 315978 ( **Kok Boon Tan** ) Preference Manufacturing (Aust) Pty Ltd  
 341728 ( **Kok Boon Tan** ) Preference Manufacturing (Aust) Pty Ltd

**Corrigenda**

Number 343222

In Vol 26 , No 12 , page 1686 under the heading **Applications Lapsed**; This entry was entered in error.

Number 12799/2012

In Vol 26 , No 13 , page 1771 under the heading **Applications Lodged**; Delete 14 Jun 2012 and insert 03 Oct 2011.

Number 12800/2012

In Vol 26 , No 13 , page 1770 under the heading **Applications Lodged**; Delete 14 Jun 2012 and insert 03 Oct 2011.

Number 12801/2012

In Vol 26 , No 13 , page 1771 under the heading **Applications Lodged**; Delete 14 Jun 2012 and insert 03 Oct 2011.

Number 12802/2012

In Vol 26 , No 13 , page 1770 under the heading **Applications Lodged**; Delete 14 Jun 2012 and insert 03 Oct 2011.

Number 12803/2012

In Vol 26 , No 13 , page 1770 under the heading **Applications Lodged**; Delete 14 Jun 2012 and insert 03 Oct 2011.

Number 12804/2012

In Vol 26 , No 13 , page 1770 under the heading **Applications Lodged**; Delete 14 Jun 2012 and insert 03 Oct 2011.

Number 12805/2012

In Vol 26 , No 13 , page 1770 under the heading **Applications Lodged**; Delete 14 Jun 2012 and insert 03 Oct 2011.

Number 12806/2012

In Vol 26 , No 13 , page 1770 under the heading **Applications Lodged**; Delete 14 Jun 2012 and insert 03 Oct 2011.

Number 12807/2012

In Vol 26 , No 13 , page 1770 under the heading **Applications Lodged**; Delete 14 Jun 2012 and insert 03 Oct 2011.

Number 12808/2012

In Vol 26 , No 13 , page 1770 under the heading **Applications Lodged**; Delete 14 Jun 2012 and insert 03 Oct 2011.

Number 12809/2012

In Vol 26 , No 13 , page 1770 under the heading **Applications Lodged**; Delete 14 Jun 2012 and insert 03 Oct 2011.

Number 12810/2012

In Vol 26 , No 13 , page 1770 under the heading **Applications Lodged**; Delete 14 Jun 2012 and insert 03 Oct 2011.

Number 12811/2012

In Vol 26 , No 13 , page 1770 under the heading **Applications Lodged**; Delete 14 Jun 2012 and insert 03 Oct 2011.

Number 12812/2012

In Vol 26 , No 13 , page 1770 under the heading **Applications Lodged**; Delete 14 Jun 2012 and insert 03 Oct 2011.

Number 12813/2012

In Vol 26 , No 13 , page 1770 under the heading **Applications Lodged**; Delete 14 Jun 2012 - insert 03 Oct 2011.

Number 12814/2012

In Vol 26 , No 13 , page 1770 under the heading **Applications Lodged**; Delete (Divisional of 14466/2011) 14 Jun 2012 - insert 03 Oct 2011.

Number 12815/2012

In Vol 26 , No 13 , page 1770 under the heading **Applications Lodged**; Delete (Divisional of 14466/2011) 14 Jun 2012 - insert 03 Oct 2011.

Number 12816/2012

In Vol 26 , No 13 , page 1770 under the heading **Applications Lodged**; Delete (Divisional of 14466/2011) 14 Jun 2012 - insert 03 Oct 2011.

Number 12817/2012

In Vol 26 , No 13 , page 1770 under the heading **Applications Lodged**; Delete (Divisional of 14466/2011) 14 Jun 2012 - insert 03 Oct 2011.

Number 12818/2012

In Vol 26 , No 13 , page 1770 under the heading **Applications Lodged**; Delete (Divisional of 14466/2011) 14 Jun 2012 - insert 03 Oct 2011.

Number 12975/2012

In Vol 26 , No 13 , page 1770 under the heading **Applications Lodged**; Delete 25 Jun 2012 - insert 09 Jan 2012.

**Certificate(s) of Examination**

Examination of the following Design Registration(s) has been completed. Infringement proceedings may now be commenced.

322345	28-03D	13/07/2012
328034	31-00	29/06/2012
328035	07-07A	29/06/2012
328036	07-99A	29/06/2012
339785	08-07	05/07/2012
339786	08-07	05/07/2012
339795	08-07	05/07/2012
339796	08-07	05/07/2012
339797	08-07	05/07/2012
339806	08-07	12/07/2012
339807	08-07	12/07/2012
340254	08-07	12/07/2012
340774	24-02	05/07/2012
340929	06-02	30/04/2012
341473	06-01G	12/07/2012
341474	06-01G	12/07/2012
341604	14-01	12/07/2012
341928	23-03H	12/07/2012
342123	08-07	05/07/2012
342183	06-01G	05/07/2012
342702	28-03NES	12/07/2012
342720	05-05NES	12/07/2012
342721	05-05A	12/07/2012
342722	05-05D	12/07/2012
342723	05-05D	12/07/2012
343033	04-02	12/07/2012
343295	02-02B	12/07/2012

**Publication and Registration Proceedings**

**Designs Registered**

This section provides a concordance between design number and registration number of Designs covered in this journal. It also shows the main class and registration date.

This section covers Registration numbers 343171 to 343361 .

The registration number shown below should be used in all future correspondence.

<b>Design Number</b>	<b>Registration Number</b>	<b>International Classification Code (IDC)</b>	<b>Registration Date</b>	<b>Design Number</b>	<b>Registration Number</b>	<b>International Classification Code (IDC)</b>	<b>Registration Date</b>
14752/2011	343267	12-14	09/07/2012	12334/2012	343252	08-08NES	05/07/2012
14906/2011	343292	21-02E	10/07/2012	12339/2012	343317	07-05NES	11/07/2012
14916/2011	343334	28-03A	13/07/2012	12341/2012	343186	07-04	02/07/2012
14917/2011	343335	28-03A	13/07/2012	12357/2012	343343	27-02	16/07/2012
14918/2011	343336	28-03A	13/07/2012	12364/2012	343318	24-02	11/07/2012
14919/2011	343337	28-03A	13/07/2012	12366/2012	343172	13-03D	02/07/2012
14920/2011	343338	28-03A	13/07/2012	12367/2012	343173	13-03D	02/07/2012
15675/2011	343274	02-04A	09/07/2012	12368/2012	343195	08-05N	02/07/2012
15676/2011	343275	02-04A	09/07/2012	12375/2012	343171	08-08NES	02/07/2012
15789/2011	343293	24-04	10/07/2012	12490/2012	343264	21-02D	09/07/2012
15904/2011	343276	28-03B	09/07/2012	12493/2012	343298	08-05M	10/07/2012
15905/2011	343277	28-03B	09/07/2012	12497/2012	343299	01-01	10/07/2012
10045/2012	343294	08-08NES	10/07/2012	12510/2012	343196	28-03B	02/07/2012
10061/2012	343295	02-02B	10/07/2012	12511/2012	343339	12-16NES	13/07/2012
10852/2012	343263	26-03	09/07/2012	12515/2012	343265	14-02	09/07/2012
11279/2012	343278	13-03NES	09/07/2012	12519/2012	343187	28-03B	02/07/2012
11547/2012	343353	25-01K	16/07/2012	12520/2012	343188	28-03D	02/07/2012
11548/2012	343354	25-01K	16/07/2012	12551/2012	343197	06-03B	02/07/2012
11549/2012	343355	25-01K	16/07/2012	12558/2012	343300	14-03NES	10/07/2012
11550/2012	343356	25-01K	16/07/2012	12601/2012	343189	06-02	02/07/2012
11551/2012	343357	25-01K	16/07/2012	12642/2012	343180	06-01G	02/07/2012
11552/2012	343358	25-01K	16/07/2012	12643/2012	343181	06-01G	02/07/2012
11553/2012	343359	25-01K	16/07/2012	12644/2012	343182	06-01G	02/07/2012
11554/2012	343360	25-01K	16/07/2012	12645/2012	343183	06-01G	02/07/2012
11555/2012	343361	25-01K	16/07/2012	12646/2012	343184	06-01G	02/07/2012
11568/2012	343222	20-01	04/07/2012	12647/2012	343185	06-01G	02/07/2012
11681/2012	343268	09-07NES	09/07/2012	12653/2012	343208	15-02	03/07/2012
11854/2012	343237	11-02B	05/07/2012	12654/2012	343209	15-02	03/07/2012
11951/2012	343280	20-03NES	09/07/2012	12655/2012	343210	26-04	03/07/2012
11952/2012	343190	21-02D	02/07/2012	12656/2012	343211	01-02	03/07/2012
11959/2012	343269	09-07B	09/07/2012	12657/2012	343212	01-02	03/07/2012
11986/2012	343279	08-07	09/07/2012	12658/2012	343213	20-02E	03/07/2012
11997/2012	343174	30-03	02/07/2012	12659/2012	343214	20-02E	03/07/2012
12006/2012	343296	09-03M	10/07/2012	12660/2012	343215	20-02E	03/07/2012
12062/2012	343270	06-01F	09/07/2012	12661/2012	343216	24-02	03/07/2012
12067/2012	343271	09-03M	09/07/2012	12662/2012	343217	24-02	03/07/2012
12092/2012	343191	26-05C	02/07/2012	12666/2012	343218	15-07	03/07/2012
12102/2012	343314	09-03M	11/07/2012	12667/2012	343219	09-01C	03/07/2012
12110/2012	343297	06-06A	10/07/2012	12668/2012	343220	02-07A	03/07/2012
12164/2012	343192	09-03A	02/07/2012	12669/2012	343221	02-07A	03/07/2012
12234/2012	343315	08-99	11/07/2012	12671/2012	343238	12-08	05/07/2012
12251/2012	343175	08-99	02/07/2012	12672/2012	343239	28-03B	05/07/2012
12290/2012	343176	15-99	02/07/2012	12674/2012	343240	07-02B	05/07/2012
12291/2012	343177	03-01D	02/07/2012	12675/2012	343241	06-01G	05/07/2012
12292/2012	343178	03-01D	02/07/2012	12676/2012	343242	06-01G	05/07/2012
12299/2012	343179	09-03F	02/07/2012	12677/2012	343243	07-02E	05/07/2012
12306/2012	343193	09-01NES	02/07/2012	12678/2012	343244	03-01D	05/07/2012
12310/2012	343194	09-01NES	02/07/2012	12679/2012	343245	03-01D	05/07/2012
12332/2012	343316	21-02D	11/07/2012	12680/2012	343246	03-01D	05/07/2012
12333/2012	343272	08-08NES	09/07/2012	12681/2012	343247	03-01D	05/07/2012

Publication and Registration Proceedings - Designs Registered cont'd

Design Number	Registration Number	International Classification Code (IDC)	Registration Date	Design Number	Registration Number	International Classification Code (IDC)	Registration Date
12687/2012	343248	23-01E	05/07/2012	12791/2012	343286	28-99	10/07/2012
12696/2012	343253	02-04NES	05/07/2012	12792/2012	343287	24-01	10/07/2012
12697/2012	343254	02-04NES	05/07/2012	12793/2012	343288	06-01G	10/07/2012
12698/2012	343255	09-03M	05/07/2012	12794/2012	343289	14-02	10/07/2012
12699/2012	343256	09-03M	05/07/2012	12797/2012	343290	09-08	10/07/2012
12703/2012	343223	28-03D	04/07/2012	12798/2012	343291	12-10	10/07/2012
12704/2012	343224	06-01B	04/07/2012	12820/2012	343304	08-08L	11/07/2012
12706/2012	343225	08-10	04/07/2012	12823/2012	343305	23-02A	11/07/2012
12721/2012	343226	09-01NES	04/07/2012	12824/2012	343306	23-02A	11/07/2012
12722/2012	343227	28-03A	04/07/2012	12825/2012	343307	23-02A	11/07/2012
12723/2012	343228	10-04	04/07/2012	12826/2012	343308	23-02A	11/07/2012
12724/2012	343229	10-04	04/07/2012	12827/2012	343309	23-02A	11/07/2012
12725/2012	343230	28-03A	04/07/2012	12828/2012	343310	19-02	11/07/2012
12726/2012	343231	28-03A	04/07/2012	12830/2012	343311	19-02	11/07/2012
12727/2012	343232	14-01	04/07/2012	12834/2012	343312	24-04	11/07/2012
12728/2012	343233	28-03A	04/07/2012	12835/2012	343313	09-03M	11/07/2012
12729/2012	343234	28-03A	04/07/2012	12836/2012	343319	15-05	11/07/2012
12730/2012	343235	09-01NES	04/07/2012	12837/2012	343320	15-05	11/07/2012
12734/2012	343236	09-01NES	04/07/2012	12839/2012	343321	09-07NES	11/07/2012
12736/2012	343251	13-02	05/07/2012	12840/2012	343322	07-02NES	11/07/2012
12745/2012	343273	23-02A	09/07/2012	12841/2012	343323	08-05F	11/07/2012
12746/2012	343198	23-02A	03/07/2012	12845/2012	343324	23-02A	12/07/2012
12747/2012	343199	23-02A	03/07/2012	12846/2012	343325	13-03D	12/07/2012
12748/2012	343200	23-02A	03/07/2012	12847/2012	343326	12-08	12/07/2012
12749/2012	343201	06-01G	03/07/2012	12848/2012	343327	12-16B	12/07/2012
12750/2012	343257	06-01G	05/07/2012	12849/2012	343328	12-16B	12/07/2012
12751/2012	343202	06-01G	03/07/2012	12850/2012	343329	12-16C	12/07/2012
12752/2012	343203	06-01G	03/07/2012	12851/2012	343330	12-16NES	12/07/2012
12753/2012	343204	06-01G	03/07/2012	12852/2012	343331	17-99	12/07/2012
12754/2012	343205	07-02L	03/07/2012	12853/2012	343332	15-04	12/07/2012
12755/2012	343249	02-02NES	05/07/2012	12854/2012	343333	15-05	12/07/2012
12756/2012	343250	02-02NES	05/07/2012	12859/2012	343262	26-05C	06/07/2012
12758/2012	343258	14-03NES	06/07/2012	12862/2012	343344	23-03A	16/07/2012
12760/2012	343266	06-13B	09/07/2012	12863/2012	343345	23-03A	16/07/2012
12763/2012	343259	24-02	06/07/2012	12864/2012	343346	23-03A	16/07/2012
12768/2012	343260	06-04NES	06/07/2012	12867/2012	343347	19-06	16/07/2012
12771/2012	343341	12-16L	13/07/2012	12878/2012	343206	23-01A	03/07/2012
12772/2012	343342	12-16L	13/07/2012	12879/2012	343207	23-01A	03/07/2012
12773/2012	343261	09-07NES	06/07/2012	12996/2012	343348	27-02	16/07/2012
12774/2012	343281	23-01A	09/07/2012	12997/2012	343349	27-02	16/07/2012
12775/2012	343282	23-01A	09/07/2012	12998/2012	343350	27-02	16/07/2012
12776/2012	343301	24-04	10/07/2012	12999/2012	343351	27-02	16/07/2012
12777/2012	343302	06-08	10/07/2012	13000/2012	343352	27-02	16/07/2012
12779/2012	343303	26-04	10/07/2012	13093/2012	343340	12-16NES	13/07/2012
12785/2012	343283	23-02B	10/07/2012				
12788/2012	343284	25-02G	10/07/2012				
12790/2012	343285	28-99	10/07/2012				

**Publication and Registration Proceedings**

**Class Listing of Designs Published or Registered**

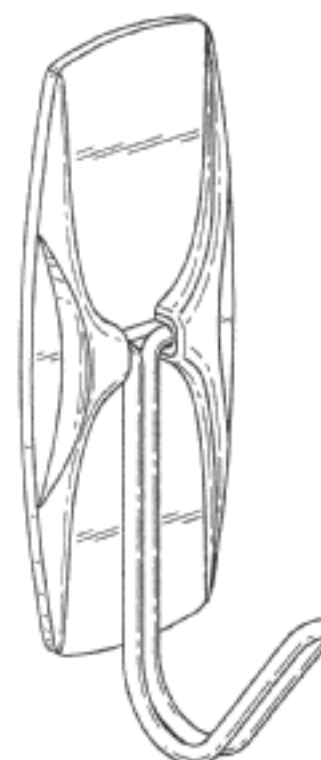
The following section shows an International Classification Code listing of the Registered or Published Designs covered in this supplement.

<b>Classification</b>	<b>Registration Number</b>	<b>Design Number</b>	<b>Classification</b>	<b>Registration Number</b>	<b>Design Number</b>
01-01	343299	12497/2012	08-08NES	343252	12334/2012
01-02	343211	12656/2012	08-08NES	343272	12333/2012
01-02	343212	12657/2012	08-08NES	343294	10045/2012
02-02B	343295	10061/2012	08-10	343225	12706/2012
02-02NES	343249	12755/2012	08-99	343175	12251/2012
02-02NES	343250	12756/2012	08-99	343315	12234/2012
02-02NES	343295	10061/2012	09-01C	343219	12667/2012
02-04A	343274	15675/2011	09-01NES	343193	12306/2012
02-04A	343275	15676/2011	09-01NES	343194	12310/2012
02-04NES	343253	12696/2012	09-01NES	343226	12721/2012
02-04NES	343254	12697/2012	09-01NES	343235	12730/2012
02-07A	343220	12668/2012	09-01NES	343236	12734/2012
02-07A	343221	12669/2012	09-03A	343192	12164/2012
03-01D	343177	12291/2012	09-03F	343179	12299/2012
03-01D	343178	12292/2012	09-03M	343255	12698/2012
03-01D	343244	12678/2012	09-03M	343256	12699/2012
03-01D	343245	12679/2012	09-03M	343271	12067/2012
03-01D	343246	12680/2012	09-03M	343281	12774/2012
03-01D	343247	12681/2012	09-03M	343282	12775/2012
06-01B	343224	12704/2012	09-03M	343296	12006/2012
06-01F	343270	12062/2012	09-03M	343313	12835/2012
06-01G	343180	12642/2012	09-03M	343314	12102/2012
06-01G	343181	12643/2012	09-07B	343269	11959/2012
06-01G	343182	12644/2012	09-07NES	343261	12773/2012
06-01G	343183	12645/2012	09-07NES	343268	11681/2012
06-01G	343184	12646/2012	09-07NES	343321	12839/2012
06-01G	343185	12647/2012	09-08	343290	12797/2012
06-01G	343201	12749/2012	10-04	343228	12723/2012
06-01G	343202	12751/2012	10-04	343229	12724/2012
06-01G	343203	12752/2012	11-02B	343237	11854/2012
06-01G	343204	12753/2012	12-02	343177	12291/2012
06-01G	343241	12675/2012	12-02	343178	12292/2012
06-01G	343242	12676/2012	12-08	343238	12671/2012
06-01G	343257	12750/2012	12-08	343326	12847/2012
06-01G	343288	12793/2012	12-10	343291	12798/2012
06-02	343189	12601/2012	12-14	343267	14752/2011
06-03B	343197	12551/2012	12-16B	343327	12848/2012
06-04NES	343260	12768/2012	12-16B	343328	12849/2012
06-06A	343297	12110/2012	12-16C	343329	12850/2012
06-08	343302	12777/2012	12-16L	343341	12771/2012
06-13B	343266	12760/2012	12-16L	343342	12772/2012
07-02B	343240	12674/2012	12-16NES	343330	12851/2012
07-02E	343243	12677/2012	12-16NES	343339	12511/2012
07-02L	343205	12754/2012	12-16NES	343340	13093/2012
07-02NES	343322	12840/2012	13-02	343251	12736/2012
07-04	343186	12341/2012	13-03D	343172	12366/2012
07-05NES	343317	12339/2012	13-03D	343173	12367/2012
08-05F	343323	12841/2012	13-03D	343325	12846/2012
08-05M	343298	12493/2012	13-03NES	343278	11279/2012
08-05N	343195	12368/2012	14-01	343232	12727/2012
08-07	343279	11986/2012	14-02	343265	12515/2012
08-08L	343304	12820/2012	14-02	343289	12794/2012
08-08NES	343171	12375/2012	14-03NES	343258	12758/2012

Registration Proceedings - Class Listing of Designs Published or Registered cont'd

Classification	Registration Number	Design Number	Classification	Registration Number	Design Number
14-03NES	343300	12558/2012	24-04	343293	15789/2011
15-02	343208	12653/2012	24-04	343301	12776/2012
15-02	343209	12654/2012	24-04	343312	12834/2012
15-04	343332	12853/2012	25-01K	343353	11547/2012
15-05	343319	12836/2012	25-01K	343354	11548/2012
15-05	343320	12837/2012	25-01K	343355	11549/2012
15-05	343333	12854/2012	25-01K	343356	11550/2012
15-07	343218	12666/2012	25-01K	343357	11551/2012
15-99	343176	12290/2012	25-01K	343358	11552/2012
17-99	343331	12852/2012	25-01K	343359	11553/2012
19-02	343310	12828/2012	25-01K	343360	11554/2012
19-02	343311	12830/2012	25-01K	343361	11555/2012
19-06	343347	12867/2012	25-02G	343284	12788/2012
20-01	343222	11568/2012	25-04	343323	12841/2012
20-02E	343213	12658/2012	26-03	343263	10852/2012
20-02E	343214	12659/2012	26-04	343210	12655/2012
20-02E	343215	12660/2012	26-04	343303	12779/2012
20-03NES	343280	11951/2012	26-05C	343191	12092/2012
21-02D	343190	11952/2012	26-05C	343262	12859/2012
21-02D	343264	12490/2012	27-02	343343	12357/2012
21-02D	343316	12332/2012	27-02	343348	12996/2012
21-02E	343292	14906/2011	27-02	343349	12997/2012
23-01A	343206	12878/2012	27-02	343350	12998/2012
23-01A	343207	12879/2012	27-02	343351	12999/2012
23-01A	343271	12067/2012	27-02	343352	13000/2012
23-01A	343281	12774/2012	28-03A	343227	12722/2012
23-01A	343282	12775/2012	28-03A	343230	12725/2012
23-01E	343248	12687/2012	28-03A	343231	12726/2012
23-02A	343198	12746/2012	28-03A	343233	12728/2012
23-02A	343199	12747/2012	28-03A	343234	12729/2012
23-02A	343200	12748/2012	28-03A	343334	14916/2011
23-02A	343273	12745/2012	28-03A	343335	14917/2011
23-02A	343305	12823/2012	28-03A	343336	14918/2011
23-02A	343306	12824/2012	28-03A	343337	14919/2011
23-02A	343307	12825/2012	28-03A	343338	14920/2011
23-02A	343308	12826/2012	28-03B	343187	12519/2012
23-02A	343309	12827/2012	28-03B	343196	12510/2012
23-02A	343324	12845/2012	28-03B	343239	12672/2012
23-02B	343283	12785/2012	28-03B	343276	15904/2011
23-03A	343344	12862/2012	28-03B	343277	15905/2011
23-03A	343345	12863/2012	28-03D	343188	12520/2012
23-03A	343346	12864/2012	28-03D	343223	12703/2012
24-01	343287	12792/2012	28-99	343285	12790/2012
24-02	343216	12661/2012	28-99	343286	12791/2012
24-02	343217	12662/2012	30-03	343174	11997/2012
24-02	343259	12763/2012			
24-02	343318	12364/2012			

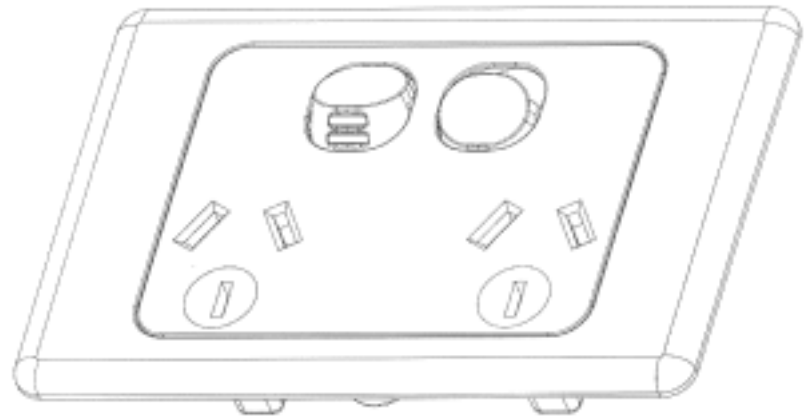
(21) Design Number: **12375/2012**  
(22) Date of Filing Application: **18 May 2012**  
(24) Date from which industrial property rights may have effect: **18 May 2012**  
(54) Product in respect of which the design is registered: **Hook**  
(51) International Design Classification: **08-08NES**  
(74) Name(s) of Attorney(s): **Davies Collison Cave**  
(71) Name(s) and Address(s) of Applicant(s):  
**3M Innovative Properties Company**  
**3M Center Saint Paul Minnesota 55133-3427 United States of America**  
(72) Name(s) of Designer(s): **Craig Donald Thompson and Jameel Rakad Qiblawi and Angela Lilun Pan**  
(45) Registration Date: **02 July 2012**  
(30) Convention priority data:  
(31) Number (32) Date (33) Country  
**29/406825 18 Nov 2011 UNITED STATES OF AMERICA**  
(56) Related Art Documents: **Not Applicable**  
(57) Statement of Newness and Distinctiveness: **Nil**



(21) Design Number: **12366/2012**  
(22) Date of Filing Application: **17 May 2012**  
(24) Date from which industrial property rights may have effect: **17 May 2012**  
(54) Product in respect of which the design is registered: **Cover plate for a wiring accessory**  
(51) International Design Classification: **13-03D**  
(74) Name(s) of Attorney(s): **Davies Collison Cave**  
(71) Name(s) and Address(s) of Applicant(s):  
**Arlec Australia Pty Ltd**  
**Building 3 31-41 Joseph Street Blackburn North Victoria 3130 Australia**  
(72) Name(s) of Designer(s): **Monty Puika and Kar Lun Tam**  
(45) Registration Date: **02 July 2012**  
(56) Related Art Documents: **Not Applicable**  
(57) Statement of Newness and Distinctiveness: **Newness and distinctiveness is claimed in the shape of the cover plate shown in the representations, particularly the thin depth of the cover plate.**



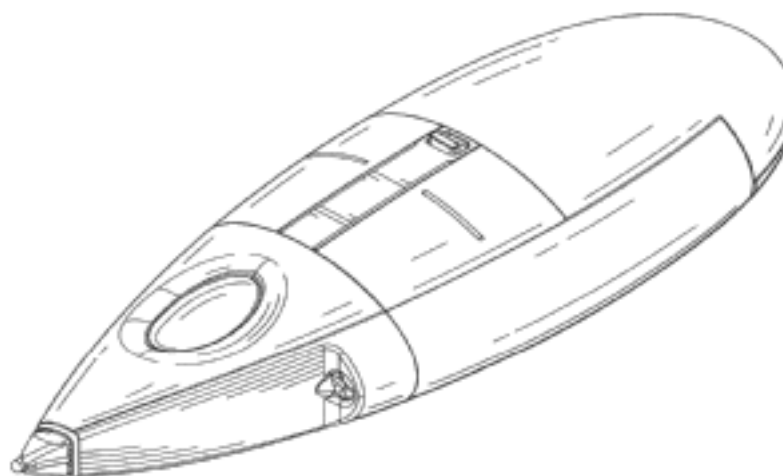
(21) Design Number: **12367/2012**  
(22) Date of Filing Application: **17 May 2012**  
(24) Date from which industrial property rights may have effect: **17 May 2012**  
(54) Product in respect of which the design is registered: **Power outlet**  
(51) International Design Classification: **13-03D**  
(74) Name(s) of Attorney(s): **Davies Collison Cave**  
(71) Name(s) and Address(s) of Applicant(s):  
**Arlec Australia Pty Ltd**  
**Building 3 31-41 Joseph Street Blackburn North Victoria 3130 Australia**  
(72) Name(s) of Designer(s): **Monty Puika and Kar Lun Tam**  
(45) Registration Date: **02 July 2012**  
(56) Related Art Documents: **Not Applicable**  
(57) Statement of Newness and Distinctiveness: **Newness and distinctiveness is claimed in the features of shape and configuration of the exposed forward part of the power outlet as shown in the representations with the rear parts which are concealed in the installed condition being excluded.**



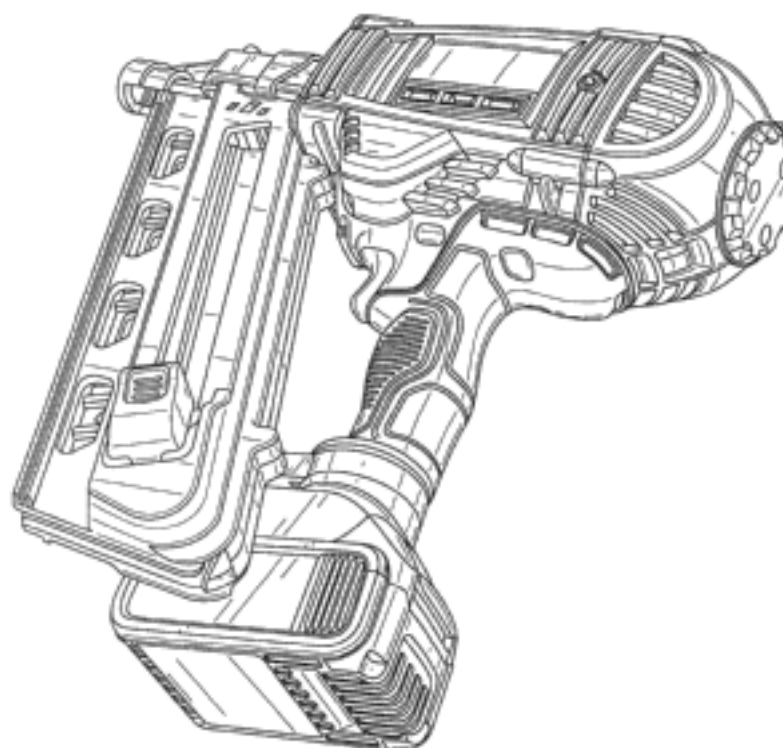
(21) Design Number: **11997/2012**  
(22) Date of Filing Application: **19 April 2012**  
(24) Date from which industrial property rights may have effect: **19 April 2012**  
(54) Product in respect of which the design is registered: **Push feed device**  
(51) International Design Classification: **30-03**  
(74) Name(s) of Attorney(s): **John L Davies & Co**  
(71) Name(s) and Address(s) of Applicant(s):  
**Gerard Suttie**  
**15 Lunter Road Oakleigh South Victoria 3167 Australia**  
(72) Name(s) of Designer(s): **Gerard Suttie**  
(45) Registration Date: **02 July 2012**  
(56) Related Art Documents: **Not Applicable**  
(57) Statement of Newness and Distinctiveness: **Nil**



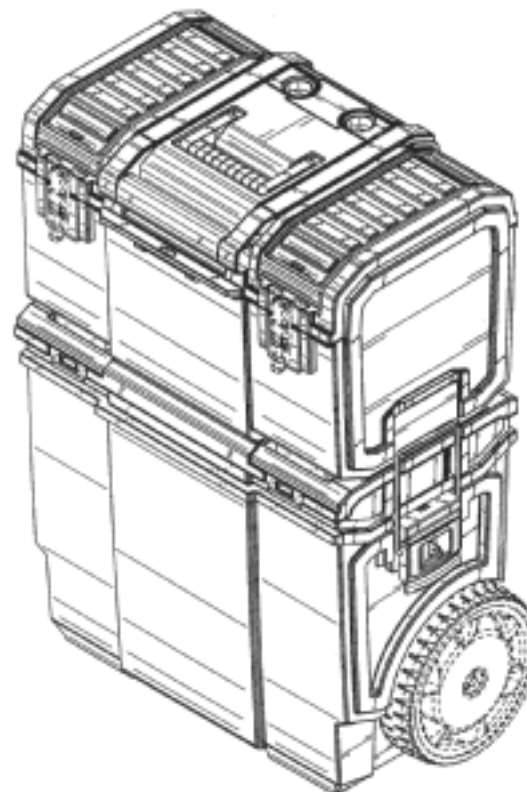
(21) Design Number: **12251/2012**  
(22) Date of Filing Application: **09 May 2012**  
(24) Date from which industrial property rights may have effect: **09 May 2012**  
(54) Product in respect of which the design is registered: **Electronic pointing device**  
(51) International Design Classification: **08-99**  
(74) Name(s) of Attorney(s): **Davies Collison Cave**  
(71) Name(s) and Address(s) of Applicant(s):  
**Interphase Corporation**  
**2901 North Dallas Parkway Suite 200 Plano Texas 75093 United States of America**  
(72) Name(s) of Designer(s): **Francois Nguyen and Yoram Solomon and Carl Gordon Harrison**  
(45) Registration Date: **02 July 2012**  
(30) Convention priority data:  
(31) Number (32) Date (33) Country  
**29/406299 11 Nov 2011 UNITED STATES OF AMERICA**  
(56) Related Art Documents: **Not Applicable**  
(57) Statement of Newness and Distinctiveness: **Nil**



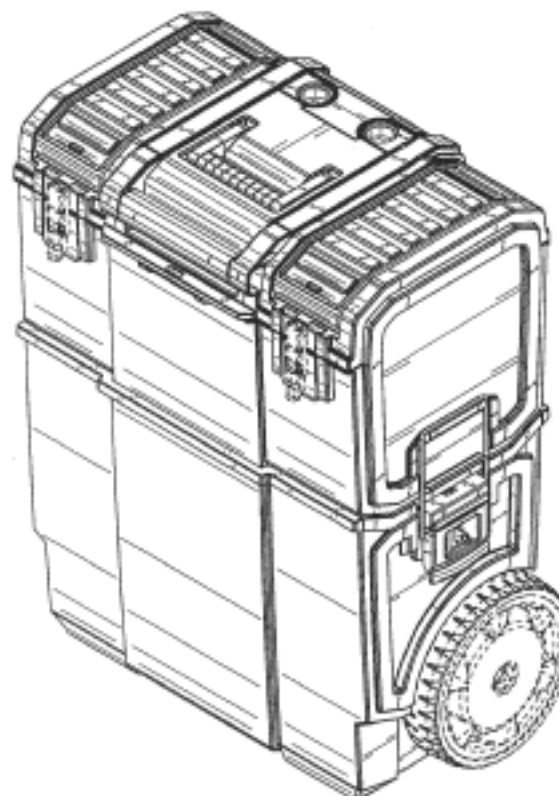
(21) Design Number: **12290/2012**  
(22) Date of Filing Application: **11 May 2012**  
(24) Date from which industrial property rights may have effect: **11 May 2012**  
(54) Product in respect of which the design is registered: **Cordless framing nailer**  
(51) International Design Classification: **15-99**  
(74) Name(s) of Attorney(s): **Davies Collison Cave**  
(71) Name(s) and Address(s) of Applicant(s):  
**Black & Decker Inc**  
**1207 Drummond Plaza Newark Delaware 19711 United States of America**  
(72) Name(s) of Designer(s): **John E. Buck and Lee M. Brendel and Michael P. Baron and Larry E. Gregory and Paul G. Gross**  
(45) Registration Date: **02 July 2012**  
(30) Convention priority data:  
(31) Number (32) Date (33) Country  
**29/406908 21 Nov 2011 UNITED STATES OF AMERICA**  
(56) Related Art Documents: **Not Applicable**  
(57) Statement of Newness and Distinctiveness: **Nil**



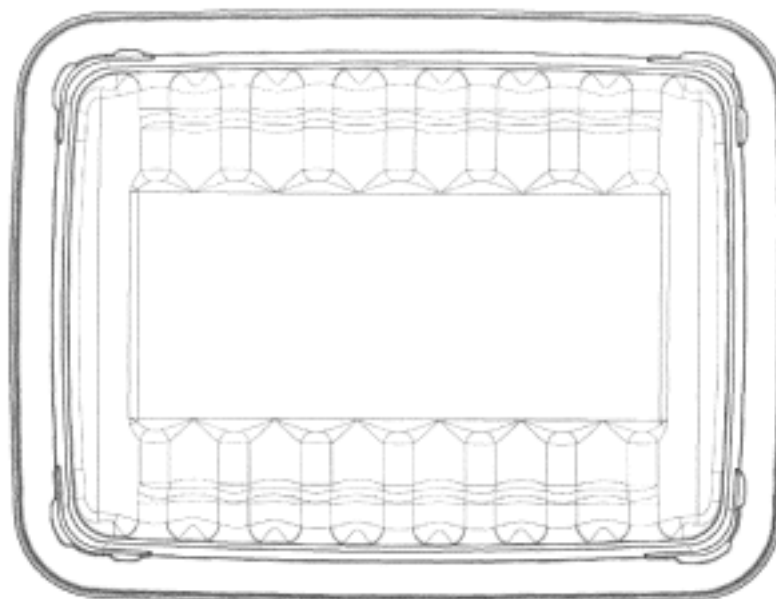
(21) Design Number: **12291/2012**  
(22) Date of Filing Application: **11 May 2012**  
(24) Date from which industrial property rights may have effect: **11 May 2012**  
(54) Product in respect of which the design is registered: **Rolling container assembly**  
(51) International Design Classification: **03-01D, 12-02**  
(74) Name(s) of Attorney(s): **Davies Collison Cave**  
(71) Name(s) and Address(s) of Applicant(s):  
**The Stanley Works Israel Ltd.**  
**19 Ha'Melacha Street Rosh Ha'Ayin 48091 Israel**  
(72) Name(s) of Designer(s): **Mark Bensman and Nadin Daniel Horovitz**  
(45) Registration Date: **02 July 2012**  
(30) Convention priority data:  
(31) Number (32) Date (33) Country  
**29/407060 22 Nov 2011 UNITED STATES OF AMERICA**  
(56) Related Art Documents: **Not Applicable**  
(57) Statement of Newness and Distinctiveness: **Newness and distinctiveness is claimed in the visual features shown in solid lines in the representations.**



(21) Design Number: **12292/2012**  
(22) Date of Filing Application: **11 May 2012**  
(24) Date from which industrial property rights may have effect: **11 May 2012**  
(54) Product in respect of which the design is registered: **Rolling container assembly**  
(51) International Design Classification: **03-01D, 12-02**  
(74) Name(s) of Attorney(s): **Davies Collison Cave**  
(71) Name(s) and Address(s) of Applicant(s):  
**The Stanley Works Israel Ltd.**  
**19 Ha'Melacha Street Rosh Ha'Ayin 48091 Israel**  
(72) Name(s) of Designer(s): **Mark Bensman and Nadin Daniel Horovitz**  
(45) Registration Date: **02 July 2012**  
(30) Convention priority data:  
(31) Number (32) Date (33) Country  
**29/407043 22 Nov 2011 UNITED STATES OF AMERICA**  
(56) Related Art Documents: **Not Applicable**  
(57) Statement of Newness and Distinctiveness: **Newness and distinctiveness is claimed in the visual features shown in solid lines in the representations.**



(21) Design Number: **12299/2012**  
(22) Date of Filing Application: **14 May 2012**  
(24) Date from which industrial property rights may have effect: **14 May 2012**  
(54) Product in respect of which the design is registered: **Tray**  
(51) International Design Classification: **09-03F**  
(74) Name(s) of Attorney(s): **Davies Collison Cave**  
(71) Name(s) and Address(s) of Applicant(s):  
**Cryovac Australia Pty Ltd**  
**90 Keilor Park Drive Tullamarine Victoria 3043 Australia**  
(72) Name(s) of Designer(s): **Prakashan Mavila**  
(45) Registration Date: **02 July 2012**  
(56) Related Art Documents: **Not Applicable**  
(57) Statement of Newness and Distinctiveness: **Nil**



(21) Design Number: **12642/2012**  
(22) Date of Filing Application: **04 June 2012**  
(24) Date from which industrial property rights may have effect: **04 June 2012**  
(54) Product in respect of which the design is registered: **A sofa**  
(51) International Design Classification: **06-01G**  
(74) Name(s) of Attorney(s): **FB Rice**  
(71) Name(s) and Address(s) of Applicant(s):  
**King Furniture (Australia) Pty Ltd**  
**123 Turrella Street Turrella New South Wales 2205 Australia**  
(72) Name(s) of Designer(s): **Ryan Lawson and John Levey and Tanya Rechberger and David King**  
(45) Registration Date: **02 July 2012**  
(56) Related Art Documents: **Not Applicable**  
(57) Statement of Newness and Distinctiveness: **Newness and distinctiveness reside in the features of the design as shown in the representations.**



(21) Design Number: **12643/2012**

(22) Date of Filing Application: **04 June 2012**

(24) Date from which industrial property rights may have effect: **04 June 2012**

(54) Product in respect of which the design is registered: **A modular armchair**

(51) International Design Classification: **06-01G**

(74) Name(s) of Attorney(s): **FB Rice**

(71) Name(s) and Address(s) of Applicant(s):

**King Furniture (Australia) Pty Ltd**

**123 Turrella Street Turrella New South Wales 2205 Australia**

(72) Name(s) of Designer(s): **Ryan Lawson and John Levey and Tanya Rechberger and David King**

(45) Registration Date: **02 July 2012**

(56) Related Art Documents: **Not Applicable**

(57) Statement of Newness and Distinctiveness: **Newness and distinctiveness reside in the features of the design as shown in the representations, wherein the number of armrests, one of which is shown on the left side of the armchair, may vary between zero, one (on either side of the armchair) and two.**



(21) Design Number: **12644/2012**

(22) Date of Filing Application: **04 June 2012**

(24) Date from which industrial property rights may have effect: **04 June 2012**

(54) Product in respect of which the design is registered: **A sofa**

(51) International Design Classification: **06-01G**

(74) Name(s) of Attorney(s): **FB Rice**

(71) Name(s) and Address(s) of Applicant(s):

**King Furniture (Australia) Pty Ltd**

**123 Turrella Street Turrella New South Wales 2205 Australia**

(72) Name(s) of Designer(s): **Ryan Lawson and John Levey and Tanya Rechberger and David King**

(45) Registration Date: **02 July 2012**

(56) Related Art Documents: **Not Applicable**

(57) Statement of Newness and Distinctiveness: **Newness and distinctiveness reside in the features of the design as shown in the representations.**



(21) Design Number: **12645/2012**

(22) Date of Filing Application: **04 June 2012**

(24) Date from which industrial property rights may have effect: **04 June 2012**

(54) Product in respect of which the design is registered: **A modular armchair**

(51) International Design Classification: **06-01G**

(74) Name(s) of Attorney(s): **FB Rice**

(71) Name(s) and Address(s) of Applicant(s):

**King Furniture (Australia) Pty Ltd**

**123 Turrella Street Turrella New South Wales 2205 Australia**

(72) Name(s) of Designer(s): **Ryan Lawson and John Levey and Tanya Rechberger and David King**

(45) Registration Date: **02 July 2012**

(56) Related Art Documents: **Not Applicable**

(57) Statement of Newness and Distinctiveness: **Newness and distinctiveness reside in the features of the design as shown in the representations, wherein the number of armrests, one of which is shown on the left side of the armchair, may vary between zero, one (on either side of the armchair) and two**



(21) Design Number: **12646/2012**

(22) Date of Filing Application: **04 June 2012**

(24) Date from which industrial property rights may have effect: **04 June 2012**

(54) Product in respect of which the design is registered: **An armchair**

(51) International Design Classification: **06-01G**

(74) Name(s) of Attorney(s): **FB Rice**

(71) Name(s) and Address(s) of Applicant(s):

**King Furniture (Australia) Pty Ltd**

**123 Turrella Street Turrella New South Wales 2205 Australia**

(72) Name(s) of Designer(s): **Ryan Lawson and John Levey and Tanya Rechberger and David King**

(45) Registration Date: **02 July 2012**

(56) Related Art Documents: **Not Applicable**

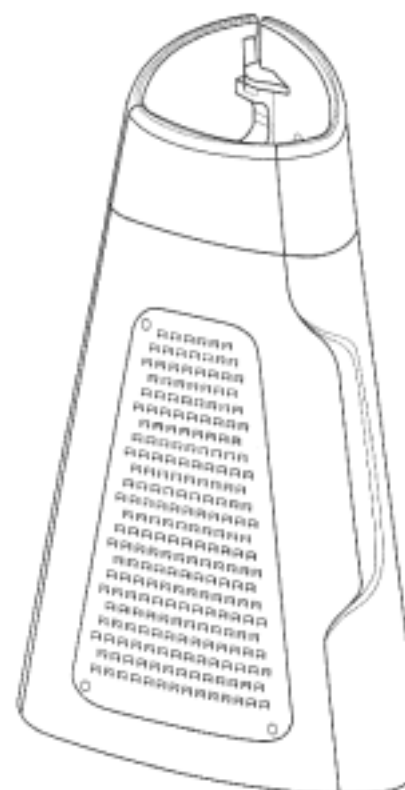
(57) Statement of Newness and Distinctiveness: **Newness and distinctiveness reside in the features of the design as shown in the representations.**



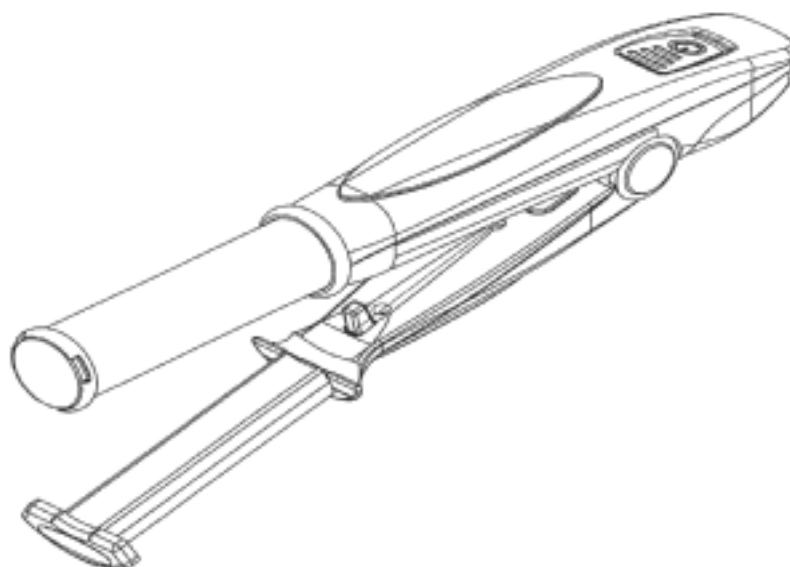
- (21) Design Number: **12647/2012**  
(22) Date of Filing Application: **04 June 2012**  
(24) Date from which industrial property rights may have effect: **04 June 2012**  
(54) Product in respect of which the design is registered: **An armchair**  
(51) International Design Classification: **06-01G**  
(74) Name(s) of Attorney(s): **FB Rice**  
(71) Name(s) and Address(s) of Applicant(s):  
**King Furniture (Australia) Pty Ltd**  
**123 Turrella Street Turrella New South Wales 2205 Australia**  
(72) Name(s) of Designer(s): **Ryan Lawson and John Levey and Tanya Rechberger and David King**  
(45) Registration Date: **02 July 2012**  
(56) Related Art Documents: **Not Applicable**  
(57) Statement of Newness and Distinctiveness: **Newness and distinctiveness reside in the features of the design as shown in the representations.**



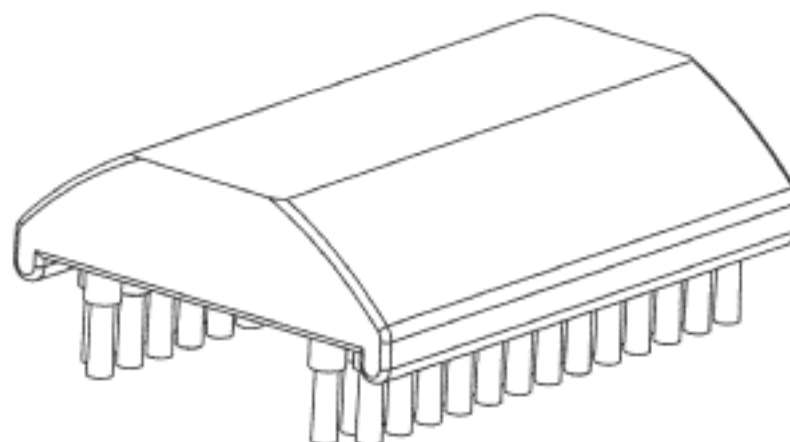
- (21) Design Number: **12341/2012**  
(22) Date of Filing Application: **16 May 2012**  
(24) Date from which industrial property rights may have effect: **16 May 2012**  
(54) Product in respect of which the design is registered: **Folding box grater**  
(51) International Design Classification: **07-04**  
(74) Name(s) of Attorney(s): **Madderns**  
(71) Name(s) and Address(s) of Applicant(s):  
**DKB Household UK Limited**  
**Bridge House Eelmoor Road Farnborough Hampshire GU14 7UE United Kingdom**  
(72) Name(s) of Designer(s): **Lars Junker and Oliver Breit**  
(45) Registration Date: **02 July 2012**  
(30) Convention priority data:  
(31) Number (32) Date (33) Country  
**001949082-0004 17 Nov 2011 EUROPEAN COMMUNITY**  
(56) Related Art Documents: **Not Applicable**  
(57) Statement of Newness and Distinctiveness: **Nil**



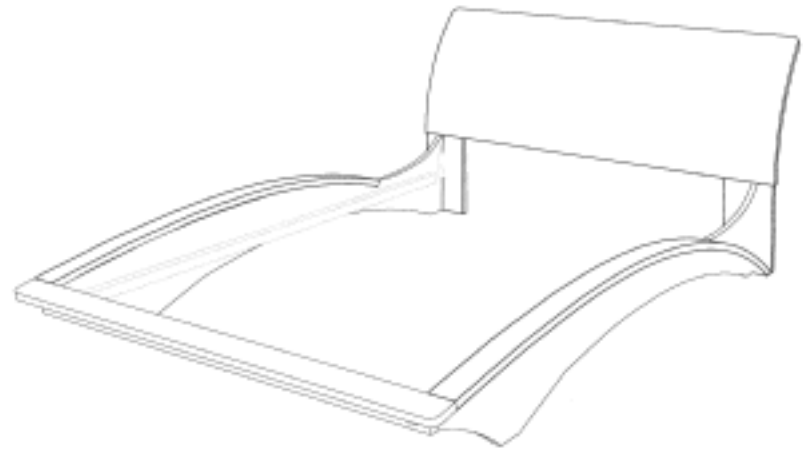
- (21) Design Number: **12519/2012**  
(22) Date of Filing Application: **25 May 2012**  
(24) Date from which industrial property rights may have effect: **25 May 2012**  
(54) Product in respect of which the design is registered: **Hair styling device**  
(51) International Design Classification: **28-03B**  
(74) Name(s) of Attorney(s): **Griffith Hack**  
(71) Name(s) and Address(s) of Applicant(s):  
**MM&R Products, Inc.**  
**5000 North Parkway Calabasas CA 91327 United States Of America**  
(72) Name(s) of Designer(s): **Jason Lee Cooper**  
(45) Registration Date: **02 July 2012**  
(56) Related Art Documents: **Not Applicable**  
(57) Statement of Newness and Distinctiveness: **Newness and distinctiveness resides in the visual features, including shape and configuration of a hair styling device, as shown in the solid outline in the accompanying drawings.**



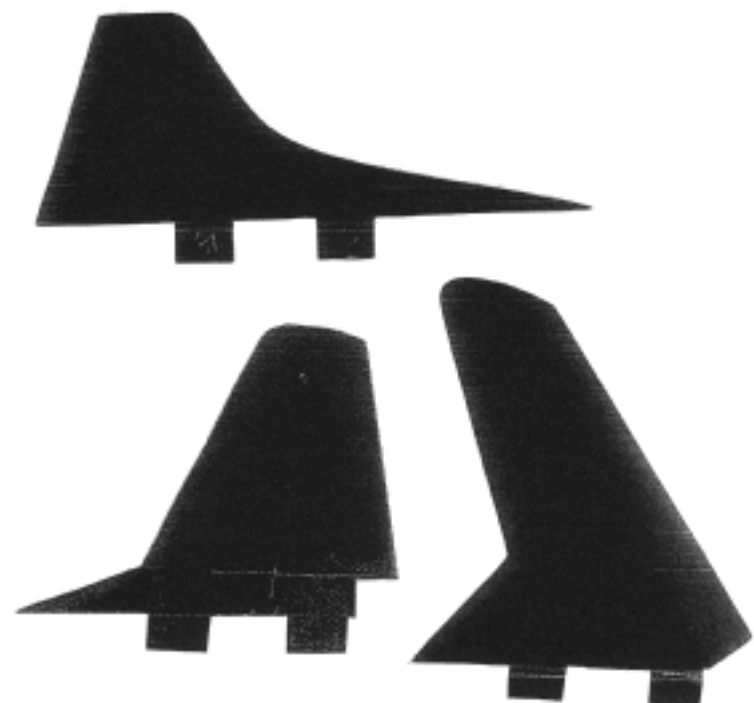
- (21) Design Number: **12520/2012**  
(22) Date of Filing Application: **25 May 2012**  
(24) Date from which industrial property rights may have effect: **25 May 2012**  
(54) Product in respect of which the design is registered: **Brush component for a hair styling device**  
(51) International Design Classification: **28-03D**  
(74) Name(s) of Attorney(s): **Griffith Hack**  
(71) Name(s) and Address(s) of Applicant(s):  
**MM&R Products, Inc.**  
**5000 North Parkway Calabasas CA 91327 United States Of America**  
(72) Name(s) of Designer(s): **Jason Lee Cooper**  
(45) Registration Date: **02 July 2012**  
(56) Related Art Documents: **Not Applicable**  
(57) Statement of Newness and Distinctiveness: **Newness and distinctiveness resides in the visual features, including shape and configuration of a brush component for a hair styling device, as shown in the solid outline in the accompanying drawings.**



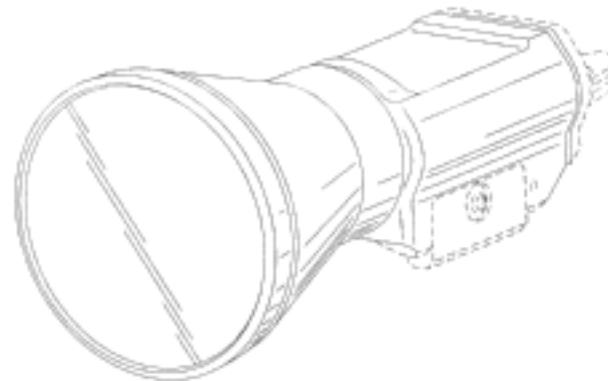
(21) Design Number: **12601/2012**  
(22) Date of Filing Application: **01 June 2012**  
(24) Date from which industrial property rights may have effect: **01 June 2012**  
(54) Product in respect of which the design is registered: **Bed frame**  
(51) International Design Classification: **06-02**  
(74) Name(s) of Attorney(s):  
(71) Name(s) and Address(s) of Applicant(s):  
**David Durance**  
**2/24 Cunningham Street Northcote Victoria 3070 Australia**  
(72) Name(s) of Designer(s): **David Durance**  
(45) Registration Date: **02 July 2012**  
(56) Related Art Documents: **Not Applicable**  
(57) Statement of Newness and Distinctiveness: **Nil**



(21) Design Number: **11952/2012**  
(22) Date of Filing Application: **23 April 2012**  
(24) Date from which industrial property rights may have effect: **23 April 2012**  
(54) Product in respect of which the design is registered: **Surfboard fin kit**  
(51) International Design Classification: **21-02D**  
(74) Name(s) of Attorney(s):  
(71) Name(s) and Address(s) of Applicant(s):  
**Paul Dennis Cole**  
**280 Patrick Street Hurstville New South Wales 2220 Australia**  
(72) Name(s) of Designer(s): **Paul Dennis Cole**  
(45) Registration Date: **02 July 2012**  
(56) Related Art Documents: **Not Applicable**  
(57) Statement of Newness and Distinctiveness: **Nil**

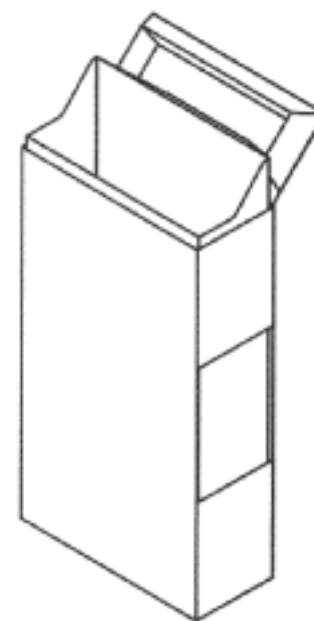


(21) Design Number: **12092/2012**  
(22) Date of Filing Application: **30 April 2012**  
(24) Date from which industrial property rights may have effect: **30 April 2012**  
(54) Product in respect of which the design is registered: **Mountable light**  
(51) International Design Classification: **26-05C**  
(74) Name(s) of Attorney(s): **SPRUSON & FERGUSON**  
(71) Name(s) and Address(s) of Applicant(s):  
**Streamlight, Inc.**  
**30 Eagleville Road Eagleville Pennsylvania 19403 United States of America**



(72) Name(s) of Designer(s): **Raymond L. Sharrah**  
(45) Registration Date: **02 July 2012**  
(30) Convention priority data:  
(31) Number (32) Date (33) Country  
**29/405182 31 Oct 2011 UNITED STATES OF AMERICA**  
(56) Related Art Documents: **Not Applicable**  
(57) Statement of Newness and Distinctiveness: **Newness and distinctiveness is claimed in the features of shape and/or configuration of the body and cylindrical reflector housing of a mountable light as illustrated in the continuous lines in the accompanying representations.**

(21) Design Number: **12164/2012**  
(22) Date of Filing Application: **04 May 2012**  
(24) Date from which industrial property rights may have effect: **04 May 2012**  
(54) Product in respect of which the design is registered: **Cigarette pack**  
(51) International Design Classification: **09-03A**  
(74) Name(s) of Attorney(s): **Shelston IP**  
(71) Name(s) and Address(s) of Applicant(s):  
**Imperial Tobacco Limited**  
**Upton Road Southville PO Box 244 Bristol BS99 7UJ United Kingdom**



(72) Name(s) of Designer(s): **Mies van Landsfeld and Slavomir Novak**  
(45) Registration Date: **02 July 2012**  
(30) Convention priority data:  
(31) Number (32) Date (33) Country  
**001301089 09 Nov 2011 EUROPEAN COMMUNITY**  
(56) Related Art Documents: **Not Applicable**  
(57) Statement of Newness and Distinctiveness: **Nil**

(21) Design Number: **12306/2012**  
(22) Date of Filing Application: **14 May 2012**  
(24) Date from which industrial property rights may have effect: **14 May 2012**  
(54) Product in respect of which the design is registered: **Bottle**  
(51) International Design Classification: **09-01NES**  
(74) Name(s) of Attorney(s): **FB Rice**  
(71) Name(s) and Address(s) of Applicant(s):

**SAVERGLASS**  
**3 rue de la Gare 60960 Feuquieres France**

(72) Name(s) of Designer(s): **Fraser Reynolds**

(45) Registration Date: **02 July 2012**

(30) Convention priority data:

(31) Number	(32) Date	(33) Country
<b>001949314-0001</b>	<b>18 Nov 2011</b>	<b>EUROPEAN COMMUNITY</b>

(56) Related Art Documents: **Not Applicable**

(57) Statement of Newness and Distinctiveness: **Newness and distinctiveness resides in the features of the bottle as shown in solid lines in the representations, (excluding the features shown in dashed lines), the bottle having a neck, a body with shoulders and a bottom, and in particular in the neck being cylindrical with a radiused join with the shoulders, in the shoulders being flat, inclined, joined with the sides of the body and forming transversal convex curved ribs, in that the body is based on a polyhedron with an upper quadrangular section which is wider than the quadrangular section of the bottom, both quadrangular sections have two opposite narrow sides slightly curved in a convex form in that the body is of variable width narrowing from the shoulders and slightly widening towards the bottom and in that the body has two wide flat sides and two narrow curved sides which are vertically and horizontally concave and wherein the ratio of the width of the upper part of the body to the height of the body is approximately 1:1.5.**



(21) Design Number: **12310/2012**  
(22) Date of Filing Application: **14 May 2012**  
(24) Date from which industrial property rights may have effect: **14 May 2012**  
(54) Product in respect of which the design is registered: **Bottle**  
(51) International Design Classification: **09-01NES**  
(74) Name(s) of Attorney(s): **FB Rice**  
(71) Name(s) and Address(s) of Applicant(s):

**SAVERGLASS**  
**3 rue de la Gare 60960 Feuquieres France**

(72) Name(s) of Designer(s): **Richard Lauret**

(45) Registration Date: **02 July 2012**

(30) Convention priority data:

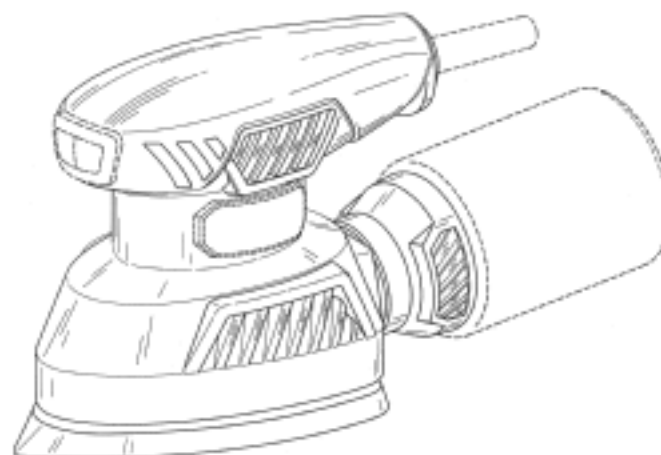
(31) Number	(32) Date	(33) Country
<b>001983065-0001</b>	<b>30 Jan 2012</b>	<b>EUROPEAN COMMUNITY</b>

(56) Related Art Documents: **Not Applicable**

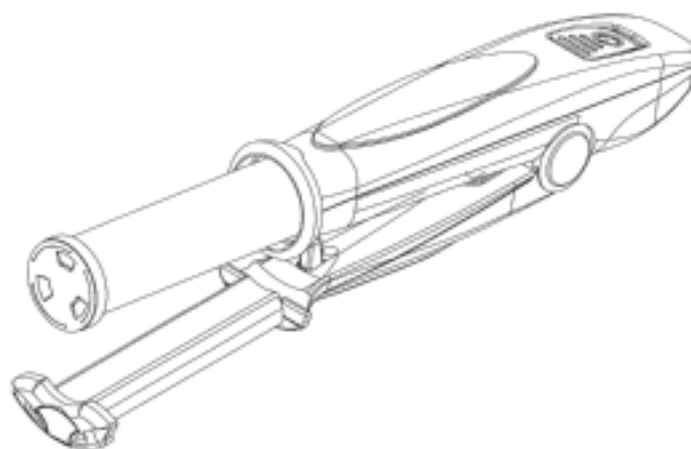
(57) Statement of Newness and Distinctiveness: **Newness and distinctiveness reside in the features of the bottle as shown in solid lines in the representations, (excluding the features shown in dashed lines), the bottle having a neck, a body with shoulders and bottom, and in particular in the cylindrical neck and its radiused join with the shoulders, in that the shoulders are flat and joined with the sides of the body through transversal convex curved ribs, in that the body shape is based on a truncated pyramid with a quadrangular section in plan view which expands towards the oval bottom, in that the lateral sides of the body are of equal width and the front and rear sides of the body are of equal width, with the front and rear sides of the body being wider than the lateral sides, in thickened bottom having a high glass base and in that the ratio between the height of the neck and the height of the body is approximately 1:3 and in that the ratio between the height of the body with the shoulders, and the greater width of the body is approximately 1.7:1.**



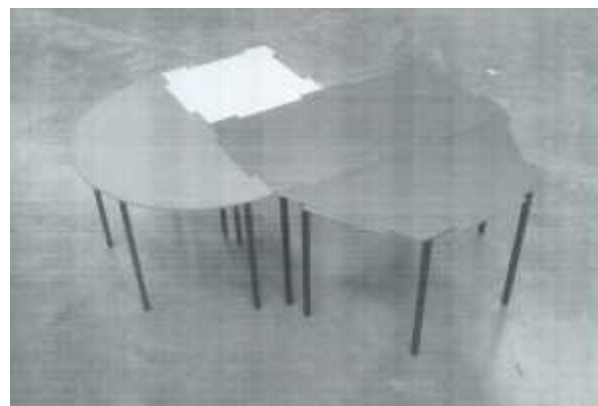
(21) Design Number: **12368/2012**  
(22) Date of Filing Application: **17 May 2012**  
(24) Date from which industrial property rights may have effect: **17 May 2012**  
(54) Product in respect of which the design is registered: **Sander**  
(51) International Design Classification: **08-05N**  
(74) Name(s) of Attorney(s): **Collison & Co**  
(71) Name(s) and Address(s) of Applicant(s):  
**Hutchin Exports Ltd**  
**The Lake Building 1st Floor Wickhams Cay 1 Road Town Tortola British**  
**Virgin Islands**  
(72) Name(s) of Designer(s): **Michael Waldron**  
(45) Registration Date: **02 July 2012**  
(30) Convention priority data:  
(31) Number (32) Date (33) Country  
**29420655 11 May 2012 UNITED STATES OF AMERICA**  
(56) Related Art Documents: **Not Applicable**  
(57) Statement of Newness and Distinctiveness: **Newness and distinctiveness is claimed in respect of the shape and configuration and / or pattern and ornamentation of the sander as shown in the accompanying representations excluding the portions represented by the broken lines.**



(21) Design Number: **12510/2012**  
(22) Date of Filing Application: **25 May 2012**  
(24) Date from which industrial property rights may have effect: **25 May 2012**  
(54) Product in respect of which the design is registered: **Hair styling device**  
(51) International Design Classification: **28-03B**  
(74) Name(s) of Attorney(s): **Griffith Hack**  
(71) Name(s) and Address(s) of Applicant(s):  
**MM&R Products, Inc.**  
**5000 North Parkway Calabasas CA 91327 United States Of America**  
(72) Name(s) of Designer(s): **Jason Lee Cooper**  
(45) Registration Date: **02 July 2012**  
(56) Related Art Documents: **Not Applicable**  
(57) Statement of Newness and Distinctiveness: **Newness and distinctiveness resides in the visual features, including shape and configuration of a hair styling device, as shown in the solid outline in the accompanying drawings.**



(21) Design Number: **12551/2012**  
(22) Date of Filing Application: **24 May 2012**  
(24) Date from which industrial property rights may have effect: **24 May 2012**  
(54) Product in respect of which the design is registered: **Jigsaw table**  
(51) International Design Classification: **06-03B**  
(74) Name(s) of Attorney(s):  
(71) Name(s) and Address(s) of Applicant(s):  
**Dynamic Concepts (Victoria) Pty Ltd**  
**58 Rushdale Street Knoxfield Victoria 3180 Australia**  
(72) Name(s) of Designer(s): **Paul Coffey**  
(45) Registration Date: **02 July 2012**  
(56) Related Art Documents: **Not Applicable**  
(57) Statement of Newness and Distinctiveness: **Monopoly is claimed in the design of the linking feature that allows tables of various shapes and sizes to be held together or arranged using the common linking design. Indefinite length, width or shape of table tops may be varied using the design linking feature. No claim is made over colour or metal frame construction.**



(21) Design Number: **12746/2012**  
(22) Date of Filing Application: **08 June 2012**  
(24) Date from which industrial property rights may have effect: **08 June 2012**  
(54) Product in respect of which the design is registered: **Paper product dispenser**  
(51) International Design Classification: **23-02A**  
(74) Name(s) of Attorney(s): **Freehills Patent Attorneys**  
(71) Name(s) and Address(s) of Applicant(s):  
**Kimberly-Clark Worldwide, Inc.**  
**2300 Winchester Road Neenah Wisconsin 54956 United States of America**  
(72) Name(s) of Designer(s): **Jonathan Green and Bastiaan Roelof Tjaden and Joseph Elisabeth Oberdorf**  
(45) Registration Date: **03 July 2012**  
(30) Convention priority data:  
(31) Number (32) Date (33) Country  
**29/408989 19 Dec 2011 UNITED STATES OF AMERICA**  
(56) Related Art Documents: **Not Applicable**  
(57) Statement of Newness and Distinctiveness: **Newness and distinctiveness of the design resides in the shape and/or configuration of the paper product dispenser as shown in solid outline in the accompanying representations. When determining whether the design is substantially similar in overall impression to another design, no regard is to be had to the features shown in broken lines.**



(21) Design Number: **12747/2012**  
(22) Date of Filing Application: **08 June 2012**  
(24) Date from which industrial property rights may have effect: **08 June 2012**  
(54) Product in respect of which the design is registered: **Viscous liquid dispenser**  
(51) International Design Classification: **23-02A**  
(74) Name(s) of Attorney(s): **Freehills Patent Attorneys**  
(71) Name(s) and Address(s) of Applicant(s):  
**Kimberly-Clark Worldwide, Inc.**  
**2300 Winchester Road Neenah Wisconsin 54956 United States of America**  
(72) Name(s) of Designer(s): **Jonathan Green and Bastiaan Roelof Tjaden and Joseph Elisabeth Oberdorf**  
(45) Registration Date: **03 July 2012**  
(30) Convention priority data:  
(31) Number (32) Date (33) Country  
**29/408991 19 Dec 2011 UNITED STATES OF AMERICA**  
(56) Related Art Documents: **Not Applicable**  
(57) Statement of Newness and Distinctiveness: **Newness and distinctiveness of the design resides in the shape and/or configuration of the viscous liquid dispenser as shown in solid outline in the accompanying representations. When determining whether the design is substantially similar in overall impression to another design, no regard is to be had to the features shown broken lines.**



(21) Design Number: **12748/2012**  
(22) Date of Filing Application: **08 June 2012**  
(24) Date from which industrial property rights may have effect: **08 June 2012**  
(54) Product in respect of which the design is registered: **Rolled paper product dispenser**  
(51) International Design Classification: **23-02A**  
(74) Name(s) of Attorney(s): **Freehills Patent Attorneys**  
(71) Name(s) and Address(s) of Applicant(s):  
**Kimberly-Clark Worldwide, Inc.**  
**2300 Winchester Road Neenah Wisconsin 54956 United States of America**  
(72) Name(s) of Designer(s): **Jonathan Green and Bastiaan Roelof Tjaden and Joseph Elisabeth Oberdorf**  
(45) Registration Date: **03 July 2012**  
(30) Convention priority data:  
(31) Number (32) Date (33) Country  
**29/408992 19 Dec 2011 UNITED STATES OF AMERICA**  
(56) Related Art Documents: **Not Applicable**  
(57) Statement of Newness and Distinctiveness: **Newness and distinctiveness of the design resides in the shape and/or configuration of the rolled paper product dispenser as shown in solid outline in the accompanying representations. When determining whether the design is substantially similar in overall impression to another design, no regard is to be had to the features shown broken lines.**



- (21) Design Number: **12749/2012**  
(22) Date of Filing Application: **08 June 2012**  
(24) Date from which industrial property rights may have effect: **08 June 2012**  
(54) Product in respect of which the design is registered: **Sofa**  
(51) International Design Classification: **06-01G**  
(74) Name(s) of Attorney(s): **FB Rice**  
(71) Name(s) and Address(s) of Applicant(s):  
**King Furniture (Australia) Pty Ltd**  
**123 Turrella Street Turrella New South Wales 2205 Australia**  
(72) Name(s) of Designer(s): **Ryan Lawson and John Levey and Tanya Rechberger and David King**  
(45) Registration Date: **03 July 2012**  
(56) Related Art Documents: **Not Applicable**  
(57) Statement of Newness and Distinctiveness: **Newness and distinctiveness reside in the features of the design as shown in the representations.**



- (21) Design Number: **12751/2012**  
(22) Date of Filing Application: **08 June 2012**  
(24) Date from which industrial property rights may have effect: **08 June 2012**  
(54) Product in respect of which the design is registered: **Modular chair**  
(51) International Design Classification: **06-01G**  
(74) Name(s) of Attorney(s): **FB Rice**  
(71) Name(s) and Address(s) of Applicant(s):  
**King Furniture (Australia) Pty Ltd**  
**123 Turrella Street Turrella New South Wales 2205 Australia**  
(72) Name(s) of Designer(s): **Ryan Lawson and John Levey and Tanya Rechberger and David King**  
(45) Registration Date: **03 July 2012**  
(56) Related Art Documents: **Not Applicable**  
(57) Statement of Newness and Distinctiveness: **Newness and distinctiveness reside in the features of the design as shown in the representations, wherein the number of armrests, one of which is shown on the left side of the armchair, may vary between zero, one (on either side of the armchair) and two, the appearance of the mechanism visible in Fig. 4 of the representations being disclaimed.**



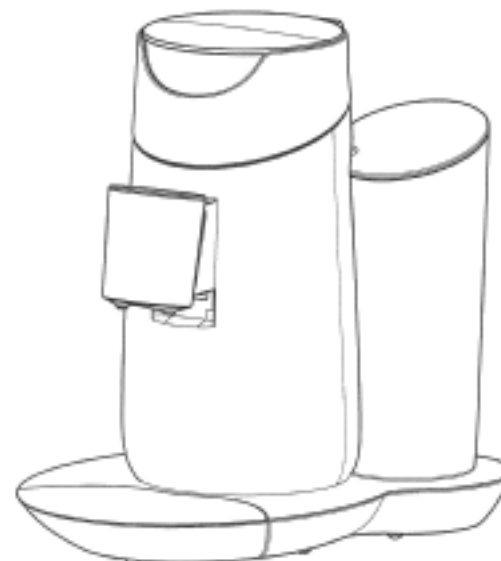
- (21) Design Number: **12752/2012**  
(22) Date of Filing Application: **08 June 2012**  
(24) Date from which industrial property rights may have effect: **08 June 2012**  
(54) Product in respect of which the design is registered: **Modular chair**  
(51) International Design Classification: **06-01G**  
(74) Name(s) of Attorney(s): **FB Rice**  
(71) Name(s) and Address(s) of Applicant(s):  
**King Furniture (Australia) Pty Ltd**  
**123 Turrella Street Turrella New South Wales 2205 Australia**  
(72) Name(s) of Designer(s): **Ryan Lawson and John Levey and Tanya Rechberger and David King**  
(45) Registration Date: **03 July 2012**  
(56) Related Art Documents: **Not Applicable**  
(57) Statement of Newness and Distinctiveness: **Newness and distinctiveness reside in the features of the design as shown in the representations, wherein the number of armrests, one of which is shown on the left side of the armchair, may vary between zero, one (on either side of the armchair) and two, the appearance of the mechanism visible in Fig. 4 of the representations being disclaimed.**



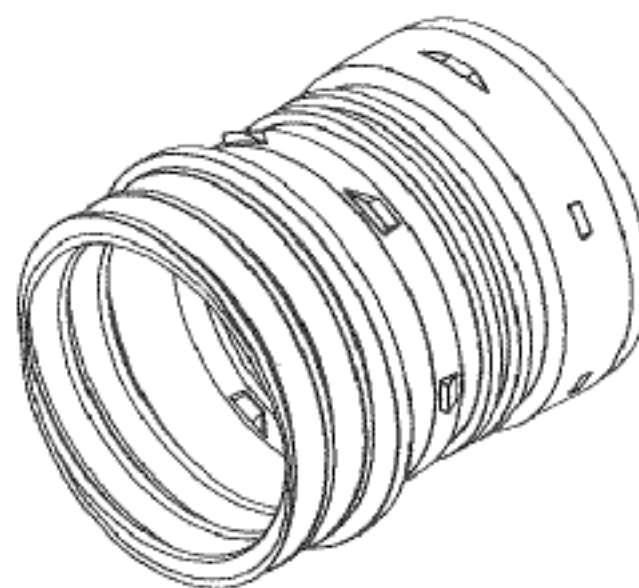
- (21) Design Number: **12753/2012**  
(22) Date of Filing Application: **08 June 2012**  
(24) Date from which industrial property rights may have effect: **08 June 2012**  
(54) Product in respect of which the design is registered: **Furniture module**  
(51) International Design Classification: **06-01G**  
(74) Name(s) of Attorney(s): **FB Rice**  
(71) Name(s) and Address(s) of Applicant(s):  
**King Furniture (Australia) Pty Ltd**  
**123 Turrella Street Turrella New South Wales 2205 Australia**  
(72) Name(s) of Designer(s): **Ryan Lawson and John Levey and Tanya Rechberger and David King**  
(45) Registration Date: **03 July 2012**  
(56) Related Art Documents: **Not Applicable**  
(57) Statement of Newness and Distinctiveness: **Newness and distinctiveness reside in the features of the design as shown in the representations.**



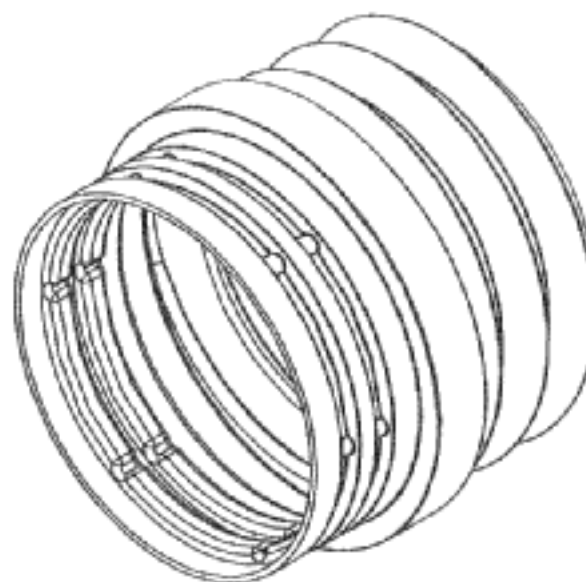
(21) Design Number: **12754/2012**  
(22) Date of Filing Application: **08 June 2012**  
(24) Date from which industrial property rights may have effect: **08 June 2012**  
(54) Product in respect of which the design is registered: **Coffee maker**  
(51) International Design Classification: **07-02L**  
(74) Name(s) of Attorney(s): **FB Rice**  
(71) Name(s) and Address(s) of Applicant(s):  
**Koninklijke Philips Electronics N.V.**  
**Groenwoudseweg 1 5621 BA Eindhoven The Netherlands**  
**Sara Lee/DE N.V.**  
**Vleutensevaart 100 3532 AD Utrecht The Netherlands**  
(72) Name(s) of Designer(s): **Graeme Antony Warburton**  
(45) Registration Date: **03 July 2012**  
(30) Convention priority data:  
(31) Number (32) Date (33) Country  
**001959958-0001 08 Dec 2011 EUROPEAN COMMUNITY**  
(56) Related Art Documents: **Not Applicable**  
(57) Statement of Newness and Distinctiveness: **Newness and distinctiveness reside in the features of shape and configuration of the coffee maker as shown in the representations.**



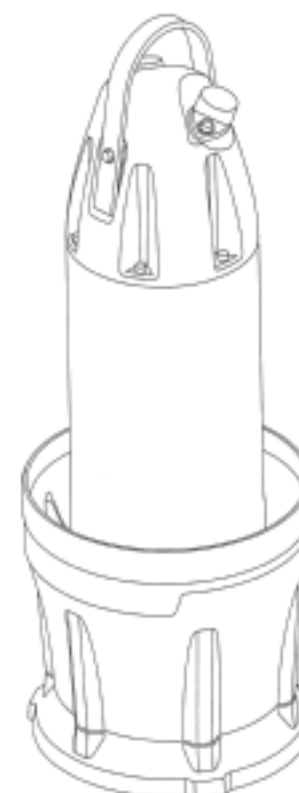
(21) Design Number: **12878/2012**  
(22) Date of Filing Application: **13 March 2012**  
(24) Date from which industrial property rights may have effect: **13 March 2012**  
(54) Product in respect of which the design is registered: **Pipe adaptor**  
(51) International Design Classification: **23-01A**  
(74) Name(s) of Attorney(s): **PHILLIPS ORMONDE FITZPATRICK**  
(71) Name(s) and Address(s) of Applicant(s):  
**Reln Pty Ltd**  
**14 Williamson Road Ingleburn New South Wales 2565 Australia**  
(72) Name(s) of Designer(s): **Owen Edward Luke**  
(45) Registration Date: **03 July 2012**  
(56) Related Art Documents: **Not Applicable**  
(57) Statement of Newness and Distinctiveness: **Nil**



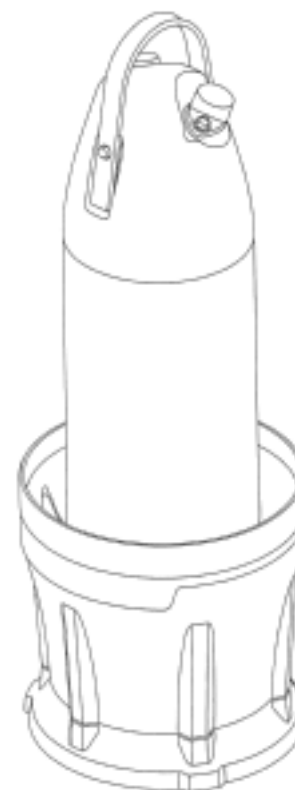
(21) Design Number: **12879/2012**  
(22) Date of Filing Application: **13 March 2012**  
(24) Date from which industrial property rights may have effect: **13 March 2012**  
(54) Product in respect of which the design is registered: **Drainage channel adaptor**  
(51) International Design Classification: **23-01A**  
(74) Name(s) of Attorney(s): **PHILLIPS ORMONDE FITZPATRICK**  
(71) Name(s) and Address(s) of Applicant(s):  
**ReIn Pty Ltd**  
**14 Williamson Road Ingleburn New South Wales 2565 Australia**  
(72) Name(s) of Designer(s): **Owen Edward Luke**  
(45) Registration Date: **03 July 2012**  
(56) Related Art Documents: **Not Applicable**  
(57) Statement of Newness and Distinctiveness: **Nil**



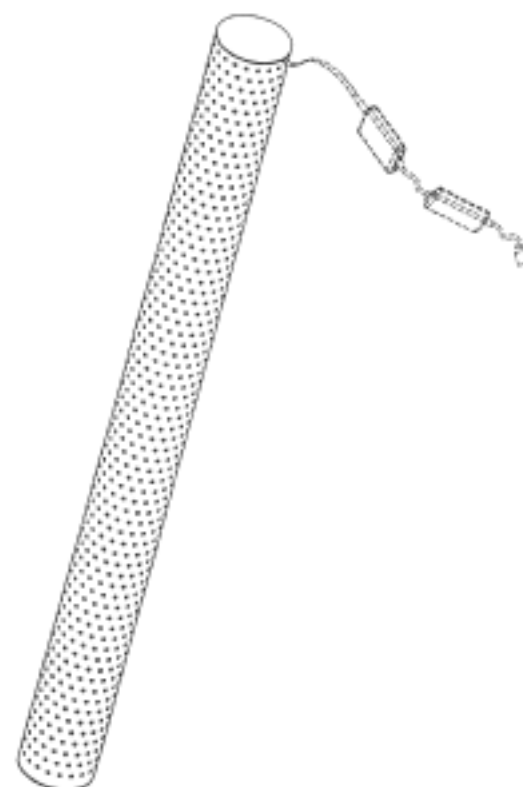
(21) Design Number: **12653/2012**  
(22) Date of Filing Application: **04 June 2012**  
(24) Date from which industrial property rights may have effect: **04 June 2012**  
(54) Product in respect of which the design is registered: **Pump**  
(51) International Design Classification: **15-02**  
(74) Name(s) of Attorney(s): **Griffith Hack**  
(71) Name(s) and Address(s) of Applicant(s):  
**Xylem IP Holdings LLC**  
**1133 Westchester Avenue White Plains NY 10604 United States of America**  
(72) Name(s) of Designer(s): **Jorgen Burman and Viktor Bredwad**  
(45) Registration Date: **03 July 2012**  
(30) Convention priority data:  
(31) Number (32) Date (33) Country  
**001961590-0001 13 Dec 2011 EUROPEAN COMMUNITY**  
(56) Related Art Documents: **Not Applicable**  
(57) Statement of Newness and Distinctiveness: **Nil**



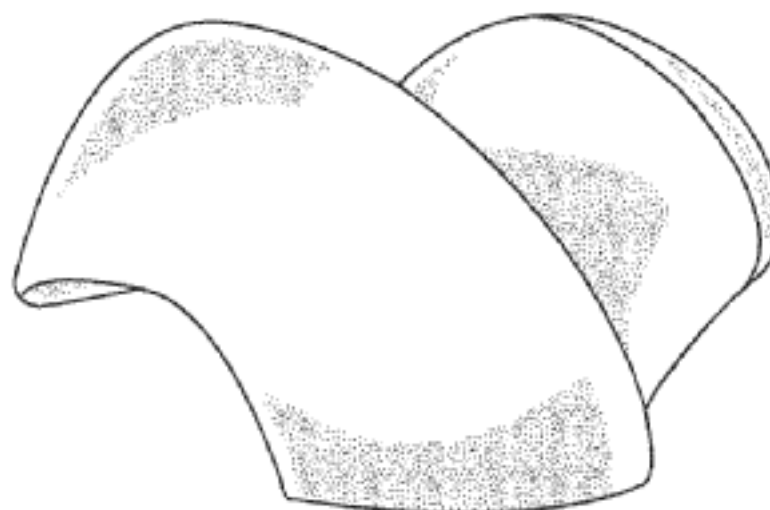
(21) Design Number: **12654/2012**  
(22) Date of Filing Application: **04 June 2012**  
(24) Date from which industrial property rights may have effect: **04 June 2012**  
(54) Product in respect of which the design is registered: **Pump**  
(51) International Design Classification: **15-02**  
(74) Name(s) of Attorney(s): **Griffith Hack**  
(71) Name(s) and Address(s) of Applicant(s):  
**Xylem IP Holdings LLC**  
**1133 Westchester Avenue White Plains NY 10604 United States of America**  
(72) Name(s) of Designer(s): **Jorgen Burman and Viktor Bredwad**  
(45) Registration Date: **03 July 2012**  
(30) Convention priority data:  
(31) Number (32) Date (33) Country  
**001961590-0001 13 Dec 2011 EUROPEAN COMMUNITY**  
(56) Related Art Documents: **Not Applicable**  
(57) Statement of Newness and Distinctiveness: **Nil**



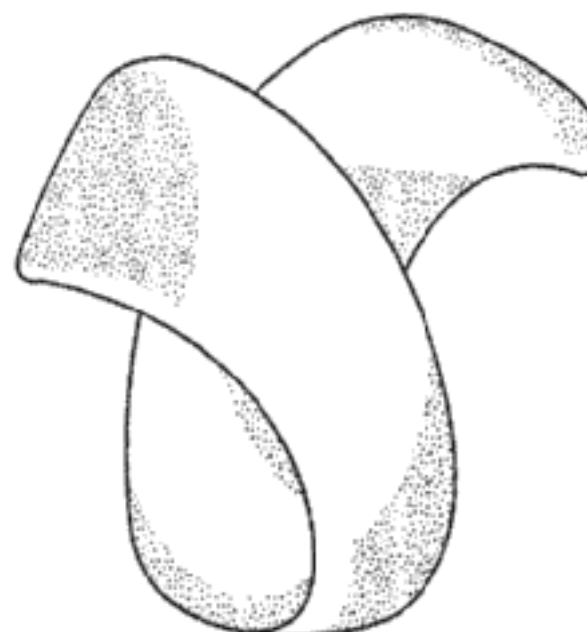
(21) Design Number: **12655/2012**  
(22) Date of Filing Application: **04 June 2012**  
(24) Date from which industrial property rights may have effect: **04 June 2012**  
(54) Product in respect of which the design is registered: **Illumination apparatus**  
(51) International Design Classification: **26-04**  
(74) Name(s) of Attorney(s): **Cullens Patent and Trade Mark Attorneys**  
(71) Name(s) and Address(s) of Applicant(s):  
**Shimon Shahar**  
**41 Frishman Street Tel Aviv Israel**  
(72) Name(s) of Designer(s): **Shimon Shahar**  
(45) Registration Date: **03 July 2012**  
(30) Convention priority data:  
(31) Number (32) Date (33) Country  
**51917 05 Dec 2011 ISRAEL**  
(56) Related Art Documents: **Not Applicable**  
(57) Statement of Newness and Distinctiveness: **Nil**



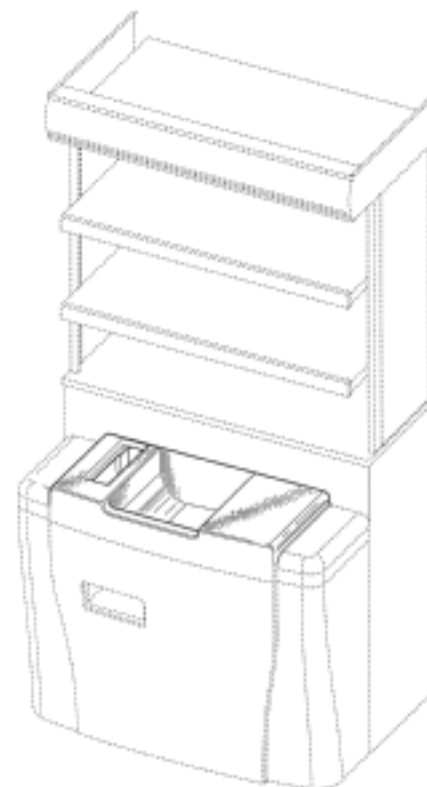
(21) Design Number: **12656/2012**  
(22) Date of Filing Application: **05 June 2012**  
(24) Date from which industrial property rights may have effect: **05 June 2012**  
(54) Product in respect of which the design is registered: **Spiral potato piece**  
(51) International Design Classification: **01-02**  
(74) Name(s) of Attorney(s): **Griffith Hack**  
(71) Name(s) and Address(s) of Applicant(s):  
**J.R. Simplot Company**  
**One Capital Center 999 Main Street Suite 1300 Boise ID 83702 United States of America**  
(72) Name(s) of Designer(s): **David Bruce Walker and Allen J. Neel and Charles F. Dewey and Bruce T. Pittard and Michael L. Hamann**  
(45) Registration Date: **03 July 2012**  
(30) Convention priority data:  
(31) Number (32) Date (33) Country  
**29/411033 16 Jan 2012 UNITED STATES OF AMERICA**  
(56) Related Art Documents: **Not Applicable**  
(57) Statement of Newness and Distinctiveness: **Nil**



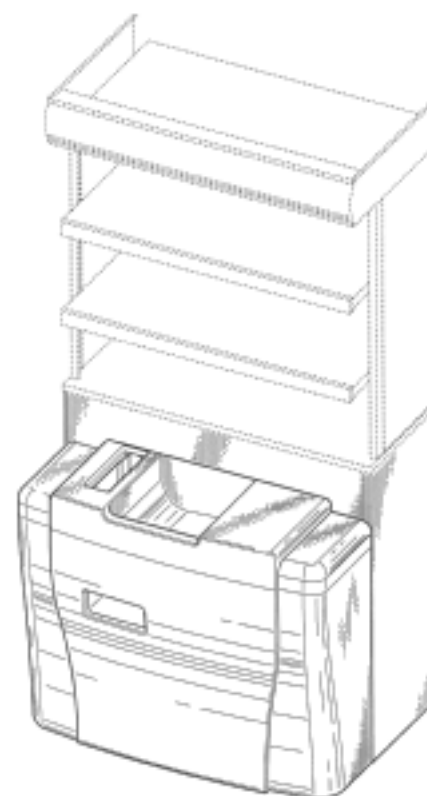
(21) Design Number: **12657/2012**  
(22) Date of Filing Application: **05 June 2012**  
(24) Date from which industrial property rights may have effect: **05 June 2012**  
(54) Product in respect of which the design is registered: **Spiral potato piece**  
(51) International Design Classification: **01-02**  
(74) Name(s) of Attorney(s): **Griffith Hack**  
(71) Name(s) and Address(s) of Applicant(s):  
**J.R. Simplot Company**  
**One Capital Center 999 Main Street Suite 1300 Boise ID 83702 United States of America**  
(72) Name(s) of Designer(s): **David Bruce Walker and Allen J. Neel and Charles F. Dewey and Bruce T. Pittard and Michael L. Hamann**  
(45) Registration Date: **03 July 2012**  
(30) Convention priority data:  
(31) Number (32) Date (33) Country  
**29/411033 16 Jan 2012 UNITED STATES OF AMERICA**  
(56) Related Art Documents: **Not Applicable**  
(57) Statement of Newness and Distinctiveness: **Nil**



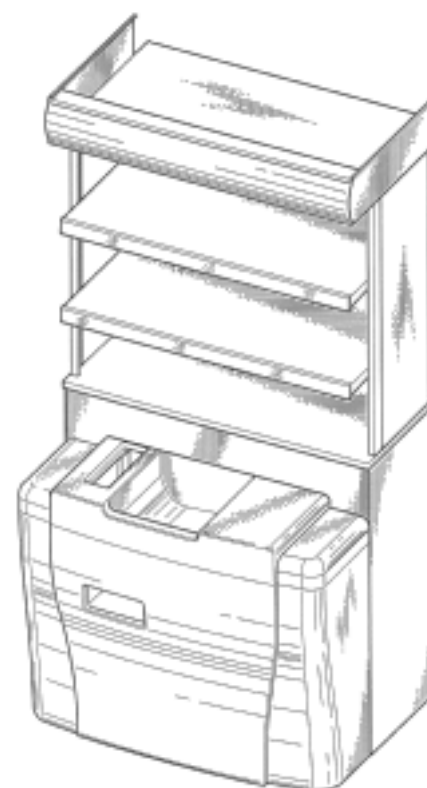
- (21) Design Number: **12658/2012**  
(22) Date of Filing Application: **05 June 2012**  
(24) Date from which industrial property rights may have effect: **05 June 2012**  
(54) Product in respect of which the design is registered: **Merchandiser**  
(51) International Design Classification: **20-02E**  
(74) Name(s) of Attorney(s): **PHILLIPS ORMONDE FITZPATRICK**  
(71) Name(s) and Address(s) of Applicant(s):  
**The Coca-Cola Company**  
**One Coca-Cola Plaza N.W. Atlanta Georgia 30313 United States of America**  
(72) Name(s) of Designer(s): **Jurgen Roekens and Bart Carpentier and Erik Van Genechten**  
(45) Registration Date: **03 July 2012**  
(30) Convention priority data:  
(31) Number (32) Date (33) Country  
**29/423,505 01 Jun 2012 UNITED STATES OF AMERICA**  
(56) Related Art Documents: **Not Applicable**  
(57) Statement of Newness and Distinctiveness: **Those features of the merchandiser depicted in the representations that are new and distinctive are the shape and/or configuration. The features shown in broken lines are not part of the design and are to be disregarded when considering the overall impression of the design.**



- (21) Design Number: **12659/2012**  
(22) Date of Filing Application: **05 June 2012**  
(24) Date from which industrial property rights may have effect: **05 June 2012**  
(54) Product in respect of which the design is registered: **Merchandiser**  
(51) International Design Classification: **20-02E**  
(74) Name(s) of Attorney(s): **PHILLIPS ORMONDE FITZPATRICK**  
(71) Name(s) and Address(s) of Applicant(s):  
**The Coca-Cola Company**  
**One Coca-Cola Plaza N.W. Atlanta Georgia 30313 United States of America**  
(72) Name(s) of Designer(s): **Jurgen Roekens and Bart Carpentier and Erik Van Genechten**  
(45) Registration Date: **03 July 2012**  
(30) Convention priority data:  
(31) Number (32) Date (33) Country  
**29/423,505 01 Jun 2012 UNITED STATES OF AMERICA**  
(56) Related Art Documents: **Not Applicable**  
(57) Statement of Newness and Distinctiveness: **Those features of the merchandiser depicted in the representations that are new and distinctive are the shape and/or configuration. The features shown in broken lines are not part of the design and are to be disregarded when considering the overall impression of the design.**



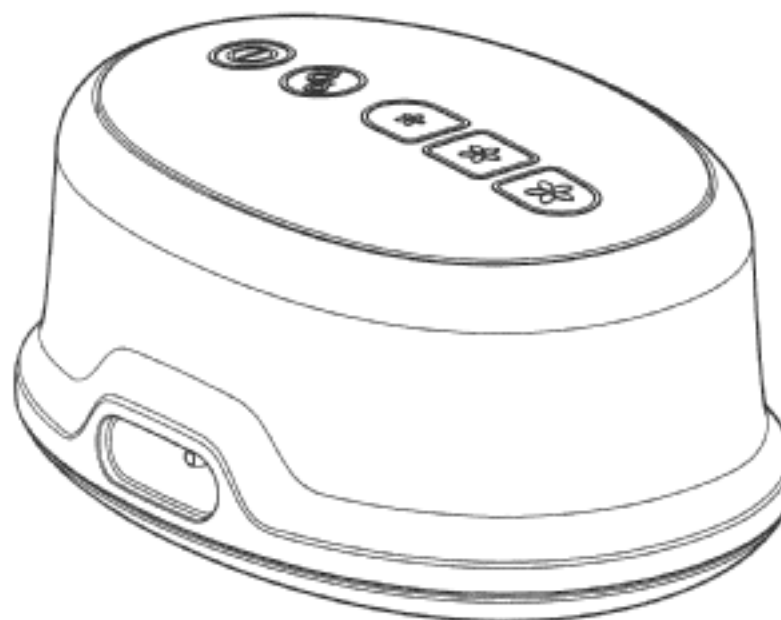
- (21) Design Number: **12660/2012**  
(22) Date of Filing Application: **05 June 2012**  
(24) Date from which industrial property rights may have effect: **05 June 2012**  
(54) Product in respect of which the design is registered: **Merchandiser**  
(51) International Design Classification: **20-02E**  
(74) Name(s) of Attorney(s): **PHILLIPS ORMONDE FITZPATRICK**  
(71) Name(s) and Address(s) of Applicant(s):  
**The Coca-Cola Company**  
**One Coca-Cola Plaza N.W. Atlanta Georgia 30313 United States of America**  
(72) Name(s) of Designer(s): **Jurgen Roekens and Bart Carpentier and Erik Van Genechten**  
(45) Registration Date: **03 July 2012**  
(30) Convention priority data:  
(31) Number (32) Date (33) Country  
**29/423,505 01 Jun 2012 UNITED STATES OF AMERICA**  
(56) Related Art Documents: **Not Applicable**  
(57) Statement of Newness and Distinctiveness: **Those features of the merchandiser depicted in the representations that are new and distinctive are the shape and/or configuration.**



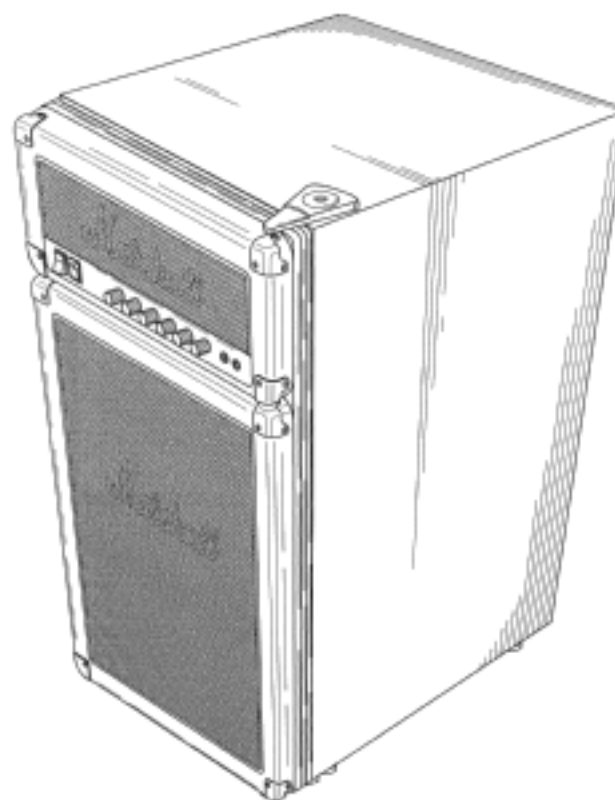
- (21) Design Number: **12661/2012**  
(22) Date of Filing Application: **05 June 2012**  
(24) Date from which industrial property rights may have effect: **05 June 2012**  
(54) Product in respect of which the design is registered: **Base unit for breastpump**  
(51) International Design Classification: **24-02**  
(74) Name(s) of Attorney(s): **FB Rice**  
(71) Name(s) and Address(s) of Applicant(s):  
**Koninklijke Philips Electronics N.V.**  
**Groenewoudseweg 1, 5621 BA Eindhoven, The Netherlands**  
(72) Name(s) of Designer(s): **Elodie Jeanne Claudine Thomas**  
(45) Registration Date: **03 July 2012**  
(30) Convention priority data:  
(31) Number (32) Date (33) Country  
**001958398-0002 06 Dec 2011 EUROPEAN COMMUNITY**  
(56) Related Art Documents: **Not Applicable**  
(57) Statement of Newness and Distinctiveness: **Newness and distinctiveness reside in the features of shape and configuration of the base unit for breastpump as shown in the representations.**



(21) Design Number: **12662/2012**  
(22) Date of Filing Application: **05 June 2012**  
(24) Date from which industrial property rights may have effect: **05 June 2012**  
(54) Product in respect of which the design is registered: **Base unit for breast pump**  
(51) International Design Classification: **24-02**  
(74) Name(s) of Attorney(s): **FB Rice**  
(71) Name(s) and Address(s) of Applicant(s):  
**Koninklijke Philips Electronics N.V.,  
Groenewoudseweg 1 5621 BA Eindhoven The Netherlands**  
(72) Name(s) of Designer(s): **Elodie Jeanne Claudine Thomas**  
(45) Registration Date: **03 July 2012**  
(30) Convention priority data:  
(31) Number (32) Date (33) Country  
**001958398-0001 06 Dec 2011 EUROPEAN COMMUNITY**  
(56) Related Art Documents: **Not Applicable**  
(57) Statement of Newness and Distinctiveness: **Newness and distinctiveness reside in the features of shape and configuration of the base unit for breast pump as shown in the representations**



(21) Design Number: **12666/2012**  
(22) Date of Filing Application: **05 June 2012**  
(24) Date from which industrial property rights may have effect: **05 June 2012**  
(54) Product in respect of which the design is registered: **Refrigerator**  
(51) International Design Classification: **15-07**  
(74) Name(s) of Attorney(s): **Shelston IP**  
(71) Name(s) and Address(s) of Applicant(s):  
**Marshall Amplification Plc  
Denbigh Road Bletchley Milton Keynes Buckinghamshire MK1 1DQ  
United Kingdom**  
(72) Name(s) of Designer(s): **Andy Golding**  
(45) Registration Date: **03 July 2012**  
(30) Convention priority data:  
(31) Number (32) Date (33) Country  
**2027839 17 Apr 2012 EUROPEAN COMMUNITY**  
(56) Related Art Documents: **Not Applicable**  
(57) Statement of Newness and Distinctiveness: **Newness and distinctiveness resides in the design features applied to the doors of the refrigerator illustrated in the accompanying representations. The features depicted in broken lines are optional and/or could be varied.**



(21) Design Number: **12667/2012**

(22) Date of Filing Application: **05 June 2012**

(24) Date from which industrial property rights may have effect: **05 June 2012**

(54) Product in respect of which the design is registered: **Jar**

(51) International Design Classification: **09-01C**

(74) Name(s) of Attorney(s): **Shelston IP**

(71) Name(s) and Address(s) of Applicant(s):

**Graham Engineering Corporation  
1203 Eden Road York Pennsylvania 17402 United States of America**

(72) Name(s) of Designer(s): **Kristopher J. Ivie**

(45) Registration Date: **03 July 2012**

(30) Convention priority data:

(31) Number	(32) Date	(33) Country
<b>29/413058</b>	<b>10 Feb 2012</b>	<b>UNITED STATES OF AMERICA</b>

(56) Related Art Documents: **Not Applicable**

(57) Statement of Newness and Distinctiveness: **Newness and distinctiveness resides in the features of shape and configuration of a jar as illustrated in the accompanying representations.**



(21) Design Number: **12668/2012**

(22) Date of Filing Application: **05 June 2012**

(24) Date from which industrial property rights may have effect: **05 June 2012**

(54) Product in respect of which the design is registered: **Zipper securing aid**

(51) International Design Classification: **02-07A**

(74) Name(s) of Attorney(s): **Actuate IP**

(71) Name(s) and Address(s) of Applicant(s):

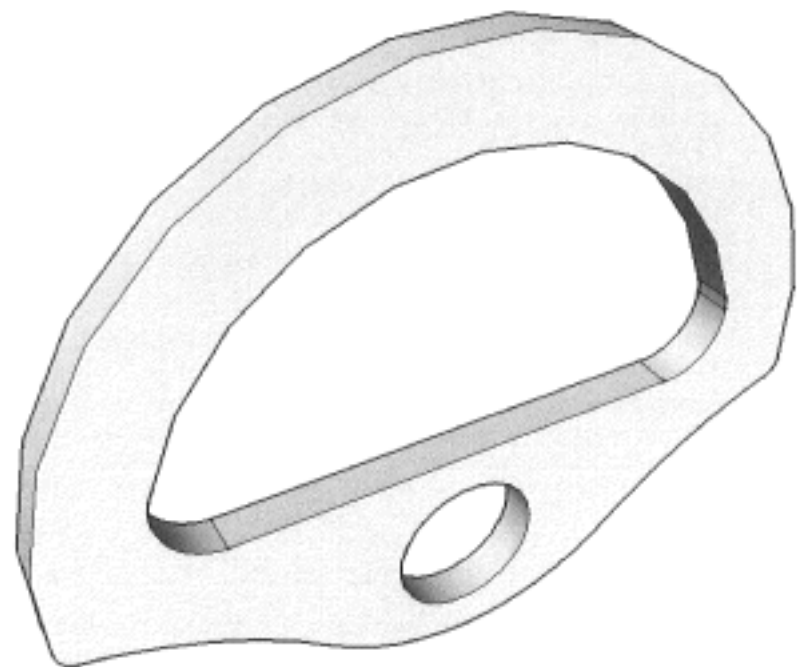
**Tyson Glenn Blackney  
22 Gogoll Crescent Torquay Victoria 3228 Australia**

(72) Name(s) of Designer(s): **Tyson Glenn Blackney**

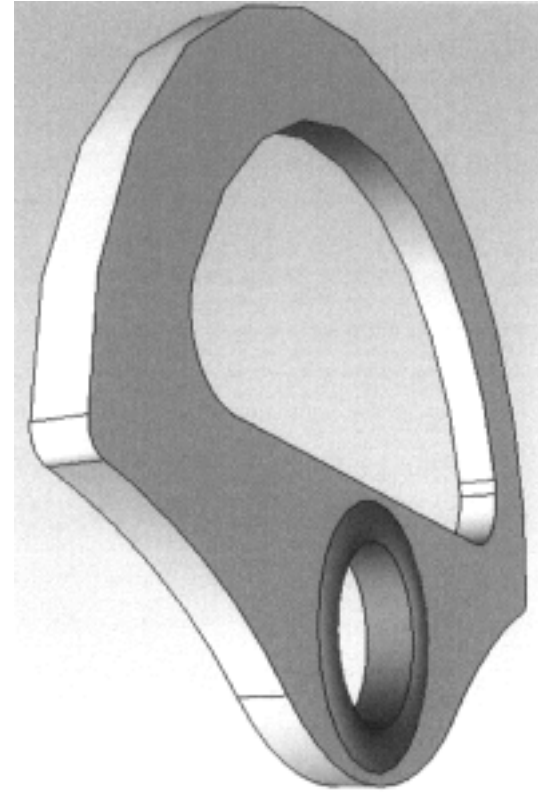
(45) Registration Date: **03 July 2012**

(56) Related Art Documents: **Not Applicable**

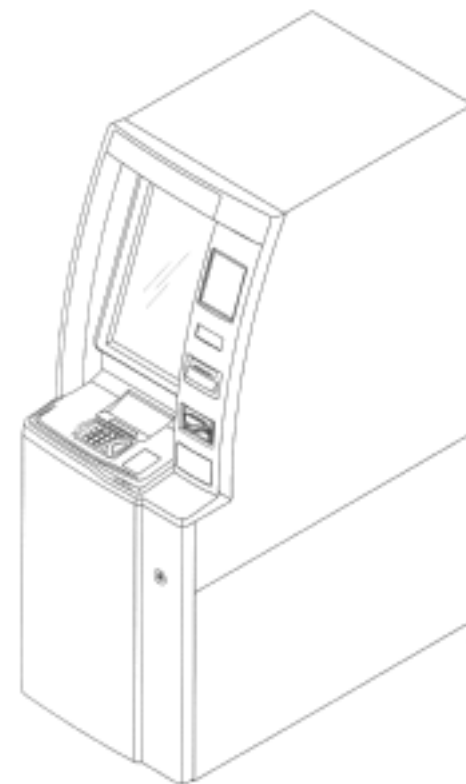
(57) Statement of Newness and Distinctiveness: **Nil**



(21) Design Number: **12669/2012**  
(22) Date of Filing Application: **05 June 2012**  
(24) Date from which industrial property rights may have effect: **05 June 2012**  
(54) Product in respect of which the design is registered: **Zipper securing aid**  
(51) International Design Classification: **02-07A**  
(74) Name(s) of Attorney(s): **Actuate IP**  
(71) Name(s) and Address(s) of Applicant(s):  
**Tyson Glenn Blackney**  
**22 Gogoll Crescent Torquay Victoria 3228 Australia**  
(72) Name(s) of Designer(s): **Tyson Glenn Blackney**  
(45) Registration Date: **03 July 2012**  
(56) Related Art Documents: **Not Applicable**  
(57) Statement of Newness and Distinctiveness: **Nil**



(21) Design Number: **11568/2012**  
(22) Date of Filing Application: **27 March 2012**  
(24) Date from which industrial property rights may have effect: **27 March 2012**  
(54) Product in respect of which the design is registered: **Automated teller machine**  
(51) International Design Classification: **20-01**  
(74) Name(s) of Attorney(s):  
(71) Name(s) and Address(s) of Applicant(s):  
**Nautilus Hyosung Inc.**  
**Cheongdam Building 52 Cheongdam-dong Gangnam-gu Seoul Korea**  
(72) Name(s) of Designer(s): **Hee Yeoun Lee and Jae Min Cha**  
(45) Registration Date: **04 July 2012**  
(30) Convention priority data:  
(31) Number (32) Date (33) Country  
**30-2011-0041365 06 Oct 2011 REPUBLIC OF KOREA**  
(56) Related Art Documents: **Not Applicable**  
(57) Statement of Newness and Distinctiveness: **Nil**



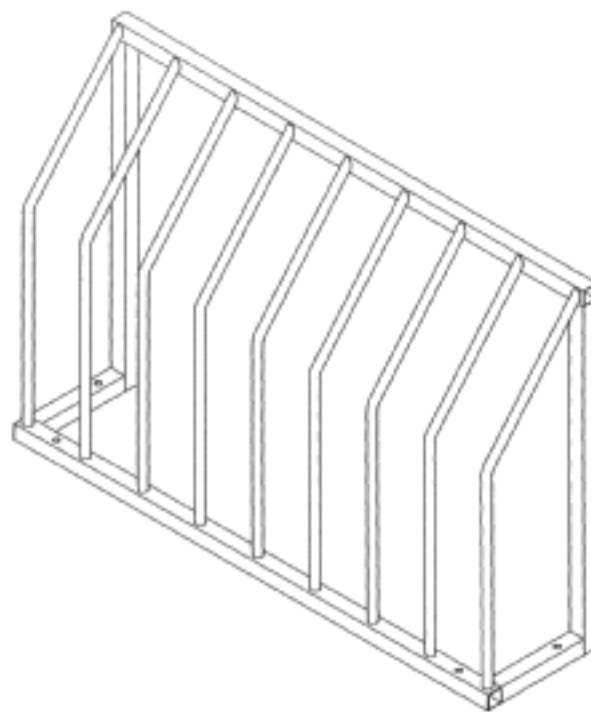
(21) Design Number: **12703/2012**  
(22) Date of Filing Application: **07 June 2012**  
(24) Date from which industrial property rights may have effect: **07 June 2012**  
(54) Product in respect of which the design is registered: **Beardtrimmer**  
(51) International Design Classification: **28-03D**  
(74) Name(s) of Attorney(s): **FB Rice**  
(71) Name(s) and Address(s) of Applicant(s):  
**Koninklijke Philips Electronics N.V.**  
**Groenewoudseweg 1 5621 BA Eindhoven The Netherlands**  
(72) Name(s) of Designer(s): **Gael Prat-Pfister and Manfred Nitsch**  
(45) Registration Date: **04 July 2012**  
(30) Convention priority data:  
(31) Number (32) Date (33) Country  
**001959362-0001 07 Dec 2011 EUROPEAN COMMUNITY**  
(56) Related Art Documents: **Not Applicable**  
(57) Statement of Newness and Distinctiveness: **Newness and distinctiveness reside in the features of shape and configuration of the beardtrimmer as shown in the representations.**



(21) Design Number: **12704/2012**  
(22) Date of Filing Application: **07 June 2012**  
(24) Date from which industrial property rights may have effect: **07 June 2012**  
(54) Product in respect of which the design is registered: **A daybed**  
(51) International Design Classification: **06-01B**  
(74) Name(s) of Attorney(s): **FB Rice**  
(71) Name(s) and Address(s) of Applicant(s):  
**King Furniture (Australia) Pty Ltd**  
**123 Turrella Street Turrella New South Wales 2205 Australia**  
(72) Name(s) of Designer(s): **Tanya Rechberger and John Levey and David King**  
(45) Registration Date: **04 July 2012**  
(56) Related Art Documents: **Not Applicable**  
(57) Statement of Newness and Distinctiveness: **Newness and distinctiveness reside in the features of the design as shown in the representations.**



- (21) Design Number: **12706/2012**  
(22) Date of Filing Application: **06 June 2012**  
(24) Date from which industrial property rights may have effect: **06 June 2012**  
(54) Product in respect of which the design is registered: **Skateboard and scooter parking rack**  
(51) International Design Classification: **08-10**  
(74) Name(s) of Attorney(s):  
(71) Name(s) and Address(s) of Applicant(s):  
**Martyn S Wilson**  
**8-10 Giffard Street Silverwater New South Wales 2128 Australia**  
(72) Name(s) of Designer(s): **Martyn S Wilson**  
(45) Registration Date: **04 July 2012**  
(56) Related Art Documents: **Not Applicable**  
(57) Statement of Newness and Distinctiveness: **The shape and configuration of the Skateboard and Scooter parking Rack as shown in the representation, and can be of indefinite length, is claimed to be new and distinctive.**



- (21) Design Number: **12721/2012**  
(22) Date of Filing Application: **07 June 2012**  
(24) Date from which industrial property rights may have effect: **07 June 2012**  
(54) Product in respect of which the design is registered: **Bottle**  
(51) International Design Classification: **09-01NES**  
(74) Name(s) of Attorney(s): **PHILLIPS ORMONDE FITZPATRICK**  
(71) Name(s) and Address(s) of Applicant(s):  
**The Gillette Company**  
**One Gillette Park Boston Massachusetts 02127 United States of America**  
(72) Name(s) of Designer(s): **Jonathan Norman Robert Hodges and Guohua Pan**  
(45) Registration Date: **04 July 2012**  
(30) Convention priority data:  
(31) Number      (32) Date      (33) Country  
**29/408,268      09 Dec 2011      UNITED STATES OF AMERICA**  
(56) Related Art Documents: **Not Applicable**  
(57) Statement of Newness and Distinctiveness: **Those features of the bottle depicted in the representations that are new and distinctive are the shape and/or configuration.**



(21) Design Number: **12722/2012**

(22) Date of Filing Application: **07 June 2012**

(24) Date from which industrial property rights may have effect: **07 June 2012**

(54) Product in respect of which the design is registered: **Shaving cartridge connector**

(51) International Design Classification: **28-03A**

(74) Name(s) of Attorney(s): **PHILLIPS ORMONDE FITZPATRICK**

(71) Name(s) and Address(s) of Applicant(s):

**The Gillette Company**

**One Gillette Park Boston Massachusetts 02127 United States of America**

(72) Name(s) of Designer(s): **Vanessa Christie and Guohua Pan and Kevin James Wain and Xiaolan Xu**

(45) Registration Date: **04 July 2012**

(30) Convention priority data:

(31) Number

(32) Date

(33) Country

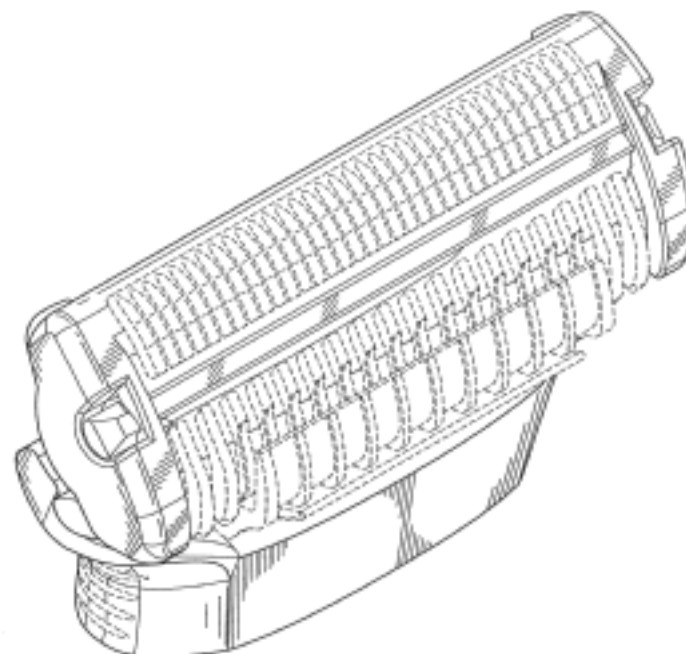
**29/408,269**

**09 Dec 2011**

**UNITED STATES OF AMERICA**

(56) Related Art Documents: **Not Applicable**

(57) Statement of Newness and Distinctiveness: **Those features of the shaving cartridge connector depicted in the representations that are new and distinctive are the shape and/or configuration. The features shown in broken line are not part of the design and are to be disregarded when considering the overall impression of the design.**



(21) Design Number: **12723/2012**

(22) Date of Filing Application: **06 June 2012**

(24) Date from which industrial property rights may have effect: **06 June 2012**

(54) Product in respect of which the design is registered: **A housing unit for an electronic meter**

(51) International Design Classification: **10-04**

(74) Name(s) of Attorney(s): **Collison & Co**

(71) Name(s) and Address(s) of Applicant(s):

**Hendon Semiconductors Pty Ltd**

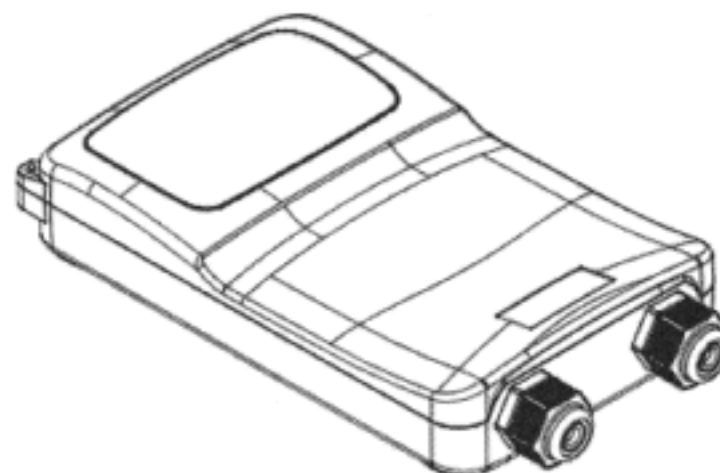
**1 Butler Drive Hendon South Australia 5014 Australia**

(72) Name(s) of Designer(s): **Daniel McLean and Barry Magazinovic**

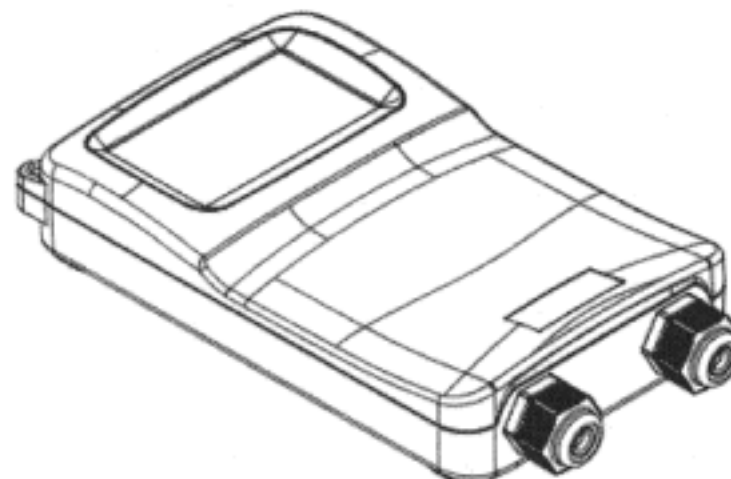
(45) Registration Date: **04 July 2012**

(56) Related Art Documents: **Not Applicable**

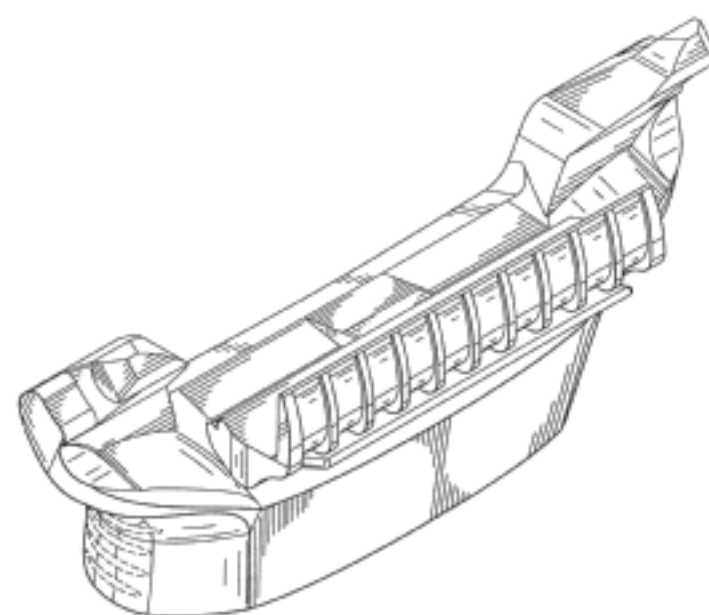
(57) Statement of Newness and Distinctiveness: **Nil**



- (21) Design Number: **12724/2012**  
(22) Date of Filing Application: **06 June 2012**  
(24) Date from which industrial property rights may have effect: **06 June 2012**  
(54) Product in respect of which the design is registered: **A housing unit and display for an electronic meter**  
(51) International Design Classification: **10-04**  
(74) Name(s) of Attorney(s): **Collison & Co**  
(71) Name(s) and Address(s) of Applicant(s):  
**Hendon Semiconductors Pty Ltd**  
**1 Butler Drive Hendon South Australia 5014 Australia**  
(72) Name(s) of Designer(s): **Daniel McLean and Barry Magazinovic**  
(45) Registration Date: **04 July 2012**  
(56) Related Art Documents: **Not Applicable**  
(57) Statement of Newness and Distinctiveness: **Nil**



- (21) Design Number: **12725/2012**  
(22) Date of Filing Application: **07 June 2012**  
(24) Date from which industrial property rights may have effect: **07 June 2012**  
(54) Product in respect of which the design is registered: **Shaving cartridge connector**  
(51) International Design Classification: **28-03A**  
(74) Name(s) of Attorney(s): **PHILLIPS ORMONDE FITZPATRICK**  
(71) Name(s) and Address(s) of Applicant(s):  
**The Gillette Company**  
**One Gillette Park Boston Massachusetts 02127 United States of America**  
(72) Name(s) of Designer(s): **Vanessa Christie and Guohua Pan and Kevin James Wain and Xiaolan Xu**  
(45) Registration Date: **04 July 2012**  
(30) Convention priority data:  
(31) Number (32) Date (33) Country  
**29/408,269 09 Dec 2011 UNITED STATES OF AMERICA**  
(56) Related Art Documents: **Not Applicable**  
(57) Statement of Newness and Distinctiveness: **Those features of the shaving cartridge connector depicted in the representations that are new and distinctive are the shape and/or configuration. The features shown in broken line are not part of the design and are to be disregarded when considering the overall impression of the design.**



(21) Design Number: **12726/2012**

(22) Date of Filing Application: **07 June 2012**

(24) Date from which industrial property rights may have effect: **07 June 2012**

(54) Product in respect of which the design is registered: **Shaving cartridge connector**

(51) International Design Classification: **28-03A**

(74) Name(s) of Attorney(s): **PHILLIPS ORMONDE FITZPATRICK**

(71) Name(s) and Address(s) of Applicant(s):

**The Gillette Company**

**One Gillette Park Boston Massachusetts 02127 United States of America**

(72) Name(s) of Designer(s): **Vanessa Christie and Guohua Pan and Kevin James Wain and Xiaolan Xu**

(45) Registration Date: **04 July 2012**

(30) Convention priority data:

(31) Number

(32) Date

(33) Country

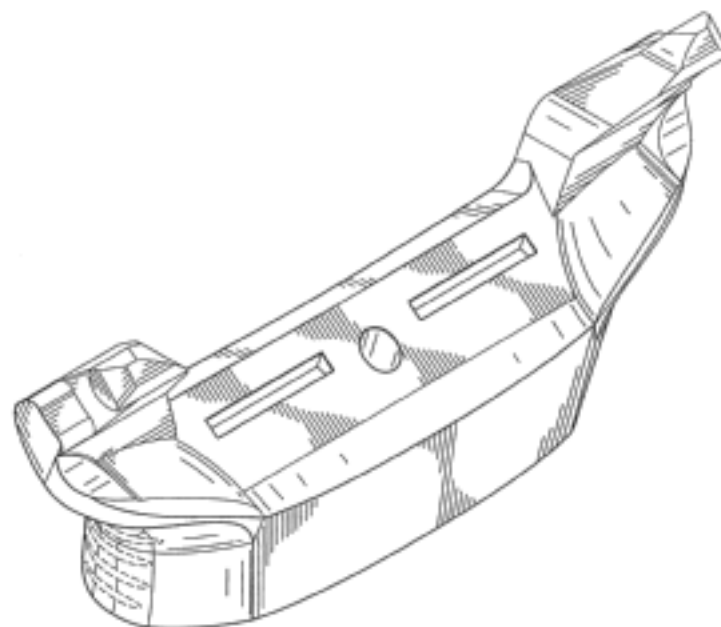
**29/408,269**

**09 Dec 2011**

**UNITED STATES OF AMERICA**

(56) Related Art Documents: **Not Applicable**

(57) Statement of Newness and Distinctiveness: **Those features of the shaving cartridge connector depicted in the representations that are new and distinctive are the shape and/or configuration. The features shown in broken line are not part of the design and are to be disregarded when considering the overall impression of the design.**



(21) Design Number: **12727/2012**

(22) Date of Filing Application: **06 June 2012**

(24) Date from which industrial property rights may have effect: **06 June 2012**

(54) Product in respect of which the design is registered: **A hand-held electronic display device**

(51) International Design Classification: **14-01**

(74) Name(s) of Attorney(s): **Collison & Co**

(71) Name(s) and Address(s) of Applicant(s):

**Hendon Semiconductors Pty Ltd**

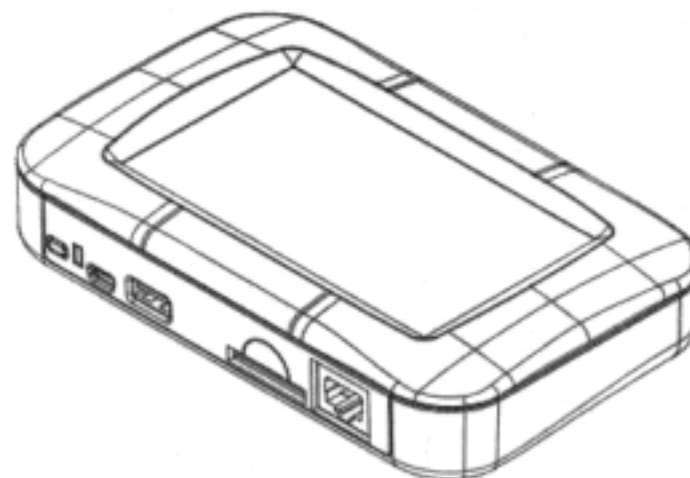
**1 Butler Drive Hendon South Australia 5014 Australia**

(72) Name(s) of Designer(s): **Daniel McLean and Barry Magazinovic**

(45) Registration Date: **04 July 2012**

(56) Related Art Documents: **Not Applicable**

(57) Statement of Newness and Distinctiveness: **Nil**



(21) Design Number: **12728/2012**

(22) Date of Filing Application: **07 June 2012**

(24) Date from which industrial property rights may have effect: **07 June 2012**

(54) Product in respect of which the design is registered: **Shaving razor handle**

(51) International Design Classification: **28-03A**

(74) Name(s) of Attorney(s): **PHILLIPS ORMONDE FITZPATRICK**

(71) Name(s) and Address(s) of Applicant(s):

**The Gillette Company**

**One Gillette Park Boston Massachusetts 02127 United States of America**

(72) Name(s) of Designer(s): **Vanessa Christie and Guohua Pan**

(45) Registration Date: **04 July 2012**

(30) Convention priority data:

(31) Number

(32) Date

(33) Country

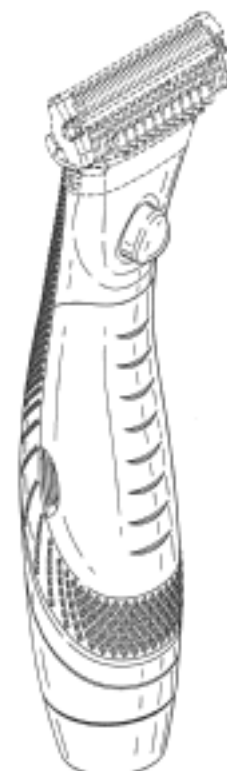
**26/408,270**

**09 Dec 2011**

**UNITED STATES OF AMERICA**

(56) Related Art Documents: **Not Applicable**

(57) Statement of Newness and Distinctiveness: **Those features of the shaving razor handle depicted in the representations that are new and distinctive are the shape and/or configuration. The features shown in broken lines are not part of the design and are to be disregarded when considering the overall impression of the design.**



(21) Design Number: **12729/2012**

(22) Date of Filing Application: **07 June 2012**

(24) Date from which industrial property rights may have effect: **07 June 2012**

(54) Product in respect of which the design is registered: **Shaving razor handle**

(51) International Design Classification: **28-03A**

(74) Name(s) of Attorney(s): **PHILLIPS ORMONDE FITZPATRICK**

(71) Name(s) and Address(s) of Applicant(s):

**The Gillette Company**

**One Gillette Park Boston Massachusetts 02127 United States of America**

(72) Name(s) of Designer(s): **Vanessa Christie and Guohua Pan**

(45) Registration Date: **04 July 2012**

(30) Convention priority data:

(31) Number

(32) Date

(33) Country

**26/408,270**

**09 Dec 2011**

**UNITED STATES OF AMERICA**

(56) Related Art Documents: **Not Applicable**

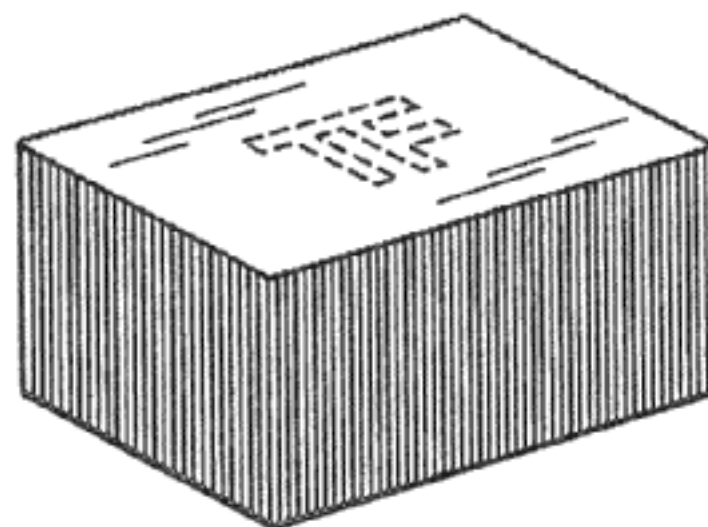
(57) Statement of Newness and Distinctiveness: **Those features of the shaving razor handle depicted in the representations that are new and distinctive are the shape and/or configuration.**



(21) Design Number: **12730/2012**  
(22) Date of Filing Application: **07 June 2012**  
(24) Date from which industrial property rights may have effect: **07 June 2012**  
(54) Product in respect of which the design is registered: **Bottle**  
(51) International Design Classification: **09-01NES**  
(74) Name(s) of Attorney(s): **PHILLIPS ORMONDE FITZPATRICK**  
(71) Name(s) and Address(s) of Applicant(s):  
**The Gillette Company**  
**One Gillette Park Boston Massachusetts 02127 United States of America**  
(72) Name(s) of Designer(s): **Jonathan Norman Robert Hodges and Guohua Pan**  
(45) Registration Date: **04 July 2012**  
(30) Convention priority data:  
(31) Number (32) Date (33) Country  
**29/408,273 09 Dec 2011 UNITED STATES OF AMERICA**  
(56) Related Art Documents: **Not Applicable**  
(57) Statement of Newness and Distinctiveness: **Those features of the bottle depicted in the representations that are new and distinctive are the shape and/or configuration.**



(21) Design Number: **12734/2012**  
(22) Date of Filing Application: **07 June 2012**  
(24) Date from which industrial property rights may have effect: **07 June 2012**  
(54) Product in respect of which the design is registered: **Cap for a bottle**  
(51) International Design Classification: **09-01NES**  
(74) Name(s) of Attorney(s): **PHILLIPS ORMONDE FITZPATRICK**  
(71) Name(s) and Address(s) of Applicant(s):  
**Thomas C. Ford**  
**9229 Sunset Boulevard Suite 607 Los Angeles California 90069 United States of America**  
(72) Name(s) of Designer(s): **Thomas C. Ford and Lara Modjeski**  
(45) Registration Date: **04 July 2012**  
(30) Convention priority data:  
(31) Number (32) Date (33) Country  
**29/408,571 14 Dec 2011 UNITED STATES OF AMERICA**  
(56) Related Art Documents: **Not Applicable**  
(57) Statement of Newness and Distinctiveness: **Those features of the bottle with cap depicted in the representations that are new and distinctive are the shape and/or configuration. The features shown in broken line in Figs. 1 and 4 including the broken lines and the area within the broken lines shown in Fig. 5 are not part of the design and are to be disregarded when considering the overall impression of the design.**



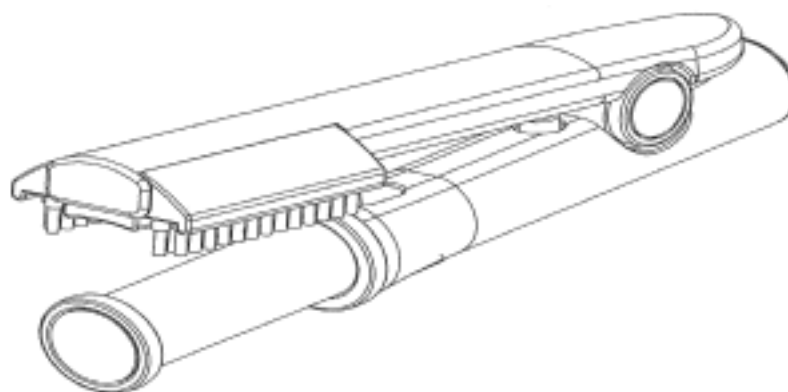
- (21) Design Number: **11854/2012**  
(22) Date of Filing Application: **13 April 2012**  
(24) Date from which industrial property rights may have effect: **13 April 2012**  
(54) Product in respect of which the design is registered: **Planter**  
(51) International Design Classification: **11-02B**  
(74) Name(s) of Attorney(s): **Actuate IP**  
(71) Name(s) and Address(s) of Applicant(s):  
**Yvette Lawler**  
**Unit 4 170 Union Road Langwarrin Victoria 3910 Australia**  
**Kelvin Lawler**  
**Unit 4 170 Union Road Langwarrin Victoria 3910 Australia**  
(72) Name(s) of Designer(s): **Yvette Lawler and Kelvin Lawler**  
(45) Registration Date: **05 July 2012**  
(56) Related Art Documents: **Not Applicable**  
(57) Statement of Newness and Distinctiveness: **Newness and distinctiveness is claimed in the features of shape and/or configuration of the planter as illustrated in the accompanying representations, but not limited to colour.**



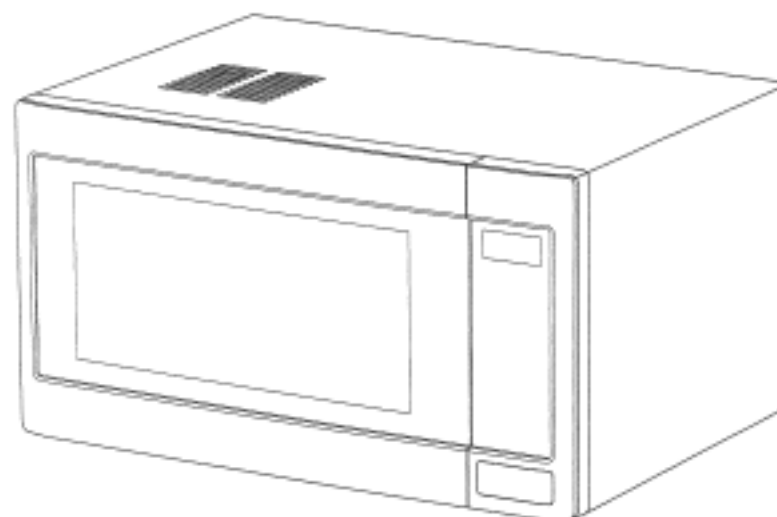
- (21) Design Number: **12671/2012**  
(22) Date of Filing Application: **05 June 2012**  
(24) Date from which industrial property rights may have effect: **05 June 2012**  
(54) Product in respect of which the design is registered: **An automobile**  
(51) International Design Classification: **12-08**  
(74) Name(s) of Attorney(s): **SPRUSON & FERGUSON**  
(71) Name(s) and Address(s) of Applicant(s):  
**Honda Motor Co., Ltd.**  
**1-1 Minami-Aoyama 2-Chome Minato-ku Tokyo Japan**  
(72) Name(s) of Designer(s): **Hideaki Uchino**  
(45) Registration Date: **05 July 2012**  
(30) Convention priority data:  
(31) Number      (32) Date      (33) Country  
**2011-028357      07 Dec 2011      JAPAN**  
(56) Related Art Documents: **Not Applicable**  
(57) Statement of Newness and Distinctiveness: **Newness and distinctiveness is claimed in the features of shape and/or configuration of an automobile as illustrated in the accompanying representations.**



(21) Design Number: **12672/2012**  
(22) Date of Filing Application: **25 May 2012**  
(24) Date from which industrial property rights may have effect: **25 May 2012**  
(54) Product in respect of which the design is registered: **Hair styling device**  
(51) International Design Classification: **28-03B**  
(74) Name(s) of Attorney(s): **Griffith Hack**  
(71) Name(s) and Address(s) of Applicant(s):  
**MM&R Products, Inc.**  
**5000 North Parkway Calabasas CA 91327 United States Of America**  
(72) Name(s) of Designer(s): **Jason Lee Cooper**  
(45) Registration Date: **05 July 2012**  
(56) Related Art Documents: **Not Applicable**  
(57) Statement of Newness and Distinctiveness: **Newness and distinctiveness resides in the visual features, including shape and configuration of a hair styling device, as shown in the solid outline in the accompanying drawings.**



(21) Design Number: **12674/2012**  
(22) Date of Filing Application: **06 June 2012**  
(24) Date from which industrial property rights may have effect: **06 June 2012**  
(54) Product in respect of which the design is registered: **Microwave oven**  
(51) International Design Classification: **07-02B**  
(74) Name(s) of Attorney(s): **FB Rice**  
(71) Name(s) and Address(s) of Applicant(s):  
**LG Electronics Inc.,**  
**20 Yeouido-dong Yeongdeungpo-gu Seoul 150-721 Republic of Korea**  
(72) Name(s) of Designer(s): **Soo Yeon Kim and Na Jung Cho and Song Yi Han and Young Woo Kim and Kyoung Ha Lee**  
(45) Registration Date: **05 July 2012**  
(30) Convention priority data:  
(31) Number (32) Date (33) Country  
**30-2011-0052925 13 Dec 2011 REPUBLIC OF KOREA**  
(56) Related Art Documents: **Not Applicable**  
(57) Statement of Newness and Distinctiveness: **Newness and distinctiveness reside in the features of the design as shown in the representations.**



- (21) Design Number: **12675/2012**  
(22) Date of Filing Application: **06 June 2012**  
(24) Date from which industrial property rights may have effect: **06 June 2012**  
(54) Product in respect of which the design is registered: **An armchair**  
(51) International Design Classification: **06-01G**  
(74) Name(s) of Attorney(s): **FB Rice**  
(71) Name(s) and Address(s) of Applicant(s):  
**King Furniture (Australia) Pty Ltd**  
**123 Turrella Street Turrella New South Wales 2205 Australia**  
(72) Name(s) of Designer(s): **Ryan Lawson and John Levey and Tanya Rechberger and David King**  
(45) Registration Date: **05 July 2012**  
(56) Related Art Documents: **Not Applicable**  
(57) Statement of Newness and Distinctiveness: **Newness and distinctiveness reside in the features of the design as shown in the representations.**



- (21) Design Number: **12676/2012**  
(22) Date of Filing Application: **06 June 2012**  
(24) Date from which industrial property rights may have effect: **06 June 2012**  
(54) Product in respect of which the design is registered: **An armchair**  
(51) International Design Classification: **06-01G**  
(74) Name(s) of Attorney(s): **FB Rice**  
(71) Name(s) and Address(s) of Applicant(s):  
**King Furniture (Australia) Pty Ltd**  
**123 Turrella Street Turrella New South Wales 2205 Australia**  
(72) Name(s) of Designer(s): **Ryan Lawson and John Levey and Tanya Rechberger and David King**  
(45) Registration Date: **05 July 2012**  
(56) Related Art Documents: **Not Applicable**  
(57) Statement of Newness and Distinctiveness: **Newness and distinctiveness reside in the features of the design as shown in the representations.**



- (21) Design Number: **12677/2012**  
(22) Date of Filing Application: **07 June 2012**  
(24) Date from which industrial property rights may have effect: **07 June 2012**  
(54) Product in respect of which the design is registered: **Combination BBQ/ cooker with oven and swinging doors**  
(51) International Design Classification: **07-02E**  
(74) Name(s) of Attorney(s):  
(71) Name(s) and Address(s) of Applicant(s):  
**Geoffrey Nanscawen**  
**83 Jell's Road Wheelers Hill Victoria 3150 Australia**  
(72) Name(s) of Designer(s): **Geoffrey Nanscawen**  
(45) Registration Date: **05 July 2012**  
(56) Related Art Documents: **Not Applicable**  
(57) Statement of Newness and Distinctiveness: **Cooker/BBQ with integral oven and matching warmer oven. Glass doors to the ovens. Doors swing open do not drop down. Top approx 70% BBQ area with integral wok burner within cooktop. Storage drawers underneath.**



- (21) Design Number: **12678/2012**  
(22) Date of Filing Application: **06 June 2012**  
(24) Date from which industrial property rights may have effect: **06 June 2012**  
(54) Product in respect of which the design is registered: **Container for tools**  
(51) International Design Classification: **03-01D**  
(74) Name(s) of Attorney(s): **Griffith Hack**  
(71) Name(s) and Address(s) of Applicant(s):  
**Keter Plastic Ltd.**  
**2 Sapir Street Industrial Zone Herzelyia 46852 Israel**  
(72) Name(s) of Designer(s): **Yaron Brunner**  
(45) Registration Date: **05 July 2012**  
(30) Convention priority data:  
(31) Number      (32) Date      (33) Country  
**1958711      06 Dec 2011      EUROPEAN COMMUNITY**  
(56) Related Art Documents: **Not Applicable**  
(57) Statement of Newness and Distinctiveness: **The shape and configuration of the product, as shown in the representations, except for the parts delineated by dashed lines, are new and distinctive, Those parts of the product delineated by dashed lines have been included for illustrative and exemplification purposes only.**



(21) Design Number: **12679/2012**  
(22) Date of Filing Application: **06 June 2012**  
(24) Date from which industrial property rights may have effect: **06 June 2012**  
(54) Product in respect of which the design is registered: **Container for tools**  
(51) International Design Classification: **03-01D**  
(74) Name(s) of Attorney(s): **Griffith Hack**  
(71) Name(s) and Address(s) of Applicant(s):

**Keter Plastic Ltd.**  
**2 Sapir Street Industrial Zone Herzelyia 46852 Israel**

(72) Name(s) of Designer(s): **Yaron Brunner**

(45) Registration Date: **05 July 2012**

(30) Convention priority data:

(31) Number	(32) Date	(33) Country
<b>1958711</b>	<b>06 Dec 2011</b>	<b>EUROPEAN COMMUNITY</b>

(56) Related Art Documents: **Not Applicable**

(57) Statement of Newness and Distinctiveness: **The shape and configuration of the product, as shown in the representations, except for the parts delineated by dashed lines, are new and distinctive. Those parts of the product delineated by dashed lines have been included for illustrative and exemplification purposes only.**



(21) Design Number: **12680/2012**  
(22) Date of Filing Application: **06 June 2012**  
(24) Date from which industrial property rights may have effect: **06 June 2012**  
(54) Product in respect of which the design is registered: **Container for tools**  
(51) International Design Classification: **03-01D**  
(74) Name(s) of Attorney(s): **Griffith Hack**  
(71) Name(s) and Address(s) of Applicant(s):

**Keter Plastic Ltd.**  
**2 Sapir Street Industrial Zone Herzelyia 46852 Israel**

(72) Name(s) of Designer(s): **Yaron Brunner**

(45) Registration Date: **05 July 2012**

(30) Convention priority data:

(31) Number	(32) Date	(33) Country
<b>1958711</b>	<b>16 Dec 2011</b>	<b>EUROPEAN COMMUNITY</b>

(56) Related Art Documents: **Not Applicable**

(57) Statement of Newness and Distinctiveness: **The shape and configuration of the product, as shown in the representations, except for the parts delineated by dashed lines, are new and distinctive. Those parts of the product delineated by dashed lines have been included for illustrative and exemplification purposes only.**



- (21) Design Number: **12681/2012**  
(22) Date of Filing Application: **06 June 2012**  
(24) Date from which industrial property rights may have effect: **06 June 2012**  
(54) Product in respect of which the design is registered: **Container for tools**  
(51) International Design Classification: **03-01D**  
(74) Name(s) of Attorney(s): **Griffith Hack**  
(71) Name(s) and Address(s) of Applicant(s):  
**Keter Plastic Ltd.**  
**2 Sapir Street Industrial Zone Herzelyia 46852 Israel**  
(72) Name(s) of Designer(s): **Yaron Brunner**  
(45) Registration Date: **05 July 2012**  
(30) Convention priority data:  
(31) Number (32) Date (33) Country  
**1958711 06 Dec 2011 EUROPEAN COMMUNITY**  
(56) Related Art Documents: **Not Applicable**  
(57) Statement of Newness and Distinctiveness: **The shape and configuration of the product, as shown in the representations, except for the parts delineated by dashed lines, are new and distinctive. Those parts of the product delineated by dashed lines have been included for illustrative and exemplification purposes only.**



- (21) Design Number: **12687/2012**  
(22) Date of Filing Application: **07 June 2012**  
(24) Date from which industrial property rights may have effect: **07 June 2012**  
(54) Product in respect of which the design is registered: **Drain cover assembly**  
(51) International Design Classification: **23-01E**  
(74) Name(s) of Attorney(s): **WATERMARK PATENT AND TRADE MARKS ATTORNEYS**  
(71) Name(s) and Address(s) of Applicant(s):  
**Straightmark Nominees Pty Ltd**  
**13 Healey Road Dandenong South Victoria 3175 Australia**  
(72) Name(s) of Designer(s): **Kevin Harris**  
(45) Registration Date: **05 July 2012**  
(56) Related Art Documents: **Not Applicable**  
(57) Statement of Newness and Distinctiveness: **Newness and distinctiveness resides in the visual features of the shape and configuration of the hinge connector of the drain cover assembly shown in the accompanying images. The text and logo provided on the cover do not form part of the design.**



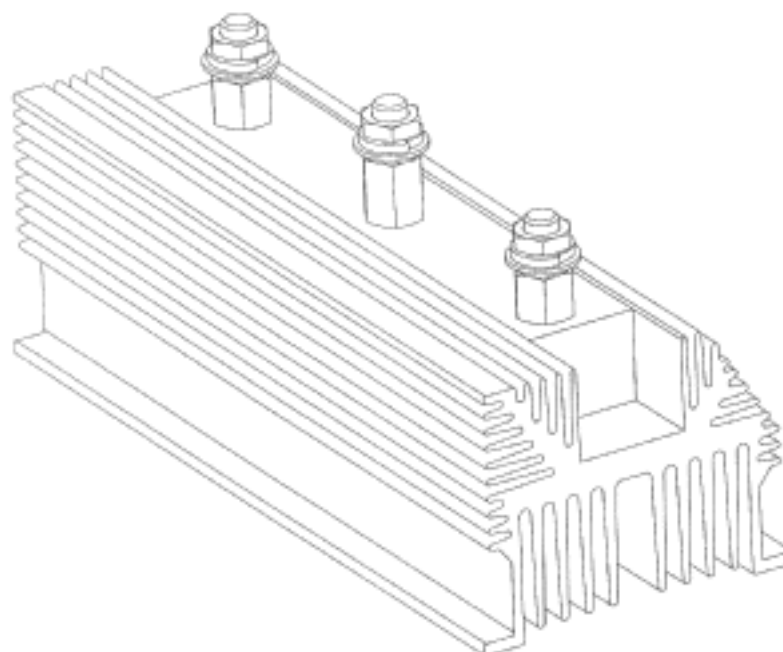
- (21) Design Number: **12755/2012**  
(22) Date of Filing Application: **08 May 2012**  
(24) Date from which industrial property rights may have effect: **08 May 2012**  
(54) Product in respect of which the design is registered: **Body garments**  
(51) International Design Classification: **02-02NES**  
(74) Name(s) of Attorney(s):  
(71) Name(s) and Address(s) of Applicant(s):  
**Peter Brohier**  
**143 Kooyong Road North Caulfield Victoria 3161 Australia**  
(72) Name(s) of Designer(s): **Peter Brohier**  
(45) Registration Date: **05 July 2012**  
(56) Related Art Documents: **Not Applicable**  
(57) Statement of Newness and Distinctiveness: **Description of the anatomy conjunction with a map of Australia in detail as outback, map of tassie downunder & mountains corresponding with the parts of the anatomy as shown.**



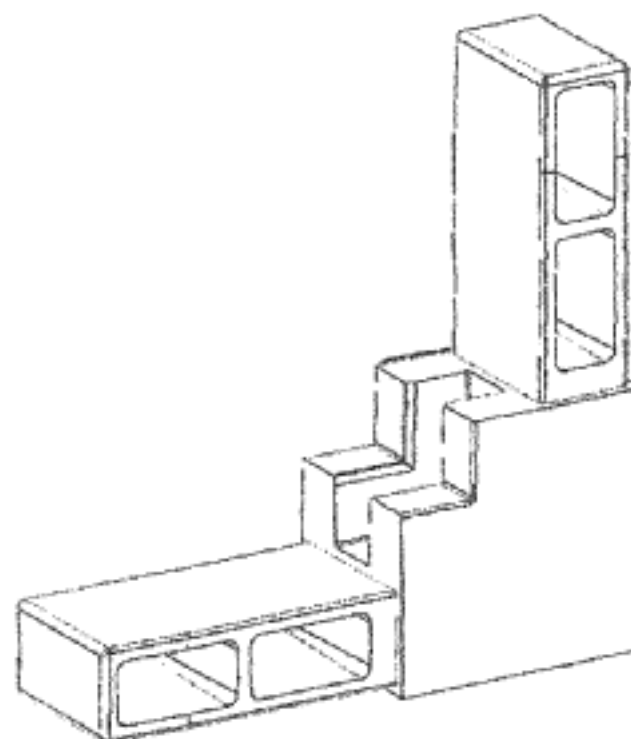
- (21) Design Number: **12756/2012**  
(22) Date of Filing Application: **08 May 2012**  
(24) Date from which industrial property rights may have effect: **08 May 2012**  
(54) Product in respect of which the design is registered: **Body garments**  
(51) International Design Classification: **02-02NES**  
(74) Name(s) of Attorney(s):  
(71) Name(s) and Address(s) of Applicant(s):  
**Peter Brohier**  
**143 Kooyong Road North Caulfield Victoria 3161 Australia**  
(72) Name(s) of Designer(s): **Peter Brohier**  
(45) Registration Date: **05 July 2012**  
(56) Related Art Documents: **Not Applicable**  
(57) Statement of Newness and Distinctiveness: **Description of the anatomy conjunction with a map of Australia in detail as outback, map of tassie downunder & mountains corresponding with the parts of the anatomy as shown.**



(21) Design Number: **12736/2012**  
(22) Date of Filing Application: **08 June 2012**  
(24) Date from which industrial property rights may have effect: **08 June 2012**  
(54) Product in respect of which the design is registered: **Battery isolator device**  
(51) International Design Classification: **13-02**  
(74) Name(s) of Attorney(s): **SPRUSON & FERGUSON**  
(71) Name(s) and Address(s) of Applicant(s):  
**C.E. Niehoff & Co.**  
**2021 Lee Street Evanston Illinois 60202 United States of America**  
(72) Name(s) of Designer(s): **George D Balaban**  
(45) Registration Date: **05 July 2012**  
(30) Convention priority data:  
(31) Number (32) Date (33) Country  
**29/408301 09 Dec 2011 UNITED STATES OF AMERICA**  
(56) Related Art Documents: **Not Applicable**  
(57) Statement of Newness and Distinctiveness: **Newness and distinctiveness is claimed in the features of shape and/or configuration of a battery isolator device as illustrated in continuous lines in the accompanying representations.**



(21) Design Number: **12334/2012**  
(22) Date of Filing Application: **14 May 2012**  
(24) Date from which industrial property rights may have effect: **14 May 2012**  
(54) Product in respect of which the design is registered: **Corner stake**  
(51) International Design Classification: **08-08NES**  
(74) Name(s) of Attorney(s): **John L Davies & Co**  
(71) Name(s) and Address(s) of Applicant(s):  
**Dias Aluminium Products Pty. Ltd.**  
**201-205 Browns Road Noble Park Victoria 3174 Australia**  
(72) Name(s) of Designer(s): **Ian David Paterson**  
(45) Registration Date: **05 July 2012**  
(56) Related Art Documents: **Not Applicable**  
(57) Statement of Newness and Distinctiveness: **Nil**



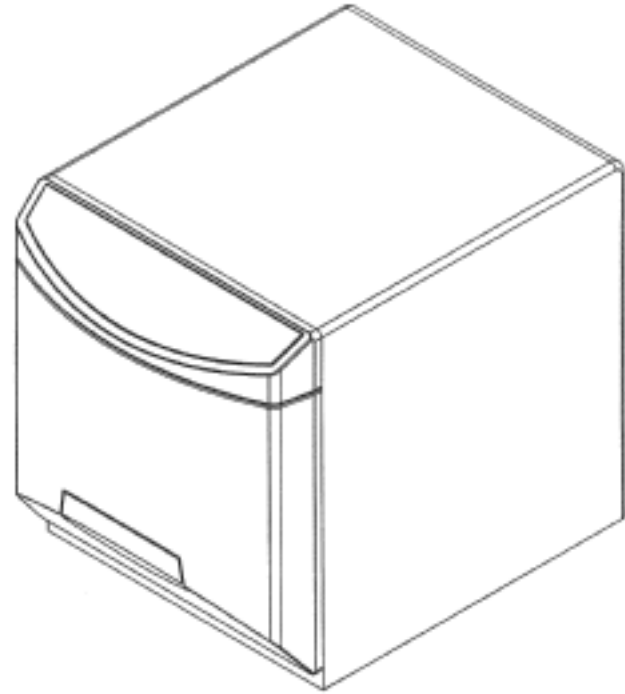
(21) Design Number: **12696/2012**  
(22) Date of Filing Application: **07 June 2012**  
(24) Date from which industrial property rights may have effect: **07 June 2012**  
(54) Product in respect of which the design is registered: **Footwear**  
(51) International Design Classification: **02-04NES**  
(74) Name(s) of Attorney(s): **Freehills Patent Attorneys**  
(71) Name(s) and Address(s) of Applicant(s):  
**Alpargatas S.A.**  
**Av. Doutor Cardoso de Melo 1336 Vila Olimpia Sao Paulo SP CEP:**  
**04548-005 Brazil**  
(72) Name(s) of Designer(s): **Patrick Kampff**  
(45) Registration Date: **05 July 2012**  
(30) Convention priority data:  
(31) Number (32) Date (33) Country  
**001963075-0001 15 Dec 2011 EUROPEAN COMMUNITY**  
(56) Related Art Documents: **Not Applicable**  
(57) Statement of Newness and Distinctiveness: **Nil**



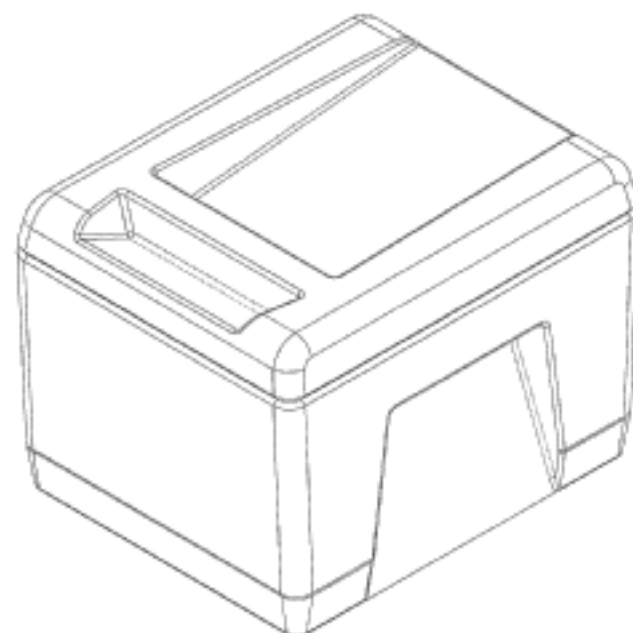
(21) Design Number: **12697/2012**  
(22) Date of Filing Application: **07 June 2012**  
(24) Date from which industrial property rights may have effect: **07 June 2012**  
(54) Product in respect of which the design is registered: **Footwear**  
(51) International Design Classification: **02-04NES**  
(74) Name(s) of Attorney(s): **Freehills Patent Attorneys**  
(71) Name(s) and Address(s) of Applicant(s):  
**Alpargatas S.A.**  
**Av. Doutor Cardoso de Melo 1336 Vila Olimpia Sao Paulo SP CEP:**  
**04548-005 Brazil**  
(72) Name(s) of Designer(s): **Patrick Kampff**  
(45) Registration Date: **05 July 2012**  
(30) Convention priority data:  
(31) Number (32) Date (33) Country  
**001963075-0002 15 Dec 2011 EUROPEAN COMMUNITY**  
(56) Related Art Documents: **Not Applicable**  
(57) Statement of Newness and Distinctiveness: **Nil**



(21) Design Number: **12698/2012**  
(22) Date of Filing Application: **06 June 2012**  
(24) Date from which industrial property rights may have effect: **06 June 2012**  
(54) Product in respect of which the design is registered: **Delivery receptacle**  
(51) International Design Classification: **09-03M**  
(74) Name(s) of Attorney(s): **Chrysiliou IP**  
(71) Name(s) and Address(s) of Applicant(s):  
**Telezygology Inc**  
**Unit 2C 1017 W Washington Boulevard Chicago IL 60607 United States**  
**of America**  
(72) Name(s) of Designer(s): **Mark Bouris and Glenn Bevan and John Wilson**  
(45) Registration Date: **05 July 2012**  
(56) Related Art Documents: **Not Applicable**  
(57) Statement of Newness and Distinctiveness: **Nil**



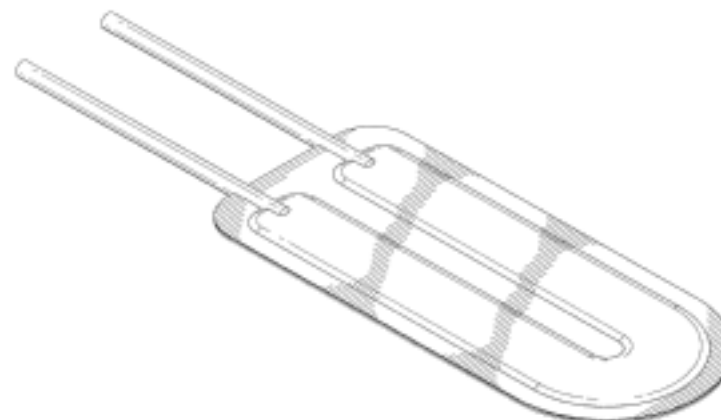
(21) Design Number: **12699/2012**  
(22) Date of Filing Application: **06 June 2012**  
(24) Date from which industrial property rights may have effect: **06 June 2012**  
(54) Product in respect of which the design is registered: **Insulated container**  
(51) International Design Classification: **09-03M**  
(74) Name(s) of Attorney(s): **Chrysiliou IP**  
(71) Name(s) and Address(s) of Applicant(s):  
**Telezygology Inc**  
**Unit 2C 1017 W Washington Boulevard Chicago IL 60607 United States**  
**of America**  
(72) Name(s) of Designer(s): **Mark Bouris and Glenn Bevan and John Wilson**  
(45) Registration Date: **05 July 2012**  
(56) Related Art Documents: **Not Applicable**  
(57) Statement of Newness and Distinctiveness: **Nil**



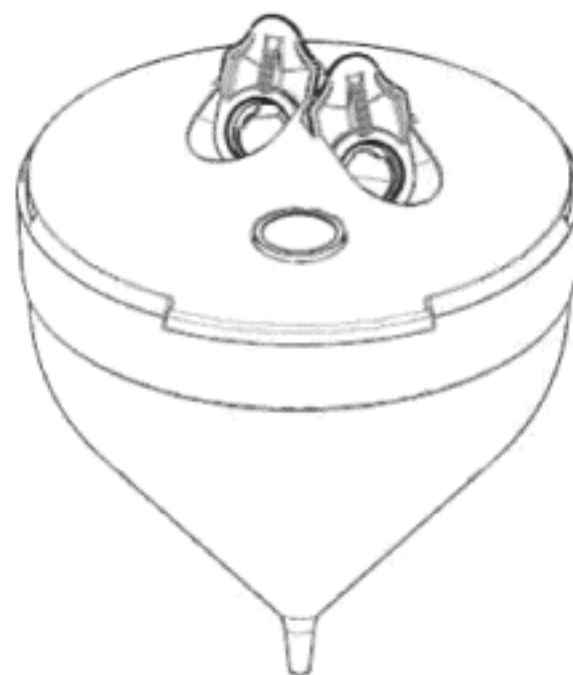
(21) Design Number: **12750/2012**  
(22) Date of Filing Application: **08 June 2012**  
(24) Date from which industrial property rights may have effect: **08 June 2012**  
(54) Product in respect of which the design is registered: **Sofa**  
(51) International Design Classification: **06-01G**  
(74) Name(s) of Attorney(s): **FB Rice**  
(71) Name(s) and Address(s) of Applicant(s):  
**King Furniture (Australia) Pty Ltd**  
**123 Turrella Street Turrella New South Wales 2205 Australia**  
(72) Name(s) of Designer(s): **Ryan Lawson and John Levey and Tanya Rechberger and David King**  
(45) Registration Date: **05 July 2012**  
(56) Related Art Documents: **Not Applicable**  
(57) Statement of Newness and Distinctiveness: **Newness and distinctiveness reside in the features of the design as shown in the representations, a headrest being provided either on one seat of the sofa as illustrated or on both seats.**



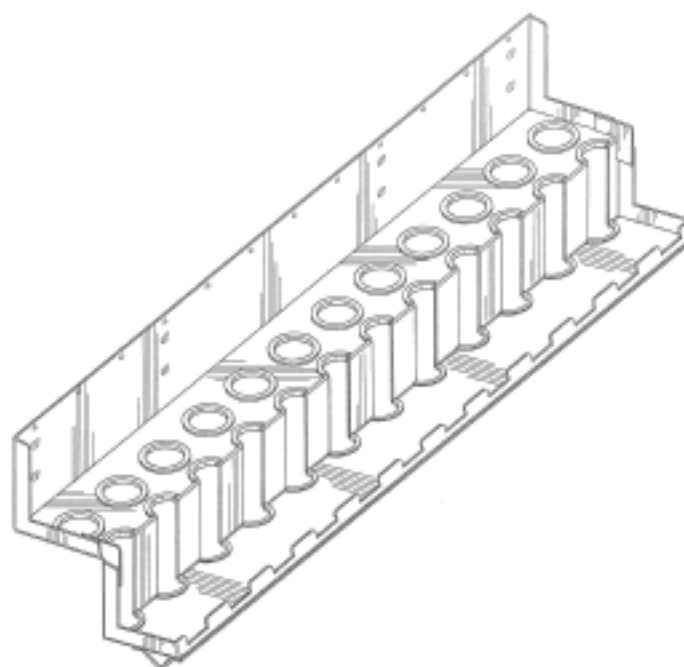
(21) Design Number: **12758/2012**  
(22) Date of Filing Application: **12 June 2012**  
(24) Date from which industrial property rights may have effect: **12 June 2012**  
(54) Product in respect of which the design is registered: **Cell encapsulation device**  
(51) International Design Classification: **14-03NES**  
(74) Name(s) of Attorney(s): **Freehills Patent Attorneys**  
(71) Name(s) and Address(s) of Applicant(s):  
**ViaCyte, Inc.**  
**3550 General Atomics Court San Diego California 92121 United States of America**  
(72) Name(s) of Designer(s): **Chad Green**  
(45) Registration Date: **06 July 2012**  
(30) Convention priority data:  
(31) Number (32) Date (33) Country  
**29/408368 12 Dec 2011 UNITED STATES OF AMERICA**  
(56) Related Art Documents: **Not Applicable**  
(57) Statement of Newness and Distinctiveness: **Newness and distinctiveness of the design resides in the shape and configuration of the cell encapsulation device as shown in the accompanying representations.**



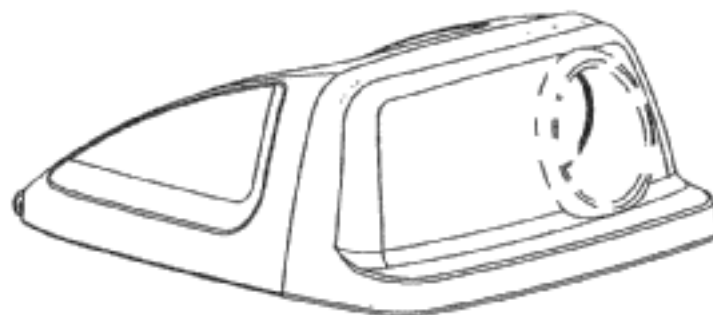
(21) Design Number: **12763/2012**  
(22) Date of Filing Application: **13 June 2012**  
(24) Date from which industrial property rights may have effect: **13 June 2012**  
(54) Product in respect of which the design is registered: **Disposable equipment for cell separation**  
(51) International Design Classification: **24-02**  
(74) Name(s) of Attorney(s): **PIPERS Melbourne**  
(71) Name(s) and Address(s) of Applicant(s):  
**Biocep Ltd.**  
**PO Box 1008 Safed 13100 Israel**  
(72) Name(s) of Designer(s): **Ofer Klein Dr. and Aharon Lamish**  
(45) Registration Date: **06 July 2012**  
(30) Convention priority data:  
(31) Number (32) Date (33) Country  
**51944 15 Dec 2011 ISRAEL**  
(56) Related Art Documents: **Not Applicable**  
(57) Statement of Newness and Distinctiveness: **Nil**



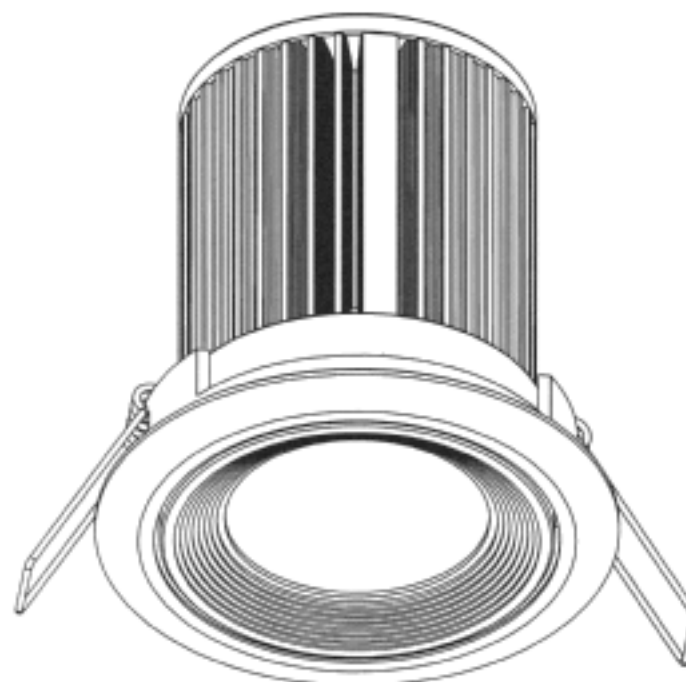
(21) Design Number: **12768/2012**  
(22) Date of Filing Application: **11 June 2012**  
(24) Date from which industrial property rights may have effect: **11 June 2012**  
(54) Product in respect of which the design is registered: **Firearms storage shelf**  
(51) International Design Classification: **06-04NES**  
(74) Name(s) of Attorney(s): **Baldwins Intellectual Property**  
(71) Name(s) and Address(s) of Applicant(s):  
**Dasco Data Products Ltd.**  
**346 Orenda Road Brampton Ontario L6T 1G1 Canada**  
(72) Name(s) of Designer(s): **Stephen Moulton**  
(45) Registration Date: **06 July 2012**  
(30) Convention priority data:  
(31) Number (32) Date (33) Country  
**61/568732 09 Dec 2011 UNITED STATES OF AMERICA**  
(56) Related Art Documents: **Not Applicable**  
(57) Statement of Newness and Distinctiveness: **Nil**



- (21) Design Number: **12773/2012**  
(22) Date of Filing Application: **03 April 2012**  
(24) Date from which industrial property rights may have effect: **03 April 2012**  
(54) Product in respect of which the design is registered: **Lid**  
(51) International Design Classification: **09-07NES**  
(74) Name(s) of Attorney(s): **Griffith Hack**  
(71) Name(s) and Address(s) of Applicant(s):  
**SULO MGB Australia Pty Ltd**  
**123 Wisemans Ferry Road Somersby New South Wales 2250 Australia**  
(72) Name(s) of Designer(s): **Jon Pryer and Vienna Spence**  
(45) Registration Date: **06 July 2012**  
(56) Related Art Documents: **Not Applicable**  
(57) Statement of Newness and Distinctiveness: **Newness and distinctiveness resides in the overall shape and configuration of the lid body. Access flap or door designs shown in the phantom are provided for context and illustration only.**



- (21) Design Number: **12859/2012**  
(22) Date of Filing Application: **08 June 2012**  
(24) Date from which industrial property rights may have effect: **08 June 2012**  
(54) Product in respect of which the design is registered: **LED down light**  
(51) International Design Classification: **26-05C**  
(74) Name(s) of Attorney(s):  
(71) Name(s) and Address(s) of Applicant(s):  
**RIJAT Pty Ltd**  
**C/- Accru Page Kirk & Jennings PO Box 790 West Perth Western**  
**Australia 6872 Australia**  
(72) Name(s) of Designer(s): **Cheng Hua Jian**  
(45) Registration Date: **06 July 2012**  
(56) Related Art Documents: **Not Applicable**  
(57) Statement of Newness and Distinctiveness: **This design has a unique recessed heat sink. The LED chip and reflector are located within the heat sink. The multifaceted reflector is unique to this recessed down-light design. The recessed heat sink reduces the overall length of the assembly making it more compact whilst allowing excellent heat dissipation. There is also an optical diffuser plate, which provides: higher light transmittance - excellent diffusion effect, haze performance and an even diffusion of the LED light source. The reflector and diffuser are retained using a uniquely designed threaded faceplate. The faceplate assembly screws directly onto the heat sink and is recessed, chamfered and grooved. This design feature both reduces the diameter of the diffuser and recesses the diffuser from the light fascia, thereby providing an anti-glare feature and elegant appearance.**



(21) Design Number: **10852/2012**  
(22) Date of Filing Application: **22 February 2012**  
(24) Date from which industrial property rights may have effect: **22 February 2012**  
(54) Product in respect of which the design is registered: **Lighting apparatus**  
(51) International Design Classification: **26-03**  
(74) Name(s) of Attorney(s): **Ahearn Fox**  
(71) Name(s) and Address(s) of Applicant(s):

**John Jonker**  
**48 Wattletree Road Ironbark Queensland 4306 Australia**

(72) Name(s) of Designer(s): **John Jonker**

(45) Registration Date: **09 July 2012**

(56) Related Art Documents: **Not Applicable**

(57) Statement of Newness and Distinctiveness: **Newness and distinctiveness reside in the features of shape and configuration of a lighting apparatus according to the design as shown in the accompanying photographs which show various views of the lighting apparatus with the boom in different positions from a fully extended raised position to a fully retracted lowered position. Some photographs show only part of the boom.**



(21) Design Number: **12490/2012**  
(22) Date of Filing Application: **24 May 2012**  
(24) Date from which industrial property rights may have effect: **24 May 2012**  
(54) Product in respect of which the design is registered: **Body board for children**  
(51) International Design Classification: **21-02D**  
(74) Name(s) of Attorney(s): **Fisher Adams Kelly**  
(71) Name(s) and Address(s) of Applicant(s):

**Alvin International Pty Ltd**  
**Suite 402 9-11 Claremont Street South Yarra 3141 Victoria Australia**

(72) Name(s) of Designer(s): **Peter Yan**

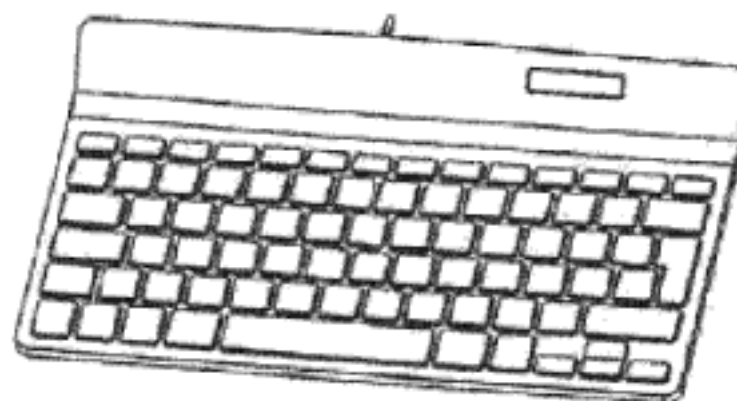
(45) Registration Date: **09 July 2012**

(56) Related Art Documents: **Not Applicable**

(57) Statement of Newness and Distinctiveness: **The newness and distinctiveness of the design resides in the shape and/or configuration of the BODY BOARD FOR CHILDREN shown in the accompanying representations.**



- (21) Design Number: **12515/2012**  
(22) Date of Filing Application: **25 May 2012**  
(24) Date from which industrial property rights may have effect: **20 March 2012**  
(54) Product in respect of which the design is registered: **Mini keyboard**  
(51) International Design Classification: **14-02**  
(74) Name(s) of Attorney(s): **Griffith Hack**  
(71) Name(s) and Address(s) of Applicant(s):  
**PenClic AB**  
**Vendevagen 90 DANDERYD 182 32 SWEDEN**  
(72) Name(s) of Designer(s): **Jonas Stahl**  
(45) Registration Date: **09 July 2012**  
(62) Divisional of: **342876**  
(56) Related Art Documents: **Not Applicable**  
(57) Statement of Newness and Distinctiveness: **The shape, configuration and ornamentation of the PRODUCT as shown in the accompanying representations is new and distinctive.**



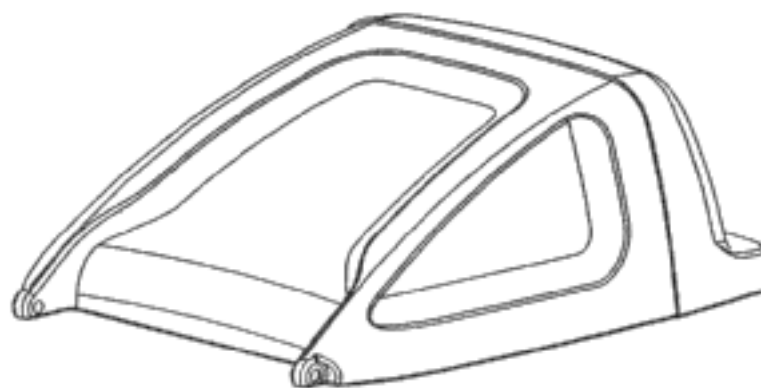
- (21) Design Number: **12760/2012**  
(22) Date of Filing Application: **13 June 2012**  
(24) Date from which industrial property rights may have effect: **13 June 2012**  
(54) Product in respect of which the design is registered: **Bed linen - fitted sheets, for babies 0-12months old**  
(51) International Design Classification: **06-13B**  
(74) Name(s) of Attorney(s):  
(71) Name(s) and Address(s) of Applicant(s):  
**Amy Elizabeth Dale**  
**85 Gwen Meredith Loop Franklin 2913 Australian Capital Territory**  
**Australia**  
(72) Name(s) of Designer(s): **Amy Elizabeth Dale**  
(45) Registration Date: **09 July 2012**  
(56) Related Art Documents: **Not Applicable**  
(57) Statement of Newness and Distinctiveness: **Product: A fitted cot sheet that prevents bald patches and damage to our babies hair by incorporating a strip of silk onto fitted sheets. In complying with Sids Kids, for the safety of our babies we are encouraged to sleep them on their backs. However this constant contact with our babies head on regular bed sheets causes damage to their hair. The bald patches often seen at the back of babies heads is a result of babies moving their heads around while sleeping - resulting in thinning, tangles and bald patches. I experienced this with my own baby and tried to find a product out there that would prevent this damage, and there wasn't one. So i started to think about how to overcome this problem. I researched different fabrics and found that silk would be the best in protecting our babies delicate hair. You can buy silk pillowcases but babies don't use pillows, so a silk strip sewn into the fitted sheet works well. You can also buy (if you look hard enough) silk cot sheet sets, but these aren't very cozy and are very slippery. That's why the strip works well as their heads are on it not their whole body, its more cost effective and is all that is needed for the purpose of protecting babies hair.**



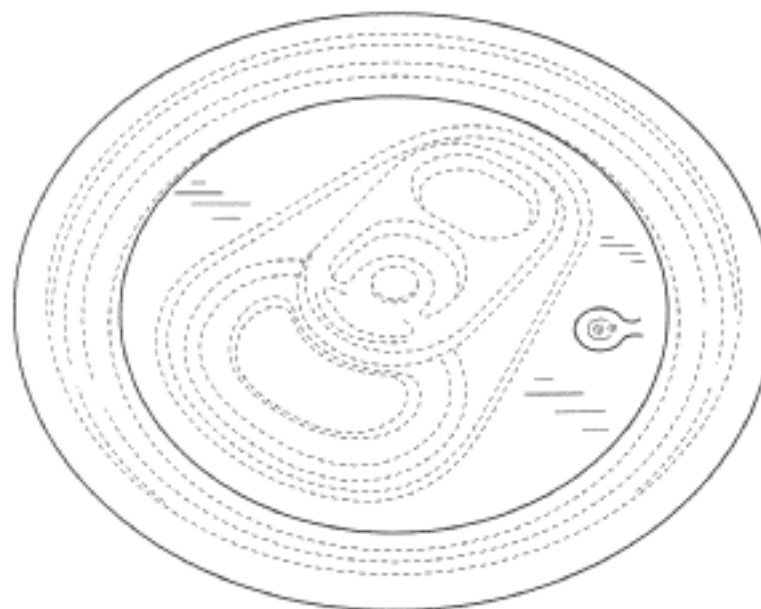
- (21) Design Number: **14752/2011**  
(22) Date of Filing Application: **20 October 2011**  
(24) Date from which industrial property rights may have effect: **20 October 2011**  
(54) Product in respect of which the design is registered: **Personal vehicle**  
(51) International Design Classification: **12-14**  
(74) Name(s) of Attorney(s): **Shelston IP**  
(71) Name(s) and Address(s) of Applicant(s):  
**Scarpar Pty Ltd**  
**2a Minorca Court Toomina New South Wales 2452 Australia**  
(72) Name(s) of Designer(s): **Johannes Barckmann**  
(45) Registration Date: **09 July 2012**  
(56) Related Art Documents: **Not Applicable**  
(57) Statement of Newness and Distinctiveness: **Newness and distinctiveness reside in the shape and configuration of the design for the Personal Vehicle as shown in the drawings. Those features in broken lines are illustrative only and do not form part of the design.**



- (21) Design Number: **11681/2012**  
(22) Date of Filing Application: **03 April 2012**  
(24) Date from which industrial property rights may have effect: **03 April 2012**  
(54) Product in respect of which the design is registered: **Lid**  
(51) International Design Classification: **09-07NES**  
(74) Name(s) of Attorney(s): **Griffith Hack**  
(71) Name(s) and Address(s) of Applicant(s):  
**SULO MGB Australia Pty Ltd**  
**123 Wisemans Ferry Road Somersby New South Wales 2250 Australia**  
(72) Name(s) of Designer(s): **Jon Pryer and Vienna Spence**  
(45) Registration Date: **09 July 2012**  
(56) Related Art Documents: **Not Applicable**  
(57) Statement of Newness and Distinctiveness: **Nil**



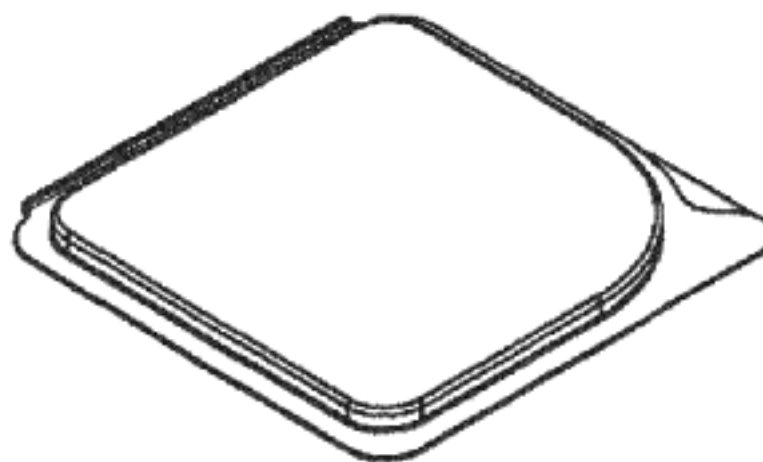
- (21) Design Number: **11959/2012**  
(22) Date of Filing Application: **20 April 2012**  
(24) Date from which industrial property rights may have effect: **20 April 2012**  
(54) Product in respect of which the design is registered: **Vented container end closure**  
(51) International Design Classification: **09-07B**  
(74) Name(s) of Attorney(s): **Madderns**  
(71) Name(s) and Address(s) of Applicant(s):  
**Ball Corporation**  
**10 Longs Peak Drive Broomfield Colorado 80021-2510 United States of America**  
(72) Name(s) of Designer(s): **Howard C Chasteen and Mark A Jacober**  
(45) Registration Date: **09 July 2012**  
(30) Convention priority data:  
(31) Number (32) Date (33) Country  
**29/404996 27 Oct 2011 UNITED STATES OF AMERICA**  
(56) Related Art Documents: **Not Applicable**  
(57) Statement of Newness and Distinctiveness: **Newness and distinctiveness is claimed in the shape and/or configuration of a vented container end closure as depicted in the accompanying drawings. In considering the scope of protection, no regard is to be given to the features shown in dotted lines.**



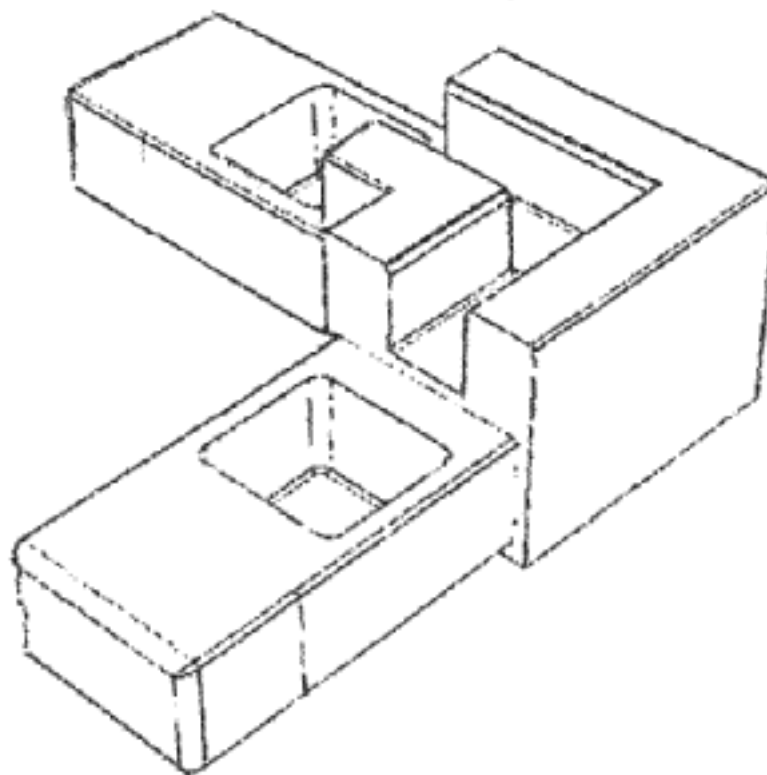
- (21) Design Number: **12062/2012**  
(22) Date of Filing Application: **27 April 2012**  
(24) Date from which industrial property rights may have effect: **27 April 2012**  
(54) Product in respect of which the design is registered: **Armchair**  
(51) International Design Classification: **06-01F**  
(74) Name(s) of Attorney(s):  
(71) Name(s) and Address(s) of Applicant(s):  
**Ross Didier**  
**81 Glenair Court Lower Templestowe Victoria 3107 Australia**  
(72) Name(s) of Designer(s): **Ross Didier**  
(45) Registration Date: **09 July 2012**  
(56) Related Art Documents: **Not Applicable**  
(57) Statement of Newness and Distinctiveness: **Organic form of the seat shell bucket including arms, back and seat.**



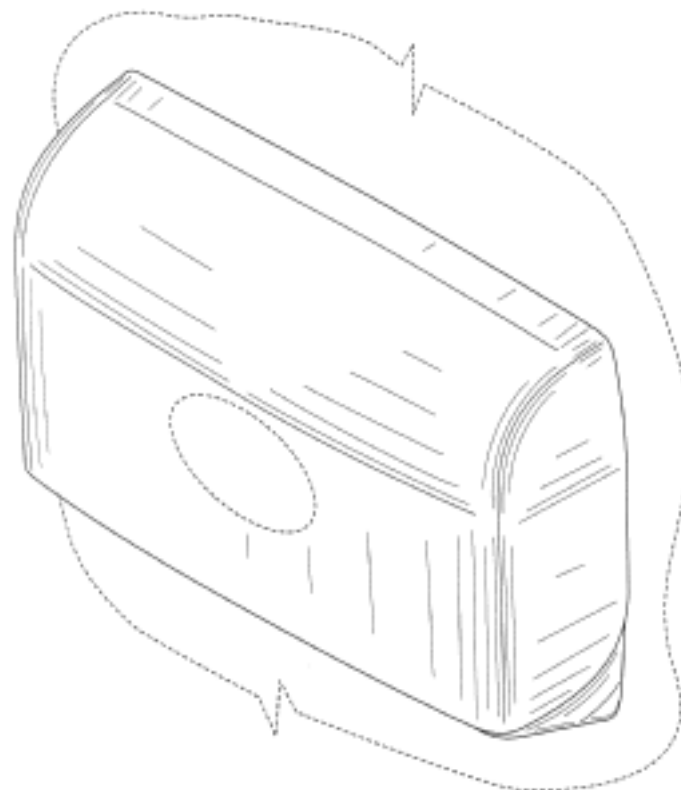
- (21) Design Number: **12067/2012**  
(22) Date of Filing Application: **27 April 2012**  
(24) Date from which industrial property rights may have effect: **27 April 2012**  
(54) Product in respect of which the design is registered: **Clam shell package for a seal**  
(51) International Design Classification: **09-03M, 23-01A**  
(74) Name(s) of Attorney(s): **PETER MAXWELL & ASSOCIATES**  
(71) Name(s) and Address(s) of Applicant(s):  
**Hollister Incorporated**  
**2000 Hollister Drive Libertyville Illinois 60048-3781 United States of America**  
(72) Name(s) of Designer(s): **Peter Schmidt**  
(45) Registration Date: **09 July 2012**  
(30) Convention priority data:  
(31) Number (32) Date (33) Country  
**001939729-0001 28 Oct 2011 EUROPEAN COMMUNITY**  
(56) Related Art Documents: **Not Applicable**  
(57) Statement of Newness and Distinctiveness: **Newness and distinctiveness is claimed in the shape and/or configuration of a CLAM SHELL PACKAGE FOR A SEAL as illustrated by the accompanying representations.**



- (21) Design Number: **12333/2012**  
(22) Date of Filing Application: **14 May 2012**  
(24) Date from which industrial property rights may have effect: **14 May 2012**  
(54) Product in respect of which the design is registered: **Corner stake**  
(51) International Design Classification: **08-08NES**  
(74) Name(s) of Attorney(s): **John L Davies & Co**  
(71) Name(s) and Address(s) of Applicant(s):  
**Dias Aluminium Products Pty. Ltd.**  
**201-205 Browns Road Noble Park Victoria 3174 Australia**  
(72) Name(s) of Designer(s): **Ian David Paterson**  
(45) Registration Date: **09 July 2012**  
(56) Related Art Documents: **Not Applicable**  
(57) Statement of Newness and Distinctiveness: **Nil**



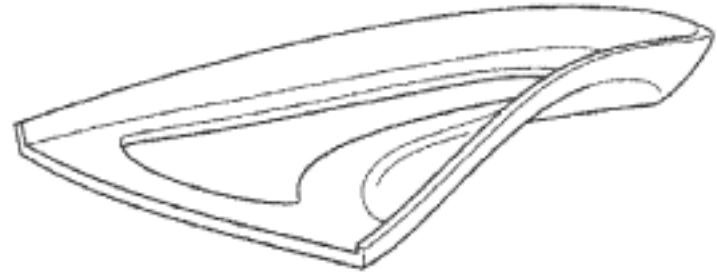
(21) Design Number: **12745/2012**  
(22) Date of Filing Application: **08 June 2012**  
(24) Date from which industrial property rights may have effect: **08 June 2012**  
(54) Product in respect of which the design is registered: **Rolled paper product dispenser**  
(51) International Design Classification: **23-02A**  
(74) Name(s) of Attorney(s): **Freehills Patent Attorneys**  
(71) Name(s) and Address(s) of Applicant(s):  
**Kimberly-Clark Worldwide, Inc.**  
**2300 Winchester Road Neenah Wisconsin 54956 United States of America**  
(72) Name(s) of Designer(s): **Jonathan Green and Bastiaan Roelof Tjaden and Joseph Elisabeth Oberdorf**  
(45) Registration Date: **09 July 2012**  
(30) Convention priority data:  
(31) Number (32) Date (33) Country  
**29/408990 19 Dec 2011 UNITED STATES OF AMERICA**  
(56) Related Art Documents: **Not Applicable**  
(57) Statement of Newness and Distinctiveness: **Newness and distinctiveness of the design resides in the shape and/or configuration of the rolled paper product dispenser as shown in solid outline in the accompanying representations. When determining whether the design is substantially similar in overall impression to another design, no regard is to be had to the features shown in broken lines.**



(21) Design Number: **15675/2011**  
(22) Date of Filing Application: **09 December 2011**  
(24) Date from which industrial property rights may have effect: **09 December 2011**  
(54) Product in respect of which the design is registered: **Insole**  
(51) International Design Classification: **02-04A**  
(74) Name(s) of Attorney(s):  
(71) Name(s) and Address(s) of Applicant(s):  
**Synx Sole Pty Ltd**  
**20 Inverleith Turn Kinross Western Australia 6028 Australia**  
(72) Name(s) of Designer(s): **Rachael Nash and Marie-Ann Ishak**  
(45) Registration Date: **09 July 2012**  
(56) Related Art Documents: **Not Applicable**  
(57) Statement of Newness and Distinctiveness: **Nil**



(21) Design Number: **15676/2011**  
(22) Date of Filing Application: **09 December 2011**  
(24) Date from which industrial property rights may have effect: **09 December 2011**  
(54) Product in respect of which the design is registered: **Stabilising member for an insole**  
(51) International Design Classification: **02-04A**  
(74) Name(s) of Attorney(s):  
(71) Name(s) and Address(s) of Applicant(s):  
**Synx Sole Pty Ltd**  
**20 Inverleith Turn Kinross Western Australia 6028 Australia**  
(72) Name(s) of Designer(s): **Rachael Nash and Marie-Ann Ishak**  
(45) Registration Date: **09 July 2012**  
(56) Related Art Documents: **Not Applicable**  
(57) Statement of Newness and Distinctiveness: **Nil**



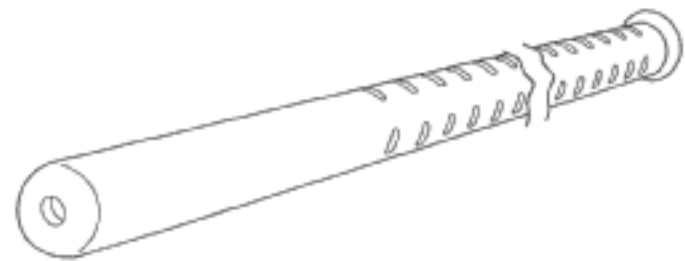
(21) Design Number: **15904/2011**  
(22) Date of Filing Application: **20 December 2011**  
(24) Date from which industrial property rights may have effect: **20 December 2011**  
(54) Product in respect of which the design is registered: **Cover for hair dryer**  
(51) International Design Classification: **28-03B**  
(74) Name(s) of Attorney(s): **MILLS OAKLEY LAWYERS**  
(71) Name(s) and Address(s) of Applicant(s):  
**Brabus PA IP Pty Ltd**  
**12 Thompson Street Bowen Hills Queensland 4006 Australia**  
(72) Name(s) of Designer(s): **Samuel Adam Jarred**  
(45) Registration Date: **09 July 2012**  
(56) Related Art Documents: **Not Applicable**  
(57) Statement of Newness and Distinctiveness: **Nil**



(21) Design Number: **15905/2011**  
(22) Date of Filing Application: **20 December 2011**  
(24) Date from which industrial property rights may have effect: **20 December 2011**  
(54) Product in respect of which the design is registered: **Cover for beauty treatment devices**  
(51) International Design Classification: **28-03B**  
(74) Name(s) of Attorney(s): **MILLS OAKLEY LAWYERS**  
(71) Name(s) and Address(s) of Applicant(s):  
**Brabus PA IP Pty Ltd**  
**12 Thompson Street Bowen Hills Queensland 4006 Australia**  
(72) Name(s) of Designer(s): **Samuel Adam Jarred**  
(45) Registration Date: **09 July 2012**  
(56) Related Art Documents: **Not Applicable**  
(57) Statement of Newness and Distinctiveness: **Nil**



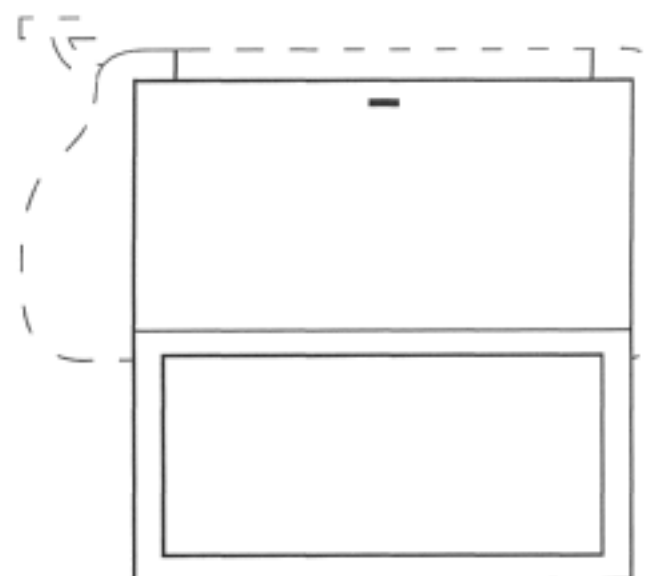
(21) Design Number: **11279/2012**  
(22) Date of Filing Application: **09 March 2012**  
(24) Date from which industrial property rights may have effect: **09 March 2012**  
(54) Product in respect of which the design is registered: **Anode**  
(51) International Design Classification: **13-03NES**  
(74) Name(s) of Attorney(s): **Davies Collison Cave**  
(71) Name(s) and Address(s) of Applicant(s):  
**Casale Trim Co Pty Ltd.**  
**25 Brooklyn Court Campbellfield Victoria 3061 Australia**  
(72) Name(s) of Designer(s): **Phillip James Hubbard**  
(45) Registration Date: **09 July 2012**  
(56) Related Art Documents: **Not Applicable**  
(57) Statement of Newness and Distinctiveness: **Newness and distinctiveness is claimed in the features of shape and configuration of an anode of indefinite length, but not in the specific size and location of holes in the sidewall of the anode.**



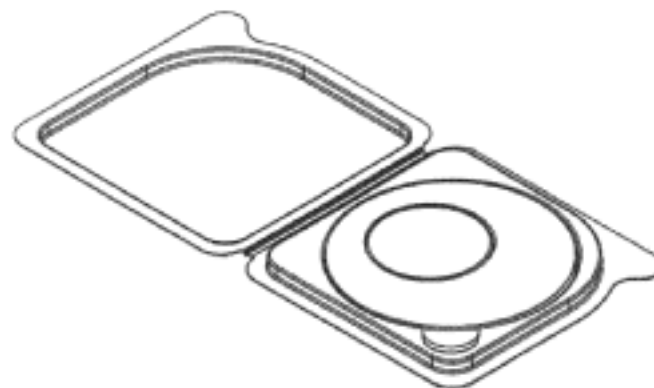
(21) Design Number: **11986/2012**  
(22) Date of Filing Application: **23 April 2012**  
(24) Date from which industrial property rights may have effect: **23 April 2012**  
(54) Product in respect of which the design is registered: **Front face of a lock**  
(51) International Design Classification: **08-07**  
(74) Name(s) of Attorney(s): **Callinans**  
(71) Name(s) and Address(s) of Applicant(s):  
**Master Lock Company LLC**  
**137 W. Forest Hill Avenue Oak Creek Wisconsin 53154 United States of America**  
(72) Name(s) of Designer(s): **Scott B. Stevens and Zachery T. Nave**  
(45) Registration Date: **09 July 2012**  
(30) Convention priority data:  
(31) Number (32) Date (33) Country  
**29/404,732 25 Oct 2011 UNITED STATES OF AMERICA**  
(56) Related Art Documents: **Not Applicable**  
(57) Statement of Newness and Distinctiveness: **Newness and distinctiveness are provided by the shape and/or configuration of the design shown in the representations. The features shown in broken lines in the representations are for illustrative purposes only and should not be considered when construing visual features of the design.**



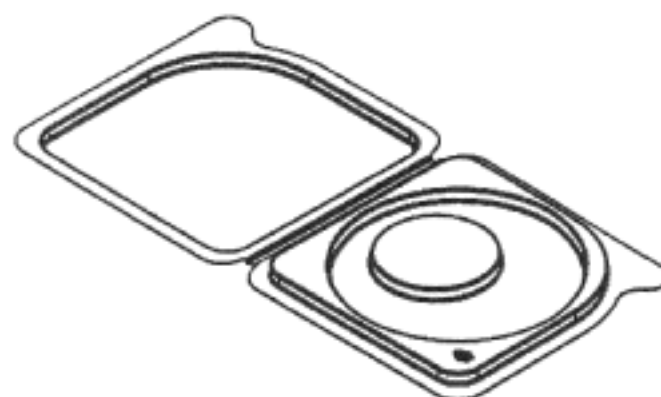
(21) Design Number: **11951/2012**  
(22) Date of Filing Application: **20 April 2012**  
(24) Date from which industrial property rights may have effect: **20 April 2012**  
(54) Product in respect of which the design is registered: **Sign holder**  
(51) International Design Classification: **20-03NES**  
(74) Name(s) of Attorney(s): **Griffith Hack**  
(71) Name(s) and Address(s) of Applicant(s):  
**Elizabeth Adams**  
**c/o Griffith Hack Level 29 Northpoint 100 Miller Street North Sydney NSW 2060**  
(72) Name(s) of Designer(s): **Elizabeth Adams and Sheila Eldridge**  
(45) Registration Date: **09 July 2012**  
(56) Related Art Documents: **Not Applicable**  
(57) Statement of Newness and Distinctiveness: **Newness and distinctiveness resides in the shape and configuration of the Sign Holder. The support car visor is shown for purpose of the context only.**



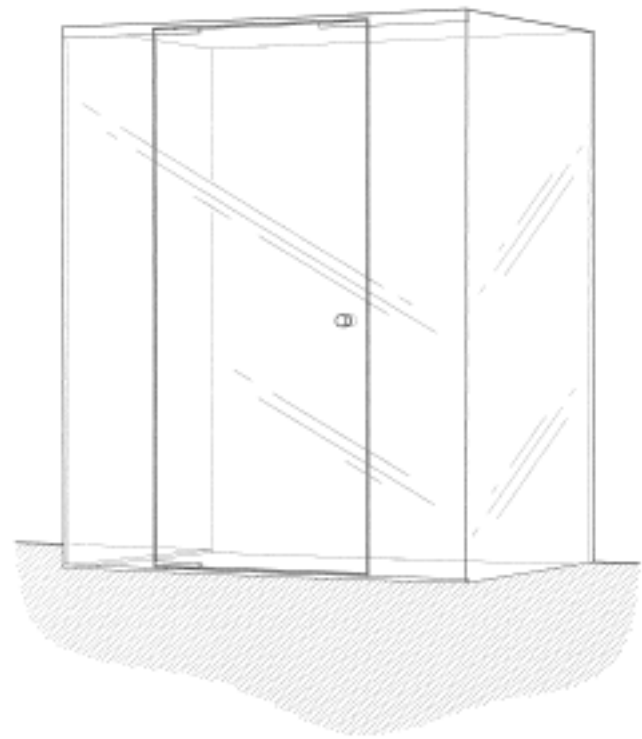
(21) Design Number: **12774/2012**  
(22) Date of Filing Application: **27 April 2012**  
(24) Date from which industrial property rights may have effect: **27 April 2012**  
(54) Product in respect of which the design is registered: **Open clam shell package with a seal therein**  
(51) International Design Classification: **23-01A, 09-03M**  
(74) Name(s) of Attorney(s): **PETER MAXWELL & ASSOCIATES**  
(71) Name(s) and Address(s) of Applicant(s):  
**Hollister Incorporated**  
**2000 Hollister Drive Libertyville Illinois 60048-3781 United States of America**  
(72) Name(s) of Designer(s): **Peter Schmidt**  
(45) Registration Date: **09 July 2012**  
(30) Convention priority data:  
(31) Number (32) Date (33) Country  
**001939729-0002 28 Oct 2011 EUROPEAN COMMUNITY**  
(56) Related Art Documents: **Not Applicable**  
(57) Statement of Newness and Distinctiveness: **Newness and distinctiveness is claimed in the shape and/or configuration of an OPEN CLAM SHELL PACKAGE WITH A SEAL THEREIN as illustrated by the unbroken lines in the accompanying representations.**



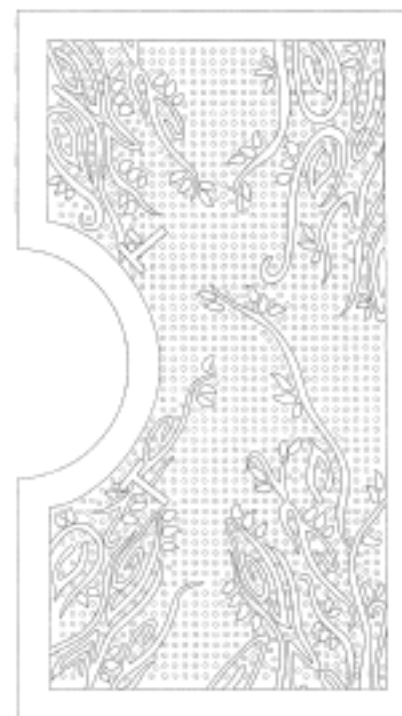
(21) Design Number: **12775/2012**  
(22) Date of Filing Application: **27 April 2012**  
(24) Date from which industrial property rights may have effect: **27 April 2012**  
(54) Product in respect of which the design is registered: **Open clam shell package without a seal therein**  
(51) International Design Classification: **23-01A, 09-03M**  
(74) Name(s) of Attorney(s): **PETER MAXWELL & ASSOCIATES**  
(71) Name(s) and Address(s) of Applicant(s):  
**Hollister Incorporated**  
**2000 Hollister Drive Libertyville Illinois 60048-3781 United States of America**  
(72) Name(s) of Designer(s): **Peter Schmidt**  
(45) Registration Date: **09 July 2012**  
(30) Convention priority data:  
(31) Number (32) Date (33) Country  
**001939729-0003 28 Oct 2011 EUROPEAN COMMUNITY**  
(56) Related Art Documents: **Not Applicable**  
(57) Statement of Newness and Distinctiveness: **Newness and distinctiveness is claimed in the shape and/or configuration of OPEN CLAM SHELL PACKAGE WITHOUT A SEAL THEREIN as illustrated by the unbroken lines in the accompanying representations.**



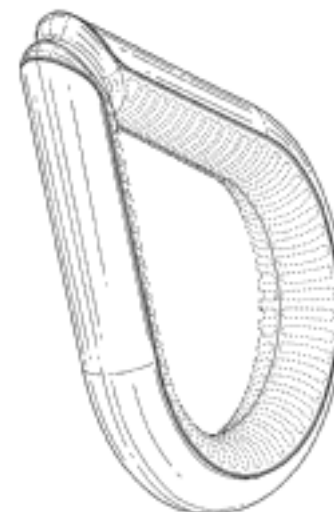
- (21) Design Number: **12785/2012**  
(22) Date of Filing Application: **14 June 2012**  
(24) Date from which industrial property rights may have effect: **14 June 2012**  
(54) Product in respect of which the design is registered: **Shower cubicle**  
(51) International Design Classification: **23-02B**  
(74) Name(s) of Attorney(s): **Callinans**  
(71) Name(s) and Address(s) of Applicant(s):  
**Peter van Doorn**  
**41 Church Street Hawthorn Victoria 3122 Australia**  
(72) Name(s) of Designer(s): **Peter van Doorn**  
(45) Registration Date: **10 July 2012**  
(56) Related Art Documents: **Not Applicable**  
(57) Statement of Newness and Distinctiveness: **Newness and distinctiveness resides in the configuration of the cubicle door and the axles on which it is mounted and in the trim of the door of the cubicle.**



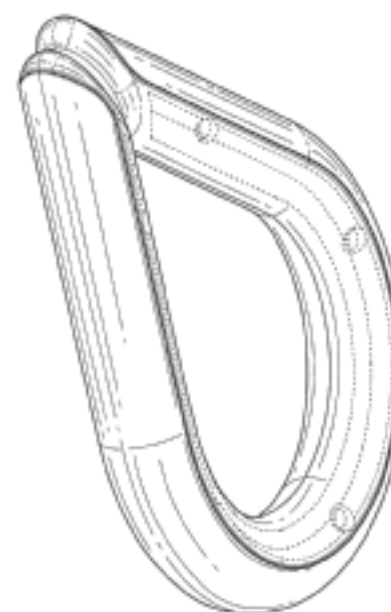
- (21) Design Number: **12788/2012**  
(22) Date of Filing Application: **14 June 2012**  
(24) Date from which industrial property rights may have effect: **14 June 2012**  
(54) Product in respect of which the design is registered: **A grate**  
(51) International Design Classification: **25-02G**  
(74) Name(s) of Attorney(s): **Griffith Hack**  
(71) Name(s) and Address(s) of Applicant(s):  
**Holcim (Australia) Pty Ltd**  
**18 Little Crib Street Milton Queensland 4064 Australia**  
(72) Name(s) of Designer(s): **Brett James**  
(45) Registration Date: **10 July 2012**  
(56) Related Art Documents: **Not Applicable**  
(57) Statement of Newness and Distinctiveness: **Newness and distinctiveness resides in the pattern and ornamentation of the product as illustrated in the drawing.**



(21) Design Number: **12790/2012**  
(22) Date of Filing Application: **15 June 2012**  
(24) Date from which industrial property rights may have effect: **15 June 2012**  
(54) Product in respect of which the design is registered: **Air freshener device**  
(51) International Design Classification: **28-99**  
(74) Name(s) of Attorney(s): **Fraser Old & Sohn**  
(71) Name(s) and Address(s) of Applicant(s):  
**Brandywine Product Group International Inc.**  
**3 Mill Road Suite 202 Wilmington DE 19806 United States of America**  
(72) Name(s) of Designer(s): **Kyle Brandenburg and Frank L Lesniak**  
(45) Registration Date: **10 July 2012**  
(30) Convention priority data:  
(31) Number (32) Date (33) Country  
**29/408,934 19 Dec 2011 UNITED STATES OF AMERICA**  
(56) Related Art Documents: **Not Applicable**  
(57) Statement of Newness and Distinctiveness: **Newness and distinctiveness is claimed in respect of the shape and/or configuration of the product illustrated in the accompanying representations.**



(21) Design Number: **12791/2012**  
(22) Date of Filing Application: **15 June 2012**  
(24) Date from which industrial property rights may have effect: **15 June 2012**  
(54) Product in respect of which the design is registered: **Air freshener device**  
(51) International Design Classification: **28-99**  
(74) Name(s) of Attorney(s): **Fraser Old & Sohn**  
(71) Name(s) and Address(s) of Applicant(s):  
**Brandywine Product Group International Inc.**  
**3 Mill Road Suite 202 Wilmington DE 19806 United States of America**  
(72) Name(s) of Designer(s): **Kyle Brandenburg and Frank L Lesniak**  
(45) Registration Date: **10 July 2012**  
(30) Convention priority data:  
(31) Number (32) Date (33) Country  
**29/408,934 19 Dec 2011 UNITED STATES OF AMERICA**  
(56) Related Art Documents: **Not Applicable**  
(57) Statement of Newness and Distinctiveness: **Newness and distinctiveness is claimed in respect of the shape and/or configuration of the product illustrated in the accompanying representations.**



(21) Design Number: **12792/2012**

(22) Date of Filing Application: **13 June 2012**

(24) Date from which industrial property rights may have effect: **13 June 2012**

(54) Product in respect of which the design is registered: **A receptacle**

(51) International Design Classification: **24-01**

(74) Name(s) of Attorney(s): **Chrysiliou IP**

(71) Name(s) and Address(s) of Applicant(s):

**Multigate Medical Products Pty Limited**  
**11-17 Nelson Road Yennora New South Wales 2161 Australia**

(72) Name(s) of Designer(s): **Ben Chen**

(45) Registration Date: **10 July 2012**

(56) Related Art Documents: **Not Applicable**

(57) Statement of Newness and Distinctiveness: **Nil**



(21) Design Number: **12793/2012**

(22) Date of Filing Application: **14 June 2012**

(24) Date from which industrial property rights may have effect: **14 June 2012**

(54) Product in respect of which the design is registered: **Furniture module**

(51) International Design Classification: **06-01G**

(74) Name(s) of Attorney(s): **FB Rice**

(71) Name(s) and Address(s) of Applicant(s):

**King Furniture (Australia) Pty Ltd**  
**123 Turrella Street Turrella New South Wales 2205 Australia**

(72) Name(s) of Designer(s): **Ryan Lawson and John Levey and Tanya Rechberger and David King**

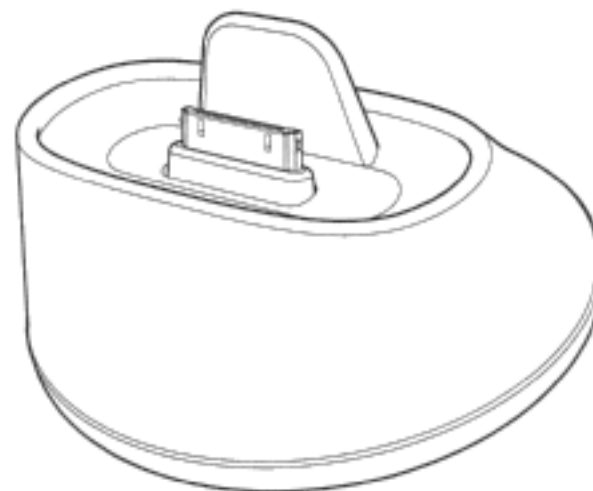
(45) Registration Date: **10 July 2012**

(56) Related Art Documents: **Not Applicable**

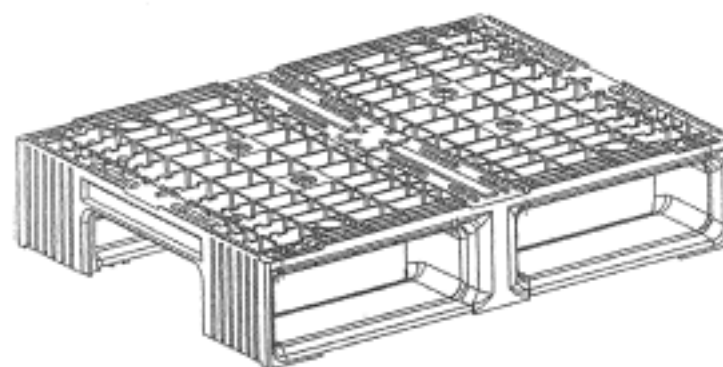
(57) Statement of Newness and Distinctiveness: **Newness and distinctiveness reside in the features of the design as shown in the representations.**



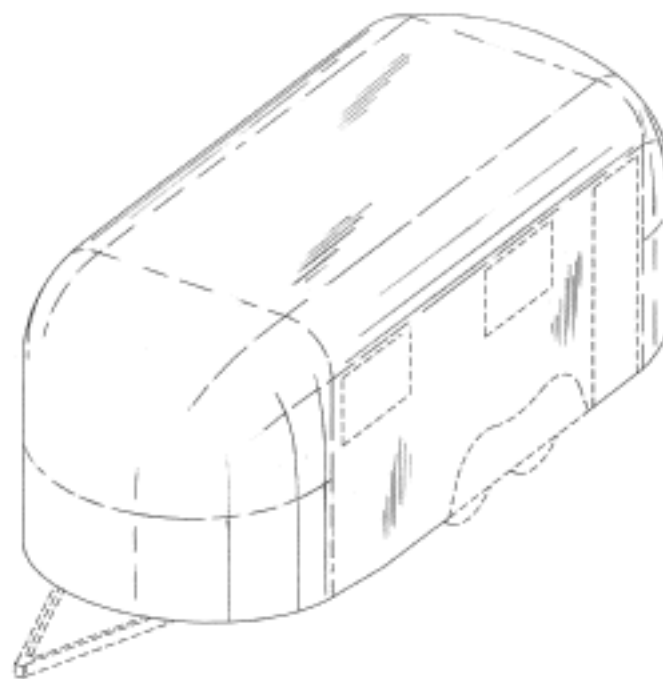
(21) Design Number: **12794/2012**  
(22) Date of Filing Application: **14 June 2012**  
(24) Date from which industrial property rights may have effect: **14 June 2012**  
(54) Product in respect of which the design is registered: **Docking station**  
(51) International Design Classification: **14-02**  
(74) Name(s) of Attorney(s): **FB Rice**  
(71) Name(s) and Address(s) of Applicant(s):  
**Koninklijke Philips Electronics N.V.**  
**Groenewoudseweg 1 5621 BA Eindhoven The Netherlands**  
(72) Name(s) of Designer(s): **Georg Johann Hagenauer**  
(45) Registration Date: **10 July 2012**  
(30) Convention priority data:  
(31) Number (32) Date (33) Country  
**001962705-0001 14 Dec 2011 EUROPEAN COMMUNITY**  
(56) Related Art Documents: **Not Applicable**  
(57) Statement of Newness and Distinctiveness: **Newness and distinctiveness reside in the features of shape and configuration of the docking station as shown in the representations.**



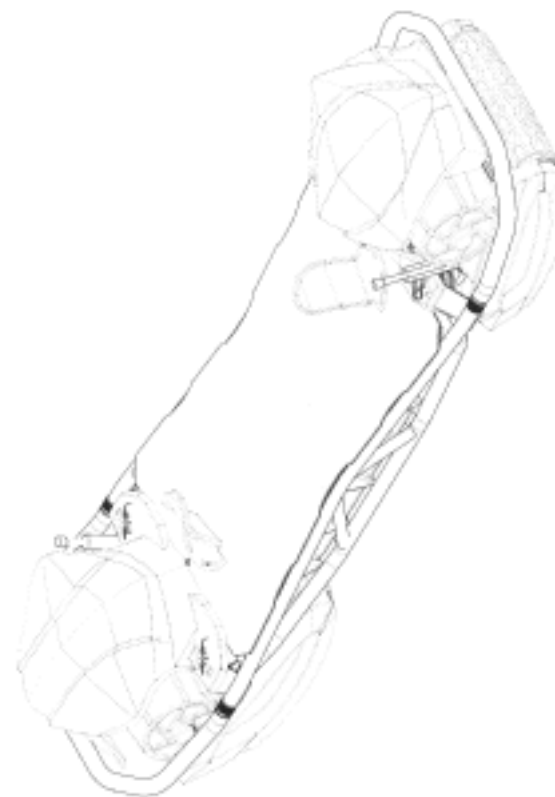
(21) Design Number: **12797/2012**  
(22) Date of Filing Application: **14 June 2012**  
(24) Date from which industrial property rights may have effect: **14 June 2012**  
(54) Product in respect of which the design is registered: **A pallet**  
(51) International Design Classification: **09-08**  
(74) Name(s) of Attorney(s): **SPRUSON & FERGUSON**  
(71) Name(s) and Address(s) of Applicant(s):  
**OZKOR Pty. Ltd.**  
**6 Carnegie Place Blacktown New South Wales 2148 Australia**  
(72) Name(s) of Designer(s): **Kenneth John Scanlon and Sa Sung Youm**  
(45) Registration Date: **10 July 2012**  
(56) Related Art Documents: **Not Applicable**  
(57) Statement of Newness and Distinctiveness: **Newness and distinctiveness is claimed in the features of shape and/or configuration of a pallet as illustrated in the accompanying representations.**



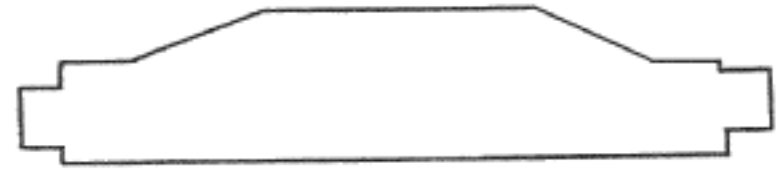
- (21) Design Number: **12798/2012**  
(22) Date of Filing Application: **14 June 2012**  
(24) Date from which industrial property rights may have effect: **14 June 2012**  
(54) Product in respect of which the design is registered: **Caravan**  
(51) International Design Classification: **12-10**  
(74) Name(s) of Attorney(s): **PHILLIPS ORMONDE FITZPATRICK**  
(71) Name(s) and Address(s) of Applicant(s):  
**Jenola Oaks Pty Ltd**  
**44 Kilkerrin Drive Moama New South Wales 2731 Australia**  
(72) Name(s) of Designer(s): **Alistair John Morrison and Geoffrey Hugh Morrison**  
(45) Registration Date: **10 July 2012**  
(56) Related Art Documents: **Not Applicable**  
(57) Statement of Newness and Distinctiveness: **The features of the caravan depicted in the representations that are new and distinctive are the shape and/or configuration. The features shown in regular short dash lines are not part of the design and are to be disregarded when considering the overall impression of the design.**



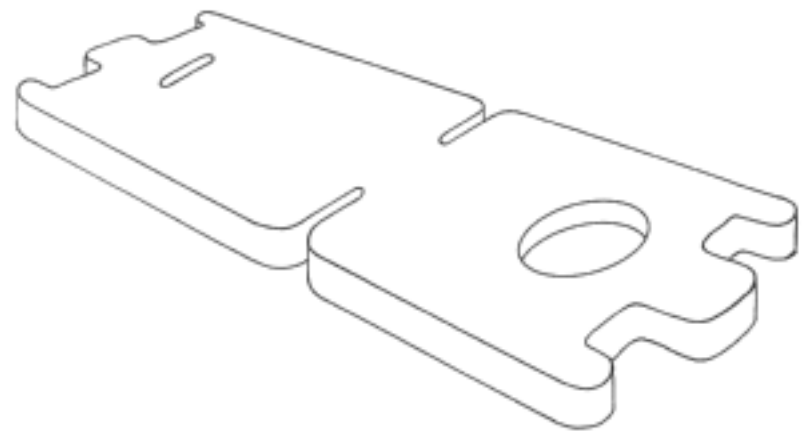
- (21) Design Number: **14906/2011**  
(22) Date of Filing Application: **31 October 2011**  
(24) Date from which industrial property rights may have effect: **31 October 2011**  
(54) Product in respect of which the design is registered: **Personal vehicle**  
(51) International Design Classification: **21-02E**  
(74) Name(s) of Attorney(s): **Shelston IP**  
(71) Name(s) and Address(s) of Applicant(s):  
**Scarpar Pty Ltd**  
**2a Minorca Court Toomina New South Wales 2452 Australia**  
(72) Name(s) of Designer(s): **Johannes Brackmann**  
(45) Registration Date: **10 July 2012**  
(56) Related Art Documents: **Not Applicable**  
(57) Statement of Newness and Distinctiveness: **Newness and Distinctiveness reside in the shape and configuration of the design for a Personal Vehicle as shown in solid lines. Those features in broken lines are illustrative only and do not form part of the design.**



- (21) Design Number: **15789/2011**  
(22) Date of Filing Application: **15 December 2011**  
(24) Date from which industrial property rights may have effect: **15 December 2011**  
(54) Product in respect of which the design is registered: **Sticking plaster used for medical purposes**  
(51) International Design Classification: **24-04**  
(74) Name(s) of Attorney(s): **Griffith Hack**  
(71) Name(s) and Address(s) of Applicant(s):  
**Raymond Spiteri**  
**3/52 Kooyong Road Caulfield North Victoria 3161 Australia**  
(72) Name(s) of Designer(s): **Raymond Spiteri**  
(45) Registration Date: **10 July 2012**  
(56) Related Art Documents: **Not Applicable**  
(57) Statement of Newness and Distinctiveness: **Newness and distinctiveness is claimed in the features of shape and/or configuration of the sticking plaster used for medical purposes as illustrated in the accompanying representations.**



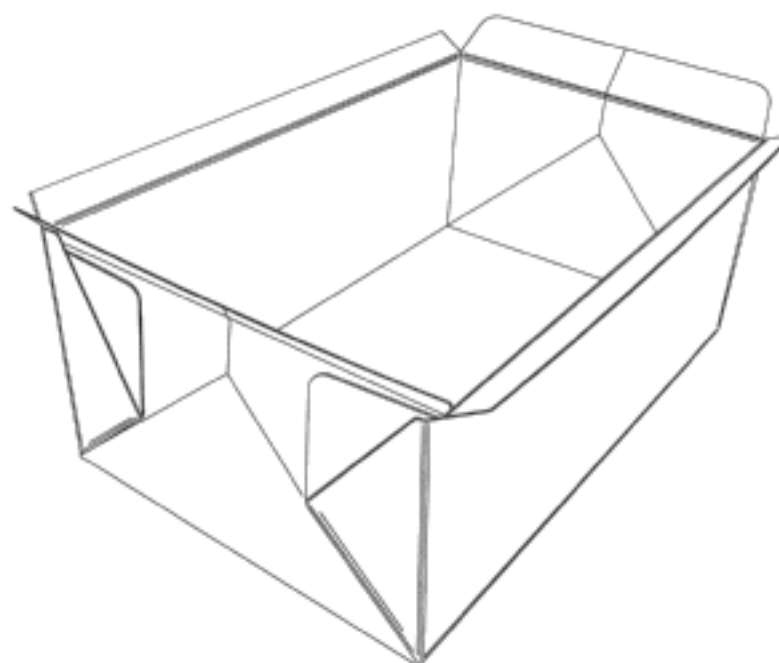
- (21) Design Number: **10045/2012**  
(22) Date of Filing Application: **06 January 2012**  
(24) Date from which industrial property rights may have effect: **06 January 2012**  
(54) Product in respect of which the design is registered: **Slide arrestor**  
(51) International Design Classification: **08-08NES**  
(74) Name(s) of Attorney(s): **Lord & Company**  
(71) Name(s) and Address(s) of Applicant(s):  
**John Anthony Neville Bromberger**  
**5 Ruse Street Osborne Park Western Australia 6017 Australia**  
(72) Name(s) of Designer(s): **John Anthony Neville Bromberger**  
(45) Registration Date: **10 July 2012**  
(56) Related Art Documents: **Not Applicable**  
(57) Statement of Newness and Distinctiveness: **Nil**



- (21) Design Number: **10061/2012**  
(22) Date of Filing Application: **09 January 2012**  
(24) Date from which industrial property rights may have effect: **09 January 2012**  
(54) Product in respect of which the design is registered: **Women's fashion clothing**  
(51) International Design Classification: **02-02B, 02-02NES**  
(74) Name(s) of Attorney(s): **Macpherson + Kelley**  
(71) Name(s) and Address(s) of Applicant(s):  
**Forever New Clothing Pty Ltd**  
**Ground Floor 714-716 High Street Kew Victoria 3101 Australia**  
(72) Name(s) of Designer(s): **Mantra Ahrendt and Alice Burrow and Gemma Henderson and Tristan Melle and Octavia Miller and Laura Mitchel and Elizabeth Maplestone and Sarah Saxty and Christiana Heideman**  
(45) Registration Date: **10 July 2012**  
(56) Related Art Documents: **Not Applicable**  
(57) Statement of Newness and Distinctiveness: **The particular visual features of the design which the Applicant hereby identifies as new and distinctive are as follows: "Women's Fashion Clothing", as illustrated in the accompanying representations.**



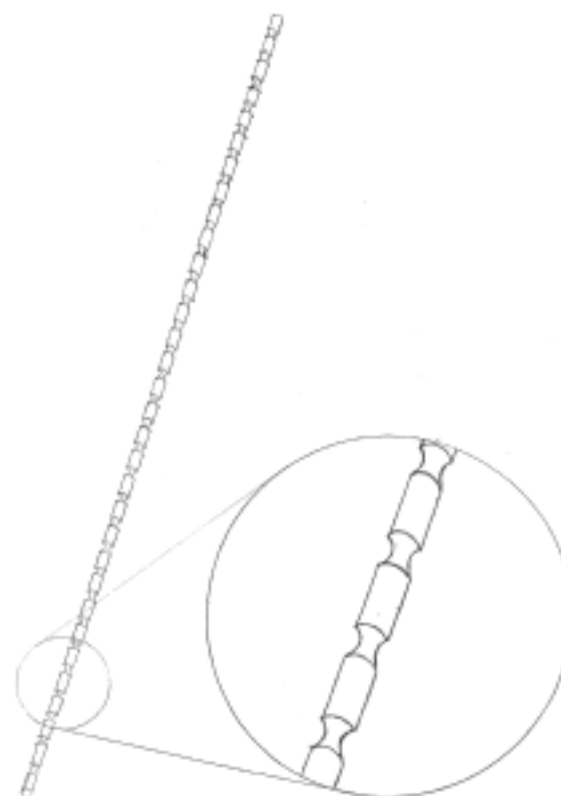
- (21) Design Number: **12006/2012**  
(22) Date of Filing Application: **24 April 2012**  
(24) Date from which industrial property rights may have effect: **24 April 2012**  
(54) Product in respect of which the design is registered: **A blank for a container**  
(51) International Design Classification: **09-03M**  
(74) Name(s) of Attorney(s): **Davies Collison Cave**  
(71) Name(s) and Address(s) of Applicant(s):  
**Visy R & D Pty Ltd**  
**Level 11 2 Southbank Boulevard Southbank Victoria 3006 Australia**  
(72) Name(s) of Designer(s): **Russell Sytsma**  
(45) Registration Date: **10 July 2012**  
(56) Related Art Documents: **Not Applicable**  
(57) Statement of Newness and Distinctiveness: **The features of shape and configuration of the blank shown in the accompanying representations are considered to be new and distinctive, wherein the lines within the boundary of the blank are lines of deformation that facilitate folding of the blank.**



- (21) Design Number: **12110/2012**  
(22) Date of Filing Application: **02 May 2012**  
(24) Date from which industrial property rights may have effect: **02 May 2012**  
(54) Product in respect of which the design is registered: **Clothes stand, clothes valet, suit stand, suit valet**  
(51) International Design Classification: **06-06A**  
(74) Name(s) of Attorney(s):  
(71) Name(s) and Address(s) of Applicant(s):  
**Anara Mailybayeva**  
**4/3 Burke Road Malvern East Victoria 3145 Australia**  
(72) Name(s) of Designer(s): **Anara Mailybayeva**  
(45) Registration Date: **10 July 2012**  
(56) Related Art Documents: **Not Applicable**  
(57) Statement of Newness and Distinctiveness: **This valet is a standalone mobile unit that is designed to hold various wardrobe items including personal fashion accessories. The form of the object in whole and some of its details are new and distinctive. Visually the shape of the unit consists of two long vertical stems that are partially bent in the middle section to form a structure to hang different types clothes. The structure is partially asymmetrical which brings distinctive visual dynamic to the object as well as specific function, for example a concave on one of the shoulders allows hanging bags or holding other items. The two stems do not intersect each other. They are mounted to a common base at the bottom and reinforced with a crossbar for stability. One of the stems has an open end at the top, which functions as a hat holder. Another stem is slightly shorter and is completed with a rectangular storage compartment for small accessories. A horizontal bar underneath the compartment works as a structural reinforcement. It also plays a functional role allowing items such as tie to be hanged underneath the storage compartment. The bar has hooks to hang additional pieces items.**



- (21) Design Number: **12493/2012**  
(22) Date of Filing Application: **25 May 2012**  
(24) Date from which industrial property rights may have effect: **25 May 2012**  
(54) Product in respect of which the design is registered: **Segmented welding filler rod**  
(51) International Design Classification: **08-05M**  
(74) Name(s) of Attorney(s):  
(71) Name(s) and Address(s) of Applicant(s):  
**Russell Stanley Beath**  
**4 Jenkins Street Curtin 2605 Australian Capital Territory Australia**  
(72) Name(s) of Designer(s): **Russell Stanley Beath**  
(45) Registration Date: **10 July 2012**  
(56) Related Art Documents: **Not Applicable**  
(57) Statement of Newness and Distinctiveness: **Segmented to allow a precise volume of filler to be deposited. Segmented welding filler rod for use with TIG and OXY ACETELYNE welding equipment to weld aluminium, steel, copper, bronze etc.**



(21) Design Number: **12497/2012**  
(22) Date of Filing Application: **24 May 2012**  
(24) Date from which industrial property rights may have effect: **24 May 2012**  
(54) Product in respect of which the design is registered: **Bakery product**  
(51) International Design Classification: **01-01**  
(74) Name(s) of Attorney(s): **PHILLIPS ORMONDE FITZPATRICK**  
(71) Name(s) and Address(s) of Applicant(s):

**Soremartec S.A.**  
**Rue Joseph Netzer 5 B-6700 Arlon Belgium**

(72) Name(s) of Designer(s): **Loris Milanese**

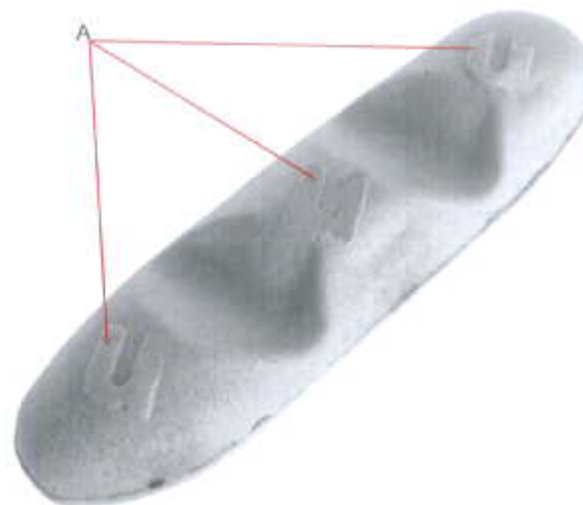
(45) Registration Date: **10 July 2012**

(30) Convention priority data:

(31) Number	(32) Date	(33) Country
<b>DM/078416</b>	<b>25 Nov 2011</b>	<b>WORLD INTELLECTUAL PROPERTY ORGANIZATION (WIPO)</b>

(56) Related Art Documents: **Not Applicable**

(57) Statement of Newness and Distinctiveness: **Those features of the food product depicted in the representations that are new and distinctive are the shape and/or configuration. The food product may or may not include one or more n-shaped projections marked "A" as shown in sheet 1/5 of the representations. The food product may or may not include on the elongated sides a horizontal line marked "B" as shown in sheet 4/5 of the representations.**



(21) Design Number: **12558/2012**  
(22) Date of Filing Application: **29 May 2012**  
(24) Date from which industrial property rights may have effect: **29 May 2012**  
(54) Product in respect of which the design is registered: **Antenna**  
(51) International Design Classification: **14-03NES**  
(74) Name(s) of Attorney(s): **Griffith Hack**  
(71) Name(s) and Address(s) of Applicant(s):

**Masprodenkoh Kabushikikaisha**  
**80 Johnoh Asada-cho Nisshin-shi Aichi Japan**

(72) Name(s) of Designer(s): **Toshio Yabushita**

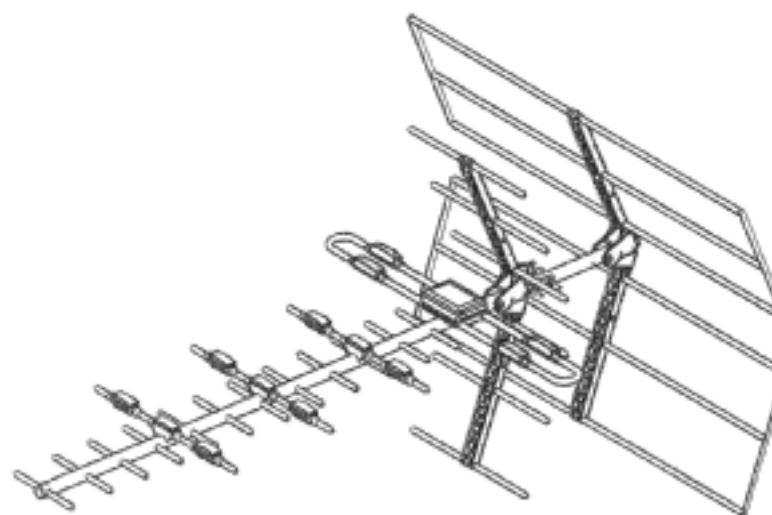
(45) Registration Date: **10 July 2012**

(30) Convention priority data:

(31) Number	(32) Date	(33) Country
<b>2012/5290</b>	<b>08 Mar 2012</b>	<b>JAPAN</b>

(56) Related Art Documents: **Not Applicable**

(57) Statement of Newness and Distinctiveness: **The shape and configuration of the product as shown in the accompanying representations is now and distinctive.**



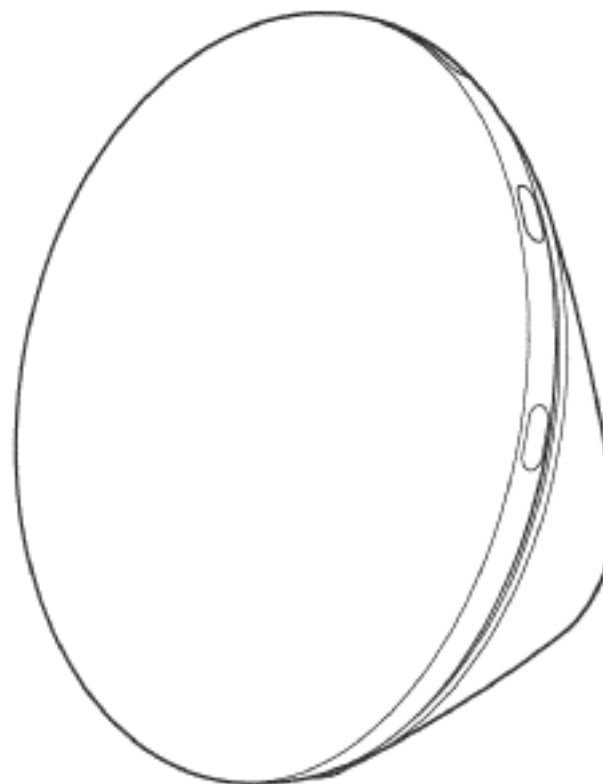
(21) Design Number: **12776/2012**  
(22) Date of Filing Application: **13 June 2012**  
(24) Date from which industrial property rights may have effect: **13 June 2012**  
(54) Product in respect of which the design is registered: **Sanitary napkin**  
(51) International Design Classification: **24-04**  
(74) Name(s) of Attorney(s): **Shelston IP**  
(71) Name(s) and Address(s) of Applicant(s):  
**McNeil-PPC, Inc.**  
**199 Grandview Road Skillman New Jersey 08858 United States of America**  
(72) Name(s) of Designer(s): **Fernanda Wiermann Paques and Joana De Oliveira Ferraz Subtil and Steven H. White**  
(45) Registration Date: **10 July 2012**  
(30) Convention priority data:  
(31) Number (32) Date (33) Country  
**29/408657 15 Dec 2011 UNITED STATES OF AMERICA**  
(56) Related Art Documents: **Not Applicable**  
(57) Statement of Newness and Distinctiveness: **Newness and distinctiveness reside in the pattern and ornamentation of the design for a Sanitary Napkin. Those features shown in broken line are provided for enviromental purposes only and form no part of the design.**



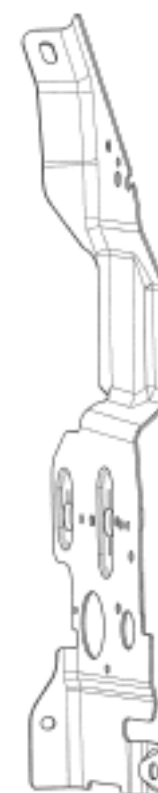
(21) Design Number: **12777/2012**  
(22) Date of Filing Application: **14 June 2012**  
(24) Date from which industrial property rights may have effect: **14 June 2012**  
(54) Product in respect of which the design is registered: **Clothes hanger poster hanger**  
(51) International Design Classification: **06-08**  
(74) Name(s) of Attorney(s):  
(71) Name(s) and Address(s) of Applicant(s):  
**Anthony David Moses**  
**8 Spinnaker Street Jamboree Heights Queensland 4074 Australia**  
(72) Name(s) of Designer(s): **Anthony David Moses**  
(45) Registration Date: **10 July 2012**  
(56) Related Art Documents: **Not Applicable**  
(57) Statement of Newness and Distinctiveness: **Nil**



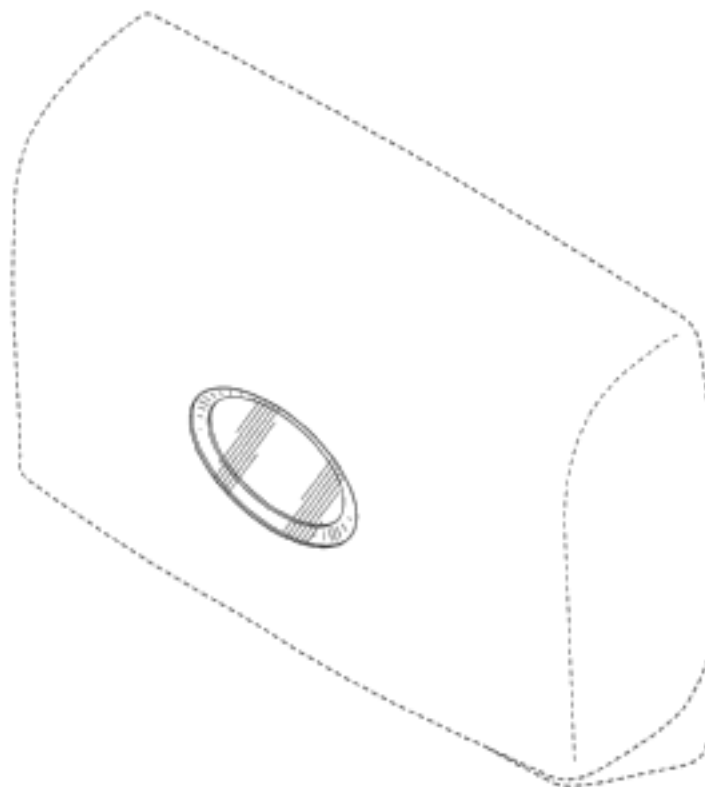
(21) Design Number: **12779/2012**  
(22) Date of Filing Application: **13 June 2012**  
(24) Date from which industrial property rights may have effect: **13 June 2012**  
(54) Product in respect of which the design is registered: **Wake up light**  
(51) International Design Classification: **26-04**  
(74) Name(s) of Attorney(s): **FB Rice**  
(71) Name(s) and Address(s) of Applicant(s):  
**Koninklijke Philips Electronics N.V.**  
**Groenewoudseweg 1 5621 BA Eindhoven The Netherlands**  
(72) Name(s) of Designer(s): **Georg Johann Hagenauer**  
(45) Registration Date: **10 July 2012**  
(30) Convention priority data:  
(31) Number (32) Date (33) Country  
**001962663-0001 14 Dec 2011 EUROPEAN COMMUNITY**  
(56) Related Art Documents: **Not Applicable**  
(57) Statement of Newness and Distinctiveness: **Newness and distinctiveness reside in the features of shape and configuration of the wake up light as shown in the representations.**



(21) Design Number: **12820/2012**  
(22) Date of Filing Application: **15 June 2012**  
(24) Date from which industrial property rights may have effect: **15 June 2012**  
(54) Product in respect of which the design is registered: **Automotive bracket**  
(51) International Design Classification: **08-08L**  
(74) Name(s) of Attorney(s): **Cullens Patent and Trade Mark Attorneys**  
(71) Name(s) and Address(s) of Applicant(s):  
**SWS Australia Pty Limited**  
**23 Scanlon Drive Epping Victoria 3076 Australia**  
(72) Name(s) of Designer(s): **Gill Singh Preetpal and Sam Spicuglia**  
(45) Registration Date: **11 July 2012**  
(56) Related Art Documents: **Not Applicable**  
(57) Statement of Newness and Distinctiveness: **Nil**



(21) Design Number: **12823/2012**  
(22) Date of Filing Application: **15 June 2012**  
(24) Date from which industrial property rights may have effect: **15 June 2012**  
(54) Product in respect of which the design is registered: **Dispenser window for a front wall of a paper product or viscous liquid dispenser**  
(51) International Design Classification: **23-02A**  
(74) Name(s) of Attorney(s): **Freehills Patent Attorneys**  
(71) Name(s) and Address(s) of Applicant(s):  
**Kimberly-Clark Worldwide, Inc.**  
**2300 Winchester Road Neenah Wisconsin 54956 United States of America**  
(72) Name(s) of Designer(s): **Jonathan Green and Bastiaan Roelof Tjaden and Joseph Elisabeth Oberdorf**  
(45) Registration Date: **11 July 2012**  
(30) Convention priority data:  
(31) Number (32) Date (33) Country  
**29/408986 19 Dec 2011 UNITED STATES OF AMERICA**  
(56) Related Art Documents: **Not Applicable**  
(57) Statement of Newness and Distinctiveness: **Newness and distinctiveness of the design resides in the shape and/or configuration of the dispenser window for a front wall of a paper product or viscous liquid dispenser as shown in the solid outline in the accompanying representations.**



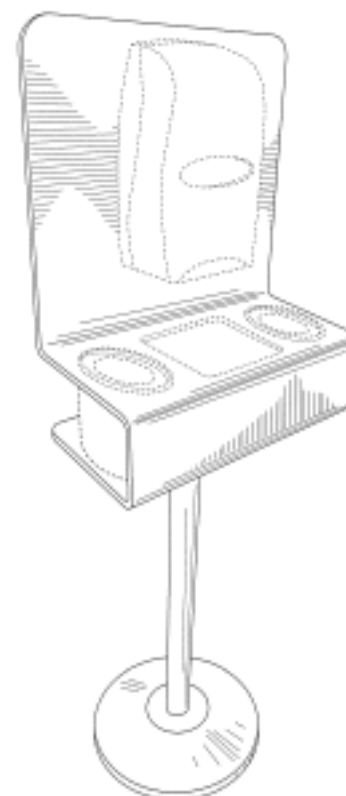
(21) Design Number: **12824/2012**  
(22) Date of Filing Application: **15 June 2012**  
(24) Date from which industrial property rights may have effect: **15 June 2012**  
(54) Product in respect of which the design is registered: **Stand and dispenser combination for a consumer paper products**  
(51) International Design Classification: **23-02A**  
(74) Name(s) of Attorney(s): **Freehills Patent Attorneys**  
(71) Name(s) and Address(s) of Applicant(s):  
**Kimberly-Clark Worldwide, Inc.**  
**2300 Winchester Road Neenah Wisconsin 54956 United States of America**  
(72) Name(s) of Designer(s): **Christopher Matthew Sinotte and Joanna Lynn Klee and John Ross Adams and Ronnie Lee Phillips and Barry Paul Markwick and Sarah Strickland Happel**  
(45) Registration Date: **11 July 2012**  
(30) Convention priority data:  
(31) Number (32) Date (33) Country  
**29/408981 19 Dec 2011 UNITED STATES OF AMERICA**  
(56) Related Art Documents: **Not Applicable**  
(57) Statement of Newness and Distinctiveness: **Newness and distinctiveness of the design resides in the shape and/or configuration of the Stand and Dispenser Combination for Consumer Paper Products as shown in solid outline in the accompanying representations.**



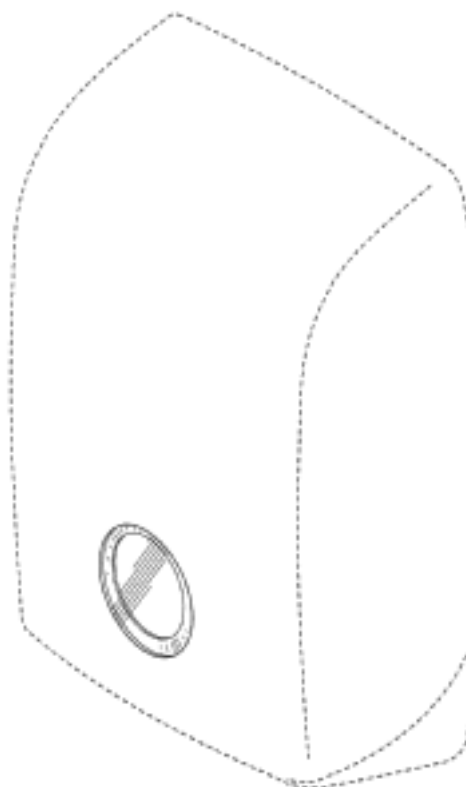
- (21) Design Number: **12825/2012**  
(22) Date of Filing Application: **15 June 2012**  
(24) Date from which industrial property rights may have effect: **15 June 2012**  
(54) Product in respect of which the design is registered: **Stand for consumer paper products**  
(51) International Design Classification: **23-02A**  
(74) Name(s) of Attorney(s): **Freehills Patent Attorneys**  
(71) Name(s) and Address(s) of Applicant(s):  
**Kimberly-Clark Worldwide, Inc.**  
**2300 Winchester Road Neenah Wisconsin 54956 United States of America**  
(72) Name(s) of Designer(s): **Christopher Matthew Sinotte and Joanna Lynn Klee and John Ross Adams and Ronnie Lee Phillips and Barry Paul Markwick and Sarah Strickland Happel**  
(45) Registration Date: **11 July 2012**  
(30) Convention priority data:  
(31) Number (32) Date (33) Country  
**29/408980 19 Dec 2011 UNITED STATES OF AMERICA**  
(56) Related Art Documents: **Not Applicable**  
(57) Statement of Newness and Distinctiveness: **Newness and distinctiveness of the design resides in the shape and/or configuration of the Stand for Consumer Paper Products as shown in solid outline in the accompanying representations.**



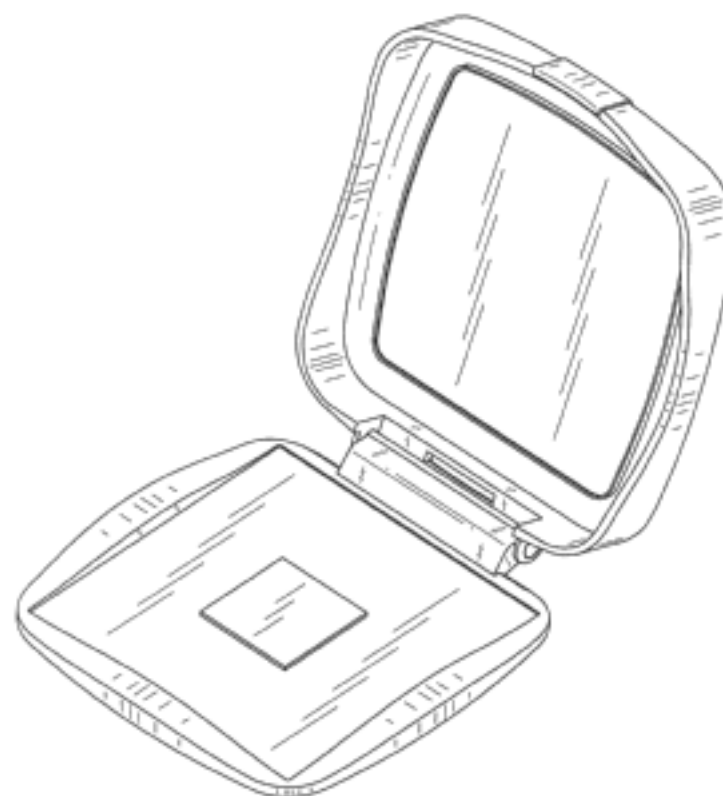
- (21) Design Number: **12826/2012**  
(22) Date of Filing Application: **15 June 2012**  
(24) Date from which industrial property rights may have effect: **15 June 2012**  
(54) Product in respect of which the design is registered: **Stand for consumer paper products**  
(51) International Design Classification: **23-02A**  
(74) Name(s) of Attorney(s): **Freehills Patent Attorneys**  
(71) Name(s) and Address(s) of Applicant(s):  
**Kimberly-Clark Worldwide, Inc.**  
**2300 Winchester Road Neenah Wisconsin 54956 United States of America**  
(72) Name(s) of Designer(s): **Christopher Matthew Sinotte and Joanna Lynn Klee and John Ross Adams and Ronnie Lee Phillips and Barry Paul Markwick and Sarah Strickland Happel**  
(45) Registration Date: **11 July 2012**  
(30) Convention priority data:  
(31) Number (32) Date (33) Country  
**29/408984 19 Dec 2011 UNITED STATES OF AMERICA**  
(56) Related Art Documents: **Not Applicable**  
(57) Statement of Newness and Distinctiveness: **Newness and distinctiveness of the design resides in the shape and/or configuration of the Stand for Consumer Paper Products as shown in solid outline in the accompanying representations.**



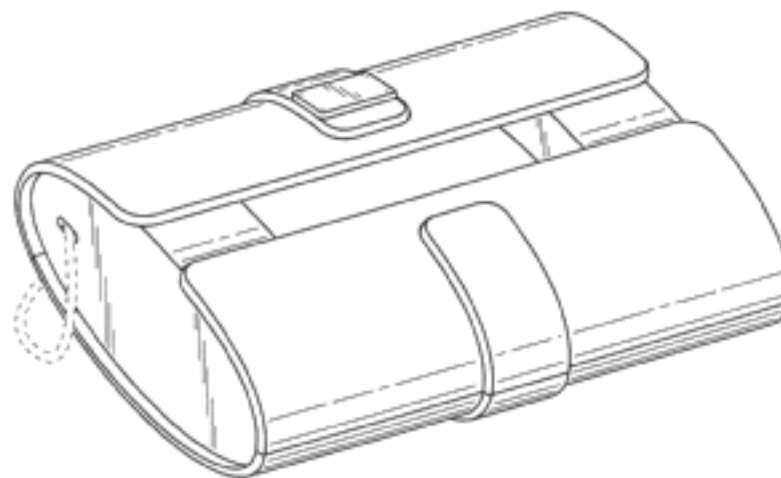
(21) Design Number: **12827/2012**  
(22) Date of Filing Application: **15 June 2012**  
(24) Date from which industrial property rights may have effect: **15 June 2012**  
(54) Product in respect of which the design is registered: **Dispenser window for a front wall of a paper product or viscous liquid dispenser**  
(51) International Design Classification: **23-02A**  
(74) Name(s) of Attorney(s): **Freehills Patent Attorneys**  
(71) Name(s) and Address(s) of Applicant(s):  
**Kimberly-Clark Worldwide, Inc.**  
**2300 Winchester Road Neenah Wisconsin 54956 United States of America**  
(72) Name(s) of Designer(s): **Jonathan Green and Bastiaan Roelof Tjaden and Joseph Elisabeth Oberdorf**  
(45) Registration Date: **11 July 2012**  
(30) Convention priority data:  
(31) Number (32) Date (33) Country  
**29/408985 19 Dec 2011 UNITED STATES OF AMERICA**  
(56) Related Art Documents: **Not Applicable**  
(57) Statement of Newness and Distinctiveness: **Newness and distinctiveness of the design resides in the shape and/or configuration of the dispenser window for a front wall of a paper product or viscous liquid dispenser as shown in solid outline in the accompanying representations.**



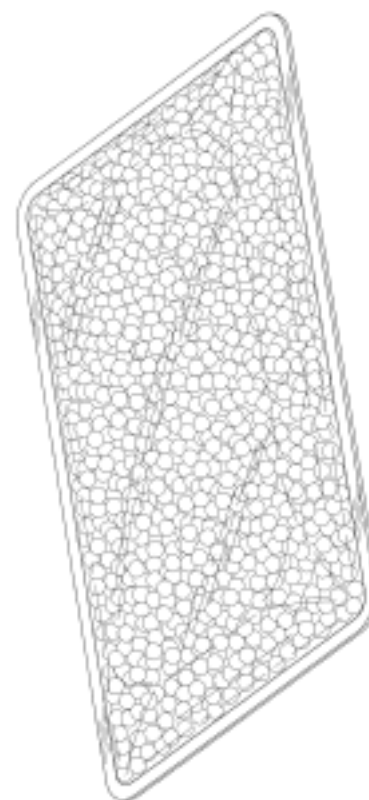
(21) Design Number: **12828/2012**  
(22) Date of Filing Application: **15 June 2012**  
(24) Date from which industrial property rights may have effect: **15 June 2012**  
(54) Product in respect of which the design is registered: **Note dispenser**  
(51) International Design Classification: **19-02**  
(74) Name(s) of Attorney(s): **Freehills Patent Attorneys**  
(71) Name(s) and Address(s) of Applicant(s):  
**3M Innovative Properties Company**  
**3M Center Post Office Box 33427 Saint Paul Minnesota 55133-3427 United States of America**  
(72) Name(s) of Designer(s): **Kristopher W. Clover and Valentina Tronconi and Monica Dalla Riva and Nicolas A. Echeverri and Lorenzo Ruggieri**  
(45) Registration Date: **11 July 2012**  
(30) Convention priority data:  
(31) Number (32) Date (33) Country  
**29/408864 16 Dec 2011 UNITED STATES OF AMERICA**  
(56) Related Art Documents: **Not Applicable**  
(57) Statement of Newness and Distinctiveness: **Newness and distinctiveness of the design resides in the shape and/or configuration of the Note Dispenser as shown in solid outlines in the accompanying representations.**



(21) Design Number: **12830/2012**  
(22) Date of Filing Application: **15 June 2012**  
(24) Date from which industrial property rights may have effect: **15 June 2012**  
(54) Product in respect of which the design is registered: **Note dispenser**  
(51) International Design Classification: **19-02**  
(74) Name(s) of Attorney(s): **Freehills Patent Attorneys**  
(71) Name(s) and Address(s) of Applicant(s):  
**3M Innovative Properties Company**  
**3M Center Post Office Box 33427 Saint Paul Minnesota 55133-3427**  
**United States of America**  
(72) Name(s) of Designer(s): **Kristopher W. Clover and Valentina Tronconi and**  
**Monica Dalla Riva and Nicolas A. Echeverri and Lorenzo Ruggieri**  
(45) Registration Date: **11 July 2012**  
(30) Convention priority data:  
(31) Number (32) Date (33) Country  
**29/408857 16 Dec 2011 UNITED STATES OF AMERICA**  
(56) Related Art Documents: **Not Applicable**  
(57) Statement of Newness and Distinctiveness: **Newness and distinctiveness**  
**of the design resides in the shape and/or configuration of the**  
**Note Dispenser as shown in solid outlines in the accompanying**  
**representations.**



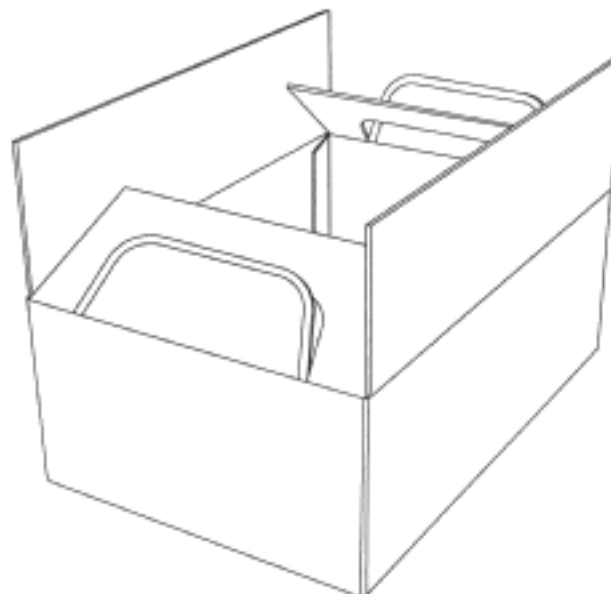
(21) Design Number: **12834/2012**  
(22) Date of Filing Application: **15 June 2012**  
(24) Date from which industrial property rights may have effect: **15 June 2012**  
(54) Product in respect of which the design is registered: **Thermal pack**  
(51) International Design Classification: **24-04**  
(74) Name(s) of Attorney(s): **Callinans**  
(71) Name(s) and Address(s) of Applicant(s):  
**Therapearl, LLC**  
**8106 Stayton Drive Suite B Jessup Maryland 20795 United States of**  
**America**  
(72) Name(s) of Designer(s): **Carol Baltazar**  
(45) Registration Date: **11 July 2012**  
(56) Related Art Documents: **Not Applicable**  
(57) Statement of Newness and Distinctiveness: **Nil**



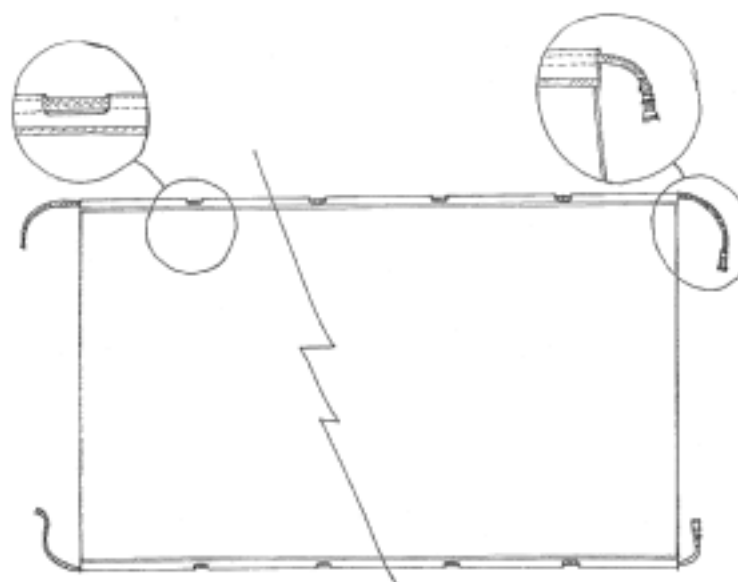
- (21) Design Number: **12835/2012**  
(22) Date of Filing Application: **15 June 2012**  
(24) Date from which industrial property rights may have effect: **15 June 2012**  
(54) Product in respect of which the design is registered: **A container for dog waste**  
(51) International Design Classification: **09-03M**  
(74) Name(s) of Attorney(s): **Griffith Hack**  
(71) Name(s) and Address(s) of Applicant(s):  
**Andris Kirsentals**  
**Mudus Zocene Rojas pag. Rojas pag. Iv-3264 Latvia**  
**Arturs Zalmansons**  
**Ganibu iela 77/79-39 Liepaga LV-3401 Latvia**  
(72) Name(s) of Designer(s): **Andris Kirsentals and Arturs Zalmansons**  
(45) Registration Date: **11 July 2012**  
(30) Convention priority data:  
(31) Number (32) Date (33) Country  
**001968777-0001 27 Dec 2011 EUROPEAN COMMUNITY**  
(56) Related Art Documents: **Not Applicable**  
(57) Statement of Newness and Distinctiveness: **Newness and distinctiveness resides in the visual features including shape and configuration of the product as shown in the attached representations.**



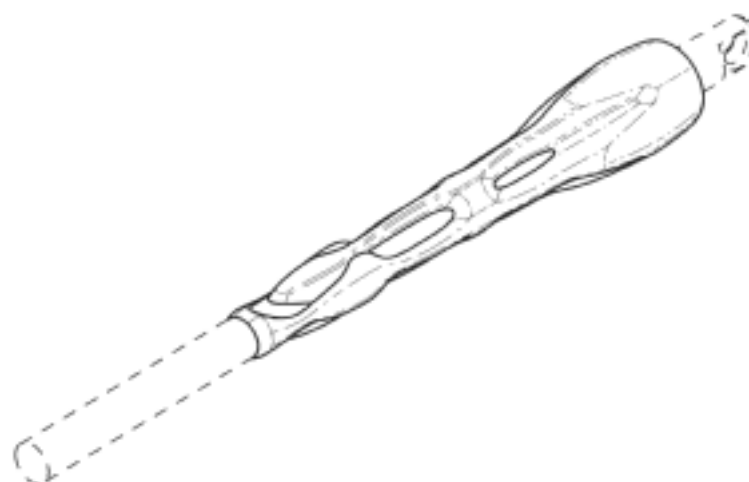
- (21) Design Number: **12102/2012**  
(22) Date of Filing Application: **30 April 2012**  
(24) Date from which industrial property rights may have effect: **30 April 2012**  
(54) Product in respect of which the design is registered: **A blank for a container**  
(51) International Design Classification: **09-03M**  
(74) Name(s) of Attorney(s): **Davies Collison Cave**  
(71) Name(s) and Address(s) of Applicant(s):  
**Visy R & D Pty Ltd**  
**Level 11 2 Southbank Boulevard Southbank Victoria 3006 Australia**  
(72) Name(s) of Designer(s): **Clint Paul Moka**  
(45) Registration Date: **11 July 2012**  
(56) Related Art Documents: **Not Applicable**  
(57) Statement of Newness and Distinctiveness: **The features of shape and configuration of the blank shown in the accompanying representations are considered to be new and distinctive, wherein the lines within the boundary of the blank are lines of deformation that facilitate folding of the blank or lines cut through the blank that separate sections of the blank during folding.**



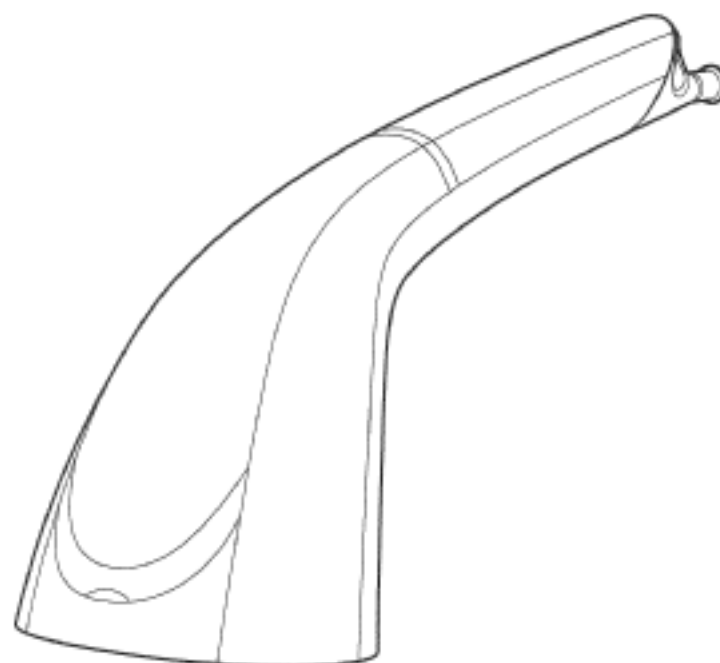
- (21) Design Number: **12234/2012**  
(22) Date of Filing Application: **04 May 2012**  
(24) Date from which industrial property rights may have effect: **04 May 2012**  
(54) Product in respect of which the design is registered: **Ratchet cover**  
(51) International Design Classification: **08-99**  
(74) Name(s) of Attorney(s):  
(71) Name(s) and Address(s) of Applicant(s):  
**Harvey David Horsfall**  
**PO Box 860 Leeton New South Wales 2705 Australia**  
(72) Name(s) of Designer(s): **Harvey David Horsfall**  
(45) Registration Date: **11 July 2012**  
(56) Related Art Documents: **Not Applicable**  
(57) Statement of Newness and Distinctiveness: **We claim monopoly on the shape and configuration of the Ratch-e-tarp as shown in the representations.**



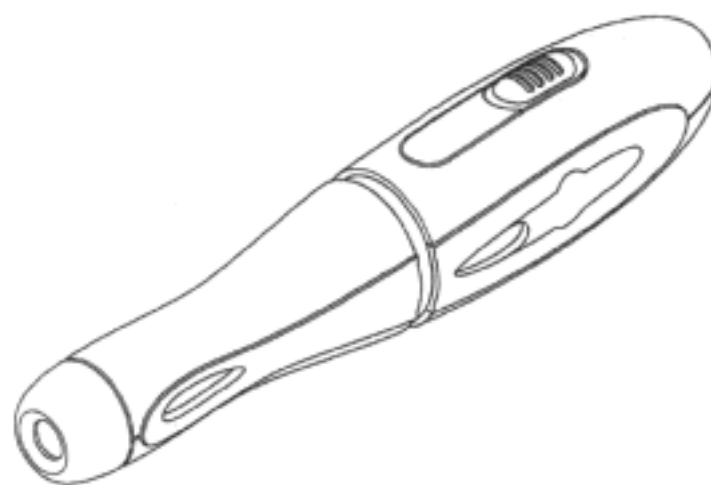
- (21) Design Number: **12332/2012**  
(22) Date of Filing Application: **14 May 2012**  
(24) Date from which industrial property rights may have effect: **14 May 2012**  
(54) Product in respect of which the design is registered: **Leash connector - water sports**  
(51) International Design Classification: **21-02D**  
(74) Name(s) of Attorney(s):  
(71) Name(s) and Address(s) of Applicant(s):  
**POD Ware Pty Ltd**  
**26 Curtin Crescent Maroubra New South Wales 2035 Australia**  
(72) Name(s) of Designer(s): **Shane Thomas Anthony Vassallo**  
(45) Registration Date: **11 July 2012**  
(56) Related Art Documents: **Not Applicable**  
(57) Statement of Newness and Distinctiveness: **Nil**



- (21) Design Number: **12339/2012**  
(22) Date of Filing Application: **16 May 2012**  
(24) Date from which industrial property rights may have effect: **16 May 2012**  
(54) Product in respect of which the design is registered: **Handheld garment steamer**  
(51) International Design Classification: **07-05NES**  
(74) Name(s) of Attorney(s): **FB Rice**  
(71) Name(s) and Address(s) of Applicant(s):  
**Koninklijke Philips Electronics N.V.**  
**Groenewoudseweg 1 5621 BA Eindhoven The Netherlands**  
(72) Name(s) of Designer(s): **Carolien van Brunschot**  
(45) Registration Date: **11 July 2012**  
(30) Convention priority data:  
(31) Number (32) Date (33) Country  
**001948241-0001 16 Nov 2011 EUROPEAN COMMUNITY**  
(56) Related Art Documents: **Not Applicable**  
(57) Statement of Newness and Distinctiveness: **Newness and distinctiveness reside in the features of shape and configuration of the handheld garment steamer as shown in the representations.**



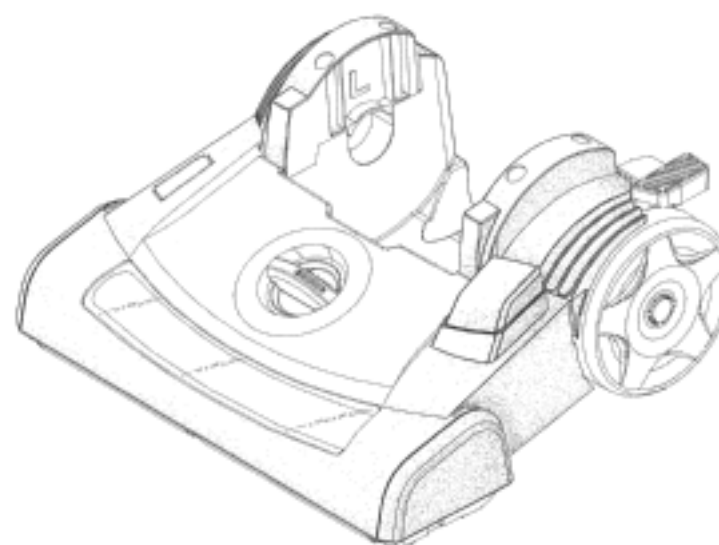
- (21) Design Number: **12364/2012**  
(22) Date of Filing Application: **17 May 2012**  
(24) Date from which industrial property rights may have effect: **17 May 2012**  
(54) Product in respect of which the design is registered: **Medicine injector**  
(51) International Design Classification: **24-02**  
(74) Name(s) of Attorney(s): **Davies Collison Cave**  
(71) Name(s) and Address(s) of Applicant(s):  
**Novartis AG**  
**Lichtstrasse 35 Basel 4056 Switzerland**  
(72) Name(s) of Designer(s): **Nicholas Charles Stones and Alan Leslie Hawkins and Timothy Duncan Wooller and Andrew Duncan Pidgeon and Martin James Dinnage and Jeremy Van Hill and Serge Roux**  
(45) Registration Date: **11 July 2012**  
(30) Convention priority data:  
(31) Number (32) Date (33) Country  
**29/406795 18 Nov 2011 UNITED STATES OF AMERICA**  
(56) Related Art Documents: **Not Applicable**  
(57) Statement of Newness and Distinctiveness: **Nil**



- (21) Design Number: **12836/2012**  
(22) Date of Filing Application: **15 June 2012**  
(24) Date from which industrial property rights may have effect: **15 June 2012**  
(54) Product in respect of which the design is registered: **Vacuum cleaner**  
(51) International Design Classification: **15-05**  
(74) Name(s) of Attorney(s): **Griffith Hack**  
(71) Name(s) and Address(s) of Applicant(s):  
**BISSELL Homecare, Inc.**  
**2345 Walker Avenue N.W. Grand Rapids MI 49544-2516 United States of America**  
(72) Name(s) of Designer(s): **Jose Carlito Santiago and James Dangora and Jongho Nho and Clifford Krapfl and Ambreese Hill**  
(45) Registration Date: **11 July 2012**  
(30) Convention priority data:  
(31) Number (32) Date (33) Country  
**29/409821 29 Dec 2011 UNITED STATES OF AMERICA**  
(56) Related Art Documents: **Not Applicable**  
(57) Statement of Newness and Distinctiveness: **The shape, configuration and ornamentation of those parts of the product shown in solid lines in the representations is new and distinctive. Those parts of the product shown by means of dashed lines have been included for illustrative purposes only and do not form part of the design.**



- (21) Design Number: **12837/2012**  
(22) Date of Filing Application: **15 June 2012**  
(24) Date from which industrial property rights may have effect: **15 June 2012**  
(54) Product in respect of which the design is registered: **Vacuum cleaner foot**  
(51) International Design Classification: **15-05**  
(74) Name(s) of Attorney(s): **Griffith Hack**  
(71) Name(s) and Address(s) of Applicant(s):  
**BISSELL Homecare, Inc.**  
**2345 Walker Avenue N.W. Grand Rapids MI 49544-2516 United States of America**  
(72) Name(s) of Designer(s): **Jose Carlito Santiago and James Dangora and Jongho Nho and Clifford Krapfl and Ambreese Hill**  
(45) Registration Date: **11 July 2012**  
(30) Convention priority data:  
(31) Number (32) Date (33) Country  
**29/409822 29 Dec 2011 UNITED STATES OF AMERICA**  
(56) Related Art Documents: **Not Applicable**  
(57) Statement of Newness and Distinctiveness: **The shape, configuration and ornamentation of those parts of the product shown in solid lines in the representations is new and distinctive. Those parts of the product shown by means of dashed lines have been included for illustrative purposes only and do not form part of the design.**



(21) Design Number: **12839/2012**

(22) Date of Filing Application: **15 June 2012**

(24) Date from which industrial property rights may have effect: **15 June 2012**

(54) Product in respect of which the design is registered: **Water closure**

(51) International Design Classification: **09-07NES**

(74) Name(s) of Attorney(s): **FB Rice**

(71) Name(s) and Address(s) of Applicant(s):

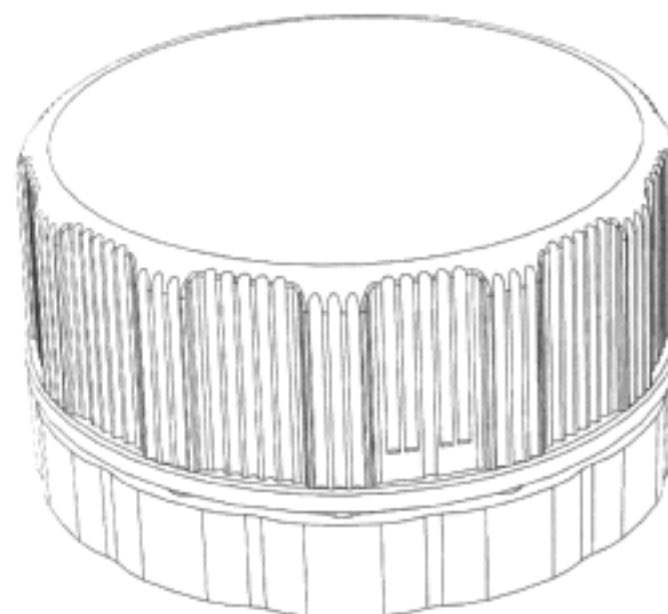
**Creanova Universal Closures Limited**  
**5 Shannon Point Oakfield Close Tewkesbury Business Park Tewkesbury**  
**GL20 8PF United Kingdom**

(72) Name(s) of Designer(s): **Mark Smith and Rodney Malcolm Druitt**

(45) Registration Date: **11 July 2012**

(56) Related Art Documents: **Not Applicable**

(57) Statement of Newness and Distinctiveness: **Newness and distinctiveness reside in the features of shape and configuration of the outward face of the skirt of the closure as shown in the representations.**



(21) Design Number: **12840/2012**

(22) Date of Filing Application: **15 June 2012**

(24) Date from which industrial property rights may have effect: **15 June 2012**

(54) Product in respect of which the design is registered: **A strainer**

(51) International Design Classification: **07-02NES**

(74) Name(s) of Attorney(s): **SPRUSON & FERGUSON**

(71) Name(s) and Address(s) of Applicant(s):

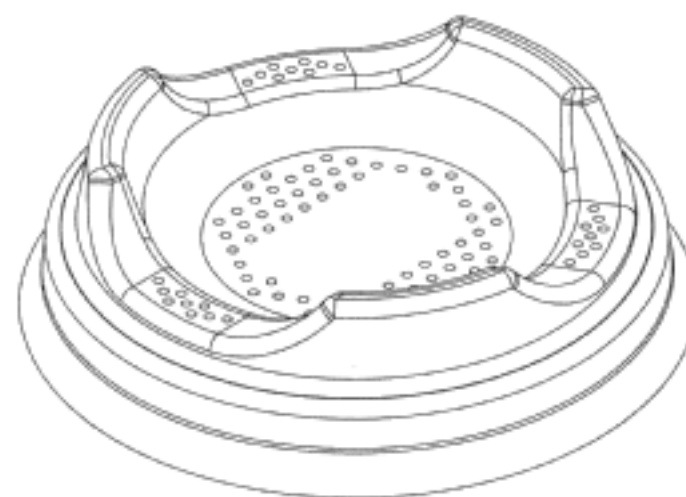
**Tom Freeman**  
**5/11a Marcel Avenue Clovelly New South Wales 2031 Australia**  
**Moana Nguyen**  
**9/30 Devenish Street Greenfield Park New South Wales 2176 Australia**

(72) Name(s) of Designer(s): **Tom Freeman and Moana Nguyen**

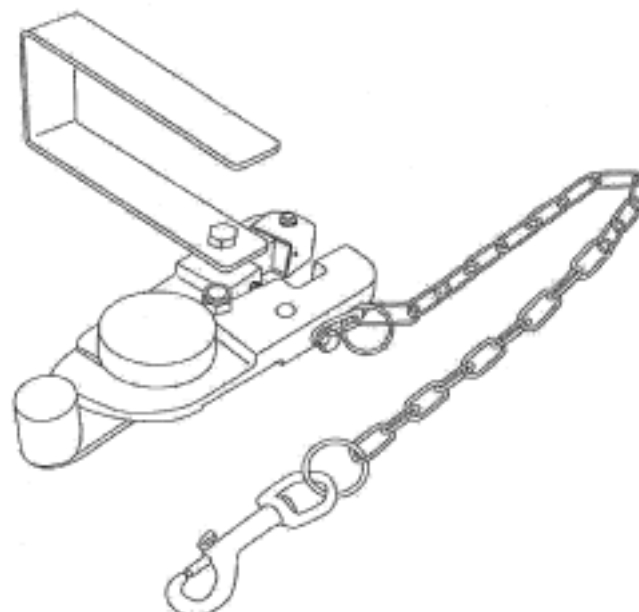
(45) Registration Date: **11 July 2012**

(56) Related Art Documents: **Not Applicable**

(57) Statement of Newness and Distinctiveness: **Newness and distinctiveness is claimed in the features of shape and/or configuration of a strainer as illustrated in the accompanying representations.**



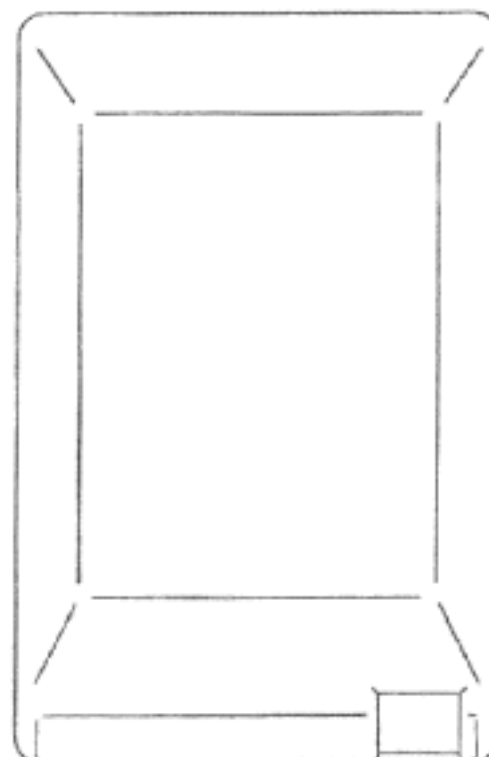
(21) Design Number: **12841/2012**  
(22) Date of Filing Application: **15 June 2012**  
(24) Date from which industrial property rights may have effect: **15 June 2012**  
(54) Product in respect of which the design is registered: **Ladder clamp**  
(51) International Design Classification: **08-05F, 25-04**  
(74) Name(s) of Attorney(s): **Wynnes Patent & Trade Mark Attorneys**  
(71) Name(s) and Address(s) of Applicant(s):  
**I & S Larard Pty Ltd**  
**107 Desert Creek Road Yelarbon Queensland 4388 Australia**  
(72) Name(s) of Designer(s): **Ian Larard**  
(45) Registration Date: **11 July 2012**  
(56) Related Art Documents: **Not Applicable**  
(57) Statement of Newness and Distinctiveness: **Newness and distinctiveness resides in the features of the shape and configuration of a ladder gutter clamp with a lever actuated cam clamp and having a pivoting U-shaped bracket as illustrated in the accompanying representations.**



(21) Design Number: **12845/2012**  
(22) Date of Filing Application: **19 June 2012**  
(24) Date from which industrial property rights may have effect: **19 June 2012**  
(54) Product in respect of which the design is registered: **Paper dispenser**  
(51) International Design Classification: **23-02A**  
(74) Name(s) of Attorney(s): **WATERMARK PATENT AND TRADE MARKS ATTORNEYS**  
(71) Name(s) and Address(s) of Applicant(s):  
**SCA Hygiene Products AB**  
**S-405 03 Goteborg Sweden**  
(72) Name(s) of Designer(s): **Rodney Wilson**  
(45) Registration Date: **12 July 2012**  
(30) Convention priority data:  
(31) Number      (32) Date      (33) Country  
**001983966      31 Jan 2012      EUROPEAN COMMUNITY**  
(56) Related Art Documents: **Not Applicable**  
(57) Statement of Newness and Distinctiveness: **Nil**



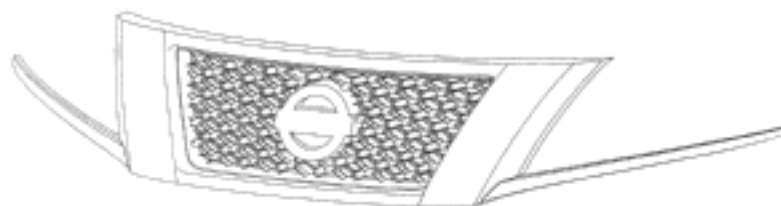
(21) Design Number: **12846/2012**  
(22) Date of Filing Application: **18 June 2012**  
(24) Date from which industrial property rights may have effect: **18 June 2012**  
(54) Product in respect of which the design is registered: **A wall plate**  
(51) International Design Classification: **13-03D**  
(74) Name(s) of Attorney(s): **King & Wood Mallesons**  
(71) Name(s) and Address(s) of Applicant(s):  
**Warren & Brown Technologies Pty Ltd**  
**108 Mitchell Street Maidstone Victoria 3012 Australia**  
(72) Name(s) of Designer(s): **Takuji Ishii and Shinichi Iwamoto**  
(45) Registration Date: **12 July 2012**  
(56) Related Art Documents: **Not Applicable**  
(57) Statement of Newness and Distinctiveness: **Nil**



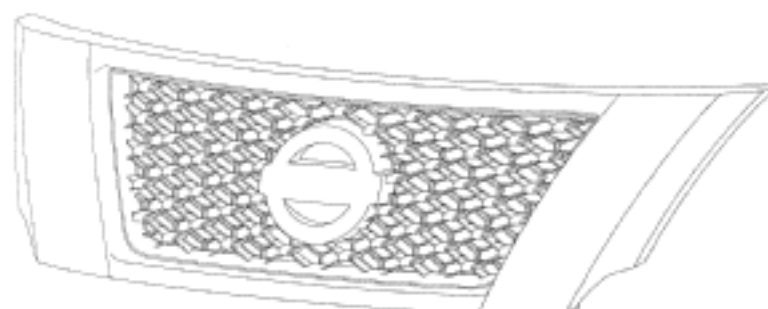
(21) Design Number: **12847/2012**  
(22) Date of Filing Application: **18 June 2012**  
(24) Date from which industrial property rights may have effect: **18 June 2012**  
(54) Product in respect of which the design is registered: **Automobile**  
(51) International Design Classification: **12-08**  
(74) Name(s) of Attorney(s): **Griffith Hack**  
(71) Name(s) and Address(s) of Applicant(s):  
**Nissan Jidosha Kabushiki Kaisha also trading as Nissan Motor Co., Ltd.**  
**No.2 Takaracho Kanagawa-ku Yokohama-shi Kanagawa-Ken Japan**  
(72) Name(s) of Designer(s): **Minoru Yoshida and Hiroshi Kawano and Masanobu Ino and Patrick Reimer and Marc Cogswell**  
(45) Registration Date: **12 July 2012**  
(30) Convention priority data:  
(31) Number      (32) Date      (33) Country  
**2011-029569      21 Dec 2011      JAPAN**  
(56) Related Art Documents: **Not Applicable**  
(57) Statement of Newness and Distinctiveness: **Newness and distinctiveness resides in the shape and configuration of the Automobile as shown in the representations.**



- (21) Design Number: **12848/2012**  
(22) Date of Filing Application: **18 June 2012**  
(24) Date from which industrial property rights may have effect: **18 June 2012**  
(54) Product in respect of which the design is registered: **Radiator grill for automobile**  
(51) International Design Classification: **12-16B**  
(74) Name(s) of Attorney(s): **Griffith Hack**  
(71) Name(s) and Address(s) of Applicant(s):  
**Nissan Jidosha Kabushiki Kaisha also trading as Nissan Motor Co., Ltd.**  
**No.2 Takaracho Kanagawa-ku Yokohama-shi Kanagawa-Ken Japan**  
(72) Name(s) of Designer(s): **Minoru Yoshida and Hiroshi Kawano and Masanobu Ino and Patrick Reimer and Marc Cogswell**  
(45) Registration Date: **12 July 2012**  
(30) Convention priority data:  
(31) Number      (32) Date      (33) Country  
**2011-029570      21 Dec 2011      JAPAN**  
(56) Related Art Documents: **Not Applicable**  
(57) Statement of Newness and Distinctiveness: **Newness and Distinctiveness resides in the shape and configuration of a radiator grill for automobile shown in the representations.**



- (21) Design Number: **12849/2012**  
(22) Date of Filing Application: **18 June 2012**  
(24) Date from which industrial property rights may have effect: **18 June 2012**  
(54) Product in respect of which the design is registered: **Radiator grill for automobile**  
(51) International Design Classification: **12-16B**  
(74) Name(s) of Attorney(s): **Griffith Hack**  
(71) Name(s) and Address(s) of Applicant(s):  
**Nissan Jidosha Kabushiki Kaisha also trading as Nissan Motor Co., Ltd.**  
**No.2 Takaracho Kanagawa-ku Yokohama-shi Kanagawa-Ken Japan**  
(72) Name(s) of Designer(s): **Minoru Yoshida and Hiroshi Kawano and Masanobu Ino and Patrick Reimer and Marc Cogswell**  
(45) Registration Date: **12 July 2012**  
(30) Convention priority data:  
(31) Number      (32) Date      (33) Country  
**2011-029571      21 Dec 2011      JAPAN**  
(56) Related Art Documents: **Not Applicable**  
(57) Statement of Newness and Distinctiveness: **Newness and Distinctiveness resides in the shape and configuration of a radiator grill for automobile shown in the representations.**



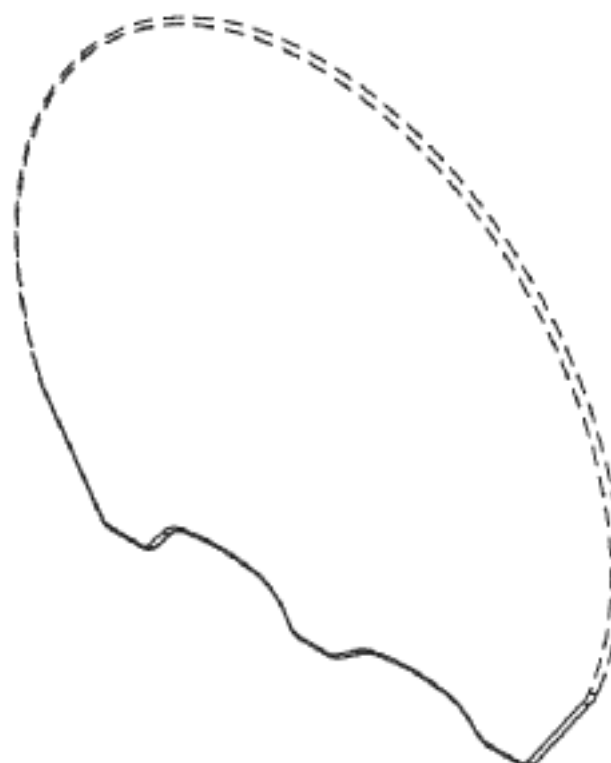
- (21) Design Number: **12850/2012**  
(22) Date of Filing Application: **18 June 2012**  
(24) Date from which industrial property rights may have effect: **18 June 2012**  
(54) Product in respect of which the design is registered: **Front bumper for automobile**  
(51) International Design Classification: **12-16C**  
(74) Name(s) of Attorney(s): **Griffith Hack**  
(71) Name(s) and Address(s) of Applicant(s):  
**Nissan Jidosha Kabushiki Kaisha also trading as Nissan Motor Co., Ltd.  
No.2 Takaracho Kanagawa-ku Yokohama-shi Kanagawa-Ken Japan**  
(72) Name(s) of Designer(s): **Hiroshi Kawano and Minoru Yoshida and Masanobu Ino and Patrick Reimer and Marc Cogswell**  
(45) Registration Date: **12 July 2012**  
(30) Convention priority data:  
(31) Number (32) Date (33) Country  
**2011-029572 21 Dec 2011 JAPAN**  
(56) Related Art Documents: **Not Applicable**  
(57) Statement of Newness and Distinctiveness: **Newness and distinctiveness resides in the visual features, including shape and configuration of a front bumper for an automobile as shown in the representations.**



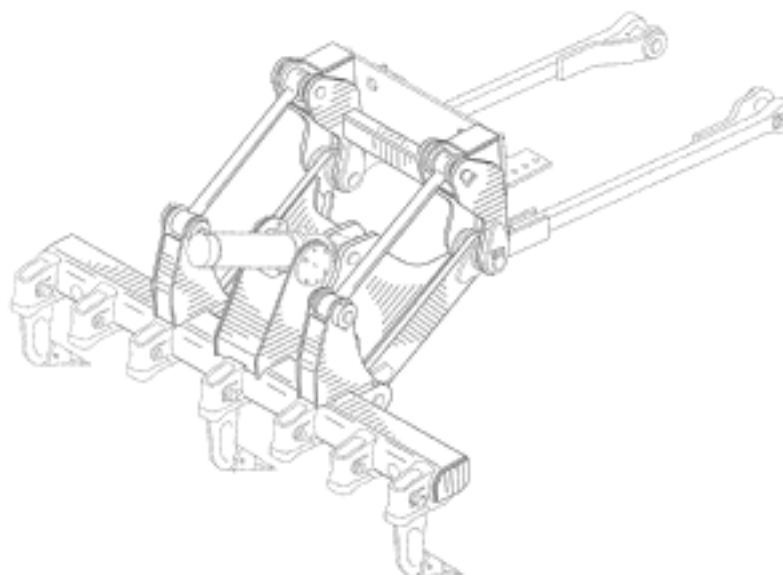
- (21) Design Number: **12851/2012**  
(22) Date of Filing Application: **18 June 2012**  
(24) Date from which industrial property rights may have effect: **18 June 2012**  
(54) Product in respect of which the design is registered: **Instrument panel for automobile**  
(51) International Design Classification: **12-16NES**  
(74) Name(s) of Attorney(s): **Griffith Hack**  
(71) Name(s) and Address(s) of Applicant(s):  
**Nissan Jidosha Kabushiki Kaisha also trading as Nissan Motor Co., Ltd.  
No. 2 Takaracho Kanagawa-ku Yokohama-shi Kanagawa-ken Japan**  
(72) Name(s) of Designer(s): **Souichi Maruyama and Hiroyuki Kikuchi and Ilwon Lee**  
(45) Registration Date: **12 July 2012**  
(30) Convention priority data:  
(31) Number (32) Date (33) Country  
**2011-029582 21 Dec 2011 JAPAN**  
(56) Related Art Documents: **Not Applicable**  
(57) Statement of Newness and Distinctiveness: **Newness and distinctiveness resides in the visual features, including shape, and configuration, of an INSTRUMENT PANEL FOR AUTOMOBILE as shown in the representations.**



(21) Design Number: **12852/2012**  
(22) Date of Filing Application: **18 June 2012**  
(24) Date from which industrial property rights may have effect: **18 June 2012**  
(54) Product in respect of which the design is registered: **Plectrum**  
(51) International Design Classification: **17-99**  
(74) Name(s) of Attorney(s): **PHILLIPS ORMONDE FITZPATRICK**  
(71) Name(s) and Address(s) of Applicant(s):  
**Nicoz Trading Pty Ltd**  
**4 Manna Court Delahey Victoria 3057 Australia**  
(72) Name(s) of Designer(s): **Labi Harris**  
(45) Registration Date: **12 July 2012**  
(56) Related Art Documents: **Not Applicable**  
(57) Statement of Newness and Distinctiveness: **Those features of the plectrum depicted in the representations that are new and distinctive are the shape and/or configuration. Those features shown in broken line are not part of the design and are to be disregarded when considering the overall impression of the design.**



(21) Design Number: **12853/2012**  
(22) Date of Filing Application: **18 June 2012**  
(24) Date from which industrial property rights may have effect: **18 June 2012**  
(54) Product in respect of which the design is registered: **Ripper assembly**  
(51) International Design Classification: **15-04**  
(74) Name(s) of Attorney(s): **Freehills Patent Attorneys**  
(71) Name(s) and Address(s) of Applicant(s):  
**Caterpillar Inc.**  
**100 N.E. Adams Street Peoria Illinois 61629 United States of America**  
(72) Name(s) of Designer(s): **Satish Kumar Polumati**  
(45) Registration Date: **12 July 2012**  
(30) Convention priority data:  
(31) Number      (32) Date      (33) Country  
**29/409247      21 Dec 2011      UNITED STATES OF AMERICA**  
(56) Related Art Documents: **Not Applicable**  
(57) Statement of Newness and Distinctiveness: **Newness and distinctiveness lies in the shape and configuration of the part of the ripper assembly shown in solid lines in the accompanying drawings.**



(21) Design Number: **12854/2012**

(22) Date of Filing Application: **18 June 2012**

(24) Date from which industrial property rights may have effect: **18 June 2012**

(54) Product in respect of which the design is registered: **Base of a dust cleaner**

(51) International Design Classification: **15-05**

(74) Name(s) of Attorney(s): **Shelston IP**

(71) Name(s) and Address(s) of Applicant(s):

**Suzhou Dream Power Electric Co., Ltd  
99 Tongcheng Road Suzhou Jiangsu 215134 People's Republic of China**

(72) Name(s) of Designer(s): **Weizhen Wang**

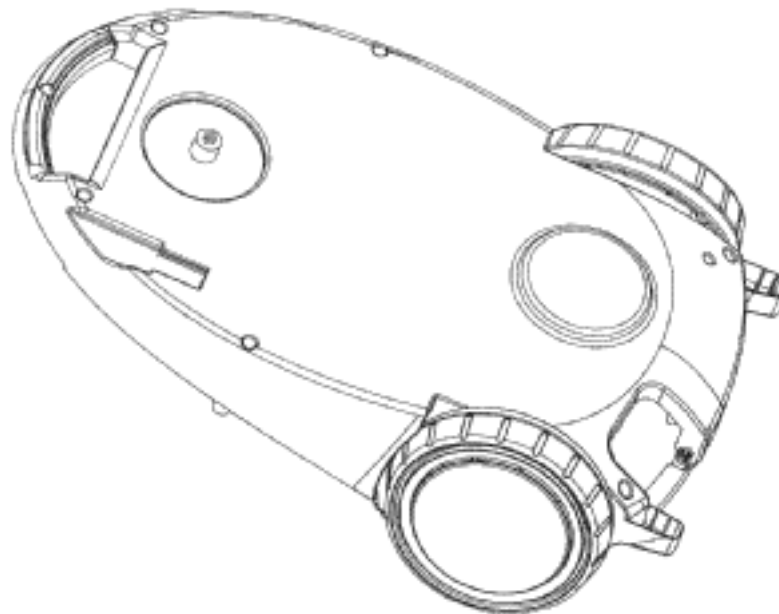
(45) Registration Date: **12 July 2012**

(30) Convention priority data:

(31) Number	(32) Date	(33) Country
<b>201130488093.4</b>	<b>19 Dec 2011</b>	<b>CHINA</b>

(56) Related Art Documents: **Not Applicable**

(57) Statement of Newness and Distinctiveness: **Newness and distinctiveness reside in the features of shape and/or configuration of a BASE OF A DUST CLEANER as illustrated in the accompanying representations. In particular, newness and distinctiveness reside in the shape and/or configuration of the inclined wheels of the base.**



(21) Design Number: **14916/2011**

(22) Date of Filing Application: **01 November 2011**

(24) Date from which industrial property rights may have effect: **01 November 2011**

(54) Product in respect of which the design is registered: **Shaver**

(51) International Design Classification: **28-03A**

(74) Name(s) of Attorney(s): **PHILLIPS ORMONDE FITZPATRICK**

(71) Name(s) and Address(s) of Applicant(s):

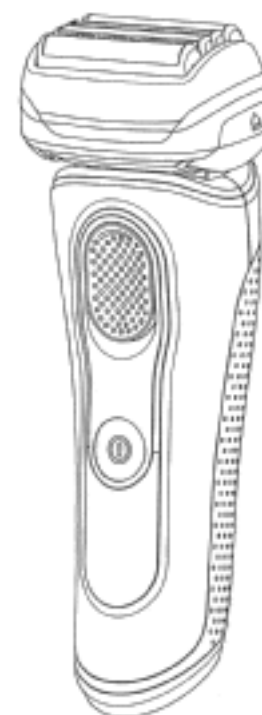
**Braun GmbH  
Frankfurter Strasse 145 61476 Kronberg am Taunus Germany**

(72) Name(s) of Designer(s): **Oliver Grabes and Bjorn Kling and Rory McGarry and Markus Orthey and Gregor Ptok and Fritz Schubert and Bernhard Sikora and Renke Joris Thyse and Phong Duy Vu**

(45) Registration Date: **13 July 2012**

(56) Related Art Documents: **Not Applicable**

(57) Statement of Newness and Distinctiveness: **Nil**



- (21) Design Number: **14917/2011**  
(22) Date of Filing Application: **01 November 2011**  
(24) Date from which industrial property rights may have effect: **01 November 2011**  
(54) Product in respect of which the design is registered: **Shaver**  
(51) International Design Classification: **28-03A**  
(74) Name(s) of Attorney(s): **PHILLIPS ORMONDE FITZPATRICK**  
(71) Name(s) and Address(s) of Applicant(s):

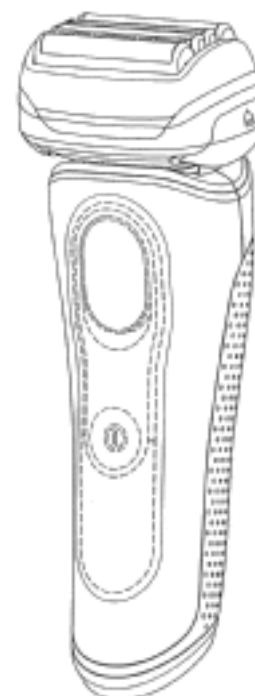
**Braun GmbH**  
**Frankfurter Strasse 145 61476 Kronberg am Taunus Germany**

- (72) Name(s) of Designer(s): **Oliver Grabes and Bjorn Kling and Rory McGarry and Markus Orthey and Gregor Ptok and Fritz Schubert and Bernhard Sikora and Renke Joris Thye and Phong Duy Vu**

(45) Registration Date: **13 July 2012**

(56) Related Art Documents: **Not Applicable**

- (57) Statement of Newness and Distinctiveness: **Those features of the shaver depicted in the representations that are new and distinctive are the shape and/or configuration and pattern and/or ornamentation. The features shown in broken lines are not part of the design and are to be disregarded when considering the overall impression of the design.**



- (21) Design Number: **14918/2011**  
(22) Date of Filing Application: **01 November 2011**  
(24) Date from which industrial property rights may have effect: **01 November 2011**  
(54) Product in respect of which the design is registered: **Shaver**  
(51) International Design Classification: **28-03A**  
(74) Name(s) of Attorney(s): **PHILLIPS ORMONDE FITZPATRICK**  
(71) Name(s) and Address(s) of Applicant(s):

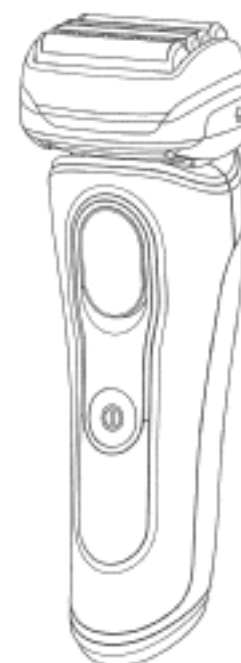
**Braun GmbH**  
**Frankfurter Strasse 145 61476 Kronberg am Taunus Germany**

- (72) Name(s) of Designer(s): **Oliver Grabes and Bjorn Kling and Rory McGarry and Markus Orthey and Gregor Ptok and Fritz Schubert and Bernhard Sikora and Renke Joris Thye and Phong Duy Vu**

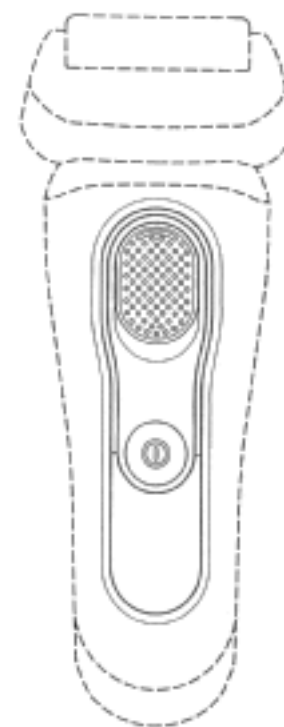
(45) Registration Date: **13 July 2012**

(56) Related Art Documents: **Not Applicable**

- (57) Statement of Newness and Distinctiveness: **Nil**



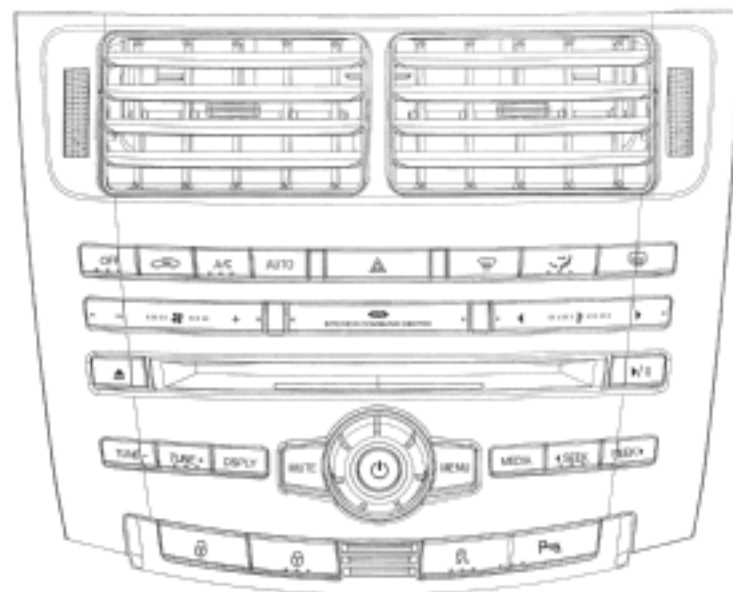
- (21) Design Number: **14919/2011**  
(22) Date of Filing Application: **01 November 2011**  
(24) Date from which industrial property rights may have effect: **01 November 2011**  
(54) Product in respect of which the design is registered: **Switch/interface for a shaver**  
(51) International Design Classification: **28-03A**  
(74) Name(s) of Attorney(s): **PHILLIPS ORMONDE FITZPATRICK**  
(71) Name(s) and Address(s) of Applicant(s):  
**Braun GmbH**  
**Frankfurter Strasse 145 61476 Kronberg am Taunus Germany**  
(72) Name(s) of Designer(s): **Oliver Grabes and Bjorn Kling and Rory McGarry and Markus Orthey and Gregor Ptok and Fritz Schubert and Bernhard Sikora and Renke Joris Thye and Phong Duy Vu**  
(45) Registration Date: **13 July 2012**  
(56) Related Art Documents: **Not Applicable**  
(57) Statement of Newness and Distinctiveness: **The newness and distinctiveness resides in the shape and/or configuration of the switch/interface of a shaver as shown in continuous lines. The features shown in broken lines are not part of the design and are to be disregarded when considering the overall impression of the design.**



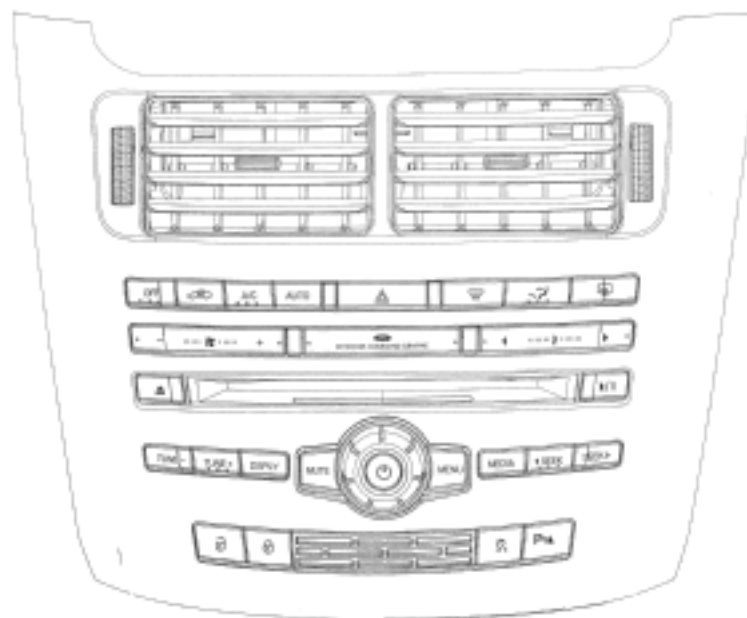
- (21) Design Number: **14920/2011**  
(22) Date of Filing Application: **01 November 2011**  
(24) Date from which industrial property rights may have effect: **01 November 2011**  
(54) Product in respect of which the design is registered: **Cleaning centre for a shaver**  
(51) International Design Classification: **28-03A**  
(74) Name(s) of Attorney(s): **PHILLIPS ORMONDE FITZPATRICK**  
(71) Name(s) and Address(s) of Applicant(s):  
**Braun GmbH**  
**Frankfurter Strasse 145 61476 Kronberg am Taunus Germany**  
(72) Name(s) of Designer(s): **Oliver Grabes and Bjorn Kling and Rory McGarry and Markus Orthey and Gregor Ptok and Fritz Schubert and Bernhard Sikora and Renke Joris Thye and Phong Duy Vu**  
(45) Registration Date: **13 July 2012**  
(56) Related Art Documents: **Not Applicable**  
(57) Statement of Newness and Distinctiveness: **Nil**



- (21) Design Number: **12511/2012**
- (22) Date of Filing Application: **25 May 2012**
- (24) Date from which industrial property rights may have effect: **25 May 2012**
- (54) Product in respect of which the design is registered: **An automotive switch panel**
- (51) International Design Classification: **12-16NES**
- (74) Name(s) of Attorney(s): **Cullens Patent and Trade Mark Attorneys**
- (71) Name(s) and Address(s) of Applicant(s):  
**SWS Australia Pty Limited**  
**23 Scanlon Drive Epping Victoria 3076 Australia**
- (72) Name(s) of Designer(s): **Sam Spicuglia and Gill Singh Preetpal**
- (45) Registration Date: **13 July 2012**
- (56) Related Art Documents: **Not Applicable**
- (57) Statement of Newness and Distinctiveness: **Newness and distinctiveness is claimed in the indicia of the switches of the switch panels depicted in the accompanying representations.**



- (21) Design Number: **13093/2012**
- (22) Date of Filing Application: **25 May 2012**
- (24) Date from which industrial property rights may have effect: **25 May 2012**
- (54) Product in respect of which the design is registered: **An automotive switch panel**
- (51) International Design Classification: **12-16NES**
- (74) Name(s) of Attorney(s): **Cullens Patent and Trade Mark Attorneys**
- (71) Name(s) and Address(s) of Applicant(s):  
**SWS Australia Pty Limited**  
**23 Scanlon Drive Epping Victoria 3076 Australia**
- (72) Name(s) of Designer(s): **Sam Spicuglia and Gill Singh Preetpal**
- (45) Registration Date: **13 July 2012**
- (56) Related Art Documents: **Not Applicable**
- (57) Statement of Newness and Distinctiveness: **Newness and distinctiveness is claimed in the indicia of the switches of the switch panels depicted in the accompanying representations.**



(21) Design Number: **12771/2012**

(22) Date of Filing Application: **05 June 2012**

(24) Date from which industrial property rights may have effect: **05 June 2012**

(54) Product in respect of which the design is registered: **Trailer coupling**

(51) International Design Classification: **12-16L**

(74) Name(s) of Attorney(s):

(71) Name(s) and Address(s) of Applicant(s):

**Paramraj Singh Viridi**

**11 National Drive Hallam Victoria 3803 Australia**

**Kamaldeep Kaur Viridi**

**11 National Drive Hallam Victoria 3803 Australia**

(72) Name(s) of Designer(s): **Paramraj Singh Viridi**

(45) Registration Date: **13 July 2012**

(56) Related Art Documents: **Not Applicable**

(57) Statement of Newness and Distinctiveness: **Gear Teeth at the end to accommodate hand brake arrangement. Coupling body has shape to accommodate the fingers when the hand brake lever is at the lower position. Meher Logo has been incorporated in the cast body. Hand brake arrangement.**



(21) Design Number: **12772/2012**

(22) Date of Filing Application: **05 June 2012**

(24) Date from which industrial property rights may have effect: **05 June 2012**

(54) Product in respect of which the design is registered: **Trailer coupling**

(51) International Design Classification: **12-16L**

(74) Name(s) of Attorney(s):

(71) Name(s) and Address(s) of Applicant(s):

**Paramraj Singh Viridi**

**11 National Drive Hallam Victoria 3803 Australia**

**Kamaldeep Kaur Viridi**

**11 National Drive Hallam Victoria 3803 Australia**

(72) Name(s) of Designer(s): **Paramraj Singh Viridi**

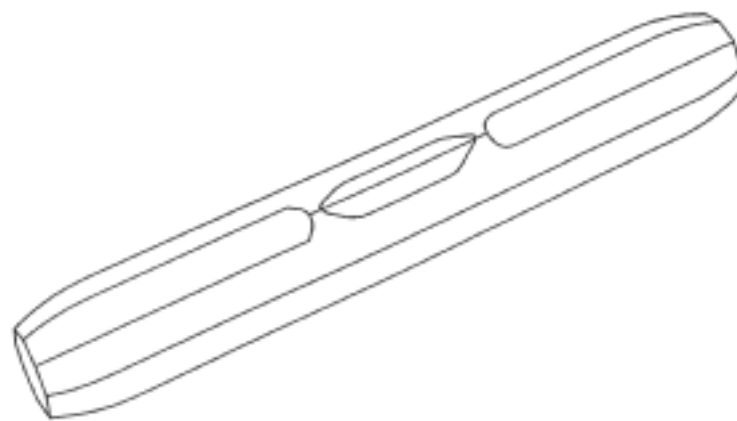
(45) Registration Date: **13 July 2012**

(56) Related Art Documents: **Not Applicable**

(57) Statement of Newness and Distinctiveness: **Gear Teeth at the end to accommodate hand brake arrangement. Coupling body has shape to accommodate the fingers when the hand brake lever is at the lower position. Meher Logo has been incorporated in the cast body.**



(21) Design Number: **12357/2012**  
(22) Date of Filing Application: **16 May 2012**  
(24) Date from which industrial property rights may have effect: **16 May 2012**  
(54) Product in respect of which the design is registered: **Smokers' accessory**  
(51) International Design Classification: **27-02**  
(74) Name(s) of Attorney(s): **Callinans**  
(71) Name(s) and Address(s) of Applicant(s):  
**Philip Morris Products S.A.**  
**Quai Jeanrenaud 3 2000 Neuchatel Switzerland**  
(72) Name(s) of Designer(s): **Aaron Abroff and Laurent Manca**  
(45) Registration Date: **16 July 2012**  
(30) Convention priority data:  
(31) Number      (32) Date      (33) Country  
**001303150      21 Nov 2011      EUROPEAN COMMUNITY**  
(56) Related Art Documents: **Not Applicable**  
(57) Statement of Newness and Distinctiveness: **Nil**



(21) Design Number: **12862/2012**  
(22) Date of Filing Application: **19 June 2012**  
(24) Date from which industrial property rights may have effect: **19 June 2012**  
(54) Product in respect of which the design is registered: **Mobile radiant heater**  
(51) International Design Classification: **23-03A**  
(74) Name(s) of Attorney(s): **Ascot Martin Registered Patent & Trade Mark Attorneys**  
(71) Name(s) and Address(s) of Applicant(s):  
**Bromic Pty Ltd**  
**1 Suttor Street Silverwater New South Wales 2128 Australia**  
(72) Name(s) of Designer(s): **Scott Smith**  
(45) Registration Date: **16 July 2012**  
(56) Related Art Documents: **Not Applicable**  
(57) Statement of Newness and Distinctiveness: **Features of the design that are new and distinctive are the shape and configuration of the mobile radiant heater as shown in the accompanying representations.**



- (21) Design Number: **12863/2012**  
(22) Date of Filing Application: **19 June 2012**  
(24) Date from which industrial property rights may have effect: **19 June 2012**  
(54) Product in respect of which the design is registered: **Mobile radiant heater**  
(51) International Design Classification: **23-03A**  
(74) Name(s) of Attorney(s): **Ascot Martin Registered Patent & Trade Mark Attorneys**  
(71) Name(s) and Address(s) of Applicant(s):  
**Bromic Pty Ltd**  
**1 Suttor Street Silverwater New South Wales 2128 Australia**  
(72) Name(s) of Designer(s): **Scott Smith**  
(45) Registration Date: **16 July 2012**  
(56) Related Art Documents: **Not Applicable**  
(57) Statement of Newness and Distinctiveness: **Newness and distinctiveness are claimed in the shape and configuration of the curved portion of the stand of the radiant heater as shown in the accompanying representations which portion is convex when the heater is considered in front view, and in particular, the two narrow, lateral, upwardly extending parts of the stand within that curved portion and the front surface of the stand which extends between, and which is recessed with respect to, those upwardly extending parts.**



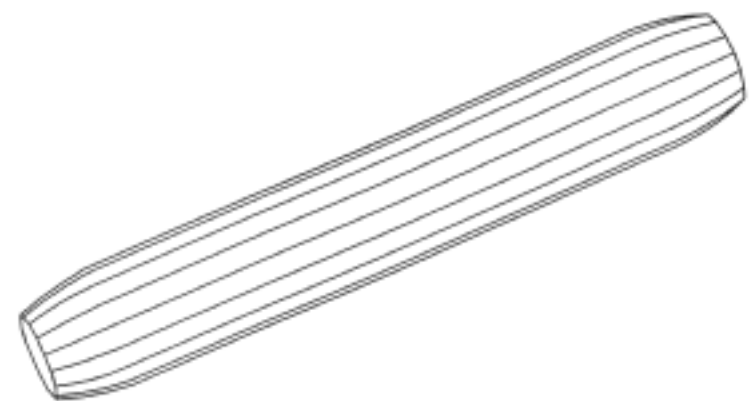
- (21) Design Number: **12864/2012**  
(22) Date of Filing Application: **19 June 2012**  
(24) Date from which industrial property rights may have effect: **19 June 2012**  
(54) Product in respect of which the design is registered: **Mobile radiant heater**  
(51) International Design Classification: **23-03A**  
(74) Name(s) of Attorney(s): **Ascot Martin Registered Patent & Trade Mark Attorneys**  
(71) Name(s) and Address(s) of Applicant(s):  
**Bromic Pty Ltd**  
**1 Suttor Street Silverwater New South Wales 2128 Australia**  
(72) Name(s) of Designer(s): **Scott Smith**  
(45) Registration Date: **16 July 2012**  
(56) Related Art Documents: **Not Applicable**  
(57) Statement of Newness and Distinctiveness: **Features of the design that are new and distinctive are the shape and configuration of the mobile radiant heater as shown in the accompanying representations.**



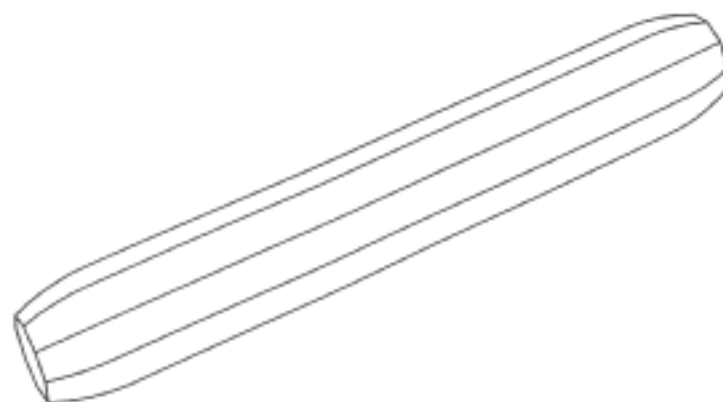
(21) Design Number: **12867/2012**  
(22) Date of Filing Application: **19 June 2012**  
(24) Date from which industrial property rights may have effect: **19 June 2012**  
(54) Product in respect of which the design is registered: **Marking pen**  
(51) International Design Classification: **19-06**  
(74) Name(s) of Attorney(s): **Madderns**  
(71) Name(s) and Address(s) of Applicant(s):  
**Shachihata Inc**  
**No 69 4-chome Amazuka-cho Nishi-ku Nagoya-shi Aichi 451-002 Japan**  
(72) Name(s) of Designer(s): **Naoto Fukasawa and Takahiro Nishikawa and Tomohiro Kageyama**  
(45) Registration Date: **16 July 2012**  
(30) Convention priority data:  
(31) Number (32) Date (33) Country  
**2011-029758 22 Dec 2011 JAPAN**  
(56) Related Art Documents: **Not Applicable**  
(57) Statement of Newness and Distinctiveness: **Nil**



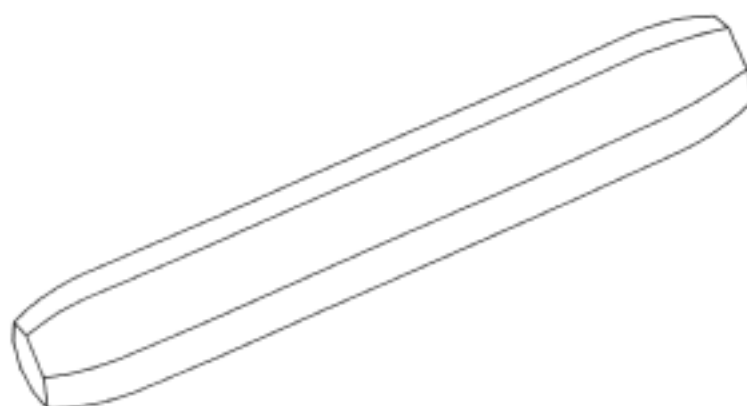
(21) Design Number: **12996/2012**  
(22) Date of Filing Application: **26 June 2012**  
(24) Date from which industrial property rights may have effect: **16 May 2012**  
(54) Product in respect of which the design is registered: **Smokers' accessory**  
(51) International Design Classification: **27-02**  
(74) Name(s) of Attorney(s): **Callinans**  
(71) Name(s) and Address(s) of Applicant(s):  
**Philip Morris Products S.A.**  
**Quai Jeanrenaud 3 2000 Neuchatel Switzerland**  
(72) Name(s) of Designer(s): **Gregor Mittersinker**  
(45) Registration Date: **16 July 2012**  
(30) Convention priority data:  
(31) Number (32) Date (33) Country  
**001303150 21 Nov 2011 EUROPEAN COMMUNITY**  
(62) Divisional of: **343343**  
(56) Related Art Documents: **Not Applicable**  
(57) Statement of Newness and Distinctiveness: **Nil**



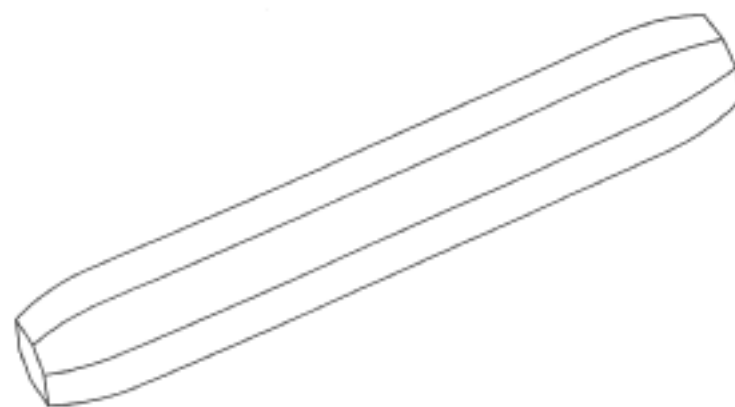
(21) Design Number: **12997/2012**  
(22) Date of Filing Application: **26 June 2012**  
(24) Date from which industrial property rights may have effect: **16 May 2012**  
(54) Product in respect of which the design is registered: **Smokers' accessory**  
(51) International Design Classification: **27-02**  
(74) Name(s) of Attorney(s): **Callinans**  
(71) Name(s) and Address(s) of Applicant(s):  
**Philip Morris Products S.A.**  
**Quai Jeanrenaud 3 2000 Neuchatel Switzerland**  
(72) Name(s) of Designer(s): **Gregor Mittersinker**  
(45) Registration Date: **16 July 2012**  
(30) Convention priority data:  
(31) Number      (32) Date      (33) Country  
**001303150      21 Nov 2011      EUROPEAN COMMUNITY**  
(62) Divisional of: **343343**  
(56) Related Art Documents: **Not Applicable**  
(57) Statement of Newness and Distinctiveness: **Nil**



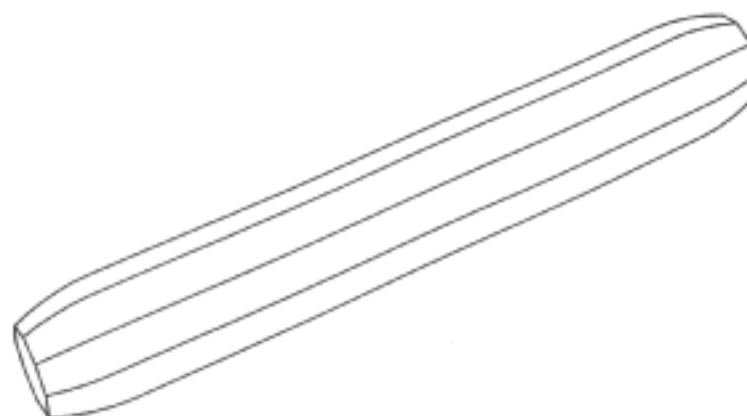
(21) Design Number: **12998/2012**  
(22) Date of Filing Application: **26 June 2012**  
(24) Date from which industrial property rights may have effect: **16 May 2012**  
(54) Product in respect of which the design is registered: **Smokers' accessory**  
(51) International Design Classification: **27-02**  
(74) Name(s) of Attorney(s): **Callinans**  
(71) Name(s) and Address(s) of Applicant(s):  
**Philip Morris Products S.A.**  
**Quai Jeanrenaud 3 2000 Neuchatel Switzerland**  
(72) Name(s) of Designer(s): **Gregor Mittersinker**  
(45) Registration Date: **16 July 2012**  
(30) Convention priority data:  
(31) Number      (32) Date      (33) Country  
**001303150      21 Nov 2011      EUROPEAN COMMUNITY**  
(62) Divisional of: **343343**  
(56) Related Art Documents: **Not Applicable**  
(57) Statement of Newness and Distinctiveness: **Nil**



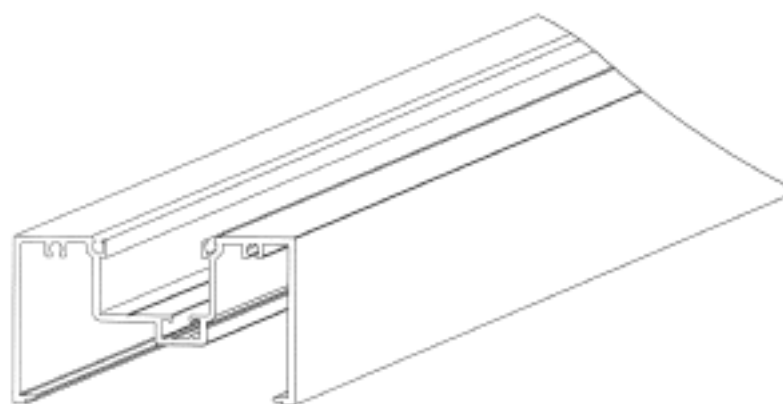
(21) Design Number: **12999/2012**  
(22) Date of Filing Application: **26 June 2012**  
(24) Date from which industrial property rights may have effect: **16 May 2012**  
(54) Product in respect of which the design is registered: **Smokers' accessory**  
(51) International Design Classification: **27-02**  
(74) Name(s) of Attorney(s): **Callinans**  
(71) Name(s) and Address(s) of Applicant(s):  
**Philip Morris Products S.A.**  
**Quai Jeanrenaud 3 2000 Neuchatel Switzerland**  
(72) Name(s) of Designer(s): **Gregor Mittersinker**  
(45) Registration Date: **16 July 2012**  
(30) Convention priority data:  
(31) Number      (32) Date      (33) Country  
**001303150      21 Nov 2011      EUROPEAN COMMUNITY**  
(62) Divisional of: **343343**  
(56) Related Art Documents: **Not Applicable**  
(57) Statement of Newness and Distinctiveness: **Nil**



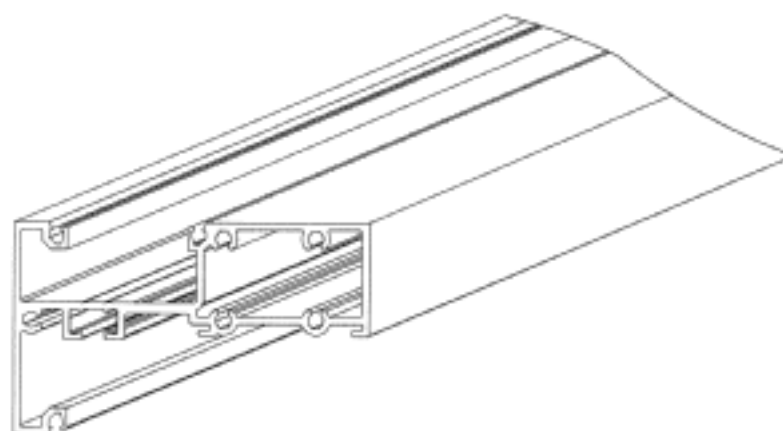
(21) Design Number: **13000/2012**  
(22) Date of Filing Application: **26 June 2012**  
(24) Date from which industrial property rights may have effect: **16 May 2012**  
(54) Product in respect of which the design is registered: **Smokers' accessory**  
(51) International Design Classification: **27-02**  
(74) Name(s) of Attorney(s): **Callinans**  
(71) Name(s) and Address(s) of Applicant(s):  
**Philip Morris Products S.A.**  
**Quai Jeanrenaud 3 2000 Neuchatel Switzerland**  
(72) Name(s) of Designer(s): **Gregor Mittersinker and Aaron Abroff**  
(45) Registration Date: **16 July 2012**  
(30) Convention priority data:  
(31) Number      (32) Date      (33) Country  
**001303150      21 Nov 2011      EUROPEAN COMMUNITY**  
(62) Divisional of: **343343**  
(56) Related Art Documents: **Not Applicable**  
(57) Statement of Newness and Distinctiveness: **Nil**



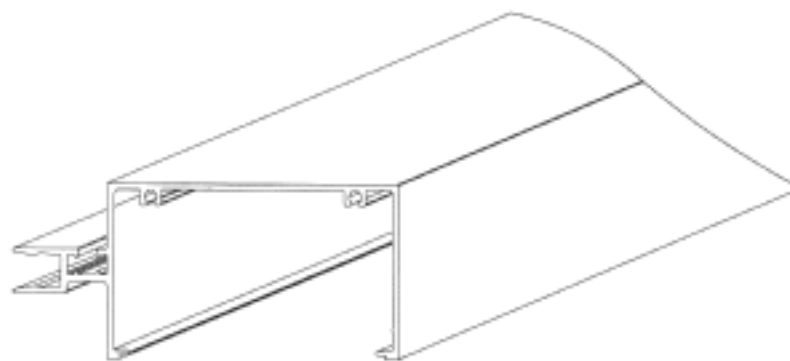
- (21) Design Number: **11547/2012**  
(22) Date of Filing Application: **27 March 2012**  
(24) Date from which industrial property rights may have effect: **27 March 2012**  
(54) Product in respect of which the design is registered: **Thermally broken extrusion**  
(51) International Design Classification: **25-01K**  
(74) Name(s) of Attorney(s):  
(71) Name(s) and Address(s) of Applicant(s):  
**Aluminium Industries of Australia Pty Ltd**  
**160 Ordish Road Dandenong South Victoria 3175 Australia**  
(72) Name(s) of Designer(s): **Jim Gallagher and Rod Beel**  
(45) Registration Date: **16 July 2012**  
(56) Related Art Documents: **Not Applicable**  
(57) Statement of Newness and Distinctiveness: **Monopoly is claimed in the shape and/or configuration of an extruded thermal break extrusion 20 as illustrated in the representations and which is of indefinite length. Monopoly is also claimed in the shape and/or configuration of the thermal break feature.**



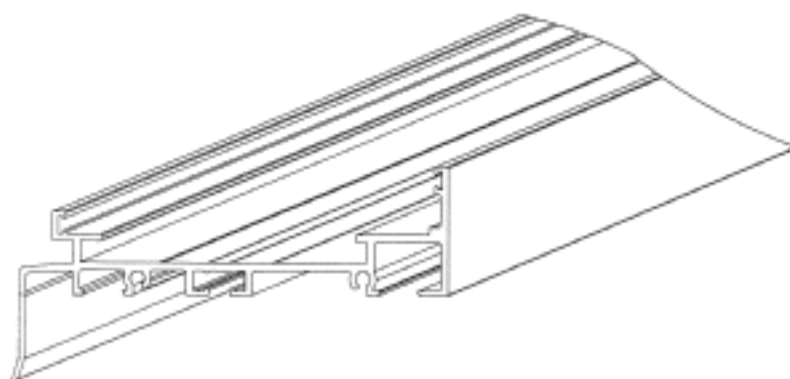
- (21) Design Number: **11548/2012**  
(22) Date of Filing Application: **27 March 2012**  
(24) Date from which industrial property rights may have effect: **27 March 2012**  
(54) Product in respect of which the design is registered: **Thermally broken extrusion**  
(51) International Design Classification: **25-01K**  
(74) Name(s) of Attorney(s):  
(71) Name(s) and Address(s) of Applicant(s):  
**Aluminium Industries of Australia Pty Ltd**  
**160 Ordish Road Dandenong South Victoria 3175 Australia**  
(72) Name(s) of Designer(s): **Jim Gallagher and Rod Beel**  
(45) Registration Date: **16 July 2012**  
(56) Related Art Documents: **Not Applicable**  
(57) Statement of Newness and Distinctiveness: **Monopoly is claimed in the shape and/or configuration of an extruded Thermal Break Frame 21 as illustrated in the representations and which is of indefinite length. Monopoly is also claimed in the shape and/or configuration of the thermal break feature.**



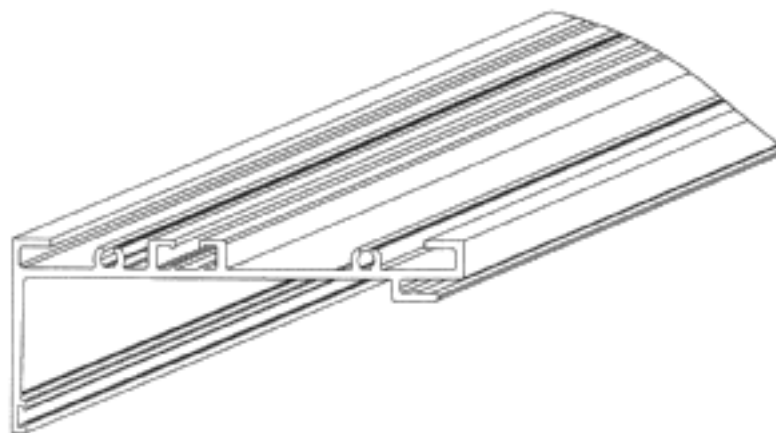
- (21) Design Number: **11549/2012**  
(22) Date of Filing Application: **27 March 2012**  
(24) Date from which industrial property rights may have effect: **27 March 2012**  
(54) Product in respect of which the design is registered: **Thermally broken extrusion**  
(51) International Design Classification: **25-01K**  
(74) Name(s) of Attorney(s):  
(71) Name(s) and Address(s) of Applicant(s):  
**Aluminium Industries of Australia Pty Ltd**  
**160 Ordish Road Dandenong South Victoria 3175 Australia**  
(72) Name(s) of Designer(s): **Jim Gallagher and Rod Beel**  
(45) Registration Date: **16 July 2012**  
(56) Related Art Documents: **Not Applicable**  
(57) Statement of Newness and Distinctiveness: **Monopoly is claimed in the shape and/or configuration of an extruded Thermal Break Frame 22 as illustrated in the representations and which is of indefinite length. Monopoly is also claimed in the shape and/or configuration of the thermal break feature.**



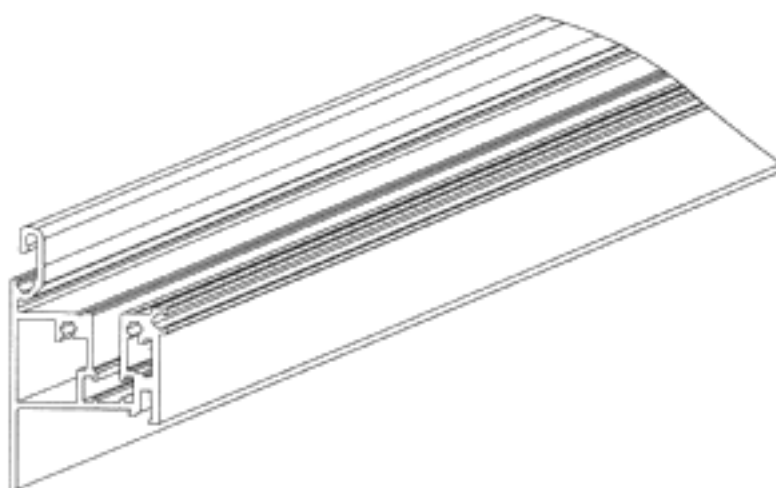
- (21) Design Number: **11550/2012**  
(22) Date of Filing Application: **27 March 2012**  
(24) Date from which industrial property rights may have effect: **27 March 2012**  
(54) Product in respect of which the design is registered: **Thermally broken extrusion**  
(51) International Design Classification: **25-01K**  
(74) Name(s) of Attorney(s):  
(71) Name(s) and Address(s) of Applicant(s):  
**Aluminium Industries of Australia Pty Ltd**  
**160 Ordish Road Dandenong South Victoria 3175 Australia**  
(72) Name(s) of Designer(s): **Jim Gallagher and Rod Beel**  
(45) Registration Date: **16 July 2012**  
(56) Related Art Documents: **Not Applicable**  
(57) Statement of Newness and Distinctiveness: **Monopoly is claimed in the shape and/or configuration of an extruded Thermal Break Frame 23 as illustrated in the representations and which is of indefinite length. Monopoly is also claimed in the shape and/or configuration of the thermal break feature.**



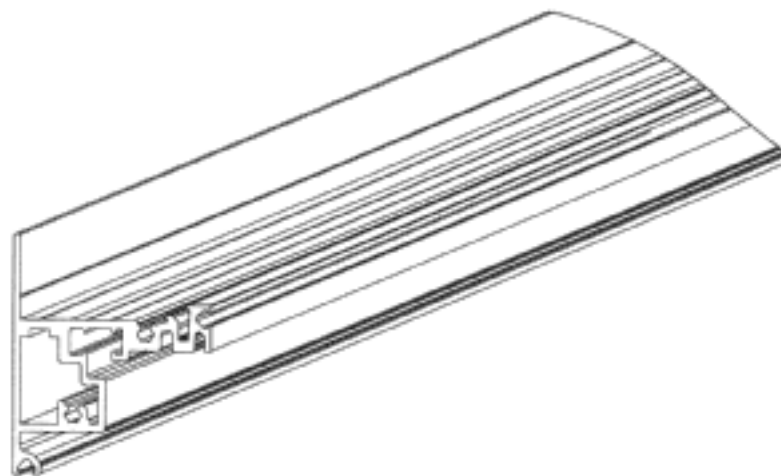
- (21) Design Number: **11551/2012**  
(22) Date of Filing Application: **27 March 2012**  
(24) Date from which industrial property rights may have effect: **27 March 2012**  
(54) Product in respect of which the design is registered: **Thermally broken extrusion**  
(51) International Design Classification: **25-01K**  
(74) Name(s) of Attorney(s):  
(71) Name(s) and Address(s) of Applicant(s):  
**Aluminium Industries of Australia Pty Ltd**  
**160 Ordish Road Dandenong South Victoria 3175 Australia**  
(72) Name(s) of Designer(s): **Jim Gallagher and Rod Beel**  
(45) Registration Date: **16 July 2012**  
(56) Related Art Documents: **Not Applicable**  
(57) Statement of Newness and Distinctiveness: **Monopoly is claimed in the shape and/or configuration of an extruded Thermal Break Frame 24 as illustrated in the representations and which is of indefinite length. Monopoly is also claimed in the shape and/or configuration of the thermal break feature.**



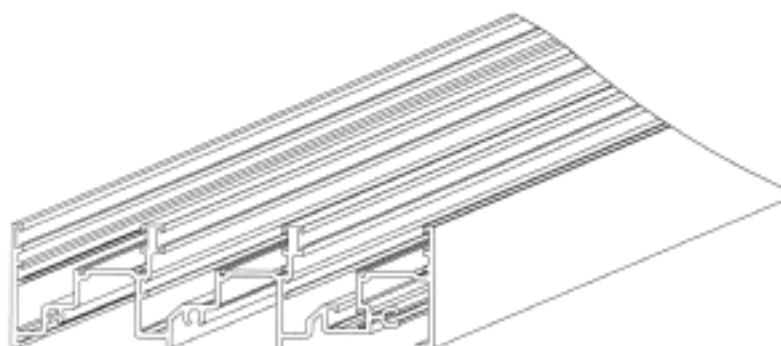
- (21) Design Number: **11552/2012**  
(22) Date of Filing Application: **27 March 2012**  
(24) Date from which industrial property rights may have effect: **27 March 2012**  
(54) Product in respect of which the design is registered: **Thermally broken extrusion**  
(51) International Design Classification: **25-01K**  
(74) Name(s) of Attorney(s):  
(71) Name(s) and Address(s) of Applicant(s):  
**Aluminium Industries of Australia Pty Ltd**  
**160 Ordish Road Dandenong South Victoria 3175 Australia**  
(72) Name(s) of Designer(s): **Jim Gallagher and Rod Beel**  
(45) Registration Date: **16 July 2012**  
(56) Related Art Documents: **Not Applicable**  
(57) Statement of Newness and Distinctiveness: **Monopoly is claimed in the shape and/or configuration of an extruded Thermal Break Frame 25 as illustrated in the representations and which is of indefinite length. Monopoly is also claimed in the shape and/or configuration of the thermal break feature.**



- (21) Design Number: **11553/2012**  
(22) Date of Filing Application: **27 March 2012**  
(24) Date from which industrial property rights may have effect: **27 March 2012**  
(54) Product in respect of which the design is registered: **Thermally broken extrusion**  
(51) International Design Classification: **25-01K**  
(74) Name(s) of Attorney(s):  
(71) Name(s) and Address(s) of Applicant(s):  
**Aluminium Industries of Australia Pty Ltd**  
**160 Ordish Road Dandenong South Victoria 3175 Australia**  
(72) Name(s) of Designer(s): **Jim Gallagher and Rod Beel**  
(45) Registration Date: **16 July 2012**  
(56) Related Art Documents: **Not Applicable**  
(57) Statement of Newness and Distinctiveness: **Monopoly is claimed in the shape and/or configuration of an extruded Thermal Break Frame 26 as illustrated in the representations and which is of indefinite length. Monopoly is also claimed in the shape and/or configuration of the thermal break feature.**



- (21) Design Number: **11554/2012**  
(22) Date of Filing Application: **27 March 2012**  
(24) Date from which industrial property rights may have effect: **27 March 2012**  
(54) Product in respect of which the design is registered: **Thermally broken extrusion**  
(51) International Design Classification: **25-01K**  
(74) Name(s) of Attorney(s):  
(71) Name(s) and Address(s) of Applicant(s):  
**Aluminium Industries of Australia Pty Ltd**  
**160 Ordish Road Dandenong South Victoria 3175 Australia**  
(72) Name(s) of Designer(s): **Jim Gallagher and Rod Beel**  
(45) Registration Date: **16 July 2012**  
(56) Related Art Documents: **Not Applicable**  
(57) Statement of Newness and Distinctiveness: **Monopoly is claimed in the shape and/or configuration of an extruded Thermal Break Frame 27 as illustrated in the representations and which is of indefinite length. Monopoly is also claimed in the shape and/or configuration of the thermal break feature.**



(21) Design Number: **11555/2012**

(22) Date of Filing Application: **27 March 2012**

(24) Date from which industrial property rights may have effect: **27 March 2012**

(54) Product in respect of which the design is registered: **Thermally broken extrusion**

(51) International Design Classification: **25-01K**

(74) Name(s) of Attorney(s):

(71) Name(s) and Address(s) of Applicant(s):

**Aluminium Industries of Australia Pty Ltd  
160 Ordish Road Dandenong South Victoria 3175 Australia**

(72) Name(s) of Designer(s): **Jim Gallagher and Rod Beel**

(45) Registration Date: **16 July 2012**

(56) Related Art Documents: **Not Applicable**

(57) Statement of Newness and Distinctiveness: **Monopoly is claimed in the shape and/or configuration of an extruded Thermal Break Frame 28 as illustrated in the representations and which is of indefinite length. Monopoly is also claimed in the shape and/or configuration of the thermal break feature.**

