



**Australian Government**

---

**IP Australia**

**AUSTRALIAN OFFICIAL JOURNAL**

**OF**

**DESIGNS**

Did you know a searchable version of this journal is now available online?

It's FREE and EASY to SEARCH.

Find it on our website ([www.ipaustralia.gov.au](http://www.ipaustralia.gov.au))

by using the "Journals" link on the home page.

This Page Left Intentionally Blank

**Contents**

**General Information & Notices**

**Proceedings Under the Designs Act 1906 preserved as a result of the provisions of Chapter 12  
Part 2 of the Designs Act 2003**

<b>Extension of Period of Registration of Designs .....</b>	<b>2012</b>
<b>Names Registered - Alterations and Amendments .....</b>	<b>2012</b>
<b>Registrations Ceased .....</b>	<b>2012</b>
<b>Subsequent Owners Registered .....</b>	<b>2012</b>

**Proceedings Under the Designs Act 2003**

<b>Applications Lapsed .....</b>	<b>2022</b>
<b>Applications Lodged .....</b>	<b>2016</b>
<b>Certificate of Examination .....</b>	<b>2025</b>
<b>Extension of Period of Registration of Design .....</b>	<b>2023</b>
<b>Extension of Time Granted Under Section 137 .....</b>	<b>2023</b>
<b>Names Registered - Alterations and Amendments .....</b>	<b>2024</b>
<b>Publication and Registration Proceedings</b>	
<b>Designs Registered 343362 to 343554.....</b>	<b>2026</b>
<b>Registrations Ceased .....</b>	<b>2023</b>
<b>Subsequent Owners Registered .....</b>	<b>2023</b>

This Page Left Intentionally Blank

For information on the following please see our website [www.ipaustralia.gov.au](http://www.ipaustralia.gov.au) or contact our Customer Service Network on 1300651010

[Editorial enquiries](#)

[Contact information](#)

[Freedom of Information ACT](#)

[Professional Standards Board](#)

[Sales](#)

[Requests for Information under Section 194 \(c\)](#)

[Country Codes](#)

[Trade Mark and Designs Hearing Sessions](#)

[INID \(Internationally agreed Numbers for the Identification of Data\)](#)

## “INID” NUMBERS in use on Australian Design Documents

“INID” is an acronym for “Internationally agreed Numbers for the Identification of Data”.

### (10) Data concerning the registration/renewal

- (11) Serial number of the registration and/or number of the design document
- (12) Plain language designation of the kind of published document
- (19) Identification, using the two-letter code according to WIPO Standard ST.3, of the authority publishing or registering the industrial design

### (20) Data concerning the application

- (21) Serial number of the application
- (22) Date of filing of the application
- (24) Date from which the industrial design right has effect

### (30) Data relating to priority under the Paris Convention

- (31) Serial number assigned to the priority application
- (32) Date of filing of the priority application
- (33) Two-letter code, according to WIPO Standard ST.3, identifying the authority with which the priority application was made

### (40) Date(s) of making information available to the public

- (45) Date of publication of the registered industrial design by printing or similar process, or making it available to the public by any other means

### (50) Miscellaneous Information

- (51) International Classification for Industrial Designs (class and subclass of the Locarno Classification)
- (54) Designation of article(s) or product(s) covered by the industrial design or title of the industrial design
- (55) Reproduction of the industrial design (e.g., drawing, photograph) and explanations relating to the reproduction
- (56) List of prior art documents, if separate from descriptive text
- (57) Description of characteristic features of the industrial design including indication of colours

### (60) References to other legally related application(s) and registration(s)

- (62) Serial number(s) and, if available, filing date(s) of application(s), registration(s) or document(s) related by division
- (66) Serial number(s) of the application, or the registration, of the design(s) which is (are) a variant(s) of the present one

### (70) Identification of parties concerned with the application or registration

- (71) Name(s) and address(es) of the applicant(s)
- (72) Name(s) of the creator(s) if known to be such
- (74) Name(s) and address(es) of the representative(s)

This Page Left Intentionally Blank

OFFICIAL NOTICE



Minister for Industry and Innovation

COMMONWEALTH OF AUSTRALIA

*PATENTS ACT 1990*

**APPOINTMENT OF THE PATENT AND TRADE MARKS  
ATTORNEYS DISCIPLINARY TRIBUNAL**

WHEREAS regulations 20.61 and 20.62 of the *Patents Regulations* 1991 provide that there shall be a Tribunal to be known as the Patent and Trade Marks Attorneys Disciplinary Tribunal, which shall be constituted by a person appointed by instrument signed by the Minister:

NOW THEREFORE I, **GREG COMBET**, Minister for Industry and Innovation, acting in accordance with regulation 20.62 of the *Patents Regulations* 1991, **do hereby appoint KATRINA JANE HOWARD** as the Patent and Trade Marks Attorneys Disciplinary Tribunal for three years from the date of this instrument.

DATED this *27<sup>th</sup>* day of *June* 2012

  
The Hon Greg Combet AM MP  
Minister for Industry and Innovation

**Proceedings under the Designs Act 1906 preserved as a result of the provisions of Chapter 12 Part 2 of the Designs Act 2003.**



This Page Left Intentionally Blank

**Applications Lapsed**

There were no Applications Lapsed under this section

**Extension of Period of Registration of Designs**

**1st Period (Section 27A(8))**

**2nd Period (Section 27A(12))**

**3rd Period (Section 27A(13))**

145393	145394	145395
146160	146309	146591
146646	146663	147241
147283	147335	147336
147421	147566	147578
148568	148569	148728
148729	148730	149174
149220	149221	149370
149430	149724	149988
150135	150817	150818
150892	158142	

**Registrations Ceased**

Note: Some of the following Registrations may have been previously advertised as ceased. In this instance, the previous advertisement still prevails.

127723	127963	129396
129397	129399	129482
129483	129502	129506
129525	129543	129576
129580	129581	129582
129583	129636	129637
129650	129706	129965
130038	130154	130464
132129	133522	133603
133604	133605	133606
134524	142978	142979
142980	143180	143331
143332	143630	145250
145560	145562	145818
146190	146609	146954
147745	149296	150167

**Subsequent Owners Registered**

(The name in parentheses is that of the subsequent owner)

154307	( Koninklijke Douwe Egberts B.V. ) Sara Lee/DE B.V.
151632	( Koninklijke Douwe Egberts B.V. ) Sara Lee/DE B.V.
156356	( Koninklijke Douwe Egberts B.V. ) Sara Lee/DE B.V.

**Subsequent Owners Registered**

156793	( Koninklijke Douwe Egberts B.V. ) Sara Lee/DE B.V.
154965	( Koninklijke Douwe Egberts B.V. ) Sara Lee/DE B.V.
149921	( Hustler Equipment Limited ) James Robert Currie
132601	( Koninklijke Philips Electronics N.V.; Sara Lee/DE B.V. ) Sara Lee/DE N.V.; Koninklijke Philips Electronics N.V.
132601	( Koninklijke Philips Electronics N.V.; Koninklijke Douwe Egberts B.V. ) Koninklijke Philips Electronics N.V.; Sara Lee/DE B.V.
140046	( Siemens Water Technologies Holding Corp. ) Siemens Water Technologies Corp.
141083	( Siemens Water Technologies Holding Corp. ) Siemens Water Technologies Corp.
142387	( Siemens Water Technologies Holding Corp. ) Siemens Water Technologies Corp.
140046	( Siemens Industry, Inc. ) Siemens Water Technologies Holding Corp.
141083	( Siemens Industry, Inc. ) Siemens Water Technologies Holding Corp.
142387	( Siemens Industry, Inc. ) Siemens Water Technologies Holding Corp.

**Names Registered - Alterations and Amendments**

(The name in parentheses is the new name of the proprietor)

154307	( Sara Lee/DE B.V. ) Sara Lee/DE N.V.
151632	( Sara Lee/DE B.V. ) Sara Lee/DE N.V.
156356	( Sara Lee/DE B.V. ) Sara Lee/DE N.V.
156793	( Sara Lee/DE B.V. ) Sara Lee/DE N.V.
154965	( Sara Lee/DE B.V. ) Sara Lee/DE N.V.

This Page Left Intentionally Blank

**Proceedings under the Designs Act 2003.**

This Page Left Intentionally Blank

**Applications Lodged**

Lodgement information is in the following order: **Applicant's Name**; International Classification, Name of Product, Lodgement Date and **Design Number**. If the applicant claims an earlier priority date under an International Convention, the Convention Country and the associated filing date are shown in parentheses before the Lodgement Date. Divisional information will also appear in parentheses before the Lodgement Date.

<b>Akida Holdings LLC;</b> 23-04, Air purification system, (US, 03 Feb 2012) 24 Jul 2012	<b>13477/2012</b>	<b>BAO Engineering Pty Ltd;</b> 25-01NES, 25-02NES, Decking member, 20 Jul 2012	<b>13450/2012</b>
<b>Andrews, William John;</b> 08-08NES, 12-11, Bicycle pedal support mechanism, 13 Jul 2012	<b>13315/2012</b>	<b>BFX HO Pty Ltd;</b> 06-01F, Student chair with 4 legs, handle and linking device, 16 Jul 2012	<b>13338/2012</b>
<b>Arlec Australia Pty Ltd;</b> 13-03D, Single socket outlet Double socket outlet, 17 Jul 2012	<b>13380/2012</b>	<b>Carter Holt Harvey Limited;</b> 07-02NES, 07-07A, 09-01NES, A container, (NZ, 24 Jan 2012) 24 Jul 2012	<b>13469/2012</b>
<b>Armech Mechanical Ltd;</b> 09-02A, 23-01F, Containerised tank, 16 Jul 2012	<b>13358/2012</b>	<b>Cassuto, Alon;</b> 09-03L, Sports towel canister, 25 Jul 2012	<b>13483/2012</b>
<b>Axman Enterprise Co., Ltd.;</b> 03-01NES, 12-11, Battery case for exclusive use on a bicycle derailleur, 16 Jul 2012	<b>13329/2012</b>	<b>Cassuto, Alon;</b> 09-03L, Sports towel canister, 20 Jul 2012	<b>13444/2012</b>
<b>ANZBROOK Pty Ltd;</b> 23-01F, A tank, 24 Jul 2012	<b>13512/2012</b>	<b>Chen, Bing;</b> 06-11, Alpaca throw rugs, 12 Jul 2012	<b>13344/2012</b>
<b>ANZBROOK Pty Ltd;</b> 09-02NES, 23-01F, A tank, 24 Jul 2012	<b>13505/2012</b>	<b>China Trading Co. Pty. Ltd.;</b> 02-02NES, Map of Australia incorporating China provinces printed on back side of T-shirts and polo shirts, and indicating main, Australian ports, towns, tourist areas etc. Plus areas & population, 26 Jul 2012	<b>13504/2012</b>
<b>Bekaert (Australia) Pty Ltd;</b> 05-05D, Textiles, 11 Jul 2012	<b>13306/2012</b>	<b>Columbia Insurance Company;</b> 07-02N, Cooking apparatus, (US, 16 Feb 2012) 23 Jul 2012	<b>13467/2012</b>
<b>Bellson Electric Pty Ltd;</b> 26-05D, Light lens cover, 24 Jul 2012	<b>13489/2012</b>	<b>Cospak Pty Ltd;</b> 09-01B, 09-01D, 09-01H, 09-01K, A Bottle, 24 Jul 2012	<b>13470/2012</b>
<b>Bellson Electric Pty Ltd;</b> 26-05D, Light Lens Cover, 24 Jul 2012	<b>13471/2012</b>	<b>Cross, James;</b> 07-03, Spoon with screw attachment, 12 Jul 2012	<b>13343/2012</b>
<b>Bennetts, Mark;</b> 19-01, Pre cut label formats on SRA 3 size 320mm x 457mm self adhesive paper and synthetic film, 12 Jul 2012	<b>13324/2012</b>	<b>Delta T Corporation;</b> 23-04, Winglet for fan blade, (US, 08 Feb 2012) 17 Jul 2012	<b>13375/2012</b>
<b>Bialkowski, Eliza;</b> 23-04, 28-99, Car air freshener with a Louis Vuitton pattern, 17 Jul 2012	<b>13355/2012</b>	<b>Diversionsary Therapy Technologies Pty Ltd;</b> 14-02, Display device, 18 Jul 2012	<b>13392/2012</b>
<b>Bialkowski;</b> 28-99, Car air freshener, 25 Jul 2012	<b>13474/2012</b>	<b>Diversionsary Therapy Technologies Pty Ltd;</b> 14-02, Display device, 18 Jul 2012	<b>13393/2012</b>
<b>Bialkowski, Eliza;</b> 28-99, Car air freshener, 25 Jul 2012	<b>13472/2012</b>	<b>Diversionsary Therapy Technologies Pty Ltd;</b> 14-02, Display device, 18 Jul 2012	<b>13394/2012</b>
<b>Bialkowski, Eliza;</b> 28-99, Car air freshener, 25 Jul 2012	<b>13473/2012</b>	<b>Diversionsary Therapy Technologies Pty Ltd;</b> 14-03A, Stand, 18 Jul 2012	<b>13395/2012</b>
<b>Brady, Rex Robert;Ilex Engineering;</b> 29-02, The design is to be applied to a pedestrian access control device, (NZ, 04 May 2012) 23 Jul 2012	<b>13443/2012</b>	<b>Dixie Cummings Enterprises Pty Ltd;</b> 06-01G, Chair, settee and corner settee, 17 Jul 2012	<b>13391/2012</b>
<b>Bridgestone Americas Tire Operations, LLC;</b> 12-15E, Tire, (US, 01 Feb 2012) 17 Jul 2012	<b>13377/2012</b>	<b>Dixie Cummings Enterprises Pty Ltd;</b> 06-01G, Chair and settee, 13 Jul 2012	<b>13335/2012</b>
<b>Byrnes, Kevin Ashley;</b> 17-99, Digital didgeridoo, 24 Jul 2012	<b>13464/2012</b>		
<b>BAO Engineering Pty Ltd;</b> 15-09, Stair formwork, 20 Jul 2012	<b>13451/2012</b>		

<b>Dixie Cummings Enterprises Pty Ltd;</b> 06-01G, Chair and settee, 13 Jul 2012	<b>13336/2012</b>	<b>Fielders Australia Pty Ltd;</b> 25-02NES, Solar roof sheeting, 18 Jul 2012	<b>13382/2012</b>
<b>Dixie Cummings Enterprises Pty Ltd;</b> 06-01G, Chair and settee, 13 Jul 2012	<b>13337/2012</b>	<b>Gerard Lighting Pty Ltd;</b> 13-03E, DIN rail enclosure, 11 Jul 2012	<b>13308/2012</b>
<b>Electrolux Home Products Corporation N.V.;</b> 15-07, Appliance component, (EM, 30 Nov 2011) 28 May 2012	<b>13400/2012</b>	<b>Gerard Lighting Pty Ltd;</b> 13-03E, DIN rail enclosure (4m ethernet), 11 Jul 2012	<b>13287/2012</b>
<b>Electrolux Home Products Corporation N.V.;</b> 15-07, An appliance, (EM, 30 Nov 2011) 28 May 2012	<b>13402/2012</b>	<b>Gerard Lighting Pty Ltd;</b> 13-03E, DIN rail enclosure (6M), 11 Jul 2012	<b>13309/2012</b>
<b>Electrolux Home Products Corporation N.V.;</b> 15-07, A handle, (EM, 30 Nov 2011) 28 May 2012	<b>13405/2012</b>	<b>Gerard Lighting Pty Ltd;</b> 13-03E, DIN rail enclosure (2M), 11 Jul 2012	<b>13310/2012</b>
<b>Electrolux Home Products Corporation N.V.;</b> 15-07, A handle, (EM, 30 Nov 2011) 28 May 2012	<b>13406/2012</b>	<b>Gerard Lighting Pty Ltd;</b> 13-03E, DIN rail enclosure (4m), 11 Jul 2012	<b>13289/2012</b>
<b>Electrolux Home Products Corporation N.V.;</b> 15-07, A handle, (EM, 30 Nov 2011) 28 May 2012	<b>13403/2012</b>	<b>Gessner, Noel;</b> 08-99, 21-02D, Lever spear, 25 Jul 2012	<b>13506/2012</b>
<b>Electrolux Home Products Corporation N.V.;</b> 15-07, An appliance, (EM, 30 Nov 2011) 28 May 2012	<b>13404/2012</b>	<b>Glaxo Group Limited;</b> 09-01K, Bottle, (GB, 20 Jan 2012) 18 Jul 2012	<b>13396/2012</b>
<b>Electrolux Home Products Corporation N.V.;</b> 15-07, Appliance component, (EM, 30 Nov 2011) 28 May 2012	<b>13401/2012</b>	<b>Gower, Jayne Elizabeth;</b> 02-99, 09-02A, 09-09, Wheelie bin cover, (NZ, 11 May 2012) 19 Jul 2012	<b>13476/2012</b>
<b>Electrolux Home Products Corporation N.V.;</b> 15-07, Appliance shelf, (EM, 30 Nov 2011) 28 May 2012	<b>13399/2012</b>	<b>GAL-AL Beverages Ltd;</b> 23-01G, In-line water filter, 19 Jul 2012	<b>13418/2012</b>
<b>Explosives Manufacturing Services;</b> 09-07NES, Plastic tube with concertina sections that allow folding of tube, without pinching, to enable packing, in boxes., 20 Jul 2012	<b>13423/2012</b>	<b>Ilex Engineering;Brady, Rex Robert;</b> 29-02, The design is to be applied to a pedestrian access control device, (NZ, 04 May 2012) 23 Jul 2012	<b>13443/2012</b>
<b>ED Oates Pty Ltd;</b> 07-07B, Mop bucket, 19 Jul 2012	<b>13417/2012</b>	<b>Induction Holding Company, LLC;</b> 07-02NES, 23-03NES, Handheld, inline induction heater, (US, 04 Jun 2012) 23 Jul 2012	<b>13466/2012</b>
<b>ED Oates Pty Ltd;</b> 12-02, Trolley, 11 Jul 2012	<b>13305/2012</b>	<b>Innova Products Limited;</b> 07-02NES, 07-07A, 09-01NES, A set of containers, (NZ, 27 Jan 2012) 24 Jul 2012	<b>13468/2012</b>
<b>Fakhouri, Afif;Khoury, Rizik;</b> 06-03B, The tabel is a Lebanese traditional drum which is tightened by rope. This design is made with a clear perspex shell, 22"x12" and has L.E.D lights inside., 19 Jul 2012	<b>13497/2012</b>	<b>Innova Products Limited;</b> 07-02NES, 09-03NES, A set of containers, (NZ, 27 Jan 2012) 25 Jul 2012	<b>13507/2012</b>
<b>Ferrari S.p.A.;</b> 21-01C, 12-08, Car and toy car, (EM, 02 Feb 2012) 13 Jul 2012	<b>13340/2012</b>	<b>John Manufacturing Limited;</b> 26-03, Multi-function rechargeable powerful spotlight, (CN, 13 Apr 2012) 19 Jul 2012	<b>13389/2012</b>
<b>Fiat Group Automobiles S.p.A.;</b> 12-08, 21-01C, Cars and toy-cars, (WO, 03 Feb 2012) 24 Jul 2012	<b>13475/2012</b>	<b>JBLC Pty Ltd;</b> 25-03, The gladstone bus shelter has a curved custom orb roof, 100mm support column, height adjustable slab connectors,, clear flat end and rear panel, timber seat planks and powder coated in various colors., 19 Jul 2012	<b>13421/2012</b>
		<b>JBLC Pty Ltd;</b> 25-03, The mariner style bus shelter has a curved custom orb roof, 100mm support column, height adjustable slab connectors,, tempered glass end panels with louvered rear panel, timber seat planks and powder coated in various colors., 19 Jul 2012	<b>13419/2012</b>



<b>JBLC Pty Ltd;</b> 25-03, The pioneer bus shelter has a gable custom orb roof, 50mmx50mm SHS frame, height adjustable slab connectors,, color bond lattice end and rear panel, timber seat planks and powder coated in various colors, 19 Jul 2012	<b>13420/2012</b>	<b>LG Electronics Inc.,;</b> 14-03B, Television receiver, (KR, 08 Feb 2012) 24 Jul 2012	<b>13488/2012</b>
<b>Kalleske Holdings Pty Ltd;</b> 09-01H, Wine/beverage bottle, 24 Jul 2012	<b>13463/2012</b>	<b>LG Electronics Inc.,;</b> 14-03B, Television receiver, (KR, 30 Jan 2012) 24 Jul 2012	<b>13486/2012</b>
<b>Khouri, Rizik;Fakhouri, Afif;</b> 06-03B, The tabel is a Lebanese traditional drum which is tightened by rope. This design is made with a clear perspex shell, 22"x12" and has L.E.D lights inside., 19 Jul 2012	<b>13497/2012</b>	<b>LG Electronics Inc.,;</b> 14-03B, Television receiver, (KR, 03 Feb 2012) 24 Jul 2012	<b>13487/2012</b>
<b>King, Kenneth John;</b> 08-01, A bucket for digging drainage ways, 12 Jul 2012	<b>13313/2012</b>	<b>Mahi Enterprises Pty Ltd;</b> 13-03D, Master slave power board with IR receiver and time delay function, 19 Jul 2012	<b>13498/2012</b>
<b>Kramer Electronics Ltd.;</b> 14-01, Loudspeaker, (IL, 19 Jan 2012) 19 Jul 2012	<b>13428/2012</b>	<b>Mahi Enterprises Pty Ltd;</b> 26-05NES, Lamp packaging Colour printing on clear plastic with clear view of the, product inside, 19 Jul 2012	<b>13513/2012</b>
<b>Kumho Tire Co., Inc.;</b> 12-15A, Tire for a vehicle, (KR, 05 Apr 2012) 19 Jul 2012	<b>13424/2012</b>	<b>Maisey, Dean Frank;</b> 22-99, A muzzlebrake for a rifle, (NZ, 19 Jun 2012) 23 Jul 2012	<b>13452/2012</b>
<b>Land &amp; Sea Sports Pty Ltd;</b> 21-02E, Self propelled skateboard, 23 Jul 2012	<b>13454/2012</b>	<b>Maisey, Dean Frank;</b> 22-99, A muzzlebrake for a rifle, (NZ, 12 Jun 2012) 23 Jul 2012	<b>13453/2012</b>
<b>Land &amp; Sea Sports Pty Ltd;</b> 21-02E, Retro classic 21' skateboard, 23 Jul 2012	<b>13490/2012</b>	<b>Makalanda, Rachel;</b> 02-02C, A garment, 26 Jul 2012	<b>13510/2012</b>
<b>Land &amp; Sea Sports Pty Ltd;</b> 21-02D, Trainer paddle boards, 20 Jul 2012	<b>13494/2012</b>	<b>Master Lock Company LLC;</b> 08-07, Lock, (US, 22 Nov 2011) 16 Jul 2012	<b>13369/2012</b>
<b>Land &amp; Sea Sports Pty Ltd;</b> 21-02D, 21-02NES, 22-05, Javelin tapered handspear. Two piece and three piece with carry satchel, 20 Jul 2012	<b>13495/2012</b>	<b>Maverick Securities Aust Pty Ltd;</b> 21-02E, Skate board deck, (NZ, 13 Jul 2012) 19 Jul 2012	<b>13427/2012</b>
<b>Land &amp; Sea Sports Pty Ltd;</b> 21-02E, The whiz 21' skateboard, 25 Jul 2012	<b>13492/2012</b>	<b>McGovern, Sean Robert;</b> 26-05C, Slim line, up down, wall light, 20 Jul 2012	<b>13499/2012</b>
<b>Land &amp; Sea Sports Pty Ltd;</b> 08-08L, 08-08NES, 20-02E, 20-02NES, Skateboard display stand, 24 Jul 2012	<b>13493/2012</b>	<b>McMahon, Liam;</b> 17-03, Guitar in the shape and features of the guitar headstock and body, 26 Jul 2012	<b>13511/2012</b>
<b>Land &amp; Sea Sports Pty Ltd;</b> 21-02E, Rocket 21' skateboard, 25 Jul 2012	<b>13491/2012</b>	<b>Meyer Intellectual Properties Limited;</b> 07-02R, Cookware lid handle with pattern embossed on grip, (US, 19 Dec 2011) 23 Jul 2012	<b>13458/2012</b>
<b>Land &amp; Sea Sports Pty Ltd;</b> 03-03, Beach pop up sun, wing, UV and insect protection shelter, 13 Jul 2012	<b>13376/2012</b>	<b>Meyer Intellectual Properties Limited;</b> 07-02R, Cookware lid, (US, 24 Jan 2012) 23 Jul 2012	<b>13461/2012</b>
<b>Lili Diamonds;</b> 11-01NES, Gemstone, (IL, 07 Feb 2012) 17 Jul 2012	<b>13381/2012</b>	<b>Meyer Intellectual Properties Limited;</b> 07-02R, Cookware lid, (US, 24 Jan 2012) 23 Jul 2012	<b>13460/2012</b>
<b>LG Electronics Inc.;</b> 14-03E, Mobile phone, (KR, 27 Jan 2012) 23 Jul 2012	<b>13465/2012</b>	<b>Meyer Intellectual Properties Limited;</b> 07-02R, Cookware side handle with patterned grip, (US, 30 Mar 2012) 23 Jul 2012	<b>13459/2012</b>
<b>LG Electronics Inc.,;</b> 14-03B, Television receiver, (KR, 30 Jan 2012) 24 Jul 2012	<b>13485/2012</b>	<b>Meyer Intellectual Properties Limited;</b> 07-02R, Extended cookware handle with patterned grip, (US, 19 Dec 2011) 23 Jul 2012	<b>13456/2012</b>

<b>Meyer Intellectual Properties Limited;</b> 07-02R, Cookware side handle with pattern embossed grip, (US, 19 Dec 2011) 23 Jul 2012	<b>13457/2012</b>	<b>Phonewoa Pty Ltd;</b> 03-01A, 03-01B, A shoulder bag/briefcase with a case for electrical devices, 22 May 2012	<b>13431/2012</b>
<b>Microsoft Corporation;</b> 14-04, Display screen with icon, (US, 22 Feb 2012) 20 Jul 2012	<b>13447/2012</b>	<b>Pinnacle Products International, Inc;</b> 23-03D, Frame for a heater, (EM, 30 Jan 2012) 12 Jul 2012	<b>13322/2012</b>
<b>Microsoft Corporation;</b> 14-04, Display screen with icon, (US, 22 Feb 2012) 20 Jul 2012	<b>13445/2012</b>	<b>Pinnacle Products International, Inc;</b> 23-03D, Frame for a heater, (EM, 30 Jan 2012) 12 Jul 2012	<b>13321/2012</b>
<b>Microsoft Corporation;</b> 14-04, Display screen with user interface, (US, 23 Feb 2012) 20 Jul 2012	<b>13446/2012</b>	<b>Point-N-Putt Pty Ltd;</b> 21-02C, Golf club head, 16 Jul 2012	<b>13362/2012</b>
<b>Moisture Matic Pty Ltd;</b> 23-01E, A watering device, 19 Jul 2012	<b>13407/2012</b>	<b>Point-N-Putt Pty Ltd;</b> 21-02C, Golf club head, 16 Jul 2012	<b>13363/2012</b>
<b>Multigate Medical Products Pty Limited;</b> 09-03F, A tray, 12 Jul 2012	<b>13314/2012</b>	<b>Polaris Industries Inc;</b> 12-11, Motorcycle, (US, 19 Jan 2012) 16 Jul 2012	<b>13345/2012</b>
<b>Origin Fin Systems Pty Ltd;</b> 21-02D, Fin box, 11 Jul 2012	<b>13285/2012</b>	<b>Pragma Products Pty Ltd;</b> 14-02, 20-01, ATM surround with bin, 17 Jul 2012	<b>13359/2012</b>
<b>Ortner, Helmuth;</b> 03-01C, Storage sleeve, 20 Jul 2012	<b>13422/2012</b>	<b>Pragma Products Pty Ltd;</b> 14-02, 20-01, ATM surround with bin, 17 Jul 2012	<b>13360/2012</b>
<b>PepsiCo, Inc.;</b> 14-04, A display screen, (US, 19 Jan 2012) 19 Jul 2012	<b>13411/2012</b>	<b>Primus Australia Pty Ltd;</b> 09-04, Collapsible basket, 23 Jul 2012	<b>13496/2012</b>
<b>PepsiCo, Inc.;</b> 14-04, A display screen, (US, 19 Jan 2012) 19 Jul 2012	<b>13413/2012</b>	<b>Progressive International Corporation;</b> 09-03NES, Double container, (US, 26 Jan 2012) 18 Jul 2012	<b>13378/2012</b>
<b>PepsiCo, Inc.;</b> 14-04, A display screen, (US, 19 Jan 2012) 19 Jul 2012	<b>13414/2012</b>	<b>Progressive International Corporation;</b> 09-01NES, 09-03NES, Collapsible container, (US, 16 Jan 2012) 18 Jul 2012	<b>13379/2012</b>
<b>PepsiCo, Inc.;</b> 14-04, A display screen, (US, 19 Jan 2012) 19 Jul 2012	<b>13412/2012</b>	<b>Prospectors Pty Ltd;</b> 15-99, A core tray and accessories, 23 Jul 2012	<b>13462/2012</b>
<b>PepsiCo, Inc.;</b> 31-00, Dispenser, (US, 16 Jan 2012) 16 Jul 2012	<b>13349/2012</b>	<b>POD Ware Pty Ltd;</b> 21-02D, Swivel connector - water sports, 13 Jul 2012	<b>13374/2012</b>
<b>PepsiCo, Inc.;</b> 31-00, Dispenser, (US, 16 Jan 2012) 16 Jul 2012	<b>13352/2012</b>	<b>POD Ware Pty Ltd;</b> 21-02D, Leash connector - water sports, 16 Jul 2012	<b>13508/2012</b>
<b>PepsiCo, Inc.;</b> 31-00, Dispenser, (US, 16 Jan 2012) 16 Jul 2012	<b>13354/2012</b>	<b>PZ Cussons (International) Limited;</b> 23-02A, Soap dispenser, (EM, 03 Jul 2012) 24 Jul 2012	<b>13478/2012</b>
<b>PepsiCo, Inc.;</b> 31-00, Dispenser, (US, 16 Jan 2012) 16 Jul 2012	<b>13353/2012</b>	<b>Rainford, Barrie Kenneth;</b> 21-01L, A game board, 16 Jul 2012	<b>13356/2012</b>
<b>PepsiCo, Inc.;</b> 31-00, Dispenser, (US, 16 Jan 2012) 16 Jul 2012	<b>13350/2012</b>	<b>Razor USA LLC;</b> 21-01F, Scooter, (US, 26 Jan 2012) 19 Jul 2012	<b>13425/2012</b>
<b>PepsiCo, Inc.;</b> 31-00, Dispenser, (US, 16 Jan 2012) 16 Jul 2012	<b>13351/2012</b>	<b>Razor USA LLC;</b> 21-01F, Scooter, (US, 26 Jan 2012) 19 Jul 2012	<b>13426/2012</b>
<b>Peter Hillman Tooling Pty Ltd;</b> 15-99, A core sample marking guide, 16 Jul 2012	<b>13328/2012</b>	<b>Reckitt &amp; Colman (Overseas) Limited;</b> 22-06, Mousetrap, (US, 09 Feb 2012) 24 Jul 2012	<b>13479/2012</b>

<b>Reckitt &amp; Colman (Overseas) Limited;</b> 28-99, Air freshener device including refill, (EM, 01 Feb 2012) 20 Jul 2012	<b>13448/2012</b>	<b>Samsung Electronics Co., Ltd;</b> 14-01, Display screen with icon for an electronic device, (KR, 19 Jan 2012) 11 Jul 2012	<b>13304/2012</b>
<b>Reckitt &amp; Colman (Overseas) Limited;</b> 28-99, Air freshener refill, (EM, 01 Feb 2012) 20 Jul 2012	<b>13449/2012</b>	<b>Samsung Electronics Co., Ltd;</b> 14-01, Display screen for an electronic device, (KR, 19 Jan 2012) 12 Jul 2012	<b>13318/2012</b>
<b>Rembeck, Andrea Maria;</b> 02-02C, Tutu, 12 Jul 2012	<b>13311/2012</b>	<b>Samsung Electronics Co., Ltd;</b> 14-01, Display screen for an electronic device, (KR, 19 Jan 2012) 12 Jul 2012	<b>13316/2012</b>
<b>Roadwest Transport Equipment &amp; Sales Pty Ltd;</b> 12-10, Tyre transporter trailer body and chassis, 13 Jul 2012	<b>13331/2012</b>	<b>Samsung Electronics Co., Ltd;</b> 14-01, Display screen with icon for an electronic device, (KR, 19 Jan 2012) 11 Jul 2012	<b>13303/2012</b>
<b>Roadwest Transport Equipment &amp; Sales Pty Ltd;</b> 12-10, Tyre restraining cradle for a tyre transporter trailer, 13 Jul 2012	<b>13333/2012</b>	<b>Samsung Electronics Co., Ltd;</b> 14-01, Display screen for an electronic device, (KR, 19 Jan 2012) 12 Jul 2012	<b>13320/2012</b>
<b>Roadwest Transport Equipment &amp; Sales Pty Ltd;</b> 12-10, Tyre restraining cradle for a tyre transporter trailer, 13 Jul 2012	<b>13334/2012</b>	<b>Samsung Electronics Co., Ltd;</b> 14-01, Display screen with icon for an electronic device, (KR, 19 Jan 2012) 12 Jul 2012	<b>13319/2012</b>
<b>Roadwest Transport Equipment &amp; Sales Pty Ltd;</b> 12-10, Tyre restraining cradle for a tyre transporter trailer, 13 Jul 2012	<b>13332/2012</b>	<b>Samsung Electronics Co., Ltd;</b> 14-01, Display screen with icon for an electronic device, (KR, 19 Jan 2012) 11 Jul 2012	<b>13302/2012</b>
<b>Roadwest Transport Equipment &amp; Sales Pty Ltd;</b> 12-10, Tyre transporter trailer, 13 Jul 2012	<b>13330/2012</b>	<b>Scattergood, James;</b> 08-08N, Shelving supports, 11 Jul 2012	<b>13307/2012</b>
<b>Rock, Anthony;</b> 21-02NES, Sports training aid (colloquially known as a tackle bag), 20 Jul 2012	<b>13430/2012</b>	<b>Sferco Pty Limited;</b> 25-01K, A baluster extrusion (2), 13 Jul 2012	<b>13341/2012</b>
<b>Rock, Anthony;</b> 21-02F, Sports training aid (colloquially known as a tackle bag), 25 Jul 2012	<b>13484/2012</b>	<b>Sferco Pty Limited;</b> 25-01K, A baluster extrusion, 13 Jul 2012	<b>13342/2012</b>
<b>Rodman Enterprises Limited;</b> 07-07A, Cooler, 13 Jul 2012	<b>13339/2012</b>	<b>Sika Technology AG;</b> 23-01A, 23-01H, 23-01NES, Adapter with cartridge, (WO, 27 Mar 2012) 11 Jul 2012	<b>13283/2012</b>
<b>Rowan, Patrick James;</b> 30-01, Animal Vest, 23 Jul 2012	<b>13455/2012</b>	<b>Sika Technology AG;</b> 23-01G, Cartridge, (WO, 27 Mar 2012) 11 Jul 2012	<b>13284/2012</b>
<b>S. C. Johnson &amp; Son, Inc.;</b> 23-01NES, Dispenser shroud, (US, 25 Jan 2012) 24 Jul 2012	<b>13481/2012</b>	<b>Sika Technology AG;</b> 23-01A, 23-01H, 23-01NES, Adapter, (WO, 27 Mar 2012) 11 Jul 2012	<b>13282/2012</b>
<b>S. C. Johnson &amp; Son, Inc.;</b> 23-01NES, Dispenser shroud, (US, 25 Jan 2012) 24 Jul 2012	<b>13480/2012</b>	<b>Smith, Maurice Hilton;</b> 13-03D, Double power outlet with extra switch 10 amp. Hqe brand, 16 Jul 2012	<b>13365/2012</b>
<b>S.C. Johnson &amp; Son, Inc.;</b> 23-01NES, Dispenser shroud, (US, 25 Jan 2012) 24 Jul 2012	<b>13482/2012</b>	<b>Smith, Maurice Hilton;</b> 13-03D, 4 gang switch with clear plastic front cover. 16 amp switch hqe brand, 16 Jul 2012	<b>13367/2012</b>
<b>S.P.M. Flow Control, Inc.;</b> 15-02, Portion of a fluid end block for a reciprocating pump, (US, 27 Jan 2012) 19 Jul 2012	<b>13408/2012</b>	<b>Smith, Maurice Hilton;</b> 26-05D, Led 240 volt downlight, recessed. 70mm, 16 Jul 2012	<b>13368/2012</b>
<b>S.P.M. Flow Control, Inc.;</b> 15-02, Fluid end block for a reciprocating pump, (US, 27 Jan 2012) 19 Jul 2012	<b>13409/2012</b>	<b>Smith, Maurice Hilton;</b> 13-03D, 1 gang switch with cler plastic front cover. 16 amp. Switch hqe brand, 16 Jul 2012	<b>13366/2012</b>
<b>Samsung Electronics Co., Ltd;</b> 14-01, Display screen for an electronic device, (KR, 19 Jan 2012) 12 Jul 2012	<b>13317/2012</b>	<b>Smith, Maurice Hilton;</b> 13-03D, Double power outlet with switches, 10 amp hqe brand, 16 Jul 2012	<b>13364/2012</b>

<b>Societe Bic;</b> 19-06, Writing instrument, (EM, 25 Jan 2012) 18 Jul 2012	<b>13397/2012</b>	<b>Watson-Marlow Limited;</b> 08-05G, 15-02, Pump cartridge, (EM, 07 Feb 2012) 18 Jul 2012	<b>13386/2012</b>
<b>Stanley Works (Europe) GmbH;</b> 08-05P, Handle for pliers, (EM, 31 Jan 2012) 18 Jul 2012	<b>13384/2012</b>	<b>Watson-Marlow Limited;</b> 08-05G, 15-02, Pump head and cartridge, (EM, 07 Feb 2012) 18 Jul 2012	<b>13387/2012</b>
<b>Stanley Works (Europe) GmbH;</b> 08-05P, Adjustable pliers, (EM, 31 Jan 2012) 18 Jul 2012	<b>13385/2012</b>	<b>Watson-Marlow Limited;</b> 15-02, Pump head, (EM, 07 Feb 2012) 18 Jul 2012	<b>13388/2012</b>
<b>Stanley Works (Europe) GmbH;</b> 08-05P, Handle for pliers, (EM, 31 Jan 2012) 18 Jul 2012	<b>13383/2012</b>	<b>Wiggins, Stephen Frank;</b> 29-02, Safety barrier with hand rail, 13 Jul 2012	<b>13323/2012</b>
<b>Stokke AS;</b> 29-02, Harness with rear seat, (NO, 31 Jan 2012) 19 Jul 2012	<b>13415/2012</b>	<b>Williams-Sonoma, Inc;</b> 07-02R, Utensil holder, 20 Jul 2012	<b>13442/2012</b>
<b>Stokke AS;</b> 29-02, Harness with front seat, (NO, 31 Jan 2012) 19 Jul 2012	<b>13416/2012</b>	<b>Williams-Sonoma, Inc;</b> 07-02R, Extending cookware handle, 20 Jul 2012	<b>13438/2012</b>
<b>SEB;</b> 31-00, Electric grater-mincer, (CH, 13 Feb 2012) 19 Jul 2012	<b>13410/2012</b>	<b>Williams-Sonoma, Inc;</b> 07-02R, Full grip cookware handle, 20 Jul 2012	<b>13434/2012</b>
<b>Telebrands Corp.;</b> 08-05H, Knife sharpener, 16 Jul 2012	<b>13361/2012</b>	<b>Williams-Sonoma, Inc;</b> 07-02R, Full grip cookware handle, 20 Jul 2012	<b>13432/2012</b>
<b>Thales Australia Limited;</b> 22-01, A firearm, 21 May 2012	<b>12435/2012</b>	<b>Williams-Sonoma, Inc;</b> 07-02R, Extending cookware handle, 20 Jul 2012	<b>13436/2012</b>
<b>The Decor Corporation Pty. Ltd.;</b> 07-01A, Container base, 16 Jul 2012	<b>13370/2012</b>	<b>Williams-Sonoma, Inc;</b> 07-02R, Extending cookware handle, 20 Jul 2012	<b>13437/2012</b>
<b>The Decor Corporation Pty. Ltd.;</b> 07-01A, Container base, 16 Jul 2012	<b>13373/2012</b>	<b>Williams-Sonoma, Inc;</b> 07-02R, Full grip cookware handle, 20 Jul 2012	<b>13433/2012</b>
<b>The Decor Corporation Pty. Ltd.;</b> 07-01A, Container base, 16 Jul 2012	<b>13371/2012</b>	<b>Williams-Sonoma, Inc;</b> 07-02R, Full grip cookware handle, 20 Jul 2012	<b>13433/2012</b>
<b>The Decor Corporation Pty. Ltd.;</b> 07-01A, Container base, 16 Jul 2012	<b>13372/2012</b>	<b>Williams-Sonoma, Inc;</b> 07-02R, Kitchen utensil handle, 20 Jul 2012	<b>13439/2012</b>
<b>The Fountainhead Group, Inc.;</b> 08-05A, Sprayer, (US, 03 Feb 2012) 25 Jul 2012	<b>13509/2012</b>	<b>Williams-Sonoma, Inc;</b> 07-02R, Kitchen utensil handle, 20 Jul 2012	<b>13440/2012</b>
<b>The Gillette Company;</b> 04-02, Toothbrush, (WO, 17 Jan 2012) 16 Jul 2012	<b>13346/2012</b>	<b>Williams-Sonoma, Inc;</b> 07-02R, Full grip cookware handle, 20 Jul 2012	<b>13435/2012</b>
<b>The Gillette Company;</b> 04-02, Toothbrush, (WO, 17 Jan 2012) 16 Jul 2012	<b>13348/2012</b>	<b>Williams-Sonoma, Inc;</b> 07-02R, Kitchen utensil handle, 20 Jul 2012	<b>13441/2012</b>
<b>The Gillette Company;</b> 04-02, Toothbrush, (WO, 17 Jan 2012) 16 Jul 2012	<b>13347/2012</b>	<b>Yamaguchi, Satoru;</b> 17-99, Guitar strap. (This design, single- layered guitar pick bandoiler, is for securely storing guitar picks. Guitar, picks shown in the representation are not included in the design.), 10 Jul 2012	<b>13325/2012</b>
<b>Thundershirt, LLC;</b> 30-01, Animal garment, (US, 13 Jul 2012) 18 Jul 2012	<b>13398/2012</b>	<b>Yamaguchi, Satoru;</b> 17-99, Guitar strap. (This design, pouched guitar pick bandoiler, is for securely storing guitar picks. Guitar picks shown in, the representation are not included in the design.), 10 Jul 2012	<b>13327/2012</b>
<b>Trading AC Pty Ltd;</b> 21-02D, "Snorkel", 16 Jul 2012	<b>13357/2012</b>		
<b>Vita-Mix Corporation;</b> 31-00, Blender tamper, (US, 09 Jun 2012) 16 Jul 2012	<b>13390/2012</b>		

**Yamaguchi, Satoru;**

**13326/2012**

17-99, Guitar strap. (This design, double-layered guitar pick bandoiler, is for securely storing guitar picks. Guitar, picks shown in the representation are not included in the design.), 10 Jul 2012

---

### **Applications Lapsed**

14974 / 2011 (02-02C)	10079 / 2012 (02-02C)
11787 / 2012 (26-05B)	12121 / 2012 (11-01A)
12259 / 2012 (06-06H)	12260 / 2012 (23-01H)
12261 / 2012 (23-01H)	12262 / 2012 (23-01H)
12263 / 2012 (23-01H)	12264 / 2012 (23-01H)
12265 / 2012 (23-01H)	12266 / 2012 (23-01H)
12267 / 2012 (23-01H)	12268 / 2012 (23-01H)

**Extension of Period of Registration of Designs**

314132	314898	314971
315009	315452	315600
315710	315869	316258
316322	316323	316324
316325	316429	316475
316476	316477	316502
316514	316533	316538
316550	316551	316552
316553	316554	316556
316568	316595	316605
316606	316616	316617
316618	316624	316637
316646	316685	316708
316730	316731	316934
316936	316937	316938
316964	316965	316975
316977	316979	317017
317018	317022	317023
317099	317196	317313
317316	317317	317318
317319	317333	317338
317340	317350	317478
317482	317500	317501
317508	317509	317510
317553	317554	317555
317556	317557	317567
317572	317573	317574
317575	317576	317577
317578	317579	317584
317626	317743	317744
317745	317746	317747
317748	317749	317750
317751	317888	317889
319382	320704	320705
320848	320849	320850
320851	321202	322498
322853		

**Registrations Ceased**

312998	313317	313344
313602	313604	313605
313606	313607	313613
313614	313615	313616
313677	313680	313681
313683	313687	313689
313690	313691	313695
313696	313697	313704
313705	313706	313707
313723	313724	313725

313726	313727	313728
313729	313730	313736
313754	313757	313758
313759	313760	313762
313763	313769	313770
313771	313772	313773
313774	313775	313779
313782	313783	313790
313794	313796	313799
313800	313801	313802
313804	313827	314011
314012	314059	314172
314230	314318	314403
314572	314573	314574
314593	315497	315498
315543	316573	316574
332152	339050	

**Extensions of time granted under Section 137**

Applications lodged under section 137 for extension of time have been granted.

336190 **Optima Solutions UK Limited**

336191 **Optima Solutions UK Limited**

343455 **Joanne May Kennard**

11935/2012 **Russell & George Pty Ltd**

**Subsequent Owners Registered**

(The name in parentheses is that of the subsequent owner)

306239	( <b>Task Automation Pty Ltd</b> ) Trevor Ledgard
317332	( <b>B.Box for Kids Developments Pty Ltd</b> ) Monique Filer;Dannielle Michaels
329719	( <b>B.Box for Kids Developments Pty Ltd</b> ) Monique Filer;Dannielle Michaels
301027	( <b>Trimas Corporation (NZ) Pty Limited</b> ) Trail Com Limited
301110	( <b>Trimas Corporation (NZ) Pty Limited</b> ) Trail Com Limited
301111	( <b>Trimas Corporation (NZ) Pty Limited</b> ) Trail Com Limited
301112	( <b>Trimas Corporation (NZ) Pty Limited</b> ) Trail Com Limited
301113	( <b>Trimas Corporation (NZ) Pty Limited</b> ) Trail Com Limited
304704	( <b>Koninklijke Douwe Egberts B.V.</b> ) Sara Lee/DE B.V.
316233	( <b>Koninklijke Douwe Egberts B.V.</b> ) Sara Lee/DE B.V.
300487	( <b>Hustler Equipment Limited</b> ) James Robert Currie
300313	( <b>Hustler Equipment Limited</b> ) James Robert Currie
318998	( <b>Koninklijke Philips Electronics N.V.;Sara Lee/DE B.V.</b> ) Koninklijke Philips Electronics N.V.;Sara Lee/DE N.V.
325275	( <b>Koninklijke Philips Electronics N.V.;Sara Lee/DE B.V.</b> ) Koninklijke Philips Electronics N.V.;Sara Lee/DE N.V.

338629 ( **Koninklijke Philips Electronics N.V.;**Sara Lee/DE B.V. ) Koninklijke Philips Electronics N.V.;;Sara Lee/DE N.V.

338573 ( **Koninklijke Philips Electronics N.V.;**Sara Lee/DE B.V. ) Koninklijke Philips Electronics N.V.;;Sara Lee/DE N.V.

343205 ( **Koninklijke Philips Electronics N.V.;**Sara Lee/DE B.V. ) Koninklijke Philips Electronics N.V.;;Sara Lee/DE N.V.

338572 ( **Koninklijke Philips Electronics N.V.;**Sara Lee/DE B.V. ) Koninklijke Philips Electronics N.V.;;Sara Lee/DE N.V.

300520 ( **Koninklijke Philips Electronics N.V.;**Sara Lee/DE B.V. ) Koninklijke Philips Electronics N.V.;;Sara Lee/DE N.V.

329628 ( **Koninklijke Philips Electronics N.V.;**Sara Lee/DE B.V. ) Koninklijke Philips Electronics N.V.;;Sara Lee/DE N.V.

335237 ( **Koninklijke Philips Electronics N.V.;**Sara Lee/DE B.V. ) Koninklijke Philips Electronics N.V.;;Sara Lee/DE N.V.

337937 ( **Koninklijke Philips Electronics N.V.;**Sara Lee/DE B.V. ) Koninklijke Philips Electronics N.V.;;Sara Lee/DE N.V.

318998 ( **Koninklijke Philips Electronics N.V.;**Koninklijke Douwe Egberts B.V. ) Koninklijke Philips Electronics N.V.;;Sara Lee/DE B.V.

325275 ( **Koninklijke Philips Electronics N.V.;**Koninklijke Douwe Egberts B.V. ) Koninklijke Philips Electronics N.V.;;Sara Lee/DE B.V.

338629 ( **Koninklijke Philips Electronics N.V.;**Koninklijke Douwe Egberts B.V. ) Koninklijke Philips Electronics N.V.;;Sara Lee/DE B.V.

338573 ( **Koninklijke Philips Electronics N.V.;**Koninklijke Douwe Egberts B.V. ) Koninklijke Philips Electronics N.V.;;Sara Lee/DE B.V.

343205 ( **Koninklijke Philips Electronics N.V.;**Koninklijke Douwe Egberts B.V. ) Koninklijke Philips Electronics N.V.;;Sara Lee/DE B.V.

338572 ( **Koninklijke Philips Electronics N.V.;**Koninklijke Douwe Egberts B.V. ) Koninklijke Philips Electronics N.V.;;Sara Lee/DE B.V.

300520 ( **Koninklijke Philips Electronics N.V.;**Koninklijke Douwe Egberts B.V. ) Koninklijke Philips Electronics N.V.;;Sara Lee/DE B.V.

329628 ( **Koninklijke Philips Electronics N.V.;**Koninklijke Douwe Egberts B.V. ) Koninklijke Philips Electronics N.V.;;Sara Lee/DE B.V.

335237 ( **Koninklijke Philips Electronics N.V.;**Koninklijke Douwe Egberts B.V. ) Koninklijke Philips Electronics N.V.;;Sara Lee/DE B.V.

337937 ( **Koninklijke Philips Electronics N.V.;**Koninklijke Douwe Egberts B.V. ) Koninklijke Philips Electronics N.V.;;Sara Lee/DE B.V.

309518 ( **Siemens Water Technologies Holding Corp. )** Siemens Water Technologies Corp.

324843 ( **Siemens Water Technologies Holding Corp. )** Siemens Water Technologies Corp.

324844 ( **Siemens Water Technologies Holding Corp. )** Siemens Water Technologies Corp.

324845 ( **Siemens Water Technologies Holding Corp. )** Siemens Water Technologies Corp.

324846 ( **Siemens Water Technologies Holding Corp. )** Siemens Water Technologies Corp.

324847 ( **Siemens Water Technologies Holding Corp. )** Siemens Water Technologies Corp.

324848 ( **Siemens Water Technologies Holding Corp. )** Siemens Water Technologies Corp.

324849 ( **Siemens Water Technologies Holding Corp. )** Siemens Water Technologies Corp.

324850 ( **Siemens Water Technologies Holding Corp. )** Siemens Water Technologies Corp.

336074 ( **Siemens Water Technologies Holding Corp. )** Siemens Water Technologies Corp.

336353 ( **Siemens Water Technologies Holding Corp. )** Siemens Water Technologies Corp.

309518 ( **Siemens Industry, Inc. )** Siemens Water Technologies Holding Corp.

324843 ( **Siemens Industry, Inc. )** Siemens Water Technologies Holding Corp.

324844 ( **Siemens Industry, Inc. )** Siemens Water Technologies Holding Corp.

324845 ( **Siemens Industry, Inc. )** Siemens Water Technologies Holding Corp.

324846 ( **Siemens Industry, Inc. )** Siemens Water Technologies Holding Corp.

324847 ( **Siemens Industry, Inc. )** Siemens Water Technologies Holding Corp.

324848 ( **Siemens Industry, Inc. )** Siemens Water Technologies Holding Corp.

324849 ( **Siemens Industry, Inc. )** Siemens Water Technologies Holding Corp.

324850 ( **Siemens Industry, Inc. )** Siemens Water Technologies Holding Corp.

336074 ( **Siemens Industry, Inc. )** Siemens Water Technologies Holding Corp.

336353 ( **Siemens Industry, Inc. )** Siemens Water Technologies Holding Corp.

**Names Registered - Alterations and Amendments**

(The name in parentheses is that of the subsequent applicant)

304704 ( **Sara Lee/DE B.V. )** Sara Lee/DE N.V.

316233 ( **Sara Lee/DE B.V. )** Sara Lee/DE N.V.

**Certificate(s) of Examination**

Examination of the following Design Registration(s) has been completed. Infringement proceedings may now be commenced.

312611	08-07	19/07/2012
328033	09-07C	20/07/2012
334618	23-03D	17/07/2012
334735	02-02C	18/07/2012
339777	08-07	17/07/2012
339778	08-07	17/07/2012
339779	08-07	17/07/2012
339780	08-07	17/07/2012
339781	08-07	17/07/2012
339782	08-07	17/07/2012
339783	08-07	17/07/2012
339784	08-07	17/07/2012
340064	21-01F	18/07/2012
341922	26-06	17/07/2012
341995	09-05	27/07/2012
342015	09-05	27/07/2012
342834	12-16H	17/07/2012
343130	23-01A	20/07/2012
343132	23-01A	20/07/2012
343133	23-01A	20/07/2012



**Publication and Registration Proceedings**

**Designs Registered**

This section provides a concordance between design number and registration number of Designs covered in this journal. It also shows the main class and registration date.

This section covers Registration numbers 343362 to 343554 .

The registration number shown below should be used in all future correspondence.

<b>Design Number</b>	<b>Registration Number</b>	<b>International Classification Code (IDC)</b>	<b>Registration Date</b>	<b>Design Number</b>	<b>Registration Number</b>	<b>International Classification Code (IDC)</b>	<b>Registration Date</b>
15218/2011	343397	02-02NES	18/07/2012	12438/2012	343369	14-04	17/07/2012
10063/2012	343418	06-06H	19/07/2012	12465/2012	343440	15-04	20/07/2012
10064/2012	343419	06-06G	19/07/2012	12477/2012	343479	03-01NES	25/07/2012
10065/2012	343420	06-06G	19/07/2012	12478/2012	343480	03-01NES	25/07/2012
10243/2012	343430	02-02NES	20/07/2012	12479/2012	343481	03-01NES	25/07/2012
10252/2012	343527	31-00	27/07/2012	12480/2012	343482	03-01A	25/07/2012
10327/2012	343436	09-06	20/07/2012	12499/2012	343543	20-02NES	27/07/2012
10817/2012	343528	08-09	27/07/2012	12530/2012	343370	04-01	17/07/2012
11326/2012	343529	14-02	27/07/2012	12534/2012	343487	15-07	25/07/2012
11804/2012	343455	07-02E	23/07/2012	12535/2012	343483	15-07	25/07/2012
11889/2012	343363	14-02	17/07/2012	12542/2012	343371	02-02NES	17/07/2012
11982/2012	343486	26-02	25/07/2012	12555/2012	343382	21-01E	17/07/2012
11984/2012	343372	02-04NES	17/07/2012	12573/2012	343378	08-03	17/07/2012
12011/2012	343373	15-05	17/07/2012	12574/2012	343530	15-99	27/07/2012
12023/2012	343541	07-02C	27/07/2012	12575/2012	343531	15-99	27/07/2012
12030/2012	343374	24-04	17/07/2012	12576/2012	343532	15-99	27/07/2012
12113/2012	343364	12-08	17/07/2012	12591/2012	343379	08-08L	17/07/2012
12114/2012	343375	09-01A	17/07/2012	12592/2012	343472	09-03NES	24/07/2012
12130/2012	343421	12-11	19/07/2012	12628/2012	343488	19-06	25/07/2012
12142/2012	343422	14-02	19/07/2012	12640/2012	343380	09-01NES	17/07/2012
12175/2012	343437	03-03	20/07/2012	12649/2012	343458	06-13B	23/07/2012
12197/2012	343398	02-02NES	18/07/2012	12663/2012	343441	26-03	20/07/2012
12198/2012	343399	02-02NES	18/07/2012	12673/2012	343511	20-02E	26/07/2012
12199/2012	343400	02-02NES	18/07/2012	12688/2012	343423	14-02	19/07/2012
12200/2012	343401	02-02NES	18/07/2012	12689/2012	343424	14-02	19/07/2012
12201/2012	343402	02-02NES	18/07/2012	12720/2012	343459	21-04	23/07/2012
12202/2012	343403	02-02NES	18/07/2012	12737/2012	343386	20-02E	18/07/2012
12203/2012	343425	02-02NES	19/07/2012	12757/2012	343533	02-02NES	27/07/2012
12204/2012	343426	02-02NES	19/07/2012	12761/2012	343484	06-02	25/07/2012
12205/2012	343427	02-02NES	19/07/2012	12764/2012	343489	09-01D	25/07/2012
12206/2012	343428	02-02NES	19/07/2012	12780/2012	343383	06-04NES	17/07/2012
12207/2012	343429	02-02NES	19/07/2012	12782/2012	343460	23-04	23/07/2012
12209/2012	343542	06-02	27/07/2012	12783/2012	343461	23-04	23/07/2012
12212/2012	343362	14-02	17/07/2012	12784/2012	343447	06-03B	23/07/2012
12269/2012	343365	21-02C	17/07/2012	12789/2012	343448	28-99	23/07/2012
12283/2012	343478	07-01NES	25/07/2012	12838/2012	343381	13-03B	17/07/2012
12286/2012	343438	14-03A	20/07/2012	12857/2012	343449	08-05P	23/07/2012
12320/2012	343384	25-01D	18/07/2012	12860/2012	343450	08-05P	23/07/2012
12325/2012	343367	08-08NES	17/07/2012	12861/2012	343490	12-12	25/07/2012
12358/2012	343456	08-07	23/07/2012	12876/2012	343534	25-01D	27/07/2012
12373/2012	343439	23-01L	20/07/2012	12877/2012	343535	11-01C	27/07/2012
12376/2012	343376	21-01C	17/07/2012	12880/2012	343536	24-02	27/07/2012
12377/2012	343377	21-01C	17/07/2012	12882/2012	343537	21-02C	27/07/2012
12378/2012	343385	21-01C	18/07/2012	12883/2012	343538	10-04	27/07/2012
12427/2012	343468	11-01C	24/07/2012	12884/2012	343539	25-01D	27/07/2012
12428/2012	343469	11-01C	24/07/2012	12912/2012	343387	26-06	18/07/2012
12429/2012	343470	11-01C	24/07/2012	12913/2012	343388	26-06	18/07/2012
12430/2012	343471	11-01C	24/07/2012	12914/2012	343389	12-11	18/07/2012
12436/2012	343457	13-02	23/07/2012	12915/2012	343390	26-05E	18/07/2012
12437/2012	343368	14-04	17/07/2012	12916/2012	343391	26-05E	18/07/2012

Publication and Registration Proceedings - Designs Registered cont'd

Design Number	Registration Number	International Classification Code (IDC)	Registration Date	Design Number	Registration Number	International Classification Code (IDC)	Registration Date
12917/2012	343392	26-05E	18/07/2012	13014/2012	343495	28-03NES	25/07/2012
12918/2012	343393	08-08L	18/07/2012	13029/2012	343485	09-03NES	25/07/2012
12924/2012	343394	09-03A	18/07/2012	13030/2012	343512	20-02B	26/07/2012
12925/2012	343395	09-03A	18/07/2012	13032/2012	343513	09-01NES	26/07/2012
12927/2012	343396	10-02	18/07/2012	13034/2012	343514	04-02	26/07/2012
12928/2012	343442	10-02	20/07/2012	13035/2012	343515	04-02	26/07/2012
12929/2012	343443	10-02	20/07/2012	13036/2012	343516	12-16NES	26/07/2012
12930/2012	343444	10-02	20/07/2012	13037/2012	343517	08-05NES	26/07/2012
12931/2012	343445	10-02	20/07/2012	13038/2012	343518	31-00	26/07/2012
12932/2012	343446	10-02	20/07/2012	13039/2012	343519	31-00	26/07/2012
12933/2012	343404	12-16NES	19/07/2012	13040/2012	343520	02-02NES	26/07/2012
12934/2012	343405	12-16NES	19/07/2012	13041/2012	343496	09-03NES	26/07/2012
12935/2012	343406	12-16NES	19/07/2012	13042/2012	343497	24-01	26/07/2012
12936/2012	343407	12-16NES	19/07/2012	13043/2012	343498	03-01NES	26/07/2012
12938/2012	343408	06-01D	19/07/2012	13045/2012	343499	08-07	26/07/2012
12940/2012	343409	06-01D	19/07/2012	13046/2012	343500	08-07	26/07/2012
12941/2012	343410	06-01D	19/07/2012	13047/2012	343501	25-01B	26/07/2012
12942/2012	343411	12-08	19/07/2012	13049/2012	343544	30-08	27/07/2012
12943/2012	343412	12-16H	19/07/2012	13050/2012	343545	30-08	27/07/2012
12944/2012	343413	12-16A	19/07/2012	13051/2012	343546	30-08	27/07/2012
12945/2012	343414	12-16NES	19/07/2012	13052/2012	343547	30-08	27/07/2012
12946/2012	343415	12-16NES	19/07/2012	13054/2012	343549	14-01	27/07/2012
12948/2012	343416	25-01B	19/07/2012	13055/2012	343548	23-01G	27/07/2012
12949/2012	343417	23-01H	19/07/2012	13056/2012	343550	23-01G	27/07/2012
12953/2012	343462	12-16NES	23/07/2012	13057/2012	343551	07-02C	27/07/2012
12954/2012	343463	13-03NES	23/07/2012	13058/2012	343552	07-02C	27/07/2012
12955/2012	343464	13-03NES	23/07/2012	13059/2012	343553	07-02C	27/07/2012
12957/2012	343465	02-99	23/07/2012	13060/2012	343554	24-01	27/07/2012
12959/2012	343466	03-01NES	23/07/2012	13061/2012	343540	12-02	27/07/2012
12962/2012	343467	13-03E	23/07/2012	13062/2012	343502	13-02	26/07/2012
12963/2012	343431	13-03E	20/07/2012	13063/2012	343503	1302	26/07/2012
12968/2012	343451	07-02N	23/07/2012	13066/2012	343521	02-01A	26/07/2012
12969/2012	343452	12-02	23/07/2012	13067/2012	343522	02-01A	26/07/2012
12970/2012	343432	02-02NES	20/07/2012	13068/2012	343523	07-02L	26/07/2012
12971/2012	343433	02-02C	20/07/2012	13069/2012	343524	07-02L	26/07/2012
12972/2012	343434	02-02C	20/07/2012	13070/2012	343525	07-02L	26/07/2012
12973/2012	343435	02-02C	20/07/2012	13071/2012	343526	02-03	26/07/2012
12974/2012	343453	25-01K	23/07/2012	13072/2012	343504	02-03	26/07/2012
12976/2012	343454	23-01G	23/07/2012	13076/2012	343505	08-06	26/07/2012
12982/2012	343473	08-07	24/07/2012	13149/2012	343506	14-04	26/07/2012
12983/2012	343474	14-02	24/07/2012	13150/2012	343507	14-04	26/07/2012
12984/2012	343475	14-02	24/07/2012	13155/2012	343508	14-04	26/07/2012
12991/2012	343476	09-08	24/07/2012	13158/2012	343509	14-03A	26/07/2012
12995/2012	343477	02-04NES	24/07/2012	13275/2012	343510	12-16NES	26/07/2012
13004/2012	343491	01-06	25/07/2012	13312/2012	343366	21-02C	17/07/2012
13005/2012	343492	19-06	25/07/2012				
13006/2012	343493	19-06	25/07/2012				
13007/2012	343494	19-06	25/07/2012				

**Publication and Registration Proceedings**

**Class Listing of Designs Published or Registered**

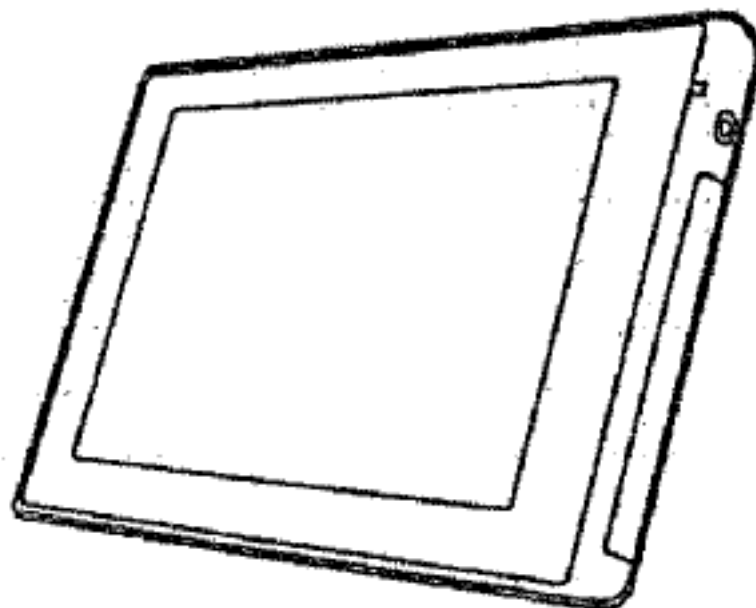
The following section shows an International Classification Code listing of the Registered or Published Designs covered in this supplement.

<b>Classification</b>	<b>Registration Number</b>	<b>Design Number</b>	<b>Classification</b>	<b>Registration Number</b>	<b>Design Number</b>
01-06	343491	13004/2012	07-02C	343551	13057/2012
02-01A	343521	13066/2012	07-02C	343552	13058/2012
02-01A	343522	13067/2012	07-02C	343553	13059/2012
02-02C	343433	12971/2012	07-02E	343455	11804/2012
02-02C	343434	12972/2012	07-02L	343523	13068/2012
02-02C	343435	12973/2012	07-02L	343524	13069/2012
02-02NES	343371	12542/2012	07-02L	343525	13070/2012
02-02NES	343397	15218/2011	07-02N	343451	12968/2012
02-02NES	343398	12197/2012	08-03	343378	12573/2012
02-02NES	343399	12198/2012	08-05NES	343517	13037/2012
02-02NES	343400	12199/2012	08-05P	343449	12857/2012
02-02NES	343401	12200/2012	08-05P	343450	12860/2012
02-02NES	343402	12201/2012	08-06	343505	13076/2012
02-02NES	343403	12202/2012	08-07	343456	12358/2012
02-02NES	343425	12203/2012	08-07	343473	12982/2012
02-02NES	343426	12204/2012	08-07	343499	13045/2012
02-02NES	343427	12205/2012	08-07	343500	13046/2012
02-02NES	343428	12206/2012	08-08L	343379	12591/2012
02-02NES	343429	12207/2012	08-08L	343393	12918/2012
02-02NES	343430	10243/2012	08-08NES	343367	12325/2012
02-02NES	343432	12970/2012	08-08NES	343393	12918/2012
02-02NES	343520	13040/2012	08-09	343528	10817/2012
02-02NES	343533	12757/2012	08-99	343528	10817/2012
02-03	343504	13072/2012	09-01A	343375	12114/2012
02-03	343526	13071/2012	09-01D	343489	12764/2012
02-04NES	343372	11984/2012	09-01NES	343380	12640/2012
02-04NES	343477	12995/2012	09-01NES	343513	13032/2012
02-99	343465	12957/2012	09-01NES	343548	13055/2012
03-01A	343482	12480/2012	09-01NES	343550	13056/2012
03-01B	343482	12480/2012	09-03A	343394	12924/2012
03-01NES	343466	12959/2012	09-03A	343395	12925/2012
03-01NES	343479	12477/2012	09-03NES	343472	12592/2012
03-01NES	343480	12478/2012	09-03NES	343485	13029/2012
03-01NES	343481	12479/2012	09-03NES	343496	13041/2012
03-01NES	343498	13043/2012	09-06	343436	10327/2012
0301z	343503	13063/2012	09-08	343476	12991/2012
03-03	343437	12175/2012	10-02	343396	12927/2012
04-01	343370	12530/2012	10-02	343442	12928/2012
04-02	343514	13034/2012	10-02	343443	12929/2012
04-02	343515	13035/2012	10-02	343444	12930/2012
06-01D	343408	12938/2012	10-02	343445	12931/2012
06-01D	343409	12940/2012	10-02	343446	12932/2012
06-01D	343410	12941/2012	10-04	343537	12882/2012
06-02	343484	12761/2012	10-04	343538	12883/2012
06-02	343542	12209/2012	10-99	343554	13060/2012
06-03B	343447	12784/2012	11-01C	343468	12427/2012
06-04NES	343383	12780/2012	11-01C	343469	12428/2012
06-06G	343419	10064/2012	11-01C	343470	12429/2012
06-06G	343420	10065/2012	11-01C	343471	12430/2012
06-06H	343418	10063/2012	11-01C	343535	12877/2012
06-13B	343458	12649/2012	12-02	343452	12969/2012
07-01NES	343478	12283/2012	12-02	343540	13061/2012
07-02C	343541	12023/2012	12-08	343364	12113/2012

Registration Proceedings - Class Listing of Designs Published or Registered cont'd

Classification	Registration Number	Design Number	Classification	Registration Number	Design Number
12-08	343411	12942/2012	19-06	343492	13005/2012
12-11	343389	12914/2012	19-06	343493	13006/2012
12-11	343421	12130/2012	19-06	343494	13007/2012
12-11	343516	13036/2012	20-02B	343512	13030/2012
12-12	343437	12175/2012	20-02E	343386	12737/2012
12-12	343490	12861/2012	20-02E	343511	12673/2012
12-16A	343413	12944/2012	20-02NES	343543	12499/2012
12-16H	343412	12943/2012	21-01C	343376	12376/2012
12-16NES	343404	12933/2012	21-01C	343377	12377/2012
12-16NES	343405	12934/2012	21-01C	343385	12378/2012
12-16NES	343406	12935/2012	21-01E	343382	12555/2012
12-16NES	343407	12936/2012	21-02C	343365	12269/2012
12-16NES	343414	12945/2012	21-02C	343366	13312/2012
12-16NES	343415	12946/2012	21-02C	343537	12882/2012
12-16NES	343462	12953/2012	21-04	343459	12720/2012
12-16NES	343510	13275/2012	23-01A	343379	12591/2012
12-16NES	343516	13036/2012	23-01G	343454	12976/2012
1302	343503	13063/2012	23-01G	343548	13055/2012
13-02	343457	12436/2012	23-01G	343550	13056/2012
13-02	343502	13062/2012	23-01H	343417	12949/2012
13-03B	343381	12838/2012	23-01L	343439	12373/2012
13-03E	343431	12963/2012	23-04	343460	12782/2012
13-03E	343467	12962/2012	23-04	343461	12783/2012
13-03NES	343463	12954/2012	24-01	343497	13042/2012
13-03NES	343464	12955/2012	24-01	343554	13060/2012
14-01	343549	13054/2012	24-02	343536	12880/2012
14-02	343362	12212/2012	24-04	343374	12030/2012
14-02	343363	11889/2012	25-01B	343416	12948/2012
14-02	343422	12142/2012	25-01B	343501	13047/2012
14-02	343423	12688/2012	25-01D	343384	12320/2012
14-02	343424	12689/2012	25-01D	343534	12876/2012
14-02	343474	12983/2012	25-01D	343539	12884/2012
14-02	343475	12984/2012	25-01K	343384	12320/2012
14-02	343529	11326/2012	25-01K	343453	12974/2012
14-03A	343368	12437/2012	26-02	343486	11982/2012
14-03A	343369	12438/2012	26-03	343441	12663/2012
14-03A	343438	12286/2012	26-05E	343390	12915/2012
14-03A	343509	13158/2012	26-05E	343391	12916/2012
14-04	343368	12437/2012	26-05E	343392	12917/2012
14-04	343369	12438/2012	26-06	343387	12912/2012
14-04	343506	13149/2012	26-06	343388	12913/2012
14-04	343507	13150/2012	28-03NES	343495	13014/2012
14-04	343508	13155/2012	28-99	343448	12789/2012
15-04	343440	12465/2012	30-08	343544	13049/2012
15-05	343373	12011/2012	30-08	343545	13050/2012
15-07	343483	12535/2012	30-08	343546	13051/2012
15-07	343487	12534/2012	30-08	343547	13052/2012
15-99	343530	12574/2012	31-00	343518	13038/2012
15-99	343531	12575/2012	31-00	343519	13039/2012
15-99	343532	12576/2012	31-00	343527	10252/2012
19-01	343488	12628/2012			
19-06	343488	12628/2012			

- (21) Design Number: **12212/2012**  
(22) Date of Filing Application: **08 May 2012**  
(24) Date from which industrial property rights may have effect: **08 May 2012**  
(54) Product in respect of which the design is registered: **Portable information terminal**  
(51) International Design Classification: **14-02**  
(74) Name(s) of Attorney(s): **SPRUSON & FERGUSON**  
(71) Name(s) and Address(s) of Applicant(s):  
**NEC Corporation**  
**7-1 Shiba 5-chome Minato-ku Tokyo Japan**  
(72) Name(s) of Designer(s): **Yasuhiro Washiyama and Takeshi Kobayashi**  
(45) Registration Date: **17 July 2012**  
(30) Convention priority data:  
(31) Number      (32) Date      (33) Country  
**2011-025727      08 Nov 2011      JAPAN**  
(56) Related Art Documents: **Not Applicable**  
(57) Statement of Newness and Distinctiveness: **Newness and distinctiveness is claimed in the features of shape and/or configuration of a portable information terminal as illustrated in the accompanying representations.**



- (21) Design Number: **11889/2012**  
(22) Date of Filing Application: **13 April 2012**  
(24) Date from which industrial property rights may have effect: **13 April 2012**  
(54) Product in respect of which the design is registered: **Laptop stand**  
(51) International Design Classification: **14-02**  
(74) Name(s) of Attorney(s):  
(71) Name(s) and Address(s) of Applicant(s):  
**David Rogers**  
**5 Coral Street Loganlea Queensland 4131 Australia**  
(72) Name(s) of Designer(s): **David Rogers**  
(45) Registration Date: **17 July 2012**  
(56) Related Art Documents: **Not Applicable**  
(57) Statement of Newness and Distinctiveness: **The invertavision A-frame is new and distinctive due to the unique 'overview' feature whereby the user can operate his laptop in a supine (completely prone) position.**



(21) Design Number: **12113/2012**  
(22) Date of Filing Application: **01 May 2012**  
(24) Date from which industrial property rights may have effect: **01 May 2012**  
(54) Product in respect of which the design is registered: **An automobile**  
(51) International Design Classification: **12-08**  
(74) Name(s) of Attorney(s): **SPRUSON & FERGUSON**  
(71) Name(s) and Address(s) of Applicant(s):



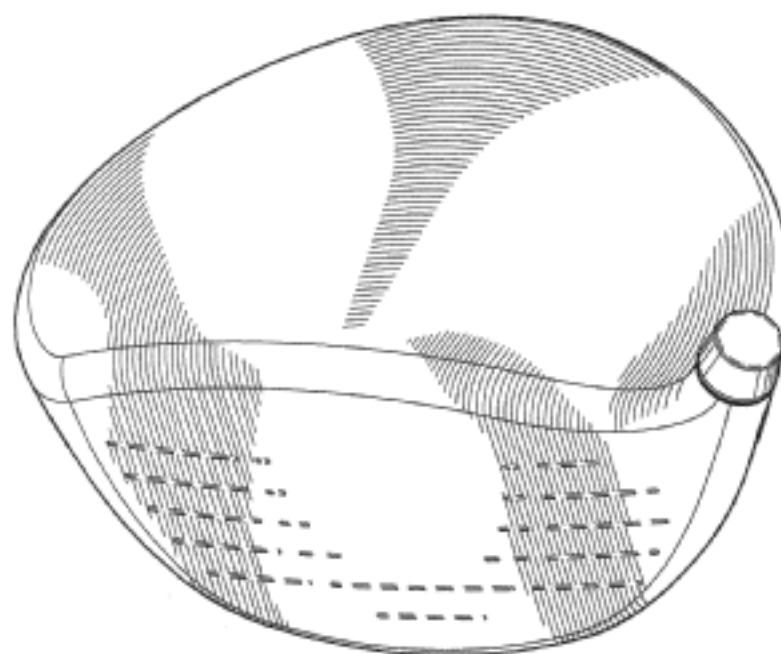
**Honda Motor Co., Ltd.**  
**1-1 Minami-Aoyama 2-Chome Minato-Ku Tokyo Japan**

(72) Name(s) of Designer(s): **Daisuke Akejima**  
(45) Registration Date: **17 July 2012**  
(30) Convention priority data:  
(31) Number      (32) Date      (33) Country  
**2011-025495      04 Nov 2011      JAPAN**  
(56) Related Art Documents: **Not Applicable**  
(57) Statement of Newness and Distinctiveness: **Newness and distinctiveness is claimed in the features of shape and/or configuration of an automobile as illustrated in the accompanying representations.**

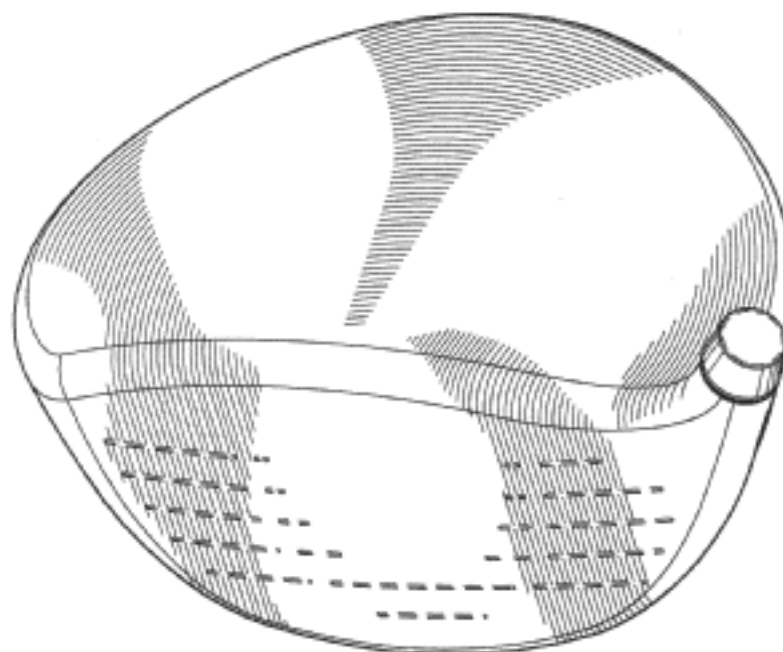
(21) Design Number: **12269/2012**  
(22) Date of Filing Application: **10 May 2012**  
(24) Date from which industrial property rights may have effect: **10 May 2012**  
(54) Product in respect of which the design is registered: **Golf club head**  
(51) International Design Classification: **21-02C**  
(74) Name(s) of Attorney(s): **Davies Collison Cave**  
(71) Name(s) and Address(s) of Applicant(s):

**Karsten Manufacturing Corporation**  
**2201 West Desert Cove Phoenix Arizona 85029 United States of America**

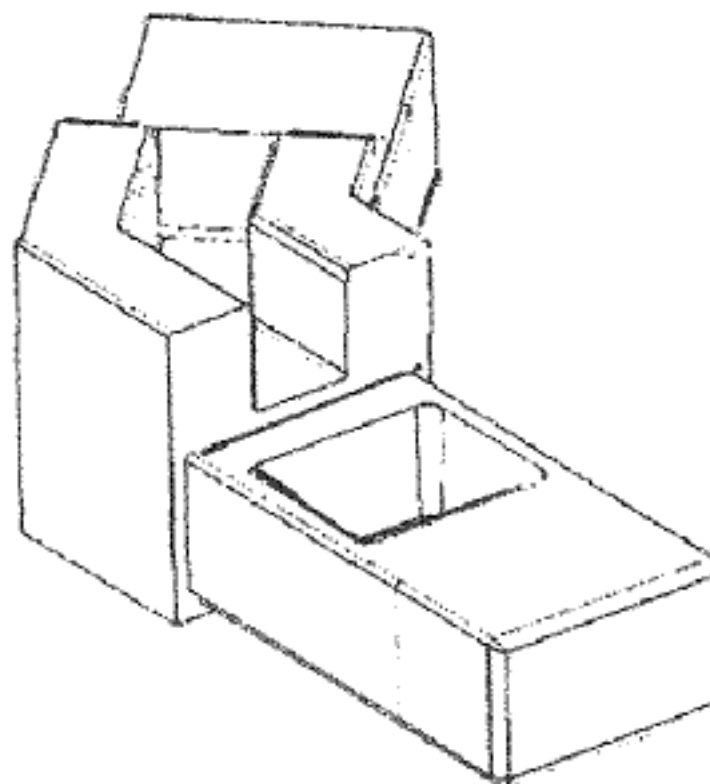
(72) Name(s) of Designer(s): **Michael R. Nicolette and Marty R. Jertson and Ryan M. Stokke and Xiaojian Chen**  
(45) Registration Date: **17 July 2012**  
(30) Convention priority data:  
(31) Number      (32) Date      (33) Country  
**29/410791      12 Jan 2012      UNITED STATES OF AMERICA**  
(56) Related Art Documents: **Not Applicable**  
(57) Statement of Newness and Distinctiveness: **Newness and distinctiveness is claimed in the visual features shown in solid lines in the representations. In considering the extent of the design rights, the broken lines in the representations are for illustrative purposes only and do not form part of the design.**



(21) Design Number: **13312/2012**  
(22) Date of Filing Application: **10 May 2012**  
(24) Date from which industrial property rights may have effect: **10 May 2012**  
(54) Product in respect of which the design is registered: **Golf club head**  
(51) International Design Classification: **21-02C**  
(74) Name(s) of Attorney(s): **Davies Collison Cave**  
(71) Name(s) and Address(s) of Applicant(s):  
**Karsten Manufacturing Corporation**  
**2201 West Desert Cove Phoenix Arizona 85029 United States of America**  
(72) Name(s) of Designer(s): **Michael R. Nicolette and Marty R. Jertson and Ryan M. Stokke and Xiaojian Chen**  
(45) Registration Date: **17 July 2012**  
(30) Convention priority data:  
(31) Number (32) Date (33) Country  
**29/410791 12 Jan 2012 UNITED STATES OF AMERICA**  
(56) Related Art Documents: **Not Applicable**  
(57) Statement of Newness and Distinctiveness: **Newness and Distinctiveness is claimed in the visual features shown in solid lines in the representations. In considering the extent of the design rights, the broken lines in the representations are for illustrative purposes only and do not form part of the design.**



(21) Design Number: **12325/2012**  
(22) Date of Filing Application: **14 May 2012**  
(24) Date from which industrial property rights may have effect: **14 May 2012**  
(54) Product in respect of which the design is registered: **Corner stake**  
(51) International Design Classification: **08-08NES**  
(74) Name(s) of Attorney(s): **John L Davies & Co**  
(71) Name(s) and Address(s) of Applicant(s):  
**Dias Aluminium Products Pty. Ltd.**  
**201-205 Browns Road Noble Park Victoria 3174 Australia**  
(72) Name(s) of Designer(s): **Ian David Paterson**  
(45) Registration Date: **17 July 2012**  
(56) Related Art Documents: **Not Applicable**  
(57) Statement of Newness and Distinctiveness: **Nil**

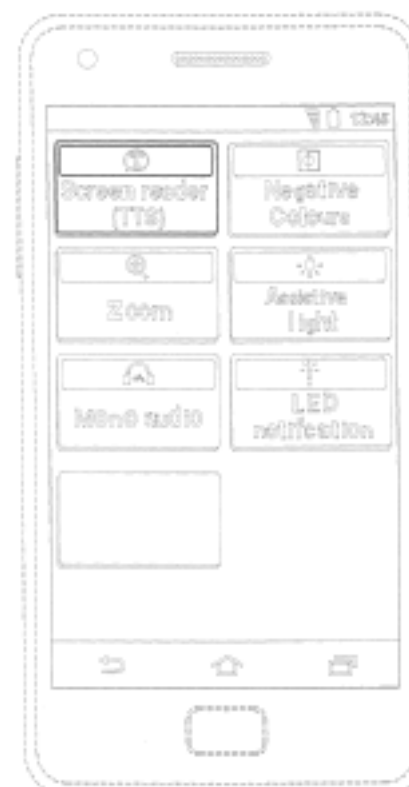




- (21) Design Number: **12437/2012**  
(22) Date of Filing Application: **21 May 2012**  
(24) Date from which industrial property rights may have effect: **21 May 2012**  
(54) Product in respect of which the design is registered: **Display screen for an electronic device**  
(51) International Design Classification: **14-04, 14-03A**  
(74) Name(s) of Attorney(s): **Wrays**  
(71) Name(s) and Address(s) of Applicant(s):  
**Samsung Electronics Co, Ltd**  
**416 Maetan-dong Yeongtong-Gu Suwon-Si Gyeonggi-Do 442-370**  
**Republic of Korea**  
(72) Name(s) of Designer(s): **Ji-Hye Myung**  
(45) Registration Date: **17 July 2012**  
(30) Convention priority data:  
(31) Number (32) Date (33) Country  
**30-2012-0001440 10 Jan 2012 REPUBLIC OF KOREA**  
(56) Related Art Documents: **Not Applicable**  
(57) Statement of Newness and Distinctiveness: **Newness and distinctiveness is claimed in the features of pattern and/or ornamentation of the Display Screen For An Electronic Device as shown in solid outline in the accompanying representations.**

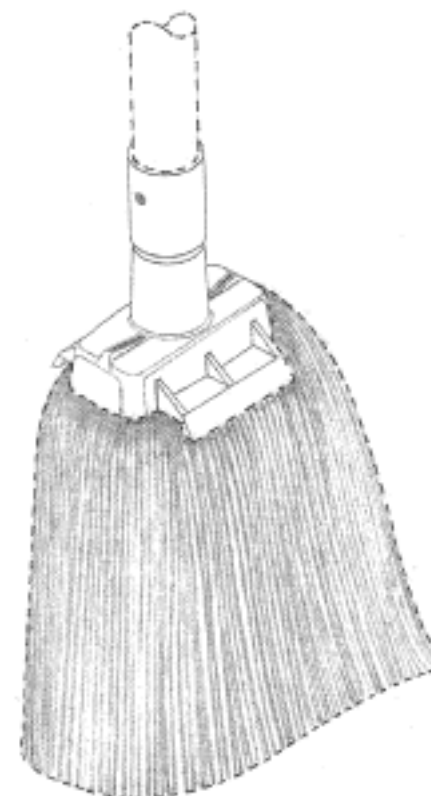


- (21) Design Number: **12438/2012**  
(22) Date of Filing Application: **21 May 2012**  
(24) Date from which industrial property rights may have effect: **21 May 2012**  
(54) Product in respect of which the design is registered: **Display screen for an electronic device**  
(51) International Design Classification: **14-04, 14-03A**  
(74) Name(s) of Attorney(s): **Wrays**  
(71) Name(s) and Address(s) of Applicant(s):  
**Samsung Electronics Co, Ltd**  
**416 Maetan-dong Yeongtong-Gu Suwon-Si Gyeonggi-Do Republic of Korea**  
(72) Name(s) of Designer(s): **Bong-Hee Kim**  
(45) Registration Date: **17 July 2012**  
(30) Convention priority data:  
(31) Number (32) Date (33) Country  
**30-2012-0001439 10 Jan 2012 REPUBLIC OF KOREA**  
(56) Related Art Documents: **Not Applicable**  
(57) Statement of Newness and Distinctiveness: **Newness and distinctiveness is claimed in the features of pattern and/or ornamentation of the Display Screen For An Electronic Device as shown in solid outline in the accompanying representations.**





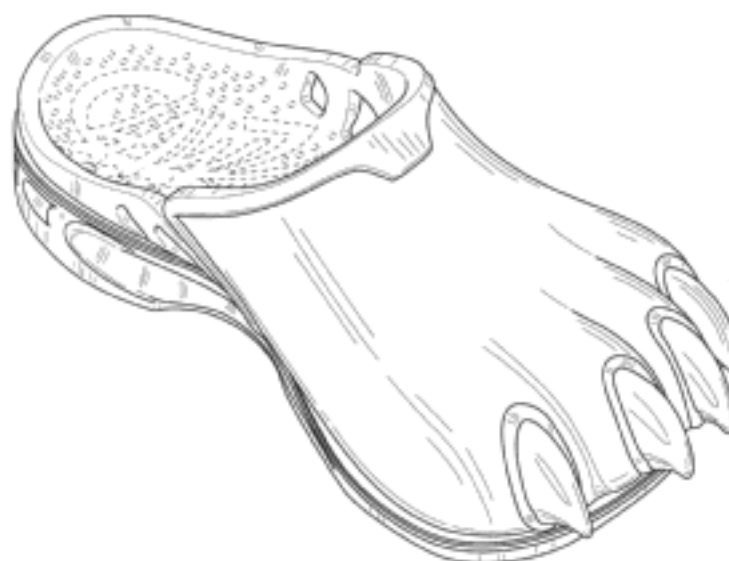
- (21) Design Number: **12530/2012**  
(22) Date of Filing Application: **24 May 2012**  
(24) Date from which industrial property rights may have effect: **24 May 2012**  
(54) Product in respect of which the design is registered: **Mop head**  
(51) International Design Classification: **04-01**  
(74) Name(s) of Attorney(s): **Elliptic Legal & Patent Services**  
(71) Name(s) and Address(s) of Applicant(s):  
**Reginald Gabriel Morais**  
**38 Gregory Ave Padbury Western Australia 6025 Australia**  
(72) Name(s) of Designer(s): **Reginald Gabriel Morais and Robert Harry Hooper and Klaus Pattberg**  
(45) Registration Date: **17 July 2012**  
(56) Related Art Documents: **Not Applicable**  
(57) Statement of Newness and Distinctiveness: **Novelty is claimed in the shape and configuration of the mop head as shown in the accompanying representations. The area shown and bounded by dotted lines in the top perspective (mop) view do not form part of the design.**



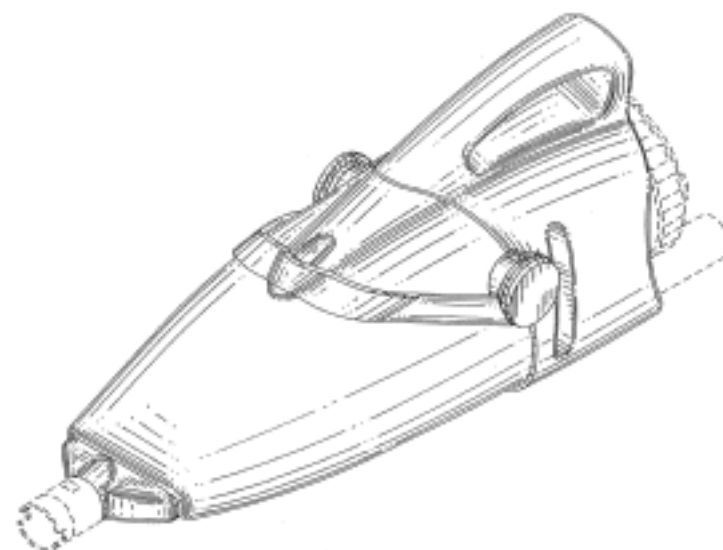
- (21) Design Number: **12542/2012**  
(22) Date of Filing Application: **29 May 2012**  
(24) Date from which industrial property rights may have effect: **29 May 2012**  
(54) Product in respect of which the design is registered: **Jumper**  
(51) International Design Classification: **02-02NES**  
(74) Name(s) of Attorney(s):  
(71) Name(s) and Address(s) of Applicant(s):  
**Michael Evans**  
**5 Drysdale Place Doncaster East Victoria 3109 Australia**  
(72) Name(s) of Designer(s): **Michael Evans**  
(45) Registration Date: **17 July 2012**  
(56) Related Art Documents: **Not Applicable**  
(57) Statement of Newness and Distinctiveness: **The garment features detachable sleeves which can be interchanged with an alternative set of sleeves (or sleeve).**



- (21) Design Number: **11984/2012**  
(22) Date of Filing Application: **20 April 2012**  
(24) Date from which industrial property rights may have effect: **20 April 2012**  
(54) Product in respect of which the design is registered: **Footwear**  
(51) International Design Classification: **02-04NES**  
(74) Name(s) of Attorney(s): **Actuate IP**  
(71) Name(s) and Address(s) of Applicant(s):  
**Clawz Shoes LLC**  
**10936 N. Port Washington #102 Mequon WI 53092 United States of America**  
(72) Name(s) of Designer(s): **Jay Branard Lerner**  
(45) Registration Date: **17 July 2012**  
(56) Related Art Documents: **Not Applicable**  
(57) Statement of Newness and Distinctiveness: **Newness and distinctiveness is claimed in the claw feature of the design appearing on the front upper of the footwear.**



- (21) Design Number: **12011/2012**  
(22) Date of Filing Application: **23 April 2012**  
(24) Date from which industrial property rights may have effect: **23 April 2012**  
(54) Product in respect of which the design is registered: **Pool and spa cleaner**  
(51) International Design Classification: **15-05**  
(74) Name(s) of Attorney(s): **Ahearn Fox**  
(71) Name(s) and Address(s) of Applicant(s):  
**Water Tech LLC**  
**10 Alvin Court Suite 11 East Brunswick New Jersey 08816 United States of America**  
(72) Name(s) of Designer(s): **Guy Erlich and Jonathan Elmaleh**  
(45) Registration Date: **17 July 2012**  
(30) Convention priority data:  
(31) Number      (32) Date      (33) Country  
**29/408,915      19 Dec 2011      UNITED STATES OF AMERICA**  
(56) Related Art Documents: **Not Applicable**  
(57) Statement of Newness and Distinctiveness: **Newness and distinctiveness reside in the features of shape and configuration of the pool and spa cleaner as shown in the accompanying drawings wherein: Fig. 1 is a front, top left side perspective view of the pool and spa cleaner of our invention; Fig. 2 is a top view thereof; Fig. 3 is a front elevation view thereof; Fig. 4 is a right side elevation view thereof, the left side being a mirror image; Fig. 5 is a rear elevation view thereof and Fig. 6 is a bottom view thereof. In construing the monopoly, the elements shown in broken lines should be disregarded.**



(21) Design Number: **12030/2012**  
(22) Date of Filing Application: **24 April 2012**  
(24) Date from which industrial property rights may have effect: **24 April 2012**  
(54) Product in respect of which the design is registered: **Inhaler**  
(51) International Design Classification: **24-04**  
(74) Name(s) of Attorney(s): **WATERMARK PATENT AND TRADE MARKS ATTORNEYS**  
(71) Name(s) and Address(s) of Applicant(s):  
**Vectura Delivery Devices Limited**  
**1 Prospect West Chippenham Wiltshire SN14 6FH United Kingdom**  
(72) Name(s) of Designer(s): **Roger William Wright and Andreas Mark Meliniotis**  
(45) Registration Date: **17 July 2012**  
(30) Convention priority data:  
(31) Number (32) Date (33) Country  
**001937186 24 Oct 2011 EUROPEAN COMMUNITY**  
(56) Related Art Documents: **Not Applicable**  
(57) Statement of Newness and Distinctiveness: **Nil**



(21) Design Number: **12114/2012**  
(22) Date of Filing Application: **01 May 2012**  
(24) Date from which industrial property rights may have effect: **01 May 2012**  
(54) Product in respect of which the design is registered: **Aerosole dispenser**  
(51) International Design Classification: **09-01A**  
(74) Name(s) of Attorney(s): **Davies Collison Cave**  
(71) Name(s) and Address(s) of Applicant(s):  
**Seymour Powell Limited**  
**327 Lillie Road London SW6 7NR United Kingdom**  
(72) Name(s) of Designer(s): **Adrian Barclay Caroen and David Hillary Powell and Simon Lewis Bilton**  
(45) Registration Date: **17 July 2012**  
(30) Convention priority data:  
(31) Number (32) Date (33) Country  
**001301949-0001 15 Nov 2011 EUROPEAN COMMUNITY**  
(56) Related Art Documents: **Not Applicable**  
(57) Statement of Newness and Distinctiveness: **Newness and distinctiveness is claimed in the visual features shown in solid lines in the representations.**



(21) Design Number: **12376/2012**  
(22) Date of Filing Application: **18 May 2012**  
(24) Date from which industrial property rights may have effect: **18 May 2012**  
(54) Product in respect of which the design is registered: **Toy vehicle**  
(51) International Design Classification: **21-01C**  
(74) Name(s) of Attorney(s): **Griffith Hack**  
(71) Name(s) and Address(s) of Applicant(s):

**DC Comics**  
**1700 Broadway New York NY 10019 United States of America**

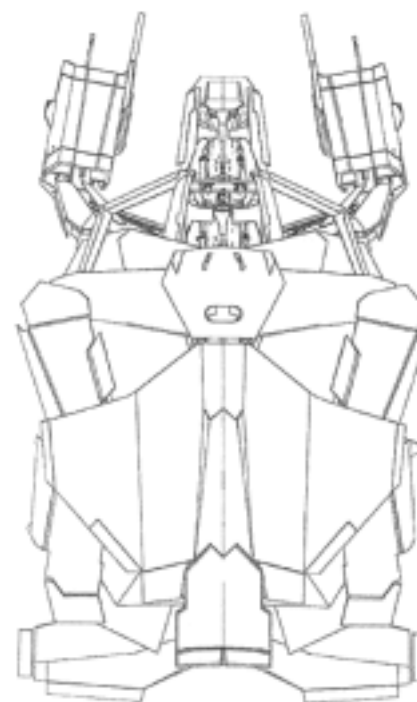
(72) Name(s) of Designer(s): **Christopher Nolan and Nathan Crowley**  
(45) Registration Date: **17 July 2012**

(30) Convention priority data:

(31) Number	(32) Date	(33) Country
<b>TBA</b>	<b>16 May 2012</b>	<b>UNITED KINGDOM</b>

(56) Related Art Documents: **Not Applicable**

(57) Statement of Newness and Distinctiveness: **We wish to submit a Statement of Newness and Distinctiveness (set out below) in respect of particular visual features of design, but in so doing do not imply that other visual features of the design lack newness or distinctiveness. The shape and configuration of the product other than the human figures depicted in the cockpit of the toy vehicle are new and distinctive.**



(21) Design Number: **12377/2012**  
(22) Date of Filing Application: **18 May 2012**  
(24) Date from which industrial property rights may have effect: **18 May 2012**  
(54) Product in respect of which the design is registered: **Toy vehicle**  
(51) International Design Classification: **21-01C**  
(74) Name(s) of Attorney(s): **Griffith Hack**  
(71) Name(s) and Address(s) of Applicant(s):

**DC Comics**  
**1700 Broadway New York NY 10019 United States of America**

(72) Name(s) of Designer(s): **Christopher Nolan and Nathan Crowley**  
(45) Registration Date: **17 July 2012**

(30) Convention priority data:

(31) Number	(32) Date	(33) Country
<b>TBA</b>	<b>16 May 2012</b>	<b>UNITED KINGDOM</b>

(56) Related Art Documents: **Not Applicable**

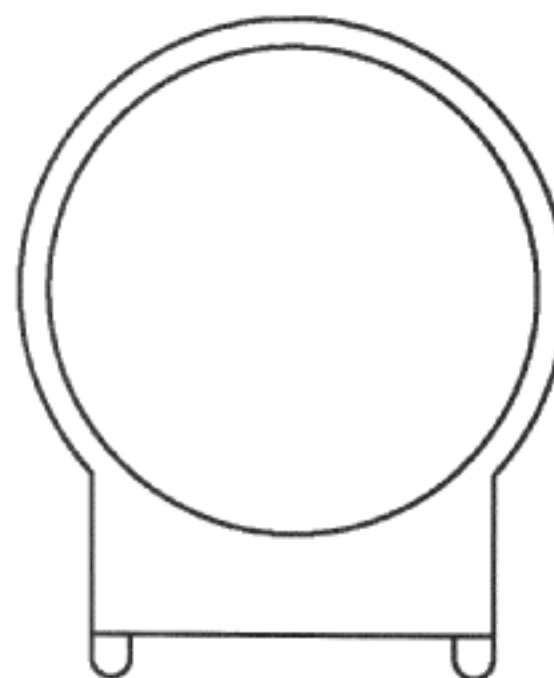
(57) Statement of Newness and Distinctiveness: **We wish to submit a Statement of Newness and Distinctiveness (set out below) in respect of particular visual features of design, but in so doing do not imply that other visual features of the design lack newness or distinctiveness. The shape and configuration of the product other than the human figures depicted in the cockpit of the toy vehicle are new and distinctive.**



- (21) Design Number: **12573/2012**  
(22) Date of Filing Application: **30 May 2012**  
(24) Date from which industrial property rights may have effect: **30 May 2012**  
(54) Product in respect of which the design is registered: **Collar cutter**  
(51) International Design Classification: **08-03**  
(74) Name(s) of Attorney(s): **Janet Stead & Associates, Patent and Trade Mark Attorneys**  
(71) Name(s) and Address(s) of Applicant(s):  
**Red Dale Holdings Pty Ltd**  
**66 Truganina Road Malaga Western Australia 6090 Australia**  
(72) Name(s) of Designer(s): **Robert Evans**  
(45) Registration Date: **17 July 2012**  
(56) Related Art Documents: **Not Applicable**  
(57) Statement of Newness and Distinctiveness: **Newness and distinctiveness is claimed in the shape and/or configuration of a Collar Cutter as illustrated in the accompanying representations.**



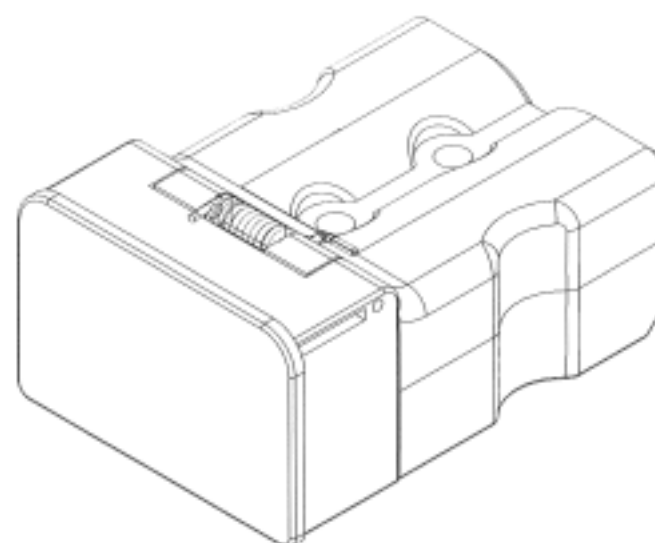
- (21) Design Number: **12591/2012**  
(22) Date of Filing Application: **31 May 2012**  
(24) Date from which industrial property rights may have effect: **31 May 2012**  
(54) Product in respect of which the design is registered: **Mounting for a solar evacuated tube**  
(51) International Design Classification: **08-08L, 23-01A**  
(74) Name(s) of Attorney(s): **Acumen Intellectual Property**  
(71) Name(s) and Address(s) of Applicant(s):  
**Solarark Pty Ltd**  
**Unit 7 9 Mavis Street Revesby New South Wales 2212 Australia**  
(72) Name(s) of Designer(s): **Ravei Bachir**  
(45) Registration Date: **17 July 2012**  
(56) Related Art Documents: **Not Applicable**  
(57) Statement of Newness and Distinctiveness: **Newness and distinctiveness is claimed in the features of shape and/or configuration of a mounting for a solar evacuated tube as illustrated in the accompanying representations.**



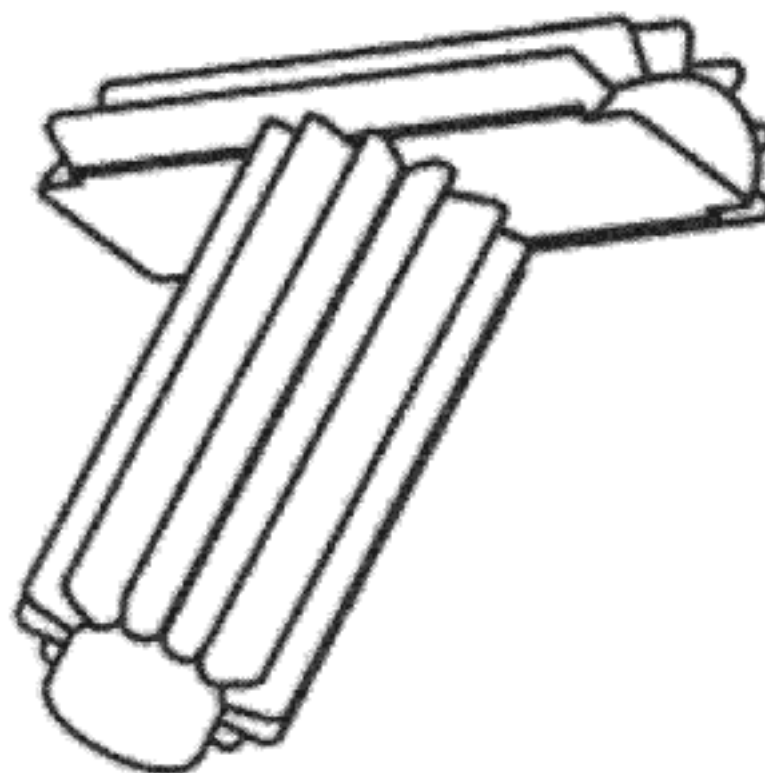
(21) Design Number: **12640/2012**  
(22) Date of Filing Application: **05 June 2012**  
(24) Date from which industrial property rights may have effect: **05 June 2012**  
(54) Product in respect of which the design is registered: **Mouthwash bottle**  
(51) International Design Classification: **09-01NES**  
(74) Name(s) of Attorney(s):  
(71) Name(s) and Address(s) of Applicant(s):  
**Roxie Myers**  
**Suite 7 400 Canterbury Road Surrey Hills Victoria 3127 Australia**  
(72) Name(s) of Designer(s): **Yap Johnson**  
(45) Registration Date: **17 July 2012**  
(30) Convention priority data:  
(31) Number (32) Date (33) Country  
**12-E0061-0101 28 May 2012 MALAYSIA**  
(56) Related Art Documents: **Not Applicable**  
(57) Statement of Newness and Distinctiveness: **Nil**



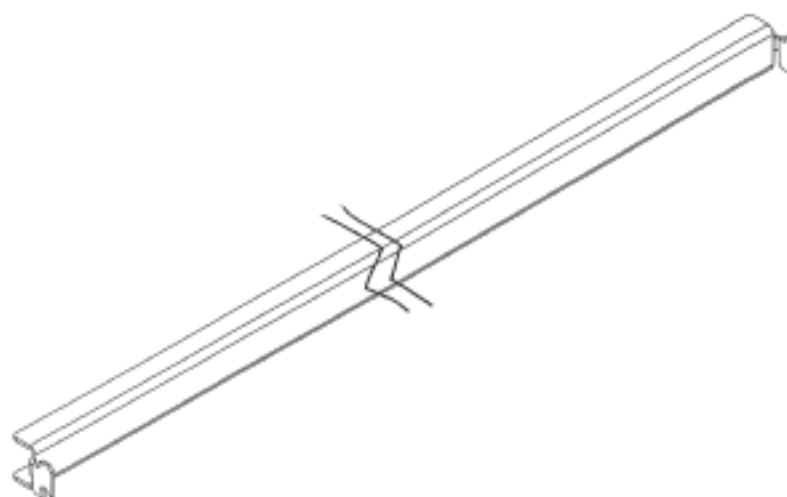
(21) Design Number: **12838/2012**  
(22) Date of Filing Application: **15 June 2012**  
(24) Date from which industrial property rights may have effect: **15 June 2012**  
(54) Product in respect of which the design is registered: **Electrical connector**  
(51) International Design Classification: **13-03B**  
(74) Name(s) of Attorney(s): **Davies Collison Cave**  
(71) Name(s) and Address(s) of Applicant(s):  
**Derek John Bester**  
**Shop 5 1589 Wynnum Road Tingalpa Queensland 4173 Australia**  
(72) Name(s) of Designer(s): **Derek John Bester**  
(45) Registration Date: **17 July 2012**  
(56) Related Art Documents: **Not Applicable**  
(57) Statement of Newness and Distinctiveness: **Newness and distinctiveness is claimed in the shape and/or configuration of an electrical connector as shown in the accompanying representations.**



(21) Design Number: **12555/2012**  
(22) Date of Filing Application: **29 May 2012**  
(24) Date from which industrial property rights may have effect: **29 May 2012**  
(54) Product in respect of which the design is registered: **A Toy Building Element**  
(51) International Design Classification: **21-01E**  
(74) Name(s) of Attorney(s): **Collison & Co**  
(71) Name(s) and Address(s) of Applicant(s):  
**Morphun Research Limited**  
**7 Chesterfield Road London W4 3HG United Kingdom**  
(72) Name(s) of Designer(s): **Colin Simonds and Jonathan Mott**  
(45) Registration Date: **17 July 2012**  
(30) Convention priority data:  
(31) Number (32) Date (33) Country  
**EP002020719-000 04 Apr 2012 EUROPEAN COMMUNITY**  
(56) Related Art Documents: **Not Applicable**  
(57) Statement of Newness and Distinctiveness: **Newness and distinctiveness is claimed in the shape and/or configuration and/or pattern and/or ornamentation of the toy building element as illustrated in the accompanying representations.**

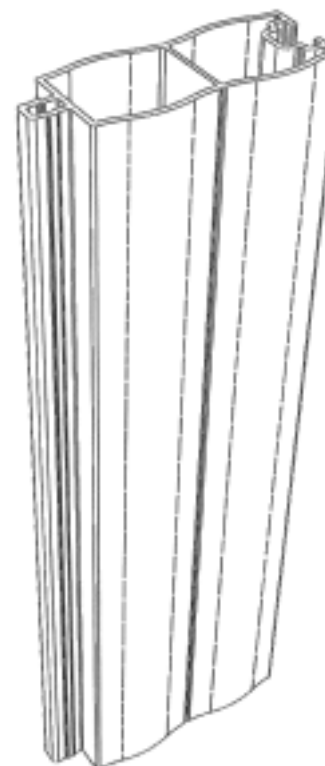


(21) Design Number: **12780/2012**  
(22) Date of Filing Application: **13 June 2012**  
(24) Date from which industrial property rights may have effect: **13 June 2012**  
(54) Product in respect of which the design is registered: **Shelf system**  
(51) International Design Classification: **06-04NES**  
(74) Name(s) of Attorney(s): **Macpherson + Kelley**  
(71) Name(s) and Address(s) of Applicant(s):  
**Woods Furniture Pty Ltd**  
**564 Geelong Road Brooklyn Victoria 3012 Australia**  
(72) Name(s) of Designer(s): **James Setters**  
(45) Registration Date: **17 July 2012**  
(56) Related Art Documents: **Not Applicable**  
(57) Statement of Newness and Distinctiveness: **Monopoly is claimed in the features of shape and/or configuration of the lug with and/or without the opening.**

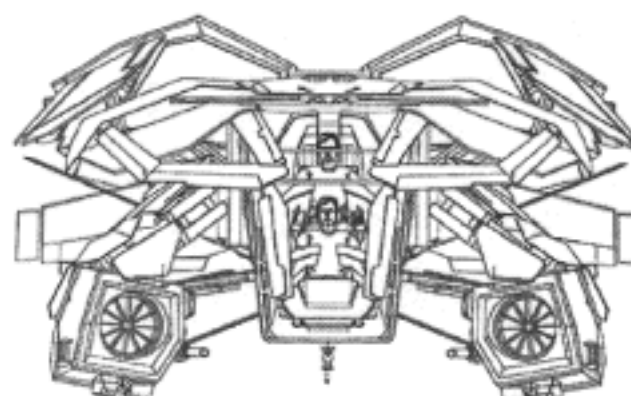




- (21) Design Number: **12320/2012**  
(22) Date of Filing Application: **22 May 2012**  
(24) Date from which industrial property rights may have effect: **22 May 2012**  
(54) Product in respect of which the design is registered: **A building panel**  
(51) International Design Classification: **25-01D, 25-01K**  
(74) Name(s) of Attorney(s): **Tatlocks Chrysiliou IP**  
(71) Name(s) and Address(s) of Applicant(s):  
**Peter Langdon**  
**38 Scott Road Cranbourne South VIC 3977**  
(72) Name(s) of Designer(s): **Peter Langdon**  
(45) Registration Date: **18 July 2012**  
(56) Related Art Documents: **Not Applicable**  
(57) Statement of Newness and Distinctiveness: **Newness and distinctiveness reside in the features of the building panel as shown in the representations. Those features of the design represented as dashed lines are to be disregarded.**

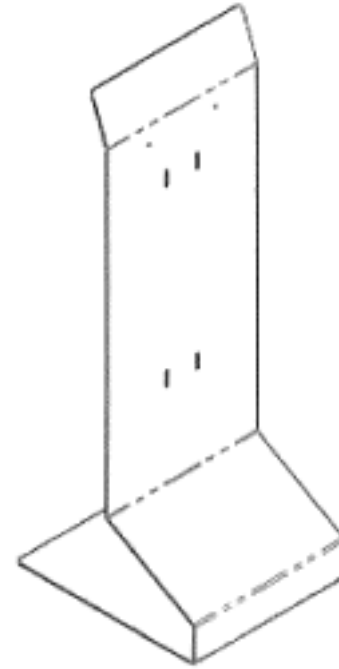


- (21) Design Number: **12378/2012**  
(22) Date of Filing Application: **18 May 2012**  
(24) Date from which industrial property rights may have effect: **18 May 2012**  
(54) Product in respect of which the design is registered: **Toy vehicle**  
(51) International Design Classification: **21-01C**  
(74) Name(s) of Attorney(s): **Griffith Hack**  
(71) Name(s) and Address(s) of Applicant(s):  
**DC Comics**  
**1700 Broadway New York NY 10019 United States of America**  
(72) Name(s) of Designer(s): **Christopher Nolan and Nathan Crowley**  
(45) Registration Date: **18 July 2012**  
(30) Convention priority data:  
(31) Number      (32) Date      (33) Country  
**TBA              16 May 2012      UNITED KINGDOM**  
(56) Related Art Documents: **Not Applicable**  
(57) Statement of Newness and Distinctiveness: **We wish to submit a Statement of Newness and Distinctiveness (set out below) in respect of particular visual features of design, but in so doing do not imply that other visual features of the design lack newness or distinctiveness. The shape and configuration of the product other than the human figures depicted in the cockpit of the toy vehicle are new and distinctive.**





- (21) Design Number: **12737/2012**  
(22) Date of Filing Application: **08 June 2012**  
(24) Date from which industrial property rights may have effect: **08 June 2012**  
(54) Product in respect of which the design is registered: **Stand**  
(51) International Design Classification: **20-02E**  
(74) Name(s) of Attorney(s): **Griffith Hack**  
(71) Name(s) and Address(s) of Applicant(s):  
**Lynch Group Australia Pty Limited**  
**24 Helles Avenue Moorebank New South Wales 2170 Australia**  
(72) Name(s) of Designer(s): **Gino Gioia**  
(45) Registration Date: **18 July 2012**  
(56) Related Art Documents: **Not Applicable**  
(57) Statement of Newness and Distinctiveness: **Nil**



- (21) Design Number: **12912/2012**  
(22) Date of Filing Application: **21 June 2012**  
(24) Date from which industrial property rights may have effect: **21 June 2012**  
(54) Product in respect of which the design is registered: **Front combination lamp for motor scooter**  
(51) International Design Classification: **26-06**  
(74) Name(s) of Attorney(s): **SPRUSON & FERGUSON**  
(71) Name(s) and Address(s) of Applicant(s):  
**Honda Motor Co., Ltd.**  
**1-1 Minamiaoyama 2-chome Minato-ku Tokyo Japan**  
(72) Name(s) of Designer(s): **Masashi Namai and Yoshitaka Kubota and Maurizio Carbonara**  
(45) Registration Date: **18 July 2012**  
(30) Convention priority data:  
(31) Number      (32) Date      (33) Country  
**2011-030573      28 Dec 2011      JAPAN**  
(56) Related Art Documents: **Not Applicable**  
(57) Statement of Newness and Distinctiveness: **Newness and distinctiveness is claimed in the features of shape and/or configuration of a front combination lamp for motor scooter as illustrated in the accompanying representations.**



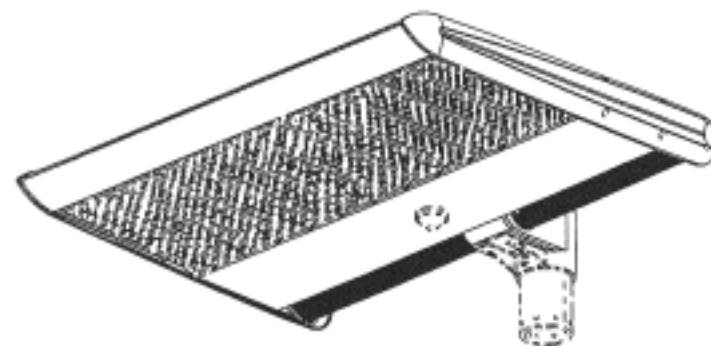
(21) Design Number: **12913/2012**  
(22) Date of Filing Application: **21 June 2012**  
(24) Date from which industrial property rights may have effect: **21 June 2012**  
(54) Product in respect of which the design is registered: **Rear combination lamp for motor scooter**  
(51) International Design Classification: **26-06**  
(74) Name(s) of Attorney(s): **SPRUSON & FERGUSON**  
(71) Name(s) and Address(s) of Applicant(s):  
**Honda Motor Co., Ltd.**  
**1-1 Minamiaoyama 2-chome Minato-ku Tokyo Japan**  
(72) Name(s) of Designer(s): **Masashi Namai and Yoshitaka Kubota and Maurizio Carbonara**  
(45) Registration Date: **18 July 2012**  
(30) Convention priority data:  
(31) Number      (32) Date      (33) Country  
**2011-030574      28 Dec 2011      JAPAN**  
(56) Related Art Documents: **Not Applicable**  
(57) Statement of Newness and Distinctiveness: **Newness and distinctiveness is claimed in the features of shape and/or configuration of a rear combination lamp for motor scooter as illustrated in the accompanying representations.**



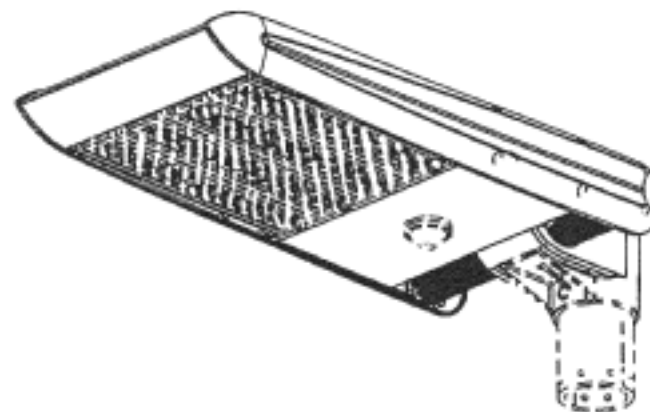
(21) Design Number: **12914/2012**  
(22) Date of Filing Application: **21 June 2012**  
(24) Date from which industrial property rights may have effect: **21 June 2012**  
(54) Product in respect of which the design is registered: **Motor scooter**  
(51) International Design Classification: **12-11**  
(74) Name(s) of Attorney(s): **SPRUSON & FERGUSON**  
(71) Name(s) and Address(s) of Applicant(s):  
**Honda Motor Co., Ltd.**  
**1-1 Minamiaoyama 2-chome Minato-ku Tokyo Japan**  
(72) Name(s) of Designer(s): **Yoshitaka Kubota and Maurizio Carbonara**  
(45) Registration Date: **18 July 2012**  
(30) Convention priority data:  
(31) Number      (32) Date      (33) Country  
**2011-030571      28 Dec 2011      JAPAN**  
(56) Related Art Documents: **Not Applicable**  
(57) Statement of Newness and Distinctiveness: **Newness and distinctiveness is claimed in the features of shape and/or configuration of a motor scooter as illustrated in the accompanying representations.**



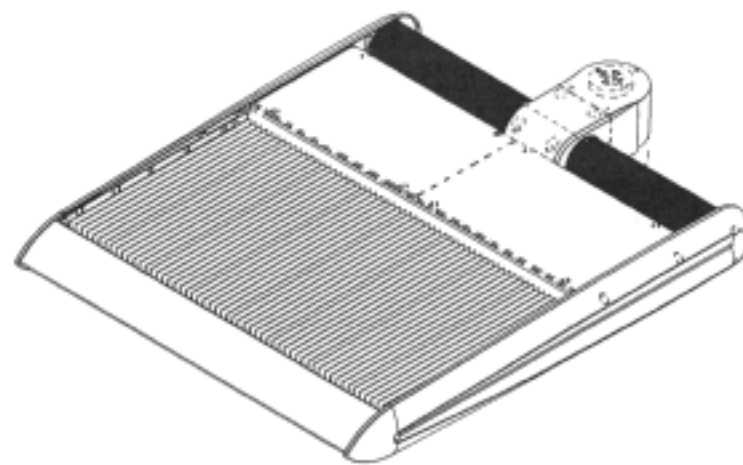
(21) Design Number: **12915/2012**  
(22) Date of Filing Application: **21 June 2012**  
(24) Date from which industrial property rights may have effect: **21 June 2012**  
(54) Product in respect of which the design is registered: **Lighting fixture**  
(51) International Design Classification: **26-05E**  
(74) Name(s) of Attorney(s): **SPRUSON & FERGUSON**  
(71) Name(s) and Address(s) of Applicant(s):  
**Ruud Lighting, Inc.**  
**9201 Washington Avenue Racine Wisconsin 53406 United States of America**  
(72) Name(s) of Designer(s): **David P. Goelz and Brian Kinnune and Alan J. Ruud and Robert D. Giese**  
(45) Registration Date: **18 July 2012**  
(30) Convention priority data:  
(31) Number (32) Date (33) Country  
**29/409434 22 Dec 2011 UNITED STATES OF AMERICA**  
(56) Related Art Documents: **Not Applicable**  
(57) Statement of Newness and Distinctiveness: **Newness and distinctiveness is claimed in the features of shape and/or configuration of a lighting fixture as illustrated in continuous lines in the accompanying representations.**



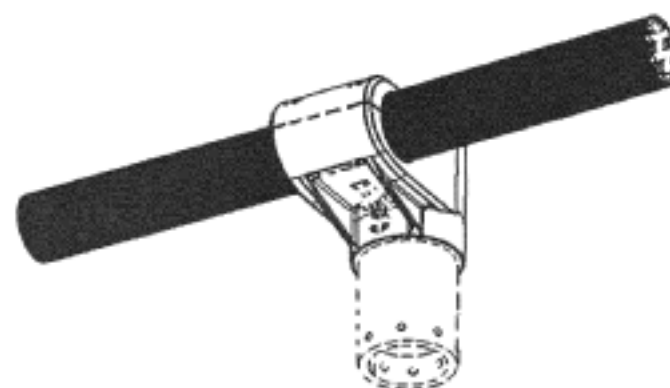
(21) Design Number: **12916/2012**  
(22) Date of Filing Application: **21 June 2012**  
(24) Date from which industrial property rights may have effect: **21 June 2012**  
(54) Product in respect of which the design is registered: **Lighting fixture**  
(51) International Design Classification: **26-05E**  
(74) Name(s) of Attorney(s): **SPRUSON & FERGUSON**  
(71) Name(s) and Address(s) of Applicant(s):  
**Ruud Lighting, Inc.**  
**9201 Washington Avenue Racine Wisconsin 53406 United States of America**  
(72) Name(s) of Designer(s): **David P. Goelz and Brian Kinnune and Alan J. Ruud and Robert D. Giese**  
(45) Registration Date: **18 July 2012**  
(30) Convention priority data:  
(31) Number (32) Date (33) Country  
**29/409434 22 Dec 2011 UNITED STATES OF AMERICA**  
(56) Related Art Documents: **Not Applicable**  
(57) Statement of Newness and Distinctiveness: **Newness and distinctiveness is claimed in the features of shape and/or configuration of a lighting fixture as illustrated in continuous lines in the accompanying representations.**



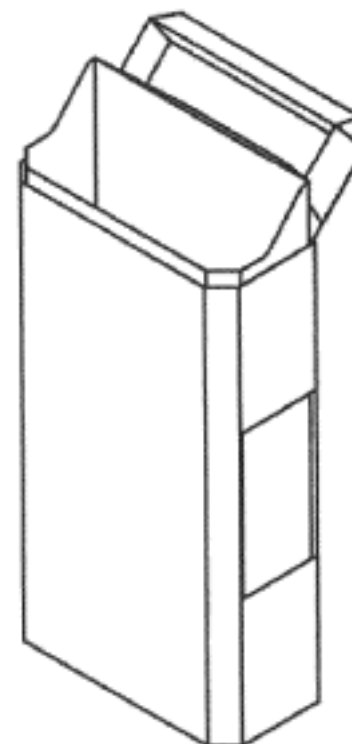
(21) Design Number: **12917/2012**  
(22) Date of Filing Application: **21 June 2012**  
(24) Date from which industrial property rights may have effect: **21 June 2012**  
(54) Product in respect of which the design is registered: **Lighting fixture**  
(51) International Design Classification: **26-05E**  
(74) Name(s) of Attorney(s): **SPRUSON & FERGUSON**  
(71) Name(s) and Address(s) of Applicant(s):  
**Ruud Lighting, Inc.**  
**9201 Washington Avenue Racine Wisconsin 53406 United States of America**  
(72) Name(s) of Designer(s): **David P. Goelz and Brian Kinnune and Alan J. Ruud and Robert D. Giese**  
(45) Registration Date: **18 July 2012**  
(30) Convention priority data:  
(31) Number (32) Date (33) Country  
**29/409434 22 Dec 2011 UNITED STATES OF AMERICA**  
(56) Related Art Documents: **Not Applicable**  
(57) Statement of Newness and Distinctiveness: **Newness and distinctiveness is claimed in the features of shape and/or configuration of a lighting fixture as illustrated in continuous lines in the accompanying representations.**



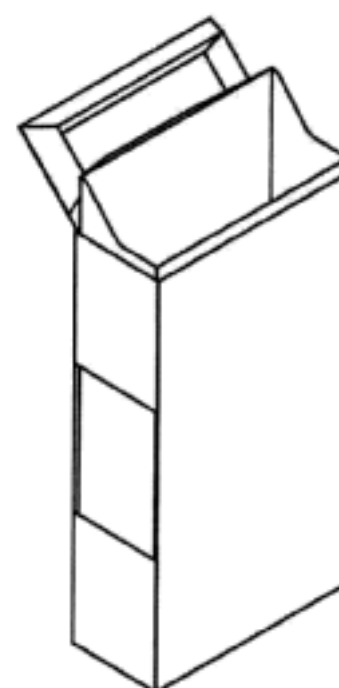
(21) Design Number: **12918/2012**  
(22) Date of Filing Application: **21 June 2012**  
(24) Date from which industrial property rights may have effect: **21 June 2012**  
(54) Product in respect of which the design is registered: **Adjustable support with bar for lighting fixture**  
(51) International Design Classification: **08-08L, 08-08NES**  
(74) Name(s) of Attorney(s): **SPRUSON & FERGUSON**  
(71) Name(s) and Address(s) of Applicant(s):  
**Ruud Lighting, Inc.**  
**9201 Washington Avenue Racine Wisconsin 53406 United States of America**  
(72) Name(s) of Designer(s): **David P. Goelz and Brian Kinnune and Alan J. Ruud and Robert D. Giese**  
(45) Registration Date: **18 July 2012**  
(30) Convention priority data:  
(31) Number (32) Date (33) Country  
**29/409439 22 Dec 2011 UNITED STATES OF AMERICA**  
(56) Related Art Documents: **Not Applicable**  
(57) Statement of Newness and Distinctiveness: **Newness and distinctiveness is claimed in the features of shape and/or configuration of an adjustable support with bar for lighting fixture as illustrated in continuous lines in the accompanying representations, the bar having a constant cross-section and indefinite length.**



(21) Design Number: **12924/2012**  
(22) Date of Filing Application: **21 June 2012**  
(24) Date from which industrial property rights may have effect: **04 May 2012**  
(54) Product in respect of which the design is registered: **Cigarette pack**  
(51) International Design Classification: **09-03A**  
(74) Name(s) of Attorney(s): **Shelston IP**  
(71) Name(s) and Address(s) of Applicant(s):  
**Imperial Tobacco Limited**  
**Upton Road Southville PO Box 244 Bristol BS99 7UJ United Kingdom**  
(72) Name(s) of Designer(s): **Mies van Landsveld and Slavomir Novak**  
(45) Registration Date: **18 July 2012**  
(62) Divisional of: **343192**  
(56) Related Art Documents: **Not Applicable**  
(57) Statement of Newness and Distinctiveness: **Nil**



(21) Design Number: **12925/2012**  
(22) Date of Filing Application: **21 June 2012**  
(24) Date from which industrial property rights may have effect: **04 May 2012**  
(54) Product in respect of which the design is registered: **Cigarette pack**  
(51) International Design Classification: **09-03A**  
(74) Name(s) of Attorney(s): **Shelston IP**  
(71) Name(s) and Address(s) of Applicant(s):  
**Imperial Tobacco Limited**  
**Upton Road Southville PO Box 244 Bristol BS99 7UJ United Kingdom**  
(72) Name(s) of Designer(s): **Miles van Landsveld and Slavomir Novak**  
(45) Registration Date: **18 July 2012**  
(62) Divisional of: **343192**  
(56) Related Art Documents: **Not Applicable**  
(57) Statement of Newness and Distinctiveness: **Nil**



(21) Design Number: **12927/2012**  
(22) Date of Filing Application: **21 June 2012**  
(24) Date from which industrial property rights may have effect: **21 June 2012**  
(54) Product in respect of which the design is registered: **Watch**  
(51) International Design Classification: **10-02**  
(74) Name(s) of Attorney(s): **SPRUSON & FERGUSON**  
(71) Name(s) and Address(s) of Applicant(s):  
**Christian Dior Couture**  
**30 avenue Montaigne 75008 Paris France**  
(72) Name(s) of Designer(s): **Mathieu Jamin**  
(45) Registration Date: **18 July 2012**  
(30) Convention priority data:  
(31) Number (32) Date (33) Country  
**DM/077630 23 Dec 2011 SWITZERLAND**  
(56) Related Art Documents: **Not Applicable**  
(57) Statement of Newness and Distinctiveness: **Newness and distinctiveness is claimed in the features of the following parts of a watch as illustrated and labelled in the accompanying representations: the shape and/or configuration of the case the shape and/or configuration of the movable body labelled "A" the features of the dial.**



(21) Design Number: **15218/2011**  
(22) Date of Filing Application: **16 November 2011**  
(24) Date from which industrial property rights may have effect: **16 November 2011**  
(54) Product in respect of which the design is registered: **Men's clothing**  
(51) International Design Classification: **02-02NES**  
(74) Name(s) of Attorney(s): **MIDDLETONS**  
(71) Name(s) and Address(s) of Applicant(s):  
**Fifty-Fourth Rischell Pty Ltd**  
**29 Simmons Street South Yarra Victoria 3141 Australia**  
(72) Name(s) of Designer(s): **Ty Henschke**  
(45) Registration Date: **18 July 2012**  
(56) Related Art Documents: **Not Applicable**  
(57) Statement of Newness and Distinctiveness: **Nil**





(21) Design Number: **12197/2012**  
(22) Date of Filing Application: **16 November 2011**  
(24) Date from which industrial property rights may have effect: **16 November 2011**  
(54) Product in respect of which the design is registered: **Tate rigid shirt**  
(51) International Design Classification: **02-02NES**  
(74) Name(s) of Attorney(s): **MIDDLETONS**  
(71) Name(s) and Address(s) of Applicant(s):  
**Fifty-Fourth Rischell Pty Ltd**  
**29 Simmons Street South Yarra Victoria 3141 Australia**  
(72) Name(s) of Designer(s): **Ty Henschke**  
(45) Registration Date: **18 July 2012**  
(56) Related Art Documents: **Not Applicable**  
(57) Statement of Newness and Distinctiveness: **Nil**



(21) Design Number: **12198/2012**  
(22) Date of Filing Application: **16 November 2011**  
(24) Date from which industrial property rights may have effect: **16 November 2011**  
(54) Product in respect of which the design is registered: **Linear stretch check**  
(51) International Design Classification: **02-02NES**  
(74) Name(s) of Attorney(s): **MIDDLETONS**  
(71) Name(s) and Address(s) of Applicant(s):  
**Fifty-Fourth Rischell Pty Ltd**  
**29 Simmons Street South Yarra Victoria 3141 Australia**  
(72) Name(s) of Designer(s): **Ty Henschke**  
(45) Registration Date: **18 July 2012**  
(56) Related Art Documents: **Not Applicable**  
(57) Statement of Newness and Distinctiveness: **Nil**



(21) Design Number: **12199/2012**  
(22) Date of Filing Application: **16 November 2011**  
(24) Date from which industrial property rights may have effect: **16 November 2011**  
(54) Product in respect of which the design is registered: **Bailey laundered shirt**  
(51) International Design Classification: **02-02NES**  
(74) Name(s) of Attorney(s): **MIDDLETONS**  
(71) Name(s) and Address(s) of Applicant(s):  
**Fifty-Fourth Rischell Pty Ltd**  
**29 Simmons Street South Yarra Victoria 3141 Australia**  
(72) Name(s) of Designer(s): **Ty Henschke**  
(45) Registration Date: **18 July 2012**  
(56) Related Art Documents: **Not Applicable**  
(57) Statement of Newness and Distinctiveness: **Nil**



(21) Design Number: **12200/2012**  
(22) Date of Filing Application: **16 November 2011**  
(24) Date from which industrial property rights may have effect: **16 November 2011**  
(54) Product in respect of which the design is registered: **Alpha stretch shirt**  
(51) International Design Classification: **02-02NES**  
(74) Name(s) of Attorney(s): **MIDDLETONS**  
(71) Name(s) and Address(s) of Applicant(s):  
**Fifty-Fourth Rischell Pty Ltd**  
**29 Simmons Street South Yarra Victoria 3141 Australia**  
(72) Name(s) of Designer(s): **Ty Henschke**  
(45) Registration Date: **18 July 2012**  
(56) Related Art Documents: **Not Applicable**  
(57) Statement of Newness and Distinctiveness: **Nil**





(21) Design Number: **12201/2012**  
(22) Date of Filing Application: **16 November 2011**  
(24) Date from which industrial property rights may have effect: **16 November 2011**  
(54) Product in respect of which the design is registered: **Stretch tipped shirt**  
(51) International Design Classification: **02-02NES**  
(74) Name(s) of Attorney(s): **MIDDLETONS**  
(71) Name(s) and Address(s) of Applicant(s):  
**Fifty-Fourth Rischell Pty Ltd**  
**29 Simmons Street South Yarra Victoria 3141 Australia**  
(72) Name(s) of Designer(s): **Ty Henschke**  
(45) Registration Date: **18 July 2012**  
(56) Related Art Documents: **Not Applicable**  
(57) Statement of Newness and Distinctiveness: **Nil**



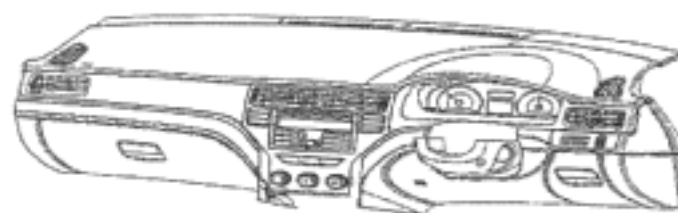
(21) Design Number: **12202/2012**  
(22) Date of Filing Application: **16 November 2011**  
(24) Date from which industrial property rights may have effect: **16 November 2011**  
(54) Product in respect of which the design is registered: **Alder check shirt**  
(51) International Design Classification: **02-02NES**  
(74) Name(s) of Attorney(s): **MIDDLETONS**  
(71) Name(s) and Address(s) of Applicant(s):  
**Fifty-Fourth Rischell Pty Ltd**  
**29 Simmons Street South Yarra Victoria 3141 Australia**  
(72) Name(s) of Designer(s): **Ty Henschke**  
(45) Registration Date: **18 July 2012**  
(56) Related Art Documents: **Not Applicable**  
(57) Statement of Newness and Distinctiveness: **Nil**



- (21) Design Number: **12933/2012**  
(22) Date of Filing Application: **21 June 2012**  
(24) Date from which industrial property rights may have effect: **21 June 2012**  
(54) Product in respect of which the design is registered: **Dashboard with centre console and instrument panel**  
(51) International Design Classification: **12-16NES**  
(74) Name(s) of Attorney(s): **Colin Biggers & Paisley**  
(71) Name(s) and Address(s) of Applicant(s):  
**Perusahaan Otomobil Nasional Sdn. Bhd.**  
**Centre of Excellence Complex KM33.8 Westbound Shah Alam**  
**Expressway 47600 Subang Jaya Selangor Darul Ehsan Malaysia**  
(72) Name(s) of Designer(s): **Siti Suhaina Binti Zaharin**  
(45) Registration Date: **19 July 2012**  
(30) Convention priority data:  
(31) Number (32) Date (33) Country  
**11-01857-0101 22 Dec 2011 MALAYSIA**  
(56) Related Art Documents: **Not Applicable**  
(57) Statement of Newness and Distinctiveness: **Newness and distinctiveness reside in the visual shape and placing of the various elements of the console and instrument panel as illustrated in the accompanying representations.**



- (21) Design Number: **12934/2012**  
(22) Date of Filing Application: **21 June 2012**  
(24) Date from which industrial property rights may have effect: **21 June 2012**  
(54) Product in respect of which the design is registered: **Dashboard with centre console and instrument panel**  
(51) International Design Classification: **12-16NES**  
(74) Name(s) of Attorney(s): **Colin Biggers & Paisley**  
(71) Name(s) and Address(s) of Applicant(s):  
**Perusahaan Otomobil Nasional Sdn. Bhd.**  
**Centre of Excellence Complex KM33.8 Westbound Shah Alam**  
**Expressway 47600 Subang Jaya Selangor Darul Ehsan Malaysia**  
(72) Name(s) of Designer(s): **Siti Suhaina Binti Zaharin**  
(45) Registration Date: **19 July 2012**  
(30) Convention priority data:  
(31) Number (32) Date (33) Country  
**11-01858-0101 22 Dec 2011 MALAYSIA**  
(56) Related Art Documents: **Not Applicable**  
(57) Statement of Newness and Distinctiveness: **Newness and distinctiveness reside in the visual shape and placing of the various elements of the console and instrument panel as illustrated in the accompanying representations.**



(21) Design Number: **12935/2012**  
(22) Date of Filing Application: **21 June 2012**  
(24) Date from which industrial property rights may have effect: **21 June 2012**  
(54) Product in respect of which the design is registered: **Gear knob for an automobile**  
(51) International Design Classification: **12-16NES**  
(74) Name(s) of Attorney(s): **Colin Biggers & Paisley**  
(71) Name(s) and Address(s) of Applicant(s):  
**Perusahaan Otomobil Nasional Sdn. Bhd.**  
**Centre of Excellence Complex KM33.8 Westbound Shah Alam**  
**Expressway 47600 Subang Jaya Selangor Darul Ehsan Malaysia**  
(72) Name(s) of Designer(s): **Siti Suhaina Binti Zaharin**  
(45) Registration Date: **19 July 2012**  
(30) Convention priority data:  
(31) Number (32) Date (33) Country  
**11-01864-0101 22 Dec 2011 MALAYSIA**  
(56) Related Art Documents: **Not Applicable**  
(57) Statement of Newness and Distinctiveness: **Newness and distinctiveness reside in the rounded shape of the gear knob as illustrated in the accompanying representations.**



(21) Design Number: **12936/2012**  
(22) Date of Filing Application: **21 June 2012**  
(24) Date from which industrial property rights may have effect: **21 June 2012**  
(54) Product in respect of which the design is registered: **Gear knob for an automobile**  
(51) International Design Classification: **12-16NES**  
(74) Name(s) of Attorney(s): **Colin Biggers & Paisley**  
(71) Name(s) and Address(s) of Applicant(s):  
**Perusahaan Otomobil Nasional Sdn. Bhd.**  
**Centre of Excellence Complex KM33.8 Westbound Shah Alam**  
**Expressway 47600 Subang Jaya Selangor Darul Ehsan Malaysia**  
(72) Name(s) of Designer(s): **Siti Suhaina Binti Zaharin**  
(45) Registration Date: **19 July 2012**  
(30) Convention priority data:  
(31) Number (32) Date (33) Country  
**11-01865-0101 22 Dec 2011 MALAYSIA**  
(56) Related Art Documents: **Not Applicable**  
(57) Statement of Newness and Distinctiveness: **Newness and distinctiveness reside in the rounded shape of the gear knob and sheath as illustrated in the accompanying representations.**



- (21) Design Number: **12938/2012**  
(22) Date of Filing Application: **21 June 2012**  
(24) Date from which industrial property rights may have effect: **21 June 2012**  
(54) Product in respect of which the design is registered: **Rear seat for an automobile**  
(51) International Design Classification: **06-01D**  
(74) Name(s) of Attorney(s): **Colin Biggers & Paisley**  
(71) Name(s) and Address(s) of Applicant(s):  
**Perusahaan Otomobil Nasional Sdn. Bhd.**  
**Centre of Excellence Complex KM33.8 Westbound Shah Alam**  
**Expressway 47600 Subang Jaya Selangor Darul Ehsan Malaysia**  
(72) Name(s) of Designer(s): **Siti Suhaina Binti Zaharin**  
(45) Registration Date: **19 July 2012**  
(30) Convention priority data:  
(31) Number (32) Date (33) Country  
**11-01862-0101 22 Dec 2011 MALAYSIA**  
(56) Related Art Documents: **Not Applicable**  
(57) Statement of Newness and Distinctiveness: **Newness and distinctiveness reside in the curved shape of the seat and the placing of the various elements of the seat as illustrated in the accompanying representations.**



- (21) Design Number: **12940/2012**  
(22) Date of Filing Application: **21 June 2012**  
(24) Date from which industrial property rights may have effect: **21 June 2012**  
(54) Product in respect of which the design is registered: **Front seat for an automobile**  
(51) International Design Classification: **06-01D**  
(74) Name(s) of Attorney(s): **Colin Biggers & Paisley**  
(71) Name(s) and Address(s) of Applicant(s):  
**Perusahaan Otomobil Nasional Sdn. Bhd.**  
**Centre of Excellence Complex KM33.8 Westbound Shah Alam**  
**Expressway 47600 Subang Jaya Selangor Darul Ehsan Malaysia**  
(72) Name(s) of Designer(s): **Siti Suhaina Binti Zaharin**  
(45) Registration Date: **19 July 2012**  
(30) Convention priority data:  
(31) Number (32) Date (33) Country  
**11-01859-0101 22 Dec 2011 MALAYSIA**  
(56) Related Art Documents: **Not Applicable**  
(57) Statement of Newness and Distinctiveness: **Newness and distinctiveness reside in the curved shape of the seat and the placing of the various elements of the seat as illustrated in the accompanying representations.**



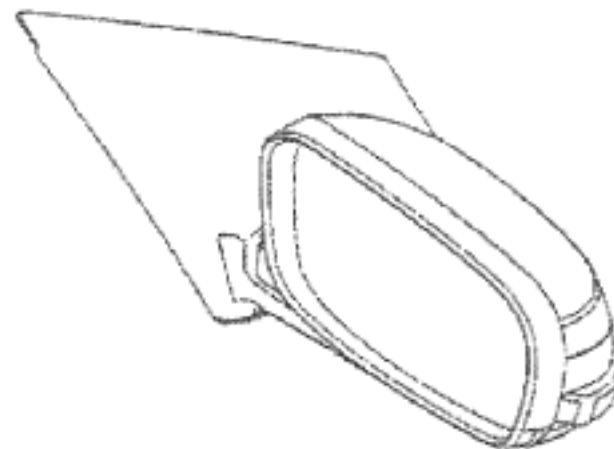
- (21) Design Number: **12941/2012**  
(22) Date of Filing Application: **21 June 2012**  
(24) Date from which industrial property rights may have effect: **21 June 2012**  
(54) Product in respect of which the design is registered: **Front seat for an automobile**  
(51) International Design Classification: **06-01D**  
(74) Name(s) of Attorney(s): **Colin Biggers & Paisley**  
(71) Name(s) and Address(s) of Applicant(s):  
**Perusahaan Otomobil Nasional Sdn. Bhd.**  
**Centre of Excellence Complex KM33.8 Westbound Shah Alam**  
**Expressway 47600 Subang Jaya Selangor Darul Ehsan Malaysia**  
(72) Name(s) of Designer(s): **Siti Suhaina Binti Zaharin**  
(45) Registration Date: **19 July 2012**  
(30) Convention priority data:  
(31) Number (32) Date (33) Country  
**11-01860-0101 22 Dec 2011 MALAYSIA**  
(56) Related Art Documents: **Not Applicable**  
(57) Statement of Newness and Distinctiveness: **Newness and distinctiveness reside in the curved shape of the seat and the placing of the various elements of the seat as illustrated in the accompanying representations.**



- (21) Design Number: **12942/2012**  
(22) Date of Filing Application: **21 June 2012**  
(24) Date from which industrial property rights may have effect: **21 June 2012**  
(54) Product in respect of which the design is registered: **A vehicle**  
(51) International Design Classification: **12-08**  
(74) Name(s) of Attorney(s): **Colin Biggers & Paisley**  
(71) Name(s) and Address(s) of Applicant(s):  
**Perusahaan Otomobil Nasional Sdn. Bhd.**  
**Centre of Excellence Complex KM33.8 Westbound Shah Alam**  
**Expressway 47600 Subang Jaya Selangor Darul Ehsan Malaysia**  
(72) Name(s) of Designer(s): **Siew Chee Kwong**  
(45) Registration Date: **19 July 2012**  
(30) Convention priority data:  
(31) Number (32) Date (33) Country  
**11-01856-0101 22 Dec 2011 MALAYSIA**  
(56) Related Art Documents: **Not Applicable**  
(57) Statement of Newness and Distinctiveness: **Newness and distinctiveness reside in the visual shape of the vehicle and the styling and lines of the various elements of the vehicle as illustrated in the accompanying representations.**



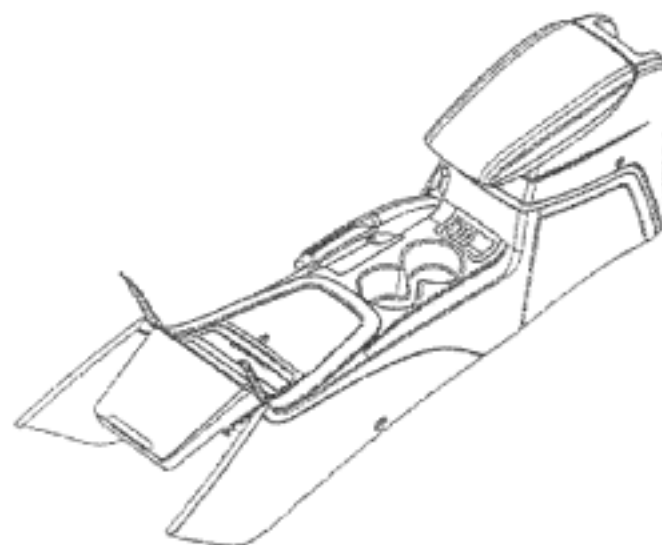
- (21) Design Number: **12943/2012**  
(22) Date of Filing Application: **21 June 2012**  
(24) Date from which industrial property rights may have effect: **21 June 2012**  
(54) Product in respect of which the design is registered: **Side mirror for an automobile**  
(51) International Design Classification: **12-16H**  
(74) Name(s) of Attorney(s): **Colin Biggers & Paisley**  
(71) Name(s) and Address(s) of Applicant(s):  
**Perusahaan Otomobil Nasional Sdn. Bhd.**  
**Centre of Excellence Complex KM33.8 Westbound Shah Alam**  
**Expressway 47600 Subang Jaya Selangor Darul Ehsan Malaysia**  
(72) Name(s) of Designer(s): **Siew Chee Kwong**  
(45) Registration Date: **19 July 2012**  
(30) Convention priority data:  
(31) Number      (32) Date      (33) Country  
**11-01869-0101    22 Dec 2011    MALAYSIA**  
(56) Related Art Documents: **Not Applicable**  
(57) Statement of Newness and Distinctiveness: **Newness and distinctiveness reside in the curved shape and positioning of the elements of the side mirror as illustrated in the accompanying representations.**



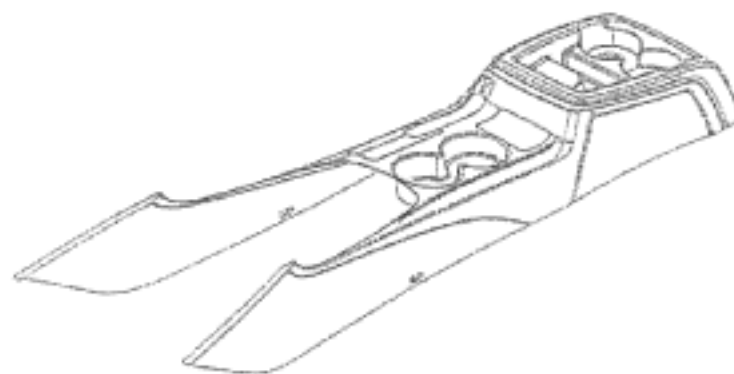
- (21) Design Number: **12944/2012**  
(22) Date of Filing Application: **21 June 2012**  
(24) Date from which industrial property rights may have effect: **21 June 2012**  
(54) Product in respect of which the design is registered: **Steering wheel**  
(51) International Design Classification: **12-16A**  
(74) Name(s) of Attorney(s): **Colin Biggers & Paisley**  
(71) Name(s) and Address(s) of Applicant(s):  
**Perusahaan Otomobil Nasional Sdn. Bhd.**  
**Centre of Excellence Complex KM33.8 Westbound Shah Alam**  
**Expressway 47600 Subang Jaya Selangor Darul Ehsan Malaysia**  
(72) Name(s) of Designer(s): **Siti Suhaina Binti Zaharin**  
(45) Registration Date: **19 July 2012**  
(30) Convention priority data:  
(31) Number      (32) Date      (33) Country  
**11-01866-0101    22 Dec 2011    MALAYSIA**  
(56) Related Art Documents: **Not Applicable**  
(57) Statement of Newness and Distinctiveness: **Newness and distinctiveness reside in the curved shape and styling of the steering wheel as illustrated in the accompanying representations.**



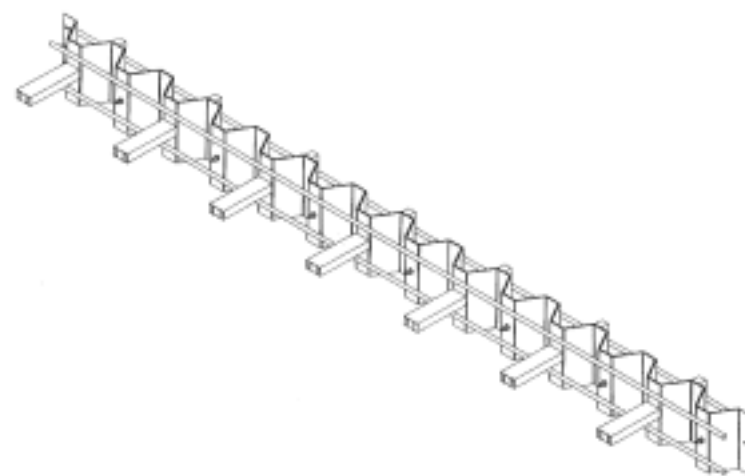
- (21) Design Number: **12945/2012**  
(22) Date of Filing Application: **21 June 2012**  
(24) Date from which industrial property rights may have effect: **21 June 2012**  
(54) Product in respect of which the design is registered: **Floor console for an automobile**  
(51) International Design Classification: **12-16NES**  
(74) Name(s) of Attorney(s): **Colin Biggers & Paisley**  
(71) Name(s) and Address(s) of Applicant(s):  
**Perusahaan Otomobil Nasional Sdn. Bhd.**  
**Centre of Excellence Complex KM33.8 Westbound Shah Alam**  
**Expressway 47600 Subang Jaya Selangor Darul Ehsan Malaysia**  
(72) Name(s) of Designer(s): **Siti Suhaina Binti Zaharin**  
(45) Registration Date: **19 July 2012**  
(30) Convention priority data:  
(31) Number (32) Date (33) Country  
**11-01867-0101 22 Dec 2011 MALAYSIA**  
(56) Related Art Documents: **Not Applicable**  
(57) Statement of Newness and Distinctiveness: **Newness and distinctiveness reside in the curved shape of the floor console and the placing of the various elements of the console as illustrated in the accompanying representations.**



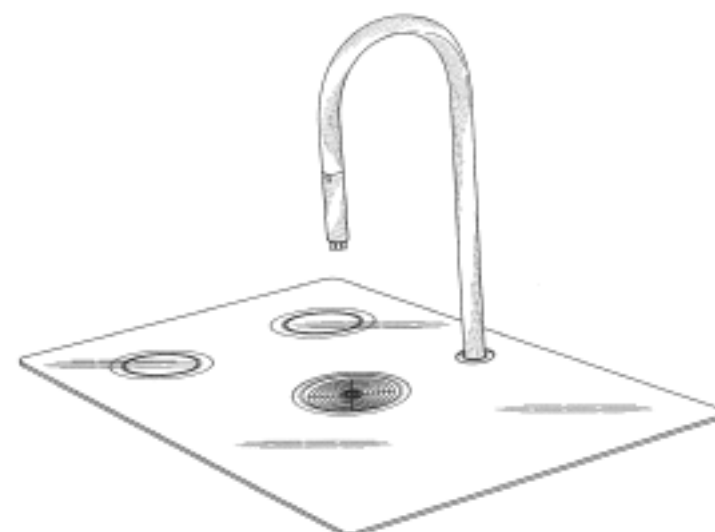
- (21) Design Number: **12946/2012**  
(22) Date of Filing Application: **21 June 2012**  
(24) Date from which industrial property rights may have effect: **21 June 2012**  
(54) Product in respect of which the design is registered: **Floor console for an automobile**  
(51) International Design Classification: **12-16NES**  
(74) Name(s) of Attorney(s): **Colin Biggers & Paisley**  
(71) Name(s) and Address(s) of Applicant(s):  
**Perusahaan Otomobil Nasional Sdn. Bhd.**  
**Centre of Excellence Complex KM33.8 Westbound Shah Alam**  
**Expressway 47600 Subang Jaya Selangor Darul Ehsan Malaysia**  
(72) Name(s) of Designer(s): **Siti Suhaina Binti Zaharin**  
(45) Registration Date: **19 July 2012**  
(30) Convention priority data:  
(31) Number (32) Date (33) Country  
**11-01868-0101 22 Dec 2011 MALAYSIA**  
(56) Related Art Documents: **Not Applicable**  
(57) Statement of Newness and Distinctiveness: **Newness and distinctiveness reside in the curved shape of the floor console and the placing of the various elements of the console as illustrated in the accompanying representations.**



(21) Design Number: **12948/2012**  
(22) Date of Filing Application: **21 June 2012**  
(24) Date from which industrial property rights may have effect: **21 June 2012**  
(54) Product in respect of which the design is registered: **Joint for concrete slab**  
(51) International Design Classification: **25-01B**  
(74) Name(s) of Attorney(s): **Pappas IP**  
(71) Name(s) and Address(s) of Applicant(s):  
**Permaban Limited**  
**Mill Close Lee Mill Industrial Estate Ivybridge Devon PL21 9GL United Kingdom**  
(72) Name(s) of Designer(s): **Andrew Keen**  
(45) Registration Date: **19 July 2012**  
(30) Convention priority data:  
(31) Number (32) Date (33) Country  
**001307375-0002 22 Dec 2011 EUROPEAN COMMUNITY**  
(56) Related Art Documents: **Not Applicable**  
(57) Statement of Newness and Distinctiveness: **Newness and distinctiveness is claimed in the shape and/or configuration of the Joint For Concrete Slab as illustrated in the representations.**



(21) Design Number: **12949/2012**  
(22) Date of Filing Application: **21 June 2012**  
(24) Date from which industrial property rights may have effect: **21 June 2012**  
(54) Product in respect of which the design is registered: **Outlet arrangement**  
(51) International Design Classification: **23-01H**  
(74) Name(s) of Attorney(s): **Cullens Patent and Trade Mark Attorneys**  
(71) Name(s) and Address(s) of Applicant(s):  
**Scanomat A/S**  
**Vibe Alle 3 DK-2980 Kokkedal Denmark**  
(72) Name(s) of Designer(s): **Kim Vibe-Petersen**  
(45) Registration Date: **19 July 2012**  
(30) Convention priority data:  
(31) Number (32) Date (33) Country  
**001309926-0001 28 Dec 2011 EUROPEAN COMMUNITY**  
(56) Related Art Documents: **Not Applicable**  
(57) Statement of Newness and Distinctiveness: **The shape and configuration of the glass illustrated in dotted outline in the axonometric view is not to be considered to be a part of the design.**

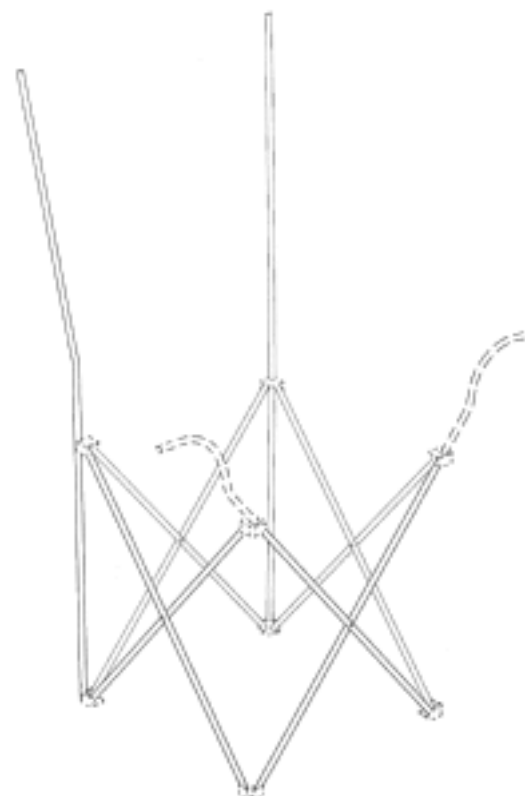




- (21) Design Number: **10063/2012**  
(22) Date of Filing Application: **10 January 2012**  
(24) Date from which industrial property rights may have effect: **10 January 2012**  
(54) Product in respect of which the design is registered: **Chair frame**  
(51) International Design Classification: **06-06H**  
(74) Name(s) of Attorney(s): **Houlihan2**  
(71) Name(s) and Address(s) of Applicant(s):

**Leisurelife (Aust) Pty Ltd**  
**Room 509, Level 5 737 Burwood Road Hawthorn East, VIC 3123**  
**Australia**

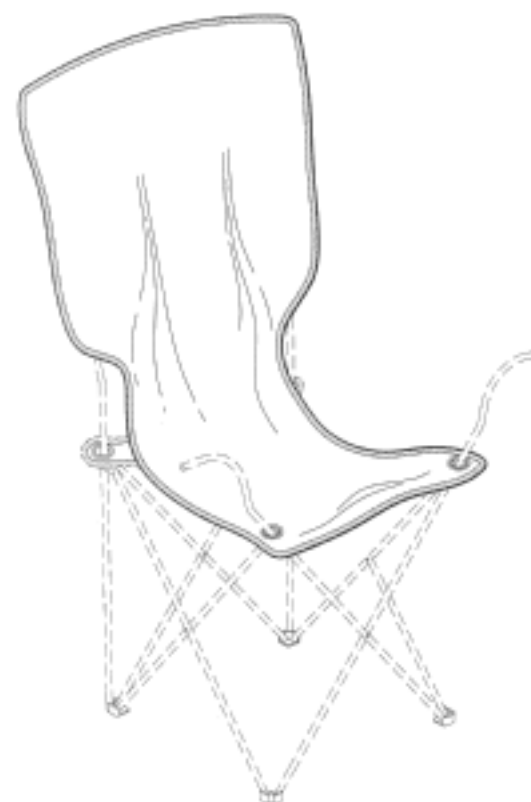
- (72) Name(s) of Designer(s): **Maxwell Day**  
(45) Registration Date: **19 July 2012**  
(56) Related Art Documents: **Not Applicable**  
(57) Statement of Newness and Distinctiveness: **Newness and distinctiveness reside in the shape and/or configuration of a chair frame illustrated by solid lines in the accompanying representations. The features shown in discontinuous lines or in broken outline are for illustrative purposes only and form no part of the design.**



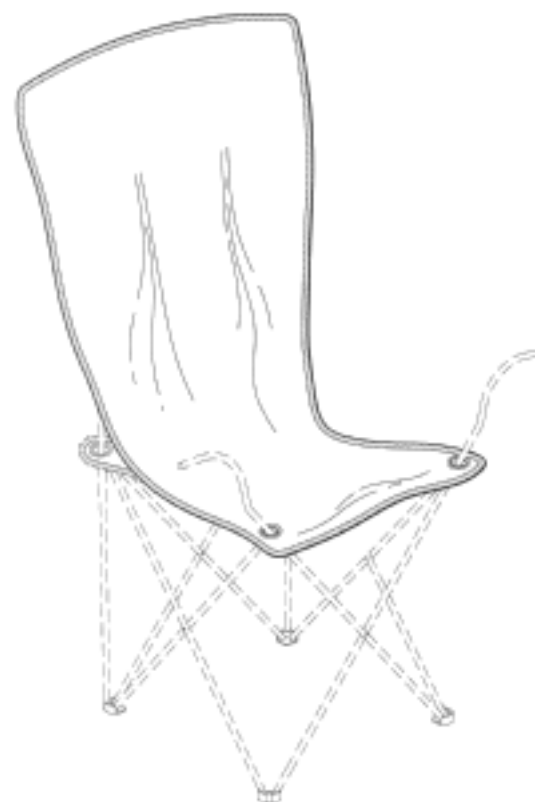
- (21) Design Number: **10064/2012**  
(22) Date of Filing Application: **10 January 2012**  
(24) Date from which industrial property rights may have effect: **10 January 2012**  
(54) Product in respect of which the design is registered: **Chair seat cover**  
(51) International Design Classification: **06-06G**  
(74) Name(s) of Attorney(s): **Houlihan2**  
(71) Name(s) and Address(s) of Applicant(s):

**Leisurelife (Aust) Pty Ltd**  
**Room 509, Level 5 737 Burwood Road Hawthorn East, VIC 3123**  
**Australia**

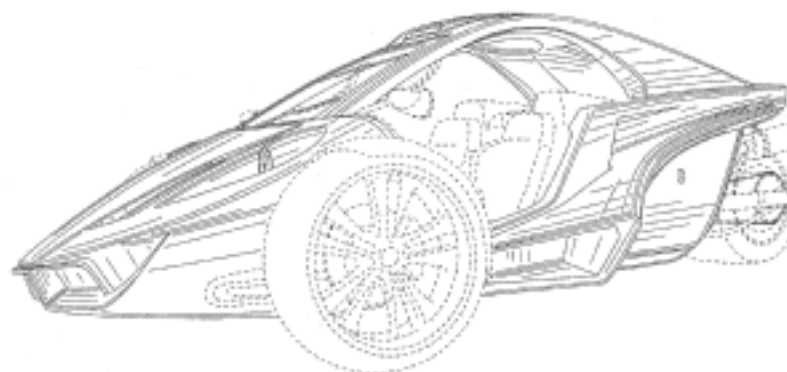
- (72) Name(s) of Designer(s): **Maxwell Day**  
(45) Registration Date: **19 July 2012**  
(56) Related Art Documents: **Not Applicable**  
(57) Statement of Newness and Distinctiveness: **Newness and distinctiveness reside in the shape and/or configuration of a chair seat cover illustrated by solid lines in the accompanying representations. The features shown in discontinuous lines or in broken outline are for illustrative purposes only and form no part of the design.**



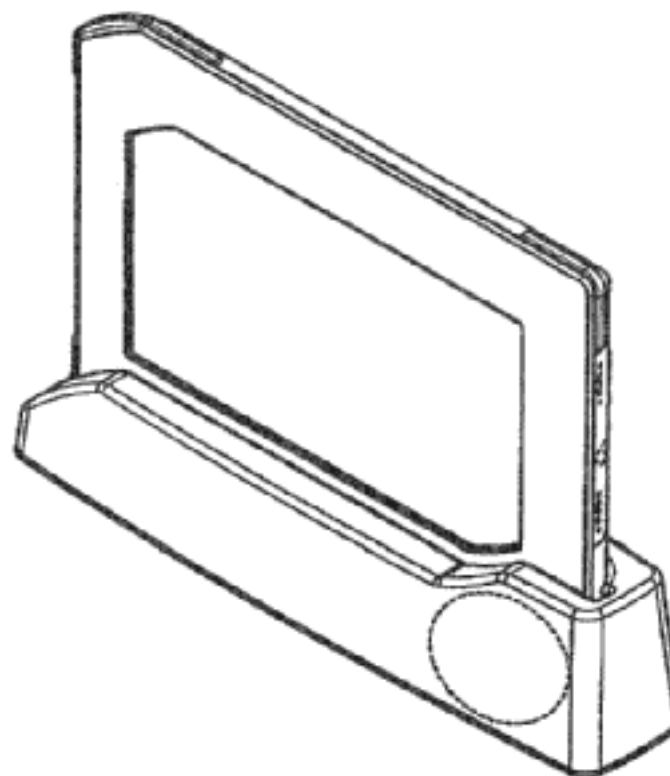
- (21) Design Number: **10065/2012**  
(22) Date of Filing Application: **10 January 2012**  
(24) Date from which industrial property rights may have effect: **10 January 2012**  
(54) Product in respect of which the design is registered: **Chair seat cover**  
(51) International Design Classification: **06-06G**  
(74) Name(s) of Attorney(s): **Houlihan2**  
(71) Name(s) and Address(s) of Applicant(s):  
**Leisurelife (Aust) Pty Ltd**  
**Room 509, Level 5 737 Burwood Road Hawthorn East, VIC 3123**  
**Australia**  
(72) Name(s) of Designer(s): **Maxwell Day**  
(45) Registration Date: **19 July 2012**  
(56) Related Art Documents: **Not Applicable**  
(57) Statement of Newness and Distinctiveness: **Newness and distinctiveness reside in the shape and/or configuration of a chair seat cover illustrated by solid lines in the accompanying representations. The features shown in discontinuous lines or in broken outline are for illustrative purposes only and form no part of the design.**



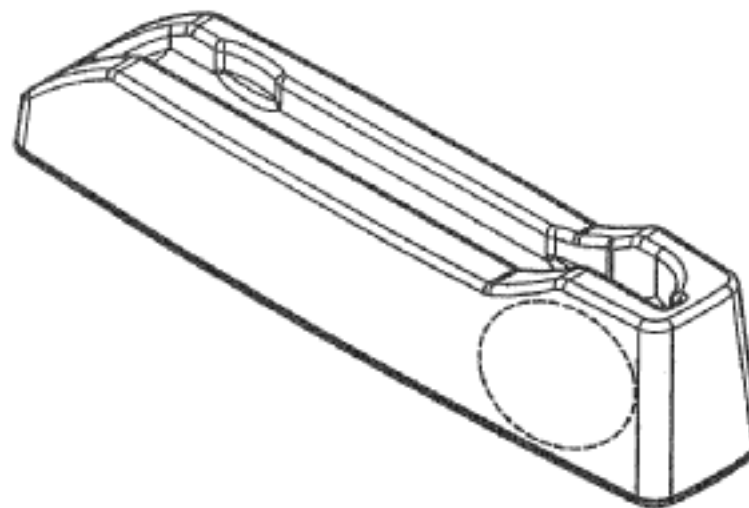
- (21) Design Number: **12130/2012**  
(22) Date of Filing Application: **30 April 2012**  
(24) Date from which industrial property rights may have effect: **30 April 2012**  
(54) Product in respect of which the design is registered: **Tricycle**  
(51) International Design Classification: **12-11**  
(74) Name(s) of Attorney(s): **PIZZEYS**  
(71) Name(s) and Address(s) of Applicant(s):  
**Talon Motorsports LLC d/b/a Tanom Motors**  
**1300 Sunset Lane Suite 3230 Culpeper VA 22701 United States of**  
**America**  
(72) Name(s) of Designer(s): **Adam Canni and Clyde T. Sliger**  
(45) Registration Date: **19 July 2012**  
(30) Convention priority data:  
(31) Number      (32) Date      (33) Country  
**29/405,222      31 Oct 2011      UNITED STATES OF AMERICA**  
(56) Related Art Documents: **Not Applicable**  
(57) Statement of Newness and Distinctiveness: **Nil**



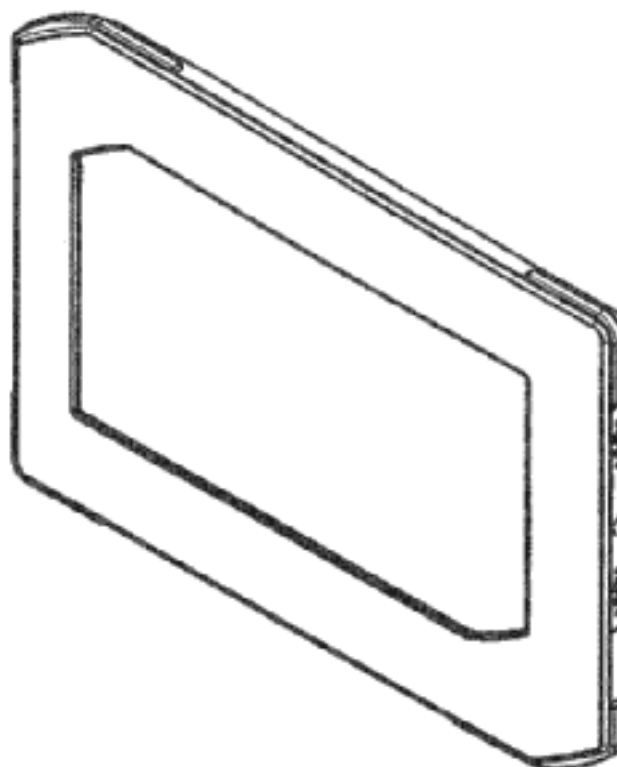
- (21) Design Number: **12142/2012**  
(22) Date of Filing Application: **02 May 2012**  
(24) Date from which industrial property rights may have effect: **02 May 2012**  
(54) Product in respect of which the design is registered: **Tablet with stand**  
(51) International Design Classification: **14-02**  
(74) Name(s) of Attorney(s): **PHILLIPS ORMONDE FITZPATRICK**  
(71) Name(s) and Address(s) of Applicant(s):  
**Diversiary Therapy Technologies Pty Ltd**  
**Level 11 Sherwood House 39 Sherwood Road Toowong Queensland**  
**4066 Australia**  
(72) Name(s) of Designer(s): **Robert Charles Sale and Mark Robert Guthrie**  
(45) Registration Date: **19 July 2012**  
(56) Related Art Documents: **Not Applicable**  
(57) Statement of Newness and Distinctiveness: **Those features of the tablet with stand depicted in the representations that are new and distinctive are the shape and/or configuration. The features shown in broken lines are not part of the design and are to be disregarded when considering the overall impression of the design.**



- (21) Design Number: **12688/2012**  
(22) Date of Filing Application: **06 June 2012**  
(24) Date from which industrial property rights may have effect: **02 May 2012**  
(54) Product in respect of which the design is registered: **Stand**  
(51) International Design Classification: **14-02**  
(74) Name(s) of Attorney(s): **PHILLIPS ORMONDE FITZPATRICK**  
(71) Name(s) and Address(s) of Applicant(s):  
**Diversiary Therapy Technologies Pty Ltd**  
**Level 11 Sherwood House 39 Sherwood Road Toowong Queensland**  
**4066 Australia**  
(72) Name(s) of Designer(s): **Robert Charles Sale and Mark Robert Guthrie**  
(45) Registration Date: **19 July 2012**  
(62) Divisional of: **343422**  
(56) Related Art Documents: **Not Applicable**  
(57) Statement of Newness and Distinctiveness: **Those features of the stand depicted in the representations that are new and distinctive are the shape and/or configuration. The features shown in broken line are not part of the design and are to be disregarded when considering the overall impression of the design.**



- (21) Design Number: **12689/2012**  
(22) Date of Filing Application: **06 June 2012**  
(24) Date from which industrial property rights may have effect: **02 May 2012**  
(54) Product in respect of which the design is registered: **Tablet**  
(51) International Design Classification: **14-02**  
(74) Name(s) of Attorney(s): **PHILLIPS ORMONDE FITZPATRICK**  
(71) Name(s) and Address(s) of Applicant(s):  
**Diversiory Therapy Technologies Pty Ltd**  
**Level 11 Sherwood House 39 Sherwood Road Toowong Queensland**  
**4066 Australia**  
(72) Name(s) of Designer(s): **Robert Charles Sale and Mark Robert Guthrie**  
(45) Registration Date: **19 July 2012**  
(62) Divisional of: **343422**  
(56) Related Art Documents: **Not Applicable**  
(57) Statement of Newness and Distinctiveness: **Those features of the tablet depicted in the representations that are new and distinctive are the shape and/or configuration. The features shown in broken lines are not part of the design and are to be disregarded when considering the overall impression of the design.**



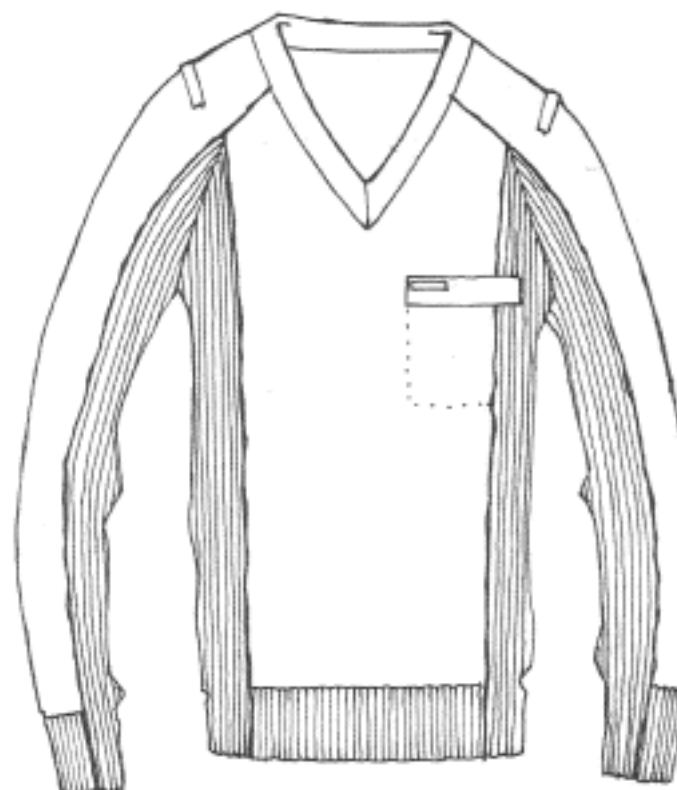
- (21) Design Number: **12203/2012**  
(22) Date of Filing Application: **16 November 2011**  
(24) Date from which industrial property rights may have effect: **16 November 2011**  
(54) Product in respect of which the design is registered: **Stretch one shirt**  
(51) International Design Classification: **02-02NES**  
(74) Name(s) of Attorney(s): **MIDDLETONS**  
(71) Name(s) and Address(s) of Applicant(s):  
**Fifty-Fourth Rischell Pty Ltd**  
**29 Simmons Street South Yarra Victoria 3141 Australia**  
(72) Name(s) of Designer(s): **Ty Henschke**  
(45) Registration Date: **19 July 2012**  
(56) Related Art Documents: **Not Applicable**  
(57) Statement of Newness and Distinctiveness: **Nil**



- (21) Design Number: **12204/2012**  
(22) Date of Filing Application: **16 November 2011**  
(24) Date from which industrial property rights may have effect: **16 November 2011**  
(54) Product in respect of which the design is registered: **Aspen ski pullover**  
(51) International Design Classification: **02-02NES**  
(74) Name(s) of Attorney(s): **MIDDLETONS**  
(71) Name(s) and Address(s) of Applicant(s):  
**Fifty-Fourth Rischell Pty Ltd**  
**29 Simmons Street South Yarra Victoria 3141 Australia**  
(72) Name(s) of Designer(s): **Ty Henschke**  
(45) Registration Date: **19 July 2012**  
(56) Related Art Documents: **Not Applicable**  
(57) Statement of Newness and Distinctiveness: **Nil**



- (21) Design Number: **12205/2012**  
(22) Date of Filing Application: **16 November 2011**  
(24) Date from which industrial property rights may have effect: **16 November 2011**  
(54) Product in respect of which the design is registered: **Davos V neck pullover**  
(51) International Design Classification: **02-02NES**  
(74) Name(s) of Attorney(s): **MIDDLETONS**  
(71) Name(s) and Address(s) of Applicant(s):  
**Fifty-Fourth Rischell Pty Ltd**  
**29 Simmons Street South Yarra Victoria 3141 Australia**  
(72) Name(s) of Designer(s): **Ty Henschke**  
(45) Registration Date: **19 July 2012**  
(56) Related Art Documents: **Not Applicable**  
(57) Statement of Newness and Distinctiveness: **Nil**



(21) Design Number: **12206/2012**  
(22) Date of Filing Application: **16 November 2011**  
(24) Date from which industrial property rights may have effect: **16 November 2011**  
(54) Product in respect of which the design is registered: **Martock funnel neck**  
(51) International Design Classification: **02-02NES**  
(74) Name(s) of Attorney(s): **MIDDLETONS**  
(71) Name(s) and Address(s) of Applicant(s):  
**Fifty-Fourth Rischell Pty Ltd**  
**29 Simmons Street South Yarra Victoria 3141 Australia**  
(72) Name(s) of Designer(s): **Ty Henschke**  
(45) Registration Date: **19 July 2012**  
(56) Related Art Documents: **Not Applicable**  
(57) Statement of Newness and Distinctiveness: **Nil**



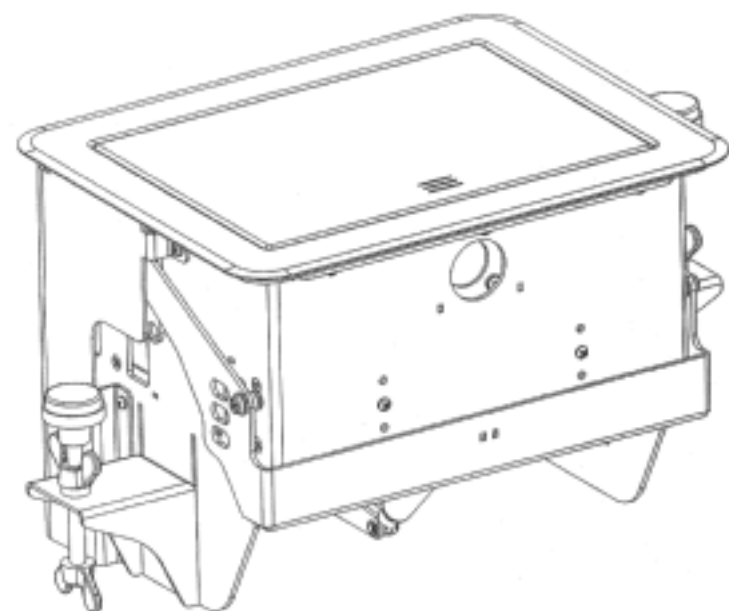
(21) Design Number: **12207/2012**  
(22) Date of Filing Application: **16 November 2011**  
(24) Date from which industrial property rights may have effect: **16 November 2011**  
(54) Product in respect of which the design is registered: **Nardo LS top**  
(51) International Design Classification: **02-02NES**  
(74) Name(s) of Attorney(s): **MIDDLETONS**  
(71) Name(s) and Address(s) of Applicant(s):  
**Fifty-Fourth Rischell Pty Ltd**  
**29 Simmons Street South Yarra Victoria 3141 Australia**  
(72) Name(s) of Designer(s): **Ty Henschke**  
(45) Registration Date: **19 July 2012**  
(56) Related Art Documents: **Not Applicable**  
(57) Statement of Newness and Distinctiveness: **Nil**



(21) Design Number: **10243/2012**  
(22) Date of Filing Application: **19 January 2012**  
(24) Date from which industrial property rights may have effect: **19 January 2012**  
(54) Product in respect of which the design is registered: **Top**  
(51) International Design Classification: **02-02NES**  
(74) Name(s) of Attorney(s): **MIDDLETONS**  
(71) Name(s) and Address(s) of Applicant(s):  
**Beba Enterprises Pty Ltd**  
**34 Garden Street South Yarra Victoria 3141 Australia**  
(72) Name(s) of Designer(s): **Arthur Soetedja**  
(45) Registration Date: **20 July 2012**  
(56) Related Art Documents: **Not Applicable**  
(57) Statement of Newness and Distinctiveness: **Nil**



(21) Design Number: **12963/2012**  
(22) Date of Filing Application: **22 June 2012**  
(24) Date from which industrial property rights may have effect: **22 June 2012**  
(54) Product in respect of which the design is registered: **Connecting device**  
(51) International Design Classification: **13-03E**  
(74) Name(s) of Attorney(s): **Collison & Co**  
(71) Name(s) and Address(s) of Applicant(s):  
**Kramer Electronics Ltd.**  
**3 Am Veolamo Street PO Box 34499 Israel**  
(72) Name(s) of Designer(s): **Yagel Eisen**  
(45) Registration Date: **20 July 2012**  
(30) Convention priority data:  
(31) Number (32) Date (33) Country  
**IL52092 19 Jan 2012 ISRAEL**  
(56) Related Art Documents: **Not Applicable**  
(57) Statement of Newness and Distinctiveness: **Nil**





(21) Design Number: **12970/2012**  
(22) Date of Filing Application: **19 January 2012**  
(24) Date from which industrial property rights may have effect: **19 January 2012**  
(54) Product in respect of which the design is registered: **Top**  
(51) International Design Classification: **02-02NES**  
(74) Name(s) of Attorney(s): **MIDDLETONS**  
(71) Name(s) and Address(s) of Applicant(s):  
**Beba Enterprises Pty Ltd**  
**34 Garden Street South Yarra Victoria 3141 Australia**  
(72) Name(s) of Designer(s): **Arthur Soetedja**  
(45) Registration Date: **20 July 2012**  
(56) Related Art Documents: **Not Applicable**  
(57) Statement of Newness and Distinctiveness: **Nil**



(21) Design Number: **12971/2012**  
(22) Date of Filing Application: **19 January 2012**  
(24) Date from which industrial property rights may have effect: **19 January 2012**  
(54) Product in respect of which the design is registered: **Jeans**  
(51) International Design Classification: **02-02C**  
(74) Name(s) of Attorney(s): **MIDDLETONS**  
(71) Name(s) and Address(s) of Applicant(s):  
**Beba Enterprises Pty Ltd**  
**34 Garden Street South Yarra Victoria 3141 Australia**  
(72) Name(s) of Designer(s): **Arthur Soetedja**  
(45) Registration Date: **20 July 2012**  
(56) Related Art Documents: **Not Applicable**  
(57) Statement of Newness and Distinctiveness: **Nil**





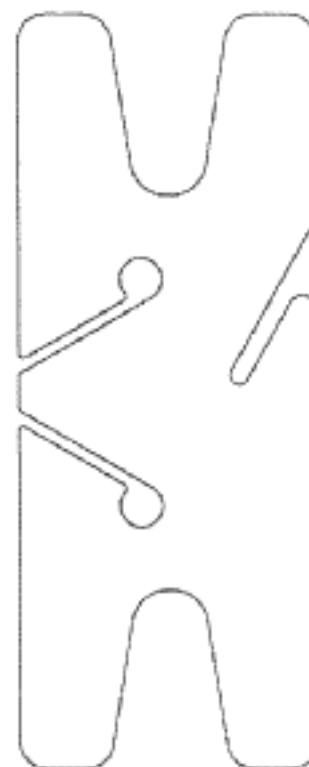
(21) Design Number: **12972/2012**  
(22) Date of Filing Application: **19 January 2012**  
(24) Date from which industrial property rights may have effect: **19 January 2012**  
(54) Product in respect of which the design is registered: **Pants**  
(51) International Design Classification: **02-02C**  
(74) Name(s) of Attorney(s): **MIDDLETONS**  
(71) Name(s) and Address(s) of Applicant(s):  
**Beba Enterprises Pty Ltd**  
**34 Garden Street South Yarra Victoria 3141 Australia**  
(72) Name(s) of Designer(s): **Arthur Soetedja**  
(45) Registration Date: **20 July 2012**  
(56) Related Art Documents: **Not Applicable**  
(57) Statement of Newness and Distinctiveness: **Nil**



(21) Design Number: **12973/2012**  
(22) Date of Filing Application: **19 January 2012**  
(24) Date from which industrial property rights may have effect: **19 January 2012**  
(54) Product in respect of which the design is registered: **Pants**  
(51) International Design Classification: **02-02C**  
(74) Name(s) of Attorney(s): **MIDDLETONS**  
(71) Name(s) and Address(s) of Applicant(s):  
**Beba Enterprises Pty Ltd**  
**34 Garden Street South Yarra Victoria 3141 Australia**  
(72) Name(s) of Designer(s): **Arthur Soetedja**  
(45) Registration Date: **20 July 2012**  
(56) Related Art Documents: **Not Applicable**  
(57) Statement of Newness and Distinctiveness: **Nil**



- (21) Design Number: **10327/2012**  
(22) Date of Filing Application: **25 January 2012**  
(24) Date from which industrial property rights may have effect: **25 January 2012**  
(54) Product in respect of which the design is registered: **Cord wrap**  
(51) International Design Classification: **09-06**  
(74) Name(s) of Attorney(s): **Lord & Company**  
(71) Name(s) and Address(s) of Applicant(s):  
**Cordaid Pty Ltd**  
**25 Mackillop Crescent St Helens Park New South Wales 2560 Australia**  
(72) Name(s) of Designer(s): **Kaan Sahin**  
(45) Registration Date: **20 July 2012**  
(56) Related Art Documents: **Not Applicable**  
(57) Statement of Newness and Distinctiveness: **The particular visual features of the design which are new and distinctive are shape OR configuration.**



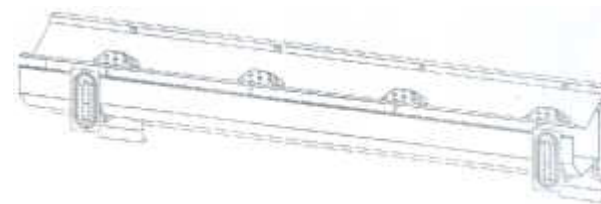
- (21) Design Number: **12175/2012**  
(22) Date of Filing Application: **07 May 2012**  
(24) Date from which industrial property rights may have effect: **07 May 2012**  
(54) Product in respect of which the design is registered: **A cover for an infant stroller**  
(51) International Design Classification: **03-03, 12-12**  
(74) Name(s) of Attorney(s): **A.J. Pietras & Co**  
(71) Name(s) and Address(s) of Applicant(s):  
**Outlook Australia Pty Ltd**  
**1 Braemer Court Benowa Queensland 4217 Australia**  
(72) Name(s) of Designer(s): **Eileen Marie Hoey-Slocombe**  
(45) Registration Date: **20 July 2012**  
(56) Related Art Documents: **Not Applicable**  
(57) Statement of Newness and Distinctiveness: **Novelty resides in the features of shape and configuration shown in the accompanying representations.**



(21) Design Number: **12286/2012**  
(22) Date of Filing Application: **11 May 2012**  
(24) Date from which industrial property rights may have effect: **11 May 2012**  
(54) Product in respect of which the design is registered: **Cellular phone**  
(51) International Design Classification: **14-03A**  
(74) Name(s) of Attorney(s): **Davies Collison Cave**  
(71) Name(s) and Address(s) of Applicant(s):  
**LG Electronics Inc.**  
**20 Yeouido-dong Yeongdeungpo-gu Seoul 150-721 Republic of Korea**  
**(South)**  
(72) Name(s) of Designer(s): **Kyusuh Park and Hyon Kim and Seungyup Lee**  
(45) Registration Date: **20 July 2012**  
(30) Convention priority data:  
(31) Number (32) Date (33) Country  
**30-2011-0048008 15 Nov 2011 REPUBLIC OF KOREA**  
(56) Related Art Documents: **Not Applicable**  
(57) Statement of Newness and Distinctiveness: **Nil**



(21) Design Number: **12373/2012**  
(22) Date of Filing Application: **14 May 2012**  
(24) Date from which industrial property rights may have effect: **14 May 2012**  
(54) Product in respect of which the design is registered: **Guttering system**  
(51) International Design Classification: **23-01L**  
(74) Name(s) of Attorney(s):  
(71) Name(s) and Address(s) of Applicant(s):  
**ACAMBA Pty Ltd**  
**15 Ashburton Court Kellyville New South Wales 2155 Australia**  
(72) Name(s) of Designer(s): **Paul Axford**  
(45) Registration Date: **20 July 2012**  
(56) Related Art Documents: **Not Applicable**  
(57) Statement of Newness and Distinctiveness: **Nil**



(21) Design Number: **12465/2012**  
(22) Date of Filing Application: **23 May 2012**  
(24) Date from which industrial property rights may have effect: **23 May 2012**  
(54) Product in respect of which the design is registered: **Concrete mixer**  
(51) International Design Classification: **15-04**  
(74) Name(s) of Attorney(s): **Davies Collison Cave**  
(71) Name(s) and Address(s) of Applicant(s):

**Nordkapp Trading AS**  
**Mellomveien 2 9750 Honningsvag Norway**

(72) Name(s) of Designer(s): **Steinar Olsen**

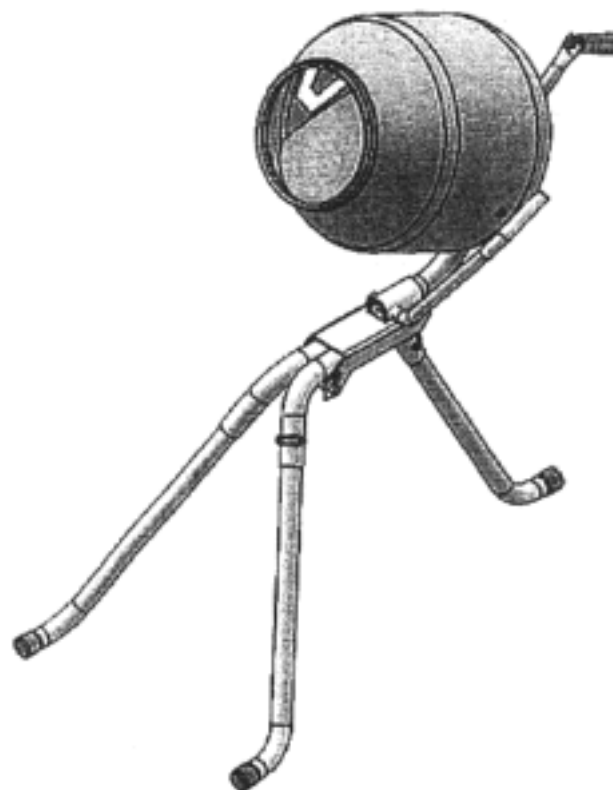
(45) Registration Date: **20 July 2012**

(30) Convention priority data:

(31) Number	(32) Date	(33) Country
<b>DM/078 134</b>	<b>23 Mar 2012</b>	<b>WORLD INTELLECTUAL PROPERTY ORGANIZATION (WIPO)</b>

(56) Related Art Documents: **Not Applicable**

(57) Statement of Newness and Distinctiveness: **Nil**



(21) Design Number: **12663/2012**  
(22) Date of Filing Application: **05 June 2012**  
(24) Date from which industrial property rights may have effect: **05 June 2012**  
(54) Product in respect of which the design is registered: **Lighting Apparatus**  
(51) International Design Classification: **26-03**  
(74) Name(s) of Attorney(s): **Ahearn Fox**  
(71) Name(s) and Address(s) of Applicant(s):

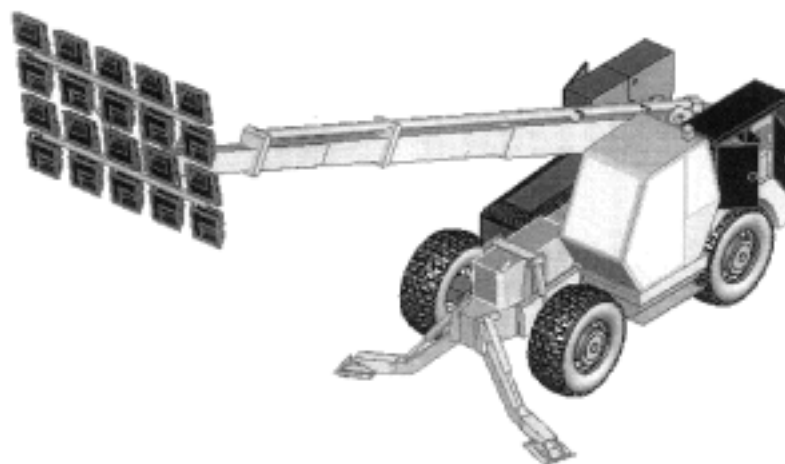
**John Jonker**  
**48 Wattletree Road Ironbark Queensland 4306 Australia**

(72) Name(s) of Designer(s): **John Jonker**

(45) Registration Date: **20 July 2012**

(56) Related Art Documents: **Not Applicable**

(57) Statement of Newness and Distinctiveness: **Newness and distinctiveness reside in the features of shape and configuration of the lighting apparatus as shown in the accompanying drawings wherein: Fig.1 is a pictorial representation of the lighting apparatus from the offside and behind with the boom half raised and the lights lowered; Fig. 2 is a pictorial representation of the lighting from the nearside and front with the boom half raised and the lights lowered; Fig. 3 is a pictorial representation of the lighting apparatus from the nearside and rear with the boom half raised and the lights raised; Fig. 4 is a pictorial representation of the lighting apparatus from the nearside and front with the boom half raised and the lights raised; and Fig.5 is a pictorial representation of the lighting apparatus from the rear with the boom half raised and the lights raised.**



- (21) Design Number: **12928/2012**  
(22) Date of Filing Application: **21 June 2012**  
(24) Date from which industrial property rights may have effect: **21 June 2012**  
(54) Product in respect of which the design is registered: **Watch**  
(51) International Design Classification: **10-02**  
(74) Name(s) of Attorney(s): **SPRUSON & FERGUSON**  
(71) Name(s) and Address(s) of Applicant(s):  
**Christian Dior Couture**  
**30 avenue Montaigne 75008 Paris France**  
(72) Name(s) of Designer(s): **Mathieu Jamin**  
(45) Registration Date: **20 July 2012**  
(30) Convention priority data:  
(31) Number (32) Date (33) Country  
**DM/077630 23 Dec 2011 SWITZERLAND**  
(56) Related Art Documents: **Not Applicable**  
(57) Statement of Newness and Distinctiveness: **Newness and distinctiveness is claimed in the features of the following parts of a watch as illustrated and labelled in the accompanying representations: the shape and/or configuration of the case the shape and/or configuration of the movable body labelled "A" the features of the dial.**



- (21) Design Number: **12929/2012**  
(22) Date of Filing Application: **21 June 2012**  
(24) Date from which industrial property rights may have effect: **21 June 2012**  
(54) Product in respect of which the design is registered: **Watch**  
(51) International Design Classification: **10-02**  
(74) Name(s) of Attorney(s): **SPRUSON & FERGUSON**  
(71) Name(s) and Address(s) of Applicant(s):  
**Christian Dior Couture**  
**30 avenue Montaigne 75008 Paris France**  
(72) Name(s) of Designer(s): **Mathieu Jamin**  
(45) Registration Date: **20 July 2012**  
(30) Convention priority data:  
(31) Number (32) Date (33) Country  
**DM/077630 23 Dec 2011 SWITZERLAND**  
(56) Related Art Documents: **Not Applicable**  
(57) Statement of Newness and Distinctiveness: **Newness and distinctiveness is claimed in the features of the following parts of a watch as illustrated and labelled in the accompanying representations: the shape and/or configuration of the case the shape and/or configuration of the movable body labelled "A" the features of the dial.**





(21) Design Number: **12930/2012**  
(22) Date of Filing Application: **21 June 2012**  
(24) Date from which industrial property rights may have effect: **21 June 2012**  
(54) Product in respect of which the design is registered: **Watch**  
(51) International Design Classification: **10-02**  
(74) Name(s) of Attorney(s): **SPRUSON & FERGUSON**  
(71) Name(s) and Address(s) of Applicant(s):  
**Christian Dior Couture**  
**30 avenue Montaigne 75008 Paris France**  
(72) Name(s) of Designer(s): **Mathieu Jamin**  
(45) Registration Date: **20 July 2012**  
(30) Convention priority data:  
(31) Number (32) Date (33) Country  
**DM/077630 23 Dec 2011 SWITZERLAND**  
(56) Related Art Documents: **Not Applicable**  
(57) Statement of Newness and Distinctiveness: **Newness and distinctiveness is claimed in the below features of the following parts of a watch as illustrated in the accompanying representations: the shape and/or configuration of the case the features of the dial.**



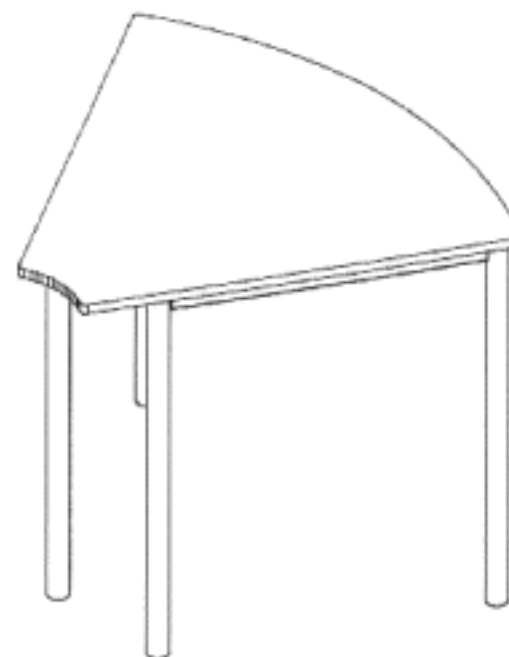
(21) Design Number: **12931/2012**  
(22) Date of Filing Application: **21 June 2012**  
(24) Date from which industrial property rights may have effect: **21 June 2012**  
(54) Product in respect of which the design is registered: **Watch**  
(51) International Design Classification: **10-02**  
(74) Name(s) of Attorney(s): **SPRUSON & FERGUSON**  
(71) Name(s) and Address(s) of Applicant(s):  
**Christian Dior Couture**  
**30 avenue Montaigne 75008 Paris France**  
(72) Name(s) of Designer(s): **Mathieu Jamin**  
(45) Registration Date: **20 July 2012**  
(30) Convention priority data:  
(31) Number (32) Date (33) Country  
**DM/077630 23 Dec 2011 SWITZERLAND**  
(56) Related Art Documents: **Not Applicable**  
(57) Statement of Newness and Distinctiveness: **Newness and distinctiveness is claimed in the below features of the following parts of a watch as illustrated in the accompanying representations: the shape and/or configuration of the case the features of the dial.**



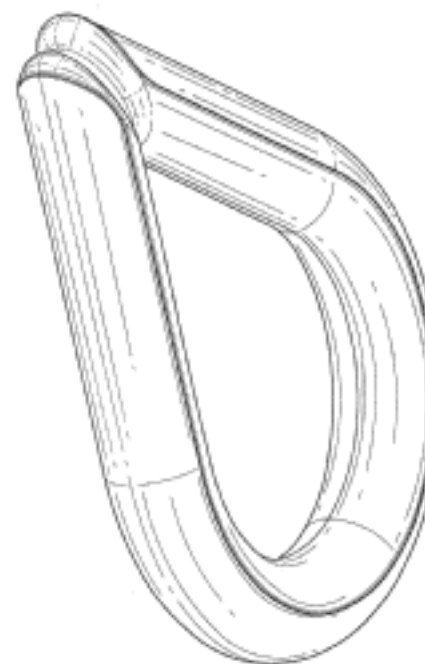
- (21) Design Number: **12932/2012**  
(22) Date of Filing Application: **21 June 2012**  
(24) Date from which industrial property rights may have effect: **21 June 2012**  
(54) Product in respect of which the design is registered: **Watch**  
(51) International Design Classification: **10-02**  
(74) Name(s) of Attorney(s): **SPRUSON & FERGUSON**  
(71) Name(s) and Address(s) of Applicant(s):  
**Christian Dior Couture**  
**30 avenue Montaigne 75008 Paris France**  
(72) Name(s) of Designer(s): **Mathieu Jamin**  
(45) Registration Date: **20 July 2012**  
(30) Convention priority data:  
(31) Number (32) Date (33) Country  
**DM/076630 23 Dec 2011 SWITZERLAND**  
(56) Related Art Documents: **Not Applicable**  
(57) Statement of Newness and Distinctiveness: **Newness and distinctiveness is claimed in the below features of the following parts of a watch as illustrated in the accompanying representations: the shape and/or configuration of the case the features of the dial.**



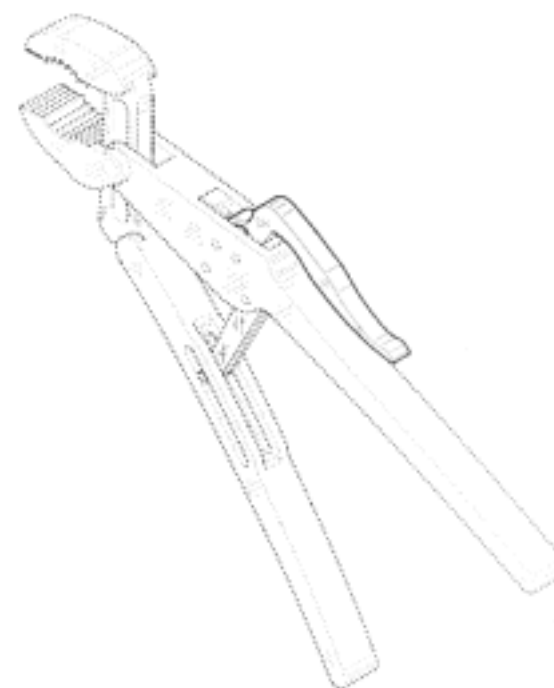
- (21) Design Number: **12784/2012**  
(22) Date of Filing Application: **13 June 2012**  
(24) Date from which industrial property rights may have effect: **13 June 2012**  
(54) Product in respect of which the design is registered: **Table**  
(51) International Design Classification: **06-03B**  
(74) Name(s) of Attorney(s): **Macpherson + Kelley**  
(71) Name(s) and Address(s) of Applicant(s):  
**Woods Furniture Pty Ltd**  
**564 Geelong Road Brooklyn Victoria 3012 Australia**  
(72) Name(s) of Designer(s): **James Setters**  
(45) Registration Date: **23 July 2012**  
(56) Related Art Documents: **Not Applicable**  
(57) Statement of Newness and Distinctiveness: **Monopoly is claimed in the features of shape and/or configuration as shown in the representations.**



(21) Design Number: **12789/2012**  
(22) Date of Filing Application: **15 June 2012**  
(24) Date from which industrial property rights may have effect: **15 June 2012**  
(54) Product in respect of which the design is registered: **Air freshener device**  
(51) International Design Classification: **28-99**  
(74) Name(s) of Attorney(s): **Fraser Old & Sohn**  
(71) Name(s) and Address(s) of Applicant(s):  
**Brandywine Product Group International Inc.**  
**3 Mill Road Suite 202 Wilmington DE 19806 United States of America**  
(72) Name(s) of Designer(s): **Kyle Brandenburg and Frank L Lesniak**  
(45) Registration Date: **23 July 2012**  
(30) Convention priority data:  
(31) Number (32) Date (33) Country  
**29/408,934 19 Dec 2011 UNITED STATES OF AMERICA**  
(56) Related Art Documents: **Not Applicable**  
(57) Statement of Newness and Distinctiveness: **Newness and distinctiveness is claimed in respect of the shape and/or configuration of the product illustrated in the accompanying representations.**



(21) Design Number: **12857/2012**  
(22) Date of Filing Application: **15 June 2012**  
(24) Date from which industrial property rights may have effect: **15 June 2012**  
(54) Product in respect of which the design is registered: **Trigger for pliers**  
(51) International Design Classification: **08-05P**  
(74) Name(s) of Attorney(s):  
(71) Name(s) and Address(s) of Applicant(s):  
**American Grease Stick Company**  
**2651 Hoyt Street Muskegon Heights Michigan 49445 United States of America**  
(72) Name(s) of Designer(s): **Logan D Pitts**  
(45) Registration Date: **23 July 2012**  
(30) Convention priority data:  
(31) Number (32) Date (33) Country  
**001963901-0001 16 Dec 2011 EUROPEAN COMMUNITY**  
(56) Related Art Documents: **Not Applicable**  
(57) Statement of Newness and Distinctiveness: **The newness and distinctiveness of the design resides in the features of shape and/or configuration shown in unbroken lines in the accompanying representations.**





(21) Design Number: **12860/2012**

(22) Date of Filing Application: **15 June 2012**

(24) Date from which industrial property rights may have effect: **15 June 2012**

(54) Product in respect of which the design is registered: **Pliers**

(51) International Design Classification: **08-05P**

(74) Name(s) of Attorney(s):

(71) Name(s) and Address(s) of Applicant(s):

**American Grease Stick Company**  
**2651 Hoyt Street Muskegon Heights Michigan 49445 United States of America**

(72) Name(s) of Designer(s): **Logan D Pitts and John Pierce**

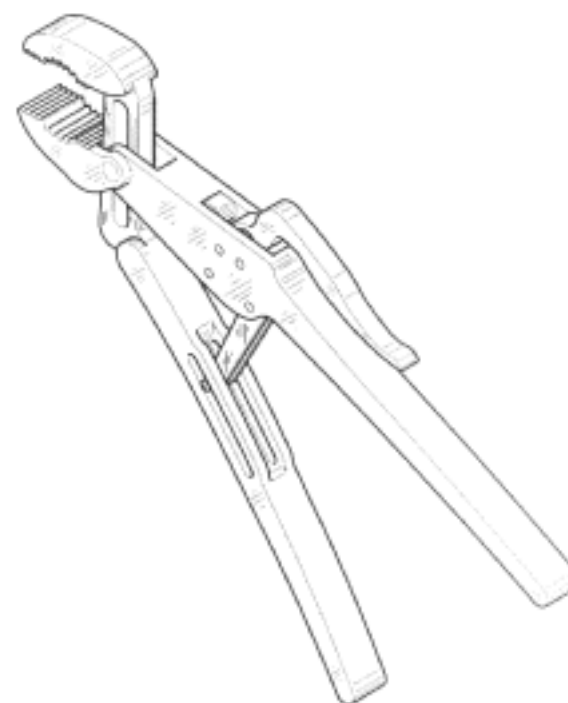
(45) Registration Date: **23 July 2012**

(30) Convention priority data:

(31) Number	(32) Date	(33) Country
<b>001963901-0002</b>	<b>16 Dec 2011</b>	<b>EUROPEAN COMMUNITY</b>

(56) Related Art Documents: **Not Applicable**

(57) Statement of Newness and Distinctiveness: **The newness and distinctiveness of the design resides in the features of shape and/or configuration shown in the accompanying representations.**



(21) Design Number: **12968/2012**

(22) Date of Filing Application: **26 June 2012**

(24) Date from which industrial property rights may have effect: **26 June 2012**

(54) Product in respect of which the design is registered: **Grill cover**

(51) International Design Classification: **07-02N**

(74) Name(s) of Attorney(s): **King & Wood Mallesons**

(71) Name(s) and Address(s) of Applicant(s):

**Pi-Design AG**  
**Kantonsstrasse 100 6234 Triengen Switzerland**

(72) Name(s) of Designer(s): **Jorgen Bodum**

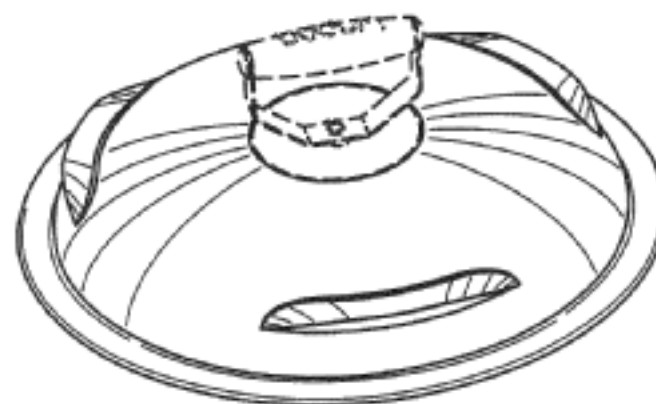
(45) Registration Date: **23 July 2012**

(30) Convention priority data:

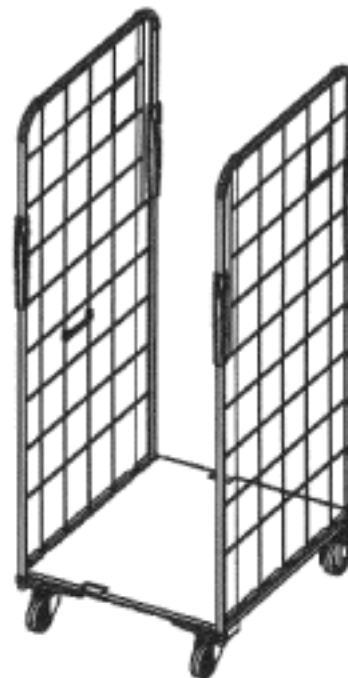
(31) Number	(32) Date	(33) Country
<b>DM/077 445</b>	<b>09 Jan 2012</b>	<b>WORLD INTELLECTUAL PROPERTY ORGANIZATION (WIPO)</b>

(56) Related Art Documents: **Not Applicable**

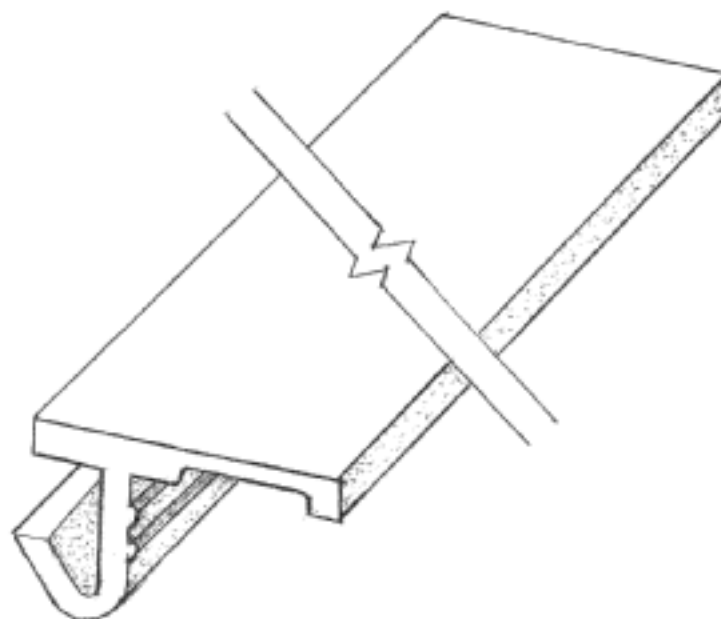
(57) Statement of Newness and Distinctiveness: **Nil**



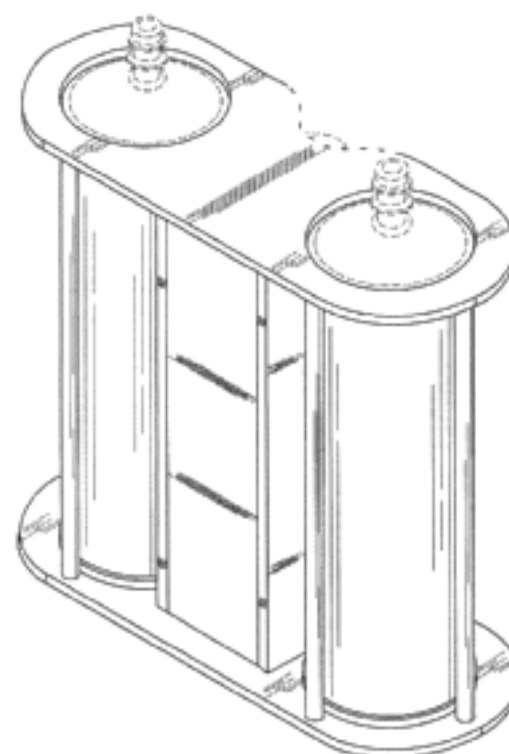
(21) Design Number: **12969/2012**  
(22) Date of Filing Application: **25 June 2012**  
(24) Date from which industrial property rights may have effect: **25 June 2012**  
(54) Product in respect of which the design is registered: **Roll container**  
(51) International Design Classification: **12-02**  
(74) Name(s) of Attorney(s): **Golja Haines & Friend**  
(71) Name(s) and Address(s) of Applicant(s):  
**K. Hartwall Oy Ab**  
**Kay Hartwallin tie 2 01150 Soderkulla Finland**  
(72) Name(s) of Designer(s): **Markku Tiilikainen**  
(45) Registration Date: **23 July 2012**  
(30) Convention priority data:  
(31) Number (32) Date (33) Country  
**001970799-0001 03 Jan 2012 EUROPEAN COMMUNITY**  
(56) Related Art Documents: **Not Applicable**  
(57) Statement of Newness and Distinctiveness: **Newness and distinctiveness resides in the shape and configuration of a roll container as illustrated in the accompanying representations.**



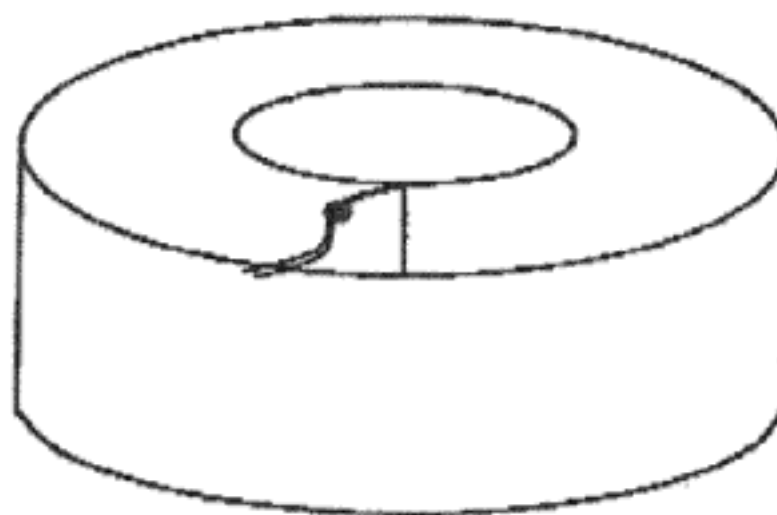
(21) Design Number: **12974/2012**  
(22) Date of Filing Application: **25 June 2012**  
(24) Date from which industrial property rights may have effect: **25 June 2012**  
(54) Product in respect of which the design is registered: **An extrusion**  
(51) International Design Classification: **25-01K**  
(74) Name(s) of Attorney(s):  
(71) Name(s) and Address(s) of Applicant(s):  
**Dinh Quan Chang**  
**3 Warwick Avenue Springvale Victoria 3171 Australia**  
(72) Name(s) of Designer(s): **Dinh Quan Chang**  
(45) Registration Date: **23 July 2012**  
(56) Related Art Documents: **Not Applicable**  
(57) Statement of Newness and Distinctiveness: **Nil**



- (21) Design Number: **12976/2012**  
(22) Date of Filing Application: **25 June 2012**  
(24) Date from which industrial property rights may have effect: **25 June 2012**  
(54) Product in respect of which the design is registered: **Dual filter**  
(51) International Design Classification: **23-01G**  
(74) Name(s) of Attorney(s): **SPRUSON & FERGUSON**  
(71) Name(s) and Address(s) of Applicant(s):  
**Delcath Systems, Inc.**  
**566 Queensbury Avenue Queensbury New York 12804 United States of America**  
(72) Name(s) of Designer(s): **William M. Appling and Matthew G. Barton**  
(45) Registration Date: **23 July 2012**  
(30) Convention priority data:  
(31) Number (32) Date (33) Country  
**29/409867 29 Dec 2011 UNITED STATES OF AMERICA**  
(56) Related Art Documents: **Not Applicable**  
(57) Statement of Newness and Distinctiveness: **Newness and distinctiveness is claimed in those features of shape and/or configuration of a dual filter as illustrated in continuous lines in the accompanying representations.**



- (21) Design Number: **11804/2012**  
(22) Date of Filing Application: **12 April 2012**  
(24) Date from which industrial property rights may have effect: **12 April 2012**  
(54) Product in respect of which the design is registered: **Textile camp oven**  
(51) International Design Classification: **07-02E**  
(74) Name(s) of Attorney(s):  
(71) Name(s) and Address(s) of Applicant(s):  
**Joanne May Kennard**  
**34 Musgrave Street Queensland 4069 Australia**  
**Grant Richard Kennard**  
**34 Musgrave Street Queensland Australia**  
(72) Name(s) of Designer(s): **Joanne Kennard and Grant Kennard**  
(45) Registration Date: **23 July 2012**  
(56) Related Art Documents: **Not Applicable**  
(57) Statement of Newness and Distinctiveness: **There are several distinctive features in the design of this camp oven unique in design, it retains heat by reflecting the energy back in its source after a considerably reduced cooking period. Monopoly is claimed on the shape and configuration of a Textile Camp Oven.**



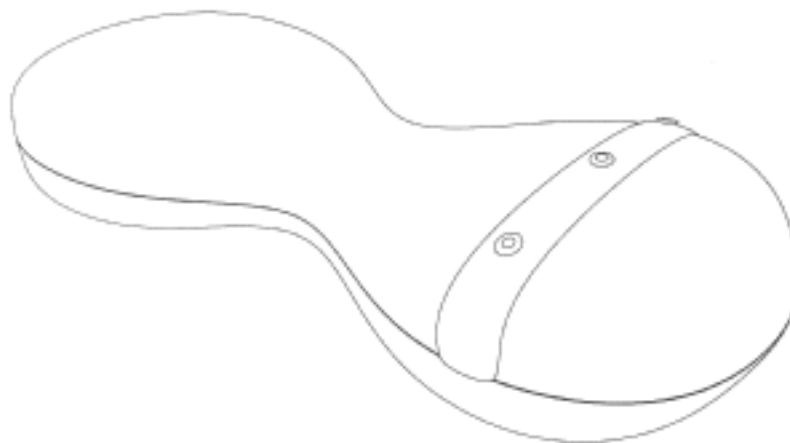
- (21) Design Number: **12358/2012**  
(22) Date of Filing Application: **16 May 2012**  
(24) Date from which industrial property rights may have effect: **16 May 2012**  
(54) Product in respect of which the design is registered: **FRONT DIAL FACE OF A LOCK**  
(51) International Design Classification: **08-07**  
(74) Name(s) of Attorney(s): **Callinans**  
(71) Name(s) and Address(s) of Applicant(s):  
**Master Lock Company LLC**  
**137 W. Forest Hill Avenue Oak Creek Wisconsin 53154 United States of America**  
(72) Name(s) of Designer(s): **Scott B. Stevens and Douglas Lacina and Ray Wojtak**  
(45) Registration Date: **23 July 2012**  
(30) Convention priority data:  
(31) Number (32) Date (33) Country  
**29/407,004 22 Nov 2011 UNITED STATES OF AMERICA**  
(56) Related Art Documents: **Not Applicable**  
(57) Statement of Newness and Distinctiveness: **Newness and distinctiveness are provided by the shape and/or configuration of the design shown in the representations. The features shown in broken lines in the representations are for illustrative purposes only and should not be considered when construing visual features of the design.**



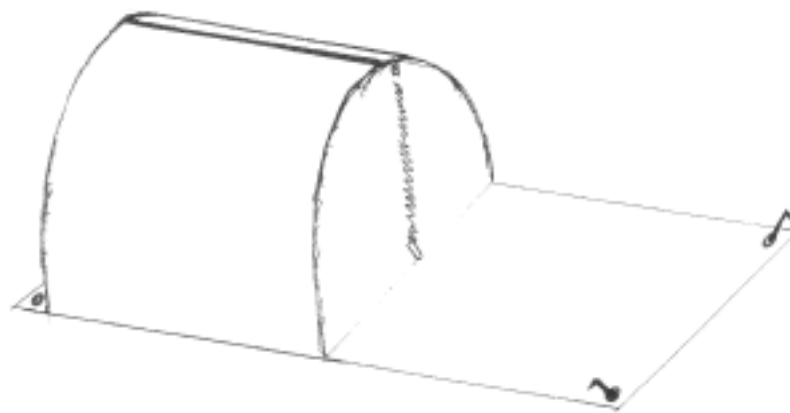
- (21) Design Number: **12436/2012**  
(22) Date of Filing Application: **21 May 2012**  
(24) Date from which industrial property rights may have effect: **21 May 2012**  
(54) Product in respect of which the design is registered: **Inverter**  
(51) International Design Classification: **13-02**  
(74) Name(s) of Attorney(s): **Griffith Hack**  
(71) Name(s) and Address(s) of Applicant(s):  
**SMA Solar Technology AG**  
**Sonnenallee 1 34266 Niestetal Germany**  
(72) Name(s) of Designer(s): **Harry Eppinger and Christof Wetzel**  
(45) Registration Date: **23 July 2012**  
(30) Convention priority data:  
(31) Number (32) Date (33) Country  
**001964727 19 Dec 2011 EUROPEAN COMMUNITY**  
(56) Related Art Documents: **Not Applicable**  
(57) Statement of Newness and Distinctiveness: **The shape and configuration of the product as shown in the accompanying representations is new and distinctive. Any symbols or text appearing in the representations has been included for illustrative purposes and does not form part of the design.**



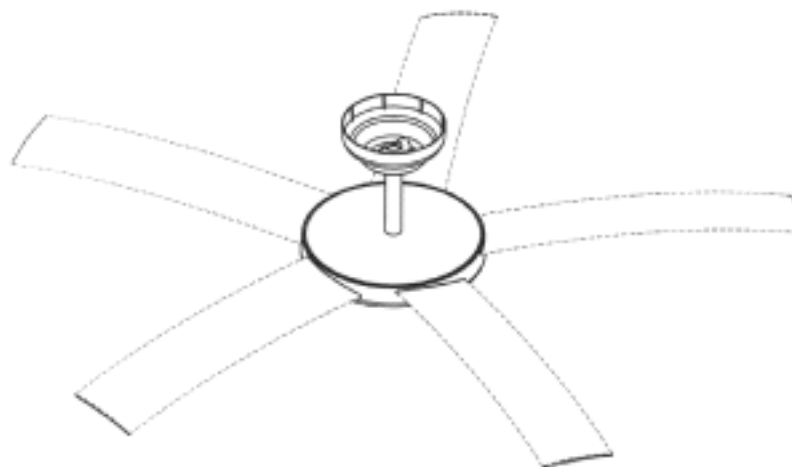
(21) Design Number: **12649/2012**  
(22) Date of Filing Application: **04 June 2012**  
(24) Date from which industrial property rights may have effect: **04 June 2012**  
(54) Product in respect of which the design is registered: **Pillow**  
(51) International Design Classification: **06-13B**  
(74) Name(s) of Attorney(s): **Trademark Central**  
(71) Name(s) and Address(s) of Applicant(s):  
**Caroline Bannister**  
**PO Box 70 Margaret River Western Australia 6285 Australia**  
(72) Name(s) of Designer(s): **Caroline Bannister**  
(45) Registration Date: **23 July 2012**  
(56) Related Art Documents: **Not Applicable**  
(57) Statement of Newness and Distinctiveness: **Nil**



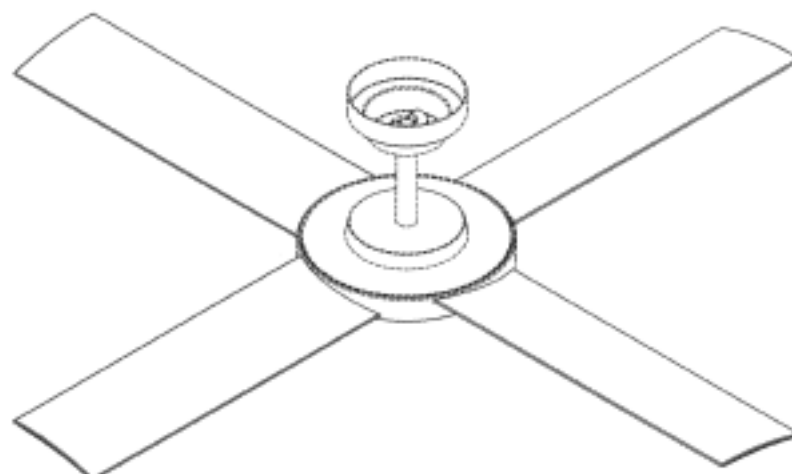
(21) Design Number: **12720/2012**  
(22) Date of Filing Application: **08 June 2012**  
(24) Date from which industrial property rights may have effect: **08 June 2012**  
(54) Product in respect of which the design is registered: **Small swag for boots**  
(51) International Design Classification: **21-04**  
(74) Name(s) of Attorney(s):  
(71) Name(s) and Address(s) of Applicant(s):  
**ARB Corporation Ltd**  
**42-44 Garden Street Kilsyth Victoria 3137 Australia**  
(72) Name(s) of Designer(s): **Robert Puts**  
(45) Registration Date: **23 July 2012**  
(56) Related Art Documents: **Not Applicable**  
(57) Statement of Newness and Distinctiveness: **Nil**



- (21) Design Number: **12782/2012**  
(22) Date of Filing Application: **08 June 2012**  
(24) Date from which industrial property rights may have effect: **08 June 2012**  
(54) Product in respect of which the design is registered: **Ceiling fan hub**  
(51) International Design Classification: **23-04**  
(74) Name(s) of Attorney(s): **Franke Hyland**  
(71) Name(s) and Address(s) of Applicant(s):  
**Hunter Pacific International Pty Ltd**  
**Building 8 256 New Line Road Dural New South Wales 2158 Australia**  
(72) Name(s) of Designer(s): **Philip Allen and Scott Ibbotson and David Stocks**  
(45) Registration Date: **23 July 2012**  
(56) Related Art Documents: **Not Applicable**  
(57) Statement of Newness and Distinctiveness: **Newness and distinctiveness is claimed in the shape and/or configuration of the hub of a ceiling fan represented in solid lines in the attached drawings. In assessing newness and distinctiveness, no regard should be had of the shape and configuration of the fan blades as represented in broken lines, nor the number of fan blades.**



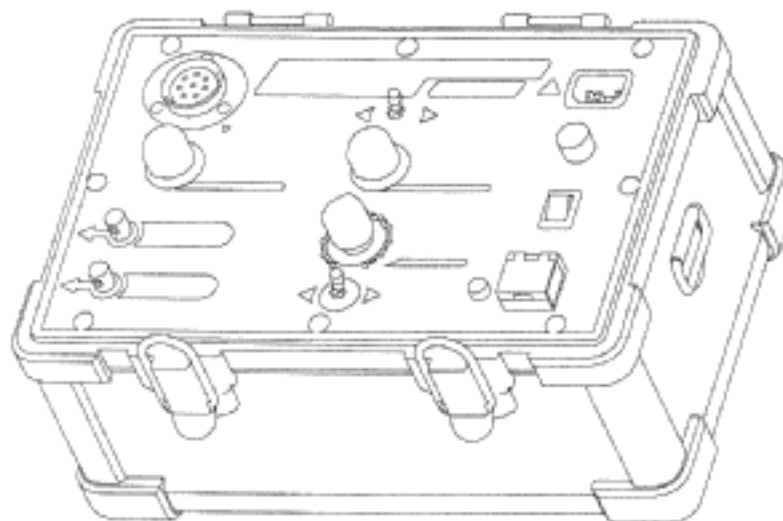
- (21) Design Number: **12783/2012**  
(22) Date of Filing Application: **08 June 2012**  
(24) Date from which industrial property rights may have effect: **08 June 2012**  
(54) Product in respect of which the design is registered: **Ceiling fan hub**  
(51) International Design Classification: **23-04**  
(74) Name(s) of Attorney(s): **Franke Hyland**  
(71) Name(s) and Address(s) of Applicant(s):  
**Hunter Pacific International Pty Ltd**  
**Building 8 256 New Line Road Dural New South Wales 2158 Australia**  
(72) Name(s) of Designer(s): **Philip Allen and Scott Ibbotson and David Stocks**  
(45) Registration Date: **23 July 2012**  
(56) Related Art Documents: **Not Applicable**  
(57) Statement of Newness and Distinctiveness: **Newness and distinctiveness is claimed in the shape and/or configuration of an individual ceiling fan blade represented in solid lines in the attached drawings. In assessing newness and distinctiveness, no regard should be had of the ceiling fan hub as represented in broken lines, nor the number of fan blades depicted.**



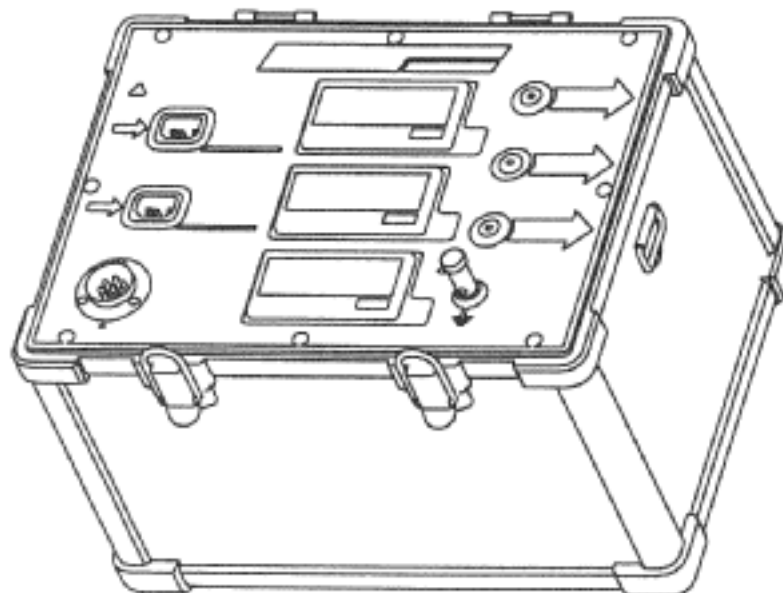
(21) Design Number: **12953/2012**  
(22) Date of Filing Application: **22 June 2012**  
(24) Date from which industrial property rights may have effect: **22 June 2012**  
(54) Product in respect of which the design is registered: **Air intake snorkel for a vehicle**  
(51) International Design Classification: **12-16NES**  
(74) Name(s) of Attorney(s): **HODGKINSON McINNES PATENTS**  
(71) Name(s) and Address(s) of Applicant(s):  
**Australian Performance Development Pty Ltd**  
**73 Merrindale Drive South Croydon Victoria 3136 Australia**  
(72) Name(s) of Designer(s): **Manvir Randhawa**  
(45) Registration Date: **23 July 2012**  
(56) Related Art Documents: **Not Applicable**  
(57) Statement of Newness and Distinctiveness: **Newness and distinctiveness is claimed in the shape and configuration of the Air Intake Snorkel for a Vehicle as shown in the representations.**



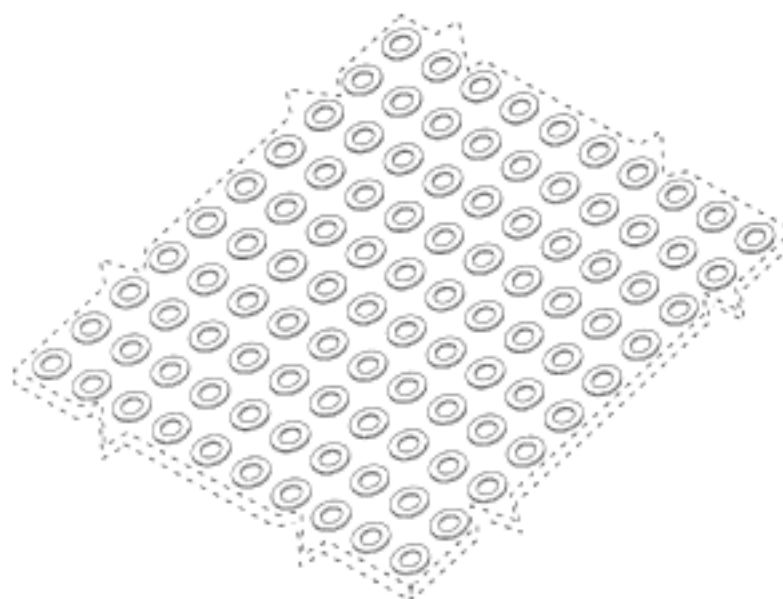
(21) Design Number: **12954/2012**  
(22) Date of Filing Application: **22 June 2012**  
(24) Date from which industrial property rights may have effect: **22 June 2012**  
(54) Product in respect of which the design is registered: **Control unit**  
(51) International Design Classification: **13-03NES**  
(74) Name(s) of Attorney(s): **FB Rice**  
(71) Name(s) and Address(s) of Applicant(s):  
**Togami Electric Mfg. Co., Ltd**  
**1-1 Ohtakara-Kitamachi Saga 840-0802 Japan**  
(72) Name(s) of Designer(s): **Hiroshi Ohshita**  
(45) Registration Date: **23 July 2012**  
(56) Related Art Documents: **Not Applicable**  
(57) Statement of Newness and Distinctiveness: **Newness and distinctiveness reside in the features of the design as shown in the representations.**



- (21) Design Number: **12955/2012**  
(22) Date of Filing Application: **22 June 2012**  
(24) Date from which industrial property rights may have effect: **22 June 2012**  
(54) Product in respect of which the design is registered: **Transformer unit**  
(51) International Design Classification: **13-03NES**  
(74) Name(s) of Attorney(s): **FB Rice**  
(71) Name(s) and Address(s) of Applicant(s):  
**Togami Electric Mfg. Co., Ltd**  
**1-1 Ohtakara-Kitamachi Saga 840-0802 Japan**  
(72) Name(s) of Designer(s): **Hiroshi Ohshita**  
(45) Registration Date: **23 July 2012**  
(56) Related Art Documents: **Not Applicable**  
(57) Statement of Newness and Distinctiveness: **Newness and distinctiveness reside in the features of the design as shown in the representations.**

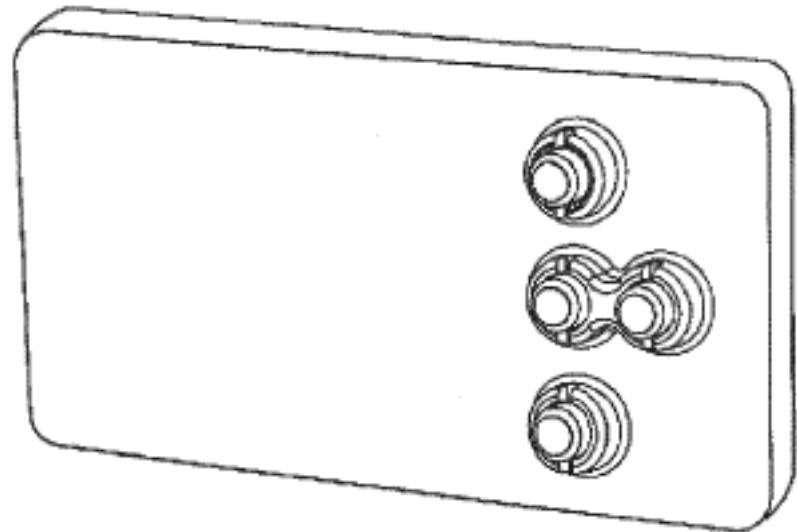


- (21) Design Number: **12957/2012**  
(22) Date of Filing Application: **22 June 2012**  
(24) Date from which industrial property rights may have effect: **22 June 2012**  
(54) Product in respect of which the design is registered: **Printed cooling material**  
(51) International Design Classification: **02-99**  
(74) Name(s) of Attorney(s): **Fisher Adams Kelly**  
(71) Name(s) and Address(s) of Applicant(s):  
**Columbia Sportswear North America, Inc.**  
**14375 NW Science Park Drive PORTLAND 97229 Oregon United States of America**  
(72) Name(s) of Designer(s): **Christopher Araujo and Michael E. "Woody" Blackford**  
(45) Registration Date: **23 July 2012**  
(30) Convention priority data:  
(31) Number (32) Date (33) Country  
**29/409540 23 Dec 2011 UNITED STATES OF AMERICA**  
(56) Related Art Documents: **Not Applicable**  
(57) Statement of Newness and Distinctiveness: **The newness and distinctiveness of the design resides in the shape and/or configuration of the PRINTED COOLING MATERIAL shown in the representations. When considering the newness and distinctiveness of the design, the lines shown in phantom should be disregarded, and indicate that the PRINTING COOLING MATERIAL is of indefinite length and width.**

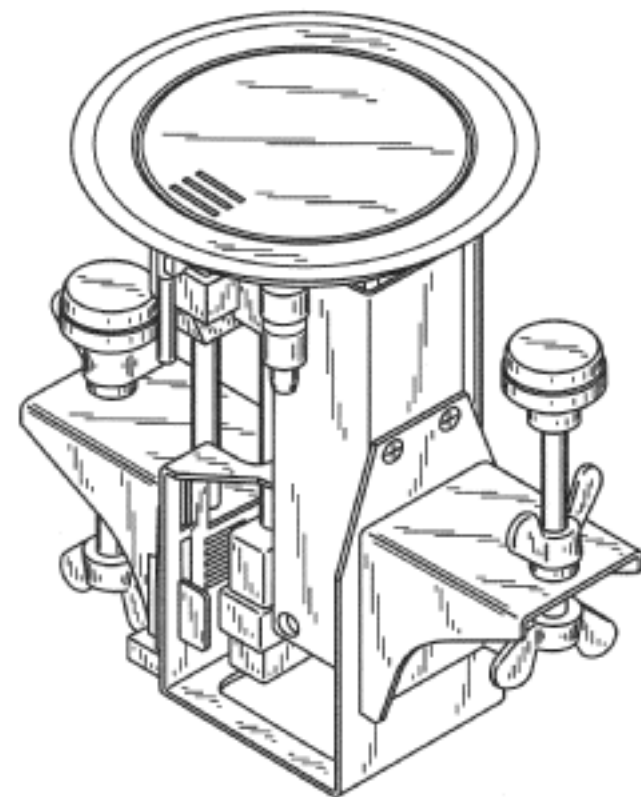




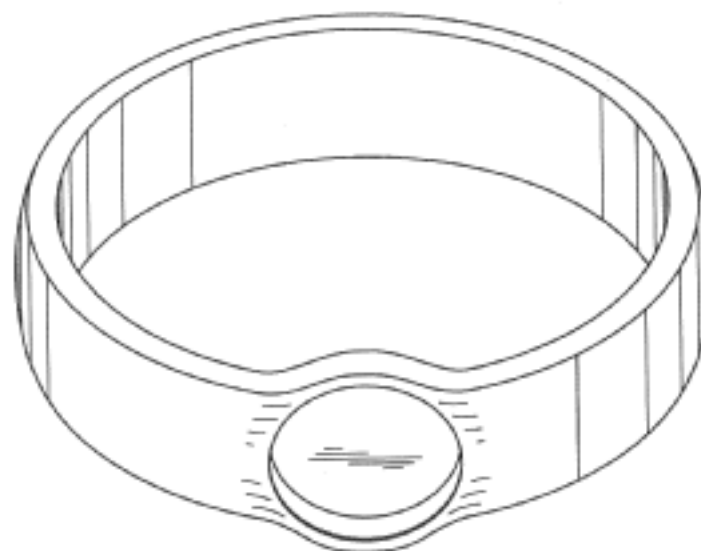
(21) Design Number: **12959/2012**  
(22) Date of Filing Application: **23 June 2012**  
(24) Date from which industrial property rights may have effect: **23 June 2012**  
(54) Product in respect of which the design is registered: **Control panel with push buttons for waterproof case for smart phone**  
(51) International Design Classification: **03-01NES**  
(74) Name(s) of Attorney(s):  
(71) Name(s) and Address(s) of Applicant(s):  
**Zear Corporation Limited**  
**6B Valiant Industrial Centre 2-12 Au Pui Wan Steet Fotan Shatin New Territories Hong Kong**  
(72) Name(s) of Designer(s): **Man Fong Chu**  
(45) Registration Date: **23 July 2012**  
(56) Related Art Documents: **Not Applicable**  
(57) Statement of Newness and Distinctiveness: **Nil**



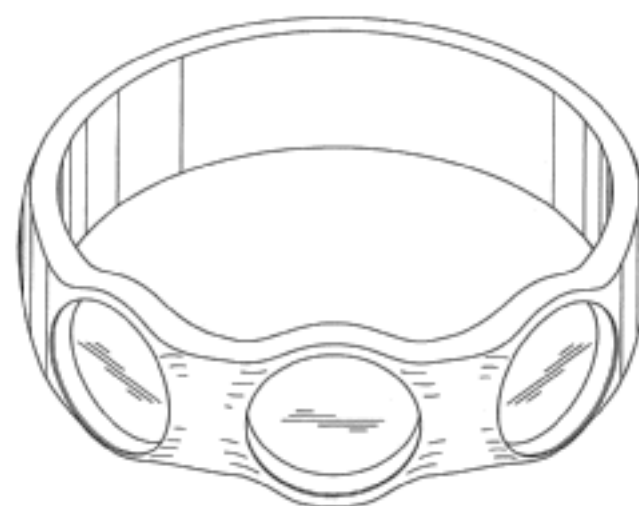
(21) Design Number: **12962/2012**  
(22) Date of Filing Application: **22 June 2012**  
(24) Date from which industrial property rights may have effect: **22 June 2012**  
(54) Product in respect of which the design is registered: **Connecting device**  
(51) International Design Classification: **13-03E**  
(74) Name(s) of Attorney(s): **Collison & Co**  
(71) Name(s) and Address(s) of Applicant(s):  
**Kramer Electronics Ltd.**  
**3 Am Veolamo Street PO Box 34499 Israel**  
(72) Name(s) of Designer(s): **Yagel Eisen**  
(45) Registration Date: **23 July 2012**  
(30) Convention priority data:  
(31) Number (32) Date (33) Country  
**IL52029 08 Jan 2012 ISRAEL**  
(56) Related Art Documents: **Not Applicable**  
(57) Statement of Newness and Distinctiveness: **Nil**



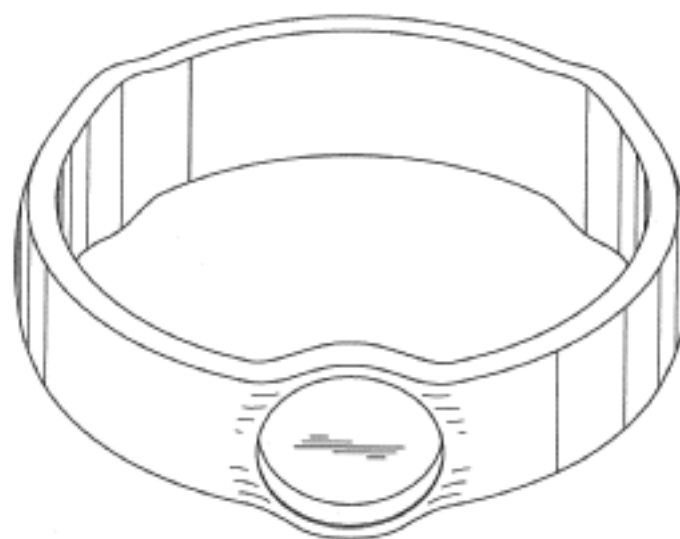
(21) Design Number: **12427/2012**  
(22) Date of Filing Application: **09 May 2012**  
(24) Date from which industrial property rights may have effect: **09 May 2012**  
(54) Product in respect of which the design is registered: **Wristband**  
(51) International Design Classification: **11-01C**  
(74) Name(s) of Attorney(s): **Dark IP**  
(71) Name(s) and Address(s) of Applicant(s):  
**Joel Buckley**  
**15645 24th Avenue N Unit D Plymouth MN 55447 United States of America**  
(72) Name(s) of Designer(s): **Joel Buckley**  
(45) Registration Date: **24 July 2012**  
(30) Convention priority data:  
(31) Number (32) Date (33) Country  
**29/406,066 09 Nov 2011 UNITED STATES OF AMERICA**  
(56) Related Art Documents: **Not Applicable**  
(57) Statement of Newness and Distinctiveness: **The newness and distinctiveness of the design resides in the shape and/or configuration of the wristband shown in the representations.**



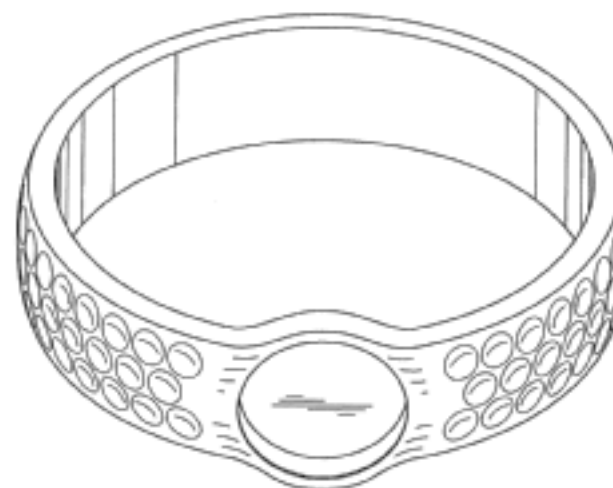
(21) Design Number: **12428/2012**  
(22) Date of Filing Application: **09 May 2012**  
(24) Date from which industrial property rights may have effect: **09 May 2012**  
(54) Product in respect of which the design is registered: **Wristband**  
(51) International Design Classification: **11-01C**  
(74) Name(s) of Attorney(s): **Dark IP**  
(71) Name(s) and Address(s) of Applicant(s):  
**Joel Buckley**  
**15645 24th Avenue N Unit D Plymouth MN 55447 United States of America**  
(72) Name(s) of Designer(s): **Joel Buckley**  
(45) Registration Date: **24 July 2012**  
(30) Convention priority data:  
(31) Number (32) Date (33) Country  
**29/406,066 09 Nov 2011 UNITED STATES OF AMERICA**  
(56) Related Art Documents: **Not Applicable**  
(57) Statement of Newness and Distinctiveness: **The newness and distinctiveness of the design resides in the shape and/or configuration of the wristband shown in the representations.**



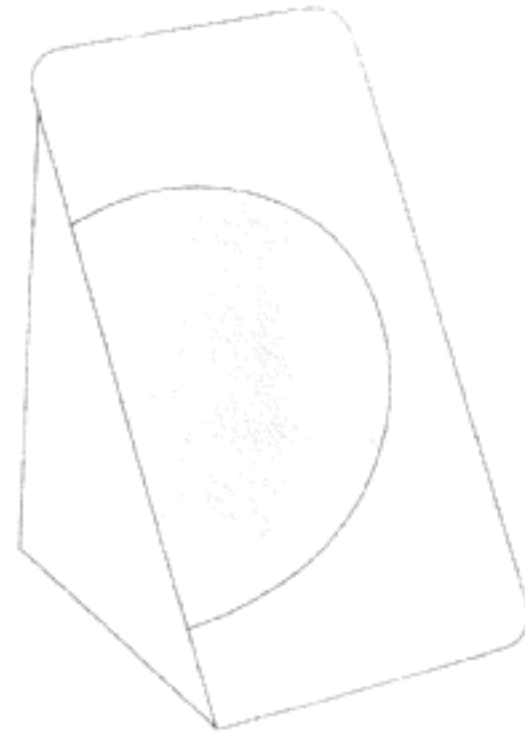
(21) Design Number: **12429/2012**  
(22) Date of Filing Application: **09 May 2012**  
(24) Date from which industrial property rights may have effect: **09 May 2012**  
(54) Product in respect of which the design is registered: **Wristband**  
(51) International Design Classification: **11-01C**  
(74) Name(s) of Attorney(s): **Dark IP**  
(71) Name(s) and Address(s) of Applicant(s):  
**Joel Buckley**  
**15645 24th Avenue N Unit D Plymouth MN 55447 United States of America**  
(72) Name(s) of Designer(s): **Joel Buckley**  
(45) Registration Date: **24 July 2012**  
(30) Convention priority data:  
(31) Number (32) Date (33) Country  
**29/406,066 09 Nov 2011 UNITED STATES OF AMERICA**  
(56) Related Art Documents: **Not Applicable**  
(57) Statement of Newness and Distinctiveness: **The newness and distinctiveness of the design resides in the shape and/or configuration of the wristband shown in the representations.**



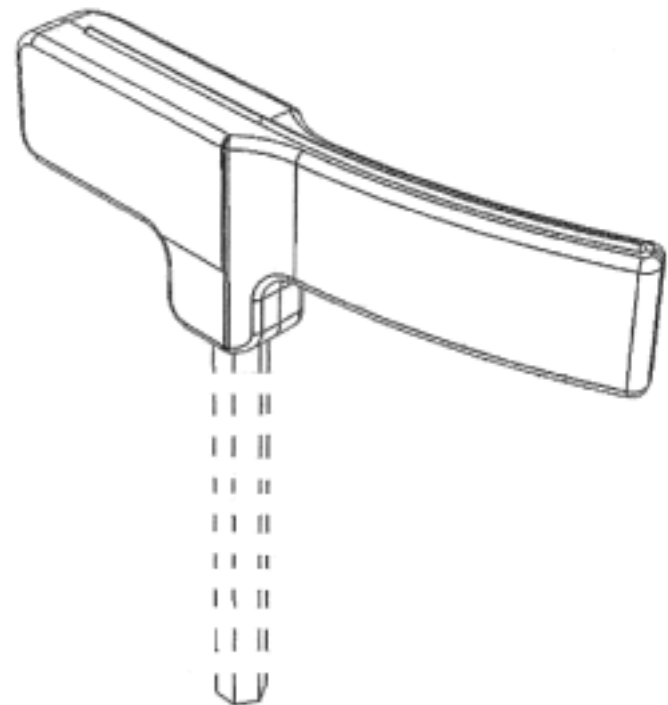
(21) Design Number: **12430/2012**  
(22) Date of Filing Application: **09 May 2012**  
(24) Date from which industrial property rights may have effect: **09 May 2012**  
(54) Product in respect of which the design is registered: **Wristband**  
(51) International Design Classification: **11-01C**  
(74) Name(s) of Attorney(s): **Dark IP**  
(71) Name(s) and Address(s) of Applicant(s):  
**Joel Buckley**  
**15645 24th Avenue N Unit D Plymouth MN 55447 United States of America**  
(72) Name(s) of Designer(s): **Joel Buckley**  
(45) Registration Date: **24 July 2012**  
(30) Convention priority data:  
(31) Number (32) Date (33) Country  
**29/406,066 09 Nov 2011 UNITED STATES OF AMERICA**  
(56) Related Art Documents: **Not Applicable**  
(57) Statement of Newness and Distinctiveness: **The newness and distinctiveness of the design resides in the shape and/or configuration of the wristband shown in the representations.**



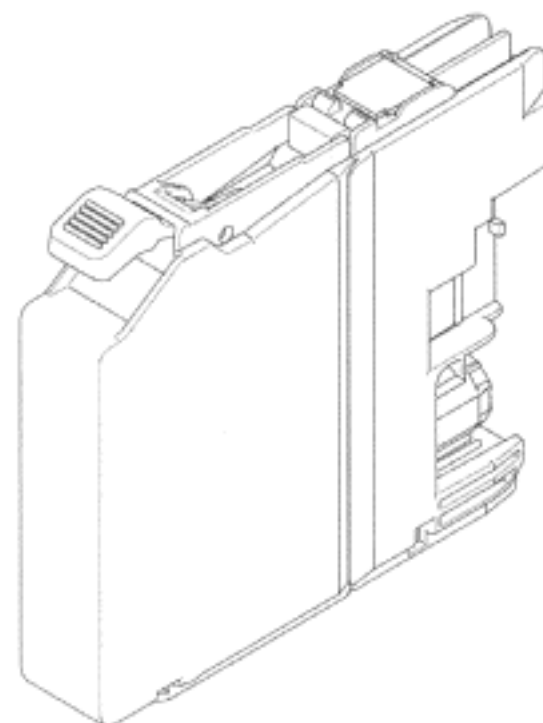
- (21) Design Number: **12592/2012**  
(22) Date of Filing Application: **31 May 2012**  
(24) Date from which industrial property rights may have effect: **31 May 2012**  
(54) Product in respect of which the design is registered: **A blank for a package**  
(51) International Design Classification: **09-03NES**  
(74) Name(s) of Attorney(s):  
(71) Name(s) and Address(s) of Applicant(s):  
**Trail Blazing Design Limited**  
**38 Birmingham Drive Middleton Christchurch 8024 New Zealand**  
(72) Name(s) of Designer(s): **Derek John Kraak**  
(45) Registration Date: **24 July 2012**  
(56) Related Art Documents: **Not Applicable**  
(57) Statement of Newness and Distinctiveness: **Nil**



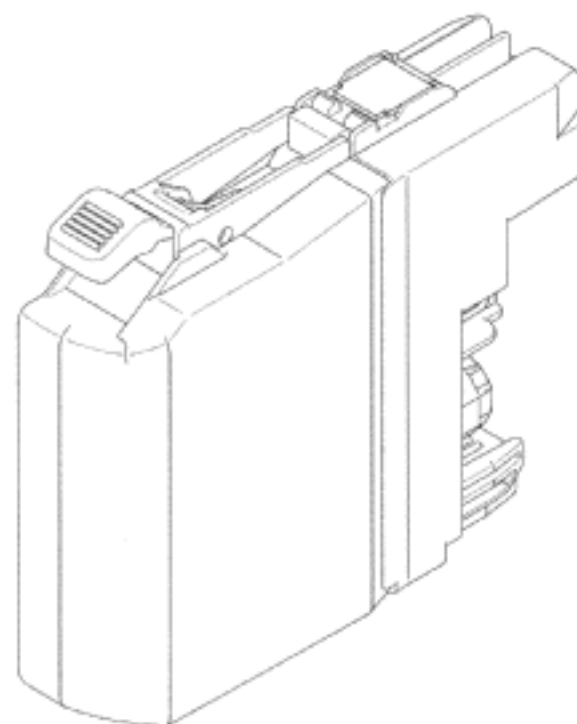
- (21) Design Number: **12982/2012**  
(22) Date of Filing Application: **26 June 2012**  
(24) Date from which industrial property rights may have effect: **26 June 2012**  
(54) Product in respect of which the design is registered: **Torque key**  
(51) International Design Classification: **08-07**  
(74) Name(s) of Attorney(s): **HODGKINSON McINNES PATENTS**  
(71) Name(s) and Address(s) of Applicant(s):  
**Rhino Rack Australia Pty Limited**  
**3 Pike Street Rydalmere New South Wales 2116 Australia**  
(72) Name(s) of Designer(s): **Richard Cropley and Christopher Murty and Anthony Rodier**  
(45) Registration Date: **24 July 2012**  
(56) Related Art Documents: **Not Applicable**  
(57) Statement of Newness and Distinctiveness: **Newness and distinctiveness is claimed in the shape and configuration of a torque key as shown in the representations. The features of the key shaft are shown in ghost lines are illustrative only and do not form part of the design.**



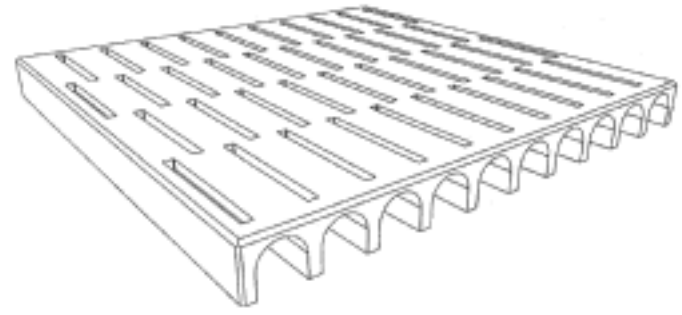
(21) Design Number: **12983/2012**  
(22) Date of Filing Application: **26 June 2012**  
(24) Date from which industrial property rights may have effect: **26 June 2012**  
(54) Product in respect of which the design is registered: **Ink cartridge**  
(51) International Design Classification: **14-02**  
(74) Name(s) of Attorney(s): **Collison & Co**  
(71) Name(s) and Address(s) of Applicant(s):  
**Brother Industries, Ltd.**  
**15-1 Naeshiro-cho Mizuho-ku Nagoya-shi Aichi-ken Japan**  
(72) Name(s) of Designer(s): **Yuki Takagi and Tomohiro Kanbe**  
(45) Registration Date: **24 July 2012**  
(30) Convention priority data:  
(31) Number      (32) Date      (33) Country  
**2011-030176      27 Dec 2011      JAPAN**  
(56) Related Art Documents: **Not Applicable**  
(57) Statement of Newness and Distinctiveness: **Nil representations. The features of the key shaft are shown in ghost lines are illustrative only and do not form part of the design.**



(21) Design Number: **12984/2012**  
(22) Date of Filing Application: **26 June 2012**  
(24) Date from which industrial property rights may have effect: **26 June 2012**  
(54) Product in respect of which the design is registered: **Ink cartridge**  
(51) International Design Classification: **14-02**  
(74) Name(s) of Attorney(s): **Collison & Co**  
(71) Name(s) and Address(s) of Applicant(s):  
**Brother Industries, Ltd.**  
**15-1 Naeshiro-cho Mizuho-ku Nagoya-shi Aichi-ken Japan**  
(72) Name(s) of Designer(s): **Yuki Takagi and Tomohiro Kanbe**  
(45) Registration Date: **24 July 2012**  
(30) Convention priority data:  
(31) Number      (32) Date      (33) Country  
**2011-030177      27 Dec 2011      JAPAN**  
(56) Related Art Documents: **Not Applicable**  
(57) Statement of Newness and Distinctiveness: **Nil**



- (21) Design Number: **12991/2012**  
(22) Date of Filing Application: **25 June 2012**  
(24) Date from which industrial property rights may have effect: **25 June 2012**  
(54) Product in respect of which the design is registered: **Polystyrene pallet**  
(51) International Design Classification: **09-08**  
(74) Name(s) of Attorney(s): **LESICAR MURRAY TRENTO**  
(71) Name(s) and Address(s) of Applicant(s):  
**Choice Solutions Group Pty Ltd**  
**PO Box 439 Deloraine Tasmania 7304 Australia**  
(72) Name(s) of Designer(s): **Caleb Cunningham**  
(45) Registration Date: **24 July 2012**  
(56) Related Art Documents: **Not Applicable**  
(57) Statement of Newness and Distinctiveness: **Newness and distinctiveness resides in the shape and/or configuration of the Polystyrene Pallet as shown in the accompanying representations.**



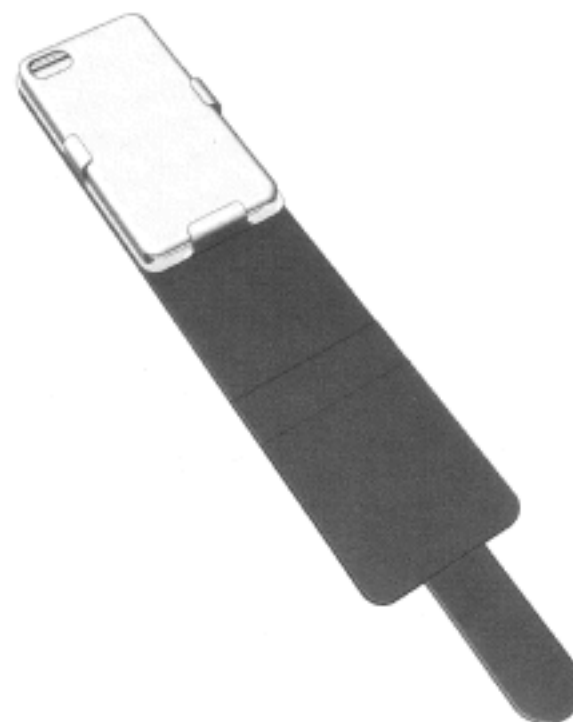
- (21) Design Number: **12995/2012**  
(22) Date of Filing Application: **27 June 2012**  
(24) Date from which industrial property rights may have effect: **27 June 2012**  
(54) Product in respect of which the design is registered: **Sheep skin boots with fluorescent soles as shown in the annexed representations**  
(51) International Design Classification: **02-04NES**  
(74) Name(s) of Attorney(s):  
(71) Name(s) and Address(s) of Applicant(s):  
**Sheepfeet Pty Ltd**  
**33 Jasper Road Bentleigh Victoria 3204 Australia**  
(72) Name(s) of Designer(s): **Scott Kennedy**  
(45) Registration Date: **24 July 2012**  
(56) Related Art Documents: **Not Applicable**  
(57) Statement of Newness and Distinctiveness: **The design is applicable to the shape, colour and pattern of the soles of the sheep skin boots as shown in the accompanying representations. The colour, height and size of the boot is not part of the design and can be disregarded.**



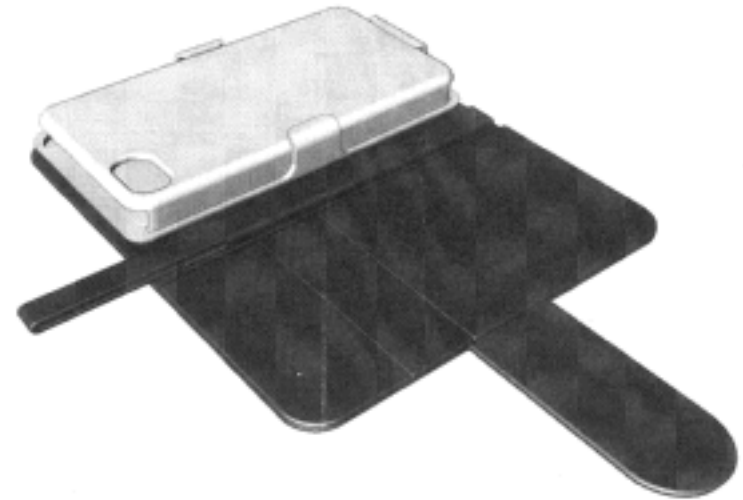
(21) Design Number: **12283/2012**  
(22) Date of Filing Application: **10 May 2012**  
(24) Date from which industrial property rights may have effect: **10 May 2012**  
(54) Product in respect of which the design is registered: **Container for food products**  
(51) International Design Classification: **07-01NES**  
(74) Name(s) of Attorney(s): **PHILLIPS ORMONDE FITZPATRICK**  
(71) Name(s) and Address(s) of Applicant(s):  
**Soremartec S.A.**  
**Rue Joseph Netzer 5 B-6700 Arlon Belgium**  
(72) Name(s) of Designer(s): **Mirko Mombelli**  
(45) Registration Date: **25 July 2012**  
(30) Convention priority data:  
(31) Number (32) Date (33) Country  
**DM/078615 21 Nov 2011 WORLD INTELLECTUAL  
PROPERTY ORGANIZATION  
(WIPO)**  
(56) Related Art Documents: **Not Applicable**  
(57) Statement of Newness and Distinctiveness: **Nil**



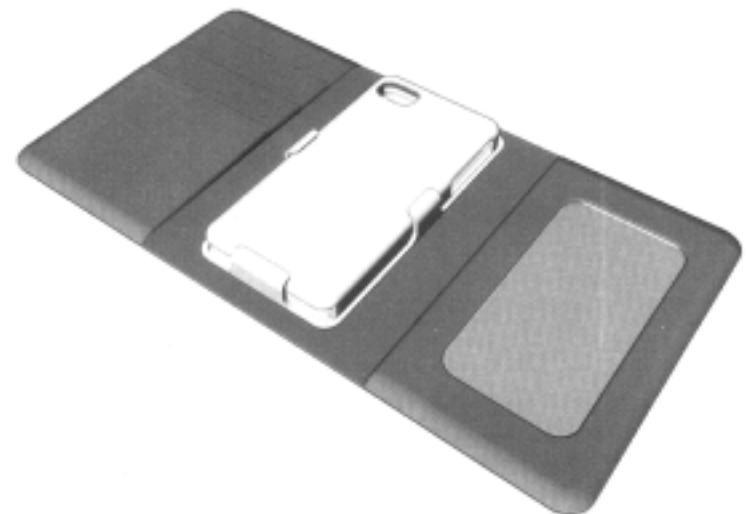
(21) Design Number: **12477/2012**  
(22) Date of Filing Application: **22 May 2012**  
(24) Date from which industrial property rights may have effect: **22 May 2012**  
(54) Product in respect of which the design is registered: **Flip case for electrical devices with card pouches**  
(51) International Design Classification: **03-01NES**  
(74) Name(s) of Attorney(s):  
(71) Name(s) and Address(s) of Applicant(s):  
**Phonewoa Pty Ltd**  
**Unit 6 13 Berry Street Granville New South Wales 2142 Australia**  
(72) Name(s) of Designer(s): **Yong Shen**  
(45) Registration Date: **25 July 2012**  
(56) Related Art Documents: **Not Applicable**  
(57) Statement of Newness and Distinctiveness: **The upper case can be used as a back case for an electrical device. The device with the upper case can be slipped into the lower case, with its upside down or the opposite. The flip case has card pouches.**



- (21) Design Number: **12478/2012**  
(22) Date of Filing Application: **22 May 2012**  
(24) Date from which industrial property rights may have effect: **22 May 2012**  
(54) Product in respect of which the design is registered: **Wallet case for electrical devices with card pouches and a retractable strap**  
(51) International Design Classification: **03-01NES**  
(74) Name(s) of Attorney(s):  
(71) Name(s) and Address(s) of Applicant(s):  
**Phonewoa Pty Ltd**  
**Unit 6 13 Berry Street Granville New South Wales 2142 Australia**  
(72) Name(s) of Designer(s): **Yong Shen**  
(45) Registration Date: **25 July 2012**  
(56) Related Art Documents: **Not Applicable**  
(57) Statement of Newness and Distinctiveness: **The upper case can be used as a back case for an electrical device. The device with the upper case can be slipped into the lower case, with its upside down or the opposite. The wallet case has card pouches and a retractable strap.**



- (21) Design Number: **12479/2012**  
(22) Date of Filing Application: **22 May 2012**  
(24) Date from which industrial property rights may have effect: **22 May 2012**  
(54) Product in respect of which the design is registered: **Wallet with a case for electrical devices**  
(51) International Design Classification: **03-01NES**  
(74) Name(s) of Attorney(s):  
(71) Name(s) and Address(s) of Applicant(s):  
**Phonewoa Pty Ltd**  
**Unit 6 13 Berry Street Granville New South Wales 2142 Australia**  
(72) Name(s) of Designer(s): **Yong Shen**  
(45) Registration Date: **25 July 2012**  
(56) Related Art Documents: **Not Applicable**  
(57) Statement of Newness and Distinctiveness: **A full-function wallet with a case for electrical devices. The upper case can be used as a back case for an electrical device. The device with the upper case can be slipped into the lower case, with its upside down or the opposite.**

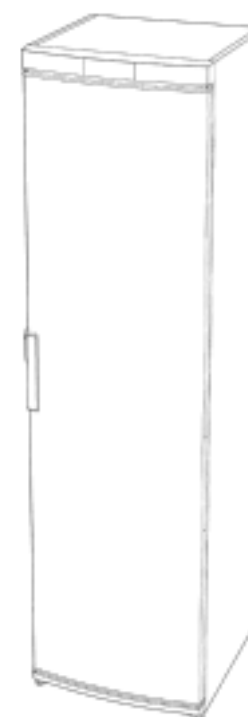




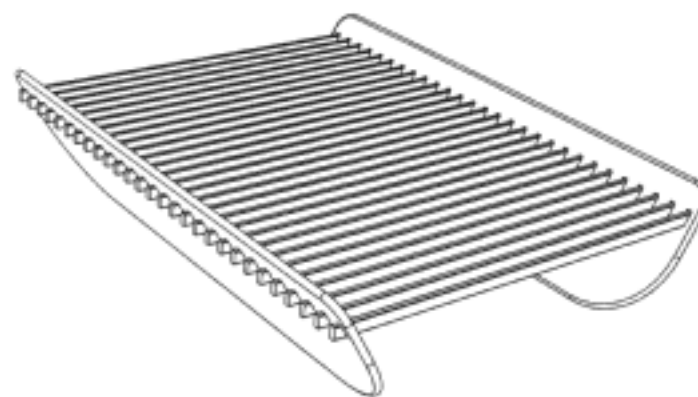
- (21) Design Number: **12480/2012**  
(22) Date of Filing Application: **22 May 2012**  
(24) Date from which industrial property rights may have effect: **22 May 2012**  
(54) Product in respect of which the design is registered: **A school bag/handbag with a case for electrical devices**  
(51) International Design Classification: **03-01A, 03-01B**  
(74) Name(s) of Attorney(s):  
(71) Name(s) and Address(s) of Applicant(s):  
**Phonewoa Pty Ltd**  
**Unit 6 13 Berry Street Granville New South Wales 2142 Australia**  
(72) Name(s) of Designer(s): **Yong Shen**  
(45) Registration Date: **25 July 2012**  
(56) Related Art Documents: **Not Applicable**  
(57) Statement of Newness and Distinctiveness: **A bag with a case for electrical devices. The upper case can be used as a back case for an electrical device. The device with the upper case can be slipped into the lower case, with its upside down or the opposite.**



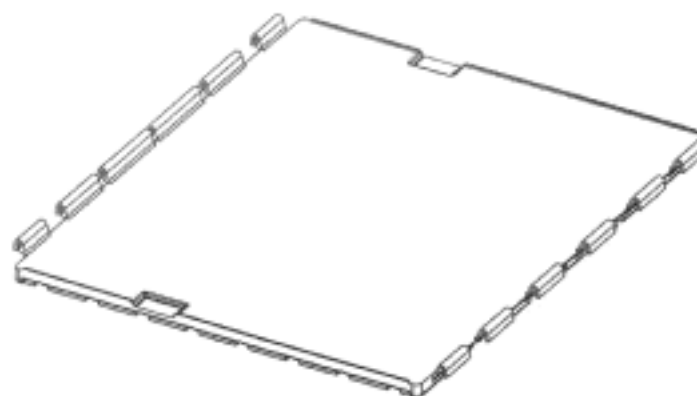
- (21) Design Number: **12535/2012**  
(22) Date of Filing Application: **28 May 2012**  
(24) Date from which industrial property rights may have effect: **28 May 2012**  
(54) Product in respect of which the design is registered: **An appliance**  
(51) International Design Classification: **15-07**  
(74) Name(s) of Attorney(s): **Halfords IP**  
(71) Name(s) and Address(s) of Applicant(s):  
**Electrolux Home Products Corporation N.V.**  
**Raketstraat 40 1130 Brussels Belgium**  
(72) Name(s) of Designer(s): **Samuele Meda and Jan Ctvrtnik**  
(45) Registration Date: **25 July 2012**  
(30) Convention priority data:  
(31) Number      (32) Date      (33) Country  
**001955410      30 Nov 2011      EUROPEAN COMMUNITY**  
(56) Related Art Documents: **Not Applicable**  
(57) Statement of Newness and Distinctiveness: **Newness and distinctiveness resides in the shape and or configuration of an appliance being as depicted in the accompanying representations. The appliance to which design relates includes cold appliances such as refrigerators, freezers, and appliances which combine these.**



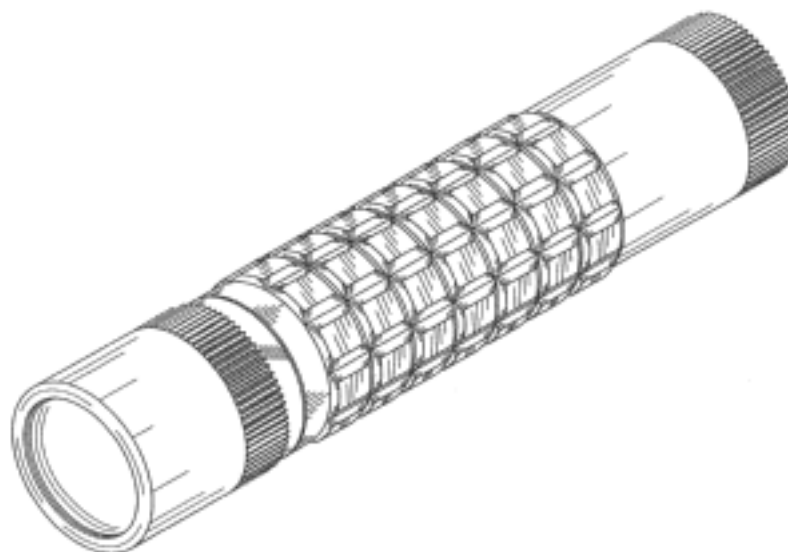
- (21) Design Number: **12761/2012**  
(22) Date of Filing Application: **12 June 2012**  
(24) Date from which industrial property rights may have effect: **12 June 2012**  
(54) Product in respect of which the design is registered: **Bed (images attached)**  
(51) International Design Classification: **06-02**  
(74) Name(s) of Attorney(s):  
(71) Name(s) and Address(s) of Applicant(s):  
**Rolf Roald Meumann**  
**48 Davis Avenue South Yarra Victoria 3141 Australia**  
(72) Name(s) of Designer(s): **Rolf Roald Meumann**  
(45) Registration Date: **25 July 2012**  
(56) Related Art Documents: **Not Applicable**  
(57) Statement of Newness and Distinctiveness: **The bed is designed to support any type of mattress. The design consists of two planar elements (side components) that extend the entire length of the bed. Transversely there are slats that extend through the side components that extend out from the side components at the same length or varying lengths. The side components extend downwards under the slats but also project above the slats. DRAWING No.1 Perspective view of assembled bed. DRAWING No.2 Perspective view of the unpacked bed components. The necessary elements are as shown. DRAWING No.3 End view of partly assembled bed. DRAWING No.4 End view of assembled bed. Essential to the design when assembled, these side components are angled in under the bed as shown in the end view No.4**



- (21) Design Number: **13029/2012**  
(22) Date of Filing Application: **26 June 2012**  
(24) Date from which industrial property rights may have effect: **26 June 2012**  
(54) Product in respect of which the design is registered: **Base for roll container**  
(51) International Design Classification: **09-03NES**  
(74) Name(s) of Attorney(s): **Golja Haines & Friend**  
(71) Name(s) and Address(s) of Applicant(s):  
**K. Hartwall Oy Ab**  
**Kay Hartwallin tie 2 01150 Soderkulla Finland**  
(72) Name(s) of Designer(s): **Markku Tiilikainen and Jack Gronholm**  
(45) Registration Date: **25 July 2012**  
(30) Convention priority data:  
(31) Number      (32) Date      (33) Country  
**001970799-0002    03 Jan 2012      EUROPEAN COMMUNITY**  
(56) Related Art Documents: **Not Applicable**  
(57) Statement of Newness and Distinctiveness: **Newness and distinctiveness is claimed in the shape and configuration of a base for a roll container as illustrated in the accompanying representations.**



(21) Design Number: **11982/2012**  
(22) Date of Filing Application: **19 April 2012**  
(24) Date from which industrial property rights may have effect: **19 April 2012**  
(54) Product in respect of which the design is registered: **Flashlight**  
(51) International Design Classification: **26-02**  
(74) Name(s) of Attorney(s): **Lord & Company**  
(71) Name(s) and Address(s) of Applicant(s):  
**Mag Instrument, Inc.**  
**2001 Hellman Avenue Ontario California 91761 United States of America**  
(72) Name(s) of Designer(s): **Anthony Maglica**  
(45) Registration Date: **25 July 2012**  
(30) Convention priority data:  
(31) Number (32) Date (33) Country  
**29/404369 19 Oct 2011 UNITED STATES OF AMERICA**  
(56) Related Art Documents: **Not Applicable**  
(57) Statement of Newness and Distinctiveness: **The particular visual features of the design which are new and distinctive are shape OR configuration.**



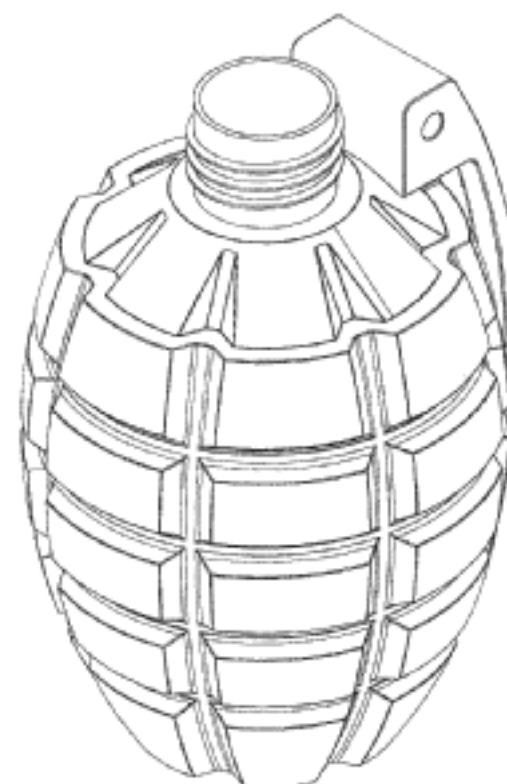
(21) Design Number: **12534/2012**  
(22) Date of Filing Application: **28 May 2012**  
(24) Date from which industrial property rights may have effect: **28 May 2012**  
(54) Product in respect of which the design is registered: **Appliance component**  
(51) International Design Classification: **15-07**  
(74) Name(s) of Attorney(s): **Halfords IP**  
(71) Name(s) and Address(s) of Applicant(s):  
**Electrolux Home Products Corporation N.V.**  
**Raketstraat 40, 1130 Brussels Belgium**  
(72) Name(s) of Designer(s): **Samuele Meda and Jan Ctvrtnik**  
(45) Registration Date: **25 July 2012**  
(30) Convention priority data:  
(31) Number (32) Date (33) Country  
**001955105 30 Nov 2011 EUROPEAN COMMUNITY**  
(56) Related Art Documents: **Not Applicable**  
(57) Statement of Newness and Distinctiveness: **Newness and distinctiveness resides in the shape and or configuration of an appliance component being as depicted in the accompanying representations. The appliance to which design relates includes cold appliances such as refrigerators, freezers, and appliances which combine these.**



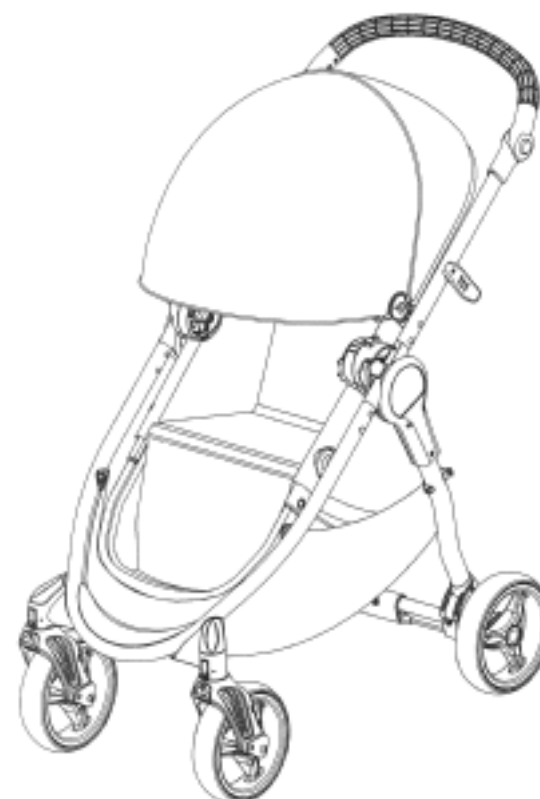
- (21) Design Number: **12628/2012**  
(22) Date of Filing Application: **31 May 2012**  
(24) Date from which industrial property rights may have effect: **31 May 2012**  
(54) Product in respect of which the design is registered: **Stationery holder**  
(51) International Design Classification: **19-06, 19-01**  
(74) Name(s) of Attorney(s): **Finlaysons**  
(71) Name(s) and Address(s) of Applicant(s):  
**Ros Branson**  
**13 Fourth Avenue Bridgewater South Australia 5155 Australia**  
(72) Name(s) of Designer(s): **Ros Branson**  
(45) Registration Date: **25 July 2012**  
(56) Related Art Documents: **Not Applicable**  
(57) Statement of Newness and Distinctiveness: **Newness and distinctiveness is claimed in the features of shape and configuration of the product as shown in the accompanying representations. The colour of the product, and stitching shown, do not form part of the claimed design.**



- (21) Design Number: **12764/2012**  
(22) Date of Filing Application: **06 June 2012**  
(24) Date from which industrial property rights may have effect: **06 June 2012**  
(54) Product in respect of which the design is registered: **Bottle**  
(51) International Design Classification: **09-01D**  
(74) Name(s) of Attorney(s):  
(71) Name(s) and Address(s) of Applicant(s):  
**Container Pty Ltd**  
**Level 3 255 Riley Street Surry Hills New South Wales 2010 Australia**  
(72) Name(s) of Designer(s): **Mark Evans**  
(45) Registration Date: **25 July 2012**  
(56) Related Art Documents: **Not Applicable**  
(57) Statement of Newness and Distinctiveness: **Bottle, to hold liquid. Shaped like a grenade.**



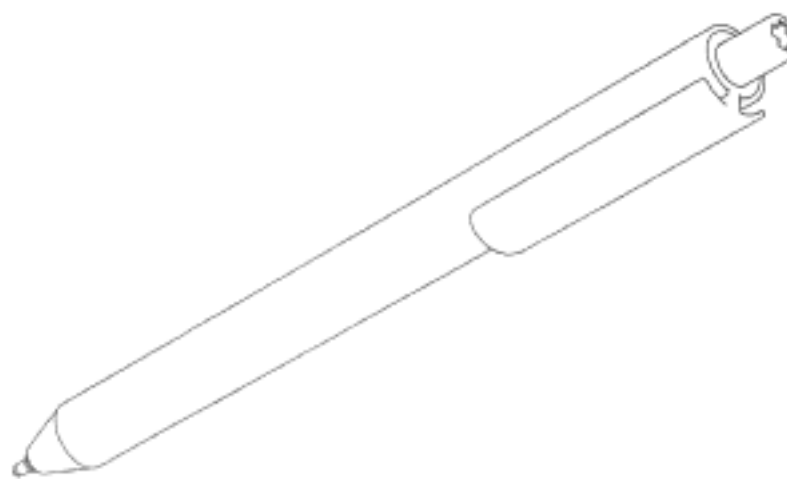
- (21) Design Number: **12861/2012**  
(22) Date of Filing Application: **13 June 2012**  
(24) Date from which industrial property rights may have effect: **13 June 2012**  
(54) Product in respect of which the design is registered: **Baby stroller**  
(51) International Design Classification: **12-12**  
(74) Name(s) of Attorney(s):  
(71) Name(s) and Address(s) of Applicant(s):  
**Unique Product & Design Co., Ltd.**  
**No. 5 Ming Dong Road Yongkang District Tainan City Taiwan**  
(72) Name(s) of Designer(s): **Gordon Liao**  
(45) Registration Date: **25 July 2012**  
(56) Related Art Documents: **Not Applicable**  
(57) Statement of Newness and Distinctiveness: **Novelty resides in the ornamental design for a baby stroller as shown in the drawing.**



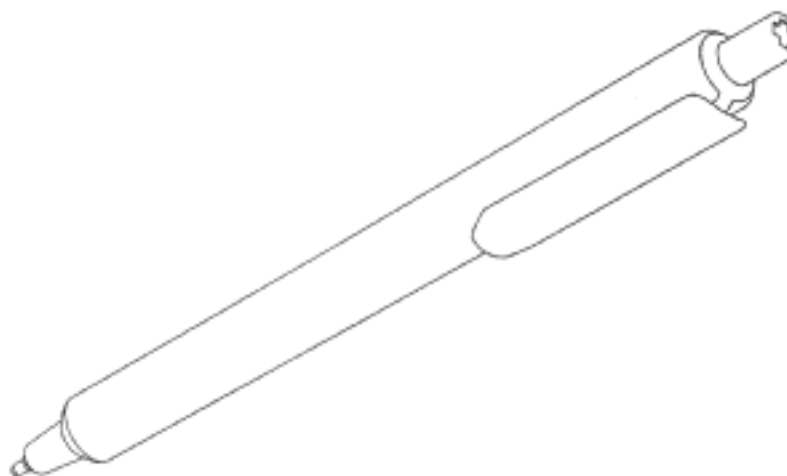
- (21) Design Number: **13004/2012**  
(22) Date of Filing Application: **27 June 2012**  
(24) Date from which industrial property rights may have effect: **27 June 2012**  
(54) Product in respect of which the design is registered: **Pet treat**  
(51) International Design Classification: **01-06**  
(74) Name(s) of Attorney(s): **Baker & McKenzie**  
(71) Name(s) and Address(s) of Applicant(s):  
**Mars Incorporated**  
**6885 Elm Street McLean VA 22101 United States of America**  
(72) Name(s) of Designer(s): **Todd Robinson**  
(45) Registration Date: **25 July 2012**  
(30) Convention priority data:  
(31) Number (32) Date (33) Country  
**29/409,636 27 Dec 2011 UNITED STATES OF AMERICA**  
(56) Related Art Documents: **Not Applicable**  
(57) Statement of Newness and Distinctiveness: **The newness and distinctiveness of the design resides in the features of shape and/or ornamentation of the product, as shown in the representations.**



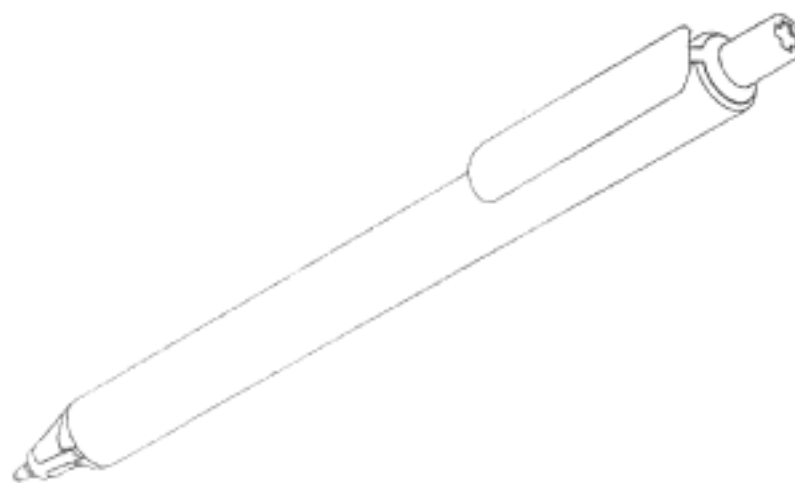
(21) Design Number: **13005/2012**  
(22) Date of Filing Application: **27 June 2012**  
(24) Date from which industrial property rights may have effect: **27 June 2012**  
(54) Product in respect of which the design is registered: **Chalk pen design**  
(51) International Design Classification: **19-06**  
(74) Name(s) of Attorney(s): **Baker & McKenzie**  
(71) Name(s) and Address(s) of Applicant(s):  
**Premec S.A.**  
**Via Industria 6814 Cadempino Switzerland**  
(72) Name(s) of Designer(s): **Charles Cambianica**  
(45) Registration Date: **25 July 2012**  
(30) Convention priority data:  
(31) Number      (32) Date      (33) Country  
**002016766      29 Mar 2012      EUROPEAN COMMUNITY**  
(56) Related Art Documents: **Not Applicable**  
(57) Statement of Newness and Distinctiveness: **Newness and distinctiveness is claimed in the features of shape and/or configuration of a ballpoint pen as illustrated in the accompanying representations, including: the shape of the nib; and the shape of the clip and the round collar joint by which it is connected at the top of the pen.**



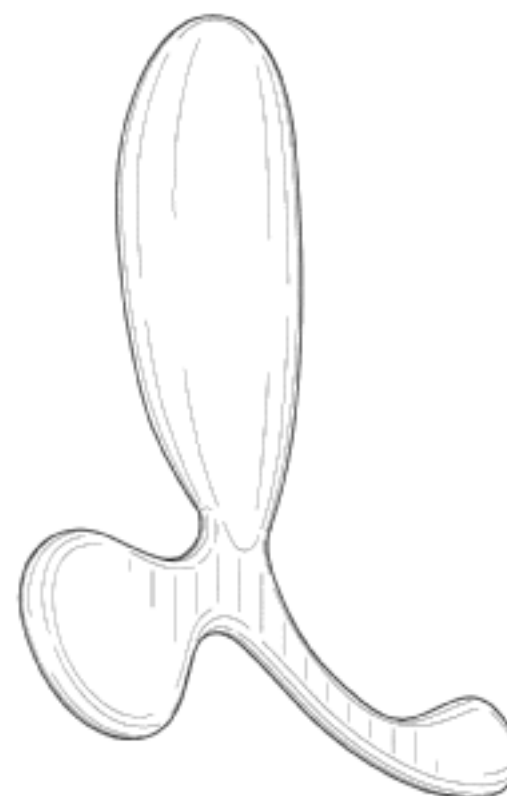
(21) Design Number: **13006/2012**  
(22) Date of Filing Application: **27 June 2012**  
(24) Date from which industrial property rights may have effect: **27 June 2012**  
(54) Product in respect of which the design is registered: **Original pen design**  
(51) International Design Classification: **19-06**  
(74) Name(s) of Attorney(s): **Baker & McKenzie**  
(71) Name(s) and Address(s) of Applicant(s):  
**Premec S.A.**  
**Via Industria 6814 Cadempino Switzerland**  
(72) Name(s) of Designer(s): **Charles Cambianica**  
(45) Registration Date: **25 July 2012**  
(30) Convention priority data:  
(31) Number      (32) Date      (33) Country  
**002016766      29 Mar 2012      EUROPEAN COMMUNITY**  
(56) Related Art Documents: **Not Applicable**  
(57) Statement of Newness and Distinctiveness: **Newness and distinctiveness is claimed in the features of shape and/or configuration of a ballpoint pen as illustrated in the accompanying representations, including: the shape of the nib; and the shape of the clip and the round collar joint by which it is connected at the top of the pen.**



(21) Design Number: **13007/2012**  
(22) Date of Filing Application: **27 June 2012**  
(24) Date from which industrial property rights may have effect: **27 June 2012**  
(54) Product in respect of which the design is registered: **Tech pen design**  
(51) International Design Classification: **19-06**  
(74) Name(s) of Attorney(s): **Baker & McKenzie**  
(71) Name(s) and Address(s) of Applicant(s):  
**Premec S.A.**  
**Via Industria 6814 Cadempino Switzerland**  
(72) Name(s) of Designer(s): **Charles Cambianica**  
(45) Registration Date: **25 July 2012**  
(30) Convention priority data:  
(31) Number (32) Date (33) Country  
**002016766 29 Mar 2012 EUROPEAN COMMUNITY**  
(56) Related Art Documents: **Not Applicable**  
(57) Statement of Newness and Distinctiveness: **Newness and distinctiveness is claimed in the features of shape and/or configuration of a ballpoint pen as illustrated in the accompanying representations, including: the shape of the nib; and the shape of the clip and the round collar joint by which it is connected at the top of the pen.**



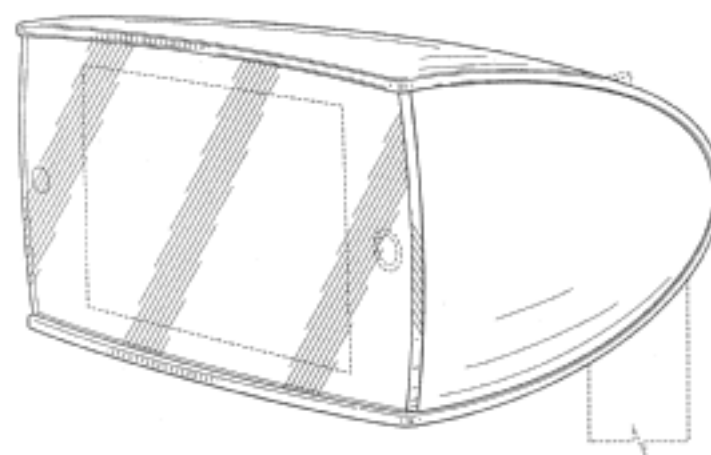
(21) Design Number: **13014/2012**  
(22) Date of Filing Application: **27 June 2012**  
(24) Date from which industrial property rights may have effect: **27 June 2012**  
(54) Product in respect of which the design is registered: **Massage device**  
(51) International Design Classification: **28-03NES**  
(74) Name(s) of Attorney(s): **Knightsbridge Patent Attorneys**  
(71) Name(s) and Address(s) of Applicant(s):  
**Jiro Takashima**  
**PO Box 55427 Houston TX 77255 United States of America**  
(72) Name(s) of Designer(s): **Jiro Takshima**  
(45) Registration Date: **25 July 2012**  
(30) Convention priority data:  
(31) Number (32) Date (33) Country  
**29/409737 28 Dec 2011 UNITED STATES OF AMERICA**  
(56) Related Art Documents: **Not Applicable**  
(57) Statement of Newness and Distinctiveness: **Newness and distinctiveness are claimed in the features of shape and configuration for a massage device, as depicted in the accompanying drawings.**



- (21) Design Number: **13041/2012**  
(22) Date of Filing Application: **28 June 2012**  
(24) Date from which industrial property rights may have effect: **28 June 2012**  
(54) Product in respect of which the design is registered: **A container**  
(51) International Design Classification: **09-03NES**  
(74) Name(s) of Attorney(s): **SPRUSON & FERGUSON**  
(71) Name(s) and Address(s) of Applicant(s):  
**Tacca-Plastics Australia Pty Ltd**  
**1/4 Deadman Road Moorebank New South Wales 2170 Australia**  
(72) Name(s) of Designer(s): **Domenic Tacca**  
(45) Registration Date: **26 July 2012**  
(56) Related Art Documents: **Not Applicable**  
(57) Statement of Newness and Distinctiveness: **Newness and distinctiveness is claimed in the features of shape and/or configuration of a container as illustrated in the accompanying representations.**

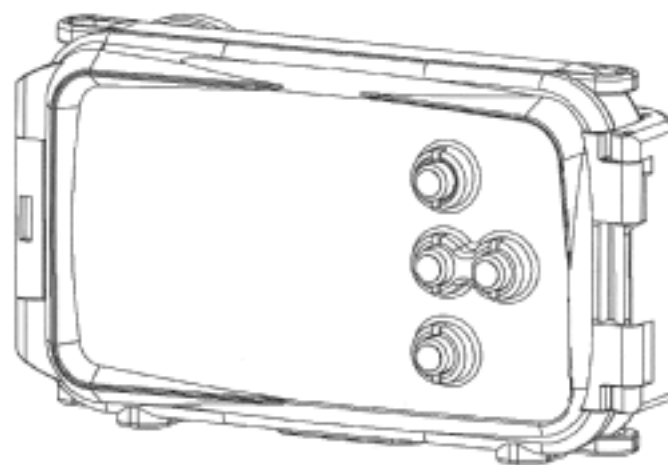


- (21) Design Number: **13042/2012**  
(22) Date of Filing Application: **28 June 2012**  
(24) Date from which industrial property rights may have effect: **28 June 2012**  
(54) Product in respect of which the design is registered: **Medical device housing**  
(51) International Design Classification: **24-01**  
(74) Name(s) of Attorney(s): **PIZZEYS**  
(71) Name(s) and Address(s) of Applicant(s):  
**Vessix Vascular, Inc.**  
**26052 Merit Circle Suite 106 Laguna Hills CA 92653 United States of America**  
(72) Name(s) of Designer(s): **Stuart Karten and Dennis Schroeder and Eric Schmid and Eric Olson and Chris Clark and Jonathan Abarbanel and Bernard Lo and Erin Williams and Cynthia Kossayan**  
(45) Registration Date: **26 July 2012**  
(30) Convention priority data:  
(31) Number      (32) Date      (33) Country  
**29/395,477      27 Jan 2012      UNITED STATES OF AMERICA**  
(56) Related Art Documents: **Not Applicable**  
(57) Statement of Newness and Distinctiveness: **Nil**

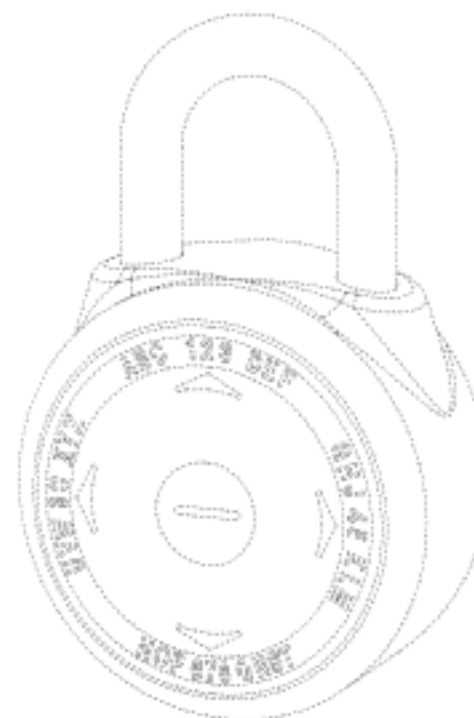




- (21) Design Number: **13043/2012**  
(22) Date of Filing Application: **28 June 2012**  
(24) Date from which industrial property rights may have effect: **28 June 2012**  
(54) Product in respect of which the design is registered: **Waterproof case for smart phone**  
(51) International Design Classification: **03-01NES**  
(74) Name(s) of Attorney(s):  
(71) Name(s) and Address(s) of Applicant(s):  
**Zear Corporation Limited**  
**6B Valiant Industrial Centre 2-12 Au Pui Wan Steet Fotan Shatin New Territories Hong Kong**  
(72) Name(s) of Designer(s): **Man Fong Chu**  
(45) Registration Date: **26 July 2012**  
(56) Related Art Documents: **Not Applicable**  
(57) Statement of Newness and Distinctiveness: **Nil**



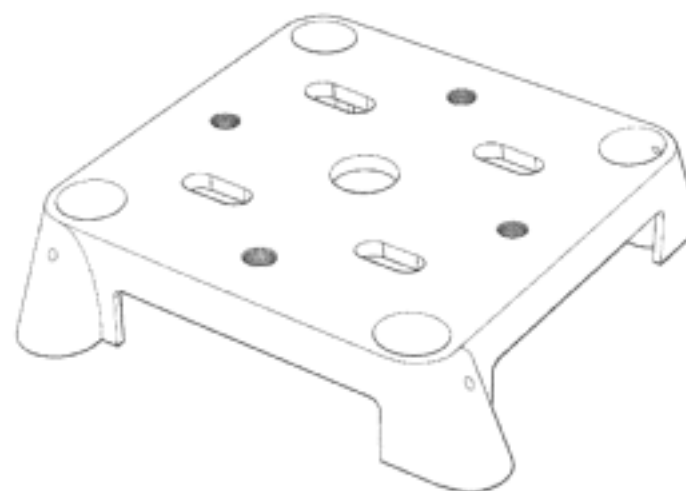
- (21) Design Number: **13045/2012**  
(22) Date of Filing Application: **28 June 2012**  
(24) Date from which industrial property rights may have effect: **28 June 2012**  
(54) Product in respect of which the design is registered: **Rear face of a lock**  
(51) International Design Classification: **08-07**  
(74) Name(s) of Attorney(s): **Callinans**  
(71) Name(s) and Address(s) of Applicant(s):  
**Master Lock Company LLC**  
**137 W. Forest Hill Avenue Oak Creek Wisconsin 53154 United States of America**  
(72) Name(s) of Designer(s): **Scott B. Stevens and Zachery T. Nave**  
(45) Registration Date: **26 July 2012**  
(30) Convention priority data:  
(31) Number      (32) Date      (33) Country  
**29/404,732      25 Oct 2011      UNITED STATES OF AMERICA**  
(56) Related Art Documents: **Not Applicable**  
(57) Statement of Newness and Distinctiveness: **Newness and distinctiveness are provided by the shape and/or configuration of the design shown in the representations. The features shown in broken lines in the representations are for illustrative purposes only and should not be considered when construing visual features of the design.**



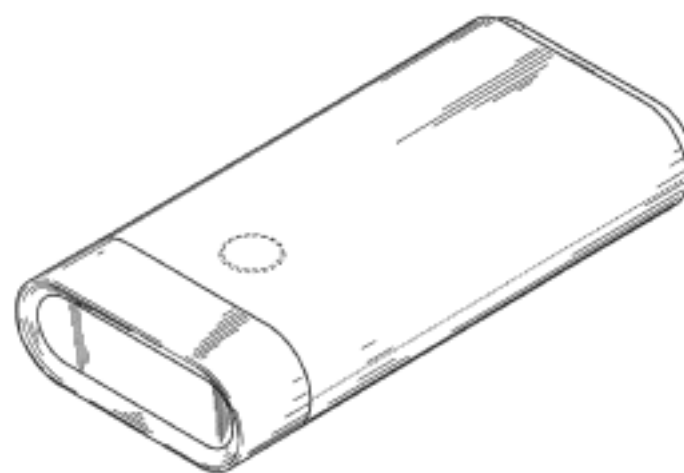
(21) Design Number: **13046/2012**  
(22) Date of Filing Application: **28 June 2012**  
(24) Date from which industrial property rights may have effect: **28 June 2012**  
(54) Product in respect of which the design is registered: **Circumferential body part of a lock**  
(51) International Design Classification: **08-07**  
(74) Name(s) of Attorney(s): **Callinans**  
(71) Name(s) and Address(s) of Applicant(s):  
**Master Lock Company LLC**  
**137 W. Forest Hill Avenue Oak Creek Wisconsin 53154 United States of America**  
(72) Name(s) of Designer(s): **Scott B. Stevens and Zachery T. Nave**  
(45) Registration Date: **26 July 2012**  
(30) Convention priority data:  
(31) Number (32) Date (33) Country  
**29/404,732 25 Oct 2011 UNITED STATES OF AMERICA**  
(56) Related Art Documents: **Not Applicable**  
(57) Statement of Newness and Distinctiveness: **Newness and distinctiveness are provided by the shape and/or configuration of the design shown in the representations. The features shown in broken lines in the representations are for illustrative purposes only and should not be considered when construing visual features of the design.**



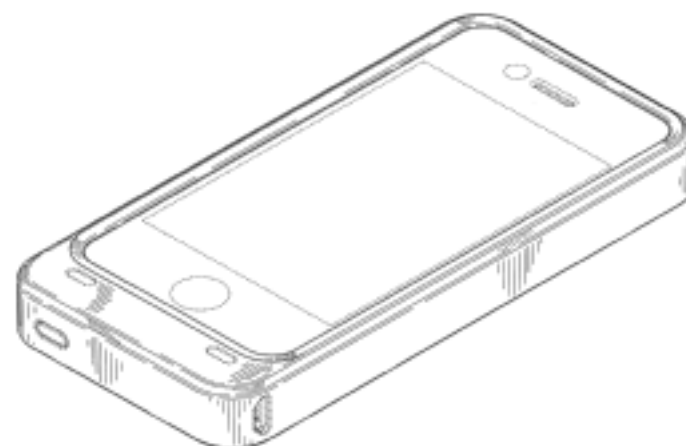
(21) Design Number: **13047/2012**  
(22) Date of Filing Application: **28 June 2012**  
(24) Date from which industrial property rights may have effect: **28 June 2012**  
(54) Product in respect of which the design is registered: **Footing plate**  
(51) International Design Classification: **25-01B**  
(74) Name(s) of Attorney(s): **Callinans**  
(71) Name(s) and Address(s) of Applicant(s):  
**Neil Despotellis**  
**26 Elle Close Bundoora Victoria 3083 Australia**  
(72) Name(s) of Designer(s): **Neil Despotellis**  
(45) Registration Date: **26 July 2012**  
(56) Related Art Documents: **Not Applicable**  
(57) Statement of Newness and Distinctiveness: **Nil**



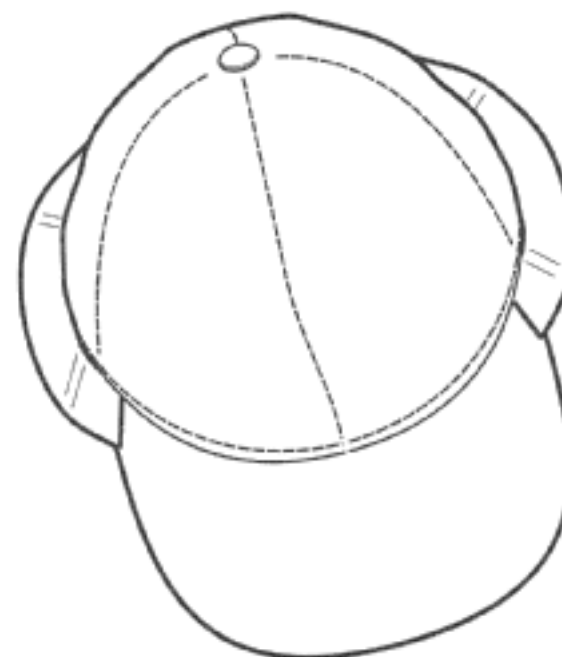
(21) Design Number: **13062/2012**  
(22) Date of Filing Application: **29 June 2012**  
(24) Date from which industrial property rights may have effect: **29 June 2012**  
(54) Product in respect of which the design is registered: **Charger**  
(51) International Design Classification: **13-02**  
(74) Name(s) of Attorney(s): **Halfords IP**  
(71) Name(s) and Address(s) of Applicant(s):  
**Eveready Battery Company, Inc.**  
**533 Maryville University Drive St Louis Missouri 63141 United States of America**  
(72) Name(s) of Designer(s): **Jonathan A. Fitch and Donwoong Kang and David J. Hine**  
(45) Registration Date: **26 July 2012**  
(30) Convention priority data:  
(31) Number (32) Date (33) Country  
**29/410192 05 Jan 2012 UNITED STATES OF AMERICA**  
(56) Related Art Documents: **Not Applicable**  
(57) Statement of Newness and Distinctiveness: **Newness and distinctiveness resides in the features of shape and or configuration of a charger, as depicted in the accompanying representations. Features shown in broken linework, and shading lines, do not form part of the design.**



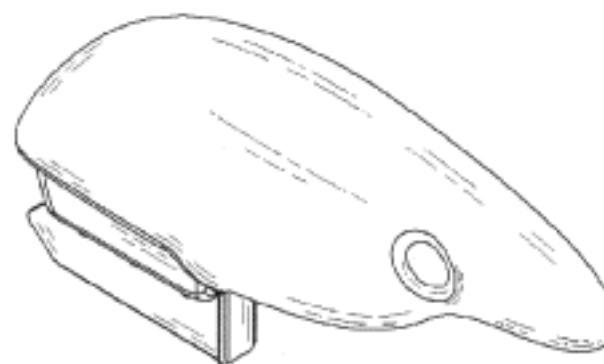
(21) Design Number: **13063/2012**  
(22) Date of Filing Application: **29 June 2012**  
(24) Date from which industrial property rights may have effect: **29 June 2012**  
(54) Product in respect of which the design is registered: **Charging sleeve**  
(51) International Design Classification: **1302, 0301z**  
(74) Name(s) of Attorney(s): **Halfords IP**  
(71) Name(s) and Address(s) of Applicant(s):  
**Eveready Battery Company, Inc.**  
**533 Maryville University Drive St Louis Missouri 63141 United States of America**  
(72) Name(s) of Designer(s): **Donwoong Kang and Jonathan A. Fitch**  
(45) Registration Date: **26 July 2012**  
(30) Convention priority data:  
(31) Number (32) Date (33) Country  
**29-410190 05 Jan 2012 UNITED STATES OF AMERICA**  
(56) Related Art Documents: **Not Applicable**  
(57) Statement of Newness and Distinctiveness: **Newness and distinctiveness resides in the features of shape and or configuration of a charging sleeve, as depicted in the accompanying representations. Features shown in broken linework, and shading lines, do not form part of the design.**



- (21) Design Number: **13072/2012**  
(22) Date of Filing Application: **29 June 2012**  
(24) Date from which industrial property rights may have effect: **29 June 2012**  
(54) Product in respect of which the design is registered: **Cap**  
(51) International Design Classification: **02-03**  
(74) Name(s) of Attorney(s): **Janet Stead & Associates, Patent and Trade Mark Attorneys**  
(71) Name(s) and Address(s) of Applicant(s):  
**Eric Altinier**  
**64 Williams Street Gooseberry Hill Western Australia 6076 Australia**  
(72) Name(s) of Designer(s): **Eric Altinier**  
(45) Registration Date: **26 July 2012**  
(56) Related Art Documents: **Not Applicable**  
(57) Statement of Newness and Distinctiveness: **Newness and distinctiveness is claimed in the shape and/or configuration of a CAP as illustrated in the accompanying representations.**



- (21) Design Number: **13076/2012**  
(22) Date of Filing Application: **28 June 2012**  
(24) Date from which industrial property rights may have effect: **28 June 2012**  
(54) Product in respect of which the design is registered: **Scaper handle**  
(51) International Design Classification: **08-06**  
(74) Name(s) of Attorney(s): **Acacia Law**  
(71) Name(s) and Address(s) of Applicant(s):  
**Yu-Chen Tsai**  
**No 99-1 Futai St Wuri Dist Taichung City 414 Taiwan (R.O.C.)**  
(72) Name(s) of Designer(s): **Yu-Chen Tsai**  
(45) Registration Date: **26 July 2012**  
(56) Related Art Documents: **Not Applicable**  
(57) Statement of Newness and Distinctiveness: **The broken lines in Fig. 8 represent environmental structure that form no part of the claimed design.**



- (21) Design Number: **13149/2012**  
(22) Date of Filing Application: **05 July 2012**  
(24) Date from which industrial property rights may have effect: **05 July 2012**  
(54) Product in respect of which the design is registered: **Display screen for an electronic device**  
(51) International Design Classification: **14-04**  
(74) Name(s) of Attorney(s): **Wrays**  
(71) Name(s) and Address(s) of Applicant(s):  
**Samsung Electronics Co., Ltd**  
**416 Maetan-dong Yeongtong-Gu Suwon-Si Gyeonggi-Do Republic of Korea**  
(72) Name(s) of Designer(s): **Jae-Myoung Lee**  
(45) Registration Date: **26 July 2012**  
(30) Convention priority data:  
(31) Number (32) Date (33) Country  
**30-2012-0000879 06 Jan 2012 REPUBLIC OF KOREA**  
(56) Related Art Documents: **Not Applicable**  
(57) Statement of Newness and Distinctiveness: **Newness and distinctiveness is claimed in the features of pattern and/or ornamentation of the Display Screen For An Electronic Device as shown in solid outline in the accompanying representations.**



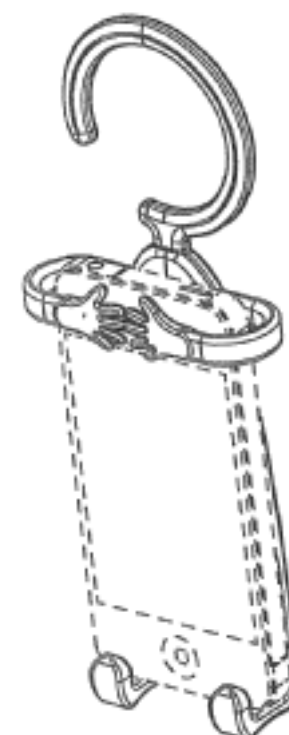
- (21) Design Number: **13150/2012**  
(22) Date of Filing Application: **05 July 2012**  
(24) Date from which industrial property rights may have effect: **05 July 2012**  
(54) Product in respect of which the design is registered: **Display screen for an electronic device**  
(51) International Design Classification: **14-04**  
(74) Name(s) of Attorney(s): **Wrays**  
(71) Name(s) and Address(s) of Applicant(s):  
**Samsung Electronics Co., Ltd**  
**129 Samsung-ro Yeongtong-gu Suwon-si Gyeonggi-do 443-742 Republic of Korea**  
(72) Name(s) of Designer(s): **Jee-Yeun Wang and Mee-Young Kim and Hee-Kyung Jeon and Cho-Hyang Ma**  
(45) Registration Date: **26 July 2012**  
(30) Convention priority data:  
(31) Number (32) Date (33) Country  
**30-2012-0001055 09 Jan 2012 REPUBLIC OF KOREA**  
(56) Related Art Documents: **Not Applicable**  
(57) Statement of Newness and Distinctiveness: **Newness and distinctiveness is claimed in the features of pattern and/or ornamentation of the Display Screen For An Electronic Device as shown in solid outline in the accompanying representations.**



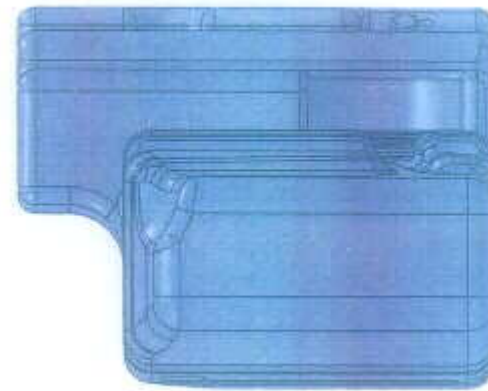
- (21) Design Number: **13155/2012**  
(22) Date of Filing Application: **05 July 2012**  
(24) Date from which industrial property rights may have effect: **05 July 2012**  
(54) Product in respect of which the design is registered: **Display screen for an electronic device**  
(51) International Design Classification: **14-04**  
(74) Name(s) of Attorney(s): **Wrays**  
(71) Name(s) and Address(s) of Applicant(s):  
**Samsung Electronics Co., Ltd**  
**416 Maetan-dong Yeongtong-Gu Suwon-Si Gyeonggi-Do Republic of Korea**  
(72) Name(s) of Designer(s): **Min-Seok Kim and Hee-Kyung Jeon and Jee-Yeun Wang**  
(45) Registration Date: **26 July 2012**  
(30) Convention priority data:  
(31) Number (32) Date (33) Country  
**30-2012-0001051 09 Jan 2012 REPUBLIC OF KOREA**  
(56) Related Art Documents: **Not Applicable**  
(57) Statement of Newness and Distinctiveness: **Newness and distinctiveness is claimed in the features of pattern and/or ornamentation of the Display Screen For An Electronic Device as shown in solid outline in the accompanying representations.**



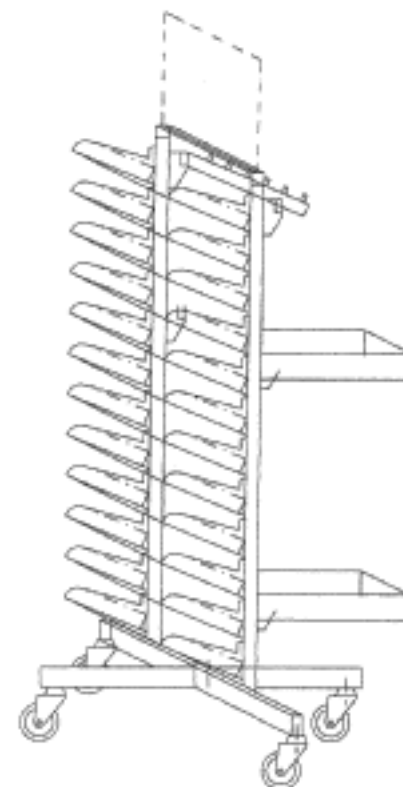
- (21) Design Number: **13158/2012**  
(22) Date of Filing Application: **04 July 2012**  
(24) Date from which industrial property rights may have effect: **04 July 2012**  
(54) Product in respect of which the design is registered: **Flexible cellular phone holder**  
(51) International Design Classification: **14-03A**  
(74) Name(s) of Attorney(s): **WALLINGTON-DUMMER**  
(71) Name(s) and Address(s) of Applicant(s):  
**My Bondi Ltd**  
**Hamutzar 17/4 Ellat 88000 Israel**  
(72) Name(s) of Designer(s): **Lior Avrahami and Simha Dan**  
(45) Registration Date: **26 July 2012**  
(30) Convention priority data:  
(31) Number (32) Date (33) Country  
**29/410,128 04 Jan 2012 UNITED STATES OF AMERICA**  
(56) Related Art Documents: **Not Applicable**  
(57) Statement of Newness and Distinctiveness: **Newness and distinctiveness resides in a Flexible Cellular Phone Holder as illustrated and having arm components movable between an open position and an enclosing position thereby to enclose a portion of a phone (shown in dotted lines). The phone does not form part of the product to which the design is intended to be applied.**



- (21) Design Number: **13275/2012**  
(22) Date of Filing Application: **22 June 2012**  
(24) Date from which industrial property rights may have effect: **22 June 2012**  
(54) Product in respect of which the design is registered: **Fuel tank for automotive use, of larger size than the original tank**  
(51) International Design Classification: **12-16NES**  
(74) Name(s) of Attorney(s):  
(71) Name(s) and Address(s) of Applicant(s):  
**Stewart Thompson**  
**5-7 Freight Road Tullamarine Victoria 3043 Australia**  
(72) Name(s) of Designer(s): **Paul Cooper and Stewart Thompson**  
(45) Registration Date: **26 July 2012**  
(56) Related Art Documents: **Not Applicable**  
(57) Statement of Newness and Distinctiveness: **To use the original factory mounting points for a tank larger than the original.**



- (21) Design Number: **12673/2012**  
(22) Date of Filing Application: **06 June 2012**  
(24) Date from which industrial property rights may have effect: **06 June 2012**  
(54) Product in respect of which the design is registered: **Display Stand for Umbrellas or the like**  
(51) International Design Classification: **20-02E**  
(74) Name(s) of Attorney(s): **FB Rice**  
(71) Name(s) and Address(s) of Applicant(s):  
**A. Royale & Co (Aust) Pty Ltd**  
**81-85 Roberts Road Chullora New South Wales 2190 Australia**  
(72) Name(s) of Designer(s): **Richard Tier**  
(45) Registration Date: **26 July 2012**  
(56) Related Art Documents: **Not Applicable**  
(57) Statement of Newness and Distinctiveness: **Newness and distinctiveness reside in the features of shape and configuration of the umbrella stand as shown in solid lines in the representations, with the header shown in dashed lines in the isometric view being detachable, and not forming part of the design.**



(21) Design Number: **13030/2012**

(22) Date of Filing Application: **28 June 2012**

(24) Date from which industrial property rights may have effect: **28 June 2012**

(54) Product in respect of which the design is registered: **Human model**

(51) International Design Classification: **20-02B**

(74) Name(s) of Attorney(s): **Freehills Patent Attorneys**

(71) Name(s) and Address(s) of Applicant(s):

**Design Ideas, Ltd.**

**2521 Stockyard Road Springfield Illinois 62702 United States of America**

(72) Name(s) of Designer(s): **Christopher Hardy and Keying Zhang**

(45) Registration Date: **26 July 2012**

(30) Convention priority data:

(31) Number

(32) Date

(33) Country

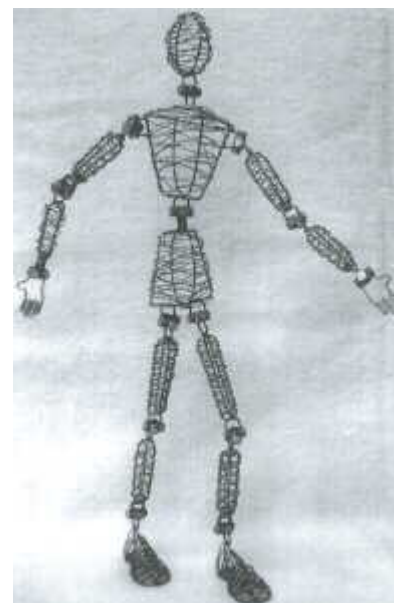
**29/410486**

**09 Jan 2012**

**UNITED STATES OF AMERICA**

(56) Related Art Documents: **Not Applicable**

(57) Statement of Newness and Distinctiveness: **Nil**



(21) Design Number: **13032/2012**

(22) Date of Filing Application: **27 June 2012**

(24) Date from which industrial property rights may have effect: **27 June 2012**

(54) Product in respect of which the design is registered: **A bottle**

(51) International Design Classification: **09-01NES**

(74) Name(s) of Attorney(s): **Griffith Hack**

(71) Name(s) and Address(s) of Applicant(s):

**Asahi Group Holdings, Ltd.**

**23-1 Azumabashi 1-chome Sumida-ku Tokyo 1308602 Japan**

(72) Name(s) of Designer(s): **Nicholas Booker**

(45) Registration Date: **26 July 2012**

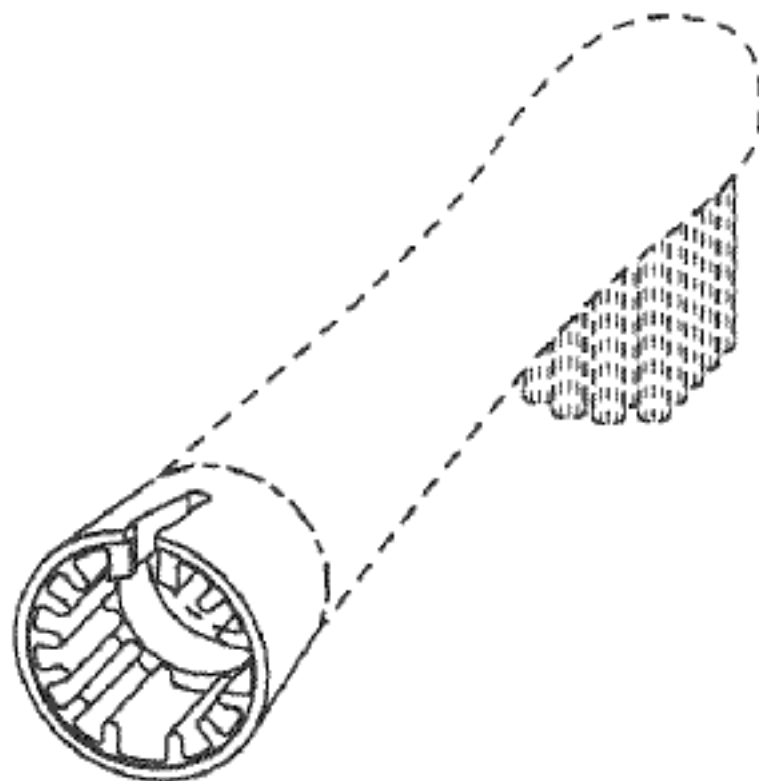
(56) Related Art Documents: **Not Applicable**

(57) Statement of Newness and Distinctiveness: **Nil**

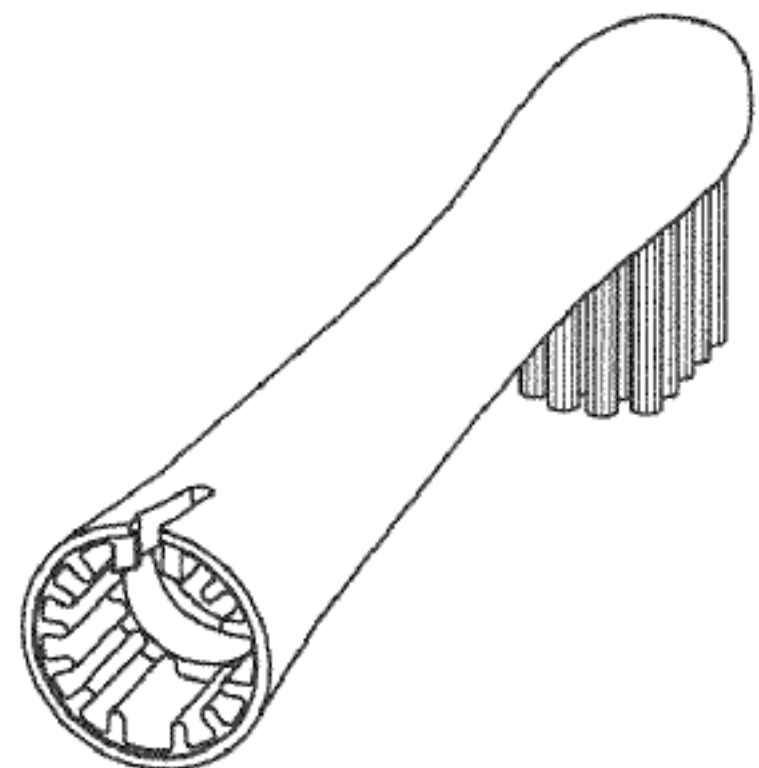




(21) Design Number: **13034/2012**  
(22) Date of Filing Application: **28 June 2012**  
(24) Date from which industrial property rights may have effect: **28 June 2012**  
(54) Product in respect of which the design is registered: **Brush head for electric toothbrush**  
(51) International Design Classification: **04-02**  
(74) Name(s) of Attorney(s): **FB Rice**  
(71) Name(s) and Address(s) of Applicant(s):  
**Colgate-Palmolive Company**  
**300 Park Avenue New York New York 10022 United States of America**  
**Omron Healthcare Co., Ltd.**  
**53 Kunotsubo Terado-cho Muko-shi Kyoto 617-0002 Japan**  
(72) Name(s) of Designer(s): **Hideaki Yoshida and Takashi Torihama**  
(45) Registration Date: **26 July 2012**  
(30) Convention priority data:  
(31) Number      (32) Date      (33) Country  
**2011-030439      28 Dec 2011      JAPAN**  
(56) Related Art Documents: **Not Applicable**  
(57) Statement of Newness and Distinctiveness: **Newness and distinctiveness reside in the features of the design shown in solid lines in the representations excluding those features shown in broken lines which are shown in the figures for illustrative purpose only, and form no part of the claimed design. The dot-dash broken lines are shown in the figures for illustrative purpose only, and form boundary of part of the claimed design and no part of the claimed design.**



(21) Design Number: **13035/2012**  
(22) Date of Filing Application: **28 June 2012**  
(24) Date from which industrial property rights may have effect: **28 June 2012**  
(54) Product in respect of which the design is registered: **Brush head for electric toothbrush**  
(51) International Design Classification: **04-02**  
(74) Name(s) of Attorney(s): **FB Rice**  
(71) Name(s) and Address(s) of Applicant(s):  
**Colgate-Palmolive Company**  
**300 Park Avenue New York New York 10022 United States of America**  
**Omron Healthcare Co., Ltd.**  
**53 Kunotsubo Terado-cho Muko-shi Kyoto 617-0002 Japan**  
(72) Name(s) of Designer(s): **Hideaki Yoshida and Takashi Torihama**  
(45) Registration Date: **26 July 2012**  
(30) Convention priority data:  
(31) Number      (32) Date      (33) Country  
**201130510928.1      28 Dec 2011      CHINA**  
(56) Related Art Documents: **Not Applicable**  
(57) Statement of Newness and Distinctiveness: **Newness and distinctiveness reside in the features of the design shown in solid lines in the representations excluding those features shown in broken lines in Fig. 2.**



(21) Design Number: **13036/2012**

(22) Date of Filing Application: **28 June 2012**

(24) Date from which industrial property rights may have effect: **28 June 2012**

(54) Product in respect of which the design is registered: **A pivot for a scooter**

(51) International Design Classification: **12-16NES, 12-11**

(74) Name(s) of Attorney(s): **Shelston IP**

(71) Name(s) and Address(s) of Applicant(s):

**Shanghai Magic Wheels Sporting Goods Co., Ltd  
Unit 1308 X2 Space No. 20 North Chaling Road Shanghai 200032  
People's Republic of China**

(72) Name(s) of Designer(s): **Xiuping Wang and Winghou Tang**

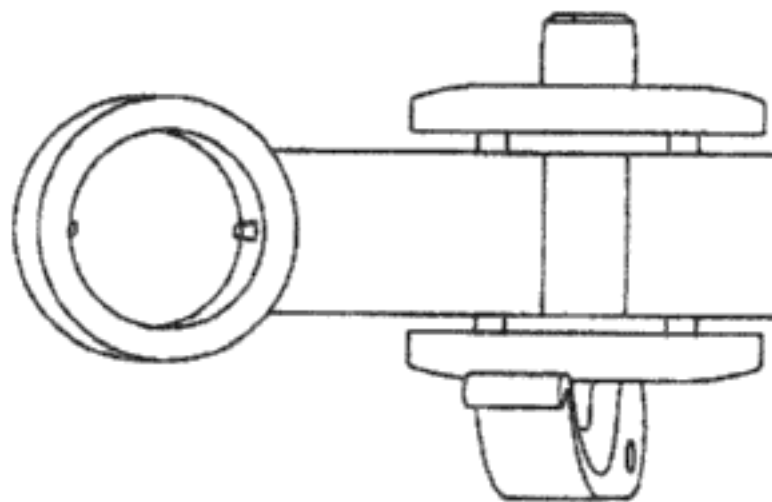
(45) Registration Date: **26 July 2012**

(30) Convention priority data:

(31) Number	(32) Date	(33) Country
<b>201230016023.3</b>	<b>19 Jan 2012</b>	<b>CHINA</b>

(56) Related Art Documents: **Not Applicable**

(57) Statement of Newness and Distinctiveness: **Newness and distinctiveness reside in the features of shape and configuration of a pivot for a scooter as illustrated in the accompanying representations.**



(21) Design Number: **13037/2012**

(22) Date of Filing Application: **28 June 2012**

(24) Date from which industrial property rights may have effect: **28 June 2012**

(54) Product in respect of which the design is registered: **Hand tool**

(51) International Design Classification: **08-05NES**

(74) Name(s) of Attorney(s): **Shelston IP**

(71) Name(s) and Address(s) of Applicant(s):

**Shanghai Renyao Machinery Technology Company  
Room 403 No.887 Qingan Road Qingpu District Shanghai City 201700  
People's Republic of China**

(72) Name(s) of Designer(s): **ZhongFang Cao**

(45) Registration Date: **26 July 2012**

(56) Related Art Documents: **Not Applicable**

(57) Statement of Newness and Distinctiveness: **Newness and distinctiveness reside in the features of shape and configuration of a Hand TOOL as illustrated in the accompanying representations.**



(21) Design Number: **13038/2012**  
(22) Date of Filing Application: **28 June 2012**  
(24) Date from which industrial property rights may have effect: **28 June 2012**  
(54) Product in respect of which the design is registered: **Electric grater-mincer**  
(51) International Design Classification: **31-00**  
(74) Name(s) of Attorney(s): **SPRUSON & FERGUSON**  
(71) Name(s) and Address(s) of Applicant(s):

**SEB**  
**21260 Selongey France**

(72) Name(s) of Designer(s): **Alexandre Desvignes**

(45) Registration Date: **26 July 2012**

(30) Convention priority data:

(31) Number	(32) Date	(33) Country
<b>001309637-0001</b>	<b>11 Jan 2012</b>	<b>EUROPEAN COMMUNITY</b>

(56) Related Art Documents: **Not Applicable**

(57) Statement of Newness and Distinctiveness: **Newness and distinctiveness is claimed in the features of shape and/or configuration of the body of an electric grater-mincer as illustrated in the accompanying representations and defined within the boundary labelled 'A' in the right hand side view.**



(21) Design Number: **13039/2012**  
(22) Date of Filing Application: **28 June 2012**  
(24) Date from which industrial property rights may have effect: **28 June 2012**  
(54) Product in respect of which the design is registered: **Electric grater-mincer**  
(51) International Design Classification: **31-00**  
(74) Name(s) of Attorney(s): **SPRUSON & FERGUSON**  
(71) Name(s) and Address(s) of Applicant(s):

**SEB**  
**21260 Selongey France**

(72) Name(s) of Designer(s): **Alexandre Desvignes**

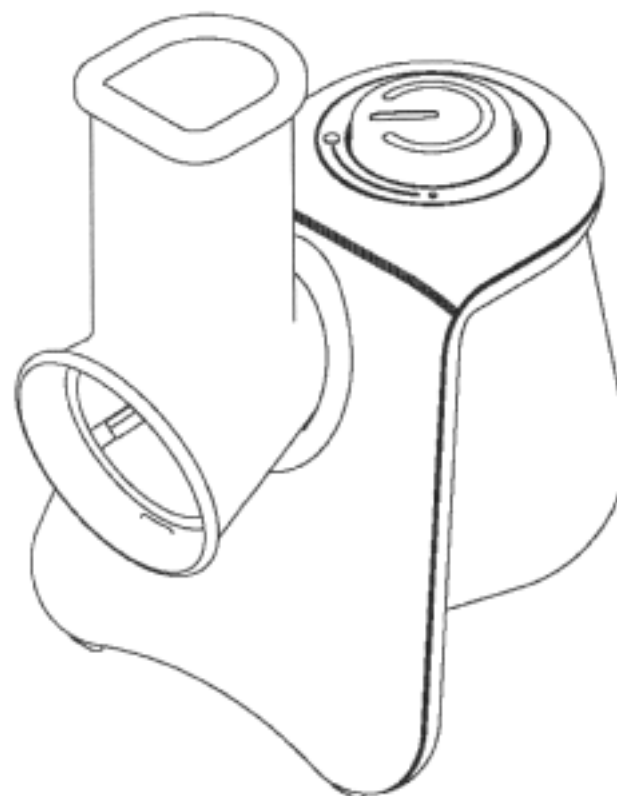
(45) Registration Date: **26 July 2012**

(30) Convention priority data:

(31) Number	(32) Date	(33) Country
<b>001309637-0002</b>	<b>11 Jan 2012</b>	<b>EUROPEAN COMMUNITY</b>

(56) Related Art Documents: **Not Applicable**

(57) Statement of Newness and Distinctiveness: **Newness and distinctiveness is claimed in the features of shape and/or configuration of the body of an electric grater-mincer as illustrated in the accompanying representations and defined within the boundary labelled 'A' in the right hand side view.**



(21) Design Number: **13040/2012**

(22) Date of Filing Application: **28 June 2012**

(24) Date from which industrial property rights may have effect: **28 June 2012**

(54) Product in respect of which the design is registered: **Jersey**

(51) International Design Classification: **02-02NES**

(74) Name(s) of Attorney(s): **SPRUSON & FERGUSON**

(71) Name(s) and Address(s) of Applicant(s):

**Jim Willenborg**

**2410 Baker Street San Francisco California 94123 United States of America**

(72) Name(s) of Designer(s): **Jim Willenborg**

(45) Registration Date: **26 July 2012**

(30) Convention priority data:

(31) Number

(32) Date

(33) Country

**29/418600**

**18 Apr 2012**

**UNITED STATES OF AMERICA**

(56) Related Art Documents: **Not Applicable**

(57) Statement of Newness and Distinctiveness: **Newness and distinctiveness is claimed in those features of pattern and/or ornamentation of a simulated animal bite signature of a jersey as illustrated and labelled "A" in the accompanying representations.**



(21) Design Number: **13066/2012**

(22) Date of Filing Application: **29 June 2012**

(24) Date from which industrial property rights may have effect: **29 June 2012**

(54) Product in respect of which the design is registered: **Bra**

(51) International Design Classification: **02-01A**

(74) Name(s) of Attorney(s): **Madderns**

(71) Name(s) and Address(s) of Applicant(s):

**Ju-Chung Chang**

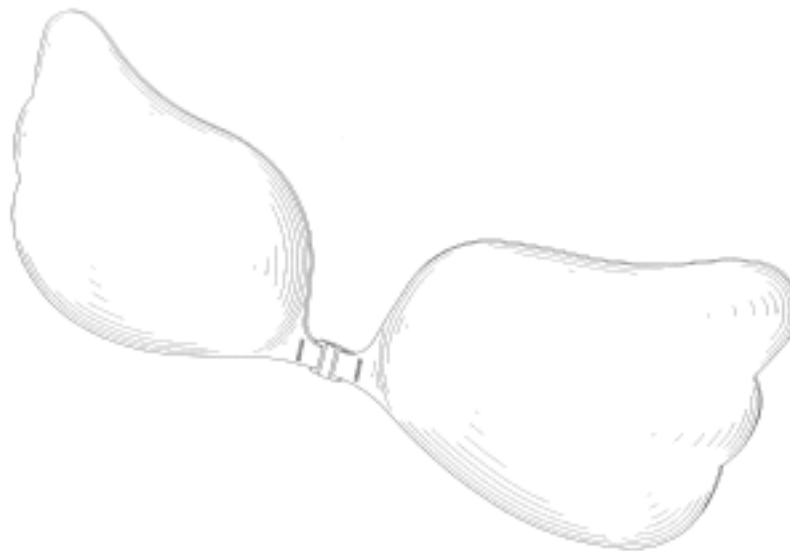
**1F No. 221 Sec.2 Chongde 2nd Road Beitun Dist. Taichung City Taiwan**

(72) Name(s) of Designer(s): **Ju-Chung Chang**

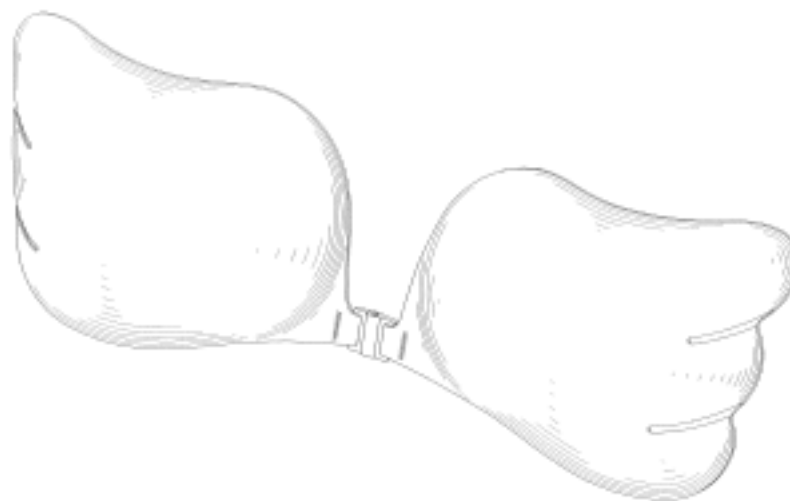
(45) Registration Date: **26 July 2012**

(56) Related Art Documents: **Not Applicable**

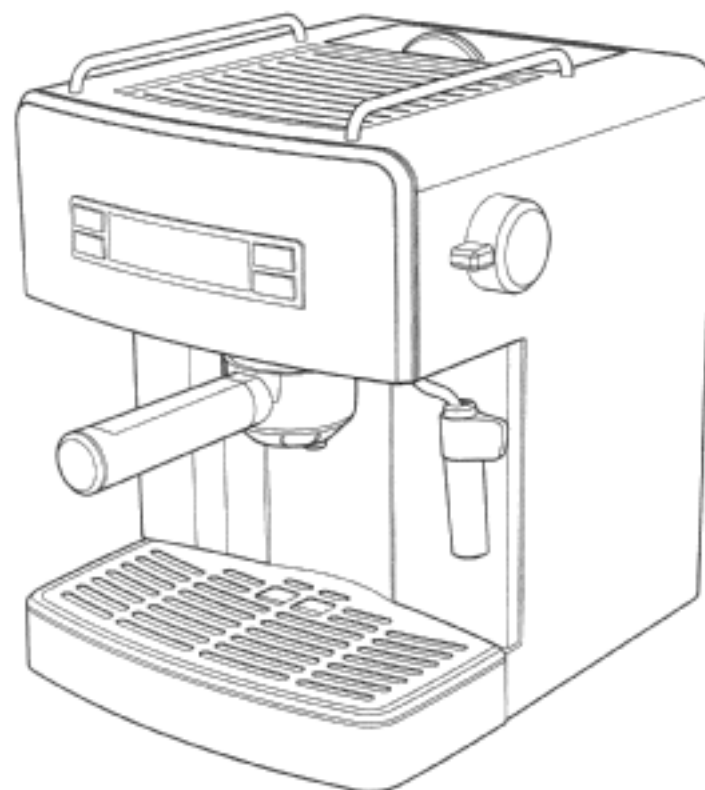
(57) Statement of Newness and Distinctiveness: **Nil**



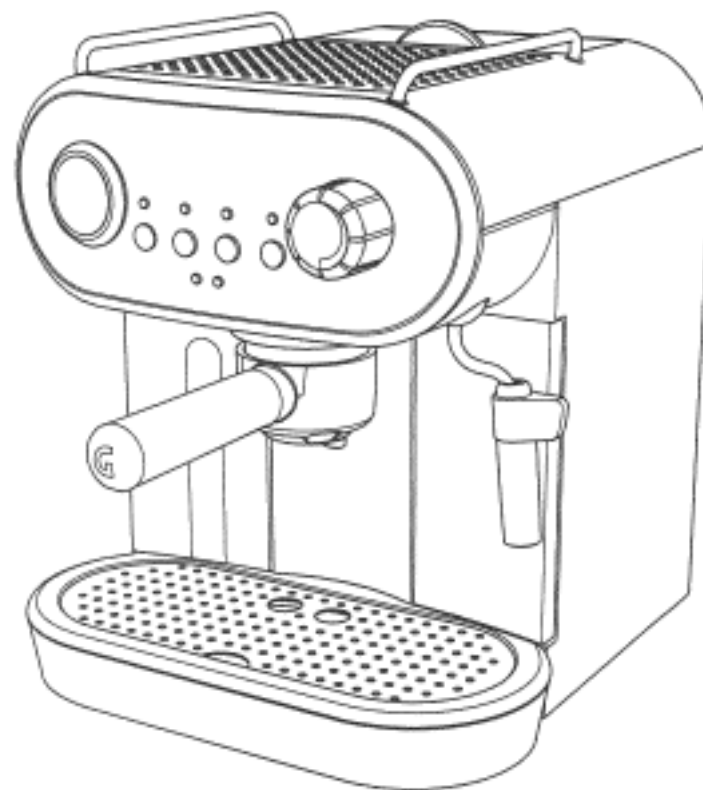
(21) Design Number: **13067/2012**  
(22) Date of Filing Application: **29 June 2012**  
(24) Date from which industrial property rights may have effect: **29 June 2012**  
(54) Product in respect of which the design is registered: **Bra**  
(51) International Design Classification: **02-01A**  
(74) Name(s) of Attorney(s): **Madderns**  
(71) Name(s) and Address(s) of Applicant(s):  
**Ju-Chung Chang**  
**1F No. 221 Sec.2 Chongde 2nd Road Beitun Dist. Taichung City Taiwan**  
(72) Name(s) of Designer(s): **Ju-Chung Chang**  
(45) Registration Date: **26 July 2012**  
(56) Related Art Documents: **Not Applicable**  
(57) Statement of Newness and Distinctiveness: **Nil**



(21) Design Number: **13068/2012**  
(22) Date of Filing Application: **29 June 2012**  
(24) Date from which industrial property rights may have effect: **29 June 2012**  
(54) Product in respect of which the design is registered: **Coffee maker**  
(51) International Design Classification: **07-02L**  
(74) Name(s) of Attorney(s): **FB Rice**  
(71) Name(s) and Address(s) of Applicant(s):  
**Koninklijke Philips Electronics N.V.**  
**Groenewoudseweg 1, 5621 BA Eindhoven, The Netherlands**  
(72) Name(s) of Designer(s): **Dario De Pra**  
(45) Registration Date: **26 July 2012**  
(30) Convention priority data:  
(31) Number      (32) Date      (33) Country  
**001970906-0001    03 Jan 2012      EUROPEAN COMMUNITY**  
(56) Related Art Documents: **Not Applicable**  
(57) Statement of Newness and Distinctiveness: **Newness and distinctiveness reside in the features of shape and configuration of the coffee maker as shown in the representations.**



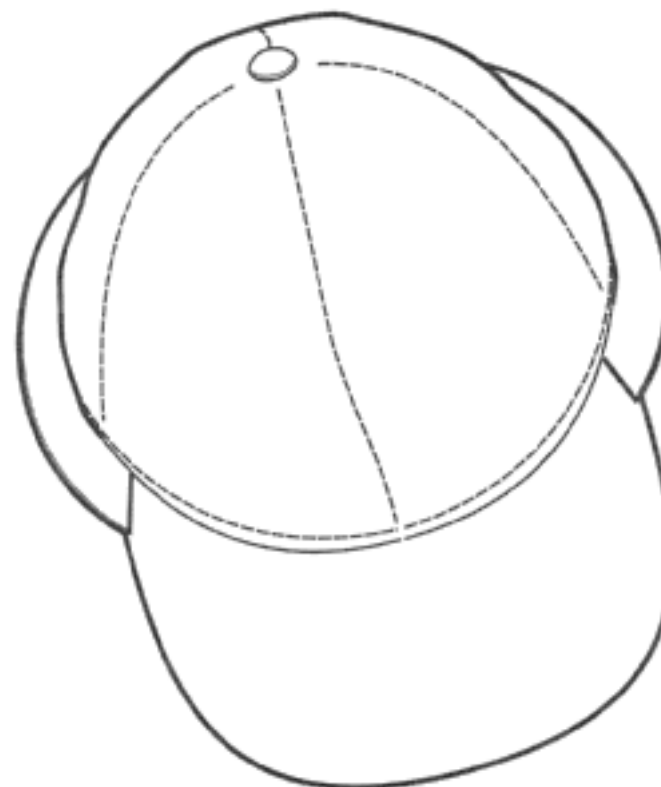
- (21) Design Number: **13069/2012**  
(22) Date of Filing Application: **29 June 2012**  
(24) Date from which industrial property rights may have effect: **29 June 2012**  
(54) Product in respect of which the design is registered: **Coffee maker**  
(51) International Design Classification: **07-02L**  
(74) Name(s) of Attorney(s): **FB Rice**  
(71) Name(s) and Address(s) of Applicant(s):  
**Koninklijke Philips Electronics N.V.**  
**Groenewoudseweg 1, 5621 BA Eindhoven, The Netherlands**  
(72) Name(s) of Designer(s): **Dario De Pra**  
(45) Registration Date: **26 July 2012**  
(30) Convention priority data:  
(31) Number (32) Date (33) Country  
**001970906-0002 03 Jan 2012 EUROPEAN COMMUNITY**  
(56) Related Art Documents: **Not Applicable**  
(57) Statement of Newness and Distinctiveness: **Newness and distinctiveness reside in the features of shape and configuration of the coffee maker as shown in the representations.**



- (21) Design Number: **13070/2012**  
(22) Date of Filing Application: **29 June 2012**  
(24) Date from which industrial property rights may have effect: **29 June 2012**  
(54) Product in respect of which the design is registered: **Coffee maker**  
(51) International Design Classification: **07-02L**  
(74) Name(s) of Attorney(s): **FB Rice**  
(71) Name(s) and Address(s) of Applicant(s):  
**Koninklijke Philips Electronics N.V.**  
**Groenewoudseweg 1, 5621 BA Eindhoven, The Netherlands**  
(72) Name(s) of Designer(s): **Dario De Pra**  
(45) Registration Date: **26 July 2012**  
(30) Convention priority data:  
(31) Number (32) Date (33) Country  
**001970906-0003 03 Jan 2012 EUROPEAN COMMUNITY**  
(56) Related Art Documents: **Not Applicable**  
(57) Statement of Newness and Distinctiveness: **Newness and distinctiveness reside in the features of shape and configuration of the coffee maker as shown in the representations.**



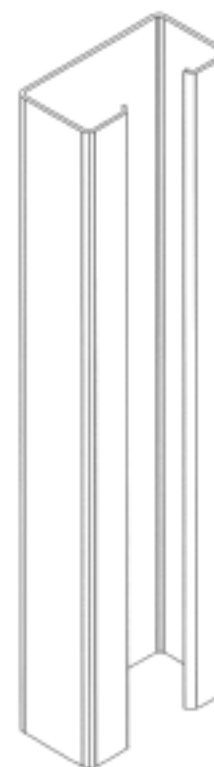
- (21) Design Number: **13071/2012**  
(22) Date of Filing Application: **29 June 2012**  
(24) Date from which industrial property rights may have effect: **29 June 2012**  
(54) Product in respect of which the design is registered: **Cap**  
(51) International Design Classification: **02-03**  
(74) Name(s) of Attorney(s): **Janet Stead & Associates, Patent and Trade Mark Attorneys**  
(71) Name(s) and Address(s) of Applicant(s):  
**Eric Altinier**  
**64 Williams Street Gooseberry Hill Western Australia 6076 Australia**  
(72) Name(s) of Designer(s): **Eric Altinier**  
(45) Registration Date: **26 July 2012**  
(56) Related Art Documents: **Not Applicable**  
(57) Statement of Newness and Distinctiveness: **Newness and distinctiveness is claimed in the shape and/or configuration of a CAP as illustrated in the accompanying representations.**



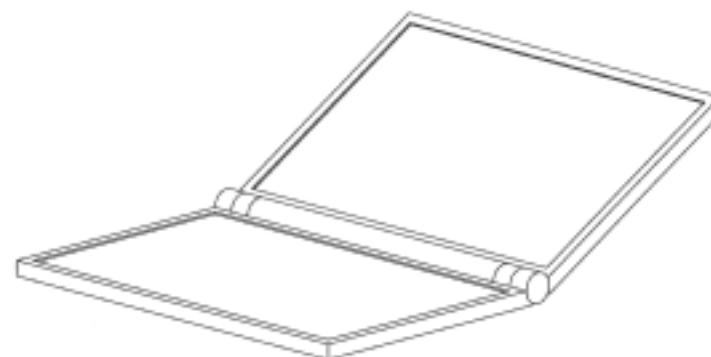
- (21) Design Number: **10252/2012**  
(22) Date of Filing Application: **20 January 2012**  
(24) Date from which industrial property rights may have effect: **20 January 2012**  
(54) Product in respect of which the design is registered: **Blender**  
(51) International Design Classification: **31-00**  
(74) Name(s) of Attorney(s): **Freehills Patent Attorneys**  
(71) Name(s) and Address(s) of Applicant(s):  
**Sunbeam Corporation Limited**  
**Units 5 & 6 13 Lord Street Botany New South Wales 2019 Australia**  
(72) Name(s) of Designer(s): **Andrew Morgan**  
(45) Registration Date: **27 July 2012**  
(56) Related Art Documents: **Not Applicable**  
(57) Statement of Newness and Distinctiveness: **Newness and distinctiveness is claimed in the features of shape and/or configuration of a blender as shown in the accompanying representations.**



- (21) Design Number: **10817/2012**  
(22) Date of Filing Application: **20 February 2012**  
(24) Date from which industrial property rights may have effect: **20 February 2012**  
(54) Product in respect of which the design is registered: **A metal section**  
(51) International Design Classification: **08-09, 08-99**  
(74) Name(s) of Attorney(s): **Halfords IP**  
(71) Name(s) and Address(s) of Applicant(s):  
**Nicholas Holden Pty Ltd**  
**1 Adventure Place Caringbah New South Wales 2229 Australia**  
(72) Name(s) of Designer(s): **Nicholas Holden**  
(45) Registration Date: **27 July 2012**  
(56) Related Art Documents: **Not Applicable**  
(57) Statement of Newness and Distinctiveness: **Newness and distinctiveness is claimed in those features of shape and or configuration of a metal section of indefinite length as depicted in the accompanying representations.**

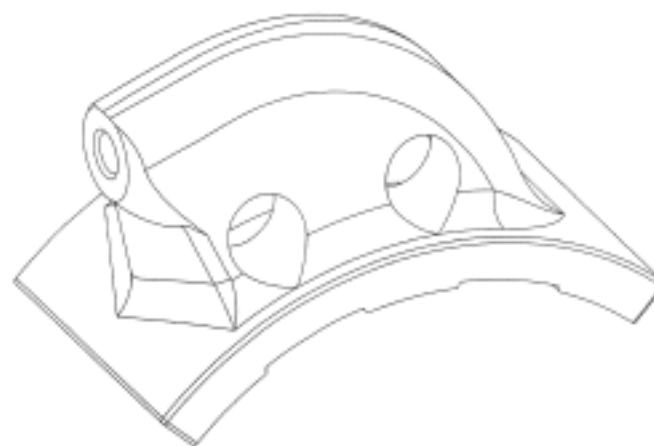


- (21) Design Number: **11326/2012**  
(22) Date of Filing Application: **07 March 2012**  
(24) Date from which industrial property rights may have effect: **07 March 2012**  
(54) Product in respect of which the design is registered: **Computer**  
(51) International Design Classification: **14-02**  
(74) Name(s) of Attorney(s):  
(71) Name(s) and Address(s) of Applicant(s):  
**Stephen Strahle**  
**Flat 11 9 McCracken Avenue Northcote Victoria 3070 Australia**  
(72) Name(s) of Designer(s): **Stephen Strahle**  
(45) Registration Date: **27 July 2012**  
(56) Related Art Documents: **Not Applicable**  
(57) Statement of Newness and Distinctiveness: **Hinged tablet functioning as a laptop with small dimensions.**

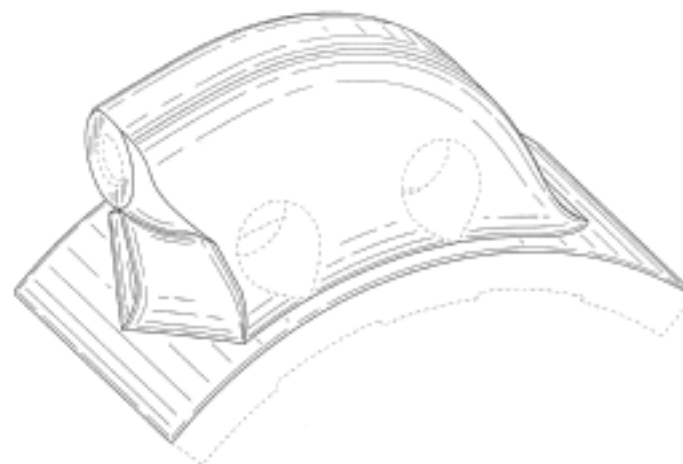




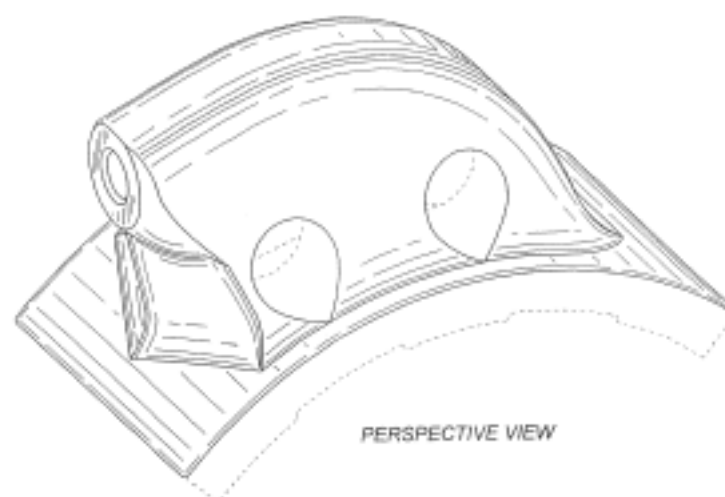
- (21) Design Number: **12574/2012**  
(22) Date of Filing Application: **30 May 2012**  
(24) Date from which industrial property rights may have effect: **30 May 2012**  
(54) Product in respect of which the design is registered: **Pick holder**  
(51) International Design Classification: **15-99**  
(74) Name(s) of Attorney(s): **Fisher Adams Kelly**  
(71) Name(s) and Address(s) of Applicant(s):  
**Harnischfeger Technologies, Inc.**  
**2751 Centerville Road Suite 342 Wilmington 19808 Delaware United States of America**  
(72) Name(s) of Designer(s): **Bernard Pusheck and Russell Cascio and Justin Zunker and Adam Osuski**  
(45) Registration Date: **27 July 2012**  
(30) Convention priority data:  
(31) Number (32) Date (33) Country  
**13/307061 30 Nov 2011 UNITED STATES OF AMERICA**  
(56) Related Art Documents: **Not Applicable**  
(57) Statement of Newness and Distinctiveness: **The newness and distinctiveness of the design resides in the shape and/or configuration of the PICK HOLDER shown in the representations.**



- (21) Design Number: **12575/2012**  
(22) Date of Filing Application: **30 May 2012**  
(24) Date from which industrial property rights may have effect: **30 May 2012**  
(54) Product in respect of which the design is registered: **Pick holder**  
(51) International Design Classification: **15-99**  
(74) Name(s) of Attorney(s): **Fisher Adams Kelly**  
(71) Name(s) and Address(s) of Applicant(s):  
**Harnischfeger Technologies, Inc.**  
**2751 Centerville Road Suite 342 Wilmington 19808 Delaware United States of America**  
(72) Name(s) of Designer(s): **Bernard Pusheck and Russell Cascio and Justin Zunker and Adam Osuski**  
(45) Registration Date: **27 July 2012**  
(30) Convention priority data:  
(31) Number (32) Date (33) Country  
**29/407489 30 Nov 2011 UNITED STATES OF AMERICA**  
(56) Related Art Documents: **Not Applicable**  
(57) Statement of Newness and Distinctiveness: **The newness and distinctiveness of the design resides in the shape and/or configuration of the PICK HOLDER shown in the representations. When considering the newness and distinctiveness of the design, the lines shown in phantom should be disregarded.**



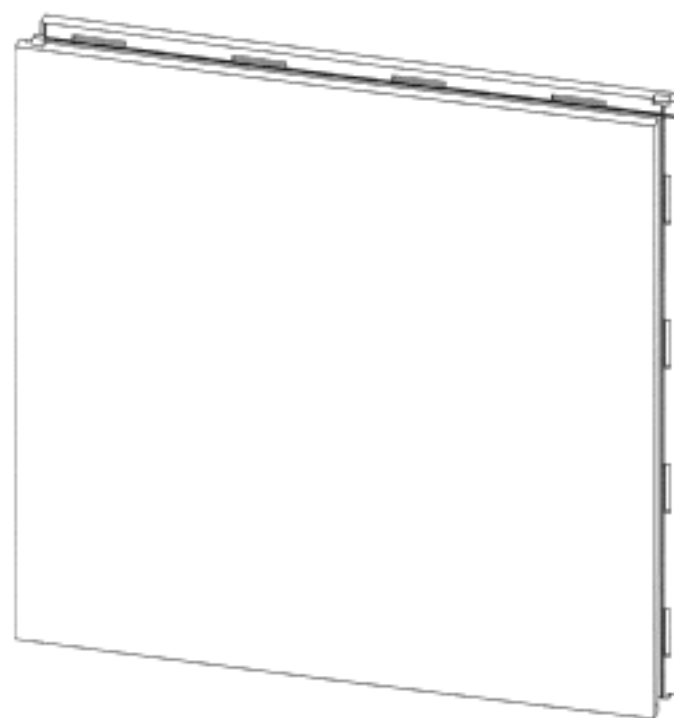
- (21) Design Number: **12576/2012**  
(22) Date of Filing Application: **30 May 2012**  
(24) Date from which industrial property rights may have effect: **30 May 2012**  
(54) Product in respect of which the design is registered: **Pick holder**  
(51) International Design Classification: **15-99**  
(74) Name(s) of Attorney(s): **Fisher Adams Kelly**  
(71) Name(s) and Address(s) of Applicant(s):  
**Harnischfeger Technologies, Inc.**  
**2751 Centerville Road Suite 342 Wilmington 19808 Delaware United States of America**  
(72) Name(s) of Designer(s): **Bernard Pusheck and Russell Cascio and Justin Zunker and Adam Osuski**  
(45) Registration Date: **27 July 2012**  
(30) Convention priority data:  
(31) Number (32) Date (33) Country  
**29/407487 30 Nov 2011 UNITED STATES OF AMERICA**  
(56) Related Art Documents: **Not Applicable**  
(57) Statement of Newness and Distinctiveness: **The newness and distinctiveness of the design resides in the shape and/or configuration of the PICK HOLDER shown in the representations. When considering the newness and distinctiveness of the design, the lines shown in phantom should be disregarded.**



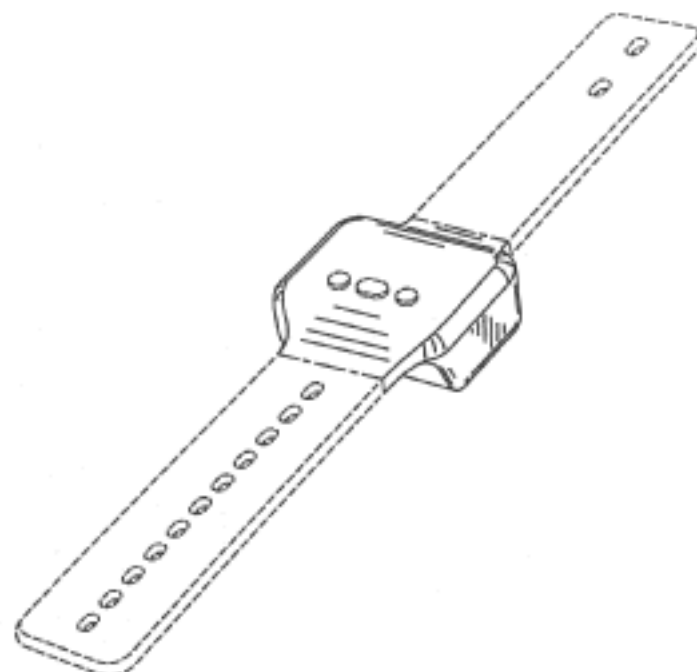
- (21) Design Number: **12757/2012**  
(22) Date of Filing Application: **12 June 2012**  
(24) Date from which industrial property rights may have effect: **12 June 2012**  
(54) Product in respect of which the design is registered: **T-shirt**  
(51) International Design Classification: **02-02NES**  
(74) Name(s) of Attorney(s):  
(71) Name(s) and Address(s) of Applicant(s):  
**Athol Herrick Kelly**  
**18 Davis Avenue South Yarra Victoria 3141 Australia**  
(72) Name(s) of Designer(s): **Athol Herrick Kelly**  
(45) Registration Date: **27 July 2012**  
(56) Related Art Documents: **Not Applicable**  
(57) Statement of Newness and Distinctiveness: **Design incorporates the Australian southern cross, a kangaroo within a triangle all in Australians national colours. (A unique design)**



- (21) Design Number: **12876/2012**  
(22) Date of Filing Application: **20 June 2012**  
(24) Date from which industrial property rights may have effect: **20 June 2012**  
(54) Product in respect of which the design is registered: **Building panel**  
(51) International Design Classification: **25-01D**  
(74) Name(s) of Attorney(s): **A J Park**  
(71) Name(s) and Address(s) of Applicant(s):  
**Seashore Futures Ltd**  
**188 Victoria Avenue Palmerston North New Zealand**  
(72) Name(s) of Designer(s): **Stephen Edward Pinkney and Christina Melody Gomes**  
(45) Registration Date: **27 July 2012**  
(30) Convention priority data:  
(31) Number (32) Date (33) Country  
**415689 23 Dec 2011 NEW ZEALAND**  
(56) Related Art Documents: **Not Applicable**  
(57) Statement of Newness and Distinctiveness: **Newness and distinctiveness reside in the features of shape and/or configuration of the Building Panel, as shown in the representations.**



- (21) Design Number: **12877/2012**  
(22) Date of Filing Application: **19 June 2012**  
(24) Date from which industrial property rights may have effect: **19 June 2012**  
(54) Product in respect of which the design is registered: **Wristband**  
(51) International Design Classification: **11-01C**  
(74) Name(s) of Attorney(s): **PHILLIPS ORMONDE FITZPATRICK**  
(71) Name(s) and Address(s) of Applicant(s):  
**Hallmark Cards, Incorporated**  
**PO Box 419126 Kansas City Missouri 64141 United States of America**  
(72) Name(s) of Designer(s): **Thomas G Brantman**  
(45) Registration Date: **27 July 2012**  
(30) Convention priority data:  
(31) Number (32) Date (33) Country  
**29/409,105 20 Dec 2011 UNITED STATES OF AMERICA**  
(56) Related Art Documents: **Not Applicable**  
(57) Statement of Newness and Distinctiveness: **Those features of the wristband depicted in the representations that are new and distinctive are the shape and/or configuration. The features shown in broken lines are not part of the design and are to be disregarded when considering the overall impression of the design.**



(21) Design Number: **12880/2012**  
(22) Date of Filing Application: **18 June 2012**  
(24) Date from which industrial property rights may have effect: **18 June 2012**  
(54) Product in respect of which the design is registered: **Needle retaining device**  
(51) International Design Classification: **24-02**  
(74) Name(s) of Attorney(s): **Collison & Co**  
(71) Name(s) and Address(s) of Applicant(s):

**Anteis SA**  
**rue de Veyrot 11 1217 Meyrin Switzerland**

(72) Name(s) of Designer(s): **Cyrille Vinchon**

(45) Registration Date: **27 July 2012**

(30) Convention priority data:

(31) Number	(32) Date	(33) Country
<b>1971342</b>	<b>04 Jan 2012</b>	<b>EUROPEAN COMMUNITY</b>

(56) Related Art Documents: **Not Applicable**

(57) Statement of Newness and Distinctiveness: **The shape and/or configuration of the needle retaining device shown in Figures 1 to 8 excluding the item shown by the broken lines in Figure 8.**



(21) Design Number: **12882/2012**  
(22) Date of Filing Application: **19 June 2012**  
(24) Date from which industrial property rights may have effect: **19 June 2012**  
(54) Product in respect of which the design is registered: **Distance measuring device for golf**  
(51) International Design Classification: **21-02C, 10-04**  
(74) Name(s) of Attorney(s): **Wynnes Patent & Trade Mark Attorneys**  
(71) Name(s) and Address(s) of Applicant(s):

**JK Golf Co., Ltd.**  
**12th Fl Gongpyeong Bldg 5-1 Gongpyeong-dong Jongno-gu Seoul**  
**110-160 Korea**

(72) Name(s) of Designer(s): **Jang Kyung-tae**

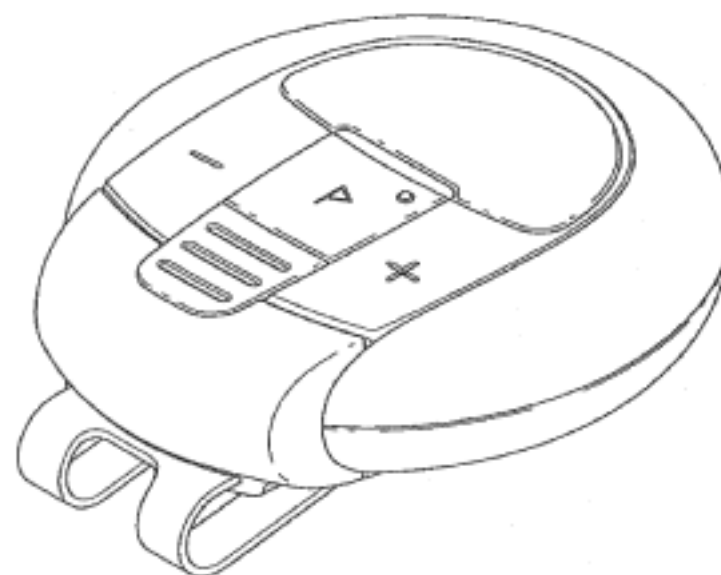
(45) Registration Date: **27 July 2012**

(30) Convention priority data:

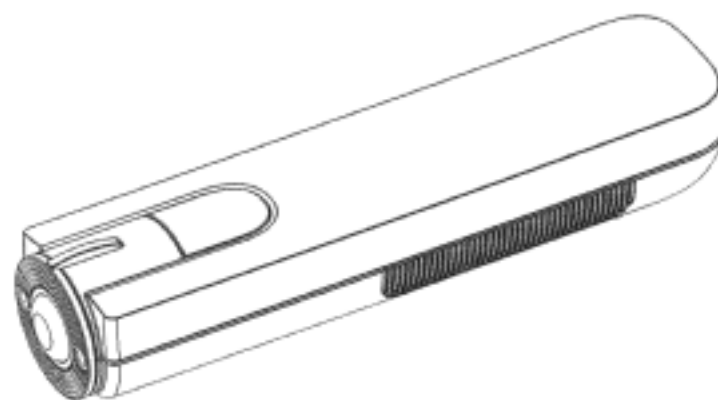
(31) Number	(32) Date	(33) Country
<b>30-2012-0000779</b>	<b>06 Jan 2012</b>	<b>REPUBLIC OF KOREA</b>

(56) Related Art Documents: **Not Applicable**

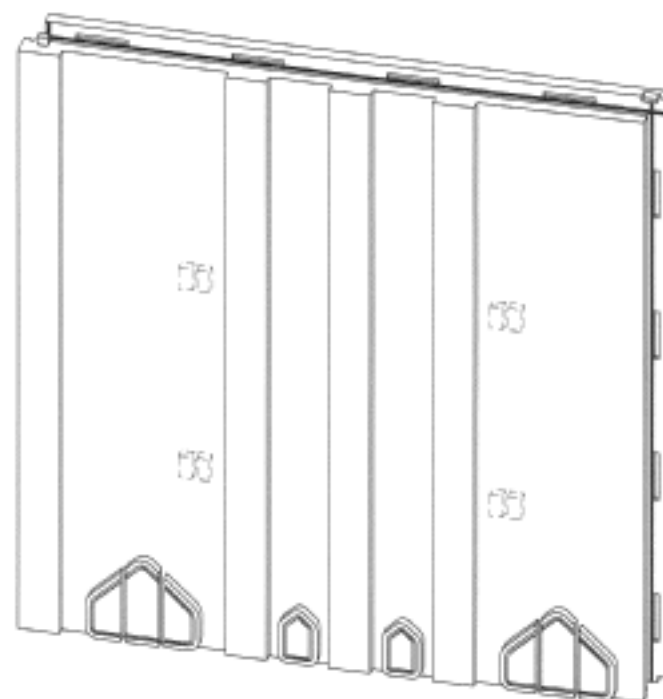
(57) Statement of Newness and Distinctiveness: **Newness and distinctiveness resides in the features of the shape and configuration of a distance measuring device as illustrated in the accompanying representations.**



(21) Design Number: **12883/2012**  
(22) Date of Filing Application: **18 June 2012**  
(24) Date from which industrial property rights may have effect: **18 June 2012**  
(54) Product in respect of which the design is registered: **A measuring device**  
(51) International Design Classification: **10-04**  
(74) Name(s) of Attorney(s): **Griffith Hack**  
(71) Name(s) and Address(s) of Applicant(s):  
**Truma Geratetechnik GmbH & Co. KG**  
**Wernher-von-Braun-Str. 12 85640 Putzbrunn Germany**  
(72) Name(s) of Designer(s): **Frank Ibach**  
(45) Registration Date: **27 July 2012**  
(30) Convention priority data:  
(31) Number (32) Date (33) Country  
**001966136 21 Dec 2011 EUROPEAN COMMUNITY**  
(56) Related Art Documents: **Not Applicable**  
(57) Statement of Newness and Distinctiveness: **Nil**



(21) Design Number: **12884/2012**  
(22) Date of Filing Application: **20 June 2012**  
(24) Date from which industrial property rights may have effect: **20 June 2012**  
(54) Product in respect of which the design is registered: **Building panel**  
(51) International Design Classification: **25-01D**  
(74) Name(s) of Attorney(s): **A J Park**  
(71) Name(s) and Address(s) of Applicant(s):  
**Seashore Futures Ltd**  
**188 Victoria Avenue Palmerston North New Zealand**  
(72) Name(s) of Designer(s): **Stephen Edward Pinkney and Christina Melody Gomes**  
(45) Registration Date: **27 July 2012**  
(30) Convention priority data:  
(31) Number (32) Date (33) Country  
**415697 23 Dec 2011 NEW ZEALAND**  
(56) Related Art Documents: **Not Applicable**  
(57) Statement of Newness and Distinctiveness: **Newness and distinctiveness reside in the features of shape and/or configuration of the Building Panel, as shown in the representations. The features shown in broken lines are shown for illustrative purposes only and are to be disregarded when considering the overall impression of the design.**



(21) Design Number: **13061/2012**

(22) Date of Filing Application: **29 June 2012**

(24) Date from which industrial property rights may have effect: **29 June 2012**

(54) Product in respect of which the design is registered: **Cart**

(51) International Design Classification: **12-02**

(74) Name(s) of Attorney(s): **Fisher Adams Kelly**

(71) Name(s) and Address(s) of Applicant(s):

**AMSA, Inc.**

**PO Box 17425 Boulder 80308 Colorado United States of America**

(72) Name(s) of Designer(s): **Ivor Michel Walter**

(45) Registration Date: **27 July 2012**

(30) Convention priority data:

(31) Number	(32) Date	(33) Country
<b>29/410149</b>	<b>04 Jan 2012</b>	<b>UNITED STATES OF AMERICA</b>

(56) Related Art Documents: **Not Applicable**

(57) Statement of Newness and Distinctiveness: **The newness and distinctiveness of the design resides in the shape and/or configuration of the CART shown in the representations. The dotted lines indicate elements to which the present design is not limited and for which no protection is sought.**



(21) Design Number: **12023/2012**

(22) Date of Filing Application: **26 April 2012**

(24) Date from which industrial property rights may have effect: **26 April 2012**

(54) Product in respect of which the design is registered: **An induction hob or induction cooker**

(51) International Design Classification: **07-02C**

(74) Name(s) of Attorney(s): **Halfords IP**

(71) Name(s) and Address(s) of Applicant(s):

**Electrolux Home Products Corporation N.V.**

**Raketstraat 40, 1130 Brussels Belgium**

(72) Name(s) of Designer(s): **Samuele Meda and Jan Ctvrtnik**

(45) Registration Date: **27 July 2012**

(30) Convention priority data:

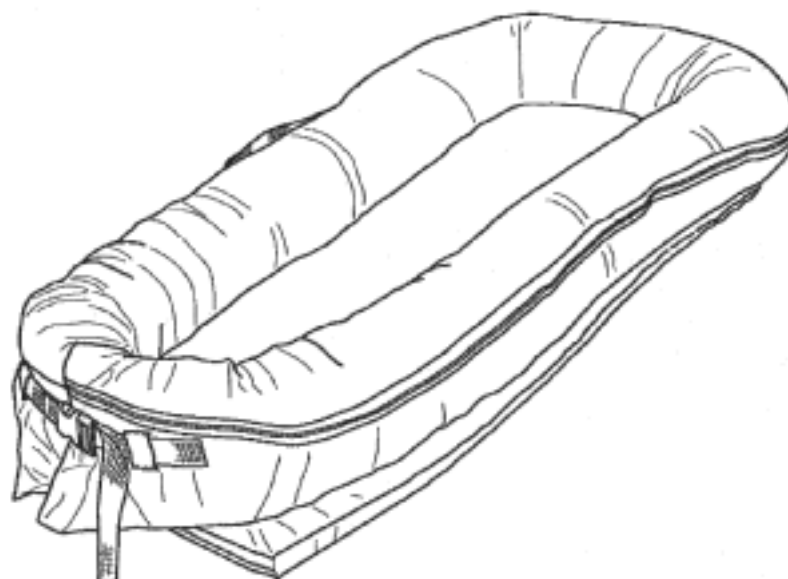
(31) Number	(32) Date	(33) Country
<b>001939323-0001/</b>	<b>28 Oct 2011</b>	<b>EUROPEAN COMMUNITY</b>

(56) Related Art Documents: **Not Applicable**

(57) Statement of Newness and Distinctiveness: **Newness and distinctiveness is claimed in those features of shape and configuration and or pattern and or ornamentation of a cooking appliance such as an induction hob or induction cooker as depicted in the accompanying representations.**

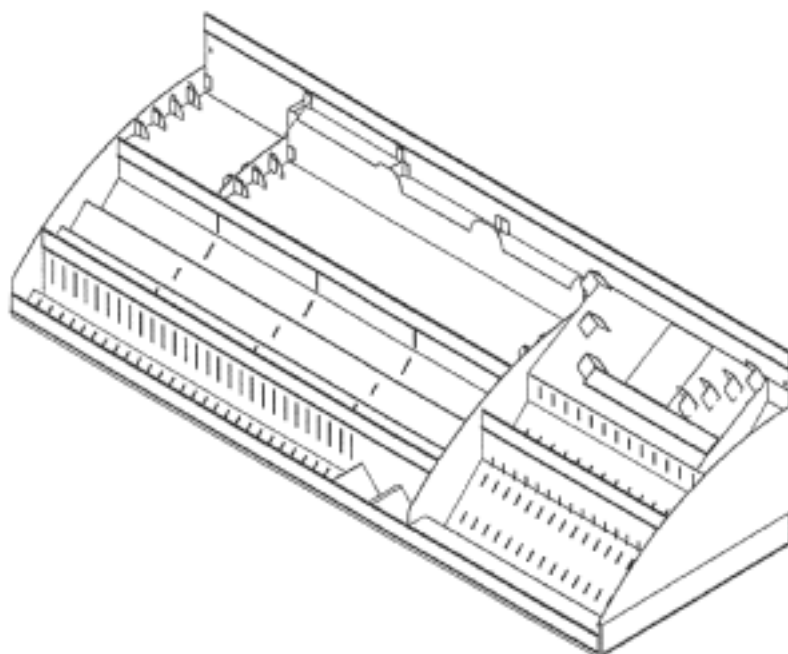


(21) Design Number: **12209/2012**  
(22) Date of Filing Application: **09 May 2012**  
(24) Date from which industrial property rights may have effect: **09 May 2012**  
(54) Product in respect of which the design is registered: **Multifunctional infant bed**  
(51) International Design Classification: **06-02**  
(74) Name(s) of Attorney(s):  
(71) Name(s) and Address(s) of Applicant(s):  
**Lisa Furuland**  
**Gustaf Adolfs vag 20 Norrtalje Sweden 76140**  
(72) Name(s) of Designer(s): **Lisa Furuland**  
(45) Registration Date: **27 July 2012**  
(30) Convention priority data:  
(31) Number (32) Date (33) Country  
**2940677 09 Nov 2011 UNITED STATES OF AMERICA**  
(56) Related Art Documents: **Not Applicable**



(57) Statement of Newness and Distinctiveness: **The multifunctional bed includes a bumper and a bottom that are preferably a unitary structure. The bumper is preferably filled with a filler material, such as fiber or foam. The bumper is preferably in an oval shape and runs along the perimeter of the multifunctional bed. The bumper is also preferably raised from the bottom to form a recess where an infant may be placed. The bumper may include one or more zippers that allow the user to remove or replace the insert from the bumper. The bumper further includes a clasp that connects the two ends of the bumper to form the bumper's oval shape. The bottom is preferably in a rectangular shape (preferably with a rounded top end) and is also filled with an insert, a mattress pad. This pad insert can be removed (or replaced) from the bottom.**

(21) Design Number: **12499/2012**  
(22) Date of Filing Application: **24 May 2012**  
(24) Date from which industrial property rights may have effect: **24 May 2012**  
(54) Product in respect of which the design is registered: **Display unit**  
(51) International Design Classification: **20-02NES**  
(74) Name(s) of Attorney(s): **Davies Collison Cave**  
(71) Name(s) and Address(s) of Applicant(s):  
**Illinois Tool Works Inc.**  
**3600 West Lake Avenue Glenview Illinois 60026 United States of America**  
(72) Name(s) of Designer(s): **Mark A. Camilleri**  
(45) Registration Date: **27 July 2012**  
(56) Related Art Documents: **Not Applicable**  
(57) Statement of Newness and Distinctiveness: **Nil**





(21) Design Number: **13049/2012**

(22) Date of Filing Application: **29 June 2012**

(24) Date from which industrial property rights may have effect: **29 June 2012**

(54) Product in respect of which the design is registered: **An ear tag**

(51) International Design Classification: **30-08**

(74) Name(s) of Attorney(s): **Lord & Company**

(71) Name(s) and Address(s) of Applicant(s):

**Stockbrands Co. Pty Ltd**

**53 Edward Street Osborne Park Western Australia 6017 Australia**

(72) Name(s) of Designer(s): **John Forehan**

(45) Registration Date: **27 July 2012**

(56) Related Art Documents: **Not Applicable**

(57) Statement of Newness and Distinctiveness: **The particular visual features of the design which are new and distinctive are shape OR configuration.**



(21) Design Number: **13050/2012**

(22) Date of Filing Application: **29 June 2012**

(24) Date from which industrial property rights may have effect: **29 June 2012**

(54) Product in respect of which the design is registered: **An ear tag**

(51) International Design Classification: **30-08**

(74) Name(s) of Attorney(s): **Lord & Company**

(71) Name(s) and Address(s) of Applicant(s):

**Stockbrands Co. Pty Ltd**

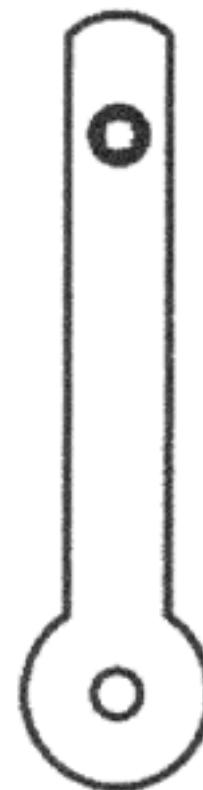
**53 Edward Street Osborne Park Western Australia 6017 Australia**

(72) Name(s) of Designer(s): **John Forehan**

(45) Registration Date: **27 July 2012**

(56) Related Art Documents: **Not Applicable**

(57) Statement of Newness and Distinctiveness: **The particular visual features of the design which are new and distinctive are shape OR configuration.**





(21) Design Number: **13051/2012**

(22) Date of Filing Application: **29 June 2012**

(24) Date from which industrial property rights may have effect: **29 June 2012**

(54) Product in respect of which the design is registered: **An ear tag**

(51) International Design Classification: **30-08**

(74) Name(s) of Attorney(s): **Lord & Company**

(71) Name(s) and Address(s) of Applicant(s):

**Stockbrands Co. Pty Ltd**

**53 Edward Street Osborne Park Western Australia 6017 Australia**

(72) Name(s) of Designer(s): **John Forehan**

(45) Registration Date: **27 July 2012**

(56) Related Art Documents: **Not Applicable**

(57) Statement of Newness and Distinctiveness: **The particular visual features of the design which are new and distinctive are shape OR configuration.**



(21) Design Number: **13052/2012**

(22) Date of Filing Application: **29 June 2012**

(24) Date from which industrial property rights may have effect: **29 June 2012**

(54) Product in respect of which the design is registered: **An ear tag**

(51) International Design Classification: **30-08**

(74) Name(s) of Attorney(s): **Lord & Company**

(71) Name(s) and Address(s) of Applicant(s):

**Stockbrands Co. Pty Ltd**

**53 Edward Street Osborne Park Western Australia 6017 Australia**

(72) Name(s) of Designer(s): **John Forehan**

(45) Registration Date: **27 July 2012**

(56) Related Art Documents: **Not Applicable**

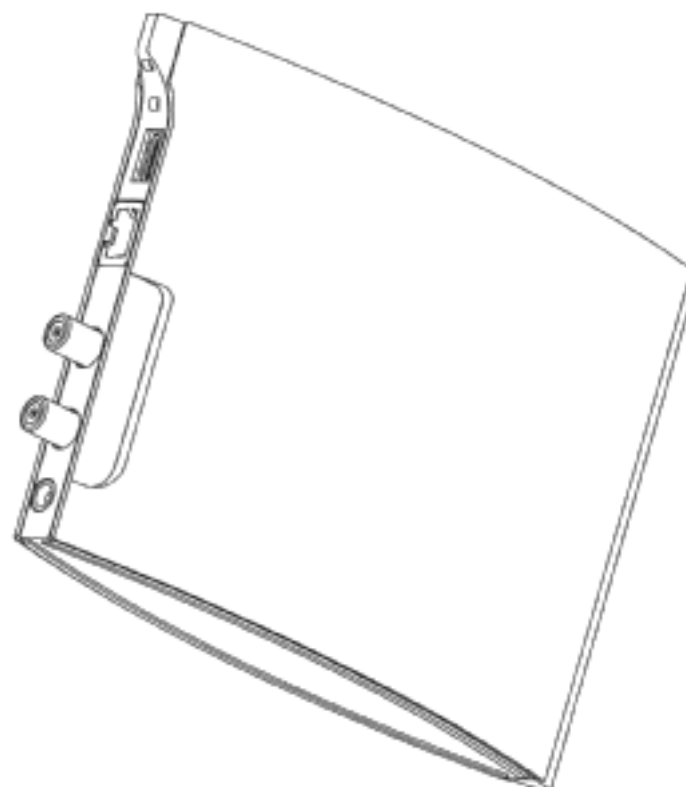
(57) Statement of Newness and Distinctiveness: **The particular visual features of the design which are new and distinctive are shape OR configuration.**



(21) Design Number: **13055/2012**  
(22) Date of Filing Application: **29 June 2012**  
(24) Date from which industrial property rights may have effect: **29 June 2012**  
(54) Product in respect of which the design is registered: **Filter bottle**  
(51) International Design Classification: **23-01G, 09-01NES**  
(74) Name(s) of Attorney(s): **Griffith Hack**  
(71) Name(s) and Address(s) of Applicant(s):  
**BRITA GMBH**  
**Heinrich-Hertz Strasse 4 65232 Taunusstein Germany**  
(72) Name(s) of Designer(s): **Christian Rummel and Tim Storti**  
(45) Registration Date: **27 July 2012**  
(30) Convention priority data:  
(31) Number (32) Date (33) Country  
**402012100001.2 02 Jan 2012 GERMANY**  
(56) Related Art Documents: **Not Applicable**  
(57) Statement of Newness and Distinctiveness: **Nil**



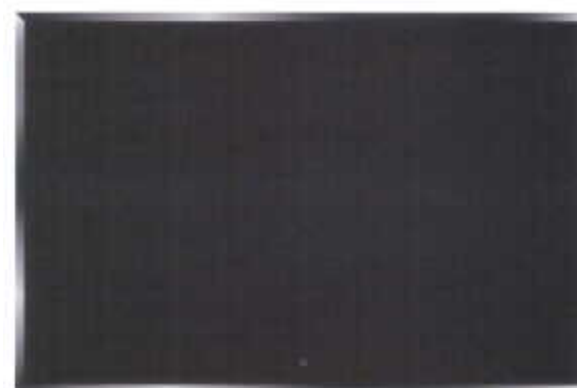
(21) Design Number: **13054/2012**  
(22) Date of Filing Application: **29 June 2012**  
(24) Date from which industrial property rights may have effect: **29 June 2012**  
(54) Product in respect of which the design is registered: **Tuner for television with a recording media**  
(51) International Design Classification: **14-01**  
(74) Name(s) of Attorney(s): **Shelston IP**  
(71) Name(s) and Address(s) of Applicant(s):  
**Sony Computer Entertainment Inc.**  
**1-7-1 Konan Minato-ku Tokyo Japan**  
(72) Name(s) of Designer(s): **Takashi Sogabe**  
(45) Registration Date: **27 July 2012**  
(30) Convention priority data:  
(31) Number (32) Date (33) Country  
**2012-006026 16 Mar 2012 JAPAN**  
(56) Related Art Documents: **Not Applicable**  
(57) Statement of Newness and Distinctiveness: **Nil**



(21) Design Number: **13056/2012**  
(22) Date of Filing Application: **29 June 2012**  
(24) Date from which industrial property rights may have effect: **29 June 2012**  
(54) Product in respect of which the design is registered: **Filter bottle**  
(51) International Design Classification: **23-01G, 09-01NES**  
(74) Name(s) of Attorney(s): **Griffith Hack**  
(71) Name(s) and Address(s) of Applicant(s):  
**BRITA GMBH**  
**Heinrich-Hertz Strasse 4 65232 Taunusstein Germany**  
(72) Name(s) of Designer(s): **Christian Rummel and Tim Storti**  
(45) Registration Date: **27 July 2012**  
(30) Convention priority data:  
(31) Number (32) Date (33) Country  
**402012100001.2 02 Jan 2012 GERMANY**  
(56) Related Art Documents: **Not Applicable**  
(57) Statement of Newness and Distinctiveness: **Nil**



(21) Design Number: **13057/2012**  
(22) Date of Filing Application: **26 April 2012**  
(24) Date from which industrial property rights may have effect: **26 April 2012**  
(54) Product in respect of which the design is registered: **An induction hob or induction cooker**  
(51) International Design Classification: **07-02C**  
(74) Name(s) of Attorney(s): **Halfords IP**  
(71) Name(s) and Address(s) of Applicant(s):  
**Electrolux Home Products Corporation N.V.**  
**Raketstraat 40, 1130 Brussels Belgium**  
(72) Name(s) of Designer(s): **Samuele Meda and Jan Ctvrtnik**  
(45) Registration Date: **27 July 2012**  
(30) Convention priority data:  
(31) Number (32) Date (33) Country  
**001939323-0001 28 Oct 2011 EUROPEAN COMMUNITY**  
(56) Related Art Documents: **Not Applicable**  
(57) Statement of Newness and Distinctiveness: **Newness and distinctiveness is claimed in those features of shape and or configuration and or pattern and or ornamentation of a cooking appliance such as an induction hob or induction cooker as depicted in the accompanying representations.**



(21) Design Number: **13058/2012**  
(22) Date of Filing Application: **26 April 2012**  
(24) Date from which industrial property rights may have effect: **26 April 2012**  
(54) Product in respect of which the design is registered: **An induction hob or induction cooker**  
(51) International Design Classification: **07-02C**  
(74) Name(s) of Attorney(s): **Halfords IP**  
(71) Name(s) and Address(s) of Applicant(s):  
**Electrolux Home Products Corporation N.V.**  
**Raketstraat 40, 1130 Brussels Belgium**  
(72) Name(s) of Designer(s): **Samuele Meda and Jan Ctvrtnik**  
(45) Registration Date: **27 July 2012**  
(30) Convention priority data:  
(31) Number      (32) Date      (33) Country  
**001939323-0001    28 Oct 2011      EUROPEAN COMMUNITY**  
(56) Related Art Documents: **Not Applicable**  
(57) Statement of Newness and Distinctiveness: **Newness and distinctiveness is claimed in those features of shape and or configuration and or pattern and or ornamentation of a cooking appliance such as an induction hob or induction cooker as depicted in the accompanying representations.**



(21) Design Number: **13059/2012**  
(22) Date of Filing Application: **26 April 2012**  
(24) Date from which industrial property rights may have effect: **26 April 2012**  
(54) Product in respect of which the design is registered: **An induction hob or induction cooker**  
(51) International Design Classification: **07-02C**  
(74) Name(s) of Attorney(s): **Halfords IP**  
(71) Name(s) and Address(s) of Applicant(s):  
**Electrolux Home Products Corporation N.V.**  
**Raketstraat 40, 1130 Brussels Belgium**  
(72) Name(s) of Designer(s): **Samuele Meda and Jan Ctvrtnik**  
(45) Registration Date: **27 July 2012**  
(30) Convention priority data:  
(31) Number      (32) Date      (33) Country  
**001939323-0001    28 Oct 2011      EUROPEAN COMMUNITY**  
(56) Related Art Documents: **Not Applicable**  
(57) Statement of Newness and Distinctiveness: **Newness and distinctiveness is claimed in those features of shape and or configuration and or pattern and or ornamentation of a cooking appliance such as an induction hob or induction cooker as depicted in the accompanying representations.**



(19) AU

(21) Design Number: **13060/2012**

(22) Date of Filing Application: **29 June 2012**

(24) Date from which industrial property rights may have effect: **29 June 2012**

(54) Product in respect of which the design is registered: **X-ray apparatus for measuring and checking**

(51) International Design Classification: **24-01, 10-99**

(74) Name(s) of Attorney(s): **PIZZEYS**

(71) Name(s) and Address(s) of Applicant(s):

**Nordischer Maschinenbau Rud. Baader GMBH + CO. KG  
Geniner Strasse 249 Lubeck D-23560 Germany**

(72) Name(s) of Designer(s): **Bjoern Ruenger and Matthias Schroeder**

(45) Registration Date: **27 July 2012**

(30) Convention priority data:

(31) Number  
**DM/077752**

(32) Date  
**20 Jan 2012**

(33) Country  
**WORLD INTELLECTUAL  
PROPERTY ORGANIZATION  
(WIPO)**

(56) Related Art Documents: **Not Applicable**

(57) Statement of Newness and Distinctiveness: **The newness and distinctiveness of the design resides in the features of pattern and/or ornamentation OR shape and/or configuration shown in unbroken lines in the accompanying representations. (if required, see Convention document)**

