



Australian Government

IP Australia

AUSTRALIAN OFFICIAL JOURNAL

OF

DESIGNS

Did you know a searchable version of this journal is now available online?

It's FREE and EASY to SEARCH.

Find it on our website (www.ipaustralia.gov.au)

by using the "Journals" link on the home page.

This Page Left Intentionally Blank

Contents

General Information & Notices

**Proceedings Under the Designs Act 1906 preserved as a result of the provisions of Chapter 12
Part 2 of the Designs Act 2003**

Extension of Period of Registration of Designs 2314
Names Registered - Alterations and Amendments 2314
Registrations Ceased 2314
Subsequent Owners Registered 2314

Proceedings Under the Designs Act 2003

Applications Assigned 2327
Applications Lapsed 2326
Applications Lodged 2318
Applications Withdrawn 2326
Certificate of Examination 2329
Extension of Period of Registration of Design 2327
Extension of Time Granted Under Section 137 2327
Names Registered - Alterations and Amendments 2328
Publication and Registration Proceedings
Designs Registered 343868 to 344040..... 2330
Registrations Ceased 2327
Subsequent Owners Registered 2327

This Page Left Intentionally Blank

For information on the following please see our website www.ipaustralia.gov.au or contact our Customer Service Network on 1300651010

[Editorial enquiries](#)

[Contact information](#)

[Freedom of Information ACT](#)

[Professional Standards Board](#)

[Sales](#)

[Requests for Information under Section 194 \(c\)](#)

[Country Codes](#)

[Trade Mark and Designs Hearing Sessions](#)

[INID \(Internationally agreed Numbers for the Identification of Data\)](#)

“INID” NUMBERS in use on Australian Design Documents

“INID” is an acronym for “Internationally agreed Numbers for the Identification of Data”.

(10) Data concerning the registration/renewal

- (11) Serial number of the registration and/or number of the design document
- (12) Plain language designation of the kind of published document
- (19) Identification, using the two-letter code according to WIPO Standard ST.3, of the authority publishing or registering the industrial design

(20) Data concerning the application

- (21) Serial number of the application
- (22) Date of filing of the application
- (24) Date from which the industrial design right has effect

(30) Data relating to priority under the Paris Convention

- (31) Serial number assigned to the priority application
- (32) Date of filing of the priority application
- (33) Two-letter code, according to WIPO Standard ST.3, identifying the authority with which the priority application was made

(40) Date(s) of making information available to the public

- (45) Date of publication of the registered industrial design by printing or similar process, or making it available to the public by any other means

(50) Miscellaneous Information

- (51) International Classification for Industrial Designs (class and subclass of the Locarno Classification)
- (54) Designation of article(s) or product(s) covered by the industrial design or title of the industrial design
- (55) Reproduction of the industrial design (e.g., drawing, photograph) and explanations relating to the reproduction
- (56) List of prior art documents, if separate from descriptive text
- (57) Description of characteristic features of the industrial design including indication of colours

(60) References to other legally related application(s) and registration(s)

- (62) Serial number(s) and, if available, filing date(s) of application(s), registration(s) or document(s) related by division
- (66) Serial number(s) of the application, or the registration, of the design(s) which is (are) a variant(s) of the present one

(70) Identification of parties concerned with the application or registration

- (71) Name(s) and address(es) of the applicant(s)
- (72) Name(s) of the creator(s) if known to be such
- (74) Name(s) and address(es) of the representative(s)

This Page Left Intentionally Blank

Nil notices for this journal issue.

Proceedings under the Designs Act 1906 preserved as a result of the provisions of Chapter 12 Part 2 of the Designs Act 2003.

This Page Left Intentionally Blank

Applications Lapsed

There were no Applications Lapsed under this section

Extension of Period of Registration of Designs

1st Period (Section 27A(8))

2nd Period (Section 27A(12))

3rd Period (Section 27A(13))

146367	146368	146631
146649	146661	146976
147107	147110	147112
147128	147214	147215
147230	147231	147284
147671	147723	147724
148229	148916	149502
149503	150087	150088

Registrations Ceased

Note: Some of the following Registrations may have been previously advertised as ceased. In this instance, the previous advertisement still prevails.

128072	129603	129726
129761	129913	129937
130039	130078	130079
130080	130109	130290
130543	130544	130658
130786	131505	131506
131507	131508	131509
131510	131511	131572
131574	132094	132134
132414	133255	133608
133609	133712	133788
133838	134043	134499
134563	135881	135882
136906	142761	143038
143096	143097	143098
143099	143100	143212
144831	144888	144889
144893	144897	144898
144992	145194	145310
145563	145823	145824
145935	146191	146192
146285	146610	146965
148210	148211	148308
148912	148913	148914
148981	149004	149562
149590	149594	149773
150153	150234	151623
153885	154284	154285

Subsequent Owners Registered

(The name in parentheses is that of the subsequent owner)

131634	(Dulkara Holdings Pty Ltd) RGB Industries Pty Ltd
133662	(Dulkara Holdings Pty Ltd) RGB Industries Pty Ltd
156711	(Dulkara Holdings Pty Ltd) RGB Industries Pty Ltd
156714	(Dulkara Holdings Pty Ltd) RGB Industries Pty Ltd
155672	(Paldo Co., Ltd) Korea Yakult Co. Ltd
142011	(Asahi Group Holdings, Ltd.) Asahi Breweries, Ltd
150820	(Asahi Group Holdings, Ltd.) Asahi Breweries, Ltd
142838	(Ellis Patents Holdings Limited) Walkern Victoria Industries Limited

Names Registered - Alterations and Amendments

(The name in parentheses is the new name of the proprietor)

142224	(KRAFT FOODS R&D, INC.) Kraft Jacobs Suchard R & D Inc.
147100	(Traffic Technologies Signal & Hardware Division Pty Ltd) Traffic Technology International Pty Ltd

This Page Left Intentionally Blank

Proceedings under the Designs Act 2003.

This Page Left Intentionally Blank

Applications Lodged

Lodgement information is in the following order: **Applicant's Name**; International Classification, Name of Product, Lodgement Date and **Design Number**. If the applicant claims an earlier priority date under an International Convention, the Convention Country and the associated filing date are shown in parentheses before the Lodgement Date. Divisional information will also appear in parentheses before the Lodgement Date.

Alive Girl Pty Ltd;AG (Syd) Fashion Pty Ltd; 02-02C, Apparel, 22 Aug 2012	14130/2012	Bugeja, Paul Anthony; 08-08B, Self drilling anti-removal screw, 16 Aug 2012	14010/2012
Alto Packaging Limited; 31-00, Dispenser, 22 Aug 2012	14142/2012	BB IPR Limited; 07-03, Spoon, (GB, 04 May 2012) 10 Aug 2012	13889/2012
Alto Packaging Limited; 07-02NES, 09-03NES, A container, 15 Aug 2012	13982/2012	Casts Australia Pty Ltd; 21-02D, 08-05N, Wax removal, hand tools, scrapers, surfboard wax, wax combs, advertising, promotion of goods, packaging, container, 16 Aug 2012	13976/2012
Amcor Limited; 09-03M, Container with lid and base and blanks therefor, 21 Aug 2012	14124/2012	Cheung, Maggie; 28-03B, Induction hair curler base, (US, 19 Mar 2012) 21 Aug 2012	14070/2012
Amcor Limited; 09-03M, Container with lid and base and blanks therefor, 21 Aug 2012	14125/2012	Clarkson, Ryan; 25-01C, A design eave, made from perforated steel with perforated patterns for aesthetics, 20 Aug 2012	14051/2012
Automobili Lamborghini S.p.A.; 21-01C, 12-08, Car and toy-car, (EM, 10 Feb 2012) 09 Aug 2012	13869/2012	Coca-Cola Company, The; 09-01H, Bottle, (US, 17 Feb 2012) 13 Aug 2012	13918/2012
AG (Syd) Fashion Pty Ltd;Alive Girl Pty Ltd; 02-02C, Apparel, 22 Aug 2012	14130/2012	Continental Reifen Deutschland GmbH; 12-15A, Tyre, (EM, 04 May 2012) 17 Aug 2012	14030/2012
Bailey, Brian; 06-06NES, Techno puzzles. These are a variety of individual furniture- plan D.I.Y. projects presented in a jigsaw puzzle format, which shows a project with technical details plus other item images., 06 Aug 2012	14113/2012	Continental Reifen Deutschland GmbH; 12-15B, Tyre, (EM, 04 May 2012) 17 Aug 2012	14024/2012
Barrier Group Pty Ltd; 08-10, Zeal bicycle rack, 20 Aug 2012	14032/2012	Continental Reifen Deutschland GmbH; 12-15B, Tyre, (EM, 04 May 2012) 17 Aug 2012	14028/2012
Barrier Group Pty Ltd; 08-10, Zephyr bicycle rack, 15 Aug 2012	13958/2012	Continental Reifen Deutschland GmbH; 12-15B, 12-15C, Tyre, (EM, 22 Mar 2012) 17 Aug 2012	14029/2012
Bene Ag; 06-03C, Furniture, (EM, 29 Feb 2012) 17 Aug 2012	14025/2012	Cooper Tire & Rubber Company; 12-15B, Tire, (US, 28 Feb 2012) 10 Aug 2012	13887/2012
Bene Ag; 06-03C, Furniture, (EM, 29 Feb 2012) 17 Aug 2012	14027/2012	Coty Geneva SA; 09-07C, Bottle top/stopper, (EM, 23 Feb 2012) 17 Aug 2012	14047/2012
Bene Ag; 06-03C, Furniture, (EM, 29 Feb 2012) 17 Aug 2012	14026/2012	Coty Geneva SA; 09-01G, Bottle for perfumery, (EM, 23 Feb 2012) 17 Aug 2012	14046/2012
Black & Decker Inc; 08-05A, Blower/vacuum device, (EM, 20 Feb 2012) 15 Aug 2012	13983/2012	Cranka Pty Ltd; 22-05, Fishing lures, 17 Aug 2012	14008/2012
Black & Decker Inc; 08-05A, Sweeper, (EM, 20 Feb 2012) 15 Aug 2012	13984/2012	Creative Products Enterprises Pty Limited; 07-07A, Can cooler, 10 Aug 2012	13870/2012
Bonson Industrial Co. Limited; 07-01B, A bowl, (NZ, 22 Jun 2012) 22 Aug 2012	14100/2012	CASTEL MAC S.p.A.; 15-07, Ice machine and apparatus, (EM, 14 Feb 2012) 10 Aug 2012	13906/2012
Brown & Watson International Pty Ltd; 26-03, Lamp, 17 Aug 2012	14036/2012		

CENTRIX, INC.; 24-02, Dental material dispensing tube, (US, 21 Feb 2012) 13 Aug 2012	13954/2012	Evans, Paul; 02-01A, Breast-protective orthosis, 13 Aug 2012	13925/2012
COMPAGNIE GENERALE DES ETABLISSEMENTS MICHELIN; Michelin Recherche et Technique S.A.; 12-15A, A tyre, (US, 27 Mar 2012) 22 Aug 2012	14126/2012	Eveready Battery Company, Inc.; 26-04, Lighting device, 21 Aug 2012	14120/2012
D.V. Logic Pty Ltd; 12-16NES, Wheel motor cover mounting ring, 10 Aug 2012	13922/2012	Eveready Battery Company, Inc.; 26-04, Lighting device, 21 Aug 2012	14123/2012
Daikin Industries Ltd; 23-04, Outdoor unit for air conditioner, 16 Aug 2012	14011/2012	Eveready Battery Company, Inc.; 26-04, Lighting device, 21 Aug 2012	14122/2012
Daimler AG; 12-08, Vehicle, (EM, 12 Mar 2012) 22 Aug 2012	14143/2012	Eveready Battery Company, Inc.; 26-04, Lighting device, 21 Aug 2012	14121/2012
Daimler AG; 12-08, Vehicle, (EM, 12 Mar 2012) 22 Aug 2012	14145/2012	Ferrari S.p.A.; 21-01C, 12-08, Car and toy-car, (EM, 16 Feb 2012) 10 Aug 2012	13886/2012
Daimler AG; 12-08, Vehicle, (EM, 12 Mar 2012) 22 Aug 2012	14144/2012	Fetch TV Pty Ltd; 14-03NES, Set top box, (US, 10 Jul 2012) 10 Aug 2012	13899/2012
Delta T Corporation; 23-04, 26-05A, Ceiling fan blade with light, (US, 02 Mar 2012) 15 Aug 2012	13970/2012	Fifty-Fourth Rischell Pty Ltd; 02-02C, Men's clothing, 10 Aug 2012	13926/2012
Delta T Corporation; 23-04, 26-05A, Ceiling fan blade with light, (US, 02 Mar 2012) 15 Aug 2012	13971/2012	Finlan, John; 30-04, Collar for animal, (EM, 29 Feb 2012) 14 Aug 2012	13923/2012
Delta T Corporation; 23-04, Mounting assembly for a ceiling fan, (US, 02 Mar 2012) 15 Aug 2012	13965/2012	Fiskars Brands, Inc.; 15-03A, Garden cultivator, (US, 21 Jun 2012) 15 Aug 2012	13985/2012
Delta T Corporation; 23-04, Ceiling fan with mounting assembly, (US, 02 Mar 2012) 15 Aug 2012	13969/2012	Fiskars Brands, Inc.; 08-01, Garden trowel, (US, 21 Jun 2012) 15 Aug 2012	13986/2012
Delta T Corporation; 23-04, Ceiling fan with mounting assembly, (US, 02 Mar 2012) 15 Aug 2012	13967/2012	Fleet Engineers, Inc.; 12-16NES, Mudflap, (US, 27 Apr 2012) 21 Aug 2012	14115/2012
Delta T Corporation; 23-04, Ceiling fan with mounting assembly, (US, 02 Mar 2012) 15 Aug 2012	13968/2012	Ford, Thomas C.; 09-01NES, Bottle with cap, (US, 14 Dec 2011) 07 Jun 2012	13949/2012
Delta T Corporation; 23-04, Ceiling fan with mounting assembly, (US, 02 Mar 2012) 15 Aug 2012	13966/2012	Forever New Clothing Pty Ltd; 11-01C, Bracelet, 13 Aug 2012	13924/2012
Dumble, Darren; 25-01C, A beam for constructing frames, 09 Aug 2012	13507/2012	Forever New Clothing Pty Ltd; 02-02C, Women's fashion clothing, 20 Aug 2012	14086/2012
Edwards, Luke John Roo; 11-01K, Jewellery 11-01K, 27 Jul 2012	13868/2012	Forever New Clothing Pty Ltd; 02-02C, Women's fashion clothing, 20 Aug 2012	14087/2012
Elisha, Benjamin; 24-01, 24-02, Punch biopsy/skin lesion remover, 17 Aug 2012	14007/2012	Forever New Clothing Pty Ltd; 02-02NES, Women's fashion clothing, 20 Aug 2012	14078/2012
Elmich Pte Ltd; 08-05NES, Spacer element, 22 Aug 2012	14133/2012	Forever New Clothing Pty Ltd; 02-02NES, Women's fashion clothing, 20 Aug 2012	14079/2012
Energy Matters; 25-01K, Commercial roof rail, 06 Jun 2012	13865/2012		

Forever New Clothing Pty Ltd; 02-02NES, Women's fashion clothing, 20 Aug 2012	14077/2012	Guangzhou Gardenart Furniture Co. Ltd; 06-01F, Full alu' dining armchair, 20 Aug 2012	14154/2012
Forever New Clothing Pty Ltd; 02-02NES, Women's fashion clothing, 20 Aug 2012	14084/2012	Guangzhou Gardenart Furniture Co. Ltd; 06-01H, Alu' sling sunlounger, 20 Aug 2012	14161/2012
Forever New Clothing Pty Ltd; 02-02C, Women's fashion clothing, 20 Aug 2012	14085/2012	Guangzhou Gardenart Furniture Co. Ltd; 06-01G, Alu-sofa, 2-seater w/o armrest, 20 Aug 2012	14160/2012
Forever New Clothing Pty Ltd; 02-02NES, Women's fashion clothing, 20 Aug 2012	14075/2012	Guangzhou Gardenart Furniture Co. Ltd; 06-01G, Alu-sofa, 2-seater with one armrest, 20 Aug 2012	14159/2012
Forever New Clothing Pty Ltd; 02-02NES, Women's fashion clothing, 20 Aug 2012	14074/2012	Guangzhou Gardenart Furniture Co. Ltd; 06-01F, Alu' director chair, 20 Aug 2012	14150/2012
Forever New Clothing Pty Ltd; 02-02C, Women's fashion clothing, 20 Aug 2012	14071/2012	Guangzhou Gardenart Furniture Co. Ltd; 06-01NES, Alu' teak table with two benches, 20 Aug 2012	14157/2012
Forever New Clothing Pty Ltd; 02-02C, Women's fashion clothing, 20 Aug 2012	14082/2012	Guangzhou Gardenart Furniture Co. Ltd; 06-01G, Alu' sofa, one seater, with two arms, 20 Aug 2012	14158/2012
Forever New Clothing Pty Ltd; 02-02C, Women's fashion clothing, 20 Aug 2012	14083/2012	Guangzhou Gardenart Furniture Co. Ltd; 06-01H, Alu' sling armchair, 20 Aug 2012	14151/2012
Forever New Clothing Pty Ltd; 02-02NES, Women's fashion clothing, 20 Aug 2012	14076/2012	Guangzhou Gardenart Furniture Co. Ltd; 06-01A, Alu'/glass table, 20 Aug 2012	14148/2012
Forever New Clothing Pty Ltd; 02-02NES, Women's fashion clothing, 20 Aug 2012	14072/2012	Guangzhou Gardenart Furniture Co. Ltd; 06-01F, Full alu' dining armchair, 20 Aug 2012	14152/2012
Forever New Clothing Pty Ltd; 02-02C, Women's fashion clothing, 20 Aug 2012	14073/2012	Guangzhou Gardenart Furniture Co. Ltd; 06-01F, Full alu' dining armchair, 20 Aug 2012	14153/2012
Forever New Clothing Pty Ltd; 03-01B, A handbag, (Divisional of 15202/2011) 20 Aug 2012	14073/2012	Guangzhou Gardenart Furniture Co. Ltd; 06-01H, S/S sling sun lounger, 20 Aug 2012	14149/2012
Fox Imports Pty Ltd; 06-01G, Sixty design armchair, 09 Aug 2012	13892/2012	Guangzhou Gardenart Furniture Co. Ltd; 06-01H, Alu' sling sunlounger, 20 Aug 2012	14146/2012
Fox Imports Pty Ltd; 06-01G, Sixty design 2 seat sofa, 09 Aug 2012	13893/2012	Guangzhou Gardenart Furniture Co. Ltd; 06-01E, Full alu' stool, 20 Aug 2012	14155/2012
Fox Imports Pty Ltd; 06-01G, Sixty design 3 seat sofa, 09 Aug 2012	13894/2012	Guangzhou Gardenart Furniture Co. Ltd; 06-01A, Full alu' dining table, 20 Aug 2012	14156/2012
France, Rowenta; 15-05, Suction head of a handstick vacuum cleaner, (EM, 27 Mar 2012) 14 Aug 2012	13929/2012	Guangzhou Gardenart Furniture Co. Ltd; 06-01F, Alu' sling cover dining chair, 20 Aug 2012	14147/2012
Fresenius Medical Care Holdings, Inc.; 24-01, Blood flow chamber, (US, 24 Feb 2012) (Divisional of 12533/2012) 13 Aug 2012	13917/2012	GM Global Technology Operations, LLC; 12-16A, Vehicle wheel, 22 Aug 2012	14163/2012
Futtoc Performance, S.L.; 21-01L, Game table top, 07 Mar 2012	14129/2012	Halco Pty Ltd; 22-05, Fishing lure, 17 Aug 2012	14039/2012
Galantai Plastics Group Limited; 08-08L, Bracket with removable hoop with clip, 21 Aug 2012	14099/2012	Hayward, Timothy John; 25-02C, Sheet material for a fence, 20 Aug 2012	14038/2012
Graco Minnesota Inc.; 15-99, Line striper, (US, 23 Mar 2012) 16 Aug 2012	13988/2012	Interiorco Vic Pty Ltd; 25-02NES, Rail of indeterminate length, 17 Aug 2012	14022/2012
		Interiorco Vic Pty Ltd; 08-08L, Mounting blade, 17 Aug 2012	14023/2012

IDC Solutions Pty Ltd; 25-01D, A panel, 23 Aug 2012	14170/2012	Koninklijke Philips Electronics N.V.; 09-05, Capsule, (EM, 21 Feb 2012) 21 Aug 2012	14106/2012
Jackel Trade Marks Pty Ltd; 07-01D, A Cup, 17 Aug 2012	14049/2012	Koninklijke Philips Electronics N.V.; 09-05, Capsule, (EM, 21 Feb 2012) 21 Aug 2012	14110/2012
Jackel Trade Marks Pty Ltd; 07-01D, A Cup, 17 Aug 2012	14048/2012	Koninklijke Philips Electronics N.V.; 09-05, Capsule, (EM, 21 Feb 2012) 21 Aug 2012	14111/2012
Jaegers, Daniel; 22-06, Gecko cylindrical lantern zipper, 20 Aug 2012	14127/2012	Kurtzman, David John; 12-16NES, Handle bars for motorcycles, all terrain vehicles, jet skis & independantly crafted vehicles, 06 Aug 2012	13866/2012
Jaegers, Daniel; 22-06, Gecko slimline zipper, 20 Aug 2012	14128/2012	Kurtzman, David John; 12-16NES, Handle bars for motorcycles, all terrain vehicles, jet skis & independantly crafted vehicles, 06 Aug 2012	13867/2012
Jones, Patrick Xavier; 12-06A, Boat hull & superstructure, 15 Aug 2012	13973/2012	Lakes Entrance Fishermen's Co-operative Society Limited; 09-03M, A container with feet and drainage holes, 22 Aug 2012	14134/2012
Jura Elektroapparate AG; 07-02L, Coffee machine, (WO, 10 May 2012) 14 Aug 2012	13928/2012	Lakes Entrance Fishermen's Co-operative Society Limited; 09-03M, A container, 22 Aug 2012	14141/2012
Just Jeans Pty Ltd; 11-02E, A figurine, 23 Aug 2012	14168/2012	Lakes Entrance Fishermen's Co-operative Society Limited; 09-03M, A container with a curved bottom, 22 Aug 2012	14138/2012
K J Innovations Pty Ltd;R J Innovations Pty Ltd; 25-01C, Elongate beam, 20 Aug 2012	14097/2012	Lakes Entrance Fishermen's Co-operative Society Limited; 09-03M, A container with nesting ribs, 22 Aug 2012	14140/2012
Kamphuis, Peter Francis; 25-01K, An extrusion, (NZ, 17 Feb 2012) 15 Aug 2012	13931/2012	Lakes Entrance Fishermen's Co-operative Society Limited; 09-03M, A container with nesting ribs, 22 Aug 2012	14139/2012
King, Danielle; 12-12, Baby carrier, 22 Aug 2012	14179/2012	Lakes Entrance Fishermen's Co-operative Society Limited; 09-03M, A container with stacking shoulder ribs, 22 Aug 2012	14136/2012
Koninklijke Philips Electronics N.V.; 09-05, Capsule, (EM, 21 Feb 2012) 21 Aug 2012	14102/2012	Lakes Entrance Fishermen's Co-operative Society Limited; 09-03M, A container with drainage hole ribs, 22 Aug 2012	14137/2012
Koninklijke Philips Electronics N.V.; 09-05, Capsule, (EM, 21 Feb 2012) 21 Aug 2012	14103/2012	Lakes Entrance Fishermen's Co-operative Society Limited; 09-03M, A container with third rail ribs, 22 Aug 2012	14135/2012
Koninklijke Philips Electronics N.V.; 09-05, Capsule, (EM, 21 Feb 2012) 21 Aug 2012	14101/2012	Lam, Warren; 08-07, Plastic safety lockout padlock lock body, 15 Aug 2012	13989/2012
Koninklijke Philips Electronics N.V.; 09-05, Capsule, (EM, 21 Feb 2012) 21 Aug 2012	14112/2012	Land & Sea Sports Pty Ltd; 21-02D, Trainer paddle board, 20 Jul 2012	14177/2012
Koninklijke Philips Electronics N.V.; 09-05, Capsule, (EM, 21 Feb 2012) 21 Aug 2012	14104/2012	Land & Sea Sports Pty Ltd; 22-05, Javelin handspear, 20 Jul 2012	14178/2012
Koninklijke Philips Electronics N.V.; 09-05, Capsule, (EM, 21 Feb 2012) 21 Aug 2012	14105/2012	Lightforce Australia Pty Limited; 26-05D, Housing for light, 21 Aug 2012	14162/2012
Koninklijke Philips Electronics N.V.; 09-05, Capsule, (EM, 21 Feb 2012) 21 Aug 2012	14108/2012		
Koninklijke Philips Electronics N.V.; 09-05, Capsule, (EM, 21 Feb 2012) 21 Aug 2012	14109/2012		
Koninklijke Philips Electronics N.V.; 09-05, Capsule, (EM, 21 Feb 2012) 21 Aug 2012	14107/2012		

Lighting Science Group Corporation; 26-05A, Luminaire, (US, 13 Feb 2012) 10 Aug 2012	13898/2012	MedInvent LLC; 24-01, Nebulizer, (US, 24 Feb 2012) 21 Aug 2012	14119/2012
Lighting Science Group Corporation; 26-05A, Luminaire, (US, 23 Feb 2012) 16 Aug 2012	14019/2012	Michelin Recherche et Technique S.A.;COMPAGNIE GENERALE DES ETABLISSEMENTS MICHELIN; 12-15A, A tyre, (US, 27 Mar 2012) 22 Aug 2012	14126/2012
LAKE PRODUCTS LIMITED; 08-08B, A nut, (NZ, 15 Feb 2012) 10 Aug 2012	13871/2012	Microsoft Corporation; 14-04, Display screen with user interface, (US, 23 Feb 2012) 13 Aug 2012	13916/2012
M.R. Products Corp.; 19-06, Ballpoint pen, (KR, 24 Feb 2012) 21 Aug 2012	14132/2012	Modern Star International Pty Ltd; 12-12, A stroller frame, 23 Aug 2012	14171/2012
Magic Tap, LLC; 09-07B, Container cap, 15 Aug 2012	13977/2012	Montres Tudor S.A.; 10-07, Watch clasp, (CH, 14 Feb 2012) 13 Aug 2012	13914/2012
Marine Canada Acquisition Inc.; 12-16A, Steering bezel, (US, 13 Feb 2012) 10 Aug 2012	13895/2012	Montres Tudor S.A.; 10-07, Watch dial, (CH, 14 Feb 2012) 13 Aug 2012	13915/2012
Marine Canada Acquisition Inc.; 12-16NES, Joystick, (US, 13 Feb 2012) 10 Aug 2012	13896/2012	Montres Tudor S.A.; 10-07, Watch wristlet, (CH, 14 Feb 2012) 13 Aug 2012	13913/2012
Marine Canada Acquisition Inc.; 12-16A, Steering bezel, (US, 13 Feb 2012) 10 Aug 2012	13897/2012	MSD Consumer Care, Inc.; 09-01NES, Bottle, (Divisional of 12639/2012) 20 Aug 2012	14095/2012
Marjanovic, Marinko; 02-02C, , 10 Aug 2012	13890/2012	MSD Consumer Care, Inc.; 09-01NES, Bottle, (Divisional of 12639/2012) 20 Aug 2012	14092/2012
Mars Incorporated; 01-01, Chocolate/confectionery mini bunny, (EM, 17 May 2012) 22 Aug 2012	14164/2012	MSD Consumer Care, Inc.; 09-01NES, Bottle, (Divisional of 12639/2012) 20 Aug 2012	14093/2012
Mass Technology (H.K.) Limited; 26-04, Lamp, (HK, 14 Apr 2012) 23 Aug 2012	14181/2012	MSD Consumer Care, Inc.; 09-01NES, Bottle, (Divisional of 12639/2012) 20 Aug 2012	14091/2012
Mass Technology (H.K.) Limited; 26-04, Lamp, (HK, 14 Apr 2012) 23 Aug 2012	14180/2012	MSD Consumer Care, Inc.; 09-01NES, Bottle, (Divisional of 12639/2012) 20 Aug 2012	14090/2012
Maverick Securities Aust Pty Ltd; 21-02E, Skate board deck, 15 Aug 2012	13930/2012	MSD Consumer Care, Inc.; 09-01NES, Bottle, (Divisional of 12639/2012) 20 Aug 2012	14089/2012
Me Group Pty Ltd; 20-02NES, 20-03NES, Signage, display, advertising and lightboxes, 20 Aug 2012	13872/2012	MSD Consumer Care, Inc.; 09-01NES, Bottle, (Divisional of 12639/2012) 20 Aug 2012	14096/2012
Meadwestvaco Calmar, Inc.; 09-07A, Aerosol actuator, (US, 13 Feb 2012) 13 Aug 2012	13927/2012	MSD Consumer Care, Inc.; 09-01NES, Bottle, (Divisional of 12639/2012) 20 Aug 2012	14088/2012
Mediasoft Pty Ltd; 25-01G, Roof Panel, 22 Aug 2012	14167/2012	MSD Consumer Care, Inc.; 09-01NES, Bottle, (Divisional of 12639/2012) 20 Aug 2012	14094/2012
MedInvent LLC; 24-01, Portable nebulizer, (US, 07 Mar 2012) 21 Aug 2012	14116/2012	No Bolt Operations Pty Ltd; 29-02, Height safety equipment, 23 Aug 2012	14131/2012
MedInvent LLC; 24-01, Nebulizer, (US, 24 Feb 2012) 21 Aug 2012	14117/2012	Otto, Johannes Albertus; 25-01NES, Beading, (ZA, 17 Feb 2012) 16 Aug 2012	13978/2012
MedInvent LLC; 24-01, Portable nebulizer, (US, 07 Mar 2012) 21 Aug 2012	14118/2012		

Outotec Oyj; 23-04, Mixer impeller, (EM, 20 Feb 2012) 20 Aug 2012	14068/2012	Paterson, Kentyn Scott; 15-03A, Ground engaging element mounting hub (A) for an agricultural tillage chain, 16 Aug 2012	14012/2012
Outotec Oyj; 23-04, Mixer impeller, (EM, 20 Feb 2012) 20 Aug 2012	14069/2012	Paterson, Kentyn Scott; 15-03A, Ground engaging element mounting hub (B) for an agricultural tillage chain, 16 Aug 2012	14013/2012
Oztent Australia Pty. Limited; 21-04, A tent, 17 Aug 2012	14035/2012	Pearsall, John Shenton; 08-05F, Improved clamping device for ladders to gutters and the like, 17 Aug 2012	14020/2012
OMS Investments Inc.; 09-03F, Planting system, (US, 17 Feb 2012) 15 Aug 2012	13940/2012	Perrin Holdings (WA) Pty Ltd; 03-04, An illuminated fan, 22 Aug 2012	14166/2012
OMS Investments Inc.; 09-03F, Planting system, (US, 17 Feb 2012) 15 Aug 2012	13941/2012	Pragma Products; 25-03, Kiosk, 22 Aug 2012	14114/2012
OMS Investments Inc.; 09-03F, Planting system, (US, 17 Feb 2012) 15 Aug 2012	13935/2012	PBM Nutritional, LLC; 07-01NES, Canister cover, (US, 10 Apr 2012) 16 Aug 2012	13974/2012
OMS Investments Inc.; 09-03F, Planting system, (US, 17 Feb 2012) 15 Aug 2012	13938/2012	R J Innovations Pty Ltd;K J Innovations Pty Ltd; 25-01C, Elongate beam, 20 Aug 2012	14097/2012
OMS Investments Inc.; 09-03F, Planting system, (US, 17 Feb 2012) 15 Aug 2012	13939/2012	Retail & Commercial Properties Pty Ltd; 08-08B, Concrete spacer, 16 Aug 2012	13979/2012
OMS Investments Inc.; 09-03F, Planting system, (US, 17 Feb 2012) 15 Aug 2012	13937/2012	Schinckel, Simon; 07-02E, Portable barbeque cover with hotplate, 22 Aug 2012	14165/2012
OMS Investments Inc.; 09-03F, Planting system, (US, 17 Feb 2012) 15 Aug 2012	13936/2012	Schreder S.A.; 26-05A, Outdoor lighting fixture, (EM, 22 Feb 2012) 17 Aug 2012	14037/2012
OMS Investments Inc.; 09-03F, Planting system, (US, 17 Feb 2012) 15 Aug 2012	13934/2012	Seafolly Pty Ltd; 02-02A, Swimwear, 16 Aug 2012	14063/2012
OMS Investments Inc.; 09-03F, Planting system, (US, 17 Feb 2012) 15 Aug 2012	13942/2012	Seafolly Pty Ltd; 02-02A, Swimwear, 16 Aug 2012	14065/2012
OMS Investments Inc.; 09-03F, Planting system, (US, 17 Feb 2012) 15 Aug 2012	13943/2012	Seafolly Pty Ltd; 02-02A, Swimwear, 16 Aug 2012	14064/2012
OMS Investments, Inc.; 09-03F, Planting system carrying device, (US, 02 Aug 2012) 15 Aug 2012	13932/2012	Seafolly Pty Ltd; 02-02A, Swimwear, 16 Aug 2012	14061/2012
OMS Investments, Inc.; 09-03F, Internal plug for a planting system, (US, 18 May 2012) 15 Aug 2012	13945/2012	Seafolly Pty Ltd; 02-02A, Swimwear, 16 Aug 2012	14062/2012
OMS Investments, Inc.; 09-03F, Internal plug for a planting system, (US, 18 May 2012) 15 Aug 2012	13944/2012	Seafolly Pty Ltd; 02-02A, Swimwear, 16 Aug 2012	14060/2012
OMS Investments, Inc.; 09-03F, Planting system carrying device, (US, 02 Aug 2012) 15 Aug 2012	13933/2012	Seafolly Pty Ltd; 02-02A, Swimwear, 16 Aug 2012	14058/2012
Parent Solution Group, LLC; 12-02, Carrying cart accommodation for special needs rider, (US, 11 Jun 2012) 10 Aug 2012	13888/2012	Seafolly Pty Ltd; 02-02A, Swimwear, 16 Aug 2012	14059/2012
		Seafolly Pty Ltd; 02-02A, Swimwear, 16 Aug 2012	14056/2012
		Seafolly Pty Ltd; 02-02A, Swimwear, 16 Aug 2012	14057/2012
		Seafolly Pty Ltd; 02-02A, Swimwear, 16 Aug 2012	14054/2012
		Seafolly Pty Ltd; 02-02A, Swimwear, 16 Aug 2012	14055/2012

Seafolly Pty Ltd; 02-02A, Swimwear, 16 Aug 2012	14053/2012	Techtronic Outdoor Products Technology Limited; 13-02, Battery Pack, (CN, 16 Feb 2012) 10 Aug 2012	13902/2012
Seafolly Pty Ltd; 02-02A, Swimwear, 16 Aug 2012	14052/2012	Techtronic Outdoor Products Technology Limited; 13-02, Battery pack, (CN, 23 May 2012) 10 Aug 2012	13903/2012
Shaw, David; 06-01D, Submarine bench seat, 10 Aug 2012	14021/2012	Techtronic Outdoor Products Technology Limited; 13-02, Battery pack, (CN, 16 Feb 2012) 10 Aug 2012	13900/2012
Shenzhen Growatt New Energy Technology Co., Ltd.; 13-02, Inverter with flat head cover, 10 Aug 2012	13904/2012	Techtronic Outdoor Products Technology Limited; 13-02, Battery pack, (CN, 16 Feb 2012) 10 Aug 2012	13901/2012
Siljeg, Anthony; 31-00, Device for cleaning the teet of a dummy/passifier or baby-feeding bottle, 16 Aug 2012	14014/2012	The Coca-Cola Company; 09-01H, Bottle, (US, 17 Feb 2012) 13 Aug 2012	13919/2012
Societe des Produits Nestle S.A.; 01-01, Chocolate, (CH, 23 Feb 2012) 23 Aug 2012	14169/2012	The Coca-Cola Company; 09-01H, Bottle, (US, 17 Feb 2012) 13 Aug 2012	13921/2012
Sorensen, Robert Kemp;Taylor, Peter Marcus; 08-06, 12-16NES, Handle, 23 Aug 2012	14174/2012	The Coca-Cola Company; 09-01H, Bottle, (US, 17 Feb 2012) 13 Aug 2012	13920/2012
Sorensen, Robert Kemp;Taylor, Peter Marcus; 08-06, 12-16NES, Handle, 23 Aug 2012	14176/2012	The Raymond Corporation; 13-03D, Switch module, (US, 06 Apr 2012) 20 Aug 2012	14098/2012
Sorensen, Robert Kemp;Taylor, Peter Marcus; 08-06, 12-16NES, Handle, 23 Aug 2012	14173/2012	Thinking Ergonomix Pty Limited; 06-06E, 06-06H, Furniture frame spacer, 17 Aug 2012	14044/2012
Sorensen, Robert Kemp;Taylor, Peter Marcus; 08-06, 12-16NES, Handle, 23 Aug 2012	14175/2012	Thinking Ergonomix Pty Limited; 06-06H, 06-06E, Furniture frame cap, 17 Aug 2012	14045/2012
SMCP ApS; 23-01A, 08-08D, Clamp for installing pipes and hoses, 16 Aug 2012	13987/2012	Thinking Ergonomix Pty Limited; 06-06H, 06-06E, Furniture frame joint, 17 Aug 2012	14042/2012
STUDCO AUSTRALIA PTY LTD; 25-01NES, An elongated section, 13 Aug 2012	13956/2012	Thinking Ergonomix Pty Limited; 06-06H, 06-06E, Furniture frame joint, 17 Aug 2012	14043/2012
STUDCO AUSTRALIA PTY LTD; 25-01NES, An elongated section, 13 Aug 2012	13957/2012	Thinking Ergonomix Pty Limited; 06-06C, Table leg, 17 Aug 2012	14040/2012
STUDCO AUSTRALIA PTY LTD; 25-01NES, An elongated section, 13 Aug 2012	13955/2012	Thinking Ergonomix Pty Limited; 06-06C, Table leg, 17 Aug 2012	14041/2012
Tasman Sinkware Pty Ltd; 23-02F, Sink surface protector, 15 Aug 2012	13975/2012	Thomas, Michael David; 09-06, Pallet cushion, 13 Aug 2012	13980/2012
Taylor, Peter Marcus;Sorensen, Robert Kemp; 08-06, 12-16NES, Handle, 23 Aug 2012	14174/2012	Toro Australia Pty Limited; 23-01C, Swivel Adaptor, 15 Aug 2012	13962/2012
Taylor, Peter Marcus;Sorensen, Robert Kemp; 08-06, 12-16NES, Handle, 23 Aug 2012	14176/2012	Toro Australia Pty Limited; 23-01C, Swivel Adaptor, 15 Aug 2012	13960/2012
Taylor, Peter Marcus;Sorensen, Robert Kemp; 08-06, 12-16NES, Handle, 23 Aug 2012	14173/2012	Toro Australia Pty Limited; 23-01C, Swivel adaptor, 15 Aug 2012	13961/2012
Taylor, Peter Marcus;Sorensen, Robert Kemp; 08-06, 12-16NES, Handle, 23 Aug 2012	14175/2012	Toro Australia Pty Limited; 23-01C, Swivel adaptor, 15 Aug 2012	13959/2012

Toro Australia Pty Limited; 23-01C, 23-01E, Swivel adaptor, 15 Aug 2012	13963/2012	Zhang, Jianzhong; 25-04, Telescopic ladder, (CN, 28 Jun 2012) 15 Aug 2012	13951/2012
Toro Australia Pty Limited; 23-01C, 23-01E, Swivel adaptor, 15 Aug 2012	13964/2012	Zhang, Jianzhong; 25-02H, Sliding window, (CN, 26 Jun 2012) 15 Aug 2012	13953/2012
Toyota Jidosha Kabushiki Kaisha; 12-08, Automobile, 09 Aug 2012	13873/2012	Zhang, Jianzhong; 25-04, Ladder with removable platform, (CN, 26 Jun 2012) 15 Aug 2012	13952/2012
Toyota Jidosha Kabushiki Kaisha; 12-16H, Side mirror for an automobile, 09 Aug 2012	13874/2012	Zhang, Jianzhong; 25-04, Scaffolding, (CN, 28 Jun 2012) 15 Aug 2012	13950/2012
Toyota Jidosha Kabushiki Kaisha; 12-16C, Rear bumper for an automobile, 09 Aug 2012	13875/2012	Zhanting He c/o N2LOK Hardware Trading Pty. Ltd.; 08-06, Door furniture ~ new lever design, 15 Aug 2012	13991/2012
Tuppen, Mark; 09-03M, Container, (GB, 20 Feb 2012) 20 Aug 2012	14067/2012	Zhanting He c/o N2LOK Hardware Trading Pty. Ltd.; 08-06, Door furniture ~ new lever design, 15 Aug 2012	13999/2012
Tuppen, Mark; 09-03M, Container, (GB, 20 Feb 2012) 20 Aug 2012	14066/2012	Zhanting He c/o N2LOK Hardware Trading Pty. Ltd.; 08-07, New single cylinder deadbolt with internal turn snib, 15 Aug 2012	14006/2012
T2 Biosystems, Inc.; 24-02, Finned tube, (US, 22 Feb 2012) 17 Aug 2012	14050/2012	Zhanting He c/o N2LOK Hardware Trading Pty. Ltd.; 08-06, Door Furniture ~ new lever design, 15 Aug 2012	13997/2012
Unilever PLC; 09-01NES, Bottle, (US, 23 Feb 2012) 17 Aug 2012	14033/2012	Zhanting He c/o N2LOK Hardware Trading Pty. Ltd.; 08-06, Door furniture ~ new lever design, 15 Aug 2012	14000/2012
Unilever PLC; 09-01NES, Bottle, (US, 23 Feb 2012) 17 Aug 2012	14034/2012	Zhanting He c/o N2LOK Hardware Trading Pty. Ltd.; 08-06, Door furniture ~ new lever design, 15 Aug 2012	14001/2012
Unique Product & Design Co., Ltd.; 12-02, Golf cart, 10 Aug 2012	13891/2012	Zhanting He c/o N2LOK Hardware Trading Pty. Ltd.; 08-06, Door furniture ~ new lever design, 15 Aug 2012	13998/2012
Viscount Plastics (NZ) Limited; 09-03NES, A lidded container, (NZ, 17 Feb 2012) 17 Aug 2012	14009/2012	Zhanting He c/o N2LOK Hardware Trading Pty. Ltd.; 08-06, Door furniture ~ new lever design, 15 Aug 2012	13994/2012
Visy R & D Pty Ltd; 09-08, Blank for a bearer of a pallet, 16 Aug 2012	14018/2012	Zhanting He c/o N2LOK Hardware Trading Pty. Ltd.; 08-06, Door furniture ~ new lever design, 15 Aug 2012	13994/2012
Visy R & D Pty Ltd; 09-08, Blank for a bearer of a pallet, 16 Aug 2012	14015/2012	Zhanting He c/o N2LOK Hardware Trading Pty. Ltd.; 08-06, Door furniture ~ new lever design, 15 Aug 2012	14004/2012
Visy R & D Pty Ltd; 09-08, A pallet, 16 Aug 2012	14016/2012	Zhanting He c/o N2LOK Hardware Trading Pty. Ltd.; 08-07, New double cylinder deadbolt design with Flat round rose plate & bevelled cylinder collar, 15 Aug 2012	14005/2012
Visy R & D Pty Ltd; 09-08, Blank for a deck of a pallet, 16 Aug 2012	14017/2012	Zhanting He c/o N2LOK Hardware Trading Pty. Ltd.; 08-07, New double cylinder deadbolt design with flat square rose plate & bevelled cylinder collar, 15 Aug 2012	14002/2012
Wikipad, Inc.; 21-01N, Game controller, (US, 26 Jul 2012) 10 Aug 2012	13905/2012		
Yu, Richard; 07-99B, Hot water bottle, (WO, 02 Apr 2012) 14 Aug 2012	13972/2012		
Zamya Limited; 09-01G, Containers for cosmetics (Bubbles & Butters), (EM, 21 Feb 2012) 20 Aug 2012	14031/2012		

Zhanting He c/o N2LOK Hardware Trading Pty. Ltd.; 08-07, Single cylinder deadbolt with internal turn snib, 15 Aug 2012	14003/2012	Zibilich, Robert; 07-02N, Pan for grilling oysters, (US, 14 Feb 2012) 14 Aug 2012	13948/2012
Zhanting He c/o N2LOK Hardware Trading Pty. Ltd.; 08-06, Door furniture ~ new lever design, 15 Aug 2012	13995/2012	3M Innovative Properties Company; 24-01, 23-04, Filter cover for a powered air purifying respirator, (US, 15 Feb 2012) 13 Aug 2012	13910/2012
Zhanting He c/o N2LOK Hardware Trading Pty. Ltd.; 08-06, Door furniture ~ new lever design, 15 Aug 2012	13996/2012	3M Innovative Properties Company; 24-04, Thumb support, (US, 20 Feb 2012) 15 Aug 2012	13981/2012
Zhanting He c/o N2LOK Hardware Trading Pty. Ltd.; 08-06, Door furniture ~ new lever design, 15 Aug 2012	13992/2012	3M Innovative Properties Company; 13-02, 24-01, 23-04, Battery pack for a powered air purifying respirator, (US, 15 Feb 2012) 13 Aug 2012	13911/2012
Zhanting He c/o N2LOK Hardware Trading Pty. Ltd.; 08-06, Door furniture ~ new lever design, 15 Aug 2012	13993/2012	3M Innovative Properties Company; 23-04, 24-01, Powered air purifying respirator blower, (US, 15 Feb 2012) 13 Aug 2012	13912/2012
Zhanting He c/o N2LOK Hardware Trading Pty. Ltd.; 08-06, Door furniture ~ new lever design, 15 Aug 2012	13990/2012	3M Innovative Properties Company; 02-99, 24-99, 24-04, 23-04, Respirator belt having bumper cushion and flexible air channels, (US, 15 Feb 2012) 13 Aug 2012	13907/2012
Zibilich, Robert; 07-02N, Pan for grilling oysters, (US, 14 Feb 2012) 14 Aug 2012	13946/2012	3M Innovative Properties Company; 24-01, 23-04, Powered air purifying respirator having a control panel, (US, 15 Feb 2012) 13 Aug 2012	13908/2012
Zibilich, Robert; 07-02N, Pan for grilling oysters, (US, 14 Feb 2012) 14 Aug 2012	13947/2012	3M Innovative Properties Company; 02-99, 23-04, 24-04, 24-99, Respirator belt, (US, 15 Feb 2012) 13 Aug 2012	13909/2012

Applications Withdrawn

13327 / 2012 (17-99)	13641 / 2012 (09-03NES)
13723 / 2012 (11-01C)	13724 / 2012 (11-01B)
13725 / 2012 (11-01E)	

Applications Lapsed

10585 / 2012 (23-04)	10602 / 2012 (10-05)
10604 / 2012 (09-05)	12463 / 2012 (06-09)
12560 / 2012 (21-04)	

Extension of Period of Registration of Designs

308796	315378	316807
316808	316809	316810
316811	316812	316813
316814	316826	316827
316828	316829	316830
316831	316832	316833
316839	316913	316967
316982	316988	316989
316990	316991	317002
317035	317046	317095
317108	317164	317165
317289	317429	317432
317435	317450	317466
317486	317545	317604
317605	317613	317621
317669	317741	317758
317902	317919	317920
317921	317922	317960
318308	319268	319272
319275	319276	319449
319856	320065	320066
320615	320616	320907

Registrations Ceased

313080	313091	313101
313102	313103	313174
313866	313867	313872
313879	313881	313882
313893	313897	313899
313902	313904	313907
313909	313910	313915
313916	313917	313933
313938	313939	313940
313941	313942	313959
313960	313968	313979
313981	313984	313985
313986	313987	313997
313999	314000	314001
314028	314029	314031
314032	314034	314065
314098	314145	314146
314147	314150	314165
314197	314246	314247
314248	314249	314263
314357	314358	314422
314596	314676	314795
314796	314823	315790
316687	317077	317078
317533	317534	317535

317536 331601 339298

Extensions of time granted under Section 137

Applications lodged under section 137 for extension of time have been granted.

- 308796 **Vent-Axia Group Limited**
- 11570/2012 **Russell & George Pty Ltd**
- 11571/2012 **Russell & George Pty Ltd**
- 11572/2012 **Russell & George Pty Ltd**
- 11573/2012 **Russell & George Pty Ltd**
- 11936/2012 **Russell & George Pty Ltd**

Applications Assigned

(The name in parentheses is that of the subsequent applicant)

- 10986/2012 (**Mendies Y Pty Ltd**) Lolitta Clothing Pty Ltd

Subsequent Owners Registered

(The name in parentheses is that of the subsequent owner)

- 326203 (**Mendies Y Pty Ltd**) Lolitta Clothing Pty Ltd
- 326204 (**Mendies Y Pty Ltd**) Lolitta Clothing Pty Ltd
- 318301 (**Mendies Y Pty Ltd**) Lolitta Clothing Pty Ltd
- 318300 (**Mendies Y Pty Ltd**) Lolitta Clothing Pty Ltd
- 318299 (**Mendies Y Pty Ltd**) Lolitta Clothing Pty Ltd
- 318298 (**Mendies Y Pty Ltd**) Lolitta Clothing Pty Ltd
- 318297 (**Mendies Y Pty Ltd**) Lolitta Clothing Pty Ltd
- 318296 (**Mendies Y Pty Ltd**) Lolitta Clothing Pty Ltd
- 318295 (**Mendies Y Pty Ltd**) Lolitta Clothing Pty Ltd
- 318294 (**Mendies Y Pty Ltd**) Lolitta Clothing Pty Ltd
- 318293 (**Mendies Y Pty Ltd**) Lolitta Clothing Pty Ltd
- 318292 (**Mendies Y Pty Ltd**) Lolitta Clothing Pty Ltd
- 318291 (**Mendies Y Pty Ltd**) Lolitta Clothing Pty Ltd
- 318198 (**Mendies Y Pty Ltd**) Lolitta Clothing Pty Ltd
- 318197 (**Mendies Y Pty Ltd**) Lolitta Clothing Pty Ltd
- 318196 (**Mendies Y Pty Ltd**) Lolitta Clothing Pty Ltd
- 318195 (**Mendies Y Pty Ltd**) Lolitta Clothing Pty Ltd
- 317054 (**Mendies Y Pty Ltd**) Lolitta Clothing Pty Ltd
- 326202 (**Mendies Y Pty Ltd**) Lolitta Clothing Pty Ltd
- 317227 (**Mendies Y Pty Ltd**) Lolitta Clothing Pty Ltd
- 317226 (**Mendies Y Pty Ltd**) Lolitta Clothing Pty Ltd
- 317225 (**Mendies Y Pty Ltd**) Lolitta Clothing Pty Ltd
- 317224 (**Mendies Y Pty Ltd**) Lolitta Clothing Pty Ltd
- 317222 (**Mendies Y Pty Ltd**) Lolitta Clothing Pty Ltd
- 317221 (**Mendies Y Pty Ltd**) Lolitta Clothing Pty Ltd
- 317220 (**Mendies Y Pty Ltd**) Lolitta Clothing Pty Ltd
- 317057 (**Mendies Y Pty Ltd**) Lolitta Clothing Pty Ltd
- 317056 (**Mendies Y Pty Ltd**) Lolitta Clothing Pty Ltd
- 317055 (**Mendies Y Pty Ltd**) Lolitta Clothing Pty Ltd
- 316790 (**Mendies Y Pty Ltd**) Lolitta Clothing Pty Ltd
- 316789 (**Mendies Y Pty Ltd**) Lolitta Clothing Pty Ltd
- 316788 (**Mendies Y Pty Ltd**) Lolitta Clothing Pty Ltd
- 316787 (**Mendies Y Pty Ltd**) Lolitta Clothing Pty Ltd
- 342108 (**Pourvin Limited**) Winelight Pty Ltd

- | | | | |
|--------|--|--------|--|
| 337979 | (Panasonic Avionics Corporation) Paul Anthony Margis;Marshal H. Perlman;Kaname Tomita;Yasuhiro Araki;Taku Yamada;Omar Lopez;Craig Depner;Sheng Tong;Mehdi Izadyar | 338257 | (Australian Fitness Supplies Pty Ltd) IP Holdings Pty Limited |
| 322600 | (Dulkara Holdings Pty Ltd) RGB Industries Pty Ltd | 338271 | (Australian Fitness Supplies Pty Ltd) IP Holdings Pty Limited |
| 301162 | (Paldo Co., Ltd) Korea Yakult Co. Ltd | 338172 | (Australian Fitness Supplies Pty Ltd) IP Holdings Pty Limited |
| 301163 | (Paldo Co., Ltd) Korea Yakult Co. Ltd | 342220 | (Australian Fitness Supplies Pty Ltd) IP Holdings Pty Ltd |
| 301820 | (Paldo Co., Ltd) Korea Yakult Co. Ltd | 314293 | (Eileen Marie Hoey-Slocombe) Samtara Holdings Limited |
| 342425 | (Terraboost Media, LLC) Brian Morrison | 314659 | (Eileen Marie Hoey-Slocombe) Samtara Holdings Limited |
| 335829 | (Mars Australia Pty Ltd) Mars, Incorporated | 314954 | (Eileen Marie Hoey-Slocombe) Samtara Holdings Limited |
| 338091 | (Mars Australia Pty Ltd) Mars, Incorporated | 323327 | (Eileen Marie Hoey-Slocombe) Samtara Holdings Limited |
| 324002 | (PractiCare Pty Limited) Darren Small | 323328 | (Eileen Marie Hoey-Slocombe) Samtara Holdings Limited |
| 324003 | (PractiCare Pty Limited) Darren Small | 319268 | (The Coleman Company, Inc.) Aero Products International, Inc. |
| 320058 | (Sanofi SA) Siegfried Generics International AG | 305242 | (Astrolift Limited) Ergolift New Zealand Limited |
| 320059 | (Sanofi SA) Siegfried Generics International AG | 337973 | (Panasonic Avionics Corporation) Paul Anthony Margis;Marshal H. Perlman;Kaname Tomita;Yasuhiro Araki;Taku Yamada;Omar Lopez;Craig Depner;Sheng Tong;Mehdi Izadyar |
| 320060 | (Sanofi SA) Siegfried Generics International AG | | |
| 320061 | (Sanofi SA) Siegfried Generics International AG | | |
| 320207 | (Sanofi SA) Siegfried Generics International AG | | |
| 320208 | (Sanofi SA) Siegfried Generics International AG | | |
| 303886 | (Asahi Group Holdings, Ltd.) Asahi Breweries, Ltd | | |
| 316064 | (Asahi Group Holdings, Ltd.) Asahi Breweries, Limited | | |
| 328794 | (Asahi Group Holdings, Ltd.) Asahi Breweries, Ltd | | |
| 339021 | (Mars Australia Pty Ltd) Mars, Incorporated | | |
| 339022 | (Mars Australia Pty Ltd) Mars, Incorporated | | |
| 337465 | (Mars Australia Pty Ltd) Mars, Incorporated | | |
| 338359 | (Mars Australia Pty Ltd) Mars Incorporated | | |
| 340077 | (Mars Australia Pty Ltd) Mars, Incorporated | | |
| 339086 | (Philip Morris Brands Sarl) Philip Morris Products S.A. | | |
| 339106 | (Philip Morris Brands Sarl) Philip Morris Products S.A. | | |
| 340919 | (Philip Morris Brands Sarl) Philip Morris Products S.A. | | |
| 340920 | (Philip Morris Brands Sarl) Philip Morris Products S.A. | | |
| 340921 | (Philip Morris Brands Sarl) Philip Morris Products S.A. | | |
| 340891 | (Philip Morris Brands Sarl) Philip Morris Products S.A. | | |
| 341273 | (Innovation First, Inc.) Innovation First International, Inc. | | |
| 341339 | (Innovation First, Inc.) Innovation First International, Inc. | | |
| 341343 | (Innovation First, Inc.) Innovation First International, Inc. | | |
| 342951 | (Innovation First, Inc.) Innovation First International, Inc. | | |
| 342952 | (Innovation First, Inc.) Innovation First International, Inc. | | |
| 342953 | (Innovation First, Inc.) Innovation First International, Inc. | | |
| 342954 | (Innovation First, Inc.) Innovation First International, Inc. | | |
| 343018 | (Innovation First, Inc.) Innovation First International, Inc. | | |
| 343045 | (Innovation First, Inc.) Innovation First International, Inc. | | |
| 343165 | (Innovation First, Inc.) Innovation First International, Inc. | | |
| 343166 | (Innovation First, Inc.) Innovation First International, Inc. | | |
| 338230 | (Australian Fitness Supplies Pty Ltd) IP Holdings Pty Limited | | |
| 338231 | (Australian Fitness Supplies Pty Ltd) IP Holdings Pty Limited | | |

Names Registered - Alterations and Amendments

(The name in parentheses is that of the subsequent applicant)

- | | |
|--------|--|
| 300489 | (Trading Pursuits Group Pty Ltd) Timberwolf Productions Pty Ltd |
| 324499 | (Sprue Safety Products Limited) FireAngel Limited |
| 325641 | (Sprue Safety Products Limited) FireAngel Limited |

Certificate(s) of Examination

Examination of the following Design Registration(s) has been completed. Infringement proceedings may now be commenced.

335214	31-00	20/08/2012
340954	06-01F	21/08/2012
340987	01-01	22/08/2012
341273	21-01A	27/08/2012
342176	14-03A	13/08/2012
342196	08-06	27/08/2012
342197	08-06	27/08/2012
342221	08-06	27/08/2012
342231	09-01NES	21/08/2012
342232	09-01NES	21/08/2012
342233	09-01NES	21/08/2012
342440	09-01NES	22/08/2012
342662	04-02	24/08/2012
342663	04-02	24/08/2012
342727	26-05E	23/08/2012
343085	06-04NES	17/08/2012
343086	20-03NES	22/08/2012
343098	07-02P	27/08/2012
343125	23-01A	21/08/2012
343126	23-01A	21/08/2012
343127	23-01A	21/08/2012
343127	23-01A	21/08/2012
343128	23-01A	21/08/2012
343129	23-01A	21/08/2012
343131	23-01A	21/08/2012
343343	27-02	16/08/2012
343348	27-02	16/08/2012
343349	27-02	16/08/2012
343350	27-02	16/08/2012
343351	27-02	16/08/2012
343352	27-02	16/08/2012

Publication and Registration Proceedings

Designs Registered

This section provides a concordance between design number and registration number of Designs covered in this journal. It also shows the main class and registration date.

This section covers Registration numbers 343868 to 344040 .

The registration number shown below should be used in all future correspondence.

Design Number	Registration Number	International Classification Code (IDC)	Registration Date	Design Number	Registration Number	International Classification Code (IDC)	Registration Date
15240/2011	343994	03-01B	22/08/2012	13116/2012	343871	25-02C	14/08/2012
15940/2011	344020	24-02	27/08/2012	13119/2012	343872	25-02C	14/08/2012
10584/2012	343995	15-07	22/08/2012	13156/2012	344014	11-01NES	24/08/2012
10654/2012	343912	02-02NES	16/08/2012	13160/2012	343893	12-08	14/08/2012
10932/2012	343933	07-02R	17/08/2012	13164/2012	343973	09-03NES	21/08/2012
10953/2012	343948	07-02R	20/08/2012	13165/2012	344009	28-03C	23/08/2012
12075/2012	343884	09-01H	14/08/2012	13232/2012	343958	21-02D	20/08/2012
12077/2012	343885	09-01H	14/08/2012	13240/2012	343894	15-99	14/08/2012
12453/2012	343886	23-02C	14/08/2012	13241/2012	343895	15-99	14/08/2012
12454/2012	343887	08-05N	14/08/2012	13249/2012	343974	14-01	21/08/2012
12494/2012	343868	12-05	14/08/2012	13276/2012	343975	06-01F	21/08/2012
12533/2012	343934	24-01	17/08/2012	13277/2012	343976	06-01F	21/08/2012
12556/2012	344021	01-01	27/08/2012	13278/2012	343977	06-01F	21/08/2012
12557/2012	344022	01-01	27/08/2012	13279/2012	343978	06-01F	21/08/2012
12572/2012	343888	09-03F	14/08/2012	13280/2012	343979	06-01E	21/08/2012
12588/2012	343869	08-03	14/08/2012	13281/2012	343980	06-03B	21/08/2012
12638/2012	343889	25-01D	14/08/2012	13282/2012	344015	08-05E	24/08/2012
12731/2012	343949	09-01NES	20/08/2012	13283/2012	344016	08-05E	24/08/2012
12738/2012	344023	12-16L	27/08/2012	13284/2012	344017	08-05E	24/08/2012
12743/2012	343996	23-01H	22/08/2012	13311/2012	344018	02-02C	24/08/2012
12770/2012	343890	14-03B	14/08/2012	13313/2012	343896	15-04	14/08/2012
12822/2012	343997	08-08NES	22/08/2012	13323/2012	343957	29-02	20/08/2012
12842/2012	343998	08-08NES	22/08/2012	13355/2012	343960	28-99	20/08/2012
12844/2012	343999	08-08NES	22/08/2012	13375/2012	343961	23-04	20/08/2012
12855/2012	344000	08-08NES	22/08/2012	13377/2012	343882	12-15E	14/08/2012
12868/2012	343899	26-03	15/08/2012	13378/2012	343883	07-01NES	14/08/2012
12869/2012	343935	26-03	17/08/2012	13379/2012	343897	07-01NES	14/08/2012
12870/2012	343936	26-03	17/08/2012	13381/2012	343898	11-01NES	14/08/2012
12871/2012	343937	26-03	17/08/2012	13383/2012	344010	08-05P	23/08/2012
12872/2012	343959	26-03	20/08/2012	13384/2012	344011	08-05P	23/08/2012
12873/2012	343950	26-03	20/08/2012	13385/2012	344012	08-05P	23/08/2012
12874/2012	343951	26-03	20/08/2012	13386/2012	343900	15-02	15/08/2012
12875/2012	343952	26-06	20/08/2012	13387/2012	343901	15-02	15/08/2012
12901/2012	343938	10-04	17/08/2012	13388/2012	343902	15-02	15/08/2012
12902/2012	343939	10-04	17/08/2012	13389/2012	343903	26-03	15/08/2012
12922/2012	343940	09-01K	17/08/2012	13390/2012	343904	31-00	15/08/2012
12923/2012	343941	09-01G	17/08/2012	13392/2012	343905	14-02	15/08/2012
12950/2012	343891	06-13NES	14/08/2012	13393/2012	343906	14-02	15/08/2012
12966/2012	343953	24-01	20/08/2012	13394/2012	343907	14-02	15/08/2012
12979/2012	343981	12-16NES	21/08/2012	13395/2012	343908	14-02	15/08/2012
12989/2012	343954	06-13B	20/08/2012	13396/2012	343909	09-01K	15/08/2012
13001/2012	343870	20-02NES	14/08/2012	13397/2012	343910	19-06	15/08/2012
13011/2012	344024	22-01	27/08/2012	13398/2012	343911	30-01	15/08/2012
13012/2012	343970	22-01	21/08/2012	13399/2012	343873	15-07	14/08/2012
13044/2012	343971	25-01B	21/08/2012	13400/2012	343874	15-07	14/08/2012
13053/2012	343972	09-01G	21/08/2012	13401/2012	343875	15-07	14/08/2012
13090/2012	343892	08-05F	14/08/2012	13402/2012	343876	15-07	14/08/2012
13092/2012	343955	26-04	20/08/2012	13403/2012	343877	15-07	14/08/2012
13101/2012	343956	21-02C	20/08/2012	13404/2012	343878	15-07	14/08/2012
13103/2012	344025	14-02	27/08/2012	13405/2012	343879	15-07	14/08/2012

Publication and Registration Proceedings - Designs Registered cont'd

Design Number	Registration Number	International Classification Code (IDC)	Registration Date	Design Number	Registration Number	International Classification Code (IDC)	Registration Date
13406/2012	343880	15-07	14/08/2012	13486/2012	343990	14-03B	21/08/2012
13408/2012	343913	15-02	16/08/2012	13487/2012	343991	14-03B	21/08/2012
13409/2012	343914	15-02	16/08/2012	13488/2012	343992	14-03B	21/08/2012
13410/2012	343915	31-00	16/08/2012	13489/2012	343993	26-05D	21/08/2012
13415/2012	343916	29-02	16/08/2012	13498/2012	344001	13-03D	22/08/2012
13416/2012	343917	29-02	16/08/2012	13504/2012	344002	02-02NES	22/08/2012
13424/2012	343918	12-15A	16/08/2012	13505/2012	344003	09-02NES	22/08/2012
13425/2012	343919	21-01F	16/08/2012	13506/2012	344004	08-99	22/08/2012
13426/2012	343920	21-01F	16/08/2012	13509/2012	344005	08-05A	22/08/2012
13427/2012	343962	21-02E	20/08/2012	13510/2012	344008	02-02C	22/08/2012
13428/2012	343963	14-01	20/08/2012	13512/2012	344006	23-01F	22/08/2012
13430/2012	343942	21-02NES	17/08/2012	13513/2012	344007	09-03NES	22/08/2012
13431/2012	343881	03-01A	14/08/2012	13514/2012	344026	08-08NES	27/08/2012
13443/2012	343943	29-02	17/08/2012	13518/2012	344027	08-08A	27/08/2012
13444/2012	343944	09-03L	17/08/2012	13519/2012	344028	15-03A	27/08/2012
13445/2012	343921	14-04	16/08/2012	13522/2012	344029	25-01K	27/08/2012
13446/2012	343922	14-04	16/08/2012	13523/2012	344030	14-03E	27/08/2012
13447/2012	343923	14-04	16/08/2012	13526/2012	344031	14-01	27/08/2012
13448/2012	343924	28-99	16/08/2012	13530/2012	344032	25-03	27/08/2012
13449/2012	343945	28-99	17/08/2012	13590/2012	344033	12-08	27/08/2012
13450/2012	343946	25-01K	17/08/2012	13591/2012	344034	12-16B	27/08/2012
13451/2012	343947	25-01K	17/08/2012	13592/2012	344035	12-16C	27/08/2012
13453/2012	344013	22-01	23/08/2012	13593/2012	344036	12-16NES	27/08/2012
13459/2012	343964	07-02R	20/08/2012	13599/2012	344037	07-05E	27/08/2012
13460/2012	343965	07-02R	20/08/2012	13603/2012	344038	06-03C	27/08/2012
13461/2012	343966	07-02R	20/08/2012	13604/2012	344039	09-05	27/08/2012
13465/2012	343967	14-03E	20/08/2012	13605/2012	344040	06-03C	27/08/2012
13466/2012	343968	23-03NES	20/08/2012	13787/2012	343925	02-02C	16/08/2012
13467/2012	343969	07-02N	20/08/2012	13788/2012	343926	02-02NES	16/08/2012
13471/2012	343982	26-05D	21/08/2012	13789/2012	343927	02-02NES	16/08/2012
13472/2012	343983	28-99	21/08/2012	13790/2012	343928	02-02NES	16/08/2012
13473/2012	343984	28-99	21/08/2012	13791/2012	343929	02-02NES	16/08/2012
13474/2012	343985	28-99	21/08/2012	13792/2012	343930	02-02NES	16/08/2012
13476/2012	344019	03-01NES	24/08/2012	13793/2012	343931	02-02C	16/08/2012
13477/2012	343986	23-04	21/08/2012	13794/2012	343932	02-02C	16/08/2012
13478/2012	343987	23-02A	21/08/2012				
13479/2012	343988	22-06	21/08/2012				
13485/2012	343989	14-03B	21/08/2012				

Publication and Registration Proceedings

Class Listing of Designs Published or Registered

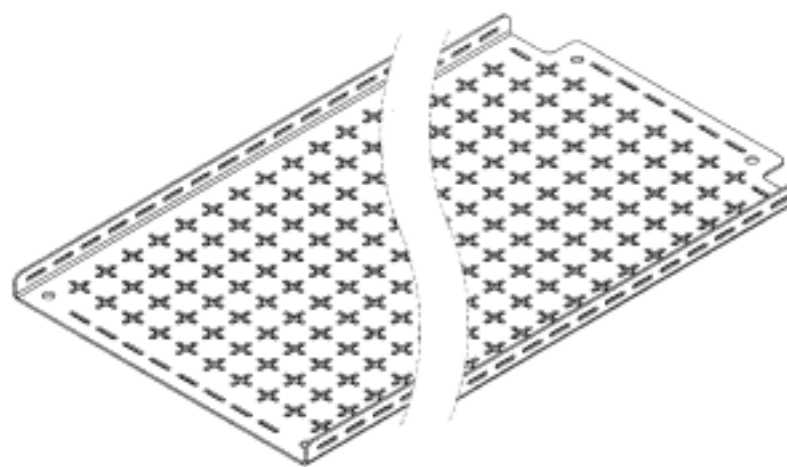
The following section shows an International Classification Code listing of the Registered or Published Designs covered in this supplement.

Classification	Registration Number	Design Number	Classification	Registration Number	Design Number
01-01	344021	12556/2012	08-08NES	344000	12855/2012
01-01	344022	12557/2012	08-08NES	344026	13514/2012
02-02C	343925	13787/2012	08-99	344004	13506/2012
02-02C	343931	13793/2012	09-01G	343941	12923/2012
02-02C	343932	13794/2012	09-01G	343972	13053/2012
02-02C	344008	13510/2012	09-01H	343884	12075/2012
02-02C	344018	13311/2012	09-01H	343885	12077/2012
02-02NES	343912	10654/2012	09-01K	343909	13396/2012
02-02NES	343926	13788/2012	09-01K	343940	12922/2012
02-02NES	343927	13789/2012	09-01NES	343949	12731/2012
02-02NES	343928	13790/2012	09-02NES	344003	13505/2012
02-02NES	343929	13791/2012	09-03F	343888	12572/2012
02-02NES	343930	13792/2012	09-03L	343888	12572/2012
02-02NES	344002	13504/2012	09-03L	343944	13444/2012
03-01A	343881	13431/2012	09-03NES	343973	13164/2012
03-01B	343881	13431/2012	09-03NES	344007	13513/2012
03-01B	343994	15240/2011	09-05	344039	13604/2012
03-01NES	344019	13476/2012	10-04	343938	12901/2012
06-01E	343979	13280/2012	10-04	343939	12902/2012
06-01F	343975	13276/2012	11-01NES	343898	13381/2012
06-01F	343976	13277/2012	11-01NES	344014	13156/2012
06-01F	343977	13278/2012	12-05	343868	12494/2012
06-01F	343978	13279/2012	12-08	343893	13160/2012
06-03B	343980	13281/2012	12-08	344033	13590/2012
06-03C	344038	13603/2012	12-15A	343918	13424/2012
06-03C	344040	13605/2012	12-15E	343882	13377/2012
06-13B	343954	12989/2012	12-16B	344034	13591/2012
06-13NES	343891	12950/2012	12-16C	344035	13592/2012
07-01NES	343883	13378/2012	12-16L	344023	12738/2012
07-01NES	343897	13379/2012	12-16NES	343981	12979/2012
07-02N	343969	13467/2012	12-16NES	344036	13593/2012
07-02R	343933	10932/2012	13-03D	344001	13498/2012
07-02R	343948	10953/2012	14-01	343963	13428/2012
07-02R	343964	13459/2012	14-01	343974	13249/2012
07-02R	343965	13460/2012	14-01	344031	13526/2012
07-02R	343966	13461/2012	14-02	343905	13392/2012
07-05E	344037	13599/2012	14-02	343906	13393/2012
08-03	343869	12588/2012	14-02	343907	13394/2012
08-05A	344005	13509/2012	14-02	343908	13395/2012
08-05E	344015	13282/2012	14-02	344025	13103/2012
08-05E	344016	13283/2012	14-02	344030	13523/2012
08-05E	344017	13284/2012	14-03B	343890	12770/2012
08-05F	343892	13090/2012	14-03B	343989	13485/2012
08-05N	343887	12454/2012	14-03B	343990	13486/2012
08-05P	344010	13383/2012	14-03B	343991	13487/2012
08-05P	344011	13384/2012	14-03B	343992	13488/2012
08-05P	344012	13385/2012	14-03E	343967	13465/2012
08-06	344010	13383/2012	14-03E	344030	13523/2012
08-06	344011	13384/2012	14-04	343921	13445/2012
08-08A	344027	13518/2012	14-04	343922	13446/2012
08-08NES	343997	12822/2012	14-04	343923	13447/2012
08-08NES	343998	12842/2012	14-99	344025	13103/2012
08-08NES	343999	12844/2012	15-02	343900	13386/2012

Registration Proceedings - Class Listing of Designs Published or Registered cont'd

Classification	Registration Number	Design Number	Classification	Registration Number	Design Number
15-02	343901	13387/2012	24-02	343953	12966/2012
15-02	343902	13388/2012	24-02	344020	15940/2011
15-02	343913	13408/2012	25-01B	343971	13044/2012
15-02	343914	13409/2012	25-01C	344029	13522/2012
15-03A	344028	13519/2012	25-01D	343889	12638/2012
15-04	343896	13313/2012	25-01K	343946	13450/2012
15-07	343873	13399/2012	25-01K	343947	13451/2012
15-07	343874	13400/2012	25-01K	344029	13522/2012
15-07	343875	13401/2012	25-02C	343871	13116/2012
15-07	343876	13402/2012	25-02C	343872	13119/2012
15-07	343877	13403/2012	25-02NES	343946	13450/2012
15-07	343878	13404/2012	25-02NES	343947	13451/2012
15-07	343879	13405/2012	25-03	344032	13530/2012
15-07	343880	13406/2012	26-03	343899	12868/2012
15-07	343995	10584/2012	26-03	343903	13389/2012
15-99	343894	13240/2012	26-03	343935	12869/2012
15-99	343895	13241/2012	26-03	343936	12870/2012
19-06	343910	13397/2012	26-03	343937	12871/2012
20-02NES	343870	13001/2012	26-03	343950	12873/2012
21-01F	343919	13425/2012	26-03	343951	12874/2012
21-01F	343920	13426/2012	26-03	343959	12872/2012
21-02C	343956	13101/2012	26-04	343955	13092/2012
21-02D	343958	13232/2012	26-05D	343982	13471/2012
21-02E	343962	13427/2012	26-05D	343993	13489/2012
21-02NES	343942	13430/2012	26-06	343952	12875/2012
22-01	343970	13012/2012	28-03C	344009	13165/2012
22-01	344013	13453/2012	28-03NES	343973	13164/2012
22-01	344024	13011/2012	28-99	343924	13448/2012
22-06	343988	13479/2012	28-99	343945	13449/2012
23-01A	343997	12822/2012	28-99	343960	13355/2012
23-01A	343998	12842/2012	28-99	343983	13472/2012
23-01A	343999	12844/2012	28-99	343984	13473/2012
23-01A	344000	12855/2012	28-99	343985	13474/2012
23-01F	344003	13505/2012	29-02	343916	13415/2012
23-01F	344006	13512/2012	29-02	343917	13416/2012
23-01H	343996	12743/2012	29-02	343943	13443/2012
23-02A	343987	13478/2012	29-02	343957	13323/2012
23-02C	343886	12453/2012	30-01	343911	13398/2012
23-03NES	343968	13466/2012	31-00	343904	13390/2012
23-04	343961	13375/2012	31-00	343915	13410/2012
23-04	343986	13477/2012			
24-01	343934	12533/2012			
24-01	343953	12966/2012			

- (21) Design Number: **12494/2012**
(22) Date of Filing Application: **24 May 2012**
(24) Date from which industrial property rights may have effect: **24 May 2012**
(54) Product in respect of which the design is registered: **Load restraint tray**
(51) International Design Classification: **12-05**
(74) Name(s) of Attorney(s): **Davies Collison Cave**
(71) Name(s) and Address(s) of Applicant(s):
Tectonica Australia Pty Ltd
Unit 3 88 Dynon Road West Melbourne Victoria 3003 Australia
(72) Name(s) of Designer(s): **Tom Partridge and Miles Partridge and Bryan McGrath**
(45) Registration Date: **14 August 2012**
(56) Related Art Documents: **Not Applicable**
(57) Statement of Newness and Distinctiveness: **Newness and distinctiveness is claimed in the features of shape and configuration of a load restraint tray of indefinite length and indefinite width as shown in the attached representations, but not the exact shape of the individual slots.**



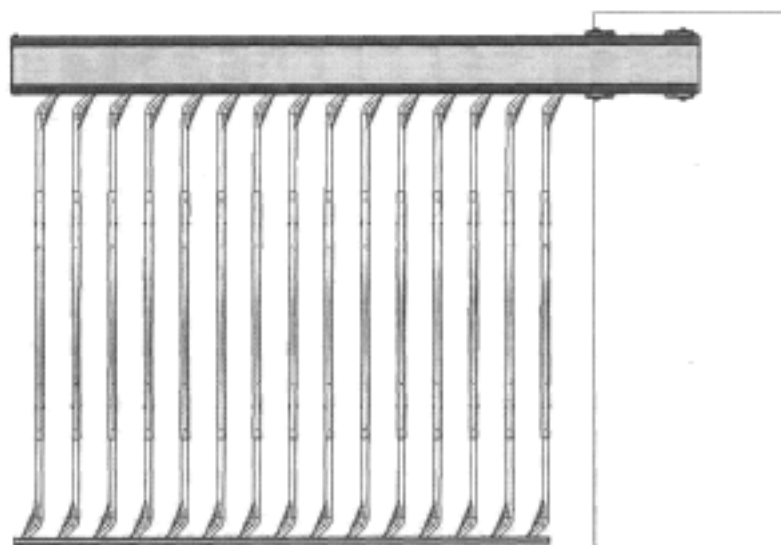
- (21) Design Number: **12588/2012**
(22) Date of Filing Application: **30 May 2012**
(24) Date from which industrial property rights may have effect: **30 May 2012**
(54) Product in respect of which the design is registered: **Knife**
(51) International Design Classification: **08-03**
(74) Name(s) of Attorney(s): **Dark IP**
(71) Name(s) and Address(s) of Applicant(s):
Kapman AB
c/o SNA Europe (Industries) AB 811 81 SANDVIKEN Sweden
(72) Name(s) of Designer(s): **Johan Dahlberg and Siri Johansson and Magnus Olsson and Conny Jansson and Henrik Sjöholm and Peter Clahr**
(45) Registration Date: **14 August 2012**
(30) Convention priority data:
(31) Number (32) Date (33) Country
DM/077268 07 Dec 2011 WORLD INTELLECTUAL PROPERTY ORGANIZATION (WIPO)
(56) Related Art Documents: **Not Applicable**
(57) Statement of Newness and Distinctiveness: **The newness and distinctiveness of the design resides in the shape and/or configuration of the knife shown in the representations. The blade in the design, indicated with dashed lines, is not part of the design.**



(21) Design Number: **13001/2012**
(22) Date of Filing Application: **26 June 2012**
(24) Date from which industrial property rights may have effect: **26 June 2012**
(54) Product in respect of which the design is registered: **Display stand**
(51) International Design Classification: **20-02NES**
(74) Name(s) of Attorney(s): **MIDDLETONS**
(71) Name(s) and Address(s) of Applicant(s):
Gondwana Outdoor Clothing Pty Ltd
30 Barrett Street Kensington Victoria 3031 Australia
(72) Name(s) of Designer(s): **Catriona Dolphin**
(45) Registration Date: **14 August 2012**
(56) Related Art Documents: **Not Applicable**
(57) Statement of Newness and Distinctiveness: **Nil**



(21) Design Number: **13116/2012**
(22) Date of Filing Application: **04 July 2012**
(24) Date from which industrial property rights may have effect: **04 July 2012**
(54) Product in respect of which the design is registered: **Barrier**
(51) International Design Classification: **25-02C**
(74) Name(s) of Attorney(s): **Shelston IP**
(71) Name(s) and Address(s) of Applicant(s):
Magnetic Autocontrol GmbH
Grienmatt 20 79650 Schopfheim Germany
(72) Name(s) of Designer(s): **Thomas Burgin**
(45) Registration Date: **14 August 2012**
(30) Convention priority data:
(31) Number (32) Date (33) Country
001971797-0003 05 Jan 2012 EUROPEAN COMMUNITY
(56) Related Art Documents: **Not Applicable**



(57) Statement of Newness and Distinctiveness: **Newness and distinctiveness resides in the features of shape and configuration of the ends of the barrier bars of the barrier shown in the accompanying representations which are cranked adjacent their points of connection with the barrier beam above and guide rod below. The rectangular post to which the barrier is attached does not form part of the design and is included only to show context of use.**

(21) Design Number: **13119/2012**
(22) Date of Filing Application: **04 July 2012**
(24) Date from which industrial property rights may have effect: **04 July 2012**
(54) Product in respect of which the design is registered: **Barrier**
(51) International Design Classification: **25-02C**
(74) Name(s) of Attorney(s): **Shelston IP**
(71) Name(s) and Address(s) of Applicant(s):

Magnetic Autocontrol GmbH
Grienmatt 20 79650 Schopfheim Germany

(72) Name(s) of Designer(s): **Thomas Burgin**

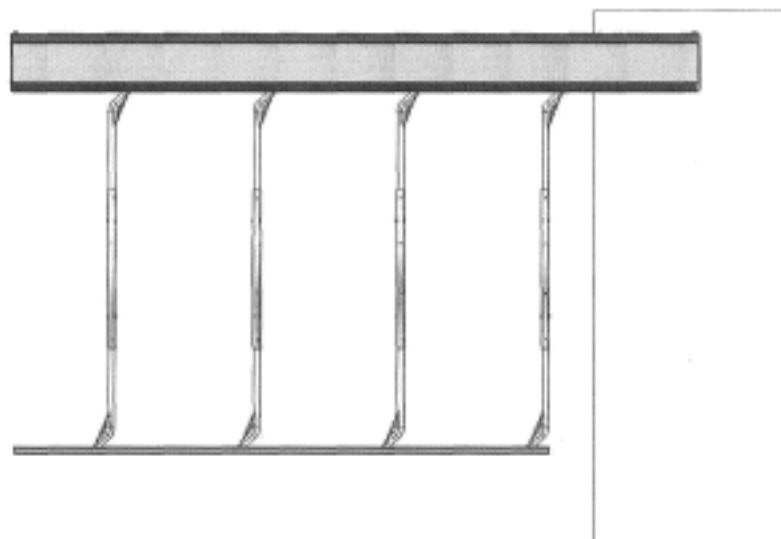
(45) Registration Date: **14 August 2012**

(30) Convention priority data:

(31) Number	(32) Date	(33) Country
001971797-0002	05 Jan 2012	EUROPEAN COMMUNITY

(56) Related Art Documents: **Not Applicable**

(57) Statement of Newness and Distinctiveness: **Newness and distinctiveness resides in the features of shape and configuration of the ends of the barrier bars of the barrier shown in the accompanying representations which are cranked adjacent their points of connection with the barrier beam above and guide rod below. The rectangular post to which the barrier is attached does not form part of the design and is included only to show context of use.**



(21) Design Number: **13399/2012**
(22) Date of Filing Application: **28 May 2012**
(24) Date from which industrial property rights may have effect: **28 May 2012**
(54) Product in respect of which the design is registered: **Appliance shelf**
(51) International Design Classification: **15-07**
(74) Name(s) of Attorney(s): **Halfords IP**
(71) Name(s) and Address(s) of Applicant(s):

Electrolux Home Products Corporation N.V.
Raketstraat 40 1130 Brussels Belgium

(72) Name(s) of Designer(s): **Samuele Meda and Jan Ctvrtnik**

(45) Registration Date: **14 August 2012**

(30) Convention priority data:

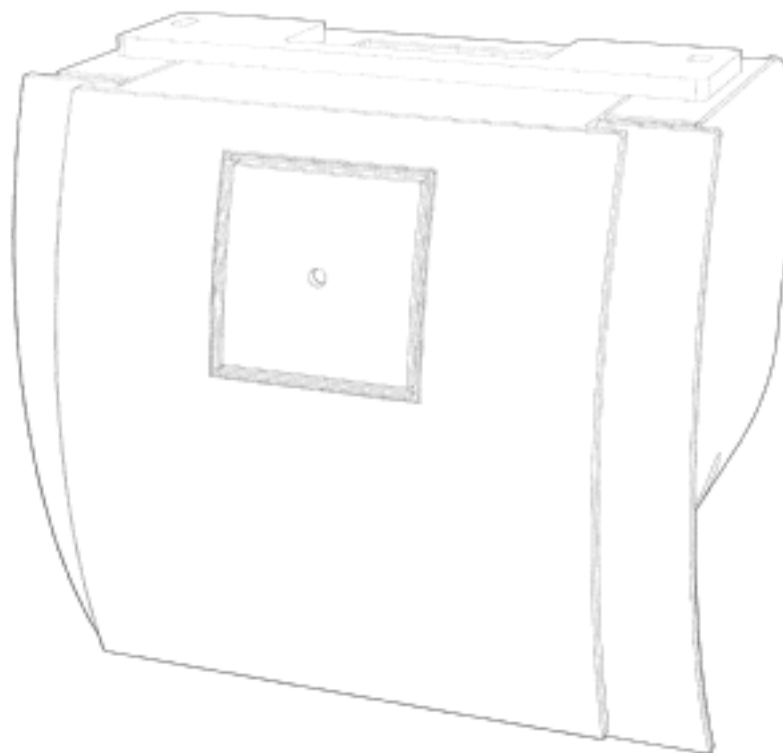
(31) Number	(32) Date	(33) Country
001955105	30 Nov 2011	EUROPEAN COMMUNITY

(56) Related Art Documents: **Not Applicable**

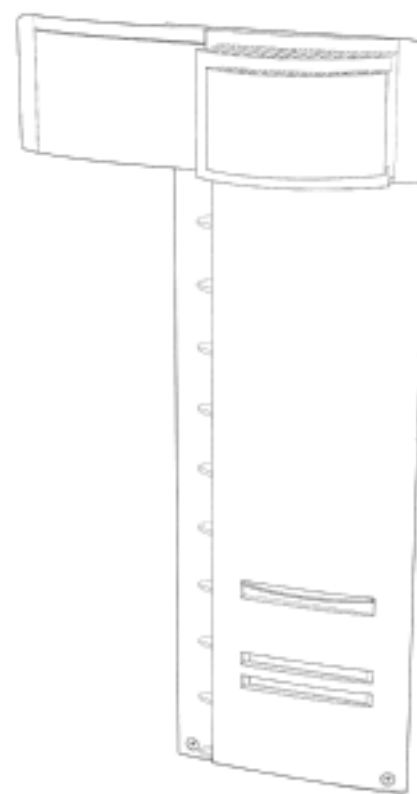
(57) Statement of Newness and Distinctiveness: **Newness and distinctiveness resides in the shape and or configuration of an appliance shelf being as depicted in the accompanying representations. The appliance to which design relates includes cold appliances such as refrigerators, freezers, and appliances which combine these.**



- (21) Design Number: **13400/2012**
(22) Date of Filing Application: **28 May 2012**
(24) Date from which industrial property rights may have effect: **28 May 2012**
(54) Product in respect of which the design is registered: **Appliance component**
(51) International Design Classification: **15-07**
(74) Name(s) of Attorney(s): **Halfords IP**
(71) Name(s) and Address(s) of Applicant(s):
Electrolux Home Products Corporation N.V.
Raketstraat 40 1130 Brussels Belgium
(72) Name(s) of Designer(s): **Samuele Meda and Jan Ctvrtnik**
(45) Registration Date: **14 August 2012**
(30) Convention priority data:
(31) Number (32) Date (33) Country
001955105 30 Nov 2011 EUROPEAN COMMUNITY
(56) Related Art Documents: **Not Applicable**
(57) Statement of Newness and Distinctiveness: **Newness and distinctiveness resides in the shape and or configuration of an appliance component being as depicted in the accompanying representations. The appliance to which design relates includes cold appliances such as refrigerators, freezers, and appliances which combine these.**



- (21) Design Number: **13401/2012**
(22) Date of Filing Application: **28 May 2012**
(24) Date from which industrial property rights may have effect: **28 May 2012**
(54) Product in respect of which the design is registered: **Appliance component**
(51) International Design Classification: **15-07**
(74) Name(s) of Attorney(s): **Halfords IP**
(71) Name(s) and Address(s) of Applicant(s):
Electrolux Home Products Corporation N.V.
Raketstraat 40 1130 Brussels Belgium
(72) Name(s) of Designer(s): **Samuele Meda and Jan Ctvrtnik**
(45) Registration Date: **14 August 2012**
(30) Convention priority data:
(31) Number (32) Date (33) Country
001955105 30 Nov 2011 EUROPEAN COMMUNITY
(56) Related Art Documents: **Not Applicable**
(57) Statement of Newness and Distinctiveness: **Newness and distinctiveness resides in the shape and or configuration of an appliance component being as depicted in the accompanying representations. The appliance to which design relates includes cold appliances such as refrigerators, freezers, and appliances which combine these.**



(21) Design Number: **13402/2012**
(22) Date of Filing Application: **28 May 2012**
(24) Date from which industrial property rights may have effect: **28 May 2012**
(54) Product in respect of which the design is registered: **An appliance**
(51) International Design Classification: **15-07**
(74) Name(s) of Attorney(s): **Halfords IP**
(71) Name(s) and Address(s) of Applicant(s):

Electrolux Home Products Corporation N.V.
Raketstraat 40 1130 Brussels Belgium

(72) Name(s) of Designer(s): **Samuele Meda and Jan Ctvrtnik**

(45) Registration Date: **14 August 2012**

(30) Convention priority data:

(31) Number	(32) Date	(33) Country
001955410	30 Nov 2011	EUROPEAN COMMUNITY

(56) Related Art Documents: **Not Applicable**

(57) Statement of Newness and Distinctiveness: **Newness and distinctiveness resides in the shape and or configuration of an appliance being as depicted in the accompanying representations. The appliance to which design relates includes cold appliances such as refrigerators, freezers, and appliances which combine these.**



(21) Design Number: **13403/2012**
(22) Date of Filing Application: **28 May 2012**
(24) Date from which industrial property rights may have effect: **28 May 2012**
(54) Product in respect of which the design is registered: **An appliance**
(51) International Design Classification: **15-07**
(74) Name(s) of Attorney(s): **Halfords IP**
(71) Name(s) and Address(s) of Applicant(s):

Electrolux Home Products Corporation N.V.
Raketstraat 40 1130 Brussels Belgium

(72) Name(s) of Designer(s): **Samuele Meda and Jan Ctvrtnik**

(45) Registration Date: **14 August 2012**

(30) Convention priority data:

(31) Number	(32) Date	(33) Country
001955410	30 Nov 2011	EUROPEAN COMMUNITY

(56) Related Art Documents: **Not Applicable**

(57) Statement of Newness and Distinctiveness: **Newness and distinctiveness resides in the shape and or configuration of an appliance being as depicted in the accompanying representations. The appliance to which design relates includes cold appliances such as refrigerators, freezers, and appliances which combine these.**



(21) Design Number: **13404/2012**
(22) Date of Filing Application: **28 May 2012**
(24) Date from which industrial property rights may have effect: **28 May 2012**
(54) Product in respect of which the design is registered: **A handle**
(51) International Design Classification: **15-07**
(74) Name(s) of Attorney(s): **Halfords IP**
(71) Name(s) and Address(s) of Applicant(s):

Electrolux Home Products Corporation N.V.
Raketstraat 40 1130 Brussels Belgium

(72) Name(s) of Designer(s): **Samuele Meda and Jan Ctvrtnik**

(45) Registration Date: **14 August 2012**

(30) Convention priority data:

(31) Number	(32) Date	(33) Country
001955410	30 Nov 2011	EUROPEAN COMMUNITY

(56) Related Art Documents: **Not Applicable**

(57) Statement of Newness and Distinctiveness: **Newness and distinctiveness resides in the shape and or configuration of a handle being as depicted in the accompanying representations. The appliance to which design relates includes cold appliances such as refrigerators, freezers, and appliances which combine these.**



(21) Design Number: **13405/2012**
(22) Date of Filing Application: **28 May 2012**
(24) Date from which industrial property rights may have effect: **28 May 2012**
(54) Product in respect of which the design is registered: **A handle**
(51) International Design Classification: **15-07**
(74) Name(s) of Attorney(s): **Halfords IP**
(71) Name(s) and Address(s) of Applicant(s):

Electrolux Home Products Corporation N.V.
Raketstraat 40 1130 Brussels Belgium

(72) Name(s) of Designer(s): **Samuele Meda and Jan Ctvrtnik**

(45) Registration Date: **14 August 2012**

(30) Convention priority data:

(31) Number	(32) Date	(33) Country
001955410	30 Nov 2011	EUROPEAN COMMUNITY

(56) Related Art Documents: **Not Applicable**

(57) Statement of Newness and Distinctiveness: **Newness and distinctiveness resides in the shape and or configuration of a handle being as depicted in the accompanying representations. The appliance to which design relates includes cold appliances such as refrigerators, freezers, and appliances which combine these.**



- (21) Design Number: **13406/2012**
(22) Date of Filing Application: **28 May 2012**
(24) Date from which industrial property rights may have effect: **28 May 2012**
(54) Product in respect of which the design is registered: **A handle**
(51) International Design Classification: **15-07**
(74) Name(s) of Attorney(s): **Halfords IP**
(71) Name(s) and Address(s) of Applicant(s):

Electrolux Home Products Corporation N.V.
Raketstraat 40 1130 Brussels Belgium

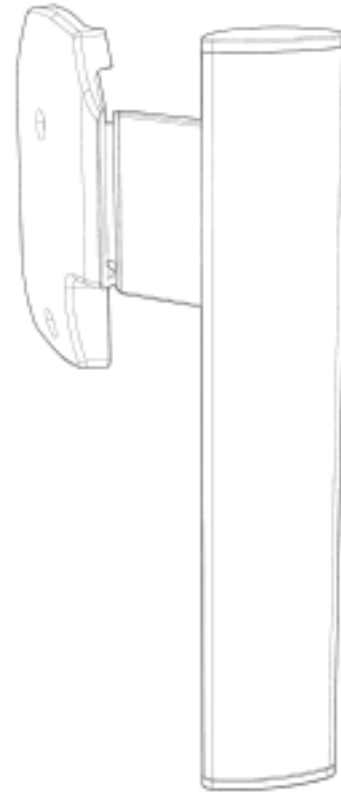
- (72) Name(s) of Designer(s): **Samuele Meda and Jan Ctvrtnik**
(45) Registration Date: **14 August 2012**

(30) Convention priority data:

(31) Number	(32) Date	(33) Country
001955410	30 Nov 2011	EUROPEAN COMMUNITY

(56) Related Art Documents: **Not Applicable**

- (57) Statement of Newness and Distinctiveness: **Newness and distinctiveness resides in the shape and or configuration of a handle being as depicted in the accompanying representations. The appliance to which design relates includes cold appliances such as refrigerators, freezers, and appliances which combine these.**



- (21) Design Number: **13431/2012**
(22) Date of Filing Application: **22 May 2012**
(24) Date from which industrial property rights may have effect: **22 May 2012**
(54) Product in respect of which the design is registered: **A shoulder bag/ briefcase with a case for electrical devices**
(51) International Design Classification: **03-01A, 03-01B**
(74) Name(s) of Attorney(s):
(71) Name(s) and Address(s) of Applicant(s):

Phonewoa Pty Ltd
Unit 6 13 Berry Street Granville 2142 New South Wales

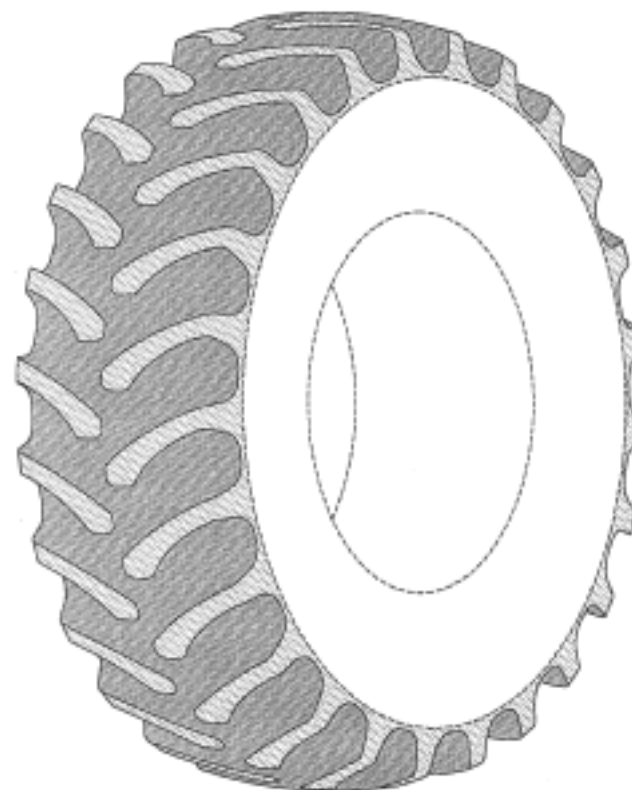
- (72) Name(s) of Designer(s): **Yong Shen**
(45) Registration Date: **14 August 2012**

(56) Related Art Documents: **Not Applicable**

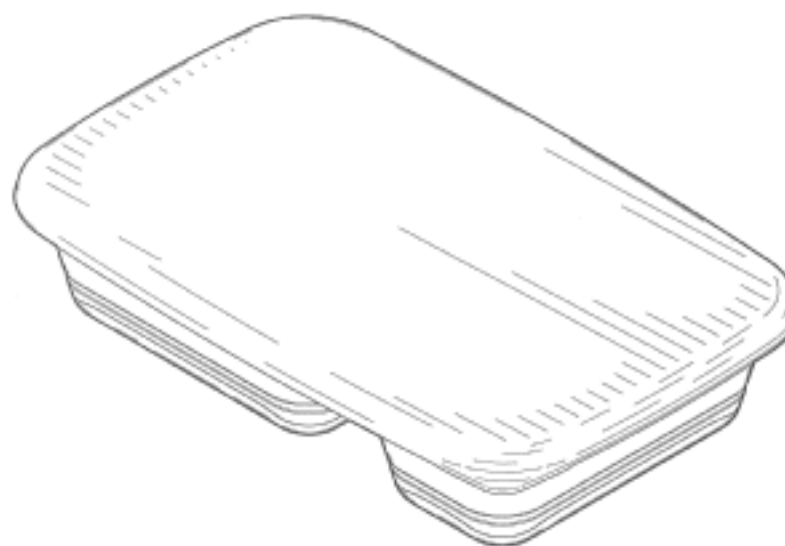
- (57) Statement of Newness and Distinctiveness: **A bag with a case set for electrical devices. The upper case can be used as a back case for an electrical device. The device with the upper case can be slipped into the lower case, with its upside down or the opposite.**



(21) Design Number: **13377/2012**
(22) Date of Filing Application: **17 July 2012**
(24) Date from which industrial property rights may have effect: **17 July 2012**
(54) Product in respect of which the design is registered: **Tire**
(51) International Design Classification: **12-15E**
(74) Name(s) of Attorney(s): **PHILLIPS ORMONDE FITZPATRICK**
(71) Name(s) and Address(s) of Applicant(s):
Bridgestone Americas Tire Operations, LLC
535 Marriott Drive Nashville Tennessee 37214 United States of America
(72) Name(s) of Designer(s): **Bradley J. Harris and Todd A. Buxton and Benjamin R. Rethmel**
(45) Registration Date: **14 August 2012**
(30) Convention priority data:
(31) Number (32) Date (33) Country
29/412,283 01 Feb 2012 UNITED STATES OF AMERICA
(56) Related Art Documents: **Not Applicable**
(57) Statement of Newness and Distinctiveness: **Those features of the tire depicted in the representations that are new and distinctive are the shape and/or configuration of the tread pattern of the tire. The broken lines defining the sidewall, inner bead, and the peripheral boundary between the claimed tire tread and the sidewall are to be disregarded when considering the overall impression of the design.**



(21) Design Number: **13378/2012**
(22) Date of Filing Application: **18 July 2012**
(24) Date from which industrial property rights may have effect: **18 July 2012**
(54) Product in respect of which the design is registered: **Double container**
(51) International Design Classification: **07-01NES**
(74) Name(s) of Attorney(s): **Baldwins Intellectual Property**
(71) Name(s) and Address(s) of Applicant(s):
Progressive International Corporation
6111 South 228th Street Kent Washington 98032 United States of America
(72) Name(s) of Designer(s): **Justin Bagley**
(45) Registration Date: **14 August 2012**
(30) Convention priority data:
(31) Number (32) Date (33) Country
29/411858 26 Jan 2012 UNITED STATES OF AMERICA
(56) Related Art Documents: **Not Applicable**
(57) Statement of Newness and Distinctiveness: **Nil**



- (21) Design Number: **12075/2012**
(22) Date of Filing Application: **27 April 2012**
(24) Date from which industrial property rights may have effect: **27 April 2012**
(54) Product in respect of which the design is registered: **Malibu bottle**
(51) International Design Classification: **09-01H**
(74) Name(s) of Attorney(s): **Shelston IP**
(71) Name(s) and Address(s) of Applicant(s):
**Absolut Holding Inc. operating through its division Absolut Holding Filial
Box 47170 100 74 Stockholm Sweden**
(72) Name(s) of Designer(s): **Urban Ahlgren and Stefan Wennerstrom and
Thomas Schaad**
(45) Registration Date: **14 August 2012**
(56) Related Art Documents: **Not Applicable**
(57) Statement of Newness and Distinctiveness: **Newness and distinctiveness
reside in the visual features of the design for a MALIBU BOTTLE as
illustrated in the accompanying representations.**



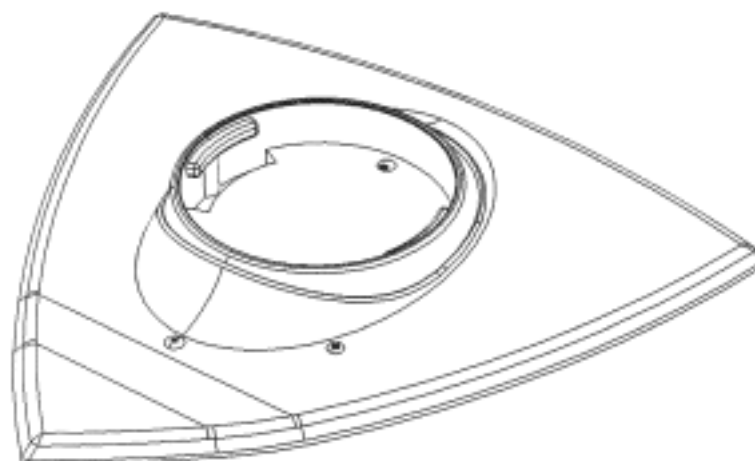
- (21) Design Number: **12077/2012**
(22) Date of Filing Application: **27 April 2012**
(24) Date from which industrial property rights may have effect: **27 April 2012**
(54) Product in respect of which the design is registered: **Malibu bottle**
(51) International Design Classification: **09-01H**
(74) Name(s) of Attorney(s): **Shelston IP**
(71) Name(s) and Address(s) of Applicant(s):
**Absolut Holding Inc. operating through its division Absolut Holding Filial
Box 47170 100 74 Stockholm Sweden**
(72) Name(s) of Designer(s): **Urban Ahlgren and Stefan Wennerstrom and
Thomas Schaad**
(45) Registration Date: **14 August 2012**
(56) Related Art Documents: **Not Applicable**
(57) Statement of Newness and Distinctiveness: **Nil**



- (21) Design Number: **12453/2012**
(22) Date of Filing Application: **22 May 2012**
(24) Date from which industrial property rights may have effect: **22 May 2012**
(54) Product in respect of which the design is registered: **Urinal**
(51) International Design Classification: **23-02C**
(74) Name(s) of Attorney(s): **HODGKINSON McINNES PATENTS**
(71) Name(s) and Address(s) of Applicant(s):
Gemini Industries Pty Ltd
3/97 Banksia Street Botany New South Wales 2019 Australia
(72) Name(s) of Designer(s): **James Arthur Longley**
(45) Registration Date: **14 August 2012**
(56) Related Art Documents: **Not Applicable**
(57) Statement of Newness and Distinctiveness: **Newness and distinctiveness is claimed in relation to the shape and configuration of a urinal as shown in the attached representation.**



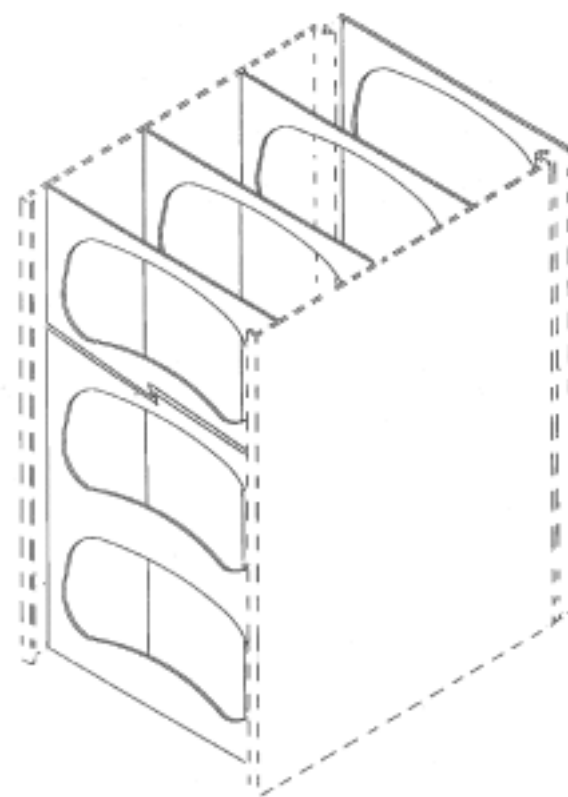
- (21) Design Number: **12454/2012**
(22) Date of Filing Application: **22 May 2012**
(24) Date from which industrial property rights may have effect: **22 May 2012**
(54) Product in respect of which the design is registered: **A replacement head for a hand-held sanding implement**
(51) International Design Classification: **08-05N**
(74) Name(s) of Attorney(s): **HODGKINSON McINNES PATENTS**
(71) Name(s) and Address(s) of Applicant(s):
Kwai Sun Oliver Wong
26 Quintana Avenue Baulkham Hills New South Wales 2153 Australia
(72) Name(s) of Designer(s): **Kwai Sun Oliver Wong**
(45) Registration Date: **14 August 2012**
(30) Convention priority data:
(31) Number (32) Date (33) Country
415550 22 Nov 2011 NEW ZEALAND
(56) Related Art Documents: **Not Applicable**
(57) Statement of Newness and Distinctiveness: **Newness and distinctiveness is claimed in relation to the shape and configuration of the set of replacement heads for a hand-held sanding implement as shown in the representations.**



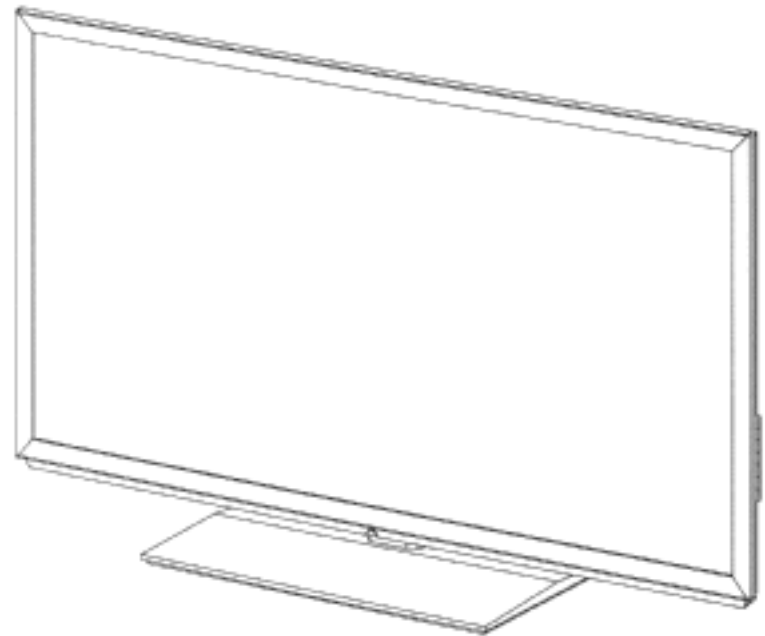
- (21) Design Number: **12572/2012**
(22) Date of Filing Application: **30 May 2012**
(24) Date from which industrial property rights may have effect: **30 May 2012**
(54) Product in respect of which the design is registered: **Packaging for flower bulbs**
(51) International Design Classification: **09-03F, 09-03L**
(74) Name(s) of Attorney(s): **PHILLIPS ORMONDE FITZPATRICK**
(71) Name(s) and Address(s) of Applicant(s):
Bloembollenbedrijf J.L.Hopman en Zonen B.V.
Nollenweg 12 1756 CN't Zand The Netherlands
(72) Name(s) of Designer(s): **Johannes Hopman**
(45) Registration Date: **14 August 2012**
(30) Convention priority data:
(31) Number (32) Date (33) Country
001956103-0001 01 Dec 2011 EUROPEAN COMMUNITY
(56) Related Art Documents: **Not Applicable**
(57) Statement of Newness and Distinctiveness: **Nil**



- (21) Design Number: **12638/2012**
(22) Date of Filing Application: **01 June 2012**
(24) Date from which industrial property rights may have effect: **01 June 2012**
(54) Product in respect of which the design is registered: **A building panel**
(51) International Design Classification: **25-01D**
(74) Name(s) of Attorney(s): **PATENT ATTORNEY SERVICES**
(71) Name(s) and Address(s) of Applicant(s):
Rediwall Pty Ltd
22-24 Sommerville Circuit Emu Plains New South Wales 2750 Australia
(72) Name(s) of Designer(s): **Ronald James Arkcoll**
(45) Registration Date: **14 August 2012**
(56) Related Art Documents: **Not Applicable**
(57) Statement of Newness and Distinctiveness: **Newness and distinctiveness is claimed in the features of shape and configuration of a building panel having a spacing member that has a repeating pattern of holes along its length and represented by solid lines in the accompanying representations and extending indefinitely in the directions indicated by arrow A and arrow B in the front view and extending indefinitely in the number and separation of the spacing member in the directions indicated by arrow C and arrow D in the perspective view. The features of the facing sheets of the building panel having multiple spacing members according to the design and shown in broken lines are to be disregarded.**



(21) Design Number: **12770/2012**
(22) Date of Filing Application: **12 June 2012**
(24) Date from which industrial property rights may have effect: **12 June 2012**
(54) Product in respect of which the design is registered: **Television set**
(51) International Design Classification: **14-03B**
(74) Name(s) of Attorney(s): **Davies Collison Cave**
(71) Name(s) and Address(s) of Applicant(s):
Sharp Kabushiki Kaisha
22-22 Nagaike-cho Abeno-ku Osaka Japan
(72) Name(s) of Designer(s): **Katsuhiro Iida and Yasutaka Shimamoto and Tohru Ohtani and Hidetoshi Fujimoto and Yuhsuke Totsuka and Takeshi Kodera and Keiichi Takao and Keiichiro Aou**
(45) Registration Date: **14 August 2012**
(30) Convention priority data:
(31) Number (32) Date (33) Country
2011-029552 21 Dec 2011 JAPAN
(56) Related Art Documents: **Not Applicable**
(57) Statement of Newness and Distinctiveness: **Nil**



(21) Design Number: **12950/2012**
(22) Date of Filing Application: **22 June 2012**
(24) Date from which industrial property rights may have effect: **22 June 2012**
(54) Product in respect of which the design is registered: **A cover for use with multiple child's harness devices**
(51) International Design Classification: **06-13NES**
(74) Name(s) of Attorney(s):
(71) Name(s) and Address(s) of Applicant(s):
Aleirah J Stevens
3 Beilken Way Clarkson Western Australia 6030 Australia
Jodie-Marie Ross
30 Chadstone Road Craigie Western Australia 6030 Australia
(72) Name(s) of Designer(s): **Aleirah J Stevens and Jodie-Marie Ross**
(45) Registration Date: **14 August 2012**
(56) Related Art Documents: **Not Applicable**
(57) Statement of Newness and Distinctiveness: **Two vertical, parallel slits from the top to one third down the design creating three flaps. Attachment of two large, rectangular flaps, one on the left, one on the right, to the vertical body of the design.**



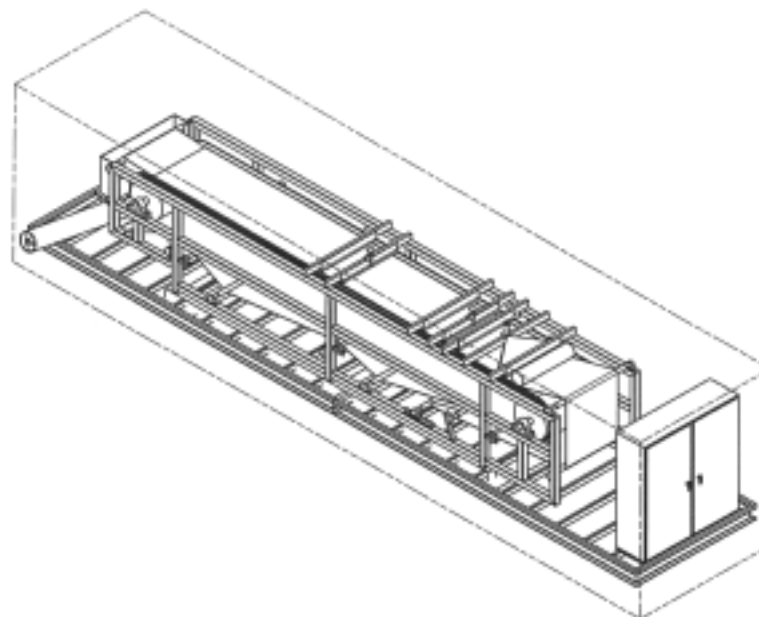
- (21) Design Number: **13090/2012**
(22) Date of Filing Application: **03 July 2012**
(24) Date from which industrial property rights may have effect: **03 July 2012**
(54) Product in respect of which the design is registered: **A stake jig**
(51) International Design Classification: **08-05F**
(74) Name(s) of Attorney(s): **SPRUSON & FERGUSON**
(71) Name(s) and Address(s) of Applicant(s):
Stirling Needham Limbert
409 Woolgoolga Road Woolgoolga New South Wales 2456 Australia
(72) Name(s) of Designer(s): **Stirling Needham Limbert**
(45) Registration Date: **14 August 2012**
(56) Related Art Documents: **Not Applicable**
(57) Statement of Newness and Distinctiveness: **Newness and distinctiveness is claimed in those features of shape and/or configuration of a stake jig as illustrated in continuous lines in the accompanying representations.**



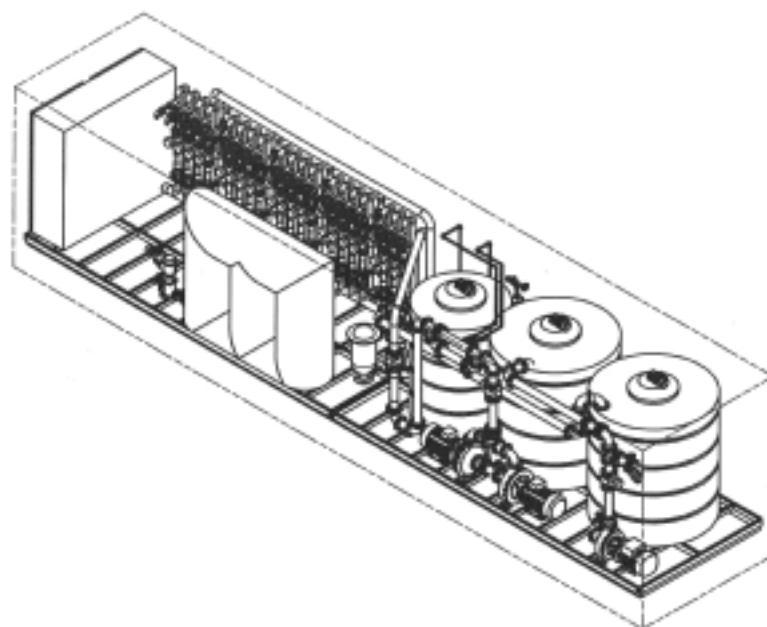
- (21) Design Number: **13160/2012**
(22) Date of Filing Application: **06 July 2012**
(24) Date from which industrial property rights may have effect: **06 July 2012**
(54) Product in respect of which the design is registered: **VAC5 vehicle with MPV recovery unit**
(51) International Design Classification: **12-08**
(74) Name(s) of Attorney(s):
(71) Name(s) and Address(s) of Applicant(s):
Robert Carmine Feleppa
45 Robert Emery Court Athelstone South Australia 5076 Australia
(72) Name(s) of Designer(s): **Robert Carmine Feleppa**
(45) Registration Date: **14 August 2012**
(56) Related Art Documents: **Not Applicable**
(57) Statement of Newness and Distinctiveness: **The designed and developed multiple purpose vacuum recovery unit has the major distinctive new features of the following: a) Smaller turning circle with single steer mechanism; b) On board installed a water tank capacity of 2,000 litres, and it has a debris tank that will hold 8,000 litres, included is a hydrojet capable of 5,000 psi at 24 litres per minute; c) This unit is capable of extracting 8,000 litres of liquid waste in approximately 6 minutes.**



- (21) Design Number: **13240/2012**
(22) Date of Filing Application: **09 July 2012**
(24) Date from which industrial property rights may have effect: **09 July 2012**
(54) Product in respect of which the design is registered: **A containerised belt filter module**
(51) International Design Classification: **15-99**
(74) Name(s) of Attorney(s): **PHILLIPS ORMONDE FITZPATRICK**
(71) Name(s) and Address(s) of Applicant(s):
Adelaide Control Engineers Pty Ltd
10 Peekarra Street Regency Park South Australia 5010 Australia
(72) Name(s) of Designer(s): **Robert Smith and Glenn Jobling**
(45) Registration Date: **14 August 2012**
(56) Related Art Documents: **Not Applicable**
(57) Statement of Newness and Distinctiveness: **Newness and distinctiveness is claimed in the particular arrangement of the screwfeeder, belt filter and motor control centre cabinet within the container of the containerised belt filter module. The general outline of the container is illustrated by the dashed lines in the representations and its shape and configuration are to be disregarded.**



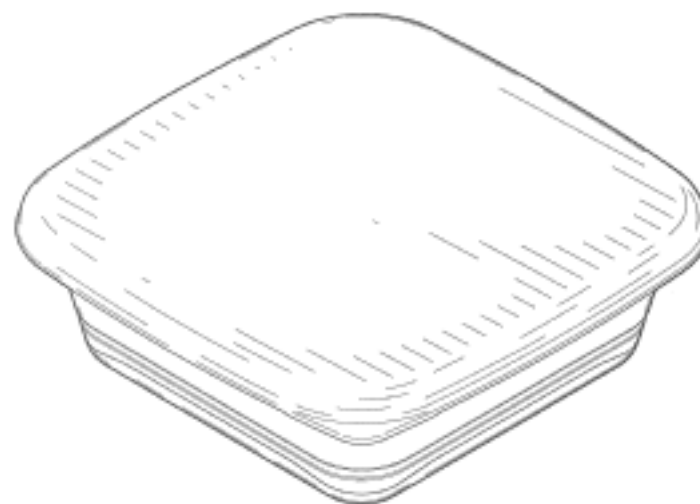
- (21) Design Number: **13241/2012**
(22) Date of Filing Application: **09 July 2012**
(24) Date from which industrial property rights may have effect: **09 July 2012**
(54) Product in respect of which the design is registered: **A containerised well house module**
(51) International Design Classification: **15-99**
(74) Name(s) of Attorney(s): **PHILLIPS ORMONDE FITZPATRICK**
(71) Name(s) and Address(s) of Applicant(s):
Adelaide Control Engineers Pty Ltd
10 Peekarra Street Regency Park South Australia 5010 Australia
(72) Name(s) of Designer(s): **Robert Smith and Glenn Jobling**
(45) Registration Date: **14 August 2012**
(56) Related Art Documents: **Not Applicable**
(57) Statement of Newness and Distinctiveness: **Newness and distinctiveness is claimed in the particular arrangement of the injection and extraction headers, tanks and motor control centre cabinet within the container of the containerised well house module. The general outline of the container is illustrated by dashed lines in the representations and its shape and configuration are to be disregarded.**



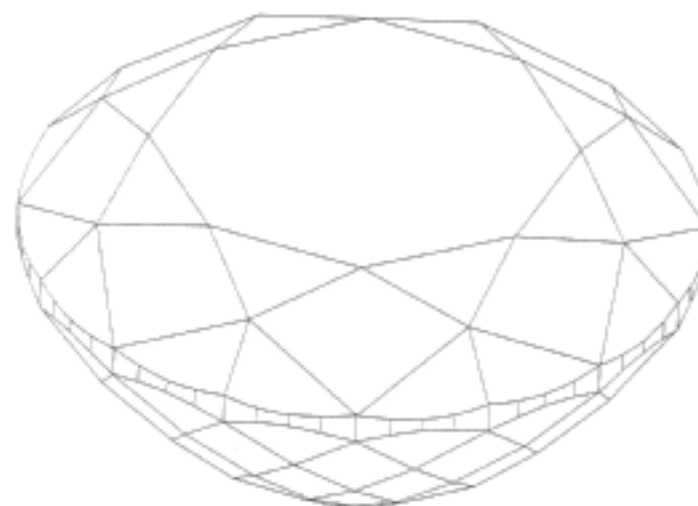
(21) Design Number: **13313/2012**
(22) Date of Filing Application: **12 July 2012**
(24) Date from which industrial property rights may have effect: **12 July 2012**
(54) Product in respect of which the design is registered: **A bucket for digging drainage ways**
(51) International Design Classification: **15-04**
(74) Name(s) of Attorney(s):
(71) Name(s) and Address(s) of Applicant(s):
Kenneth John King
C/- Michael Buck IP 196 Moggill Road Taringa Queensland 4067
Australia
(72) Name(s) of Designer(s): **Kenneth John King**
(45) Registration Date: **14 August 2012**
(56) Related Art Documents: **Not Applicable**
(57) Statement of Newness and Distinctiveness: **The shape and configuration of a bucket as depicted in the accompanying representations.**



(21) Design Number: **13379/2012**
(22) Date of Filing Application: **18 July 2012**
(24) Date from which industrial property rights may have effect: **18 July 2012**
(54) Product in respect of which the design is registered: **Collapsible container**
(51) International Design Classification: **07-01NES**
(74) Name(s) of Attorney(s): **Baldwins Intellectual Property**
(71) Name(s) and Address(s) of Applicant(s):
Progressive International Corporation
6111 South 228th Street Kent Washington 98032 United States of
America
(72) Name(s) of Designer(s): **Justin Bagley**
(45) Registration Date: **14 August 2012**
(30) Convention priority data:
(31) Number (32) Date (33) Country
29/411857 26 Jan 2012 UNITED STATES OF AMERICA
(56) Related Art Documents: **Not Applicable**
(57) Statement of Newness and Distinctiveness: **Nil**



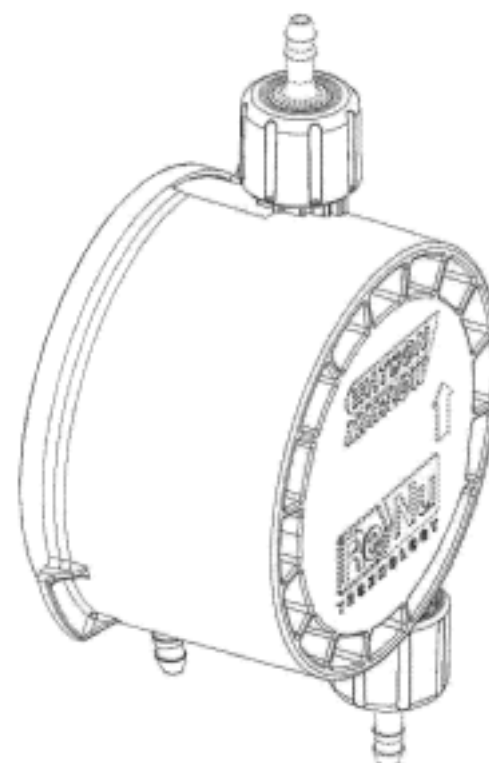
(21) Design Number: **13381/2012**
(22) Date of Filing Application: **17 July 2012**
(24) Date from which industrial property rights may have effect: **17 July 2012**
(54) Product in respect of which the design is registered: **Gemstone**
(51) International Design Classification: **11-01NES**
(74) Name(s) of Attorney(s): **Wrays**
(71) Name(s) and Address(s) of Applicant(s):
Lili Diamonds
The Diamond Exchange Maccabi Building 1 Jabotinsky Street 52520
Ramat Gan Israel
(72) Name(s) of Designer(s): **Jacob Siman-Tov and Itzhak Siman-Tov and**
Avraham Siman-Tov
(45) Registration Date: **14 August 2012**
(30) Convention priority data:
(31) Number (32) Date (33) Country
52186 07 Feb 2012 ISRAEL
(56) Related Art Documents: **Not Applicable**
(57) Statement of Newness and Distinctiveness: **Newness and distinctiveness**
is claimed in the features of shape and/or configuration of the Gemstone
depicted in the accompanying representations.



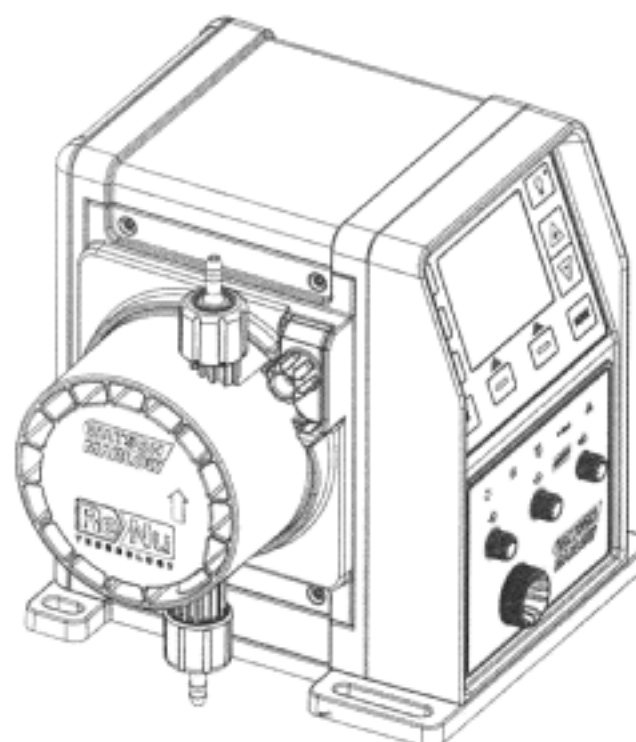
(21) Design Number: **12868/2012**
(22) Date of Filing Application: **19 June 2012**
(24) Date from which industrial property rights may have effect: **19 June 2012**
(54) Product in respect of which the design is registered: **Worklight**
(51) International Design Classification: **26-03**
(74) Name(s) of Attorney(s): **Davies Collison Cave**
(71) Name(s) and Address(s) of Applicant(s):
Herrmans Oy Ab
Pannaistentie 143 FI-68601 Pietarsaari Finland
(72) Name(s) of Designer(s): **Jari Korpi**
(45) Registration Date: **15 August 2012**
(30) Convention priority data:
(31) Number (32) Date (33) Country
001986878 06 Feb 2012 EUROPEAN COMMUNITY
(56) Related Art Documents: **Not Applicable**
(57) Statement of Newness and Distinctiveness: **Nil**



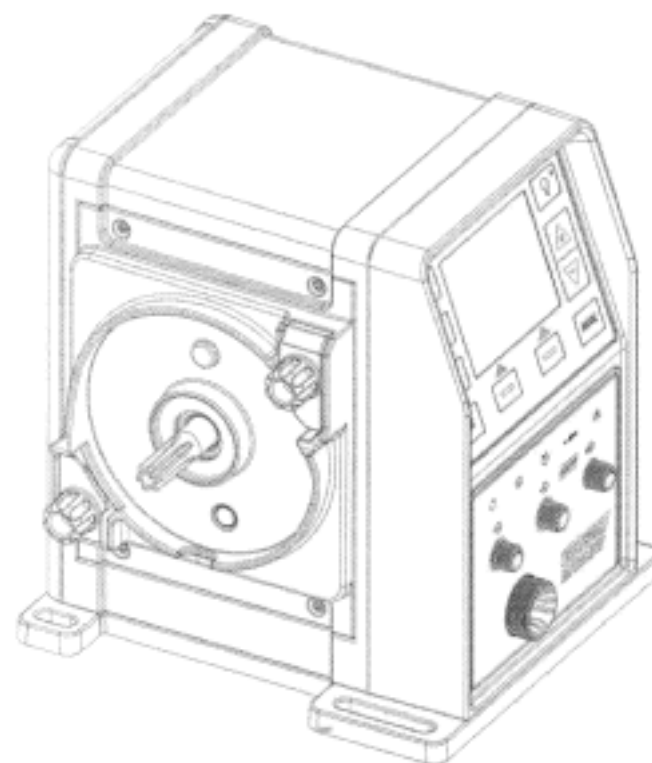
- (21) Design Number: **13386/2012**
(22) Date of Filing Application: **18 July 2012**
(24) Date from which industrial property rights may have effect: **18 July 2012**
(54) Product in respect of which the design is registered: **Pump cartridge**
(51) International Design Classification: **15-02**
(74) Name(s) of Attorney(s): **Shelston IP**
(71) Name(s) and Address(s) of Applicant(s):
Watson-Marlow Limited
Falmouth Cornwall TR11 4RU United Kingdom
(72) Name(s) of Designer(s): **Steven Brokenshire and David Crowsley and Oliver Warren**
(45) Registration Date: **15 August 2012**
(30) Convention priority data:
(31) Number (32) Date (33) Country
001987876-0002 07 Feb 2012 EUROPEAN COMMUNITY
(56) Related Art Documents: **Not Applicable**
(57) Statement of Newness and Distinctiveness: **Newness and distinctiveness reside in the features of shape and/or configuration of a PUMP CARTRIDGE as illustrated in solid lines in the accompanying representations. The features shown in broken lines do not form part of the design.**



- (21) Design Number: **13387/2012**
(22) Date of Filing Application: **18 July 2012**
(24) Date from which industrial property rights may have effect: **18 July 2012**
(54) Product in respect of which the design is registered: **Pump head and cartridge**
(51) International Design Classification: **15-02**
(74) Name(s) of Attorney(s): **Shelston IP**
(71) Name(s) and Address(s) of Applicant(s):
Watson-Marlow Limited
Falmouth Cornwall TR11 4RU United Kingdom
(72) Name(s) of Designer(s): **Steven Brokenshire and David Crowsley and Oliver Warren**
(45) Registration Date: **15 August 2012**
(30) Convention priority data:
(31) Number (32) Date (33) Country
001987876-0003 07 Feb 2012 EUROPEAN COMMUNITY
(56) Related Art Documents: **Not Applicable**
(57) Statement of Newness and Distinctiveness: **Newness and distinctiveness reside in the features of shape and/or configuration of a PUMP HEAD AND CARTRIDGE as illustrated in solid lines in the accompanying representations. Newness and distinctiveness also reside in the features of pattern and/or ornamentation of the angled display as illustrated in solid lines in the perspective and front views.**



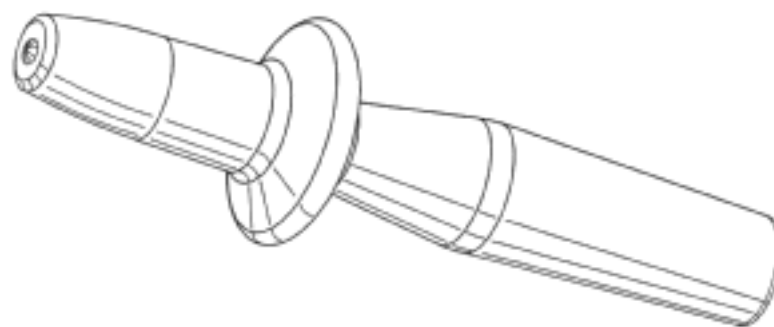
(21) Design Number: **13388/2012**
(22) Date of Filing Application: **18 July 2012**
(24) Date from which industrial property rights may have effect: **18 July 2012**
(54) Product in respect of which the design is registered: **Pump head**
(51) International Design Classification: **15-02**
(74) Name(s) of Attorney(s): **Shelston IP**
(71) Name(s) and Address(s) of Applicant(s):
Watson-Marlow Limited
Falmouth Cornwall TR11 4RU United Kingdom
(72) Name(s) of Designer(s): **Steven Brokenshire and David Crowsley and Oliver Warren**
(45) Registration Date: **15 August 2012**
(30) Convention priority data:
(31) Number (32) Date (33) Country
001987876-0001 07 Feb 2012 EUROPEAN COMMUNITY
(56) Related Art Documents: **Not Applicable**
(57) Statement of Newness and Distinctiveness: **Newness and distinctiveness reside in the features of shape and/or configuration of a PUMP HEAD as illustrated in solid lines in the accompanying representations. Newness and distinctiveness also reside in the features of pattern and/or ornamentation of the angled display as illustrated in solid lines in the front and perspective views.**



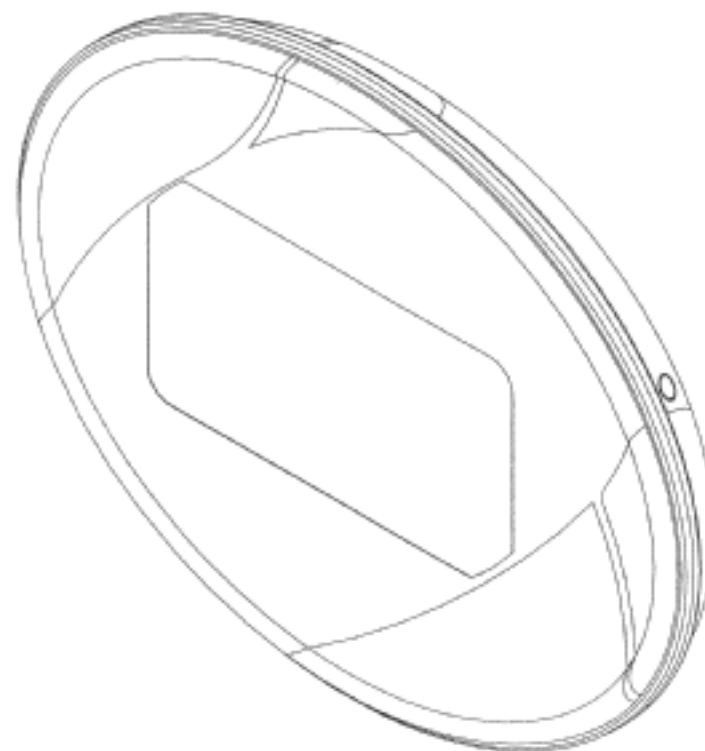
(21) Design Number: **13389/2012**
(22) Date of Filing Application: **19 July 2012**
(24) Date from which industrial property rights may have effect: **19 July 2012**
(54) Product in respect of which the design is registered: **Multi-function rechargeable powerful spotlight**
(51) International Design Classification: **26-03**
(74) Name(s) of Attorney(s):
(71) Name(s) and Address(s) of Applicant(s):
John Manufacturing Limited
6/F Yau Lee Centre 45 Hoi Yuen Road Kwun Tong Kowloon Hong Kong
(72) Name(s) of Designer(s): **Se Kit Yuen**
(45) Registration Date: **15 August 2012**
(30) Convention priority data:
(31) Number (32) Date (33) Country
201230125676.5 23 Apr 2012 CHINA
(56) Related Art Documents: **Not Applicable**
(57) Statement of Newness and Distinctiveness: **Nil**



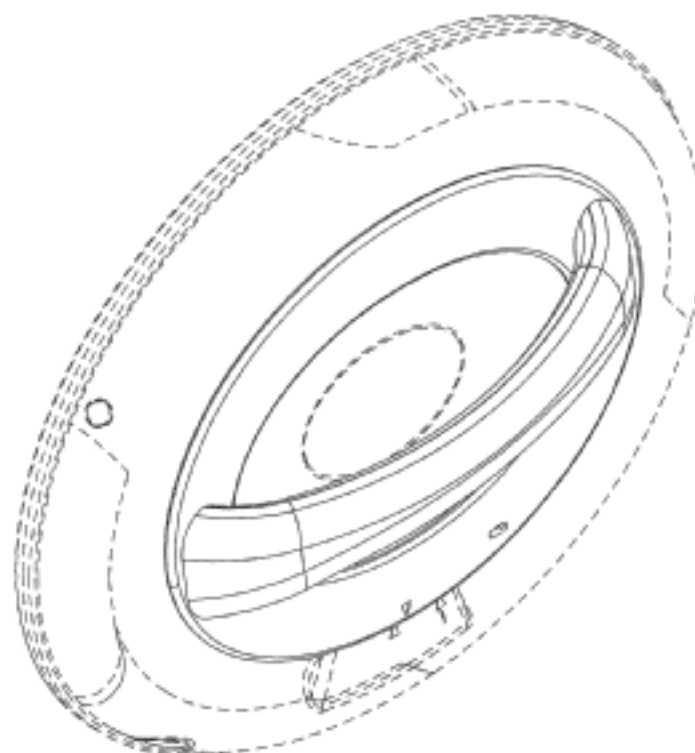
(21) Design Number: **13390/2012**
(22) Date of Filing Application: **17 July 2012**
(24) Date from which industrial property rights may have effect: **17 July 2012**
(54) Product in respect of which the design is registered: **Blender tamper**
(51) International Design Classification: **31-00**
(74) Name(s) of Attorney(s): **PETER MAXWELL & ASSOCIATES**
(71) Name(s) and Address(s) of Applicant(s):
Vita-Mix Corporation
8615 Usher Road Cleveland Ohio 44138 United States of America
(72) Name(s) of Designer(s): **Richard D. Boozer and Robert M. Ulanski**
(45) Registration Date: **15 August 2012**
(30) Convention priority data:
(31) Number (32) Date (33) Country
29/417,744 09 Jun 2012 UNITED STATES OF AMERICA
(56) Related Art Documents: **Not Applicable**
(57) Statement of Newness and Distinctiveness: **Newness and distinctiveness is claimed in the shape and/or configuration of BLENDER TAMPER as illustrated by unbroken lines in the accompanying representations.**



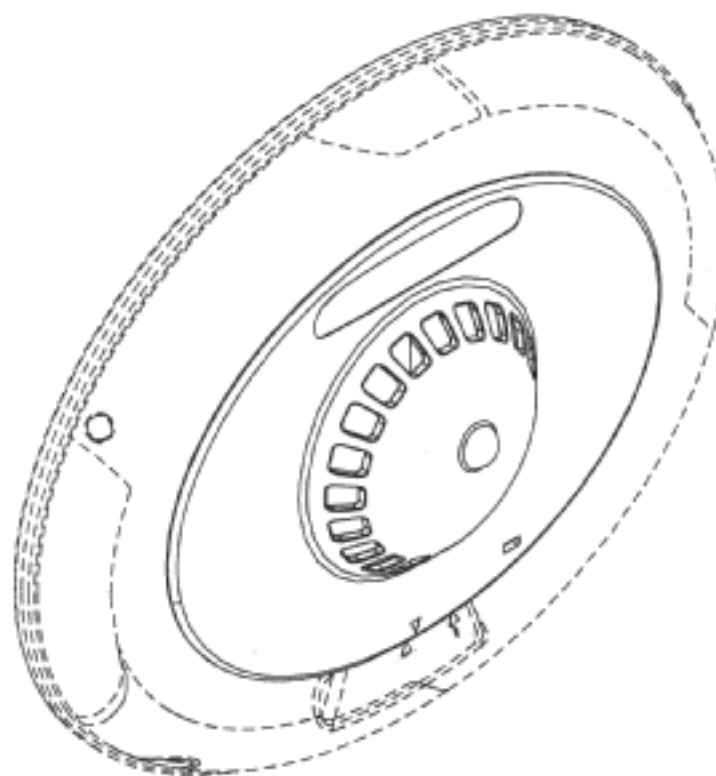
(21) Design Number: **13392/2012**
(22) Date of Filing Application: **18 July 2012**
(24) Date from which industrial property rights may have effect: **18 July 2012**
(54) Product in respect of which the design is registered: **Display device**
(51) International Design Classification: **14-02**
(74) Name(s) of Attorney(s): **PHILLIPS ORMONDE FITZPATRICK**
(71) Name(s) and Address(s) of Applicant(s):
Diversiory Therapy Technologies Pty Ltd
Level 11 Sherwood House 39 Sherwood Road Toowong Queensland
4066 Australia
(72) Name(s) of Designer(s): **Robert Sale and Mark Robert Guthrie and John Voltin and Brooke Davis**
(45) Registration Date: **15 August 2012**
(56) Related Art Documents: **Not Applicable**
(57) Statement of Newness and Distinctiveness: **Nil**



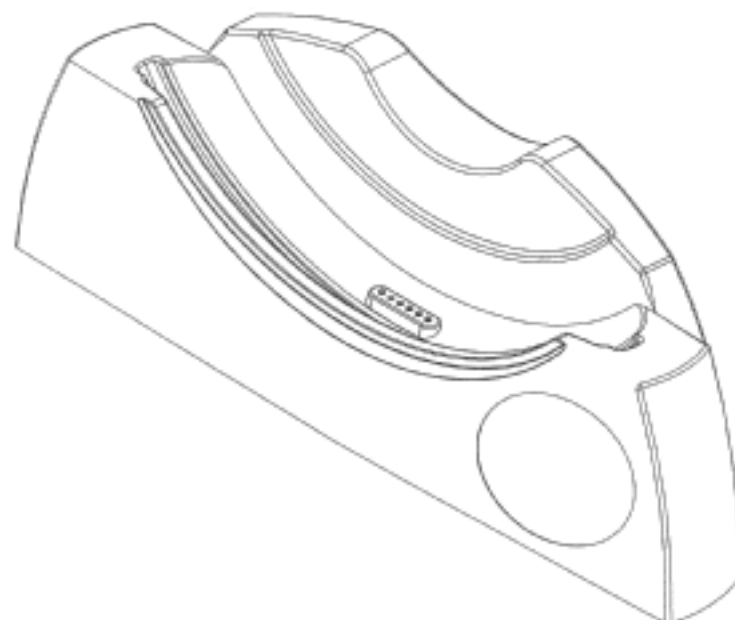
- (21) Design Number: **13393/2012**
(22) Date of Filing Application: **18 July 2012**
(24) Date from which industrial property rights may have effect: **18 July 2012**
(54) Product in respect of which the design is registered: **Display device**
(51) International Design Classification: **14-02**
(74) Name(s) of Attorney(s): **PHILLIPS ORMONDE FITZPATRICK**
(71) Name(s) and Address(s) of Applicant(s):
Diversiory Therapy Technologies Pty Ltd
Level 11 Sherwood House 39 Sherwood Road Toowong Queensland
4066 Australia
(72) Name(s) of Designer(s): **Robert Sale and Mark Robert Guthrie and John Voltin and Brooke Davis**
(45) Registration Date: **15 August 2012**
(56) Related Art Documents: **Not Applicable**
(57) Statement of Newness and Distinctiveness: **Those features of the display device depicted in the representations that are new and distinctive are the shape and/or configuration. The features shown in broken line are not part of the design and are to be disregarded when considering the overall impression of the design.**



- (21) Design Number: **13394/2012**
(22) Date of Filing Application: **18 July 2012**
(24) Date from which industrial property rights may have effect: **18 July 2012**
(54) Product in respect of which the design is registered: **Display device**
(51) International Design Classification: **14-02**
(74) Name(s) of Attorney(s): **PHILLIPS ORMONDE FITZPATRICK**
(71) Name(s) and Address(s) of Applicant(s):
Diversiory Therapy Technologies Pty Ltd
Level 11 Sherwood House 39 Sherwood Road Toowong Queensland
4066 Australia
(72) Name(s) of Designer(s): **Robert Sale and Mark Robert Guthrie and John Voltin and Brooke Davis**
(45) Registration Date: **15 August 2012**
(56) Related Art Documents: **Not Applicable**
(57) Statement of Newness and Distinctiveness: **Those features of the display device depicted in the representations that are new and distinctive are the shape and/or configuration. The features shown in broken line are not part of the design and are to be disregarded when considering the overall impression of the design.**



(21) Design Number: **13395/2012**
(22) Date of Filing Application: **18 July 2012**
(24) Date from which industrial property rights may have effect: **18 July 2012**
(54) Product in respect of which the design is registered: **Stand**
(51) International Design Classification: **14-02**
(74) Name(s) of Attorney(s): **PHILLIPS ORMONDE FITZPATRICK**
(71) Name(s) and Address(s) of Applicant(s):
Diversiory Therapy Technologies Pty Ltd
Level 11 Sherwood House 39 Sherwood Road Toowong Queensland
4066 Australia
(72) Name(s) of Designer(s): **Robert Sale and Mark Robert Guthrie and John**
Voltin and Brooke Davis
(45) Registration Date: **15 August 2012**
(56) Related Art Documents: **Not Applicable**
(57) Statement of Newness and Distinctiveness: **Nil**



(21) Design Number: **13396/2012**
(22) Date of Filing Application: **18 July 2012**
(24) Date from which industrial property rights may have effect: **18 July 2012**
(54) Product in respect of which the design is registered: **Bottle**
(51) International Design Classification: **09-01K**
(74) Name(s) of Attorney(s): **PHILLIPS ORMONDE FITZPATRICK**
(71) Name(s) and Address(s) of Applicant(s):
Glaxo Group Limited
Glaxo Wellcome House Berkeley Avenue Greenford Middlesex UB6 0NN
United Kingdom
(72) Name(s) of Designer(s): **Simon Ritchie and Lucy Wilson**
(45) Registration Date: **15 August 2012**
(30) Convention priority data:
(31) Number (32) Date (33) Country
4023185 20 Jan 2012 UNITED KINGDOM
(56) Related Art Documents: **Not Applicable**
(57) Statement of Newness and Distinctiveness: **Those features of the bottle**
depicted in the representations that are new and distinctive are the shape
and/or configuration.



(21) Design Number: **13397/2012**
(22) Date of Filing Application: **18 July 2012**
(24) Date from which industrial property rights may have effect: **18 July 2012**
(54) Product in respect of which the design is registered: **Writing instrument**
(51) International Design Classification: **19-06**
(74) Name(s) of Attorney(s): **PHILLIPS ORMONDE FITZPATRICK**
(71) Name(s) and Address(s) of Applicant(s):

Societe Bic
14 rue Jeanne d'Asnieres 92110 Clichy France

(72) Name(s) of Designer(s): **Charles Debbas**

(45) Registration Date: **15 August 2012**

(30) Convention priority data:

(31) Number	(32) Date	(33) Country
001980905-0001	25 Jan 2012	EUROPEAN COMMUNITY

(56) Related Art Documents: **Not Applicable**

(57) Statement of Newness and Distinctiveness: **Newness and distinctiveness resides in the shape and/or configuration of the grip of the writing instrument as shown in continuous lines in the accompanying representations. The features shown in broken lines are not part of the design and are to be disregarded when considering the overall impression of the design.**



(21) Design Number: **13398/2012**
(22) Date of Filing Application: **18 July 2012**
(24) Date from which industrial property rights may have effect: **18 July 2012**
(54) Product in respect of which the design is registered: **Animal garment**
(51) International Design Classification: **30-01**
(74) Name(s) of Attorney(s): **PHILLIPS ORMONDE FITZPATRICK**
(71) Name(s) and Address(s) of Applicant(s):

Thundershirt, LLC
905 Jackie Robinson Drive Durham North Carolina 27701 United States of America

(72) Name(s) of Designer(s): **Philip J. Blizzard**

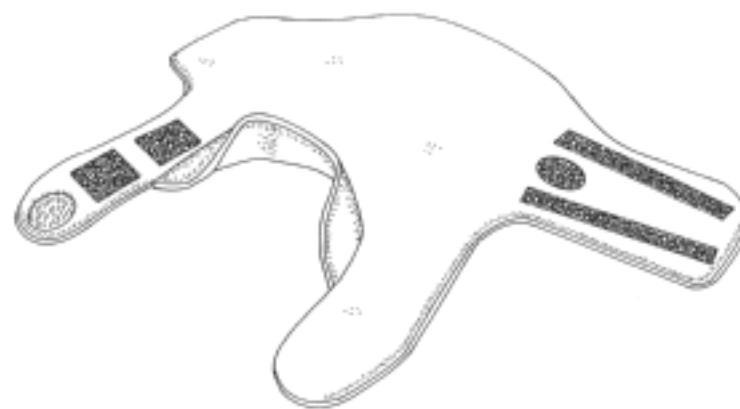
(45) Registration Date: **15 August 2012**

(30) Convention priority data:

(31) Number	(32) Date	(33) Country
29/427,048	13 Jul 2012	UNITED STATES OF AMERICA

(56) Related Art Documents: **Not Applicable**

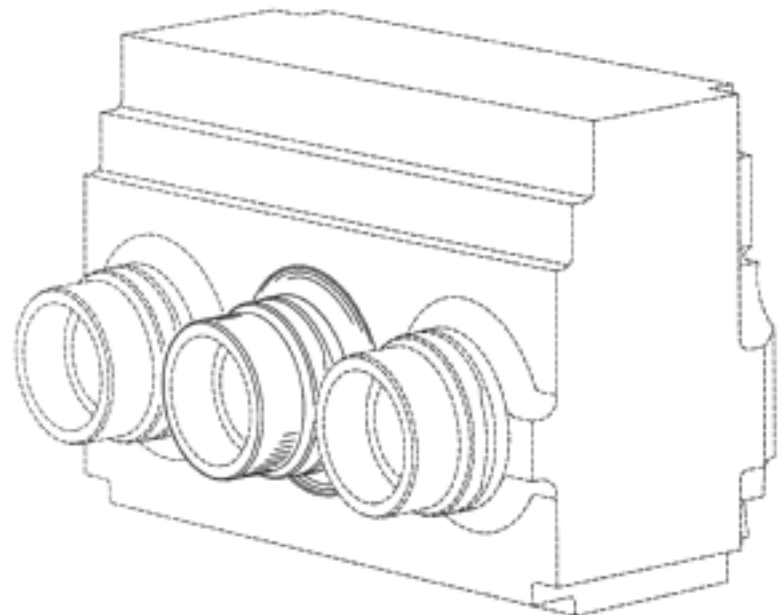
(57) Statement of Newness and Distinctiveness: **Those features of the animal garment depicted in the representations that are new and distinctive are the shape and/or configuration.**



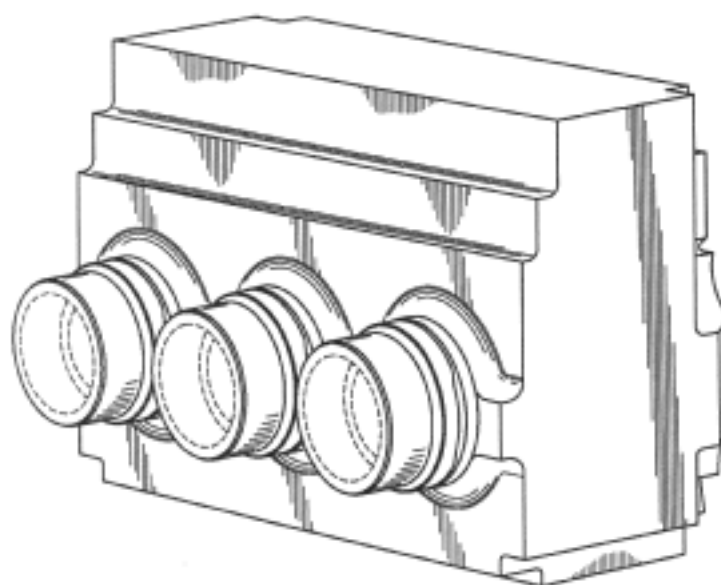
(21) Design Number: **10654/2012**
(22) Date of Filing Application: **10 February 2012**
(24) Date from which industrial property rights may have effect: **10 February 2012**
(54) Product in respect of which the design is registered: **Top**
(51) International Design Classification: **02-02NES**
(74) Name(s) of Attorney(s): **MIDDLETONS**
(71) Name(s) and Address(s) of Applicant(s):
Beba Enterprises Pty Ltd
34 Garden Street South Yarra Victoria 3141 Australia
(72) Name(s) of Designer(s): **Arthur Soetedja**
(45) Registration Date: **16 August 2012**
(56) Related Art Documents: **Not Applicable**
(57) Statement of Newness and Distinctiveness: **Nil**



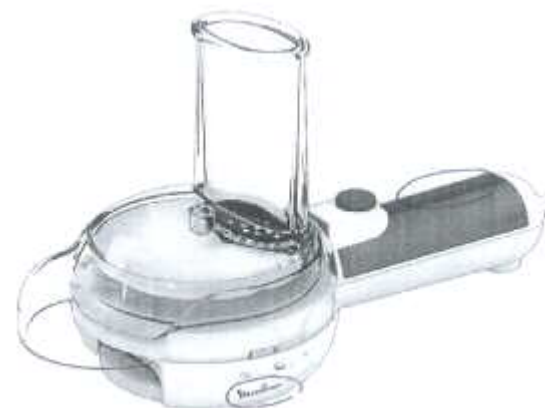
(21) Design Number: **13408/2012**
(22) Date of Filing Application: **19 July 2012**
(24) Date from which industrial property rights may have effect: **19 July 2012**
(54) Product in respect of which the design is registered: **Portion of a fluid end block for a reciprocating pump**
(51) International Design Classification: **15-02**
(74) Name(s) of Attorney(s): **SPRUSON & FERGUSON**
(71) Name(s) and Address(s) of Applicant(s):
S.P.M. Flow Control, Inc.
7601 Wyatt Drive Fort Worth Texas 76108 United States of America
(72) Name(s) of Designer(s): **Scott Skurdalsvold**
(45) Registration Date: **16 August 2012**
(30) Convention priority data:
(31) Number (32) Date (33) Country
29/411974 27 Jan 2012 UNITED STATES OF AMERICA
(56) Related Art Documents: **Not Applicable**
(57) Statement of Newness and Distinctiveness: **Newness and distinctiveness is claimed in those features of shape and/or configuration of a portion of a fluid end block for a reciprocating pump as illustrated in continuous lines in the accompanying representations.**



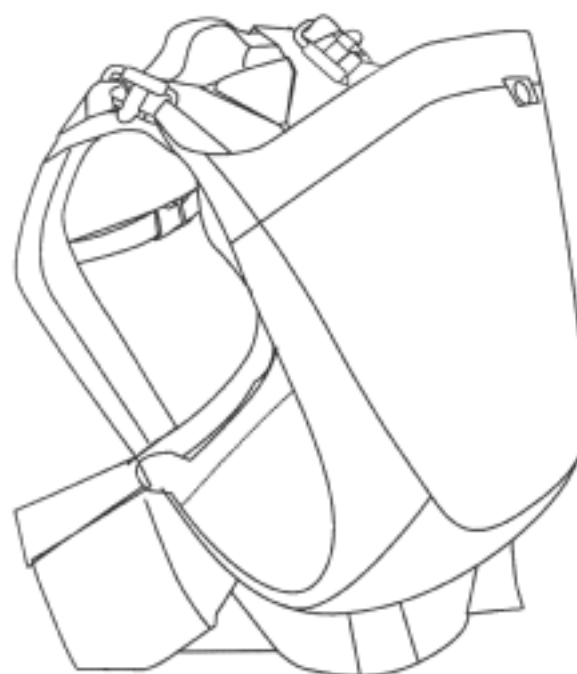
- (21) Design Number: **13409/2012**
(22) Date of Filing Application: **19 July 2012**
(24) Date from which industrial property rights may have effect: **19 July 2012**
(54) Product in respect of which the design is registered: **Fluid end block for a reciprocating pump**
(51) International Design Classification: **15-02**
(74) Name(s) of Attorney(s): **SPRUSON & FERGUSON**
(71) Name(s) and Address(s) of Applicant(s):
S.P.M. Flow Control, Inc.
7601 Wyatt Drive Fort Worth Texas 76108 United States of America
(72) Name(s) of Designer(s): **Scott Skurdalsvold**
(45) Registration Date: **16 August 2012**
(30) Convention priority data:
(31) Number (32) Date (33) Country
29/411974 27 Jan 2012 UNITED STATES OF AMERICA
(56) Related Art Documents: **Not Applicable**
(57) Statement of Newness and Distinctiveness: **Newness and distinctiveness is claimed in those features of shape and/or configuration of a fluid end block for a reciprocating pump as illustrated in continuous lines in the accompanying representations.**



- (21) Design Number: **13410/2012**
(22) Date of Filing Application: **19 July 2012**
(24) Date from which industrial property rights may have effect: **19 July 2012**
(54) Product in respect of which the design is registered: **Electric grater-mincer**
(51) International Design Classification: **31-00**
(74) Name(s) of Attorney(s): **SPRUSON & FERGUSON**
(71) Name(s) and Address(s) of Applicant(s):
SEB
21260 Selongey France
(72) Name(s) of Designer(s): **Anthony Lebosse**
(45) Registration Date: **16 August 2012**
(30) Convention priority data:
(31) Number (32) Date (33) Country
001314215-0001 13 Feb 2012 SWITZERLAND
(56) Related Art Documents: **Not Applicable**
(57) Statement of Newness and Distinctiveness: **Newness and distinctiveness is claimed in the features of shape and/or configuration of an electric grater-mincer as illustrated in the accompanying representations, apart from the text labelled 'A' and 'B'.**



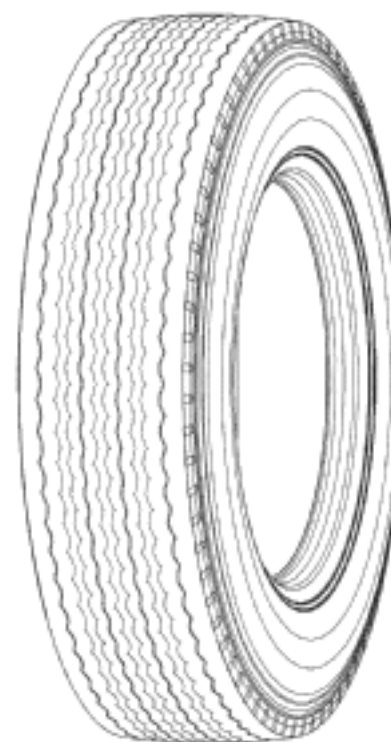
- (21) Design Number: **13415/2012**
(22) Date of Filing Application: **19 July 2012**
(24) Date from which industrial property rights may have effect: **19 July 2012**
(54) Product in respect of which the design is registered: **Harness with rear seat**
(51) International Design Classification: **29-02**
(74) Name(s) of Attorney(s): **SPRUSON & FERGUSON**
(71) Name(s) and Address(s) of Applicant(s):
Stokke AS
Hahjem NO-6260 Skodje Norway
(72) Name(s) of Designer(s): **Synnove Stave and Tore Mortvedt**
(45) Registration Date: **16 August 2012**
(30) Convention priority data:
(31) Number (32) Date (33) Country
20120098 31 Jan 2012 NORWAY
(56) Related Art Documents: **Not Applicable**
(57) Statement of Newness and Distinctiveness: **Newness and distinctiveness is claimed in the features of shape and/or configuration of a harness with rear seat as illustrated in continuous lines in the accompanying representations.**



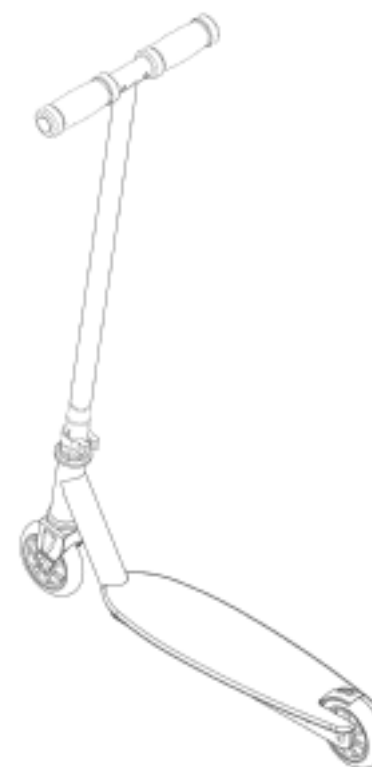
- (21) Design Number: **13416/2012**
(22) Date of Filing Application: **19 July 2012**
(24) Date from which industrial property rights may have effect: **19 July 2012**
(54) Product in respect of which the design is registered: **Harness with front seat**
(51) International Design Classification: **29-02**
(74) Name(s) of Attorney(s): **SPRUSON & FERGUSON**
(71) Name(s) and Address(s) of Applicant(s):
Stokke AS
Hahjem NO-6260 Skodje Norway
(72) Name(s) of Designer(s): **Synnove Stave and Tore Mortvedt**
(45) Registration Date: **16 August 2012**
(30) Convention priority data:
(31) Number (32) Date (33) Country
20120098 31 Jan 2012 NORWAY
(56) Related Art Documents: **Not Applicable**
(57) Statement of Newness and Distinctiveness: **Newness and distinctiveness is claimed in the features of shape and/or configuration of a harness with front seat as illustrated in continuous lines in the accompanying representations.**



(21) Design Number: **13424/2012**
(22) Date of Filing Application: **19 July 2012**
(24) Date from which industrial property rights may have effect: **19 July 2012**
(54) Product in respect of which the design is registered: **Tire for a vehicle**
(51) International Design Classification: **12-15A**
(74) Name(s) of Attorney(s): **Actuate IP**
(71) Name(s) and Address(s) of Applicant(s):
Kumho Tire Co., Inc
555 Sochon-dong Gwangsan-gu Gwangju 506-711 Republic of Korea
(72) Name(s) of Designer(s): **Young-Jin Jung**
(45) Registration Date: **16 August 2012**
(30) Convention priority data:
(31) Number (32) Date (33) Country
30-2012-0016045 05 Apr 2012 REPUBLIC OF KOREA
(56) Related Art Documents: **Not Applicable**
(57) Statement of Newness and Distinctiveness: **Newness and distinctiveness is claimed in the features of shape and/or configuration of the tread pattern of the TIRE FOR A VEHICLE, as illustrated in the accompanying representations.**



(21) Design Number: **13425/2012**
(22) Date of Filing Application: **19 July 2012**
(24) Date from which industrial property rights may have effect: **19 July 2012**
(54) Product in respect of which the design is registered: **Scooter**
(51) International Design Classification: **21-01F**
(74) Name(s) of Attorney(s): **Halfords IP**
(71) Name(s) and Address(s) of Applicant(s):
Razor USA LLC
12723 E 166th Street Cerritos CA 90703 United States of America
(72) Name(s) of Designer(s): **Robert Hadley and Carlton Calvin**
(45) Registration Date: **16 August 2012**
(30) Convention priority data:
(31) Number (32) Date (33) Country
29/411852 26 Jan 2012 UNITED STATES OF AMERICA
(56) Related Art Documents: **Not Applicable**
(57) Statement of Newness and Distinctiveness: **Newness and Distinctiveness resides in the shape and or configuration of a scooter being as depicted in the accompanying representations. Features shown in broken lines do not form part of the design.**



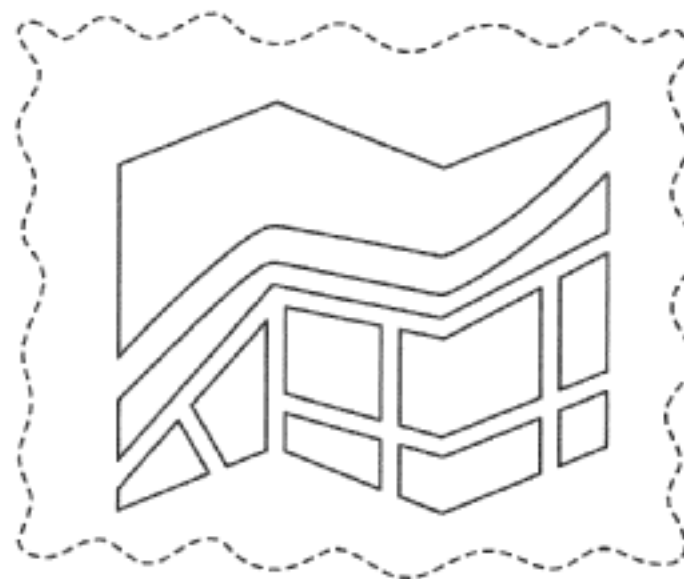
(21) Design Number: **13426/2012**
(22) Date of Filing Application: **19 July 2012**
(24) Date from which industrial property rights may have effect: **19 July 2012**
(54) Product in respect of which the design is registered: **Scooter**
(51) International Design Classification: **21-01F**
(74) Name(s) of Attorney(s): **Halfords IP**
(71) Name(s) and Address(s) of Applicant(s):
Razor USA LLC
12723 E 166th Street Cerritos CA 90703 United States of America
(72) Name(s) of Designer(s): **Robert Hadley and Carlton Calvin**
(45) Registration Date: **16 August 2012**
(30) Convention priority data:
(31) Number (32) Date (33) Country
29/411852 26 Jan 2012 UNITED STATES OF AMERICA

(56) Related Art Documents: **Not Applicable**
(57) Statement of Newness and Distinctiveness: **Newness and Distinctiveness resides in the shape and or configuration of a scooter being as depicted in the accompanying representations. Features shown in broken lines do not form part of the design.**

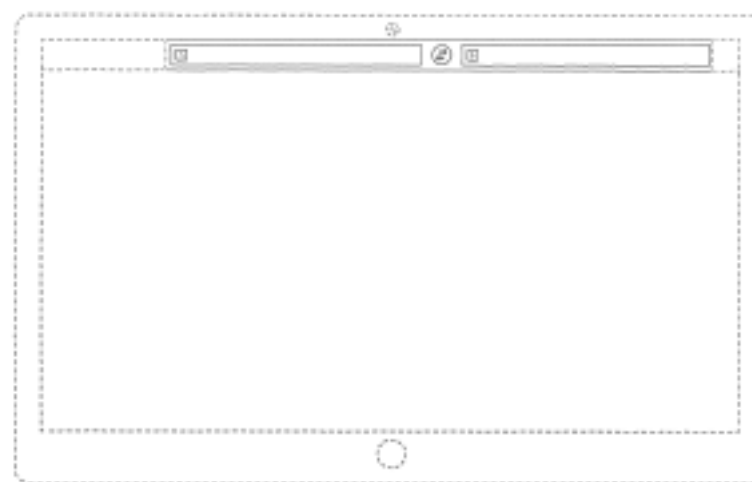


(21) Design Number: **13445/2012**
(22) Date of Filing Application: **20 July 2012**
(24) Date from which industrial property rights may have effect: **20 July 2012**
(54) Product in respect of which the design is registered: **Display screen with icon**
(51) International Design Classification: **14-04**
(74) Name(s) of Attorney(s): **Shelston IP**
(71) Name(s) and Address(s) of Applicant(s):
Microsoft Corporation
One Microsoft Way Redmond Washington 98052 United States of America
(72) Name(s) of Designer(s): **Emily S. Voreis and Phoi Heng Lew and Christina Koehn**
(45) Registration Date: **16 August 2012**
(30) Convention priority data:
(31) Number (32) Date (33) Country
29/413872 22 Feb 2012 UNITED STATES OF AMERICA

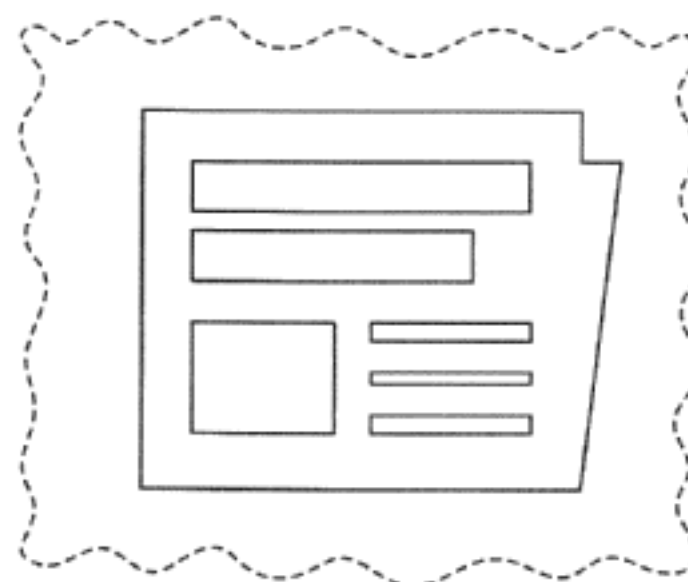
(56) Related Art Documents: **Not Applicable**
(57) Statement of Newness and Distinctiveness: **Newness and distinctiveness reside in the features of pattern and/or ornamentation of a display screen with icon as illustrated by solid lines in the accompanying representations. The features shown in broken outline are for contextual purposes only and do not form part of the design.**



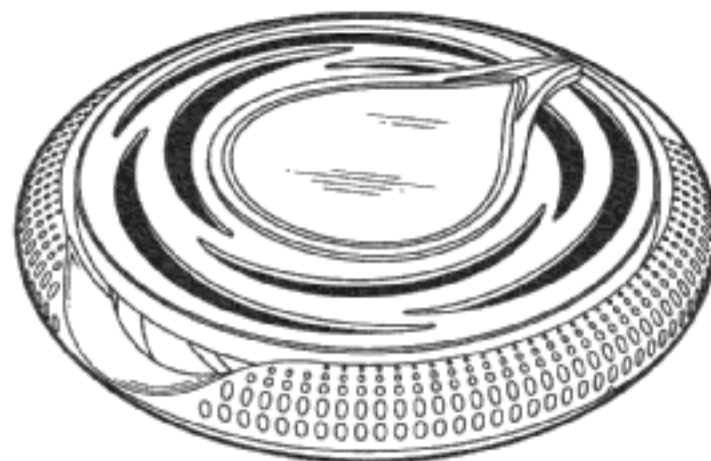
(21) Design Number: **13446/2012**
(22) Date of Filing Application: **20 July 2012**
(24) Date from which industrial property rights may have effect: **20 July 2012**
(54) Product in respect of which the design is registered: **Display screen with user interface**
(51) International Design Classification: **14-04**
(74) Name(s) of Attorney(s): **Shelston IP**
(71) Name(s) and Address(s) of Applicant(s):
Microsoft Corporation
One Microsoft Way Redmond Washington 98052 United States of America
(72) Name(s) of Designer(s): **Vincent J. Pasceri and Diego D. Baca Del Rosario**
(45) Registration Date: **16 August 2012**
(30) Convention priority data:
(31) Number (32) Date (33) Country
29/413992 23 Feb 2012 UNITED STATES OF AMERICA
(56) Related Art Documents: **Not Applicable**
(57) Statement of Newness and Distinctiveness: **Newness and distinctiveness reside in the features of pattern and/or ornamentation of a display screen with user interface as illustrated by solid lines in the accompanying representations. The features shown in broken outline are for contextual purposes only and do not form part of the design.**



(21) Design Number: **13447/2012**
(22) Date of Filing Application: **20 July 2012**
(24) Date from which industrial property rights may have effect: **20 July 2012**
(54) Product in respect of which the design is registered: **Display screen with icon**
(51) International Design Classification: **14-04**
(74) Name(s) of Attorney(s): **Shelston IP**
(71) Name(s) and Address(s) of Applicant(s):
Microsoft Corporation
One Microsoft Way Redmond Washington 98052 United States of America
(72) Name(s) of Designer(s): **Emily S. Voreis and Phoi Heng Lew and Christina Koehn**
(45) Registration Date: **16 August 2012**
(30) Convention priority data:
(31) Number (32) Date (33) Country
29/413874 22 Feb 2012 UNITED STATES OF AMERICA
(56) Related Art Documents: **Not Applicable**
(57) Statement of Newness and Distinctiveness: **Newness and distinctiveness reside in the features of pattern and/or ornamentation of a display screen with icon as illustrated by solid lines in the accompanying representations. The features shown in broken outline are for contextual purposes only and do not form part of the design.**



(21) Design Number: **13448/2012**
(22) Date of Filing Application: **20 July 2012**
(24) Date from which industrial property rights may have effect: **20 July 2012**
(54) Product in respect of which the design is registered: **Air freshener device including refill**
(51) International Design Classification: **28-99**
(74) Name(s) of Attorney(s): **Shelston IP**
(71) Name(s) and Address(s) of Applicant(s):
Reckitt & Colman (Overseas) Limited
103-105 Bath Road Slough Berkshire SL1 3UH United Kingdom
(72) Name(s) of Designer(s): **Dai Sanders**
(45) Registration Date: **16 August 2012**
(30) Convention priority data:
(31) Number (32) Date (33) Country
001984311-0002 01 Feb 2012 EUROPEAN COMMUNITY
(56) Related Art Documents: **Not Applicable**
(57) Statement of Newness and Distinctiveness: **Newness and distinctiveness resides in the features of shape and configuration of an air freshener device as shown in the accompanying representations.**



(21) Design Number: **13787/2012**
(22) Date of Filing Application: **10 February 2012**
(24) Date from which industrial property rights may have effect: **10 February 2012**
(54) Product in respect of which the design is registered: **Dress**
(51) International Design Classification: **02-02C**
(74) Name(s) of Attorney(s): **MIDDLETONS**
(71) Name(s) and Address(s) of Applicant(s):
Beba Enterprises Pty Ltd
34 Garden Street South Yarra Victoria 3141 Australia
(72) Name(s) of Designer(s): **Arthur Soetedja**
(45) Registration Date: **16 August 2012**
(56) Related Art Documents: **Not Applicable**
(57) Statement of Newness and Distinctiveness: **Nil**



(21) Design Number: **13788/2012**
(22) Date of Filing Application: **10 February 2012**
(24) Date from which industrial property rights may have effect: **10 February 2012**
(54) Product in respect of which the design is registered: **Top**
(51) International Design Classification: **02-02NES**
(74) Name(s) of Attorney(s): **MIDDLETONS**
(71) Name(s) and Address(s) of Applicant(s):
Beba Enterprises Pty Ltd
34 Garden Street South Yarra Victoria 3141 Australia
(72) Name(s) of Designer(s): **Arthur Soetedja**
(45) Registration Date: **16 August 2012**
(56) Related Art Documents: **Not Applicable**
(57) Statement of Newness and Distinctiveness: **Nil**



(21) Design Number: **13789/2012**
(22) Date of Filing Application: **10 February 2012**
(24) Date from which industrial property rights may have effect: **10 February 2012**
(54) Product in respect of which the design is registered: **Jacket**
(51) International Design Classification: **02-02NES**
(74) Name(s) of Attorney(s): **MIDDLETONS**
(71) Name(s) and Address(s) of Applicant(s):
Beba Enterprises Pty Ltd
34 Garden Street South Yarra Victoria 3141 Australia
(72) Name(s) of Designer(s): **Arthur Soetedja**
(45) Registration Date: **16 August 2012**
(56) Related Art Documents: **Not Applicable**
(57) Statement of Newness and Distinctiveness: **Nil**



(21) Design Number: **13790/2012**
(22) Date of Filing Application: **10 February 2012**
(24) Date from which industrial property rights may have effect: **10 February 2012**
(54) Product in respect of which the design is registered: **Jacket**
(51) International Design Classification: **02-02NES**
(74) Name(s) of Attorney(s): **MIDDLETONS**
(71) Name(s) and Address(s) of Applicant(s):
Beba Enterprises Pty Ltd
34 Garden Street South Yarra Victoria 3141 Australia
(72) Name(s) of Designer(s): **Arthur Soetedja**
(45) Registration Date: **16 August 2012**
(56) Related Art Documents: **Not Applicable**
(57) Statement of Newness and Distinctiveness: **Nil**



(21) Design Number: **13791/2012**
(22) Date of Filing Application: **10 February 2012**
(24) Date from which industrial property rights may have effect: **10 February 2012**
(54) Product in respect of which the design is registered: **Top**
(51) International Design Classification: **02-02NES**
(74) Name(s) of Attorney(s): **MIDDLETONS**
(71) Name(s) and Address(s) of Applicant(s):
Beba Enterprises Pty Ltd
34 Garden Street South Yarra Victoria 3141 Australia
(72) Name(s) of Designer(s): **Arthur Soetedja**
(45) Registration Date: **16 August 2012**
(56) Related Art Documents: **Not Applicable**
(57) Statement of Newness and Distinctiveness: **Nil**



(21) Design Number: **13792/2012**
(22) Date of Filing Application: **10 February 2012**
(24) Date from which industrial property rights may have effect: **10 February 2012**
(54) Product in respect of which the design is registered: **Top**
(51) International Design Classification: **02-02NES**
(74) Name(s) of Attorney(s): **MIDDLETONS**
(71) Name(s) and Address(s) of Applicant(s):
Beba Enterprises Pty Ltd
34 Garden Street South Yarra Victoria 3141 Australia
(72) Name(s) of Designer(s): **Arthur Soetedja**
(45) Registration Date: **16 August 2012**
(56) Related Art Documents: **Not Applicable**
(57) Statement of Newness and Distinctiveness: **Nil**



(21) Design Number: **13793/2012**
(22) Date of Filing Application: **10 February 2012**
(24) Date from which industrial property rights may have effect: **10 February 2012**
(54) Product in respect of which the design is registered: **Pants**
(51) International Design Classification: **02-02C**
(74) Name(s) of Attorney(s): **MIDDLETONS**
(71) Name(s) and Address(s) of Applicant(s):
Beba Enterprises Pty Ltd
34 Garden Street South Yarra Victoria 3141 Australia
(72) Name(s) of Designer(s): **Arthur Soetedja**
(45) Registration Date: **16 August 2012**
(56) Related Art Documents: **Not Applicable**
(57) Statement of Newness and Distinctiveness: **Nil**



- (21) Design Number: **13794/2012**
(22) Date of Filing Application: **10 February 2012**
(24) Date from which industrial property rights may have effect: **10 February 2012**
(54) Product in respect of which the design is registered: **Dress**
(51) International Design Classification: **02-02C**
(74) Name(s) of Attorney(s): **MIDDLETONS**
(71) Name(s) and Address(s) of Applicant(s):
Beba Enterprises Pty Ltd
34 Garden Street South Yarra Victoria 3141 Australia
(72) Name(s) of Designer(s): **Arthur Soetedja**
(45) Registration Date: **16 August 2012**
(56) Related Art Documents: **Not Applicable**
(57) Statement of Newness and Distinctiveness: **Nil**



- (21) Design Number: **10932/2012**
(22) Date of Filing Application: **01 March 2012**
(24) Date from which industrial property rights may have effect: **01 March 2012**
(54) Product in respect of which the design is registered: **Handle for a cooking vessel**
(51) International Design Classification: **07-02R**
(74) Name(s) of Attorney(s): **Molins & Co**
(71) Name(s) and Address(s) of Applicant(s):
Breville Pty Limited
Building 2 Port Air Industrial Estate 1A Hale Street Botany New South Wales 2019 Australia
(72) Name(s) of Designer(s): **Richard Hoare and David Davenport and Greg Upston**
(45) Registration Date: **17 August 2012**
(56) Related Art Documents: **Not Applicable**
(57) Statement of Newness and Distinctiveness: **Newness is claimed in the features of shape and configuration of the Handle as shown in the accompanying representations.**



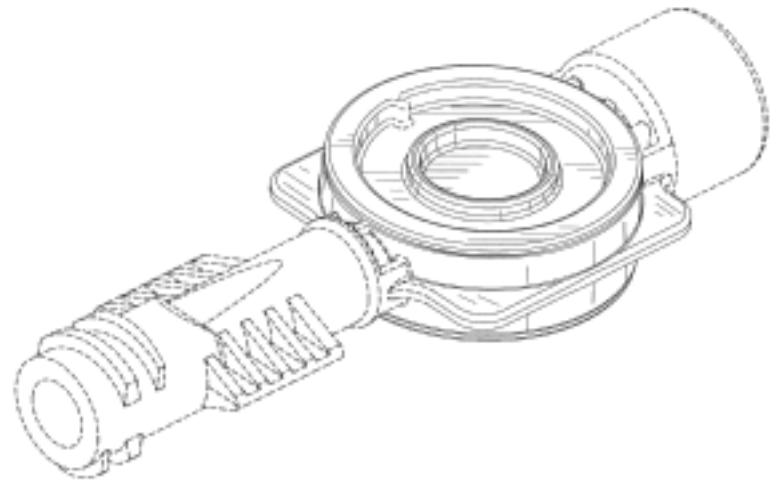
(21) Design Number: **12533/2012**
(22) Date of Filing Application: **28 May 2012**
(24) Date from which industrial property rights may have effect: **28 May 2012**
(54) Product in respect of which the design is registered: **Blood flow chamber**
(51) International Design Classification: **24-01**
(74) Name(s) of Attorney(s): **Shelston IP**
(71) Name(s) and Address(s) of Applicant(s):
Fresenius Medical Care Holdings, Inc.
920 Winter Street Waltham Massachusetts 02451 United States of America

(72) Name(s) of Designer(s): **Louis L. Barrett and Perry N. Law**
(45) Registration Date: **17 August 2012**

(30) Convention priority data:
(31) Number (32) Date (33) Country
29/414163 24 Feb 2012 UNITED STATES OF AMERICA

(56) Related Art Documents: **Not Applicable**

(57) Statement of Newness and Distinctiveness: **Newness and distinctiveness resides in the features of shape and configuration of a blood flow chamber shown in solid lines in the accompanying representations. The features shown in broken line are for the purpose of illustration only and do not form part of the design.**



(21) Design Number: **12869/2012**
(22) Date of Filing Application: **19 June 2012**
(24) Date from which industrial property rights may have effect: **19 June 2012**
(54) Product in respect of which the design is registered: **Worklight**
(51) International Design Classification: **26-03**
(74) Name(s) of Attorney(s): **Davies Collison Cave**
(71) Name(s) and Address(s) of Applicant(s):
Herrmans Oy Ab
Pannaistentie 143 FI-68601 Pietarsaari Finland

(72) Name(s) of Designer(s): **Jari Korpi**
(45) Registration Date: **17 August 2012**

(30) Convention priority data:
(31) Number (32) Date (33) Country
001986878 06 Feb 2012 EUROPEAN COMMUNITY

(56) Related Art Documents: **Not Applicable**

(57) Statement of Newness and Distinctiveness: **Nil**



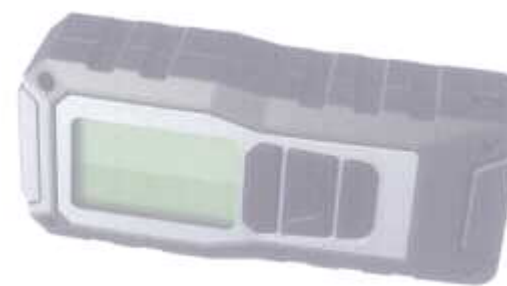
(21) Design Number: **12870/2012**
(22) Date of Filing Application: **19 June 2012**
(24) Date from which industrial property rights may have effect: **19 June 2012**
(54) Product in respect of which the design is registered: **Worklight**
(51) International Design Classification: **26-03**
(74) Name(s) of Attorney(s): **Davies Collison Cave**
(71) Name(s) and Address(s) of Applicant(s):
Herrmans Oy Ab
Pannaistentie 143 FI-68601 Pietarsaari Finland
(72) Name(s) of Designer(s): **Jari Korpi**
(45) Registration Date: **17 August 2012**
(30) Convention priority data:
(31) Number (32) Date (33) Country
001986878 06 Feb 2012 EUROPEAN COMMUNITY
(56) Related Art Documents: **Not Applicable**
(57) Statement of Newness and Distinctiveness: **Nil**



(21) Design Number: **12871/2012**
(22) Date of Filing Application: **19 June 2012**
(24) Date from which industrial property rights may have effect: **19 June 2012**
(54) Product in respect of which the design is registered: **Worklight**
(51) International Design Classification: **26-03**
(74) Name(s) of Attorney(s): **Davies Collison Cave**
(71) Name(s) and Address(s) of Applicant(s):
Herrmans Oy Ab
Pannaistentie 143 FI-68601 Pietarsaari Finland
(72) Name(s) of Designer(s): **Jari Korpi**
(45) Registration Date: **17 August 2012**
(30) Convention priority data:
(31) Number (32) Date (33) Country
001986878 06 Feb 2012 EUROPEAN COMMUNITY
(56) Related Art Documents: **Not Applicable**
(57) Statement of Newness and Distinctiveness: **Nil**



- (21) Design Number: **12901/2012**
(22) Date of Filing Application: **20 June 2012**
(24) Date from which industrial property rights may have effect: **20 June 2012**
(54) Product in respect of which the design is registered: **Laser distance measurer**
(51) International Design Classification: **10-04**
(74) Name(s) of Attorney(s):
(71) Name(s) and Address(s) of Applicant(s):
 Geo Laser (Australia) Pty Ltd
 6/24 Humeside Drive Campbellfield Victoria 3061 Australia
 Yongjun Li
 6/24 Humeside Drive Campbellfield Victoria 3061 Australia
(72) Name(s) of Designer(s): **Albert Ng and Yongjun Li**
(45) Registration Date: **17 August 2012**
(56) Related Art Documents: **Not Applicable**
(57) Statement of Newness and Distinctiveness: **Nil**



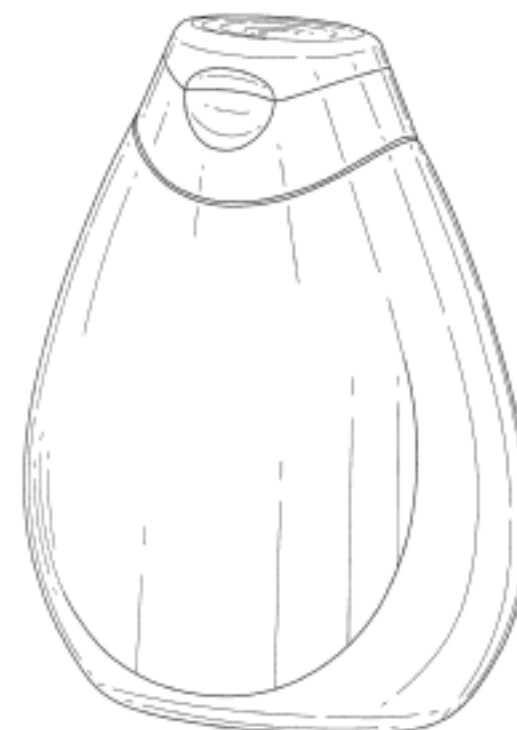
- (21) Design Number: **12902/2012**
(22) Date of Filing Application: **20 June 2012**
(24) Date from which industrial property rights may have effect: **20 June 2012**
(54) Product in respect of which the design is registered: **Laser distance measurer**
(51) International Design Classification: **10-04**
(74) Name(s) of Attorney(s):
(71) Name(s) and Address(s) of Applicant(s):
 Geo Laser (Australia) Pty Ltd
 6/24 Humeside Drive Campbellfield Victoria 3061 Australia
 Yongjun Li
 6/24 Humeside Drive Campbellfield Victoria 3061 Australia
(72) Name(s) of Designer(s): **Albert Ng and Yongjun Li**
(45) Registration Date: **17 August 2012**
(56) Related Art Documents: **Not Applicable**
(57) Statement of Newness and Distinctiveness: **Nil**



- (21) Design Number: **12922/2012**
(22) Date of Filing Application: **21 June 2012**
(24) Date from which industrial property rights may have effect: **21 June 2012**
(54) Product in respect of which the design is registered: **Bottle with pump**
(51) International Design Classification: **09-01K**
(74) Name(s) of Attorney(s): **Davies Collison Cave**
(71) Name(s) and Address(s) of Applicant(s):
Unilever PLC
Unilever House 100 Victoria Embankment London EC4Y 0DY United Kingdom
(72) Name(s) of Designer(s): **Martin Christopher Bunce and Corinne Elizabeth Elstow and Namrata Nayyar-Kamdar and David Andrew Lickstein and John David Almstead Jr and Scot Lawrence Forrest**
(45) Registration Date: **17 August 2012**
(30) Convention priority data:
(31) Number (32) Date (33) Country
001973017-0001 10 Jan 2012 EUROPEAN COMMUNITY
(56) Related Art Documents: **Not Applicable**
(57) Statement of Newness and Distinctiveness: **Newness and distinctiveness is claimed in the visual features shown in solid lines in the representations.**



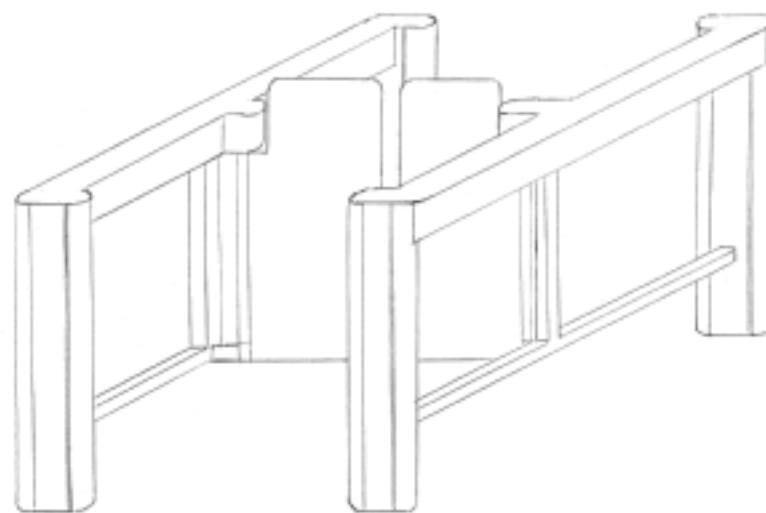
- (21) Design Number: **12923/2012**
(22) Date of Filing Application: **21 June 2012**
(24) Date from which industrial property rights may have effect: **21 June 2012**
(54) Product in respect of which the design is registered: **Bottle with flip-top lid**
(51) International Design Classification: **09-01G**
(74) Name(s) of Attorney(s): **Davies Collison Cave**
(71) Name(s) and Address(s) of Applicant(s):
Unilever PLC
Unilever House 100 Victoria Embankment London EC4Y 0DY United Kingdom
(72) Name(s) of Designer(s): **Martin Christopher Bunce and Corinne Elizabeth Elstow and Namrata Nayyar-Kamdar and David Andrew Lickstein and John David Almstead Jr and Scot Lawrence Forrest**
(45) Registration Date: **17 August 2012**
(30) Convention priority data:
(31) Number (32) Date (33) Country
001972977-0001 10 Jan 2012 EUROPEAN COMMUNITY
(56) Related Art Documents: **Not Applicable**
(57) Statement of Newness and Distinctiveness: **Newness and distinctiveness is claimed in the visual features shown in solid lines in the representations.**



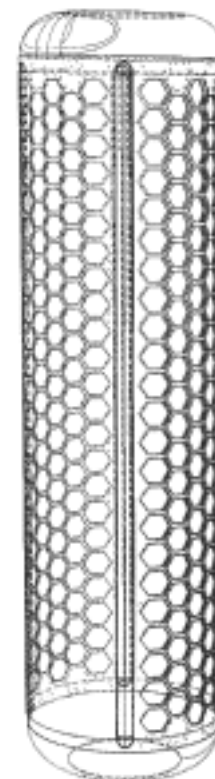
- (21) Design Number: **13430/2012**
(22) Date of Filing Application: **20 July 2012**
(24) Date from which industrial property rights may have effect: **20 July 2012**
(54) Product in respect of which the design is registered: **Sports training aid
(colloquially known as a tackle bag)**
(51) International Design Classification: **21-02NES**
(74) Name(s) of Attorney(s):
(71) Name(s) and Address(s) of Applicant(s):
Anthony Rock
85 Glass Street Essendon Victoria 3040 Australia
(72) Name(s) of Designer(s): **Anthony Rock**
(45) Registration Date: **17 August 2012**
(56) Related Art Documents: **Not Applicable**
(57) Statement of Newness and Distinctiveness: **Nil**



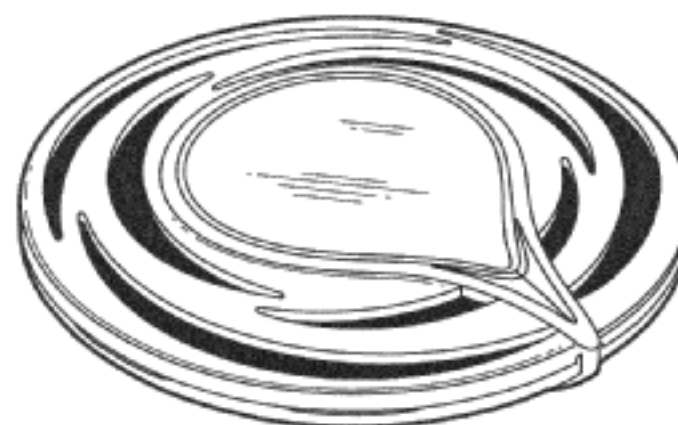
- (21) Design Number: **13443/2012**
(22) Date of Filing Application: **23 July 2012**
(24) Date from which industrial property rights may have effect: **23 July 2012**
(54) Product in respect of which the design is registered: **The design is to be
applied to a pedestrian access control device**
(51) International Design Classification: **29-02**
(74) Name(s) of Attorney(s):
(71) Name(s) and Address(s) of Applicant(s):
Rex Robert Brady
80 Ayton Drive Whitby Porirua Wellington 5024 New Zealand
Ilex Engineering
80 Ayton Drive Whitby Porirua Wellington 5024 New Zealand
(72) Name(s) of Designer(s): **Rex Robert Brady**
(45) Registration Date: **17 August 2012**
(30) Convention priority data:
(31) Number (32) Date (33) Country
416219 04 May 2012 NEW ZEALAND
(56) Related Art Documents: **Not Applicable**
(57) Statement of Newness and Distinctiveness: **The novelty resides in the
features of shape and configuration as shown in the accompanying
representations (drawings) Also lies in the gate flap configuration being
above the height of the side cabinets. Also the gate flaps are able to
sweep open within the cabinet parameters. Also the gap between the
gate flaps being of sufficient distance apart from each other to prevent
people suffering injury.**



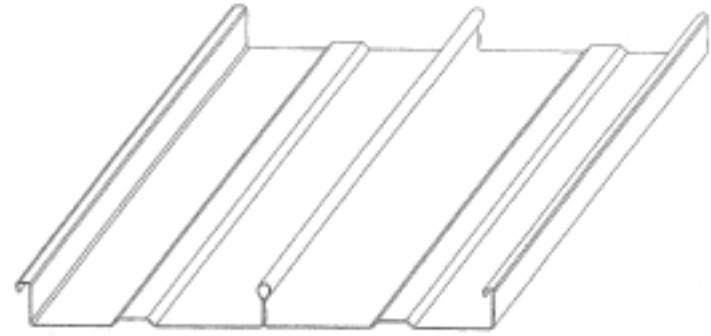
(21) Design Number: **13444/2012**
(22) Date of Filing Application: **20 July 2012**
(24) Date from which industrial property rights may have effect: **20 July 2012**
(54) Product in respect of which the design is registered: **Sports towel canister**
(51) International Design Classification: **09-03L**
(74) Name(s) of Attorney(s):
(71) Name(s) and Address(s) of Applicant(s):
Alon Cassuto
12 Ludbrook Avenue South Caulfield Victoria 3162 Australia
(72) Name(s) of Designer(s): **Alon Cassuto**
(45) Registration Date: **17 August 2012**
(56) Related Art Documents: **Not Applicable**
(57) Statement of Newness and Distinctiveness: **Nil**



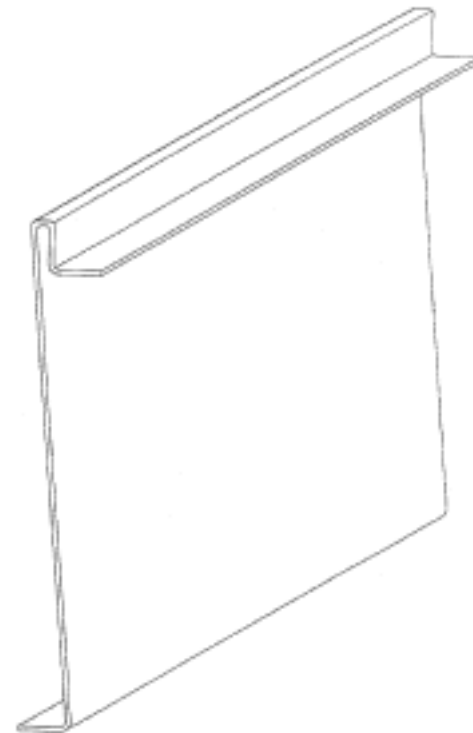
(21) Design Number: **13449/2012**
(22) Date of Filing Application: **20 July 2012**
(24) Date from which industrial property rights may have effect: **20 July 2012**
(54) Product in respect of which the design is registered: **Air freshener refill**
(51) International Design Classification: **28-99**
(74) Name(s) of Attorney(s): **Shelston IP**
(71) Name(s) and Address(s) of Applicant(s):
Reckitt & Colman (Overseas) Limited
103-105 Bath Road Slough Berkshire SL1 3UH United Kingdom
(72) Name(s) of Designer(s): **Dai Sanders**
(45) Registration Date: **17 August 2012**
(30) Convention priority data:
(31) Number (32) Date (33) Country
001984311-0001 01 Feb 2012 EUROPEAN COMMUNITY
(56) Related Art Documents: **Not Applicable**
(57) Statement of Newness and Distinctiveness: **Newness and distinctiveness resides in the features of shape and configuration of an air freshener refill as shown in the accompanying representations.**



(21) Design Number: **13450/2012**
(22) Date of Filing Application: **20 July 2012**
(24) Date from which industrial property rights may have effect: **20 July 2012**
(54) Product in respect of which the design is registered: **Decking member**
(51) International Design Classification: **25-01K, 25-02NES**
(74) Name(s) of Attorney(s): **Corrs Chambers Westgarth**
(71) Name(s) and Address(s) of Applicant(s):
BAO Engineering Pty Ltd
52-56 Williams Road Dandenong Victoria 3175 Australia
(72) Name(s) of Designer(s): **Jian Sheng Hu**
(45) Registration Date: **17 August 2012**
(56) Related Art Documents: **Not Applicable**
(57) Statement of Newness and Distinctiveness: **Nil**



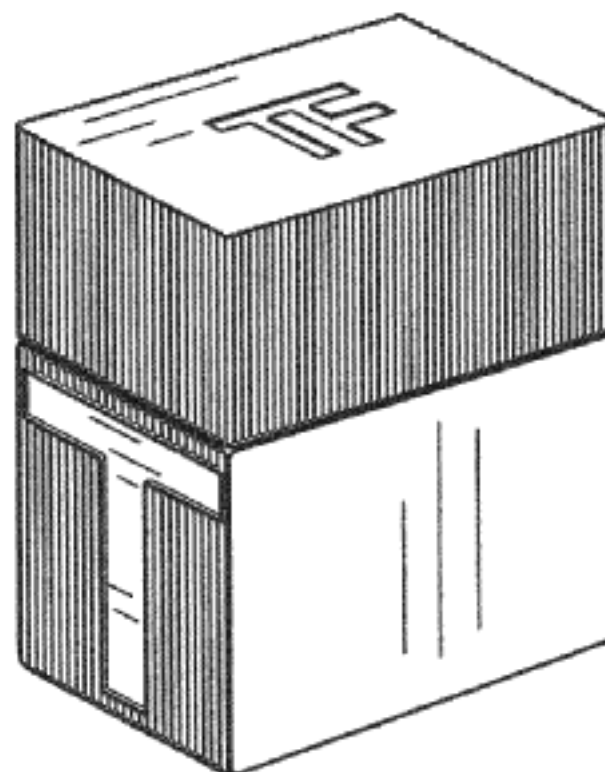
(21) Design Number: **13451/2012**
(22) Date of Filing Application: **20 July 2012**
(24) Date from which industrial property rights may have effect: **20 July 2012**
(54) Product in respect of which the design is registered: **Stair formwork**
(51) International Design Classification: **25-01K, 25-02NES**
(74) Name(s) of Attorney(s): **Corrs Chambers Westgarth**
(71) Name(s) and Address(s) of Applicant(s):
BAO Engineering Pty Ltd
52-56 Williams Road Dandenong Victoria 3175 Australia
(72) Name(s) of Designer(s): **Jian Sheng Hu**
(45) Registration Date: **17 August 2012**
(56) Related Art Documents: **Not Applicable**
(57) Statement of Newness and Distinctiveness: **Nil**



- (21) Design Number: **10953/2012**
(22) Date of Filing Application: **01 March 2012**
(24) Date from which industrial property rights may have effect: **01 March 2012**
(54) Product in respect of which the design is registered: **Handle for a cooking vessel**
(51) International Design Classification: **07-02R**
(74) Name(s) of Attorney(s): **Molins & Co**
(71) Name(s) and Address(s) of Applicant(s):
Breville Pty Limited
Building 2 Port Air Industrial Estate 1A Hale Street Botany New South Wales 2019 Australia
(72) Name(s) of Designer(s): **Richard Hoare and David Davenport and Greg Upston**
(45) Registration Date: **20 August 2012**
(56) Related Art Documents: **Not Applicable**
(57) Statement of Newness and Distinctiveness: **Newness is claimed in the features of shape and configuration of the Handle as shown in the accompanying representations.**



- (21) Design Number: **12731/2012**
(22) Date of Filing Application: **07 June 2012**
(24) Date from which industrial property rights may have effect: **07 June 2012**
(54) Product in respect of which the design is registered: **Bottle with cap**
(51) International Design Classification: **09-01NES**
(74) Name(s) of Attorney(s): **PHILLIPS ORMONDE FITZPATRICK**
(71) Name(s) and Address(s) of Applicant(s):
Thomas C. Ford
9229 Sunset Boulevard Suite 607 Los Angeles California 90069 United States of America
(72) Name(s) of Designer(s): **Thomas C. Ford and Lara Modjeski**
(45) Registration Date: **20 August 2012**
(30) Convention priority data:
(31) Number (32) Date (33) Country
29/408,565 14 Dec 2011 UNITED STATES OF AMERICA
(56) Related Art Documents: **Not Applicable**
(57) Statement of Newness and Distinctiveness: **Those features of the bottle cap depicted in the representations that are new and distinctive are the shape and/or configuration. The features shown in broken line and the area within the broken lines shown in Figs. 6 are not part of the design and are to be disregarded when considering the overall impression of the design.**



(21) Design Number: **12873/2012**
(22) Date of Filing Application: **19 June 2012**
(24) Date from which industrial property rights may have effect: **19 June 2012**
(54) Product in respect of which the design is registered: **Worklight**
(51) International Design Classification: **26-03**
(74) Name(s) of Attorney(s): **Davies Collison Cave**
(71) Name(s) and Address(s) of Applicant(s):
Herrmans Oy Ab
Pannaistentie 143 FI-68601 Pietarsaari Finland
(72) Name(s) of Designer(s): **Jari Korpi**
(45) Registration Date: **20 August 2012**
(30) Convention priority data:
(31) Number (32) Date (33) Country
001986878 06 Feb 2012 EUROPEAN COMMUNITY
(56) Related Art Documents: **Not Applicable**
(57) Statement of Newness and Distinctiveness: **Nil**



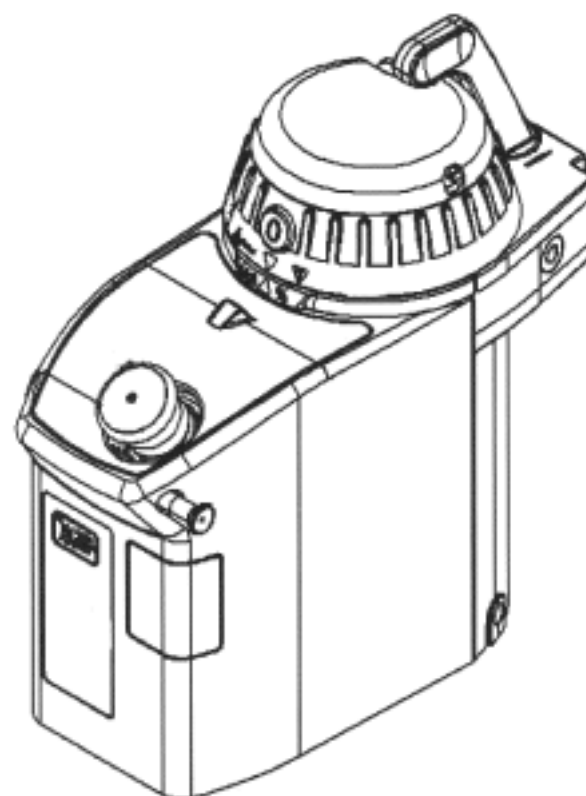
(21) Design Number: **12874/2012**
(22) Date of Filing Application: **19 June 2012**
(24) Date from which industrial property rights may have effect: **19 June 2012**
(54) Product in respect of which the design is registered: **Worklight**
(51) International Design Classification: **26-03**
(74) Name(s) of Attorney(s): **Davies Collison Cave**
(71) Name(s) and Address(s) of Applicant(s):
Herrmans Oy Ab
Pannaistentie 143 FI-68601 Pietarsaari Finland
(72) Name(s) of Designer(s): **Jari Korpi**
(45) Registration Date: **20 August 2012**
(30) Convention priority data:
(31) Number (32) Date (33) Country
001986878 06 Feb 2012 EUROPEAN COMMUNITY
(56) Related Art Documents: **Not Applicable**
(57) Statement of Newness and Distinctiveness: **Nil**



(21) Design Number: **12875/2012**
(22) Date of Filing Application: **19 June 2012**
(24) Date from which industrial property rights may have effect: **19 June 2012**
(54) Product in respect of which the design is registered: **Worklight**
(51) International Design Classification: **26-06**
(74) Name(s) of Attorney(s): **Davies Collison Cave**
(71) Name(s) and Address(s) of Applicant(s):
Herrmans Oy Ab
Pannaistentie 143 FI-68601 Pietarsaari Finland
(72) Name(s) of Designer(s): **Jari Korpi**
(45) Registration Date: **20 August 2012**
(30) Convention priority data:
(31) Number (32) Date (33) Country
001986878 06 Feb 2012 EUROPEAN COMMUNITY
(56) Related Art Documents: **Not Applicable**
(57) Statement of Newness and Distinctiveness: **Nil**



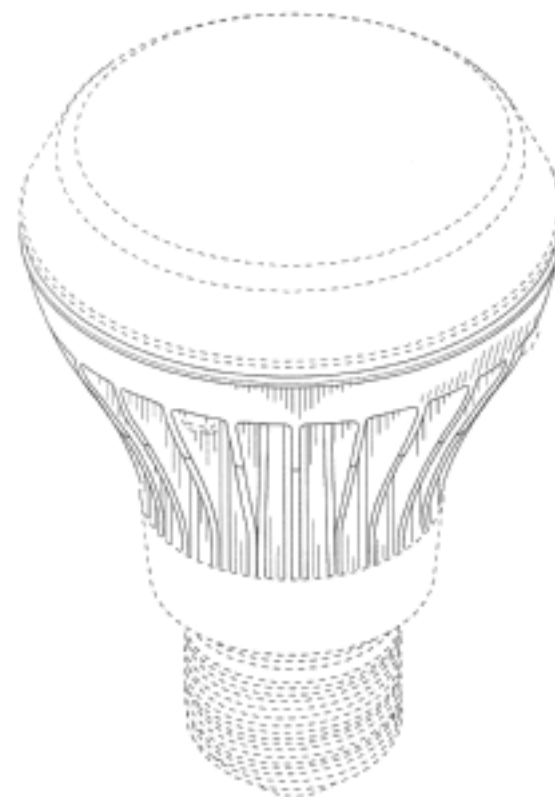
(21) Design Number: **12966/2012**
(22) Date of Filing Application: **22 June 2012**
(24) Date from which industrial property rights may have effect: **22 June 2012**
(54) Product in respect of which the design is registered: **Anaesthetic apparatus**
(51) International Design Classification: **24-01, 24-02**
(74) Name(s) of Attorney(s): **WATERMARK PATENT AND TRADE MARKS ATTORNEYS**
(71) Name(s) and Address(s) of Applicant(s):
Draeger Medical GmbH
Moislinger Allee 53-55 D-23558 Luebeck Germany
(72) Name(s) of Designer(s): **Sebastian Maier**
(45) Registration Date: **20 August 2012**
(30) Convention priority data:
(31) Number (32) Date (33) Country
002004184-0001 07 Mar 2012 EUROPEAN COMMUNITY
(56) Related Art Documents: **Not Applicable**
(57) Statement of Newness and Distinctiveness: **Nil**



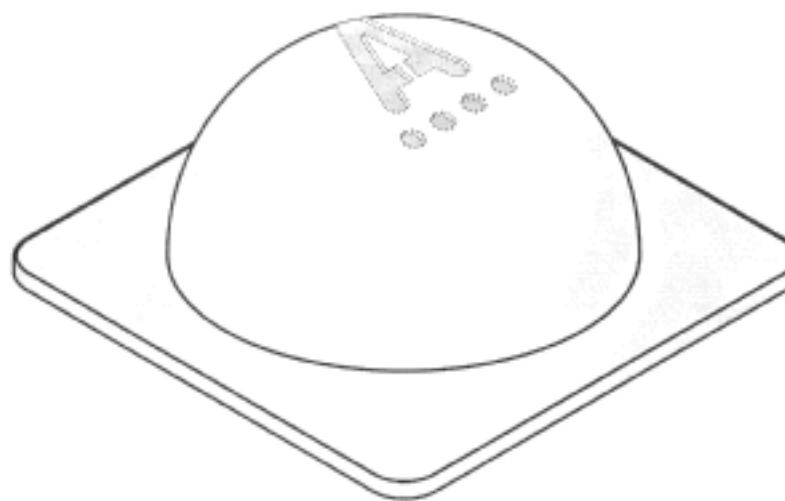
- (21) Design Number: **12989/2012**
(22) Date of Filing Application: **27 June 2012**
(24) Date from which industrial property rights may have effect: **27 June 2012**
(54) Product in respect of which the design is registered: **Bottom sheet**
(51) International Design Classification: **06-13B**
(74) Name(s) of Attorney(s):
(71) Name(s) and Address(s) of Applicant(s):
Sheree Broadhurst
1B Acacia Court Narellan Vale New South Wales 2567 Australia
(72) Name(s) of Designer(s): **Sheree Broadhurst**
(45) Registration Date: **20 August 2012**
(56) Related Art Documents: **Not Applicable**
(57) Statement of Newness and Distinctiveness: **The bottom fitted sheet has short sides all round. No elastic is used. Top and bottom ends are abit shorter than the sides.**



- (21) Design Number: **13092/2012**
(22) Date of Filing Application: **03 July 2012**
(24) Date from which industrial property rights may have effect: **03 July 2012**
(54) Product in respect of which the design is registered: **Luminaire**
(51) International Design Classification: **26-04**
(74) Name(s) of Attorney(s): **Cullens Patent and Trade Mark Attorneys**
(71) Name(s) and Address(s) of Applicant(s):
Lighting Science Group Corporation
1227 South Patrick Drive Bldg 2A Satellite Beach FL 32937 United States of America
(72) Name(s) of Designer(s): **Mark Penley Boomgaarden and Fred Kopitzke and David Henderson and Shane Sullivan and Wei Sun and Ricardo Romeu and Addy Widjaja**
(45) Registration Date: **20 August 2012**
(30) Convention priority data:
(31) Number (32) Date (33) Country
29/422,280 18 May 2012 UNITED STATES OF AMERICA
(56) Related Art Documents: **Not Applicable**
(57) Statement of Newness and Distinctiveness: **Newness and distinctiveness reside in the individual features of shape and configuration of the luminaire as shown in the representations. Features, including the optic and the electrical base, which are shown in dashed lines, do not form part of the design. The surface treatment of the luminaire does not form part of the design. References to "top perspective", "side", "top", "bottom" and "bottom perspective" in the figure descriptions are not necessarily meant to require certain in-use orientation.**



- (21) Design Number: **13101/2012**
(22) Date of Filing Application: **04 July 2012**
(24) Date from which industrial property rights may have effect: **04 July 2012**
(54) Product in respect of which the design is registered: **A device for use in making a golf ball with an identifying mark**
(51) International Design Classification: **21-02C**
(74) Name(s) of Attorney(s): **Cullens Patent and Trade Mark Attorneys**
(71) Name(s) and Address(s) of Applicant(s):
Michael D. Bryan
37 Counihan Street Ormiston Queensland 4160 Australia
(72) Name(s) of Designer(s): **Michael D. Bryan**
(45) Registration Date: **20 August 2012**
(56) Related Art Documents: **Not Applicable**
(57) Statement of Newness and Distinctiveness: **The new and distinctive features of the device depicted in the representations are the shape and/or configuration. However, features shown in broken lines are not essential features of the design, may be changed (e.g. to enable a gold ball to be marked with a different identifying mark) and are to be disregarded when considering the overall impression of the design. The golf ball visible in Figure 6 is shown for illustrative purposes only and does not form part of the design.**



- (21) Design Number: **13323/2012**
(22) Date of Filing Application: **13 July 2012**
(24) Date from which industrial property rights may have effect: **13 July 2012**
(54) Product in respect of which the design is registered: **Safety barrier with hand rail**
(51) International Design Classification: **29-02**
(74) Name(s) of Attorney(s): **WATERMARK PATENT AND TRADE MARKS ATTORNEYS**
(71) Name(s) and Address(s) of Applicant(s):
Stephen Frank Wiggins
13 Grangewood Place West Pennant Hills New South Wales 2125 Australia
(72) Name(s) of Designer(s): **Stephen Frank Wiggins**
(45) Registration Date: **20 August 2012**
(56) Related Art Documents: **Not Applicable**
(57) Statement of Newness and Distinctiveness: **Newness and distinctiveness is claimed in the features of shape and/or configuration of a safety barrier as depicted in the representations, and particular regard is to be had to the stanchions and attached handrail assembly rather than the length of the safety barrier, or the number of or distance between the stanchions.**



(21) Design Number: **13232/2012**
(22) Date of Filing Application: **10 July 2012**
(24) Date from which industrial property rights may have effect: **10 July 2012**
(54) Product in respect of which the design is registered: **Body board**
(51) International Design Classification: **21-02D**
(74) Name(s) of Attorney(s):
(71) Name(s) and Address(s) of Applicant(s):
Tony Pope
85 Plantation Rise Drive Woombye Queensland 4556 Australia
(72) Name(s) of Designer(s): **Tony Pope**
(45) Registration Date: **20 August 2012**
(30) Convention priority data:
(31) Number (32) Date (33) Country
416365 13 Jun 2012 NEW ZEALAND
(56) Related Art Documents: **Not Applicable**
(57) Statement of Newness and Distinctiveness: **The design is to be applied to a body board and the novelty resides in the features of shape and/or configuration as shown in the accompanying representations.**



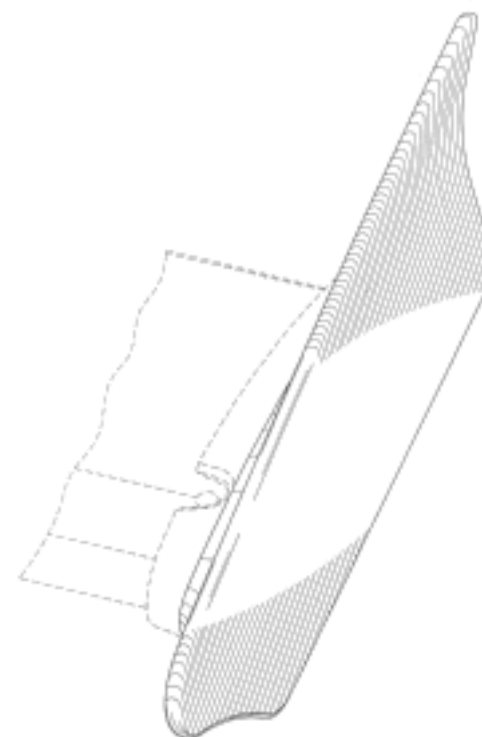
(21) Design Number: **12872/2012**
(22) Date of Filing Application: **19 June 2012**
(24) Date from which industrial property rights may have effect: **19 June 2012**
(54) Product in respect of which the design is registered: **Worklight**
(51) International Design Classification: **26-03**
(74) Name(s) of Attorney(s): **Davies Collison Cave**
(71) Name(s) and Address(s) of Applicant(s):
Herrmans Oy Ab
Pannaistentie 143 FI-68601 Pietarsaari Finland
(72) Name(s) of Designer(s): **Jari Korpi**
(45) Registration Date: **20 August 2012**
(30) Convention priority data:
(31) Number (32) Date (33) Country
001986878 06 Feb 2012 EUROPEAN COMMUNITY
(56) Related Art Documents: **Not Applicable**
(57) Statement of Newness and Distinctiveness: **Nil**



- (21) Design Number: **13355/2012**
(22) Date of Filing Application: **17 July 2012**
(24) Date from which industrial property rights may have effect: **17 July 2012**
(54) Product in respect of which the design is registered: **Car air freshner with a Louis Vuitton pattern**
(51) International Design Classification: **28-99**
(74) Name(s) of Attorney(s):
(71) Name(s) and Address(s) of Applicant(s):
Eliza Bialkowski
17 Godfrey Street Darlington South Australia 5047 Australia
(72) Name(s) of Designer(s): **Eliza Bialkowski and Louis Vuitton**
(45) Registration Date: **20 August 2012**
(56) Related Art Documents: **Not Applicable**
(57) Statement of Newness and Distinctiveness: **Car Air freshner, LV design, Louis Vuitton, famous brown LV pattern.**



- (21) Design Number: **13375/2012**
(22) Date of Filing Application: **17 July 2012**
(24) Date from which industrial property rights may have effect: **17 July 2012**
(54) Product in respect of which the design is registered: **Winglet for fan blade**
(51) International Design Classification: **23-04**
(74) Name(s) of Attorney(s): **Freehills Patent Attorneys**
(71) Name(s) and Address(s) of Applicant(s):
Delta T Corporation
2425 Merchant Street Lexington Kentucky 40511 United States of America
(72) Name(s) of Designer(s): **Jason Andrew Williams**
(45) Registration Date: **20 August 2012**
(30) Convention priority data:
(31) Number (32) Date (33) Country
29/412912 09 Feb 2012 UNITED STATES OF AMERICA
(56) Related Art Documents: **Not Applicable**
(57) Statement of Newness and Distinctiveness: **Newness and distinctiveness of the design resides in the shape and configuration of a winglet for fan blade as shown in solid outline in the accompanying representations.**



(21) Design Number: **13427/2012**

(22) Date of Filing Application: **19 July 2012**

(24) Date from which industrial property rights may have effect: **19 July 2012**

(54) Product in respect of which the design is registered: **Skate board deck**

(51) International Design Classification: **21-02E**

(74) Name(s) of Attorney(s): **Ascot Martin Registered Patent & Trade Mark Attorneys**

(71) Name(s) and Address(s) of Applicant(s):

Maverick Securities Aust Pty Ltd

22/70-72 Captain Cook Drive Caringbah New South Wales 2229 Australia

(72) Name(s) of Designer(s): **Paul Brotherson**

(45) Registration Date: **20 August 2012**

(30) Convention priority data:

(31) Number	(32) Date	(33) Country
416505	13 Jul 2012	NEW ZEALAND

(56) Related Art Documents: **Not Applicable**

(57) Statement of Newness and Distinctiveness: **The features of the design which are new and distinctive are the features of shape and configuration of the skate board deck as shown in the accompanying representations, including the three tapered apertures adjacent to each of the two lateral sides of the deck, but not the features shown in the Top View of the representations in dashed lines, namely the features of shape, configuration and pattern of the intersecting diagonally extending straight formations and the diamond patterns formed thereby, and the eight round apertures.**



(21) Design Number: **13428/2012**

(22) Date of Filing Application: **19 July 2012**

(24) Date from which industrial property rights may have effect: **19 July 2012**

(54) Product in respect of which the design is registered: **Loudspeaker**

(51) International Design Classification: **14-01**

(74) Name(s) of Attorney(s): **Collison & Co**

(71) Name(s) and Address(s) of Applicant(s):

Kramer Electronics Ltd.

3 Am Veolamo Street PO Box 34499 Israel

(72) Name(s) of Designer(s): **Yagel Eisen**

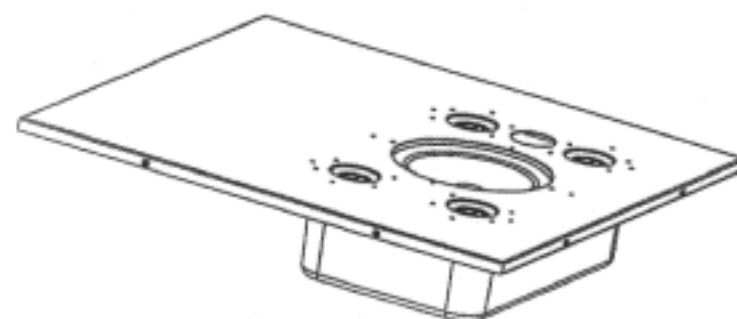
(45) Registration Date: **20 August 2012**

(30) Convention priority data:

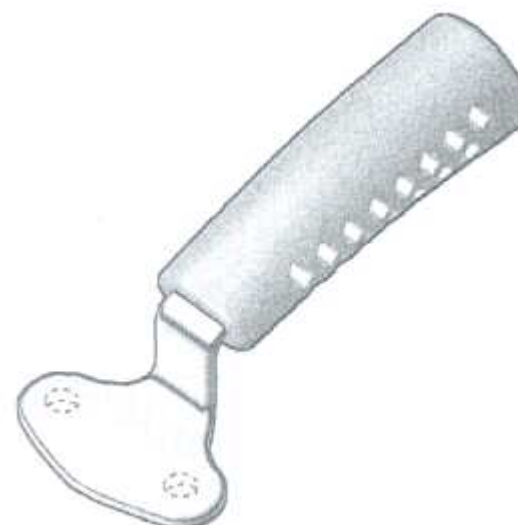
(31) Number	(32) Date	(33) Country
IL52091	19 Jan 2012	ISRAEL

(56) Related Art Documents: **Not Applicable**

(57) Statement of Newness and Distinctiveness: **Nil**



(21) Design Number: **13459/2012**
(22) Date of Filing Application: **23 July 2012**
(24) Date from which industrial property rights may have effect: **23 July 2012**
(54) Product in respect of which the design is registered: **Cookware side handle with patterned grip**
(51) International Design Classification: **07-02R**
(74) Name(s) of Attorney(s): **PIPERS Melbourne**
(71) Name(s) and Address(s) of Applicant(s):
Meyer Intellectual Properties Limited
382 Kwun Tong Road Hong Kong Sar
(72) Name(s) of Designer(s): **Robert A Rae and Kam Lun Lee**
(45) Registration Date: **20 August 2012**
(30) Convention priority data:
(31) Number (32) Date (33) Country
29/417,155 30 Mar 2012 UNITED STATES OF AMERICA



(56) Related Art Documents: **Not Applicable**
(57) Statement of Newness and Distinctiveness: **This design is to be applied to a cookware side handle with patterned grip and the novelty resides in the features of shape and configuration of the article shown in the accompanying representations. No novelty is claimed for the features shown in broken lines - those are for illustrative purposes only and depict the environment of the design.**

(21) Design Number: **13460/2012**
(22) Date of Filing Application: **23 July 2012**
(24) Date from which industrial property rights may have effect: **23 July 2012**
(54) Product in respect of which the design is registered: **Cookware lid**
(51) International Design Classification: **07-02R**
(74) Name(s) of Attorney(s): **PIPERS Melbourne**
(71) Name(s) and Address(s) of Applicant(s):
Meyer Intellectual Properties Limited
382 Kwun Tong Road Hong Kong Sar
(72) Name(s) of Designer(s): **Stanley Kin Sui Cheng**
(45) Registration Date: **20 August 2012**
(30) Convention priority data:
(31) Number (32) Date (33) Country
29/411,591 24 Jan 2012 UNITED STATES OF AMERICA



(56) Related Art Documents: **Not Applicable**
(57) Statement of Newness and Distinctiveness: **This design is to be applied to a cookware lid and the novelty resides in the features of shape and configuration of the article shown in the accompanying representations. No novelty is claimed for the features shown in broken lines - those are for illustrative purposes only and depict the environment of the design.**

(21) Design Number: **13461/2012**
(22) Date of Filing Application: **23 July 2012**
(24) Date from which industrial property rights may have effect: **23 July 2012**
(54) Product in respect of which the design is registered: **Cookware lid**
(51) International Design Classification: **07-02R**
(74) Name(s) of Attorney(s): **PIPERS Melbourne**
(71) Name(s) and Address(s) of Applicant(s):
Meyer Intellectual Properties Limited
382 Kwun Tong Road Hong Kong Sar
(72) Name(s) of Designer(s): **Stanley Kin Sui Cheng**
(45) Registration Date: **20 August 2012**



(30) Convention priority data:
(31) Number (32) Date (33) Country
29/411,591 24 Jan 2012 UNITED STATES OF AMERICA

(56) Related Art Documents: **Not Applicable**
(57) Statement of Newness and Distinctiveness: **This design is to be applied to a cookware lid and the novelty resides in the features of shape and configuration of the article shown in the accompanying representations. No novelty is claimed for the features shown in broken lines - those are for illustrative purposes only and depict the environment of the design.**

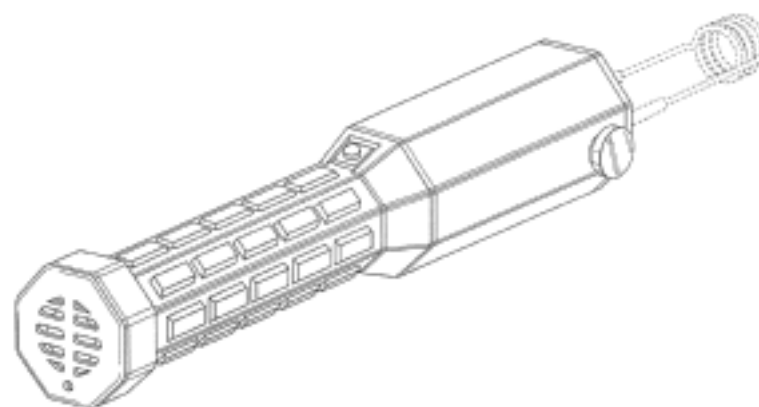
(21) Design Number: **13465/2012**
(22) Date of Filing Application: **23 July 2012**
(24) Date from which industrial property rights may have effect: **23 July 2012**
(54) Product in respect of which the design is registered: **Mobile phone**
(51) International Design Classification: **14-03E**
(74) Name(s) of Attorney(s): **FB Rice**
(71) Name(s) and Address(s) of Applicant(s):
LG Electronics Inc.
20 Yeouido-dong Yeongdeungpo-gu Seoul 150-721 Republic of Korea
(72) Name(s) of Designer(s): **Seungil Lee and Sanghyun Choi and Hophil Lee**
(45) Registration Date: **20 August 2012**



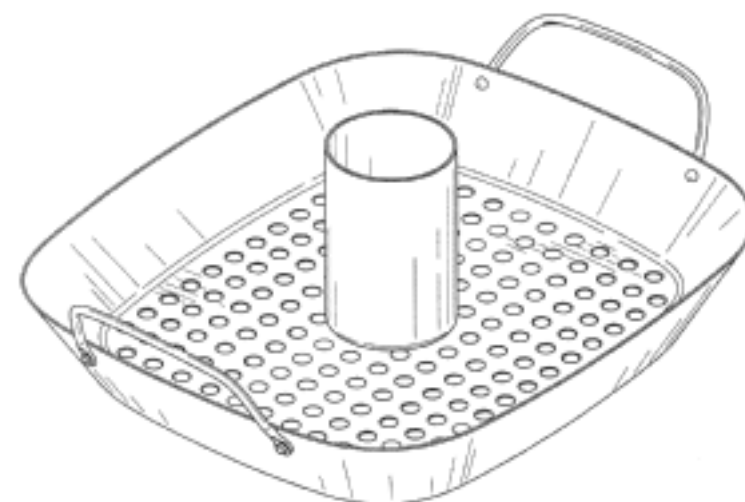
(30) Convention priority data:
(31) Number (32) Date (33) Country
30-2012-0003948 27 Jan 2012 REPUBLIC OF KOREA

(56) Related Art Documents: **Not Applicable**
(57) Statement of Newness and Distinctiveness: **Newness and distinctiveness reside in the features of the design as shown in the representations.**

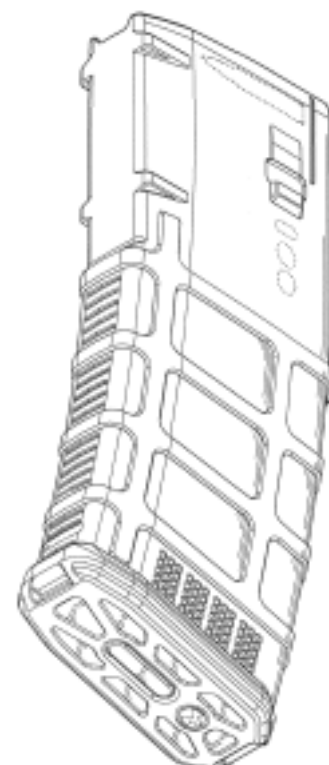
(21) Design Number: **13466/2012**
(22) Date of Filing Application: **23 July 2012**
(24) Date from which industrial property rights may have effect: **23 July 2012**
(54) Product in respect of which the design is registered: **Handheld, inline induction heater**
(51) International Design Classification: **23-03NES**
(74) Name(s) of Attorney(s): **SPRUSON & FERGUSON**
(71) Name(s) and Address(s) of Applicant(s):
Induction Holding Company, LLC
1175 Jansen Farm Court Elgin Illinois 60123-2595 United States of America
(72) Name(s) of Designer(s): **Thomas Gough**
(45) Registration Date: **20 August 2012**
(30) Convention priority data:
(31) Number (32) Date (33) Country
29/423704 04 Jun 2012 UNITED STATES OF AMERICA
(56) Related Art Documents: **Not Applicable**
(57) Statement of Newness and Distinctiveness: **Newness and distinctiveness is claimed in those features of shape and/or configuration of a handheld, inline induction heater illustrated in continuous lines in the accompanying representations.**



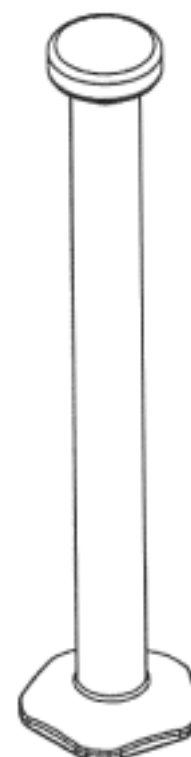
(21) Design Number: **13467/2012**
(22) Date of Filing Application: **23 July 2012**
(24) Date from which industrial property rights may have effect: **23 July 2012**
(54) Product in respect of which the design is registered: **Cooking apparatus**
(51) International Design Classification: **07-02N**
(74) Name(s) of Attorney(s): **SPRUSON & FERGUSON**
(71) Name(s) and Address(s) of Applicant(s):
Columbia Insurance Company
3024 Harney Street Omaha Nebraska 68131 United States of America
(72) Name(s) of Designer(s): **Jill Zmrhal**
(45) Registration Date: **20 August 2012**
(30) Convention priority data:
(31) Number (32) Date (33) Country
29/413513 16 Feb 2012 UNITED STATES OF AMERICA
(56) Related Art Documents: **Not Applicable**
(57) Statement of Newness and Distinctiveness: **Newness and distinctiveness is claimed in the features of shape and/or configuration of a cooking apparatus as illustrated in the accompanying representations.**



(21) Design Number: **13012/2012**
(22) Date of Filing Application: **27 June 2012**
(24) Date from which industrial property rights may have effect: **27 June 2012**
(54) Product in respect of which the design is registered: **Firearm magazine**
(51) International Design Classification: **22-01**
(74) Name(s) of Attorney(s): **Davies Collison Cave**
(71) Name(s) and Address(s) of Applicant(s):
Magpul Industries Corporation
400 Young Court Unit 1 Erie Colorado 80516 United States of America
(72) Name(s) of Designer(s): **Richard Fitzpatrick and Michael T. Mayberry and Brian Nakayama**
(45) Registration Date: **21 August 2012**
(30) Convention priority data:
(31) Number (32) Date (33) Country
29/410910 13 Jan 2012 UNITED STATES OF AMERICA
(56) Related Art Documents: **Not Applicable**
(57) Statement of Newness and Distinctiveness: **Newness and distinctiveness is claimed in the visual features shown in solid lines in the representations.**



(21) Design Number: **13044/2012**
(22) Date of Filing Application: **28 June 2012**
(24) Date from which industrial property rights may have effect: **28 June 2012**
(54) Product in respect of which the design is registered: **Lifting anchor for concrete components**
(51) International Design Classification: **25-01B**
(74) Name(s) of Attorney(s): **Davies Collison Cave**
(71) Name(s) and Address(s) of Applicant(s):
Illinois Tool Works Inc.
3600 West Lake Avenue Glenview Illinois 60026-1215 United States of America
(72) Name(s) of Designer(s): **Robert Urquhart Connell**
(45) Registration Date: **21 August 2012**
(56) Related Art Documents: **Not Applicable**
(57) Statement of Newness and Distinctiveness: **Newness and distinctiveness is claimed in the shape of the foot portion of the anchor marked A in the representations.**



(21) Design Number: **13053/2012**
(22) Date of Filing Application: **29 June 2012**
(24) Date from which industrial property rights may have effect: **29 June 2012**
(54) Product in respect of which the design is registered: **Perfume bottle**
(51) International Design Classification: **09-01G**
(74) Name(s) of Attorney(s): **Davies Collison Cave**
(71) Name(s) and Address(s) of Applicant(s):
Comptoir Nouveau de la Parfumerie
23 rue Boissy d'Anglas 75008 Paris France
(72) Name(s) of Designer(s): **Pierre Hardy**
(45) Registration Date: **21 August 2012**
(30) Convention priority data:
(31) Number (32) Date (33) Country
DM/078126 11 Apr 2012 WORLD INTELLECTUAL
PROPERTY ORGANIZATION
(WIPO)
(56) Related Art Documents: **Not Applicable**
(57) Statement of Newness and Distinctiveness: **Nil**



(21) Design Number: **13164/2012**
(22) Date of Filing Application: **06 July 2012**
(24) Date from which industrial property rights may have effect: **06 July 2012**
(54) Product in respect of which the design is registered: **Personal care packaging**
(51) International Design Classification: **09-03NES, 28-03NES**
(74) Name(s) of Attorney(s): **Davies Collison Cave**
(71) Name(s) and Address(s) of Applicant(s):
Unilever PLC
Unilever House 100 Victoria Embankment London EC4Y 0DY United
Kingdom
(72) Name(s) of Designer(s): **David Huw Bicknell and Martin John Greeves and**
Philip Raymond Crewe and Warren James Keefe
(45) Registration Date: **21 August 2012**
(30) Convention priority data:
(31) Number (32) Date (33) Country
001983040-0001 30 Jan 2012 EUROPEAN COMMUNITY
(56) Related Art Documents: **Not Applicable**
(57) Statement of Newness and Distinctiveness: **Newness and distinctiveness is**
claimed in the visual features shown in solid lines in the representations.



(21) Design Number: **13249/2012**
(22) Date of Filing Application: **09 July 2012**
(24) Date from which industrial property rights may have effect: **09 July 2012**
(54) Product in respect of which the design is registered: **Gaming headset**
(51) International Design Classification: **14-01**
(74) Name(s) of Attorney(s): **SPRUSON & FERGUSON**
(71) Name(s) and Address(s) of Applicant(s):
Beats Electronics, LLC
1601 Cloverfield Boulevard Suite 5000N Santa Monica California 90404
United States of America
(72) Name(s) of Designer(s): **Robert Brunner and Christopher Kuh**
(45) Registration Date: **21 August 2012**
(30) Convention priority data:
(31) Number (32) Date (33) Country
29/426082 29 Jun 2012 UNITED STATES OF AMERICA
(56) Related Art Documents: **Not Applicable**
(57) Statement of Newness and Distinctiveness: **Newness and distinctiveness is claimed in the features of shape and/or configuration of a gaming headset as illustrated in the accompanying representations.**



(21) Design Number: **13276/2012**
(22) Date of Filing Application: **11 July 2012**
(24) Date from which industrial property rights may have effect: **11 July 2012**
(54) Product in respect of which the design is registered: **Chair**
(51) International Design Classification: **06-01F**
(74) Name(s) of Attorney(s): **Davies Collison Cave**
(71) Name(s) and Address(s) of Applicant(s):
Arper S.p.A.
Via Lombardia 16 Monastier di Treviso Treviso I-31050 Italy
(72) Name(s) of Designer(s): **James Irvine**
(45) Registration Date: **21 August 2012**
(30) Convention priority data:
(31) Number (32) Date (33) Country
DM/078 150 20 Feb 2012 WORLD INTELLECTUAL PROPERTY ORGANIZATION (WIPO)
(56) Related Art Documents: **Not Applicable**
(57) Statement of Newness and Distinctiveness: **Nil**



(21) Design Number: **13277/2012**
(22) Date of Filing Application: **11 July 2012**
(24) Date from which industrial property rights may have effect: **11 July 2012**
(54) Product in respect of which the design is registered: **Chair**
(51) International Design Classification: **06-01F**
(74) Name(s) of Attorney(s): **Davies Collison Cave**
(71) Name(s) and Address(s) of Applicant(s):

Arper S.p.A.
Via Lombardia 16 Monastier di Treviso Treviso I-31050 Italy

(72) Name(s) of Designer(s): **James Irvine**

(45) Registration Date: **21 August 2012**

(30) Convention priority data:

(31) Number	(32) Date	(33) Country
DM/078 150	20 Feb 2012	WORLD INTELLECTUAL PROPERTY ORGANIZATION (WIPO)

(56) Related Art Documents: **Not Applicable**

(57) Statement of Newness and Distinctiveness: **Nil**



(21) Design Number: **13278/2012**
(22) Date of Filing Application: **11 July 2012**
(24) Date from which industrial property rights may have effect: **11 July 2012**
(54) Product in respect of which the design is registered: **Chair**
(51) International Design Classification: **06-01F**
(74) Name(s) of Attorney(s): **Davies Collison Cave**
(71) Name(s) and Address(s) of Applicant(s):

Arper S.p.A.
Via Lombardia 16 Monastier di Treviso Treviso I-31050 Italy

(72) Name(s) of Designer(s): **Alberto Lievore and Jeannette Altherr and Manuel Molina**

(45) Registration Date: **21 August 2012**

(30) Convention priority data:

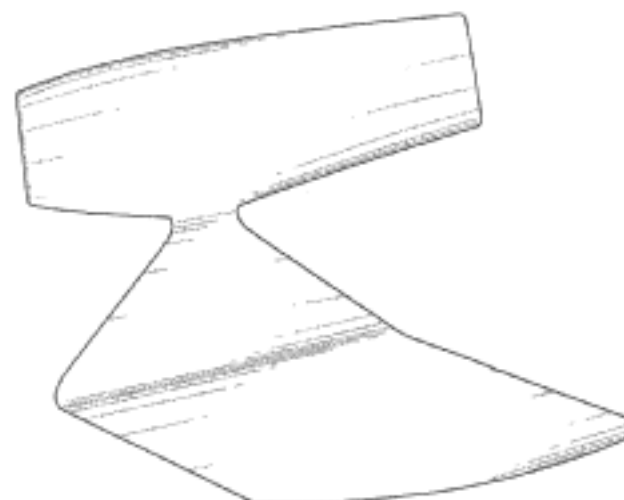
(31) Number	(32) Date	(33) Country
664226601	16 Apr 2012	WORLD INTELLECTUAL PROPERTY ORGANIZATION (WIPO)

(56) Related Art Documents: **Not Applicable**

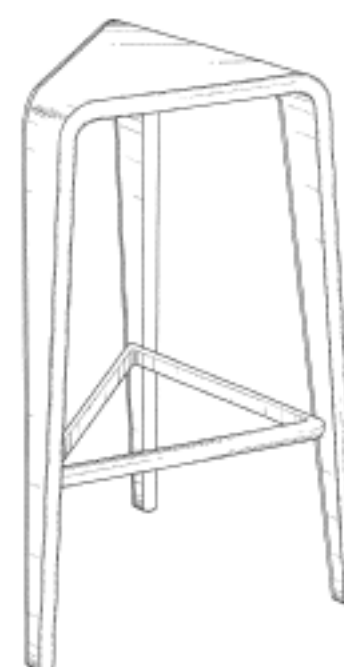
(57) Statement of Newness and Distinctiveness: **Nil**



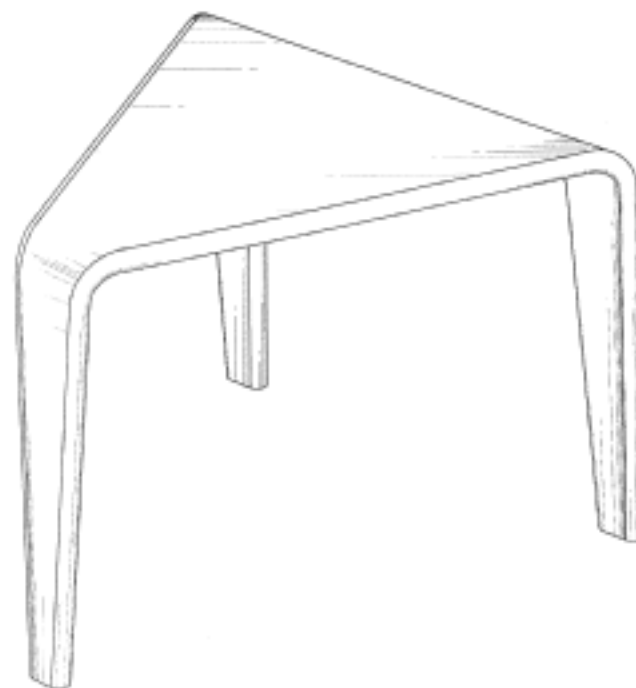
(21) Design Number: **13279/2012**
(22) Date of Filing Application: **11 July 2012**
(24) Date from which industrial property rights may have effect: **11 July 2012**
(54) Product in respect of which the design is registered: **Part of a chair**
(51) International Design Classification: **06-01F**
(74) Name(s) of Attorney(s): **Davies Collison Cave**
(71) Name(s) and Address(s) of Applicant(s):
Arper S.p.A.
Via Lombardia 16 Monastier di Treviso Treviso I-31050 Italy
(72) Name(s) of Designer(s): **Alberto Lievore and Jeannette Altherr and Manuel Molina**
(45) Registration Date: **21 August 2012**
(30) Convention priority data:
(31) Number (32) Date (33) Country
**664226601 16 Apr 2012 WORLD INTELLECTUAL
PROPERTY ORGANIZATION
(WIPO)**
(56) Related Art Documents: **Not Applicable**
(57) Statement of Newness and Distinctiveness: **Nil**



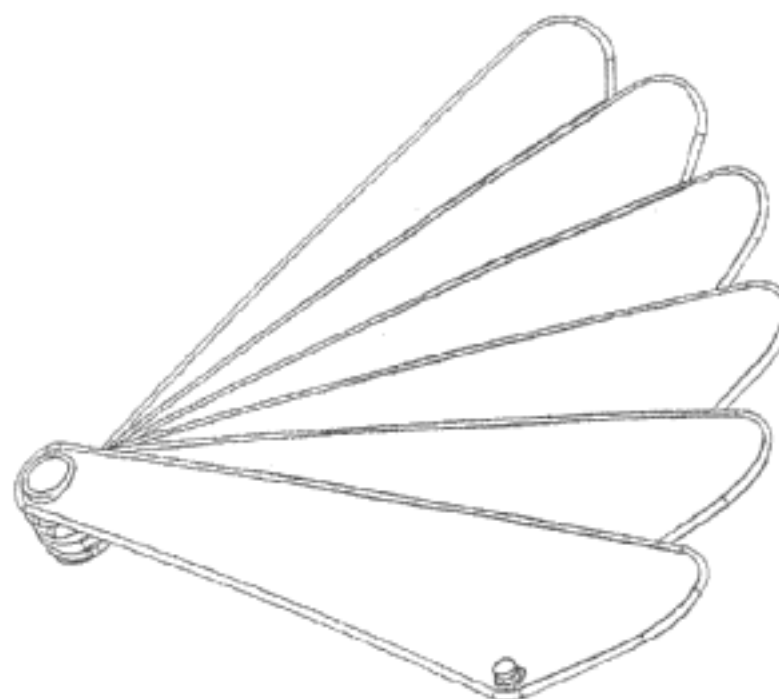
(21) Design Number: **13280/2012**
(22) Date of Filing Application: **11 July 2012**
(24) Date from which industrial property rights may have effect: **11 July 2012**
(54) Product in respect of which the design is registered: **Stool**
(51) International Design Classification: **06-01E**
(74) Name(s) of Attorney(s): **Davies Collison Cave**
(71) Name(s) and Address(s) of Applicant(s):
Arper S.p.A.
Via Lombardia 16 Monastier di Treviso Treviso I-31050 Italy
(72) Name(s) of Designer(s): **Alberto Lievore and Jeannette Altherr and Manuel Molina**
(45) Registration Date: **21 August 2012**
(30) Convention priority data:
(31) Number (32) Date (33) Country
**664226601 16 Apr 2012 WORLD INTELLECTUAL
PROPERTY ORGANIZATION
(WIPO)**
(56) Related Art Documents: **Not Applicable**
(57) Statement of Newness and Distinctiveness: **Nil**



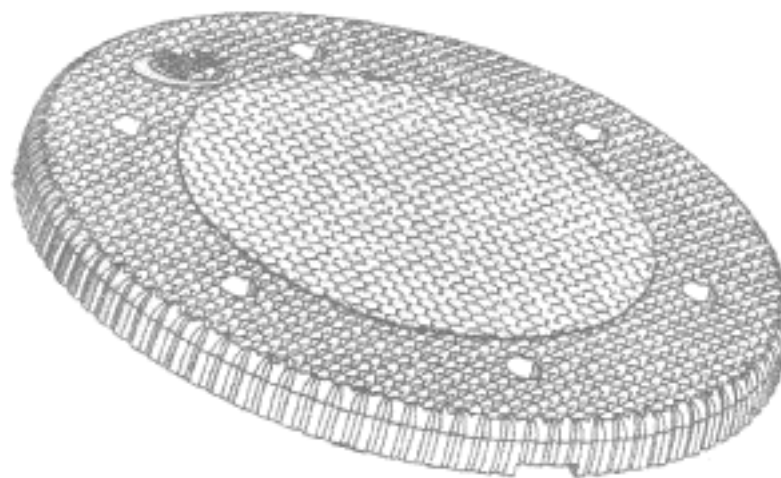
(21) Design Number: **13281/2012**
(22) Date of Filing Application: **11 July 2012**
(24) Date from which industrial property rights may have effect: **11 July 2012**
(54) Product in respect of which the design is registered: **Table**
(51) International Design Classification: **06-03B**
(74) Name(s) of Attorney(s): **Davies Collison Cave**
(71) Name(s) and Address(s) of Applicant(s):
Arper S.p.A.
Via Lombardia 16 Monastier di Treviso Treviso I-31050 Italy
(72) Name(s) of Designer(s): **Alberto Lievore and Jeannette Altherr and Manuel Molina**
(45) Registration Date: **21 August 2012**
(30) Convention priority data:
(31) Number (32) Date (33) Country
664226601 16 Apr 2012 WORLD INTELLECTUAL PROPERTY ORGANIZATION (WIPO)
(56) Related Art Documents: **Not Applicable**
(57) Statement of Newness and Distinctiveness: **Nil**



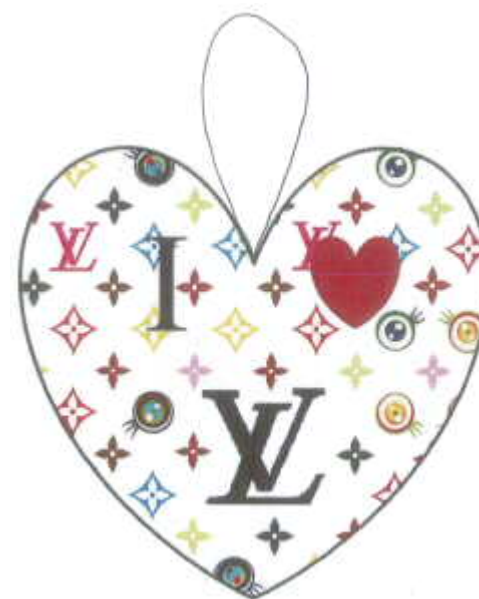
(21) Design Number: **12979/2012**
(22) Date of Filing Application: **26 June 2012**
(24) Date from which industrial property rights may have effect: **26 June 2012**
(54) Product in respect of which the design is registered: **Protective covering for vehicles**
(51) International Design Classification: **12-16NES**
(74) Name(s) of Attorney(s): **Hunt & Hunt**
(71) Name(s) and Address(s) of Applicant(s):
Hero Motocorp Ltd
34 Community Centre Basant Lok Vasant Vihar New Dehli 110 057 India
(72) Name(s) of Designer(s): **Erik Buell**
(45) Registration Date: **21 August 2012**
(30) Convention priority data:
(31) Number (32) Date (33) Country
29409862 29 Dec 2011 UNITED STATES OF AMERICA
(56) Related Art Documents: **Not Applicable**
(57) Statement of Newness and Distinctiveness: **The ornamental design for a protective covering.**



- (21) Design Number: **13471/2012**
(22) Date of Filing Application: **24 July 2012**
(24) Date from which industrial property rights may have effect: **24 July 2012**
(54) Product in respect of which the design is registered: **Light Lens Cover**
(51) International Design Classification: **26-05D**
(74) Name(s) of Attorney(s): **Anderson Taylor & Associates**
(71) Name(s) and Address(s) of Applicant(s):
Bellson Electric Pty Ltd
1/3 Captain Cook Drive Caringbah New South Wales 2230 Australia
(72) Name(s) of Designer(s): **John Sanson**
(45) Registration Date: **21 August 2012**
(56) Related Art Documents: **Not Applicable**
(57) Statement of Newness and Distinctiveness: **The newness and distinctiveness of the design is the shape and configuration of the lens light cover.**



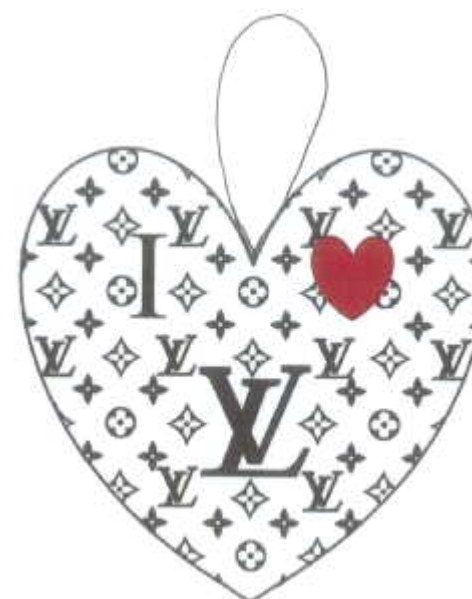
- (21) Design Number: **13472/2012**
(22) Date of Filing Application: **25 July 2012**
(24) Date from which industrial property rights may have effect: **25 July 2012**
(54) Product in respect of which the design is registered: **Car air freshener**
(51) International Design Classification: **28-99**
(74) Name(s) of Attorney(s):
(71) Name(s) and Address(s) of Applicant(s):
Eliza Bialkowski
17 Godfrey Street Darlington South Australia 5047 Australia
(72) Name(s) of Designer(s): **Eliza Bialkowski and Louis Vuitton**
(45) Registration Date: **21 August 2012**
(56) Related Art Documents: **Not Applicable**
(57) Statement of Newness and Distinctiveness: **Louis Vuitton pattern, car air freshener, logo - Louis Vuitton.**



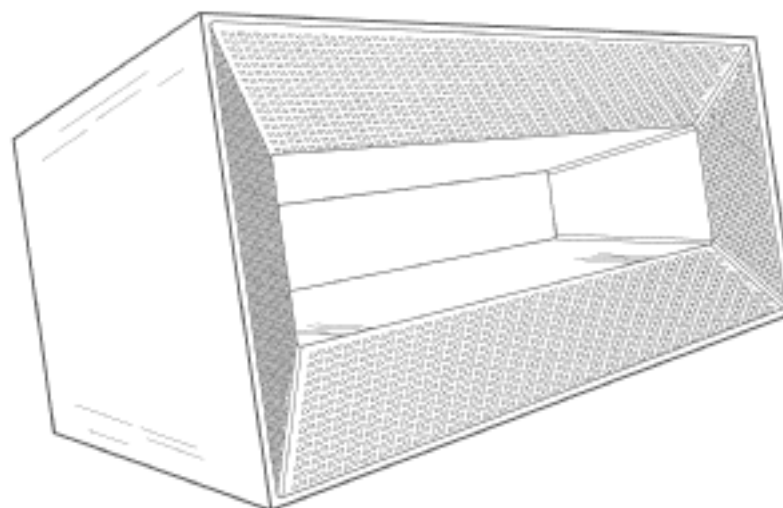
(21) Design Number: **13473/2012**
(22) Date of Filing Application: **25 July 2012**
(24) Date from which industrial property rights may have effect: **25 July 2012**
(54) Product in respect of which the design is registered: **Car air freshener**
(51) International Design Classification: **28-99**
(74) Name(s) of Attorney(s):
(71) Name(s) and Address(s) of Applicant(s):
Eliza Bialkowski
17 Godfrey Street Darlington South Australia 5047 Australia
(72) Name(s) of Designer(s): **Eliza Bialkowski and Louis Vuitton**
(45) Registration Date: **21 August 2012**
(56) Related Art Documents: **Not Applicable**
(57) Statement of Newness and Distinctiveness: **Louis Vuitton pattern, car air freshener, logo - Louis Vuitton.**



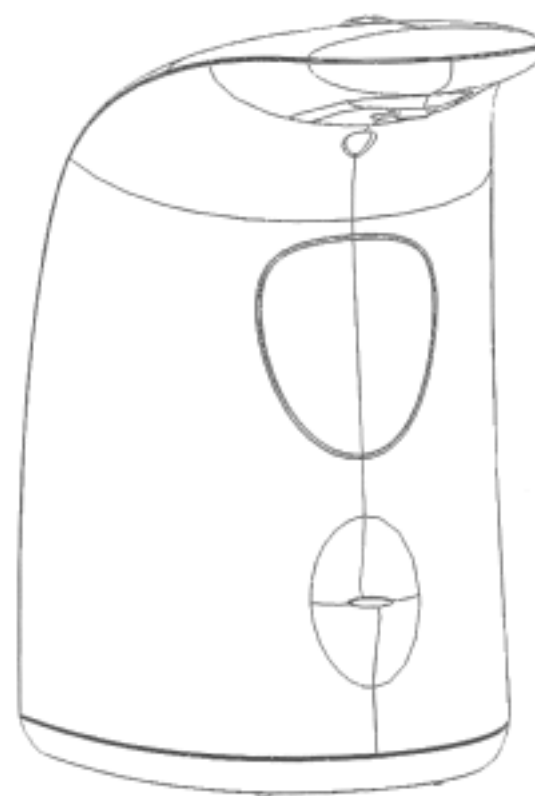
(21) Design Number: **13474/2012**
(22) Date of Filing Application: **25 July 2012**
(24) Date from which industrial property rights may have effect: **25 July 2012**
(54) Product in respect of which the design is registered: **Car air freshener**
(51) International Design Classification: **28-99**
(74) Name(s) of Attorney(s):
(71) Name(s) and Address(s) of Applicant(s):
Bialkowski
17 Godfrey Street Darlington South Australia 5047 Australia
(72) Name(s) of Designer(s): **Eliza Bialkowski and Louis Vuitton**
(45) Registration Date: **21 August 2012**
(56) Related Art Documents: **Not Applicable**
(57) Statement of Newness and Distinctiveness: **Louis Vuitton pattern, car air freshener, logo Louis Vuitton.**



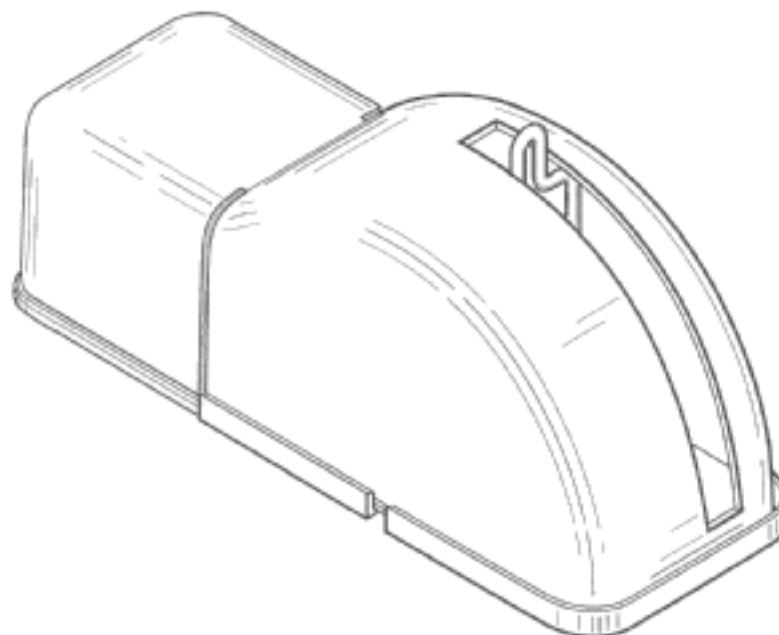
(21) Design Number: **13477/2012**
(22) Date of Filing Application: **24 July 2012**
(24) Date from which industrial property rights may have effect: **24 July 2012**
(54) Product in respect of which the design is registered: **Air purification system**
(51) International Design Classification: **23-04**
(74) Name(s) of Attorney(s): **PIZZEYS**
(71) Name(s) and Address(s) of Applicant(s):
Akida Holdings LLC
8505 Baymeadows Road Jacksonville FL 32256 United States of America
(72) Name(s) of Designer(s): **Barney Freedman and Gad Amit and Yoshikazu Hoshino and Thomas Crisp and Inbal Etgar**
(45) Registration Date: **21 August 2012**
(30) Convention priority data:
(31) Number (32) Date (33) Country
29/412,478 03 Feb 2012 UNITED STATES OF AMERICA
(56) Related Art Documents: **Not Applicable**
(57) Statement of Newness and Distinctiveness: **The newness and distinctiveness of the design resides in the features of pattern and/or ornamentation OR shape and/or configuration shown in unbroken lines in the accompanying representations.**



(21) Design Number: **13478/2012**
(22) Date of Filing Application: **24 July 2012**
(24) Date from which industrial property rights may have effect: **24 July 2012**
(54) Product in respect of which the design is registered: **Soap dispenser**
(51) International Design Classification: **23-02A**
(74) Name(s) of Attorney(s): **Fisher Adams Kelly**
(71) Name(s) and Address(s) of Applicant(s):
PZ Cussons (International) Limited
Manchester Business Park 3500 Aviator Way Manchester M22 5TG
United Kingdom
(72) Name(s) of Designer(s): **Oliver Brian Stokes and Shunsuke Ishikawa and Matthew Spencer Jaynes Candy**
(45) Registration Date: **21 August 2012**
(30) Convention priority data:
(31) Number (32) Date (33) Country
002067603 03 Jul 2012 EUROPEAN COMMUNITY
(56) Related Art Documents: **Not Applicable**
(57) Statement of Newness and Distinctiveness: **The newness and distinctiveness of the design resides in the shape and/or configuration of the SOAP DISPENSER shown in the representations.**



(21) Design Number: **13479/2012**
(22) Date of Filing Application: **24 July 2012**
(24) Date from which industrial property rights may have effect: **24 July 2012**
(54) Product in respect of which the design is registered: **Mousetrap**
(51) International Design Classification: **22-06**
(74) Name(s) of Attorney(s): **Shelston IP**
(71) Name(s) and Address(s) of Applicant(s):
Reckitt & Colman (Overseas) Limited
103-105 Bath Road Slough Berkshire SL1 3UH United Kingdom
(72) Name(s) of Designer(s): **Paul Peter Bailey and Duncan McLeod Watson**
(45) Registration Date: **21 August 2012**
(30) Convention priority data:
(31) Number (32) Date (33) Country
29/412906 09 Feb 2012 UNITED STATES OF AMERICA
(56) Related Art Documents: **Not Applicable**
(57) Statement of Newness and Distinctiveness: **Newness and distinctiveness resides in the features of shape and configuration of a mousetrap as shown in the accompanying representations.**



(21) Design Number: **13485/2012**
(22) Date of Filing Application: **24 July 2012**
(24) Date from which industrial property rights may have effect: **24 July 2012**
(54) Product in respect of which the design is registered: **Television receiver**
(51) International Design Classification: **14-03B**
(74) Name(s) of Attorney(s): **FB Rice**
(71) Name(s) and Address(s) of Applicant(s):
LG Electronics Inc.,
20 Yeouido-dong Yeongdeungpo-gu Seoul 150-721 Republic of Korea
(72) Name(s) of Designer(s): **Ji Young Hong and Gu Ang Jang and Jin Hae Choi and Kyung In Yang and Sung Il Cho**
(45) Registration Date: **21 August 2012**
(30) Convention priority data:
(31) Number (32) Date (33) Country
30-2012-0004180 30 Jan 2012 REPUBLIC OF KOREA
(56) Related Art Documents: **Not Applicable**
(57) Statement of Newness and Distinctiveness: **Newness and distinctiveness is claimed in the features of pattern and/or ornamentation of those parts of a display screen of television receiver not shown in dashed lines in the accompanying representations.**



(21) Design Number: **13486/2012**
(22) Date of Filing Application: **24 July 2012**
(24) Date from which industrial property rights may have effect: **24 July 2012**
(54) Product in respect of which the design is registered: **Television receiver**
(51) International Design Classification: **14-03B**
(74) Name(s) of Attorney(s): **FB Rice**
(71) Name(s) and Address(s) of Applicant(s):
LG Electronics Inc.,
20 Yeouido-dong Yeongdeungpo-gu Seoul 150-721 Republic of Korea
(72) Name(s) of Designer(s): **Ji Young Hong and Gu Ang Jang and Jin Hae Choi**
and Kyung In Yang and Sun Il Cho
(45) Registration Date: **21 August 2012**
(30) Convention priority data:
(31) Number (32) Date (33) Country
30-2012-0004181 30 Jan 2012 REPUBLIC OF KOREA
(56) Related Art Documents: **Not Applicable**
(57) Statement of Newness and Distinctiveness: **Newness and distinctiveness**
is claimed in the features of pattern and/or ornamentation of those parts
of a display screen of television receiver not shown in dashed lines in
the accompanying representations.



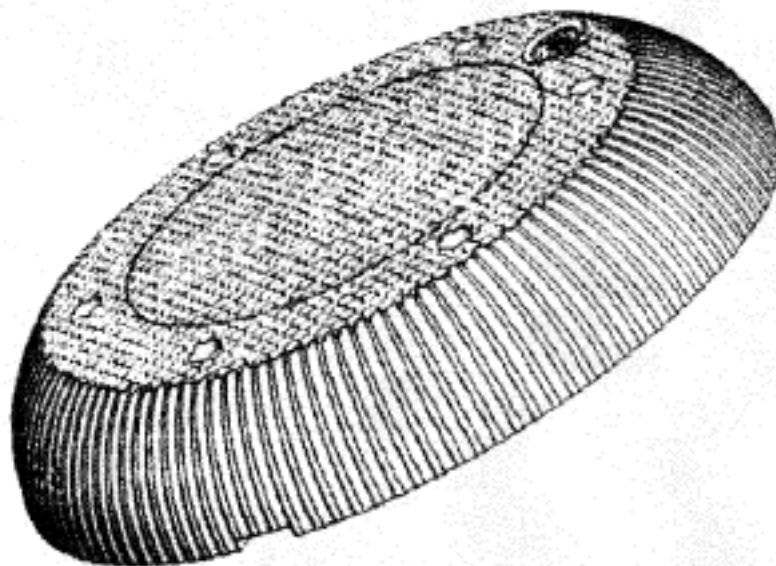
(21) Design Number: **13487/2012**
(22) Date of Filing Application: **24 July 2012**
(24) Date from which industrial property rights may have effect: **24 July 2012**
(54) Product in respect of which the design is registered: **Television receiver**
(51) International Design Classification: **14-03B**
(74) Name(s) of Attorney(s): **FB Rice**
(71) Name(s) and Address(s) of Applicant(s):
LG Electronics Inc.,
20 Yeouido-dong Yeongdeungpo-gu Seoul 150-721 Republic of Korea
(72) Name(s) of Designer(s): **Ji Young Hong and Gu Ang Jang and Jin Hae Choi**
and Kyung In Yang and Sun Il Cho
(45) Registration Date: **21 August 2012**
(30) Convention priority data:
(31) Number (32) Date (33) Country
30-2012-0005189 03 Feb 2012 REPUBLIC OF KOREA
(56) Related Art Documents: **Not Applicable**
(57) Statement of Newness and Distinctiveness: **Newness and distinctiveness**
is claimed in the features of pattern and/or ornamentation of those parts
of a display screen of television receiver not shown in dashed lines in
the accompanying representations.



- (21) Design Number: **13488/2012**
(22) Date of Filing Application: **24 July 2012**
(24) Date from which industrial property rights may have effect: **24 July 2012**
(54) Product in respect of which the design is registered: **Television receiver**
(51) International Design Classification: **14-03B**
(74) Name(s) of Attorney(s): **FB Rice**
(71) Name(s) and Address(s) of Applicant(s):
LG Electronics Inc.,
20 Yeouido-dong Yeongdeungpo-gu Seoul 150-721 Republic of Korea
(72) Name(s) of Designer(s): **Ji Young Hong and Gu Ang Jang and Jin Hae Choi**
and Kyung In Yang and Sun Il Cho
(45) Registration Date: **21 August 2012**
(30) Convention priority data:
(31) Number (32) Date (33) Country
30-2012-0005796 08 Feb 2012 REPUBLIC OF KOREA
(56) Related Art Documents: **Not Applicable**
(57) Statement of Newness and Distinctiveness: **Newness and distinctiveness is claimed in the features of pattern and/or ornamentation of those parts of a display screen of television receiver not shown in dashed lines in the accompanying representations.**



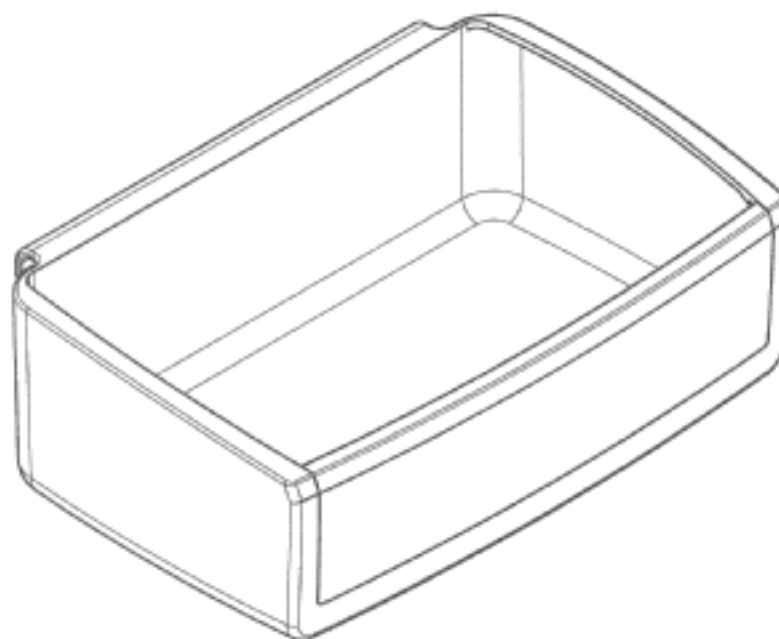
- (21) Design Number: **13489/2012**
(22) Date of Filing Application: **24 July 2012**
(24) Date from which industrial property rights may have effect: **24 July 2012**
(54) Product in respect of which the design is registered: **Light lens cover**
(51) International Design Classification: **26-05D**
(74) Name(s) of Attorney(s): **Anderson Taylor & Associates**
(71) Name(s) and Address(s) of Applicant(s):
Bellson Electric Pty Ltd
1/3 Captain Cook Drive Caringbah New South Wales 2229 Australia
(72) Name(s) of Designer(s): **John Sanson**
(45) Registration Date: **21 August 2012**
(56) Related Art Documents: **Not Applicable**
(57) Statement of Newness and Distinctiveness: **The newness and distinctiveness of the design is the shape and configuration of the lens light cover.**



- (21) Design Number: **15240/2011**
(22) Date of Filing Application: **16 November 2011**
(24) Date from which industrial property rights may have effect: **16 November 2011**
(54) Product in respect of which the design is registered: **Handbag**
(51) International Design Classification: **03-01B**
(74) Name(s) of Attorney(s): **Macpherson + Kelley**
(71) Name(s) and Address(s) of Applicant(s):
Forever New Clothing Pty Ltd
Ground Floor 714-716 High Street Kew Victoria 3101 Australia
(72) Name(s) of Designer(s): **Kate Symons**
(45) Registration Date: **22 August 2012**
(56) Related Art Documents: **Not Applicable**
(57) Statement of Newness and Distinctiveness: **The particular visual features of the design which the Applicant hereby identifies as new and distinctive are as follows: "A handbag", as illustrated in the accompanying representation.**



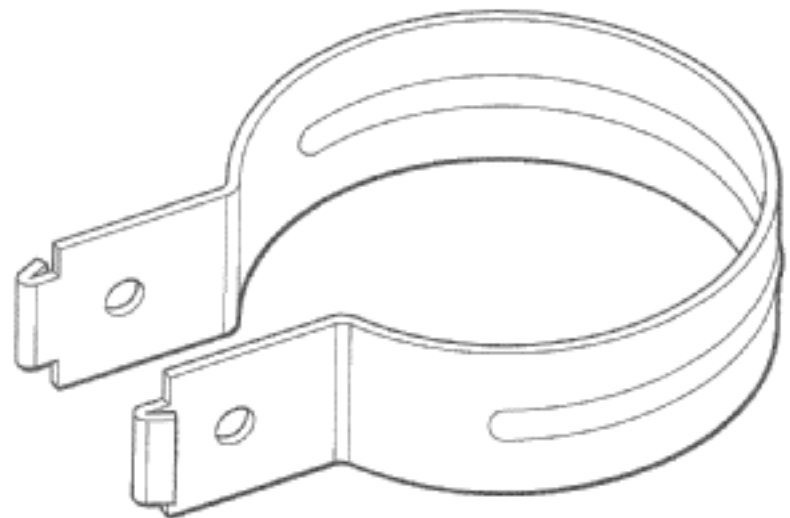
- (21) Design Number: **10584/2012**
(22) Date of Filing Application: **07 February 2012**
(24) Date from which industrial property rights may have effect: **07 February 2012**
(54) Product in respect of which the design is registered: **A bin for an appliance**
(51) International Design Classification: **15-07**
(74) Name(s) of Attorney(s): **Halfords IP**
(71) Name(s) and Address(s) of Applicant(s):
Electrolux Home Products Pty Limited
163 O'Riordan Street Mascot New South Wales 2020 Australia
(72) Name(s) of Designer(s): **Rodrigo Marge Pagnozzi and Daniel Hammes and Israel Mercer and Ola Lantz and Lyndon Craig and Xiaozhi Wang and Weerayuth Tawonkaew**
(45) Registration Date: **22 August 2012**
(56) Related Art Documents: **Not Applicable**
(57) Statement of Newness and Distinctiveness: **Newness and distinctiveness is claimed in those features of shape and or configuration of a bin for an appliance as depicted in the representations.**



(21) Design Number: **12743/2012**
(22) Date of Filing Application: **08 June 2012**
(24) Date from which industrial property rights may have effect: **08 June 2012**
(54) Product in respect of which the design is registered: **Mixing tap**
(51) International Design Classification: **23-01H**
(74) Name(s) of Attorney(s): **Davies Collison Cave**
(71) Name(s) and Address(s) of Applicant(s):
Hansa Metallwerke AG
Sigmaringer Str. 107 D-70567 Stuttgart Germany
(72) Name(s) of Designer(s): **Michael Zeisel and Michael Lammel**
(45) Registration Date: **22 August 2012**
(30) Convention priority data:
(31) Number (32) Date (33) Country
001961228-0001 12 Dec 2011 EUROPEAN COMMUNITY
(56) Related Art Documents: **Not Applicable**
(57) Statement of Newness and Distinctiveness: **Nil**



(21) Design Number: **12822/2012**
(22) Date of Filing Application: **15 June 2012**
(24) Date from which industrial property rights may have effect: **15 June 2012**
(54) Product in respect of which the design is registered: **Clip member**
(51) International Design Classification: **08-08NES, 23-01A**
(74) Name(s) of Attorney(s): **Callinans**
(71) Name(s) and Address(s) of Applicant(s):
Abey Australia Pty Ltd
57-81 Abey Road Melton Victoria 3337 Australia
(72) Name(s) of Designer(s): **Mathew Peart**
(45) Registration Date: **22 August 2012**
(56) Related Art Documents: **Not Applicable**
(57) Statement of Newness and Distinctiveness: **The design resides in the application of the features of shape and configuration to a clip member as illustrated. The design may be applied in any suitable manner and using any suitable means.**



- (21) Design Number: **12842/2012**
(22) Date of Filing Application: **15 June 2012**
(24) Date from which industrial property rights may have effect: **15 June 2012**
(54) Product in respect of which the design is registered: **Bracket for pipe clip**
(51) International Design Classification: **08-08NES, 23-01A**
(74) Name(s) of Attorney(s): **Callinans**
(71) Name(s) and Address(s) of Applicant(s):

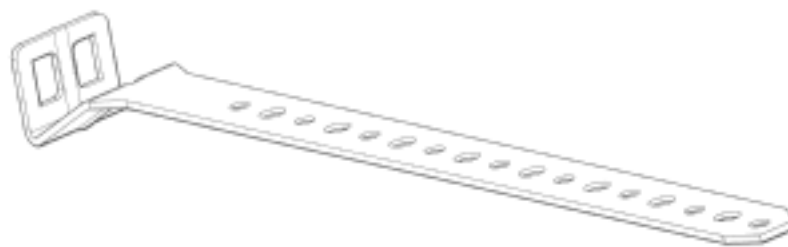
Abey Australia Pty Ltd
57-81 Abey Road Melton Victoria 3337 Australia

- (72) Name(s) of Designer(s): **Mathew Peart**

(45) Registration Date: **22 August 2012**

(56) Related Art Documents: **Not Applicable**

- (57) Statement of Newness and Distinctiveness: **The design resides in the application of the features of shape and configuration to a bracket as illustrated. The design may be applied in any suitable manner and using any suitable means. The apertures which appear at spaced-apart intervals along the shank member of the bracket do not form part of the design.**



- (21) Design Number: **12844/2012**
(22) Date of Filing Application: **15 June 2012**
(24) Date from which industrial property rights may have effect: **15 June 2012**
(54) Product in respect of which the design is registered: **Bracket for pipe clip**
(51) International Design Classification: **08-08NES, 23-01A**
(74) Name(s) of Attorney(s): **Callinans**
(71) Name(s) and Address(s) of Applicant(s):

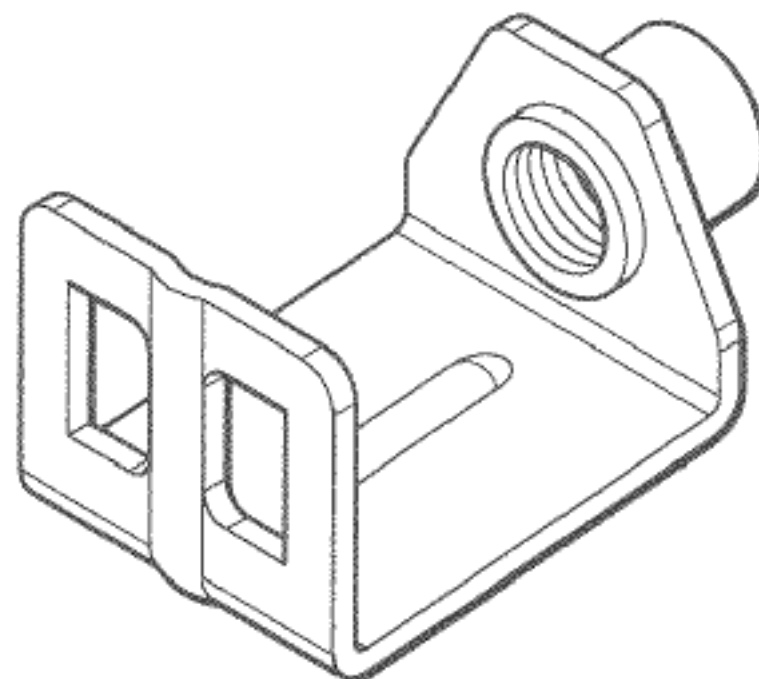
Abey Australia Pty Ltd
57-81 Abey Road Melton Victoria 3337 Australia

- (72) Name(s) of Designer(s): **Mathew Peart**

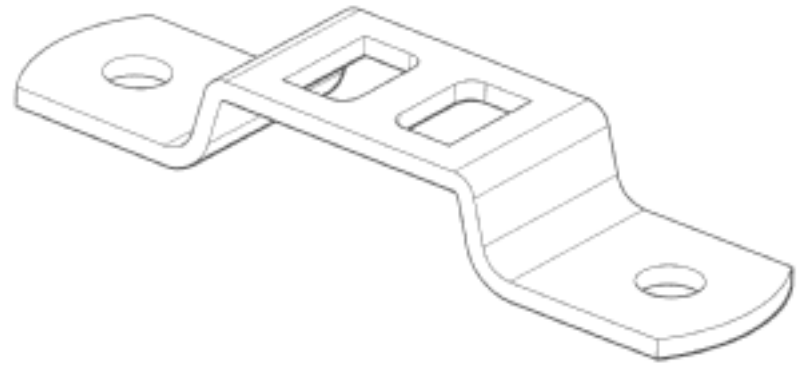
(45) Registration Date: **22 August 2012**

(56) Related Art Documents: **Not Applicable**

- (57) Statement of Newness and Distinctiveness: **The design resides in the application of the features of shape and configuration to a bracket as illustrated. The design may be applied in any suitable manner and using any suitable means.**



- (21) Design Number: **12855/2012**
(22) Date of Filing Application: **15 June 2012**
(24) Date from which industrial property rights may have effect: **15 June 2012**
(54) Product in respect of which the design is registered: **Bracket for pipe clip**
(51) International Design Classification: **08-08NES, 23-01A**
(74) Name(s) of Attorney(s): **Callinans**
(71) Name(s) and Address(s) of Applicant(s):
Abey Australia Pty Ltd
57-81 Abey Road Melton Victoria 3337 Australia
(72) Name(s) of Designer(s): **Mathew Peart**
(45) Registration Date: **22 August 2012**
(56) Related Art Documents: **Not Applicable**
(57) Statement of Newness and Distinctiveness: **The design resides in the application of the features of shape and configuration to a bracket as illustrated. The design may be applied in any suitable manner and using any suitable means. The two circular apertures one of which appears in each opposed wing of the bracket do not form part of the design.**



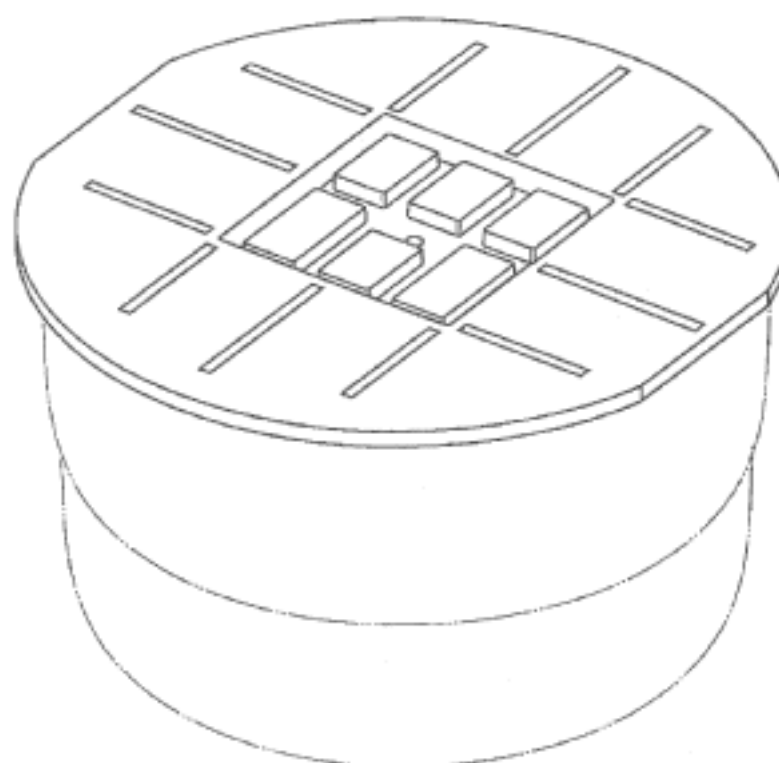
- (21) Design Number: **13498/2012**
(22) Date of Filing Application: **19 July 2012**
(24) Date from which industrial property rights may have effect: **19 July 2012**
(54) Product in respect of which the design is registered: **Master slave power board with IR receiver and time delay function**
(51) International Design Classification: **13-03D**
(74) Name(s) of Attorney(s):
(71) Name(s) and Address(s) of Applicant(s):
Mahi Enterprises Pty Ltd
4 Fernbrook Place Castle Hill New South Wales 2154 Australia
(72) Name(s) of Designer(s): **Nagarajah Rajkumar**
(45) Registration Date: **22 August 2012**
(56) Related Art Documents: **Not Applicable**
(57) Statement of Newness and Distinctiveness: **Image of the design 5 copies attached.**



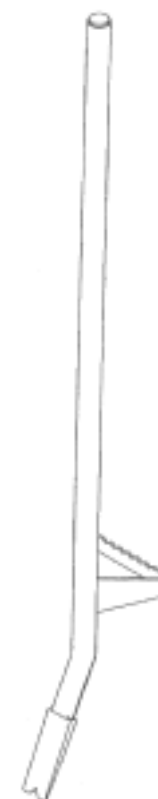
- (21) Design Number: **13504/2012**
(22) Date of Filing Application: **26 July 2012**
(24) Date from which industrial property rights may have effect: **26 July 2012**
(54) Product in respect of which the design is registered: **T-shirt and polo shirt**
(51) International Design Classification: **02-02NES**
(74) Name(s) of Attorney(s):
(71) Name(s) and Address(s) of Applicant(s):
China Trading Co. Pty. Ltd.
Unit 1 53 Kingscliff Street Kingscliff New South Wales 2487 Australia
(72) Name(s) of Designer(s): **Geoffrey Graham Todd**
(45) Registration Date: **22 August 2012**
(56) Related Art Documents: **Not Applicable**
(57) Statement of Newness and Distinctiveness: **Map design will be screen printed only on the back of garments & front side printed or embroidered with sponsors name/s and or logo. E.G. "Sydney Motel". Map of Australia incorporating China provinces printed on back side of T-shirts and polo shirts, and indicating main Australian ports, towns, tourist areas etc. Plus areas & population**



- (21) Design Number: **13505/2012**
(22) Date of Filing Application: **24 July 2012**
(24) Date from which industrial property rights may have effect: **24 July 2012**
(54) Product in respect of which the design is registered: **A tank**
(51) International Design Classification: **09-02NES, 23-01F**
(74) Name(s) of Attorney(s): **Fisher Adams Kelly**
(71) Name(s) and Address(s) of Applicant(s):
ANZBROOK Pty Ltd
14 Industrial Avenue Stratford Queensland 4870 Australia
(72) Name(s) of Designer(s): **Lyle Victor Squire**
(45) Registration Date: **22 August 2012**
(56) Related Art Documents: **Not Applicable**
(57) Statement of Newness and Distinctiveness: **The newness and distinctiveness of the design resides in the shape and/or configuration of A TANK shown in the representations. When considering the newness and distinctiveness of the design, the lines shown in phantom should be disregarded.**



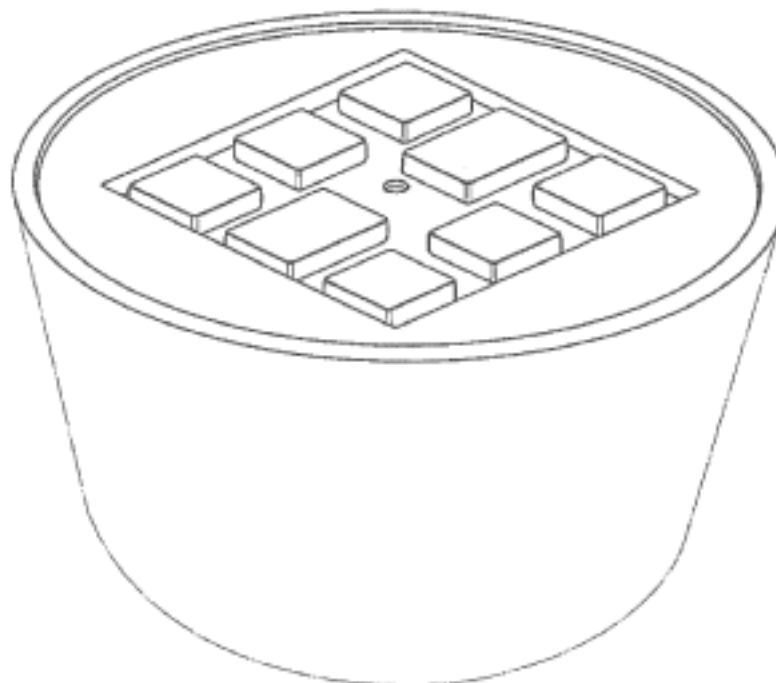
- (21) Design Number: **13506/2012**
(22) Date of Filing Application: **25 July 2012**
(24) Date from which industrial property rights may have effect: **25 July 2012**
(54) Product in respect of which the design is registered: **Lever spear**
(51) International Design Classification: **08-99**
(74) Name(s) of Attorney(s): **Wynnes Patent & Trade Mark Attorneys**
(71) Name(s) and Address(s) of Applicant(s):
Noel Gessner
12 Edinburgh Road Gold Coast Queensland 4217 Australia
(72) Name(s) of Designer(s): **Noel Gessner and Peter Nicol**
(45) Registration Date: **22 August 2012**
(56) Related Art Documents: **Not Applicable**
(57) Statement of Newness and Distinctiveness: **Newness and distinctiveness resides in the features of the shape and configuration of a lever spear as illustrated in the accompanying representations.**



- (21) Design Number: **13509/2012**
(22) Date of Filing Application: **25 July 2012**
(24) Date from which industrial property rights may have effect: **25 July 2012**
(54) Product in respect of which the design is registered: **Sprayer**
(51) International Design Classification: **08-05A**
(74) Name(s) of Attorney(s): **SPRUSON & FERGUSON**
(71) Name(s) and Address(s) of Applicant(s):
The Fountainhead Group, Inc.
23 Garden Street New York Mills New York 13417-1318 United States of America
(72) Name(s) of Designer(s): **Jeffrey S. Plantz and George A. Mitchell and Jeffrey D. Nicolia**
(45) Registration Date: **22 August 2012**
(30) Convention priority data:
(31) Number (32) Date (33) Country
29/412506 03 Feb 2012 UNITED STATES OF AMERICA
(56) Related Art Documents: **Not Applicable**
(57) Statement of Newness and Distinctiveness: **Newness and distinctiveness is claimed in those features of shape and/or configuration of a sprayer illustrated in continuous lines in the accompanying representations.**



- (21) Design Number: **13512/2012**
(22) Date of Filing Application: **24 July 2012**
(24) Date from which industrial property rights may have effect: **24 July 2012**
(54) Product in respect of which the design is registered: **A tank**
(51) International Design Classification: **23-01F**
(74) Name(s) of Attorney(s): **Fisher Adams Kelly**
(71) Name(s) and Address(s) of Applicant(s):
ANZBROOK Pty Ltd
14 Industrial Avenue Stratford Queensland 4870 Australia
(72) Name(s) of Designer(s): **Lyle Victor Squire**
(45) Registration Date: **22 August 2012**
(56) Related Art Documents: **Not Applicable**
(57) Statement of Newness and Distinctiveness: **The newness and distinctiveness of the design resides in the shape and/or configuration of A TANK shown in the representations. When considering the newness and distinctiveness of the design, the lines shown in phantom should be disregarded.**



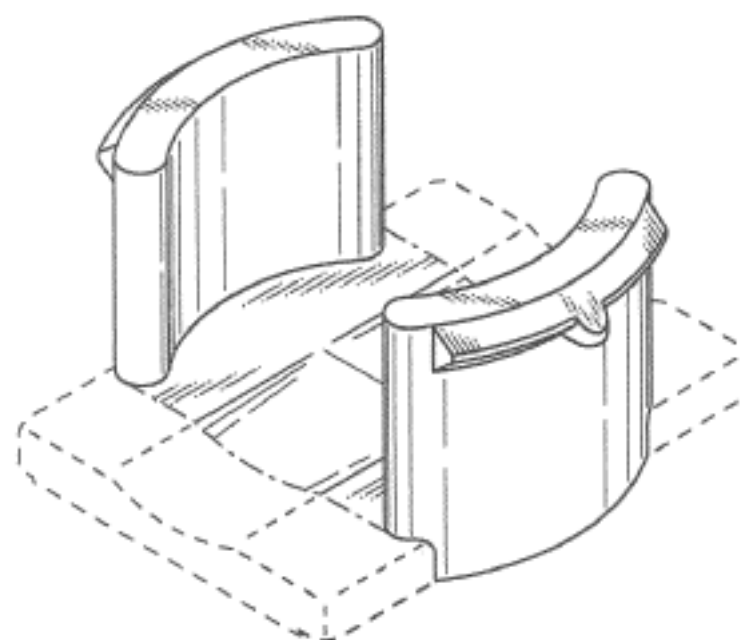
- (21) Design Number: **13513/2012**
(22) Date of Filing Application: **19 July 2012**
(24) Date from which industrial property rights may have effect: **19 July 2012**
(54) Product in respect of which the design is registered: **Box packaging for lamp**
(51) International Design Classification: **09-03NES**
(74) Name(s) of Attorney(s):
(71) Name(s) and Address(s) of Applicant(s):
Mahi Enterprises Pty Ltd
4 Fernbrook Place Castle Hill New South Wales 2154 Australia
(72) Name(s) of Designer(s): **Nagarajah Rajkumar**
(45) Registration Date: **22 August 2012**
(56) Related Art Documents: **Not Applicable**
(57) Statement of Newness and Distinctiveness: **Image of the design 5 copies attached.**



(21) Design Number: **13510/2012**
(22) Date of Filing Application: **26 July 2012**
(24) Date from which industrial property rights may have effect: **26 July 2012**
(54) Product in respect of which the design is registered: **A garment**
(51) International Design Classification: **02-02C**
(74) Name(s) of Attorney(s): **WATERMARK PATENT AND TRADE MARKS ATTORNEYS**
(71) Name(s) and Address(s) of Applicant(s):
Rachel Makalanda
5 Woodrest Road Vermont Victoria 3133 Australia
(72) Name(s) of Designer(s): **Rachel Makalanda**
(45) Registration Date: **22 August 2012**
(56) Related Art Documents: **Not Applicable**
(57) Statement of Newness and Distinctiveness: **Newness and distinctiveness resides in the rear view of the body and upper leg sections of the garment as shown in the annexed representations.**



(21) Design Number: **13165/2012**
(22) Date of Filing Application: **06 July 2012**
(24) Date from which industrial property rights may have effect: **06 July 2012**
(54) Product in respect of which the design is registered: **Cord clip**
(51) International Design Classification: **28-03C**
(74) Name(s) of Attorney(s): **Davies Collison Cave**
(71) Name(s) and Address(s) of Applicant(s):
3M Innovative Properties Company
3M Center Saint Paul Minnesota 55133-3427 United States of America
(72) Name(s) of Designer(s): **Philipp Hans Refior and Noriko Kikuchi and Hajime Okuno and Shinichi Togo and Manabu Kitsunai**
(45) Registration Date: **23 August 2012**
(30) Convention priority data:
(31) Number (32) Date (33) Country
2012-000147 06 Jan 2012 JAPAN
(56) Related Art Documents: **Not Applicable**
(57) Statement of Newness and Distinctiveness: **Newness and distinctiveness is claimed in the visual features shown in solid lines in the representations.**



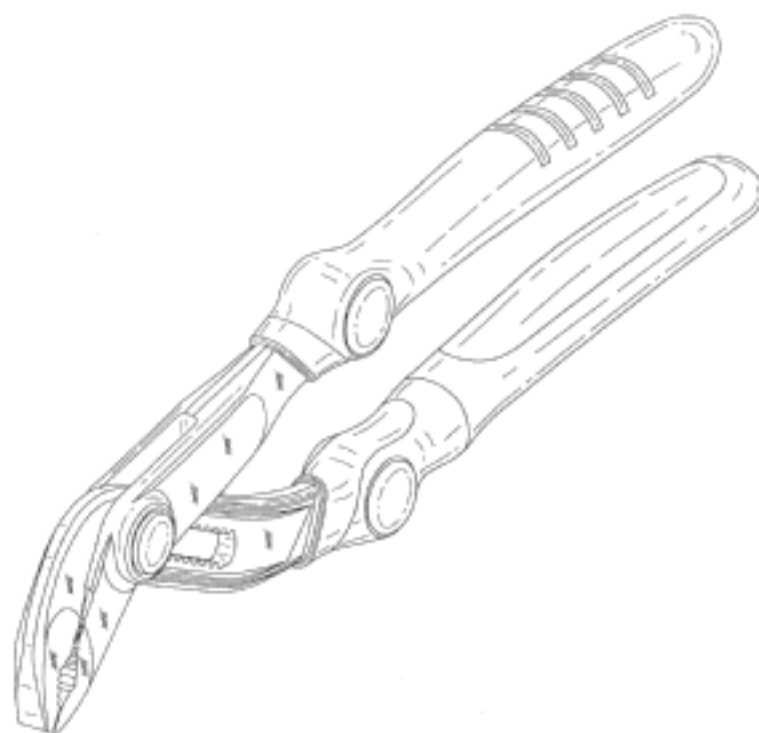
(21) Design Number: **13383/2012**
(22) Date of Filing Application: **18 July 2012**
(24) Date from which industrial property rights may have effect: **18 July 2012**
(54) Product in respect of which the design is registered: **Handle for pliers**
(51) International Design Classification: **08-05P, 08-06**
(74) Name(s) of Attorney(s): **Davies Collison Cave**
(71) Name(s) and Address(s) of Applicant(s):
Stanley Works (Europe) GmbH
Ringstrasse 14 Dubendorf 8600 Switzerland
(72) Name(s) of Designer(s): **Aude Kaulek and Samuel Fort**
(45) Registration Date: **23 August 2012**
(30) Convention priority data:
(31) Number (32) Date (33) Country
001312805 31 Jan 2012 EUROPEAN COMMUNITY
(56) Related Art Documents: **Not Applicable**
(57) Statement of Newness and Distinctiveness: **Nil**



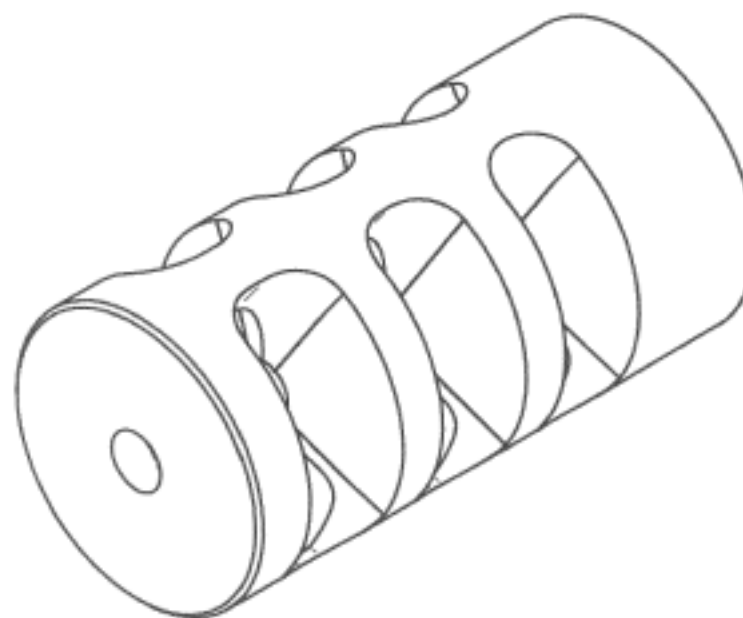
(21) Design Number: **13384/2012**
(22) Date of Filing Application: **18 July 2012**
(24) Date from which industrial property rights may have effect: **18 July 2012**
(54) Product in respect of which the design is registered: **Handle for pliers**
(51) International Design Classification: **08-05P, 08-06**
(74) Name(s) of Attorney(s): **Davies Collison Cave**
(71) Name(s) and Address(s) of Applicant(s):
Stanley Works (Europe) GmbH
Ringstrasse 14 Dubendorf 8600 Switzerland
(72) Name(s) of Designer(s): **Aude Kaulek and Samuel Fort**
(45) Registration Date: **23 August 2012**
(30) Convention priority data:
(31) Number (32) Date (33) Country
001312805 31 Jan 2012 EUROPEAN COMMUNITY
(56) Related Art Documents: **Not Applicable**
(57) Statement of Newness and Distinctiveness: **Nil**



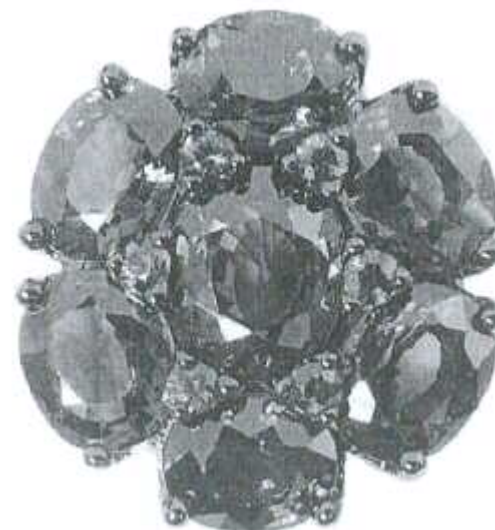
(21) Design Number: **13385/2012**
(22) Date of Filing Application: **18 July 2012**
(24) Date from which industrial property rights may have effect: **18 July 2012**
(54) Product in respect of which the design is registered: **Adjustable pliers**
(51) International Design Classification: **08-05P**
(74) Name(s) of Attorney(s): **Davies Collison Cave**
(71) Name(s) and Address(s) of Applicant(s):
Stanley Works (Europe) GmbH
Ringstrasse 14 Dubendorf 8600 Switzerland
(72) Name(s) of Designer(s): **Aude Kaulek and Samuel Fort**
(45) Registration Date: **23 August 2012**
(30) Convention priority data:
(31) Number (32) Date (33) Country
001312128 31 Jan 2012 EUROPEAN COMMUNITY
(56) Related Art Documents: **Not Applicable**
(57) Statement of Newness and Distinctiveness: **Nil**



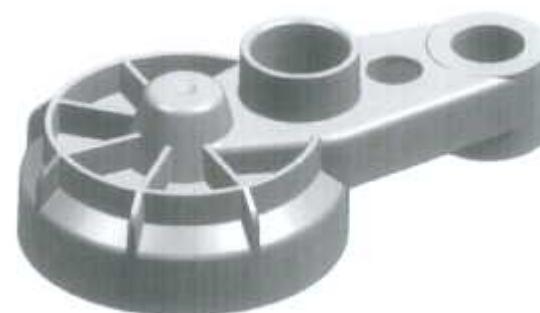
(21) Design Number: **13453/2012**
(22) Date of Filing Application: **23 July 2012**
(24) Date from which industrial property rights may have effect: **23 July 2012**
(54) Product in respect of which the design is registered: **A muzzlebrake for a rifle**
(51) International Design Classification: **22-01**
(74) Name(s) of Attorney(s):
(71) Name(s) and Address(s) of Applicant(s):
Dean Frank Maisey
PO Box 14006 Tauranga 3143 New Zealand
(72) Name(s) of Designer(s): **Dean Frank Maisey**
(45) Registration Date: **23 August 2012**
(30) Convention priority data:
(31) Number (32) Date (33) Country
416359 12 Jun 2012 NEW ZEALAND
(56) Related Art Documents: **Not Applicable**
(57) Statement of Newness and Distinctiveness: **The design is to be applied to a muzzlebrake for a rifle, and the novelty resides in the features of shape & configuration as shown in the accompanying representations. Particular regard is to be had to the progressive gas chamber/port sizes, from small to large (or large to small).**



(21) Design Number: **13156/2012**
(22) Date of Filing Application: **06 July 2012**
(24) Date from which industrial property rights may have effect: **06 July 2012**
(54) Product in respect of which the design is registered: **Jewellery setting**
(51) International Design Classification: **11-01NES**
(74) Name(s) of Attorney(s):
(71) Name(s) and Address(s) of Applicant(s):
Universal Jewellery Design Center Limited
Unit 2 G/F Block A Focal Industrial Centre 21 Man Lok St Hung Hom
Kowloon Hong Kong
(72) Name(s) of Designer(s): **Kin Man Kwan**
(45) Registration Date: **24 August 2012**
(30) Convention priority data:
(31) Number (32) Date (33) Country
1200191.7 08 Feb 2012 HONG KONG
(56) Related Art Documents: **Not Applicable**
(57) Statement of Newness and Distinctiveness: **Nil**



(21) Design Number: **13282/2012**
(22) Date of Filing Application: **11 July 2012**
(24) Date from which industrial property rights may have effect: **11 July 2012**
(54) Product in respect of which the design is registered: **Adapter**
(51) International Design Classification: **08-05E**
(74) Name(s) of Attorney(s): **Shelston IP**
(71) Name(s) and Address(s) of Applicant(s):
Sika Technology AG
Zugerstrasse 50 CH-6340 Baar Switzerland
(72) Name(s) of Designer(s): **Manuel Buck and Markus Rahm and Christian Schultheiss and Andreas Hiemer**
(45) Registration Date: **24 August 2012**
(30) Convention priority data:
(31) Number (32) Date (33) Country
DM/078253 27 Mar 2012 WORLD INTELLECTUAL PROPERTY ORGANIZATION (WIPO)
(56) Related Art Documents: **Not Applicable**
(57) Statement of Newness and Distinctiveness: **Nil**



(21) Design Number: **13283/2012**

(22) Date of Filing Application: **11 July 2012**

(24) Date from which industrial property rights may have effect: **11 July 2012**

(54) Product in respect of which the design is registered: **Adapter with cartridge**

(51) International Design Classification: **08-05E**

(74) Name(s) of Attorney(s): **Shelston IP**

(71) Name(s) and Address(s) of Applicant(s):

Sika Technology AG
Zugerstrasse 50 CH-6340 Baar Switzerland

(72) Name(s) of Designer(s): **Manuel Buck and Markus Rahm and Christian Schultheiss and Andreas Hiemer**

(45) Registration Date: **24 August 2012**

(30) Convention priority data:

(31) Number	(32) Date	(33) Country
DM/078253	27 Mar 2012	WORLD INTELLECTUAL PROPERTY ORGANIZATION (WIPO)

(56) Related Art Documents: **Not Applicable**

(57) Statement of Newness and Distinctiveness: **Nil**



(21) Design Number: **13284/2012**

(22) Date of Filing Application: **11 July 2012**

(24) Date from which industrial property rights may have effect: **11 July 2012**

(54) Product in respect of which the design is registered: **Cartridge**

(51) International Design Classification: **08-05E**

(74) Name(s) of Attorney(s): **Shelston IP**

(71) Name(s) and Address(s) of Applicant(s):

Sika Technology AG
Zugerstrasse 50 CH-6340 Baar Switzerland

(72) Name(s) of Designer(s): **Manuel Buck and Markus Rahm and Christian Schultheiss and Andreas Hiemer**

(45) Registration Date: **24 August 2012**

(30) Convention priority data:

(31) Number	(32) Date	(33) Country
DM/078253	27 Mar 2012	WORLD INTELLECTUAL PROPERTY ORGANIZATION (WIPO)

(56) Related Art Documents: **Not Applicable**

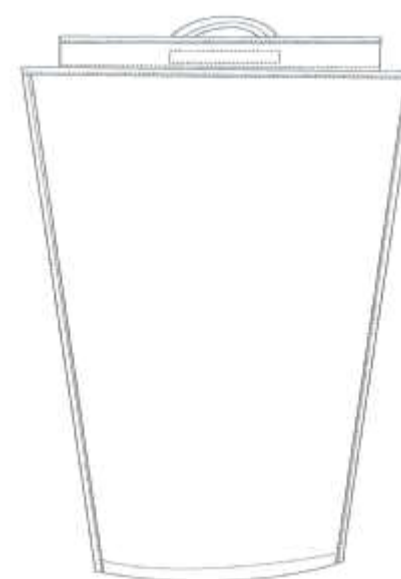
(57) Statement of Newness and Distinctiveness: **Nil**



- (21) Design Number: **13311/2012**
(22) Date of Filing Application: **12 July 2012**
(24) Date from which industrial property rights may have effect: **12 July 2012**
(54) Product in respect of which the design is registered: **Tutu**
(51) International Design Classification: **02-02C**
(74) Name(s) of Attorney(s):
(71) Name(s) and Address(s) of Applicant(s):
Andrea Maria Rembeck
PO Box 3116 Tamarama New South Wales 2026 Australia
(72) Name(s) of Designer(s): **Andrea Maria Rembeck**
(45) Registration Date: **24 August 2012**
(56) Related Art Documents: **Not Applicable**
(57) Statement of Newness and Distinctiveness: **Clusters of tulle rosettes and sequins on bodice with 3 tiered tulle skirt in graduated colours with silk satin ties on front bodice.**



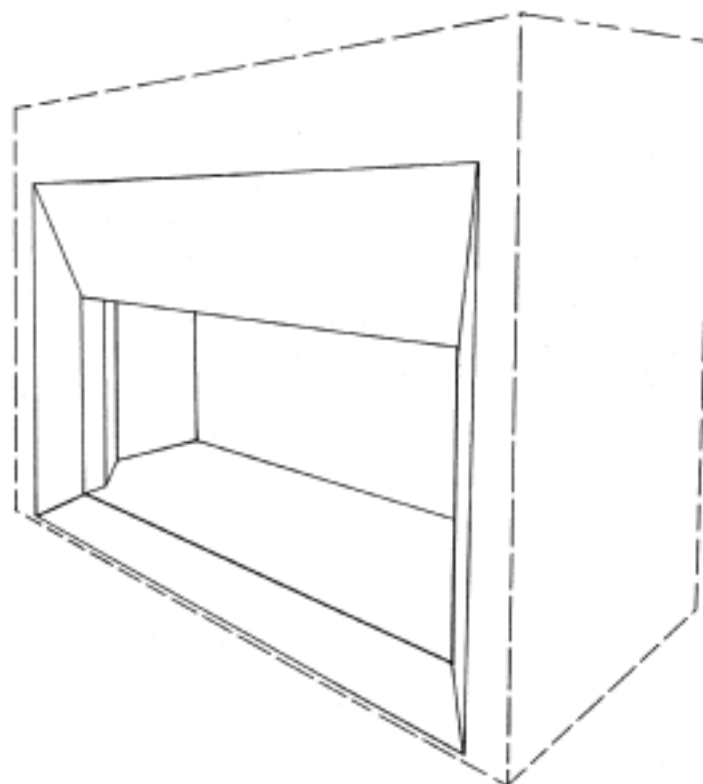
- (21) Design Number: **13476/2012**
(22) Date of Filing Application: **19 July 2012**
(24) Date from which industrial property rights may have effect: **19 July 2012**
(54) Product in respect of which the design is registered: **Wheelie bin cover**
(51) International Design Classification: **03-01NES**
(74) Name(s) of Attorney(s):
(71) Name(s) and Address(s) of Applicant(s):
Jayne Elizabeth Gower
44 Isobel Road Greenhithe Auckland 0632 New Zealand
(72) Name(s) of Designer(s): **Jayne Elizabeth Gower**
(45) Registration Date: **24 August 2012**
(30) Convention priority data:
(31) Number (32) Date (33) Country
416247 11 May 2012 NEW ZEALAND
(56) Related Art Documents: **Not Applicable**
(57) Statement of Newness and Distinctiveness: **The novelty of the design resides in the features of the shape and/or configuration of the Wheelie bin cover.**



- (21) Design Number: **15940/2011**
(22) Date of Filing Application: **21 December 2011**
(24) Date from which industrial property rights may have effect: **21 December 2011**
(54) Product in respect of which the design is registered: **Fume cupboard**
(51) International Design Classification: **24-02**
(74) Name(s) of Attorney(s): **Acumen Intellectual Property**
(71) Name(s) and Address(s) of Applicant(s):

Dynaflow Pty Ltd
30 Waratah Street Melrose Park New South Wales 2114 Australia

- (72) Name(s) of Designer(s): **Roy Rosario**
(45) Registration Date: **27 August 2012**
(56) Related Art Documents: **Not Applicable**
(57) Statement of Newness and Distinctiveness: **Newness and distinctiveness is claimed in the features of shape and/or configuration of the interior and the face opening surround of a fume cupboard as shown in solid line. When considering whether the design is substantially similar in overall impression to another design, no regard is to be given to those parts of the fume cupboard shown in dashed lines and which have been included for illustrative purposes only.**



- (21) Design Number: **12556/2012**
(22) Date of Filing Application: **29 May 2012**
(24) Date from which industrial property rights may have effect: **29 May 2012**
(54) Product in respect of which the design is registered: **Confectionery**
(51) International Design Classification: **01-01**
(74) Name(s) of Attorney(s): **Griffith Hack**
(71) Name(s) and Address(s) of Applicant(s):

Cadbury UK Limited
PO Box 12 Bournville Lane Bournville Birmingham West Midlands B30
2LU United Kingdom

- (72) Name(s) of Designer(s): **Chakkraphan Jum Mapon**
(45) Registration Date: **27 August 2012**
(56) Related Art Documents: **Not Applicable**
(57) Statement of Newness and Distinctiveness: **Nil**



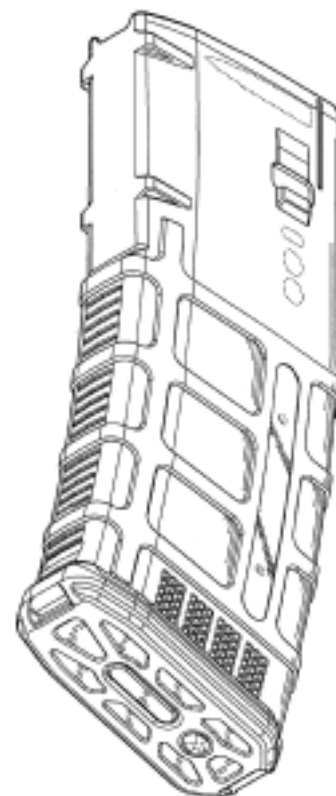
- (21) Design Number: **12557/2012**
(22) Date of Filing Application: **29 May 2012**
(24) Date from which industrial property rights may have effect: **29 May 2012**
(54) Product in respect of which the design is registered: **Confectionery**
(51) International Design Classification: **01-01**
(74) Name(s) of Attorney(s): **Griffith Hack**
(71) Name(s) and Address(s) of Applicant(s):
Cadbury UK Limited
PO Box 12 Bournville Lane Bournville Birmingham West Midlands B30
2LU United Kingdom
(72) Name(s) of Designer(s): **Chakkraphan Jum Mapon**
(45) Registration Date: **27 August 2012**
(56) Related Art Documents: **Not Applicable**
(57) Statement of Newness and Distinctiveness: **Nil**



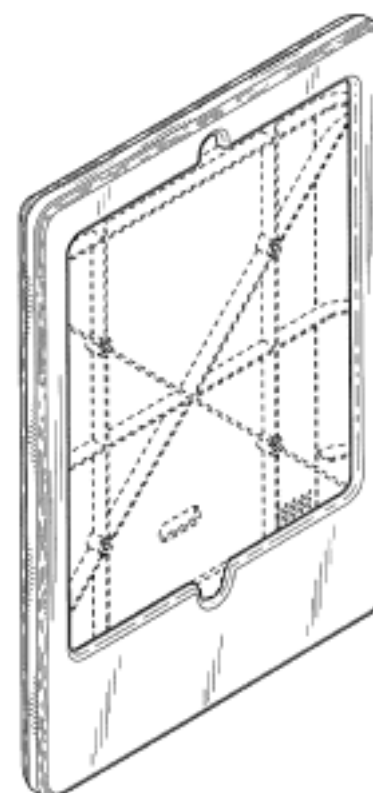
- (21) Design Number: **12738/2012**
(22) Date of Filing Application: **08 June 2012**
(24) Date from which industrial property rights may have effect: **08 June 2012**
(54) Product in respect of which the design is registered: **Towbar adaptor**
(51) International Design Classification: **12-16L**
(74) Name(s) of Attorney(s): **Davies Collison Cave**
(71) Name(s) and Address(s) of Applicant(s):
Bartlett Transport Improvements Pty Ltd
6-8 Abbot Road Hallam Victoria 3803 Australia
(72) Name(s) of Designer(s): **Wayne Baker and Allan Bartlett**
(45) Registration Date: **27 August 2012**
(56) Related Art Documents: **Not Applicable**
(57) Statement of Newness and Distinctiveness: **Newness and distinctiveness is claimed in the features of shape and configuration of the towbar adaptor as shown in the representations.**



(21) Design Number: **13011/2012**
(22) Date of Filing Application: **27 June 2012**
(24) Date from which industrial property rights may have effect: **27 June 2012**
(54) Product in respect of which the design is registered: **Firearm magazine**
(51) International Design Classification: **22-01**
(74) Name(s) of Attorney(s): **Davies Collison Cave**
(71) Name(s) and Address(s) of Applicant(s):
Magpul Industries Corporation
400 Young Court Unit 1 Erie Colorado 80516 United States of America
(72) Name(s) of Designer(s): **Richard Fitzpatrick and Michael T. Mayberry and Brian Nakayama**
(45) Registration Date: **27 August 2012**
(30) Convention priority data:
(31) Number (32) Date (33) Country
29/410864 12 Jan 2012 UNITED STATES OF AMERICA
(56) Related Art Documents: **Not Applicable**
(57) Statement of Newness and Distinctiveness: **Newness and distinctiveness is claimed in the visual features shown in solid lines in the representations.**



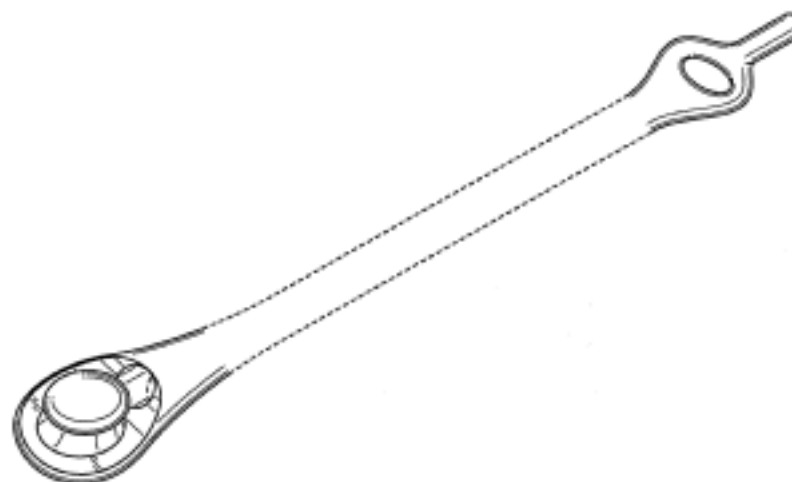
(21) Design Number: **13103/2012**
(22) Date of Filing Application: **05 July 2012**
(24) Date from which industrial property rights may have effect: **05 July 2012**
(54) Product in respect of which the design is registered: **A support frame for a tablet computer**
(51) International Design Classification: **14-02, 14-99**
(74) Name(s) of Attorney(s): **Fraser Old & Sohn**
(71) Name(s) and Address(s) of Applicant(s):
Innovative Office Products, Inc
100 Kuebler Road Easton Pennsylvania 18040 United States of America
(72) Name(s) of Designer(s): **Bradley A. Derry and Peter J. Carrasquillo and Stephen J. Bowman and Odd N. Oddsen Jr. and Michael P. Smith**
(45) Registration Date: **27 August 2012**
(30) Convention priority data:
(31) Number (32) Date (33) Country
29/418,746 20 Apr 2012 UNITED STATES OF AMERICA
(56) Related Art Documents: **Not Applicable**
(57) Statement of Newness and Distinctiveness: **Newness and distinctiveness is claimed in respect of the shape and/or configuration of the product illustrated in Figs. 1-7 of the accompanying representations. In Figs. 1-7 of the representations the portions illustrated by solid lines are claimed subject matter whilst the portions illustrated by broken lines are unclaimed subject matter and are included for the purpose of illustrating environmental subject matter only. In carrying out a consideration in accordance with Section 19 the shape and/or configuration of the claimed subject matter is to be considered whilst the shape and/or configuration of the unclaimed matter forms no part of the claimed design. Figs. 8 illustrates environmental subject matter only and forms no part of the claimed design.**



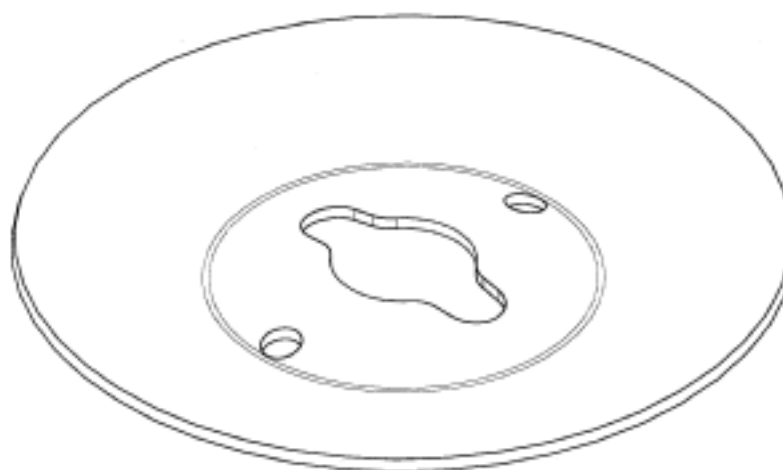
- (21) Design Number: **13514/2012**
(22) Date of Filing Application: **26 July 2012**
(24) Date from which industrial property rights may have effect: **26 July 2012**
(54) Product in respect of which the design is registered: **Bracket**
(51) International Design Classification: **08-08NES**
(74) Name(s) of Attorney(s): **Callinans**
(71) Name(s) and Address(s) of Applicant(s):
Abey Australia Pty Ltd
57-81 Abey Road Melton Victoria 3337 Australia
(72) Name(s) of Designer(s): **Geoffrey Anderson**
(45) Registration Date: **27 August 2012**
(56) Related Art Documents: **Not Applicable**
(57) Statement of Newness and Distinctiveness: **The design resides in the application of the features of shape and configuration to a bracket as illustrated. The design may be applied in any suitable manner and using any suitable means.**



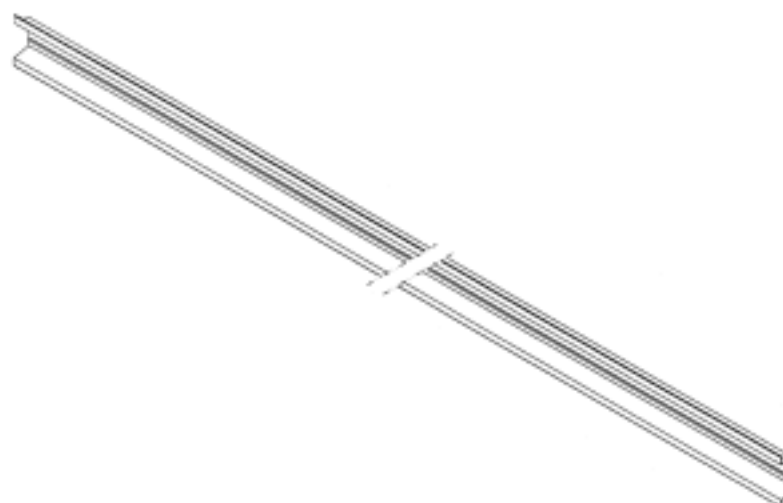
- (21) Design Number: **13518/2012**
(22) Date of Filing Application: **26 July 2012**
(24) Date from which industrial property rights may have effect: **26 July 2012**
(54) Product in respect of which the design is registered: **Fastening device**
(51) International Design Classification: **08-08A**
(74) Name(s) of Attorney(s): **PHILLIPS ORMONDE FITZPATRICK**
(71) Name(s) and Address(s) of Applicant(s):
Hickies, Inc
2 Northside Piers APT 20C Brooklyn New York 11211 United States of America
(72) Name(s) of Designer(s): **Gaston Frydlewski and Maria Raquel Waingarten and Brian Le Gette and David Reeb and Alan Tipp**
(45) Registration Date: **27 August 2012**
(30) Convention priority data:
(31) Number (32) Date (33) Country
26/412,658 06 Feb 2012 UNITED STATES OF AMERICA
(56) Related Art Documents: **Not Applicable**
(57) Statement of Newness and Distinctiveness: **Newness and Distinctiveness resides in the features of shape and/or configuration of the end portions of the fastening device shown in continuous lines in the accompany representations. The features shown in broken line do not form part of the design and are to be disregarded when considering the overall impression of the design.**



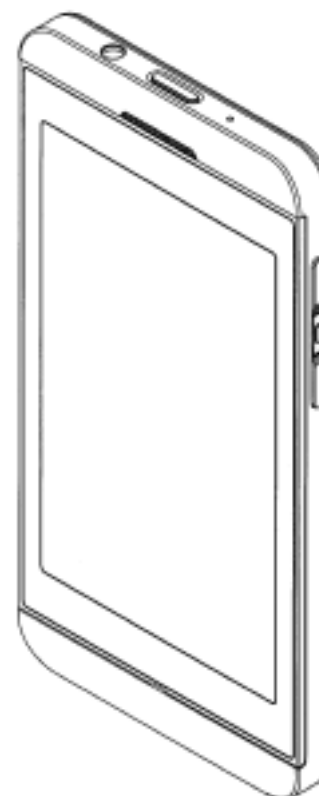
(21) Design Number: **13519/2012**
(22) Date of Filing Application: **26 July 2012**
(24) Date from which industrial property rights may have effect: **26 July 2012**
(54) Product in respect of which the design is registered: **Ground engaging element for an agricultural tillage chain**
(51) International Design Classification: **15-03A**
(74) Name(s) of Attorney(s): **PHILLIPS ORMONDE FITZPATRICK**
(71) Name(s) and Address(s) of Applicant(s):
Kentyn Scott Paterson
Lot 10 Willamulka Road Bute South Australia 5560 Australia
(72) Name(s) of Designer(s): **Kentyn Scott Paterson**
(45) Registration Date: **27 August 2012**
(56) Related Art Documents: **Not Applicable**
(57) Statement of Newness and Distinctiveness: **Nil**



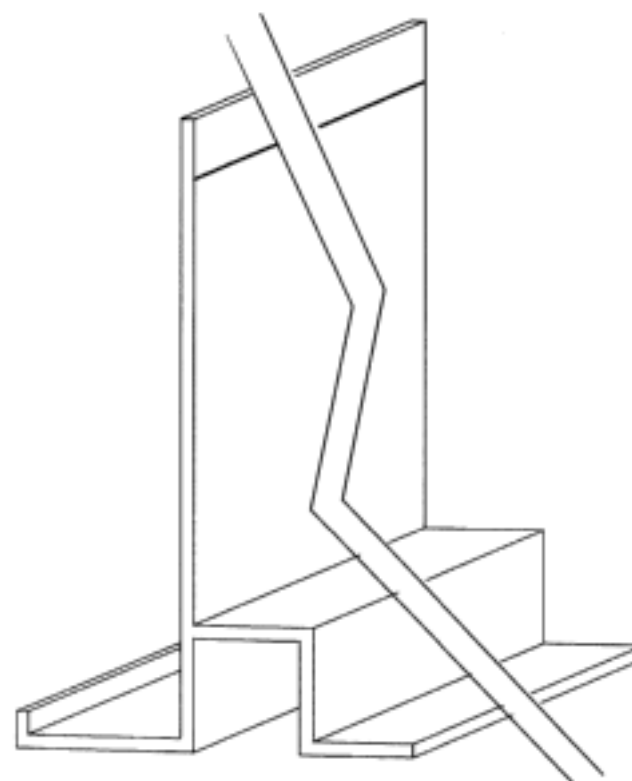
(21) Design Number: **13522/2012**
(22) Date of Filing Application: **26 July 2012**
(24) Date from which industrial property rights may have effect: **26 July 2012**
(54) Product in respect of which the design is registered: **Elongate beam**
(51) International Design Classification: **25-01K, 25-01C**
(74) Name(s) of Attorney(s): **PHILLIPS ORMONDE FITZPATRICK**
(71) Name(s) and Address(s) of Applicant(s):
R J Innovations Pty Ltd
3 Linmax Court Western Gardens Victoria 3028 Australia
K J Innovations Pty Ltd
3 Linmax Court Western Gardens Victoria 3028 Australia
(72) Name(s) of Designer(s): **Tim Worcestor**
(45) Registration Date: **27 August 2012**
(56) Related Art Documents: **Not Applicable**
(57) Statement of Newness and Distinctiveness: **Those features of the elongate beam depicted in the representations that are new and distinctive are the shape and/or configuration. The elongate beam is of indefinite length.**



- (21) Design Number: **13523/2012**
(22) Date of Filing Application: **26 July 2012**
(24) Date from which industrial property rights may have effect: **26 July 2012**
(54) Product in respect of which the design is registered: **Handheld electronic device**
(51) International Design Classification: **14-03E, 14-02**
(74) Name(s) of Attorney(s): **SPRUSON & FERGUSON**
(71) Name(s) and Address(s) of Applicant(s):
Research In Motion Limited
295 Phillip Street Waterloo Ontario N2L 3W8 Canada
(72) Name(s) of Designer(s): **Joseph Michael Hofer and Alina Claudia Oprea and Todd Andrew Wood and Anders Fahrendorff and Brian Dennis Paschke and Inge Holmung and Di Tao**
(45) Registration Date: **27 August 2012**
(30) Convention priority data:
(31) Number (32) Date (33) Country
29/412294 01 Feb 2012 UNITED STATES OF AMERICA
(56) Related Art Documents: **Not Applicable**
(57) Statement of Newness and Distinctiveness: **Newness and distinctiveness is claimed in the features of shape and/or configuration of a handheld electronic device as illustrated in the accompanying representations.**



- (21) Design Number: **13526/2012**
(22) Date of Filing Application: **26 July 2012**
(24) Date from which industrial property rights may have effect: **26 July 2012**
(54) Product in respect of which the design is registered: **Extrusion**
(51) International Design Classification: **14-01**
(74) Name(s) of Attorney(s): **Actuate IP**
(71) Name(s) and Address(s) of Applicant(s):
Sayfa R&D Pty Ltd
1029 Mountain Highway Boronia Victoria 3155 Australia
(72) Name(s) of Designer(s): **Roland Stephen Voss and Murray Voss**
(45) Registration Date: **27 August 2012**
(56) Related Art Documents: **Not Applicable**
(57) Statement of Newness and Distinctiveness: **Newness and distinctiveness is claimed in the features of shape and/or configuration of the Extrusion of indeterminate length with constant cross-section, as illustrated in the accompanying representations.**



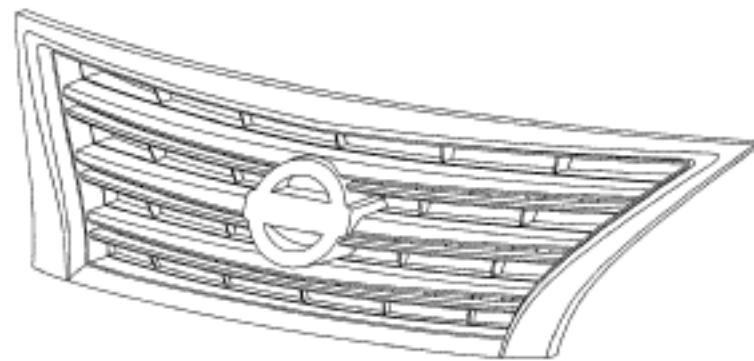
(21) Design Number: **13530/2012**
(22) Date of Filing Application: **25 July 2012**
(24) Date from which industrial property rights may have effect: **25 July 2012**
(54) Product in respect of which the design is registered: **Building**
(51) International Design Classification: **25-03**
(74) Name(s) of Attorney(s): **Griffith Hack**
(71) Name(s) and Address(s) of Applicant(s):
SKODA AUTO a.s.
Tr. Vaclava Klementa 869 Mlada Boleslav CZ-29360 Czech Republic
(72) Name(s) of Designer(s): **Jaromir Kuhn**
(45) Registration Date: **27 August 2012**
(30) Convention priority data:
(31) Number (32) Date (33) Country
001990011 10 Feb 2012 EUROPEAN COMMUNITY
(56) Related Art Documents: **Not Applicable**
(57) Statement of Newness and Distinctiveness: **Nil**



(21) Design Number: **13590/2012**
(22) Date of Filing Application: **30 July 2012**
(24) Date from which industrial property rights may have effect: **30 July 2012**
(54) Product in respect of which the design is registered: **Automobile**
(51) International Design Classification: **12-08**
(74) Name(s) of Attorney(s): **Griffith Hack**
(71) Name(s) and Address(s) of Applicant(s):
Nissan Jidosha Kabushiki Kaisha
No. 2 Takaracho Kanagawa-ku Yokohama-shi Kanagawa-ken Japan
(72) Name(s) of Designer(s): **Hideyuki Fuchigami and Naokazu Takeshita**
(45) Registration Date: **27 August 2012**
(30) Convention priority data:
(31) Number (32) Date (33) Country
2012-001984 01 Feb 2012 JAPAN
(56) Related Art Documents: **Not Applicable**
(57) Statement of Newness and Distinctiveness: **Newness and distinctiveness resides in the visual features, including shape and configuration of an AUTOMOBILE as shown in the representations.**



(21) Design Number: **13591/2012**
(22) Date of Filing Application: **30 July 2012**
(24) Date from which industrial property rights may have effect: **30 July 2012**
(54) Product in respect of which the design is registered: **Radiator grill for automobile**
(51) International Design Classification: **12-16B**
(74) Name(s) of Attorney(s): **Griffith Hack**
(71) Name(s) and Address(s) of Applicant(s):
Nissan Jidosha Kabushiki Kaisha
No. 2 Takaracho Kanagawa-ku Yokohama-shi Kanagawa-ken Japan
(72) Name(s) of Designer(s): **Hideyuki Fuchigami**
(45) Registration Date: **27 August 2012**
(30) Convention priority data:
(31) Number (32) Date (33) Country
2012-001985 01 Feb 2012 JAPAN
(56) Related Art Documents: **Not Applicable**
(57) Statement of Newness and Distinctiveness: **Newness and distinctiveness resides in the visual features, including shape and configuration of a RADIATOR GRILL FOR AUTOMOBILE as shown in the representations.**



(21) Design Number: **13592/2012**
(22) Date of Filing Application: **30 July 2012**
(24) Date from which industrial property rights may have effect: **30 July 2012**
(54) Product in respect of which the design is registered: **Front bumper for automobile**
(51) International Design Classification: **12-16C**
(74) Name(s) of Attorney(s): **Griffith Hack**
(71) Name(s) and Address(s) of Applicant(s):
Nissan Jidosha Kabushiki Kaisha
No. 2 Takaracho Kanagawa-ku Yokohama-shi Kanagawa-ken Japan
(72) Name(s) of Designer(s): **Hideyuki Fuchigami**
(45) Registration Date: **27 August 2012**
(30) Convention priority data:
(31) Number (32) Date (33) Country
2012-001986 01 Feb 2012 JAPAN
(56) Related Art Documents: **Not Applicable**
(57) Statement of Newness and Distinctiveness: **Newness and distinctiveness resides in the visual features, including shape and configuration of a FRONT BUMPER FOR AUTOMOBILE as shown in the representations.**



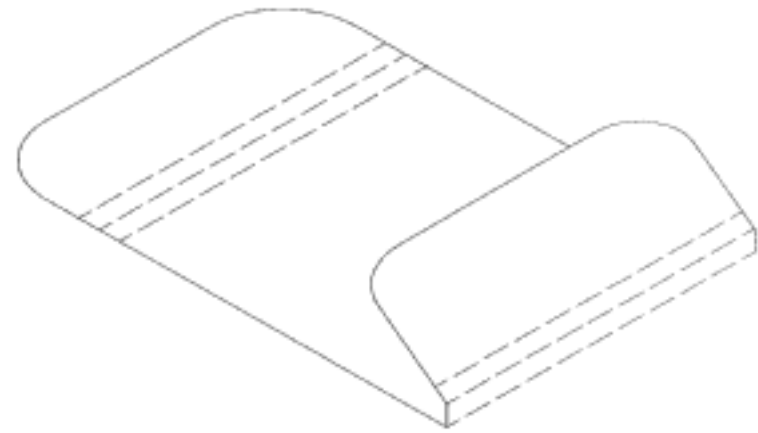
(21) Design Number: **13593/2012**
(22) Date of Filing Application: **30 July 2012**
(24) Date from which industrial property rights may have effect: **30 July 2012**
(54) Product in respect of which the design is registered: **Instrument panel for automobile**
(51) International Design Classification: **12-16NES**
(74) Name(s) of Attorney(s): **Griffith Hack**
(71) Name(s) and Address(s) of Applicant(s):
Nissan Jidosha Kabushiki Kaisha
No. 2 Takaracho Kanagawa-ku Yokohama-shi Kanagawa-ken Japan
(72) Name(s) of Designer(s): **Toshiya Matsuo**
(45) Registration Date: **27 August 2012**
(30) Convention priority data:
(31) Number (32) Date (33) Country
2012-001995 01 Feb 2012 JAPAN
(56) Related Art Documents: **Not Applicable**
(57) Statement of Newness and Distinctiveness: **Newness and distinctiveness resides in the visual features, including shape and configuration of an INSTRUMENT PANEL FOR AUTOMOBILE as shown in the representations.**



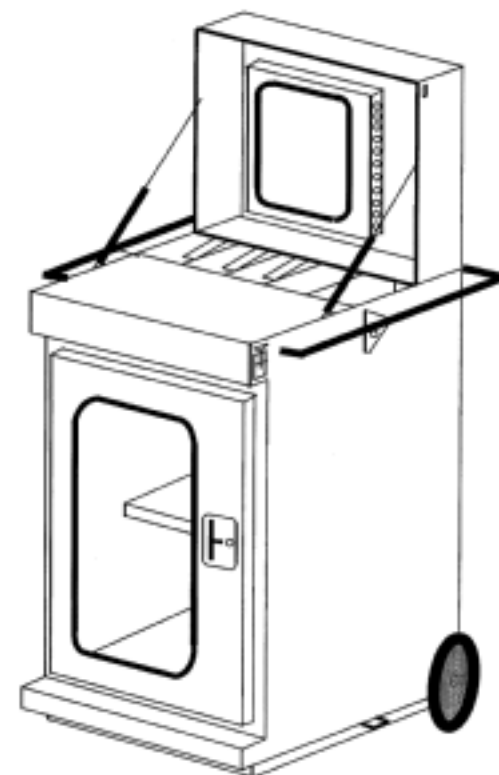
(21) Design Number: **13599/2012**
(22) Date of Filing Application: **27 July 2012**
(24) Date from which industrial property rights may have effect: **27 July 2012**
(54) Product in respect of which the design is registered: **Squeegee for window cleaning**
(51) International Design Classification: **07-05E**
(74) Name(s) of Attorney(s):
(71) Name(s) and Address(s) of Applicant(s):
Jacob Wilhelmus Erken
55 St Albans Street Abbotsford New South Wales 2046 Australia
(72) Name(s) of Designer(s): **Jacob Erken**
(45) Registration Date: **27 August 2012**
(56) Related Art Documents: **Not Applicable**
(57) Statement of Newness and Distinctiveness: **Pivot collar mounted above handle.**



- (21) Design Number: **13603/2012**
(22) Date of Filing Application: **28 July 2012**
(24) Date from which industrial property rights may have effect: **28 July 2012**
(54) Product in respect of which the design is registered: **A single door workplace safety station**
(51) International Design Classification: **06-03C**
(74) Name(s) of Attorney(s):
(71) Name(s) and Address(s) of Applicant(s):
EVERBLUE PTY LTD
98 Celeber Drive Andergrove Queensland 4740 Australia
(72) Name(s) of Designer(s): **Matthew Punzell**
(45) Registration Date: **27 August 2012**
(56) Related Art Documents: **Not Applicable**
(57) Statement of Newness and Distinctiveness: **The shape and configuration of a safety station as depicted in the accompanying representations.**



- (21) Design Number: **13604/2012**
(22) Date of Filing Application: **31 July 2012**
(24) Date from which industrial property rights may have effect: **31 July 2012**
(54) Product in respect of which the design is registered: **Storage sleeve**
(51) International Design Classification: **09-05**
(74) Name(s) of Attorney(s): **SPRUSON & FERGUSON**
(71) Name(s) and Address(s) of Applicant(s):
Helmuth Ortner
75 Kula Road Medowie New South Wales 2318 Australia
(72) Name(s) of Designer(s): **Helmuth Ortner**
(45) Registration Date: **27 August 2012**
(56) Related Art Documents: **Not Applicable**
(57) Statement of Newness and Distinctiveness: **The newness and distinctiveness of the design resides in the features of shape and/or configuration as shown in the accompanying drawings. The perspective view in page 7 of 7 shows one example of a partially folded configuration. The dashed lines represent lines of weakness.**



- (21) Design Number: **13605/2012**
(22) Date of Filing Application: **28 July 2012**
(24) Date from which industrial property rights may have effect: **28 July 2012**
(54) Product in respect of which the design is registered: **A two door workplace safety station**
(51) International Design Classification: **06-03C**
(74) Name(s) of Attorney(s):
(71) Name(s) and Address(s) of Applicant(s):
EVERBLUE PTY LTD
98 Celeber Drive Andergrove Queensland 4740 Australia
(72) Name(s) of Designer(s): **Matthew Punzell**
(45) Registration Date: **27 August 2012**
(56) Related Art Documents: **Not Applicable**
(57) Statement of Newness and Distinctiveness: **The shape and configuration of a safety station as depicted in the accompanying representations.**

