



Australian Government

IP Australia

AUSTRALIAN OFFICIAL JOURNAL

OF

DESIGNS

Did you know a searchable version of this journal is now available online?

It's FREE and EASY to SEARCH.

Find it on our website (www.ipaustralia.gov.au)

by using the "Journals" link on the home page.

This Page Left Intentionally Blank

Contents

General Information & Notices

**Proceedings Under the Designs Act 1906 preserved as a result of the provisions of Chapter 12
Part 2 of the Designs Act 2003**

Extension of Period of Registration of Designs 2422

Registrations Ceased 2422

Proceedings Under the Designs Act 2003

Applications Lapsed 2431

Applications Lodged 2426

Certificate of Examination 2434

Corrigenda 2433

Extension of Period of Registration of Design 2432

Extension of Time Granted Under Section 137 2432

Publication and Registration Proceedings

Designs Registered 344041 to 344277..... 2435

Registrations Ceased 2432

Subsequent Owners Registered 2432

This Page Left Intentionally Blank

For information on the following please see our website www.ipaustralia.gov.au or contact our Customer Service Network on 1300651010

[Editorial enquiries](#)

[Contact information](#)

[Freedom of Information ACT](#)

[Professional Standards Board](#)

[Sales](#)

[Requests for Information under Section 194 \(c\)](#)

[Country Codes](#)

[Trade Mark and Designs Hearing Sessions](#)

[INID \(Internationally agreed Numbers for the Identification of Data\)](#)

“INID” NUMBERS in use on Australian Design Documents

“INID” is an acronym for “Internationally agreed Numbers for the Identification of Data”.

(10) Data concerning the registration/renewal

- (11) Serial number of the registration and/or number of the design document
- (12) Plain language designation of the kind of published document
- (19) Identification, using the two-letter code according to WIPO Standard ST.3, of the authority publishing or registering the industrial design

(20) Data concerning the application

- (21) Serial number of the application
- (22) Date of filing of the application
- (24) Date from which the industrial design right has effect

(30) Data relating to priority under the Paris Convention

- (31) Serial number assigned to the priority application
- (32) Date of filing of the priority application
- (33) Two-letter code, according to WIPO Standard ST.3, identifying the authority with which the priority application was made

(40) Date(s) of making information available to the public

- (45) Date of publication of the registered industrial design by printing or similar process, or making it available to the public by any other means

(50) Miscellaneous Information

- (51) International Classification for Industrial Designs (class and subclass of the Locarno Classification)
- (54) Designation of article(s) or product(s) covered by the industrial design or title of the industrial design
- (55) Reproduction of the industrial design (e.g., drawing, photograph) and explanations relating to the reproduction
- (56) List of prior art documents, if separate from descriptive text
- (57) Description of characteristic features of the industrial design including indication of colours

(60) References to other legally related application(s) and registration(s)

- (62) Serial number(s) and, if available, filing date(s) of application(s), registration(s) or document(s) related by division
- (66) Serial number(s) of the application, or the registration, of the design(s) which is (are) a variant(s) of the present one

(70) Identification of parties concerned with the application or registration

- (71) Name(s) and address(es) of the applicant(s)
- (72) Name(s) of the creator(s) if known to be such
- (74) Name(s) and address(es) of the representative(s)

This Page Left Intentionally Blank

OFFICIAL NOTICE

Official Notification of Approved Means – New IP Right Applications

On 10 May 2012 we announced that the Australian Government has approved, within the context of its 2012 Budget, changes to fees charged for IP Australia's products and services.

The majority of fee changes 2012, with the exception of application filing fees which will change from 1 October 2012. occurred on 1 July new IP Right

The fee changes include incentives for customers to use an approved means for specific transactions. Customers that file using an approved means will benefit through a lower fee.

IP Australia is making new e-commerce capabilities available to customers via eServices and B2B channels. Over time eServices and B2B will enable a suit of transactions across the four IP rights.

To support a smooth transition and time for our customers to adapt to these new e-commerce capabilities, the Commissioner and Registrar have specified that the approved means from 1 October 2012 for filing a new IP Right application are as follows:

- eServices
- Business to Business (B2B)
- IP Lodgement Points
- Direct mail to IP Australia
- Corporate Fax 02 6283 7999

The following examples are provided to assist customers understand the new arrangements in line with IP Australia's fee schedules from 1 October 2012:

- A standard complete patent application filed by post will cost the lower fee of \$370.
- A standard trade mark application filed in paper will cost the lower fee of \$200 per class.
- A design application filed over the counter will cost the lower fee of \$250.
- A plant breeder's right application filed by facsimile will cost the lower fee of \$345.

The above arrangements for filing new applications will be in place from 1 October 2012 until 1 December 2012. IP Australia will review these arrangements ahead of 1 December 2012 with the intention of prescribing the approved means as eServices and B2B only.

Customers are reminded the approved means to renew an IP Right are eServices and B2B.

The new fee structures can be found at www.ipaustralia.gov.au.

Contact: IP Australia
Phone: 1300 651 010
Fax: +61 2 6283 7999
E-mail: assist@ipaustralia.gov.au
Web: www.ipaustralia.gov.au

Official Notice

CLARIFICATION OF OFFICE PRACTICE – CONVENTION PRIORITY CLAIMS AND APPLICATIONS COVERING EXCLUDED DESIGNS

For administrative convenience, the Registrar of Designs will only capture the details of a convention priority claim at the time of lodgement where those details have been explicitly provided by the applicant.

It has come to the attention of the Registrar that some members of the public have read the legislation to provide for the “automatic” importation of convention details into an application covering an excluded design. That is, some applicants are under the impression that their application covering an excluded design will have convention details captured even when those details have not been included on the application form. The merits of that interpretation are discussed below, followed by a clarification of Designs Office practice in relation to this issue:

The relevant provisions

Section 27 of the *Designs Act 2003* provides:

27 Priority date

- (1) The priority date of a design disclosed in a design application that meets the minimum filing requirements is:
 - (a) the filing date of the design application; or
 - (b) if, before the design application was filed, an application for protection in respect of the design had been made in a Convention country in accordance with the regulations—the date prescribed by the regulations; or
 - (c) if the regulations provide for a different date as the priority date—the date prescribed by the regulations.
- (2) If more than one design is disclosed in a design application, the designs may have different priority dates.

Regulation 3.08 of the *Designs Regulations 2004* provides:

3.08 Priority date — excluded designs

For paragraph 27 (1) (c) of the Act, the priority date of a design that is an excluded design is the same priority date as it had under the initial application.

Note This regulation also applies to a design excluded from certain transitional applications, see regulation 12.03.

Discussion

The basis of the belief that convention details need not be provided in certain circumstances appears to be Regulation 3.08. It is tempting to read ‘has the same priority date as it had under the initial application’ as meaning that whatever convention details were captured in respect of the initial application will be captured as convention details in the later application. However, it should be noted that the wording is such that the provision only applies to the design that was excluded from the initial application, **not the initial application itself**.

Designs are most frequently excluded from an initial application only by deleting one or more representations. In those cases, convention details may have been provided in relation to other designs in the application, but no convention details are clearly associated with the design disclosed in the deleted representations. The earliest date of priority that can therefore “automatically” be assigned to an application covering that excluded design is the filing date of the initial application [paragraph 27 (1) (a) *Designs Act 2003* and Regulation 3.08 *Designs Regulations 2004*].

Less frequently, designs are excluded from an initial application by deleting a design details sheet and its accompanying representations. In those cases where the deleted design details sheet disclosed a convention priority claim, assuming that claim will “automatically” be transferred to a later application has some merit, but is ultimately incorrect. Claiming convention priority is not mandatory, so it is not possible for Designs Office staff to know whether the applicant wants to claim convention priority when those details are not included on the form. To get around this uncertainty, the Registrar has approved a Design Application form that requires a claim for convention priority to be disclosed when the form is filed. Not including details of a convention claim on the form is taken to mean that no convention priority is claimed.

Clarification of practice

The Designs Office will capture a claim for convention priority at the time of lodgement only where the details of the convention claim have been provided on the application form. This extends to all applications covering excluded designs.

Where no convention claim is included on an application covering an excluded design, the priority date will be recorded as the filing date of the initial application.

Queries: Gary Flint
Trademarks and Designs Administration
+61 2 6283 2023

Contact: IP Australia
Phone: 1300 651 010
Fax: +61 2 6283 7999
E-mail: assist@ipaustalia.gov.au
Web: www.ipaustralia.gov.au

Proceedings under the Designs Act 1906 preserved as a result of the provisions of Chapter 12 Part 2 of the Designs Act 2003.

This Page Left Intentionally Blank

Applications Lapsed

There were no Applications Lapsed under this section

Extension of Period of Registration of Designs

1st Period (Section 27A(8))

2nd Period (Section 27A(12))

3rd Period (Section 27A(13))

145684	146638	146644
146645	146648	146656
146692	146828	147229
147242	147243	147244
147425	147477	147489
148540	149139	149632
150072	150305	150835
155388	157210	157391
157392	157393	158524

Registrations Ceased

Note: Some of the following Registrations may have been previously advertised as ceased. In this instance, the previous advertisement still prevails.

127703	128139	128822
128855	128856	129793
129794	129795	129796
129797	129798	129799
129800	129814	129815
129835	129915	130081
130111	130280	130414
130453	131164	131288
131334	132174	133106
133857	133902	134057
134082	134159	134456
143213	143214	143215
143216	143217	143218
143219	143220	143239
143240	143645	143646
143666	143667	143668
143669	143670	143671
143672	143686	143687
143688	143689	144323
144993	144997	145096
145135	145252	145255
145256	145388	146287
146447	147157	147528
149005		

This Page Left Intentionally Blank

Proceedings under the Designs Act 2003.

This Page Left Intentionally Blank

Applications Lodged

Lodgement information is in the following order: **Applicant's Name**; International Classification, Name of Product, Lodgement Date and **Design Number**. If the applicant claims an earlier priority date under an International Convention, the Convention Country and the associated filing date are shown in parentheses before the Lodgement Date. Divisional information will also appear in parentheses before the Lodgement Date.

Abbott Medical Optics Inc.; 14-99, Remote control, (US, 17 Mar 2012) 03 Sep 2012	14340/2012	BISSELL Homecare, Inc.; 15-05, Vacuum cleaner module, (US, 09 Mar 2012) 24 Aug 2012	14190/2012
Abbott Medical Optics Inc.; 24-02, Surgical cassette for a surgical system, (US, 17 Mar 2012) 03 Sep 2012	14339/2012	BISSELL Homecare, Inc.; 07-05E, Vacuum cleaner foot, (US, 09 Mar 2012) 29 Aug 2012	14276/2012
Activator Methods International, Ltd; 24-02, Medical device, (US, 28 Feb 2012) 28 Aug 2012	14260/2012	BISSELL Homecare, Inc.; 07-05NES, Deep cleaner, (US, 09 Mar 2012) 29 Aug 2012	14279/2012
Activator Methods International, Ltd; 24-02, Medical device, (US, 28 Feb 2012) 28 Aug 2012	14259/2012	BISSELL Homecare, Inc.; 07-05E, Vacuum cleaner handle, (US, 09 Mar 2012) 29 Aug 2012	14275/2012
Adrenalin Campers Pty Ltd; 12-10, Trailer component, 24 Aug 2012	14199/2012	BISSELL Homecare, Inc.; 07-05E, Vacuum cleaner handle, (US, 09 Mar 2012) 29 Aug 2012	14277/2012
Adrenalin Campers Pty Ltd; 12-10, Camper trailer chassis, 24 Aug 2012	14200/2012	BISSELL Homecare, Inc.; 07-05NES, Portion of floor cleaning machine, (US, 09 Mar 2012) 29 Aug 2012	14278/2012
Arlec Australia Pty Ltd; 26-05A, Light, 04 Sep 2012	14352/2012	Caljan Rite-Hite ApS; 12-02, Extendable conveyors and parts thereof, (EM, 01 Mar 2012) 31 Aug 2012	14321/2012
Arlec Australia Pty Ltd; 26-05A, Light, 04 Sep 2012	14351/2012	Caljan Rite-Hite ApS; 12-02, Extendable conveyors and parts thereof, (EM, 01 Mar 2012) 31 Aug 2012	14322/2012
Australian Performance Development Pty Ltd; 12-16NES, Air intake snorkel for a vehicle, 29 Aug 2012	14280/2012	Caljan Rite-Hite ApS; 12-02, Extendable conveyors and parts thereof, (EM, 01 Mar 2012) 31 Aug 2012	14319/2012
Baria, Vijay; 21-02A, The design relates to the bowling machines used in sport, primatily cricket, to simulate the delivery action of a, bowler in the game of cricket. Similarly there are bowling machines used in tennis and soft ball to which this design, is also applies. Lacarno Classification Class 21 Subclass 2, 23 Aug 2012	14215/2012	Caljan Rite-Hite ApS; 12-02, Extendable conveyors and parts thereof, (EM, 01 Mar 2012) 31 Aug 2012	14320/2012
Betty Bossi AG; 07-07NES, Tray, (CH, 14 Jun 2012) 04 Sep 2012	14362/2012	Caljan Rite-Hite ApS; 12-02, Extendable conveyors and parts thereof, (EM, 01 Mar 2012) 31 Aug 2012	14318/2012
Brady Worldwide, Inc.; 08-07, Lockout device, (US, 22 Dec 2011) 15 Jun 2012	14298/2012	Castpoints Pty Ltd; 25-02NES, Cultivating wing point, 24 Aug 2012	14186/2012
Brickworks Building Products Pty Ltd; 25-01F, Roof tile, 27 Aug 2012	14232/2012	Christian Dior Couture; 10-02, Watch, (CH, 27 Feb 2012) 24 Aug 2012	14217/2012
Brickworks Building Products Pty Ltd; 25-01NES, Batten lug, 27 Aug 2012	14231/2012	Clover Co. Ltd.; 23-01G, Water cooler-heater, (KR, 09 Aug 2012) 31 Aug 2012	14329/2012
Bulgari Horlogerie SA; 10-02, Wristwatch, (WO, 02 Mar 2012) 27 Aug 2012	14227/2012	Coalfields Engineering Pty Ltd; 15-03A, Single seeding boot, 27 Aug 2012	14221/2012
Bulgari Horlogerie SA; 10-02, Wristwatch, (WO, 02 Mar 2012) 27 Aug 2012	14228/2012	Coalfields Engineering Pty Ltd; 15-03A, Double seeding boot, 27 Aug 2012	14222/2012
		Coca-Cola Company, The; 09-01K, Bottle, (US, 01 Mar 2012) 27 Aug 2012	14229/2012

Coca-Cola Company, The; 09-01K, Bottle, (US, 01 Mar 2012) 27 Aug 2012	14230/2012	Geistlich Pharma AG; 24-02, Syringe, (CH, 22 Mar 2012) 24 Aug 2012	14202/2012
Daikin Industries Ltd; 23-04, Air conditioner, (JP, 23 Mar 2012) 28 Aug 2012	14252/2012	Globel Industries Pty Ltd; 06-04NES, Constructed dual upright MDF shelving, 07 Aug 2012	14239/2012
Deckers Outdoor Corporation; 02-04B, Footwear outsole, (US, 27 Apr 2012) 29 Aug 2012	14281/2012	Guangdong Xinbao Electrical Appliances Holdings Co Ltd; 07-02NES, Bread maker, (CN, 28 Feb 2012) 24 Aug 2012	14198/2012
Deckers Outdoor Corporation; 02-04B, Footwear outsole, (US, 30 Apr 2012) 29 Aug 2012	14282/2012	GMBH, Robert Bosch; 10-03, 23-01NES, Single outlet water timer, (US, 29 Feb 2012) 29 Aug 2012	14263/2012
Dethier, Livin Fernand Georges; 08-99, A reel, (EM, 07 Mar 2012) 04 Sep 2012	14350/2012	Haglund, Jorgen; 09-08, Loading pallet, (EM, 24 Feb 2012) 24 Aug 2012	14192/2012
EcoSmart Stone Pty Ltd; 08-08L, A bracket, 30 Aug 2012	14291/2012	Haglund, Jorgen; 09-08, Kit of parts for a loading pallet, (EM, 24 Feb 2012) 24 Aug 2012	14193/2012
Erickson, Trevor; 03-01C, 14-03NES, Cover for two-way radio communication device, (CA, 16 Jul 2012) 31 Aug 2012	14325/2012	Hi-Tool Co. Limited; 08-07, Safety latch, 28 Aug 2012	14223/2012
Evans, Renee; 11-01G, Jewellery, 28 Aug 2012	14238/2012	Horsfall, Barry; 19-06, Pen - pencil - stylus, 24 Aug 2012	14195/2012
EJ Australia Pty Ltd; 25-01C, Joist Bar, 27 Aug 2012	14218/2012	Horsfall, Barry; 19-06, Pen - pencil - stylus, 24 Aug 2012	14196/2012
EJ Australia Pty Ltd; 25-01C, Joist Bar, 27 Aug 2012	14219/2012	Husqvarna AB; 09-02B, Fuel canister, (EM, 20 Mar 2012) 30 Aug 2012	14288/2012
F.V. Bilotto Nominees Pty Ltd; 09-04, 09-03F, Modified Crate, 29 Aug 2012	14283/2012	Husqvarna AB; 09-02NES, Fuel canister, (EM, 20 Mar 2012) 30 Aug 2012	14290/2012
Farrell, Christopher John; 24-01, Orthodontic appliance, 31 Aug 2012	14331/2012	Husqvarna AB; 09-02NES, Fuel canister, (EM, 20 Mar 2012) 30 Aug 2012	14289/2012
Fiat Group Automobiles S.p.A.; 12-08, 21-01C, Car and toy-car, (WO, 03 Feb 2012) 24 Jul 2012	14286/2012	Hutchin Exports Ltd; 08-01, Impact drill, (US, 16 Aug 2012) 27 Aug 2012	14233/2012
Fielders Australia Pty Ltd; 23-03D, 25-01G, Roof sheeting, 24 Aug 2012	14185/2012	Hutchin Exports Ltd; 08-05N, Angle grinder, (US, 15 Aug 2012) 27 Aug 2012	14235/2012
Fisher & Paykel Healthcare Limited; 24-01, Face mask assembly and parts thereof, (US, 02 Mar 2012) 03 Sep 2012	14333/2012	Hutchin Exports Ltd; 08-05N, Angle grinder, (US, 15 Aug 2012) 27 Aug 2012	14237/2012
Forever New Clothing Pty Ltd; 02-02C, Article of clothing, 31 Aug 2012	14316/2012	Hutchin Exports Ltd; 08-05N, Angle grinder, (US, 15 Aug 2012) 27 Aug 2012	14236/2012
Foster Plastics Industries Pty Ltd; 99-00, , 27 Aug 2012	14216/2012	Hutchin Exports Ltd; 08-03, Circular saw, (US, 15 Aug 2012) 27 Aug 2012	14234/2012
Garth Australia Pty Ltd; 07-02A, 07-02D, Garden oven 1, 29 Aug 2012	14269/2012	I & S Larard Pty Ltd; 22-06, 25-02NES, Cistern frog barrier, 03 Sep 2012	14317/2012
Garth Australia Pty Ltd; 07-02A, 07-02D, Garden oven 11, 29 Aug 2012	14270/2012	Innovations in Motion Pty Ltd; 07-02NES, Support device, 23 Aug 2012	14172/2012
Geistlich Pharma AG; 24-02, Syringe, (CH, 22 Mar 2012) 24 Aug 2012	14201/2012		

Ismail, Chontelle; 02-02NES, 24-04, A post pregnancy belly wrap. Comes in 4 sizes S,M,L & X-L, 28 Aug 2012	14226/2012	Konstas, Khatira;Konstas, Angelo; 03-01A, Dress storage/carry case, 29 Aug 2012	14309/2012
Jurgens, Owen Thurston;Jurgens, Philippa Jane;Jurgens, Terence;Jurgens, Elise Rachael; 26-06, Vehicle light, 05 Sep 2012	14359/2012	Konstas, Khatira;Konstas, Angelo; 03-01A, Dress storage/carry case, 29 Aug 2012	14308/2012
Jurgens, Elise Rachael;Jurgens, Owen Thurston;Jurgens, Philippa Jane;Jurgens, Terence; 26-06, Vehicle light, 05 Sep 2012	14359/2012	Konstas, Angelo;Konstas, Khatira; 03-01A, Dress storage/carry case, 29 Aug 2012	14307/2012
Jurgens, Philippa Jane;Jurgens, Owen Thurston;Jurgens, Terence;Jurgens, Elise Rachael; 26-06, Vehicle light, 05 Sep 2012	14359/2012	Konstas, Khatira;Konstas, Angelo; 03-01A, Dress storage/carry case, 29 Aug 2012	14307/2012
Jurgens, Terence;Jurgens, Owen Thurston;Jurgens, Philippa Jane;Jurgens, Elise Rachael; 26-06, Vehicle light, 05 Sep 2012	14359/2012	Krosakiharima Corporation; 08-08C, Sliding nozzle plate, (JP, 29 Mar 2012) 24 Aug 2012	14197/2012
JT International SA; 09-03A, Cigarette pack, (GB, 24 Feb 2012) 24 Aug 2012	14207/2012	Lifetime Products, Inc.; 06-03A, 06-06E, Table top, (US, 13 Mar 2012) 24 Aug 2012	14189/2012
JT International SA; 09-03A, Cigarette pack, (GB, 24 Feb 2012) 24 Aug 2012	14208/2012	Lifetime Products, Inc.; 06-03A, Table top, (US, 13 Mar 2012) 24 Aug 2012	14194/2012
JT International SA; 09-03A, Cigarette pack, (GB, 24 Feb 2012) 24 Aug 2012	14209/2012	Linak A/S; 14-03NES, 24-99, Hand control, (DK, 01 Mar 2012) 28 Aug 2012	14254/2012
Kardiakakis, Emmanuel;Kardiakakis, A.; 06-06NES, Bed room furniture, 03 Sep 2012	14327/2012	Logan, Steven; 25-03, 23-01L, 25-01NES, 23-03D, Cyclonic proof aerodynamic donga with solar powered roof, 30 Aug 2012	14299/2012
Kardiakakis, A.;Kardiakakis, Emmanuel; 06-06NES, Bed room furniture, 03 Sep 2012	14327/2012	LAKE PRODUCTS LIMITED; 08-07, 23-01A, An escutcheon, (NZ, 02 Mar 2012) 31 Aug 2012	14312/2012
Kone Corporation; 14-04, Display screen with icon for lifting and transportation apparatus, 31 Aug 2012	14332/2012	LAKE PRODUCTS LIMITED; 08-07, 23-01A, An escutcheon, (NZ, 02 Mar 2012) 31 Aug 2012	14313/2012
Konstas, Angelo;Konstas, Khatira; 03-01A, Dress storage/carry case, 29 Aug 2012	14308/2012	Meco Australia Pty Limited; 23-01H, A tap handle, 04 Sep 2012	14361/2012
Konstas, Angelo;Konstas, Khatira; 03-01A, Dress storage/carry case, 29 Aug 2012	14310/2012	Meco Australia Pty Limited; 23-01H, A tap handle, 04 Sep 2012	14360/2012
Konstas, Khatira;Konstas, Angelo; 03-01A, Dress storage/carry case, 29 Aug 2012	14310/2012	Meyer Intellectual Properties Limited; 07-02N, Cookware vessel with decorative rim and exterior, (US, 24 Feb 2012) 24 Aug 2012	14204/2012
Konstas, Angelo;Konstas, Khatira; 03-01A, Dress storage/carry case, 29 Aug 2012	14309/2012	Meyer Intellectual Properties Limited; 07-02N, Cookware vessel with decorative rim and exterior, (US, 24 Feb 2012) 24 Aug 2012	14205/2012
Konstas, Angelo;Konstas, Khatira; 03-01A, dress storage/carry case, 29 Aug 2012	14311/2012	Meyer Intellectual Properties Limited; 07-02N, Cookware vessel with decorative rim and exterior, (US, 24 Feb 2012) 24 Aug 2012	14203/2012
Konstas, Khatira;Konstas, Angelo; 03-01A, dress storage/carry case, 29 Aug 2012	14311/2012	Meyer Intellectual Properties Limited; 07-02N, Cookware vessel with decorative rim and exterior, (US, 24 Feb 2012) 24 Aug 2012	14206/2012
		Michael Hill Franchise Pty Limited; 11-01NES, Article of jewellery - Pendant, (NZ, 31 Oct 2011) 30 Apr 2012	14212/2012
		Michael Hill Franchise Pty Limited; 11-01NES, Article of jewellery - Pendant, (NZ, 31 Oct 2011) 30 Apr 2012	14214/2012

Michael Hill Franchise Pty Limited; 11-01NES, Article of jewellery - Pendant, (NZ, 31 Oct 2011) 30 Apr 2012	14213/2012	Nissan Jidosha Kabushiki Kaisha; 12-16B, Front finisher for automobile, (JP, 06 Mar 2012) 20 Aug 2012	14304/2012
Michael Hill Franchise Pty Limited; 11-01A, Article of jewellery - Ring, (NZ, 31 Oct 2011) 30 Apr 2012	14210/2012	No Bolt Operations Pty Ltd; 24-99, 09-06, 08-08L, 08-08NES, , 03 Sep 2012	14326/2012
Michael Hill Franchise Pty Limited; 11-01C, Article of jewellery - Cuff, (NZ, 31 Oct 2011) 30 Apr 2012	14211/2012	Oticon A/S; 24-99, Mini BTE hearing aid, (EM, 02 Mar 2012) 31 Aug 2012	14330/2012
Microsoft Corporation; 14-01, Display screen with icon, (US, 28 Feb 2012) 28 Aug 2012	14240/2012	Owens-Brockway Glass Container Inc.; 09-01H, Bottle, (US, 30 Mar 2012) 31 Aug 2012	14314/2012
Microsoft Corporation; 14-01, Display screen with user interface, (US, 28 Feb 2012) 28 Aug 2012	14245/2012	Pandrol Australia Pty Ltd; 08-08A, An anchor for a rail fastening clip, 31 Aug 2012	14357/2012
Microsoft Corporation; 14-01, Display screen with user interface, (US, 28 Feb 2012) 28 Aug 2012	14246/2012	Pereira, Jose Alfredo;Pereira, Maria Avelina; 01-04, Smallgoods product, 29 Aug 2012	14284/2012
Microsoft Corporation; 14-01, Display screen with user interface, (US, 28 Feb 2012) 28 Aug 2012	14244/2012	Pereira, Maria Avelina;Pereira, Jose Alfredo; 07-02P, 07-04, Smallgoods mould, 29 Aug 2012	14285/2012
Microsoft Corporation; 14-01, Display screen with user interface, (US, 28 Feb 2012) 28 Aug 2012	14243/2012	Pereira, Maria Avelina;Pereira, Jose Alfredo; 01-04, Smallgoods product, 29 Aug 2012	14284/2012
Microsoft Corporation; 14-01, Display screen with icon, (US, 28 Feb 2012) 28 Aug 2012	14242/2012	Pereira, Jose Alfredo;Pereira, Maria Avelina; 07-02P, 07-04, Smallgoods mould, 29 Aug 2012	14285/2012
Microsoft Corporation; 14-01, Display screen with icon set, (US, 28 Feb 2012) 28 Aug 2012	14241/2012	Philip Morris Products S.A.; 09-01A, Hand-held aerosol generator, (EM, 23 Dec 2011) (Divisional of 12960/2012) 04 Sep 2012	14368/2012
Microsoft Corporation; 14-01, Display screen with icon, (US, 28 Feb 2012) 28 Aug 2012	14249/2012	Philip Morris Products S.A.; 09-01A, Hand-held aerosol generator, (EM, 23 Dec 2011) (Divisional of 12960/2012) 04 Sep 2012	14369/2012
Microsoft Corporation; 14-01, Display screen with icon, (US, 28 Feb 2012) 28 Aug 2012	14247/2012	Philip Morris Products S.A.; 09-01A, Hand-held aerosol generator, (EM, 23 Dec 2011) (Divisional of 12960/2012) 04 Sep 2012	14366/2012
Multisteps Pty Ltd; 09-03F, A punnet, 31 Aug 2012	14315/2012	Philip Morris Products S.A.; 09-01A, Hand-held aerosol generator, (EM, 23 Dec 2011) (Divisional of 12960/2012) 04 Sep 2012	14367/2012
Newton, David; 11-01A, Adjustable finger ring/adjustable ring, 27 Aug 2012	14182/2012	Philip Morris Products S.A.; 09-01A, Hand-held aerosol generator, (EM, 23 Dec 2011) (Divisional of 12960/2012) 04 Sep 2012	14365/2012
Nguyen, Jonathan Duy Khac; 16-01, 16-05, Camera enclosure, 03 Sep 2012	14348/2012	Philip Morris Products S.A.; 27-01, Electronic cigarette, (EM, 23 Dec 2011) (Divisional of 12961/2012) 04 Sep 2012	14364/2012
Nguyen, Jonathan Duy Khac; 14-03B, 10-05, Closed circuit television surveillance cameras, 03 Sep 2012	14347/2012	Philip Morris Products S.A.; 09-01A, Hand-held aerosol generator, (EM, 23 Dec 2011) 04 Sep 2012	14250/2012
Nissan Jidosha Kabushiki Kaisha; 12-16C, Front bumper for automobile, (JP, 06 Mar 2012) 30 Aug 2012	14302/2012	Phoenix Industries Pty Ltd; 23-01H, Mixer tap, 28 Aug 2012	14251/2012
Nissan Jidosha Kabushiki Kaisha; 12-08, Automobile, (JP, 06 Mar 2012) 30 Aug 2012	14303/2012	Phoenix Industries Pty Ltd; 23-01H, Mixer tap, 28 Aug 2012	

Phoenix Product Development Limited; 23-02C, Toilet pan, (EM, 28 Feb 2012) 28 Aug 2012	14224/2012	Simmons, Stephen Leslie; 09-09, A multi-tip bin tipper, 03 Sep 2012	14371/2012
Phoenix Product Development Limited; 23-02C, Toilet pan lid, (EM, 28 Feb 2012) 28 Aug 2012	14225/2012	Societe de velo en libre-service; 12-16K, Station for managing bicycle rental, (US, 09 Mar 2012) 03 Sep 2012	14341/2012
Pinnacle Products International Inc; 23-03A, Forced air heater, (US, 21 May 2012) 29 Aug 2012	14274/2012	Societe de velo en libre-service; 12-16K, Station for managing bicycle rental, (US, 09 Mar 2012) 03 Sep 2012	14342/2012
Pinnacle Products International Inc; 23-03D, Frame for a forced air heater, (US, 21 May 2012) 29 Aug 2012	14272/2012	Societe des Produits Nestle S.A.; 07-01D, A cup, (CH, 14 Mar 2012) 03 Sep 2012	14328/2012
Pinnacle Products International Inc; 23-03A, Forced air heater, (US, 21 May 2012) 29 Aug 2012	14273/2012	Stansfield-Smith, Phillip John; 11-02NES, 07-99NES, A fridge magnet, 27 Aug 2012	14183/2012
Plastic Fabrications Pty Ltd; 12-06NES, Marine survival pod, 31 Aug 2012	14324/2012	Staples the Office Superstore, LLC; 19-04, Folder, (US, 06 Mar 2012) 30 Aug 2012	14292/2012
Prodrome Designs Pty Ltd; 25-02B, Precast frame adaptor member, 31 Aug 2012	14358/2012	Stokke AS; 12-12, A carrycot, (NO, 13 Mar 2012) 28 Aug 2012	14256/2012
Quality Blow Moulders Pty Ltd; 09-01B, A Bottle, 28 Aug 2012	14220/2012	Stokke AS; 06-01E, A seat, (NO, 13 Mar 2012) 28 Aug 2012	14258/2012
Republic Tobacco L.P.; 27-99, Tabletop semi-automatic cigarette making machine, (US, 28 Feb 2012) 28 Aug 2012	14253/2012	Stokke AS; 12-12, A frame, (NO, 13 Mar 2012) 28 Aug 2012	14255/2012
Rigoli, Philip; Rigoli, Irina; 31-00, Multifunction stand mixer, 29 Aug 2012	14261/2012	Stokke AS; 12-12, A frame, (NO, 13 Mar 2012) 28 Aug 2012	14257/2012
Rigoli, Irina; Rigoli, Philip; 31-00, Multifunction stand mixer, 29 Aug 2012	14261/2012	SCA Hygiene Products AB; 02-01B, Elastic pant, (EM, 30 Mar 2012) 04 Sep 2012	14355/2012
Riiviva Inc; 28-03NES, Handheld microdermabrasion device, (US, 28 Feb 2012) 24 Aug 2012	14187/2012	SCA Hygiene Products AB; 02-01B, Elastic pant, (EM, 30 Mar 2012) 04 Sep 2012	14356/2012
Robert Bosch Gmbh; 14-04, 10-03, User interface for a water timer, (US, 29 Feb 2012) 28 Aug 2012	14266/2012	SMA Solar Technology AG; 13-02, Inverter, (EM, 16 Mar 2012) 24 Aug 2012	14191/2012
Robert Bosch Gmbh; 10-03, 23-01NES, Water timer, (US, 29 Feb 2012) 28 Aug 2012	14268/2012	SMA Solar Technology AG; 13-03NES, Inverter, (EM, 16 Mar 2012) 24 Aug 2012	14188/2012
Robert Bosch Gmbh; 14-04, 10-03, User interface for a water timer, (US, 29 Feb 2012) 28 Aug 2012	14265/2012	Tao, Yi-Chin; 08-08H, Scrolling device for curtain, 28 Aug 2012	14264/2012
Robert Bosch Gmbh; 10-03, 23-01NES, Dual outlet water timer, (US, 29 Feb 2012) 29 Aug 2012	14262/2012	The Glad Products Company; 09-09, Trash bag, (US, 06 Mar 2012) 03 Sep 2012	14344/2012
Robert Bosch Gmbh; 10-03, 23-01NES, Water timer, (US, 29 Feb 2012) 28 Aug 2012	14267/2012	The Glad Products Company; 09-09, Trash bag, (US, 06 Mar 2012) 31 Aug 2012	14323/2012
Shenzhen Growatt New Energy Technology Co Ltd; 13-02, 13-03NES, Inverter, 28 Aug 2012	14248/2012	The Glad Products Company; 09-09, Trash bag, (US, 06 Mar 2012) 03 Sep 2012	14343/2012
Shenzhen Growatt New Energy Technology Co., Ltd.; 13-02, Inverter, 04 Sep 2012	14349/2012	Tilt-Lift Equipment Pty Ltd; 25-01B, Building plate, 04 Sep 2012	14363/2012

Transport for New South Wales; 14-02, Smart card reader, 30 Aug 2012	14294/2012	Wahl Clipper Corporation; 09-07B, 28-03D, Lid for hair clipper housing, (US, 06 Mar 2012) 04 Sep 2012	14354/2012
Transport for New South Wales; 14-02, Smart card reader, 30 Aug 2012	14295/2012	WKI Holding Company, Inc.; 09-07B, Lids for containers, (US, 09 Mar 2012) 03 Sep 2012	14345/2012
Transport for New South Wales; 14-02, Smart card reader, 30 Aug 2012	14296/2012	WKI Holding Company, Inc.; 09-07B, Lids for containers, (US, 09 Mar 2012) 03 Sep 2012	14346/2012
Transport for New South Wales; 14-02, Smart card reader, 30 Aug 2012	14297/2012	Yi-Chin Tao; 08-08H, Bead chain wheel for curtain, 29 Aug 2012	14271/2012
Transport for New South Wales; 14-02, Smart card reader, 30 Aug 2012	14293/2012	3M Innovative Properties Company; 16-06, Eyewear temple, (US, 02 Mar 2012) 30 Aug 2012	14301/2012
Turner, Scott David; 21-01C, Flying radio control model aircraft/ glider, 29 Aug 2012	14306/2012	3M Innovative Properties Company; 16-06, Eyewear temple with slots, (US, 02 Mar 2012) 30 Aug 2012	14300/2012
Turner, Scott David; 21-01C, Flying radio control model aircraft/ glider, 29 Aug 2012	14305/2012	888 Importing Pty Ltd; 07-02C, 07-02N, Burner for wok-cooking table, 31 Aug 2012	14370/2012
TEFAL; 07-02G, An electric grill pan, (EM, 20 Mar 2012) 30 Aug 2012	14287/2012		
Wahl Clipper Corporation; 28-03D, Hair clipper housing, (US, 27 Mar 2012) 04 Sep 2012	14353/2012		

Applications Lapsed

10798 / 2012 (23-01L)	10860 / 2012 (13-99)
10872 / 2012 (21-02D)	10933 / 2012 (21-02D)
10934 / 2012 (21-02D)	11676 / 2012 (06-04NES)
11996 / 2012 (12-02)	12568 / 2012 (06-13C)
12608 / 2012 (29-99)	12609 / 2012 (29-99)
12718 / 2012 (25-01D)	12895 / 2012 (26-05C)
12896 / 2012 (26-05C)	12897 / 2012 (26-05C)
12898 / 2012 (26-05B)	

Extension of Period of Registration of Designs

314490	315777	316102
316321	316560	316561
317051	317052	317062
317186	317187	317188
317205	317217	317266
317282	317312	317323
317324	317325	317326
317327	317351	317437
317448	317483	317484
317487	317610	317615
317623	317624	317625
317638	317639	317640
317641	317642	317643
317644	317645	317646
317668	317697	317724
317725	317732	317824
317825	317826	317836
317837	317852	317907
317908	317958	318529
318576	318577	318894
320880		

Registrations Ceased

313320	313323	313324
313325	313746	314015
314016	314017	314018
314019	314020	314021
314023	314039	314040
314043	314044	314046
314054	314055	314058
314071	314074	314075
314076	314077	314078
314079	314081	314084
314085	314086	314089
314106	314107	314110
314111	314113	314117
314119	314120	314121
314122	314123	314124
314125	314126	314127
314128	314130	314131
314133	314134	314141
314152	314153	314154
314155	314157	314158
314159	314160	314161
314179	314181	314182
314183	314184	314187
314189	314206	314207
314208	314209	314210
314211	314214	314215

314216	314231	314232
314236	314237	314361
314362	314387	314388
314389	314390	314464
314465	314579	314580
314581	314597	314718
314797	314798	314800
314801	314840	314841
314845	314846	314963
315704	316214	316215
316613	316688	316721
316722	316723	316724
316725	316726	316816
316817	317488	317489
317490	317491	317492
317493	339275	339276
339278	339282	339975
339976		

Extensions of time granted under Section 137

Applications lodged under section 137 for extension of time have been granted.

10798/2012 **Kevin John Baker**

344150 **Veryent Ltd**

Subsequent Owners Registered

(The name in parentheses is that of the subsequent owner)

308680	(Club Investments (Aust) Pty Ltd) Unistraw Patent Holdings Limited (Company No LL 03919)
307879	(Club Investments (Aust) Pty Ltd) Unistraw Patent Holdings Limited (Company No LL 03919)
316883	(Club Investments (Aust) Pty Ltd) Unistraw Patent Holdings Limited
316884	(Club Investments (Aust) Pty Ltd) Unistraw Patent Holdings Limited
322291	(Club Investments (Aust) Pty Ltd) Unistraw Patent Holdings Limited, LL 03919
322272	(Club Investments (Aust) Pty Ltd) Unistraw Patent Holdings Limited, LL 03919
322292	(Club Investments (Aust) Pty Ltd) Unistraw Patent Holdings Limited, LL 03919
317223	(Mendies Y Pty Ltd) Lolitta Clothing Pty Ltd
343011	(CNC Concepts Pty Ltd) Christopher Pardon
324370	(Pringles S.A.R.L.) The Procter & Gamble Company
324371	(Pringles S.A.R.L.) The Procter & Gamble Company
324372	(Pringles S.A.R.L.) The Procter & Gamble Company
324373	(Pringles S.A.R.L.) The Procter & Gamble Company
324374	(Pringles S.A.R.L.) The Procter & Gamble Company
324375	(Pringles S.A.R.L.) The Procter & Gamble Company
329932	(Anthony Richard Humphreys;Jeff Kane;John Warren Collins;Wayne Douglas Shepherd;Stephen James Myler Hughes;Brian Ronald Field) Anthony Richard Humphreys;Jeff Kane
329930	(Anthony Richard Humphreys;Jeff Kane;John Warren Collins;Wayne Douglas Shepherd;Stephen James Myler Hughes;Brian Ronald Field) Anthony Richard Humphreys;Jeff Kane;John Warren Collins

Corrigenda

Number 344233

In Vol 26 , No 17 , page 2326 under the heading **Applications Lapsed**; This entry was entered in error.

Number 343085

In Vol 26 , No 16 , page 2143 under the heading **Subsequent Owners Registered**; This entry is incorrect in relation to the original owners. The corrected entry is as follows: (Isovin Systems Pty Ltd) Gavin Dixon.

Certificate(s) of Examination

Examination of the following Design Registration(s) has been completed. Infringement proceedings may now be commenced.

316846	07-02D	06/09/2012
328344	06-03B	05/09/2012
330593	14-99	29/08/2012
330594	06-03NES	29/08/2012
330595	06-03NES	29/08/2012
330596	08-08C	29/08/2012
337851	14-01	05/09/2012
339171	23-02C	31/08/2012
339172	23-02C	31/08/2012
339731	12-16C	06/09/2012
340976	15-01	27/08/2012
340977	15-01	27/08/2012
340978	15-01	27/08/2012
341742	25-01F	07/09/2012
341937	25-01F	07/09/2012
342186	15-05	29/08/2012
342316	24-03	05/09/2012
342317	24-03	05/09/2012
342597	09-03NES	31/08/2012
342946	15-99	31/08/2012
343019	07-02P	31/08/2012
343120	08-03	29/08/2012
343158	23-01A	31/08/2012
343159	23-01A	31/08/2012
343160	23-01A	31/08/2012
343161	23-01A	31/08/2012
343162	23-01A	31/08/2012
343197	06-03B	31/08/2012
343223	28-03D	31/08/2012
343297	06-06A	31/08/2012
343324	23-02A	31/08/2012
343331	17-99	06/09/2012
343380	09-01NES	05/09/2012

Publication and Registration Proceedings

Designs Registered

This section provides a concordance between design number and registration number of Designs covered in this journal. It also shows the main class and registration date.

This section covers Registration numbers 344041 to 344277 .

The registration number shown below should be used in all future correspondence.

Design Number	Registration Number	International Classification Code (IDC)	Registration Date	Design Number	Registration Number	International Classification Code (IDC)	Registration Date
15202/2011	344122	11-01E	03/09/2012	13452/2012	344118	22-01	31/08/2012
15518/2011	344166	02-02C	05/09/2012	13455/2012	344119	30-01	31/08/2012
15912/2011	344099	24-04	30/08/2012	13463/2012	344240	09-01H	06/09/2012
15913/2011	344100	24-04	30/08/2012	13464/2012	344124	17-99	03/09/2012
15915/2011	344082	24-04	29/08/2012	13468/2012	344241	07-01NES	06/09/2012
10583/2012	344066	25-01K	29/08/2012	13475/2012	344144	12-08	03/09/2012
10765/2012	344120	07-02NES	31/08/2012	13521/2012	344102	09-03H	30/08/2012
10895/2012	344167	15-07	05/09/2012	13525/2012	344121	28-03NES	31/08/2012
11105/2012	344067	02-02A	29/08/2012	13562/2012	344083	08-05N	30/08/2012
11191/2012	344151	21-01L	03/09/2012	13569/2012	344084	25-01B	30/08/2012
12523/2012	344103	06-01G	30/08/2012	13570/2012	344085	14-99	30/08/2012
12560/2012	344233	21-04	06/09/2012	13571/2012	344086	15-01	30/08/2012
12602/2012	344234	06-01L	06/09/2012	13572/2012	344087	15-01	30/08/2012
12639/2012	344101	09-01K	30/08/2012	13573/2012	344088	15-01	30/08/2012
12664/2012	344123	21-02B	03/09/2012	13575/2012	344089	21-01N	30/08/2012
12665/2012	344113	30-03	31/08/2012	13600/2012	344226	12-16A	05/09/2012
12682/2012	344168	12-16A	05/09/2012	13601/2012	344145	12-10	03/09/2012
12683/2012	344169	12-16A	05/09/2012	13602/2012	344227	09-07A	05/09/2012
12684/2012	344170	12-16A	05/09/2012	13620/2012	344041	25-02NES	28/08/2012
12685/2012	344138	12-16A	03/09/2012	13621/2012	344042	25-02C	28/08/2012
12686/2012	344139	12-16A	03/09/2012	13622/2012	344043	25-02NES	28/08/2012
12691/2012	344216	23-01A	05/09/2012	13623/2012	344044	25-02NES	28/08/2012
12692/2012	344217	23-01A	05/09/2012	13624/2012	344045	25-02NES	28/08/2012
12693/2012	344218	23-01A	05/09/2012	13625/2012	344046	25-02NES	28/08/2012
12694/2012	344219	23-01A	05/09/2012	13626/2012	344047	25-02NES	28/08/2012
12739/2012	344235	23-01A	06/09/2012	13627/2012	344048	25-02NES	28/08/2012
12740/2012	344236	23-01A	06/09/2012	13628/2012	344049	25-02NES	28/08/2012
12741/2012	344237	23-01A	06/09/2012	13629/2012	344050	25-02NES	28/08/2012
12742/2012	344238	23-01A	06/09/2012	13630/2012	344051	25-02NES	28/08/2012
12759/2012	344114	08-06	31/08/2012	13631/2012	344052	22-05	28/08/2012
12762/2012	344220	25-04	05/09/2012	13632/2012	344053	14-01	28/08/2012
12795/2012	344140	08-06	03/09/2012	13634/2012	344054	08-05A	28/08/2012
12796/2012	344141	08-06	03/09/2012	13635/2012	344055	08-05A	28/08/2012
12821/2012	344221	08-07	05/09/2012	13639/2012	344056	09-03NES	28/08/2012
12910/2012	344115	23-04	31/08/2012	13640/2012	344057	13-03D	28/08/2012
12947/2012	344222	28-03NES	05/09/2012	13642/2012	344058	14-01	28/08/2012
13002/2012	344223	07-06D	05/09/2012	13643/2012	344059	14-01	28/08/2012
13003/2012	344224	07-06D	05/09/2012	13644/2012	344060	14-01	28/08/2012
13048/2012	344239	30-08	06/09/2012	13645/2012	344061	14-01	28/08/2012
13141/2012	344153	08-10	04/09/2012	13646/2012	344062	14-01	28/08/2012
13161/2012	344171	14-01	05/09/2012	13647/2012	344063	14-01	28/08/2012
13162/2012	344172	25-01E	05/09/2012	13648/2012	344064	14-01	28/08/2012
13166/2012	344173	21-01B	05/09/2012	13649/2012	344065	14-01	28/08/2012
13167/2012	344174	02-04B	05/09/2012	13650/2012	344090	14-01	30/08/2012
13169/2012	344175	30-08	05/09/2012	13651/2012	344091	14-01	30/08/2012
13271/2012	344225	20-02C	05/09/2012	13652/2012	344092	14-01	30/08/2012
13305/2012	344116	12-02	31/08/2012	13653/2012	344093	14-01	30/08/2012
13325/2012	344142	17-99	03/09/2012	13654/2012	344094	14-01	30/08/2012
13326/2012	344143	17-99	03/09/2012	13655/2012	344095	14-01	30/08/2012
13418/2012	344117	23-01G	31/08/2012	13656/2012	344096	14-01	30/08/2012

Publication and Registration Proceedings - Designs Registered cont'd

Design Number	Registration Number	International Classification Code (IDC)	Registration Date	Design Number	Registration Number	International Classification Code (IDC)	Registration Date
13657/2012	344097	14-01	30/08/2012	13737/2012	344203	14-01	05/09/2012
13658/2012	344132	14-01	03/09/2012	13738/2012	344204	14-01	05/09/2012
13659/2012	344104	14-01	30/08/2012	13739/2012	344205	14-01	05/09/2012
13660/2012	344133	14-01	03/09/2012	13740/2012	344206	14-01	05/09/2012
13661/2012	344134	23-02F	03/09/2012	13741/2012	344207	14-01	05/09/2012
13662/2012	344105	06-13B	30/08/2012	13742/2012	344208	14-01	05/09/2012
13663/2012	344106	06-13B	30/08/2012	13743/2012	344209	14-01	05/09/2012
13664/2012	344107	06-13B	30/08/2012	13745/2012	344210	14-01	05/09/2012
13665/2012	344108	06-13B	30/08/2012	13746/2012	344211	14-01	05/09/2012
13666/2012	344109	06-13B	30/08/2012	13751/2012	344212	12-11	05/09/2012
13667/2012	344110	06-13B	30/08/2012	13752/2012	344213	03-01NES	05/09/2012
13668/2012	344111	06-13B	30/08/2012	13753/2012	344214	14-02	05/09/2012
13669/2012	344112	06-13B	30/08/2012	13754/2012	344215	14-02	05/09/2012
13670/2012	344135	06-13B	03/09/2012	13755/2012	344243	14-02	06/09/2012
13671/2012	344136	12-16C	03/09/2012	13756/2012	344244	14-02	06/09/2012
13672/2012	344137	12-16C	03/09/2012	13757/2012	344245	14-02	06/09/2012
13673/2012	344098	12-16B	30/08/2012	13758/2012	344150	21-01L	03/09/2012
13674/2012	344146	12-08	03/09/2012	13759/2012	344263	09-03NES	07/09/2012
13675/2012	344147	09-07B	03/09/2012	13760/2012	344264	02-02NES	07/09/2012
13676/2012	344148	26-05E	03/09/2012	13761/2012	344265	02-02NES	07/09/2012
13679/2012	344149	19-02	03/09/2012	13762/2012	344266	02-02NES	07/09/2012
13680/2012	344186	19-02	05/09/2012	13763/2012	344267	02-02NES	07/09/2012
13681/2012	344187	14-01	05/09/2012	13764/2012	344268	13-03NES	07/09/2012
13682/2012	344188	14-01	05/09/2012	13765/2012	344269	13-03NES	07/09/2012
13683/2012	344189	14-01	05/09/2012	13766/2012	344270	14-01	07/09/2012
13684/2012	344190	14-01	05/09/2012	13767/2012	344271	14-01	07/09/2012
13685/2012	344191	14-01	05/09/2012	13768/2012	344272	14-01	07/09/2012
13686/2012	344192	14-01	05/09/2012	13769/2012	344273	14-01	07/09/2012
13687/2012	344193	14-01	05/09/2012	13770/2012	344274	14-01	07/09/2012
13688/2012	344194	14-01	05/09/2012	13771/2012	344275	14-01	07/09/2012
13689/2012	344195	14-01	05/09/2012	13775/2012	344276	21-02C	07/09/2012
13690/2012	344196	14-01	05/09/2012	13776/2012	344277	08-08L	07/09/2012
13691/2012	344197	14-01	05/09/2012	13777/2012	344246	14-03D	06/09/2012
13692/2012	344198	14-01	05/09/2012	13778/2012	344247	14-03D	06/09/2012
13693/2012	344199	14-01	05/09/2012	13795/2012	344248	07-02E	07/09/2012
13694/2012	344200	14-01	05/09/2012	13796/2012	344249	07-02E	07/09/2012
13695/2012	344154	14-01	04/09/2012	13797/2012	344250	26-06	07/09/2012
13696/2012	344155	14-01	04/09/2012	13798/2012	344251	07-04	07/09/2012
13697/2012	344156	14-01	04/09/2012	13799/2012	344252	01-01	07/09/2012
13698/2012	344157	14-01	04/09/2012	13800/2012	344253	25-02C	07/09/2012
13699/2012	344158	14-01	04/09/2012	13801/2012	344254	13-03B	07/09/2012
13700/2012	344159	14-01	04/09/2012	13802/2012	344255	13-03B	07/09/2012
13702/2012	344160	27-05	04/09/2012	13803/2012	344256	07-99NES	07/09/2012
13706/2012	344161	12-15B	04/09/2012	13804/2012	344257	22-05	07/09/2012
13709/2012	344162	12-16NES	04/09/2012	13805/2012	344258	07-05D	07/09/2012
13710/2012	344163	26-05D	04/09/2012	13814/2012	344259	07-06NES	07/09/2012
13711/2012	344164	24-02	04/09/2012	13815/2012	344260	06-01E	07/09/2012
13712/2012	344165	24-02	04/09/2012	13816/2012	344261	08-06	07/09/2012
13715/2012	344242	22-05	06/09/2012	13817/2012	344262	24-04	07/09/2012
13731/2012	344228	14-01	05/09/2012	14052/2012	344068	02-02A	29/08/2012
13732/2012	344229	14-01	05/09/2012	14053/2012	344069	02-02A	29/08/2012
13733/2012	344230	14-01	05/09/2012	14054/2012	344070	02-02A	29/08/2012
13734/2012	344231	14-01	05/09/2012	14055/2012	344071	02-02A	29/08/2012
13735/2012	344201	14-01	05/09/2012	14056/2012	344072	02-02A	29/08/2012
13736/2012	344202	14-01	05/09/2012	14057/2012	344073	02-02A	29/08/2012

Publication and Registration Proceedings - Designs Registered cont'd

Design Number	Registration Number	International Classification Code (IDC)	Registration Date	Design Number	Registration Number	International Classification Code (IDC)	Registration Date
14058/2012	344074	02-02A	29/08/2012	14078/2012	344176	02-02NES	05/09/2012
14059/2012	344075	02-02A	29/08/2012	14079/2012	344177	02-02NES	05/09/2012
14060/2012	344076	02-02A	29/08/2012	14080/2012	344178	02-02C	05/09/2012
14061/2012	344077	02-02A	29/08/2012	14081/2012	344179	02-02C	05/09/2012
14062/2012	344078	02-02A	29/08/2012	14082/2012	344180	02-02C	05/09/2012
14063/2012	344079	02-02A	29/08/2012	14083/2012	344181	02-02C	05/09/2012
14064/2012	344080	02-02A	29/08/2012	14084/2012	344182	02-02NES	05/09/2012
14065/2012	344081	02-02A	29/08/2012	14085/2012	344183	02-02C	05/09/2012
14071/2012	344125	02-02C	03/09/2012	14086/2012	344184	02-02C	05/09/2012
14072/2012	344126	02-02C	03/09/2012	14087/2012	344185	02-02C	05/09/2012
14073/2012	344127	03-01B	03/09/2012	14129/2012	344152	21-01L	03/09/2012
14074/2012	344128	02-02NES	03/09/2012	14298/2012	344232	08-07	05/09/2012
14075/2012	344129	02-02NES	03/09/2012				
14076/2012	344130	02-02NES	03/09/2012				
14077/2012	344131	02-02NES	03/09/2012				

Publication and Registration Proceedings

Class Listing of Designs Published or Registered

The following section shows an International Classification Code listing of the Registered or Published Designs covered in this supplement.

Classification	Registration Number	Design Number	Classification	Registration Number	Design Number
01-01	344252	13799/2012	06-13B	344111	13668/2012
02-02A	344067	11105/2012	06-13B	344112	13669/2012
02-02A	344068	14052/2012	06-13B	344135	13670/2012
02-02A	344069	14053/2012	07-01NES	344241	13468/2012
02-02A	344070	14054/2012	07-02E	344248	13795/2012
02-02A	344071	14055/2012	07-02E	344249	13796/2012
02-02A	344072	14056/2012	07-02NES	344120	10765/2012
02-02A	344073	14057/2012	07-04	344251	13798/2012
02-02A	344074	14058/2012	07-05D	344258	13805/2012
02-02A	344075	14059/2012	07-06D	344223	13002/2012
02-02A	344076	14060/2012	07-06D	344224	13003/2012
02-02A	344077	14061/2012	07-06NES	344259	13814/2012
02-02A	344078	14062/2012	07-99NES	344256	13803/2012
02-02A	344079	14063/2012	08-05A	344054	13634/2012
02-02A	344080	14064/2012	08-05A	344055	13635/2012
02-02A	344081	14065/2012	08-05N	344083	13562/2012
02-02C	344125	14071/2012	08-06	344114	12759/2012
02-02C	344126	14072/2012	08-06	344140	12795/2012
02-02C	344166	15518/2011	08-06	344141	12796/2012
02-02C	344178	14080/2012	08-06	344261	13816/2012
02-02C	344179	14081/2012	08-07	344221	12821/2012
02-02C	344180	14082/2012	08-07	344232	14298/2012
02-02C	344181	14083/2012	08-08E	344054	13634/2012
02-02C	344183	14085/2012	08-08E	344055	13635/2012
02-02C	344184	14086/2012	08-08L	344277	13776/2012
02-02C	344185	14087/2012	08-10	344153	13141/2012
02-02NES	344128	14074/2012	09-01H	344240	13463/2012
02-02NES	344129	14075/2012	09-01K	344101	12639/2012
02-02NES	344130	14076/2012	09-02NES	344256	13803/2012
02-02NES	344131	14077/2012	09-03H	344102	13521/2012
02-02NES	344166	15518/2011	09-03NES	344056	13639/2012
02-02NES	344176	14078/2012	09-03NES	344263	13759/2012
02-02NES	344177	14079/2012	09-07A	344227	13602/2012
02-02NES	344182	14084/2012	09-07B	344147	13675/2012
02-02NES	344264	13760/2012	11-01E	344122	15202/2011
02-02NES	344265	13761/2012	12-02	344116	13305/2012
02-02NES	344266	13762/2012	12-08	344144	13475/2012
02-02NES	344267	13763/2012	12-08	344146	13674/2012
02-04B	344174	13167/2012	12-10	344145	13601/2012
03-01B	344127	14073/2012	12-11	344212	13751/2012
03-01D	344121	13525/2012	12-15B	344161	13706/2012
03-01NES	344213	13752/2012	12-16A	344138	12685/2012
06-01E	344260	13815/2012	12-16A	344139	12686/2012
06-01G	344103	12523/2012	12-16A	344168	12682/2012
06-01H	344103	12523/2012	12-16A	344169	12683/2012
06-01L	344234	12602/2012	12-16A	344170	12684/2012
06-03NES	344234	12602/2012	12-16A	344226	13600/2012
06-13B	344105	13662/2012	12-16B	344098	13673/2012
06-13B	344106	13663/2012	12-16C	344136	13671/2012
06-13B	344107	13664/2012	12-16C	344137	13672/2012
06-13B	344108	13665/2012	12-16NES	344086	13571/2012
06-13B	344109	13666/2012	12-16NES	344087	13572/2012
06-13B	344110	13667/2012	12-16NES	344088	13573/2012

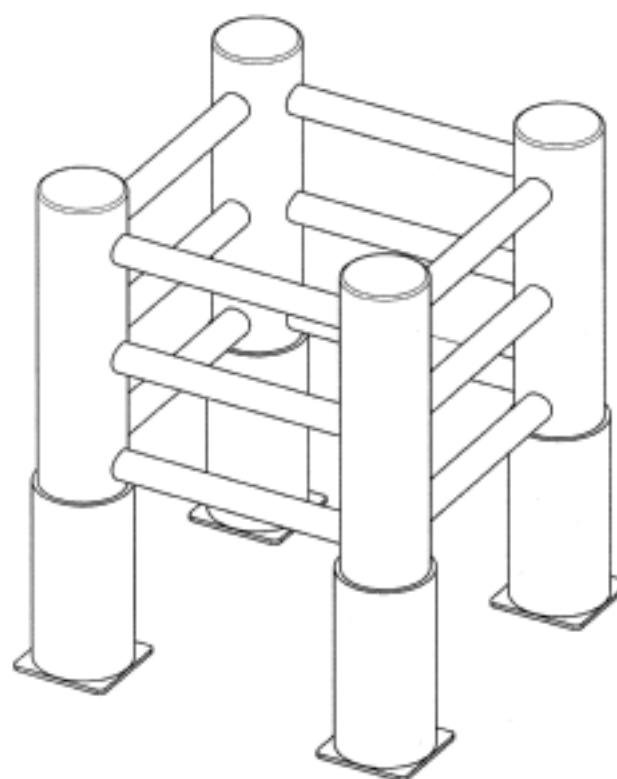
Registration Proceedings - Class Listing of Designs Published or Registered cont'd

Classification	Registration Number	Design Number	Classification	Registration Number	Design Number
12-16NES	344162	13709/2012	14-01	344210	13745/2012
13-03B	344254	13801/2012	14-01	344211	13746/2012
13-03B	344255	13802/2012	14-01	344228	13731/2012
13-03D	344057	13640/2012	14-01	344229	13732/2012
13-03NES	344268	13764/2012	14-01	344230	13733/2012
13-03NES	344269	13765/2012	14-01	344231	13734/2012
14-01	344053	13632/2012	14-01	344270	13766/2012
14-01	344058	13642/2012	14-01	344271	13767/2012
14-01	344059	13643/2012	14-01	344272	13768/2012
14-01	344060	13644/2012	14-01	344273	13769/2012
14-01	344061	13645/2012	14-01	344274	13770/2012
14-01	344062	13646/2012	14-01	344275	13771/2012
14-01	344063	13647/2012	14-02	344213	13752/2012
14-01	344064	13648/2012	14-02	344214	13753/2012
14-01	344065	13649/2012	14-02	344215	13754/2012
14-01	344090	13650/2012	14-02	344243	13755/2012
14-01	344091	13651/2012	14-02	344244	13756/2012
14-01	344092	13652/2012	14-02	344245	13757/2012
14-01	344093	13653/2012	14-03D	344246	13777/2012
14-01	344094	13654/2012	14-03D	344247	13778/2012
14-01	344095	13655/2012	14-99	344085	13570/2012
14-01	344096	13656/2012	15-01	344086	13571/2012
14-01	344097	13657/2012	15-01	344087	13572/2012
14-01	344104	13659/2012	15-01	344088	13573/2012
14-01	344132	13658/2012	15-07	344167	10895/2012
14-01	344133	13660/2012	15-99	344066	10583/2012
14-01	344154	13695/2012	17-99	344124	13464/2012
14-01	344155	13696/2012	17-99	344142	13325/2012
14-01	344156	13697/2012	17-99	344143	13326/2012
14-01	344157	13698/2012	19-02	344149	13679/2012
14-01	344158	13699/2012	19-02	344186	13680/2012
14-01	344159	13700/2012	20-02C	344225	13271/2012
14-01	344171	13161/2012	21-01B	344173	13166/2012
14-01	344187	13681/2012	21-01C	344144	13475/2012
14-01	344188	13682/2012	21-01L	344150	13758/2012
14-01	344189	13683/2012	21-01L	344151	11191/2012
14-01	344190	13684/2012	21-01L	344152	14129/2012
14-01	344191	13685/2012	21-01N	344089	13575/2012
14-01	344192	13686/2012	21-02B	344123	12664/2012
14-01	344193	13687/2012	21-02C	344276	13775/2012
14-01	344194	13688/2012	21-04	344233	12560/2012
14-01	344195	13689/2012	22-01	344118	13452/2012
14-01	344196	13690/2012	22-05	344052	13631/2012
14-01	344197	13691/2012	22-05	344242	13715/2012
14-01	344198	13692/2012	22-05	344257	13804/2012
14-01	344199	13693/2012	23-01A	344216	12691/2012
14-01	344200	13694/2012	23-01A	344217	12692/2012
14-01	344201	13735/2012	23-01A	344218	12693/2012
14-01	344202	13736/2012	23-01A	344219	12694/2012
14-01	344203	13737/2012	23-01A	344235	12739/2012
14-01	344204	13738/2012	23-01A	344236	12740/2012
14-01	344205	13739/2012	23-01A	344237	12741/2012
14-01	344206	13740/2012	23-01A	344238	12742/2012
14-01	344207	13741/2012	23-01E	344227	13602/2012
14-01	344208	13742/2012	23-01G	344117	13418/2012
14-01	344209	13743/2012	23-02A	344256	13803/2012

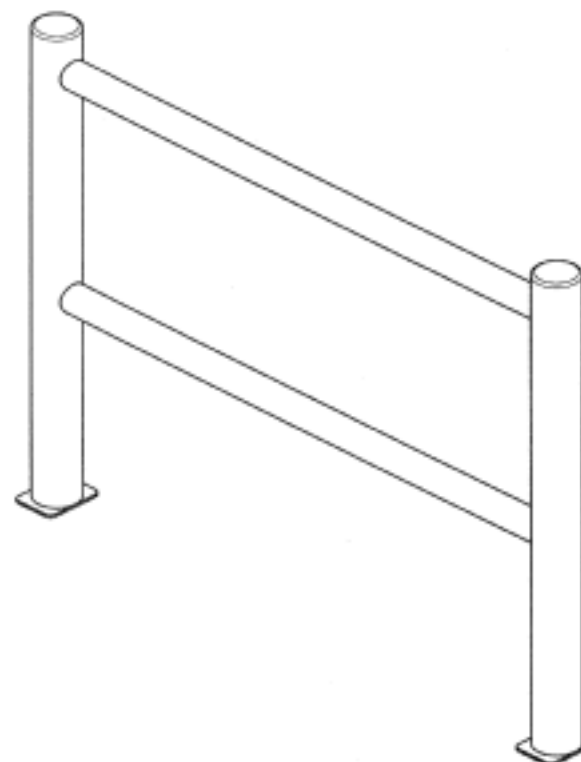
Registration Proceedings - Class Listing of Designs Published or Registered cont'd

Classification	Registration Number	Design Number	Classification	Registration Number	Design Number
23-02F	344134	13661/2012	25-02NES	344046	13625/2012
23-04	344115	12910/2012	25-02NES	344047	13626/2012
24-02	344164	13711/2012	25-02NES	344048	13627/2012
24-02	344165	13712/2012	25-02NES	344049	13628/2012
24-04	344082	15915/2011	25-02NES	344050	13629/2012
24-04	344099	15912/2011	25-02NES	344051	13630/2012
24-04	344100	15913/2011	25-04	344220	12762/2012
24-04	344262	13817/2012	26-05D	344163	13710/2012
24-99	344262	13817/2012	26-05E	344148	13676/2012
25-01B	344084	13569/2012	26-06	344250	13797/2012
25-01E	344172	13162/2012	27-05	344160	13702/2012
25-01K	344066	10583/2012	28-03NES	344121	13525/2012
25-02C	344042	13621/2012	28-03NES	344222	12947/2012
25-02C	344084	13569/2012	30-01	344119	13455/2012
25-02C	344253	13800/2012	30-03	344113	12665/2012
25-02NES	344041	13620/2012	30-08	344175	13169/2012
25-02NES	344043	13622/2012	30-08	344239	13048/2012
25-02NES	344044	13623/2012			
25-02NES	344045	13624/2012			

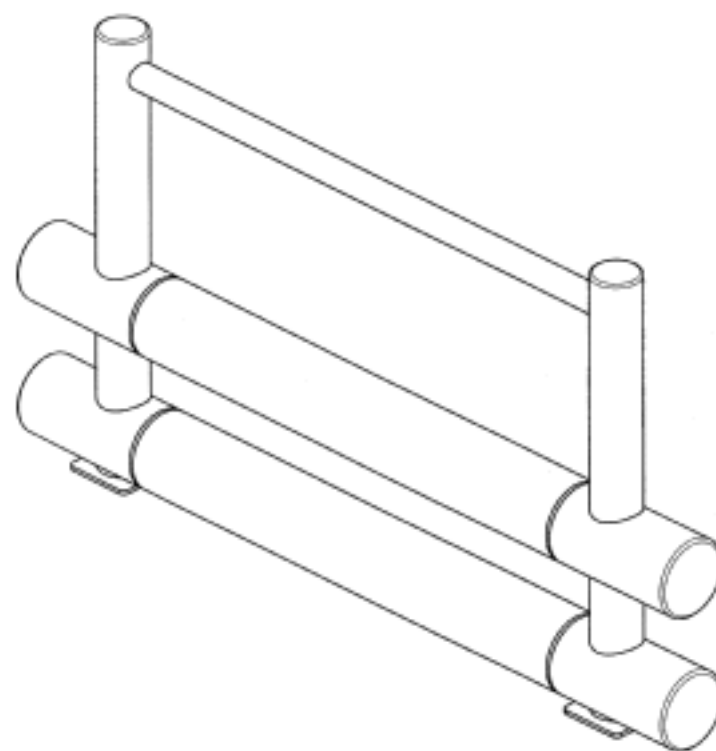
(21) Design Number: **13620/2012**
(22) Date of Filing Application: **30 July 2012**
(24) Date from which industrial property rights may have effect: **30 July 2012**
(54) Product in respect of which the design is registered: **Bollard**
(51) International Design Classification: **25-02NES**
(74) Name(s) of Attorney(s): **PHILLIPS ORMONDE FITZPATRICK**
(71) Name(s) and Address(s) of Applicant(s):
A-Fax Limited
Drake Industrial Estate Shay Lane Ovenden Halifax West Yorkshire HX3
6RL United Kingdom
(72) Name(s) of Designer(s): **Abdul Mukith and Luke Smith**
(45) Registration Date: **28 August 2012**
(30) Convention priority data:
(31) Number (32) Date (33) Country
001983339-001 30 Jan 2012 EUROPEAN COMMUNITY
(56) Related Art Documents: **Not Applicable**
(57) Statement of Newness and Distinctiveness: **Nil**



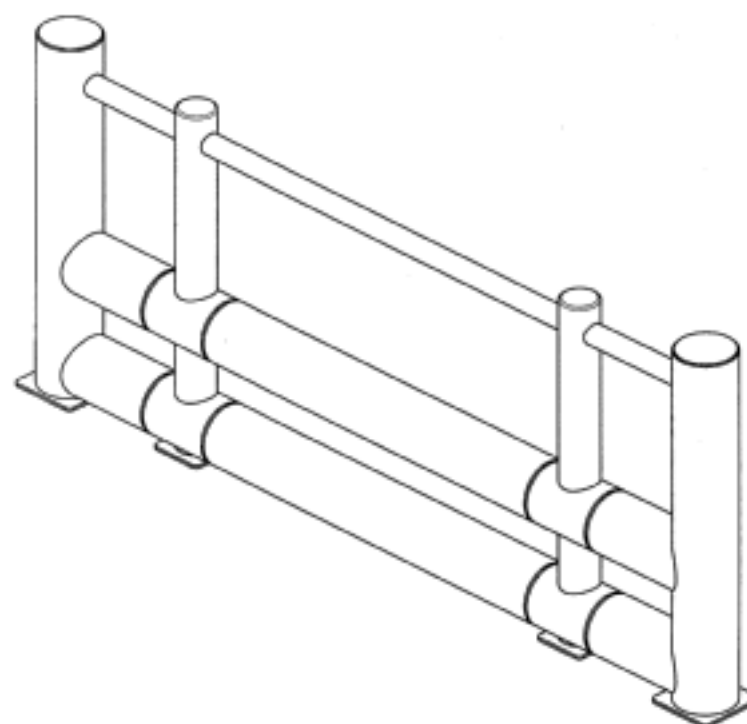
(21) Design Number: **13621/2012**
(22) Date of Filing Application: **30 July 2012**
(24) Date from which industrial property rights may have effect: **30 July 2012**
(54) Product in respect of which the design is registered: **Handrail**
(51) International Design Classification: **25-02C**
(74) Name(s) of Attorney(s): **PHILLIPS ORMONDE FITZPATRICK**
(71) Name(s) and Address(s) of Applicant(s):
A-Fax Limited
Drake Industrial Estate Shay Lane Ovenden Halifax West Yorkshire HX3
6RL United Kingdom
(72) Name(s) of Designer(s): **Abdul Mukith and Luke Smith**
(45) Registration Date: **28 August 2012**
(30) Convention priority data:
(31) Number (32) Date (33) Country
001983339-002 30 Jan 2012 EUROPEAN COMMUNITY
(56) Related Art Documents: **Not Applicable**
(57) Statement of Newness and Distinctiveness: **Nil**



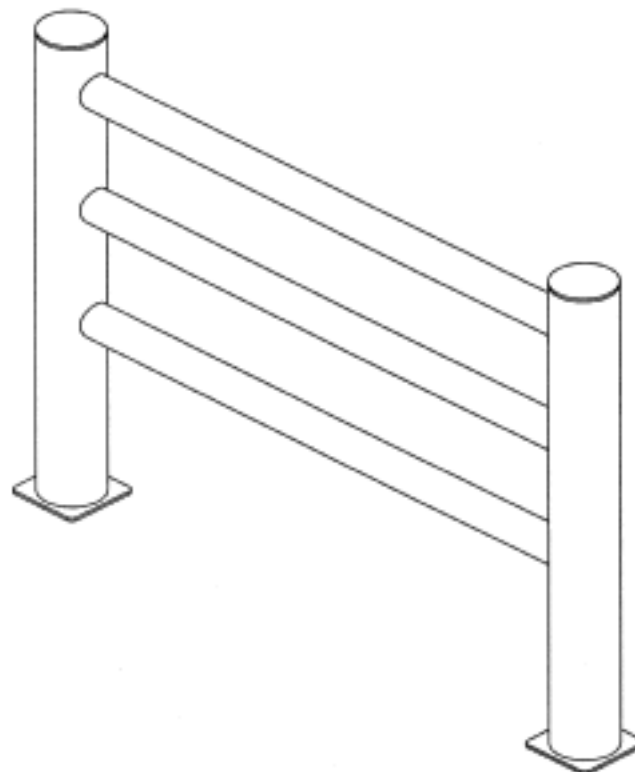
(21) Design Number: **13622/2012**
(22) Date of Filing Application: **30 July 2012**
(24) Date from which industrial property rights may have effect: **30 July 2012**
(54) Product in respect of which the design is registered: **Bollard**
(51) International Design Classification: **25-02NES**
(74) Name(s) of Attorney(s): **PHILLIPS ORMONDE FITZPATRICK**
(71) Name(s) and Address(s) of Applicant(s):
A-Fax Limited
Drake Industrial Estate Shay Lane Ovenden Halifax West Yorkshire HX3
6RL United Kingdom
(72) Name(s) of Designer(s): **Abdul Mukith and Luke Smith**
(45) Registration Date: **28 August 2012**
(30) Convention priority data:
(31) Number (32) Date (33) Country
001983339-003 30 Jan 2012 EUROPEAN COMMUNITY
(56) Related Art Documents: **Not Applicable**
(57) Statement of Newness and Distinctiveness: **Nil**



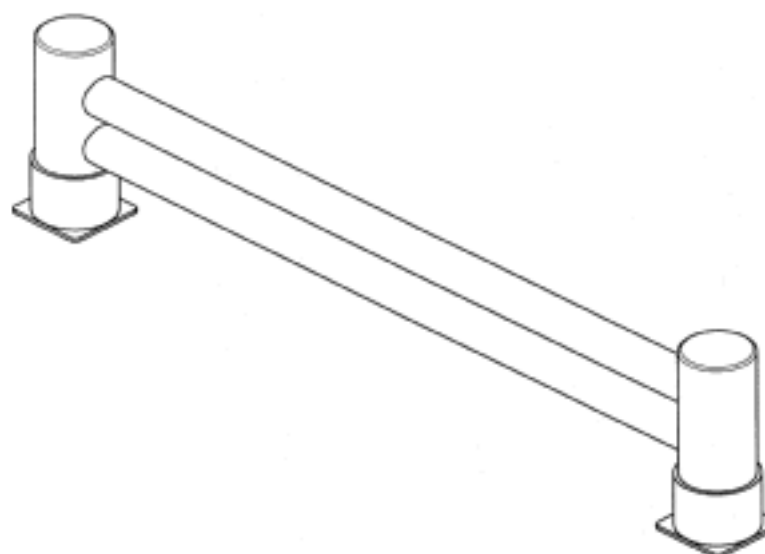
(21) Design Number: **13623/2012**
(22) Date of Filing Application: **30 July 2012**
(24) Date from which industrial property rights may have effect: **30 July 2012**
(54) Product in respect of which the design is registered: **Bollard**
(51) International Design Classification: **25-02NES**
(74) Name(s) of Attorney(s): **PHILLIPS ORMONDE FITZPATRICK**
(71) Name(s) and Address(s) of Applicant(s):
A-Fax Limited
Drake Industrial Estate Shay Lane Ovenden Halifax West Yorkshire HX3
6RL United Kingdom
(72) Name(s) of Designer(s): **Abdul Mukith and Luke Smith**
(45) Registration Date: **28 August 2012**
(30) Convention priority data:
(31) Number (32) Date (33) Country
001983339-004 30 Jan 2012 EUROPEAN COMMUNITY
(56) Related Art Documents: **Not Applicable**
(57) Statement of Newness and Distinctiveness: **Nil**



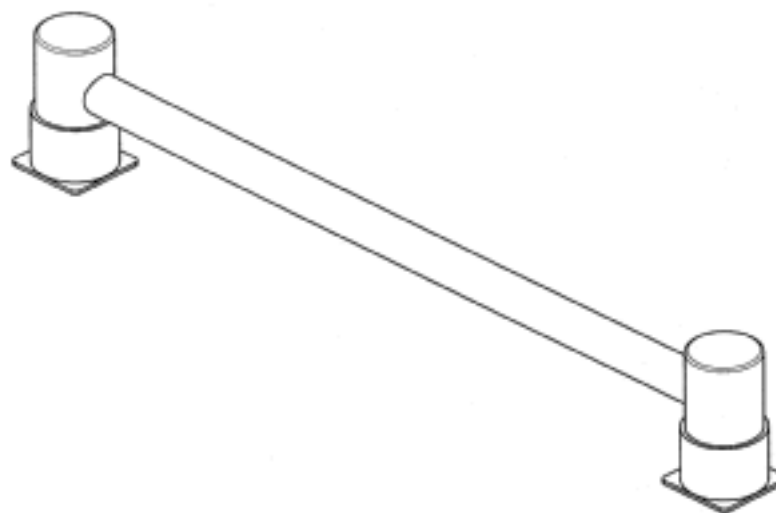
(21) Design Number: **13624/2012**
(22) Date of Filing Application: **30 July 2012**
(24) Date from which industrial property rights may have effect: **30 July 2012**
(54) Product in respect of which the design is registered: **Barrier**
(51) International Design Classification: **25-02NES**
(74) Name(s) of Attorney(s): **PHILLIPS ORMONDE FITZPATRICK**
(71) Name(s) and Address(s) of Applicant(s):
A-Fax Limited
Drake Industrial Estate Shay Lane Ovenden Halifax West Yorkshire HX3
6RL United Kingdom
(72) Name(s) of Designer(s): **Abdul Mukith and Luke Smith**
(45) Registration Date: **28 August 2012**
(30) Convention priority data:
(31) Number (32) Date (33) Country
001983339-005 30 Jan 2012 EUROPEAN COMMUNITY
(56) Related Art Documents: **Not Applicable**
(57) Statement of Newness and Distinctiveness: **Nil**



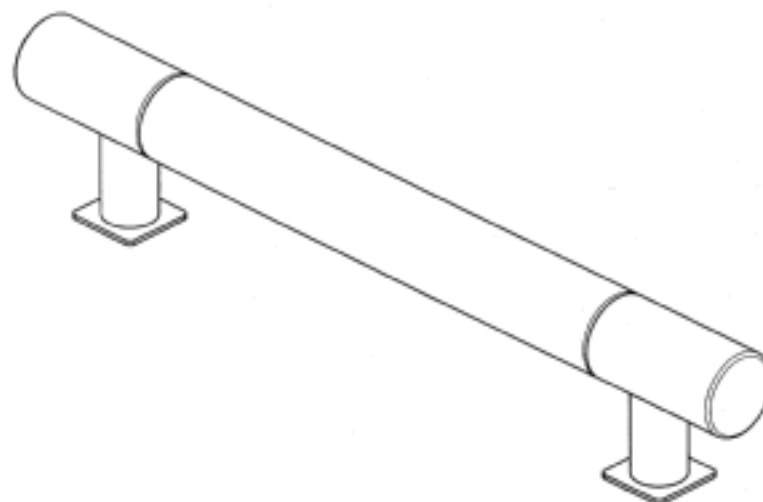
(21) Design Number: **13625/2012**
(22) Date of Filing Application: **30 July 2012**
(24) Date from which industrial property rights may have effect: **30 July 2012**
(54) Product in respect of which the design is registered: **Barrier**
(51) International Design Classification: **25-02NES**
(74) Name(s) of Attorney(s): **PHILLIPS ORMONDE FITZPATRICK**
(71) Name(s) and Address(s) of Applicant(s):
A-Fax Limited
Drake Industrial Estate Shay Lane Ovenden Halifax West Yorkshire HX3
6RL United Kingdom
(72) Name(s) of Designer(s): **Abdul Mukith and Luke Smith**
(45) Registration Date: **28 August 2012**
(30) Convention priority data:
(31) Number (32) Date (33) Country
001983339-006 30 Jan 2012 EUROPEAN COMMUNITY
(56) Related Art Documents: **Not Applicable**
(57) Statement of Newness and Distinctiveness: **Nil**



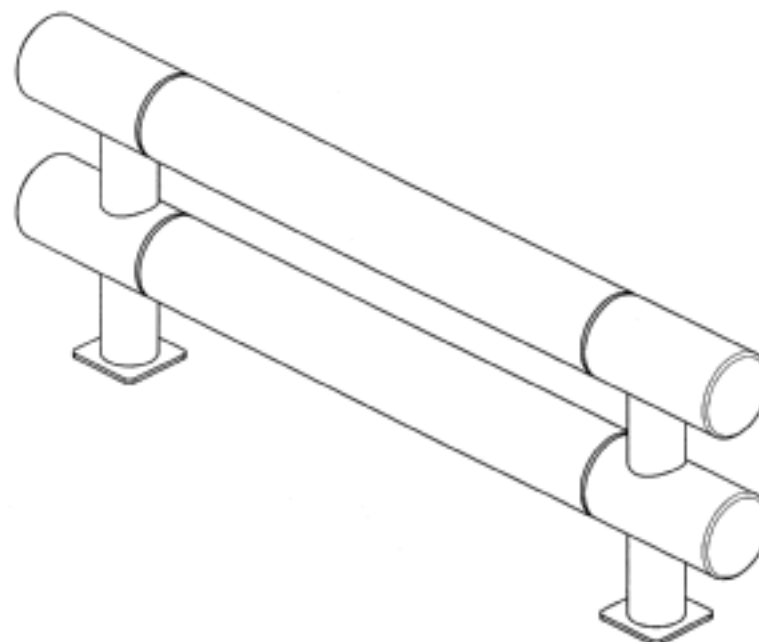
(21) Design Number: **13626/2012**
(22) Date of Filing Application: **30 July 2012**
(24) Date from which industrial property rights may have effect: **30 July 2012**
(54) Product in respect of which the design is registered: **Barrier**
(51) International Design Classification: **25-02NES**
(74) Name(s) of Attorney(s): **PHILLIPS ORMONDE FITZPATRICK**
(71) Name(s) and Address(s) of Applicant(s):
A-Fax Limited
Drake Industrial Estate Shay Lane Ovenden Halifax West Yorkshire HX3
6RL United Kingdom
(72) Name(s) of Designer(s): **Abdul Mukith and Luke Smith**
(45) Registration Date: **28 August 2012**
(30) Convention priority data:
(31) Number (32) Date (33) Country
001983339-007 30 Jan 2012 EUROPEAN COMMUNITY
(56) Related Art Documents: **Not Applicable**
(57) Statement of Newness and Distinctiveness: **Nil**



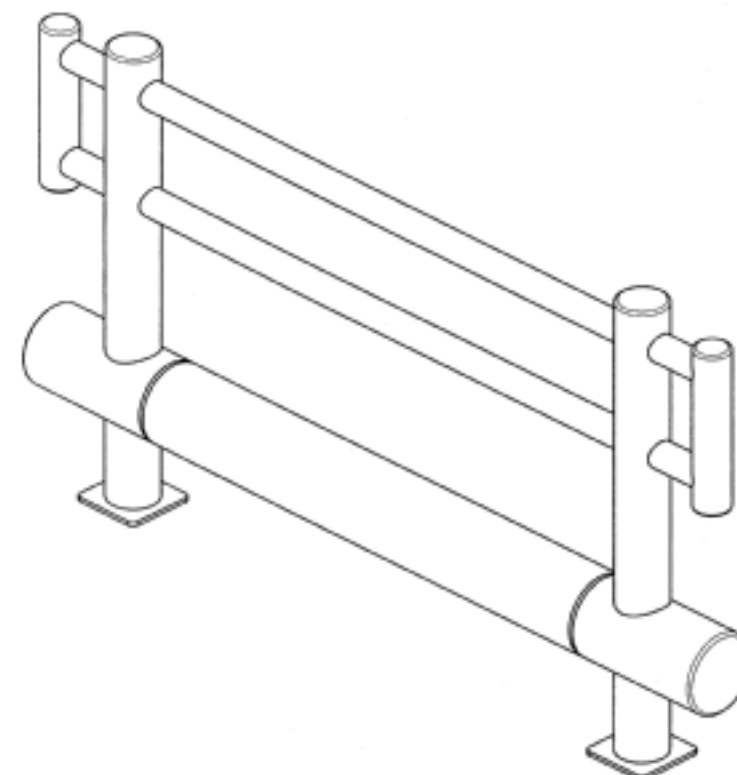
(21) Design Number: **13627/2012**
(22) Date of Filing Application: **30 July 2012**
(24) Date from which industrial property rights may have effect: **30 July 2012**
(54) Product in respect of which the design is registered: **Barrier**
(51) International Design Classification: **25-02NES**
(74) Name(s) of Attorney(s): **PHILLIPS ORMONDE FITZPATRICK**
(71) Name(s) and Address(s) of Applicant(s):
A-Fax Limited
Drake Industrial Estate Shay Lane Ovenden Halifax West Yorkshire HX3
6RL United Kingdom
(72) Name(s) of Designer(s): **Abdul Mukith and Luke Smith**
(45) Registration Date: **28 August 2012**
(30) Convention priority data:
(31) Number (32) Date (33) Country
001983339-008 30 Jan 2012 EUROPEAN COMMUNITY
(56) Related Art Documents: **Not Applicable**
(57) Statement of Newness and Distinctiveness: **Nil**



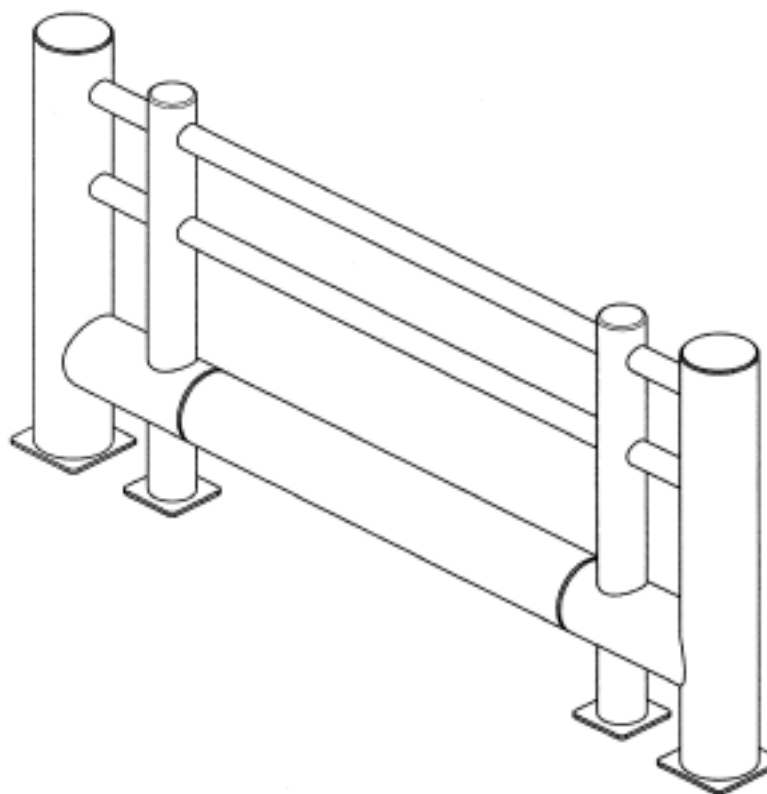
(21) Design Number: **13628/2012**
(22) Date of Filing Application: **30 July 2012**
(24) Date from which industrial property rights may have effect: **30 July 2012**
(54) Product in respect of which the design is registered: **Barrier**
(51) International Design Classification: **25-02NES**
(74) Name(s) of Attorney(s): **PHILLIPS ORMONDE FITZPATRICK**
(71) Name(s) and Address(s) of Applicant(s):
A-Fax Limited
Drake Industrial Estate Shay Lane Ovenden Halifax West Yorkshire HX3
6RL United Kingdom
(72) Name(s) of Designer(s): **Abdul Mukith and Luke Smith**
(45) Registration Date: **28 August 2012**
(30) Convention priority data:
(31) Number (32) Date (33) Country
001983339-009 30 Jan 2012 EUROPEAN COMMUNITY
(56) Related Art Documents: **Not Applicable**
(57) Statement of Newness and Distinctiveness: **Nil**



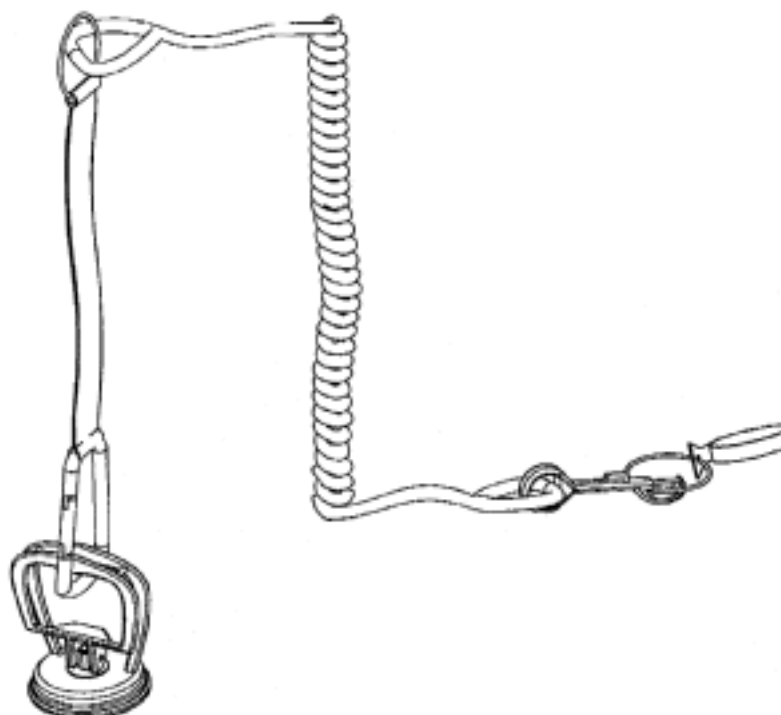
(21) Design Number: **13629/2012**
(22) Date of Filing Application: **30 July 2012**
(24) Date from which industrial property rights may have effect: **30 July 2012**
(54) Product in respect of which the design is registered: **Barrier**
(51) International Design Classification: **25-02NES**
(74) Name(s) of Attorney(s): **PHILLIPS ORMONDE FITZPATRICK**
(71) Name(s) and Address(s) of Applicant(s):
A-Fax Limited
Drake Industrial Estate Shay Lane Ovenden Halifax West Yorkshire HX3
6RL United Kingdom
(72) Name(s) of Designer(s): **Abdul Mukith and Luke Smith**
(45) Registration Date: **28 August 2012**
(30) Convention priority data:
(31) Number (32) Date (33) Country
001983339-010 30 Jan 2012 EUROPEAN COMMUNITY
(56) Related Art Documents: **Not Applicable**
(57) Statement of Newness and Distinctiveness: **Nil**



(21) Design Number: **13630/2012**
(22) Date of Filing Application: **30 July 2012**
(24) Date from which industrial property rights may have effect: **30 July 2012**
(54) Product in respect of which the design is registered: **Bollard**
(51) International Design Classification: **25-02NES**
(74) Name(s) of Attorney(s): **PHILLIPS ORMONDE FITZPATRICK**
(71) Name(s) and Address(s) of Applicant(s):
A-Fax Limited of Drakes Industrial Estate
Shay Lane Ovenden Halifax West Yorkshire HX3 6RL United Kingdom
(72) Name(s) of Designer(s): **Abdul Mukith and Luke Smith**
(45) Registration Date: **28 August 2012**
(30) Convention priority data:
(31) Number (32) Date (33) Country
001983339-011 30 Jan 2012 EUROPEAN COMMUNITY
(56) Related Art Documents: **Not Applicable**
(57) Statement of Newness and Distinctiveness: **Nil**



(21) Design Number: **13631/2012**
(22) Date of Filing Application: **27 July 2012**
(24) Date from which industrial property rights may have effect: **27 July 2012**
(54) Product in respect of which the design is registered: **Tethering device for securing fishing rods to fishing vessels**
(51) International Design Classification: **22-05**
(74) Name(s) of Attorney(s):
(71) Name(s) and Address(s) of Applicant(s):
Gary Robert Witt
15 McIlwraith Avenue Bundall Queensland 4217 Australia
Carolyn Anne Witt
15 McIlwraith Avenue Bundall Queensland 4217 Australia
(72) Name(s) of Designer(s): **Gary Robert Witt and Carolyn Anne Witt**
(45) Registration Date: **28 August 2012**
(56) Related Art Documents: **Not Applicable**
(57) Statement of Newness and Distinctiveness: **Nil**



(21) Design Number: **13632/2012**
(22) Date of Filing Application: **30 July 2012**
(24) Date from which industrial property rights may have effect: **30 July 2012**
(54) Product in respect of which the design is registered: **Headphones**
(51) International Design Classification: **14-01**
(74) Name(s) of Attorney(s): **A J Park**
(71) Name(s) and Address(s) of Applicant(s):
Philippe Starck
1 Avenue Paul Doumer 75016 Paris France
(72) Name(s) of Designer(s): **Philippe Starck**
(45) Registration Date: **28 August 2012**
(30) Convention priority data:
(31) Number (32) Date (33) Country
001984469 01 Feb 2012 EUROPEAN COMMUNITY
(56) Related Art Documents: **Not Applicable**
(57) Statement of Newness and Distinctiveness: **Newness and distinctiveness reside in the features of shape and/or configuration of the headphones as shown in the representations.**



(21) Design Number: **13634/2012**
(22) Date of Filing Application: **30 July 2012**
(24) Date from which industrial property rights may have effect: **30 July 2012**
(54) Product in respect of which the design is registered: **Wall-mounted hose box**
(51) International Design Classification: **08-05A, 08-08E**
(74) Name(s) of Attorney(s): **SPRUSON & FERGUSON**
(71) Name(s) and Address(s) of Applicant(s):
GARDENA Manufacturing GmbH
Hans Lorenser Strasse 40 D-89079 ULM Germany
(72) Name(s) of Designer(s): **Aleksandar Tatic**
(45) Registration Date: **28 August 2012**
(30) Convention priority data:
(31) Number (32) Date (33) Country
002004283-0001 07 Mar 2012 EUROPEAN COMMUNITY
(56) Related Art Documents: **Not Applicable**
(57) Statement of Newness and Distinctiveness: **Newness and distinctiveness is claimed in the features of shape and/or configuration of a wall-mounted hose box as illustrated in the accompanying representations.**



- (21) Design Number: **13635/2012**
(22) Date of Filing Application: **30 July 2012**
(24) Date from which industrial property rights may have effect: **30 July 2012**
(54) Product in respect of which the design is registered: **Wall-mounted hose box**
(51) International Design Classification: **08-05A, 08-08E**
(74) Name(s) of Attorney(s): **SPRUSON & FERGUSON**
(71) Name(s) and Address(s) of Applicant(s):
GARDENA Manufacturing GmbH
Hans Lorenser Strasse 40 D-89079 ULM Germany
(72) Name(s) of Designer(s): **Aleksandar Tatic**
(45) Registration Date: **28 August 2012**
(30) Convention priority data:
(31) Number (32) Date (33) Country
002004283-0001 07 Mar 2012 EUROPEAN COMMUNITY
(56) Related Art Documents: **Not Applicable**
(57) Statement of Newness and Distinctiveness: **Newness and distinctiveness is claimed in the features of shape and/or configuration of a wall-mounted hose box as illustrated in the accompanying representations.**



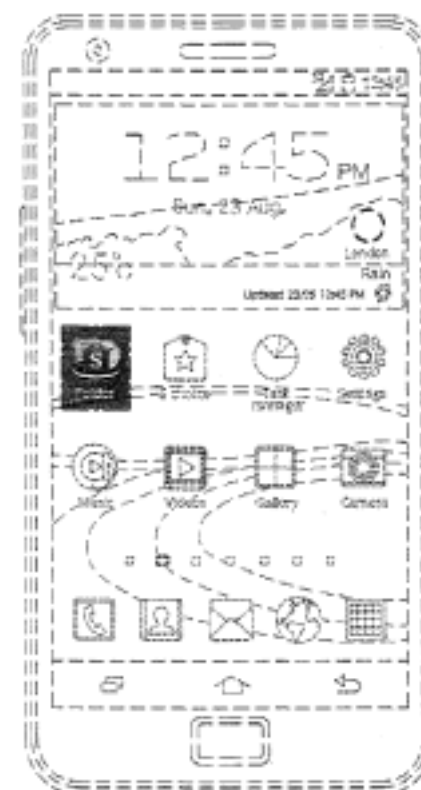
- (21) Design Number: **13639/2012**
(22) Date of Filing Application: **27 July 2012**
(24) Date from which industrial property rights may have effect: **27 July 2012**
(54) Product in respect of which the design is registered: **Clam shell packaging for lamps (lights)**
(51) International Design Classification: **09-03NES**
(74) Name(s) of Attorney(s):
(71) Name(s) and Address(s) of Applicant(s):
Mahi Enterprises Pty Ltd
4 Fernbrook Place Castle Hill New South Wales 2154 Australia
(72) Name(s) of Designer(s): **Nagarajah Rajkumar**
(45) Registration Date: **28 August 2012**
(56) Related Art Documents: **Not Applicable**
(57) Statement of Newness and Distinctiveness: **Image of the design 5 copies attached.**



(21) Design Number: **13640/2012**
(22) Date of Filing Application: **27 July 2012**
(24) Date from which industrial property rights may have effect: **27 July 2012**
(54) Product in respect of which the design is registered: **Power adaptor master/slave with IR receiver and time delay function**
(51) International Design Classification: **13-03D**
(74) Name(s) of Attorney(s):
(71) Name(s) and Address(s) of Applicant(s):
Mahi Enterprises Pty Ltd
4 Fernbrook Place Castle Hill New South Wales 2154 Australia
(72) Name(s) of Designer(s): **Nagarajah Rajkumar**
(45) Registration Date: **28 August 2012**
(56) Related Art Documents: **Not Applicable**
(57) Statement of Newness and Distinctiveness: **Nil**



(21) Design Number: **13642/2012**
(22) Date of Filing Application: **31 July 2012**
(24) Date from which industrial property rights may have effect: **31 July 2012**
(54) Product in respect of which the design is registered: **Display screen with icon for an electronic device**
(51) International Design Classification: **14-01**
(74) Name(s) of Attorney(s): **Wrays**
(71) Name(s) and Address(s) of Applicant(s):
Samsung Electronics Co., Ltd
129 Samsung-ro Yeongtong-gu Suwon-si Gyeonggi-do 443-742 Republic of Korea
(72) Name(s) of Designer(s): **Chang-Mo Yang and Dae-Won Kim and Jee-Yeun Wang and Chul-Ho Jang**
(45) Registration Date: **28 August 2012**
(30) Convention priority data:
(31) Number (32) Date (33) Country
30-2012-0008867 24 Feb 2012 REPUBLIC OF KOREA
(56) Related Art Documents: **Not Applicable**
(57) Statement of Newness and Distinctiveness: **Newness and distinctiveness is claimed in the features of pattern and/or ornamentation of the Display Screen With Icon For An Electronic Device as shown in the accompanying representations. The features shown in broken outline, inclusive of the text appearing on the Display Screen, are for illustrative purposes only and do not form part of the design.**



- (21) Design Number: **13643/2012**
(22) Date of Filing Application: **31 July 2012**
(24) Date from which industrial property rights may have effect: **31 July 2012**
(54) Product in respect of which the design is registered: **Display screen for an electronic device**
(51) International Design Classification: **14-01**
(74) Name(s) of Attorney(s): **Wrays**
(71) Name(s) and Address(s) of Applicant(s):
Samsung Electronics Co., Ltd
129 Samsung-ro Yeongtong-gu Suwon-si Gyeonggi-do 443-742 Republic of Korea
(72) Name(s) of Designer(s): **Jee-Yeun Wang and Mee-Young Kim and Su-Hyun Na and Min-Soo Kwon**
(45) Registration Date: **28 August 2012**
(30) Convention priority data:
(31) Number (32) Date (33) Country
30-2012-0008849 24 Feb 2012 REPUBLIC OF KOREA
(56) Related Art Documents: **Not Applicable**
(57) Statement of Newness and Distinctiveness: **Newness and distinctiveness is claimed in the features of pattern and/or ornamentation of the Display Screen For An Electronic Device as shown in the accompanying representations. The features shown in broken outline are for illustrative purposes only and do not form part of the design. The information conveyed by alphabetic and/or numeric characters displayed can vary.**



- (21) Design Number: **13644/2012**
(22) Date of Filing Application: **31 July 2012**
(24) Date from which industrial property rights may have effect: **31 July 2012**
(54) Product in respect of which the design is registered: **Display screen for an electronic device**
(51) International Design Classification: **14-01**
(74) Name(s) of Attorney(s): **Wrays**
(71) Name(s) and Address(s) of Applicant(s):
Samsung Electronics Co., Ltd
129 Samsung-ro Yeongtong-gu Suwon-si Gyeonggi-do 443-742 Republic of Korea
(72) Name(s) of Designer(s): **Yong-Chae Jung**
(45) Registration Date: **28 August 2012**
(30) Convention priority data:
(31) Number (32) Date (33) Country
30-2012-0008835 24 Feb 2012 REPUBLIC OF KOREA
(56) Related Art Documents: **Not Applicable**
(57) Statement of Newness and Distinctiveness: **Newness and distinctiveness is claimed in the features of pattern and/or ornamentation of the Display Screen For An Electronic Device as shown in the accompanying representations. The features shown in broken outline are for illustrative purposes only and do not form part of the design.**



(21) Design Number: **13645/2012**
(22) Date of Filing Application: **31 July 2012**
(24) Date from which industrial property rights may have effect: **31 July 2012**
(54) Product in respect of which the design is registered: **Display screen for an electronic device**
(51) International Design Classification: **14-01**
(74) Name(s) of Attorney(s): **Wrays**
(71) Name(s) and Address(s) of Applicant(s):
Samsung Electronics Co., Ltd
129 Samsung-ro Yeongtong-gu Suwon-si Gyeonggi-do 443-742 Republic of Korea



(72) Name(s) of Designer(s): **Yong-Chae Jung**
(45) Registration Date: **28 August 2012**
(30) Convention priority data:
(31) Number (32) Date (33) Country
30-2012-0008836 24 Feb 2012 REPUBLIC OF KOREA

(56) Related Art Documents: **Not Applicable**
(57) Statement of Newness and Distinctiveness: **Newness and distinctiveness is claimed in the features of pattern and/or ornamentation of the Display Screen For An Electronic Device as shown in the accompanying representations. The features shown in broken outline are for illustrative purposes only and do not form part of the design. The sequence of numerals shown representing a telephone number can vary.**

(21) Design Number: **13646/2012**
(22) Date of Filing Application: **31 July 2012**
(24) Date from which industrial property rights may have effect: **31 July 2012**
(54) Product in respect of which the design is registered: **Display screen for an electronic device**
(51) International Design Classification: **14-01**
(74) Name(s) of Attorney(s): **Wrays**
(71) Name(s) and Address(s) of Applicant(s):
Samsung Electronics Co., Ltd
129 Samsung-ro Yeongtong-gu Suwon-si Gyeonggi-do 443-742 Republic of Korea



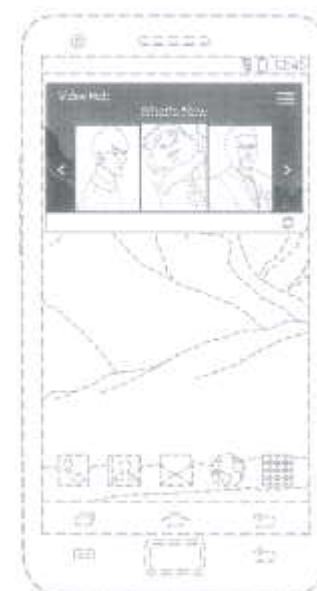
(72) Name(s) of Designer(s): **Bo-Won Kim and Ho-Young Lee**
(45) Registration Date: **28 August 2012**
(30) Convention priority data:
(31) Number (32) Date (33) Country
30-2012-0008837 24 Feb 2012 REPUBLIC OF KOREA

(56) Related Art Documents: **Not Applicable**
(57) Statement of Newness and Distinctiveness: **Newness and distinctiveness is claimed in the features of pattern and/or ornamentation of the Display Screen For An Electronic Device as shown in the accompanying representations. The features shown in broken outline are for illustrative purposes only and do not form part of the design.**

- (21) Design Number: **13647/2012**
(22) Date of Filing Application: **31 July 2012**
(24) Date from which industrial property rights may have effect: **31 July 2012**
(54) Product in respect of which the design is registered: **Display screen for an electronic device**
(51) International Design Classification: **14-01**
(74) Name(s) of Attorney(s): **Wrays**
(71) Name(s) and Address(s) of Applicant(s):
Samsung Electronics Co., Ltd
129 Samsung-ro Yeongtong-gu Suwon-si Gyeonggi-do 443-742 Republic of Korea
(72) Name(s) of Designer(s): **Bo-Won Kim and Seung-Ju Yuk**
(45) Registration Date: **28 August 2012**
(30) Convention priority data:
(31) Number (32) Date (33) Country
30-2012-0008838 24 Feb 2012 REPUBLIC OF KOREA
(56) Related Art Documents: **Not Applicable**
(57) Statement of Newness and Distinctiveness: **Newness and distinctiveness is claimed in the features of pattern and/or ornamentation of the Display Screen For An Electronic Device as shown in the accompanying representations. The features shown in broken outline are for illustrative purposes only and do not form part of the design.**



- (21) Design Number: **13648/2012**
(22) Date of Filing Application: **31 July 2012**
(24) Date from which industrial property rights may have effect: **31 July 2012**
(54) Product in respect of which the design is registered: **Display screen for an electronic device**
(51) International Design Classification: **14-01**
(74) Name(s) of Attorney(s): **Wrays**
(71) Name(s) and Address(s) of Applicant(s):
Samsung Electronics Co., Ltd
129 Samsung-ro Yeongtong-gu Suwon-si Gyeonggi-do 443-742 Republic of Korea
(72) Name(s) of Designer(s): **Bo-Won Kim and Seung-Ju Yuk**
(45) Registration Date: **28 August 2012**
(30) Convention priority data:
(31) Number (32) Date (33) Country
30-2012-0008839 24 Feb 2012 REPUBLIC OF KOREA
(56) Related Art Documents: **Not Applicable**
(57) Statement of Newness and Distinctiveness: **Newness and distinctiveness is claimed in the features of pattern and/or ornamentation of the Display Screen For An Electronic Device as shown in the accompanying representations. The features shown in broken outline are for illustrative purposes only and do not form part of the design.**



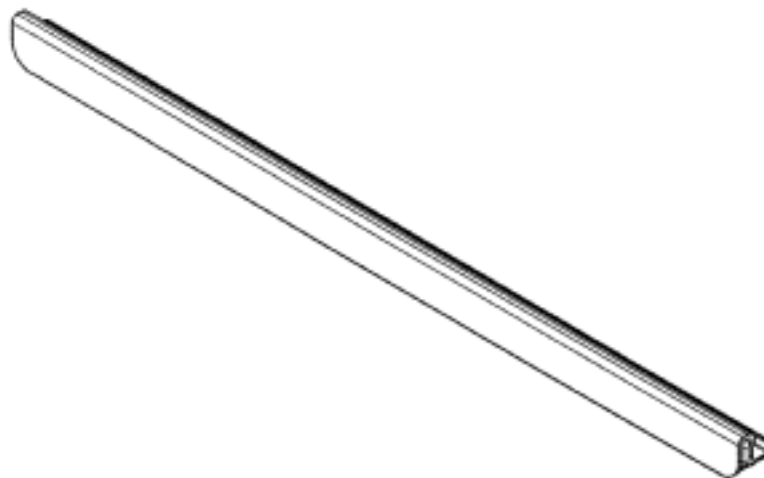
(19) AU

- (21) Design Number: **13649/2012**
(22) Date of Filing Application: **31 July 2012**
(24) Date from which industrial property rights may have effect: **31 July 2012**
(54) Product in respect of which the design is registered: **Display screen for an electronic device**
(51) International Design Classification: **14-01**
(74) Name(s) of Attorney(s): **Wrays**
(71) Name(s) and Address(s) of Applicant(s):
Samsung Electronics Co., Ltd
129 Samsung-ro Yeongtong-gu Suwon-si Gyeonggi-do 443-742 Republic of Korea
(72) Name(s) of Designer(s): **Ji-Hye Myung and Bo-Won Kim and Jee-Won Lee**
(45) Registration Date: **28 August 2012**
(30) Convention priority data:
(31) Number (32) Date (33) Country
30-2012-0008840 24 Feb 2012 REPUBLIC OF KOREA
(56) Related Art Documents: **Not Applicable**
(57) Statement of Newness and Distinctiveness: **Newness and distinctiveness is claimed in the features of pattern and/or ornamentation of the Display Screen For An Electronic Device as shown in the accompanying representations. The features shown in broken outline are for illustrative purposes only and do not form part of the design.**



(19) AU

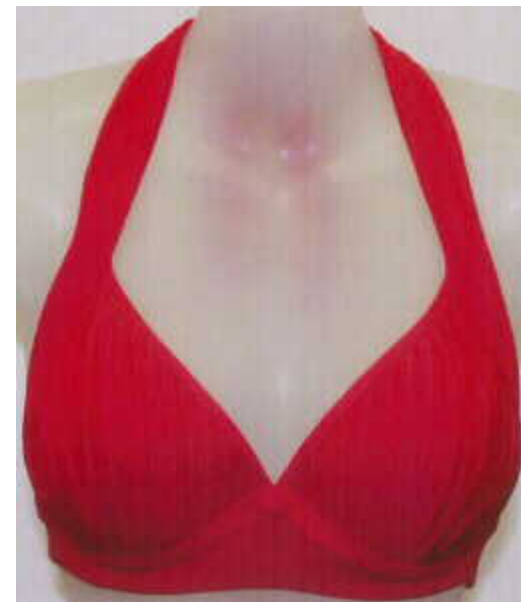
- (21) Design Number: **10583/2012**
(22) Date of Filing Application: **07 February 2012**
(24) Date from which industrial property rights may have effect: **07 February 2012**
(54) Product in respect of which the design is registered: **An appliance component, extrusion or metal section**
(51) International Design Classification: **25-01K, 15-99**
(74) Name(s) of Attorney(s): **Halfords IP**
(71) Name(s) and Address(s) of Applicant(s):
Electrolux Home Products Pty Limited
163 O'Riordan Street Mascot New South Wales 2020 Australia
(72) Name(s) of Designer(s): **Rodrigo Marge Pagnozzi and Daniel Hammes and Israel Mercer and Xiaozhi Wang and Weerayuth Tawonkaew**
(45) Registration Date: **29 August 2012**
(56) Related Art Documents: **Not Applicable**
(57) Statement of Newness and Distinctiveness: **Newness and distinctiveness is claimed in those features of shape and or configuration of a component for a cold appliance as depicted in the representations.**



(21) Design Number: **11105/2012**
(22) Date of Filing Application: **06 March 2012**
(24) Date from which industrial property rights may have effect: **06 March 2012**
(54) Product in respect of which the design is registered: **Swimwear**
(51) International Design Classification: **02-02A**
(74) Name(s) of Attorney(s):
(71) Name(s) and Address(s) of Applicant(s):
Seafolly Pty Ltd
247 King Street Mascot New South Wales 2020 Australia
(72) Name(s) of Designer(s): **Genelle Walkom**
(45) Registration Date: **29 August 2012**
(56) Related Art Documents: **Not Applicable**
(57) Statement of Newness and Distinctiveness: **Nil**



(21) Design Number: **14052/2012**
(22) Date of Filing Application: **06 March 2012**
(24) Date from which industrial property rights may have effect: **06 March 2012**
(54) Product in respect of which the design is registered: **Swimwear**
(51) International Design Classification: **02-02A**
(74) Name(s) of Attorney(s): **MIDDLETONS**
(71) Name(s) and Address(s) of Applicant(s):
Seafolly Pty Ltd
247 King Street Mascot New South Wales 2020 Australia
(72) Name(s) of Designer(s): **Genelle Walkom**
(45) Registration Date: **29 August 2012**
(56) Related Art Documents: **Not Applicable**
(57) Statement of Newness and Distinctiveness: **Nil**



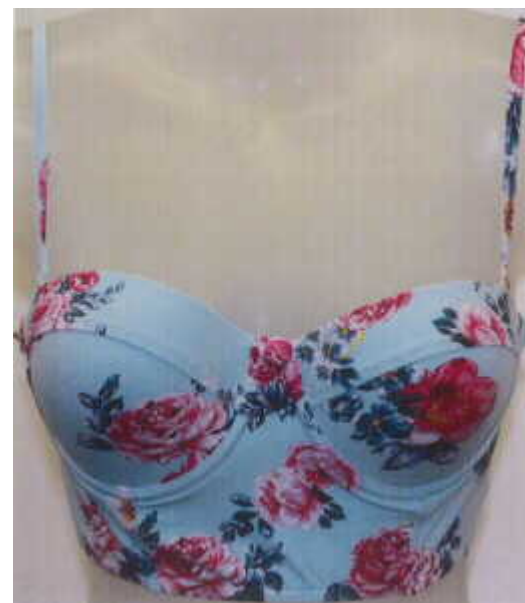
(21) Design Number: **14053/2012**
(22) Date of Filing Application: **06 March 2012**
(24) Date from which industrial property rights may have effect: **06 March 2012**
(54) Product in respect of which the design is registered: **Swimwear**
(51) International Design Classification: **02-02A**
(74) Name(s) of Attorney(s): **MIDDLETONS**
(71) Name(s) and Address(s) of Applicant(s):
Seafolly Pty Ltd
247 King Street Mascot New South Wales 2020 Australia
(72) Name(s) of Designer(s): **Genelle Walkom**
(45) Registration Date: **29 August 2012**
(56) Related Art Documents: **Not Applicable**
(57) Statement of Newness and Distinctiveness: **Nil**



(21) Design Number: **14054/2012**
(22) Date of Filing Application: **06 March 2012**
(24) Date from which industrial property rights may have effect: **06 March 2012**
(54) Product in respect of which the design is registered: **Swimwear**
(51) International Design Classification: **02-02A**
(74) Name(s) of Attorney(s): **MIDDLETONS**
(71) Name(s) and Address(s) of Applicant(s):
Seafolly Pty Ltd
247 King Street Mascot New South Wales 2020 Australia
(72) Name(s) of Designer(s): **Genelle Walkom**
(45) Registration Date: **29 August 2012**
(56) Related Art Documents: **Not Applicable**
(57) Statement of Newness and Distinctiveness: **Nil**



(21) Design Number: **14055/2012**
(22) Date of Filing Application: **06 March 2012**
(24) Date from which industrial property rights may have effect: **06 March 2012**
(54) Product in respect of which the design is registered: **Swimwear**
(51) International Design Classification: **02-02A**
(74) Name(s) of Attorney(s): **MIDDLETONS**
(71) Name(s) and Address(s) of Applicant(s):
Seafolly Pty Ltd
247 King Street Mascot New South Wales 2020 Australia
(72) Name(s) of Designer(s): **Genelle Walkom**
(45) Registration Date: **29 August 2012**
(56) Related Art Documents: **Not Applicable**
(57) Statement of Newness and Distinctiveness: **Nil**



(21) Design Number: **14056/2012**
(22) Date of Filing Application: **06 March 2012**
(24) Date from which industrial property rights may have effect: **06 March 2012**
(54) Product in respect of which the design is registered: **Swimwear**
(51) International Design Classification: **02-02A**
(74) Name(s) of Attorney(s): **MIDDLETONS**
(71) Name(s) and Address(s) of Applicant(s):
Seafolly Pty Ltd
247 King Street Mascot New South Wales 2020 Australia
(72) Name(s) of Designer(s): **Genelle Walkom**
(45) Registration Date: **29 August 2012**
(56) Related Art Documents: **Not Applicable**
(57) Statement of Newness and Distinctiveness: **Nil**



(21) Design Number: **14057/2012**
(22) Date of Filing Application: **06 March 2012**
(24) Date from which industrial property rights may have effect: **06 March 2012**
(54) Product in respect of which the design is registered: **Swimwear**
(51) International Design Classification: **02-02A**
(74) Name(s) of Attorney(s): **MIDDLETONS**
(71) Name(s) and Address(s) of Applicant(s):
Seafolly Pty Ltd
247 King Street Mascot New South Wales 2020 Australia
(72) Name(s) of Designer(s): **Genelle Walkom**
(45) Registration Date: **29 August 2012**
(56) Related Art Documents: **Not Applicable**
(57) Statement of Newness and Distinctiveness: **Nil**



(21) Design Number: **14058/2012**
(22) Date of Filing Application: **06 March 2012**
(24) Date from which industrial property rights may have effect: **06 March 2012**
(54) Product in respect of which the design is registered: **Swimwear**
(51) International Design Classification: **02-02A**
(74) Name(s) of Attorney(s): **MIDDLETONS**
(71) Name(s) and Address(s) of Applicant(s):
Seafolly Pty Ltd
247 King Street Mascot New South Wales 2020 Australia
(72) Name(s) of Designer(s): **Genelle Walkom**
(45) Registration Date: **29 August 2012**
(56) Related Art Documents: **Not Applicable**
(57) Statement of Newness and Distinctiveness: **Nil**



(21) Design Number: **14059/2012**
(22) Date of Filing Application: **06 March 2012**
(24) Date from which industrial property rights may have effect: **06 March 2012**
(54) Product in respect of which the design is registered: **Swimwear**
(51) International Design Classification: **02-02A**
(74) Name(s) of Attorney(s): **MIDDLETONS**
(71) Name(s) and Address(s) of Applicant(s):
Seafolly Pty Ltd
247 King Street Mascot New South Wales 2020 Australia
(72) Name(s) of Designer(s): **Genelle Walkom**
(45) Registration Date: **29 August 2012**
(56) Related Art Documents: **Not Applicable**
(57) Statement of Newness and Distinctiveness: **Nil**



(21) Design Number: **14060/2012**
(22) Date of Filing Application: **06 March 2012**
(24) Date from which industrial property rights may have effect: **06 March 2012**
(54) Product in respect of which the design is registered: **Swimwear**
(51) International Design Classification: **02-02A**
(74) Name(s) of Attorney(s): **MIDDLETONS**
(71) Name(s) and Address(s) of Applicant(s):
Seafolly Pty Ltd
247 King Street Mascot New South Wales 2020 Australia
(72) Name(s) of Designer(s): **Genelle Walkom**
(45) Registration Date: **29 August 2012**
(56) Related Art Documents: **Not Applicable**
(57) Statement of Newness and Distinctiveness: **Nil**



(21) Design Number: **14061/2012**
(22) Date of Filing Application: **06 March 2012**
(24) Date from which industrial property rights may have effect: **06 March 2012**
(54) Product in respect of which the design is registered: **Swimwear**
(51) International Design Classification: **02-02A**
(74) Name(s) of Attorney(s): **MIDDLETONS**
(71) Name(s) and Address(s) of Applicant(s):
Seafolly Pty Ltd
247 King Street Mascot New South Wales 2020 Australia
(72) Name(s) of Designer(s): **Genelle Walkom**
(45) Registration Date: **29 August 2012**
(56) Related Art Documents: **Not Applicable**
(57) Statement of Newness and Distinctiveness: **Nil**



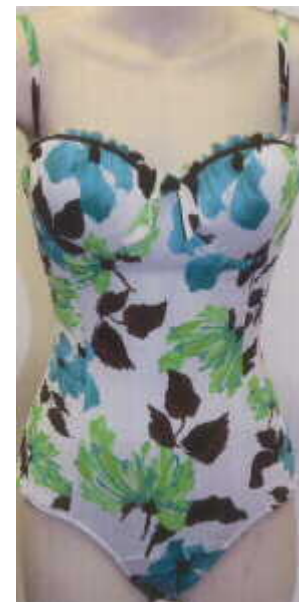
(21) Design Number: **14062/2012**
(22) Date of Filing Application: **06 March 2012**
(24) Date from which industrial property rights may have effect: **06 March 2012**
(54) Product in respect of which the design is registered: **Swimwear**
(51) International Design Classification: **02-02A**
(74) Name(s) of Attorney(s): **MIDDLETONS**
(71) Name(s) and Address(s) of Applicant(s):
Seafolly Pty Ltd
247 King Street Mascot New South Wales 2020 Australia
(72) Name(s) of Designer(s): **Genelle Walkom**
(45) Registration Date: **29 August 2012**
(56) Related Art Documents: **Not Applicable**
(57) Statement of Newness and Distinctiveness: **Nil**



(21) Design Number: **14063/2012**
(22) Date of Filing Application: **06 March 2012**
(24) Date from which industrial property rights may have effect: **06 March 2012**
(54) Product in respect of which the design is registered: **Swimwear**
(51) International Design Classification: **02-02A**
(74) Name(s) of Attorney(s): **MIDDLETONS**
(71) Name(s) and Address(s) of Applicant(s):
Seafolly Pty Ltd
247 King Street Mascot New South Wales 2020 Australia
(72) Name(s) of Designer(s): **Genelle Walkom**
(45) Registration Date: **29 August 2012**
(56) Related Art Documents: **Not Applicable**
(57) Statement of Newness and Distinctiveness: **Nil**



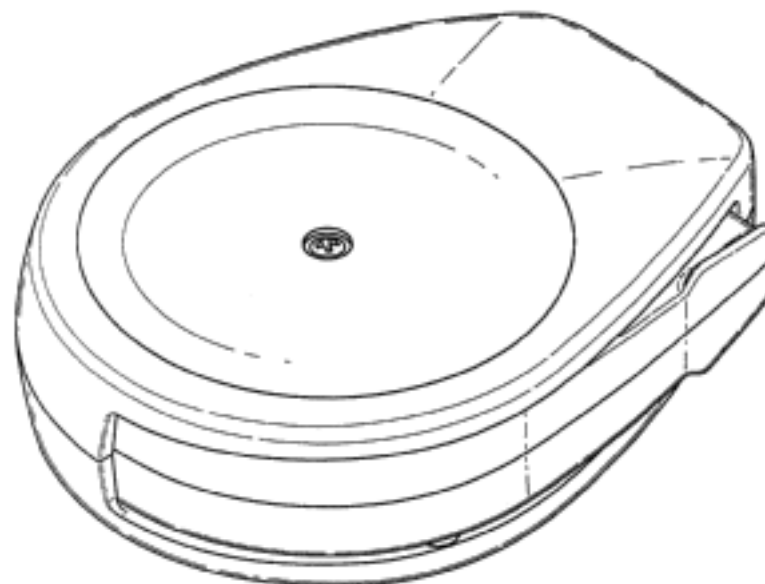
(21) Design Number: **14064/2012**
(22) Date of Filing Application: **06 March 2012**
(24) Date from which industrial property rights may have effect: **06 March 2012**
(54) Product in respect of which the design is registered: **Swimwear**
(51) International Design Classification: **02-02A**
(74) Name(s) of Attorney(s): **MIDDLETONS**
(71) Name(s) and Address(s) of Applicant(s):
Seafolly Pty Ltd
247 King Street Mascot New South Wales 2020 Australia
(72) Name(s) of Designer(s): **Genelle Walkom**
(45) Registration Date: **29 August 2012**
(56) Related Art Documents: **Not Applicable**
(57) Statement of Newness and Distinctiveness: **Nil**



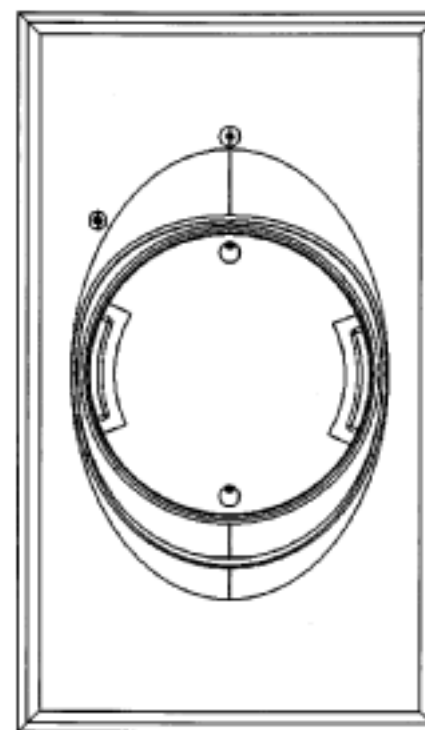
(21) Design Number: **14065/2012**
(22) Date of Filing Application: **06 March 2012**
(24) Date from which industrial property rights may have effect: **06 March 2012**
(54) Product in respect of which the design is registered: **Swimwear**
(51) International Design Classification: **02-02A**
(74) Name(s) of Attorney(s): **MIDDLETONS**
(71) Name(s) and Address(s) of Applicant(s):
Seafolly Pty Ltd
247 King Street Mascot New South Wales 2020 Australia
(72) Name(s) of Designer(s): **Genelle Walkom**
(45) Registration Date: **29 August 2012**
(56) Related Art Documents: **Not Applicable**
(57) Statement of Newness and Distinctiveness: **Nil**



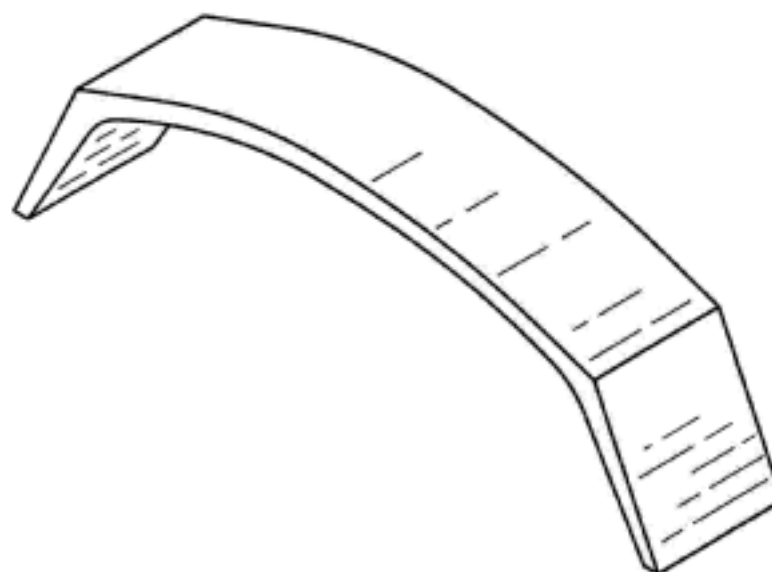
(21) Design Number: **15915/2011**
(22) Date of Filing Application: **21 December 2011**
(24) Date from which industrial property rights may have effect: **21 December 2011**
(54) Product in respect of which the design is registered: **Inhaler**
(51) International Design Classification: **24-04**
(74) Name(s) of Attorney(s): **Davies Collison Cave**
(71) Name(s) and Address(s) of Applicant(s):
AstraZeneca A.B.
SE-151 85 Sodertalje Sweden
(72) Name(s) of Designer(s): **Kajsa Bobjer and Camilla Lundstrom and Marten Rittfeldt and Jonas Svennberg**
(45) Registration Date: **29 August 2012**
(56) Related Art Documents: **Not Applicable**
(57) Statement of Newness and Distinctiveness: **Nil**



(21) Design Number: **13562/2012**
(22) Date of Filing Application: **22 May 2012**
(24) Date from which industrial property rights may have effect: **22 May 2012**
(54) Product in respect of which the design is registered: **A replacement head for a hand-held sanding implement**
(51) International Design Classification: **08-05N**
(74) Name(s) of Attorney(s): **HODGKINSON McINNES PATENTS**
(71) Name(s) and Address(s) of Applicant(s):
Kwai Sun Oliver Wong
26 Quintana Avenue Baulkham Hills New South Wales 2153 Australia
(72) Name(s) of Designer(s): **Kwai Sun Oliver Wong**
(45) Registration Date: **30 August 2012**
(30) Convention priority data:
(31) Number (32) Date (33) Country
415550 22 Nov 2011 NEW ZEALAND
(56) Related Art Documents: **Not Applicable**
(57) Statement of Newness and Distinctiveness: **Newness and distinctiveness is claimed in relation to the shape and configuration of the set of replacement heads for a hand-held sanding implement as shown in the representations.**



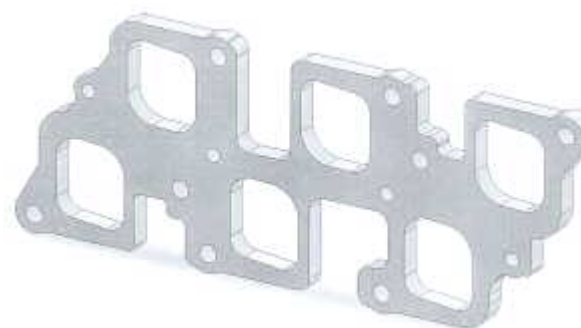
(21) Design Number: **13569/2012**
(22) Date of Filing Application: **27 July 2012**
(24) Date from which industrial property rights may have effect: **27 July 2012**
(54) Product in respect of which the design is registered: **Concrete Bridge Unit**
(51) International Design Classification: **25-01B, 25-02C**
(74) Name(s) of Attorney(s):
(71) Name(s) and Address(s) of Applicant(s):
Contech Engineered Solutions LLC
9025 Centre Pointe Drive Suite 400 West Chester Ohio 45069 United States of America
(72) Name(s) of Designer(s): **Scott D Aston and Michael G Carfagno and Philip A Creamer**
(45) Registration Date: **30 August 2012**
(30) Convention priority data:
(31) Number (32) Date (33) Country
29/413,755 20 Feb 2012 UNITED STATES OF AMERICA
(56) Related Art Documents: **Not Applicable**
(57) Statement of Newness and Distinctiveness: **Nil**



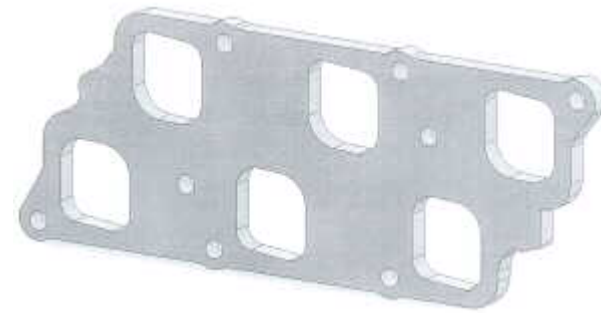
- (21) Design Number: **13570/2012**
(22) Date of Filing Application: **27 July 2012**
(24) Date from which industrial property rights may have effect: **27 July 2012**
(54) Product in respect of which the design is registered: **Remote control for television receivers**
(51) International Design Classification: **14-99**
(74) Name(s) of Attorney(s): **Allens Patent & Trade Mark Attorneys**
(71) Name(s) and Address(s) of Applicant(s):
LG Electronics Inc.
20 Yeouido-dong Yeongdeungpo-gu Seoul 150-721 Republic of Korea
(72) Name(s) of Designer(s): **Ji Young Hong and Gu Ang Jang and Jin Hae Choi and Kyung In Yang and Sung Il Cho**
(45) Registration Date: **30 August 2012**
(30) Convention priority data:
(31) Number (32) Date (33) Country
30-2012-0007302 17 Feb 2012 REPUBLIC OF KOREA
(56) Related Art Documents: **Not Applicable**
(57) Statement of Newness and Distinctiveness: **Newness and distinctiveness resides in the visual features of shape and/or configuration of a remote control for television receivers as illustrated in the accompanying representations.**



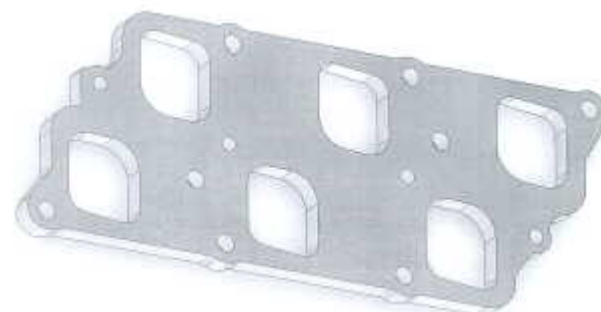
- (21) Design Number: **13571/2012**
(22) Date of Filing Application: **30 July 2012**
(24) Date from which industrial property rights may have effect: **30 July 2012**
(54) Product in respect of which the design is registered: **Manifold insulator to suit V6 GM engines**
(51) International Design Classification: **15-01, 12-16NES**
(74) Name(s) of Attorney(s):
(71) Name(s) and Address(s) of Applicant(s):
Steven Angelovski
1A East Court Lalor Victoria 3075 Australia
(72) Name(s) of Designer(s): **Steven Angelovski**
(45) Registration Date: **30 August 2012**
(56) Related Art Documents: **Not Applicable**
(57) Statement of Newness and Distinctiveness: **The uniqueness is within the shape & form.**



- (21) Design Number: **13572/2012**
(22) Date of Filing Application: **30 July 2012**
(24) Date from which industrial property rights may have effect: **30 July 2012**
(54) Product in respect of which the design is registered: **Manifold insulator to suit V6 GM engines**
(51) International Design Classification: **15-01, 12-16NES**
(74) Name(s) of Attorney(s):
(71) Name(s) and Address(s) of Applicant(s):
Steven Angelovski
1A East Court Lalor Victoria 3075 Australia
(72) Name(s) of Designer(s): **Steven Angelovski**
(45) Registration Date: **30 August 2012**
(56) Related Art Documents: **Not Applicable**
(57) Statement of Newness and Distinctiveness: **The uniqueness is within the shape & form.**



- (21) Design Number: **13573/2012**
(22) Date of Filing Application: **30 July 2012**
(24) Date from which industrial property rights may have effect: **30 July 2012**
(54) Product in respect of which the design is registered: **Manifold insulator to suit V6 GM engines**
(51) International Design Classification: **15-01, 12-16NES**
(74) Name(s) of Attorney(s):
(71) Name(s) and Address(s) of Applicant(s):
Steven Angelovski
1A East Court Lalor Victoria 3075 Australia
(72) Name(s) of Designer(s): **Steven Angelovski**
(45) Registration Date: **30 August 2012**
(56) Related Art Documents: **Not Applicable**
(57) Statement of Newness and Distinctiveness: **The uniqueness is within the shape & form.**



(21) Design Number: **13575/2012**
(22) Date of Filing Application: **27 July 2012**
(24) Date from which industrial property rights may have effect: **27 July 2012**
(54) Product in respect of which the design is registered: **Tablet computer with integrated game controller**
(51) International Design Classification: **21-01N**
(74) Name(s) of Attorney(s): **King & Wood Mallesons**
(71) Name(s) and Address(s) of Applicant(s):
Wikipad, Inc.
1801 Century Park East Suite 2400 Los Angeles CA 90067 United States of America
(72) Name(s) of Designer(s): **Ravi K Sawhney and Lance G Hussey and Nouredine Dia Malaeb and Young A Bang and Byron C Lee**
(45) Registration Date: **30 August 2012**
(30) Convention priority data:
(31) Number (32) Date (33) Country
29/427,111 13 Jul 2012 UNITED STATES OF AMERICA
(56) Related Art Documents: **Not Applicable**
(57) Statement of Newness and Distinctiveness: **The novelty of the design resides in the features and shape and/or configuration as shown in the accompanying representations.**



(21) Design Number: **13650/2012**
(22) Date of Filing Application: **31 July 2012**
(24) Date from which industrial property rights may have effect: **31 July 2012**
(54) Product in respect of which the design is registered: **Display screen for an electronic device**
(51) International Design Classification: **14-01**
(74) Name(s) of Attorney(s): **Wrays**
(71) Name(s) and Address(s) of Applicant(s):
Samsung Electronics Co., Ltd
129 Samsung-ro Yeongtong-gu Suwon-si Gyeonggi-do 443-742 Republic of Korea
(72) Name(s) of Designer(s): **Bo-Won Kim**
(45) Registration Date: **30 August 2012**
(30) Convention priority data:
(31) Number (32) Date (33) Country
30-2012-0008842 24 Feb 2012 REPUBLIC OF KOREA
(56) Related Art Documents: **Not Applicable**
(57) Statement of Newness and Distinctiveness: **Newness and distinctiveness is claimed in the features of pattern and/or ornamentation of the Display Screen For An Electronic Device as shown in the accompanying representations. The features shown in broken outline are for illustrative purposes only and do not form part of the design.**



- (21) Design Number: **13651/2012**
(22) Date of Filing Application: **31 July 2012**
(24) Date from which industrial property rights may have effect: **31 July 2012**
(54) Product in respect of which the design is registered: **Display screen for an electronic device**
(51) International Design Classification: **14-01**
(74) Name(s) of Attorney(s): **Wrays**
(71) Name(s) and Address(s) of Applicant(s):
Samsung Electronics Co., Ltd
129 Samsung-ro Yeongtong-gu Suwon-si Gyeonggi-do 443-742 Republic of Korea
(72) Name(s) of Designer(s): **Jee-Won Lee and Min-Hae Kim**
(45) Registration Date: **30 August 2012**
(30) Convention priority data:
(31) Number (32) Date (33) Country
30-2012-0008843 24 Feb 2012 REPUBLIC OF KOREA
(56) Related Art Documents: **Not Applicable**
(57) Statement of Newness and Distinctiveness: **Newness and distinctiveness is claimed in the features of pattern and/or ornamentation of the Display Screen For An Electronic Device as shown in the accompanying representations. The features shown in broken outline are for illustrative purposes only and do not form part of the design.**



- (21) Design Number: **13652/2012**
(22) Date of Filing Application: **31 July 2012**
(24) Date from which industrial property rights may have effect: **31 July 2012**
(54) Product in respect of which the design is registered: **Display screen for an electronic device**
(51) International Design Classification: **14-01**
(74) Name(s) of Attorney(s): **Wrays**
(71) Name(s) and Address(s) of Applicant(s):
Samsung Electronics Co., Ltd
129 Samsung-ro Yeongtong-gu Suwon-si Gyeonggi-do 443-742 Republic of Korea
(72) Name(s) of Designer(s): **Jee-Won Lee and Min-Hae Kim**
(45) Registration Date: **30 August 2012**
(30) Convention priority data:
(31) Number (32) Date (33) Country
30-2012-0008844 24 Feb 2012 REPUBLIC OF KOREA
(56) Related Art Documents: **Not Applicable**
(57) Statement of Newness and Distinctiveness: **Newness and distinctiveness is claimed in the features of pattern and/or ornamentation of the Display Screen For An Electronic Device as shown in the accompanying representations. The features shown in broken outline are for illustrative purposes only and do not form part of the design.**



(21) Design Number: **13653/2012**
(22) Date of Filing Application: **31 July 2012**
(24) Date from which industrial property rights may have effect: **31 July 2012**
(54) Product in respect of which the design is registered: **Display screen for an electronic device**
(51) International Design Classification: **14-01**
(74) Name(s) of Attorney(s): **Wrays**
(71) Name(s) and Address(s) of Applicant(s):
Samsung Electronics Co., Ltd
129 Samsung-ro Yeongtong-gu Suwon-si Gyeonggi-do 443-742 Republic of Korea
(72) Name(s) of Designer(s): **Jee-Won Lee and Min-Hae Kim**
(45) Registration Date: **30 August 2012**
(30) Convention priority data:
(31) Number (32) Date (33) Country
30-2012-0008845 24 Feb 2012 REPUBLIC OF KOREA
(56) Related Art Documents: **Not Applicable**
(57) Statement of Newness and Distinctiveness: **Newness and distinctiveness is claimed in the features of pattern and/or ornamentation of the Display Screen For An Electronic Device as shown in the accompanying representations. The features shown in broken outline are for illustrative purposes only and do not form part of the design.**



(21) Design Number: **13654/2012**
(22) Date of Filing Application: **31 July 2012**
(24) Date from which industrial property rights may have effect: **31 July 2012**
(54) Product in respect of which the design is registered: **Display screen for an electronic device**
(51) International Design Classification: **14-01**
(74) Name(s) of Attorney(s): **Wrays**
(71) Name(s) and Address(s) of Applicant(s):
Samsung Electronics Co., Ltd
129 Samsung-ro Yeongtong-gu Suwon-si Gyeonggi-do 443-742 Republic of Korea
(72) Name(s) of Designer(s): **Jee-Won Lee and Min-Hae Kim**
(45) Registration Date: **30 August 2012**
(30) Convention priority data:
(31) Number (32) Date (33) Country
30-2012-0008846 24 Feb 2012 REPUBLIC OF KOREA
(56) Related Art Documents: **Not Applicable**
(57) Statement of Newness and Distinctiveness: **Newness and distinctiveness is claimed in the features of pattern and/or ornamentation of the Display Screen For An Electronic Device as shown in the accompanying representations. The features shown in broken outline are for illustrative purposes only and do not form part of the design.**



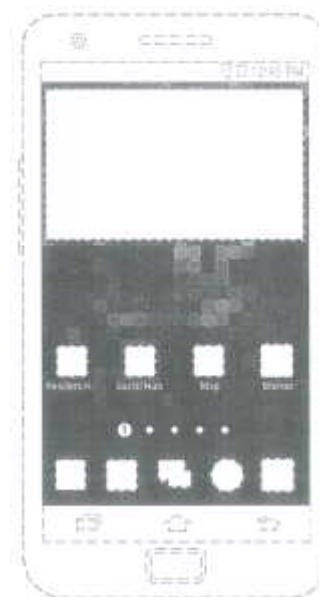
- (21) Design Number: **13655/2012**
(22) Date of Filing Application: **31 July 2012**
(24) Date from which industrial property rights may have effect: **31 July 2012**
(54) Product in respect of which the design is registered: **Display screen for an electronic device**
(51) International Design Classification: **14-01**
(74) Name(s) of Attorney(s): **Wrays**
(71) Name(s) and Address(s) of Applicant(s):
Samsung Electronics Co., Ltd
129 Samsung-ro Yeongtong-gu Suwon-si Gyeonggi-do 443-742 Republic of Korea
(72) Name(s) of Designer(s): **Jee-Won Lee and Min-Hae Kim**
(45) Registration Date: **30 August 2012**
(30) Convention priority data:
(31) Number (32) Date (33) Country
30-2012-0008847 24 Feb 2012 REPUBLIC OF KOREA
(56) Related Art Documents: **Not Applicable**
(57) Statement of Newness and Distinctiveness: **Newness and distinctiveness is claimed in the features of pattern and/or ornamentation of the Display Screen For An Electronic Device as shown in the accompanying representations. The features shown in broken outline are for illustrative purposes only and do not form part of the design.**



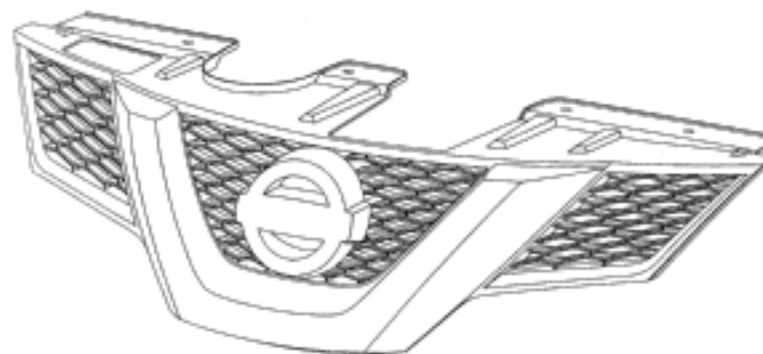
- (21) Design Number: **13656/2012**
(22) Date of Filing Application: **31 July 2012**
(24) Date from which industrial property rights may have effect: **31 July 2012**
(54) Product in respect of which the design is registered: **Display screen for an electronic device**
(51) International Design Classification: **14-01**
(74) Name(s) of Attorney(s): **Wrays**
(71) Name(s) and Address(s) of Applicant(s):
Samsung Electronics Co., Ltd
129 Samsung-ro Yeongtong-gu Suwon-si Gyeonggi-do 443-742 Republic of Korea
(72) Name(s) of Designer(s): **Jee-Won Lee and Min-Hae Kim**
(45) Registration Date: **30 August 2012**
(30) Convention priority data:
(31) Number (32) Date (33) Country
30-2012-0008848 24 Feb 2012 REPUBLIC OF KOREA
(56) Related Art Documents: **Not Applicable**
(57) Statement of Newness and Distinctiveness: **Newness and distinctiveness is claimed in the features of pattern and/or ornamentation of the Display Screen For An Electronic Device as shown in the accompanying representations. The features shown in broken outline are for illustrative purposes only and do not form part of the design.**



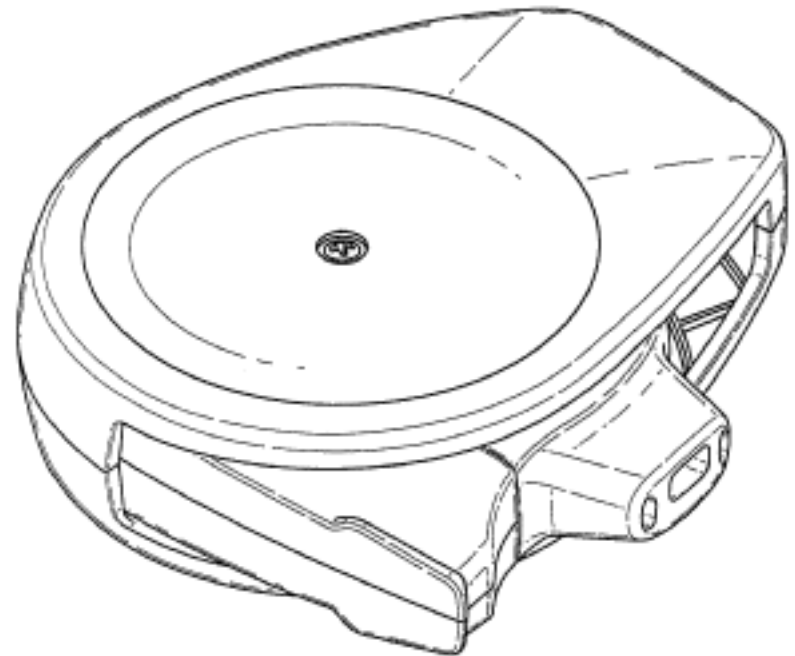
- (21) Design Number: **13657/2012**
(22) Date of Filing Application: **31 July 2012**
(24) Date from which industrial property rights may have effect: **31 July 2012**
(54) Product in respect of which the design is registered: **Display screen for an electronic device**
(51) International Design Classification: **14-01**
(74) Name(s) of Attorney(s): **Wrays**
(71) Name(s) and Address(s) of Applicant(s):
Samsung Electronics Co., Ltd
129 Samsung-ro Yeongtong-gu Suwon-si Gyeonggi-do 443-742 Republic of Korea
(72) Name(s) of Designer(s): **Chang-Mo Yang and Kyung-Dae Park and Hye-Bin Park and Bo-Young Lee**
(45) Registration Date: **30 August 2012**
(30) Convention priority data:
(31) Number (32) Date (33) Country
30-2012-0008855 24 Feb 2012 REPUBLIC OF KOREA
(56) Related Art Documents: **Not Applicable**
(57) Statement of Newness and Distinctiveness: **Newness and distinctiveness is claimed in the features of pattern and/or ornamentation of the Display Screen For An Electronic Device as shown in the accompanying representations. The features shown in broken outline are for illustrative purposes only and do not form part of the design.**



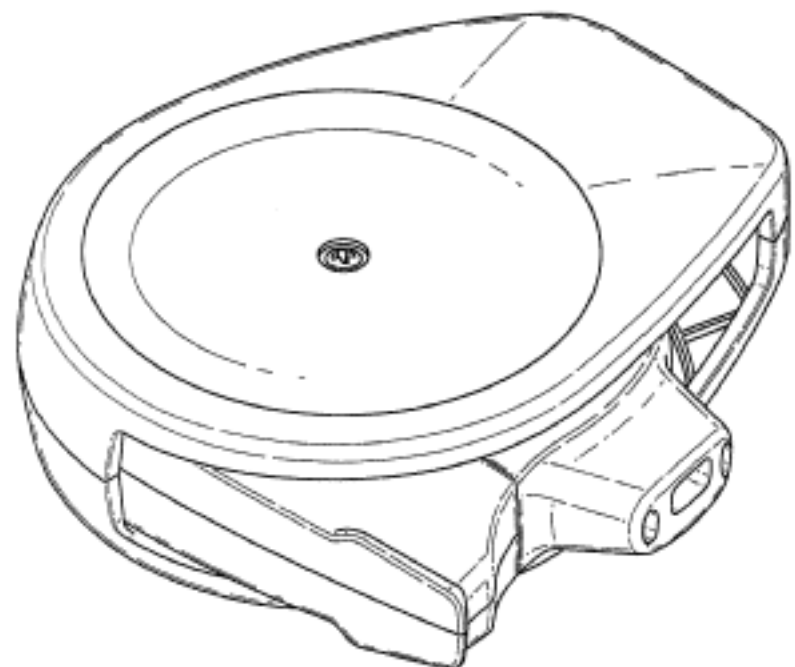
- (21) Design Number: **13673/2012**
(22) Date of Filing Application: **31 July 2012**
(24) Date from which industrial property rights may have effect: **31 July 2012**
(54) Product in respect of which the design is registered: **Radiator grill for automobile**
(51) International Design Classification: **12-16B**
(74) Name(s) of Attorney(s): **Griffith Hack**
(71) Name(s) and Address(s) of Applicant(s):
Nissan Jidosha Kabushiki Kaisha
No. 2 Takaracho Kanagawa-ku Yokohama-shi Kanagawa-ken Japan
(72) Name(s) of Designer(s): **Nobutaka Tase and Kazunori Murabayashi**
(45) Registration Date: **30 August 2012**
(30) Convention priority data:
(31) Number (32) Date (33) Country
2012-002247 03 Feb 2012 JAPAN
(56) Related Art Documents: **Not Applicable**
(57) Statement of Newness and Distinctiveness: **Newness and distinctiveness resides in the visual features, including shape and configuration of a RADIATOR GRILL FOR AUTOMOBILE as shown in the representations.**



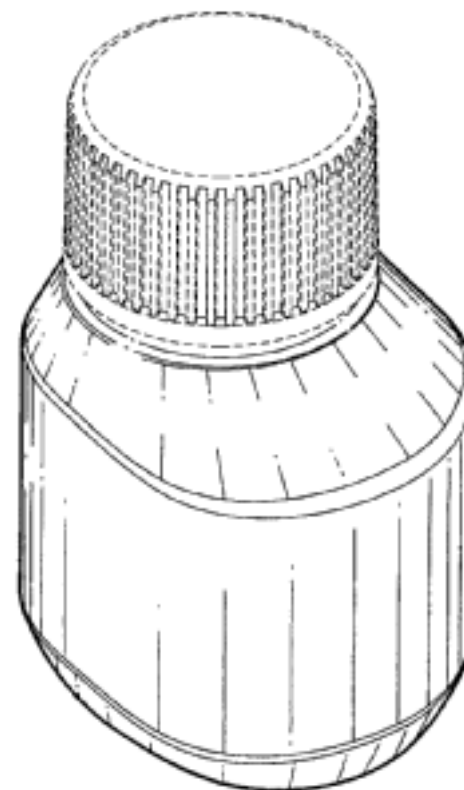
- (21) Design Number: **15912/2011**
(22) Date of Filing Application: **21 December 2011**
(24) Date from which industrial property rights may have effect: **21 December 2011**
(54) Product in respect of which the design is registered: **Inhaler**
(51) International Design Classification: **24-04**
(74) Name(s) of Attorney(s): **Davies Collison Cave**
(71) Name(s) and Address(s) of Applicant(s):
AstraZeneca A.B.
SE-151 85 Sodertalje Sweden
(72) Name(s) of Designer(s): **Kajsa Bobjer and Camilla Lundstrom and Marten Rittfeldt and Jonas Svennberg**
(45) Registration Date: **30 August 2012**
(56) Related Art Documents: **Not Applicable**
(57) Statement of Newness and Distinctiveness: **Nil**



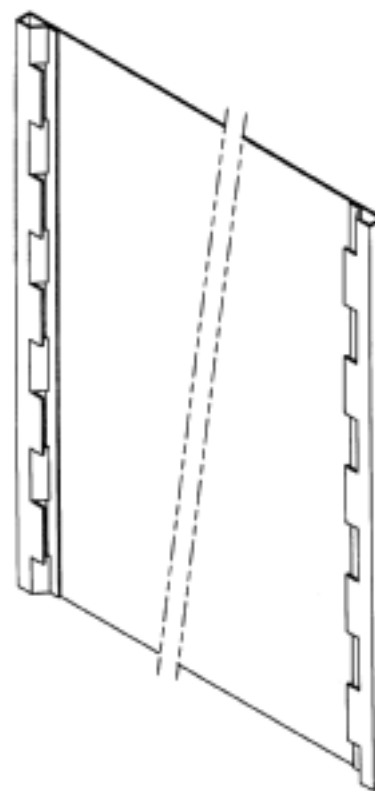
- (21) Design Number: **15913/2011**
(22) Date of Filing Application: **21 December 2011**
(24) Date from which industrial property rights may have effect: **21 December 2011**
(54) Product in respect of which the design is registered: **Inhaler**
(51) International Design Classification: **24-04**
(74) Name(s) of Attorney(s): **Davies Collison Cave**
(71) Name(s) and Address(s) of Applicant(s):
AstraZeneca A.B.
SE-151 85 Sodertalje Sweden
(72) Name(s) of Designer(s): **Kajsa Bobjer and Camilla Lundstrom and Marten Rittfeldt and Jonas Svennberg**
(45) Registration Date: **30 August 2012**
(56) Related Art Documents: **Not Applicable**
(57) Statement of Newness and Distinctiveness: **Nil**



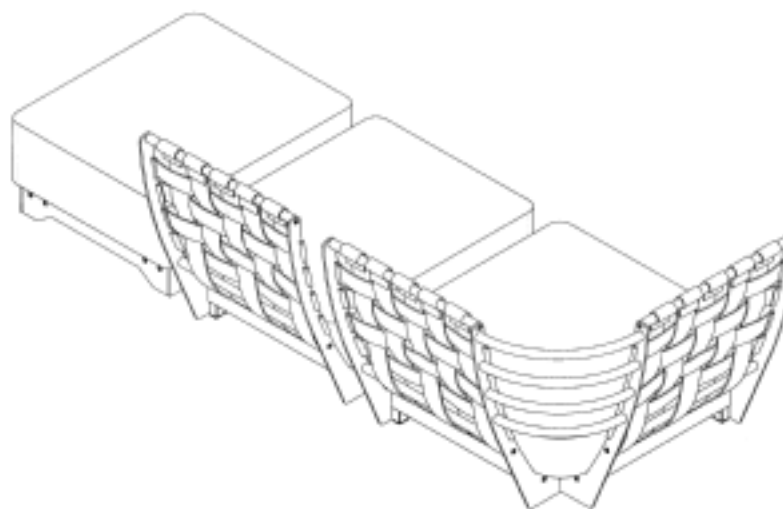
(21) Design Number: **12639/2012**
(22) Date of Filing Application: **01 June 2012**
(24) Date from which industrial property rights may have effect: **01 June 2012**
(54) Product in respect of which the design is registered: **Bottle**
(51) International Design Classification: **09-01K**
(74) Name(s) of Attorney(s): **Shelston IP**
(71) Name(s) and Address(s) of Applicant(s):
MSD Consumer Care, Inc.
3030 Jackson Avenue Memphis Tennessee 38151 United States of America
(72) Name(s) of Designer(s): **William Schmertz Jr.**
(45) Registration Date: **30 August 2012**
(30) Convention priority data:
(31) Number (32) Date (33) Country
29/407828 02 Dec 2011 UNITED STATES OF AMERICA
(56) Related Art Documents: **Not Applicable**
(57) Statement of Newness and Distinctiveness: **Newness and distinctiveness reside in the features of shape and configuration of the bottle as illustrated in solid lines in the accompanying representations.**



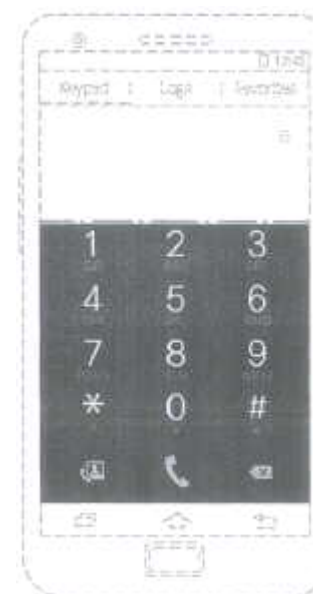
(21) Design Number: **13521/2012**
(22) Date of Filing Application: **26 July 2012**
(24) Date from which industrial property rights may have effect: **26 July 2012**
(54) Product in respect of which the design is registered: **Temporary bulkhead**
(51) International Design Classification: **09-03H**
(74) Name(s) of Attorney(s): **PHILLIPS ORMONDE FITZPATRICK**
(71) Name(s) and Address(s) of Applicant(s):
R J Innovations Pty Ltd
3 Linmax Ct Point Cook VIC 3030 Australia
K J Innovations Pty Ltd
3 Linmax Ct Point Cook VIC 3030 Australia
(72) Name(s) of Designer(s): **Karl Joyce and Jeffery Raymond Goss**
(45) Registration Date: **30 August 2012**
(56) Related Art Documents: **Not Applicable**
(57) Statement of Newness and Distinctiveness: **Those features of the temporary bulkhead depicted in the representations that are new and distinctive are the shape and/or configuration. The reinforced beams of the bulkhead marked "A" in the accompanying representations are for illustrative purposes only and form no part of the design. The bulkhead is of indefinite length.**



(21) Design Number: **12523/2012**
(22) Date of Filing Application: **24 May 2012**
(24) Date from which industrial property rights may have effect: **24 May 2012**
(54) Product in respect of which the design is registered: **Modular outdoor seating**
(51) International Design Classification: **06-01G, 06-01H**
(74) Name(s) of Attorney(s):
(71) Name(s) and Address(s) of Applicant(s):
Studio Eik
Studio Eik Ltd Tretjonnveien 7d 4633 Kristiansand 4633 Norway
(72) Name(s) of Designer(s): **Morton Eik**
(45) Registration Date: **30 August 2012**
(56) Related Art Documents: **Not Applicable**
(57) Statement of Newness and Distinctiveness: **Nil**



(21) Design Number: **13659/2012**
(22) Date of Filing Application: **31 July 2012**
(24) Date from which industrial property rights may have effect: **31 July 2012**
(54) Product in respect of which the design is registered: **Display screen for an electronic device**
(51) International Design Classification: **14-01**
(74) Name(s) of Attorney(s): **Wrays**
(71) Name(s) and Address(s) of Applicant(s):
Samsung Electronics Co., Ltd
129 Samsung-ro Yeongtong-gu Suwon-si Gyeonggi-do 443-742 Republic of Korea
(72) Name(s) of Designer(s): **Yong-Chae Jung and Jee-Yeun Wang and Hee-Kyung Jeon**
(45) Registration Date: **30 August 2012**
(30) Convention priority data:
(31) Number (32) Date (33) Country
30-2012-0008834 24 Feb 2012 REPUBLIC OF KOREA
(56) Related Art Documents: **Not Applicable**
(57) Statement of Newness and Distinctiveness: **Newness and distinctiveness is claimed in the features of pattern and/or ornamentation of the Display Screen For An Electronic Device as shown in the accompanying representations. The features shown in broken outline, inclusive of the text appearing on the Display Screen, are for illustrative purposes only and do not form part of the design.**



(21) Design Number: **13662/2012**
(22) Date of Filing Application: **31 July 2012**
(24) Date from which industrial property rights may have effect: **31 July 2012**
(54) Product in respect of which the design is registered: **Universal pillow**
(51) International Design Classification: **06-13B**
(74) Name(s) of Attorney(s): **Cullens Patent and Trade Mark Attorneys**
(71) Name(s) and Address(s) of Applicant(s):

Hometex, Inc.
15295 Alabama Highway 157 Vinemont AL 35179 United States of America

(72) Name(s) of Designer(s): **Gerald E. Wootten, Jr.**

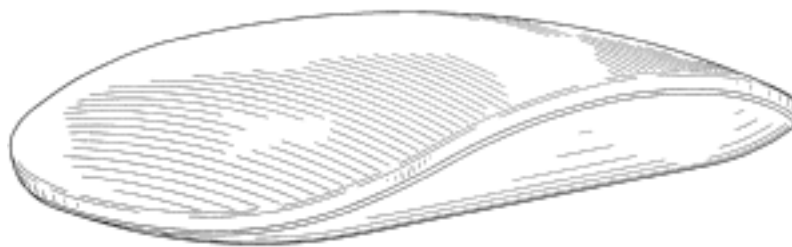
(45) Registration Date: **30 August 2012**

(30) Convention priority data:

(31) Number	(32) Date	(33) Country
29/412,138	31 Jan 2012	UNITED STATES OF AMERICA

(56) Related Art Documents: **Not Applicable**

(57) Statement of Newness and Distinctiveness: **Nil**



(21) Design Number: **13663/2012**
(22) Date of Filing Application: **31 July 2012**
(24) Date from which industrial property rights may have effect: **31 July 2012**
(54) Product in respect of which the design is registered: **Universal pillow**
(51) International Design Classification: **06-13B**
(74) Name(s) of Attorney(s): **Cullens Patent and Trade Mark Attorneys**
(71) Name(s) and Address(s) of Applicant(s):

Hometex, Inc.
15295 Alabama Highway 157 Vinemont AL 35179 United States of America

(72) Name(s) of Designer(s): **Gerald E. Wootten, Jr.**

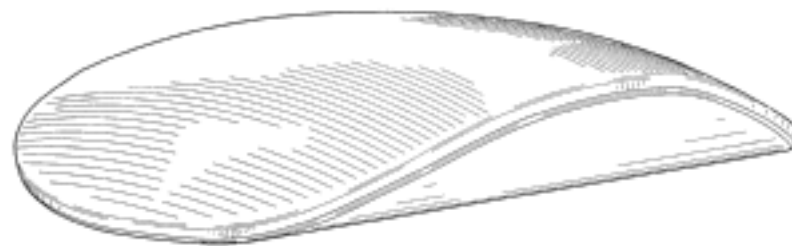
(45) Registration Date: **30 August 2012**

(30) Convention priority data:

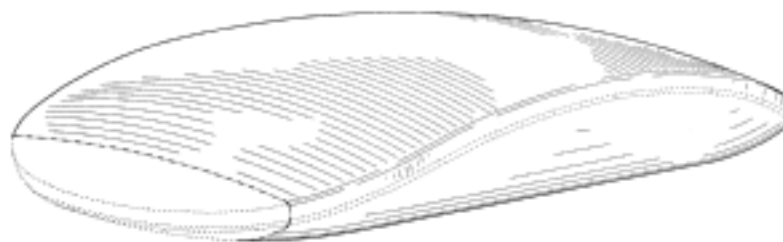
(31) Number	(32) Date	(33) Country
29/412,138	31 Jan 2012	UNITED STATES OF AMERICA

(56) Related Art Documents: **Not Applicable**

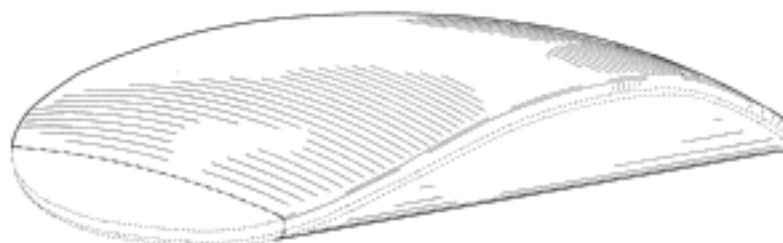
(57) Statement of Newness and Distinctiveness: **Nil**



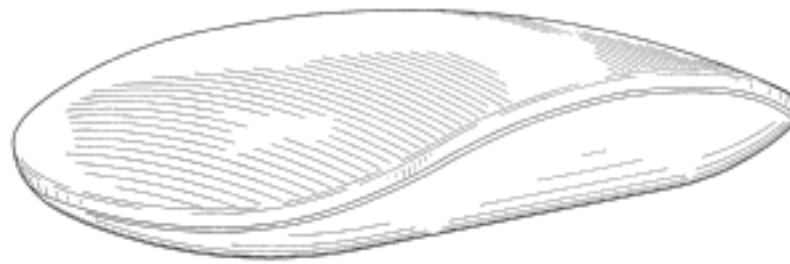
(21) Design Number: **13664/2012**
(22) Date of Filing Application: **31 July 2012**
(24) Date from which industrial property rights may have effect: **31 July 2012**
(54) Product in respect of which the design is registered: **Universal pillow**
(51) International Design Classification: **06-13B**
(74) Name(s) of Attorney(s): **Cullens Patent and Trade Mark Attorneys**
(71) Name(s) and Address(s) of Applicant(s):
Hometex, Inc.
15295 Alabama Highway 157 Vinemont AL 35179 United States of America
(72) Name(s) of Designer(s): **Gerald E. Wootten, Jr.**
(45) Registration Date: **30 August 2012**
(30) Convention priority data:
(31) Number (32) Date (33) Country
29/412,138 31 Jan 2012 UNITED STATES OF AMERICA
(56) Related Art Documents: **Not Applicable**
(57) Statement of Newness and Distinctiveness: **Newness and distinctiveness is not claimed in the features depicted by dashed lines in the illustrations.**



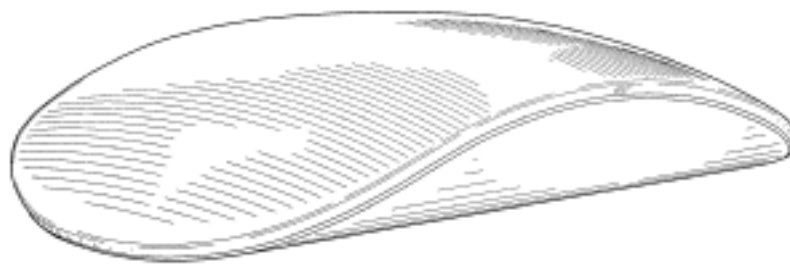
(21) Design Number: **13665/2012**
(22) Date of Filing Application: **31 July 2012**
(24) Date from which industrial property rights may have effect: **31 July 2012**
(54) Product in respect of which the design is registered: **Universal pillow**
(51) International Design Classification: **06-13B**
(74) Name(s) of Attorney(s): **Cullens Patent and Trade Mark Attorneys**
(71) Name(s) and Address(s) of Applicant(s):
Hometex, Inc.
15295 Alabama Highway 157 Vinemont AL 35179 United States of America
(72) Name(s) of Designer(s): **Gerald E. Wootten, Jr.**
(45) Registration Date: **30 August 2012**
(30) Convention priority data:
(31) Number (32) Date (33) Country
29/412,138 31 Jan 2012 UNITED STATES OF AMERICA
(56) Related Art Documents: **Not Applicable**
(57) Statement of Newness and Distinctiveness: **Newness and distinctiveness is not claimed in the features depicted by dashed lines in the illustrations.**



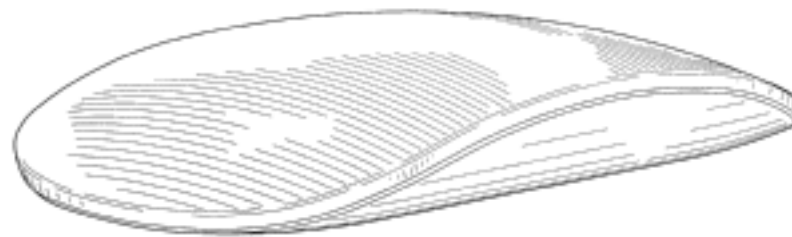
(21) Design Number: **13666/2012**
(22) Date of Filing Application: **31 July 2012**
(24) Date from which industrial property rights may have effect: **31 July 2012**
(54) Product in respect of which the design is registered: **Universal pillow**
(51) International Design Classification: **06-13B**
(74) Name(s) of Attorney(s): **Cullens Patent and Trade Mark Attorneys**
(71) Name(s) and Address(s) of Applicant(s):
Hometex, Inc.
15295 Alabama Highway 157 Vinemont AL 35179 United States of America
(72) Name(s) of Designer(s): **Gerald E. Wootten, Jr.**
(45) Registration Date: **30 August 2012**
(30) Convention priority data:
(31) Number (32) Date (33) Country
29/412,138 31 Jan 2012 UNITED STATES OF AMERICA
(56) Related Art Documents: **Not Applicable**
(57) Statement of Newness and Distinctiveness: **Nil**



(21) Design Number: **13667/2012**
(22) Date of Filing Application: **31 July 2012**
(24) Date from which industrial property rights may have effect: **31 July 2012**
(54) Product in respect of which the design is registered: **Universal pillow**
(51) International Design Classification: **06-13B**
(74) Name(s) of Attorney(s): **Cullens Patent and Trade Mark Attorneys**
(71) Name(s) and Address(s) of Applicant(s):
Hometex, Inc.
15295 Alabama Highway 157 Vinemont AL 35179 United States of America
(72) Name(s) of Designer(s): **Gerald E. Wootten, Jr.**
(45) Registration Date: **30 August 2012**
(30) Convention priority data:
(31) Number (32) Date (33) Country
29/412,138 31 Jan 2012 UNITED STATES OF AMERICA
(56) Related Art Documents: **Not Applicable**
(57) Statement of Newness and Distinctiveness: **Nil**

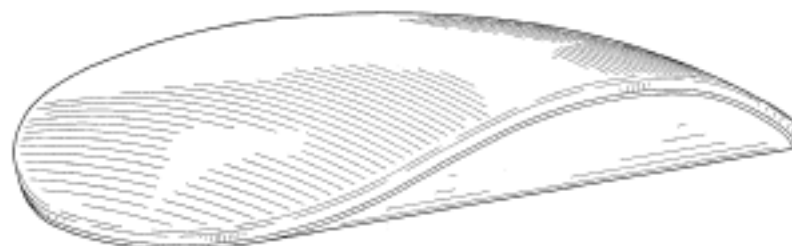


(21) Design Number: **13668/2012**
(22) Date of Filing Application: **31 July 2012**
(24) Date from which industrial property rights may have effect: **31 July 2012**
(54) Product in respect of which the design is registered: **Universal pillow**
(51) International Design Classification: **06-13B**
(74) Name(s) of Attorney(s): **Cullens Patent and Trade Mark Attorneys**
(71) Name(s) and Address(s) of Applicant(s):
Hometex, Inc.
15295 Alabama Highway 157 Vinemont AL 35179 United States of America



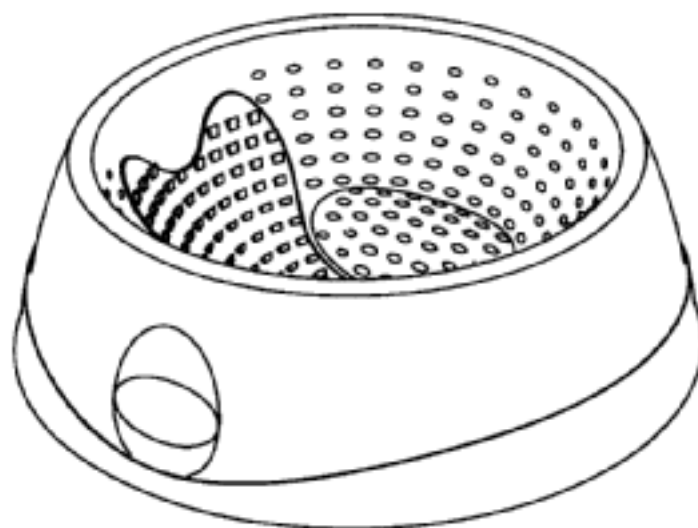
(72) Name(s) of Designer(s): **Gerald E. Wootten, Jr.**
(45) Registration Date: **30 August 2012**
(30) Convention priority data:
(31) Number (32) Date (33) Country
29/412,138 31 Jan 2012 UNITED STATES OF AMERICA
(56) Related Art Documents: **Not Applicable**
(57) Statement of Newness and Distinctiveness: **Nil**

(21) Design Number: **13669/2012**
(22) Date of Filing Application: **31 July 2012**
(24) Date from which industrial property rights may have effect: **31 July 2012**
(54) Product in respect of which the design is registered: **Universal pillow**
(51) International Design Classification: **06-13B**
(74) Name(s) of Attorney(s): **Cullens Patent and Trade Mark Attorneys**
(71) Name(s) and Address(s) of Applicant(s):
Hometex, Inc.
15295 Alabama Highway 157 Vinemont AL 35179 United States of America

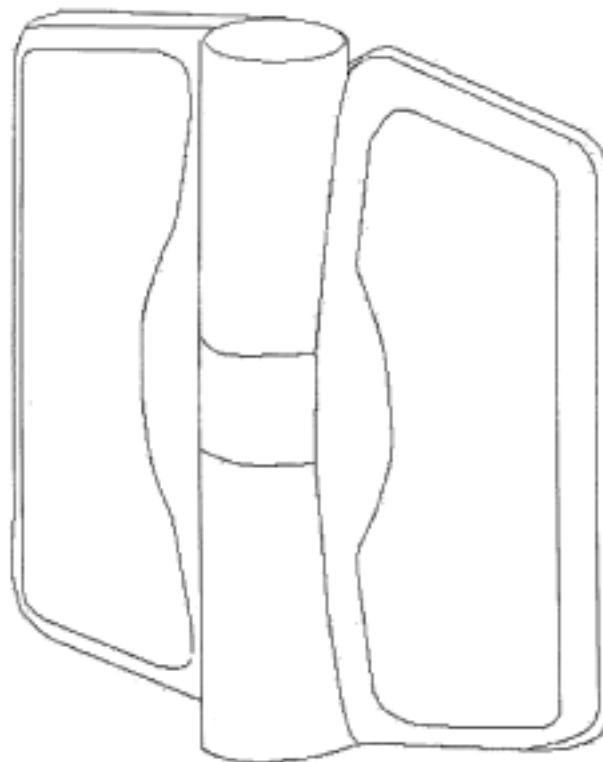


(72) Name(s) of Designer(s): **Gerald E. Wootten, Jr.**
(45) Registration Date: **30 August 2012**
(30) Convention priority data:
(31) Number (32) Date (33) Country
29/412,138 31 Jan 2012 UNITED STATES OF AMERICA
(56) Related Art Documents: **Not Applicable**
(57) Statement of Newness and Distinctiveness: **Nil**

- (21) Design Number: **12665/2012**
(22) Date of Filing Application: **05 June 2012**
(24) Date from which industrial property rights may have effect: **05 June 2012**
(54) Product in respect of which the design is registered: **An animal feeding bowl**
(51) International Design Classification: **30-03**
(74) Name(s) of Attorney(s):
(71) Name(s) and Address(s) of Applicant(s):
Innovative Pet Products Pty Ltd
26 Jaguar Drive Bundall Queensland 4217 Australia
(72) Name(s) of Designer(s): **Hazel Clarke and Joseph Clarke**
(45) Registration Date: **31 August 2012**
(56) Related Art Documents: **Not Applicable**
(57) Statement of Newness and Distinctiveness: **Nil**



- (21) Design Number: **12759/2012**
(22) Date of Filing Application: **08 June 2012**
(24) Date from which industrial property rights may have effect: **08 June 2012**
(54) Product in respect of which the design is registered: **A hinge**
(51) International Design Classification: **08-06**
(74) Name(s) of Attorney(s): **Tatlocks Chrysiliou IP**
(71) Name(s) and Address(s) of Applicant(s):
Metlam Australia Pty Limited
17 Parkers Road New Gisborne Victoria 3438 Australia
(72) Name(s) of Designer(s): **Brian Bishop**
(45) Registration Date: **31 August 2012**
(56) Related Art Documents: **Not Applicable**
(57) Statement of Newness and Distinctiveness: **Newness and distinctiveness reside in the features of the hinge as shown in the representations.**



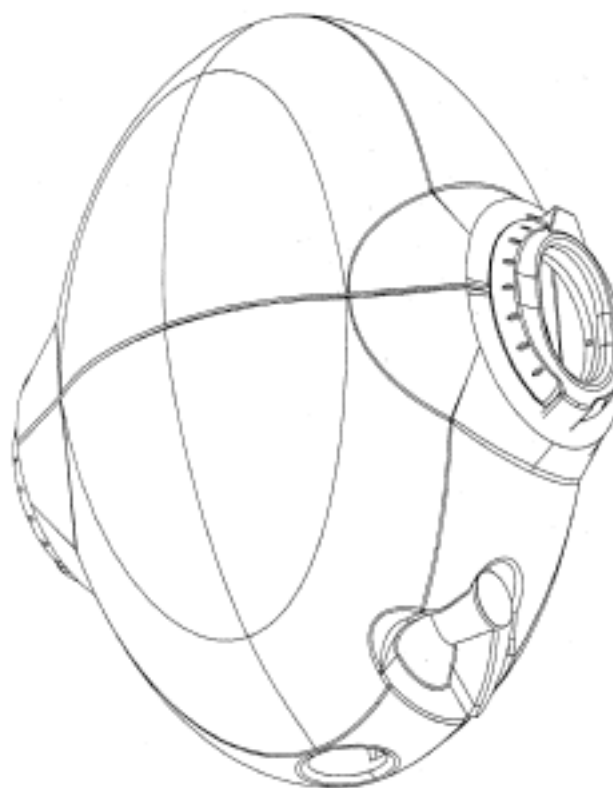
(21) Design Number: **12910/2012**
(22) Date of Filing Application: **19 June 2012**
(24) Date from which industrial property rights may have effect: **19 June 2012**
(54) Product in respect of which the design is registered: **Solar cooling system**
(51) International Design Classification: **23-04**
(74) Name(s) of Attorney(s):
(71) Name(s) and Address(s) of Applicant(s):
Ecocool Pty Ltd
Unit 4 19 Sellin Place Currumbin Queensland 4223 Australia
(72) Name(s) of Designer(s): **Craig Myatt**
(45) Registration Date: **31 August 2012**
(56) Related Art Documents: **Not Applicable**
(57) Statement of Newness and Distinctiveness: **Nil**



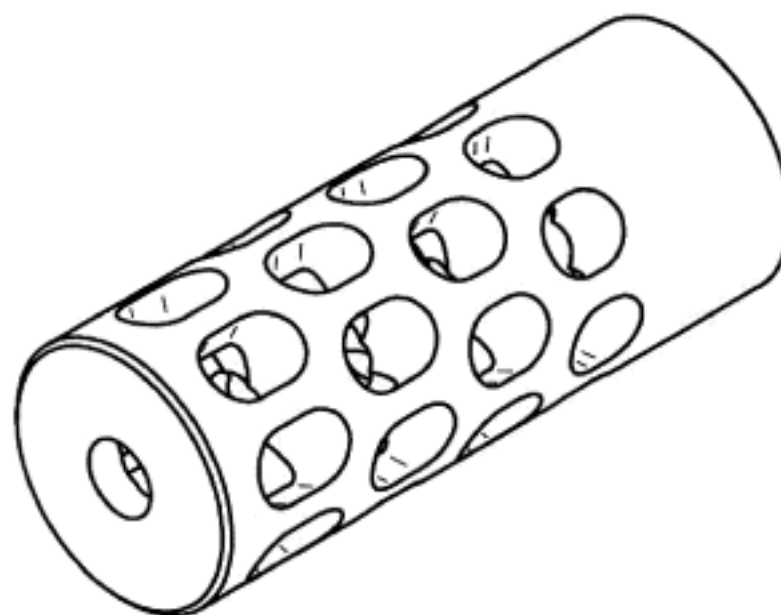
(21) Design Number: **13305/2012**
(22) Date of Filing Application: **11 July 2012**
(24) Date from which industrial property rights may have effect: **11 July 2012**
(54) Product in respect of which the design is registered: **Trolley**
(51) International Design Classification: **12-02**
(74) Name(s) of Attorney(s): **Allens Patent & Trade Mark Attorneys**
(71) Name(s) and Address(s) of Applicant(s):
E.D. Oates Pty Ltd
Maygar Boulevard Broadmeadows Victoria 3047 Australia
(72) Name(s) of Designer(s): **Frankie Ngan**
(45) Registration Date: **31 August 2012**
(56) Related Art Documents: **Not Applicable**
(57) Statement of Newness and Distinctiveness: **Newness and distinctiveness resides in the visual features of shape and/or configuration of a trolley as illustrated in the accompanying representations.**



- (21) Design Number: **13418/2012**
(22) Date of Filing Application: **19 July 2012**
(24) Date from which industrial property rights may have effect: **19 July 2012**
(54) Product in respect of which the design is registered: **In-line water filter**
(51) International Design Classification: **23-01G**
(74) Name(s) of Attorney(s): **Allens Patent & Trade Mark Attorneys**
(71) Name(s) and Address(s) of Applicant(s):
GAL-AL Beverages Ltd
P.O.B 5444 Kiryat Bialik Israel
(72) Name(s) of Designer(s): **Baruch Ziser**
(45) Registration Date: **31 August 2012**
(56) Related Art Documents: **Not Applicable**
(57) Statement of Newness and Distinctiveness: **Newness and distinctiveness resides in the visual features of shape and/or configuration of an in-line water filter as illustrated in the accompanying representations.**



- (21) Design Number: **13452/2012**
(22) Date of Filing Application: **23 July 2012**
(24) Date from which industrial property rights may have effect: **23 July 2012**
(54) Product in respect of which the design is registered: **A muzzlebrake for a rifle**
(51) International Design Classification: **22-01**
(74) Name(s) of Attorney(s):
(71) Name(s) and Address(s) of Applicant(s):
Dean Frank Maisey
PO Box 14006 Tauranga 3143 New Zealand
(72) Name(s) of Designer(s): **Dean Frank Maisey**
(45) Registration Date: **31 August 2012**
(30) Convention priority data:
(31) Number (32) Date (33) Country
416417 19 Jun 2012 NEW ZEALAND
(56) Related Art Documents: **Not Applicable**
(57) Statement of Newness and Distinctiveness: **The design is to be applied to a muzzlebrake for a rifle, and the novelty resides in the features of shape and configuration as shown in the accompanying representations. Particular regard is to be had to the progressive gas chamber/port sizes, from small to large (or large to small).**



- (21) Design Number: **13455/2012**
(22) Date of Filing Application: **23 July 2012**
(24) Date from which industrial property rights may have effect: **23 July 2012**
(54) Product in respect of which the design is registered: **Animal Vest**
(51) International Design Classification: **30-01**
(74) Name(s) of Attorney(s): **Ahearn Fox**
(71) Name(s) and Address(s) of Applicant(s):

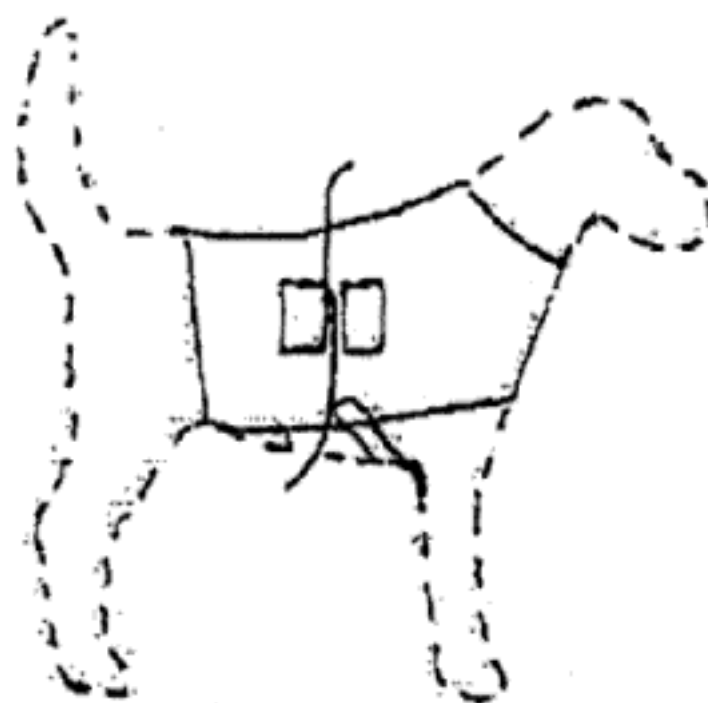
Patrick James Rowan
1 Rohan Rise Coolum Beach Queensland 4573 Australia

- (72) Name(s) of Designer(s): **Patrick James Rowan**

(45) Registration Date: **31 August 2012**

(56) Related Art Documents: **Not Applicable**

- (57) Statement of Newness and Distinctiveness: **Newness and distinctiveness resides in the shape and configuration of an Animal Vest as shown in the accompanying representations, wherein: Fig. 1 is a side view of the Animal Vest from the right hand side; Fig. 2 is a view of the Animal Vest from the left hand side; Fig. 3 is a view of the Animal Vest from the front; Fig. 4 is a view of the Animal Vest from the rear; Fig. 5 is a view of the Animal Vest from below; Fig. 6 is a view of the Animal Vest from above; Fig. 7 is a view of one side of the Animal Vest laid out flat as a pattern development; and Fig. 8 is a view of the other side of the Animal Vest of Fig. 7. In considering the scope of the registration, the shape or configuration of the animal showed in phantom outline is to be disregarded. In considering the scope of the registration, the length of the vest along the body of the animal and the number of regularly spaced pockets is to be disregarded.**



- (21) Design Number: **10765/2012**
(22) Date of Filing Application: **27 February 2012**
(24) Date from which industrial property rights may have effect: **27 February 2012**
(54) Product in respect of which the design is registered: **Bread maker**
(51) International Design Classification: **07-02NES**
(74) Name(s) of Attorney(s): **Freehills Patent Attorneys**
(71) Name(s) and Address(s) of Applicant(s):

Sunbeam Corporation Limited
Units 5 & 6 13 Lord Street Botany New South Wales 2019 Australia

- (72) Name(s) of Designer(s): **Mark Whitcombe**

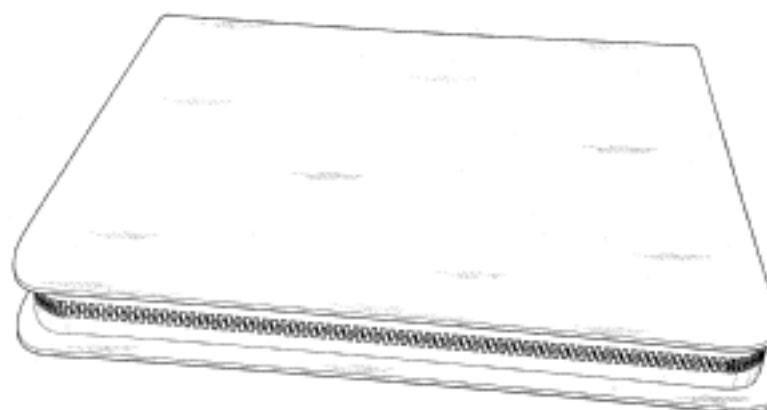
(45) Registration Date: **31 August 2012**

(56) Related Art Documents: **Not Applicable**

- (57) Statement of Newness and Distinctiveness: **Newness and distinctiveness reside in the features of shape and configuration shown in solid outline in the accompanying representations.**



- (21) Design Number: **13525/2012**
(22) Date of Filing Application: **26 July 2012**
(24) Date from which industrial property rights may have effect: **26 July 2012**
(54) Product in respect of which the design is registered: **Pouch with cosmetic brush holder**
(51) International Design Classification: **28-03NES, 03-01D**
(74) Name(s) of Attorney(s): **Collison & Co**
(71) Name(s) and Address(s) of Applicant(s):
Roger Douglas Lang
9 Fossilwood Court Buderim Queensland 4556 Australia
Sonja Belinda Lang
9 Fossilwood Court Buderim Queensland 4556 Australia
(72) Name(s) of Designer(s): **Roger Douglas Lang**
(45) Registration Date: **31 August 2012**
(56) Related Art Documents: **Not Applicable**
(57) Statement of Newness and Distinctiveness: **Newness and distinctiveness resides in the shape and/or configuration of the cosmetic brush holder and pouch as illustrated excluding the brushes illustrated in broken lines.**



- (21) Design Number: **15202/2011**
(22) Date of Filing Application: **14 November 2011**
(24) Date from which industrial property rights may have effect: **14 November 2011**
(54) Product in respect of which the design is registered: **Jewellery**
(51) International Design Classification: **11-01E**
(74) Name(s) of Attorney(s): **Macpherson + Kelley**
(71) Name(s) and Address(s) of Applicant(s):
Forever New Clothing Pty Ltd
Ground Floor 714-716 High Street Kew Victoria 3101 Australia
(72) Name(s) of Designer(s): **Mantra Ahrendt and Octavia Miller and Suzie Abbott and Kate Symons and Gemma Henderson and Dulcie Flynn and Tristan Melle and Laura Mitchell and Elisa Brown and Simon Edwards and Elizabeth Maplestone and Nia Davis and Katherine Lawrence and Christianna Heideman**
(45) Registration Date: **03 September 2012**
(56) Related Art Documents: **Not Applicable**
(57) Statement of Newness and Distinctiveness: **The particular visual features of the design which the Applicant hereby identifies as new and distinctive are as follows: "Women's Fashion Clothing", as illustrated in the accompanying representations.**



(21) Design Number: **12664/2012**
(22) Date of Filing Application: **05 June 2012**
(24) Date from which industrial property rights may have effect: **05 June 2012**
(54) Product in respect of which the design is registered: **A Thrower**
(51) International Design Classification: **21-02B**
(74) Name(s) of Attorney(s):
(71) Name(s) and Address(s) of Applicant(s):
Innovation Pet Products Pty Ltd
26 Jaguar Drive Bundall Queensland 4217 Australia
(72) Name(s) of Designer(s): **Hazel Clarke and Joseph Clarke**
(45) Registration Date: **03 September 2012**
(56) Related Art Documents: **Not Applicable**
(57) Statement of Newness and Distinctiveness: **Nil**



(21) Design Number: **13464/2012**
(22) Date of Filing Application: **24 July 2012**
(24) Date from which industrial property rights may have effect: **24 July 2012**
(54) Product in respect of which the design is registered: **Digital didgeridoo**
(51) International Design Classification: **17-99**
(74) Name(s) of Attorney(s):
(71) Name(s) and Address(s) of Applicant(s):
Kevin Ashley Byrnes
3 Crescent Street Cudgen New South Wales 2487 Australia
(72) Name(s) of Designer(s): **Kevin Ashley Byrnes**
(45) Registration Date: **03 September 2012**
(56) Related Art Documents: **Not Applicable**
(57) Statement of Newness and Distinctiveness: **The design includes indigenous totem buttons and sound relating to the totem.**



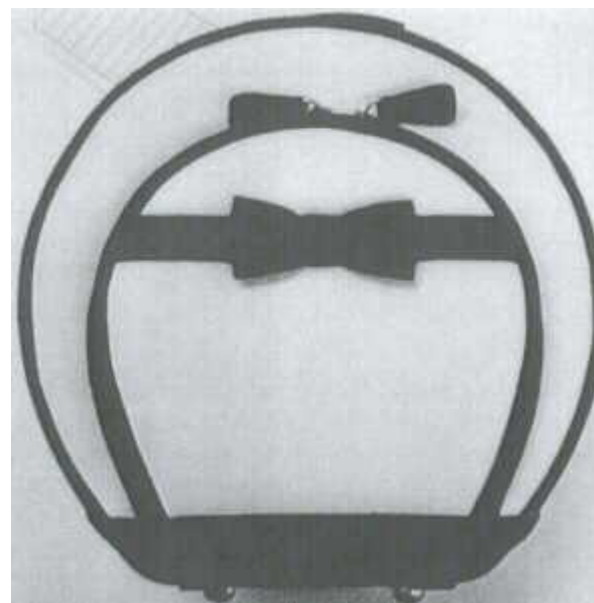
- (21) Design Number: **14071/2012**
(22) Date of Filing Application: **20 August 2012**
(24) Date from which industrial property rights may have effect: **20 August 2012**
(54) Product in respect of which the design is registered: **Women's fashion clothing**
(51) International Design Classification: **02-02C**
(74) Name(s) of Attorney(s):
(71) Name(s) and Address(s) of Applicant(s):
Forever New Clothing Pty Ltd
714-716 High Street Kew Victoria 3101 Australia
(72) Name(s) of Designer(s): **Christianna Heideman**
(45) Registration Date: **03 September 2012**
(56) Related Art Documents: **Not Applicable**
(57) Statement of Newness and Distinctiveness: **The particular visual features of the design which the Applicant hereby identifies as new and distinctive are as follows: "Women's Fashion Clothing", as illustrated in the accompanying representations.**



- (21) Design Number: **14072/2012**
(22) Date of Filing Application: **20 August 2012**
(24) Date from which industrial property rights may have effect: **20 August 2012**
(54) Product in respect of which the design is registered: **Women's fashion clothing**
(51) International Design Classification: **02-02C**
(74) Name(s) of Attorney(s):
(71) Name(s) and Address(s) of Applicant(s):
Forever New Clothing Pty Ltd
714-716 High Street Kew Victoria 3101 Australia
(72) Name(s) of Designer(s): **Gemma Henderson**
(45) Registration Date: **03 September 2012**
(56) Related Art Documents: **Not Applicable**
(57) Statement of Newness and Distinctiveness: **The particular visual features of the design which the Applicant hereby identifies as new and distinctive are as follows: "Women's Fashion Clothing", as illustrated in the accompanying representations.**



- (21) Design Number: **14073/2012**
(22) Date of Filing Application: **20 August 2012**
(24) Date from which industrial property rights may have effect: **14 November 2011**
(54) Product in respect of which the design is registered: **A handbag**
(51) International Design Classification: **03-01B**
(74) Name(s) of Attorney(s):
(71) Name(s) and Address(s) of Applicant(s):
Forever New Clothing Pty Ltd
714-716 High Street Kew Victoria 3101 Australia
(72) Name(s) of Designer(s): **Kate Symons**
(45) Registration Date: **03 September 2012**
(62) Divisional of: **344122**
(56) Related Art Documents: **Not Applicable**
(57) Statement of Newness and Distinctiveness: **The particular visual features of the design which the Applicant hereby identifies as new and distinctive are as follows: "Women's Fashion Clothing", as illustrated in the accompanying representations.**



- (21) Design Number: **14074/2012**
(22) Date of Filing Application: **20 August 2012**
(24) Date from which industrial property rights may have effect: **20 August 2012**
(54) Product in respect of which the design is registered: **Women's fashion clothing**
(51) International Design Classification: **02-02NES**
(74) Name(s) of Attorney(s):
(71) Name(s) and Address(s) of Applicant(s):
Forever New Clothing Pty Ltd
714-716 High Street Kew Victoria 3101 Australia
(72) Name(s) of Designer(s): **Dulcie Flynn**
(45) Registration Date: **03 September 2012**
(56) Related Art Documents: **Not Applicable**
(57) Statement of Newness and Distinctiveness: **The particular visual features of the design which the Applicant hereby identifies as new and distinctive are as follows: "Women's Fashion Clothing", as illustrated in the accompanying representations.**



- (21) Design Number: **14075/2012**
(22) Date of Filing Application: **20 August 2012**
(24) Date from which industrial property rights may have effect: **20 August 2012**
(54) Product in respect of which the design is registered: **Women's fashion clothing**
(51) International Design Classification: **02-02NES**
(74) Name(s) of Attorney(s):
(71) Name(s) and Address(s) of Applicant(s):
Forever New Clothing Pty Ltd
714-716 High Street Kew Victoria 3101 Australia
(72) Name(s) of Designer(s): **Gemma Henderson**
(45) Registration Date: **03 September 2012**
(56) Related Art Documents: **Not Applicable**
(57) Statement of Newness and Distinctiveness: **The particular visual features of the design which the Applicant hereby identifies as new and distinctive are as follows: "Women's Fashion Clothing", as illustrated in the accompanying representations.**



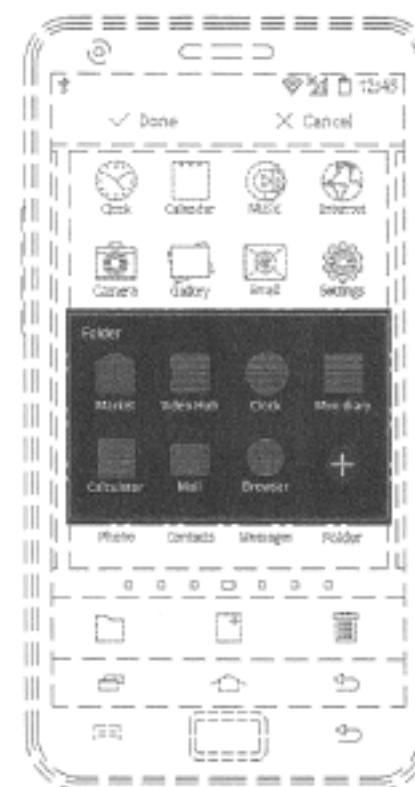
- (21) Design Number: **14076/2012**
(22) Date of Filing Application: **20 August 2012**
(24) Date from which industrial property rights may have effect: **20 August 2012**
(54) Product in respect of which the design is registered: **Women's fashion clothing**
(51) International Design Classification: **02-02NES**
(74) Name(s) of Attorney(s):
(71) Name(s) and Address(s) of Applicant(s):
Forever New Clothing Pty Ltd
714-716 High Street Kew Victoria 3101 Australia
(72) Name(s) of Designer(s): **Gemma Henderson**
(45) Registration Date: **03 September 2012**
(56) Related Art Documents: **Not Applicable**
(57) Statement of Newness and Distinctiveness: **The particular visual features of the design which the Applicant hereby identifies as new and distinctive are as follows: "Women's Fashion Clothing", as illustrated in the accompanying representations.**



- (21) Design Number: **14077/2012**
(22) Date of Filing Application: **20 August 2012**
(24) Date from which industrial property rights may have effect: **20 August 2012**
(54) Product in respect of which the design is registered: **Women's fashion clothing**
(51) International Design Classification: **02-02NES**
(74) Name(s) of Attorney(s):
(71) Name(s) and Address(s) of Applicant(s):
Forever New Clothing Pty Ltd
714-716 High Street Kew Victoria 3101 Australia
(72) Name(s) of Designer(s): **Dulcie Flynn**
(45) Registration Date: **03 September 2012**
(56) Related Art Documents: **Not Applicable**
(57) Statement of Newness and Distinctiveness: **The particular visual features of the design which the Applicant hereby identifies as new and distinctive are as follows: "Women's Fashion Clothing", as illustrated in the accompanying representations.**



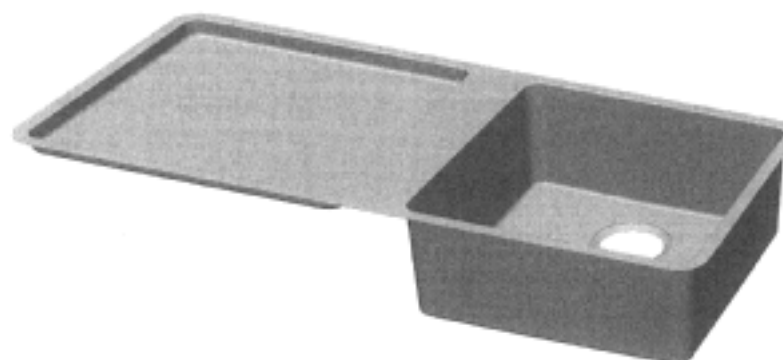
- (21) Design Number: **13658/2012**
(22) Date of Filing Application: **31 July 2012**
(24) Date from which industrial property rights may have effect: **31 July 2012**
(54) Product in respect of which the design is registered: **Display screen for an electronic device**
(51) International Design Classification: **14-01**
(74) Name(s) of Attorney(s): **Wrays**
(71) Name(s) and Address(s) of Applicant(s):
Samsung Electronics Co., Ltd
129 Samsung-ro Yeongtong-gu Suwon-si Gyeonggi-do 443-742 Republic of Korea
(72) Name(s) of Designer(s): **Dae-Won Kim and Chang-Mo Yang and Chul-Ho Jang and Jee-Yeun Wang**
(45) Registration Date: **03 September 2012**
(30) Convention priority data:
(31) Number (32) Date (33) Country
30-2012-0008860 24 Feb 2012 REPUBLIC OF KOREA
(56) Related Art Documents: **Not Applicable**
(57) Statement of Newness and Distinctiveness: **Newness and distinctiveness is claimed in the features of pattern and/or ornamentation of the Display Screen For An Electronic Device as shown in the accompanying representations. The features shown in broken outline are for illustrative purposes only and do not form part of the design. The shapes shown above the text Market, Video Hub, Clock, Mini diary, Calculator, Mail, and Browser are for illustrative purposes only and do not form part of the design.**



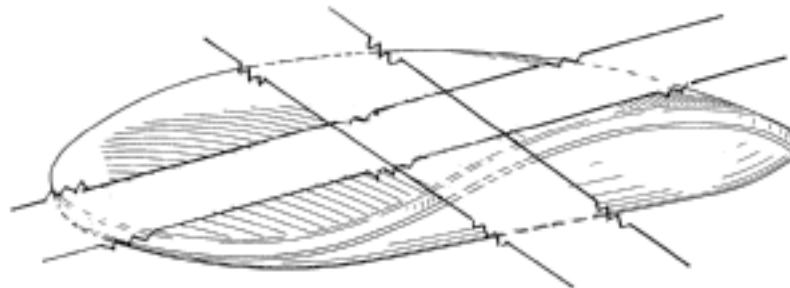
- (21) Design Number: **13660/2012**
(22) Date of Filing Application: **31 July 2012**
(24) Date from which industrial property rights may have effect: **31 July 2012**
(54) Product in respect of which the design is registered: **Display screen for an electronic device**
(51) International Design Classification: **14-01**
(74) Name(s) of Attorney(s): **Wrays**
(71) Name(s) and Address(s) of Applicant(s):
Samsung Electronics Co., Ltd
129 Samsung-ro Yeongtong-gu Suwon-si Gyeonggi-do 443-742 Republic of Korea
(72) Name(s) of Designer(s): **Su-Hyun Na**
(45) Registration Date: **03 September 2012**
(30) Convention priority data:
(31) Number (32) Date (33) Country
30-2012-0008899 24 Feb 2012 REPUBLIC OF KOREA
(56) Related Art Documents: **Not Applicable**
(57) Statement of Newness and Distinctiveness: **Newness and distinctiveness is claimed in the features of pattern and/or ornamentation of the Display Screen For An Electronic Device as shown in the accompanying representations. The features shown in broken outline are for illustrative purposes only and do not form part of the design.**



- (21) Design Number: **13661/2012**
(22) Date of Filing Application: **31 July 2012**
(24) Date from which industrial property rights may have effect: **31 July 2012**
(54) Product in respect of which the design is registered: **Sink**
(51) International Design Classification: **23-02F**
(74) Name(s) of Attorney(s): **Griffith Hack**
(71) Name(s) and Address(s) of Applicant(s):
Blanco GmbH + Co KG
Flehinger Strasse 59 75038 Oberderdingen Germany
(72) Name(s) of Designer(s): **Brigitte Ziemann and Reinhard Koska**
(45) Registration Date: **03 September 2012**
(30) Convention priority data:
(31) Number (32) Date (33) Country
001990151-0001 10 Feb 2012 EUROPEAN COMMUNITY
(56) Related Art Documents: **Not Applicable**
(57) Statement of Newness and Distinctiveness: **Newness and distinctiveness resides in the visual features, including shape, configuration, and ornamentation of the product as shown in the accompanying Figures.**



(21) Design Number: **13670/2012**
(22) Date of Filing Application: **31 July 2012**
(24) Date from which industrial property rights may have effect: **31 July 2012**
(54) Product in respect of which the design is registered: **Universal pillow**
(51) International Design Classification: **06-13B**
(74) Name(s) of Attorney(s): **Cullens Patent and Trade Mark Attorneys**
(71) Name(s) and Address(s) of Applicant(s):
Hometex, Inc.
15295 Alabama Highway 157 Vinemont AL 35179 United States of America



(72) Name(s) of Designer(s): **Gerald E. Wootten, Jr.**
(45) Registration Date: **03 September 2012**
(30) Convention priority data:
(31) Number (32) Date (33) Country
29/412,138 31 Jan 2012 UNITED STATES OF AMERICA
(56) Related Art Documents: **Not Applicable**
(57) Statement of Newness and Distinctiveness: **The newness and distinctiveness of the design resides in the shape and/or configuration of a universal pillow of indefinite dimensions as illustrated using break lines in the accompanying representations.**

(21) Design Number: **13671/2012**
(22) Date of Filing Application: **31 July 2012**
(24) Date from which industrial property rights may have effect: **31 July 2012**
(54) Product in respect of which the design is registered: **Rear bumper for automobile**
(51) International Design Classification: **12-16C**
(74) Name(s) of Attorney(s): **Griffith Hack**
(71) Name(s) and Address(s) of Applicant(s):
Nissan Jidosha Kabushiki Kaisha
No. 2 Takaracho Kanagawa-ku Yokohama-shi Kanagawa-ken Japan

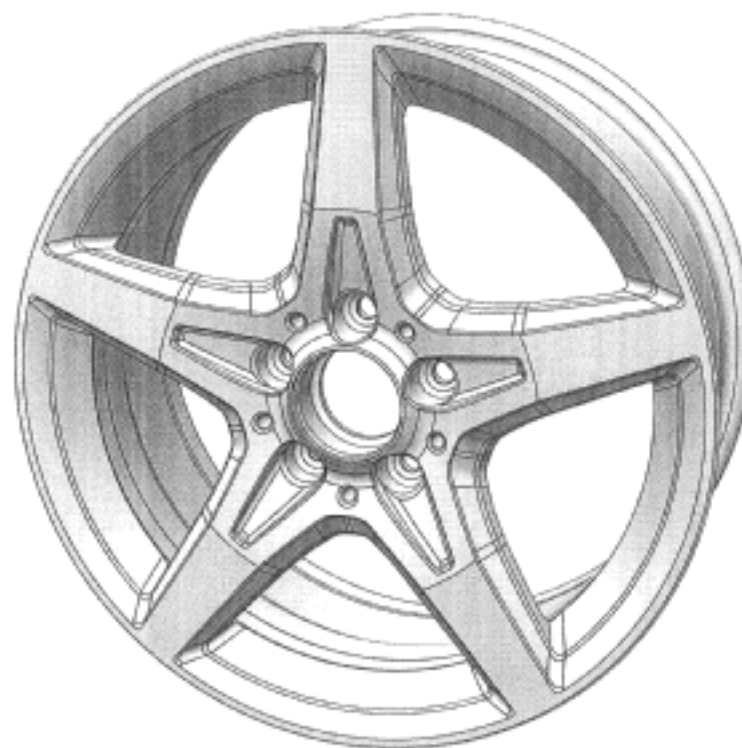


(72) Name(s) of Designer(s): **Nobutaka Tase and Kazunori Murabayashi**
(45) Registration Date: **03 September 2012**
(30) Convention priority data:
(31) Number (32) Date (33) Country
2012-002249 03 Feb 2012 JAPAN
(56) Related Art Documents: **Not Applicable**
(57) Statement of Newness and Distinctiveness: **Newness and distinctiveness resides in the visual features, including shape and configuration of a REAR BUMPER FOR AUTOMOBILE as shown in the representations.**

(21) Design Number: **13672/2012**
(22) Date of Filing Application: **31 July 2012**
(24) Date from which industrial property rights may have effect: **31 July 2012**
(54) Product in respect of which the design is registered: **Front bumper for automobile**
(51) International Design Classification: **12-16C**
(74) Name(s) of Attorney(s): **Griffith Hack**
(71) Name(s) and Address(s) of Applicant(s):
Nissan Jidosha Kabushiki Kaisha
No. 2 Takaracho Kanagawa-ku Yokohama-shi Kanagawa-ken Japan
(72) Name(s) of Designer(s): **Nobutaka Tase and Kazunori Murabayashi**
(45) Registration Date: **03 September 2012**
(30) Convention priority data:
(31) Number (32) Date (33) Country
2012-002248 03 Feb 2012 JAPAN
(56) Related Art Documents: **Not Applicable**
(57) Statement of Newness and Distinctiveness: **Newness and distinctiveness resides in the visual features, including shape and configuration of a FRONT BUMPER FOR AUTOMOBILE as shown in the representations.**



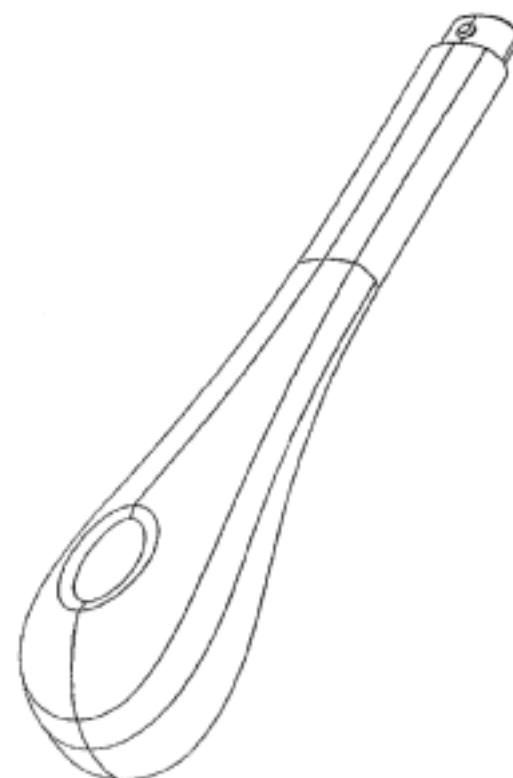
(21) Design Number: **12685/2012**
(22) Date of Filing Application: **06 June 2012**
(24) Date from which industrial property rights may have effect: **06 June 2012**
(54) Product in respect of which the design is registered: **Wheel for vehicle**
(51) International Design Classification: **12-16A**
(74) Name(s) of Attorney(s): **SPRUSON & FERGUSON**
(71) Name(s) and Address(s) of Applicant(s):
Daimler AG
Mercedesstrasse 137 D-70327 Stuttgart Germany
(72) Name(s) of Designer(s): **Kai Hilpert**
(45) Registration Date: **03 September 2012**
(30) Convention priority data:
(31) Number (32) Date (33) Country
001958976-0002 07 Dec 2011 EUROPEAN COMMUNITY
(56) Related Art Documents: **Not Applicable**
(57) Statement of Newness and Distinctiveness: **Newness and distinctiveness is claimed in the features of shape and/or configuration of a wheel for vehicle as illustrated in the accompanying representations.**



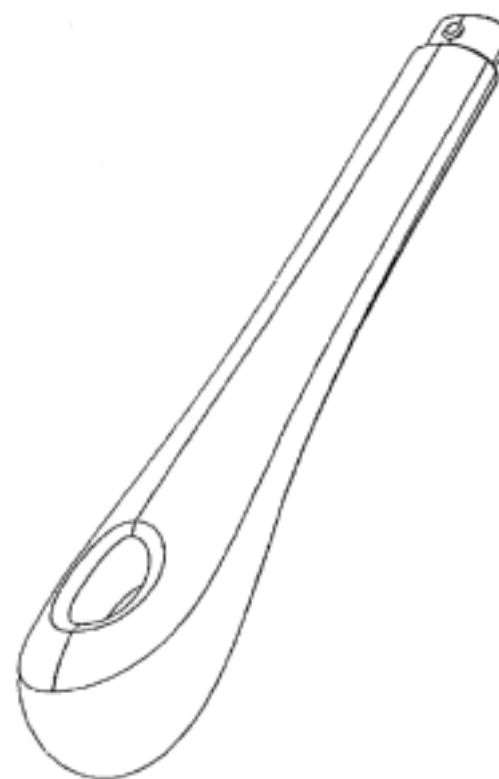
(21) Design Number: **12686/2012**
(22) Date of Filing Application: **06 June 2012**
(24) Date from which industrial property rights may have effect: **06 June 2012**
(54) Product in respect of which the design is registered: **Wheel for vehicle**
(51) International Design Classification: **12-16A**
(74) Name(s) of Attorney(s): **SPRUSON & FERGUSON**
(71) Name(s) and Address(s) of Applicant(s):
Daimler AG
Mercedesstrasse 137 D-70327 Stuttgart Germany
(72) Name(s) of Designer(s): **Kai Hilpert**
(45) Registration Date: **03 September 2012**
(30) Convention priority data:
(31) Number (32) Date (33) Country
001958976-0006 07 Dec 2011 EUROPEAN COMMUNITY
(56) Related Art Documents: **Not Applicable**
(57) Statement of Newness and Distinctiveness: **Newness and distinctiveness is claimed in the features of shape and/or configuration of a wheel for vehicle as illustrated in the accompanying representations.**



(21) Design Number: **12795/2012**
(22) Date of Filing Application: **14 June 2012**
(24) Date from which industrial property rights may have effect: **14 June 2012**
(54) Product in respect of which the design is registered: **Handle for a cleaning instrument**
(51) International Design Classification: **08-06**
(74) Name(s) of Attorney(s): **SPRUSON & FERGUSON**
(71) Name(s) and Address(s) of Applicant(s):
S.C. Johnson & Son, Inc.
1525 Howe Street Racine Wisconsin 53403-2236 United States of America
(72) Name(s) of Designer(s): **Neil P. Williams and Steven A. Zach and Kristian Buschmann and Bridget M. Soldan**
(45) Registration Date: **03 September 2012**
(30) Convention priority data:
(31) Number (32) Date (33) Country
29/408 607 14 Dec 2011 UNITED STATES OF AMERICA
(56) Related Art Documents: **Not Applicable**
(57) Statement of Newness and Distinctiveness: **Newness and distinctiveness is claimed in the features of shape and/or configuration of a handle for a cleaning instrument as illustrated in the accompanying representations.**



- (21) Design Number: **12796/2012**
(22) Date of Filing Application: **14 June 2012**
(24) Date from which industrial property rights may have effect: **14 June 2012**
(54) Product in respect of which the design is registered: **Handle for a cleaning instrument**
(51) International Design Classification: **08-06**
(74) Name(s) of Attorney(s): **SPRUSON & FERGUSON**
(71) Name(s) and Address(s) of Applicant(s):
S.C. Johnson & Son, Inc.
1525 Howe Street Racine Wisconsin 53403-2236 United States of America
(72) Name(s) of Designer(s): **Neil P. Williams and Steven A. Zach and Kristian Buschmann and Bridget M. Soldan**
(45) Registration Date: **03 September 2012**
(30) Convention priority data:
(31) Number (32) Date (33) Country
29/408604 14 Dec 2011 UNITED STATES OF AMERICA
(56) Related Art Documents: **Not Applicable**
(57) Statement of Newness and Distinctiveness: **Newness and distinctiveness is claimed in the features of shape and/or configuration of a handle for a cleaning instrument as illustrated in the accompanying representations.**



- (21) Design Number: **13325/2012**
(22) Date of Filing Application: **10 July 2012**
(24) Date from which industrial property rights may have effect: **10 July 2012**
(54) Product in respect of which the design is registered: **Guitar strap. (This design, single-layered guitar pick bandoiler, is for securely storing guitar picks)**
(51) International Design Classification: **17-99**
(74) Name(s) of Attorney(s):
(71) Name(s) and Address(s) of Applicant(s):
Satoru Yamaguchi
42 Warhurst Road Widgee Queensland 4570 Australia
(72) Name(s) of Designer(s): **Satoru Yamaguchi**
(45) Registration Date: **03 September 2012**
(56) Related Art Documents: **Not Applicable**
(57) Statement of Newness and Distinctiveness: **This particular design is an image of a bullet belt (bandoiler) reflected on a guitar strap. It utilise the part (near the neck end) of the guitar strap. The pockets have open bottom and are for securely storing regular-size guitar picks as shown in the representation.**



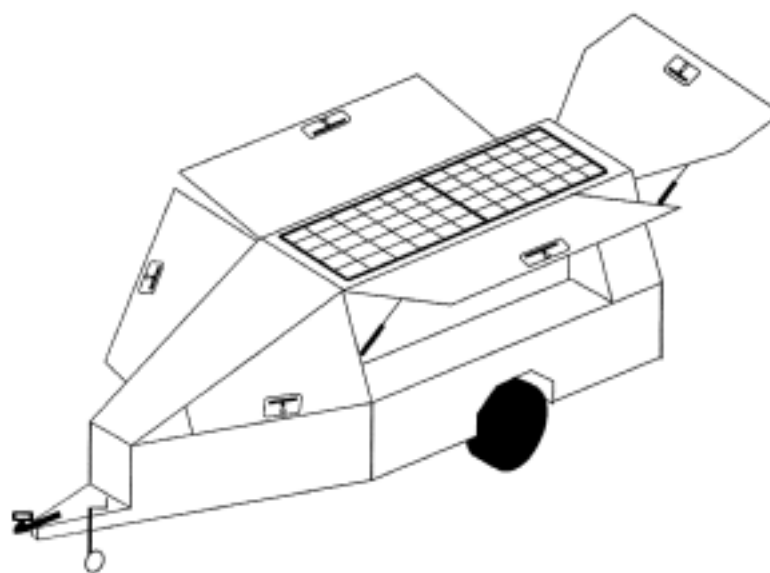
- (21) Design Number: **13326/2012**
(22) Date of Filing Application: **10 July 2012**
(24) Date from which industrial property rights may have effect: **10 July 2012**
(54) Product in respect of which the design is registered: **Guitar strap. (This design, double-layered guitar pick bandoiler, is for securely storing guitar picks)**
(51) International Design Classification: **17-99**
(74) Name(s) of Attorney(s):
(71) Name(s) and Address(s) of Applicant(s):
Satoru Yamaguchi
42 Warhurst Road Widgee Queensland 4570 Australia
(72) Name(s) of Designer(s): **Satoru Yamaguchi**
(45) Registration Date: **03 September 2012**
(56) Related Art Documents: **Not Applicable**
(57) Statement of Newness and Distinctiveness: **The top layer in this particular design is for securely storing regular-size guitar picks (open-bottom pockets) or storing smaller guitar picks and/or other guitar accessories (closed-bottom pouches).**



- (21) Design Number: **13475/2012**
(22) Date of Filing Application: **24 July 2012**
(24) Date from which industrial property rights may have effect: **24 July 2012**
(54) Product in respect of which the design is registered: **Car and toy-car**
(51) International Design Classification: **12-08, 21-01C**
(74) Name(s) of Attorney(s): **PHILLIPS ORMONDE FITZPATRICK**
(71) Name(s) and Address(s) of Applicant(s):
Fiat Group Automobiles S.p.A.
Corso Giovanni Agnelli 200 I-10135 Torino Italy
(72) Name(s) of Designer(s): **Lorenzo Ramaciotti**
(45) Registration Date: **03 September 2012**
(30) Convention priority data:
(31) Number (32) Date (33) Country
DM/077749 03 Feb 2012 WORLD INTELLECTUAL
PROPERTY ORGANIZATION
(WIPO)
(56) Related Art Documents: **Not Applicable**
(57) Statement of Newness and Distinctiveness: **Those features of the car and toy-car depicted in the representations that are new and distinctive are the shape and/or configuration. The wheels and tyres of the cars and toy-cars are not part of the design and are to be disregarded when considering the overall impression of the design.**



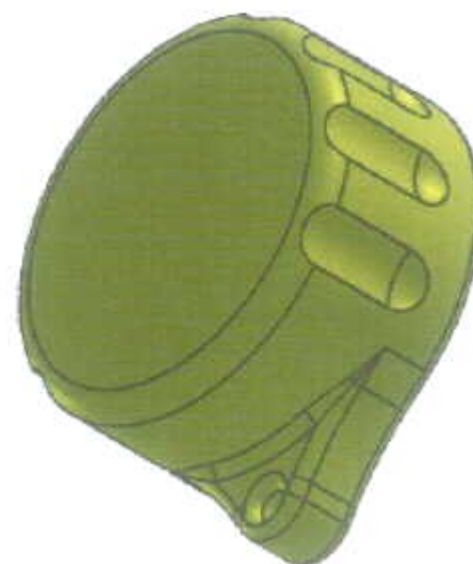
- (21) Design Number: **13601/2012**
(22) Date of Filing Application: **28 July 2012**
(24) Date from which industrial property rights may have effect: **28 July 2012**
(54) Product in respect of which the design is registered: **A workplace safety station trailer**
(51) International Design Classification: **12-10**
(74) Name(s) of Attorney(s):
(71) Name(s) and Address(s) of Applicant(s):
EVERBLUE PTY LTD
98 Celeber Drive Andergrove Queensland 4740 Australia
(72) Name(s) of Designer(s): **Matthew Punzell**
(45) Registration Date: **03 September 2012**
(56) Related Art Documents: **Not Applicable**
(57) Statement of Newness and Distinctiveness: **The shape and configuration of a workplace safety station trailer as depicted in the accompanying representations.**



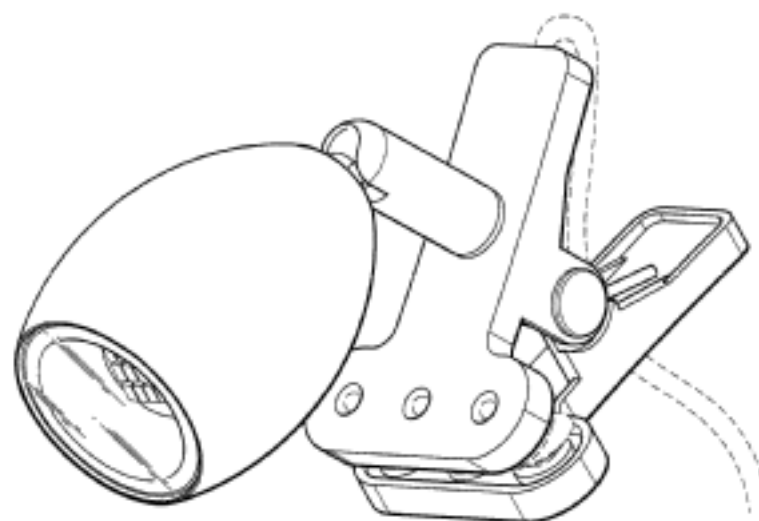
- (21) Design Number: **13674/2012**
(22) Date of Filing Application: **31 July 2012**
(24) Date from which industrial property rights may have effect: **31 July 2012**
(54) Product in respect of which the design is registered: **Automobile**
(51) International Design Classification: **12-08**
(74) Name(s) of Attorney(s): **Griffith Hack**
(71) Name(s) and Address(s) of Applicant(s):
Nissan Jidosha Kabushiki Kaisha
No. 2 Takaracho Kanagawa-ku Yokohama-shi Kanagawa-ken Japan
(72) Name(s) of Designer(s): **Nobutaka Tase and Kazunori Murabayashi**
(45) Registration Date: **03 September 2012**
(30) Convention priority data:
(31) Number (32) Date (33) Country
2012-002246 03 Feb 2012 JAPAN
(56) Related Art Documents: **Not Applicable**
(57) Statement of Newness and Distinctiveness: **Newness and distinctiveness resides in the visual features, including shape and configuration of an AUTOMOBILE as shown in the representations.**



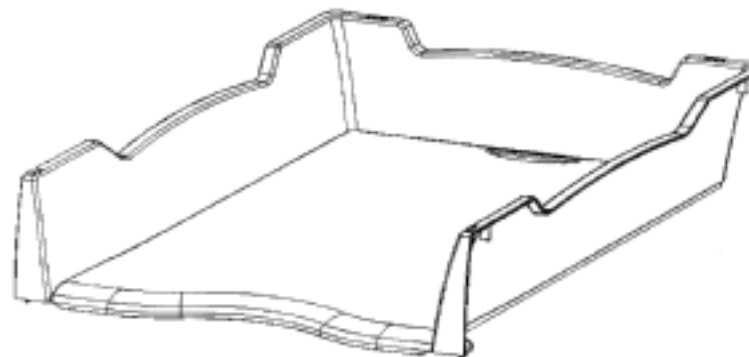
(21) Design Number: **13675/2012**
(22) Date of Filing Application: **01 August 2012**
(24) Date from which industrial property rights may have effect: **01 August 2012**
(54) Product in respect of which the design is registered: **Lid Grip**
(51) International Design Classification: **09-07B**
(74) Name(s) of Attorney(s): **WATERMARK PATENT AND TRADE MARKS ATTORNEYS**
(71) Name(s) and Address(s) of Applicant(s):
Christopher John Terlet
2472 Wright Road Piara Waters Western Australia 6112 Australia
(72) Name(s) of Designer(s): **Christopher John Terlet**
(45) Registration Date: **03 September 2012**
(56) Related Art Documents: **Not Applicable**
(57) Statement of Newness and Distinctiveness: **Nil**



(21) Design Number: **13676/2012**
(22) Date of Filing Application: **31 July 2012**
(24) Date from which industrial property rights may have effect: **31 July 2012**
(54) Product in respect of which the design is registered: **Clip light with integrated LEDs**
(51) International Design Classification: **26-05E**
(74) Name(s) of Attorney(s): **FB Rice**
(71) Name(s) and Address(s) of Applicant(s):
Mort Bay Traders Pty Ltd
Level 1 21a Elliott Street Balmain New South Wales 2041 Australia
(72) Name(s) of Designer(s): **Yuki Wang**
(45) Registration Date: **03 September 2012**
(56) Related Art Documents: **Not Applicable**
(57) Statement of Newness and Distinctiveness: **Newness and distinctiveness reside in the shape and configuration of the clip light with LEDs encapsulated into the housing of the clip light as shown in solid lines in the representations. There may be fewer LEDs or more LEDs than depicted in the representations. The particular shape of the protector elements and the cable shown in dashed lines being disclaimed.**



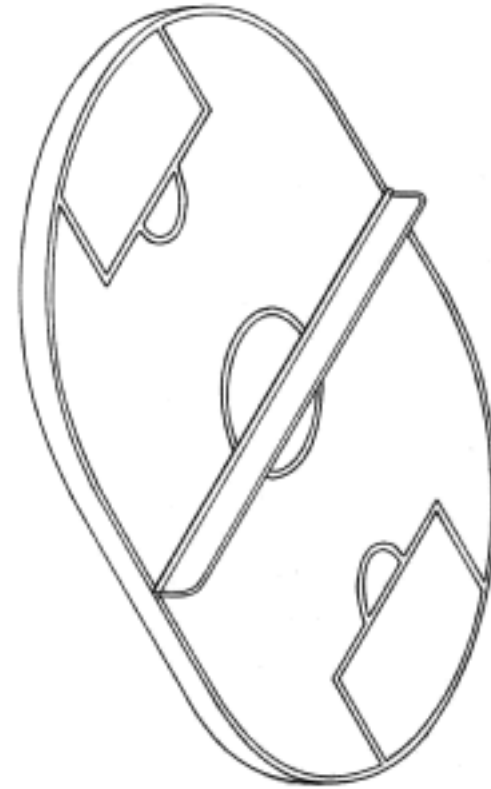
(21) Design Number: **13679/2012**
(22) Date of Filing Application: **02 August 2012**
(24) Date from which industrial property rights may have effect: **02 August 2012**
(54) Product in respect of which the design is registered: **Document tray**
(51) International Design Classification: **19-02**
(74) Name(s) of Attorney(s): **Churchill Attorneys**
(71) Name(s) and Address(s) of Applicant(s):
Rella Plastics Pty Ltd
43-45 Kylta Road West Heidelberg Victoria 3081 Australia
(72) Name(s) of Designer(s): **Lou Ciavarella**
(45) Registration Date: **03 September 2012**
(56) Related Art Documents: **Not Applicable**
(57) Statement of Newness and Distinctiveness: **Newness and distinctiveness resides in features of shape and/or configuration of a document tray as shown in the accompanying representations.**



(21) Design Number: **13758/2012**
(22) Date of Filing Application: **06 August 2012**
(24) Date from which industrial property rights may have effect: **06 August 2012**
(54) Product in respect of which the design is registered: **Dice (as used in a board game)**
(51) International Design Classification: **21-01L**
(74) Name(s) of Attorney(s):
(71) Name(s) and Address(s) of Applicant(s):
Veryent Ltd
13 Charles Avenue Agbrigg Wakefield Yorkshire WF1 5DG England
United Kingdom
(72) Name(s) of Designer(s): **Andrew Page and Patricia Smedley and Ben Dolman**
(45) Registration Date: **03 September 2012**
(30) Convention priority data:
(31) Number (32) Date (33) Country
4023221 26 Jan 2012 UNITED KINGDOM
(56) Related Art Documents: **Not Applicable**
(57) Statement of Newness and Distinctiveness: **Representation of "CO2" (CO2) on a single face of a dice.**



- (21) Design Number: **11191/2012**
(22) Date of Filing Application: **07 March 2012**
(24) Date from which industrial property rights may have effect: **07 March 2012**
(54) Product in respect of which the design is registered: **Game table top**
(51) International Design Classification: **21-01L**
(74) Name(s) of Attorney(s): **Shelston IP**
(71) Name(s) and Address(s) of Applicant(s):
Futtoc Performance, S.L.
Rambla de Marisol 3 08860 Castelldefels Barcelona Spain
(72) Name(s) of Designer(s): **Juan Cano and Joan E. Carcel and Ildefonso Fernandez and Santiago Pou**
(45) Registration Date: **03 September 2012**
(56) Related Art Documents: **Not Applicable**
(57) Statement of Newness and Distinctiveness: **Nil**



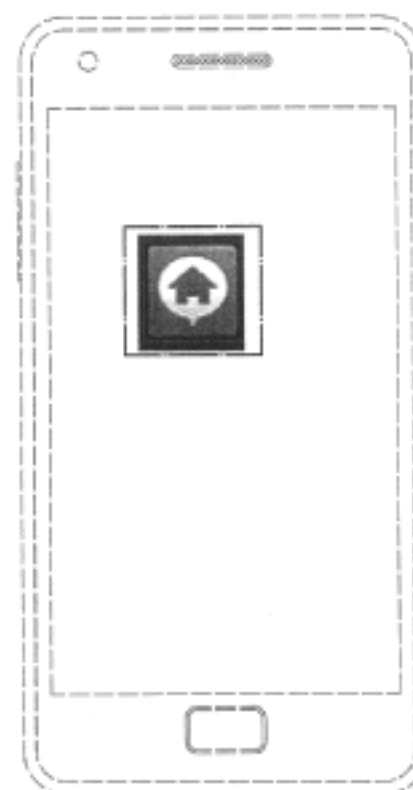
- (21) Design Number: **14129/2012**
(22) Date of Filing Application: **07 March 2012**
(24) Date from which industrial property rights may have effect: **07 March 2012**
(54) Product in respect of which the design is registered: **Game table top**
(51) International Design Classification: **21-01L**
(74) Name(s) of Attorney(s): **Shelston IP**
(71) Name(s) and Address(s) of Applicant(s):
Futtoc Performance, S.L.
Rambla de Marisol 3 08860 Castelldefels Barcelona Spain
(72) Name(s) of Designer(s): **Juan Cano and Joan E. Carcel and Ildefonso Fernandez and Santiago Pou**
(45) Registration Date: **03 September 2012**
(56) Related Art Documents: **Not Applicable**
(57) Statement of Newness and Distinctiveness: **Nil**



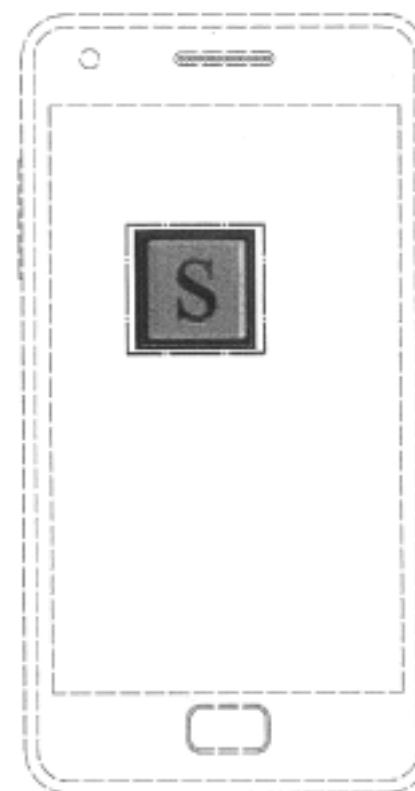
- (21) Design Number: **13141/2012**
(22) Date of Filing Application: **04 July 2012**
(24) Date from which industrial property rights may have effect: **04 July 2012**
(54) Product in respect of which the design is registered: **Bike parking rail/rack**
(51) International Design Classification: **08-10**
(74) Name(s) of Attorney(s):
(71) Name(s) and Address(s) of Applicant(s):
Martyn Wilson
8-10 Giffard Street Silverwater New South Wales 2128 Australia
(72) Name(s) of Designer(s): **Martyn S Wilson**
(45) Registration Date: **04 September 2012**
(56) Related Art Documents: **Not Applicable**
(57) Statement of Newness and Distinctiveness: **The shape and configuration of the bicycle hanging rail as shown in the representations is claimed as new and distinctive. No claim is made in the shape of the fixing portion of the hitching rail shown in the dotted outline.**



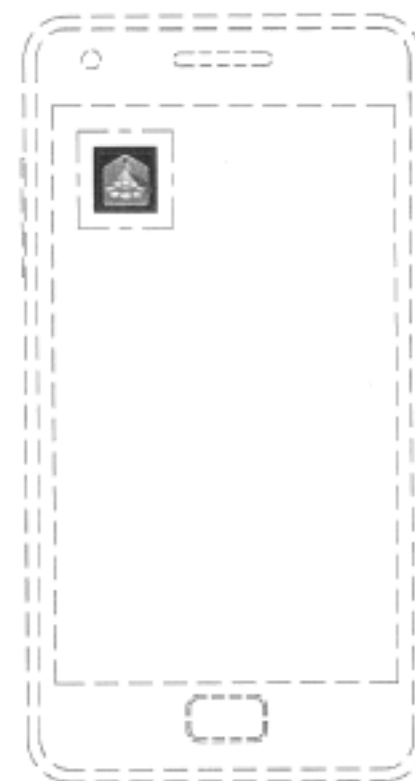
- (21) Design Number: **13695/2012**
(22) Date of Filing Application: **01 August 2012**
(24) Date from which industrial property rights may have effect: **01 August 2012**
(54) Product in respect of which the design is registered: **Display screen with icon for an electronic device**
(51) International Design Classification: **14-01**
(74) Name(s) of Attorney(s): **Wrays**
(71) Name(s) and Address(s) of Applicant(s):
Samsung Electronics Co., Ltd
129 Samsung-ro Yeongtong-gu Suwon-si Gyeonggi-do 443-742 Republic of Korea
(72) Name(s) of Designer(s): **Chul-Ho Jang and Kyung-Dae Park and Hyung-Joo Jin**
(45) Registration Date: **04 September 2012**
(30) Convention priority data:
(31) Number (32) Date (33) Country
30-2012-0014979 29 Mar 2012 REPUBLIC OF KOREA
(56) Related Art Documents: **Not Applicable**
(57) Statement of Newness and Distinctiveness: **Newness and distinctiveness is claimed in the features of pattern and/or ornamentation of the Display Screen With Icon For An Electronic Device as shown in the accompanying representations. The features shown in broken lines are for illustrative purposes only and form no part of the claimed design.**



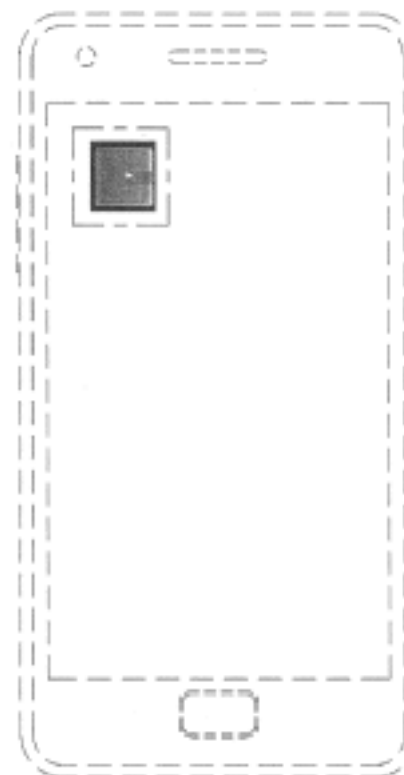
- (21) Design Number: **13696/2012**
(22) Date of Filing Application: **01 August 2012**
(24) Date from which industrial property rights may have effect: **01 August 2012**
(54) Product in respect of which the design is registered: **Display screen with icon for an electronic device**
(51) International Design Classification: **14-01**
(74) Name(s) of Attorney(s): **Wrays**
(71) Name(s) and Address(s) of Applicant(s):
Samsung Electronics Co., Ltd
129 Samsung-ro Yeongtong-gu Suwon-si Gyeonggi-do 443-742 Republic of Korea
(72) Name(s) of Designer(s): **Chul-Ho Jang and Kyung-Dae Park and Hyung-Joo Jin**
(45) Registration Date: **04 September 2012**
(30) Convention priority data:
(31) Number (32) Date (33) Country
30-2012-0014987 29 Mar 2012 REPUBLIC OF KOREA
(56) Related Art Documents: **Not Applicable**
(57) Statement of Newness and Distinctiveness: **Newness and distinctiveness is claimed in the features of pattern and/or ornamentation of the Display Screen With Icon For An Electronic Device as shown in the accompanying representations. The features shown in broken lines are for illustrative purposes only and form no part of the claimed design.**



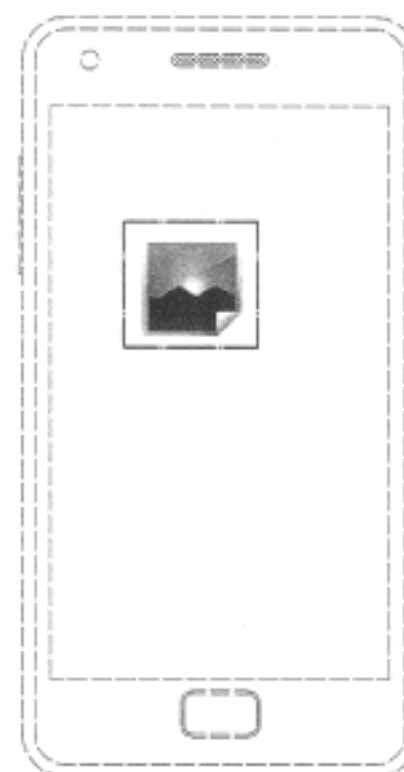
- (21) Design Number: **13697/2012**
(22) Date of Filing Application: **01 August 2012**
(24) Date from which industrial property rights may have effect: **01 August 2012**
(54) Product in respect of which the design is registered: **Display screen with icon for an electronic device**
(51) International Design Classification: **14-01**
(74) Name(s) of Attorney(s): **Wrays**
(71) Name(s) and Address(s) of Applicant(s):
Samsung Electronics Co., Ltd
129 Samsung-ro Yeongtong-gu Suwon-si Gyeonggi-do 443-742 Republic of Korea
(72) Name(s) of Designer(s): **Chul-Ho Jang and Kyung-Dae Park and Hyung-Joo Jin**
(45) Registration Date: **04 September 2012**
(30) Convention priority data:
(31) Number (32) Date (33) Country
30-2012-0014974 29 Mar 2012 REPUBLIC OF KOREA
(56) Related Art Documents: **Not Applicable**
(57) Statement of Newness and Distinctiveness: **Newness and distinctiveness is claimed in the features of pattern and/or ornamentation of the Display Screen With Icon For An Electronic Device as shown in the accompanying representations. The features shown in broken lines are for illustrative purposes only and form no part of the claimed design.**



- (21) Design Number: **13698/2012**
(22) Date of Filing Application: **01 August 2012**
(24) Date from which industrial property rights may have effect: **01 August 2012**
(54) Product in respect of which the design is registered: **Display screen with icon for an electronic device**
(51) International Design Classification: **14-01**
(74) Name(s) of Attorney(s): **Wrays**
(71) Name(s) and Address(s) of Applicant(s):
Samsung Electronics Co., Ltd
129 Samsung-ro Yeongtong-gu Suwon-si Gyeonggi-do 443-742 Republic of Korea
(72) Name(s) of Designer(s): **Chul-Ho Jang and Kyung-Dae Park and Hyung-Joo Jin**
(45) Registration Date: **04 September 2012**
(30) Convention priority data:
(31) Number (32) Date (33) Country
30-2012-0014973 29 Mar 2012 REPUBLIC OF KOREA
(56) Related Art Documents: **Not Applicable**
(57) Statement of Newness and Distinctiveness: **Newness and distinctiveness is claimed in the features of pattern and/or ornamentation of the Display Screen With Icon For An Electronic Device as shown in the accompanying representations. The features shown in broken lines are for illustrative purposes only and form no part of the claimed design.**



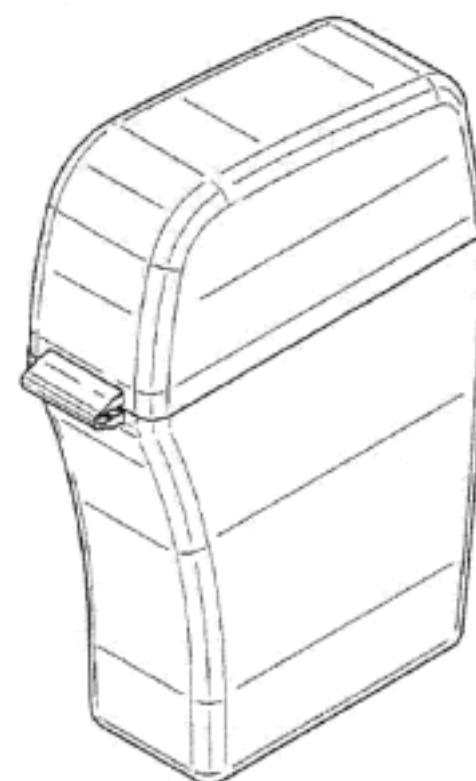
- (21) Design Number: **13699/2012**
(22) Date of Filing Application: **01 August 2012**
(24) Date from which industrial property rights may have effect: **01 August 2012**
(54) Product in respect of which the design is registered: **Display screen with icon for an electronic device**
(51) International Design Classification: **14-01**
(74) Name(s) of Attorney(s): **Wrays**
(71) Name(s) and Address(s) of Applicant(s):
Samsung Electronics Co., Ltd
129 Samsung-ro Yeongtong-gu Suwon-si Gyeonggi-do 443-742 Republic of Korea
(72) Name(s) of Designer(s): **Chul-Ho Jang and Kyung-Dae Park and Hyung-Joo Jin**
(45) Registration Date: **04 September 2012**
(30) Convention priority data:
(31) Number (32) Date (33) Country
30-2012-0014989 29 Mar 2012 REPUBLIC OF KOREA
(56) Related Art Documents: **Not Applicable**
(57) Statement of Newness and Distinctiveness: **Newness and distinctiveness is claimed in the features of pattern and/or ornamentation of the Display Screen With Icon For An Electronic Device as shown in the accompanying representations. The features shown in broken lines are for illustrative purposes only and form no part of the claimed design.**



- (21) Design Number: **13700/2012**
(22) Date of Filing Application: **01 August 2012**
(24) Date from which industrial property rights may have effect: **01 August 2012**
(54) Product in respect of which the design is registered: **Display screen with icon for an electronic device**
(51) International Design Classification: **14-01**
(74) Name(s) of Attorney(s): **Wrays**
(71) Name(s) and Address(s) of Applicant(s):
Samsung Electronics Co., Ltd
129 Samsung-ro Yeongtong-gu Suwon-si Gyeonggi-do 443-742 Republic of Korea
(72) Name(s) of Designer(s): **Chul-Ho Jang and Kyung-Dae Park and Hyung-Joo Jin**
(45) Registration Date: **04 September 2012**
(30) Convention priority data:
(31) Number (32) Date (33) Country
30-2012-0014971 29 Mar 2012 REPUBLIC OF KOREA
(56) Related Art Documents: **Not Applicable**
(57) Statement of Newness and Distinctiveness: **Newness and distinctiveness is claimed in the features of pattern and/or ornamentation of the Display Screen With Icon For An Electronic Device as shown in the accompanying representations. The features shown in broken lines are for illustrative purposes only and form no part of the claimed design.**



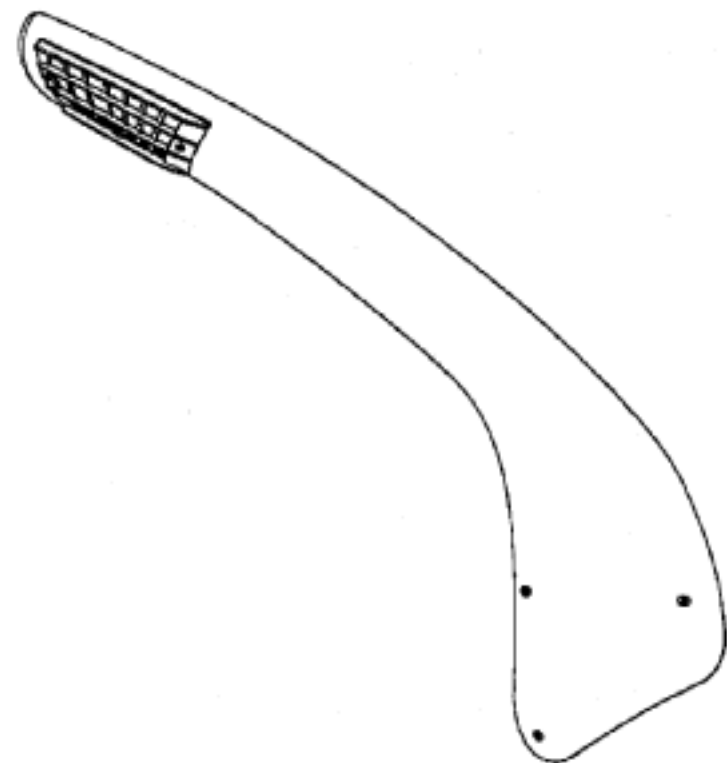
- (21) Design Number: **13702/2012**
(22) Date of Filing Application: **01 August 2012**
(24) Date from which industrial property rights may have effect: **01 August 2012**
(54) Product in respect of which the design is registered: **Fire starter**
(51) International Design Classification: **27-05**
(74) Name(s) of Attorney(s): **MIDDLETONS**
(71) Name(s) and Address(s) of Applicant(s):
Zippo Manufacturing Company
33 Barbour Street Bradford Pennsylvania 16701 United States of America
(72) Name(s) of Designer(s): **James M McDonough and Daniel Ferrara Jr. and Brian J Barber**
(45) Registration Date: **04 September 2012**
(30) Convention priority data:
(31) Number (32) Date (33) Country
29/413,915 22 Feb 2012 UNITED STATES OF AMERICA
(56) Related Art Documents: **Not Applicable**
(57) Statement of Newness and Distinctiveness: **Nil**



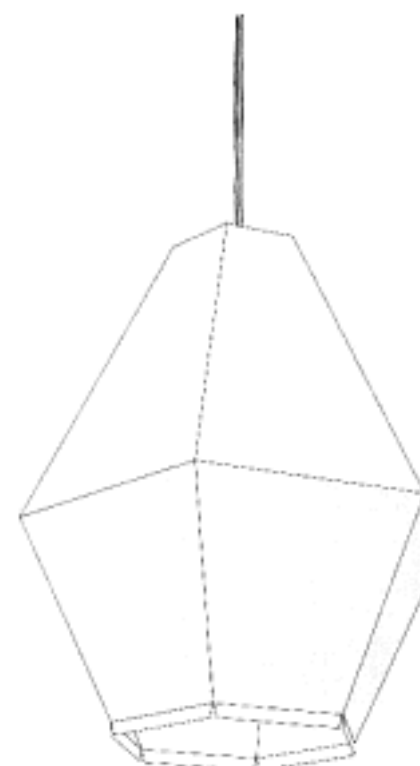
(21) Design Number: **13706/2012**
(22) Date of Filing Application: **01 August 2012**
(24) Date from which industrial property rights may have effect: **01 August 2012**
(54) Product in respect of which the design is registered: **Tyre for automobile**
(51) International Design Classification: **12-15B**
(74) Name(s) of Attorney(s): **SPRUSON & FERGUSON**
(71) Name(s) and Address(s) of Applicant(s):
The Goodyear Tire & Rubber Company
1144 East Market Street Akron Ohio 44316-0001 United States of America
(72) Name(s) of Designer(s): **Goro Munezawa**
(45) Registration Date: **04 September 2012**
(30) Convention priority data:
(31) Number (32) Date (33) Country
2012-002028 01 Feb 2012 JAPAN
(56) Related Art Documents: **Not Applicable**
(57) Statement of Newness and Distinctiveness: **Newness and distinctiveness is claimed in the features of shape and/or configuration of the tread of a tyre as illustrated in the accompanying representations, wherein the shape and/or configuration of the tread is repeated throughout the circumference of the tyre.**



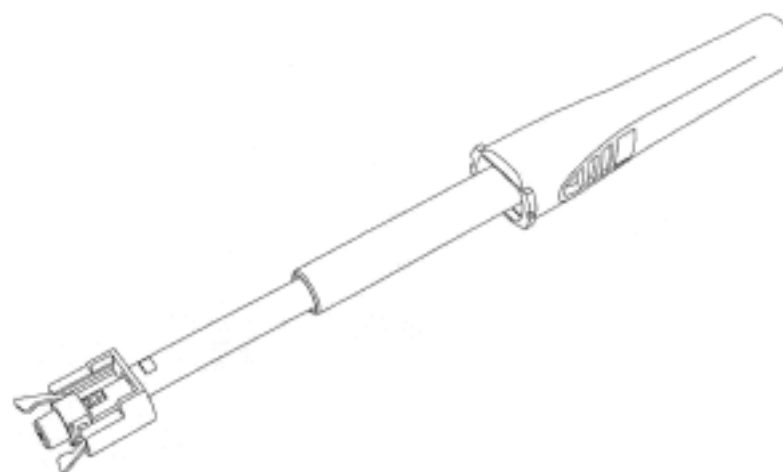
(21) Design Number: **13709/2012**
(22) Date of Filing Application: **16 July 2012**
(24) Date from which industrial property rights may have effect: **16 July 2012**
(54) Product in respect of which the design is registered: **Snorkel**
(51) International Design Classification: **12-16NES**
(74) Name(s) of Attorney(s): **EKM patent & trade marks**
(71) Name(s) and Address(s) of Applicant(s):
Trading AC Pty Ltd
18 Houghton Road Warrandyte Victoria 3113 Australia
(72) Name(s) of Designer(s): **Peter George Luxton**
(45) Registration Date: **04 September 2012**
(56) Related Art Documents: **Not Applicable**
(57) Statement of Newness and Distinctiveness: **Nil**



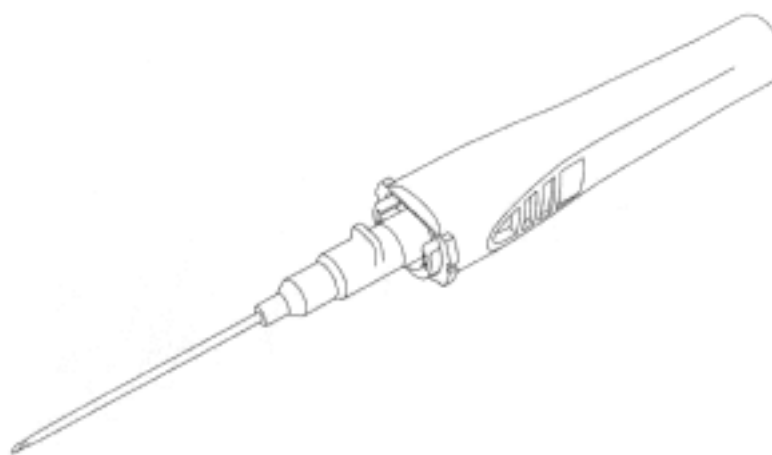
- (21) Design Number: **13710/2012**
(22) Date of Filing Application: **01 August 2012**
(24) Date from which industrial property rights may have effect: **01 August 2012**
(54) Product in respect of which the design is registered: **Lamp shade**
(51) International Design Classification: **26-05D**
(74) Name(s) of Attorney(s): **TJ IP Patents, Trade Marks & Designs**
(71) Name(s) and Address(s) of Applicant(s):
Enoki Pty Ltd
41 Unley Road Parkside South Australia 5067 Australia
(72) Name(s) of Designer(s): **Vi Nguyen and Susanna Bilardo**
(45) Registration Date: **04 September 2012**
(56) Related Art Documents: **Not Applicable**
(57) Statement of Newness and Distinctiveness: **The design is applicable to a new and distinctive lamp shade as illustrated in the representations, including in component form for clarity of illustration. The electrical lead indicated at the top of the lamp shade does NOT form part of the design and is to be disregarded.**



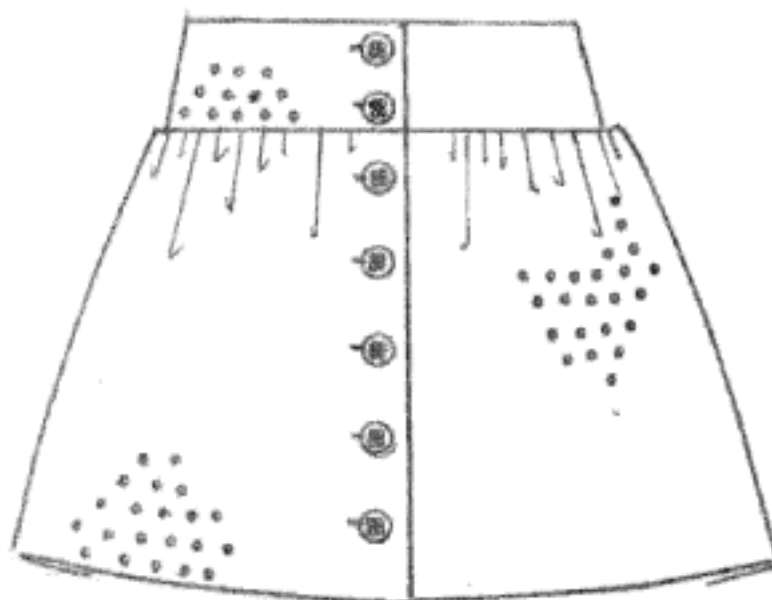
- (21) Design Number: **13711/2012**
(22) Date of Filing Application: **01 August 2012**
(24) Date from which industrial property rights may have effect: **01 August 2012**
(54) Product in respect of which the design is registered: **Safety device for indwelling needle**
(51) International Design Classification: **24-02**
(74) Name(s) of Attorney(s): **Shelston IP**
(71) Name(s) and Address(s) of Applicant(s):
Terumo Kabushiki Kaisha
44-1 2-chome Hatagaya Shibuya-ku Tokyo 151-0072 Japan
(72) Name(s) of Designer(s): **Hirota Ohashi**
(45) Registration Date: **04 September 2012**
(30) Convention priority data:
(31) Number (32) Date (33) Country
2012-002138 02 Feb 2012 JAPAN
(56) Related Art Documents: **Not Applicable**
(57) Statement of Newness and Distinctiveness: **Newness and distinctiveness resides in the features of shape and/or configuration of the SAFETY DEVICE FOR INDWELLING NEEDLE as shown in solid lines in the accompanying representations.**



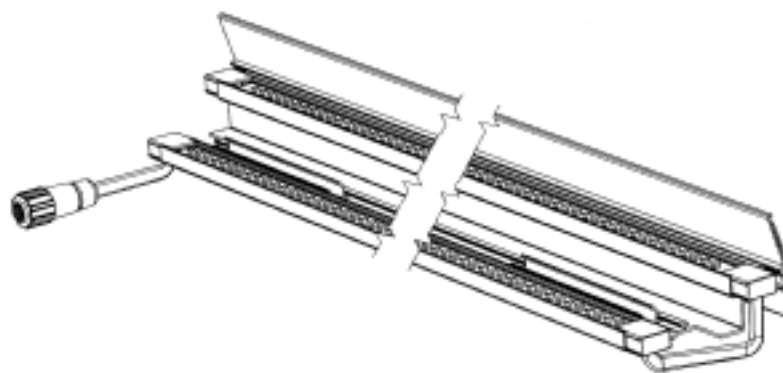
- (21) Design Number: **13712/2012**
(22) Date of Filing Application: **01 August 2012**
(24) Date from which industrial property rights may have effect: **01 August 2012**
(54) Product in respect of which the design is registered: **Indwelling needle with safety device**
(51) International Design Classification: **24-02**
(74) Name(s) of Attorney(s): **Shelston IP**
(71) Name(s) and Address(s) of Applicant(s):
Terumo Kabushiki Kaisha
44-1 2-chome Hatagaya Shibuya-ku Tokyo 151-0072 Japan
(72) Name(s) of Designer(s): **Hiroataka Ohashi**
(45) Registration Date: **04 September 2012**
(30) Convention priority data:
(31) Number (32) Date (33) Country
2012-002137 02 Feb 2012 JAPAN
(56) Related Art Documents: **Not Applicable**
(57) Statement of Newness and Distinctiveness: **Newness and distinctiveness resides in the features of shape and/or configuration of the INDWELLING NEEDLE WITH SAFETY DEVICE as shown in solid lines in the accompanying representations.**



- (21) Design Number: **15518/2011**
(22) Date of Filing Application: **02 December 2011**
(24) Date from which industrial property rights may have effect: **02 December 2011**
(54) Product in respect of which the design is registered: **Women's fashion clothing**
(51) International Design Classification: **02-02C, 02-02NES**
(74) Name(s) of Attorney(s): **Macpherson + Kelley**
(71) Name(s) and Address(s) of Applicant(s):
Forever New Clothing Pty Ltd
Ground Floor 714-716 High Street Kew Victoria 3101 Australia
(72) Name(s) of Designer(s): **Mantra Ahrendt and Octavia Miller and Gemma Henderson and Tristan Melle**
(45) Registration Date: **05 September 2012**
(56) Related Art Documents: **Not Applicable**
(57) Statement of Newness and Distinctiveness: **The particular visual features of the design which the applicant hereby identifies as new and distinctive are as follows: "Womens's fashion clothing", as illustrated in the accompanying representations.**



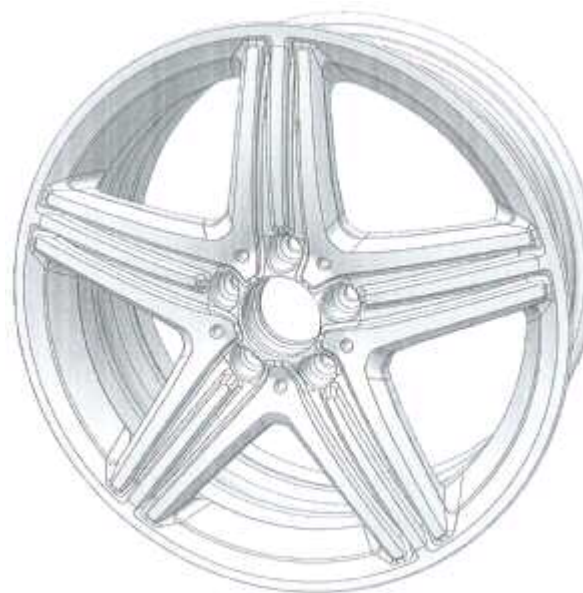
(21) Design Number: **10895/2012**
(22) Date of Filing Application: **24 February 2012**
(24) Date from which industrial property rights may have effect: **24 February 2012**
(54) Product in respect of which the design is registered: **A fridge shelf display device**
(51) International Design Classification: **15-07**
(74) Name(s) of Attorney(s): **Fisher Adams Kelly**
(71) Name(s) and Address(s) of Applicant(s):
Oakmoore Pty Ltd
84 Evans Road Salisbury Queensland 4107 Australia
(72) Name(s) of Designer(s): **Ronnie K'Nell**
(45) Registration Date: **05 September 2012**
(56) Related Art Documents: **Not Applicable**
(57) Statement of Newness and Distinctiveness: **The newness and distinctiveness of the design resides in the shape and/or configuration of the A FRIDGE SHELF DISPLAY DEVICE shown in the representations.**



(21) Design Number: **12682/2012**
(22) Date of Filing Application: **06 June 2012**
(24) Date from which industrial property rights may have effect: **06 June 2012**
(54) Product in respect of which the design is registered: **Wheel for vehicle**
(51) International Design Classification: **12-16A**
(74) Name(s) of Attorney(s): **SPRUSON & FERGUSON**
(71) Name(s) and Address(s) of Applicant(s):
Daimler AG
Mercedesstrasse 137 D-70327 Stuttgart Germany
(72) Name(s) of Designer(s): **Kai Hilpert**
(45) Registration Date: **05 September 2012**
(30) Convention priority data:
(31) Number (32) Date (33) Country
001958976-0010 07 Dec 2011 EUROPEAN COMMUNITY
(56) Related Art Documents: **Not Applicable**
(57) Statement of Newness and Distinctiveness: **Newness and distinctiveness is claimed in the features of shape and/or configuration of a wheel for vehicle as illustrated in the accompanying representations.**



(21) Design Number: **12683/2012**
(22) Date of Filing Application: **06 June 2012**
(24) Date from which industrial property rights may have effect: **06 June 2012**
(54) Product in respect of which the design is registered: **Wheel for vehicle**
(51) International Design Classification: **12-16A**
(74) Name(s) of Attorney(s): **SPRUSON & FERGUSON**
(71) Name(s) and Address(s) of Applicant(s):
Daimler AG
Mercedesstrasse 137 D-70327 Stuttgart Germany
(72) Name(s) of Designer(s): **Markus Wachter**
(45) Registration Date: **05 September 2012**
(30) Convention priority data:
(31) Number (32) Date (33) Country
001958976-0008 07 Dec 2011 EUROPEAN COMMUNITY
(56) Related Art Documents: **Not Applicable**
(57) Statement of Newness and Distinctiveness: **Newness and distinctiveness is claimed in the features of shape and/or configuration of a wheel for vehicle as illustrated in the accompanying representations.**



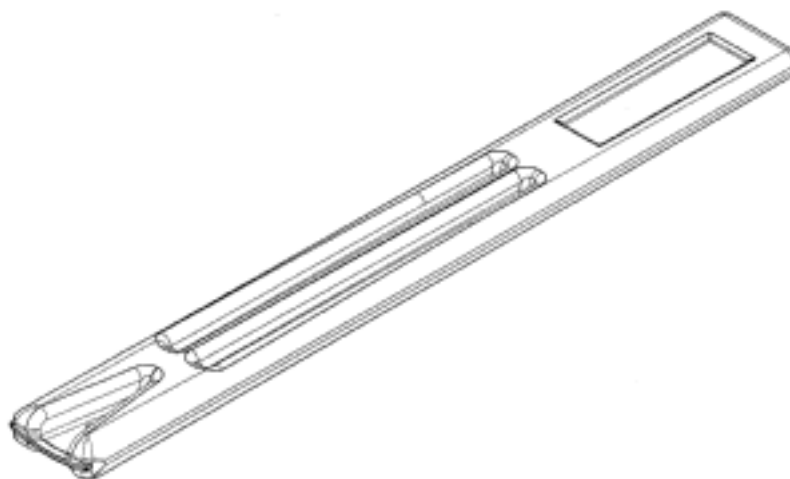
(21) Design Number: **12684/2012**
(22) Date of Filing Application: **06 June 2012**
(24) Date from which industrial property rights may have effect: **06 June 2012**
(54) Product in respect of which the design is registered: **Wheel for vehicle**
(51) International Design Classification: **12-16A**
(74) Name(s) of Attorney(s): **SPRUSON & FERGUSON**
(71) Name(s) and Address(s) of Applicant(s):
Daimler AG
Mercedesstrasse 137 D-70327 Stuttgart Germany
(72) Name(s) of Designer(s): **Kai Hilpert**
(45) Registration Date: **05 September 2012**
(30) Convention priority data:
(31) Number (32) Date (33) Country
001958976-0004 07 Dec 2011 EUROPEAN COMMUNITY
(56) Related Art Documents: **Not Applicable**
(57) Statement of Newness and Distinctiveness: **Newness and distinctiveness is claimed in the features of shape and/or configuration of a wheel for vehicle as illustrated in the accompanying representations.**



(21) Design Number: **13161/2012**
(22) Date of Filing Application: **06 July 2012**
(24) Date from which industrial property rights may have effect: **06 July 2012**
(54) Product in respect of which the design is registered: **Audio speaker system**
(51) International Design Classification: **14-01**
(74) Name(s) of Attorney(s): **SPRUSON & FERGUSON**
(71) Name(s) and Address(s) of Applicant(s):
Beats Electronics, LLC
1601 Cloverfield Boulevard Suite 5000N Santa Monica California 90404
United States of America
(72) Name(s) of Designer(s): **Robert Brunner and Eric Fields and Xuan Shu**
(45) Registration Date: **05 September 2012**
(30) Convention priority data:
(31) Number (32) Date (33) Country
29/410580 09 Jan 2012 UNITED STATES OF AMERICA
(56) Related Art Documents: **Not Applicable**
(57) Statement of Newness and Distinctiveness: **Newness and distinctiveness is claimed in the features of shape and/or configuration of an audio speaker system as illustrated in the accompanying representations in which particular regard is had to the substantially cylindrical shape, rounded ends and division of mesh and smooth surfaces.**



(21) Design Number: **13162/2012**
(22) Date of Filing Application: **06 July 2012**
(24) Date from which industrial property rights may have effect: **06 July 2012**
(54) Product in respect of which the design is registered: **Roadside post body**
(51) International Design Classification: **25-01E**
(74) Name(s) of Attorney(s): **SPRUSON & FERGUSON**
(71) Name(s) and Address(s) of Applicant(s):
Delnorth Pty. Ltd.
Level 2 57 Grosvenor Street Neutral Bay New South Wales 2089
Australia
(72) Name(s) of Designer(s): **Boydan Joseph Mudryk and Garry David Campbell**
(45) Registration Date: **05 September 2012**
(56) Related Art Documents: **Not Applicable**
(57) Statement of Newness and Distinctiveness: **Newness and distinctiveness is claimed in the features of shape and/or configuration of a roadside post body as illustrated in the accompanying representations.**



(21) Design Number: **13166/2012**
(22) Date of Filing Application: **06 July 2012**
(24) Date from which industrial property rights may have effect: **06 July 2012**
(54) Product in respect of which the design is registered: **Dancing toy robot**
(51) International Design Classification: **21-01B**
(74) Name(s) of Attorney(s): **Simpsons Solicitors**
(71) Name(s) and Address(s) of Applicant(s):
Tosy Robotics Joint Stock Company
No 7 538 Lane Lang Road Lang Ha Ward Dong Da District Hanoi City
Vietnam
Ho Vinh Hoang
Mo Lao Ha Dong District Hanoi City Vietnam
(72) Name(s) of Designer(s): **Ho Vinh Hoang**
(45) Registration Date: **05 September 2012**
(30) Convention priority data:
(31) Number (32) Date (33) Country
3-2012-00030 06 Jan 2012 VIET NAM
(56) Related Art Documents: **Not Applicable**
(57) Statement of Newness and Distinctiveness: **Newness and distinctiveness is claimed in the features of shape and/or configuration of a robotic toy illustrated in the accompanying representations and described in the Annexure.**



(21) Design Number: **13167/2012**
(22) Date of Filing Application: **06 July 2012**
(24) Date from which industrial property rights may have effect: **06 July 2012**
(54) Product in respect of which the design is registered: **Footwear soles**
(51) International Design Classification: **02-04B**
(74) Name(s) of Attorney(s): **FB Rice**
(71) Name(s) and Address(s) of Applicant(s):
Deckers Outdoor Corporation
495-A South Fairview Avenue Goleta California 93117 United States of
America
(72) Name(s) of Designer(s): **Kyle R. Pulli and Leah Larson**
(45) Registration Date: **05 September 2012**
(30) Convention priority data:
(31) Number (32) Date (33) Country
29/416916 28 Mar 2012 UNITED STATES OF AMERICA
(56) Related Art Documents: **Not Applicable**
(57) Statement of Newness and Distinctiveness: **Newness and distinctiveness reside in the features of shape and/or configuration of the footwear sole as shown in solid lines in the representations excluding those features shown in broken lines.**



(21) Design Number: **13169/2012**

(22) Date of Filing Application: **06 July 2012**

(24) Date from which industrial property rights may have effect: **06 July 2012**

(54) Product in respect of which the design is registered: **An ear tag**

(51) International Design Classification: **30-08**

(74) Name(s) of Attorney(s): **Lord & Company**

(71) Name(s) and Address(s) of Applicant(s):

Stockbrands Co. Pty Ltd

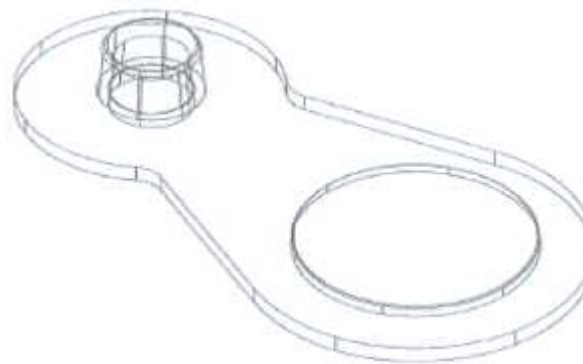
53 Edward Street Osborne Park Western Australia 6017 Australia

(72) Name(s) of Designer(s): **John Forehan**

(45) Registration Date: **05 September 2012**

(56) Related Art Documents: **Not Applicable**

(57) Statement of Newness and Distinctiveness: **The particular visual features of the design which are new and distinctive are shape OR configuration apart from features denoted with a dotted line within the representations.**



(21) Design Number: **14078/2012**

(22) Date of Filing Application: **20 August 2012**

(24) Date from which industrial property rights may have effect: **20 August 2012**

(54) Product in respect of which the design is registered: **Women's fashion clothing**

(51) International Design Classification: **02-02NES**

(74) Name(s) of Attorney(s):

(71) Name(s) and Address(s) of Applicant(s):

Forever New Clothing Pty Ltd

Ground Floor 714-716 High Street Kew Victoria 3101 Australia

(72) Name(s) of Designer(s): **Mary McCarthy**

(45) Registration Date: **05 September 2012**

(56) Related Art Documents: **Not Applicable**

(57) Statement of Newness and Distinctiveness: **The particular visual features of the design which the Applicant hereby identifies as new and distinctive are as follows: "Women's Fashion Clothing", as illustrated in the accompanying representations.**



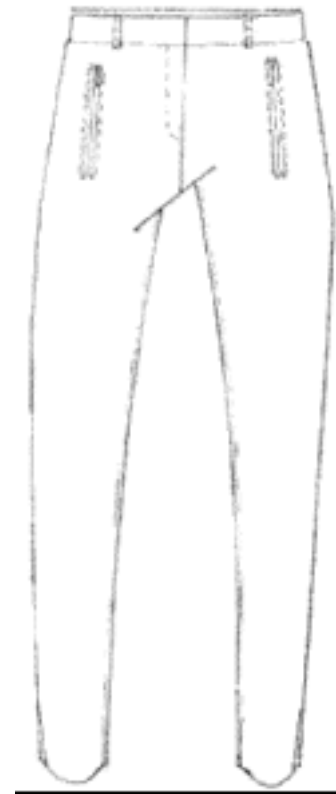
- (21) Design Number: **14079/2012**
(22) Date of Filing Application: **20 August 2012**
(24) Date from which industrial property rights may have effect: **20 August 2012**
(54) Product in respect of which the design is registered: **Women's fashion clothing**
(51) International Design Classification: **02-02NES**
(74) Name(s) of Attorney(s):
(71) Name(s) and Address(s) of Applicant(s):
Forever New Clothing Pty Ltd
Ground Floor 714-716 High Street Kew Victoria 3101 Australia
(72) Name(s) of Designer(s): **Gemma Henderson**
(45) Registration Date: **05 September 2012**
(56) Related Art Documents: **Not Applicable**
(57) Statement of Newness and Distinctiveness: **The particular visual features of the design which the Applicant hereby identifies as new and distinctive are as follows: "Women's Fashion Clothing", as illustrated in the accompanying representations.**



- (21) Design Number: **14080/2012**
(22) Date of Filing Application: **20 August 2012**
(24) Date from which industrial property rights may have effect: **20 August 2012**
(54) Product in respect of which the design is registered: **Women's fashion clothing**
(51) International Design Classification: **02-02C**
(74) Name(s) of Attorney(s):
(71) Name(s) and Address(s) of Applicant(s):
Forever New Clothing Pty Ltd
Ground Floor 714-716 High Street Kew Victoria 3101 Australia
(72) Name(s) of Designer(s): **Mary McCarthy**
(45) Registration Date: **05 September 2012**
(56) Related Art Documents: **Not Applicable**
(57) Statement of Newness and Distinctiveness: **The particular visual features of the design which the Applicant hereby identifies as new and distinctive are as follows: "Women's Fashion Clothing", as illustrated in the accompanying representations.**



- (21) Design Number: **14081/2012**
(22) Date of Filing Application: **20 August 2012**
(24) Date from which industrial property rights may have effect: **20 August 2012**
(54) Product in respect of which the design is registered: **Women's fashion clothing**
(51) International Design Classification: **02-02C**
(74) Name(s) of Attorney(s):
(71) Name(s) and Address(s) of Applicant(s):
Forever New Clothing Pty Ltd
Ground Floor 714-716 High Street Kew Victoria 3101 Australia
(72) Name(s) of Designer(s): **Mary McCarthy**
(45) Registration Date: **05 September 2012**
(56) Related Art Documents: **Not Applicable**
(57) Statement of Newness and Distinctiveness: **The particular visual features of the design which the Applicant hereby identifies as new and distinctive are as follows: "Women's Fashion Clothing", as illustrated in the accompanying representations.**



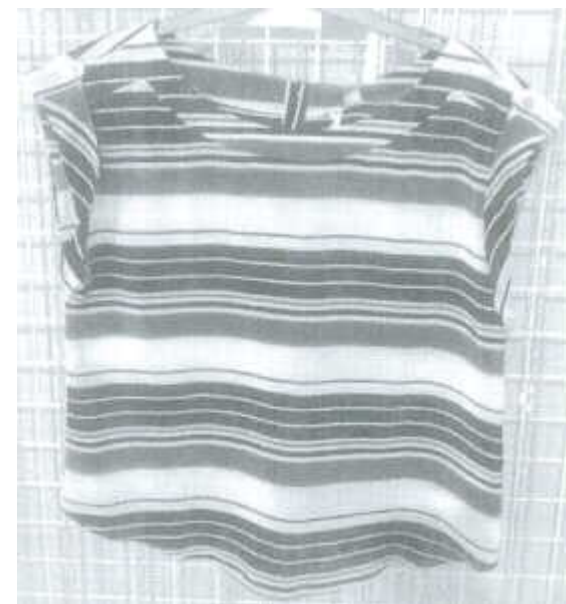
- (21) Design Number: **14082/2012**
(22) Date of Filing Application: **20 August 2012**
(24) Date from which industrial property rights may have effect: **20 August 2012**
(54) Product in respect of which the design is registered: **Women's fashion clothing**
(51) International Design Classification: **02-02C**
(74) Name(s) of Attorney(s):
(71) Name(s) and Address(s) of Applicant(s):
Forever New Clothing Pty Ltd
Ground Floor 714-716 High Street Kew Victoria 3101 Australia
(72) Name(s) of Designer(s): **Octavia Miller**
(45) Registration Date: **05 September 2012**
(56) Related Art Documents: **Not Applicable**
(57) Statement of Newness and Distinctiveness: **The particular visual features of the design which the Applicant hereby identifies as new and distinctive are as follows: "Women's Fashion Clothing", as illustrated in the accompanying representations.**



- (21) Design Number: **14083/2012**
(22) Date of Filing Application: **20 August 2012**
(24) Date from which industrial property rights may have effect: **20 August 2012**
(54) Product in respect of which the design is registered: **Women's fashion clothing**
(51) International Design Classification: **02-02C**
(74) Name(s) of Attorney(s):
(71) Name(s) and Address(s) of Applicant(s):
Forever New Clothing Pty Ltd
Ground Floor 714-716 High Street Kew Victoria 3101 Australia
(72) Name(s) of Designer(s): **Octavia Miller**
(45) Registration Date: **05 September 2012**
(56) Related Art Documents: **Not Applicable**
(57) Statement of Newness and Distinctiveness: **The particular visual features of the design which the Applicant hereby identifies as new and distinctive are as follows: "Women's Fashion Clothing", as illustrated in the accompanying representations.**



- (21) Design Number: **14084/2012**
(22) Date of Filing Application: **20 August 2012**
(24) Date from which industrial property rights may have effect: **20 August 2012**
(54) Product in respect of which the design is registered: **Women's fashion clothing**
(51) International Design Classification: **02-02NES**
(74) Name(s) of Attorney(s):
(71) Name(s) and Address(s) of Applicant(s):
Forever New Clothing Pty Ltd
Ground Floor 714-716 High Street Kew Victoria 3101 Australia
(72) Name(s) of Designer(s): **Gemma Henderson**
(45) Registration Date: **05 September 2012**
(56) Related Art Documents: **Not Applicable**
(57) Statement of Newness and Distinctiveness: **The particular visual features of the design which the Applicant hereby identifies as new and distinctive are as follows: "Women's Fashion Clothing", as illustrated in the accompanying representations.**



- (21) Design Number: **14085/2012**
(22) Date of Filing Application: **20 August 2012**
(24) Date from which industrial property rights may have effect: **20 August 2012**
(54) Product in respect of which the design is registered: **Women's fashion clothing**
(51) International Design Classification: **02-02C**
(74) Name(s) of Attorney(s):
(71) Name(s) and Address(s) of Applicant(s):
Forever New Clothing Pty Ltd
Ground Floor 714-716 High Street Kew Victoria 3101 Australia
(72) Name(s) of Designer(s): **Gemma Henderson**
(45) Registration Date: **05 September 2012**
(56) Related Art Documents: **Not Applicable**
(57) Statement of Newness and Distinctiveness: **The particular visual features of the design which the Applicant hereby identifies as new and distinctive are as follows: "Women's Fashion Clothing", as illustrated in the accompanying representations.**



- (21) Design Number: **14086/2012**
(22) Date of Filing Application: **20 August 2012**
(24) Date from which industrial property rights may have effect: **20 August 2012**
(54) Product in respect of which the design is registered: **Women's fashion clothing**
(51) International Design Classification: **02-02C**
(74) Name(s) of Attorney(s):
(71) Name(s) and Address(s) of Applicant(s):
Forever New Clothing Pty Ltd
Ground Floor 714-716 High Street Kew Victoria 3101 Australia
(72) Name(s) of Designer(s): **Gemma Henderson**
(45) Registration Date: **05 September 2012**
(56) Related Art Documents: **Not Applicable**
(57) Statement of Newness and Distinctiveness: **The particular visual features of the design which the Applicant hereby identifies as new and distinctive are as follows: "Women's Fashion Clothing", as illustrated in the accompanying representations.**



- (21) Design Number: **14087/2012**
- (22) Date of Filing Application: **20 August 2012**
- (24) Date from which industrial property rights may have effect: **20 August 2012**
- (54) Product in respect of which the design is registered: **Women's fashion clothing**
- (51) International Design Classification: **02-02C**
- (74) Name(s) of Attorney(s):
- (71) Name(s) and Address(s) of Applicant(s):
Forever New Clothing Pty Ltd
Ground Floor 714-716 High Street Kew Victoria 3101 Australia
- (72) Name(s) of Designer(s): **Gemma Henderson**
- (45) Registration Date: **05 September 2012**
- (56) Related Art Documents: **Not Applicable**
- (57) Statement of Newness and Distinctiveness: **The particular visual features of the design which the Applicant hereby identifies as new and distinctive are as follows: "Women's Fashion Clothing", as illustrated in the accompanying representations.**



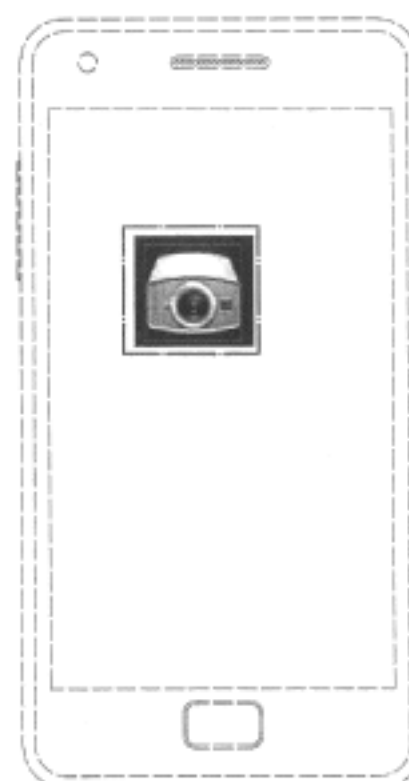
- (21) Design Number: **13680/2012**
- (22) Date of Filing Application: **02 August 2012**
- (24) Date from which industrial property rights may have effect: **02 August 2012**
- (54) Product in respect of which the design is registered: **Magazine holder**
- (51) International Design Classification: **19-02**
- (74) Name(s) of Attorney(s): **Churchill Attorneys**
- (71) Name(s) and Address(s) of Applicant(s):
Rella Plastics Pty Ltd
43-45 Kylta Road West Heidelberg Victoria 3081 Australia
- (72) Name(s) of Designer(s): **Lou Ciavarella**
- (45) Registration Date: **05 September 2012**
- (56) Related Art Documents: **Not Applicable**
- (57) Statement of Newness and Distinctiveness: **Newness and distinctiveness resides in the features of shape and/or configuration of a magazine holder as shown in the accompanying representations.**



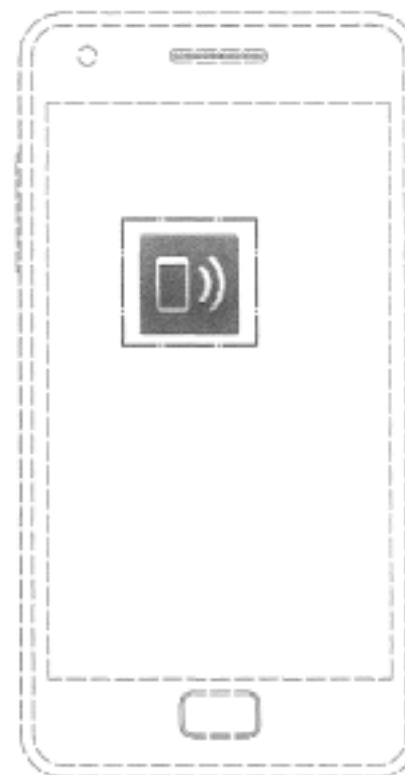
- (21) Design Number: **13681/2012**
(22) Date of Filing Application: **01 August 2012**
(24) Date from which industrial property rights may have effect: **01 August 2012**
(54) Product in respect of which the design is registered: **Display screen with icon for an electronic device**
(51) International Design Classification: **14-01**
(74) Name(s) of Attorney(s): **Wrays**
(71) Name(s) and Address(s) of Applicant(s):
Samsung Electronics Co., Ltd
129 Samsung-ro Yeongtong-gu Suwon-si Gyeonggi-do 443-742 Republic of Korea
(72) Name(s) of Designer(s): **Chul-Ho Jang and Hyung-Joo Jin**
(45) Registration Date: **05 September 2012**
(30) Convention priority data:
(31) Number (32) Date (33) Country
30-2012-0014996 29 Mar 2012 REPUBLIC OF KOREA
(56) Related Art Documents: **Not Applicable**
(57) Statement of Newness and Distinctiveness: **Newness and distinctiveness is claimed in the features of pattern and/or ornamentation of the Display Screen With Icon For An Electronic Device as shown in the accompanying representations. The features shown in broken lines are for illustrative purposes only and form no part of the claimed design.**



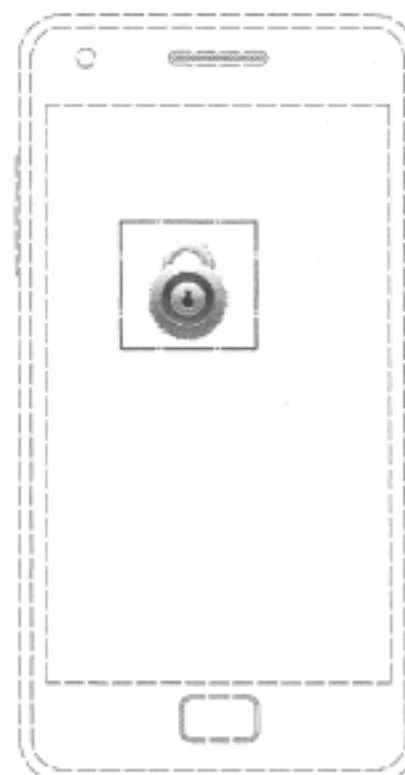
- (21) Design Number: **13682/2012**
(22) Date of Filing Application: **01 August 2012**
(24) Date from which industrial property rights may have effect: **01 August 2012**
(54) Product in respect of which the design is registered: **Display screen with icon for an electronic device**
(51) International Design Classification: **14-01**
(74) Name(s) of Attorney(s): **Wrays**
(71) Name(s) and Address(s) of Applicant(s):
Samsung Electronics Co., Ltd
129 Samsung-ro Yeongtong-gu Suwon-si Gyeonggi-do 443-742 Republic of Korea
(72) Name(s) of Designer(s): **Chul-Ho Jang and Hyung-Joo Jin**
(45) Registration Date: **05 September 2012**
(30) Convention priority data:
(31) Number (32) Date (33) Country
30-2012-0014994 29 Mar 2012 REPUBLIC OF KOREA
(56) Related Art Documents: **Not Applicable**
(57) Statement of Newness and Distinctiveness: **Newness and distinctiveness is claimed in the features of pattern and/or ornamentation of the Display Screen With Icon For An Electronic Device as shown in the accompanying representations. The features shown in broken lines are for illustrative purposes only and form no part of the claimed design.**



(21) Design Number: **13683/2012**
(22) Date of Filing Application: **01 August 2012**
(24) Date from which industrial property rights may have effect: **01 August 2012**
(54) Product in respect of which the design is registered: **Display screen with icon for an electronic device**
(51) International Design Classification: **14-01**
(74) Name(s) of Attorney(s): **Wrays**
(71) Name(s) and Address(s) of Applicant(s):
Samsung Electronics Co., Ltd
129 Samsung-ro Yeongtong-gu Suwon-si Gyeonggi-do 443-742 Republic of Korea
(72) Name(s) of Designer(s): **Chul-Ho Jang and Hyung-Joo Jin**
(45) Registration Date: **05 September 2012**
(30) Convention priority data:
(31) Number (32) Date (33) Country
30-2012-0014993 29 Mar 2012 REPUBLIC OF KOREA
(56) Related Art Documents: **Not Applicable**
(57) Statement of Newness and Distinctiveness: **Newness and distinctiveness is claimed in the features of pattern and/or ornamentation of the Display Screen With Icon For An Electronic Device as shown in the accompanying representations. The features shown in broken lines are for illustrative purposes only and form no part of the claimed design.**



(21) Design Number: **13684/2012**
(22) Date of Filing Application: **01 August 2012**
(24) Date from which industrial property rights may have effect: **01 August 2012**
(54) Product in respect of which the design is registered: **Display screen with icon for an electronic device**
(51) International Design Classification: **14-01**
(74) Name(s) of Attorney(s): **Wrays**
(71) Name(s) and Address(s) of Applicant(s):
Samsung Electronics Co., Ltd
129 Samsung-ro Yeongtong-gu Suwon-si Gyeonggi-do 443-742 Republic of Korea
(72) Name(s) of Designer(s): **Chul-Ho Jang and Hyung-Joo Jin**
(45) Registration Date: **05 September 2012**
(30) Convention priority data:
(31) Number (32) Date (33) Country
30-2012-0014991 29 Mar 2012 REPUBLIC OF KOREA
(56) Related Art Documents: **Not Applicable**
(57) Statement of Newness and Distinctiveness: **Newness and distinctiveness is claimed in the features of pattern and/or ornamentation of the Display Screen With Icon For An Electronic Device as shown in the accompanying representations. The features shown in broken lines are for illustrative purposes only and form no part of the claimed design.**



- (21) Design Number: **13685/2012**
(22) Date of Filing Application: **01 August 2012**
(24) Date from which industrial property rights may have effect: **01 August 2012**
(54) Product in respect of which the design is registered: **Display screen with icon for an electronic device**
(51) International Design Classification: **14-01**
(74) Name(s) of Attorney(s): **Wrays**
(71) Name(s) and Address(s) of Applicant(s):
Samsung Electronics Co., Ltd
129 Samsung-ro Yeongtong-gu Suwon-si Gyeonggi-do 443-742 Republic of Korea
(72) Name(s) of Designer(s): **Chul-Ho Jang and Hyung-Joo Jin**
(45) Registration Date: **05 September 2012**
(30) Convention priority data:
(31) Number (32) Date (33) Country
30-2012-0014999 29 Mar 2012 REPUBLIC OF KOREA
(56) Related Art Documents: **Not Applicable**
(57) Statement of Newness and Distinctiveness: **Newness and distinctiveness is claimed in the features of pattern and/or ornamentation of the Display Screen With Icon For An Electronic Device as shown in the accompanying representations. The features shown in broken lines are for illustrative purposes only and form no part of the claimed design.**



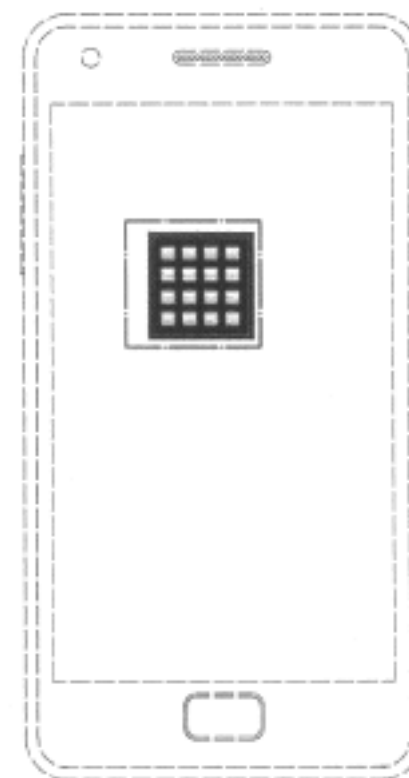
- (21) Design Number: **13686/2012**
(22) Date of Filing Application: **01 August 2012**
(24) Date from which industrial property rights may have effect: **01 August 2012**
(54) Product in respect of which the design is registered: **Display screen with icon for an electronic device**
(51) International Design Classification: **14-01**
(74) Name(s) of Attorney(s): **Wrays**
(71) Name(s) and Address(s) of Applicant(s):
Samsung Electronics Co., Ltd
129 Samsung-ro Yeongtong-gu Suwon-si Gyeonggi-do 443-742 Republic of Korea
(72) Name(s) of Designer(s): **Chul-Ho Jang and Joong-Hun Kwon and Hyung-Joo Jin**
(45) Registration Date: **05 September 2012**
(30) Convention priority data:
(31) Number (32) Date (33) Country
30-2012-0014933 29 Mar 2012 REPUBLIC OF KOREA
(56) Related Art Documents: **Not Applicable**
(57) Statement of Newness and Distinctiveness: **Newness and distinctiveness is claimed in the features of pattern and/or ornamentation of the Display Screen With Icon For An Electronic Device as shown in the accompanying representations. The features shown in broken lines are for illustrative purposes only and form no part of the claimed design.**



- (21) Design Number: **13687/2012**
(22) Date of Filing Application: **01 August 2012**
(24) Date from which industrial property rights may have effect: **01 August 2012**
(54) Product in respect of which the design is registered: **Display screen with icon for an electronic device**
(51) International Design Classification: **14-01**
(74) Name(s) of Attorney(s): **Wrays**
(71) Name(s) and Address(s) of Applicant(s):
Samsung Electronics Co., Ltd
129 Samsung-ro Yeongtong-gu Suwon-si Gyeonggi-do 443-742 Republic of Korea
(72) Name(s) of Designer(s): **Chul-Ho Jang and Joong-Hun Kwon and Hyung-Joo Jin**
(45) Registration Date: **05 September 2012**
(30) Convention priority data:
(31) Number (32) Date (33) Country
30-2012-0014950 29 Mar 2012 REPUBLIC OF KOREA
(56) Related Art Documents: **Not Applicable**
(57) Statement of Newness and Distinctiveness: **Newness and distinctiveness is claimed in the features of pattern and/or ornamentation of the Display Screen With Icon For An Electronic Device as shown in the accompanying representations. The features shown in broken lines are for illustrative purposes only and form no part of the claimed design.**



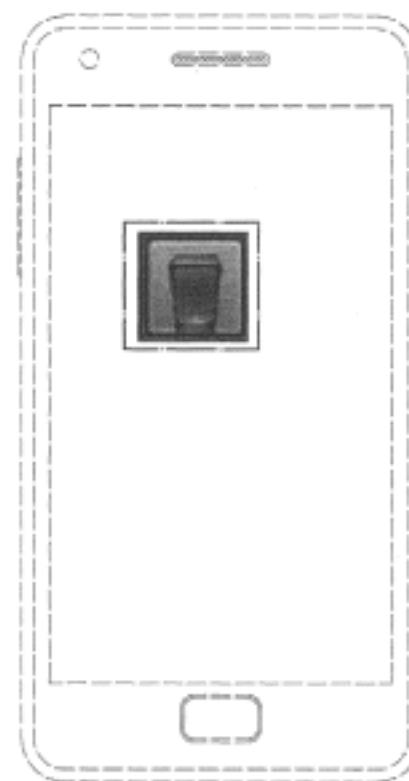
- (21) Design Number: **13688/2012**
(22) Date of Filing Application: **01 August 2012**
(24) Date from which industrial property rights may have effect: **01 August 2012**
(54) Product in respect of which the design is registered: **Display screen with icon for an electronic device**
(51) International Design Classification: **14-01**
(74) Name(s) of Attorney(s): **Wrays**
(71) Name(s) and Address(s) of Applicant(s):
Samsung Electronics Co., Ltd
129 Samsung-ro Yeongtong-gu Suwon-si Gyeonggi-do 443-742 Republic of Korea
(72) Name(s) of Designer(s): **Chul-Ho Jang and Kyung-Dae Park and Hyung-Joo Jin**
(45) Registration Date: **05 September 2012**
(30) Convention priority data:
(31) Number (32) Date (33) Country
30-2012-0014943 29 Mar 2012 REPUBLIC OF KOREA
(56) Related Art Documents: **Not Applicable**
(57) Statement of Newness and Distinctiveness: **Newness and distinctiveness is claimed in the features of pattern and/or ornamentation of the Display Screen With Icon For An Electronic Device as shown in the accompanying representations. The features shown in broken lines are for illustrative purposes only and form no part of the claimed design.**



- (21) Design Number: **13689/2012**
(22) Date of Filing Application: **01 August 2012**
(24) Date from which industrial property rights may have effect: **01 August 2012**
(54) Product in respect of which the design is registered: **Display screen with icon for an electronic device**
(51) International Design Classification: **14-01**
(74) Name(s) of Attorney(s): **Wrays**
(71) Name(s) and Address(s) of Applicant(s):
Samsung Electronics Co., Ltd
129 Samsung-ro Yeongtong-gu Suwon-si Gyeonggi-do 443-742 Republic of Korea
(72) Name(s) of Designer(s): **Chul-Ho Jang and Joong-Hun Kwon and Hyung-Joo Jin**
(45) Registration Date: **05 September 2012**
(30) Convention priority data:
(31) Number (32) Date (33) Country
30-2012-0014954 29 Mar 2012 REPUBLIC OF KOREA
(56) Related Art Documents: **Not Applicable**
(57) Statement of Newness and Distinctiveness: **Newness and distinctiveness is claimed in the features of pattern and/or ornamentation of the Display Screen With Icon For An Electronic Device as shown in the accompanying representations. The features shown in broken lines are for illustrative purposes only and form no part of the claimed design.**



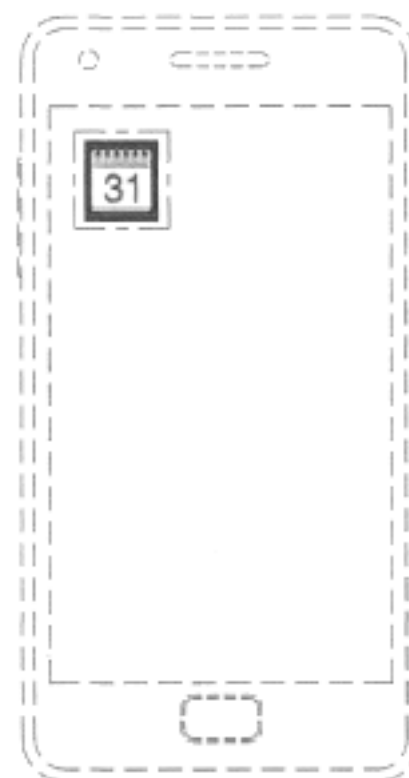
- (21) Design Number: **13690/2012**
(22) Date of Filing Application: **01 August 2012**
(24) Date from which industrial property rights may have effect: **01 August 2012**
(54) Product in respect of which the design is registered: **Display screen with icon for an electronic device**
(51) International Design Classification: **14-01**
(74) Name(s) of Attorney(s): **Wrays**
(71) Name(s) and Address(s) of Applicant(s):
Samsung Electronics Co., Ltd
129 Samsung-ro Yeongtong-gu Suwon-si Gyeonggi-do 443-742 Republic of Korea
(72) Name(s) of Designer(s): **Chul-Ho Jang and Kyung-Dae Park and Hyung-Joo Jin**
(45) Registration Date: **05 September 2012**
(30) Convention priority data:
(31) Number (32) Date (33) Country
30-2012-0014968 29 Mar 2012 REPUBLIC OF KOREA
(56) Related Art Documents: **Not Applicable**
(57) Statement of Newness and Distinctiveness: **Newness and distinctiveness is claimed in the features of pattern and/or ornamentation of the Display Screen With Icon For An Electronic Device as shown in the accompanying representations. The features shown in broken lines are for illustrative purposes only and form no part of the claimed design.**



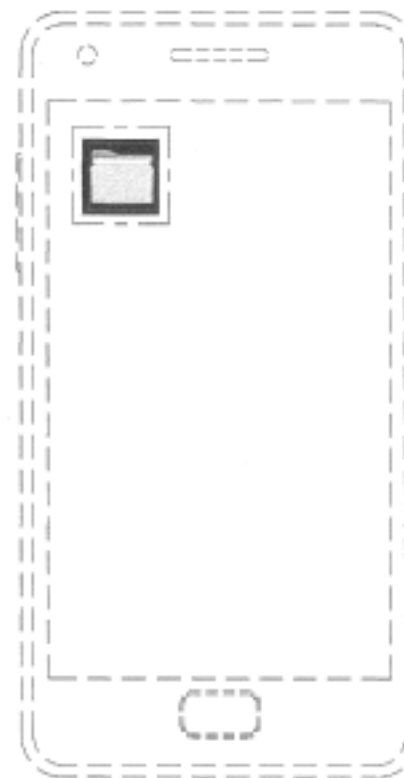
- (21) Design Number: **13691/2012**
(22) Date of Filing Application: **01 August 2012**
(24) Date from which industrial property rights may have effect: **01 August 2012**
(54) Product in respect of which the design is registered: **Display screen with icon for an electronic device**
(51) International Design Classification: **14-01**
(74) Name(s) of Attorney(s): **Wrays**
(71) Name(s) and Address(s) of Applicant(s):
Samsung Electronics Co., Ltd
129 Samsung-ro Yeongtong-gu Suwon-si Gyeonggi-do 443-742 Republic of Korea
(72) Name(s) of Designer(s): **Chul-Ho Jang and Kyung-Dae Park and Hyung-Joo Jin**
(45) Registration Date: **05 September 2012**
(30) Convention priority data:
(31) Number (32) Date (33) Country
30-2012-0014957 29 Mar 2012 REPUBLIC OF KOREA
(56) Related Art Documents: **Not Applicable**
(57) Statement of Newness and Distinctiveness: **Newness and distinctiveness is claimed in the features of pattern and/or ornamentation of the Display Screen With Icon For An Electronic Device as shown in the accompanying representations. The features shown in broken lines are for illustrative purposes only and form no part of the claimed design.**



- (21) Design Number: **13692/2012**
(22) Date of Filing Application: **01 August 2012**
(24) Date from which industrial property rights may have effect: **01 August 2012**
(54) Product in respect of which the design is registered: **Display screen with icon for an electronic device**
(51) International Design Classification: **14-01**
(74) Name(s) of Attorney(s): **Wrays**
(71) Name(s) and Address(s) of Applicant(s):
Samsung Electronics Co., Ltd
129 Samsung-ro Yeongtong-gu Suwon-si Gyeonggi-do 443-742 Republic of Korea
(72) Name(s) of Designer(s): **Chul-Ho Jang and Joong-Hun Kwon and Hyung-Joo Jin**
(45) Registration Date: **05 September 2012**
(30) Convention priority data:
(31) Number (32) Date (33) Country
30-2012-0014959 29 Mar 2012 REPUBLIC OF KOREA
(56) Related Art Documents: **Not Applicable**
(57) Statement of Newness and Distinctiveness: **Newness and distinctiveness is claimed in the features of pattern and/or ornamentation of the Display Screen With Icon For An Electronic Device as shown in the accompanying representations. The features shown in broken lines are for illustrative purposes only and form no part of the claimed design.**



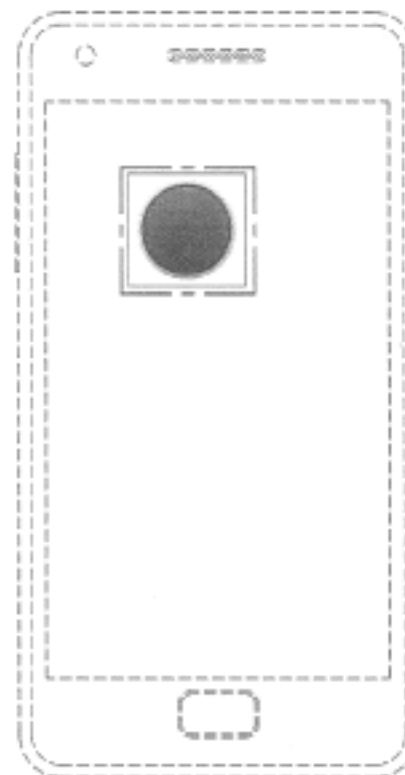
- (21) Design Number: **13693/2012**
(22) Date of Filing Application: **01 August 2012**
(24) Date from which industrial property rights may have effect: **01 August 2012**
(54) Product in respect of which the design is registered: **Display screen with icon for an electronic device**
(51) International Design Classification: **14-01**
(74) Name(s) of Attorney(s): **Wrays**
(71) Name(s) and Address(s) of Applicant(s):
Samsung Electronics Co., Ltd
129 Samsung-ro Yeongtong-gu Suwon-si Gyeonggi-do 443-742 Republic of Korea
(72) Name(s) of Designer(s): **Chul-Ho Jang and Kyung-Dae Park and Hyung-Joo Jin**
(45) Registration Date: **05 September 2012**
(30) Convention priority data:
(31) Number (32) Date (33) Country
30-2012-0014976 29 Mar 2012 REPUBLIC OF KOREA
(56) Related Art Documents: **Not Applicable**
(57) Statement of Newness and Distinctiveness: **Newness and distinctiveness is claimed in the features of pattern and/or ornamentation of the Display Screen With Icon For An Electronic Device as shown in the accompanying representations. The features shown in broken lines are for illustrative purposes only and form no part of the claimed design.**



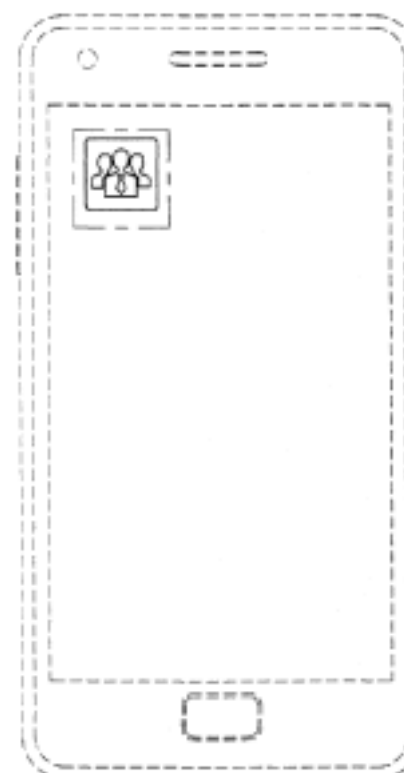
- (21) Design Number: **13694/2012**
(22) Date of Filing Application: **01 August 2012**
(24) Date from which industrial property rights may have effect: **01 August 2012**
(54) Product in respect of which the design is registered: **Display screen with icon for an electronic device**
(51) International Design Classification: **14-01**
(74) Name(s) of Attorney(s): **Wrays**
(71) Name(s) and Address(s) of Applicant(s):
Samsung Electronics Co., Ltd
129 Samsung-ro Yeongtong-gu Suwon-si Gyeonggi-do 443-742 Republic of Korea
(72) Name(s) of Designer(s): **Chul-Ho Jang and Kyung-Dae Park and Hyung-Joo Jin**
(45) Registration Date: **05 September 2012**
(30) Convention priority data:
(31) Number (32) Date (33) Country
30-2012-0014980 29 Mar 2012 REPUBLIC OF KOREA
(56) Related Art Documents: **Not Applicable**
(57) Statement of Newness and Distinctiveness: **Newness and distinctiveness is claimed in the features of pattern and/or ornamentation of the Display Screen With Icon For An Electronic Device as shown in the accompanying representations. The features shown in broken lines are for illustrative purposes only and form no part of the claimed design.**



- (21) Design Number: **13735/2012**
(22) Date of Filing Application: **02 August 2012**
(24) Date from which industrial property rights may have effect: **02 August 2012**
(54) Product in respect of which the design is registered: **Display screen with icon for an electronic device**
(51) International Design Classification: **14-01**
(74) Name(s) of Attorney(s): **Wrays**
(71) Name(s) and Address(s) of Applicant(s):
Samsung Electronics Co., Ltd
129 Samsung-ro Yeongtong-gu Suwon-si Gyeonggi-do 443-742 Republic of Korea
(72) Name(s) of Designer(s): **Jee-yeun Wang and Chul-Ho Jang and Hyung-Joo Jin**
(45) Registration Date: **05 September 2012**
(30) Convention priority data:
(31) Number (32) Date (33) Country
30-2012-0015220 30 Mar 2012 REPUBLIC OF KOREA
(56) Related Art Documents: **Not Applicable**
(57) Statement of Newness and Distinctiveness: **Newness and distinctiveness is claimed in the features of pattern and/or ornamentation of the Display Screen With Icon For An Electronic Device as shown in the accompanying representations. The features shown in broken lines are for illustrative purposes only and form no part of the claimed design.**



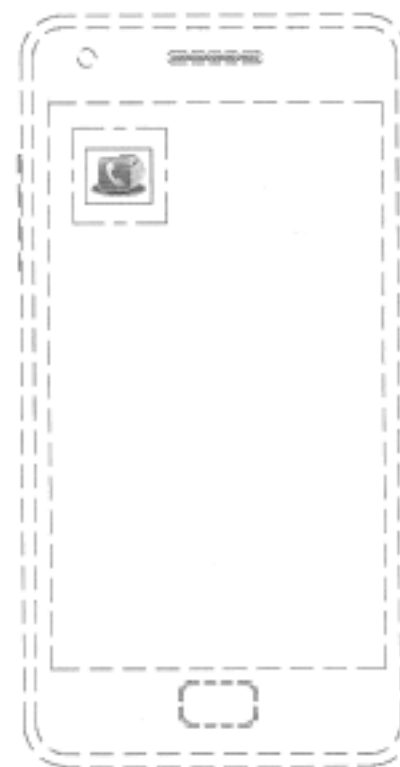
- (21) Design Number: **13736/2012**
(22) Date of Filing Application: **02 August 2012**
(24) Date from which industrial property rights may have effect: **02 August 2012**
(54) Product in respect of which the design is registered: **Display screen with icon for an electronic device**
(51) International Design Classification: **14-01**
(74) Name(s) of Attorney(s): **Wrays**
(71) Name(s) and Address(s) of Applicant(s):
Samsung Electronics Co., Ltd
129 Samsung-ro Yeongtong-gu Suwon-si Gyeonggi-do 443-742 Republic of Korea
(72) Name(s) of Designer(s): **Jung-Ah Seung and Eun-Ji Ahn**
(45) Registration Date: **05 September 2012**
(30) Convention priority data:
(31) Number (32) Date (33) Country
30-2012-0031918 29 Jun 2012 REPUBLIC OF KOREA
(56) Related Art Documents: **Not Applicable**
(57) Statement of Newness and Distinctiveness: **Newness and distinctiveness is claimed in the features of pattern and/or ornamentation of the Display Screen With Icon For An Electronic Device as shown in the accompanying representations. The features shown in broken lines are for illustrative purposes only and form no part of the claimed design.**



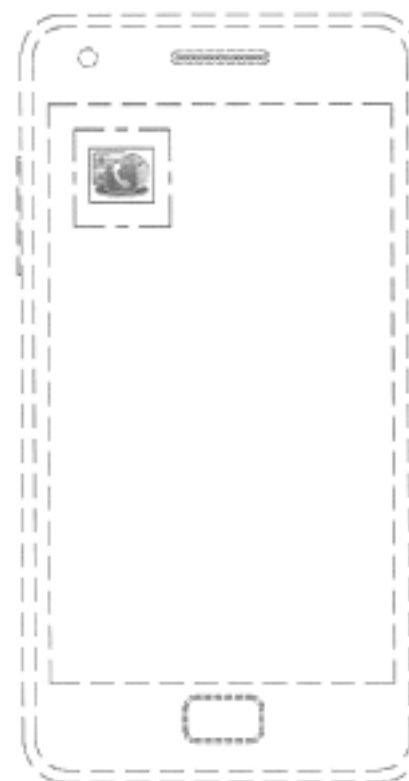
- (21) Design Number: **13737/2012**
(22) Date of Filing Application: **02 August 2012**
(24) Date from which industrial property rights may have effect: **02 August 2012**
(54) Product in respect of which the design is registered: **Display screen with icon for an electronic device**
(51) International Design Classification: **14-01**
(74) Name(s) of Attorney(s): **Wrays**
(71) Name(s) and Address(s) of Applicant(s):
Samsung Electronics Co., Ltd
129 Samsung-ro Yeongtong-gu Suwon-si Gyeonggi-do 443-742 Republic of Korea
(72) Name(s) of Designer(s): **Jee-Yeun Wang and Chul-Ho Jang and Hyung-Joo Jin**
(45) Registration Date: **05 September 2012**
(30) Convention priority data:
(31) Number (32) Date (33) Country
30-2012-0015221 30 Mar 2012 REPUBLIC OF KOREA
(56) Related Art Documents: **Not Applicable**
(57) Statement of Newness and Distinctiveness: **Newness and distinctiveness is claimed in the features of pattern and/or ornamentation of the Display Screen With Icon For An Electronic Device as shown in the accompanying representations. The features shown in broken lines are for illustrative purposes only and form no part of the claimed design.**



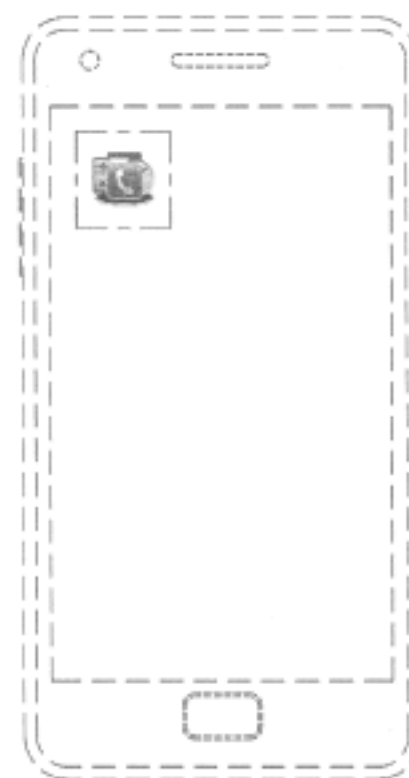
- (21) Design Number: **13738/2012**
(22) Date of Filing Application: **02 August 2012**
(24) Date from which industrial property rights may have effect: **02 August 2012**
(54) Product in respect of which the design is registered: **Display screen with icon for an electronic device**
(51) International Design Classification: **14-01**
(74) Name(s) of Attorney(s): **Wrays**
(71) Name(s) and Address(s) of Applicant(s):
Samsung Electronics Co., Ltd
129 Samsung-ro Yeongtong-gu Suwon-si Gyeonggi-do 443-742 Republic of Korea
(72) Name(s) of Designer(s): **Jee-Yeun Wang and Chul-Ho Jang and Hyung-Joo Jin**
(45) Registration Date: **05 September 2012**
(30) Convention priority data:
(31) Number (32) Date (33) Country
30-2012-0015223 30 Mar 2012 REPUBLIC OF KOREA
(56) Related Art Documents: **Not Applicable**
(57) Statement of Newness and Distinctiveness: **Newness and distinctiveness is claimed in the features of pattern and/or ornamentation of the Display Screen With Icon For An Electronic Device as shown in the accompanying representations. The features shown in broken lines are for illustrative purposes only and form no part of the claimed design.**



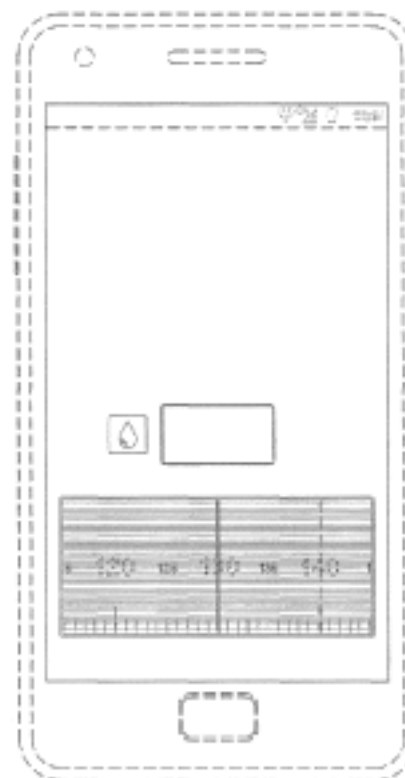
- (21) Design Number: **13739/2012**
(22) Date of Filing Application: **02 August 2012**
(24) Date from which industrial property rights may have effect: **02 August 2012**
(54) Product in respect of which the design is registered: **Display screen with icon for an electronic device**
(51) International Design Classification: **14-01**
(74) Name(s) of Attorney(s): **Wrays**
(71) Name(s) and Address(s) of Applicant(s):
Samsung Electronics Co., Ltd
129 Samsung-ro Yeongtong-gu Suwon-si Gyeonggi-do 443-742 Republic of Korea
(72) Name(s) of Designer(s): **Jee-Yeun Wang and Chul-Ho Jang and Hyung-Joo Jin**
(45) Registration Date: **05 September 2012**
(30) Convention priority data:
(31) Number (32) Date (33) Country
30-2012-0015224 30 Mar 2012 REPUBLIC OF KOREA
(56) Related Art Documents: **Not Applicable**
(57) Statement of Newness and Distinctiveness: **Newness and distinctiveness is claimed in the features of pattern and/or ornamentation of the Display Screen With Icon For An Electronic Device as shown in the accompanying representations. The features shown in broken lines are for illustrative purposes only and form no part of the claimed design.**



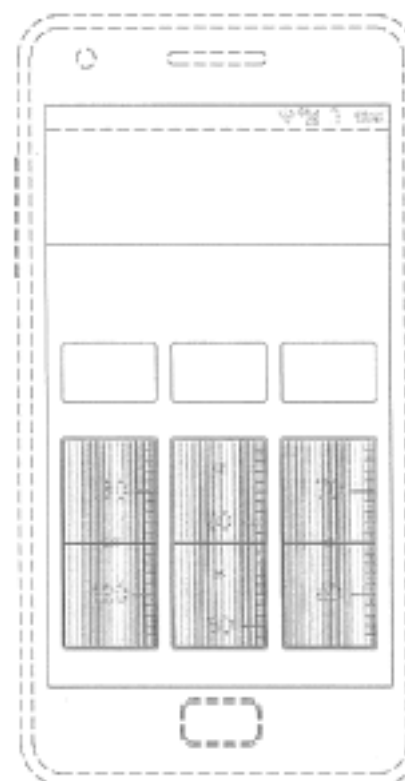
- (21) Design Number: **13740/2012**
(22) Date of Filing Application: **02 August 2012**
(24) Date from which industrial property rights may have effect: **02 August 2012**
(54) Product in respect of which the design is registered: **Display screen with icon for an electronic device**
(51) International Design Classification: **14-01**
(74) Name(s) of Attorney(s): **Wrays**
(71) Name(s) and Address(s) of Applicant(s):
Samsung Electronics Co., Ltd
129 Samsung-ro Yeontong-gu Suwon-si Gyeonggi-Do 443-742 Republic of Korea
(72) Name(s) of Designer(s): **Jee-Yeun Wang and Chul-Ho Jang and Hyung-Joo Jin**
(45) Registration Date: **05 September 2012**
(30) Convention priority data:
(31) Number (32) Date (33) Country
30-2012-0015942 04 Apr 2012 REPUBLIC OF KOREA
(56) Related Art Documents: **Not Applicable**
(57) Statement of Newness and Distinctiveness: **Newness and distinctiveness is claimed in the features of pattern and/or ornamentation of the Display Screen With Icon For An Electronic Device as shown in the accompanying representations. The features shown in broken lines are for illustrative purposes only and form no part of the claimed design.**



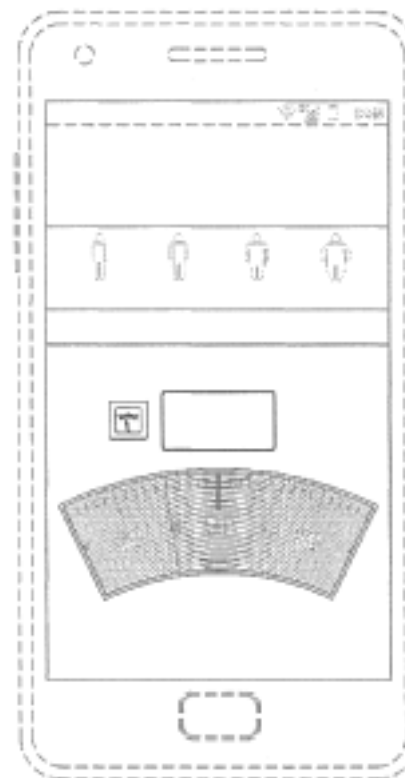
- (21) Design Number: **13741/2012**
(22) Date of Filing Application: **02 August 2012**
(24) Date from which industrial property rights may have effect: **02 August 2012**
(54) Product in respect of which the design is registered: **Display screen for an electronic device**
(51) International Design Classification: **14-01**
(74) Name(s) of Attorney(s): **Wrays**
(71) Name(s) and Address(s) of Applicant(s):
Samsung Electronics Co., Ltd
129 Samsung-ro Yeontong-gu Suwon-si Gyeonggi-Do 443-742 Republic of Korea
(72) Name(s) of Designer(s): **Bo-Ran Lee and Jae-Yeon Jeong and Jung-Ah Seung**
(45) Registration Date: **05 September 2012**
(30) Convention priority data:
(31) Number (32) Date (33) Country
30-2012-0021312 02 May 2012 REPUBLIC OF KOREA
(56) Related Art Documents: **Not Applicable**
(57) Statement of Newness and Distinctiveness: **Newness and distinctiveness is claimed in the features of pattern and/or ornamentation of the Display Screen For An Electronic Device as shown in the accompanying representations. The features shown in broken lines are for illustrative purposes only and form no part of the claimed design.**



- (21) Design Number: **13742/2012**
(22) Date of Filing Application: **02 August 2012**
(24) Date from which industrial property rights may have effect: **02 August 2012**
(54) Product in respect of which the design is registered: **Display screen for an electronic device**
(51) International Design Classification: **14-01**
(74) Name(s) of Attorney(s): **Wrays**
(71) Name(s) and Address(s) of Applicant(s):
Samsung Electronics Co., Ltd
129 Samsung-ro Yeongtong-gu Suwon-si Gyeonggi-do 443-742 Republic of Korea
(72) Name(s) of Designer(s): **Bo-Ran Lee and Jae-Yeon Jeong and Jung-Ah Seung**
(45) Registration Date: **05 September 2012**
(30) Convention priority data:
(31) Number (32) Date (33) Country
30-2012-0021314 02 May 2012 REPUBLIC OF KOREA
(56) Related Art Documents: **Not Applicable**
(57) Statement of Newness and Distinctiveness: **Newness and distinctiveness is claimed in the features of pattern and/or ornamentation of the Display Screen For An Electronic Device as shown in the accompanying representations. The features shown in broken lines are for illustrative purposes only and form no part of the claimed design.**



- (21) Design Number: **13743/2012**
(22) Date of Filing Application: **02 August 2012**
(24) Date from which industrial property rights may have effect: **02 August 2012**
(54) Product in respect of which the design is registered: **Display screen for an electronic device**
(51) International Design Classification: **14-01**
(74) Name(s) of Attorney(s): **Wrays**
(71) Name(s) and Address(s) of Applicant(s):
Samsung Electronics Co., Ltd
129 Samsung-ro Yeongtong-gu Suwon-si Gyeonggi-do 443-742 Republic of Korea
(72) Name(s) of Designer(s): **Bo-Ran Lee and Jae-Yeon Jeong and Jung-Ah Seung**
(45) Registration Date: **05 September 2012**
(30) Convention priority data:
(31) Number (32) Date (33) Country
30-2012-0021319 02 May 2012 REPUBLIC OF KOREA
(56) Related Art Documents: **Not Applicable**
(57) Statement of Newness and Distinctiveness: **Newness and distinctiveness is claimed in the features of pattern and/or ornamentation of the Display Screen For An Electronic Device as shown in the accompanying representations. The features shown in broken lines are for illustrative purposes only and form no part of the claimed design.**



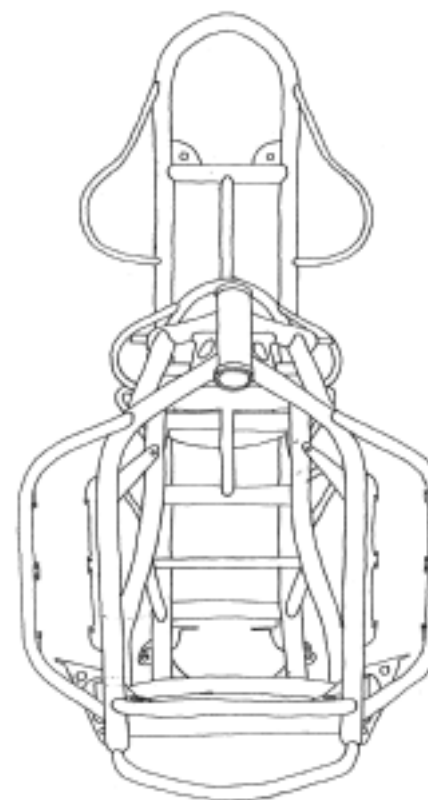
- (21) Design Number: **13745/2012**
(22) Date of Filing Application: **02 August 2012**
(24) Date from which industrial property rights may have effect: **02 August 2012**
(54) Product in respect of which the design is registered: **Display screen with icon for an electronic device**
(51) International Design Classification: **14-01**
(74) Name(s) of Attorney(s): **Wrays**
(71) Name(s) and Address(s) of Applicant(s):
Samsung Electronics Co., Ltd
129 Samsung-ro Yeongtong-gu Suwon-si Gyeonggi-do 443-742 Republic of Korea
(72) Name(s) of Designer(s): **Bong-Hee Kim and Chul-Ho Jang and Hyung-Joo Jin and Ji-Hyun Ahn**
(45) Registration Date: **05 September 2012**
(30) Convention priority data:
(31) Number (32) Date (33) Country
30-2012-0024525 18 May 2012 REPUBLIC OF KOREA
(56) Related Art Documents: **Not Applicable**
(57) Statement of Newness and Distinctiveness: **Newness and distinctiveness is claimed in the features of pattern and/or ornamentation of the Display Screen With Icon For An Electronic Device as shown in the accompanying representations. The features shown in broken lines are for illustrative purposes only and form no part of the claimed design.**



- (21) Design Number: **13746/2012**
(22) Date of Filing Application: **02 August 2012**
(24) Date from which industrial property rights may have effect: **02 August 2012**
(54) Product in respect of which the design is registered: **Display screen for an electronic device**
(51) International Design Classification: **14-01**
(74) Name(s) of Attorney(s): **Wrays**
(71) Name(s) and Address(s) of Applicant(s):
Samsung Electronics Co., Ltd
129 Samsung-ro Yeongtong-gu Suwon-si Gyeonggi-do 443-742 Republic of Korea
(72) Name(s) of Designer(s): **Bo-Ran Lee and Jae-Yeon Jeong and Jung-Ah Seung**
(45) Registration Date: **05 September 2012**
(30) Convention priority data:
(31) Number (32) Date (33) Country
30-2012-0021344 02 May 2012 REPUBLIC OF KOREA
(56) Related Art Documents: **Not Applicable**
(57) Statement of Newness and Distinctiveness: **Newness and distinctiveness is claimed in the features of pattern and/or ornamentation of the Display Screen For An Electronic Device as shown in the accompanying representations. The features shown in broken lines are for illustrative purposes only and form no part of the claimed design.**



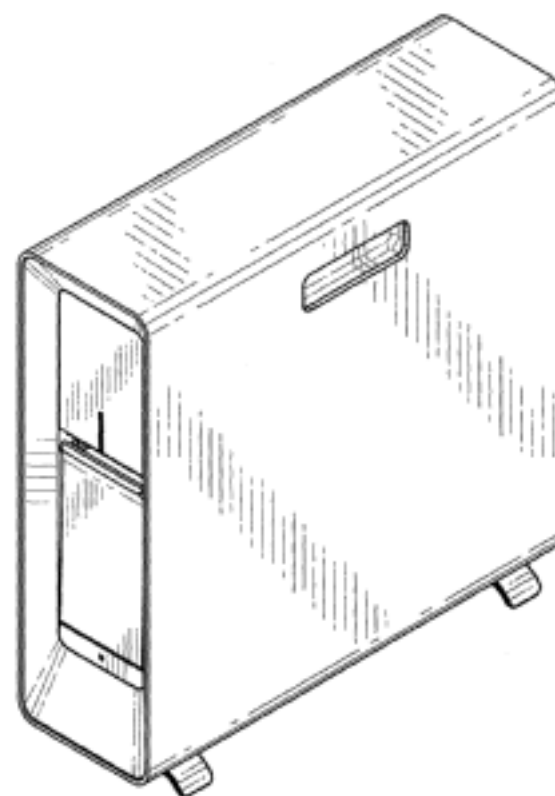
- (21) Design Number: **13751/2012**
(22) Date of Filing Application: **03 August 2012**
(24) Date from which industrial property rights may have effect: **03 August 2012**
(54) Product in respect of which the design is registered: **Tricycle frame**
(51) International Design Classification: **12-11**
(74) Name(s) of Attorney(s):
(71) Name(s) and Address(s) of Applicant(s):
Laszlo Kiss
PO Box 5416 Maroochydore BC Queensland 4558 Australia
(72) Name(s) of Designer(s): **Laszlo Kiss**
(45) Registration Date: **05 September 2012**
(56) Related Art Documents: **Not Applicable**
(57) Statement of Newness and Distinctiveness: **Nil**



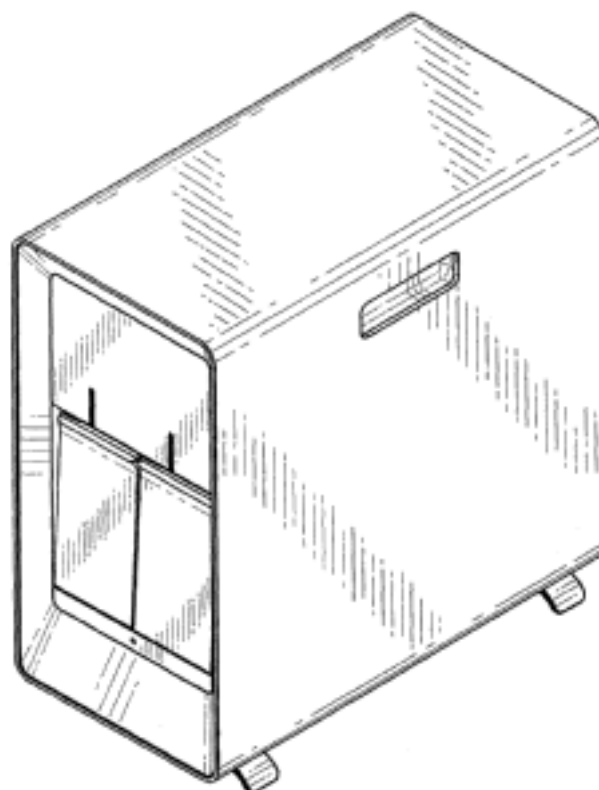
- (21) Design Number: **13752/2012**
(22) Date of Filing Application: **03 August 2012**
(24) Date from which industrial property rights may have effect: **03 August 2012**
(54) Product in respect of which the design is registered: **Cover/case for a tablet or E - reader**
(51) International Design Classification: **03-01NES, 14-02**
(74) Name(s) of Attorney(s):
(71) Name(s) and Address(s) of Applicant(s):
Kelly K Rouser
9948 S. Seeley Avenue Chicago IL 60643 United States of America
(72) Name(s) of Designer(s): **Kelly K Rouser**
(45) Registration Date: **05 September 2012**
(30) Convention priority data:
(31) Number (32) Date (33) Country
29/412572 06 Feb 2012 UNITED STATES OF AMERICA
(56) Related Art Documents: **Not Applicable**
(57) Statement of Newness and Distinctiveness: **Newness and distinctiveness resides in the visual features of the shape and configuration of the Cover/ Case for a Tablet or E-Reader as shown in the accompanying drawings. In the drawings the broken lines do not form part of the design.**



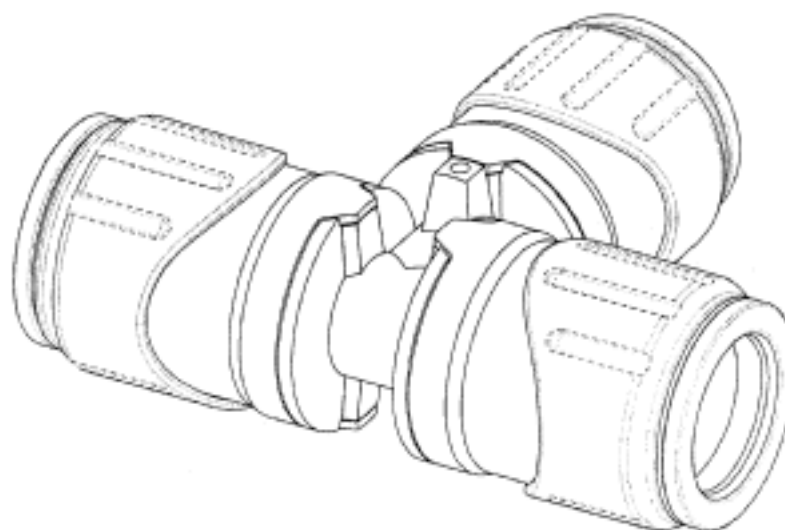
- (21) Design Number: **13753/2012**
(22) Date of Filing Application: **03 August 2012**
(24) Date from which industrial property rights may have effect: **03 August 2012**
(54) Product in respect of which the design is registered: **Analysis system**
(51) International Design Classification: **14-02**
(74) Name(s) of Attorney(s): **SPRUSON & FERGUSON**
(71) Name(s) and Address(s) of Applicant(s):
Cepheid
904 Caribbean Drive Sunnyvale California 94089 United States of America
(72) Name(s) of Designer(s): **Ron Chang and Steven M. Montgomery and Gregory E. Mote**
(45) Registration Date: **05 September 2012**
(30) Convention priority data:
(31) Number (32) Date (33) Country
29/412453 03 Feb 2012 UNITED STATES OF AMERICA
(56) Related Art Documents: **Not Applicable**
(57) Statement of Newness and Distinctiveness: **Newness and distinctiveness is claimed in the features of shape and/or configuration of an analysis system as illustrated in continuous lines in the accompanying representations.**



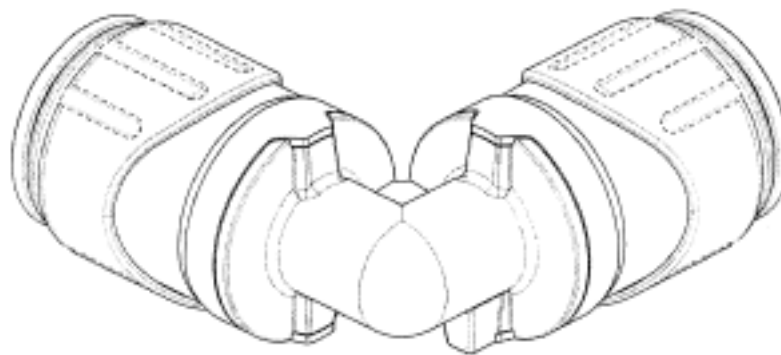
(21) Design Number: **13754/2012**
(22) Date of Filing Application: **03 August 2012**
(24) Date from which industrial property rights may have effect: **03 August 2012**
(54) Product in respect of which the design is registered: **Analysis system**
(51) International Design Classification: **14-02**
(74) Name(s) of Attorney(s): **SPRUSON & FERGUSON**
(71) Name(s) and Address(s) of Applicant(s):
Cepheid
904 Caribbean Drive Sunnyvale California 94089 United States of America
(72) Name(s) of Designer(s): **Ron Chang and Steven M. Montgomery and Gregory E. Mote**
(45) Registration Date: **05 September 2012**
(30) Convention priority data:
(31) Number (32) Date (33) Country
29/412453 03 Feb 2012 UNITED STATES OF AMERICA
(56) Related Art Documents: **Not Applicable**
(57) Statement of Newness and Distinctiveness: **Newness and distinctiveness is claimed in the features of shape/or configuration of an analysis system as illustrated in continuous lines in the accompanying representations.**



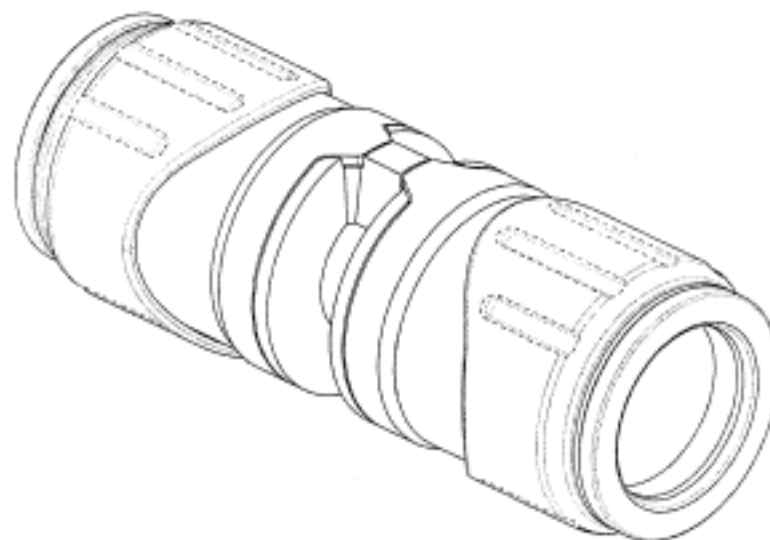
(21) Design Number: **12691/2012**
(22) Date of Filing Application: **06 June 2012**
(24) Date from which industrial property rights may have effect: **06 June 2012**
(54) Product in respect of which the design is registered: **Connector**
(51) International Design Classification: **23-01A**
(74) Name(s) of Attorney(s): **Davies Collison Cave**
(71) Name(s) and Address(s) of Applicant(s):
John Guest International Limited
Horton Road West Drayton Middlesex UB7 8JL United Kingdom
(72) Name(s) of Designer(s): **Timothy Steven Guest**
(45) Registration Date: **05 September 2012**
(30) Convention priority data:
(31) Number (32) Date (33) Country
001306039-0004 09 Dec 2011 EUROPEAN COMMUNITY
(56) Related Art Documents: **Not Applicable**
(57) Statement of Newness and Distinctiveness: **Newness and distinctiveness is claimed in the visual features shown in solid lines in the representations.**



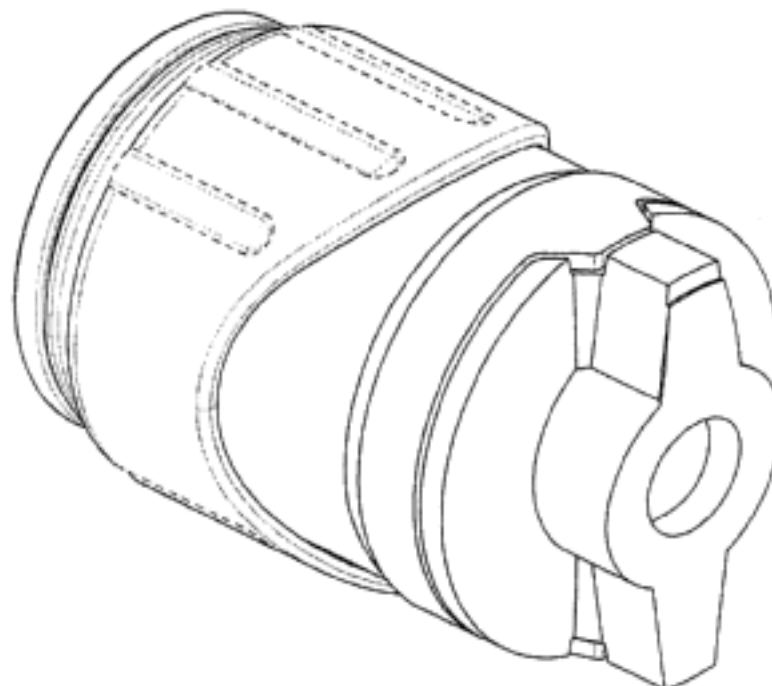
(21) Design Number: **12692/2012**
(22) Date of Filing Application: **06 June 2012**
(24) Date from which industrial property rights may have effect: **06 June 2012**
(54) Product in respect of which the design is registered: **Connector**
(51) International Design Classification: **23-01A**
(74) Name(s) of Attorney(s): **Davies Collison Cave**
(71) Name(s) and Address(s) of Applicant(s):
John Guest International Limited
Horton Road West Drayton Middlesex UB7 8JL United Kingdom
(72) Name(s) of Designer(s): **Timothy Steven Guest**
(45) Registration Date: **05 September 2012**
(30) Convention priority data:
(31) Number (32) Date (33) Country
001306039-0003 09 Dec 2011 EUROPEAN COMMUNITY
(56) Related Art Documents: **Not Applicable**
(57) Statement of Newness and Distinctiveness: **Newness and distinctiveness is claimed in the visual features shown in solid lines in the representations.**



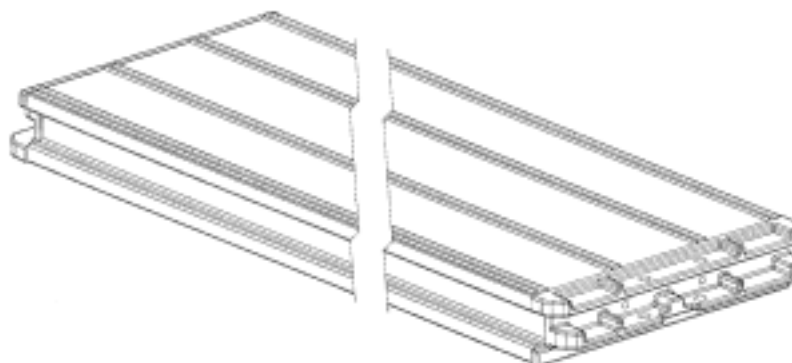
(21) Design Number: **12693/2012**
(22) Date of Filing Application: **06 June 2012**
(24) Date from which industrial property rights may have effect: **06 June 2012**
(54) Product in respect of which the design is registered: **Connector**
(51) International Design Classification: **23-01A**
(74) Name(s) of Attorney(s): **Davies Collison Cave**
(71) Name(s) and Address(s) of Applicant(s):
John Guest International Limited
Horton Road West Drayton Middlesex UB7 8JL United Kingdom
(72) Name(s) of Designer(s): **Timothy Steven Guest**
(45) Registration Date: **05 September 2012**
(30) Convention priority data:
(31) Number (32) Date (33) Country
001306039-0002 09 Dec 2011 EUROPEAN COMMUNITY
(56) Related Art Documents: **Not Applicable**
(57) Statement of Newness and Distinctiveness: **Newness and distinctiveness is claimed in the visual features shown in solid lines in the representations.**



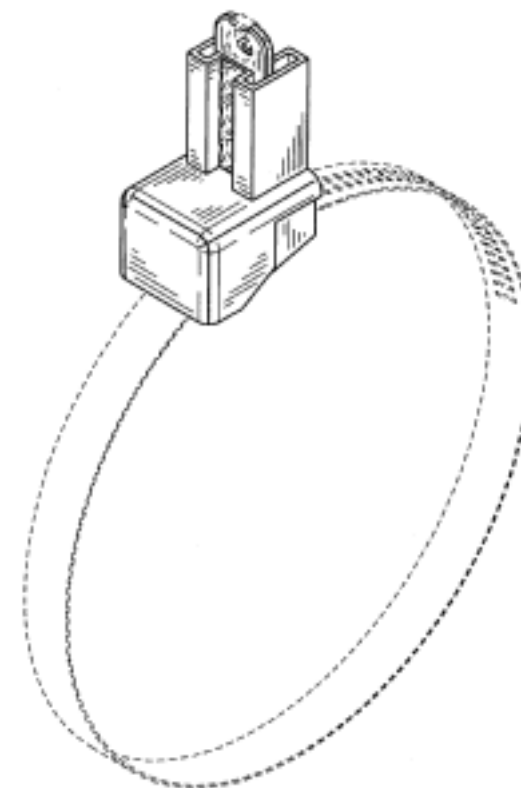
(21) Design Number: **12694/2012**
(22) Date of Filing Application: **06 June 2012**
(24) Date from which industrial property rights may have effect: **06 June 2012**
(54) Product in respect of which the design is registered: **Connector**
(51) International Design Classification: **23-01A**
(74) Name(s) of Attorney(s): **Davies Collison Cave**
(71) Name(s) and Address(s) of Applicant(s):
John Guest International Limited
Horton Road West Drayton Middlesex UB7 8JL United Kingdom
(72) Name(s) of Designer(s): **Timothy Steven Guest**
(45) Registration Date: **05 September 2012**
(30) Convention priority data:
(31) Number (32) Date (33) Country
001306039-0001 09 Dec 2011 EUROPEAN COMMUNITY
(56) Related Art Documents: **Not Applicable**
(57) Statement of Newness and Distinctiveness: **Newness and distinctiveness is claimed in the visual features shown in solid lines in the representations.**



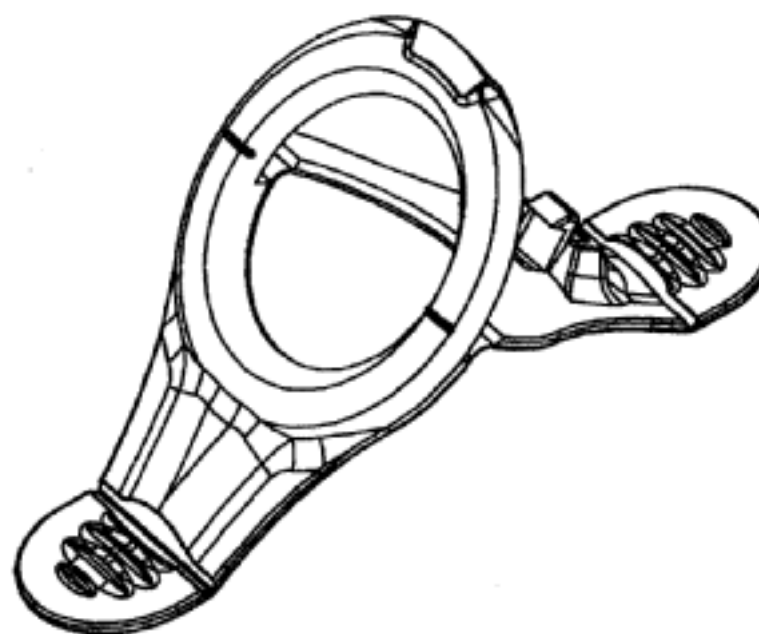
(21) Design Number: **12762/2012**
(22) Date of Filing Application: **12 June 2012**
(24) Date from which industrial property rights may have effect: **12 June 2012**
(54) Product in respect of which the design is registered: **Scaffolding plank**
(51) International Design Classification: **25-04**
(74) Name(s) of Attorney(s): **Halfords IP**
(71) Name(s) and Address(s) of Applicant(s):
Lewis Roy Cleveland
51 Hollister Lane Ohauti Tauranga 3112 New Zealand
(72) Name(s) of Designer(s): **Lewis Roy Cleveland**
(45) Registration Date: **05 September 2012**
(30) Convention priority data:
(31) Number (32) Date (33) Country
415639 12 Dec 2011 NEW ZEALAND
(56) Related Art Documents: **Not Applicable**
(57) Statement of Newness and Distinctiveness: **Nil**



(21) Design Number: **12821/2012**
(22) Date of Filing Application: **15 June 2012**
(24) Date from which industrial property rights may have effect: **15 June 2012**
(54) Product in respect of which the design is registered: **Lockout device**
(51) International Design Classification: **08-07**
(74) Name(s) of Attorney(s): **PIZZEYS**
(71) Name(s) and Address(s) of Applicant(s):
Brady Worldwide, Inc.
2221 West Camden Road Milwaukee WI 53209 United States of America
(72) Name(s) of Designer(s): **Christopher J Rohde**
(45) Registration Date: **05 September 2012**
(30) Convention priority data:
(31) Number (32) Date (33) Country
29/409,453 22 Dec 2011 UNITED STATES OF AMERICA
(56) Related Art Documents: **Not Applicable**
(57) Statement of Newness and Distinctiveness: **Nil**



(21) Design Number: **12947/2012**
(22) Date of Filing Application: **22 June 2012**
(24) Date from which industrial property rights may have effect: **22 June 2012**
(54) Product in respect of which the design is registered: **Touch N' lift : an anti-wrinkle device**
(51) International Design Classification: **28-03NES**
(74) Name(s) of Attorney(s):
(71) Name(s) and Address(s) of Applicant(s):
Noah Amit
46a Shimshon Street Haifa 34678 Israel
Yosef Gross
10 Hanotea Street Moshav Mazor 73160 Israel
(72) Name(s) of Designer(s): **Noah Amit and Yosef Gross**
(45) Registration Date: **05 September 2012**
(56) Related Art Documents: **Not Applicable**
(57) Statement of Newness and Distinctiveness: **A new, original design for Touch and Lift device (Touch N' Lift) used for immediate disappearance of skin wrinkles. Classification:Class 28-03. The device has two positions: position 1 -unconstrained shape, position 2 - constrained shape.**



- (21) Design Number: **13002/2012**
(22) Date of Filing Application: **27 June 2012**
(24) Date from which industrial property rights may have effect: **27 June 2012**
(54) Product in respect of which the design is registered: **Jar opener**
(51) International Design Classification: **07-06D**
(74) Name(s) of Attorney(s):
(71) Name(s) and Address(s) of Applicant(s):
Colin Norman Wiles
15 Lalor Close Mulgrave Victoria 3170 Australia
(72) Name(s) of Designer(s): **Colin Norman Wiles**
(45) Registration Date: **05 September 2012**
(56) Related Art Documents: **Not Applicable**
(57) Statement of Newness and Distinctiveness: **The circular part is to secure the jar the specially shaped handle with critical pivot point to ensure maximum grip combines with design (2).**



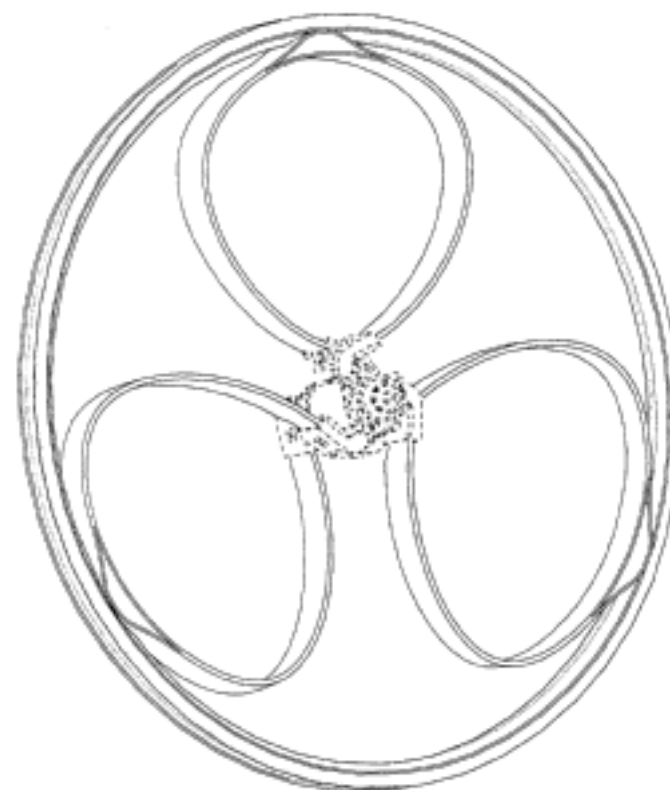
- (21) Design Number: **13003/2012**
(22) Date of Filing Application: **27 June 2012**
(24) Date from which industrial property rights may have effect: **27 June 2012**
(54) Product in respect of which the design is registered: **Jar opener**
(51) International Design Classification: **07-06D**
(74) Name(s) of Attorney(s):
(71) Name(s) and Address(s) of Applicant(s):
Colin Norman Wiles
15 Lalor Close Mulgrave Victoria 3170 Australia
(72) Name(s) of Designer(s): **Colin Norman Wiles**
(45) Registration Date: **05 September 2012**
(56) Related Art Documents: **Not Applicable**
(57) Statement of Newness and Distinctiveness: **The circular part is to secure the lid with the specially shaped handle with critical pivot point to ensure maximum grip combines with design (1).**



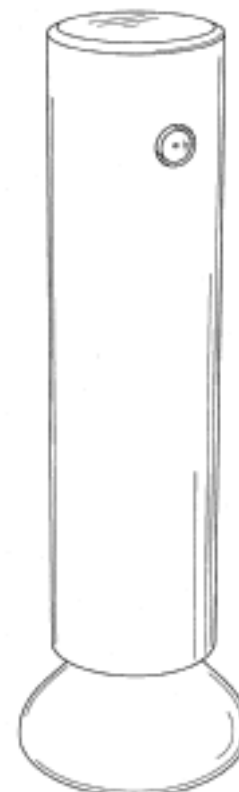
- (21) Design Number: **13271/2012**
(22) Date of Filing Application: **10 July 2012**
(24) Date from which industrial property rights may have effect: **10 July 2012**
(54) Product in respect of which the design is registered: **Display cabinet**
(51) International Design Classification: **20-02C**
(74) Name(s) of Attorney(s): **Griffith Hack**
(71) Name(s) and Address(s) of Applicant(s):
Scott Andrew North
5/200 Marine Parade Labrador Queensland 4215 Australia
(72) Name(s) of Designer(s): **Scott Andrew North**
(45) Registration Date: **05 September 2012**
(56) Related Art Documents: **Not Applicable**
(57) Statement of Newness and Distinctiveness: **Shape and configuration of the display cabinet, as shown in the representations, Figures 1 to 5.**



- (21) Design Number: **13600/2012**
(22) Date of Filing Application: **30 July 2012**
(24) Date from which industrial property rights may have effect: **30 July 2012**
(54) Product in respect of which the design is registered: **Wheel**
(51) International Design Classification: **12-16A**
(74) Name(s) of Attorney(s): **Griffith Hack**
(71) Name(s) and Address(s) of Applicant(s):
Jelly Products Limited
Hollies Barn Church Lane Eakring Newmark Nottingham NG1 5DD
United Kingdom
(72) Name(s) of Designer(s): **Samuel Blackburn Pearce**
(45) Registration Date: **05 September 2012**
(30) Convention priority data:
(31) Number (32) Date (33) Country
1312607-0001 31 Jan 2012 EUROPEAN COMMUNITY
(56) Related Art Documents: **Not Applicable**
(57) Statement of Newness and Distinctiveness: **Newness and distinctiveness resides in the shape and configuration of the product as represented by solid lines in the drawings.**



(21) Design Number: **13602/2012**
(22) Date of Filing Application: **30 July 2012**
(24) Date from which industrial property rights may have effect: **30 July 2012**
(54) Product in respect of which the design is registered: **Liquid spray device**
(51) International Design Classification: **09-07A, 23-01E**
(74) Name(s) of Attorney(s): **PIZZEYS**
(71) Name(s) and Address(s) of Applicant(s):
Aerodesigns, Inc.
300 Technology Square Suite 301 Cambridge MA 02139 UNITED STATES OF AMERICA
(72) Name(s) of Designer(s): **Philippe Starck**
(45) Registration Date: **05 September 2012**
(30) Convention priority data:
(31) Number (32) Date (33) Country
29/412,067 30 Jan 2012 UNITED STATES OF AMERICA
(56) Related Art Documents: **Not Applicable**
(57) Statement of Newness and Distinctiveness: **Nil**



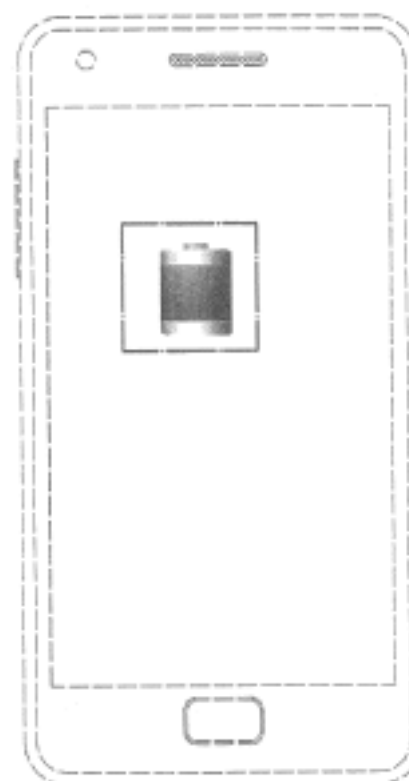
(21) Design Number: **13731/2012**
(22) Date of Filing Application: **02 August 2012**
(24) Date from which industrial property rights may have effect: **02 August 2012**
(54) Product in respect of which the design is registered: **Display screen with icon for an electronic device**
(51) International Design Classification: **14-01**
(74) Name(s) of Attorney(s): **Wrays**
(71) Name(s) and Address(s) of Applicant(s):
Samsung Electronics Co., Ltd
129 Samsung-ro Yeongtong-gu Suwon-si Gyeonggi-do 443-742 Republic of Korea
(72) Name(s) of Designer(s): **Chul-Ho Jang and Hyung-Joo Jin**
(45) Registration Date: **05 September 2012**
(30) Convention priority data:
(31) Number (32) Date (33) Country
30-2012-0015000 29 Mar 2012 REPUBLIC OF KOREA
(56) Related Art Documents: **Not Applicable**
(57) Statement of Newness and Distinctiveness: **Newness and distinctiveness is claimed in the features of pattern and/or ornamentation of the Display Screen With Icon For An Electronic Device as shown in the accompanying representations. The features shown in broken lines are for illustrative purposes only and form no part of the claimed design.**



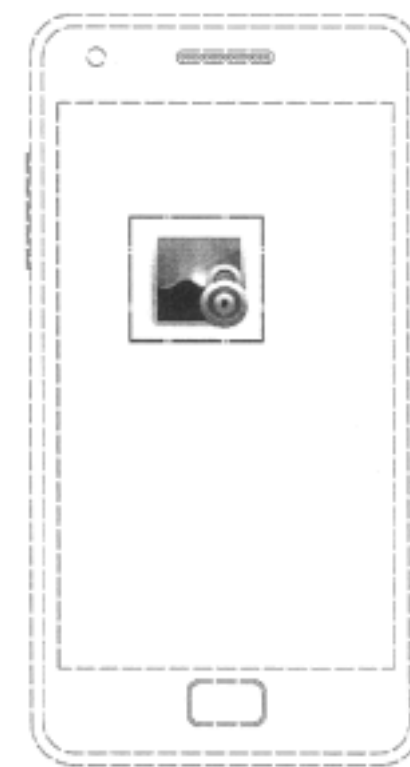
(21) Design Number: **13732/2012**
(22) Date of Filing Application: **02 August 2012**
(24) Date from which industrial property rights may have effect: **02 August 2012**
(54) Product in respect of which the design is registered: **Display screen with icon for an electronic device**
(51) International Design Classification: **14-01**
(74) Name(s) of Attorney(s): **Wrays**
(71) Name(s) and Address(s) of Applicant(s):
Samsung Electronics Co., Ltd
129 Samsung-ro Yeongtong-gu Suwon-si Gyeonggi-do 443-742 Republic of Korea
(72) Name(s) of Designer(s): **Chul-Ho Jang and Hyung-Joo Jin**
(45) Registration Date: **05 September 2012**
(30) Convention priority data:
(31) Number (32) Date (33) Country
30-2012-0015001 29 Mar 2012 REPUBLIC OF KOREA
(56) Related Art Documents: **Not Applicable**
(57) Statement of Newness and Distinctiveness: **Newness and distinctiveness is claimed in the features of pattern and/or ornamentation of the Display Screen With Icon For An Electronic Device as shown in the accompanying representations. The features shown in broken lines are for illustrative purposes only and form no part of the claimed design.**



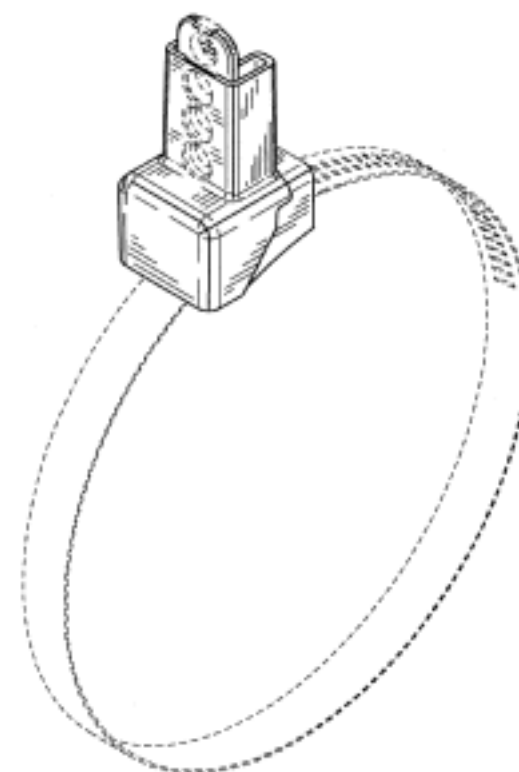
(21) Design Number: **13733/2012**
(22) Date of Filing Application: **02 August 2012**
(24) Date from which industrial property rights may have effect: **02 August 2012**
(54) Product in respect of which the design is registered: **Display screen with icon for an electronic device**
(51) International Design Classification: **14-01**
(74) Name(s) of Attorney(s): **Wrays**
(71) Name(s) and Address(s) of Applicant(s):
Samsung Electronics Co., Ltd
129 Samsung-ro Yeongtong-gu Suwon-si Gyeonggi-do 443-742 Republic of Korea
(72) Name(s) of Designer(s): **Chul-Ho Jang and Hyung-Joo Jin**
(45) Registration Date: **05 September 2012**
(30) Convention priority data:
(31) Number (32) Date (33) Country
30-2012-0015003 29 Mar 2012 REPUBLIC OF KOREA
(56) Related Art Documents: **Not Applicable**
(57) Statement of Newness and Distinctiveness: **Newness and distinctiveness is claimed in the features of pattern and/or ornamentation of the Display Screen With Icon For An Electronic Device as shown in the accompanying representations. The features shown in broken lines are for illustrative purposes only and form no part of the claimed design.**



(21) Design Number: **13734/2012**
(22) Date of Filing Application: **02 August 2012**
(24) Date from which industrial property rights may have effect: **02 August 2012**
(54) Product in respect of which the design is registered: **Display screen with icon for an electronic device**
(51) International Design Classification: **14-01**
(74) Name(s) of Attorney(s): **Wrays**
(71) Name(s) and Address(s) of Applicant(s):
Samsung Electronics Co., Ltd
129 Samsung-ro Yeongtong-gu Suwon-si Gyeonggi-do 443-742 Republic of Korea
(72) Name(s) of Designer(s): **Chul-Ho Jang and Hyung-Joo Jin**
(45) Registration Date: **05 September 2012**
(30) Convention priority data:
(31) Number (32) Date (33) Country
30-2012-0015005 29 Mar 2012 REPUBLIC OF KOREA
(56) Related Art Documents: **Not Applicable**
(57) Statement of Newness and Distinctiveness: **Newness and distinctiveness is claimed in the features of pattern and/or ornamentation of the Display Screen With Icon For An Electronic Device as shown in the accompanying representations. The features shown in broken lines are for illustrative purposes only and form no part of the claimed design.**



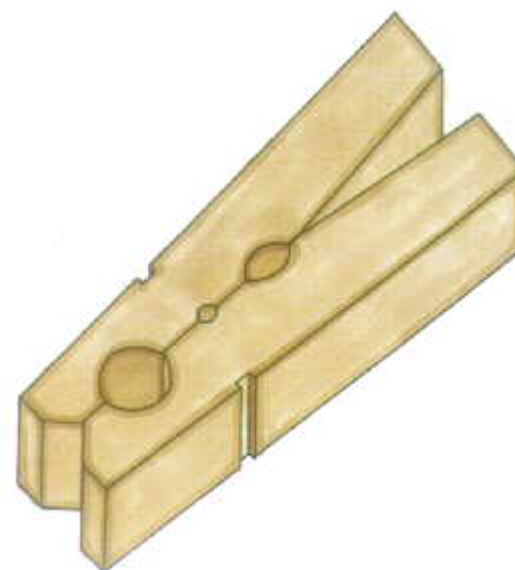
(21) Design Number: **14298/2012**
(22) Date of Filing Application: **15 June 2012**
(24) Date from which industrial property rights may have effect: **15 June 2012**
(54) Product in respect of which the design is registered: **Lockout device**
(51) International Design Classification: **08-07**
(74) Name(s) of Attorney(s): **PIZZEYS**
(71) Name(s) and Address(s) of Applicant(s):
Brady Worldwide, Inc.
2221 West Camden Road Milwaukee WI 53209 United States of America
(72) Name(s) of Designer(s): **Christopher J. Rohde**
(45) Registration Date: **05 September 2012**
(30) Convention priority data:
(31) Number (32) Date (33) Country
29/409,453 22 Dec 2011 UNITED STATES OF AMERICA
(56) Related Art Documents: **Not Applicable**
(57) Statement of Newness and Distinctiveness: **Nil**



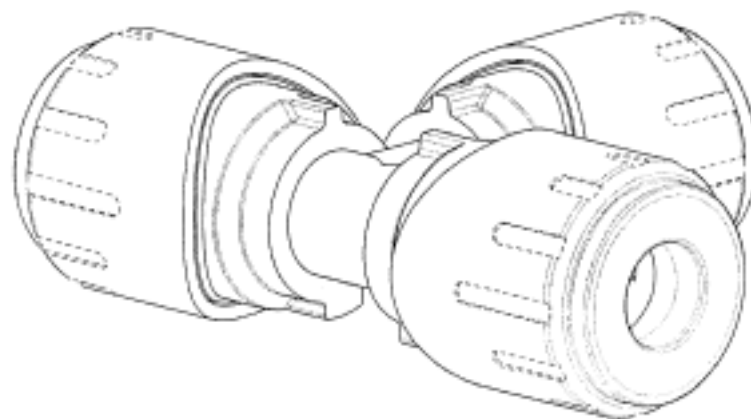
- (21) Design Number: **12560/2012**
(22) Date of Filing Application: **30 May 2012**
(24) Date from which industrial property rights may have effect: **30 May 2012**
(54) Product in respect of which the design is registered: **swag**
(51) International Design Classification: **21-04**
(74) Name(s) of Attorney(s):
(71) Name(s) and Address(s) of Applicant(s):
ARB Corporation Ltd
42-44 Garden Street Kilsyth Victoria 3137 Australia
(72) Name(s) of Designer(s): **Robert Puts**
(45) Registration Date: **06 September 2012**
(56) Related Art Documents: **Not Applicable**
(57) Statement of Newness and Distinctiveness: **Nil**



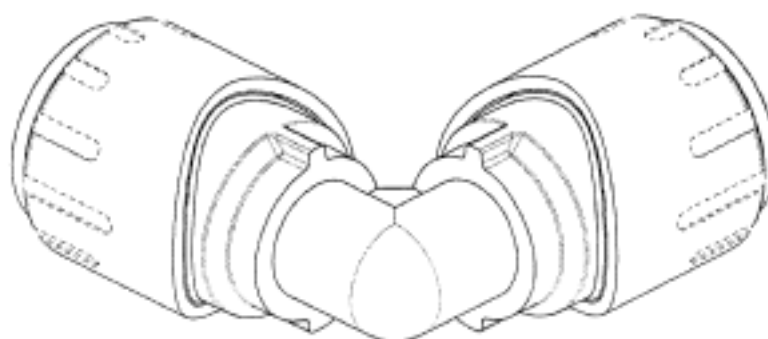
- (21) Design Number: **12602/2012**
(22) Date of Filing Application: **01 June 2012**
(24) Date from which industrial property rights may have effect: **01 June 2012**
(54) Product in respect of which the design is registered: **Chair and dry bar**
(51) International Design Classification: **06-01L, 06-03NES**
(74) Name(s) of Attorney(s):
(71) Name(s) and Address(s) of Applicant(s):
Stephen McClenahan
5 Dargie Street Everton Park Queensland 4053 Australia
(72) Name(s) of Designer(s): **Stephen McClenahan and Hanya Leo and Jared Thorpe and Louise McKnoulty and Claire Flego and Alice Norton**
(45) Registration Date: **06 September 2012**
(56) Related Art Documents: **Not Applicable**
(57) Statement of Newness and Distinctiveness: **An enlarged clothes peg that connects to bollards and other poles, creating a level surface for a seat or table. Cantilevered by an integral internal clamp, it stays parallel to the ground without the use of any other ground attachment.**



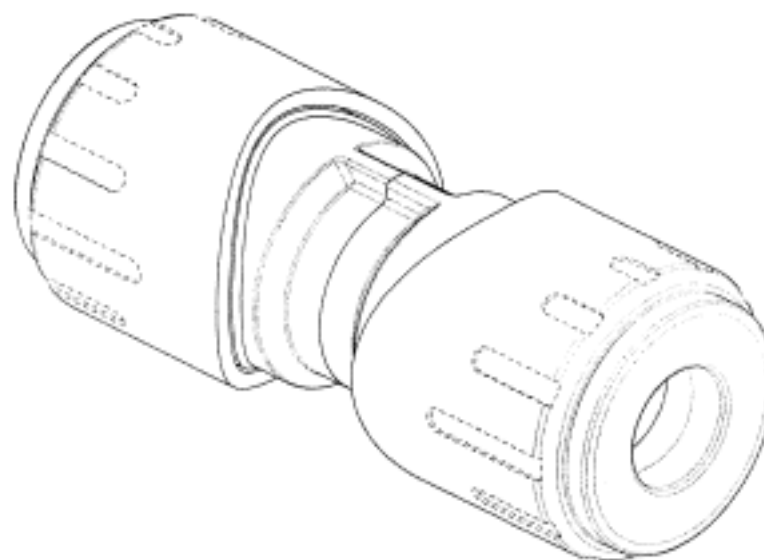
(21) Design Number: **12739/2012**
(22) Date of Filing Application: **08 June 2012**
(24) Date from which industrial property rights may have effect: **08 June 2012**
(54) Product in respect of which the design is registered: **Connector**
(51) International Design Classification: **23-01A**
(74) Name(s) of Attorney(s): **Davies Collison Cave**
(71) Name(s) and Address(s) of Applicant(s):
John Guest International Limited
Horton Road West Drayton Middlesex UB7 8JL United Kingdom
(72) Name(s) of Designer(s): **Timothy Steven Guest**
(45) Registration Date: **06 September 2012**
(30) Convention priority data:
(31) Number (32) Date (33) Country
001306047-0004 09 Dec 2011 EUROPEAN COMMUNITY
(56) Related Art Documents: **Not Applicable**
(57) Statement of Newness and Distinctiveness: **Newness and distinctiveness is claimed in the visual features shown in solid lines in the representations.**



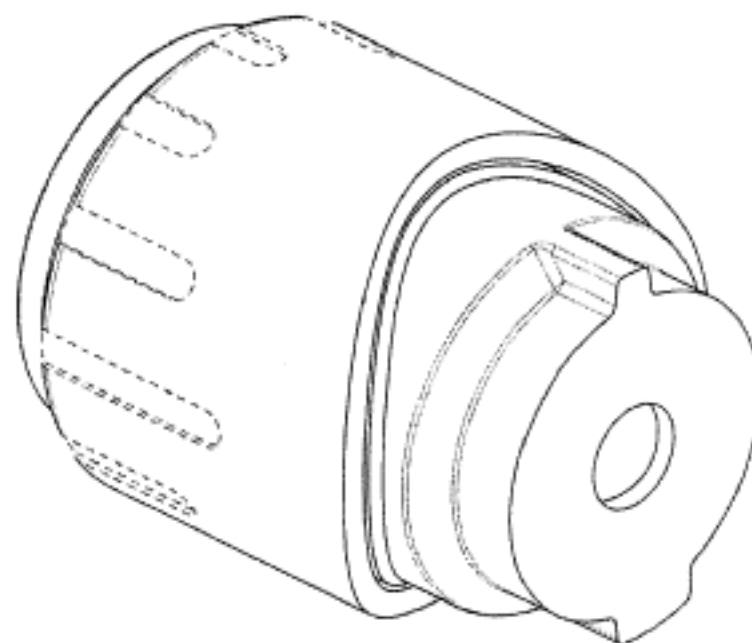
(21) Design Number: **12740/2012**
(22) Date of Filing Application: **08 June 2012**
(24) Date from which industrial property rights may have effect: **08 June 2012**
(54) Product in respect of which the design is registered: **Connector**
(51) International Design Classification: **23-01A**
(74) Name(s) of Attorney(s): **Davies Collison Cave**
(71) Name(s) and Address(s) of Applicant(s):
John Guest International Limited
Horton Road West Drayton Middlesex UB7 8JL United Kingdom
(72) Name(s) of Designer(s): **Timothy Steven Guest**
(45) Registration Date: **06 September 2012**
(30) Convention priority data:
(31) Number (32) Date (33) Country
001306047-0003 09 Dec 2011 EUROPEAN COMMUNITY
(56) Related Art Documents: **Not Applicable**
(57) Statement of Newness and Distinctiveness: **Newness and distinctiveness is claimed in the visual features shown in solid lines in the representations.**



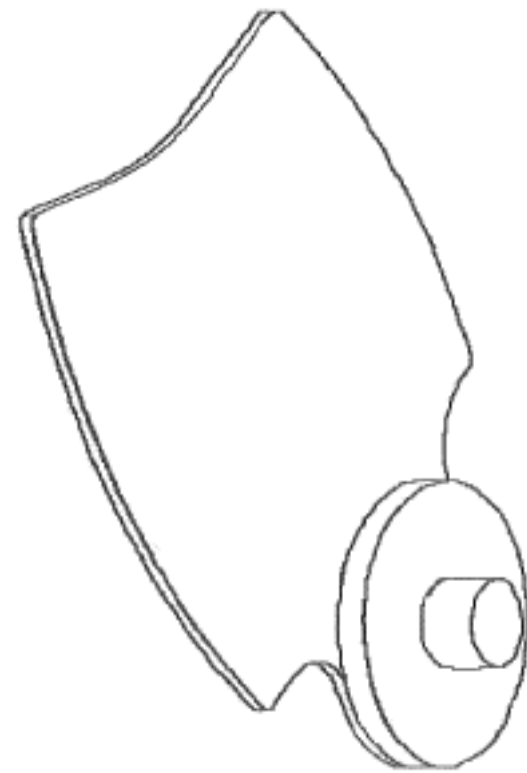
(21) Design Number: **12741/2012**
(22) Date of Filing Application: **08 June 2012**
(24) Date from which industrial property rights may have effect: **08 June 2012**
(54) Product in respect of which the design is registered: **Connector**
(51) International Design Classification: **23-01A**
(74) Name(s) of Attorney(s): **Davies Collison Cave**
(71) Name(s) and Address(s) of Applicant(s):
John Guest International Limited
Horton Road West Drayton Middlesex UB7 8JL United Kingdom
(72) Name(s) of Designer(s): **Timothy Steven Guest**
(45) Registration Date: **06 September 2012**
(30) Convention priority data:
(31) Number (32) Date (33) Country
001306047-0002 09 Dec 2011 EUROPEAN COMMUNITY
(56) Related Art Documents: **Not Applicable**
(57) Statement of Newness and Distinctiveness: **Newness and distinctiveness is claimed in the visual features shown in solid lines in the representations.**



(21) Design Number: **12742/2012**
(22) Date of Filing Application: **08 June 2012**
(24) Date from which industrial property rights may have effect: **08 June 2012**
(54) Product in respect of which the design is registered: **Connector**
(51) International Design Classification: **23-01A**
(74) Name(s) of Attorney(s): **Davies Collison Cave**
(71) Name(s) and Address(s) of Applicant(s):
John Guest International Limited
Horton Road West Drayton Middlesex UB7 8JL United Kingdom
(72) Name(s) of Designer(s): **Timothy Steven Guest**
(45) Registration Date: **06 September 2012**
(30) Convention priority data:
(31) Number (32) Date (33) Country
001306047-0001 09 Dec 2011 EUROPEAN COMMUNITY
(56) Related Art Documents: **Not Applicable**
(57) Statement of Newness and Distinctiveness: **Newness and distinctiveness is claimed in the visual features shown in solid lines in the representations.**



(21) Design Number: **13048/2012**
(22) Date of Filing Application: **29 June 2012**
(24) Date from which industrial property rights may have effect: **29 June 2012**
(54) Product in respect of which the design is registered: **An ear tag**
(51) International Design Classification: **30-08**
(74) Name(s) of Attorney(s): **Lord & Company**
(71) Name(s) and Address(s) of Applicant(s):
Stockbrands Co. Pty Ltd
53 Edward Street Osborne Park Western Australia 6017 Australia
(72) Name(s) of Designer(s): **John Forehan**
(45) Registration Date: **06 September 2012**
(56) Related Art Documents: **Not Applicable**
(57) Statement of Newness and Distinctiveness: **The particular visual features of the design which are new and distinctive are shape OR configuration.**



(21) Design Number: **13463/2012**
(22) Date of Filing Application: **24 July 2012**
(24) Date from which industrial property rights may have effect: **24 July 2012**
(54) Product in respect of which the design is registered: **Wine/beverage bottle**
(51) International Design Classification: **09-01H**
(74) Name(s) of Attorney(s):
(71) Name(s) and Address(s) of Applicant(s):
Kalleske Holdings Pty Ltd
6 Murray Street Greenock South Australia 5360 Australia
(72) Name(s) of Designer(s): **Troy Kalleske**
(45) Registration Date: **06 September 2012**
(56) Related Art Documents: **Not Applicable**
(57) Statement of Newness and Distinctiveness: **As per attached design the angle/shape of the shoulder is distinct/unique.**



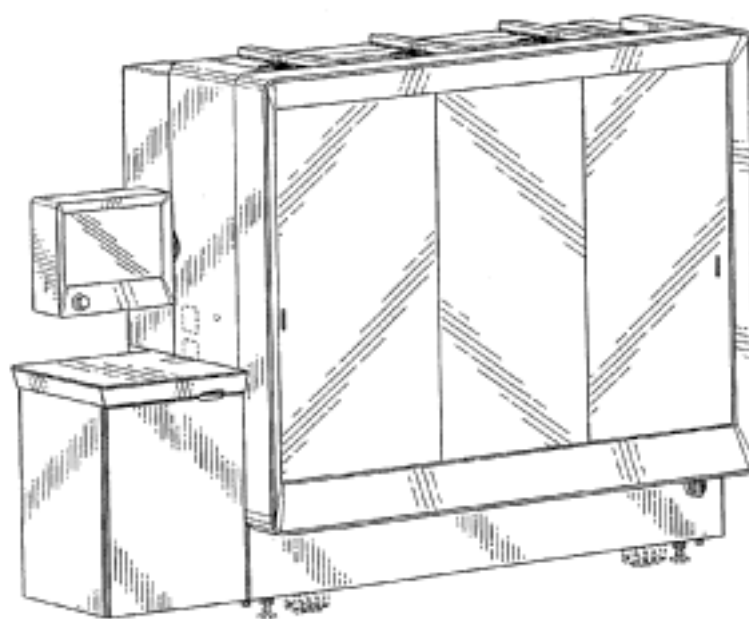
(21) Design Number: **13468/2012**
(22) Date of Filing Application: **24 July 2012**
(24) Date from which industrial property rights may have effect: **24 July 2012**
(54) Product in respect of which the design is registered: **Containers**
(51) International Design Classification: **07-01NES**
(74) Name(s) of Attorney(s): **Baldwins Intellectual Property**
(71) Name(s) and Address(s) of Applicant(s):
Innova Products Limited
322 Neilson Street Onehunga Auckland New Zealand
(72) Name(s) of Designer(s): **Philip John Patrick Rose and Martin John Kontze**
(45) Registration Date: **06 September 2012**
(30) Convention priority data:
(31) Number (32) Date (33) Country
415802 27 Jan 2012 NEW ZEALAND
(56) Related Art Documents: **Not Applicable**
(57) Statement of Newness and Distinctiveness: **Newness and distinctiveness resides in the features of shape and/or configuration of the set of containers, as shown in the accompanying representations.**



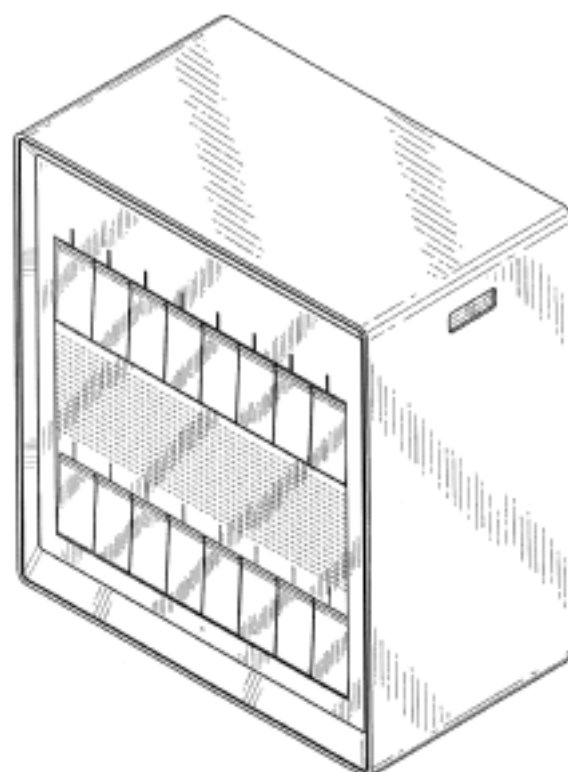
(21) Design Number: **13715/2012**
(22) Date of Filing Application: **02 August 2012**
(24) Date from which industrial property rights may have effect: **02 August 2012**
(54) Product in respect of which the design is registered: **The needle fishing hook**
(51) International Design Classification: **22-05**
(74) Name(s) of Attorney(s):
(71) Name(s) and Address(s) of Applicant(s):
Tim Garden
11 Grant Street Drouin Victoria 3818 Australia
(72) Name(s) of Designer(s): **Tim Garden**
(45) Registration Date: **06 September 2012**
(56) Related Art Documents: **Not Applicable**
(57) Statement of Newness and Distinctiveness: **The particular visual feature of the design is the needle tip eyelet on the shaft of a fishing hook.**



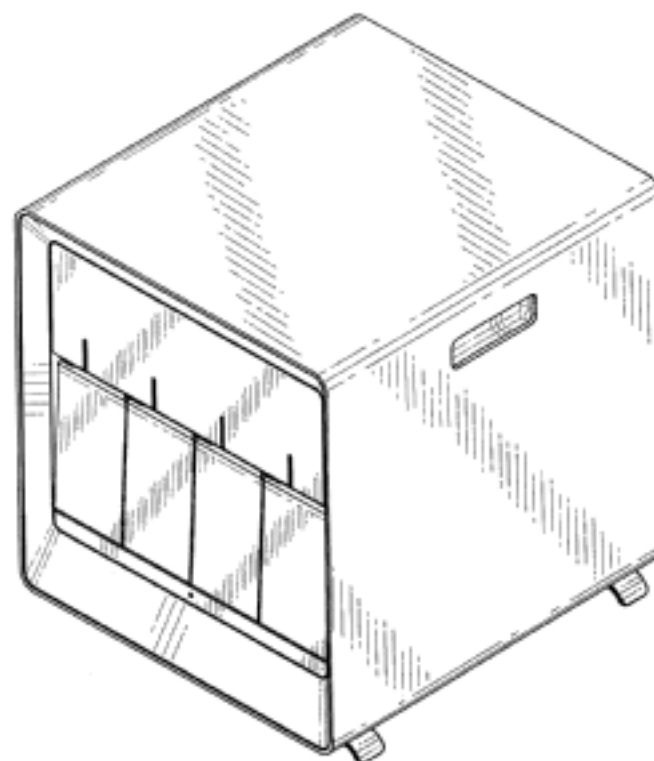
- (21) Design Number: **13755/2012**
(22) Date of Filing Application: **03 August 2012**
(24) Date from which industrial property rights may have effect: **03 August 2012**
(54) Product in respect of which the design is registered: **Analysis system**
(51) International Design Classification: **14-02**
(74) Name(s) of Attorney(s): **SPRUSON & FERGUSON**
(71) Name(s) and Address(s) of Applicant(s):
 Cepheid
 904 Caribbean Drive Sunnyvale California 94089 United States of America
(72) Name(s) of Designer(s): **Ron Chang and Steven M. Montgomery and Gregory E. Mote**
(45) Registration Date: **06 September 2012**
(30) Convention priority data:
 (31) Number (32) Date (33) Country
 29/412457 03 Feb 2012 UNITED STATES OF AMERICA
(56) Related Art Documents: **Not Applicable**
(57) Statement of Newness and Distinctiveness: **Newness and distinctiveness is claimed in the features of shape and/or configuration of an analysis system as illustrated in continuous lines in the accompanying representations.**



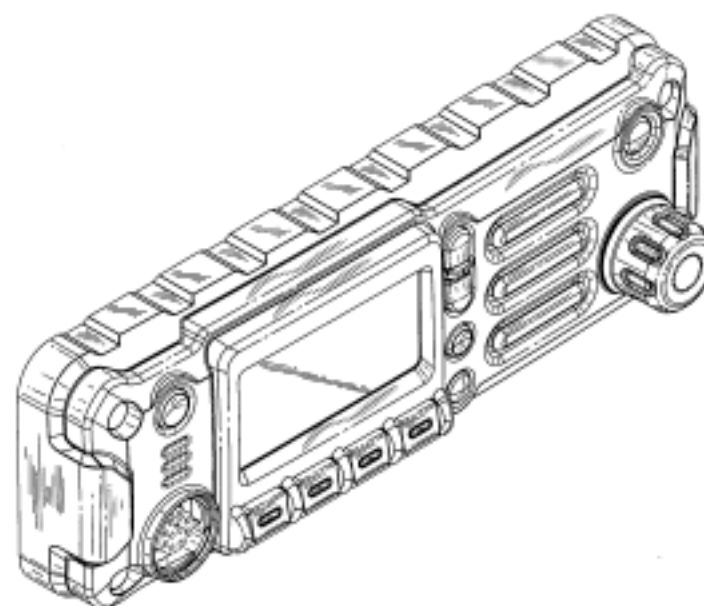
- (21) Design Number: **13756/2012**
(22) Date of Filing Application: **03 August 2012**
(24) Date from which industrial property rights may have effect: **03 August 2012**
(54) Product in respect of which the design is registered: **Analysis system**
(51) International Design Classification: **14-02**
(74) Name(s) of Attorney(s): **SPRUSON & FERGUSON**
(71) Name(s) and Address(s) of Applicant(s):
 Cepheid
 904 Caribbean Drive Sunnyvale California 94089 United States of America
(72) Name(s) of Designer(s): **Ron Chang and Steven M. Montgomery and Gregory E. Mote**
(45) Registration Date: **06 September 2012**
(30) Convention priority data:
 (31) Number (32) Date (33) Country
 29/412453 03 Feb 2012 UNITED STATES OF AMERICA
(56) Related Art Documents: **Not Applicable**
(57) Statement of Newness and Distinctiveness: **Newness and distinctiveness is claimed in the features of shape and/or configuration of an analysis system as illustrated in continuous lines in the accompanying representations.**



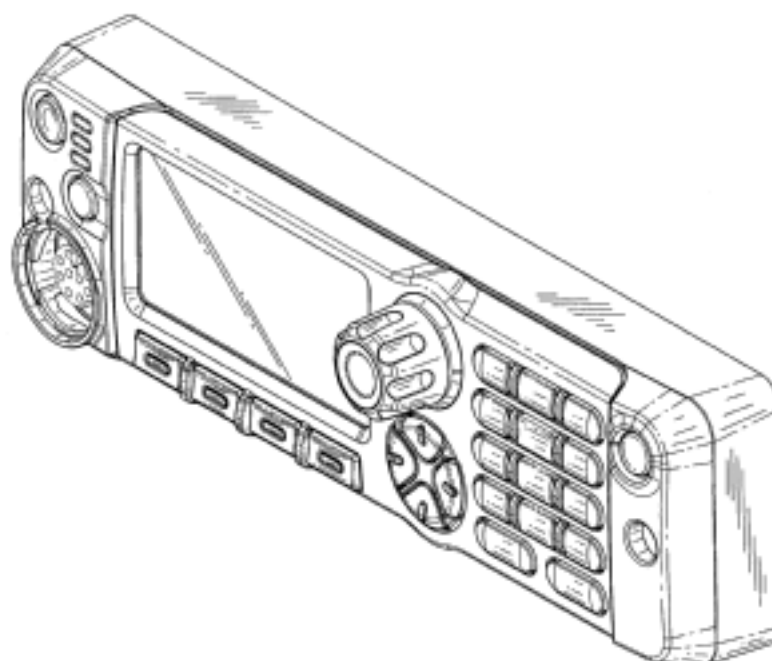
(21) Design Number: **13757/2012**
(22) Date of Filing Application: **03 August 2012**
(24) Date from which industrial property rights may have effect: **03 August 2012**
(54) Product in respect of which the design is registered: **Analysis system**
(51) International Design Classification: **14-02**
(74) Name(s) of Attorney(s): **SPRUSON & FERGUSON**
(71) Name(s) and Address(s) of Applicant(s):
Cepheid
904 Caribbean Drive Sunnyvale California 94089 United States of America
(72) Name(s) of Designer(s): **Ron Chang and Steven M. Montgomery and Gregory E. Mote**
(45) Registration Date: **06 September 2012**
(30) Convention priority data:
(31) Number (32) Date (33) Country
29/412453 03 Feb 2012 UNITED STATES OF AMERICA
(56) Related Art Documents: **Not Applicable**
(57) Statement of Newness and Distinctiveness: **Newness and distinctiveness is claimed in the features of shape and/or configuration of an analysis system as illustrated in continuous lines in the accompanying representations.**



(21) Design Number: **13777/2012**
(22) Date of Filing Application: **03 August 2012**
(24) Date from which industrial property rights may have effect: **03 August 2012**
(54) Product in respect of which the design is registered: **Control head for a mobile radio**
(51) International Design Classification: **14-03D**
(74) Name(s) of Attorney(s): **PHILLIPS ORMONDE FITZPATRICK**
(71) Name(s) and Address(s) of Applicant(s):
Motorola Solutions, Inc
1303 East Algonquin Road Schaumburg Illinois 60196 United States of America
(72) Name(s) of Designer(s): **Chi T. Tran and SokHui Khoo and Lee Huang Ng**
(45) Registration Date: **06 September 2012**
(30) Convention priority data:
(31) Number (32) Date (33) Country
29/413,649 17 Feb 2012 UNITED STATES OF AMERICA
(56) Related Art Documents: **Not Applicable**
(57) Statement of Newness and Distinctiveness: **Those features of the control head for a mobile radio depicted in the representations that are new and distinctive are the shape and/or configuration. The features shown in broken lines are not part of the design and are to be disregarded when considering the overall impression of the design.**



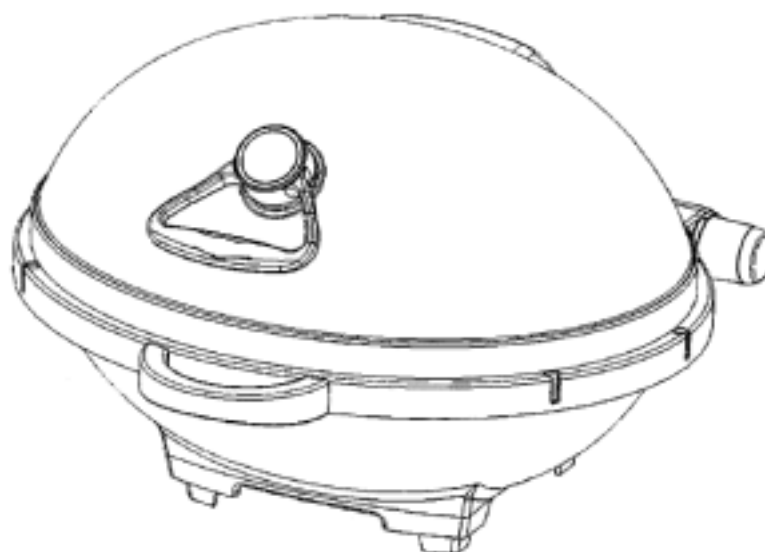
- (21) Design Number: **13778/2012**
(22) Date of Filing Application: **03 August 2012**
(24) Date from which industrial property rights may have effect: **03 August 2012**
(54) Product in respect of which the design is registered: **Control head for a mobile radio**
(51) International Design Classification: **14-03D**
(74) Name(s) of Attorney(s): **PHILLIPS ORMONDE FITZPATRICK**
(71) Name(s) and Address(s) of Applicant(s):
Motorola Solutions, Inc
1303 East Algonquin Road Schaumburg Illinois 60196 United States of America
(72) Name(s) of Designer(s): **Chi T. Tran and SokHui Khoo and Shijie Hua and Jari P. Jarvinen and Shirish M. Kaner**
(45) Registration Date: **06 September 2012**
(30) Convention priority data:
(31) Number (32) Date (33) Country
29/413,656 17 Feb 2012 UNITED STATES OF AMERICA
(56) Related Art Documents: **Not Applicable**
(57) Statement of Newness and Distinctiveness: **Those features of the control head for a mobile radio depicted in the representations that are new and distinctive are the shape and/or configuration. The features shown in broken lines are not part of the design and are to be disregarded when considering the overall impression of the design.**



- (21) Design Number: **13795/2012**
(22) Date of Filing Application: **06 August 2012**
(24) Date from which industrial property rights may have effect: **06 August 2012**
(54) Product in respect of which the design is registered: **BBQ Grill with Stand and Shelves**
(51) International Design Classification: **07-02E**
(74) Name(s) of Attorney(s): **HODGKINSON McINNES PATENTS**
(71) Name(s) and Address(s) of Applicant(s):
Woodland Homes Products Pty Ltd
3-5 Birmingham Avenue Chester Hill New South Wales 2162 Australia
(72) Name(s) of Designer(s): **Andrew Crick**
(45) Registration Date: **07 September 2012**
(30) Convention priority data:
(31) Number (32) Date (33) Country
416013 16 Mar 2012 NEW ZEALAND
(56) Related Art Documents: **Not Applicable**
(57) Statement of Newness and Distinctiveness: **Newness and distinctiveness is claimed in the shape and configuration of a BBQ Grill with accompanying stand and shelves as shown in the attached representations.**



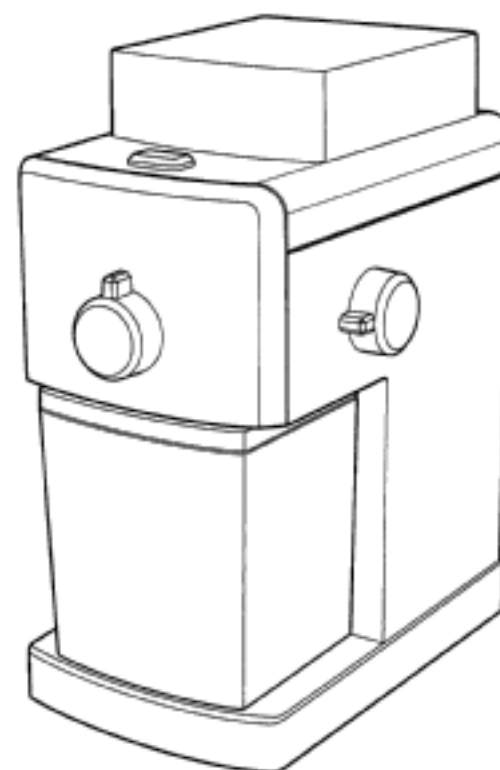
(21) Design Number: **13796/2012**
(22) Date of Filing Application: **06 August 2012**
(24) Date from which industrial property rights may have effect: **06 August 2012**
(54) Product in respect of which the design is registered: **BBQ Grill**
(51) International Design Classification: **07-02E**
(74) Name(s) of Attorney(s): **HODGKINSON McINNES PATENTS**
(71) Name(s) and Address(s) of Applicant(s):
Woodland Homes Products Pty Ltd
3-5 Birmingham Avenue Chester Hill New South Wales 2162 Australia
(72) Name(s) of Designer(s): **Andrew Crick**
(45) Registration Date: **07 September 2012**
(30) Convention priority data:
(31) Number (32) Date (33) Country
416012 16 Mar 2012 NEW ZEALAND
(56) Related Art Documents: **Not Applicable**
(57) Statement of Newness and Distinctiveness: **Newness and distinctiveness is claimed in the shape and configuration of a BBQ Grill as shown in the attached representations.**



(21) Design Number: **13797/2012**
(22) Date of Filing Application: **06 August 2012**
(24) Date from which industrial property rights may have effect: **06 August 2012**
(54) Product in respect of which the design is registered: **LED truck light**
(51) International Design Classification: **26-06**
(74) Name(s) of Attorney(s): **FB Rice**
(71) Name(s) and Address(s) of Applicant(s):
Koninklijke Philips Electronics N.V.
Groenewoudseweg 1 5621 BA Eindhoven The Netherlands
(72) Name(s) of Designer(s): **Jincherl Kwon**
(45) Registration Date: **07 September 2012**
(30) Convention priority data:
(31) Number (32) Date (33) Country
001987223-0001 06 Feb 2012 EUROPEAN COMMUNITY
(56) Related Art Documents: **Not Applicable**
(57) Statement of Newness and Distinctiveness: **Newness and distinctiveness resides in the features of shape and configuration as shown in the representations.**



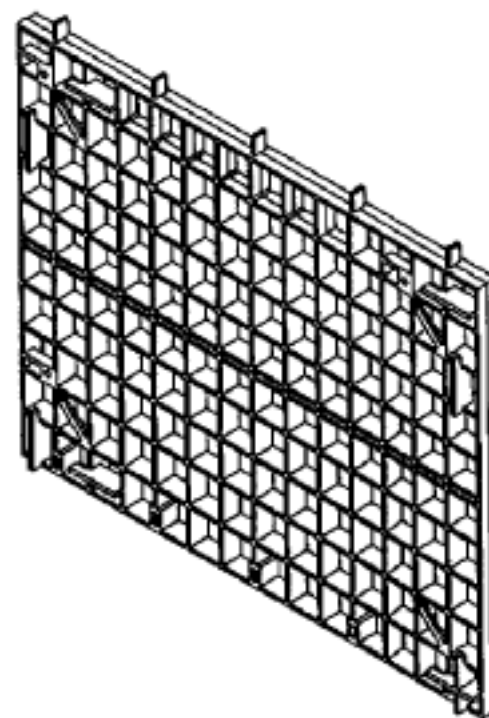
(21) Design Number: **13798/2012**
(22) Date of Filing Application: **06 August 2012**
(24) Date from which industrial property rights may have effect: **06 August 2012**
(54) Product in respect of which the design is registered: **Coffee grinder**
(51) International Design Classification: **07-04**
(74) Name(s) of Attorney(s): **FB Rice**
(71) Name(s) and Address(s) of Applicant(s):
Koninklijke Philips Electronics N.V.
Groenewoudseweg 1 5621 BA Eindhoven The Netherlands
(72) Name(s) of Designer(s): **Dario De Pra**
(45) Registration Date: **07 September 2012**
(30) Convention priority data:
(31) Number (32) Date (33) Country
001986902-0001 06 Feb 2012 EUROPEAN COMMUNITY
(56) Related Art Documents: **Not Applicable**
(57) Statement of Newness and Distinctiveness: **Newness and distinctiveness reside in the features of shape and configuration as shown in the representations.**



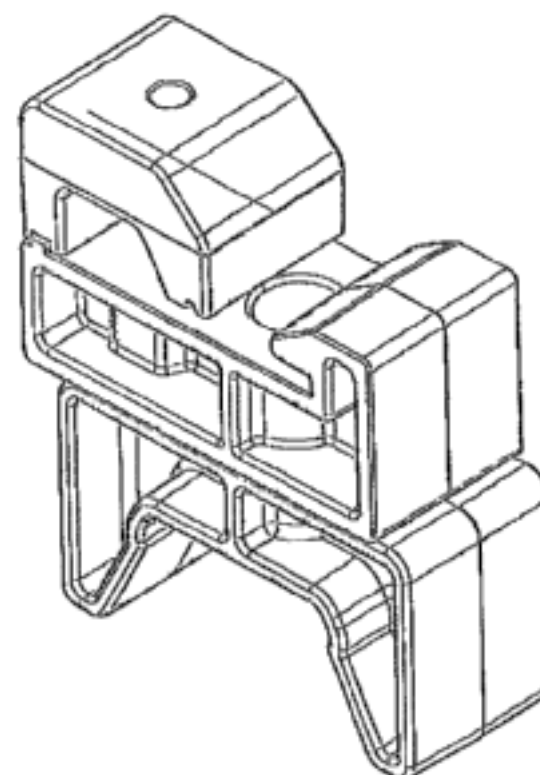
(21) Design Number: **13799/2012**
(22) Date of Filing Application: **06 August 2012**
(24) Date from which industrial property rights may have effect: **06 August 2012**
(54) Product in respect of which the design is registered: **Confectionery**
(51) International Design Classification: **01-01**
(74) Name(s) of Attorney(s): **Griffith Hack**
(71) Name(s) and Address(s) of Applicant(s):
Cadbury UK Limited
PO Box 12 Bournville Lane Bournville Birmingham West Midlands B30
2LU United Kingdom
(72) Name(s) of Designer(s): **Anita Frances Heritage and David Fackrell and**
Nicola Heaton
(45) Registration Date: **07 September 2012**
(30) Convention priority data:
(31) Number (32) Date (33) Country
002004887 07 Mar 2012 EUROPEAN COMMUNITY
(56) Related Art Documents: **Not Applicable**
(57) Statement of Newness and Distinctiveness: **Nil**



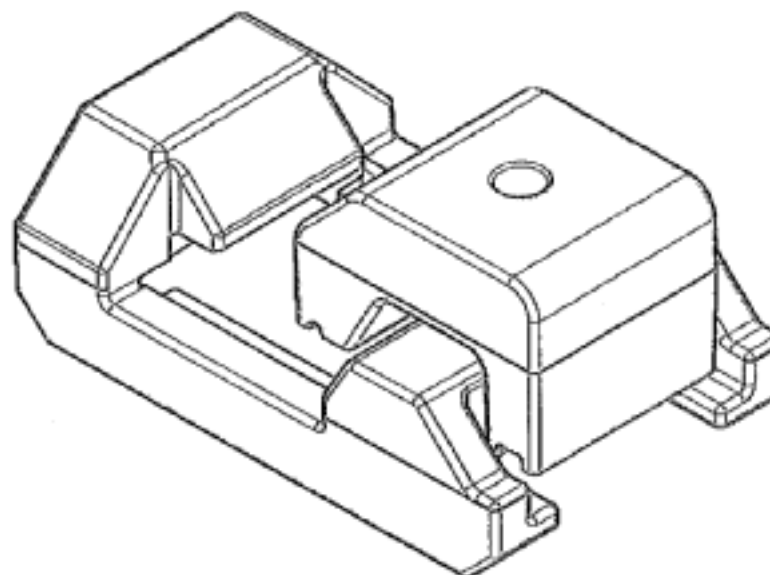
- (21) Design Number: **13800/2012**
(22) Date of Filing Application: **02 August 2012**
(24) Date from which industrial property rights may have effect: **02 August 2012**
(54) Product in respect of which the design is registered: **Grating panel**
(51) International Design Classification: **25-02C**
(74) Name(s) of Attorney(s): **Baldwins Intellectual Property**
(71) Name(s) and Address(s) of Applicant(s):
Peter Francis Kamphuis
PO Box 108 171 Symonds Street Auckland 1150 New Zealand
(72) Name(s) of Designer(s): **Peter Francis Kamphuis**
(45) Registration Date: **07 September 2012**
(56) Related Art Documents: **Not Applicable**
(57) Statement of Newness and Distinctiveness: **Newness and distinctiveness resides in the shape and configuration of the Grating Panel.**



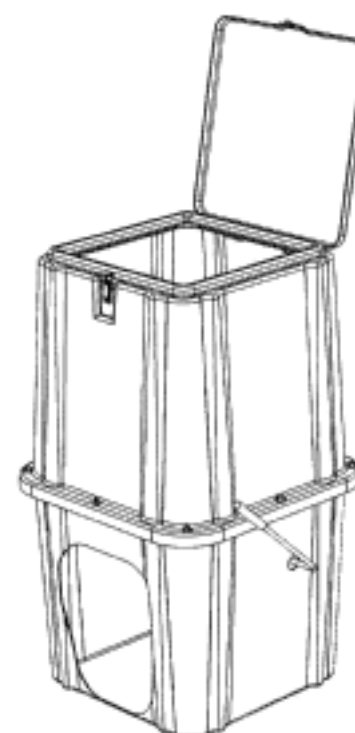
- (21) Design Number: **13801/2012**
(22) Date of Filing Application: **02 August 2012**
(24) Date from which industrial property rights may have effect: **02 August 2012**
(54) Product in respect of which the design is registered: **Connector**
(51) International Design Classification: **13-03B**
(74) Name(s) of Attorney(s): **Baldwins**
(71) Name(s) and Address(s) of Applicant(s):
Peter Francis Kamphuis
PO Box 108 171 Symonds Street Auckland 1150 New Zealand
(72) Name(s) of Designer(s): **Peter Francis Kamphuis**
(45) Registration Date: **07 September 2012**
(30) Convention priority data:
(31) Number (32) Date (33) Country
415815 02 Feb 2012 NEW ZEALAND
(56) Related Art Documents: **Not Applicable**
(57) Statement of Newness and Distinctiveness: **Newness and distinctiveness resides in the shape and configuration of the connector.**



(21) Design Number: **13802/2012**
(22) Date of Filing Application: **02 August 2012**
(24) Date from which industrial property rights may have effect: **02 August 2012**
(54) Product in respect of which the design is registered: **Connector**
(51) International Design Classification: **13-03B**
(74) Name(s) of Attorney(s): **Baldwins Intellectual Property**
(71) Name(s) and Address(s) of Applicant(s):
Peter Francis Kamphuis
PO Box 108 171 Symonds Street Auckland 1150 New Zealand
(72) Name(s) of Designer(s): **Peter Francis Kamphuis**
(45) Registration Date: **07 September 2012**
(30) Convention priority data:
(31) Number (32) Date (33) Country
415817 02 Feb 2012 NEW ZEALAND
(56) Related Art Documents: **Not Applicable**
(57) Statement of Newness and Distinctiveness: **Newness and distinctiveness resides in the shape and configuration of the connector.**



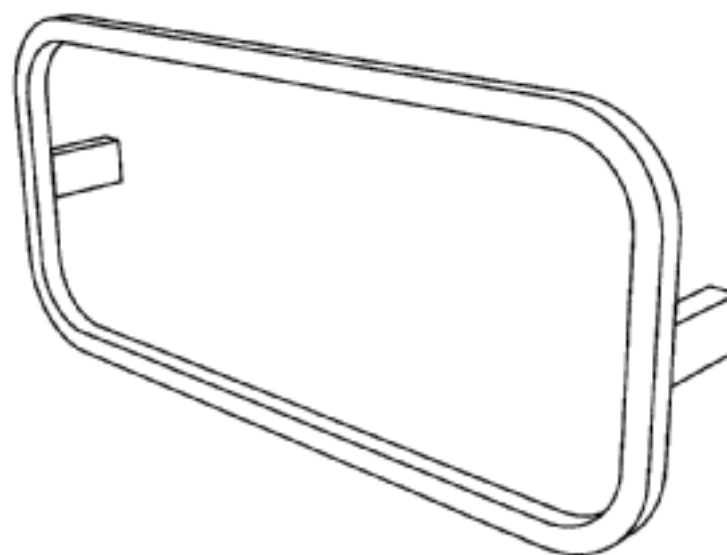
(21) Design Number: **13803/2012**
(22) Date of Filing Application: **06 August 2012**
(24) Date from which industrial property rights may have effect: **06 August 2012**
(54) Product in respect of which the design is registered: **A storage and dispensing bunker**
(51) International Design Classification: **07-99NES, 09-02NES, 23-02A**
(74) Name(s) of Attorney(s): **Adams Pluck**
(71) Name(s) and Address(s) of Applicant(s):
Niall Greenan
3 Dundrinne Rise Castlewella County Down Northern Ireland BT319LY
United Kingdom
(72) Name(s) of Designer(s): **Niall Greenan**
(45) Registration Date: **07 September 2012**
(30) Convention priority data:
(31) Number (32) Date (33) Country
001986803-0001 05 Feb 2012 EUROPEAN COMMUNITY
(56) Related Art Documents: **Not Applicable**
(57) Statement of Newness and Distinctiveness: **Nil**



- (21) Design Number: **13804/2012**
(22) Date of Filing Application: **03 August 2012**
(24) Date from which industrial property rights may have effect: **03 August 2012**
(54) Product in respect of which the design is registered: **Handle for fishing rod**
(51) International Design Classification: **22-05**
(74) Name(s) of Attorney(s): **WATERMARK PATENT AND TRADE MARKS ATTORNEYS**
(71) Name(s) and Address(s) of Applicant(s):
Robert Kemp Sorensen
18 Daffodil Street Greystanes New South Wales 2145 Australia
Peter Marcus Taylor
18 Daffodil Street Greystanes New South Wales 2145 Australia
(72) Name(s) of Designer(s): **Robert Kemp Sorensen and Peter Marcus Taylor**
(45) Registration Date: **07 September 2012**
(56) Related Art Documents: **Not Applicable**
(57) Statement of Newness and Distinctiveness: **The newness and distinctiveness of the design resides in the shape and configuration of the handle. The lateral wing can be disposed on either side of the handle.**



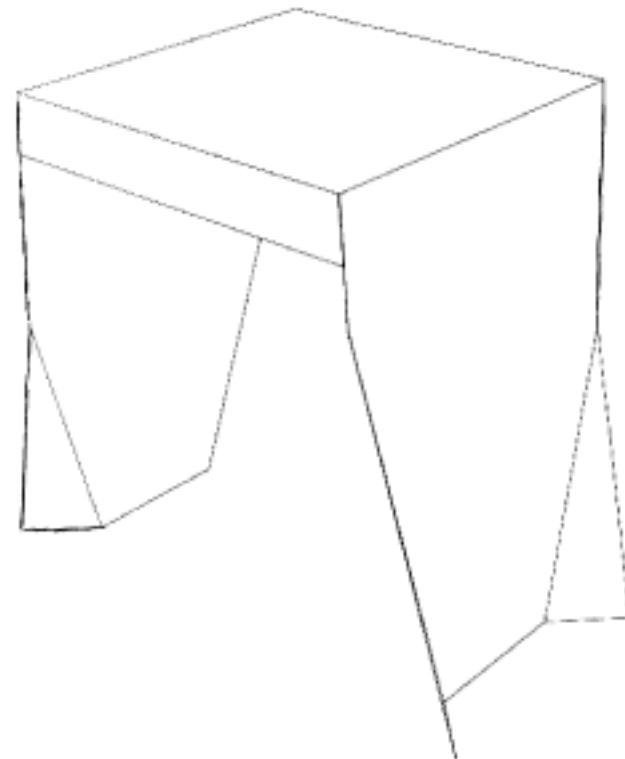
- (21) Design Number: **13805/2012**
(22) Date of Filing Application: **07 August 2012**
(24) Date from which industrial property rights may have effect: **07 August 2012**
(54) Product in respect of which the design is registered: **Towel rail**
(51) International Design Classification: **07-05D**
(74) Name(s) of Attorney(s):
(71) Name(s) and Address(s) of Applicant(s):
DC Short Pty Ltd
18/129 Robinson Road East Geelong Queensland 4034 Australia
(72) Name(s) of Designer(s): **David Short**
(45) Registration Date: **07 September 2012**
(30) Convention priority data:
(31) Number (32) Date (33) Country
415937 05 Mar 2012 NEW ZEALAND
(56) Related Art Documents: **Not Applicable**
(57) Statement of Newness and Distinctiveness: **Nil**



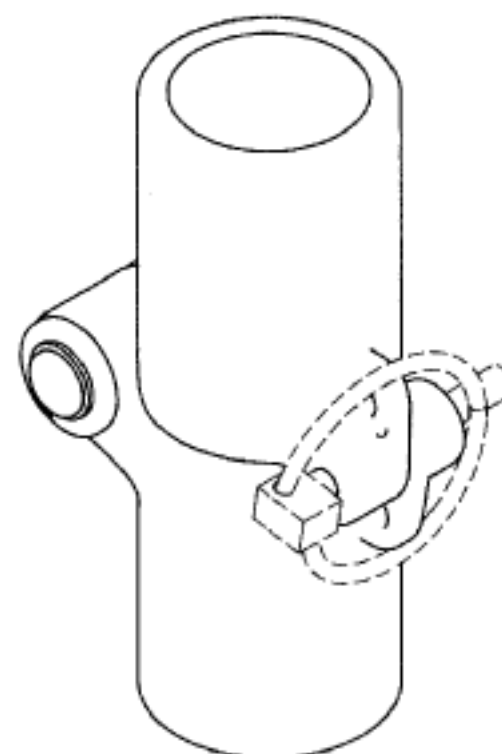
- (21) Design Number: **13814/2012**
(22) Date of Filing Application: **07 August 2012**
(24) Date from which industrial property rights may have effect: **07 August 2012**
(54) Product in respect of which the design is registered: **Menu holder**
(51) International Design Classification: **07-06NES**
(74) Name(s) of Attorney(s):
(71) Name(s) and Address(s) of Applicant(s):
Me Group Pty Ltd
1591 Botany Road New South Wales 2019 Australia
(72) Name(s) of Designer(s): **Neal Karpas and Elton Shukallari**
(45) Registration Date: **07 September 2012**
(56) Related Art Documents: **Not Applicable**
(57) Statement of Newness and Distinctiveness: **The acrylic menu clip is on a swivel base that can come in many colours.**



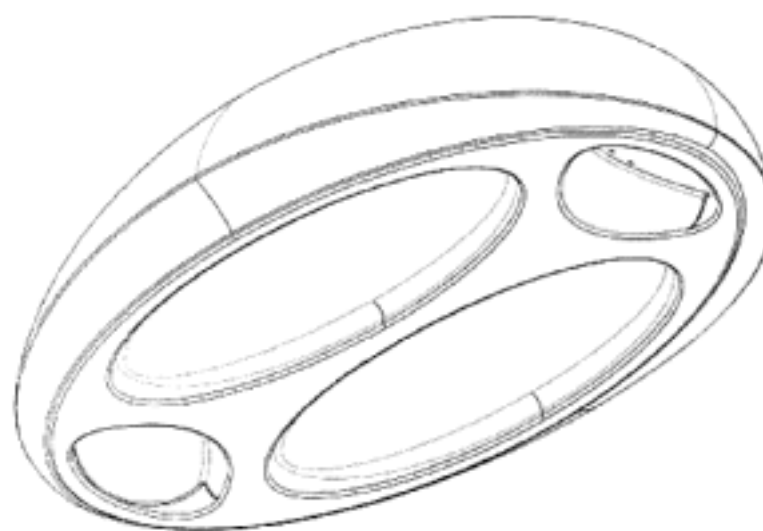
- (21) Design Number: **13815/2012**
(22) Date of Filing Application: **01 August 2012**
(24) Date from which industrial property rights may have effect: **01 August 2012**
(54) Product in respect of which the design is registered: **Stool**
(51) International Design Classification: **06-01E**
(74) Name(s) of Attorney(s): **TJ IP Patents, Trade Marks & Designs**
(71) Name(s) and Address(s) of Applicant(s):
Enoki Pty Ltd
41 Unley Road Parkside South Australia 5067 Australia
(72) Name(s) of Designer(s): **Danielle Duvoisin and Susanna Bilardo**
(45) Registration Date: **07 September 2012**
(56) Related Art Documents: **Not Applicable**
(57) Statement of Newness and Distinctiveness: **The design is applicable to a new and distinctive stool design as illustrated in the representations, including a flared leg shape.**



(21) Design Number: **13816/2012**
(22) Date of Filing Application: **06 August 2012**
(24) Date from which industrial property rights may have effect: **06 August 2012**
(54) Product in respect of which the design is registered: **Handrail hinge**
(51) International Design Classification: **08-06**
(74) Name(s) of Attorney(s):
(71) Name(s) and Address(s) of Applicant(s):
Bend-tech Investments 1 Pty Ltd
573 Bickley Road Maddington Western Australia 6100 Australia
(72) Name(s) of Designer(s): **John Layne**
(45) Registration Date: **07 September 2012**
(56) Related Art Documents: **Not Applicable**
(57) Statement of Newness and Distinctiveness: **Novelty and distinctiveness lie in the shape and configuration of the handrail hinge shown in the accompanying representations. The pin shown in phantom lines does not form part of the design.**



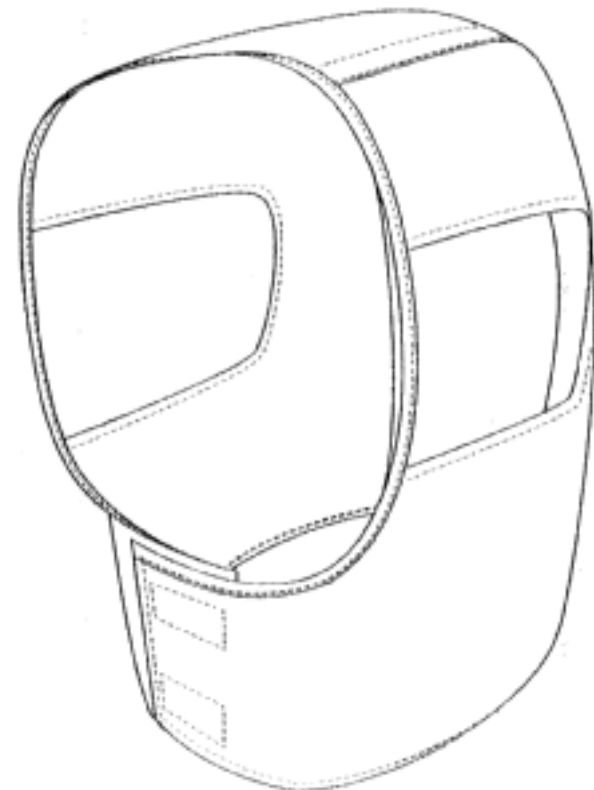
(21) Design Number: **13817/2012**
(22) Date of Filing Application: **07 August 2012**
(24) Date from which industrial property rights may have effect: **07 August 2012**
(54) Product in respect of which the design is registered: **Spinal device**
(51) International Design Classification: **24-04, 24-99**
(74) Name(s) of Attorney(s): **Baldwins Intellectual Property**
(71) Name(s) and Address(s) of Applicant(s):
Bodystance Limited
Flat 9 31 Dowling Street Dunedin Central Dunedin 9016 New Zealand
(72) Name(s) of Designer(s): **Andrew Wallace**
(45) Registration Date: **07 September 2012**
(30) Convention priority data:
(31) Number (32) Date (33) Country
416123 11 Apr 2012 NEW ZEALAND
(56) Related Art Documents: **Not Applicable**
(57) Statement of Newness and Distinctiveness: **Newness and distinctiveness resides in the shape and/or configuration of the spinal device, as shown in the accompanying representations.**



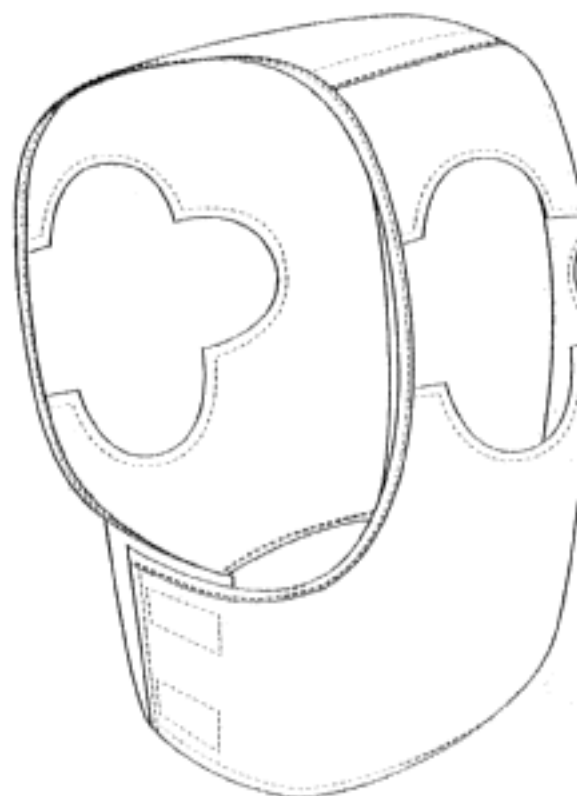
(21) Design Number: **13759/2012**
(22) Date of Filing Application: **06 August 2012**
(24) Date from which industrial property rights may have effect: **06 August 2012**
(54) Product in respect of which the design is registered: **A container**
(51) International Design Classification: **09-03NES**
(74) Name(s) of Attorney(s):
(71) Name(s) and Address(s) of Applicant(s):
Bonson Industrial Co. Limited
59-65 Portage Road New Lynn Auckland New Zealand
(72) Name(s) of Designer(s): **Andrew Simpson**
(45) Registration Date: **07 September 2012**
(30) Convention priority data:
(31) Number (32) Date (33) Country
416315 31 May 2012 NEW ZEALAND
(56) Related Art Documents: **Not Applicable**
(57) Statement of Newness and Distinctiveness: **Newness and distinctiveness is claimed in the features of shape and/or configuration of a container as illustrated in the accompanying representations.**



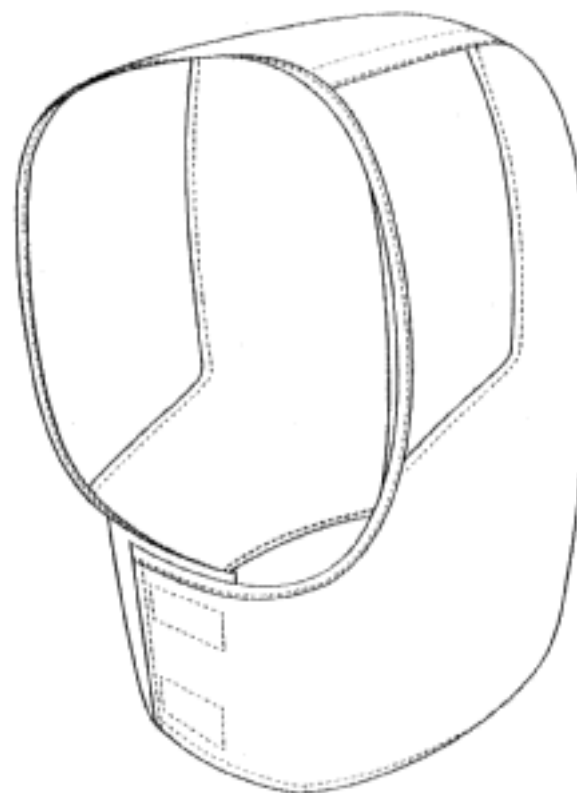
(21) Design Number: **13760/2012**
(22) Date of Filing Application: **03 August 2012**
(24) Date from which industrial property rights may have effect: **03 August 2012**
(54) Product in respect of which the design is registered: **A hood**
(51) International Design Classification: **02-02NES**
(74) Name(s) of Attorney(s): **MIDDLETONS**
(71) Name(s) and Address(s) of Applicant(s):
Textile House Pty Ltd
30 Barrett Street Kensington Victoria 3031 Australia
(72) Name(s) of Designer(s): **Catriona Dolphin**
(45) Registration Date: **07 September 2012**
(56) Related Art Documents: **Not Applicable**
(57) Statement of Newness and Distinctiveness: **Nil**



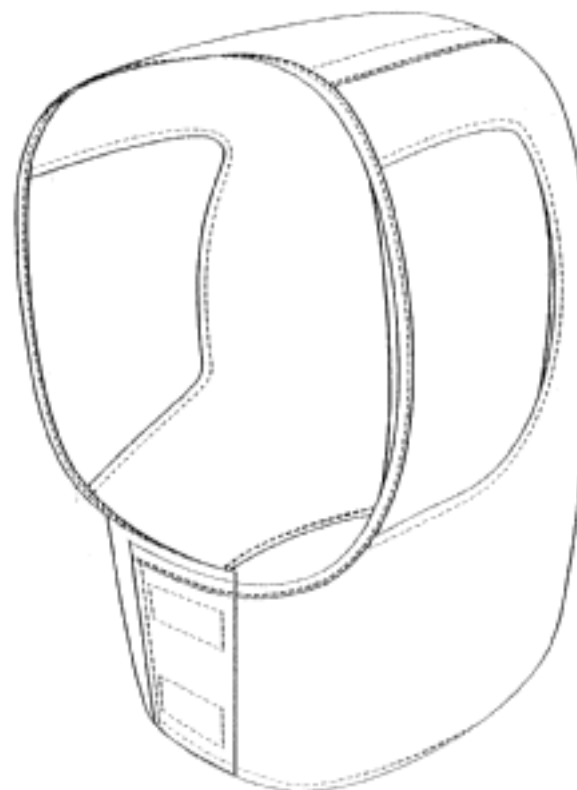
(21) Design Number: **13761/2012**
(22) Date of Filing Application: **03 August 2012**
(24) Date from which industrial property rights may have effect: **03 August 2012**
(54) Product in respect of which the design is registered: **A hood**
(51) International Design Classification: **02-02NES**
(74) Name(s) of Attorney(s): **MIDDLETONS**
(71) Name(s) and Address(s) of Applicant(s):
Textile House Pty Ltd
30 Barrett Street Kensington Victoria 3031 Australia
(72) Name(s) of Designer(s): **Catriona Dolphin**
(45) Registration Date: **07 September 2012**
(56) Related Art Documents: **Not Applicable**
(57) Statement of Newness and Distinctiveness: **Nil**



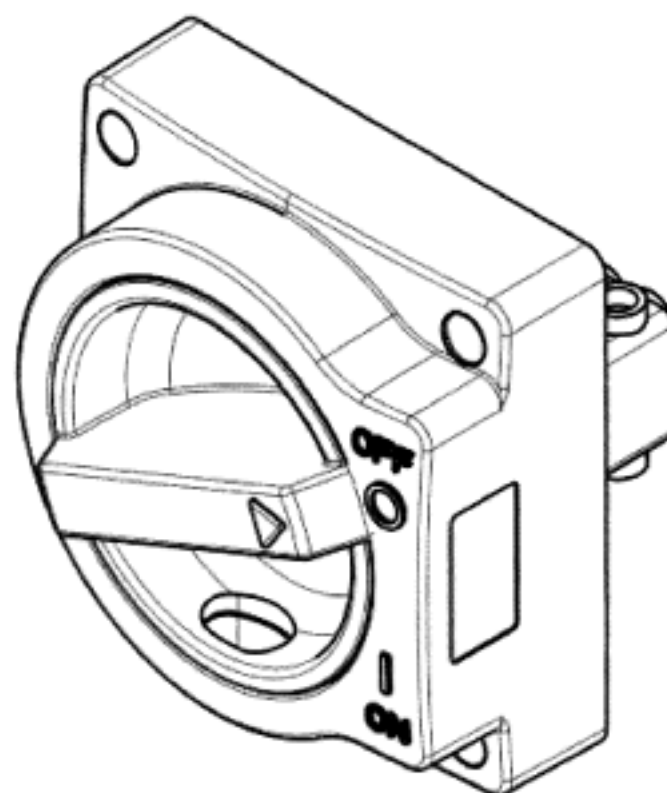
(21) Design Number: **13762/2012**
(22) Date of Filing Application: **03 August 2012**
(24) Date from which industrial property rights may have effect: **03 August 2012**
(54) Product in respect of which the design is registered: **A hood**
(51) International Design Classification: **02-02NES**
(74) Name(s) of Attorney(s): **MIDDLETONS**
(71) Name(s) and Address(s) of Applicant(s):
Textile House Pty Ltd
30 Barrett Street Kensington Victoria 3031 Australia
(72) Name(s) of Designer(s): **Catriona Dolphin**
(45) Registration Date: **07 September 2012**
(56) Related Art Documents: **Not Applicable**
(57) Statement of Newness and Distinctiveness: **Nil**



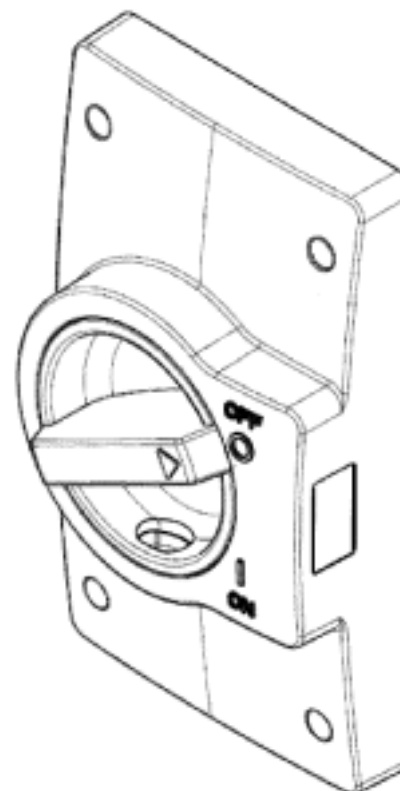
- (21) Design Number: **13763/2012**
(22) Date of Filing Application: **03 August 2012**
(24) Date from which industrial property rights may have effect: **03 August 2012**
(54) Product in respect of which the design is registered: **A hood**
(51) International Design Classification: **02-02NES**
(74) Name(s) of Attorney(s): **MIDDLETONS**
(71) Name(s) and Address(s) of Applicant(s):
Textile House Pty Ltd
30 Barrett Street Kensington Victoria 3031 Australia
(72) Name(s) of Designer(s): **Catriona Dolphin**
(45) Registration Date: **07 September 2012**
(56) Related Art Documents: **Not Applicable**
(57) Statement of Newness and Distinctiveness: **Nil**



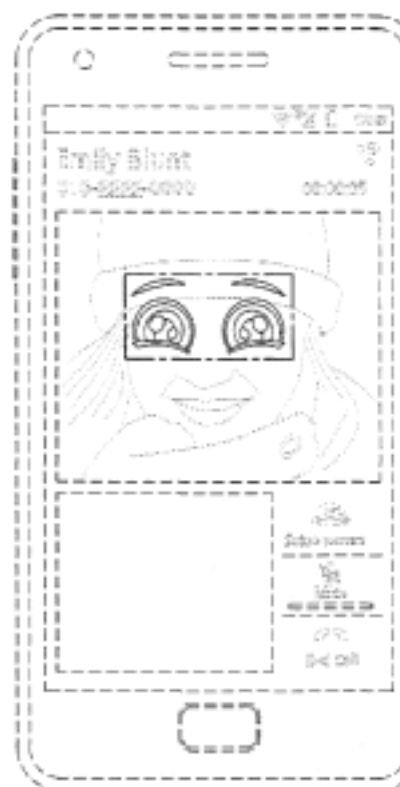
- (21) Design Number: **13764/2012**
(22) Date of Filing Application: **03 August 2012**
(24) Date from which industrial property rights may have effect: **03 August 2012**
(54) Product in respect of which the design is registered: **Switch**
(51) International Design Classification: **13-03NES**
(74) Name(s) of Attorney(s): **Callinans**
(71) Name(s) and Address(s) of Applicant(s):
NHP Electrical Engineering Products Pty Ltd
43-67 River Street Richmond Victoria 3121 Australia
(72) Name(s) of Designer(s): **Geoff Thorp and Christian James and Dean Holmes**
(45) Registration Date: **07 September 2012**
(56) Related Art Documents: **Not Applicable**
(57) Statement of Newness and Distinctiveness: **The design resides in the application of the features of shape and configuration to a SWITCH as shown in the attached representations. The words "OFF" and "ON" as appearing in the representations do not form part of the design.**



(21) Design Number: **13765/2012**
(22) Date of Filing Application: **03 August 2012**
(24) Date from which industrial property rights may have effect: **03 August 2012**
(54) Product in respect of which the design is registered: **Switch**
(51) International Design Classification: **13-03NES**
(74) Name(s) of Attorney(s): **Callinans**
(71) Name(s) and Address(s) of Applicant(s):
NHP Electrical Engineering Products Pty Ltd
43-67 River Street Richmond Victoria 3121 Australia
(72) Name(s) of Designer(s): **Geoff Thorp and Christian James and Dean Holmes**
(45) Registration Date: **07 September 2012**
(56) Related Art Documents: **Not Applicable**
(57) Statement of Newness and Distinctiveness: **The design resides in the application of the features of shape and configuration to a SWITCH as shown in the attached representations. The words "OFF" and "ON" as appearing in the representations do not form part of the design.**



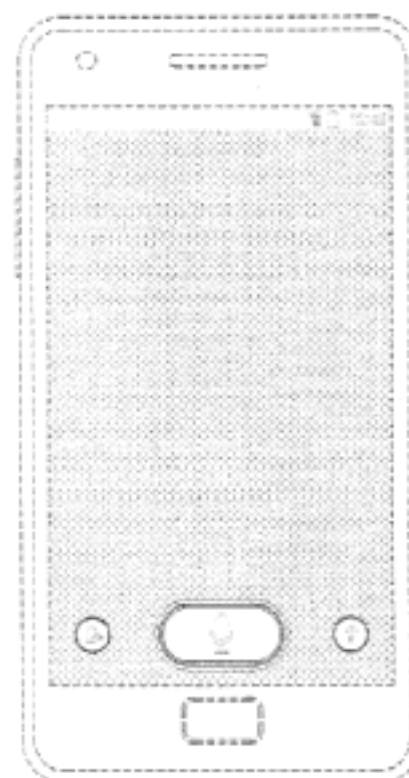
(21) Design Number: **13766/2012**
(22) Date of Filing Application: **03 August 2012**
(24) Date from which industrial property rights may have effect: **03 August 2012**
(54) Product in respect of which the design is registered: **Display screen for an electronic device**
(51) International Design Classification: **14-01**
(74) Name(s) of Attorney(s): **Wrays**
(71) Name(s) and Address(s) of Applicant(s):
Samsung Electronics Co., Ltd
129 Samsung-ro Yeongtong-gu Suwon-si Gyeonggi-do 443-742 Republic of Korea
(72) Name(s) of Designer(s): **Bong-Hee Kim and Sae-Gee Oh and Hye-Mi Lee**
(45) Registration Date: **07 September 2012**
(30) Convention priority data:
(31) Number (32) Date (33) Country
30-2012-0021322 02 May 2012 REPUBLIC OF KOREA
(56) Related Art Documents: **Not Applicable**
(57) Statement of Newness and Distinctiveness: **Newness and distinctiveness is claimed in the features of pattern and/or ornamentation of the Display Screen For An Electronic Device as shown in the accompanying representations. The features shown in broken lines are for illustrative purposes only and do not form part of the claimed design.**



- (21) Design Number: **13767/2012**
(22) Date of Filing Application: **03 August 2012**
(24) Date from which industrial property rights may have effect: **03 August 2012**
(54) Product in respect of which the design is registered: **Display screen for an electronic device**
(51) International Design Classification: **14-01**
(74) Name(s) of Attorney(s): **Wrays**
(71) Name(s) and Address(s) of Applicant(s):
Samsung Electronics Co., Ltd
129 Samsung-ro Yeongtong-gu Suwon-si Gyeonggi-do 443-742 Republic of Korea
(72) Name(s) of Designer(s): **Bong-Hee Kim and Sae-Gee Oh and Seock-Hyun Yu**
(45) Registration Date: **07 September 2012**
(30) Convention priority data:
(31) Number (32) Date (33) Country
30-2012-0021325 02 May 2012 REPUBLIC OF KOREA
(56) Related Art Documents: **Not Applicable**
(57) Statement of Newness and Distinctiveness: **Newness and distinctiveness is claimed in the features of pattern and/or ornamentation of the Display Screen For An Electronic Device as shown in the accompanying representations. The features shown in broken lines are for illustrative purposes only and do not form part of the claimed design.**



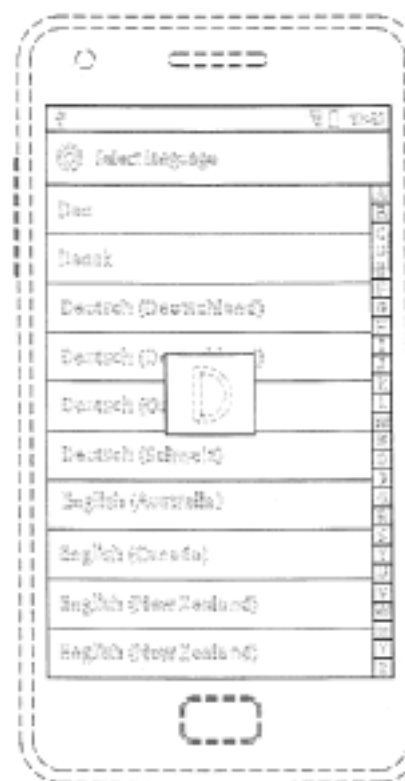
- (21) Design Number: **13768/2012**
(22) Date of Filing Application: **03 August 2012**
(24) Date from which industrial property rights may have effect: **03 August 2012**
(54) Product in respect of which the design is registered: **Display screen for an electronic device**
(51) International Design Classification: **14-01**
(74) Name(s) of Attorney(s): **Wrays**
(71) Name(s) and Address(s) of Applicant(s):
Samsung Electronics Co., Ltd
129 Samsung-ro Yeongtong-gu Suwon-si Gyeonggi-do 443-742 Republic of Korea
(72) Name(s) of Designer(s): **Bong-Hee Kim and So-Ra Kim and Ji-Hyun Ahn**
(45) Registration Date: **07 September 2012**
(30) Convention priority data:
(31) Number (32) Date (33) Country
30-2012-0021334 02 May 2012 REPUBLIC OF KOREA
(56) Related Art Documents: **Not Applicable**
(57) Statement of Newness and Distinctiveness: **Newness and distinctiveness is claimed in the features of pattern and/or ornamentation of the Display Screen For An Electronic Device as shown in the accompanying representations. The features shown in broken lines are for illustrative purposes only and do not form part of the claimed design.**



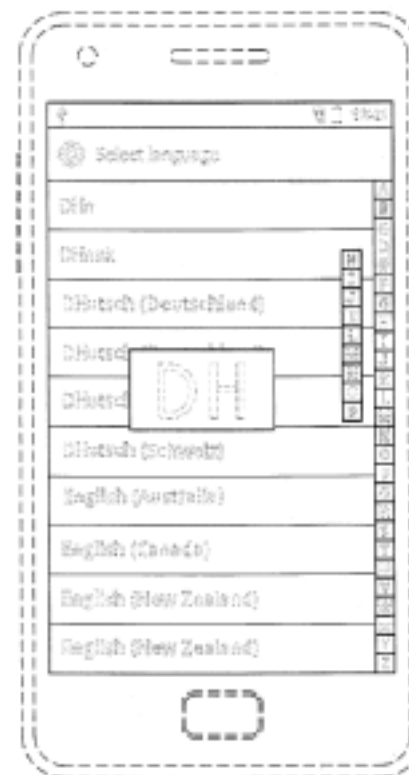
- (21) Design Number: **13769/2012**
(22) Date of Filing Application: **03 August 2012**
(24) Date from which industrial property rights may have effect: **03 August 2012**
(54) Product in respect of which the design is registered: **Display screen for an electronic device**
(51) International Design Classification: **14-01**
(74) Name(s) of Attorney(s): **Wrays**
(71) Name(s) and Address(s) of Applicant(s):
Samsung Electronics Co., Ltd
129 Samsung-ro Yeongtong-gu Suwon-si Gyeonggi-do 443-742 Republic of Korea
(72) Name(s) of Designer(s): **Bong-Hee Kim and So-Ra Kim and Ji-Hyun Ahn**
(45) Registration Date: **07 September 2012**
(30) Convention priority data:
(31) Number (32) Date (33) Country
30-2012-0021335 02 May 2012 REPUBLIC OF KOREA
(56) Related Art Documents: **Not Applicable**
(57) Statement of Newness and Distinctiveness: **Newness and distinctiveness is claimed in the features of pattern and/or ornamentation of the Display Screen For An Electronic Device as shown in the accompanying representations. The features shown in broken lines are for illustrative purposes only and do not form part of the claimed design.**



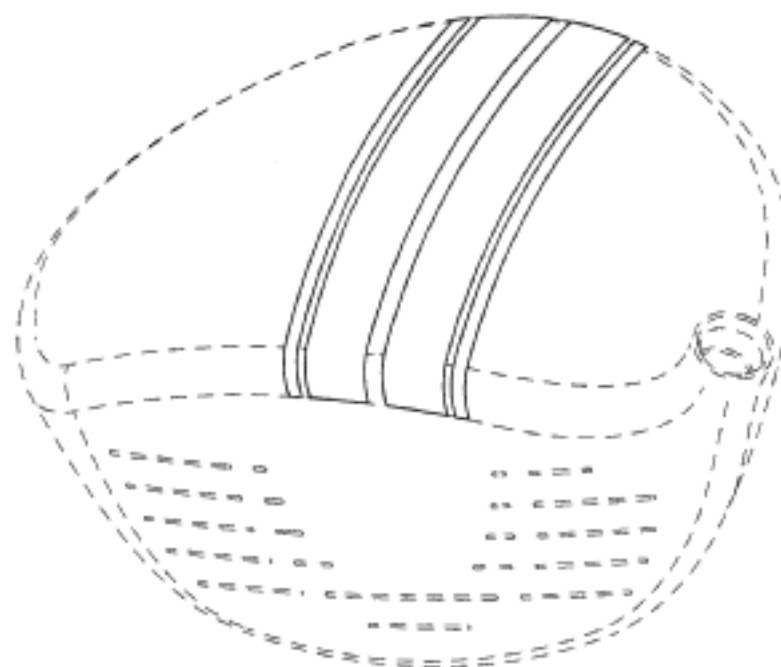
- (21) Design Number: **13770/2012**
(22) Date of Filing Application: **03 August 2012**
(24) Date from which industrial property rights may have effect: **03 August 2012**
(54) Product in respect of which the design is registered: **Display screen for an electronic device**
(51) International Design Classification: **14-01**
(74) Name(s) of Attorney(s): **Wrays**
(71) Name(s) and Address(s) of Applicant(s):
Samsung Electronics Co., Ltd
129 Samsung-ro Yeongtong-gu Suwon-si Gyeonggi-do 443-742 Republic of Korea
(72) Name(s) of Designer(s): **Hee-Kyung Jeon and June-Seok Kim and Ae-Jung Seo**
(45) Registration Date: **07 September 2012**
(30) Convention priority data:
(31) Number (32) Date (33) Country
30-2012-0024527 18 May 2012 REPUBLIC OF KOREA
(56) Related Art Documents: **Not Applicable**
(57) Statement of Newness and Distinctiveness: **Newness and distinctiveness is claimed in the features of pattern and/or ornamentation of the Display Screen For An Electronic Device as shown in the accompanying representations. The features shown in broken lines are for illustrative purposes only and do not form part of the claimed design.**



- (21) Design Number: **13771/2012**
(22) Date of Filing Application: **03 August 2012**
(24) Date from which industrial property rights may have effect: **03 August 2012**
(54) Product in respect of which the design is registered: **Display screen for an electronic device**
(51) International Design Classification: **14-01**
(74) Name(s) of Attorney(s): **Wrays**
(71) Name(s) and Address(s) of Applicant(s):
Samsung Electronics Co., Ltd
129 Samsung-ro Yeongtong-gu Suwon-si Gyeonggi-do 443-742 Republic of Korea
(72) Name(s) of Designer(s): **Bo-Won Kim and June-Seok Kim and Ae-Jung Seo and Min-Hyuk Kim**
(45) Registration Date: **07 September 2012**
(30) Convention priority data:
(31) Number (32) Date (33) Country
30-2012-0024528 18 May 2012 REPUBLIC OF KOREA
(56) Related Art Documents: **Not Applicable**
(57) Statement of Newness and Distinctiveness: **Newness and distinctiveness is claimed in the features of pattern and/or ornamentation of the Display Screen For An Electronic Device as shown in the accompanying representations. The features shown in broken lines are for illustrative purposes only and do not form part of the claimed design.**



- (21) Design Number: **13775/2012**
(22) Date of Filing Application: **03 August 2012**
(24) Date from which industrial property rights may have effect: **03 August 2012**
(54) Product in respect of which the design is registered: **Golf club head**
(51) International Design Classification: **21-02C**
(74) Name(s) of Attorney(s): **Davies Collison Cave**
(71) Name(s) and Address(s) of Applicant(s):
Karsten Manufacturing Corporation
2201 West Desert Cove Phoenix Arizona 85029 United States of America
(72) Name(s) of Designer(s): **John H. Loudenslager**
(45) Registration Date: **07 September 2012**
(30) Convention priority data:
(31) Number (32) Date (33) Country
29/418473 17 Apr 2012 UNITED STATES OF AMERICA
(56) Related Art Documents: **Not Applicable**
(57) Statement of Newness and Distinctiveness: **Newness and distinctiveness is claimed in the visual features shown in solid lines in the representations. In considering the extent of the design rights, the broken lines shown in the representations are for illustrative purposes only and do not form part of the design.**



- (21) Design Number: **13776/2012**
- (22) Date of Filing Application: **03 August 2012**
- (24) Date from which industrial property rights may have effect: **03 August 2012**
- (54) Product in respect of which the design is registered: **Stiffener bracket for roof guttering**
- (51) International Design Classification: **08-08L**
- (74) Name(s) of Attorney(s): **PHILLIPS ORMONDE FITZPATRICK**
- (71) Name(s) and Address(s) of Applicant(s):
Stramit Corporation Pty Limited
Level 11 Tower B Zenith Centre 821 Pacific Highway Chatswood New
South Wales 2067 Australia
- (72) Name(s) of Designer(s): **Christopher Lee Healy and John Richard Bugh**
- (45) Registration Date: **07 September 2012**
- (56) Related Art Documents: **Not Applicable**
- (57) Statement of Newness and Distinctiveness: **Newness and distinctiveness reside in those features of shape or configuration of a stiffener bracket for roof guttering shown in solid line in the representations.**

