



**Australian Government**

---

**IP Australia**

**AUSTRALIAN OFFICIAL JOURNAL**

**OF**

**DESIGNS**

Did you know a searchable version of this journal is now available online?

It's FREE and EASY to SEARCH.

Find it on our website ([www.ipaustralia.gov.au](http://www.ipaustralia.gov.au))

by using the "Journals" link on the home page.

This Page Left Intentionally Blank

**Contents**

**General Information & Notices**

**Proceedings Under the Designs Act 1906 preserved as a result of the provisions of Chapter 12  
Part 2 of the Designs Act 2003**

Applications for Extension of Time .....	2562
Extension of Period of Registration of Designs .....	2562
Registrations Ceased .....	2562
Subsequent Owners Registered .....	2562

**Proceedings Under the Designs Act 2003**

Applications Lapsed .....	2579
Applications Lodged .....	2567
Certificate of Examination .....	2582
Extension of Period of Registration of Design .....	2580
Extension of Time Granted Under Section 137 .....	2581
Names Registered - Alterations and Amendments .....	2581
Publication and Registration Proceedings	
Designs Registered 344278 to 344508.....	2583
Registrations Ceased .....	2580

This Page Left Intentionally Blank

For information on the following please see our website [www.ipaustralia.gov.au](http://www.ipaustralia.gov.au) or contact our Customer Service Network on 1300651010

[Editorial enquiries](#)

[Contact information](#)

[Freedom of Information ACT](#)

[Professional Standards Board](#)

[Sales](#)

[Requests for Information under Section 194 \(c\)](#)

[Country Codes](#)

[Trade Mark and Designs Hearing Sessions](#)

[INID \(Internationally agreed Numbers for the Identification of Data\)](#)

## “INID” NUMBERS in use on Australian Design Documents

“INID” is an acronym for “Internationally agreed Numbers for the Identification of Data”.

### (10) Data concerning the registration/renewal

- (11) Serial number of the registration and/or number of the design document
- (12) Plain language designation of the kind of published document
- (19) Identification, using the two-letter code according to WIPO Standard ST.3, of the authority publishing or registering the industrial design

### (20) Data concerning the application

- (21) Serial number of the application
- (22) Date of filing of the application
- (24) Date from which the industrial design right has effect

### (30) Data relating to priority under the Paris Convention

- (31) Serial number assigned to the priority application
- (32) Date of filing of the priority application
- (33) Two-letter code, according to WIPO Standard ST.3, identifying the authority with which the priority application was made

### (40) Date(s) of making information available to the public

- (45) Date of publication of the registered industrial design by printing or similar process, or making it available to the public by any other means

### (50) Miscellaneous Information

- (51) International Classification for Industrial Designs (class and subclass of the Locarno Classification)
- (54) Designation of article(s) or product(s) covered by the industrial design or title of the industrial design
- (55) Reproduction of the industrial design (e.g., drawing, photograph) and explanations relating to the reproduction
- (56) List of prior art documents, if separate from descriptive text
- (57) Description of characteristic features of the industrial design including indication of colours

### (60) References to other legally related application(s) and registration(s)

- (62) Serial number(s) and, if available, filing date(s) of application(s), registration(s) or document(s) related by division
- (66) Serial number(s) of the application, or the registration, of the design(s) which is (are) a variant(s) of the present one

### (70) Identification of parties concerned with the application or registration

- (71) Name(s) and address(es) of the applicant(s)
- (72) Name(s) of the creator(s) if known to be such
- (74) Name(s) and address(es) of the representative(s)

This Page Left Intentionally Blank

**Nil notices for this journal issue.**

**Proceedings under the Designs Act 1906 preserved as a result of the provisions of Chapter 12 Part 2 of the Designs Act 2003.**

This Page Left Intentionally Blank

**Applications Lapsed**

There were no Applications Lapsed under this section

**Extension of Period of Registration of Designs**

**1st Period (Section 27A(8))**

**2nd Period (Section 27A(12))**

**3rd Period (Section 27A(13))**

146652	146653	146690
146807	146808	146865
146867	146893	146907
146908	146983	146984
147105	147106	147113
147186	147190	147285
147605	147809	147840
147841	148017	148018
148030	148101	148283
149432	150006	150851
151292	151293	151992
151993	154243	

143736	143834	143980
143997	143998	144117
144118	144949	144950
145106	145140	145141
145143	145145	145154
145199	145212	145268
145269	145270	145379
145380	145439	145440
145444	145445	145504
145574	145784	146070
146289	146359	146878
146879	147237	147462
147463	147791	147805
147849	147974	148453
148454	148455	148490
148524	148525	149086
149285	149810	150065
150235	150831	152802

**Registrations Ceased**

Note: Some of the following Registrations may have been previously advertised as ceased. In this instance, the previous advertisement still prevails.

128233	128264	128992
128993	129016	129214
129888	129889	129890
129947	129957	129958
129959	129968	129969
129995	130042	130051
130052	130098	130099
130120	130181	130190
130194	130196	130199
130200	130204	130212
130213	130215	130217
130218	130219	130220
130221	130222	130223
130224	130265	130266
130268	130465	130854
130936	131108	131168
131169	131576	131577
131578	131798	131799
131800	131801	131802
132198	132259	132319
133087	133231	133528
133554	133800	133839
134060	134083	134084
134724	134783	134843
134844	135291	136927
138737	143674	143690

**Applications for Extension of time**

Applications for extension of time have been lodged. Objections must be lodged within 1 month from the date of this journal.

156733 **Jeffrey Leonard Reid** Extension of time to extend a registration. Address for Service: J.L. Reid PMB 148 WINNELLIE NT 0821

**Subsequent Owners Registered**

(The name in parentheses is that of the subsequent owner)

131192	( <b>Asa Abloy IP AB</b> ) Assa Abloy Financial Services A.B.
133968	( <b>Asa Abloy IP AB</b> ) Assa Abloy Financial Services A.B.
151118	( <b>Asa Abloy IP AB</b> ) Assa Abloy Financial Services A.B.
154652	( <b>Asa Abloy IP AB</b> ) Assa Abloy Financial Services A.B.
147966	( <b>Asa Abloy IP AB</b> ) Assa Abloy Financial Services A.B.
137656	( <b>Asa Abloy IP AB</b> ) Assa Abloy Financial Services A.B.
157329	( <b>Asa Abloy IP AB</b> ) Assa Abloy Financial Services A.B.
143160	( <b>Asa Abloy IP AB</b> ) Assa Abloy Financial Services A.B.
131383	( <b>Asa Abloy IP AB</b> ) Assa Abloy Financial Services A.B.
157048	( <b>Asa Abloy IP AB</b> ) Assa Abloy Financial Services A.B.
141079	( <b>Asa Abloy IP AB</b> ) Assa Abloy Financial Services A.B.
144003	( <b>Asa Abloy IP AB</b> ) Assa Abloy Financial Services A.B.

**Subsequent Owners Registered**

142135	( <b>Assa Abloy IP AB</b> ) Assa Abloy Financial Services A.B.
142136	( <b>Assa Abloy IP AB</b> ) Assa Abloy Financial Services A.B.
142598	( <b>Assa Abloy IP AB</b> ) Assa Abloy Financial Services A.B.
143580	( <b>Assa Abloy IP AB</b> ) Assa Abloy Financial Services A.B.
148680	( <b>Assa Abloy IP AB</b> ) Assa Abloy Financial Services A.B.
151029	( <b>Ho Won Enterprises Pty Ltd</b> ) SPM Electrical Australia Pty Limited
151026	( <b>Ho Won Enterprises Pty Ltd</b> ) SPM Electrical Australia Pty Limited

This Page Left Intentionally Blank

**Proceedings under the Designs Act 2003.**

This Page Left Intentionally Blank

**Applications Lodged**

Lodgement information is in the following order: **Applicant's Name**; International Classification, Name of Product, Lodgement Date and **Design Number**. If the applicant claims an earlier priority date under an International Convention, the Convention Country and the associated filing date are shown in parentheses before the Lodgement Date. Divisional information will also appear in parentheses before the Lodgement Date.

<b>eBay Inc.;</b> 14-03A, Reader for use with a mobile device, (US, 07 Mar 2012) 06 Sep 2012	<b>14431/2012</b>	<b>Aluminium Specialties Group Pty Ltd;</b> 25-01K, Construction element, 05 Sep 2012	<b>14386/2012</b>
<b>Akana, Jody;Andre, Bartley K.;Bataillou, Jeremy;Coster, Daniel J.;De Iuliis, Daniele;Hankey, Evans;Hoenig, Julian;Howarth, Richard P.;Ive, Jonathan P.;Kerr, Duncan Robert;Nishibori, Shin;Rohrbach, Matthew Dean;Russell-Clarke, Peter;Stringer, Christopher J.;Whang, Eugene Antony;Zorkendorfer, Rico;</b> 03-99, 03-01C, 14-04, Portable display device and case, (US, 06 Mar 2012) 06 Sep 2012	<b>14396/2012</b>	<b>Aluminium Specialties Group Pty Ltd;</b> 25-01K, Extrusion, 05 Sep 2012	<b>14387/2012</b>
<b>Akana, Jody;Andre, Bartley K.;Bataillou, Jeremy;Coster, Daniel J.;De Iuliis, Daniele;Hankey, Evans;Hoenig, Julian;Howarth, Richard P.;Ive, Jonathan P.;Kerr, Duncan Robert;Nishibori, Shin;Rohrbach, Matthew Dean;Russell-Clarke, Peter;Stringer, Christopher J.;Whang, Eugene Antony;Zorkendorfer, Rico;</b> 03-01C, 03-99, Case, (US, 06 Mar 2012) 06 Sep 2012	<b>14398/2012</b>	<b>Aluminium Specialties Group Pty Ltd;</b> 25-01K, Construction element, 05 Sep 2012	<b>14384/2012</b>
<b>Akana, Jody;Andre, Bartley K.;Bataillou, Jeremy;Coster, Daniel J.;De Iuliis, Daniele;Hankey, Evans;Hoenig, Julian;Howarth, Richard P.;Ive, Jonathan P.;Kerr, Duncan Robert;Nishibori, Shin;Rohrbach, Matthew Dean;Russell-Clarke, Peter;Stringer, Christopher J.;Whang, Eugene Antony;Zorkendorfer, Rico;</b> 03-01C, 03-99, Case, (US, 06 Mar 2012) 06 Sep 2012	<b>14398/2012</b>	<b>Andre, Bartley K.;Akana, Jody;Bataillou, Jeremy;Coster, Daniel J.;De Iuliis, Daniele;Hankey, Evans;Hoenig, Julian;Howarth, Richard P.;Ive, Jonathan P.;Kerr, Duncan Robert;Nishibori, Shin;Rohrbach, Matthew Dean;Russell-Clarke, Peter;Stringer, Christopher J.;Whang, Eugene Antony;Zorkendorfer, Rico;</b> 03-01C, 03-99, Case, (US, 06 Mar 2012) 06 Sep 2012	<b>14398/2012</b>
<b>Akana, Jody;Andre, Bartley K.;Bataillou, Jeremy;Coster, Daniel J.;De Iuliis, Daniele;Hankey, Evans;Hoenig, Julian;Howarth, Richard P.;Ive, Jonathan P.;Kerr, Duncan Robert;Nishibori, Shin;Rohrbach, Matthew Dean;Russell-Clarke, Peter;Stringer, Christopher J.;Whang, Eugene Antony;Zorkendorfer, Rico;</b> 03-01C, 03-99, Case, (US, 06 Mar 2012) 06 Sep 2012	<b>14397/2012</b>	<b>Andre, Bartley K.;Akana, Jody;Bataillou, Jeremy;Coster, Daniel J.;De Iuliis, Daniele;Hankey, Evans;Hoenig, Julian;Howarth, Richard P.;Ive, Jonathan P.;Kerr, Duncan Robert;Nishibori, Shin;Rohrbach, Matthew Dean;Russell-Clarke, Peter;Stringer, Christopher J.;Whang, Eugene Antony;Zorkendorfer, Rico;</b> 03-99, 03-01C, 14-04, Portable display device and case, (US, 06 Mar 2012) 06 Sep 2012	<b>14396/2012</b>
<b>All Podiatry Pty Ltd;</b> 02-04NES, Shoe, 05 Sep 2012	<b>14390/2012</b>	<b>Andre, Bartley K.;Akana, Jody;Bataillou, Jeremy;Coster, Daniel J.;De Iuliis, Daniele;Hankey, Evans;Hoenig, Julian;Howarth, Richard P.;Ive, Jonathan P.;Kerr, Duncan Robert;Nishibori, Shin;Rohrbach, Matthew Dean;Russell-Clarke, Peter;Stringer, Christopher J.;Whang, Eugene Antony;Zorkendorfer, Rico;</b> 03-01C, 03-99, Case, (US, 06 Mar 2012) 06 Sep 2012	<b>14397/2012</b>
<b>All Podiatry Pty Ltd;</b> 02-04NES, Shoe, 05 Sep 2012	<b>14391/2012</b>	<b>Anzac Day Commemoration Committee (Queensland) Incorporated;</b> 11-03, Poppy Badge, 06 Sep 2012	<b>14415/2012</b>
<b>All Podiatry Pty Ltd;</b> 02-04NES, Shoe, 05 Sep 2012	<b>14392/2012</b>	<b>Anzac Day Commemoration Committee (Queensland) Incorporated;</b> 11-03, Centrepiece badge, 06 Sep 2012	<b>14414/2012</b>
<b>Alto Packaging Limited;</b> 07-02NES, Container, 10 Sep 2012	<b>14495/2012</b>	<b>Anzac Day Commemoration Committee (Queensland) Incorporated;</b> 11-03, Slouch hat centenary badge, 06 Sep 2012	<b>14412/2012</b>
<b>Aluminium Specialties Group Pty Ltd;</b> 25-01K, Construction element, 05 Sep 2012	<b>14385/2012</b>	<b>Anzac Day Commemoration Committee (Queensland) Incorporated;</b> 11-03, Malaya-borneo badge, 06 Sep 2012	<b>14413/2012</b>
<b>Aluminium Specialties Group Pty Ltd;</b> 25-01K, Extrusion, 13 Sep 2012	<b>14567/2012</b>		
<b>Aluminium Specialties Group Pty Ltd;</b> 25-01K, Extrusion, 13 Sep 2012	<b>14568/2012</b>		
<b>Aluminium Specialties Group Pty Ltd;</b> 25-01K, Extrusion, 13 Sep 2012	<b>14566/2012</b>		

<b>Anzac Day Commemoration Committee (Queensland) Incorporated;</b> 11-03, Rising sun centenary badge, 06 Sep 2012	<b>14411/2012</b>	<b>Bataillou, Jeremy;Akana, Jody;Andre, Bartley K.;Coster, Daniel J.;De Iuliis, Daniele;Hankey, Evans;Hoenig, Julian;Howarth, Richard P.;Ive, Jonathan P.;Kerr, Duncan Robert;Nishibori, Shin;Rohrbach, Matthew Dean;Russell-Clarke, Peter;Stringer, Christopher J.;Whang, Eugene Antony;Zorkendorfer, Rico;</b> 03-01C, 03-99, Case, (US, 06 Mar 2012) 06 Sep 2012	<b>14398/2012</b>
<b>Apex Brands, Inc.;</b> 08-05P, Apex Brands, Inc, (US, 21 Mar 2012) 07 Sep 2012	<b>14461/2012</b>		
<b>Apple Inc.;</b> 14-04, Graphical user interface, (US, 05 Mar 2012) 05 Sep 2012	<b>14382/2012</b>		
<b>Apple Inc.;</b> 03-01C, 03-99, Case, (US, 06 Mar 2012) 06 Sep 2012	<b>14399/2012</b>	<b>Bataillou, Jeremy;Akana, Jody;Andre, Bartley K.;Coster, Daniel J.;De Iuliis, Daniele;Hankey, Evans;Hoenig, Julian;Howarth, Richard P.;Ive, Jonathan P.;Kerr, Duncan Robert;Nishibori, Shin;Rohrbach, Matthew Dean;Russell-Clarke, Peter;Stringer, Christopher J.;Whang, Eugene Antony;Zorkendorfer, Rico;</b> 03-99, 03-01C, 14-04, Portable display device and case, (US, 06 Mar 2012) 06 Sep 2012	<b>14396/2012</b>
<b>Apple Inc.;</b> 14-04, Display screen for electronic device, (US, 05 Mar 2012) 05 Sep 2012	<b>14383/2012</b>		
<b>Apple Inc.;</b> 14-01, Icon, (US, 05 Mar 2012) 05 Sep 2012	<b>14381/2012</b>		
<b>Armstrong, Heather Jane;Armstrong, John Roland;</b> 23-03NES, Pak-flat brazier mate, 10 Sep 2012	<b>14503/2012</b>		
<b>Armstrong, John Roland;Armstrong, Heather Jane;</b> 23-03NES, Pak-flat brazier mate, 10 Sep 2012	<b>14503/2012</b>		
<b>Asahi Group Holdings, Ltd.;</b> 09-01NES, Bottle, 10 Sep 2012	<b>14494/2012</b>		
<b>Axess Trading Pty Ltd;</b> 08-05F, 32mm stainless steel weld-on tube clamp, 07 Sep 2012	<b>14407/2012</b>		
<b>AG (Syd) Fashion Pty Ltd;</b> 02-02C, Apparel, 14 Sep 2012	<b>14602/2012</b>		
<b>Bartlett, Genevieve;</b> 03-01NES, Umbrella cover, 06 Sep 2012	<b>14434/2012</b>		
<b>Bartlett, Genevieve;</b> 03-01NES, Umbrella cover, 06 Sep 2012	<b>14435/2012</b>		
<b>Bataillou, Jeremy;Akana, Jody;Andre, Bartley K.;Coster, Daniel J.;De Iuliis, Daniele;Hankey, Evans;Hoenig, Julian;Howarth, Richard P.;Ive, Jonathan P.;Kerr, Duncan Robert;Nishibori, Shin;Rohrbach, Matthew Dean;Russell-Clarke, Peter;Stringer, Christopher J.;Whang, Eugene Antony;Zorkendorfer, Rico;</b> 03-01C, 03-99, Case, (US, 06 Mar 2012) 06 Sep 2012	<b>14397/2012</b>	<b>Becton Dickinson France S.A.S.;</b> 24-02, Medical injector, (US, 13 Mar 2012) 12 Sep 2012	<b>14545/2012</b>
		<b>Becton Dickinson France S.A.S.;</b> 24-02, Medical injector, (US, 13 Mar 2012) 12 Sep 2012	<b>14543/2012</b>
		<b>Becton Dickinson France S.A.S.;</b> 24-02, Medical injector, (US, 13 Mar 2012) 12 Sep 2012	<b>14544/2012</b>
		<b>Becton Dickinson France S.A.S.;</b> 24-02, Medical injector, (US, 13 Mar 2012) 12 Sep 2012	<b>14542/2012</b>
		<b>Bialkowski, Eliza;</b> 28-99, Air freshner, 12 Sep 2012	<b>14526/2012</b>
		<b>Bialkowski, Eliza;</b> 28-99, Air freshner, 12 Sep 2012	<b>14527/2012</b>
		<b>Black &amp; Decker Inc;</b> 15-05, Steam cleaner, (EM, 23 Mar 2012) 12 Sep 2012	<b>14546/2012</b>
		<b>Black &amp; Decker Inc;</b> 15-05, Steam cleaner, (EM, 23 Mar 2012) 12 Sep 2012	<b>14548/2012</b>
		<b>Black &amp; Decker Inc;</b> 15-02, Air compressor, (US, 10 Sep 2012) 12 Sep 2012	<b>14550/2012</b>
		<b>Black &amp; Decker Inc;</b> 15-02, Air compressor, (US, 10 Sep 2012) 12 Sep 2012	<b>14551/2012</b>
		<b>Black &amp; Decker Inc;</b> 15-05, Steam cleaner, (EM, 23 Mar 2012) 12 Sep 2012	<b>14549/2012</b>
		<b>Black &amp; Decker Inc;</b> 15-05, Steam cleaner, (EM, 23 Mar 2012) 12 Sep 2012	<b>14547/2012</b>

<b>Bloomfield Collieries Pty. Limited;</b> 15-99, 08-05NES, Pressure reducing device, 10 Sep 2012	<b>14486/2012</b>	<b>Coster, Daniel J.;Akana, Jody;Andre, Bartley K.;Bataillou, Jeremy;De Iuliis, Daniele;Hankey, Evans;Hoenig, Julian;Howarth, Richard P.;Ive, Jonathan P.;Kerr, Duncan Robert;Nishibori, Shin;Rohrbach, Matthew Dean;Russell- Clarke, Peter;Stringer, Christopher J.;Whang, Eugene Antony;Zorkendorfer, Rico;</b> 03-01C, 03-99, Case, (US, 06 Mar 2012) 06 Sep 2012	<b>14398/2012</b>
<b>Bloomfield Collieries Pty. Limited;</b> 23-01G, Strainer, 10 Sep 2012	<b>14487/2012</b>		
<b>Boston, Megan Joan;</b> 07-01B, Collapsible bowl and/or blank for forming same, 05 Sep 2012	<b>14394/2012</b>		
<b>Bralkowski, Eliza;</b> 28-99, Air freshener, 12 Sep 2012	<b>14525/2012</b>		
<b>Bralkowski, Eliza;</b> 28-99, Air freshener, 12 Sep 2012	<b>14524/2012</b>	<b>Coster, Daniel J.;Akana, Jody;Andre, Bartley K.;Bataillou, Jeremy;De Iuliis, Daniele;Hankey, Evans;Hoenig, Julian;Howarth, Richard P.;Ive, Jonathan P.;Kerr, Duncan Robert;Nishibori, Shin;Rohrbach, Matthew Dean;Russell- Clarke, Peter;Stringer, Christopher J.;Whang, Eugene Antony;Zorkendorfer, Rico;</b> 03-01C, 03-99, Case, (US, 06 Mar 2012) 06 Sep 2012	<b>14397/2012</b>
<b>Breville Pty Limited;</b> 07-02G, Sandwich grill, 04 Sep 2012	<b>14375/2012</b>		
<b>C&amp;T Tran, trading as Nan Fong Trading Company;</b> 09-05, Food packaging, 10 Sep 2012	<b>14496/2012</b>		
<b>Catilina Nominees Pty Ltd;</b> 20-02D, 07-07NES, Bag holder, 06 Sep 2012	<b>14428/2012</b>		
<b>Clifton, Russell Anthony;</b> 12-12, Pushchair, (GB, 24 Mar 2012) 19 Sep 2012	<b>14636/2012</b>	<b>Coster, Daniel J.;Akana, Jody;Andre, Bartley K.;Bataillou, Jeremy;De Iuliis, Daniele;Hankey, Evans;Hoenig, Julian;Howarth, Richard P.;Ive, Jonathan P.;Kerr, Duncan Robert;Nishibori, Shin;Rohrbach, Matthew Dean;Russell- Clarke, Peter;Stringer, Christopher J.;Whang, Eugene Antony;Zorkendorfer, Rico;</b> 03-99, 03-01C, 14-04, Portable display device and case, (US, 06 Mar 2012) 06 Sep 2012	<b>14396/2012</b>
<b>Clough, Jason;</b> 06-03D, Billiards/pool/snooker table, 07 Sep 2012	<b>14400/2012</b>		
<b>Cohen, Mark Robert;Umseher, John Patrick;</b> 06-06G, Seating, cushioning, and mattresses, of all varying sizes, 18 Sep 2012	<b>14640/2012</b>		
<b>Colasse, Laurent;</b> 08-08NES, A clip for holding an emergency tool, (US, 22 Mar 2012) 18 Sep 2012	<b>14628/2012</b>	<b>COMPAGNIE GENERALE DES ETABLISSEMENTS MICHELIN;Michelin Recherche et Technique S.A.;</b> 12-15B, A tyre, 13 Sep 2012	<b>14555/2012</b>
<b>Colgate-Palmolive Company;</b> 09-01NES, Container, (US, 04 Apr 2012) 11 Sep 2012	<b>14509/2012</b>	<b>COMPAGNIE GENERALE DES ETABLISSEMENTS MICHELIN;Michelin Recherche et Technique S.A.;</b> 12-15B, A tyre, 13 Sep 2012	<b>14556/2012</b>
<b>Colgate-Palmolive Company;</b> 09-01NES, Container, (US, 04 Apr 2012) 11 Sep 2012	<b>14510/2012</b>		
<b>Colgate-Palmolive Company;</b> 09-01NES, Container, (US, 04 Apr 2012) 11 Sep 2012	<b>14512/2012</b>	<b>CSR Building Products Limited;</b> 23-04, Air Grille, 07 Sep 2012	<b>14459/2012</b>
<b>Colgate-Palmolive Company;</b> 09-01NES, Container, (US, 04 Apr 2012) 11 Sep 2012	<b>14511/2012</b>	<b>Das Werk Pty Ltd;</b> 23-04, Ceiling fans, axial fans, computer fans, ventilation, wind turbines,impeller, propeller, 11 Sep 2012	<b>14505/2012</b>
<b>Columbia Insurance Company;</b> 09-03F, Food holder with base, (US, 09 Apr 2012) 18 Sep 2012	<b>14623/2012</b>	<b>Das Werk Pty Ltd;</b> 23-04, Ceiling fans, axial fans, computer fans, ventilation, wind turbines, impeller, propeller, 11 Sep 2012	<b>14504/2012</b>
<b>Concave Global Pty Ltd;</b> 02-04NES, Sports shoe, 10 Sep 2012	<b>14463/2012</b>	<b>Datalogic IP Tech S.r.l.;</b> 14-02, Coded information reader, (EM, 30 Dec 2011) 27 Jun 2012	<b>14488/2012</b>
		<b>Datalogic IP Tech S.r.l.;</b> 14-02, Coded information reader, (EM, 30 Dec 2011) 27 Jun 2012	<b>14489/2012</b>
		<b>David Stuckey Investments Pty Ltd;</b> 08-06, Handle, 04 Sep 2012	<b>14374/2012</b>

<b>David Stuckey Investments Pty Ltd;</b> 08-07, Hasp, 04 Sep 2012	<b>14373/2012</b>	<b>Fin Control Systems Pty. Limited;</b> 21-02D, Surfcraft fin, 06 Sep 2012	<b>14418/2012</b>
<b>Dawson, Maria Patricia;</b> 05-05A, Design image of a pine cone, 06 Sep 2012	<b>14389/2012</b>	<b>Fin Control Systems Pty. Limited;</b> 21-02D, Surfcraft fin, 06 Sep 2012	<b>14417/2012</b>
<b>De Iuliis, Daniele;Akana, Jody;Andre, Bartley K.;Bataillou, Jeremy;Coster, Daniel J.;Hankey, Evans;Hoenig, Julian;Howarth, Richard P.;Ive, Jonathan P.;Kerr, Duncan Robert;Nishibori, Shin;Rohrbach, Matthew Dean;Russell-Clarke, Peter;Stringer, Christopher J.;Whang, Eugene Antony;Zorkendorfer, Rico;</b> 03-99, 03-01C, 14-04, Portable display device and case, (US, 06 Mar 2012) 06 Sep 2012	<b>14396/2012</b>	<b>Fin Control Systems Pty. Limited;</b> 21-02D, Surfcraft fin, 06 Sep 2012	<b>14416/2012</b>
		<b>Fonterra Brands (Australia) Pty Ltd;</b> 07-02NES, Container, 06 Sep 2012	<b>14409/2012</b>
		<b>Fonterra Brands (Australia) Pty Ltd;</b> 07-02NES, Container, 06 Sep 2012	<b>14410/2012</b>
		<b>Forever New Clothing Pty Ltd;</b> 02-02C, 'Women's fashion clothing', (Divisional of 10576/2012) 06 Sep 2012	<b>14473/2012</b>
		<b>Forever New Clothing Pty Ltd;</b> 02-02C, 'Women's fashion clothing', (Divisional of 10576/2012) 06 Sep 2012	<b>14474/2012</b>
<b>De Iuliis, Daniele;Akana, Jody;Andre, Bartley K.;Bataillou, Jeremy;Coster, Daniel J.;Hankey, Evans;Hoenig, Julian;Howarth, Richard P.;Ive, Jonathan P.;Kerr, Duncan Robert;Nishibori, Shin;Rohrbach, Matthew Dean;Russell-Clarke, Peter;Stringer, Christopher J.;Whang, Eugene Antony;Zorkendorfer, Rico;</b> 03-01C, 03-99, Case, (US, 06 Mar 2012) 06 Sep 2012	<b>14398/2012</b>	<b>Forever New Clothing Pty Ltd;</b> 02-02C, 'Women's fashion clothing', (Divisional of 10576/2012) 06 Sep 2012	<b>14475/2012</b>
		<b>Forever New Clothing Pty Ltd;</b> 02-02B, 02-02NES, 'Women's fashion clothing', (Divisional of 10576/2012) 06 Sep 2012	<b>14476/2012</b>
		<b>Forever New Clothing Pty Ltd;</b> 02-02NES, 02-02B, 'Women's fashion clothing', (Divisional of 10576/2012) 06 Sep 2012	<b>14477/2012</b>
<b>De Iuliis, Daniele;Akana, Jody;Andre, Bartley K.;Bataillou, Jeremy;Coster, Daniel J.;Hankey, Evans;Hoenig, Julian;Howarth, Richard P.;Ive, Jonathan P.;Kerr, Duncan Robert;Nishibori, Shin;Rohrbach, Matthew Dean;Russell-Clarke, Peter;Stringer, Christopher J.;Whang, Eugene Antony;Zorkendorfer, Rico;</b> 03-01C, 03-99, Case, (US, 06 Mar 2012) 06 Sep 2012	<b>14397/2012</b>	<b>Forever New Clothing Pty Ltd;</b> 02-02NES, 02-02B, 'Women's fashion clothing', (Divisional of 10576/2012) 06 Sep 2012	<b>14478/2012</b>
		<b>Forever New Clothing Pty Ltd;</b> 02-02NES, 02-02B, 'Women's fashion clothing', (Divisional of 10576/2012) 06 Sep 2012	<b>14479/2012</b>
<b>Dentsply IH AB;</b> 09-05, 24-99, Catheter package, (EM, 27 Dec 2011) 22 Jun 2012	<b>14642/2012</b>	<b>Forever New Clothing Pty Ltd;</b> 02-02NES, 02-02B, 'Women's fashion clothing', (Divisional of 10576/2012) 06 Sep 2012	<b>14480/2012</b>
<b>Dezinal Pty Ltd;</b> 25-02B, 45mm commercial sliding door, 12 Sep 2012	<b>14531/2012</b>	<b>Forever New Clothing Pty Ltd;</b> 02-02NES, 'Women's fashion clothing', (Divisional of 10576/2012) 06 Sep 2012	<b>14481/2012</b>
<b>Doven, Nelson;</b> 25-02NES, Manhole lid lifter, 06 Sep 2012	<b>14388/2012</b>	<b>Forever New Clothing Pty Ltd;</b> 02-02NES, 02-02B, 'Women's fashion clothing', (Divisional of 10576/2012) 06 Sep 2012	<b>14482/2012</b>
<b>Efstratiou, Shaun;</b> 99-00, , 05 Sep 2012	<b>14393/2012</b>	<b>Forever New Clothing Pty Ltd;</b> 02-02NES, 02-02B, 'Women's fashion clothing', (Divisional of 10576/2012) 06 Sep 2012	<b>14483/2012</b>
<b>Enduro Composites, Inc.;</b> 99-00, Cam member, (US, 16 Mar 2012) 13 Sep 2012	<b>14564/2012</b>	<b>Forever New Clothing Pty Ltd;</b> 02-02NES, 02-02B, 'Women's fashion clothing', (Divisional of 10576/2012) 06 Sep 2012	<b>14484/2012</b>
<b>Enduro Composites, Inc.;</b> 13-03C, Conduit tray, (US, 16 Mar 2012) 13 Sep 2012	<b>14565/2012</b>		
<b>Fielders Australia Pty Ltd;</b> 25-01G, A sheet for roofing or walling, 07 Sep 2012	<b>14447/2012</b>		

<b>Forever New Clothing Pty Ltd;</b> 02-02C, 02-02NES, 'Women's fashion clothing', (Divisional of 10576/2012) 06 Sep 2012	<b>14469/2012</b>	<b>Forever New Clothing Pty Ltd;</b> 02-02NES, Women's clothing, (Divisional of 12975/2012) 11 Sep 2012	<b>14581/2012</b>
<b>Forever New Clothing Pty Ltd;</b> 11-01E, Accessory item, (Divisional of 12975/2012) 11 Sep 2012	<b>14597/2012</b>	<b>Forever New Clothing Pty Ltd;</b> 03-01B, A hangbag, (Divisional of 12975/2012) 11 Sep 2012	<b>14598/2012</b>
<b>Forever New Clothing Pty Ltd;</b> 02-02NES, Women's clothing, (Divisional of 12975/2012) 11 Sep 2012	<b>14588/2012</b>	<b>Forever New Clothing Pty Ltd;</b> 02-02NES, Women's clothing, (Divisional of 12975/2012) 11 Sep 2012	<b>14582/2012</b>
<b>Forever New Clothing Pty Ltd;</b> 02-02NES, Women's clothing, (Divisional of 12975/2012) 11 Sep 2012	<b>14589/2012</b>	<b>Forever New Clothing Pty Ltd;</b> 02-02NES, Women's clothing, (Divisional of 12975/2012) 11 Sep 2012	<b>14594/2012</b>
<b>Forever New Clothing Pty Ltd;</b> 02-02NES, Women's clothing, (Divisional of 12975/2012) 11 Sep 2012	<b>14586/2012</b>	<b>Forever New Clothing Pty Ltd;</b> 02-02NES, Women's clothing, (Divisional of 12975/2012) 11 Sep 2012	<b>14595/2012</b>
<b>Forever New Clothing Pty Ltd;</b> 02-02NES, Women's clothing, (Divisional of 12975/2012) 11 Sep 2012	<b>14590/2012</b>	<b>Forever New Clothing Pty Ltd;</b> 02-02NES, Women's clothing, (Divisional of 12975/2012) 11 Sep 2012	<b>14583/2012</b>
<b>Forever New Clothing Pty Ltd;</b> 02-02NES, Women's clothing, (Divisional of 12975/2012) 11 Sep 2012	<b>14591/2012</b>	<b>Forever New Clothing Pty Ltd;</b> 02-02NES, 'Women's fashion clothing', (Divisional of 10579/2012) 06 Sep 2012	<b>14471/2012</b>
<b>Forever New Clothing Pty Ltd;</b> 02-02NES, Women's clothing, (Divisional of 12975/2012) 11 Sep 2012	<b>14587/2012</b>	<b>Forever New Clothing Pty Ltd;</b> 02-02C, 'Women's fashion clothing', (Divisional of 10576/2012) 06 Sep 2012	<b>14472/2012</b>
<b>Forever New Clothing Pty Ltd;</b> 02-02NES, Women's clothing, (Divisional of 12975/2012) 11 Sep 2012	<b>14584/2012</b>	<b>Forever New Clothing Pty Ltd;</b> 02-02NES, 'Women's fashion clothing', (Divisional of 10576/2012) 06 Sep 2012	<b>14470/2012</b>
<b>Forever New Clothing Pty Ltd;</b> 02-02NES, Women's clothing, (Divisional of 12975/2012) 11 Sep 2012	<b>14592/2012</b>	<b>Forever New Clothing Pty Ltd;</b> 02-02C, 'Women's fashion clothing', (Divisional of 10648/2012) 06 Sep 2012	<b>14467/2012</b>
<b>Forever New Clothing Pty Ltd;</b> 02-04NES, Footwear, (Divisional of 12975/2012) 11 Sep 2012	<b>14593/2012</b>	<b>Forever New Clothing Pty Ltd;</b> 02-02NES, 'Women's fashion clothing', (Divisional of 10576/2012) 06 Sep 2012	<b>14468/2012</b>
<b>Forever New Clothing Pty Ltd;</b> 02-02NES, Women's clothing, (Divisional of 12975/2012) 11 Sep 2012	<b>14585/2012</b>	<b>Forever New Clothing Pty Ltd;</b> 02-02C, 'Women's fashion clothing', (Divisional of 10648/2012) 06 Sep 2012	<b>14465/2012</b>
<b>Forever New Clothing Pty Ltd;</b> 02-02NES, Women's clothing, (Divisional of 12975/2012) 11 Sep 2012	<b>14578/2012</b>	<b>Forever New Clothing Pty Ltd;</b> 02-02C, 'Women's fashion clothing', (Divisional of 10648/2012) 06 Sep 2012	<b>14466/2012</b>
<b>Forever New Clothing Pty Ltd;</b> 02-02NES, Women's clothing, (Divisional of 12975/2012) 11 Sep 2012	<b>14579/2012</b>	<b>Forever New Clothing Pty Ltd;</b> 02-02C, 'Women's fashion clothing', (Divisional of 10673/2012) 06 Sep 2012	<b>14452/2012</b>
<b>Forever New Clothing Pty Ltd;</b> 02-02NES, Women's clothing, (Divisional of 12975/2012) 11 Sep 2012	<b>14577/2012</b>	<b>Forever New Clothing Pty Ltd;</b> 02-02C, 'Women's fashion clothing', (Divisional of 10648/2012) 06 Sep 2012	<b>14464/2012</b>
<b>Forever New Clothing Pty Ltd;</b> 02-02C, Article of clothing, 17 Sep 2012	<b>14610/2012</b>	<b>Forever New Clothing Pty Ltd;</b> 02-02NES, 'Women's fashion clothing', (Divisional of 10673/2012) 06 Sep 2012	<b>14451/2012</b>
<b>Forever New Clothing Pty Ltd;</b> 11-01E, Accessory item, 17 Sep 2012	<b>14611/2012</b>	<b>Gough, Simon John;</b> 11-02B, Round troughs, 05 Sep 2012	<b>14377/2012</b>
<b>Forever New Clothing Pty Ltd;</b> 02-02NES, Women's clothing, (Divisional of 12975/2012) 11 Sep 2012	<b>14580/2012</b>	<b>Grigor, Andrew;</b> 26-05D, Light shade, 11 Sep 2012	<b>14575/2012</b>
<b>Forever New Clothing Pty Ltd;</b> 02-02NES, Women's clothing, (Divisional of 12975/2012) 11 Sep 2012	<b>14596/2012</b>	<b>Group Technologies Australiasia Pty Ltd;</b> 08-08NES, Bracket, 18 Sep 2012	<b>14637/2012</b>

<p><b>Hankey, Evans;Akana, Jody;Andre, Bartley K.;Bataillou, Jeremy;Coster, Daniel J.;De Iuliis, Daniele;Hoenig, Julian;Howarth, Richard P.;Ive, Jonathan P.;Kerr, Duncan Robert;Nishibori, Shin;Rohrbach, Matthew Dean;Russell-Clarke, Peter;Stringer, Christopher J.;Whang, Eugene Antony;Zorkendorfer, Rico;</b> 03-99, 03-01C, 14-04, Portable display device and case, (US, 06 Mar 2012) 06 Sep 2012</p>	<p><b>14396/2012</b></p>	<p><b>Hoenig, Julian;Akana, Jody;Andre, Bartley K.;Bataillou, Jeremy;Coster, Daniel J.;De Iuliis, Daniele;Hankey, Evans;Howarth, Richard P.;Ive, Jonathan P.;Kerr, Duncan Robert;Nishibori, Shin;Rohrbach, Matthew Dean;Russell-Clarke, Peter;Stringer, Christopher J.;Whang, Eugene Antony;Zorkendorfer, Rico;</b> 03-01C, 03-99, Case, (US, 06 Mar 2012) 06 Sep 2012</p>	<p><b>14398/2012</b></p>
<p><b>Hankey, Evans;Akana, Jody;Andre, Bartley K.;Bataillou, Jeremy;Coster, Daniel J.;De Iuliis, Daniele;Hoenig, Julian;Howarth, Richard P.;Ive, Jonathan P.;Kerr, Duncan Robert;Nishibori, Shin;Rohrbach, Matthew Dean;Russell-Clarke, Peter;Stringer, Christopher J.;Whang, Eugene Antony;Zorkendorfer, Rico;</b> 03-01C, 03-99, Case, (US, 06 Mar 2012) 06 Sep 2012</p>	<p><b>14398/2012</b></p>	<p><b>Hoenig, Julian;Akana, Jody;Andre, Bartley K.;Bataillou, Jeremy;Coster, Daniel J.;De Iuliis, Daniele;Hankey, Evans;Howarth, Richard P.;Ive, Jonathan P.;Kerr, Duncan Robert;Nishibori, Shin;Rohrbach, Matthew Dean;Russell-Clarke, Peter;Stringer, Christopher J.;Whang, Eugene Antony;Zorkendorfer, Rico;</b> 03-99, 03-01C, 14-04, Portable display device and case, (US, 06 Mar 2012) 06 Sep 2012</p>	<p><b>14396/2012</b></p>
<p><b>Hankey, Evans;Akana, Jody;Andre, Bartley K.;Bataillou, Jeremy;Coster, Daniel J.;De Iuliis, Daniele;Hoenig, Julian;Howarth, Richard P.;Ive, Jonathan P.;Kerr, Duncan Robert;Nishibori, Shin;Rohrbach, Matthew Dean;Russell-Clarke, Peter;Stringer, Christopher J.;Whang, Eugene Antony;Zorkendorfer, Rico;</b> 03-01C, 03-99, Case, (US, 06 Mar 2012) 06 Sep 2012</p>	<p><b>14397/2012</b></p>	<p><b>Hoenig, Julian;Akana, Jody;Andre, Bartley K.;Bataillou, Jeremy;Coster, Daniel J.;De Iuliis, Daniele;Hankey, Evans;Howarth, Richard P.;Ive, Jonathan P.;Kerr, Duncan Robert;Nishibori, Shin;Rohrbach, Matthew Dean;Russell-Clarke, Peter;Stringer, Christopher J.;Whang, Eugene Antony;Zorkendorfer, Rico;</b> 03-01C, 03-99, Case, (US, 06 Mar 2012) 06 Sep 2012</p>	<p><b>14397/2012</b></p>
<p><b>Hansgrohe SE;</b> 23-01B, Sanitary Fitting, (EM, 16 Mar 2012) 06 Sep 2012</p>	<p><b>14403/2012</b></p>	<p><b>Horsfall, Sue-Ellen;Horsfall, Harvey David;</b> 25-02H, Ratch-e-tarp with flap, 13 Sep 2012</p>	<p><b>14563/2012</b></p>
<p><b>Hansgrohe SE;</b> 23-01H, Sanitary faucet, (EM, 16 Mar 2012) 06 Sep 2012</p>	<p><b>14404/2012</b></p>	<p><b>Horsfall, Harvey David;Horsfall, Sue-Ellen;</b> 25-02H, Ratch-e-tarp with flap, 13 Sep 2012</p>	<p><b>14563/2012</b></p>
<p><b>Hansgrohe SE;</b> 23-01H, Sanitary faucet, (EM, 16 Mar 2012) 06 Sep 2012</p>	<p><b>14401/2012</b></p>	<p><b>Howarth, Richard P.;Akana, Jody;Andre, Bartley K.;Bataillou, Jeremy;Coster, Daniel J.;De Iuliis, Daniele;Hankey, Evans;Hoenig, Julian;Ive, Jonathan P.;Kerr, Duncan Robert;Nishibori, Shin;Rohrbach, Matthew Dean;Russell-Clarke, Peter;Stringer, Christopher J.;Whang, Eugene Antony;Zorkendorfer, Rico;</b> 03-99, 03-01C, 14-04, Portable display device and case, (US, 06 Mar 2012) 06 Sep 2012</p>	<p><b>14396/2012</b></p>
<p><b>Hansgrohe SE;</b> 23-01H, 23-01NES, Grip for a sanitary fitting, (EM, 16 Mar 2012) 06 Sep 2012</p>	<p><b>14405/2012</b></p>	<p><b>Howarth, Richard P.;Akana, Jody;Andre, Bartley K.;Bataillou, Jeremy;Coster, Daniel J.;De Iuliis, Daniele;Hankey, Evans;Hoenig, Julian;Ive, Jonathan P.;Kerr, Duncan Robert;Nishibori, Shin;Rohrbach, Matthew Dean;Russell-Clarke, Peter;Stringer, Christopher J.;Whang, Eugene Antony;Zorkendorfer, Rico;</b> 03-01C, 03-99, Case, (US, 06 Mar 2012) 06 Sep 2012</p>	<p><b>14398/2012</b></p>
<p><b>Hansgrohe SE;</b> 23-01B, Sanitary fitting, (EM, 16 Mar 2012) 06 Sep 2012</p>	<p><b>14402/2012</b></p>	<p><b>Howarth, Richard P.;Akana, Jody;Andre, Bartley K.;Bataillou, Jeremy;Coster, Daniel J.;De Iuliis, Daniele;Hankey, Evans;Hoenig, Julian;Ive, Jonathan P.;Kerr, Duncan Robert;Nishibori, Shin;Rohrbach, Matthew Dean;Russell-Clarke, Peter;Stringer, Christopher J.;Whang, Eugene Antony;Zorkendorfer, Rico;</b> 03-01C, 03-99, Case, (US, 06 Mar 2012) 06 Sep 2012</p>	<p><b>14398/2012</b></p>
<p><b>Headlam, Sydney Charles Bartley;</b> 22-05, 08-05F, "Chaz's Knotchmacallit" knot tying jig, 10 Sep 2012</p>	<p><b>14485/2012</b></p>	<p><b>Howarth, Richard P.;Akana, Jody;Andre, Bartley K.;Bataillou, Jeremy;Coster, Daniel J.;De Iuliis, Daniele;Hankey, Evans;Hoenig, Julian;Ive, Jonathan P.;Kerr, Duncan Robert;Nishibori, Shin;Rohrbach, Matthew Dean;Russell-Clarke, Peter;Stringer, Christopher J.;Whang, Eugene Antony;Zorkendorfer, Rico;</b> 03-01C, 03-99, Case, (US, 06 Mar 2012) 06 Sep 2012</p>	<p><b>14398/2012</b></p>
<p><b>Heine Jones Studio Pty Ltd;</b> 20-03NES, Sign post, 06 Sep 2012</p>	<p><b>14426/2012</b></p>	<p><b>Howarth, Richard P.;Akana, Jody;Andre, Bartley K.;Bataillou, Jeremy;Coster, Daniel J.;De Iuliis, Daniele;Hankey, Evans;Hoenig, Julian;Ive, Jonathan P.;Kerr, Duncan Robert;Nishibori, Shin;Rohrbach, Matthew Dean;Russell-Clarke, Peter;Stringer, Christopher J.;Whang, Eugene Antony;Zorkendorfer, Rico;</b> 03-01C, 03-99, Case, (US, 06 Mar 2012) 06 Sep 2012</p>	<p><b>14398/2012</b></p>
<p><b>Heine Jones Studio Pty Ltd;</b> 20-03NES, Sign post, 06 Sep 2012</p>	<p><b>14427/2012</b></p>	<p><b>Howarth, Richard P.;Akana, Jody;Andre, Bartley K.;Bataillou, Jeremy;Coster, Daniel J.;De Iuliis, Daniele;Hankey, Evans;Hoenig, Julian;Ive, Jonathan P.;Kerr, Duncan Robert;Nishibori, Shin;Rohrbach, Matthew Dean;Russell-Clarke, Peter;Stringer, Christopher J.;Whang, Eugene Antony;Zorkendorfer, Rico;</b> 03-01C, 03-99, Case, (US, 06 Mar 2012) 06 Sep 2012</p>	<p><b>14398/2012</b></p>

<b>Howarth, Richard P.;Akana, Jody;Andre, Bartley K.;Bataillou, Jeremy;Coster, Daniel J.;De Iuliis, Daniele;Hankey, Evans;Hoenig, Julian;Ive, Jonathan P.;Kerr, Duncan Robert;Nishibori, Shin;Rohrbach, Matthew Dean;Russell-Clarke, Peter;Stringer, Christopher J.;Whang, Eugene Antony;Zorkendorfer, Rico;</b> 03-01C, 03-99, Case, (US, 06 Mar 2012) 06 Sep 2012	<b>14397/2012</b>	<b>Ive, Jonathan P.;Akana, Jody;Andre, Bartley K.;Bataillou, Jeremy;Coster, Daniel J.;De Iuliis, Daniele;Hankey, Evans;Hoenig, Julian;Howarth, Richard P.;Kerr, Duncan Robert;Nishibori, Shin;Rohrbach, Matthew Dean;Russell-Clarke, Peter;Stringer, Christopher J.;Whang, Eugene Antony;Zorkendorfer, Rico;</b> 03-01C, 03-99, Case, (US, 06 Mar 2012) 06 Sep 2012	<b>14397/2012</b>
<b>Htena Pty Ltd;</b> 28-03D, A hair comb, 11 Sep 2012	<b>14536/2012</b>	<b>Ive, Jonathan P.;Akana, Jody;Andre, Bartley K.;Bataillou, Jeremy;Coster, Daniel J.;De Iuliis, Daniele;Hankey, Evans;Hoenig, Julian;Howarth, Richard P.;Kerr, Duncan Robert;Nishibori, Shin;Rohrbach, Matthew Dean;Russell-Clarke, Peter;Stringer, Christopher J.;Whang, Eugene Antony;Zorkendorfer, Rico;</b> 03-99, 03-01C, 14-04, Portable display device and case, (US, 06 Mar 2012) 06 Sep 2012	<b>14396/2012</b>
<b>Htena Pty Ltd;</b> 28-03D, A hair comb, 11 Sep 2012	<b>14558/2012</b>	<b>Jones, Daniel Bartholomew;</b> 02-04NES, Orthotic footwear, 07 Sep 2012	<b>14443/2012</b>
<b>Huizhou Light Engine Ltd;</b> 26-04, Candle lamp, (CN, 06 Jun 2012) 07 Sep 2012	<b>14462/2012</b>	<b>Jones, Daniel Bartholomew;</b> 02-04NES, Orthotic footwear, 07 Sep 2012	<b>14444/2012</b>
<b>Hunter Douglas Industries B.V.;</b> 06-10, Blinds for windows, (EM, 08 Mar 2012) 07 Sep 2012	<b>14439/2012</b>	<b>Joseph Joseph Limited;</b> 07-01B, Bowls, plastic bowls, sets of bowls, (EM, 08 Jun 2012) 07 Sep 2012	<b>14430/2012</b>
<b>Husqvarna Consumer Outdoor Products N.A. Inc.;</b> 15-03B, Mower blade, (US, 16 Mar 2012) 11 Sep 2012	<b>14508/2012</b>	<b>Joseph Joseph Limited;</b> 07-01B, Bowls, plastic bowls, set of bowls, (EM, 08 Jun 2012) 07 Sep 2012	<b>14438/2012</b>
<b>Illuminated Industries Pty Ltd;</b> 09-01H, "A bottle", 11 Sep 2012	<b>14513/2012</b>	<b>Joseph Joseph Limited;</b> 07-01B, Bowls, plastic bowls, sets of bowls, (EM, 08 Jun 2012) 07 Sep 2012	<b>14436/2012</b>
<b>Illuminated Industries Pty Ltd;</b> 09-01H, "A bottle", 11 Sep 2012	<b>14514/2012</b>	<b>Joseph Joseph Limited;</b> 07-99NES, Knife blocks, knife holders, magnetic knife blocks, Magnetic knife holder, (EM, 08 Jun 2012) 07 Sep 2012	<b>14437/2012</b>
<b>Invention Sanitary Fitting Co., Ltd.;</b> 23-01H, Basin mixer, (CN, 15 Jun 2012) 18 Sep 2012	<b>14603/2012</b>	<b>Joseph Joseph Limited;</b> 07-04, Chopping boards (kitchen), cutting boards, cutting boards for the kitchen, (EM, 08 Jun 2012) 07 Sep 2012	<b>14424/2012</b>
<b>Invention Sanitary Fitting Co., Ltd.;</b> 23-01H, Basin mixer, (CN, 15 Jun 2012) 18 Sep 2012	<b>14605/2012</b>	<b>Joseph Joseph Limited;</b> 07-04, Chopping boards (kitchen), cutting boards, cutting boards for the kitchen, 07 Sep 2012	<b>14425/2012</b>
<b>Invention Sanitary Fitting Co., Ltd.;</b> 23-01H, Basin mixer, (CN, 15 Jun 2012) 18 Sep 2012	<b>14604/2012</b>	<b>Joseph Joseph Limited;</b> 07-04, 07-02NES, Kitchen scales; weights (for scales), (EM, 25 May 2012) 07 Sep 2012	<b>14419/2012</b>
<b>Ive, Jonathan P.;Akana, Jody;Andre, Bartley K.;Bataillou, Jeremy;Coster, Daniel J.;De Iuliis, Daniele;Hankey, Evans;Hoenig, Julian;Howarth, Richard P.;Kerr, Duncan Robert;Nishibori, Shin;Rohrbach, Matthew Dean;Russell-Clarke, Peter;Stringer, Christopher J.;Whang, Eugene Antony;Zorkendorfer, Rico;</b> 03-01C, 03-99, Case, (US, 06 Mar 2012) 06 Sep 2012	<b>14398/2012</b>	<b>Joseph Joseph Limited;</b> 07-03, 07-04, Kitchen knives, 07 Sep 2012	<b>14423/2012</b>
		<b>Joseph Joseph Limited;</b> 07-03, 07-04, Kitchen knives (part of-) handles for knives (part of-) knives' handles (part of-), (EM, 11 Jun 2012) 07 Sep 2012	<b>14422/2012</b>

<b>Joseph Joseph Limited;</b> 07-99NES, Cheese boards, bread boards, (EM, 08 Jun 2012) 07 Sep 2012	<b>14420/2012</b>	<b>Koninklijke Philips Electronics NV;</b> 28-03NES, Facial cleansing apparatus, (EM, 06 Mar 2012) 05 Sep 2012	<b>14380/2012</b>
<b>Jr De Exact Industrial Co., Ltd.;</b> 15-09, Die set blade with a dovetailed waveform cutting edge, (TW, 06 Mar 2012) 04 Sep 2012	<b>14395/2012</b>	<b>Kouzmenkov, Alena;</b> 12-99, 12-13, Wedding Carriages, 14 Sep 2012	<b>14572/2012</b>
<b>Kaeske Holdings P/L;</b> 19-08, Wine label, 18 Sep 2012	<b>14639/2012</b>	<b>Legend Corporate Services Pty Ltd;</b> 13-03B, A double cable terminal lug, 06 Sep 2012	<b>14429/2012</b>
<b>Kerr, Duncan Robert;Akana, Jody;Andre, Bartley K.;Bataillou, Jeremy;Coster, Daniel J.;De Iuliis, Daniele;Hankey, Evans;Hoenig, Julian;Howarth, Richard P.;Ive, Jonathan P.;Nishibori, Shin;Rohrbach, Matthew Dean;Russell- Clarke, Peter;Stringer, Christopher J.;Whang, Eugene Antony;Zorkendorfer, Rico;</b> 03-01C, 03-99, Case, (US, 06 Mar 2012) 06 Sep 2012	<b>14397/2012</b>	<b>Lexmark International Inc;</b> 14-02, 18-02, Laser Printer Toner Cartridge, 12 Sep 2012	<b>14571/2012</b>
<b>Kerr, Duncan Robert;Akana, Jody;Andre, Bartley K.;Bataillou, Jeremy;Coster, Daniel J.;De Iuliis, Daniele;Hankey, Evans;Hoenig, Julian;Howarth, Richard P.;Ive, Jonathan P.;Nishibori, Shin;Rohrbach, Matthew Dean;Russell- Clarke, Peter;Stringer, Christopher J.;Whang, Eugene Antony;Zorkendorfer, Rico;</b> 03-01C, 03-99, Case, (US, 06 Mar 2012) 06 Sep 2012	<b>14398/2012</b>	<b>Lexmark International Inc;</b> 14-02, 18-02, Laser Printer Toner cartridge, 12 Sep 2012	<b>14570/2012</b>
<b>Kerr, Duncan Robert;Akana, Jody;Andre, Bartley K.;Bataillou, Jeremy;Coster, Daniel J.;De Iuliis, Daniele;Hankey, Evans;Hoenig, Julian;Howarth, Richard P.;Ive, Jonathan P.;Nishibori, Shin;Rohrbach, Matthew Dean;Russell- Clarke, Peter;Stringer, Christopher J.;Whang, Eugene Antony;Zorkendorfer, Rico;</b> 03-01C, 03-99, Case, (US, 06 Mar 2012) 06 Sep 2012	<b>14396/2012</b>	<b>Logue and Co. Pty Ltd;</b> 09-01NES, 24-99, Medicament package, 07 Sep 2012	<b>14440/2012</b>
<b>Kerr, Duncan Robert;Akana, Jody;Andre, Bartley K.;Bataillou, Jeremy;Coster, Daniel J.;De Iuliis, Daniele;Hankey, Evans;Hoenig, Julian;Howarth, Richard P.;Ive, Jonathan P.;Nishibori, Shin;Rohrbach, Matthew Dean;Russell- Clarke, Peter;Stringer, Christopher J.;Whang, Eugene Antony;Zorkendorfer, Rico;</b> 03-99, 03-01C, 14-04, Portable display device and case, (US, 06 Mar 2012) 06 Sep 2012	<b>14522/2012</b>	<b>Logue and Co. Pty Ltd;</b> 20-01, Vending machine, 10 Sep 2012	<b>14500/2012</b>
<b>Kevin Ladd Investments Pty Ltd;</b> 03-01C, Triathlon bag designed to carry apparel and equipment used in triathlons and also double as a triathlon transition bag, in a triathlon event., 13 Sep 2012	<b>14515/2012</b>	<b>Logue and Co. Pty Ltd;</b> 20-01, Vending Machine, 07 Sep 2012	<b>14442/2012</b>
<b>Kohler Co.;</b> 23-02B, Shower faceplate and shower device, (US, 12 Mar 2012) 12 Sep 2012	<b>14450/2012</b>	<b>Logue and Co. Pty Ltd;</b> 20-01, Vending machine, 10 Sep 2012	<b>14497/2012</b>
<b>Koninklijke Philips Electronics N.V.;</b> 26-05E, LED bulb, (EM, 07 Mar 2012) 07 Sep 2012	<b>14448/2012</b>	<b>Logue and Co. Pty Ltd;</b> 20-01, Vending machine, 10 Sep 2012	<b>14498/2012</b>
<b>Koninklijke Philips Electronics N.V.;</b> 26-05E, LED bulb, (EM, 07 Mar 2012) 07 Sep 2012	<b>14449/2012</b>	<b>Logue and Co. Pty Ltd;</b> 20-01, Vending machine, 10 Sep 2012	<b>14499/2012</b>
<b>Koninklijke Philips Electronics N.V.;</b> 26-05E, LED bulb, (EM, 07 Mar 2012) 07 Sep 2012		<b>Logue and Co. Pty Ltd;</b> 20-01, Vending machine, 10 Sep 2012	<b>14441/2012</b>
		<b>Lore, Renan;Zhang, Huaimian;</b> 21-02C, Folding sport practice net, (US, 21 Mar 2012) 12 Sep 2012	<b>14552/2012</b>
		<b>LAN Airlines S.A.;</b> 06-04NES, 06-06G, Passenger aircraft storage module, (US, 16 Jul 2012) 17 Sep 2012	<b>14618/2012</b>
		<b>LAN Airlines S.A.;</b> 06-01D, Aircraft seat module, (US, 16 Jul 2012) 17 Sep 2012	<b>14616/2012</b>
		<b>LAN Airlines S.A.;</b> 06-04NES, 06-06G, Passenger aircraft storage module, (US, 16 Jul 2012) 17 Sep 2012	<b>14619/2012</b>
		<b>LAN Airlines S.A.;</b> 06-01D, Aircraft seat module, (US, 16 Jul 2012) 17 Sep 2012	<b>14617/2012</b>
		<b>Magis S.P.A.;</b> 06-01E, Stool, (EM, 05 Jun 2012) 13 Sep 2012	<b>14574/2012</b>
		<b>Mahoney, Hiromi;</b> 02-03, After shower/swimming cap with two pointed ends, 12 Sep 2012	<b>14541/2012</b>

<b>Mahoney, Hiromi;</b> 02-03, After shower/swimming cap with one pointed end, 12 Sep 2012	<b>14540/2012</b>	<b>Nishibori, Shin;Akana, Jody;Andre, Bartley K.;Bataillou, Jeremy;Coster, Daniel J.;De Iuliis, Daniele;Hankey, Evans;Hoenig, Julian;Howarth, Richard P.;Ive, Jonathan P.;Kerr, Duncan Robert;Rohrbach, Matthew Dean;Russell-Clarke, Peter;Stringer, Christopher J.;Whang, Eugene Antony;Zorkendorfer, Rico;</b> 03-99, 03-01C, 14-04, Portable display device and case, (US, 06 Mar 2012) 06 Sep 2012	<b>14396/2012</b>
<b>Maquet SAS;</b> 26-05NES, Lighting apparatus, (EM, 20 Mar 2012) 12 Sep 2012	<b>14532/2012</b>		
<b>Maquet SAS;</b> 26-05NES, Lighting apparatus, (EM, 20 Mar 2012) 12 Sep 2012	<b>14533/2012</b>		
<b>McCasker, Douglas Brett;</b> 23-01NES, A sewage influent deflector for cleaning a sewage pumping station, 06 Sep 2012	<b>14445/2012</b>		
<b>Me Group Pty Ltd;</b> 26-05E, Light boxes, 18 Sep 2012	<b>14638/2012</b>		
<b>Meyer Intellectual Properties Limited;</b> 07-02R, Extended cookware handle with patterned grip, (US, 08 Mar 2012) 08 Sep 2012	<b>14457/2012</b>		
<b>Meyer Intellectual Properties Limited;</b> 07-02R, Extended cookware handle with patterned grip, (US, 08 Mar 2012) 08 Sep 2012	<b>14458/2012</b>		
<b>Michelin Recherche et Technique S.A.;COMPAGNIE GENERALE DES ETABLISSEMENTS MICHELIN;</b> 12-15B, A tyre, 13 Sep 2012	<b>14555/2012</b>		
<b>Michelin Recherche et Technique S.A.;COMPAGNIE GENERALE DES ETABLISSEMENTS MICHELIN;</b> 12-15B, A tyre, 13 Sep 2012	<b>14556/2012</b>		
<b>Miles Nelson Manufacturing Co Limited;</b> 08-08NES, A Bracket for a Handrail, (NZ, 14 Aug 2012) 12 Sep 2012	<b>14573/2012</b>		
<b>Miller, William Howard;</b> 23-01E, Drain cleaning nozzle tip, 09 Aug 2012	<b>14335/2012</b>		
<b>Miller, William Howard;</b> 23-01E, Drain cleaning nozzle tip, 09 Aug 2012	<b>14336/2012</b>		
<b>Miller, William Howard;</b> 23-01E, Drain cleaning nozzle tip, 09 Aug 2012	<b>14337/2012</b>		
<b>Miller, William Howard;</b> 23-01E, Drain cleaning nozzle tip, 09 Aug 2012	<b>14338/2012</b>		
<b>Miller, William Howard;</b> 23-01E, Drain cleaning nozzle tip, 09 Aug 2012	<b>14334/2012</b>		
<b>Ningbo Beilun Haiyu Automotive Lamp Co Ltd;</b> 08-10, Bike rack, 17 Sep 2012	<b>14601/2012</b>		
			<b>14398/2012</b>
			<b>14397/2012</b>
			<b>14624/2012</b>
			<b>14627/2012</b>
			<b>14625/2012</b>
			<b>14626/2012</b>
			<b>14376/2012</b>
			<b>14521/2012</b>
			<b>14520/2012</b>
			<b>14518/2012</b>
			<b>14519/2012</b>
			<b>14516/2012</b>

<b>O2 Agency Pty Limited;</b> 06-03D, A gaming table, 12 Sep 2012	<b>14517/2012</b>	<b>Rohrbach, Matthew Dean;Akana, Jody;Andre, Bartley K.;Bataillou, Jeremy;Coster, Daniel J.;De Iuliis, Daniele;Hankey, Evans;Hoenig, Julian;Howarth, Richard P.;Ive, Jonathan P.;Kerr, Duncan Robert;Nishibori, Shin;Russell-Clarke, Peter;Stringer, Christopher J.;Whang, Eugene Antony;Zorkendorfer, Rico;</b> 03-99, 03-01C, 14-04, Portable display device and case, (US, 06 Mar 2012) 06 Sep 2012	<b>14396/2012</b>
<b>Pacific National Pty Limited;</b> 12-03, Wagon, 05 Sep 2012	<b>14372/2012</b>		
<b>Philip Morris Products S.A.;</b> 27-99, Tobacco and smokers' articles, (EM, 12 Mar 2012) 10 Sep 2012	<b>14493/2012</b>		
<b>Phillip Morris Products S.A.;</b> 27-05, Charging unit, (EM, 13 Feb 2012) (Divisional of 13703/2012) 17 Sep 2012	<b>14608/2012</b>		
<b>Phillip Morris Products S.A.;</b> 27-05, Charging unit, (EM, 13 Feb 2012) (Divisional of 13704/2012) 17 Sep 2012	<b>14609/2012</b>	<b>Rohrbach, Matthew Dean;Akana, Jody;Andre, Bartley K.;Bataillou, Jeremy;Coster, Daniel J.;De Iuliis, Daniele;Hankey, Evans;Hoenig, Julian;Howarth, Richard P.;Ive, Jonathan P.;Kerr, Duncan Robert;Nishibori, Shin;Russell-Clarke, Peter;Stringer, Christopher J.;Whang, Eugene Antony;Zorkendorfer, Rico;</b> 03-01C, 03-99, Case, (US, 06 Mar 2012) 06 Sep 2012	<b>14398/2012</b>
<b>Piaggio &amp; C. S.p.A.;</b> 12-11, Motor scooter, (EM, 23 Mar 2012) 20 Sep 2012	<b>14670/2012</b>		
<b>Piping Integrity Equipment Limited;</b> 08-08B, Washer, (NZ, 26 Jul 2012) 13 Sep 2012	<b>14569/2012</b>		
<b>Reckitt &amp; Colman (Overseas) Limited;</b> 28-99, Air freshener, (EM, 26 Apr 2012) 12 Sep 2012	<b>14553/2012</b>	<b>Rohrbach, Matthew Dean;Akana, Jody;Andre, Bartley K.;Bataillou, Jeremy;Coster, Daniel J.;De Iuliis, Daniele;Hankey, Evans;Hoenig, Julian;Howarth, Richard P.;Ive, Jonathan P.;Kerr, Duncan Robert;Nishibori, Shin;Russell-Clarke, Peter;Stringer, Christopher J.;Whang, Eugene Antony;Zorkendorfer, Rico;</b> 03-01C, 03-99, Case, (US, 06 Mar 2012) 06 Sep 2012	<b>14397/2012</b>
<b>Reckitt Benckiser LLC;</b> 09-01NES, Bottle, (EM, 16 Mar 2012) 13 Sep 2012	<b>14561/2012</b>		
<b>Reckitt Benckiser LLC;</b> 09-01NES, Bottle, (EM, 16 Mar 2012) 13 Sep 2012	<b>14562/2012</b>		
<b>Reckitt Benckiser LLC;</b> 09-01NES, Bottle, (EM, 16 Mar 2012) 13 Sep 2012	<b>14559/2012</b>		
<b>Reckitt Benckiser LLC;</b> 09-01NES, Bottle, (EM, 16 Mar 2012) 13 Sep 2012	<b>14560/2012</b>	<b>Russell-Clarke, Peter;Akana, Jody;Andre, Bartley K.;Bataillou, Jeremy;Coster, Daniel J.;De Iuliis, Daniele;Hankey, Evans;Hoenig, Julian;Howarth, Richard P.;Ive, Jonathan P.;Kerr, Duncan Robert;Nishibori, Shin;Rohrbach, Matthew Dean;Stringer, Christopher J.;Whang, Eugene Antony;Zorkendorfer, Rico;</b> 03-99, 03-01C, 14-04, Portable display device and case, (US, 06 Mar 2012) 06 Sep 2012	<b>14396/2012</b>
<b>Rennick, Robert Ernest;</b> 08-05A, Golf bunker rake, 18 Sep 2012	<b>14606/2012</b>		
<b>Res, Giuliano;</b> 13-01, 15-01, A flameproof alternator approved for use in gaseous environments where flammable gases could be present., 12 Sep 2012	<b>14528/2012</b>		
<b>Res, Giuliano;</b> 13-01, 15-01, A flameproof alternator approved for use in gaseous environments where flammable gases could be presents, 12 Sep 2012	<b>14530/2012</b>	<b>Russell-Clarke, Peter;Akana, Jody;Andre, Bartley K.;Bataillou, Jeremy;Coster, Daniel J.;De Iuliis, Daniele;Hankey, Evans;Hoenig, Julian;Howarth, Richard P.;Ive, Jonathan P.;Kerr, Duncan Robert;Nishibori, Shin;Rohrbach, Matthew Dean;Stringer, Christopher J.;Whang, Eugene Antony;Zorkendorfer, Rico;</b> 03-01C, 03-99, Case, (US, 06 Mar 2012) 06 Sep 2012	<b>14397/2012</b>
<b>Res, Giuliano;</b> 13-01, 15-01, A flameproof alternator approved for use in gaseous environments where flammable gases could be presents, 12 Sep 2012	<b>14529/2012</b>		
<b>Roberts, Samuel Morgan;Ubillos, Randall;</b> 14-04, Display screen for an electronic device, (US, 07 Mar 2012) 07 Sep 2012	<b>14446/2012</b>		

<b>Russell-Clarke, Peter;Akana, Jody;Andre, Bartley K.;Bataillou, Jeremy;Coster, Daniel J.;De Iuliis, Daniele;Hankey, Evans;Hoenig, Julian;Howarth, Richard P.;Ive, Jonathan P.;Kerr, Duncan Robert;Nishibori, Shin;Rohrbach, Matthew Dean;Stringer, Christopher J.;Whang, Eugene Antony;Zorkendorfer, Rico;</b> 03-01C, 03-99, Case, (US, 06 Mar 2012) 06 Sep 2012	<b>14398/2012</b>	<b>Stringer, Christopher J.;Akana, Jody;Andre, Bartley K.;Bataillou, Jeremy;Coster, Daniel J.;De Iuliis, Daniele;Hankey, Evans;Hoenig, Julian;Howarth, Richard P.;Ive, Jonathan P.;Kerr, Duncan Robert;Nishibori, Shin;Rohrbach, Matthew Dean;Russell-Clarke, Peter;Whang, Eugene Antony;Zorkendorfer, Rico;</b> 03-01C, 03-99, Case, (US, 06 Mar 2012) 06 Sep 2012	<b>14397/2012</b>
<b>RSC Mining (Pty) Ltd;</b> 08-08B, Rock bolt, (ZA, 16 Mar 2012) 11 Sep 2012	<b>14507/2012</b>	<b>Stringer, Christopher J.;Akana, Jody;Andre, Bartley K.;Bataillou, Jeremy;Coster, Daniel J.;De Iuliis, Daniele;Hankey, Evans;Hoenig, Julian;Howarth, Richard P.;Ive, Jonathan P.;Kerr, Duncan Robert;Nishibori, Shin;Rohrbach, Matthew Dean;Russell-Clarke, Peter;Whang, Eugene Antony;Zorkendorfer, Rico;</b> 03-01C, 03-99, Case, (US, 06 Mar 2012) 06 Sep 2012	<b>14398/2012</b>
<b>Segala Bruno S.R.L.;</b> 08-05M, Welding machine, (EM, 21 Mar 2012) 13 Sep 2012	<b>14557/2012</b>	<b>Stringer, Christopher J.;Akana, Jody;Andre, Bartley K.;Bataillou, Jeremy;Coster, Daniel J.;De Iuliis, Daniele;Hankey, Evans;Hoenig, Julian;Howarth, Richard P.;Ive, Jonathan P.;Kerr, Duncan Robert;Nishibori, Shin;Rohrbach, Matthew Dean;Russell-Clarke, Peter;Whang, Eugene Antony;Zorkendorfer, Rico;</b> 03-01C, 03-99, Case, (US, 06 Mar 2012) 06 Sep 2012	<b>14396/2012</b>
<b>Sensolite S.A.;</b> 26-04, Light emitting device, (EM, 07 Mar 2012) 07 Sep 2012	<b>14453/2012</b>	<b>Stringer, Christopher J.;Akana, Jody;Andre, Bartley K.;Bataillou, Jeremy;Coster, Daniel J.;De Iuliis, Daniele;Hankey, Evans;Hoenig, Julian;Howarth, Richard P.;Ive, Jonathan P.;Kerr, Duncan Robert;Nishibori, Shin;Rohrbach, Matthew Dean;Russell-Clarke, Peter;Whang, Eugene Antony;Zorkendorfer, Rico;</b> 03-99, 03-01C, 14-04, Portable display device and case, (US, 06 Mar 2012) 06 Sep 2012	<b>14406/2012</b>
<b>Sensolite S.A.;</b> 26-04, Light emitting device, (EM, 07 Mar 2012) 07 Sep 2012	<b>14455/2012</b>	<b>Tadano Ltd.;</b> 12-16NES, 15-04, Cab for construction equipment, (JP, 26 Mar 2012) 18 Sep 2012	<b>14622/2012</b>
<b>Sensolite S.A.;</b> 26-04, Light emitting device, (EM, 07 Mar 2012) 07 Sep 2012	<b>14456/2012</b>	<b>Takashima, Jiro;</b> 21-02F, Kegel exercise device, (US, 16 Mar 2012) 12 Sep 2012	<b>14538/2012</b>
<b>Sensolite S.A.;</b> 26-04, Light emitting device, (EM, 07 Mar 2012) 07 Sep 2012	<b>14454/2012</b>	<b>Techeye Optics Technologies Co Ltd;</b> 26-05A, Reflective pavement marker, 14 Sep 2012	<b>14600/2012</b>
<b>Shop Vac Corporation;</b> 15-05, Vacuum cleaner top for a vacuum cleaner, (US, 17 May 2012) 12 Sep 2012	<b>14534/2012</b>	<b>Terrarban Pty Ltd;</b> 02-04A, Insole, 13 Sep 2012	<b>14539/2012</b>
<b>Shop Vac Corporation;</b> 15-05, Vacuum cleaner top for a vacuum cleaner, (US, 17 May 2012) 12 Sep 2012	<b>14535/2012</b>	<b>The Decor Corporation Pty. Ltd.;</b> 07-01NES, Container base, 10 Sep 2012	<b>14492/2012</b>
<b>Sinox Company Limited;</b> 08-07, Lock, (US, 05 Apr 2012) 17 Sep 2012	<b>14607/2012</b>	<b>The Decor Corporation Pty. Ltd.;</b> 07-01NES, Container base, 10 Sep 2012	<b>14491/2012</b>
<b>Sitecraft Pty Ltd;</b> 09-08, Pallet, 11 Sep 2012	<b>14523/2012</b>	<b>The Gillette Company;</b> 09-05, Package, (US, 19 Mar 2012) 18 Sep 2012	<b>14641/2012</b>
<b>Smiggle Pty Ltd;</b> 21-01B, A figurine, 11 Sep 2012	<b>14506/2012</b>	<b>Thermos L.C.C.;</b> 09-07C, Lid for drink bottle with nozzle cover, carry loop and cover lock, (US, 22 Mar 2012) 05 Sep 2012	<b>14379/2012</b>
<b>Societe des Produits Nestle S.A.;</b> 31-00, A beverage dispenser, (CH, 05 Apr 2012) 13 Sep 2012	<b>14554/2012</b>		
<b>Spectracraft Pty Ltd;</b> 13-03B, Triple SDI cable, 07 Sep 2012	<b>14408/2012</b>		
<b>Stebbing, Brad;</b> 26-05D, A lamp shade, 06 Sep 2012	<b>14432/2012</b>		
<b>Stebbing, Brad;</b> 26-05D, A lamp shade, 06 Sep 2012	<b>14433/2012</b>		
<b>Stramit Corporation Pty Limited;</b> 08-99, Sealing device, 20 Sep 2012	<b>14671/2012</b>		
<b>Stratco (Australia) Pty Limited;</b> 15-99, A core tray, 11 Sep 2012	<b>14537/2012</b>		

<b>Thermos L.L.C.;</b> 07-01NES, Food jar with latch-released hinged lid, (US, 21 Mar 2012) 20 Sep 2012	<b>14669/2012</b>	<b>Whang, Eugene Antony;Akana, Jody;Andre, Bartley K.;Bataillou, Jeremy;Coster, Daniel J.;De Iuliis, Daniele;Hankey, Evans;Hoenig, Julian;Howarth, Richard P.;Ive, Jonathan P.;Kerr, Duncan Robert;Nishibori, Shin;Rohrbach, Matthew Dean;Russell-Clarke, Peter;Stringer, Christopher J.;Zorkendorfer, Rico;</b> 03-01C, 03-99, Case, (US, 06 Mar 2012) 06 Sep 2012	<b>14398/2012</b>
<b>Tropicana Products Inc.;</b> 09-01K, Bottle, (US, 14 Mar 2012) 14 Sep 2012	<b>14599/2012</b>		
<b>Tulai, Stephanie Louise;</b> 06-03NES, Pet care products - cats & dogs, 05 Sep 2012	<b>14378/2012</b>		
<b>Ubillos, Randall;Roberts, Samuel Morgan;</b> 14-04, Display screen for an electronic device, (US, 07 Mar 2012) 07 Sep 2012	<b>14446/2012</b>	<b>Whang, Eugene Antony;Akana, Jody;Andre, Bartley K.;Bataillou, Jeremy;Coster, Daniel J.;De Iuliis, Daniele;Hankey, Evans;Hoenig, Julian;Howarth, Richard P.;Ive, Jonathan P.;Kerr, Duncan Robert;Nishibori, Shin;Rohrbach, Matthew Dean;Russell-Clarke, Peter;Stringer, Christopher J.;Zorkendorfer, Rico;</b> 03-01C, 03-99, Case, (US, 06 Mar 2012) 06 Sep 2012	<b>14397/2012</b>
<b>Umseher, John Patrick;Cohen, Mark Robert;</b> 06-06G, Seating, cushioning, and mattresses, of all varying sizes, 18 Sep 2012	<b>14640/2012</b>		
<b>Unilever PLC;</b> 09-01NES, Container, (US, 21 Mar 2012) 10 Sep 2012	<b>14490/2012</b>		
<b>Volvo Lastvagner AB;</b> 12-16A, Steering wheel, (EM, 20 Mar 2012) 19 Sep 2012	<b>14633/2012</b>	<b>Whang, Eugene Antony;Akana, Jody;Andre, Bartley K.;Bataillou, Jeremy;Coster, Daniel J.;De Iuliis, Daniele;Hankey, Evans;Hoenig, Julian;Howarth, Richard P.;Ive, Jonathan P.;Kerr, Duncan Robert;Nishibori, Shin;Rohrbach, Matthew Dean;Russell-Clarke, Peter;Stringer, Christopher J.;Zorkendorfer, Rico;</b> 03-01C, 03-99, Case, (US, 06 Mar 2012) 06 Sep 2012	<b>14396/2012</b>
<b>Volvo Lastvagner AB;</b> 26-06, Light for vehicle, (EM, 20 Mar 2012) 19 Sep 2012	<b>14635/2012</b>		
<b>Volvo Lastvagner AB;</b> 12-08, 21-01C, Truck cab; scale model and toy truck cab, (EM, 20 Mar 2012) 19 Sep 2012	<b>14631/2012</b>	<b>White, Adrian;</b> 26-06, Lighting assembly, 10 Sep 2012	<b>14502/2012</b>
<b>Volvo Lastvagner AB;</b> 12-16NES, Dashboard, (EM, 20 Mar 2012) 19 Sep 2012	<b>14632/2012</b>	<b>White, Adrian;</b> 26-06, Lighting assembly, 10 Sep 2012	<b>14501/2012</b>
<b>Volvo Lastvagner AB;</b> 26-06, Light for vehicle, (EM, 20 Mar 2012) 19 Sep 2012	<b>14634/2012</b>	<b>Woolworths Limited;</b> 07-01A, Disposable plate, 18 Sep 2012	<b>14620/2012</b>
<b>Volvo Lastvagner AB;</b> 12-08, 21-01C, Truck cab; scale model and toy truck cab, (EM, 20 Mar 2012) 19 Sep 2012	<b>14629/2012</b>	<b>Woolworths Limited;</b> 07-01A, Disposable plate, 18 Sep 2012	<b>14621/2012</b>
<b>Volvo Lastvagner AB;</b> 12-08, 21-01C, Truck cab; scale model and toy truck cab, (EM, 20 Mar 2012) 19 Sep 2012	<b>14630/2012</b>	<b>Yanmar Co., Ltd;</b> 12-09, Tractor, 06 Sep 2012	<b>14421/2012</b>
<b>Vuly Pty Ltd;</b> 21-02F, Trampoline, (NZ, 16 Mar 2012) 12 Sep 2012	<b>14576/2012</b>	<b>Zhang, Huaimian;Lore, Renan;</b> 21-02C, Folding sport practice net, (US, 21 Mar 2012) 12 Sep 2012	<b>14552/2012</b>
<b>Wan, Pui Man;</b> 10-07, Watch strap, wrist band, belt, 17 Sep 2012	<b>14612/2012</b>	<b>Zorkendorfer, Rico;Akana, Jody;Andre, Bartley K.;Bataillou, Jeremy;Coster, Daniel J.;De Iuliis, Daniele;Hankey, Evans;Hoenig, Julian;Howarth, Richard P.;Ive, Jonathan P.;Kerr, Duncan Robert;Nishibori, Shin;Rohrbach, Matthew Dean;Russell-Clarke, Peter;Stringer, Christopher J.;Whang, Eugene Antony;</b> 03-99, 03-01C, 14-04, Portable display device and case, (US, 06 Mar 2012) 06 Sep 2012	<b>14396/2012</b>
<b>Weber, Paul Joseph;</b> 24-02, Surgical dissector, 10 Sep 2012	<b>14460/2012</b>		

**Zorkendorfer, Rico;Akana, Jody;Andre, Bartley K.;Bataillou, Jeremy;Coster, Daniel J.;De Iuliis, Daniele;Hankey, Evans;Hoenig, Julian;Howarth, Richard P.;Ive, Jonathan P.;Kerr, Duncan Robert;Nishibori, Shin;Rohrbach, Matthew Dean;Russell-Clarke, Peter;Stringer, Christopher J.;Whang, Eugene Antony;**  
 03-01C, 03-99, Case, (US, 06 Mar 2012) 06 Sep 2012

14398/2012

**Zweibruder Optoelectronics GmbH & Co. KG;**  
 26-02, Torch, (EM, 13 Apr 2012) 17 Sep 2012

14614/2012

**Zweibruder Optoelectronics GmbH & Co. KG;**  
 26-02, Lamp, (EM, 13 Apr 2012) 17 Sep 2012

14615/2012

**Zweibruder Optoelectronics GmbH & Co. KG;**  
 26-02, Torch, (EM, 13 Apr 2012) 17 Sep 2012

14613/2012

**Zorkendorfer, Rico;Akana, Jody;Andre, Bartley K.;Bataillou, Jeremy;Coster, Daniel J.;De Iuliis, Daniele;Hankey, Evans;Hoenig, Julian;Howarth, Richard P.;Ive, Jonathan P.;Kerr, Duncan Robert;Nishibori, Shin;Rohrbach, Matthew Dean;Russell-Clarke, Peter;Stringer, Christopher J.;Whang, Eugene Antony;**  
 03-01C, 03-99, Case, (US, 06 Mar 2012) 06 Sep 2012

14397/2012

**Applications Lapsed**

- |                       |                         |
|-----------------------|-------------------------|
| 10986 / 2012 (02-02C) | 11085 / 2012 (07-01C)   |
| 11327 / 2012 (02-99)  | 11801 / 2012 (06-01NES) |
| 11802 / 2012 (06-01E) | 11803 / 2012 (06-01NES) |
| 12707 / 2012 (09-01K) | 12843 / 2012 (21-04)    |
| 13033 / 2012 (19-08)  |                         |

**Extension of Period of Registration of Designs**

**Registrations Ceased**

314560            314563            315783  
 316216            316659            316660  
 316661            316662            316663  
 316664            316665            316666  
 316667            316668            316931  
 316932            317011            317012  
 317013            317015            317212  
 317213            317214            317256  
 317257            317258            317259  
 317328            317341            317348  
 317355            317380            317382  
 317424            317426            317433  
 317452            317453            317454  
 317469            317476            317504  
 317505            317506            317507  
 317511            317512            317519  
 317520            317521            317522  
 317523            317524            317542  
 317543            317544            317546  
 317547            317548            317549  
 317550            317551            317552  
 317571            317582            317585  
 317586            317616            317665  
 317666            317667            317705  
 317729            317734            317735  
 317736            317789            317790  
 317791            317792            317798  
 317799            317800            317802  
 317819            317839            317840  
 317853            317866            317867  
 317868            317869            317870  
 317871            317903            317917  
 317918            317923            317925  
 317926            317962            317975  
 317976            317977            317978  
 317979            317980            318022  
 318023            318075            318091  
 318131            318135            318136  
 318183            318311            318370  
 318389            318430            318434  
 318443            318456            318469  
 318472            318498            318499  
 318500            318501            318522  
 318728            318915            318916  
 318917            318981            318982  
 318983            318984            319191  
 319192            319193            319194  
 319418            319452            319860  
 319861            319862            321070

313387            313507            313743  
 314143            314178            314234  
 314235            314240            314241  
 314242            314243            314268  
 314270            314271            314274  
 314284            314285            314286  
 314287            314288            314291  
 314292            314302            314327  
 314329            314333            314335  
 314339            314341            314347  
 314348            314349            314350  
 314351            314352            314353  
 314354            314365            314366  
 314368            314374            314375  
 314384            314404            314405  
 314406            314407            314410  
 314411            314412            314413  
 314414            314415            314416  
 314419            314424            314425  
 314426            314427            314428  
 314429            314430            314434  
 314435            314436            314437  
 314438            314439            314440  
 314441            314442            314467  
 314468            314469            314470  
 314471            314472            314473  
 314483            314497            314498  
 314499            314500            314501  
 314502            314503            314505  
 314506            314507            314519  
 314524            314526            314527  
 314528            314529            314530  
 314531            314532            314533  
 314534            314536            314537  
 314551            314552            314554  
 314559            314561            314562  
 314564            314571            314589  
 314600            314618            314619  
 314623            314624            314625  
 314627            314628            314647  
 314648            314649            314650  
 314664            314723            314848  
 314870            314965            315216  
 315404            315456            315457  
 315458            315459            315460  
 315461            315476            315573  
 315574            315688            316061  
 316614            316960            317629  
 317630            317631            317632  
 318177            318178            339761  
 339762            339938            339965  
 340329            342242

**Extensions of time granted under Section 137**

Applications lodged under section 137 for extension of time have been granted.

13484/2011 **Forever New Clothing Pty Ltd**

12471/2012 **Daniel Malone**

344496 **Virginia Vasquez**

344509 **Container Pty Ltd**

12919/2012 **Cory Allan**

12920/2012 **Cory Allan**

12921/2012 **Cory Allan**

**Names Registered - Alterations and Amendments**

(The name in parentheses is that of the subsequent applicant)

- 342613 ( **JETS Swimwear Pty Limited** ) JETS Swimwear Pty Ltd
- 342614 ( **JETS Swimwear Pty Limited** ) JETS Swimwear Pty Ltd
- 342615 ( **JETS Swimwear Pty Limited** ) JETS Swimwear Pty Ltd
- 342616 ( **JETS Swimwear Pty Limited** ) JETS Swimwear Pty Ltd
- 342617 ( **JETS Swimwear Pty Limited** ) JETS Swimwear Pty Ltd
- 342618 ( **JETS Swimwear Pty Limited** ) JETS Swimwear Pty Ltd
- 342619 ( **JETS Swimwear Pty Limited** ) JETS Swimwear Pty Ltd
- 342620 ( **JETS Swimwear Pty Limited** ) JETS Swimwear Pty Ltd
- 342612 ( **JETS Swimwear Pty Limited** ) JETS Swimwear Pty Ltd

**Certificate(s) of Examination**

Examination of the following Design Registration(s) has been completed. Infringement proceedings may now be commenced.

322966	03-01A	24/09/2012
323008	15-01	18/09/2012
327244	06-13B	13/09/2012
327245	06-13B	13/09/2012
333743	02-01A	13/09/2012
338441	14-02	17/09/2012
339196	08-06	19/09/2012
341364	07-02N	24/09/2012
341758	10-04	14/09/2012
341759	10-04	14/09/2012
342033	10-04	14/09/2012
342352	06-06E	21/09/2012
342431	23-01A	24/05/2012
342642	28-03A	13/09/2012
342979	11-01E	07/09/2012
342980	13-03E	10/09/2012
343017	06-03C	24/09/2012
343136	23-01C	19/09/2012
343206	23-01A	18/09/2012
343207	23-01A	18/09/2012
343236	09-01G	19/09/2012
343253	02-04NES	20/09/2012
343254	02-04NES	20/09/2012
343254	02-04NES	20/09/2012
343334	28-03A	13/09/2012
343335	28-03A	13/09/2012
343336	28-03A	13/09/2012
343337	28-03A	13/09/2012
343338	28-03A	11/09/2012
343514	04-02	10/09/2012
343554	31-00	12/09/2012
343609	08-05NES	24/09/2012
343865	07-07A	17/09/2012
343938	10-04	18/09/2012
343939	10-04	18/09/2012
344019	03-01NES	20/09/2012
344025	14-02	24/09/2012

**Publication and Registration Proceedings**

**Designs Registered**

This section provides a concordance between design number and registration number of Designs covered in this journal. It also shows the main class and registration date.

This section covers Registration numbers 344278 to 344508 .

The registration number shown below should be used in all future correspondence.

<b>Design Number</b>	<b>Registration Number</b>	<b>International Classification Code (IDC)</b>	<b>Registration Date</b>	<b>Design Number</b>	<b>Registration Number</b>	<b>International Classification Code (IDC)</b>	<b>Registration Date</b>
15497/2011	344406	28-03A	14/09/2012	13823/2012	344293	25-04	10/09/2012
10007/2012	344339	12-16A	12/09/2012	13826/2012	344294	03-01C	10/09/2012
10008/2012	344340	12-16A	12/09/2012	13827/2012	344295	03-01C	10/09/2012
10049/2012	344341	12-16A	12/09/2012	13828/2012	344296	03-01C	10/09/2012
10085/2012	344342	09-07A	12/09/2012	13829/2012	344297	07-05A	10/09/2012
10576/2012	344500	02-02NES	21/09/2012	13830/2012	344298	07-05A	10/09/2012
10683/2012	344495	08-08L	21/09/2012	13831/2012	344299	15-03B	10/09/2012
10684/2012	344489	08-08L	21/09/2012	13832/2012	344300	19-06	10/09/2012
11128/2012	344445	25-04	18/09/2012	13836/2012	344301	06-04NES	10/09/2012
11726/2012	344447	14-01	18/09/2012	13837/2012	344408	09-03M	17/09/2012
11797/2012	344448	09-07C	18/09/2012	13838/2012	344409	09-03M	17/09/2012
12121/2012	344349	11-01A	12/09/2012	13839/2012	344410	09-03M	17/09/2012
12568/2012	344496	06-13C	21/09/2012	13840/2012	344411	05-05NES	17/09/2012
12814/2012	344401	03-01B	14/09/2012	13841/2012	344412	05-05NES	17/09/2012
12815/2012	344402	03-01B	14/09/2012	13842/2012	344413	09-03M	17/09/2012
12816/2012	344403	03-01B	14/09/2012	13843/2012	344414	05-05D	17/09/2012
12817/2012	344404	03-01B	14/09/2012	13844/2012	344303	23-01A	10/09/2012
12818/2012	344405	03-01B	14/09/2012	13846/2012	344278	02-02NES	10/09/2012
12829/2012	344415	19-02	17/09/2012	13847/2012	344279	08-05K	10/09/2012
12858/2012	344407	08-01	14/09/2012	13848/2012	344472	12-05	19/09/2012
12911/2012	344416	07-02E	17/09/2012	13851/2012	344475	07-05D	19/09/2012
12926/2012	344386	10-02	14/09/2012	13853/2012	344280	01-01	10/09/2012
12952/2012	344387	23-02C	14/09/2012	13854/2012	344281	01-01	10/09/2012
12958/2012	344388	19-06	14/09/2012	13855/2012	344282	01-01	10/09/2012
12961/2012	344389	27-01	14/09/2012	13856/2012	344329	14-01	11/09/2012
12975/2012	344497	03-01B	21/09/2012	13857/2012	344330	14-01	11/09/2012
13026/2012	344427	14-02	17/09/2012	13858/2012	344480	02-02B	20/09/2012
13075/2012	344490	20-02E	21/09/2012	13859/2012	344331	23-01A	11/09/2012
13084/2012	344390	22-01	14/09/2012	13860/2012	344332	26-06	11/09/2012
13292/2012	344391	17-03	14/09/2012	13863/2012	344501	23-01E	24/09/2012
13293/2012	344392	17-03	14/09/2012	13864/2012	344333	07-05D	11/09/2012
13294/2012	344393	17-03	14/09/2012	13865/2012	344334	25-01K	11/09/2012
13335/2012	344449	06-01G	18/09/2012	13869/2012	344283	21-01C	10/09/2012
13391/2012	344450	06-01G	18/09/2012	13871/2012	344284	08-08B	10/09/2012
13407/2012	344498	23-01E	21/09/2012	13885/2012	344285	25-02F	10/09/2012
13499/2012	344474	26-05C	19/09/2012	13886/2012	344304	21-01C	10/09/2012
13568/2012	344476	23-04	19/09/2012	13887/2012	344305	12-15B	10/09/2012
13703/2012	344491	13-02	21/09/2012	13888/2012	344306	12-02	10/09/2012
13704/2012	344492	13-02	21/09/2012	13889/2012	344307	07-03	10/09/2012
13707/2012	344451	10-02	18/09/2012	13892/2012	344308	06-01G	10/09/2012
13708/2012	344473	10-07	19/09/2012	13893/2012	344309	06-01G	10/09/2012
13721/2012	344394	23-02B	14/09/2012	13894/2012	344310	06-01G	10/09/2012
13780/2012	344395	25-02B	14/09/2012	13895/2012	344311	12-16A	10/09/2012
13784/2012	344396	08-08H	14/09/2012	13896/2012	344312	12-16NES	10/09/2012
13785/2012	344397	08-08H	14/09/2012	13897/2012	344313	12-16A	10/09/2012
13786/2012	344398	08-05P	14/09/2012	13898/2012	344314	26-05A	10/09/2012
13808/2012	344399	09-03F	14/09/2012	13899/2012	344315	14-03NES	10/09/2012
13818/2012	344290	15-09	10/09/2012	13900/2012	344316	13-02	10/09/2012
13821/2012	344291	25-01F	10/09/2012	13901/2012	344317	13-02	10/09/2012
13822/2012	344292	25-04	10/09/2012	13902/2012	344318	13-02	10/09/2012

Publication and Registration Proceedings - Designs Registered cont'd

Design Number	Registration Number	International Classification Code (IDC)	Registration Date	Design Number	Registration Number	International Classification Code (IDC)	Registration Date
13903/2012	344286	13-02	10/09/2012	13975/2012	344444	23-02F	17/09/2012
13904/2012	344287	13-02	10/09/2012	13977/2012	344371	09-07B	13/09/2012
13905/2012	344288	21-01N	10/09/2012	13982/2012	344372	07-02NES	13/09/2012
13907/2012	344335	02-99	11/09/2012	13988/2012	344507	15-99	24/09/2012
13908/2012	344336	24-01	11/09/2012	14008/2012	344499	22-05	21/09/2012
13909/2012	344337	02-99	11/09/2012	14009/2012	344373	09-03NES	13/09/2012
13910/2012	344338	24-01	11/09/2012	14010/2012	344374	08-08B	13/09/2012
13911/2012	344319	13-02	11/09/2012	14011/2012	344375	23-04	13/09/2012
13912/2012	344320	23-04	11/09/2012	14012/2012	344376	15-03A	13/09/2012
13913/2012	344321	10-07	11/09/2012	14013/2012	344377	15-03A	13/09/2012
13914/2012	344322	10-07	11/09/2012	14029/2012	344378	12-15B	13/09/2012
13915/2012	344323	10-07	11/09/2012	14030/2012	344379	12-15B	13/09/2012
13916/2012	344324	14-04	11/09/2012	14031/2012	344380	09-01G	13/09/2012
13917/2012	344325	24-01	11/09/2012	14035/2012	344381	21-04	13/09/2012
13921/2012	344326	09-01H	11/09/2012	14038/2012	344382	25-02C	13/09/2012
13923/2012	344327	30-04	11/09/2012	14039/2012	344383	22-05	13/09/2012
13927/2012	344328	09-07A	11/09/2012	14040/2012	344384	06-06C	13/09/2012
13928/2012	344355	07-02L	12/09/2012	14041/2012	344385	06-06C	13/09/2012
13929/2012	344356	15-05	12/09/2012	14048/2012	344400	07-01D	14/09/2012
13930/2012	344357	21-02E	12/09/2012	14050/2012	344417	24-02	17/09/2012
13931/2012	344358	25-01K	12/09/2012	14099/2012	344418	08-08M	17/09/2012
13932/2012	344359	09-03F	12/09/2012	14100/2012	344419	07-01B	17/09/2012
13933/2012	344360	09-03F	12/09/2012	14115/2012	344420	12-16NES	17/09/2012
13934/2012	344361	09-03F	12/09/2012	14116/2012	344421	24-01	17/09/2012
13935/2012	344362	09-03F	12/09/2012	14117/2012	344422	24-01	17/09/2012
13936/2012	344363	09-03F	12/09/2012	14118/2012	344423	24-01	17/09/2012
13937/2012	344364	09-03F	12/09/2012	14119/2012	344424	24-01	17/09/2012
13938/2012	344365	09-03F	12/09/2012	14124/2012	344425	09-03M	17/09/2012
13939/2012	344366	09-03F	12/09/2012	14125/2012	344426	09-03M	17/09/2012
13940/2012	344367	09-03F	12/09/2012	14126/2012	344454	12-15A	18/09/2012
13941/2012	344368	09-03F	12/09/2012	14132/2012	344455	19-06	18/09/2012
13942/2012	344369	09-03F	12/09/2012	14134/2012	344456	09-03M	18/09/2012
13943/2012	344370	09-03F	12/09/2012	14135/2012	344457	09-03M	18/09/2012
13944/2012	344343	09-03F	12/09/2012	14136/2012	344458	09-03M	18/09/2012
13945/2012	344344	09-03F	12/09/2012	14137/2012	344459	09-03M	18/09/2012
13946/2012	344345	07-02N	12/09/2012	14138/2012	344460	09-03M	18/09/2012
13947/2012	344346	07-02N	12/09/2012	14139/2012	344461	09-03M	18/09/2012
13948/2012	344347	07-02N	12/09/2012	14140/2012	344462	09-03M	18/09/2012
13949/2012	344348	09-01NES	12/09/2012	14141/2012	344463	09-03M	18/09/2012
13951/2012	344430	25-04	17/09/2012	14143/2012	344464	12-08	18/09/2012
13952/2012	344452	25-04	18/09/2012	14144/2012	344465	12-08	18/09/2012
13953/2012	344431	25-02H	17/09/2012	14145/2012	344466	12-08	18/09/2012
13954/2012	344289	24-02	10/09/2012	14164/2012	344467	01-01	18/09/2012
13959/2012	344432	23-01C	17/09/2012	14165/2012	344468	07-02E	18/09/2012
13960/2012	344433	23-01C	17/09/2012	14167/2012	344453	25-01G	18/09/2012
13961/2012	344434	23-01C	17/09/2012	14169/2012	344469	01-01	19/09/2012
13962/2012	344435	23-01C	17/09/2012	14180/2012	344470	26-04	19/09/2012
13963/2012	344436	23-01C	17/09/2012	14181/2012	344471	26-04	19/09/2012
13964/2012	344437	23-01C	17/09/2012	14190/2012	344477	15-05	19/09/2012
13965/2012	344438	23-04	17/09/2012	14191/2012	344478	13-02	19/09/2012
13966/2012	344439	23-04	17/09/2012	14198/2012	344479	07-02NES	19/09/2012
13967/2012	344440	23-04	17/09/2012	14210/2012	344350	11-01A	12/09/2012
13968/2012	344441	23-04	17/09/2012	14211/2012	344351	11-01C	12/09/2012
13969/2012	344442	23-04	17/09/2012	14212/2012	344352	11-01NES	12/09/2012
13974/2012	344443	07-01NES	17/09/2012	14213/2012	344353	11-01NES	12/09/2012

Publication and Registration Proceedings - Designs Registered cont'd

Design Number	Registration Number	International Classification Code (IDC)	Registration Date	Design Number	Registration Number	International Classification Code (IDC)	Registration Date
14214/2012	344354	11-01NES	12/09/2012	14251/2012	344494	23-01H	21/09/2012
14218/2012	344481	25-01C	20/09/2012	14286/2012	344508	12-08	24/09/2012
14219/2012	344482	25-01C	20/09/2012	14334/2012	344502	23-01E	24/09/2012
14220/2012	344483	09-01B	20/09/2012	14335/2012	344503	23-01E	24/09/2012
14221/2012	344484	15-03A	20/09/2012	14336/2012	344504	23-01E	24/09/2012
14222/2012	344485	15-03A	20/09/2012	14337/2012	344505	23-01E	24/09/2012
14223/2012	344486	08-07	20/09/2012	14338/2012	344506	23-01E	24/09/2012
14226/2012	344487	02-02NES	20/09/2012	14488/2012	344428	14-02	17/09/2012
14227/2012	344446	10-02	20/09/2012	14489/2012	344429	14-02	17/09/2012
14228/2012	344488	10-02	20/09/2012				
14239/2012	344302	06-04NES	10/09/2012				
14250/2012	344493	23-01H	21/09/2012				

**Publication and Registration Proceedings**

**Class Listing of Designs Published or Registered**

The following section shows an International Classification Code listing of the Registered or Published Designs covered in this supplement.

<b>Classification</b>	<b>Registration Number</b>	<b>Design Number</b>	<b>Classification</b>	<b>Registration Number</b>	<b>Design Number</b>
01-01	344280	13853/2012	08-07	344486	14223/2012
01-01	344281	13854/2012	08-08B	344284	13871/2012
01-01	344282	13855/2012	08-08B	344374	14010/2012
01-01	344467	14164/2012	08-08H	344396	13784/2012
01-01	344469	14169/2012	08-08H	344397	13785/2012
02-02B	344480	13858/2012	08-08L	344489	10684/2012
02-02NES	344278	13846/2012	08-08L	344495	10683/2012
02-02NES	344487	14226/2012	08-08M	344418	14099/2012
02-02NES	344500	10576/2012	09-01B	344483	14220/2012
02-99	344335	13907/2012	09-01G	344380	14031/2012
02-99	344337	13909/2012	09-01H	344326	13921/2012
03-01B	344401	12814/2012	09-01NES	344348	13949/2012
03-01B	344402	12815/2012	09-03F	344343	13944/2012
03-01B	344403	12816/2012	09-03F	344344	13945/2012
03-01B	344404	12817/2012	09-03F	344359	13932/2012
03-01B	344405	12818/2012	09-03F	344360	13933/2012
03-01B	344497	12975/2012	09-03F	344361	13934/2012
03-01C	344294	13826/2012	09-03F	344362	13935/2012
03-01C	344295	13827/2012	09-03F	344363	13936/2012
03-01C	344296	13828/2012	09-03F	344364	13937/2012
05-05D	344414	13843/2012	09-03F	344365	13938/2012
05-05NES	344411	13840/2012	09-03F	344366	13939/2012
05-05NES	344412	13841/2012	09-03F	344367	13940/2012
06-01G	344308	13892/2012	09-03F	344368	13941/2012
06-01G	344309	13893/2012	09-03F	344369	13942/2012
06-01G	344310	13894/2012	09-03F	344370	13943/2012
06-01G	344449	13335/2012	09-03F	344399	13808/2012
06-01G	344450	13391/2012	09-03G	344399	13808/2012
06-04NES	344301	13836/2012	09-03M	344408	13837/2012
06-04NES	344302	14239/2012	09-03M	344409	13838/2012
06-06C	344384	14040/2012	09-03M	344410	13839/2012
06-06C	344385	14041/2012	09-03M	344413	13842/2012
06-13C	344496	12568/2012	09-03M	344425	14124/2012
06-13NES	344496	12568/2012	09-03M	344426	14125/2012
07-01B	344419	14100/2012	09-03M	344456	14134/2012
07-01D	344400	14048/2012	09-03M	344457	14135/2012
07-01NES	344443	13974/2012	09-03M	344458	14136/2012
07-02E	344416	12911/2012	09-03M	344459	14137/2012
07-02E	344468	14165/2012	09-03M	344460	14138/2012
07-02L	344355	13928/2012	09-03M	344461	14139/2012
07-02N	344345	13946/2012	09-03M	344462	14140/2012
07-02N	344346	13947/2012	09-03M	344463	14141/2012
07-02N	344347	13948/2012	09-03NES	344372	13982/2012
07-02NES	344372	13982/2012	09-03NES	344373	14009/2012
07-02NES	344479	14198/2012	09-07A	344328	13927/2012
07-03	344307	13889/2012	09-07A	344342	10085/2012
07-05A	344297	13829/2012	09-07B	344371	13977/2012
07-05A	344298	13830/2012	09-07C	344448	11797/2012
07-05D	344333	13864/2012	10-02	344386	12926/2012
07-05D	344475	13851/2012	10-02	344446	14227/2012
08-01	344407	12858/2012	10-02	344451	13707/2012
08-05K	344279	13847/2012	10-02	344488	14228/2012
08-05P	344398	13786/2012	10-07	344321	13913/2012

Registration Proceedings - Class Listing of Designs Published or Registered cont'd

Classification	Registration Number	Design Number	Classification	Registration Number	Design Number
10-07	344322	13914/2012	17-03	344392	13293/2012
10-07	344323	13915/2012	17-03	344393	13294/2012
10-07	344473	13708/2012	19-02	344415	12829/2012
11-01A	344349	12121/2012	19-06	344300	13832/2012
11-01A	344350	14210/2012	19-06	344388	12958/2012
11-01C	344351	14211/2012	19-06	344455	14132/2012
11-01NES	344352	14212/2012	20-02E	344490	13075/2012
11-01NES	344353	14213/2012	21-01C	344283	13869/2012
11-01NES	344354	14214/2012	21-01C	344304	13886/2012
12-02	344306	13888/2012	21-01C	344508	14286/2012
12-05	344472	13848/2012	21-01N	344288	13905/2012
12-08	344283	13869/2012	21-01NES	344388	12958/2012
12-08	344304	13886/2012	21-02E	344357	13930/2012
12-08	344464	14143/2012	21-04	344381	14035/2012
12-08	344465	14144/2012	22-01	344390	13084/2012
12-08	344466	14145/2012	22-05	344383	14039/2012
12-08	344508	14286/2012	22-05	344499	14008/2012
12-15A	344454	14126/2012	23-01A	344303	13844/2012
12-15B	344305	13887/2012	23-01A	344331	13859/2012
12-15B	344378	14029/2012	23-01C	344432	13959/2012
12-15B	344379	14030/2012	23-01C	344433	13960/2012
12-16A	344311	13895/2012	23-01C	344434	13961/2012
12-16A	344313	13897/2012	23-01C	344435	13962/2012
12-16A	344339	10007/2012	23-01C	344436	13963/2012
12-16A	344340	10008/2012	23-01C	344437	13964/2012
12-16A	344341	10049/2012	23-01E	344436	13963/2012
12-16NES	344312	13896/2012	23-01E	344437	13964/2012
12-16NES	344420	14115/2012	23-01E	344498	13407/2012
12-16NES	344472	13848/2012	23-01E	344501	13863/2012
13-02	344286	13903/2012	23-01E	344502	14334/2012
13-02	344287	13904/2012	23-01E	344503	14335/2012
13-02	344316	13900/2012	23-01E	344504	14336/2012
13-02	344317	13901/2012	23-01E	344505	14337/2012
13-02	344318	13902/2012	23-01E	344506	14338/2012
13-02	344319	13911/2012	23-01H	344493	14250/2012
13-02	344478	14191/2012	23-01H	344494	14251/2012
13-02	344491	13703/2012	23-02B	344394	13721/2012
13-02	344492	13704/2012	23-02C	344387	12952/2012
14-01	344329	13856/2012	23-02F	344444	13975/2012
14-01	344330	13857/2012	23-04	344285	13885/2012
14-01	344447	11726/2012	23-04	344319	13911/2012
14-02	344427	13026/2012	23-04	344320	13912/2012
14-02	344428	14488/2012	23-04	344335	13907/2012
14-02	344429	14489/2012	23-04	344336	13908/2012
14-03NES	344315	13899/2012	23-04	344337	13909/2012
14-04	344324	13916/2012	23-04	344338	13910/2012
15-03A	344376	14012/2012	23-04	344375	14011/2012
15-03A	344377	14013/2012	23-04	344438	13965/2012
15-03A	344484	14221/2012	23-04	344439	13966/2012
15-03A	344485	14222/2012	23-04	344440	13967/2012
15-03B	344299	13831/2012	23-04	344441	13968/2012
15-05	344356	13929/2012	23-04	344442	13969/2012
15-05	344477	14190/2012	23-04	344476	13568/2012
15-09	344290	13818/2012	24-01	344319	13911/2012
15-99	344507	13988/2012	24-01	344320	13912/2012
17-03	344391	13292/2012	24-01	344325	13917/2012

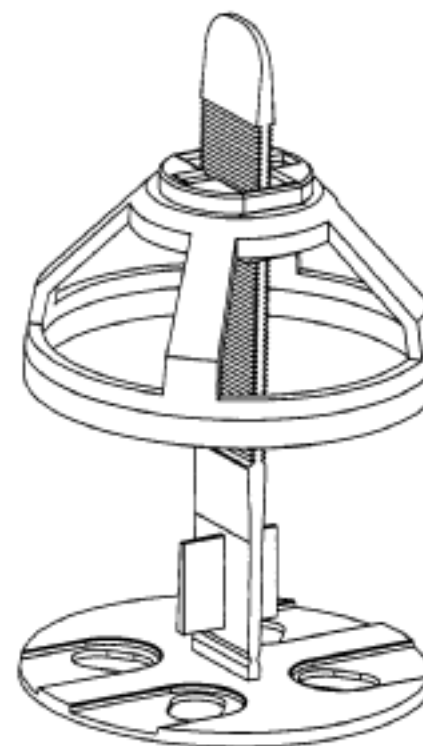
Registration Proceedings - Class Listing of Designs Published or Registered cont'd

Classification	Registration Number	Design Number	Classification	Registration Number	Design Number
24-01	344336	13908/2012	25-02C	344382	14038/2012
24-01	344338	13910/2012	25-02F	344285	13885/2012
24-01	344421	14116/2012	25-02H	344431	13953/2012
24-01	344422	14117/2012	25-04	344292	13822/2012
24-01	344423	14118/2012	25-04	344293	13823/2012
24-01	344424	14119/2012	25-04	344430	13951/2012
24-02	344289	13954/2012	25-04	344445	11128/2012
24-02	344417	14050/2012	25-04	344452	13952/2012
24-04	344335	13907/2012	26-04	344470	14180/2012
24-04	344337	13909/2012	26-04	344471	14181/2012
24-04	344487	14226/2012	26-05A	344314	13898/2012
24-99	344335	13907/2012	26-05C	344474	13499/2012
24-99	344337	13909/2012	26-05E	344474	13499/2012
25-01C	344481	14218/2012	26-06	344332	13860/2012
25-01C	344482	14219/2012	27-01	344389	12961/2012
25-01F	344291	13821/2012	27-99	344389	12961/2012
25-01G	344453	14167/2012	28-03A	344406	15497/2011
25-01K	344334	13865/2012	30-04	344327	13923/2012
25-01K	344358	13931/2012			
25-02B	344395	13780/2012			

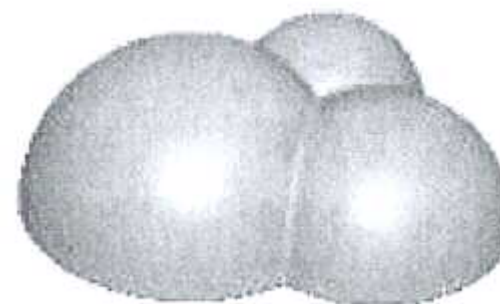
(21) Design Number: **13846/2012**  
(22) Date of Filing Application: **08 August 2012**  
(24) Date from which industrial property rights may have effect: **08 August 2012**  
(54) Product in respect of which the design is registered: **Long jacket**  
(51) International Design Classification: **02-02NES**  
(74) Name(s) of Attorney(s): **Madderns**  
(71) Name(s) and Address(s) of Applicant(s):  
**Yeriv Reisler**  
**20 St Mochtas Close Clonsilla Dublin 15 Ireland**  
(72) Name(s) of Designer(s): **Yeriv Reisler**  
(45) Registration Date: **10 September 2012**  
(30) Convention priority data:  
(31) Number (32) Date (33) Country  
**29/412824 08 Feb 2012 UNITED STATES OF AMERICA**  
(56) Related Art Documents: **Not Applicable**  
(57) Statement of Newness and Distinctiveness: **Nil**



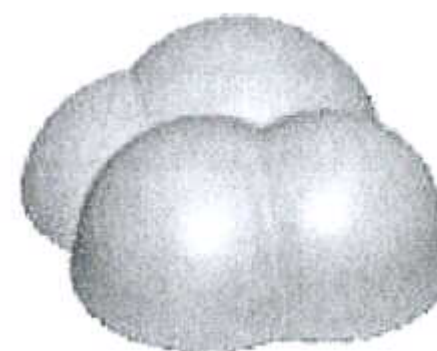
(21) Design Number: **13847/2012**  
(22) Date of Filing Application: **08 August 2012**  
(24) Date from which industrial property rights may have effect: **08 August 2012**  
(54) Product in respect of which the design is registered: **Tile leveller and spacer**  
(51) International Design Classification: **08-05K**  
(74) Name(s) of Attorney(s): **Madderns**  
(71) Name(s) and Address(s) of Applicant(s):  
**ME Innovations Pty Ltd**  
**34 Barnett Avenue Glynde South Australia 5070 Australia**  
(72) Name(s) of Designer(s): **Enzo Nudo and Michael Irvine**  
(45) Registration Date: **10 September 2012**  
(56) Related Art Documents: **Not Applicable**  
(57) Statement of Newness and Distinctiveness: **Nil**



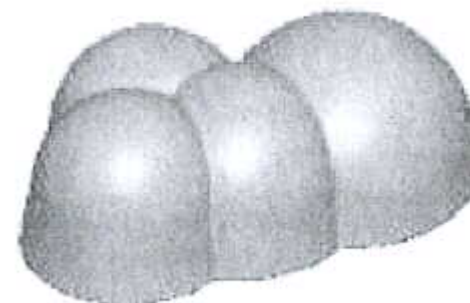
(21) Design Number: **13853/2012**  
(22) Date of Filing Application: **08 August 2012**  
(24) Date from which industrial property rights may have effect: **08 August 2012**  
(54) Product in respect of which the design is registered: **Confectionery**  
(51) International Design Classification: **01-01**  
(74) Name(s) of Attorney(s): **Griffith Hack**  
(71) Name(s) and Address(s) of Applicant(s):  
**Cadbury UK Limited**  
**PO Box 12 Bournville Lane Bournville Birmingham West Midlands B30**  
**2LU United Kingdom**  
(72) Name(s) of Designer(s): **Anita Heritage and Catherine Wardle and Ricardo**  
**Carvajal**  
(45) Registration Date: **10 September 2012**  
(30) Convention priority data:  
(31) Number (32) Date (33) Country  
**002005900 09 Mar 2012 EUROPEAN COMMUNITY**  
(56) Related Art Documents: **Not Applicable**  
(57) Statement of Newness and Distinctiveness: **Nil**



(21) Design Number: **13854/2012**  
(22) Date of Filing Application: **08 August 2012**  
(24) Date from which industrial property rights may have effect: **08 August 2012**  
(54) Product in respect of which the design is registered: **Confectionery**  
(51) International Design Classification: **01-01**  
(74) Name(s) of Attorney(s): **Griffith Hack**  
(71) Name(s) and Address(s) of Applicant(s):  
**Cadbury UK Limited**  
**PO Box 12 Bournville Lane Bournville Birmingham West Midlands B30**  
**2LU United Kingdom**  
(72) Name(s) of Designer(s): **Anita Heritage and Catherine Wardle and Ricardo**  
**Carvajal**  
(45) Registration Date: **10 September 2012**  
(30) Convention priority data:  
(31) Number (32) Date (33) Country  
**002005900 09 Mar 2012 EUROPEAN COMMUNITY**  
(56) Related Art Documents: **Not Applicable**  
(57) Statement of Newness and Distinctiveness: **Nil**



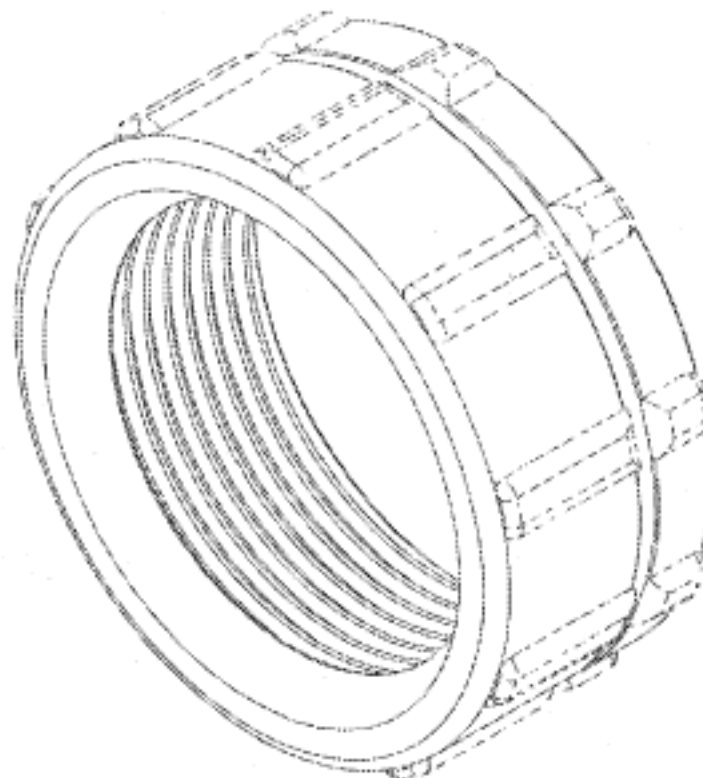
(21) Design Number: **13855/2012**  
(22) Date of Filing Application: **08 August 2012**  
(24) Date from which industrial property rights may have effect: **08 August 2012**  
(54) Product in respect of which the design is registered: **Confectionery**  
(51) International Design Classification: **01-01**  
(74) Name(s) of Attorney(s): **Griffith Hack**  
(71) Name(s) and Address(s) of Applicant(s):  
**Cadbury UK Limited**  
**PO Box 12 Bournville Lane Bournville Birmingham West Midlands B30**  
**2LU United Kingdom**  
(72) Name(s) of Designer(s): **Anita Heritage and Catherine Wardle and Ricardo**  
**Carvajal**  
(45) Registration Date: **10 September 2012**  
(30) Convention priority data:  
(31) Number (32) Date (33) Country  
**002005900 09 Mar 2012 EUROPEAN COMMUNITY**  
(56) Related Art Documents: **Not Applicable**  
(57) Statement of Newness and Distinctiveness: **Nil**



(21) Design Number: **13869/2012**  
(22) Date of Filing Application: **09 August 2012**  
(24) Date from which industrial property rights may have effect: **09 August 2012**  
(54) Product in respect of which the design is registered: **Car and toy-car**  
(51) International Design Classification: **21-01C, 12-08**  
(74) Name(s) of Attorney(s): **PHILLIPS ORMONDE FITZPATRICK**  
(71) Name(s) and Address(s) of Applicant(s):  
**Automobili Lamborghini S.p.A.**  
**Via Modena 12 40019 Sant'Agata Bolognese (BO) Italy**  
(72) Name(s) of Designer(s): **Filippo Perini**  
(45) Registration Date: **10 September 2012**  
(30) Convention priority data:  
(31) Number (32) Date (33) Country  
**001989781-0001 10 Feb 2012 EUROPEAN COMMUNITY**  
(56) Related Art Documents: **Not Applicable**  
(57) Statement of Newness and Distinctiveness: **Those features of the car and**  
**toy-car depicted in the representations that are new and distinctive are**  
**the shape and/or configuration. The word "Lamborghini", the badging,**  
**wheels and tyres of the car and toy-car are not part of the design and are**  
**to be disregarded when considering the overall impression of the design.**



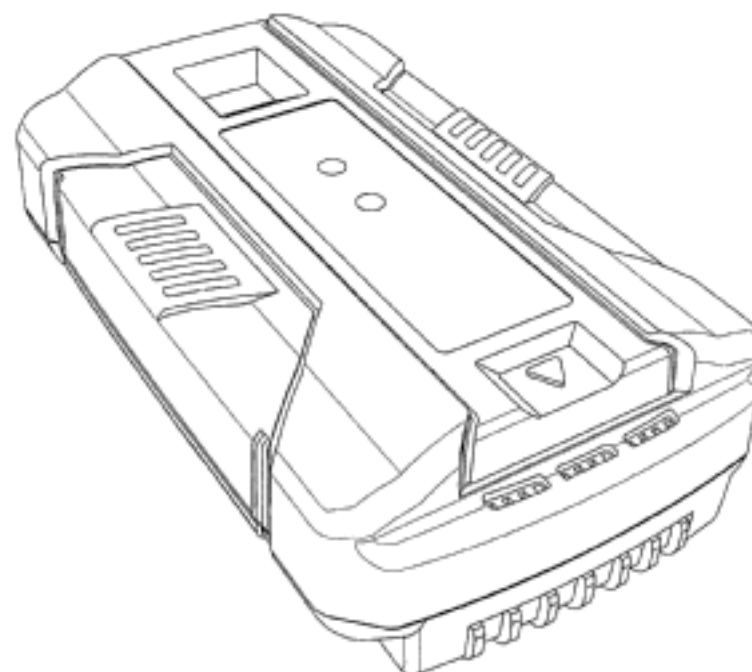
(21) Design Number: **13871/2012**  
(22) Date of Filing Application: **10 August 2012**  
(24) Date from which industrial property rights may have effect: **10 August 2012**  
(54) Product in respect of which the design is registered: **A nut**  
(51) International Design Classification: **08-08B**  
(74) Name(s) of Attorney(s): **A J Park**  
(71) Name(s) and Address(s) of Applicant(s):  
**LAKE PRODUCTS LIMITED**  
**235 Vipond Road Stanmore Bay Whangaparaoa Auckland New Zealand**  
(72) Name(s) of Designer(s): **Andrew Leo Haynes and Gabriel Ioan Giurgiu and Michael John Sumner**  
(45) Registration Date: **10 September 2012**  
(30) Convention priority data:  
(31) Number (32) Date (33) Country  
**415857 15 Feb 2012 NEW ZEALAND**  
(56) Related Art Documents: **Not Applicable**  
(57) Statement of Newness and Distinctiveness: **Nil**



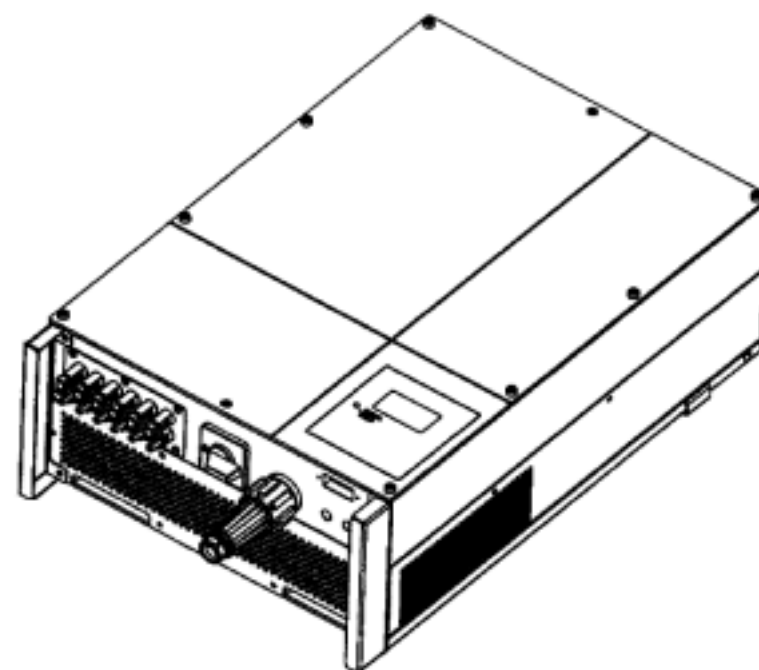
(21) Design Number: **13885/2012**  
(22) Date of Filing Application: **10 August 2012**  
(24) Date from which industrial property rights may have effect: **10 August 2012**  
(54) Product in respect of which the design is registered: **Roof tile exhaust duct**  
(51) International Design Classification: **25-02F, 23-04**  
(74) Name(s) of Attorney(s):  
(71) Name(s) and Address(s) of Applicant(s):  
**Kevin John Baker**  
**6 Sheehan Street Pearce ACT 2607 Australia**  
(72) Name(s) of Designer(s): **Kevin John Baker**  
(45) Registration Date: **10 September 2012**  
(56) Related Art Documents: **Not Applicable**  
(57) Statement of Newness and Distinctiveness: **Newness and distinctiveness is claimed in the shape and/or configuration of the roof tile exhaust duct as a whole as shown in representations.**



- (21) Design Number: **13903/2012**  
(22) Date of Filing Application: **10 August 2012**  
(24) Date from which industrial property rights may have effect: **10 August 2012**  
(54) Product in respect of which the design is registered: **Battery pack**  
(51) International Design Classification: **13-02**  
(74) Name(s) of Attorney(s): **Griffith Hack**  
(71) Name(s) and Address(s) of Applicant(s):  
**Techtronic Outdoor Products Technology Limited**  
**Canon's Court 22 Victoria Street Hamilton HM12 Bermuda**  
(72) Name(s) of Designer(s): **Matthew Corbin**  
(45) Registration Date: **10 September 2012**  
(30) Convention priority data:  
(31) Number (32) Date (33) Country  
**201230191589.X 23 May 2012 CHINA**  
(56) Related Art Documents: **Not Applicable**  
(57) Statement of Newness and Distinctiveness: **Nil**



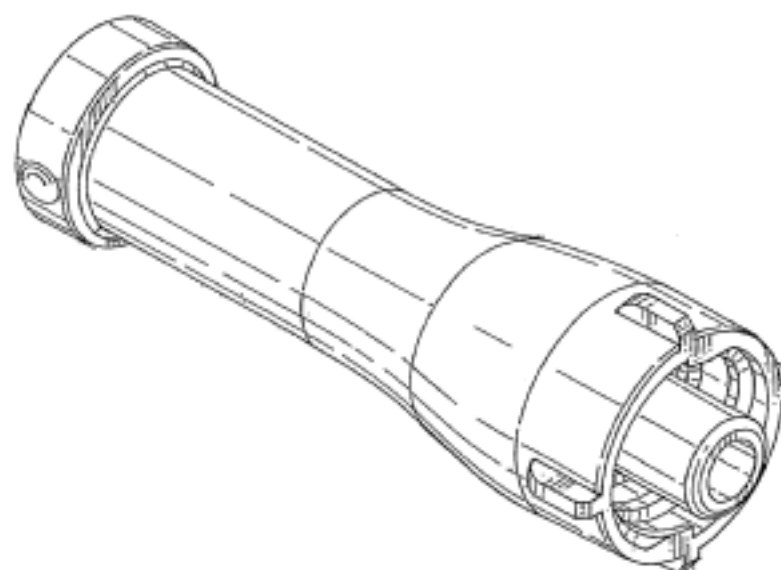
- (21) Design Number: **13904/2012**  
(22) Date of Filing Application: **10 August 2012**  
(24) Date from which industrial property rights may have effect: **10 August 2012**  
(54) Product in respect of which the design is registered: **Inverter with flat head cover**  
(51) International Design Classification: **13-02**  
(74) Name(s) of Attorney(s): **Shelston IP**  
(71) Name(s) and Address(s) of Applicant(s):  
**Shenzhen Growatt New Energy Technology Co., Ltd.**  
**3rd Floor West Bld NO.12.B Xicheng Ind Zone Xixiang St Bao'an District**  
**Shenzhen People's Republic of China**  
(72) Name(s) of Designer(s): **Jingwen Chen**  
(45) Registration Date: **10 September 2012**  
(56) Related Art Documents: **Not Applicable**  
(57) Statement of Newness and Distinctiveness: **Newness and distinctiveness reside in the features of shape and/or configuration of an inverter with flat head cover as illustrated in the accompanying representations.**



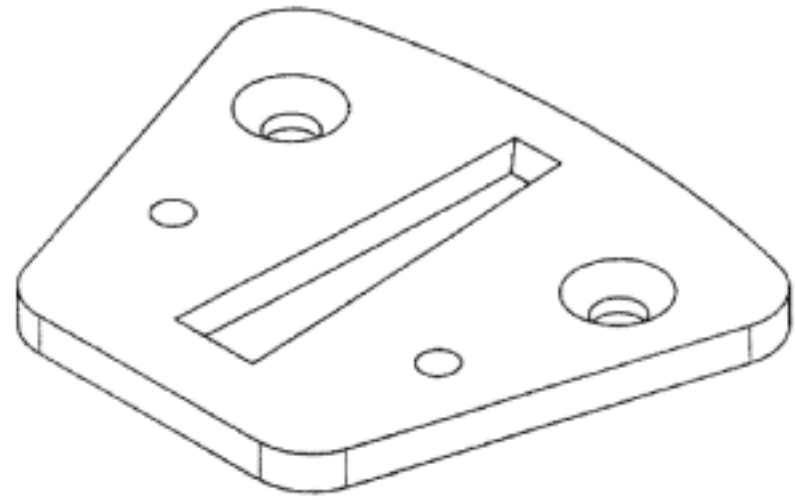
(21) Design Number: **13905/2012**  
(22) Date of Filing Application: **10 August 2012**  
(24) Date from which industrial property rights may have effect: **10 August 2012**  
(54) Product in respect of which the design is registered: **Game controller**  
(51) International Design Classification: **21-01N**  
(74) Name(s) of Attorney(s): **King & Wood Mallesons**  
(71) Name(s) and Address(s) of Applicant(s):  
**Wikipad, Inc.**  
**1801 Century Park East Suite 2400 Los Angeles CA 90067 United States of America**  
(72) Name(s) of Designer(s): **Ravi K Sawhney and Lance G Hussey and Nouredine Dia Malaeb and Young A Bang and Byron C Lee**  
(45) Registration Date: **10 September 2012**  
(30) Convention priority data:  
(31) Number (32) Date (33) Country  
**29/428,147 26 Jul 2012 UNITED STATES OF AMERICA**  
(56) Related Art Documents: **Not Applicable**  
(57) Statement of Newness and Distinctiveness: **The novelty of the design resides in the features and shape and/or configuration as shown in the accompanying representations.**



(21) Design Number: **13954/2012**  
(22) Date of Filing Application: **13 August 2012**  
(24) Date from which industrial property rights may have effect: **13 August 2012**  
(54) Product in respect of which the design is registered: **Dental material dispensing tube**  
(51) International Design Classification: **24-02**  
(74) Name(s) of Attorney(s):  
(71) Name(s) and Address(s) of Applicant(s):  
**CENTRIX, INC.**  
**770 River Road Shelton Connecticut 06484 United States of America**  
(72) Name(s) of Designer(s): **Ryan Dubey and Jay Grady and David K Saily**  
(45) Registration Date: **10 September 2012**  
(30) Convention priority data:  
(31) Number (32) Date (33) Country  
**29/413,845 21 Feb 2012 UNITED STATES OF AMERICA**  
(56) Related Art Documents: **Not Applicable**  
(57) Statement of Newness and Distinctiveness: **Visual features of the design which are new and distinctive are the features of shape and configuration of DENTAL MATERIAL DISPENSING TUBE as illustrated in the representations.**



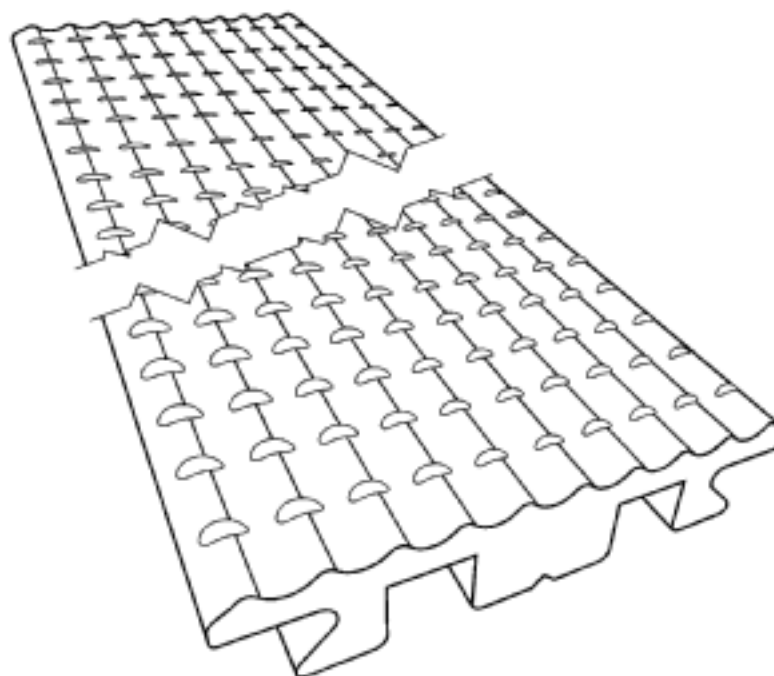
- (21) Design Number: **13818/2012**  
(22) Date of Filing Application: **07 August 2012**  
(24) Date from which industrial property rights may have effect: **07 August 2012**  
(54) Product in respect of which the design is registered: **Grinding tool**  
(51) International Design Classification: **15-09**  
(74) Name(s) of Attorney(s): **WATERMARK PATENT AND TRADE MARKS ATTORNEYS**  
(71) Name(s) and Address(s) of Applicant(s):  
**Scanmaskin Sweden AB**  
**Box 187 437 22 Lindome Sweden**  
(72) Name(s) of Designer(s): **Claes-Goran Bergstrand**  
(45) Registration Date: **10 September 2012**  
(30) Convention priority data:  
(31) Number (32) Date (33) Country  
**001988619-0001 08 Feb 2012 EUROPEAN COMMUNITY**  
(56) Related Art Documents: **Not Applicable**  
(57) Statement of Newness and Distinctiveness: **Nil**



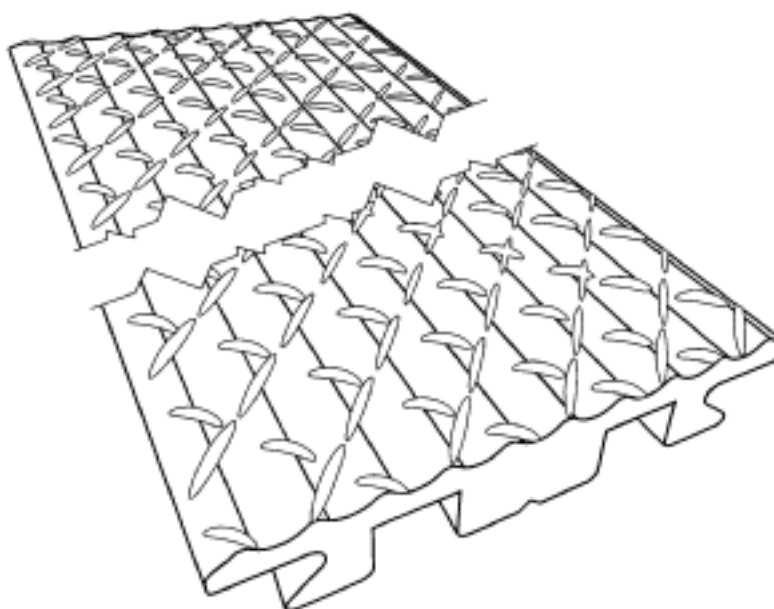
- (21) Design Number: **13821/2012**  
(22) Date of Filing Application: **07 August 2012**  
(24) Date from which industrial property rights may have effect: **07 August 2012**  
(54) Product in respect of which the design is registered: **Tesserae**  
(51) International Design Classification: **25-01F**  
(74) Name(s) of Attorney(s):  
(71) Name(s) and Address(s) of Applicant(s):  
**Everstone International Pty Limited**  
**20 Princes Road East Auburn New South Wales 2144 Australia**  
(72) Name(s) of Designer(s): **John Zeng**  
(45) Registration Date: **10 September 2012**  
(56) Related Art Documents: **Not Applicable**  
(57) Statement of Newness and Distinctiveness: **Newness and Distinctiveness is claimed in the shape and configuration of the tesserae shown in the attached representations. It is to be understood that a single general unit of the tesserae is shown; the unit can repeat indefinitely to extend the tesserae along a longitudinal axis.**



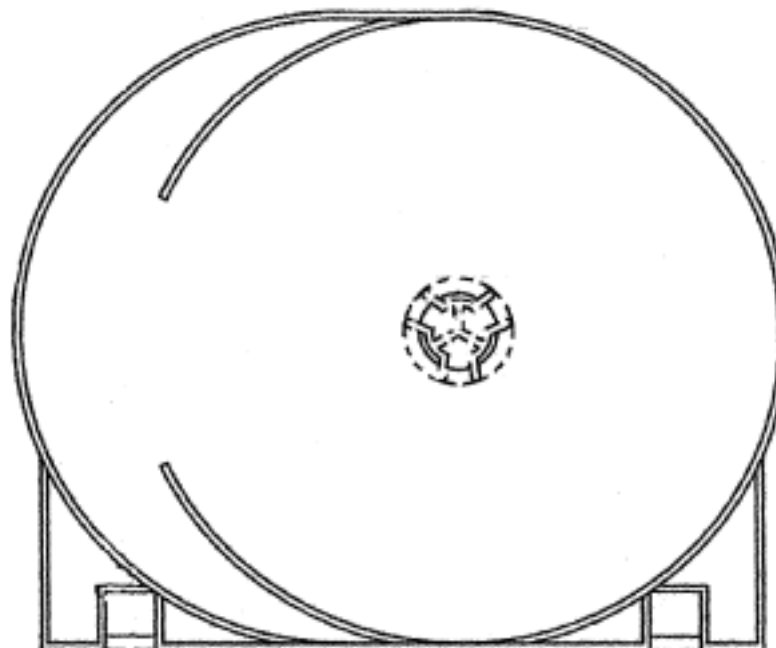
- (21) Design Number: **13822/2012**  
(22) Date of Filing Application: **07 August 2012**  
(24) Date from which industrial property rights may have effect: **07 August 2012**  
(54) Product in respect of which the design is registered: **Stair tread nose**  
(51) International Design Classification: **25-04**  
(74) Name(s) of Attorney(s): **Fisher Adams Kelly**  
(71) Name(s) and Address(s) of Applicant(s):  
**Palmer Steel Industries Pty Ltd**  
**429 Creek Road Mt Gravatt Queensland 4122 Australia**  
(72) Name(s) of Designer(s): **Greg McLaughlin**  
(45) Registration Date: **10 September 2012**  
(56) Related Art Documents: **Not Applicable**  
(57) Statement of Newness and Distinctiveness: **The newness and distinctiveness of the design resides in the shape and/or configuration of the STAIR TREAD NOSE shown in the representations.**



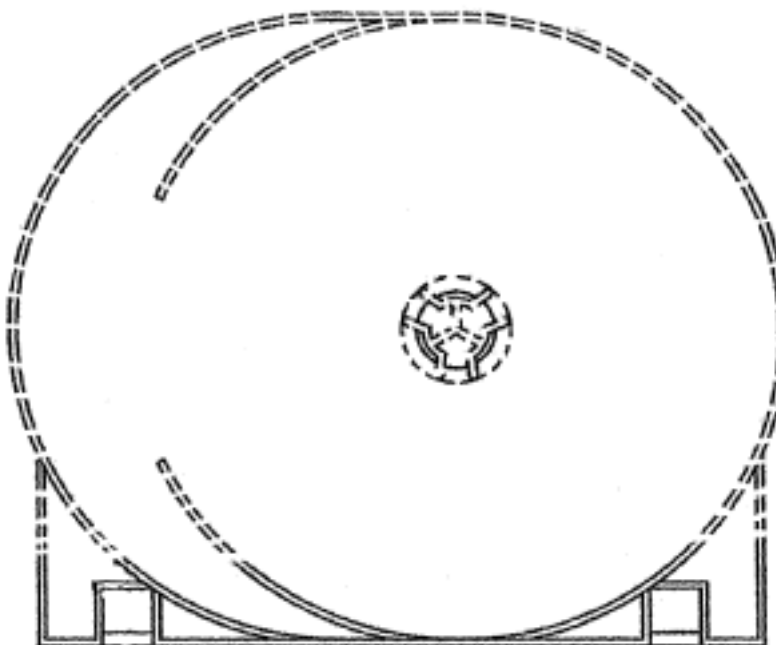
- (21) Design Number: **13823/2012**  
(22) Date of Filing Application: **07 August 2012**  
(24) Date from which industrial property rights may have effect: **07 August 2012**  
(54) Product in respect of which the design is registered: **Stair tread nose**  
(51) International Design Classification: **25-04**  
(74) Name(s) of Attorney(s): **Fisher Adams Kelly**  
(71) Name(s) and Address(s) of Applicant(s):  
**Palmer Steel Industries Pty Ltd**  
**429 Creek Road Mt Gravatt Queensland 4122 Australia**  
(72) Name(s) of Designer(s): **Greg McLaughlin**  
(45) Registration Date: **10 September 2012**  
(56) Related Art Documents: **Not Applicable**  
(57) Statement of Newness and Distinctiveness: **The newness and distinctiveness of the design resides in the shape and/or configuration of the STAIR TREAD NOSE shown in the representations.**



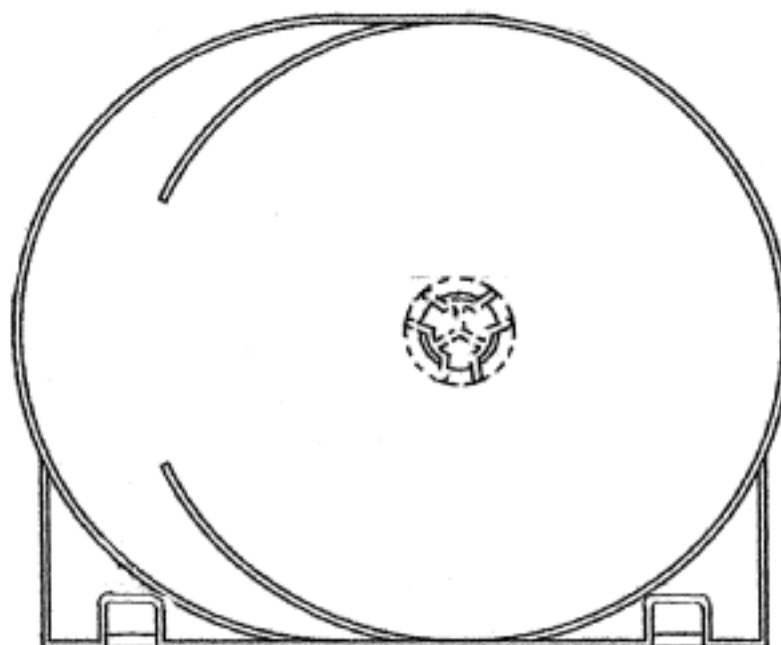
- (21) Design Number: **13826/2012**  
(22) Date of Filing Application: **07 August 2012**  
(24) Date from which industrial property rights may have effect: **07 August 2012**  
(54) Product in respect of which the design is registered: **Media tray**  
(51) International Design Classification: **03-01C**  
(74) Name(s) of Attorney(s): **Molins & Co**  
(71) Name(s) and Address(s) of Applicant(s):  
**Cleverbuild.Com Pty.Limited**  
**PO Box 7001 South Sydney BC Alexandria New South Wales Australia**  
**2015**  
(72) Name(s) of Designer(s): **Daniel Berkovic**  
(45) Registration Date: **10 September 2012**  
(56) Related Art Documents: **Not Applicable**  
(57) Statement of Newness and Distinctiveness: **Newness is claimed in the features of shape and configuration of the media tray as shown in the accompanying representations. Elements shown in dashed lines form no part of the design.**



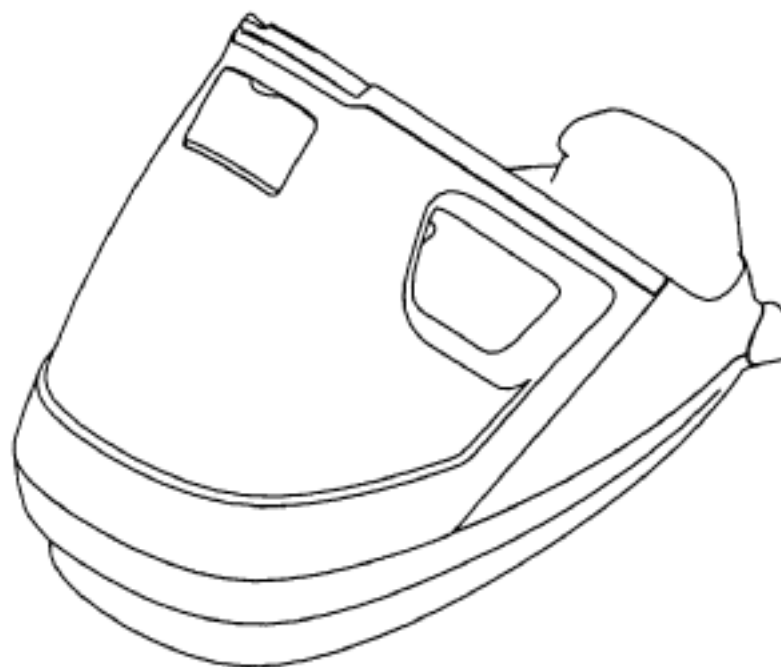
- (21) Design Number: **13827/2012**  
(22) Date of Filing Application: **07 August 2012**  
(24) Date from which industrial property rights may have effect: **07 August 2012**  
(54) Product in respect of which the design is registered: **Disc tray**  
(51) International Design Classification: **03-01C**  
(74) Name(s) of Attorney(s): **Molins & Co**  
(71) Name(s) and Address(s) of Applicant(s):  
**Cleverbuild.Com Pty.Limited**  
**PO Box 7001 South Sydney BC Alexandria New South Wales Australia**  
**2015**  
(72) Name(s) of Designer(s): **Daniel Berkovic**  
(45) Registration Date: **10 September 2012**  
(56) Related Art Documents: **Not Applicable**  
(57) Statement of Newness and Distinctiveness: **Newness is claimed in the features of shape and configuration of the disc tray as shown in the accompanying representations. Elements shown in dashed lines form no part of the design.**



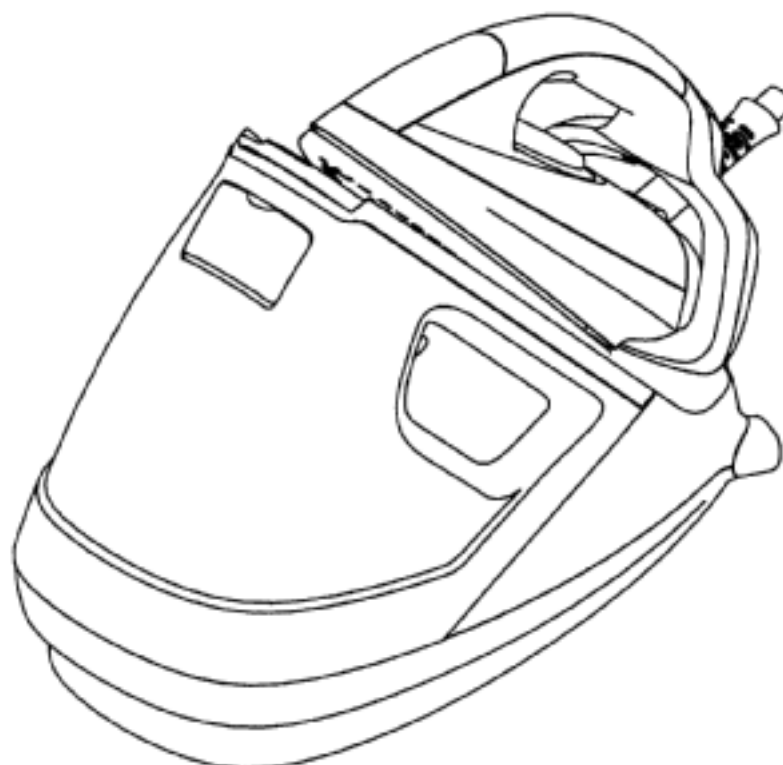
- (21) Design Number: **13828/2012**  
(22) Date of Filing Application: **07 August 2012**  
(24) Date from which industrial property rights may have effect: **07 August 2012**  
(54) Product in respect of which the design is registered: **Tray for media**  
(51) International Design Classification: **03-01C**  
(74) Name(s) of Attorney(s): **Molins & Co**  
(71) Name(s) and Address(s) of Applicant(s):  
**Cleverbuild.Com Pty.Limited**  
**PO Box 7001 South Sydney BC Alexandria New South Wales Australia**  
**2015**  
(72) Name(s) of Designer(s): **Daniel Berkovic**  
(45) Registration Date: **10 September 2012**  
(56) Related Art Documents: **Not Applicable**  
(57) Statement of Newness and Distinctiveness: **Newness is claimed in the features of shape and configuration of the tray for media as shown in the accompanying representations. Elements shown in dashed lines form no part of the design.**



- (21) Design Number: **13829/2012**  
(22) Date of Filing Application: **07 August 2012**  
(24) Date from which industrial property rights may have effect: **07 August 2012**  
(54) Product in respect of which the design is registered: **Steam generating base for electric iron**  
(51) International Design Classification: **07-05A**  
(74) Name(s) of Attorney(s): **SPRUSON & FERGUSON**  
(71) Name(s) and Address(s) of Applicant(s):  
**Calor**  
**Place Ambroise Courtois 69008 Lyon France**  
(72) Name(s) of Designer(s): **Dick Powell**  
(45) Registration Date: **10 September 2012**  
(30) Convention priority data:  
(31) Number      (32) Date      (33) Country  
**001314314-0001    13 Feb 2012      EUROPEAN COMMUNITY**  
(56) Related Art Documents: **Not Applicable**  
(57) Statement of Newness and Distinctiveness: **Newness and distinctiveness is claimed in the features of shape and/or configuration of a steam generating base for electric iron as illustrated in the accompanying representations.**



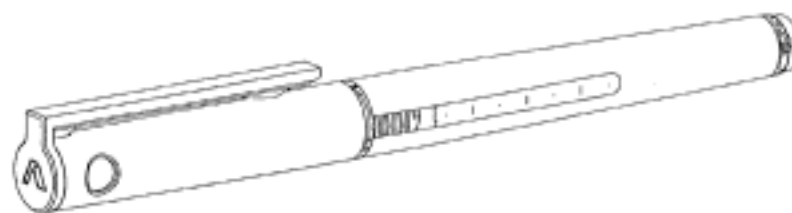
(21) Design Number: **13830/2012**  
(22) Date of Filing Application: **07 August 2012**  
(24) Date from which industrial property rights may have effect: **07 August 2012**  
(54) Product in respect of which the design is registered: **Electric iron with steam generating base**  
(51) International Design Classification: **07-05A**  
(74) Name(s) of Attorney(s): **SPRUSON & FERGUSON**  
(71) Name(s) and Address(s) of Applicant(s):  
**Calor**  
**Place Ambroise Courtois 69008 Lyon France**  
(72) Name(s) of Designer(s): **Dick Powell**  
(45) Registration Date: **10 September 2012**  
(30) Convention priority data:  
(31) Number (32) Date (33) Country  
**001314314-0002 13 Feb 2012 EUROPEAN COMMUNITY**  
(56) Related Art Documents: **Not Applicable**  
(57) Statement of Newness and Distinctiveness: **Newness and distinctiveness is claimed in the features of shape and/or configuration of an electric iron with steam generating base as illustrated in the accompanying representations.**



(21) Design Number: **13831/2012**  
(22) Date of Filing Application: **07 August 2012**  
(24) Date from which industrial property rights may have effect: **07 August 2012**  
(54) Product in respect of which the design is registered: **A lawn mower**  
(51) International Design Classification: **15-03B**  
(74) Name(s) of Attorney(s): **SPRUSON & FERGUSON**  
(71) Name(s) and Address(s) of Applicant(s):  
**Honda Motor Co., Ltd.**  
**1-1 Minami-Aoyama 2-Chome Minato-Ku Tokyo Japan**  
(72) Name(s) of Designer(s): **Joji Maeda**  
(45) Registration Date: **10 September 2012**  
(30) Convention priority data:  
(31) Number (32) Date (33) Country  
**2012-002616 08 Feb 2012 JAPAN**  
(56) Related Art Documents: **Not Applicable**  
(57) Statement of Newness and Distinctiveness: **Newness and distinctiveness is claimed in the features of shape and/or configuration of a lawn mower as illustrated in the accompanying representations.**



- (21) Design Number: **13832/2012**  
(22) Date of Filing Application: **07 August 2012**  
(24) Date from which industrial property rights may have effect: **07 August 2012**  
(54) Product in respect of which the design is registered: **Ballpoint pen**  
(51) International Design Classification: **19-06**  
(74) Name(s) of Attorney(s): **SPRUSON & FERGUSON**  
(71) Name(s) and Address(s) of Applicant(s):  
**Kabushiki Kaisha Pilot Corporation (also trading as Pilot Corporation)**  
**6-21 Kyobashi 2-chome Chuo-ku Tokyo 104-8304 Japan**  
(72) Name(s) of Designer(s): **Satoshi Watase**  
(45) Registration Date: **10 September 2012**  
(30) Convention priority data:  
(31) Number      (32) Date      (33) Country  
**2012-003229      16 Feb 2012      JAPAN**  
(56) Related Art Documents: **Not Applicable**  
(57) Statement of Newness and Distinctiveness: **Newness and distinctiveness is claimed in the features of shape and/or configuration of a ballpoint pen as illustrated in the accompanying representations.**



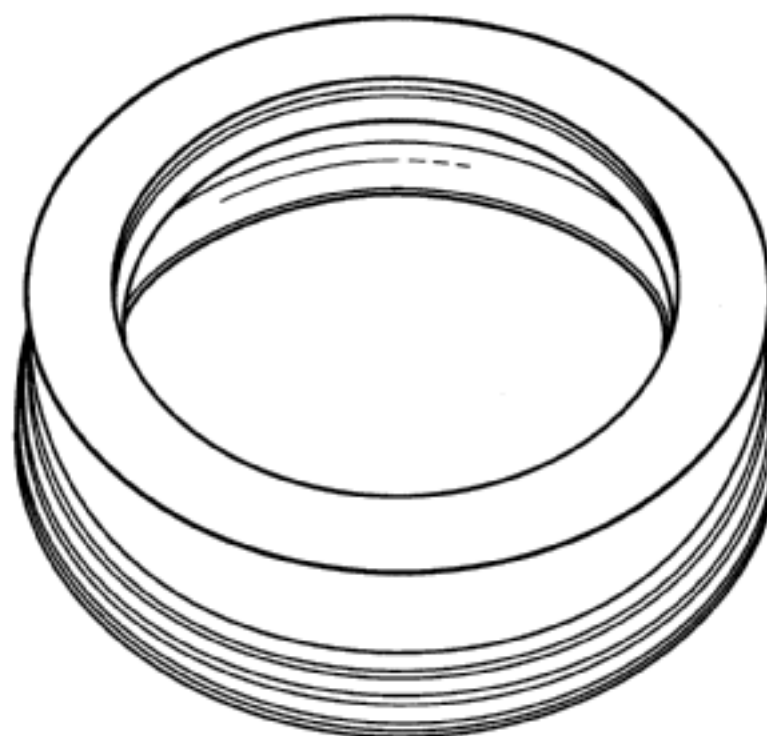
- (21) Design Number: **13836/2012**  
(22) Date of Filing Application: **06 August 2012**  
(24) Date from which industrial property rights may have effect: **06 August 2012**  
(54) Product in respect of which the design is registered: **Constructed dual upright wire shelving**  
(51) International Design Classification: **06-04NES**  
(74) Name(s) of Attorney(s):  
(71) Name(s) and Address(s) of Applicant(s):  
**Globel Industries Pty Ltd**  
**Unit 1 88 Wirraway Drive Port Melbourne Victoria 3207 Australia**  
(72) Name(s) of Designer(s): **Christopher Willibrod Gobel**  
(45) Registration Date: **10 September 2012**  
(56) Related Art Documents: **Not Applicable**  
(57) Statement of Newness and Distinctiveness: **Constructed lightweight double upright end supports with miniature dual downward angled slots for attaching cross beams as supports for MDF and/or wire shelves for the purpose of constructing a fully flexible boltless shelving system. Shelving system can be further accessorised with a range of various components to allow for a total storage solution. Two (2) pressed out lugs on the fixed brackets located at both ends of the beam, the lugs lock into the downward angled slots on the fully constructed uprights. A safety pin is then inserted through the beam bracket and through to the upright to fully secure the beam to the upright structure.**



- (21) Design Number: **14239/2012**  
(22) Date of Filing Application: **07 August 2012**  
(24) Date from which industrial property rights may have effect: **07 August 2012**  
(54) Product in respect of which the design is registered: **Constructed dual upright MDF shelving**  
(51) International Design Classification: **06-04NES**  
(74) Name(s) of Attorney(s):  
(71) Name(s) and Address(s) of Applicant(s):  
**Globel Industries Pty Ltd**  
**Unit 1 88 Wirraway Drive Port Melbourne Victoria 3207 Australia**  
(72) Name(s) of Designer(s): **Christopher Willibrod Gobel**  
(45) Registration Date: **10 September 2012**  
(56) Related Art Documents: **Not Applicable**  
(57) Statement of Newness and Distinctiveness: **Double upright boltless shelving system with MDF and/or wire shelves in a component format.**



- (21) Design Number: **13844/2012**  
(22) Date of Filing Application: **07 August 2012**  
(24) Date from which industrial property rights may have effect: **07 August 2012**  
(54) Product in respect of which the design is registered: **A seal**  
(51) International Design Classification: **23-01A**  
(74) Name(s) of Attorney(s): **A.P.T. Patent and Trade Mark Attorneys**  
(71) Name(s) and Address(s) of Applicant(s):  
**Jeanette Byrne**  
**12-16 Dorset Street Lonsdale South Australia 5160 Australia**  
(72) Name(s) of Designer(s): **David Byrne**  
(45) Registration Date: **10 September 2012**  
(56) Related Art Documents: **Not Applicable**  
(57) Statement of Newness and Distinctiveness: **Newness and distinctiveness is claimed in the shape and configuration of the seal as shown in the accompanying representations.**



(21) Design Number: **13886/2012**  
(22) Date of Filing Application: **10 August 2012**  
(24) Date from which industrial property rights may have effect: **10 August 2012**  
(54) Product in respect of which the design is registered: **Car and toy-car**  
(51) International Design Classification: **21-01C, 12-08**  
(74) Name(s) of Attorney(s): **PHILLIPS ORMONDE FITZPATRICK**  
(71) Name(s) and Address(s) of Applicant(s):

**Ferrari S.p.A.**  
**Via Emilia Est 1163 I-41100 Modena Italy**

(72) Name(s) of Designer(s): **Fulgenzi Gianmaria**  
(45) Registration Date: **10 September 2012**

(30) Convention priority data:

(31) Number	(32) Date	(33) Country
<b>001993239</b>	<b>16 Feb 2012</b>	<b>EUROPEAN COMMUNITY</b>

(56) Related Art Documents: **Not Applicable**

(57) Statement of Newness and Distinctiveness: **Those features of the car and toy-car depicted in the representations that are new and distinctive are the shape and/or configuration. The wheels and tyres of the car and toy-car may or may not form part of the design and are to be disregarded when considering the overall impression of the design.**



(21) Design Number: **13887/2012**  
(22) Date of Filing Application: **10 August 2012**  
(24) Date from which industrial property rights may have effect: **10 August 2012**  
(54) Product in respect of which the design is registered: **Tire**  
(51) International Design Classification: **12-15B**  
(74) Name(s) of Attorney(s): **PHILLIPS ORMONDE FITZPATRICK**  
(71) Name(s) and Address(s) of Applicant(s):

**Cooper Tire & Rubber Company**  
**701 Lima Avenue Findlay Ohio 45840 United States of America**

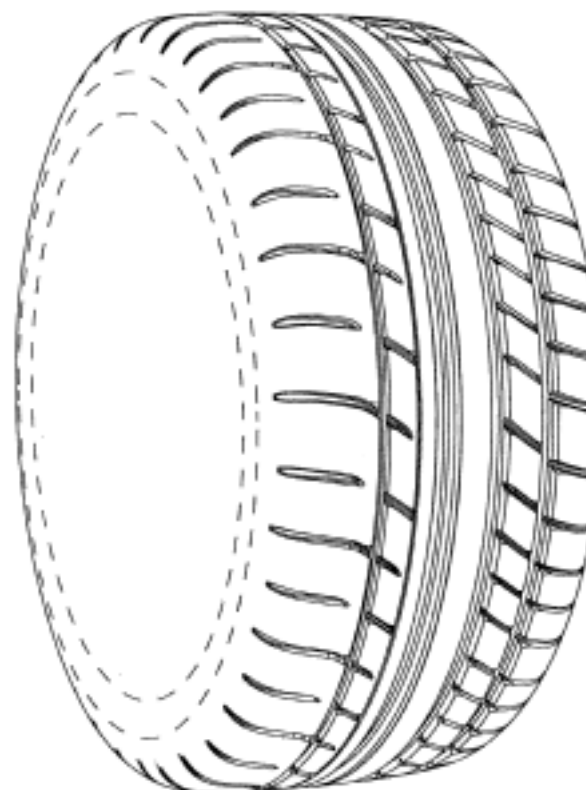
(72) Name(s) of Designer(s): **Jeremy J Jacobs**  
(45) Registration Date: **10 September 2012**

(30) Convention priority data:

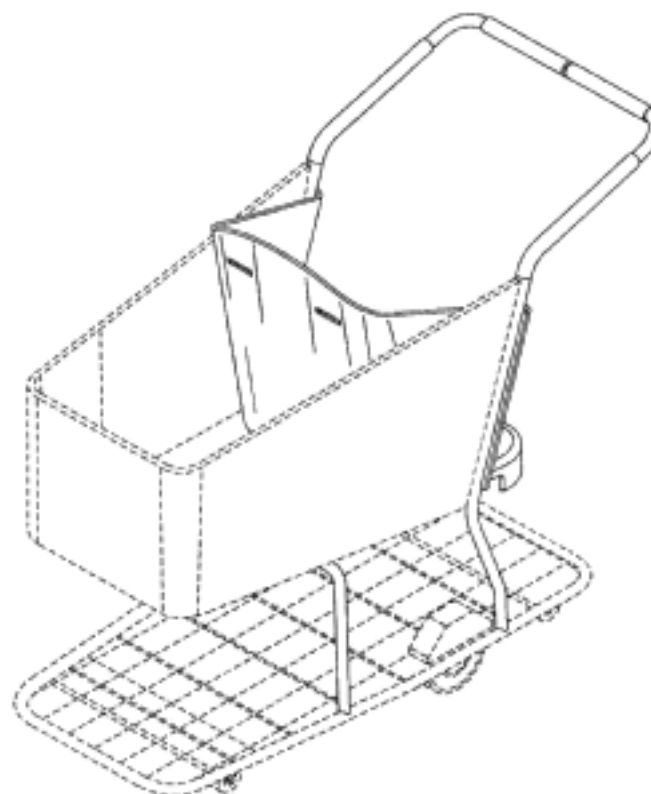
(31) Number	(32) Date	(33) Country
<b>29/414,375</b>	<b>28 Feb 2012</b>	<b>UNITED STATES OF AMERICA</b>

(56) Related Art Documents: **Not Applicable**

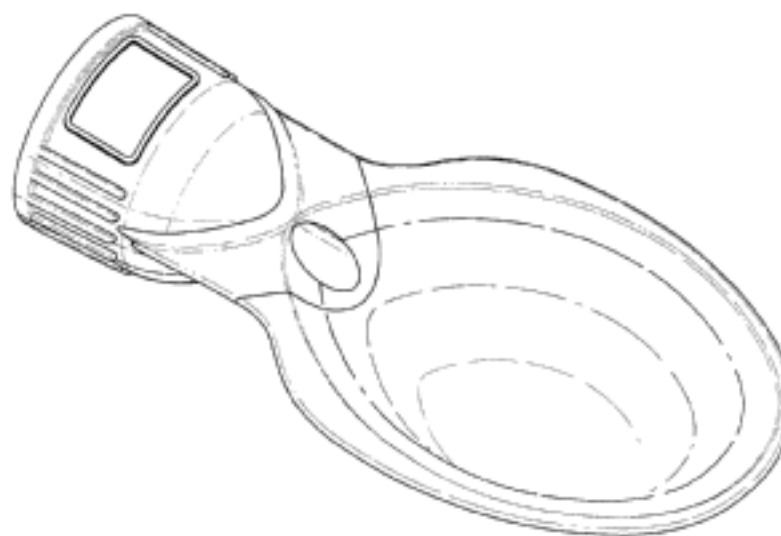
(57) Statement of Newness and Distinctiveness: **Those features of the tire depicted in the representations that are new and distinctive are the shape and/or configuration of the tread of the tire. The features shown in broken line are not part of the design and are to be disregarded when considering the overall impression of the design.**



(21) Design Number: **13888/2012**  
(22) Date of Filing Application: **10 August 2012**  
(24) Date from which industrial property rights may have effect: **10 August 2012**  
(54) Product in respect of which the design is registered: **Carrying cart accommodation for special needs rider**  
(51) International Design Classification: **12-02**  
(74) Name(s) of Attorney(s): **PHILLIPS ORMONDE FITZPATRICK**  
(71) Name(s) and Address(s) of Applicant(s):  
**Parent Solution Group, LLC**  
**289 Kensington Lane Alabaster Alabama 35007 United States of America**  
(72) Name(s) of Designer(s): **Drew Ann Long and David Long**  
(45) Registration Date: **10 September 2012**  
(30) Convention priority data:  
(31) Number (32) Date (33) Country  
**29/424,284 11 Jun 2012 UNITED STATES OF AMERICA**  
(56) Related Art Documents: **Not Applicable**  
(57) Statement of Newness and Distinctiveness: **Those features of the carrying cart accommodation for special needs rider depicted in the representations that are new and distinctive are the shape and/or configuration. The features shown in broken lines are not part of the design and are to be disregarded when considering the overall impression of the design.**



(21) Design Number: **13889/2012**  
(22) Date of Filing Application: **10 August 2012**  
(24) Date from which industrial property rights may have effect: **10 August 2012**  
(54) Product in respect of which the design is registered: **Spoon**  
(51) International Design Classification: **07-03**  
(74) Name(s) of Attorney(s): **Madderns**  
(71) Name(s) and Address(s) of Applicant(s):  
**BB IPR Limited**  
**c/- Parker Cavendish 28 Church Road Stanmore Middlesex HA7 4XR**  
**United Kingdom**  
(72) Name(s) of Designer(s): **Stephen Paul Tollman**  
(45) Registration Date: **10 September 2012**  
(30) Convention priority data:  
(31) Number (32) Date (33) Country  
**4024605 04 May 2012 UNITED KINGDOM**  
(56) Related Art Documents: **Not Applicable**  
(57) Statement of Newness and Distinctiveness: **The applicant derives title to the design by virtue of an assignment with the designer.**



(21) Design Number: **13892/2012**

(22) Date of Filing Application: **09 August 2012**

(24) Date from which industrial property rights may have effect: **09 August 2012**

(54) Product in respect of which the design is registered: **sixty design armchair**

(51) International Design Classification: **06-01G**

(74) Name(s) of Attorney(s):

(71) Name(s) and Address(s) of Applicant(s):

**Fox Imports Pty Ltd**

**60 Collie Street Fyshwick ACT 2609 Australia**

(72) Name(s) of Designer(s): **Barry Peter Faux and Charles Bewick Alliott**

(45) Registration Date: **10 September 2012**

(56) Related Art Documents: **Not Applicable**

(57) Statement of Newness and Distinctiveness: **Nil**



(21) Design Number: **13893/2012**

(22) Date of Filing Application: **09 August 2012**

(24) Date from which industrial property rights may have effect: **09 August 2012**

(54) Product in respect of which the design is registered: **sixty design 2 seat sofa**

(51) International Design Classification: **06-01G**

(74) Name(s) of Attorney(s):

(71) Name(s) and Address(s) of Applicant(s):

**Fox Imports Pty Ltd**

**60 Collie Street Fyshwick ACT 2609 Australia**

(72) Name(s) of Designer(s): **Barry Peter Faux and Charles Bewick Alliott**

(45) Registration Date: **10 September 2012**

(56) Related Art Documents: **Not Applicable**

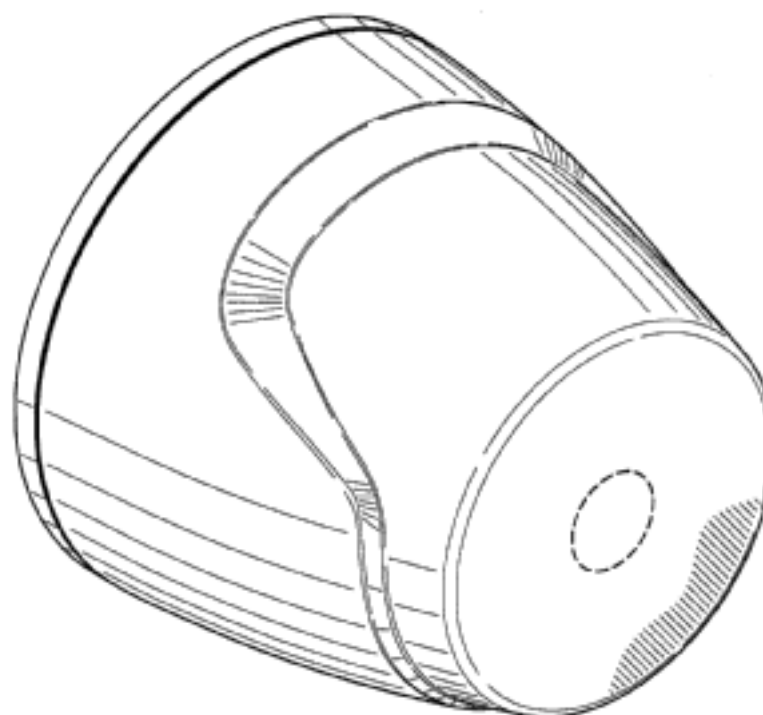
(57) Statement of Newness and Distinctiveness: **Nil**



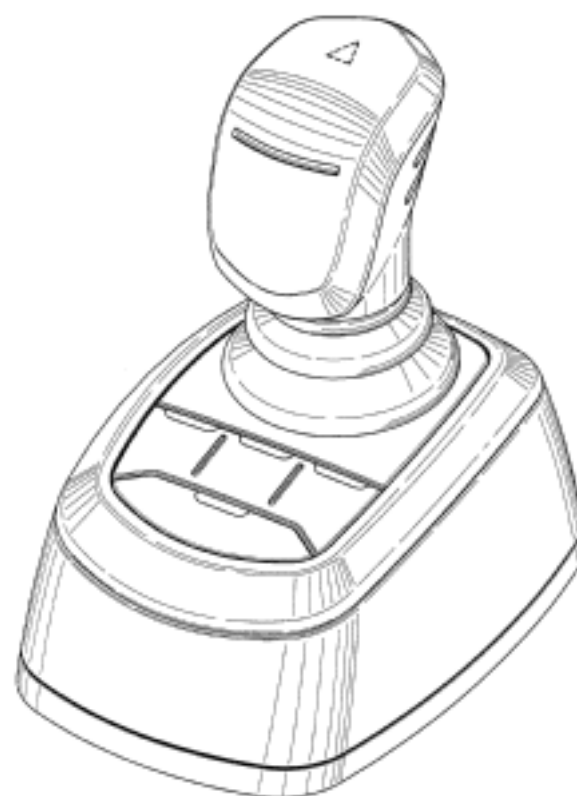
(21) Design Number: **13894/2012**  
(22) Date of Filing Application: **09 August 2012**  
(24) Date from which industrial property rights may have effect: **09 August 2012**  
(54) Product in respect of which the design is registered: **sixty design 3 seat sofa**  
(51) International Design Classification: **06-01G**  
(74) Name(s) of Attorney(s):  
(71) Name(s) and Address(s) of Applicant(s):  
**Fox Imports Pty Ltd**  
**60 Collie Street Fyshwick ACT 2609 Australia**  
(72) Name(s) of Designer(s): **Barry Peter Faux and Charles Bewick Alliott**  
(45) Registration Date: **10 September 2012**  
(56) Related Art Documents: **Not Applicable**  
(57) Statement of Newness and Distinctiveness: **Nil**



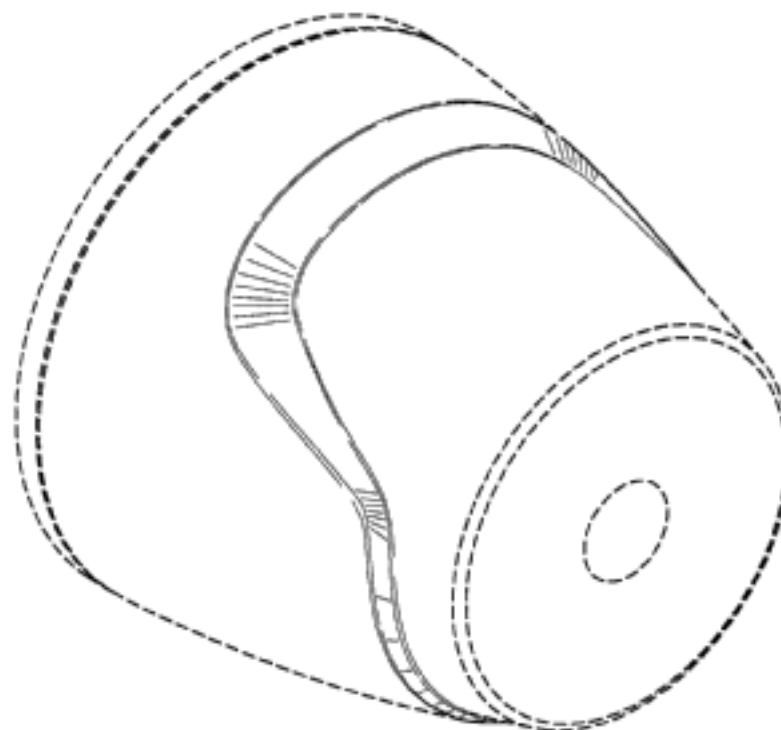
(21) Design Number: **13895/2012**  
(22) Date of Filing Application: **10 August 2012**  
(24) Date from which industrial property rights may have effect: **10 August 2012**  
(54) Product in respect of which the design is registered: **Steering bezel**  
(51) International Design Classification: **12-16A**  
(74) Name(s) of Attorney(s): **FB Rice**  
(71) Name(s) and Address(s) of Applicant(s):  
**Marine Canada Acquisition Inc.**  
**3831 No. 6 Road Richmond British Columbia V6V 1P6 Canada**  
(72) Name(s) of Designer(s): **Antoine Dubois and Patrick Mainville**  
(45) Registration Date: **10 September 2012**  
(30) Convention priority data:  
(31) Number (32) Date (33) Country  
**29/413248 13 Feb 2012 UNITED STATES OF AMERICA**  
(56) Related Art Documents: **Not Applicable**  
(57) Statement of Newness and Distinctiveness: **Newness and distinctiveness reside in the features of the design shown in solid lines in the representations excluding those features shown in broken lines.**



(21) Design Number: **13896/2012**  
(22) Date of Filing Application: **10 August 2012**  
(24) Date from which industrial property rights may have effect: **10 August 2012**  
(54) Product in respect of which the design is registered: **Joystick**  
(51) International Design Classification: **12-16NES**  
(74) Name(s) of Attorney(s): **FB Rice**  
(71) Name(s) and Address(s) of Applicant(s):  
**Marine Canada Acquisition Inc.**  
**3831 No. 6 Road Richmond British Columbia V6V 1P6 Canada**  
(72) Name(s) of Designer(s): **Patrick Mainville and Thomas-Eric Beliveau**  
(45) Registration Date: **10 September 2012**  
(30) Convention priority data:  
(31) Number (32) Date (33) Country  
**29/413250 13 Feb 2012 UNITED STATES OF AMERICA**  
(56) Related Art Documents: **Not Applicable**  
(57) Statement of Newness and Distinctiveness: **Newness and distinctiveness reside in the features of the design shown in solid lines in the representations excluding those features shown in broken lines.**



(21) Design Number: **13897/2012**  
(22) Date of Filing Application: **10 August 2012**  
(24) Date from which industrial property rights may have effect: **10 August 2012**  
(54) Product in respect of which the design is registered: **Steering bezel**  
(51) International Design Classification: **12-16A**  
(74) Name(s) of Attorney(s): **FB Rice**  
(71) Name(s) and Address(s) of Applicant(s):  
**Marine Canada Acquisition Inc.**  
**3831 No. 6 Road Richmond British Columbia V6V 1P6 Canada**  
(72) Name(s) of Designer(s): **Antoine Dubois and Patrick Mainville**  
(45) Registration Date: **10 September 2012**  
(30) Convention priority data:  
(31) Number (32) Date (33) Country  
**29/413248 13 Feb 2012 UNITED STATES OF AMERICA**  
(56) Related Art Documents: **Not Applicable**  
(57) Statement of Newness and Distinctiveness: **Newness and distinctiveness reside in the features of the design shown in solid lines in the representations excluding those features shown in broken lines.**



(21) Design Number: **13898/2012**

(22) Date of Filing Application: **10 August 2012**

(24) Date from which industrial property rights may have effect: **10 August 2012**

(54) Product in respect of which the design is registered: **Luminaire**

(51) International Design Classification: **26-05A**

(74) Name(s) of Attorney(s): **Cullens Patent and Trade Mark Attorneys**

(71) Name(s) and Address(s) of Applicant(s):

**Lighting Science Group Corporation**  
**1227 South Patrick Drive Bldg 2A Satellite Beach FL 32937 United States**  
**of America**

(72) Name(s) of Designer(s): **Fredric Maxik and David Bartine and Robert Soler**  
**and Addy Widjaja and Mark Oostdyk and Ran Zhou**

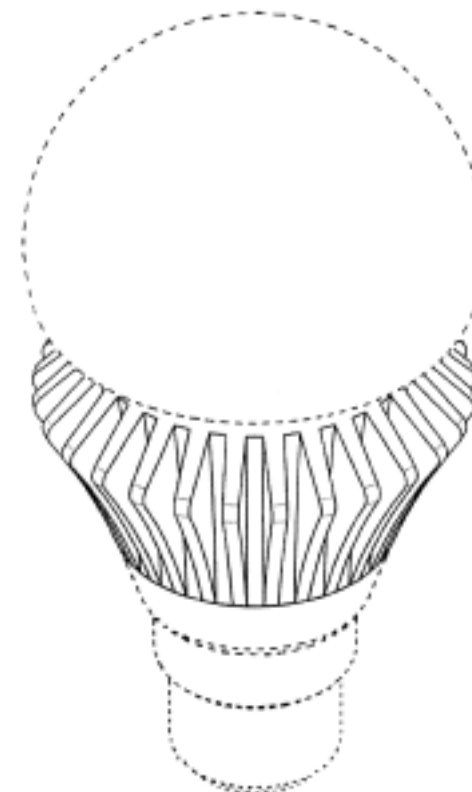
(45) Registration Date: **10 September 2012**

(30) Convention priority data:

(31) Number	(32) Date	(33) Country
<b>29/413,186</b>	<b>13 Feb 2012</b>	<b>UNITED STATES OF AMERICA</b>

(56) Related Art Documents: **Not Applicable**

(57) Statement of Newness and Distinctiveness: **Newness and distinctiveness reside in the individual features of shape and configuration of the luminaire as shown in the representations. Features, including the optic and the electrical base, which are shown in dashed lines, do not form part of the design. The surface treatment of the luminaire does no form part of the design. References to "top perspective", "side", "top", and "bottom" in the figure descriptions are not necessarily meant to require certain in-use orientation.**



(21) Design Number: **13899/2012**

(22) Date of Filing Application: **10 August 2012**

(24) Date from which industrial property rights may have effect: **10 August 2012**

(54) Product in respect of which the design is registered: **Set top box**

(51) International Design Classification: **14-03NES**

(74) Name(s) of Attorney(s): **Freehills Patent Attorneys**

(71) Name(s) and Address(s) of Applicant(s):

**Fetch TV Pty Ltd**  
**Level 5 61 Lavender Street Milson's Point New South Wales 2061**  
**Australia**

(72) Name(s) of Designer(s): **Gavin Kelly and Jonas Buck and Jennifer**  
**Darmour and Fernd Van Engelen**

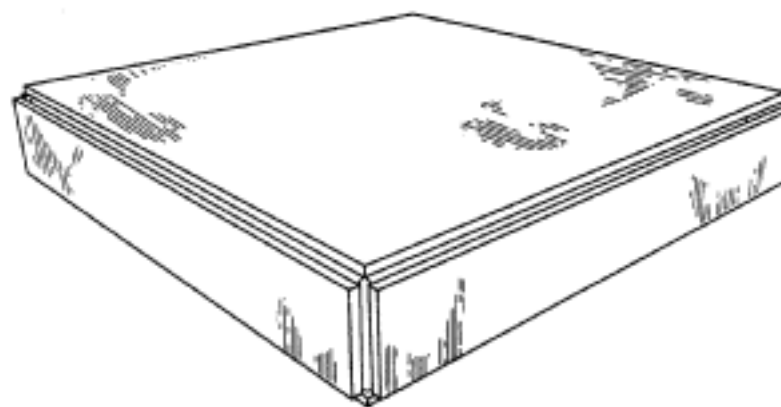
(45) Registration Date: **10 September 2012**

(30) Convention priority data:

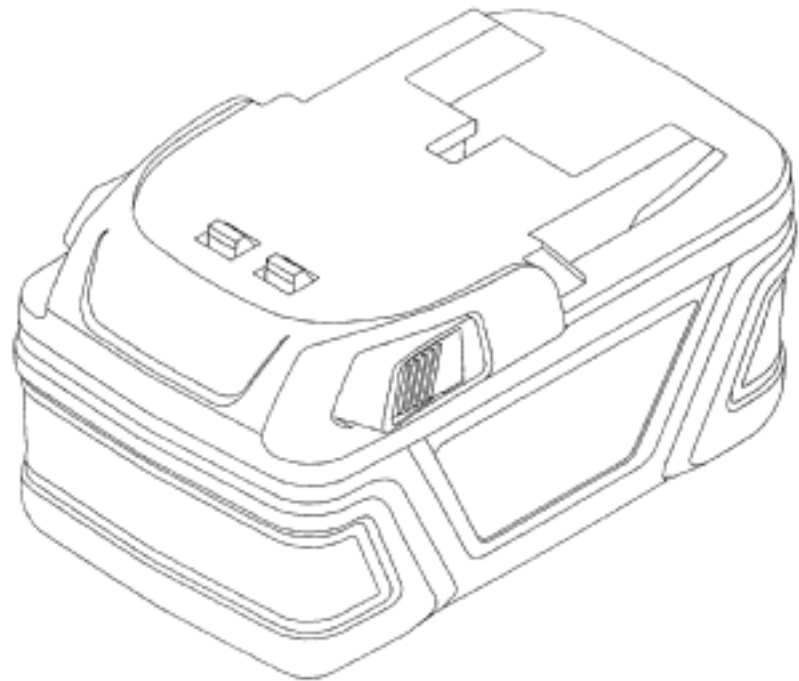
(31) Number	(32) Date	(33) Country
<b>29/426795</b>	<b>10 Jul 2012</b>	<b>UNITED STATES OF AMERICA</b>

(56) Related Art Documents: **Not Applicable**

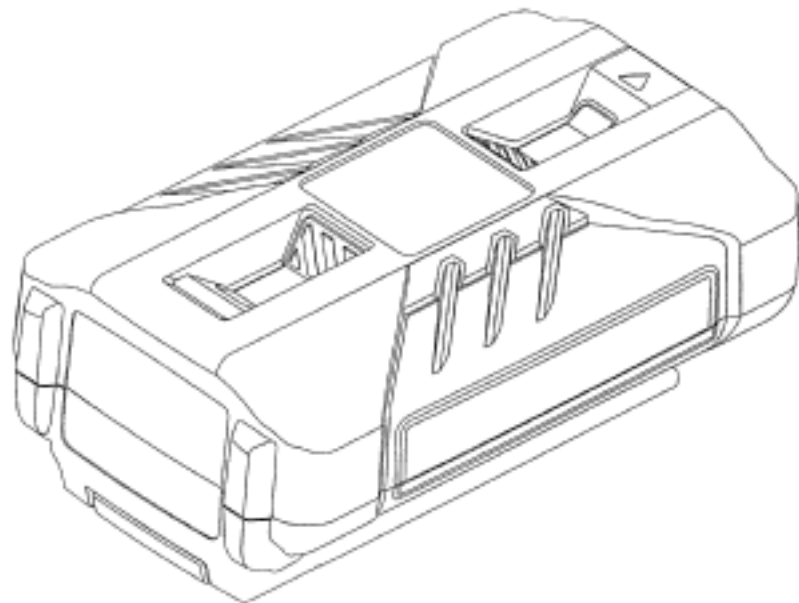
(57) Statement of Newness and Distinctiveness: **Newness and distinctiveness resides in the features of shape and/or configuration as shown in solid outline in the accompanying representations.**



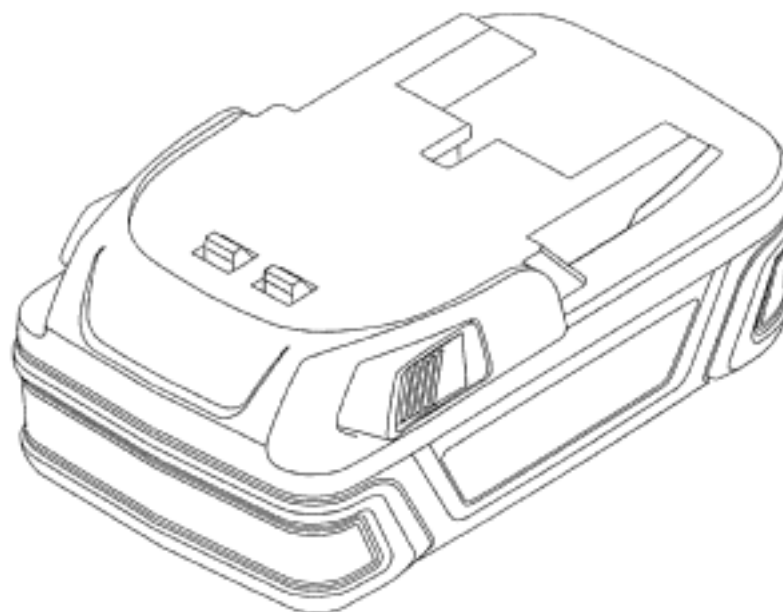
(21) Design Number: **13900/2012**  
(22) Date of Filing Application: **10 August 2012**  
(24) Date from which industrial property rights may have effect: **10 August 2012**  
(54) Product in respect of which the design is registered: **Battery pack**  
(51) International Design Classification: **13-02**  
(74) Name(s) of Attorney(s): **Griffith Hack**  
(71) Name(s) and Address(s) of Applicant(s):  
**Techtronic Outdoor Products Technology Limited**  
**Canon's Court 22 Victoria Street Hamilton HM12 Bermuda**  
(72) Name(s) of Designer(s): **Matthew Corbin**  
(45) Registration Date: **10 September 2012**  
(30) Convention priority data:  
(31) Number (32) Date (33) Country  
**201230030621.6 16 Feb 2012 CHINA**  
(56) Related Art Documents: **Not Applicable**  
(57) Statement of Newness and Distinctiveness: **Nil**



(21) Design Number: **13901/2012**  
(22) Date of Filing Application: **10 August 2012**  
(24) Date from which industrial property rights may have effect: **10 August 2012**  
(54) Product in respect of which the design is registered: **Battery pack**  
(51) International Design Classification: **13-02**  
(74) Name(s) of Attorney(s): **Griffith Hack**  
(71) Name(s) and Address(s) of Applicant(s):  
**Techtronic Outdoor Products Technology Limited**  
**Canon's Court 22 Victoria Street Hamilton HM12 Bermuda**  
(72) Name(s) of Designer(s): **Ka Chun Lau**  
(45) Registration Date: **10 September 2012**  
(30) Convention priority data:  
(31) Number (32) Date (33) Country  
**201230030604.2 16 Feb 2012 CHINA**  
(56) Related Art Documents: **Not Applicable**  
(57) Statement of Newness and Distinctiveness: **Nil**



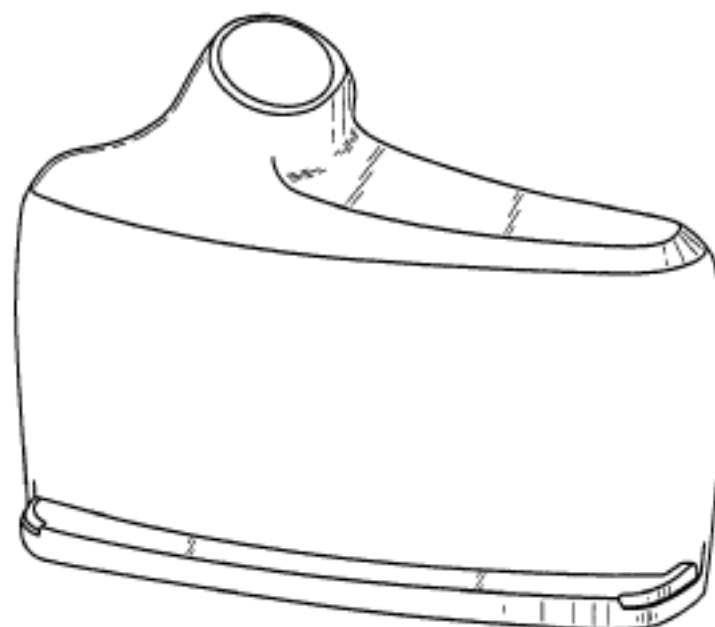
(21) Design Number: **13902/2012**  
(22) Date of Filing Application: **10 August 2012**  
(24) Date from which industrial property rights may have effect: **10 August 2012**  
(54) Product in respect of which the design is registered: **Battery Pack**  
(51) International Design Classification: **13-02**  
(74) Name(s) of Attorney(s): **Griffith Hack**  
(71) Name(s) and Address(s) of Applicant(s):  
**Techtronic Outdoor Products Technology Limited**  
**Canon's Court 22 Victoria Street Hamilton HM12 Bermuda**  
(72) Name(s) of Designer(s): **Matthew Corbin**  
(45) Registration Date: **10 September 2012**  
(30) Convention priority data:  
(31) Number (32) Date (33) Country  
**201230030626.9 16 Feb 2012 CHINA**  
(56) Related Art Documents: **Not Applicable**  
(57) Statement of Newness and Distinctiveness: **Nil**



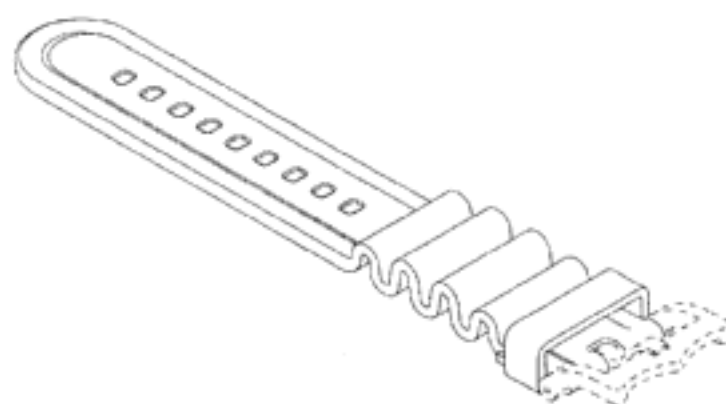
(21) Design Number: **13911/2012**  
(22) Date of Filing Application: **13 August 2012**  
(24) Date from which industrial property rights may have effect: **13 August 2012**  
(54) Product in respect of which the design is registered: **Battery pack for a powered air purifying respirator**  
(51) International Design Classification: **13-02, 24-01, 23-04**  
(74) Name(s) of Attorney(s): **Freehills Patent Attorneys**  
(71) Name(s) and Address(s) of Applicant(s):  
**3M Innovative Properties Company**  
**3M Center Post Office Box 33427 Saint Paul Minnesota 55133-3427**  
**United States of America**  
(72) Name(s) of Designer(s): **Abel, Nathan A and Blomberg, David M**  
(45) Registration Date: **11 September 2012**  
(30) Convention priority data:  
(31) Number (32) Date (33) Country  
**29/413410 15 Feb 2012 UNITED STATES OF AMERICA**  
(56) Related Art Documents: **Not Applicable**  
(57) Statement of Newness and Distinctiveness: **Newness and distinctiveness of the design resides in the shape and configuration of the battery pack for a powered air purifying respirator as shown in solid outlines in the accompanying representations.**



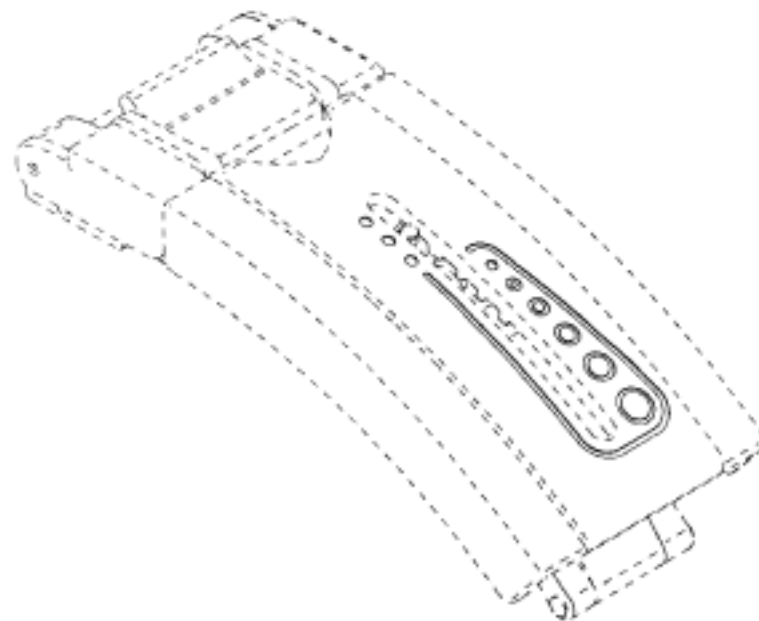
(21) Design Number: **13912/2012**  
(22) Date of Filing Application: **13 August 2012**  
(24) Date from which industrial property rights may have effect: **13 August 2012**  
(54) Product in respect of which the design is registered: **Powered air purifying respirator blower**  
(51) International Design Classification: **23-04, 24-01**  
(74) Name(s) of Attorney(s): **Freehills Patent Attorneys**  
(71) Name(s) and Address(s) of Applicant(s):  
**3M Innovative Properties Company**  
**3M Center Post Office Box 33427 Saint Paul Minnesota 55133-3427**  
**United States of America**  
(72) Name(s) of Designer(s): **Nathan A Abel and John M Pilgrim**  
(45) Registration Date: **11 September 2012**  
(30) Convention priority data:  
(31) Number (32) Date (33) Country  
**29/413397 15 Feb 2012 UNITED STATES OF AMERICA**  
(56) Related Art Documents: **Not Applicable**  
(57) Statement of Newness and Distinctiveness: **Newness and distinctiveness of the design resides in the shape and configuration of the powered air purifying respirator blower as shown in solid outlines in the accompanying representations.**



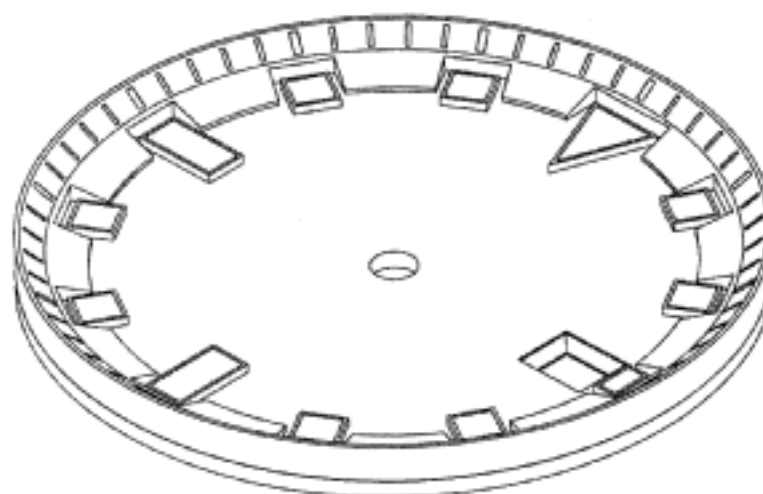
(21) Design Number: **13913/2012**  
(22) Date of Filing Application: **13 August 2012**  
(24) Date from which industrial property rights may have effect: **13 August 2012**  
(54) Product in respect of which the design is registered: **Watch wristlet**  
(51) International Design Classification: **10-07**  
(74) Name(s) of Attorney(s): **SPRUSON & FERGUSON**  
(71) Name(s) and Address(s) of Applicant(s):  
**Montres Tudor S.A.**  
**3 rue Francois Dussaud Geneva Switzerland**  
(72) Name(s) of Designer(s): **Davide Cerrato**  
(45) Registration Date: **11 September 2012**  
(30) Convention priority data:  
(31) Number (32) Date (33) Country  
**138685 14 Feb 2012 SWITZERLAND**  
(56) Related Art Documents: **Not Applicable**  
(57) Statement of Newness and Distinctiveness: **Newness and distinctiveness is claimed in those features of shape and/or configuration of a watch wristlet as illustrated in continuous lines in the accompanying representations.**



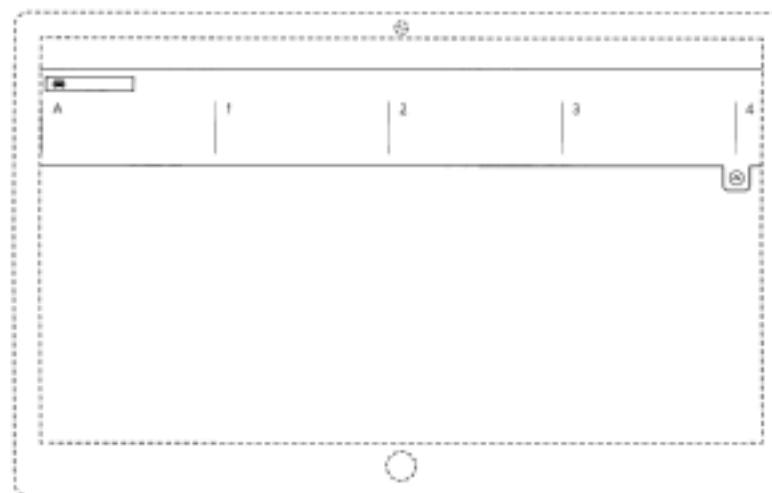
(21) Design Number: **13914/2012**  
(22) Date of Filing Application: **13 August 2012**  
(24) Date from which industrial property rights may have effect: **13 August 2012**  
(54) Product in respect of which the design is registered: **Watch clasp**  
(51) International Design Classification: **10-07**  
(74) Name(s) of Attorney(s): **SPRUSON & FERGUSON**  
(71) Name(s) and Address(s) of Applicant(s):  
**Montres Tudor S.A.**  
**3 rue Francois Dussaud Geneva Switzerland**  
(72) Name(s) of Designer(s): **Davide Cerrato**  
(45) Registration Date: **11 September 2012**  
(30) Convention priority data:  
(31) Number (32) Date (33) Country  
**138685 14 Feb 2012 SWITZERLAND**  
(56) Related Art Documents: **Not Applicable**  
(57) Statement of Newness and Distinctiveness: **Newness and distinctiveness is claimed in those features of shape and/or configuration of a watch clasp illustrated in continuous lines in the accompanying representations.**



(21) Design Number: **13915/2012**  
(22) Date of Filing Application: **13 August 2012**  
(24) Date from which industrial property rights may have effect: **13 August 2012**  
(54) Product in respect of which the design is registered: **Watch dial**  
(51) International Design Classification: **10-07**  
(74) Name(s) of Attorney(s): **SPRUSON & FERGUSON**  
(71) Name(s) and Address(s) of Applicant(s):  
**Montres Tudor S.A.**  
**3 rue Francois Dussaud Geneva Switzerland**  
(72) Name(s) of Designer(s): **Davide Cerrato**  
(45) Registration Date: **11 September 2012**  
(30) Convention priority data:  
(31) Number (32) Date (33) Country  
**138685 14 Feb 2012 SWITZERLAND**  
(56) Related Art Documents: **Not Applicable**  
(57) Statement of Newness and Distinctiveness: **Newness and distinctiveness is claimed in the features of shape and/or configuration of a watch dial as illustrated in the accompanying representations.**

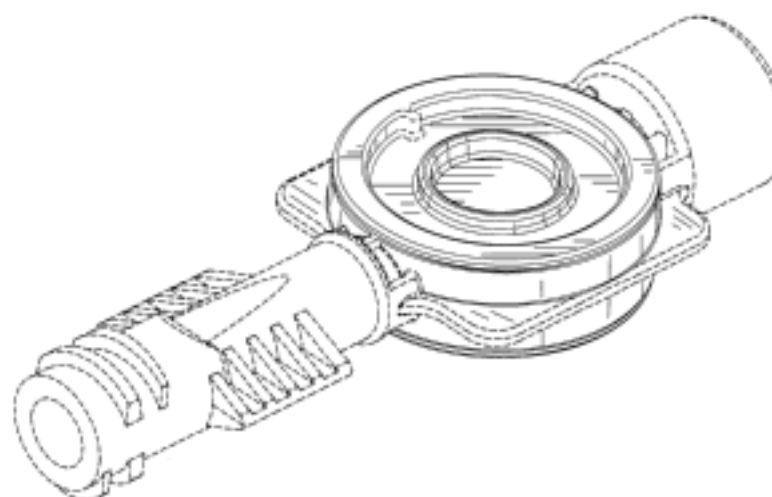


(21) Design Number: **13916/2012**  
(22) Date of Filing Application: **13 August 2012**  
(24) Date from which industrial property rights may have effect: **13 August 2012**  
(54) Product in respect of which the design is registered: **Display screen with user interface**  
(51) International Design Classification: **14-04**  
(74) Name(s) of Attorney(s): **Shelston IP**  
(71) Name(s) and Address(s) of Applicant(s):  
**Microsoft Corporation**  
**One Microsoft Way Redmond Washington 98052 United States of America**  
(72) Name(s) of Designer(s): **Vincent J. Pasceri and Diego D. Baca Del Rosario**  
(45) Registration Date: **11 September 2012**  
(30) Convention priority data:  
(31) Number (32) Date (33) Country  
**29/413993 23 Feb 2012 UNITED STATES OF AMERICA**



(56) Related Art Documents: **Not Applicable**  
(57) Statement of Newness and Distinctiveness: **Newness and distinctiveness reside in the features of pattern and/or ornamentation of a display screen with user interface as illustrated by solid lines in the accompanying representations. The features shown in broken outline are for contextual purposes only and do not form part of the design. The letters and numerals depicted are shown by way of example only and may be substituted by other symbols.**

(21) Design Number: **13917/2012**  
(22) Date of Filing Application: **13 August 2012**  
(24) Date from which industrial property rights may have effect: **28 May 2012**  
(54) Product in respect of which the design is registered: **Blood flow chamber**  
(51) International Design Classification: **24-01**  
(74) Name(s) of Attorney(s): **Shelston IP**  
(71) Name(s) and Address(s) of Applicant(s):  
**Fresenius Medical Care Holdings, Inc.**  
**920 Winter Street Waltham Massachusetts 02451 United States of America**  
(72) Name(s) of Designer(s): **Louis L. Barrett and Perry N. Law**  
(45) Registration Date: **11 September 2012**  
(30) Convention priority data:  
(31) Number (32) Date (33) Country  
**29/414163 24 Feb 2012 UNITED STATES OF AMERICA**



(62) Divisional of: **343934**  
(56) Related Art Documents: **Not Applicable**  
(57) Statement of Newness and Distinctiveness: **Newness and distinctiveness reside in the features of shape and/or configuration of a BLOOD FLOW CHAMBER as illustrated in solid lines in the accompanying representations. The features shown in broken lines are for the purposes of illustration only and do not form part of the design.**

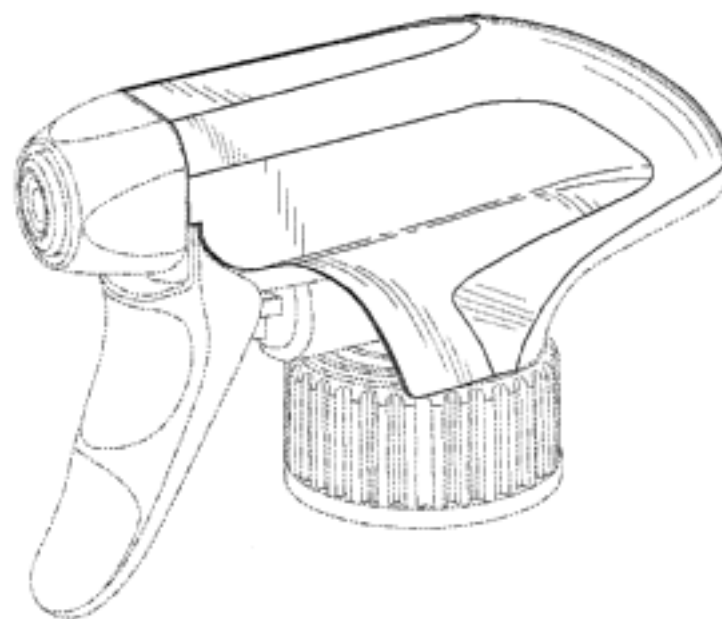
(21) Design Number: **13921/2012**  
(22) Date of Filing Application: **13 August 2012**  
(24) Date from which industrial property rights may have effect: **13 August 2012**  
(54) Product in respect of which the design is registered: **Bottle**  
(51) International Design Classification: **09-01H**  
(74) Name(s) of Attorney(s): **PHILLIPS ORMONDE FITZPATRICK**  
(71) Name(s) and Address(s) of Applicant(s):  
**The Coca-Cola Company**  
**One Coca-Cola Plaza N.W. Atlanta Georgia 30313 United States of America**  
(72) Name(s) of Designer(s): **Scott Curtis Biondich and Darryl J. Dawson and Alejandro Santamaria**  
(45) Registration Date: **11 September 2012**  
(30) Convention priority data:  
(31) Number (32) Date (33) Country  
**29/413,668 17 Feb 2012 UNITED STATES OF AMERICA**  
(56) Related Art Documents: **Not Applicable**  
(57) Statement of Newness and Distinctiveness: **Those features of the bottle depicted in the representations that are new and distinctive are the shape and/or configuration.**



(21) Design Number: **13923/2012**  
(22) Date of Filing Application: **14 August 2012**  
(24) Date from which industrial property rights may have effect: **14 August 2012**  
(54) Product in respect of which the design is registered: **Collar for animal**  
(51) International Design Classification: **30-04**  
(74) Name(s) of Attorney(s): **Marks & Clerk Australia**  
(71) Name(s) and Address(s) of Applicant(s):  
**John Finlan**  
**Windwood Park Road Bowden WA14 3JF Cheshire United Kingdom**  
(72) Name(s) of Designer(s): **John Finlan**  
(45) Registration Date: **11 September 2012**  
(30) Convention priority data:  
(31) Number (32) Date (33) Country  
**001999905-0001 29 Feb 2012 EUROPEAN COMMUNITY**  
(56) Related Art Documents: **Not Applicable**  
(57) Statement of Newness and Distinctiveness: **Nil**

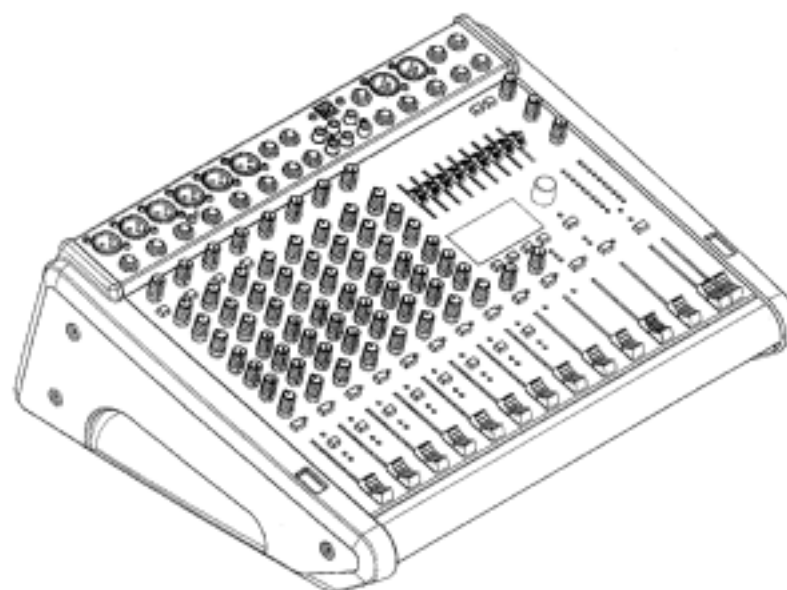


(21) Design Number: **13927/2012**  
(22) Date of Filing Application: **13 August 2012**  
(24) Date from which industrial property rights may have effect: **13 August 2012**  
(54) Product in respect of which the design is registered: **Aerosol actuator**  
(51) International Design Classification: **09-07A**  
(74) Name(s) of Attorney(s): **Fisher Adams Kelly**  
(71) Name(s) and Address(s) of Applicant(s):  
**Meadwestvaco Calmar, Inc.**  
**501 South 5th Street Richmond 23219-0501 Virginia United States of America**



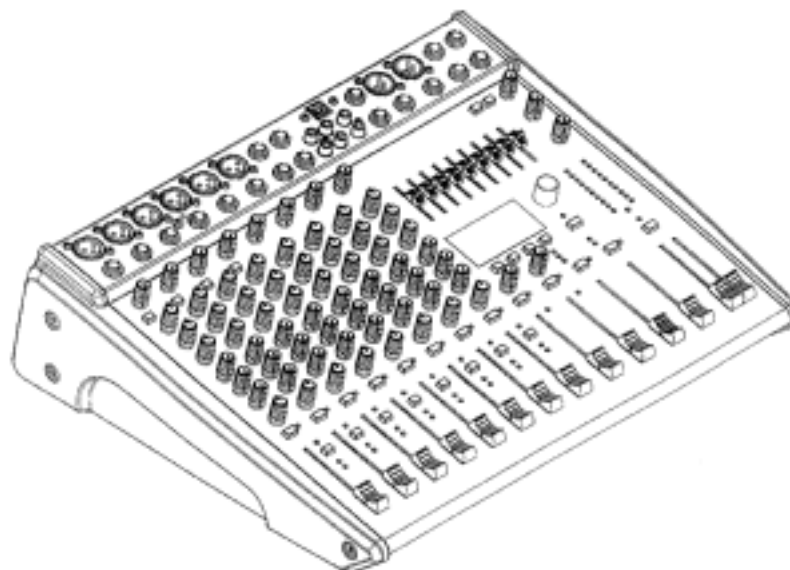
(72) Name(s) of Designer(s): **William L. Driskell**  
(45) Registration Date: **11 September 2012**  
(30) Convention priority data:  
(31) Number (32) Date (33) Country  
**29/413242 13 Feb 2012 UNITED STATES OF AMERICA**  
(56) Related Art Documents: **Not Applicable**  
(57) Statement of Newness and Distinctiveness: **The newness and distinctiveness of the design resides in the shape and/or configuration of the AEROSOL ACTUATOR shown in the representations. When considering the newness and distinctiveness of the design, the lines shown in phantom should be disregarded.**

(21) Design Number: **13856/2012**  
(22) Date of Filing Application: **08 August 2012**  
(24) Date from which industrial property rights may have effect: **08 August 2012**  
(54) Product in respect of which the design is registered: **Mixing desk**  
(51) International Design Classification: **14-01**  
(74) Name(s) of Attorney(s): **Callinans**  
(71) Name(s) and Address(s) of Applicant(s):  
**Robert Bosch GMBH**  
**Postfach 30 02 20 70442 Stuttgart Germany**  
(72) Name(s) of Designer(s): **Martin Traut and Walburga Winand and Werner Brauner and Reinhard Stangl and Gregor Sauer and Josef Taffner and Benjamin Schweiger and Thomas Schlittmeier**

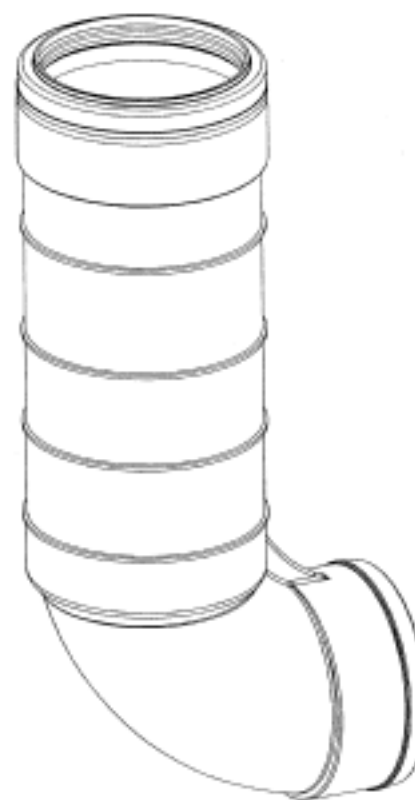


(45) Registration Date: **11 September 2012**  
(30) Convention priority data:  
(31) Number (32) Date (33) Country  
**002049577 30 May 2012 EUROPEAN COMMUNITY**  
(56) Related Art Documents: **Not Applicable**  
(57) Statement of Newness and Distinctiveness: **Nil**

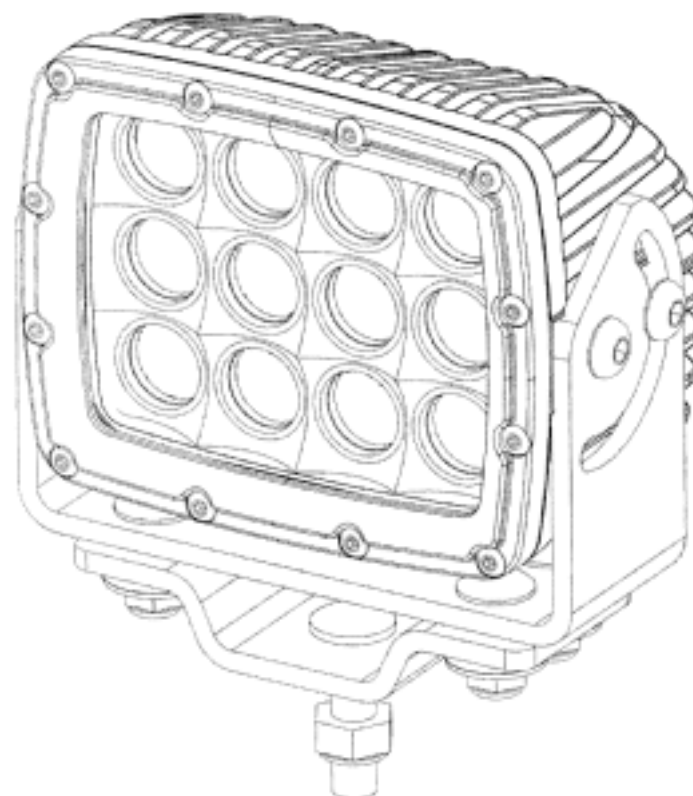
- (21) Design Number: **13857/2012**  
(22) Date of Filing Application: **08 August 2012**  
(24) Date from which industrial property rights may have effect: **08 August 2012**  
(54) Product in respect of which the design is registered: **Mixing desk**  
(51) International Design Classification: **14-01**  
(74) Name(s) of Attorney(s): **Callinans**  
(71) Name(s) and Address(s) of Applicant(s):  
**Robert Bosch GMBH**  
**Postfach 30 02 20 70442 Stuttgart Germany**  
(72) Name(s) of Designer(s): **Martin Traut and Walburga Winand and Werner Brauner and Reinhard Stangl and Gregor Sauer and Josef Taffner and Benjamin Schweiger and Thomas Schlittmeier**  
(45) Registration Date: **11 September 2012**  
(30) Convention priority data:  
(31) Number (32) Date (33) Country  
**002049577 30 May 2012 EUROPEAN COMMUNITY**  
(56) Related Art Documents: **Not Applicable**  
(57) Statement of Newness and Distinctiveness: **Nil**



- (21) Design Number: **13859/2012**  
(22) Date of Filing Application: **09 August 2012**  
(24) Date from which industrial property rights may have effect: **09 August 2012**  
(54) Product in respect of which the design is registered: **A pipe fitting**  
(51) International Design Classification: **23-01A**  
(74) Name(s) of Attorney(s): **IP Gateway Patent & Trademark Attorneys**  
(71) Name(s) and Address(s) of Applicant(s):  
**Plastec Australia Pty Ltd**  
**2 Enterprise Street Caloundra Queensland 4551 Australia**  
(72) Name(s) of Designer(s): **Sydney Hawthorne**  
(45) Registration Date: **11 September 2012**  
(56) Related Art Documents: **Not Applicable**  
(57) Statement of Newness and Distinctiveness: **The newness and distinctiveness of the design resides in the visual features of shape and/or configuration of a pipe fitting as shown in the accompanying representations including the shape and/or configuration of an internal surface of the pipe fitting and a stop formation that is mounted on the internal surface.**



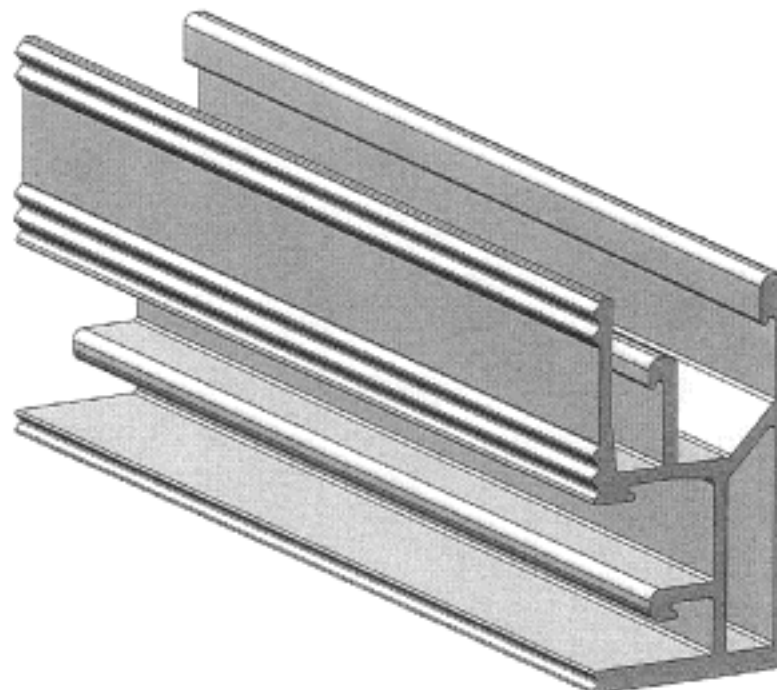
- (21) Design Number: **13860/2012**  
(22) Date of Filing Application: **09 August 2012**  
(24) Date from which industrial property rights may have effect: **09 August 2012**  
(54) Product in respect of which the design is registered: **Lamp**  
(51) International Design Classification: **26-06**  
(74) Name(s) of Attorney(s): **WATERMARK PATENT AND TRADE MARKS ATTORNEYS**  
(71) Name(s) and Address(s) of Applicant(s):  
**Owen Thurston Jurgens**  
c/- Ultra Auto Australia PO Box 1760 Swan Hill Victoria 3585 Australia  
**Philippa Jane Jurgens**  
c/- Ultra Auto Australia PO Box 1760 Swan Hill Victoria 3585 Australia  
**Terence Jurgens**  
c/- Ultra Auto Australia PO Box 1760 Swan Hill Victoria 3585 Australia  
**Elise Rachael Jurgens**  
c/- Ultra Auto Australia PO Box 1760 Swan Hill Victoria 3585 Australia  
(72) Name(s) of Designer(s): **Rosalind Jane Jurgens and Terence Jurgens**  
(45) Registration Date: **11 September 2012**  
(56) Related Art Documents: **Not Applicable**  
(57) Statement of Newness and Distinctiveness: **Newness and distinctiveness is claimed in the features of shape and/or configuration of a lamp as illustrated in the accompanying representations.**



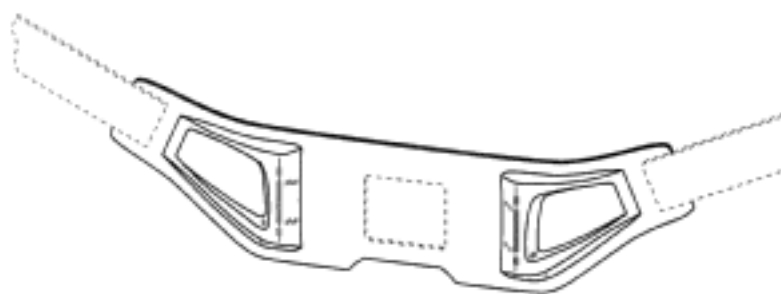
- (21) Design Number: **13864/2012**  
(22) Date of Filing Application: **08 August 2012**  
(24) Date from which industrial property rights may have effect: **08 August 2012**  
(54) Product in respect of which the design is registered: **A clothing rack**  
(51) International Design Classification: **07-05D**  
(74) Name(s) of Attorney(s): **SPRUSON & FERGUSON**  
(71) Name(s) and Address(s) of Applicant(s):  
**Paul Flemming Pty Ltd**  
80 Chepana Street Lake Cathie New South Wales 2445 Australia  
(72) Name(s) of Designer(s): **John Paul Flemming**  
(45) Registration Date: **11 September 2012**  
(56) Related Art Documents: **Not Applicable**  
(57) Statement of Newness and Distinctiveness: **Newness and distinctiveness is claimed in the features of shape and/or configuration of a clothing rack as illustrated in the accompanying representations.**



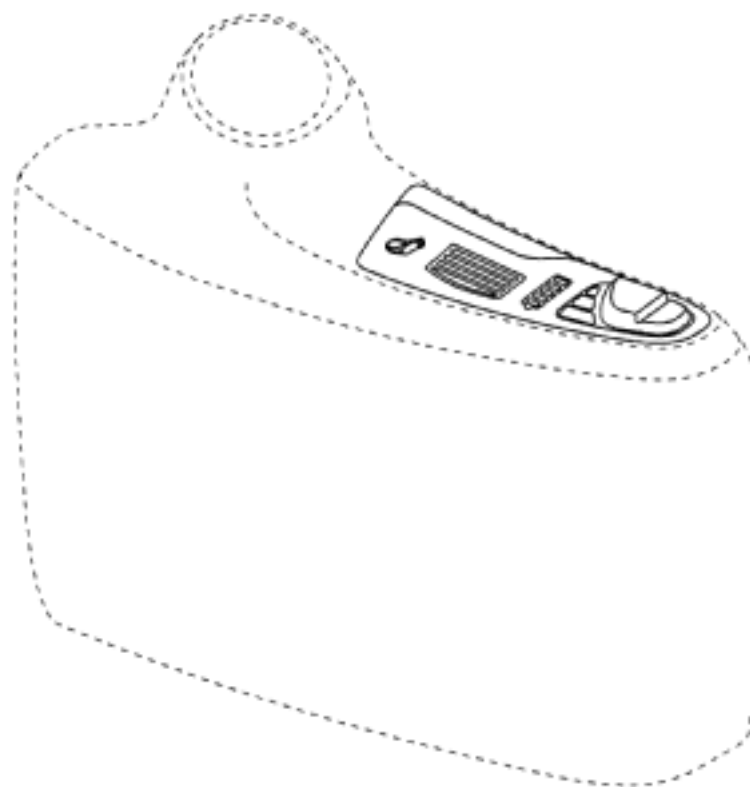
- (21) Design Number: **13865/2012**  
(22) Date of Filing Application: **06 June 2012**  
(24) Date from which industrial property rights may have effect: **06 June 2012**  
(54) Product in respect of which the design is registered: **Commercial roof rail**  
(51) International Design Classification: **25-01K**  
(74) Name(s) of Attorney(s):  
(71) Name(s) and Address(s) of Applicant(s):  
**Energy Matters Pty Ltd**  
**101-105 Clarke Street South Melbourne Victoria 3205 Australia**  
(72) Name(s) of Designer(s): **Jeremy Lawrence**  
(45) Registration Date: **11 September 2012**  
(56) Related Art Documents: **Not Applicable**  
(57) Statement of Newness and Distinctiveness: **The newness and distinctiveness of the design resides in the shape and/or configuration of the rail as shown in the attached representation. The rail has hooks to suit either side or top entry for the Sunlock Key insert.**



- (21) Design Number: **13907/2012**  
(22) Date of Filing Application: **13 August 2012**  
(24) Date from which industrial property rights may have effect: **13 August 2012**  
(54) Product in respect of which the design is registered: **Respirator belt having bumper cushion and flexible air channels**  
(51) International Design Classification: **02-99, 24-99, 24-04, 23-04**  
(74) Name(s) of Attorney(s): **Freehills Patent Attorneys**  
(71) Name(s) and Address(s) of Applicant(s):  
**3M Innovative Properties Company**  
**3M Center Post Office Box 33427 Saint Paul Minnesota 55133-3427**  
**United States of America**  
(72) Name(s) of Designer(s): **Hu, Jia and Kilmer, Sean R and Abel, Nathan A and Skulley, Thomas G and Ulwelling, James M and Krepel, Kenneth J**  
(45) Registration Date: **11 September 2012**  
(30) Convention priority data:  
(31) Number      (32) Date      (33) Country  
**29/413393      15 Feb 2012      UNITED STATES OF AMERICA**  
(56) Related Art Documents: **Not Applicable**  
(57) Statement of Newness and Distinctiveness: **Newness and distinctiveness of the design resides in the shape and configuration of a portion of the respirator belt having bumper cushion and flexible air channels as show in solid outlines in the accompanying representations.**



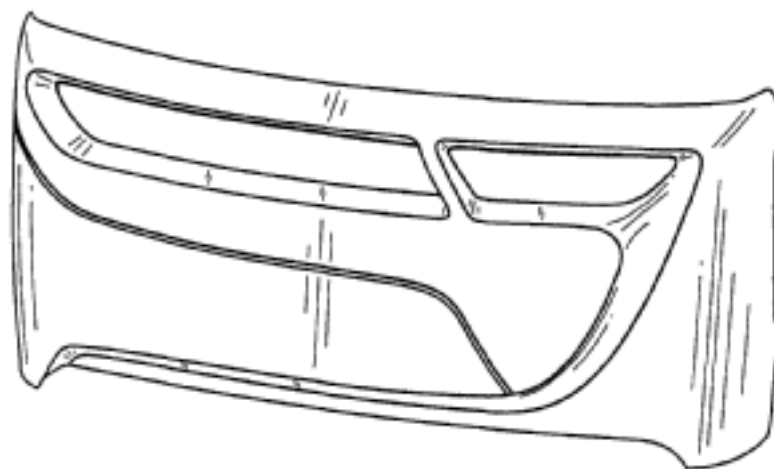
(21) Design Number: **13908/2012**  
(22) Date of Filing Application: **13 August 2012**  
(24) Date from which industrial property rights may have effect: **13 August 2012**  
(54) Product in respect of which the design is registered: **Powered air purifying respirator having a control panel**  
(51) International Design Classification: **24-01, 23-04**  
(74) Name(s) of Attorney(s): **Freehills Patent Attorneys**  
(71) Name(s) and Address(s) of Applicant(s):  
**3M Innovative Properties Company**  
**3M Center Post Office Box 33427 Saint Paul Minnesota 55133-3427**  
**United States of America**  
(72) Name(s) of Designer(s): **Abel, Nathan A and Kilmer, Sean R and Blomberg, David M and Steffen, James E**  
(45) Registration Date: **11 September 2012**  
(30) Convention priority data:  
(31) Number (32) Date (33) Country  
**29/413423 15 Feb 2012 UNITED STATES OF AMERICA**  
(56) Related Art Documents: **Not Applicable**  
(57) Statement of Newness and Distinctiveness: **Newness and distinctiveness of the design resides in the shape and configuration of a powered air purifying respirator having a control panel as shown in solid outlines in the accompanying representations.**



(21) Design Number: **13909/2012**  
(22) Date of Filing Application: **13 August 2012**  
(24) Date from which industrial property rights may have effect: **13 August 2012**  
(54) Product in respect of which the design is registered: **Respirator belt**  
(51) International Design Classification: **02-99, 23-04, 24-04, 24-99**  
(74) Name(s) of Attorney(s): **Freehills Patent Attorneys**  
(71) Name(s) and Address(s) of Applicant(s):  
**3M Innovative Properties Company**  
**3M Center Post Office Box 33427 Saint Paul Minnesota 55133-3427**  
**United States of America**  
(72) Name(s) of Designer(s): **Abel, Nathan A and Kilmer, Sean R and Hu, Jia and Skulley, Thomas G and Ulwelling, James M and Pilgrim, John M and Krepel, Kenneth J**  
(45) Registration Date: **11 September 2012**  
(30) Convention priority data:  
(31) Number (32) Date (33) Country  
**29/413384 15 Feb 2012 UNITED STATES OF AMERICA**  
(56) Related Art Documents: **Not Applicable**  
(57) Statement of Newness and Distinctiveness: **Newness and distinctiveness of the design resides in the shape and configuration of a respirator belt as shown in solid outlines in the accompanying representations.**



- (21) Design Number: **13910/2012**  
(22) Date of Filing Application: **13 August 2012**  
(24) Date from which industrial property rights may have effect: **13 August 2012**  
(54) Product in respect of which the design is registered: **Filter cover for a powered air purifying respirator**  
(51) International Design Classification: **24-01, 23-04**  
(74) Name(s) of Attorney(s): **Freehills Patent Attorneys**  
(71) Name(s) and Address(s) of Applicant(s):  
**3M Innovative Properties Company**  
**3M Center Post Office Box 33427 Saint Paul Minnesota 55133-3427**  
**United States of America**  
(72) Name(s) of Designer(s): **Dwyer, Gary E and Steffen, James E and Abel, Nathan A and Pilgrim, John M**  
(45) Registration Date: **11 September 2012**  
(30) Convention priority data:  
(31) Number (32) Date (33) Country  
**29/413401 15 Feb 2012 UNITED STATES OF AMERICA**  
(56) Related Art Documents: **Not Applicable**  
(57) Statement of Newness and Distinctiveness: **Newness and distinctiveness of the design resides in the shape and configuration of the filter cover for a powered air purifying respirator as shown in solid outlines in the accompanying representations.**



- (21) Design Number: **10007/2012**  
(22) Date of Filing Application: **03 January 2012**  
(24) Date from which industrial property rights may have effect: **03 January 2012**  
(54) Product in respect of which the design is registered: **Wheel for vehicle**  
(51) International Design Classification: **12-16A**  
(74) Name(s) of Attorney(s): **SPRUSON & FERGUSON**  
(71) Name(s) and Address(s) of Applicant(s):  
**Daimler AG**  
**Mercedesstrasse 137 D-70327 Stuttgart Germany**  
(72) Name(s) of Designer(s): **Bernard Hans and Kai Hilpert**  
(45) Registration Date: **12 September 2012**  
(56) Related Art Documents: **Not Applicable**  
(57) Statement of Newness and Distinctiveness: **Newness and distinctiveness is claimed in the features of shape and/or configuration of a wheel for vehicle as illustrated in the accompanying representations.**



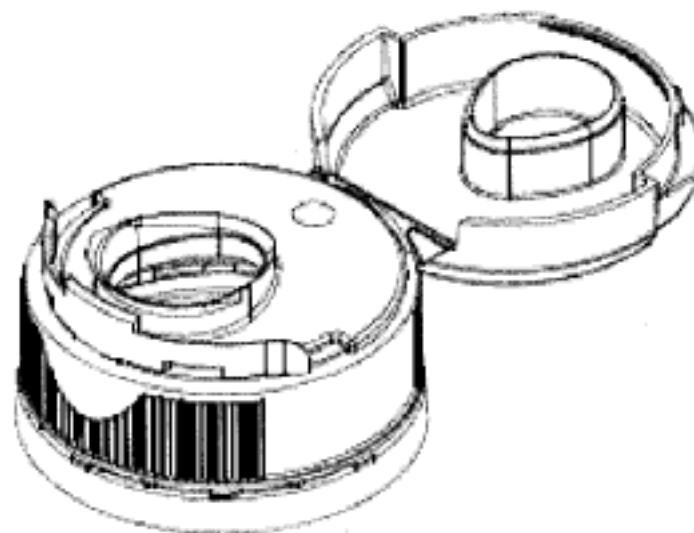
- (21) Design Number: **10008/2012**  
(22) Date of Filing Application: **03 January 2012**  
(24) Date from which industrial property rights may have effect: **03 January 2012**  
(54) Product in respect of which the design is registered: **Wheel for vehicle**  
(51) International Design Classification: **12-16A**  
(74) Name(s) of Attorney(s): **SPRUSON & FERGUSON**  
(71) Name(s) and Address(s) of Applicant(s):  
**Daimler AG**  
**Mercedesstrasse 137 D-70327 Stuttgart Germany**  
(72) Name(s) of Designer(s): **Torsten Hermann and Kai Hilpert**  
(45) Registration Date: **12 September 2012**  
(56) Related Art Documents: **Not Applicable**  
(57) Statement of Newness and Distinctiveness: **Newness and distinctiveness is claimed in the features of shape and/or configuration of a wheel for vehicle as illustrated in the accompanying representations.**



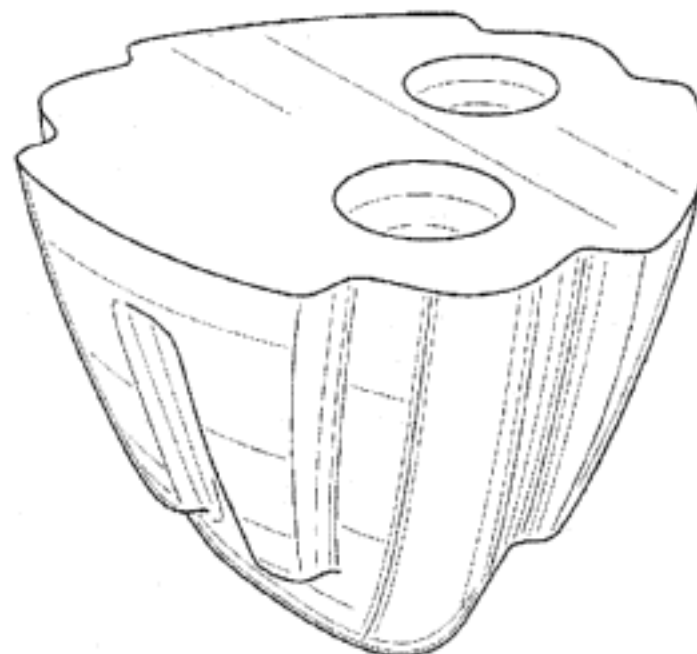
- (21) Design Number: **10049/2012**  
(22) Date of Filing Application: **06 January 2012**  
(24) Date from which industrial property rights may have effect: **06 January 2012**  
(54) Product in respect of which the design is registered: **Steering wheel for an automobile**  
(51) International Design Classification: **12-16A**  
(74) Name(s) of Attorney(s): **SPRUSON & FERGUSON**  
(71) Name(s) and Address(s) of Applicant(s):  
**Toyota Jidosha Kabushiki Kaisha**  
**1 Toyota-cho Toyota-shi Aichi-ken 471-8571 Japan**  
(72) Name(s) of Designer(s): **Yuka Koyama**  
(45) Registration Date: **12 September 2012**  
(56) Related Art Documents: **Not Applicable**  
(57) Statement of Newness and Distinctiveness: **Newness and distinctiveness is claimed in the features of shape and/or configuration of a steering wheel for an automobile as illustrated in the accompanying representations.**



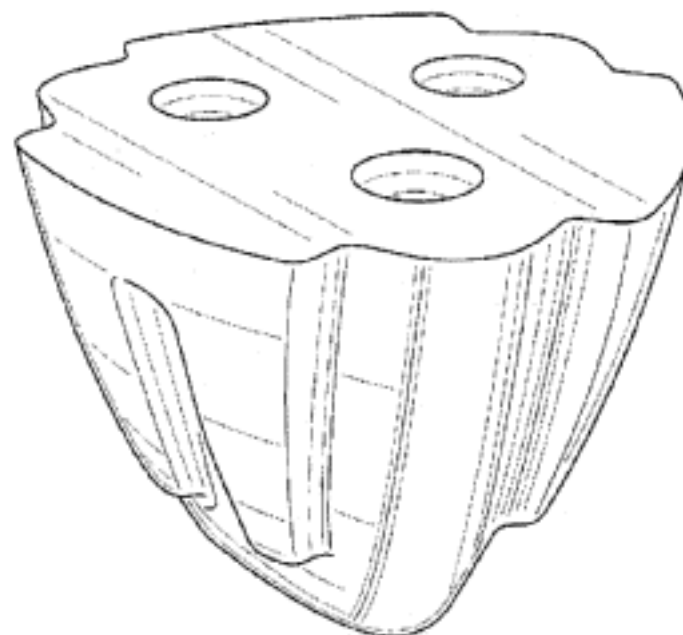
- (21) Design Number: **10085/2012**  
(22) Date of Filing Application: **11 January 2012**  
(24) Date from which industrial property rights may have effect: **11 January 2012**  
(54) Product in respect of which the design is registered: **Bottle cap**  
(51) International Design Classification: **09-07A**  
(74) Name(s) of Attorney(s): **Allens Patent & Trade Mark Attorneys**  
(71) Name(s) and Address(s) of Applicant(s):  
**Asahi Group Holdings, Ltd**  
**23-1 Azumabashi 1-chome Sumida-ku Tokyo 130-8602 Japan**  
(72) Name(s) of Designer(s): **Jonathan Savedra and Andrew Bult**  
(45) Registration Date: **12 September 2012**  
(56) Related Art Documents: **Not Applicable**  
(57) Statement of Newness and Distinctiveness: **Newness and distinctiveness resides in the visual features of shape and/or configuration of a bottle cap as illustrated in the accompanying representations.**



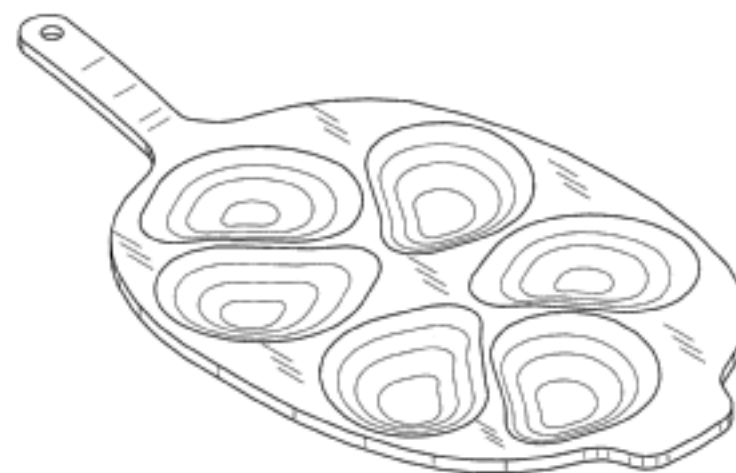
- (21) Design Number: **13944/2012**  
(22) Date of Filing Application: **15 August 2012**  
(24) Date from which industrial property rights may have effect: **15 August 2012**  
(54) Product in respect of which the design is registered: **Internal plug for a planting system**  
(51) International Design Classification: **09-03F**  
(74) Name(s) of Attorney(s): **A J Park**  
(71) Name(s) and Address(s) of Applicant(s):  
**OMS Investments, Inc.**  
**10250 Constellation Place Suite 250 Los Angeles California 90067 United States of America**  
(72) Name(s) of Designer(s): **Mark Gerard Prinster and Bradley Alan Schultz and Sara Ann Gordon and Kimberly Ann Rygielski and Matthew L. Phillips and Robert H. Bruno and Philip J. Nathan**  
(45) Registration Date: **12 September 2012**  
(30) Convention priority data:  
(31) Number (32) Date (33) Country  
**29/422,347 18 May 2012 UNITED STATES OF AMERICA**  
(56) Related Art Documents: **Not Applicable**  
(57) Statement of Newness and Distinctiveness: **Newness and distinctiveness reside in the features of shape and/or configuration of the Internal Plug for a Planting System as shown in the representations.**



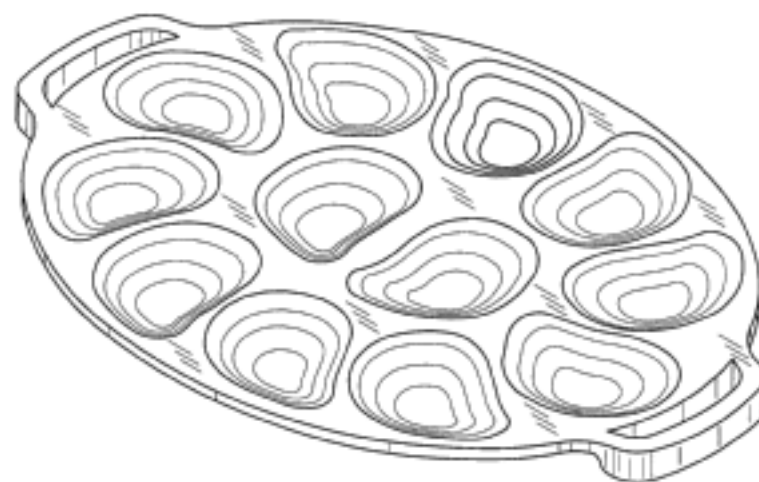
- (21) Design Number: **13945/2012**  
(22) Date of Filing Application: **15 August 2012**  
(24) Date from which industrial property rights may have effect: **15 August 2012**  
(54) Product in respect of which the design is registered: **Internal plug for a planting system**  
(51) International Design Classification: **09-03F**  
(74) Name(s) of Attorney(s): **A J Park**  
(71) Name(s) and Address(s) of Applicant(s):  
**OMS Investments, Inc.**  
**10250 Constellation Place Suite 250 Los Angeles California 90067 United States of America**  
(72) Name(s) of Designer(s): **Mark Gerard Prinster and Bradley Alan Schultz and Sara Ann Gordon and Kimberly Ann Rygielski and Matthew L. Phillips and Robert H. Bruno and Philip J. Nathan**  
(45) Registration Date: **12 September 2012**  
(30) Convention priority data:  
(31) Number (32) Date (33) Country  
**29/422,347 18 May 2012 UNITED STATES OF AMERICA**  
(56) Related Art Documents: **Not Applicable**  
(57) Statement of Newness and Distinctiveness: **Newness and distinctiveness reside in the features of shape and/or configuration of the Internal Plug for a Planting System as shown in the representations.**



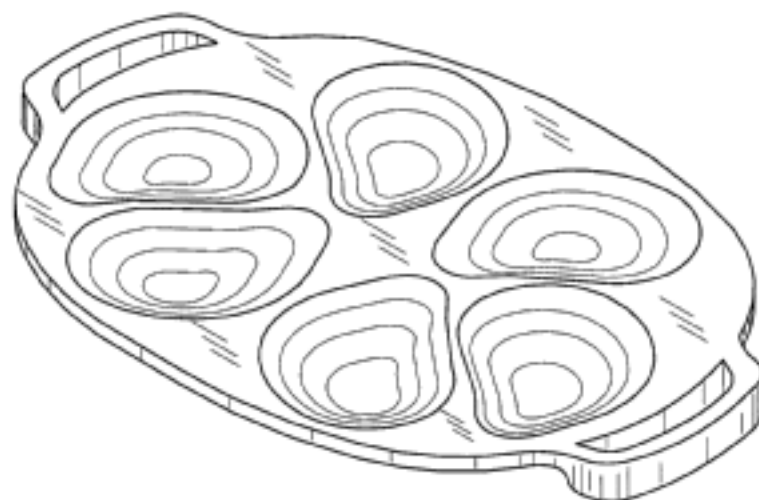
- (21) Design Number: **13946/2012**  
(22) Date of Filing Application: **14 August 2012**  
(24) Date from which industrial property rights may have effect: **14 August 2012**  
(54) Product in respect of which the design is registered: **Pan for grilling oysters**  
(51) International Design Classification: **07-02N**  
(74) Name(s) of Attorney(s): **Freehills Patent Attorneys**  
(71) Name(s) and Address(s) of Applicant(s):  
**Robert Zibilich**  
**5213 Wade Drive Metairie Louisiana 5213 United States of America**  
(72) Name(s) of Designer(s): **Robert Zibilich**  
(45) Registration Date: **12 September 2012**  
(30) Convention priority data:  
(31) Number (32) Date (33) Country  
**29/413363 14 Feb 2012 UNITED STATES OF AMERICA**  
(56) Related Art Documents: **Not Applicable**  
(57) Statement of Newness and Distinctiveness: **Newness and distinctiveness resides in the shape and configuration of the pan for grilling oysters as shown in the figures.**



(21) Design Number: **13947/2012**  
(22) Date of Filing Application: **14 August 2012**  
(24) Date from which industrial property rights may have effect: **14 August 2012**  
(54) Product in respect of which the design is registered: **Pan for grilling oysters**  
(51) International Design Classification: **07-02N**  
(74) Name(s) of Attorney(s): **Freehills Patent Attorneys**  
(71) Name(s) and Address(s) of Applicant(s):  
**Robert Zibilich**  
**5213 Wade Drive Metairie Louisiana 5213 United States of America**  
(72) Name(s) of Designer(s): **Robert Zibilich**  
(45) Registration Date: **12 September 2012**  
(30) Convention priority data:  
(31) Number (32) Date (33) Country  
**29/413361 14 Feb 2012 UNITED STATES OF AMERICA**  
(56) Related Art Documents: **Not Applicable**  
(57) Statement of Newness and Distinctiveness: **Newness and distinctiveness resides in the shape and configuration of the pan for grilling oysters as shown in the figures.**



(21) Design Number: **13948/2012**  
(22) Date of Filing Application: **14 August 2012**  
(24) Date from which industrial property rights may have effect: **14 August 2012**  
(54) Product in respect of which the design is registered: **Pan for grilling oysters**  
(51) International Design Classification: **07-02N**  
(74) Name(s) of Attorney(s): **Freehills Patent Attorneys**  
(71) Name(s) and Address(s) of Applicant(s):  
**Robert Zibilich**  
**5213 Wade Drive Metairie Louisiana 5213 United States of America**  
(72) Name(s) of Designer(s): **Robert Zibilich**  
(45) Registration Date: **12 September 2012**  
(30) Convention priority data:  
(31) Number (32) Date (33) Country  
**29/413358 14 Feb 2012 UNITED STATES OF AMERICA**  
(56) Related Art Documents: **Not Applicable**  
(57) Statement of Newness and Distinctiveness: **Newness and distinctiveness resides in the shape and configuration of the pan for grilling oysters as shown in the figures.**



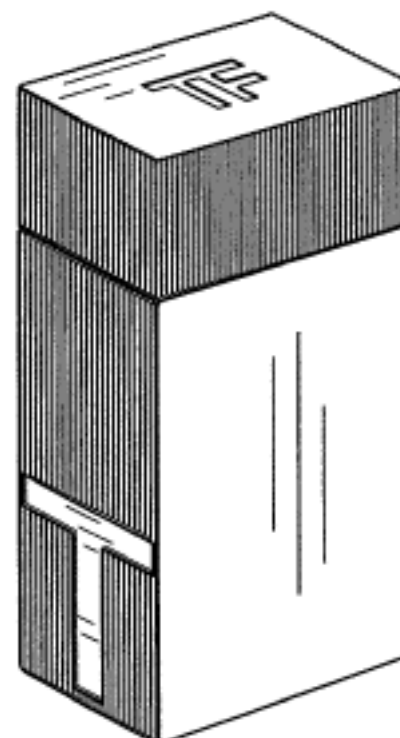
(21) Design Number: **13949/2012**  
(22) Date of Filing Application: **07 June 2012**  
(24) Date from which industrial property rights may have effect: **07 June 2012**  
(54) Product in respect of which the design is registered: **Bottle with cap**  
(51) International Design Classification: **09-01NES**  
(74) Name(s) of Attorney(s): **PHILLIPS ORMONDE FITZPATRICK**  
(71) Name(s) and Address(s) of Applicant(s):  
**Thomas C. Ford**  
**9229 Sunset Boulevard Suite 607 Los Angeles California 90069 United States of America**

(72) Name(s) of Designer(s): **Thomas C. Ford and Lara Modjeski**  
(45) Registration Date: **12 September 2012**

(30) Convention priority data:  
(31) Number (32) Date (33) Country  
**29/408,565 14 Dec 2011 UNITED STATES OF AMERICA**

(56) Related Art Documents: **Not Applicable**

(57) Statement of Newness and Distinctiveness: **Those features of the bottle with cap depicted in the representations that are new and distinctive are the shape and/or configuration. The features shown in broken line and the area within the broken lines shown in Fig. 6 are not part of the design and are to be disregarded when considering the overall impression of the design.**



(21) Design Number: **12121/2012**  
(22) Date of Filing Application: **30 April 2012**  
(24) Date from which industrial property rights may have effect: **30 April 2012**  
(54) Product in respect of which the design is registered: **Article of jewellery - Ring**  
(51) International Design Classification: **11-01A**  
(74) Name(s) of Attorney(s): **KENSINGTON SWAN**  
(71) Name(s) and Address(s) of Applicant(s):  
**Michael Hill Franchise Pty Limited**  
**7 Smallwood Place Murarrie Queensland 4172 Australia**

(72) Name(s) of Designer(s): **Hemant Samanta**  
(45) Registration Date: **12 September 2012**

(30) Convention priority data:  
(31) Number (32) Date (33) Country  
**415474 31 Oct 2011 NEW ZEALAND**

(56) Related Art Documents: **Not Applicable**

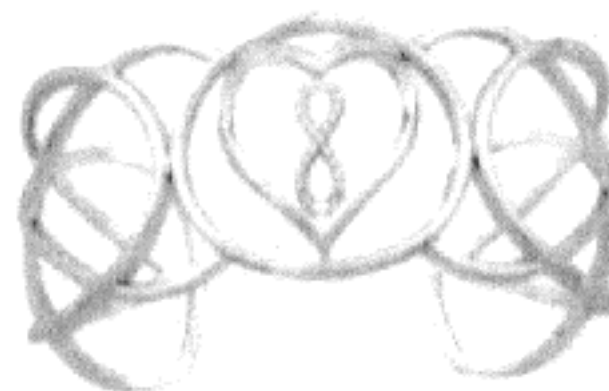
(57) Statement of Newness and Distinctiveness: **Newness and distinctiveness is claimed in the features of shape and/or configuration applied to an article of jewellery as shown in the accompanying representations.**



- (21) Design Number: **14210/2012**  
(22) Date of Filing Application: **30 April 2012**  
(24) Date from which industrial property rights may have effect: **30 April 2012**  
(54) Product in respect of which the design is registered: **Article of jewellery - Ring**  
(51) International Design Classification: **11-01A**  
(74) Name(s) of Attorney(s): **KENSINGTON SWAN**  
(71) Name(s) and Address(s) of Applicant(s):  
**Michael Hill Franchise Pty Limited**  
**7 Smallwood Place Murarrie Queensland 4172 Australia**  
(72) Name(s) of Designer(s): **Hemant Samanta**  
(45) Registration Date: **12 September 2012**  
(30) Convention priority data:  
(31) Number (32) Date (33) Country  
**415474 31 Oct 2011 NEW ZEALAND**  
(56) Related Art Documents: **Not Applicable**  
(57) Statement of Newness and Distinctiveness: **Newness and distinctiveness is claimed in the feature of shape and/or configuration applied to an article of jewellery as shown in the accompanying representations.**



- (21) Design Number: **14211/2012**  
(22) Date of Filing Application: **30 April 2012**  
(24) Date from which industrial property rights may have effect: **30 April 2012**  
(54) Product in respect of which the design is registered: **Article of jewellery - Cuff**  
(51) International Design Classification: **11-01C**  
(74) Name(s) of Attorney(s): **KENSINGTON SWAN**  
(71) Name(s) and Address(s) of Applicant(s):  
**Michael Hill Franchise Pty Limited**  
**7 Smallwood Place Murarrie Queensland 4172 Australia**  
(72) Name(s) of Designer(s): **Hemant Samanta**  
(45) Registration Date: **12 September 2012**  
(30) Convention priority data:  
(31) Number (32) Date (33) Country  
**415474 31 Oct 2011 NEW ZEALAND**  
(56) Related Art Documents: **Not Applicable**  
(57) Statement of Newness and Distinctiveness: **Newness and distinctiveness is claimed in the feature of shape and/or configuration applied to an article of jewellery as shown in the accompanying representations.**



- (21) Design Number: **14212/2012**  
(22) Date of Filing Application: **30 April 2012**  
(24) Date from which industrial property rights may have effect: **30 April 2012**  
(54) Product in respect of which the design is registered: **Article of jewellery - Pendant**  
(51) International Design Classification: **11-01NES**  
(74) Name(s) of Attorney(s): **KENSINGTON SWAN**  
(71) Name(s) and Address(s) of Applicant(s):  
**Michael Hill Franchise Pty Limited**  
**7 Smallwood Place Murarrie Queensland 4172 Australia**  
(72) Name(s) of Designer(s): **Hemant Samanta**  
(45) Registration Date: **12 September 2012**  
(30) Convention priority data:  
(31) Number (32) Date (33) Country  
**415474 31 Oct 2011 NEW ZEALAND**  
(56) Related Art Documents: **Not Applicable**  
(57) Statement of Newness and Distinctiveness: **Newness and distinctiveness is claimed in the feature of shape and/or configuration applied to an article of jewellery as shown in the accompanying representations.**



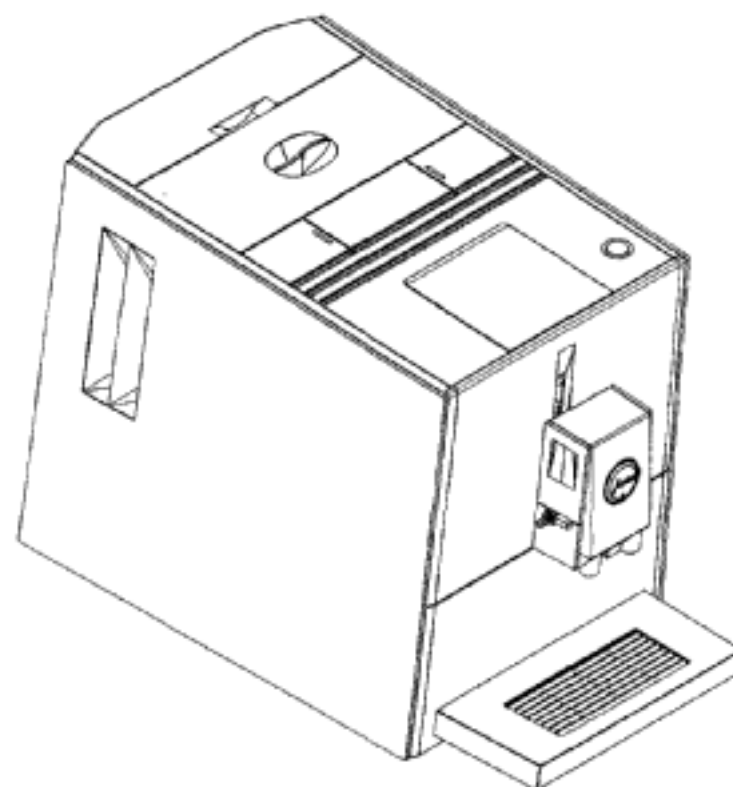
- (21) Design Number: **14213/2012**  
(22) Date of Filing Application: **30 April 2012**  
(24) Date from which industrial property rights may have effect: **30 April 2012**  
(54) Product in respect of which the design is registered: **Article of jewellery - Pendant**  
(51) International Design Classification: **11-01NES**  
(74) Name(s) of Attorney(s): **KENSINGTON SWAN**  
(71) Name(s) and Address(s) of Applicant(s):  
**Michael Hill Franchise Pty Limited**  
**7 Smallwood Place Murarrie Queensland 4172 Australia**  
(72) Name(s) of Designer(s): **Hemant Samanta**  
(45) Registration Date: **12 September 2012**  
(30) Convention priority data:  
(31) Number (32) Date (33) Country  
**415474 31 Oct 2011 NEW ZEALAND**  
(56) Related Art Documents: **Not Applicable**  
(57) Statement of Newness and Distinctiveness: **Newness and distinctiveness is claimed in the feature of shape and/or configuration applied to an article of jewellery as shown in the accompanying representations.**



- (21) Design Number: **14214/2012**  
(22) Date of Filing Application: **30 April 2012**  
(24) Date from which industrial property rights may have effect: **30 April 2012**  
(54) Product in respect of which the design is registered: **Article of jewellery - Pendant**  
(51) International Design Classification: **11-01NES**  
(74) Name(s) of Attorney(s): **KENSINGTON SWAN**  
(71) Name(s) and Address(s) of Applicant(s):  
**Michael Hill Franchise Pty Limited**  
**7 Smallwood Place Murarrie Queensland 4172 Australia**  
(72) Name(s) of Designer(s): **Hemant Samanta**  
(45) Registration Date: **12 September 2012**  
(30) Convention priority data:  
(31) Number (32) Date (33) Country  
**415474 31 Oct 2011 NEW ZEALAND**  
(56) Related Art Documents: **Not Applicable**  
(57) Statement of Newness and Distinctiveness: **Newness and distinctiveness is claimed in the feature of shape and/or configuration applied to an article of jewellery as shown in the accompanying representations.**



- (21) Design Number: **13928/2012**  
(22) Date of Filing Application: **14 August 2012**  
(24) Date from which industrial property rights may have effect: **14 August 2012**  
(54) Product in respect of which the design is registered: **Coffee machine**  
(51) International Design Classification: **07-02L**  
(74) Name(s) of Attorney(s): **Griffith Hack**  
(71) Name(s) and Address(s) of Applicant(s):  
**Jura Elektroapparate AG**  
**Kaffeeweltstrasse 10 4626 Niederbuchsiten Switzerland**  
(72) Name(s) of Designer(s): **Ronald Buttler**  
(45) Registration Date: **12 September 2012**  
(30) Convention priority data:  
(31) Number (32) Date (33) Country  
**DM/078 322 10 May 2012 WORLD INTELLECTUAL PROPERTY ORGANIZATION (WIPO)**  
(56) Related Art Documents: **Not Applicable**  
(57) Statement of Newness and Distinctiveness: **The shape, configuration and ornamentation of the product as shown in the representations is new and distinctive.**



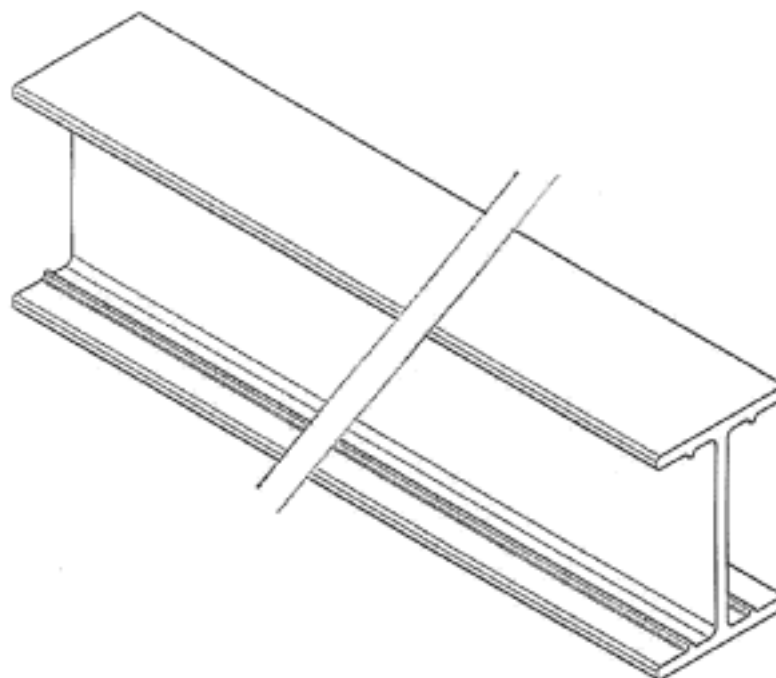
- (21) Design Number: **13929/2012**  
(22) Date of Filing Application: **14 August 2012**  
(24) Date from which industrial property rights may have effect: **14 August 2012**  
(54) Product in respect of which the design is registered: **Suction head of a handstick vacuum cleaner**  
(51) International Design Classification: **15-05**  
(74) Name(s) of Attorney(s): **SPRUSON & FERGUSON**  
(71) Name(s) and Address(s) of Applicant(s):  
**Rowenta France**  
**Chemin du Violet 27200 Vernon France**  
(72) Name(s) of Designer(s): **Laurent Lebot and Victor Massip**  
(45) Registration Date: **12 September 2012**  
(30) Convention priority data:  
(31) Number      (32) Date      (33) Country  
**001319917-0001    27 Mar 2012      EUROPEAN COMMUNITY**  
(56) Related Art Documents: **Not Applicable**  
(57) Statement of Newness and Distinctiveness: **Newness and distinctiveness is claimed in the features of shape and/or configuration of a suction head of a handstick vacuum cleaner as illustrated in the accompanying representations.**



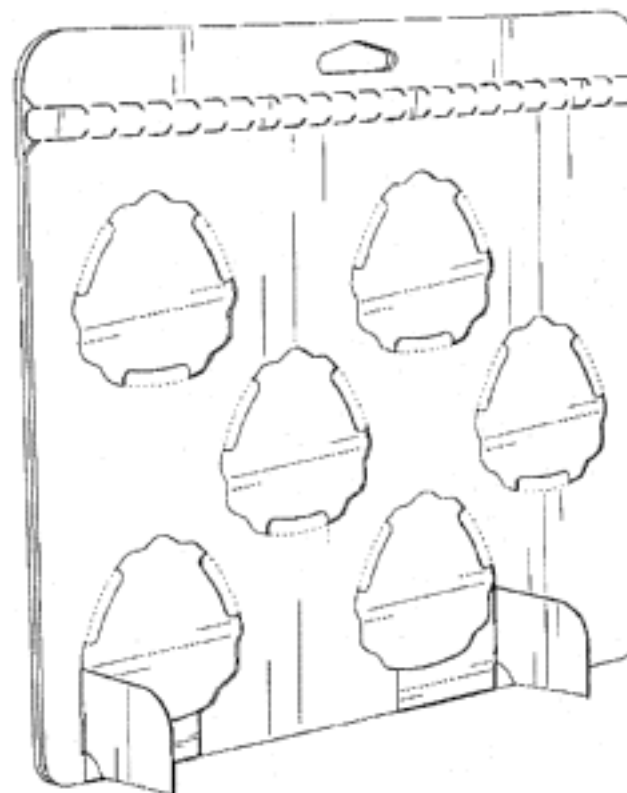
- (21) Design Number: **13930/2012**  
(22) Date of Filing Application: **15 August 2012**  
(24) Date from which industrial property rights may have effect: **15 August 2012**  
(54) Product in respect of which the design is registered: **Skate board deck**  
(51) International Design Classification: **21-02E**  
(74) Name(s) of Attorney(s): **Ascot Martin Registered Patent & Trade Mark Attorneys**  
(71) Name(s) and Address(s) of Applicant(s):  
**Maverick Securities Aust Pty Ltd**  
**22/70-72 Captain Cook Drive Caringbah New South Wales 2229 Australia**  
(72) Name(s) of Designer(s): **Paul Brotherson**  
(45) Registration Date: **12 September 2012**  
(56) Related Art Documents: **Not Applicable**  
(57) Statement of Newness and Distinctiveness: **The features of the design which are new and distinctive are the features of ornamentation consisting of the mirror-like reflective appearance of the surface of the whole skate board deck as shown in the accompanying representations.**



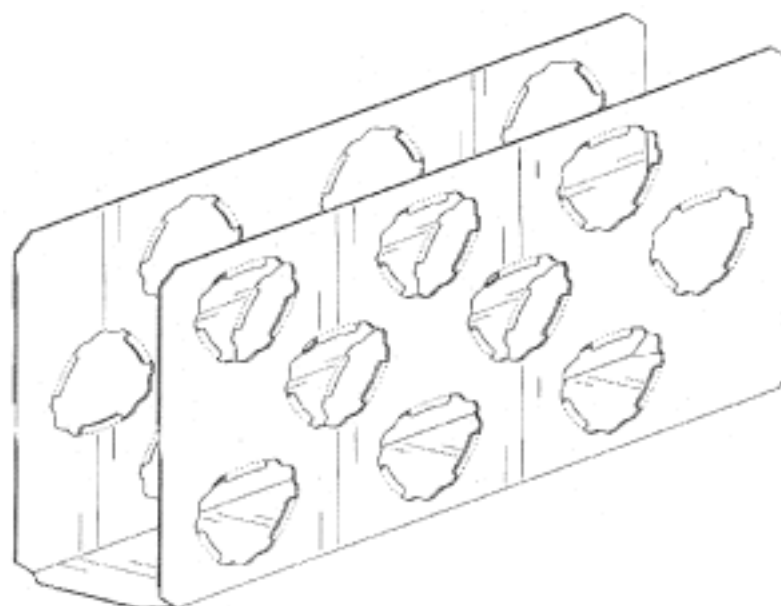
(21) Design Number: **13931/2012**  
(22) Date of Filing Application: **15 August 2012**  
(24) Date from which industrial property rights may have effect: **15 August 2012**  
(54) Product in respect of which the design is registered: **An extrusion**  
(51) International Design Classification: **25-01K**  
(74) Name(s) of Attorney(s): **Baldwins Intellectual Property**  
(71) Name(s) and Address(s) of Applicant(s):  
**Peter Francis Kamphuis**  
**48 Krippner Road Puhoi Auckland 1951 New Zealand**  
(72) Name(s) of Designer(s): **Peter Francis Kamphuis**  
(45) Registration Date: **12 September 2012**  
(30) Convention priority data:  
(31) Number (32) Date (33) Country  
**415867 17 Feb 2012 NEW ZEALAND**  
(56) Related Art Documents: **Not Applicable**  
(57) Statement of Newness and Distinctiveness: **Newness and distinctiveness resides in the features of shape and/or configuration of the ridges indicated by arrows "A".**



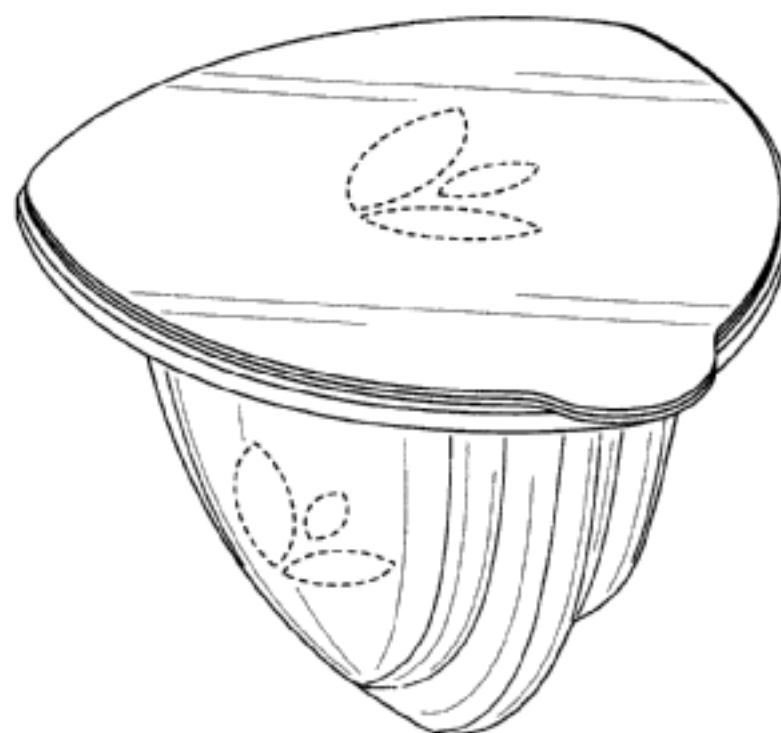
(21) Design Number: **13932/2012**  
(22) Date of Filing Application: **15 August 2012**  
(24) Date from which industrial property rights may have effect: **15 August 2012**  
(54) Product in respect of which the design is registered: **Planting system carrying device**  
(51) International Design Classification: **09-03F**  
(74) Name(s) of Attorney(s): **A J Park**  
(71) Name(s) and Address(s) of Applicant(s):  
**OMS Investments, Inc**  
**10250 Constellation Place Suite 250 Los Angeles California 90067 United States of America**  
(72) Name(s) of Designer(s): **Bradley Alan Schultz and Robert H. Bruno**  
(45) Registration Date: **12 September 2012**  
(30) Convention priority data:  
(31) Number (32) Date (33) Country  
**29/428,679 02 Aug 2012 UNITED STATES OF AMERICA**  
(56) Related Art Documents: **Not Applicable**  
(57) Statement of Newness and Distinctiveness: **Newness and distinctiveness reside in the features of shape and/or configuration of the PLANTING SYSTEM CARRYING DEVICE as shown in the representations.**



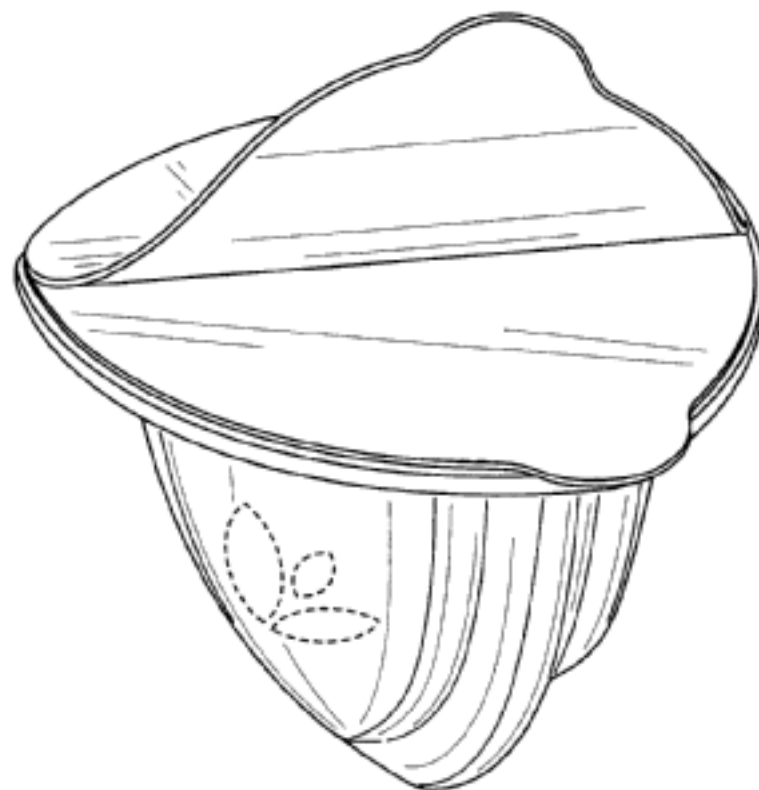
(21) Design Number: **13933/2012**  
(22) Date of Filing Application: **15 August 2012**  
(24) Date from which industrial property rights may have effect: **15 August 2012**  
(54) Product in respect of which the design is registered: **Planting system carrying device**  
(51) International Design Classification: **09-03F**  
(74) Name(s) of Attorney(s): **A J Park**  
(71) Name(s) and Address(s) of Applicant(s):  
**OMS Investments, Inc**  
**10250 Constellation Place Suite 250 Los Angeles California 90067 United States of America**  
(72) Name(s) of Designer(s): **Bradley Alan Schultz and Robert H. Bruno**  
(45) Registration Date: **12 September 2012**  
(30) Convention priority data:  
(31) Number (32) Date (33) Country  
**29/428,679 02 Aug 2012 UNITED STATES OF AMERICA**  
(56) Related Art Documents: **Not Applicable**  
(57) Statement of Newness and Distinctiveness: **Newness and distinctiveness reside in the features of shape and/or configuration of the PLANTING SYSTEM CARRYING DEVICE as shown in the representations.**



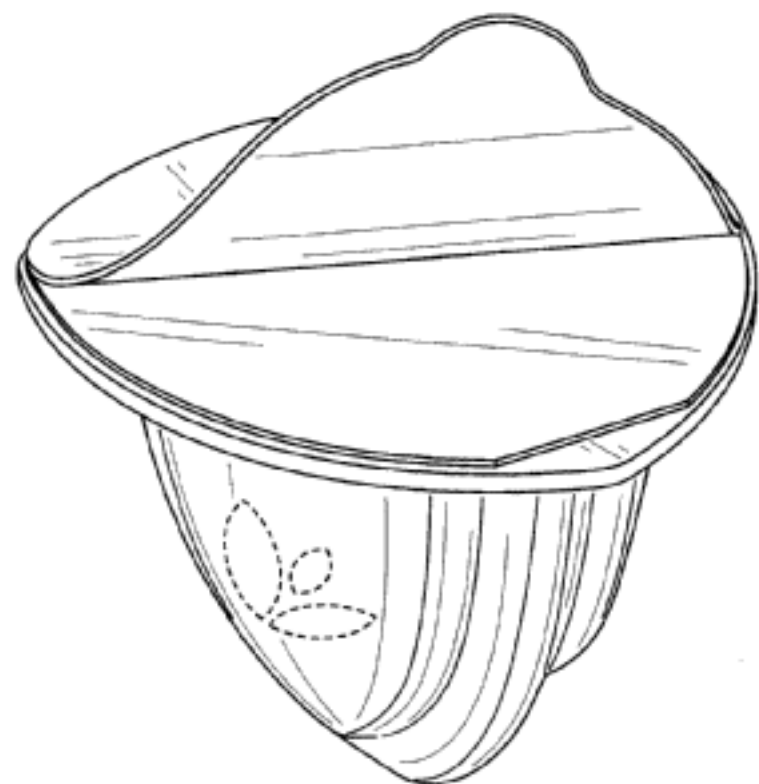
(21) Design Number: **13934/2012**  
(22) Date of Filing Application: **15 August 2012**  
(24) Date from which industrial property rights may have effect: **15 August 2012**  
(54) Product in respect of which the design is registered: **Planting system**  
(51) International Design Classification: **09-03F**  
(74) Name(s) of Attorney(s): **A J Park**  
(71) Name(s) and Address(s) of Applicant(s):  
**OMS Investments Inc.**  
**10250 Constellation Place Suite 250 Los Angeles California 90067 United States of America**  
(72) Name(s) of Designer(s): **Mark Gerard Prinster and Bradley Alan Schultz and Sara Ann Gordon and Kimberly Ann Rygielski and Matthew L. Phillips and Robert H. Bruno and Philip J. Nathan**  
(45) Registration Date: **12 September 2012**  
(30) Convention priority data:  
(31) Number (32) Date (33) Country  
**29/413,720 17 Feb 2012 UNITED STATES OF AMERICA**  
(56) Related Art Documents: **Not Applicable**  
(57) Statement of Newness and Distinctiveness: **Newness and distinctiveness reside in the features of shape and/or configuration of the PLANTING SYSTEM, as shown in the representations. Newness and distinctiveness are not claimed in relation to the features shown in broken lines in the representations, which features are shown for illustrative purposes only.**



- (21) Design Number: **13935/2012**  
(22) Date of Filing Application: **15 August 2012**  
(24) Date from which industrial property rights may have effect: **15 August 2012**  
(54) Product in respect of which the design is registered: **Planting system**  
(51) International Design Classification: **09-03F**  
(74) Name(s) of Attorney(s): **A J Park**  
(71) Name(s) and Address(s) of Applicant(s):  
**OMS Investments Inc.**  
**10250 Constellation Place Suite 250 Los Angeles California 90067 United States of America**  
(72) Name(s) of Designer(s): **Mark Gerard Prinster and Bradley Alan Schultz and Sara Ann Gordon and Kimberly Ann Rygielski and Matthew L. Phillips and Robert H. Bruno and Philip J. Nathan**  
(45) Registration Date: **12 September 2012**  
(30) Convention priority data:  
(31) Number (32) Date (33) Country  
**29/413,720 17 Feb 2012 UNITED STATES OF AMERICA**  
(56) Related Art Documents: **Not Applicable**  
(57) Statement of Newness and Distinctiveness: **Newness and distinctiveness reside in the features of shape and/or configuration of the PLANTING SYSTEM, as shown in the representations. Newness and distinctiveness are not claimed in relation to the features shown in broken lines in the representations, which features are shown for illustrative purposes only.**



- (21) Design Number: **13936/2012**  
(22) Date of Filing Application: **15 August 2012**  
(24) Date from which industrial property rights may have effect: **15 August 2012**  
(54) Product in respect of which the design is registered: **Planting system**  
(51) International Design Classification: **09-03F**  
(74) Name(s) of Attorney(s): **A J Park**  
(71) Name(s) and Address(s) of Applicant(s):  
**OMS Investments Inc.**  
**10250 Constellation Place Suite 250 Los Angeles California 90067 United States of America**  
(72) Name(s) of Designer(s): **Mark Gerard Prinster and Bradley Alan Schultz and Sara Ann Gordon and Kimberly Ann Rygielski and Matthew L. Phillips and Robert H. Bruno and Philip J. Nathan**  
(45) Registration Date: **12 September 2012**  
(30) Convention priority data:  
(31) Number (32) Date (33) Country  
**29/413,720 17 Feb 2012 UNITED STATES OF AMERICA**  
(56) Related Art Documents: **Not Applicable**  
(57) Statement of Newness and Distinctiveness: **Newness and distinctiveness reside in the features of shape and/or configuration of the PLANTING SYSTEM, as shown in the representations. Newness and distinctiveness are not claimed in relation to the features shown in broken lines in the representations, which features are shown for illustrative purposes only.**



(21) Design Number: **13937/2012**  
(22) Date of Filing Application: **15 August 2012**  
(24) Date from which industrial property rights may have effect: **15 August 2012**  
(54) Product in respect of which the design is registered: **Planting system**  
(51) International Design Classification: **09-03F**  
(74) Name(s) of Attorney(s): **A J Park**  
(71) Name(s) and Address(s) of Applicant(s):  
**OMS Investments Inc.**  
**10250 Constellation Place Suite 250 Los Angeles California 90067 United States of America**

(72) Name(s) of Designer(s): **Mark Gerard Prinster and Bradley Alan Schultz and Sara Ann Gordon and Kimberly Ann Rygielski and Matthew L. Phillips and Robert H. Bruno and Philip J. Nathan**

(45) Registration Date: **12 September 2012**

(30) Convention priority data:

(31) Number	(32) Date	(33) Country
<b>29/413,720</b>	<b>17 Feb 2012</b>	<b>UNITED STATES OF AMERICA</b>

(56) Related Art Documents: **Not Applicable**

(57) Statement of Newness and Distinctiveness: **Newness and distinctiveness reside in the features of shape and/or configuration of the PLANTING SYSTEM, as shown in the representations. Newness and distinctiveness are not claimed in relation to the features shown in broken lines in the representations, which features are shown for illustrative purposes only.**



(21) Design Number: **13938/2012**  
(22) Date of Filing Application: **15 August 2012**  
(24) Date from which industrial property rights may have effect: **15 August 2012**  
(54) Product in respect of which the design is registered: **Planting system**  
(51) International Design Classification: **09-03F**  
(74) Name(s) of Attorney(s): **A J Park**  
(71) Name(s) and Address(s) of Applicant(s):  
**OMS Investments Inc.**  
**10250 Constellation Place Suite 250 Los Angeles California 90067 United States of America**

(72) Name(s) of Designer(s): **Mark Gerard Prinster and Bradley Alan Schultz and Sara Ann Gordon and Kimberly Ann Rygielski and Matthew L. Phillips and Robert H. Bruno and Philip J. Nathan**

(45) Registration Date: **12 September 2012**

(30) Convention priority data:

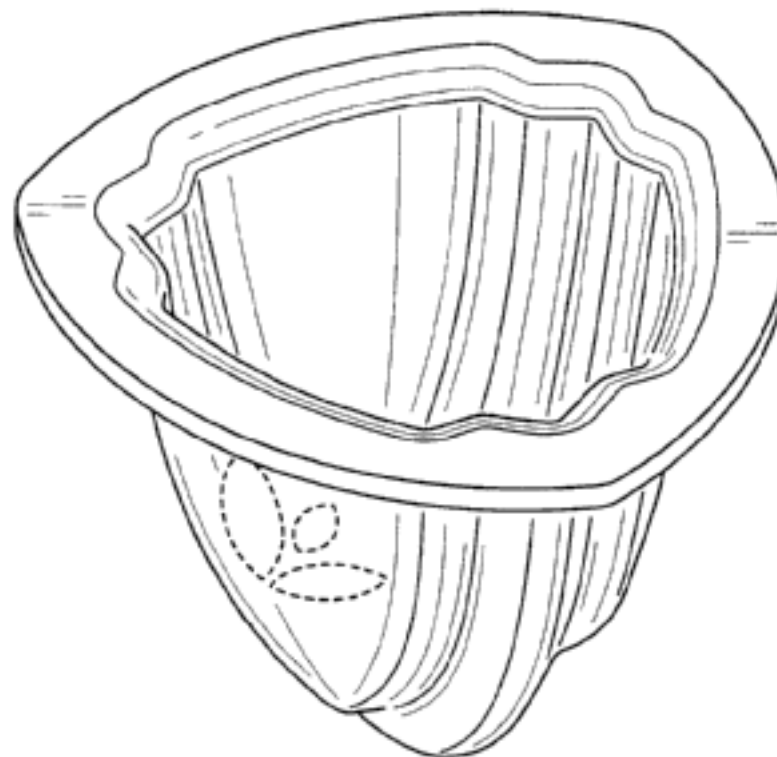
(31) Number	(32) Date	(33) Country
<b>29/413,720</b>	<b>17 Feb 2012</b>	<b>UNITED STATES OF AMERICA</b>

(56) Related Art Documents: **Not Applicable**

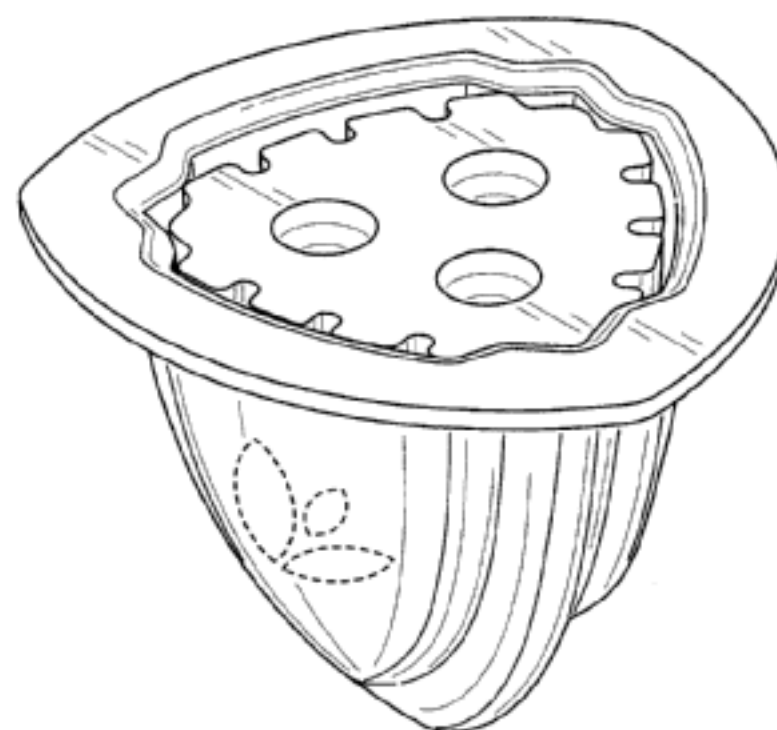
(57) Statement of Newness and Distinctiveness: **Newness and distinctiveness reside in the features of shape and/or configuration of the PLANTING SYSTEM, as shown in the representations. Newness and distinctiveness are not claimed in relation to the features shown in broken lines in the representations, which features are shown for illustrative purposes only.**



- (21) Design Number: **13939/2012**  
(22) Date of Filing Application: **15 August 2012**  
(24) Date from which industrial property rights may have effect: **15 August 2012**  
(54) Product in respect of which the design is registered: **Planting system**  
(51) International Design Classification: **09-03F**  
(74) Name(s) of Attorney(s): **A J Park**  
(71) Name(s) and Address(s) of Applicant(s):  
**OMS Investments Inc.**  
**10250 Constellation Place Suite 250 Los Angeles California 90067 United States of America**
- (72) Name(s) of Designer(s): **Mark Gerard Prinster and Bradley Alan Schultz and Sara Ann Gordon and Kimberly Ann Rygielski and Matthew L. Phillips and Robert H. Bruno and Philip J. Nathan**
- (45) Registration Date: **12 September 2012**
- (30) Convention priority data:
- |                   |                    |                                 |
|-------------------|--------------------|---------------------------------|
| (31) Number       | (32) Date          | (33) Country                    |
| <b>29/413,720</b> | <b>17 Feb 2012</b> | <b>UNITED STATES OF AMERICA</b> |
- (56) Related Art Documents: **Not Applicable**
- (57) Statement of Newness and Distinctiveness: **Newness and distinctiveness reside in the features of shape and/or configuration of the PLANTING SYSTEM, as shown in the representations. Newness and distinctiveness are not claimed in relation to the features shown in broken lines in the representations, which features are shown for illustrative purposes only.**



- (21) Design Number: **13940/2012**  
(22) Date of Filing Application: **15 August 2012**  
(24) Date from which industrial property rights may have effect: **15 August 2012**  
(54) Product in respect of which the design is registered: **Planting system**  
(51) International Design Classification: **09-03F**  
(74) Name(s) of Attorney(s): **A J Park**  
(71) Name(s) and Address(s) of Applicant(s):  
**OMS Investments Inc.**  
**10250 Constellation Place Suite 250 Los Angeles California 90067 United States of America**
- (72) Name(s) of Designer(s): **Mark Gerard Prinster and Bradley Alan Schultz and Sara Ann Gordon and Kimberly Ann Rygielski and Matthew L. Phillips and Robert H. Bruno and Philip J. Nathan**
- (45) Registration Date: **12 September 2012**
- (30) Convention priority data:
- |                   |                    |                                 |
|-------------------|--------------------|---------------------------------|
| (31) Number       | (32) Date          | (33) Country                    |
| <b>29/413,720</b> | <b>17 Feb 2012</b> | <b>UNITED STATES OF AMERICA</b> |
- (56) Related Art Documents: **Not Applicable**
- (57) Statement of Newness and Distinctiveness: **Newness and distinctiveness reside in the features of shape and/or configuration of the PLANTING SYSTEM, as shown in the representations. Newness and distinctiveness are not claimed in relation to the features shown in broken lines in the representations, which features are shown for illustrative purposes only.**



(21) Design Number: **13941/2012**

(22) Date of Filing Application: **15 August 2012**

(24) Date from which industrial property rights may have effect: **15 August 2012**

(54) Product in respect of which the design is registered: **Planting system**

(51) International Design Classification: **09-03F**

(74) Name(s) of Attorney(s): **A J Park**

(71) Name(s) and Address(s) of Applicant(s):

**OMS Investments Inc.  
10250 Constellation Place Suite 250 Los Angeles California 90067 United States of America**

(72) Name(s) of Designer(s): **Mark Gerard Prinster and Bradley Alan Schultz and Sara Ann Gordon and Kimberly Ann Rygielski and Matthew L. Phillips and Robert H. Bruno and Philip J. Nathan**

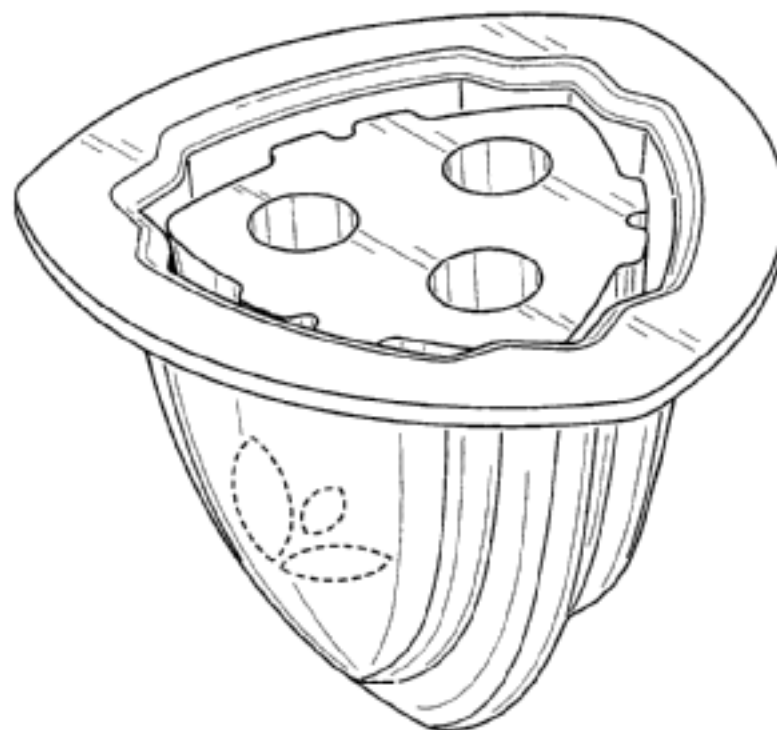
(45) Registration Date: **12 September 2012**

(30) Convention priority data:

(31) Number	(32) Date	(33) Country
<b>29/413,720</b>	<b>17 Feb 2012</b>	<b>UNITED STATES OF AMERICA</b>

(56) Related Art Documents: **Not Applicable**

(57) Statement of Newness and Distinctiveness: **Newness and distinctiveness reside in the features of shape and/or configuration of the PLANTING SYSTEM, as shown in the representations. Newness and distinctiveness are not claimed in relation to the features shown in broken lines in the representations, which features are shown for illustrative purposes only.**



(21) Design Number: **13942/2012**

(22) Date of Filing Application: **15 August 2012**

(24) Date from which industrial property rights may have effect: **15 August 2012**

(54) Product in respect of which the design is registered: **Planting system**

(51) International Design Classification: **09-03F**

(74) Name(s) of Attorney(s): **A J Park**

(71) Name(s) and Address(s) of Applicant(s):

**OMS Investments Inc.  
10250 Constellation Place Suite 250 Los Angeles California 90067 United States of America**

(72) Name(s) of Designer(s): **Mark Gerard Prinster and Bradley Alan Schultz and Sara Ann Gordon and Kimberly Ann Rygielski and Matthew L. Phillips and Robert H. Bruno and Philip J. Nathan**

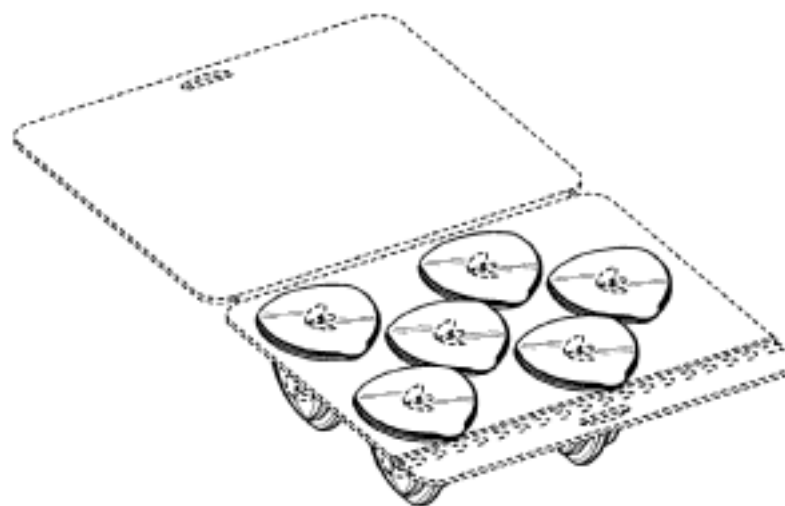
(45) Registration Date: **12 September 2012**

(30) Convention priority data:

(31) Number	(32) Date	(33) Country
<b>29/413,720</b>	<b>17 Feb 2012</b>	<b>UNITED STATES OF AMERICA</b>

(56) Related Art Documents: **Not Applicable**

(57) Statement of Newness and Distinctiveness: **Newness and distinctiveness reside in the features of shape and/or configuration of the PLANTING SYSTEM, as shown in the representations. Newness and distinctiveness are not claimed in relation to the features shown in broken lines in the representations, which features are shown for illustrative purposes only.**



(21) Design Number: **13943/2012**

(22) Date of Filing Application: **15 August 2012**

(24) Date from which industrial property rights may have effect: **15 August 2012**

(54) Product in respect of which the design is registered: **Planting system**

(51) International Design Classification: **09-03F**

(74) Name(s) of Attorney(s): **A J Park**

(71) Name(s) and Address(s) of Applicant(s):

**OMS Investments Inc.**

**10250 Constellation Place Suite 250 Los Angeles California 90067 United States of America**

(72) Name(s) of Designer(s): **Mark Gerard Prinster and Bradley Alan Schultz and Sara Ann Gordon and Kimberly Ann Rygielski and Matthew L. Phillips and Robert H. Bruno and Philip J. Nathan**

(45) Registration Date: **12 September 2012**

(30) Convention priority data:

(31) Number

(32) Date

(33) Country

**29/413,720**

**17 Feb 2012**

**UNITED STATES OF AMERICA**

(56) Related Art Documents: **Not Applicable**

(57) Statement of Newness and Distinctiveness: **Newness and distinctiveness reside in the features of shape and/or configuration of the PLANTING SYSTEM, as shown in the representations. Newness and distinctiveness are not claimed in relation to the features shown in broken lines in the representations, which features are shown for illustrative purposes only.**



(21) Design Number: **13977/2012**

(22) Date of Filing Application: **15 August 2012**

(24) Date from which industrial property rights may have effect: **15 August 2012**

(54) Product in respect of which the design is registered: **Container cap**

(51) International Design Classification: **09-07B**

(74) Name(s) of Attorney(s): **SPRUSON & FERGUSON**

(71) Name(s) and Address(s) of Applicant(s):

**Magic Tap, LLC**

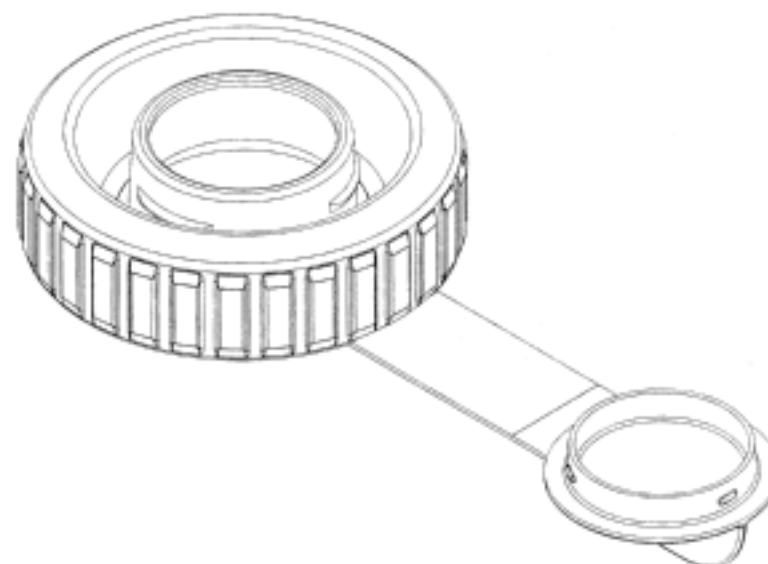
**812 Huron Road Suite 390 Cleveland Ohio 44115 United States of America**

(72) Name(s) of Designer(s): **Mat Hanson and Curtis Taylor**

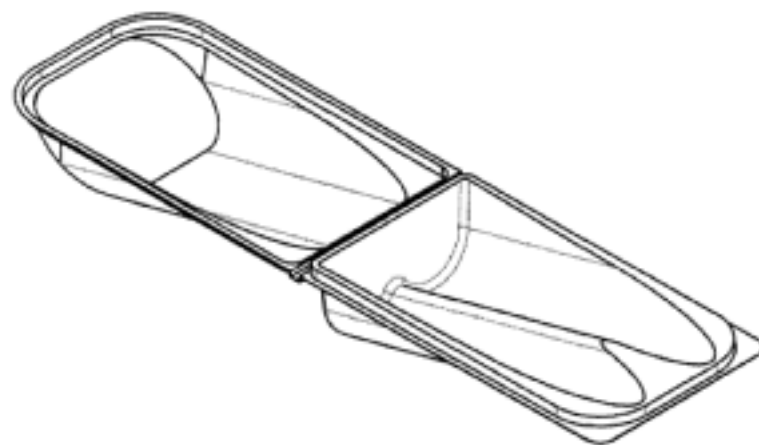
(45) Registration Date: **13 September 2012**

(56) Related Art Documents: **Not Applicable**

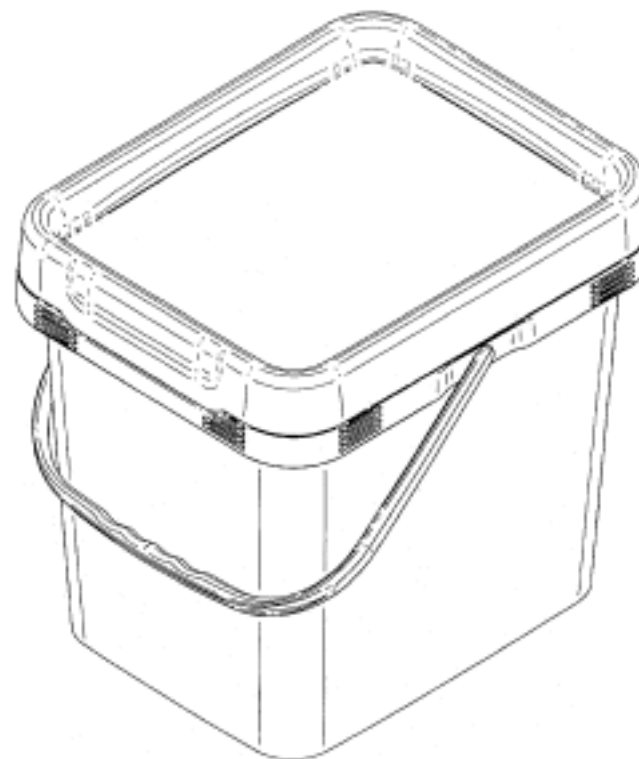
(57) Statement of Newness and Distinctiveness: **Newness and distinctiveness is claimed in the features of shape and/or configuration of a container cap as illustrated in the accompanying representations.**



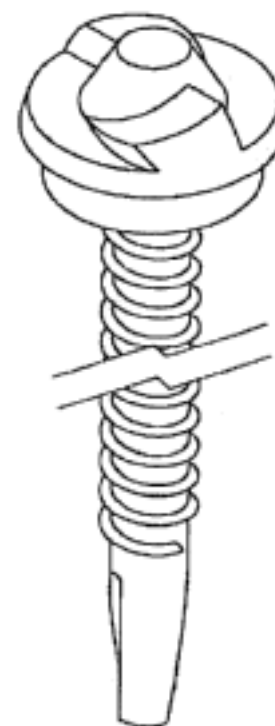
(21) Design Number: **13982/2012**  
(22) Date of Filing Application: **15 August 2012**  
(24) Date from which industrial property rights may have effect: **15 August 2012**  
(54) Product in respect of which the design is registered: **A container**  
(51) International Design Classification: **07-02NES, 09-03NES**  
(74) Name(s) of Attorney(s): **WATERMARK PATENT AND TRADE MARKS ATTORNEYS**  
(71) Name(s) and Address(s) of Applicant(s):  
**Alto Packaging Limited**  
**Level 6 LJ Hooker House 57-59 Symonds Street Auckland New Zealand**  
(72) Name(s) of Designer(s): **Christopher James Cowan**  
(45) Registration Date: **13 September 2012**  
(56) Related Art Documents: **Not Applicable**  
(57) Statement of Newness and Distinctiveness: **Nil**



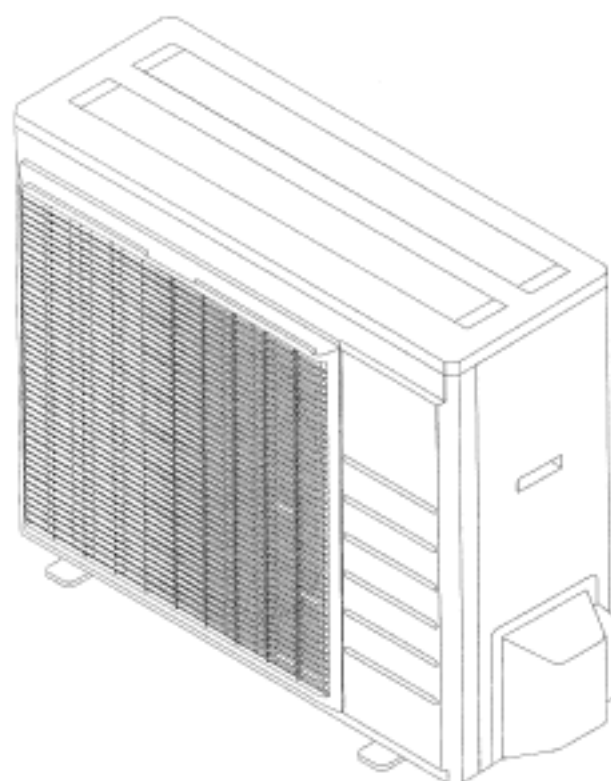
(21) Design Number: **14009/2012**  
(22) Date of Filing Application: **17 August 2012**  
(24) Date from which industrial property rights may have effect: **17 August 2012**  
(54) Product in respect of which the design is registered: **A lidded container**  
(51) International Design Classification: **09-03NES**  
(74) Name(s) of Attorney(s): **A J Park**  
(71) Name(s) and Address(s) of Applicant(s):  
**Viscount Plastics (NZ) Limited**  
**8 Vestey Drive Mt Wellington Auckland New Zealand**  
(72) Name(s) of Designer(s): **Paul Bernard Mitchell**  
(45) Registration Date: **13 September 2012**  
(30) Convention priority data:  
(31) Number      (32) Date      (33) Country  
**415871      17 Feb 2012      NEW ZEALAND**  
(56) Related Art Documents: **Not Applicable**  
(57) Statement of Newness and Distinctiveness: **Nil**



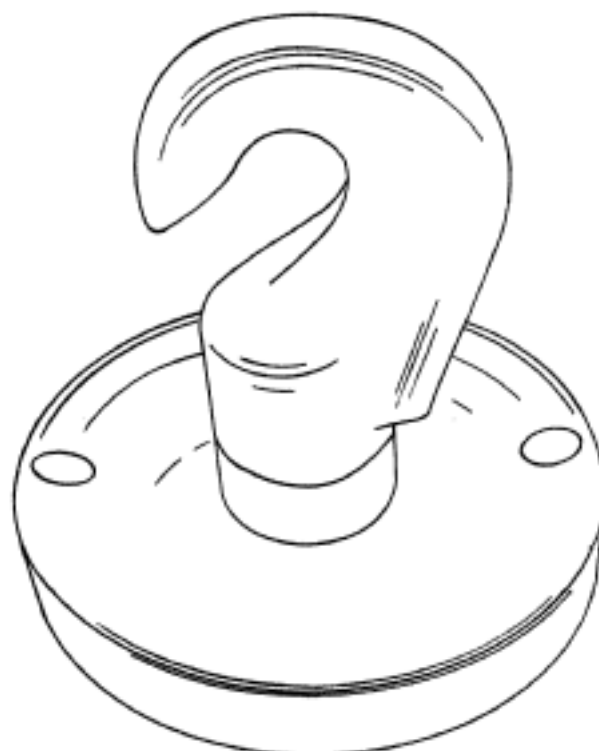
- (21) Design Number: **14010/2012**  
(22) Date of Filing Application: **16 August 2012**  
(24) Date from which industrial property rights may have effect: **16 August 2012**  
(54) Product in respect of which the design is registered: **Self drilling anti-removal screw**  
(51) International Design Classification: **08-08B**  
(74) Name(s) of Attorney(s): **Wynnes Patent & Trade Mark Attorneys**  
(71) Name(s) and Address(s) of Applicant(s):  
**Paul Anthony Bugeja**  
**1102 Mackay Habana Road Mackay Queensland 4740 Australia**  
(72) Name(s) of Designer(s): **Paul Anthony Bugeja**  
(45) Registration Date: **13 September 2012**  
(56) Related Art Documents: **Not Applicable**  
(57) Statement of Newness and Distinctiveness: **Newness and distinctiveness resides in the features of the shape and configuration of a self drilling anti-removal screw as illustrated in the accompanying representations. The thread of the screw can be of different lengths but the screw head is of a constant size irrespective of the length of the screw thread.**



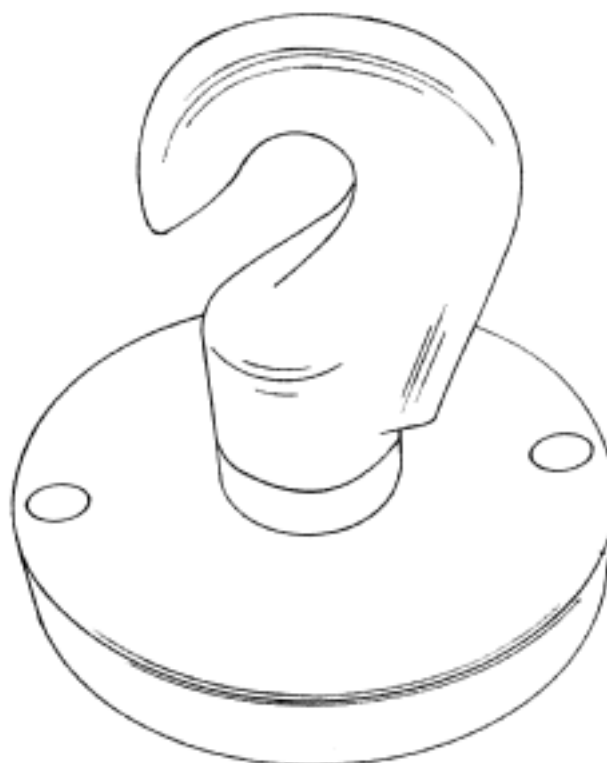
- (21) Design Number: **14011/2012**  
(22) Date of Filing Application: **16 August 2012**  
(24) Date from which industrial property rights may have effect: **16 August 2012**  
(54) Product in respect of which the design is registered: **Outdoor unit for air conditioner**  
(51) International Design Classification: **23-04**  
(74) Name(s) of Attorney(s): **Freehills Patent Attorneys**  
(71) Name(s) and Address(s) of Applicant(s):  
**Daikin Industries Ltd**  
**Umeda Center Building 4-12 Nakazaki-Nishi 2-chome Kita-ku Osaka-shi**  
**Osaka-fu Japan**  
(72) Name(s) of Designer(s): **Takanori Ikegaya**  
(45) Registration Date: **13 September 2012**  
(56) Related Art Documents: **Not Applicable**  
(57) Statement of Newness and Distinctiveness: **Newness and distinctiveness of the design resides in the shape and configuration of the twisted louvres forming the front grille of the outdoor unit for an air conditioner illustrated in the accompanying drawings.**



- (21) Design Number: **14012/2012**  
(22) Date of Filing Application: **16 August 2012**  
(24) Date from which industrial property rights may have effect: **16 August 2012**  
(54) Product in respect of which the design is registered: **Ground engaging element mounting hub (A) for an agricultural tillage chain**  
(51) International Design Classification: **15-03A**  
(74) Name(s) of Attorney(s): **PHILLIPS ORMONDE FITZPATRICK**  
(71) Name(s) and Address(s) of Applicant(s):  
**Kentyn Scott Paterson**  
**Lot 10 Willamulka Road Bute South Australia 5560 Australia**  
(72) Name(s) of Designer(s): **Kentyn Scott Paterson**  
(45) Registration Date: **13 September 2012**  
(56) Related Art Documents: **Not Applicable**  
(57) Statement of Newness and Distinctiveness: **Distinctiveness and newness resides in the curved profile of the surface marked with an X in the drawings.**



- (21) Design Number: **14013/2012**  
(22) Date of Filing Application: **16 August 2012**  
(24) Date from which industrial property rights may have effect: **16 August 2012**  
(54) Product in respect of which the design is registered: **Ground engaging element mounting hub (B) for an agricultural tillage chain**  
(51) International Design Classification: **15-03A**  
(74) Name(s) of Attorney(s): **PHILLIPS ORMONDE FITZPATRICK**  
(71) Name(s) and Address(s) of Applicant(s):  
**Kentyn Scott Paterson**  
**Lot 10 Willamulka Road Bute South Australia 5560 Australia**  
(72) Name(s) of Designer(s): **Kentyn Scott Paterson**  
(45) Registration Date: **13 September 2012**  
(56) Related Art Documents: **Not Applicable**  
(57) Statement of Newness and Distinctiveness: **Distinctiveness and newness resides in the flat profile of the surfaces marked with an X in the drawings.**



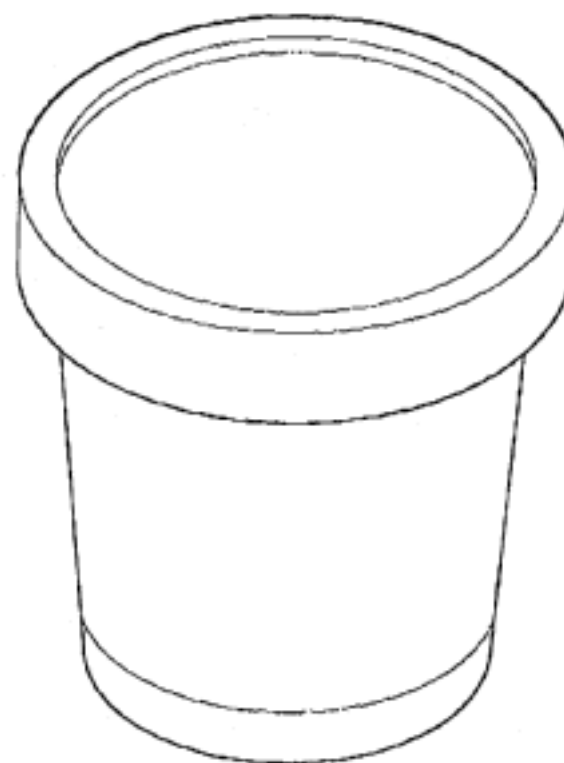
(21) Design Number: **14029/2012**  
(22) Date of Filing Application: **17 August 2012**  
(24) Date from which industrial property rights may have effect: **17 August 2012**  
(54) Product in respect of which the design is registered: **Tyre**  
(51) International Design Classification: **12-15B**  
(74) Name(s) of Attorney(s): **Griffith Hack**  
(71) Name(s) and Address(s) of Applicant(s):  
**Continental Reifen Deutschland GmbH**  
**Vahrenwalder Str. 9 30165 Hannover Germany**  
(72) Name(s) of Designer(s): **Stefan Rittweger**  
(45) Registration Date: **13 September 2012**  
(30) Convention priority data:  
(31) Number (32) Date (33) Country  
**002012948 22 Mar 2012 EUROPEAN COMMUNITY**  
(56) Related Art Documents: **Not Applicable**  
(57) Statement of Newness and Distinctiveness: **Newness and distinctiveness resides in the visual features, including shape, configuration and pattern, of a tread for a TYRE as shown in the accompanying representations.**



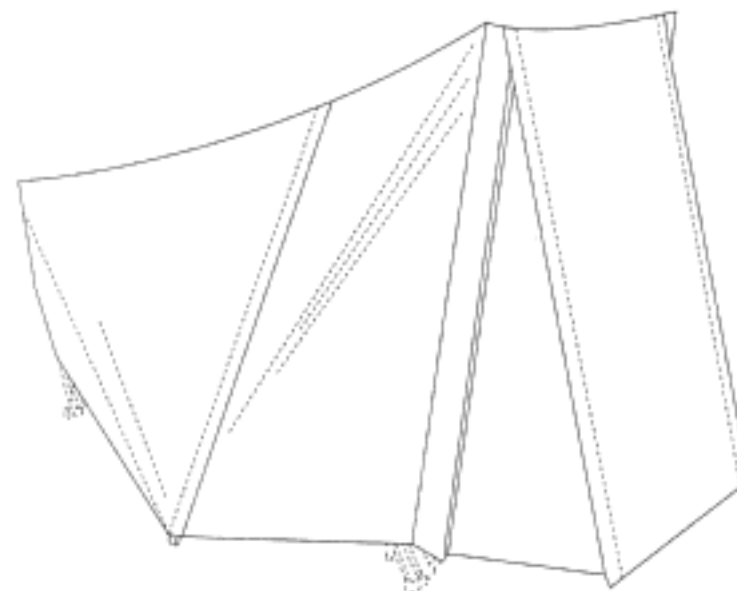
(21) Design Number: **14030/2012**  
(22) Date of Filing Application: **17 August 2012**  
(24) Date from which industrial property rights may have effect: **17 August 2012**  
(54) Product in respect of which the design is registered: **Tyre**  
(51) International Design Classification: **12-15B**  
(74) Name(s) of Attorney(s): **Griffith Hack**  
(71) Name(s) and Address(s) of Applicant(s):  
**Continental Reifen Deutschland GmbH**  
**Vahrenwalder Str. 9 30165 Hannover Germany**  
(72) Name(s) of Designer(s): **Thomas Buchinger-Barnstorf and Florian Kristen**  
(45) Registration Date: **13 September 2012**  
(30) Convention priority data:  
(31) Number (32) Date (33) Country  
**002037259 04 May 2012 EUROPEAN COMMUNITY**  
(56) Related Art Documents: **Not Applicable**  
(57) Statement of Newness and Distinctiveness: **Newness and distinctiveness resides in the visual features, including shape, configuration and pattern, of a tread for a TYRE as shown in the accompanying representations.**



(21) Design Number: **14031/2012**  
(22) Date of Filing Application: **20 August 2012**  
(24) Date from which industrial property rights may have effect: **20 August 2012**  
(54) Product in respect of which the design is registered: **Containers for cosmetics (Bubbles & Butters)**  
(51) International Design Classification: **09-01G**  
(74) Name(s) of Attorney(s): **Marks & Clerk Australia**  
(71) Name(s) and Address(s) of Applicant(s):  
**Zamya Limited**  
**319 Ordsall Lane Salford Manchester M5 3FT Lancashire United Kingdom**  
(72) Name(s) of Designer(s): **James Brown**  
(45) Registration Date: **13 September 2012**  
(30) Convention priority data:  
(31) Number (32) Date (33) Country  
**001995846-0003 21 Feb 2012 EUROPEAN COMMUNITY**  
(56) Related Art Documents: **Not Applicable**  
(57) Statement of Newness and Distinctiveness: **Nil**



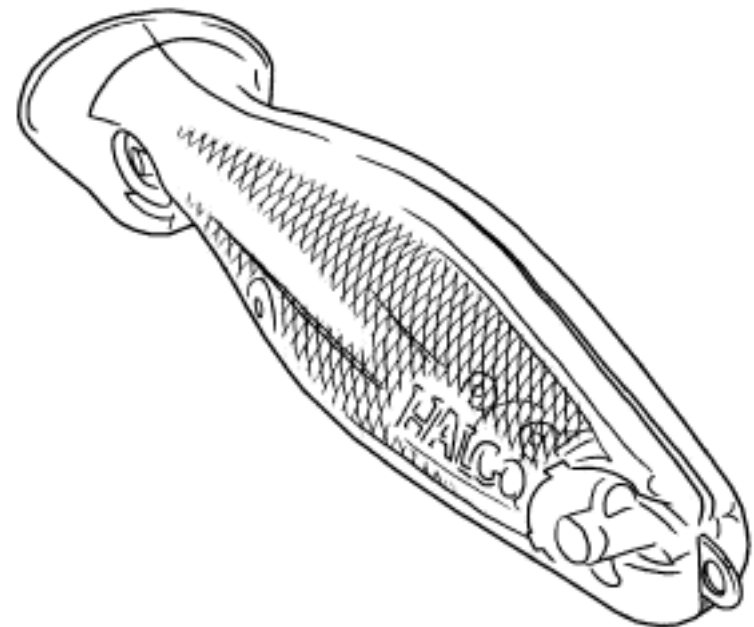
(21) Design Number: **14035/2012**  
(22) Date of Filing Application: **17 August 2012**  
(24) Date from which industrial property rights may have effect: **17 August 2012**  
(54) Product in respect of which the design is registered: **A tent**  
(51) International Design Classification: **21-04**  
(74) Name(s) of Attorney(s): **SPRUSON & FERGUSON**  
(71) Name(s) and Address(s) of Applicant(s):  
**Oztent Australia Pty. Limited**  
**1273 The Horsley Drive Wetherill Park New South Wales 2164 Australia**  
(72) Name(s) of Designer(s): **Chris Mercieca**  
(45) Registration Date: **13 September 2012**  
(56) Related Art Documents: **Not Applicable**  
(57) Statement of Newness and Distinctiveness: **Newness and distinctiveness is claimed in those features of shape and/or configuration of a tent as illustrated in continuous lines in the accompanying representations.**



- (21) Design Number: **14038/2012**  
(22) Date of Filing Application: **20 August 2012**  
(24) Date from which industrial property rights may have effect: **20 August 2012**  
(54) Product in respect of which the design is registered: **Sheet material for a fence**  
(51) International Design Classification: **25-02C**  
(74) Name(s) of Attorney(s): **Varsity IP**  
(71) Name(s) and Address(s) of Applicant(s):  
**Timothy John Hayward**  
**10 Litchfield Street Darwin Northern Territory 0800 Australia**  
(72) Name(s) of Designer(s): **Timothy John Hayward**  
(45) Registration Date: **13 September 2012**  
(56) Related Art Documents: **Not Applicable**  
(57) Statement of Newness and Distinctiveness: **Nil**



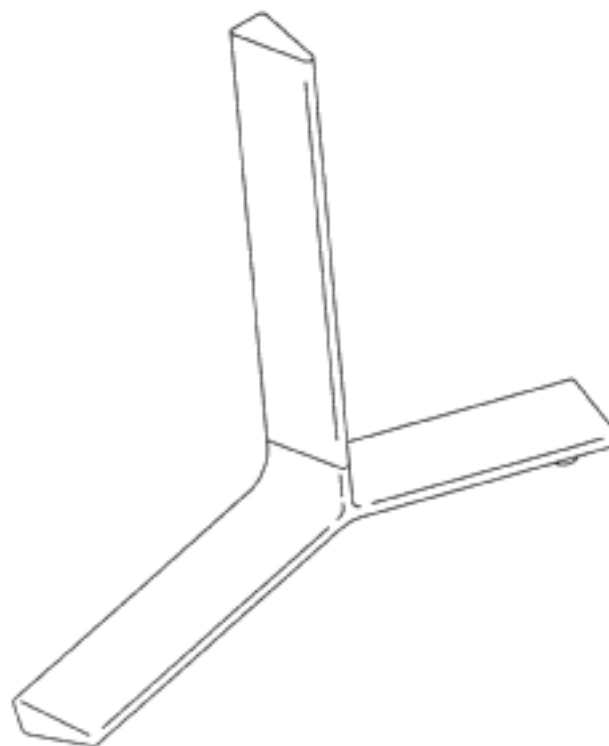
- (21) Design Number: **14039/2012**  
(22) Date of Filing Application: **17 August 2012**  
(24) Date from which industrial property rights may have effect: **17 August 2012**  
(54) Product in respect of which the design is registered: **Fishing lure**  
(51) International Design Classification: **22-05**  
(74) Name(s) of Attorney(s): **Lord & Company**  
(71) Name(s) and Address(s) of Applicant(s):  
**Halco Pty Ltd**  
**PO Box 1205 Fremantle Western Australia 6959 Australia**  
(72) Name(s) of Designer(s): **Benjamin Neil Patrick**  
(45) Registration Date: **13 September 2012**  
(56) Related Art Documents: **Not Applicable**  
(57) Statement of Newness and Distinctiveness: **The particular visual features of the design which are new and distinctive are shape OR configuration.**



- (21) Design Number: **14040/2012**  
(22) Date of Filing Application: **17 August 2012**  
(24) Date from which industrial property rights may have effect: **17 August 2012**  
(54) Product in respect of which the design is registered: **Table leg**  
(51) International Design Classification: **06-06C**  
(74) Name(s) of Attorney(s): **HODGKINSON McINNES PATENTS**  
(71) Name(s) and Address(s) of Applicant(s):  
**Thinking Ergonomix Pty Limited**  
**6A Childs Road Chipping Norton New South Wales 2170 Australia**  
(72) Name(s) of Designer(s): **Matthew Thomas Cramsie and Seaton McKeon**  
(45) Registration Date: **13 September 2012**  
(56) Related Art Documents: **Not Applicable**  
(57) Statement of Newness and Distinctiveness: **Newness and distinctiveness is claimed in the shape and configuration of the table leg as shown in the representations.**



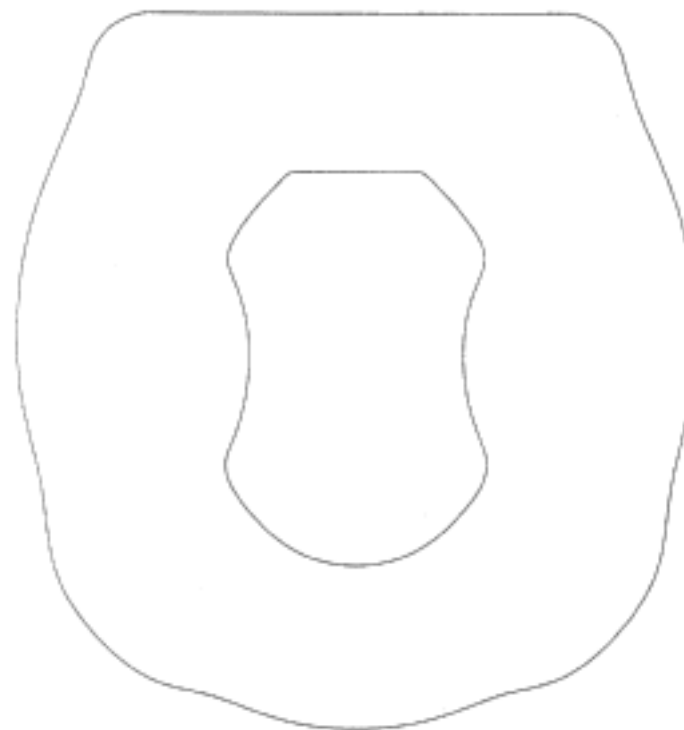
- (21) Design Number: **14041/2012**  
(22) Date of Filing Application: **17 August 2012**  
(24) Date from which industrial property rights may have effect: **17 August 2012**  
(54) Product in respect of which the design is registered: **Table leg**  
(51) International Design Classification: **06-06C**  
(74) Name(s) of Attorney(s): **HODGKINSON McINNES PATENTS**  
(71) Name(s) and Address(s) of Applicant(s):  
**Thinking Ergonomix Pty Limited**  
**6A Childs Road Chipping Norton New South Wales 2170 Australia**  
(72) Name(s) of Designer(s): **Matthew Thomas Cramsie and Seaton McKeon**  
(45) Registration Date: **13 September 2012**  
(56) Related Art Documents: **Not Applicable**  
(57) Statement of Newness and Distinctiveness: **Newness and distinctiveness is claimed in the shape and configuration of the table leg as shown in the representations.**



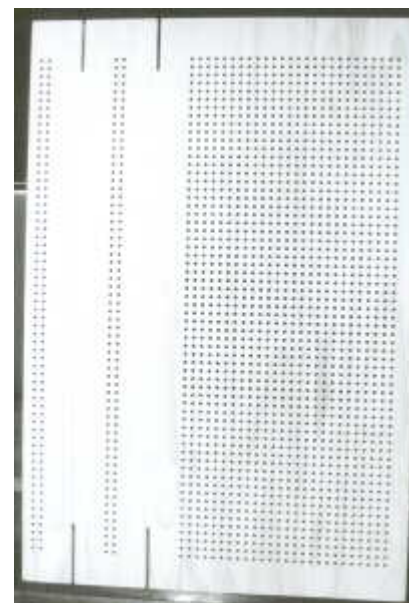
(21) Design Number: **12926/2012**  
(22) Date of Filing Application: **21 June 2012**  
(24) Date from which industrial property rights may have effect: **21 June 2012**  
(54) Product in respect of which the design is registered: **Watch**  
(51) International Design Classification: **10-02**  
(74) Name(s) of Attorney(s): **SPRUSON & FERGUSON**  
(71) Name(s) and Address(s) of Applicant(s):  
**Christian Dior Couture**  
**30 Avenue Montaigne 75008 Paris France**  
(72) Name(s) of Designer(s): **Mathieu Jamin**  
(45) Registration Date: **14 September 2012**  
(30) Convention priority data:  
(31) Number (32) Date (33) Country  
**DM/077630 23 Dec 2011 SWITZERLAND**  
(56) Related Art Documents: **Not Applicable**  
(57) Statement of Newness and Distinctiveness: **Newness and distinctiveness is claimed in the below features of the following parts of a watch as illustrated in the accompanying representations: the shape and/or configuration of the case the features of the dial.**



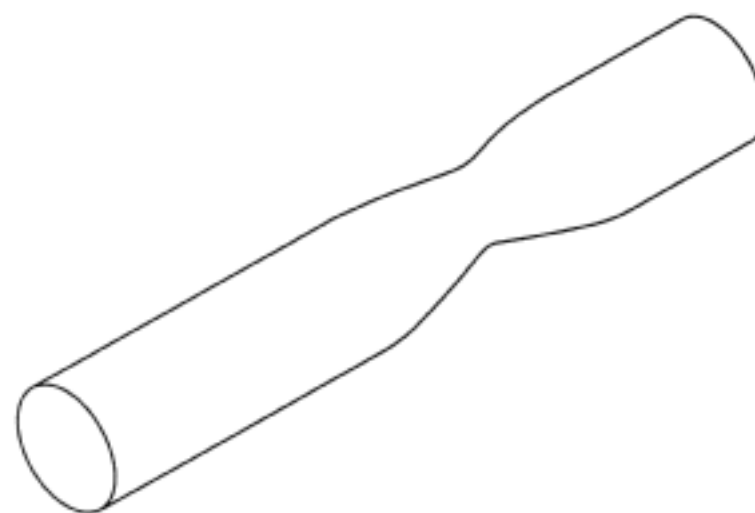
(21) Design Number: **12952/2012**  
(22) Date of Filing Application: **22 June 2012**  
(24) Date from which industrial property rights may have effect: **22 June 2012**  
(54) Product in respect of which the design is registered: **Toilet seat cover**  
(51) International Design Classification: **23-02C**  
(74) Name(s) of Attorney(s): **Griffith Hack**  
(71) Name(s) and Address(s) of Applicant(s):  
**Stirling Mortlock International Pty Limited**  
**PO BOX 310 East Kew Victoria 3102 Australia**  
(72) Name(s) of Designer(s): **Caroline Mortlock**  
(45) Registration Date: **14 September 2012**  
(56) Related Art Documents: **Not Applicable**  
(57) Statement of Newness and Distinctiveness: **The shape and configuration of the product as shown in the representations is new and distinctive.**



(21) Design Number: **12958/2012**  
(22) Date of Filing Application: **22 June 2012**  
(24) Date from which industrial property rights may have effect: **22 June 2012**  
(54) Product in respect of which the design is registered: **Educational toy**  
(51) International Design Classification: **19-06, 21-01NES**  
(74) Name(s) of Attorney(s):  
(71) Name(s) and Address(s) of Applicant(s):  
**Bonita Vivienne Gray**  
**62 Napier Street Maryborough Victoria 3465 Australia**  
(72) Name(s) of Designer(s): **Bonita Vivienne Gray**  
(45) Registration Date: **14 September 2012**  
(56) Related Art Documents: **Not Applicable**  
(57) Statement of Newness and Distinctiveness: **Laminated wood processed with 6mm drilled holes over three sections of the board and four sections for inserts cut out two each side of the board: designed on a CNC or computerised router machine. Computer printout of the design.**



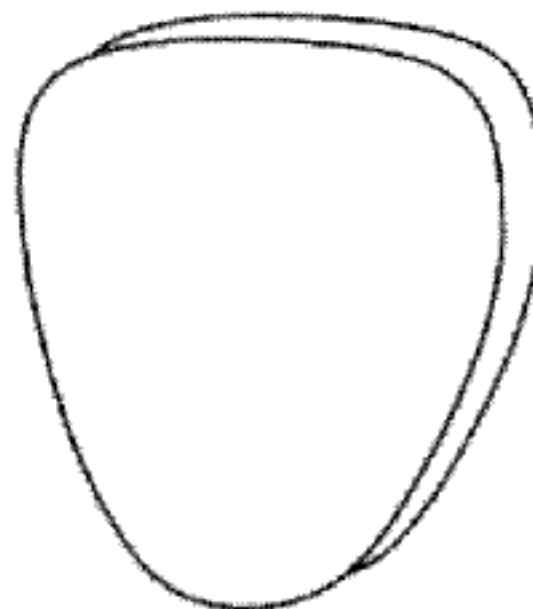
(21) Design Number: **12961/2012**  
(22) Date of Filing Application: **22 June 2012**  
(24) Date from which industrial property rights may have effect: **22 June 2012**  
(54) Product in respect of which the design is registered: **Electronic cigarette**  
(51) International Design Classification: **27-01, 27-99**  
(74) Name(s) of Attorney(s): **Callinans**  
(71) Name(s) and Address(s) of Applicant(s):  
**Philip Morris Products S.A.**  
**Quai Jeanrenaud 3 2000 Neuchatel Switzerland**  
(72) Name(s) of Designer(s): **Aaron Abroff**  
(45) Registration Date: **14 September 2012**  
(30) Convention priority data:  
(31) Number (32) Date (33) Country  
**001307656 23 Dec 2011 EUROPEAN COMMUNITY**  
(56) Related Art Documents: **Not Applicable**  
(57) Statement of Newness and Distinctiveness: **Nil**



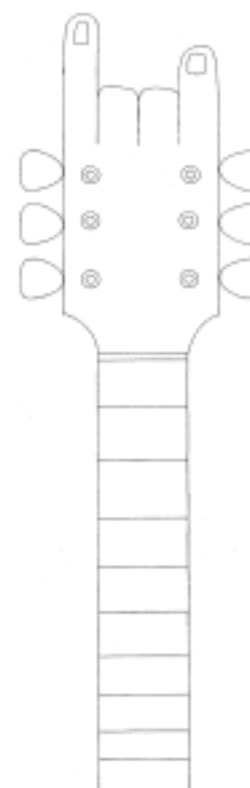
- (21) Design Number: **13084/2012**  
(22) Date of Filing Application: **03 July 2012**  
(24) Date from which industrial property rights may have effect: **03 July 2012**  
(54) Product in respect of which the design is registered: **Recoil reducer for a firearm**  
(51) International Design Classification: **22-01**  
(74) Name(s) of Attorney(s): **Griffith Hack**  
(71) Name(s) and Address(s) of Applicant(s):  
**RA Brands L.L.C.**  
**870 Remington Drive Madison NC 27025-0700 United States of America**  
(72) Name(s) of Designer(s): **Travis Baker**  
(45) Registration Date: **14 September 2012**  
(30) Convention priority data:  
(31) Number      (32) Date      (33) Country  
**29/410211      05 Jan 2012      UNITED STATES OF AMERICA**  
(56) Related Art Documents: **Not Applicable**  
(57) Statement of Newness and Distinctiveness: **The shape and configuration of those parts of the RECOIL REDUCER shown other than by means of dashed lines in the representations is/are new and distinctive.**



- (21) Design Number: **13292/2012**  
(22) Date of Filing Application: **12 July 2012**  
(24) Date from which industrial property rights may have effect: **12 July 2012**  
(54) Product in respect of which the design is registered: **Guitar turning peg**  
(51) International Design Classification: **17-03**  
(74) Name(s) of Attorney(s):  
(71) Name(s) and Address(s) of Applicant(s):  
**Liam McMahon**  
**5 San Remo Place Dural New South Wales 2158 Australia**  
(72) Name(s) of Designer(s): **Liam McMahon**  
(45) Registration Date: **14 September 2012**  
(56) Related Art Documents: **Not Applicable**  
(57) Statement of Newness and Distinctiveness: **The Guitar Turning Peg is the found on each side of a guitar headstock and is in the shape of a guitar plectrum as illustrated in the accompanying design representation.**



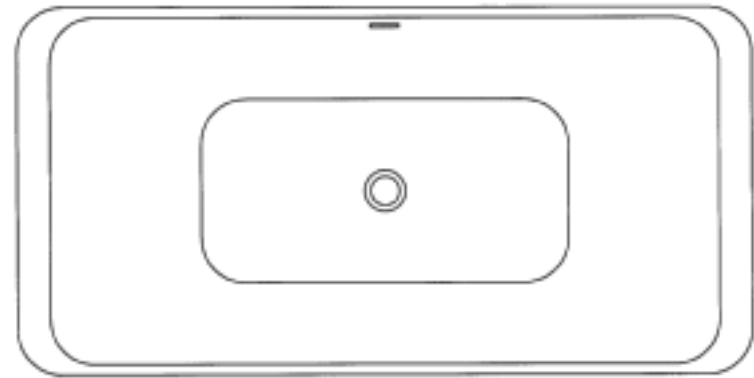
- (21) Design Number: **13293/2012**  
(22) Date of Filing Application: **12 July 2012**  
(24) Date from which industrial property rights may have effect: **12 July 2012**  
(54) Product in respect of which the design is registered: **Guitar headstock**  
(51) International Design Classification: **17-03**  
(74) Name(s) of Attorney(s):  
(71) Name(s) and Address(s) of Applicant(s):  
**Liam McMahon**  
**5 San Remo Place Dural New South Wales 2158 Australia**  
(72) Name(s) of Designer(s): **Liam McMahon**  
(45) Registration Date: **14 September 2012**  
(56) Related Art Documents: **Not Applicable**  
(57) Statement of Newness and Distinctiveness: **The Guitar Headstock is in the shape of a hand, with the index finger and small finger pointing upwards and two middle fingers down as illustrated in the accompanying design representations.**



- (21) Design Number: **13294/2012**  
(22) Date of Filing Application: **12 July 2012**  
(24) Date from which industrial property rights may have effect: **12 July 2012**  
(54) Product in respect of which the design is registered: **Guitar body with collage of concert tickets**  
(51) International Design Classification: **17-03**  
(74) Name(s) of Attorney(s):  
(71) Name(s) and Address(s) of Applicant(s):  
**Liam McMahon**  
**5 San Remo Place Dural New South Wales 2158 Australia**  
(72) Name(s) of Designer(s): **Liam McMahon**  
(45) Registration Date: **14 September 2012**  
(56) Related Art Documents: **Not Applicable**  
(57) Statement of Newness and Distinctiveness: **The collage of concert tickets are found randomly on the face of the Guitar's body as illustrated in the accompanying design representation.**



(21) Design Number: **13721/2012**  
(22) Date of Filing Application: **03 August 2012**  
(24) Date from which industrial property rights may have effect: **03 August 2012**  
(54) Product in respect of which the design is registered: **Bath**  
(51) International Design Classification: **23-02B**  
(74) Name(s) of Attorney(s):  
(71) Name(s) and Address(s) of Applicant(s):  
**Jo Brewer**  
**258 Menangle Street Picton New South Wales 2571 Australia**  
(72) Name(s) of Designer(s): **Jo Brewer**  
(45) Registration Date: **14 September 2012**  
(56) Related Art Documents: **Not Applicable**  
(57) Statement of Newness and Distinctiveness: **Monolythic, free-form bath -  
unique detailing to edge with overflow.**



(21) Design Number: **13780/2012**  
(22) Date of Filing Application: **03 August 2012**  
(24) Date from which industrial property rights may have effect: **03 August 2012**  
(54) Product in respect of which the design is registered: **An interchangeable door  
panel**  
(51) International Design Classification: **25-02B**  
(74) Name(s) of Attorney(s):  
(71) Name(s) and Address(s) of Applicant(s):  
**Elsteel (Private) Ltd.**  
**Spur Road 2 Phase 1 EPZ Katunayake 11420 Sri Lanka**  
(72) Name(s) of Designer(s): **Erik Landsperg Logstrup**  
(45) Registration Date: **14 September 2012**  
(56) Related Art Documents: **Not Applicable**  
(57) Statement of Newness and Distinctiveness: **Nil**



(21) Design Number: **13784/2012**  
(22) Date of Filing Application: **03 August 2012**  
(24) Date from which industrial property rights may have effect: **03 August 2012**  
(54) Product in respect of which the design is registered: **A box type curtain rail holder**  
(51) International Design Classification: **08-08H**  
(74) Name(s) of Attorney(s):  
(71) Name(s) and Address(s) of Applicant(s):  
**Elsteel (Private) Ltd.**  
**Spur Road 2 Phase 1 EPZ Katunayake 11420 Sri Lanka**  
(72) Name(s) of Designer(s): **Erik Landsperg Logstrup**  
(45) Registration Date: **14 September 2012**  
(56) Related Art Documents: **Not Applicable**  
(57) Statement of Newness and Distinctiveness: **Nil**



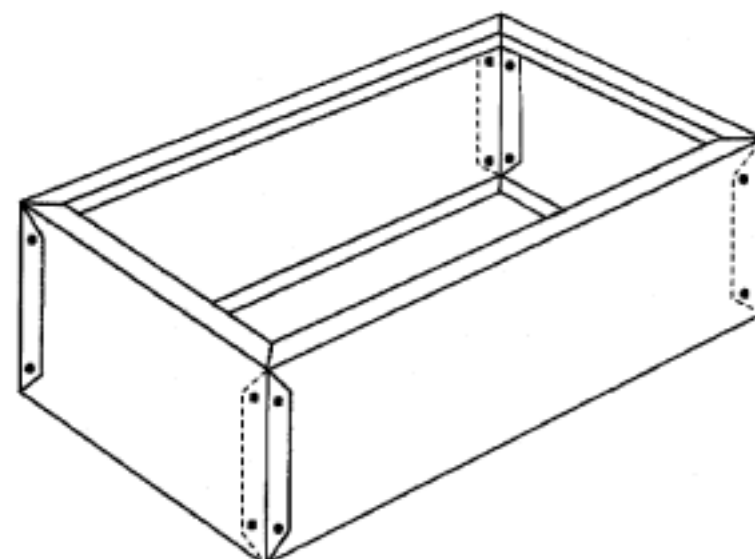
(21) Design Number: **13785/2012**  
(22) Date of Filing Application: **03 August 2012**  
(24) Date from which industrial property rights may have effect: **03 August 2012**  
(54) Product in respect of which the design is registered: **A curtain rail stopper**  
(51) International Design Classification: **08-08H**  
(74) Name(s) of Attorney(s):  
(71) Name(s) and Address(s) of Applicant(s):  
**Elsteel (Private) Ltd.**  
**Spur Road 2 Phase 1 EPZ Katunayake 11420 Sri Lanka**  
(72) Name(s) of Designer(s): **Erik Landsperg Logstrup**  
(45) Registration Date: **14 September 2012**  
(56) Related Art Documents: **Not Applicable**  
(57) Statement of Newness and Distinctiveness: **Nil**



- (21) Design Number: **13786/2012**  
(22) Date of Filing Application: **03 August 2012**  
(24) Date from which industrial property rights may have effect: **03 August 2012**  
(54) Product in respect of which the design is registered: **A fondue fish plier**  
(51) International Design Classification: **08-05P**  
(74) Name(s) of Attorney(s):  
(71) Name(s) and Address(s) of Applicant(s):  
**Elsteel (Private) Ltd.**  
**Spur Road 2 Phase 1 EPZ Katunayake 11420 Sri Lanka**  
(72) Name(s) of Designer(s): **Erik Landsperg Logstrup**  
(45) Registration Date: **14 September 2012**  
(56) Related Art Documents: **Not Applicable**  
(57) Statement of Newness and Distinctiveness: **Nil**



- (21) Design Number: **13808/2012**  
(22) Date of Filing Application: **30 July 2012**  
(24) Date from which industrial property rights may have effect: **30 July 2012**  
(54) Product in respect of which the design is registered: **Garden container**  
(51) International Design Classification: **09-03F, 09-03G**  
(74) Name(s) of Attorney(s):  
(71) Name(s) and Address(s) of Applicant(s):  
**Noel Gordon MacKenzie**  
**35 Aberleigh Road Herston Queensland 4006 Australia**  
(72) Name(s) of Designer(s): **Noel Gordon MacKenzie**  
(45) Registration Date: **14 September 2012**  
(56) Related Art Documents: **Not Applicable**  
(57) Statement of Newness and Distinctiveness: **The design discloses a garden container manufactured from four bolt fixed panels of metal channels where the bottom leg of the channel is flat and the top leg is twice folded and where both ends of the channels incorporate fixing flaps that attach with two bolts and where a separate floor panel may be added without changing the design format.**



- (21) Design Number: **14048/2012**  
(22) Date of Filing Application: **17 August 2012**  
(24) Date from which industrial property rights may have effect: **17 August 2012**  
(54) Product in respect of which the design is registered: **A Cup**  
(51) International Design Classification: **07-01D**  
(74) Name(s) of Attorney(s): **Chrysiliou IP**  
(71) Name(s) and Address(s) of Applicant(s):  
**Jackel Trade Marks Pty Ltd**  
**3 Kara Crescent Bayview New South Wales 2104 Australia**  
(72) Name(s) of Designer(s): **Arnold Rees and Sandra Archer**  
(45) Registration Date: **14 September 2012**  
(56) Related Art Documents: **Not Applicable**  
(57) Statement of Newness and Distinctiveness: **Newness and distinctiveness is claimed in the features of shape and/or configuration of a cup as illustrated in the accompanying representations. In considering which features are new and distinctive, the numerals and letters on the cup are to be disregarded.**



- (21) Design Number: **12814/2012**  
(22) Date of Filing Application: **03 October 2011**  
(24) Date from which industrial property rights may have effect: **03 October 2011**  
(54) Product in respect of which the design is registered: **A handbag**  
(51) International Design Classification: **03-01B**  
(74) Name(s) of Attorney(s): **Allens Patent & Trade Mark Attorneys**  
(71) Name(s) and Address(s) of Applicant(s):  
**Forever New Clothing Pty Ltd**  
**Ground Floor 714-716 High Street Kew Victoria 3101 Australia**  
(72) Name(s) of Designer(s): **Kate Symons**  
(45) Registration Date: **14 September 2012**  
(56) Related Art Documents: **Not Applicable**  
(57) Statement of Newness and Distinctiveness: **Newness and distinctiveness resides in the visual features of shape, configuration, pattern and/or ornamentation of a handbag as shown in the accompanying representations.**



- (21) Design Number: **12815/2012**  
(22) Date of Filing Application: **03 October 2011**  
(24) Date from which industrial property rights may have effect: **03 October 2011**  
(54) Product in respect of which the design is registered: **A handbag**  
(51) International Design Classification: **03-01B**  
(74) Name(s) of Attorney(s): **Allens Patent & Trade Mark Attorneys**  
(71) Name(s) and Address(s) of Applicant(s):  
**Forever New Clothing Pty Ltd**  
**Ground Floor 714-716 High Street Kew Victoria 3101 Australia**  
(72) Name(s) of Designer(s): **Kate Symons**  
(45) Registration Date: **14 September 2012**  
(56) Related Art Documents: **Not Applicable**  
(57) Statement of Newness and Distinctiveness: **Newness and distinctiveness resides in the visual features of shape, configuration, pattern and/or ornamentation of a handbag as shown in the accompanying representations.**



- (21) Design Number: **12816/2012**  
(22) Date of Filing Application: **03 October 2011**  
(24) Date from which industrial property rights may have effect: **03 October 2011**  
(54) Product in respect of which the design is registered: **A handbag**  
(51) International Design Classification: **03-01B**  
(74) Name(s) of Attorney(s): **Allens Patent & Trade Mark Attorneys**  
(71) Name(s) and Address(s) of Applicant(s):  
**Forever New Clothing Pty Ltd**  
**Ground Floor 714-716 High Street Kew Victoria 3101 Australia**  
(72) Name(s) of Designer(s): **Kate Symons**  
(45) Registration Date: **14 September 2012**  
(56) Related Art Documents: **Not Applicable**  
(57) Statement of Newness and Distinctiveness: **Newness and distinctiveness resides in the visual features of shape, configuration, pattern and/or ornamentation of a handbag as shown in the accompanying representations.**



- (21) Design Number: **12817/2012**  
(22) Date of Filing Application: **03 October 2011**  
(24) Date from which industrial property rights may have effect: **03 October 2011**  
(54) Product in respect of which the design is registered: **A handbag**  
(51) International Design Classification: **03-01B**  
(74) Name(s) of Attorney(s): **Allens Patent & Trade Mark Attorneys**  
(71) Name(s) and Address(s) of Applicant(s):  
**Forever New Clothing Pty Ltd**  
**Ground Floor 714-716 High Street Kew Victoria 3101 Australia**  
(72) Name(s) of Designer(s): **Kate Symons**  
(45) Registration Date: **14 September 2012**  
(56) Related Art Documents: **Not Applicable**  
(57) Statement of Newness and Distinctiveness: **Newness and distinctiveness resides in the visual features of shape, configuration, pattern and/or ornamentation of a handbag as shown in the accompanying representations.**



- (21) Design Number: **12818/2012**  
(22) Date of Filing Application: **03 October 2011**  
(24) Date from which industrial property rights may have effect: **03 October 2011**  
(54) Product in respect of which the design is registered: **A handbag**  
(51) International Design Classification: **03-01B**  
(74) Name(s) of Attorney(s): **Allens Patent & Trade Mark Attorneys**  
(71) Name(s) and Address(s) of Applicant(s):  
**Forever New Clothing Pty Ltd**  
**Ground Floor 714-716 High Street Kew Victoria 3101 Australia**  
(72) Name(s) of Designer(s): **Kate Symons**  
(45) Registration Date: **14 September 2012**  
(56) Related Art Documents: **Not Applicable**  
(57) Statement of Newness and Distinctiveness: **Newness and distinctiveness resides in the visual features of shape, configuration, pattern and/or ornamentation of a handbag as shown in the accompanying representations.**



- (21) Design Number: **15497/2011**  
(22) Date of Filing Application: **01 December 2011**  
(24) Date from which industrial property rights may have effect: **01 December 2011**  
(54) Product in respect of which the design is registered: **Shaver**  
(51) International Design Classification: **28-03A**  
(74) Name(s) of Attorney(s): **PHILLIPS ORMONDE FITZPATRICK**  
(71) Name(s) and Address(s) of Applicant(s):  
**Braun GmbH**  
**Frankfurter Strasse 145 61476 Kronberg am Taunus Germany**  
(72) Name(s) of Designer(s): **Markus Orthey and Oliver Grabes and Phong Duy Vu and Bjorn Kling and Bernhard Sikora and Gregor Ptok and Fritz Schubert and Renke Joris Thye**  
(45) Registration Date: **14 September 2012**  
(56) Related Art Documents: **Not Applicable**  
(57) Statement of Newness and Distinctiveness: **Nil**



- (21) Design Number: **12858/2012**  
(22) Date of Filing Application: **19 June 2012**  
(24) Date from which industrial property rights may have effect: **19 June 2012**  
(54) Product in respect of which the design is registered: **Blade bit holder for SDS sized jackhammer**  
(51) International Design Classification: **08-01**  
(74) Name(s) of Attorney(s):  
(71) Name(s) and Address(s) of Applicant(s):  
**Mathew Norton**  
**24 Dapper Street Sunnybank Hills Queensland 4109 Australia**  
(72) Name(s) of Designer(s): **Mathew Norton**  
(45) Registration Date: **14 September 2012**  
(56) Related Art Documents: **Not Applicable**  
(57) Statement of Newness and Distinctiveness: **Monopoly is claimed for a jack hammer blade holder that attaches to SDS jackhammer drill bit shafts and jackhammers of the smaller SDS size, monopoly is also claimed for the shape, and configuration of SDS jack hammer bit holder as shown in the representations.**



(21) Design Number: **13837/2012**  
(22) Date of Filing Application: **07 August 2012**  
(24) Date from which industrial property rights may have effect: **07 August 2012**  
(54) Product in respect of which the design is registered: **Packaging**  
(51) International Design Classification: **09-03M**  
(74) Name(s) of Attorney(s): **Callinans**  
(71) Name(s) and Address(s) of Applicant(s):  
**Continental Bakeries North Europe AB**  
**Nackrosvagen 19 28672 Asljunga Sweden**  
(72) Name(s) of Designer(s): **Catrin Vagnemark**  
(45) Registration Date: **17 September 2012**  
(30) Convention priority data:  
(31) Number (32) Date (33) Country  
**001313696 08 Feb 2012 EUROPEAN COMMUNITY**



(56) Related Art Documents: **Not Applicable**  
(57) Statement of Newness and Distinctiveness: **Those features of the packaging depicted in the representations that are new and distinctive are the shape and configuration of the packaging, the pattern and/or ornamentation applied to the packaging, the banderole encircling the packaging and the colours of white, black (Pantone black) and pink (Pantone 239 U) of the packaging. The features of the bakery products within the packaging together with the indicia containing the word GILLE are not part of the design and are to be disregarded when considering the overall impression of the design.**

(21) Design Number: **13838/2012**  
(22) Date of Filing Application: **07 August 2012**  
(24) Date from which industrial property rights may have effect: **07 August 2012**  
(54) Product in respect of which the design is registered: **Packaging**  
(51) International Design Classification: **09-03M**  
(74) Name(s) of Attorney(s): **Callinans**  
(71) Name(s) and Address(s) of Applicant(s):  
**Continental Bakeries North Europe AB**  
**Nackrosvagen 19 28672 Asljunga Sweden**  
(72) Name(s) of Designer(s): **Catrin Vagnemark**  
(45) Registration Date: **17 September 2012**  
(30) Convention priority data:  
(31) Number (32) Date (33) Country  
**001313696 08 Feb 2012 EUROPEAN COMMUNITY**



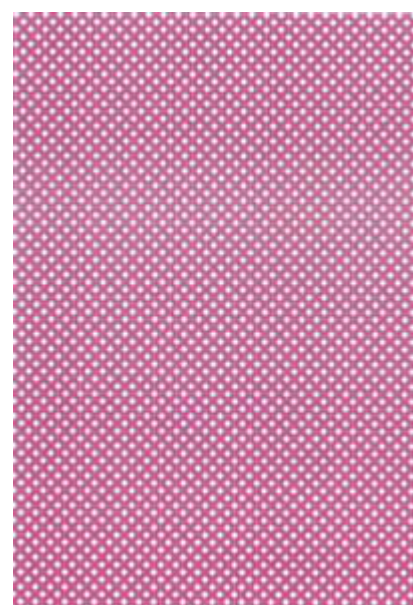
(56) Related Art Documents: **Not Applicable**  
(57) Statement of Newness and Distinctiveness: **Those features of the packaging depicted in the representations that are new and distinctive are the shape and configuration of the packaging, the pattern and/or ornamentation applied to the packaging, the banderole encircling the packaging and the colours of white, black (Pantone black) and pink (Pantone 239 U) of the packaging. The features of the bakery products within the packaging together with the indicia containing the word GILLE are not part of the design and are to be disregarded when considering the overall impression of the design.**

(21) Design Number: **13839/2012**  
(22) Date of Filing Application: **07 August 2012**  
(24) Date from which industrial property rights may have effect: **07 August 2012**  
(54) Product in respect of which the design is registered: **Packaging**  
(51) International Design Classification: **09-03M**  
(74) Name(s) of Attorney(s): **Callinans**  
(71) Name(s) and Address(s) of Applicant(s):  
**Continental Bakeries North Europe AB**  
**Nackrosvagen 19 28672 Asljunga Sweden**  
(72) Name(s) of Designer(s): **Catrin Vagnemark**  
(45) Registration Date: **17 September 2012**  
(30) Convention priority data:  
(31) Number (32) Date (33) Country  
**001313696 08 Feb 2012 EUROPEAN COMMUNITY**



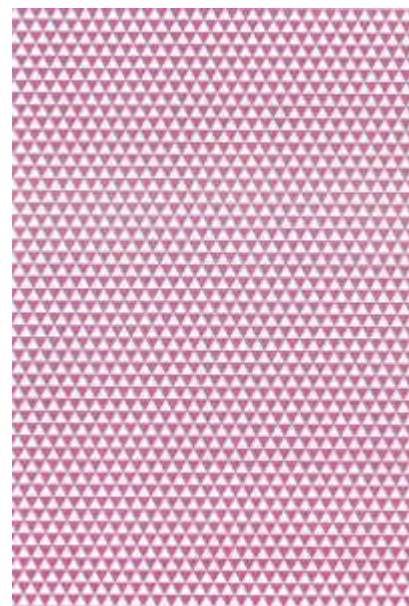
(56) Related Art Documents: **Not Applicable**  
(57) Statement of Newness and Distinctiveness: **Those features of the packaging depicted in the representations that are new and distinctive are the shape and configuration of the packaging, the pattern and/or ornamentation applied to the packaging, the banderole encircling the packaging and the colours of white, black (Pantone black) and pink (Pantone 239 U) of the packaging. The features of the bakery products within the packaging together with the indicia containing the word GILLE are not part of the design and are to be disregarded when considering the overall impression of the design.**

(21) Design Number: **13840/2012**  
(22) Date of Filing Application: **07 August 2012**  
(24) Date from which industrial property rights may have effect: **07 August 2012**  
(54) Product in respect of which the design is registered: **Sheet material**  
(51) International Design Classification: **05-05NES**  
(74) Name(s) of Attorney(s): **Callinans**  
(71) Name(s) and Address(s) of Applicant(s):  
**Continental Bakeries North Europe AB**  
**Nackrosvagen 19 28672 Asljunga Sweden**  
(72) Name(s) of Designer(s): **Catrin Vagnemark**  
(45) Registration Date: **17 September 2012**  
(30) Convention priority data:  
(31) Number (32) Date (33) Country  
**1313688 08 Feb 2012 EUROPEAN COMMUNITY**



(56) Related Art Documents: **Not Applicable**  
(57) Statement of Newness and Distinctiveness: **Those features of the sheet material depicted in the representations that are new and distinctive are the pattern and/or ornamentation. The sheet material is of indefinite length and breadth and the pattern and/or ornamentation is represented throughout the entire surface.**

(21) Design Number: **13841/2012**  
(22) Date of Filing Application: **07 August 2012**  
(24) Date from which industrial property rights may have effect: **07 August 2012**  
(54) Product in respect of which the design is registered: **Sheet material**  
(51) International Design Classification: **05-05NES**  
(74) Name(s) of Attorney(s): **Callinans**  
(71) Name(s) and Address(s) of Applicant(s):  
**Continental Bakeries North Europe AB**  
**Nackrosvagen 19 28672 Asljunga Sweden**  
(72) Name(s) of Designer(s): **Catrin Vagnemark**  
(45) Registration Date: **17 September 2012**  
(30) Convention priority data:  
(31) Number (32) Date (33) Country  
**1313688 08 Feb 2012 EUROPEAN COMMUNITY**  
(56) Related Art Documents: **Not Applicable**  
(57) Statement of Newness and Distinctiveness: **Those features of the sheet material depicted in the representations that are new and distinctive are the pattern and/or ornamentation. The sheet material is of indefinite length and breadth and the patter and/or ornamentation is represented throughout the entire surface.**



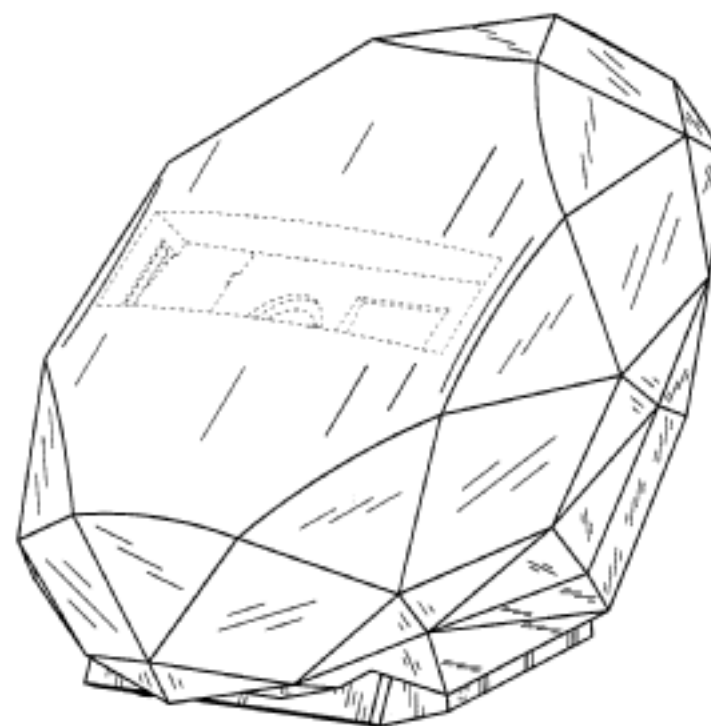
(21) Design Number: **13842/2012**  
(22) Date of Filing Application: **07 August 2012**  
(24) Date from which industrial property rights may have effect: **07 August 2012**  
(54) Product in respect of which the design is registered: **Packaging**  
(51) International Design Classification: **09-03M**  
(74) Name(s) of Attorney(s): **Callinans**  
(71) Name(s) and Address(s) of Applicant(s):  
**Continental Bakeries North Europe AB**  
**Nackrosvagen 19 28672 Asljunga Sweden**  
(72) Name(s) of Designer(s): **Catrin Vagnemark**  
(45) Registration Date: **17 September 2012**  
(30) Convention priority data:  
(31) Number (32) Date (33) Country  
**001313696 08 Feb 2012 EUROPEAN COMMUNITY**  
(56) Related Art Documents: **Not Applicable**  
(57) Statement of Newness and Distinctiveness: **Those features of the packaging depicted in the representations that are new and distinctive are the shape and configuration of the packaging, the pattern and/or ornamentation applied to the packaging, the banderole encircling the packaging and the colours of white, black (Pantone black) and pink (Pantone 239 U) of the packaging. The features of the bakery products within the packaging together with the indicia containing the word GILLE are not part of the design and are to be disregarded when considering the overall impression of the design.**



(21) Design Number: **13843/2012**  
(22) Date of Filing Application: **07 August 2012**  
(24) Date from which industrial property rights may have effect: **07 August 2012**  
(54) Product in respect of which the design is registered: **Sheet material**  
(51) International Design Classification: **05-05D**  
(74) Name(s) of Attorney(s): **Callinans**  
(71) Name(s) and Address(s) of Applicant(s):  
**Continental Bakeries North Europe AB**  
**Nackrosvagen 19 28672 Asljunga Sweden**  
(72) Name(s) of Designer(s): **Catrin Vagnemark**  
(45) Registration Date: **17 September 2012**  
(30) Convention priority data:  
(31) Number (32) Date (33) Country  
**1313688 08 Feb 2012 EUROPEAN COMMUNITY**  
(56) Related Art Documents: **Not Applicable**  
(57) Statement of Newness and Distinctiveness: **Those features of the sheet material depicted in the representations that are new and distinctive are the pattern and/or ornamentation. The sheet material is of indefinite length and breadth and the pattern and/or ornamentation is represented throughout the entire surface.**



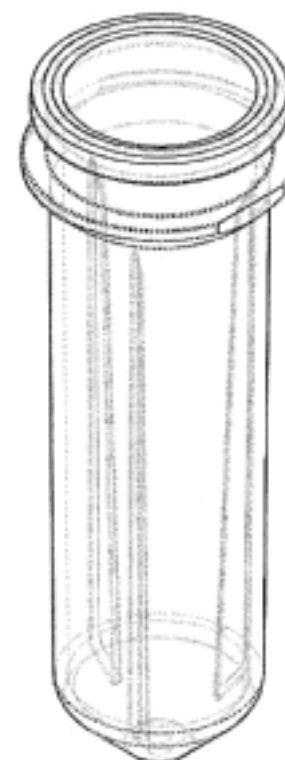
(21) Design Number: **12829/2012**  
(22) Date of Filing Application: **15 June 2012**  
(24) Date from which industrial property rights may have effect: **15 June 2012**  
(54) Product in respect of which the design is registered: **Note dispenser**  
(51) International Design Classification: **19-02**  
(74) Name(s) of Attorney(s): **Freehills Patent Attorneys**  
(71) Name(s) and Address(s) of Applicant(s):  
**3M Innovative Properties Company**  
**3M Center Post Office Box 33427 Saint Paul Minnesota 55133-3427**  
**United States of America**  
(72) Name(s) of Designer(s): **James E. Nash and Martin E. Broen and Sheryl A. Trepp and Kristopher W. Clover**  
(45) Registration Date: **17 September 2012**  
(30) Convention priority data:  
(31) Number (32) Date (33) Country  
**29/408854 16 Dec 2011 UNITED STATES OF AMERICA**  
(56) Related Art Documents: **Not Applicable**  
(57) Statement of Newness and Distinctiveness: **Newness and distinctiveness of the design resides in the shape and/or configuration of the Note Dispenser as shown in solid outlines in the accompanying representations.**



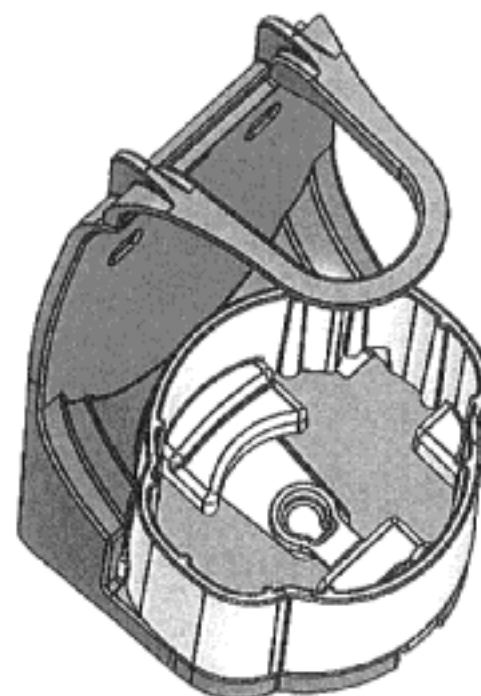
- (21) Design Number: **12911/2012**  
(22) Date of Filing Application: **18 June 2012**  
(24) Date from which industrial property rights may have effect: **18 June 2012**  
(54) Product in respect of which the design is registered: **A food roaster**  
(51) International Design Classification: **07-02E**  
(74) Name(s) of Attorney(s):  
(71) Name(s) and Address(s) of Applicant(s):  
**John Engu**  
**PO Box 3213 Avarua Rarotonga Cook Islands**  
(72) Name(s) of Designer(s): **John Engu**  
(45) Registration Date: **17 September 2012**  
(56) Related Art Documents: **Not Applicable**  
(57) Statement of Newness and Distinctiveness: **Nil**



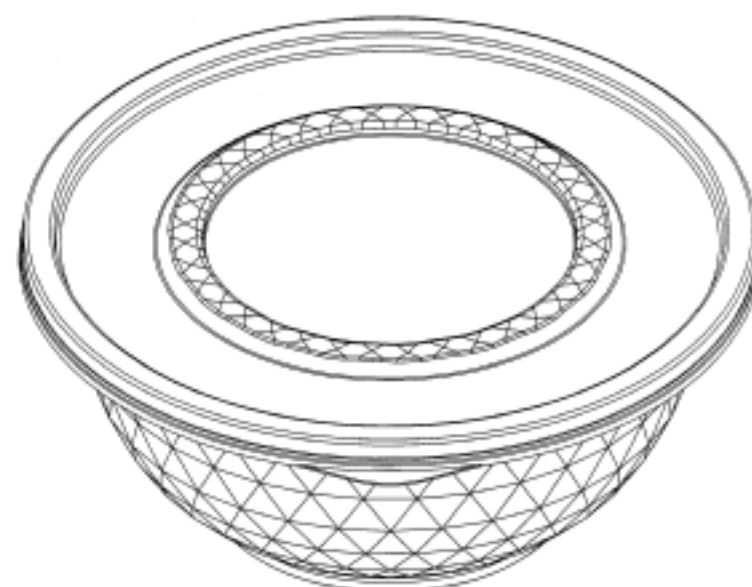
- (21) Design Number: **14050/2012**  
(22) Date of Filing Application: **17 August 2012**  
(24) Date from which industrial property rights may have effect: **17 August 2012**  
(54) Product in respect of which the design is registered: **Finned tube**  
(51) International Design Classification: **24-02**  
(74) Name(s) of Attorney(s): **PIZZEYS**  
(71) Name(s) and Address(s) of Applicant(s):  
**T2 Biosystems, Inc.**  
**101 Hartwell Avenue Lexington MA 02421 United States of America**  
(72) Name(s) of Designer(s): **Vasiliki Demas and Parris Wellman and Matthew Blanco and Mark John Audeh and Marilyn lee Fritzemeier and Michael Min and Charles William Rittershaus and Adam Suchocki and Hwa-Tang Wang**  
(45) Registration Date: **17 September 2012**  
(30) Convention priority data:  
(31) Number (32) Date (33) Country  
**29/413,920 22 Feb 2012 UNITED STATES OF AMERICA**  
(56) Related Art Documents: **Not Applicable**  
(57) Statement of Newness and Distinctiveness: **The newness and distinctiveness of the design resides in the features of pattern and/or ornamentation OR shape and/or configuration shown in unbroken lines in the accompanying representations. (if required, see Convention document)**



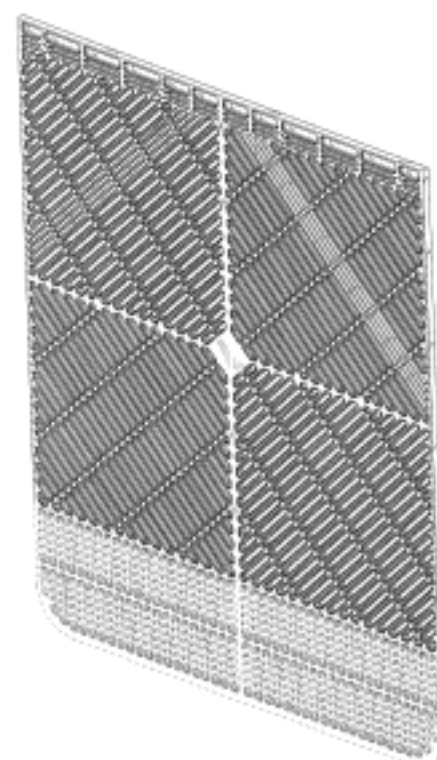
- (21) Design Number: **14099/2012**  
(22) Date of Filing Application: **21 August 2012**  
(24) Date from which industrial property rights may have effect: **21 August 2012**  
(54) Product in respect of which the design is registered: **Bracket with removable hoop with clip**  
(51) International Design Classification: **08-08M**  
(74) Name(s) of Attorney(s):  
(71) Name(s) and Address(s) of Applicant(s):  
**Galantai Plastics Group Limited**  
**11 Bancroft Crescent Glendene New Zealand 0602**  
(72) Name(s) of Designer(s): **Employees of Galantai Plastic Group being and Rod Galantai and Pradeep Lalwani and Lindsay Dalziel and Warren Clisby**  
(45) Registration Date: **17 September 2012**  
(56) Related Art Documents: **Not Applicable**  
(57) Statement of Newness and Distinctiveness: **Nil**



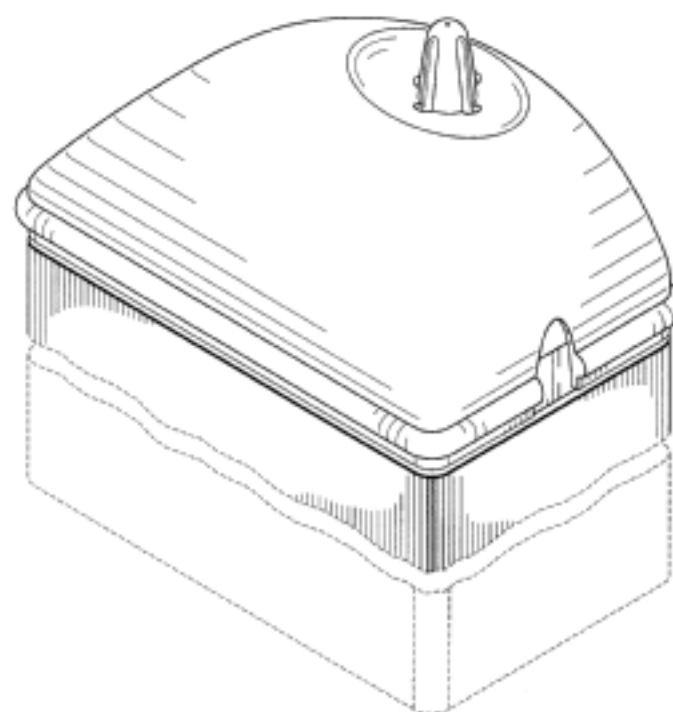
- (21) Design Number: **14100/2012**  
(22) Date of Filing Application: **22 August 2012**  
(24) Date from which industrial property rights may have effect: **22 August 2012**  
(54) Product in respect of which the design is registered: **A bowl**  
(51) International Design Classification: **07-01B**  
(74) Name(s) of Attorney(s):  
(71) Name(s) and Address(s) of Applicant(s):  
**Bonson Industrial Co. Limited**  
**59-65 Portage Road New Lynn Auckland New Zealand**  
(72) Name(s) of Designer(s): **Andrew Simpson**  
(45) Registration Date: **17 September 2012**  
(30) Convention priority data:  
(31) Number (32) Date (33) Country  
**416431 22 Jun 2012 NEW ZEALAND**  
(56) Related Art Documents: **Not Applicable**  
(57) Statement of Newness and Distinctiveness: **Newness and distinctiveness is claimed in the features of shape and/or configuration, and pattern and/or ornament of the article as shown in the accompanying representations.**



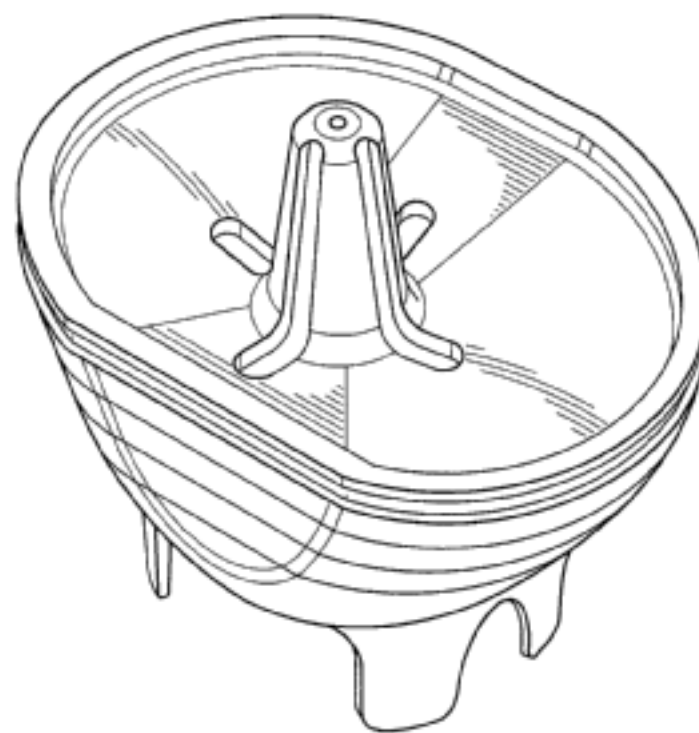
(21) Design Number: **14115/2012**  
(22) Date of Filing Application: **21 August 2012**  
(24) Date from which industrial property rights may have effect: **21 August 2012**  
(54) Product in respect of which the design is registered: **Mudflap**  
(51) International Design Classification: **12-16NES**  
(74) Name(s) of Attorney(s): **Griffith Hack**  
(71) Name(s) and Address(s) of Applicant(s):  
**Fleet Engineers, Inc.**  
**1800 East Keating Avenue Muskegon MI 49442 United States of America**  
(72) Name(s) of Designer(s): **Wesley K. Eklund and Thomas Gerst and Gary Roberts and Walter Hill**  
(45) Registration Date: **17 September 2012**  
(30) Convention priority data:  
(31) Number (32) Date (33) Country  
**29/419,432 27 Apr 2012 UNITED STATES OF AMERICA**  
(56) Related Art Documents: **Not Applicable**  
(57) Statement of Newness and Distinctiveness: **Newness and distinctiveness resides in the visual features, including shape, configuration and ornamentation of the product as shown by means by the solid lines in the representations. Those parts shown by means of dashed lines form no part of the design.**



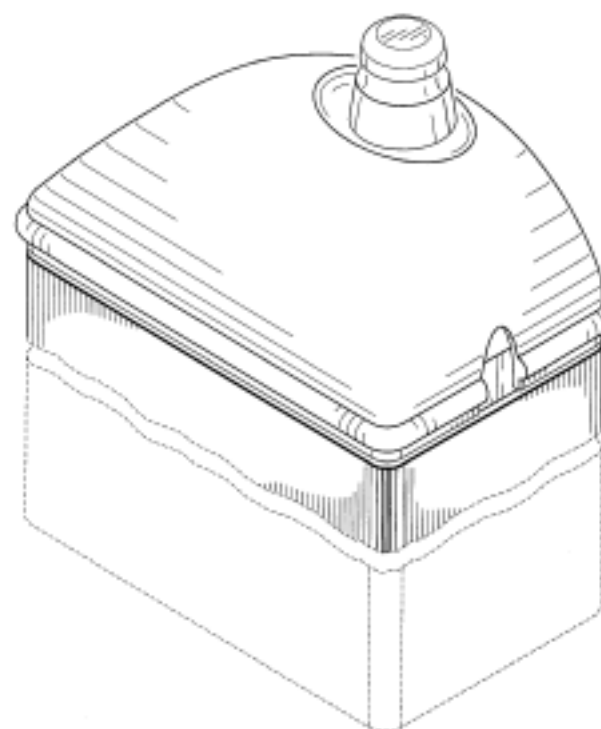
(21) Design Number: **14116/2012**  
(22) Date of Filing Application: **21 August 2012**  
(24) Date from which industrial property rights may have effect: **21 August 2012**  
(54) Product in respect of which the design is registered: **Portable nebulizer**  
(51) International Design Classification: **24-01**  
(74) Name(s) of Attorney(s): **Callinans**  
(71) Name(s) and Address(s) of Applicant(s):  
**MedInvent LLC**  
**1841 Buerkle Road White Bear Lake Minnesota 55110 United States of America**  
(72) Name(s) of Designer(s): **William J. Flickinger**  
(45) Registration Date: **17 September 2012**  
(30) Convention priority data:  
(31) Number (32) Date (33) Country  
**29/415,125 07 Mar 2012 UNITED STATES OF AMERICA**  
(56) Related Art Documents: **Not Applicable**  
(57) Statement of Newness and Distinctiveness: **Newness and distinctiveness are provided by the shape and/or configuration of the design shown in the representations. The features shown in broken lines in the representations are for illustrative purposes only and should not be considered when construing visual features of the design.**



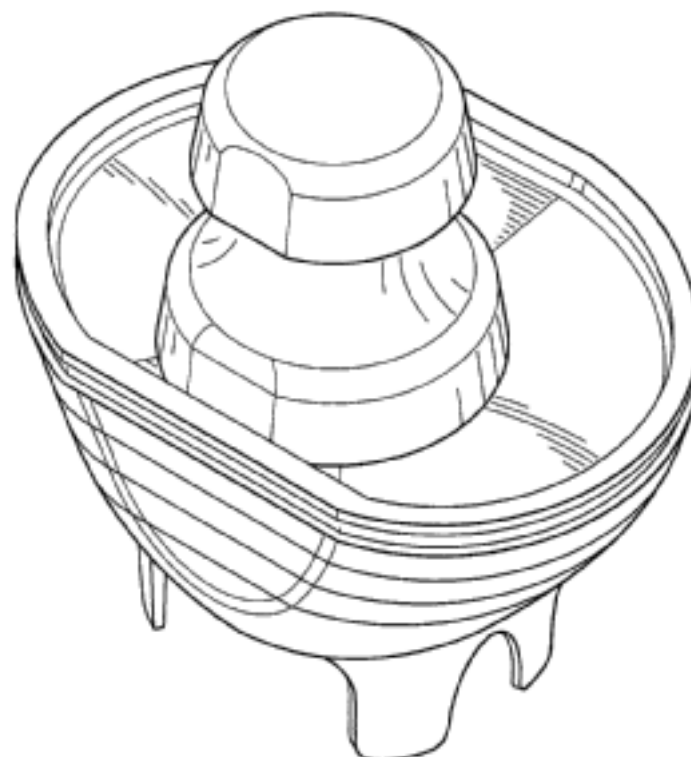
(21) Design Number: **14117/2012**  
(22) Date of Filing Application: **21 August 2012**  
(24) Date from which industrial property rights may have effect: **21 August 2012**  
(54) Product in respect of which the design is registered: **Nebulizer**  
(51) International Design Classification: **24-01**  
(74) Name(s) of Attorney(s): **Callinans**  
(71) Name(s) and Address(s) of Applicant(s):  
**MedInvent LLC**  
**1841 Buerkle Road White Bear Lake Minnesota 55110 United States of America**  
(72) Name(s) of Designer(s): **William J. Flickinger and John Quackenbush**  
(45) Registration Date: **17 September 2012**  
(30) Convention priority data:  
(31) Number (32) Date (33) Country  
**13/404,623 24 Feb 2012 UNITED STATES OF AMERICA**  
(56) Related Art Documents: **Not Applicable**  
(57) Statement of Newness and Distinctiveness: **Nil**



(21) Design Number: **14118/2012**  
(22) Date of Filing Application: **21 August 2012**  
(24) Date from which industrial property rights may have effect: **21 August 2012**  
(54) Product in respect of which the design is registered: **Portable nebulizer**  
(51) International Design Classification: **24-01**  
(74) Name(s) of Attorney(s): **Callinans**  
(71) Name(s) and Address(s) of Applicant(s):  
**MedInvent LLC**  
**1841 Buerkle Road White Bear Lake Minnesota 55110 United States of America**  
(72) Name(s) of Designer(s): **William J. Flickinger**  
(45) Registration Date: **17 September 2012**  
(30) Convention priority data:  
(31) Number (32) Date (33) Country  
**29/415,125 07 Mar 2012 UNITED STATES OF AMERICA**  
(56) Related Art Documents: **Not Applicable**  
(57) Statement of Newness and Distinctiveness: **Newness and distinctiveness are provided by the shape and/or configuration of the design shown in the representations. The features shown in broken lines in the representations are for illustrative purposes only and should not be considered when construing visual features of the design.**



(21) Design Number: **14119/2012**  
(22) Date of Filing Application: **21 August 2012**  
(24) Date from which industrial property rights may have effect: **21 August 2012**  
(54) Product in respect of which the design is registered: **Nebulizer**  
(51) International Design Classification: **24-01**  
(74) Name(s) of Attorney(s): **Callinans**  
(71) Name(s) and Address(s) of Applicant(s):  
**MedInvent LLC**  
**1841 Buerkle Road White Bear Lake Minnesota 55110 United States of America**  
(72) Name(s) of Designer(s): **William J. Flickinger and John Quackenbush**  
(45) Registration Date: **17 September 2012**  
(30) Convention priority data:  
(31) Number (32) Date (33) Country  
**13/404,623 24 Feb 2012 UNITED STATES OF AMERICA**  
(56) Related Art Documents: **Not Applicable**  
(57) Statement of Newness and Distinctiveness: **Nil**



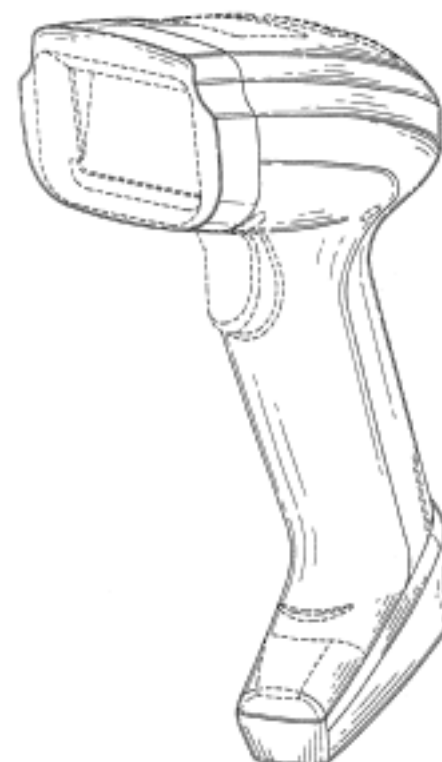
(21) Design Number: **14124/2012**  
(22) Date of Filing Application: **21 August 2012**  
(24) Date from which industrial property rights may have effect: **21 August 2012**  
(54) Product in respect of which the design is registered: **Container with lid and base and blanks therefor**  
(51) International Design Classification: **09-03M**  
(74) Name(s) of Attorney(s): **Cullens Patent and Trade Mark Attorneys**  
(71) Name(s) and Address(s) of Applicant(s):  
**Amcor Limited**  
**109 Burwood Road Hawthorn Victoria 3122 Australia**  
(72) Name(s) of Designer(s): **Robert Giorgini**  
(45) Registration Date: **17 September 2012**  
(56) Related Art Documents: **Not Applicable**  
(57) Statement of Newness and Distinctiveness: **The new and distinctive features are the features of shape and configuration of a container with lid and base and blanks therefor as shown in the representations.**



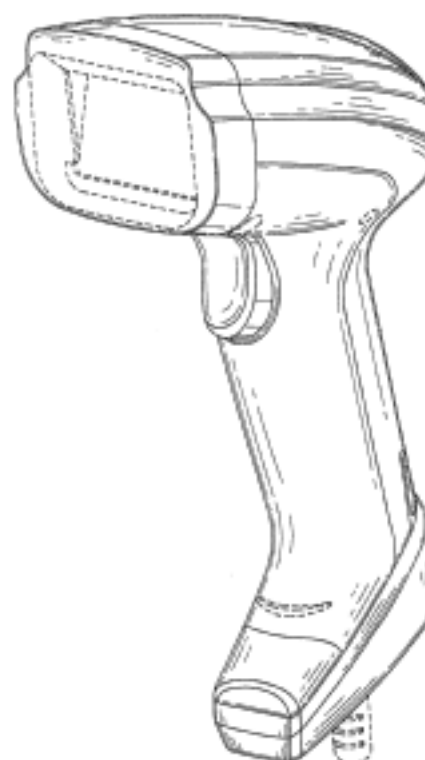
- (21) Design Number: **14125/2012**  
(22) Date of Filing Application: **21 August 2012**  
(24) Date from which industrial property rights may have effect: **21 August 2012**  
(54) Product in respect of which the design is registered: **Container with lid and base and blanks therefor**  
(51) International Design Classification: **09-03M**  
(74) Name(s) of Attorney(s): **Cullens Patent and Trade Mark Attorneys**  
(71) Name(s) and Address(s) of Applicant(s):  
**Amcor Limited**  
**109 Burwood Road Hawthorn Victoria 3122 Australia**  
(72) Name(s) of Designer(s): **Robert Giorgini**  
(45) Registration Date: **17 September 2012**  
(56) Related Art Documents: **Not Applicable**  
(57) Statement of Newness and Distinctiveness: **The new and distinctive features are the features of shape and configuration of a container with lid and base and blanks therefor as shown in the representations.**



- (21) Design Number: **13026/2012**  
(22) Date of Filing Application: **27 June 2012**  
(24) Date from which industrial property rights may have effect: **27 June 2012**  
(54) Product in respect of which the design is registered: **Coded information reader**  
(51) International Design Classification: **14-02**  
(74) Name(s) of Attorney(s): **Davies Collison Cave**  
(71) Name(s) and Address(s) of Applicant(s):  
**Datalogic IP Tech S.r.l.**  
**Via S. Vitalino 13 40012 Lippo di Calderara di Reno (Bologna) Italy**  
(72) Name(s) of Designer(s): **Stefano Vassura and Monica Alegiani and Manlio Galanti and Corrado Tasselli**  
(45) Registration Date: **17 September 2012**  
(30) Convention priority data:  
(31) Number (32) Date (33) Country  
**1970237 30 Dec 2011 EUROPEAN COMMUNITY**  
(56) Related Art Documents: **Not Applicable**  
(57) Statement of Newness and Distinctiveness: **Newness and distinctiveness is claimed in the visual features shown in solid lines in the representations.**



- (21) Design Number: **14488/2012**  
(22) Date of Filing Application: **27 June 2012**  
(24) Date from which industrial property rights may have effect: **27 June 2012**  
(54) Product in respect of which the design is registered: **Coded information reader**  
(51) International Design Classification: **14-02**  
(74) Name(s) of Attorney(s): **Davies Collison Cave**  
(71) Name(s) and Address(s) of Applicant(s):  
**Datalogic IP Tech S.r.l.**  
**Via S. Vitalino 13 40012 Lippo di Calderara di Reno (Bologna) Italy**  
(72) Name(s) of Designer(s): **Stefano Vassura and Monica Alegiani and Manlio Galanti**  
(45) Registration Date: **17 September 2012**  
(30) Convention priority data:  
(31) Number (32) Date (33) Country  
**1970237 30 Dec 2011 EUROPEAN COMMUNITY**  
(56) Related Art Documents: **Not Applicable**  
(57) Statement of Newness and Distinctiveness: **Newness and distinctiveness is claimed in the visual features shown in solid lines in the representations.**



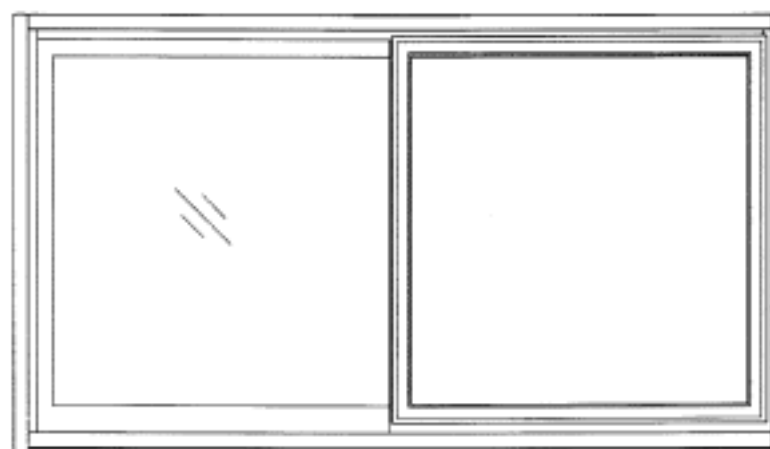
- (21) Design Number: **14489/2012**  
(22) Date of Filing Application: **27 June 2012**  
(24) Date from which industrial property rights may have effect: **27 June 2012**  
(54) Product in respect of which the design is registered: **Coded information reader**  
(51) International Design Classification: **14-02**  
(74) Name(s) of Attorney(s): **Davies Collison Cave**  
(71) Name(s) and Address(s) of Applicant(s):  
**Datalogic IP Tech S.r.l.**  
**Via S. Vitalino 13 40012 Lippo di Calderara di Reno (Bologna) Italy**  
(72) Name(s) of Designer(s): **Stefano Vassura and Monica Alegiani and Manlio Galanti**  
(45) Registration Date: **17 September 2012**  
(30) Convention priority data:  
(31) Number (32) Date (33) Country  
**1970237 30 Dec 2011 EUROPEAN COMMUNITY**  
(56) Related Art Documents: **Not Applicable**  
(57) Statement of Newness and Distinctiveness: **Newness and distinctiveness is claimed in the visual features shown in solid lines in the representations.**



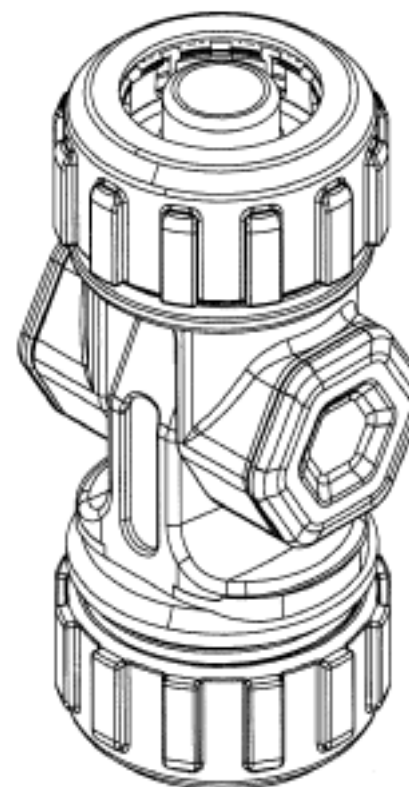
(21) Design Number: **13951/2012**  
(22) Date of Filing Application: **15 August 2012**  
(24) Date from which industrial property rights may have effect: **15 August 2012**  
(54) Product in respect of which the design is registered: **Telescopic ladder**  
(51) International Design Classification: **25-04**  
(74) Name(s) of Attorney(s): **Actuate IP**  
(71) Name(s) and Address(s) of Applicant(s):  
**Jianzhong Zhang**  
**Room 1004 No. 5 Yongsheng shangshaYuexiu district Guangzhou**  
**510100 P. R. China**  
(72) Name(s) of Designer(s): **Jianzhong Zhang**  
(45) Registration Date: **17 September 2012**  
(30) Convention priority data:  
(31) Number (32) Date (33) Country  
**201230281894.8 28 Jun 2012 CHINA**  
(56) Related Art Documents: **Not Applicable**  
(57) Statement of Newness and Distinctiveness: **Newness and distinctiveness is claimed in the features of shape and/or configuration of the Telescopic Ladder as illustrated in the accompanying representations.**



(21) Design Number: **13953/2012**  
(22) Date of Filing Application: **15 August 2012**  
(24) Date from which industrial property rights may have effect: **15 August 2012**  
(54) Product in respect of which the design is registered: **Sliding window**  
(51) International Design Classification: **25-02H**  
(74) Name(s) of Attorney(s): **Actuate IP**  
(71) Name(s) and Address(s) of Applicant(s):  
**Jianzhong Zhang**  
**Room 1004 No. 5 Yongsheng shangshaYuexiu district Guangzhou**  
**510100 P. R. China**  
(72) Name(s) of Designer(s): **Jianzhong Zhang**  
(45) Registration Date: **17 September 2012**  
(30) Convention priority data:  
(31) Number (32) Date (33) Country  
**201230275357.2 26 Jun 2012 CHINA**  
(56) Related Art Documents: **Not Applicable**  
(57) Statement of Newness and Distinctiveness: **Newness and distinctiveness is claimed in the features of shape and/or configuration of the Sliding Window as illustrated in the accompanying representations.**



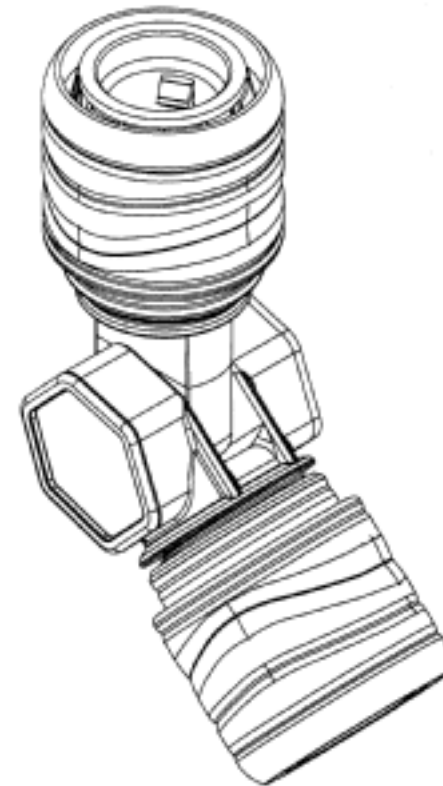
(21) Design Number: **13959/2012**  
(22) Date of Filing Application: **15 August 2012**  
(24) Date from which industrial property rights may have effect: **15 August 2012**  
(54) Product in respect of which the design is registered: **Swivel adaptor**  
(51) International Design Classification: **23-01C**  
(74) Name(s) of Attorney(s): **Madderns**  
(71) Name(s) and Address(s) of Applicant(s):  
**Toro Australia Pty Limited**  
**53 Howards Road Beverley South Australia 5009 Australia**  
(72) Name(s) of Designer(s): **Christopher Alan Appleton and Darren Troy Loechel and Craig Jaensch and Leo Wang**  
(45) Registration Date: **17 September 2012**  
(56) Related Art Documents: **Not Applicable**  
(57) Statement of Newness and Distinctiveness: **Nil**



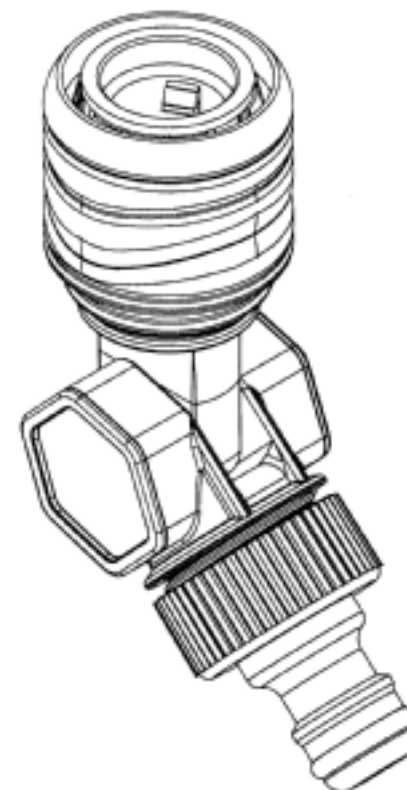
(21) Design Number: **13960/2012**  
(22) Date of Filing Application: **15 August 2012**  
(24) Date from which industrial property rights may have effect: **15 August 2012**  
(54) Product in respect of which the design is registered: **Swivel Adaptor**  
(51) International Design Classification: **23-01C**  
(74) Name(s) of Attorney(s): **Madderns**  
(71) Name(s) and Address(s) of Applicant(s):  
**Toro Australia Pty Limited**  
**53 Howards Road Beverley South Australia 5009 Australia**  
(72) Name(s) of Designer(s): **Christopher Alan Appleton and Darren Troy Loechel and Craig Jaensch and Leo Wang**  
(45) Registration Date: **17 September 2012**  
(56) Related Art Documents: **Not Applicable**  
(57) Statement of Newness and Distinctiveness: **Nil**



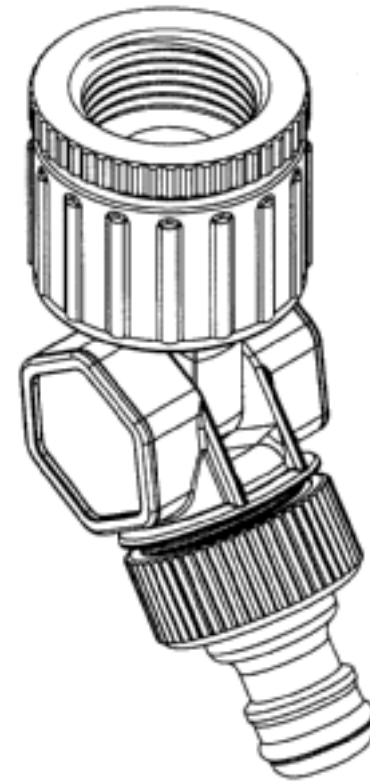
(21) Design Number: **13961/2012**  
(22) Date of Filing Application: **15 August 2012**  
(24) Date from which industrial property rights may have effect: **15 August 2012**  
(54) Product in respect of which the design is registered: **Swivel adaptor**  
(51) International Design Classification: **23-01C**  
(74) Name(s) of Attorney(s): **Madderns**  
(71) Name(s) and Address(s) of Applicant(s):  
**Toro Australia Pty Limited**  
**53 Howards Road Beverley South Australia 5009 Australia**  
(72) Name(s) of Designer(s): **Christopher Alan Appleton and Darren Troy Loechel and Craig Jaensch and Leo Wang**  
(45) Registration Date: **17 September 2012**  
(56) Related Art Documents: **Not Applicable**  
(57) Statement of Newness and Distinctiveness: **Nil**



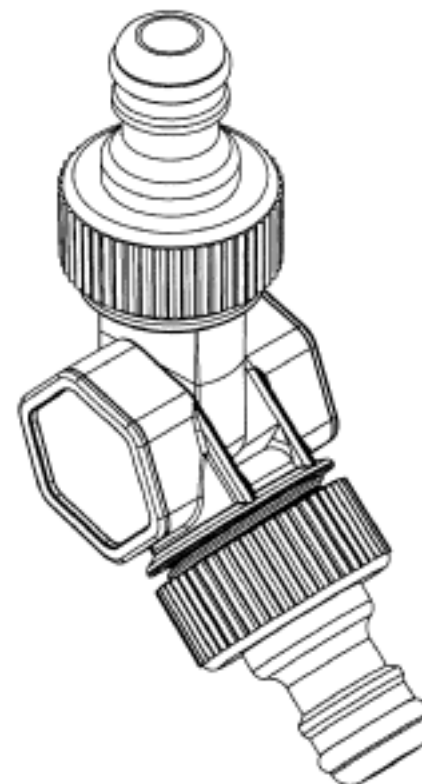
(21) Design Number: **13962/2012**  
(22) Date of Filing Application: **15 August 2012**  
(24) Date from which industrial property rights may have effect: **15 August 2012**  
(54) Product in respect of which the design is registered: **Swivel Adaptor**  
(51) International Design Classification: **23-01C**  
(74) Name(s) of Attorney(s): **Madderns**  
(71) Name(s) and Address(s) of Applicant(s):  
**Toro Australia Pty Limited**  
**53 Howards Road Beverley South Australia 5009 Australia**  
(72) Name(s) of Designer(s): **Christopher Alan Appleton and Darren Troy Loechel and Craig Jaensch and Leo Wang**  
(45) Registration Date: **17 September 2012**  
(56) Related Art Documents: **Not Applicable**  
(57) Statement of Newness and Distinctiveness: **Nil**



- (21) Design Number: **13963/2012**  
(22) Date of Filing Application: **15 August 2012**  
(24) Date from which industrial property rights may have effect: **15 August 2012**  
(54) Product in respect of which the design is registered: **Swivel adaptor**  
(51) International Design Classification: **23-01C, 23-01E**  
(74) Name(s) of Attorney(s): **Madderns**  
(71) Name(s) and Address(s) of Applicant(s):  
**Toro Australia Pty Limited**  
**53 Howards Road Beverley South Australia 5009 Australia**  
(72) Name(s) of Designer(s): **Christopher Alan Appleton and Darren Troy Loechel and Craig Jaensch and Leo Wang**  
(45) Registration Date: **17 September 2012**  
(56) Related Art Documents: **Not Applicable**  
(57) Statement of Newness and Distinctiveness: **Nil**



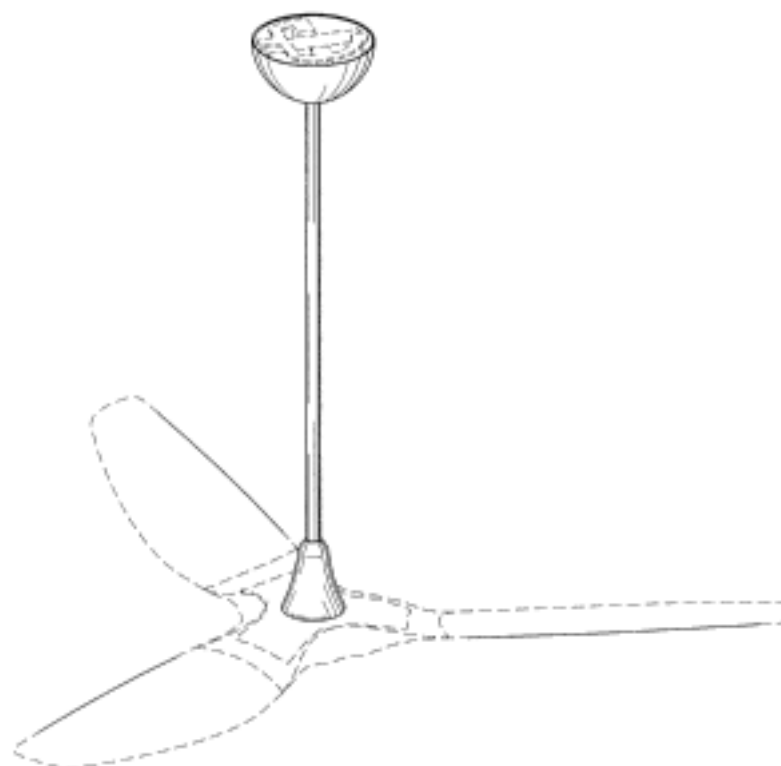
- (21) Design Number: **13964/2012**  
(22) Date of Filing Application: **15 August 2012**  
(24) Date from which industrial property rights may have effect: **15 August 2012**  
(54) Product in respect of which the design is registered: **Swivel adaptor**  
(51) International Design Classification: **23-01C, 23-01E**  
(74) Name(s) of Attorney(s): **Madderns**  
(71) Name(s) and Address(s) of Applicant(s):  
**Toro Australia Pty Limited**  
**53 Howards Road Beverley South Australia 5009 Australia**  
(72) Name(s) of Designer(s): **Christopher Alan Appleton and Darren Troy Loechel and Craig Jaensch and Leo Wang**  
(45) Registration Date: **17 September 2012**  
(56) Related Art Documents: **Not Applicable**  
(57) Statement of Newness and Distinctiveness: **Nil**



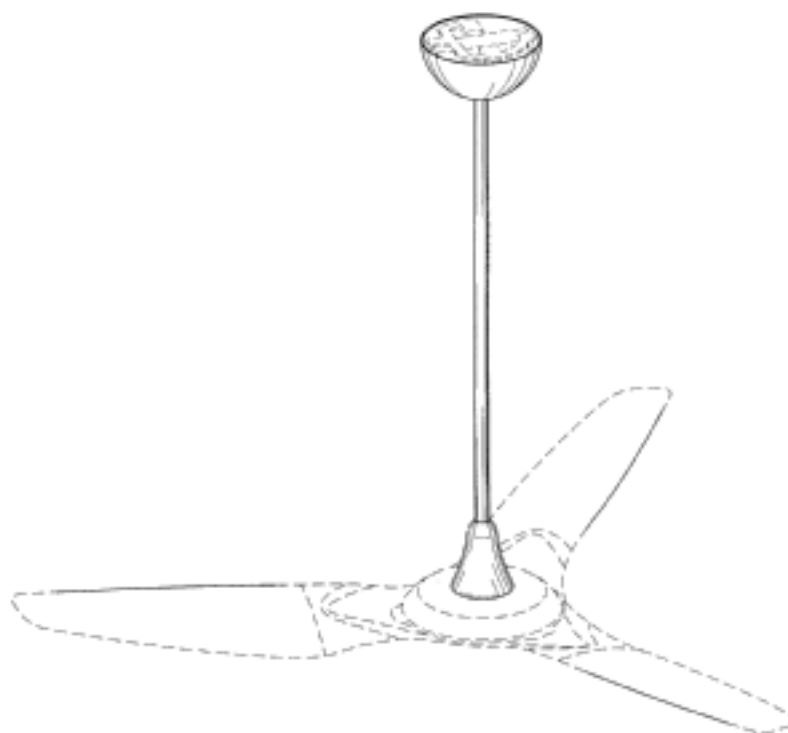
(21) Design Number: **13965/2012**  
(22) Date of Filing Application: **15 August 2012**  
(24) Date from which industrial property rights may have effect: **15 August 2012**  
(54) Product in respect of which the design is registered: **Mounting assembly for a ceiling fan**  
(51) International Design Classification: **23-04**  
(74) Name(s) of Attorney(s): **Freehills Patent Attorneys**  
(71) Name(s) and Address(s) of Applicant(s):  
**Delta T Corporation**  
**2425 Merchant Street Lexington Kentucky 40511 United States of America**  
(72) Name(s) of Designer(s): **Ernest John Noble and Richard A. Oleson**  
(45) Registration Date: **17 September 2012**  
(30) Convention priority data:  
(31) Number (32) Date (33) Country  
**29/414736 02 Mar 2012 UNITED STATES OF AMERICA**  
(56) Related Art Documents: **Not Applicable**  
(57) Statement of Newness and Distinctiveness: **Nil**



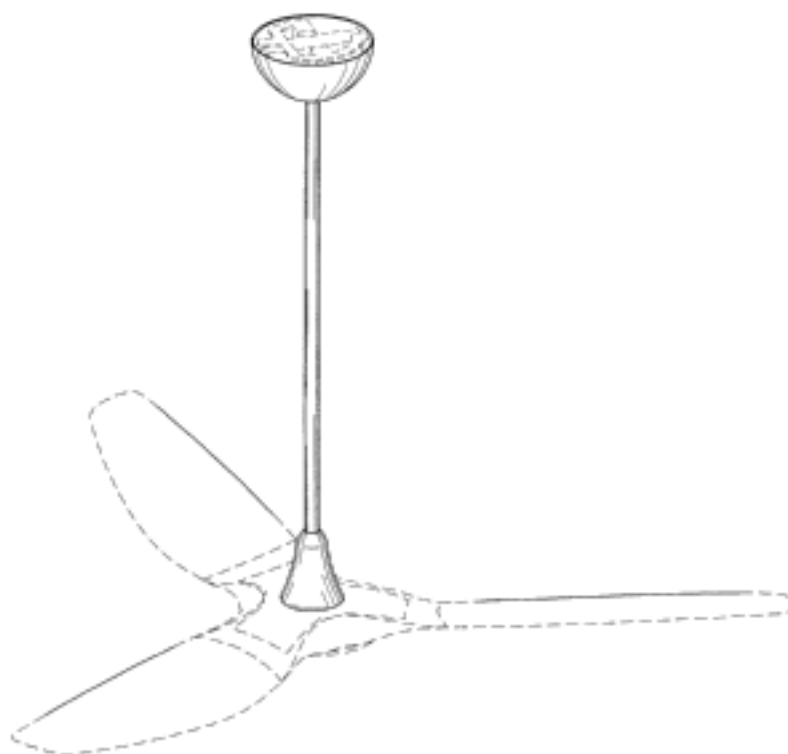
(21) Design Number: **13966/2012**  
(22) Date of Filing Application: **15 August 2012**  
(24) Date from which industrial property rights may have effect: **15 August 2012**  
(54) Product in respect of which the design is registered: **Ceiling fan with mounting assembly**  
(51) International Design Classification: **23-04**  
(74) Name(s) of Attorney(s): **Freehills Patent Attorneys**  
(71) Name(s) and Address(s) of Applicant(s):  
**Delta T Corporation**  
**2425 Merchant Street Lexington Kentucky 40511 United States of America**  
(72) Name(s) of Designer(s): **Ernest John Noble and Richard A. Oleson**  
(45) Registration Date: **17 September 2012**  
(30) Convention priority data:  
(31) Number (32) Date (33) Country  
**29/414736 02 Mar 2012 UNITED STATES OF AMERICA**  
(56) Related Art Documents: **Not Applicable**  
(57) Statement of Newness and Distinctiveness: **Newness and distinctiveness resides in the shape and configuration of the mounting assembly depicted in full lines in the attached representations.**



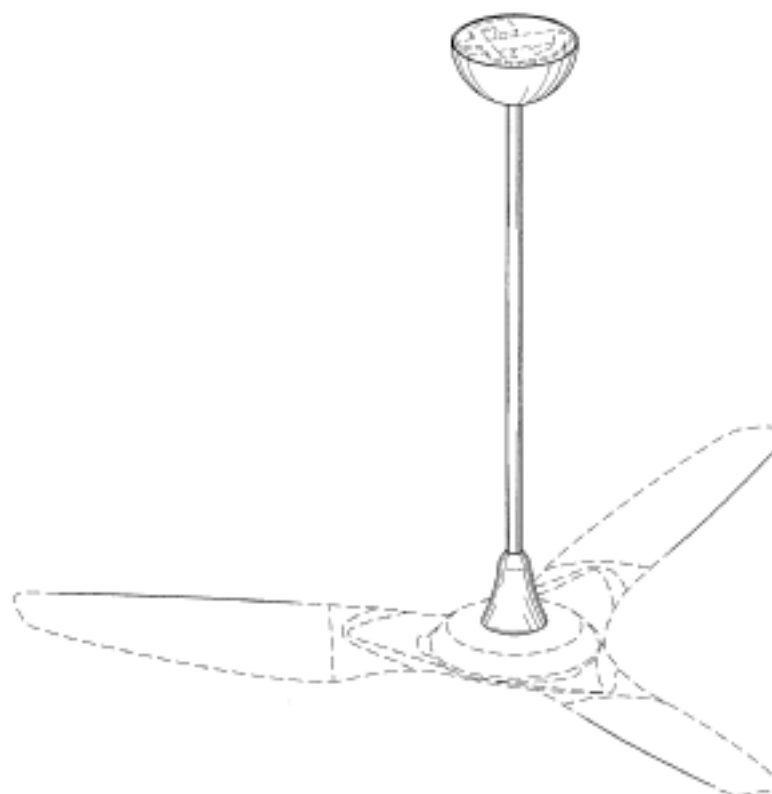
- (21) Design Number: **13967/2012**  
(22) Date of Filing Application: **15 August 2012**  
(24) Date from which industrial property rights may have effect: **15 August 2012**  
(54) Product in respect of which the design is registered: **Ceiling fan with mounting assembly**  
(51) International Design Classification: **23-04**  
(74) Name(s) of Attorney(s): **Freehills Patent Attorneys**  
(71) Name(s) and Address(s) of Applicant(s):  
**Delta T Corporation**  
**2425 Merchant Street Lexington Kentucky 40511 United States of America**  
(72) Name(s) of Designer(s): **Ernest John Noble and Richard A. Oleson**  
(45) Registration Date: **17 September 2012**  
(30) Convention priority data:  
(31) Number (32) Date (33) Country  
**29/414736 02 Mar 2012 UNITED STATES OF AMERICA**  
(56) Related Art Documents: **Not Applicable**  
(57) Statement of Newness and Distinctiveness: **Newness and distinctiveness resides in the shape and configuration of the mounting assembly depicted in full lines in the attached representations.**



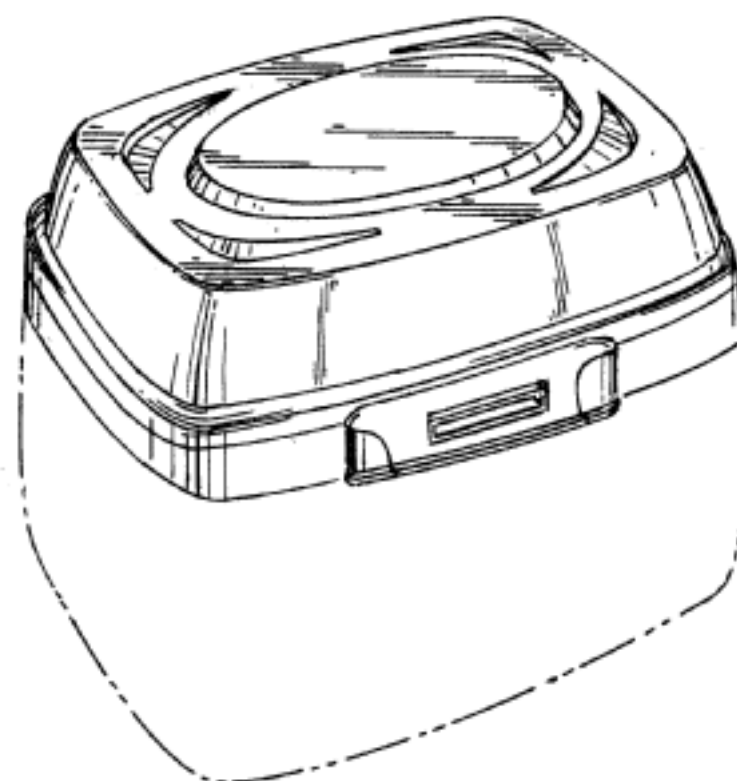
- (21) Design Number: **13968/2012**  
(22) Date of Filing Application: **15 August 2012**  
(24) Date from which industrial property rights may have effect: **15 August 2012**  
(54) Product in respect of which the design is registered: **Ceiling fan with mounting assembly**  
(51) International Design Classification: **23-04**  
(74) Name(s) of Attorney(s): **Freehills Patent Attorneys**  
(71) Name(s) and Address(s) of Applicant(s):  
**Delta T Corporation**  
**2425 Merchant Street Lexington Kentucky 40511 United States of America**  
(72) Name(s) of Designer(s): **Ernest John Noble and Richard A. Oleson**  
(45) Registration Date: **17 September 2012**  
(30) Convention priority data:  
(31) Number (32) Date (33) Country  
**29/414736 02 Mar 2012 UNITED STATES OF AMERICA**  
(56) Related Art Documents: **Not Applicable**  
(57) Statement of Newness and Distinctiveness: **Newness and distinctiveness resides in the shape and configuration of the mounting assembly depicted in full lines in the attached representations.**



(21) Design Number: **13969/2012**  
(22) Date of Filing Application: **15 August 2012**  
(24) Date from which industrial property rights may have effect: **15 August 2012**  
(54) Product in respect of which the design is registered: **Ceiling fan with mounting assembly**  
(51) International Design Classification: **23-04**  
(74) Name(s) of Attorney(s): **Freehills Patent Attorneys**  
(71) Name(s) and Address(s) of Applicant(s):  
**Delta T Corporation**  
**2425 Merchant Street Lexington Kentucky 40511 United States of America**  
(72) Name(s) of Designer(s): **Ernest John Noble and Richard A. Oleson**  
(45) Registration Date: **17 September 2012**  
(30) Convention priority data:  
(31) Number (32) Date (33) Country  
**29/414736 02 Mar 2012 UNITED STATES OF AMERICA**  
(56) Related Art Documents: **Not Applicable**  
(57) Statement of Newness and Distinctiveness: **Newness and distinctiveness resides in the shape and configuration of the mounting assembly depicted in full lines in the attached representations.**



(21) Design Number: **13974/2012**  
(22) Date of Filing Application: **16 August 2012**  
(24) Date from which industrial property rights may have effect: **16 August 2012**  
(54) Product in respect of which the design is registered: **Canister cover**  
(51) International Design Classification: **07-01NES**  
(74) Name(s) of Attorney(s): **WATERMARK PATENT AND TRADE MARKS ATTORNEYS**  
(71) Name(s) and Address(s) of Applicant(s):  
**PBM Nutritional, LLC**  
**204 North Main Street Gordonsville Virginia 22942 United States of America**  
(72) Name(s) of Designer(s): **James W. McGrath Jr and George M Salg**  
(45) Registration Date: **17 September 2012**  
(30) Convention priority data:  
(31) Number (32) Date (33) Country  
**29/371,995 10 Apr 2012 UNITED STATES OF AMERICA**  
(56) Related Art Documents: **Not Applicable**  
(57) Statement of Newness and Distinctiveness: **Newness and distinctiveness is claimed in the shape and configuration of the canister cover as shown in the accompanying representations. The canister shown in phantom in the accompanying representations is for illustrative purposes only and does not form part of the scope of the design.**



(21) Design Number: **13975/2012**

(22) Date of Filing Application: **15 August 2012**

(24) Date from which industrial property rights may have effect: **15 August 2012**

(54) Product in respect of which the design is registered: **Sink surface protector**

(51) International Design Classification: **23-02F**

(74) Name(s) of Attorney(s): **Callinans**

(71) Name(s) and Address(s) of Applicant(s):

**Tasman Sinkware Pty Ltd**

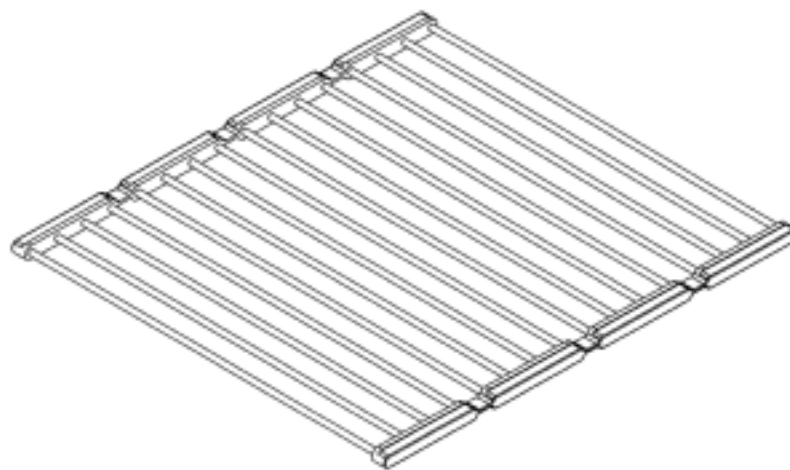
**51 Naweena Road Regency Park South Australia 5010 Australia**

(72) Name(s) of Designer(s): **Jeremy Axton and Jonathan Lee**

(45) Registration Date: **17 September 2012**

(56) Related Art Documents: **Not Applicable**

(57) Statement of Newness and Distinctiveness: **The newness and distinctiveness of the article resides in the shape and configuration of the surface protector as shown in the accompanying representations.**



(21) Design Number: **11128/2012**

(22) Date of Filing Application: **07 March 2012**

(24) Date from which industrial property rights may have effect: **07 March 2012**

(54) Product in respect of which the design is registered: **A set of scaffolding guard panels**

(51) International Design Classification: **25-04**

(74) Name(s) of Attorney(s): **Intellepro Patent & Trade Mark Attorneys**

(71) Name(s) and Address(s) of Applicant(s):

**Underwood Companies Holdings Pty Ltd**

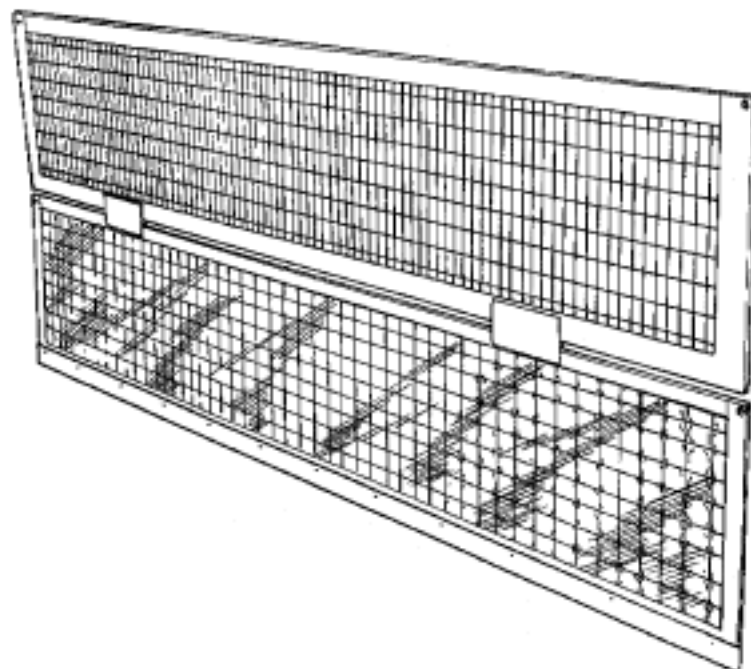
**21 Steel Place Morningside Queensland 4170 Australia**

(72) Name(s) of Designer(s): **Lester George Underwood and Daniel Charles Underwood**

(45) Registration Date: **18 September 2012**

(56) Related Art Documents: **Not Applicable**

(57) Statement of Newness and Distinctiveness: **Nil**



- (21) Design Number: **14227/2012**  
(22) Date of Filing Application: **27 August 2012**  
(24) Date from which industrial property rights may have effect: **27 August 2012**  
(54) Product in respect of which the design is registered: **Wristwatch**  
(51) International Design Classification: **10-02**  
(74) Name(s) of Attorney(s): **Callinans**  
(71) Name(s) and Address(s) of Applicant(s):

**Bulgari Horlogerie SA**  
**Rue de Monruz 34 CH-2000 Neuchatel Switzerland**

(72) Name(s) of Designer(s): **Fabrizio Buonamassa**

(45) Registration Date: **20 September 2012**

(30) Convention priority data:

(31) Number	(32) Date	(33) Country
<b>DM/077919</b>	<b>02 Mar 2012</b>	<b>WORLD INTELLECTUAL PROPERTY ORGANIZATION (WIPO)</b>

(56) Related Art Documents: **Not Applicable**

(57) Statement of Newness and Distinctiveness: **Newness and distinctiveness lies in the visual features the face of the wristwatch body as illustrated in the accompanying representations, wherein the strap does not form part of the wristwatch body.**



- (21) Design Number: **11726/2012**  
(22) Date of Filing Application: **04 April 2012**  
(24) Date from which industrial property rights may have effect: **04 April 2012**  
(54) Product in respect of which the design is registered: **Audio mixing device**  
(51) International Design Classification: **14-01**  
(74) Name(s) of Attorney(s): **SPRUSON & FERGUSON**  
(71) Name(s) and Address(s) of Applicant(s):

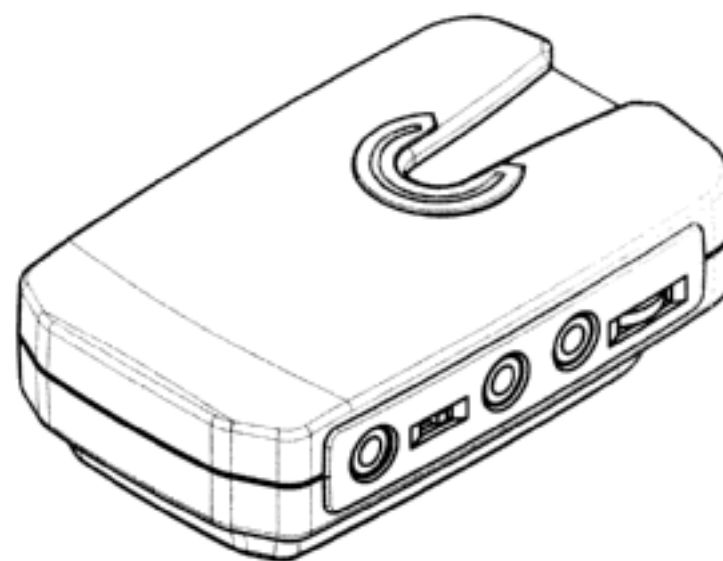
**My Myk Pty Limited**  
**3/81A Glover Street Mosman New South Wales 2088 Australia**

(72) Name(s) of Designer(s): **Ingrid Annetta Maria Shears and David William Green**

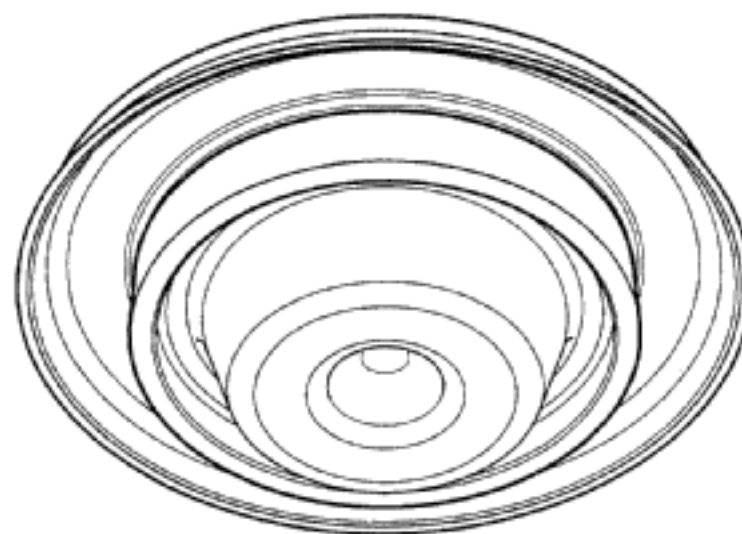
(45) Registration Date: **18 September 2012**

(56) Related Art Documents: **Not Applicable**

(57) Statement of Newness and Distinctiveness: **The newness and distinctiveness of the design resides in the features of shape and/or configuration as shown in the accompanying drawings.**



(21) Design Number: **11797/2012**  
(22) Date of Filing Application: **11 April 2012**  
(24) Date from which industrial property rights may have effect: **11 April 2012**  
(54) Product in respect of which the design is registered: **Sealing member for a closure**  
(51) International Design Classification: **09-07C**  
(74) Name(s) of Attorney(s): **Madderns**  
(71) Name(s) and Address(s) of Applicant(s):  
**Manfred Imand Kurmis**  
**16 Gulfview Road Blackwood South Australia 5051 Australia**  
(72) Name(s) of Designer(s): **Manfred Imand Kurmis**  
(45) Registration Date: **18 September 2012**  
(56) Related Art Documents: **Not Applicable**  
(57) Statement of Newness and Distinctiveness: **Newness and distinctiveness resides in the visual features of shape and/or configuration of a sealing member for a closure as illustrated in the accompanying representations.**



(21) Design Number: **13335/2012**  
(22) Date of Filing Application: **13 July 2012**  
(24) Date from which industrial property rights may have effect: **13 July 2012**  
(54) Product in respect of which the design is registered: **Chair and settee**  
(51) International Design Classification: **06-01G**  
(74) Name(s) of Attorney(s): **Davies Collison Cave**  
(71) Name(s) and Address(s) of Applicant(s):  
**Dixie Cummings Enterprises Pty Ltd**  
**20 Holloway Drive Bayswater Victoria 3153 Australia**  
(72) Name(s) of Designer(s): **Rob Cummings**  
(45) Registration Date: **18 September 2012**  
(56) Related Art Documents: **Not Applicable**  
(57) Statement of Newness and Distinctiveness: **Newness and distinctiveness is claimed in the visual features of shape and configuration of a chair and a settee as shown in the accompanying representations, but not in the colour or texture of the covering material.**



(21) Design Number: **13391/2012**  
(22) Date of Filing Application: **17 July 2012**  
(24) Date from which industrial property rights may have effect: **17 July 2012**  
(54) Product in respect of which the design is registered: **Chair, settee and corner settee**  
(51) International Design Classification: **06-01G**  
(74) Name(s) of Attorney(s): **Davies Collison Cave**  
(71) Name(s) and Address(s) of Applicant(s):  
**Dixie Cummings Enterprises Pty Ltd**  
**20 Holloway Drive Bayswater Victoria 3153 Australia**  
(72) Name(s) of Designer(s): **Rob Cummings**  
(45) Registration Date: **18 September 2012**  
(56) Related Art Documents: **Not Applicable**  
(57) Statement of Newness and Distinctiveness: **Newness and distinctiveness is claimed in the visual features of shape and configuration of a chair, a settee, and a corner settee as shown in the accompanying representations, but not in the colour or texture of the covering material.**



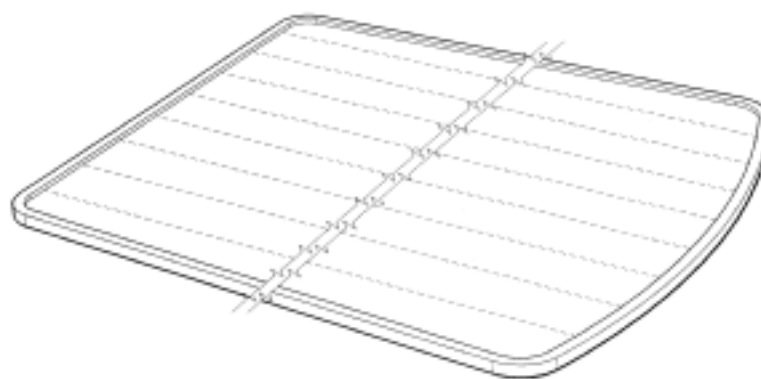
(21) Design Number: **13707/2012**  
(22) Date of Filing Application: **01 August 2012**  
(24) Date from which industrial property rights may have effect: **01 August 2012**  
(54) Product in respect of which the design is registered: **Watch**  
(51) International Design Classification: **10-02**  
(74) Name(s) of Attorney(s): **Davies Collison Cave**  
(71) Name(s) and Address(s) of Applicant(s):  
**La Montre Hermes S.A.**  
**Erlenstrasse 31A CH-2555 Brugg Switzerland**  
(72) Name(s) of Designer(s): **Philippe Delhotal**  
(45) Registration Date: **18 September 2012**  
(30) Convention priority data:  
(31) Number      (32) Date      (33) Country  
**DM/077712      13 Feb 2012      WORLD INTELLECTUAL**  
**PROPERTY ORGANIZATION**  
**(WIPO)**  
(56) Related Art Documents: **Not Applicable**  
(57) Statement of Newness and Distinctiveness: **Nil**



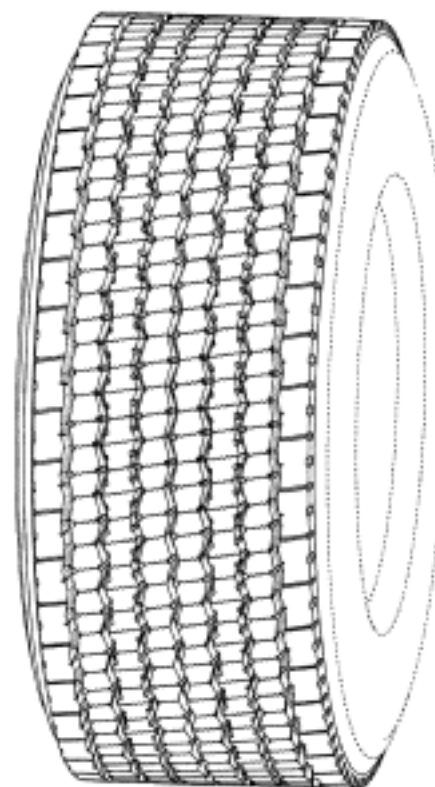
- (21) Design Number: **13952/2012**  
(22) Date of Filing Application: **15 August 2012**  
(24) Date from which industrial property rights may have effect: **15 August 2012**  
(54) Product in respect of which the design is registered: **Ladder with removable platform**  
(51) International Design Classification: **25-04**  
(74) Name(s) of Attorney(s): **Actuate IP**  
(71) Name(s) and Address(s) of Applicant(s):  
**Jianzhong Zhang**  
**Room 1004 No. 5 Yongsheng shangshaYuexiu district Guangzhou**  
**510100 China**  
(72) Name(s) of Designer(s): **Jianzhong Zhang**  
(45) Registration Date: **18 September 2012**  
(30) Convention priority data:  
(31) Number (32) Date (33) Country  
**201230275358.7 26 Jun 2012 CHINA**  
(56) Related Art Documents: **Not Applicable**  
(57) Statement of Newness and Distinctiveness: **Newness and distinctiveness is claimed in the features of shape and/or configuration of the Ladder with Removable Platform as illustrated in the accompanying representations.**



- (21) Design Number: **14167/2012**  
(22) Date of Filing Application: **22 August 2012**  
(24) Date from which industrial property rights may have effect: **22 August 2012**  
(54) Product in respect of which the design is registered: **Roof Panel**  
(51) International Design Classification: **25-01G**  
(74) Name(s) of Attorney(s): **Cullens Patent and Trade Mark Attorneys**  
(71) Name(s) and Address(s) of Applicant(s):  
**Mediasoft Pty Ltd**  
**C/-27 Riversleigh Crescent Eatons Hill Queensland 4037 Australia**  
(72) Name(s) of Designer(s): **Shane Hammond**  
(45) Registration Date: **18 September 2012**  
(56) Related Art Documents: **Not Applicable**  
(57) Statement of Newness and Distinctiveness: **Newness and distinctiveness resides in the shape and/or configuration of a roof panel of indefinite length as illustrated in the accompanying representations. Newness and distinctiveness is not claimed in the features depicted by dashed lines in the representations.**



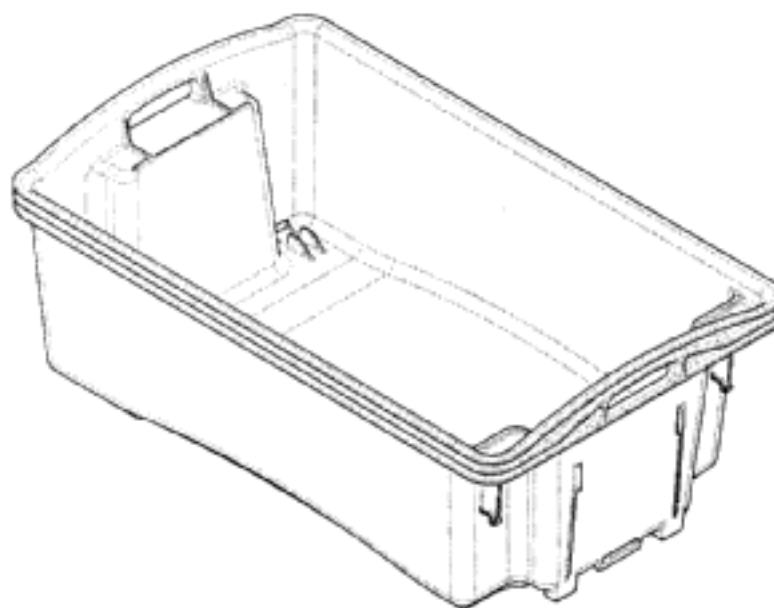
(21) Design Number: **14126/2012**  
(22) Date of Filing Application: **22 August 2012**  
(24) Date from which industrial property rights may have effect: **22 August 2012**  
(54) Product in respect of which the design is registered: **A tyre**  
(51) International Design Classification: **12-15A**  
(74) Name(s) of Attorney(s): **WATERMARK PATENT AND TRADE MARKS ATTORNEYS**  
(71) Name(s) and Address(s) of Applicant(s):  
**COMPAGNIE GENERALE DES ETABLISSEMENTS MICHELIN**  
**12 cours Sablon 63000 Clermont-Ferrand France**  
**Michelin Recherche et Technique S.A.**  
**Route Louis-Braille 10 et 12 CH-1763 Granges-Paccot Switzerland**  
(72) Name(s) of Designer(s): **Matthew Barrett and Joseph Stain**  
(45) Registration Date: **18 September 2012**  
(30) Convention priority data:  
(31) Number (32) Date (33) Country  
**29/416,804 27 Mar 2012 UNITED STATES OF AMERICA**  
(56) Related Art Documents: **Not Applicable**  
(57) Statement of Newness and Distinctiveness: **Newness and distinctiveness resides in the appearance of the tread region of the tyre, the remainder of the tyre not forming part of the design.**



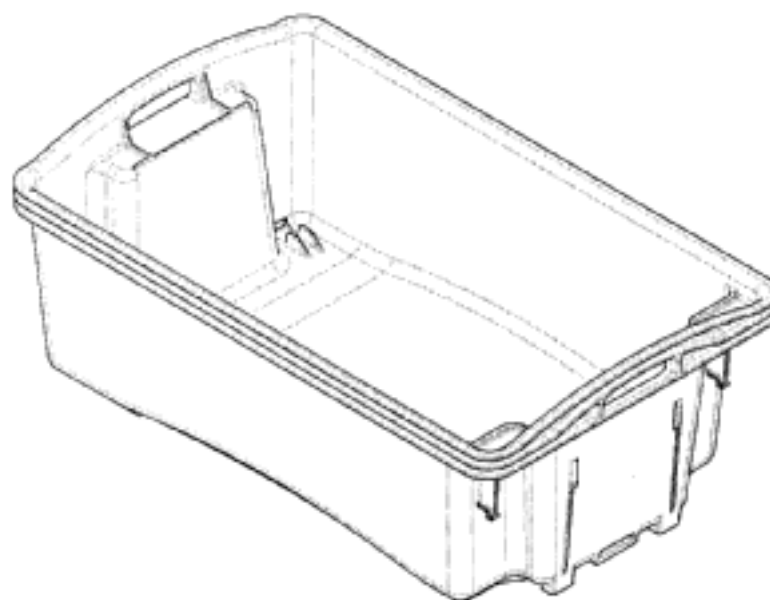
(21) Design Number: **14132/2012**  
(22) Date of Filing Application: **21 August 2012**  
(24) Date from which industrial property rights may have effect: **21 August 2012**  
(54) Product in respect of which the design is registered: **Ballpoint pen**  
(51) International Design Classification: **19-06**  
(74) Name(s) of Attorney(s): **Wrays**  
(71) Name(s) and Address(s) of Applicant(s):  
**M.R. Products Corp.**  
**36BL-6LT Namdong Industrial Complex 610-5 Namchon-dong Namdong-gu Incheon Republic of Korea**  
(72) Name(s) of Designer(s): **Wan-Shik Shin**  
(45) Registration Date: **18 September 2012**  
(30) Convention priority data:  
(31) Number (32) Date (33) Country  
**30-2012-0008641 24 Feb 2012 REPUBLIC OF KOREA**  
(56) Related Art Documents: **Not Applicable**  
(57) Statement of Newness and Distinctiveness: **Newness and distinctiveness is claimed in the features of shape and/or configuration of the Ballpoint Pen depicted in the accompanying representations.**



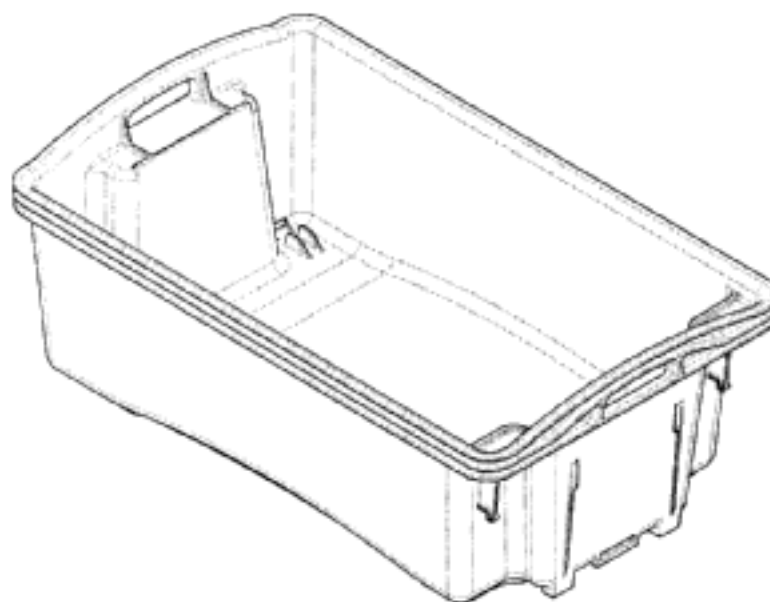
- (21) Design Number: **14134/2012**  
(22) Date of Filing Application: **22 August 2012**  
(24) Date from which industrial property rights may have effect: **22 August 2012**  
(54) Product in respect of which the design is registered: **A container with feet and drainage holes**  
(51) International Design Classification: **09-03M**  
(74) Name(s) of Attorney(s): **MIDDLETONS**  
(71) Name(s) and Address(s) of Applicant(s):  
**Lakes Entrance Fishermen's Co-operative Society Limited**  
**Bullock Island Lakes Entrance PO Box 1125 Victoria 3909 Australia**  
(72) Name(s) of Designer(s): **Dion Bright**  
(45) Registration Date: **18 September 2012**  
(56) Related Art Documents: **Not Applicable**  
(57) Statement of Newness and Distinctiveness: **The design is to be applied to a Container with feet and drainage holes and the novelty resides in the features of shape and configuration of the article shown in the accompanying representations. No novelty is claimed for the features shown in broken/greyed lines - those are for illustrative purposes only and depict the environment of the design.**



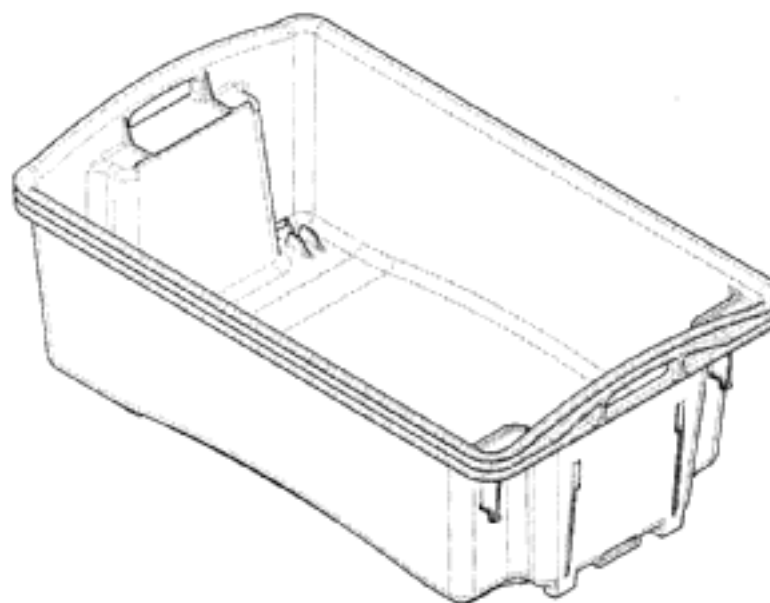
- (21) Design Number: **14135/2012**  
(22) Date of Filing Application: **22 August 2012**  
(24) Date from which industrial property rights may have effect: **22 August 2012**  
(54) Product in respect of which the design is registered: **A container with third rail ribs**  
(51) International Design Classification: **09-03M**  
(74) Name(s) of Attorney(s): **MIDDLETONS**  
(71) Name(s) and Address(s) of Applicant(s):  
**Lakes Entrance Fishermen's Co-operative Society Limited**  
**Bullock Island Lakes Entrance PO Box 1125 Victoria 3909 Australia**  
(72) Name(s) of Designer(s): **Dion Bright**  
(45) Registration Date: **18 September 2012**  
(56) Related Art Documents: **Not Applicable**  
(57) Statement of Newness and Distinctiveness: **The design is to be applied to a Container with third rail ribs and the novelty resides in the features of shape and configuration of the article shown in the accompanying representations. No novelty is claimed for the features shown in broken/greyed lines - those are for illustrative purposes only and depict the environment of the design.**



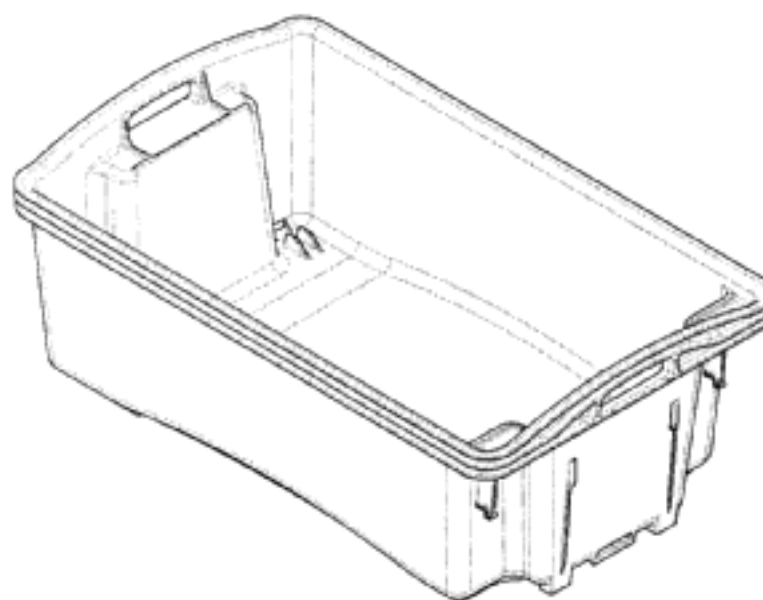
- (21) Design Number: **14136/2012**  
(22) Date of Filing Application: **22 August 2012**  
(24) Date from which industrial property rights may have effect: **22 August 2012**  
(54) Product in respect of which the design is registered: **A container with stacking shoulder ribs**  
(51) International Design Classification: **09-03M**  
(74) Name(s) of Attorney(s): **MIDDLETONS**  
(71) Name(s) and Address(s) of Applicant(s):  
**Lakes Entrance Fishermen's Co-operative Society Limited**  
**Bullock Island Lakes Entrance PO Box 1125 Victoria 3909 Australia**  
(72) Name(s) of Designer(s): **Dion Bright**  
(45) Registration Date: **18 September 2012**  
(56) Related Art Documents: **Not Applicable**  
(57) Statement of Newness and Distinctiveness: **The design is to be applied to a Container with stacking shoulder ribs and the novelty resides in the features of shape and configuration of the article shown in the accompanying representations. No novelty is claimed for the features shown in broken/greyed lines - those are for illustrative purposes only and depict the environment of the design.**



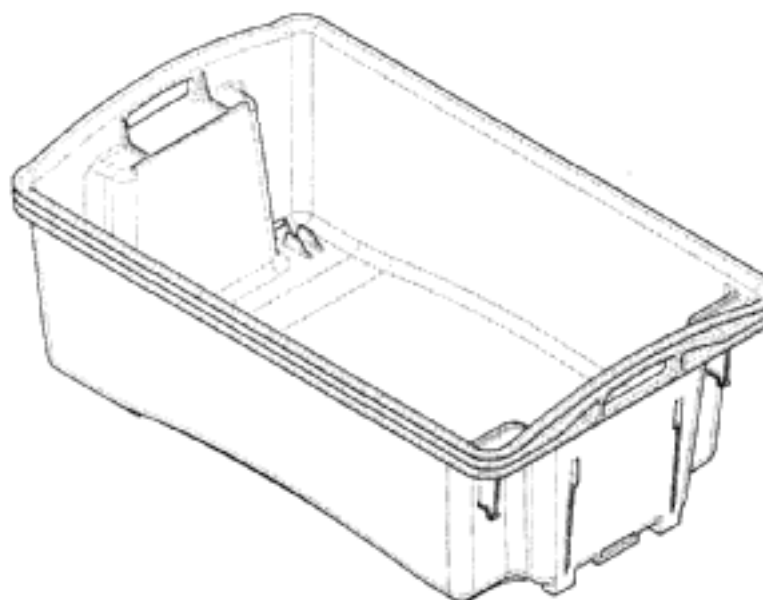
- (21) Design Number: **14137/2012**  
(22) Date of Filing Application: **22 August 2012**  
(24) Date from which industrial property rights may have effect: **22 August 2012**  
(54) Product in respect of which the design is registered: **A container with drainage hole ribs**  
(51) International Design Classification: **09-03M**  
(74) Name(s) of Attorney(s): **MIDDLETONS**  
(71) Name(s) and Address(s) of Applicant(s):  
**Lakes Entrance Fishermen's Co-operative Society Limited**  
**Bullock Island Lakes Entrance PO Box 1125 Victoria 3909 Australia**  
(72) Name(s) of Designer(s): **Dion Bright**  
(45) Registration Date: **18 September 2012**  
(56) Related Art Documents: **Not Applicable**  
(57) Statement of Newness and Distinctiveness: **The design is to be applied to a Container with drainage hole ribs and the novelty resides in the features of shape and configuration of the article shown in the accompanying representations. No novelty is claimed for the features shown in broken/greyed lines - those are for illustrative purposes only and depict the environment of the design.**



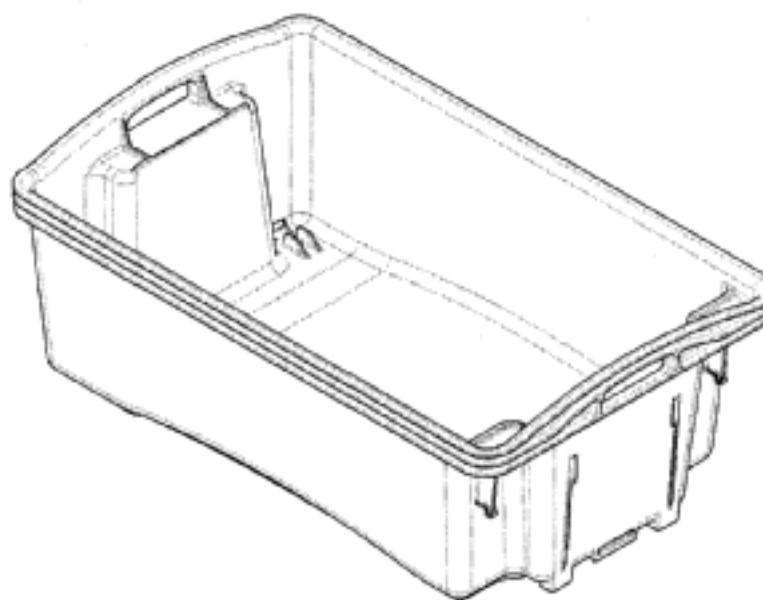
- (21) Design Number: **14138/2012**  
(22) Date of Filing Application: **22 August 2012**  
(24) Date from which industrial property rights may have effect: **22 August 2012**  
(54) Product in respect of which the design is registered: **A container with a curved bottom**  
(51) International Design Classification: **09-03M**  
(74) Name(s) of Attorney(s): **MIDDLETONS**  
(71) Name(s) and Address(s) of Applicant(s):  
**Lakes Entrance Fishermen's Co-operative Society Limited**  
**Bullock Island Lakes Entrance PO Box 1125 Victoria 3909 Australia**  
(72) Name(s) of Designer(s): **Dion Bright**  
(45) Registration Date: **18 September 2012**  
(56) Related Art Documents: **Not Applicable**  
(57) Statement of Newness and Distinctiveness: **The design is to be applied to a Container with a curved bottom and the novelty resides in the features of shape and configuration of the article shown in the accompanying representations. No novelty is claimed for the features shown in broken/ greyed lines - those are for illustrative purposes only and depict the environment of the design.**



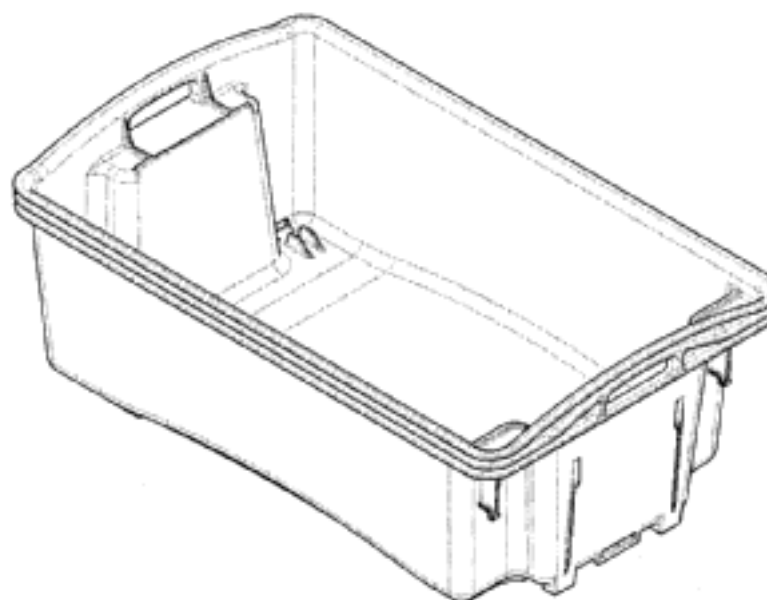
- (21) Design Number: **14139/2012**  
(22) Date of Filing Application: **22 August 2012**  
(24) Date from which industrial property rights may have effect: **22 August 2012**  
(54) Product in respect of which the design is registered: **A container with nesting ribs**  
(51) International Design Classification: **09-03M**  
(74) Name(s) of Attorney(s): **MIDDLETONS**  
(71) Name(s) and Address(s) of Applicant(s):  
**Lakes Entrance Fishermen's Co-operative Society Limited**  
**Bullock Island Lakes Entrance PO Box 1125 Victoria 3909 Australia**  
(72) Name(s) of Designer(s): **Dion Bright**  
(45) Registration Date: **18 September 2012**  
(56) Related Art Documents: **Not Applicable**  
(57) Statement of Newness and Distinctiveness: **The design is to be applied to a Container with nesting ribs and the novelty resides in the features of shape and configuration of the article shown in the accompanying representations. No novelty is claimed for the features shown in broken/ greyed lines - those are for illustrative purposes only and depict the environment of the design.**



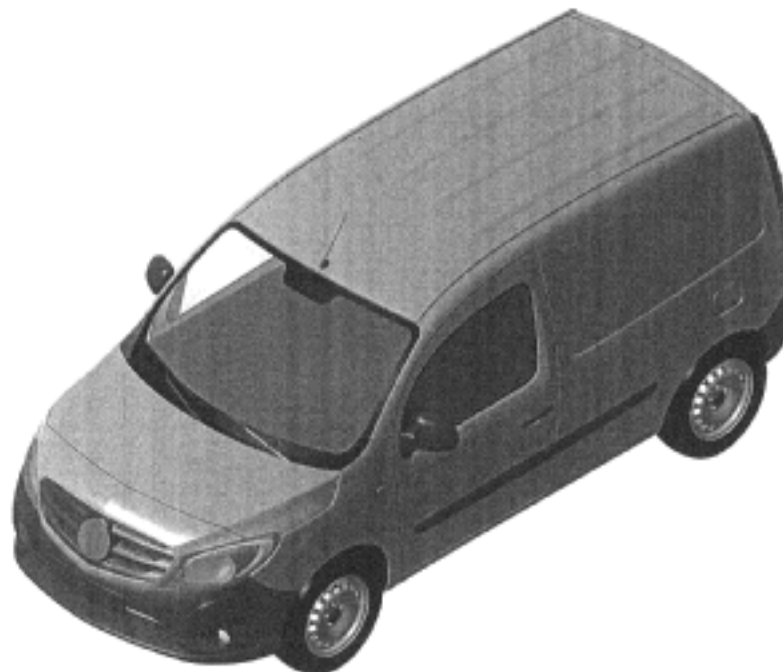
- (21) Design Number: **14140/2012**  
(22) Date of Filing Application: **22 August 2012**  
(24) Date from which industrial property rights may have effect: **22 August 2012**  
(54) Product in respect of which the design is registered: **A container with nesting ribs**  
(51) International Design Classification: **09-03M**  
(74) Name(s) of Attorney(s): **MIDDLETONS**  
(71) Name(s) and Address(s) of Applicant(s):  
**Lakes Entrance Fishermen's Co-operative Society Limited**  
**Bullock Island Lakes Entrance PO Box 1125 Victoria 3909 Australia**  
(72) Name(s) of Designer(s): **Dion Bright**  
(45) Registration Date: **18 September 2012**  
(56) Related Art Documents: **Not Applicable**  
(57) Statement of Newness and Distinctiveness: **The design is to be applied to a container with nesting ribs and the novelty resides in the features of shape and configuration of the article shown in the accompanying representations. No novelty is claimed for the features shown in broken/ greyed lines - those are for illustrative purposes only and depict the environment of the design.**



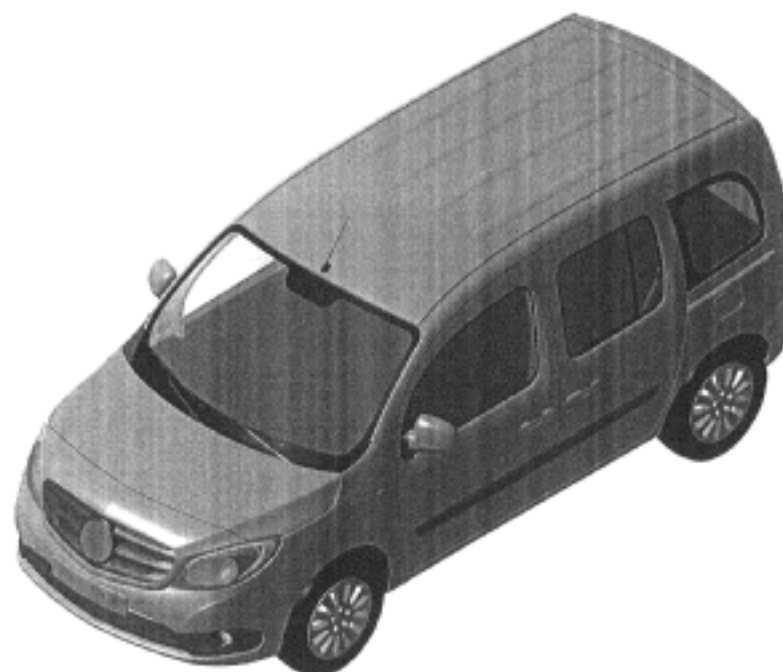
- (21) Design Number: **14141/2012**  
(22) Date of Filing Application: **22 August 2012**  
(24) Date from which industrial property rights may have effect: **22 August 2012**  
(54) Product in respect of which the design is registered: **A container**  
(51) International Design Classification: **09-03M**  
(74) Name(s) of Attorney(s): **MIDDLETONS**  
(71) Name(s) and Address(s) of Applicant(s):  
**Lakes Entrance Fishermen's Co-operative Society Limited**  
**Bullock Island Lakes Entrance PO Box 1125 Victoria 3909 Australia**  
(72) Name(s) of Designer(s): **Dion Bright**  
(45) Registration Date: **18 September 2012**  
(56) Related Art Documents: **Not Applicable**  
(57) Statement of Newness and Distinctiveness: **The design is to be applied to a Container and the novelty resides in the features of shape and configuration of the article shown in the accompanying representations.**



(21) Design Number: **14143/2012**  
(22) Date of Filing Application: **22 August 2012**  
(24) Date from which industrial property rights may have effect: **22 August 2012**  
(54) Product in respect of which the design is registered: **Vehicle**  
(51) International Design Classification: **12-08**  
(74) Name(s) of Attorney(s): **SPRUSON & FERGUSON**  
(71) Name(s) and Address(s) of Applicant(s):  
**Daimler AG**  
**Mercedesstrasse 137 D-70327 Stuttgart Germany**  
(72) Name(s) of Designer(s): **Kai Sieber and Bertrand Janssen**  
(45) Registration Date: **18 September 2012**  
(30) Convention priority data:  
(31) Number      (32) Date      (33) Country  
**002006569      12 Mar 2012      EUROPEAN COMMUNITY**  
(56) Related Art Documents: **Not Applicable**  
(57) Statement of Newness and Distinctiveness: **Newness and distinctiveness is claimed in the features of shape and/or configuration of a vehicle as illustrated in the accompanying representations.**



(21) Design Number: **14144/2012**  
(22) Date of Filing Application: **22 August 2012**  
(24) Date from which industrial property rights may have effect: **22 August 2012**  
(54) Product in respect of which the design is registered: **Vehicle**  
(51) International Design Classification: **12-08**  
(74) Name(s) of Attorney(s): **SPRUSON & FERGUSON**  
(71) Name(s) and Address(s) of Applicant(s):  
**Daimler AG**  
**Mercedesstrasse 137 D-70327 Stuttgart Germany**  
(72) Name(s) of Designer(s): **Bertrand Janssen and Kai Sieber**  
(45) Registration Date: **18 September 2012**  
(30) Convention priority data:  
(31) Number      (32) Date      (33) Country  
**002006569      12 Mar 2012      EUROPEAN COMMUNITY**  
(56) Related Art Documents: **Not Applicable**  
(57) Statement of Newness and Distinctiveness: **Newness and distinctiveness is claimed in the features of shape and/or configuration of a vehicle as illustrated in the accompanying representations.**



(21) Design Number: **14145/2012**  
(22) Date of Filing Application: **22 August 2012**  
(24) Date from which industrial property rights may have effect: **22 August 2012**  
(54) Product in respect of which the design is registered: **Vehicle**  
(51) International Design Classification: **12-08**  
(74) Name(s) of Attorney(s): **SPRUSON & FERGUSON**  
(71) Name(s) and Address(s) of Applicant(s):

**Daimler AG**  
**Mercedesstrasse 137 D-70327 Stuttgart Germany**

(72) Name(s) of Designer(s): **Bertrand Janssen and Kai Sieber**

(45) Registration Date: **18 September 2012**

(30) Convention priority data:

(31) Number	(32) Date	(33) Country
<b>002006569</b>	<b>12 Mar 2012</b>	<b>EUROPEAN COMMUNITY</b>

(56) Related Art Documents: **Not Applicable**

(57) Statement of Newness and Distinctiveness: **Newness and distinctiveness is claimed in the features of shape and/or configuration of a vehicle that are illustrated in lighter shades in the additional views of the accompanying representations. The lighter shades used in the additional views are merely to delimit the new and distinctive features.**



(21) Design Number: **14164/2012**  
(22) Date of Filing Application: **22 August 2012**  
(24) Date from which industrial property rights may have effect: **22 August 2012**  
(54) Product in respect of which the design is registered: **Chocolate/confectionery mini bunny**  
(51) International Design Classification: **01-01**  
(74) Name(s) of Attorney(s): **Baker & McKenzie**  
(71) Name(s) and Address(s) of Applicant(s):

**Mars Incorporated**  
**6885 Elm Street McLean Virginia 22101-3883 United States of America**

(72) Name(s) of Designer(s): **Tom Oliver and Seb Gwyther and Matt Wright**

(45) Registration Date: **18 September 2012**

(30) Convention priority data:

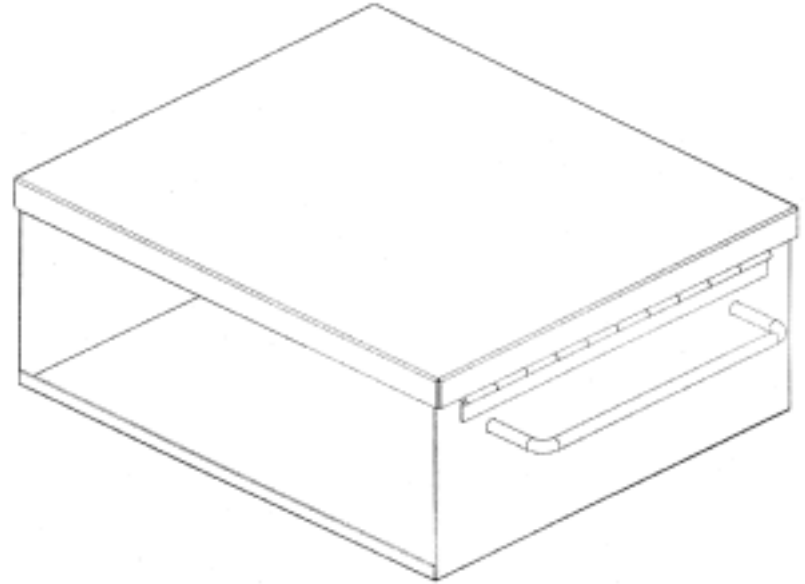
(31) Number	(32) Date	(33) Country
<b>2043414-0002</b>	<b>17 May 2012</b>	<b>EUROPEAN COMMUNITY</b>

(56) Related Art Documents: **Not Applicable**

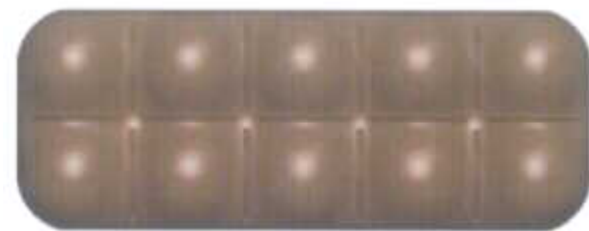
(57) Statement of Newness and Distinctiveness: **The newness and distinctiveness of the design resides in the shape and/or configuration of the product depicted in the representations.**



- (21) Design Number: **14165/2012**  
(22) Date of Filing Application: **22 August 2012**  
(24) Date from which industrial property rights may have effect: **22 August 2012**  
(54) Product in respect of which the design is registered: **Portable barbeque cover with hotplate**  
(51) International Design Classification: **07-02E**  
(74) Name(s) of Attorney(s): **Collison & Co**  
(71) Name(s) and Address(s) of Applicant(s):  
**Simon Schinckel**  
**17 Foster Street Naracoorte South Australia 5271 Australia**  
(72) Name(s) of Designer(s): **Christopher Shaun Haynes**  
(45) Registration Date: **18 September 2012**  
(56) Related Art Documents: **Not Applicable**  
(57) Statement of Newness and Distinctiveness: **The newness and distinctiveness resides in the shape and/or configuration of the portable barbeque cover with hotplate, as illustrated in the accompanying drawings.**



- (21) Design Number: **14169/2012**  
(22) Date of Filing Application: **23 August 2012**  
(24) Date from which industrial property rights may have effect: **23 August 2012**  
(54) Product in respect of which the design is registered: **Chocolate**  
(51) International Design Classification: **01-01**  
(74) Name(s) of Attorney(s): **Banki Haddock Fiora**  
(71) Name(s) and Address(s) of Applicant(s):  
**Societe des Produits Nestle S.A.**  
**1800 Vevey Switzerland**  
(72) Name(s) of Designer(s): **Peter Bongger**  
(45) Registration Date: **19 September 2012**  
(30) Convention priority data:  
(31) Number      (32) Date      (33) Country  
**138609      23 Feb 2012      SWITZERLAND**  
(56) Related Art Documents: **Not Applicable**  
(57) Statement of Newness and Distinctiveness: **Nil**



(21) Design Number: **14180/2012**

(22) Date of Filing Application: **23 August 2012**

(24) Date from which industrial property rights may have effect: **23 August 2012**

(54) Product in respect of which the design is registered: **Lamp**

(51) International Design Classification: **26-04**

(74) Name(s) of Attorney(s): **Wrays**

(71) Name(s) and Address(s) of Applicant(s):

**Mass Technology (H.K.) Limited**  
**31/F. Two Landmark East 100 How Ming Street Kwun Tong Kowloon**  
**Hong Kong**

(72) Name(s) of Designer(s): **Onn Fah Foo**

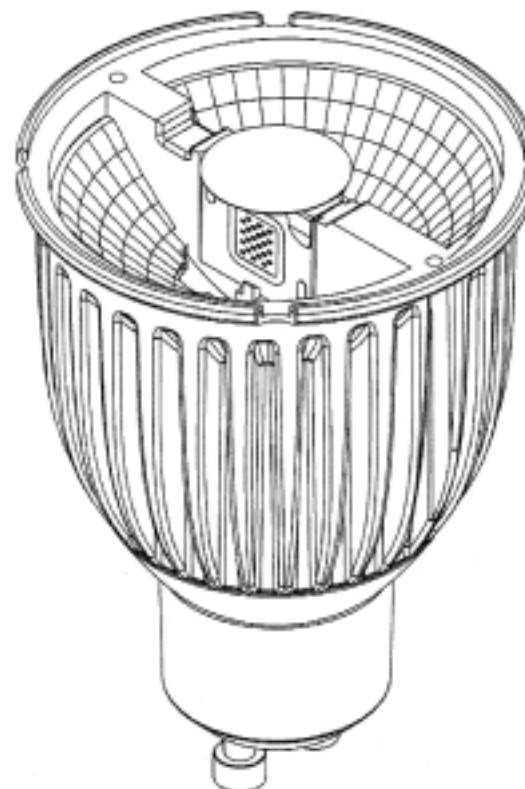
(45) Registration Date: **19 September 2012**

(30) Convention priority data:

(31) Number	(32) Date	(33) Country
<b>1200696.9M004</b>	<b>14 Apr 2012</b>	<b>HONG KONG</b>

(56) Related Art Documents: **Not Applicable**

(57) Statement of Newness and Distinctiveness: **Newness and distinctiveness is claimed in the features of shape and/or configuration of the lamp depicted in the accompanying representations.**



(21) Design Number: **14181/2012**

(22) Date of Filing Application: **23 August 2012**

(24) Date from which industrial property rights may have effect: **23 August 2012**

(54) Product in respect of which the design is registered: **Lamp**

(51) International Design Classification: **26-04**

(74) Name(s) of Attorney(s): **Wrays**

(71) Name(s) and Address(s) of Applicant(s):

**Mass Technology (H.K.) Limited**  
**31/F. Two Landmark East 100 How Ming Street Kwun Tong Kowloon**  
**Hong Kong**

(72) Name(s) of Designer(s): **Onn Fah Foo**

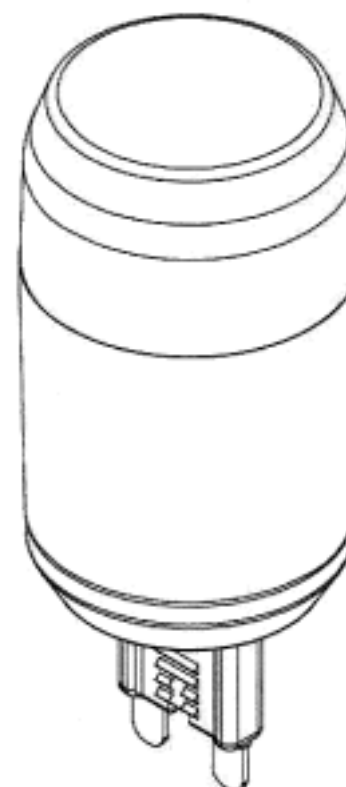
(45) Registration Date: **19 September 2012**

(30) Convention priority data:

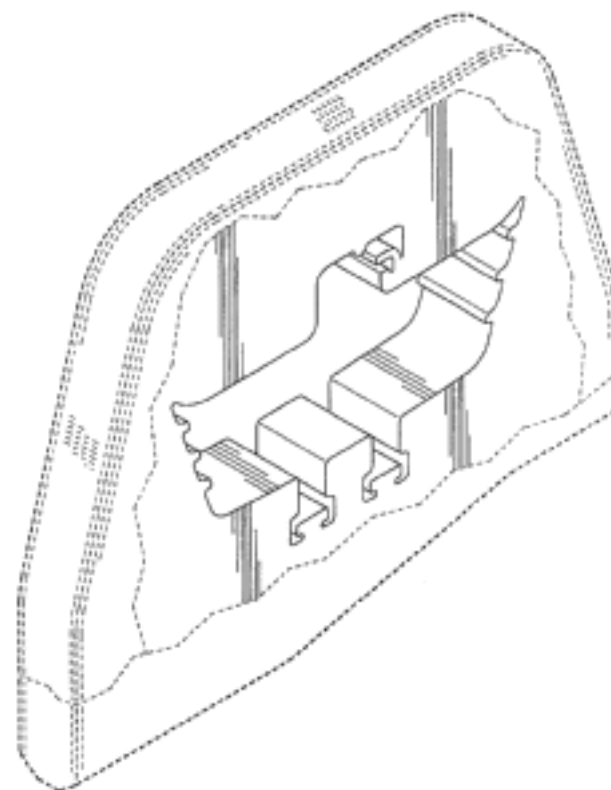
(31) Number	(32) Date	(33) Country
<b>1200696.9M002</b>	<b>14 Apr 2012</b>	<b>HONG KONG</b>

(56) Related Art Documents: **Not Applicable**

(57) Statement of Newness and Distinctiveness: **Newness and distinctiveness is claimed in the features of shape and/or configuration of the lamp depicted in the accompanying representations.**



(21) Design Number: **13848/2012**  
(22) Date of Filing Application: **08 August 2012**  
(24) Date from which industrial property rights may have effect: **08 August 2012**  
(54) Product in respect of which the design is registered: **Clamp pad guard for a lift truck or the like**  
(51) International Design Classification: **12-05, 12-16NES**  
(74) Name(s) of Attorney(s): **Davies Collison Cave**  
(71) Name(s) and Address(s) of Applicant(s):  
**Cascade Corporation**  
**PO Box 20187 Portland Oregon 97294-0187 United States of America**  
(72) Name(s) of Designer(s): **D. Clark Jordan**  
(45) Registration Date: **19 September 2012**  
(30) Convention priority data:  
(31) Number (32) Date (33) Country  
**29/412973 09 Feb 2012 UNITED STATES OF AMERICA**  
(56) Related Art Documents: **Not Applicable**  
(57) Statement of Newness and Distinctiveness: **Newness and distinctiveness is claimed in the visual features shown in solid lines in the representations.**



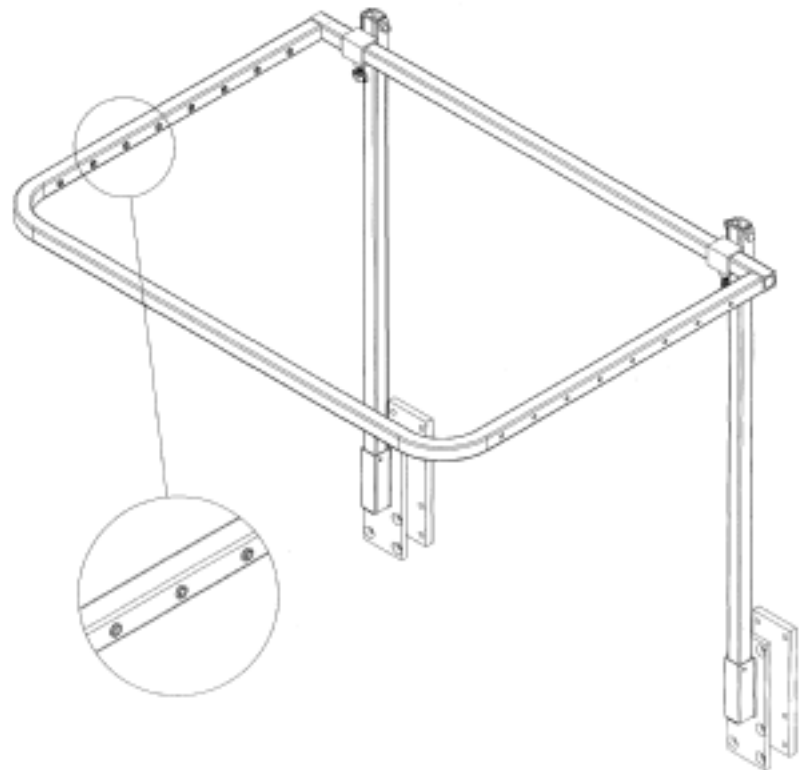
(21) Design Number: **13708/2012**  
(22) Date of Filing Application: **01 August 2012**  
(24) Date from which industrial property rights may have effect: **01 August 2012**  
(54) Product in respect of which the design is registered: **Watch face**  
(51) International Design Classification: **10-07**  
(74) Name(s) of Attorney(s): **Davies Collison Cave**  
(71) Name(s) and Address(s) of Applicant(s):  
**La Montre Hermes S.A.**  
**Erlenstrasse 31A CH-2555 Brugg Switzerland**  
(72) Name(s) of Designer(s): **Philippe Delhotel**  
(45) Registration Date: **19 September 2012**  
(30) Convention priority data:  
(31) Number (32) Date (33) Country  
**DM/077712 13 Feb 2012 WORLD INTELLECTUAL PROPERTY ORGANIZATION (WIPO)**  
(56) Related Art Documents: **Not Applicable**  
(57) Statement of Newness and Distinctiveness: **Nil**



- (21) Design Number: **13499/2012**  
(22) Date of Filing Application: **20 July 2012**  
(24) Date from which industrial property rights may have effect: **20 July 2012**  
(54) Product in respect of which the design is registered: **Slim line, up down, wall light**  
(51) International Design Classification: **26-05C, 26-05E**  
(74) Name(s) of Attorney(s):  
(71) Name(s) and Address(s) of Applicant(s):  
**Sean Robert McGovern**  
**Unit 5 21-23 Tasman Way Byron Bay New South Wales 2481 Australia**  
(72) Name(s) of Designer(s): **Sean Robert McGovern**  
(45) Registration Date: **19 September 2012**  
(56) Related Art Documents: **Not Applicable**  
(57) Statement of Newness and Distinctiveness: **Slim line, compact, LED, up/down wall light. Light lense top and bottom, invisible fixing, sits flush on wall.**



- (21) Design Number: **13851/2012**  
(22) Date of Filing Application: **07 August 2012**  
(24) Date from which industrial property rights may have effect: **07 August 2012**  
(54) Product in respect of which the design is registered: **Clothesline for caravans, trailers and RV vehicles**  
(51) International Design Classification: **07-05D**  
(74) Name(s) of Attorney(s):  
(71) Name(s) and Address(s) of Applicant(s):  
**Emro Products Pty.Ltd.**  
**20 Enterprise Street Caloundra Queensland 4551 Australia**  
(72) Name(s) of Designer(s): **Uwe Waage**  
(45) Registration Date: **19 September 2012**  
(56) Related Art Documents: **Not Applicable**  
(57) Statement of Newness and Distinctiveness: **Clothesline can be attached to the draw bar of the caravan.**



(21) Design Number: **13568/2012**  
(22) Date of Filing Application: **27 July 2012**  
(24) Date from which industrial property rights may have effect: **27 July 2012**  
(54) Product in respect of which the design is registered: **Air filter**  
(51) International Design Classification: **23-04**  
(74) Name(s) of Attorney(s): **Davies Collison Cave**  
(71) Name(s) and Address(s) of Applicant(s):

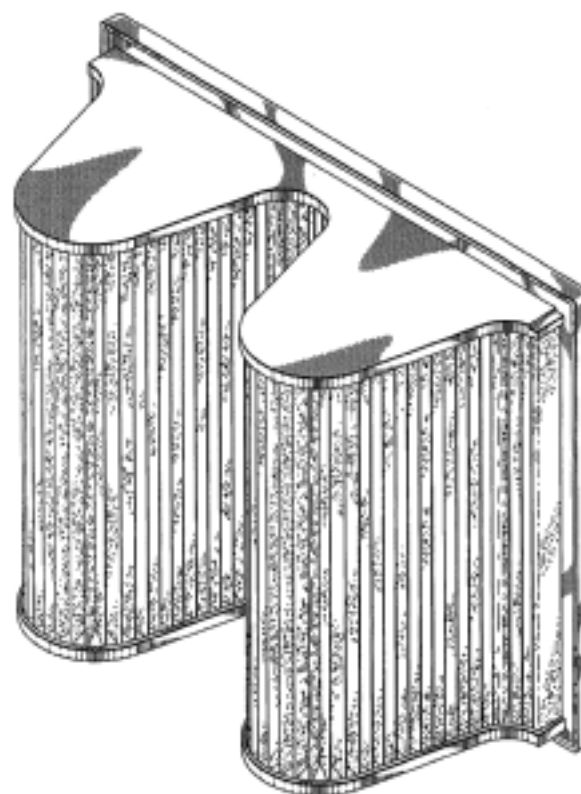
**K&N Engineering Inc**  
**1455 Citrus Street Riverside California United States of America**

(72) Name(s) of Designer(s): **Steve Williams and Jere James Wall**  
(45) Registration Date: **19 September 2012**

(30) Convention priority data:  
(31) Number (32) Date (33) Country  
**29/411989 27 Jan 2012 UNITED STATES OF AMERICA**

(56) Related Art Documents: **Not Applicable**

(57) Statement of Newness and Distinctiveness: **Nil exemplary embodiment of the present invention; Figure 2 is a front elevation view in an exemplary embodiment of the present invention; Figure 3 is a bottom plan view (top plane view being identical) in an exemplary embodiment of the present invention; Figure 4 is a left side elevation view (right side being a mirror image) in an exemplary embodiment of the present invention; and Figure 5 is a rear elevation view in an exemplary embodiment of the present invention.**



(21) Design Number: **14190/2012**  
(22) Date of Filing Application: **24 August 2012**  
(24) Date from which industrial property rights may have effect: **24 August 2012**  
(54) Product in respect of which the design is registered: **Vacuum cleaner module**  
(51) International Design Classification: **15-05**  
(74) Name(s) of Attorney(s): **Griffith Hack**  
(71) Name(s) and Address(s) of Applicant(s):

**BISSELL Homecare, Inc.**  
**2345 Walker Avenue N.W. Grand Rapids MI 49544 United States of America**

(72) Name(s) of Designer(s): **Meghan M. Raven and James Dangora and Adam Luedke**

(45) Registration Date: **19 September 2012**

(30) Convention priority data:  
(31) Number (32) Date (33) Country  
**29/415,375 09 Mar 2012 UNITED STATES OF AMERICA**

(56) Related Art Documents: **Not Applicable**

(57) Statement of Newness and Distinctiveness: **The shape, configuration and ornamentation of the Product as shown by means of solid lines in the attached representations. Those parts in the representation shown by means of dashed lines have been included for illustrative purposes only.**



(21) Design Number: **14191/2012**  
(22) Date of Filing Application: **24 August 2012**  
(24) Date from which industrial property rights may have effect: **24 August 2012**  
(54) Product in respect of which the design is registered: **Inverter**  
(51) International Design Classification: **13-02**  
(74) Name(s) of Attorney(s): **Griffith Hack**  
(71) Name(s) and Address(s) of Applicant(s):

**SMA Solar Technology AG**  
**Sonnenallee 1 34266 Niestetal Germany**

(72) Name(s) of Designer(s): **Alexander Benn**

(45) Registration Date: **19 September 2012**

(30) Convention priority data:

(31) Number	(32) Date	(33) Country
<b>002009977</b>	<b>16 Mar 2012</b>	<b>EUROPEAN COMMUNITY</b>

(56) Related Art Documents: **Not Applicable**

(57) Statement of Newness and Distinctiveness: **The shape, configuration and ornamentation of the product as shown in the accompanying Figures is new and distinctive.**



(21) Design Number: **14198/2012**  
(22) Date of Filing Application: **24 August 2012**  
(24) Date from which industrial property rights may have effect: **24 August 2012**  
(54) Product in respect of which the design is registered: **Bread maker**  
(51) International Design Classification: **07-02NES**  
(74) Name(s) of Attorney(s): **Griffith Hack**  
(71) Name(s) and Address(s) of Applicant(s):

**Guangdong Xinbao Electrical Appliances Holdings Co Ltd**  
**Zhenghenan Road Leliu Town Shunde District Foshan City Guangdong**  
**Province 528300 China**

(72) Name(s) of Designer(s): **Jiangang Guo and Haixiu Yu**

(45) Registration Date: **19 September 2012**

(30) Convention priority data:

(31) Number	(32) Date	(33) Country
<b>201230041846.1</b>	<b>28 Feb 2012</b>	<b>CHINA</b>

(56) Related Art Documents: **Not Applicable**

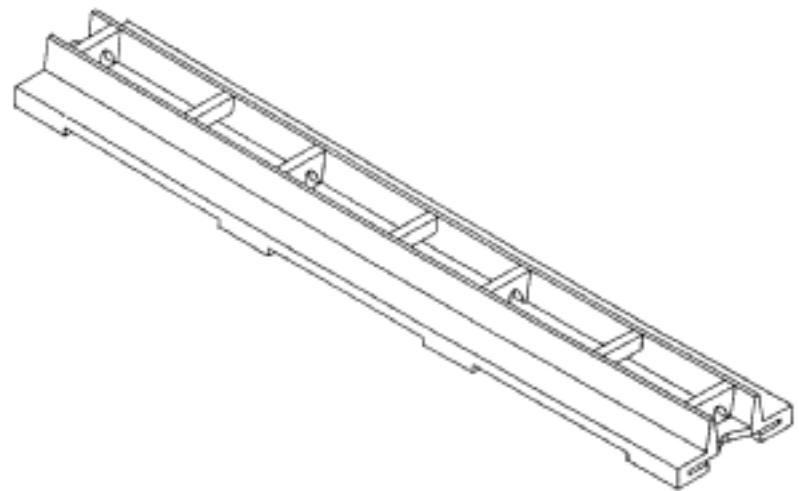
(57) Statement of Newness and Distinctiveness: **Nil**



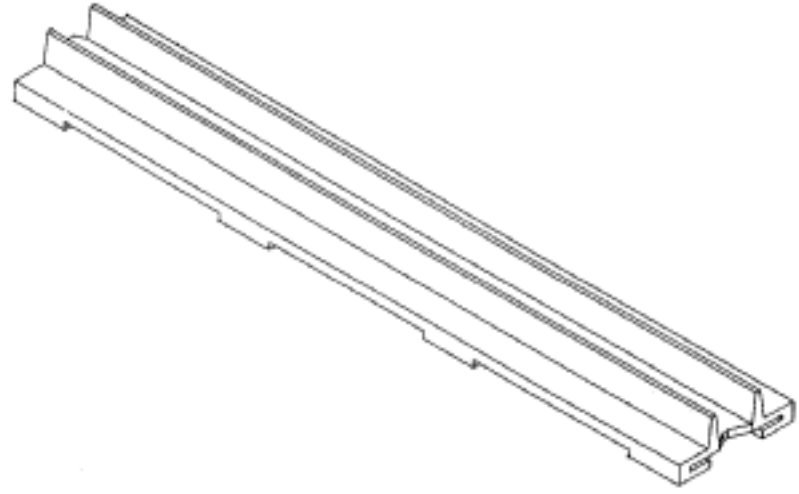
- (21) Design Number: **13858/2012**  
(22) Date of Filing Application: **09 August 2012**  
(24) Date from which industrial property rights may have effect: **09 August 2012**  
(54) Product in respect of which the design is registered: **Kids hi-viz work shirts**  
(51) International Design Classification: **02-02B**  
(74) Name(s) of Attorney(s):  
(71) Name(s) and Address(s) of Applicant(s):  
**Shauna Zoutenbier**  
**6 Howard Court Clermont Queensland 4721 Australia**  
(72) Name(s) of Designer(s): **Shauna Dannielle Zoutenbier**  
(45) Registration Date: **20 September 2012**  
(56) Related Art Documents: **Not Applicable**  
(57) Statement of Newness and Distinctiveness: **Sizes 00-12 in kids sizing cuties by zootys logo on the back 2x2cm wide reflective tape.**



- (21) Design Number: **14218/2012**  
(22) Date of Filing Application: **27 August 2012**  
(24) Date from which industrial property rights may have effect: **27 August 2012**  
(54) Product in respect of which the design is registered: **Joist Bar**  
(51) International Design Classification: **25-01C**  
(74) Name(s) of Attorney(s): **Fisher Adams Kelly**  
(71) Name(s) and Address(s) of Applicant(s):  
**EJ Australia Pty Ltd**  
**452 Newman Road Geebung 4034 Queensland Australia**  
(72) Name(s) of Designer(s): **Brenen Andrew Bottomley**  
(45) Registration Date: **20 September 2012**  
(56) Related Art Documents: **Not Applicable**  
(57) Statement of Newness and Distinctiveness: **The newness and distinctiveness of the design resides in the shape and/or configuration of the JOIST BAR shown in the representations.**



- (21) Design Number: **14219/2012**  
(22) Date of Filing Application: **27 August 2012**  
(24) Date from which industrial property rights may have effect: **27 August 2012**  
(54) Product in respect of which the design is registered: **Joist Bar**  
(51) International Design Classification: **25-01C**  
(74) Name(s) of Attorney(s): **Fisher Adams Kelly**  
(71) Name(s) and Address(s) of Applicant(s):  
**EJ Australia Pty Ltd**  
**452 Newman Road Geebung 4034 Queensland Australia**  
(72) Name(s) of Designer(s): **Brenen Andrew Bottomley**  
(45) Registration Date: **20 September 2012**  
(56) Related Art Documents: **Not Applicable**  
(57) Statement of Newness and Distinctiveness: **The newness and distinctiveness of the design resides in the shape and/or configuration of the JOIST BAR shown in the representations.**



- (21) Design Number: **14220/2012**  
(22) Date of Filing Application: **28 August 2012**  
(24) Date from which industrial property rights may have effect: **28 August 2012**  
(54) Product in respect of which the design is registered: **A Bottle**  
(51) International Design Classification: **09-01B**  
(74) Name(s) of Attorney(s): **WATERMARK PATENT AND TRADE MARKS ATTORNEYS**  
(71) Name(s) and Address(s) of Applicant(s):  
**Quality Blow Moulders Pty Ltd**  
**13-19 Kilkenny Court Dandenong South Victoria 3175 Australia**  
(72) Name(s) of Designer(s): **Andrew Duncan Mackenzie**  
(45) Registration Date: **20 September 2012**  
(56) Related Art Documents: **Not Applicable**  
(57) Statement of Newness and Distinctiveness: **Nil**



(21) Design Number: **14221/2012**

(22) Date of Filing Application: **27 August 2012**

(24) Date from which industrial property rights may have effect: **27 August 2012**

(54) Product in respect of which the design is registered: **Single seeding boot**

(51) International Design Classification: **15-03A**

(74) Name(s) of Attorney(s): **Wrays**

(71) Name(s) and Address(s) of Applicant(s):

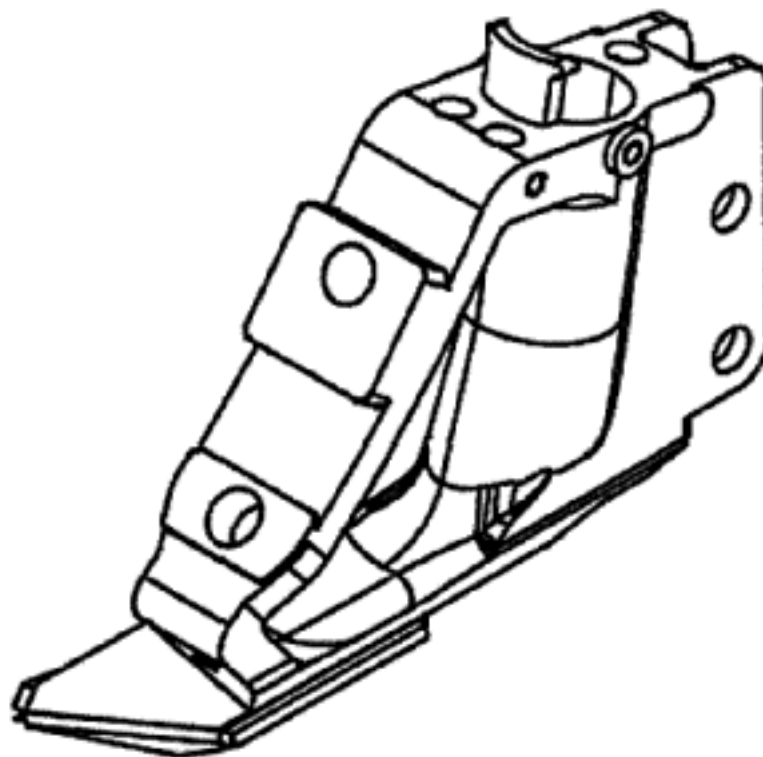
**Coalfields Engineering Pty Ltd  
2067 Marshall Street Collie Western Australia 6225 Australia**

(72) Name(s) of Designer(s): **Gregory Richard Haydon and Michael Roland Glenn**

(45) Registration Date: **20 September 2012**

(56) Related Art Documents: **Not Applicable**

(57) Statement of Newness and Distinctiveness: **Newness and distinctiveness is claimed in the features of shape and/or configuration of the seeding boot depicted in the accompanying representations.**



(21) Design Number: **14222/2012**

(22) Date of Filing Application: **27 August 2012**

(24) Date from which industrial property rights may have effect: **27 August 2012**

(54) Product in respect of which the design is registered: **Double seeding boot**

(51) International Design Classification: **15-03A**

(74) Name(s) of Attorney(s): **Wrays**

(71) Name(s) and Address(s) of Applicant(s):

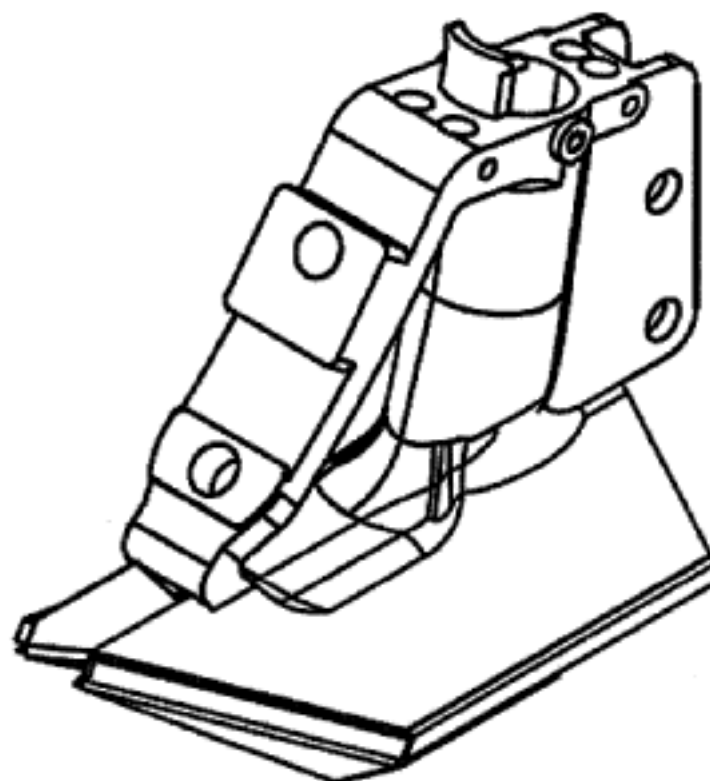
**Coalfields Engineering Pty Ltd  
2067 Marshall Street Collie Western Australia 6225 Australia**

(72) Name(s) of Designer(s): **Gregory Richard Haydon and Michael Roland Glenn**

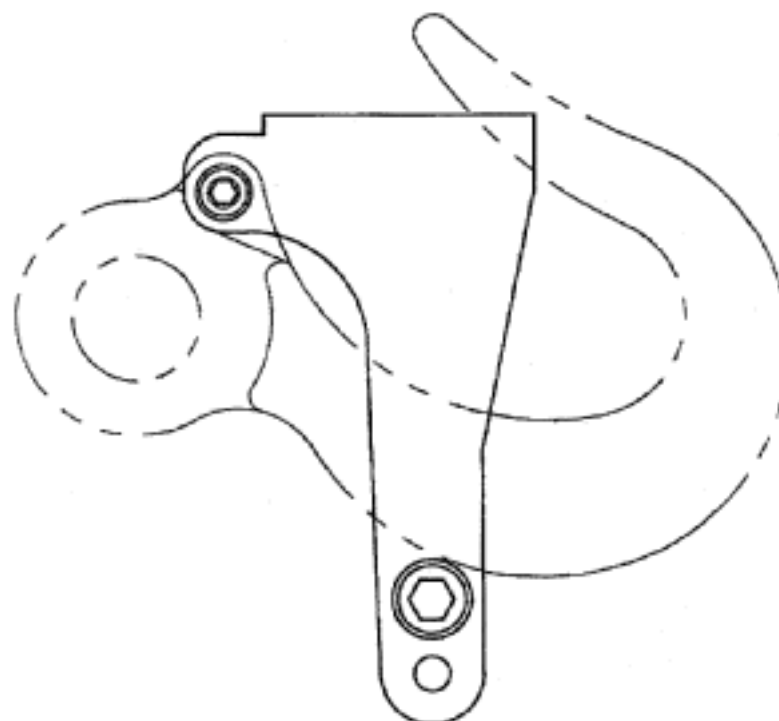
(45) Registration Date: **20 September 2012**

(56) Related Art Documents: **Not Applicable**

(57) Statement of Newness and Distinctiveness: **Newness and distinctiveness is claimed in the features of shape and/or configuration of the seeding boot depicted in the accompanying representations.**



- (21) Design Number: **14223/2012**  
(22) Date of Filing Application: **28 August 2012**  
(24) Date from which industrial property rights may have effect: **28 August 2012**  
(54) Product in respect of which the design is registered: **Safety latch**  
(51) International Design Classification: **08-07**  
(74) Name(s) of Attorney(s): **James & Wells**  
(71) Name(s) and Address(s) of Applicant(s):  
**Hi-Tool Co. Limited**  
**C/- James & Wells Private Bag 3140 Waikato Mail Centre Hamilton New Zealand 3240**  
(72) Name(s) of Designer(s): **Kenji Nagaki**  
(45) Registration Date: **20 September 2012**  
(56) Related Art Documents: **Not Applicable**  
(57) Statement of Newness and Distinctiveness: **The design is to be applied to a safety latch, and the novelty resides in features of shape and/or configuration as shown in the accompanying representations. No novelty is claimed in those features shown in broken lines.**



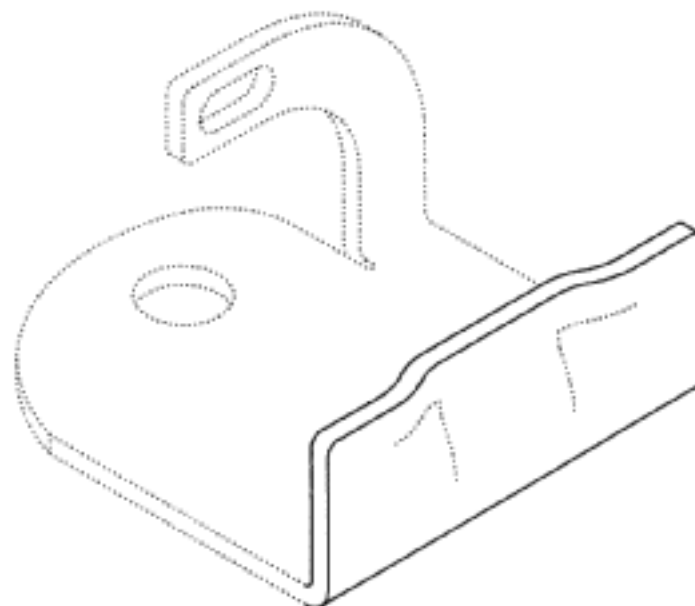
- (21) Design Number: **14226/2012**  
(22) Date of Filing Application: **28 August 2012**  
(24) Date from which industrial property rights may have effect: **28 August 2012**  
(54) Product in respect of which the design is registered: **A post pregnancy belly wrap. Comes in 4 sizes S,M,L & X-L**  
(51) International Design Classification: **02-02NES, 24-04**  
(74) Name(s) of Attorney(s):  
(71) Name(s) and Address(s) of Applicant(s):  
**Chontelle Ismail**  
**16 Lawler Street South Perth Western Australia 6151 Australia**  
(72) Name(s) of Designer(s): **Chontelle Ellen Ismail**  
(45) Registration Date: **20 September 2012**  
(56) Related Art Documents: **Not Applicable**  
(57) Statement of Newness and Distinctiveness: **This post pregnancy belly wrap is unique as it incorporates a 'criss cross' design to the lower back for support, also dual abdominal straps to reinforce compression, to abdominal area.**



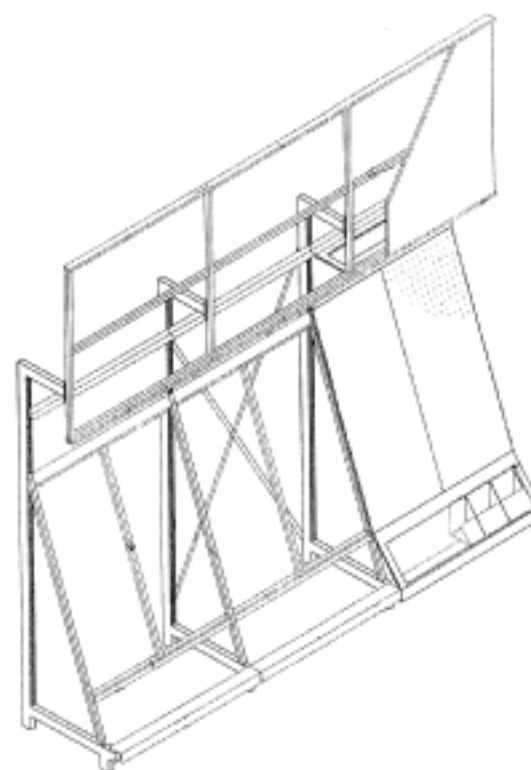
- (21) Design Number: **14228/2012**  
(22) Date of Filing Application: **27 August 2012**  
(24) Date from which industrial property rights may have effect: **27 August 2012**  
(54) Product in respect of which the design is registered: **Wristwatch**  
(51) International Design Classification: **10-02**  
(74) Name(s) of Attorney(s): **Callinans**  
(71) Name(s) and Address(s) of Applicant(s):  
**Bulgari Horlogerie SA**  
**Rue de Monruz 34 CH-2000 Neuchatel Switzerland**  
(72) Name(s) of Designer(s): **Fabrizio Buonamassa**  
(45) Registration Date: **20 September 2012**  
(30) Convention priority data:  
(31) Number (32) Date (33) Country  
**DM/077919 02 Mar 2012 WORLD INTELLECTUAL**  
**PROPERTY ORGANIZATION**  
**(WIPO)**  
(56) Related Art Documents: **Not Applicable**  
(57) Statement of Newness and Distinctiveness: **Newness and distinctiveness lies in the visual features the face of the writstwatch body as illustrated in the accompanying representations, wherein the strap does not form part of the wristwatch body.**



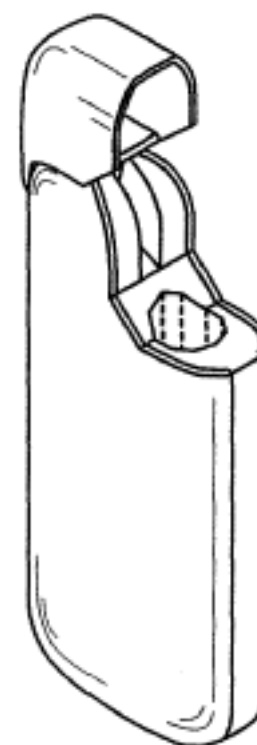
- (21) Design Number: **10684/2012**  
(22) Date of Filing Application: **13 February 2012**  
(24) Date from which industrial property rights may have effect: **13 February 2012**  
(54) Product in respect of which the design is registered: **An airbag suspension mounting bracket hook**  
(51) International Design Classification: **08-08L**  
(74) Name(s) of Attorney(s): **Intellepro Patent & Trade Mark Attorneys**  
(71) Name(s) and Address(s) of Applicant(s):  
**Clamp Industries Pty Ltd**  
**9 Hinkler Court Brendale Queensland 4500 Australia**  
(72) Name(s) of Designer(s): **Richard Clamp and Brett Curtis**  
(45) Registration Date: **21 September 2012**  
(56) Related Art Documents: **Not Applicable**  
(57) Statement of Newness and Distinctiveness: **Newness distinctiveness is claimed in the shape and configuration of the depression forming a hook as illustrated in the representations. When considering the scope of monopoly protection the shape and configuration of the dotted sections is to be disregarded.**



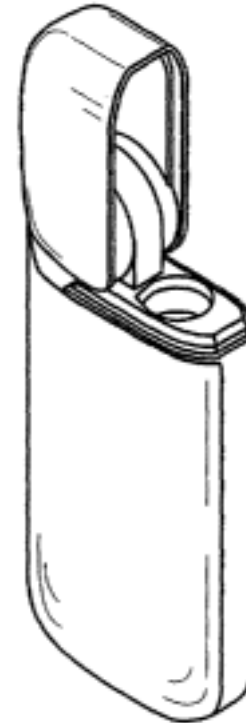
(21) Design Number: **13075/2012**  
(22) Date of Filing Application: **28 June 2012**  
(24) Date from which industrial property rights may have effect: **28 June 2012**  
(54) Product in respect of which the design is registered: **Display**  
(51) International Design Classification: **20-02E**  
(74) Name(s) of Attorney(s): **Davies Collison Cave**  
(71) Name(s) and Address(s) of Applicant(s):  
**DuluxGroup (Australia) Pty Ltd**  
**1956 Dandenong Road Clayton Victoria 3168 Australia**  
(72) Name(s) of Designer(s): **Tony Green and Gavin Gilligan and Peter Hassett**  
(45) Registration Date: **21 September 2012**  
(56) Related Art Documents: **Not Applicable**  
(57) Statement of Newness and Distinctiveness: **Nil**



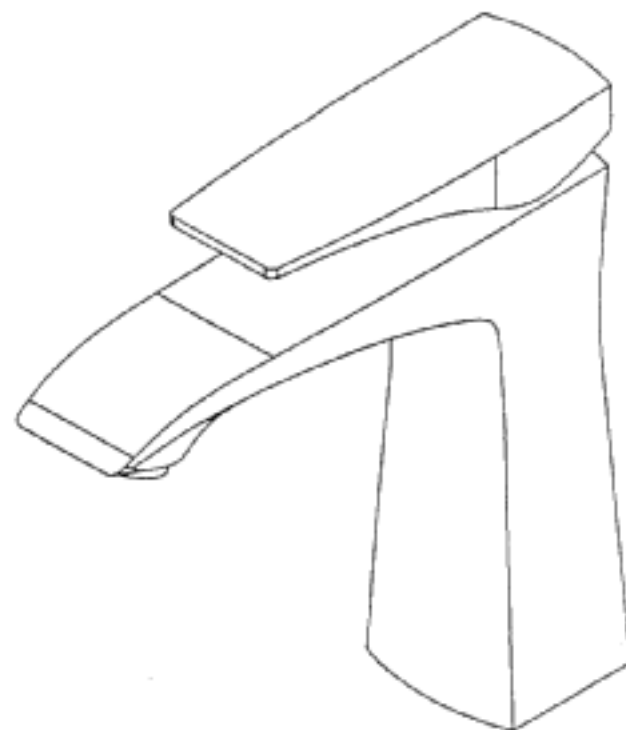
(21) Design Number: **13703/2012**  
(22) Date of Filing Application: **01 August 2012**  
(24) Date from which industrial property rights may have effect: **01 August 2012**  
(54) Product in respect of which the design is registered: **Charging unit**  
(51) International Design Classification: **13-02**  
(74) Name(s) of Attorney(s): **Callinans**  
(71) Name(s) and Address(s) of Applicant(s):  
**Philip Morris Products S.A.**  
**Quai Jeanrenaud 3 2000 Neuchatel Switzerland**  
(72) Name(s) of Designer(s): **Laurent Manca and Philip Leung**  
(45) Registration Date: **21 September 2012**  
(30) Convention priority data:  
(31) Number      (32) Date      (33) Country  
**001314090      13 Feb 2012      EUROPEAN COMMUNITY**  
(56) Related Art Documents: **Not Applicable**  
(57) Statement of Newness and Distinctiveness: **Nil configuration of the design shown in the representations. The features shown in broken lines in the representations are for illustrative purposes only and should not be considered when construing visual features of the design.**



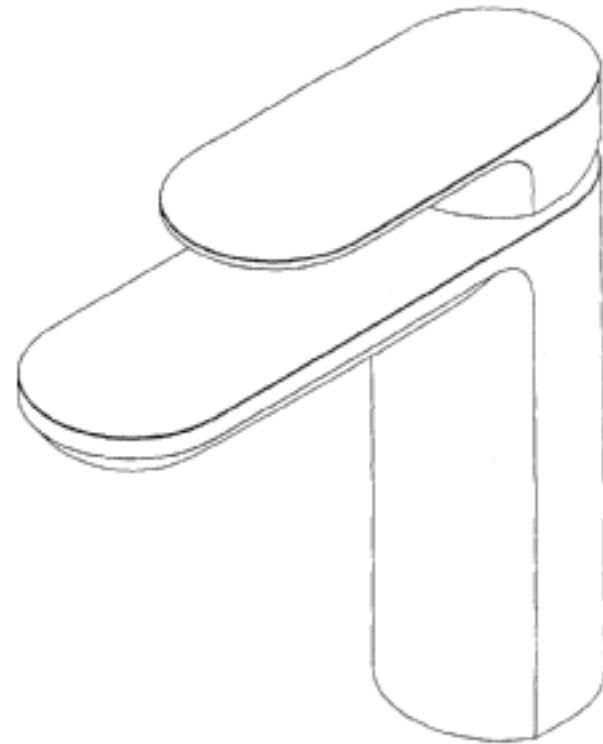
- (21) Design Number: **13704/2012**  
(22) Date of Filing Application: **01 August 2012**  
(24) Date from which industrial property rights may have effect: **01 August 2012**  
(54) Product in respect of which the design is registered: **Charging unit**  
(51) International Design Classification: **13-02**  
(74) Name(s) of Attorney(s): **Callinans**  
(71) Name(s) and Address(s) of Applicant(s):  
**Philip Morris Products S.A.**  
**Quai Jeanrenaud 3 2000 Neuchatel Switzerland**  
(72) Name(s) of Designer(s): **Laurent Manca and Aaron Abroff**  
(45) Registration Date: **21 September 2012**  
(30) Convention priority data:  
(31) Number      (32) Date      (33) Country  
**001314092      13 Feb 2012      EUROPEAN COMMUNITY**  
(56) Related Art Documents: **Not Applicable**  
(57) Statement of Newness and Distinctiveness: **Nil configuration of the design shown in the representations. The features shown in broken lines in the representations are for illustrative purposes only and should not be considered when construing visual features of the design.**



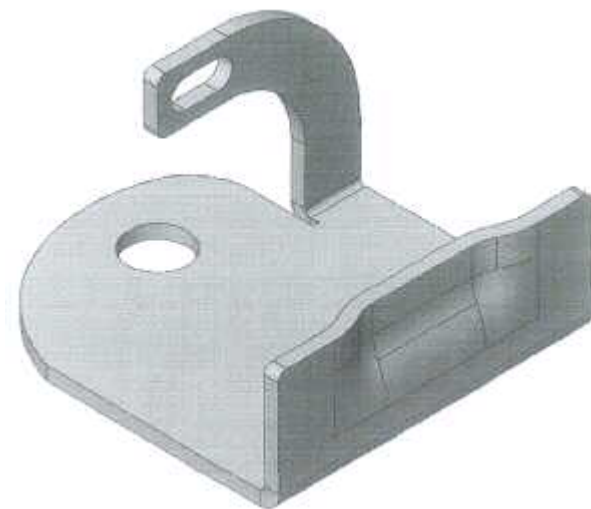
- (21) Design Number: **14250/2012**  
(22) Date of Filing Application: **28 August 2012**  
(24) Date from which industrial property rights may have effect: **28 August 2012**  
(54) Product in respect of which the design is registered: **Mixer tap**  
(51) International Design Classification: **23-01H**  
(74) Name(s) of Attorney(s): **Freehills Patent Attorneys**  
(71) Name(s) and Address(s) of Applicant(s):  
**Phoenix Industries Pty Ltd**  
**926 Mountain Highway Bayswater Victoria 3153 Australia**  
(72) Name(s) of Designer(s): **Ban Hsi Liu**  
(45) Registration Date: **21 September 2012**  
(56) Related Art Documents: **Not Applicable**  
(57) Statement of Newness and Distinctiveness: **Nil**



(21) Design Number: **14251/2012**  
(22) Date of Filing Application: **28 August 2012**  
(24) Date from which industrial property rights may have effect: **28 August 2012**  
(54) Product in respect of which the design is registered: **Mixer tap**  
(51) International Design Classification: **23-01H**  
(74) Name(s) of Attorney(s): **Freehills Patent Attorneys**  
(71) Name(s) and Address(s) of Applicant(s):  
**Phoenix Industries Pty Ltd**  
**926 Mountain Highway Bayswater Victoria 3153 Australia**  
(72) Name(s) of Designer(s): **Ban Hsi Liu**  
(45) Registration Date: **21 September 2012**  
(56) Related Art Documents: **Not Applicable**  
(57) Statement of Newness and Distinctiveness: **Nil**



(21) Design Number: **10683/2012**  
(22) Date of Filing Application: **13 February 2012**  
(24) Date from which industrial property rights may have effect: **13 February 2012**  
(54) Product in respect of which the design is registered: **An airbag suspension mounting bracket**  
(51) International Design Classification: **08-08L**  
(74) Name(s) of Attorney(s): **Intellepro Patent & Trade Mark Attorneys**  
(71) Name(s) and Address(s) of Applicant(s):  
**Clamp Industries Pty Ltd**  
**9 Hinkler Court Brendale Queensland 4500 Australia**  
(72) Name(s) of Designer(s): **Richard Clamp and Brett Curtis**  
(45) Registration Date: **21 September 2012**  
(56) Related Art Documents: **Not Applicable**  
(57) Statement of Newness and Distinctiveness: **Nil**



- (21) Design Number: **12568/2012**  
(22) Date of Filing Application: **31 May 2012**  
(24) Date from which industrial property rights may have effect: **31 May 2012**  
(54) Product in respect of which the design is registered: **Beach towel with a protective backing attached with velcro this product is to protect car seat covers**  
(51) International Design Classification: **06-13C, 06-13NES**  
(74) Name(s) of Attorney(s):  
(71) Name(s) and Address(s) of Applicant(s):  
**Virginia Vasquez**  
**162 Burke Road Dapto New South Wales 2530 Australia**  
**Cristian Celedon**  
**162 Burke Road Dapto New South Wales 2530 Australia**  
(72) Name(s) of Designer(s): **Virginia Vasquez and Cristian Celedon**  
(45) Registration Date: **21 September 2012**  
(56) Related Art Documents: **Not Applicable**  
(57) Statement of Newness and Distinctiveness: **Beach towel that will protect car seat when driving home after being at the beach or pool. This product will not damage car seat, this product will keep them dry.**



- (21) Design Number: **12975/2012**  
(22) Date of Filing Application: **25 June 2012**  
(24) Date from which industrial property rights may have effect: **09 January 2012**  
(54) Product in respect of which the design is registered: **A handbag**  
(51) International Design Classification: **03-01B**  
(74) Name(s) of Attorney(s): **Allens Patent & Trade Mark Attorneys**  
(71) Name(s) and Address(s) of Applicant(s):  
**Forever New Clothing Pty Ltd**  
**Ground Floor 714-716 High Street Kew Victoria 3101 Australia**  
(72) Name(s) of Designer(s): **Elizabeth Maplestone**  
(45) Registration Date: **21 September 2012**  
(62) Divisional of: **343295**  
(56) Related Art Documents: **Not Applicable**  
(57) Statement of Newness and Distinctiveness: **Newness and distinctiveness resides in the visual features of a handbag as shown in the accompanying representations.**



- (21) Design Number: **13407/2012**  
(22) Date of Filing Application: **19 July 2012**  
(24) Date from which industrial property rights may have effect: **19 July 2012**  
(54) Product in respect of which the design is registered: **A watering device**  
(51) International Design Classification: **23-01E**  
(74) Name(s) of Attorney(s): **MORCOM PERNAT**  
(71) Name(s) and Address(s) of Applicant(s):

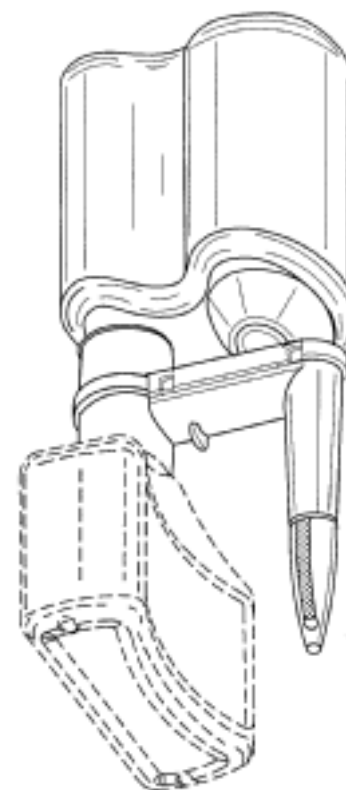
**Moisture Matic Pty Ltd**  
**2 Osborne Court Hawthorn Victoria 3122 Australia**

- (72) Name(s) of Designer(s): **Brian Sadgrove and James Edgar Oates**

(45) Registration Date: **21 September 2012**

(56) Related Art Documents: **Not Applicable**

- (57) Statement of Newness and Distinctiveness: **A new and distinctive article is created with the inclusion of the upper water supply bottle to the spout and wick component. The size, shape, colour and other physical properties of the lower bottle shown in dotted outline are to be disregarded.**



- (21) Design Number: **14008/2012**  
(22) Date of Filing Application: **17 August 2012**  
(24) Date from which industrial property rights may have effect: **17 August 2012**  
(54) Product in respect of which the design is registered: **Fishing lure**  
(51) International Design Classification: **22-05**  
(74) Name(s) of Attorney(s):  
(71) Name(s) and Address(s) of Applicant(s):

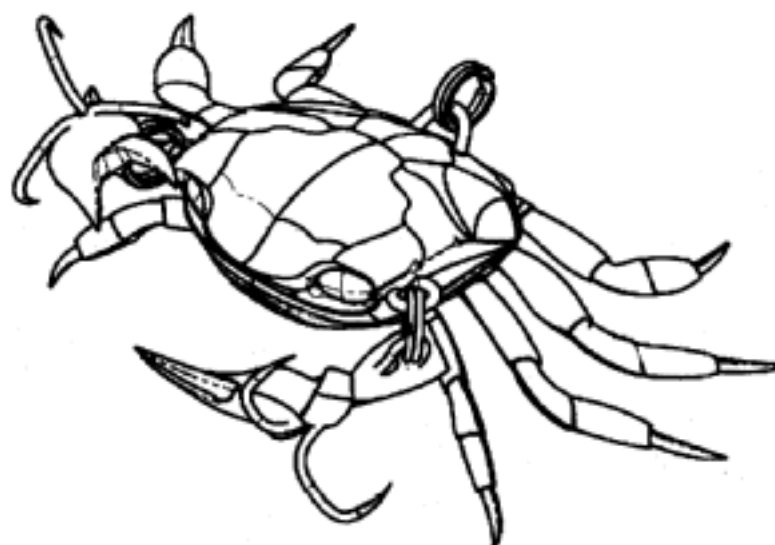
**Cranka Pty Ltd**  
**2 Tiers View Road Golden Valley Tasmania 7304 Australia**

- (72) Name(s) of Designer(s): **Steven Lance Steer**

(45) Registration Date: **21 September 2012**

(56) Related Art Documents: **Not Applicable**

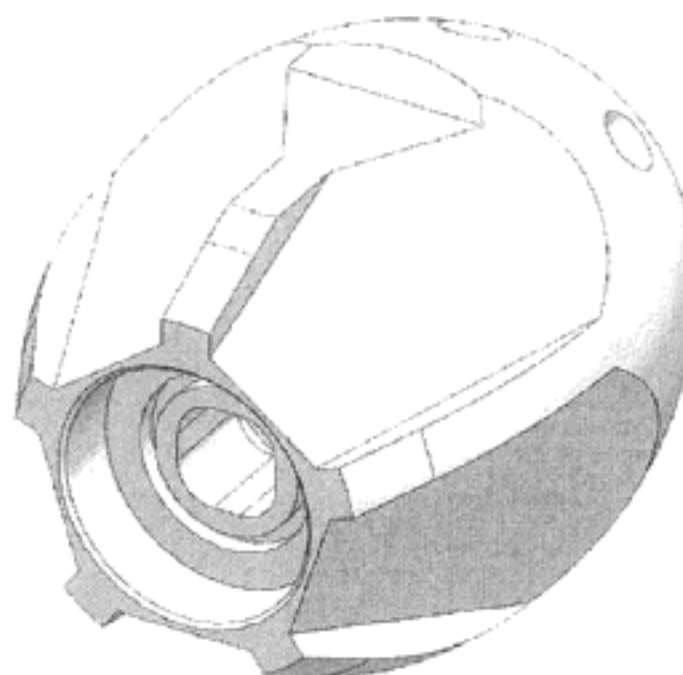
- (57) Statement of Newness and Distinctiveness: **Newness and distinctiveness is claimed in the visual features shown in the representations, including real crab appearance.**



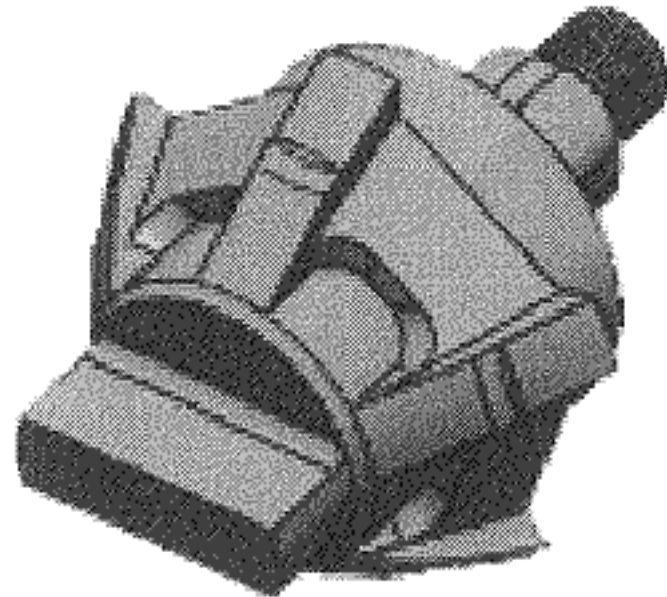
- (21) Design Number: **10576/2012**  
(22) Date of Filing Application: **07 February 2012**  
(24) Date from which industrial property rights may have effect: **07 February 2012**  
(54) Product in respect of which the design is registered: **Women's fashion clothing**  
(51) International Design Classification: **02-02NES**  
(74) Name(s) of Attorney(s): **Allens Patent & Trade Mark Attorneys**  
(71) Name(s) and Address(s) of Applicant(s):  
**Forever New Clothing Pty Ltd**  
**Ground Floor 714-716 High Street Kew Victoria 3101 Australia**  
(72) Name(s) of Designer(s): **Gemma Henderson and Mantra Ahrendt and Tristan Melle and Alice Burrow**  
(45) Registration Date: **21 September 2012**  
(56) Related Art Documents: **Not Applicable**  
(57) Statement of Newness and Distinctiveness: **The particular visual features of the design which the Applicant hereby identifies as new and distinctive are as follows: "Women's Fashion Clothing", as illustrated in the accompanying representations.**



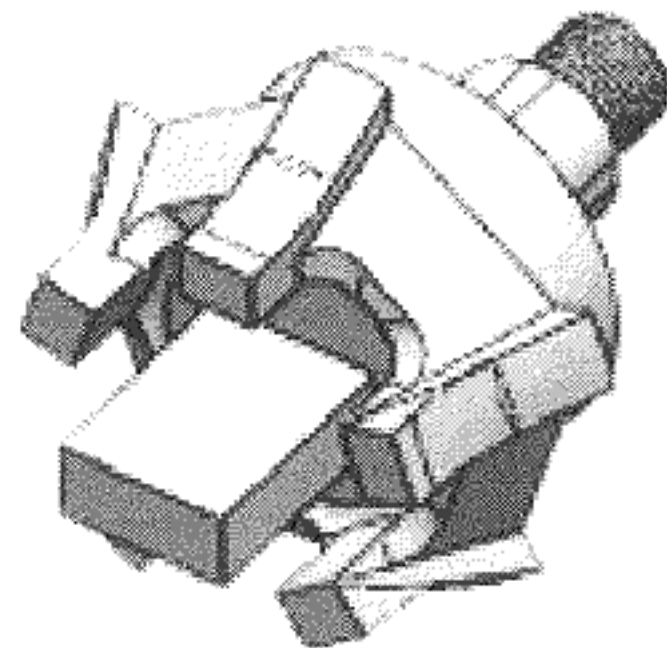
- (21) Design Number: **13863/2012**  
(22) Date of Filing Application: **09 August 2012**  
(24) Date from which industrial property rights may have effect: **09 August 2012**  
(54) Product in respect of which the design is registered: **Drain cleaning nozzle base**  
(51) International Design Classification: **23-01E**  
(74) Name(s) of Attorney(s):  
(71) Name(s) and Address(s) of Applicant(s):  
**William Howard Miller**  
**72 Cooyong Road Terrey Hills New South Wales 2084 Australia**  
(72) Name(s) of Designer(s): **William Howard Miller**  
(45) Registration Date: **24 September 2012**  
(56) Related Art Documents: **Not Applicable**  
(57) Statement of Newness and Distinctiveness: **Nil**



(21) Design Number: **14334/2012**  
(22) Date of Filing Application: **09 August 2012**  
(24) Date from which industrial property rights may have effect: **09 August 2012**  
(54) Product in respect of which the design is registered: **Drain cleaning nozzle tip**  
(51) International Design Classification: **23-01E**  
(74) Name(s) of Attorney(s):  
(71) Name(s) and Address(s) of Applicant(s):  
**William Howard Miller**  
**72 Cooyong Road Terrey Hills New South Wales 2084 Australia**  
(72) Name(s) of Designer(s): **William Howard Miller**  
(45) Registration Date: **24 September 2012**  
(56) Related Art Documents: **Not Applicable**  
(57) Statement of Newness and Distinctiveness: **Nil**



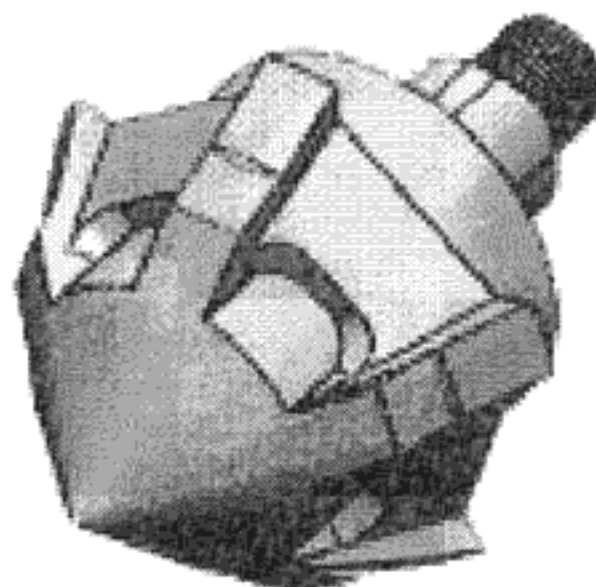
(21) Design Number: **14335/2012**  
(22) Date of Filing Application: **09 August 2012**  
(24) Date from which industrial property rights may have effect: **09 August 2012**  
(54) Product in respect of which the design is registered: **Drain cleaning nozzle tip**  
(51) International Design Classification: **23-01E**  
(74) Name(s) of Attorney(s):  
(71) Name(s) and Address(s) of Applicant(s):  
**William Howard Miller**  
**72 Cooyong Road Terrey Hills New South Wales 2084 Australia**  
(72) Name(s) of Designer(s): **William Howard Miller**  
(45) Registration Date: **24 September 2012**  
(56) Related Art Documents: **Not Applicable**  
(57) Statement of Newness and Distinctiveness: **Nil**



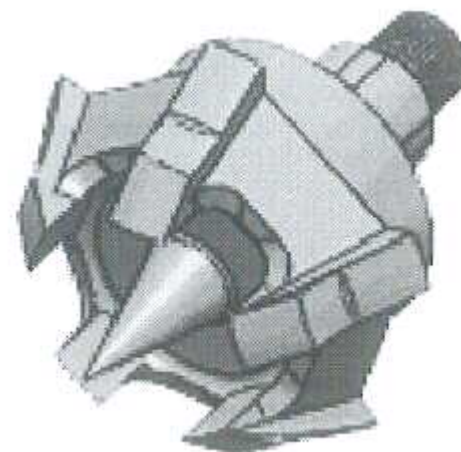
(21) Design Number: **14336/2012**  
(22) Date of Filing Application: **09 August 2012**  
(24) Date from which industrial property rights may have effect: **09 August 2012**  
(54) Product in respect of which the design is registered: **Drain cleaning nozzle tip**  
(51) International Design Classification: **23-01E**  
(74) Name(s) of Attorney(s):  
(71) Name(s) and Address(s) of Applicant(s):  
**William Howard Miller**  
**72 Cooyong Road Terrey Hills New South Wales 2084 Australia**  
(72) Name(s) of Designer(s): **William Howard Miller**  
(45) Registration Date: **24 September 2012**  
(56) Related Art Documents: **Not Applicable**  
(57) Statement of Newness and Distinctiveness: **Nil**



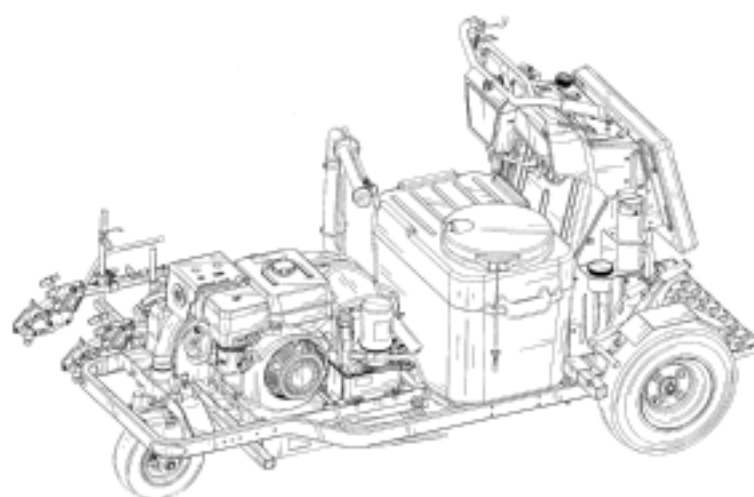
(21) Design Number: **14337/2012**  
(22) Date of Filing Application: **09 August 2012**  
(24) Date from which industrial property rights may have effect: **09 August 2012**  
(54) Product in respect of which the design is registered: **Drain cleaning nozzle tip**  
(51) International Design Classification: **23-01E**  
(74) Name(s) of Attorney(s):  
(71) Name(s) and Address(s) of Applicant(s):  
**William Howard Miller**  
**72 Cooyong Road Terrey Hills New South Wales 2084 Australia**  
(72) Name(s) of Designer(s): **William Howard Miller**  
(45) Registration Date: **24 September 2012**  
(56) Related Art Documents: **Not Applicable**  
(57) Statement of Newness and Distinctiveness: **Nil**



(21) Design Number: **14338/2012**  
(22) Date of Filing Application: **09 August 2012**  
(24) Date from which industrial property rights may have effect: **09 August 2012**  
(54) Product in respect of which the design is registered: **Drain cleaning nozzle tip**  
(51) International Design Classification: **23-01E**  
(74) Name(s) of Attorney(s):  
(71) Name(s) and Address(s) of Applicant(s):  
**William Howard Miller**  
**72 Cooyong Road Terrey Hills New South Wales 2084 Australia**  
(72) Name(s) of Designer(s): **William Howard Miller**  
(45) Registration Date: **24 September 2012**  
(56) Related Art Documents: **Not Applicable**  
(57) Statement of Newness and Distinctiveness: **Nil**



(21) Design Number: **13988/2012**  
(22) Date of Filing Application: **16 August 2012**  
(24) Date from which industrial property rights may have effect: **16 August 2012**  
(54) Product in respect of which the design is registered: **Line striper**  
(51) International Design Classification: **15-99**  
(74) Name(s) of Attorney(s): **Callinans**  
(71) Name(s) and Address(s) of Applicant(s):  
**Graco Minnesota Inc.**  
**88 11th Avenue NE Minneapolis Minnesota 55440-1441 United States of America**  
(72) Name(s) of Designer(s): **Christopher A. Lins and James C. Schroeder and Barry W. Mattson and Douglas S. Ryder and Brian M. Mulgrew and Thomas L. Triplett and Steven R. Kuczenski**  
(45) Registration Date: **24 September 2012**  
(30) Convention priority data:  
(31) Number      (32) Date      (33) Country  
**29/416,571      23 Mar 2012      UNITED STATES OF AMERICA**  
(56) Related Art Documents: **Not Applicable**  
(57) Statement of Newness and Distinctiveness: **Nil**



(21) Design Number: **14286/2012**

(22) Date of Filing Application: **24 July 2012**

(24) Date from which industrial property rights may have effect: **24 July 2012**

(54) Product in respect of which the design is registered: **Car and toy-car**

(51) International Design Classification: **12-08, 21-01C**

(74) Name(s) of Attorney(s): **PHILLIPS ORMONDE FITZPATRICK**

(71) Name(s) and Address(s) of Applicant(s):

**Fiat Group Automobili S.p.A.**

**Corso Giovanni Agnelli 200 I-10135 Torino Italy**

(72) Name(s) of Designer(s): **Lorenzo Ramaciotti**

(45) Registration Date: **24 September 2012**

(30) Convention priority data:

(31) Number

**DM/077749**

(32) Date

**03 Feb 2012**

(33) Country

**WORLD INTELLECTUAL  
PROPERTY ORGANIZATION  
(WIPO)**



(56) Related Art Documents: **Not Applicable**

(57) Statement of Newness and Distinctiveness: **Those features of the car and toy-car depicted in the representations that are new and distinctive are the shape and/or configuration. The wheels and tyres of the cars and toy-cars are not part of the design and are to be disregarded when considering the overall impression of the design.**