



Australian Government

IP Australia

AUSTRALIAN OFFICIAL JOURNAL

OF

DESIGNS

Did you know a searchable version of this journal is now available online?

It's FREE and EASY to SEARCH.

Find it on our website (www.ipaustralia.gov.au)

by using the "Journals" link on the home page.

This Page Left Intentionally Blank

Contents

General Information & Notices

**Proceedings Under the Designs Act 1906 preserved as a result of the provisions of Chapter 12
Part 2 of the Designs Act 2003**

Extension of Period of Registration of Designs	2706
Registrations Ceased	2706
Subsequent Owners Registered	2706

Proceedings Under the Designs Act 2003

Applications Lapsed	2717
Applications Lodged	2710
Applications Withdrawn	2716
Certificate of Examination	2720
Corrigenda	2719
Extension of Period of Registration of Design	2718
Extension of Time Granted Under Section 137	2718
Publication and Registration Proceedings	
Designs Registered 344509 to 344736.....	2721
Revocation of Design Registrations	2718
Subsequent Owners Registered	2718

This Page Left Intentionally Blank

For information on the following please see our website www.ipaustralia.gov.au or contact our Customer Service Network on 1300651010

[Editorial enquiries](#)

[Contact information](#)

[Freedom of Information ACT](#)

[Professional Standards Board](#)

[Sales](#)

[Requests for Information under Section 194 \(c\)](#)

[Country Codes](#)

[Trade Mark and Designs Hearing Sessions](#)

[INID \(Internationally agreed Numbers for the Identification of Data\)](#)

“INID” NUMBERS in use on Australian Design Documents

“INID” is an acronym for “Internationally agreed Numbers for the Identification of Data”.

(10) Data concerning the registration/renewal

- (11) Serial number of the registration and/or number of the design document
- (12) Plain language designation of the kind of published document
- (19) Identification, using the two-letter code according to WIPO Standard ST.3, of the authority publishing or registering the industrial design

(20) Data concerning the application

- (21) Serial number of the application
- (22) Date of filing of the application
- (24) Date from which the industrial design right has effect

(30) Data relating to priority under the Paris Convention

- (31) Serial number assigned to the priority application
- (32) Date of filing of the priority application
- (33) Two-letter code, according to WIPO Standard ST.3, identifying the authority with which the priority application was made

(40) Date(s) of making information available to the public

- (45) Date of publication of the registered industrial design by printing or similar process, or making it available to the public by any other means

(50) Miscellaneous Information

- (51) International Classification for Industrial Designs (class and subclass of the Locarno Classification)
- (54) Designation of article(s) or product(s) covered by the industrial design or title of the industrial design
- (55) Reproduction of the industrial design (e.g., drawing, photograph) and explanations relating to the reproduction
- (56) List of prior art documents, if separate from descriptive text
- (57) Description of characteristic features of the industrial design including indication of colours

(60) References to other legally related application(s) and registration(s)

- (62) Serial number(s) and, if available, filing date(s) of application(s), registration(s) or document(s) related by division
- (66) Serial number(s) of the application, or the registration, of the design(s) which is (are) a variant(s) of the present one

(70) Identification of parties concerned with the application or registration

- (71) Name(s) and address(es) of the applicant(s)
- (72) Name(s) of the creator(s) if known to be such
- (74) Name(s) and address(es) of the representative(s)

This Page Left Intentionally Blank

Nil notices for this journal issue.

Proceedings under the Designs Act 1906 preserved as a result of the provisions of Chapter 12 Part 2 of the Designs Act 2003.

This Page Left Intentionally Blank

Applications Lapsed

There were no Applications Lapsed under this section

Extension of Period of Registration of Designs

1st Period (Section 27A(8))

2nd Period (Section 27A(12))

3rd Period (Section 27A(13))

146658	146659	146847
146862	146863	146864
146894	146898	146905
146931	146999	147000
147187	147188	147189
147191	147194	147286
147287	147288	147289
147290	147291	147313
147372	147479	147481
147488	147490	147491
147594	147811	148366
148409	148439	148767
149083	149084	149094
149431	149669	149670
149809	149816	149929
149930	149996	150004
150350	150669	151372
152396		

Registrations Ceased

Note: Some of the following Registrations may have been previously advertised as ceased. In this instance, the previous advertisement still prevails.

130053	130121	130122
130126	130127	130128
130129	130131	130645

Subsequent Owners Registered

(The name in parentheses is that of the subsequent owner)

131029	(Yowie Enterprises Pty Ltd) Cadbury Pty Ltd
131030	(Yowie Enterprises Pty Ltd) Cadbury Pty Ltd
131031	(Yowie Enterprises Pty Ltd) Cadbury Pty Ltd
131032	(Yowie Enterprises Pty Ltd) Cadbury Pty Ltd
131033	(Yowie Enterprises Pty Ltd) Cadbury Pty Ltd
131034	(Yowie Enterprises Pty Ltd) Cadbury Pty Ltd

This Page Left Intentionally Blank

Proceedings under the Designs Act 2003.

This Page Left Intentionally Blank

Applications Lodged

Lodgement information is in the following order: **Applicant's Name**; International Classification, Name of Product, Lodgement Date and **Design Number**. If the applicant claims an earlier priority date under an International Convention, the Convention Country and the associated filing date are shown in parentheses before the Lodgement Date. Divisional information will also appear in parentheses before the Lodgement Date.

Abey Australia Pty Ltd; 08-08NES, Bracket, 24 Sep 2012	14758/2012	C.R. Laurence Co., Inc.; 08-06, Door handle, (US, 16 Apr 2012) 03 Oct 2012	14899/2012
Abey Australia Pty Ltd; 08-08NES, Bracket, 24 Sep 2012	14757/2012	Callaway Golf Company; 21-02C, Golf club head, (US, 10 Aug 2012) 19 Sep 2012	14648/2012
Actervis GmbH; 07-02R, Handle for cookware, (EM, 03 Apr 2012) 28 Sep 2012	14901/2012	Callaway Golf Company; 21-02C, Golf club head, (US, 22 Aug 2012) 19 Sep 2012	14650/2012
Actervis GmbH; 07-02R, Handle for cookware, (EM, 03 Apr 2012) 28 Sep 2012	14902/2012	Callaway Golf Company; 21-02C, Golf club head, (US, 23 Aug 2012) 19 Sep 2012	14651/2012
Actervis, GmbH; 07-02R, Handle for cookware, (EM, 03 Apr 2012) 28 Sep 2012	14903/2012	Callaway Golf Company; 21-02C, Golf club head, (US, 08 Aug 2012) 19 Sep 2012	14649/2012
Amcor Limited; 09-03M, A carton, 26 Sep 2012	14802/2012	Callaway Golf Company; 21-02C, Golf club head, (US, 28 Aug 2012) 19 Sep 2012	14646/2012
Amcor Limited; 09-03M, A carton, 26 Sep 2012	14803/2012	Callaway Golf Company; 21-02C, Golf club head, (US, 23 Aug 2012) 19 Sep 2012	14652/2012
Amesque II Pty Ltd; 03-01B, Handbag, 25 Sep 2012	14764/2012	Callaway Golf Company; 21-02C, Golf club head, (US, 06 Jun 2012) 19 Sep 2012	14647/2012
Amesque II Pty Ltd; 03-01B, Handbag, 25 Sep 2012	14762/2012	Caroma Industries Limited; 23-02C, 23-02F, A handbasin toilet cistern, 24 Sep 2012	14752/2012
Amesque II Pty Ltd; 03-01B, Handbag, 25 Sep 2012	14763/2012	Caroma Industries Limited; 23-02C, 23-02F, A handbasin toilet cistern, 24 Sep 2012	14750/2012
Art Plastics Pty Ltd; 23-02B, 25-01K, -, 25 Sep 2012	14783/2012	Cascade Corporation; 12-16NES, Carton clamp arm for a lift truck, (US, 04 Apr 2012) 28 Sep 2012	14915/2012
ACCLARENT, INC.; 24-01, Tympanic membrane pressure equalization tube, (US, 10 Apr 2012) 27 Sep 2012	14837/2012	Cascade Corporation; 12-16D, Insignia badge for a machine, (US, 04 Apr 2012) 28 Sep 2012	14914/2012
Beba Enterprises Pty Ltd; 02-02C, 02-02NES, Articles of clothing, 21 Sep 2012	14719/2012	Code 3, Inc.; 26-05E, Light emitting diode beacon light, (US, 18 Apr 2012) 25 Sep 2012	14773/2012
Bernard Manvers Pty Ltd; 23-01A, A seal for a valve, 21 Sep 2012	14718/2012	Code 3, Inc.; 26-04, Light emitting diode beacon light, (US, 18 Apr 2012) 27 Sep 2012	14807/2012
Black & Decker Inc; 15-05, Steam cleaner, (EM, 23 Mar 2012) 21 Sep 2012	14729/2012	Columbia Insurance Company; 07-01B, Food holder, (US, 09 Apr 2012) 19 Sep 2012	14653/2012
Black & Decker Inc; 15-05, Steam cleaner, (EM, 23 Mar 2012) 21 Sep 2012	14727/2012	Cook Medical Technologies LLC; 24-01, 24-02, pH sensor, (US, 05 Apr 2012) 28 Sep 2012	14904/2012
Black & Decker Inc; 15-05, Steam cleaner, (EM, 23 Mar 2012) 21 Sep 2012	14728/2012		
BISSELL Homecare, Inc.; 15-05, Body of a steam cleaner, (US, 04 May 2012) 25 Sep 2012	14769/2012		
BISSELL Homecare, Inc.; 15-05, Foot for a steam cleaner, (US, 04 Jun 2012) 25 Sep 2012	14770/2012		

Cool Gear International, LLC; 07-01NES, Container, (US, 21 Mar 2012) 21 Sep 2012	14715/2012	Fuselage Design Pty Ltd; 02-03, Sports helmet, 24 Sep 2012	14782/2012
Cool Gear International, LLC; 07-01NES, Container, (US, 21 Mar 2012) 21 Sep 2012	14716/2012	FSP Holdings Pty Ltd; 25-01E, Post, 21 Sep 2012	14714/2012
Cool Gear International, LLC; 07-01NES, Container, (US, 21 Mar 2012) 21 Sep 2012	14717/2012	Gallagher, Lee Ann; 25-01B, Plastic barchair used to chair-up reinforcing steel prior to concrete pour, 21 Sep 2012	14725/2012
Cospak Pty Ltd; 09-01H, A bottle, 19 Sep 2012	14656/2012	General Electric Company; 15-01, Muffler, (US, 13 Apr 2012) 28 Sep 2012	14905/2012
Cospak Pty Ltd; 09-01H, A bottle, 19 Sep 2012	14657/2012	Gerard Lighting Pty Ltd; 13-03E, DIN rail enclosure with ventilation holes, 20 Sep 2012	14724/2012
CUB Pty Ltd; 09-03E, A can, 20 Sep 2012	14713/2012	Gondwana Outdoor Clothing Co Pty Ltd; 02-02C, A dress, 03 Apr 2012	14761/2012
Dart Industries Inc.; 07-01NES, Container, (US, 20 Apr 2012) 21 Sep 2012	14720/2012	Gondwana Outdoor Clothing Co Pty Ltd; 02-02C, A pair of pants, 03 Apr 2012	14759/2012
Dart Industries Inc.; 07-01NES, Container, (US, 20 Apr 2012) 21 Sep 2012	14723/2012	Gondwana Outdoor Clothing Co Pty Ltd; 02-02C, A pair of pants, 03 Apr 2012	14760/2012
Desira, Aaron Richard; 19-08, Glow-in-dark, domed (raised) sticker for car steering wheels, 24 Sep 2012	14748/2012	GM Global Technology Operations LLC; 12-16B, Vehicle rear fascia, 27 Sep 2012	14875/2012
DeLaval Holding AB; 30-99, Teatcup liner, 28 Sep 2012	14907/2012	GM Global Technology Operations LLC; 12-16NES, Left-side and right-side vehicle rear reflex, 27 Sep 2012	14878/2012
E.D. Oates Pty Ltd; 07-07B, Mop bucket, 20 Sep 2012	14668/2012	GM Global Technology Operations LLC; 26-06, Left-side and right-side vehicle decklid tail lamp, 27 Sep 2012	14884/2012
Elgart, Yakov; 25-02H, Sliding window, 27 Sep 2012	14798/2012	GM Global Technology Operations LLC; 26-06, Left-side and right-side vehicle rear tail lamp, 27 Sep 2012	14885/2012
Elgart, Yakov; 25-02H, Window, 27 Sep 2012	14797/2012	GM Global Technology Operations LLC; 12-16NES, Left-side and right-side vehicle fender vent surround, 27 Sep 2012	14882/2012
Engwerda, Joshua; 11-02B, A plant container for growing plants with its own light source, 28 Sep 2012	14827/2012	GM Global Technology Operations LLC; 12-16NES, Left-side and right-side vehicle DRL cover, 27 Sep 2012	14881/2012
Engwerda, Joshua; 11-02B, 26-99, A planter box for growing plants with its own light source, 21 Sep 2012	14709/2012	GM Global Technology Operations LLC; 12-16NES, Vehicle upper grille surround, 27 Sep 2012	14883/2012
Evergreen Turf Australia Pty Ltd; 25-01A, Turf module, 25 Sep 2012	14766/2012	GM Global Technology Operations LLC; 12-16B, Vehicle upper grille, 27 Sep 2012	14886/2012
Everstone International Pty Limited; 25-01F, A tesserae, 19 Sep 2012	14660/2012	GM Global Technology Operations LLC; 12-16B, Vehicle rear fascia valance, 27 Sep 2012	14887/2012
Everstone International Pty Limited; 25-01F, A tesserae, 19 Sep 2012	14659/2012	GM Global Technology Operations LLC; 12-16B, Vehicle decklid lip spoiler, 27 Sep 2012	14879/2012
Fifty-Fourth Rischell Pty Ltd; 02-02C, Men's clothing, 28 Sep 2012	14909/2012	GM Global Technology Operations LLC; 12-16B, Vehicle decklid wing spoiler, 27 Sep 2012	14880/2012
Foot Diagnostics International Limited; 02-04A, Orthotic insert, (NZ, 22 Jun 2012) 20 Sep 2012	14708/2012	GM Global Technology Operations LLC; 12-16B, Vehicle front fascia, 27 Sep 2012	14874/2012
Force Technology International Pty. Ltd.; 03-01NES, 14-03A, Cover for a portable electronic device, 28 Sep 2012	14906/2012		
Forever New Clothing Pty Ltd; 02-02NES, Article of clothing, 24 Sep 2012	14747/2012		

GM Global Technology Operations LLC; 12-16B, Vehicle rear valence, 27 Sep 2012	14894/2012	GM Global Technology Operations LLC; 12-16B, Left-side and right-side vehicle daylight running lamp and fog lamp insert, 27 Sep 2012	14889/2012
GM Global Technology Operations LLC; 12-16B, Vehicle rear valence, 27 Sep 2012	14854/2012	GM Global Technology Operations LLC; 12-16B, Left-side and right-side vehicle daylight running lamp and fog lamp cover, 27 Sep 2012	14890/2012
GM Global Technology Operations LLC; 26-06, Left-side and right-side vehicle head lamp outer lens, 27 Sep 2012	14876/2012	GM Global Technology Operations LLC; 12-16B, Vehicle lower grille surround, 27 Sep 2012	14891/2012
GM Global Technology Operations LLC; 12-16B, Vehicle lower grille, 27 Sep 2012	14877/2012	GM Global Technology Operations LLC; 12-16B, Vehicle upper grille surround, 27 Sep 2012	14892/2012
GM Global Technology Operations LLC; 12-16A, Vehicle wheel, 27 Sep 2012	14855/2012	GM Global Technology Operations LLC; 12-16B, Vehicle upper grille, 27 Sep 2012	14893/2012
GM Global Technology Operations LLC; 12-16A, vehicle wheel, 27 Sep 2012	14856/2012	GM Global Technology Operations LLC; 12-16B, Vehicle front fascia, 27 Sep 2012	14842/2012
GM Global Technology Operations LLC; 12-16A, Vehicle wheel, 27 Sep 2012	14857/2012	GM Global Technology Operations LLC; 12-16B, Vehicle rear valence, 27 Sep 2012	14853/2012
GM Global Technology Operations LLC; 12-16A, Vehicle wheel, 27 Sep 2012	14858/2012	GM Global Technology Operations LLC; 12-16B, Vehicle rear valence, 27 Sep 2012	14850/2012
GM Global Technology Operations LLC; 12-16A, Vehicle wheel, 27 Sep 2012	14859/2012	GM Global Technology Operations LLC; 12-16B, Vehicle rear valence, 27 Sep 2012	14849/2012
GM Global Technology Operations LLC; 12-16A, Vehicle wheel, 27 Sep 2012	14860/2012	GM Global Technology Operations LLC; 12-16B, Vehicle rear valence, 27 Sep 2012	14851/2012
GM Global Technology Operations LLC; 12-16A, Vehicle wheel, 27 Sep 2012	14861/2012	GM Global Technology Operations LLC; 12-16B, Vehicle upper grille, 27 Sep 2012	14848/2012
GM Global Technology Operations LLC; 12-16B, Left-side and right-side vehicle side decal, 27 Sep 2012	14862/2012	GM Global Technology Operations LLC; 12-16B, Vehicle rear valence, 27 Sep 2012	14852/2012
GM Global Technology Operations LLC; 12-16B, Left-side and right-side vehicle side decal, 27 Sep 2012	14863/2012	GM Global Technology Operations LLC; 12-16B, Vehicle lower grille, 27 Sep 2012	14844/2012
GM Global Technology Operations LLC; 12-16B, Vehicle decklid decal, 27 Sep 2012	14864/2012	GM Global Technology Operations LLC; 12-16B, Left-side and right-side vehicle daylight running lamp surround, 27 Sep 2012	14845/2012
GM Global Technology Operations LLC; 12-16B, Vehicle hood decal, 27 Sep 2012	14865/2012	GM Global Technology Operations LLC; 12-16B, Vehicle rear fascia, 27 Sep 2012	14843/2012
GM Global Technology Operations LLC; 12-16B, Vehicle wing spoiler decal, 27 Sep 2012	14866/2012	GM Global Technology Operations LLC; 12-16B, Vehicle lower grille surround, 27 Sep 2012	14846/2012
GM Global Technology Operations LLC; 12-16B, Vehicle tonneau decal, 27 Sep 2012	14867/2012	GM Global Technology Operations LLC; 12-16B, Vehicle upper grille surround, 27 Sep 2012	14847/2012
GM Global Technology Operations LLC; 12-16C, Vehicle bull bar, 27 Sep 2012	14868/2012	Hearthmark LLC; 07-06D, Canning jar tool, (US, 18 Apr 2012) 27 Sep 2012	14838/2012
GM Global Technology Operations LLC; 12-16B, Vehicle tonneau cover, 27 Sep 2012	14869/2012	Helmet Integrated Systems Limited; 02-03, Safety helmet, (EM, 27 Sep 2012) 28 Sep 2012	14898/2012
GM Global Technology Operations LLC; 12-16C, Vehicle bull bar, 27 Sep 2012	14870/2012	Heron-Kirkmoe, Jane; 07-02NES, Spoon dock, 21 Sep 2012	14702/2012
GM Global Technology Operations LLC; 12-16C, Vehicle bull bar, 27 Sep 2012	14871/2012	Hobbs Kite Buggies Pty Ltd; 06-01D, Seat for land buggy, 19 Sep 2012	14643/2012
GM Global Technology Operations LLC; 12-16B, Vehicle tonneau cover, 27 Sep 2012	14872/2012		
GM Global Technology Operations LLC; 26-06, Left-side and right-side vehicle head lamp bezel, 27 Sep 2012	14873/2012		
GM Global Technology Operations LLC; 12-16B, Vehicle front fascia, 27 Sep 2012	14888/2012		

Hobbs Kite Buggies Pty Ltd; 12-02, Land buggy, 19 Sep 2012	14644/2012	Inventecc CC; 21-02F, Exercise apparatus, 21 Sep 2012	14726/2012
Hobbs Kite Buggies Pty Ltd; 12-16NES, Chassis for land buggy, 19 Sep 2012	14645/2012	Iseki & Co., Ltd; 12-16B, Operation panel for working vehicle, (JP, 06 Apr 2012) 27 Sep 2012	14826/2012
Hochiki Corporation; 10-05, Fire detector, (JP, 18 Sep 2012) 27 Sep 2012	14839/2012	Joh. Heinr. Bornemann GmbH; 15-02, Pump, (DE, 26 Mar 2012) 25 Sep 2012	14768/2012
Honda Motor Co., Ltd; 12-11, Motor scooter, (JP, 26 Mar 2012) 26 Sep 2012	14799/2012	Jones, Elizabeth Anne; 03-01D, 28-02, Cosmetic cases and cosmetic kits, 27 Sep 2012	14805/2012
Honda Motor Co., Ltd.; 12-11, Front inner cover for motor scooters, (JP, 26 Mar 2012) 26 Sep 2012	14800/2012	Jones, Elizabeth Anne; 03-01D, Cosmetic cases and cosmetic kits, 02 Oct 2012	14895/2012
Honda Motor Co., Ltd.; 26-06, Headlight for motor scooter, (JP, 26 Mar 2012) 26 Sep 2012	14801/2012	K. Hartwall Oy Ab; 08-06, Hinge, (EM, 03 Apr 2012) 25 Sep 2012	14791/2012
Honda Motor Co., Ltd.; 12-08, Automobile, (JP, 30 Mar 2012) 20 Sep 2012	14695/2012	K. Hartwall Oy Ab; 08-06, Hinge, (EM, 03 Apr 2012) 25 Sep 2012	14784/2012
Honda Motor Co., Ltd.; 12-08, Automobile, (JP, 06 Apr 2012) 28 Sep 2012	14908/2012	Kaz Europe SA; 13-02, Thermometer charging dock, (US, 23 Mar 2012) 25 Sep 2012	14767/2012
Huang, Qiao'ai; 28-03D, Electric hair clipper, 26 Sep 2012	14790/2012	Kyungdong Navien Co. Ltd; 25-02NES, Boiler exterior case, (KR, 27 Mar 2012) 27 Sep 2012	14786/2012
Hutchin Exports Ltd; 08-05N, Orbital sander, (US, 16 Aug 2012) 20 Sep 2012	14675/2012	Kyungdong Navien Co. Ltd; 25-02NES, 23-03NES, Boiler exterior case, (KR, 27 Mar 2012) 27 Sep 2012	14808/2012
Hutchin Exports Ltd; 08-05N, Sheet sander, (US, 16 Aug 2012) 20 Sep 2012	14677/2012	KYOCERA Document Solutions Inc.; 14-02, Toner cartridge, (JP, 30 Mar 2012) 27 Sep 2012	14806/2012
Hutchin Exports Ltd; 08-01, 08-02, Rotary Hammer, (US, 16 Aug 2012) 20 Sep 2012	14676/2012	Lander, Kirt; 30-99, Hoof boot, (US, 27 Mar 2012) 26 Sep 2012	14785/2012
Hutchin Exports Ltd; 08-03, Jig saw, (US, 16 Aug 2012) 20 Sep 2012	14673/2012	Lighting Science Group Corporation; 26-05A, Luminaire, 19 Sep 2012	14654/2012
Hutchin Exports Ltd; 08-05N, Planer, (US, 16 Aug 2012) 20 Sep 2012	14674/2012	LSI Industries, Inc.; 26-03, Lighting, (US, 04 May 2012) 19 Sep 2012	14666/2012
HQA Pty Ltd; 13-03D, Unique look for sensor touch switch, can use both black and white colour glass covers., 21 Sep 2012	14711/2012	LSI Industries, Inc.; 26-03, Lighting, (US, 04 May 2012) 20 Sep 2012	14697/2012
HQA Pty Ltd; 13-03D, Unique look, touch GPO with glass cover, can be in white colour glass as well, 21 Sep 2012	14710/2012	LSI Industries, Inc.; 26-03, Lighting, (US, 04 May 2012) 20 Sep 2012	14698/2012
HQA Pty Ltd; 13-03D, Unique look for sensor touch switch, can use both black and white colour glass covers., 21 Sep 2012	14712/2012	Maisey, Dean Frank; 22-01, An adjustable muzzlebrake for a rifle, (NZ, 27 Aug 2012) 27 Sep 2012	14787/2012
Illinois Tool Works Inc.; 25-01B, 08-08NES, Lifting anchor for concrete components, 19 Sep 2012	14667/2012	Males, Peter; 07-02E, Rotisserie BBQ oven, 21 Sep 2012	14703/2012
		Mazzucca, Rosa;Venafro, Liliana; 02-01B, Sexy underwear - with tassel and zip that opens from front to back (invisible zip), 25 Sep 2012	14823/2012

Me Group Pty Ltd; 20-02NES, Menu holder, 24 Sep 2012	14704/2012	Robert Bosch GmbH; 10-05, Wireless glass break detector, (US, 21 Mar 2012) 20 Sep 2012	14683/2012
Medisca Pharmaceutique, Inc.; 09-05, Adhesive backing for a dog bone blister of a blister pack, (US, 04 May 2012) 25 Sep 2012	14772/2012	Robert Bosch GmbH; 14-03NES, Door/window wireless transmitter, (US, 21 Mar 2012) 20 Sep 2012	14680/2012
Medisca Pharmaceutique, Inc.; 09-05, Dog bone blister of a blister pack, (US, 04 May 2012) 25 Sep 2012	14771/2012	Robert Bosch GmbH; 14-03NES, Door/window magnet holder, (US, 21 Mar 2012) 20 Sep 2012	14681/2012
Microsoft Corporation; 14-01, Display screen with icon, (US, 06 Jan 2012) 06 Jul 2012	14825/2012	Robert Bosch GmbH; 14-03NES, Wireless transmitter, (US, 21 Mar 2012) 20 Sep 2012	14689/2012
Microsoft Corporation; 14-01, Display screen with icon, (US, 06 Jan 2012) 06 Jul 2012	14824/2012	Robert Bosch GmbH; 14-03NES, Wireless transmitter, (US, 21 Mar 2012) 20 Sep 2012	14678/2012
Mills, Christopher Laurie; 12-06NES, Houseboat conversion, 27 Sep 2012	14804/2012	Robert Bosch GmbH; 14-03NES, Wireless transmitter, (US, 21 Mar 2012) 20 Sep 2012	14687/2012
Murray, Michael; 12-07, 12-11, Aircraft motorcycle, 26 Sep 2012	14765/2012	Robert Bosch GmbH; 14-03NES, Wireless transmitter, (US, 21 Mar 2012) 20 Sep 2012	14686/2012
MD Visage Pty Limited; 02-01A, Brassiere, 24 Sep 2012	14705/2012	Robert Bosch GmbH; 10-05, Wireless bill trap, (US, 21 Mar 2012) 20 Sep 2012	14685/2012
Plano Molding Company; 03-01D, Hydro-flo utility box, (US, 17 Apr 2012) 27 Sep 2012	14792/2012	Robert Bosch GmbH; 14-03NES, Wireless transmitter, (US, 21 Mar 2012) 20 Sep 2012	14688/2012
Pro-Cord S.p.A.; 06-01F, Chair, (US, 26 Apr 2012) 20 Sep 2012	14700/2012	S.C. Johnson and Son Inc.; 20-02E, Display fixture for highlighting products, 28 Sep 2012	14897/2012
Pro-Cord S.p.A.; 06-01F, Chair, (US, 30 May 2012) 20 Sep 2012	14701/2012	Sandie Holdings Pty Ltd; 99-00, -, 25 Sep 2012	14789/2012
Pro-Cord S.p.A.; 06-01F, Chair, (US, 30 May 2012) 20 Sep 2012	14699/2012	Sandie Holdings Pty Ltd; 99-00, , 25 Sep 2012	14749/2012
Puck Charger Systems Pty Ltd; 13-02, Mobile device charger, 24 Sep 2012	14821/2012	Scholtes Family Holdings Pty Ltd; 25-01K, An extrusion, 21 Sep 2012	14707/2012
Puck Charger Systems Pty Ltd; 13-02, Charging dock, 24 Sep 2012	14820/2012	Schreder S.A.; 26-05A, Outdoor lighting fixture, (EM, 22 Mar 2012) 19 Sep 2012	14655/2012
Railblaza Limited; 08-08NES, Extender, (NZ, 27 Apr 2012) 03 Oct 2012	14900/2012	Shahar, Shimon; 26-05A, Illumination apparatus, (IL, 02 Apr 2012) 26 Sep 2012	14831/2012
Research In Motion Limited; 14-03E, Handheld electronic device, (US, 29 Mar 2012) 27 Sep 2012	14836/2012	Shahar, Shimon; 26-05A, Illumination apparatus, (IL, 02 Apr 2012) 26 Sep 2012	14834/2012
Robert Bosch GmbH; 14-03NES, Wireless transmitter, (US, 21 Mar 2012) 20 Sep 2012	14679/2012	Shahar, Shimon; 26-05A, Illumination apparatus, (IL, 02 Apr 2012) 26 Sep 2012	14835/2012
Robert Bosch GmbH; 14-03NES, Wireless receiver, (US, 21 Mar 2012) 20 Sep 2012	14684/2012	Shahar, Shimon; 26-05A, Illumination apparatus, (IL, 02 Apr 2012) 26 Sep 2012	14832/2012
Robert Bosch GmbH; 10-05, Door/window contact, (US, 21 Mar 2012) 20 Sep 2012	14682/2012	Shahar, Shimon; 26-05A, Illumination apparatus, (IL, 02 Apr 2012) 26 Sep 2012	14833/2012

Siemens Industry, Inc.; 23-03F, Gas scourer, 27 Sep 2012	14822/2012	Teikoku Seiyaku Co., Ltd; 24-04, Adhesive skin patch, (JP, 25 Jun 2012) 21 Sep 2012	14722/2012
Sievers, Anthony John;Sievers, Jason Damian; 07-07A, Converting esky's into race car appearances, 19 Sep 2012	14672/2012	Terumo Kabushiki Kaisha; 24-02, Intradermal injection device, (JP, 23 Mar 2012) 19 Sep 2012	14665/2012
Sievers, Jason Damian;Sievers, Anthony John; 07-07A, Converting esky's into race car appearances, 19 Sep 2012	14672/2012	The Decor Corporation Pty. Ltd.; 07-01NES, Container base, 21 Sep 2012	14742/2012
Smev S.R.L.; 07-02C, Removable hinged lid for cookers and sinks, (EM, 10 Apr 2012) 27 Sep 2012	14811/2012	The Decor Corporation Pty. Ltd.; 07-01NES, Container base, 21 Sep 2012	14743/2012
Smev S.R.L.; 08-08NES, Two-sided hinge joint, (EM, 10 Apr 2012) 27 Sep 2012	14810/2012	The Decor Corporation Pty. Ltd.; 07-01NES, Container base, 21 Sep 2012	14744/2012
Smev S.R.L.; 08-08NES, One-sided hinge joint, (EM, 10 Apr 2012) 27 Sep 2012	14809/2012	The Decor Corporation Pty. Ltd.; 07-01NES, Container base, 21 Sep 2012	14741/2012
Sony Computer Entertainment Inc.; 14-01, Headphones, (JP, 31 May 2012) 24 Sep 2012	14754/2012	The Decor Corporation Pty. Ltd.; 07-01NES, Lid for container, 21 Sep 2012	14737/2012
Sony Computer Entertainment Inc.; 14-01, 14-02, Arithmetic and control unit, (JP, 15 May 2012) 24 Sep 2012	14753/2012	The Decor Corporation Pty. Ltd.; 07-01NES, Container base, 21 Sep 2012	14745/2012
Sony Computer Entertainment Inc.; 21-01N, Arithmetic and control unit, (JP, 15 May 2012) 24 Sep 2012	14751/2012	The Decor Corporation Pty. Ltd.; 07-01NES, Container base, 21 Sep 2012	14746/2012
Stanley Works (Europe) GmbH; 08-08NES, Key support, (EM, 23 Mar 2012) 21 Sep 2012	14730/2012	The Decor Corporation Pty. Ltd.; 07-01NES, Container base, 21 Sep 2012	14739/2012
Stansfield-Smith, Phillip John; 07-02P, A food mould, 02 Oct 2012	14912/2012	The Decor Corporation Pty. Ltd.; 07-01NES, Container base, 21 Sep 2012	14740/2012
Stokke AS; 06-01E, Chair with footrest and baby kit, (NO, 22 Mar 2012) 20 Sep 2012	14690/2012	The Decor Corporation Pty. Ltd.; 07-01NES, Container base, 21 Sep 2012	14738/2012
Stokke AS; 06-01E, A baby bouncer, (NO, 22 Mar 2012) 20 Sep 2012	14691/2012	The Decor Corporation Pty. Ltd.; 07-01NES, Lid for container, 21 Sep 2012	14736/2012
SAS Locksmiths (WA) Pty Ltd; 08-07, Key blank, 21 Sep 2012	14706/2012	The Decor Corporation Pty. Ltd.; 07-01NES, Lid for container, 21 Sep 2012	14735/2012
SAVERGLASS; 09-01H, Bottle, 28 Sep 2012	14911/2012	The Decor Corporation Pty. Ltd.; 07-01NES, Lid for container, 21 Sep 2012	14731/2012
Techtronic Outdoor Products Technology Limited; 13-03E, Connector, (US, 30 Mar 2012) 27 Sep 2012	14841/2012	The Decor Corporation Pty. Ltd.; 07-01NES, Container base, 21 Sep 2012	14734/2012
Techtronic Outdoor Products Technology Limited; 13-03E, Connector, (US, 30 Mar 2012) 27 Sep 2012	14840/2012	The Decor Corporation Pty. Ltd.; 07-01NES, Container base, 21 Sep 2012	14733/2012
Teikoku Seiyaku Co., Ltd; 24-04, Adhesive skin patch, (JP, 16 May 2012) 21 Sep 2012	14721/2012	The Decor Corporation Pty. Ltd.; 07-01NES, Lid for a container, 21 Sep 2012	14732/2012
		Thermos L.C.C.; 03-01NES, Lunch bag, (US, 23 Mar 2012) 20 Sep 2012	14694/2012
		Thermos L.C.C.; 03-01NES, Lunch bag with loop handles, (US, 23 Mar 2012) 20 Sep 2012	14696/2012
		Thermos L.C.C.; 03-01NES, Lunch bag, (US, 23 Mar 2012) 20 Sep 2012	14692/2012
		Thermos L.L.C.; 07-01NES, Food storage jar with lid, (US, 22 Mar 2012) 20 Sep 2012	14693/2012
		Thinking Ergonomix Pty Limited; 06-06E, Table leg rail joiner, 25 Sep 2012	14774/2012

Thinking Ergonomix Pty Limited; 06-04D, Credenza, 25 Sep 2012	14780/2012	Yanmar Co., Ltd; 15-04, Excavator 2, (JP, 27 Mar 2012) 27 Sep 2012	14796/2012
Thinking Ergonomix Pty Limited; 06-06F, Table frame joiner, 25 Sep 2012	14781/2012	Zhang, Jianzhong; 25-02B, Sliding door, (CN, 27 Jun 2012) 19 Sep 2012	14662/2012
Thinking Ergonomix Pty Limited; 06-06E, Table leg, 25 Sep 2012	14778/2012	Zhang, Jianzhong; 25-02H, Top hung window, (CN, 27 Jun 2012) 19 Sep 2012	14663/2012
Thinking Ergonomix Pty Limited; 06-06E, Clamping plate for table leg, 25 Sep 2012	14779/2012	Zhang, Jianzhong; 25-02H, Top hung window, (CN, 17 Jun 2012) 19 Sep 2012	14661/2012
Thinking Ergonomix Pty Limited; 06-06E, Table frame joiner, 25 Sep 2012	14776/2012	Zhang, Jianzhong; 25-02H, Sliding window, (CN, 26 Jun 2012) 19 Sep 2012	14664/2012
Thinking Ergonomix Pty Limited; 06-06E, Clamping plate dress cap for table leg joiner, 25 Sep 2012	14777/2012	3M Innovative Properties Company; 07-07NES, 23-02A, Caddy, (US, 27 Mar 2012) 27 Sep 2012	14817/2012
Thinking Ergonomix Pty Limited; 06-06E, Table frame joiner, 25 Sep 2012	14775/2012	3M Innovative Properties Company; 23-02A, 07-99C, Toothbrush holder, (US, 27 Mar 2012) 27 Sep 2012	14815/2012
Tiger Profiles and Insulation LLC; 25-02NES, 08-07, Locking element, (NZ, 30 Mar 2012) 01 Oct 2012	14913/2012	3M Innovative Properties Company; 07-05D, Towel holder, (US, 27 Mar 2012) 27 Sep 2012	14814/2012
Tourism Holdings Limited; 06-02, 06-03NES, 12-10, Vehicle furniture, (NZ, 08 Jun 2012) 20 Sep 2012	14658/2012	3M Innovative Properties Company; 07-05D, Towel/paper holder, (US, 27 Mar 2012) 27 Sep 2012	14816/2012
Trydel Research Pty Ltd; 09-01NES, Bottle, 24 Sep 2012	14755/2012	3M Innovative Properties Company; 08-08G, Hook, (US, 27 Mar 2012) 27 Sep 2012	14818/2012
Trydel Research Pty Ltd; 15-02, Compressor, 24 Sep 2012	14756/2012	3M Innovative Properties Company; 23-02A, 07-99C, Towel/paper holder, (US, 27 Mar 2012) 27 Sep 2012	14813/2012
Tsai, Yih-Chiou; 24-01, Sampling brush for cervical screening, 28 Sep 2012	14910/2012	3M Innovative Properties Company; 08-08G, 06-04NES, Hook rack, (US, 27 Mar 2012) 27 Sep 2012	14819/2012
Vegas Game Point LLC; 21-01L, Roulette wheel overlay, (US, 03 Apr 2012) 28 Sep 2012	14896/2012	3M Innovative Properties Company; 23-02A, Soap dish, (US, 27 Mar 2012) 27 Sep 2012	14812/2012
Venafro, Liliana;Mazzucca, Rosa; 02-01B, Sexy underwear - with tassel and zip that opens from front to back (invisible zip), 25 Sep 2012	14823/2012	4 x 4 Equip Pty Ltd; 12-16NES, Adjustable aerial or flag pole spring base, 28 Sep 2012	14830/2012
Victor Equipment Company; 08-05M, Handle for a gas cutting torch, (US, 26 Mar 2012) 26 Sep 2012	14788/2012	4 x 4 Equip Pty Ltd; 08-01, 2 piece shovel (split shovel), 28 Sep 2012	14828/2012
Yanmar Co. Ltd; 15-04, Excavator 1, (JP, 27 Mar 2012) 27 Sep 2012	14795/2012	4 x 4 Equip Pty Ltd; 08-01, 3 piece shovel (combo shovel), 28 Sep 2012	14829/2012
Yanmar Co. Ltd; 14-03NES, Operation Panel, (JP, 27 Mar 2012) 27 Sep 2012	14794/2012		
Yanmar Co. Ltd; 14-01, Electronic display, (JP, 27 Mar 2012) 27 Sep 2012	14793/2012		

Applications Withdrawn

14526 / 2012 (28-99)

14527 / 2012 (28-99)

Applications Lapsed

11609 / 2012 (02-02C)	12908 / 2012 (26-05D)
12937 / 2012 (06-01D)	12939 / 2012 (06-01D)
12981 / 2012 (12-16NES)	13344 / 2012 (06-11)
13374 / 2012 (21-02D)	13496 / 2012 (09-04)

Extension of Period of Registration of Designs

314932	315924	316840
316841	316842	317009
317010	317202	317249
317250	317251	317252
317276	317423	317449
317583	317589	317647
317648	317657	317706
317707	317708	317709
317710	317711	317712
317713	317731	317738
317775	317776	317777
317778	317794	317809
317810	317811	317812
317834	317835	317843
317850	317851	317886
317897	317959	317970
317973	317994	318014
318015	318016	318017
318018	318026	318029
318031	318043	318044
318045	318046	318047
318048	318049	318050
318051	318052	318053
318054	318055	318056
318057	318058	318059
318060	318061	318062
318063	318078	318079
318080	318081	318092
318093	318094	318095
318096	318097	318098
318100	318102	318137
318139	318144	318145
318189	318212	318222
318223	318466	318523
318524	318525	318526
318591	318592	318593
318594	318595	318596
318597	318598	318599
318600	318608	318631
318642	318643	318682
318764	319052	319082
319419	319923	319983
321435		

Extensions of time granted under Section 137

Applications lodged under section 137 for extension of time have been granted.

344720 **Meyer Intellectual Properties Limited**

14564/2012 **Enduro Composites, Inc.**

14565/2012 **Enduro Composites, Inc.**

Subsequent Owners Registered

(The name in parentheses is that of the subsequent owner)

317706	(Talaris Limited)	De La Rue International Limited
317707	(Talaris Limited)	De La Rue International Limited
317709	(Talaris Limited)	De La Rue International Limited
317710	(Talaris Limited)	De La Rue International Limited
317711	(Talaris Limited)	De La Rue International Limited
317712	(Talaris Limited)	De La Rue International Limited
317713	(Talaris Limited)	De La Rue International Limited
317708	(Talaris Limited)	De La Rue International Limited
318398	(Talaris Limited)	De La Rue International Limited

Revocation of Design Registrations

The following Design Registration(s) have been revoked and are taken never to have been registered:

326416 25-02A

Corrigenda

Number 342242

In Vol 26 , No 19 , page 2580 under the heading **Registrations Ceased**; This entry was an office error..

Certificate(s) of Examination

Examination of the following Design Registration(s) has been completed. Infringement proceedings may now be commenced.

338035	09-01K	28/09/2012
339621	13-03D	03/10/2012
339962	15-04	03/10/2012
341140	06-04NES	05/10/2012
341171	06-08	29/09/2012
341172	06-08	29/09/2012
341283	06-08	29/09/2012
341284	06-08	29/09/2012
341285	06-08	29/09/2012
341628	23-01H	28/09/2012
341773	09-03M	28/09/2012
342192	09-03M	28/09/2012
343134	23-01A	25/09/2012
343284	25-02G	26/09/2012
343378	08-03	28/09/2012
343568	09-01NES	28/09/2012
343569	09-01NES	28/09/2012
343576	09-01NES	28/09/2012
343597	08-06	27/09/2012
343634	23-01NES	27/09/2012
343663	09-03L	27/09/2012
343664	09-03L	27/09/2012
343665	09-03L	27/09/2012
343667	09-03L	27/09/2012
343668	09-03L	27/09/2012
343760	02-04B	26/09/2012
343790	13-03E	28/09/2012
343812	26-05NES	27/09/2012
343813	23-03NES	27/09/2012
343953	24-01	04/10/2012
343986	23-04	28/09/2012
344174	02-04B	26/09/2012

Publication and Registration Proceedings

Designs Registered

This section provides a concordance between design number and registration number of Designs covered in this journal. It also shows the main class and registration date.

This section covers Registration numbers 344509 to 344736 .

The registration number shown below should be used in all future correspondence.

Design Number	Registration Number	International Classification Code (IDC)	Registration Date	Design Number	Registration Number	International Classification Code (IDC)	Registration Date
10747/2012	344603	09-03M	28/09/2012	13227/2012	344580	14-01	27/09/2012
10748/2012	344604	09-03L	28/09/2012	13274/2012	344699	08-05F	05/10/2012
10752/2012	344605	09-03M	28/09/2012	13314/2012	344700	09-03F	05/10/2012
10798/2012	344641	23-01L	03/10/2012	13336/2012	344523	06-01G	25/09/2012
10886/2012	344521	07-02N	25/09/2012	13337/2012	344524	06-01G	25/09/2012
11033/2012	344717	12-16NES	05/10/2012	13349/2012	344730	31-00	05/10/2012
11035/2012	344678	15-04	04/10/2012	13350/2012	344731	31-00	05/10/2012
11350/2012	344541	07-02N	26/09/2012	13351/2012	344732	31-00	05/10/2012
11384/2012	344542	12-05	26/09/2012	13352/2012	344733	31-00	05/10/2012
11385/2012	344543	08-08D	26/09/2012	13353/2012	344734	31-00	05/10/2012
11448/2012	344658	02-04C	03/10/2012	13354/2012	344735	31-00	05/10/2012
11570/2012	344584	06-06E	27/09/2012	13368/2012	344736	26-05D	05/10/2012
11571/2012	344659	26-05NES	03/10/2012	13376/2012	344650	03-03	03/10/2012
11572/2012	344660	26-05NES	03/10/2012	13380/2012	344627	13-03D	02/10/2012
11573/2012	344661	26-05D	03/10/2012	13411/2012	344701	14-02	05/10/2012
11837/2012	344698	14-01	05/10/2012	13412/2012	344702	14-02	05/10/2012
11838/2012	344642	16-01	03/10/2012	13413/2012	344703	14-02	05/10/2012
11839/2012	344643	16-01	03/10/2012	13414/2012	344704	14-02	05/10/2012
11840/2012	344644	16-01	03/10/2012	13419/2012	344681	25-03	04/10/2012
11935/2012	344585	06-01F	27/09/2012	13420/2012	344682	25-03	04/10/2012
11936/2012	344662	06-01F	03/10/2012	13421/2012	344683	25-03	04/10/2012
12569/2012	344583	09-09	27/09/2012	13432/2012	344512	07-02R	25/09/2012
12707/2012	344509	09-01K	25/09/2012	13433/2012	344513	07-02R	25/09/2012
12964/2012	344510	09-05	25/09/2012	13434/2012	344514	07-02R	25/09/2012
12993/2012	344663	09-08	03/10/2012	13435/2012	344515	07-02R	25/09/2012
12994/2012	344664	09-08	03/10/2012	13436/2012	344516	07-02R	25/09/2012
13008/2012	344645	25-01F	03/10/2012	13437/2012	344517	07-02R	25/09/2012
13009/2012	344646	25-01K	03/10/2012	13438/2012	344518	07-02R	25/09/2012
13010/2012	344522	13-03A	25/09/2012	13439/2012	344519	07-02R	25/09/2012
13013/2012	344560	08-08L	26/09/2012	13440/2012	344520	07-02R	25/09/2012
13031/2012	344561	20-02NES	26/09/2012	13441/2012	344525	07-02R	25/09/2012
13065/2012	344647	25-01E	03/10/2012	13442/2012	344526	07-02R	25/09/2012
13096/2012	344648	10-05	03/10/2012	13454/2012	344651	21-02E	03/10/2012
13139/2012	344649	06-04NES	03/10/2012	13456/2012	344652	07-02R	03/10/2012
13142/2012	344665	09-03C	03/10/2012	13457/2012	344653	07-02R	03/10/2012
13153/2012	344666	14-01	03/10/2012	13458/2012	344720	07-02R	05/10/2012
13154/2012	344571	14-01	27/09/2012	13494/2012	344669	21-02D	03/10/2012
13176/2012	344695	14-01	04/10/2012	13495/2012	344670	22-05	03/10/2012
13206/2012	344572	14-01	27/09/2012	13500/2012	344544	25-02B	26/09/2012
13207/2012	344573	14-01	27/09/2012	13501/2012	344545	25-02B	26/09/2012
13208/2012	344667	14-01	03/10/2012	13502/2012	344546	25-02B	26/09/2012
13210/2012	344668	14-01	03/10/2012	13503/2012	344547	25-02B	26/09/2012
13211/2012	344574	14-01	27/09/2012	13507/2012	344684	25-01C	04/10/2012
13213/2012	344575	14-01	27/09/2012	13508/2012	344685	21-02D	04/10/2012
13214/2012	344576	14-01	27/09/2012	13511/2012	344548	17-03	26/09/2012
13215/2012	344577	14-01	27/09/2012	13527/2012	344527	14-02	25/09/2012
13222/2012	344578	14-01	27/09/2012	13528/2012	344528	25-01K	25/09/2012
13223/2012	344579	14-01	27/09/2012	13529/2012	344529	26-05E	25/09/2012
13224/2012	344679	14-01	04/10/2012	13576/2012	344530	10-06	25/09/2012
13226/2012	344680	14-01	04/10/2012	13578/2012	344556	13-03NES	26/09/2012

Publication and Registration Proceedings - Designs Registered cont'd

Design Number	Registration Number	International Classification Code (IDC)	Registration Date	Design Number	Registration Number	International Classification Code (IDC)	Registration Date
13579/2012	344557	13-03NES	26/09/2012	14092/2012	344620	09-01NES	02/10/2012
13580/2012	344558	13-03NES	26/09/2012	14093/2012	344621	09-01NES	02/10/2012
13581/2012	344559	13-03NES	26/09/2012	14094/2012	344622	09-01NES	02/10/2012
13582/2012	344549	26-01	26/09/2012	14095/2012	344623	09-01NES	02/10/2012
13583/2012	344550	26-03	26/09/2012	14096/2012	344624	09-01NES	02/10/2012
13584/2012	344551	26-05C	26/09/2012	14098/2012	344625	13-03NES	02/10/2012
13585/2012	344552	26-01	26/09/2012	14114/2012	344539	25-03	25/09/2012
13595/2012	344707	02-02B	05/10/2012	14131/2012	344540	29-02	25/09/2012
13636/2012	344531	10-04	25/09/2012	14133/2012	344710	08-08B	05/10/2012
13637/2012	344532	10-04	25/09/2012	14142/2012	344694	28-99	04/10/2012
13677/2012	344729	06-02	05/10/2012	14166/2012	344673	03-04	03/10/2012
13678/2012	344654	06-06NES	03/10/2012	14173/2012	344711	08-06	05/10/2012
13718/2012	344626	12-16NES	02/10/2012	14174/2012	344712	08-06	05/10/2012
13719/2012	344719	12-16NES	05/10/2012	14175/2012	344713	08-06	05/10/2012
13720/2012	344686	07-06D	04/10/2012	14176/2012	344714	08-06	05/10/2012
13722/2012	344687	29-02	04/10/2012	14177/2012	344674	21-02D	03/10/2012
13726/2012	344688	02-04NES	04/10/2012	14178/2012	344675	22-05	03/10/2012
13744/2012	344586	14-01	28/09/2012	14229/2012	344562	09-01K	26/09/2012
13747/2012	344587	14-01	28/09/2012	14230/2012	344563	09-01K	26/09/2012
13779/2012	344689	31-00	04/10/2012	14233/2012	344564	08-01	26/09/2012
13781/2012	344553	03-03	26/09/2012	14234/2012	344565	08-03	26/09/2012
13782/2012	344554	08-07	26/09/2012	14240/2012	344566	14-01	26/09/2012
13783/2012	344555	06-04NES	26/09/2012	14242/2012	344567	14-01	26/09/2012
13806/2012	344690	12-08	04/10/2012	14243/2012	344568	14-01	26/09/2012
13809/2012	344691	07-02K	04/10/2012	14244/2012	344569	14-01	26/09/2012
13810/2012	344692	07-02K	04/10/2012	14245/2012	344570	14-01	26/09/2012
13813/2012	344718	26-05D	05/10/2012	14246/2012	344597	14-01	28/09/2012
13824/2012	344582	21-01C	27/09/2012	14252/2012	344598	23-04	28/09/2012
13834/2012	344655	15-07	03/10/2012	14253/2012	344599	27-99	28/09/2012
13835/2012	344533	13-03NES	25/09/2012	14254/2012	344721	14-03NES	05/10/2012
13862/2012	344534	06-09	25/09/2012	14255/2012	344600	12-12	28/09/2012
13870/2012	344535	07-07A	25/09/2012	14256/2012	344601	06-02	28/09/2012
13890/2012	344581	02-02B	27/09/2012	14257/2012	344602	12-12	28/09/2012
13950/2012	344705	25-04	05/10/2012	14258/2012	344610	06-01NES	02/10/2012
13958/2012	344693	08-10	04/10/2012	14259/2012	344611	24-02	02/10/2012
13970/2012	344671	23-04	03/10/2012	14260/2012	344612	24-02	02/10/2012
13971/2012	344672	23-04	03/10/2012	14264/2012	344613	08-08H	02/10/2012
13973/2012	344536	12-06C	25/09/2012	14265/2012	344614	10-03	02/10/2012
13980/2012	344537	09-06	25/09/2012	14266/2012	344615	10-04	02/10/2012
13984/2012	344538	15-05	25/09/2012	14267/2012	344616	10-04	02/10/2012
13989/2012	344706	08-07	05/10/2012	14268/2012	344617	10-04	02/10/2012
14022/2012	344588	25-02NES	28/09/2012	14288/2012	344618	09-02NES	02/10/2012
14023/2012	344589	08-08L	28/09/2012	14289/2012	344629	09-02NES	02/10/2012
14024/2012	344590	12-15B	28/09/2012	14290/2012	344630	09-02NES	02/10/2012
14025/2012	344591	06-03C	28/09/2012	14291/2012	344631	08-08L	02/10/2012
14026/2012	344592	06-03C	28/09/2012	14300/2012	344632	16-06	02/10/2012
14027/2012	344593	06-03C	28/09/2012	14301/2012	344633	16-06	02/10/2012
14028/2012	344594	12-15B	28/09/2012	14302/2012	344634	12-16C	02/10/2012
14033/2012	344657	09-01NES	03/10/2012	14303/2012	344635	12-08	02/10/2012
14066/2012	344595	09-03M	28/09/2012	14304/2012	344636	12-16B	02/10/2012
14067/2012	344596	09-03M	28/09/2012	14325/2012	344722	03-01NES	05/10/2012
14088/2012	344628	09-01NES	02/10/2012	14330/2012	344606	24-99	02/10/2012
14089/2012	344708	09-01NES	05/10/2012	14341/2012	344607	12-16K	02/10/2012
14090/2012	344709	09-01NES	05/10/2012	14343/2012	344608	09-05	02/10/2012
14091/2012	344619	09-01NES	02/10/2012	14344/2012	344609	09-05	02/10/2012

Publication and Registration Proceedings - Designs Registered cont'd

Design Number	Registration Number	International Classification Code (IDC)	Registration Date	Design Number	Registration Number	International Classification Code (IDC)	Registration Date
14355/2012	344637	02-01B	02/10/2012	14452/2012	344724	02-02C	05/10/2012
14356/2012	344638	02-01B	02/10/2012	14464/2012	344725	02-02C	05/10/2012
14366/2012	344656	27-99	03/10/2012	14465/2012	344726	02-02C	05/10/2012
14367/2012	344676	09-01A	03/10/2012	14466/2012	344727	02-02C	05/10/2012
14368/2012	344715	27-99	05/10/2012	14467/2012	344728	02-02C	05/10/2012
14369/2012	344716	27-99	05/10/2012	14642/2012	344511	09-05	25/09/2012
14395/2012	344677	15-09	03/10/2012	14824/2012	344696	14-01	04/10/2012
14406/2012	344639	15-99	02/10/2012	14825/2012	344697	14-01	04/10/2012
14421/2012	344640	12-09	02/10/2012				
14451/2012	344723	02-02NES	05/10/2012				

Publication and Registration Proceedings

Class Listing of Designs Published or Registered

The following section shows an International Classification Code listing of the Registered or Published Designs covered in this supplement.

Classification	Registration Number	Design Number	Classification	Registration Number	Design Number
02-01B	344637	14355/2012	07-06D	344686	13720/2012
02-01B	344638	14356/2012	07-07A	344535	13870/2012
02-02B	344581	13890/2012	08-01	344564	14233/2012
02-02B	344707	13595/2012	08-03	344565	14234/2012
02-02C	344707	13595/2012	08-05F	344699	13274/2012
02-02C	344724	14452/2012	08-06	344711	14173/2012
02-02C	344725	14464/2012	08-06	344712	14174/2012
02-02C	344726	14465/2012	08-06	344713	14175/2012
02-02C	344727	14466/2012	08-06	344714	14176/2012
02-02C	344728	14467/2012	08-07	344554	13782/2012
02-02NES	344723	14451/2012	08-07	344706	13989/2012
02-04C	344658	11448/2012	08-08B	344530	13576/2012
02-04NES	344688	13726/2012	08-08B	344710	14133/2012
03-01NES	344722	14325/2012	08-08D	344543	11385/2012
03-03	344553	13781/2012	08-08H	344613	14264/2012
03-03	344650	13376/2012	08-08L	344560	13013/2012
03-04	344673	14166/2012	08-08L	344589	14023/2012
06-01F	344585	11935/2012	08-08L	344631	14291/2012
06-01F	344662	11936/2012	08-10	344693	13958/2012
06-01G	344523	13336/2012	09-01A	344676	14367/2012
06-01G	344524	13337/2012	09-01K	344509	12707/2012
06-01NES	344610	14258/2012	09-01K	344562	14229/2012
06-02	344601	14256/2012	09-01K	344563	14230/2012
06-02	344729	13677/2012	09-01NES	344619	14091/2012
06-03C	344591	14025/2012	09-01NES	344620	14092/2012
06-03C	344592	14026/2012	09-01NES	344621	14093/2012
06-03C	344593	14027/2012	09-01NES	344622	14094/2012
06-04NES	344555	13783/2012	09-01NES	344623	14095/2012
06-04NES	344649	13139/2012	09-01NES	344624	14096/2012
06-06E	344584	11570/2012	09-01NES	344628	14088/2012
06-06NES	344654	13678/2012	09-01NES	344657	14033/2012
06-09	344534	13862/2012	09-01NES	344708	14089/2012
07-01NES	344603	10747/2012	09-01NES	344709	14090/2012
07-01NES	344604	10748/2012	09-02NES	344618	14288/2012
07-01NES	344605	10752/2012	09-02NES	344629	14289/2012
07-02K	344691	13809/2012	09-02NES	344630	14290/2012
07-02K	344692	13810/2012	09-03C	344665	13142/2012
07-02N	344521	10886/2012	09-03F	344700	13314/2012
07-02N	344541	11350/2012	09-03L	344604	10748/2012
07-02R	344512	13432/2012	09-03M	344595	14066/2012
07-02R	344513	13433/2012	09-03M	344596	14067/2012
07-02R	344514	13434/2012	09-03M	344603	10747/2012
07-02R	344515	13435/2012	09-03M	344605	10752/2012
07-02R	344516	13436/2012	09-03NES	344603	10747/2012
07-02R	344517	13437/2012	09-03NES	344605	10752/2012
07-02R	344518	13438/2012	09-05	344510	12964/2012
07-02R	344519	13439/2012	09-05	344511	14642/2012
07-02R	344520	13440/2012	09-05	344608	14343/2012
07-02R	344525	13441/2012	09-05	344609	14344/2012
07-02R	344526	13442/2012	09-06	344537	13980/2012
07-02R	344652	13456/2012	09-08	344663	12993/2012
07-02R	344653	13457/2012	09-08	344664	12994/2012
07-02R	344720	13458/2012	09-09	344583	12569/2012

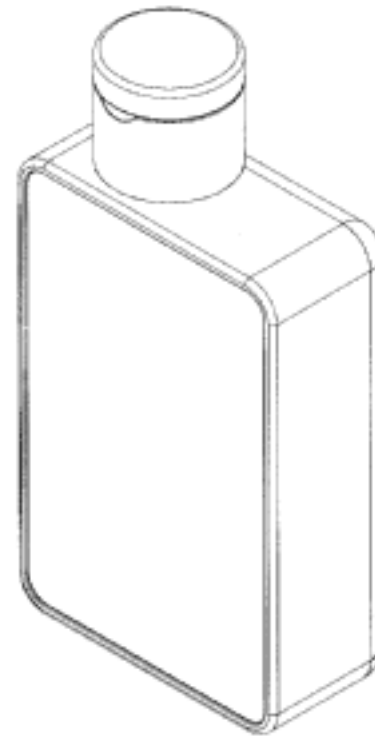
Registration Proceedings - Class Listing of Designs Published or Registered cont'd

Classification	Registration Number	Design Number	Classification	Registration Number	Design Number
10-03	344614	14265/2012	14-01	344666	13153/2012
10-04	344531	13636/2012	14-01	344667	13208/2012
10-04	344532	13637/2012	14-01	344668	13210/2012
10-04	344615	14266/2012	14-01	344679	13224/2012
10-04	344616	14267/2012	14-01	344680	13226/2012
10-04	344617	14268/2012	14-01	344695	13176/2012
10-05	344648	13096/2012	14-01	344696	14824/2012
10-06	344530	13576/2012	14-01	344697	14825/2012
12-05	344542	11384/2012	14-01	344698	11837/2012
12-06C	344536	13973/2012	14-02	344527	13527/2012
12-08	344635	14303/2012	14-02	344701	13411/2012
12-08	344690	13806/2012	14-02	344702	13412/2012
12-09	344640	14421/2012	14-02	344703	13413/2012
12-12	344600	14255/2012	14-02	344704	13414/2012
12-12	344602	14257/2012	14-03NES	344721	14254/2012
12-12	344610	14258/2012	15-04	344678	11035/2012
12-15B	344590	14024/2012	15-05	344538	13984/2012
12-15B	344594	14028/2012	15-07	344655	13834/2012
12-16B	344636	14304/2012	15-09	344677	14395/2012
12-16C	344634	14302/2012	15-99	344639	14406/2012
12-16K	344607	14341/2012	16-01	344642	11838/2012
12-16NES	344626	13718/2012	16-01	344643	11839/2012
12-16NES	344678	11035/2012	16-01	344644	11840/2012
12-16NES	344711	14173/2012	16-06	344632	14300/2012
12-16NES	344712	14174/2012	16-06	344633	14301/2012
12-16NES	344713	14175/2012	17-03	344548	13511/2012
12-16NES	344714	14176/2012	20-02NES	344561	13031/2012
12-16NES	344717	11033/2012	21-01C	344582	13824/2012
12-16NES	344719	13719/2012	21-01NES	344658	11448/2012
12-99	344542	11384/2012	21-02D	344669	13494/2012
13-03A	344522	13010/2012	21-02D	344674	14177/2012
13-03D	344627	13380/2012	21-02D	344685	13508/2012
13-03NES	344533	13835/2012	21-02E	344651	13454/2012
13-03NES	344556	13578/2012	22-05	344670	13495/2012
13-03NES	344557	13579/2012	22-05	344675	14178/2012
13-03NES	344558	13580/2012	23-01F	344719	13719/2012
13-03NES	344559	13581/2012	23-01L	344641	10798/2012
13-03NES	344625	14098/2012	23-04	344598	14252/2012
14-01	344566	14240/2012	23-04	344671	13970/2012
14-01	344567	14242/2012	23-04	344672	13971/2012
14-01	344568	14243/2012	24-02	344611	14259/2012
14-01	344569	14244/2012	24-02	344612	14260/2012
14-01	344570	14245/2012	24-99	344510	12964/2012
14-01	344571	13154/2012	24-99	344511	14642/2012
14-01	344572	13206/2012	24-99	344606	14330/2012
14-01	344573	13207/2012	24-99	344721	14254/2012
14-01	344574	13211/2012	25-01C	344684	13507/2012
14-01	344575	13213/2012	25-01E	344647	13065/2012
14-01	344576	13214/2012	25-01F	344645	13008/2012
14-01	344577	13215/2012	25-01K	344528	13528/2012
14-01	344578	13222/2012	25-01K	344588	14022/2012
14-01	344579	13223/2012	25-01K	344646	13009/2012
14-01	344580	13227/2012	25-02B	344544	13500/2012
14-01	344586	13744/2012	25-02B	344545	13501/2012
14-01	344587	13747/2012	25-02B	344546	13502/2012
14-01	344597	14246/2012	25-02B	344547	13503/2012

Registration Proceedings - Class Listing of Designs Published or Registered cont'd

Classification	Registration Number	Design Number	Classification	Registration Number	Design Number
25-02NES	344530	13576/2012	26-05NES	344659	11571/2012
25-02NES	344588	14022/2012	26-05NES	344660	11572/2012
25-03	344539	14114/2012	27-99	344599	14253/2012
25-03	344681	13419/2012	27-99	344656	14366/2012
25-03	344682	13420/2012	27-99	344715	14368/2012
25-03	344683	13421/2012	27-99	344716	14369/2012
25-04	344705	13950/2012	28-99	344694	14142/2012
26-01	344549	13582/2012	29-02	344540	14131/2012
26-01	344552	13585/2012	29-02	344687	13722/2012
26-03	344529	13529/2012	31-00	344689	13779/2012
26-03	344550	13583/2012	31-00	344730	13349/2012
26-05A	344671	13970/2012	31-00	344731	13350/2012
26-05A	344672	13971/2012	31-00	344732	13351/2012
26-05C	344551	13584/2012	31-00	344733	13352/2012
26-05D	344661	11573/2012	31-00	344734	13353/2012
26-05D	344718	13813/2012	31-00	344735	13354/2012
26-05D	344736	13368/2012			
26-05E	344529	13529/2012			

- (21) Design Number: **12707/2012**
(22) Date of Filing Application: **06 June 2012**
(24) Date from which industrial property rights may have effect: **06 June 2012**
(54) Product in respect of which the design is registered: **Bottle**
(51) International Design Classification: **09-01K**
(74) Name(s) of Attorney(s):
(71) Name(s) and Address(s) of Applicant(s):
Container Pty Ltd
Level 3 255 Riley Street Surry Hills New South Wales 2010 Australia
(72) Name(s) of Designer(s): **Brenan Liston**
(45) Registration Date: **25 September 2012**
(56) Related Art Documents: **Not Applicable**
(57) Statement of Newness and Distinctiveness: **Bottle to hold liquid.**



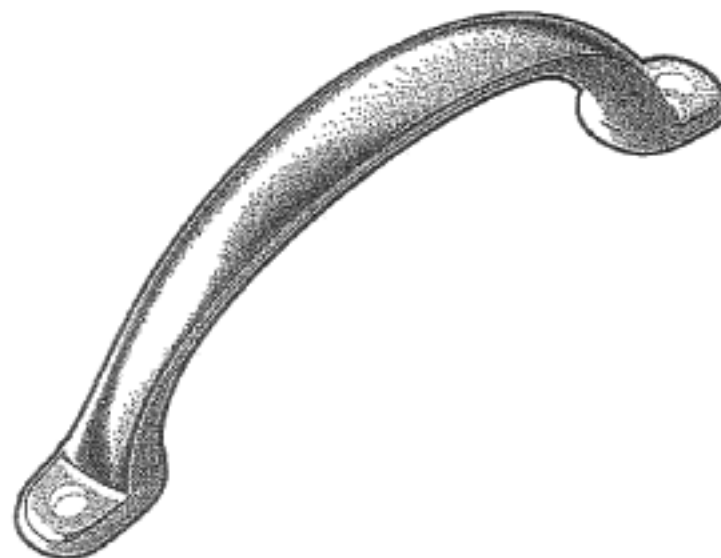
- (21) Design Number: **12964/2012**
(22) Date of Filing Application: **22 June 2012**
(24) Date from which industrial property rights may have effect: **22 June 2012**
(54) Product in respect of which the design is registered: **Catheter package**
(51) International Design Classification: **09-05, 24-99**
(74) Name(s) of Attorney(s): **PHILLIPS ORMONDE FITZPATRICK**
(71) Name(s) and Address(s) of Applicant(s):
Dentsply IH AB
Aminogatan 1 SE-431 21 Molndal Sweden
(72) Name(s) of Designer(s): **Evelina Gustavsson**
(45) Registration Date: **25 September 2012**
(30) Convention priority data:
(31) Number (32) Date (33) Country
001968744-0002 27 Dec 2011 EUROPEAN COMMUNITY
(56) Related Art Documents: **Not Applicable**
(57) Statement of Newness and Distinctiveness: **Newness and distinctiveness resides in the shape and/or configuration of the catheter package as illustrated in the accompanying representations. The catheter shown in the representations is not part of the design and is to be disregarded when considering the overall impression of the design.**



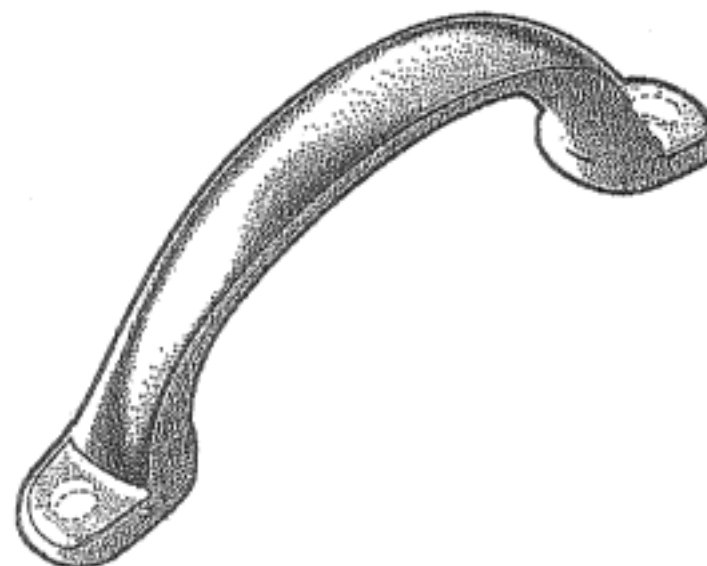
- (21) Design Number: **14642/2012**
(22) Date of Filing Application: **22 June 2012**
(24) Date from which industrial property rights may have effect: **22 June 2012**
(54) Product in respect of which the design is registered: **Catheter package**
(51) International Design Classification: **09-05, 24-99**
(74) Name(s) of Attorney(s): **PHILLIPS ORMONDE FITZPATRICK**
(71) Name(s) and Address(s) of Applicant(s):
Dentsply IH AB
Aminogatan 1 SE-431 21 Molndal Sweden
(72) Name(s) of Designer(s): **Evelina Gustavsson**
(45) Registration Date: **25 September 2012**
(30) Convention priority data:
(31) Number (32) Date (33) Country
001968744-0003 27 Dec 2011 EUROPEAN COMMUNITY
(56) Related Art Documents: **Not Applicable**
(57) Statement of Newness and Distinctiveness: **Newness and distinctiveness resides in the visual features of the catheter package as illustrated in the accompanying representations. The logo, illustrations and textual matter shown in the representations are not part of the design and are to be disregarded when considering the overall impression of the design.**



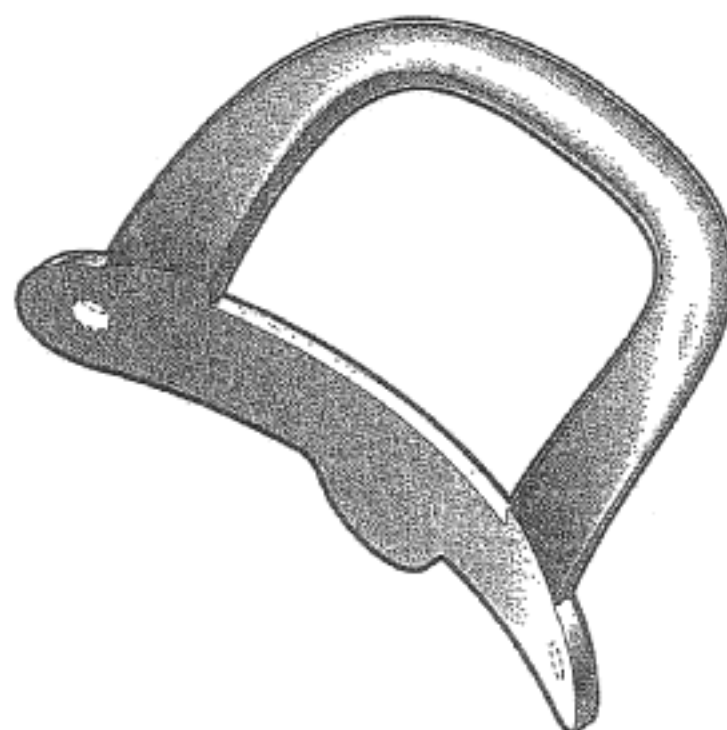
- (21) Design Number: **13432/2012**
(22) Date of Filing Application: **20 July 2012**
(24) Date from which industrial property rights may have effect: **20 July 2012**
(54) Product in respect of which the design is registered: **Full grip cookware handle**
(51) International Design Classification: **07-02R**
(74) Name(s) of Attorney(s): **DLA Piper Australia**
(71) Name(s) and Address(s) of Applicant(s):
Williams-Sonoma, Inc
3250 Van Ness Avenue San Francisco California 94109 United States of America
(72) Name(s) of Designer(s): **Tim Tan and Sangik Lee**
(45) Registration Date: **25 September 2012**
(56) Related Art Documents: **Not Applicable**
(57) Statement of Newness and Distinctiveness: **Novelty of the design is in the features of shape and configuration of the article in the accompanying representations.**



- (21) Design Number: **13433/2012**
(22) Date of Filing Application: **20 July 2012**
(24) Date from which industrial property rights may have effect: **20 July 2012**
(54) Product in respect of which the design is registered: **Full grip cookware handle**
(51) International Design Classification: **07-02R**
(74) Name(s) of Attorney(s): **DLA Piper Australia**
(71) Name(s) and Address(s) of Applicant(s):
Williams-Sonoma, Inc
3250 Van Ness Avenue San Francisco California 94109 United States of America
(72) Name(s) of Designer(s): **Sangik Lee and Tim Tan**
(45) Registration Date: **25 September 2012**
(56) Related Art Documents: **Not Applicable**
(57) Statement of Newness and Distinctiveness: **Novelty of the design is in the features of shape and configuration of the article in the accompanying representations.**



- (21) Design Number: **13434/2012**
(22) Date of Filing Application: **20 July 2012**
(24) Date from which industrial property rights may have effect: **20 July 2012**
(54) Product in respect of which the design is registered: **Full grip cookware handle**
(51) International Design Classification: **07-02R**
(74) Name(s) of Attorney(s): **DLA Piper Australia**
(71) Name(s) and Address(s) of Applicant(s):
Williams-Sonoma, Inc
3250 Van Ness Avenue San Francisco California 94109 United States of America
(72) Name(s) of Designer(s): **Sangik Lee and Tim Tan and Victoria Slaker and Xuan Shu**
(45) Registration Date: **25 September 2012**
(56) Related Art Documents: **Not Applicable**
(57) Statement of Newness and Distinctiveness: **Novelty of the design is in the features of shape and configuration of the article in the accompanying representations.**



(21) Design Number: **13435/2012**

(22) Date of Filing Application: **20 July 2012**

(24) Date from which industrial property rights may have effect: **20 July 2012**

(54) Product in respect of which the design is registered: **Full grip cookware handle**

(51) International Design Classification: **07-02R**

(74) Name(s) of Attorney(s): **DLA Piper Australia**

(71) Name(s) and Address(s) of Applicant(s):

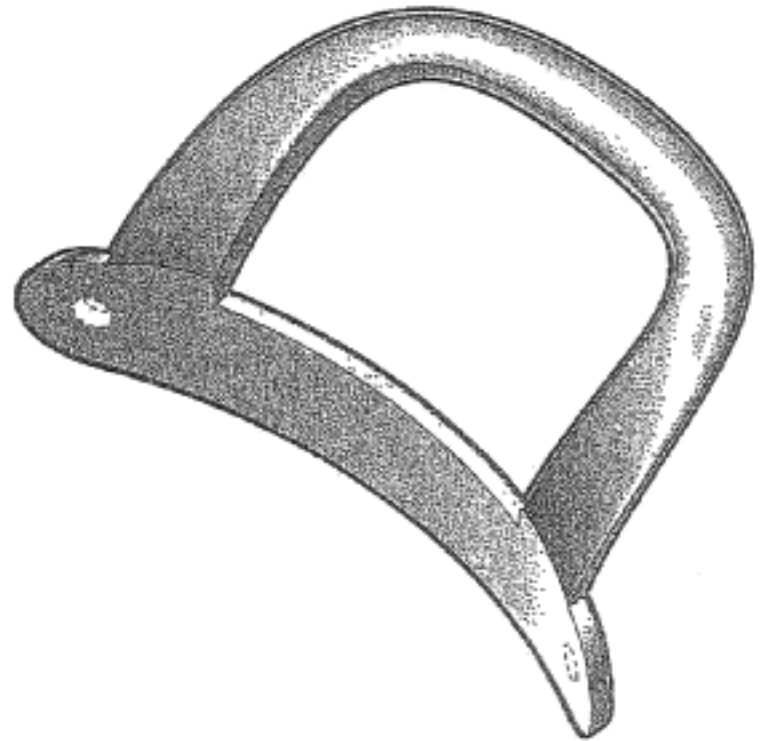
Williams-Sonoma, Inc
3250 Van Ness Avenue San Francisco California 94109 United States of America

(72) Name(s) of Designer(s): **Sangik Lee and Tim Tan and Victoria Slaker and Xuan Shu**

(45) Registration Date: **25 September 2012**

(56) Related Art Documents: **Not Applicable**

(57) Statement of Newness and Distinctiveness: **Novelty of the design is in the features of shape and configuration of the article in the accompanying representations.**



(21) Design Number: **13436/2012**

(22) Date of Filing Application: **20 July 2012**

(24) Date from which industrial property rights may have effect: **20 July 2012**

(54) Product in respect of which the design is registered: **Extending cookware handle**

(51) International Design Classification: **07-02R**

(74) Name(s) of Attorney(s): **DLA Piper Australia**

(71) Name(s) and Address(s) of Applicant(s):

Williams-Sonoma, Inc
3250 Van Ness Avenue San Francisco California 94109 United States of America

(72) Name(s) of Designer(s): **Kenneth Sweet and Tim Tan and Victoria Slaker**

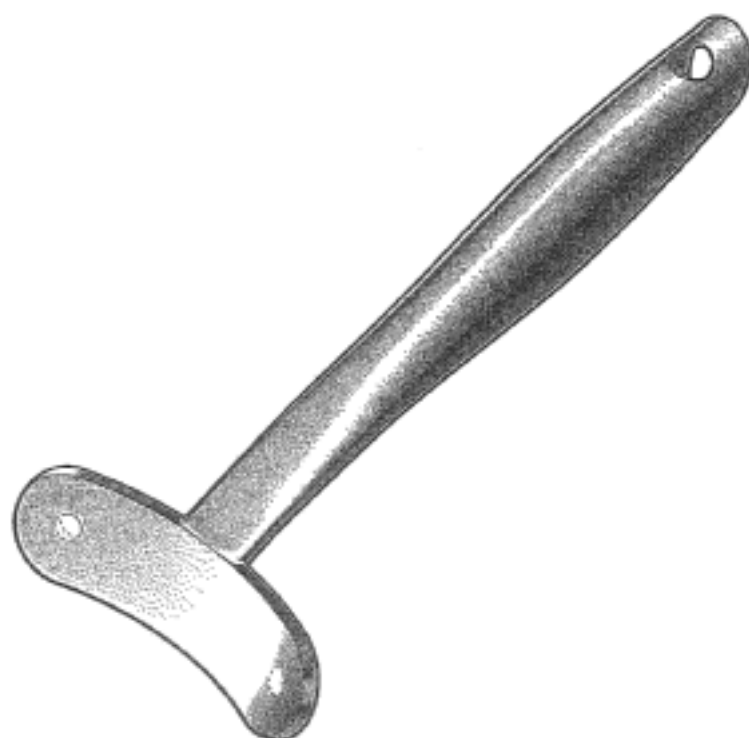
(45) Registration Date: **25 September 2012**

(56) Related Art Documents: **Not Applicable**

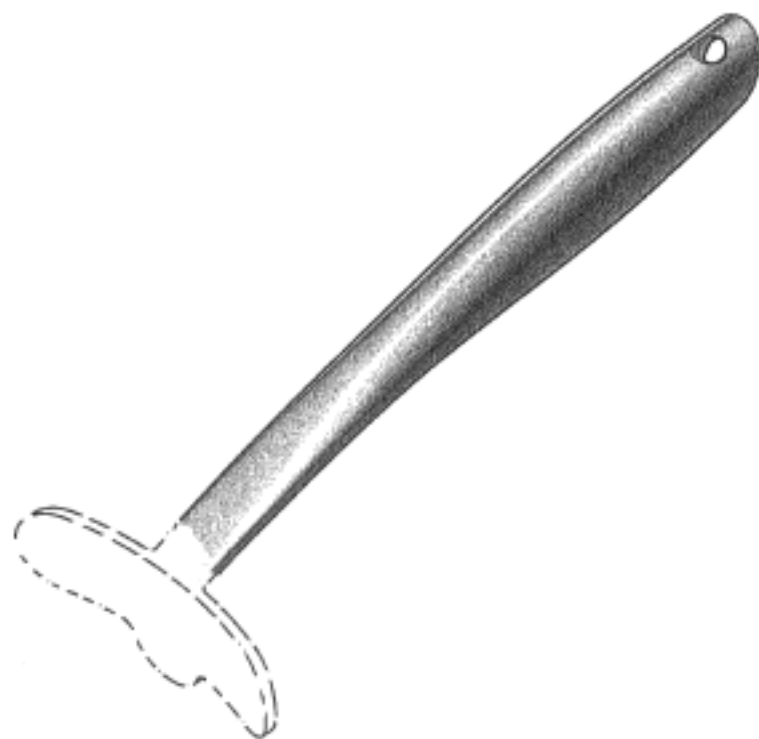
(57) Statement of Newness and Distinctiveness: **Novelty of the design is in the features of shape and configuration of the article in the accompanying representations.**



- (21) Design Number: **13437/2012**
(22) Date of Filing Application: **20 July 2012**
(24) Date from which industrial property rights may have effect: **20 July 2012**
(54) Product in respect of which the design is registered: **Extending cookware handle**
(51) International Design Classification: **07-02R**
(74) Name(s) of Attorney(s): **DLA Piper Australia**
(71) Name(s) and Address(s) of Applicant(s):
Williams-Sonoma, Inc
3250 Van Ness Avenue San Francisco California 94109 United States of America
(72) Name(s) of Designer(s): **Kenneth Sweet and Tim Tan and Victoria Slaker**
(45) Registration Date: **25 September 2012**
(56) Related Art Documents: **Not Applicable**
(57) Statement of Newness and Distinctiveness: **Novelty of the design is in the features of shape and configuration of the article in the accompanying representations.**



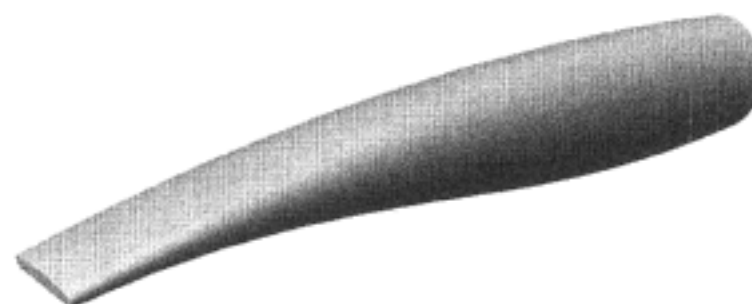
- (21) Design Number: **13438/2012**
(22) Date of Filing Application: **20 July 2012**
(24) Date from which industrial property rights may have effect: **20 July 2012**
(54) Product in respect of which the design is registered: **Extending cookware handle**
(51) International Design Classification: **07-02R**
(74) Name(s) of Attorney(s): **DLA Piper Australia**
(71) Name(s) and Address(s) of Applicant(s):
Williams-Sonoma, Inc
3250 Van Ness Avenue San Francisco California 94109 United States of America
(72) Name(s) of Designer(s): **Kenneth Sweet and Tim Tan and Victoria Slaker**
(45) Registration Date: **25 September 2012**
(56) Related Art Documents: **Not Applicable**
(57) Statement of Newness and Distinctiveness: **Novelty of the design is in the features of shape and configuration of the article in the accompanying representations. The features shown in broken line is not part of the design and is to be disregarded when considering the overall impression of the design.**



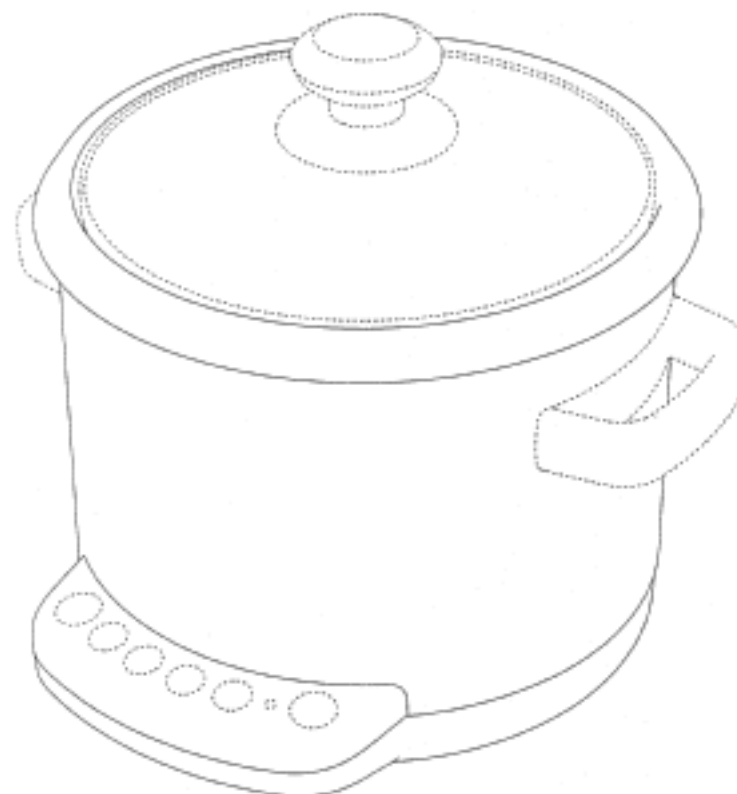
- (21) Design Number: **13439/2012**
(22) Date of Filing Application: **20 July 2012**
(24) Date from which industrial property rights may have effect: **20 July 2012**
(54) Product in respect of which the design is registered: **Kitchen utensil handle**
(51) International Design Classification: **07-02R**
(74) Name(s) of Attorney(s): **DLA Piper Australia**
(71) Name(s) and Address(s) of Applicant(s):
Williams-Sonoma, Inc
3250 Van Ness Avenue San Francisco California 94109 United States of America
(72) Name(s) of Designer(s): **Kenneth Sweet and Victoria Slaker**
(45) Registration Date: **25 September 2012**
(56) Related Art Documents: **Not Applicable**
(57) Statement of Newness and Distinctiveness: **Novelty of the design is in the features of shape and configuration of the article in the accompanying representations.**



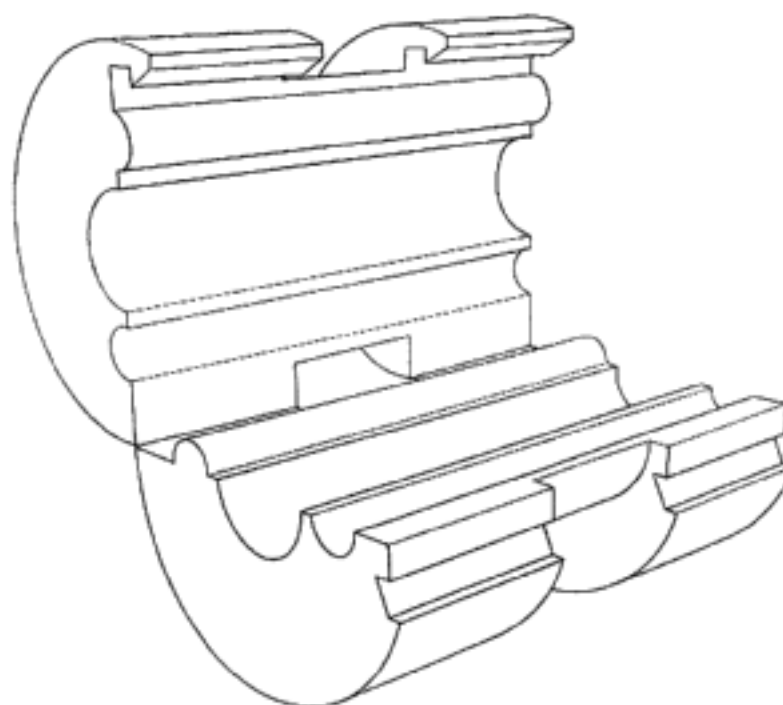
- (21) Design Number: **13440/2012**
(22) Date of Filing Application: **20 July 2012**
(24) Date from which industrial property rights may have effect: **20 July 2012**
(54) Product in respect of which the design is registered: **Kitchen utensil handle**
(51) International Design Classification: **07-02R**
(74) Name(s) of Attorney(s): **DLA Piper Australia**
(71) Name(s) and Address(s) of Applicant(s):
Williams-Sonoma, Inc
3250 Van Ness Avenue San Francisco California 94109 United States of America
(72) Name(s) of Designer(s): **Victoria Slaker and Rhys Cross Bonahoom**
(45) Registration Date: **25 September 2012**
(56) Related Art Documents: **Not Applicable**
(57) Statement of Newness and Distinctiveness: **Novelty of the design is in the features of shape and configuration of the article in the accompanying representations.**



- (21) Design Number: **10886/2012**
(22) Date of Filing Application: **27 February 2012**
(24) Date from which industrial property rights may have effect: **27 February 2012**
(54) Product in respect of which the design is registered: **Rice cooker**
(51) International Design Classification: **07-02N**
(74) Name(s) of Attorney(s):
(71) Name(s) and Address(s) of Applicant(s):
Breville Pty Limited
Building 2 Port Air Industrial Estate 1A Hale Street Botany New South
Wales 2019 Australia
(72) Name(s) of Designer(s): **Richard Harrod**
(45) Registration Date: **25 September 2012**
(56) Related Art Documents: **Not Applicable**
(57) Statement of Newness and Distinctiveness: **Newness is claimed in the features of shape and configuration of the rice cooker as shown in the accompanying representations. Elements shown in dashed lines form no part of the design.**



- (21) Design Number: **13010/2012**
(22) Date of Filing Application: **27 June 2012**
(24) Date from which industrial property rights may have effect: **27 June 2012**
(54) Product in respect of which the design is registered: **Insulator**
(51) International Design Classification: **13-03A**
(74) Name(s) of Attorney(s): **Davies Collison Cave**
(71) Name(s) and Address(s) of Applicant(s):
Kenneth Leslie Forge
"Renwarra" Mulwala New South Wales 2647 Australia
(72) Name(s) of Designer(s): **Kenneth Leslie Forge**
(45) Registration Date: **25 September 2012**
(56) Related Art Documents: **Not Applicable**
(57) Statement of Newness and Distinctiveness: **Nil**



- (21) Design Number: **13336/2012**
(22) Date of Filing Application: **13 July 2012**
(24) Date from which industrial property rights may have effect: **13 July 2012**
(54) Product in respect of which the design is registered: **Chair and settee**
(51) International Design Classification: **06-01G**
(74) Name(s) of Attorney(s): **Davies Collison Cave**
(71) Name(s) and Address(s) of Applicant(s):
Dixie Cummings Enterprises Pty Ltd
20 Holloway Drive Bayswater Victoria 3153 Australia
(72) Name(s) of Designer(s): **Rob Cummings**
(45) Registration Date: **25 September 2012**
(56) Related Art Documents: **Not Applicable**
(57) Statement of Newness and Distinctiveness: **Newness and distinctiveness is claimed in the visual features of shape and configuration of a chair and a settee as shown in the accompanying representations, but not in the colour or texture of the covering material.**



- (21) Design Number: **13337/2012**
(22) Date of Filing Application: **13 July 2012**
(24) Date from which industrial property rights may have effect: **13 July 2012**
(54) Product in respect of which the design is registered: **Chair and settee**
(51) International Design Classification: **06-01G**
(74) Name(s) of Attorney(s): **Davies Collison Cave**
(71) Name(s) and Address(s) of Applicant(s):
Dixie Cummings Enterprises Pty Ltd
20 Holloway Drive Bayswater Victoria 3153 Australia
(72) Name(s) of Designer(s): **Rob Cummings**
(45) Registration Date: **25 September 2012**
(56) Related Art Documents: **Not Applicable**
(57) Statement of Newness and Distinctiveness: **Newness and distinctiveness is claimed in the visual features of shape and configuration of a chair and a settee as shown in the accompanying representations, but not in the colour or texture of the covering material.**



- (21) Design Number: **13441/2012**
(22) Date of Filing Application: **20 July 2012**
(24) Date from which industrial property rights may have effect: **20 July 2012**
(54) Product in respect of which the design is registered: **Kitchen utensil handle**
(51) International Design Classification: **07-02R**
(74) Name(s) of Attorney(s): **DLA Piper Australia**
(71) Name(s) and Address(s) of Applicant(s):
Williams-Sonoma, Inc
3250 Van Ness Avenue San Francisco California 94109 United States of America
(72) Name(s) of Designer(s): **Victoria Slaker and Rhys Cross Bonahoom**
(45) Registration Date: **25 September 2012**
(56) Related Art Documents: **Not Applicable**
(57) Statement of Newness and Distinctiveness: **Novelty of the design is in the features of shape and configuration of the article in the accompanying representations.**



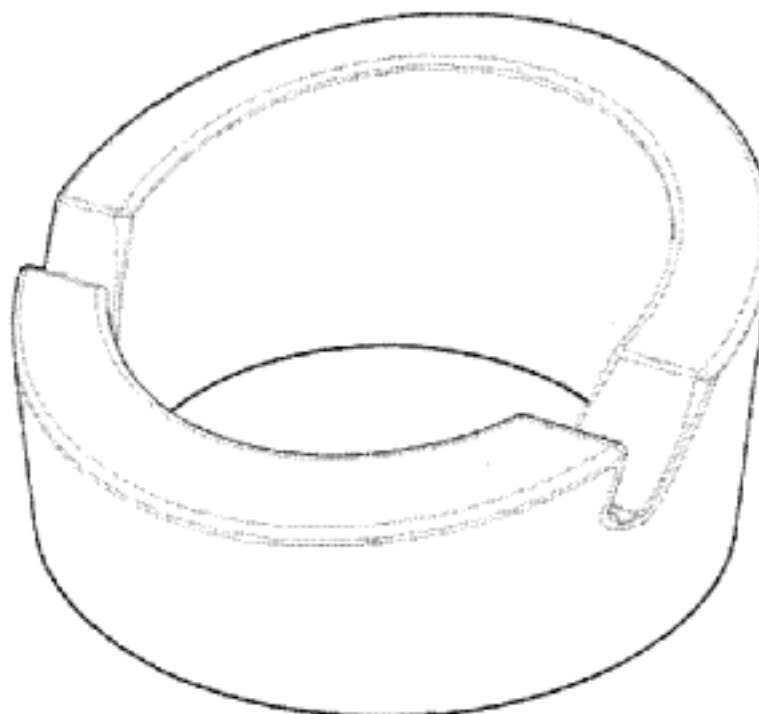
- (21) Design Number: **13442/2012**
(22) Date of Filing Application: **20 July 2012**
(24) Date from which industrial property rights may have effect: **20 July 2012**
(54) Product in respect of which the design is registered: **Utensil holder**
(51) International Design Classification: **07-02R**
(74) Name(s) of Attorney(s): **DLA Piper Australia**
(71) Name(s) and Address(s) of Applicant(s):
Williams-Sonoma, Inc
3250 Van Ness Avenue San Francisco California 94109 United States of America
(72) Name(s) of Designer(s): **Victoria Slaker**
(45) Registration Date: **25 September 2012**
(56) Related Art Documents: **Not Applicable**
(57) Statement of Newness and Distinctiveness: **Novelty of the design is in the features of shape and configuration of the article in the accompanying representations.**



- (21) Design Number: **13527/2012**
(22) Date of Filing Application: **25 July 2012**
(24) Date from which industrial property rights may have effect: **25 July 2012**
(54) Product in respect of which the design is registered: **Loud speaker**
(51) International Design Classification: **14-02**
(74) Name(s) of Attorney(s): **DLA Piper Australia**
(71) Name(s) and Address(s) of Applicant(s):
Williams-Sonoma, Inc
3250 Van Ness Avenue San Francisco California 94109 United States of America
(72) Name(s) of Designer(s): **Xuan Shu and Victoria Slaker**
(45) Registration Date: **25 September 2012**
(56) Related Art Documents: **Not Applicable**
(57) Statement of Newness and Distinctiveness: **Novelty of the design is in the features of shape and configuration of the article in the accompanying representations.**



- (21) Design Number: **13528/2012**
(22) Date of Filing Application: **25 July 2012**
(24) Date from which industrial property rights may have effect: **25 July 2012**
(54) Product in respect of which the design is registered: **Dock for tablet computer**
(51) International Design Classification: **25-01K**
(74) Name(s) of Attorney(s): **DLA Piper Australia**
(71) Name(s) and Address(s) of Applicant(s):
Williams-Sonoma, Inc
3250 Van Ness Avenue San Francisco California 94109 United States of America
(72) Name(s) of Designer(s): **Xuan Shu and Victoria Slaker**
(45) Registration Date: **25 September 2012**
(56) Related Art Documents: **Not Applicable**
(57) Statement of Newness and Distinctiveness: **Novelty of the design is in the features of shape and configuration of the article in the accompanying representations.**



(21) Design Number: **13529/2012**

(22) Date of Filing Application: **26 July 2012**

(24) Date from which industrial property rights may have effect: **26 July 2012**

(54) Product in respect of which the design is registered: **Luminaire**

(51) International Design Classification: **26-05E, 26-03**

(74) Name(s) of Attorney(s): **Cullens Patent and Trade Mark Attorneys**

(71) Name(s) and Address(s) of Applicant(s):

**Lighting Science Group Corporation
1227 South Patrick Drive Bldg 2A Satellite Beach FL 32937 United States
of America**

(72) Name(s) of Designer(s): **Ricardo Romeu and Raymond Reynolds**

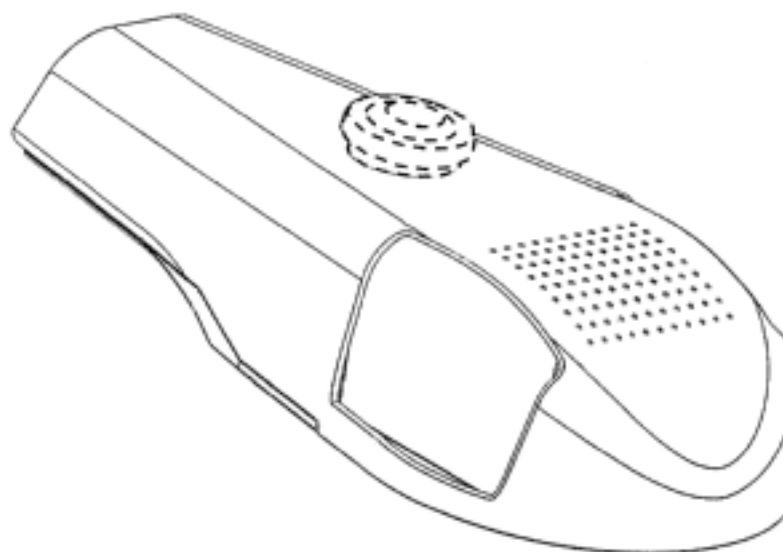
(45) Registration Date: **25 September 2012**

(30) Convention priority data:

(31) Number	(32) Date	(33) Country
29/411,907	27 Jan 2012	UNITED STATES OF AMERICA

(56) Related Art Documents: **Not Applicable**

(57) Statement of Newness and Distinctiveness: **Newness and distinctiveness reside in the individual features of shape and configuration of the luminaire as shown in the representations. Features shown in dashed lines, excluding the luminaire base, do not form part of the design. The surface treatment of the luminaire does not form part of the design. References to "top perspective", "bottom perspective", "top", "bottom", "front", "rear" and "side" in the figure descriptions are not necessarily meant to require certain in-use orientations. When considering newness and distinctiveness, little or no weight is to be given to the luminaire base represented in dashed lines.**



(21) Design Number: **13576/2012**

(22) Date of Filing Application: **26 July 2012**

(24) Date from which industrial property rights may have effect: **26 July 2012**

(54) Product in respect of which the design is registered: **Tactile indicator stud with a 16 point star design**

(51) International Design Classification: **10-06, 25-02NES, 08-08B**

(74) Name(s) of Attorney(s):

(71) Name(s) and Address(s) of Applicant(s):

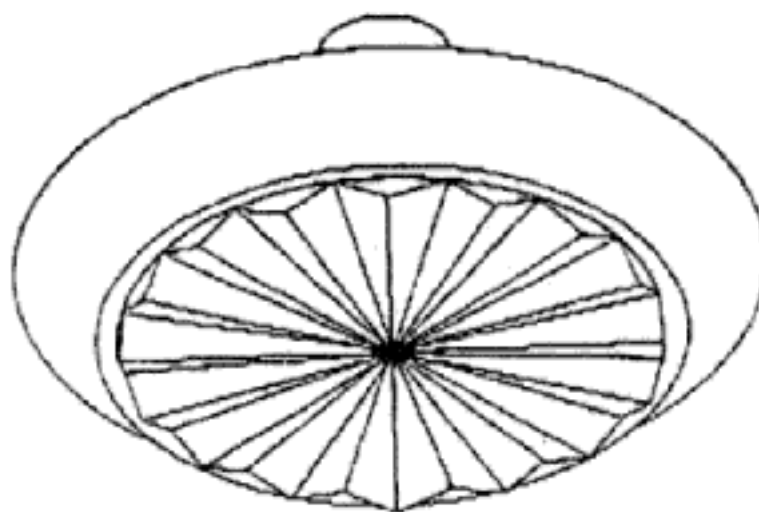
**Allsafe Flooring Pty Ltd
Factory 2/6 Walker Street Braeside Victoria 3195 Australia**

(72) Name(s) of Designer(s): **Paul Moller**

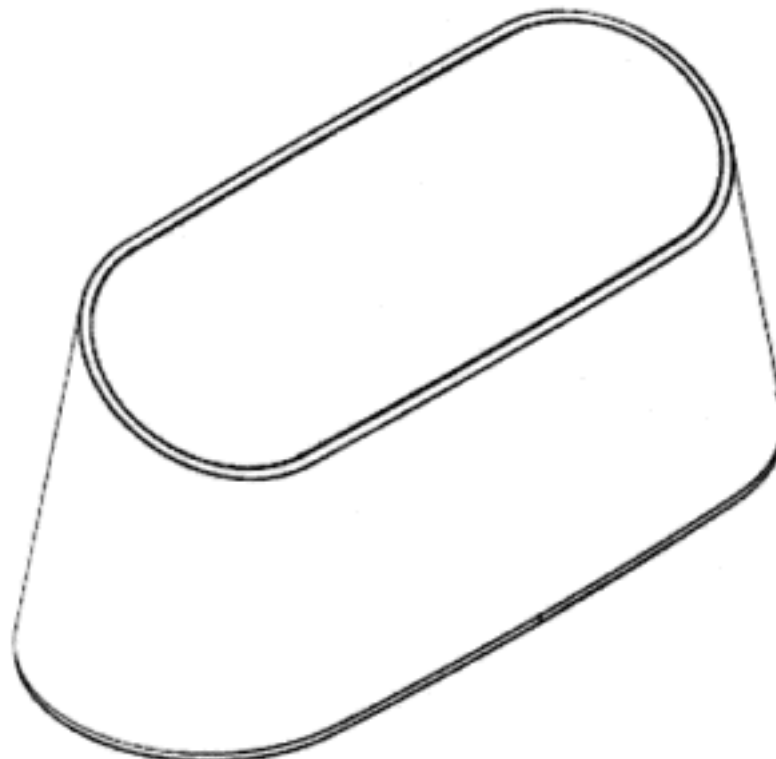
(45) Registration Date: **25 September 2012**

(56) Related Art Documents: **Not Applicable**

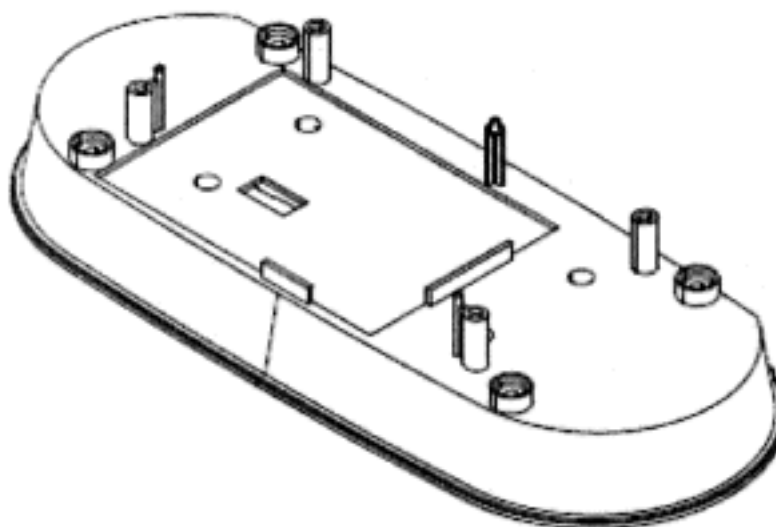
(57) Statement of Newness and Distinctiveness: **No tactile indicator stud in the world has this unique appearance. It is also unique as it is the first self cleaning product on the market. The unique design offers excellent slip resistance properties with a functional and practical design.**



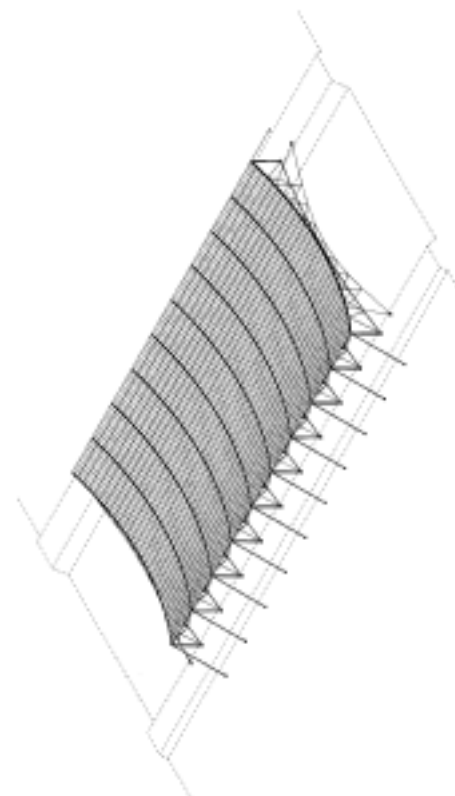
- (21) Design Number: **13636/2012**
(22) Date of Filing Application: **30 July 2012**
(24) Date from which industrial property rights may have effect: **30 July 2012**
(54) Product in respect of which the design is registered: **Thermometer**
(51) International Design Classification: **10-04**
(74) Name(s) of Attorney(s): **DLA Piper Australia**
(71) Name(s) and Address(s) of Applicant(s):
Williams-Sonoma, Inc
3250 Van Ness Avenue San Francisco California 94109 United States of America
(72) Name(s) of Designer(s): **Victoria Slaker and Sangik Lee**
(45) Registration Date: **25 September 2012**
(56) Related Art Documents: **Not Applicable**
(57) Statement of Newness and Distinctiveness: **Novelty of the design is in the features of shape and configuration of the article in the accompanying representations.**



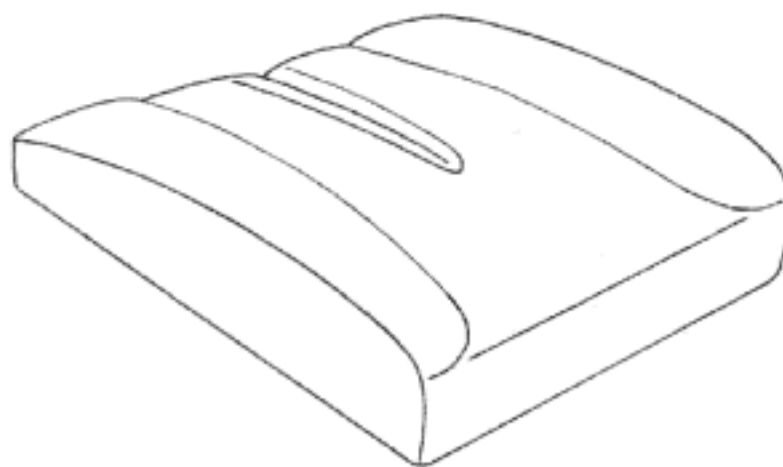
- (21) Design Number: **13637/2012**
(22) Date of Filing Application: **30 July 2012**
(24) Date from which industrial property rights may have effect: **30 July 2012**
(54) Product in respect of which the design is registered: **Thermometer bottom panel**
(51) International Design Classification: **10-04**
(74) Name(s) of Attorney(s): **DLA Piper Australia**
(71) Name(s) and Address(s) of Applicant(s):
Williams-Sonoma, Inc
3250 Van Ness Avenue San Francisco California 94109 United States of America
(72) Name(s) of Designer(s): **Victoria Slaker and Sangik Lee**
(45) Registration Date: **25 September 2012**
(56) Related Art Documents: **Not Applicable**
(57) Statement of Newness and Distinctiveness: **Novelty of the design is in the features of shape and configuration of the article in the accompanying representations.**



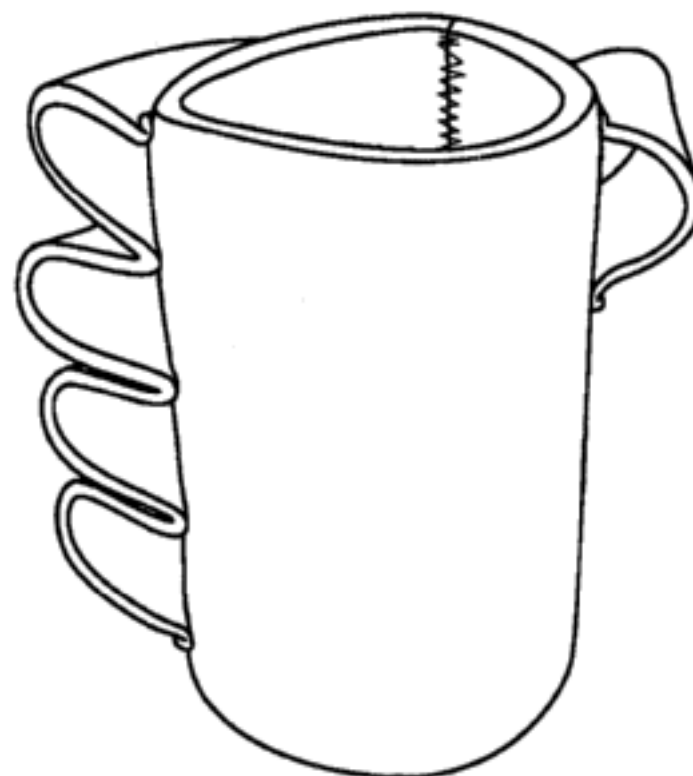
- (21) Design Number: **13835/2012**
(22) Date of Filing Application: **07 August 2012**
(24) Date from which industrial property rights may have effect: **07 August 2012**
(54) Product in respect of which the design is registered: **Solar array**
(51) International Design Classification: **13-03NES**
(74) Name(s) of Attorney(s): **Shelston IP**
(71) Name(s) and Address(s) of Applicant(s):
Steven J. Conger
337 Lamprecht Drive Carbondale Colorado 81623 United States of America
(72) Name(s) of Designer(s): **Steven J. Conger**
(45) Registration Date: **25 September 2012**
(56) Related Art Documents: **Not Applicable**
(57) Statement of Newness and Distinctiveness: **Newness and distinctiveness reside in the features of shape and/or configuration of a SOLAR ARRAY as illustrated in the accompanying representations.**



- (21) Design Number: **13862/2012**
(22) Date of Filing Application: **08 August 2012**
(24) Date from which industrial property rights may have effect: **08 August 2012**
(54) Product in respect of which the design is registered: **A cushion**
(51) International Design Classification: **06-09**
(74) Name(s) of Attorney(s): **A.J. Pietras & Co**
(71) Name(s) and Address(s) of Applicant(s):
Rouand James Mortimer Scarlett
67 Trafalgar Street Onehunga Auckland 1061 New Zealand
(72) Name(s) of Designer(s): **Rouand James Mortimer Scarlett**
(45) Registration Date: **25 September 2012**
(30) Convention priority data:
(31) Number (32) Date (33) Country
416587 08 Aug 2012 NEW ZEALAND
(56) Related Art Documents: **Not Applicable**
(57) Statement of Newness and Distinctiveness: **Novelty resides in the features of shape and configuration shown in the accompanying representations.**



(21) Design Number: **13870/2012**
(22) Date of Filing Application: **10 August 2012**
(24) Date from which industrial property rights may have effect: **10 August 2012**
(54) Product in respect of which the design is registered: **Can cooler**
(51) International Design Classification: **07-07A**
(74) Name(s) of Attorney(s):
(71) Name(s) and Address(s) of Applicant(s):
Creative Products Enterprises Pty Limited
2A & 2B James Ruse Business Park 6 Boundary Road Northmead New
South Wales 2152 Australia
(72) Name(s) of Designer(s): **David Te**
(45) Registration Date: **25 September 2012**
(56) Related Art Documents: **Not Applicable**
(57) Statement of Newness and Distinctiveness: **Newness is claimed in the features of shape and configuration of the Can Cooler as shown in the accompanying representations. Elements shown in dashed lines form no part of the design.**



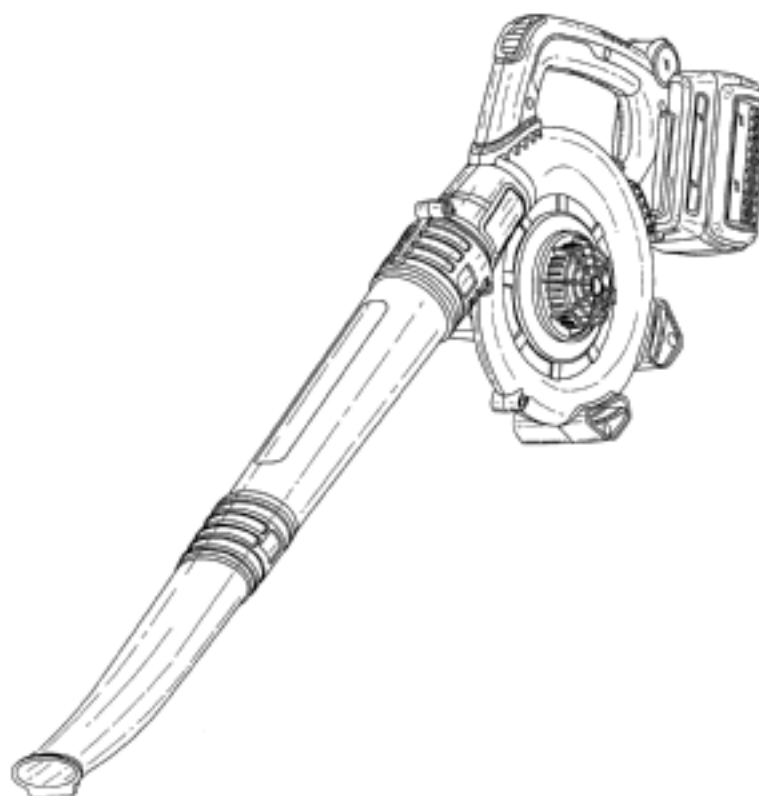
(21) Design Number: **13973/2012**
(22) Date of Filing Application: **15 August 2012**
(24) Date from which industrial property rights may have effect: **15 August 2012**
(54) Product in respect of which the design is registered: **Boat**
(51) International Design Classification: **12-06C**
(74) Name(s) of Attorney(s):
(71) Name(s) and Address(s) of Applicant(s):
Patrick Xavier Jones
310 Nambour-Mapleton Road Burnside Queensland 4560 Australia
(72) Name(s) of Designer(s): **Patrick Xavier Jones**
(45) Registration Date: **25 September 2012**
(56) Related Art Documents: **Not Applicable**
(57) Statement of Newness and Distinctiveness: **The appearance of the boat is different with a step in the bow, distinctively wider beam than the usual designs, with an "M" configuration to the underside bottom of the boat caused by the wide reverse chine.**



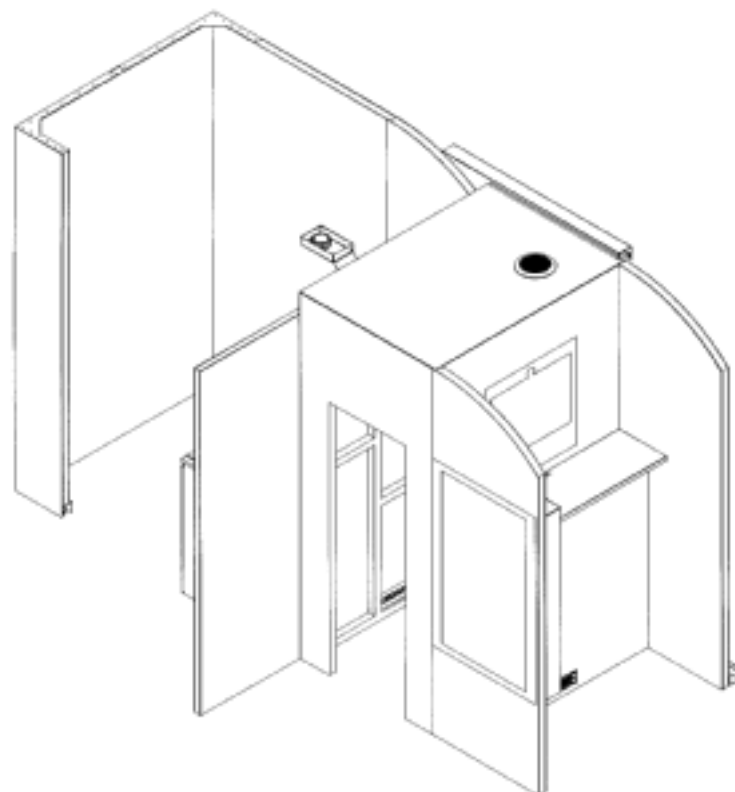
- (21) Design Number: **13980/2012**
(22) Date of Filing Application: **13 August 2012**
(24) Date from which industrial property rights may have effect: **13 August 2012**
(54) Product in respect of which the design is registered: **Pallet cushion**
(51) International Design Classification: **09-06**
(74) Name(s) of Attorney(s): **Macpherson + Kelley**
(71) Name(s) and Address(s) of Applicant(s):
Michael David Thomas
35 Dorothy Avenue Glen Huntly Victoria 3163 Australia
(72) Name(s) of Designer(s): **Michael David Thomas**
(45) Registration Date: **25 September 2012**
(56) Related Art Documents: **Not Applicable**
(57) Statement of Newness and Distinctiveness: **Novelty is claimed in the features of shape and configuration of a pallet cushion (with variable thickness) as illustrated in the accompanying representations.**



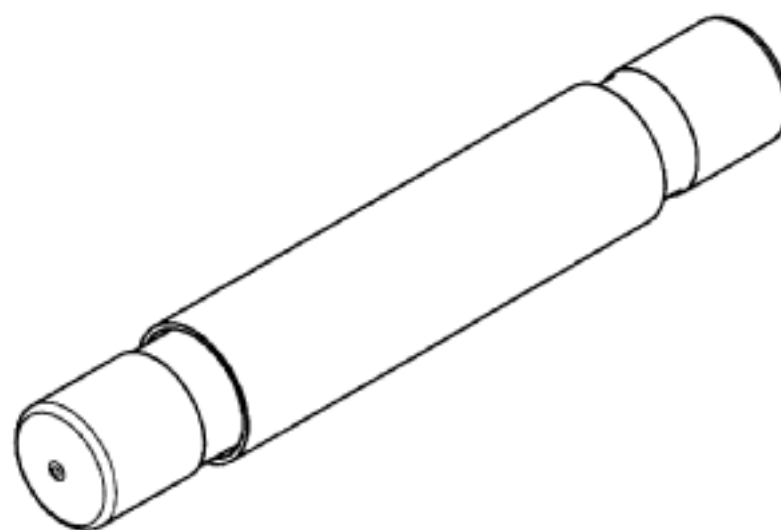
- (21) Design Number: **13984/2012**
(22) Date of Filing Application: **15 August 2012**
(24) Date from which industrial property rights may have effect: **15 August 2012**
(54) Product in respect of which the design is registered: **Sweeper**
(51) International Design Classification: **15-05**
(74) Name(s) of Attorney(s): **Davies Collison Cave**
(71) Name(s) and Address(s) of Applicant(s):
Black & Decker Inc
1207 Drummond Plaza Newark Delaware 19711 United States of America
(72) Name(s) of Designer(s): **Graeme Crawley**
(45) Registration Date: **25 September 2012**
(30) Convention priority data:
(31) Number (32) Date (33) Country
001314983 20 Feb 2012 EUROPEAN COMMUNITY
(56) Related Art Documents: **Not Applicable**
(57) Statement of Newness and Distinctiveness: **Nil**



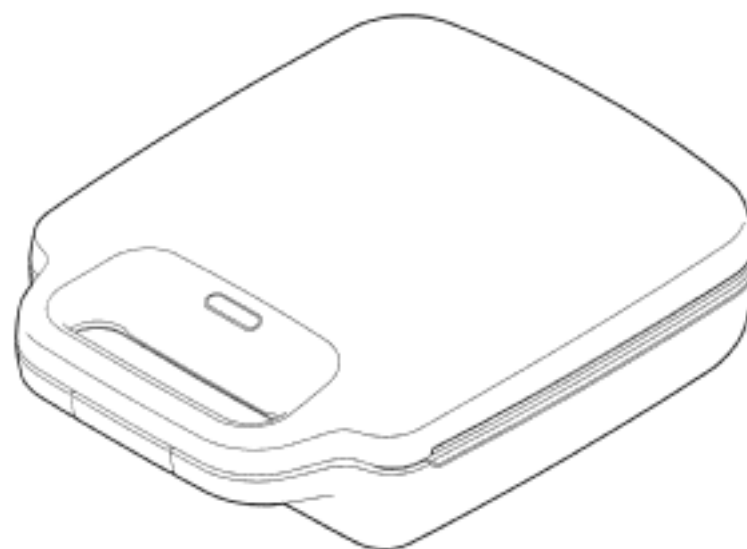
- (21) Design Number: **14114/2012**
(22) Date of Filing Application: **22 August 2012**
(24) Date from which industrial property rights may have effect: **22 August 2012**
(54) Product in respect of which the design is registered: **Kiosk**
(51) International Design Classification: **25-03**
(74) Name(s) of Attorney(s):
(71) Name(s) and Address(s) of Applicant(s):
Pragma Design Pty Ltd
1/3 Dunlop Road Mulgrave Victoria 3170 Australia
(72) Name(s) of Designer(s): **Angelo Alateras and Simon Hedt**
(45) Registration Date: **25 September 2012**
(56) Related Art Documents: **Not Applicable**
(57) Statement of Newness and Distinctiveness: **Newness & distinctiveness is claimed in the design, all visual features and arrangement of those features which make this product unique.**



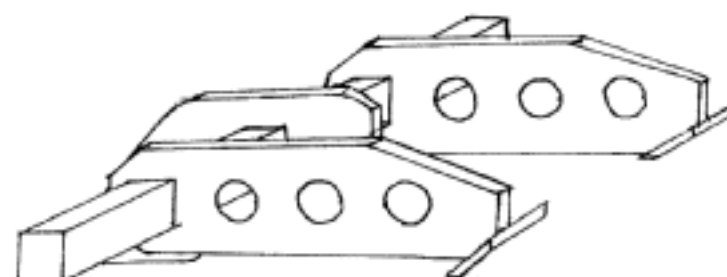
- (21) Design Number: **14131/2012**
(22) Date of Filing Application: **23 August 2012**
(24) Date from which industrial property rights may have effect: **23 August 2012**
(54) Product in respect of which the design is registered: **Instruction holder for height safety equipment**
(51) International Design Classification: **29-02**
(74) Name(s) of Attorney(s):
(71) Name(s) and Address(s) of Applicant(s):
No Bolt Operations Pty Ltd
29 Union Road Dandenong South Victoria 3175 Australia
(72) Name(s) of Designer(s): **William Collie**
(45) Registration Date: **25 September 2012**
(56) Related Art Documents: **Not Applicable**
(57) Statement of Newness and Distinctiveness: **Monopoly is claimed in the shape and/or configuration of the instruction holder for height safety equipment as indicated in the accompanying representations A and B.**



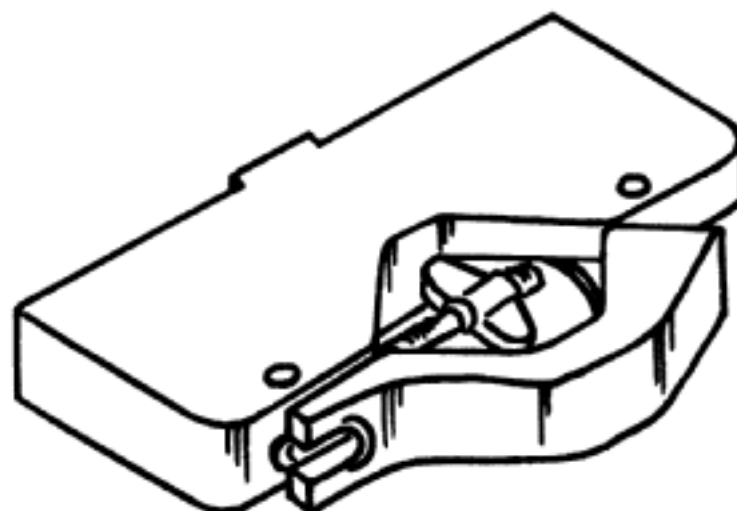
- (21) Design Number: **11350/2012**
(22) Date of Filing Application: **15 March 2012**
(24) Date from which industrial property rights may have effect: **15 March 2012**
(54) Product in respect of which the design is registered: **Cooking unit**
(51) International Design Classification: **07-02N**
(74) Name(s) of Attorney(s): **Herbert Smith Freehills**
(71) Name(s) and Address(s) of Applicant(s):
Sunbeam Corporation Limited
Unit 5 & 6 13 Lord Street Botany New South Wales 2019 Australia
(72) Name(s) of Designer(s): **Scott Nash**
(45) Registration Date: **26 September 2012**
(56) Related Art Documents: **Not Applicable**
(57) Statement of Newness and Distinctiveness: **Newness and distinctiveness of the design resides in the shape and configuration of the cooking unit as shown in the accompanying representations.**



- (21) Design Number: **11384/2012**
(22) Date of Filing Application: **16 March 2012**
(24) Date from which industrial property rights may have effect: **16 March 2012**
(54) Product in respect of which the design is registered: **Lift brake**
(51) International Design Classification: **12-05, 12-99**
(74) Name(s) of Attorney(s): **Lord & Company**
(71) Name(s) and Address(s) of Applicant(s):
Waclaw Lysiak
PO Box Box 179 Bullsbrook Western Australia 6084 Australia
(72) Name(s) of Designer(s): **Waclaw Lysiak**
(45) Registration Date: **26 September 2012**
(56) Related Art Documents: **Not Applicable**
(57) Statement of Newness and Distinctiveness: **The particular visual features of the design which are new and distinctive are shape OR configuration.**



- (21) Design Number: **11385/2012**
(22) Date of Filing Application: **16 March 2012**
(24) Date from which industrial property rights may have effect: **16 March 2012**
(54) Product in respect of which the design is registered: **Pipe clamp**
(51) International Design Classification: **08-08D**
(74) Name(s) of Attorney(s): **Lord & Company**
(71) Name(s) and Address(s) of Applicant(s):
DHS (Aust) Pty Ltd
PO Box 1210 Midland Western Australia 6056 Australia
(72) Name(s) of Designer(s): **Mike Ayris**
(45) Registration Date: **26 September 2012**
(56) Related Art Documents: **Not Applicable**
(57) Statement of Newness and Distinctiveness: **The particular visual features of the design which are new and distinctive are shape OR configuration.**



- (21) Design Number: **13500/2012**
(22) Date of Filing Application: **20 July 2012**
(24) Date from which industrial property rights may have effect: **20 July 2012**
(54) Product in respect of which the design is registered: **Door 1**
(51) International Design Classification: **25-02B**
(74) Name(s) of Attorney(s):
(71) Name(s) and Address(s) of Applicant(s):
John Woodward
PO Box 40 Mandurah Western Australia 6210 Australia
(72) Name(s) of Designer(s): **John Woodward**
(45) Registration Date: **26 September 2012**
(56) Related Art Documents: **Not Applicable**
(57) Statement of Newness and Distinctiveness: **This design is for new standard size doors and is distinct because it has a translucent acrylic insert which filters soft light, with 6 horizontal and 3 vertical fine wooden lattice strips equally spaced to give 7 rows and 4 columns.**



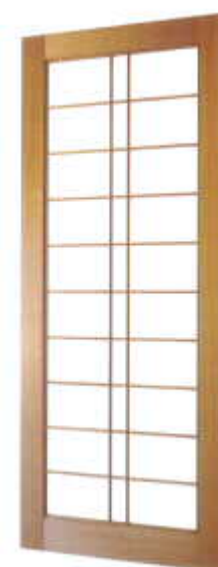
- (21) Design Number: **13501/2012**
(22) Date of Filing Application: **20 July 2012**
(24) Date from which industrial property rights may have effect: **20 July 2012**
(54) Product in respect of which the design is registered: **Door 3**
(51) International Design Classification: **25-02B**
(74) Name(s) of Attorney(s):
(71) Name(s) and Address(s) of Applicant(s):
John Woodward
PO Box 40 Mandurah Western Australia 6210 Australia
(72) Name(s) of Designer(s): **John Woodward**
(45) Registration Date: **26 September 2012**
(56) Related Art Documents: **Not Applicable**
(57) Statement of Newness and Distinctiveness: **This design is for new standard size doors and is distinct because it has a translucent acrylic insert which filters soft light, with 9 horizontal and 1 distinct vertical fine wooden lattice strips equally spaced to give 10 rows and 2 columns.**



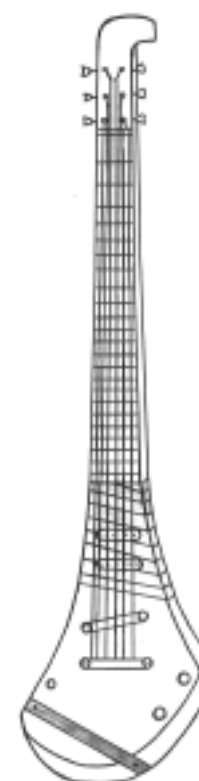
- (21) Design Number: **13502/2012**
(22) Date of Filing Application: **20 July 2012**
(24) Date from which industrial property rights may have effect: **20 July 2012**
(54) Product in respect of which the design is registered: **Door 3A**
(51) International Design Classification: **25-02B**
(74) Name(s) of Attorney(s):
(71) Name(s) and Address(s) of Applicant(s):
John Woodward
PO Box 40 Mandurah Western Australia 6210 Australia
(72) Name(s) of Designer(s): **John Woodward**
(45) Registration Date: **26 September 2012**
(56) Related Art Documents: **Not Applicable**
(57) Statement of Newness and Distinctiveness: **This design is for new standard size doors and is distinct because it has a translucent acrylic insert which filters soft light, with 9 horizontal fine wooden lattice strips equally spaced to give 10 rows.**



- (21) Design Number: **13503/2012**
(22) Date of Filing Application: **20 July 2012**
(24) Date from which industrial property rights may have effect: **20 July 2012**
(54) Product in respect of which the design is registered: **Door 7**
(51) International Design Classification: **25-02B**
(74) Name(s) of Attorney(s):
(71) Name(s) and Address(s) of Applicant(s):
John Woodward
PO Box 40 Mandurah Western Australia 6210 Australia
(72) Name(s) of Designer(s): **John Woodward**
(45) Registration Date: **26 September 2012**
(57) Statement of Newness and Distinctiveness: **This design is for new standard size doors and is distinct because it has a translucent acrylic insert which filters soft light, with 9 horizontal (10 rows) and 2 distinct vertical fine wooden lattice strips spaced from the centre 70mm~apart.**



- (21) Design Number: **13511/2012**
(22) Date of Filing Application: **26 July 2012**
(24) Date from which industrial property rights may have effect: **26 July 2012**
(54) Product in respect of which the design is registered: **Guitar in the shape and features of the guitar headstock and body**
(51) International Design Classification: **17-03**
(74) Name(s) of Attorney(s):
(71) Name(s) and Address(s) of Applicant(s):
Liam McMahon
5 San Remo Place Dural New South Wales 2158 Australia
(72) Name(s) of Designer(s): **Liam McMahon**
(45) Registration Date: **26 September 2012**
(56) Related Art Documents: **Not Applicable**
(57) Statement of Newness and Distinctiveness: **Nil**



(21) Design Number: **13582/2012**
(22) Date of Filing Application: **30 July 2012**
(24) Date from which industrial property rights may have effect: **30 July 2012**
(54) Product in respect of which the design is registered: **Candle holders**
(51) International Design Classification: **26-01**
(74) Name(s) of Attorney(s):
(71) Name(s) and Address(s) of Applicant(s):
Elsteel (Private) Ltd.
Spur Road 2 Phase 1 EPZ Katunayake 11420 Sri Lanka
(72) Name(s) of Designer(s): **Erik Landsperg Logstrup**
(45) Registration Date: **26 September 2012**
(30) Convention priority data:
(31) Number (32) Date (33) Country
001925835-0001 01 Oct 2011 EUROPEAN COMMUNITY
(56) Related Art Documents: **Not Applicable**
(57) Statement of Newness and Distinctiveness: **Nil**



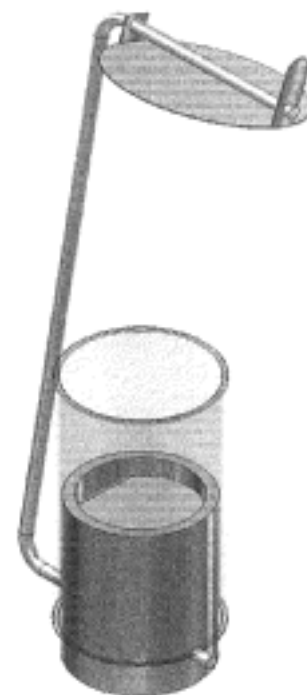
(21) Design Number: **13583/2012**
(22) Date of Filing Application: **30 July 2012**
(24) Date from which industrial property rights may have effect: **30 July 2012**
(54) Product in respect of which the design is registered: **Spot light**
(51) International Design Classification: **26-03**
(74) Name(s) of Attorney(s):
(71) Name(s) and Address(s) of Applicant(s):
Elsteel (Private) Ltd.
Spur Road 2 Phase 1 EPZ Katunayake 11420 Sri Lanka
(72) Name(s) of Designer(s): **Erik Landsperg Logstrup**
(45) Registration Date: **26 September 2012**
(30) Convention priority data:
(31) Number (32) Date (33) Country
001925835-0002 01 Oct 2011 EUROPEAN COMMUNITY
(56) Related Art Documents: **Not Applicable**
(57) Statement of Newness and Distinctiveness: **Nil**



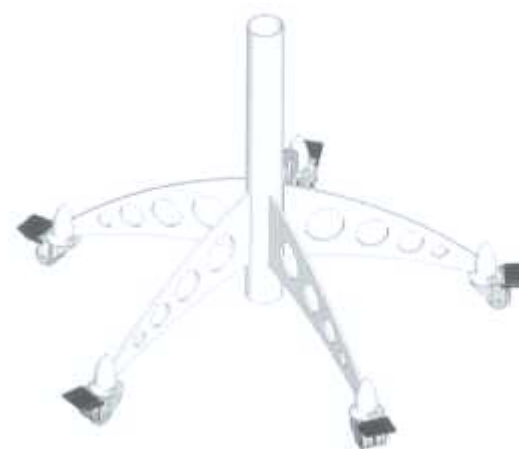
(21) Design Number: **13584/2012**
(22) Date of Filing Application: **30 July 2012**
(24) Date from which industrial property rights may have effect: **30 July 2012**
(54) Product in respect of which the design is registered: **Wall lamp**
(51) International Design Classification: **26-05C**
(74) Name(s) of Attorney(s):
(71) Name(s) and Address(s) of Applicant(s):
Elsteel (Private) Ltd.
Spur Road 2 Phase 1 EPZ Katunayake 11420 Sri Lanka
(72) Name(s) of Designer(s): **Erik Landsperg Logstrup**
(45) Registration Date: **26 September 2012**
(30) Convention priority data:
(31) Number (32) Date (33) Country
001925835-0003 01 Oct 2011 EUROPEAN COMMUNITY
(56) Related Art Documents: **Not Applicable**
(57) Statement of Newness and Distinctiveness: **Nil**



(21) Design Number: **13585/2012**
(22) Date of Filing Application: **30 July 2012**
(24) Date from which industrial property rights may have effect: **30 July 2012**
(54) Product in respect of which the design is registered: **Candle holder with a reflector**
(51) International Design Classification: **26-01**
(74) Name(s) of Attorney(s):
(71) Name(s) and Address(s) of Applicant(s):
Elsteel (Private) Ltd.
Spur Road 2 Phase 1 EPZ Katunayake 11420 Sri Lanka
(72) Name(s) of Designer(s): **Erik Landsperg Logstrup**
(45) Registration Date: **26 September 2012**
(30) Convention priority data:
(31) Number (32) Date (33) Country
001925835-0004 01 Oct 2011 EUROPEAN COMMUNITY
(56) Related Art Documents: **Not Applicable**
(57) Statement of Newness and Distinctiveness: **Nil**



(21) Design Number: **13781/2012**
(22) Date of Filing Application: **03 August 2012**
(24) Date from which industrial property rights may have effect: **03 August 2012**
(54) Product in respect of which the design is registered: **A parasol holder**
(51) International Design Classification: **03-03**
(74) Name(s) of Attorney(s):
(71) Name(s) and Address(s) of Applicant(s):
Elsteel (Private) Ltd.
Spur Road 2 Phase 1 EPZ Katunayake 11420 Sri Lanka
(72) Name(s) of Designer(s): **Erik Landsperg Logstrup**
(45) Registration Date: **26 September 2012**
(56) Related Art Documents: **Not Applicable**
(57) Statement of Newness and Distinctiveness: **Nil**



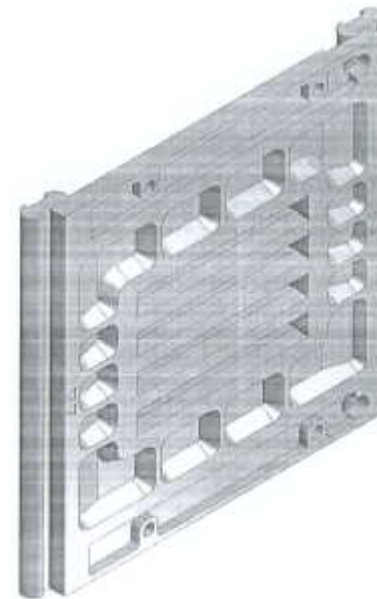
(21) Design Number: **13782/2012**
(22) Date of Filing Application: **03 August 2012**
(24) Date from which industrial property rights may have effect: **03 August 2012**
(54) Product in respect of which the design is registered: **A flush type door lock**
(51) International Design Classification: **08-07**
(74) Name(s) of Attorney(s):
(71) Name(s) and Address(s) of Applicant(s):
Elsteel (Private) Ltd.
Spur Road 2 Phase 1 EPZ Katunayake 11420 Sri Lanka
(72) Name(s) of Designer(s): **Erik Landsperg Logstrup**
(45) Registration Date: **26 September 2012**
(56) Related Art Documents: **Not Applicable**
(57) Statement of Newness and Distinctiveness: **Nil**



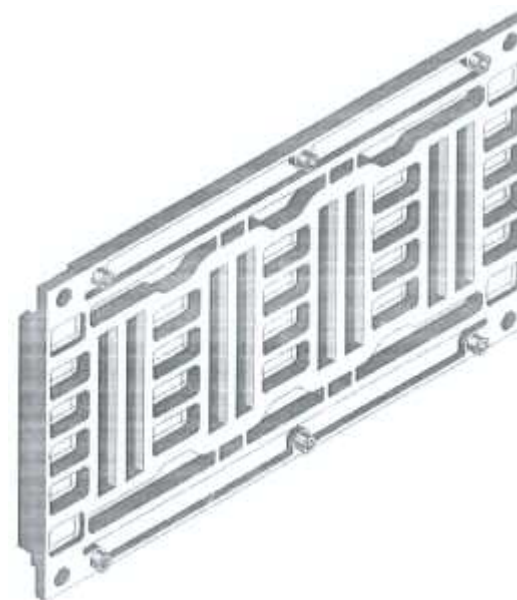
(21) Design Number: **13783/2012**
(22) Date of Filing Application: **03 August 2012**
(24) Date from which industrial property rights may have effect: **03 August 2012**
(54) Product in respect of which the design is registered: **A wine shelf**
(51) International Design Classification: **06-04NES**
(74) Name(s) of Attorney(s):
(71) Name(s) and Address(s) of Applicant(s):
Elsteel (Private) Ltd.
Spur Road 2 Phase 1 EPZ Katunayake 11420 Sri Lanka
(72) Name(s) of Designer(s): **Erik Landsperg Logstrup**
(45) Registration Date: **26 September 2012**
(56) Related Art Documents: **Not Applicable**
(57) Statement of Newness and Distinctiveness: **Nil**



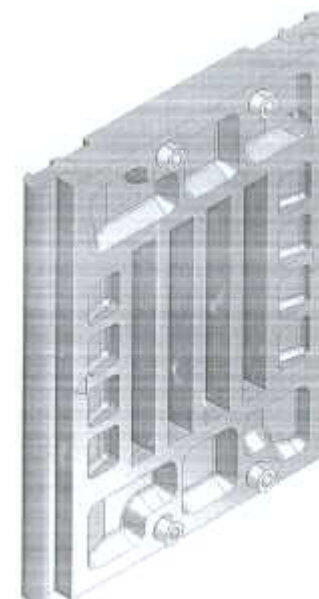
(21) Design Number: **13578/2012**
(22) Date of Filing Application: **30 July 2012**
(24) Date from which industrial property rights may have effect: **30 July 2012**
(54) Product in respect of which the design is registered: **Arc arrestor busbar holder**
(51) International Design Classification: **13-03NES**
(74) Name(s) of Attorney(s):
(71) Name(s) and Address(s) of Applicant(s):
Elsteel (Private) Ltd.
Spur Road 2 Phase 1 EPZ Katunayake 11420 Sri Lanka
(72) Name(s) of Designer(s): **Erik Landsperg Logstrup**
(45) Registration Date: **26 September 2012**
(30) Convention priority data:
(31) Number (32) Date (33) Country
002052332 05 Jun 2012 EUROPEAN COMMUNITY
(56) Related Art Documents: **Not Applicable**
(57) Statement of Newness and Distinctiveness: **Nil**



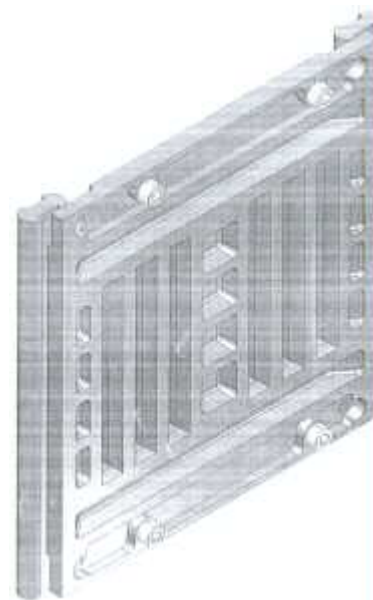
(21) Design Number: **13579/2012**
(22) Date of Filing Application: **30 July 2012**
(24) Date from which industrial property rights may have effect: **30 July 2012**
(54) Product in respect of which the design is registered: **Arc arrestor busbar holder**
(51) International Design Classification: **13-03NES**
(74) Name(s) of Attorney(s):
(71) Name(s) and Address(s) of Applicant(s):
Elsteel (Private) Ltd.
Spur Road 2 Phase 1 EPZ Katunayake 11420 Sri Lanka
(72) Name(s) of Designer(s): **Erik Landsperg Logstrup**
(45) Registration Date: **26 September 2012**
(30) Convention priority data:
(31) Number (32) Date (33) Country
002052332 05 Jun 2012 EUROPEAN COMMUNITY
(56) Related Art Documents: **Not Applicable**
(57) Statement of Newness and Distinctiveness: **Nil**



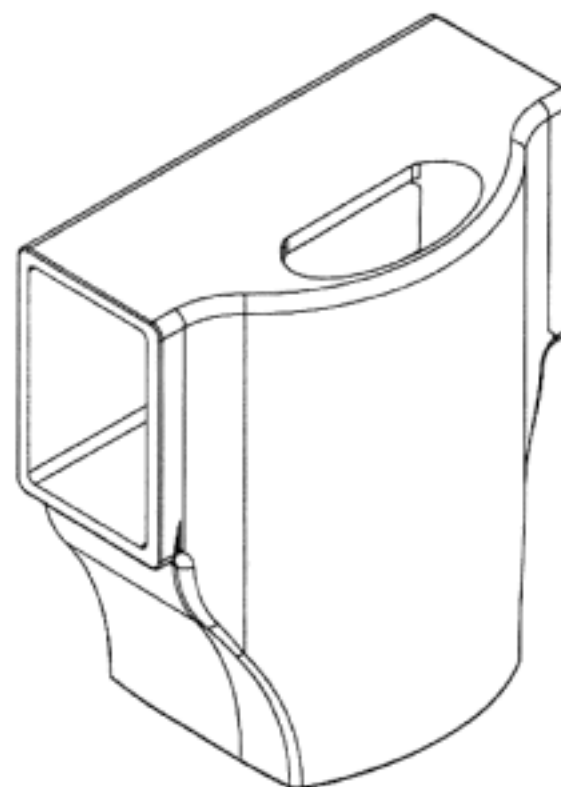
(21) Design Number: **13580/2012**
(22) Date of Filing Application: **30 July 2012**
(24) Date from which industrial property rights may have effect: **30 July 2012**
(54) Product in respect of which the design is registered: **Arc arrestor busbar holder**
(51) International Design Classification: **13-03NES**
(74) Name(s) of Attorney(s):
(71) Name(s) and Address(s) of Applicant(s):
Elsteel (Private) Ltd.
Spur Road 2 Phase 1 EPZ Katunayake 11420 Sri Lanka
(72) Name(s) of Designer(s): **Erik Landsperg Logstrup**
(45) Registration Date: **26 September 2012**
(30) Convention priority data:
(31) Number (32) Date (33) Country
002052332 05 Jun 2012 EUROPEAN COMMUNITY
(56) Related Art Documents: **Not Applicable**
(57) Statement of Newness and Distinctiveness: **Nil**



(21) Design Number: **13581/2012**
(22) Date of Filing Application: **30 July 2012**
(24) Date from which industrial property rights may have effect: **30 July 2012**
(54) Product in respect of which the design is registered: **Arc arrestor busbar holder**
(51) International Design Classification: **13-03NES**
(74) Name(s) of Attorney(s):
(71) Name(s) and Address(s) of Applicant(s):
Elsteel (Private) Ltd.
Spur Road 2 Phase 1 EPZ Katunayake 11420 Sri Lanka
(72) Name(s) of Designer(s): **Erik Landsperg Logstrup**
(45) Registration Date: **26 September 2012**
(30) Convention priority data:
(31) Number (32) Date (33) Country
002052332 05 Jun 2012 EUROPEAN COMMUNITY
(56) Related Art Documents: **Not Applicable**
(57) Statement of Newness and Distinctiveness: **Nil**



(21) Design Number: **13013/2012**
(22) Date of Filing Application: **27 June 2012**
(24) Date from which industrial property rights may have effect: **27 June 2012**
(54) Product in respect of which the design is registered: **"Frame connector"**
(51) International Design Classification: **08-08L**
(74) Name(s) of Attorney(s): **Ahearn Fox**
(71) Name(s) and Address(s) of Applicant(s):
Vuly Pty Ltd
1/95 Ingleston Road Wakerley Queensland 4154 Australia
(72) Name(s) of Designer(s): **David Francis and Wei Yang and Joe Andon**
(45) Registration Date: **26 September 2012**
(56) Related Art Documents: **Not Applicable**
(57) Statement of Newness and Distinctiveness: **Newness and distinctiveness reside in the features of shape and configuration of a frame connector as shown in the accompanying drawings wherein: Fig. 1 is a pictorial representation of the frame connector from one end at the front showing the top face and front (view from other end and front is a mirror image); Fig. 2 is a pictorial representation of the frame connector from the end opposite to that shown in Fig. 1 at the front showing the bottom face and front (view from other end is a mirror image); Fig. 3 is a pictorial representation of the frame connector from one end to the rear (view from opposite end and rear is a mirror image); Fig. 4 is a pictorial representation of the frame connector from the front; Fig. 5 is a pictorial representation of the frame connector from the rear; Fig. 6 is a pictorial representation of the frame connector from above; and Fig. 7 is a pictorial representation of the frame connector from one end (view from opposite end is a mirror image).**



(21) Design Number: **13031/2012**
(22) Date of Filing Application: **28 June 2012**
(24) Date from which industrial property rights may have effect: **28 June 2012**
(54) Product in respect of which the design is registered: **Display mounting panel**
(51) International Design Classification: **20-02NES**
(74) Name(s) of Attorney(s): **Davies Collison Cave**
(71) Name(s) and Address(s) of Applicant(s):
DuluxGroup (Australia) Pty Ltd
1956 Dandenong Road Clayton Victoria 3168 Australia
(72) Name(s) of Designer(s): **Tony Green and Gavin Gilligan and Peter Hassett**
(45) Registration Date: **26 September 2012**
(56) Related Art Documents: **Not Applicable**
(57) Statement of Newness and Distinctiveness: **Nil**



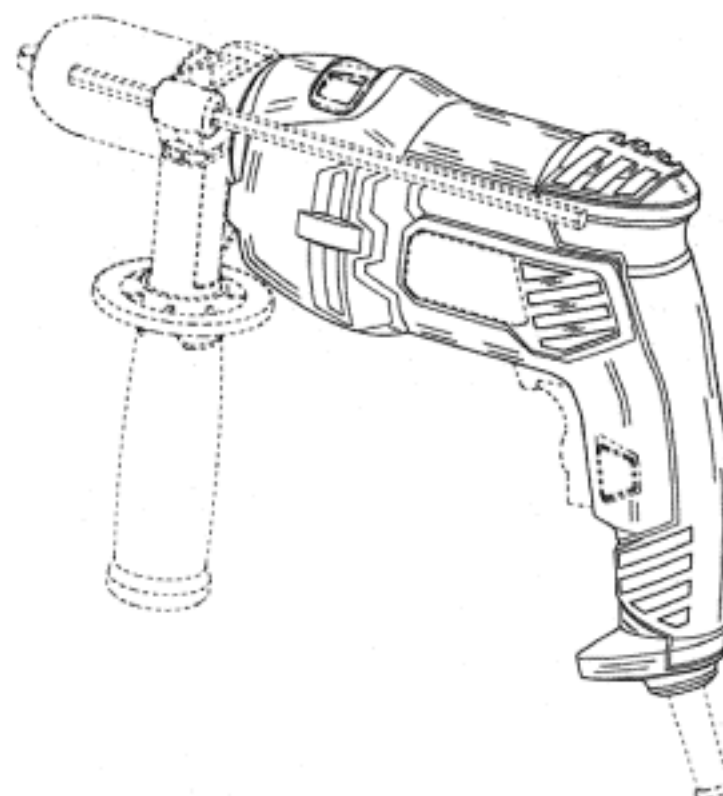
(21) Design Number: **14229/2012**
(22) Date of Filing Application: **27 August 2012**
(24) Date from which industrial property rights may have effect: **27 August 2012**
(54) Product in respect of which the design is registered: **Bottle**
(51) International Design Classification: **09-01K**
(74) Name(s) of Attorney(s): **PHILLIPS ORMONDE FITZPATRICK**
(71) Name(s) and Address(s) of Applicant(s):
The Coca-Cola Company
One Coca-Cola Plaza NW Atlanta Georgia 30313 United States of America
(72) Name(s) of Designer(s): **Carrie Brune and Terri L. Gunder and Javier Verdura**
(45) Registration Date: **26 September 2012**
(30) Convention priority data:
(31) Number (32) Date (33) Country
29/414,625 01 Mar 2012 UNITED STATES OF AMERICA
(56) Related Art Documents: **Not Applicable**
(57) Statement of Newness and Distinctiveness: **Those features of the bottle depicted in the representations that are new and distinctive are the shape and/or configuration. The features shown in broken line are not part of the design and are to be disregarded when considering the overall impression of the design.**



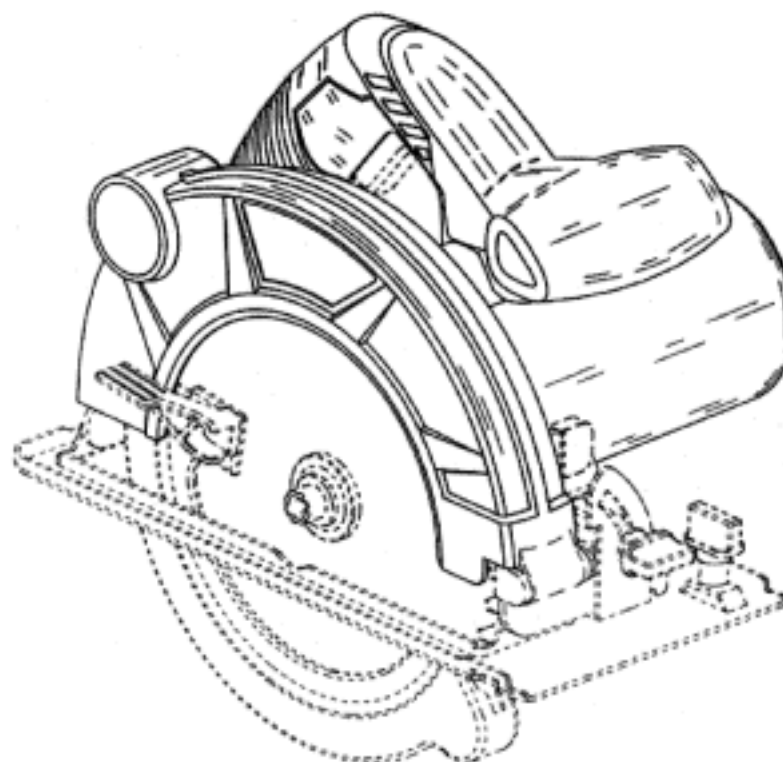
- (21) Design Number: **14230/2012**
(22) Date of Filing Application: **27 August 2012**
(24) Date from which industrial property rights may have effect: **27 August 2012**
(54) Product in respect of which the design is registered: **Bottle**
(51) International Design Classification: **09-01K**
(74) Name(s) of Attorney(s): **PHILLIPS ORMONDE FITZPATRICK**
(71) Name(s) and Address(s) of Applicant(s):
The Coca-Cola Company
One Coca-Cola Plaza NW Atlanta Georgia 30313 United States of America
(72) Name(s) of Designer(s): **Carrie Brune and Terri L. Gunder and Javier Verdura**
(45) Registration Date: **26 September 2012**
(30) Convention priority data:
(31) Number (32) Date (33) Country
29/414,625 01 Mar 2012 UNITED STATES OF AMERICA
(56) Related Art Documents: **Not Applicable**
(57) Statement of Newness and Distinctiveness: **Those features of the bottle depicted in the representations that are new and distinctive are the shape and/or configuration. The features shown in broken line are not part of the design and are to be disregarded when considering the overall impression of the design.**



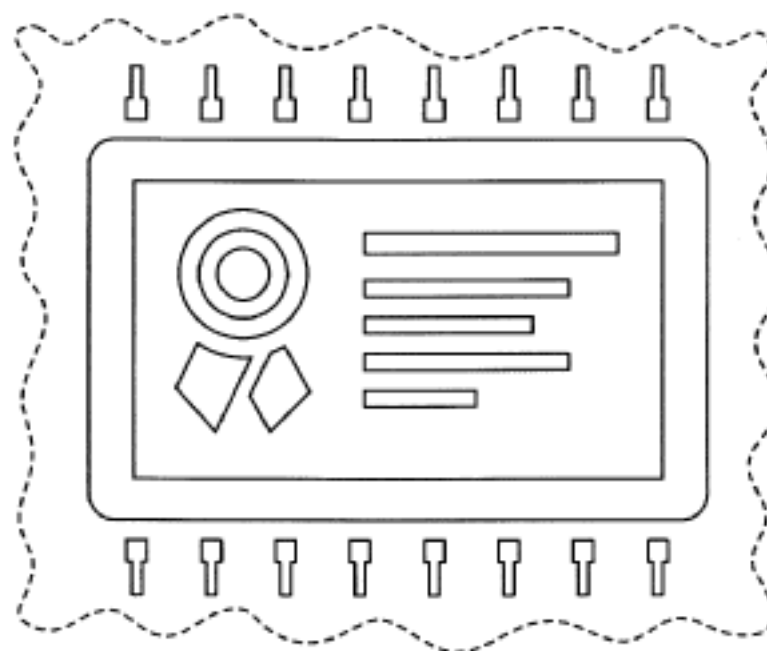
- (21) Design Number: **14233/2012**
(22) Date of Filing Application: **27 August 2012**
(24) Date from which industrial property rights may have effect: **27 August 2012**
(54) Product in respect of which the design is registered: **Impact drill**
(51) International Design Classification: **08-01**
(74) Name(s) of Attorney(s): **Collison & Co**
(71) Name(s) and Address(s) of Applicant(s):
Hutchin Exports Ltd
The Lake Building 1st Floor Wickhams Cay 1 Road Town Tortola British Virgin Islands
(72) Name(s) of Designer(s): **Michael Waldron**
(45) Registration Date: **26 September 2012**
(30) Convention priority data:
(31) Number (32) Date (33) Country
US29/429760 16 Aug 2012 UNITED STATES OF AMERICA
(56) Related Art Documents: **Not Applicable**
(57) Statement of Newness and Distinctiveness: **Newness and distinctiveness is claimed in respect of the shape and configuration and/or pattern and ornamentation of the impact drill as shown in the accompanying representations excluding the portions represented by the broken lines.**



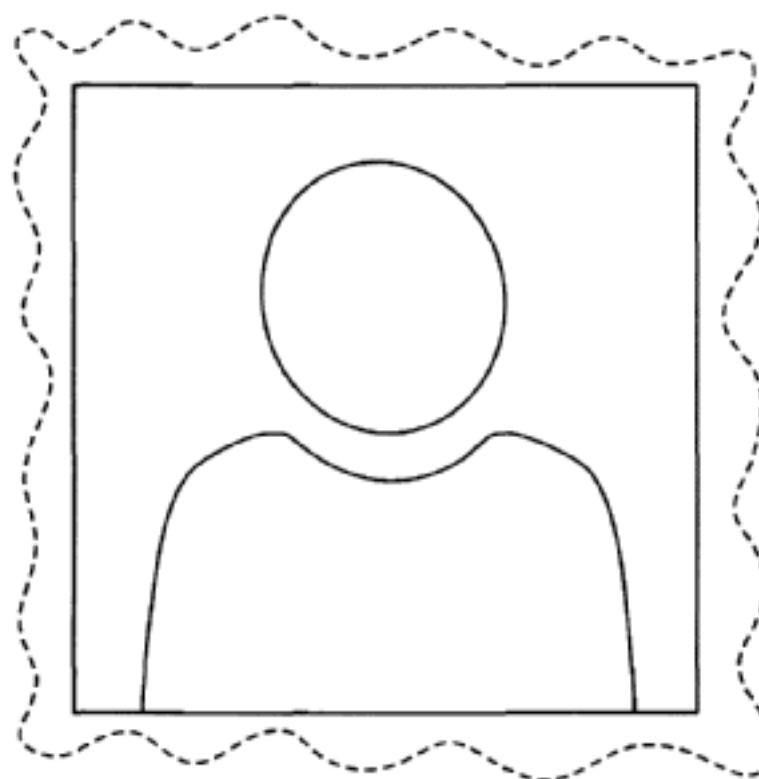
(21) Design Number: **14234/2012**
(22) Date of Filing Application: **27 August 2012**
(24) Date from which industrial property rights may have effect: **27 August 2012**
(54) Product in respect of which the design is registered: **Circular saw**
(51) International Design Classification: **08-03**
(74) Name(s) of Attorney(s): **Collison & Co**
(71) Name(s) and Address(s) of Applicant(s):
Hutchin Exports Ltd
The Lake Building 1st Floor Wickhams Cay 1 Road Town Tortola British
Virgin Islands
(72) Name(s) of Designer(s): **Michael Waldron**
(45) Registration Date: **26 September 2012**
(30) Convention priority data:
(31) Number (32) Date (33) Country
US29/429732 15 Aug 2012 UNITED STATES OF AMERICA
(56) Related Art Documents: **Not Applicable**
(57) Statement of Newness and Distinctiveness: **Newness and distinctiveness is claimed in respect of the shape and configuration and/or pattern and ornamentation of the circular saw as shown in the accompanying representations excluding the portions represented by the broken lines.**



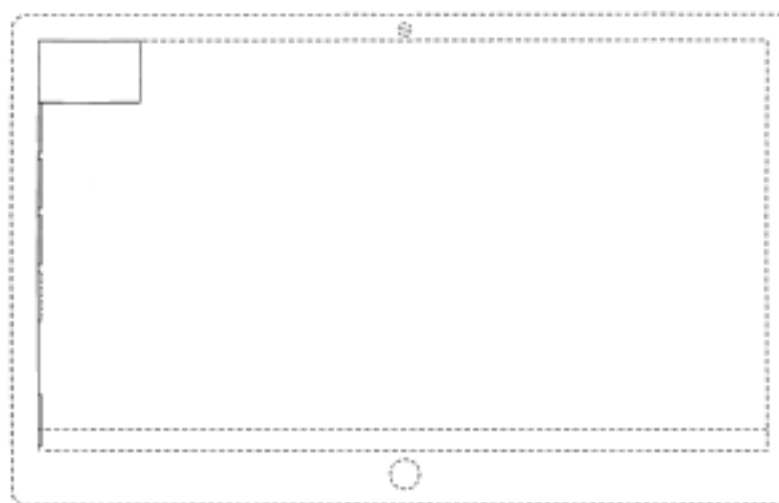
(21) Design Number: **14240/2012**
(22) Date of Filing Application: **28 August 2012**
(24) Date from which industrial property rights may have effect: **28 August 2012**
(54) Product in respect of which the design is registered: **Display screen with icon**
(51) International Design Classification: **14-01**
(74) Name(s) of Attorney(s): **Shelston IP**
(71) Name(s) and Address(s) of Applicant(s):
Microsoft Corporation
One Microsoft Way Redmond Washington 98052 United States of
America
(72) Name(s) of Designer(s): **Sean Wen and Kieran Phelan**
(45) Registration Date: **26 September 2012**
(30) Convention priority data:
(31) Number (32) Date (33) Country
29/414442 28 Feb 2012 UNITED STATES OF AMERICA
(56) Related Art Documents: **Not Applicable**
(57) Statement of Newness and Distinctiveness: **Newness and distinctiveness reside in the features of pattern and/or ornamentation of a display screen with icon as illustrated by solid lines in the accompanying representations. The features shown in broken outline are for contextual purposes only and do not form part of the design.**



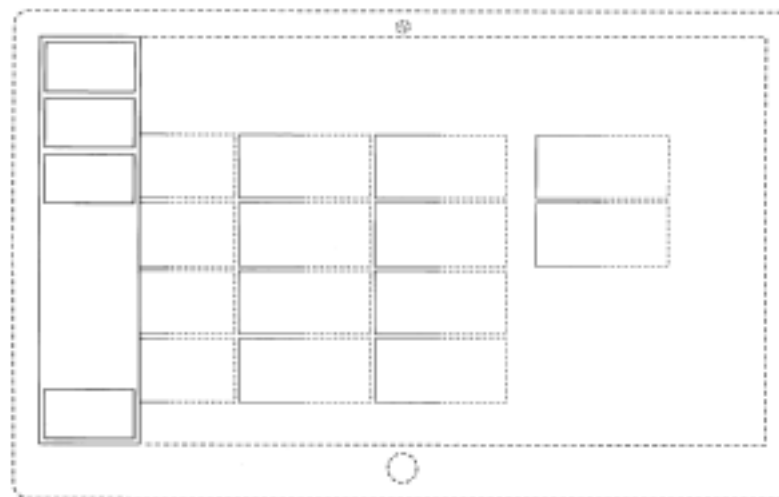
- (21) Design Number: **14242/2012**
(22) Date of Filing Application: **28 August 2012**
(24) Date from which industrial property rights may have effect: **28 August 2012**
(54) Product in respect of which the design is registered: **Display screen with icon**
(51) International Design Classification: **14-01**
(74) Name(s) of Attorney(s): **Shelston IP**
(71) Name(s) and Address(s) of Applicant(s):
Microsoft Corporation
One Microsoft Way Redmond Washington 98052 United States of America
(72) Name(s) of Designer(s): **Sean Wen and Kieran Phelan and Lisa Carolyn Cherian and Jonathan Eric Gleasman**
(45) Registration Date: **26 September 2012**
(30) Convention priority data:
(31) Number (32) Date (33) Country
29/414440 28 Feb 2012 UNITED STATES OF AMERICA
(56) Related Art Documents: **Not Applicable**
(57) Statement of Newness and Distinctiveness: **Newness and distinctiveness reside in the features of pattern and/or ornamentation of a display screen with icon as illustrated by solid lines in the accompanying representations. The features shown in broken outline are for contextual purposes only and do not form part of the design.**



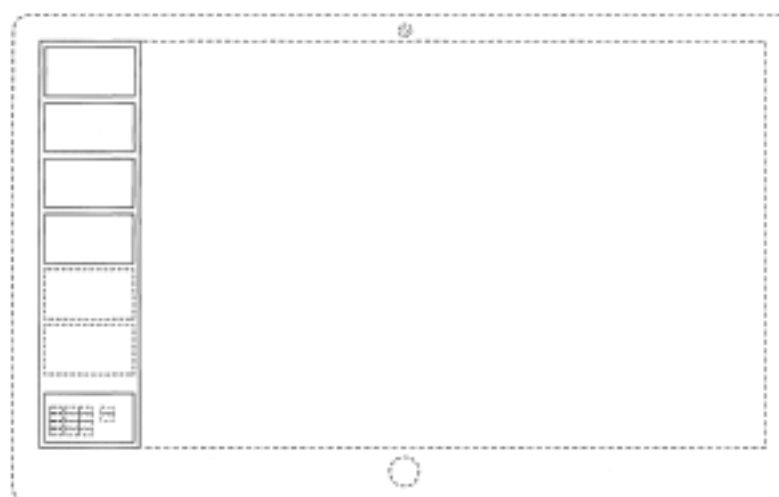
- (21) Design Number: **14243/2012**
(22) Date of Filing Application: **28 August 2012**
(24) Date from which industrial property rights may have effect: **28 August 2012**
(54) Product in respect of which the design is registered: **Display screen with user interface**
(51) International Design Classification: **14-01**
(74) Name(s) of Attorney(s): **Shelston IP**
(71) Name(s) and Address(s) of Applicant(s):
Microsoft Corporation
One Microsoft Way Redmond Washington 98052 United States of America
(72) Name(s) of Designer(s): **Jesse Clay Satterfield and Daryl Tanghe and Patrice Miner**
(45) Registration Date: **26 September 2012**
(30) Convention priority data:
(31) Number (32) Date (33) Country
29/414409 28 Feb 2012 UNITED STATES OF AMERICA
(56) Related Art Documents: **Not Applicable**
(57) Statement of Newness and Distinctiveness: **Newness and distinctiveness reside in the features of pattern and/or ornamentation of a display screen with user interface as illustrated by solid lines in the accompanying representations. The features shown in broken outline are for contextual purposes only and do not form part of the design.**



(21) Design Number: **14244/2012**
(22) Date of Filing Application: **28 August 2012**
(24) Date from which industrial property rights may have effect: **28 August 2012**
(54) Product in respect of which the design is registered: **Display screen with user interface**
(51) International Design Classification: **14-01**
(74) Name(s) of Attorney(s): **Shelston IP**
(71) Name(s) and Address(s) of Applicant(s):
Microsoft Corporation
One Microsoft Way Redmond Washington 98052 United States of America
(72) Name(s) of Designer(s): **Jesse Clay Satterfield and Daryl Tanghe and Patrice Miner**
(45) Registration Date: **26 September 2012**
(30) Convention priority data:
(31) Number (32) Date (33) Country
29/414404 28 Feb 2012 UNITED STATES OF AMERICA
(56) Related Art Documents: **Not Applicable**
(57) Statement of Newness and Distinctiveness: **Newness and distinctiveness reside in the features of pattern and/or ornamentation of a display screen with user interface as illustrated by solid lines in the accompanying representations. The features shown in broken outline are for contextual purposes only and do not form part of the design.**



(21) Design Number: **14245/2012**
(22) Date of Filing Application: **28 August 2012**
(24) Date from which industrial property rights may have effect: **28 August 2012**
(54) Product in respect of which the design is registered: **Display screen with user interface**
(51) International Design Classification: **14-01**
(74) Name(s) of Attorney(s): **Shelston IP**
(71) Name(s) and Address(s) of Applicant(s):
Microsoft Corporation
One Microsoft Way Redmond Washington 98052 United States of America
(72) Name(s) of Designer(s): **Jesse Clay Satterfield and Daryl Tanghe and Patrice Miner**
(45) Registration Date: **26 September 2012**
(30) Convention priority data:
(31) Number (32) Date (33) Country
29/414399 28 Feb 2012 UNITED STATES OF AMERICA
(56) Related Art Documents: **Not Applicable**
(57) Statement of Newness and Distinctiveness: **Newness and distinctiveness reside in the features of pattern and/or ornamentation of a display screen with user interface as illustrated by solid lines in the accompanying representations. The features shown in broken outline are for contextual purposes only and do not form part of the design.**



- (21) Design Number: **13154/2012**
(22) Date of Filing Application: **05 July 2012**
(24) Date from which industrial property rights may have effect: **05 July 2012**
(54) Product in respect of which the design is registered: **Display screen for an electronic device**
(51) International Design Classification: **14-01**
(74) Name(s) of Attorney(s): **Wrays**
(71) Name(s) and Address(s) of Applicant(s):
Samsung Electronics Co., Ltd
416 Maetan-dong Yeongtong-Gu Suwon-Si Gyeonggi-Do Republic of Korea
(72) Name(s) of Designer(s): **Yong-Chae Jung**
(45) Registration Date: **27 September 2012**
(30) Convention priority data:
(31) Number (32) Date (33) Country
30-2012-0000839 06 Jan 2012 REPUBLIC OF KOREA
(56) Related Art Documents: **Not Applicable**
(57) Statement of Newness and Distinctiveness: **Newness and distinctiveness is claimed in the features of pattern and/or ornamentation of the Display Screen For An Electronic Device as shown in in the accompanying representations. The features shown in broken lines are for illustrative purposes only and do not form part of the claimed design.**



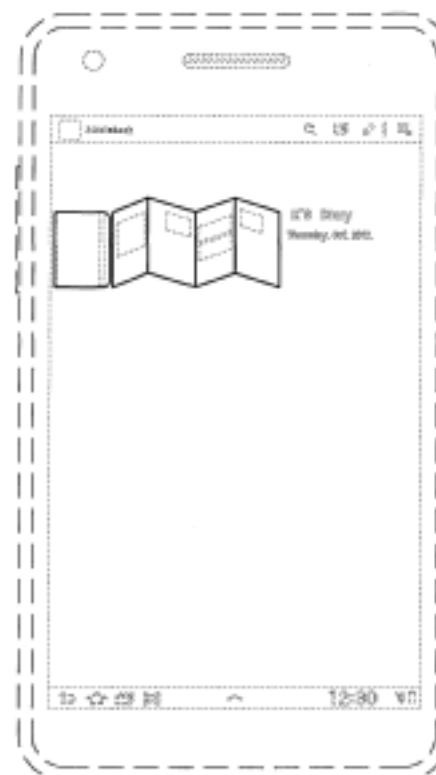
- (21) Design Number: **13206/2012**
(22) Date of Filing Application: **06 July 2012**
(24) Date from which industrial property rights may have effect: **06 July 2012**
(54) Product in respect of which the design is registered: **Display screen for an electronic device**
(51) International Design Classification: **14-01**
(74) Name(s) of Attorney(s): **Wrays**
(71) Name(s) and Address(s) of Applicant(s):
Samsung Electronics Co., Ltd
129 Samsung-ro Yeongtong-gu Suwon-si Gyeonggi-do 443-742 Republic of Korea
(72) Name(s) of Designer(s): **Jae-Myoung Lee**
(45) Registration Date: **27 September 2012**
(30) Convention priority data:
(31) Number (32) Date (33) Country
30-2012-0000891 06 Jan 2012 REPUBLIC OF KOREA
(56) Related Art Documents: **Not Applicable**
(57) Statement of Newness and Distinctiveness: **Newness and distinctiveness is claimed in the features of pattern and/or ornamentation of the Display Screen For An Electronic Device as shown in in the accompanying representations. The features shown in broken lines are for illustrative purposes only and do not form part of the claimed design.**



- (21) Design Number: **13207/2012**
(22) Date of Filing Application: **06 July 2012**
(24) Date from which industrial property rights may have effect: **06 July 2012**
(54) Product in respect of which the design is registered: **Display screen for an electronic device**
(51) International Design Classification: **14-01**
(74) Name(s) of Attorney(s): **Wrays**
(71) Name(s) and Address(s) of Applicant(s):
Samsung Electronics Co., Ltd
129 Samsung-ro Yeongtong-gu Suwon-si Gyeonggi-do 443-742 Republic of Korea
(72) Name(s) of Designer(s): **Jae-Myoung Lee**
(45) Registration Date: **27 September 2012**
(30) Convention priority data:
(31) Number (32) Date (33) Country
30-2012-0001047 09 Jan 2012 REPUBLIC OF KOREA
(56) Related Art Documents: **Not Applicable**
(57) Statement of Newness and Distinctiveness: **Newness and distinctiveness is claimed in the features of pattern and/or ornamentation of the Display Screen For An Electronic Device as shown in in the accompanying representations. The features shown in broken lines are for illustrative purposes only and do not form part of the claimed design.**



- (21) Design Number: **13211/2012**
(22) Date of Filing Application: **06 July 2012**
(24) Date from which industrial property rights may have effect: **06 July 2012**
(54) Product in respect of which the design is registered: **Display screen for an electronic device**
(51) International Design Classification: **14-01**
(74) Name(s) of Attorney(s): **Wrays**
(71) Name(s) and Address(s) of Applicant(s):
Samsung Electronics Co., Ltd
129 Samsung-ro Yeongtong-gu Suwon-si Gyeonggi-do 443-742 Republic of Korea
(72) Name(s) of Designer(s): **Kyu-Sung Kim**
(45) Registration Date: **27 September 2012**
(30) Convention priority data:
(31) Number (32) Date (33) Country
30-2012-0001041 09 Jan 2012 REPUBLIC OF KOREA
(56) Related Art Documents: **Not Applicable**
(57) Statement of Newness and Distinctiveness: **Newness and distinctiveness is claimed in the features of pattern and/or ornamentation of the Display Screen For An Electronic Device as shown in in the accompanying representations. The features shown in broken lines are for illustrative purposes only and do not form part of the claimed design.**



- (21) Design Number: **13213/2012**
(22) Date of Filing Application: **06 July 2012**
(24) Date from which industrial property rights may have effect: **06 July 2012**
(54) Product in respect of which the design is registered: **Display screen for an electronic device**
(51) International Design Classification: **14-01**
(74) Name(s) of Attorney(s): **Wrays**
(71) Name(s) and Address(s) of Applicant(s):
Samsung Electronics Co., Ltd
129 Samsung-ro Yeongtong-gu Suwon-si Gyeonggi-do 443-742 Republic of Korea
(72) Name(s) of Designer(s): **Kyu-Sung Kim**
(45) Registration Date: **27 September 2012**
(30) Convention priority data:
(31) Number (32) Date (33) Country
30-2012-0001040 09 Jan 2012 REPUBLIC OF KOREA
(56) Related Art Documents: **Not Applicable**
(57) Statement of Newness and Distinctiveness: **Newness and distinctiveness is claimed in the features of pattern and/or ornamentation of the Display Screen For An Electronic Device as shown in in the accompanying representations. The features shown in broken lines are for illustrative purposes only and do not form part of the claimed design.**



- (21) Design Number: **13214/2012**
(22) Date of Filing Application: **06 July 2012**
(24) Date from which industrial property rights may have effect: **06 July 2012**
(54) Product in respect of which the design is registered: **Display screen for an electronic device**
(51) International Design Classification: **14-01**
(74) Name(s) of Attorney(s): **Wrays**
(71) Name(s) and Address(s) of Applicant(s):
Samsung Electronics Co., Ltd
129 Samsung-ro Yeongtong-gu Suwon-si Gyeonggi-do 443-742 Republic of Korea
(72) Name(s) of Designer(s): **Jae-Myoung Lee**
(45) Registration Date: **27 September 2012**
(30) Convention priority data:
(31) Number (32) Date (33) Country
30-2012-0001046 09 Jan 2012 REPUBLIC OF KOREA
(56) Related Art Documents: **Not Applicable**
(57) Statement of Newness and Distinctiveness: **Newness and distinctiveness is claimed in the features of pattern and/or ornamentation of the Display Screen For An Electronic Device as shown in in the accompanying representations. The features shown in broken lines are for illustrative purposes only and do not form part of the claimed design.**



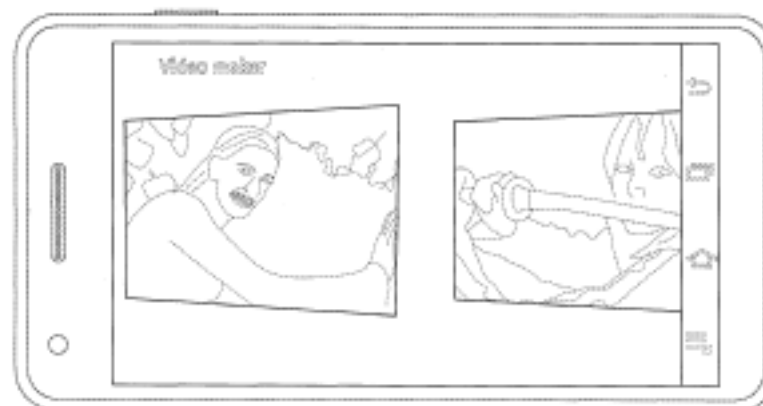
- (21) Design Number: **13215/2012**
(22) Date of Filing Application: **06 July 2012**
(24) Date from which industrial property rights may have effect: **06 July 2012**
(54) Product in respect of which the design is registered: **Display screen for an electronic device**
(51) International Design Classification: **14-01**
(74) Name(s) of Attorney(s): **Wrays**
(71) Name(s) and Address(s) of Applicant(s):
Samsung Electronics Co., Ltd
129 Samsung-ro Yeongtong-gu Suwon-si Gyeonggi-do 443-742 Republic of Korea
(72) Name(s) of Designer(s): **Jae-Myoung Lee**
(45) Registration Date: **27 September 2012**
(30) Convention priority data:
(31) Number (32) Date (33) Country
30-2012-0000874 06 Jan 2012 REPUBLIC OF KOREA
(56) Related Art Documents: **Not Applicable**
(57) Statement of Newness and Distinctiveness: **Newness and distinctiveness is claimed in the features of pattern and/or ornamentation of the Display Screen For An Electronic Device as shown in in the accompanying representations. The features shown in broken lines are for illustrative purposes only and do not form part of the claimed design.**



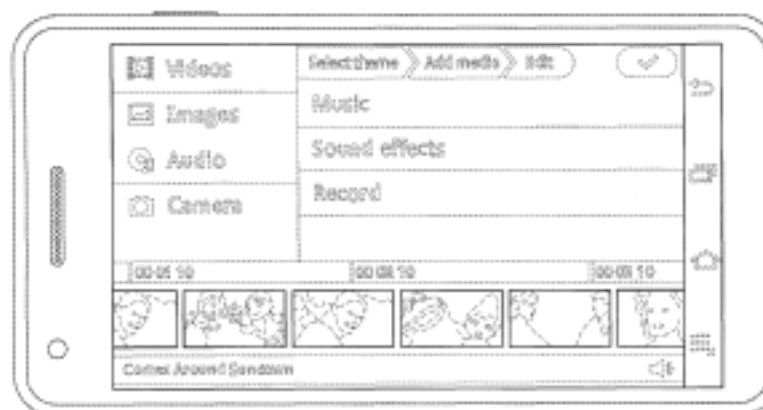
- (21) Design Number: **13222/2012**
(22) Date of Filing Application: **09 July 2012**
(24) Date from which industrial property rights may have effect: **09 July 2012**
(54) Product in respect of which the design is registered: **Display screen for an electronic device**
(51) International Design Classification: **14-01**
(74) Name(s) of Attorney(s): **Wrays**
(71) Name(s) and Address(s) of Applicant(s):
Samsung Electronics Co., Ltd
129 Samsung-ro Yeongtong-gu Suwon-si Gyeonggi-do 443-742 Republic of Korea
(72) Name(s) of Designer(s): **Jae-Myoung Lee**
(45) Registration Date: **27 September 2012**
(30) Convention priority data:
(31) Number (32) Date (33) Country
30-2012-0001053 09 Jan 2012 REPUBLIC OF KOREA
(56) Related Art Documents: **Not Applicable**
(57) Statement of Newness and Distinctiveness: **Newness and distinctiveness is claimed in the features of pattern and/or ornamentation of the Display Screen For An Electronic Device as shown in in the accompanying representations. The features shown in broken lines are for illustrative purposes only and do not form part of the claimed design.**



(21) Design Number: **13223/2012**
(22) Date of Filing Application: **09 July 2012**
(24) Date from which industrial property rights may have effect: **09 July 2012**
(54) Product in respect of which the design is registered: **Display screen for an electronic device**
(51) International Design Classification: **14-01**
(74) Name(s) of Attorney(s): **Wrays**
(71) Name(s) and Address(s) of Applicant(s):
Samsung Electronics Co., Ltd
129 Samsung-ro Yeongtong-gu Suwon-si Gyeonggi-do 443-742 Republic of Korea
(72) Name(s) of Designer(s): **Jae-Myoung Lee**
(45) Registration Date: **27 September 2012**
(30) Convention priority data:
(31) Number (32) Date (33) Country
30-2012-0001048 09 Jan 2012 REPUBLIC OF KOREA
(56) Related Art Documents: **Not Applicable**
(57) Statement of Newness and Distinctiveness: **Newness and distinctiveness is claimed in the features of pattern and/or ornamentation of the Display Screen For An Electronic Device as shown in in the accompanying representations. The features shown in broken lines are for illustrative purposes only and do not form part of the claimed design.**



(21) Design Number: **13227/2012**
(22) Date of Filing Application: **09 July 2012**
(24) Date from which industrial property rights may have effect: **09 July 2012**
(54) Product in respect of which the design is registered: **Display screen for an electronic device**
(51) International Design Classification: **14-01**
(74) Name(s) of Attorney(s): **Wrays**
(71) Name(s) and Address(s) of Applicant(s):
Samsung Electronics Co., Ltd
129 Samsung-ro Yeongtong-gu Suwon-si Gyeonggi-do 443-742 Republic of Korea
(72) Name(s) of Designer(s): **Jae-Myoung Lee**
(45) Registration Date: **27 September 2012**
(30) Convention priority data:
(31) Number (32) Date (33) Country
30-2012-0001050 09 Jan 2012 REPUBLIC OF KOREA
(56) Related Art Documents: **Not Applicable**
(57) Statement of Newness and Distinctiveness: **Newness and distinctiveness is claimed in the features of pattern and/or ornamentation of the Display Screen For An Electronic Device as shown in in the accompanying representations. The features shown in broken lines are for illustrative purposes only and do not form part of the claimed design.**



(21) Design Number: **13890/2012**

(22) Date of Filing Application: **10 August 2012**

(24) Date from which industrial property rights may have effect: **10 August 2012**

(54) Product in respect of which the design is registered: **Protective trousers**

(51) International Design Classification: **02-02B**

(74) Name(s) of Attorney(s):

(71) Name(s) and Address(s) of Applicant(s):

Marinko Marjanovic

109 Waterfall Drive Jerramomberra New South Wales 2619 Australia

(72) Name(s) of Designer(s): **Marinko Marjanovic**

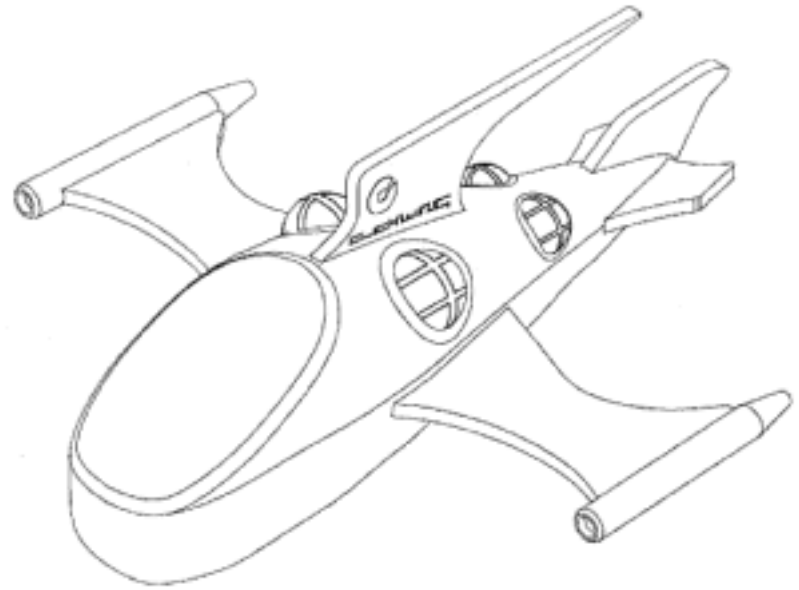
(45) Registration Date: **27 September 2012**

(56) Related Art Documents: **Not Applicable**

(57) Statement of Newness and Distinctiveness: **The claims relate to the following concerning newness and distinctiveness of RHOK Protective Trousers Distinctive and Unique Features A. The unique placement and pattern of the inner Kevlar lining utilising large one piece sections for front and rear of clothing item with rear section extending from waist band to mid calf area, front section covering front hip flexor area and exiting from mid thigh to mid shin. B. The triple stitching of the seams where the inner lining of Kevlar is attached to the outer material of the items. C. The unique placement and operation of pockets made of various materials for the insertion and retention of protective armour items. This frontal pocket is located in a position that is between behind the external layer of material and the internal Kevlar lining in the frontal section of the clothing item against the wearers body. The armour pockets are located between the body of the person wearing the clothing item and the internal Kevlar lining. D. The frontal armour pockets are placed in such a way on the front side of the clothing items as to be the same pattern as the Kevlar lining. The pockets are attached at the same seams as the Kevlar lining and utilise the same triple stitching at these seam points. The pockets contain a strip of hook Velcro (or similar product with retention properties) that grips the inserted knee armour and retains it in place while the item of clothing is being worn. E. The knee armour pockets are accessed by a hidden zipper access that is built into the seam at the front of the items of clothing where the internal pocket material and Kevlar lining are attached to the outer material of the clothing item. This allows for the external access of the armour pocket to insert or remove the armour without the need to fully remove the item of clothing for insertion and removal of armour. F. The hip armour pockets are attached to the clothing item**



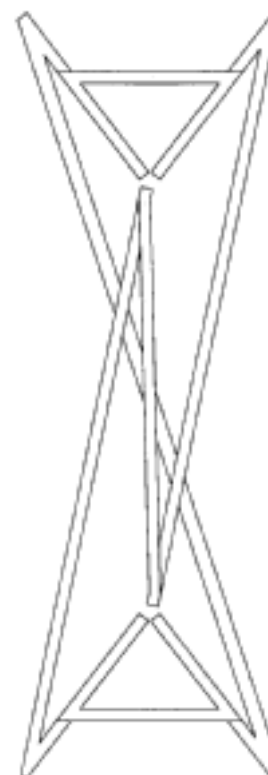
- (21) Design Number: **13824/2012**
(22) Date of Filing Application: **07 August 2012**
(24) Date from which industrial property rights may have effect: **07 August 2012**
(54) Product in respect of which the design is registered: **Clickwing spacecraft toy**
(51) International Design Classification: **21-01C**
(74) Name(s) of Attorney(s): **DLA Piper Australia**
(71) Name(s) and Address(s) of Applicant(s):
The Click Foundation
21-31 Goodwood Street Richmond Victoria 3121 Australia
(72) Name(s) of Designer(s): **Sinead Lau**
(45) Registration Date: **27 September 2012**
(56) Related Art Documents: **Not Applicable**
(57) Statement of Newness and Distinctiveness: **Nil**



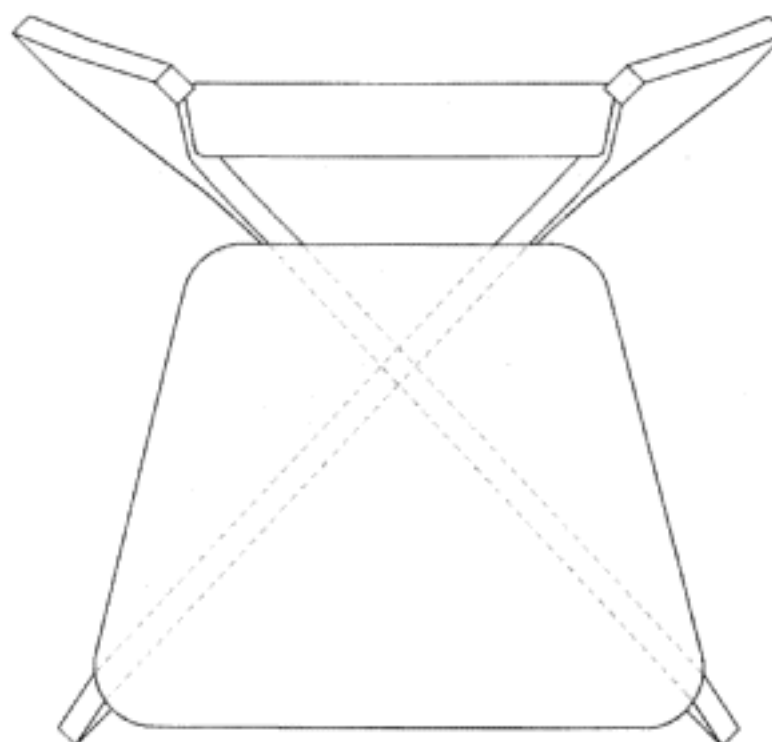
- (21) Design Number: **12569/2012**
(22) Date of Filing Application: **28 May 2012**
(24) Date from which industrial property rights may have effect: **28 May 2012**
(54) Product in respect of which the design is registered: **Car bin**
(51) International Design Classification: **09-09**
(74) Name(s) of Attorney(s):
(71) Name(s) and Address(s) of Applicant(s):
Mehrak Sahebkhari
34/66 Village Drive Breakfast Point New South Wales 2137 Australia
Naren Nadeswaran
34/66 Village Drive Breakfast Point New South Wales 2137 Australia
(72) Name(s) of Designer(s): **Mehrak Sahebkhari and Naren Nadeswaran**
(45) Registration Date: **27 September 2012**
(56) Related Art Documents: **Not Applicable**
(57) Statement of Newness and Distinctiveness: **The car bin designs are new & do not exist in Australia currently. The car bins have been designed to look like bags which will hang at the back of the passenger seat for convenience. The bags include special water proof material inside to protect leakage of any rubbish and are easily washable.**



- (21) Design Number: **11570/2012**
(22) Date of Filing Application: **27 March 2012**
(24) Date from which industrial property rights may have effect: **27 March 2012**
(54) Product in respect of which the design is registered: **Table base**
(51) International Design Classification: **06-06E**
(74) Name(s) of Attorney(s):
(71) Name(s) and Address(s) of Applicant(s):
Russell & George Pty Ltd
170 Peel Street Windsor Melbourne 3181 Australia
(72) Name(s) of Designer(s): **Byron George and Ryan Russell**
(45) Registration Date: **27 September 2012**
(56) Related Art Documents: **Not Applicable**
(57) Statement of Newness and Distinctiveness: **The design of this table base is new & unpublished. The distinctiveness of this design is in the shape, formed from a continuous angled steel profile with polished, mitred junctions the base appears to change in form when viewed from different perspectives. The base folds back at either end to provide a surface for the table top to be fixed.**



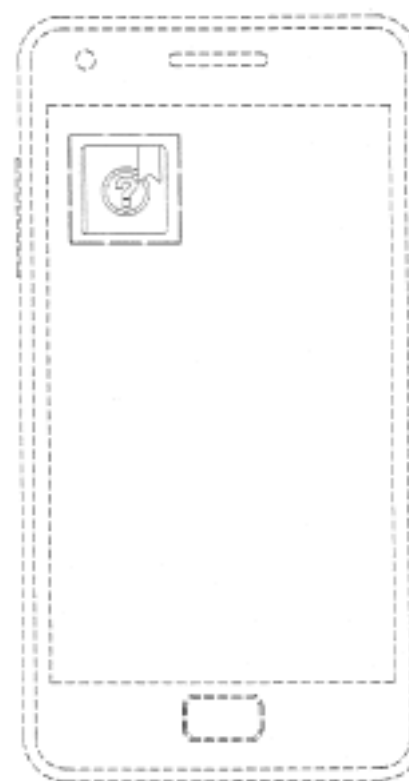
- (21) Design Number: **11935/2012**
(22) Date of Filing Application: **16 April 2012**
(24) Date from which industrial property rights may have effect: **16 April 2012**
(54) Product in respect of which the design is registered: **Chair**
(51) International Design Classification: **06-01F**
(74) Name(s) of Attorney(s):
(71) Name(s) and Address(s) of Applicant(s):
Russell & George Pty Ltd
170 Peel Street Windsor Melbourne 3181 Australia
(72) Name(s) of Designer(s): **Byron George and Ryan Russell**
(45) Registration Date: **27 September 2012**
(56) Related Art Documents: **Not Applicable**
(57) Statement of Newness and Distinctiveness: **The design of this chair is new & unpublished. The distinctiveness of this design is in the shape & construction, it is created from 2 ply legs which cross over and lock in the centre to form the base frame & support for the back rest, the seat & backrest added to the frame could be timber or upholstered.**



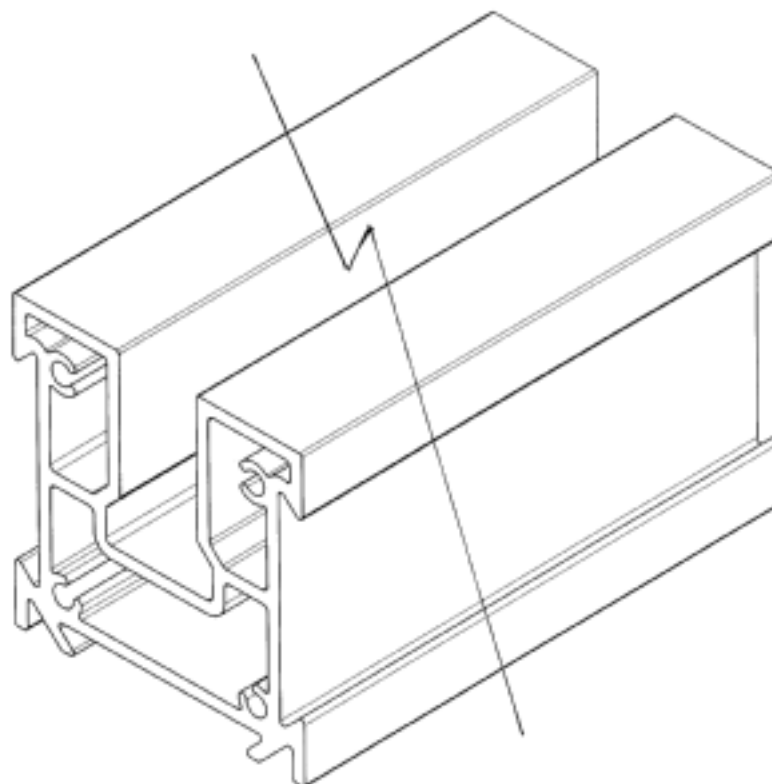
- (21) Design Number: **13744/2012**
(22) Date of Filing Application: **02 August 2012**
(24) Date from which industrial property rights may have effect: **02 August 2012**
(54) Product in respect of which the design is registered: **Display screen with icon for an electronic device**
(51) International Design Classification: **14-01**
(74) Name(s) of Attorney(s): **Wrays**
(71) Name(s) and Address(s) of Applicant(s):
Samsung Electronics Co., Ltd
129 Samsung-ro Yeongtong-gu Suwon-si Gyeonggi-do 443-742 Republic of Korea
(72) Name(s) of Designer(s): **Bo-Ran Lee and Jae-Yeon Jeong and Jung-Ah Seung**
(45) Registration Date: **28 September 2012**
(30) Convention priority data:
(31) Number (32) Date (33) Country
30-2012-0021331 02 May 2012 REPUBLIC OF KOREA
(56) Related Art Documents: **Not Applicable**
(57) Statement of Newness and Distinctiveness: **Newness and distinctiveness is claimed in the features of pattern and/or ornamentation of the Display Screen With Icon For An Electronic Device as shown in the accompanying representations. The features shown in broken lines are for illustrative purposes only and form no part of the claimed design.**



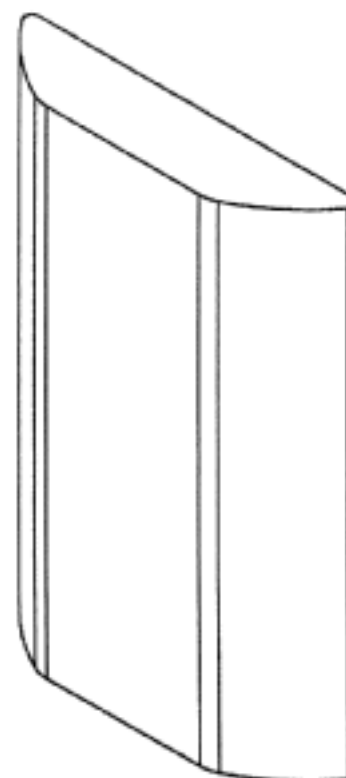
- (21) Design Number: **13747/2012**
(22) Date of Filing Application: **02 August 2012**
(24) Date from which industrial property rights may have effect: **02 August 2012**
(54) Product in respect of which the design is registered: **Display screen with icon for an electronic device**
(51) International Design Classification: **14-01**
(74) Name(s) of Attorney(s): **Wrays**
(71) Name(s) and Address(s) of Applicant(s):
Samsung Electronics Co., Ltd
129 Samsung-ro Yeongtong-gu Suwon-si Gyeonggi-do 443-742 Republic of Korea
(72) Name(s) of Designer(s): **Chul-Ho Jang and Hyung-Joo Jin**
(45) Registration Date: **28 September 2012**
(30) Convention priority data:
(31) Number (32) Date (33) Country
30-2012-0024526 18 May 2012 REPUBLIC OF KOREA
(56) Related Art Documents: **Not Applicable**
(57) Statement of Newness and Distinctiveness: **Newness and distinctiveness is claimed in the features of pattern and/or ornamentation of the Display Screen With Icon For An Electronic Device as shown in the accompanying representations. The features shown in broken lines are for illustrative purposes only and form no part of the claimed design.**



- (21) Design Number: **14022/2012**
(22) Date of Filing Application: **17 August 2012**
(24) Date from which industrial property rights may have effect: **17 August 2012**
(54) Product in respect of which the design is registered: **Rail of indeterminate length**
(51) International Design Classification: **25-02NES, 25-01K**
(74) Name(s) of Attorney(s): **Actuate IP**
(71) Name(s) and Address(s) of Applicant(s):
Interiorco Vic Pty Ltd
C/- Zenith Interiors 101 Tulip Street Sandringham Victoria 3191 Australia
(72) Name(s) of Designer(s): **Anthony Heap and Peter Mulqueen**
(45) Registration Date: **28 September 2012**
(56) Related Art Documents: **Not Applicable**
(57) Statement of Newness and Distinctiveness: **Newness and distinctiveness is claimed in the features of shape and/or configuration of the RAIL OF INDETERMINATE LENGTH as illustrated in the accompanying representations.**



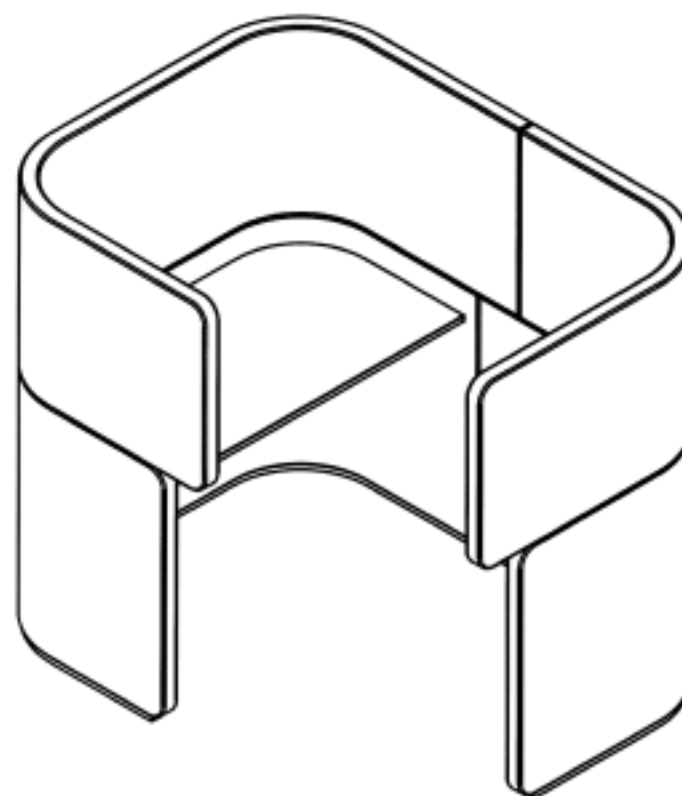
- (21) Design Number: **14023/2012**
(22) Date of Filing Application: **17 August 2012**
(24) Date from which industrial property rights may have effect: **17 August 2012**
(54) Product in respect of which the design is registered: **Mounting blade**
(51) International Design Classification: **08-08L**
(74) Name(s) of Attorney(s): **Actuate IP**
(71) Name(s) and Address(s) of Applicant(s):
Interiorco Vic Pty Ltd
C/- Zenith Interiors 101 Tulip Street Sandringham Victoria 3191 Australia
(72) Name(s) of Designer(s): **Anthony Heap and Peter Mulqueen**
(45) Registration Date: **28 September 2012**
(56) Related Art Documents: **Not Applicable**
(57) Statement of Newness and Distinctiveness: **Newness and distinctiveness is claimed in the features of shape and/or configuration of the MOUNTING BLADE as illustrated in the accompanying representations and in particular to the cross sectional shape of the blade.**



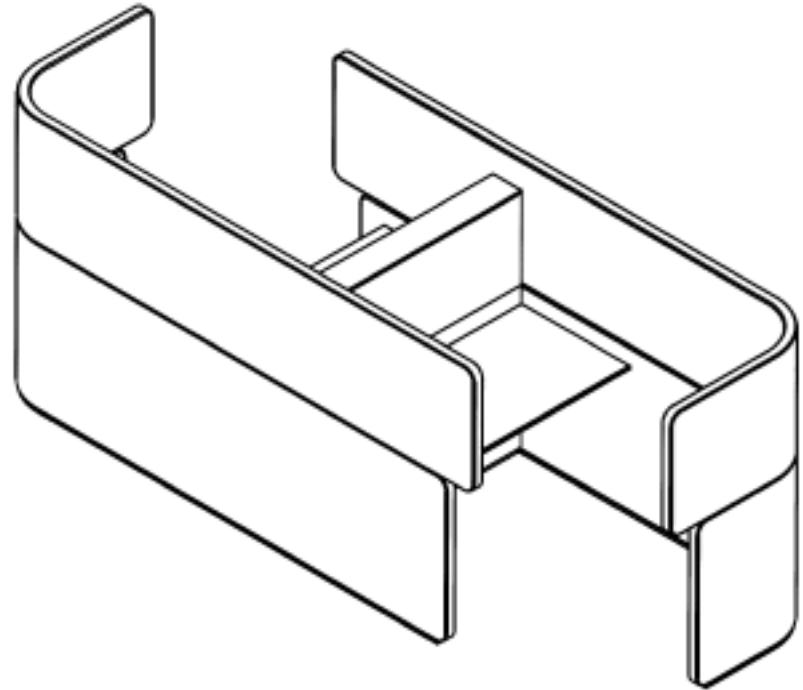
(21) Design Number: **14024/2012**
(22) Date of Filing Application: **17 August 2012**
(24) Date from which industrial property rights may have effect: **17 August 2012**
(54) Product in respect of which the design is registered: **Tyre**
(51) International Design Classification: **12-15B**
(74) Name(s) of Attorney(s): **Griffith Hack**
(71) Name(s) and Address(s) of Applicant(s):
Continental Reifen Deutschland GmbH
Vahrenwalder Str. 9 30165 Hannover Germany
(72) Name(s) of Designer(s): **Thomas Buchinger-Barnstorf and Florian Kristen**
(45) Registration Date: **28 September 2012**
(30) Convention priority data:
(31) Number (32) Date (33) Country
002037119 04 May 2012 EUROPEAN COMMUNITY
(56) Related Art Documents: **Not Applicable**
(57) Statement of Newness and Distinctiveness: **Newness and distinctiveness resides in the visual features, including shape, configuration and pattern, of a tread for a TYRE as shown in the accompanying representations.**



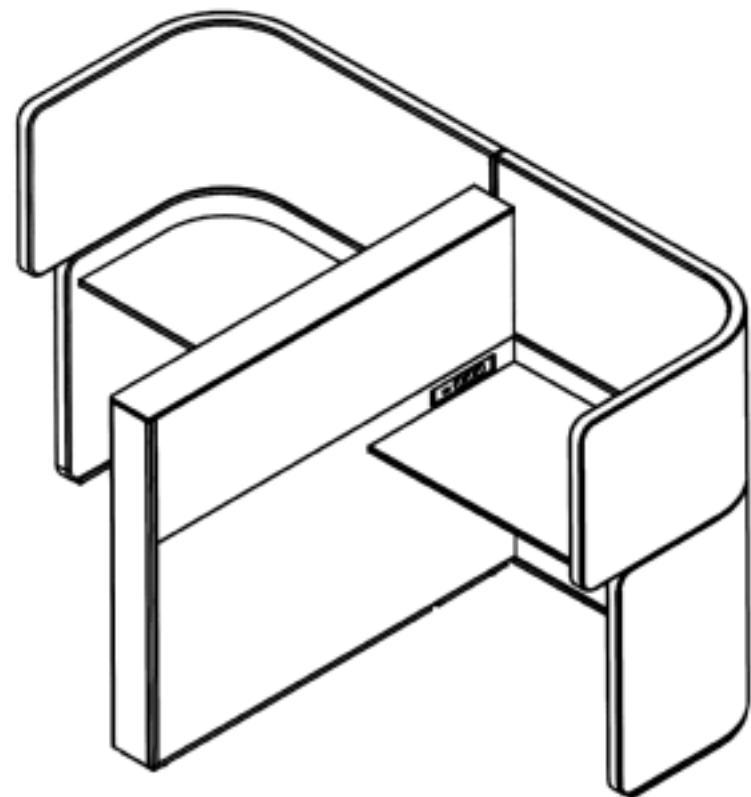
(21) Design Number: **14025/2012**
(22) Date of Filing Application: **17 August 2012**
(24) Date from which industrial property rights may have effect: **17 August 2012**
(54) Product in respect of which the design is registered: **Furniture**
(51) International Design Classification: **06-03C**
(74) Name(s) of Attorney(s): **Griffith Hack**
(71) Name(s) and Address(s) of Applicant(s):
Bene Ag
Schwarzwiesenstrasse 3 A-3340 Waidhofen/ybbs Austria
(72) Name(s) of Designer(s): **Tom Lloyd and Luke Pearson**
(45) Registration Date: **28 September 2012**
(30) Convention priority data:
(31) Number (32) Date (33) Country
2000034-0001 29 Feb 2012 EUROPEAN COMMUNITY
(56) Related Art Documents: **Not Applicable**
(57) Statement of Newness and Distinctiveness: **Nil**



(21) Design Number: **14026/2012**
(22) Date of Filing Application: **17 August 2012**
(24) Date from which industrial property rights may have effect: **17 August 2012**
(54) Product in respect of which the design is registered: **Furniture**
(51) International Design Classification: **06-03C**
(74) Name(s) of Attorney(s): **Griffith Hack**
(71) Name(s) and Address(s) of Applicant(s):
Bene Ag
Schwarzwiesenstrasse 3 A-3340 Waidhofen/ybbs Austria
(72) Name(s) of Designer(s): **Tom Lloyd and Luke Pearson**
(45) Registration Date: **28 September 2012**
(30) Convention priority data:
(31) Number (32) Date (33) Country
2000034-0004 29 Feb 2012 EUROPEAN COMMUNITY
(56) Related Art Documents: **Not Applicable**
(57) Statement of Newness and Distinctiveness: **Nil**



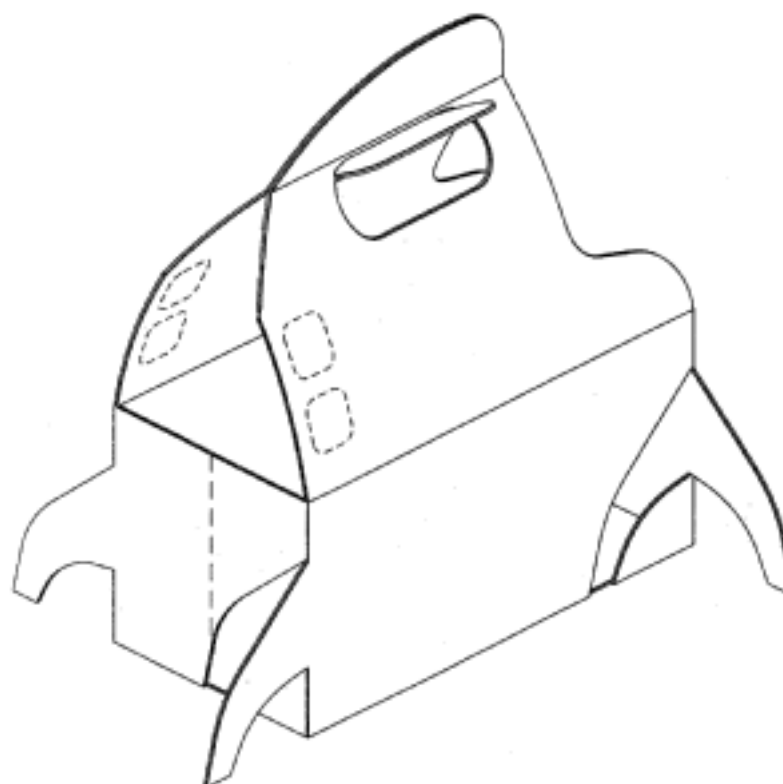
(21) Design Number: **14027/2012**
(22) Date of Filing Application: **17 August 2012**
(24) Date from which industrial property rights may have effect: **17 August 2012**
(54) Product in respect of which the design is registered: **Furniture**
(51) International Design Classification: **06-03C**
(74) Name(s) of Attorney(s): **Griffith Hack**
(71) Name(s) and Address(s) of Applicant(s):
Bene Ag
Schwarzwiesenstrasse 3 A-3340 Waidhofen/ybbs Austria
(72) Name(s) of Designer(s): **Tom Lloyd and Luke Pearson**
(45) Registration Date: **28 September 2012**
(30) Convention priority data:
(31) Number (32) Date (33) Country
2000034-0005 29 Feb 2012 EUROPEAN COMMUNITY
(56) Related Art Documents: **Not Applicable**
(57) Statement of Newness and Distinctiveness: **Nil**



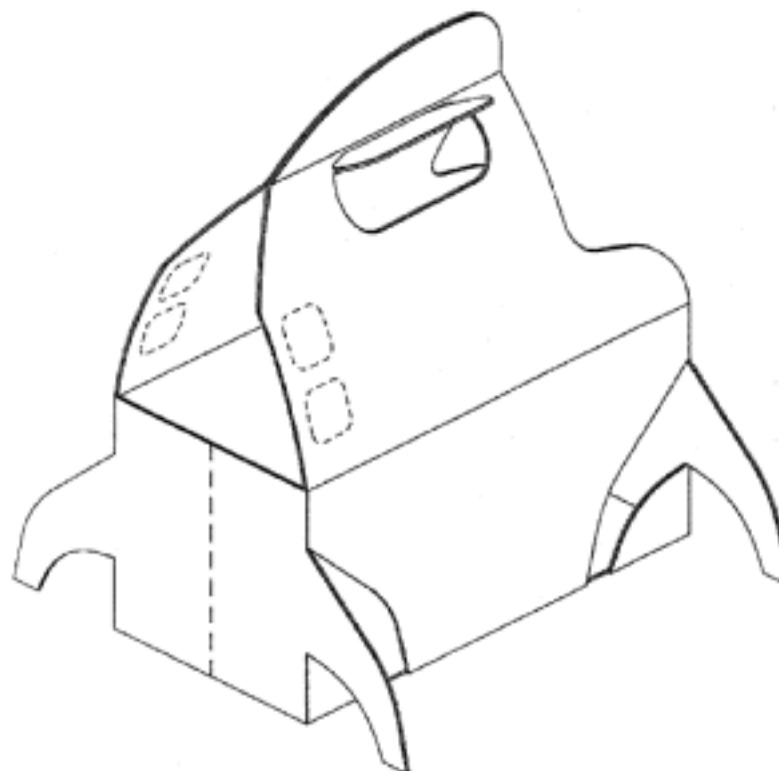
(21) Design Number: **14028/2012**
(22) Date of Filing Application: **17 August 2012**
(24) Date from which industrial property rights may have effect: **17 August 2012**
(54) Product in respect of which the design is registered: **Tyre**
(51) International Design Classification: **12-15B**
(74) Name(s) of Attorney(s): **Griffith Hack**
(71) Name(s) and Address(s) of Applicant(s):
Continental Reifen Deutschland GmbH
Vahrenwalder Str. 9 30165 Hannover Germany
(72) Name(s) of Designer(s): **Thomas Buchinger-Barnstorf and Florian Kristen**
(45) Registration Date: **28 September 2012**
(30) Convention priority data:
(31) Number (32) Date (33) Country
002037002 04 May 2012 EUROPEAN COMMUNITY
(56) Related Art Documents: **Not Applicable**
(57) Statement of Newness and Distinctiveness: **Newness and distinctiveness resides in the visual features, including shape, configuration and pattern, of a tread for a TYRE as shown in the accompanying representations.**



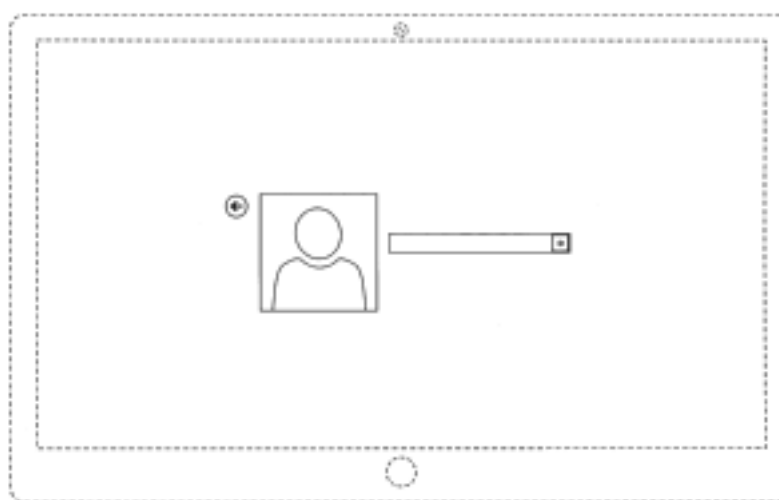
(21) Design Number: **14066/2012**
(22) Date of Filing Application: **20 August 2012**
(24) Date from which industrial property rights may have effect: **20 August 2012**
(54) Product in respect of which the design is registered: **Container**
(51) International Design Classification: **09-03M**
(74) Name(s) of Attorney(s): **Herbert Smith Freehills**
(71) Name(s) and Address(s) of Applicant(s):
Mark Tuppen
Down Park House Down Park Turners Hill Road Crawley Down West
Sussex RH10 4HQ United Kingdom
(72) Name(s) of Designer(s): **Mark Tuppen**
(45) Registration Date: **28 September 2012**
(30) Convention priority data:
(31) Number (32) Date (33) Country
4023551 20 Feb 2012 UNITED KINGDOM
(56) Related Art Documents: **Not Applicable**
(57) Statement of Newness and Distinctiveness: **Nil**



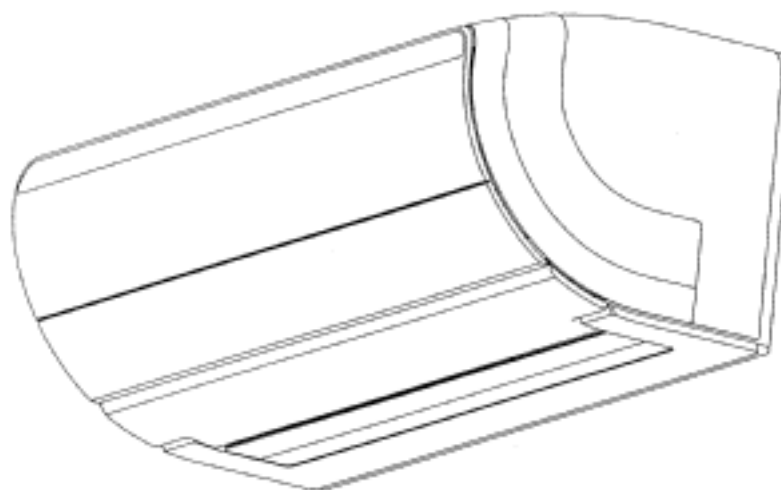
(21) Design Number: **14067/2012**
(22) Date of Filing Application: **20 August 2012**
(24) Date from which industrial property rights may have effect: **20 August 2012**
(54) Product in respect of which the design is registered: **Container**
(51) International Design Classification: **09-03M**
(74) Name(s) of Attorney(s): **Herbert Smith Freehills**
(71) Name(s) and Address(s) of Applicant(s):
Mark Tuppen
Down Park House Down Park Turners Hill Road Crawley Down West
Sussex RH10 4HQ United Kingdom
(72) Name(s) of Designer(s): **Mark Tuppen**
(45) Registration Date: **28 September 2012**
(30) Convention priority data:
(31) Number (32) Date (33) Country
4023550 20 Feb 2012 UNITED KINGDOM
(56) Related Art Documents: **Not Applicable**
(57) Statement of Newness and Distinctiveness: **Nil**



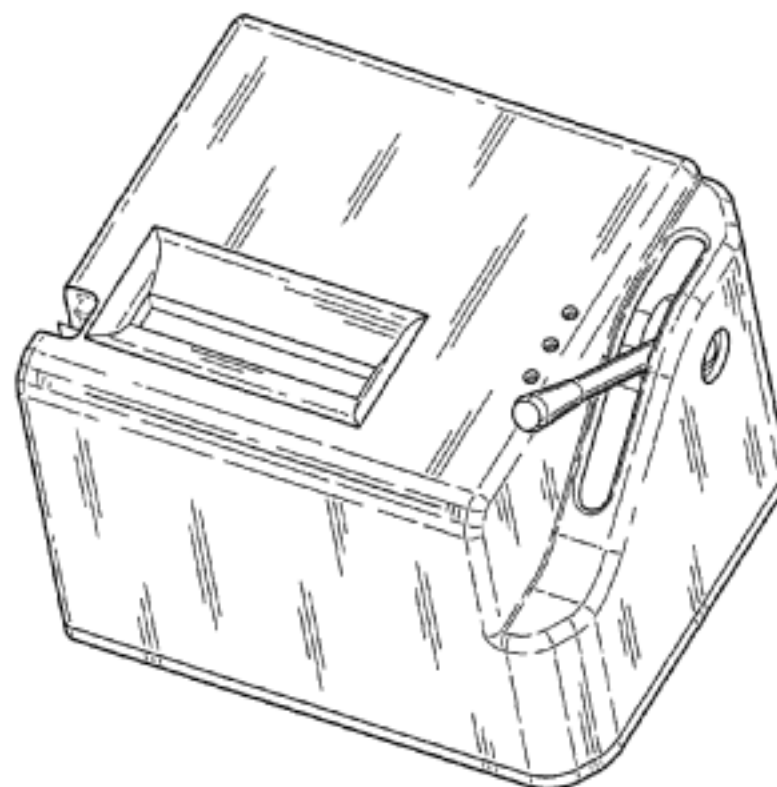
(21) Design Number: **14246/2012**
(22) Date of Filing Application: **28 August 2012**
(24) Date from which industrial property rights may have effect: **28 August 2012**
(54) Product in respect of which the design is registered: **Display screen with user interface**
(51) International Design Classification: **14-01**
(74) Name(s) of Attorney(s): **Shelston IP**
(71) Name(s) and Address(s) of Applicant(s):
Microsoft Corporation
One Microsoft Way Redmond Washington 98052 United States of America
(72) Name(s) of Designer(s): **Sean Wen**
(45) Registration Date: **28 September 2012**
(30) Convention priority data:
(31) Number (32) Date (33) Country
29/414393 28 Feb 2012 UNITED STATES OF AMERICA
(56) Related Art Documents: **Not Applicable**
(57) Statement of Newness and Distinctiveness: **Newness and distinctiveness reside in the features of pattern and/or ornamentation of a display screen with user interface as illustrated by solid lines in the accompanying representations. The features shown in broken outline are for contextual purposes only and do not form part of the design.**



(21) Design Number: **14252/2012**
(22) Date of Filing Application: **28 August 2012**
(24) Date from which industrial property rights may have effect: **28 August 2012**
(54) Product in respect of which the design is registered: **Air conditioner**
(51) International Design Classification: **23-04**
(74) Name(s) of Attorney(s): **Herbert Smith Freehills**
(71) Name(s) and Address(s) of Applicant(s):
Daikin Industries Ltd
Umeda Center Building 4-12 Nakazaki-Nishi 2-chome Kita-ku Osaka-shi
Osaka-fu Japan
(72) Name(s) of Designer(s): **Kouichirou Seki**
(45) Registration Date: **28 September 2012**
(30) Convention priority data:
(31) Number (32) Date (33) Country
2012-006680 23 Mar 2012 JAPAN
(56) Related Art Documents: **Not Applicable**
(57) Statement of Newness and Distinctiveness: **Newness and distinctiveness of the design resides in the shape and configuration of an air conditioner as shown in the accompanying representations.**



(21) Design Number: **14253/2012**
(22) Date of Filing Application: **28 August 2012**
(24) Date from which industrial property rights may have effect: **28 August 2012**
(54) Product in respect of which the design is registered: **Tabletop semi-automatic cigarette making machine**
(51) International Design Classification: **27-99**
(74) Name(s) of Attorney(s): **Computer Patent Annuities (Global)**
(71) Name(s) and Address(s) of Applicant(s):
Republic Tobacco L.P.
2301 Ravine Way Glenview IL 60025 United States of America
(72) Name(s) of Designer(s): **Mei Lin**
(45) Registration Date: **28 September 2012**
(30) Convention priority data:
(31) Number (32) Date (33) Country
29/414360 28 Feb 2012 UNITED STATES OF AMERICA
(56) Related Art Documents: **Not Applicable**
(57) Statement of Newness and Distinctiveness: **Newness and distinctiveness resides in the visual features, including shape and configuration, as shown by the solid lines in the accompanying drawings. The features shown by dashed lines in the accompanying drawings do not form part of the design.**



- (21) Design Number: **14255/2012**
(22) Date of Filing Application: **28 August 2012**
(24) Date from which industrial property rights may have effect: **28 August 2012**
(54) Product in respect of which the design is registered: **A frame**
(51) International Design Classification: **12-12**
(74) Name(s) of Attorney(s): **SPRUSON & FERGUSON**
(71) Name(s) and Address(s) of Applicant(s):
Stokke AS
Haahjem 6260 Skodje Norway
(72) Name(s) of Designer(s): **Hans-Cato Slotteroy and Alf Vegard Fjelland and Oscar Johansen and Eivind Halseth and Hilde Angelfoss**
(45) Registration Date: **28 September 2012**
(30) Convention priority data:
(31) Number (32) Date (33) Country
20120232 13 Mar 2012 NORWAY
(56) Related Art Documents: **Not Applicable**
(57) Statement of Newness and Distinctiveness: **Newness and distinctiveness is claimed in the features of shape and/or configuration of a frame as illustrated in the accompanying representations.**



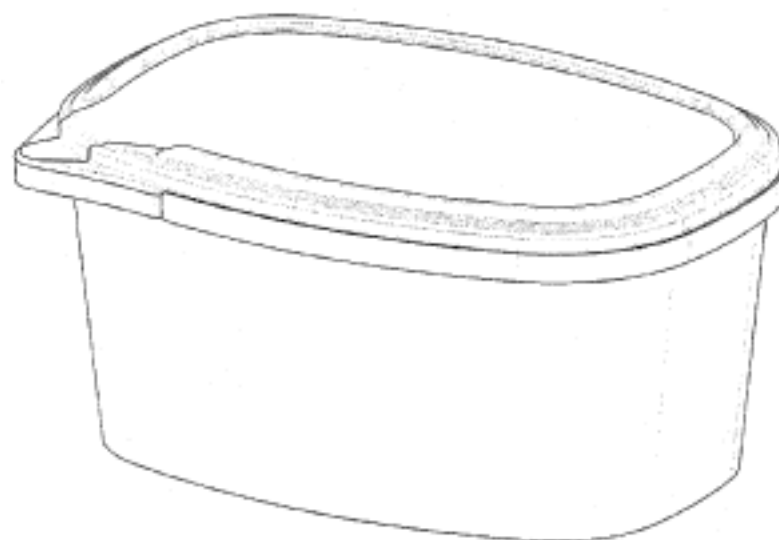
- (21) Design Number: **14256/2012**
(22) Date of Filing Application: **28 August 2012**
(24) Date from which industrial property rights may have effect: **28 August 2012**
(54) Product in respect of which the design is registered: **A carrycot**
(51) International Design Classification: **06-02**
(74) Name(s) of Attorney(s): **SPRUSON & FERGUSON**
(71) Name(s) and Address(s) of Applicant(s):
Stokke AS
Haahjem 6260 Skodje Norway
(72) Name(s) of Designer(s): **Hans-Cato Slotteroy and Alf Vegard Fjelland and Oscar Johansen and Eivind Halseth and Hilde Angelfoss**
(45) Registration Date: **28 September 2012**
(30) Convention priority data:
(31) Number (32) Date (33) Country
20120232 13 Mar 2012 NORWAY
(56) Related Art Documents: **Not Applicable**
(57) Statement of Newness and Distinctiveness: **Newness and distinctiveness is claimed in the features of shape and/or configuration of a carrycot as illustrated in the accompanying representations.**



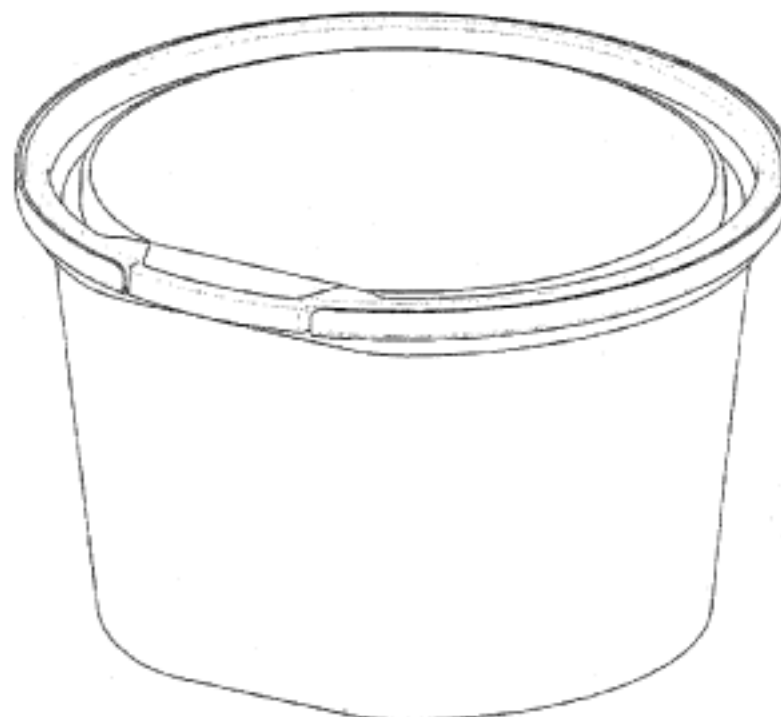
- (21) Design Number: **14257/2012**
(22) Date of Filing Application: **28 August 2012**
(24) Date from which industrial property rights may have effect: **28 August 2012**
(54) Product in respect of which the design is registered: **A frame**
(51) International Design Classification: **12-12**
(74) Name(s) of Attorney(s): **SPRUSON & FERGUSON**
(71) Name(s) and Address(s) of Applicant(s):
Stokke AS
Haahjem 6260 Skodje Norway
(72) Name(s) of Designer(s): **Hans-Cato Slotteroy and Alf Vegard Fjelland and Oscar Johansen and Eivind Halseth and Hilde Angelfoss**
(45) Registration Date: **28 September 2012**
(30) Convention priority data:
(31) Number (32) Date (33) Country
20120232 13 Mar 2012 NORWAY
(56) Related Art Documents: **Not Applicable**
(57) Statement of Newness and Distinctiveness: **Newness and distinctiveness is claimed in the features of shape and/or configuration of a frame as illustrated in the accompanying representations.**



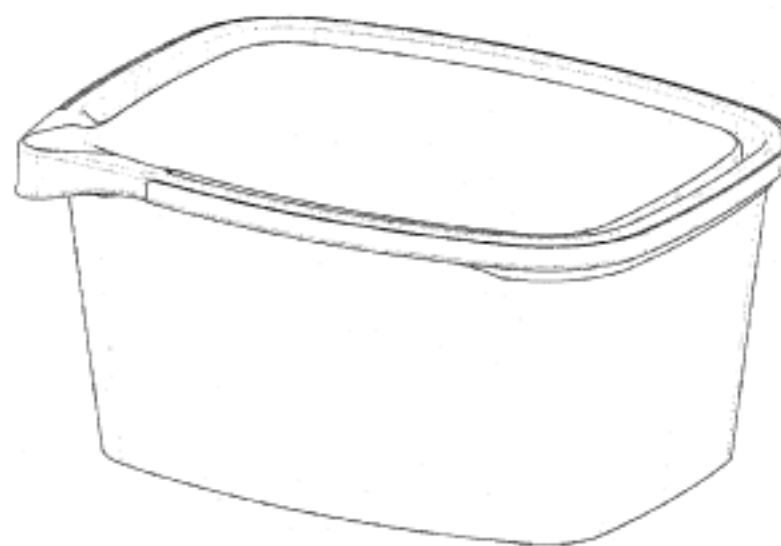
- (21) Design Number: **10747/2012**
(22) Date of Filing Application: **16 February 2012**
(24) Date from which industrial property rights may have effect: **16 February 2012**
(54) Product in respect of which the design is registered: **Container**
(51) International Design Classification: **09-03M, 09-03NES, 07-01NES**
(74) Name(s) of Attorney(s): **Smooenburg Pini Patent & Trade Mark Attorneys**
(71) Name(s) and Address(s) of Applicant(s):
Alto Manufacturing Pty Ltd
Level 16 644 Chapel Street South Yarra Victoria 3141 Australia
(72) Name(s) of Designer(s): **Ian Janetzki and Marc Fraser**
(45) Registration Date: **28 September 2012**
(56) Related Art Documents: **Not Applicable**
(57) Statement of Newness and Distinctiveness: **Newness and distinctiveness is claimed in features of shape and/or configuration of a container as illustrated in the accompanying representations.**



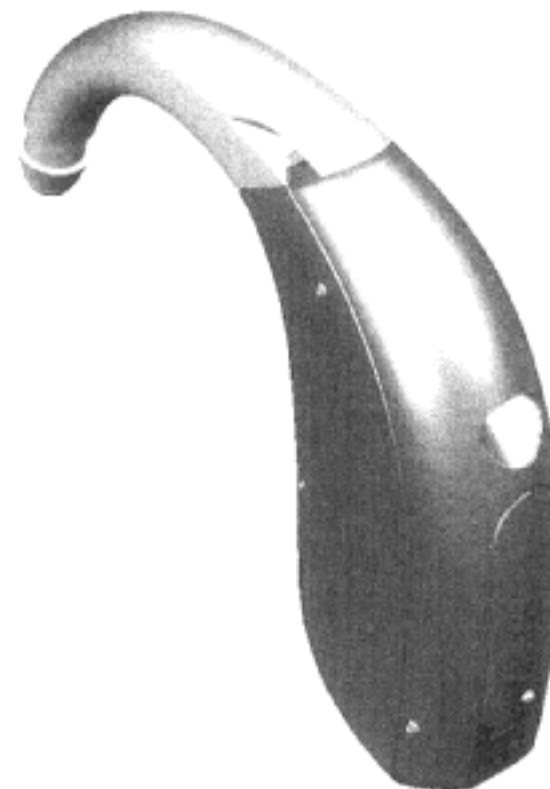
- (21) Design Number: **10748/2012**
(22) Date of Filing Application: **16 February 2012**
(24) Date from which industrial property rights may have effect: **16 February 2012**
(54) Product in respect of which the design is registered: **Container**
(51) International Design Classification: **09-03L, 07-01NES**
(74) Name(s) of Attorney(s): **Smooenburg Pini Patent & Trade Mark Attorneys**
(71) Name(s) and Address(s) of Applicant(s):
Alto Manufacturing Pty Ltd
Level 16 644 Chapel Street South Yarra Victoria 3141 Australia
(72) Name(s) of Designer(s): **Ian Janetzki and Marc Fraser**
(45) Registration Date: **28 September 2012**
(56) Related Art Documents: **Not Applicable**
(57) Statement of Newness and Distinctiveness: **Newness and distinctiveness is claimed in features of shape and/or configuration of a container as illustrated in the accompanying representations.**



- (21) Design Number: **10752/2012**
(22) Date of Filing Application: **16 February 2012**
(24) Date from which industrial property rights may have effect: **16 February 2012**
(54) Product in respect of which the design is registered: **Container**
(51) International Design Classification: **09-03M, 09-03NES, 07-01NES**
(74) Name(s) of Attorney(s): **Smooenburg Pini Patent & Trade Mark Attorneys**
(71) Name(s) and Address(s) of Applicant(s):
Alto Manufacturing Pty Ltd
Level 16 644 Chapel Street South Yarra Victoria 3141 Australia
(72) Name(s) of Designer(s): **Ian Janetzki and Marc Fraser**
(45) Registration Date: **28 September 2012**
(56) Related Art Documents: **Not Applicable**
(57) Statement of Newness and Distinctiveness: **Newness and distinctiveness is claimed in features of shape and/or configuration of a container as illustrated in the accompanying representations.**



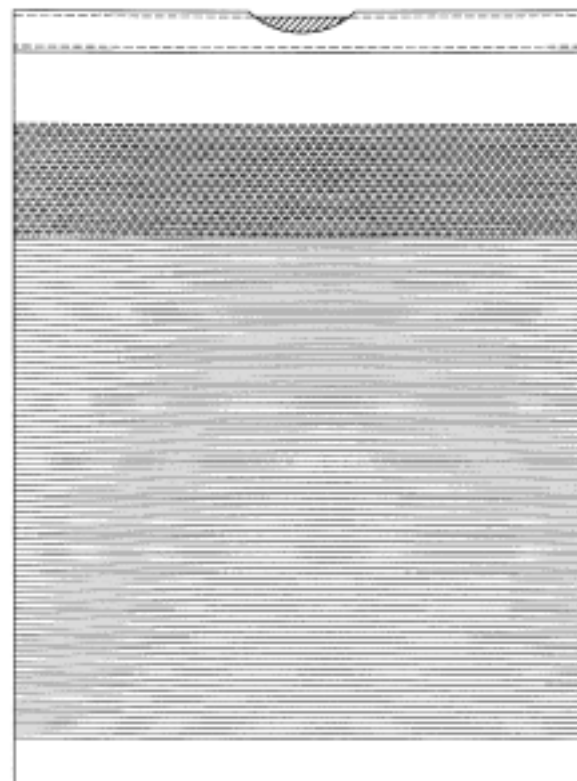
(21) Design Number: **14330/2012**
(22) Date of Filing Application: **31 August 2012**
(24) Date from which industrial property rights may have effect: **31 August 2012**
(54) Product in respect of which the design is registered: **Mini BTE hearing aid**
(51) International Design Classification: **24-99**
(74) Name(s) of Attorney(s): **Golja Haines & Friend**
(71) Name(s) and Address(s) of Applicant(s):
Oticon A/S
Kongebakken 9 DK-2765 Smørum Denmark
(72) Name(s) of Designer(s): **Christian Lockenwitz**
(45) Registration Date: **02 October 2012**
(30) Convention priority data:
(31) Number (32) Date (33) Country
002002063-0001 02 Mar 2012 EUROPEAN COMMUNITY
(56) Related Art Documents: **Not Applicable**
(57) Statement of Newness and Distinctiveness: **Nil**



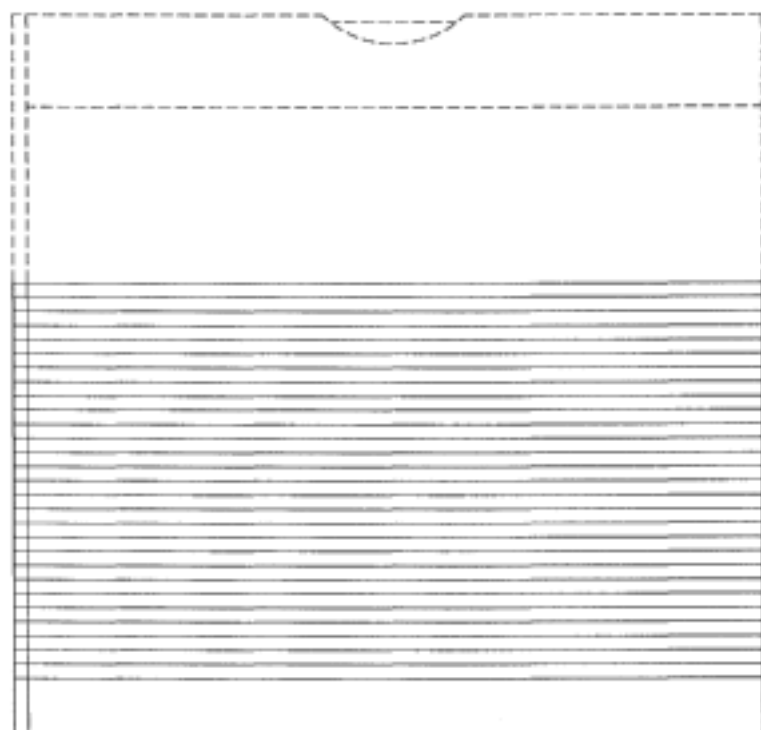
(21) Design Number: **14341/2012**
(22) Date of Filing Application: **03 September 2012**
(24) Date from which industrial property rights may have effect: **03 September 2012**
(54) Product in respect of which the design is registered: **Station for managing bicycle rental**
(51) International Design Classification: **12-16K**
(74) Name(s) of Attorney(s): **Griffith Hack**
(71) Name(s) and Address(s) of Applicant(s):
Societe de velo en libre-service
2113 32nd Avenue Lachine QC H8T 3J1 Canada
(72) Name(s) of Designer(s): **Michel Dallaire**
(45) Registration Date: **02 October 2012**
(30) Convention priority data:
(31) Number (32) Date (33) Country
29/415,392 09 Mar 2012 UNITED STATES OF AMERICA
(56) Related Art Documents: **Not Applicable**
(57) Statement of Newness and Distinctiveness: **The shape, configuration and ornamentation of the product as shown by means of solid lines in the representations is new and distinctive. Those parts shown by means of dashed lines have been included for illustrative purposes only and do not form part of the design.**



(21) Design Number: **14343/2012**
(22) Date of Filing Application: **03 September 2012**
(24) Date from which industrial property rights may have effect: **03 September 2012**
(54) Product in respect of which the design is registered: **Trash bag**
(51) International Design Classification: **09-05**
(74) Name(s) of Attorney(s): **PIZZEYS**
(71) Name(s) and Address(s) of Applicant(s):
The Glad Products Company
1221 Broadway Oakland CA 94612 United States of America
(72) Name(s) of Designer(s): **Robert W. Fraser and Kyle R. Wilcoxon**
(45) Registration Date: **02 October 2012**
(30) Convention priority data:
(31) Number (32) Date (33) Country
29/415,018 06 Mar 2012 UNITED STATES OF AMERICA
(56) Related Art Documents: **Not Applicable**
(57) Statement of Newness and Distinctiveness: **Nil**



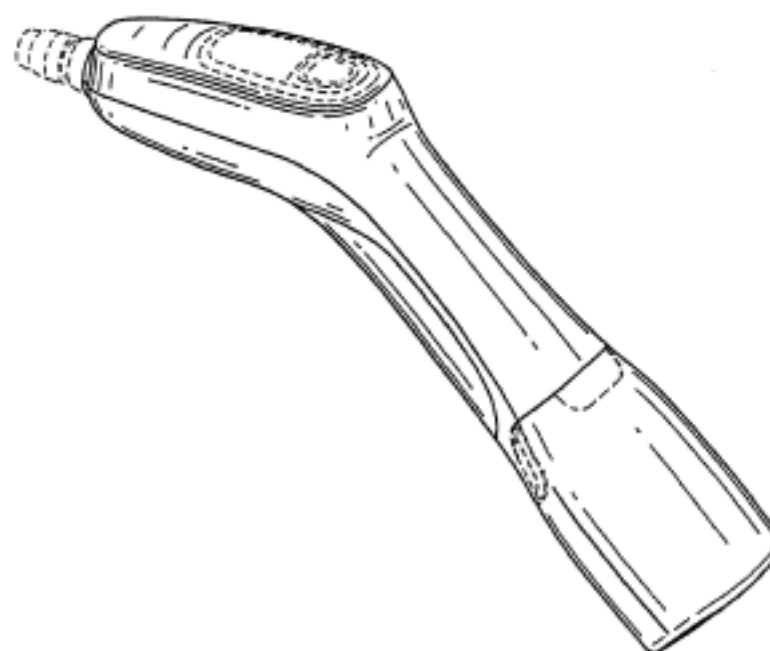
(21) Design Number: **14344/2012**
(22) Date of Filing Application: **03 September 2012**
(24) Date from which industrial property rights may have effect: **03 September 2012**
(54) Product in respect of which the design is registered: **Trash bag**
(51) International Design Classification: **09-05**
(74) Name(s) of Attorney(s): **PIZZEYS**
(71) Name(s) and Address(s) of Applicant(s):
The Glad Products Company
1221 Broadway Oakland CA 94612 United States of America
(72) Name(s) of Designer(s): **Robert W. Fraser and Kyle R. Wilcoxon**
(45) Registration Date: **02 October 2012**
(30) Convention priority data:
(31) Number (32) Date (33) Country
29/415,956 06 Mar 2012 UNITED STATES OF AMERICA
(56) Related Art Documents: **Not Applicable**
(57) Statement of Newness and Distinctiveness: **Nil**



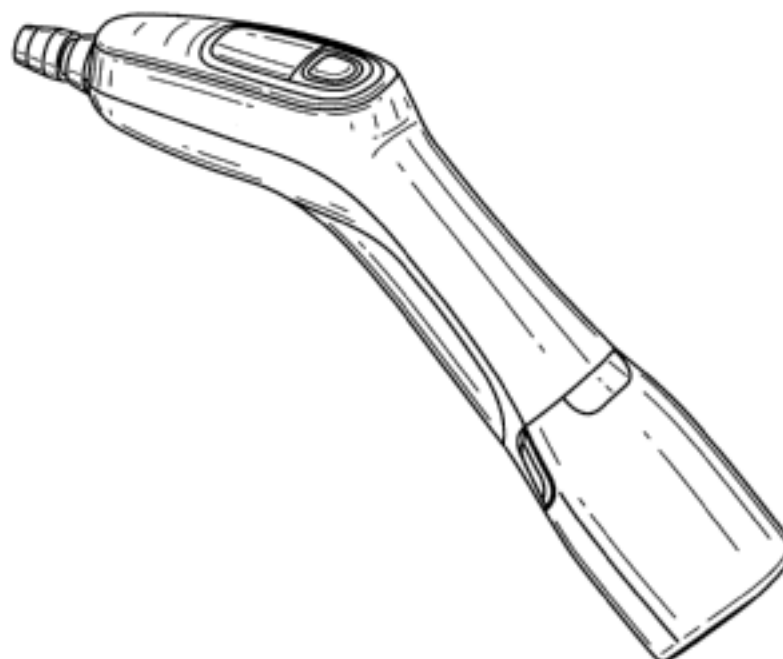
- (21) Design Number: **14258/2012**
(22) Date of Filing Application: **28 August 2012**
(24) Date from which industrial property rights may have effect: **28 August 2012**
(54) Product in respect of which the design is registered: **A seat**
(51) International Design Classification: **06-01NES, 12-12**
(74) Name(s) of Attorney(s): **SPRUSON & FERGUSON**
(71) Name(s) and Address(s) of Applicant(s):
Stokke AS
Haahjem 6260 Skodje Norway
(72) Name(s) of Designer(s): **Hans-Cato Slotteroy and Alf Vegard Fjelland and Oscar Johansen and Eivind Halseth and Hilde Angelfoss**
(45) Registration Date: **02 October 2012**
(30) Convention priority data:
(31) Number (32) Date (33) Country
20120232 13 Mar 2012 NORWAY
(56) Related Art Documents: **Not Applicable**
(57) Statement of Newness and Distinctiveness: **Newness and distinctiveness is claimed in the features of shape and/or configuration of a seat as illustrated in the accompanying representations.**



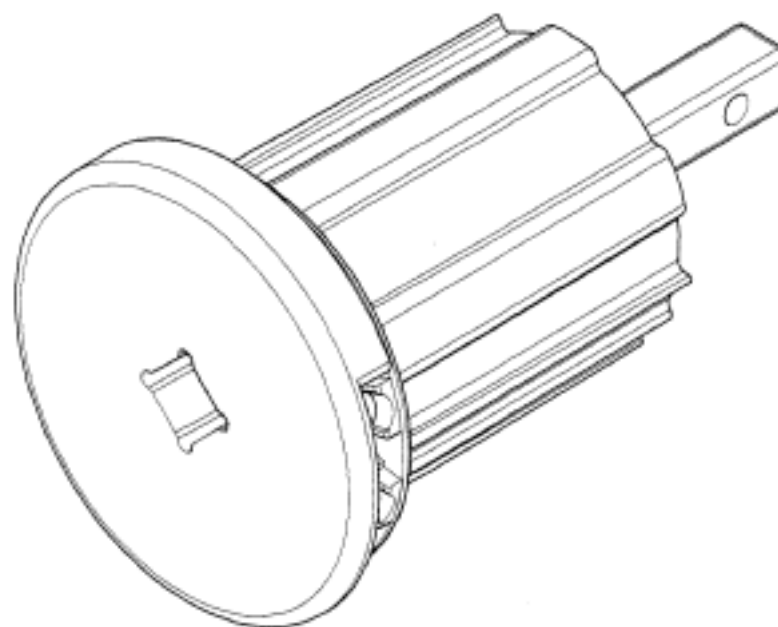
- (21) Design Number: **14259/2012**
(22) Date of Filing Application: **28 August 2012**
(24) Date from which industrial property rights may have effect: **28 August 2012**
(54) Product in respect of which the design is registered: **Medical device**
(51) International Design Classification: **24-02**
(74) Name(s) of Attorney(s): **Cotters Patent & Trade Mark Attorneys**
(71) Name(s) and Address(s) of Applicant(s):
Activator Methods International, Ltd
2950 N. 7th Street Suite 200 Phoenix Arizona 85014 United States of America
(72) Name(s) of Designer(s): **Arlan W Fuhr and Michael Liebschner and Yani Deros and Joseph Morin and Craig Ovans**
(45) Registration Date: **02 October 2012**
(30) Convention priority data:
(31) Number (32) Date (33) Country
29/414,407 28 Feb 2012 UNITED STATES OF AMERICA
(56) Related Art Documents: **Not Applicable**
(57) Statement of Newness and Distinctiveness: **Newness and distinctiveness is claimed in the features of shape and/or configuration of a medical device as depicted in the accompanying drawings, having particular regard to the features shown in continuous lines.**



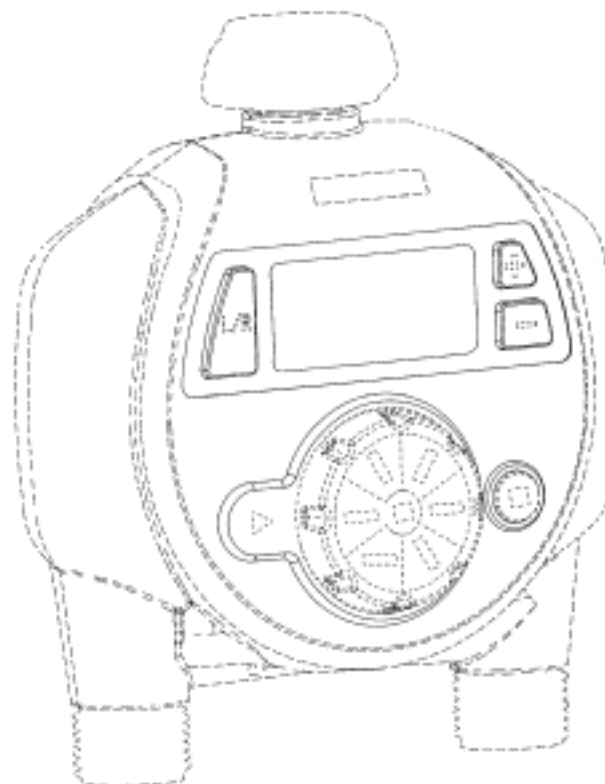
- (21) Design Number: **14260/2012**
(22) Date of Filing Application: **28 August 2012**
(24) Date from which industrial property rights may have effect: **28 August 2012**
(54) Product in respect of which the design is registered: **Medical device**
(51) International Design Classification: **24-02**
(74) Name(s) of Attorney(s): **Cotters Patent & Trade Mark Attorneys**
(71) Name(s) and Address(s) of Applicant(s):
Activator Methods International, Ltd
2950 N. 7th Street Suite 200 Phoenix Arizona 85014 United States of America
(72) Name(s) of Designer(s): **Arlan W Fuhr and Michael Liebschner and Yani Deros and Joseph Morin and Craig Ovans**
(45) Registration Date: **02 October 2012**
(30) Convention priority data:
(31) Number (32) Date (33) Country
29/414,408 28 Feb 2012 UNITED STATES OF AMERICA
(56) Related Art Documents: **Not Applicable**
(57) Statement of Newness and Distinctiveness: **Newness and distinctiveness is claimed in the features of shape and/or configuration of a medical device as depicted in the accompanying drawings.**



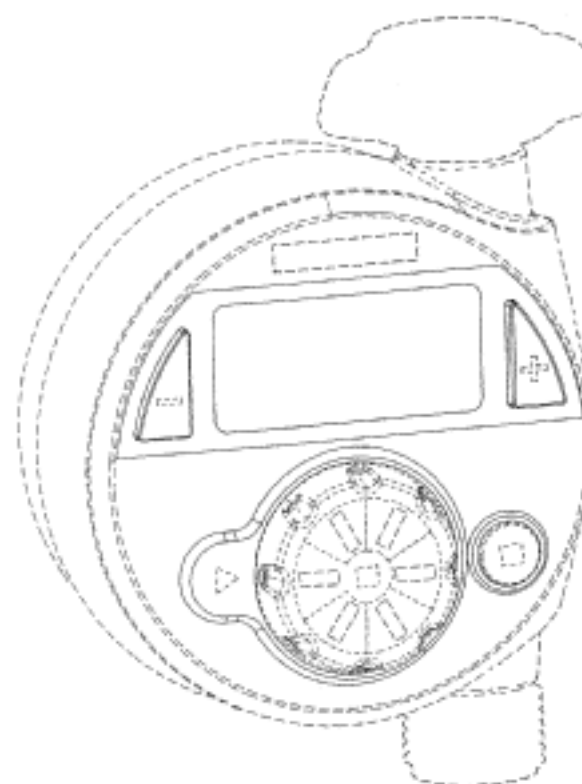
- (21) Design Number: **14264/2012**
(22) Date of Filing Application: **28 August 2012**
(24) Date from which industrial property rights may have effect: **28 August 2012**
(54) Product in respect of which the design is registered: **Scrolling device for curtain**
(51) International Design Classification: **08-08H**
(74) Name(s) of Attorney(s): **Fisher Adams Kelly**
(71) Name(s) and Address(s) of Applicant(s):
Yi-Chin Tao
No. 76 Meixian Street Gushan District Koahsiung City Taiwan
(72) Name(s) of Designer(s): **Yi-Chin Tao**
(45) Registration Date: **02 October 2012**
(56) Related Art Documents: **Not Applicable**
(57) Statement of Newness and Distinctiveness: **The newness and distinctiveness of the design resides in the shape and/or configuration of the SCROLLING DEVICE FOR CURTAIN shown in the representations.**



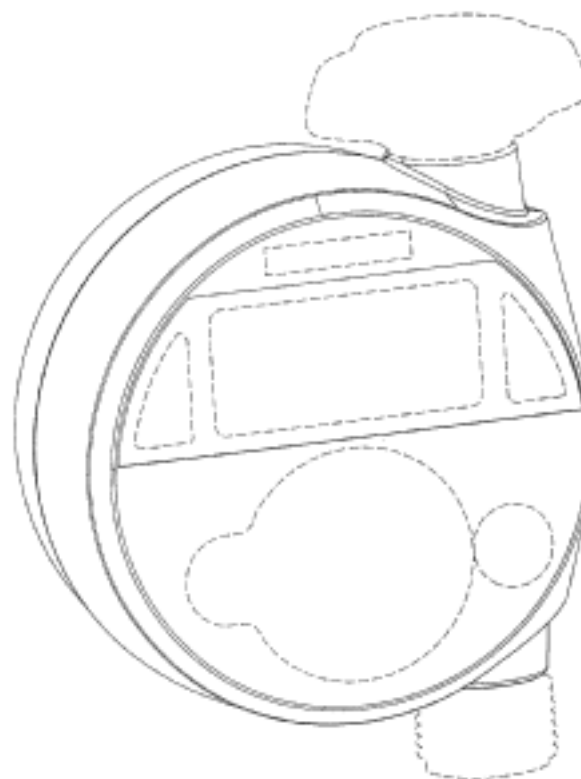
(21) Design Number: **14265/2012**
(22) Date of Filing Application: **28 August 2012**
(24) Date from which industrial property rights may have effect: **28 August 2012**
(54) Product in respect of which the design is registered: **User interface for a water timer**
(51) International Design Classification: **10-03**
(74) Name(s) of Attorney(s): **Callinans**
(71) Name(s) and Address(s) of Applicant(s):
Robert Bosch Gmbh
Postfach 30 02 20 D070442 Stuttgart Germany
(72) Name(s) of Designer(s): **Anand Chandran and Robert Richard Brimble and Linda Kay Waible**
(45) Registration Date: **02 October 2012**
(30) Convention priority data:
(31) Number (32) Date (33) Country
29/414,520 29 Feb 2012 UNITED STATES OF AMERICA
(56) Related Art Documents: **Not Applicable**
(57) Statement of Newness and Distinctiveness: **Newness and distinctiveness are provided by the shape and/or configuration of the design shown in the representations. The features shown in broken lines in the representations are for illustrative purposes only and should not be considered when construing visual features of the design.**



(21) Design Number: **14266/2012**
(22) Date of Filing Application: **28 August 2012**
(24) Date from which industrial property rights may have effect: **28 August 2012**
(54) Product in respect of which the design is registered: **User interface for a water timer**
(51) International Design Classification: **10-04**
(74) Name(s) of Attorney(s): **Callinans**
(71) Name(s) and Address(s) of Applicant(s):
Robert Bosch Gmbh
Postfach 30 02 20 D070442 Stuttgart Germany
(72) Name(s) of Designer(s): **Anand Chandran and Robert Richard Brimble and Linda Kay Waible**
(45) Registration Date: **02 October 2012**
(30) Convention priority data:
(31) Number (32) Date (33) Country
29/414,516 29 Feb 2012 UNITED STATES OF AMERICA
(56) Related Art Documents: **Not Applicable**
(57) Statement of Newness and Distinctiveness: **Newness and distinctiveness are provided by the shape and/or configuration of the design shown in the representations. The features shown in broken lines in the representations are for illustrative purposes only and should not be considered when construing visual features of the design.**



(21) Design Number: **14267/2012**
(22) Date of Filing Application: **28 August 2012**
(24) Date from which industrial property rights may have effect: **28 August 2012**
(54) Product in respect of which the design is registered: **Water timer**
(51) International Design Classification: **10-04**
(74) Name(s) of Attorney(s): **Callinans**
(71) Name(s) and Address(s) of Applicant(s):
Robert Bosch GmbH
Postfach 30 02 20 D070442 Stuttgart Germany
(72) Name(s) of Designer(s): **Anand Chandran and Robert Richard Brimble and Linda Kay Waible**
(45) Registration Date: **02 October 2012**
(30) Convention priority data:
(31) Number (32) Date (33) Country
29/414,516 29 Feb 2012 UNITED STATES OF AMERICA
(56) Related Art Documents: **Not Applicable**
(57) Statement of Newness and Distinctiveness: **Newness and distinctiveness are provided by the shape and/or configuration of the design shown in the representations. The features shown in broken lines in the representations are for illustrative purposes only and should not be considered when construing visual features of the design.**



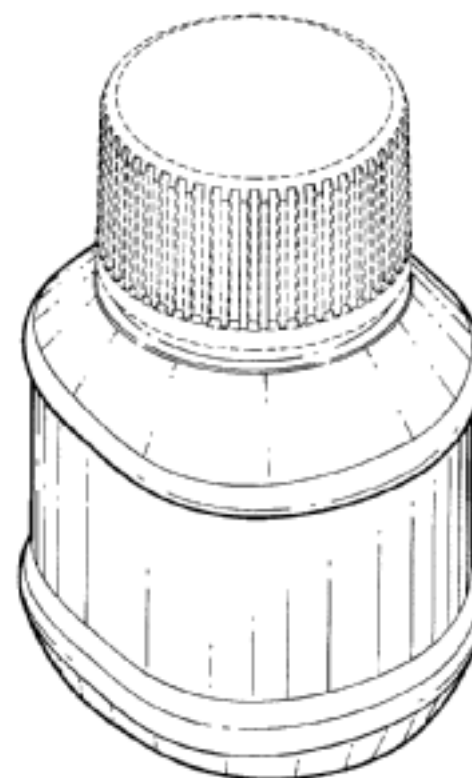
(21) Design Number: **14268/2012**
(22) Date of Filing Application: **28 August 2012**
(24) Date from which industrial property rights may have effect: **28 August 2012**
(54) Product in respect of which the design is registered: **Water timer**
(51) International Design Classification: **10-04**
(74) Name(s) of Attorney(s): **Callinans**
(71) Name(s) and Address(s) of Applicant(s):
Robert Bosch GmbH
Postfach 30 02 20 D070442 Stuttgart Germany
(72) Name(s) of Designer(s): **Anand Chandran and Robert Richard Brimble and Linda Kay Waible**
(45) Registration Date: **02 October 2012**
(30) Convention priority data:
(31) Number (32) Date (33) Country
29/414,514 29 Feb 2012 UNITED STATES OF AMERICA
(56) Related Art Documents: **Not Applicable**
(57) Statement of Newness and Distinctiveness: **Newness and distinctiveness are provided by the shape and/or configuration of the design shown in the representations. The features shown in broken lines in the representations are for illustrative purposes only and should not be considered when construing visual features of the design.**



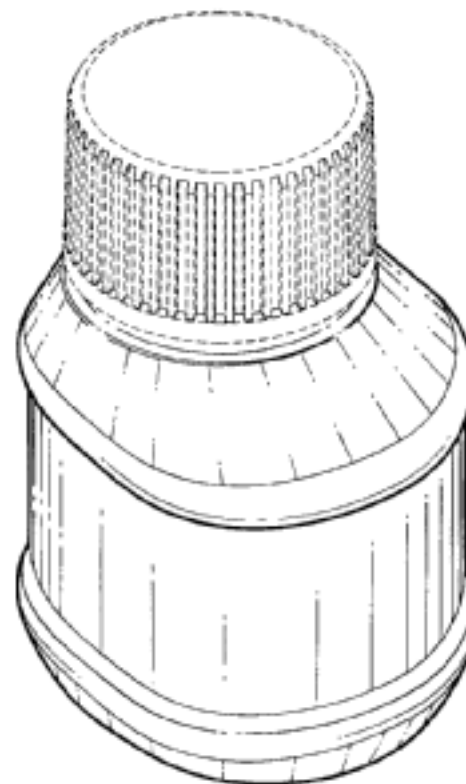
(21) Design Number: **14288/2012**
(22) Date of Filing Application: **30 August 2012**
(24) Date from which industrial property rights may have effect: **30 August 2012**
(54) Product in respect of which the design is registered: **Fuel canister**
(51) International Design Classification: **09-02NES**
(74) Name(s) of Attorney(s): **SPRUSON & FERGUSON**
(71) Name(s) and Address(s) of Applicant(s):
Husqvarna AB
561 82 Huskvarna Sweden
(72) Name(s) of Designer(s): **Rajinder Mehra and Anna Stern Anderberg and Thomas Arnell and Fredrik Nilsson**
(45) Registration Date: **02 October 2012**
(30) Convention priority data:
(31) Number (32) Date (33) Country
002011775 20 Mar 2012 EUROPEAN COMMUNITY
(56) Related Art Documents: **Not Applicable**
(57) Statement of Newness and Distinctiveness: **Newness and distinctiveness is claimed in the features of shape and configuration of a fuel canister as illustrated in the accompanying representations.**



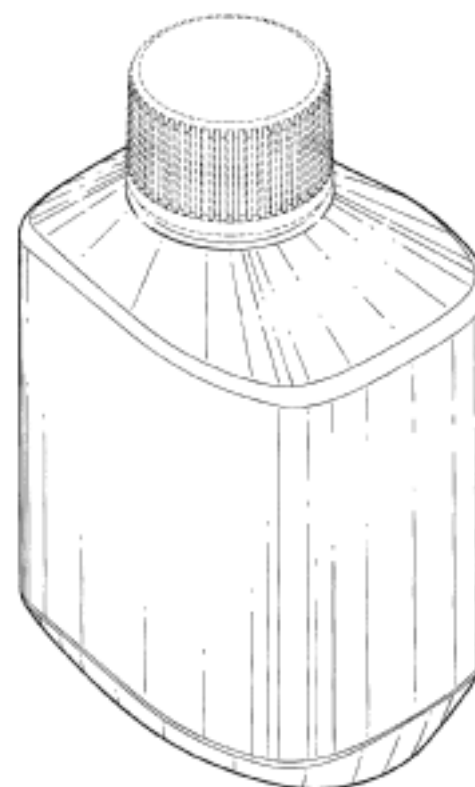
(21) Design Number: **14091/2012**
(22) Date of Filing Application: **20 August 2012**
(24) Date from which industrial property rights may have effect: **01 June 2012**
(54) Product in respect of which the design is registered: **Bottle**
(51) International Design Classification: **09-01NES**
(74) Name(s) of Attorney(s): **Shelston IP**
(71) Name(s) and Address(s) of Applicant(s):
MSD Consumer Care, Inc.
3030 Jackson Avenue Memphis Tennessee 38151 United States of America
(72) Name(s) of Designer(s): **William Schmertz Jr.**
(45) Registration Date: **02 October 2012**
(30) Convention priority data:
(31) Number (32) Date (33) Country
29/407828 02 Dec 2011 UNITED STATES OF AMERICA
(62) Divisional of: **344101**
(56) Related Art Documents: **Not Applicable**
(57) Statement of Newness and Distinctiveness: **Newness and distinctiveness reside in the features of shape shape and configuration of the bottle as illustrated in solid lines in the accompanying representations.**



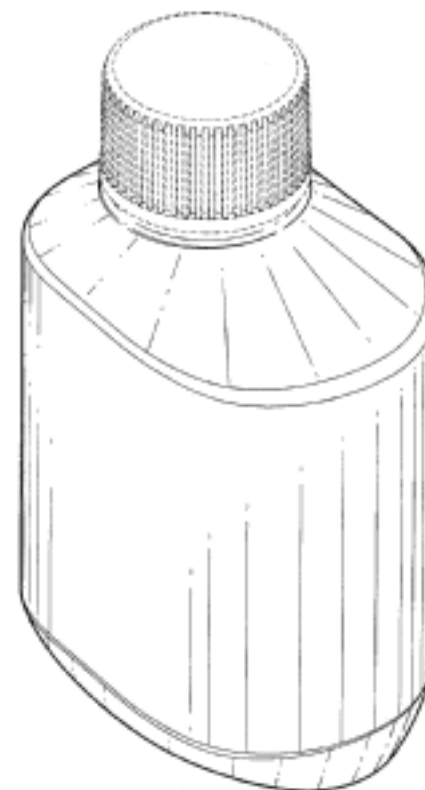
(21) Design Number: **14092/2012**
(22) Date of Filing Application: **20 August 2012**
(24) Date from which industrial property rights may have effect: **01 June 2012**
(54) Product in respect of which the design is registered: **Bottle**
(51) International Design Classification: **09-01NES**
(74) Name(s) of Attorney(s): **Shelston IP**
(71) Name(s) and Address(s) of Applicant(s):
MSD Consumer Care, Inc.
3030 Jackson Avenue Memphis Tennessee 38151 United States of America
(72) Name(s) of Designer(s): **William Schmertz Jr.**
(45) Registration Date: **02 October 2012**
(30) Convention priority data:
(31) Number (32) Date (33) Country
29/407828 02 Dec 2011 UNITED STATES OF AMERICA
(62) Divisional of: **344101**
(56) Related Art Documents: **Not Applicable**
(57) Statement of Newness and Distinctiveness: **Newness and distinctiveness reside in the features of shape and configuration of the bottle as illustrated in solid lines in the accompanying representations.**



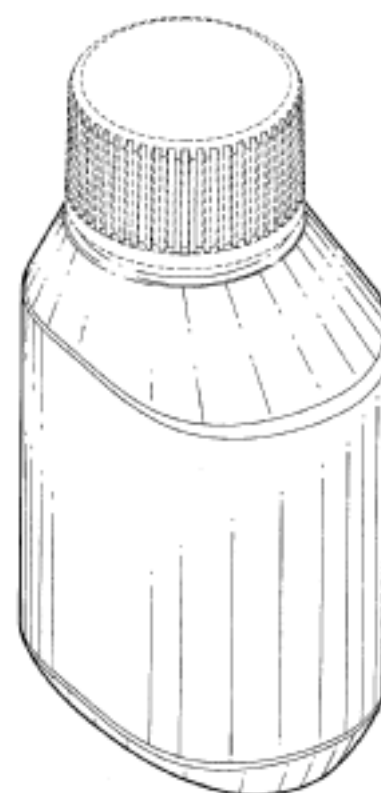
(21) Design Number: **14093/2012**
(22) Date of Filing Application: **20 August 2012**
(24) Date from which industrial property rights may have effect: **01 June 2012**
(54) Product in respect of which the design is registered: **Bottle**
(51) International Design Classification: **09-01NES**
(74) Name(s) of Attorney(s): **Shelston IP**
(71) Name(s) and Address(s) of Applicant(s):
MSD Consumer Care, Inc.
3030 Jackson Avenue Memphis Tennessee 38151 United States of America
(72) Name(s) of Designer(s): **William Schmertz Jr.**
(45) Registration Date: **02 October 2012**
(30) Convention priority data:
(31) Number (32) Date (33) Country
29/407828 02 Dec 2011 UNITED STATES OF AMERICA
(62) Divisional of: **344101**
(56) Related Art Documents: **Not Applicable**
(57) Statement of Newness and Distinctiveness: **Newness and distinctiveness reside in the features of shape and configuration of the bottle as illustrated in solid lines in the accompanying representations.**



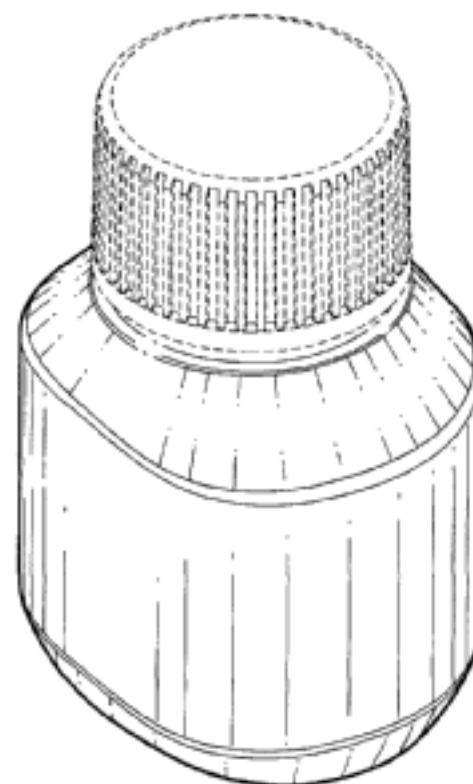
(21) Design Number: **14094/2012**
(22) Date of Filing Application: **20 August 2012**
(24) Date from which industrial property rights may have effect: **01 June 2012**
(54) Product in respect of which the design is registered: **Bottle**
(51) International Design Classification: **09-01NES**
(74) Name(s) of Attorney(s): **Shelston IP**
(71) Name(s) and Address(s) of Applicant(s):
MSD Consumer Care, Inc.
3030 Jackson Avenue Memphis Tennessee 38151 United States of America
(72) Name(s) of Designer(s): **William Schmertz Jr.**
(45) Registration Date: **02 October 2012**
(30) Convention priority data:
(31) Number (32) Date (33) Country
29/407828 02 Dec 2011 UNITED STATES OF AMERICA
(62) Divisional of: **344101**
(56) Related Art Documents: **Not Applicable**
(57) Statement of Newness and Distinctiveness: **Newness and distinctiveness reside in the features of shape and configuration of the bottle as illustrated in solid lines in the accompanying representations.**



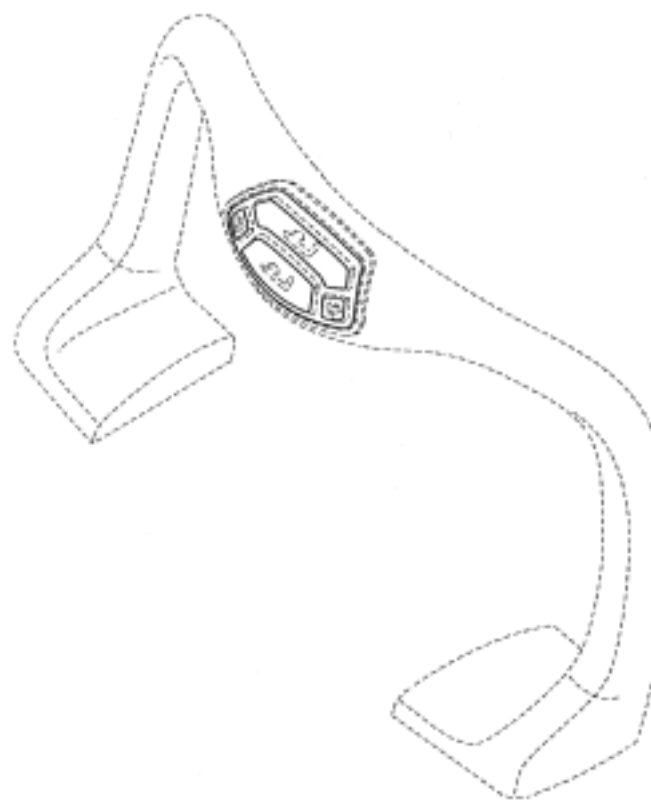
(21) Design Number: **14095/2012**
(22) Date of Filing Application: **20 August 2012**
(24) Date from which industrial property rights may have effect: **01 June 2012**
(54) Product in respect of which the design is registered: **Bottle**
(51) International Design Classification: **09-01NES**
(74) Name(s) of Attorney(s): **Shelston IP**
(71) Name(s) and Address(s) of Applicant(s):
MSD Consumer Care, Inc.
3030 Jackson Avenue Memphis Tennessee 38151 United States of America
(72) Name(s) of Designer(s): **William Schmertz Jr.**
(45) Registration Date: **02 October 2012**
(30) Convention priority data:
(31) Number (32) Date (33) Country
29/407828 02 Dec 2011 UNITED STATES OF AMERICA
(62) Divisional of: **344101**
(56) Related Art Documents: **Not Applicable**
(57) Statement of Newness and Distinctiveness: **Newness and distinctiveness reside in the features of shape and configuration of the bottle as illustrated in solid lines in the accompanying representations.**



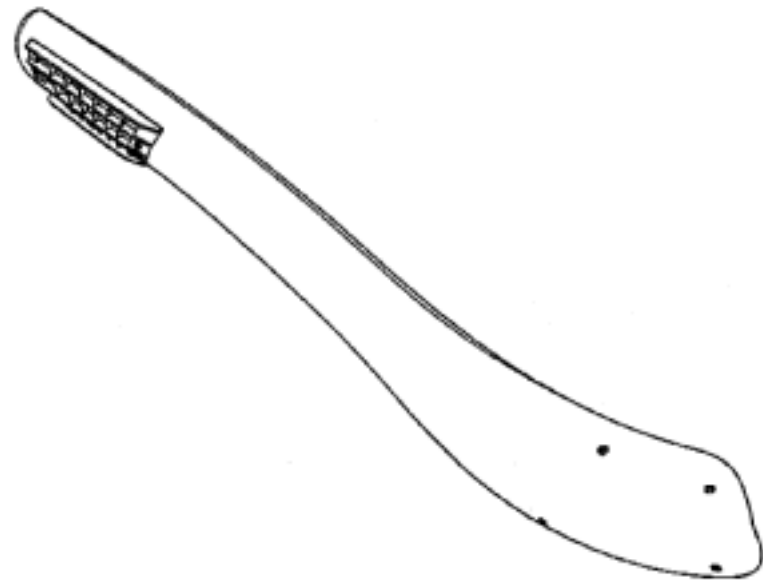
(21) Design Number: **14096/2012**
(22) Date of Filing Application: **20 August 2012**
(24) Date from which industrial property rights may have effect: **01 June 2012**
(54) Product in respect of which the design is registered: **Bottle**
(51) International Design Classification: **09-01NES**
(74) Name(s) of Attorney(s): **Shelston IP**
(71) Name(s) and Address(s) of Applicant(s):
MSD Consumer Care, Inc.
3030 Jackson Avenue Memphis Tennessee 38151 United States of America
(72) Name(s) of Designer(s): **William Schmertz Jr.**
(45) Registration Date: **02 October 2012**
(30) Convention priority data:
(31) Number (32) Date (33) Country
29/407828 02 Dec 2011 UNITED STATES OF AMERICA
(62) Divisional of: **344101**
(56) Related Art Documents: **Not Applicable**
(57) Statement of Newness and Distinctiveness: **Newness and distinctiveness reside in the features of shape and configuration of the bottle as illustrated in solid lines in the accompanying representations.**



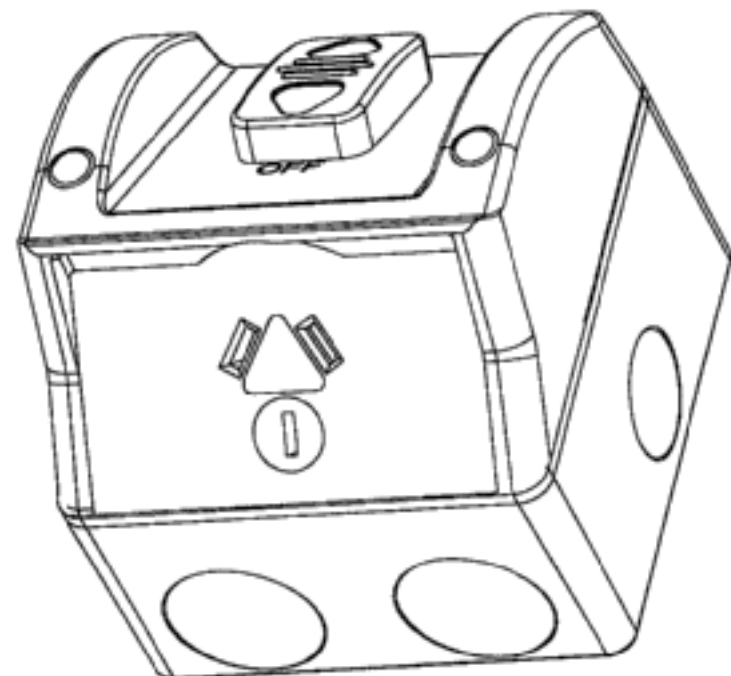
(21) Design Number: **14098/2012**
(22) Date of Filing Application: **20 August 2012**
(24) Date from which industrial property rights may have effect: **20 August 2012**
(54) Product in respect of which the design is registered: **Switch module**
(51) International Design Classification: **13-03NES**
(74) Name(s) of Attorney(s): **PIZZEYS**
(71) Name(s) and Address(s) of Applicant(s):
The Raymond Corporation
Corporate Headquarters 20 South Canal Street Greene NY 13778-0130 United States of America
(72) Name(s) of Designer(s): **Gregory W. Smiley and Brian M. Warner**
(45) Registration Date: **02 October 2012**
(30) Convention priority data:
(31) Number (32) Date (33) Country
29/417,684 06 Apr 2012 UNITED STATES OF AMERICA
(56) Related Art Documents: **Not Applicable**
(57) Statement of Newness and Distinctiveness: **Nil**



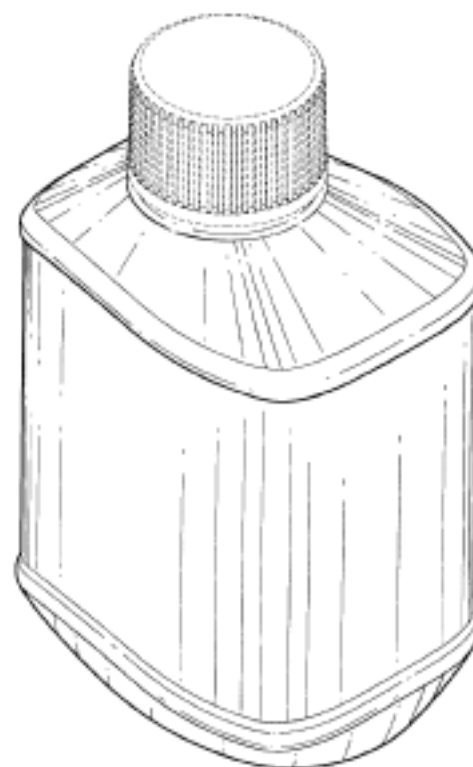
(21) Design Number: **13718/2012**
(22) Date of Filing Application: **16 July 2012**
(24) Date from which industrial property rights may have effect: **16 July 2012**
(54) Product in respect of which the design is registered: **Snorkel**
(51) International Design Classification: **12-16NES**
(74) Name(s) of Attorney(s): **EKM patent & trade marks**
(71) Name(s) and Address(s) of Applicant(s):
Trading AC Pty Ltd
18 Houghton Road Warrandyte Victoria 3113 Australia
(72) Name(s) of Designer(s): **Peter George Luxton**
(45) Registration Date: **02 October 2012**
(56) Related Art Documents: **Not Applicable**
(57) Statement of Newness and Distinctiveness: **Nil**



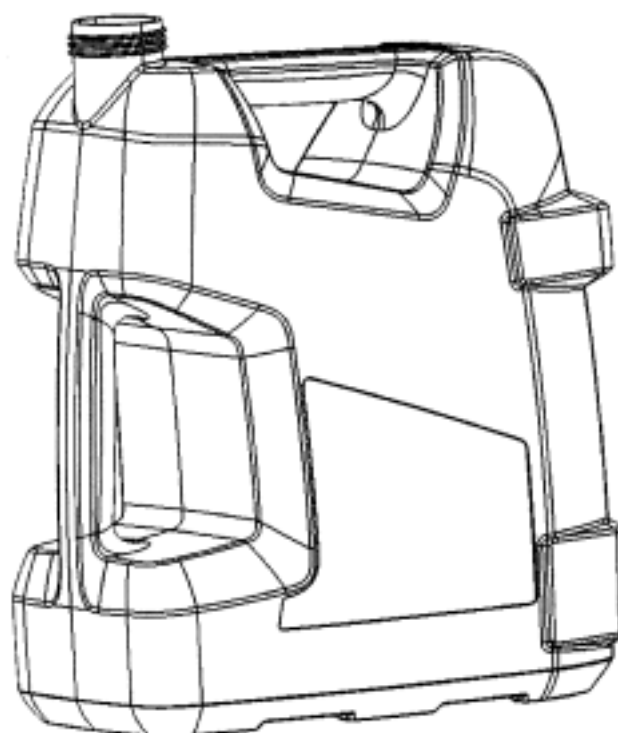
(21) Design Number: **13380/2012**
(22) Date of Filing Application: **17 July 2012**
(24) Date from which industrial property rights may have effect: **17 July 2012**
(54) Product in respect of which the design is registered: **Single socket outlet**
Double socket outlet
(51) International Design Classification: **13-03D**
(74) Name(s) of Attorney(s): **Davies Collison Cave**
(71) Name(s) and Address(s) of Applicant(s):
Arlec Australia Pty Ltd
Building 3 31-41 Joseph Street Blackburn North Victoria 3130 Australia
(72) Name(s) of Designer(s): **Monvids Puika and Kar Lun Tam**
(45) Registration Date: **02 October 2012**
(56) Related Art Documents: **Not Applicable**
(57) Statement of Newness and Distinctiveness: **Nil**



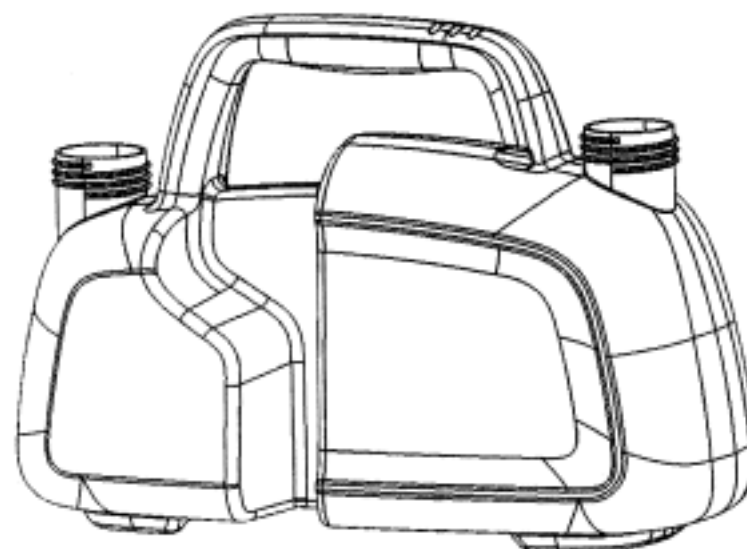
- (21) Design Number: **14088/2012**
(22) Date of Filing Application: **20 August 2012**
(24) Date from which industrial property rights may have effect: **01 June 2012**
(54) Product in respect of which the design is registered: **Bottle**
(51) International Design Classification: **09-01NES**
(74) Name(s) of Attorney(s): **Shelston IP**
(71) Name(s) and Address(s) of Applicant(s):
MSD Consumer Care, Inc.
3030 Jackson Avenue Memphis Tennessee 38151 United States of America
(72) Name(s) of Designer(s): **William Schmertz Jr.**
(45) Registration Date: **02 October 2012**
(62) Divisional of: **344101**
(56) Related Art Documents: **Not Applicable**
(57) Statement of Newness and Distinctiveness: **Newness and distinctiveness reside in the features of shape and configuration of the bottle as illustrated in solid lines in the accompanying representations.**



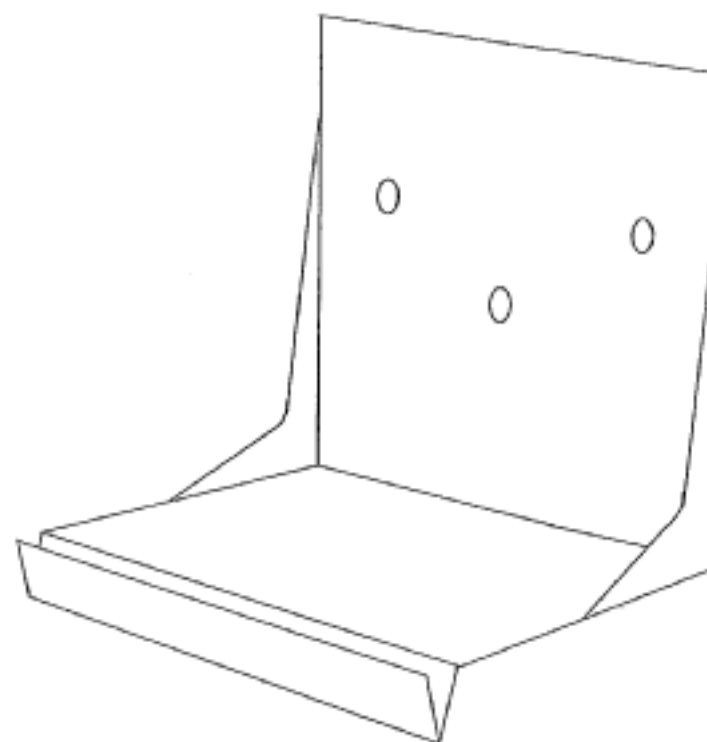
- (21) Design Number: **14289/2012**
(22) Date of Filing Application: **30 August 2012**
(24) Date from which industrial property rights may have effect: **30 August 2012**
(54) Product in respect of which the design is registered: **Fuel canister**
(51) International Design Classification: **09-02NES**
(74) Name(s) of Attorney(s): **SPRUSON & FERGUSON**
(71) Name(s) and Address(s) of Applicant(s):
Husqvarna AB
561 82 Huskvarna Sweden
(72) Name(s) of Designer(s): **Rajinder Mehra and Anna Stern Anderberg and Thomas Arnell and Fredrik Nilsson**
(45) Registration Date: **02 October 2012**
(30) Convention priority data:
(31) Number (32) Date (33) Country
002011775 20 Mar 2012 EUROPEAN COMMUNITY
(56) Related Art Documents: **Not Applicable**
(57) Statement of Newness and Distinctiveness: **Newness and distinctiveness is claimed in the features of shape and/or configuration of a fuel canister as illustrated in the accompanying representations.**



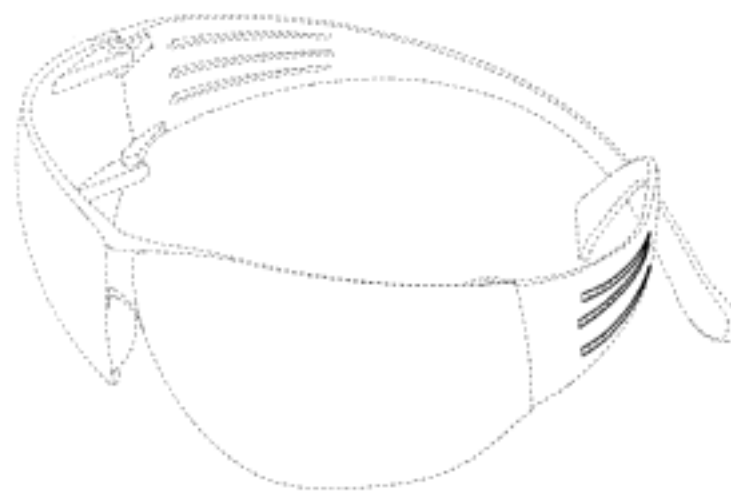
- (21) Design Number: **14290/2012**
(22) Date of Filing Application: **30 August 2012**
(24) Date from which industrial property rights may have effect: **30 August 2012**
(54) Product in respect of which the design is registered: **Fuel canister**
(51) International Design Classification: **09-02NES**
(74) Name(s) of Attorney(s): **SPRUSON & FERGUSON**
(71) Name(s) and Address(s) of Applicant(s):
Husqvarna AB
561 82 Huskvarna Sweden
(72) Name(s) of Designer(s): **Rajinder Mehra and Anna Stern Anderberg and Thomas Arnell and Fredrik Nilsson**
(45) Registration Date: **02 October 2012**
(30) Convention priority data:
(31) Number (32) Date (33) Country
002011775 20 Mar 2012 EUROPEAN COMMUNITY
(56) Related Art Documents: **Not Applicable**
(57) Statement of Newness and Distinctiveness: **Newness and distinctiveness is claimed in the features of shape and/or configuration of a fuel canister as illustrated in the accompanying representations.**



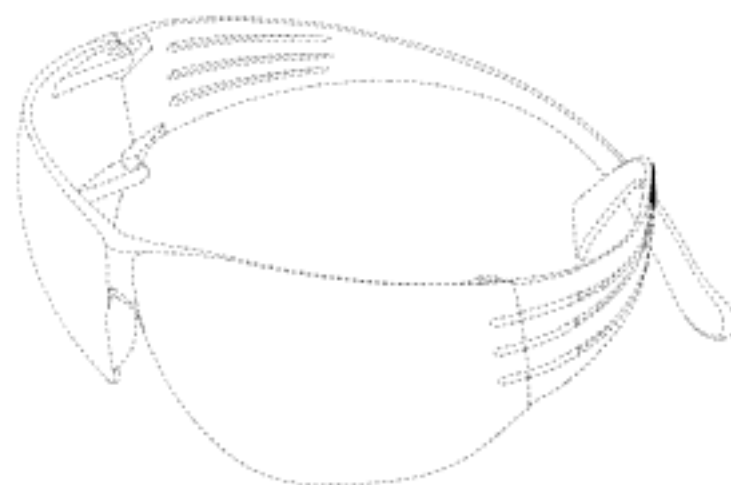
- (21) Design Number: **14291/2012**
(22) Date of Filing Application: **30 August 2012**
(24) Date from which industrial property rights may have effect: **30 August 2012**
(54) Product in respect of which the design is registered: **A bracket**
(51) International Design Classification: **08-08L**
(74) Name(s) of Attorney(s): **Chrysiliou IP**
(71) Name(s) and Address(s) of Applicant(s):
EcoSmart Stone Pty Ltd
13 Palermo PI Allambie Heights NSW 2100 Australia
(72) Name(s) of Designer(s): **Trevor Proctor**
(45) Registration Date: **02 October 2012**
(56) Related Art Documents: **Not Applicable**
(57) Statement of Newness and Distinctiveness: **Newness and distinctiveness is claimed in the features of shape and/or configuration of a bracket as illustrated in the accompanying representations. In considering which features are new and distinctive, the holes in the back plate of the bracket are to be disregarded.**



- (21) Design Number: **14300/2012**
(22) Date of Filing Application: **30 August 2012**
(24) Date from which industrial property rights may have effect: **30 August 2012**
(54) Product in respect of which the design is registered: **Eyewear temple with slots**
(51) International Design Classification: **16-06**
(74) Name(s) of Attorney(s): **Herbert Smith Freehills**
(71) Name(s) and Address(s) of Applicant(s):
3M Innovative Properties Company
3M Center Post Office Box 33427 Saint Paul Minnesota 55133-3427
United States of America
(72) Name(s) of Designer(s): **Glen E. Stanley and Solomon Marini**
(45) Registration Date: **02 October 2012**
(30) Convention priority data:
(31) Number (32) Date (33) Country
29/414737 02 Mar 2012 UNITED STATES OF AMERICA
(56) Related Art Documents: **Not Applicable**
(57) Statement of Newness and Distinctiveness: **Newness and distinctiveness of the design resides in the shape and configuration of the eyewear temple with slots as shown in solid outlines in the accompanying representations.**



- (21) Design Number: **14301/2012**
(22) Date of Filing Application: **30 August 2012**
(24) Date from which industrial property rights may have effect: **30 August 2012**
(54) Product in respect of which the design is registered: **Eyewear temple**
(51) International Design Classification: **16-06**
(74) Name(s) of Attorney(s): **Herbert Smith Freehills**
(71) Name(s) and Address(s) of Applicant(s):
3M Innovative Properties Company
3M Center Post Office Box 33427 Saint Paul Minnesota 55133-3427
United States of America
(72) Name(s) of Designer(s): **Glen Eric Stanley and Solomon Marini**
(45) Registration Date: **02 October 2012**
(30) Convention priority data:
(31) Number (32) Date (33) Country
29/414733 02 Mar 2012 UNITED STATES OF AMERICA
(56) Related Art Documents: **Not Applicable**
(57) Statement of Newness and Distinctiveness: **Newness and distinctiveness of the design resides in the shape and configuration of the eyewear temple as shown in solid outlines in the accompanying representations.**



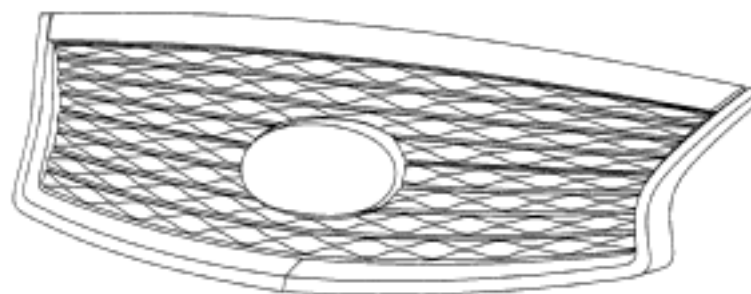
(21) Design Number: **14302/2012**
(22) Date of Filing Application: **30 August 2012**
(24) Date from which industrial property rights may have effect: **30 August 2012**
(54) Product in respect of which the design is registered: **Front bumper for automobile**
(51) International Design Classification: **12-16C**
(74) Name(s) of Attorney(s): **Griffith Hack**
(71) Name(s) and Address(s) of Applicant(s):
Nissan Jidosha Kabushiki Kaisha
No. 2 Takaracho Kanagawa-ku Yokohama-shi Kanagawa-ken Japan
(72) Name(s) of Designer(s): **Giichi Endo and Yasuhiro Tani**
(45) Registration Date: **02 October 2012**
(30) Convention priority data:
(31) Number (32) Date (33) Country
2012-005052 06 Mar 2012 JAPAN
(56) Related Art Documents: **Not Applicable**
(57) Statement of Newness and Distinctiveness: **Newness and distinctiveness resides in the visual features, including shape and configuration of a FRONT BUMPER FOR AUTOMOBILE as shown in the representations.**



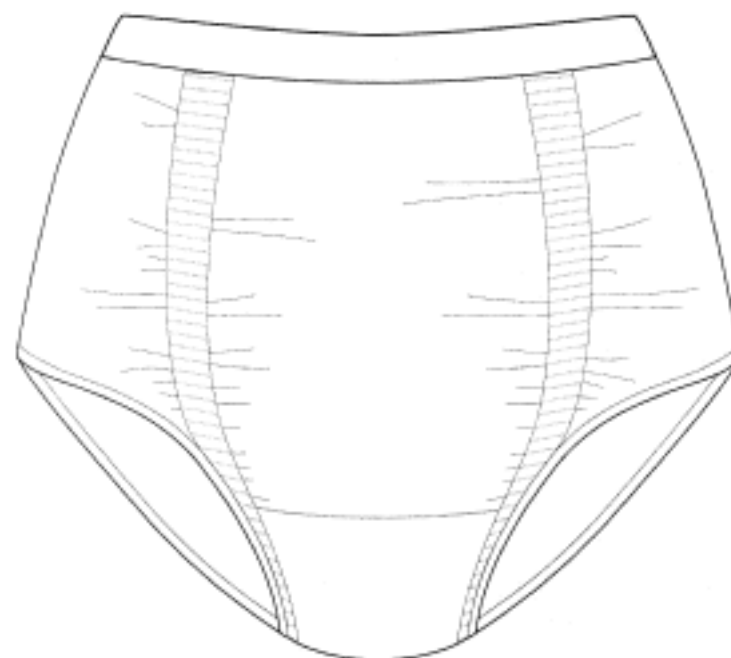
(21) Design Number: **14303/2012**
(22) Date of Filing Application: **30 August 2012**
(24) Date from which industrial property rights may have effect: **30 August 2012**
(54) Product in respect of which the design is registered: **Automobile**
(51) International Design Classification: **12-08**
(74) Name(s) of Attorney(s): **Griffith Hack**
(71) Name(s) and Address(s) of Applicant(s):
Nissan Jidosha Kabushiki Kaisha
No. 2 Takaracho Kanagawa-ku Yokohama-shi Kanagawa-ken Japan
(72) Name(s) of Designer(s): **Giichi Endo and Yasuhiro Tani and Hirohisa Ono**
(45) Registration Date: **02 October 2012**
(30) Convention priority data:
(31) Number (32) Date (33) Country
2012-005063 06 Mar 2012 JAPAN
(56) Related Art Documents: **Not Applicable**
(57) Statement of Newness and Distinctiveness: **Newness and distinctiveness resides in the visual features, including shape and configuration of an AUTOMOBILE as shown in the representations.**



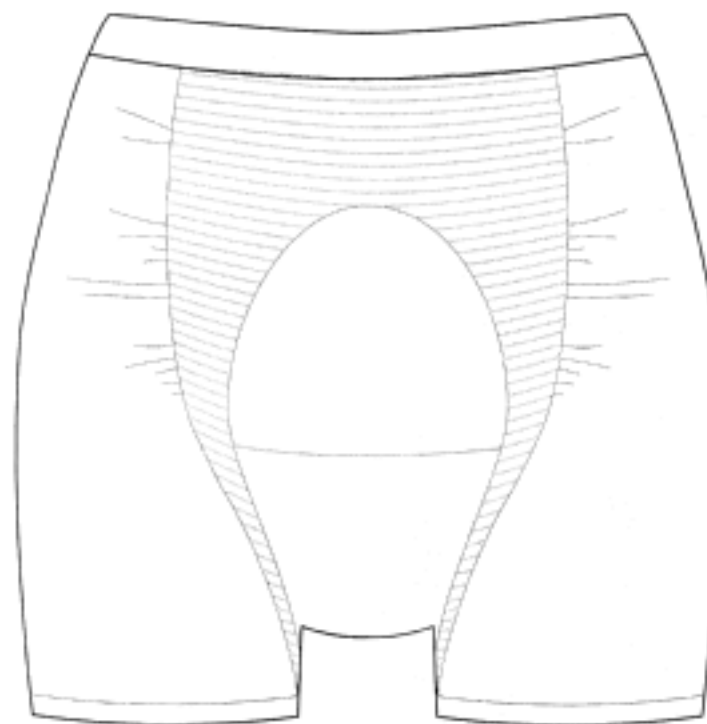
- (21) Design Number: **14304/2012**
(22) Date of Filing Application: **30 August 2012**
(24) Date from which industrial property rights may have effect: **30 August 2012**
(54) Product in respect of which the design is registered: **Front finisher for automobile**
(51) International Design Classification: **12-16B**
(74) Name(s) of Attorney(s): **Computer Patent Annuities (Global)**
(71) Name(s) and Address(s) of Applicant(s):
Nissan Jidosha Kabushiki Kaisha
No. 2 Takaracho Kanagawa-ku Yokohama-shi Kanagawa-ken Japan
(72) Name(s) of Designer(s): **Giichi Endo**
(45) Registration Date: **02 October 2012**
(30) Convention priority data:
(31) Number (32) Date (33) Country
2012-005051 06 Mar 2012 JAPAN
(56) Related Art Documents: **Not Applicable**
(57) Statement of Newness and Distinctiveness: **Newness and distinctiveness resides in the visual features, including shape and configuration of a FRONT FINISHER FOR AUTOMOBILE as shown in the representations.**



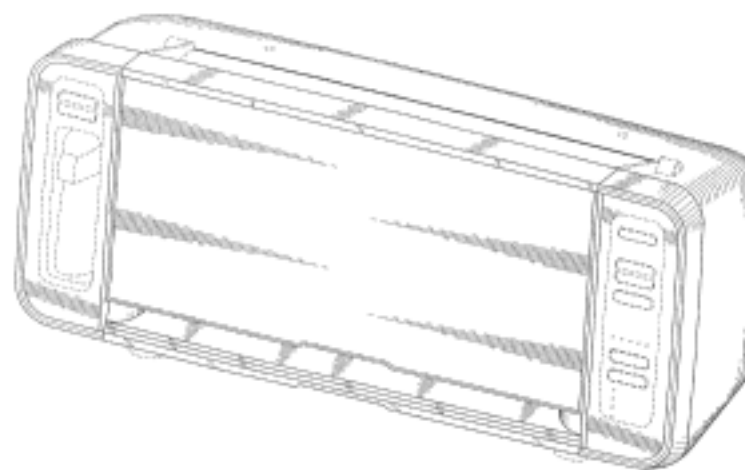
- (21) Design Number: **14355/2012**
(22) Date of Filing Application: **04 September 2012**
(24) Date from which industrial property rights may have effect: **04 September 2012**
(54) Product in respect of which the design is registered: **Elastic pant**
(51) International Design Classification: **02-01B**
(74) Name(s) of Attorney(s): **WATERMARK PATENT AND TRADE MARKS ATTORNEYS**
(71) Name(s) and Address(s) of Applicant(s):
SCA Hygiene Products AB
S-405 03 Goteborg Sweden
(72) Name(s) of Designer(s): **Joshua Carney and Kresten Karlsen**
(45) Registration Date: **02 October 2012**
(30) Convention priority data:
(31) Number (32) Date (33) Country
002017632 30 Mar 2012 EUROPEAN COMMUNITY
(56) Related Art Documents: **Not Applicable**
(57) Statement of Newness and Distinctiveness: **Newness and distinctiveness is claimed in the location of elasticated portions of the pant shown as shaded regions in the representations.**



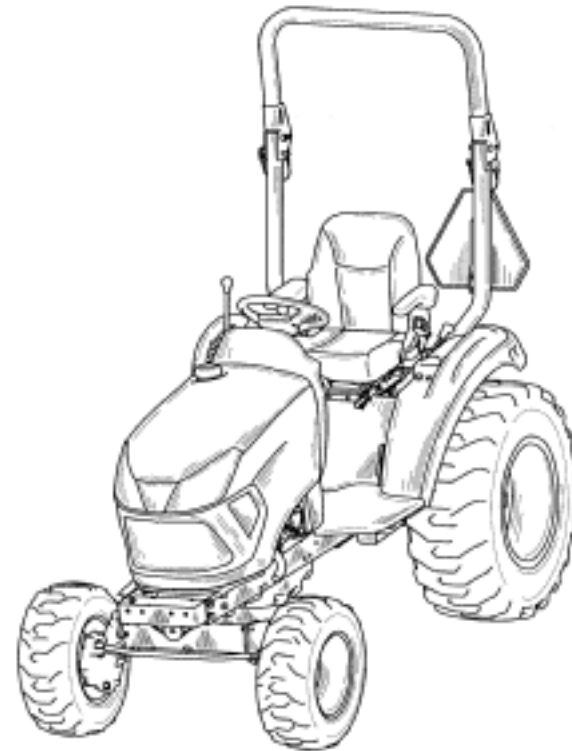
- (21) Design Number: **14356/2012**
(22) Date of Filing Application: **04 September 2012**
(24) Date from which industrial property rights may have effect: **04 September 2012**
(54) Product in respect of which the design is registered: **Elastic pant**
(51) International Design Classification: **02-01B**
(74) Name(s) of Attorney(s): **WATERMARK PATENT AND TRADE MARKS ATTORNEYS**
(71) Name(s) and Address(s) of Applicant(s):
SCA Hygiene Products AB
S-405 03 Goteborg Sweden
(72) Name(s) of Designer(s): **Joshua Carney and Kresten Karlsen**
(45) Registration Date: **02 October 2012**
(30) Convention priority data:
(31) Number (32) Date (33) Country
002017632 30 Mar 2012 EUROPEAN COMMUNITY
(56) Related Art Documents: **Not Applicable**
(57) Statement of Newness and Distinctiveness: **Newness and distinctiveness is claimed in the location of elasticated portions of the pant shown as shaded regions in the representations.**



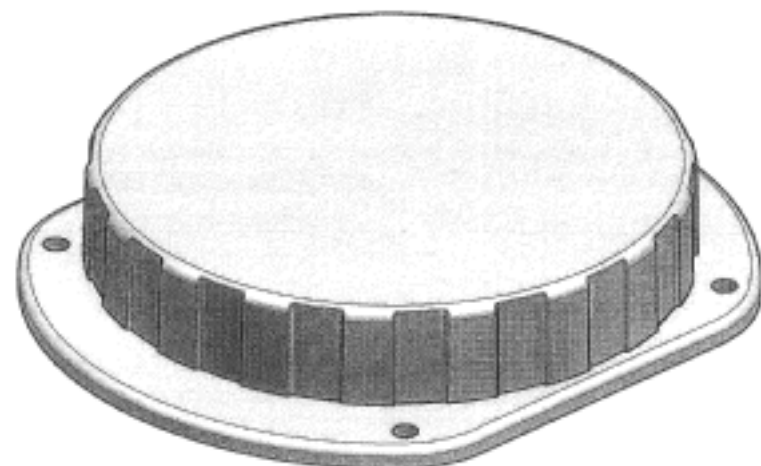
- (21) Design Number: **14406/2012**
(22) Date of Filing Application: **06 September 2012**
(24) Date from which industrial property rights may have effect: **06 September 2012**
(54) Product in respect of which the design is registered: **Vacuum sealing appliance**
(51) International Design Classification: **15-99**
(74) Name(s) of Attorney(s): **Griffith Hack**
(71) Name(s) and Address(s) of Applicant(s):
Sunbeam Products, Inc.
2381 Executive Center Drive Boca Raton FL 33431 United States of America
(72) Name(s) of Designer(s): **Adam Day and Jason J. Cooper**
(45) Registration Date: **02 October 2012**
(30) Convention priority data:
(31) Number (32) Date (33) Country
29/414,931 06 Mar 2012 UNITED STATES OF AMERICA
(56) Related Art Documents: **Not Applicable**
(57) Statement of Newness and Distinctiveness: **Newness and distinctiveness resides in the visual features, including shape configuration and ornamentation of the product as shown by means of the solid lines in the accompanying representations. Those parts shown by means of dashed lines have been included for illustrative purposes and do not form part of the design.**



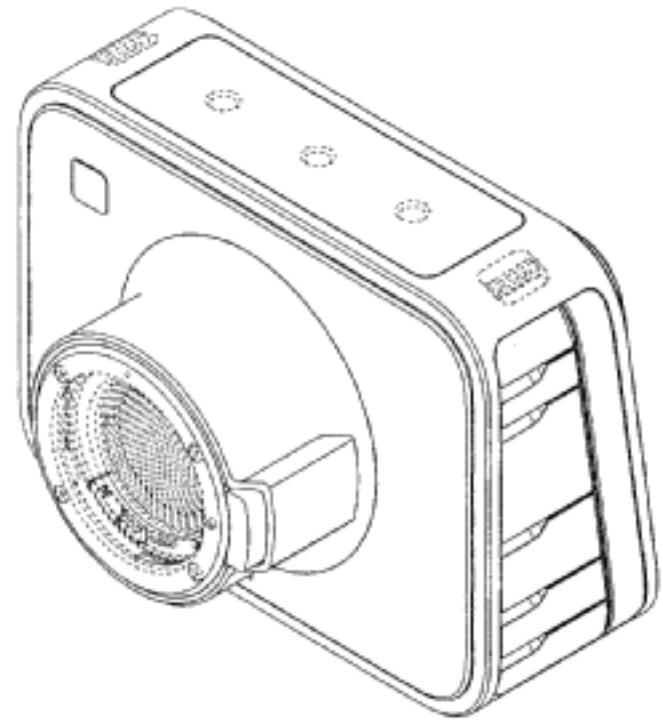
(21) Design Number: **14421/2012**
(22) Date of Filing Application: **06 September 2012**
(24) Date from which industrial property rights may have effect: **06 September 2012**
(54) Product in respect of which the design is registered: **Tractor**
(51) International Design Classification: **12-09**
(74) Name(s) of Attorney(s): **PIZZEYS**
(71) Name(s) and Address(s) of Applicant(s):
Yanmar Co., Ltd.
1-32 Chayamachi Kita-ku Osaka-shi Osaka 530-0013 Japan
(72) Name(s) of Designer(s): **Shinya Kawashiri and Yutaka Matsui**
(45) Registration Date: **02 October 2012**
(56) Related Art Documents: **Not Applicable**
(57) Statement of Newness and Distinctiveness: **Nil**



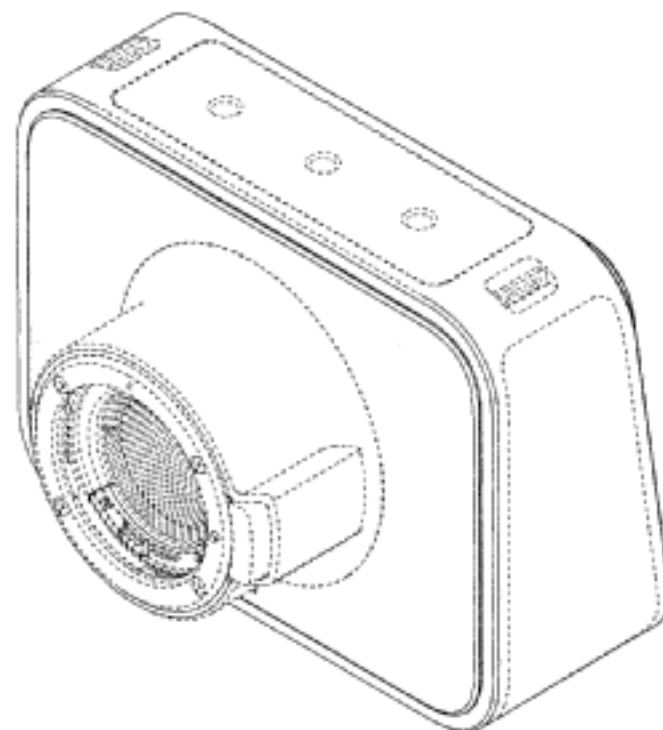
(21) Design Number: **10798/2012**
(22) Date of Filing Application: **17 February 2012**
(24) Date from which industrial property rights may have effect: **17 February 2012**
(54) Product in respect of which the design is registered: **Roof gutter drainage fitting**
(51) International Design Classification: **23-01L**
(74) Name(s) of Attorney(s): **Davies Collison Cave**
(71) Name(s) and Address(s) of Applicant(s):
Kevin John Baker
6 Sheehan Street Pearce ACT 2607 Australia
(72) Name(s) of Designer(s): **Kevin John Baker**
(45) Registration Date: **03 October 2012**
(56) Related Art Documents: **Not Applicable**
(57) Statement of Newness and Distinctiveness: **Nil**



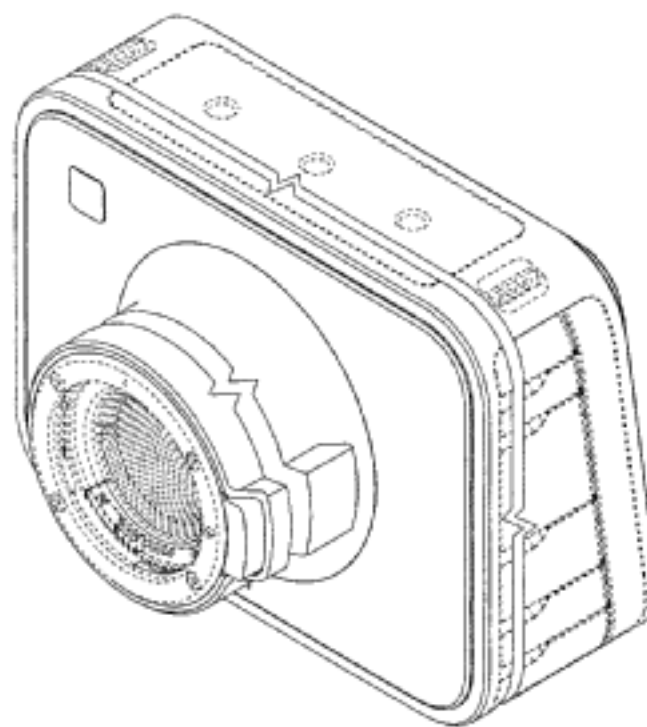
- (21) Design Number: **11838/2012**
(22) Date of Filing Application: **13 April 2012**
(24) Date from which industrial property rights may have effect: **13 April 2012**
(54) Product in respect of which the design is registered: **Camera**
(51) International Design Classification: **16-01**
(74) Name(s) of Attorney(s): **Herbert Smith Freehills**
(71) Name(s) and Address(s) of Applicant(s):
Blackmagic Design Pty Ltd
11 Gateway Court Port Melbourne Victoria 3207 Australia
(72) Name(s) of Designer(s): **Grant Petty and Simon Kidd and Stuart Elford and Michael Cornish and Andrew Howley and John Vanzella and Kristian Lam**
(45) Registration Date: **03 October 2012**
(56) Related Art Documents: **Not Applicable**
(57) Statement of Newness and Distinctiveness: **Newness and distinctiveness reside in the features of shape and configuration of the camera illustrated in solid lines in the accompanying representations.**



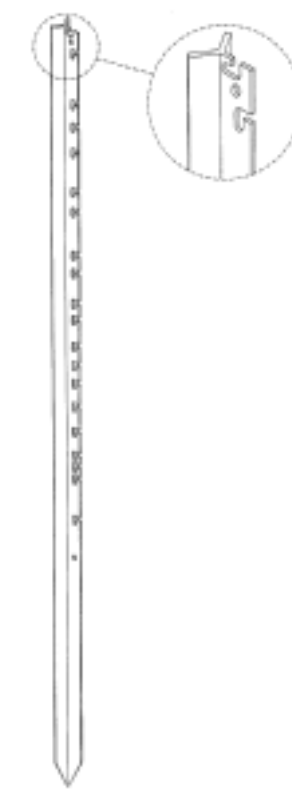
- (21) Design Number: **11839/2012**
(22) Date of Filing Application: **13 April 2012**
(24) Date from which industrial property rights may have effect: **13 April 2012**
(54) Product in respect of which the design is registered: **Camera**
(51) International Design Classification: **16-01**
(74) Name(s) of Attorney(s): **Herbert Smith Freehills**
(71) Name(s) and Address(s) of Applicant(s):
Blackmagic Design Pty Ltd
11 Gateway Court Port Melbourne Victoria 3207 Australia
(72) Name(s) of Designer(s): **Grant Petty and Simon Kidd and Stuart Elford and Michael Cornish and Andrew Howley and John Vanzella and Kristian Lam**
(45) Registration Date: **03 October 2012**
(56) Related Art Documents: **Not Applicable**
(57) Statement of Newness and Distinctiveness: **Newness and distinctiveness reside in the features of shape and configuration of the camera illustrated in solid lines in the accompanying representations.**



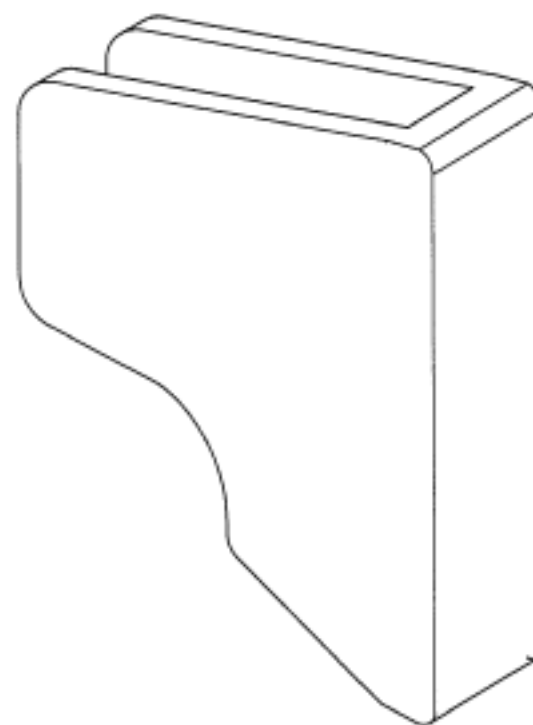
- (21) Design Number: **11840/2012**
(22) Date of Filing Application: **13 April 2012**
(24) Date from which industrial property rights may have effect: **13 April 2012**
(54) Product in respect of which the design is registered: **Camera**
(51) International Design Classification: **16-01**
(74) Name(s) of Attorney(s): **Herbert Smith Freehills**
(71) Name(s) and Address(s) of Applicant(s):
Blackmagic Design Pty Ltd
11 Gateway Court Port Melbourne Victoria 3207 Australia
(72) Name(s) of Designer(s): **Grant Petty and Simon Kidd and Stuart Elford and Michael Cornish and Andrew Howley and John Vanzella and Kristian Lam**
(45) Registration Date: **03 October 2012**
(56) Related Art Documents: **Not Applicable**
(57) Statement of Newness and Distinctiveness: **Newness and distinctiveness reside in the features of shape and configuration of the camera illustrated in solid lines in the accompanying representations.**



- (21) Design Number: **13008/2012**
(22) Date of Filing Application: **27 June 2012**
(24) Date from which industrial property rights may have effect: **27 June 2012**
(54) Product in respect of which the design is registered: **Post**
(51) International Design Classification: **25-01F**
(74) Name(s) of Attorney(s): **Davies Collison Cave**
(71) Name(s) and Address(s) of Applicant(s):
Kenneth Leslie Forge
"Renwarra" Mulwala New South Wales 2647 Australia
(72) Name(s) of Designer(s): **Kenneth Leslie Forge**
(45) Registration Date: **03 October 2012**
(56) Related Art Documents: **Not Applicable**
(57) Statement of Newness and Distinctiveness: **Newness and distinctiveness is claimed in the features of shape and/or configuration of the form and location of the slots of the fence post shown in the drawings.**



(21) Design Number: **13009/2012**
(22) Date of Filing Application: **27 June 2012**
(24) Date from which industrial property rights may have effect: **27 June 2012**
(54) Product in respect of which the design is registered: **Retaining insert**
(51) International Design Classification: **25-01K**
(74) Name(s) of Attorney(s): **Davies Collison Cave**
(71) Name(s) and Address(s) of Applicant(s):
Kenneth Leslie Forge
"Renwarra" Mulwala New South Wales 2647 Australia
(72) Name(s) of Designer(s): **Kenneth Leslie Forge**
(45) Registration Date: **03 October 2012**
(56) Related Art Documents: **Not Applicable**
(57) Statement of Newness and Distinctiveness: **Nil**



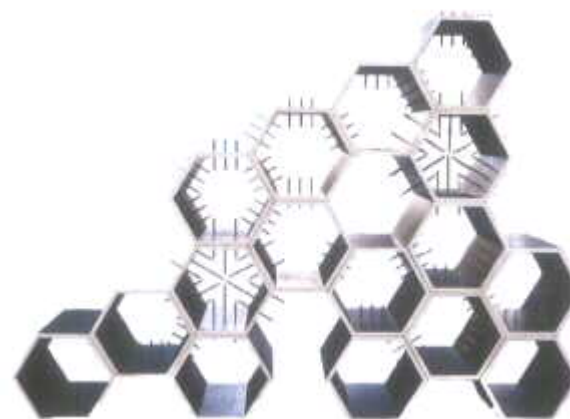
(21) Design Number: **13065/2012**
(22) Date of Filing Application: **29 June 2012**
(24) Date from which industrial property rights may have effect: **29 June 2012**
(54) Product in respect of which the design is registered: **A concrete sleeper**
(51) International Design Classification: **25-01E**
(74) Name(s) of Attorney(s): **Madderns**
(71) Name(s) and Address(s) of Applicant(s):
Michael Ineson
17 Lindsay Road Lonsdale South Australia 5160 Australia
Leanne Robyn Ineson
17 Lindsay Road Lonsdale South Australia 5160 Australia
(72) Name(s) of Designer(s): **Michael Ineson**
(45) Registration Date: **03 October 2012**
(56) Related Art Documents: **Not Applicable**
(57) Statement of Newness and Distinctiveness: **Emphasis is placed on the textured finish of the front surface of the concrete sleeper as shown in the representations.**



(21) Design Number: **13096/2012**
(22) Date of Filing Application: **04 July 2012**
(24) Date from which industrial property rights may have effect: **04 July 2012**
(54) Product in respect of which the design is registered: **Alarm**
(51) International Design Classification: **10-05**
(74) Name(s) of Attorney(s): **WATERMARK PATENT AND TRADE MARKS ATTORNEYS**
(71) Name(s) and Address(s) of Applicant(s):
Tunstall Healthcare (UK) Limited
Whitley Lodge Whitley Bridge West Yorkshire DN14 0HR United Kingdom
(72) Name(s) of Designer(s): **Bill Sermon and Oliver Bishop and Andy Spragg and Neil Gridley**
(45) Registration Date: **03 October 2012**
(30) Convention priority data:
(31) Number (32) Date (33) Country
002020545-0001 04 Apr 2012 EUROPEAN COMMUNITY
(56) Related Art Documents: **Not Applicable**
(57) Statement of Newness and Distinctiveness: **Nil**



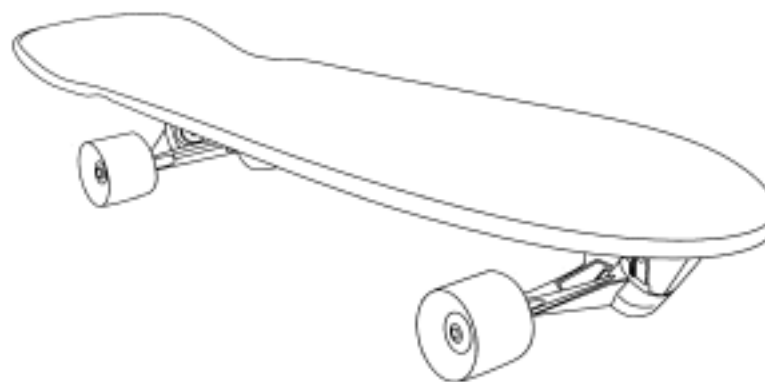
(21) Design Number: **13139/2012**
(22) Date of Filing Application: **05 July 2012**
(24) Date from which industrial property rights may have effect: **05 July 2012**
(54) Product in respect of which the design is registered: **Hexagonal modular storage unit, connected by pencils, with pencil details inside hexagons**
(51) International Design Classification: **06-04NES**
(74) Name(s) of Attorney(s):
(71) Name(s) and Address(s) of Applicant(s):
Eleanor Fyfe
47 Adelong Road Shailer Park Queensland 4128 Australia
Diamanta Contoleon
47 Adelong Road Shailer Park Queensland 4128 Australia
Megan Coulson
47 Adelong Road Shailer Park Queensland 4128 Australia
Isabelle Faure
47 Adelong Road Shailer Park Queensland 4128 Australia
Tabitha Long
47 Adelong Road Shailer Park Queensland 4128 Australia
Caitlin Preston
47 Adelong Road Shailer Park Queensland 4128 Australia
(72) Name(s) of Designer(s): **Diamanta Contoleon and Megan Coulson and Isabelle Faure and Eleanor Fyfe and Tabitha Long and Caitlin Preston**
(45) Registration Date: **03 October 2012**
(56) Related Art Documents: **Not Applicable**
(57) Statement of Newness and Distinctiveness: **The newness and distinctiveness pertains to the use of pencils as movable dowels to hold the modules together, as well as forming a pattern within the hexagonal modules. The placement of the pencils also allows upright items to be held in place by the pencils.**



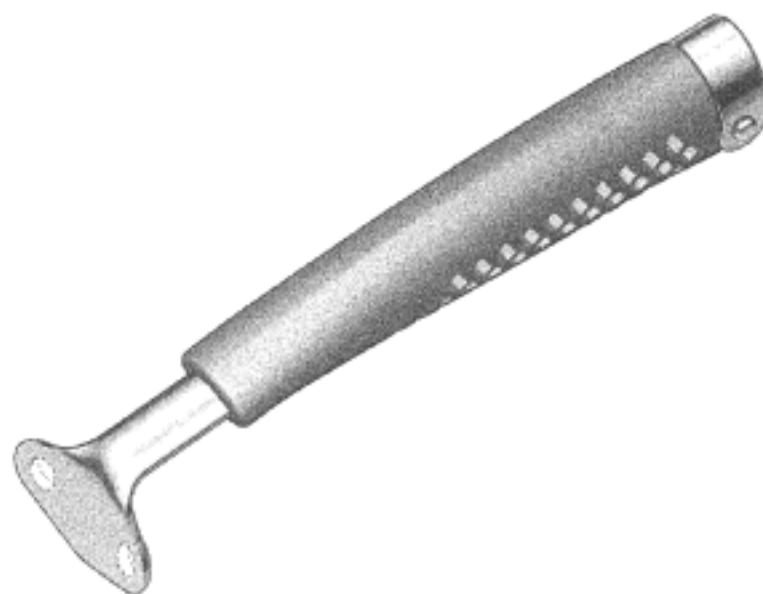
- (21) Design Number: **13376/2012**
(22) Date of Filing Application: **13 July 2012**
(24) Date from which industrial property rights may have effect: **13 July 2012**
(54) Product in respect of which the design is registered: **Beach pop up sun, wind, UV and insect protection shelter**
(51) International Design Classification: **03-03**
(74) Name(s) of Attorney(s):
(71) Name(s) and Address(s) of Applicant(s):
Land & Sea Sports Pty Ltd
1/1 Jubilee Avenue Warriewood New South Wales 2012 Australia
(72) Name(s) of Designer(s): **John Axford and Joshua Axford**
(45) Registration Date: **03 October 2012**
(56) Related Art Documents: **Not Applicable**
(57) Statement of Newness and Distinctiveness: **Beach Shelter with purpose built Pop Up Mechanism. Has Front Zip close modesty panel which extends to form an awning suspended by two poles with guy ropes and pegs. Silver coating for UV protection.**



- (21) Design Number: **13454/2012**
(22) Date of Filing Application: **23 July 2012**
(24) Date from which industrial property rights may have effect: **23 July 2012**
(54) Product in respect of which the design is registered: **Self propelled skateboard**
(51) International Design Classification: **21-02E**
(74) Name(s) of Attorney(s):
(71) Name(s) and Address(s) of Applicant(s):
Land & Sea Sports Pty Ltd
1/1 Jubilee Avenue Warriewood New South Wales 2012 Australia
(72) Name(s) of Designer(s): **John Axford and Joshua Axford and Michael Bailey**
(45) Registration Date: **03 October 2012**
(56) Related Art Documents: **Not Applicable**
(57) Statement of Newness and Distinctiveness: **Spring and lever truck mechanism used in conjunction with pivot style rear truck fixed to a concave single kicker skateboard deck.**



- (21) Design Number: **13456/2012**
(22) Date of Filing Application: **23 July 2012**
(24) Date from which industrial property rights may have effect: **23 July 2012**
(54) Product in respect of which the design is registered: **Extended cookware handle with patterned grip**
(51) International Design Classification: **07-02R**
(74) Name(s) of Attorney(s): **PIPERS Melbourne**
(71) Name(s) and Address(s) of Applicant(s):
Meyer Intellectual Properties Limited
382 Kwun Tong Road Hong Kong
(72) Name(s) of Designer(s): **Robert A Rae and Kam Lun Lee**
(45) Registration Date: **03 October 2012**
(56) Related Art Documents: **Not Applicable**
(57) Statement of Newness and Distinctiveness: **This design is to be applied to an extended cookware handle with patterned grip and the novelty resides in the features of shape and configuration of the article shown in the accompanying representations. No novelty is claimed for the features shown in broken lines - those are for illustrative purposes only and depict the environment of the design.**



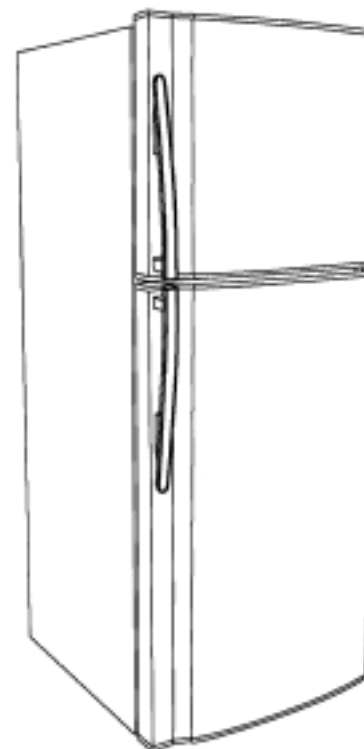
- (21) Design Number: **13457/2012**
(22) Date of Filing Application: **23 July 2012**
(24) Date from which industrial property rights may have effect: **23 July 2012**
(54) Product in respect of which the design is registered: **Cookware side handle with pattern embossed grip**
(51) International Design Classification: **07-02R**
(74) Name(s) of Attorney(s): **PIPERS Melbourne**
(71) Name(s) and Address(s) of Applicant(s):
Meyer Intellectual Properties Limited
382 Kwun Tong Road Hong Kong
(72) Name(s) of Designer(s): **Robert A Rae and Kam Lun Lee**
(45) Registration Date: **03 October 2012**
(56) Related Art Documents: **Not Applicable**
(57) Statement of Newness and Distinctiveness: **This design is to be applied to a cookware side handle with pattern embossed grip and the novelty resides in the features of shape and configuration of the article shown in the accompanying representations. No novelty is claimed for the features shown in broken lines - those are for illustrative purposes only and depict the environment of the design.**



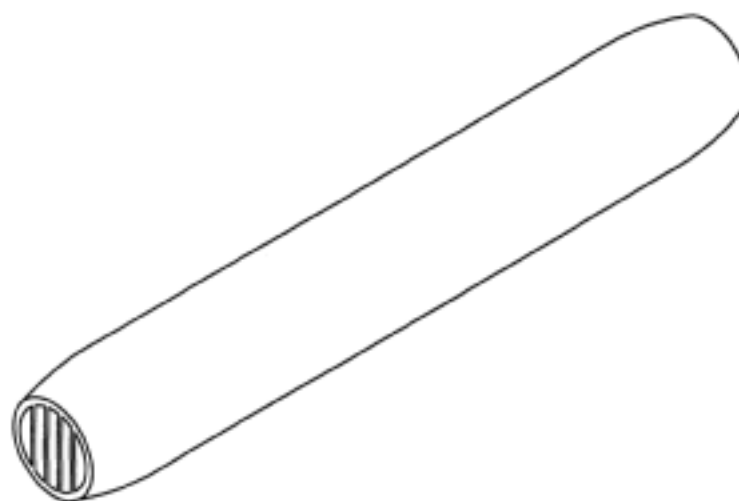
- (21) Design Number: **13678/2012**
(22) Date of Filing Application: **31 July 2012**
(24) Date from which industrial property rights may have effect: **31 July 2012**
(54) Product in respect of which the design is registered: **Dress up rail**
(51) International Design Classification: **06-06NES**
(74) Name(s) of Attorney(s):
(71) Name(s) and Address(s) of Applicant(s):
Anne-Marie Bevis
PO Box 85 Quinns Rocks Western Australia 6030
(72) Name(s) of Designer(s): **Anne-Marie Bevis**
(45) Registration Date: **03 October 2012**
(56) Related Art Documents: **Not Applicable**
(57) Statement of Newness and Distinctiveness: **View of new designed dress up rail all white with 4 coloured circles on each panel.**



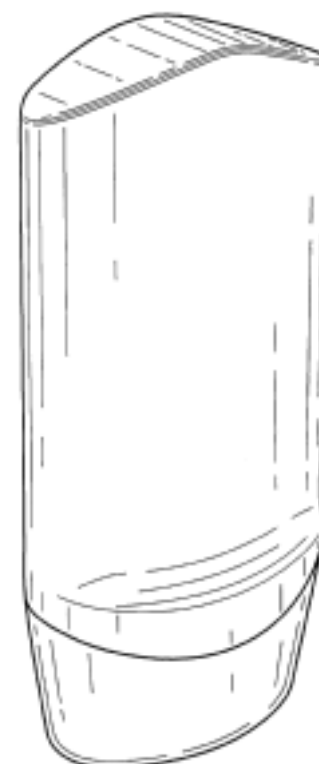
- (21) Design Number: **13834/2012**
(22) Date of Filing Application: **07 August 2012**
(24) Date from which industrial property rights may have effect: **07 August 2012**
(54) Product in respect of which the design is registered: **Refrigerator**
(51) International Design Classification: **15-07**
(74) Name(s) of Attorney(s): **Davies Collison Cave**
(71) Name(s) and Address(s) of Applicant(s):
Sharp Kabushiki Kaisha
22-22 Nagaike-cho Abeno-ku Osaka Japan
(72) Name(s) of Designer(s): **Fumitoshi Sakata and Koji Nishida and Hiroshi Mizuno and Muhammad Arif Bin Asat**
(45) Registration Date: **03 October 2012**
(30) Convention priority data:
(31) Number (32) Date (33) Country
2012-003500 21 Feb 2012 JAPAN
(56) Related Art Documents: **Not Applicable**
(57) Statement of Newness and Distinctiveness: **Nil**



(21) Design Number: **14366/2012**
(22) Date of Filing Application: **04 September 2012**
(24) Date from which industrial property rights may have effect: **22 June 2012**
(54) Product in respect of which the design is registered: **Hand-held aerosol generator**
(51) International Design Classification: **27-99**
(74) Name(s) of Attorney(s): **Callinans**
(71) Name(s) and Address(s) of Applicant(s):
Philip Morris Products S.A.
Quay Jeanrenaud 3 2000 Neuchatel Switzerland
(72) Name(s) of Designer(s): **Aaron Abroff**
(45) Registration Date: **03 October 2012**
(30) Convention priority data:
(31) Number (32) Date (33) Country
001307649 23 Dec 2011 EUROPEAN COMMUNITY
(62) Divisional of: **12960/2012**
(56) Related Art Documents: **Not Applicable**
(57) Statement of Newness and Distinctiveness: **Nil**



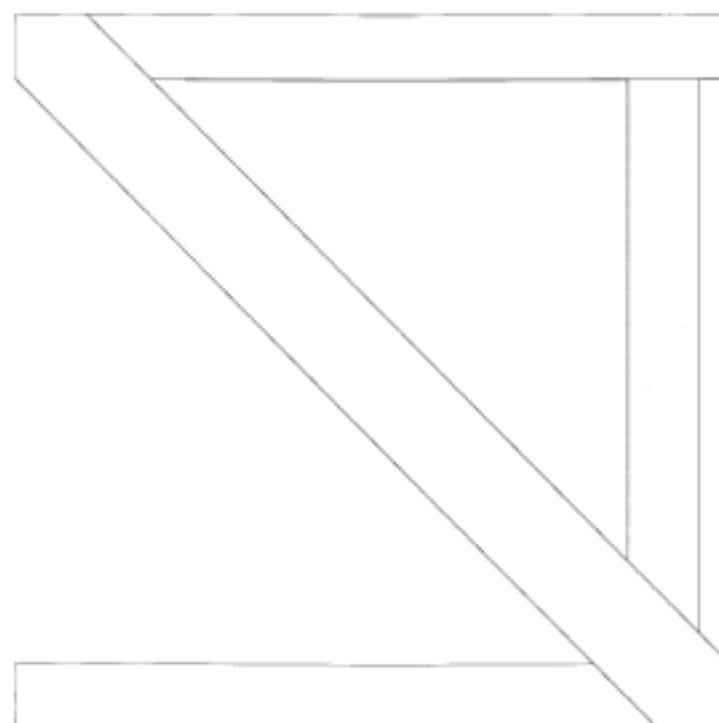
(21) Design Number: **14033/2012**
(22) Date of Filing Application: **17 August 2012**
(24) Date from which industrial property rights may have effect: **17 August 2012**
(54) Product in respect of which the design is registered: **Bottle**
(51) International Design Classification: **09-01NES**
(74) Name(s) of Attorney(s): **Davies Collison Cave**
(71) Name(s) and Address(s) of Applicant(s):
Unilever PLC
Unilever House 100 Victoria Embankment London EC4Y ODY United Kingdom
(72) Name(s) of Designer(s): **Greg Hoffman and Elizabeth Portnoy and Sheldonia Nicole Jamison and Annette Nikolis**
(45) Registration Date: **03 October 2012**
(30) Convention priority data:
(31) Number (32) Date (33) Country
29/413983 23 Feb 2012 UNITED STATES OF AMERICA
(56) Related Art Documents: **Not Applicable**
(57) Statement of Newness and Distinctiveness: **Newness and distinctiveness is claimed in the visual features shown in solid lines in the representations.**



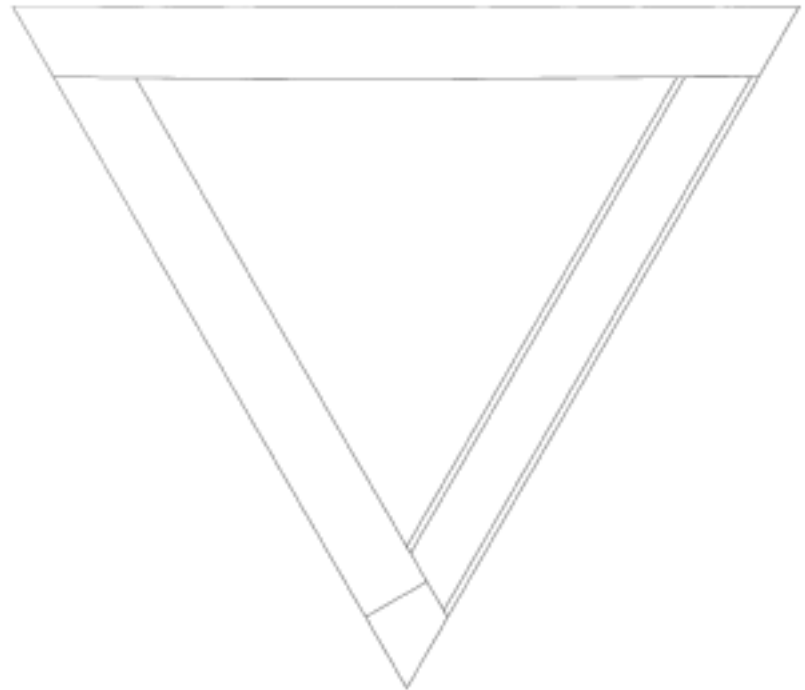
- (21) Design Number: **11448/2012**
(22) Date of Filing Application: **21 March 2012**
(24) Date from which industrial property rights may have effect: **21 March 2012**
(54) Product in respect of which the design is registered: **Ankle cuffs for cycling**
(51) International Design Classification: **02-04C, 21-01NES**
(74) Name(s) of Attorney(s):
(71) Name(s) and Address(s) of Applicant(s):
Scott Phillips
8 Fourth Avenue Brunswick Victoria 3056 Australia
(72) Name(s) of Designer(s): **Scott Phillips**
(45) Registration Date: **03 October 2012**
(56) Related Art Documents: **Not Applicable**
(57) Statement of Newness and Distinctiveness: **The cuff is tall with regard to prior art in cycling-related ankle cuffs, being approximately 20cm high. The cuff also features a new and distinctive metal eyelet, which is intended as a security feature, allowing the cuff to be locked to a bicycle with a standard bicycle lock.**



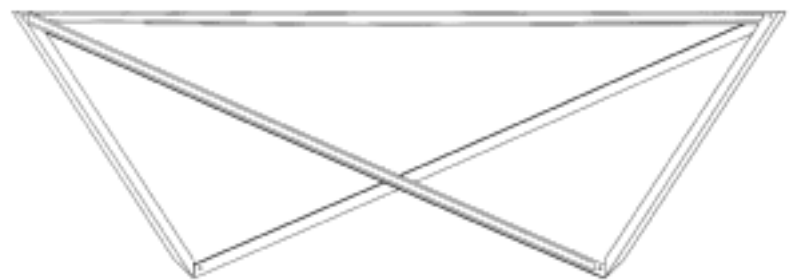
- (21) Design Number: **11571/2012**
(22) Date of Filing Application: **27 March 2012**
(24) Date from which industrial property rights may have effect: **27 March 2012**
(54) Product in respect of which the design is registered: **Lamp**
(51) International Design Classification: **26-05NES**
(74) Name(s) of Attorney(s):
(71) Name(s) and Address(s) of Applicant(s):
Russell & George Pty Ltd
170 Peel Street Windsor Melbourne 3181 Australia
(72) Name(s) of Designer(s): **Byron George and Ryan Russell**
(45) Registration Date: **03 October 2012**
(56) Related Art Documents: **Not Applicable**
(57) Statement of Newness and Distinctiveness: **The design of this table lamp is new & unpublished. The shape of the design is distinctive, formed from a continuous folded steel profile with polished, mitred junctions the lamp appears to change form when viewed from different perspectives. With a touch on switching function & recessed, diffused LED light strip to the underside of the top profile, the lamp is simplistic & unique.**



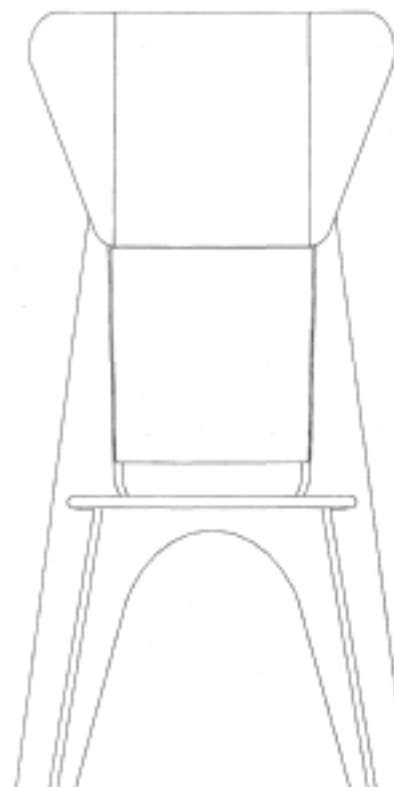
- (21) Design Number: **11572/2012**
(22) Date of Filing Application: **27 March 2012**
(24) Date from which industrial property rights may have effect: **27 March 2012**
(54) Product in respect of which the design is registered: **Lamp**
(51) International Design Classification: **26-05NES**
(74) Name(s) of Attorney(s):
(71) Name(s) and Address(s) of Applicant(s):
Russell & George Pty Ltd
170 Peel Street Windsor Melbourne 3181 Australia
(72) Name(s) of Designer(s): **Byron George and Ryan Russell**
(45) Registration Date: **03 October 2012**
(56) Related Art Documents: **Not Applicable**
(57) Statement of Newness and Distinctiveness: **The design of this floor lamp is new & unpublished. The shape of the design & it's simplicity is what makes it distinctive, formed from continuous folded steel profile with polished, mitred junctions the lamp appears to change in form when viewed from different perspectives. It has both an uplight & down light in the form of recessed diffused LED strips set into the horizontal members. With a touch on switching function the lamp is simplistic & unique**



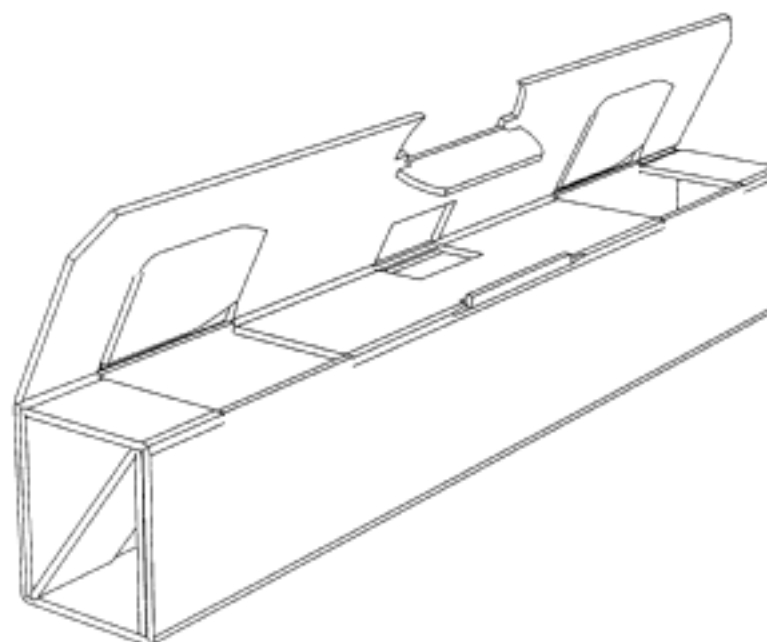
- (21) Design Number: **11573/2012**
(22) Date of Filing Application: **27 March 2012**
(24) Date from which industrial property rights may have effect: **27 March 2012**
(54) Product in respect of which the design is registered: **Chandelier**
(51) International Design Classification: **26-05D**
(74) Name(s) of Attorney(s):
(71) Name(s) and Address(s) of Applicant(s):
Russell & George Pty Ltd
170 Peel Street Windsor Melbourne 3181 Australia
(72) Name(s) of Designer(s): **Byron George and Ryan Russell**
(45) Registration Date: **03 October 2012**
(56) Related Art Documents: **Not Applicable**
(57) Statement of Newness and Distinctiveness: **The design of this pendant light is new & unpublished. The shape of the design & it's simplicity is what makes it distinctive, formed from a continuous folded steel profile with polished, mitred junctions the pendant appears to change in form when viewed from different perspectives. It has both an up lights & a down light in the form of recessed diffused LED strips set into the steel profiles.**



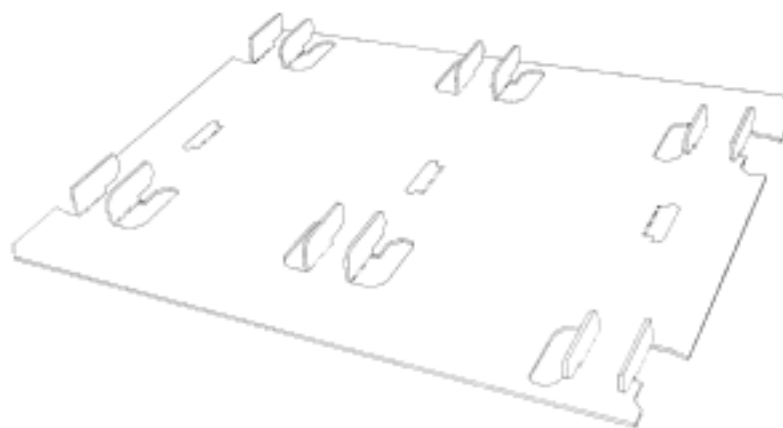
- (21) Design Number: **11936/2012**
(22) Date of Filing Application: **16 April 2012**
(24) Date from which industrial property rights may have effect: **16 April 2012**
(54) Product in respect of which the design is registered: **Chair**
(51) International Design Classification: **06-01F**
(74) Name(s) of Attorney(s):
(71) Name(s) and Address(s) of Applicant(s):
Russell & George Pty Ltd
170 Peel Street Windsor Melbourne 3181 Australia
(72) Name(s) of Designer(s): **Byron George and Ryan Russell**
(45) Registration Date: **03 October 2012**
(56) Related Art Documents: **Not Applicable**
(57) Statement of Newness and Distinctiveness: **The design of this chair is new & unpublished. The distinctiveness of this design is in the shape & construction, it is created from 2 ply legs which cross over and lock in the centre to form the base frame & support for the back rest, the backrest is divided into 2 panels, the upper most tapering out at the top to form wings. The seat & backrest added to the frame could be timber or upholstered.**



- (21) Design Number: **12993/2012**
(22) Date of Filing Application: **26 June 2012**
(24) Date from which industrial property rights may have effect: **26 June 2012**
(54) Product in respect of which the design is registered: **Blank for a bearer of a pallet**
(51) International Design Classification: **09-08**
(74) Name(s) of Attorney(s): **Davies Collison Cave**
(71) Name(s) and Address(s) of Applicant(s):
Visy R & D Pty Ltd
Level 11 2 Southbank Boulevard Southbank Victoria 3006 Australia
(72) Name(s) of Designer(s): **Clint Paul Moka**
(45) Registration Date: **03 October 2012**
(56) Related Art Documents: **Not Applicable**
(57) Statement of Newness and Distinctiveness: **The features of shape and configuration of the blank shown in the accompanying representations are considered to be new and distinctive, wherein the broken lines within the boundary of the blank are lines of deformation that facilitate folding the blank.**



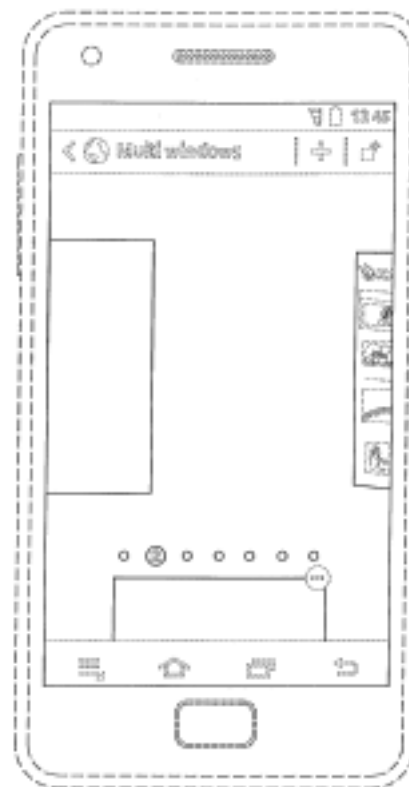
- (21) Design Number: **12994/2012**
(22) Date of Filing Application: **26 June 2012**
(24) Date from which industrial property rights may have effect: **26 June 2012**
(54) Product in respect of which the design is registered: **Blank for a deck of a pallet**
(51) International Design Classification: **09-08**
(74) Name(s) of Attorney(s): **Davies Collison Cave**
(71) Name(s) and Address(s) of Applicant(s):
Visy R & D Pty Ltd
Level 11 2 Southbank Boulevard Southbank Victoria 3006 Australia
(72) Name(s) of Designer(s): **Clint Paul Moka**
(45) Registration Date: **03 October 2012**
(56) Related Art Documents: **Not Applicable**
(57) Statement of Newness and Distinctiveness: **The features of shape and configuration of the blank shown in the accompanying representations are considered to be new and distinctive, wherein the broken lines within the boundary of the blank are lines of deformation that facilitate folding of the blank.**



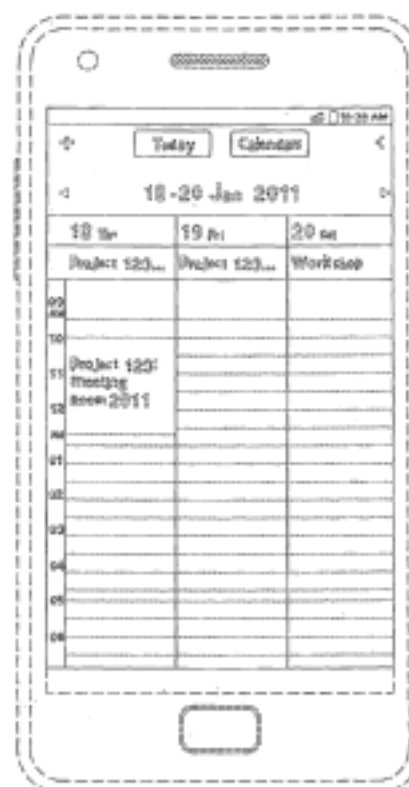
- (21) Design Number: **13142/2012**
(22) Date of Filing Application: **04 July 2012**
(24) Date from which industrial property rights may have effect: **04 July 2012**
(54) Product in respect of which the design is registered: **Rubber band car (takeaway container)**
(51) International Design Classification: **09-03C**
(74) Name(s) of Attorney(s):
(71) Name(s) and Address(s) of Applicant(s):
Education Projects Pty Ltd
57 Bancroft Terrace Deception Bay Queensland 4508 Australia
(72) Name(s) of Designer(s): **Christopher Fowler**
(45) Registration Date: **03 October 2012**
(56) Related Art Documents: **Not Applicable**
(57) Statement of Newness and Distinctiveness: **The Rubber Band Car (Takeaway) is constructed out of a takeaway drink container.**



- (21) Design Number: **13153/2012**
(22) Date of Filing Application: **05 July 2012**
(24) Date from which industrial property rights may have effect: **05 July 2012**
(54) Product in respect of which the design is registered: **Display screen for an electronic device**
(51) International Design Classification: **14-01**
(74) Name(s) of Attorney(s): **Wrays**
(71) Name(s) and Address(s) of Applicant(s):
Samsung Electronics Co., Ltd
416 Maetan-dong Yeongtong-Gu Suwon-Si Gyeonggi-Do Republic of Korea
(72) Name(s) of Designer(s): **Jae-Myoung Lee**
(45) Registration Date: **03 October 2012**
(30) Convention priority data:
(31) Number (32) Date (33) Country
30-2012-0000864 06 Jan 2012 REPUBLIC OF KOREA
(56) Related Art Documents: **Not Applicable**
(57) Statement of Newness and Distinctiveness: **Newness and distinctiveness is claimed in the features of pattern and/or ornamentation of the Display Screen For An Electronic Device as shown in in the accompanying representations. The features shown in broken lines are for illustrative purposes only and do not form part of the claimed design.**



- (21) Design Number: **13208/2012**
(22) Date of Filing Application: **06 July 2012**
(24) Date from which industrial property rights may have effect: **06 July 2012**
(54) Product in respect of which the design is registered: **Display screen for an electronic device**
(51) International Design Classification: **14-01**
(74) Name(s) of Attorney(s): **Wrays**
(71) Name(s) and Address(s) of Applicant(s):
Samsung Electronics Co., Ltd
129 Samsung-ro Yeongtong-gu Suwon-si Gyeonggi-do 443-742 Republic of Korea
(72) Name(s) of Designer(s): **Jae-Myoung Lee**
(45) Registration Date: **03 October 2012**
(30) Convention priority data:
(31) Number (32) Date (33) Country
30-2012-0000886 06 Jan 2012 REPUBLIC OF KOREA
(56) Related Art Documents: **Not Applicable**
(57) Statement of Newness and Distinctiveness: **Newness and distinctiveness is claimed in the features of pattern and/or ornamentation of the Display Screen For An Electronic Device as shown in in the accompanying representations. The features shown in broken lines are for illustrative purposes only and do not form part of the claimed design.**



- (21) Design Number: **13210/2012**
(22) Date of Filing Application: **06 July 2012**
(24) Date from which industrial property rights may have effect: **06 July 2012**
(54) Product in respect of which the design is registered: **Display screen for an electronic device**
(51) International Design Classification: **14-01**
(74) Name(s) of Attorney(s): **Wrays**
(71) Name(s) and Address(s) of Applicant(s):
Samsung Electronics Co., Ltd
416 Maetan-dong Yeongtong-Gu Suwon-Si Gyeonggi-Do Republic of Korea
(72) Name(s) of Designer(s): **Jae-Myoung Lee**
(45) Registration Date: **03 October 2012**
(30) Convention priority data:
(31) Number (32) Date (33) Country
30-2012-0000889 06 Jan 2012 REPUBLIC OF KOREA
(56) Related Art Documents: **Not Applicable**
(57) Statement of Newness and Distinctiveness: **Newness and distinctiveness is claimed in the features of pattern and/or ornamentation of the Display Screen For An Electronic Device as shown in in the accompanying representations. The features shown in broken lines are for illustrative purposes only and do not form part of the claimed design.**



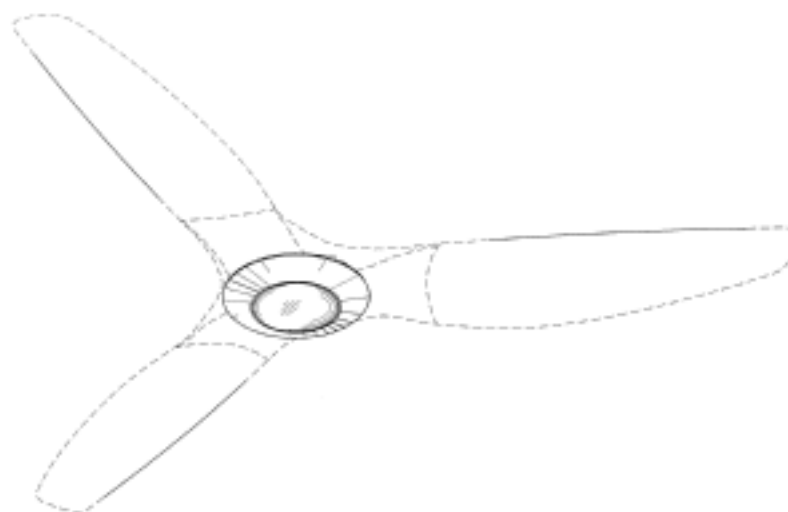
- (21) Design Number: **13494/2012**
(22) Date of Filing Application: **20 July 2012**
(24) Date from which industrial property rights may have effect: **20 July 2012**
(54) Product in respect of which the design is registered: **Trainer paddle boards**
(51) International Design Classification: **21-02D**
(74) Name(s) of Attorney(s):
(71) Name(s) and Address(s) of Applicant(s):
Land & Sea Sports Pty Ltd
1/1 Jubilee Avenue Warriewood New South Wales 2012 Australia
(72) Name(s) of Designer(s): **John Axford and Joshua Axford**
(45) Registration Date: **03 October 2012**
(56) Related Art Documents: **Not Applicable**
(57) Statement of Newness and Distinctiveness: **Webbing looped handles with large locating screws and plugs. Robust single fin with large fixing screws and lengthened fin screw sockets. Distinctive red & yellow deck with red slick bottom.**



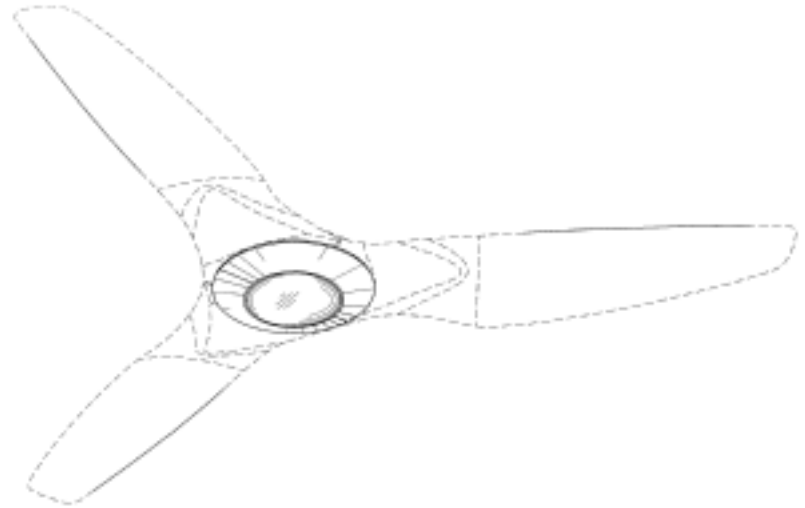
- (21) Design Number: **13495/2012**
(22) Date of Filing Application: **20 July 2012**
(24) Date from which industrial property rights may have effect: **20 July 2012**
(54) Product in respect of which the design is registered: **Javelin tapered handspear. Two piece and three piece with carry satchel**
(51) International Design Classification: **22-05**
(74) Name(s) of Attorney(s):
(71) Name(s) and Address(s) of Applicant(s):
Land & Sea Sports Pty Ltd
1/1 Jubilee Avenue Warriewood New South Wales 2012 Australia
(72) Name(s) of Designer(s): **John Axford and Joshua Axford**
(45) Registration Date: **03 October 2012**
(56) Related Art Documents: **Not Applicable**
(57) Statement of Newness and Distinctiveness: **Tapered front and rear sections with solid extension on front afix the spearpoint or cluster. Fully anodised body threads. Supplied with carry satchel with storage for the spear and compartments for the spearpoint and cluster head.**



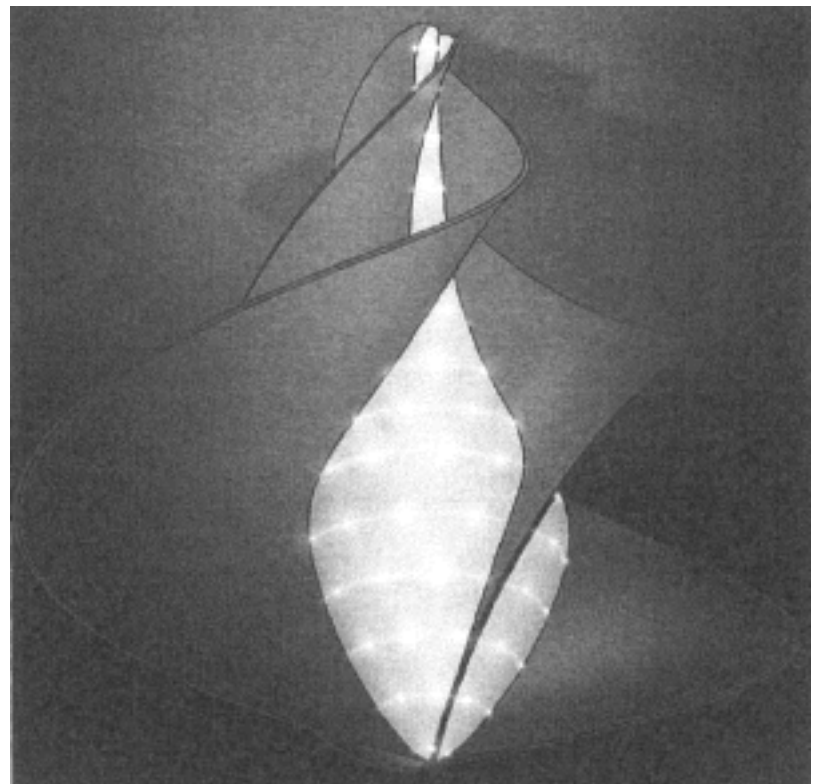
- (21) Design Number: **13970/2012**
(22) Date of Filing Application: **15 August 2012**
(24) Date from which industrial property rights may have effect: **15 August 2012**
(54) Product in respect of which the design is registered: **Ceiling fan blade with light**
(51) International Design Classification: **23-04, 26-05A**
(74) Name(s) of Attorney(s): **Herbert Smith Freehills**
(71) Name(s) and Address(s) of Applicant(s):
Delta T Corporation
2425 Merchant Street Lexington Kentucky 40511 United States of America
(72) Name(s) of Designer(s): **Ernest John Noble and Wong Boon Leong and Yip Nai Hung**
(45) Registration Date: **03 October 2012**
(30) Convention priority data:
(31) Number (32) Date (33) Country
29/414738 02 Mar 2012 UNITED STATES OF AMERICA
(56) Related Art Documents: **Not Applicable**
(57) Statement of Newness and Distinctiveness: **Newness and distinctiveness resides in the shape and configurations of the light depicted in full lines in the attached representations.**



- (21) Design Number: **13971/2012**
(22) Date of Filing Application: **15 August 2012**
(24) Date from which industrial property rights may have effect: **15 August 2012**
(54) Product in respect of which the design is registered: **Ceiling fan blade with light**
(51) International Design Classification: **23-04, 26-05A**
(74) Name(s) of Attorney(s): **Herbert Smith Freehills**
(71) Name(s) and Address(s) of Applicant(s):
Delta T Corporation
2425 Merchant Street Lexington Kentucky 40511 United States of America
(72) Name(s) of Designer(s): **Ernest John Noble and Wong Boon Leong and Yip Nai Hung**
(45) Registration Date: **03 October 2012**
(30) Convention priority data:
(31) Number (32) Date (33) Country
29/414738 02 Mar 2012 UNITED STATES OF AMERICA
(56) Related Art Documents: **Not Applicable**
(57) Statement of Newness and Distinctiveness: **Newness and distinctiveness resides in the shape and configurations of the light depicted in full lines in the attached representations.**



- (21) Design Number: **14166/2012**
(22) Date of Filing Application: **22 August 2012**
(24) Date from which industrial property rights may have effect: **22 August 2012**
(54) Product in respect of which the design is registered: **An illuminated fan**
(51) International Design Classification: **03-04**
(74) Name(s) of Attorney(s): **Cullens Patent and Trade Mark Attorneys**
(71) Name(s) and Address(s) of Applicant(s):
Perrin Holdings (WA) Pty Ltd
Lot 274 Norwoods Road Esperance Western Australia 6450 Australia
(72) Name(s) of Designer(s): **Suzanne Perrin**
(45) Registration Date: **03 October 2012**
(56) Related Art Documents: **Not Applicable**
(57) Statement of Newness and Distinctiveness: **Nil**



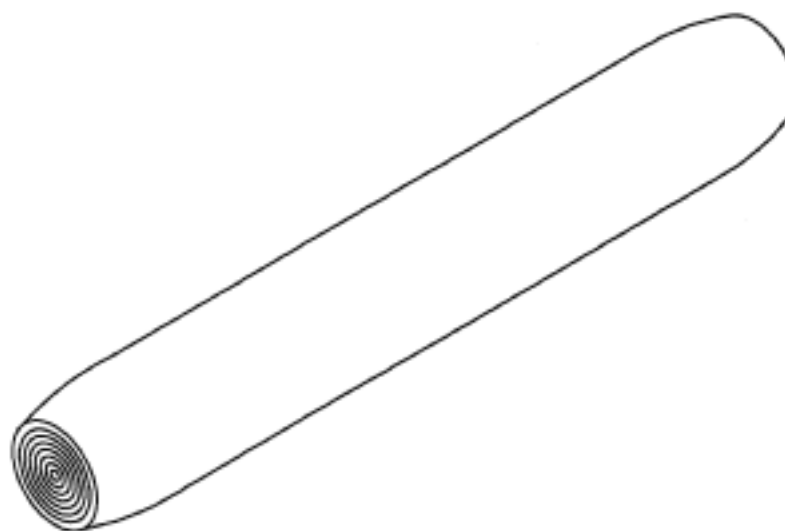
- (21) Design Number: **14177/2012**
(22) Date of Filing Application: **20 July 2012**
(24) Date from which industrial property rights may have effect: **20 July 2012**
(54) Product in respect of which the design is registered: **Trainer paddle board**
(51) International Design Classification: **21-02D**
(74) Name(s) of Attorney(s):
(71) Name(s) and Address(s) of Applicant(s):
Land & Sea Sports Pty Ltd
1/1 Jubilee Avenue Warriewood New South Wales 2012 Australia
(72) Name(s) of Designer(s): **John Axford and Joshua Axford**
(45) Registration Date: **03 October 2012**
(56) Related Art Documents: **Not Applicable**
(57) Statement of Newness and Distinctiveness: **Webbing looped handles with large locating screws and plugs. Robust single fin with large fixing screws and lengthened fin screw sockets. Distinctive red & yellow deck with red slick bottom.**



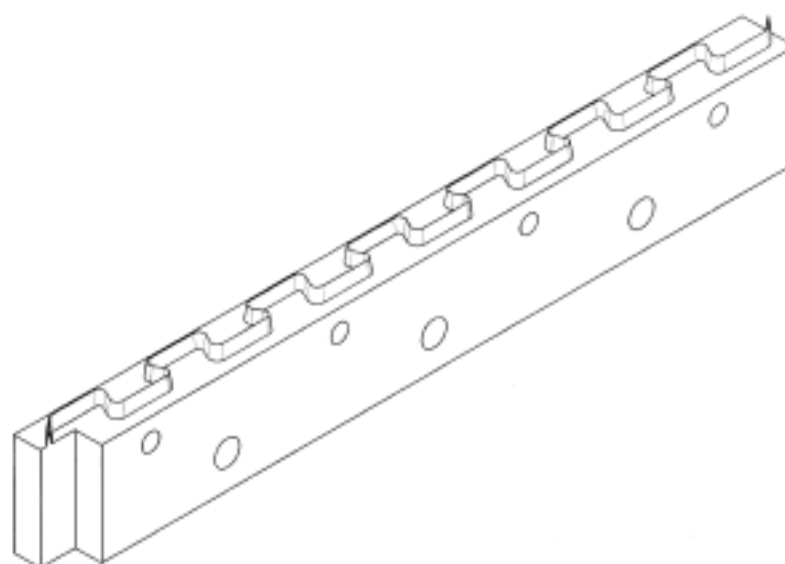
- (21) Design Number: **14178/2012**
(22) Date of Filing Application: **20 July 2012**
(24) Date from which industrial property rights may have effect: **20 July 2012**
(54) Product in respect of which the design is registered: **Javelin handspear**
(51) International Design Classification: **22-05**
(74) Name(s) of Attorney(s):
(71) Name(s) and Address(s) of Applicant(s):
Land & Sea Sports Pty Ltd
1/1 Jubilee Avenue Warriewood New South Wales 2012 Australia
(72) Name(s) of Designer(s): **John Axford and Joshua Axford**
(45) Registration Date: **03 October 2012**
(56) Related Art Documents: **Not Applicable**
(57) Statement of Newness and Distinctiveness: **Tapered front and rear sections with solid extension on front to affix the spearpoint or cluster. Fully anodised body and threads. Supplied with carry satchel with storage for the spear and components for the spearpoint and cluster head.**



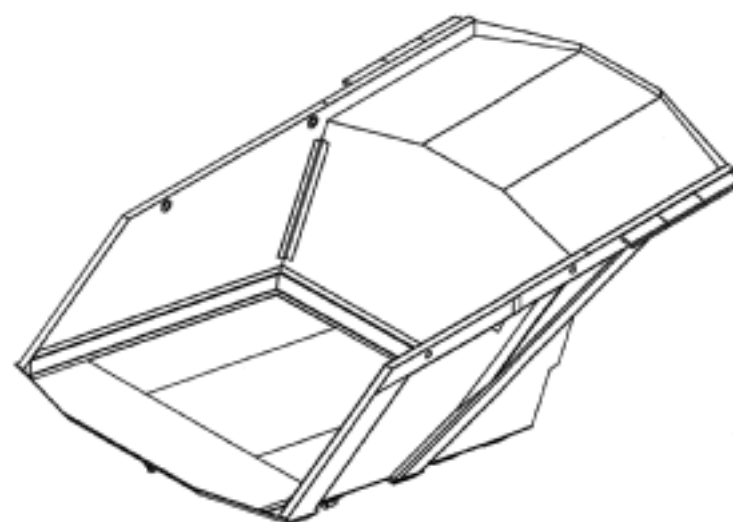
(21) Design Number: **14367/2012**
(22) Date of Filing Application: **04 September 2012**
(24) Date from which industrial property rights may have effect: **22 June 2012**
(54) Product in respect of which the design is registered: **Hand-held aerosol generator**
(51) International Design Classification: **09-01A**
(74) Name(s) of Attorney(s): **Callinans**
(71) Name(s) and Address(s) of Applicant(s):
Philip Morris Products S.A.
Quay Jeanrenaud 3 2000 Neuchatel Switzerland
(72) Name(s) of Designer(s): **Aaron Abroff**
(45) Registration Date: **03 October 2012**
(30) Convention priority data:
(31) Number (32) Date (33) Country
001307649 23 Dec 2011 EUROPEAN COMMUNITY
(62) Divisional of: **12960/2012**
(56) Related Art Documents: **Not Applicable**
(57) Statement of Newness and Distinctiveness: **Nil**



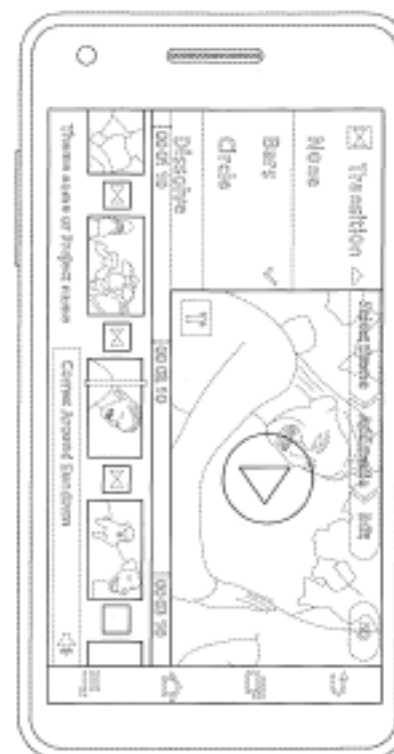
(21) Design Number: **14395/2012**
(22) Date of Filing Application: **04 September 2012**
(24) Date from which industrial property rights may have effect: **04 September 2012**
(54) Product in respect of which the design is registered: **Die set blade with a dovetailed waveform cutting edge**
(51) International Design Classification: **15-09**
(74) Name(s) of Attorney(s):
(71) Name(s) and Address(s) of Applicant(s):
Jr De Exact Industrial Co., Ltd.
No. 6 Ln. 5 Wende St Daliuo Dist Kaohsiung City Taiwan
(72) Name(s) of Designer(s): **Lu Chi-Ming**
(45) Registration Date: **03 October 2012**
(30) Convention priority data:
(31) Number (32) Date (33) Country
101301201 06 Mar 2012 TAIWAN, PROVINCE OF CHINA
(56) Related Art Documents: **Not Applicable**
(57) Statement of Newness and Distinctiveness: **Novelty resides in the ornamental design for a die set blade with a dovetailed waveform cutting edge as shown in the drawings.**



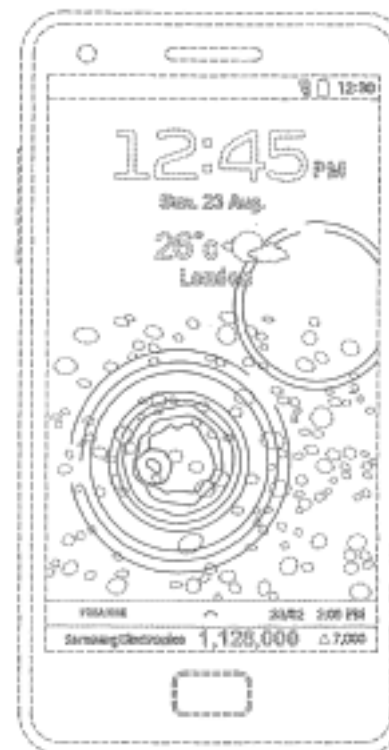
- (21) Design Number: **11035/2012**
(22) Date of Filing Application: **05 March 2012**
(24) Date from which industrial property rights may have effect: **05 March 2012**
(54) Product in respect of which the design is registered: **Tray for a truck**
(51) International Design Classification: **15-04, 12-16NES**
(74) Name(s) of Attorney(s): **Davies Collison Cave**
(71) Name(s) and Address(s) of Applicant(s):
Duratray Investments Pty Ltd
8 Dunlop Ct Bayswater Victoria 3153 Australia
(72) Name(s) of Designer(s): **Marco Antonio Medel**
(45) Registration Date: **04 October 2012**
(56) Related Art Documents: **Not Applicable**
(57) Statement of Newness and Distinctiveness: **Nil**



- (21) Design Number: **13224/2012**
(22) Date of Filing Application: **09 July 2012**
(24) Date from which industrial property rights may have effect: **09 July 2012**
(54) Product in respect of which the design is registered: **Display screen for an electronic device**
(51) International Design Classification: **14-01**
(74) Name(s) of Attorney(s): **Wrays**
(71) Name(s) and Address(s) of Applicant(s):
Samsung Electronics Co., Ltd
129 Samsung-ro Yeongtong-gu Suwon-si Gyeonggi-do 443-742 Republic of Korea
(72) Name(s) of Designer(s): **Jae-Myoung Lee**
(45) Registration Date: **04 October 2012**
(30) Convention priority data:
(31) Number (32) Date (33) Country
30-2012-0001049 09 Jan 2012 REPUBLIC OF KOREA
(56) Related Art Documents: **Not Applicable**
(57) Statement of Newness and Distinctiveness: **Newness and distinctiveness is claimed in the features of pattern and/or ornamentation of the Display Screen For An Electronic Device as shown in the accompanying representations. The features shown in broken lines are for illustrative purposes only and do not form part of the claimed design.**



- (21) Design Number: **13226/2012**
(22) Date of Filing Application: **09 July 2012**
(24) Date from which industrial property rights may have effect: **09 July 2012**
(54) Product in respect of which the design is registered: **Display screen for an electronic device**
(51) International Design Classification: **14-01**
(74) Name(s) of Attorney(s): **Wrays**
(71) Name(s) and Address(s) of Applicant(s):
Samsung Electronics Co., Ltd
129 Samsung-ro Yeongtong-gu Suwon-si Gyeonggi-do 443-742 Republic of Korea
(72) Name(s) of Designer(s): **Jee-Yeun Wang and Mee-Young Kim and Su-Hyun Na**
(45) Registration Date: **04 October 2012**
(30) Convention priority data:
(31) Number (32) Date (33) Country
30-2012-0001054 09 Jan 2012 REPUBLIC OF KOREA
(56) Related Art Documents: **Not Applicable**
(57) Statement of Newness and Distinctiveness: **Newness and distinctiveness is claimed in the features of pattern and/or ornamentation of the display screen for an electronic device as shown in the accompanying representations. The features shown in broken lines are for illustrative purposes only and do not form part of the claimed design.**



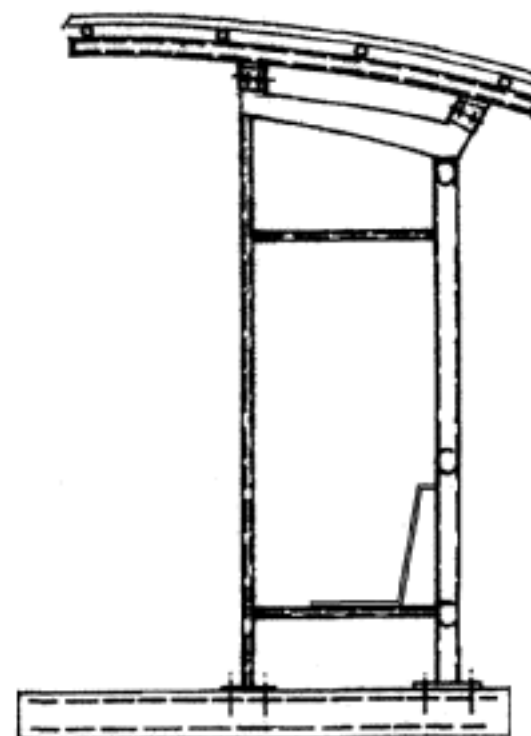
- (21) Design Number: **13419/2012**
(22) Date of Filing Application: **19 July 2012**
(24) Date from which industrial property rights may have effect: **19 July 2012**
(54) Product in respect of which the design is registered: **Bus shelter**
(51) International Design Classification: **25-03**
(74) Name(s) of Attorney(s):
(71) Name(s) and Address(s) of Applicant(s):
JBLC Pty Ltd
209 New Beith Road Greenbank Queensland 4124 Australia
(72) Name(s) of Designer(s): **Matthew Charles Roberts**
(45) Registration Date: **04 October 2012**
(56) Related Art Documents: **Not Applicable**
(57) Statement of Newness and Distinctiveness: **This Bus Shelter has a curved roof, square hollow frame made from Aluminium and is of modular kit construction.**



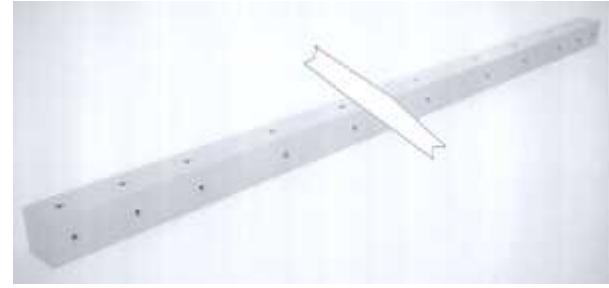
- (21) Design Number: **13420/2012**
(22) Date of Filing Application: **19 July 2012**
(24) Date from which industrial property rights may have effect: **19 July 2012**
(54) Product in respect of which the design is registered: **Bus shelter**
(51) International Design Classification: **25-03**
(74) Name(s) of Attorney(s):
(71) Name(s) and Address(s) of Applicant(s):
JBLC Pty Ltd
209 New Beith Road Greenbank Queensland 4124 Australia
(72) Name(s) of Designer(s): **Matthew Charles Roberts**
(45) Registration Date: **04 October 2012**
(56) Related Art Documents: **Not Applicable**
(57) Statement of Newness and Distinctiveness: **This Bus Shelter has a gable roof, square hollow frame made from Aluminium and is of modular kit construction.**



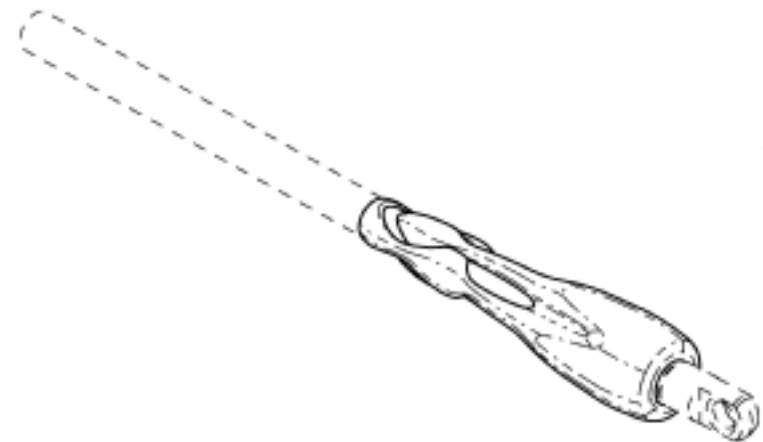
- (21) Design Number: **13421/2012**
(22) Date of Filing Application: **19 July 2012**
(24) Date from which industrial property rights may have effect: **19 July 2012**
(54) Product in respect of which the design is registered: **Bus shelter**
(51) International Design Classification: **25-03**
(74) Name(s) of Attorney(s):
(71) Name(s) and Address(s) of Applicant(s):
JBLC Pty Ltd
209 New Beith Road Greenbank Queensland 4124 Australia
(72) Name(s) of Designer(s): **Matthew Charles Roberts**
(45) Registration Date: **04 October 2012**
(56) Related Art Documents: **Not Applicable**
(57) Statement of Newness and Distinctiveness: **The Gladstone shelter has a curved roof, distinct y shape support column, round hollow frame made from Aluminium and is of modular kit construction.**



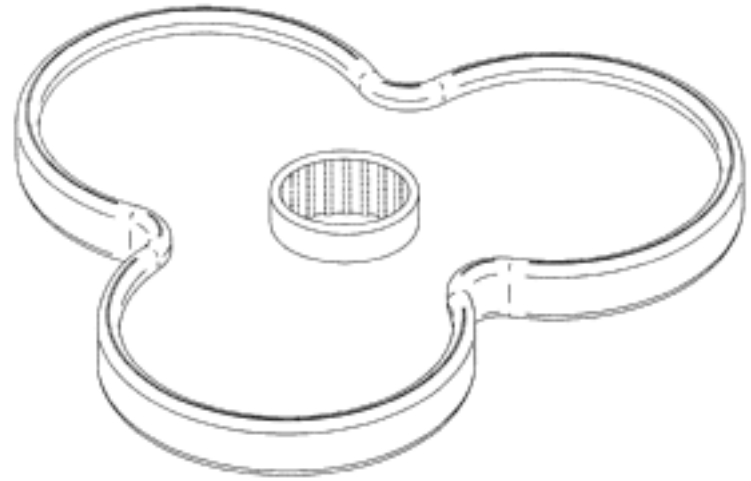
- (21) Design Number: **13507/2012**
(22) Date of Filing Application: **09 August 2012**
(24) Date from which industrial property rights may have effect: **09 August 2012**
(54) Product in respect of which the design is registered: **A beam for constructing frames**
(51) International Design Classification: **25-01C**
(74) Name(s) of Attorney(s):
(71) Name(s) and Address(s) of Applicant(s):
Darren Dumble
c/- Michael Buck IP 196 Moggill Road Taringa Queensland 4067 Australia
(72) Name(s) of Designer(s): **Darren Dumble**
(45) Registration Date: **04 October 2012**
(56) Related Art Documents: **Not Applicable**
(57) Statement of Newness and Distinctiveness: **The shape and configuration of a beam for constructing frames as illustrated in the accompanying representations and being of indefinite length.**



- (21) Design Number: **13508/2012**
(22) Date of Filing Application: **16 July 2012**
(24) Date from which industrial property rights may have effect: **16 July 2012**
(54) Product in respect of which the design is registered: **Leash connector - water sports**
(51) International Design Classification: **21-02D**
(74) Name(s) of Attorney(s):
(71) Name(s) and Address(s) of Applicant(s):
POD Ware Pty Ltd
26 Curtin Crescent Maroubra New South Wales 2035 Australia
(72) Name(s) of Designer(s): **Shane Thomas Anthony Vassallo**
(45) Registration Date: **04 October 2012**
(56) Related Art Documents: **Not Applicable**
(57) Statement of Newness and Distinctiveness: **Nil**



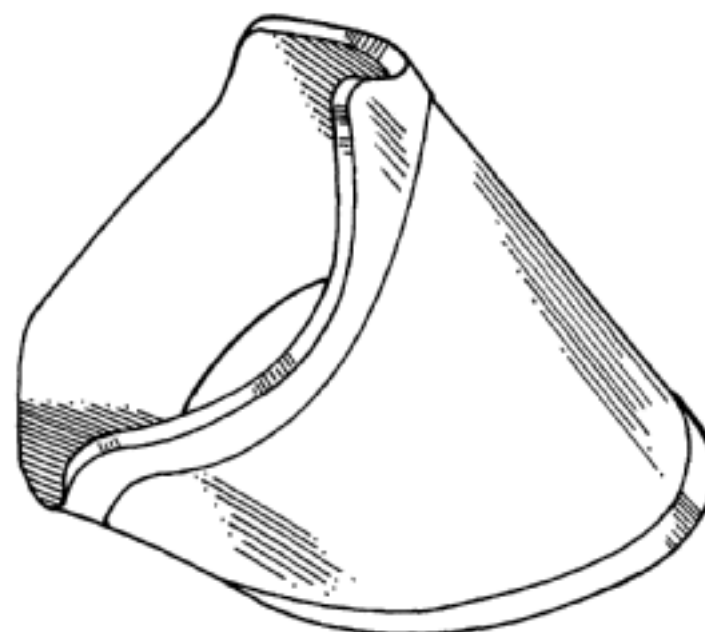
- (21) Design Number: **13720/2012**
(22) Date of Filing Application: **02 August 2012**
(24) Date from which industrial property rights may have effect: **02 August 2012**
(54) Product in respect of which the design is registered: **Bottle cap opener**
(51) International Design Classification: **07-06D**
(74) Name(s) of Attorney(s): **Herbert Smith Freehills**
(71) Name(s) and Address(s) of Applicant(s):
Apotex Pty Ltd
16 Giffnock Avenue Macquarie Park New South Wales 2113 Australia
(72) Name(s) of Designer(s): **Marnie Peterson and Joseph Lesjak**
(45) Registration Date: **04 October 2012**
(56) Related Art Documents: **Not Applicable**
(57) Statement of Newness and Distinctiveness: **Newness and distinctiveness of the design resides in the shape and/or configuration of the bottle cap opener as shown in solid lines in the accompanying representations.**



- (21) Design Number: **13722/2012**
(22) Date of Filing Application: **03 August 2012**
(24) Date from which industrial property rights may have effect: **03 August 2012**
(54) Product in respect of which the design is registered: **Safety Buoy**
(51) International Design Classification: **29-02**
(74) Name(s) of Attorney(s): **WATERMARK PATENT AND TRADE MARKS ATTORNEYS**
(71) Name(s) and Address(s) of Applicant(s):
Viking Global Industries Pty Ltd
PO Box 5450 Port Macquarie New South Wales 2444 Australia
(72) Name(s) of Designer(s): **Neil Wallace**
(45) Registration Date: **04 October 2012**
(56) Related Art Documents: **Not Applicable**
(57) Statement of Newness and Distinctiveness: **Newness and distinctiveness is claimed in the shape and/or configuration of a safety buoy as depicted in the accompanying drawings.**



- (21) Design Number: **13726/2012**
(22) Date of Filing Application: **02 August 2012**
(24) Date from which industrial property rights may have effect: **02 August 2012**
(54) Product in respect of which the design is registered: **Footwear cover**
(51) International Design Classification: **02-04NES**
(74) Name(s) of Attorney(s): **Griffith Hack**
(71) Name(s) and Address(s) of Applicant(s):
Leihm Lowry
186 Avoca Drive Green Point New South Wales 2251 Australia
(72) Name(s) of Designer(s): **Leihm Lowry**
(45) Registration Date: **04 October 2012**
(56) Related Art Documents: **Not Applicable**
(57) Statement of Newness and Distinctiveness: **The shape and configuration of the Footwear Cover is new and distinctive.**



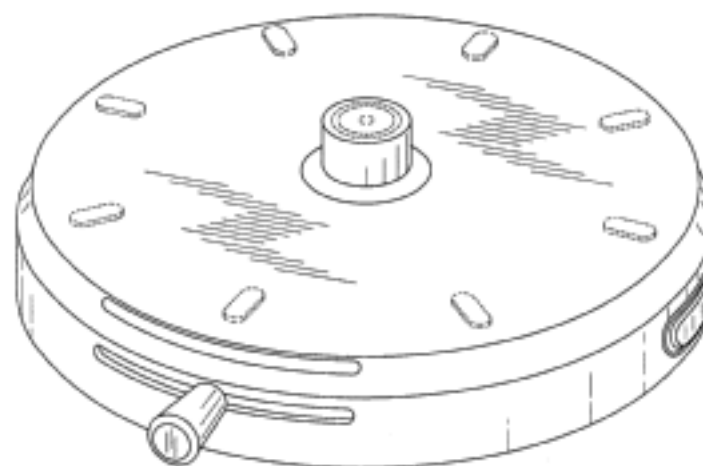
- (21) Design Number: **13779/2012**
(22) Date of Filing Application: **03 August 2012**
(24) Date from which industrial property rights may have effect: **03 August 2012**
(54) Product in respect of which the design is registered: **Food processor**
(51) International Design Classification: **31-00**
(74) Name(s) of Attorney(s): **PHILLIPS ORMONDE FITZPATRICK**
(71) Name(s) and Address(s) of Applicant(s):
Whirlpool Corporation
2000 M 63 Benton Harbor Michigan 49022 United States of America
(72) Name(s) of Designer(s): **Matthew C. Czach and Jimmy Quang Doan and Brandon T. Mock**
(45) Registration Date: **04 October 2012**
(30) Convention priority data:
(31) Number (32) Date (33) Country
29/415,290 09 Mar 2012 UNITED STATES OF AMERICA
(56) Related Art Documents: **Not Applicable**
(57) Statement of Newness and Distinctiveness: **Those features of the food processor depicted in the representations that are new and distinctive are the shape and/or configuration. The features shown in broken lines are not part of the design and are to be disregarded when considering the overall impression of the design.**



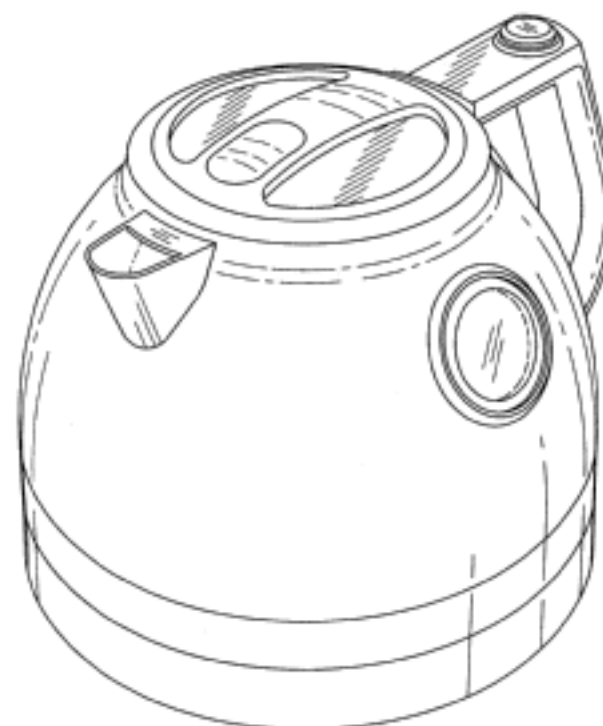
(21) Design Number: **13806/2012**
(22) Date of Filing Application: **01 August 2012**
(24) Date from which industrial property rights may have effect: **01 August 2012**
(54) Product in respect of which the design is registered: **Whole body of car**
(51) International Design Classification: **12-08**
(74) Name(s) of Attorney(s): **Baxter IP**
(71) Name(s) and Address(s) of Applicant(s):
GM Global Technology Operations, LLC
300 Renaissance Center Detroit Michigan 48265-3000 United States of America
(72) Name(s) of Designer(s): **Won-suk Park and Jin-ho Seo**
(45) Registration Date: **04 October 2012**
(30) Convention priority data:
(31) Number (32) Date (33) Country
30-2012-0027714 05 Jun 2012 REPUBLIC OF KOREA
(56) Related Art Documents: **Not Applicable**
(57) Statement of Newness and Distinctiveness: **Newness and distinctiveness is claimed in the shape and/or configuration of the whole body of car as shown in the representations.**



(21) Design Number: **13809/2012**
(22) Date of Filing Application: **06 August 2012**
(24) Date from which industrial property rights may have effect: **06 August 2012**
(54) Product in respect of which the design is registered: **Kettle base**
(51) International Design Classification: **07-02K**
(74) Name(s) of Attorney(s): **PHILLIPS ORMONDE FITZPATRICK**
(71) Name(s) and Address(s) of Applicant(s):
Whirlpool Corporation
2000 N M 63 Benton Harbor Michigan 49022 United States of America
(72) Name(s) of Designer(s): **Ben C. Shao and Leif A. Norland and Dario Grasselli and Jeffrey A Wessel**
(45) Registration Date: **04 October 2012**
(30) Convention priority data:
(31) Number (32) Date (33) Country
29/412,965 09 Feb 2012 UNITED STATES OF AMERICA
(56) Related Art Documents: **Not Applicable**
(57) Statement of Newness and Distinctiveness: **Those features of the kettle depicted in the representations that are new and distinctive are the shape and/or configuration. The features shown in broken line are not part of the design and are to be disregarded when considering the overall impression of the design. The bottom view (Fig.7) may or may not form part of the design.**



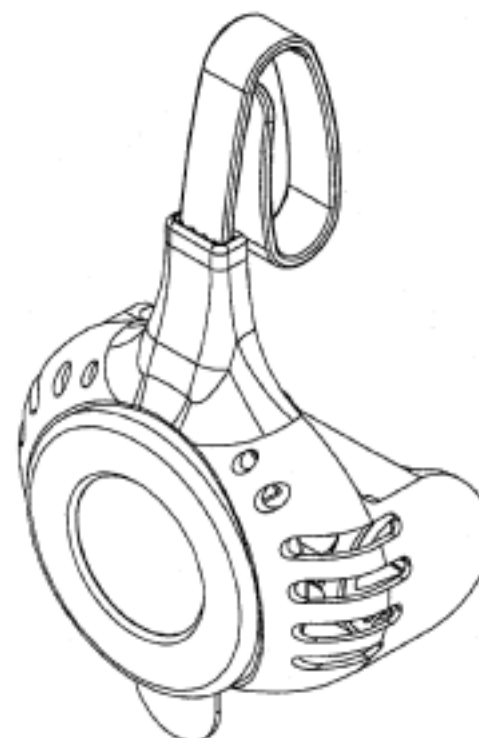
(21) Design Number: **13810/2012**
(22) Date of Filing Application: **06 August 2012**
(24) Date from which industrial property rights may have effect: **06 August 2012**
(54) Product in respect of which the design is registered: **Kettle**
(51) International Design Classification: **07-02K**
(74) Name(s) of Attorney(s): **PHILLIPS ORMONDE FITZPATRICK**
(71) Name(s) and Address(s) of Applicant(s):
Whirlpool Corporation
2000 N M 63 Benton Harbor Michigan 49022 United States of America
(72) Name(s) of Designer(s): **Ben C. Shao and Leif A. Norland and Dario Grasselli and Jeffrey A Wessel**
(45) Registration Date: **04 October 2012**
(30) Convention priority data:
(31) Number (32) Date (33) Country
29/412911 09 Feb 2012 UNITED STATES OF AMERICA
(56) Related Art Documents: **Not Applicable**
(57) Statement of Newness and Distinctiveness: **Those features of the kettle depicted in the representations that are new and distinctive are the shape and/or configuration. The features shown in broken line are not part of the design and are to be disregarded when considering the overall impression of the design.**



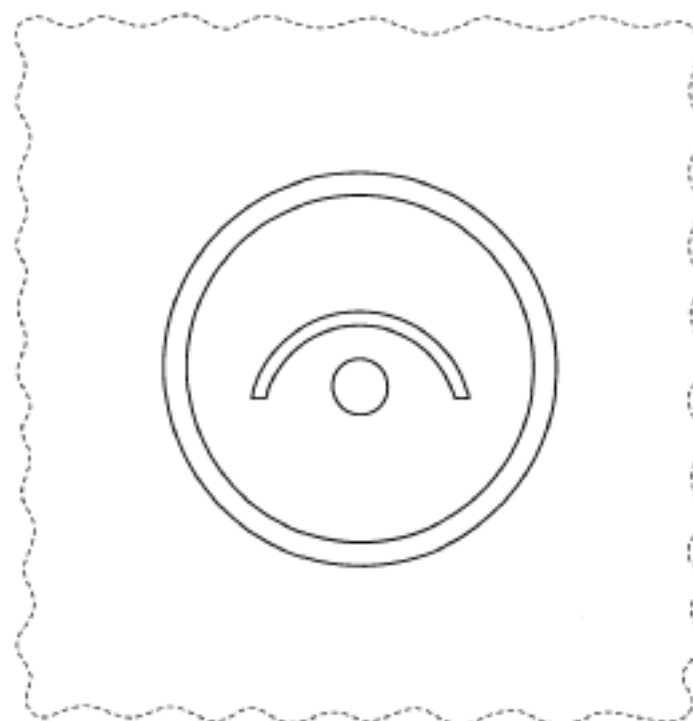
(21) Design Number: **13958/2012**
(22) Date of Filing Application: **15 August 2012**
(24) Date from which industrial property rights may have effect: **15 August 2012**
(54) Product in respect of which the design is registered: **Zephyr bicycle rack**
(51) International Design Classification: **08-10**
(74) Name(s) of Attorney(s):
(71) Name(s) and Address(s) of Applicant(s):
Barrier Group Pty Ltd
155 Weddell Road North Geelong Victoria 3215 Australia
(72) Name(s) of Designer(s): **Huiming Wong and Rick Hall**
(45) Registration Date: **04 October 2012**
(56) Related Art Documents: **Not Applicable**
(57) Statement of Newness and Distinctiveness: **1. The shape of the Zephyr Bicycle Rack is new and distinctive. 2. The ability of the Zephyr Bicycle Rack to act as a seat is new and distinctive.**



(21) Design Number: **14142/2012**
(22) Date of Filing Application: **22 August 2012**
(24) Date from which industrial property rights may have effect: **22 August 2012**
(54) Product in respect of which the design is registered: **Dispenser**
(51) International Design Classification: **28-99**
(74) Name(s) of Attorney(s): **A J Park**
(71) Name(s) and Address(s) of Applicant(s):
Alto Packaging Limited
Level 6 57 Symonds Street Grafton Auckland 1010 New Zealand
(72) Name(s) of Designer(s): **Michael Patrick Noonan**
(45) Registration Date: **04 October 2012**
(56) Related Art Documents: **Not Applicable**
(57) Statement of Newness and Distinctiveness: **The features of shape and/or configuration as shown in the accompanying drawings and in particular the front of the dispenser.**



(21) Design Number: **13176/2012**
(22) Date of Filing Application: **06 July 2012**
(24) Date from which industrial property rights may have effect: **06 July 2012**
(54) Product in respect of which the design is registered: **Display screen with icon**
(51) International Design Classification: **14-01**
(74) Name(s) of Attorney(s): **Shelston IP**
(71) Name(s) and Address(s) of Applicant(s):
Microsoft Corporation
One Microsoft Way Redmond Washington 98052 United States of America
(72) Name(s) of Designer(s): **Kieran Phelan**
(45) Registration Date: **04 October 2012**
(30) Convention priority data:
(31) Number (32) Date (33) Country
29/410336 06 Jan 2012 UNITED STATES OF AMERICA
(56) Related Art Documents: **Not Applicable**
(57) Statement of Newness and Distinctiveness: **Newness and distinctiveness reside in the pattern and/or ornamentation of a display screen with icon as illustrated by solid lines in the accompanying representations. The features shown in broken outline are for illustrative purposes only and do not form part of the design.**



(21) Design Number: **14824/2012**
(22) Date of Filing Application: **06 July 2012**
(24) Date from which industrial property rights may have effect: **06 July 2012**
(54) Product in respect of which the design is registered: **Display screen with icon**
(51) International Design Classification: **14-01**
(74) Name(s) of Attorney(s): **Shelston IP**
(71) Name(s) and Address(s) of Applicant(s):

Microsoft Corporation
One Microsoft Way Redmond Washington 98052 United States of America

(72) Name(s) of Designer(s): **Kieran Phelan**

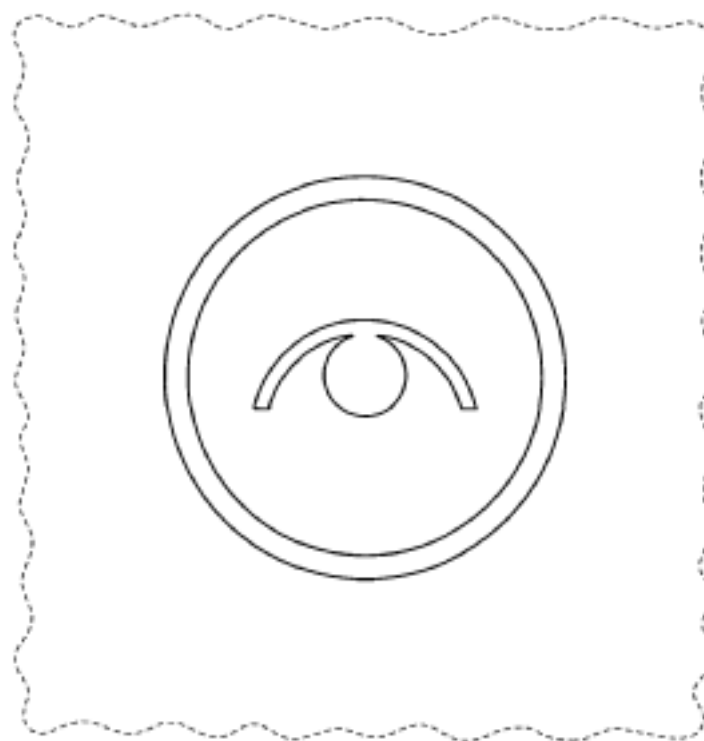
(45) Registration Date: **04 October 2012**

(30) Convention priority data:

(31) Number	(32) Date	(33) Country
29/410336	06 Jan 2012	UNITED STATES OF AMERICA

(56) Related Art Documents: **Not Applicable**

(57) Statement of Newness and Distinctiveness: **Newness and distinctiveness reside in the pattern and/or ornamentation of a display screen with icon as illustrated by solid lines in the accompanying representations. The features shown in broken outline are for illustrative purposes only and do not form part of the design.**



(21) Design Number: **14825/2012**
(22) Date of Filing Application: **06 July 2012**
(24) Date from which industrial property rights may have effect: **06 July 2012**
(54) Product in respect of which the design is registered: **Display screen with icon**
(51) International Design Classification: **14-01**
(74) Name(s) of Attorney(s): **Shelston IP**
(71) Name(s) and Address(s) of Applicant(s):

Microsoft Corporation
One Microsoft Way Redmond Washington 98052 United States of America

(72) Name(s) of Designer(s): **Kieran Phelan**

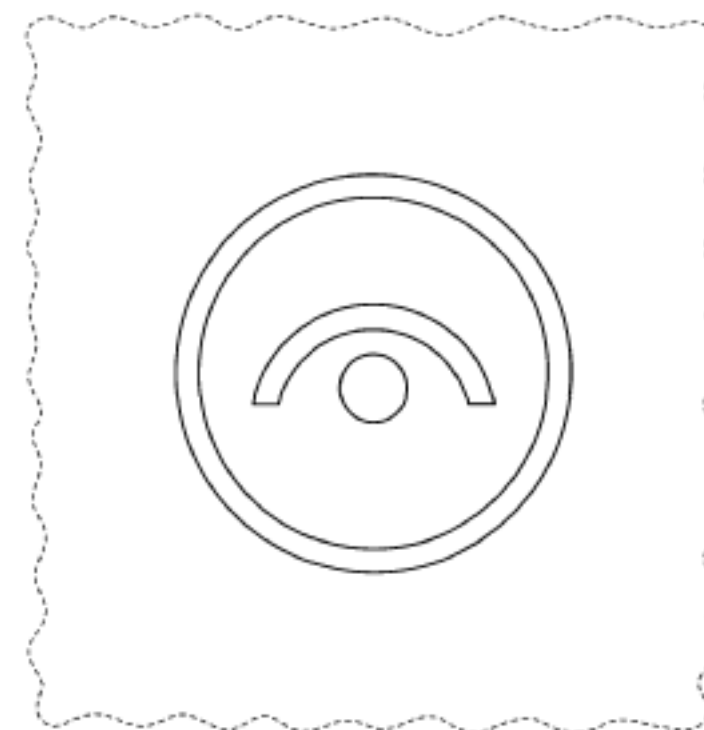
(45) Registration Date: **04 October 2012**

(30) Convention priority data:

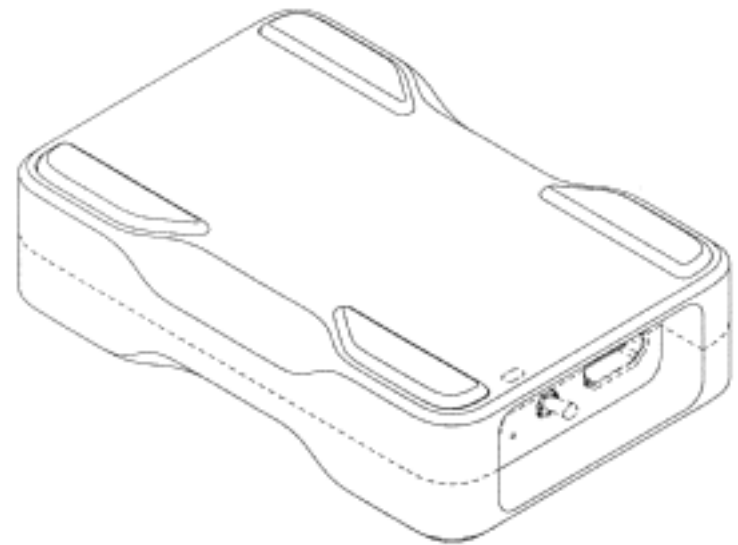
(31) Number	(32) Date	(33) Country
29/410336	06 Jan 2012	UNITED STATES OF AMERICA

(56) Related Art Documents: **Not Applicable**

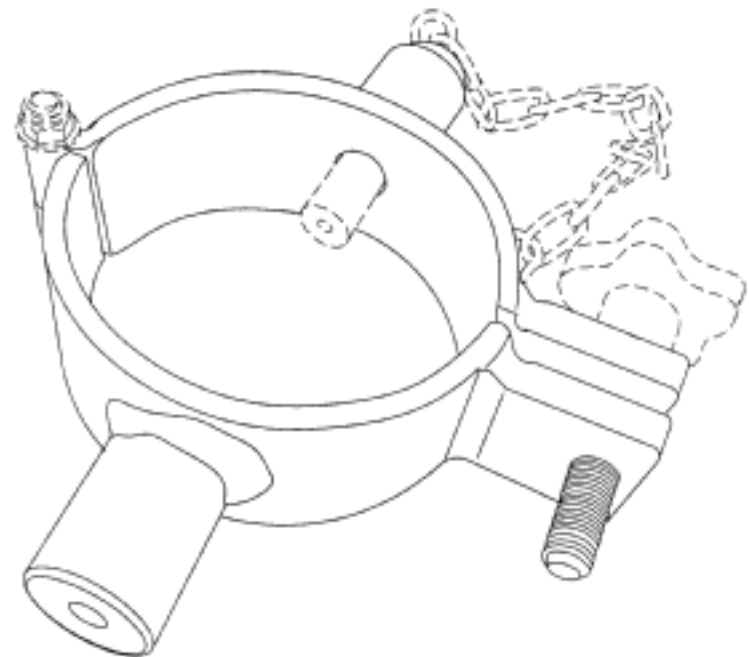
(57) Statement of Newness and Distinctiveness: **Newness and distinctiveness reside in the pattern and/or ornamentation of a display screen with icon as illustrated by solid lines in the accompanying representations. The features shown in broken outline are for illustrative purposes only and do not form part of the design.**



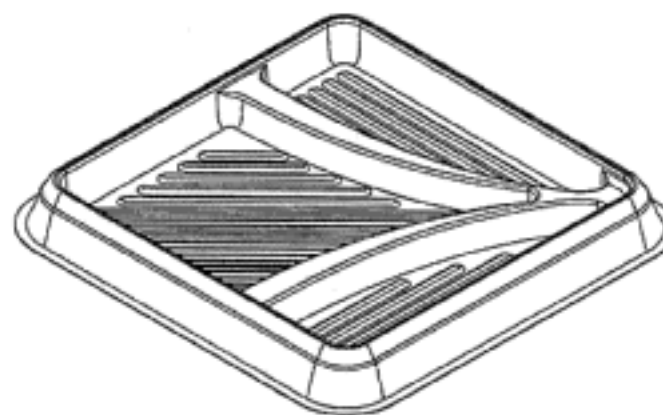
- (21) Design Number: **11837/2012**
(22) Date of Filing Application: **13 April 2012**
(24) Date from which industrial property rights may have effect: **13 April 2012**
(54) Product in respect of which the design is registered: **Video converter**
(51) International Design Classification: **14-01**
(74) Name(s) of Attorney(s): **Herbert Smith Freehills**
(71) Name(s) and Address(s) of Applicant(s):
Blackmagic Design Pty Ltd
11 Gateway Court Port Melbourne Victoria 3207 Australia
(72) Name(s) of Designer(s): **Grant Petty and Simon Kidd and Stuart Elford and John Vanzella**
(45) Registration Date: **05 October 2012**
(56) Related Art Documents: **Not Applicable**
(57) Statement of Newness and Distinctiveness: **Newness and distinctiveness reside in the features of shape and configuration of the miniconverter illustrated in solid lines in the accompanying representations.**



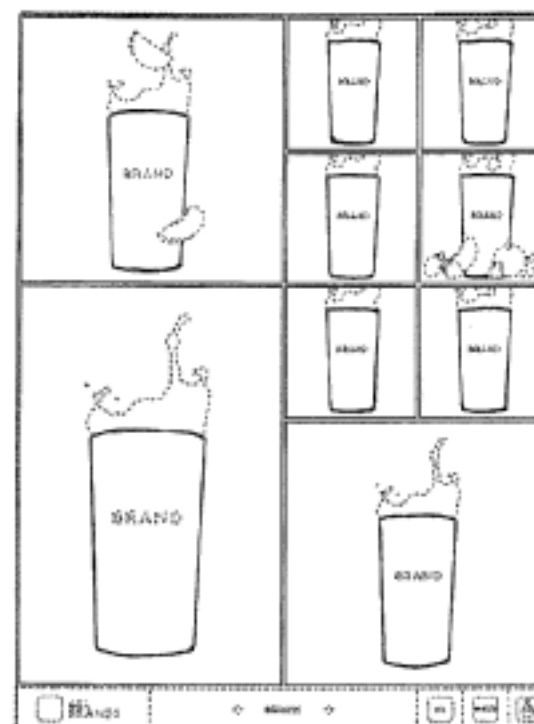
- (21) Design Number: **13274/2012**
(22) Date of Filing Application: **10 July 2012**
(24) Date from which industrial property rights may have effect: **10 July 2012**
(54) Product in respect of which the design is registered: **Jig**
(51) International Design Classification: **08-05F**
(74) Name(s) of Attorney(s): **Davies Collison Cave**
(71) Name(s) and Address(s) of Applicant(s):
Roads Corporation
60 Denmark Street Kew Victoria 3101 Australia
(72) Name(s) of Designer(s): **Zoltan Szasz**
(45) Registration Date: **05 October 2012**
(56) Related Art Documents: **Not Applicable**
(57) Statement of Newness and Distinctiveness: **Newness and distinctiveness is claimed in the visual features shown in solid lines in the representations.**



(21) Design Number: **13314/2012**
(22) Date of Filing Application: **12 July 2012**
(24) Date from which industrial property rights may have effect: **12 July 2012**
(54) Product in respect of which the design is registered: **A tray**
(51) International Design Classification: **09-03F**
(74) Name(s) of Attorney(s): **Chrysiliou IP**
(71) Name(s) and Address(s) of Applicant(s):
Multigate Medical Products Pty Limited
11-17 Nelson Road Yennora New South Wales 2161 Australia
(72) Name(s) of Designer(s): **Ben Chen**
(45) Registration Date: **05 October 2012**
(56) Related Art Documents: **Not Applicable**
(57) Statement of Newness and Distinctiveness: **Nil**



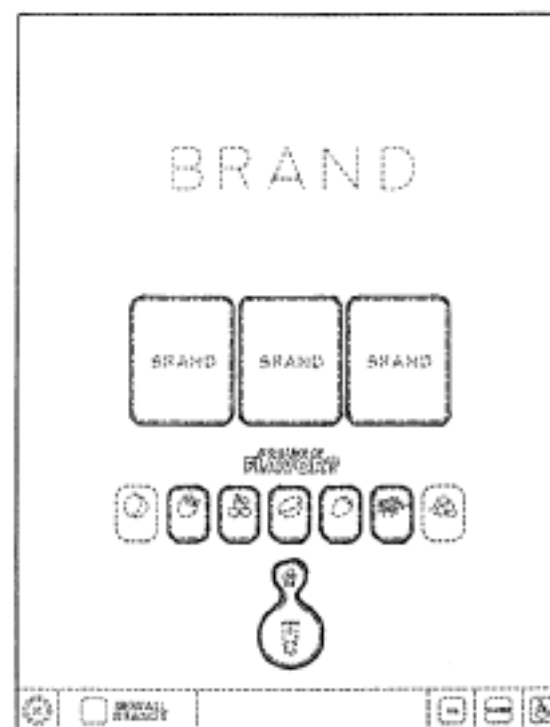
(21) Design Number: **13411/2012**
(22) Date of Filing Application: **19 July 2012**
(24) Date from which industrial property rights may have effect: **19 July 2012**
(54) Product in respect of which the design is registered: **A display screen**
(51) International Design Classification: **14-02**
(74) Name(s) of Attorney(s): **SPRUSON & FERGUSON**
(71) Name(s) and Address(s) of Applicant(s):
PepsiCo, Inc.
700 Anderson Hill Road Purchase New York 10577 United States of America
(72) Name(s) of Designer(s): **Massimo F. D'Amore and Mikel Durham and Christine J. Sisler and Stephen Lim and John W. Vail and Ana Maria Irazabal and Margery A. Schelling and David Snyder**
(45) Registration Date: **05 October 2012**
(30) Convention priority data:
(31) Number (32) Date (33) Country
29/411388 19 Jan 2012 UNITED STATES OF AMERICA
(56) Related Art Documents: **Not Applicable**
(57) Statement of Newness and Distinctiveness: **Newness and distinctiveness is claimed in those features of pattern and/or ornamentation of a display screen with user interface as illustrated in continuous lines in the accompanying representations. The features shown in broken lines are for illustrative purposes only and do not form part of the design.**



- (21) Design Number: **13412/2012**
(22) Date of Filing Application: **19 July 2012**
(24) Date from which industrial property rights may have effect: **19 July 2012**
(54) Product in respect of which the design is registered: **A display screen**
(51) International Design Classification: **14-02**
(74) Name(s) of Attorney(s): **SPRUSON & FERGUSON**
(71) Name(s) and Address(s) of Applicant(s):
PepsiCo, Inc.
700 Anderson Hill Road Purchase New York 10577 United States of America
(72) Name(s) of Designer(s): **Massimo F. D'Amore and Mikel Durham and Christine J. Sisler and Stephen Lim and John W. Vail and Ana Maria Irazabal and Margery A. Schelling and David Snyder**
(45) Registration Date: **05 October 2012**
(30) Convention priority data:
(31) Number (32) Date (33) Country
29/411389 19 Jan 2012 UNITED STATES OF AMERICA
(56) Related Art Documents: **Not Applicable**
(57) Statement of Newness and Distinctiveness: **Newness and distinctiveness is claimed in those features of pattern and/or ornamentation of a display screen with user interface as illustrated in continuous lines in the accompanying representations. The features shown in broken lines are for illustrative purposes only and do not form part of the design.**



- (21) Design Number: **13413/2012**
(22) Date of Filing Application: **19 July 2012**
(24) Date from which industrial property rights may have effect: **19 July 2012**
(54) Product in respect of which the design is registered: **A display screen**
(51) International Design Classification: **14-02**
(74) Name(s) of Attorney(s): **SPRUSON & FERGUSON**
(71) Name(s) and Address(s) of Applicant(s):
PepsiCo, Inc.
700 Anderson Hill Road Purchase New York 10577 United States of America
(72) Name(s) of Designer(s): **Massimo F. D'Amore and Mikel Durham and Christine J. Sisler and Stephen Lim and John W. Vail and Ana Maria Irazabal and Margery A. Schelling and David Snyder**
(45) Registration Date: **05 October 2012**
(30) Convention priority data:
(31) Number (32) Date (33) Country
29/411383 19 Jan 2012 UNITED STATES OF AMERICA
(56) Related Art Documents: **Not Applicable**
(57) Statement of Newness and Distinctiveness: **Newness and distinctiveness is claimed in those features of pattern and/or ornamentation of a display screen with user interface as illustrated in continuous lines in the accompanying representations. The features shown in broken lines are for illustrative purposes only and do not form part of the design.**



- (21) Design Number: **13414/2012**
(22) Date of Filing Application: **19 July 2012**
(24) Date from which industrial property rights may have effect: **19 July 2012**
(54) Product in respect of which the design is registered: **A display screen**
(51) International Design Classification: **14-02**
(74) Name(s) of Attorney(s): **SPRUSON & FERGUSON**
(71) Name(s) and Address(s) of Applicant(s):

PepsiCo, Inc.
700 Anderson Hill Road Purchase New York 10577 United States of America

- (72) Name(s) of Designer(s): **Massimo F. D'Amore and Mikel Durham and Christine J. Sisler and Stephen Lim and John W. Vail and Ana Maria Irazabal and Margery A. Schelling and David Snyder**

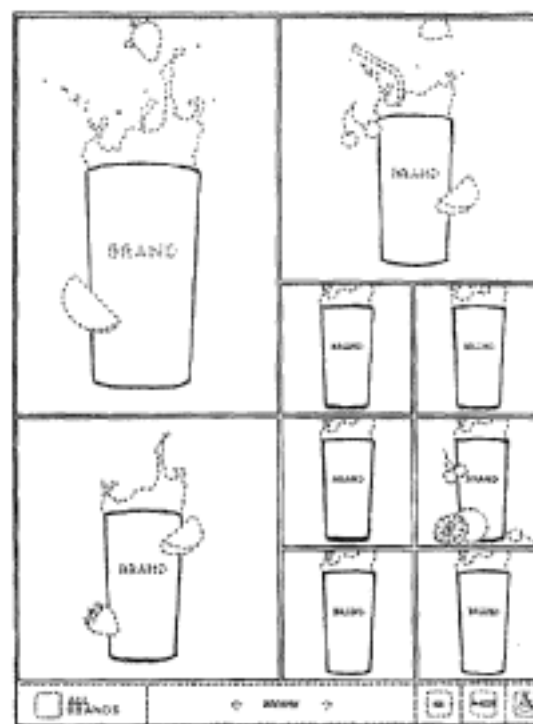
(45) Registration Date: **05 October 2012**

(30) Convention priority data:

(31) Number	(32) Date	(33) Country
29/411382	19 Jan 2012	UNITED STATES OF AMERICA

(56) Related Art Documents: **Not Applicable**

- (57) Statement of Newness and Distinctiveness: **Newness and distinctiveness is claimed in those features of pattern and/or ornamentation of a display screen with user interface as illustrated in continuous lines in the accompanying representations. The features shown in broken lines are for illustrative purposes only and do not form part of the design.**



- (21) Design Number: **13950/2012**
(22) Date of Filing Application: **15 August 2012**
(24) Date from which industrial property rights may have effect: **15 August 2012**
(54) Product in respect of which the design is registered: **Scaffolding**
(51) International Design Classification: **25-04**
(74) Name(s) of Attorney(s): **Actuate IP**
(71) Name(s) and Address(s) of Applicant(s):

Jianzhong Zhang
Room 1004 No. 5 Yongsheng shangshaYuexiu district Guangzhou 510100 China

(72) Name(s) of Designer(s): **Jianzhong Zhang**

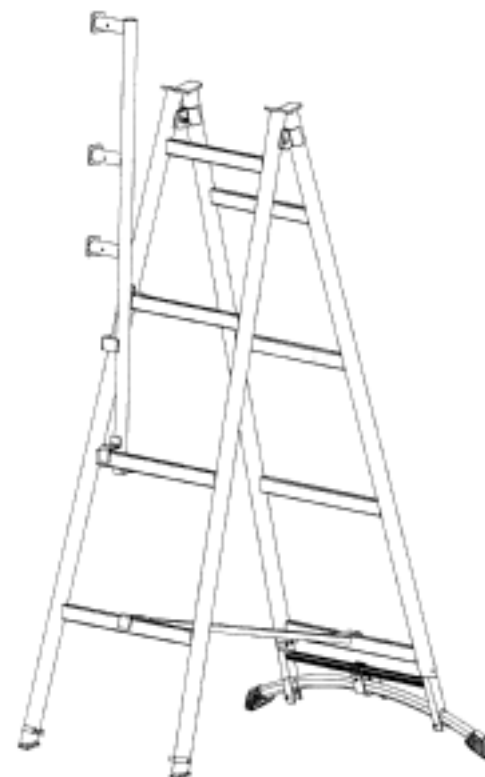
(45) Registration Date: **05 October 2012**

(30) Convention priority data:

(31) Number	(32) Date	(33) Country
201230281887.8	28 Jun 2012	CHINA

(56) Related Art Documents: **Not Applicable**

- (57) Statement of Newness and Distinctiveness: **Newness and distinctiveness is claimed in the features of shape and/or configuration of the Scaffolding as illustrated in the accompanying representations.**



(19) AU

(21) Design Number: **13989/2012**

(22) Date of Filing Application: **15 August 2012**

(24) Date from which industrial property rights may have effect: **15 August 2012**

(54) Product in respect of which the design is registered: **Plastic safety lockout padlock lock body**

(51) International Design Classification: **08-07**

(74) Name(s) of Attorney(s):

(71) Name(s) and Address(s) of Applicant(s):

Warren Lam

19 Barclay Street Marrickville New South Wales 2204 Australia

(72) Name(s) of Designer(s): **Warren Lam**

(45) Registration Date: **05 October 2012**

(56) Related Art Documents: **Not Applicable**

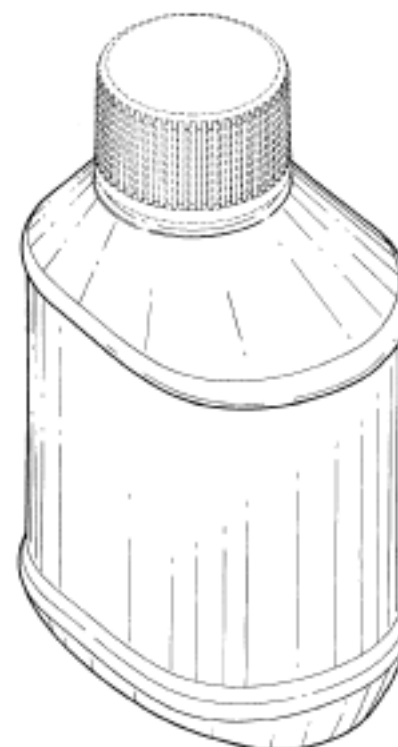
(57) Statement of Newness and Distinctiveness: **The Vinco plastic body padlock has been specifically designed for the electrical and Mining safety Lockout industries. This safety padlock is designed exclusively to be used in lockout applications. Full body plastic injection (no seam) A fully moulded housing body insures durability with the elimination of the padlock splitting at the seam. By having no seam it ensures durability and lightweight. Once the padlock is fitted out with shackle & cylinder, the side cover is fitted and sealed using Ultra sound which doesn't leave a seam and leaves a perfect seal Available in multi colours Six highly visible safety colours-Red, Yellow, Black, Blue, Green & Orange. The colours can be used to distinguish-different levels of danger or distinguish departments or teams Keep workers safe and equipment free from damage Details of lock body Lock body made from lightweight XYLEX 8210 (GE Plastics)-tough & thermoplastic The lock body withstands chemicals & performs effectively in extreme conditions Corrosion and weather resistant Expanding & contracting does not affect the lock body Internal design Non conductive keyway prevents electric shock Specially design inner mechanism to ensure non conductivity between lock shackle and key cylinder which eliminates the risk of an electric shock Keying Keying options-Keyed to Differ, Keyed Alike or Master keying is available Key retaining-The key will not release from the cylinder until the lock shackle is closed & latched. Key retaining ensures padlock is not left unlocked Each lock comes with 1 key to meet the lockout standard Danger Label All padlocks include write on "Danger" labels.**



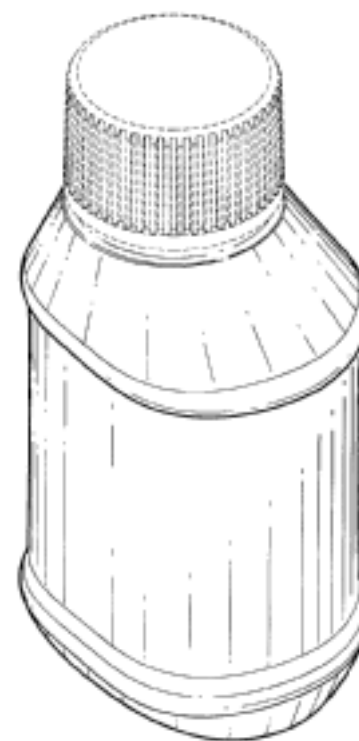
- (21) Design Number: **13595/2012**
(22) Date of Filing Application: **31 July 2012**
(24) Date from which industrial property rights may have effect: **31 July 2012**
(54) Product in respect of which the design is registered: **Shirt**
(51) International Design Classification: **02-02B, 02-02C**
(74) Name(s) of Attorney(s):
(71) Name(s) and Address(s) of Applicant(s):
Sue Craik
8 Riverview Street Caboolture Queensland 4510 Australia
(72) Name(s) of Designer(s): **Sue Craik**
(45) Registration Date: **05 October 2012**
(56) Related Art Documents: **Not Applicable**
(57) Statement of Newness and Distinctiveness: **Shirt with reflector tape around waist and sleeves.**



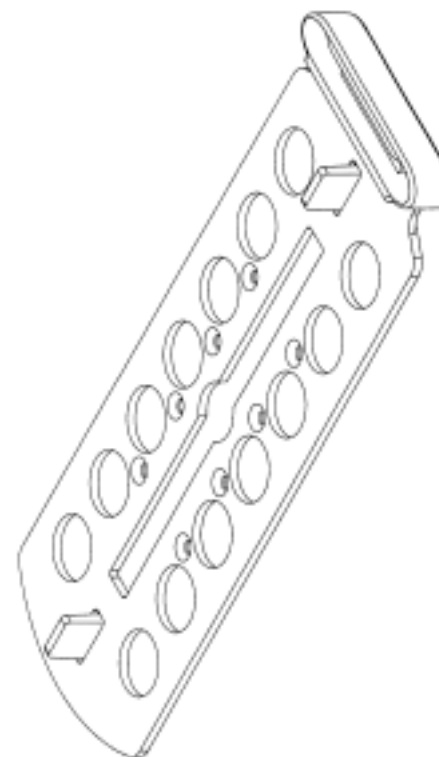
- (21) Design Number: **14089/2012**
(22) Date of Filing Application: **20 August 2012**
(24) Date from which industrial property rights may have effect: **01 June 2012**
(54) Product in respect of which the design is registered: **Bottle**
(51) International Design Classification: **09-01NES**
(74) Name(s) of Attorney(s): **Shelston IP**
(71) Name(s) and Address(s) of Applicant(s):
MSD Consumer Care, Inc.
3030 Jackson Avenue Memphis Tennessee 38151 United States of America
(72) Name(s) of Designer(s): **William Schmertz Jr.**
(45) Registration Date: **05 October 2012**
(62) Divisional of: **344101**
(56) Related Art Documents: **Not Applicable**
(57) Statement of Newness and Distinctiveness: **Newness and distinctiveness reside in the features of shape and configuration of the bottle as illustrated in solid lines in the accompanying representations.**



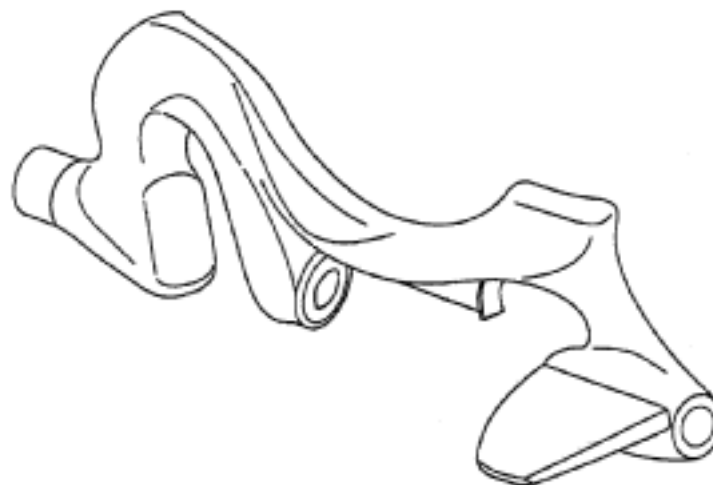
- (21) Design Number: **14090/2012**
(22) Date of Filing Application: **20 August 2012**
(24) Date from which industrial property rights may have effect: **01 June 2012**
(54) Product in respect of which the design is registered: **Bottle**
(51) International Design Classification: **09-01NES**
(74) Name(s) of Attorney(s): **Shelston IP**
(71) Name(s) and Address(s) of Applicant(s):
MSD Consumer Care, Inc.
3030 Jackson Avenue Memphis Tennessee 38151 United States of America
(72) Name(s) of Designer(s): **William Schmertz Jr.**
(45) Registration Date: **05 October 2012**
(62) Divisional of: **344101**
(56) Related Art Documents: **Not Applicable**
(57) Statement of Newness and Distinctiveness: **Newness and distinctiveness reside in the features of shape and configuration of the bottle as illustrated in solid lines in the accompanying representations.**



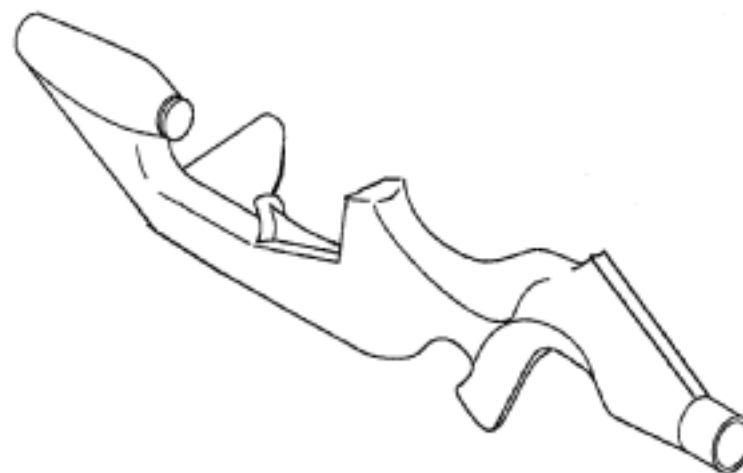
- (21) Design Number: **14133/2012**
(22) Date of Filing Application: **22 August 2012**
(24) Date from which industrial property rights may have effect: **22 August 2012**
(54) Product in respect of which the design is registered: **Spacer element**
(51) International Design Classification: **08-08B**
(74) Name(s) of Attorney(s): **FB Rice**
(71) Name(s) and Address(s) of Applicant(s):
Elmich Pte Ltd
15 Joan Road Singapore 298899 Singapore
(72) Name(s) of Designer(s): **Alan Sian Ghee Lee and Henry Greaves**
(45) Registration Date: **05 October 2012**
(56) Related Art Documents: **Not Applicable**
(57) Statement of Newness and Distinctiveness: **Newness and distinctiveness reside in the features of the design shown in solid lines in the representations excluding those features shown in broken lines.**



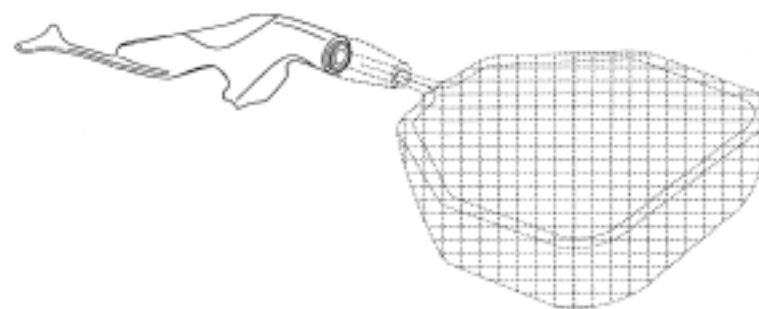
- (21) Design Number: **14173/2012**
(22) Date of Filing Application: **23 August 2012**
(24) Date from which industrial property rights may have effect: **23 August 2012**
(54) Product in respect of which the design is registered: **Handle**
(51) International Design Classification: **08-06, 12-16NES**
(74) Name(s) of Attorney(s): **WATERMARK PATENT AND TRADE MARKS ATTORNEYS**
(71) Name(s) and Address(s) of Applicant(s):
Robert Kemp Sorensen
18 Daffodil Street Greystanes New South Wales 2145 Australia
Peter Marcus Taylor
18 Daffodil Street Greystanes New South Wales 2145 Australia
(72) Name(s) of Designer(s): **Peter Marcus Taylor and Robert Kemp Sorensen**
(45) Registration Date: **05 October 2012**
(56) Related Art Documents: **Not Applicable**
(57) Statement of Newness and Distinctiveness: **The newness and distinctiveness of the design resides in the shape and configuration of the handle. The lateral wing can be disposed on either side of the handle.**



- (21) Design Number: **14174/2012**
(22) Date of Filing Application: **23 August 2012**
(24) Date from which industrial property rights may have effect: **23 August 2012**
(54) Product in respect of which the design is registered: **Handle**
(51) International Design Classification: **08-06, 12-16NES**
(74) Name(s) of Attorney(s): **WATERMARK PATENT AND TRADE MARKS ATTORNEYS**
(71) Name(s) and Address(s) of Applicant(s):
Robert Kemp Sorensen
18 Daffodil Street Greystanes New South Wales 2145 Australia
Peter Marcus Taylor
18 Daffodil Street Greystanes New South Wales 2145 Australia
(72) Name(s) of Designer(s): **Peter Marcus Taylor and Robert Kemp Sorensen**
(45) Registration Date: **05 October 2012**
(56) Related Art Documents: **Not Applicable**
(57) Statement of Newness and Distinctiveness: **The newness and distinctiveness of the design resides in the shape and configuration of the handle. The lateral wing can be disposed on either side of the handle.**



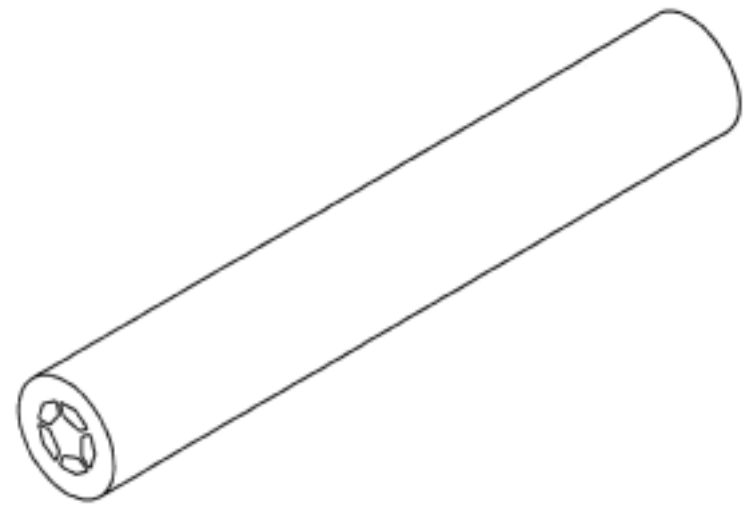
- (21) Design Number: **14175/2012**
(22) Date of Filing Application: **23 August 2012**
(24) Date from which industrial property rights may have effect: **23 August 2012**
(54) Product in respect of which the design is registered: **Handle**
(51) International Design Classification: **08-06, 12-16NES**
(74) Name(s) of Attorney(s): **WATERMARK PATENT AND TRADE MARKS ATTORNEYS**
(71) Name(s) and Address(s) of Applicant(s):
Robert Kemp Sorensen
18 Daffodil Street Greystanes New South Wales 2145 Australia
Peter Marcus Taylor
18 Daffodil Street Greystanes New South Wales 2145 Australia
(72) Name(s) of Designer(s): **Peter Marcus Taylor and Robert Kemp Sorensen**
(45) Registration Date: **05 October 2012**
(56) Related Art Documents: **Not Applicable**
(57) Statement of Newness and Distinctiveness: **The newness and distinctiveness of the design resides in the shape and configuration of the handle. The lateral wing can be disposed on either side of the handle. The dashed detail of the net and ferrule form no part of the design.**



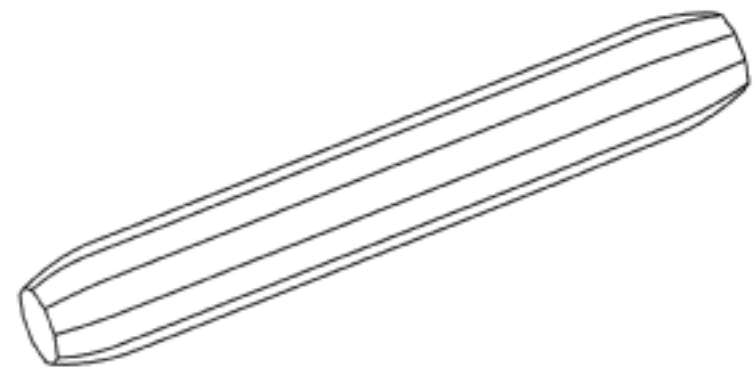
- (21) Design Number: **14176/2012**
(22) Date of Filing Application: **23 August 2012**
(24) Date from which industrial property rights may have effect: **23 August 2012**
(54) Product in respect of which the design is registered: **Handle**
(51) International Design Classification: **08-06, 12-16NES**
(74) Name(s) of Attorney(s): **WATERMARK PATENT AND TRADE MARKS ATTORNEYS**
(71) Name(s) and Address(s) of Applicant(s):
Robert Kemp Sorensen
18 Daffodil Street Greystanes New South Wales 2145 Australia
Peter Marcus Taylor
18 Daffodil Street Greystanes New South Wales 2145 Australia
(72) Name(s) of Designer(s): **Peter Marcus Taylor and Robert Kemp Sorensen**
(45) Registration Date: **05 October 2012**
(56) Related Art Documents: **Not Applicable**
(57) Statement of Newness and Distinctiveness: **The newness and distinctiveness of the design resides in the shape and configuration of the handle. The lateral wing can be disposed on either side of the handle.**



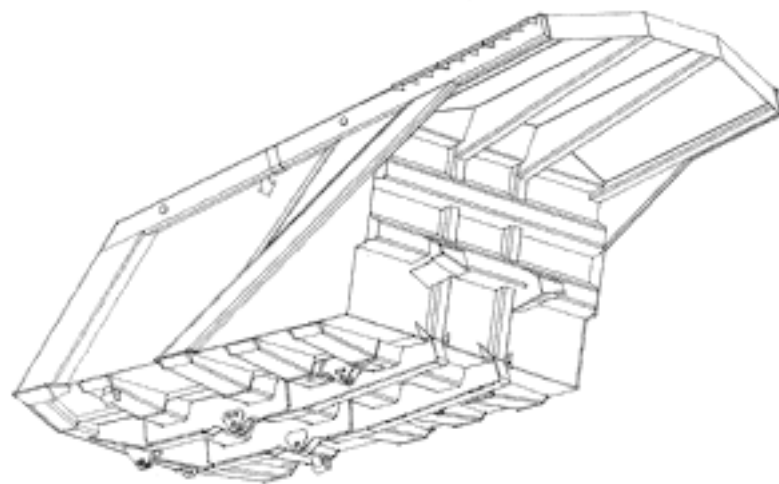
(21) Design Number: **14368/2012**
(22) Date of Filing Application: **04 September 2012**
(24) Date from which industrial property rights may have effect: **22 June 2012**
(54) Product in respect of which the design is registered: **Hand-held aerosol generator**
(51) International Design Classification: **27-99**
(74) Name(s) of Attorney(s): **Callinans**
(71) Name(s) and Address(s) of Applicant(s):
Philip Morris Products S.A.
Quay Jeanrenaud 3 2000 Neuchatel Switzerland
(72) Name(s) of Designer(s): **Aaron Abroff and Laurent Manca**
(45) Registration Date: **05 October 2012**
(30) Convention priority data:
(31) Number (32) Date (33) Country
001307649 23 Dec 2011 EUROPEAN COMMUNITY
(62) Divisional of: **12960/2012**
(56) Related Art Documents: **Not Applicable**
(57) Statement of Newness and Distinctiveness: **Nil**



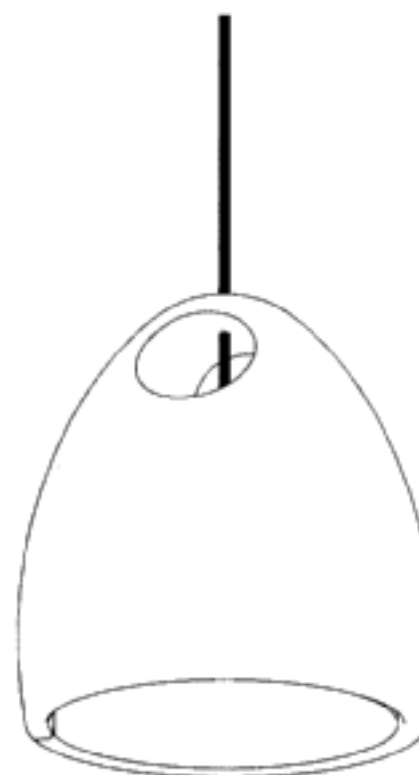
(21) Design Number: **14369/2012**
(22) Date of Filing Application: **04 September 2012**
(24) Date from which industrial property rights may have effect: **22 June 2012**
(54) Product in respect of which the design is registered: **Hand-held aerosol generator**
(51) International Design Classification: **27-99**
(74) Name(s) of Attorney(s): **Callinans**
(71) Name(s) and Address(s) of Applicant(s):
Philip Morris Products S.A.
Quay Jeanrenaud 3 2000 Neuchatel Switzerland
(72) Name(s) of Designer(s): **Gregor Mittersinker**
(45) Registration Date: **05 October 2012**
(30) Convention priority data:
(31) Number (32) Date (33) Country
001307649 23 Dec 2011 EUROPEAN COMMUNITY
(62) Divisional of: **12960/2012**
(56) Related Art Documents: **Not Applicable**
(57) Statement of Newness and Distinctiveness: **Nil**



- (21) Design Number: **11033/2012**
(22) Date of Filing Application: **05 March 2012**
(24) Date from which industrial property rights may have effect: **05 March 2012**
(54) Product in respect of which the design is registered: **Tray for a truck**
(51) International Design Classification: **12-16NES**
(74) Name(s) of Attorney(s): **Davies Collison Cave**
(71) Name(s) and Address(s) of Applicant(s):
Duratray Investments Pty Ltd
8 Dunlop Ct Bayswater Victoria 3153 Australia
(72) Name(s) of Designer(s): **Marco Antonio Medel**
(45) Registration Date: **05 October 2012**
(56) Related Art Documents: **Not Applicable**
(57) Statement of Newness and Distinctiveness: **Newness and distinctiveness is claimed in the shape and configuration of the canopy portion shown in solid lines in the representations.**



- (21) Design Number: **13813/2012**
(22) Date of Filing Application: **02 August 2012**
(24) Date from which industrial property rights may have effect: **02 August 2012**
(54) Product in respect of which the design is registered: **'Oak' Pendant light**
(51) International Design Classification: **26-05D**
(74) Name(s) of Attorney(s):
(71) Name(s) and Address(s) of Applicant(s):
Ross Gardam
Unit 2 15-19 Anthony Street Victoria 3000 Australia
(72) Name(s) of Designer(s): **Ross Gardam**
(45) Registration Date: **05 October 2012**
(56) Related Art Documents: **Not Applicable**
(57) Statement of Newness and Distinctiveness: **The overall curved shape of the 'Oak' light is unique. The hole through the top of the light and the way it is positioned and intersects is unique and distinctive.**



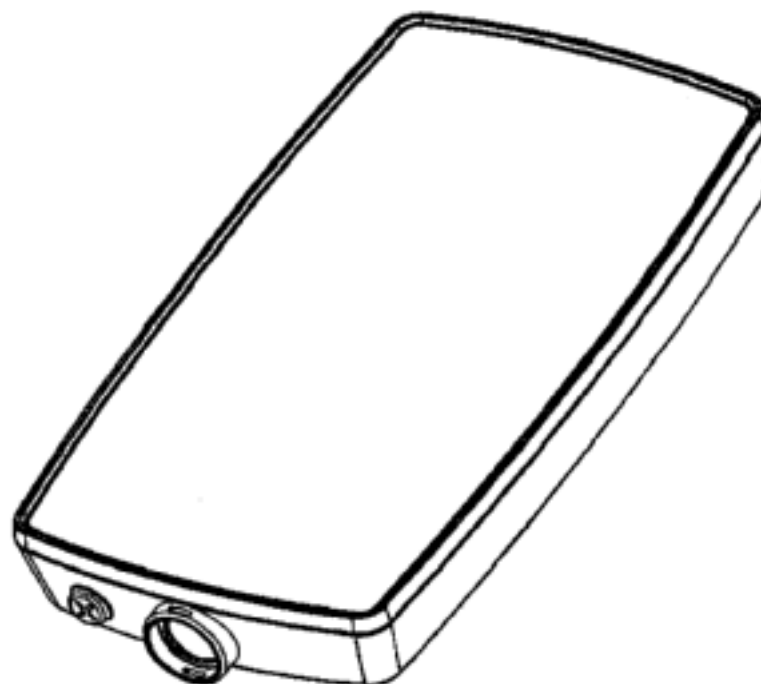
- (21) Design Number: **13719/2012**
(22) Date of Filing Application: **01 August 2012**
(24) Date from which industrial property rights may have effect: **01 August 2012**
(54) Product in respect of which the design is registered: **Automotive fuel tank**
(51) International Design Classification: **12-16NES, 23-01F**
(74) Name(s) of Attorney(s):
(71) Name(s) and Address(s) of Applicant(s):
Stewart Thompson
5-7 Freight Road Tullamarine Victoria 3043 Australia
(72) Name(s) of Designer(s): **Stewart Thompson and Paul Cooper**
(45) Registration Date: **05 October 2012**
(56) Related Art Documents: **Not Applicable**
(57) Statement of Newness and Distinctiveness: **To use the original factory mounting points for a tank larger than the original.**



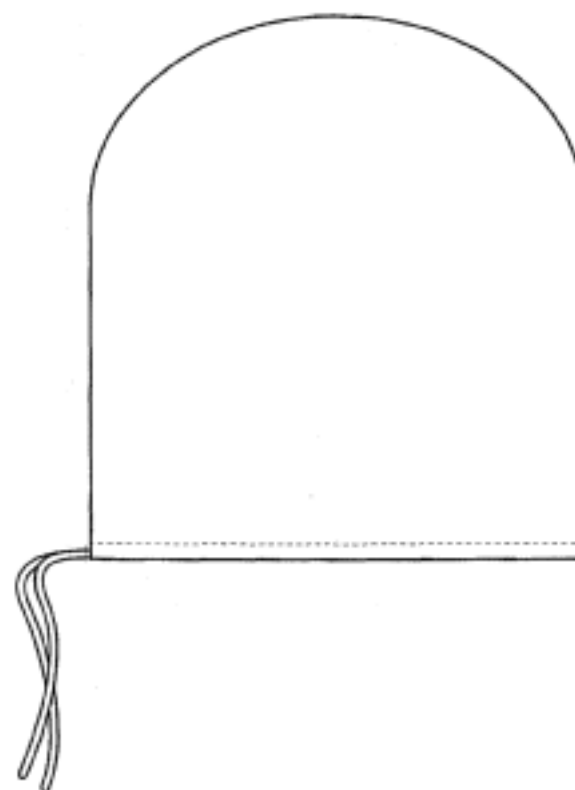
- (21) Design Number: **13458/2012**
(22) Date of Filing Application: **23 July 2012**
(24) Date from which industrial property rights may have effect: **23 July 2012**
(54) Product in respect of which the design is registered: **Cookware lid handle with pattern embossed on grip**
(51) International Design Classification: **07-02R**
(74) Name(s) of Attorney(s): **PIPERS Melbourne**
(71) Name(s) and Address(s) of Applicant(s):
Meyer Intellectual Properties Limited
382 Kwun Tong Road Hong Kong
(72) Name(s) of Designer(s): **Robert A Rae and Kam Lun Lee**
(45) Registration Date: **05 October 2012**
(30) Convention priority data:
(31) Number (32) Date (33) Country
29/408,952 19 Dec 2011 UNITED STATES OF AMERICA
(56) Related Art Documents: **Not Applicable**
(57) Statement of Newness and Distinctiveness: **This design is to be applied to a cookware lid handle with pattern embossed on grip and the novelty resides in the features of shape and configuration of the article shown in the accompanying representations. No novelty is claimed for the features shown in broken lines - those are for illustrative purposes only and depict the environment of the design.**



(21) Design Number: **14254/2012**
(22) Date of Filing Application: **28 August 2012**
(24) Date from which industrial property rights may have effect: **28 August 2012**
(54) Product in respect of which the design is registered: **Hand control**
(51) International Design Classification: **14-03NES, 24-99**
(74) Name(s) of Attorney(s): **Computer Patent Annuities**
(71) Name(s) and Address(s) of Applicant(s):
Linak A/S
Smedevaenget 8 Guderup DK-6430 Nordborg Denmark
(72) Name(s) of Designer(s): **Martin Kahr Knudsen**
(45) Registration Date: **05 October 2012**
(30) Convention priority data:
(31) Number (32) Date (33) Country
DA 2012 00041 01 Mar 2012 DENMARK
(56) Related Art Documents: **Not Applicable**
(57) Statement of Newness and Distinctiveness: **Newness and distinctiveness is claimed in the features of shape and/or configuration of a hand control as illustrated in the accompanying representations.**



(21) Design Number: **14325/2012**
(22) Date of Filing Application: **31 August 2012**
(24) Date from which industrial property rights may have effect: **31 August 2012**
(54) Product in respect of which the design is registered: **Cover for two-way radio communication device**
(51) International Design Classification: **03-01NES**
(74) Name(s) of Attorney(s): **Davies Collison Cave**
(71) Name(s) and Address(s) of Applicant(s):
Trevor Erickson
11776-210th Street Maple Ridge BC V2X 4Y3 Canada
(72) Name(s) of Designer(s): **Trevor Erickson**
(45) Registration Date: **05 October 2012**
(30) Convention priority data:
(31) Number (32) Date (33) Country
146578 16 Jul 2012 CANADA
(56) Related Art Documents: **Not Applicable**
(57) Statement of Newness and Distinctiveness: **Newness and Distinctiveness is claimed in the visual features shown in solid lines in the representations. In considering the extent of the design rights, the broken lines shown in the representations are for illustrative purposes only and do not form part of the design.**



- (21) Design Number: **14451/2012**
(22) Date of Filing Application: **06 September 2012**
(24) Date from which industrial property rights may have effect: **13 February 2012**
(54) Product in respect of which the design is registered: **'Women's fashion clothing'**
(51) International Design Classification: **02-02NES**
(74) Name(s) of Attorney(s):
(71) Name(s) and Address(s) of Applicant(s):
Forever New Clothing Pty Ltd
714 - 716 High St Kew East VIC 3102 Australia
(72) Name(s) of Designer(s): **Gemma Henderson**
(45) Registration Date: **05 October 2012**
(62) Divisional of: **10673/2012**
(56) Related Art Documents: **Not Applicable**
(57) Statement of Newness and Distinctiveness: **Newness and distinctiveness resides in the visual features of women's fashion clothing as shown in the accompanying representations.**



- (21) Design Number: **14452/2012**
(22) Date of Filing Application: **06 September 2012**
(24) Date from which industrial property rights may have effect: **13 February 2012**
(54) Product in respect of which the design is registered: **'Women's fashion clothing'**
(51) International Design Classification: **02-02C**
(74) Name(s) of Attorney(s):
(71) Name(s) and Address(s) of Applicant(s):
Forever New Clothing Pty Ltd
714 - 716 High St Kew East VIC 3102 Australia
(72) Name(s) of Designer(s): **Gemma Henderson**
(45) Registration Date: **05 October 2012**
(62) Divisional of: **10673/2012**
(56) Related Art Documents: **Not Applicable**
(57) Statement of Newness and Distinctiveness: **Newness and distinctiveness resides in the visual features of women's fashion clothing as shown in the accompanying representations.**



- (21) Design Number: **14464/2012**
(22) Date of Filing Application: **06 September 2012**
(24) Date from which industrial property rights may have effect: **10 February 2012**
(54) Product in respect of which the design is registered: **'Women's fashion clothing'**
(51) International Design Classification: **02-02C**
(74) Name(s) of Attorney(s):
(71) Name(s) and Address(s) of Applicant(s):
Forever New Clothing Pty Ltd
714 - 716 High St Kew East VIC 3102 Australia
(72) Name(s) of Designer(s): **Tristan Melle**
(45) Registration Date: **05 October 2012**
(62) Divisional of: **10648/2012**
(56) Related Art Documents: **Not Applicable**
(57) Statement of Newness and Distinctiveness: **Newness and distinctiveness resides in the visual features of women's fashion clothing as shown in the accompanying representations.**



- (21) Design Number: **14465/2012**
(22) Date of Filing Application: **06 September 2012**
(24) Date from which industrial property rights may have effect: **10 February 2012**
(54) Product in respect of which the design is registered: **'Women's fashion clothing'**
(51) International Design Classification: **02-02C**
(74) Name(s) of Attorney(s):
(71) Name(s) and Address(s) of Applicant(s):
Forever New Clothing Pty Ltd
714 - 716 High St Kew East VIC 3102 Australia
(72) Name(s) of Designer(s): **Octavia Miller**
(45) Registration Date: **05 October 2012**
(62) Divisional of: **10648/2012**
(56) Related Art Documents: **Not Applicable**
(57) Statement of Newness and Distinctiveness: **Newness and distinctiveness resides in the visual features of women's fashion clothing as shown in the accompanying representations.**



- (21) Design Number: **14466/2012**
(22) Date of Filing Application: **06 September 2012**
(24) Date from which industrial property rights may have effect: **10 February 2012**
(54) Product in respect of which the design is registered: **'Women's fashion clothing'**
(51) International Design Classification: **02-02C**
(74) Name(s) of Attorney(s):
(71) Name(s) and Address(s) of Applicant(s):
Forever New Clothing Pty Ltd
714 - 716 High St Kew East VIC 3102 Australia
(72) Name(s) of Designer(s): **Octavia Miller**
(45) Registration Date: **05 October 2012**
(62) Divisional of: **10648/2012**
(56) Related Art Documents: **Not Applicable**
(57) Statement of Newness and Distinctiveness: **Newness and distinctiveness resides in the visual features of women's fashion clothing as shown in the accompanying representations.**



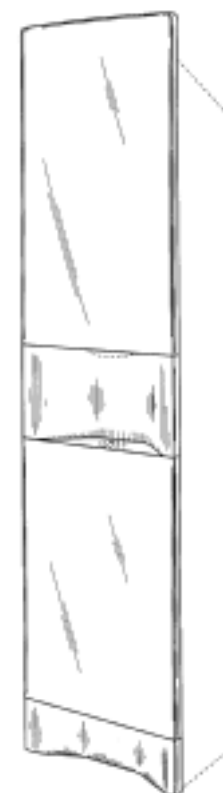
- (21) Design Number: **14467/2012**
(22) Date of Filing Application: **06 September 2012**
(24) Date from which industrial property rights may have effect: **10 February 2012**
(54) Product in respect of which the design is registered: **'Women's fashion clothing'**
(51) International Design Classification: **02-02C**
(74) Name(s) of Attorney(s):
(71) Name(s) and Address(s) of Applicant(s):
Forever New Clothing Pty Ltd
714 - 716 High St Kew East VIC 3102 Australia
(72) Name(s) of Designer(s): **Octavia Miller**
(45) Registration Date: **05 October 2012**
(62) Divisional of: **10648/2012**
(56) Related Art Documents: **Not Applicable**
(57) Statement of Newness and Distinctiveness: **Newness and distinctiveness resides in the visual features of women's fashion clothing as shown in the accompanying representations.**



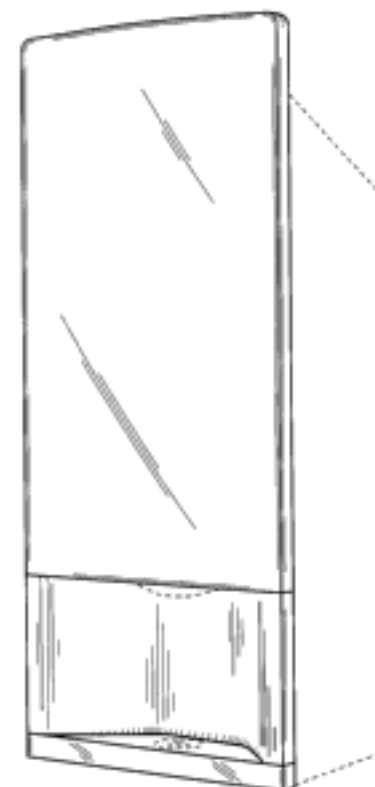
- (21) Design Number: **13677/2012**
(22) Date of Filing Application: **31 July 2012**
(24) Date from which industrial property rights may have effect: **31 July 2012**
(54) Product in respect of which the design is registered: **Red racing car bed**
(51) International Design Classification: **06-02**
(74) Name(s) of Attorney(s):
(71) Name(s) and Address(s) of Applicant(s):
Anne-Marie Bevis
PO Box 85 Quinns Rock Western Australia 6030
(72) Name(s) of Designer(s): **Anne-Marie Bevis**
(45) Registration Date: **05 October 2012**
(56) Related Art Documents: **Not Applicable**
(57) Statement of Newness and Distinctiveness: **New design to side panel of bed which is shown.**



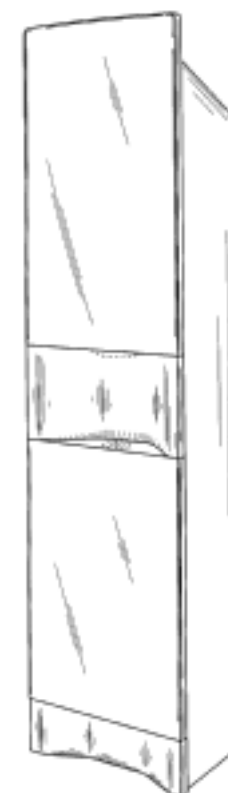
- (21) Design Number: **13349/2012**
(22) Date of Filing Application: **16 July 2012**
(24) Date from which industrial property rights may have effect: **16 July 2012**
(54) Product in respect of which the design is registered: **Dispenser**
(51) International Design Classification: **31-00**
(74) Name(s) of Attorney(s): **SPRUSON & FERGUSON**
(71) Name(s) and Address(s) of Applicant(s):
PepsiCo, Inc.
700 Anderson Hill Road Purchase New York 10577 United States of America
(72) Name(s) of Designer(s): **Massimo F. D'Amore and Mikel Durham and Christine J. Sisler and Stephen Lim and Timothy Read and Christopher Streng and Daniel A. Streng and Brett Wieland**
(45) Registration Date: **05 October 2012**
(30) Convention priority data:
(31) Number (32) Date (33) Country
29/411035 16 Jan 2012 UNITED STATES OF AMERICA
(56) Related Art Documents: **Not Applicable**
(57) Statement of Newness and Distinctiveness: **Newness and distinctiveness is claimed in those features of the shape and/or configuration of a dispenser that are illustrated in solid lines in the accompanying representations.**



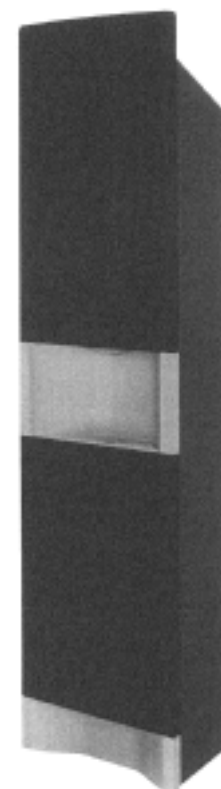
(21) Design Number: **13350/2012**
(22) Date of Filing Application: **16 July 2012**
(24) Date from which industrial property rights may have effect: **16 July 2012**
(54) Product in respect of which the design is registered: **Dispenser**
(51) International Design Classification: **31-00**
(74) Name(s) of Attorney(s): **SPRUSON & FERGUSON**
(71) Name(s) and Address(s) of Applicant(s):
PepsiCo, Inc.
700 Anderson Hill Road Purchase New York 10577 United States of America
(72) Name(s) of Designer(s): **Massimo F. D'Amore and Mikel Durham and Christine J. Sisler and Stephen Lim and Timothy Read and Christopher Streng and Daniel A. Streng and Brett Wieland**
(45) Registration Date: **05 October 2012**
(30) Convention priority data:
(31) Number (32) Date (33) Country
29/411036 16 Jan 2012 UNITED STATES OF AMERICA
(56) Related Art Documents: **Not Applicable**
(57) Statement of Newness and Distinctiveness: **Newness and distinctiveness is claimed in those features of the shape and/or configuration of a dispenser illustrated in solid lines in the accompanying representations.**



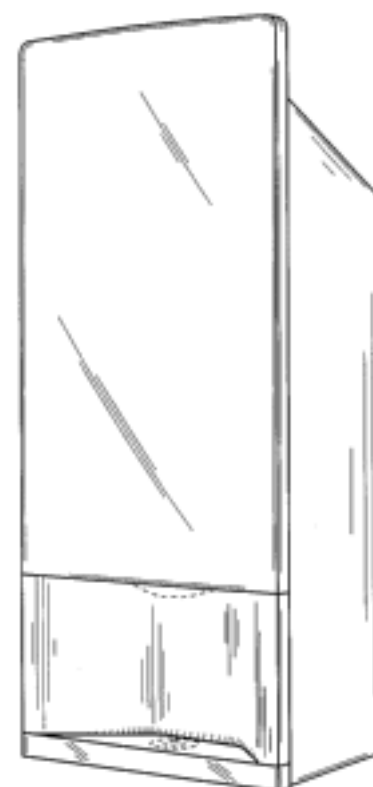
(21) Design Number: **13351/2012**
(22) Date of Filing Application: **16 July 2012**
(24) Date from which industrial property rights may have effect: **16 July 2012**
(54) Product in respect of which the design is registered: **Dispenser**
(51) International Design Classification: **31-00**
(74) Name(s) of Attorney(s): **SPRUSON & FERGUSON**
(71) Name(s) and Address(s) of Applicant(s):
PepsiCo, Inc.
700 Anderson Hill Road Purchase New York 10577 United States of America
(72) Name(s) of Designer(s): **Massimo F. D'Amore and Mikel Durham and Christine J. Sisler and Stephen Lim and Timothy Read and Christopher Streng and Daniel A. Streng and Brett Wieland**
(45) Registration Date: **05 October 2012**
(30) Convention priority data:
(31) Number (32) Date (33) Country
29/411037 16 Jan 2012 UNITED STATES OF AMERICA
(56) Related Art Documents: **Not Applicable**
(57) Statement of Newness and Distinctiveness: **Newness and distinctiveness is claimed in those features of the shape and/or configuration of a dispenser illustrated in solid lines in the accompanying representations.**



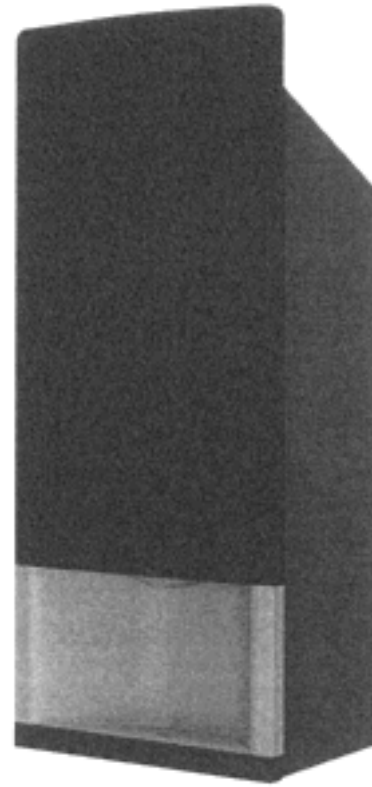
(21) Design Number: **13352/2012**
(22) Date of Filing Application: **16 July 2012**
(24) Date from which industrial property rights may have effect: **16 July 2012**
(54) Product in respect of which the design is registered: **Dispenser**
(51) International Design Classification: **31-00**
(74) Name(s) of Attorney(s): **SPRUSON & FERGUSON**
(71) Name(s) and Address(s) of Applicant(s):
PepsiCo, Inc.
700 Anderson Hill Road Purchase New York 10577 United States of America
(72) Name(s) of Designer(s): **Massimo F. D'Amore and Mikel Durham and Christine J. Sisler and Stephen Lim and Timothy Read and Christopher Streng and Daniel A. Streng and Brett Wieland**
(45) Registration Date: **05 October 2012**
(30) Convention priority data:
(31) Number (32) Date (33) Country
29/411039 16 Jan 2012 UNITED STATES OF AMERICA
(56) Related Art Documents: **Not Applicable**
(57) Statement of Newness and Distinctiveness: **Nil**



(21) Design Number: **13353/2012**
(22) Date of Filing Application: **16 July 2012**
(24) Date from which industrial property rights may have effect: **16 July 2012**
(54) Product in respect of which the design is registered: **Dispenser**
(51) International Design Classification: **31-00**
(74) Name(s) of Attorney(s): **SPRUSON & FERGUSON**
(71) Name(s) and Address(s) of Applicant(s):
PepsiCo, Inc.
700 Anderson Hill Road Purchase New York 10577 United States of America
(72) Name(s) of Designer(s): **Massimo F. D'Amore and Mikel Durham and Christine J. Sisler and Stephen Lim and Timothy Read and Christopher Streng and Daniel A. Streng and Brett Wieland**
(45) Registration Date: **05 October 2012**
(30) Convention priority data:
(31) Number (32) Date (33) Country
29/441038 16 Jan 2012 UNITED STATES OF AMERICA
(56) Related Art Documents: **Not Applicable**
(57) Statement of Newness and Distinctiveness: **Newness and distinctiveness is claimed in those features of the shape and/or configuration of a dispenser illustrated in solid lines in the accompanying representations.**



- (21) Design Number: **13354/2012**
(22) Date of Filing Application: **16 July 2012**
(24) Date from which industrial property rights may have effect: **16 July 2012**
(54) Product in respect of which the design is registered: **Dispenser**
(51) International Design Classification: **31-00**
(74) Name(s) of Attorney(s): **SPRUSON & FERGUSON**
(71) Name(s) and Address(s) of Applicant(s):
PepsiCo, Inc.
700 Anderson Hill Road Purchase New York 10577 United States of America
(72) Name(s) of Designer(s): **Massimo F. D'Amore and Mikel Durham and Christine J. Sisler and Stephen Lim and Timothy Read and Christopher Streng and Daniel A. Streng and Brett Wieland**
(45) Registration Date: **05 October 2012**
(30) Convention priority data:
(31) Number (32) Date (33) Country
29/411040 16 Jan 2012 UNITED STATES OF AMERICA
(56) Related Art Documents: **Not Applicable**
(57) Statement of Newness and Distinctiveness: **Nil**



- (21) Design Number: **13368/2012**
(22) Date of Filing Application: **16 July 2012**
(24) Date from which industrial property rights may have effect: **16 July 2012**
(54) Product in respect of which the design is registered: **Led 240 volt downlight, recessed. 70mm**
(51) International Design Classification: **26-05D**
(74) Name(s) of Attorney(s):
(71) Name(s) and Address(s) of Applicant(s):
Maurice Hilton Smith
2B/352 Brisbane Road Arundel Queensland 4214 Australia
(72) Name(s) of Designer(s): **Maurice Hilton Smith**
(45) Registration Date: **05 October 2012**
(56) Related Art Documents: **Not Applicable**
(57) Statement of Newness and Distinctiveness: **Led down light fitting with 240 volt. Connection at rear of the fitting back.**

