



**Australian Government**

---

**IP Australia**

**AUSTRALIAN OFFICIAL JOURNAL**

**OF**

**DESIGNS**

Did you know a searchable version of this journal is now available online?

It's FREE and EASY to SEARCH.

Find it on our website ([www.ipaustralia.gov.au](http://www.ipaustralia.gov.au))

by using the "Journals" link on the home page.

This Page Left Intentionally Blank

**Contents**

**General Information & Notices**

**Proceedings Under the Designs Act 1906 preserved as a result of the provisions of Chapter 12  
Part 2 of the Designs Act 2003**

<b>Extension of Period of Registration of Designs .....</b>	<b>2844</b>
<b>Registrations Ceased .....</b>	<b>2844</b>
<b>Subsequent Owners Registered .....</b>	<b>2844</b>

**Proceedings Under the Designs Act 2003**

<b>Applications Lapsed .....</b>	<b>2853</b>
<b>Applications Lodged .....</b>	<b>2848</b>
<b>Applications Withdrawn .....</b>	<b>2853</b>
<b>Certificate of Examination .....</b>	<b>2855</b>
<b>Extension of Period of Registration of Design .....</b>	<b>2854</b>
<b>Extension of Time Granted Under Section 137 .....</b>	<b>2854</b>
<b>Publication and Registration Proceedings</b>	
<b>Designs Registered 344701 to 345037.....</b>	<b>2856</b>
<b>Registrations Ceased .....</b>	<b>2854</b>
<b>Subsequent Owners Registered .....</b>	<b>2854</b>

This Page Left Intentionally Blank

For information on the following please see our website [www.ipaustralia.gov.au](http://www.ipaustralia.gov.au) or contact our Customer Service Network on 1300651010

[Editorial enquiries](#)

[Contact information](#)

[Freedom of Information ACT](#)

[Professional Standards Board](#)

[Sales](#)

[Requests for Information under Section 194 \(c\)](#)

[Country Codes](#)

[Trade Mark and Designs Hearing Sessions](#)

[INID \(Internationally agreed Numbers for the Identification of Data\)](#)

## “INID” NUMBERS in use on Australian Design Documents

“INID” is an acronym for “Internationally agreed Numbers for the Identification of Data”.

### (10) Data concerning the registration/renewal

- (11) Serial number of the registration and/or number of the design document
- (12) Plain language designation of the kind of published document
- (19) Identification, using the two-letter code according to WIPO Standard ST.3, of the authority publishing or registering the industrial design

### (20) Data concerning the application

- (21) Serial number of the application
- (22) Date of filing of the application
- (24) Date from which the industrial design right has effect

### (30) Data relating to priority under the Paris Convention

- (31) Serial number assigned to the priority application
- (32) Date of filing of the priority application
- (33) Two-letter code, according to WIPO Standard ST.3, identifying the authority with which the priority application was made

### (40) Date(s) of making information available to the public

- (45) Date of publication of the registered industrial design by printing or similar process, or making it available to the public by any other means

### (50) Miscellaneous Information

- (51) International Classification for Industrial Designs (class and subclass of the Locarno Classification)
- (54) Designation of article(s) or product(s) covered by the industrial design or title of the industrial design
- (55) Reproduction of the industrial design (e.g., drawing, photograph) and explanations relating to the reproduction
- (56) List of prior art documents, if separate from descriptive text
- (57) Description of characteristic features of the industrial design including indication of colours

### (60) References to other legally related application(s) and registration(s)

- (62) Serial number(s) and, if available, filing date(s) of application(s), registration(s) or document(s) related by division
- (66) Serial number(s) of the application, or the registration, of the design(s) which is (are) a variant(s) of the present one

### (70) Identification of parties concerned with the application or registration

- (71) Name(s) and address(es) of the applicant(s)
- (72) Name(s) of the creator(s) if known to be such
- (74) Name(s) and address(es) of the representative(s)

This Page Left Intentionally Blank

**OFFICIAL NOTICE**

**Temporary Relocation of New South Wales Sub-Office**

IP Australia's sub-office in Sydney will temporarily relocate from Monday 19 November 2012 to Friday 30 November 2012 inclusive.

The present sub-office, the Australia Post Shop located at 44 Market Street, is currently being refurbished. It has become evident that for the comfort and amenity of our valued customers it will be necessary for the Post Shop to close to facilitate the final stage of the refurbishment.

For the purposes of the Patents Act 1990, the Trade Marks Act 1995 and the Designs Act 2003, from Monday 19 November 2012 to Friday 30 November 2012 inclusive, the Sydney sub-office is:

Sydney GPO  
1 Martin Place  
Sydney NSW

IP Australia lodgements will continue to be processed at the Sydney GPO by the same team of experienced counter officers from the Market Street Post Shop. Consistent with existing legislative requirements, this service will be available from 9.00am – 5.00pm Monday to Friday, except for public holidays.

Payments or other correspondence can continue to be lodged directly at IP Australia in Canberra to PO Box 200 Woden ACT 2606; or by fax to +61 2 6283 7999. IP Australia will provide further advice on the Sydney sub-office arrangements ahead of 30 November 2012.

**Queries:** Contact – Kay Ward  
Section – Customer Service Centre  
+61 2 6283 2274

Contact – Craig Myers  
Section – Business Process Improvement  
+61 2 6283 7908

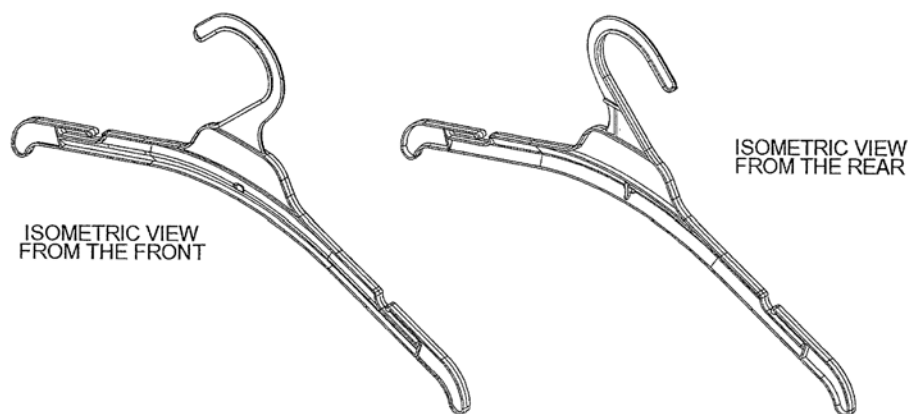
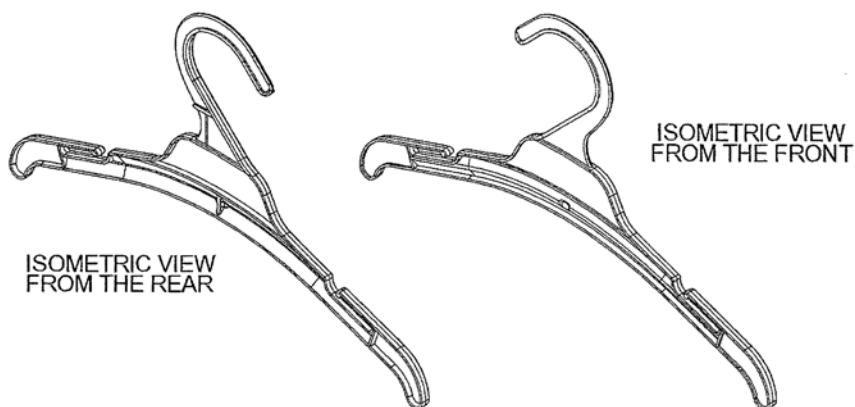
**Contact:** IP Australia  
**Phone:** 1300 651 010  
**Fax:** +61 2 6283 7999  
**E-mail:** [assist@ipaustrialia.gov.au](mailto:assist@ipaustrialia.gov.au)  
**Web:** [www.ipaustrialia.gov.au](http://www.ipaustrialia.gov.au)

# Designs Act 2003

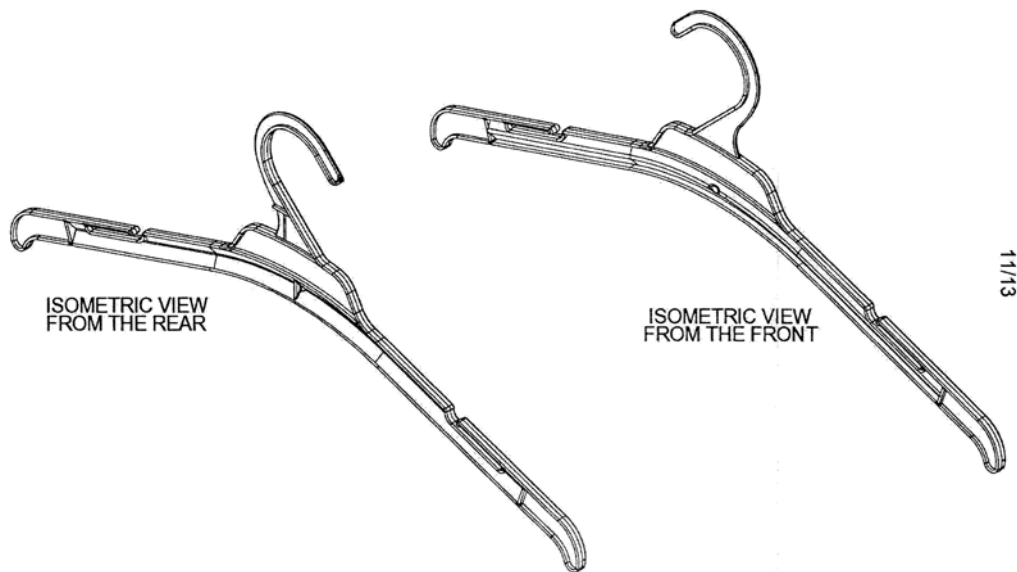
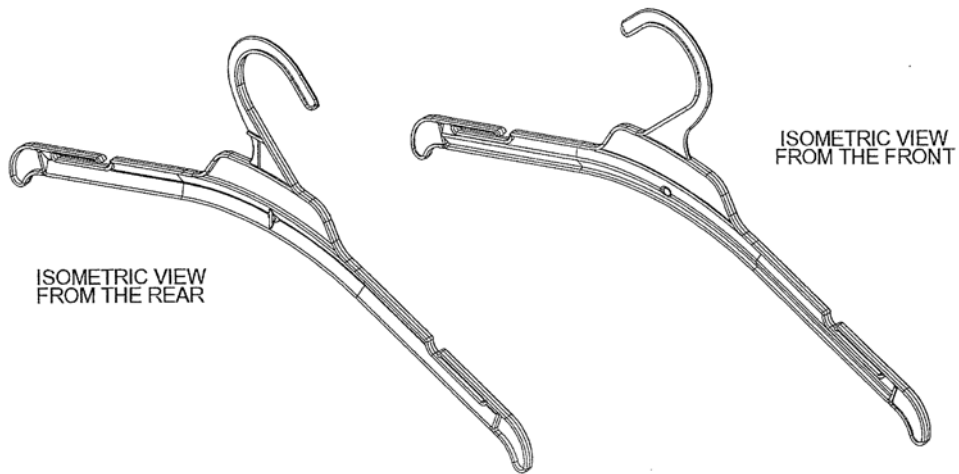
## Correction of Register

The following correction under Regulation 9.05 has been made to details previously published in the Australian Official Journal of Designs of 1 March 2012:

Registration Numbers	Amendment type	New details
341170	Representations	Representations as below







**Queries:** Gary Flint  
Trade Marks and Designs Administration  
+61 2 6283 2023

**Contact:** IP Australia  
**Phone:** 1300 651 010  
**Fax:** +61 2 6283 7999  
**E-mail:** [assist@ipaustralia.gov.au](mailto:assist@ipaustralia.gov.au)  
**Web:** [www.ipaustralia.gov.au](http://www.ipaustralia.gov.au)

**Proceedings under the Designs Act 1906 preserved as a result of the provisions of Chapter 12 Part 2 of the Designs Act 2003.**

This Page Left Intentionally Blank

**Applications Lapsed**

There were no Applications Lapsed under this section

**Extension of Period of Registration of Designs**

149571	149572	149573
149610	150215	153627
154128		

**1st Period (Section 27A(8))**

**2nd Period (Section 27A(12))**

**3rd Period (Section 27A(13))**

146430	146900	146902
146903	146904	146909
146910	146911	147116
147205	147216	147294
147295	147378	147380
147399	147400	147401
147402	147485	147486
147606	148031	148100
148546	148680	148766
148811	149115	149272
149379	149380	149839
151522	155136	

**Subsequent Owners Registered**

(The name in parentheses is that of the subsequent owner)

158459	<b>( Dane Pty Ltd )</b> Amcor Limited; Dane Pty Ltd
158460	<b>( Dane Pty Ltd )</b> Amcor Limited; Dane Pty Ltd
158461	<b>( Dane Pty Ltd )</b> Amcor Limited; Dane Pty Ltd
158489	<b>( Dane Pty Ltd )</b> Amcor Limited; Dane Pty Ltd
136692	<b>( Hustler Equipment Limited )</b> Russell Henry Currie; James Robert Currie; Stephen Henry Currie; Valerie Kathryn Currie; Denise Marjorie Currie; Beryl Margaret Currie
142044	<b>( Hustler Equipment Limited )</b> James Robert Currie; Beryl Margaret Currie; Russell Henry Currie; Stephen Henry Currie; Valerie Kathryn Currie; Denise Marjorie Currie
145705	<b>( Pacific Brands Clothing Pty Ltd )</b> Bonds Industries Pty Ltd

**Registrations Ceased**

Note: Some of the following Registrations may have been previously advertised as ceased. In this instance, the previous advertisement still prevails.

128775	128805	128825
130057	130058	130252
130270	130271	130273
130274	130275	130311
130729	130789	130790
130791	130792	131171
132135	133037	133232
133917	133964	134005
134137	134459	134525
135083	135240	143650
143680	143691	143692
143693	143694	143695
143737	143800	143958
143959	143960	144020
145156	145159	145160
145322	145333	145334
145335	145336	145359
145360	145382	145391
145512	145514	145515
145516	145517	145575
145672	145673	146134
146137	146139	146195
146196	146449	146563
147750	148126	148969
149137	149286	149507
149568	149569	149570

This Page Left Intentionally Blank

**Proceedings under the Designs Act 2003.**

This Page Left Intentionally Blank



**Applications Lodged**

Lodgement information is in the following order: **Applicant's Name**; International Classification, Name of Product, Lodgement Date and **Design Number**. If the applicant claims an earlier priority date under an International Convention, the Convention Country and the associated filing date are shown in parentheses before the Lodgement Date. Divisional information will also appear in parentheses before the Lodgement Date.

<b>Arlec Australia Pty Ltd;</b> 13-03D, Power outlet, 08 Oct 2012	<b>15008/2012</b>	<b>Becton, Dickinson and Company;</b> 24-02, Autoinjector, (US, 13 Apr 2012) 11 Oct 2012	<b>15040/2012</b>
<b>Arlec Australia Pty. Ltd.;</b> 13-03D, Gasket for a power board, 15 Oct 2012	<b>15100/2012</b>	<b>Bega Gantenbrink-Leuchten KG;</b> 26-05NES, Pole-top luminaires, (EM, 03 Apr 2012) 02 Oct 2012	<b>14936/2012</b>
<b>Armitage, James;</b> 21-02NES, 06-11, Yoga/exercise mat, 12 Oct 2012	<b>15030/2012</b>	<b>Black &amp; Decker Inc;</b> 15-05, Vacuum device, (EM, 20 Feb 2012) 03 Oct 2012	<b>14931/2012</b>
<b>Arrowcrest Group Pty Ltd;</b> 12-16A, A vehicle wheel, 04 Oct 2012	<b>14949/2012</b>	<b>Breville Pty Limited;</b> 07-01NES, Lid for a dessert maker, 02 Oct 2012	<b>14932/2012</b>
<b>Atomo Diagnostics Pty Limited;</b> 24-02, Device for collecting and testing a fluid sample, 03 Oct 2012	<b>14942/2012</b>	<b>Breville Pty Limited;</b> 07-02B, 07-99NES, Microwave oven support for platter, 12 Oct 2012	<b>15069/2012</b>
<b>AFI(WA)Pty Ltd;</b> 06-05, A bed frame, bed head, bedside table, tall boy and dresser, 28 Sep 2012	<b>14926/2012</b>	<b>Breville Pty Limited;</b> 07-02B, 07-99NES, Microwave oven platter support, 12 Oct 2012	<b>15063/2012</b>
<b>AFI(WA)Pty Ltd;</b> 06-02, 06-06B, 06-06D, A bed frame, bed side table, tall boy and dresser, 09 Oct 2012	<b>15010/2012</b>	<b>Brookman, Olivia;</b> 06-13NES, An individual cot bumper which is reversible, to show 2 different patterns, using velcro fastenings. Registration, is for reversible cot bar bumper, not the print shown in the representations., 05 Oct 2012	<b>15081/2012</b>
<b>AFI(WA)Pty Ltd;</b> 06-02, 06-06B, 06-06D, A bed frame, bed side table, Tall boy and dresser, 09 Oct 2012	<b>15011/2012</b>	<b>Brown, Hugh;</b> 14-01, Display screen with icon for electronic device, 12 Oct 2012	<b>15050/2012</b>
<b>AFI(WA)Pty Ltd;</b> 06-05, A bed frame, bed head, bedside table, tall boy and dresser, 28 Sep 2012	<b>14925/2012</b>	<b>Calibre8 Pty Ltd;</b> 09-03NES, Packaging for outdoor accessory, 12 Oct 2012	<b>15062/2012</b>
<b>AG (Syd) Fashion Pty Ltd;</b> 02-02C, Apparel, 15 Oct 2012	<b>15107/2012</b>	<b>Caroma Industries Limited;</b> 23-02B, A bath, 09 Oct 2012	<b>15017/2012</b>
<b>ARB Corporation Ltd;</b> 26-06, Driving light for use with or on vehicles, 10 Oct 2012	<b>15015/2012</b>	<b>Chang, Ju-Chung;</b> 02-01A, Brassiere, (US, 10 Apr 2012) 08 Oct 2012	<b>15018/2012</b>
<b>Baker, Kevin John;</b> 23-04, 25-02F, Concrete roof tile exhaust duct, 15 Oct 2012	<b>15086/2012</b>	<b>Chung, Sang Min;</b> 10-06, A table call stand, (KR, 10 Apr 2012) 09 Oct 2012	<b>15006/2012</b>
<b>Beamblock Limited;</b> 21-02F, Exercise apparatus, (EM, 17 Apr 2012) 09 Oct 2012	<b>15019/2012</b>	<b>Cie Ltd;</b> 06-03C, Customer help desk, 26 Sep 2012	<b>14951/2012</b>
<b>Becton Dickinson and Company;</b> 24-02, Autoinjector, (US, 13 Apr 2012) 11 Oct 2012	<b>15041/2012</b>	<b>Cirtex Industries Limited;</b> 08-99, Slope retention device, (NZ, 13 Apr 2012) 12 Oct 2012	<b>15051/2012</b>
<b>Becton Dickinson and Company;</b> 09-01A, 24-02, Vial assembly and cap, (US, 12 Apr 2012) 12 Oct 2012	<b>15072/2012</b>	<b>Clarkson, Ryan;</b> 05-05B, A design eave, 05 Sep 2012	<b>15061/2012</b>
<b>Becton Dickinson and Company;</b> 24-02, Vessel assembly, (US, 12 Apr 2012) 12 Oct 2012	<b>15077/2012</b>	<b>Coles Supermarkets Australia Pty Ltd;</b> 15-07, Refrigerator Unit, 11 Oct 2012	<b>15028/2012</b>
<b>Becton Dickinson and Company;</b> 09-01A, 09-07B, Vial assembly and cap, (US, 12 Apr 2012) 12 Oct 2012	<b>15071/2012</b>	<b>Columbia Insurance Company;</b> 07-04, Cutting board, (US, 23 Apr 2012) 04 Oct 2012	<b>14950/2012</b>

<b>Cook, Michael John;</b> 21-01A, 06-09, Stuffed toy and neck cushion, 28 Sep 2012	<b>14922/2012</b>	<b>Di Stefano, Carmelo Joseph Licciardi;</b> 08-05NES, 03-01NES, Spindle cover, 04 Oct 2012	<b>14947/2012</b>
<b>Cook, Michael John;</b> 21-01A, 06-09, Stuffed toy and neck cushion, 28 Sep 2012	<b>14924/2012</b>	<b>Di Stefano, Carmelo Joseph Licciardi;</b> 08-05NES, 03-01NES, Spindle cover, 04 Oct 2012	<b>14948/2012</b>
<b>Cook, Michael John;</b> 21-01A, 06-09, Stuffed toy and neck cushion, 28 Sep 2012	<b>14923/2012</b>	<b>Diamond Innovations, Inc.;Sandvik Intellectual Property AB;</b> 08-01, Drill bit, (Divisional of 13598/2012) 08 Oct 2012	<b>15002/2012</b>
<b>Cook, Michael John;</b> 21-01A, 06-09, Stuffed toy and neck cushion, 28 Sep 2012	<b>14920/2012</b>	<b>Electrolux Professional S.p.A.;</b> 07-02C, Gas cooking hob, and control panal; an appliance door and control panel, (EM, 13 Apr 2012) 11 Oct 2012	<b>15033/2012</b>
<b>Cook, Michael John;</b> 21-01A, 06-09, Stuffed toy and neck cushion, 28 Sep 2012	<b>14921/2012</b>	<b>Electrolux Professional S.p.A.;</b> 31-00, A food mixing device and components, (EM, 13 Apr 2012) 11 Oct 2012	<b>15035/2012</b>
<b>Cook, Michael John;</b> 21-01A, 06-09, Stuffed toy and cushion, 28 Sep 2012	<b>14919/2012</b>	<b>Electrolux Professional S.p.A.;</b> 99-00, A handle, (EM, 13 Apr 2012) 11 Oct 2012	<b>15037/2012</b>
<b>Costanzo, Robert;Frew, Stewart;</b> 07-02E, BBQ grilling rack dual purpose for meat and oysters, 04 Oct 2012	<b>14944/2012</b>	<b>Electrolux Professional S.p.A.;</b> 13-03D, 07-02N, 07-02E, 07-02B, Control panel for household appliance, fryer, grilling apparatus, induction cooker and induction wok cooker, (EM, 13 Apr 2012) 11 Oct 2012	<b>15038/2012</b>
<b>Costanzo, Robert;</b> 15-99, 12-05, Machine to put recycled liquid containers on then machine will singulate to lanes, then count and separate to desired, requirements., 05 Oct 2012	<b>14977/2012</b>	<b>Electrolux Professional S.p.A.;</b> 10-05, A food probe, (EM, 13 Apr 2012) 11 Oct 2012	<b>15036/2012</b>
<b>CALOR;</b> 07-05A, Ironing board, (EM, 16 Apr 2012) 03 Oct 2012	<b>14940/2012</b>	<b>Electrolux Professional S.p.A.;</b> 08-06, An appliance knob, (EM, 13 Apr 2012) 11 Oct 2012	<b>15034/2012</b>
<b>CPIP Pty Ltd;</b> 12-16NES, A differential cradle for a vehicle, 05 Oct 2012	<b>14993/2012</b>	<b>Electrolux Professional S.p.A.;</b> 15-07, An appliance door and control panal, (EM, 13 Apr 2012) 11 Oct 2012	<b>15031/2012</b>
<b>Dart Industries Inc.;</b> 07-01NES, Container with lid, (US, 11 May 2012) 15 Oct 2012	<b>15104/2012</b>	<b>Electrolux Professional S.p.A.;</b> 15-99, A vacuum sealer, (EM, 13 Apr 2012) 11 Oct 2012	<b>15032/2012</b>
<b>Dart Industries Inc.;</b> 07-01NES, Seal for a container, (US, 11 May 2012) 15 Oct 2012	<b>15102/2012</b>	<b>Eveready Battery Company, Inc.;</b> 13-02, Charger, (US, 30 May 2012) 09 Oct 2012	<b>15005/2012</b>
<b>Dart Industries Inc.;</b> 07-01NES, Container, (US, 11 May 2012) 15 Oct 2012	<b>15103/2012</b>	<b>Forever New Clothing Pty Ltd;</b> 02-02C, 02-02NES, Article of clothing, (GB, 30 Aug 2012) 12 Oct 2012	<b>15083/2012</b>
<b>Di Stefano, Carmelo Joseph Licciardi;</b> 08-08M, 99-00, Assembly, 11 Oct 2012	<b>15043/2012</b>	<b>Forever New Clothing Pty Ltd;</b> 02-07NES, 03-01B, Accessory items, (GB, 30 Aug 2012) 12 Oct 2012	<b>15084/2012</b>
<b>Di Stefano, Carmelo Joseph Licciardi;</b> 08-08M, 99-00, Bracket, 11 Oct 2012	<b>15047/2012</b>	<b>Forever New Clothing Pty Ltd;</b> 02-02C, 02-02NES, Article of clothing, 08 Oct 2012	<b>15000/2012</b>
<b>Di Stefano, Carmelo Joseph Licciardi;</b> 08-08M, 99-00, Assembly, 11 Oct 2012	<b>15044/2012</b>	<b>Formzoo Holdings Pty Ltd;</b> 26-05B, Lamp, 09 Oct 2012	<b>15007/2012</b>
<b>Di Stefano, Carmelo Joseph Licciardi;</b> 08-08M, 99-00, Bracket, 11 Oct 2012	<b>15045/2012</b>	<b>Frew, Stewart;Costanzo, Robert;</b> 07-02E, BBQ grilling rack dual purpose for meat and oysters, 04 Oct 2012	<b>14944/2012</b>
<b>Di Stefano, Carmelo Joseph Licciardi;</b> 08-08M, 99-00, Bracket, 11 Oct 2012	<b>15046/2012</b>	<b>Global Home;</b> 06-02, Augusta 5'bed, 03 Oct 2012	<b>14952/2012</b>
<b>Di Stefano, Carmelo Joseph Licciardi;</b> 08-08M, 99-00, Assembly, 11 Oct 2012	<b>15042/2012</b>		
<b>Di Stefano, Carmelo Joseph Licciardi;</b> 08-08M, 99-00, Bracket, 11 Oct 2012	<b>15048/2012</b>		

<b>Global Home;</b> 06-03NES, Augusta bedside, 03 Oct 2012	<b>14953/2012</b>	<b>James Hardie Technology Limited;</b> 25-01G, External corner strip, 04 Oct 2012	<b>14958/2012</b>
<b>Global Home;</b> 06-04F, Augusta chest 4 drawer, 03 Oct 2012	<b>14954/2012</b>	<b>Johnson &amp; Johnson Industrial Lta;McNeil-PPC Inc.;</b> 28-01, Tablet, (Divisional of 13588/2012) 04 Oct 2012	<b>14967/2012</b>
<b>Gruber LLC;</b> 04-02, Dental cleaning head and device, (US, 10 Apr 2012) 10 Oct 2012	<b>15057/2012</b>	<b>Johnson &amp; Johnson Industrial Lta;McNeil-PPC Inc.;</b> 28-01, Tablet, (Divisional of 13586/2012) 04 Oct 2012	<b>14956/2012</b>
<b>Hendon Semiconductors Pty Ltd;</b> 13-03D, A light switch housing unit for a light switch wall plate, 08 Oct 2012	<b>15009/2012</b>	<b>Johnson &amp; Johnson Industrial Lta;McNeil-PPC Inc.;</b> 28-01, Tablet, (Divisional of 13587/2012) 04 Oct 2012	<b>14966/2012</b>
<b>Herbert Waldmann Gmbh &amp; Co;</b> 26-03, Universal Light, (DE, 09 May 2012) 15 Oct 2012	<b>15078/2012</b>	<b>Johnson &amp; Johnson Industrial Lta;McNeil-PPC Inc.;</b> 28-01, Tablet, (Divisional of 13589/2012) 04 Oct 2012	<b>14968/2012</b>
<b>Herbert Waldmann Gmbh &amp; Co;</b> 26-03, Universal light, (DE, 09 May 2012) 15 Oct 2012	<b>15080/2012</b>	<b>Kimberly-Clark Worldwide, Inc.;</b> 09-03NES, A two-part container, (US, 04 May 2012) 10 Oct 2012	<b>15039/2012</b>
<b>Herbert Waldmann Gmbh &amp; Co;</b> 26-03, Universal light, (DE, 09 May 2012) 15 Oct 2012	<b>15079/2012</b>	<b>Kobayashi Pharmaceutical Co., Ltd.;</b> 24-99, 09-01A, Container for applying liquid medicine, 15 Oct 2012	<b>15091/2012</b>
<b>Horsfall, Harvey David;</b> 13-03C, 13-03D, Fabric fan cover with tensioning straps, 11 Oct 2012	<b>15060/2012</b>	<b>L'Air Liquide Societe Anonyme pour l'Etude et l'Exploitation des Procedes;Georges Claude;</b> 09-01A, Gas cylinder cap with lever, (WO, 19 Apr 2012) 04 Oct 2012	<b>14946/2012</b>
<b>Horsfall, Harvey David;</b> 03-04, Fabric fan cover with tensioning straps, 11 Oct 2012	<b>15059/2012</b>	<b>Ladder Safe Enterprises Pty Ltd;</b> 08-08NES, 25-04, A ladder safety rest, 10 Oct 2012	<b>15013/2012</b>
<b>Innovation First, Inc.;</b> 21-01C, Toy police car without the body, (US, 31 Jul 2012) 15 Oct 2012	<b>15099/2012</b>	<b>Locker Group Pty Ltd;</b> 08-08L, 08-08NES, Panel fixing adaptor, 12 Oct 2012	<b>15064/2012</b>
<b>Innovation First, Inc.;</b> 21-01C, Toy police car, (US, 31 Jul 2012) 15 Oct 2012	<b>15097/2012</b>	<b>Locker Group Pty Ltd;</b> 08-08L, 08-08NES, Panel fixing adaptor insert, 12 Oct 2012	<b>15068/2012</b>
<b>Innovation First, Inc.;</b> 21-01C, Chassis of a toy police car, (US, 31 Jul 2012) 15 Oct 2012	<b>15098/2012</b>	<b>Locker Group Pty Ltd;</b> 08-08L, 08-08NES, Panel fixing snap adaptor, 12 Oct 2012	<b>15067/2012</b>
<b>Innovation First, Inc.;</b> 21-01C, Robotic toy car, (US, 13 Apr 2012) 05 Oct 2012	<b>14996/2012</b>	<b>Locker Group Pty Ltd;</b> 15-99, Snap in screening panel, 12 Oct 2012	<b>15076/2012</b>
<b>Innovation Realisation Pty Ltd;</b> 09-06, 29-02, A strap, 08 Oct 2012	<b>14990/2012</b>	<b>Locker Group Pty Ltd;</b> 25-01D, 25-02C, Screening panel, 12 Oct 2012	<b>15070/2012</b>
<b>Ironbox Engineering;Oates, Howard;</b> 23-01A, One design for a variety of different sized junctions, 01 Oct 2012	<b>14955/2012</b>	<b>Lodestar Anstalt;</b> 09-01H, Bottle, (EM, 20 Apr 2012) 15 Oct 2012	<b>15093/2012</b>
<b>James Hardie Technology Limited;</b> 25-01K, Internal corner strip, 04 Oct 2012	<b>14962/2012</b>	<b>Lodestar Anstalt;</b> 09-01H, Bottle, (EM, 20 Apr 2012) 15 Oct 2012	<b>15094/2012</b>
<b>James Hardie Technology Limited;</b> 25-01K, Joiner strip, 04 Oct 2012	<b>14961/2012</b>	<b>LG Electronics Inc.;</b> 14-03E, Mobile phone, (KR, 25 Jul 2012) 05 Oct 2012	<b>14991/2012</b>
<b>James Hardie Technology Limited;</b> 25-01K, Edge strip, 04 Oct 2012	<b>14959/2012</b>		
<b>James Hardie Technology Limited;</b> 25-01K, Joiner strip, 04 Oct 2012	<b>14963/2012</b>		
<b>James Hardie Technology Limited;</b> 25-01G, Exterior corner strip, 04 Oct 2012	<b>14960/2012</b>		
<b>James Hardie Technology Limited;</b> 25-01K, Joiner strip, 04 Oct 2012	<b>14957/2012</b>		

<b>LRC Products Limited;</b> 28-03NES, Foot care apparatus, (EM, 10 Apr 2012) 10 Oct 2012	<b>15014/2012</b>	<b>Mulder, Wilmarie;</b> 11-01NES, Nugget frame pendant (jewellery), 09 Oct 2012	<b>15020/2012</b>
<b>LYNX Consulting BVBA;</b> 09-01D, 09-03E, Bottle container, (EM, 10 Apr 2012) 05 Oct 2012	<b>14992/2012</b>	<b>My Sporting Times Limited;</b> 11-03, Medal, 10 Oct 2012	<b>15090/2012</b>
<b>Mansbridge, Helen;</b> 03-01B, Wallet/clutch bag, 03 Oct 2012	<b>14934/2012</b>	<b>Neoz Pty Ltd;</b> 26-05B, Lamp, 12 Oct 2012	<b>15073/2012</b>
<b>Marimekko Oyj;</b> 07-01D, Espresso cup, 03 Oct 2012	<b>14928/2012</b>	<b>Neoz Pty Ltd;</b> 26-05B, Lamp, 12 Oct 2012	<b>15075/2012</b>
<b>Master Lock Company;</b> 08-07, Luggage lock, (US, 09 Apr 2012) 05 Oct 2012	<b>14980/2012</b>	<b>Neoz Pty Ltd;</b> 26-05B, Lamp, 12 Oct 2012	<b>15074/2012</b>
<b>Master Lock Company;</b> 08-07, Luggage lock, (US, 09 Apr 2012) 05 Oct 2012	<b>14981/2012</b>	<b>Nintendo Co., Ltd.;</b> 14-02, Information terminal stand, (JP, 16 Apr 2012) 15 Oct 2012	<b>15105/2012</b>
<b>Master Lock Company LLC;</b> 08-07, Lock, (US, 12 Apr 2012) 10 Oct 2012	<b>15052/2012</b>	<b>Nintendo Co., Ltd.;</b> 14-02, Information terminal stand, (JP, 16 Apr 2012) 15 Oct 2012	<b>15106/2012</b>
<b>Master Lock Company LLC;</b> 08-07, Lock, (US, 12 Apr 2012) 10 Oct 2012	<b>15054/2012</b>	<b>Nintendo Co., Ltd.;</b> 21-01N, Controller for electronic computer, (JP, 16 Apr 2012) 15 Oct 2012	<b>15101/2012</b>
<b>Master Lock Company LLC;</b> 08-07, Lock, (US, 12 Apr 2012) 10 Oct 2012	<b>15055/2012</b>	<b>NHP Electrical Engineering Products Pty. Ltd.;</b> 08-07, Flap/locking means for a socket or socket extender, 10 Oct 2012	<b>15056/2012</b>
<b>Master Lock Company LLC;</b> 08-07, Lock, (US, 12 Apr 2012) 10 Oct 2012	<b>15053/2012</b>	<b>Oakley, Inc.;</b> 16-06, Eyeglasses frame components, (US, 31 Jan 2012) 30 Jul 2012	<b>15001/2012</b>
<b>Max THAM Weng Hoe;</b> 08-08L, A solar panel mounting system, (MY, 07 Sep 2012) 03 Oct 2012	<b>14933/2012</b>	<b>Oates, Howard;Ironbox Engineering;</b> 23-01A, One design for a variety of different sized junctions, 01 Oct 2012	<b>14955/2012</b>
<b>McMillan, Christopher John;</b> 13-03D, Light switch cover, inhibitor device, 09 Oct 2012	<b>14999/2012</b>	<b>Orion Corporation;</b> 01-01, 09-03M, Packaged food product, 05 Oct 2012	<b>14998/2012</b>
<b>McNeil-PPC Inc.;Johnson &amp; Johnson Industrial Ltda;</b> 28-01, Tablet, (Divisional of 13586/2012) 04 Oct 2012	<b>14956/2012</b>	<b>Orion Corporation;</b> 01-01, 09-03M, Packaged food product, 05 Oct 2012	<b>14997/2012</b>
<b>McNeil-PPC Inc.;Johnson &amp; Johnson Industrial Ltda;</b> 28-01, Tablet, (Divisional of 13588/2012) 04 Oct 2012	<b>14967/2012</b>	<b>Otis Elevator Company;</b> 13-03NES, 12-05, Elevator fixture, (US, 05 Apr 2012) 04 Oct 2012	<b>14965/2012</b>
<b>McNeil-PPC Inc.;Johnson &amp; Johnson Industrial Ltda;</b> 28-01, Tablet, (Divisional of 13587/2012) 04 Oct 2012	<b>14966/2012</b>	<b>Otis Elevator Company;</b> 13-03NES, 12-05, Elevator fixture, (US, 05 Apr 2012) 04 Oct 2012	<b>14964/2012</b>
<b>McNeil-PPC Inc.;Johnson &amp; Johnson Industrial Ltda;</b> 28-01, Tablet, (Divisional of 13589/2012) 04 Oct 2012	<b>14968/2012</b>	<b>Oyj, Marimekko;</b> 26-02, Lantern, (EM, 02 Oct 2012) 05 Oct 2012	<b>14994/2012</b>
<b>Me Group Pty Ltd;</b> 20-02NES, Menu holder, 03 Oct 2012	<b>14927/2012</b>	<b>Pakton Developments Pty Ltd;</b> 13-03NES, High voltage optocoupler holder, 27 Sep 2012	<b>14974/2012</b>
<b>Meco Australia Pty Limited;</b> 23-01H, A spout and handle, 03 Oct 2012	<b>14935/2012</b>	<b>Paulsen, Mark Desmond;</b> 20-02E, Outdoor hospitality stand, 03 Oct 2012	<b>14971/2012</b>
<b>Melro Distributors Pty Ltd;</b> 02-02C, Ladies clothing, 02 Oct 2012	<b>14969/2012</b>	<b>Peace, Alyson;</b> 02-05, A cape, 04 Oct 2012	<b>14945/2012</b>
<b>Milenco Limited;</b> 12-16NES, A levelling device, (EM, 20 Apr 2012) 15 Oct 2012	<b>15092/2012</b>		

<b>PepsiCo, Inc.;</b> 31-00, Cartridge for beverage dispenser, (US, 03 Apr 2012) 03 Oct 2012	<b>14939/2012</b>	<b>Shaw, David;</b> 06-01C, Bench seat with backrest, 09 Oct 2012	<b>15022/2012</b>
<b>PepsiCo, Inc.;</b> 31-00, Cartridge for beverage dispenser, (US, 03 Apr 2012) 03 Oct 2012	<b>14938/2012</b>	<b>Shaw, David;</b> 06-05, Picnic table, 09 Oct 2012	<b>15024/2012</b>
<b>Polaris Industries Inc;</b> 12-11, Motorcycle, (US, 19 Apr 2012) 16 Oct 2012	<b>15096/2012</b>	<b>Shea, Robert Kevin;</b> 06-03B, "Tree" coffee table, 02 Oct 2012	<b>14970/2012</b>
<b>Price, Roger;</b> 09-07C, A bottle cap that generates music when turned, by use of music box technology, 12 Oct 2012	<b>15095/2012</b>	<b>Smiles, Scott William;</b> 21-02D, Flootation device, 12 Oct 2012	<b>15085/2012</b>
<b>Prospectors Pty Ltd;</b> 15-99, 09-07NES, A core tray accessory, 23 Jul 2012	<b>14987/2012</b>	<b>Swith Lighting;Woods, Gerard;</b> 26-05E, LED downlight, (NZ, 05 Sep 2012) 10 Oct 2012	<b>15012/2012</b>
<b>Prospectors Pty Ltd;</b> 15-99, 09-07NES, A core tray accessory, 23 Jul 2012	<b>14988/2012</b>	<b>SAVERGLASS;</b> 09-01H, Bottle, 09 Oct 2012	<b>15003/2012</b>
<b>Prospectors Pty Ltd;</b> 15-99, 09-07NES, A core tray accessory, 23 Jul 2012	<b>14986/2012</b>	<b>SAVERGLASS;</b> 09-01H, Bottle, 09 Oct 2012	<b>15004/2012</b>
<b>Prospectors Pty Ltd;</b> 15-99, 09-07A, A core tray lid, 23 Jul 2012	<b>14984/2012</b>	<b>The Goodyear Tire &amp; Rubber Company;</b> 12-15C, Tyre for motorcycle, (JP, 09 Apr 2012) 05 Oct 2012	<b>14995/2012</b>
<b>Prospectors Pty Ltd;</b> 15-99, A core tray, 23 Jul 2012	<b>14985/2012</b>	<b>The Goodyear Tire &amp; Rubber Company;</b> 12-15D, Tyre for motorcycle, (JP, 04 Apr 2012) 03 Oct 2012	<b>14941/2012</b>
<b>Prospectors Pty Ltd;</b> 15-99, A core tray, 23 Jul 2012	<b>14983/2012</b>	<b>The Libman Company;</b> 08-06, Handle portion, 03 Oct 2012	<b>14943/2012</b>
<b>Rip Buoy Holdings Limited;</b> 29-02, 08-08O, Safety Buoy, 12 Oct 2012	<b>15049/2012</b>	<b>Thermo King Corporation;</b> 15-07, Cover for a transport temperature control unit, (US, 27 Apr 2012) 11 Oct 2012	<b>15029/2012</b>
<b>Rothenberger AG;</b> 10-04, Flow meters, (EM, 01 Mar 2012) 03 Oct 2012	<b>14930/2012</b>	<b>Thirsty Sport Pty Ltd;</b> 09-01D, Drink container, 09 Oct 2012	<b>15025/2012</b>
<b>Rouser, Kelly K;</b> 03-01NES, 14-02, Cover/case for a tablet or e-reader, (US, 03 Apr 2012) 03 Oct 2012	<b>14937/2012</b>	<b>Thirsty Sport Pty Ltd;</b> 09-01D, Drink container, 09 Oct 2012	<b>15026/2012</b>
<b>Rybkin, Alexei;</b> 14-02, Personal computer, 28 Sep 2012	<b>14918/2012</b>	<b>Thirsty Sport Pty Ltd;</b> 09-01D, Drink container, 09 Oct 2012	<b>15027/2012</b>
<b>Salonikis, Phillip Ross;</b> 99-00, The design is a 2-D logo or emblem to be used on sports goods and services, 15 Oct 2012	<b>15066/2012</b>	<b>Thirsty Sport Pty Ltd;</b> 07-01C, 07-01F, Drink container, 09 Oct 2012	<b>15021/2012</b>
<b>Salonikis, Phillip Ross;</b> 99-00, The design is a 2-D logo or emblem to be used on sports goods and services, 15 Oct 2012	<b>15065/2012</b>	<b>Thirsty Sport Pty Ltd;</b> 07-01C, Drink container, 02 Oct 2012	<b>14973/2012</b>
<b>Sandvik Intellectual Property AB;Diamond Innovations, Inc.;</b> 08-01, Drill bit, (Divisional of 13598/2012) 08 Oct 2012	<b>15002/2012</b>	<b>Thirsty Sport Pty Ltd;</b> 07-01C, Drink container, 02 Oct 2012	<b>14972/2012</b>
<b>Schneider Electric Industries SAS;</b> 14-03NES, Remote control device, (EM, 06 Apr 2012) 05 Oct 2012	<b>14978/2012</b>	<b>Trading AC Pty Ltd;</b> 12-16NES, Snorkel, 28 Sep 2012	<b>14916/2012</b>
<b>Shaw, David;</b> 06-01C, Backless bench seat, 09 Oct 2012	<b>15023/2012</b>	<b>TrainNorman Assets Pty Ltd;</b> 15-07, Refrigeration package, 04 Oct 2012	<b>14976/2012</b>
		<b>Trans-World Foods Pty Limited;</b> 25-03, A dwelling, 08 Oct 2012	<b>14989/2012</b>
		<b>Trigger Point Technologies, LLC;</b> 28-03NES, Roller for use in fitness training or massage, (US, 12 Apr 2012) 12 Oct 2012	<b>15087/2012</b>
		<b>Trigger Point Technologies, LLC;</b> 28-03NES, Roller for use in fitness training or massage, (US, 12 Apr 2012) 12 Oct 2012	<b>15088/2012</b>

<b>Trigger Point Technologies, LLC;</b> 28-03NES, Roller for use in fitness training or massage, (US, 12 Apr 2012) 12 Oct 2012	<b>15089/2012</b>	<b>Wilson, Martyn S;</b> 08-10, Bike parking rail/rack, 04 Oct 2012	<b>14982/2012</b>
<b>TNBT Holdings Pty Ltd;</b> 08-07, A key blank, 05 Oct 2012	<b>14979/2012</b>	<b>Wobben Properties GmbH;</b> 15-01, 13-01, Wind turbine rotor blade, (EM, 11 Apr 2012) 11 Oct 2012	<b>15058/2012</b>
<b>Unilever PLC;</b> 09-01A, Portion of a container, (US, 19 Apr 2012) 03 Oct 2012	<b>14929/2012</b>	<b>Woods, Gerard;Swith Lighting;</b> 26-05E, LED downlight, (NZ, 05 Sep 2012) 10 Oct 2012	<b>15012/2012</b>
<b>Viljoen, Annette;</b> 30-06, Blank for a pet bed, (ZA, 30 Mar 2012) 28 Sep 2012	<b>14917/2012</b>	<b>Zola Holdings Pty Ltd;</b> 16-06, 21-02D, Swimming goggles, 11 Oct 2012	<b>15016/2012</b>
<b>Wilson, Ian Geoffrey;</b> 13-03D, Power pack unit for a hand held kitchen appliance, 05 Oct 2012	<b>14975/2012</b>		

---

**Applications Withdrawn**

13346 / 2012 (04-02)	13347 / 2012 (04-02)
13411 / 2012 (14-02)	14907 / 2012 (30-99)
14973 / 2012 (07-01C)	

---

**Applications Lapsed**

11823 / 2012 (14-02)	12735 / 2012 (25-01F)
12956 / 2012 (02-02A)	13252 / 2012 (08-08NES)
13253 / 2012 (08-08NES)	13307 / 2012 (08-08N)
13324 / 2012 (19-08)	13358 / 2012 (09-02A)
13423 / 2012 (09-07NES)	13429 / 2012 (25-01NES)
13490 / 2012 (21-02E)	13491 / 2012 (21-02E)
13492 / 2012 (21-02E)	

**Extension of Period of Registration of Designs**

315560	315561	315562
315563	315564	315565
315566	315582	315634
315663	316003	316612
316654	317525	317558
317560	317563	317733
317833	317855	317856
317857	317858	317859
317860	317905	317965
317996	318001	318002
318027	318036	318064
318065	318066	318083
318107	318173	318245
318258	318284	318285
318286	318287	318288
318289	318310	318313
318316	318317	318319
318320	318321	318324
318337	318343	318371
318372	318373	318423
318425	318426	318427
318428	318431	318432
318444	318457	318458
318459	318460	318461
318462	318465	318467
318470	318531	318621
318628	318653	318685
318686	318687	318688
318712	318713	318723
318729	318730	318733
318749	318772	318776
318777	318778	318779
318780	318781	318782
318795	318832	318856
318868	318990	319036
319037	319038	319039
319053	319185	319188
319189	319190	319212
319213	319214	319215
319216	319217	319218
319266	319267	319290
319291	319697	319739
319740	319741	320617
320881	321300	321301

**Registrations Ceased**

313576	313630	313943
314007	314139	314620
314621	314629	314635

314636	314637	314652
314653	314654	314659
314668	314669	314686
314687	314688	314689
314690	314707	314708
314709	314712	314713
314714	314715	314728
314731	314733	314735
314744	314745	314746
314747	314761	314763
314773	314776	314781
314782	314783	314787
314792	314806	314825
314826	314827	314828
314829	314830	314832
314833	314834	314835
314836	314837	314838
314839	314849	314856
314857	314863	314864
314865	314866	314937
315343	315344	315577
315578	315579	315718
315916	315917	315918
315919	316774	316915
316916	316917	316918
317411	317412	317633
317634	340607	

**Extensions of time granted under Section 137**

Applications lodged under section 137 for extension of time have been granted.

344787 **Perusahaan Otomobil Nasional Sdn. Bhd.**

344788 **Perusahaan Otomobil Nasional Sdn. Bhd.**

**Subsequent Owners Registered**

(The name in parentheses is that of the subsequent owner)

318374	( <b>Dane Pty Ltd</b> ) Amcor Limited
315659	( <b>Robovision Limited</b> ) Tube Plastics Limited
315660	( <b>Robovision Limited</b> ) Tube Plastics Limited
321779	( <b>Robovision Limited</b> ) Tube Plastics Limited
326875	( <b>Pacific Brands Clothing Pty Ltd</b> ) Bonds Industries Pty Ltd
326876	( <b>Pacific Brands Clothing Pty Ltd</b> ) Bonds Industries Pty Ltd
337500	( <b>Pacific Brands Clothing Pty Ltd</b> ) Bonds Industries Pty Ltd
337595	( <b>Pacific Brands Clothing Pty Ltd</b> ) Bonds Industries Pty Ltd

**Certificate(s) of Examination**

Examination of the following Design Registration(s) has been completed. Infringement proceedings may now be commenced.

315514	15-01	12/10/2012
319802	15-01	12/10/2012
321072	23-01E	10/10/2012
339224	08-08NES	10/10/2012
340676	21-01F	13/04/2012
341170	06-08	19/10/2012
342379	06-08	19/10/2012
342563	07-05E	16/10/2012
342564	07-05E	16/10/2012
342565	07-05E	16/10/2012
343082	13-01	09/10/2012
343374	24-04	17/10/2012
343565	09-01NES	09/10/2012
343594	25-02NES	11/10/2012
343946	25-01K	11/10/2012
343947	25-01K	11/10/2012
343949	09-01G	12/10/2012
343949	09-01G	12/10/2012
344221	08-07	19/10/2012
344232	08-07	19/10/2012
344246	14-03D	17/10/2012
344247	14-03D	17/10/2012
344348	09-01G	12/10/2012
344417	24-02	16/10/2012
344480	02-01NES	17/10/2012
344609	09-05	16/10/2012



**Publication and Registration Proceedings**

**Designs Registered**

This section provides a concordance between design number and registration number of Designs covered in this journal. It also shows the main class and registration date.

This section covers Registration numbers 344701 to 345037 .

The registration number shown below should be used in all future correspondence.

<b>Design Number</b>	<b>Registration Number</b>	<b>International Classification Code (IDC)</b>	<b>Registration Date</b>	<b>Design Number</b>	<b>Registration Number</b>	<b>International Classification Code (IDC)</b>	<b>Registration Date</b>
11034/2012	344860	15-04	12/10/2012	13532/2012	344855	20-03NES	12/10/2012
11539/2012	344992	12-08	18/10/2012	13533/2012	344856	20-03NES	12/10/2012
11574/2012	344758	11-04	09/10/2012	13534/2012	344857	20-03NES	12/10/2012
11685/2012	344777	21-01A	09/10/2012	13535/2012	344858	20-03NES	12/10/2012
11714/2012	344778	02-02NES	09/10/2012	13536/2012	344859	20-03NES	12/10/2012
11824/2012	344837	02-02NES	11/10/2012	13537/2012	344900	12-16NES	16/10/2012
11825/2012	344838	02-02NES	11/10/2012	13538/2012	344952	06-03C	17/10/2012
11826/2012	344839	02-02NES	11/10/2012	13539/2012	344953	06-04B	17/10/2012
11828/2012	344840	02-02NES	11/10/2012	13540/2012	344901	06-03C	16/10/2012
11833/2012	344841	02-02NES	11/10/2012	13541/2012	344902	06-06C	16/10/2012
11835/2012	344842	02-02NES	11/10/2012	13542/2012	344903	06-06C	16/10/2012
11946/2012	344843	02-02NES	11/10/2012	13543/2012	344954	06-04D	17/10/2012
11948/2012	344844	02-02NES	11/10/2012	13544/2012	344904	11-02B	16/10/2012
11972/2012	344779	02-02C	09/10/2012	13545/2012	344905	06-06C	16/10/2012
12919/2012	344897	07-02E	16/10/2012	13546/2012	344955	06-03C	17/10/2012
12920/2012	344898	07-02E	16/10/2012	13547/2012	344956	06-03C	17/10/2012
12921/2012	344899	07-02E	16/10/2012	13548/2012	344957	06-04D	17/10/2012
12937/2012	344787	06-01D	10/10/2012	13549/2012	344958	06-04D	17/10/2012
12939/2012	344788	06-01D	10/10/2012	13550/2012	344959	06-04D	17/10/2012
12960/2012	344885	27-99	15/10/2012	13551/2012	344960	06-04D	17/10/2012
12992/2012	344737	09-08	09/10/2012	13552/2012	344961	06-04D	17/10/2012
13064/2012	344845	25-01E	11/10/2012	13553/2012	344906	06-03C	16/10/2012
13228/2012	344759	14-01	09/10/2012	13554/2012	344962	06-03B	17/10/2012
13233/2012	344760	07-02NES	09/10/2012	13555/2012	344963	06-03NES	17/10/2012
13235/2012	344761	21-01C	09/10/2012	13556/2012	344964	06-99	17/10/2012
13236/2012	344762	21-01C	09/10/2012	13557/2012	344907	12-16NES	16/10/2012
13237/2012	344763	21-01C	09/10/2012	13558/2012	344908	06-06C	16/10/2012
13238/2012	344764	21-01C	09/10/2012	13559/2012	344965	06-04D	17/10/2012
13273/2012	344846	21-01F	11/10/2012	13560/2012	344966	06-04D	17/10/2012
13316/2012	344765	14-01	09/10/2012	13561/2012	344967	06-04D	17/10/2012
13320/2012	344766	14-01	09/10/2012	13586/2012	344916	28-01	16/10/2012
13328/2012	344767	15-99	09/10/2012	13587/2012	344917	28-01	16/10/2012
13348/2012	344934	04-02	17/10/2012	13588/2012	344886	28-01	15/10/2012
13364/2012	344768	13-03D	09/10/2012	13589/2012	344887	28-01	15/10/2012
13365/2012	344769	13-03D	09/10/2012	13594/2012	344933	16-06	17/10/2012
13366/2012	344770	13-03D	09/10/2012	13596/2012	344861	21-02D	12/10/2012
13367/2012	344771	13-03D	09/10/2012	13597/2012	344862	21-02D	12/10/2012
13469/2012	344847	09-03M	11/10/2012	13598/2012	344936	08-01	17/10/2012
13480/2012	344851	09-01A	12/10/2012	13701/2012	344780	12-16L	09/10/2012
13481/2012	344852	09-01A	12/10/2012	13713/2012	344701	12-11	11/10/2012
13482/2012	344853	09-01A	12/10/2012	13714/2012	344702	12-11	11/10/2012
13483/2012	344848	23-01H	11/10/2012	13772/2012	344772	14-01	09/10/2012
13484/2012	344849	23-01H	11/10/2012	13773/2012	344773	14-01	09/10/2012
13493/2012	344814	08-08L	10/10/2012	13774/2012	344774	14-01	09/10/2012
13515/2012	345012	09-03M	19/10/2012	13811/2012	344937	06-06E	17/10/2012
13516/2012	345013	09-03M	19/10/2012	13820/2012	344775	12-02	09/10/2012
13517/2012	345014	09-03M	19/10/2012	13833/2012	344938	07-01C	17/10/2012
13520/2012	344815	15-03A	10/10/2012	13852/2012	344863	23-02B	12/10/2012
13524/2012	344935	31-00	17/10/2012	13861/2012	344776	12-02	09/10/2012
13531/2012	344854	20-03NES	12/10/2012	13891/2012	344939	12-02	17/10/2012

Publication and Registration Proceedings - Designs Registered cont'd

Design Number	Registration Number	International Classification Code (IDC)	Registration Date	Design Number	Registration Number	International Classification Code (IDC)	Registration Date
13906/2012	344850	15-07	11/10/2012	14521/2012	344791	06-03D	10/10/2012
13976/2012	344940	21-02D	17/10/2012	14522/2012	344792	03-01C	10/10/2012
13978/2012	344738	25-01NES	09/10/2012	14523/2012	344793	09-08	10/10/2012
13983/2012	344703	15-05	11/10/2012	14524/2012	344794	28-99	10/10/2012
13985/2012	344941	08-01	17/10/2012	14525/2012	344795	28-99	10/10/2012
13986/2012	344942	08-01	17/10/2012	14528/2012	344747	13-01	09/10/2012
13987/2012	344704	23-01A	11/10/2012	14529/2012	344748	13-01	09/10/2012
14020/2012	344739	08-05F	09/10/2012	14530/2012	344749	13-01	09/10/2012
14034/2012	344943	09-01NES	17/10/2012	14531/2012	344750	25-02B	09/10/2012
14068/2012	344944	15-04	17/10/2012	14532/2012	344751	26-05NES	09/10/2012
14070/2012	344740	28-03B	09/10/2012	14533/2012	344752	26-05NES	09/10/2012
14127/2012	344741	22-06	09/10/2012	14534/2012	344753	15-05	09/10/2012
14128/2012	344742	22-06	09/10/2012	14535/2012	344754	15-05	09/10/2012
14162/2012	344909	26-05D	16/10/2012	14536/2012	344755	28-03D	09/10/2012
14182/2012	344873	11-01A	15/10/2012	14537/2012	344756	09-03F	09/10/2012
14183/2012	344874	11-02NES	15/10/2012	14538/2012	344757	21-02F	09/10/2012
14186/2012	344875	08-01	15/10/2012	14539/2012	344805	02-04A	10/10/2012
14187/2012	344876	28-03NES	15/10/2012	14540/2012	344806	02-03	10/10/2012
14188/2012	344877	13-02	15/10/2012	14541/2012	344807	02-03	10/10/2012
14189/2012	344878	06-03A	15/10/2012	14542/2012	344808	24-02	10/10/2012
14197/2012	344879	23-01D	15/10/2012	14543/2012	344796	24-02	10/10/2012
14199/2012	344781	12-10	09/10/2012	14544/2012	344797	24-02	10/10/2012
14200/2012	344782	12-10	09/10/2012	14545/2012	344798	24-02	10/10/2012
14207/2012	344730	09-03A	11/10/2012	14553/2012	344809	28-99	10/10/2012
14208/2012	344731	09-03A	11/10/2012	14554/2012	344810	31-00	10/10/2012
14209/2012	344732	09-03A	11/10/2012	14555/2012	344811	12-15B	10/10/2012
14217/2012	344880	10-02	15/10/2012	14556/2012	344812	12-15B	10/10/2012
14224/2012	344993	23-02C	18/10/2012	14557/2012	344813	08-05M	10/10/2012
14225/2012	344994	23-02C	18/10/2012	14558/2012	344799	28-03D	10/10/2012
14261/2012	344945	31-00	17/10/2012	14559/2012	344800	09-01K	10/10/2012
14262/2012	344789	10-03	10/10/2012	14560/2012	344801	09-01K	10/10/2012
14263/2012	344733	10-03	11/10/2012	14561/2012	344802	09-01K	10/10/2012
14351/2012	344734	26-05A	11/10/2012	14562/2012	344803	09-01K	10/10/2012
14352/2012	344735	26-05A	11/10/2012	14563/2012	345015	08-99	19/10/2012
14364/2012	344888	27-99	15/10/2012	14566/2012	344865	25-01K	12/10/2012
14370/2012	344864	23-03F	12/10/2012	14567/2012	344866	25-01K	12/10/2012
14378/2012	344946	06-03NES	17/10/2012	14568/2012	344867	25-01K	12/10/2012
14428/2012	344968	20-02D	17/10/2012	14569/2012	344868	08-08B	12/10/2012
14429/2012	344969	13-03B	17/10/2012	14570/2012	344869	14-02	12/10/2012
14431/2012	344970	14-03A	17/10/2012	14573/2012	344870	08-08NES	12/10/2012
14432/2012	344971	26-05D	17/10/2012	14574/2012	344817	06-01E	11/10/2012
14433/2012	344947	26-05D	17/10/2012	14577/2012	344871	02-02NES	12/10/2012
14445/2012	344995	23-02NES	18/10/2012	14578/2012	344818	02-02NES	11/10/2012
14501/2012	344816	26-06	10/10/2012	14580/2012	344819	02-02NES	11/10/2012
14502/2012	344836	26-06	11/10/2012	14581/2012	344820	02-02NES	11/10/2012
14503/2012	344783	23-03NES	09/10/2012	14582/2012	344821	02-02NES	11/10/2012
14509/2012	344784	09-01NES	09/10/2012	14584/2012	344822	02-02NES	11/10/2012
14510/2012	344785	09-01NES	09/10/2012	14585/2012	344823	02-02NES	11/10/2012
14511/2012	344786	09-01NES	09/10/2012	14586/2012	344824	02-02NES	11/10/2012
14512/2012	344804	09-01NES	10/10/2012	14587/2012	344825	02-02NES	11/10/2012
14516/2012	344743	06-03D	09/10/2012	14588/2012	344826	02-02NES	11/10/2012
14517/2012	344744	06-03D	09/10/2012	14589/2012	344827	02-02NES	11/10/2012
14518/2012	344745	06-03D	09/10/2012	14590/2012	344828	02-02NES	11/10/2012
14519/2012	344746	06-03D	09/10/2012	14591/2012	344829	02-02NES	11/10/2012
14520/2012	344790	06-03D	10/10/2012	14592/2012	344830	02-02NES	11/10/2012

Publication and Registration Proceedings - Designs Registered cont'd

Design Number	Registration Number	International Classification Code (IDC)	Registration Date	Design Number	Registration Number	International Classification Code (IDC)	Registration Date
14593/2012	344831	02-04NES	11/10/2012	14673/2012	344972	08-03	18/10/2012
14594/2012	344832	02-02NES	11/10/2012	14674/2012	344973	08-05N	18/10/2012
14595/2012	344833	02-02NES	11/10/2012	14675/2012	344974	08-05N	18/10/2012
14597/2012	344834	11-01E	11/10/2012	14676/2012	344975	08-01	18/10/2012
14598/2012	344835	03-01B	11/10/2012	14677/2012	344976	08-05N	18/10/2012
14600/2012	344872	26-05A	12/10/2012	14678/2012	344977	14-03NES	18/10/2012
14603/2012	344881	23-01H	15/10/2012	14679/2012	344978	14-03NES	18/10/2012
14604/2012	344882	23-01H	15/10/2012	14680/2012	344979	14-03NES	18/10/2012
14605/2012	344883	23-01H	15/10/2012	14681/2012	344980	08-08NES	18/10/2012
14608/2012	344884	27-05	15/10/2012	14682/2012	344981	10-05	18/10/2012
14609/2012	344889	27-05	15/10/2012	14683/2012	344982	10-05	18/10/2012
14613/2012	344890	26-02	15/10/2012	14684/2012	344983	14-03NES	18/10/2012
14614/2012	344891	26-02	15/10/2012	14685/2012	344984	10-05	18/10/2012
14615/2012	344892	26-02	15/10/2012	14686/2012	344985	14-03NES	18/10/2012
14616/2012	344893	06-01D	15/10/2012	14687/2012	344986	14-03NES	18/10/2012
14617/2012	344894	06-01D	15/10/2012	14688/2012	344987	14-03NES	18/10/2012
14618/2012	344895	06-04NES	15/10/2012	14689/2012	344988	14-03NES	18/10/2012
14619/2012	344896	06-04NES	15/10/2012	14692/2012	344989	03-01NES	18/10/2012
14620/2012	344918	07-01A	16/10/2012	14693/2012	344990	07-01NES	18/10/2012
14621/2012	344919	07-01A	16/10/2012	14694/2012	344991	03-01NES	18/10/2012
14622/2012	344920	12-08	16/10/2012	14695/2012	345017	12-08	19/10/2012
14623/2012	344921	07-01B	16/10/2012	14696/2012	345018	03-01NES	19/10/2012
14624/2012	344922	12-08	16/10/2012	14699/2012	344910	06-01F	16/10/2012
14625/2012	344923	12-16NES	16/10/2012	14700/2012	344911	06-01F	16/10/2012
14626/2012	344924	12-16C	16/10/2012	14701/2012	344912	06-01F	16/10/2012
14627/2012	344925	12-16B	16/10/2012	14703/2012	345025	07-02E	19/10/2012
14632/2012	344926	12-16NES	16/10/2012	14705/2012	344913	02-01A	16/10/2012
14633/2012	344927	12-16A	16/10/2012	14707/2012	344914	25-01K	16/10/2012
14634/2012	344928	26-06	16/10/2012	14708/2012	345026	02-04A	19/10/2012
14636/2012	344929	12-12	16/10/2012	14709/2012	344915	11-02B	16/10/2012
14640/2012	344930	06-09	16/10/2012	14718/2012	345027	23-01A	19/10/2012
14641/2012	344931	09-05	16/10/2012	14720/2012	345028	07-01NES	19/10/2012
14643/2012	344948	06-01D	17/10/2012	14721/2012	345029	24-04	19/10/2012
14644/2012	344949	12-02	17/10/2012	14722/2012	345030	24-04	19/10/2012
14645/2012	344950	12-16NES	17/10/2012	14723/2012	345031	07-01NES	19/10/2012
14646/2012	344996	21-02C	18/10/2012	14731/2012	345032	07-01NES	19/10/2012
14647/2012	344997	21-02C	18/10/2012	14732/2012	345033	07-01NES	19/10/2012
14648/2012	344998	21-02C	18/10/2012	14733/2012	345034	07-01NES	19/10/2012
14649/2012	344999	21-02C	18/10/2012	14734/2012	345035	07-01NES	19/10/2012
14650/2012	345000	21-02C	18/10/2012	14735/2012	345036	07-01NES	19/10/2012
14651/2012	345001	21-02C	18/10/2012	14736/2012	345019	07-01NES	19/10/2012
14652/2012	345002	21-02C	18/10/2012	14737/2012	345020	07-01NES	19/10/2012
14653/2012	345003	07-01B	18/10/2012	14738/2012	345021	07-01NES	19/10/2012
14654/2012	344951	26-04	17/10/2012	14739/2012	345022	07-01NES	19/10/2012
14655/2012	345004	26-05A	18/10/2012	14740/2012	345023	07-01NES	19/10/2012
14658/2012	345005	06-02	18/10/2012	14741/2012	345024	07-01NES	19/10/2012
14661/2012	345006	25-02H	18/10/2012	14904/2012	345011	24-01	18/10/2012
14662/2012	345007	25-02B	18/10/2012	15001/2012	344932	16-06	17/10/2012
14663/2012	345008	25-02H	18/10/2012	15002/2012	345037	08-01	19/10/2012
14664/2012	345009	25-02H	18/10/2012				
14669/2012	345010	07-01NES	18/10/2012				
14670/2012	345016	12-11	19/10/2012				

**Publication and Registration Proceedings**

**Class Listing of Designs Published or Registered**

The following section shows an International Classification Code listing of the Registered or Published Designs covered in this supplement.

<b>Classification</b>	<b>Registration Number</b>	<b>Design Number</b>	<b>Classification</b>	<b>Registration Number</b>	<b>Design Number</b>
02-01A	344913	14705/2012	06-03C	344955	13546/2012
02-02C	344779	11972/2012	06-03C	344956	13547/2012
02-02NES	344778	11714/2012	06-03D	344743	14516/2012
02-02NES	344818	14578/2012	06-03D	344744	14517/2012
02-02NES	344819	14580/2012	06-03D	344745	14518/2012
02-02NES	344820	14581/2012	06-03D	344746	14519/2012
02-02NES	344821	14582/2012	06-03D	344790	14520/2012
02-02NES	344822	14584/2012	06-03D	344791	14521/2012
02-02NES	344823	14585/2012	06-03NES	344946	14378/2012
02-02NES	344824	14586/2012	06-03NES	344963	13555/2012
02-02NES	344825	14587/2012	06-03NES	345005	14658/2012
02-02NES	344826	14588/2012	06-04B	344953	13539/2012
02-02NES	344827	14589/2012	06-04D	344954	13543/2012
02-02NES	344828	14590/2012	06-04D	344957	13548/2012
02-02NES	344829	14591/2012	06-04D	344958	13549/2012
02-02NES	344830	14592/2012	06-04D	344959	13550/2012
02-02NES	344832	14594/2012	06-04D	344960	13551/2012
02-02NES	344833	14595/2012	06-04D	344961	13552/2012
02-02NES	344837	11824/2012	06-04D	344965	13559/2012
02-02NES	344838	11825/2012	06-04D	344966	13560/2012
02-02NES	344839	11826/2012	06-04D	344967	13561/2012
02-02NES	344840	11828/2012	06-04NES	344895	14618/2012
02-02NES	344841	11833/2012	06-04NES	344896	14619/2012
02-02NES	344842	11835/2012	06-06C	344902	13541/2012
02-02NES	344843	11946/2012	06-06C	344903	13542/2012
02-02NES	344844	11948/2012	06-06C	344905	13545/2012
02-02NES	344871	14577/2012	06-06C	344908	13558/2012
02-03	344806	14540/2012	06-06E	344878	14189/2012
02-03	344807	14541/2012	06-06E	344937	13811/2012
02-04A	344805	14539/2012	06-06G	344895	14618/2012
02-04A	345026	14708/2012	06-06G	344896	14619/2012
02-04NES	344831	14593/2012	06-09	344777	11685/2012
03-01B	344835	14598/2012	06-09	344930	14640/2012
03-01C	344792	14522/2012	06-99	344964	13556/2012
03-01NES	344989	14692/2012	07-01A	344918	14620/2012
03-01NES	344991	14694/2012	07-01A	344919	14621/2012
03-01NES	345018	14696/2012	07-01B	344921	14623/2012
04-02	344934	13348/2012	07-01B	345003	14653/2012
06-01D	344787	12937/2012	07-01C	344938	13833/2012
06-01D	344788	12939/2012	07-01NES	344990	14693/2012
06-01D	344893	14616/2012	07-01NES	345010	14669/2012
06-01D	344894	14617/2012	07-01NES	345019	14736/2012
06-01D	344948	14643/2012	07-01NES	345020	14737/2012
06-01E	344817	14574/2012	07-01NES	345021	14738/2012
06-01F	344910	14699/2012	07-01NES	345022	14739/2012
06-01F	344911	14700/2012	07-01NES	345023	14740/2012
06-01F	344912	14701/2012	07-01NES	345024	14741/2012
06-02	345005	14658/2012	07-01NES	345028	14720/2012
06-03A	344878	14189/2012	07-01NES	345031	14723/2012
06-03B	344962	13554/2012	07-01NES	345032	14731/2012
06-03C	344901	13540/2012	07-01NES	345033	14732/2012
06-03C	344906	13553/2012	07-01NES	345034	14733/2012
06-03C	344952	13538/2012	07-01NES	345035	14734/2012

Registration Proceedings - Class Listing of Designs Published or Registered cont'd

Classification	Registration Number	Design Number	Classification	Registration Number	Design Number
07-01NES	345036	14735/2012	10-03	344789	14262/2012
07-02E	344897	12919/2012	10-05	344981	14682/2012
07-02E	344898	12920/2012	10-05	344982	14683/2012
07-02E	344899	12921/2012	10-05	344984	14685/2012
07-02E	345025	14703/2012	11-01A	344873	14182/2012
07-02NES	344760	13233/2012	11-01E	344834	14597/2012
07-04	344760	13233/2012	11-02B	344904	13544/2012
07-07NES	344968	14428/2012	11-02B	344915	14709/2012
07-99NES	344874	14183/2012	11-02NES	344874	14183/2012
08-01	344875	14186/2012	11-04	344758	11574/2012
08-01	344936	13598/2012	12-02	344775	13820/2012
08-01	344941	13985/2012	12-02	344776	13861/2012
08-01	344942	13986/2012	12-02	344939	13891/2012
08-01	344975	14676/2012	12-02	344949	14644/2012
08-01	345037	15002/2012	12-08	344920	14622/2012
08-02	344975	14676/2012	12-08	344922	14624/2012
08-03	344972	14673/2012	12-08	344992	11539/2012
08-05F	344739	14020/2012	12-08	345017	14695/2012
08-05M	344813	14557/2012	12-10	344781	14199/2012
08-05N	344940	13976/2012	12-10	344782	14200/2012
08-05N	344973	14674/2012	12-10	345005	14658/2012
08-05N	344974	14675/2012	12-11	344701	13713/2012
08-05N	344976	14677/2012	12-11	344702	13714/2012
08-08B	344868	14569/2012	12-11	345016	14670/2012
08-08D	344704	13987/2012	12-12	344929	14636/2012
08-08L	344814	13493/2012	12-15B	344811	14555/2012
08-08NES	344814	13493/2012	12-15B	344812	14556/2012
08-08NES	344815	13520/2012	12-16A	344927	14633/2012
08-08NES	344870	14573/2012	12-16B	344775	13820/2012
08-08NES	344980	14681/2012	12-16B	344776	13861/2012
08-99	345015	14563/2012	12-16B	344925	14627/2012
09-01A	344851	13480/2012	12-16C	344924	14626/2012
09-01A	344852	13481/2012	12-16L	344780	13701/2012
09-01A	344853	13482/2012	12-16L	344782	14200/2012
09-01K	344800	14559/2012	12-16NES	344781	14199/2012
09-01K	344801	14560/2012	12-16NES	344860	11034/2012
09-01K	344802	14561/2012	12-16NES	344900	13537/2012
09-01K	344803	14562/2012	12-16NES	344907	13557/2012
09-01NES	344784	14509/2012	12-16NES	344923	14625/2012
09-01NES	344785	14510/2012	12-16NES	344926	14632/2012
09-01NES	344786	14511/2012	12-16NES	344950	14645/2012
09-01NES	344804	14512/2012	13-01	344747	14528/2012
09-01NES	344943	14034/2012	13-01	344748	14529/2012
09-03A	344730	14207/2012	13-01	344749	14530/2012
09-03A	344731	14208/2012	13-02	344877	14188/2012
09-03A	344732	14209/2012	13-03B	344969	14429/2012
09-03F	344756	14537/2012	13-03D	344768	13364/2012
09-03M	344847	13469/2012	13-03D	344769	13365/2012
09-03M	345012	13515/2012	13-03D	344770	13366/2012
09-03M	345013	13516/2012	13-03D	344771	13367/2012
09-03M	345014	13517/2012	14-01	344759	13228/2012
09-05	344931	14641/2012	14-01	344765	13316/2012
09-08	344737	12992/2012	14-01	344766	13320/2012
09-08	344793	14523/2012	14-01	344772	13772/2012
10-02	344880	14217/2012	14-01	344773	13773/2012
10-03	344733	14263/2012	14-01	344774	13774/2012

Registration Proceedings - Class Listing of Designs Published or Registered cont'd

Classification	Registration Number	Design Number	Classification	Registration Number	Design Number
14-02	344869	14570/2012	22-06	344741	14127/2012
14-03A	344970	14431/2012	22-06	344742	14128/2012
14-03NES	344977	14678/2012	23-01A	344704	13987/2012
14-03NES	344978	14679/2012	23-01A	345027	14718/2012
14-03NES	344979	14680/2012	23-01D	344879	14197/2012
14-03NES	344983	14684/2012	23-01H	344848	13483/2012
14-03NES	344985	14686/2012	23-01H	344849	13484/2012
14-03NES	344986	14687/2012	23-01H	344881	14603/2012
14-03NES	344987	14688/2012	23-01H	344882	14604/2012
14-03NES	344988	14689/2012	23-01H	344883	14605/2012
15-01	344747	14528/2012	23-01NES	344733	14263/2012
15-01	344748	14529/2012	23-01NES	344789	14262/2012
15-01	344749	14530/2012	23-01NES	344879	14197/2012
15-03A	344815	13520/2012	23-02B	344863	13852/2012
15-04	344860	11034/2012	23-02C	344993	14224/2012
15-04	344920	14622/2012	23-02C	344994	14225/2012
15-04	344944	14068/2012	23-02NES	344995	14445/2012
15-05	344703	13983/2012	23-03F	344864	14370/2012
15-05	344753	14534/2012	23-03NES	344783	14503/2012
15-05	344754	14535/2012	24-01	345011	14904/2012
15-07	344850	13906/2012	24-02	344796	14543/2012
15-07	344897	12919/2012	24-02	344797	14544/2012
15-07	344898	12920/2012	24-02	344798	14545/2012
15-07	344899	12921/2012	24-02	344808	14542/2012
15-99	344767	13328/2012	24-02	345011	14904/2012
15-99	344944	14068/2012	24-04	345029	14721/2012
16-06	344932	15001/2012	24-04	345030	14722/2012
16-06	344933	13594/2012	25-01E	344845	13064/2012
20-02D	344968	14428/2012	25-01K	344750	14531/2012
20-02E	344814	13493/2012	25-01K	344865	14566/2012
20-02NES	344814	13493/2012	25-01K	344866	14567/2012
20-02NES	344900	13537/2012	25-01K	344867	14568/2012
20-02NES	344907	13557/2012	25-01K	344914	14707/2012
20-03NES	344854	13531/2012	25-01NES	344738	13978/2012
20-03NES	344855	13532/2012	25-02B	344750	14531/2012
20-03NES	344856	13533/2012	25-02B	345007	14662/2012
20-03NES	344857	13534/2012	25-02H	345006	14661/2012
20-03NES	344858	13535/2012	25-02H	345008	14663/2012
20-03NES	344859	13536/2012	25-02H	345009	14664/2012
21-01A	344777	11685/2012	26-02	344890	14613/2012
21-01C	344761	13235/2012	26-02	344891	14614/2012
21-01C	344762	13236/2012	26-02	344892	14615/2012
21-01C	344763	13237/2012	26-04	344951	14654/2012
21-01C	344764	13238/2012	26-05A	344734	14351/2012
21-01F	344846	13273/2012	26-05A	344735	14352/2012
21-02C	344996	14646/2012	26-05A	344872	14600/2012
21-02C	344997	14647/2012	26-05A	345004	14655/2012
21-02C	344998	14648/2012	26-05D	344909	14162/2012
21-02C	344999	14649/2012	26-05D	344947	14433/2012
21-02C	345000	14650/2012	26-05D	344971	14432/2012
21-02C	345001	14651/2012	26-05NES	344751	14532/2012
21-02C	345002	14652/2012	26-05NES	344752	14533/2012
21-02D	344861	13596/2012	26-06	344816	14501/2012
21-02D	344862	13597/2012	26-06	344836	14502/2012
21-02D	344940	13976/2012	26-06	344928	14634/2012
21-02F	344757	14538/2012	27-05	344884	14608/2012

Registration Proceedings - Class Listing of Designs Published or Registered cont'd

Classification	Registration Number	Design Number	Classification	Registration Number	Design Number
27-05	344889	14609/2012	28-03NES	344876	14187/2012
27-99	344885	12960/2012	28-99	344794	14524/2012
27-99	344888	14364/2012	28-99	344795	14525/2012
28-01	344886	13588/2012	28-99	344809	14553/2012
28-01	344887	13589/2012	30-03	344946	14378/2012
28-01	344916	13586/2012	31-00	344810	14554/2012
28-01	344917	13587/2012	31-00	344935	13524/2012
28-03B	344740	14070/2012	31-00	344945	14261/2012
28-03D	344755	14536/2012			
28-03D	344799	14558/2012			

- (21) Design Number: **13713/2012**  
(22) Date of Filing Application: **01 August 2012**  
(24) Date from which industrial property rights may have effect: **01 August 2012**  
(54) Product in respect of which the design is registered: **A motorcycle or a model of a motorcycle**  
(51) International Design Classification: **12-11**  
(74) Name(s) of Attorney(s): **Shelston IP**  
(71) Name(s) and Address(s) of Applicant(s):  
**KTM-Sportmotorcycle AG**  
**Stallhofnerstrasse 3 5230 Mattighofen Austria**  
(72) Name(s) of Designer(s): **Gerald Kiska**  
(45) Registration Date: **11 October 2012**  
(30) Convention priority data:  
(31) Number (32) Date (33) Country  
**64011 02 Feb 2012 AUSTRIA**  
(56) Related Art Documents: **Not Applicable**  
(57) Statement of Newness and Distinctiveness: **Newness and distinctiveness resides in the features of pattern and/or ornamentation of a motorcycle or a model of a motorcycle as illustrated in the accompanying representations.**

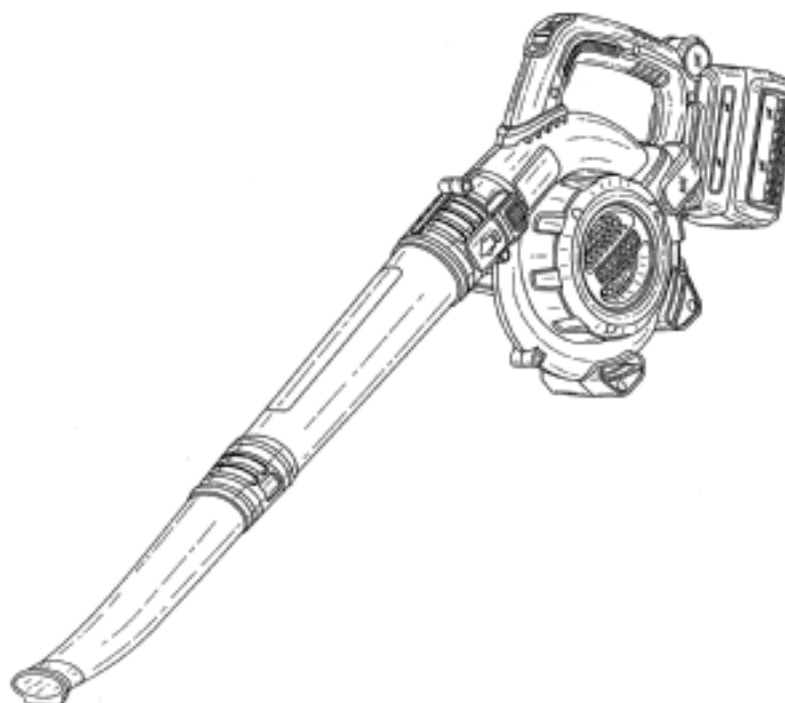


- (21) Design Number: **13714/2012**  
(22) Date of Filing Application: **01 August 2012**  
(24) Date from which industrial property rights may have effect: **01 August 2012**  
(54) Product in respect of which the design is registered: **A motorcycle or a model of a motorcycle**  
(51) International Design Classification: **12-11**  
(74) Name(s) of Attorney(s): **Shelston IP**  
(71) Name(s) and Address(s) of Applicant(s):  
**KTM-Sportmotorcycle AG**  
**Stallhofnerstrasse 3 5230 Mattighofen Austria**  
(72) Name(s) of Designer(s): **Gerald Kiska**  
(45) Registration Date: **11 October 2012**  
(30) Convention priority data:  
(31) Number (32) Date (33) Country  
**64011 02 Feb 2012 AUSTRIA**  
(56) Related Art Documents: **Not Applicable**  
(57) Statement of Newness and Distinctiveness: **Newness and distinctiveness reside in the features of shape and/or configuration of a motorcycle or a model of a motorcycle as illustrated in the accompanying representations.**

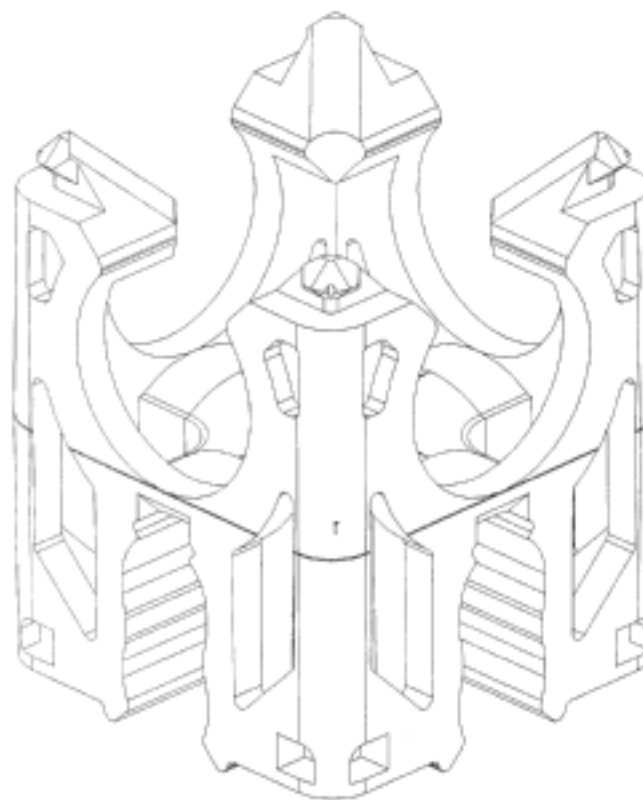




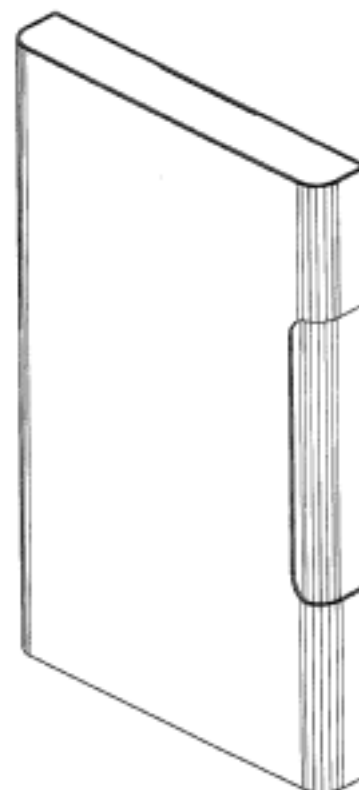
(21) Design Number: **13983/2012**  
(22) Date of Filing Application: **15 August 2012**  
(24) Date from which industrial property rights may have effect: **15 August 2012**  
(54) Product in respect of which the design is registered: **Blower device**  
(51) International Design Classification: **15-05**  
(74) Name(s) of Attorney(s): **Davies Collison Cave**  
(71) Name(s) and Address(s) of Applicant(s):  
**Black & Decker Inc**  
**1207 Drummond Plaza Newark Delaware 19711 United States of America**  
(72) Name(s) of Designer(s): **Graeme Crawley**  
(45) Registration Date: **11 October 2012**  
(30) Convention priority data:  
(31) Number (32) Date (33) Country  
**001314991 20 Feb 2012 EUROPEAN COMMUNITY**  
(56) Related Art Documents: **Not Applicable**  
(57) Statement of Newness and Distinctiveness: **Nil**



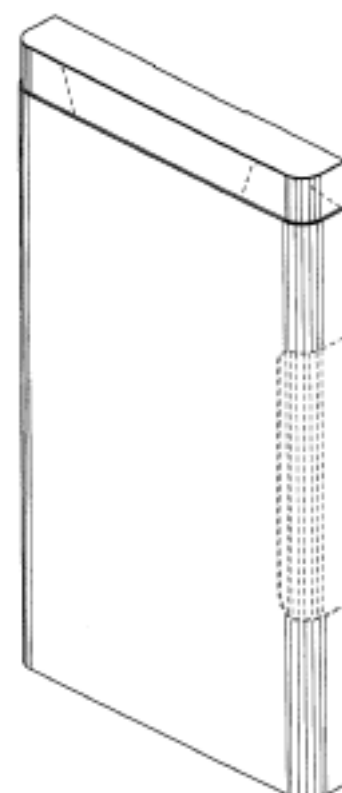
(21) Design Number: **13987/2012**  
(22) Date of Filing Application: **16 August 2012**  
(24) Date from which industrial property rights may have effect: **16 August 2012**  
(54) Product in respect of which the design is registered: **Clamp for installing pipes and hoses**  
(51) International Design Classification: **23-01A, 08-08D**  
(74) Name(s) of Attorney(s): **Davies Collison Cave**  
(71) Name(s) and Address(s) of Applicant(s):  
**SMCP ApS**  
**Hojasen 8 4230 Skaelskor Denmark**  
(72) Name(s) of Designer(s): **Soren Frandsen**  
(45) Registration Date: **11 October 2012**  
(56) Related Art Documents: **Not Applicable**  
(57) Statement of Newness and Distinctiveness: **Nil**



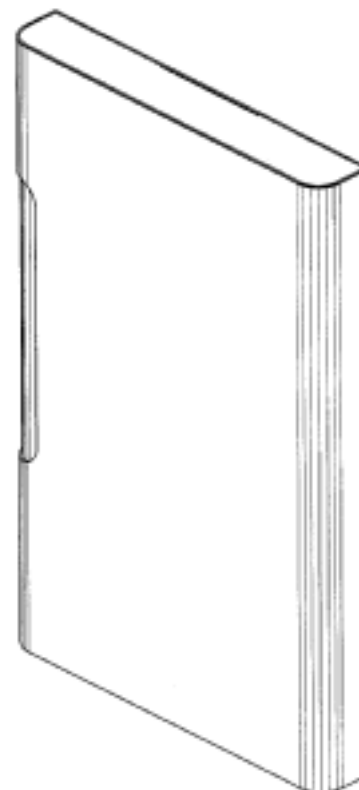
(21) Design Number: **14207/2012**  
(22) Date of Filing Application: **24 August 2012**  
(24) Date from which industrial property rights may have effect: **24 August 2012**  
(54) Product in respect of which the design is registered: **Cigarette pack**  
(51) International Design Classification: **09-03A**  
(74) Name(s) of Attorney(s): **Davies Collison Cave**  
(71) Name(s) and Address(s) of Applicant(s):  
**JT International SA**  
**1 Rue de la Gabelle 1211 Geneve 26 Switzerland**  
(72) Name(s) of Designer(s): **Tim Collins**  
(45) Registration Date: **11 October 2012**  
(30) Convention priority data:  
(31) Number      (32) Date      (33) Country  
**4023593      24 Feb 2012      UNITED KINGDOM**  
(56) Related Art Documents: **Not Applicable**  
(57) Statement of Newness and Distinctiveness: **Nil**



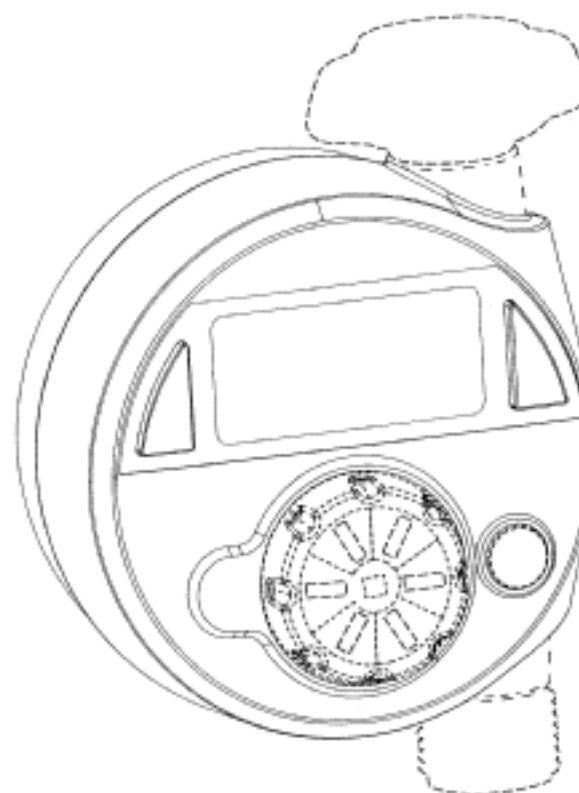
(21) Design Number: **14208/2012**  
(22) Date of Filing Application: **24 August 2012**  
(24) Date from which industrial property rights may have effect: **24 August 2012**  
(54) Product in respect of which the design is registered: **Cigarette pack**  
(51) International Design Classification: **09-03A**  
(74) Name(s) of Attorney(s): **Davies Collison Cave**  
(71) Name(s) and Address(s) of Applicant(s):  
**JT International SA**  
**1 Rue de la Gabelle 1211 Geneve 26 Switzerland**  
(72) Name(s) of Designer(s): **Tim Collins**  
(45) Registration Date: **11 October 2012**  
(30) Convention priority data:  
(31) Number      (32) Date      (33) Country  
**4023594      24 Feb 2012      UNITED KINGDOM**  
(56) Related Art Documents: **Not Applicable**  
(57) Statement of Newness and Distinctiveness: **Newness and distinctiveness is claimed in the visual features shown in solid lines in the representations.**



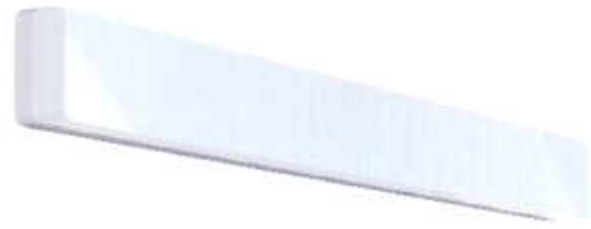
(21) Design Number: **14209/2012**  
(22) Date of Filing Application: **24 August 2012**  
(24) Date from which industrial property rights may have effect: **24 August 2012**  
(54) Product in respect of which the design is registered: **Cigarette pack**  
(51) International Design Classification: **09-03A**  
(74) Name(s) of Attorney(s): **Davies Collison Cave**  
(71) Name(s) and Address(s) of Applicant(s):  
**JT International SA**  
**1 Rue de la Gabelle 1211 Geneve 26 Switzerland**  
(72) Name(s) of Designer(s): **Tim Collins**  
(45) Registration Date: **11 October 2012**  
(30) Convention priority data:  
(31) Number (32) Date (33) Country  
**4023595 24 Feb 2012 UNITED KINGDOM**  
(56) Related Art Documents: **Not Applicable**  
(57) Statement of Newness and Distinctiveness: **Nil**



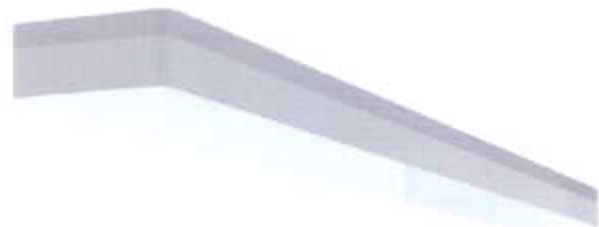
(21) Design Number: **14263/2012**  
(22) Date of Filing Application: **29 August 2012**  
(24) Date from which industrial property rights may have effect: **29 August 2012**  
(54) Product in respect of which the design is registered: **Single outlet water timer**  
(51) International Design Classification: **10-03, 23-01NES**  
(74) Name(s) of Attorney(s): **Callinans**  
(71) Name(s) and Address(s) of Applicant(s):  
**Robert Bosch GMBH**  
**Postfach 30 02 20 D070442 Stuttgart Germany**  
(72) Name(s) of Designer(s): **Anand Chandran and Robert Richard Brimble and Linda Kay Waible**  
(45) Registration Date: **11 October 2012**  
(30) Convention priority data:  
(31) Number (32) Date (33) Country  
**29/414,515 29 Feb 2012 UNITED STATES OF AMERICA**  
(56) Related Art Documents: **Not Applicable**  
(57) Statement of Newness and Distinctiveness: **Newness and distinctiveness are provided by the shape and/or configuration of the design shown in the representations. The features shown in broken lines in the representations are for illustrative purposes only and should not be considered when construing visual features of the design.**



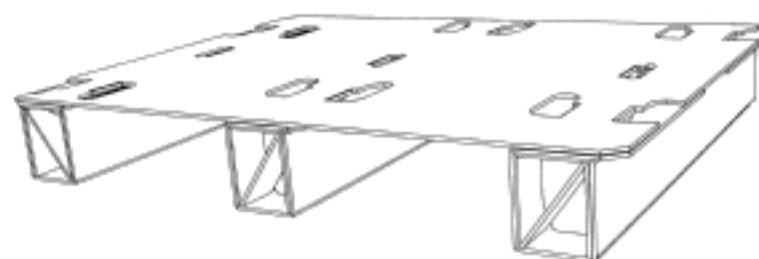
- (21) Design Number: **14351/2012**  
(22) Date of Filing Application: **04 September 2012**  
(24) Date from which industrial property rights may have effect: **04 September 2012**  
(54) Product in respect of which the design is registered: **Light**  
(51) International Design Classification: **26-05A**  
(74) Name(s) of Attorney(s): **Davies Collison Cave**  
(71) Name(s) and Address(s) of Applicant(s):  
**Arlec Australia Pty Ltd**  
**Building 3 31-41 Joseph St Blackburn North VIC 3130 Australia**  
(72) Name(s) of Designer(s): **Murray Johnson**  
(45) Registration Date: **11 October 2012**  
(56) Related Art Documents: **Not Applicable**  
(57) Statement of Newness and Distinctiveness: **Newness and distinctiveness is claimed in the features of shape and configuration of the light as shown in the representations but not in the specific colours as shown.**



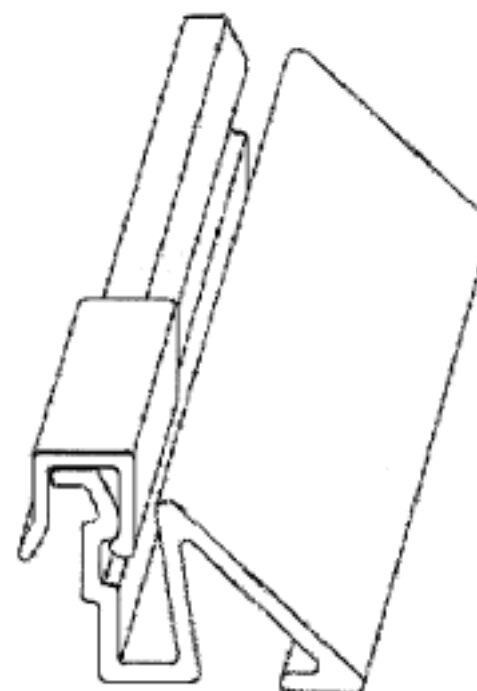
- (21) Design Number: **14352/2012**  
(22) Date of Filing Application: **04 September 2012**  
(24) Date from which industrial property rights may have effect: **04 September 2012**  
(54) Product in respect of which the design is registered: **Light**  
(51) International Design Classification: **26-05A**  
(74) Name(s) of Attorney(s): **Davies Collison Cave**  
(71) Name(s) and Address(s) of Applicant(s):  
**Arlec Australia Pty Ltd**  
**Building 3 31-41 Joseph St Blackburn North VIC 3130 Australia**  
(72) Name(s) of Designer(s): **Murray Johnson**  
(45) Registration Date: **11 October 2012**  
(56) Related Art Documents: **Not Applicable**  
(57) Statement of Newness and Distinctiveness: **Newness and distinctiveness is claimed in the features of shape and configuration of the light as shown in the representations but not in the specific colours as shown.**



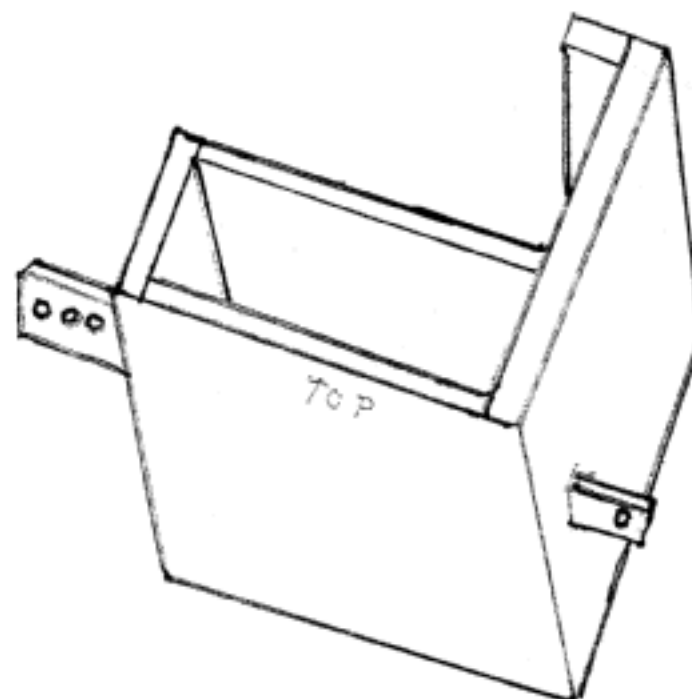
- (21) Design Number: **12992/2012**  
(22) Date of Filing Application: **26 June 2012**  
(24) Date from which industrial property rights may have effect: **26 June 2012**  
(54) Product in respect of which the design is registered: **Pallet**  
(51) International Design Classification: **09-08**  
(74) Name(s) of Attorney(s): **Davies Collison Cave**  
(71) Name(s) and Address(s) of Applicant(s):  
**Visy R & D Pty Ltd**  
**Level 11 2 Southbank Boulevard Southbank Victoria 3006 Australia**  
(72) Name(s) of Designer(s): **Clint Paul Moka**  
(45) Registration Date: **09 October 2012**  
(56) Related Art Documents: **Not Applicable**  
(57) Statement of Newness and Distinctiveness: **The features of shape and configuration of the pallet shown in the accompanying representations are considered to be new and distinctive.**



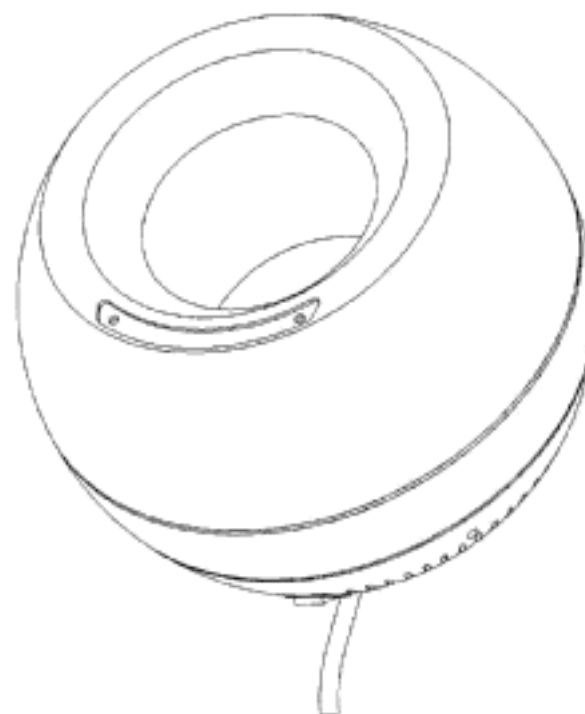
- (21) Design Number: **13978/2012**  
(22) Date of Filing Application: **16 August 2012**  
(24) Date from which industrial property rights may have effect: **16 August 2012**  
(54) Product in respect of which the design is registered: **Beading**  
(51) International Design Classification: **25-01NES**  
(74) Name(s) of Attorney(s): **Dark IP**  
(71) Name(s) and Address(s) of Applicant(s):  
**Johannes Albertus Otto**  
**22 Iona Street Vredenburg South Africa 7380**  
(72) Name(s) of Designer(s): **Johannes Albertus Otto**  
(45) Registration Date: **09 October 2012**  
(30) Convention priority data:  
(31) Number      (32) Date      (33) Country  
**F 2012/00154      17 Feb 2012      SOUTH AFRICA**  
(56) Related Art Documents: **Not Applicable**  
(57) Statement of Newness and Distinctiveness: **The newness and distinctiveness of the design resides in the shape and/or configuration of the beading shown in the representations. The beading includes a first part which defines a recess in which the edge of a pane is receivable, and a second part that extends over an edge of the first part and partly between the pane and the edge of the first part. The pane and the frame shown are for illustrative purposes only, do not form part of the design, and are disclaimed; further, the longitudinal length of the beading can vary, and is disclaimed.**



(21) Design Number: **14020/2012**  
(22) Date of Filing Application: **17 August 2012**  
(24) Date from which industrial property rights may have effect: **17 August 2012**  
(54) Product in respect of which the design is registered: **Improved clamping device for ladders to gutters and the like**  
(51) International Design Classification: **08-05F**  
(74) Name(s) of Attorney(s):  
(71) Name(s) and Address(s) of Applicant(s):  
**John Shenton Pearsall**  
**64 Murray Street Casterton Victoria 3311 Australia**  
(72) Name(s) of Designer(s): **John Shenton Pearsall**  
(45) Registration Date: **09 October 2012**  
(56) Related Art Documents: **Not Applicable**  
(57) Statement of Newness and Distinctiveness: **My own design. it is based on action reaction from the wing on the box to the clamp head on the control arm the box is unique that it needs nothing to hold it in position.**



(21) Design Number: **14070/2012**  
(22) Date of Filing Application: **21 August 2012**  
(24) Date from which industrial property rights may have effect: **21 August 2012**  
(54) Product in respect of which the design is registered: **Induction hair curler base**  
(51) International Design Classification: **28-03B**  
(74) Name(s) of Attorney(s): **King & Wood Mallesons**  
(71) Name(s) and Address(s) of Applicant(s):  
**Maggie Cheung**  
**Block B2 6/F Tsing Yi Industrial Centre Phase 1 1-33 Cheung Tat Road**  
**New Territories Hong Kong**  
(72) Name(s) of Designer(s): **Maggie Cheung**  
(45) Registration Date: **09 October 2012**  
(30) Convention priority data:  
(31) Number (32) Date (33) Country  
**US29/416,114 19 Mar 2012 UNITED STATES OF AMERICA**  
(56) Related Art Documents: **Not Applicable**  
(57) Statement of Newness and Distinctiveness: **The shape of the design resembles a "bowling bowl".**



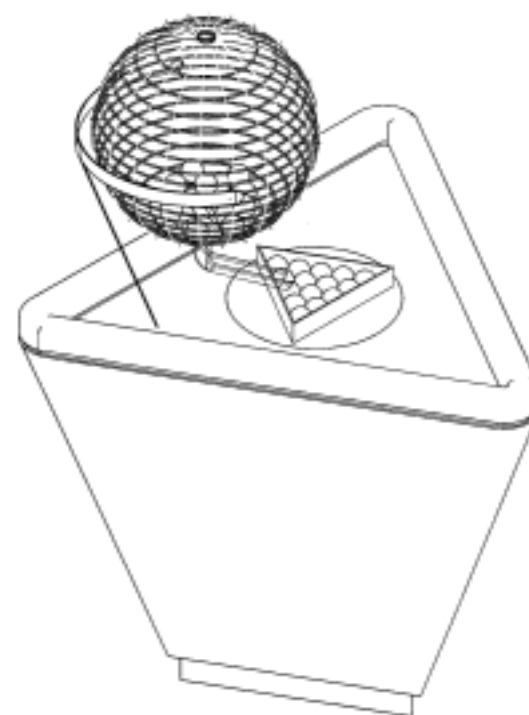
- (21) Design Number: **14127/2012**  
(22) Date of Filing Application: **20 August 2012**  
(24) Date from which industrial property rights may have effect: **20 August 2012**  
(54) Product in respect of which the design is registered: **Cylindrical lantern insect zapper**  
(51) International Design Classification: **22-06**  
(74) Name(s) of Attorney(s):  
(71) Name(s) and Address(s) of Applicant(s):  
**Daniel Jaegers**  
**PO Box 150 Rosebery New South Wales 1445 Australia**  
(72) Name(s) of Designer(s): **David Campbell**  
(45) Registration Date: **09 October 2012**  
(56) Related Art Documents: **Not Applicable**  
(57) Statement of Newness and Distinctiveness: **Nil**



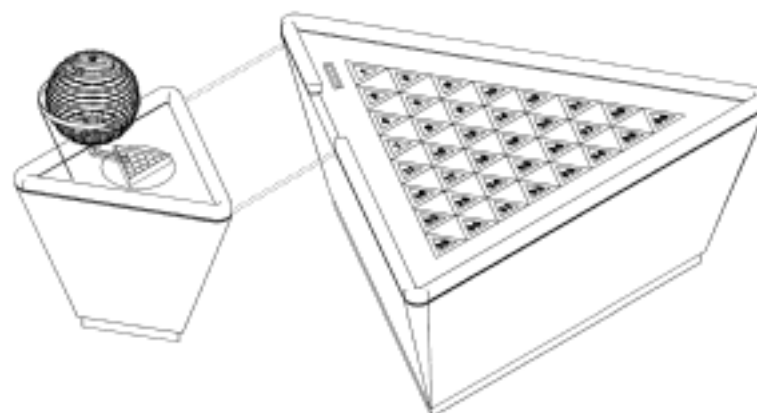
- (21) Design Number: **14128/2012**  
(22) Date of Filing Application: **20 August 2012**  
(24) Date from which industrial property rights may have effect: **20 August 2012**  
(54) Product in respect of which the design is registered: **Slimline lantern insect zapper**  
(51) International Design Classification: **22-06**  
(74) Name(s) of Attorney(s):  
(71) Name(s) and Address(s) of Applicant(s):  
**Daniel Jaegers**  
**PO Box 150 Rosebery New South Wales 1445 Australia**  
(72) Name(s) of Designer(s): **David Campbell**  
(45) Registration Date: **09 October 2012**  
(56) Related Art Documents: **Not Applicable**  
(57) Statement of Newness and Distinctiveness: **Nil**



- (21) Design Number: **14516/2012**  
(22) Date of Filing Application: **12 September 2012**  
(24) Date from which industrial property rights may have effect: **12 September 2012**  
(54) Product in respect of which the design is registered: **A gaming table**  
(51) International Design Classification: **06-03D**  
(74) Name(s) of Attorney(s): **Adams Pluck**  
(71) Name(s) and Address(s) of Applicant(s):  
**O2 Agency Pty Limited**  
**72 Christie St St Leonards NSW 2065 Australia**  
(72) Name(s) of Designer(s): **Stuart O'Brien**  
(45) Registration Date: **09 October 2012**  
(56) Related Art Documents: **Not Applicable**  
(57) Statement of Newness and Distinctiveness: **Nil**

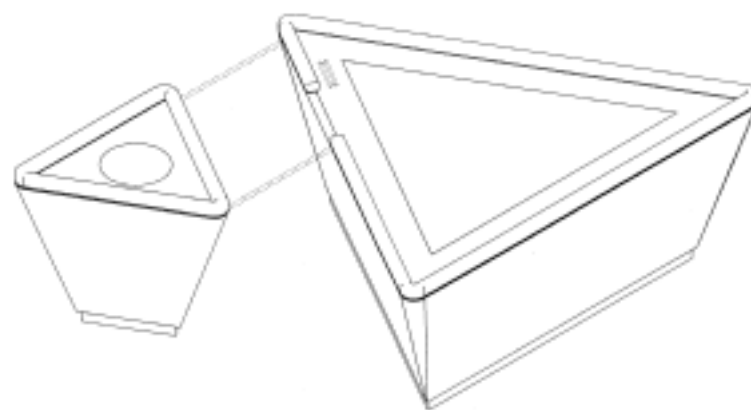


- (21) Design Number: **14517/2012**  
(22) Date of Filing Application: **12 September 2012**  
(24) Date from which industrial property rights may have effect: **12 September 2012**  
(54) Product in respect of which the design is registered: **A gaming table**  
(51) International Design Classification: **06-03D**  
(74) Name(s) of Attorney(s): **Adams Pluck**  
(71) Name(s) and Address(s) of Applicant(s):  
**O2 Agency Pty Limited**  
**72 Christie St St Leonards NSW 2065 Australia**  
(72) Name(s) of Designer(s): **Stuart O'Brien**  
(45) Registration Date: **09 October 2012**  
(56) Related Art Documents: **Not Applicable**  
(57) Statement of Newness and Distinctiveness: **Newness and distinctiveness resides in the visual features of a gaming table as shown in solid outline in the accompanying drawings. When determining whether the design is substantially similar in overall impression to another design, no regard is to be had to those features shown in dotted outline in the accompanying drawings, which features are provided for illustrative purposes only.**

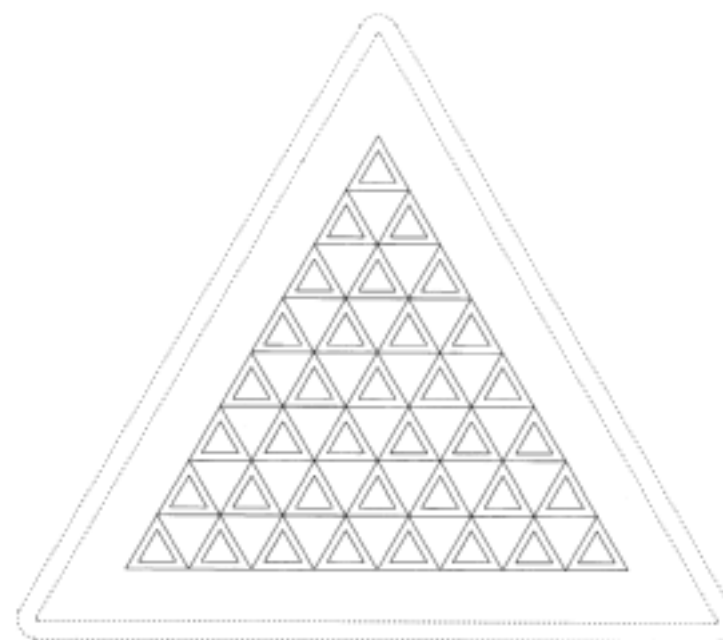




- (21) Design Number: **14518/2012**  
(22) Date of Filing Application: **12 September 2012**  
(24) Date from which industrial property rights may have effect: **12 September 2012**  
(54) Product in respect of which the design is registered: **A gaming table**  
(51) International Design Classification: **06-03D**  
(74) Name(s) of Attorney(s): **Adams Pluck**  
(71) Name(s) and Address(s) of Applicant(s):  
**O2 Agency Pty Limited**  
**72 Christie St St Leonards NSW 2065 Australia**  
(72) Name(s) of Designer(s): **Stuart O'Brien**  
(45) Registration Date: **09 October 2012**  
(56) Related Art Documents: **Not Applicable**  
(57) Statement of Newness and Distinctiveness: **Newness and distinctiveness resides in the visual features of a gaming table as shown in solid outline in the accompanying drawings. When determining whether the design is substantially similar in overall impression to another design, no regard is to be had to those features shown in dotted outline in the accompanying drawings, which features are provided for illustrative purposes only.**



- (21) Design Number: **14519/2012**  
(22) Date of Filing Application: **12 September 2012**  
(24) Date from which industrial property rights may have effect: **12 September 2012**  
(54) Product in respect of which the design is registered: **A gaming table**  
(51) International Design Classification: **06-03D**  
(74) Name(s) of Attorney(s): **Adams Pluck**  
(71) Name(s) and Address(s) of Applicant(s):  
**O2 Agency Pty Limited**  
**72 Christie St St Leonards NSW 2065 Australia**  
(72) Name(s) of Designer(s): **Stuart O'Brien**  
(45) Registration Date: **09 October 2012**  
(56) Related Art Documents: **Not Applicable**  
(57) Statement of Newness and Distinctiveness: **Newness and distinctiveness resides in the visual features, including pattern and ornamentation, of a gaming table as shown in solid outline in the accompanying drawings. When determining whether the design is substantially similar in overall impression to another design, no regard is to be had to those features shown in dotted outline in the accompanying drawings, which feature are provided for illustrative purposes only.**



- (21) Design Number: **14528/2012**  
(22) Date of Filing Application: **12 September 2012**  
(24) Date from which industrial property rights may have effect: **12 September 2012**  
(54) Product in respect of which the design is registered: **A flameproof alternator approved for use in gaseous environments where flammable gases could be present.**  
(51) International Design Classification: **13-01, 15-01**  
(74) Name(s) of Attorney(s):  
(71) Name(s) and Address(s) of Applicant(s):  
**Giuliano Res**  
**76 Queens Rd Five Dock NSW 2046 Australia**  
(72) Name(s) of Designer(s): **Giuliano Res**  
(45) Registration Date: **09 October 2012**  
(56) Related Art Documents: **Not Applicable**

(57) Statement of Newness and Distinctiveness: **The main new/distinct features of the Design are: 1. The design incorporates both cooling sleeve and mounting in one part. 2. The cooling sleeve ensures that the cooling air flow is channelled between the alternator body and the cooling sleeve, thereby maximising the cooling effect and cooling efficiency. 3. The cooling sleeve protects the body of the flameproof alternator from possible accidental damage whether caused in transit or during operational use which could invalidate the flameproof safety integrity of the alternator. 4. Fully enclosed flameproof alternator. 5. This design is compliant with work place and health safety requirements as the cooling sleeve together with the fan cowling makes it safe from an operational point as the fan is not accessible thus preventing accidental touch and injury. All flameproof alternators on the market have an open fan with no protection. 6. Although, mounting and cooling are in one part, the cooling sleeve which incorporates the mounting bracket is designed to allow adjustment of the alternator with respect to the shaft/drive pulley for alignment and tensioning.**



- (21) Design Number: **14529/2012**  
(22) Date of Filing Application: **12 September 2012**  
(24) Date from which industrial property rights may have effect: **12 September 2012**  
(54) Product in respect of which the design is registered: **A flameproof alternator approved for use in gaseous environments where flammable gases could be presents**  
(51) International Design Classification: **13-01, 15-01**  
(74) Name(s) of Attorney(s):  
(71) Name(s) and Address(s) of Applicant(s):  
**Giuliano Res**  
**76 Queens Rd Five Dock NSW 2046 Australia**  
(72) Name(s) of Designer(s): **Giuliano Res**  
(45) Registration Date: **09 October 2012**  
(56) Related Art Documents: **Not Applicable**

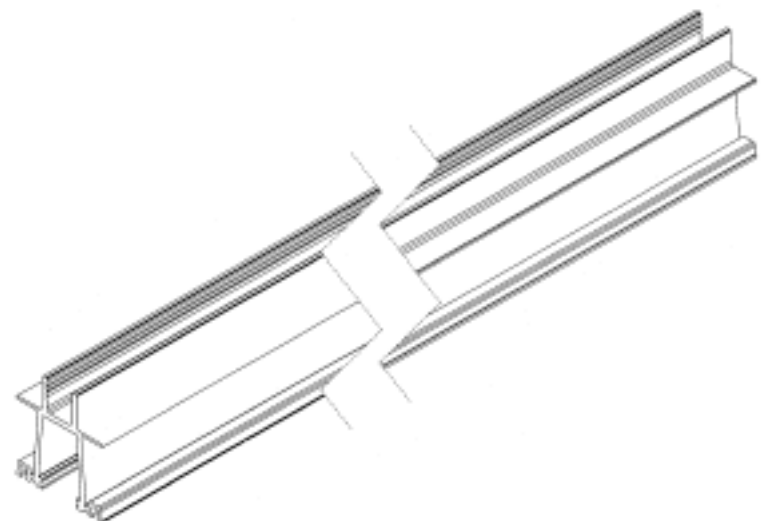
(57) Statement of Newness and Distinctiveness: **The main new/distinct features in the Design are: 1. Current housing designs have protruding fins for cooling but this design has grooves. 2. The grooves serve two purposes. As a heat sink for cooling and to reduce the weight of the Alternator. 3. The Grooves increase the surface area. 4. The design greatly enhances the cooling efficiency; 5. Any grooving for cooling and weight reduction is a new design.**



- (21) Design Number: **14530/2012**  
(22) Date of Filing Application: **12 September 2012**  
(24) Date from which industrial property rights may have effect: **12 September 2012**  
(54) Product in respect of which the design is registered: **A flameproof alternator approved for use in gaseous environments where flammable gases could be presents**  
(51) International Design Classification: **13-01, 15-01**  
(74) Name(s) of Attorney(s):  
(71) Name(s) and Address(s) of Applicant(s):  
**Giuliano Res**  
**76 Queens Rd Five Dock NSW 2046 Australia**  
(72) Name(s) of Designer(s): **Giuliano Res**  
(45) Registration Date: **09 October 2012**  
(56) Related Art Documents: **Not Applicable**  
(57) Statement of Newness and Distinctiveness: **The main new/distinct features of the Design are: 1. The fan is unique as it is on the pully/drive shaft side. 2.The Fan and cowling are not an option but a part of the design. Flameproof Alternators on the market do not have a Fan cowling. 3. The fan cowling is workplace and health safety compliant by preventing accidents on touching the fan. 4. The fan is designed to increase the flow of air and enhanced cooling.**



- (21) Design Number: **14531/2012**  
(22) Date of Filing Application: **12 September 2012**  
(24) Date from which industrial property rights may have effect: **12 September 2012**  
(54) Product in respect of which the design is registered: **45mm commercial sliding door**  
(51) International Design Classification: **25-02B, 25-01K**  
(74) Name(s) of Attorney(s):  
(71) Name(s) and Address(s) of Applicant(s):  
**Dezinal Pty Ltd**  
**C/- GCY Accountants SE1 & 2 L1-67 LyttonRd East Brisbane QLD 4169**  
**Australia**  
(72) Name(s) of Designer(s): **Ronald Maxwell**  
(45) Registration Date: **09 October 2012**  
(56) Related Art Documents: **Not Applicable**  
(57) Statement of Newness and Distinctiveness: **A unique insert for the top and bottom rail of the 45mm Commercial Sliding Door allowing the Door to accept rollers and seals used in a 45mm Sliding Door System. Also accepts top hung roller hardware.**



(21) Design Number: **14532/2012**  
(22) Date of Filing Application: **12 September 2012**  
(24) Date from which industrial property rights may have effect: **12 September 2012**  
(54) Product in respect of which the design is registered: **Lighting apparatus**  
(51) International Design Classification: **26-05NES**  
(74) Name(s) of Attorney(s): **Fisher Adams Kelly**  
(71) Name(s) and Address(s) of Applicant(s):

**Maquet SAS**  
**Parc de Limere Avenue de la Pomme de Pin Ardon 45160 France**

(72) Name(s) of Designer(s): **Lionel Comte**

(45) Registration Date: **09 October 2012**

(30) Convention priority data:

(31) Number	(32) Date	(33) Country
<b>002011502-0002</b>	<b>20 Mar 2012</b>	<b>EUROPEAN COMMUNITY</b>

(56) Related Art Documents: **Not Applicable**

(57) Statement of Newness and Distinctiveness: **The newness and distinctiveness of the design resides in the shape and/or configuration of the LIGHTING APPARATUS shown in the representations.**



(21) Design Number: **14533/2012**  
(22) Date of Filing Application: **12 September 2012**  
(24) Date from which industrial property rights may have effect: **12 September 2012**  
(54) Product in respect of which the design is registered: **Lighting apparatus**  
(51) International Design Classification: **26-05NES**  
(74) Name(s) of Attorney(s): **Fisher Adams Kelly**  
(71) Name(s) and Address(s) of Applicant(s):

**Maquet SAS**  
**Parc de Limere Avenue de la Pomme de Pin Ardon 45160 France**

(72) Name(s) of Designer(s): **Lionel Comte**

(45) Registration Date: **09 October 2012**

(30) Convention priority data:

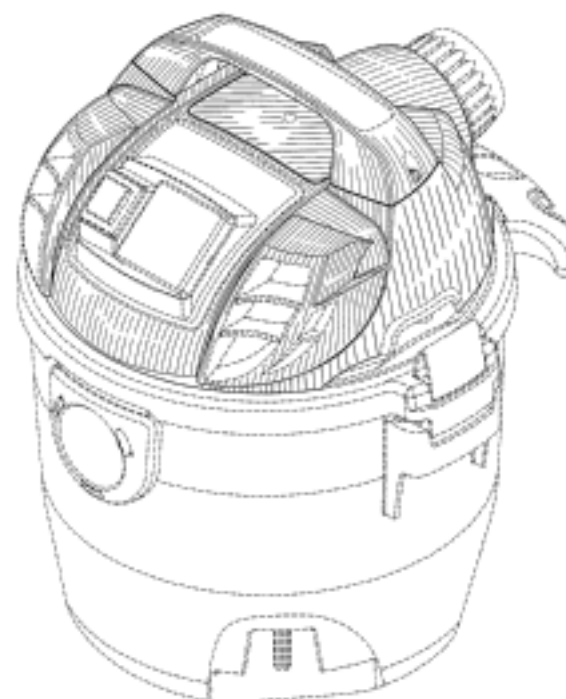
(31) Number	(32) Date	(33) Country
<b>002011502-001</b>	<b>20 Mar 2012</b>	<b>EUROPEAN COMMUNITY</b>

(56) Related Art Documents: **Not Applicable**

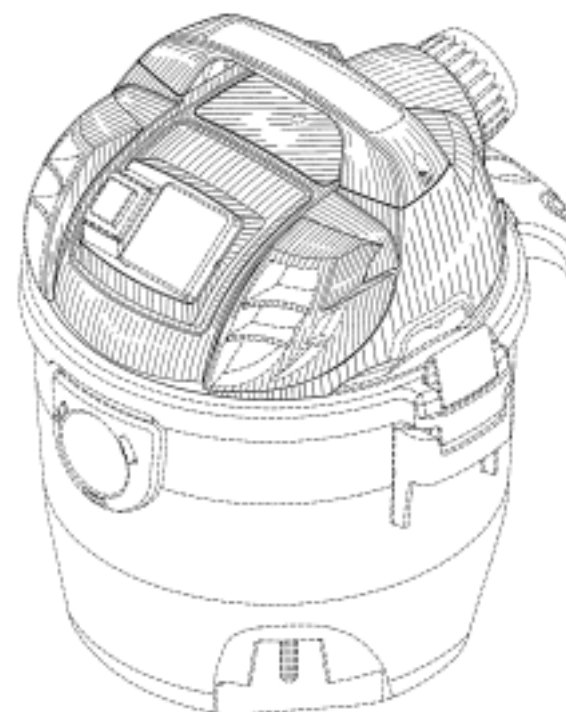
(57) Statement of Newness and Distinctiveness: **The newness and distinctiveness of the design resides in the shape and/or configuration of the LIGHTING APPARATUS shown in the representations.**



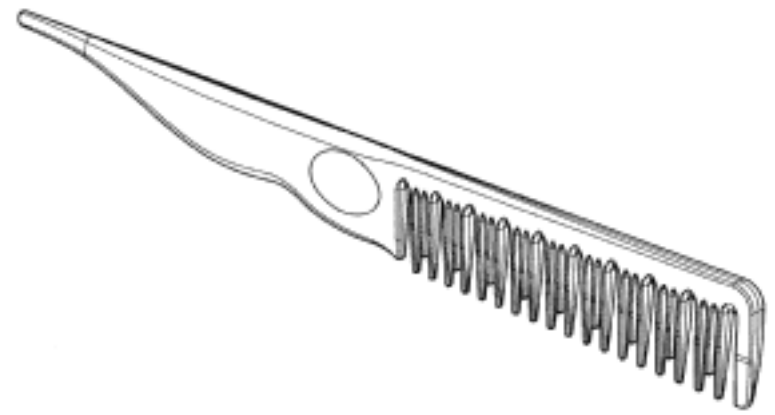
- (21) Design Number: **14534/2012**  
(22) Date of Filing Application: **12 September 2012**  
(24) Date from which industrial property rights may have effect: **12 September 2012**  
(54) Product in respect of which the design is registered: **Vacuum cleaner top for a vacuum cleaner**  
(51) International Design Classification: **15-05**  
(74) Name(s) of Attorney(s): **Griffith Hack**  
(71) Name(s) and Address(s) of Applicant(s):  
**Shop Vac Corporation**  
**2323 Reach Road Williamsport PA 17701-0307 United States Of America**  
(72) Name(s) of Designer(s): **John Griffin and Robert Lent Crevling and Craig A. Seasholtz**  
(45) Registration Date: **09 October 2012**  
(30) Convention priority data:  
(31) Number (32) Date (33) Country  
**29/422187 17 May 2012 UNITED STATES OF AMERICA**  
(56) Related Art Documents: **Not Applicable**  
(57) Statement of Newness and Distinctiveness: **Newness and distinctiveness resides in the visual features, including shape and configuration of a TOP FOR A VACUUM CLEANER as shown in solid outline in the accompanying drawings. When determining whether the design is substantially similar in overall impression to another design, no regard is to be had to the features shown in dotted outline in the accompanying drawings, which features are provided for illustrative purposes only.**



- (21) Design Number: **14535/2012**  
(22) Date of Filing Application: **12 September 2012**  
(24) Date from which industrial property rights may have effect: **12 September 2012**  
(54) Product in respect of which the design is registered: **Vacuum cleaner top for a vacuum cleaner**  
(51) International Design Classification: **15-05**  
(74) Name(s) of Attorney(s): **Griffith Hack**  
(71) Name(s) and Address(s) of Applicant(s):  
**Shop Vac Corporation**  
**2323 Reach Road Williamsport PA 17701-0307 United States Of America**  
(72) Name(s) of Designer(s): **John Griffin and Robert Lent Crevling and Craig A. Seasholtz**  
(45) Registration Date: **09 October 2012**  
(30) Convention priority data:  
(31) Number (32) Date (33) Country  
**29/422187 17 May 2012 UNITED STATES OF AMERICA**  
(56) Related Art Documents: **Not Applicable**  
(57) Statement of Newness and Distinctiveness: **Newness and distinctiveness resides in the visual features, including shape and configuration of a TOP FOR A VACUUM CLEANER as shown in solid outline in the accompanying drawings. When determining whether the design is substantially similar in overall impression to another design, no regard is to be had to the features shown in dotted outline in the accompanying drawings, which features are provided for illustrative purposes only.**



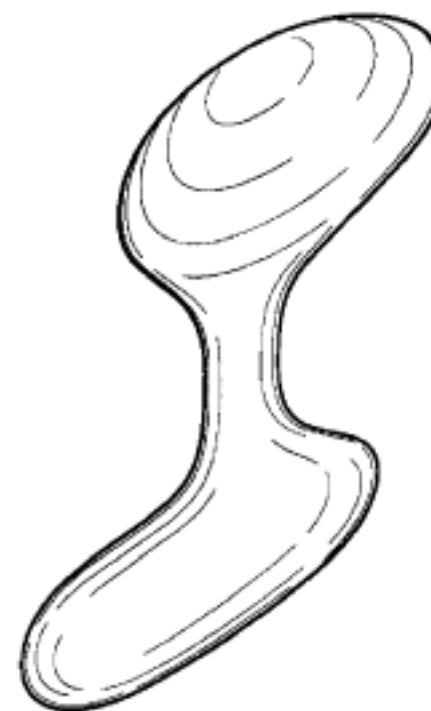
(21) Design Number: **14536/2012**  
(22) Date of Filing Application: **11 September 2012**  
(24) Date from which industrial property rights may have effect: **11 September 2012**  
(54) Product in respect of which the design is registered: **A hair comb**  
(51) International Design Classification: **28-03D**  
(74) Name(s) of Attorney(s): **Madderns**  
(71) Name(s) and Address(s) of Applicant(s):  
**Htena Pty Ltd**  
**c/o Suave Hair Shop 3/58 Lambert Rd Royston Park SA 5070 Australia**  
(72) Name(s) of Designer(s): **Constantinos Lipapis and Angela Kontopoulos**  
(45) Registration Date: **09 October 2012**  
(56) Related Art Documents: **Not Applicable**  
(57) Statement of Newness and Distinctiveness: **Nil**



(21) Design Number: **14537/2012**  
(22) Date of Filing Application: **11 September 2012**  
(24) Date from which industrial property rights may have effect: **11 September 2012**  
(54) Product in respect of which the design is registered: **A core tray**  
(51) International Design Classification: **09-03F**  
(74) Name(s) of Attorney(s): **PHILLIPS ORMONDE FITZPATRICK**  
(71) Name(s) and Address(s) of Applicant(s):  
**Stratco (Australia) Pty Limited**  
**125 Cavan Rd Gepps Cross SA 5094 Australia**  
(72) Name(s) of Designer(s): **Michael Robert Farr**  
(45) Registration Date: **09 October 2012**  
(56) Related Art Documents: **Not Applicable**  
(57) Statement of Newness and Distinctiveness: **Nil**



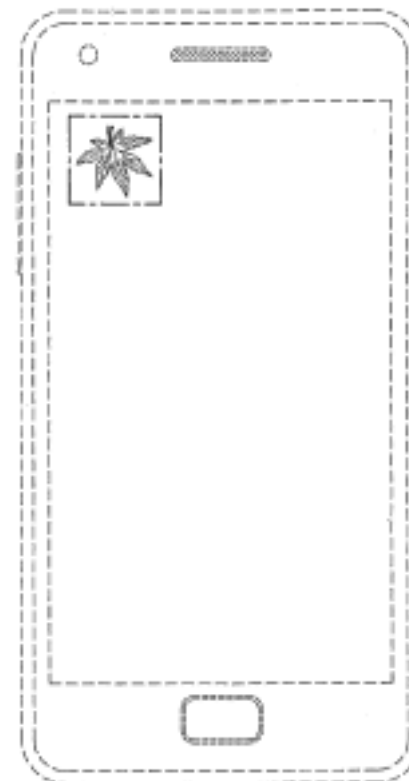
(21) Design Number: **14538/2012**  
(22) Date of Filing Application: **12 September 2012**  
(24) Date from which industrial property rights may have effect: **12 September 2012**  
(54) Product in respect of which the design is registered: **Kegel exercise device**  
(51) International Design Classification: **21-02F**  
(74) Name(s) of Attorney(s): **Knightsbridge Patent Attorneys**  
(71) Name(s) and Address(s) of Applicant(s):  
**Jiro Takashima**  
**PO Box 55427 Houston TX 77255 United States of America**  
(72) Name(s) of Designer(s): **Jiro Takshima**  
(45) Registration Date: **09 October 2012**  
(30) Convention priority data:  
(31) Number      (32) Date      (33) Country  
**29416049      16 Mar 2012      UNITED STATES OF AMERICA**  
(56) Related Art Documents: **Not Applicable**  
(57) Statement of Newness and Distinctiveness: **Newness and distinctiveness are claimed in the features of shape and configuration for a Kegel exercise device, as depicted in the accompanying drawings.**



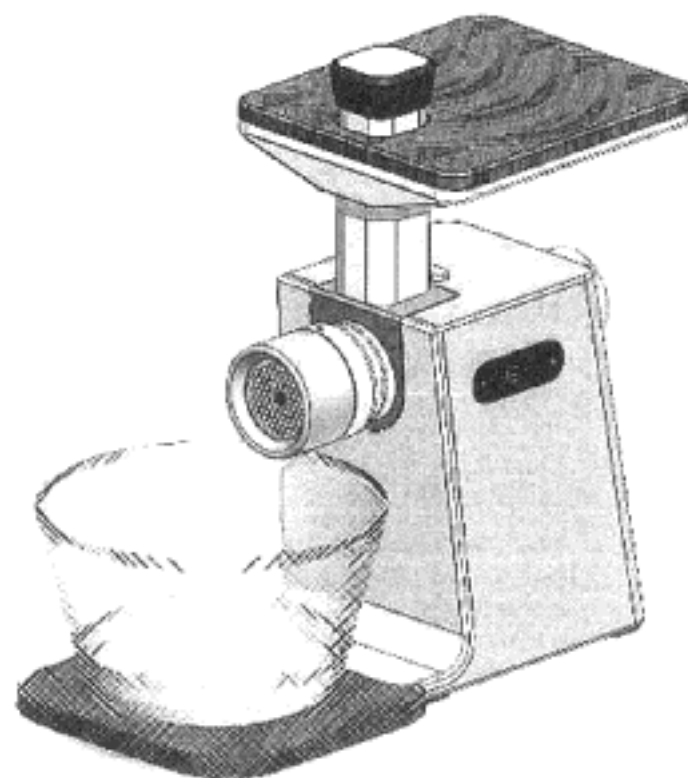
(21) Design Number: **11574/2012**  
(22) Date of Filing Application: **26 March 2012**  
(24) Date from which industrial property rights may have effect: **26 March 2012**  
(54) Product in respect of which the design is registered: **Decorative Christmas tree**  
(51) International Design Classification: **11-04**  
(74) Name(s) of Attorney(s):  
(71) Name(s) and Address(s) of Applicant(s):  
**John Arthur Amory**  
**133 Burgoyne Street Huntly Victoria 3551 Australia**  
(72) Name(s) of Designer(s): **John Arthur Amory**  
(45) Registration Date: **09 October 2012**  
(56) Related Art Documents: **Not Applicable**  
(57) Statement of Newness and Distinctiveness: **This Christmas tree is 4 sided the base is 4 sided. The base simply bolts together and bolts also to the tree to provide stability.**



(21) Design Number: **13228/2012**  
 (22) Date of Filing Application: **09 July 2012**  
 (24) Date from which industrial property rights may have effect: **09 July 2012**  
 (54) Product in respect of which the design is registered: **Display screen for an electronic device**  
 (51) International Design Classification: **14-01**  
 (74) Name(s) of Attorney(s): **Wrays**  
 (71) Name(s) and Address(s) of Applicant(s):  
**Samsung Electronics Co., Ltd**  
**129 Samsung-ro Yeongtong-gu Suwon-si Gyeonggi-do 443-742 Republic of Korea**  
 (72) Name(s) of Designer(s): **Bo-Ran Lee**  
 (45) Registration Date: **09 October 2012**  
 (30) Convention priority data:  
 (31) Number (32) Date (33) Country  
**30-2012-0001438 10 Jan 2012 REPUBLIC OF KOREA**  
 (56) Related Art Documents: **Not Applicable**  
 (57) Statement of Newness and Distinctiveness: **Newness and distinctiveness is claimed in the features of pattern and/or ornamentation of the Display Screen For An Electronic Device as shown in the accompanying representations. The features shown in broken lines are for illustrative purposes only and do not form part of the claimed design.**



(21) Design Number: **13233/2012**  
 (22) Date of Filing Application: **09 July 2012**  
 (24) Date from which industrial property rights may have effect: **09 July 2012**  
 (54) Product in respect of which the design is registered: **Meat grinder**  
 (51) International Design Classification: **07-02NES, 07-04**  
 (74) Name(s) of Attorney(s): **Davies Collison Cave**  
 (71) Name(s) and Address(s) of Applicant(s):  
**Intellectual Property Group Inc.**  
**Jayla Place Wickhams Cay 1 PO 3190 Road Town Tortola British Virgin Islands**  
 (72) Name(s) of Designer(s): **Paul Cohen**  
 (45) Registration Date: **09 October 2012**  
 (30) Convention priority data:  
 (31) Number (32) Date (33) Country  
**2012501769/49(0) 05 Jun 2012 RUSSIAN FEDERATION**  
 (56) Related Art Documents: **Not Applicable**  
 (57) Statement of Newness and Distinctiveness: **Newness and distinctiveness is claimed in the visual features shown in solid lines in the representations.**





- (21) Design Number: **13235/2012**  
(22) Date of Filing Application: **04 July 2012**  
(24) Date from which industrial property rights may have effect: **04 July 2012**  
(54) Product in respect of which the design is registered: **Rubber band powered toy car**  
(51) International Design Classification: **21-01C**  
(74) Name(s) of Attorney(s):  
(71) Name(s) and Address(s) of Applicant(s):  
**Education Projects Pty Ltd**  
**57 Bancroft Terrace Deception Bay Queensland 4508 Australia**  
(72) Name(s) of Designer(s): **Christopher Fowler**  
(45) Registration Date: **09 October 2012**  
(56) Related Art Documents: **Not Applicable**  
(57) Statement of Newness and Distinctiveness: **The Rubber Band Powered Toy Car is constructed out of PET drink containers.**



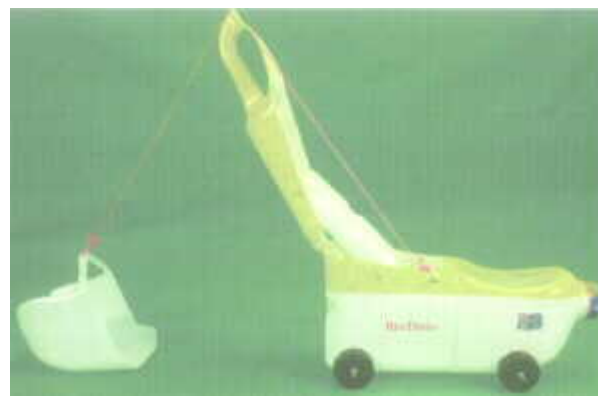
- (21) Design Number: **13236/2012**  
(22) Date of Filing Application: **04 July 2012**  
(24) Date from which industrial property rights may have effect: **04 July 2012**  
(54) Product in respect of which the design is registered: **Mining truck toy (milk container)**  
(51) International Design Classification: **21-01C**  
(74) Name(s) of Attorney(s):  
(71) Name(s) and Address(s) of Applicant(s):  
**Education Projects Pty Ltd**  
**57 Bancroft Terrace Deception Bay Queensland 4508 Australia**  
(72) Name(s) of Designer(s): **Christopher Fowler**  
(45) Registration Date: **09 October 2012**  
(56) Related Art Documents: **Not Applicable**  
(57) Statement of Newness and Distinctiveness: **The Mining Truck Toy is constructed out of a plastic Milk container.**



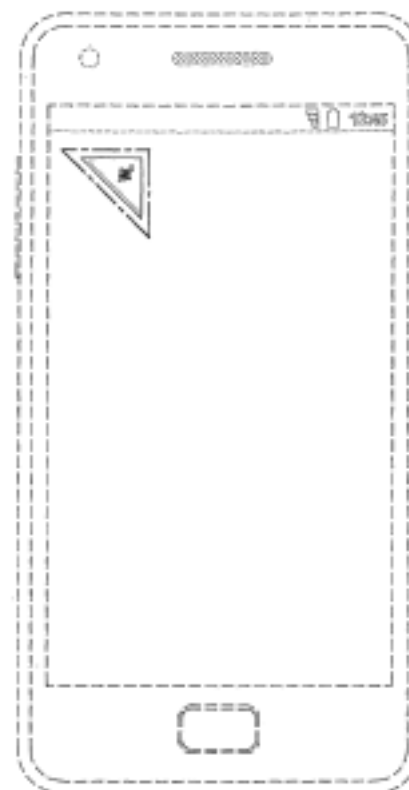
- (21) Design Number: **13237/2012**  
(22) Date of Filing Application: **04 July 2012**  
(24) Date from which industrial property rights may have effect: **04 July 2012**  
(54) Product in respect of which the design is registered: **Mining truck toy (soft drink)**  
(51) International Design Classification: **21-01C**  
(74) Name(s) of Attorney(s):  
(71) Name(s) and Address(s) of Applicant(s):  
**Education Projects Pty Ltd**  
**57 Bancroft Terrace Deception Bay Queensland 4508 Australia**  
(72) Name(s) of Designer(s): **Christopher Fowler**  
(45) Registration Date: **09 October 2012**  
(56) Related Art Documents: **Not Applicable**  
(57) Statement of Newness and Distinctiveness: **The Mining Truck Toy is constructed out of a plastic Soft Drink container.**



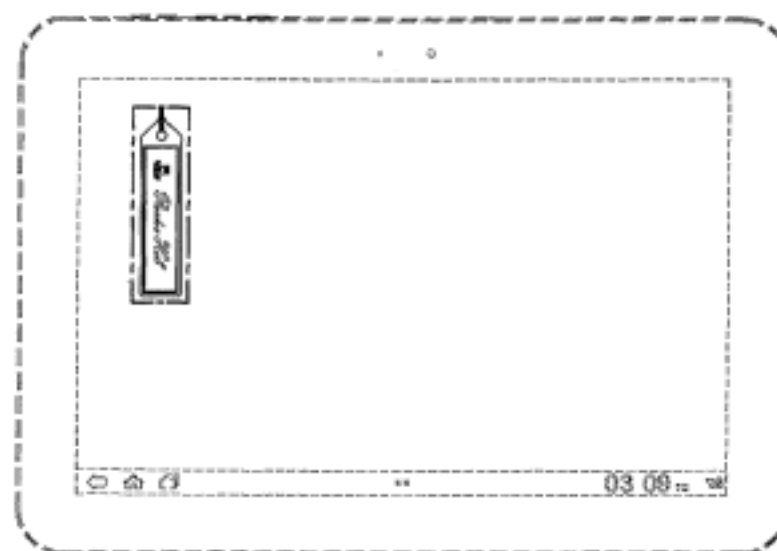
- (21) Design Number: **13238/2012**  
(22) Date of Filing Application: **04 July 2012**  
(24) Date from which industrial property rights may have effect: **04 July 2012**  
(54) Product in respect of which the design is registered: **Dragline toy**  
(51) International Design Classification: **21-01C**  
(74) Name(s) of Attorney(s):  
(71) Name(s) and Address(s) of Applicant(s):  
**Education Projects Pty Ltd**  
**57 Bancroft Terrace Deception Bay Queensland 4508 Australia**  
(72) Name(s) of Designer(s): **Christopher Fowler**  
(45) Registration Date: **09 October 2012**  
(56) Related Art Documents: **Not Applicable**  
(57) Statement of Newness and Distinctiveness: **The Dragline Toy is constructed out of a plastic milk container.**



(21) Design Number: **13316/2012**  
(22) Date of Filing Application: **12 July 2012**  
(24) Date from which industrial property rights may have effect: **12 July 2012**  
(54) Product in respect of which the design is registered: **Display screen for an electronic device**  
(51) International Design Classification: **14-01**  
(74) Name(s) of Attorney(s): **Wrays**  
(71) Name(s) and Address(s) of Applicant(s):  
**Samsung Electronics Co., Ltd**  
**129 Samsung-ro Yeongtong-gu Suwon-si Gyeonggi-do 443-742 Republic of Korea**  
(72) Name(s) of Designer(s): **Bo-Ran Lee**  
(45) Registration Date: **09 October 2012**  
(30) Convention priority data:  
(31) Number (32) Date (33) Country  
**30-2012-0002875 19 Jan 2012 REPUBLIC OF KOREA**  
(56) Related Art Documents: **Not Applicable**  
(57) Statement of Newness and Distinctiveness: **Newness and distinctiveness is claimed in the features of pattern and/or ornamentation of the Display Screen For An Electronic Device as shown in the accompanying representations. The features shown in broken lines are for illustrative purposes only and do not form part of the claimed design.**



(21) Design Number: **13320/2012**  
(22) Date of Filing Application: **12 July 2012**  
(24) Date from which industrial property rights may have effect: **12 July 2012**  
(54) Product in respect of which the design is registered: **Display screen for an electronic device**  
(51) International Design Classification: **14-01**  
(74) Name(s) of Attorney(s): **Wrays**  
(71) Name(s) and Address(s) of Applicant(s):  
**Samsung Electronics Co., Ltd**  
**129 Samsung-ro Yeontong-gu Suwon-si Gyeonggi-Do 443-742 Republic of Korea**  
(72) Name(s) of Designer(s): **Bo-Ran Lee**  
(45) Registration Date: **09 October 2012**  
(30) Convention priority data:  
(31) Number (32) Date (33) Country  
**30-2012-0002874 19 Jan 2012 REPUBLIC OF KOREA**  
(56) Related Art Documents: **Not Applicable**  
(57) Statement of Newness and Distinctiveness: **Newness and distinctiveness is claimed in the features of pattern and/or ornamentation of the Display Screen For An Electronic Device as shown in the accompanying representations. The features shown in broken lines are for illustrative purposes only and do not form part of the claimed design.**



(21) Design Number: **13328/2012**

(22) Date of Filing Application: **16 July 2012**

(24) Date from which industrial property rights may have effect: **16 July 2012**

(54) Product in respect of which the design is registered: **A core sample marking guide**

(51) International Design Classification: **15-99**

(74) Name(s) of Attorney(s): **A.P.T. Patent and Trade Mark Attorneys**

(71) Name(s) and Address(s) of Applicant(s):

**Peter Hillman Tooling Pty Ltd**

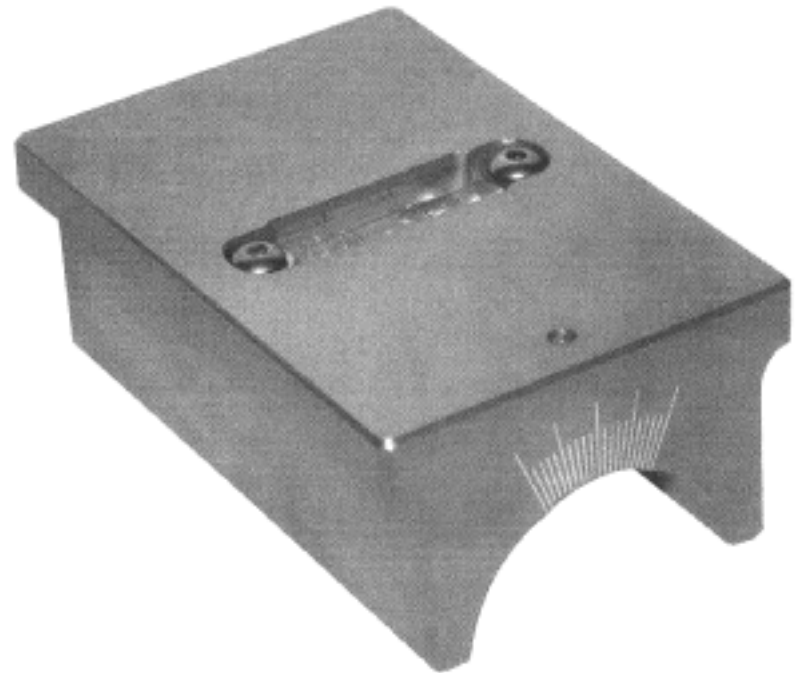
**31 Bluehills Road O'Halloran Hill South Australia 5158 Australia**

(72) Name(s) of Designer(s): **Peter Hillman**

(45) Registration Date: **09 October 2012**

(56) Related Art Documents: **Not Applicable**

(57) Statement of Newness and Distinctiveness: **Newness and distinctiveness is claimed in the shape and configuration of the core sample marking guide as shown in the accompanying representations.**



(21) Design Number: **13364/2012**

(22) Date of Filing Application: **16 July 2012**

(24) Date from which industrial property rights may have effect: **16 July 2012**

(54) Product in respect of which the design is registered: **Double power outlet with switches 10 Amp**

(51) International Design Classification: **13-03D**

(74) Name(s) of Attorney(s):

(71) Name(s) and Address(s) of Applicant(s):

**Maurice Hilton Smith**

**2B/352 Brisbane Road Arundel Queensland 4214 Australia**

(72) Name(s) of Designer(s): **Maurice Hilton Smith**

(45) Registration Date: **09 October 2012**

(56) Related Art Documents: **Not Applicable**

(57) Statement of Newness and Distinctiveness: **New design, clear plastic front cover with chrome trim, and plastic base.**



- (21) Design Number: **13365/2012**  
(22) Date of Filing Application: **16 July 2012**  
(24) Date from which industrial property rights may have effect: **16 July 2012**  
(54) Product in respect of which the design is registered: **Double power outlet with extra switch 10 Amp**  
(51) International Design Classification: **13-03D**  
(74) Name(s) of Attorney(s):  
(71) Name(s) and Address(s) of Applicant(s):  
**Maurice Hilton Smith**  
**2B/352 Brisbane Road Arundel Queensland 4214 Australia**  
(72) Name(s) of Designer(s): **Maurice Hilton Smith**  
(45) Registration Date: **09 October 2012**  
(56) Related Art Documents: **Not Applicable**  
(57) Statement of Newness and Distinctiveness: **New design power outlet with clear plastic front cover and extra switch and chrome front trim with plastic base.**



- (21) Design Number: **13366/2012**  
(22) Date of Filing Application: **16 July 2012**  
(24) Date from which industrial property rights may have effect: **16 July 2012**  
(54) Product in respect of which the design is registered: **One gang switch with clear plastic front cover 16 Amp switch**  
(51) International Design Classification: **13-03D**  
(74) Name(s) of Attorney(s):  
(71) Name(s) and Address(s) of Applicant(s):  
**Maurice Hilton Smith**  
**2B/352 Brisbane Road Arundel Queensland 4214 Australia**  
(72) Name(s) of Designer(s): **Maurice Hilton Smith**  
(45) Registration Date: **09 October 2012**  
(56) Related Art Documents: **Not Applicable**  
(57) Statement of Newness and Distinctiveness: **New design, clear plastic front cover. With chrome trim and plastic base.**



- (21) Design Number: **13367/2012**  
(22) Date of Filing Application: **16 July 2012**  
(24) Date from which industrial property rights may have effect: **16 July 2012**  
(54) Product in respect of which the design is registered: **Four gang switch with clear plastic front cover 16 Amp switch**  
(51) International Design Classification: **13-03D**  
(74) Name(s) of Attorney(s):  
(71) Name(s) and Address(s) of Applicant(s):  
**Maurice Hilton Smith**  
**2B/352 Brisbane Road Arundel Queensland 4214 Australia**  
(72) Name(s) of Designer(s): **Maurice Hilton Smith**  
(45) Registration Date: **09 October 2012**  
(56) Related Art Documents: **Not Applicable**  
(57) Statement of Newness and Distinctiveness: **New design, clear plastic front cover. With chrome trim and plastic base.**



- (21) Design Number: **13772/2012**  
(22) Date of Filing Application: **03 August 2012**  
(24) Date from which industrial property rights may have effect: **03 August 2012**  
(54) Product in respect of which the design is registered: **Display screen for an electronic device**  
(51) International Design Classification: **14-01**  
(74) Name(s) of Attorney(s): **Wrays**  
(71) Name(s) and Address(s) of Applicant(s):  
**Samsung Electronics Co., Ltd**  
**129 Samsung-ro Yeongtong-gu Suwon-si Gyeonggi-do 443-742 Republic of Korea**  
(72) Name(s) of Designer(s): **Bong-Hee Kim and Ji-Hyun Ahn**  
(45) Registration Date: **09 October 2012**  
(30) Convention priority data:  
(31) Number (32) Date (33) Country  
**30-2012-0021339 02 May 2012 REPUBLIC OF KOREA**  
(56) Related Art Documents: **Not Applicable**  
(57) Statement of Newness and Distinctiveness: **Newness and distinctiveness is claimed in the features of pattern and/or ornamentation of the Display Screen For An Electronic Device as shown in the accompanying representations. The features shown in broken lines are for illustrative purposes only and do not form part of the claimed design.**



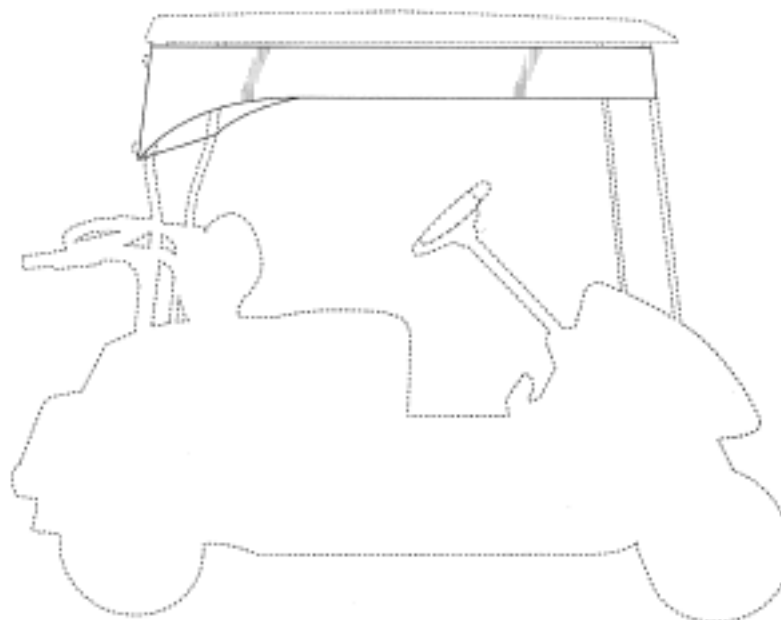
- (21) Design Number: **13773/2012**  
(22) Date of Filing Application: **03 August 2012**  
(24) Date from which industrial property rights may have effect: **03 August 2012**  
(54) Product in respect of which the design is registered: **Display screen for an electronic device**  
(51) International Design Classification: **14-01**  
(74) Name(s) of Attorney(s): **Wrays**  
(71) Name(s) and Address(s) of Applicant(s):  
**Samsung Electronics Co., Ltd**  
**129 Samsung-ro Yeongtong-gu Suwon-si Gyeonggi-do 443-742 Republic of Korea**  
(72) Name(s) of Designer(s): **Bong-Hee Kim and So-Ra Kim and Ji-Hyun Ahn and Seung-Kyung Lim**  
(45) Registration Date: **09 October 2012**  
(30) Convention priority data:  
(31) Number (32) Date (33) Country  
**30-2012-0021342 02 May 2012 REPUBLIC OF KOREA**  
(56) Related Art Documents: **Not Applicable**  
(57) Statement of Newness and Distinctiveness: **Newness and distinctiveness is claimed in the features of pattern and/or ornamentation of the Display Screen For An Electronic Device as shown in the accompanying representations. The features shown in broken lines are for illustrative purposes only and do not form part of the claimed design.**



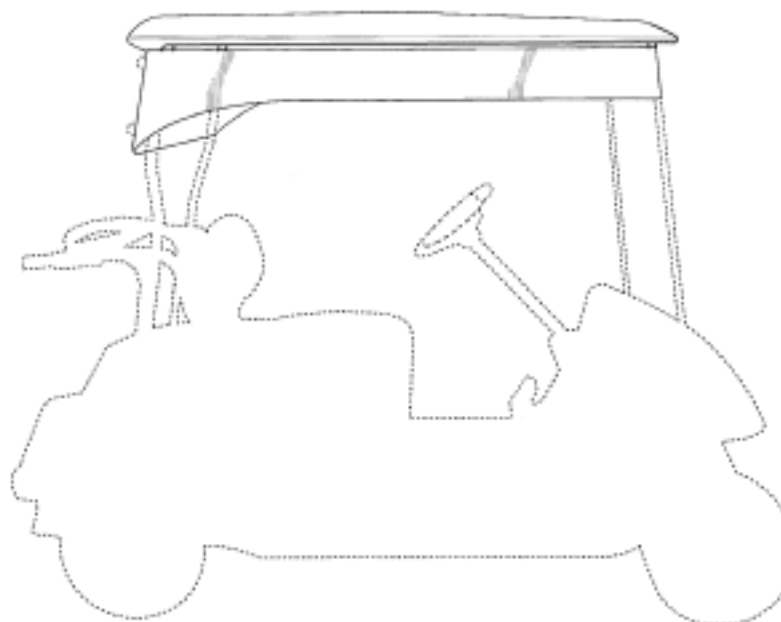
- (21) Design Number: **13774/2012**  
(22) Date of Filing Application: **03 August 2012**  
(24) Date from which industrial property rights may have effect: **03 August 2012**  
(54) Product in respect of which the design is registered: **Display screen for an electronic device**  
(51) International Design Classification: **14-01**  
(74) Name(s) of Attorney(s): **Wrays**  
(71) Name(s) and Address(s) of Applicant(s):  
**Samsung Electronics Co., Ltd**  
**129 Samsung-ro Yeongtong-gu Suwon-si Gyeonggi-do 443-742 Republic of Korea**  
(72) Name(s) of Designer(s): **Bong-Hee Kim and So-Ra Kim and Ji-Hyun Ahn and Seung-Kyung Lim**  
(45) Registration Date: **09 October 2012**  
(30) Convention priority data:  
(31) Number (32) Date (33) Country  
**30-2012-0021343 02 May 2012 REPUBLIC OF KOREA**  
(56) Related Art Documents: **Not Applicable**  
(57) Statement of Newness and Distinctiveness: **Newness and distinctiveness is claimed in the features of pattern and/or ornamentation of the Display Screen For An Electronic Device as shown in the accompanying representations. The features shown in broken lines are for illustrative purposes only and do not form part of the claimed design.**



- (21) Design Number: **13820/2012**  
(22) Date of Filing Application: **07 August 2012**  
(24) Date from which industrial property rights may have effect: **07 August 2012**  
(54) Product in respect of which the design is registered: **Roof assembly for a golf cart - A**  
(51) International Design Classification: **12-02, 12-16B**  
(74) Name(s) of Attorney(s): **WALLINGTON-DUMMER**  
(71) Name(s) and Address(s) of Applicant(s):  
**Quentin Cloete**  
**No. 38 22nd Street Menlo Park Pretoria Gauteng Province South Africa**  
(72) Name(s) of Designer(s): **Quentin Cloete**  
(45) Registration Date: **09 October 2012**  
(56) Related Art Documents: **Not Applicable**  
(57) Statement of Newness and Distinctiveness: **The design is for an arrangement of parts of a golf cart, including roof assembly parts and a steering wheel hub cover. The arrangement is useable as advertising space. The roof assembly parts include a rectangular rear panel, a rectangular front panel having a height substantially less than that of the rear panel, and two opposite and mirroring side panels. A bottom edge of each side panel extends horizontally rearwardly from a corresponding bottom corner of the front panel, when the cart is horizontal, and then curves downwardly to a corresponding bottom corner of the rear panel. The steering wheel hub cover is round with a truncated top. No novelty is claimed in those parts of the golf cart shown in dotted outline.**



- (21) Design Number: **13861/2012**  
(22) Date of Filing Application: **07 August 2012**  
(24) Date from which industrial property rights may have effect: **07 August 2012**  
(54) Product in respect of which the design is registered: **Roof assembly for a golf cart - B**  
(51) International Design Classification: **12-02, 12-16B**  
(74) Name(s) of Attorney(s):  
(71) Name(s) and Address(s) of Applicant(s):  
**Quentin Cloete**  
**No. 38 22nd Street Menlo Park Pretoria Gauteng Province South Africa**  
(72) Name(s) of Designer(s): **Quentin Cloete**  
(45) Registration Date: **09 October 2012**  
(56) Related Art Documents: **Not Applicable**  
(57) Statement of Newness and Distinctiveness: **The design is for an arrangement of parts of a golf cart, including roof assembly parts and a steering wheel hub cover. The arrangement is useable as advertising space. The roof assembly parts include a roof part, a rectangular rear panel, a rectangular front panel having a height substantially less than that of the rear panel, and two opposite and mirroring side panels. A bottom edge of each side panel extends horizontally rearwardly from a corresponding bottom corner of the front panel, when the cart is horizontal, and then curves downwardly to a corresponding bottom corner of the rear panel. The steering wheel hub cover is round with a truncated top. No novelty is claimed in those parts of the golf cart shown in dotted outline.**





- (21) Design Number: **11685/2012**  
(22) Date of Filing Application: **30 March 2012**  
(24) Date from which industrial property rights may have effect: **30 March 2012**  
(54) Product in respect of which the design is registered: **Stuffed toy and cushion**  
(51) International Design Classification: **21-01A, 06-09**  
(74) Name(s) of Attorney(s): **Golja Haines & Friend**  
(71) Name(s) and Address(s) of Applicant(s):  
**Michael John Cook**  
**5 Chorley Avenue Butler Western Australia 6036 Australia**  
(72) Name(s) of Designer(s): **Michael John Cook and Patricia Ann Cook**  
(45) Registration Date: **09 October 2012**  
(56) Related Art Documents: **Not Applicable**  
(57) Statement of Newness and Distinctiveness: **Newness and distinctiveness resides in the shape and configuration of a stuffed toy and cushion that converts between a kangaroo shape as shown in Mode 1 and a cushion as shown in Mode 2.**



- (21) Design Number: **11714/2012**  
(22) Date of Filing Application: **04 April 2012**  
(24) Date from which industrial property rights may have effect: **04 April 2012**  
(54) Product in respect of which the design is registered: **Top**  
(51) International Design Classification: **02-02NES**  
(74) Name(s) of Attorney(s): **MIDDLETONS**  
(71) Name(s) and Address(s) of Applicant(s):  
**Beba Enterprises Pty Ltd**  
**34 Garden Street South Yarra Victoria 3141 Australia**  
(72) Name(s) of Designer(s): **Arthur Soetedja**  
(45) Registration Date: **09 October 2012**  
(56) Related Art Documents: **Not Applicable**  
(57) Statement of Newness and Distinctiveness: **Nil**



- (21) Design Number: **11972/2012**  
(22) Date of Filing Application: **20 April 2012**  
(24) Date from which industrial property rights may have effect: **20 April 2012**  
(54) Product in respect of which the design is registered: **Skirt**  
(51) International Design Classification: **02-02C**  
(74) Name(s) of Attorney(s): **MIDDLETONS**  
(71) Name(s) and Address(s) of Applicant(s):  
**Beba Enterprises Pty Ltd**  
**34 Garden Street South Yarra Victoria 3141 Australia**  
(72) Name(s) of Designer(s): **Arthur Soetedja**  
(45) Registration Date: **09 October 2012**  
(56) Related Art Documents: **Not Applicable**  
(57) Statement of Newness and Distinctiveness: **Nil**



- (21) Design Number: **13701/2012**  
(22) Date of Filing Application: **27 July 2012**  
(24) Date from which industrial property rights may have effect: **27 July 2012**  
(54) Product in respect of which the design is registered: **Protective cover for a tow ball**  
(51) International Design Classification: **12-16L**  
(74) Name(s) of Attorney(s):  
(71) Name(s) and Address(s) of Applicant(s):  
**Jeff Foote**  
**96 Newport Drive Robina Queensland 4226 Australia**  
(72) Name(s) of Designer(s): **Jeff Foote**  
(45) Registration Date: **09 October 2012**  
(56) Related Art Documents: **Not Applicable**  
(57) Statement of Newness and Distinctiveness: **The whole shape that surrounds the tow ball.**



(21) Design Number: **14199/2012**

(22) Date of Filing Application: **24 August 2012**

(24) Date from which industrial property rights may have effect: **24 August 2012**

(54) Product in respect of which the design is registered: **Camper trailer chassis**

(51) International Design Classification: **12-10, 12-16NES**

(74) Name(s) of Attorney(s):

(71) Name(s) and Address(s) of Applicant(s):

**Adrenalin Campers Pty Ltd**

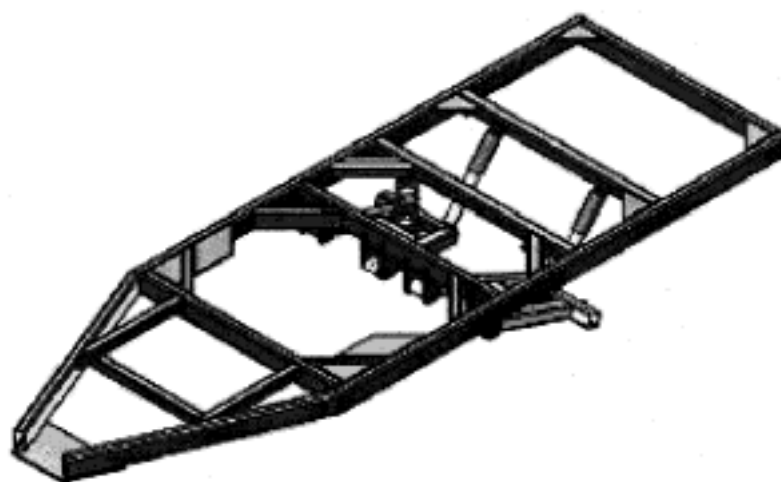
**9-1357 The Horsley Drive Wetherill Park New South Wales 2164 Australia**

(72) Name(s) of Designer(s): **Juan Jose Rodriguez**

(45) Registration Date: **09 October 2012**

(56) Related Art Documents: **Not Applicable**

(57) Statement of Newness and Distinctiveness: **Newness And Distinctiveness is claimed in the shape and configuration of the trailer component as illustrated in the accompanying representations.**



(21) Design Number: **14200/2012**

(22) Date of Filing Application: **24 August 2012**

(24) Date from which industrial property rights may have effect: **24 August 2012**

(54) Product in respect of which the design is registered: **Trailer component**

(51) International Design Classification: **12-10, 12-16L**

(74) Name(s) of Attorney(s):

(71) Name(s) and Address(s) of Applicant(s):

**Adrenalin Campers Pty Ltd**

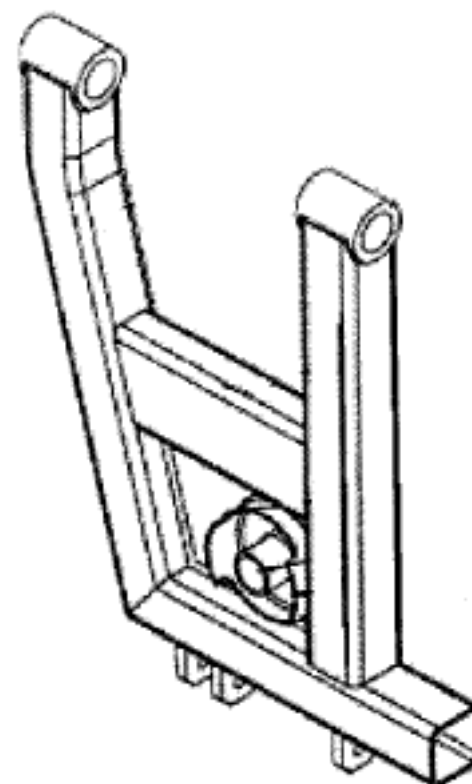
**9-1357 The Horsley Drive Wetherill Park New South Wales 2164 Australia**

(72) Name(s) of Designer(s): **Juan Jose Rodriguez**

(45) Registration Date: **09 October 2012**

(56) Related Art Documents: **Not Applicable**

(57) Statement of Newness and Distinctiveness: **Newness and distinctiveness is claimed in the shape and configuration of the chassis of the camper trailer as illustrated in the accompanying representations.**



- (21) Design Number: **14503/2012**  
(22) Date of Filing Application: **10 September 2012**  
(24) Date from which industrial property rights may have effect: **10 September 2012**  
(54) Product in respect of which the design is registered: **Pak-flat brazier mate**  
(51) International Design Classification: **23-03NES**  
(74) Name(s) of Attorney(s):  
(71) Name(s) and Address(s) of Applicant(s):  
**John Roland Armstrong**  
**87 Rosevears Dr Rosevears TAS 7277 Australia**  
**Heather Jane Armstrong**  
**87 Rosevears Dr Rosevears TAS 7277 Australia**  
(72) Name(s) of Designer(s): **John Roland Armstrong and Heather Jane Armstrong**  
(45) Registration Date: **09 October 2012**  
(56) Related Art Documents: **Not Applicable**  
(57) Statement of Newness and Distinctiveness: **We wish to identify the visual aesthetic of the connective nature of the hooked end(s) of the "basket rod(s)", when coupled to the "basket frame", and attaching the handles, as being both new AND distinctive.**



- (21) Design Number: **14509/2012**  
(22) Date of Filing Application: **11 September 2012**  
(24) Date from which industrial property rights may have effect: **11 September 2012**  
(54) Product in respect of which the design is registered: **Container**  
(51) International Design Classification: **09-01NES**  
(74) Name(s) of Attorney(s): **FB Rice**  
(71) Name(s) and Address(s) of Applicant(s):  
**Colgate-Palmolive Company**  
**300 Park Avenue New York New York 10022 United States of America**  
(72) Name(s) of Designer(s): **Claudia Daniela Macias Mejia and Luis Rodolfo Arevalo Pliego and Jose Antonio Bivian Balanzario**  
(45) Registration Date: **09 October 2012**  
(30) Convention priority data:  
(31) Number (32) Date (33) Country  
**29/417472 04 Apr 2012 UNITED STATES OF AMERICA**  
(56) Related Art Documents: **Not Applicable**  
(57) Statement of Newness and Distinctiveness: **Newness and distinctiveness reside in the features of the design as shown in the representations.**



(21) Design Number: **14510/2012**  
(22) Date of Filing Application: **11 September 2012**  
(24) Date from which industrial property rights may have effect: **11 September 2012**  
(54) Product in respect of which the design is registered: **Container**  
(51) International Design Classification: **09-01NES**  
(74) Name(s) of Attorney(s): **FB Rice**  
(71) Name(s) and Address(s) of Applicant(s):  
**Colgate-Palmolive Company**  
**300 Park Avenue New York New York 10022 United States of America**  
(72) Name(s) of Designer(s): **Claudia Daniela Macias Mejia and Luis Rodolfo Arevalo Pliego and Jose Antonio Bivian Balanzario**  
(45) Registration Date: **09 October 2012**  
(30) Convention priority data:  
(31) Number (32) Date (33) Country  
**29/417479 04 Apr 2012 UNITED STATES OF AMERICA**  
(56) Related Art Documents: **Not Applicable**  
(57) Statement of Newness and Distinctiveness: **Newness and distinctiveness reside in the features of the design shown in solid lines in the representations excluding those features shown in broken lines.**



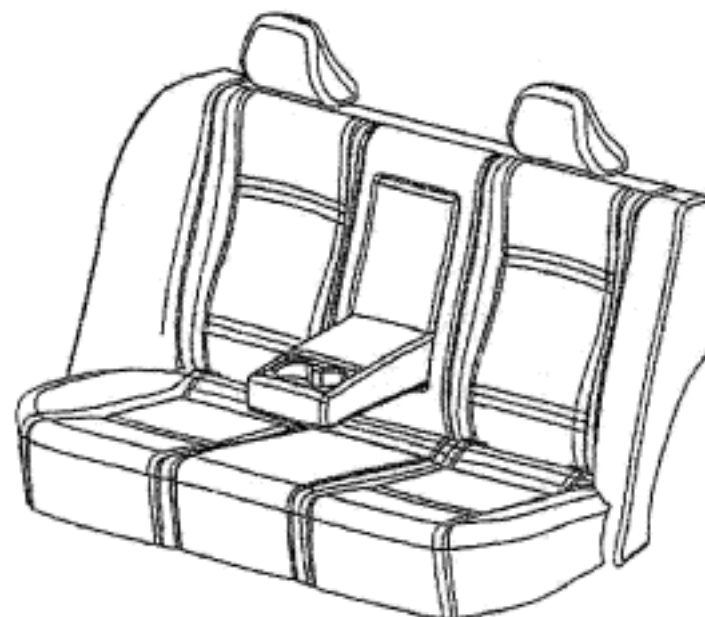
(21) Design Number: **14511/2012**  
(22) Date of Filing Application: **11 September 2012**  
(24) Date from which industrial property rights may have effect: **11 September 2012**  
(54) Product in respect of which the design is registered: **Container**  
(51) International Design Classification: **09-01NES**  
(74) Name(s) of Attorney(s): **FB Rice**  
(71) Name(s) and Address(s) of Applicant(s):  
**Colgate-Palmolive Company**  
**300 Park Avenue New York New York 10022 United States of America**  
(72) Name(s) of Designer(s): **Claudia Daniela Macias Mejia and Luis Rodolfo Arevalo Pliego and Jose Antonio Bivian Balanzario**  
(45) Registration Date: **09 October 2012**  
(30) Convention priority data:  
(31) Number (32) Date (33) Country  
**29/417480 04 Apr 2012 UNITED STATES OF AMERICA**  
(56) Related Art Documents: **Not Applicable**  
(57) Statement of Newness and Distinctiveness: **Newness and distinctiveness reside in the features of the design as shown in the representations.**



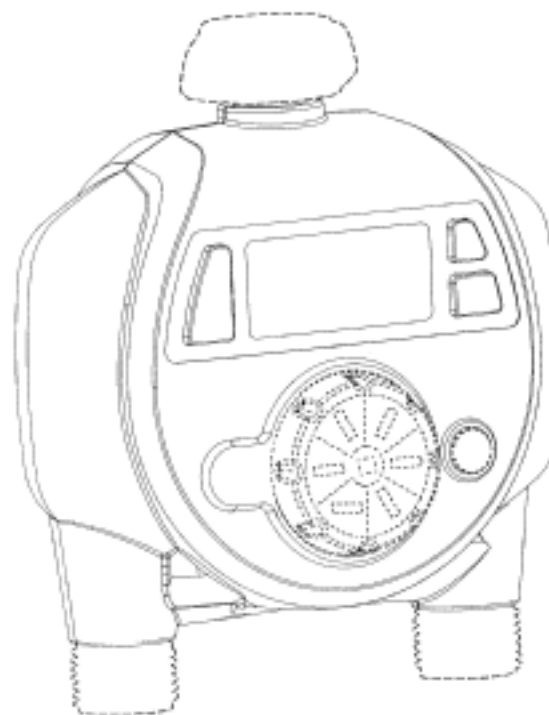
- (21) Design Number: **12937/2012**  
(22) Date of Filing Application: **21 June 2012**  
(24) Date from which industrial property rights may have effect: **21 June 2012**  
(54) Product in respect of which the design is registered: **Rear seat for an automobile**  
(51) International Design Classification: **06-01D**  
(74) Name(s) of Attorney(s): **Colin Biggers & Paisley**  
(71) Name(s) and Address(s) of Applicant(s):  
**Perusahaan Otomobil Nasional Sdn. Bhd.**  
**Centre of Excellence Complex KM33.8 Westbound Shah Alam**  
**Expressway 47600 Subang Jaya Selangor Darul Ehsan Malaysia**  
(72) Name(s) of Designer(s): **Siti Suhaina Binti Zaharin**  
(45) Registration Date: **10 October 2012**  
(30) Convention priority data:  
(31) Number (32) Date (33) Country  
**11-01861-0101 22 Dec 2011 MALAYSIA**  
(56) Related Art Documents: **Not Applicable**  
(57) Statement of Newness and Distinctiveness: **Newness and distinctiveness reside in the curved shape of the seat and the placing of various elements of the seat as illustrated in the accompanying representations.**



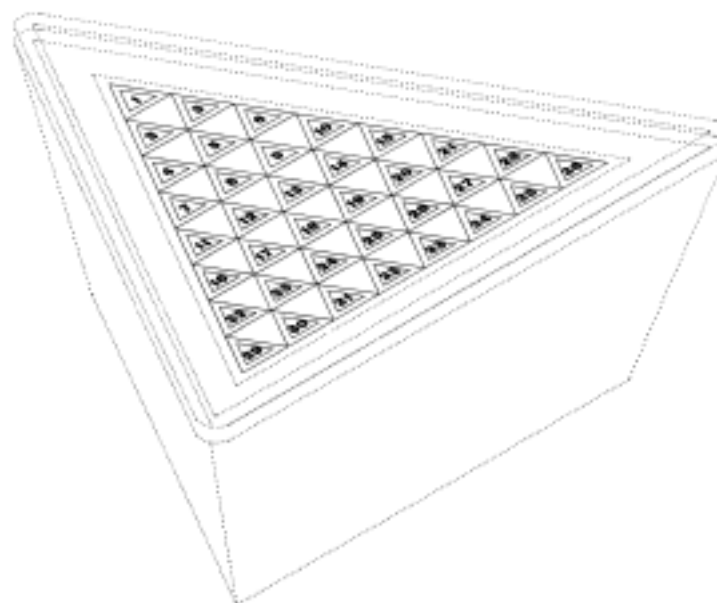
- (21) Design Number: **12939/2012**  
(22) Date of Filing Application: **21 June 2012**  
(24) Date from which industrial property rights may have effect: **21 June 2012**  
(54) Product in respect of which the design is registered: **Rear seat for an automobile**  
(51) International Design Classification: **06-01D**  
(74) Name(s) of Attorney(s): **Colin Biggers & Paisley**  
(71) Name(s) and Address(s) of Applicant(s):  
**Perusahaan Otomobil Nasional Sdn. Bhd.**  
**Centre of Excellence Complex KM33.8 Westbound Shah Alam**  
**Expressway 47600 Subang Jaya Selangor Darul Ehsan Malaysia**  
(72) Name(s) of Designer(s): **Siti Suhaina Binti Zaharin**  
(45) Registration Date: **10 October 2012**  
(30) Convention priority data:  
(31) Number (32) Date (33) Country  
**11-01863-0101 22 Dec 2011 MALAYSIA**  
(56) Related Art Documents: **Not Applicable**  
(57) Statement of Newness and Distinctiveness: **Newness and distinctiveness reside in the curved shape of the seat and the placing of the various elements of the seat including the cupholders as illustrated in the accompanying representations.**



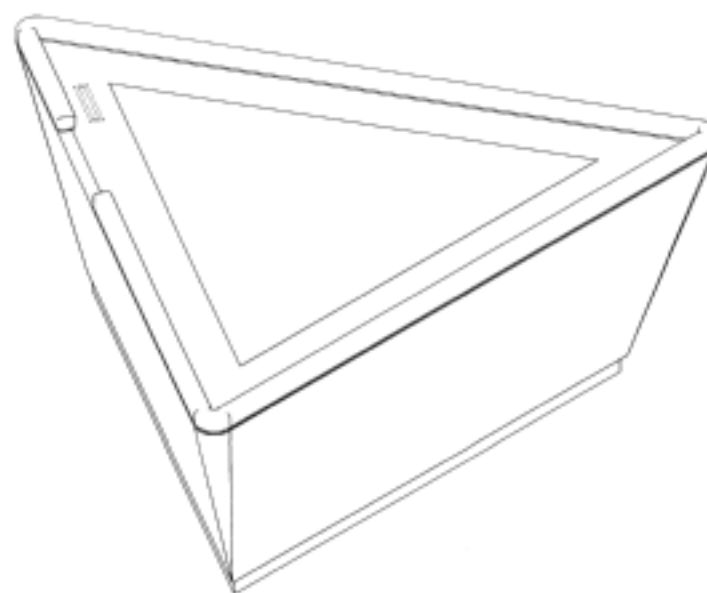
- (21) Design Number: **14262/2012**  
(22) Date of Filing Application: **29 August 2012**  
(24) Date from which industrial property rights may have effect: **29 August 2012**  
(54) Product in respect of which the design is registered: **Dual outlet water timer**  
(51) International Design Classification: **10-03, 23-01NES**  
(74) Name(s) of Attorney(s): **Callinans**  
(71) Name(s) and Address(s) of Applicant(s):  
**Robert Bosch Gmbh**  
**Postfach 30 02 20 D070442 Stuttgart Germany**  
(72) Name(s) of Designer(s): **Anand Chandran and Robert Richard Brimble and Linda Kay Waible**  
(45) Registration Date: **10 October 2012**  
(30) Convention priority data:  
(31) Number (32) Date (33) Country  
**29/414,514 29 Feb 2012 UNITED STATES OF AMERICA**  
(56) Related Art Documents: **Not Applicable**  
(57) Statement of Newness and Distinctiveness: **Newness and distinctiveness are provided by the shape and/or configuration of the design shown in the representations. The features shown in broken lines in the representations are for illustrative purposes only and should not be considered when construing visual features of the design.**



- (21) Design Number: **14520/2012**  
(22) Date of Filing Application: **12 September 2012**  
(24) Date from which industrial property rights may have effect: **12 September 2012**  
(54) Product in respect of which the design is registered: **A Gaming Table**  
(51) International Design Classification: **06-03D**  
(74) Name(s) of Attorney(s): **Adams Pluck**  
(71) Name(s) and Address(s) of Applicant(s):  
**O2 Agency Pty Limited**  
**72 Christie St St Leonards NSW 2065 Australia**  
(72) Name(s) of Designer(s): **Stuart O'Brien**  
(45) Registration Date: **10 October 2012**  
(56) Related Art Documents: **Not Applicable**  
(57) Statement of Newness and Distinctiveness: **Newness and distinctiveness resides in the visual features, including pattern and ornamentation, of a gaming table as shown in solid outline in the accompanying drawings. When determining whether the design is substantially similar in overall impression to another design, no regard is to be had to those features shown in dotted outline in the accompanying drawings, which features are provided for illustrative purposes only.**



- (21) Design Number: **14521/2012**  
(22) Date of Filing Application: **12 September 2012**  
(24) Date from which industrial property rights may have effect: **12 September 2012**  
(54) Product in respect of which the design is registered: **A Gaming Table**  
(51) International Design Classification: **06-03D**  
(74) Name(s) of Attorney(s): **Adams Pluck**  
(71) Name(s) and Address(s) of Applicant(s):  
**O2 Agency Pty Limited**  
**72 Christie St St Leonards NSW 2065 Australia**  
(72) Name(s) of Designer(s): **Stuart O'Brien**  
(45) Registration Date: **10 October 2012**  
(56) Related Art Documents: **Not Applicable**  
(57) Statement of Newness and Distinctiveness: **Newness and distinctiveness resides in the visual features, including shape and configuration, of a gaming table as shown in solid outline in the accompanying drawings. When determining whether the design is substantially similar in overall impression to another design, no regard is to be had to those features shown in dotted outline in the accompanying drawings, which features are provided for illustrative purposes only.**

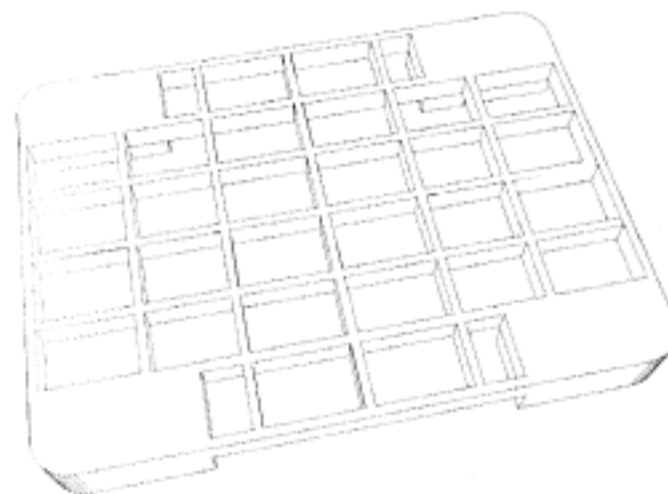


- (21) Design Number: **14522/2012**  
(22) Date of Filing Application: **13 September 2012**  
(24) Date from which industrial property rights may have effect: **13 September 2012**  
(54) Product in respect of which the design is registered: **Triathlon bag designed to carry apparel and equipment used in triathlons and also double as a triathlon transition bag**  
(51) International Design Classification: **03-01C**  
(74) Name(s) of Attorney(s):  
(71) Name(s) and Address(s) of Applicant(s):  
**Kevin Ladd Investments Pty Ltd**  
**U1 51 Ruskin St Elwood VIC 3184 Australia**  
(72) Name(s) of Designer(s): **Kevin Gerald Ladd**  
(45) Registration Date: **10 October 2012**  
(56) Related Art Documents: **Not Applicable**  
(57) Statement of Newness and Distinctiveness: **Interior compartment designed to hold triathlon gear specific to the sport, helmet holder net on outside of bag, bag shape to be used in triathlon transitions, top folds back to allow access.**





- (21) Design Number: **14523/2012**  
(22) Date of Filing Application: **11 September 2012**  
(24) Date from which industrial property rights may have effect: **11 September 2012**  
(54) Product in respect of which the design is registered: **Pallet**  
(51) International Design Classification: **09-08**  
(74) Name(s) of Attorney(s): **Churchill Attorneys**  
(71) Name(s) and Address(s) of Applicant(s):  
**Sitecraft Pty Ltd**  
**17 Macquarie Dr Thomastown VIC 3074 Australia**  
(72) Name(s) of Designer(s): **Richard Garrett**  
(45) Registration Date: **10 October 2012**  
(56) Related Art Documents: **Not Applicable**  
(57) Statement of Newness and Distinctiveness: **Newness and distinctiveness resides in the features of shape and/or configuration of a pallet as shown in the accompanying representations.**



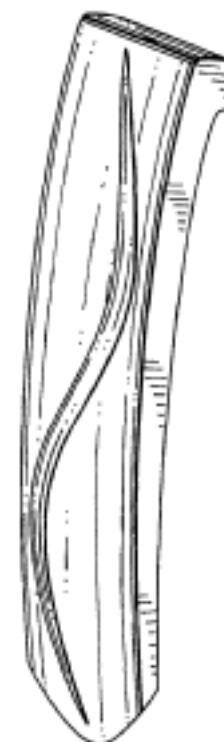
- (21) Design Number: **14524/2012**  
(22) Date of Filing Application: **12 September 2012**  
(24) Date from which industrial property rights may have effect: **12 September 2012**  
(54) Product in respect of which the design is registered: **Air freshener**  
(51) International Design Classification: **28-99**  
(74) Name(s) of Attorney(s):  
(71) Name(s) and Address(s) of Applicant(s):  
**Eliza Bialkowski**  
**17 Godfrey St Darlington SA 5047 Australia**  
(72) Name(s) of Designer(s): **Eliza Bialkowski**  
(45) Registration Date: **10 October 2012**  
(56) Related Art Documents: **Not Applicable**  
(57) Statement of Newness and Distinctiveness: **Love heart with 7 four leaf clovers and one gold four leaf clover coin.**



(21) Design Number: **14525/2012**  
(22) Date of Filing Application: **12 September 2012**  
(24) Date from which industrial property rights may have effect: **12 September 2012**  
(54) Product in respect of which the design is registered: **Air freshener**  
(51) International Design Classification: **28-99**  
(74) Name(s) of Attorney(s):  
(71) Name(s) and Address(s) of Applicant(s):  
**Eliza Bialkowski**  
**17 Godfrey St Darlington SA 5047 Australia**  
(72) Name(s) of Designer(s): **Eliza Bialkowski**  
(45) Registration Date: **10 October 2012**  
(56) Related Art Documents: **Not Applicable**  
(57) Statement of Newness and Distinctiveness: **Love heart with lucky charms.**



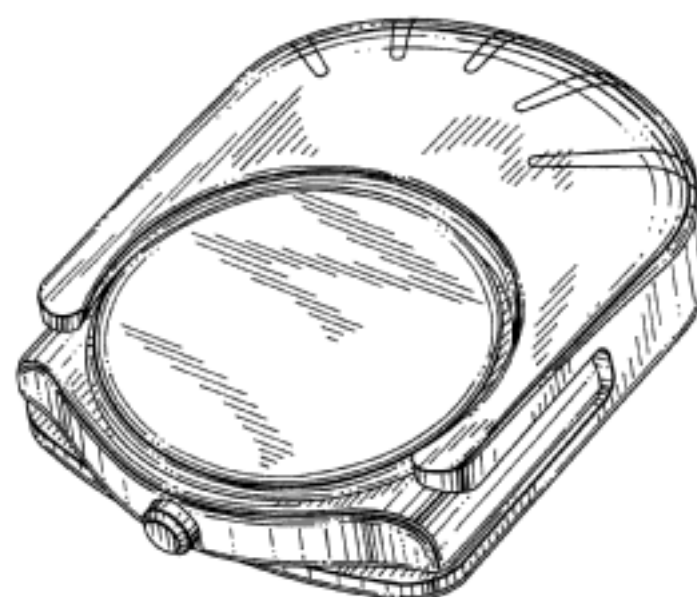
(21) Design Number: **14543/2012**  
(22) Date of Filing Application: **12 September 2012**  
(24) Date from which industrial property rights may have effect: **12 September 2012**  
(54) Product in respect of which the design is registered: **Medical injector**  
(51) International Design Classification: **24-02**  
(74) Name(s) of Attorney(s): **FB Rice**  
(71) Name(s) and Address(s) of Applicant(s):  
**Becton Dickinson France S.A.S.**  
**Rue Aristide Berges 38800 Le Pont-de-Claix France**  
(72) Name(s) of Designer(s): **Francis Lovell and Aurele Hurtis and Gaudence Uwimana**  
(45) Registration Date: **10 October 2012**  
(30) Convention priority data:  
(31) Number (32) Date (33) Country  
**29/415668 13 Mar 2012 UNITED STATES OF AMERICA**  
(56) Related Art Documents: **Not Applicable**  
(57) Statement of Newness and Distinctiveness: **Newness and distinctiveness reside in the visual features of the design as shown in the representations.**



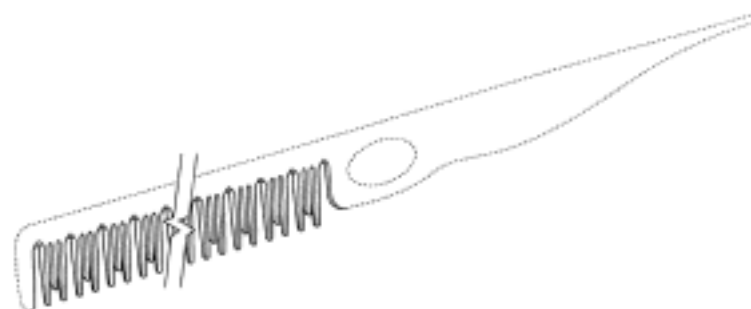
(21) Design Number: **14544/2012**  
(22) Date of Filing Application: **12 September 2012**  
(24) Date from which industrial property rights may have effect: **12 September 2012**  
(54) Product in respect of which the design is registered: **Medical injector**  
(51) International Design Classification: **24-02**  
(74) Name(s) of Attorney(s): **FB Rice**  
(71) Name(s) and Address(s) of Applicant(s):  
**Becton Dickinson France S.A.S.**  
**Rue Aristide Berges 38800 Le Pont-de-Claix France**  
(72) Name(s) of Designer(s): **Mathieu Lehanneur**  
(45) Registration Date: **10 October 2012**  
(30) Convention priority data:  
(31) Number (32) Date (33) Country  
**29/415667 13 Mar 2012 UNITED STATES OF AMERICA**  
(56) Related Art Documents: **Not Applicable**  
(57) Statement of Newness and Distinctiveness: **Newness and distinctiveness reside in the visual features of the design as shown in the representations.**



(21) Design Number: **14545/2012**  
(22) Date of Filing Application: **12 September 2012**  
(24) Date from which industrial property rights may have effect: **12 September 2012**  
(54) Product in respect of which the design is registered: **Medical injector**  
(51) International Design Classification: **24-02**  
(74) Name(s) of Attorney(s): **FB Rice**  
(71) Name(s) and Address(s) of Applicant(s):  
**Becton Dickinson France S.A.S.**  
**Rue Aristide Berges 38800 Le Pont-de-Claix France**  
(72) Name(s) of Designer(s): **Francis Lovell and Aurele Hurtis and Gaudence Uwimana**  
(45) Registration Date: **10 October 2012**  
(30) Convention priority data:  
(31) Number (32) Date (33) Country  
**29/415669 13 Mar 2012 UNITED STATES OF AMERICA**  
(56) Related Art Documents: **Not Applicable**  
(57) Statement of Newness and Distinctiveness: **Newness and distinctiveness reside in the visual features of the design as shown in the representations.**



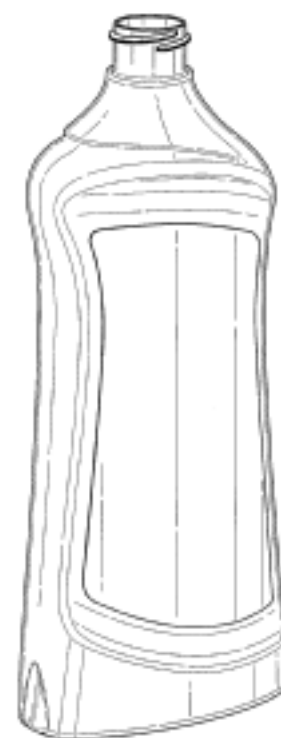
- (21) Design Number: **14558/2012**  
(22) Date of Filing Application: **11 September 2012**  
(24) Date from which industrial property rights may have effect: **11 September 2012**  
(54) Product in respect of which the design is registered: **A hair comb**  
(51) International Design Classification: **28-03D**  
(74) Name(s) of Attorney(s): **Madderns**  
(71) Name(s) and Address(s) of Applicant(s):  
**Htena Pty Ltd**  
**c/o Suave Hair Shop 3/58 Lambert Rd Royston Park SA 5070 Australia**  
(72) Name(s) of Designer(s): **Constantinos Lipapis and Angela Kontopoulos**  
(45) Registration Date: **10 October 2012**  
(56) Related Art Documents: **Not Applicable**  
(57) Statement of Newness and Distinctiveness: **Newness and distinctiveness reside in all but the features represented by the dashed lines in the representations, which are disclaimed.**



- (21) Design Number: **14559/2012**  
(22) Date of Filing Application: **13 September 2012**  
(24) Date from which industrial property rights may have effect: **13 September 2012**  
(54) Product in respect of which the design is registered: **Bottle**  
(51) International Design Classification: **09-01K**  
(74) Name(s) of Attorney(s): **Shelston IP**  
(71) Name(s) and Address(s) of Applicant(s):  
**Reckitt Benckiser LLC**  
**Morris Corporate Center IV 399 Interpace Parkway Parsippany New Jersey 07054 United States of America**  
(72) Name(s) of Designer(s): **Teun Franciscus Van Wetten and Stephanie Anne Marije Verschoor**  
(45) Registration Date: **10 October 2012**  
(30) Convention priority data:  
(31) Number      (32) Date      (33) Country  
**002009951-0003   16 Mar 2012      EUROPEAN COMMUNITY**  
(56) Related Art Documents: **Not Applicable**  
(57) Statement of Newness and Distinctiveness: **Newness and distinctiveness reside in the features of shape and/or configuration of a bottle as shown in the accompanying representations.**



- (21) Design Number: **14560/2012**  
(22) Date of Filing Application: **13 September 2012**  
(24) Date from which industrial property rights may have effect: **13 September 2012**  
(54) Product in respect of which the design is registered: **Bottle**  
(51) International Design Classification: **09-01K**  
(74) Name(s) of Attorney(s): **Shelston IP**  
(71) Name(s) and Address(s) of Applicant(s):  
**Reckitt Benckiser LLC**  
**Morris Corporate Center IV 399 Interpace Parkway Parsippany New Jersey 07054 United States of America**  
(72) Name(s) of Designer(s): **Teun Franciscus Van Wetten and Stephanie Anne Marije Verschoor**  
(45) Registration Date: **10 October 2012**  
(30) Convention priority data:  
(31) Number (32) Date (33) Country  
**002009951-0004 16 Mar 2012 EUROPEAN COMMUNITY**  
(56) Related Art Documents: **Not Applicable**  
(57) Statement of Newness and Distinctiveness: **Newness and distinctiveness reside in the features of shape and/or configuration of a bottle as shown in the accompanying representations.**



- (21) Design Number: **14561/2012**  
(22) Date of Filing Application: **13 September 2012**  
(24) Date from which industrial property rights may have effect: **13 September 2012**  
(54) Product in respect of which the design is registered: **Bottle**  
(51) International Design Classification: **09-01K**  
(74) Name(s) of Attorney(s): **Shelston IP**  
(71) Name(s) and Address(s) of Applicant(s):  
**Reckitt Benckiser LLC**  
**Morris Corporate Center IV 399 Interpace Parkway Parsippany New Jersey 07054 United States of America**  
(72) Name(s) of Designer(s): **Teun Franciscus Van Wetten and Stephanie Anne Marije Verschoor**  
(45) Registration Date: **10 October 2012**  
(30) Convention priority data:  
(31) Number (32) Date (33) Country  
**002009951-0002 16 Mar 2012 EUROPEAN COMMUNITY**  
(56) Related Art Documents: **Not Applicable**  
(57) Statement of Newness and Distinctiveness: **Newness and distinctiveness reside in the features of shape and/or configuration of a bottle as shown in the accompanying representations.**



(21) Design Number: **14562/2012**  
(22) Date of Filing Application: **13 September 2012**  
(24) Date from which industrial property rights may have effect: **13 September 2012**  
(54) Product in respect of which the design is registered: **Bottle**  
(51) International Design Classification: **09-01K**  
(74) Name(s) of Attorney(s): **Shelston IP**  
(71) Name(s) and Address(s) of Applicant(s):  
**Reckitt Benckiser LLC**  
**Morris Corporate Center IV 399 Interpace Parkway Parsippany New Jersey 07054 United States of America**  
(72) Name(s) of Designer(s): **Teun Franciscus Van Wetten and Stephanie Anne Marije Verschoor**  
(45) Registration Date: **10 October 2012**  
(30) Convention priority data:  
(31) Number (32) Date (33) Country  
**002009951-0001 16 Mar 2012 EUROPEAN COMMUNITY**  
(56) Related Art Documents: **Not Applicable**  
(57) Statement of Newness and Distinctiveness: **Newness and distinctiveness reside in the features of shape and/or configuration of a bottle as shown in the accompanying representations.**



(21) Design Number: **14512/2012**  
(22) Date of Filing Application: **11 September 2012**  
(24) Date from which industrial property rights may have effect: **11 September 2012**  
(54) Product in respect of which the design is registered: **Container**  
(51) International Design Classification: **09-01NES**  
(74) Name(s) of Attorney(s): **FB Rice**  
(71) Name(s) and Address(s) of Applicant(s):  
**Colgate-Palmolive Company**  
**300 Park Avenue New York New York 1022 United States of America**  
(72) Name(s) of Designer(s): **Claudia Daniela Macias Mejia and Luis Rodolfo Arevalo Pliego and Jose Antonio Bivian Balanzario**  
(45) Registration Date: **10 October 2012**  
(30) Convention priority data:  
(31) Number (32) Date (33) Country  
**29/417481 04 Apr 2012 UNITED STATES OF AMERICA**  
(56) Related Art Documents: **Not Applicable**  
(57) Statement of Newness and Distinctiveness: **Newness and distinctiveness reside in the features of the design shown in solid lines in the representations excluding those features shown in broken lines.**



- (21) Design Number: **14539/2012**  
(22) Date of Filing Application: **13 September 2012**  
(24) Date from which industrial property rights may have effect: **13 September 2012**  
(54) Product in respect of which the design is registered: **Insole**  
(51) International Design Classification: **02-04A**  
(74) Name(s) of Attorney(s): **Adams Pluck**  
(71) Name(s) and Address(s) of Applicant(s):  
**Terrarban Pty Ltd**  
**U24/252 New Line Rd Dural NSW 2158 Australia**  
(72) Name(s) of Designer(s): **Victor Palinginis**  
(45) Registration Date: **10 October 2012**  
(56) Related Art Documents: **Not Applicable**  
(57) Statement of Newness and Distinctiveness: **No newness or distinctiveness is claimed in the graphic Markings on the top surface of the insole as seen in figure 1.**



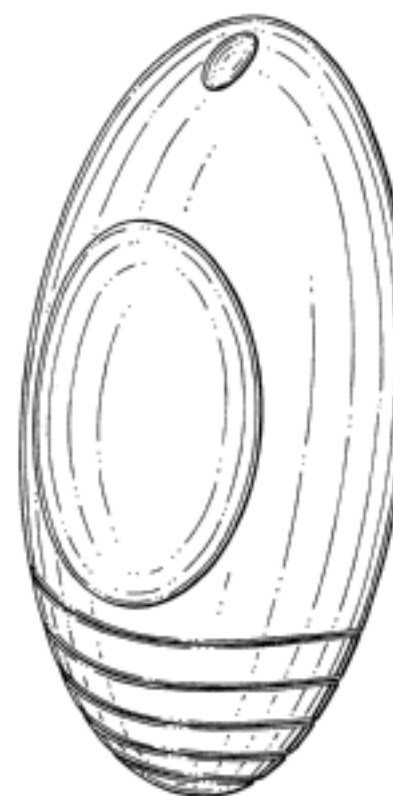
- (21) Design Number: **14540/2012**  
(22) Date of Filing Application: **12 September 2012**  
(24) Date from which industrial property rights may have effect: **12 September 2012**  
(54) Product in respect of which the design is registered: **After shower/swimming cap with one pointed end**  
(51) International Design Classification: **02-03**  
(74) Name(s) of Attorney(s):  
(71) Name(s) and Address(s) of Applicant(s):  
**Hiromi Mahoney**  
**61 Towerhill Rd Frankston South VIC 3199 Australia**  
(72) Name(s) of Designer(s): **Hiromi Mahoney**  
(45) Registration Date: **10 October 2012**  
(56) Related Art Documents: **Not Applicable**  
(57) Statement of Newness and Distinctiveness: **It has extra seam allowance for extra absorption by using more than one material.**



- (21) Design Number: **14541/2012**  
(22) Date of Filing Application: **12 September 2012**  
(24) Date from which industrial property rights may have effect: **12 September 2012**  
(54) Product in respect of which the design is registered: **After shower/swimming cap with two pointed ends**  
(51) International Design Classification: **02-03**  
(74) Name(s) of Attorney(s):  
(71) Name(s) and Address(s) of Applicant(s):  
**Hiromi Mahoney**  
**61 Towerhill Rd Frankston South VIC 3199 Australia**  
(72) Name(s) of Designer(s): **Hiromi Mahoney**  
(45) Registration Date: **10 October 2012**  
(56) Related Art Documents: **Not Applicable**  
(57) Statement of Newness and Distinctiveness: **It has extra seam allowance for extra absorption by using more than one material.**

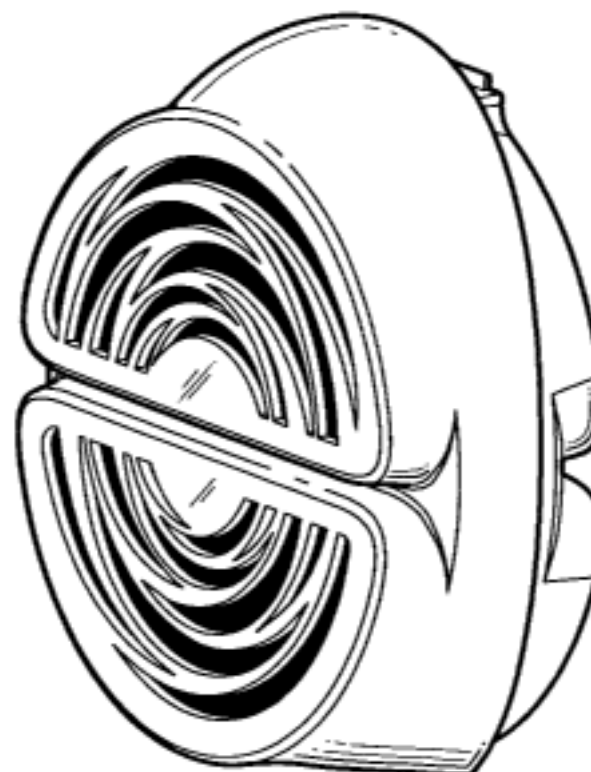


- (21) Design Number: **14542/2012**  
(22) Date of Filing Application: **12 September 2012**  
(24) Date from which industrial property rights may have effect: **12 September 2012**  
(54) Product in respect of which the design is registered: **Medical injector**  
(51) International Design Classification: **24-02**  
(74) Name(s) of Attorney(s): **FB Rice**  
(71) Name(s) and Address(s) of Applicant(s):  
**Becton Dickinson France S.A.S.**  
**Rue Aristide Berges 38800 Le Pont-de-Claix France**  
(72) Name(s) of Designer(s): **Francis Lovell and Aurele Hurtis and Gaudence Uwimana**  
(45) Registration Date: **10 October 2012**  
(30) Convention priority data:  
(31) Number      (32) Date      (33) Country  
**29/415670      13 Mar 2012      UNITED STATES OF AMERICA**  
(56) Related Art Documents: **Not Applicable**  
(57) Statement of Newness and Distinctiveness: **Newness and distinctiveness reside in the visual features of the design as shown in the representations.**

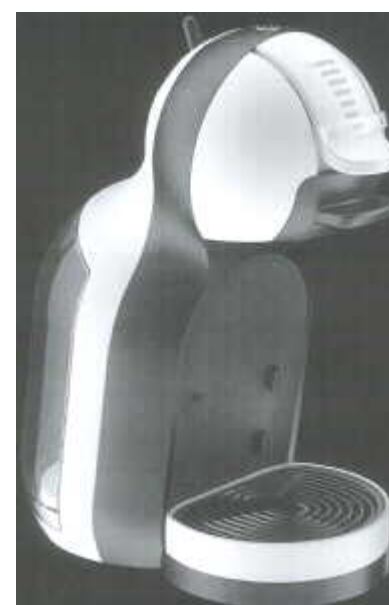




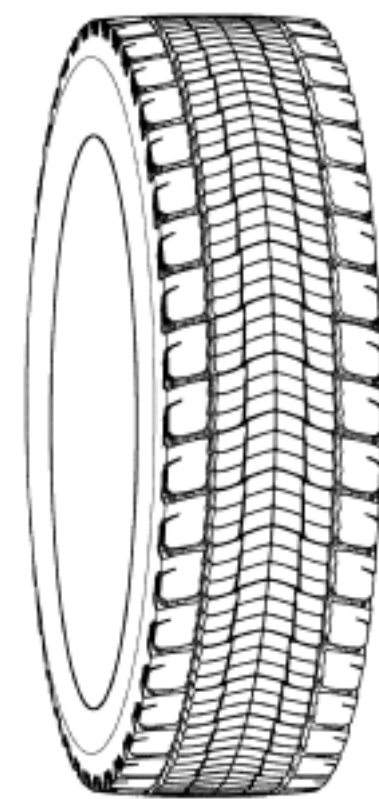
(21) Design Number: **14553/2012**  
(22) Date of Filing Application: **12 September 2012**  
(24) Date from which industrial property rights may have effect: **12 September 2012**  
(54) Product in respect of which the design is registered: **Air freshener**  
(51) International Design Classification: **28-99**  
(74) Name(s) of Attorney(s): **Shelston IP**  
(71) Name(s) and Address(s) of Applicant(s):  
**Reckitt & Colman (Overseas) Limited**  
**103-105 Bath Road Slough Berkshire SL1 3UH United Kingdom**  
(72) Name(s) of Designer(s): **Marcus James Blachford and Susan Wigley and Simon Woolley**  
(45) Registration Date: **10 October 2012**  
(30) Convention priority data:  
(31) Number (32) Date (33) Country  
**002033258-0001 26 Apr 2012 EUROPEAN COMMUNITY**  
(56) Related Art Documents: **Not Applicable**  
(57) Statement of Newness and Distinctiveness: **Newness and distinctiveness reside in the features of shape and/or configuration of an air freshener as shown in the accompanying representations.**



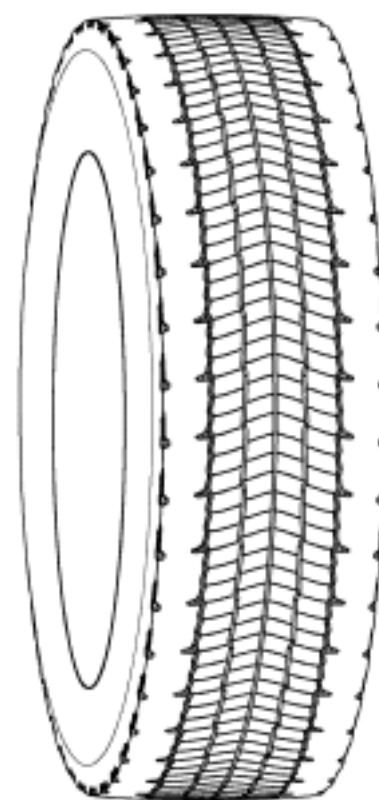
(21) Design Number: **14554/2012**  
(22) Date of Filing Application: **13 September 2012**  
(24) Date from which industrial property rights may have effect: **13 September 2012**  
(54) Product in respect of which the design is registered: **A beverage dispenser**  
(51) International Design Classification: **31-00**  
(74) Name(s) of Attorney(s): **Banki Haddock Fiora**  
(71) Name(s) and Address(s) of Applicant(s):  
**Societe des Produits Nestle S.A.**  
**1800 Vevey Switzerland**  
(72) Name(s) of Designer(s): **Pauline Bucher and Yves Marmier and Sebastien Dassi**  
(45) Registration Date: **10 October 2012**  
(30) Convention priority data:  
(31) Number (32) Date (33) Country  
**138767 05 Apr 2012 SWITZERLAND**  
(56) Related Art Documents: **Not Applicable**  
(57) Statement of Newness and Distinctiveness: **Nil**



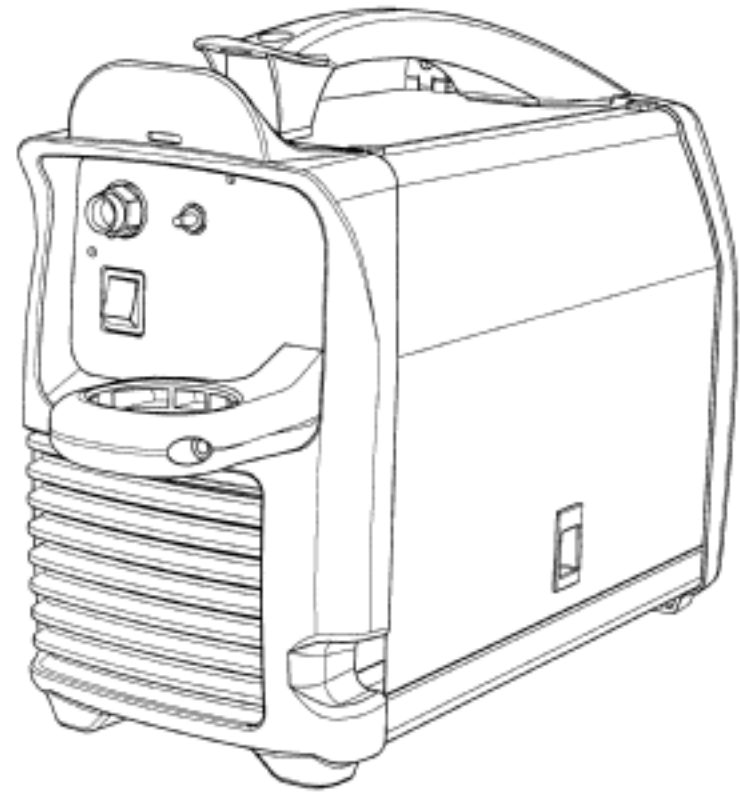
- (21) Design Number: **14555/2012**  
(22) Date of Filing Application: **13 September 2012**  
(24) Date from which industrial property rights may have effect: **13 September 2012**  
(54) Product in respect of which the design is registered: **A tyre**  
(51) International Design Classification: **12-15B**  
(74) Name(s) of Attorney(s): **WATERMARK PATENT AND TRADE MARKS ATTORNEYS**  
(71) Name(s) and Address(s) of Applicant(s):  
**COMPAGNIE GENERALE DES ETABLISSEMENTS MICHELIN**  
**12 cours Sablon 63000 Clermont-Ferrand France**  
**Michelin Recherche et Technique S.A.**  
**Route Louis-Braille 10 et 12 CH-1763 Granges-Paccot Switzerland**  
(72) Name(s) of Designer(s): **Houria Belarbi and Mathieu Vandaele and William License**  
(45) Registration Date: **10 October 2012**  
(56) Related Art Documents: **Not Applicable**  
(57) Statement of Newness and Distinctiveness: **Newness and distinctiveness resides in the appearance of the tread region of the tyre, the remainder of the tyre not forming part of the design.**



- (21) Design Number: **14556/2012**  
(22) Date of Filing Application: **13 September 2012**  
(24) Date from which industrial property rights may have effect: **13 September 2012**  
(54) Product in respect of which the design is registered: **A tyre**  
(51) International Design Classification: **12-15B**  
(74) Name(s) of Attorney(s): **WATERMARK PATENT AND TRADE MARKS ATTORNEYS**  
(71) Name(s) and Address(s) of Applicant(s):  
**COMPAGNIE GENERALE DES ETABLISSEMENTS MICHELIN**  
**12 cours Sablon 63000 Clermont-Ferrand France**  
**Michelin Recherche et Technique S.A.**  
**Route Louis-Braille 10 et 12 CH-1763 Granges-Paccot Switzerland**  
(72) Name(s) of Designer(s): **Houria Belarbi and Mathieu Vandaele and William License**  
(45) Registration Date: **10 October 2012**  
(56) Related Art Documents: **Not Applicable**  
(57) Statement of Newness and Distinctiveness: **Newness and distinctiveness resides in the appearance of the tread region of the tyre, the remainder of the tyre not forming part of the design.**



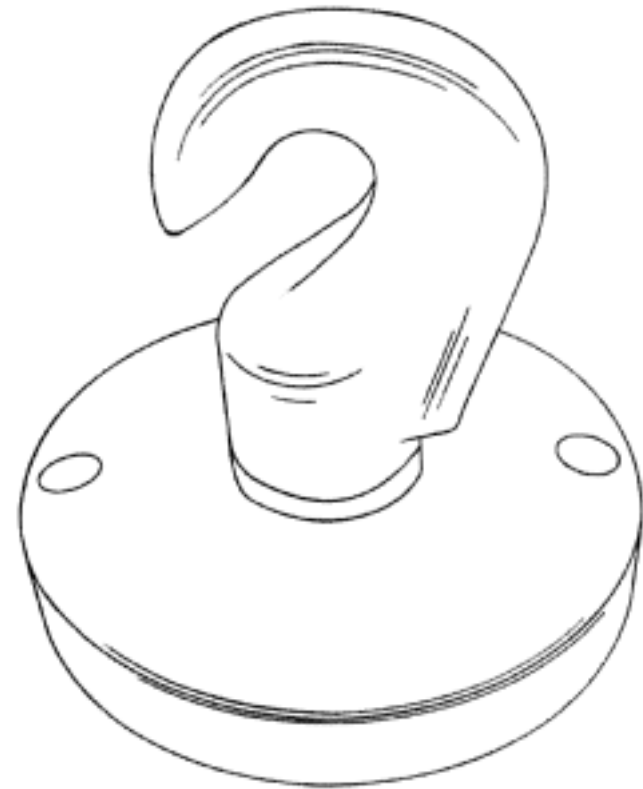
(21) Design Number: **14557/2012**  
(22) Date of Filing Application: **13 September 2012**  
(24) Date from which industrial property rights may have effect: **13 September 2012**  
(54) Product in respect of which the design is registered: **Welding machine**  
(51) International Design Classification: **08-05M**  
(74) Name(s) of Attorney(s): **WATERMARK PATENT AND TRADE MARKS ATTORNEYS**  
(71) Name(s) and Address(s) of Applicant(s):  
**Segala Bruno S.R.L.**  
**Via Leonardo da Vinci 25/2 36066 Sandrigo Vicenza Italy**  
(72) Name(s) of Designer(s): **Bruno Segala**  
(45) Registration Date: **10 October 2012**  
(30) Convention priority data:  
(31) Number (32) Date (33) Country  
**002012203 21 Mar 2012 EUROPEAN COMMUNITY**  
(56) Related Art Documents: **Not Applicable**  
(57) Statement of Newness and Distinctiveness: **Nil**



(21) Design Number: **13493/2012**  
(22) Date of Filing Application: **24 July 2012**  
(24) Date from which industrial property rights may have effect: **24 July 2012**  
(54) Product in respect of which the design is registered: **Skateboard display stand**  
(51) International Design Classification: **08-08L, 08-08NES, 20-02E, 20-02NES**  
(74) Name(s) of Attorney(s):  
(71) Name(s) and Address(s) of Applicant(s):  
**Land & Sea Sports Pty Ltd**  
**1/1 Jubilee Avenue Warriewood New South Wales 2012 Australia**  
(72) Name(s) of Designer(s): **John Axford and Josh Axford**  
(45) Registration Date: **10 October 2012**  
(56) Related Art Documents: **Not Applicable**  
(57) Statement of Newness and Distinctiveness: **Display Stand with narrowing from base to the top with sloping shelf rails or hooks with lip to hold skateboards.**



(21) Design Number: **13520/2012**  
(22) Date of Filing Application: **26 July 2012**  
(24) Date from which industrial property rights may have effect: **26 July 2012**  
(54) Product in respect of which the design is registered: **Ground engaging element mounting hub for an agricultural tillage chain**  
(51) International Design Classification: **15-03A, 08-08NES**  
(74) Name(s) of Attorney(s): **PHILLIPS ORMONDE FITZPATRICK**  
(71) Name(s) and Address(s) of Applicant(s):  
**Kentyn Scott Paterson**  
**Lot 10 Willamulka Road Bute South Australia 5560 Australia**  
(72) Name(s) of Designer(s): **Kentyn Scott Paterson**  
(45) Registration Date: **10 October 2012**  
(56) Related Art Documents: **Not Applicable**  
(57) Statement of Newness and Distinctiveness: **Nil**



(21) Design Number: **14501/2012**  
(22) Date of Filing Application: **10 September 2012**  
(24) Date from which industrial property rights may have effect: **10 September 2012**  
(54) Product in respect of which the design is registered: **Lighting assembly**  
(51) International Design Classification: **26-06**  
(74) Name(s) of Attorney(s):  
(71) Name(s) and Address(s) of Applicant(s):  
**Adrian White**  
**U 12-13 Axxess Corporate Park 170 Forster Rd Mt Waverley VIC 3149**  
**Australia**  
(72) Name(s) of Designer(s): **Adrian White**  
(45) Registration Date: **10 October 2012**  
(56) Related Art Documents: **Not Applicable**  
(57) Statement of Newness and Distinctiveness: **Those features that are new and distinctive of the lighting assembly is the shape, patterns and configuration.**



- (21) Design Number: **14574/2012**  
(22) Date of Filing Application: **13 September 2012**  
(24) Date from which industrial property rights may have effect: **13 September 2012**  
(54) Product in respect of which the design is registered: **Stool**  
(51) International Design Classification: **06-01E**  
(74) Name(s) of Attorney(s): **Griffith Hack**  
(71) Name(s) and Address(s) of Applicant(s):  
**Magis S.P.A.**  
**Via Triestina Acc. E Zona Industriale Ponte Tezze Torre Di Mosto**  
**1-30020 Italy**  
(72) Name(s) of Designer(s): **Philippe Starck**  
(45) Registration Date: **11 October 2012**  
(30) Convention priority data:  
(31) Number (32) Date (33) Country  
**002052217-0002 05 Jun 2012 EUROPEAN COMMUNITY**  
(56) Related Art Documents: **Not Applicable**  
(57) Statement of Newness and Distinctiveness: **Newness and distinctiveness resides in visual features, including shape and configuration of the product as shown in the accompanying representations.**



- (21) Design Number: **14578/2012**  
(22) Date of Filing Application: **11 September 2012**  
(24) Date from which industrial property rights may have effect: **09 January 2012**  
(54) Product in respect of which the design is registered: **Women's clothing**  
(51) International Design Classification: **02-02NES**  
(74) Name(s) of Attorney(s): **Allens Patent & Trade Mark Attorneys**  
(71) Name(s) and Address(s) of Applicant(s):  
**Forever New Clothing Pty Ltd**  
**714-716 High St Kew East VIC 3102 Australia**  
(72) Name(s) of Designer(s): **Gemma Henderson**  
(45) Registration Date: **11 October 2012**  
(62) Divisional of: **344497**  
(56) Related Art Documents: **Not Applicable**  
(57) Statement of Newness and Distinctiveness: **Newness and distinctiveness resides in the visual features of women's clothing as shown in the accompanying representations.**



- (21) Design Number: **14580/2012**  
(22) Date of Filing Application: **11 September 2012**  
(24) Date from which industrial property rights may have effect: **09 January 2012**  
(54) Product in respect of which the design is registered: **Women's clothing**  
(51) International Design Classification: **02-02NES**  
(74) Name(s) of Attorney(s): **Allens Patent & Trade Mark Attorneys**  
(71) Name(s) and Address(s) of Applicant(s):  
**Forever New Clothing Pty Ltd**  
**714-716 High St Kew East VIC 3102 Australia**  
(72) Name(s) of Designer(s): **Gemma Henderson**  
(45) Registration Date: **11 October 2012**  
(62) Divisional of: **344497**  
(56) Related Art Documents: **Not Applicable**  
(57) Statement of Newness and Distinctiveness: **Newness and distinctiveness resides in the visual features of women's clothing as shown in the accompanying representations.**



- (21) Design Number: **14581/2012**  
(22) Date of Filing Application: **11 September 2012**  
(24) Date from which industrial property rights may have effect: **09 January 2012**  
(54) Product in respect of which the design is registered: **Women's clothing**  
(51) International Design Classification: **02-02NES**  
(74) Name(s) of Attorney(s): **Allens Patent & Trade Mark Attorneys**  
(71) Name(s) and Address(s) of Applicant(s):  
**Forever New Clothing Pty Ltd**  
**714-716 High St Kew East VIC 3102 Australia**  
(72) Name(s) of Designer(s): **Gemma Henderson**  
(45) Registration Date: **11 October 2012**  
(62) Divisional of: **344497**  
(56) Related Art Documents: **Not Applicable**  
(57) Statement of Newness and Distinctiveness: **Newness and distinctiveness resides in the visual features of women's clothing as shown in the accompanying representations.**



- (21) Design Number: **14582/2012**  
(22) Date of Filing Application: **11 September 2012**  
(24) Date from which industrial property rights may have effect: **09 January 2012**  
(54) Product in respect of which the design is registered: **Women's clothing**  
(51) International Design Classification: **02-02NES**  
(74) Name(s) of Attorney(s): **Allens Patent & Trade Mark Attorneys**  
(71) Name(s) and Address(s) of Applicant(s):  
**Forever New Clothing Pty Ltd**  
**714-716 High St Kew East VIC 3102 Australia**  
(72) Name(s) of Designer(s): **Gemma Henderson**  
(45) Registration Date: **11 October 2012**  
(62) Divisional of: **344497**  
(56) Related Art Documents: **Not Applicable**  
(57) Statement of Newness and Distinctiveness: **Newness and distinctiveness resides in the visual features of women's clothing as shown in the accompanying representations.**



- (21) Design Number: **14584/2012**  
(22) Date of Filing Application: **11 September 2012**  
(24) Date from which industrial property rights may have effect: **09 January 2012**  
(54) Product in respect of which the design is registered: **Women's clothing**  
(51) International Design Classification: **02-02NES**  
(74) Name(s) of Attorney(s): **Allens Patent & Trade Mark Attorneys**  
(71) Name(s) and Address(s) of Applicant(s):  
**Forever New Clothing Pty Ltd**  
**714-716 High St Kew East VIC 3102 Australia**  
(72) Name(s) of Designer(s): **Gemma Henderson**  
(45) Registration Date: **11 October 2012**  
(62) Divisional of: **344497**  
(56) Related Art Documents: **Not Applicable**  
(57) Statement of Newness and Distinctiveness: **Newness and distinctiveness resides in the visual features of women's clothing as shown in the accompanying representations.**



- (21) Design Number: **14585/2012**  
(22) Date of Filing Application: **11 September 2012**  
(24) Date from which industrial property rights may have effect: **09 January 2012**  
(54) Product in respect of which the design is registered: **Women's clothing**  
(51) International Design Classification: **02-02NES**  
(74) Name(s) of Attorney(s): **Allens Patent & Trade Mark Attorneys**  
(71) Name(s) and Address(s) of Applicant(s):  
**Forever New Clothing Pty Ltd**  
**714-716 High St Kew East VIC 3102 Australia**  
(72) Name(s) of Designer(s): **Laura Mitchell**  
(45) Registration Date: **11 October 2012**  
(62) Divisional of: **344497**  
(56) Related Art Documents: **Not Applicable**  
(57) Statement of Newness and Distinctiveness: **Newness and distinctiveness resides in the visual features of women's clothing as shown in the accompanying representations.**



- (21) Design Number: **14586/2012**  
(22) Date of Filing Application: **11 September 2012**  
(24) Date from which industrial property rights may have effect: **09 January 2012**  
(54) Product in respect of which the design is registered: **Women's clothing**  
(51) International Design Classification: **02-02NES**  
(74) Name(s) of Attorney(s): **Allens Patent & Trade Mark Attorneys**  
(71) Name(s) and Address(s) of Applicant(s):  
**Forever New Clothing Pty Ltd**  
**714-716 High St Kew East VIC 3102 Australia**  
(72) Name(s) of Designer(s): **Octavia Miller**  
(45) Registration Date: **11 October 2012**  
(62) Divisional of: **344497**  
(56) Related Art Documents: **Not Applicable**  
(57) Statement of Newness and Distinctiveness: **Newness and distinctiveness resides in the visual features of women's clothing as shown in the accompanying representations.**





- (21) Design Number: **14587/2012**  
(22) Date of Filing Application: **11 September 2012**  
(24) Date from which industrial property rights may have effect: **09 January 2012**  
(54) Product in respect of which the design is registered: **Women's clothing**  
(51) International Design Classification: **02-02NES**  
(74) Name(s) of Attorney(s): **Allens Patent & Trade Mark Attorneys**  
(71) Name(s) and Address(s) of Applicant(s):  
**Forever New Clothing Pty Ltd**  
**714-716 High St Kew East VIC 3102 Australia**  
(72) Name(s) of Designer(s): **Tristan Melle**  
(45) Registration Date: **11 October 2012**  
(62) Divisional of: **344497**  
(56) Related Art Documents: **Not Applicable**  
(57) Statement of Newness and Distinctiveness: **Newness and distinctiveness resides in the visual features of women's clothing as shown in the accompanying representations.**



- (21) Design Number: **14588/2012**  
(22) Date of Filing Application: **11 September 2012**  
(24) Date from which industrial property rights may have effect: **09 January 2012**  
(54) Product in respect of which the design is registered: **Women's clothing**  
(51) International Design Classification: **02-02NES**  
(74) Name(s) of Attorney(s): **Allens Patent & Trade Mark Attorneys**  
(71) Name(s) and Address(s) of Applicant(s):  
**Forever New Clothing Pty Ltd**  
**714-716 High St Kew East VIC 3102 Australia**  
(72) Name(s) of Designer(s): **Octavia Miller**  
(45) Registration Date: **11 October 2012**  
(62) Divisional of: **344497**  
(56) Related Art Documents: **Not Applicable**  
(57) Statement of Newness and Distinctiveness: **Newness and distinctiveness resides in the visual features of women's clothing as shown in the accompanying representations.**



- (21) Design Number: **14589/2012**  
(22) Date of Filing Application: **11 September 2012**  
(24) Date from which industrial property rights may have effect: **09 January 2012**  
(54) Product in respect of which the design is registered: **Women's clothing**  
(51) International Design Classification: **02-02NES**  
(74) Name(s) of Attorney(s): **Allens Patent & Trade Mark Attorneys**  
(71) Name(s) and Address(s) of Applicant(s):  
**Forever New Clothing Pty Ltd**  
**714-716 High St Kew East VIC 3102 Australia**  
(72) Name(s) of Designer(s): **Octavia Miller**  
(45) Registration Date: **11 October 2012**  
(62) Divisional of: **344497**  
(56) Related Art Documents: **Not Applicable**  
(57) Statement of Newness and Distinctiveness: **Newness and distinctiveness resides in the visual features of women's clothing as shown in the accompanying representations.**



- (21) Design Number: **14590/2012**  
(22) Date of Filing Application: **11 September 2012**  
(24) Date from which industrial property rights may have effect: **09 January 2012**  
(54) Product in respect of which the design is registered: **Women's clothing**  
(51) International Design Classification: **02-02NES**  
(74) Name(s) of Attorney(s): **Allens Patent & Trade Mark Attorneys**  
(71) Name(s) and Address(s) of Applicant(s):  
**Forever New Clothing Pty Ltd**  
**714-716 High St Kew East VIC 3102 Australia**  
(72) Name(s) of Designer(s): **Octavia Miller**  
(45) Registration Date: **11 October 2012**  
(62) Divisional of: **344497**  
(56) Related Art Documents: **Not Applicable**  
(57) Statement of Newness and Distinctiveness: **Newness and distinctiveness resides in the visual features of women's clothing as shown in the accompanying representations.**



- (21) Design Number: **14591/2012**  
(22) Date of Filing Application: **11 September 2012**  
(24) Date from which industrial property rights may have effect: **09 January 2012**  
(54) Product in respect of which the design is registered: **Women's clothing**  
(51) International Design Classification: **02-02NES**  
(74) Name(s) of Attorney(s): **Allens Patent & Trade Mark Attorneys**  
(71) Name(s) and Address(s) of Applicant(s):  
**Forever New Clothing Pty Ltd**  
**714-716 High St Kew East VIC 3102 Australia**  
(72) Name(s) of Designer(s): **Octavia Miller**  
(45) Registration Date: **11 October 2012**  
(62) Divisional of: **344497**  
(56) Related Art Documents: **Not Applicable**  
(57) Statement of Newness and Distinctiveness: **Newness and distinctiveness resides in the visual features of women's clothing as shown in the accompanying representations.**



- (21) Design Number: **14592/2012**  
(22) Date of Filing Application: **11 September 2012**  
(24) Date from which industrial property rights may have effect: **09 January 2012**  
(54) Product in respect of which the design is registered: **Women's clothing**  
(51) International Design Classification: **02-02NES**  
(74) Name(s) of Attorney(s): **Allens Patent & Trade Mark Attorneys**  
(71) Name(s) and Address(s) of Applicant(s):  
**Forever New Clothing Pty Ltd**  
**714-716 High St Kew East VIC 3102 Australia**  
(72) Name(s) of Designer(s): **Mantra Ahrendt**  
(45) Registration Date: **11 October 2012**  
(62) Divisional of: **344497**  
(56) Related Art Documents: **Not Applicable**  
(57) Statement of Newness and Distinctiveness: **Newness and distinctiveness resides in the visual features of women's clothing as shown in the accompanying representations.**



- (21) Design Number: **14593/2012**  
(22) Date of Filing Application: **11 September 2012**  
(24) Date from which industrial property rights may have effect: **09 January 2012**  
(54) Product in respect of which the design is registered: **Footwear**  
(51) International Design Classification: **02-04NES**  
(74) Name(s) of Attorney(s): **Allens Patent & Trade Mark Attorneys**  
(71) Name(s) and Address(s) of Applicant(s):  
**Forever New Clothing Pty Ltd**  
**714-716 High St Kew East VIC 3102 Australia**  
(72) Name(s) of Designer(s): **Elizabeth Maplestone**  
(45) Registration Date: **11 October 2012**  
(62) Divisional of: **344497**  
(56) Related Art Documents: **Not Applicable**  
(57) Statement of Newness and Distinctiveness: **Newness and distinctiveness resides in the visual features of an article of footwear as shown in the accompanying representations.**



- (21) Design Number: **14594/2012**  
(22) Date of Filing Application: **11 September 2012**  
(24) Date from which industrial property rights may have effect: **09 January 2012**  
(54) Product in respect of which the design is registered: **Women's clothing**  
(51) International Design Classification: **02-02NES**  
(74) Name(s) of Attorney(s): **Allens Patent & Trade Mark Attorneys**  
(71) Name(s) and Address(s) of Applicant(s):  
**Forever New Clothing Pty Ltd**  
**714-716 High St Kew East VIC 3102 Australia**  
(72) Name(s) of Designer(s): **Alice Burrow**  
(45) Registration Date: **11 October 2012**  
(62) Divisional of: **344497**  
(56) Related Art Documents: **Not Applicable**  
(57) Statement of Newness and Distinctiveness: **Newness and distinctiveness resides in the visual features of women's clothing as shown in the accompanying representations.**



- (21) Design Number: **14595/2012**  
(22) Date of Filing Application: **11 September 2012**  
(24) Date from which industrial property rights may have effect: **09 January 2012**  
(54) Product in respect of which the design is registered: **Women's clothing**  
(51) International Design Classification: **02-02NES**  
(74) Name(s) of Attorney(s): **Allens Patent & Trade Mark Attorneys**  
(71) Name(s) and Address(s) of Applicant(s):  
**Forever New Clothing Pty Ltd**  
**714-716 High St Kew East VIC 3102 Australia**  
(72) Name(s) of Designer(s): **Laura Mitchell**  
(45) Registration Date: **11 October 2012**  
(62) Divisional of: **344497**  
(56) Related Art Documents: **Not Applicable**  
(57) Statement of Newness and Distinctiveness: **Newness and distinctiveness resides in the visual features of women's clothing as shown in the accompanying representations.**



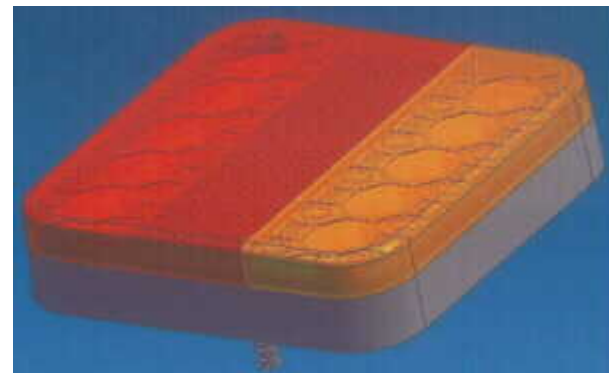
- (21) Design Number: **14597/2012**  
(22) Date of Filing Application: **11 September 2012**  
(24) Date from which industrial property rights may have effect: **09 January 2012**  
(54) Product in respect of which the design is registered: **Accessory item**  
(51) International Design Classification: **11-01E**  
(74) Name(s) of Attorney(s): **Allens Patent & Trade Mark Attorneys**  
(71) Name(s) and Address(s) of Applicant(s):  
**Forever New Clothing Pty Ltd**  
**714-716 High St Kew East VIC 3102 Australia**  
(72) Name(s) of Designer(s): **Christianna Heideman**  
(45) Registration Date: **11 October 2012**  
(62) Divisional of: **344497**  
(56) Related Art Documents: **Not Applicable**  
(57) Statement of Newness and Distinctiveness: **Newness and distinctiveness resides in the visual features of an accessory item as shown in the accompanying representations.**



- (21) Design Number: **14598/2012**  
(22) Date of Filing Application: **11 September 2012**  
(24) Date from which industrial property rights may have effect: **09 January 2012**  
(54) Product in respect of which the design is registered: **A handbag**  
(51) International Design Classification: **03-01B**  
(74) Name(s) of Attorney(s): **Allens Patent & Trade Mark Attorneys**  
(71) Name(s) and Address(s) of Applicant(s):  
**Forever New Clothing Pty Ltd**  
**714-716 High St Kew East VIC 3102 Australia**  
(72) Name(s) of Designer(s): **Gemma Henderson**  
(45) Registration Date: **11 October 2012**  
(62) Divisional of: **344497**  
(56) Related Art Documents: **Not Applicable**  
(57) Statement of Newness and Distinctiveness: **Newness and distinctiveness resides in the visual features of a handbag as shown in the accompanying representations.**



- (21) Design Number: **14502/2012**  
(22) Date of Filing Application: **10 September 2012**  
(24) Date from which industrial property rights may have effect: **10 September 2012**  
(54) Product in respect of which the design is registered: **Lighting assembly**  
(51) International Design Classification: **26-06**  
(74) Name(s) of Attorney(s):  
(71) Name(s) and Address(s) of Applicant(s):  
**Adrian White**  
**U 12-13 Axxess Corporate Park 170 Forster Rd Mt Waverley VIC 3149**  
**Australia**  
(72) Name(s) of Designer(s): **Adrian White**  
(45) Registration Date: **11 October 2012**  
(56) Related Art Documents: **Not Applicable**  
(57) Statement of Newness and Distinctiveness: **Those features that are new and distinctive of the lighting assembly is the shape, patterns and configuration.**



- (21) Design Number: **11824/2012**  
(22) Date of Filing Application: **13 April 2012**  
(24) Date from which industrial property rights may have effect: **13 April 2012**  
(54) Product in respect of which the design is registered: **T-shirt**  
(51) International Design Classification: **02-02NES**  
(74) Name(s) of Attorney(s):  
(71) Name(s) and Address(s) of Applicant(s):  
**Luke John Edwards**  
**6/30 Seymour Road Hamilton Queensland 4007 Australia**  
(72) Name(s) of Designer(s): **Anna Hancock**  
(45) Registration Date: **11 October 2012**  
(56) Related Art Documents: **Not Applicable**  
(57) Statement of Newness and Distinctiveness: **Newness and distinctiveness resides in the pattern and ornamentation of the T-shirt. The shape of the T-shirt is not new and distinctive.**



- (21) Design Number: **11825/2012**  
(22) Date of Filing Application: **13 April 2012**  
(24) Date from which industrial property rights may have effect: **13 April 2012**  
(54) Product in respect of which the design is registered: **T-shirt**  
(51) International Design Classification: **02-02NES**  
(74) Name(s) of Attorney(s):  
(71) Name(s) and Address(s) of Applicant(s):  
**Luke John Edwards**  
**6/30 Seymour Road Hamilton Queensland 4007 Australia**  
(72) Name(s) of Designer(s): **Anna Hancock**  
(45) Registration Date: **11 October 2012**  
(56) Related Art Documents: **Not Applicable**  
(57) Statement of Newness and Distinctiveness: **Newness and distinctiveness resides in the pattern and ornamentation of the T-shirt. The shape of the T-shirt is not new and distinctive.**



- (21) Design Number: **11826/2012**  
(22) Date of Filing Application: **13 April 2012**  
(24) Date from which industrial property rights may have effect: **13 April 2012**  
(54) Product in respect of which the design is registered: **T-shirt**  
(51) International Design Classification: **02-02NES**  
(74) Name(s) of Attorney(s):  
(71) Name(s) and Address(s) of Applicant(s):  
**Luke John Edwards**  
**6/30 Seymour Road Hamilton Queensland 4007 Australia**  
(72) Name(s) of Designer(s): **Anna Hancock**  
(45) Registration Date: **11 October 2012**  
(56) Related Art Documents: **Not Applicable**  
(57) Statement of Newness and Distinctiveness: **Newness and distinctiveness resides in the pattern and ornamentation of the T-shirt. The shape of the T-shirt is not new and distinctive.**



- (21) Design Number: **11828/2012**  
(22) Date of Filing Application: **13 April 2012**  
(24) Date from which industrial property rights may have effect: **13 April 2012**  
(54) Product in respect of which the design is registered: **T-shirt**  
(51) International Design Classification: **02-02NES**  
(74) Name(s) of Attorney(s):  
(71) Name(s) and Address(s) of Applicant(s):  
**Luke John Edwards**  
**6/30 Seymour Road Hamilton Queensland 4007 Australia**  
(72) Name(s) of Designer(s): **Anna Hancock**  
(45) Registration Date: **11 October 2012**  
(56) Related Art Documents: **Not Applicable**  
(57) Statement of Newness and Distinctiveness: **Newness and distinctiveness resides in the pattern and ornamentation of the T-shirt. The shape of the T-shirt is not new and distinctive.**





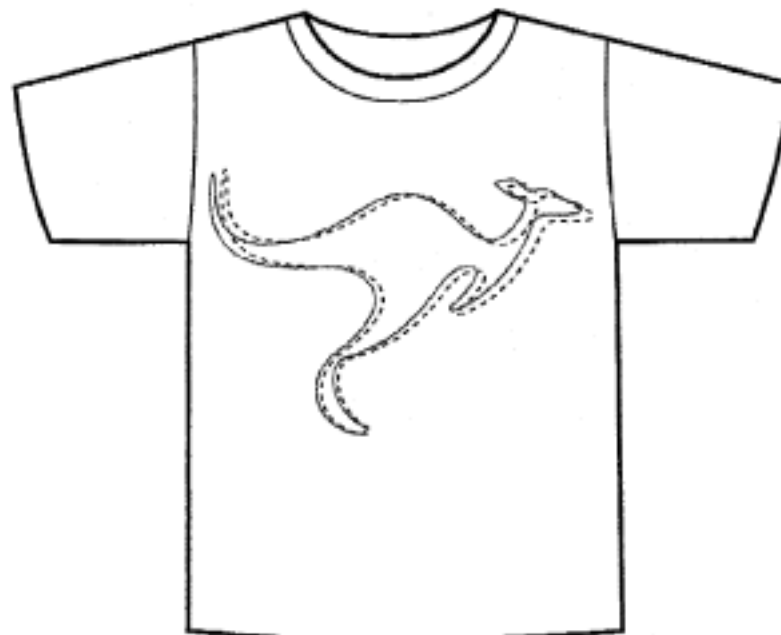
- (21) Design Number: **11833/2012**  
(22) Date of Filing Application: **13 April 2012**  
(24) Date from which industrial property rights may have effect: **13 April 2012**  
(54) Product in respect of which the design is registered: **T-shirt**  
(51) International Design Classification: **02-02NES**  
(74) Name(s) of Attorney(s):  
(71) Name(s) and Address(s) of Applicant(s):  
**Luke John Edwards**  
**6/30 Seymour Road Hamilton Queensland 4007 Australia**  
(72) Name(s) of Designer(s): **Anna Hancock**  
(45) Registration Date: **11 October 2012**  
(56) Related Art Documents: **Not Applicable**  
(57) Statement of Newness and Distinctiveness: **Newness and distinctiveness resides in the pattern and ornamentation of the T-shirt. The shape of the T-shirt is not new and distinctive.**



- (21) Design Number: **11835/2012**  
(22) Date of Filing Application: **13 April 2012**  
(24) Date from which industrial property rights may have effect: **13 April 2012**  
(54) Product in respect of which the design is registered: **T-shirt**  
(51) International Design Classification: **02-02NES**  
(74) Name(s) of Attorney(s):  
(71) Name(s) and Address(s) of Applicant(s):  
**Luke John Edwards**  
**6/30 Seymour Road Hamilton Queensland 4007 Australia**  
(72) Name(s) of Designer(s): **Anna Hancock**  
(45) Registration Date: **11 October 2012**  
(56) Related Art Documents: **Not Applicable**  
(57) Statement of Newness and Distinctiveness: **Newness and distinctiveness resides in the pattern and ornamentation of the T-shirt. The shape of the T-shirt is not new and distinctive.**



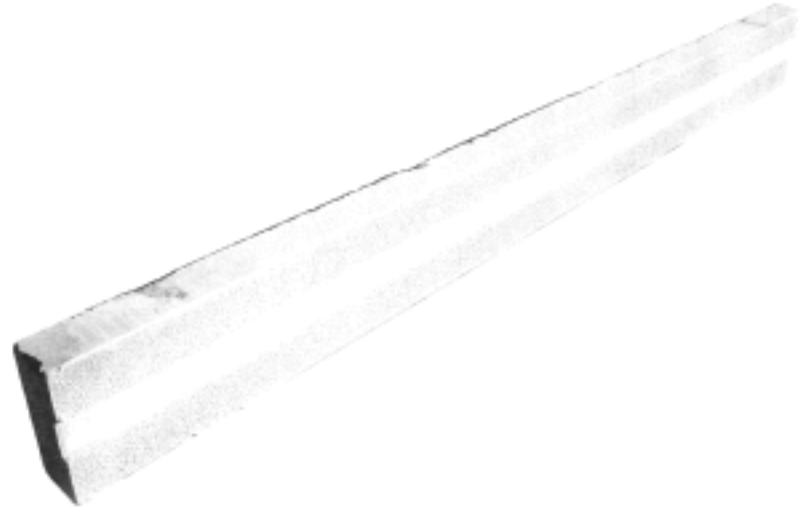
- (21) Design Number: **11946/2012**  
(22) Date of Filing Application: **13 April 2012**  
(24) Date from which industrial property rights may have effect: **13 April 2012**  
(54) Product in respect of which the design is registered: **T-shirt**  
(51) International Design Classification: **02-02NES**  
(74) Name(s) of Attorney(s):  
(71) Name(s) and Address(s) of Applicant(s):  
**Luke John Edwards**  
**6/30 Seymour Road Hamilton Queensland 4007 Australia**  
(72) Name(s) of Designer(s): **Anna Hancock**  
(45) Registration Date: **11 October 2012**  
(56) Related Art Documents: **Not Applicable**  
(57) Statement of Newness and Distinctiveness: **Newness and distinctiveness resides in the pattern and ornamentation of the T-shirt. The shape of the T-shirt is not new and distinctive.**



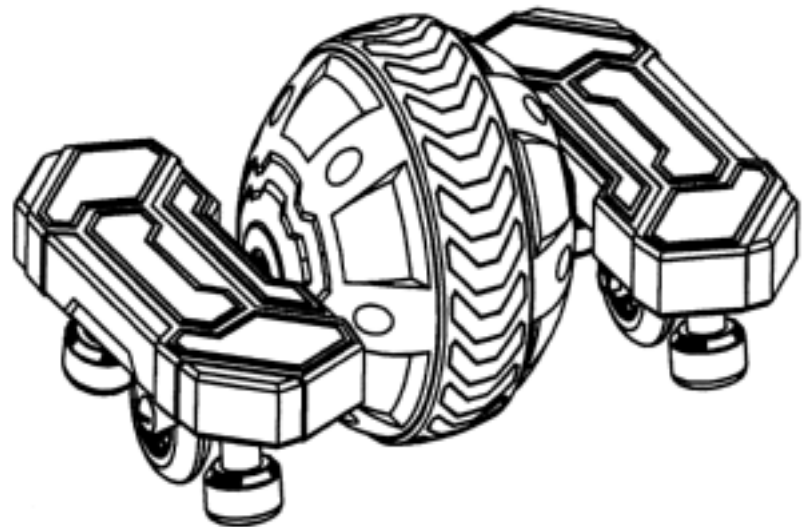
- (21) Design Number: **11948/2012**  
(22) Date of Filing Application: **13 April 2012**  
(24) Date from which industrial property rights may have effect: **13 April 2012**  
(54) Product in respect of which the design is registered: **T-shirt**  
(51) International Design Classification: **02-02NES**  
(74) Name(s) of Attorney(s):  
(71) Name(s) and Address(s) of Applicant(s):  
**Luke John Edwards**  
**6/30 Seymour Road Hamilton Queensland 4007 Australia**  
(72) Name(s) of Designer(s): **Anna Hancock**  
(45) Registration Date: **11 October 2012**  
(56) Related Art Documents: **Not Applicable**  
(57) Statement of Newness and Distinctiveness: **Newness and distinctiveness resides in the pattern and ornamentation of the T-shirt. The shape of the T-shirt is not new and distinctive.**



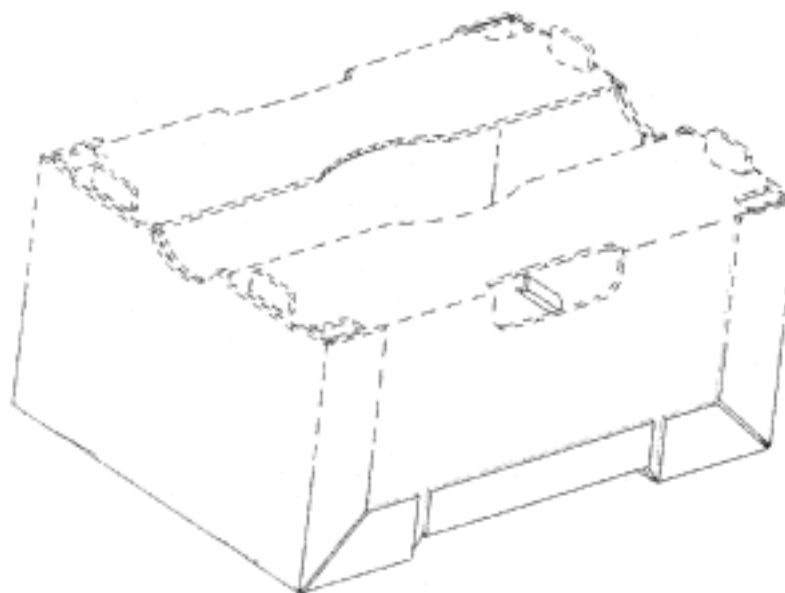
- (21) Design Number: **13064/2012**  
(22) Date of Filing Application: **29 June 2012**  
(24) Date from which industrial property rights may have effect: **29 June 2012**  
(54) Product in respect of which the design is registered: **A concrete sleeper**  
(51) International Design Classification: **25-01E**  
(74) Name(s) of Attorney(s):  
(71) Name(s) and Address(s) of Applicant(s):  
    **Michael Ineson**  
    **17 Lindsay Road Lonsdale South Australia 5160 Australia**  
    **Leanne Robyn Ineson**  
    **17 Lindsay Road Lonsdale South Australia 5160 Australia**  
(72) Name(s) of Designer(s): **Michael Ineson**  
(45) Registration Date: **11 October 2012**  
(56) Related Art Documents: **Not Applicable**  
(57) Statement of Newness and Distinctiveness: **Newness and distinctiveness resides in the recess formed in the front textured surface of the concrete sleeper as shown in the representations.**



- (21) Design Number: **13273/2012**  
(22) Date of Filing Application: **10 July 2012**  
(24) Date from which industrial property rights may have effect: **10 July 2012**  
(54) Product in respect of which the design is registered: **Ride-on device**  
(51) International Design Classification: **21-01F**  
(74) Name(s) of Attorney(s): **Actuate IP**  
(71) Name(s) and Address(s) of Applicant(s):  
    **Ronald Ian White**  
    **10 Sommersby Road Point Cook Victoria 3030 Australia**  
(72) Name(s) of Designer(s): **Ronald Ian White**  
(45) Registration Date: **11 October 2012**  
(56) Related Art Documents: **Not Applicable**  
(57) Statement of Newness and Distinctiveness: **Newness and distinctiveness is claimed in the features of shape and/or configuration of the ride-on device, particularly the tread, as illustrated in the accompanying representations.**



(21) Design Number: **13469/2012**  
(22) Date of Filing Application: **24 July 2012**  
(24) Date from which industrial property rights may have effect: **24 July 2012**  
(54) Product in respect of which the design is registered: **A container**  
(51) International Design Classification: **09-03M**  
(74) Name(s) of Attorney(s): **A J Park**  
(71) Name(s) and Address(s) of Applicant(s):  
**Carter Holt Harvey Limited**  
**173 Captain Springs Road Onehunga Auckland New Zealand**  
(72) Name(s) of Designer(s): **Craig Ronald Bonner and Michael Christopher Jury**  
(45) Registration Date: **11 October 2012**  
(30) Convention priority data:  
(31) Number (32) Date (33) Country  
**415774 24 Jan 2012 NEW ZEALAND**  
(56) Related Art Documents: **Not Applicable**  
(57) Statement of Newness and Distinctiveness: **The novelty claimed for the design resides in the features of shape and/or configuration of a container all as shown in the representations, except those areas shown in broken lines.**



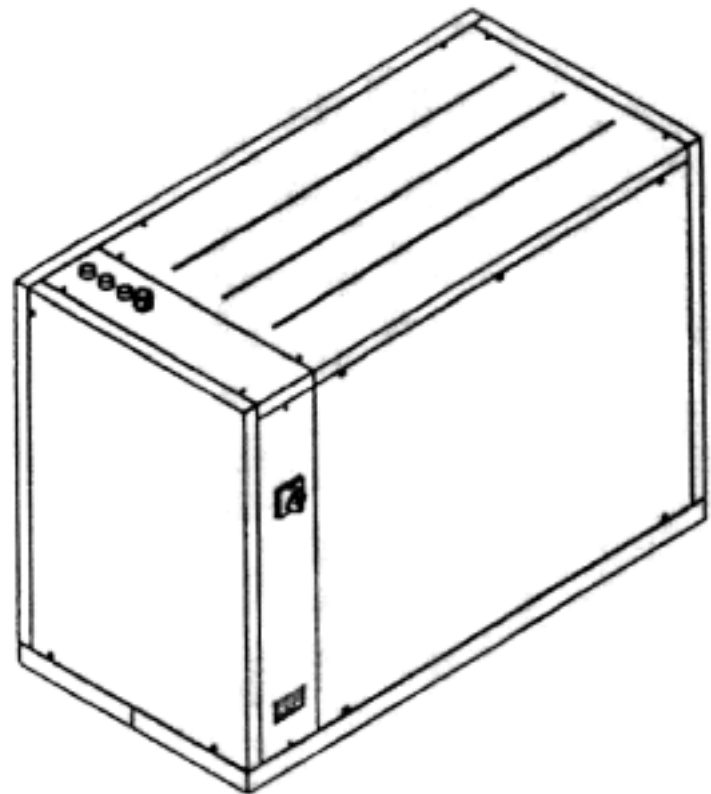
(21) Design Number: **13483/2012**  
(22) Date of Filing Application: **03 August 2012**  
(24) Date from which industrial property rights may have effect: **03 August 2012**  
(54) Product in respect of which the design is registered: **Mixing tap**  
(51) International Design Classification: **23-01H**  
(74) Name(s) of Attorney(s): **Davies Collison Cave**  
(71) Name(s) and Address(s) of Applicant(s):  
**Hansa Metallwerke AG**  
**Sigmaringer Str. 107 D-70567 Stuttgart Germany**  
(72) Name(s) of Designer(s): **Michael Zeisel and Michael Lammel**  
(45) Registration Date: **11 October 2012**  
(30) Convention priority data:  
(31) Number (32) Date (33) Country  
**001987413-0001 07 Feb 2012 EUROPEAN COMMUNITY**  
(56) Related Art Documents: **Not Applicable**  
(57) Statement of Newness and Distinctiveness: **Nil**



(21) Design Number: **13484/2012**  
(22) Date of Filing Application: **03 August 2012**  
(24) Date from which industrial property rights may have effect: **03 August 2012**  
(54) Product in respect of which the design is registered: **Mixing tap**  
(51) International Design Classification: **23-01H**  
(74) Name(s) of Attorney(s): **Davies Collison Cave**  
(71) Name(s) and Address(s) of Applicant(s):  
**Hansa Metallwerke AG**  
**Sigmaringer Str. 107 D-70567 Stuttgart Germany**  
(72) Name(s) of Designer(s): **Michael Zeisel and Michael Lammel**  
(45) Registration Date: **11 October 2012**  
(30) Convention priority data:  
(31) Number (32) Date (33) Country  
**001987413-0006 07 Feb 2012 EUROPEAN COMMUNITY**  
(56) Related Art Documents: **Not Applicable**  
(57) Statement of Newness and Distinctiveness: **Nil**



(21) Design Number: **13906/2012**  
(22) Date of Filing Application: **10 August 2012**  
(24) Date from which industrial property rights may have effect: **10 August 2012**  
(54) Product in respect of which the design is registered: **Ice machine**  
(51) International Design Classification: **15-07**  
(74) Name(s) of Attorney(s): **Pappas IP**  
(71) Name(s) and Address(s) of Applicant(s):  
**CASTEL MAC S.p.A**  
**Via Del Lavoro 9 I-31033 Castelfranco Veneto (TV) Italy**  
(72) Name(s) of Designer(s): **Emanuele Lanzani**  
(45) Registration Date: **11 October 2012**  
(30) Convention priority data:  
(31) Number (32) Date (33) Country  
**001314454-0001 14 Feb 2012 EUROPEAN COMMUNITY**  
(56) Related Art Documents: **Not Applicable**  
(57) Statement of Newness and Distinctiveness: **Newness and distinctiveness is claimed in the shape and/or configuration of the Ice Machine And Apparatus as illustrated in the representations.**



- (21) Design Number: **13480/2012**  
(22) Date of Filing Application: **24 July 2012**  
(24) Date from which industrial property rights may have effect: **24 July 2012**  
(54) Product in respect of which the design is registered: **Dispenser shroud**  
(51) International Design Classification: **09-01A**  
(74) Name(s) of Attorney(s): **SPRUSON & FERGUSON**  
(71) Name(s) and Address(s) of Applicant(s):  
**S. C. Johnson & Son, Inc.**  
**1525 Howe Street Racine Wisconsin 53403 United States of America**  
(72) Name(s) of Designer(s): **Khodayar Feiz and Charlotte Alexandra Cathelijn Franssen**  
(45) Registration Date: **12 October 2012**  
(30) Convention priority data:  
(31) Number (32) Date (33) Country  
**29/411757 25 Jan 2012 UNITED STATES OF AMERICA**  
(56) Related Art Documents: **Not Applicable**  
(57) Statement of Newness and Distinctiveness: **Newness and distinctiveness is claimed in the features of shape and/or configuration of parts of a dispenser shroud as illustrated in continuous lines and labelled in the accompanying representations 'A' and 'B'.**



- (21) Design Number: **13481/2012**  
(22) Date of Filing Application: **24 July 2012**  
(24) Date from which industrial property rights may have effect: **24 July 2012**  
(54) Product in respect of which the design is registered: **Dispenser shroud**  
(51) International Design Classification: **09-01A**  
(74) Name(s) of Attorney(s): **SPRUSON & FERGUSON**  
(71) Name(s) and Address(s) of Applicant(s):  
**S. C. Johnson & Son, Inc.**  
**1525 Howe Street Racine Wisconsin 53403 United States of America**  
(72) Name(s) of Designer(s): **Khodayar Feiz and Charlotte Alexandra Cathelijn Franssen**  
(45) Registration Date: **12 October 2012**  
(30) Convention priority data:  
(31) Number (32) Date (33) Country  
**29/411757 25 Jan 2012 UNITED STATES OF AMERICA**  
(56) Related Art Documents: **Not Applicable**  
(57) Statement of Newness and Distinctiveness: **Newness and distinctiveness is claimed in the features of shape and/or configuration of a dispenser shroud as illustrated in continuous lines in the accompanying representations.**



(21) Design Number: **13482/2012**  
(22) Date of Filing Application: **24 July 2012**  
(24) Date from which industrial property rights may have effect: **24 July 2012**  
(54) Product in respect of which the design is registered: **Dispenser shroud**  
(51) International Design Classification: **09-01A**  
(74) Name(s) of Attorney(s): **SPRUSON & FERGUSON**  
(71) Name(s) and Address(s) of Applicant(s):  
**S.C. Johnson & Son, Inc.**  
**1525 Howe Street Racine Wisconsin 53403 United States of America**  
(72) Name(s) of Designer(s): **Charlotte Alexandra Cathelijm Franssen and Khodayar Feiz**  
(45) Registration Date: **12 October 2012**  
(30) Convention priority data:  
(31) Number (32) Date (33) Country  
**29/411757 25 Jan 2012 UNITED STATES OF AMERICA**  
(56) Related Art Documents: **Not Applicable**  
(57) Statement of Newness and Distinctiveness: **Newness and distinctiveness is claimed in the features of shape and/or configuration of a dispenser shroud as illustrated in the accompanying representations.**



(21) Design Number: **13531/2012**  
(22) Date of Filing Application: **25 July 2012**  
(24) Date from which industrial property rights may have effect: **25 July 2012**  
(54) Product in respect of which the design is registered: **Stand**  
(51) International Design Classification: **20-03NES**  
(74) Name(s) of Attorney(s): **Griffith Hack**  
(71) Name(s) and Address(s) of Applicant(s):  
**SKODA AUTO a.s.**  
**Tr. Vaclava Klementa 869 Mlada Boleslav CZ-29360 Czech Republic**  
(72) Name(s) of Designer(s): **Jaromir Kuhn**  
(45) Registration Date: **12 October 2012**  
(30) Convention priority data:  
(31) Number (32) Date (33) Country  
**001993205 16 Feb 2012 EUROPEAN COMMUNITY**  
(56) Related Art Documents: **Not Applicable**  
(57) Statement of Newness and Distinctiveness: **Nil**



(21) Design Number: **13532/2012**  
(22) Date of Filing Application: **25 July 2012**  
(24) Date from which industrial property rights may have effect: **25 July 2012**  
(54) Product in respect of which the design is registered: **Advertising stand**  
(51) International Design Classification: **20-03NES**  
(74) Name(s) of Attorney(s): **Griffith Hack**  
(71) Name(s) and Address(s) of Applicant(s):  
**SKODA AUTO a.s.**  
**Tr. Vaclava Klementa 869 Mlada Boleslav CZ-29360 Czech Republic**  
(72) Name(s) of Designer(s): **Jaromir Kuhn**  
(45) Registration Date: **12 October 2012**  
(30) Convention priority data:  
(31) Number (32) Date (33) Country  
**001993205 16 Feb 2012 EUROPEAN COMMUNITY**  
(56) Related Art Documents: **Not Applicable**  
(57) Statement of Newness and Distinctiveness: **Nil**



(21) Design Number: **13533/2012**  
(22) Date of Filing Application: **25 July 2012**  
(24) Date from which industrial property rights may have effect: **25 July 2012**  
(54) Product in respect of which the design is registered: **Advertising stand**  
(51) International Design Classification: **20-03NES**  
(74) Name(s) of Attorney(s): **Griffith Hack**  
(71) Name(s) and Address(s) of Applicant(s):  
**SKODA AUTO a.s.**  
**Tr. Vaclava Klementa 869 Mlada Boleslav CZ-29360 Czech Republic**  
(72) Name(s) of Designer(s): **Jaromir Kuhn**  
(45) Registration Date: **12 October 2012**  
(30) Convention priority data:  
(31) Number (32) Date (33) Country  
**001993205 16 Feb 2012 EUROPEAN COMMUNITY**  
(56) Related Art Documents: **Not Applicable**  
(57) Statement of Newness and Distinctiveness: **Nil**





(21) Design Number: **13534/2012**  
(22) Date of Filing Application: **25 July 2012**  
(24) Date from which industrial property rights may have effect: **25 July 2012**  
(54) Product in respect of which the design is registered: **Signboard with marking**  
(51) International Design Classification: **20-03NES**  
(74) Name(s) of Attorney(s): **Griffith Hack**  
(71) Name(s) and Address(s) of Applicant(s):  
**SKODA AUTO a.s.**  
**Tr. Vaclava Klementa 869 Mlada Boleslav CZ-29360 Czech Republic**  
(72) Name(s) of Designer(s): **Jaromir Kuhn**  
(45) Registration Date: **12 October 2012**  
(30) Convention priority data:  
(31) Number (32) Date (33) Country  
**001993205 16 Feb 2012 EUROPEAN COMMUNITY**  
(56) Related Art Documents: **Not Applicable**  
(57) Statement of Newness and Distinctiveness: **Nil**



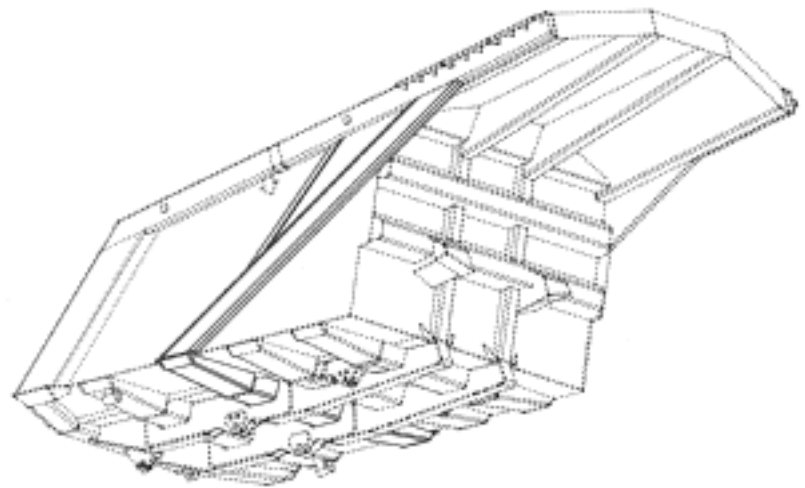
(21) Design Number: **13535/2012**  
(22) Date of Filing Application: **25 July 2012**  
(24) Date from which industrial property rights may have effect: **25 July 2012**  
(54) Product in respect of which the design is registered: **Signboard with marking**  
(51) International Design Classification: **20-03NES**  
(74) Name(s) of Attorney(s): **Griffith Hack**  
(71) Name(s) and Address(s) of Applicant(s):  
**SKODA AUTO a.s.**  
**Tr. Vaclava Klementa 869 Mlada Boleslav CZ-29360 Czech Republic**  
(72) Name(s) of Designer(s): **Jaromir Kuhn**  
(45) Registration Date: **12 October 2012**  
(30) Convention priority data:  
(31) Number (32) Date (33) Country  
**001993205 16 Feb 2012 EUROPEAN COMMUNITY**  
(56) Related Art Documents: **Not Applicable**  
(57) Statement of Newness and Distinctiveness: **Nil**



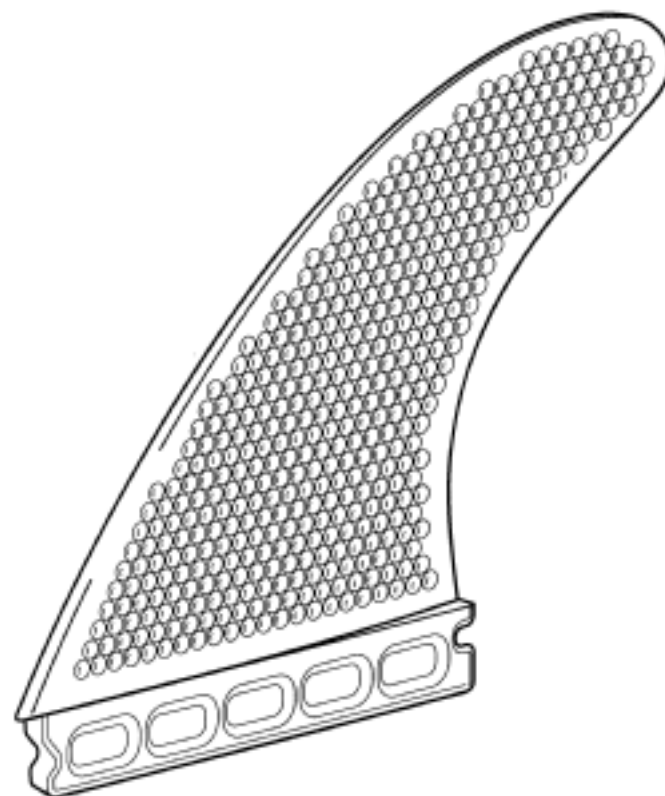
(21) Design Number: **13536/2012**  
(22) Date of Filing Application: **25 July 2012**  
(24) Date from which industrial property rights may have effect: **25 July 2012**  
(54) Product in respect of which the design is registered: **Signboard with marking**  
(51) International Design Classification: **20-03NES**  
(74) Name(s) of Attorney(s): **Griffith Hack**  
(71) Name(s) and Address(s) of Applicant(s):  
**SKODA AUTO a.s.**  
**Tr. Vaclava Klementa 869 Mlada Boleslav CZ-29360 Czech Republic**  
(72) Name(s) of Designer(s): **Jaromir Kuhn**  
(45) Registration Date: **12 October 2012**  
(30) Convention priority data:  
(31) Number (32) Date (33) Country  
**001993205 16 Feb 2012 EUROPEAN COMMUNITY**  
(56) Related Art Documents: **Not Applicable**  
(57) Statement of Newness and Distinctiveness: **Nil**



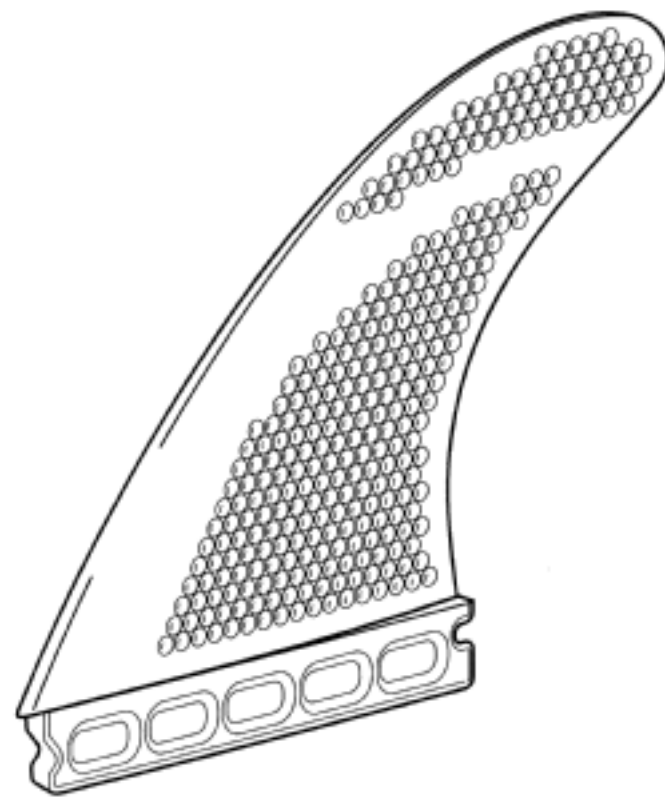
(21) Design Number: **11034/2012**  
(22) Date of Filing Application: **05 March 2012**  
(24) Date from which industrial property rights may have effect: **05 March 2012**  
(54) Product in respect of which the design is registered: **Tray for a truck**  
(51) International Design Classification: **15-04, 12-16NES**  
(74) Name(s) of Attorney(s): **Davies Collison Cave**  
(71) Name(s) and Address(s) of Applicant(s):  
**Duratray Investments Pty Ltd**  
**8 Dunlop Ct Bayswater Victoria 3153 Australia**  
(72) Name(s) of Designer(s): **Marco Antonio Medel**  
(45) Registration Date: **12 October 2012**  
(56) Related Art Documents: **Not Applicable**  
(57) Statement of Newness and Distinctiveness: **Newness and distinctiveness is claimed in the shape and configuration of what is shown in solid lines in Figures 1 to 5 and 8 of the representations.**



- (21) Design Number: **13596/2012**
- (22) Date of Filing Application: **28 May 2012**
- (24) Date from which industrial property rights may have effect: **28 May 2012**
- (54) Product in respect of which the design is registered: **Full dimple fin**
- (51) International Design Classification: **21-02D**
- (74) Name(s) of Attorney(s): **WATERMARK PATENT AND TRADE MARKS ATTORNEYS**
- (71) Name(s) and Address(s) of Applicant(s):  
**Courtney James Potter**  
**12 Spinebill Ramble Margaret River Western Australia 6285 Australia**
- (72) Name(s) of Designer(s): **Courtney James Potter**
- (45) Registration Date: **12 October 2012**
- (56) Related Art Documents: **Not Applicable**
- (57) Statement of Newness and Distinctiveness: **Newness and distinctiveness resides in the inclusion of dimples on the surface of the fin, the fin tabs on the base of the fin do not form part of the design.**



- (21) Design Number: **13597/2012**
- (22) Date of Filing Application: **28 May 2012**
- (24) Date from which industrial property rights may have effect: **28 May 2012**
- (54) Product in respect of which the design is registered: **Partial dimple fin**
- (51) International Design Classification: **21-02D**
- (74) Name(s) of Attorney(s): **WATERMARK PATENT AND TRADE MARKS ATTORNEYS**
- (71) Name(s) and Address(s) of Applicant(s):  
**Courtney James Potter**  
**12 Spinebill Ramble Margaret River Western Australia 6285 Australia**
- (72) Name(s) of Designer(s): **Courtney James Potter**
- (45) Registration Date: **12 October 2012**
- (56) Related Art Documents: **Not Applicable**
- (57) Statement of Newness and Distinctiveness: **Newness and distinctiveness resides in the inclusion of dimples on the surface of the fin, the fin tabs on the base of the fin do not form part of the design.**

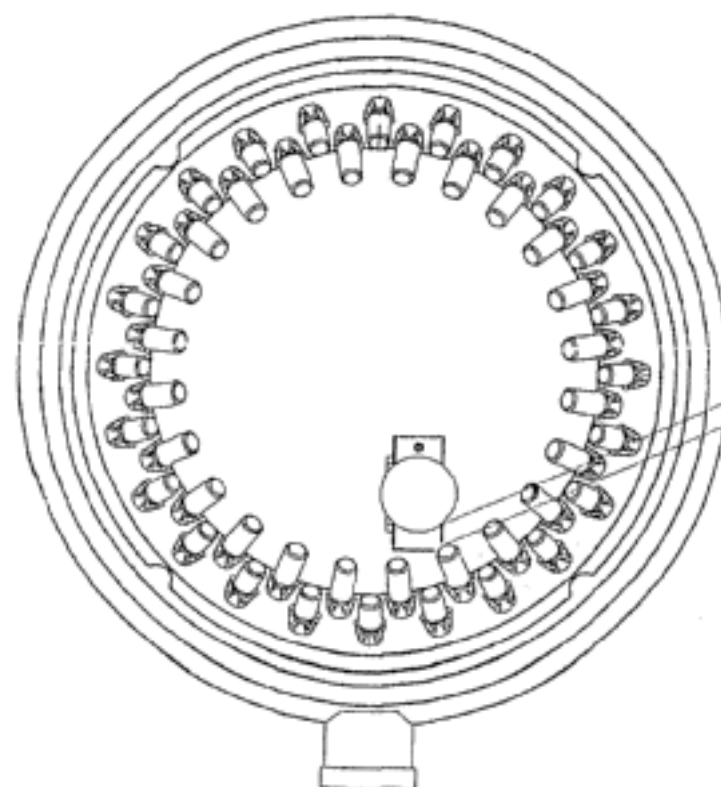


- (21) Design Number: **13852/2012**  
(22) Date of Filing Application: **06 August 2012**  
(24) Date from which industrial property rights may have effect: **06 August 2012**  
(54) Product in respect of which the design is registered: **Adjustable corner frameless shower screen**  
(51) International Design Classification: **23-02B**  
(74) Name(s) of Attorney(s):  
(71) Name(s) and Address(s) of Applicant(s):  
**Li Hong She**  
**14-16 Edinburgh St Oakleigh South Victoria 3167 Australia**  
(72) Name(s) of Designer(s): **Jay Li**  
(45) Registration Date: **12 October 2012**  
(56) Related Art Documents: **Not Applicable**

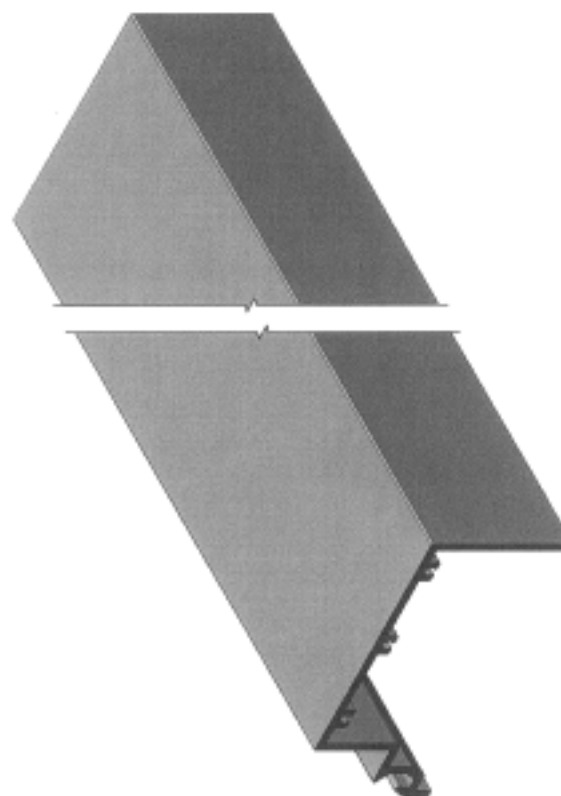
(57) Statement of Newness and Distinctiveness: **As per photos attached, this design is called "Adjustable Corner Frameless Shower Screen". It has a telescopic adjustable front door. The front door can be adjusted in width by about 60-100mm by adjusting the telescopic section to make the glass overlap bigger or smaller. Corner frameless shower screens do exist but none of them have a telescopic adjustable front door. One of the major problems of the normal corner frameless shower screens is there is no much adjustable in width. In most case, the corner frameless shower screens have to be made to measure, which is more costly and time consuming. Another major problem of the normal corner frameless shower screens is water leaking through the gap between glass and glass. Our Adjustable Corner Frameless Shower Screen has about 60-100mm adjustment in the width of the front door due to its telescopic frame. Also, the glass overlap eliminates the chance of water leaking. Benefits of Adjustable Corner Frameless Shower Screens compared with the normal corner frameless shower screens: 1. Much Bigger adjustment 2. Much less chance of water leaking 3. Easier installation Benefits of Adjustable Corner Frameless Shower Screens compared with the normal adjustable Framed shower screens: 1. More modern and clean look compared with the framed shower screens. 2. Easier to clean**



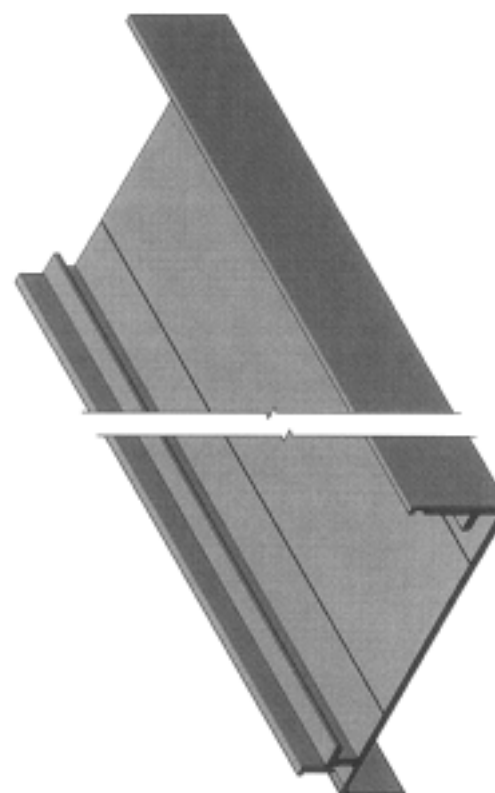
- (21) Design Number: **14370/2012**  
(22) Date of Filing Application: **31 August 2012**  
(24) Date from which industrial property rights may have effect: **31 August 2012**  
(54) Product in respect of which the design is registered: **Burner for wok-cooking table**  
(51) International Design Classification: **23-03F**  
(74) Name(s) of Attorney(s): **John L Davies & Co**  
(71) Name(s) and Address(s) of Applicant(s):  
**888 Importing Pty Ltd**  
**55 Tarnard Dr Braeside VIC 3195 Australia**  
(72) Name(s) of Designer(s): **Peter Gianuzzi and Ruben Diaz**  
(45) Registration Date: **12 October 2012**  
(56) Related Art Documents: **Not Applicable**  
(57) Statement of Newness and Distinctiveness: **Nil**



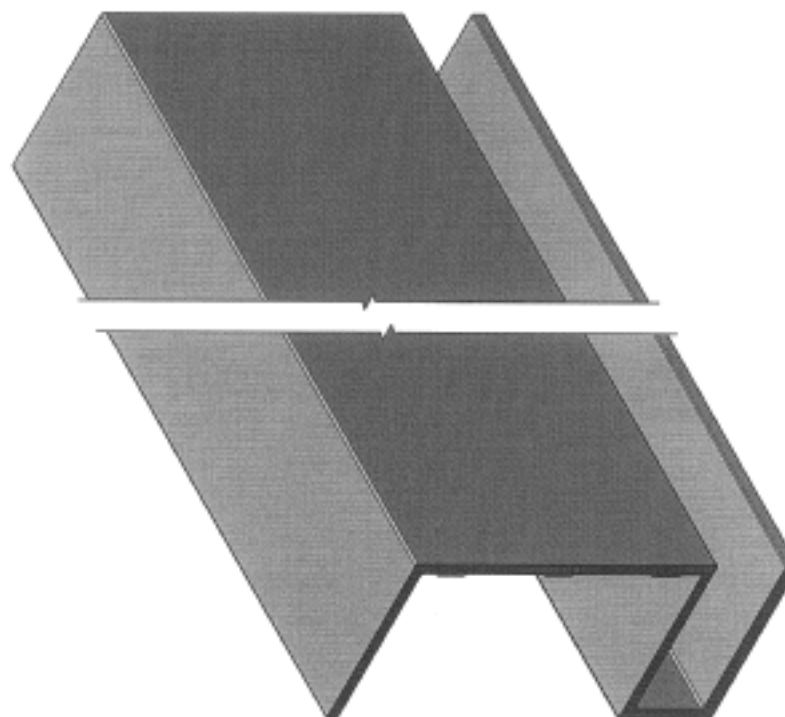
- (21) Design Number: **14566/2012**  
(22) Date of Filing Application: **13 September 2012**  
(24) Date from which industrial property rights may have effect: **13 September 2012**  
(54) Product in respect of which the design is registered: **Extrusion**  
(51) International Design Classification: **25-01K**  
(74) Name(s) of Attorney(s): **Herbert Smith Freehills**  
(71) Name(s) and Address(s) of Applicant(s):  
**Aluminium Specialties Group Pty Ltd**  
**3 Alspeg PI Eastern Creek NSW 2766 Australia**  
(72) Name(s) of Designer(s): **Vince Ravese**  
(45) Registration Date: **12 October 2012**  
(56) Related Art Documents: **Not Applicable**  
(57) Statement of Newness and Distinctiveness: **Newness and distinctiveness resides in the features of shape and/or configuration of an extrusion of indefinite length as shown in the accompanying representations.**



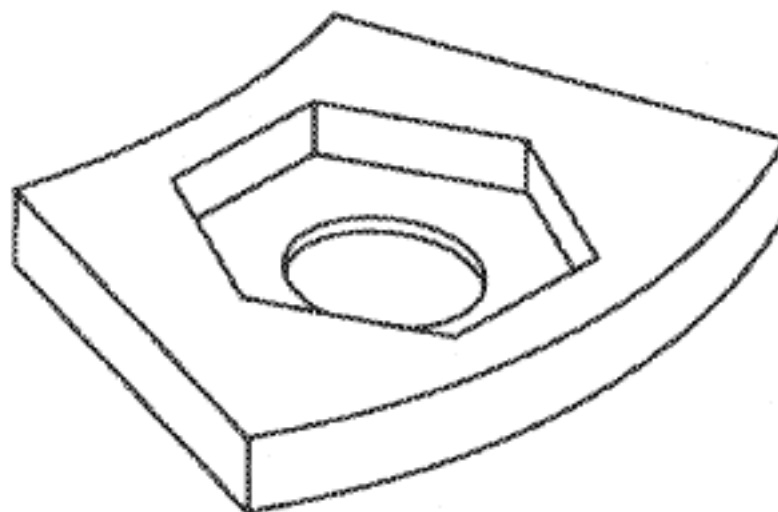
- (21) Design Number: **14567/2012**  
(22) Date of Filing Application: **13 September 2012**  
(24) Date from which industrial property rights may have effect: **13 September 2012**  
(54) Product in respect of which the design is registered: **Extrusion**  
(51) International Design Classification: **25-01K**  
(74) Name(s) of Attorney(s): **Herbert Smith Freehills**  
(71) Name(s) and Address(s) of Applicant(s):  
**Aluminium Specialties Group Pty Ltd**  
**3 Alspeg PI Eastern Creek NSW 2766 Australia**  
(72) Name(s) of Designer(s): **Vince Ravese**  
(45) Registration Date: **12 October 2012**  
(56) Related Art Documents: **Not Applicable**  
(57) Statement of Newness and Distinctiveness: **Newness and distinctiveness resides in the features of shape and/or configuration of an extrusion of indefinite length as shown in the accompanying representations.**



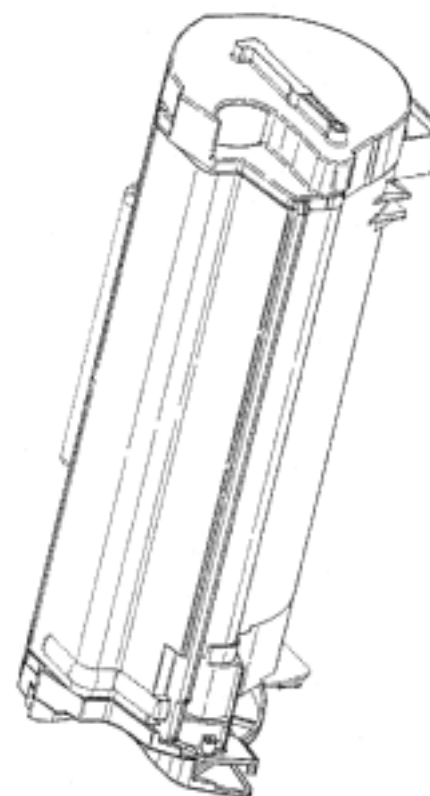
(21) Design Number: **14568/2012**  
(22) Date of Filing Application: **13 September 2012**  
(24) Date from which industrial property rights may have effect: **13 September 2012**  
(54) Product in respect of which the design is registered: **Extrusion**  
(51) International Design Classification: **25-01K**  
(74) Name(s) of Attorney(s): **Herbert Smith Freehills**  
(71) Name(s) and Address(s) of Applicant(s):  
**Aluminium Specialties Group Pty Ltd**  
**3 Alspeg PI Eastern Creek NSW 2766 Australia**  
(72) Name(s) of Designer(s): **Vince Ravese**  
(45) Registration Date: **12 October 2012**  
(56) Related Art Documents: **Not Applicable**  
(57) Statement of Newness and Distinctiveness: **Newness and distinctiveness resides in the features of shape and/or configuration of an extrusion of indefinite length as shown in the accompanying representations.**



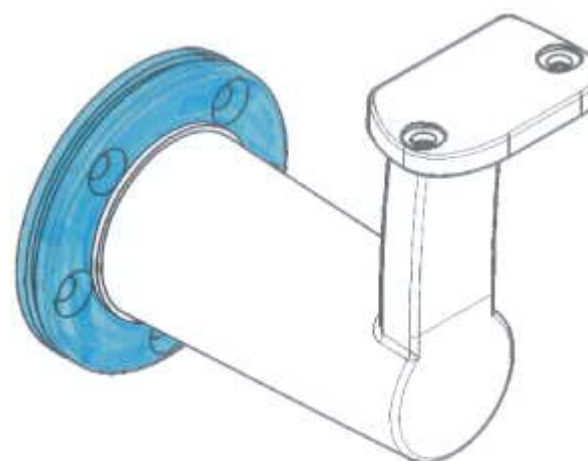
(21) Design Number: **14569/2012**  
(22) Date of Filing Application: **13 September 2012**  
(24) Date from which industrial property rights may have effect: **13 September 2012**  
(54) Product in respect of which the design is registered: **Washer**  
(51) International Design Classification: **08-08B**  
(74) Name(s) of Attorney(s): **A J Park**  
(71) Name(s) and Address(s) of Applicant(s):  
**Piping Integrity Equipment Limited**  
**7 Lizard St New Plymouth 4210 New Zealand**  
(72) Name(s) of Designer(s): **Lyall James Field and Jason Dennis Woodward**  
(45) Registration Date: **12 October 2012**  
(30) Convention priority data:  
(31) Number      (32) Date      (33) Country  
**416535      26 Jul 2012      NEW ZEALAND**  
(56) Related Art Documents: **Not Applicable**  
(57) Statement of Newness and Distinctiveness: **Newness and distinctiveness reside in the features of shape and/or configuration of the WASHER, as shown in the representations.**



- (21) Design Number: **14570/2012**  
(22) Date of Filing Application: **12 September 2012**  
(24) Date from which industrial property rights may have effect: **12 September 2012**  
(54) Product in respect of which the design is registered: **Laser Printer Toner cartridge**  
(51) International Design Classification: **14-02**  
(74) Name(s) of Attorney(s): **Wrays**  
(71) Name(s) and Address(s) of Applicant(s):  
**Lexmark International Inc**  
**740 West New Circle Road Lexington Kentucky 40550 United States of America**  
(72) Name(s) of Designer(s): **Brian Lester Boettcher and James Anthony II Carter and Gregory Alan Cavill and Gary Neal Hackney and Jonathan David Kelley and Katrina Rosit Lactuan and James Richard Leemhuis and Benjamin Keith Newman and Matthew Lee Rogers and Bryan Christopher Scharf and Keith Seaman and Leighton De Leon Venezuela and Christopher Gene Vowels and Bryan Joseph Wiemers**  
(45) Registration Date: **12 October 2012**  
(56) Related Art Documents: **Not Applicable**  
(57) Statement of Newness and Distinctiveness: **Newness and distinctiveness is claimed in the features of shape and/or configuration of the Laser Printer Toner Cartridge depicted in the accompanying representations. The features shown in broken lines are for illustrative purposes only and do not form part of the claimed design.**



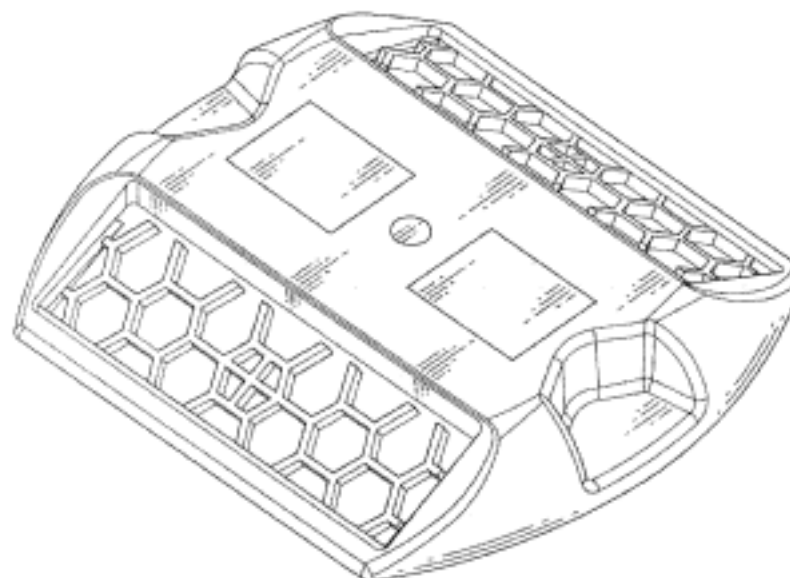
- (21) Design Number: **14573/2012**  
(22) Date of Filing Application: **12 September 2012**  
(24) Date from which industrial property rights may have effect: **12 September 2012**  
(54) Product in respect of which the design is registered: **A Bracket for a Handrail**  
(51) International Design Classification: **08-08NES**  
(74) Name(s) of Attorney(s): **James & Wells**  
(71) Name(s) and Address(s) of Applicant(s):  
**Miles Nelson Manufacturing Co Limited**  
**5 Lovell Court Albany North Shore City 0632 New Zealand**  
(72) Name(s) of Designer(s): **Brenton Lee**  
(45) Registration Date: **12 October 2012**  
(30) Convention priority data:  
(31) Number      (32) Date      (33) Country  
**416623      14 Aug 2012      NEW ZEALAND**  
(56) Related Art Documents: **Not Applicable**  
(57) Statement of Newness and Distinctiveness: **The design is to be applied to a bracket for a handrail, and the novelty resides in features of shape and configuration as shown in the accompanying representations. Novelty is disclaimed in the parts marked with blue wash.**



- (21) Design Number: **14577/2012**  
(22) Date of Filing Application: **11 September 2012**  
(24) Date from which industrial property rights may have effect: **09 January 2012**  
(54) Product in respect of which the design is registered: **Women's clothing**  
(51) International Design Classification: **02-02NES**  
(74) Name(s) of Attorney(s): **Allens Patent & Trade Mark Attorneys**  
(71) Name(s) and Address(s) of Applicant(s):  
**Forever New Clothing Pty Ltd**  
**714-716 High St Kew East VIC 3102 Australia**  
(72) Name(s) of Designer(s): **Gemma Henderson**  
(45) Registration Date: **12 October 2012**  
(62) Divisional of: **344497**  
(56) Related Art Documents: **Not Applicable**  
(57) Statement of Newness and Distinctiveness: **Newness and distinctiveness resides in the visual features of women's clothing as shown in the accompanying representations.**

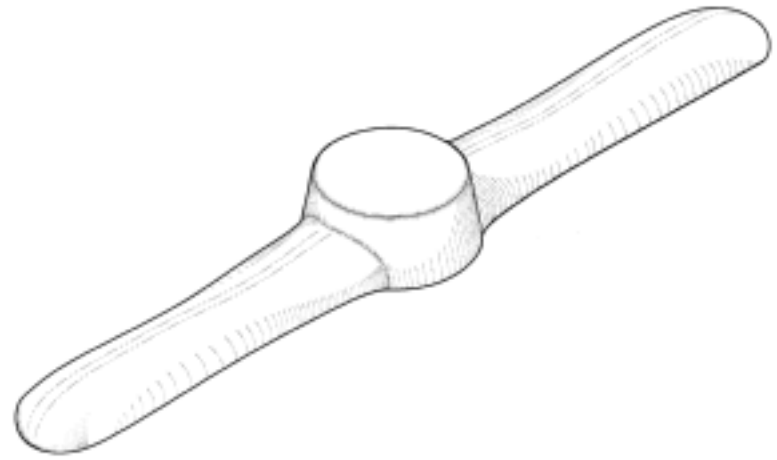


- (21) Design Number: **14600/2012**  
(22) Date of Filing Application: **14 September 2012**  
(24) Date from which industrial property rights may have effect: **14 September 2012**  
(54) Product in respect of which the design is registered: **Reflective pavement marker**  
(51) International Design Classification: **26-05A**  
(74) Name(s) of Attorney(s): **SPRUSON & FERGUSON**  
(71) Name(s) and Address(s) of Applicant(s):  
**Techeye Optics Technologies Co., Ltd.**  
**3F No 131 Sung-Chiang Rd Taipei City 104 R.O.C. Taiwan**  
(72) Name(s) of Designer(s): **Lee Hung-Chen**  
(45) Registration Date: **12 October 2012**  
(56) Related Art Documents: **Not Applicable**  
(57) Statement of Newness and Distinctiveness: **Newness and distinctiveness is claimed in the features of shape and/or configuration of a reflective pavement marker as illustrated in the accompanying representations.**





- (21) Design Number: **14182/2012**  
(22) Date of Filing Application: **27 August 2012**  
(24) Date from which industrial property rights may have effect: **27 August 2012**  
(54) Product in respect of which the design is registered: **Adjustable finger ring/  
adjustable ring**  
(51) International Design Classification: **11-01A**  
(74) Name(s) of Attorney(s):  
(71) Name(s) and Address(s) of Applicant(s):  
**David Newton**  
**8/67 Shirley Road Wollstonecraft New South Wales 2065 Australia**  
(72) Name(s) of Designer(s): **David Newton**  
(45) Registration Date: **15 October 2012**  
(56) Related Art Documents: **Not Applicable**  
(57) Statement of Newness and Distinctiveness: **The design is a unique configuration for an adjustable finger ring. The newness is that the adjustable finger ring begins in a flat and straight position as per the attached drawings, rather than the conventional configuration of both standard and adjustable finger ring where the ring is presented in a circular and round position. This finger ring would be bent by the wearer from this unique flat configuration to a round position by the wearer but only the uniqueness of the starting flat position is claimed.**



- (21) Design Number: **14183/2012**  
(22) Date of Filing Application: **27 August 2012**  
(24) Date from which industrial property rights may have effect: **27 August 2012**  
(54) Product in respect of which the design is registered: **A fridge magnet**  
(51) International Design Classification: **11-02NES, 07-99NES**  
(74) Name(s) of Attorney(s):  
(71) Name(s) and Address(s) of Applicant(s):  
**Phillip John Stansfield-Smith**  
**5/9-11 Nelson Road Point Lonsdale Victoria 3225 Australia**  
(72) Name(s) of Designer(s): **Phillip John Stansfield-Smith**  
(45) Registration Date: **15 October 2012**  
(56) Related Art Documents: **Not Applicable**  
(57) Statement of Newness and Distinctiveness: **A fridge magnet.**



(21) Design Number: **14186/2012**  
(22) Date of Filing Application: **24 August 2012**  
(24) Date from which industrial property rights may have effect: **24 August 2012**  
(54) Product in respect of which the design is registered: **Cultivating wing point**  
(51) International Design Classification: **08-01**  
(74) Name(s) of Attorney(s): **Fisher Adams Kelly**  
(71) Name(s) and Address(s) of Applicant(s):

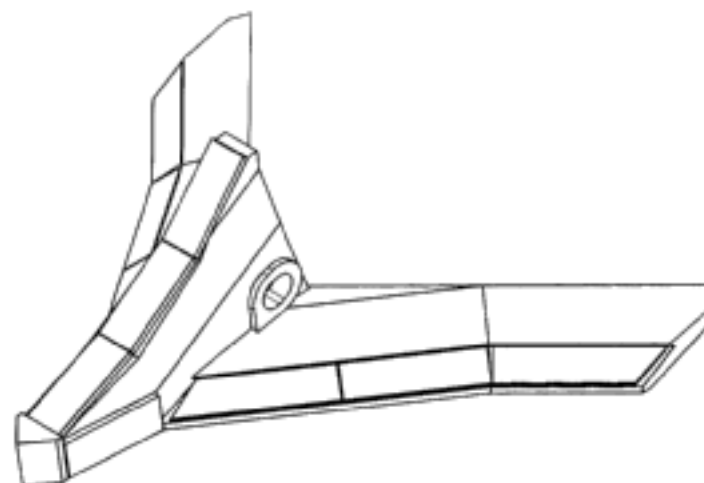
**Castpoints Pty Ltd**  
**2 Wyndham Street Toowoomba Queensland 4350 Australia**

(72) Name(s) of Designer(s): **Robert Edward Steggall**

(45) Registration Date: **15 October 2012**

(56) Related Art Documents: **Not Applicable**

(57) Statement of Newness and Distinctiveness: **The newness and distinctiveness of the design resides in the shape and/or configuration of the CULTIVATING WING POINT shown in the representations. In considering the scope of monopoly particular regard is to be had to the inclined step formed in the wings against a wall of which the protective tiles abut. This feature is particularly shown in the enlarged wing end image.**



(21) Design Number: **14187/2012**  
(22) Date of Filing Application: **24 August 2012**  
(24) Date from which industrial property rights may have effect: **24 August 2012**  
(54) Product in respect of which the design is registered: **Handheld microdermabrasion device**  
(51) International Design Classification: **28-03NES**  
(74) Name(s) of Attorney(s): **FB Rice**  
(71) Name(s) and Address(s) of Applicant(s):

**Riiviva, Inc**  
**4660 La Jolla Village Drive Suite 500 San Diego California 92122 United States of America**

(72) Name(s) of Designer(s): **Diane Bitaraf and Buckley Barlow and Travis Dowdell**

(45) Registration Date: **15 October 2012**

(30) Convention priority data:

(31) Number	(32) Date	(33) Country
<b>29/414458</b>	<b>28 Feb 2012</b>	<b>UNITED STATES OF AMERICA</b>

(56) Related Art Documents: **Not Applicable**

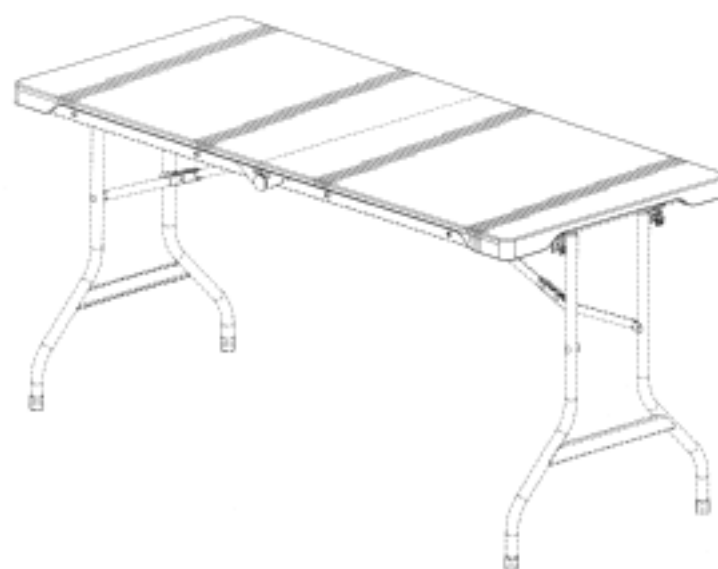
(57) Statement of Newness and Distinctiveness: **Newness and distinctiveness reside in the features of the design shown in solid lines in the representations excluding those features shown in broken lines.**



- (21) Design Number: **14188/2012**  
(22) Date of Filing Application: **24 August 2012**  
(24) Date from which industrial property rights may have effect: **24 August 2012**  
(54) Product in respect of which the design is registered: **Inverter**  
(51) International Design Classification: **13-02**  
(74) Name(s) of Attorney(s): **Griffith Hack**  
(71) Name(s) and Address(s) of Applicant(s):  
**SMA Solar Technology AG**  
**Sonnenallee 1 34266 Niestetal Germany**  
(72) Name(s) of Designer(s): **Alexander Benn**  
(45) Registration Date: **15 October 2012**  
(30) Convention priority data:  
(31) Number      (32) Date      (33) Country  
**002009977      16 Mar 2012      EUROPEAN COMMUNITY**  
(56) Related Art Documents: **Not Applicable**  
(57) Statement of Newness and Distinctiveness: **The shape, configuration and ornamentation of the product as shown in the accompanying Figures is new and distinctive.**



- (21) Design Number: **14189/2012**  
(22) Date of Filing Application: **24 August 2012**  
(24) Date from which industrial property rights may have effect: **24 August 2012**  
(54) Product in respect of which the design is registered: **Table top**  
(51) International Design Classification: **06-03A, 06-06E**  
(74) Name(s) of Attorney(s): **Griffith Hack**  
(71) Name(s) and Address(s) of Applicant(s):  
**Lifetime Products, Inc.**  
**Freeport Center Building D-11 Clearfield UT 84016 United States of America**  
(72) Name(s) of Designer(s): **Mitch Johnson and Jay Calkin and Frank Clegg**  
(45) Registration Date: **15 October 2012**  
(30) Convention priority data:  
(31) Number      (32) Date      (33) Country  
**29/415,705      13 Mar 2012      UNITED STATES OF AMERICA**  
(56) Related Art Documents: **Not Applicable**  
(57) Statement of Newness and Distinctiveness: **Newness and distinctiveness is shown in the shape and configuration of the product as illustrated and having particular regard to those features shown in solid lines.**



(21) Design Number: **14197/2012**

(22) Date of Filing Application: **24 August 2012**

(24) Date from which industrial property rights may have effect: **24 August 2012**

(54) Product in respect of which the design is registered: **Sliding nozzle plate**

(51) International Design Classification: **23-01D, 23-01NES**

(74) Name(s) of Attorney(s): **Griffith Hack**

(71) Name(s) and Address(s) of Applicant(s):

**Krosakiharima Corporation**  
**1-1 Higashihama-machi Yahatanishi-ku Kitakyushu-shi Fukuoka**  
**806-8586 Japan**

(72) Name(s) of Designer(s): **Junichi Funato and Shunji Sadano and Shinjiro Saito**

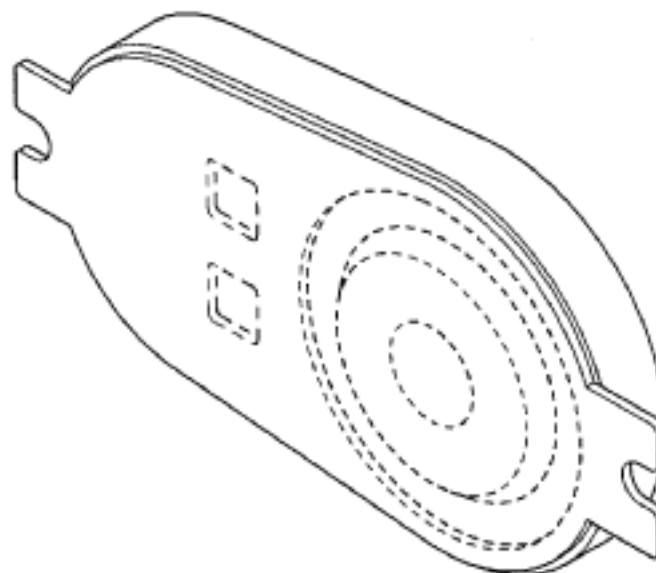
(45) Registration Date: **15 October 2012**

(30) Convention priority data:

(31) Number	(32) Date	(33) Country
<b>2012-7328</b>	<b>29 Mar 2012</b>	<b>JAPAN</b>

(56) Related Art Documents: **Not Applicable**

(57) Statement of Newness and Distinctiveness: **Newness and distinctiveness resides in the visual features, including shape and configuration, of a SLIDING NOZZLE PLATE as shown in solid outline in the accompanying drawings. When determining whether the design is substantially similar in overall impression to another design, no regard is to be had to those features shown in dotted outline in the accompanying drawings, which features are provided for illustrative purposes only.**



(21) Design Number: **14217/2012**

(22) Date of Filing Application: **24 August 2012**

(24) Date from which industrial property rights may have effect: **24 August 2012**

(54) Product in respect of which the design is registered: **Watch**

(51) International Design Classification: **10-02**

(74) Name(s) of Attorney(s): **SPRUSON & FERGUSON**

(71) Name(s) and Address(s) of Applicant(s):

**Christian Dior Couture**  
**30 avenue Montaigne 75008 Paris France**

(72) Name(s) of Designer(s): **Mathieu Jamin**

(45) Registration Date: **15 October 2012**

(30) Convention priority data:

(31) Number	(32) Date	(33) Country
<b>DM/077 931</b>	<b>27 Feb 2012</b>	<b>SWITZERLAND</b>

(56) Related Art Documents: **Not Applicable**

(57) Statement of Newness and Distinctiveness: **The novelty of the design resides in the features of pattern and ornamentation of a watch of as shown in the accompanying representations.**



(21) Design Number: **14603/2012**

(22) Date of Filing Application: **18 September 2012**

(24) Date from which industrial property rights may have effect: **18 September 2012**

(54) Product in respect of which the design is registered: **Basin mixer**

(51) International Design Classification: **23-01H**

(74) Name(s) of Attorney(s):

(71) Name(s) and Address(s) of Applicant(s):

**Invention Sanitary Fitting Co., Ltd.**

**B Dongxi Industrial Zone Zhishan Town Heshan City Guangdong 529729  
China**

(72) Name(s) of Designer(s): **Jian Li**

(45) Registration Date: **15 October 2012**

(30) Convention priority data:

(31) Number	(32) Date	(33) Country
<b>201230252862.5</b>	<b>15 Jun 2012</b>	<b>CHINA</b>

(56) Related Art Documents: **Not Applicable**

(57) Statement of Newness and Distinctiveness: **Nil**



(21) Design Number: **14604/2012**

(22) Date of Filing Application: **18 September 2012**

(24) Date from which industrial property rights may have effect: **18 September 2012**

(54) Product in respect of which the design is registered: **Basin mixer**

(51) International Design Classification: **23-01H**

(74) Name(s) of Attorney(s):

(71) Name(s) and Address(s) of Applicant(s):

**Invention Sanitary Fitting Co., Ltd.**

**B Dongxi Industrial Zone Zhishan Town Heshan City Guangdong 529729  
China**

(72) Name(s) of Designer(s): **Jian Li**

(45) Registration Date: **15 October 2012**

(30) Convention priority data:

(31) Number	(32) Date	(33) Country
<b>201230252870.X</b>	<b>15 Jun 2012</b>	<b>CHINA</b>

(56) Related Art Documents: **Not Applicable**

(57) Statement of Newness and Distinctiveness: **Nil**



(21) Design Number: **14605/2012**

(22) Date of Filing Application: **18 September 2012**

(24) Date from which industrial property rights may have effect: **18 September 2012**

(54) Product in respect of which the design is registered: **Basin mixer**

(51) International Design Classification: **23-01H**

(74) Name(s) of Attorney(s):

(71) Name(s) and Address(s) of Applicant(s):

**Invention Sanitary Fitting Co., Ltd.**

**B Dongxi Industrial Zone Zhishan Town Heshan City Guangdong 529729  
China**

(72) Name(s) of Designer(s): **Jian Li**

(45) Registration Date: **15 October 2012**

(30) Convention priority data:

(31) Number	(32) Date	(33) Country
<b>201230252854.0</b>	<b>15 Jun 2012</b>	<b>CHINA</b>

(56) Related Art Documents: **Not Applicable**

(57) Statement of Newness and Distinctiveness: **Nil**



(21) Design Number: **14608/2012**

(22) Date of Filing Application: **17 September 2012**

(24) Date from which industrial property rights may have effect: **01 August 2012**

(54) Product in respect of which the design is registered: **Charging unit**

(51) International Design Classification: **27-05**

(74) Name(s) of Attorney(s): **Callinans**

(71) Name(s) and Address(s) of Applicant(s):

**Phillip Morris Products S.A.**

**Quay Jeanrenaud 3 2000 Neuchatel Switzerland**

(72) Name(s) of Designer(s): **Laurent Manca and Philip Leung**

(45) Registration Date: **15 October 2012**

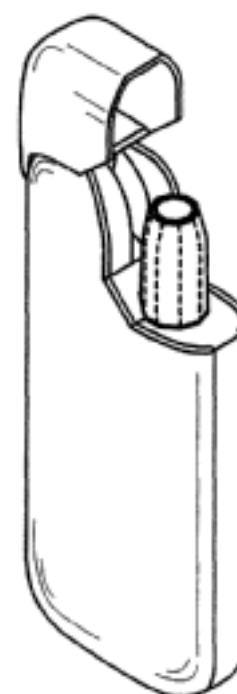
(30) Convention priority data:

(31) Number	(32) Date	(33) Country
<b>001314090</b>	<b>13 Feb 2012</b>	<b>EUROPEAN COMMUNITY</b>

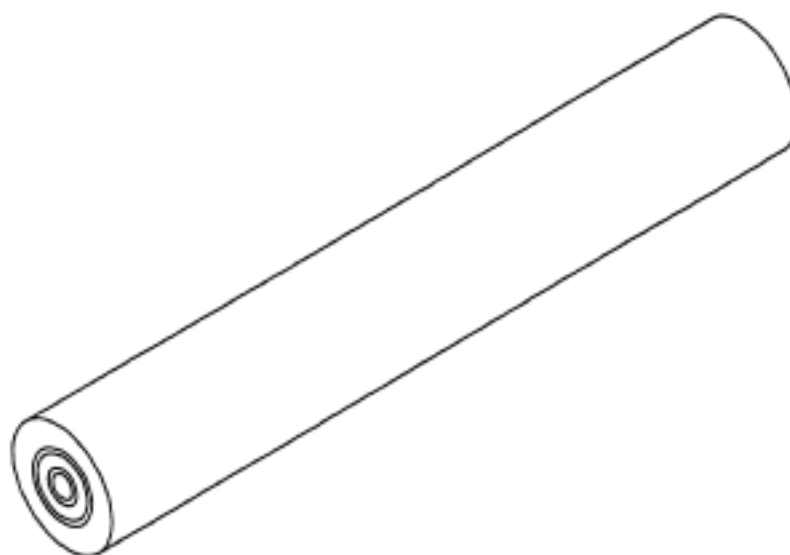
(62) Divisional of: **344491**

(56) Related Art Documents: **Not Applicable**

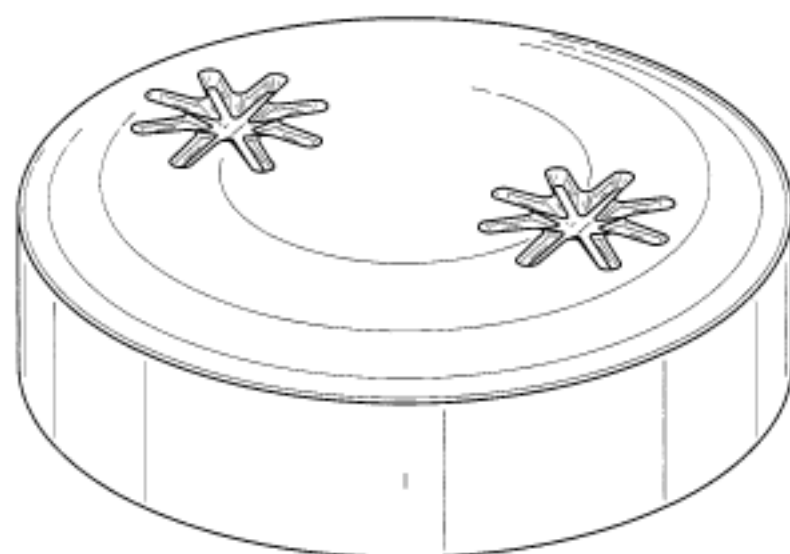
(57) Statement of Newness and Distinctiveness: **Newness and distinctiveness are provided by the shape and/or configuration of the design shown in the representations. The features shown in broken lines in the representations are for illustrative purposes only and should not be considered when construing visual features of the design.**



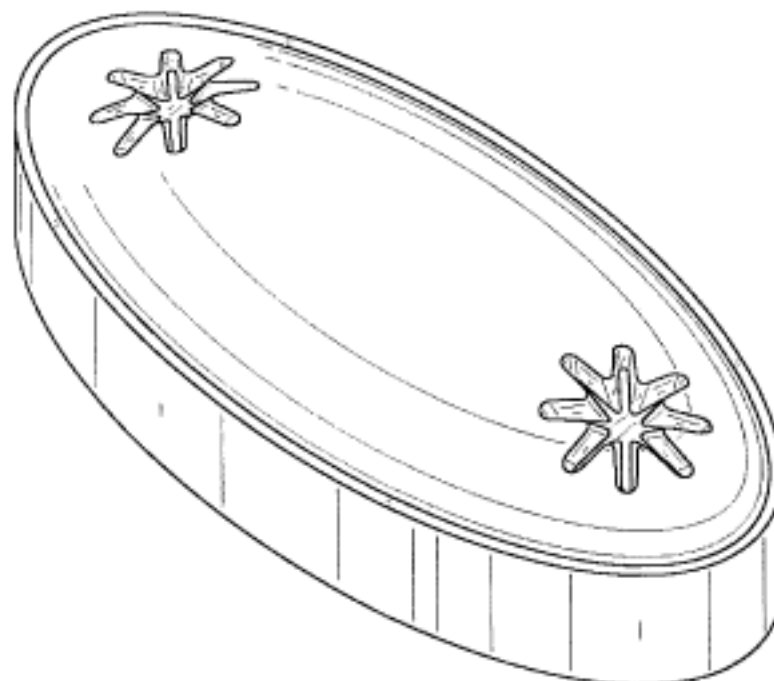
(21) Design Number: **12960/2012**  
(22) Date of Filing Application: **22 June 2012**  
(24) Date from which industrial property rights may have effect: **22 June 2012**  
(54) Product in respect of which the design is registered: **Hand-held aerosol generator**  
(51) International Design Classification: **27-99**  
(74) Name(s) of Attorney(s): **Callinans**  
(71) Name(s) and Address(s) of Applicant(s):  
**Philip Morris Products S.A.**  
**Quai Jeanrenaud 3 2000 Neuchatel Switzerland**  
(72) Name(s) of Designer(s): **Aaron Abroff and Gregor Mittersinker and Laurent Manca**  
(45) Registration Date: **15 October 2012**  
(30) Convention priority data:  
(31) Number (32) Date (33) Country  
**001307649 23 Dec 2011 EUROPEAN COMMUNITY**  
(56) Related Art Documents: **Not Applicable**  
(57) Statement of Newness and Distinctiveness: **Nil**



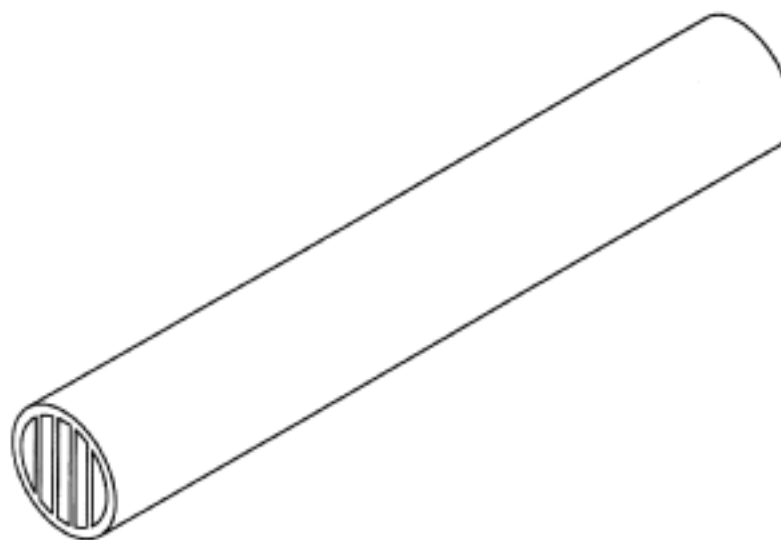
(21) Design Number: **13588/2012**  
(22) Date of Filing Application: **27 July 2012**  
(24) Date from which industrial property rights may have effect: **27 July 2012**  
(54) Product in respect of which the design is registered: **Tablet**  
(51) International Design Classification: **28-01**  
(74) Name(s) of Attorney(s): **Shelston IP**  
(71) Name(s) and Address(s) of Applicant(s):  
**McNeil-PPC Inc.**  
**199 Grandview Road Skillman New Jersey 08558 United States of America**  
**Johnson & Johnson Industrial Ltda**  
**Righway Presidente Dutra KM 154 Sao Jose Dos Campos Sao Paulo Brazil**  
(72) Name(s) of Designer(s): **Joel Waldman and Fernanda Franzoi**  
(45) Registration Date: **15 October 2012**  
(30) Convention priority data:  
(31) Number (32) Date (33) Country  
**29/412544 03 Feb 2012 UNITED STATES OF AMERICA**  
(56) Related Art Documents: **Not Applicable**  
(57) Statement of Newness and Distinctiveness: **Newness and distinctiveness reside in the features of shape and/or configuration of a tablet as illustrated in the accompanying representations.**



- (21) Design Number: **13589/2012**  
(22) Date of Filing Application: **27 July 2012**  
(24) Date from which industrial property rights may have effect: **27 July 2012**  
(54) Product in respect of which the design is registered: **Tablet**  
(51) International Design Classification: **28-01**  
(74) Name(s) of Attorney(s): **Shelston IP**  
(71) Name(s) and Address(s) of Applicant(s):  
**McNeil-PPC Inc.**  
**199 Grandview Road Skillman New Jersey 08558 United States of America**  
**Johnson & Johnson Industrial Ltda**  
**Ri highway Presidente Dutra KM 154 Sao Jose Dos Campos Sao Paulo Brazil**  
(72) Name(s) of Designer(s): **Joel Waldman and Anthony Bean and Fernanda Franzoi**  
(45) Registration Date: **15 October 2012**  
(30) Convention priority data:  
(31) Number (32) Date (33) Country  
**29/412543 03 Feb 2012 UNITED STATES OF AMERICA**  
(56) Related Art Documents: **Not Applicable**  
(57) Statement of Newness and Distinctiveness: **Newness and distinctiveness reside in the features of shape and/or configuration of a tablet as illustrated in the accompanying representations.**



- (21) Design Number: **14364/2012**  
(22) Date of Filing Application: **04 September 2012**  
(24) Date from which industrial property rights may have effect: **22 June 2012**  
(54) Product in respect of which the design is registered: **Hand-held aerosol generator**  
(51) International Design Classification: **27-99**  
(74) Name(s) of Attorney(s): **Callinans**  
(71) Name(s) and Address(s) of Applicant(s):  
**Philip Morris Products S.A.**  
**Quay Jeanrenaud 3 2000 Neuchatel Switzerland**  
(72) Name(s) of Designer(s): **Aaron Abroff**  
(45) Registration Date: **15 October 2012**  
(30) Convention priority data:  
(31) Number (32) Date (33) Country  
**001307649 23 Dec 2011 EUROPEAN COMMUNITY**  
(62) Divisional of: **344885**  
(56) Related Art Documents: **Not Applicable**  
(57) Statement of Newness and Distinctiveness: **Nil**





(21) Design Number: **14609/2012**  
(22) Date of Filing Application: **17 September 2012**  
(24) Date from which industrial property rights may have effect: **01 August 2012**  
(54) Product in respect of which the design is registered: **Charging unit**  
(51) International Design Classification: **27-05**  
(74) Name(s) of Attorney(s): **Callinans**  
(71) Name(s) and Address(s) of Applicant(s):

**Phillip Morris Products S.A.**  
**Quay Jeanrenaud 3 2000 Neuchatel Switzerland**

(72) Name(s) of Designer(s): **Laurent Manca and Philip Leung**

(45) Registration Date: **15 October 2012**

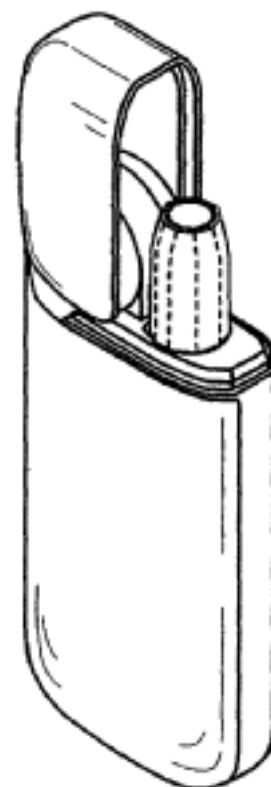
(30) Convention priority data:

(31) Number	(32) Date	(33) Country
<b>001314082</b>	<b>13 Feb 2012</b>	<b>EUROPEAN COMMUNITY</b>

(62) Divisional of: **344492**

(56) Related Art Documents: **Not Applicable**

(57) Statement of Newness and Distinctiveness: **Newness and distinctiveness are provided by the shape and/or configuration of the design shown in the representations. The features shown in broken lines in the representations are for illustrative purposes only and should not be considered when construing visual features of the design.**



(21) Design Number: **14613/2012**  
(22) Date of Filing Application: **17 September 2012**  
(24) Date from which industrial property rights may have effect: **17 September 2012**  
(54) Product in respect of which the design is registered: **Torch**  
(51) International Design Classification: **26-02**  
(74) Name(s) of Attorney(s): **FB Rice**  
(71) Name(s) and Address(s) of Applicant(s):

**Zweibruder Optoelectronics GmbH & Co. KG**  
**Kronenstrasse 5-7 42699 Solingen Germany**

(72) Name(s) of Designer(s): **Andre Kunzendorf**

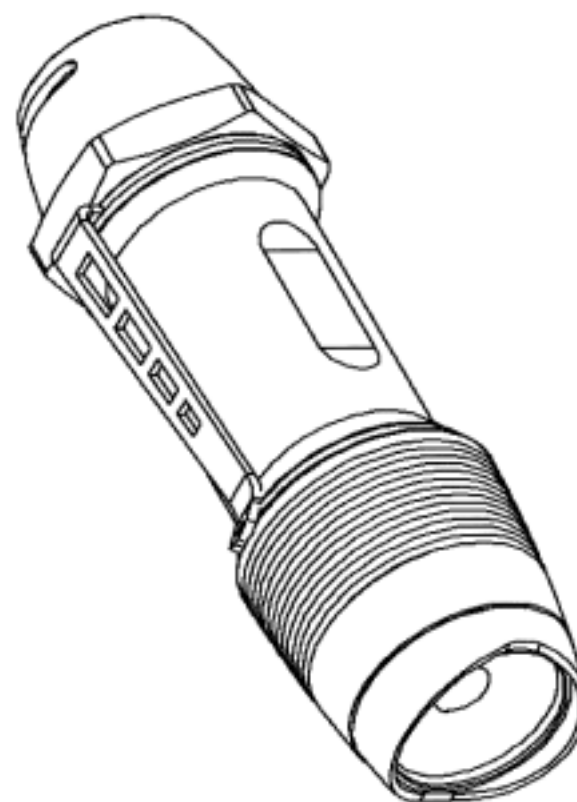
(45) Registration Date: **15 October 2012**

(30) Convention priority data:

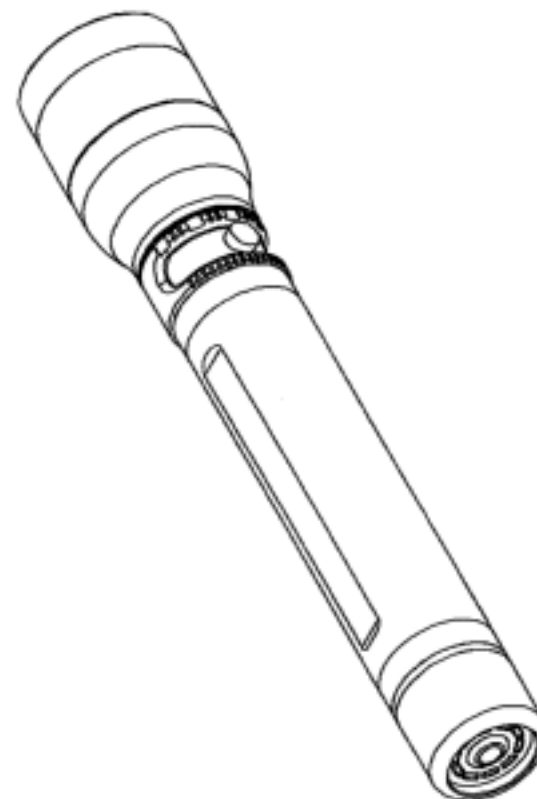
(31) Number	(32) Date	(33) Country
<b>002025270-0002</b>	<b>13 Apr 2012</b>	<b>EUROPEAN COMMUNITY</b>

(56) Related Art Documents: **Not Applicable**

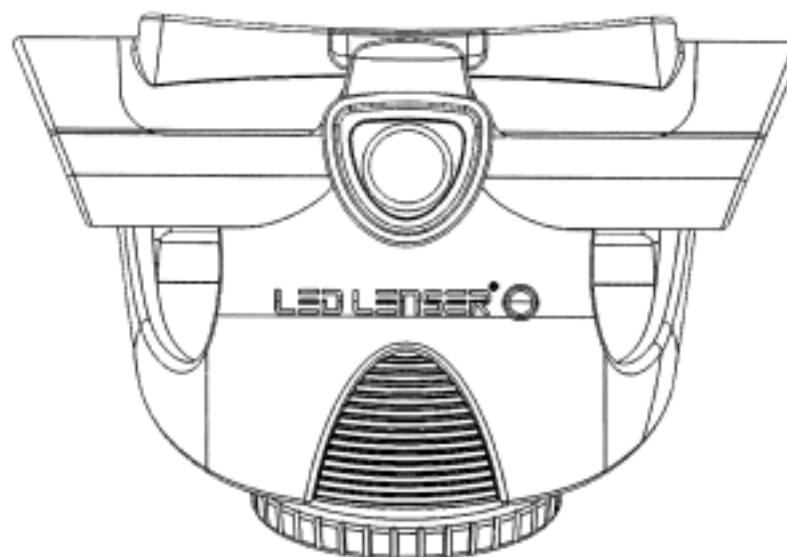
(57) Statement of Newness and Distinctiveness: **Newness and distinctiveness reside in the features of shape and configuration of the product as shown in the representations.**



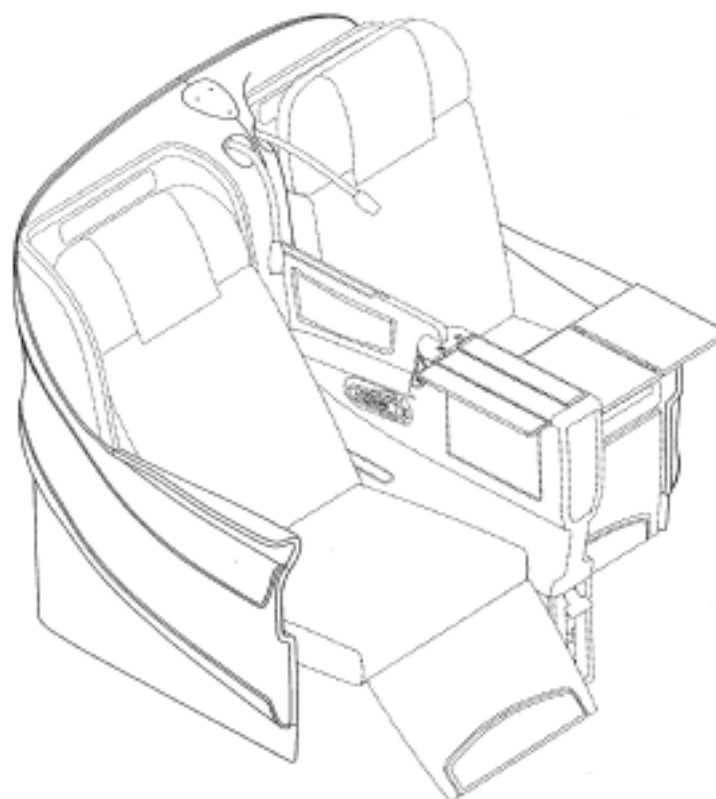
(21) Design Number: **14614/2012**  
(22) Date of Filing Application: **17 September 2012**  
(24) Date from which industrial property rights may have effect: **17 September 2012**  
(54) Product in respect of which the design is registered: **Torch**  
(51) International Design Classification: **26-02**  
(74) Name(s) of Attorney(s): **FB Rice**  
(71) Name(s) and Address(s) of Applicant(s):  
**Zweibruder Optoelectronics GmbH & Co. KG**  
**Kronenstrasse 5-7 42699 Solingen Germany**  
(72) Name(s) of Designer(s): **Andre Kunzendorf**  
(45) Registration Date: **15 October 2012**  
(30) Convention priority data:  
(31) Number      (32) Date      (33) Country  
**002025270-0001   13 Apr 2012      EUROPEAN COMMUNITY**  
(56) Related Art Documents: **Not Applicable**  
(57) Statement of Newness and Distinctiveness: **Newness and distinctiveness**  
**reside in the features of shape and configuration of the product as shown**  
**in the representations.**



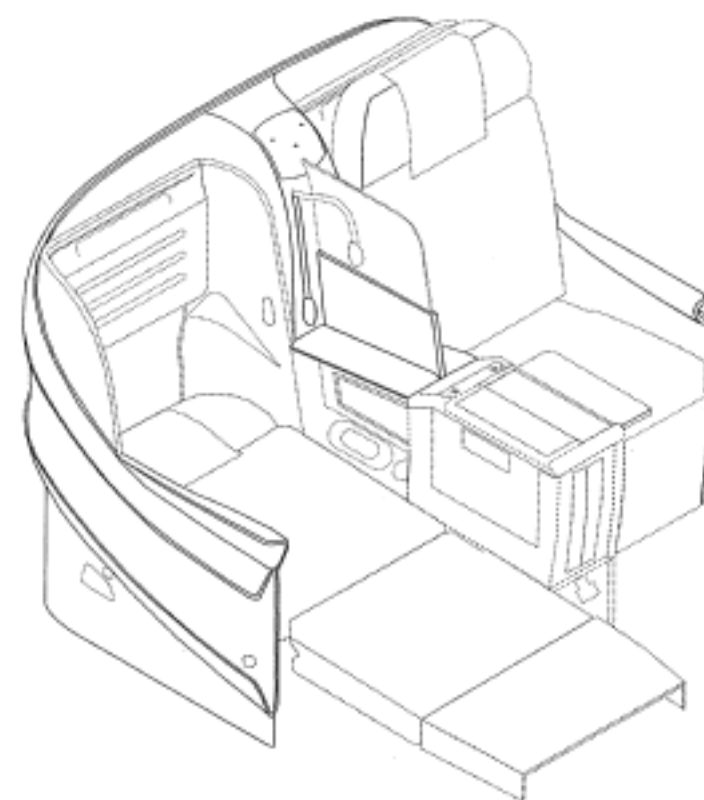
(21) Design Number: **14615/2012**  
(22) Date of Filing Application: **17 September 2012**  
(24) Date from which industrial property rights may have effect: **17 September 2012**  
(54) Product in respect of which the design is registered: **Lamp**  
(51) International Design Classification: **26-02**  
(74) Name(s) of Attorney(s): **FB Rice**  
(71) Name(s) and Address(s) of Applicant(s):  
**Zweibruder Optoelectronics GmbH & Co. KG**  
**Kronenstrasse 5-7 42699 Solingen Germany**  
(72) Name(s) of Designer(s): **Andre Kunzendorf**  
(45) Registration Date: **15 October 2012**  
(30) Convention priority data:  
(31) Number      (32) Date      (33) Country  
**002025270-0010   13 Apr 2012      EUROPEAN COMMUNITY**  
(56) Related Art Documents: **Not Applicable**  
(57) Statement of Newness and Distinctiveness: **Newness and distinctiveness**  
**reside in the features of shape and configuration of the product as shown**  
**in the representations.**



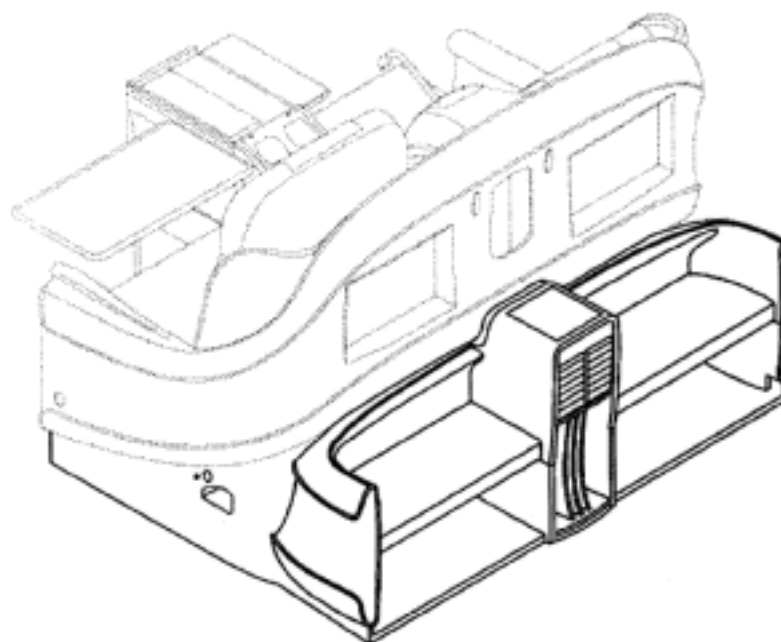
(21) Design Number: **14616/2012**  
(22) Date of Filing Application: **17 September 2012**  
(24) Date from which industrial property rights may have effect: **17 September 2012**  
(54) Product in respect of which the design is registered: **Aircraft seat module**  
(51) International Design Classification: **06-01D**  
(74) Name(s) of Attorney(s): **SPRUSON & FERGUSON**  
(71) Name(s) and Address(s) of Applicant(s):  
**LAN Airlines S.A.**  
**Presidente Riesco No 5711 Las Condes Santiago Chile**  
(72) Name(s) of Designer(s): **Claude Salzberger and Diego Kolsky and Robert McDougle**  
(45) Registration Date: **15 October 2012**  
(30) Convention priority data:  
(31) Number (32) Date (33) Country  
**29/427206 16 Jul 2012 UNITED STATES OF AMERICA**  
(56) Related Art Documents: **Not Applicable**  
(57) Statement of Newness and Distinctiveness: **Newness and distinctiveness is claimed in those features of shape and/or configuration of an aircraft seat module as illustrated in continuous lines in the accompanying representations.**



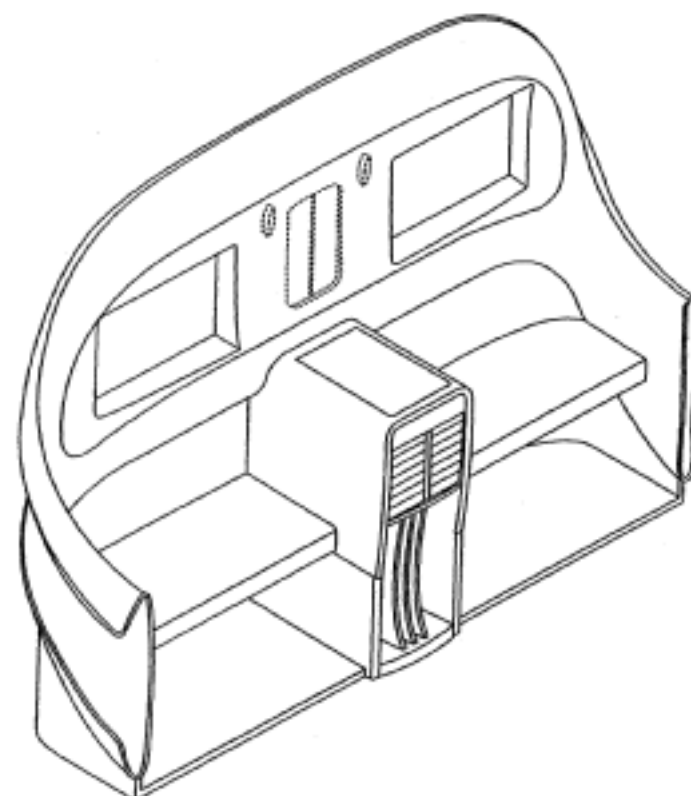
(21) Design Number: **14617/2012**  
(22) Date of Filing Application: **17 September 2012**  
(24) Date from which industrial property rights may have effect: **17 September 2012**  
(54) Product in respect of which the design is registered: **Aircraft seat module**  
(51) International Design Classification: **06-01D**  
(74) Name(s) of Attorney(s): **SPRUSON & FERGUSON**  
(71) Name(s) and Address(s) of Applicant(s):  
**LAN Airlines S.A.**  
**Presidente Riesco No 5711 Las Condes Santiago Chile**  
(72) Name(s) of Designer(s): **Claude Salzberger and Diego Kolsky and Robert McDougle**  
(45) Registration Date: **15 October 2012**  
(30) Convention priority data:  
(31) Number (32) Date (33) Country  
**29/427212 16 Jul 2012 UNITED STATES OF AMERICA**  
(56) Related Art Documents: **Not Applicable**  
(57) Statement of Newness and Distinctiveness: **Newness and distinctiveness is claimed in those features of shape and/or configuration of an aircraft seat module as illustrated in continuous lines in the accompanying representations.**



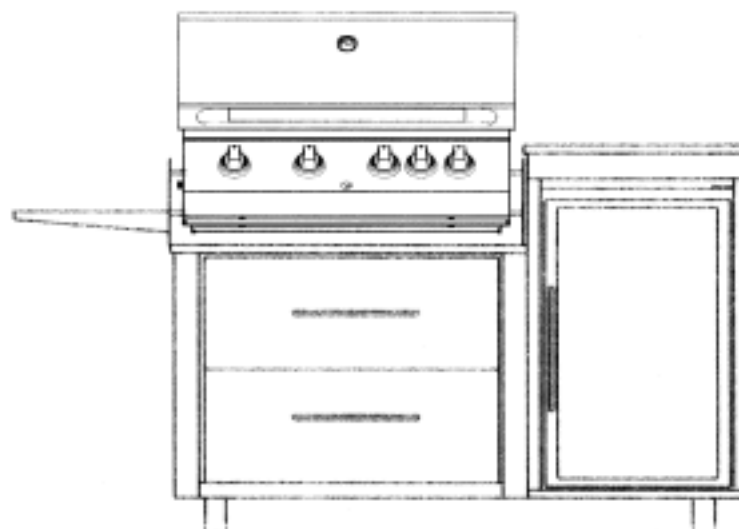
(21) Design Number: **14618/2012**  
(22) Date of Filing Application: **17 September 2012**  
(24) Date from which industrial property rights may have effect: **17 September 2012**  
(54) Product in respect of which the design is registered: **Passenger aircraft storage module**  
(51) International Design Classification: **06-04NES, 06-06G**  
(74) Name(s) of Attorney(s): **SPRUSON & FERGUSON**  
(71) Name(s) and Address(s) of Applicant(s):  
**LAN Airlines S.A.**  
**Presidente Riesco No 5711 Las Condes Santiago Chile**  
(72) Name(s) of Designer(s): **Claude Salzberger and Diego Kolsky and Robert McDougle**  
(45) Registration Date: **15 October 2012**  
(30) Convention priority data:  
(31) Number (32) Date (33) Country  
**29/427216 16 Jul 2012 UNITED STATES OF AMERICA**  
(56) Related Art Documents: **Not Applicable**  
(57) Statement of Newness and Distinctiveness: **Newness and distinctiveness is claimed in those features of shape and/or configuration of a passenger aircraft storage module as illustrated in continuous lines in the accompanying representations.**



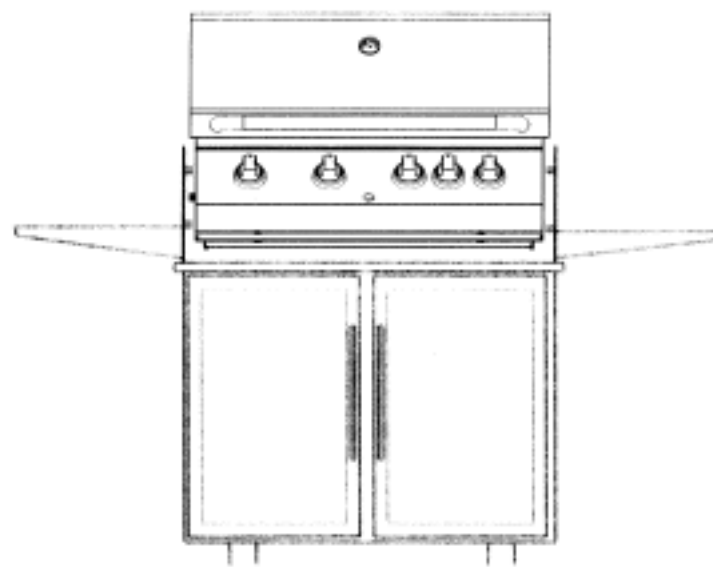
(21) Design Number: **14619/2012**  
(22) Date of Filing Application: **17 September 2012**  
(24) Date from which industrial property rights may have effect: **17 September 2012**  
(54) Product in respect of which the design is registered: **Passenger aircraft storage module**  
(51) International Design Classification: **06-04NES, 06-06G**  
(74) Name(s) of Attorney(s): **SPRUSON & FERGUSON**  
(71) Name(s) and Address(s) of Applicant(s):  
**LAN Airlines S.A.**  
**Presidente Riesco No 5711 Las Condes Santiago Chile**  
(72) Name(s) of Designer(s): **Claude Salzberger and Diego Kolsky and Robert McDougle**  
(45) Registration Date: **15 October 2012**  
(30) Convention priority data:  
(31) Number (32) Date (33) Country  
**29/427209 16 Jul 2012 UNITED STATES OF AMERICA**  
(56) Related Art Documents: **Not Applicable**  
(57) Statement of Newness and Distinctiveness: **Newness and distinctiveness is claimed in those features of shape and/or configuration of a passenger aircraft storage module as illustrated in continuous lines in the accompanying representations.**



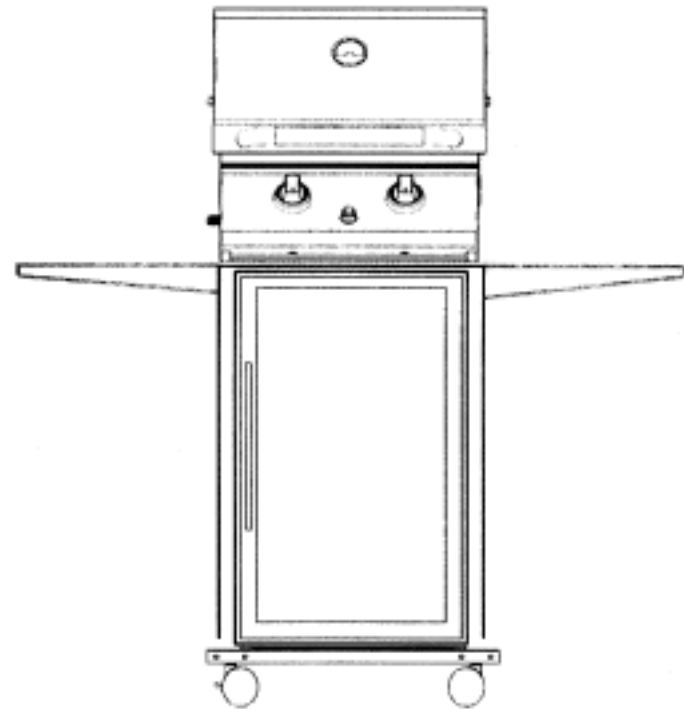
- (21) Design Number: **12919/2012**  
(22) Date of Filing Application: **22 June 2012**  
(24) Date from which industrial property rights may have effect: **22 June 2012**  
(54) Product in respect of which the design is registered: **A combination 4 burner BBQ, fridge, draws in a stainless steel housing**  
(51) International Design Classification: **07-02E, 15-07**  
(74) Name(s) of Attorney(s):  
(71) Name(s) and Address(s) of Applicant(s):  
**Cory Allan**  
**40 Production Drive Alfredton Victoria 3350 Australia**  
**Richard John Blanton**  
**40 Production Drive Alfredton Victoria 3350 Australia**  
(72) Name(s) of Designer(s): **Richard John Blanton and Cory Allan**  
(45) Registration Date: **16 October 2012**  
(56) Related Art Documents: **Not Applicable**  
(57) Statement of Newness and Distinctiveness: **The BBQ mounting brackets, allowing for an air gap between BBQ and refrigerator.**



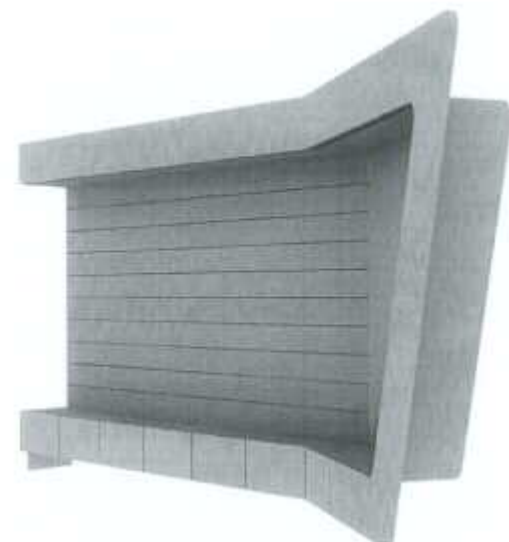
- (21) Design Number: **12920/2012**  
(22) Date of Filing Application: **22 June 2012**  
(24) Date from which industrial property rights may have effect: **22 June 2012**  
(54) Product in respect of which the design is registered: **A combination 4 burner BBQ, fridge**  
(51) International Design Classification: **07-02E, 15-07**  
(74) Name(s) of Attorney(s):  
(71) Name(s) and Address(s) of Applicant(s):  
**Cory Allan**  
**40 Production Drive Alfredton Victoria 3350 Australia**  
**Richard John Blanton**  
**40 Production Drive Alfredton Victoria 3350 Australia**  
(72) Name(s) of Designer(s): **Richard John Blanton and Cory Allan**  
(45) Registration Date: **16 October 2012**  
(56) Related Art Documents: **Not Applicable**  
(57) Statement of Newness and Distinctiveness: **The BBQ mounting brackets, allowing for an air gap between BBQ and refrigerator.**



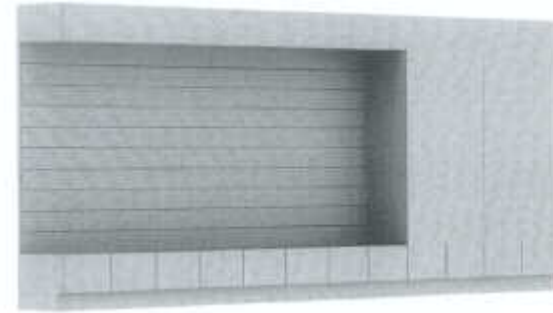
- (21) Design Number: **12921/2012**  
(22) Date of Filing Application: **22 June 2012**  
(24) Date from which industrial property rights may have effect: **22 June 2012**  
(54) Product in respect of which the design is registered: **A combination 2 burner BBQ, fridge**  
(51) International Design Classification: **07-02E, 15-07**  
(74) Name(s) of Attorney(s):  
(71) Name(s) and Address(s) of Applicant(s):  
**Cory Allan**  
**40 Production Drive Alfredton Victoria 3350 Australia**  
**Richard John Blanton**  
**40 Production Drive Alfredton Victoria 3350 Australia**  
(72) Name(s) of Designer(s): **Richard John Blanton and Cory Allan**  
(45) Registration Date: **16 October 2012**  
(56) Related Art Documents: **Not Applicable**  
(57) Statement of Newness and Distinctiveness: **The BBQ mounting brackets, allowing for an air gap between BBQ and refrigerator.**



- (21) Design Number: **13537/2012**  
(22) Date of Filing Application: **25 July 2012**  
(24) Date from which industrial property rights may have effect: **25 July 2012**  
(54) Product in respect of which the design is registered: **Car configurator for displaying cars**  
(51) International Design Classification: **12-16NES, 20-02NES**  
(74) Name(s) of Attorney(s): **Griffith Hack**  
(71) Name(s) and Address(s) of Applicant(s):  
**SKODA AUTO a.s.**  
**Tr. Vaclava Klementa 869 Mlada Boleslav CZ-29360 Czech Republic**  
(72) Name(s) of Designer(s): **Jaromir Kuhn**  
(45) Registration Date: **16 October 2012**  
(30) Convention priority data:  
(31) Number      (32) Date      (33) Country  
**001993064      16 Feb 2012      EUROPEAN COMMUNITY**  
(56) Related Art Documents: **Not Applicable**  
(57) Statement of Newness and Distinctiveness: **Nil**



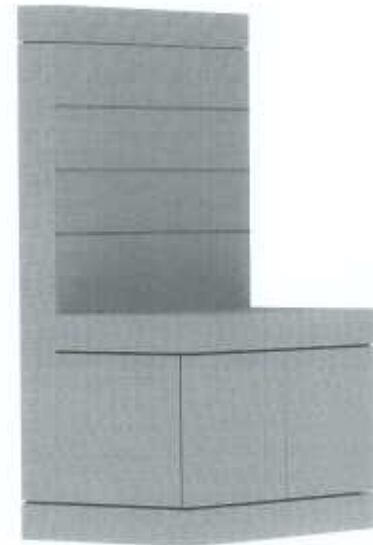
(21) Design Number: **13540/2012**  
(22) Date of Filing Application: **25 July 2012**  
(24) Date from which industrial property rights may have effect: **25 July 2012**  
(54) Product in respect of which the design is registered: **Reception desk**  
(51) International Design Classification: **06-03C**  
(74) Name(s) of Attorney(s): **Griffith Hack**  
(71) Name(s) and Address(s) of Applicant(s):  
**SKODA AUTO a.s.**  
**Tr. Vaclava Klementa 869 Mlada Boleslav CZ-29360 Czech Republic**  
(72) Name(s) of Designer(s): **Jaromir Kuhn**  
(45) Registration Date: **16 October 2012**  
(30) Convention priority data:  
(31) Number (32) Date (33) Country  
**001993064 16 Feb 2012 EUROPEAN COMMUNITY**  
(56) Related Art Documents: **Not Applicable**  
(57) Statement of Newness and Distinctiveness: **Nil**



(21) Design Number: **13541/2012**  
(22) Date of Filing Application: **25 July 2012**  
(24) Date from which industrial property rights may have effect: **25 July 2012**  
(54) Product in respect of which the design is registered: **Dividing wall**  
(51) International Design Classification: **06-06C**  
(74) Name(s) of Attorney(s): **Griffith Hack**  
(71) Name(s) and Address(s) of Applicant(s):  
**SKODA AUTO a.s.**  
**Tr. Vaclava Klementa 869 Mlada Boleslav CZ-29360 Czech Republic**  
(72) Name(s) of Designer(s): **Jaromir Kuhn**  
(45) Registration Date: **16 October 2012**  
(30) Convention priority data:  
(31) Number (32) Date (33) Country  
**001993064 16 Feb 2012 EUROPEAN COMMUNITY**  
(56) Related Art Documents: **Not Applicable**  
(57) Statement of Newness and Distinctiveness: **Nil**



(21) Design Number: **13542/2012**  
(22) Date of Filing Application: **25 July 2012**  
(24) Date from which industrial property rights may have effect: **25 July 2012**  
(54) Product in respect of which the design is registered: **Dividing side wall**  
(51) International Design Classification: **06-06C**  
(74) Name(s) of Attorney(s): **Griffith Hack**  
(71) Name(s) and Address(s) of Applicant(s):  
**SKODA AUTO a.s.**  
**Tr. Vaclava Klementa 869 Mlada Boleslav CZ-29360 Czech Republic**  
(72) Name(s) of Designer(s): **Jaromir Kuhn**  
(45) Registration Date: **16 October 2012**  
(30) Convention priority data:  
(31) Number (32) Date (33) Country  
**001993064 16 Feb 2012 EUROPEAN COMMUNITY**  
(56) Related Art Documents: **Not Applicable**  
(57) Statement of Newness and Distinctiveness: **Nil**

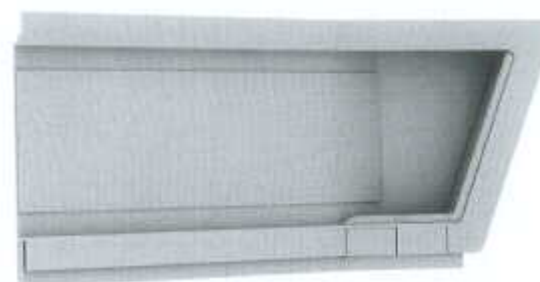


(21) Design Number: **13544/2012**  
(22) Date of Filing Application: **25 July 2012**  
(24) Date from which industrial property rights may have effect: **25 July 2012**  
(54) Product in respect of which the design is registered: **Flowerpot**  
(51) International Design Classification: **11-02B**  
(74) Name(s) of Attorney(s): **Griffith Hack**  
(71) Name(s) and Address(s) of Applicant(s):  
**SKODA AUTO a.s.**  
**Tr. Vaclava Klementa 869 Mlada Boleslav CZ-29360 Czech Republic**  
(72) Name(s) of Designer(s): **Jaromir Kuhn**  
(45) Registration Date: **16 October 2012**  
(30) Convention priority data:  
(31) Number (32) Date (33) Country  
**001993064 16 Feb 2012 EUROPEAN COMMUNITY**  
(56) Related Art Documents: **Not Applicable**  
(57) Statement of Newness and Distinctiveness: **Nil**

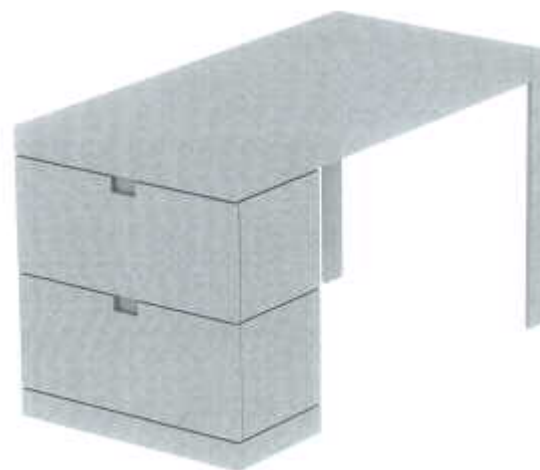




(21) Design Number: **13545/2012**  
(22) Date of Filing Application: **25 July 2012**  
(24) Date from which industrial property rights may have effect: **25 July 2012**  
(54) Product in respect of which the design is registered: **Handover wall**  
(51) International Design Classification: **06-06C**  
(74) Name(s) of Attorney(s): **Griffith Hack**  
(71) Name(s) and Address(s) of Applicant(s):  
**SKODA AUTO a.s.**  
**Tr. Vaclava Klementa 869 Mlada Boleslav CZ-29360 Czech Republic**  
(72) Name(s) of Designer(s): **Jaromir Kuhn**  
(45) Registration Date: **16 October 2012**  
(30) Convention priority data:  
(31) Number (32) Date (33) Country  
**001993064 16 Feb 2012 EUROPEAN COMMUNITY**  
(56) Related Art Documents: **Not Applicable**  
(57) Statement of Newness and Distinctiveness: **Nil**



(21) Design Number: **13553/2012**  
(22) Date of Filing Application: **25 July 2012**  
(24) Date from which industrial property rights may have effect: **25 July 2012**  
(54) Product in respect of which the design is registered: **Work table**  
(51) International Design Classification: **06-03C**  
(74) Name(s) of Attorney(s): **Griffith Hack**  
(71) Name(s) and Address(s) of Applicant(s):  
**SKODA AUTO a.s.**  
**Tr. Vaclava Klementa 869 Mlada Boleslav CZ-29360 Czech Republic**  
(72) Name(s) of Designer(s): **Jaromir Kuhn**  
(45) Registration Date: **16 October 2012**  
(30) Convention priority data:  
(31) Number (32) Date (33) Country  
**001993064 16 Feb 2012 EUROPEAN COMMUNITY**  
(56) Related Art Documents: **Not Applicable**  
(57) Statement of Newness and Distinctiveness: **Nil**



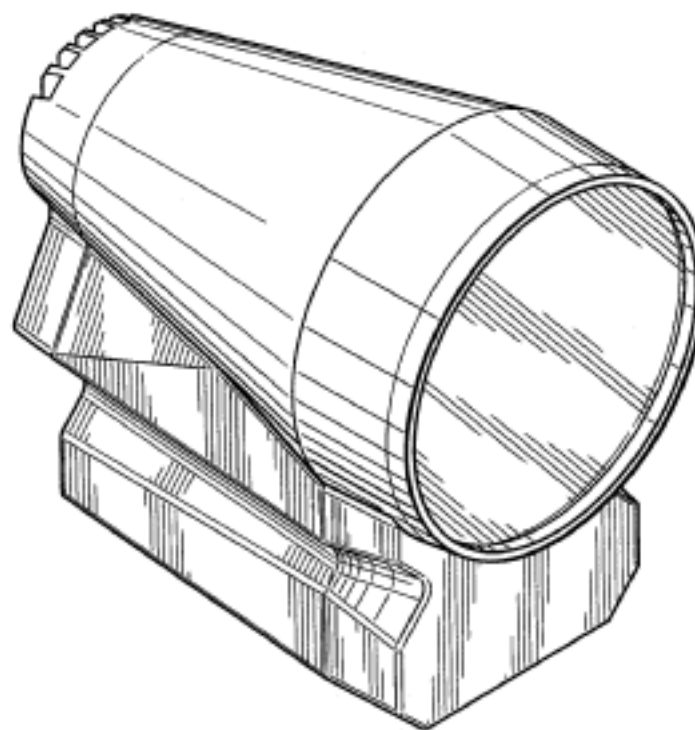
(21) Design Number: **13557/2012**  
(22) Date of Filing Application: **25 July 2012**  
(24) Date from which industrial property rights may have effect: **25 July 2012**  
(54) Product in respect of which the design is registered: **Car configurator for displaying cars**  
(51) International Design Classification: **12-16NES, 20-02NES**  
(74) Name(s) of Attorney(s): **Griffith Hack**  
(71) Name(s) and Address(s) of Applicant(s):  
**SKODA AUTO a.s.**  
**Tr. Vaclava Klementa 869 Mlada Boleslav CZ-29360 Czech Republic**  
(72) Name(s) of Designer(s): **Jaromir Kuhn**  
(45) Registration Date: **16 October 2012**  
(30) Convention priority data:  
(31) Number (32) Date (33) Country  
**001993064 16 Feb 2012 EUROPEAN COMMUNITY**  
(56) Related Art Documents: **Not Applicable**  
(57) Statement of Newness and Distinctiveness: **Nil**



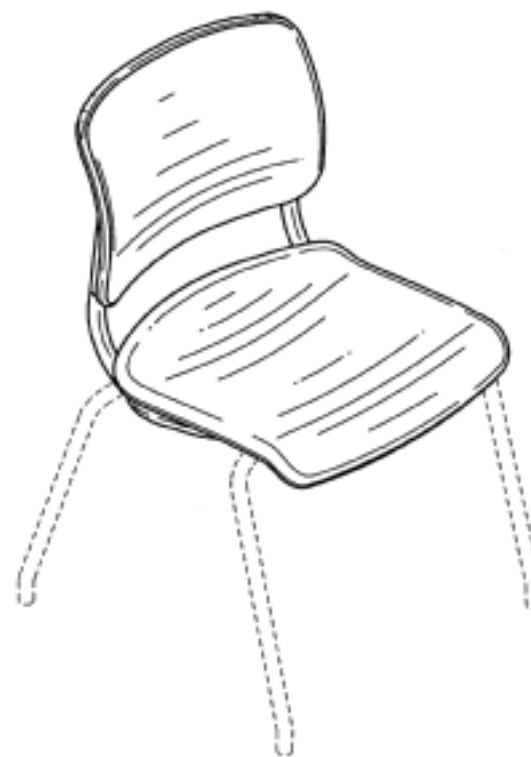
(21) Design Number: **13558/2012**  
(22) Date of Filing Application: **25 July 2012**  
(24) Date from which industrial property rights may have effect: **25 July 2012**  
(54) Product in respect of which the design is registered: **Handover wall**  
(51) International Design Classification: **06-06C**  
(74) Name(s) of Attorney(s): **Griffith Hack**  
(71) Name(s) and Address(s) of Applicant(s):  
**SKODA AUTO a.s.**  
**Tr. Vaclava Klementa 869 Mlada Boleslav CZ-29360 Czech Republic**  
(72) Name(s) of Designer(s): **Jaromir Kuhn**  
(45) Registration Date: **16 October 2012**  
(30) Convention priority data:  
(31) Number (32) Date (33) Country  
**001993064 16 Feb 2012 EUROPEAN COMMUNITY**  
(56) Related Art Documents: **Not Applicable**  
(57) Statement of Newness and Distinctiveness: **Nil**



- (21) Design Number: **14162/2012**  
(22) Date of Filing Application: **21 August 2012**  
(24) Date from which industrial property rights may have effect: **21 August 2012**  
(54) Product in respect of which the design is registered: **Housing for light**  
(51) International Design Classification: **26-05D**  
(74) Name(s) of Attorney(s): **Madderns**  
(71) Name(s) and Address(s) of Applicant(s):  
**Lightforce Australia Pty. Limited**  
**28 Ormond St Hindmarsh South Australia 5007 Australia**  
(72) Name(s) of Designer(s): **Desmond Hugh Burns**  
(45) Registration Date: **16 October 2012**  
(56) Related Art Documents: **Not Applicable**  
(57) Statement of Newness and Distinctiveness: **Newness and distinctiveness resides in the shape and configuration of the housing for a light and the dashed lines form no part of the design.**



- (21) Design Number: **14699/2012**  
(22) Date of Filing Application: **20 September 2012**  
(24) Date from which industrial property rights may have effect: **20 September 2012**  
(54) Product in respect of which the design is registered: **Chair**  
(51) International Design Classification: **06-01F**  
(74) Name(s) of Attorney(s): **PIZZEYS**  
(71) Name(s) and Address(s) of Applicant(s):  
**Pro-Cord S.p.A.**  
**Via del Battiferro 4 Bologna 40129 Italy**  
(72) Name(s) of Designer(s): **Giancarlo Piretti**  
(45) Registration Date: **16 October 2012**  
(30) Convention priority data:  
(31) Number      (32) Date      (33) Country  
**29/423,283      30 May 2012      UNITED STATES OF AMERICA**  
(56) Related Art Documents: **Not Applicable**  
(57) Statement of Newness and Distinctiveness: **The newness and distinctiveness of the design resides in the features of pattern and/or ornamentation OR shape and/or configuration shown in unbroken lines in the accompanying representations. (if required, see Convention document)**



(21) Design Number: **14700/2012**  
(22) Date of Filing Application: **20 September 2012**  
(24) Date from which industrial property rights may have effect: **20 September 2012**  
(54) Product in respect of which the design is registered: **Chair**  
(51) International Design Classification: **06-01F**  
(74) Name(s) of Attorney(s): **PIZZEYS**  
(71) Name(s) and Address(s) of Applicant(s):  
**Pro-Cord S.p.A.**  
**Via del Battiferro 4 Bologna 40129 Italy**  
(72) Name(s) of Designer(s): **Giancarlo Piretti**  
(45) Registration Date: **16 October 2012**  
(30) Convention priority data:  
(31) Number (32) Date (33) Country  
**29/419,250 26 Apr 2012 UNITED STATES OF AMERICA**

(56) Related Art Documents: **Not Applicable**  
(57) Statement of Newness and Distinctiveness: **The newness and distinctiveness of the design resides in the features of pattern and/or ornamentation OR shape and/or configuration shown in unbroken lines in the accompanying representations. (if required, see Convention document)**



(21) Design Number: **14701/2012**  
(22) Date of Filing Application: **20 September 2012**  
(24) Date from which industrial property rights may have effect: **20 September 2012**  
(54) Product in respect of which the design is registered: **Chair**  
(51) International Design Classification: **06-01F**  
(74) Name(s) of Attorney(s): **PIZZEYS**  
(71) Name(s) and Address(s) of Applicant(s):  
**Pro-Cord S.p.A.**  
**Via del Battiferro 4 Bologna 40129 Italy**  
(72) Name(s) of Designer(s): **Giancarlo Piretti**  
(45) Registration Date: **16 October 2012**  
(30) Convention priority data:  
(31) Number (32) Date (33) Country  
**29/423,284 30 May 2012 UNITED STATES OF AMERICA**

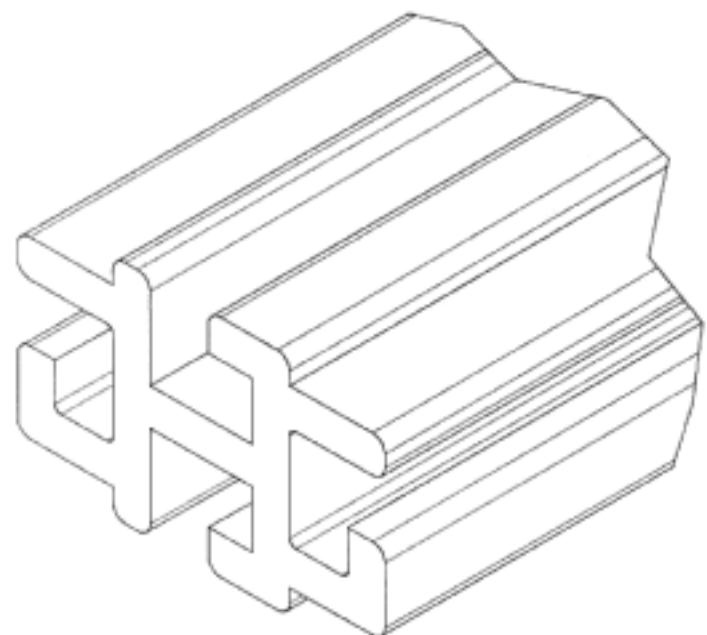
(56) Related Art Documents: **Not Applicable**  
(57) Statement of Newness and Distinctiveness: **The newness and distinctiveness of the design resides in the features of pattern and/or ornamentation OR shape and/or configuration shown in unbroken lines in the accompanying representations. (if required, see Convention document)**



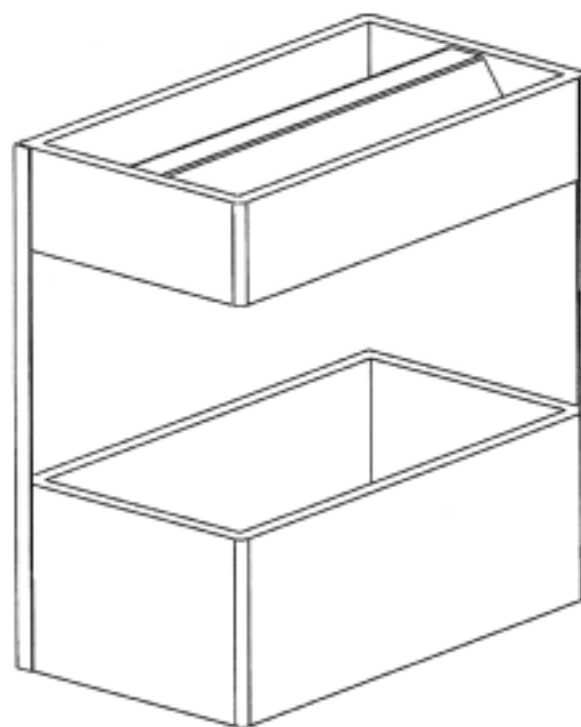
- (21) Design Number: **14705/2012**  
(22) Date of Filing Application: **24 September 2012**  
(24) Date from which industrial property rights may have effect: **24 September 2012**  
(54) Product in respect of which the design is registered: **Brassiere**  
(51) International Design Classification: **02-01A**  
(74) Name(s) of Attorney(s): **WALSH & ASSOCIATES**  
(71) Name(s) and Address(s) of Applicant(s):  
**MD Visage Pty Limited**  
**L12 71 Macquarie St Sydney NSW 2000 Australia**  
(72) Name(s) of Designer(s): **Victoria Frost**  
(45) Registration Date: **16 October 2012**  
(56) Related Art Documents: **Not Applicable**  
(57) Statement of Newness and Distinctiveness: **The newness and distinctiveness resides in the shape and configuration of the features of the garment.**



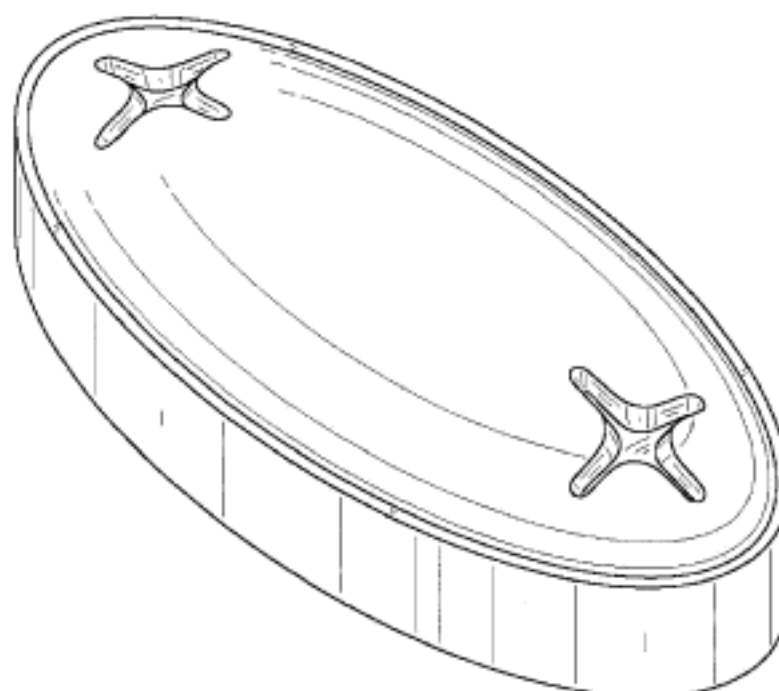
- (21) Design Number: **14707/2012**  
(22) Date of Filing Application: **21 September 2012**  
(24) Date from which industrial property rights may have effect: **21 September 2012**  
(54) Product in respect of which the design is registered: **An extrusion**  
(51) International Design Classification: **25-01K**  
(74) Name(s) of Attorney(s): **Cullens Patent and Trade Mark Attorneys**  
(71) Name(s) and Address(s) of Applicant(s):  
**Scholtes Family Holdings Pty Ltd**  
**12 Activity St Acacia Ridge QLD 4110 Australia**  
(72) Name(s) of Designer(s): **Paul Helvig**  
(45) Registration Date: **16 October 2012**  
(56) Related Art Documents: **Not Applicable**  
(57) Statement of Newness and Distinctiveness: **The design applied to the extrusion is claimed in indefinite length as illustrated in the isometric view.**



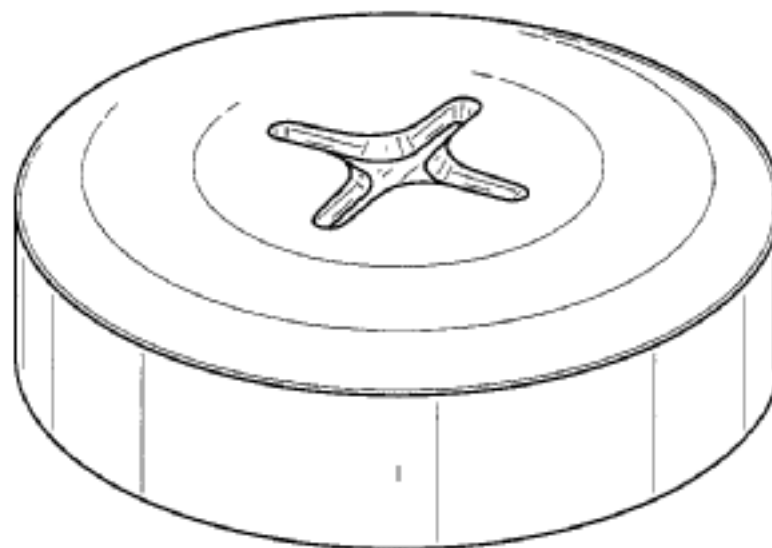
(21) Design Number: **14709/2012**  
(22) Date of Filing Application: **21 September 2012**  
(24) Date from which industrial property rights may have effect: **21 September 2012**  
(54) Product in respect of which the design is registered: **A planter box for growing plants with its own light source**  
(51) International Design Classification: **11-02B**  
(74) Name(s) of Attorney(s):  
(71) Name(s) and Address(s) of Applicant(s):  
**Joshua Engwerda**  
**9 Cooba St Canterbury VIC 3126 Australia**  
(72) Name(s) of Designer(s): **Joshua Engwerda**  
(45) Registration Date: **16 October 2012**  
(56) Related Art Documents: **Not Applicable**  
(57) Statement of Newness and Distinctiveness: **Nil**



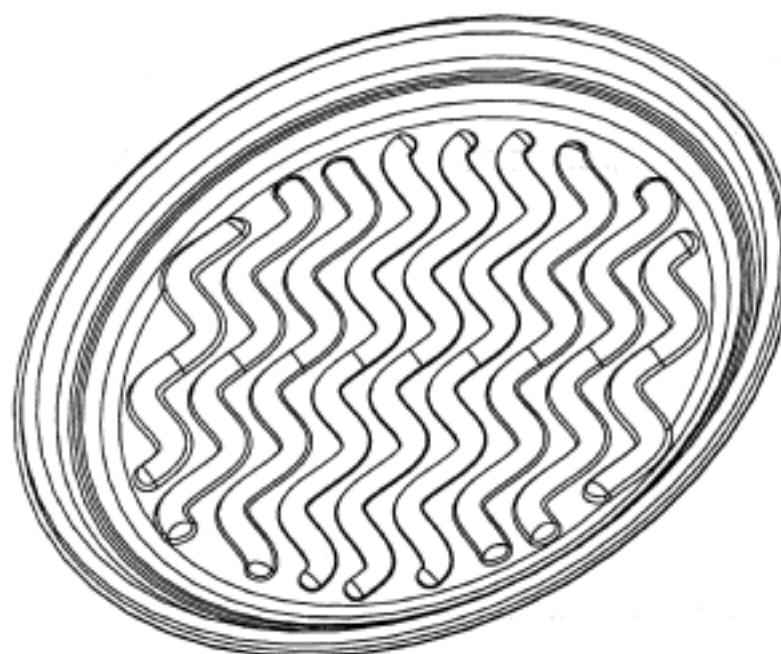
(21) Design Number: **13586/2012**  
(22) Date of Filing Application: **27 July 2012**  
(24) Date from which industrial property rights may have effect: **27 July 2012**  
(54) Product in respect of which the design is registered: **Tablet**  
(51) International Design Classification: **28-01**  
(74) Name(s) of Attorney(s): **Shelston IP**  
(71) Name(s) and Address(s) of Applicant(s):  
**McNeil-PPC Inc.**  
**199 Grandview Road Skillman New Jersey 08558 United States of America**  
**Johnson & Johnson Industrial Ltda**  
**Righway Presidente Dutra KM 154 Sao Jose Dos Campos Sao Paulo Brazil**  
(72) Name(s) of Designer(s): **Joel Waldman and Fernanda Franzoi**  
(45) Registration Date: **16 October 2012**  
(30) Convention priority data:  
(31) Number      (32) Date      (33) Country  
**29/412547      03 Feb 2012      UNITED STATES OF AMERICA**  
(56) Related Art Documents: **Not Applicable**  
(57) Statement of Newness and Distinctiveness: **Newness and distinctiveness reside in the features of shape and/or configuration of a tablet as illustrated in the accompanying representations.**



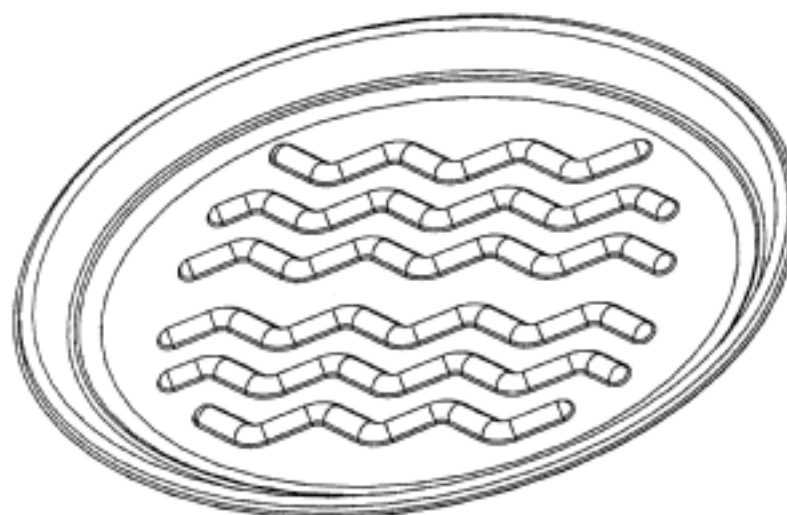
- (21) Design Number: **13587/2012**  
(22) Date of Filing Application: **27 July 2012**  
(24) Date from which industrial property rights may have effect: **27 July 2012**  
(54) Product in respect of which the design is registered: **Tablet**  
(51) International Design Classification: **28-01**  
(74) Name(s) of Attorney(s): **Shelston IP**  
(71) Name(s) and Address(s) of Applicant(s):  
**McNeil-PPC Inc.**  
**199 Grandview Road Skillman New Jersey 08558 United States of America**  
**Johnson & Johnson Industrial Ltda**  
**Rhighway Presidente Dutra KM 154 Sao Jose Dos Campos Sao Paulo Brazil**  
(72) Name(s) of Designer(s): **Joel Waldman and Fernanda Franzoi**  
(45) Registration Date: **16 October 2012**  
(30) Convention priority data:  
(31) Number      (32) Date      (33) Country  
**29/412548      03 Feb 2012      UNITED STATES OF AMERICA**  
(56) Related Art Documents: **Not Applicable**  
(57) Statement of Newness and Distinctiveness: **Newness and distinctiveness reside in the features of shape and/or configuration of a tablet as illustrated in the accompanying representations.**



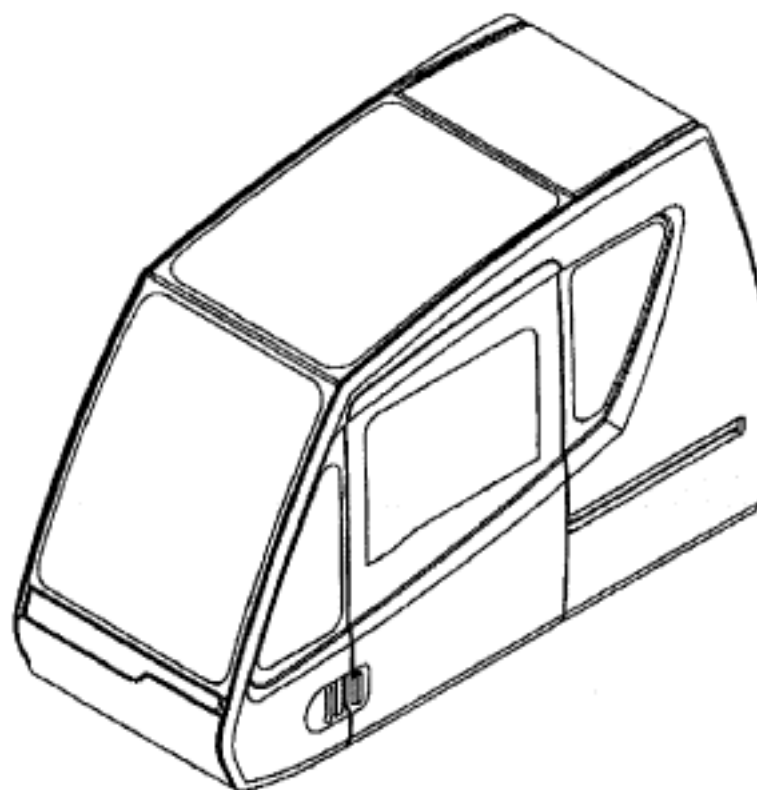
- (21) Design Number: **14620/2012**  
(22) Date of Filing Application: **18 September 2012**  
(24) Date from which industrial property rights may have effect: **18 September 2012**  
(54) Product in respect of which the design is registered: **Disposable plate**  
(51) International Design Classification: **07-01A**  
(74) Name(s) of Attorney(s): **SPRUSON & FERGUSON**  
(71) Name(s) and Address(s) of Applicant(s):  
**Woolworths Limited**  
**1 Woolworths Way Bella Vista NSW 2153 Australia**  
(72) Name(s) of Designer(s): **So Chi Keung**  
(45) Registration Date: **16 October 2012**  
(56) Related Art Documents: **Not Applicable**  
(57) Statement of Newness and Distinctiveness: **The disposable plate includes a central circular base and a raised rim, newness and distinctiveness is claimed in the shape and configuration of the base.**



- (21) Design Number: **14621/2012**  
(22) Date of Filing Application: **18 September 2012**  
(24) Date from which industrial property rights may have effect: **18 September 2012**  
(54) Product in respect of which the design is registered: **Disposable plate**  
(51) International Design Classification: **07-01A**  
(74) Name(s) of Attorney(s): **SPRUSON & FERGUSON**  
(71) Name(s) and Address(s) of Applicant(s):  
**Woolworths Limited**  
**1 Woolworths Way Bella Vista NSW 2153 Australia**  
(72) Name(s) of Designer(s): **So Chi Keung**  
(45) Registration Date: **16 October 2012**  
(56) Related Art Documents: **Not Applicable**  
(57) Statement of Newness and Distinctiveness: **The disposable plate includes a central circular base and a raised rim, newness and distinctiveness is claimed in the shape and configuration of the base.**

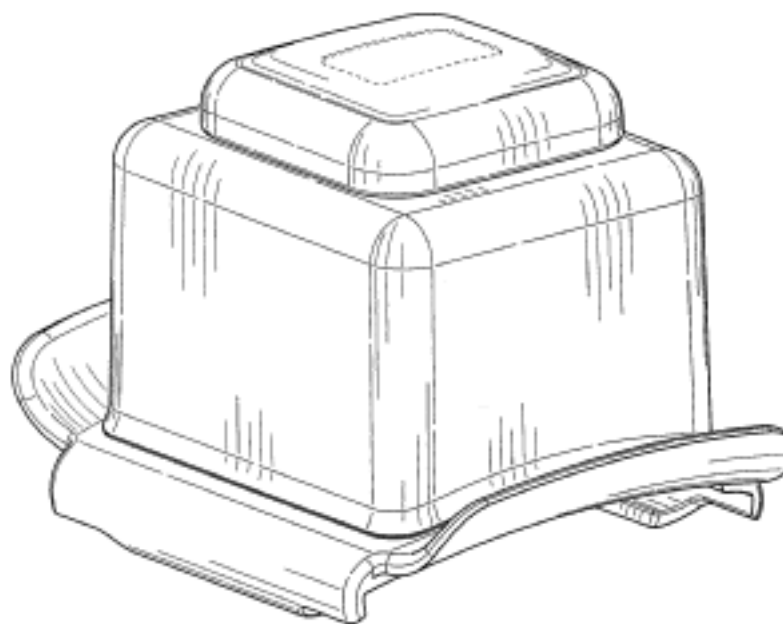


- (21) Design Number: **14622/2012**  
(22) Date of Filing Application: **18 September 2012**  
(24) Date from which industrial property rights may have effect: **18 September 2012**  
(54) Product in respect of which the design is registered: **Cab for construction equipment**  
(51) International Design Classification: **12-08, 15-04**  
(74) Name(s) of Attorney(s): **SPRUSON & FERGUSON**  
(71) Name(s) and Address(s) of Applicant(s):  
**Tadano Ltd.**  
**Ko-34 Shinden-cho Takamatsu-shi Kagawa 761-0185 Japan**  
(72) Name(s) of Designer(s): **Kenji Kozai and Hitomi Nagasawa**  
(45) Registration Date: **16 October 2012**  
(30) Convention priority data:  
(31) Number      (32) Date      (33) Country  
**006785/2012      26 Mar 2012      JAPAN**  
(56) Related Art Documents: **Not Applicable**  
(57) Statement of Newness and Distinctiveness: **Newness and distinctiveness is claimed in the features of the shape and/or configuration of a cab for construction equipment as illustrated in the accompanying representations, the shaded parts in the additional views being transparent parts.**





(21) Design Number: **14623/2012**  
(22) Date of Filing Application: **18 September 2012**  
(24) Date from which industrial property rights may have effect: **18 September 2012**  
(54) Product in respect of which the design is registered: **Food holder with base**  
(51) International Design Classification: **07-01B**  
(74) Name(s) of Attorney(s): **SPRUSON & FERGUSON**  
(71) Name(s) and Address(s) of Applicant(s):  
**Columbia Insurance Company**  
**3024 Harney Street Omaha Nebraska 68131 United States of America**  
(72) Name(s) of Designer(s): **James C. Hand**  
(45) Registration Date: **16 October 2012**  
(30) Convention priority data:  
(31) Number (32) Date (33) Country  
**29/417781 09 Apr 2012 UNITED STATES OF AMERICA**  
(56) Related Art Documents: **Not Applicable**  
(57) Statement of Newness and Distinctiveness: **Newness and distinctiveness is claimed in those features of shape and/or configuration of a food holder with a base illustrated in continuous lines in the accompanying representations.**



(21) Design Number: **14624/2012**  
(22) Date of Filing Application: **18 September 2012**  
(24) Date from which industrial property rights may have effect: **18 September 2012**  
(54) Product in respect of which the design is registered: **Automobile**  
(51) International Design Classification: **12-08**  
(74) Name(s) of Attorney(s): **Griffith Hack**  
(71) Name(s) and Address(s) of Applicant(s):  
**Nissan Jidosha Kabushiki Kaisha**  
**No. 2 Takaracho Kanagawa-ku Yokohama-shi Kanagawa-ken Japan**  
(72) Name(s) of Designer(s): **Toshiyuki Abe and Dai Sato and Giovanni Arroba**  
(45) Registration Date: **16 October 2012**  
(30) Convention priority data:  
(31) Number (32) Date (33) Country  
**2012-006259 19 Mar 2012 JAPAN**  
(56) Related Art Documents: **Not Applicable**  
(57) Statement of Newness and Distinctiveness: **The newness and distinctiveness of the design resides in the visual features of shape and configuration of the automobile shown in the representations.**



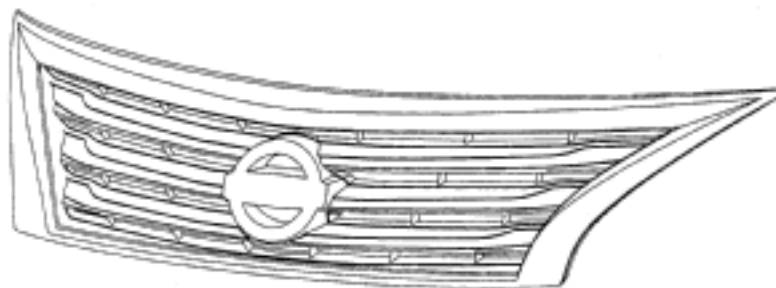
- (21) Design Number: **14625/2012**  
(22) Date of Filing Application: **18 September 2012**  
(24) Date from which industrial property rights may have effect: **18 September 2012**  
(54) Product in respect of which the design is registered: **Instrument panel for automobile**  
(51) International Design Classification: **12-16NES**  
(74) Name(s) of Attorney(s): **Griffith Hack**  
(71) Name(s) and Address(s) of Applicant(s):  
**Nissan Jidosha Kabushiki Kaisha**  
**No. 2 Takaracho Kanagawa-ku Yokohama-shi Kanagawa-ken Japan**  
(72) Name(s) of Designer(s): **Senji Tanaka and Atsushi Satou and Lalo Christophe**  
(45) Registration Date: **16 October 2012**  
(30) Convention priority data:  
(31) Number      (32) Date      (33) Country  
**2012-006254      19 Mar 2012      JAPAN**  
(56) Related Art Documents: **Not Applicable**  
(57) Statement of Newness and Distinctiveness: **The newness and distinctiveness of the design resides in the visual features of shape and configuration of the instrument panel shown in the representations.**



- (21) Design Number: **14626/2012**  
(22) Date of Filing Application: **18 September 2012**  
(24) Date from which industrial property rights may have effect: **18 September 2012**  
(54) Product in respect of which the design is registered: **Front bumper for automobile**  
(51) International Design Classification: **12-16C**  
(74) Name(s) of Attorney(s): **Griffith Hack**  
(71) Name(s) and Address(s) of Applicant(s):  
**Nissan Jidosha Kabushiki Kaisha**  
**No. 2 Takaracho Kanagawa-ku Yokohama-shi Kanagawa-ken Japan**  
(72) Name(s) of Designer(s): **Toshiyuki Abe and Dai Sato**  
(45) Registration Date: **16 October 2012**  
(30) Convention priority data:  
(31) Number      (32) Date      (33) Country  
**2012-006240      19 Mar 2012      JAPAN**  
(56) Related Art Documents: **Not Applicable**  
(57) Statement of Newness and Distinctiveness: **The newness and distinctiveness of the design resides in the visual features of shape and configuration of the front bumper shown in the representations.**



- (21) Design Number: **14627/2012**  
(22) Date of Filing Application: **18 September 2012**  
(24) Date from which industrial property rights may have effect: **18 September 2012**  
(54) Product in respect of which the design is registered: **Radiator grill for automobile**  
(51) International Design Classification: **12-16B**  
(74) Name(s) of Attorney(s): **Griffith Hack**  
(71) Name(s) and Address(s) of Applicant(s):  
**Nissan Jidosha Kabushiki Kaisha**  
**No. 2 Takaracho Kanagawa-ku Yokohama-shi Kanagawa-ken Japan**  
(72) Name(s) of Designer(s): **Atsuko Tada**  
(45) Registration Date: **16 October 2012**  
(30) Convention priority data:  
(31) Number      (32) Date      (33) Country  
**2012-006239      19 Mar 2012      JAPAN**  
(56) Related Art Documents: **Not Applicable**  
(57) Statement of Newness and Distinctiveness: **The newness and distinctiveness of the design resides in the visual features of shape and configuration of the radiator grill as shown in the representations.**



- (21) Design Number: **14632/2012**  
(22) Date of Filing Application: **19 September 2012**  
(24) Date from which industrial property rights may have effect: **19 September 2012**  
(54) Product in respect of which the design is registered: **Dashboard**  
(51) International Design Classification: **12-16NES**  
(74) Name(s) of Attorney(s): **WATERMARK PATENT AND TRADE MARKS ATTORNEYS**  
(71) Name(s) and Address(s) of Applicant(s):  
**Volvo Lastvagner AB**  
**405 08 Goteborg Sweden**  
(72) Name(s) of Designer(s): **Carina Bystrom**  
(45) Registration Date: **16 October 2012**  
(30) Convention priority data:  
(31) Number      (32) Date      (33) Country  
**002011858-0009      20 Mar 2012      EUROPEAN COMMUNITY**  
(56) Related Art Documents: **Not Applicable**  
(57) Statement of Newness and Distinctiveness: **Newness and distinctiveness is claimed in the visual features of the dashboard in left hand drive configuration as shown in the accompanying representations and in an exact mirror image right hand drive configuration.**



(21) Design Number: **14633/2012**  
(22) Date of Filing Application: **19 September 2012**  
(24) Date from which industrial property rights may have effect: **19 September 2012**  
(54) Product in respect of which the design is registered: **Steering wheel**  
(51) International Design Classification: **12-16A**  
(74) Name(s) of Attorney(s): **WATERMARK PATENT AND TRADE MARKS ATTORNEYS**  
(71) Name(s) and Address(s) of Applicant(s):  
**Volvo Lastvagner AB**  
**405 08 Goteborg Sweden**  
(72) Name(s) of Designer(s): **Carina Bystrom**  
(45) Registration Date: **16 October 2012**  
(30) Convention priority data:  
(31) Number (32) Date (33) Country  
**002011858-0008 20 Mar 2012 EUROPEAN COMMUNITY**  
(56) Related Art Documents: **Not Applicable**  
(57) Statement of Newness and Distinctiveness: **Nil**



(21) Design Number: **14634/2012**  
(22) Date of Filing Application: **19 September 2012**  
(24) Date from which industrial property rights may have effect: **19 September 2012**  
(54) Product in respect of which the design is registered: **Light for vehicle**  
(51) International Design Classification: **26-06**  
(74) Name(s) of Attorney(s): **WATERMARK PATENT AND TRADE MARKS ATTORNEYS**  
(71) Name(s) and Address(s) of Applicant(s):  
**Volvo Lastvagner AB**  
**405 08 Goteborg Sweden**  
(72) Name(s) of Designer(s): **Asok George**  
(45) Registration Date: **16 October 2012**  
(30) Convention priority data:  
(31) Number (32) Date (33) Country  
**002011965-0007 20 Mar 2012 EUROPEAN COMMUNITY**  
(56) Related Art Documents: **Not Applicable**  
(57) Statement of Newness and Distinctiveness: **Newness and distinctiveness is claimed in the visual features of the vehicle light including the pattern of illumination as shown in the accompanying representations.**



(21) Design Number: **14636/2012**  
(22) Date of Filing Application: **19 September 2012**  
(24) Date from which industrial property rights may have effect: **19 September 2012**  
(54) Product in respect of which the design is registered: **Pushchair**  
(51) International Design Classification: **12-12**  
(74) Name(s) of Attorney(s): **Sandercock & Cowie**  
(71) Name(s) and Address(s) of Applicant(s):

**Russell Anthony Clifton**  
**28 Brayside Road Didsbury Manchester M20 6ES United Kingdom**

(72) Name(s) of Designer(s): **Russell Anthony Clifton**

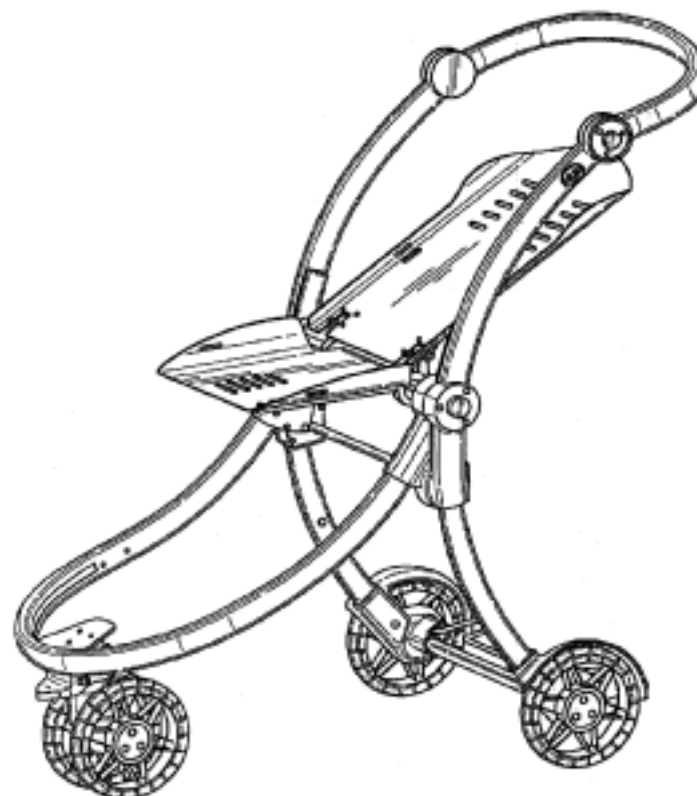
(45) Registration Date: **16 October 2012**

(30) Convention priority data:

(31) Number	(32) Date	(33) Country
<b>4024555</b>	<b>24 Mar 2012</b>	<b>UNITED KINGDOM</b>

(56) Related Art Documents: **Not Applicable**

(57) Statement of Newness and Distinctiveness: **Newness and Distinctiveness reside in the features of shape and configuration of the pushchair as shown in the accompanying representations. The shape and configuration of the seat are excluded.**



(21) Design Number: **14640/2012**  
(22) Date of Filing Application: **18 September 2012**  
(24) Date from which industrial property rights may have effect: **18 September 2012**  
(54) Product in respect of which the design is registered: **Seating, cushioning, and mattresses, of all varying sizes**  
(51) International Design Classification: **06-09**  
(74) Name(s) of Attorney(s):  
(71) Name(s) and Address(s) of Applicant(s):

**Mark Robert Cohen**  
**47 Patridge Way Mooroolbark VIC 3168 Australia**

**John Patrick Umseher**  
**16 Wellington St West Footscray VIC 3012 Australia**

(72) Name(s) of Designer(s): **Mark Robert Cohen and John Patrick Umseher**

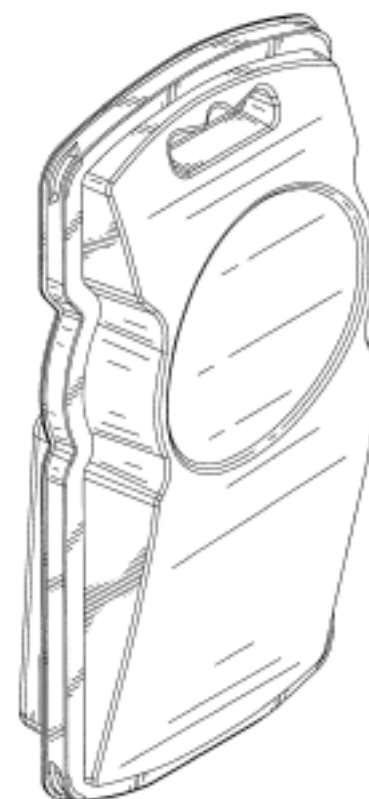
(45) Registration Date: **16 October 2012**

(56) Related Art Documents: **Not Applicable**

(57) Statement of Newness and Distinctiveness: **A protrusion the shape of a bone (similar to a 'dogbone' drawn 2 dimensional) that is made of any material that has body shape memory, that is positioned in the location of the coccyx area.**



(21) Design Number: **14641/2012**  
(22) Date of Filing Application: **18 September 2012**  
(24) Date from which industrial property rights may have effect: **18 September 2012**  
(54) Product in respect of which the design is registered: **Package**  
(51) International Design Classification: **09-05**  
(74) Name(s) of Attorney(s): **PHILLIPS ORMONDE FITZPATRICK**  
(71) Name(s) and Address(s) of Applicant(s):  
**The Gillette Company**  
**One Gillette Park Boston Massachusetts 02127 United States of America**  
(72) Name(s) of Designer(s): **Ian Andrew Carnduff and Robert Charles Doherty**  
**and Graham Clive Hufton and Richard Kevin Sennett**  
(45) Registration Date: **16 October 2012**  
(30) Convention priority data:  
(31) Number (32) Date (33) Country  
**29/416,175 19 Mar 2012 UNITED STATES OF AMERICA**  
(56) Related Art Documents: **Not Applicable**  
(57) Statement of Newness and Distinctiveness: **Those features of the package**  
**depicted in the representation(s) that are new and distinctive are the shape**  
**and/or configuration.**



(21) Design Number: **15001/2012**  
(22) Date of Filing Application: **30 July 2012**  
(24) Date from which industrial property rights may have effect: **30 July 2012**  
(54) Product in respect of which the design is registered: **Eyeglasses frame**  
**components**  
(51) International Design Classification: **16-06**  
(74) Name(s) of Attorney(s): **Davies Collison Cave**  
(71) Name(s) and Address(s) of Applicant(s):  
**Oakley, Inc.**  
**1 Icon Foothill Ranch California 92610 United States of America**  
(72) Name(s) of Designer(s): **Lek Thixton**  
(45) Registration Date: **17 October 2012**  
(30) Convention priority data:  
(31) Number (32) Date (33) Country  
**29/412205 31 Jan 2012 UNITED STATES OF AMERICA**  
(56) Related Art Documents: **Not Applicable**  
(57) Statement of Newness and Distinctiveness: **Newness and distinctiveness is**  
**claimed in the visual features shown in solid lines in the representations.**



(21) Design Number: **13594/2012**  
(22) Date of Filing Application: **30 July 2012**  
(24) Date from which industrial property rights may have effect: **30 July 2012**  
(54) Product in respect of which the design is registered: **Eyeglasses**  
(51) International Design Classification: **16-06**  
(74) Name(s) of Attorney(s): **Davies Collison Cave**  
(71) Name(s) and Address(s) of Applicant(s):  
**Oakley Inc.**  
**1 Icon Foothill Ranch California 92610 United States of America**  
(72) Name(s) of Designer(s): **Lek Thixton**  
(45) Registration Date: **17 October 2012**  
(30) Convention priority data:  
(31) Number (32) Date (33) Country  
**29/412205 31 Jan 2012 UNITED STATES OF AMERICA**  
(56) Related Art Documents: **Not Applicable**  
(57) Statement of Newness and Distinctiveness: **Newness and distinctiveness is claimed in the visual features shown in solid lines in the representations.**



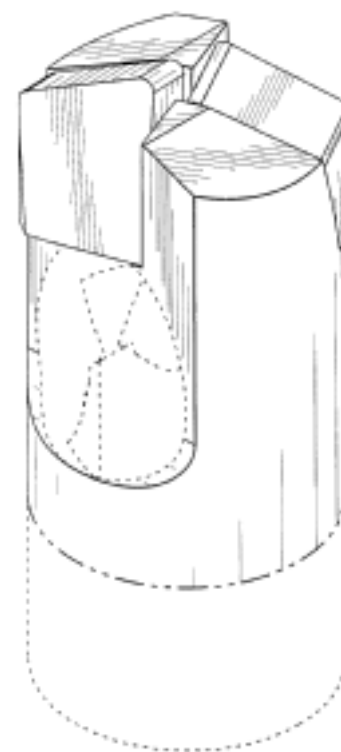
(21) Design Number: **13348/2012**  
(22) Date of Filing Application: **16 July 2012**  
(24) Date from which industrial property rights may have effect: **16 July 2012**  
(54) Product in respect of which the design is registered: **Toothbrush**  
(51) International Design Classification: **04-02**  
(74) Name(s) of Attorney(s): **PHILLIPS ORMONDE FITZPATRICK**  
(71) Name(s) and Address(s) of Applicant(s):  
**The Gillette Company**  
**One Gillette Park Boston Massachusetts 02127 United States of America**  
(72) Name(s) of Designer(s): **Tilmann Winkler and Gregor Ptok**  
(45) Registration Date: **17 October 2012**  
(30) Convention priority data:  
(31) Number (32) Date (33) Country  
**647480501 17 Jan 2012 WORLD INTELLECTUAL PROPERTY ORGANIZATION (WIPO)**  
(56) Related Art Documents: **Not Applicable**  
(57) Statement of Newness and Distinctiveness: **Newness and Distinctiveness resides in the shape and/or configuration of the toothbrush having a bristle portion outline as shown in the accompanying representations.**



- (21) Design Number: **13524/2012**  
(22) Date of Filing Application: **26 July 2012**  
(24) Date from which industrial property rights may have effect: **26 July 2012**  
(54) Product in respect of which the design is registered: **Beverage dispenser tower**  
(51) International Design Classification: **31-00**  
(74) Name(s) of Attorney(s): **SPRUSON & FERGUSON**  
(71) Name(s) and Address(s) of Applicant(s):  
**PepsiCo, Inc.**  
**700 Anderson Hill Road Purchase New York 10577 United States of America**  
(72) Name(s) of Designer(s): **Emir Bingul and Indrani Deo and Stephen Lim and Matthew T. Bell and Thomas R. Hecht and Michael E. Laut and Shane M. Roepe and Patrick A. Short**  
(45) Registration Date: **17 October 2012**  
(30) Convention priority data:  
(31) Number (32) Date (33) Country  
**29/411887 27 Jan 2012 UNITED STATES OF AMERICA**  
(56) Related Art Documents: **Not Applicable**  
(57) Statement of Newness and Distinctiveness: **Newness and distinctiveness is claimed in those features of shape and/or configuration of a beverage dispenser tower as illustrated in continuous lines in the accompanying representations.**

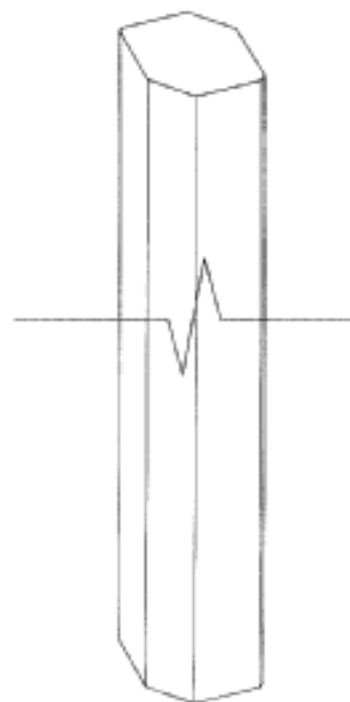


- (21) Design Number: **13598/2012**  
(22) Date of Filing Application: **30 July 2012**  
(24) Date from which industrial property rights may have effect: **30 July 2012**  
(54) Product in respect of which the design is registered: **Drill bit**  
(51) International Design Classification: **08-01**  
(74) Name(s) of Attorney(s): **Griffith Hack**  
(71) Name(s) and Address(s) of Applicant(s):  
**Diamond Innovations, Inc.**  
**6325 Huntley Road Worthington OH 43085 United States of America**  
**Sandvik Intellectual Property AB**  
**SE-811 81 Sandviken Sweden**  
(72) Name(s) of Designer(s): **Kenneth Monyak and Joseph Fader and Adrienne Schmoll**  
(45) Registration Date: **17 October 2012**  
(30) Convention priority data:  
(31) Number (32) Date (33) Country  
**29/412057 30 Jan 2012 UNITED STATES OF AMERICA**  
(56) Related Art Documents: **Not Applicable**  
(57) Statement of Newness and Distinctiveness: **Newness and distinctiveness resides in the visual features, including shape, configuration and ornamentation of the product as shown by means of the solid lines in the accompanying drawings. Those parts shown by means of dashed lines have been included for illustrative purposes only.**

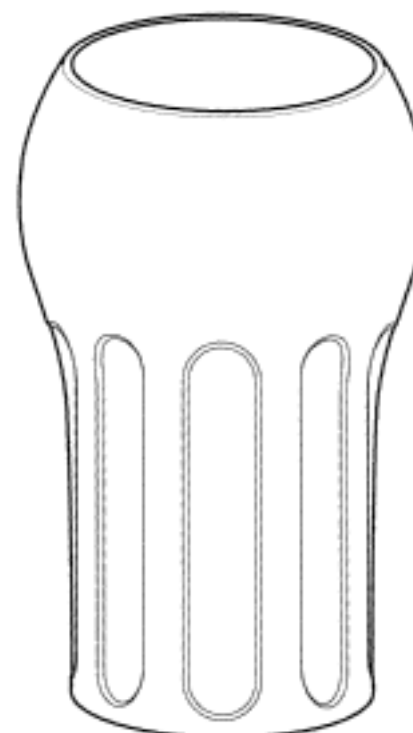




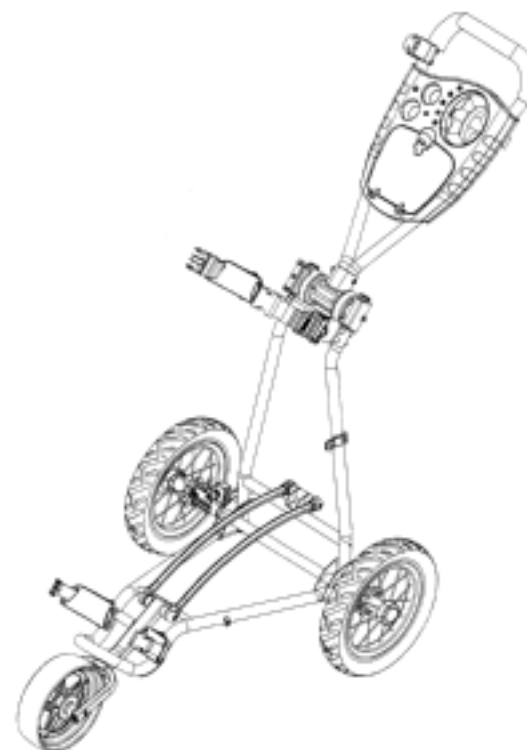
- (21) Design Number: **13811/2012**  
(22) Date of Filing Application: **02 August 2012**  
(24) Date from which industrial property rights may have effect: **02 August 2012**  
(54) Product in respect of which the design is registered: **Tailored furniture leg**  
(51) International Design Classification: **06-06E**  
(74) Name(s) of Attorney(s):  
(71) Name(s) and Address(s) of Applicant(s):  
**Ross Gardam**  
**Unit 2 15-19 Anthony Street Victoria 3000 Australia**  
(72) Name(s) of Designer(s): **Ross Gardam**  
(45) Registration Date: **17 October 2012**  
(56) Related Art Documents: **Not Applicable**  
(57) Statement of Newness and Distinctiveness: **The Tailored leg is a 6 sided form of unique proportions. The leg features on a range of products including couches of varies sizes and small tables of varies sizes.**



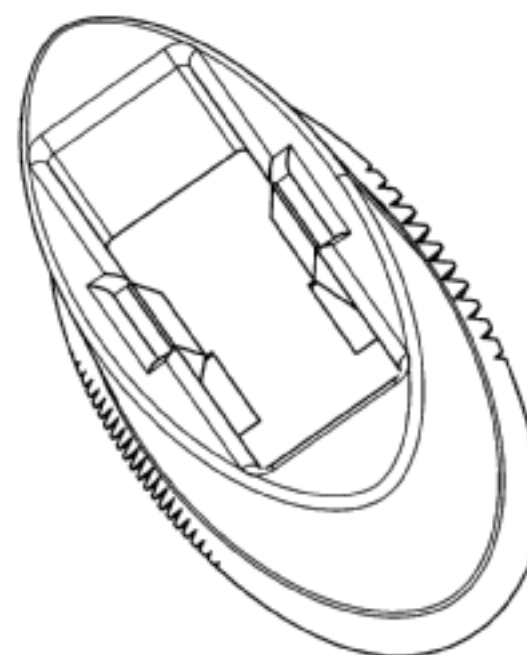
- (21) Design Number: **13833/2012**  
(22) Date of Filing Application: **07 August 2012**  
(24) Date from which industrial property rights may have effect: **07 August 2012**  
(54) Product in respect of which the design is registered: **Drinking glass**  
(51) International Design Classification: **07-01C**  
(74) Name(s) of Attorney(s): **PHILLIPS ORMONDE FITZPATRICK**  
(71) Name(s) and Address(s) of Applicant(s):  
**The Coca-Cola Company**  
**One Coca-Cola Plaza NW Atlanta Georgia 30313 United States of America**  
(72) Name(s) of Designer(s): **Thomas Meyerhoffer**  
(45) Registration Date: **17 October 2012**  
(30) Convention priority data:  
(31) Number      (32) Date      (33) Country  
**29/414,041      23 Feb 2012      UNITED STATES OF AMERICA**  
(56) Related Art Documents: **Not Applicable**  
(57) Statement of Newness and Distinctiveness: **Nil**



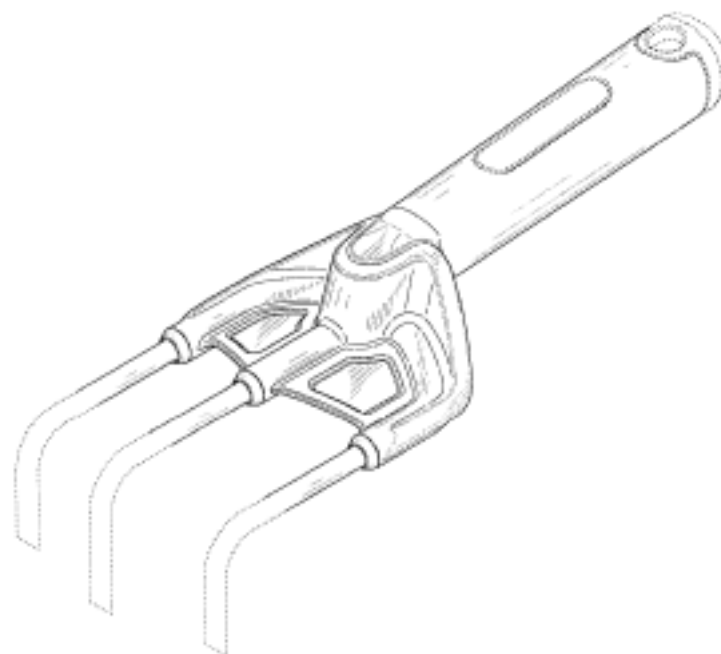
- (21) Design Number: **13891/2012**  
(22) Date of Filing Application: **09 August 2012**  
(24) Date from which industrial property rights may have effect: **09 August 2012**  
(54) Product in respect of which the design is registered: **Golf cart**  
(51) International Design Classification: **12-02**  
(74) Name(s) of Attorney(s):  
(71) Name(s) and Address(s) of Applicant(s):  
**Unique Product & Design Co., Ltd.**  
**No. 5 Ming Dong Road Yongkang District Tainan City Taiwan**  
(72) Name(s) of Designer(s): **Gordon Liao**  
(45) Registration Date: **17 October 2012**  
(56) Related Art Documents: **Not Applicable**  
(57) Statement of Newness and Distinctiveness: **Novelty resides in the ornamental for a golf cart as shown in the drawings.**



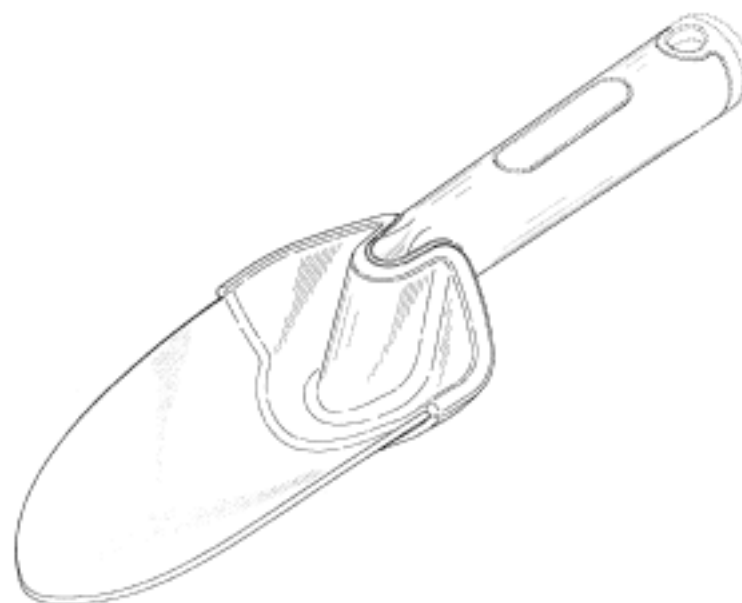
- (21) Design Number: **13976/2012**  
(22) Date of Filing Application: **16 August 2012**  
(24) Date from which industrial property rights may have effect: **16 August 2012**  
(54) Product in respect of which the design is registered: **Surfboard wax removal comb**  
(51) International Design Classification: **21-02D, 08-05N**  
(74) Name(s) of Attorney(s):  
(71) Name(s) and Address(s) of Applicant(s):  
**Casts Australia Pty Ltd**  
**PO Box 6030 Hawthorn West Victoria 6030 Australia**  
(72) Name(s) of Designer(s): **John Van Wissen**  
(45) Registration Date: **17 October 2012**  
(56) Related Art Documents: **Not Applicable**  
(57) Statement of Newness and Distinctiveness: **Domed wax comb for grooming and removal of wax on surfboards and sports apparatus, hand operated, manually pushed along the length of a surfboard, applying downward pressure forcing cutting edges into wax, mimicking a plough side combs forming an integrated part, centre compartment for storage with side clips to hold a container.**



- (21) Design Number: **13985/2012**  
(22) Date of Filing Application: **15 August 2012**  
(24) Date from which industrial property rights may have effect: **15 August 2012**  
(54) Product in respect of which the design is registered: **Garden cultivator**  
(51) International Design Classification: **08-01**  
(74) Name(s) of Attorney(s): **Davies Collison Cave**  
(71) Name(s) and Address(s) of Applicant(s):  
**Fiskars Brands, Inc.**  
**2537 Daniels Street Madison Wisconsin 53718 United States of America**  
(72) Name(s) of Designer(s): **James Meiller and Daniel J. Lipscomb and Colin Roberts**  
(45) Registration Date: **17 October 2012**  
(30) Convention priority data:  
(31) Number (32) Date (33) Country  
**29/425364 21 Jun 2012 UNITED STATES OF AMERICA**  
(56) Related Art Documents: **Not Applicable**  
(57) Statement of Newness and Distinctiveness: **Newness and distinctiveness is claimed in the visual features shown in solid lines in the representations.**



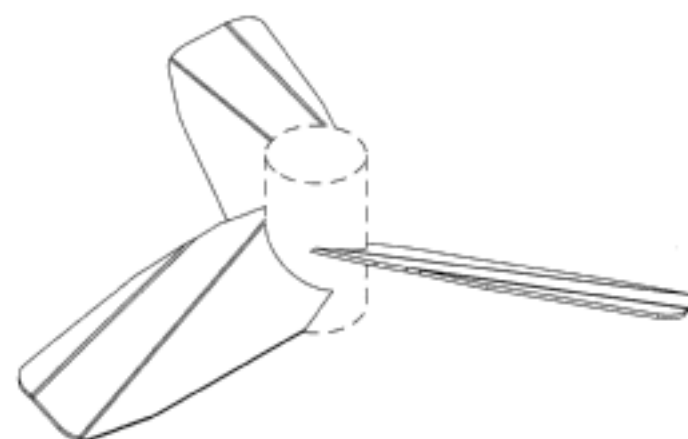
- (21) Design Number: **13986/2012**  
(22) Date of Filing Application: **15 August 2012**  
(24) Date from which industrial property rights may have effect: **15 August 2012**  
(54) Product in respect of which the design is registered: **Garden trowel**  
(51) International Design Classification: **08-01**  
(74) Name(s) of Attorney(s): **Davies Collison Cave**  
(71) Name(s) and Address(s) of Applicant(s):  
**Fiskars Brands, Inc.**  
**2537 Daniels Street Madison Wisconsin 53718 United States of America**  
(72) Name(s) of Designer(s): **James Meiller and Daniel J. Lipscomb and Colin Roberts**  
(45) Registration Date: **17 October 2012**  
(30) Convention priority data:  
(31) Number (32) Date (33) Country  
**29/425365 21 Jun 2012 UNITED STATES OF AMERICA**  
(56) Related Art Documents: **Not Applicable**  
(57) Statement of Newness and Distinctiveness: **Newness and distinctiveness is claimed in the visual features shown in solid lines in the representations.**



(21) Design Number: **14034/2012**  
(22) Date of Filing Application: **17 August 2012**  
(24) Date from which industrial property rights may have effect: **17 August 2012**  
(54) Product in respect of which the design is registered: **Bottle**  
(51) International Design Classification: **09-01NES**  
(74) Name(s) of Attorney(s): **Davies Collison Cave**  
(71) Name(s) and Address(s) of Applicant(s):  
**Unilever PLC**  
**Unilever House 100 Victoria Embankment London EC4Y ODY United Kingdom**  
(72) Name(s) of Designer(s): **Greg Hoffman and Elizabeth Portnoy and Sheldonia Nicole Jamison and Annette Nikolis**  
(45) Registration Date: **17 October 2012**  
(30) Convention priority data:  
(31) Number (32) Date (33) Country  
**29/413971 23 Feb 2012 UNITED STATES OF AMERICA**  
(56) Related Art Documents: **Not Applicable**  
(57) Statement of Newness and Distinctiveness: **Newness and distinctiveness is claimed in the visual features shown in solid lines in the representations.**



(21) Design Number: **14068/2012**  
(22) Date of Filing Application: **20 August 2012**  
(24) Date from which industrial property rights may have effect: **20 August 2012**  
(54) Product in respect of which the design is registered: **Mixer impeller**  
(51) International Design Classification: **15-04, 15-99**  
(74) Name(s) of Attorney(s): **Davies Collison Cave**  
(71) Name(s) and Address(s) of Applicant(s):  
**Outotec Oyj**  
**Riihitontuntie 7 Espoo 02200 Finland**  
(72) Name(s) of Designer(s): **Jiliang Xia and Niclas Tylli and Tuomas Hirsi**  
(45) Registration Date: **17 October 2012**  
(30) Convention priority data:  
(31) Number (32) Date (33) Country  
**001315758 20 Feb 2012 EUROPEAN COMMUNITY**  
(56) Related Art Documents: **Not Applicable**  
(57) Statement of Newness and Distinctiveness: **Newness and distinctiveness is claimed in the visual features shown in solid lines in the representations.**



(21) Design Number: **14261/2012**

(22) Date of Filing Application: **29 August 2012**

(24) Date from which industrial property rights may have effect: **29 August 2012**

(54) Product in respect of which the design is registered: **Multifunction stand mixer**

(51) International Design Classification: **31-00**

(74) Name(s) of Attorney(s):

(71) Name(s) and Address(s) of Applicant(s):

**Philip Rigoli**

**PO Box 8032 Tarneit Victoria 3029 Australia**

**Irina Rigoli**

**PO Box 8032 Tarneit Victoria 3029 Australia**

(72) Name(s) of Designer(s): **Philip Rigoli and Irina Rigoli**

(45) Registration Date: **17 October 2012**

(56) Related Art Documents: **Not Applicable**

(57) Statement of Newness and Distinctiveness: **Overall shape and color design, double dough hook mechanism, design of the two dough hooks that work in tandem.**



(21) Design Number: **14378/2012**

(22) Date of Filing Application: **05 September 2012**

(24) Date from which industrial property rights may have effect: **05 September 2012**

(54) Product in respect of which the design is registered: **Raised pet feeding table**

(51) International Design Classification: **06-03NES, 30-03**

(74) Name(s) of Attorney(s):

(71) Name(s) and Address(s) of Applicant(s):

**Stephanie Louise Tulai**

**14 Kamarooka St Beaudesert QLD 4285 Australia**

(72) Name(s) of Designer(s): **Stephanie Tulai**

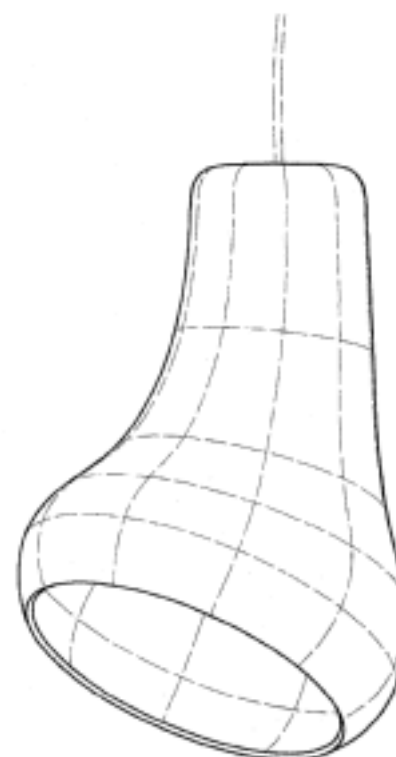
(45) Registration Date: **17 October 2012**

(56) Related Art Documents: **Not Applicable**

(57) Statement of Newness and Distinctiveness: **The reservoir at the base of the legs is to be filled with liquid to stop ants from accessing the table.**



- (21) Design Number: **14433/2012**  
(22) Date of Filing Application: **06 September 2012**  
(24) Date from which industrial property rights may have effect: **06 September 2012**  
(54) Product in respect of which the design is registered: **A lamp shade**  
(51) International Design Classification: **26-05D**  
(74) Name(s) of Attorney(s):  
(71) Name(s) and Address(s) of Applicant(s):  
**Brad Stebbing**  
**3/30-34 Romsey St Waitara NSW 2077 Australia**  
(72) Name(s) of Designer(s): **Brad Stebbing**  
(45) Registration Date: **17 October 2012**  
(56) Related Art Documents: **Not Applicable**  
(57) Statement of Newness and Distinctiveness: **Newness and distinctiveness is claimed in the features of the shape of the lamp shade shown in the continuous black lines in the accompanying representations.**



- (21) Design Number: **14643/2012**  
(22) Date of Filing Application: **19 September 2012**  
(24) Date from which industrial property rights may have effect: **19 September 2012**  
(54) Product in respect of which the design is registered: **Seat for land buggy**  
(51) International Design Classification: **06-01D**  
(74) Name(s) of Attorney(s): **SPRUSON & FERGUSON**  
(71) Name(s) and Address(s) of Applicant(s):  
**Hobbs Kite Buggies Pty Ltd**  
**8/180 Pacific Pde Dee Why NSW 2099 Australia**  
(72) Name(s) of Designer(s): **David Hobbs**  
(45) Registration Date: **17 October 2012**  
(56) Related Art Documents: **Not Applicable**  
(57) Statement of Newness and Distinctiveness: **Newness and distinctiveness is claimed in the features of shape and/or configuration of a seat for land buggy as illustrated in the accompanying representations.**



- (21) Design Number: **14644/2012**  
(22) Date of Filing Application: **19 September 2012**  
(24) Date from which industrial property rights may have effect: **19 September 2012**  
(54) Product in respect of which the design is registered: **Land buggy**  
(51) International Design Classification: **12-02**  
(74) Name(s) of Attorney(s): **SPRUSON & FERGUSON**  
(71) Name(s) and Address(s) of Applicant(s):  
**Hobbs Kite Buggies Pty Ltd**  
**8/180 Pacific Pde Dee Why NSW 2099 Australia**  
(72) Name(s) of Designer(s): **David Hobbs**  
(45) Registration Date: **17 October 2012**  
(56) Related Art Documents: **Not Applicable**  
(57) Statement of Newness and Distinctiveness: **Newness and distinctiveness is claimed in the features of shape and/or configuration of a land buggy as illustrated in the accompanying representations.**



- (21) Design Number: **14645/2012**  
(22) Date of Filing Application: **19 September 2012**  
(24) Date from which industrial property rights may have effect: **19 September 2012**  
(54) Product in respect of which the design is registered: **Chassis for land buggy**  
(51) International Design Classification: **12-16NES**  
(74) Name(s) of Attorney(s): **SPRUSON & FERGUSON**  
(71) Name(s) and Address(s) of Applicant(s):  
**Hobbs Kite Buggies Pty Ltd**  
**8/180 Pacific Pde Dee Why NSW 2099 Australia**  
(72) Name(s) of Designer(s): **David Hobbs**  
(45) Registration Date: **17 October 2012**  
(56) Related Art Documents: **Not Applicable**  
(57) Statement of Newness and Distinctiveness: **Newness and distinctiveness is claimed in the features of shape and/or configuration of a chassis for land buggy as illustrated in the accompanying representations.**



(21) Design Number: **14654/2012**

(22) Date of Filing Application: **19 September 2012**

(24) Date from which industrial property rights may have effect: **19 September 2012**

(54) Product in respect of which the design is registered: **Luminaire**

(51) International Design Classification: **26-04**

(74) Name(s) of Attorney(s): **Cullens Patent and Trade Mark Attorneys**

(71) Name(s) and Address(s) of Applicant(s):

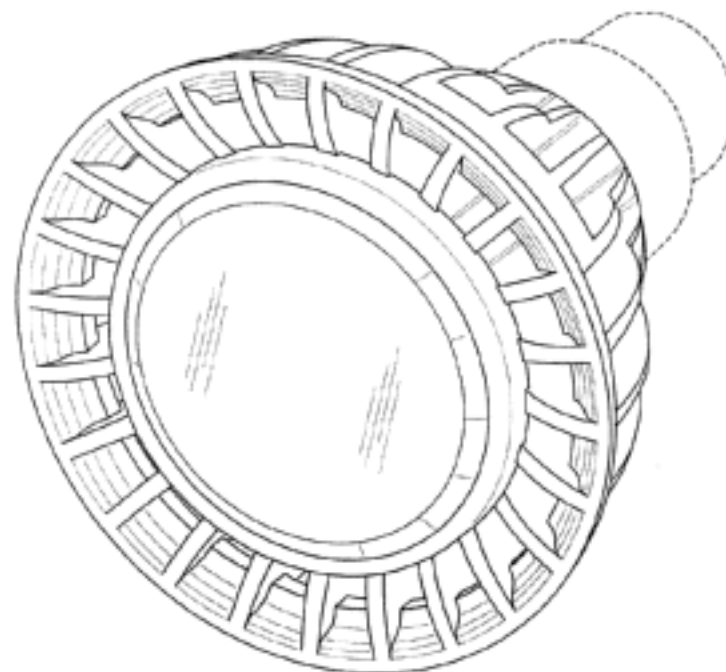
**Lighting Science Group Corporation**  
**1227 South Patrick Drive Bldg 2A Satellite Beach FL 32937 United States**  
**of America**

(72) Name(s) of Designer(s): **Fredric S. Maxik and David Henderson and Mark Penley Boomgaarden and Addy S. Widjaja and Emilio Flores and Shane Sullivan and Wei Sun**

(45) Registration Date: **17 October 2012**

(56) Related Art Documents: **Not Applicable**

(57) Statement of Newness and Distinctiveness: **Newness and distinctiveness reside in the individual features of shape and configuration of the luminaire as shown in the representations. Features shown in dashed lines, including the electrical base, do not form part of the design. The surface treatment of the luminaire does not form part of the design. References to "top", "bottom", "side", "top perspective" and "bottom perspective" in the figure descriptions are not necessarily meant to require certain in-use orientation.**



(21) Design Number: **13538/2012**

(22) Date of Filing Application: **25 July 2012**

(24) Date from which industrial property rights may have effect: **25 July 2012**

(54) Product in respect of which the design is registered: **Conference table**

(51) International Design Classification: **06-03C**

(74) Name(s) of Attorney(s): **Griffith Hack**

(71) Name(s) and Address(s) of Applicant(s):

**SKODA AUTO a.s.**  
**Tr. Vaclava Klementa 869 Mlada Boleslav CZ-29360 Czech Republic**

(72) Name(s) of Designer(s): **Jaromir Kuhn**

(45) Registration Date: **17 October 2012**

(30) Convention priority data:

(31) Number	(32) Date	(33) Country
<b>001993064</b>	<b>16 Feb 2012</b>	<b>EUROPEAN COMMUNITY</b>

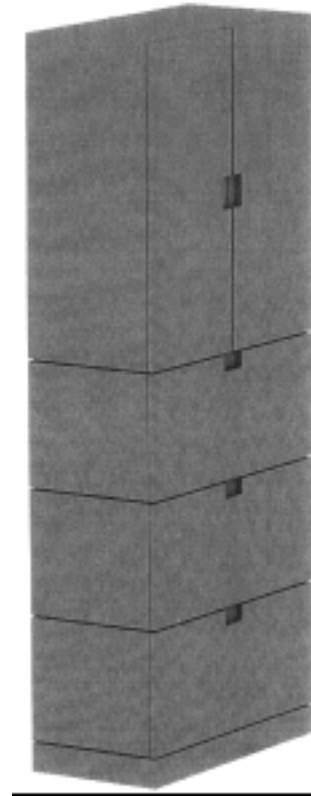
(56) Related Art Documents: **Not Applicable**

(57) Statement of Newness and Distinctiveness: **Nil**

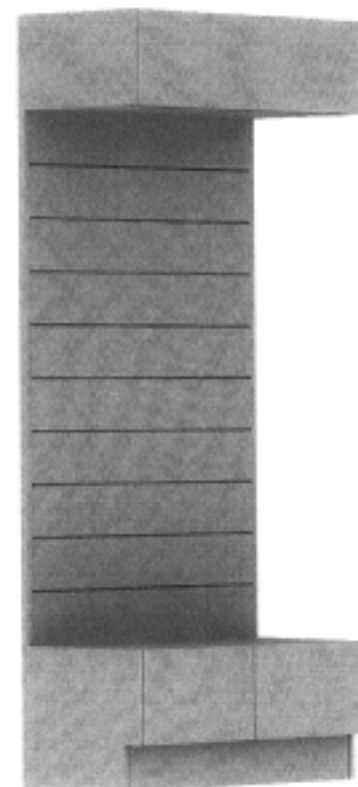




(21) Design Number: **13539/2012**  
(22) Date of Filing Application: **25 July 2012**  
(24) Date from which industrial property rights may have effect: **25 July 2012**  
(54) Product in respect of which the design is registered: **Cupboard**  
(51) International Design Classification: **06-04B**  
(74) Name(s) of Attorney(s): **Griffith Hack**  
(71) Name(s) and Address(s) of Applicant(s):  
**SKODA AUTO a.s.**  
**Tr. Vaclava Klementa 869 Mlada Boleslav CZ-29360 Czech Republic**  
(72) Name(s) of Designer(s): **Jaromir Kuhn**  
(45) Registration Date: **17 October 2012**  
(30) Convention priority data:  
(31) Number (32) Date (33) Country  
**001993064 16 Feb 2012 EUROPEAN COMMUNITY**  
(56) Related Art Documents: **Not Applicable**  
(57) Statement of Newness and Distinctiveness: **Nil**



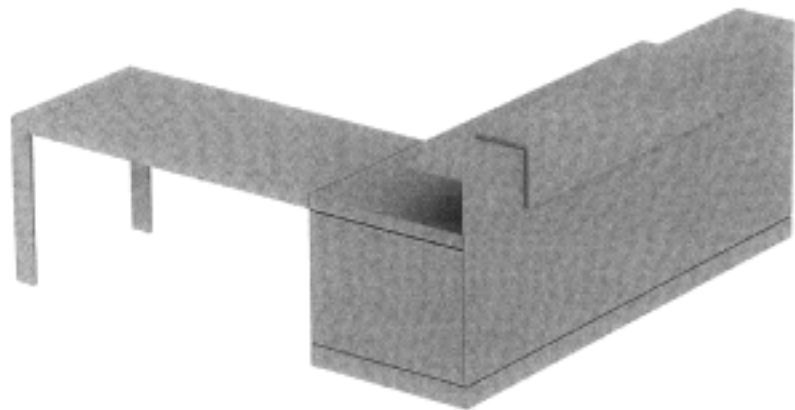
(21) Design Number: **13543/2012**  
(22) Date of Filing Application: **25 July 2012**  
(24) Date from which industrial property rights may have effect: **25 July 2012**  
(54) Product in respect of which the design is registered: **Wall unit**  
(51) International Design Classification: **06-04D**  
(74) Name(s) of Attorney(s): **Griffith Hack**  
(71) Name(s) and Address(s) of Applicant(s):  
**SKODA AUTO a.s.**  
**Tr. Vaclava Klementa 869 Mlada Boleslav CZ-29360 Czech Republic**  
(72) Name(s) of Designer(s): **Jaromir Kuhn**  
(45) Registration Date: **17 October 2012**  
(30) Convention priority data:  
(31) Number (32) Date (33) Country  
**001993064 16 Feb 2012 EUROPEAN COMMUNITY**  
(56) Related Art Documents: **Not Applicable**  
(57) Statement of Newness and Distinctiveness: **Nil**



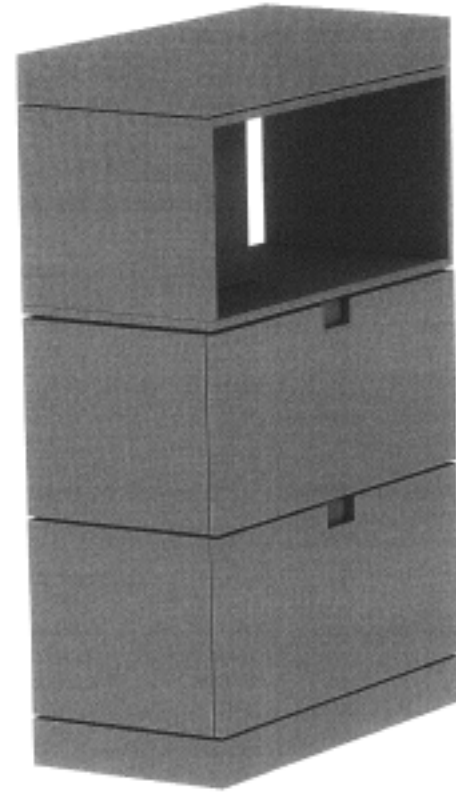
(21) Design Number: **13546/2012**  
(22) Date of Filing Application: **25 July 2012**  
(24) Date from which industrial property rights may have effect: **25 July 2012**  
(54) Product in respect of which the design is registered: **Office desk**  
(51) International Design Classification: **06-03C**  
(74) Name(s) of Attorney(s): **Griffith Hack**  
(71) Name(s) and Address(s) of Applicant(s):  
**SKODA AUTO a.s.**  
**Tr. Vaclava Klementa 869 Mlada Boleslav CZ-29360 Czech Republic**  
(72) Name(s) of Designer(s): **Jaromir Kuhn**  
(45) Registration Date: **17 October 2012**  
(30) Convention priority data:  
(31) Number (32) Date (33) Country  
**001993064 16 Feb 2012 EUROPEAN COMMUNITY**  
(56) Related Art Documents: **Not Applicable**  
(57) Statement of Newness and Distinctiveness: **Nil**



(21) Design Number: **13547/2012**  
(22) Date of Filing Application: **25 July 2012**  
(24) Date from which industrial property rights may have effect: **25 July 2012**  
(54) Product in respect of which the design is registered: **Reception desk**  
(51) International Design Classification: **06-03C**  
(74) Name(s) of Attorney(s): **Griffith Hack**  
(71) Name(s) and Address(s) of Applicant(s):  
**SKODA AUTO a.s.**  
**Tr. Vaclava Klementa 869 Mlada Boleslav CZ-29360 Czech Republic**  
(72) Name(s) of Designer(s): **Jaromir Kuhn**  
(45) Registration Date: **17 October 2012**  
(30) Convention priority data:  
(31) Number (32) Date (33) Country  
**001993064 16 Feb 2012 EUROPEAN COMMUNITY**  
(56) Related Art Documents: **Not Applicable**  
(57) Statement of Newness and Distinctiveness: **Nil**



(21) Design Number: **13548/2012**  
(22) Date of Filing Application: **25 July 2012**  
(24) Date from which industrial property rights may have effect: **25 July 2012**  
(54) Product in respect of which the design is registered: **Sideboard**  
(51) International Design Classification: **06-04D**  
(74) Name(s) of Attorney(s): **Griffith Hack**  
(71) Name(s) and Address(s) of Applicant(s):  
**SKODA AUTO a.s.**  
**Tr. Vaclava Klementa 869 Mlada Boleslav CZ-29360 Czech Republic**  
(72) Name(s) of Designer(s): **Jaromir Kuhn**  
(45) Registration Date: **17 October 2012**  
(30) Convention priority data:  
(31) Number (32) Date (33) Country  
**001993064 16 Feb 2012 EUROPEAN COMMUNITY**  
(56) Related Art Documents: **Not Applicable**  
(57) Statement of Newness and Distinctiveness: **Nil**



(21) Design Number: **13549/2012**  
(22) Date of Filing Application: **25 July 2012**  
(24) Date from which industrial property rights may have effect: **25 July 2012**  
(54) Product in respect of which the design is registered: **Sideboard**  
(51) International Design Classification: **06-04D**  
(74) Name(s) of Attorney(s): **Griffith Hack**  
(71) Name(s) and Address(s) of Applicant(s):  
**SKODA AUTO a.s.**  
**Tr. Vaclava Klementa 869 Mlada Boleslav CZ-29360 Czech Republic**  
(72) Name(s) of Designer(s): **Jaromir Kuhn**  
(45) Registration Date: **17 October 2012**  
(30) Convention priority data:  
(31) Number (32) Date (33) Country  
**001993064 16 Feb 2012 EUROPEAN COMMUNITY**  
(56) Related Art Documents: **Not Applicable**  
(57) Statement of Newness and Distinctiveness: **Nil**



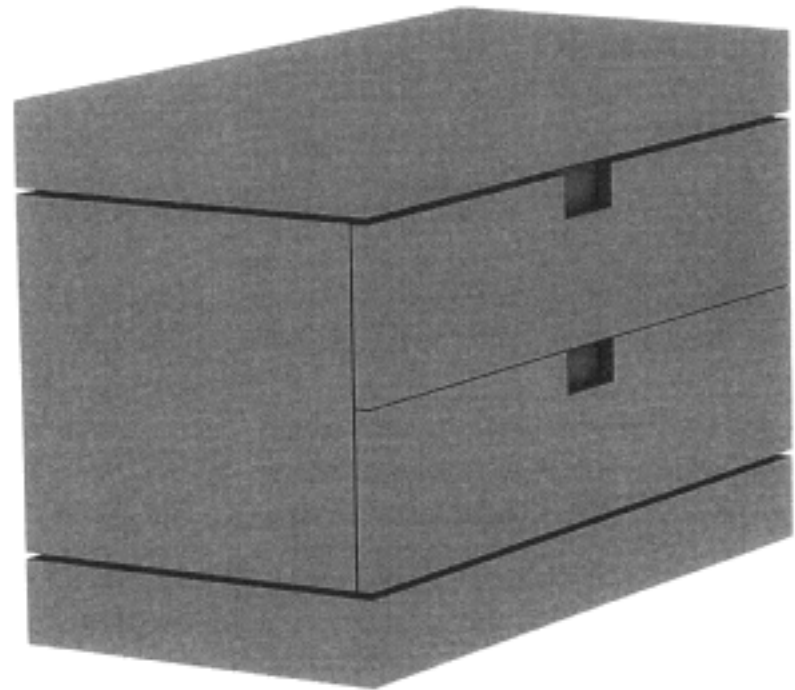
(21) Design Number: **13550/2012**  
(22) Date of Filing Application: **25 July 2012**  
(24) Date from which industrial property rights may have effect: **25 July 2012**  
(54) Product in respect of which the design is registered: **Sideboard**  
(51) International Design Classification: **06-04D**  
(74) Name(s) of Attorney(s): **Griffith Hack**  
(71) Name(s) and Address(s) of Applicant(s):  
**SKODA AUTO a.s.**  
**Tr. Vaclava Klementa 869 Mlada Boleslav CZ-29360 Czech Republic**  
(72) Name(s) of Designer(s): **Jaromir Kuhn**  
(45) Registration Date: **17 October 2012**  
(30) Convention priority data:  
(31) Number (32) Date (33) Country  
**001993064 16 Feb 2012 EUROPEAN COMMUNITY**  
(56) Related Art Documents: **Not Applicable**  
(57) Statement of Newness and Distinctiveness: **Nil**



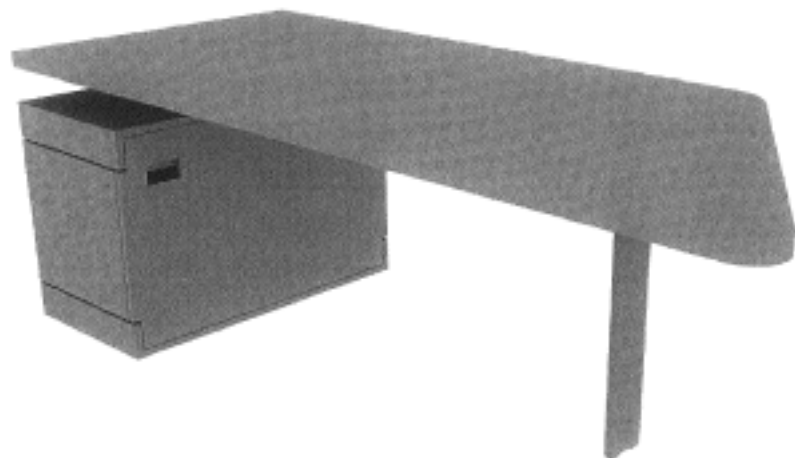
(21) Design Number: **13551/2012**  
(22) Date of Filing Application: **25 July 2012**  
(24) Date from which industrial property rights may have effect: **25 July 2012**  
(54) Product in respect of which the design is registered: **Sideboard**  
(51) International Design Classification: **06-04D**  
(74) Name(s) of Attorney(s): **Griffith Hack**  
(71) Name(s) and Address(s) of Applicant(s):  
**SKODA AUTO a.s.**  
**Tr. Vaclava Klementa 869 Mlada Boleslav CZ-29360 Czech Republic**  
(72) Name(s) of Designer(s): **Jaromir Kuhn**  
(45) Registration Date: **17 October 2012**  
(30) Convention priority data:  
(31) Number (32) Date (33) Country  
**001993064 16 Feb 2012 EUROPEAN COMMUNITY**  
(56) Related Art Documents: **Not Applicable**  
(57) Statement of Newness and Distinctiveness: **Nil**



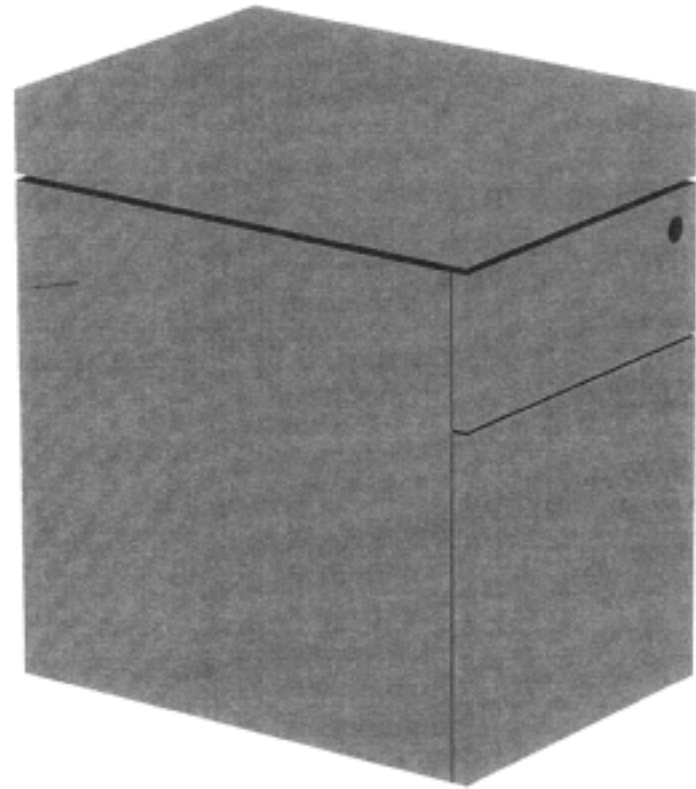
(21) Design Number: **13552/2012**  
(22) Date of Filing Application: **25 July 2012**  
(24) Date from which industrial property rights may have effect: **25 July 2012**  
(54) Product in respect of which the design is registered: **Sideboard**  
(51) International Design Classification: **06-04D**  
(74) Name(s) of Attorney(s): **Griffith Hack**  
(71) Name(s) and Address(s) of Applicant(s):  
**SKODA AUTO a.s.**  
**Tr. Vaclava Klementa 869 Mlada Boleslav CZ-29360 Czech Republic**  
(72) Name(s) of Designer(s): **Jaromir Kuhn**  
(45) Registration Date: **17 October 2012**  
(30) Convention priority data:  
(31) Number (32) Date (33) Country  
**001993064 16 Feb 2012 EUROPEAN COMMUNITY**  
(56) Related Art Documents: **Not Applicable**  
(57) Statement of Newness and Distinctiveness: **Nil**



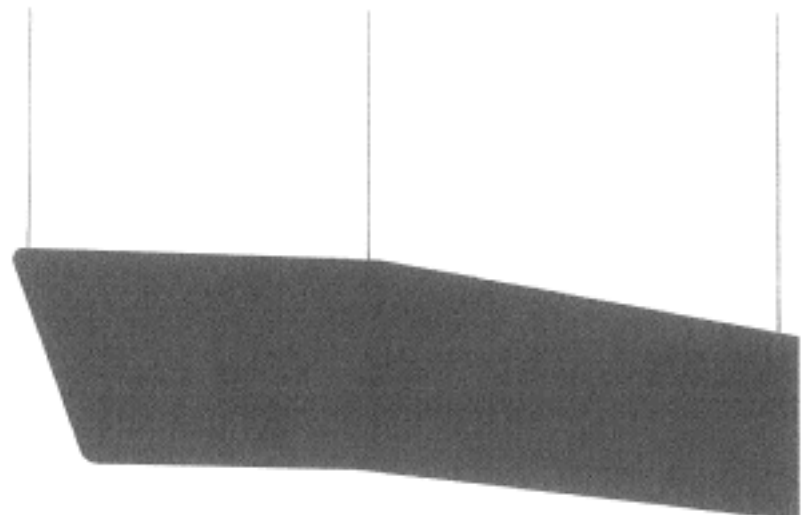
(21) Design Number: **13554/2012**  
(22) Date of Filing Application: **25 July 2012**  
(24) Date from which industrial property rights may have effect: **25 July 2012**  
(54) Product in respect of which the design is registered: **Triangular table**  
(51) International Design Classification: **06-03B**  
(74) Name(s) of Attorney(s): **Griffith Hack**  
(71) Name(s) and Address(s) of Applicant(s):  
**SKODA AUTO a.s.**  
**Tr. Vaclava Klementa 869 Mlada Boleslav CZ-29360 Czech Republic**  
(72) Name(s) of Designer(s): **Jaromir Kuhn**  
(45) Registration Date: **17 October 2012**  
(30) Convention priority data:  
(31) Number (32) Date (33) Country  
**001993064 16 Feb 2012 EUROPEAN COMMUNITY**  
(56) Related Art Documents: **Not Applicable**  
(57) Statement of Newness and Distinctiveness: **Nil**



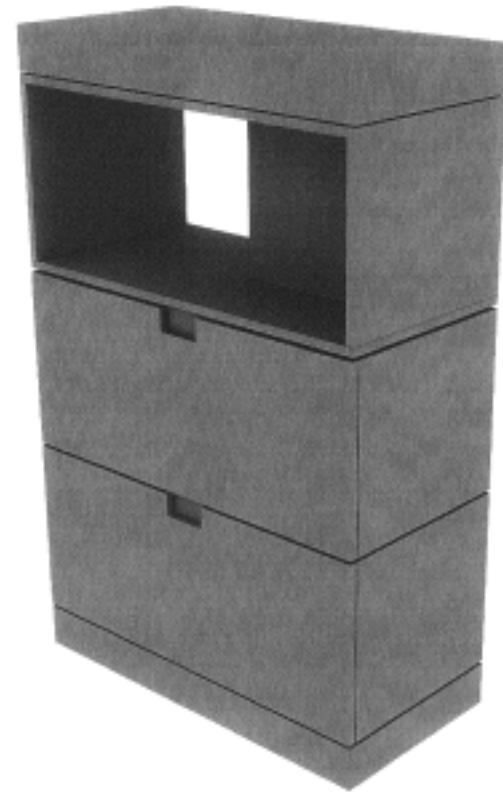
(21) Design Number: **13555/2012**  
(22) Date of Filing Application: **25 July 2012**  
(24) Date from which industrial property rights may have effect: **25 July 2012**  
(54) Product in respect of which the design is registered: **Trolley**  
(51) International Design Classification: **06-03NES**  
(74) Name(s) of Attorney(s): **Griffith Hack**  
(71) Name(s) and Address(s) of Applicant(s):  
**SKODA AUTO a.s.**  
**Tr. Vaclava Klementa 869 Mlada Boleslav CZ-29360 Czech Republic**  
(72) Name(s) of Designer(s): **Jaromir Kuhn**  
(45) Registration Date: **17 October 2012**  
(30) Convention priority data:  
(31) Number (32) Date (33) Country  
**001993064 16 Feb 2012 EUROPEAN COMMUNITY**  
(56) Related Art Documents: **Not Applicable**  
(57) Statement of Newness and Distinctiveness: **Nil**



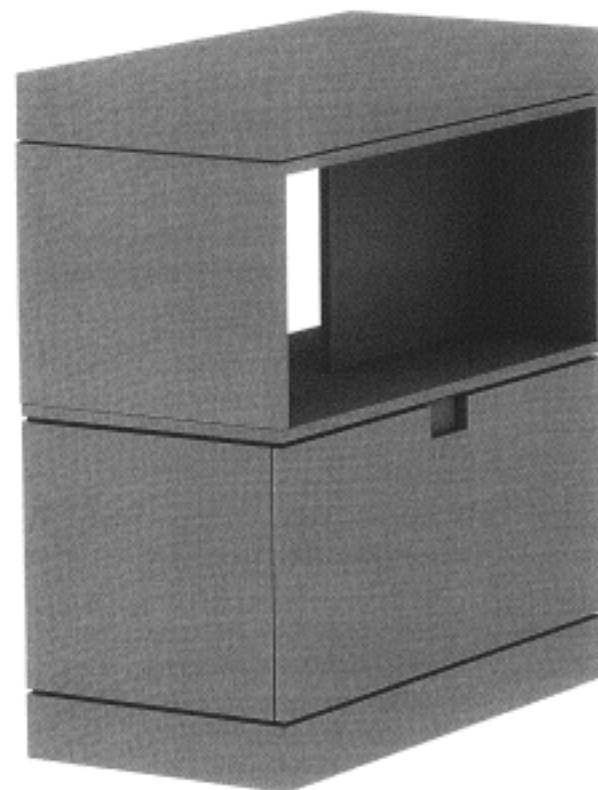
(21) Design Number: **13556/2012**  
(22) Date of Filing Application: **25 July 2012**  
(24) Date from which industrial property rights may have effect: **25 July 2012**  
(54) Product in respect of which the design is registered: **Suspended structure**  
(51) International Design Classification: **06-99**  
(74) Name(s) of Attorney(s): **Griffith Hack**  
(71) Name(s) and Address(s) of Applicant(s):  
**SKODA AUTO a.s.**  
**Tr. Vaclava Klementa 869 Mlada Boleslav CZ-29360 Czech Republic**  
(72) Name(s) of Designer(s): **Jaromir Kuhn**  
(45) Registration Date: **17 October 2012**  
(30) Convention priority data:  
(31) Number (32) Date (33) Country  
**001993064 16 Feb 2012 EUROPEAN COMMUNITY**  
(56) Related Art Documents: **Not Applicable**  
(57) Statement of Newness and Distinctiveness: **Nil**



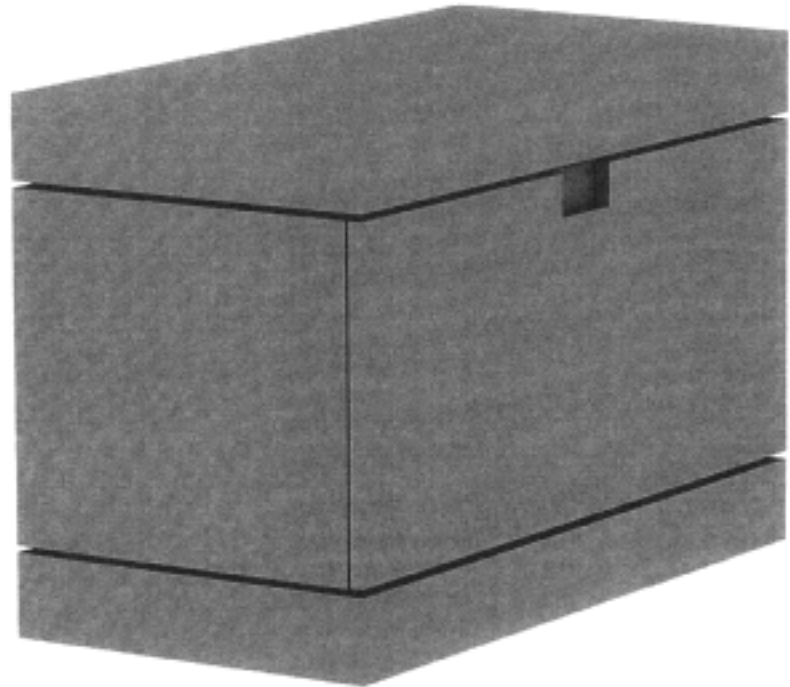
(21) Design Number: **13559/2012**  
(22) Date of Filing Application: **25 July 2012**  
(24) Date from which industrial property rights may have effect: **25 July 2012**  
(54) Product in respect of which the design is registered: **Sideboard**  
(51) International Design Classification: **06-04D**  
(74) Name(s) of Attorney(s): **Griffith Hack**  
(71) Name(s) and Address(s) of Applicant(s):  
**SKODA AUTO a.s.**  
**Tr. Vaclava Klementa 869 Mlada Boleslav CZ-29360 Czech Republic**  
(72) Name(s) of Designer(s): **Jaromir Kuhn**  
(45) Registration Date: **17 October 2012**  
(30) Convention priority data:  
(31) Number (32) Date (33) Country  
**001993064 16 Feb 2012 EUROPEAN COMMUNITY**  
(56) Related Art Documents: **Not Applicable**  
(57) Statement of Newness and Distinctiveness: **Nil**



(21) Design Number: **13560/2012**  
(22) Date of Filing Application: **25 July 2012**  
(24) Date from which industrial property rights may have effect: **25 July 2012**  
(54) Product in respect of which the design is registered: **Sideboard**  
(51) International Design Classification: **06-04D**  
(74) Name(s) of Attorney(s): **Griffith Hack**  
(71) Name(s) and Address(s) of Applicant(s):  
**SKODA AUTO a.s.**  
**Tr. Vaclava Klementa 869 Mlada Boleslav CZ-29360 Czech Republic**  
(72) Name(s) of Designer(s): **Jaromir Kuhn**  
(45) Registration Date: **17 October 2012**  
(30) Convention priority data:  
(31) Number (32) Date (33) Country  
**001993064 16 Feb 2012 EUROPEAN COMMUNITY**  
(56) Related Art Documents: **Not Applicable**  
(57) Statement of Newness and Distinctiveness: **Nil**



(21) Design Number: **13561/2012**  
(22) Date of Filing Application: **25 July 2012**  
(24) Date from which industrial property rights may have effect: **25 July 2012**  
(54) Product in respect of which the design is registered: **Sideboard**  
(51) International Design Classification: **06-04D**  
(74) Name(s) of Attorney(s): **Griffith Hack**  
(71) Name(s) and Address(s) of Applicant(s):  
**SKODA AUTO a.s.**  
**Tr. Vaclava Klementa 869 Mlada Boleslav CZ-29360 Czech Republic**  
(72) Name(s) of Designer(s): **Jaromir Kuhn**  
(45) Registration Date: **17 October 2012**  
(30) Convention priority data:  
(31) Number (32) Date (33) Country  
**001993064 16 Feb 2012 EUROPEAN COMMUNITY**  
(56) Related Art Documents: **Not Applicable**  
(57) Statement of Newness and Distinctiveness: **Nil**

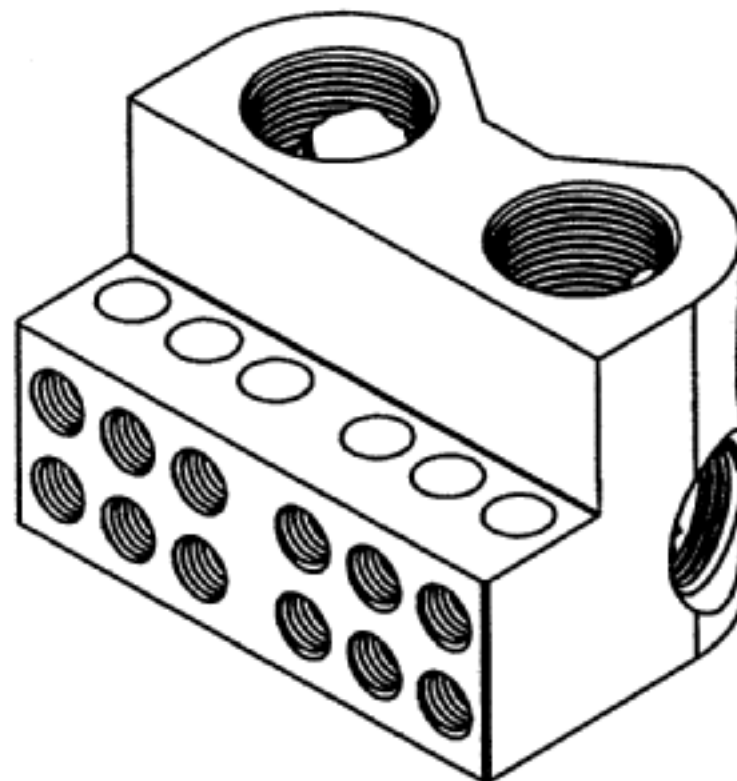


(21) Design Number: **14428/2012**  
(22) Date of Filing Application: **06 September 2012**  
(24) Date from which industrial property rights may have effect: **06 September 2012**  
(54) Product in respect of which the design is registered: **Bag holder**  
(51) International Design Classification: **20-02D, 07-07NES**  
(74) Name(s) of Attorney(s): **PHILLIPS ORMONDE FITZPATRICK**  
(71) Name(s) and Address(s) of Applicant(s):  
**Catilina Nominees Pty Ltd**  
**34 Cahill St Dandenong South VIC 3175 Australia**  
(72) Name(s) of Designer(s): **Bert Pennings and Ben Carlos**  
(45) Registration Date: **17 October 2012**  
(56) Related Art Documents: **Not Applicable**  
(57) Statement of Newness and Distinctiveness: **Nil**

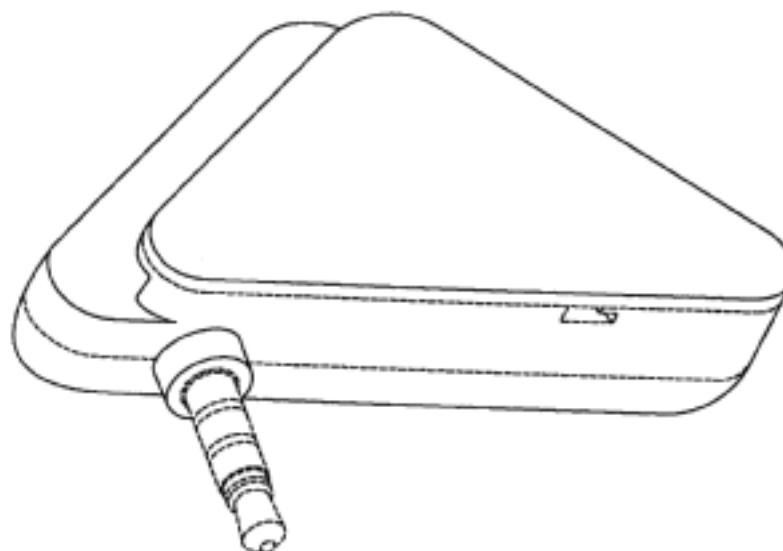




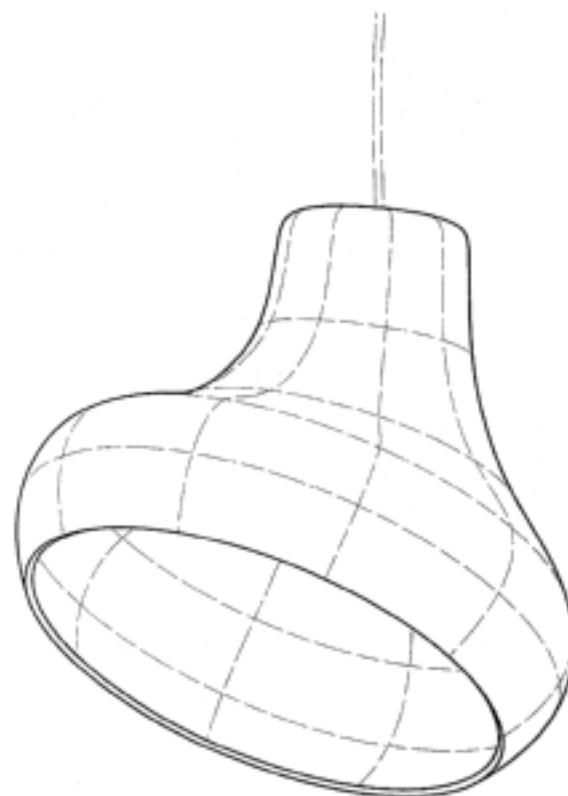
- (21) Design Number: **14429/2012**  
(22) Date of Filing Application: **06 September 2012**  
(24) Date from which industrial property rights may have effect: **06 September 2012**  
(54) Product in respect of which the design is registered: **A double cable terminal lug**  
(51) International Design Classification: **13-03B**  
(74) Name(s) of Attorney(s): **SPRUSON & FERGUSON**  
(71) Name(s) and Address(s) of Applicant(s):  
**Legend Corporate Services Pty Ltd**  
**1 Butler Dr Hendon SA 5014 Australia**  
(72) Name(s) of Designer(s): **Bruce James Ogden**  
(45) Registration Date: **17 October 2012**  
(56) Related Art Documents: **Not Applicable**  
(57) Statement of Newness and Distinctiveness: **Newness and distinctiveness is claimed in the features of shape and/or configuration of a double cable terminal lug as illustrated in the accompanying representations.**



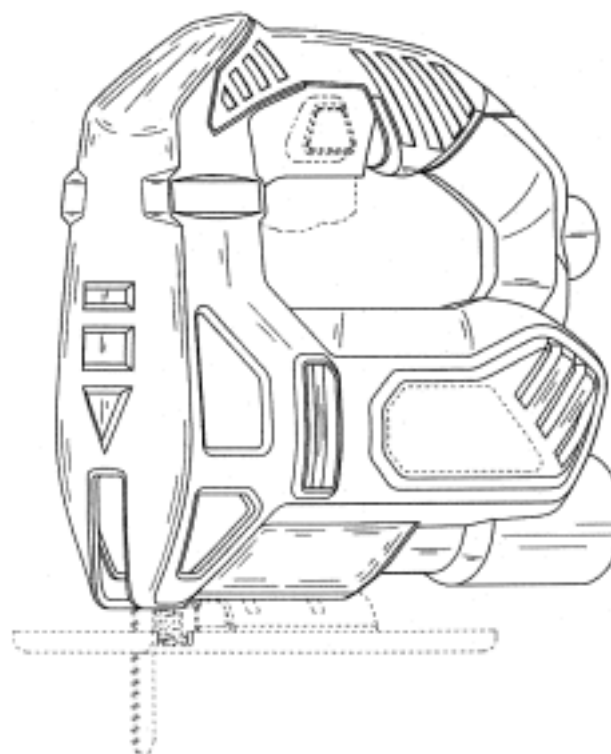
- (21) Design Number: **14431/2012**  
(22) Date of Filing Application: **06 September 2012**  
(24) Date from which industrial property rights may have effect: **06 September 2012**  
(54) Product in respect of which the design is registered: **Reader for use with a mobile device**  
(51) International Design Classification: **14-03A**  
(74) Name(s) of Attorney(s): **SPRUSON & FERGUSON**  
(71) Name(s) and Address(s) of Applicant(s):  
**eBay Inc.**  
**2145 Hamilton Avenue San Jose California 95125 United States of America**  
(72) Name(s) of Designer(s): **Yves Behar and Noah Murphy-Reinhertz**  
(45) Registration Date: **17 October 2012**  
(30) Convention priority data:  
(31) Number      (32) Date      (33) Country  
**29/415119      07 Mar 2012      UNITED STATES OF AMERICA**  
(56) Related Art Documents: **Not Applicable**  
(57) Statement of Newness and Distinctiveness: **Newness and distinctiveness is claimed in the features of shape and/or configuration of a reader for use with a mobile device as illustrated in continuous lines in the accompanying representations in which particular regard is to be had to the overall triangular shape of the reader and the arrangement of the smaller triangular feature over the larger triangular feature.**



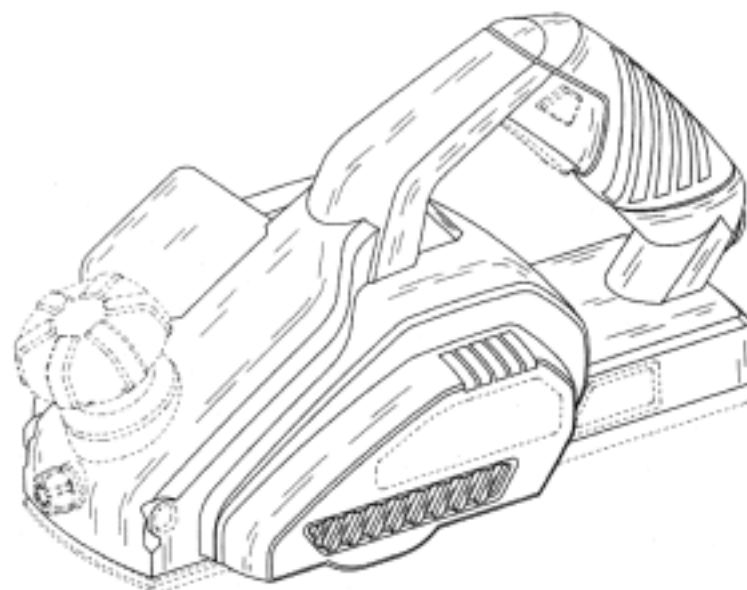
- (21) Design Number: **14432/2012**  
(22) Date of Filing Application: **06 September 2012**  
(24) Date from which industrial property rights may have effect: **06 September 2012**  
(54) Product in respect of which the design is registered: **A lamp shade**  
(51) International Design Classification: **26-05D**  
(74) Name(s) of Attorney(s):  
(71) Name(s) and Address(s) of Applicant(s):  
**Brad Stebbing**  
**3/30-34 Romsey St Waitara NSW 2077 Australia**  
(72) Name(s) of Designer(s): **Brad Stebbing**  
(45) Registration Date: **17 October 2012**  
(56) Related Art Documents: **Not Applicable**  
(57) Statement of Newness and Distinctiveness: **Newness and distinctiveness is claimed in the features of the shape of the lamp shade shown in the continuous black lines in the accompanying representations.**



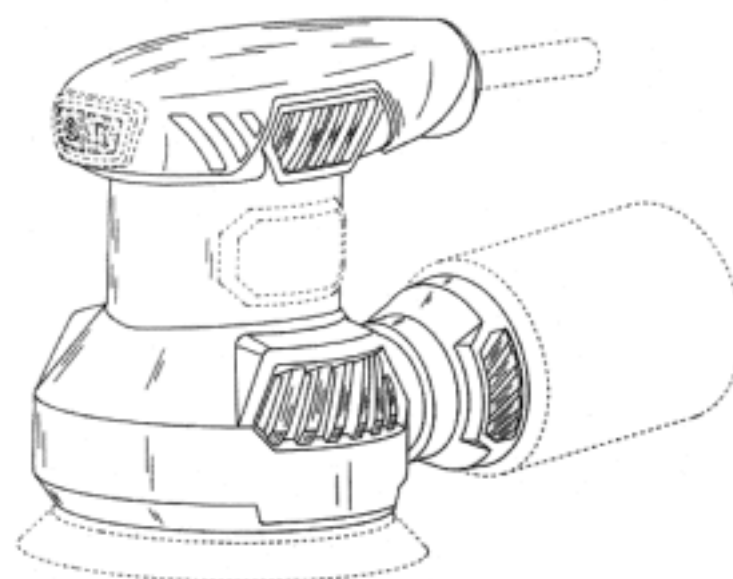
- (21) Design Number: **14673/2012**  
(22) Date of Filing Application: **20 September 2012**  
(24) Date from which industrial property rights may have effect: **20 September 2012**  
(54) Product in respect of which the design is registered: **Jig saw**  
(51) International Design Classification: **08-03**  
(74) Name(s) of Attorney(s): **Collison & Co**  
(71) Name(s) and Address(s) of Applicant(s):  
**Hutchin Exports Ltd**  
**The Lake Building 1st Floor Wickhams Cay 1 Road Town Tortola British Virgin Islands**  
(72) Name(s) of Designer(s): **Michael Waldron**  
(45) Registration Date: **18 October 2012**  
(30) Convention priority data:  
(31) Number      (32) Date      (33) Country  
**29/429763      16 Aug 2012      UNITED STATES OF AMERICA**  
(56) Related Art Documents: **Not Applicable**  
(57) Statement of Newness and Distinctiveness: **Newness and distinctiveness is claimed in respect of the shape and configuration and / or pattern and ornamentation of the jig saw as shown in the accompanying representations excluding the portions represented by the broken lines.**



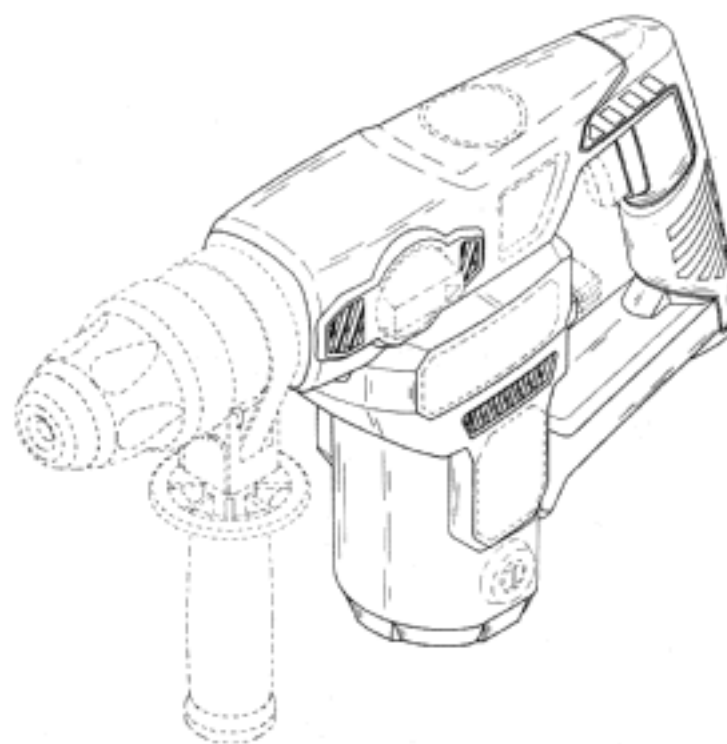
(21) Design Number: **14674/2012**  
(22) Date of Filing Application: **20 September 2012**  
(24) Date from which industrial property rights may have effect: **20 September 2012**  
(54) Product in respect of which the design is registered: **Planer**  
(51) International Design Classification: **08-05N**  
(74) Name(s) of Attorney(s): **Collison & Co**  
(71) Name(s) and Address(s) of Applicant(s):  
**Hutchin Exports Ltd**  
**The Lake Building 1st Floor Wickhams Cay 1 Road Town Tortola British**  
**Virgin Islands**  
(72) Name(s) of Designer(s): **Michael Waldron**  
(45) Registration Date: **18 October 2012**  
(30) Convention priority data:  
(31) Number (32) Date (33) Country  
**29/429767 16 Aug 2012 UNITED STATES OF AMERICA**  
(56) Related Art Documents: **Not Applicable**  
(57) Statement of Newness and Distinctiveness: **Newness and distinctiveness is claimed in respect of the shape and configuration and / or pattern and ornamentation of the planer as shown in the accompanying representations excluding the portions represented by the broken lines.**



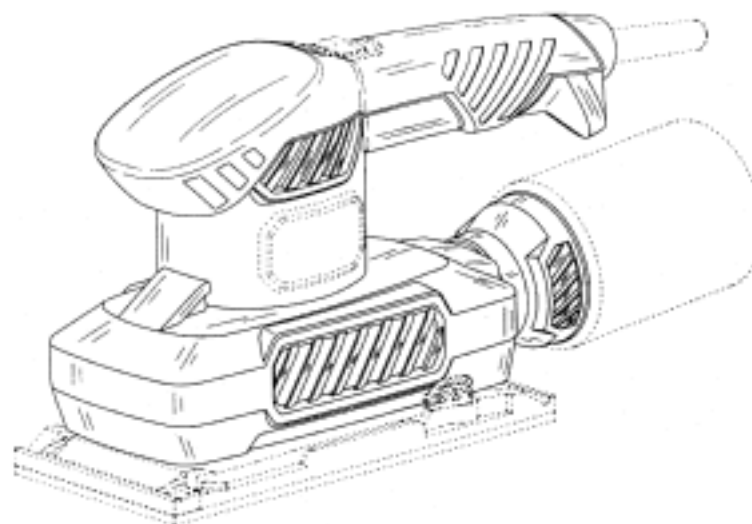
(21) Design Number: **14675/2012**  
(22) Date of Filing Application: **20 September 2012**  
(24) Date from which industrial property rights may have effect: **20 September 2012**  
(54) Product in respect of which the design is registered: **Orbital sander**  
(51) International Design Classification: **08-05N**  
(74) Name(s) of Attorney(s): **Collison & Co**  
(71) Name(s) and Address(s) of Applicant(s):  
**Hutchin Exports Ltd**  
**The Lake Building 1st Floor Wickhams Cay 1 Road Town Tortola British**  
**Virgin Islands**  
(72) Name(s) of Designer(s): **Michael Waldron**  
(45) Registration Date: **18 October 2012**  
(30) Convention priority data:  
(31) Number (32) Date (33) Country  
**29/429771 16 Aug 2012 UNITED STATES OF AMERICA**  
(56) Related Art Documents: **Not Applicable**  
(57) Statement of Newness and Distinctiveness: **Newness and distinctiveness is claimed in respect of the shape and configuration and / or pattern and ornamentation of the orbital sander as shown in the accompanying representations excluding the portions represented by the broken lines.**



(21) Design Number: **14676/2012**  
(22) Date of Filing Application: **20 September 2012**  
(24) Date from which industrial property rights may have effect: **20 September 2012**  
(54) Product in respect of which the design is registered: **Rotary hammer**  
(51) International Design Classification: **08-01, 08-02**  
(74) Name(s) of Attorney(s): **Collison & Co**  
(71) Name(s) and Address(s) of Applicant(s):  
**Hutchin Exports Ltd**  
**The Lake Building 1st Floor Wickhams Cay 1 Road Town Tortola British**  
**Virgin Islands**  
(72) Name(s) of Designer(s): **Michael Waldron**  
(45) Registration Date: **18 October 2012**  
(30) Convention priority data:  
(31) Number (32) Date (33) Country  
**29/429772 16 Aug 2012 UNITED STATES OF AMERICA**  
(56) Related Art Documents: **Not Applicable**  
(57) Statement of Newness and Distinctiveness: **Newness and distinctiveness is claimed in respect of the shape and configuration and / or pattern and ornamentation of the rotary hammer as shown in the accompanying representations excluding the portions represented by the broken lines.**



(21) Design Number: **14677/2012**  
(22) Date of Filing Application: **20 September 2012**  
(24) Date from which industrial property rights may have effect: **20 September 2012**  
(54) Product in respect of which the design is registered: **Sheet sander**  
(51) International Design Classification: **08-05N**  
(74) Name(s) of Attorney(s): **Collison & Co**  
(71) Name(s) and Address(s) of Applicant(s):  
**Hutchin Exports Ltd**  
**The Lake Building 1st Floor Wickhams Cay 1 Road Town Tortola British**  
**Virgin Islands**  
(72) Name(s) of Designer(s): **Michael Waldron**  
(45) Registration Date: **18 October 2012**  
(30) Convention priority data:  
(31) Number (32) Date (33) Country  
**29/429776 16 Aug 2012 UNITED STATES OF AMERICA**  
(56) Related Art Documents: **Not Applicable**  
(57) Statement of Newness and Distinctiveness: **Newness and distinctiveness is claimed in respect of the shape and configuration and / or pattern and ornamentation of the sheet sander as shown in the accompanying representations excluding the portions represented by the broken lines.**



(21) Design Number: **14678/2012**  
(22) Date of Filing Application: **20 September 2012**  
(24) Date from which industrial property rights may have effect: **20 September 2012**  
(54) Product in respect of which the design is registered: **Wireless transmitter**  
(51) International Design Classification: **14-03NES**  
(74) Name(s) of Attorney(s): **Shelston IP**  
(71) Name(s) and Address(s) of Applicant(s):

**Robert Bosch GmbH**  
**Wernerstrasse 1 D-70469 Stuttgart-Feuerbach Germany**

(72) Name(s) of Designer(s): **Michael Earl Reimer and James Bruce Thornton and Robert Edwin Walters**

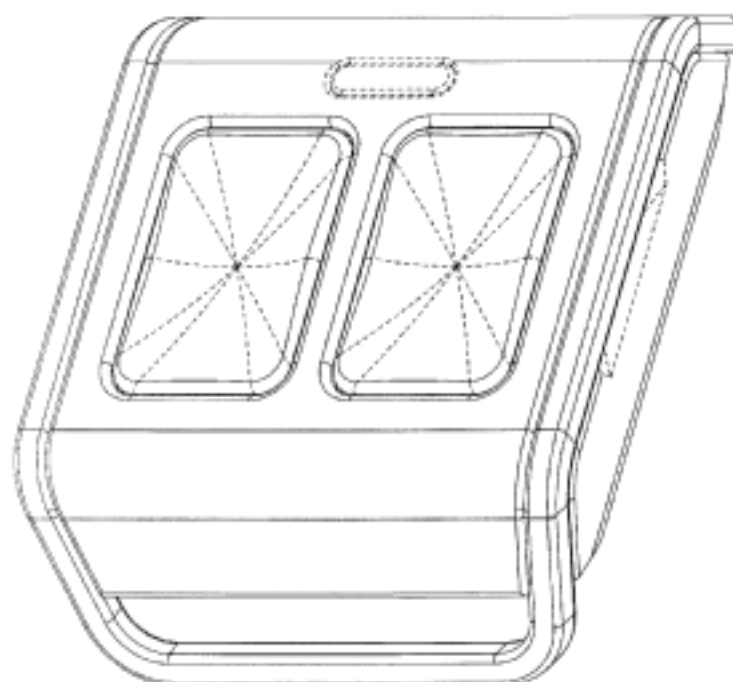
(45) Registration Date: **18 October 2012**

(30) Convention priority data:

(31) Number	(32) Date	(33) Country
<b>29/426361</b>	<b>21 Mar 2012</b>	<b>UNITED STATES OF AMERICA</b>

(56) Related Art Documents: **Not Applicable**

(57) Statement of Newness and Distinctiveness: **Newness and distinctiveness reside in the features of shape and/or configuration of a WIRELESS TRANSMITTER as illustrated in solid lines in the accompanying representations. The features shown in broken lines do not form part of the design.**



(21) Design Number: **14679/2012**  
(22) Date of Filing Application: **20 September 2012**  
(24) Date from which industrial property rights may have effect: **20 September 2012**  
(54) Product in respect of which the design is registered: **Wireless transmitter**  
(51) International Design Classification: **14-03NES**  
(74) Name(s) of Attorney(s): **Shelston IP**  
(71) Name(s) and Address(s) of Applicant(s):

**Robert Bosch GmbH**  
**Wernerstrasse 1 D-70469 Stuttgart-Feuerbach Germany**

(72) Name(s) of Designer(s): **Michael Earl Reimer and James Bruce Thornton and Robert Edwin Walters**

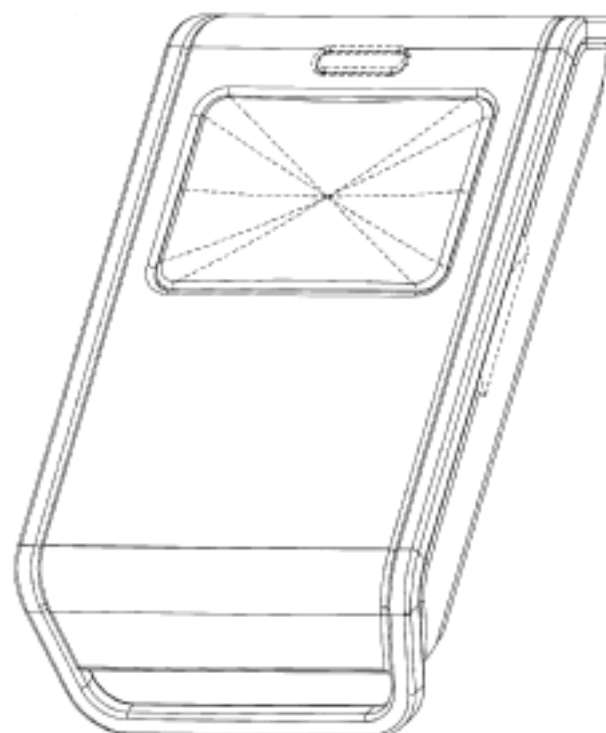
(45) Registration Date: **18 October 2012**

(30) Convention priority data:

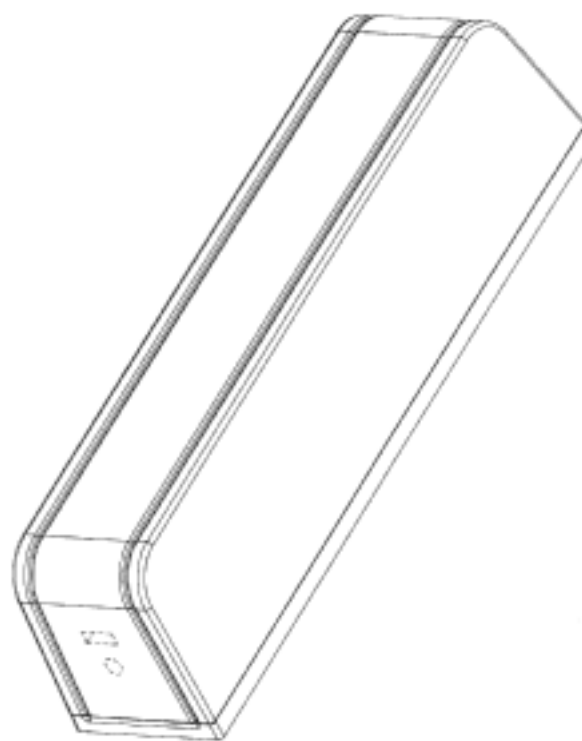
(31) Number	(32) Date	(33) Country
<b>29/426361</b>	<b>21 Mar 2012</b>	<b>UNITED STATES OF AMERICA</b>

(56) Related Art Documents: **Not Applicable**

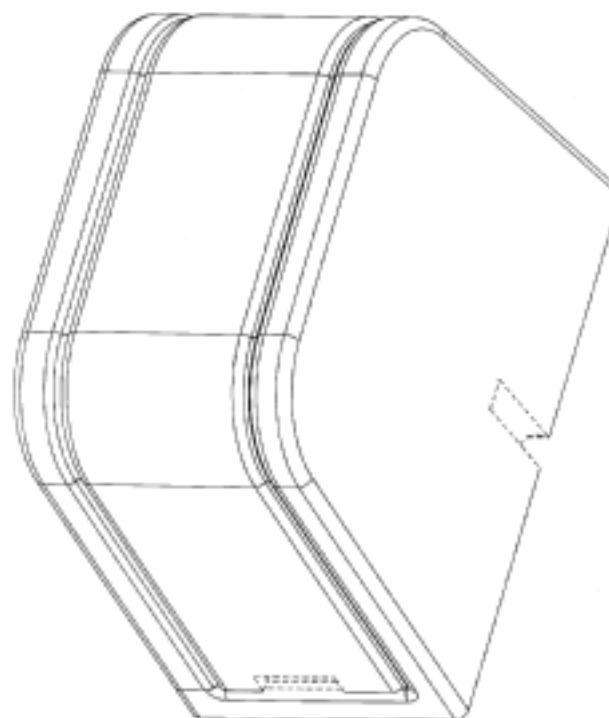
(57) Statement of Newness and Distinctiveness: **Newness and distinctiveness reside in the features of shape and/or configuration of a WIRELESS TRANSMITTER as illustrated in solid lines in the accompanying representations. The features shown in broken lines do not form part of the design.**



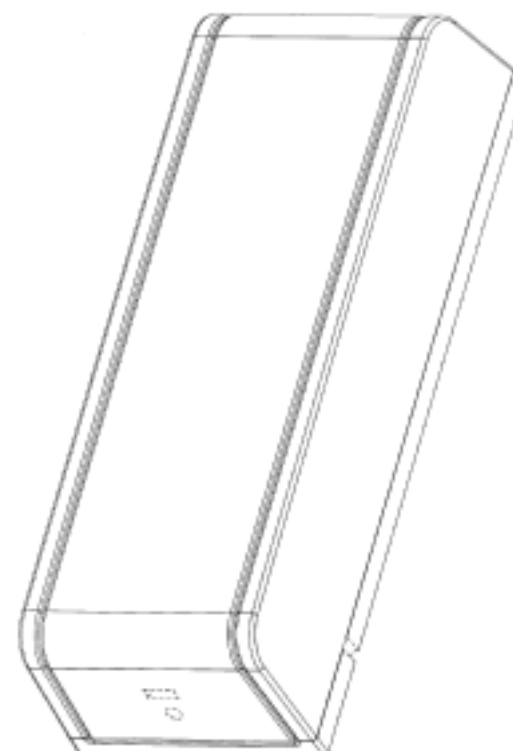
(21) Design Number: **14680/2012**  
(22) Date of Filing Application: **20 September 2012**  
(24) Date from which industrial property rights may have effect: **20 September 2012**  
(54) Product in respect of which the design is registered: **Door/window wireless transmitter**  
(51) International Design Classification: **14-03NES**  
(74) Name(s) of Attorney(s): **Shelston IP**  
(71) Name(s) and Address(s) of Applicant(s):  
**Robert Bosch GmbH**  
**Wernerstrasse 1 D-70469 Stuttgart-Feuerbach Germany**  
(72) Name(s) of Designer(s): **Daniel Anthony Corso and James Bruce Thornton and Michael Earl Reimer**  
(45) Registration Date: **18 October 2012**  
(30) Convention priority data:  
(31) Number (32) Date (33) Country  
**29/416419 21 Mar 2012 UNITED STATES OF AMERICA**  
(56) Related Art Documents: **Not Applicable**  
(57) Statement of Newness and Distinctiveness: **Newness and distinctiveness reside in the features of shape and/or configuration of a DOOR/WINDOW WIRELESS TRANSMITTER as illustrated in solid lines in the accompanying representations. The features shown in broken lines do not form part of the design.**



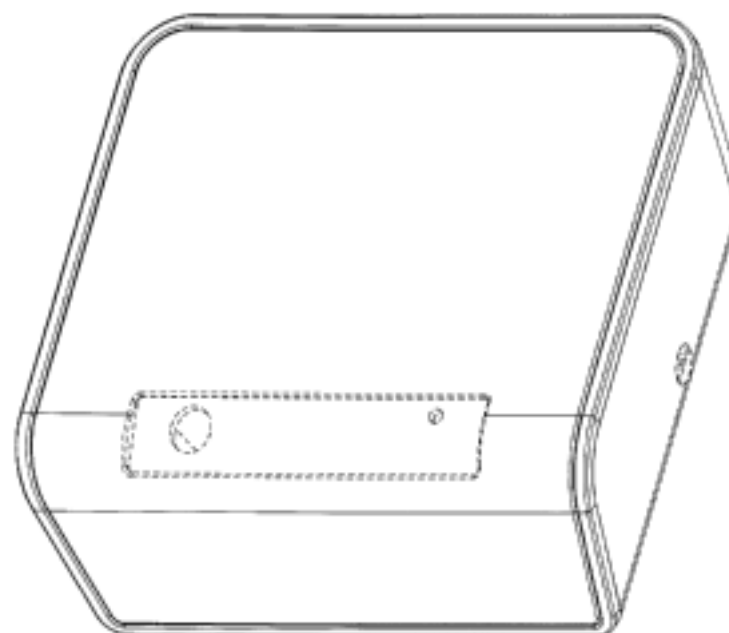
(21) Design Number: **14681/2012**  
(22) Date of Filing Application: **20 September 2012**  
(24) Date from which industrial property rights may have effect: **20 September 2012**  
(54) Product in respect of which the design is registered: **Door/window magnet holder**  
(51) International Design Classification: **08-08NES**  
(74) Name(s) of Attorney(s): **Shelston IP**  
(71) Name(s) and Address(s) of Applicant(s):  
**Robert Bosch GmbH**  
**Wernerstrasse 1 D-70469 Stuttgart-Feuerbach Germany**  
(72) Name(s) of Designer(s): **Daniel Anthony Corso and James Bruce Thornton and Michael Earl Reimer**  
(45) Registration Date: **18 October 2012**  
(30) Convention priority data:  
(31) Number (32) Date (33) Country  
**29/416417 21 Mar 2012 UNITED STATES OF AMERICA**  
(56) Related Art Documents: **Not Applicable**  
(57) Statement of Newness and Distinctiveness: **Newness and distinctiveness reside in the features of shape and/or configuration of a DOOR/WINDOW MAGNET HOLDER as illustrated in solid lines in the accompanying representations. The features shown in broken lines do not form part of the design.**



- (21) Design Number: **14682/2012**  
(22) Date of Filing Application: **20 September 2012**  
(24) Date from which industrial property rights may have effect: **20 September 2012**  
(54) Product in respect of which the design is registered: **Door/window contact**  
(51) International Design Classification: **10-05**  
(74) Name(s) of Attorney(s): **Shelston IP**  
(71) Name(s) and Address(s) of Applicant(s):  
**Robert Bosch GmbH**  
**Wernerstrasse 1 D-70469 Stuttgart-Feuerbach Germany**  
(72) Name(s) of Designer(s): **Daniel Anthony Corso and James Bruce Thornton and Michael Earl Reimer**  
(45) Registration Date: **18 October 2012**  
(30) Convention priority data:  
(31) Number (32) Date (33) Country  
**29/416416 21 Mar 2012 UNITED STATES OF AMERICA**  
(56) Related Art Documents: **Not Applicable**  
(57) Statement of Newness and Distinctiveness: **Newness and distinctiveness reside in the features of shape and/or configuration of a DOOR/WINDOW CONTACT as illustrated in the accompanying representations. The features shown in broken lines do not form part of the design.**



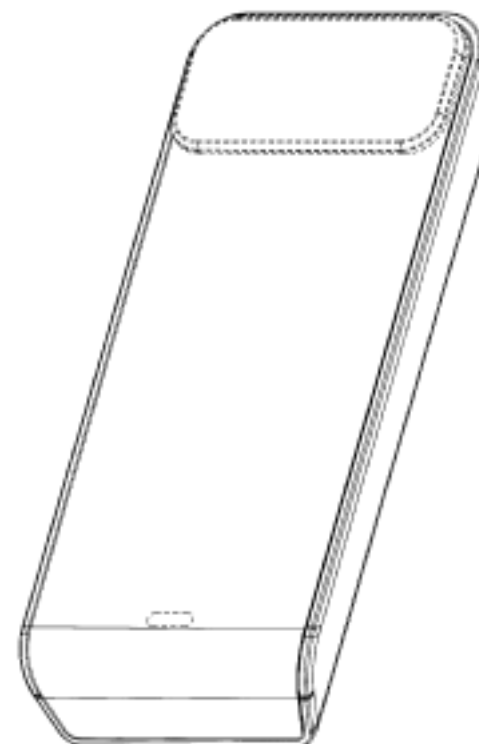
- (21) Design Number: **14683/2012**  
(22) Date of Filing Application: **20 September 2012**  
(24) Date from which industrial property rights may have effect: **20 September 2012**  
(54) Product in respect of which the design is registered: **Wireless glass break detector**  
(51) International Design Classification: **10-05**  
(74) Name(s) of Attorney(s): **Shelston IP**  
(71) Name(s) and Address(s) of Applicant(s):  
**Robert Bosch GmbH**  
**Wernerstrasse 1 D-70469 Stuttgart-Feuerbach Germany**  
(72) Name(s) of Designer(s): **Daniel Anthony Corso and James Bruce Thornton and Michael Earl Reimer**  
(45) Registration Date: **18 October 2012**  
(30) Convention priority data:  
(31) Number (32) Date (33) Country  
**29/416414 21 Mar 2012 UNITED STATES OF AMERICA**  
(56) Related Art Documents: **Not Applicable**  
(57) Statement of Newness and Distinctiveness: **Newness and distinctiveness reside in the features of shape and/or configuration of a WIRELESS GLASS BREAK DETECTOR as illustrated in solid lines in the accompanying representations. The features shown in broken lines do not form part of the design.**



(21) Design Number: **14684/2012**  
(22) Date of Filing Application: **20 September 2012**  
(24) Date from which industrial property rights may have effect: **20 September 2012**  
(54) Product in respect of which the design is registered: **Wireless receiver**  
(51) International Design Classification: **14-03NES**  
(74) Name(s) of Attorney(s): **Shelston IP**  
(71) Name(s) and Address(s) of Applicant(s):  
**Robert Bosch GmbH**  
**Wernerstrasse 1 D-70469 Stuttgart-Feuerbach Germany**  
(72) Name(s) of Designer(s): **Daniel Anthony Corso and James Bruce Thornton and Michael Earl Reimer**  
(45) Registration Date: **18 October 2012**  
(30) Convention priority data:  
(31) Number (32) Date (33) Country  
**29/416401 21 Mar 2012 UNITED STATES OF AMERICA**  
(56) Related Art Documents: **Not Applicable**  
(57) Statement of Newness and Distinctiveness: **Newness and distinctiveness reside in the features of shape and/or configuration of a WIRELESS RECEIVER as illustrated in solid lines in the accompanying representations. The features shown in broken lines do not form part of the design.**



(21) Design Number: **14685/2012**  
(22) Date of Filing Application: **20 September 2012**  
(24) Date from which industrial property rights may have effect: **20 September 2012**  
(54) Product in respect of which the design is registered: **Wireless bill trap**  
(51) International Design Classification: **10-05**  
(74) Name(s) of Attorney(s): **Shelston IP**  
(71) Name(s) and Address(s) of Applicant(s):  
**Robert Bosch GmbH**  
**Wernerstrasse 1 D-70469 Stuttgart-Feuerbach Germany**  
(72) Name(s) of Designer(s): **Daniel Anthony Corso and James Bruce Thornton and Michael Earl Reimer**  
(45) Registration Date: **18 October 2012**  
(30) Convention priority data:  
(31) Number (32) Date (33) Country  
**29/416398 21 Mar 2012 UNITED STATES OF AMERICA**  
(56) Related Art Documents: **Not Applicable**  
(57) Statement of Newness and Distinctiveness: **Newness and distinctiveness reside in the features of shape and/or configuration of a WIRELESS BILL TRAP as illustrated in solid lines in the accompanying representations. The features illustrated in broken lines do not form part of the design.**





(21) Design Number: **14686/2012**  
(22) Date of Filing Application: **20 September 2012**  
(24) Date from which industrial property rights may have effect: **20 September 2012**  
(54) Product in respect of which the design is registered: **Wireless transmitter**  
(51) International Design Classification: **14-03NES**  
(74) Name(s) of Attorney(s): **Shelston IP**  
(71) Name(s) and Address(s) of Applicant(s):

**Robert Bosch GmbH**  
**Wernerstrasse 1 D-70469 Stuttgart-Feuerbach Germany**

(72) Name(s) of Designer(s): **Michael Earl Reimer and James Bruce Thornton and Robert Edwin Walters**

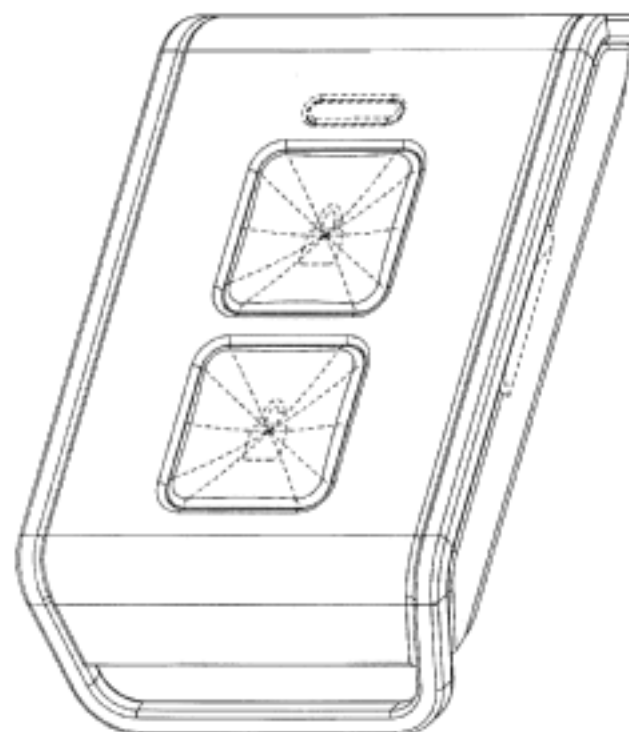
(45) Registration Date: **18 October 2012**

(30) Convention priority data:

(31) Number	(32) Date	(33) Country
<b>29/426361</b>	<b>21 Mar 2012</b>	<b>UNITED STATES OF AMERICA</b>

(56) Related Art Documents: **Not Applicable**

(57) Statement of Newness and Distinctiveness: **Newness and distinctiveness reside in the features of shape and/or configuration of a WIRELESS TRANSMITTER as illustrated in solid lines in the accompanying representations. The features shown in broken lines do not form part of the design.**



(21) Design Number: **14687/2012**  
(22) Date of Filing Application: **20 September 2012**  
(24) Date from which industrial property rights may have effect: **20 September 2012**  
(54) Product in respect of which the design is registered: **Wireless transmitter**  
(51) International Design Classification: **14-03NES**  
(74) Name(s) of Attorney(s): **Shelston IP**  
(71) Name(s) and Address(s) of Applicant(s):

**Robert Bosch GmbH**  
**Wernerstrasse 1 D-70469 Stuttgart-Feuerbach Germany**

(72) Name(s) of Designer(s): **Michael Earl Reimer and James Bruce Thornton and Robert Edwin Walters**

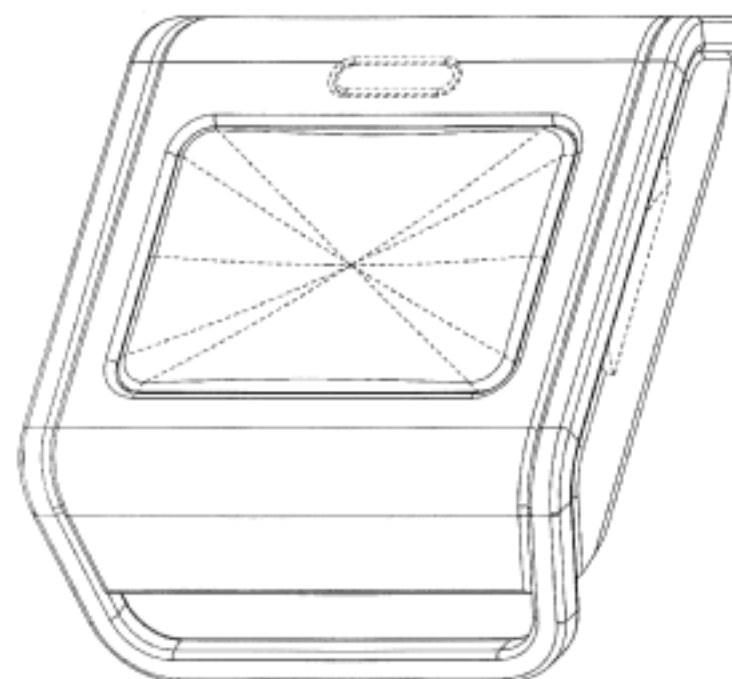
(45) Registration Date: **18 October 2012**

(30) Convention priority data:

(31) Number	(32) Date	(33) Country
<b>29/426361</b>	<b>21 Mar 2012</b>	<b>UNITED STATES OF AMERICA</b>

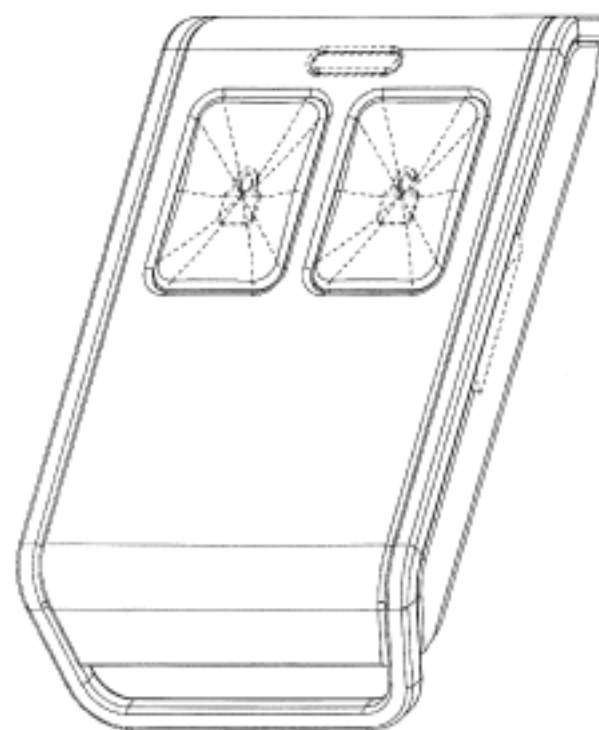
(56) Related Art Documents: **Not Applicable**

(57) Statement of Newness and Distinctiveness: **Newness and distinctiveness reside in the features of shape and/or configuration of a WIRELESS TRANSMITTER as illustrated in solid lines in the accompanying representations. The features shown in broken lines do not form part of the design.**



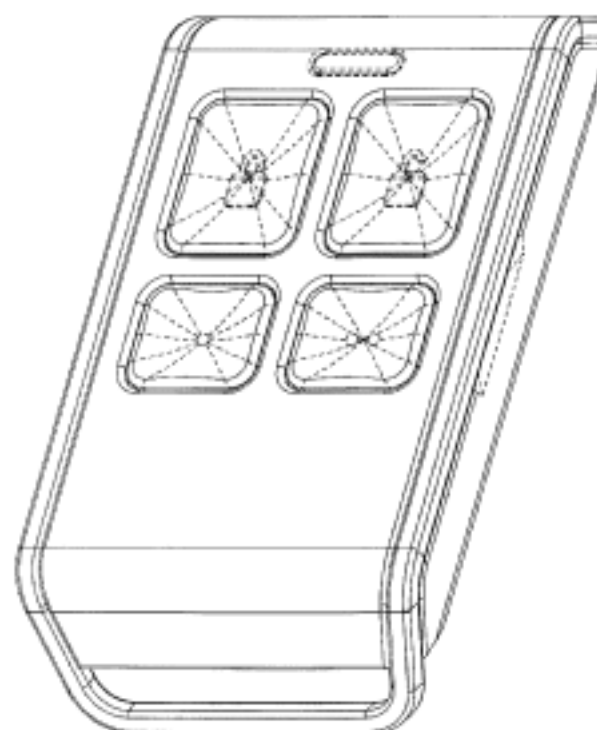
(21) Design Number: **14688/2012**  
(22) Date of Filing Application: **20 September 2012**  
(24) Date from which industrial property rights may have effect: **20 September 2012**  
(54) Product in respect of which the design is registered: **Wireless transmitter**  
(51) International Design Classification: **14-03NES**  
(74) Name(s) of Attorney(s): **Shelston IP**  
(71) Name(s) and Address(s) of Applicant(s):  
**Robert Bosch GmbH**  
**Wernerstrasse 1 D-70469 Stuttgart-Feuerbach Germany**  
(72) Name(s) of Designer(s): **Michael Earl Reimer and James Bruce Thornton and Robert Edwin Walters**  
(45) Registration Date: **18 October 2012**  
(30) Convention priority data:  
(31) Number (32) Date (33) Country  
**29/426361 21 Mar 2012 UNITED STATES OF AMERICA**

(56) Related Art Documents: **Not Applicable**  
(57) Statement of Newness and Distinctiveness: **Newness and distinctiveness reside in the features of shape and/or configuration of a WIRELESS TRANSMITTER as illustrated in solid lines in the accompanying representations. The features shown in broken lines do not form part of the design.**



(21) Design Number: **14689/2012**  
(22) Date of Filing Application: **20 September 2012**  
(24) Date from which industrial property rights may have effect: **20 September 2012**  
(54) Product in respect of which the design is registered: **Wireless transmitter**  
(51) International Design Classification: **14-03NES**  
(74) Name(s) of Attorney(s): **Shelston IP**  
(71) Name(s) and Address(s) of Applicant(s):  
**Robert Bosch GmbH**  
**Wernerstrasse 1 D-70469 Stuttgart-Feuerbach Germany**  
(72) Name(s) of Designer(s): **Michael Earl Reimer and James Bruce Thornton and Robert Edwin Walters**  
(45) Registration Date: **18 October 2012**  
(30) Convention priority data:  
(31) Number (32) Date (33) Country  
**29/426361 21 Mar 2012 UNITED STATES OF AMERICA**

(56) Related Art Documents: **Not Applicable**  
(57) Statement of Newness and Distinctiveness: **Newness and distinctiveness reside in the features of shape and/or configuration of a WIRELESS TRANSMITTER as illustrated in solid lines in the accompanying representations. The features shown in broken lines do not form part of the design.**



(21) Design Number: **14692/2012**  
(22) Date of Filing Application: **20 September 2012**  
(24) Date from which industrial property rights may have effect: **20 September 2012**  
(54) Product in respect of which the design is registered: **Lunch bag**  
(51) International Design Classification: **03-01NES**  
(74) Name(s) of Attorney(s): **SPRUSON & FERGUSON**  
(71) Name(s) and Address(s) of Applicant(s):

**Thermos L.C.C.**  
**475 N. Martingale Road Suite 1100 Schaumburg Illinois 60173 United States of America**

(72) Name(s) of Designer(s): **Dwayne Boroski**

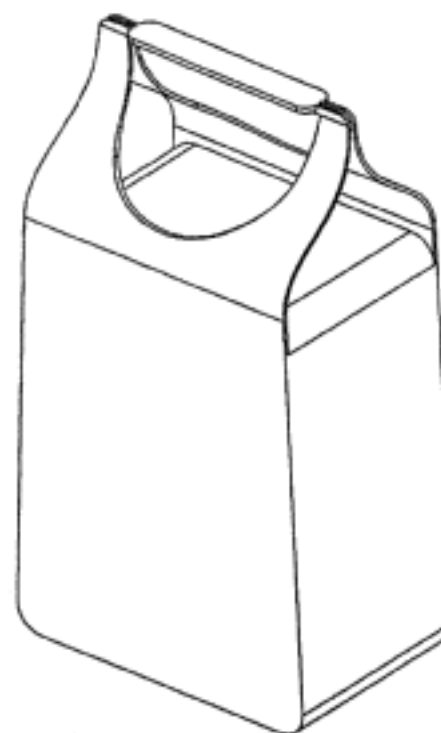
(45) Registration Date: **18 October 2012**

(30) Convention priority data:

(31) Number	(32) Date	(33) Country
<b>29/416519</b>	<b>23 Mar 2012</b>	<b>UNITED STATES OF AMERICA</b>

(56) Related Art Documents: **Not Applicable**

(57) Statement of Newness and Distinctiveness: **Newness and distinctiveness is claimed in the features of shape and/or configuration of a lunch bag as illustrated in the accompanying representations.**



(21) Design Number: **14693/2012**  
(22) Date of Filing Application: **20 September 2012**  
(24) Date from which industrial property rights may have effect: **20 September 2012**  
(54) Product in respect of which the design is registered: **Food storage jar with lid**  
(51) International Design Classification: **07-01NES**  
(74) Name(s) of Attorney(s): **SPRUSON & FERGUSON**  
(71) Name(s) and Address(s) of Applicant(s):

**Thermos L.L.C.**  
**475 N. Martingale Road Suite 1100 Schaumburg Illinois 60173 United States of America**

(72) Name(s) of Designer(s): **Marvin Lane**

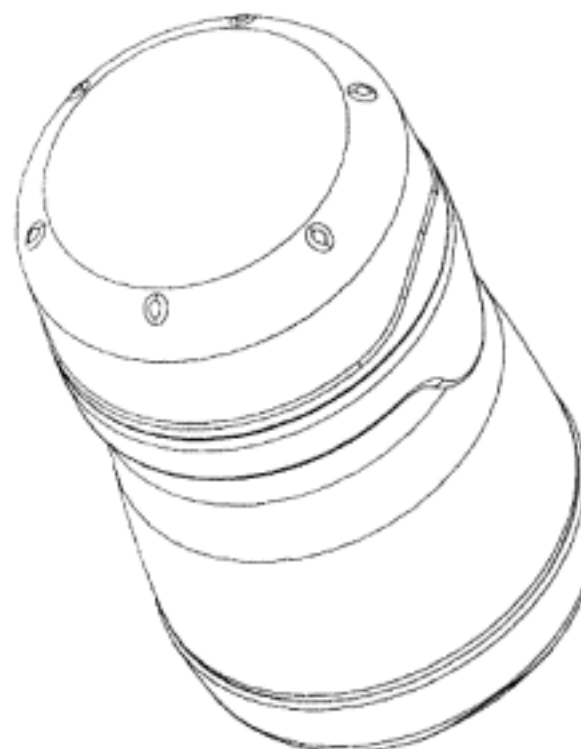
(45) Registration Date: **18 October 2012**

(30) Convention priority data:

(31) Number	(32) Date	(33) Country
<b>29/416486</b>	<b>22 Mar 2012</b>	<b>UNITED STATES OF AMERICA</b>

(56) Related Art Documents: **Not Applicable**

(57) Statement of Newness and Distinctiveness: **Newness and distinctiveness is claimed in the features of shape and/or configuration of a food storage jar with lid as illustrated in the accompanying representations.**



(21) Design Number: **14694/2012**  
(22) Date of Filing Application: **20 September 2012**  
(24) Date from which industrial property rights may have effect: **20 September 2012**  
(54) Product in respect of which the design is registered: **Lunch bag**  
(51) International Design Classification: **03-01NES**  
(74) Name(s) of Attorney(s): **SPRUSON & FERGUSON**  
(71) Name(s) and Address(s) of Applicant(s):

**Thermos L.C.C.**  
**475 N. Martingale Road Suite 1100 Schaumburg Illinois 60173 United States of America**

(72) Name(s) of Designer(s): **Dwayne Boroski**

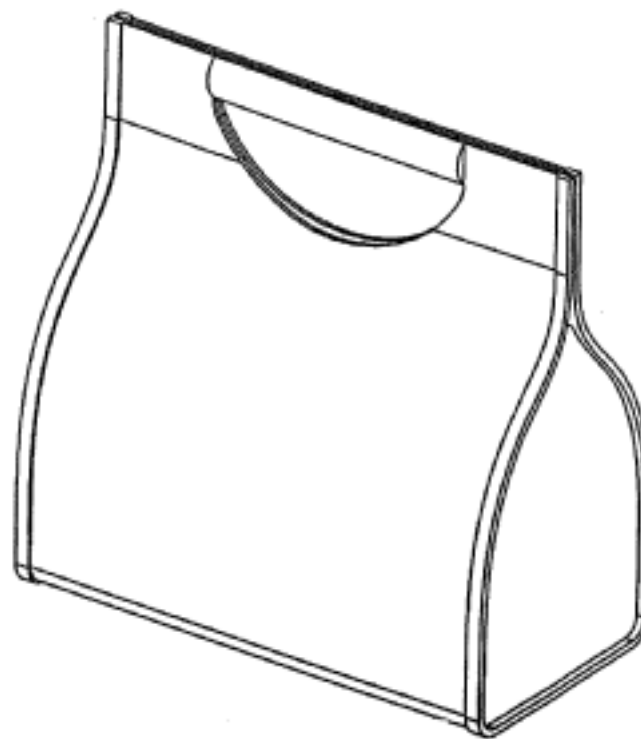
(45) Registration Date: **18 October 2012**

(30) Convention priority data:

(31) Number	(32) Date	(33) Country
<b>29/416518</b>	<b>23 Mar 2012</b>	<b>UNITED STATES OF AMERICA</b>

(56) Related Art Documents: **Not Applicable**

(57) Statement of Newness and Distinctiveness: **Newness and distinctiveness is claimed in the features of shape and/or configuration of a lunch bag as illustrated in the accompanying representations.**



(21) Design Number: **11539/2012**  
(22) Date of Filing Application: **26 March 2012**  
(24) Date from which industrial property rights may have effect: **26 March 2012**  
(54) Product in respect of which the design is registered: **Automobile**  
(51) International Design Classification: **12-08**  
(74) Name(s) of Attorney(s): **SPRUSON & FERGUSON**  
(71) Name(s) and Address(s) of Applicant(s):

**Toyota Jidosha Kabushiki Kaisha**  
**1 Toyota-cho Toyota-shi Aichi-Ken 471-8571 Japan**

(72) Name(s) of Designer(s): **Koichi Suga**

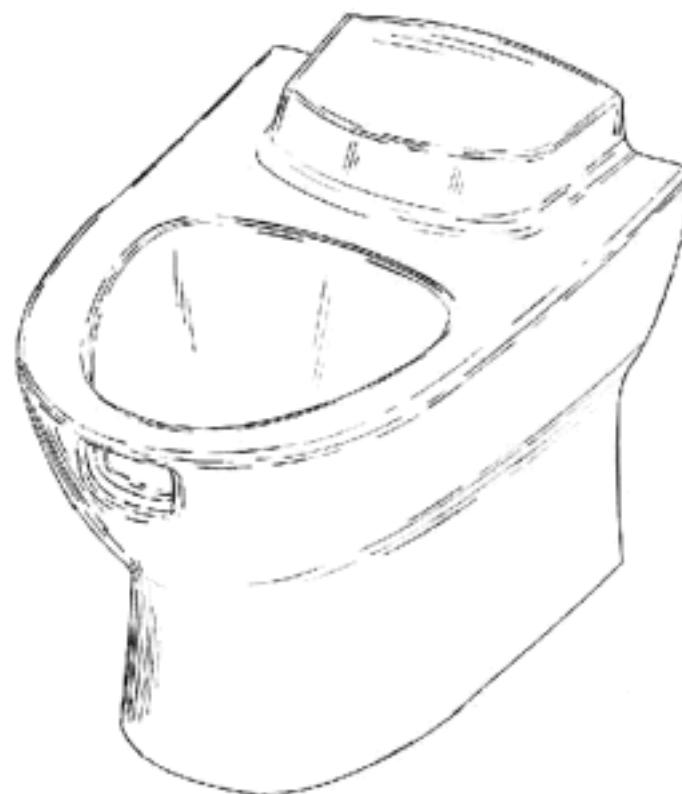
(45) Registration Date: **18 October 2012**

(56) Related Art Documents: **Not Applicable**

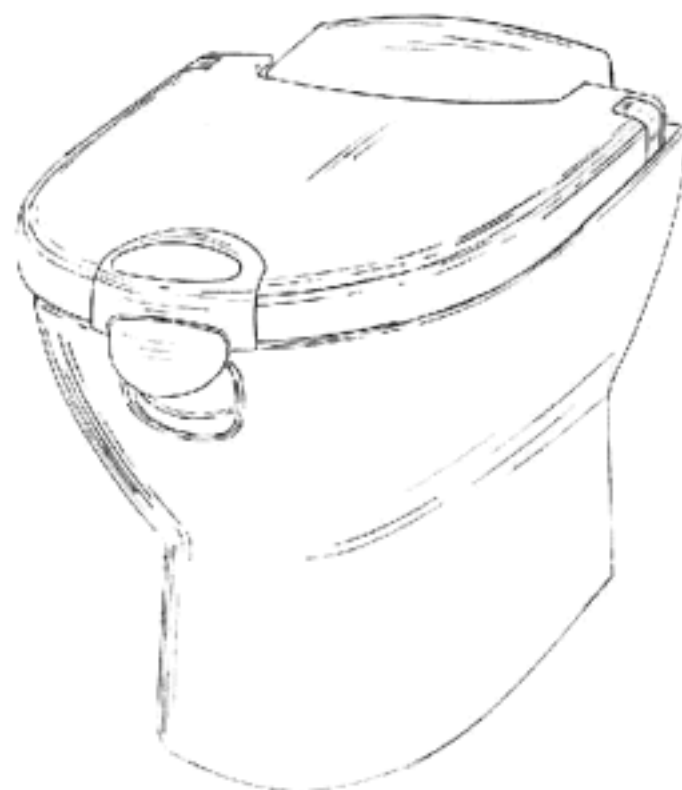
(57) Statement of Newness and Distinctiveness: **Newness and distinctiveness is claimed in the features of the shape and/or configuration of an automobile as illustrated in the accompanying representations, apart from the Lexus emblems.**



(21) Design Number: **14224/2012**  
(22) Date of Filing Application: **28 August 2012**  
(24) Date from which industrial property rights may have effect: **28 August 2012**  
(54) Product in respect of which the design is registered: **Toilet pan**  
(51) International Design Classification: **23-02C**  
(74) Name(s) of Attorney(s): **WATERMARK PATENT AND TRADE MARKS ATTORNEYS**  
(71) Name(s) and Address(s) of Applicant(s):  
**Phoenix Product Development Limited**  
**Unit 1 West Point 11 Durham Road Basildon Essex SS15 6PH United Kingdom**  
(72) Name(s) of Designer(s): **Garry Moore**  
(45) Registration Date: **18 October 2012**  
(30) Convention priority data:  
(31) Number (32) Date (33) Country  
**001999301-0001 28 Feb 2012 EUROPEAN COMMUNITY**  
(56) Related Art Documents: **Not Applicable**  
(57) Statement of Newness and Distinctiveness: **Newness and distinctiveness resides in the features of shape and/or configuration of the toilet pan as shown in the accompanying representations.**



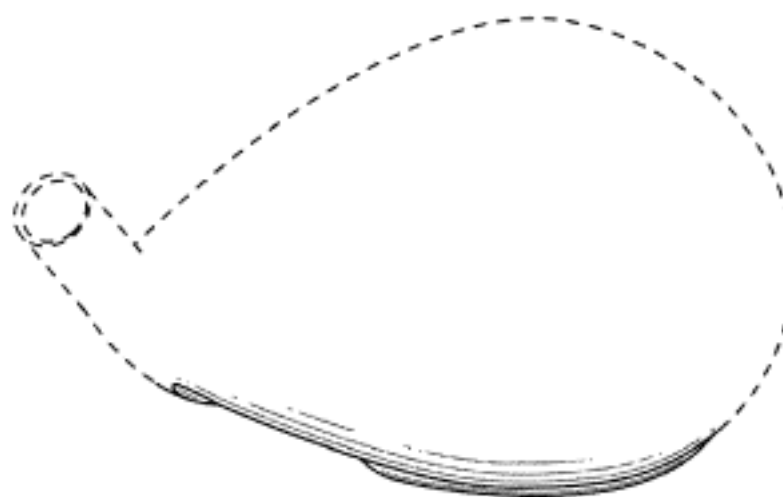
(21) Design Number: **14225/2012**  
(22) Date of Filing Application: **28 August 2012**  
(24) Date from which industrial property rights may have effect: **28 August 2012**  
(54) Product in respect of which the design is registered: **Toilet pan lid**  
(51) International Design Classification: **23-02C**  
(74) Name(s) of Attorney(s): **WATERMARK PATENT AND TRADE MARKS ATTORNEYS**  
(71) Name(s) and Address(s) of Applicant(s):  
**Phoenix Product Development Limited**  
**Unit 1 West Point 11 Durham Road Basildon Essex SS15 6PH United Kingdom**  
(72) Name(s) of Designer(s): **Garry Moore**  
(45) Registration Date: **18 October 2012**  
(30) Convention priority data:  
(31) Number (32) Date (33) Country  
**001999301-0002 28 Feb 2012 EUROPEAN COMMUNITY**  
(56) Related Art Documents: **Not Applicable**  
(57) Statement of Newness and Distinctiveness: **Newness and distinctiveness resides in the features of shape and/or configuration of the toilet pan lid as shown in the accompanying representations; in considering the newness and distinctiveness, the shape and configuration of the toilet pan is to be disregarded.**



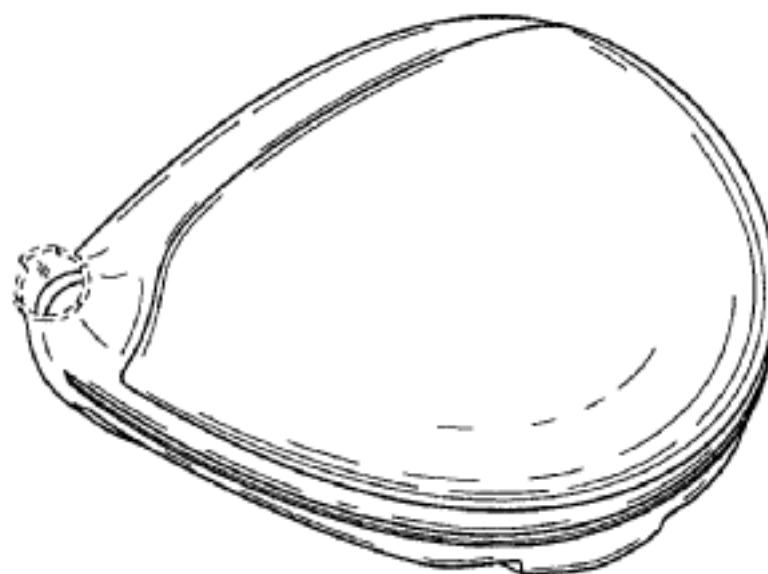
- (21) Design Number: **14445/2012**  
(22) Date of Filing Application: **06 September 2012**  
(24) Date from which industrial property rights may have effect: **06 September 2012**  
(54) Product in respect of which the design is registered: **A sewage influent deflector for cleaning a sewage pumping station**  
(51) International Design Classification: **23-02NES**  
(74) Name(s) of Attorney(s):  
(71) Name(s) and Address(s) of Applicant(s):  
**Douglas Brett McCasker**  
**c/o Michael Buck IP 196 Moggill Rd Taringa QLD 4068**  
(72) Name(s) of Designer(s): **Douglas Brett McCasker**  
(45) Registration Date: **18 October 2012**  
(56) Related Art Documents: **Not Applicable**  
(57) Statement of Newness and Distinctiveness: **The shape and configuration of a sewage influent deflector as depicted in the accompanying representations.**



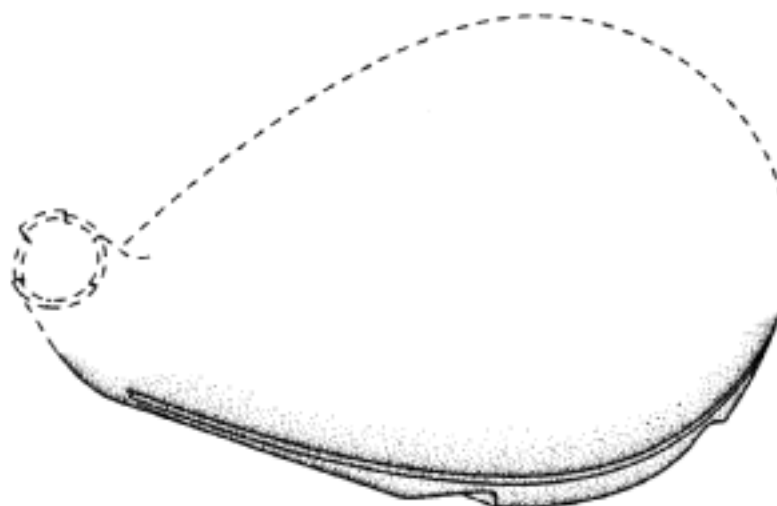
- (21) Design Number: **14646/2012**  
(22) Date of Filing Application: **19 September 2012**  
(24) Date from which industrial property rights may have effect: **19 September 2012**  
(54) Product in respect of which the design is registered: **Golf club head**  
(51) International Design Classification: **21-02C**  
(74) Name(s) of Attorney(s): **SPRUSON & FERGUSON**  
(71) Name(s) and Address(s) of Applicant(s):  
**Callaway Golf Company**  
**2180 Rutherford Road Carlsbad CA 92008-7328 United States of America**  
(72) Name(s) of Designer(s): **Kevin W. Kim and Philip G. Foster and Joel B. Erickson**  
(45) Registration Date: **18 October 2012**  
(30) Convention priority data:  
(31) Number      (32) Date      (33) Country  
**29/430602      28 Aug 2012      UNITED STATES OF AMERICA**  
(56) Related Art Documents: **Not Applicable**  
(57) Statement of Newness and Distinctiveness: **Newness and distinctiveness is claimed in those features of shape and/or configuration of a golf club head as illustrated in continuous lines in the accompanying representations.**



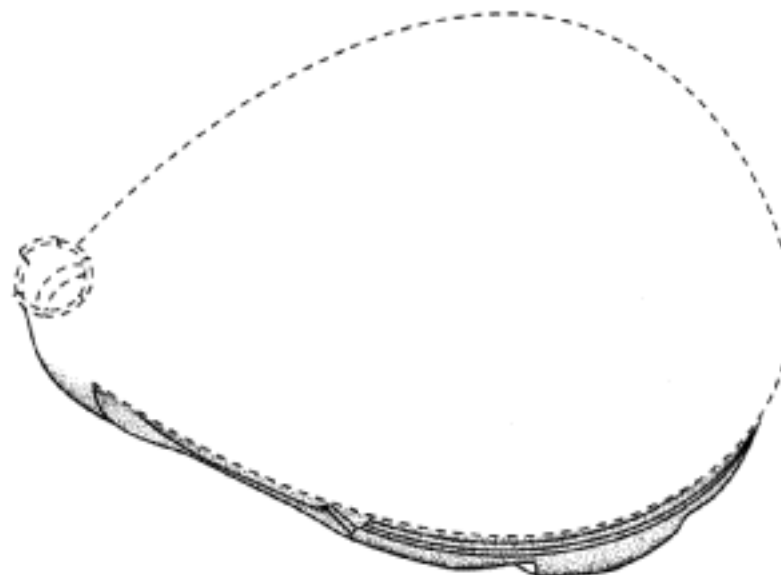
(21) Design Number: **14647/2012**  
(22) Date of Filing Application: **19 September 2012**  
(24) Date from which industrial property rights may have effect: **19 September 2012**  
(54) Product in respect of which the design is registered: **Golf club head**  
(51) International Design Classification: **21-02C**  
(74) Name(s) of Attorney(s): **SPRUSON & FERGUSON**  
(71) Name(s) and Address(s) of Applicant(s):  
**Callaway Golf Company**  
**2180 Rutherford Road Carlsbad CA 92008-7328 United States of America**  
(72) Name(s) of Designer(s): **Philip G. Foster**  
(45) Registration Date: **18 October 2012**  
(30) Convention priority data:  
(31) Number (32) Date (33) Country  
**29/423962 06 Jun 2012 UNITED STATES OF AMERICA**  
(56) Related Art Documents: **Not Applicable**  
(57) Statement of Newness and Distinctiveness: **Newness and distinctiveness is claimed in those features of shape and/or configuration of a golf club head as illustrated in continuous lines in the accompanying representations.**



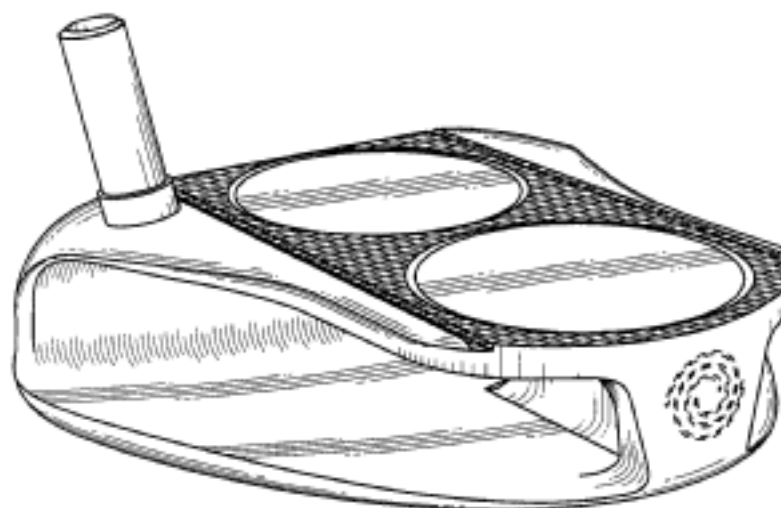
(21) Design Number: **14648/2012**  
(22) Date of Filing Application: **19 September 2012**  
(24) Date from which industrial property rights may have effect: **19 September 2012**  
(54) Product in respect of which the design is registered: **Golf club head**  
(51) International Design Classification: **21-02C**  
(74) Name(s) of Attorney(s): **SPRUSON & FERGUSON**  
(71) Name(s) and Address(s) of Applicant(s):  
**Callaway Golf Company**  
**2180 Rutherford Road Carlsbad CA 92008-7328 United States of America**  
(72) Name(s) of Designer(s): **Philip G. Foster**  
(45) Registration Date: **18 October 2012**  
(30) Convention priority data:  
(31) Number (32) Date (33) Country  
**29/429392 10 Aug 2012 UNITED STATES OF AMERICA**  
(56) Related Art Documents: **Not Applicable**  
(57) Statement of Newness and Distinctiveness: **Newness and distinctiveness is claimed in those features of shape and/or configuration of a golf club head as illustrated in continuous lines in the accompanying representations.**



(21) Design Number: **14649/2012**  
(22) Date of Filing Application: **19 September 2012**  
(24) Date from which industrial property rights may have effect: **19 September 2012**  
(54) Product in respect of which the design is registered: **Golf club head**  
(51) International Design Classification: **21-02C**  
(74) Name(s) of Attorney(s): **SPRUSON & FERGUSON**  
(71) Name(s) and Address(s) of Applicant(s):  
**Callaway Golf Company**  
**2180 Rutherford Road Carlsbad CA 92008-7328 United States of America**  
(72) Name(s) of Designer(s): **Kevin W. Kim and Philip G. Foster and Matthew Myers**  
(45) Registration Date: **18 October 2012**  
(30) Convention priority data:  
(31) Number (32) Date (33) Country  
**29/429209 08 Aug 2012 UNITED STATES OF AMERICA**  
(56) Related Art Documents: **Not Applicable**  
(57) Statement of Newness and Distinctiveness: **Newness and distinctiveness is claimed in those features of shape and/or configuration of a golf club head as illustrated in continuous lines in the accompanying representations.**

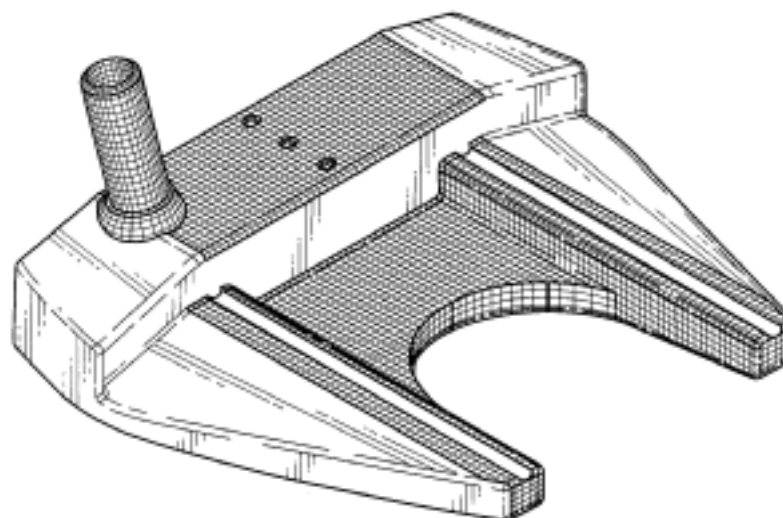


(21) Design Number: **14650/2012**  
(22) Date of Filing Application: **19 September 2012**  
(24) Date from which industrial property rights may have effect: **19 September 2012**  
(54) Product in respect of which the design is registered: **Golf club head**  
(51) International Design Classification: **21-02C**  
(74) Name(s) of Attorney(s): **SPRUSON & FERGUSON**  
(71) Name(s) and Address(s) of Applicant(s):  
**Callaway Golf Company**  
**2180 Rutherford Road Carlsbad CA 92008-7328 United States of America**  
(72) Name(s) of Designer(s): **Larry G. Tang and Augustin W. Rollinson**  
(45) Registration Date: **18 October 2012**  
(30) Convention priority data:  
(31) Number (32) Date (33) Country  
**29/430151 22 Aug 2012 UNITED STATES OF AMERICA**  
(56) Related Art Documents: **Not Applicable**  
(57) Statement of Newness and Distinctiveness: **Newness and distinctiveness is claimed in those features of pattern and/or ornamentation of a golf club head illustrated in cross hatching in the accompanying representations.**

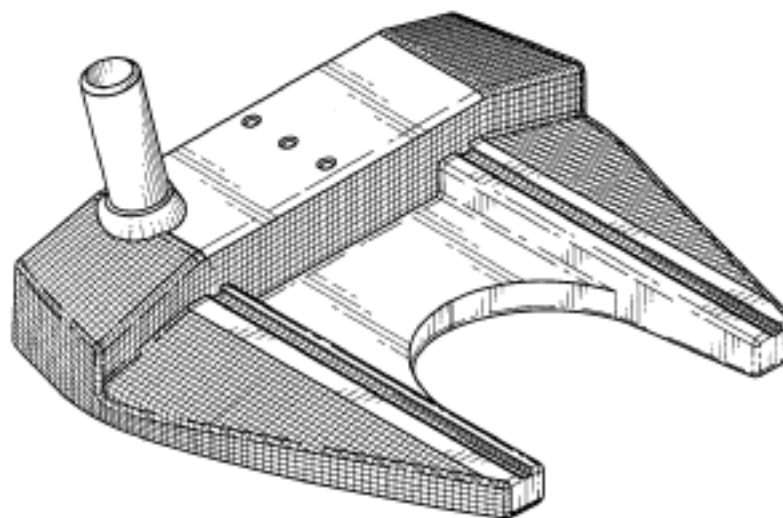




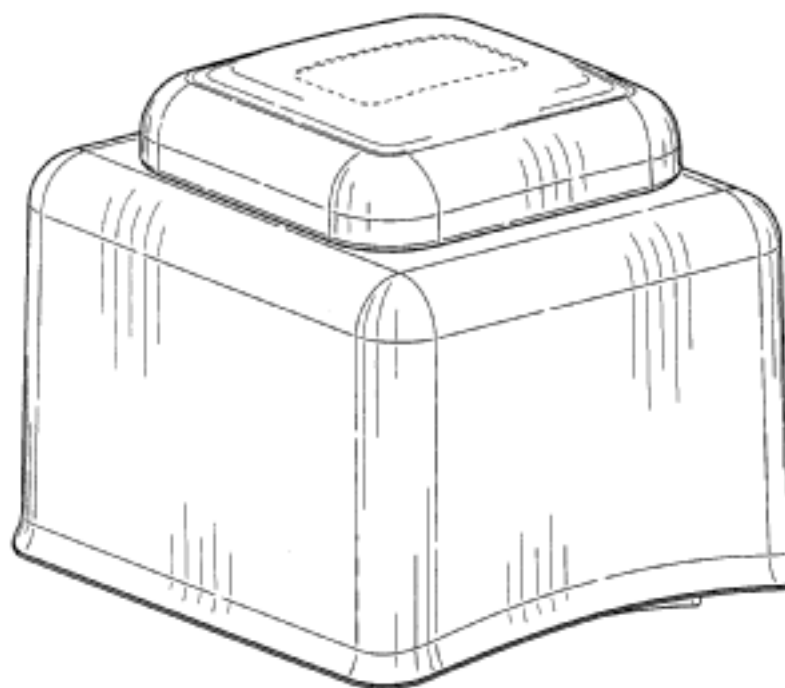
(21) Design Number: **14651/2012**  
(22) Date of Filing Application: **19 September 2012**  
(24) Date from which industrial property rights may have effect: **19 September 2012**  
(54) Product in respect of which the design is registered: **Golf club head**  
(51) International Design Classification: **21-02C**  
(74) Name(s) of Attorney(s): **SPRUSON & FERGUSON**  
(71) Name(s) and Address(s) of Applicant(s):  
**Callaway Golf Company**  
**2180 Rutherford Road Carlsbad CA 92008-7328 United States of America**  
(72) Name(s) of Designer(s): **Augustin W. Rollinson**  
(45) Registration Date: **18 October 2012**  
(30) Convention priority data:  
(31) Number (32) Date (33) Country  
**29/430244 23 Aug 2012 UNITED STATES OF AMERICA**  
(56) Related Art Documents: **Not Applicable**  
(57) Statement of Newness and Distinctiveness: **Newness and distinctiveness is claimed in those features of pattern and/or ornamentation of a golf club head illustrated in cross hatching in the accompanying representations.**



(21) Design Number: **14652/2012**  
(22) Date of Filing Application: **19 September 2012**  
(24) Date from which industrial property rights may have effect: **19 September 2012**  
(54) Product in respect of which the design is registered: **Golf club head**  
(51) International Design Classification: **21-02C**  
(74) Name(s) of Attorney(s): **SPRUSON & FERGUSON**  
(71) Name(s) and Address(s) of Applicant(s):  
**Callaway Golf Company**  
**2180 Rutherford Road Carlsbad CA 92008-7328 United States of America**  
(72) Name(s) of Designer(s): **Augustin W. Rollinson**  
(45) Registration Date: **18 October 2012**  
(30) Convention priority data:  
(31) Number (32) Date (33) Country  
**29/430244 23 Aug 2012 UNITED STATES OF AMERICA**  
(56) Related Art Documents: **Not Applicable**  
(57) Statement of Newness and Distinctiveness: **Newness and distinctiveness is claimed in those features of pattern and/or ornamentation of a golf club head illustrated in cross hatching in the accompanying representations.**



(21) Design Number: **14653/2012**  
(22) Date of Filing Application: **19 September 2012**  
(24) Date from which industrial property rights may have effect: **19 September 2012**  
(54) Product in respect of which the design is registered: **Food holder**  
(51) International Design Classification: **07-01B**  
(74) Name(s) of Attorney(s): **SPRUSON & FERGUSON**  
(71) Name(s) and Address(s) of Applicant(s):  
**Columbia Insurance Company**  
**3024 Harney Street Omaha Nebraska 68131 United States of America**  
(72) Name(s) of Designer(s): **James C. Hand**  
(45) Registration Date: **18 October 2012**  
(30) Convention priority data:  
(31) Number (32) Date (33) Country  
**29/417806 09 Apr 2012 UNITED STATES OF AMERICA**  
(56) Related Art Documents: **Not Applicable**  
(57) Statement of Newness and Distinctiveness: **Newness and distinctiveness is claimed in those features of shape and/or configuration of a food holder illustrated in continuous lines in the accompanying representations.**



(21) Design Number: **14655/2012**  
(22) Date of Filing Application: **19 September 2012**  
(24) Date from which industrial property rights may have effect: **19 September 2012**  
(54) Product in respect of which the design is registered: **Outdoor lighting fixture**  
(51) International Design Classification: **26-05A**  
(74) Name(s) of Attorney(s): **PHILLIPS ORMONDE FITZPATRICK**  
(71) Name(s) and Address(s) of Applicant(s):  
**Schreder S.A.**  
**Rue de Lusambo 67 B-1190 Brussels Belgium**  
(72) Name(s) of Designer(s): **Thomas Coulbeaut**  
(45) Registration Date: **18 October 2012**  
(30) Convention priority data:  
(31) Number (32) Date (33) Country  
**001318877-0002 22 Mar 2012 EUROPEAN COMMUNITY**  
(56) Related Art Documents: **Not Applicable**  
(57) Statement of Newness and Distinctiveness: **Nil**



(21) Design Number: **14658/2012**  
(22) Date of Filing Application: **20 September 2012**  
(24) Date from which industrial property rights may have effect: **20 September 2012**  
(54) Product in respect of which the design is registered: **Vehicle furniture**  
(51) International Design Classification: **06-02, 06-03NES, 12-10**  
(74) Name(s) of Attorney(s): **A J Park**  
(71) Name(s) and Address(s) of Applicant(s):

**Tourism Holdings Limited**  
**32 Kaimiro Street Hamilton New Zealand**

(72) Name(s) of Designer(s): **Edward John Burak**

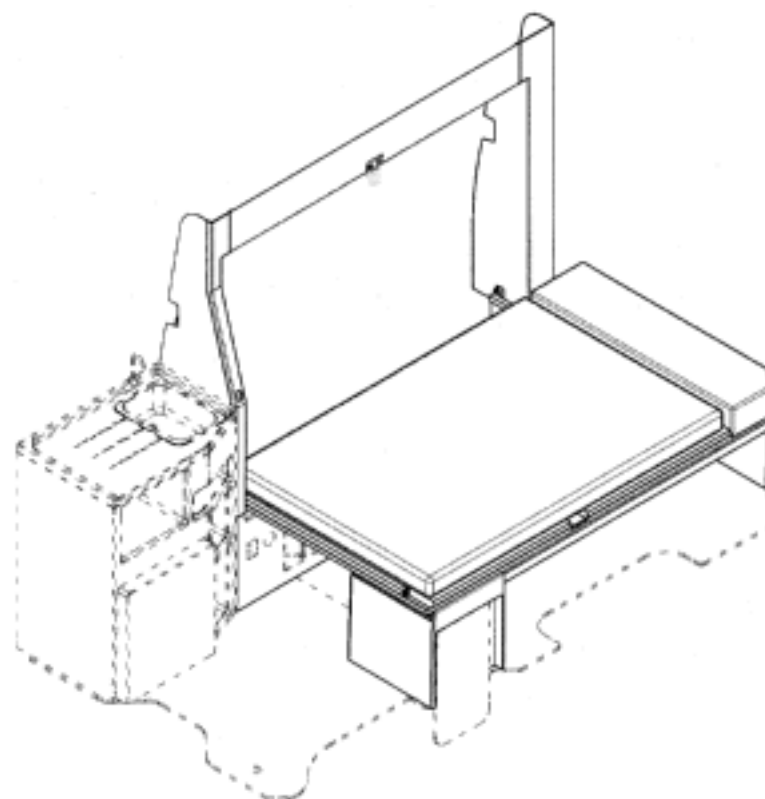
(45) Registration Date: **18 October 2012**

(30) Convention priority data:

(31) Number	(32) Date	(33) Country
<b>416345</b>	<b>08 Jun 2012</b>	<b>NEW ZEALAND</b>

(56) Related Art Documents: **Not Applicable**

(57) Statement of Newness and Distinctiveness: **Newness and distinctiveness reside in the features of shape and/or configuration of the VEHICLE FURNITURE, all as shown in the representations. The features shown in the broken lines are shown for illustrative purposes only and are to be disregarded when considering the overall impression of the design.**



(21) Design Number: **14661/2012**  
(22) Date of Filing Application: **19 September 2012**  
(24) Date from which industrial property rights may have effect: **19 September 2012**  
(54) Product in respect of which the design is registered: **Top hung window**  
(51) International Design Classification: **25-02H**  
(74) Name(s) of Attorney(s): **Actuate IP**  
(71) Name(s) and Address(s) of Applicant(s):

**Jianzhong Zhang**  
**Room 1004 No. 5 Yongsheng shangshaYuexiu district Guangzhou**  
**510100 P. R. China**

(72) Name(s) of Designer(s): **Jianzhong Zhang**

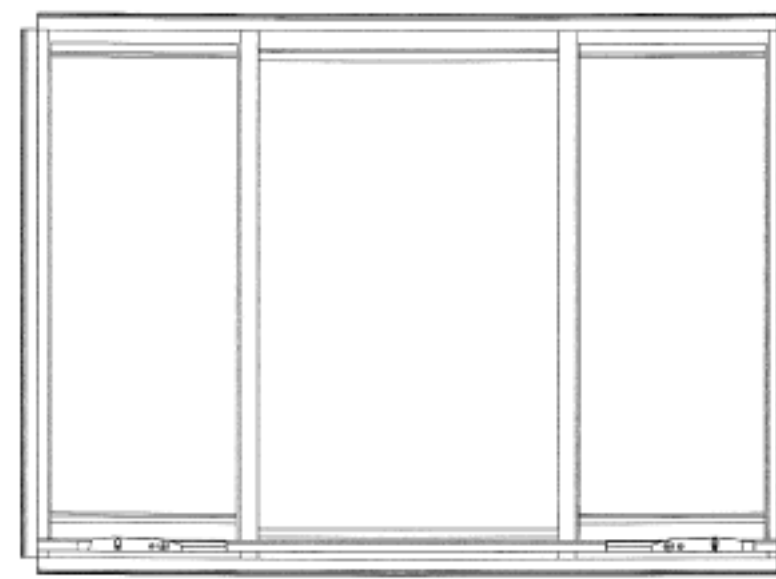
(45) Registration Date: **18 October 2012**

(30) Convention priority data:

(31) Number	(32) Date	(33) Country
<b>201230278610.X</b>	<b>17 Jun 2012</b>	<b>CHINA</b>

(56) Related Art Documents: **Not Applicable**

(57) Statement of Newness and Distinctiveness: **Newness and distinctiveness is claimed in the features of shape and/or configuration of the Top Hung Window of indeterminate length as illustrated in the accompanying representations, but not including window winder.**



(21) Design Number: **14662/2012**  
(22) Date of Filing Application: **19 September 2012**  
(24) Date from which industrial property rights may have effect: **19 September 2012**  
(54) Product in respect of which the design is registered: **Sliding door**  
(51) International Design Classification: **25-02B**  
(74) Name(s) of Attorney(s): **Actuate IP**  
(71) Name(s) and Address(s) of Applicant(s):

**Jianzhong Zhang**  
**Room 1004 No. 5 Yongsheng shangshaYuexiu district Guangzhou**  
**510100 P. R. China**

(72) Name(s) of Designer(s): **Jianzhong Zhang**

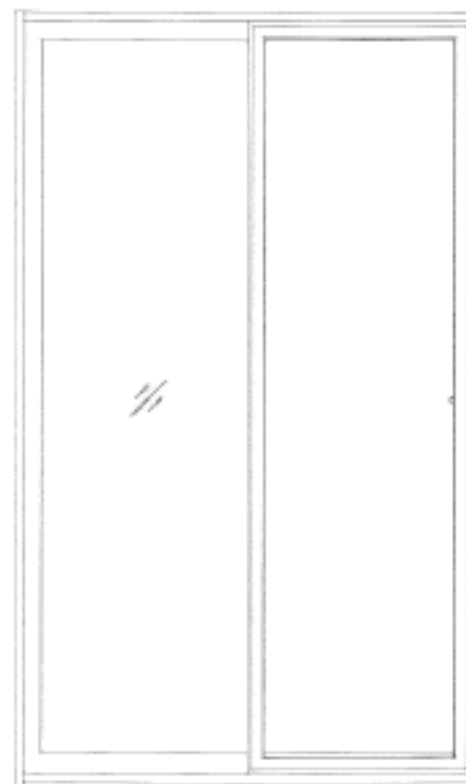
(45) Registration Date: **18 October 2012**

(30) Convention priority data:

(31) Number	(32) Date	(33) Country
<b>201230278607.8</b>	<b>27 Jun 2012</b>	<b>CHINA</b>

(56) Related Art Documents: **Not Applicable**

(57) Statement of Newness and Distinctiveness: **Newness and distinctiveness is claimed in the features of shape and/or configuration of the Sliding Door of indeterminate length as illustrated in the accompanying representations.**



(21) Design Number: **14663/2012**  
(22) Date of Filing Application: **19 September 2012**  
(24) Date from which industrial property rights may have effect: **19 September 2012**  
(54) Product in respect of which the design is registered: **Top hung window**  
(51) International Design Classification: **25-02H**  
(74) Name(s) of Attorney(s): **Actuate IP**  
(71) Name(s) and Address(s) of Applicant(s):

**Jianzhong Zhang**  
**Room 1004 No. 5 Yongsheng shangshaYuexiu district Guangzhou**  
**510100 P. R. China**

(72) Name(s) of Designer(s): **Jianzhong Zhang**

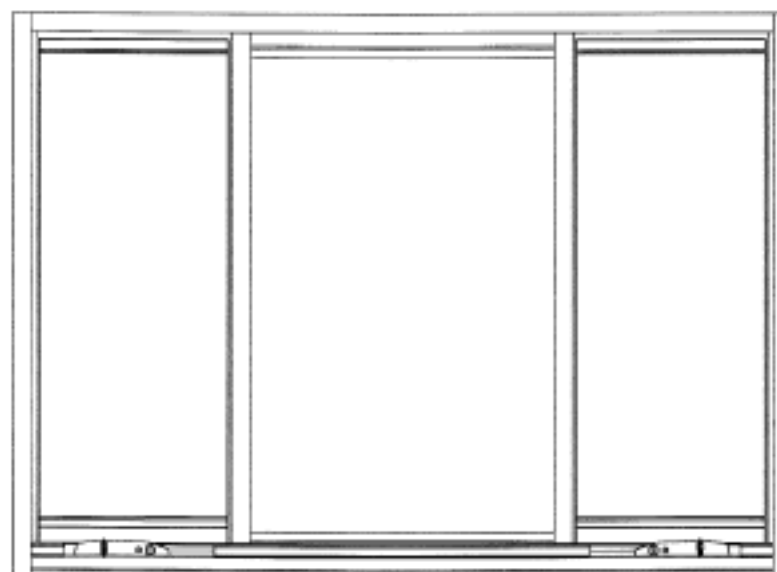
(45) Registration Date: **18 October 2012**

(30) Convention priority data:

(31) Number	(32) Date	(33) Country
<b>201230278608.2</b>	<b>27 Jun 2012</b>	<b>CHINA</b>

(56) Related Art Documents: **Not Applicable**

(57) Statement of Newness and Distinctiveness: **Newness and distinctiveness is claimed in the features of shape and/or configuration of the Top Hung Window of indeterminate length as illustrated in the accompanying representations but not including window winder.**



(21) Design Number: **14664/2012**  
(22) Date of Filing Application: **19 September 2012**  
(24) Date from which industrial property rights may have effect: **19 September 2012**  
(54) Product in respect of which the design is registered: **Sliding window**  
(51) International Design Classification: **25-02H**  
(74) Name(s) of Attorney(s): **Actuate IP**  
(71) Name(s) and Address(s) of Applicant(s):

**Jianzhong Zhang**  
**Room 1004 No. 5 Yongsheng shangshaYuexiu district Guangzhou**  
**510100 P. R. China**

(72) Name(s) of Designer(s): **Jianzhong Zhang**

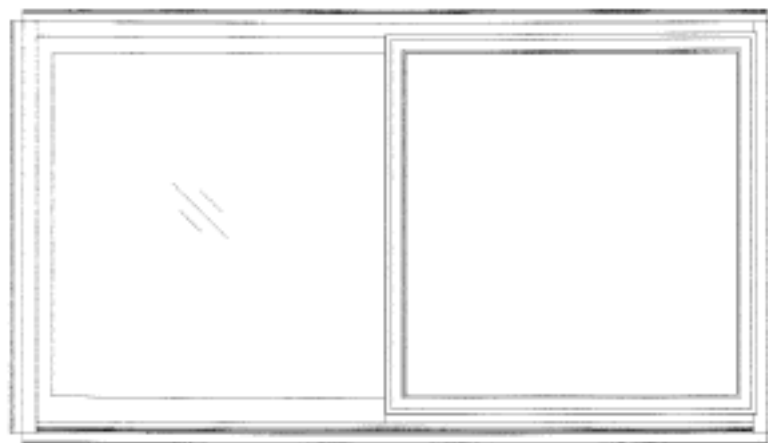
(45) Registration Date: **18 October 2012**

(30) Convention priority data:

(31) Number	(32) Date	(33) Country
<b>201230275356.8</b>	<b>26 Jun 2012</b>	<b>CHINA</b>

(56) Related Art Documents: **Not Applicable**

(57) Statement of Newness and Distinctiveness: **Newness and distinctiveness is claimed in the features of shape and/or configuration of the Sliding Window of indeterminate length as illustrated in the accompanying representations.**



(21) Design Number: **14669/2012**  
(22) Date of Filing Application: **20 September 2012**  
(24) Date from which industrial property rights may have effect: **20 September 2012**  
(54) Product in respect of which the design is registered: **Food jar with latch-released hinged lid**  
(51) International Design Classification: **07-01NES**  
(74) Name(s) of Attorney(s): **SPRUSON & FERGUSON**  
(71) Name(s) and Address(s) of Applicant(s):

**Thermos L.L.C.**  
**2550 W. Golf Road Suite 800 Rolling Meadows Illinois 60008 United**  
**States of America**

(72) Name(s) of Designer(s): **Marvin Lane**

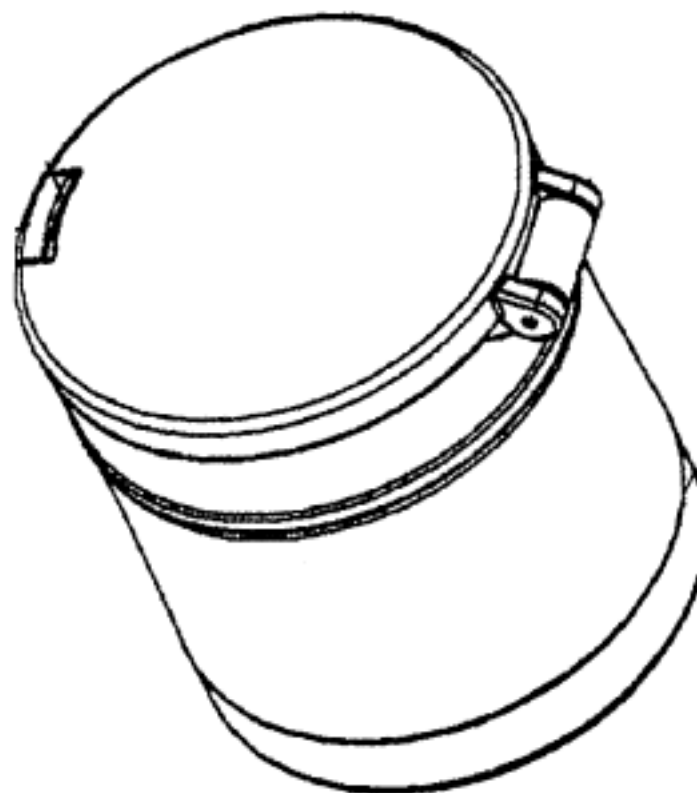
(45) Registration Date: **18 October 2012**

(30) Convention priority data:

(31) Number	(32) Date	(33) Country
<b>29/416343</b>	<b>21 Mar 2012</b>	<b>UNITED STATES OF AMERICA</b>

(56) Related Art Documents: **Not Applicable**

(57) Statement of Newness and Distinctiveness: **Newness and distinctiveness is claimed in the features of shape and/or configuration of the following parts of a food jar as illustrated and labelled in the accompanying representations: -raised elements labelled "A" -ridges labelled "B" -recesses labelled "C" -hinge labelled "D", and -release latch labelled "E"**



(21) Design Number: **14904/2012**  
(22) Date of Filing Application: **28 September 2012**  
(24) Date from which industrial property rights may have effect: **28 September 2012**  
(54) Product in respect of which the design is registered: **pH sensor**  
(51) International Design Classification: **24-01, 24-02**  
(74) Name(s) of Attorney(s): **PHILLIPS ORMONDE FITZPATRICK**  
(71) Name(s) and Address(s) of Applicant(s):

**Cook Medical Technologies LLC**  
**750 North Daniels Way Bloomington Indiana 47402 United States of America**

(72) Name(s) of Designer(s): **Michael Carl Junger and Geoff Bywater and Tiffany Suk-Harn Burleigh**

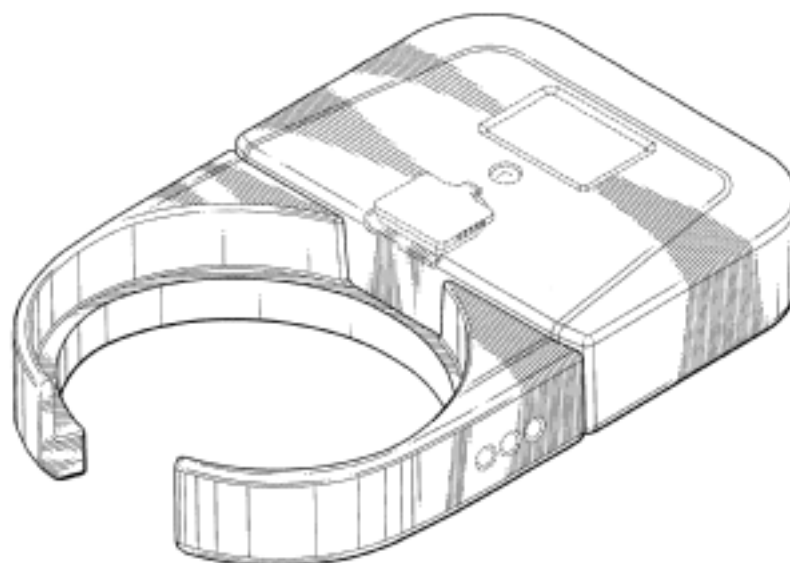
(45) Registration Date: **18 October 2012**

(30) Convention priority data:

(31) Number	(32) Date	(33) Country
<b>29/417,616</b>	<b>05 Apr 2012</b>	<b>UNITED STATES OF AMERICA</b>

(56) Related Art Documents: **Not Applicable**

(57) Statement of Newness and Distinctiveness: **Those features of the pH Sensor depicted in the representations that are new and distinctive are the shape and/or configuration. The features shown in broken lines are not part of the design and are to be disregarded when considering the overall impression of the design.**



(21) Design Number: **13515/2012**  
(22) Date of Filing Application: **26 July 2012**  
(24) Date from which industrial property rights may have effect: **26 July 2012**  
(54) Product in respect of which the design is registered: **A blank for a container**  
(51) International Design Classification: **09-03M**  
(74) Name(s) of Attorney(s): **Davies Collison Cave**  
(71) Name(s) and Address(s) of Applicant(s):

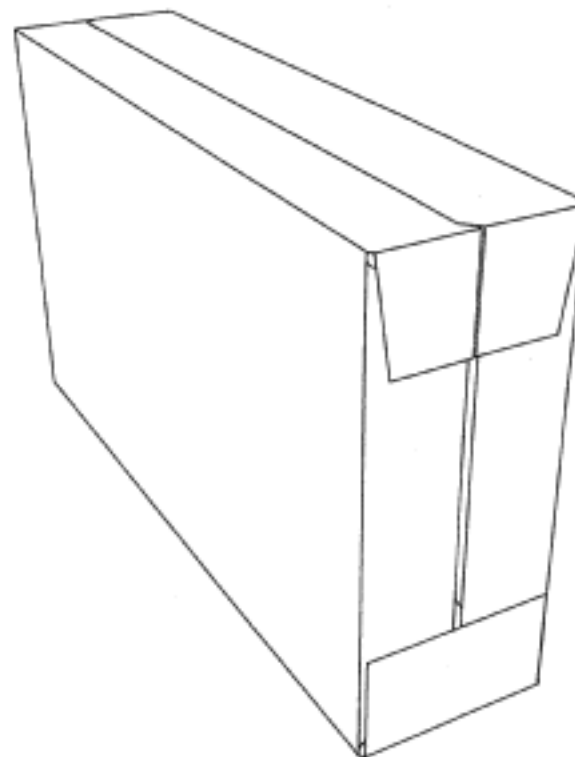
**Visy R & D Pty Ltd**  
**L11 2 Southbank Bvd Southbank VIC 3006 Australia**

(72) Name(s) of Designer(s): **Gregory Johnson**

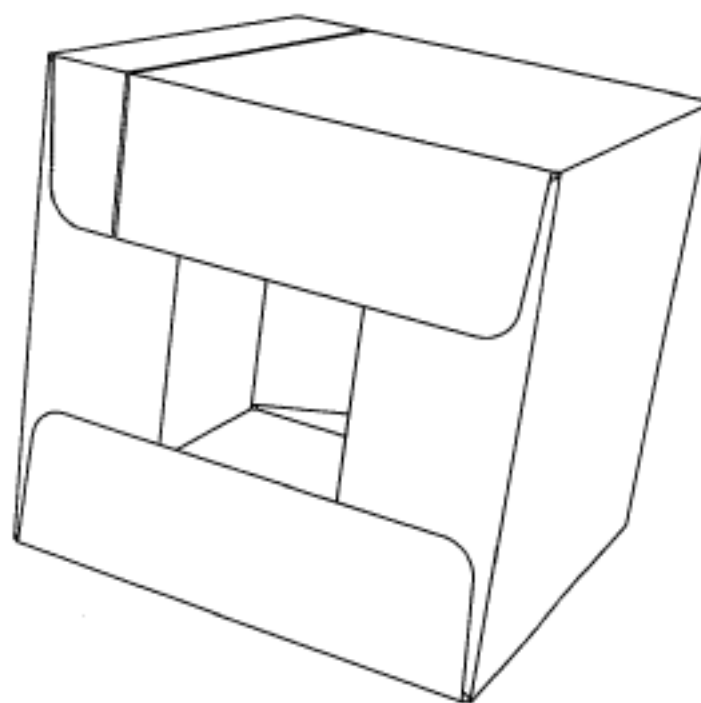
(45) Registration Date: **19 October 2012**

(56) Related Art Documents: **Not Applicable**

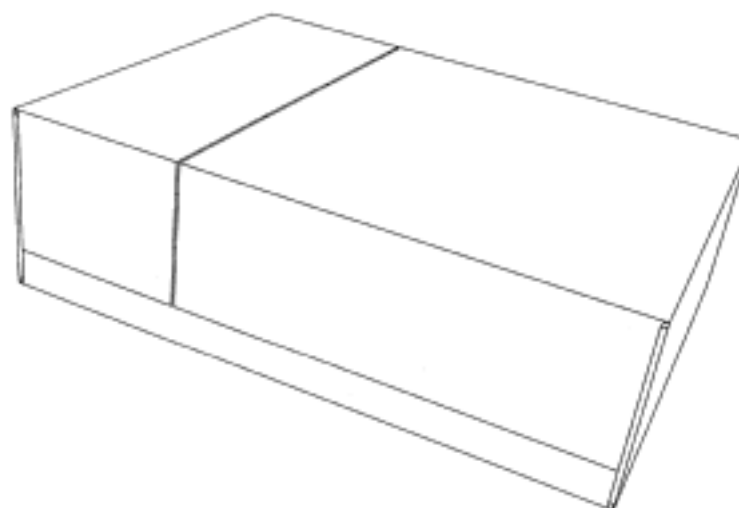
(57) Statement of Newness and Distinctiveness: **The features of shape and configuration of the blank shown in the accompanying representations are considered to be new and distinctive, wherein the lines within the boundary of the blank are lines of deformation that facilitate folding of the blank.**



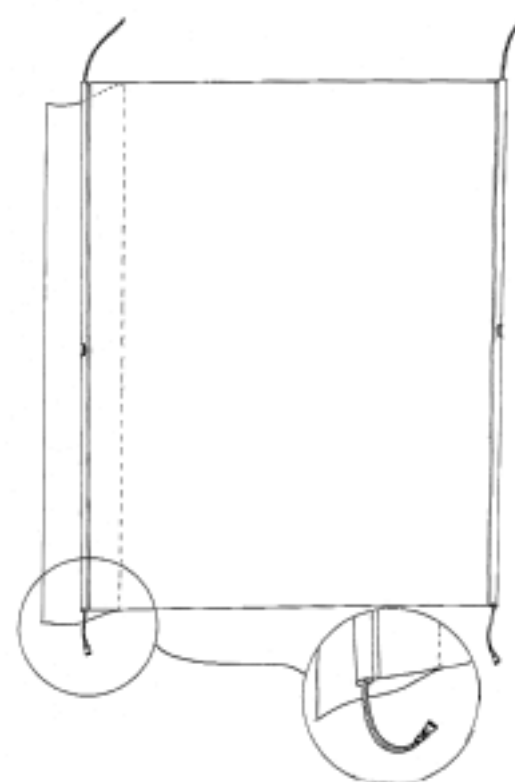
- (21) Design Number: **13516/2012**  
(22) Date of Filing Application: **26 July 2012**  
(24) Date from which industrial property rights may have effect: **26 July 2012**  
(54) Product in respect of which the design is registered: **A blank for a container**  
(51) International Design Classification: **09-03M**  
(74) Name(s) of Attorney(s): **Davies Collison Cave**  
(71) Name(s) and Address(s) of Applicant(s):  
**Visy R & D Pty Ltd**  
**L11 2 Southbank Bvd Southbank VIC 3006 Australia**  
(72) Name(s) of Designer(s): **Gregory Johnson**  
(45) Registration Date: **19 October 2012**  
(56) Related Art Documents: **Not Applicable**  
(57) Statement of Newness and Distinctiveness: **The features of shape and configuration of the blank shown in the accompanying representations are considered to be new and distinctive, wherein the lines within the boundary of the blank are lines of deformation that facilitate folding of the blank**



- (21) Design Number: **13517/2012**  
(22) Date of Filing Application: **26 July 2012**  
(24) Date from which industrial property rights may have effect: **26 July 2012**  
(54) Product in respect of which the design is registered: **A blank for a container**  
(51) International Design Classification: **09-03M**  
(74) Name(s) of Attorney(s): **Davies Collison Cave**  
(71) Name(s) and Address(s) of Applicant(s):  
**Visy R & D Pty Ltd**  
**L11 2 Southbank Bvd Southbank VIC 3006 Australia**  
(72) Name(s) of Designer(s): **Gregory Johnson**  
(45) Registration Date: **19 October 2012**  
(56) Related Art Documents: **Not Applicable**  
(57) Statement of Newness and Distinctiveness: **The features of shape and configuration of the blank shown in the accompanying representations are considered to be new and distinctive, wherein the lines within the boundary of the blank are lines of deformation that facilitate folding of the blank.**



- (21) Design Number: **14563/2012**  
(22) Date of Filing Application: **13 September 2012**  
(24) Date from which industrial property rights may have effect: **13 September 2012**  
(54) Product in respect of which the design is registered: **Ratchet cover with flap**  
(51) International Design Classification: **08-99**  
(74) Name(s) of Attorney(s):  
(71) Name(s) and Address(s) of Applicant(s):  
**Harvey David Horsfall**  
**140 Almond Rd Leeton NSW 2705 Australia**  
**Sue-Ellen Horsfall**  
**140 Almond Rd Leeton NSW 2705 Australia**  
(72) Name(s) of Designer(s): **Harvey David Horsfall**  
(45) Registration Date: **19 October 2012**  
(56) Related Art Documents: **Not Applicable**  
(57) Statement of Newness and Distinctiveness: **We claim monopoly on the shape & configuration of the ratch-e-tarp with flap as shown in the representations.**



- (21) Design Number: **14670/2012**  
(22) Date of Filing Application: **20 September 2012**  
(24) Date from which industrial property rights may have effect: **20 September 2012**  
(54) Product in respect of which the design is registered: **Motor scooter**  
(51) International Design Classification: **12-11**  
(74) Name(s) of Attorney(s): **PHILLIPS ORMONDE FITZPATRICK**  
(71) Name(s) and Address(s) of Applicant(s):  
**Piaggio & C. S.p.A.**  
**Viale Rinaldo Piaggio 25 I-56025 Pontedera PISA Italy**  
(72) Name(s) of Designer(s): **Marco Lambri and Marco Di Gregorio and Leonardo Del Sette**  
(45) Registration Date: **19 October 2012**  
(30) Convention priority data:  
(31) Number (32) Date (33) Country  
**002014076 23 Mar 2012 EUROPEAN COMMUNITY**  
(56) Related Art Documents: **Not Applicable**  
(57) Statement of Newness and Distinctiveness: **Those features of the motor scooter depicted in the representations that are new and distinctive are the shape and/or configuration.**

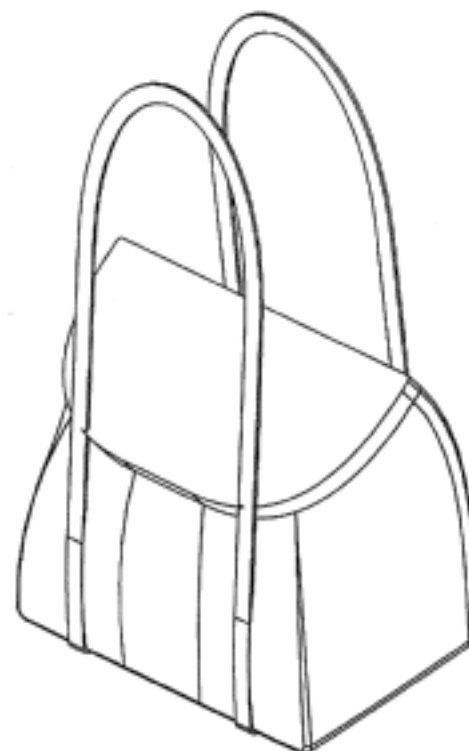




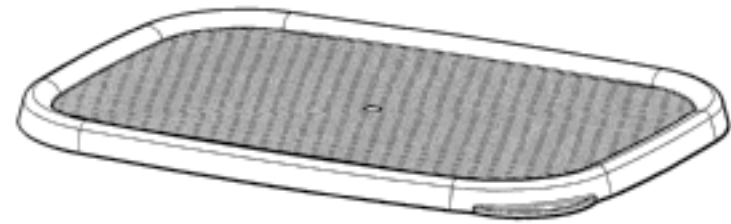
(21) Design Number: **14695/2012**  
(22) Date of Filing Application: **20 September 2012**  
(24) Date from which industrial property rights may have effect: **20 September 2012**  
(54) Product in respect of which the design is registered: **Automobile**  
(51) International Design Classification: **12-08**  
(74) Name(s) of Attorney(s): **SPRUSON & FERGUSON**  
(71) Name(s) and Address(s) of Applicant(s):  
**Honda Motor Co., Ltd.**  
**1-1 Minamiaoyama 2-chome Minato-ku Tokyo Japan**  
(72) Name(s) of Designer(s): **Ryo Nakayama**  
(45) Registration Date: **19 October 2012**  
(30) Convention priority data:  
(31) Number (32) Date (33) Country  
**2012-007529 30 Mar 2012 JAPAN**  
(56) Related Art Documents: **Not Applicable**  
(57) Statement of Newness and Distinctiveness: **Newness and distinctiveness is claimed in the features of shape and/or configuration of an automobile as illustrated in the accompanying representations.**



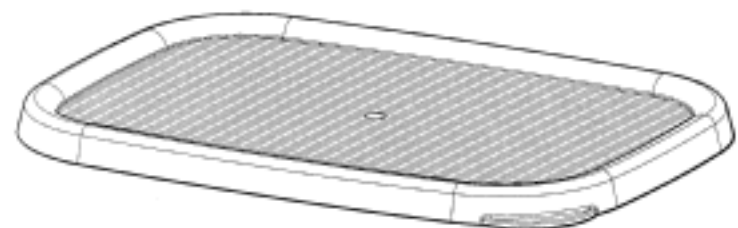
(21) Design Number: **14696/2012**  
(22) Date of Filing Application: **20 September 2012**  
(24) Date from which industrial property rights may have effect: **20 September 2012**  
(54) Product in respect of which the design is registered: **Lunch bag with loop handles**  
(51) International Design Classification: **03-01NES**  
(74) Name(s) of Attorney(s): **SPRUSON & FERGUSON**  
(71) Name(s) and Address(s) of Applicant(s):  
**Thermos L.C.C.**  
**475 N. Martingale Road Suite 1100 Schaumburg Illinois 60173 United States of America**  
(72) Name(s) of Designer(s): **Dwayne Boroski**  
(45) Registration Date: **19 October 2012**  
(30) Convention priority data:  
(31) Number (32) Date (33) Country  
**29/416517 23 Mar 2012 UNITED STATES OF AMERICA**  
(56) Related Art Documents: **Not Applicable**  
(57) Statement of Newness and Distinctiveness: **Newness and distinctiveness is claimed in the features of shape and/or configuration of a lunch bag with loop handles as illustrated in the accompanying representations.**



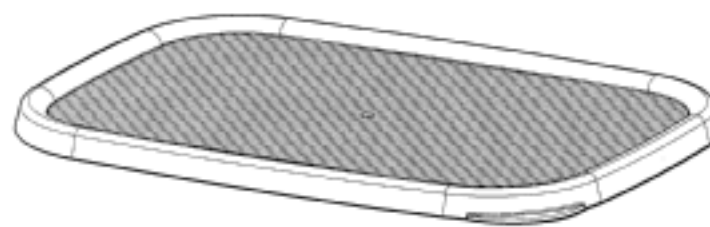
- (21) Design Number: **14736/2012**  
(22) Date of Filing Application: **21 September 2012**  
(24) Date from which industrial property rights may have effect: **21 September 2012**  
(54) Product in respect of which the design is registered: **Lid for container**  
(51) International Design Classification: **07-01NES**  
(74) Name(s) of Attorney(s): **Callinans**  
(71) Name(s) and Address(s) of Applicant(s):  
**The Decor Corporation Pty. Ltd.**  
**1314 Ferntree Gully Rd Scoresby VIC 3179 Australia**  
(72) Name(s) of Designer(s): **Arthur Richard Carlson**  
(45) Registration Date: **19 October 2012**  
(56) Related Art Documents: **Not Applicable**  
(57) Statement of Newness and Distinctiveness: **Newness and distinctiveness resides in the features of shape and configuration as applied to a LID FOR CONTAINER as shown in the accompanying representations.**



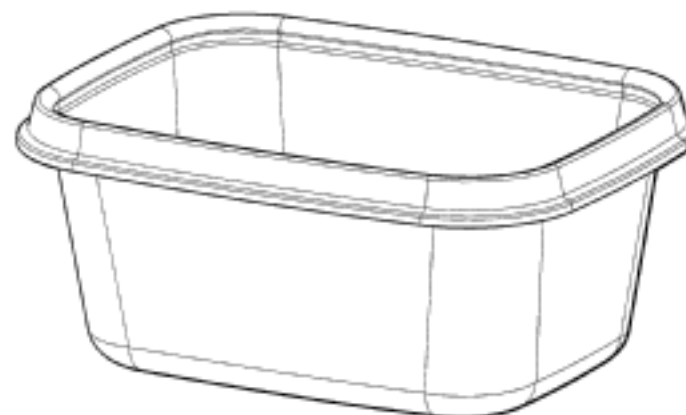
- (21) Design Number: **14737/2012**  
(22) Date of Filing Application: **21 September 2012**  
(24) Date from which industrial property rights may have effect: **21 September 2012**  
(54) Product in respect of which the design is registered: **Lid for container**  
(51) International Design Classification: **07-01NES**  
(74) Name(s) of Attorney(s): **Callinans**  
(71) Name(s) and Address(s) of Applicant(s):  
**The Decor Corporation Pty. Ltd.**  
**1314 Ferntree Gully Rd Scoresby VIC 3179 Australia**  
(72) Name(s) of Designer(s): **Arthur Richard Carlson**  
(45) Registration Date: **19 October 2012**  
(56) Related Art Documents: **Not Applicable**  
(57) Statement of Newness and Distinctiveness: **Newness and distinctiveness resides in the features of shape and configuration as applied to a LID FOR CONTAINER as shown in the accompanying representations.**



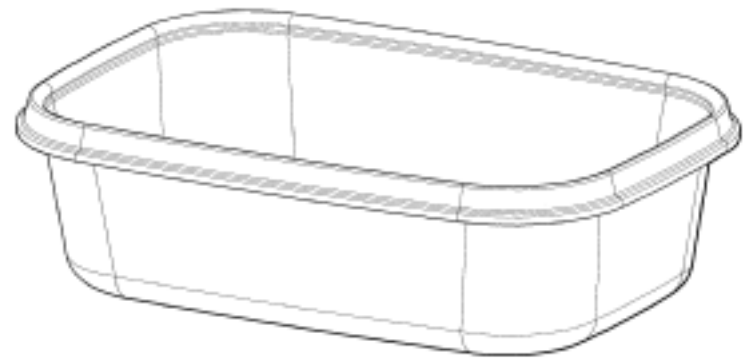
- (21) Design Number: **14738/2012**  
(22) Date of Filing Application: **21 September 2012**  
(24) Date from which industrial property rights may have effect: **21 September 2012**  
(54) Product in respect of which the design is registered: **Lid for container**  
(51) International Design Classification: **07-01NES**  
(74) Name(s) of Attorney(s): **Callinans**  
(71) Name(s) and Address(s) of Applicant(s):  
**The Decor Corporation Pty. Ltd.**  
**1314 Ferntree Gully Rd Scoresby VIC 3179 Australia**  
(72) Name(s) of Designer(s): **Arthur Richard Carlson**  
(45) Registration Date: **19 October 2012**  
(56) Related Art Documents: **Not Applicable**  
(57) Statement of Newness and Distinctiveness: **Newness and distinctiveness resides in the features of shape and configuration as applied to a LID FOR CONTAINER as shown in the accompanying representations.**



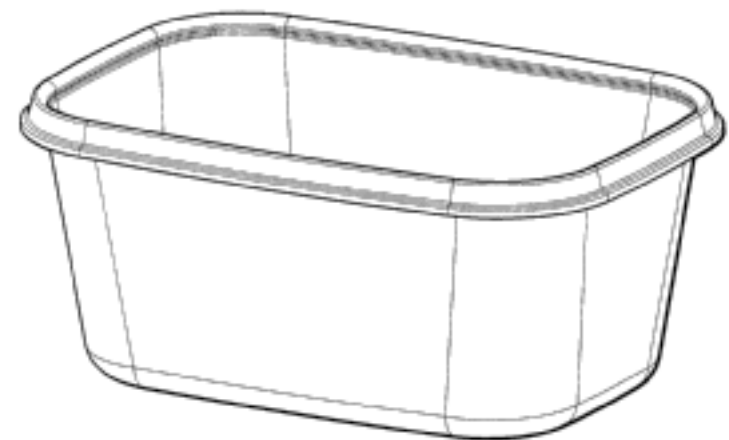
- (21) Design Number: **14739/2012**  
(22) Date of Filing Application: **21 September 2012**  
(24) Date from which industrial property rights may have effect: **21 September 2012**  
(54) Product in respect of which the design is registered: **Container base**  
(51) International Design Classification: **07-01NES**  
(74) Name(s) of Attorney(s): **Callinans**  
(71) Name(s) and Address(s) of Applicant(s):  
**The Decor Corporation Pty. Ltd.**  
**1314 Ferntree Gully Rd Scoresby VIC 3179 Australia**  
(72) Name(s) of Designer(s): **Arthur Richard Carlson**  
(45) Registration Date: **19 October 2012**  
(56) Related Art Documents: **Not Applicable**  
(57) Statement of Newness and Distinctiveness: **The newness and distinctiveness of the design resides in the features of shape and configuration applied to a CONTAINER BASE as shown in the accompanying representations.**



- (21) Design Number: **14740/2012**  
(22) Date of Filing Application: **21 September 2012**  
(24) Date from which industrial property rights may have effect: **21 September 2012**  
(54) Product in respect of which the design is registered: **Container base**  
(51) International Design Classification: **07-01NES**  
(74) Name(s) of Attorney(s): **Callinans**  
(71) Name(s) and Address(s) of Applicant(s):  
**The Decor Corporation Pty. Ltd.**  
**1314 Ferntree Gully Rd Scoresby VIC 3179 Australia**  
(72) Name(s) of Designer(s): **Arthur Richard Carlson**  
(45) Registration Date: **19 October 2012**  
(56) Related Art Documents: **Not Applicable**  
(57) Statement of Newness and Distinctiveness: **The newness and distinctiveness of the design resides in the features of shape and configuration applied to a CONTAINER BASE as shown in the accompanying representations.**



- (21) Design Number: **14741/2012**  
(22) Date of Filing Application: **21 September 2012**  
(24) Date from which industrial property rights may have effect: **21 September 2012**  
(54) Product in respect of which the design is registered: **Container base**  
(51) International Design Classification: **07-01NES**  
(74) Name(s) of Attorney(s): **Callinans**  
(71) Name(s) and Address(s) of Applicant(s):  
**The Decor Corporation Pty. Ltd.**  
**1314 Ferntree Gully Rd Scoresby VIC 3179 Australia**  
(72) Name(s) of Designer(s): **Arthur Richard Carlson**  
(45) Registration Date: **19 October 2012**  
(56) Related Art Documents: **Not Applicable**  
(57) Statement of Newness and Distinctiveness: **The newness and distinctiveness of the design resides in the features of shape and configuration applied to a CONTAINER BASE as shown in the accompanying representations.**



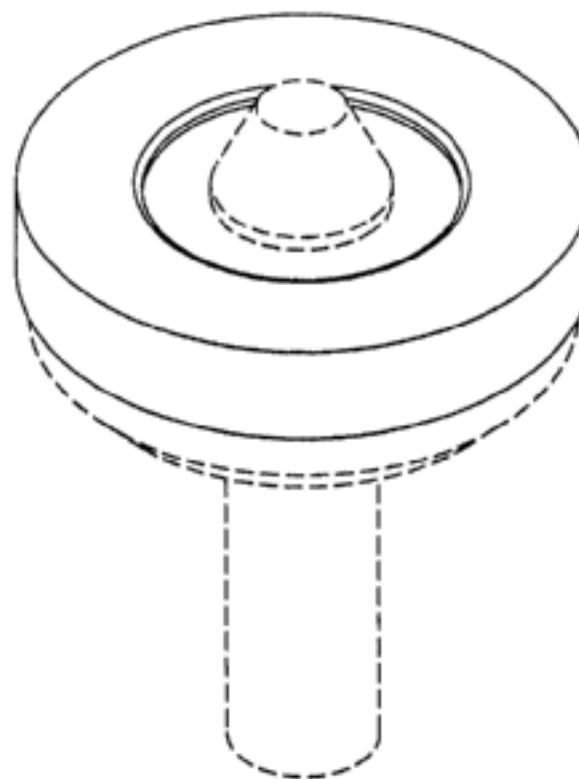
- (21) Design Number: **14703/2012**  
(22) Date of Filing Application: **21 September 2012**  
(24) Date from which industrial property rights may have effect: **21 September 2012**  
(54) Product in respect of which the design is registered: **Rotisserie BBQ oven**  
(51) International Design Classification: **07-02E**  
(74) Name(s) of Attorney(s):  
(71) Name(s) and Address(s) of Applicant(s):  
**Peter Males**  
**91 Upper Colo Rd Colo NSW 2756 Australia**  
(72) Name(s) of Designer(s): **Peter Males**  
(45) Registration Date: **19 October 2012**  
(56) Related Art Documents: **Not Applicable**  
(57) Statement of Newness and Distinctiveness: **Horizontal barrel shape standing on four adjustable legs incorporating corrugated sheet to the external with stainless steel sheet to the internal curved surfaces with pressed steel end panels.**



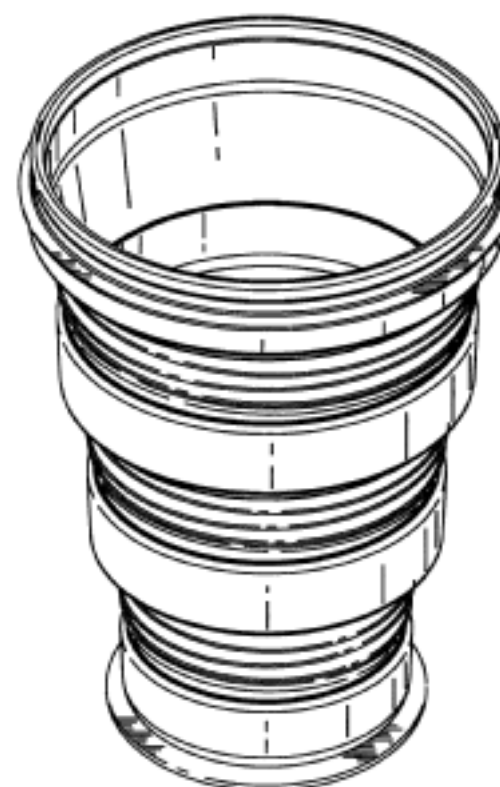
- (21) Design Number: **14708/2012**  
(22) Date of Filing Application: **20 September 2012**  
(24) Date from which industrial property rights may have effect: **20 September 2012**  
(54) Product in respect of which the design is registered: **Orthotic insert**  
(51) International Design Classification: **02-04A**  
(74) Name(s) of Attorney(s):  
(71) Name(s) and Address(s) of Applicant(s):  
**Foot Diagnostics International Limited**  
**32 Warick Avenue Westmere Auckland 1022 New Zealand**  
(72) Name(s) of Designer(s): **Anthony Ng and Roger Grech and Paul Jurasovich**  
(45) Registration Date: **19 October 2012**  
(30) Convention priority data:  
(31) Number      (32) Date      (33) Country  
**416434      22 Jun 2012      NEW ZEALAND**  
(56) Related Art Documents: **Not Applicable**  
(57) Statement of Newness and Distinctiveness: **The design is to be applied to an orthotic insert and the novelty of the design resides in the features of shape and configuration as shown in the accompanying representations.**



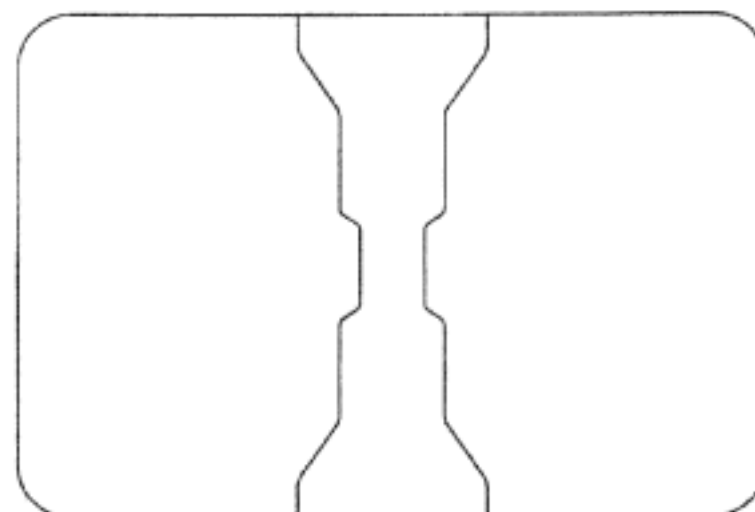
- (21) Design Number: **14718/2012**  
(22) Date of Filing Application: **21 September 2012**  
(24) Date from which industrial property rights may have effect: **21 September 2012**  
(54) Product in respect of which the design is registered: **A seal for a valve**  
(51) International Design Classification: **23-01A**  
(74) Name(s) of Attorney(s): **PHILLIPS ORMONDE FITZPATRICK**  
(71) Name(s) and Address(s) of Applicant(s):  
**Bernard Manvers Pty Ltd**  
**1 Carmelo Ave East Malvern VIC 3145 Australia**  
(72) Name(s) of Designer(s): **John Bernard Manvers Meadows**  
(45) Registration Date: **19 October 2012**  
(56) Related Art Documents: **Not Applicable**  
(57) Statement of Newness and Distinctiveness: **Those features of the seal for a valve depicted in the representations that are new and distinctive are the shape and/or configuration. The features shown in broken outline are not part of the design and are to be disregarded when considering the overall impression of the design.**



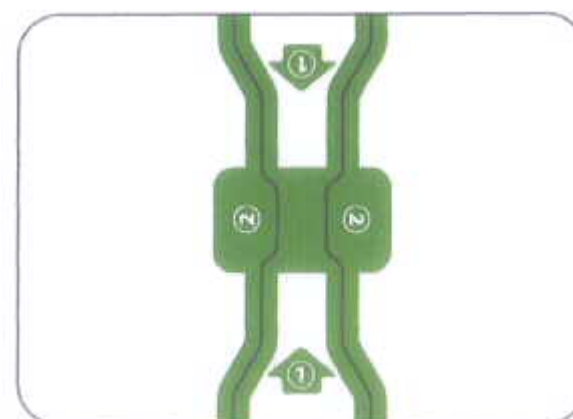
- (21) Design Number: **14720/2012**  
(22) Date of Filing Application: **21 September 2012**  
(24) Date from which industrial property rights may have effect: **21 September 2012**  
(54) Product in respect of which the design is registered: **Container**  
(51) International Design Classification: **07-01NES**  
(74) Name(s) of Attorney(s): **PHILLIPS ORMONDE FITZPATRICK**  
(71) Name(s) and Address(s) of Applicant(s):  
**Dart Industries Inc.**  
**14901 S. Orange Blossom Trail Orlando Florida 32837 United States of America**  
(72) Name(s) of Designer(s): **David Daud Kusuma and Raymond J Trudeau and Hector J. Barea**  
(45) Registration Date: **19 October 2012**  
(30) Convention priority data:  
(31) Number      (32) Date      (33) Country  
**29/418,782      20 Apr 2012      UNITED STATES OF AMERICA**  
(56) Related Art Documents: **Not Applicable**  
(57) Statement of Newness and Distinctiveness: **Those features of the container depicted in the representations that are new and distinctive are the shape and/or configuration.**



(21) Design Number: **14721/2012**  
(22) Date of Filing Application: **21 September 2012**  
(24) Date from which industrial property rights may have effect: **21 September 2012**  
(54) Product in respect of which the design is registered: **Adhesive skin patch**  
(51) International Design Classification: **24-04**  
(74) Name(s) of Attorney(s): **PHILLIPS ORMONDE FITZPATRICK**  
(71) Name(s) and Address(s) of Applicant(s):  
**Teikoku Seiyaku Co., Ltd**  
**567 Sanbonmatsu Higashikagawa-shi Kagawa 7692695 Japan**  
(72) Name(s) of Designer(s): **Katsuyuki Inoo and Yasuharu Kikuchi**  
(45) Registration Date: **19 October 2012**  
(30) Convention priority data:  
(31) Number (32) Date (33) Country  
**2012-011385 16 May 2012 JAPAN**  
(56) Related Art Documents: **Not Applicable**  
(57) Statement of Newness and Distinctiveness: **Newness and distinctiveness is claimed in the shape and configuration of the three part release sheet of the adhesive patch.**



(21) Design Number: **14722/2012**  
(22) Date of Filing Application: **21 September 2012**  
(24) Date from which industrial property rights may have effect: **21 September 2012**  
(54) Product in respect of which the design is registered: **Adhesive skin patch**  
(51) International Design Classification: **24-04**  
(74) Name(s) of Attorney(s): **PHILLIPS ORMONDE FITZPATRICK**  
(71) Name(s) and Address(s) of Applicant(s):  
**Teikoku Seiyaku Co., Ltd**  
**567 Sanbonmatsu Higashikagawa-shi Kagawa 7692695 Japan**  
(72) Name(s) of Designer(s): **Katsuyuki Inoo and Yasuharu Kikuchi**  
(45) Registration Date: **19 October 2012**  
(30) Convention priority data:  
(31) Number (32) Date (33) Country  
**2012-014947 25 Jun 2012 JAPAN**  
(56) Related Art Documents: **Not Applicable**  
(57) Statement of Newness and Distinctiveness: **Newness and distinctiveness is claimed in the pattern and ornamentation applied to the three part release sheet of the adhesive patch.**



(21) Design Number: **14723/2012**  
(22) Date of Filing Application: **21 September 2012**  
(24) Date from which industrial property rights may have effect: **21 September 2012**  
(54) Product in respect of which the design is registered: **Container**  
(51) International Design Classification: **07-01NES**  
(74) Name(s) of Attorney(s): **PHILLIPS ORMONDE FITZPATRICK**  
(71) Name(s) and Address(s) of Applicant(s):

**Dart Industries Inc.**  
**14901 S. Orange Blossom Trail Orlando Florida 32837 United States of America**

(72) Name(s) of Designer(s): **David Daud Kusuma and Raymond J Trudeau and Hector J. Barea**

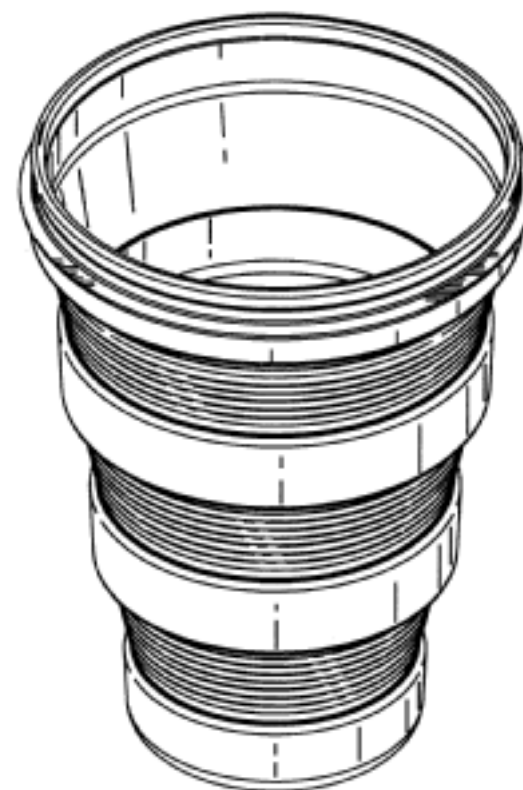
(45) Registration Date: **19 October 2012**

(30) Convention priority data:

(31) Number	(32) Date	(33) Country
<b>29/418,779</b>	<b>20 Apr 2012</b>	<b>UNITED STATES OF AMERICA</b>

(56) Related Art Documents: **Not Applicable**

(57) Statement of Newness and Distinctiveness: **Those features of the container depicted in the representations that are new and distinctive are the shape and/or configuration.**



(21) Design Number: **14731/2012**  
(22) Date of Filing Application: **21 September 2012**  
(24) Date from which industrial property rights may have effect: **21 September 2012**  
(54) Product in respect of which the design is registered: **Container base**  
(51) International Design Classification: **07-01NES**  
(74) Name(s) of Attorney(s): **Callinans**  
(71) Name(s) and Address(s) of Applicant(s):

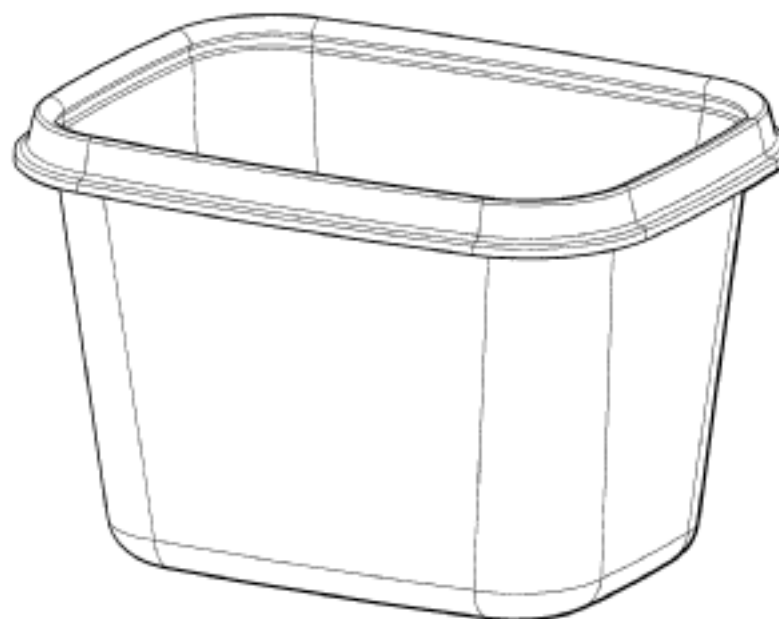
**The Decor Corporation Pty. Ltd.**  
**1314 Ferntree Gully Rd Scoresby VIC 3179 Australia**

(72) Name(s) of Designer(s): **Arthur Richard Carlson**

(45) Registration Date: **19 October 2012**

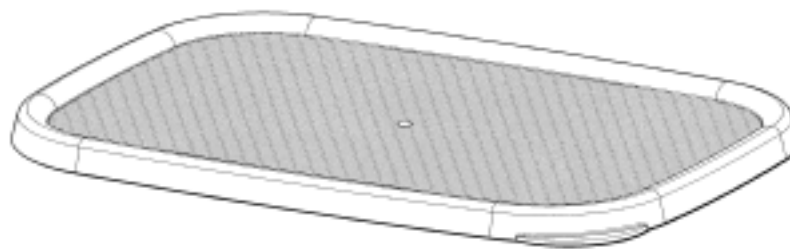
(56) Related Art Documents: **Not Applicable**

(57) Statement of Newness and Distinctiveness: **The newness and distinctiveness of the design resides in the features of shape and configuration applied to a CONTAINER BASE as shown in the accompanying**

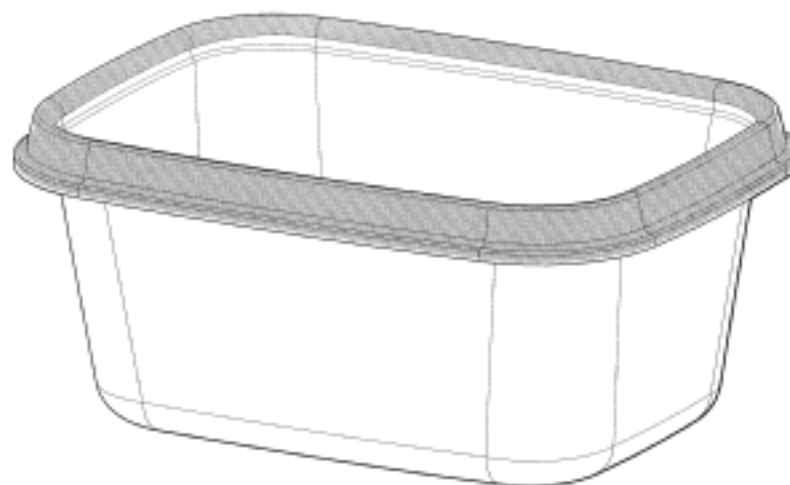




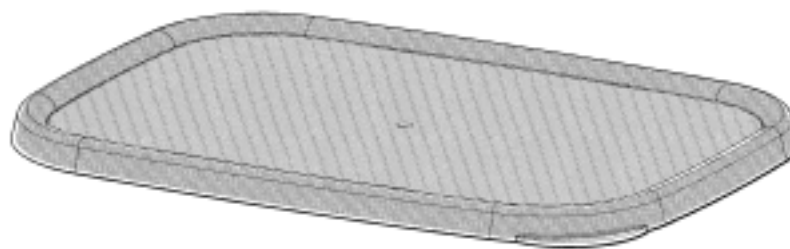
- (21) Design Number: **14732/2012**  
(22) Date of Filing Application: **21 September 2012**  
(24) Date from which industrial property rights may have effect: **21 September 2012**  
(54) Product in respect of which the design is registered: **Lid for a container**  
(51) International Design Classification: **07-01NES**  
(74) Name(s) of Attorney(s): **Callinans**  
(71) Name(s) and Address(s) of Applicant(s):  
**The Decor Corporation Pty. Ltd.**  
**1314 Ferntree Gully Rd Scoresby VIC 3179 Australia**  
(72) Name(s) of Designer(s): **Arthur Richard Carlson**  
(45) Registration Date: **19 October 2012**  
(56) Related Art Documents: **Not Applicable**  
(57) Statement of Newness and Distinctiveness: **Newness and distinctiveness of the design resides in the visual features of pattern and/or ornamentation as applied to all or part of the top surface of a Lid of a Container as illustrated in the accompanying representations, being a series of spaced-apart parallel lines of indefinite length. Features of shape and configuration of the Lid do not form part of the design.**



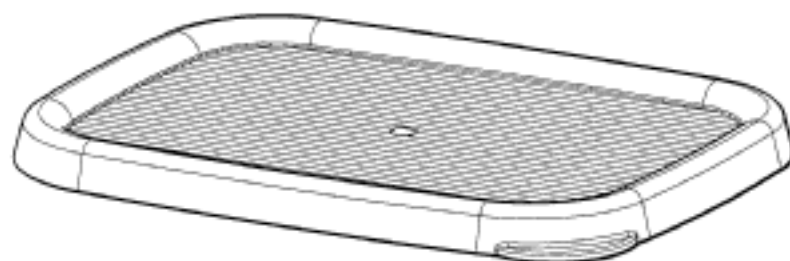
- (21) Design Number: **14733/2012**  
(22) Date of Filing Application: **21 September 2012**  
(24) Date from which industrial property rights may have effect: **21 September 2012**  
(54) Product in respect of which the design is registered: **Container base**  
(51) International Design Classification: **07-01NES**  
(74) Name(s) of Attorney(s): **Callinans**  
(71) Name(s) and Address(s) of Applicant(s):  
**The Decor Corporation Pty. Ltd.**  
**1314 Ferntree Gully Rd Scoresby VIC 3179 Australia**  
(72) Name(s) of Designer(s): **Arthur Richard Carlson**  
(45) Registration Date: **19 October 2012**  
(56) Related Art Documents: **Not Applicable**  
(57) Statement of Newness and Distinctiveness: **Newness and distinctiveness of the design resides in the visual features of pattern and/or ornamentation as applied to a Base of a Container, being a co-moulded and differently-coloured band or insert associated with the rim of the Container and extending around the entire periphery of the Container, as shown shaded in the accompanying representations. Features of shape and/or configuration of the Base for a Container do not form part of the design.**



- (21) Design Number: **14734/2012**  
(22) Date of Filing Application: **21 September 2012**  
(24) Date from which industrial property rights may have effect: **21 September 2012**  
(54) Product in respect of which the design is registered: **Lid for a container**  
(51) International Design Classification: **07-01NES**  
(74) Name(s) of Attorney(s): **Callinans**  
(71) Name(s) and Address(s) of Applicant(s):  
**The Decor Corporation Pty. Ltd.**  
**1314 Ferntree Gully Rd Scoresby VIC 3179 Australia**  
(72) Name(s) of Designer(s): **Arthur Richard Carlson**  
(45) Registration Date: **19 October 2012**  
(56) Related Art Documents: **Not Applicable**  
(57) Statement of Newness and Distinctiveness: **Newness and distinctiveness of the design resides in the visual features of pattern and/or ornamentation as applied to a Lid of a Container, shown in shaded in the accompanying representations, being a co-moulded differently-coloured band or insert associated with the rim of the Lid of a Container and extending around the entire periphery of the Lid of a Container. Features of shape and/or configuration of the Lid of a Container do not form part of the design.**



- (21) Design Number: **14735/2012**  
(22) Date of Filing Application: **21 September 2012**  
(24) Date from which industrial property rights may have effect: **21 September 2012**  
(54) Product in respect of which the design is registered: **Lid for container**  
(51) International Design Classification: **07-01NES**  
(74) Name(s) of Attorney(s): **Callinans**  
(71) Name(s) and Address(s) of Applicant(s):  
**The Decor Corporation Pty. Ltd.**  
**1314 Ferntree Gully Rd Scoresby VIC 3179 Australia**  
(72) Name(s) of Designer(s): **Arthur Richard Carlson**  
(45) Registration Date: **19 October 2012**  
(56) Related Art Documents: **Not Applicable**  
(57) Statement of Newness and Distinctiveness: **Newness and distinctiveness resides in the features of shape and configuration as applied to a LID FOR CONTAINER as shown in the accompanying representations.**



- (21) Design Number: **15002/2012**  
(22) Date of Filing Application: **08 October 2012**  
(24) Date from which industrial property rights may have effect: **30 July 2012**  
(54) Product in respect of which the design is registered: **Drill bit**  
(51) International Design Classification: **08-01**  
(74) Name(s) of Attorney(s): **Griffith Hack**  
(71) Name(s) and Address(s) of Applicant(s):  
**Diamond Innovations, Inc.**  
**6325 Huntley Road Worthington OH 43085 United States of America**  
**Sandvik Intellectual Property AB**  
**Sandviken SE-811 81 Sweden**  
(72) Name(s) of Designer(s): **Kenneth Monyak and Joseph Fader and Adrienne Schmoll**  
(45) Registration Date: **19 October 2012**  
(62) Divisional of: **344936**  
(56) Related Art Documents: **Not Applicable**  
(57) Statement of Newness and Distinctiveness: **Newness and distinctiveness resides in the visual features, including shape, configuration and ornamentation of the product as shown by means of the solid lines in the accompanying drawings. Those parts shown by means of dashed lines have been included for illustrative purposes only.**

