



Australian Government

IP Australia

AUSTRALIAN OFFICIAL JOURNAL

OF

DESIGNS

Did you know a searchable version of this journal is now available online?

It's FREE and EASY to SEARCH.

Find it on our website (www.ipaustralia.gov.au)

by using the "Journals" link on the home page.

This Page Left Intentionally Blank

Contents

General Information & Notices

**Proceedings Under the Designs Act 1906 preserved as a result of the provisions of Chapter 12
Part 2 of the Designs Act 2003**

Extension of Period of Registration of Designs	3020
Registrations Ceased	3020
Subsequent Owners Registered	3020

Proceedings Under the Designs Act 2003

Applications Lapsed	3033
Applications Lodged	3024
Applications Withdrawn	3033
Certificate of Examination	3036
Extension of Period of Registration of Design	3034
Extension of Time Granted Under Section 137	3034
Names Registered - Alterations and Amendments	3035
Publication and Registration Proceedings	
Designs Registered 345038 to 345371.....	3037
Registrations Ceased	3034
Revocation of Design Registrations	3034
Subsequent Owners Registered	3035

This Page Left Intentionally Blank

For information on the following please see our website www.ipaustralia.gov.au or contact our Customer Service Network on 1300651010

[Editorial enquiries](#)

[Contact information](#)

[Freedom of Information ACT](#)

[Professional Standards Board](#)

[Sales](#)

[Requests for Information under Section 194 \(c\)](#)

[Country Codes](#)

[Trade Mark and Designs Hearing Sessions](#)

[INID \(Internationally agreed Numbers for the Identification of Data\)](#)

“INID” NUMBERS in use on Australian Design Documents

“INID” is an acronym for “Internationally agreed Numbers for the Identification of Data”.

(10) Data concerning the registration/renewal

- (11) Serial number of the registration and/or number of the design document
- (12) Plain language designation of the kind of published document
- (19) Identification, using the two-letter code according to WIPO Standard ST.3, of the authority publishing or registering the industrial design

(20) Data concerning the application

- (21) Serial number of the application
- (22) Date of filing of the application
- (24) Date from which the industrial design right has effect

(30) Data relating to priority under the Paris Convention

- (31) Serial number assigned to the priority application
- (32) Date of filing of the priority application
- (33) Two-letter code, according to WIPO Standard ST.3, identifying the authority with which the priority application was made

(40) Date(s) of making information available to the public

- (45) Date of publication of the registered industrial design by printing or similar process, or making it available to the public by any other means

(50) Miscellaneous Information

- (51) International Classification for Industrial Designs (class and subclass of the Locarno Classification)
- (54) Designation of article(s) or product(s) covered by the industrial design or title of the industrial design
- (55) Reproduction of the industrial design (e.g., drawing, photograph) and explanations relating to the reproduction
- (56) List of prior art documents, if separate from descriptive text
- (57) Description of characteristic features of the industrial design including indication of colours

(60) References to other legally related application(s) and registration(s)

- (62) Serial number(s) and, if available, filing date(s) of application(s), registration(s) or document(s) related by division
- (66) Serial number(s) of the application, or the registration, of the design(s) which is (are) a variant(s) of the present one

(70) Identification of parties concerned with the application or registration

- (71) Name(s) and address(es) of the applicant(s)
- (72) Name(s) of the creator(s) if known to be such
- (74) Name(s) and address(es) of the representative(s)

This Page Left Intentionally Blank

OFFICIAL NOTICE**Designs Act 2003****Declaration of Entitled Person
Following Surrender of Registration**

The following applicant is declared to be an entitled person under the provisions of Section 54(2) of the *Designs Act 2003* following revocation of Design Registration 326416 effective from 3 October 2012.

Registration Numbers	Entitled Person	Priority Date
345159	Roadside Products Pty Ltd (ACN 133 084 634)	20 May 2009

Queries: Gary Flint
Trade Marks and Designs Administration
+61 2 6283 2023

Contact: IP Australia
Phone: 1300 651 010
Fax: +61 2 6283 7999
E-mail: assist@ipaustrialia.gov.au
Web: www.ipaustrialia.gov.au

Proceedings under the Designs Act 1906 preserved as a result of the provisions of Chapter 12 Part 2 of the Designs Act 2003.

This Page Left Intentionally Blank

Applications Lapsed

There were no Applications Lapsed under this section

Extension of Period of Registration of Designs

Subsequent Owners Registered

131525 (VisyPET Pty Ltd) HP Packaging (Australia) Pty Ltd

1st Period (Section 27A(8))

2nd Period (Section 27A(12))

3rd Period (Section 27A(13))

147057	147058	147059
147060	147061	147193
147199	147297	147403
147404	147429	147584
147621	147643	147682
147826	147867	147928
147929	147985	148071
148132	148173	148606
148678	149228	149359
149613	150218	151123
151398	151852	151996
151997	152437	152438
154409	154410	

Registrations Ceased

Note: Some of the following Registrations may have been previously advertised as ceased. In this instance, the previous advertisement still prevails.

128771	130298	130317
130330	130331	130332
130337	130357	130447
130619	130622	130693
130766	131172	131173
131341	132233	132234
132235	132608	132667
133801	134526	134581
134582	134680	135648
135704	135705	135938
145453	145456	145457
145458	145459	145522
145589	145983	146021
146140	146141	146142
146334	148492	149087
149287	149288	149289
150022		

Subsequent Owners Registered

(The name in parentheses is that of the subsequent owner)

156232	(Siemens Enterprise Communications GMBH & Co. KG) Siemens Aktiengesellschaft
141868	(Merck Sharp & Dohme Corp.; Merck Sharp & Dohme Corp.) Merck Sharp & Dohme Corp.

This Page Left Intentionally Blank

Proceedings under the Designs Act 2003.

This Page Left Intentionally Blank

Applications Lodged

Lodgement information is in the following order: **Applicant's Name**; International Classification, Name of Product, Lodgement Date and **Design Number**. If the applicant claims an earlier priority date under an International Convention, the Convention Country and the associated filing date are shown in parentheses before the Lodgement Date. Divisional information will also appear in parentheses before the Lodgement Date.

Abergel, Asher; 12-11, Bicycle, 17 Oct 2012	15207/2012	Beba Enterprises Pty Ltd; 02-02NES, Top, 08 May 2012	15171/2012
Aichi Co., Ltd; 06-01F, Chair, 22 Oct 2012	15279/2012	Beba Enterprises Pty Ltd; 02-02C, Articles of clothing, 19 Oct 2012	15187/2012
Allflex Europe SAS; 30-08, An animal identification tag, (NZ, 17 May 2012) 24 Oct 2012	15313/2012	Bekaert (Australia) Pty Ltd; 05-05D, Textiles, 18 Oct 2012	15230/2012
Allflex Europe SAS; 30-08, An animal identification tag, (NZ, 17 May 2012) 24 Oct 2012	15314/2012	Benton, Jenny;Chehade, Elizabeth; 06-13A, 'Boy' placemat's design depicts boys at play, field for child to write name, and icons for 8 mayor food allergens/, intolerances for circling, 25 Oct 2012	15390/2012
Alliott, Charles Bewick;Faux, Barry Peter; 06-01F, Avro dining chair, 29 Oct 2012	15430/2012	Benton, Jenny;Chehade, Elizabeth; 06-13A, 'Girl' placemat's design depicts girls at play, field for child to write name, and icons for 8 mayor food allergens/or, intolerances for circling, 25 Oct 2012	15391/2012
Architecture, Planning and Design, P.C.; 23-01E, Play Construction Kit, (US, 23 Apr 2012) 23 Oct 2012	15260/2012	Blindware Pty Ltd; 06-10, A valance/pelmet corner moulding, 22 Oct 2012	15220/2012
Artec Co., Ltd.; 21-01E, Toy construction block, (JP, 26 Jul 2012) 24 Oct 2012	15306/2012	Boori International Pty Ltd; 06-02, Reconfigurable furniture, 31 Oct 2012	15417/2012
Aucone, Anthony; 26-05E, Solar panel LED light, 19 Oct 2012	15169/2012	Boori International Pty Ltd; 06-02, Reconfigurable furniture, 31 Oct 2012	15409/2012
Aurora Research and Development Pty Ltd; 20-03NES, 20-02NES, Display module, 15 Oct 2012	15108/2012	Boori International Pty Ltd; 06-02, Reconfigurable furniture, 31 Oct 2012	15414/2012
Aurora Research and Development Pty Ltd; 20-03NES, 20-02NES, Display module, 15 Oct 2012	15109/2012	Boori International Pty Ltd; 06-02, Reconfigurable furniture, 31 Oct 2012	15410/2012
Aus Steel Pty Ltd; 25-01C, A metal truss, 15 Oct 2012	15113/2012	Building Group Pty Ltd; 25-02G, Floor grate insert, 26 Oct 2012	15383/2012
Aus Steel Pty Ltd; 25-01C, A truss, 15 Oct 2012	15111/2012	Building Group Pty Ltd; 23-02NES, Wall accessory for a floor waste, 25 Oct 2012	15329/2012
ACS Stainless Steel Fixings Ltd; 08-08L, The ACS alpha plate bracket, 16 Oct 2012	15209/2012	Capral Limited; 25-01K, A profile, 19 Oct 2012	15191/2012
AFI (WA) Pty Ltd; 06-02, 06-03NES, 06-06B, 06-06D, A bed frame, bed side table, tall boy and dresser, 09 Oct 2012	15118/2012	Capral Limited; 25-01K, A profile, 19 Oct 2012	15190/2012
AJ Pietras & Co; 08-08NES, Headrest mechanism, 31 Oct 2012	15393/2012	Capral Limited; 25-01K, A profile, 19 Oct 2012	15189/2012
AMSA, Inc.; 06-01NES, Child seat, (US, 27 Apr 2012) 23 Oct 2012	15250/2012	Capral Limited; 25-01K, A profile, 19 Oct 2012	15195/2012
BabyBjorn AB; 06-01E, Baby bouncer, (EM, 31 May 2012) 25 Oct 2012	15356/2012	Capral Limited; 25-01K, A profile, 19 Oct 2012	15193/2012
Batten, Loretta Maree; 02-07B, Shoelace clip, 18 Oct 2012	15164/2012	Capral Limited; 25-01K, A profile, 19 Oct 2012	15194/2012
		Capral Limited; 25-01K, A profile, 19 Oct 2012	15192/2012
		Capral Limited; 25-01K, A profile, 19 Oct 2012	15188/2012

Carter Holt Harvey Corrugated Packaging Pty Ltd; 09-03NES, A blank of or for a container, (NZ, 20 May 2011) 06 Sep 2012	15411/2012	Colgate-Palmolive Company; 09-01K, Container, (US, 07 Jun 2012) 19 Oct 2012	15198/2012
Carter Holt Harvey Corrugated Packaging Pty Ltd; 09-03M, A container, (NZ, 20 May 2011) 06 Sep 2012	15415/2012	Colgate-Palmolive Company; 09-01K, Container, (US, 07 Jun 2012) 19 Oct 2012	15204/2012
Carter Holt Harvey Corrugated Packaging Pty Ltd; 09-03NES, A blank of or for a container, (NZ, 20 May 2011) 06 Sep 2012	15413/2012	Colgate-Palmolive Company; 09-01K, Container, (US, 07 Jun 2012) 19 Oct 2012	15200/2012
Carter Holt Harvey Corrugated Packaging Pty Ltd; 09-03M, Container, (NZ, 20 May 2011) 06 Sep 2012	15412/2012	Colgate-Palmolive Company; 09-01A, Container, (US, 07 Jun 2012) 18 Oct 2012	15148/2012
Chehade, Elizabeth;Benton, Jenny; 06-13A, 'Boy' placemat's design depicts boys at play, field for child to write name, and icons for 8 mayor food allergens/, intolerances for circling, 25 Oct 2012	15390/2012	Colgate-Palmolive Company; 09-01NES, Container, (US, 07 Jun 2012) 24 Oct 2012	15301/2012
Chehade, Elizabeth;Benton, Jenny; 06-13A, 'Girl' placemat's design depicts girls at play, field for child to write name, and icons for 8 mayor food allergens/or, intolerances for circling, 25 Oct 2012	15391/2012	Colgate-Palmolive Company; 09-01G, Container, (US, 07 Jun 2012) 26 Oct 2012	15379/2012
Coca-Cola Company, The; 09-01K, Bottle, (US, 17 Feb 2012) 13 Aug 2012	15172/2012	Colgate-Palmolive Company; 09-01G, Container, (US, 07 Jun 2012) 26 Oct 2012	15377/2012
Colgate-Palmolive Company; 09-01K, Container, (US, 07 Jun 2012) 19 Oct 2012	15205/2012	Colgate-Palmolive Company; 09-01G, Container, (US, 07 Jun 2012) 26 Oct 2012	15378/2012
Colgate-Palmolive Company; 09-01NES, Container, (US, 07 Jun 2012) 26 Oct 2012	15374/2012	Colgate-Palmolive Company; 09-01G, Container, (US, 07 Jun 2012) 25 Oct 2012	15350/2012
Colgate-Palmolive Company; 09-01NES, Container, (US, 07 Jun 2012) 26 Oct 2012	15375/2012	Colgate-Palmolive Company; 09-01G, Container, (US, 07 Jun 2012) 26 Oct 2012	15376/2012
Colgate-Palmolive Company; 09-01K, Container, (US, 07 Jun 2012) 19 Oct 2012	15199/2012	Colgate-Palmolive Company; 09-01G, Container, (US, 07 Jun 2012) 25 Oct 2012	15352/2012
Colgate-Palmolive Company; 09-01NES, Container, (US, 07 Jun 2012) 31 Oct 2012	15442/2012	Colgate-Palmolive Company; 09-01G, Container, (US, 07 Jun 2012) 25 Oct 2012	15353/2012
Colgate-Palmolive Company; 04-02, Head portion of an oral care implment, (US, 07 Jun 2012) 31 Oct 2012	15444/2012	Colgate-Palmolive Company; 09-01G, Container, (US, 07 Jun 2012) 25 Oct 2012	15351/2012
Colgate-Palmolive Company; 04-02, Head portion of an oral care implement, (US, 07 Jun 2012) 31 Oct 2012	15443/2012	Colgate-Palmolive Company; 09-01G, Container, (US, 07 Jun 2012) 25 Oct 2012	15346/2012
Colgate-Palmolive Company; 09-01NES, Container, (US, 07 Jun 2012) 31 Oct 2012	15441/2012	Colgate-Palmolive Company; 09-01G, Container, (US, 07 Jun 2012) 25 Oct 2012	15347/2012
Colgate-Palmolive Company; 09-01K, Container, (US, 07 Jun 2012) 19 Oct 2012	15201/2012	Colgate-Palmolive Company; 09-01G, Container, (US, 07 Jun 2012) 25 Oct 2012	15344/2012
		Colgate-Palmolive Company; 09-01G, Container, (US, 07 Jun 2012) 25 Oct 2012	15348/2012
		Colgate-Palmolive Company; 09-01G, Container, (US, 07 Jun 2012) 25 Oct 2012	15349/2012

Colgate-Palmolive Company; 09-01G, Container, (US, 07 Jun 2012) 25 Oct 2012	15345/2012	Colgate-Palmolive Company; 09-07A, Container, (US, 07 Jun 2012) 24 Oct 2012	15305/2012
Colgate-Palmolive Company; 09-01K, Container, (US, 07 Jun 2012) 19 Oct 2012	15203/2012	Colgate-Palmolive Company; 09-07A, A portion of a cap for a container, (US, 07 Jun 2012) 18 Oct 2012	15145/2012
Colgate-Palmolive Company; 09-07A, Container, (US, 07 Jun 2012) 23 Oct 2012	15269/2012	Colgate-Palmolive Company; 09-07A, A portion of a cap for a container, (US, 07 Jun 2012) 18 Oct 2012	15146/2012
Colgate-Palmolive Company; 09-07A, Container, (US, 07 Jun 2012) 23 Oct 2012	15267/2012	Colgate-Palmolive Company; 09-07A, Container, (US, 07 Jun 2012) 18 Oct 2012	15144/2012
Colgate-Palmolive Company; 09-01NES, Container, (US, 07 Jun 2012) 23 Oct 2012	15266/2012	Colgate-Palmolive Company; 09-07A, Container, (US, 07 Jun 2012) 18 Oct 2012	15143/2012
Colgate-Palmolive Company; 09-01NES, Container, (US, 07 Jun 2012) 23 Oct 2012	15268/2012	Costas, Eric; 08-08C, 08-08NES, 14-02, Monitor mount with clip, 31 Oct 2012	15446/2012
Colgate-Palmolive Company; 09-01K, Container, (US, 07 Jun 2012) 19 Oct 2012	15202/2012	Costas, Eric; 08-08NES, Monitor mount, 31 Oct 2012	15445/2012
Colgate-Palmolive Company; 09-01A, Container, (US, 07 Jun 2012) 18 Oct 2012	15150/2012	Cryovac Australia Pty Ltd; 07-01NES, Container, 16 Oct 2012	15117/2012
Colgate-Palmolive Company; 09-01A, Container, (US, 07 Jun 2012) 18 Oct 2012	15149/2012	COMPAGNIE GENERALE DES ETABLISSEMENTS MICHELIN;Michelin Recherche et Technique S.A.; 12-15A, A tyre, (FR, 11 May 2012) 29 Oct 2012	15364/2012
Colgate-Palmolive Company; 09-01A, Container, (US, 07 Jun 2012) 18 Oct 2012	15147/2012	COMPAGNIE GENERALE DES ETABLISSEMENTS MICHELIN;Michelin Recherche et Technique S.A.; 12-15A, A tyre, 25 Oct 2012	15361/2012
Colgate-Palmolive Company; 09-01NES, Container, (US, 07 Jun 2012) 24 Oct 2012	15300/2012	Decathlon; 16-01, Camera, (EM, 21 Sep 2012) 19 Oct 2012	15311/2012
Colgate-Palmolive Company; 09-01NES, Container, (US, 07 Jun 2012) 23 Oct 2012	15263/2012	Deslandes, S.;Gomes Moreira, F.; 21-02D, Surfboard, 01 Nov 2012	15439/2012
Colgate-Palmolive Company; 09-01K, Container, (US, 07 Jun 2012) 24 Oct 2012	15303/2012	DeLaval Holding AB; 15-03C, Teatcup liner, (EM, 28 Sep 2012) 25 Oct 2012	15354/2012
Colgate-Palmolive Company; 09-01K, Container, (US, 07 Jun 2012) 24 Oct 2012	15304/2012	DeRoyal Global Healthcare Solutions Limited; 24-04, Orthopedic shoulder support, (EM, 20 Apr 2012) 17 Oct 2012	15125/2012
Colgate-Palmolive Company; 09-01NES, Container, (US, 07 Jun 2012) 23 Oct 2012	15264/2012	DeVries, Sandra Kaye; 02-02B, Baby clean sleeves (BCS) are disposable paper type product that slips over the sleeves of babies & toddlers whom are, now old enough to feed themselves. They are intended to keep sleeves clean., 17 Oct 2012	15130/2012
Colgate-Palmolive Company; 09-01K, Container, (US, 07 Jun 2012) 24 Oct 2012	15302/2012	DiMauro, Ronald F.; 08-05NES, Wax scraper, 18 Oct 2012	15142/2012
Colgate-Palmolive Company; 09-01NES, Container, (US, 07 Jun 2012) 23 Oct 2012	15265/2012	Dolce & Gabbana S.r.l.; 10-02, Wrist watch, (EM, 26 Apr 2012) 19 Oct 2012	15210/2012
Colgate-Palmolive Company; 09-01NES, Container, (US, 07 Jun 2012) 23 Oct 2012	15262/2012		

Dolce & Gabbana S.r.l.; 10-02, Wrist watch, (EM, 26 Apr 2012) 19 Oct 2012	15217/2012	Gallagher, Glenn; 20-02NES, Display device, 22 Mar 2012	15458/2012
Dolce & Gabbana S.r.l.; 10-02, Wrist watch, (EM, 26 Apr 2012) 19 Oct 2012	15218/2012	Gao, Xinwei; 21-04, Stand for tent, 02 Nov 2012	15460/2012
Dolce & Gabbana S.r.l.; 10-02, Wrist watch, (EM, 26 Apr 2012) 19 Oct 2012	15216/2012	Geberit International AG; 23-01C, Control panels for flush tanks, (WO, 22 May 2012) 25 Oct 2012	15332/2012
Dolce & Gabbana S.r.l.; 10-02, Wrist watch, (EM, 26 Apr 2012) 19 Oct 2012	15214/2012	Geberit International AG; 23-01C, Control panels for flush tanks, (WO, 22 May 2012) 25 Oct 2012	15333/2012
Dolce & Gabbana S.r.l.; 10-02, Wrist Watch, (EM, 26 Apr 2012) 19 Oct 2012	15215/2012	Geberit International AG; 23-01C, Control panels for flush tanks, (WO, 22 May 2012) 25 Oct 2012	15331/2012
Dolce & Gabbana S.r.l.; 10-02, Wrist watch, (EM, 26 Apr 2012) 19 Oct 2012	15213/2012	Geberit International AG; 23-01C, Control panels for flush tanks, (WO, 22 May 2012) 25 Oct 2012	15330/2012
Dolce & Gabbana S.r.l.; 10-02, Wrist watch, (EM, 26 Apr 2012) 19 Oct 2012	15212/2012	Gessi S.P.A.; 23-01H, Faucet, (IT, 06 Aug 2012) 18 Oct 2012	15154/2012
Dolce & Gabbana S.r.l.; 10-02, Wrist watch, (EM, 26 Apr 2012) 19 Oct 2012	15211/2012	Go Home Lifestyle Products Pty Ltd; 06-01F, Wooden chair for residential and commercial applications, 29 Oct 2012	15424/2012
Dolce & Gabbana S.r.l.; 10-02, Wrist watch, (EM, 26 Apr 2012) 19 Oct 2012	15399/2012	Gomes Moreira, F.;Deslandes, S.; 21-02D, Surfboard, 01 Nov 2012	15439/2012
Dynamic Animation Systems, Inc.; 21-01N, Controller, (US, 27 Apr 2012) 29 Oct 2012	15400/2012	Google Inc.; 09-05, Packaging container, (US, 26 Jun 2012) 30 Oct 2012	15425/2012
Dynamic Animation Systems, Inc.; 21-01N, Controller, (US, 27 Apr 2012) 29 Oct 2012	15223/2012	Google Inc.; 14-02, Electronic device, (US, 26 Jun 2012) 30 Oct 2012	15426/2012
Eaton Corporation; 23-01NES, Hose and sensor assembly, (US, 27 Apr 2012) 22 Oct 2012	15298/2012	Google Inc.; 14-02, Electronic device, (US, 31 May 2012) 30 Oct 2012	15427/2012
Elgart, Yakov; 25-02H, Sliding window, 27 Sep 2012	15138/2012	Heineken Supply Chain B.V.; 31-00, Pouring stand for draught beer, (EM, 19 Apr 2012) 19 Oct 2012	15197/2012
Exquisite & Co Pty Ltd; 21-02F, Exercise equipment and or exercise equipment frame, 17 Oct 2012	15430/2012	Hill, Tui Marie; 21-01B, Doll, 01 Nov 2012	15437/2012
Faux, Barry Peter;Alliott, Charles Bewick; 06-01F, Avro dining chair, 29 Oct 2012	15335/2012	Hitachi Construction Machinery Co., Ltd.; 14-04, Graphical user interface for a portion of a display screen for a dump truck, (JP, 26 Apr 2012) 25 Oct 2012	15341/2012
Fifty-Fourth Rischell Pty Ltd; 02-02C, Men's clothing, 25 Oct 2012	15373/2012	Hitachi Construction Machinery Co., Ltd.; 14-04, Graphical user interface for a portion of a display screen for a self-propelled working machine, (JP, 26 Apr 2012) 25 Oct 2012	15342/2012
Finnin, Christopher Leigh; 12-16NES, Air intak system, 30 Oct 2012	15282/2012	Honda Motor Co., Ltd.; 12-16C, Front bumper for automobiles, (JP, 27 Apr 2012) 24 Oct 2012	15307/2012
Fix-A-Tap Australia Pty Limited; 23-01NES, Cistern valve adaptor, 24 Oct 2012	15297/2012	lander Pty Ltd; 25-01D, Panel, 25 Oct 2012	15337/2012
Flow Control LLC.; 15-02, Hand-held, rechargeable, battery powered diaphragm pump, (US, 24 Apr 2012) 23 Oct 2012	15219/2012	Ingo Schroder; 03-99, Baby carrier component, (DE, 17 Apr 2012) 17 Oct 2012	15136/2012

Ingo Schroder; 03-99, Baby carrier, (DE, 17 Apr 2012) 17 Oct 2012	15133/2012	Keter Plastic Ltd.; 06-01H, Chair, (IL, 01 May 2012) 31 Oct 2012	15440/2012
Ingo Schroder; 03-99, Baby carrier component, (DE, 17 Apr 2012) 17 Oct 2012	15135/2012	Kidsground Pty Ltd; 21-01C, 21-01F, Toy, 26 Oct 2012	15339/2012
Irwin Industrial Tool Company; 03-01D, Tool case, (US, 23 Apr 2012) 23 Oct 2012	15281/2012	Kidsground Pty Ltd; 21-01C, 21-01F, Toy, 26 Oct 2012	15340/2012
Irwin Industrial Tool Company; 03-01D, Tool case, (US, 23 Apr 2012) 23 Oct 2012	15280/2012	Kimura Kohki Co., Ltd.; 23-04, 26-04, Air-conditioning outlet with light, (JP, 28 May 2012) 15 Oct 2012	15114/2012
Iseki & Co., Ltd.; 12-16B, Cabin of a working vehicle, (JP, 18 Apr 2012) 17 Oct 2012	15140/2012	Kimura Kohki Co., Ltd.; 23-04, 26-04, Air-conditioning outlet with light, (JP, 28 May 2012) 15 Oct 2012	15115/2012
Iseki & Co., Ltd.; 12-16B, Cabin of working vehicle, (JP, 18 Apr 2012) 17 Oct 2012	15141/2012	Koninklijke De Kuyper B.V.; 09-01NES, Bottle, 31 Oct 2012	15448/2012
Jorgenson-Watts Pty Ltd.; 25-01K, An extrusion, 01 Nov 2012	15436/2012	Korala Associates Limited; 14-02, User terminal, (EM, 24 Apr 2012) 18 Oct 2012	15159/2012
K. Y. Chow; 21-04, Fastening component for stand for tent, 02 Nov 2012	15471/2012	Land & Sea Sports Pty Ltd.; 21-02E, Sorcerer skateboard, 24 Oct 2012	15359/2012
K. Y. Chow; 21-04, Stand for tent, 02 Nov 2012	15465/2012	Landucci Imports Pty Ltd.; 25-03, Kiosk, 30 Oct 2012	15422/2012
K. Y. Chow; 21-04, Stand for tent, 02 Nov 2012	15466/2012	Lee, Wen-Hsien; 13-03NES, Solar Robot, 23 Oct 2012	15258/2012
K. Y. Chow; 21-04, Stand for tent, 02 Nov 2012	15461/2012	Lee, Wen-Hsien; 13-03NES, Solar Robot, 23 Oct 2012	15257/2012
K. Y. Chow; 21-04, Fastening component for stand for tent, 02 Nov 2012	15469/2012	Liarikos, George; 25-03, Booth, (EM, 27 Apr 2012) 25 Oct 2012	15343/2012
K. Y. Chow; 21-04, Fastening component for stand for tent, 02 Nov 2012	15470/2012	Lighting Science Group Corporation; 26-05A, Luminaire, (US, 23 Feb 2012) (Divisional of 14019/2012) 24 Oct 2012	15432/2012
K. Y. Chow; 21-04, Stand for tent, 02 Nov 2012	15463/2012	Lighting Science Group Corporation; 26-05A, Luminaire, (US, 23 Feb 2012) (Divisional of 14019/2012) 24 Oct 2012	15434/2012
K. Y. Chow; 21-04, Tent, 02 Nov 2012	15467/2012	Lighting Science Group Corporation; 26-05A, Luminaire, (US, 23 Feb 2012) (Divisional of 14019/2012) 24 Oct 2012	15435/2012
K. Y. Chow; 21-04, Fastening component for stand for tent, 02 Nov 2012	15468/2012	Lighting Science Group Corporation; 26-05A, Luminaire, (US, 23 Feb 2012) (Divisional of 14019/2012) 24 Oct 2012	15433/2012
K. Y. Chow; 21-04, Stand for tent, 02 Nov 2012	15464/2012	Linked Group Services Pty Ltd.; 13-03C, Array isolator cover, 24 Oct 2012	15308/2012
K. Y. Chow; 21-04, Stand for tent, 02 Nov 2012	15462/2012	Liquid Shades, LLC; 16-06, 07-06D, Temple bridge with intergrated bottle opener for eyewear, (US, 17 Apr 2012) 17 Oct 2012	15127/2012
Kadva, Kayomars;Kadva, Kersi; 07-02N, Microwave cooking tray, 18 Oct 2012	15165/2012	Liquid Shades, LLC; 16-06, 07-06D, Eyewear with intergrated bottle opener, (US, 17 Apr 2012) 17 Oct 2012	15126/2012
Kadva, Kersi;Kadva, Kayomars; 07-02N, Microwave cooking tray, 18 Oct 2012	15165/2012	Longyear TM, Inc.; 08-07, 08-05P, Latch body, (US, 27 Aug 2012) 18 Oct 2012	15168/2012
KangWon Industry Co., Ltd.; 22-05, Handle of fishing rod, 24 Oct 2012	15360/2012		

Longyear TM, Inc.; 08-07, 08-05P, Latch body, (US, 27 Aug 2012) 18 Oct 2012	15166/2012	Merhis Pty Ltd; 25-01D, A structural building panel, 18 Oct 2012	15182/2012
Longyear TM, Inc.; 08-07, 08-05P, Latch body, (US, 27 Aug 2012) 18 Oct 2012	15167/2012	Merhis Pty Ltd; 25-01D, A structural building panel, 18 Oct 2012	15179/2012
LG Electronics Inc.; 14-03B, Television Receiver, (KR, 26 Apr 2012) 23 Oct 2012	15261/2012	Merhis Pty Ltd; 25-01D, A structural building panel, 18 Oct 2012	15180/2012
LG Electronics Inc.; 15-07, Refrigerator, (KR, 27 Apr 2012) 18 Oct 2012	15151/2012	Merhis Pty Ltd; 25-01D, A structural building panel, 18 Oct 2012	15176/2012
LG Electronics Inc.; 15-07, Refrigerator, (KR, 20 Apr 2012) 18 Oct 2012	15152/2012	Merhis Pty Ltd; 25-01D, A structural building panel, 18 Oct 2012	15178/2012
Macs Engineering Pty Ltd; 12-16C, Roll over protection structure, 19 Oct 2012	15221/2012	Metso Brasil Industria E Comercio Ltda; 15-03NES, Roll crusher frame, (US, 20 Apr 2012) 19 Oct 2012	15186/2012
Madakbas, Betul; 11-02A, Double cone vase, 3 sizes, one design only, 18 Oct 2012	15206/2012	Metso Brasil Industria E Comercio Ltda; 15-03NES, Roll crusher frame, (US, 20 Apr 2012) 19 Oct 2012	15158/2012
Master Lock Company LLC; 08-07, Lock, (US, 30 May 2012) 23 Oct 2012	15259/2012	Micale, Phillip; 06-13A, Serviette, 22 Oct 2012	15208/2012
Master Lock Company LLC; 08-07, Lock, (US, 23 Apr 2012) 22 Oct 2012	15251/2012	Michelin Recherche et Technique S.A.;COMPAGNIE GENERALE DES ETABLISSEMENTS MICHELIN; 12-15A, A tyre, 25 Oct 2012	15361/2012
Matta Products Limited; 25-01F, A playground tile, (NZ, 26 Apr 2012) 24 Oct 2012	15312/2012	Michelin Recherche et Technique S.A.;COMPAGNIE GENERALE DES ETABLISSEMENTS MICHELIN; 12-15A, A tyre, (FR, 11 May 2012) 29 Oct 2012	15364/2012
Mattane Pty Ltd; 25-01K, An extrusion, 29 Oct 2012	15366/2012	Microsoft Corporation; 14-02, Input device for an electronic tablet, (US, 16 May 2012) 23 Oct 2012	15295/2012
Melbourne, Keith; 06-01G, 06-06G, Lounge & armchair, 17 Oct 2012	15128/2012	Microsoft Corporation; 14-02, Input device for an electronic tablet, (US, 16 May 2012) 23 Oct 2012	15294/2012
Melbourne, Keith; 06-03A, Table, 17 Oct 2012	15129/2012	Microsoft Corporation; 14-02, Input device for an electronic tablet, (US, 16 May 2012) 23 Oct 2012	15293/2012
Mercader, Jean-Pierre F; 02-04NES, Foot cavity fitting a human foot, 19 Oct 2012	15229/2012	Microsoft Corporation; 14-02, Input device for an electronic tablet, (US, 16 May 2012) 23 Oct 2012	15292/2012
Merhis Pty Ltd; 25-01D, A structural building panel, 18 Oct 2012	15177/2012	Microsoft Corporation; 14-02, Input device for an electronic tablet, (US, 16 May 2012) 23 Oct 2012	15291/2012
Merhis Pty Ltd; 25-01D, A structural building panel, 18 Oct 2012	15184/2012	Microsoft Corporation; 14-02, Electronic tablet, (US, 16 May 2012) 23 Oct 2012	15288/2012
Merhis Pty Ltd; 25-01D, A structural building panel, 18 Oct 2012	15185/2012	Microsoft Corporation; 14-02, Electronic tablet with input device, (US, 16 May 2012) 23 Oct 2012	15286/2012
Merhis Pty Ltd; 25-01D, A structural building panel, 18 Oct 2012	15183/2012	Microsoft Corporation; 14-02, Electronic tablet with input device, (US, 16 May 2012) 23 Oct 2012	15285/2012
Merhis Pty Ltd; 25-01D, A structural building panel, 18 Oct 2012	15181/2012		

Microsoft Corporation; 14-02, Input device for an electronic tablet, (US, 16 May 2012) 23 Oct 2012	15296/2012	OMS Investments, Inc.; 11-02B, Indoor growing unit, (US, 23 Apr 2012) 23 Oct 2012	15232/2012
Microsoft Corporation; 14-02, Electronic tablet, (US, 16 May 2012) 23 Oct 2012	15290/2012	OMS Investments, Inc.; 11-02B, Indoor growing unit, (US, 23 Apr 2012) 23 Oct 2012	15245/2012
Microsoft Corporation; 14-02, Electronic tablet, (US, 16 May 2012) 23 Oct 2012	15289/2012	OMS Investments, Inc.; 11-02B, Indoor growing unit, (US, 23 Apr 2012) 23 Oct 2012	15246/2012
Microsoft Corporation; 14-02, Electronic tablet, (US, 16 May 2012) 23 Oct 2012	15284/2012	OMS Investments, Inc.; 11-02B, Indoor growing unit, (US, 23 Apr 2012) 23 Oct 2012	15239/2012
Microsoft Corporation; 14-02, Electronic tablet, (US, 16 May 2012) 23 Oct 2012	15287/2012	OMS Investments, Inc.; 11-02B, Indoor growing unit, (US, 23 Apr 2012) 23 Oct 2012	15236/2012
Monkhouse, Peter Dennis; 25-02H, Bottom bar for blinds, awnings and shutters, 28 Oct 2012	15328/2012	OMS Investments, Inc.; 11-02B, Indoor growing unit, (US, 23 Apr 2012) 23 Oct 2012	15276/2012
Monkhouse, Peter Dennis; 25-02H, Side retained shade awning, 28 Oct 2012	15327/2012	OMS Investments, Inc.; 11-02B, Indoor growing unit, (US, 23 Apr 2012) 23 Oct 2012	15277/2012
Multisteps Pty Ltd; 09-03F, A produce container, 19 Oct 2012	15153/2012	OMS Investments, Inc.; 11-02B, Indoor growing unit, (US, 23 Apr 2012) 23 Oct 2012	15243/2012
MISIP Pty Ltd; 26-03, Mobile Street Light, 29 Oct 2012	15394/2012	OMS Investments, Inc.; 11-02B, Indoor growing unit, (US, 23 Apr 2012) 23 Oct 2012	15249/2012
MISIP Pty Ltd; 26-03, Trailer mounted light tower, 31 Oct 2012	15447/2012	OMS Investments, Inc.; 11-02B, Indoor growing unit, (US, 23 Apr 2012) 23 Oct 2012	15237/2012
MISIP Pty Ltd; 08-05NES, A lance tool, 29 Oct 2012	15395/2012	OMS Investments, Inc.; 11-02B, Indoor growing unit, (US, 23 Apr 2012) 23 Oct 2012	15275/2012
Optex Solar Pty. Ltd.; 23-04, Solar roof ventilation units, 31 Oct 2012	15420/2012	OMS Investments, Inc.; 11-02B, Indoor growing unit, (US, 23 Apr 2012) 23 Oct 2012	15241/2012
Oriel Therapeutics, Inc.; 24-04, Inhaler, (US, 08 May 2012) 24 Oct 2012	15309/2012	OMS Investments, Inc.; 11-02B, Indoor growing unit, (US, 23 Apr 2012) 23 Oct 2012	15242/2012
Oriel Therapeutics, Inc.; 24-04, Inhaler, (US, 08 May 2012) 24 Oct 2012	15310/2012	OMS Investments, Inc.; 11-02B, Indoor growing unit, (US, 23 Apr 2012) 23 Oct 2012	15235/2012
Osram AG; 26-03, Street light module, (EM, 14 May 2012) 29 Oct 2012	15362/2012	OMS Investments, Inc.; 11-02B, Indoor growing unit, (US, 23 Apr 2012) 23 Oct 2012	15278/2012
Osram AG; 26-03, Street light module, (EM, 14 May 2012) 29 Oct 2012	15363/2012	OMS Investments, Inc.; 11-02B, Indoor growing unit, (US, 23 Apr 2012) 23 Oct 2012	15244/2012
Owens-Brockway Glass Container Inc.; 09-01H, Bottle, (Divisional of 14314/2012) 16 Oct 2012	15110/2012	OMS Investments, Inc.; 11-02B, Indoor growing unit, (US, 23 Apr 2012) 23 Oct 2012	15247/2012
Owens-Brockway Glass Container Inc.; 09-01H, Bottle, 16 Oct 2012	15112/2012	OMS Investments, Inc.; 11-02B, Indoor growing unit, (US, 23 Apr 2012) 23 Oct 2012	15248/2012
OMS Investments, Inc.; 11-02B, Indoor growing unit, (US, 23 Apr 2012) 23 Oct 2012	15231/2012	OMS Investments, Inc.; 11-02B, Indoor growing unit, (US, 23 Apr 2012) 23 Oct 2012	

OMS Investments, Inc.; 11-02B, Indoor growing unit, (US, 23 Apr 2012) 23 Oct 2012	15238/2012	Philip Morris Products S.A.; 27-99, Smokers' accessory, (EM, 13 Feb 2012) (Divisional of 13883/2012) 16 Oct 2012	15122/2012
OMS Investments, Inc.; 11-02B, Indoor growing unit, (US, 23 Apr 2012) 23 Oct 2012	15240/2012	Phonewoa Pty Ltd; 03-01B, Wallet case for electrical devices with elastic holder, 19 Oct 2012	15228/2012
OMS Investments, Inc.; 11-02B, Indoor growing unit, (US, 23 Apr 2012) 23 Oct 2012	15233/2012	Polaris Industries Inc.; 12-11, 12-13, All terrain vehicle, (US, 27 Apr 2012) 23 Oct 2012	15225/2012
OMS Investments, Inc.; 11-02B, Indoor growing unit, (US, 23 Apr 2012) 23 Oct 2012	15234/2012	PAFtec Technologies Pty Ltd; 24-01, Respirator, 17 Oct 2012	15137/2012
OPD Group AS; 25-02NES, Dividing block, (NO, 04 May 2012) 29 Oct 2012	15398/2012	Rapala VMC Oyj; 22-05, Fishing tackle, (EM, 20 Apr 2012) 19 Oct 2012	15196/2012
OPD Group AS; 25-02NES, Divider, (NO, 04 May 2012) 29 Oct 2012	15396/2012	Red Digital Management Pty Ltd; 08-08L, Touch screen bracket, 30 Oct 2012	15388/2012
OPD Group AS; 25-02NES, Dividing block, (NO, 04 May 2012) 29 Oct 2012	15397/2012	Renew Medical Inc.; 24-02, Anal plug, (US, 03 Jun 2012) 23 Oct 2012	15253/2012
Pacific Market International, LLC; 07-01F, Beverage container, (US, 10 May 2012) 30 Oct 2012	15423/2012	Renew Medical Inc.; 28-03NES, Finger tip applicator, (US, 03 Jun 2012) 23 Oct 2012	15256/2012
Papadopoulos, Teresa; 05-05A, Screen design, 18 Oct 2012	15131/2012	Renew Medical Inc.; 24-02, Anal Plug, (US, 03 Jun 2012) 23 Oct 2012	15254/2012
Papadopoulos, Teresa; 05-05NES, Application design for walls and furniture, 18 Oct 2012	15132/2012	Renew Medical Inc.; 24-02, Anal plug, 23 Oct 2012	15255/2012
Peddie, Julie; 07-07A, Drink coolers, 24 Oct 2012	15283/2012	Resource Furniture; 06-04NES, Sliimform library shelving, 19 Oct 2012	15170/2012
Pelikan Artline Pty Limited; 19-06, Writing instrument, 31 Oct 2012	15418/2012	Richardson, Elaine; 23-02A, Bath caddy 02, 25 Oct 2012	15317/2012
Pereira, Jorge Miguel; 29-02, Safety equipment, 22 Oct 2012	15226/2012	Richardson, Elaine; 23-02A, Sink caddy, 25 Oct 2012	15318/2012
Philip Morris Products S.A.; 27-01, Smokers' accessory, (EM, 13 Feb 2012) (Divisional of 13884/2012) 16 Oct 2012	15119/2012	Richardson, Elaine; 23-02A, Bath caddy 01, 25 Oct 2012	15316/2012
Philip Morris Products S.A.; 27-99, Smokers' accessory, (EM, 13 Feb 2012) (Divisional of 13883/2012) 16 Oct 2012	15123/2012	Roadside Products Pty Ltd; 25-02A, 08-08NES, Anchor Post, 08 Aug 2012	15299/2012
Philip Morris Products S.A.; 27-99, Smokers' accessory, (EM, 13 Feb 2012) (Divisional of 13883/2012) 16 Oct 2012	15124/2012	Robinson, Nina; 03-01B, Wallet, 01 Nov 2012	15438/2012
Philip Morris Products S.A.; 27-01, Smokers' accessory, (EM, 13 Feb 2012) (Divisional of 13884/2012) 16 Oct 2012	15120/2012	S.P.M. Flow Control, Inc.; 23-01NES, A fluid cylinder, (US, 27 Apr 2012) 26 Oct 2012	15380/2012
Philip Morris Products S.A.; 27-01, Smokers' accessory, (EM, 13 Feb 2012) (Divisional of 13884/2012) 16 Oct 2012	15121/2012	Samsung Electronics Co., Ltd.; 25-03, Prefabricated House, (KR, 16 May 2012) 25 Oct 2012	15338/2012
		Samsung Electronics Co., Ltd.; 14-02, Monitor, 18 Oct 2012	15163/2012
		Schroder, Ingo; 03-99, Baby carrier component, (DE, 17 Apr 2012) 17 Oct 2012	15134/2012

Scott, William Mitchell; 09-03M, Box with locking ports, (US, 27 Apr 2012) 29 Oct 2012	15406/2012	SEW-EURODRIVE GmbH & Co. KG; 13-03NES, Electric variable speed drive, (DE, 13 Jun 2012) 29 Oct 2012	15404/2012
Scott, William Mitchell; 09-03M, Box, (US, 30 Apr 2012) 29 Oct 2012	15408/2012	S2DIO Pty Ltd; 06-01H, A daybed, 30 Oct 2012	15385/2012
Scott, William Mitchell; 09-03M, Box, (US, 30 Apr 2012) 29 Oct 2012	15407/2012	Taalman Family Trust (IT 1714/96); 09-03NES, 28-03NES, A massager and container, (ZA, 23 Apr 2012) 23 Oct 2012	15252/2012
Scott, William Mitchell; 03-01NES, Carrying tote, (US, 28 Apr 2012) 29 Oct 2012	15405/2012	Tacca-Plastics Australia Pty Ltd; 09-03L, A container, 18 Oct 2012	15155/2012
Sensormatic Electronics, LLC; 16-01, Pan, Tilt and Zoom (PTZ) camera, (US, 06 Sep 2012) 16 Oct 2012	15116/2012	Taylor, Michael Vincent; 08-08H, Curtain rod bracket, 17 Oct 2012	15227/2012
Shyutten, Vladislav; Yu, Xin; 21-03, An amusement device, 31 Oct 2012	15416/2012	Technologies Holdings Corp.; 23-04, Vapor compression dehumidifier, (US, 14 May 2012) 31 Oct 2012	15421/2012
Sim, Robert; 21-01B, 11-02F, A wall-hanging ape decoration, in a variety of colour combinations, 24 Oct 2012	15315/2012	Telford, Kaine; 25-01A, Building block, (MY, 17 Apr 2012) 17 Oct 2012	15139/2012
Sistema Plastics Limited; 07-01NES, A lid, (NZ, 19 Jun 2012) 29 Oct 2012	15401/2012	Tepra Pty Ltd; 10-04, Measuring tool, 29 Oct 2012	15372/2012
Sistema Plastics Limited; 07-01NES, Latch closable container, (US, 18 May 2012) 30 Oct 2012	15431/2012	The Coca-Cola Company; 09-01H, Bottle, (EM, 27 Apr 2012) 26 Oct 2012	15381/2012
Sistema Plastics Limited; 07-01NES, A lidded container, (NZ, 19 Jun 2012) 30 Oct 2012	15402/2012	The Coca-Cola Company; 09-01K, Bottle, (US, 17 Feb 2012) 13 Aug 2012	15174/2012
Smith, Melanie; 25-01K, Architectural Structure, 31 Oct 2012	15419/2012	The Coca-Cola Company; 09-01K, Bottle, (US, 17 Feb 2012) 13 Aug 2012	15175/2012
Smooth & Tan Pty Ltd; 28-03NES, Dual wax warming pot, 19 Oct 2012	15224/2012	The Coca-Cola Company; 09-01K, Bottle, (US, 17 Feb 2012) 13 Aug 2012	15173/2012
Stefano, Carmelo Joseph Licciardi Di; 15-99, Winder assembly, 23 Oct 2012	15270/2012	Thirstysport Pty Ltd; 09-01D, Drink container, 29 Oct 2012	15429/2012
StreetCar ORV LLC; 12-16NES, Snorkel, (US, 23 Apr 2012) 22 Oct 2012	15222/2012	Tokyo Plast International Ltd; 07-07A, Ice box with wheels, 19 Oct 2012	15157/2012
Sulzer Metco (US) Inc.; 24-02, Plasma gun, (US, 10 May 2012) 29 Oct 2012	15371/2012	Torreblanca Gomez De Las Hera, Laura; 02-04B, Interchangeable shoe heel, 19 Oct 2012	15156/2012
Sulzer Metco (US) Inc.; 24-02, Injector ring, (US, 10 May 2012) 29 Oct 2012	15369/2012	Toshiba Carrier Corporation; 23-04, Heat exchanger for air conditioner, (CN, 25 Apr 2012) 25 Oct 2012	15355/2012
Sulzer Metco (US) Inc.; 13-03A, Electrode Insulator, (US, 10 May 2012) 29 Oct 2012	15368/2012	Umbra LLC; 03-01D, Corset-shaped organizer, (US, 29 May 2012) 18 Oct 2012	15160/2012
Sulzer Metco (US) Inc.; 13-03NES, Electrode, (US, 10 May 2012) 29 Oct 2012	15365/2012	Umbra LLC; 03-01D, Dress-shaped organizer, (US, 11 Sep 2012) 18 Oct 2012	15162/2012
SEW-EURODRIVE GmbH & Co. KG; 13-03NES, Electric variable speed drive, (DE, 13 Jun 2012) 29 Oct 2012	15403/2012	Umbra LLC; 03-01D, Dressed-shaped organizer, (US, 31 Jul 2012) 18 Oct 2012	15161/2012
		Underwood Companies Holdings Pty Ltd; 13-03NES, An erosion control panel, 30 Oct 2012	15387/2012

Underwood Companies Holdings Pty Ltd; 13-03NES, An erosion control panel, 30 Oct 2012	15389/2012	Zippo Manufacturing Company; 26-02, A portable lamp, (US, 27 Apr 2012) 25 Oct 2012	15336/2012
Visy R & D Pty Ltd; 09-03NES, Blank for forming a container therefrom, 22 Oct 2012	15274/2012	Zippo Manufacturing Company; 08-03, A multi-purpose tool, (US, 21 May 2012) 22 Oct 2012	15271/2012
Watts Clever Group Limited; 08-08L, Smart meter mounting bracket, 30 Oct 2012	15386/2012	Zippo Manufacturing Company; 03-01NES, A carrying device, (US, 27 Apr 2012) 22 Oct 2012	15272/2012
X-Technology Swiss GmbH; 02-02NES, Upper body garment, (EM, 12 Jul 2012) 25 Oct 2012	15357/2012	Zippo Manufacturing Company; 99-00, A camping organiser, (US, 27 Apr 2012) 22 Oct 2012	15273/2012
X-Technology Swiss GmbH; 02-02NES, Upper body garment, (EM, 12 Jul 2012) 25 Oct 2012	15358/2012	3M Innovative Properties Company; 14-03NES, Push-to-talk communication device, (EM, 27 Apr 2012) 26 Oct 2012	15384/2012
Yu, Xin;Shyutten, Vladislav; 21-03, An amusement device, 31 Oct 2012	15416/2012	4x4 Equip Pty Ltd; 11-05, Telescopic 3 piece safety flag pole, 25 Oct 2012	15382/2012

Applications Withdrawn

13349 / 2012 (31-00)	13350 / 2012 (31-00)
13351 / 2012 (31-00)	13352 / 2012 (31-00)
13353 / 2012 (31-00)	13354 / 2012 (31-00)
13412 / 2012 (14-02)	13413 / 2012 (14-02)
13414 / 2012 (14-02)	

Applications Lapsed

10648 / 2012 (02-02NES)	10673 / 2012 (02-02NES)
11806 / 2012 (02-02C)	11817 / 2012 (20-02NES)
11941 / 2012 (23-01L)	12010 / 2012 (08-03)
12570 / 2012 (12-02)	13157 / 2012 (12-16E)
13866 / 2012 (12-16NES)	13867 / 2012 (12-16NES)
13882 / 2012 (19-99)	14113 / 2012 (06-06NES)

Extension of Period of Registration of Designs

316729	316754	317172
317173	317203	317528
317529	317538	317539
317838	318033	318034
318035	318041	318088
318099	318140	318141
318142	318143	318184
318186	318191	318213
318216	318220	318221
318224	318225	318251
318255	318256	318257
318259	318314	318322
318323	318325	318326
318327	318328	318354
318355	318356	318357
318358	318398	318407
318408	318411	318412
318433	318476	318477
318478	318479	318480
318481	318482	318483
318484	318485	318502
318509	318533	318545
318578	318582	318583
318584	318585	318586
318589	318590	318606
318607	318612	318618
318623	318629	318635
318636	318677	318678
318679	318741	318745
318765	318828	318829
318839	318944	319001
319002	319003	319032
319033	319044	319045
319046	319047	319048
319049	319050	319051
319054	319055	319056
319057	319058	319060
319099	319277	319278
319466	319835	319836
319942	320813	320814
320846	320847	320852
321590	321591	321773
322745		

Revocation of Design Registrations

The following Design Registration(s) have been revoked and are taken never to have been registered:

339593	09-03NES
339596	09-03M
339597	09-03M
339713	09-03M
343632	28-99
343960	28-99
343983	28-99
343984	28-99
343985	28-99

Registrations Ceased

313708	313944	314049
314180	314850	314851
314852	314858	314859
314860	314883	314884
314885	314886	314887
314925	314926	314928
314930	314945	314946
314947	314948	314949
314950	314952	314954
314955	314956	314966
314967	314968	314975
314976	314977	314978
314982	314983	314985
314986	314987	314988
314989	314990	314991
314992	314993	314994
314995	314996	314997
314998	314999	315000
315001	315002	315010
315011	315012	315015
315016	315024	315029
315030	315031	315032
315033	315034	315035
315036	315037	315040
315044	315056	315063
315064	315065	315066
315069	315071	315072
315073	315074	315079
315095	315096	315099
315103	315162	315163
315164	315165	315405
315530	315531	315532
315533	315580	315719
315770	315894	315895
316455	316457	318248

Extensions of time granted under Section 137

Applications lodged under section 137 for extension of time have been granted.

345060 **Britannia Pharmaceuticals Limited**

345127 **Loader Construction Engineering Limited**

13252/2012 **Michael McNamara**

13253/2012 **Michael McNamara**

Subsequent Owners Registered

(The name in parentheses is that of the subsequent owner)

322345 (**Mycurl Pty Ltd**) Organic Evolution Pty Ltd

341188 (**OSIM International Ltd**) Elwyn Ng Kwang Ling

302423 (**Merck Sharp & Dohme Corp.;Merck Sharp & Dohme Corp.**) Merck Sharp & Dohme Corp.

343520 (**Baker Street Willenborg Consulting, LLC**) Jim Willenborg

Names Registered - Alterations and Amendments

(The name in parentheses is that of the subsequent applicant)

334542 (**Ezgi Erdogan**) Ezgi Erdogan Yilmaz

Certificate(s) of Examination

Examination of the following Design Registration(s) has been completed. Infringement proceedings may now be commenced.

315986	09-02NES	31/10/2012
321050	08-08NES	24/10/2012
329230	09-03F	31/10/2012
335283	10-02	31/10/2012
335284	10-02	31/10/2012
335285	10-02	31/10/2012
338536	12-06A	31/10/2012
338790	10-02	31/10/2012
338791	10-02	31/10/2012
338792	10-02	31/10/2012
338793	10-02	31/10/2012
340022	07-01F	26/09/2012
341729	09-05	23/10/2012
341730	09-05	23/10/2012
341731	09-05	23/10/2012
341732	09-05	23/10/2012
341733	10-04	23/10/2012
341734	10-04	23/10/2012
342867	03-01NES	22/10/2012
343074	14-03A	22/10/2012
343117	25-02C	22/10/2012
343170	15-01	22/10/2012
343462	12-16NES	22/10/2012
343520	02-02NES	22/10/2012
343954	06-13B	22/10/2012
344227	09-01A	23/10/2012
344283	21-01C	25/10/2012
344357	21-02E	30/10/2012
344474	26-05C	25/10/2012
344475	07-05D	31/10/2012
344500	02-02NES	23/10/2012
344510	09-05	29/10/2012
344511	09-05	29/10/2012
344583	09-09	24/10/2012
344625	13-03NES	22/10/2012
344637	02-01B	22/10/2012
344638	02-01B	22/10/2012
344656	27-99	26/10/2012
344676	27-99	26/10/2012
344716	27-99	26/10/2012
344784	09-01NES	31/10/2012
344785	09-01NES	31/10/2012
344786	09-01NES	31/10/2012
344796	24-02	05/11/2012
344797	24-02	05/11/2012
344798	24-02	31/10/2012
344808	24-02	05/11/2012
344885	27-99	26/10/2012
344888	27-99	26/10/2012
344938	07-01C	31/10/2012

Publication and Registration Proceedings

Designs Registered

This section provides a concordance between design number and registration number of Designs covered in this journal. It also shows the main class and registration date.

This section covers Registration numbers 345038 to 345371 .

The registration number shown below should be used in all future correspondence.

Design Number	Registration Number	International Classification Code (IDC)	Registration Date	Design Number	Registration Number	International Classification Code (IDC)	Registration Date
10598/2012	345078	02-02C	23/10/2012	14236/2012	345219	08-05N	30/10/2012
11041/2012	345047	13-99	22/10/2012	14237/2012	345220	08-05N	30/10/2012
11144/2012	345281	25-04	31/10/2012	14247/2012	345178	14-01	29/10/2012
11496/2012	345357	20-02NES	02/11/2012	14248/2012	345179	13-02	29/10/2012
11660/2012	345282	21-01A	31/10/2012	14249/2012	345180	14-01	29/10/2012
11786/2012	345320	06-04NES	02/11/2012	14269/2012	345181	07-02D	29/10/2012
11816/2012	345283	23-02B	31/10/2012	14270/2012	345254	07-02D	31/10/2012
11980/2012	345126	26-02	25/10/2012	14271/2012	345182	08-08H	29/10/2012
11981/2012	345106	13-02	24/10/2012	14272/2012	345183	23-03F	29/10/2012
12070/2012	345321	06-04NES	02/11/2012	14273/2012	345184	23-03F	29/10/2012
12191/2012	345147	25-01G	26/10/2012	14274/2012	345185	23-03F	29/10/2012
12192/2012	345148	25-01G	26/10/2012	14275/2012	345323	15-05	02/11/2012
12193/2012	345149	25-01G	26/10/2012	14276/2012	345186	15-05	29/10/2012
12194/2012	345150	25-01G	26/10/2012	14277/2012	345187	15-05	29/10/2012
12210/2012	345250	02-02C	30/10/2012	14278/2012	345188	15-05	29/10/2012
12272/2012	345050	06-03NES	22/10/2012	14279/2012	345189	15-05	29/10/2012
12833/2012	345060	03-01NES	22/10/2012	14280/2012	345190	12-16NES	29/10/2012
12881/2012	345107	07-02H	24/10/2012	14281/2012	345191	02-04B	29/10/2012
12886/2012	345061	08-08NES	22/10/2012	14282/2012	345192	02-04B	29/10/2012
12887/2012	345062	13-03B	22/10/2012	14284/2012	345193	01-04	29/10/2012
12888/2012	345063	13-03B	22/10/2012	14285/2012	345194	07-02P	29/10/2012
12889/2012	345064	13-03B	22/10/2012	14287/2012	345086	07-02G	24/10/2012
12890/2012	345065	13-03B	22/10/2012	14292/2012	345087	19-04	24/10/2012
12891/2012	345066	13-03B	22/10/2012	14312/2012	345345	23-01A	02/11/2012
12892/2012	345067	13-03B	22/10/2012	14313/2012	345344	23-01A	02/11/2012
12893/2012	345068	13-03B	22/10/2012	14314/2012	345195	09-01H	29/10/2012
12894/2012	345069	13-03B	22/10/2012	14323/2012	345129	09-05	25/10/2012
13157/2012	345127	12-16E	25/10/2012	14324/2012	345130	12-06NES	25/10/2012
13705/2012	345128	09-01K	25/10/2012	14328/2012	345131	07-01D	25/10/2012
13728/2012	345108	02-02NES	24/10/2012	14342/2012	345132	12-16K	25/10/2012
13807/2012	345071	25-02NES	23/10/2012	14350/2012	345324	08-99	02/11/2012
13812/2012	345284	06-01G	31/10/2012	14357/2012	345133	12-03	25/10/2012
13825/2012	345109	21-01D	24/10/2012	14358/2012	345134	25-01NES	25/10/2012
13883/2012	345051	27-99	22/10/2012	14359/2012	345196	26-06	29/10/2012
13918/2012	345140	09-01K	25/10/2012	14360/2012	345197	23-01H	29/10/2012
13919/2012	345144	09-01K	25/10/2012	14361/2012	345198	23-01H	29/10/2012
13920/2012	345142	09-01K	25/10/2012	14362/2012	345199	07-02NES	29/10/2012
13981/2012	345251	24-04	31/10/2012	14363/2012	345110	25-01B	24/10/2012
14019/2012	345330	26-05A	02/11/2012	14365/2012	345111	27-01	24/10/2012
14021/2012	345151	06-01D	26/10/2012	14377/2012	345112	11-02B	24/10/2012
14037/2012	345322	26-05A	02/11/2012	14379/2012	345113	09-07C	24/10/2012
14042/2012	345118	06-06E	24/10/2012	14380/2012	345114	28-03NES	24/10/2012
14043/2012	345119	06-06E	24/10/2012	14384/2012	345115	25-01K	24/10/2012
14044/2012	345120	06-06E	24/10/2012	14385/2012	345116	25-01K	24/10/2012
14045/2012	345121	06-06E	24/10/2012	14386/2012	345117	25-01K	24/10/2012
14069/2012	345252	23-04	31/10/2012	14387/2012	345088	25-01K	24/10/2012
14194/2012	345253	06-03A	31/10/2012	14390/2012	345089	02-04NES	24/10/2012
14201/2012	345052	24-02	22/10/2012	14391/2012	345090	02-04NES	24/10/2012
14202/2012	345053	24-02	22/10/2012	14392/2012	345091	02-04NES	24/10/2012
14235/2012	345218	08-05N	30/10/2012	14399/2012	345092	03-01NES	24/10/2012

Publication and Registration Proceedings - Designs Registered cont'd

Design Number	Registration Number	International Classification Code (IDC)	Registration Date	Design Number	Registration Number	International Classification Code (IDC)	Registration Date
14400/2012	345093	06-03D	24/10/2012	14629/2012	345343	12-08	02/11/2012
14401/2012	345094	23-01H	24/10/2012	14630/2012	345342	12-08	02/11/2012
14402/2012	345095	23-01H	24/10/2012	14631/2012	345341	12-08	02/11/2012
14403/2012	345096	23-01B	24/10/2012	14659/2012	345161	25-01F	29/10/2012
14404/2012	345097	23-01H	24/10/2012	14660/2012	345162	25-01F	29/10/2012
14405/2012	345098	23-01H	24/10/2012	14665/2012	345163	24-02	29/10/2012
14411/2012	345099	11-03	24/10/2012	14666/2012	345156	26-03	26/10/2012
14412/2012	345100	11-03	24/10/2012	14667/2012	345340	25-01B	02/11/2012
14413/2012	345101	11-03	24/10/2012	14671/2012	345201	25-02E	29/10/2012
14414/2012	345102	11-03	24/10/2012	14710/2012	345365	13-03D	05/11/2012
14415/2012	345103	11-03	24/10/2012	14711/2012	345122	13-03D	24/10/2012
14434/2012	345104	03-01NES	24/10/2012	14712/2012	345123	13-03D	24/10/2012
14435/2012	345105	03-01NES	24/10/2012	14724/2012	345164	13-03E	29/10/2012
14436/2012	345255	07-01B	31/10/2012	14725/2012	345125	25-01B	24/10/2012
14437/2012	345256	07-99NES	31/10/2012	14726/2012	345263	21-02F	31/10/2012
14438/2012	345257	07-01B	31/10/2012	14742/2012	345038	07-01NES	22/10/2012
14439/2012	345258	06-10	31/10/2012	14743/2012	345039	07-01NES	22/10/2012
14440/2012	345221	09-01NES	30/10/2012	14744/2012	345040	07-01NES	22/10/2012
14441/2012	345222	20-01	30/10/2012	14745/2012	345041	07-01NES	22/10/2012
14442/2012	345223	20-01	30/10/2012	14746/2012	345042	07-01NES	22/10/2012
14447/2012	345224	25-01G	30/10/2012	14748/2012	345043	19-08	22/10/2012
14448/2012	345225	26-05E	30/10/2012	14749/2012	345054	08-07	22/10/2012
14449/2012	345226	26-05E	30/10/2012	14750/2012	345044	23-02C	22/10/2012
14450/2012	345296	26-05E	01/11/2012	14751/2012	345165	21-01N	29/10/2012
14453/2012	345259	26-04	31/10/2012	14752/2012	345045	23-02C	22/10/2012
14454/2012	345152	26-04	26/10/2012	14753/2012	345046	14-01	22/10/2012
14455/2012	345153	26-04	26/10/2012	14754/2012	345048	14-01	22/10/2012
14456/2012	345260	26-04	31/10/2012	14756/2012	345049	15-02	22/10/2012
14457/2012	345297	07-02R	01/11/2012	14757/2012	345055	08-08NES	22/10/2012
14458/2012	345298	07-02R	01/11/2012	14758/2012	345056	08-08NES	22/10/2012
14459/2012	345299	23-04	01/11/2012	14768/2012	345072	15-02	23/10/2012
14460/2012	345285	24-02	01/11/2012	14769/2012	345073	15-05	23/10/2012
14461/2012	345301	08-05P	01/11/2012	14770/2012	345074	15-05	23/10/2012
14462/2012	345300	26-04	01/11/2012	14771/2012	345075	09-05	23/10/2012
14485/2012	345302	22-05	01/11/2012	14772/2012	345076	09-05	23/10/2012
14491/2012	345303	07-01NES	01/11/2012	14773/2012	345077	26-05E	23/10/2012
14492/2012	345304	07-01NES	01/11/2012	14774/2012	345079	06-06E	23/10/2012
14494/2012	345305	09-01NES	01/11/2012	14775/2012	345080	06-06E	23/10/2012
14495/2012	345227	07-02NES	30/10/2012	14776/2012	345081	06-06E	23/10/2012
14496/2012	345356	09-05	02/11/2012	14777/2012	345082	06-06E	23/10/2012
14497/2012	345352	20-01	02/11/2012	14779/2012	345083	06-06E	23/10/2012
14498/2012	345353	20-01	02/11/2012	14780/2012	345084	06-04D	23/10/2012
14499/2012	345354	20-01	02/11/2012	14781/2012	345085	06-06F	23/10/2012
14500/2012	345355	20-01	02/11/2012	14785/2012	345166	30-99	29/10/2012
14504/2012	345261	23-04	31/10/2012	14786/2012	345167	23-03NES	29/10/2012
14505/2012	345262	23-04	31/10/2012	14787/2012	345168	22-01	29/10/2012
14507/2012	345176	08-08B	29/10/2012	14788/2012	345325	08-05M	02/11/2012
14508/2012	345177	15-03B	29/10/2012	14790/2012	345169	28-03D	29/10/2012
14547/2012	345228	15-05	30/10/2012	14791/2012	345264	08-06	31/10/2012
14549/2012	345229	15-05	30/10/2012	14792/2012	345070	03-01NES	22/10/2012
14550/2012	345230	15-02	30/10/2012	14795/2012	345154	15-04	26/10/2012
14551/2012	345306	15-02	01/11/2012	14796/2012	345202	15-04	29/10/2012
14571/2012	345366	14-02	05/11/2012	14797/2012	345170	25-02H	29/10/2012
14606/2012	345200	08-05A	29/10/2012	14798/2012	345367	25-02H	05/11/2012
14628/2012	345160	08-08NES	29/10/2012	14799/2012	345171	12-11	29/10/2012

Publication and Registration Proceedings - Designs Registered cont'd

Design Number	Registration Number	International Classification Code (IDC)	Registration Date	Design Number	Registration Number	International Classification Code (IDC)	Registration Date
14801/2012	345172	26-06	29/10/2012	14937/2012	345278	03-01NES	31/10/2012
14802/2012	345173	09-03M	29/10/2012	14940/2012	345279	07-05A	31/10/2012
14803/2012	345174	09-03M	29/10/2012	14941/2012	345280	12-15D	31/10/2012
14804/2012	345175	12-06NES	29/10/2012	14942/2012	345335	24-02	02/11/2012
14807/2012	345233	26-05E	30/10/2012	14943/2012	345289	08-06	01/11/2012
14808/2012	345234	23-03NES	30/10/2012	14944/2012	345290	07-02E	01/11/2012
14811/2012	345235	07-02C	30/10/2012	14946/2012	345291	09-01A	01/11/2012
14812/2012	345236	23-02A	30/10/2012	14949/2012	345292	12-16A	01/11/2012
14813/2012	345237	23-02A	30/10/2012	14950/2012	345293	07-04	01/11/2012
14814/2012	345238	07-05D	30/10/2012	14951/2012	345135	06-03C	25/10/2012
14815/2012	345239	23-02A	30/10/2012	14957/2012	345309	25-01K	01/11/2012
14816/2012	345240	07-05D	30/10/2012	14958/2012	345310	25-01G	01/11/2012
14817/2012	345203	23-02A	30/10/2012	14959/2012	345311	25-01K	01/11/2012
14818/2012	345204	08-08G	30/10/2012	14960/2012	345312	25-01G	01/11/2012
14819/2012	345205	08-08G	30/10/2012	14961/2012	345313	25-01K	01/11/2012
14820/2012	345206	14-01	30/10/2012	14962/2012	345314	25-01K	01/11/2012
14821/2012	345207	14-01	30/10/2012	14963/2012	345315	25-01K	01/11/2012
14822/2012	345286	23-01F	01/11/2012	14971/2012	345124	20-02E	24/10/2012
14827/2012	345208	11-02B	30/10/2012	14972/2012	345155	09-01D	26/10/2012
14828/2012	345287	08-01	01/11/2012	14975/2012	345316	13-03D	01/11/2012
14829/2012	345288	08-01	01/11/2012	14976/2012	345317	15-07	01/11/2012
14831/2012	345209	26-05A	30/10/2012	14978/2012	345294	14-03NES	01/11/2012
14832/2012	345210	26-05A	30/10/2012	14982/2012	345136	08-10	25/10/2012
14833/2012	345211	26-05A	30/10/2012	14989/2012	345318	25-03	01/11/2012
14834/2012	345212	26-05A	30/10/2012	14990/2012	345319	09-06	01/11/2012
14835/2012	345213	26-05A	30/10/2012	14992/2012	345295	09-01D	01/11/2012
14836/2012	345214	14-03E	30/10/2012	14994/2012	345307	26-02	01/11/2012
14837/2012	345215	24-01	30/10/2012	14995/2012	345308	12-15C	01/11/2012
14838/2012	345216	07-06D	30/10/2012	14996/2012	345351	21-01C	02/11/2012
14839/2012	345217	10-05	30/10/2012	15006/2012	345326	10-06	02/11/2012
14895/2012	345241	02-02NES	30/10/2012	15009/2012	345327	13-03D	02/11/2012
14896/2012	345231	21-01L	30/10/2012	15013/2012	345346	08-08NES	02/11/2012
14897/2012	345232	20-02E	30/10/2012	15014/2012	345347	28-03NES	02/11/2012
14900/2012	345339	22-05	02/11/2012	15015/2012	345348	26-06	02/11/2012
14901/2012	345242	07-02R	30/10/2012	15016/2012	345349	16-06	02/11/2012
14902/2012	345243	07-02R	30/10/2012	15017/2012	345350	23-02B	02/11/2012
14903/2012	345244	07-02R	30/10/2012	15018/2012	345328	02-01A	02/11/2012
14905/2012	345245	15-01	30/10/2012	15019/2012	345329	21-02F	02/11/2012
14908/2012	345246	12-08	30/10/2012	15022/2012	345137	06-01C	25/10/2012
14910/2012	345247	24-01	30/10/2012	15023/2012	345138	06-03A	25/10/2012
14911/2012	345338	09-01H	02/11/2012	15024/2012	345139	06-01C	25/10/2012
14914/2012	345337	12-16D	02/11/2012	15030/2012	345359	21-02NES	05/11/2012
14915/2012	345336	12-16NES	02/11/2012	15032/2012	345360	15-99	05/11/2012
14916/2012	345266	12-16NES	31/10/2012	15034/2012	345361	08-06	05/11/2012
14917/2012	345267	30-06	31/10/2012	15039/2012	345362	09-03NES	05/11/2012
14919/2012	345268	21-01A	31/10/2012	15040/2012	345363	24-02	05/11/2012
14920/2012	345269	21-01A	31/10/2012	15041/2012	345364	24-02	05/11/2012
14921/2012	345270	21-01A	31/10/2012	15058/2012	345369	15-01	05/11/2012
14922/2012	345271	21-01A	31/10/2012	15059/2012	345370	03-04	05/11/2012
14923/2012	345272	21-01A	31/10/2012	15060/2012	345371	13-03C	05/11/2012
14924/2012	345273	21-01A	31/10/2012	15082/2012	345157	26-03	26/10/2012
14925/2012	345274	06-05	31/10/2012	15086/2012	345265	23-04	31/10/2012
14926/2012	345275	06-05	31/10/2012	15092/2012	345158	12-16NES	26/10/2012
14933/2012	345276	08-08L	31/10/2012	15099/2012	345248	21-01C	30/10/2012
14935/2012	345277	23-01H	31/10/2012	15122/2012	345057	27-99	22/10/2012

Publication and Registration Proceedings - Designs Registered cont'd

Design Number	Registration Number	International Classification Code (IDC)	Registration Date	Design Number	Registration Number	International Classification Code (IDC)	Registration Date
15123/2012	345058	27-99	22/10/2012	15299/2012	345159	25-02A	26/10/2012
15124/2012	345059	27-99	22/10/2012	15432/2012	345331	26-05A	02/11/2012
15171/2012	345249	02-02NES	30/10/2012	15433/2012	345332	26-05A	02/11/2012
15172/2012	345141	09-01K	25/10/2012	15434/2012	345333	26-05A	02/11/2012
15173/2012	345143	09-01K	25/10/2012	15435/2012	345334	26-05A	02/11/2012
15174/2012	345145	09-01K	25/10/2012	15458/2012	345358	20-02NES	02/11/2012
15175/2012	345146	09-01K	25/10/2012				
15298/2012	345368	25-02H	05/11/2012				

Publication and Registration Proceedings

Class Listing of Designs Published or Registered

The following section shows an International Classification Code listing of the Registered or Published Designs covered in this supplement.

Classification	Registration Number	Design Number	Classification	Registration Number	Design Number
01-04	345193	14284/2012	06-10	345258	14439/2012
02-01A	345328	15018/2012	06-11	345359	15030/2012
02-02C	345078	10598/2012	07-01B	345255	14436/2012
02-02C	345250	12210/2012	07-01B	345257	14438/2012
02-02NES	345108	13728/2012	07-01D	345131	14328/2012
02-02NES	345241	14895/2012	07-01NES	345038	14742/2012
02-02NES	345249	15171/2012	07-01NES	345039	14743/2012
02-04B	345191	14281/2012	07-01NES	345040	14744/2012
02-04B	345192	14282/2012	07-01NES	345041	14745/2012
02-04NES	345089	14390/2012	07-01NES	345042	14746/2012
02-04NES	345090	14391/2012	07-01NES	345303	14491/2012
02-04NES	345091	14392/2012	07-01NES	345304	14492/2012
03-01NES	345060	12833/2012	07-02C	345235	14811/2012
03-01NES	345070	14792/2012	07-02D	345181	14269/2012
03-01NES	345092	14399/2012	07-02D	345254	14270/2012
03-01NES	345104	14434/2012	07-02E	345290	14944/2012
03-01NES	345105	14435/2012	07-02G	345086	14287/2012
03-01NES	345278	14937/2012	07-02H	345086	14287/2012
03-03	345104	14434/2012	07-02H	345107	12881/2012
03-03	345105	14435/2012	07-02NES	345199	14362/2012
03-04	345370	15059/2012	07-02NES	345227	14495/2012
06-01C	345137	15022/2012	07-02P	345194	14285/2012
06-01C	345139	15024/2012	07-02R	345242	14901/2012
06-01D	345151	14021/2012	07-02R	345243	14902/2012
06-01G	345284	13812/2012	07-02R	345244	14903/2012
06-03A	345138	15023/2012	07-02R	345297	14457/2012
06-03A	345253	14194/2012	07-02R	345298	14458/2012
06-03C	345135	14951/2012	07-04	345194	14285/2012
06-03D	345093	14400/2012	07-04	345293	14950/2012
06-03NES	345050	12272/2012	07-05A	345279	14940/2012
06-04D	345084	14780/2012	07-05D	345238	14814/2012
06-04NES	345205	14819/2012	07-05D	345240	14816/2012
06-04NES	345320	11786/2012	07-06D	345216	14838/2012
06-04NES	345321	12070/2012	07-99C	345237	14813/2012
06-05	345274	14925/2012	07-99NES	345256	14437/2012
06-05	345275	14926/2012	08-01	345287	14828/2012
06-06E	345079	14774/2012	08-01	345288	14829/2012
06-06E	345080	14775/2012	08-05A	345200	14606/2012
06-06E	345081	14776/2012	08-05F	345302	14485/2012
06-06E	345082	14777/2012	08-05M	345325	14788/2012
06-06E	345083	14779/2012	08-05N	345218	14235/2012
06-06E	345118	14042/2012	08-05N	345219	14236/2012
06-06E	345119	14043/2012	08-05N	345220	14237/2012
06-06E	345120	14044/2012	08-05P	345301	14461/2012
06-06E	345121	14045/2012	08-06	345264	14791/2012
06-06F	345085	14781/2012	08-06	345289	14943/2012
06-09	345268	14919/2012	08-06	345301	14461/2012
06-09	345269	14920/2012	08-06	345361	15034/2012
06-09	345270	14921/2012	08-07	345054	14749/2012
06-09	345271	14922/2012	08-08B	345176	14507/2012
06-09	345272	14923/2012	08-08G	345204	14818/2012
06-09	345273	14924/2012	08-08G	345205	14819/2012
06-09	345282	11660/2012	08-08H	345182	14271/2012

Registration Proceedings - Class Listing of Designs Published or Registered cont'd

Classification	Registration Number	Design Number	Classification	Registration Number	Design Number
08-08L	345276	14933/2012	11-03	345102	14414/2012
08-08NES	345055	14757/2012	11-03	345103	14415/2012
08-08NES	345056	14758/2012	12-03	345133	14357/2012
08-08NES	345061	12886/2012	12-06NES	345130	14324/2012
08-08NES	345062	12887/2012	12-06NES	345175	14804/2012
08-08NES	345063	12888/2012	12-08	345246	14908/2012
08-08NES	345064	12889/2012	12-08	345341	14631/2012
08-08NES	345065	12890/2012	12-08	345342	14630/2012
08-08NES	345066	12891/2012	12-08	345343	14629/2012
08-08NES	345067	12892/2012	12-11	345171	14799/2012
08-08NES	345068	12893/2012	12-15C	345308	14995/2012
08-08NES	345069	12894/2012	12-15D	345280	14941/2012
08-08NES	345133	14357/2012	12-16A	345292	14949/2012
08-08NES	345159	15299/2012	12-16D	345337	14914/2012
08-08NES	345160	14628/2012	12-16E	345127	13157/2012
08-08NES	345183	14272/2012	12-16K	345132	14342/2012
08-08NES	345340	14667/2012	12-16NES	345127	13157/2012
08-08NES	345346	15013/2012	12-16NES	345158	15092/2012
08-10	345136	14982/2012	12-16NES	345190	14280/2012
08-99	345324	14350/2012	12-16NES	345266	14916/2012
09-01A	345291	14946/2012	12-16NES	345336	14915/2012
09-01D	345155	14972/2012	12-99	345133	14357/2012
09-01D	345295	14992/2012	13-01	345369	15058/2012
09-01H	345195	14314/2012	13-02	345106	11981/2012
09-01H	345338	14911/2012	13-02	345179	14248/2012
09-01K	345128	13705/2012	13-03B	345061	12886/2012
09-01K	345140	13918/2012	13-03B	345062	12887/2012
09-01K	345141	15172/2012	13-03B	345063	12888/2012
09-01K	345142	13920/2012	13-03B	345064	12889/2012
09-01K	345143	15173/2012	13-03B	345065	12890/2012
09-01K	345144	13919/2012	13-03B	345066	12891/2012
09-01K	345145	15174/2012	13-03B	345067	12892/2012
09-01K	345146	15175/2012	13-03B	345068	12893/2012
09-01NES	345221	14440/2012	13-03B	345069	12894/2012
09-01NES	345305	14494/2012	13-03C	345371	15060/2012
09-03E	345295	14992/2012	13-03D	345047	11041/2012
09-03M	345173	14802/2012	13-03D	345122	14711/2012
09-03M	345174	14803/2012	13-03D	345123	14712/2012
09-03M	345303	14491/2012	13-03D	345316	14975/2012
09-03M	345304	14492/2012	13-03D	345327	15009/2012
09-03NES	345070	14792/2012	13-03D	345365	14710/2012
09-03NES	345227	14495/2012	13-03D	345371	15060/2012
09-03NES	345362	15039/2012	13-03E	345164	14724/2012
09-05	345075	14771/2012	13-03NES	345179	14248/2012
09-05	345076	14772/2012	13-99	345047	11041/2012
09-05	345129	14323/2012	14-01	345046	14753/2012
09-05	345356	14496/2012	14-01	345048	14754/2012
09-06	345319	14990/2012	14-01	345178	14247/2012
09-07C	345113	14379/2012	14-01	345180	14249/2012
10-05	345217	14839/2012	14-01	345206	14820/2012
10-06	345326	15006/2012	14-01	345207	14821/2012
11-02B	345112	14377/2012	14-02	345046	14753/2012
11-02B	345208	14827/2012	14-02	345278	14937/2012
11-03	345099	14411/2012	14-02	345366	14571/2012
11-03	345100	14412/2012	14-03E	345214	14836/2012
11-03	345101	14413/2012	14-03NES	345294	14978/2012

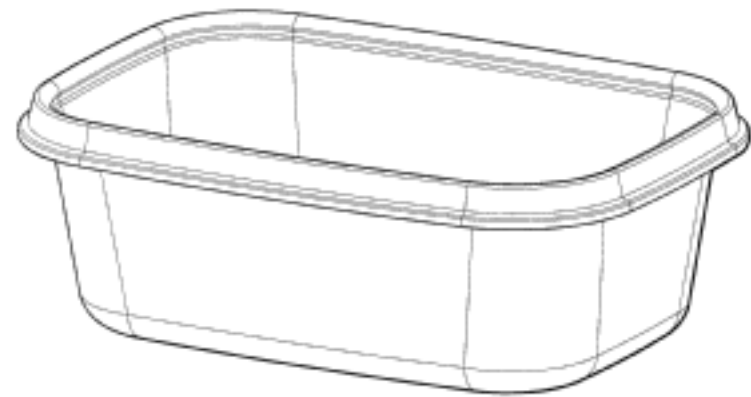
Registration Proceedings - Class Listing of Designs Published or Registered cont'd

Classification	Registration Number	Design Number	Classification	Registration Number	Design Number
15-01	345245	14905/2012	23-01A	345344	14313/2012
15-01	345369	15058/2012	23-01A	345345	14312/2012
15-02	345049	14756/2012	23-01B	345096	14403/2012
15-02	345072	14768/2012	23-01F	345286	14822/2012
15-02	345230	14550/2012	23-01H	345094	14401/2012
15-02	345306	14551/2012	23-01H	345095	14402/2012
15-03B	345177	14508/2012	23-01H	345097	14404/2012
15-04	345154	14795/2012	23-01H	345098	14405/2012
15-04	345202	14796/2012	23-01H	345197	14360/2012
15-05	345073	14769/2012	23-01H	345198	14361/2012
15-05	345074	14770/2012	23-01H	345277	14935/2012
15-05	345186	14276/2012	23-01NES	345098	14405/2012
15-05	345187	14277/2012	23-02A	345203	14817/2012
15-05	345188	14278/2012	23-02A	345236	14812/2012
15-05	345189	14279/2012	23-02A	345237	14813/2012
15-05	345228	14547/2012	23-02A	345239	14815/2012
15-05	345229	14549/2012	23-02B	345283	11816/2012
15-05	345323	14275/2012	23-02B	345350	15017/2012
15-07	345317	14976/2012	23-02C	345044	14750/2012
15-99	345252	14069/2012	23-02C	345045	14752/2012
15-99	345360	15032/2012	23-02F	345044	14750/2012
16-06	345349	15016/2012	23-02F	345045	14752/2012
19-04	345087	14292/2012	23-03F	345183	14272/2012
19-08	345043	14748/2012	23-03F	345184	14273/2012
20-01	345222	14441/2012	23-03F	345185	14274/2012
20-01	345223	14442/2012	23-03NES	345167	14786/2012
20-01	345352	14497/2012	23-03NES	345234	14808/2012
20-01	345353	14498/2012	23-04	345252	14069/2012
20-01	345354	14499/2012	23-04	345261	14504/2012
20-01	345355	14500/2012	23-04	345262	14505/2012
20-02E	345124	14971/2012	23-04	345265	15086/2012
20-02E	345232	14897/2012	23-04	345299	14459/2012
20-02NES	345357	11496/2012	24-01	345215	14837/2012
20-02NES	345358	15458/2012	24-01	345247	14910/2012
21-01A	345268	14919/2012	24-02	345052	14201/2012
21-01A	345269	14920/2012	24-02	345053	14202/2012
21-01A	345270	14921/2012	24-02	345163	14665/2012
21-01A	345271	14922/2012	24-02	345285	14460/2012
21-01A	345272	14923/2012	24-02	345335	14942/2012
21-01A	345273	14924/2012	24-02	345363	15040/2012
21-01A	345282	11660/2012	24-02	345364	15041/2012
21-01C	345248	15099/2012	24-04	345251	13981/2012
21-01C	345341	14631/2012	24-99	345221	14440/2012
21-01C	345342	14630/2012	25-01B	345110	14363/2012
21-01C	345343	14629/2012	25-01B	345125	14725/2012
21-01C	345351	14996/2012	25-01B	345281	11144/2012
21-01D	345109	13825/2012	25-01B	345340	14667/2012
21-01L	345231	14896/2012	25-01F	345161	14659/2012
21-01N	345165	14751/2012	25-01F	345162	14660/2012
21-02D	345349	15016/2012	25-01G	345147	12191/2012
21-02F	345263	14726/2012	25-01G	345148	12192/2012
21-02F	345329	15019/2012	25-01G	345149	12193/2012
21-02NES	345359	15030/2012	25-01G	345150	12194/2012
22-01	345168	14787/2012	25-01G	345224	14447/2012
22-05	345302	14485/2012	25-01G	345310	14958/2012
22-05	345339	14900/2012	25-01G	345312	14960/2012

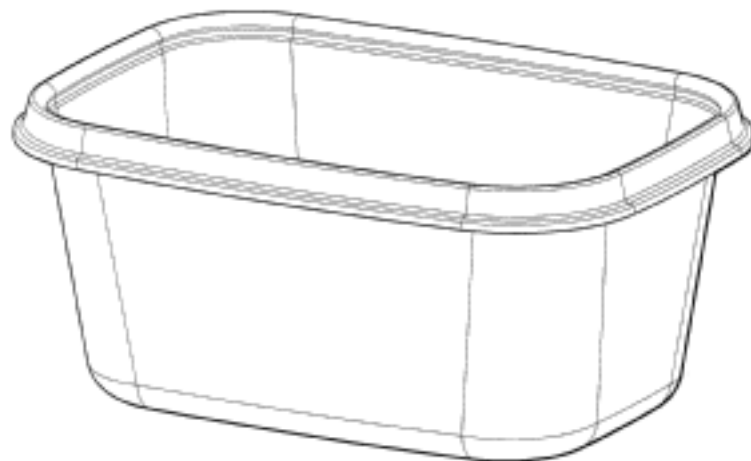
Registration Proceedings - Class Listing of Designs Published or Registered cont'd

Classification	Registration Number	Design Number	Classification	Registration Number	Design Number
25-01K	345088	14387/2012	26-05A	345212	14834/2012
25-01K	345115	14384/2012	26-05A	345213	14835/2012
25-01K	345116	14385/2012	26-05A	345322	14037/2012
25-01K	345117	14386/2012	26-05A	345330	14019/2012
25-01K	345309	14957/2012	26-05A	345331	15432/2012
25-01K	345311	14959/2012	26-05A	345332	15433/2012
25-01K	345313	14961/2012	26-05A	345333	15434/2012
25-01K	345314	14962/2012	26-05A	345334	15435/2012
25-01K	345315	14963/2012	26-05E	345077	14773/2012
25-01NES	345134	14358/2012	26-05E	345225	14448/2012
25-02A	345159	15299/2012	26-05E	345226	14449/2012
25-02E	345201	14671/2012	26-05E	345233	14807/2012
25-02F	345265	15086/2012	26-05E	345296	14450/2012
25-02H	345170	14797/2012	26-05NES	345208	14827/2012
25-02H	345367	14798/2012	26-06	345172	14801/2012
25-02H	345368	15298/2012	26-06	345196	14359/2012
25-02NES	345071	13807/2012	26-06	345348	15015/2012
25-03	345318	14989/2012	27-01	345111	14365/2012
25-04	345281	11144/2012	27-99	345051	13883/2012
25-04	345346	15013/2012	27-99	345057	15122/2012
26-02	345126	11980/2012	27-99	345058	15123/2012
26-02	345307	14994/2012	27-99	345059	15124/2012
26-03	345156	14666/2012	27-99	345111	14365/2012
26-03	345157	15082/2012	28-03D	345169	14790/2012
26-04	345152	14454/2012	28-03NES	345114	14380/2012
26-04	345153	14455/2012	28-03NES	345347	15014/2012
26-04	345259	14453/2012	29-02	345319	14990/2012
26-04	345260	14456/2012	30-06	345267	14917/2012
26-04	345300	14462/2012	30-99	345166	14785/2012
26-05A	345209	14831/2012			
26-05A	345210	14832/2012			
26-05A	345211	14833/2012			

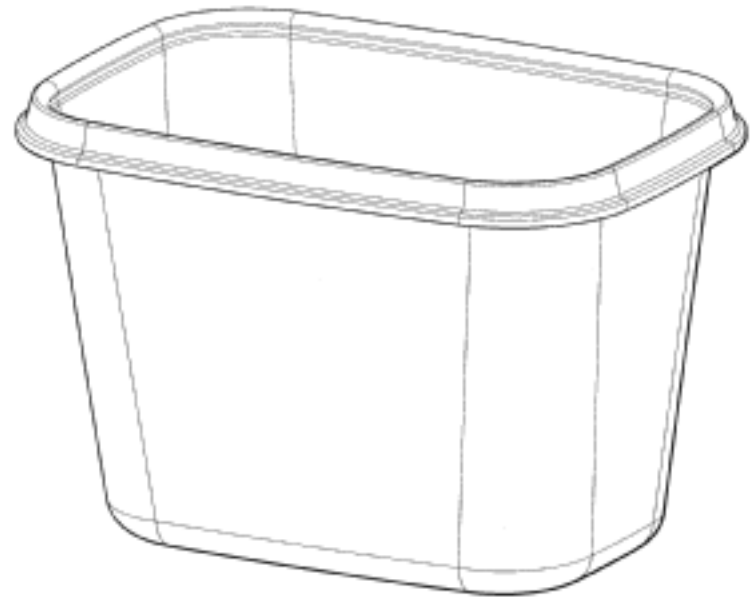
- (21) Design Number: **14742/2012**
(22) Date of Filing Application: **21 September 2012**
(24) Date from which industrial property rights may have effect: **21 September 2012**
(54) Product in respect of which the design is registered: **Container base**
(51) International Design Classification: **07-01NES**
(74) Name(s) of Attorney(s): **Callinans**
(71) Name(s) and Address(s) of Applicant(s):
The Decor Corporation Pty. Ltd.
1314 Ferntree Gully Rd Scoresby VIC 3179 Australia
(72) Name(s) of Designer(s): **Arthur Richard Carlson**
(45) Registration Date: **22 October 2012**
(56) Related Art Documents: **Not Applicable**
(57) Statement of Newness and Distinctiveness: **The newness and distinctiveness of the design resides in the features of shape and configuration applied to a CONTAINER BASE as shown in the accompanying representations.**



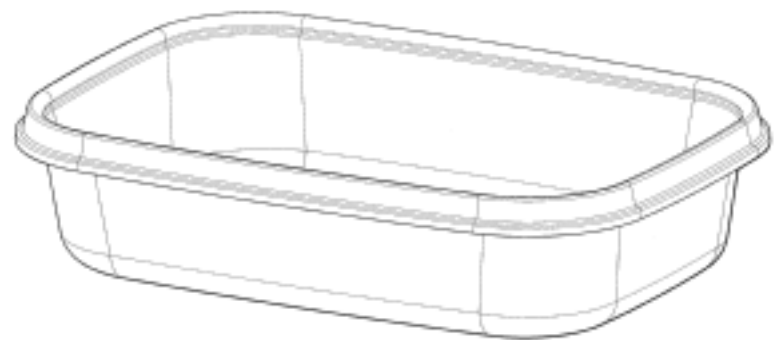
- (21) Design Number: **14743/2012**
(22) Date of Filing Application: **21 September 2012**
(24) Date from which industrial property rights may have effect: **21 September 2012**
(54) Product in respect of which the design is registered: **Container base**
(51) International Design Classification: **07-01NES**
(74) Name(s) of Attorney(s): **Callinans**
(71) Name(s) and Address(s) of Applicant(s):
The Decor Corporation Pty. Ltd.
1314 Ferntree Gully Rd Scoresby VIC 3179 Australia
(72) Name(s) of Designer(s): **Arthur Richard Carlson**
(45) Registration Date: **22 October 2012**
(56) Related Art Documents: **Not Applicable**
(57) Statement of Newness and Distinctiveness: **The newness and distinctiveness of the design resides in the features of shape and configuration applied to a CONTAINER BASE as shown in the accompanying representations.**



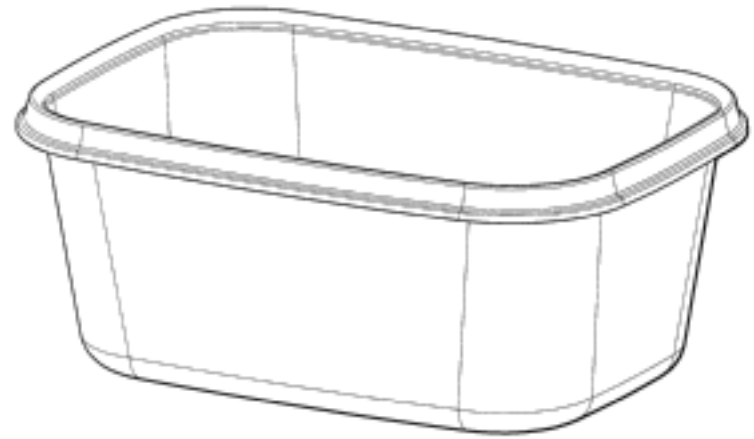
- (21) Design Number: **14744/2012**
(22) Date of Filing Application: **21 September 2012**
(24) Date from which industrial property rights may have effect: **21 September 2012**
(54) Product in respect of which the design is registered: **Container base**
(51) International Design Classification: **07-01NES**
(74) Name(s) of Attorney(s): **Callinans**
(71) Name(s) and Address(s) of Applicant(s):
The Decor Corporation Pty. Ltd.
1314 Ferntree Gully Rd Scoresby VIC 3179 Australia
(72) Name(s) of Designer(s): **Arthur Richard Carlson**
(45) Registration Date: **22 October 2012**
(56) Related Art Documents: **Not Applicable**
(57) Statement of Newness and Distinctiveness: **The newness and distinctiveness of the design resides in the features of shape and configuration applied to a CONTAINER BASE as shown in the accompanying representations.**



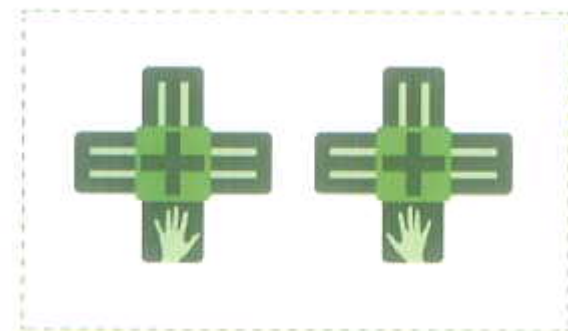
- (21) Design Number: **14745/2012**
(22) Date of Filing Application: **21 September 2012**
(24) Date from which industrial property rights may have effect: **21 September 2012**
(54) Product in respect of which the design is registered: **Container base**
(51) International Design Classification: **07-01NES**
(74) Name(s) of Attorney(s): **Callinans**
(71) Name(s) and Address(s) of Applicant(s):
The Decor Corporation Pty. Ltd.
1314 Ferntree Gully Rd Scoresby VIC 3179 Australia
(72) Name(s) of Designer(s): **Arthur Richard Carlson**
(45) Registration Date: **22 October 2012**
(56) Related Art Documents: **Not Applicable**
(57) Statement of Newness and Distinctiveness: **The newness and distinctiveness of the design resides in the features of shape and configuration applied to a CONTAINER BASE as shown in the accompanying representations.**



- (21) Design Number: **14746/2012**
(22) Date of Filing Application: **21 September 2012**
(24) Date from which industrial property rights may have effect: **21 September 2012**
(54) Product in respect of which the design is registered: **Container base**
(51) International Design Classification: **07-01NES**
(74) Name(s) of Attorney(s): **Callinans**
(71) Name(s) and Address(s) of Applicant(s):
The Decor Corporation Pty. Ltd.
1314 Ferntree Gully Rd Scoresby VIC 3179 Australia
(72) Name(s) of Designer(s): **Arthur Richard Carlson**
(45) Registration Date: **22 October 2012**
(56) Related Art Documents: **Not Applicable**
(57) Statement of Newness and Distinctiveness: **The newness and distinctiveness of the design resides in the features of shape and configuration applied to a CONTAINER BASE as shown in the accompanying representations.**



- (21) Design Number: **14748/2012**
(22) Date of Filing Application: **24 September 2012**
(24) Date from which industrial property rights may have effect: **24 September 2012**
(54) Product in respect of which the design is registered: **Glow-in-dark, domed (raised) sticker for car steering wheels**
(51) International Design Classification: **19-08**
(74) Name(s) of Attorney(s):
(71) Name(s) and Address(s) of Applicant(s):
Aaron Richard Desira
28 Loongana Ave Glenroy VIC 3046 Australia
(72) Name(s) of Designer(s): **Aaron Richard Desira**
(45) Registration Date: **22 October 2012**
(56) Related Art Documents: **Not Applicable**
(57) Statement of Newness and Distinctiveness: **Glow-in-dark hand silhouette. One size fits all steering wheels. Plus shape for positive reinforcement of 9+3 driving position on steering wheels of vehicles. A sticker which acts as a visual aid within vehicles, related to hand positioning.**



(21) Design Number: **14750/2012**

(22) Date of Filing Application: **24 September 2012**

(24) Date from which industrial property rights may have effect: **24 September 2012**

(54) Product in respect of which the design is registered: **A handbasin toilet cistern**

(51) International Design Classification: **23-02C, 23-02F**

(74) Name(s) of Attorney(s): **SPRUSON & FERGUSON**

(71) Name(s) and Address(s) of Applicant(s):

Caroma Industries Limited

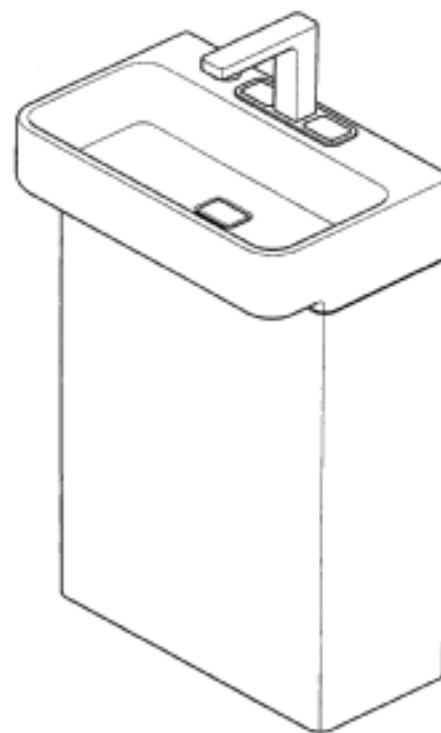
L2 HQ South Tower 520 Wickham St Fortitude Valley QLD 4006 Australia

(72) Name(s) of Designer(s): **David Giorgio and Stephen John Cummings**

(45) Registration Date: **22 October 2012**

(56) Related Art Documents: **Not Applicable**

(57) Statement of Newness and Distinctiveness: **Newness and distinctiveness is claimed in the features of shape and/or configuration of the handbasin of a handbasin toilet cistern illustrated in the accompanying representations.**



(21) Design Number: **14752/2012**

(22) Date of Filing Application: **24 September 2012**

(24) Date from which industrial property rights may have effect: **24 September 2012**

(54) Product in respect of which the design is registered: **A handbasin toilet cistern**

(51) International Design Classification: **23-02C, 23-02F**

(74) Name(s) of Attorney(s): **SPRUSON & FERGUSON**

(71) Name(s) and Address(s) of Applicant(s):

Caroma Industries Limited

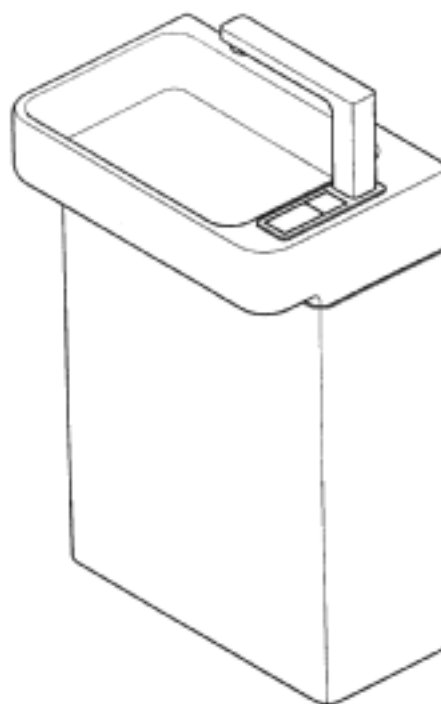
L2 HQ South Tower 520 Wickham St Fortitude Valley QLD 4006 Australia

(72) Name(s) of Designer(s): **Stephen John Cummings and David Giorgio**

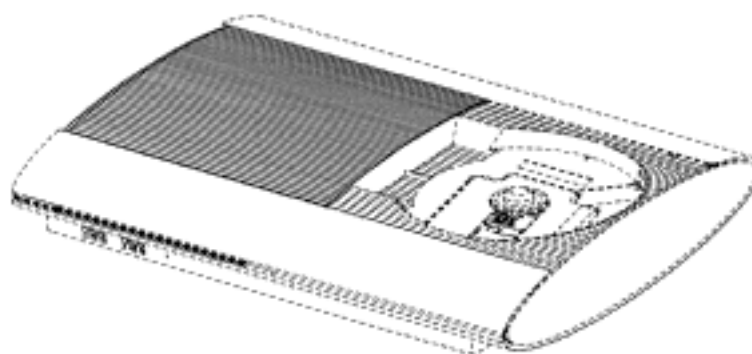
(45) Registration Date: **22 October 2012**

(56) Related Art Documents: **Not Applicable**

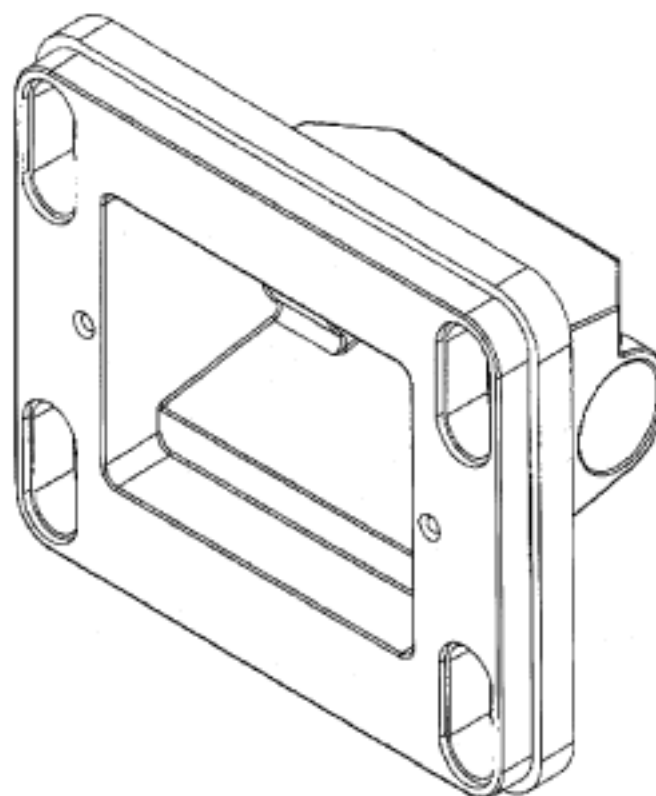
(57) Statement of Newness and Distinctiveness: **Newness and distinctiveness is claimed in the features of shape and/or configuration of the handbasin of a handbasin toilet cistern illustrated in the accompanying representations.**



- (21) Design Number: **14753/2012**
(22) Date of Filing Application: **24 September 2012**
(24) Date from which industrial property rights may have effect: **24 September 2012**
(54) Product in respect of which the design is registered: **Arithmetic and control unit**
(51) International Design Classification: **14-01, 14-02**
(74) Name(s) of Attorney(s): **Shelston IP**
(71) Name(s) and Address(s) of Applicant(s):
Sony Computer Entertainment Inc.
1-7-1 Konan Minato-ku Tokyo Japan
(72) Name(s) of Designer(s): **Takashi Sogabe**
(45) Registration Date: **22 October 2012**
(30) Convention priority data:
(31) Number (32) Date (33) Country
2012-011279 15 May 2012 JAPAN
(56) Related Art Documents: **Not Applicable**
(57) Statement of Newness and Distinctiveness: **Newness and distinctiveness reside in the features of shape and/or configuration of an arithmetic and control unit as illustrated in solid lines in the accompanying representations. The features shown in broken lines are shown for illustrative purposes only and do not form part of the design.**



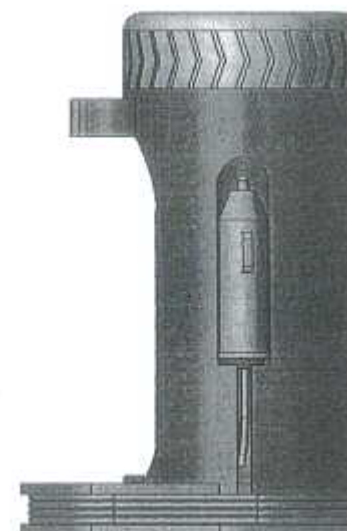
- (21) Design Number: **11041/2012**
(22) Date of Filing Application: **06 March 2012**
(24) Date from which industrial property rights may have effect: **06 March 2012**
(54) Product in respect of which the design is registered: **A wiring housing unit**
(51) International Design Classification: **13-99, 13-03D**
(74) Name(s) of Attorney(s): **Intellepro Patent & Trade Mark Attorneys**
(71) Name(s) and Address(s) of Applicant(s):
Ballarat Holdings Pty Ltd
72 Bayley Road Pine Mountain Queensland 4306 Australia
(72) Name(s) of Designer(s): **Timothy Leonard Joseph Vos and John Michael Collier and Alan Alexander Lake and Holly Anne Lake**
(45) Registration Date: **22 October 2012**
(56) Related Art Documents: **Not Applicable**
(57) Statement of Newness and Distinctiveness: **Nil**



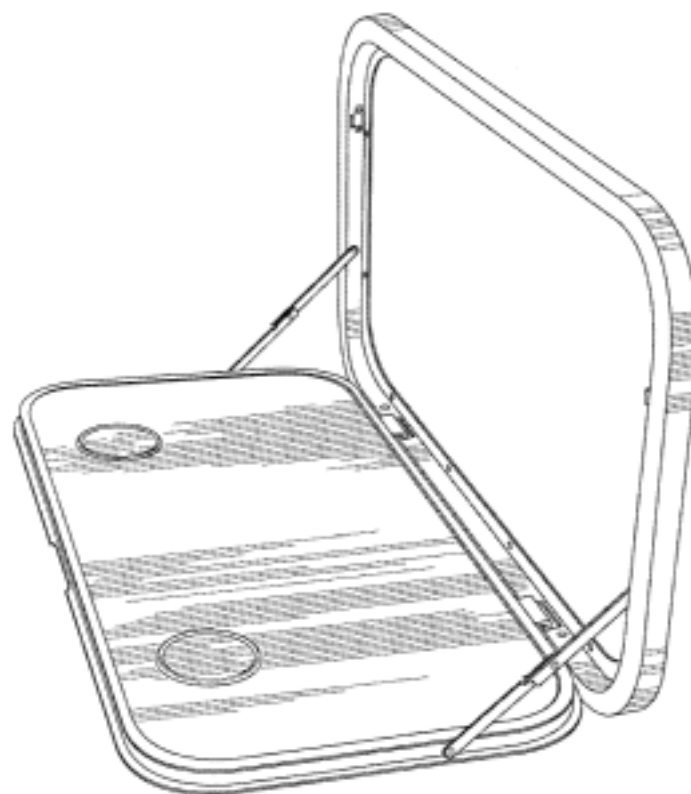
- (21) Design Number: **14754/2012**
(22) Date of Filing Application: **24 September 2012**
(24) Date from which industrial property rights may have effect: **24 September 2012**
(54) Product in respect of which the design is registered: **Headphones**
(51) International Design Classification: **14-01**
(74) Name(s) of Attorney(s): **Shelston IP**
(71) Name(s) and Address(s) of Applicant(s):
Sony Computer Entertainment Inc.
1-7-1 Konan Minato-ku Tokyo Japan
(72) Name(s) of Designer(s): **Taichi Nokuo**
(45) Registration Date: **22 October 2012**
(30) Convention priority data:
(31) Number (32) Date (33) Country
2012-012910 31 May 2012 JAPAN
(56) Related Art Documents: **Not Applicable**
(57) Statement of Newness and Distinctiveness: **Newness and distinctiveness reside in the features of shape and/or configuration of headphones as illustrated in solid lines in the accompanying representations. The features shown in broken lines are shown for illustrative purposes only and do not form part of the design.**



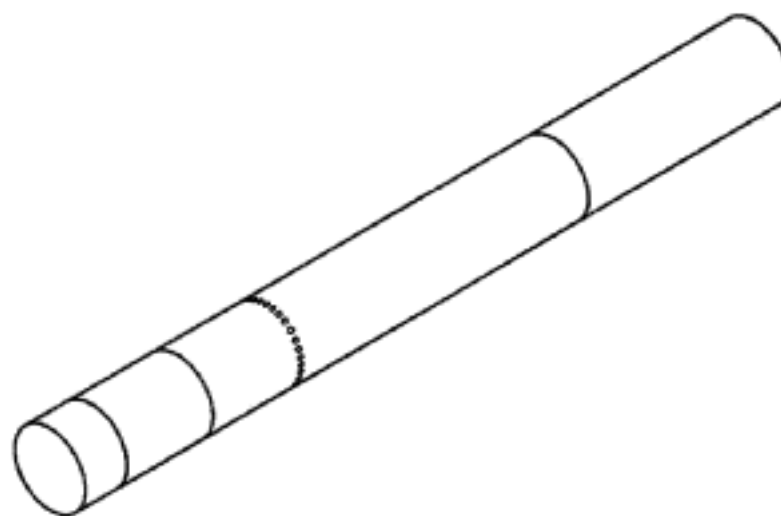
- (21) Design Number: **14756/2012**
(22) Date of Filing Application: **24 September 2012**
(24) Date from which industrial property rights may have effect: **24 September 2012**
(54) Product in respect of which the design is registered: **Compressor**
(51) International Design Classification: **15-02**
(74) Name(s) of Attorney(s): **Callinans**
(71) Name(s) and Address(s) of Applicant(s):
Trydel Research Pty Ltd
31 Cornhill St Ferntree Gully VIC 3124 Australia
(72) Name(s) of Designer(s): **Terry Dowel**
(45) Registration Date: **22 October 2012**
(56) Related Art Documents: **Not Applicable**
(57) Statement of Newness and Distinctiveness: **The design resides in the application of the features of shape and configuration to a compressor as illustrated. The design may be applied in any suitable manner and using any suitable means.**



- (21) Design Number: **12272/2012**
(22) Date of Filing Application: **11 May 2012**
(24) Date from which industrial property rights may have effect: **11 May 2012**
(54) Product in respect of which the design is registered: **Fold down table**
(51) International Design Classification: **06-03NES**
(74) Name(s) of Attorney(s): **Macpherson + Kelley**
(71) Name(s) and Address(s) of Applicant(s):
Buy Direct Warehouse Pty Ltd
Factory 2 5 Salvator Drive Campbellfield Victoria 3061 Australia
(72) Name(s) of Designer(s): **Anthony Manfre**
(45) Registration Date: **22 October 2012**
(56) Related Art Documents: **Not Applicable**
(57) Statement of Newness and Distinctiveness: **Monopoly is claimed in the features of shape and/or configuration of a fold down table with a single piece outer frame and single piece inner door and also in the shape and configuration of each hinge.**



- (21) Design Number: **13883/2012**
(22) Date of Filing Application: **09 August 2012**
(24) Date from which industrial property rights may have effect: **09 August 2012**
(54) Product in respect of which the design is registered: **Smokers' accessory**
(51) International Design Classification: **27-99**
(74) Name(s) of Attorney(s): **Callinans**
(71) Name(s) and Address(s) of Applicant(s):
Philip Morris Products S.A.
Quai Jeanrenaud 3 2000 Neuchatel Switzerland
(72) Name(s) of Designer(s): **Frederic Lavanchy and Aleksandra Samulewicz and Oleg Mironov and Stephane Roudier**
(45) Registration Date: **22 October 2012**
(30) Convention priority data:
(31) Number (32) Date (33) Country
001991126 13 Feb 2012 EUROPEAN COMMUNITY
(56) Related Art Documents: **Not Applicable**
(57) Statement of Newness and Distinctiveness: **Nil**



(21) Design Number: **14201/2012**
(22) Date of Filing Application: **24 August 2012**
(24) Date from which industrial property rights may have effect: **24 August 2012**
(54) Product in respect of which the design is registered: **Syringe**
(51) International Design Classification: **24-02**
(74) Name(s) of Attorney(s): **Wrays**
(71) Name(s) and Address(s) of Applicant(s):

Geistlich Pharma AG
Bahnhofstrasse 40 6110 Wolhusen Switerland

(72) Name(s) of Designer(s): **Werner F. Dubach**

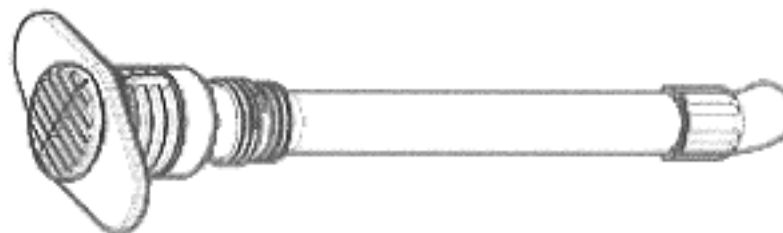
(45) Registration Date: **22 October 2012**

(30) Convention priority data:

(31) Number	(32) Date	(33) Country
138827	22 Mar 2012	SWITZERLAND

(56) Related Art Documents: **Not Applicable**

(57) Statement of Newness and Distinctiveness: **Newness and distinctiveness is claimed in the features of shape and/or configuration of the Syringe depicted in the accompanying representations.**



(21) Design Number: **14202/2012**
(22) Date of Filing Application: **24 August 2012**
(24) Date from which industrial property rights may have effect: **24 August 2012**
(54) Product in respect of which the design is registered: **Syringe**
(51) International Design Classification: **24-02**
(74) Name(s) of Attorney(s): **Wrays**
(71) Name(s) and Address(s) of Applicant(s):

Geistlich Pharma AG
Bahnhofstrasse 40 6110 Wolhusen Switerland

(72) Name(s) of Designer(s): **Werner F Dubach**

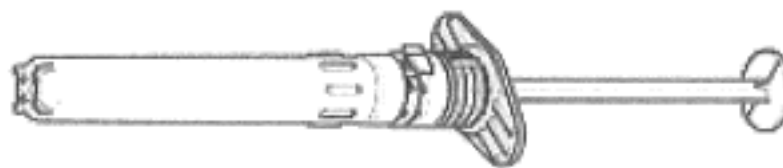
(45) Registration Date: **22 October 2012**

(30) Convention priority data:

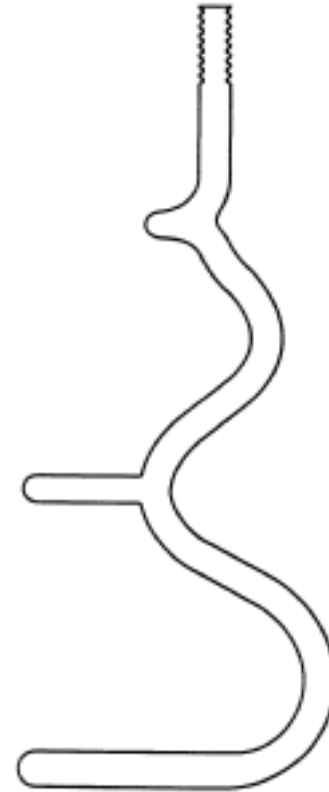
(31) Number	(32) Date	(33) Country
138827	22 Mar 2012	SWITZERLAND

(56) Related Art Documents: **Not Applicable**

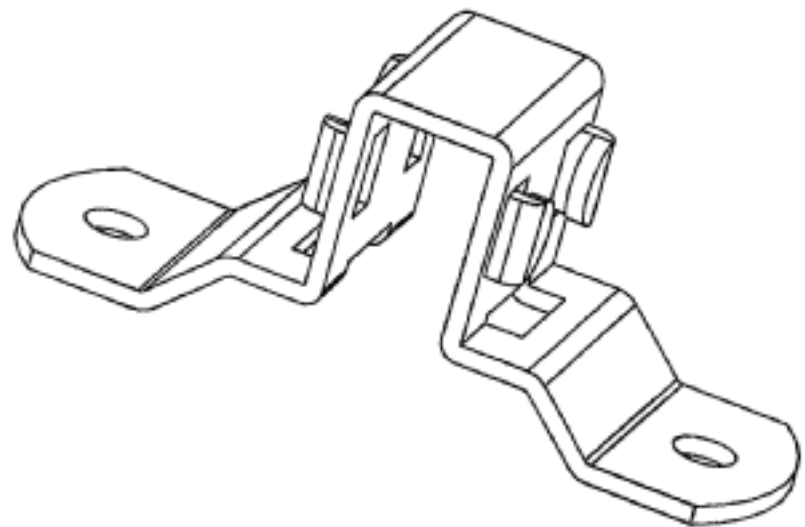
(57) Statement of Newness and Distinctiveness: **Newness and distinctiveness is claimed in the features of shape and/or configuration of the Syringe depicted in the accompanying representations.**



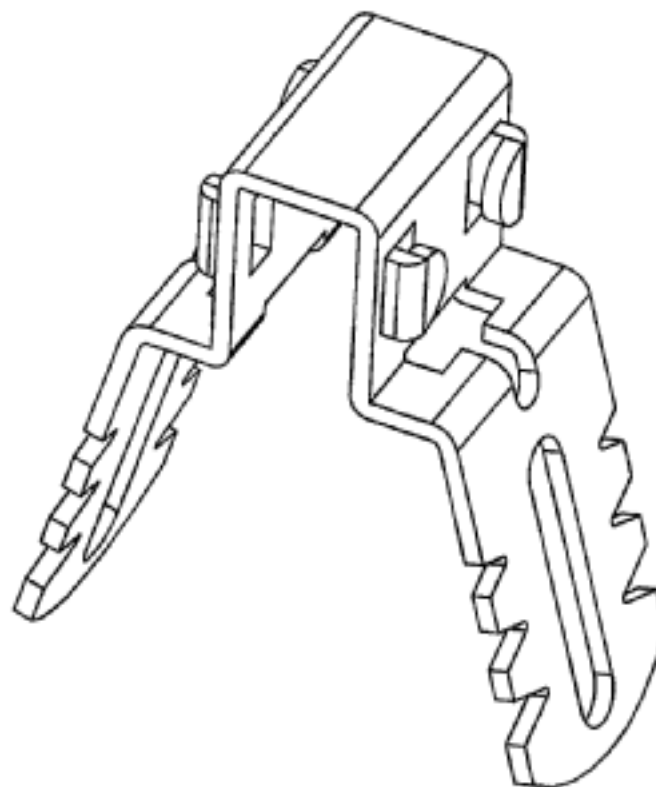
- (21) Design Number: **14749/2012**
(22) Date of Filing Application: **25 September 2012**
(24) Date from which industrial property rights may have effect: **25 September 2012**
(54) Product in respect of which the design is registered: **Concave pinnable lock joint**
(51) International Design Classification: **08-07**
(74) Name(s) of Attorney(s):
(71) Name(s) and Address(s) of Applicant(s):
Sandie Holdings Pty Ltd
Box 848 Balcatta WA 6914 Australia
(72) Name(s) of Designer(s): **Shane Gherbaz**
(45) Registration Date: **22 October 2012**
(56) Related Art Documents: **Not Applicable**
(57) Statement of Newness and Distinctiveness: **Perpendicular flanges on the concave side to the verticle piece.**



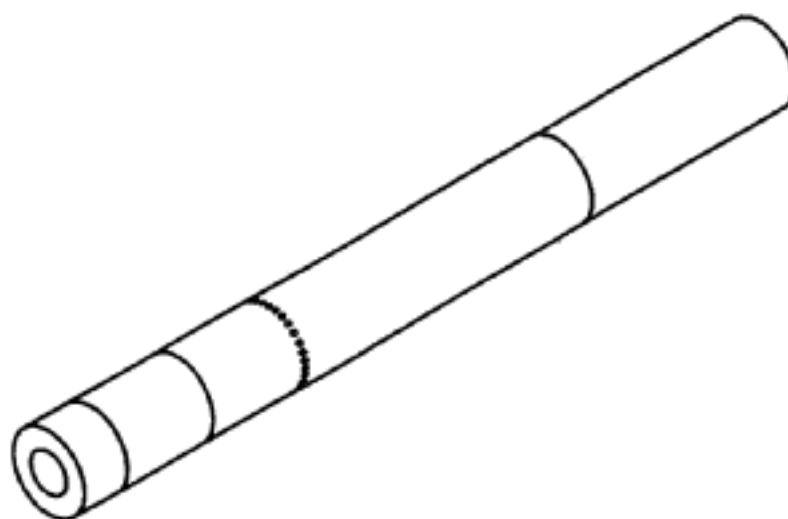
- (21) Design Number: **14757/2012**
(22) Date of Filing Application: **24 September 2012**
(24) Date from which industrial property rights may have effect: **24 September 2012**
(54) Product in respect of which the design is registered: **Bracket**
(51) International Design Classification: **08-08NES**
(74) Name(s) of Attorney(s): **Callinans**
(71) Name(s) and Address(s) of Applicant(s):
Abey Australia Pty Ltd
57-81 Abey Rd Melton VIC 3337 Australia
(72) Name(s) of Designer(s): **Geoffrey Anderson**
(45) Registration Date: **22 October 2012**
(56) Related Art Documents: **Not Applicable**
(57) Statement of Newness and Distinctiveness: **The design resides in the application of the features of shape and configuration to a bracket as illustrated.**



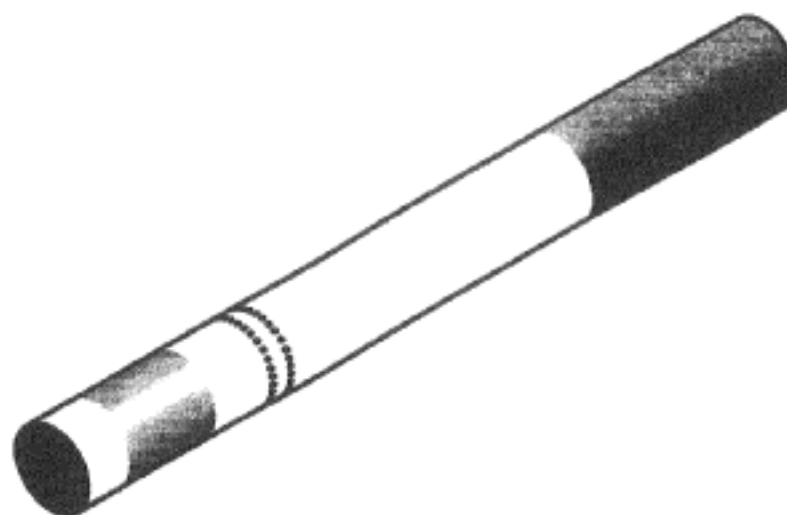
(21) Design Number: **14758/2012**
(22) Date of Filing Application: **24 September 2012**
(24) Date from which industrial property rights may have effect: **24 September 2012**
(54) Product in respect of which the design is registered: **Bracket**
(51) International Design Classification: **08-08NES**
(74) Name(s) of Attorney(s): **Callinans**
(71) Name(s) and Address(s) of Applicant(s):
Abey Australia Pty Ltd
57-81 Abey Rd Melton VIC 3337 Australia
(72) Name(s) of Designer(s): **Geoffrey Anderson**
(45) Registration Date: **22 October 2012**
(56) Related Art Documents: **Not Applicable**
(57) Statement of Newness and Distinctiveness: **The design resides in the application of the features of shape and configuration to a bracket as illustrated.**



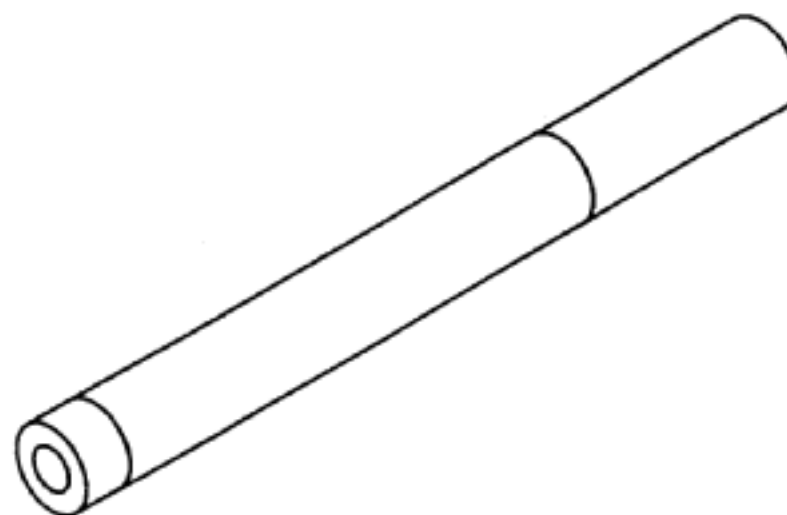
(21) Design Number: **15122/2012**
(22) Date of Filing Application: **16 October 2012**
(24) Date from which industrial property rights may have effect: **09 August 2012**
(54) Product in respect of which the design is registered: **Smokers' accessory**
(51) International Design Classification: **27-99**
(74) Name(s) of Attorney(s): **Callinans**
(71) Name(s) and Address(s) of Applicant(s):
Philip Morris Products S.A.
Quai Jeanrenaud 3 2000 Neuchatel Switzerland
(72) Name(s) of Designer(s): **Frederic Lavanchy and Aleksandra Samulewicz and Oleg Mironov and Stephane Roudier**
(45) Registration Date: **22 October 2012**
(30) Convention priority data:
(31) Number (32) Date (33) Country
001991126-0002 13 Feb 2012 EUROPEAN COMMUNITY
(62) Divisional of: **345051**
(56) Related Art Documents: **Not Applicable**
(57) Statement of Newness and Distinctiveness: **Nil**



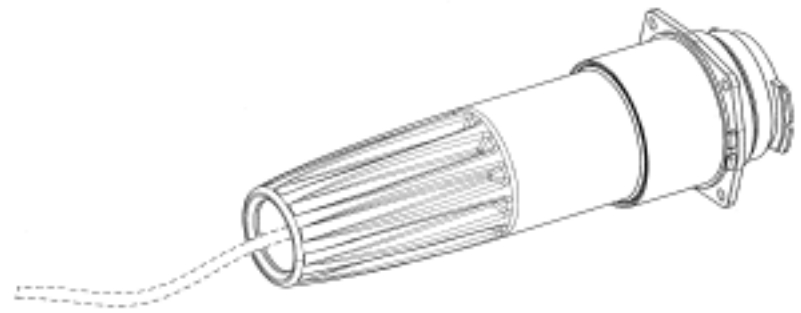
(21) Design Number: **15123/2012**
(22) Date of Filing Application: **16 October 2012**
(24) Date from which industrial property rights may have effect: **09 August 2012**
(54) Product in respect of which the design is registered: **Smokers' accessory**
(51) International Design Classification: **27-99**
(74) Name(s) of Attorney(s): **Callinans**
(71) Name(s) and Address(s) of Applicant(s):
Philip Morris Products S.A.
Quai Jeanrenaud 3 2000 Neuchatel Switzerland
(72) Name(s) of Designer(s): **Frederic Lavanchy and Aleksandra Samulewicz**
and Oleg Mironov and Stephane Roudier
(45) Registration Date: **22 October 2012**
(30) Convention priority data:
(31) Number (32) Date (33) Country
001991126-0003 13 Feb 2012 EUROPEAN COMMUNITY
(62) Divisional of: **345051**
(56) Related Art Documents: **Not Applicable**
(57) Statement of Newness and Distinctiveness: **Nil**



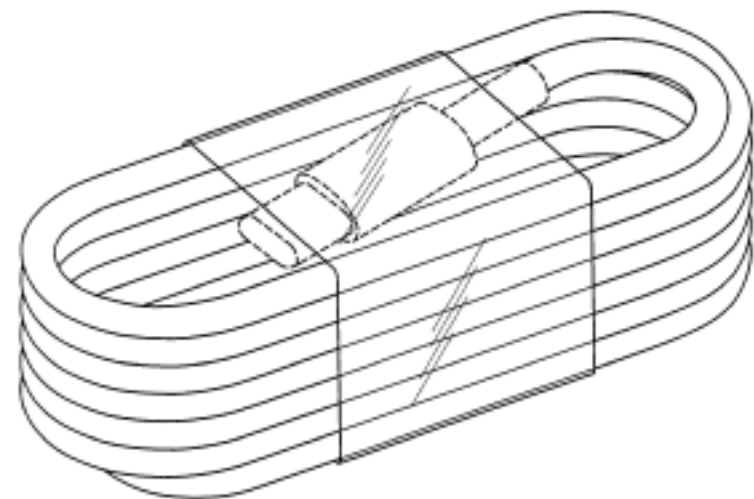
(21) Design Number: **15124/2012**
(22) Date of Filing Application: **16 October 2012**
(24) Date from which industrial property rights may have effect: **09 August 2012**
(54) Product in respect of which the design is registered: **Smokers' accessory**
(51) International Design Classification: **27-99**
(74) Name(s) of Attorney(s): **Callinans**
(71) Name(s) and Address(s) of Applicant(s):
Philip Morris Products S.A.
Quai Jeanrenaud 3 2000 Neuchatel Switzerland
(72) Name(s) of Designer(s): **Frederic Lavanchy and Aleksandra Samulewicz**
and Oleg Mironov and Stephane Roudier
(45) Registration Date: **22 October 2012**
(30) Convention priority data:
(31) Number (32) Date (33) Country
001991126-00005 13 Feb 2012 EUROPEAN COMMUNITY
(62) Divisional of: **345051**
(56) Related Art Documents: **Not Applicable**
(57) Statement of Newness and Distinctiveness: **Nil**



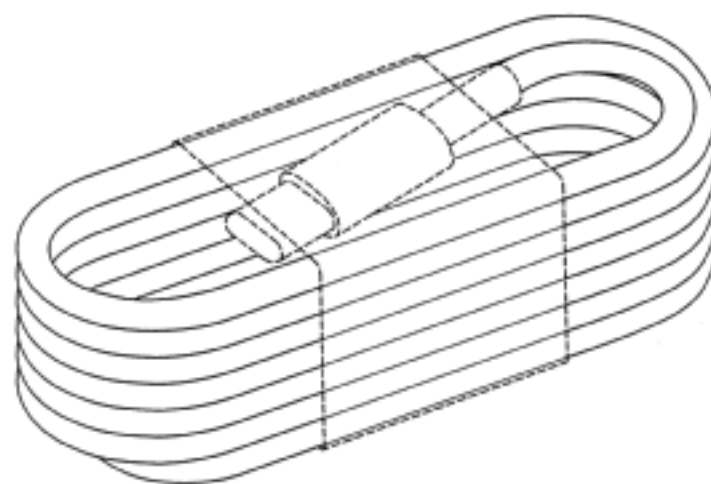
- (21) Design Number: **12833/2012**
(22) Date of Filing Application: **15 June 2012**
(24) Date from which industrial property rights may have effect: **15 June 2012**
(54) Product in respect of which the design is registered: **Container for medical devices**
(51) International Design Classification: **03-01NES**
(74) Name(s) of Attorney(s): **Davies Collison Cave**
(71) Name(s) and Address(s) of Applicant(s):
Britannia Pharmaceuticals Limited
Park View House 62 London Road Newbury Berkshire RG14 1JN United Kingdom
(72) Name(s) of Designer(s): **Rachael Nowak and Andrew Shaw and Graham John Martin**
(45) Registration Date: **22 October 2012**
(30) Convention priority data:
(31) Number (32) Date (33) Country
001962523-0001 14 Dec 2011 EUROPEAN COMMUNITY
(56) Related Art Documents: **Not Applicable**
(57) Statement of Newness and Distinctiveness: **Newness and distinctiveness is claimed in the visual features shown in solid lines in the representations.**



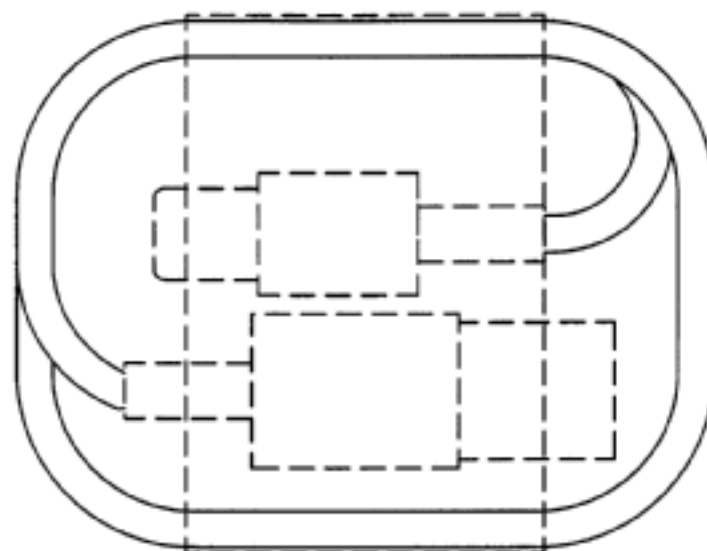
- (21) Design Number: **12886/2012**
(22) Date of Filing Application: **19 June 2012**
(24) Date from which industrial property rights may have effect: **19 June 2012**
(54) Product in respect of which the design is registered: **Cable hanking**
(51) International Design Classification: **08-08NES, 13-03B**
(74) Name(s) of Attorney(s): **Freehills Patent Attorneys**
(71) Name(s) and Address(s) of Applicant(s):
Apple Inc.
1 Infinite Loop Cupertino California 95014 United States of America
(72) Name(s) of Designer(s): **Christopher J. Birgers and Michael Joseph Solomon and Charles Werley**
(45) Registration Date: **22 October 2012**
(30) Convention priority data:
(31) Number (32) Date (33) Country
29/408999 19 Dec 2011 UNITED STATES OF AMERICA
(56) Related Art Documents: **Not Applicable**
(57) Statement of Newness and Distinctiveness: **Newness and distinctiveness resides in the configuration of the cable and band of the cable hanking, as shown in solid outline in the accompanying representations.**



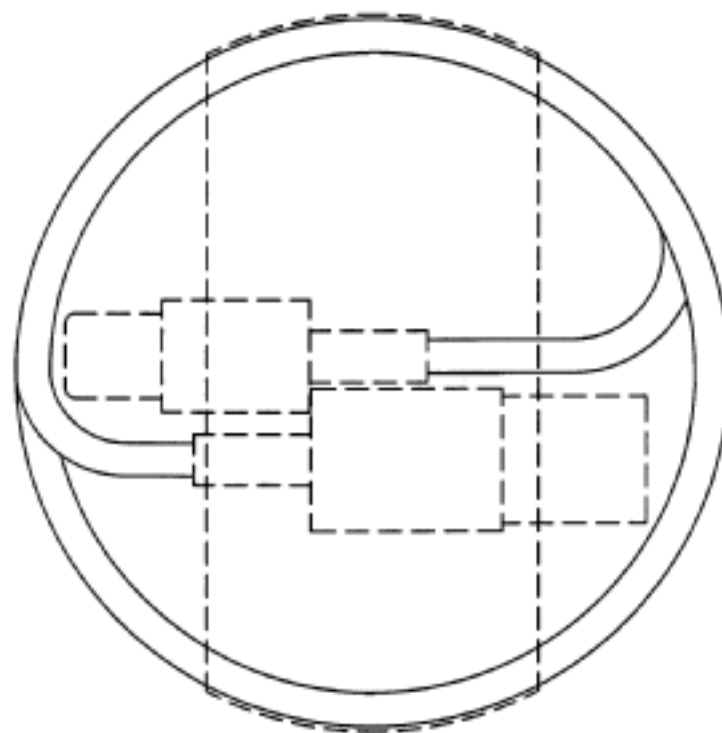
(21) Design Number: **12887/2012**
(22) Date of Filing Application: **19 June 2012**
(24) Date from which industrial property rights may have effect: **19 June 2012**
(54) Product in respect of which the design is registered: **Cable hanking**
(51) International Design Classification: **13-03B, 08-08NES**
(74) Name(s) of Attorney(s): **Freehills Patent Attorneys**
(71) Name(s) and Address(s) of Applicant(s):
Apple Inc.
1 Infinite Loop Cupertino California 95014 United States of America
(72) Name(s) of Designer(s): **Christopher J. Birgers and Michael Joseph Solomon and Charles Werley**
(45) Registration Date: **22 October 2012**
(30) Convention priority data:
(31) Number (32) Date (33) Country
29/408999 19 Dec 2011 UNITED STATES OF AMERICA
(56) Related Art Documents: **Not Applicable**
(57) Statement of Newness and Distinctiveness: **Newness and distinctiveness resides in the configuration of the cable of the cable hanking, as shown in solid outline in the accompanying representations.**



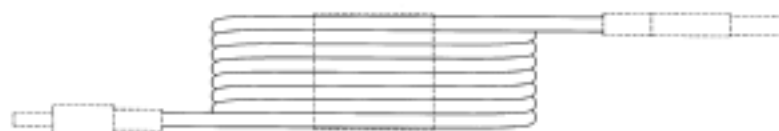
(21) Design Number: **12888/2012**
(22) Date of Filing Application: **19 June 2012**
(24) Date from which industrial property rights may have effect: **19 June 2012**
(54) Product in respect of which the design is registered: **Cable hanking**
(51) International Design Classification: **13-03B, 08-08NES**
(74) Name(s) of Attorney(s): **Freehills Patent Attorneys**
(71) Name(s) and Address(s) of Applicant(s):
Apple Inc.
1 Infinite Loop Cupertino California 95014 United States of America
(72) Name(s) of Designer(s): **Christopher J. Birgers and Michael Joseph Solomon and Charles Werley**
(45) Registration Date: **22 October 2012**
(30) Convention priority data:
(31) Number (32) Date (33) Country
29/408999 19 Dec 2011 UNITED STATES OF AMERICA
(56) Related Art Documents: **Not Applicable**
(57) Statement of Newness and Distinctiveness: **Newness and distinctiveness resides in the configuration of the cable of the cable hanking, as shown in solid outline in the accompanying representations.**



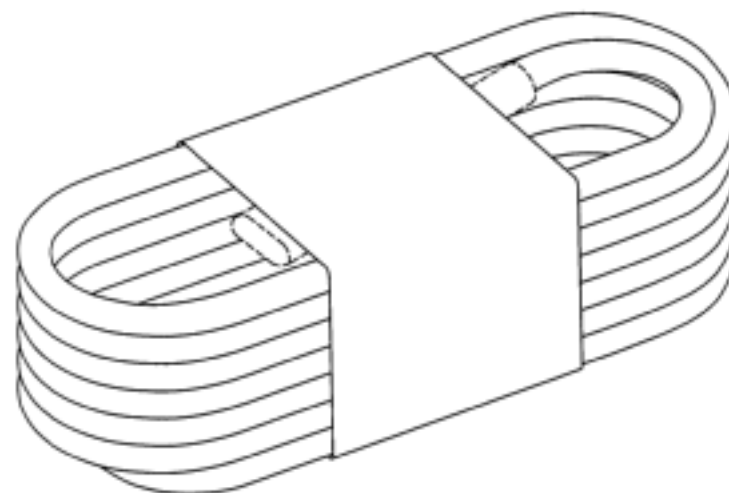
(21) Design Number: **12889/2012**
(22) Date of Filing Application: **19 June 2012**
(24) Date from which industrial property rights may have effect: **19 June 2012**
(54) Product in respect of which the design is registered: **Cable hanking**
(51) International Design Classification: **13-03B, 08-08NES**
(74) Name(s) of Attorney(s): **Freehills Patent Attorneys**
(71) Name(s) and Address(s) of Applicant(s):
Apple Inc.
1 Infinite Loop Cupertino California 95014 United States of America
(72) Name(s) of Designer(s): **Christopher J. Birgers and Michael Joseph Solomon and Charles Werley**
(45) Registration Date: **22 October 2012**
(30) Convention priority data:
(31) Number (32) Date (33) Country
29/408999 19 Dec 2011 UNITED STATES OF AMERICA
(56) Related Art Documents: **Not Applicable**
(57) Statement of Newness and Distinctiveness: **Newness and distinctiveness resides in the configuration of the cable of the cable hanking, as shown in solid outline in the accompanying representations.**



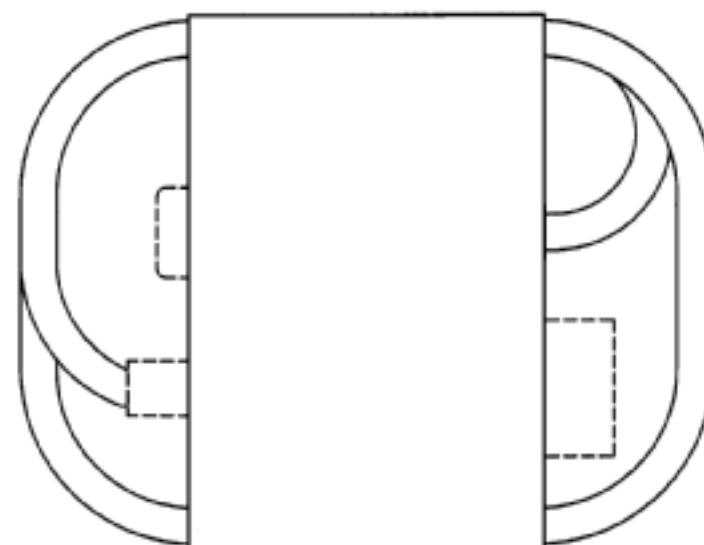
(21) Design Number: **12890/2012**
(22) Date of Filing Application: **19 June 2012**
(24) Date from which industrial property rights may have effect: **19 June 2012**
(54) Product in respect of which the design is registered: **Cable hanking**
(51) International Design Classification: **13-03B, 08-08NES**
(74) Name(s) of Attorney(s): **Freehills Patent Attorneys**
(71) Name(s) and Address(s) of Applicant(s):
Apple Inc.
1 Infinite Loop Cupertino California 95014 United States of America
(72) Name(s) of Designer(s): **Christopher J. Birgers and Michael Joseph Solomon and Charles Werley**
(45) Registration Date: **22 October 2012**
(30) Convention priority data:
(31) Number (32) Date (33) Country
29/408999 19 Dec 2011 UNITED STATES OF AMERICA
(56) Related Art Documents: **Not Applicable**
(57) Statement of Newness and Distinctiveness: **Newness and distinctiveness resides in the configuration of the cable and band of the cable hanking, as shown in solid outline in the accompanying representations.**



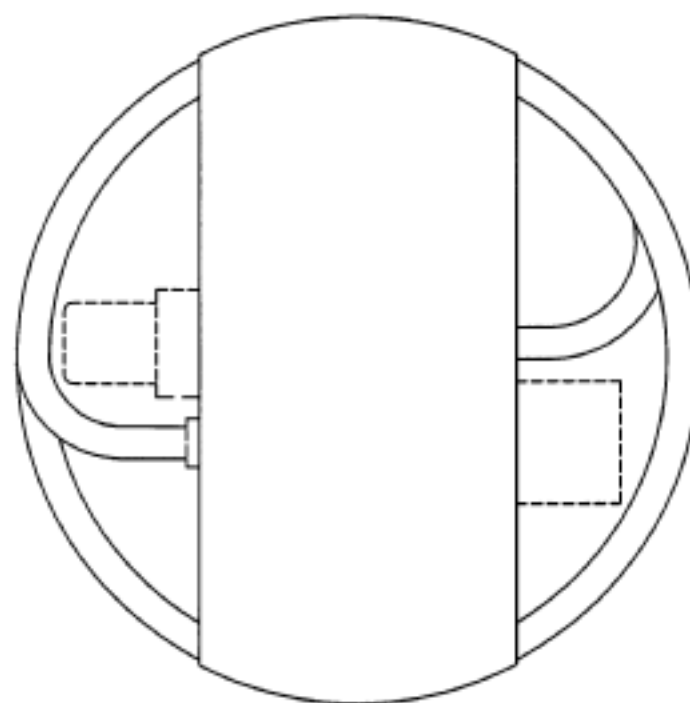
(21) Design Number: **12891/2012**
(22) Date of Filing Application: **19 June 2012**
(24) Date from which industrial property rights may have effect: **19 June 2012**
(54) Product in respect of which the design is registered: **Cable hanking**
(51) International Design Classification: **13-03B, 08-08NES**
(74) Name(s) of Attorney(s): **Freehills Patent Attorneys**
(71) Name(s) and Address(s) of Applicant(s):
Apple Inc.
1 Infinite Loop Cupertino California 95014 United States of America
(72) Name(s) of Designer(s): **Christopher J. Birgers and Michael Joseph Solomon and Charles Werley**
(45) Registration Date: **22 October 2012**
(30) Convention priority data:
(31) Number (32) Date (33) Country
29/409740 28 Dec 2011 UNITED STATES OF AMERICA
(56) Related Art Documents: **Not Applicable**
(57) Statement of Newness and Distinctiveness: **Newness and distinctiveness resides in the configuration of the cable and band of the cable hanking, as shown in solid outline in the accompanying representations.**



(21) Design Number: **12892/2012**
(22) Date of Filing Application: **19 June 2012**
(24) Date from which industrial property rights may have effect: **19 June 2012**
(54) Product in respect of which the design is registered: **Cable hanking**
(51) International Design Classification: **13-03B, 08-08NES**
(74) Name(s) of Attorney(s): **Freehills Patent Attorneys**
(71) Name(s) and Address(s) of Applicant(s):
Apple Inc.
1 Infinite Loop Cupertino California 95014 United States of America
(72) Name(s) of Designer(s): **Christopher J. Birgers and Michael Joseph Solomon and Charles Werley**
(45) Registration Date: **22 October 2012**
(30) Convention priority data:
(31) Number (32) Date (33) Country
29/409740 28 Dec 2011 UNITED STATES OF AMERICA
(56) Related Art Documents: **Not Applicable**
(57) Statement of Newness and Distinctiveness: **Newness and distinctiveness resides in the configuration of the cable and band of the cable hanking, as shown in solid outline in the accompanying representations.**



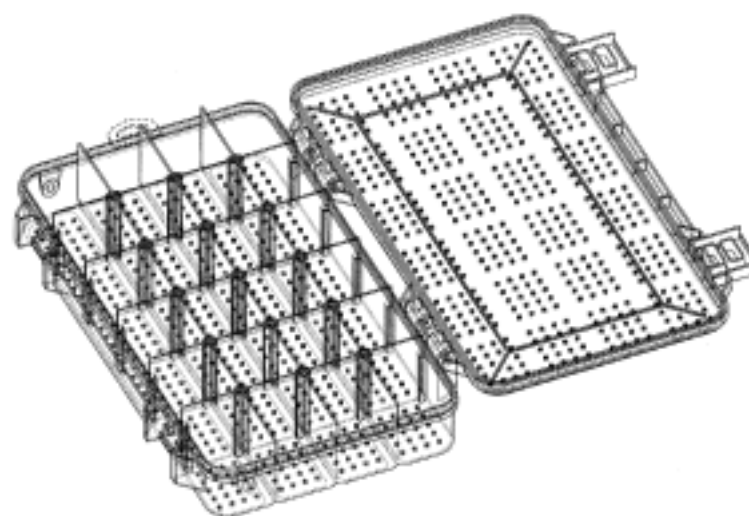
(21) Design Number: **12893/2012**
(22) Date of Filing Application: **19 June 2012**
(24) Date from which industrial property rights may have effect: **19 June 2012**
(54) Product in respect of which the design is registered: **Cable hanking**
(51) International Design Classification: **13-03B, 08-08NES**
(74) Name(s) of Attorney(s): **Freehills Patent Attorneys**
(71) Name(s) and Address(s) of Applicant(s):
Apple Inc.
1 Infinite Loop Cupertino California 95014 United States of America
(72) Name(s) of Designer(s): **Christopher J. Birgers and Michael Joseph Solomon and Charles Werley**
(45) Registration Date: **22 October 2012**
(30) Convention priority data:
(31) Number (32) Date (33) Country
29/409740 28 Dec 2011 UNITED STATES OF AMERICA
(56) Related Art Documents: **Not Applicable**
(57) Statement of Newness and Distinctiveness: **Newness and distinctiveness resides in the configuration of the cable and band of the cable hanking, as shown in solid outline in the accompanying representations.**



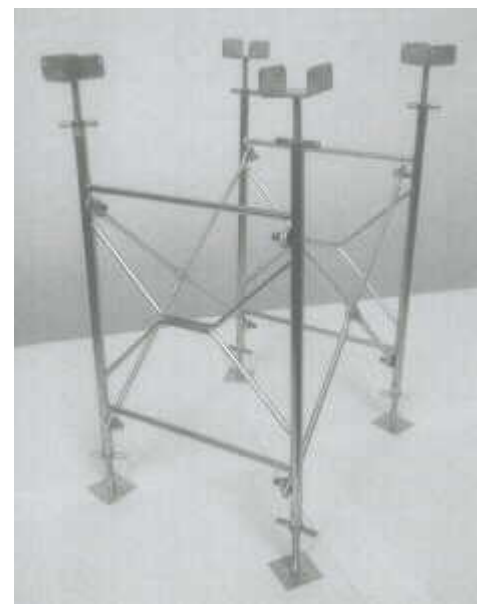
(21) Design Number: **12894/2012**
(22) Date of Filing Application: **19 June 2012**
(24) Date from which industrial property rights may have effect: **19 June 2012**
(54) Product in respect of which the design is registered: **Cable hanking**
(51) International Design Classification: **13-03B, 08-08NES**
(74) Name(s) of Attorney(s): **Freehills Patent Attorneys**
(71) Name(s) and Address(s) of Applicant(s):
Apple Inc.
1 Infinite Loop Cupertino California 95014 United States of America
(72) Name(s) of Designer(s): **Christopher J. Birgers and Michael Joseph Solomon and Charles Werley**
(45) Registration Date: **22 October 2012**
(30) Convention priority data:
(31) Number (32) Date (33) Country
29/409740 28 Dec 2011 UNITED STATES OF AMERICA
(56) Related Art Documents: **Not Applicable**
(57) Statement of Newness and Distinctiveness: **Newness and distinctiveness resides in the configuration of the cable and band of the cable hanking, as shown in solid outline in the accompanying representations.**



(21) Design Number: **14792/2012**
(22) Date of Filing Application: **26 September 2012**
(24) Date from which industrial property rights may have effect: **26 September 2012**
(54) Product in respect of which the design is registered: **Hydro-flo utility box**
(51) International Design Classification: **03-01NES, 09-03NES**
(74) Name(s) of Attorney(s): **PIZZEYS**
(71) Name(s) and Address(s) of Applicant(s):
Plano Molding Company
115 Park Avenue Sheridain IL 60551 United States of America
(72) Name(s) of Designer(s): **John Hennessey Whalen and Tom Hurt**
(45) Registration Date: **22 October 2012**
(30) Convention priority data:
(31) Number (32) Date (33) Country
29/418,488 17 Apr 2012 UNITED STATES OF AMERICA
(56) Related Art Documents: **Not Applicable**
(57) Statement of Newness and Distinctiveness: **Nil**



(21) Design Number: **13807/2012**
(22) Date of Filing Application: **24 August 2012**
(24) Date from which industrial property rights may have effect: **24 August 2012**
(54) Product in respect of which the design is registered: **A scale model formwork**
(51) International Design Classification: **25-02NES**
(74) Name(s) of Attorney(s):
(71) Name(s) and Address(s) of Applicant(s):
Claude Di Martino
105 Brookville Dr Craigieburn VIC 3064 Australia
(72) Name(s) of Designer(s): **Claude Di Martino**
(45) Registration Date: **23 October 2012**
(56) Related Art Documents: **Not Applicable**
(57) Statement of Newness and Distinctiveness: **Nil shape and/or configuration of the rail as shown in the attached representation. The rail has hooks to suit either side or top entry for the SunLock Key insert.**



(21) Design Number: **14768/2012**

(22) Date of Filing Application: **25 September 2012**

(24) Date from which industrial property rights may have effect: **25 September 2012**

(54) Product in respect of which the design is registered: **Pump**

(51) International Design Classification: **15-02**

(74) Name(s) of Attorney(s): **Fisher Adams Kelly**

(71) Name(s) and Address(s) of Applicant(s):

Joh. Heinr. Bornemann GmbH
Industriestrasse 2 31683 Obernkirchen 31683 OBERNKIRCHEN Germany

(72) Name(s) of Designer(s): **Rene Link and Jens Dralle**

(45) Registration Date: **23 October 2012**

(30) Convention priority data:

(31) Number	(32) Date	(33) Country
402012001440.0	26 Mar 2012	GERMANY

(56) Related Art Documents: **Not Applicable**

(57) Statement of Newness and Distinctiveness: **The newness and distinctiveness of the design resides in the shape and/or configuration of the PUMP shown in the representations.**



(21) Design Number: **14769/2012**

(22) Date of Filing Application: **25 September 2012**

(24) Date from which industrial property rights may have effect: **25 September 2012**

(54) Product in respect of which the design is registered: **Body of a steam cleaner**

(51) International Design Classification: **15-05**

(74) Name(s) of Attorney(s): **Griffith Hack**

(71) Name(s) and Address(s) of Applicant(s):

BISSELL Homecare, Inc.
2345 Walker Avenue N.W. Grand Rapids MI 49544 United States of America

(72) Name(s) of Designer(s): **Adam Luedke and Lawrence Chun-Hei Chu and Charles Jing Yang and Richard Lee Lane and Igor Ivanovich Zemskov**

(45) Registration Date: **23 October 2012**

(30) Convention priority data:

(31) Number	(32) Date	(33) Country
29/423,707	04 Jun 2012	UNITED STATES OF AMERICA

(56) Related Art Documents: **Not Applicable**

(57) Statement of Newness and Distinctiveness: **Newness and distinctiveness resides in the visual features, including shape and configuration of the product as shown in the accompanying representations. Those features shown by means of dashed lines have been included for illustrative purposes only and do not form part of the design.**



- (21) Design Number: **14770/2012**
(22) Date of Filing Application: **25 September 2012**
(24) Date from which industrial property rights may have effect: **25 September 2012**
(54) Product in respect of which the design is registered: **Foot for a steam cleaner**
(51) International Design Classification: **15-05**
(74) Name(s) of Attorney(s): **Griffith Hack**
(71) Name(s) and Address(s) of Applicant(s):

BISSELL Homecare, Inc.
2345 Walker Avenue N.W. Grand Rapids MI 49544 United States of America

- (72) Name(s) of Designer(s): **Adam Luedke and Lawrence Chun-Hei Chu and Charles Jing Yang and Richard Lee Lane and Igor Ivanovich Zemskov**

(45) Registration Date: **23 October 2012**

(30) Convention priority data:

(31) Number	(32) Date	(33) Country
29/423,705	04 Jun 2012	UNITED STATES OF AMERICA

(56) Related Art Documents: **Not Applicable**

- (57) Statement of Newness and Distinctiveness: **Newness and distinctiveness resides in the visual features, including shape and configuration of the product as shown in the accompanying representations. Those features shown by means of dashed lines have been included for illustrative purposes only and do not form part of the design.**



- (21) Design Number: **14771/2012**
(22) Date of Filing Application: **25 September 2012**
(24) Date from which industrial property rights may have effect: **25 September 2012**
(54) Product in respect of which the design is registered: **Dog bone blister of a blister pack**
(51) International Design Classification: **09-05**
(74) Name(s) of Attorney(s): **Shelston IP**
(71) Name(s) and Address(s) of Applicant(s):

Medisca Pharmaceutique, Inc.
6090 Henri Bourassa West Saint-Laurent Quebec H4R 3A6 Canada

- (72) Name(s) of Designer(s): **Antonio Dos Santos and Panagiota Danopoulos**

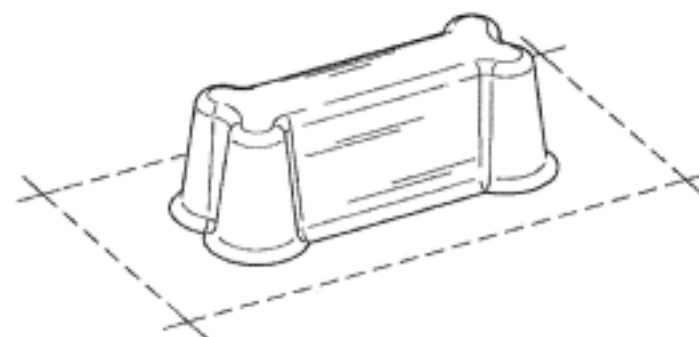
(45) Registration Date: **23 October 2012**

(30) Convention priority data:

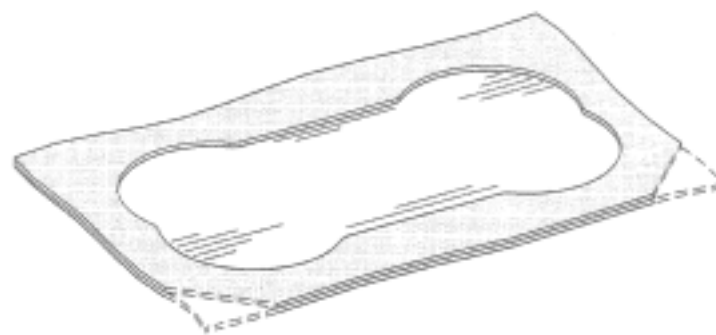
(31) Number	(32) Date	(33) Country
29/420133	04 May 2012	UNITED STATES OF AMERICA

(56) Related Art Documents: **Not Applicable**

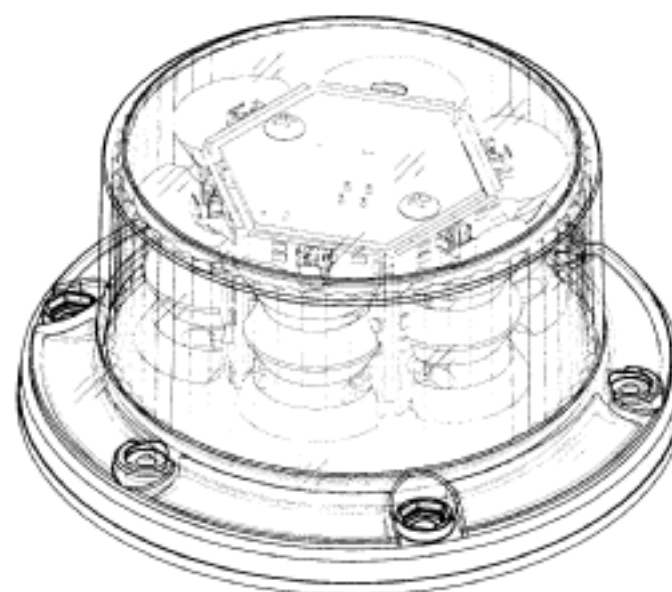
- (57) Statement of Newness and Distinctiveness: **Newness and distinctiveness reside in the shape and configuration of the design for a Dog bone blister of a blister pack as shown in solid line in the representations. Those features shown in broken line form no part of the claimed design and represent portions of a blister pack forming part of an environmental structure to which the design may be attached.**



(21) Design Number: **14772/2012**
(22) Date of Filing Application: **25 September 2012**
(24) Date from which industrial property rights may have effect: **25 September 2012**
(54) Product in respect of which the design is registered: **Adhesive backing for a dog bone blister of a blister pack**
(51) International Design Classification: **09-05**
(74) Name(s) of Attorney(s): **Shelston IP**
(71) Name(s) and Address(s) of Applicant(s):
Medisca Pharmaceutical, Inc.
6090 Henri Bourassa West Saint-Laurent Quebec H4R 3A6 Canada
(72) Name(s) of Designer(s): **Antonio Dos Santos and Panagiota Danopoulos**
(45) Registration Date: **23 October 2012**
(30) Convention priority data:
(31) Number (32) Date (33) Country
29/420138 04 May 2012 UNITED STATES OF AMERICA
(56) Related Art Documents: **Not Applicable**
(57) Statement of Newness and Distinctiveness: **Newness and distinctiveness reside in the shape and configuration of the design for an Adhesive backing for a dog bone blister of a blister pack as shown in solid line in the representations. Those features shown in broken line are for illustrative purposes only and form no part of the claimed design.**



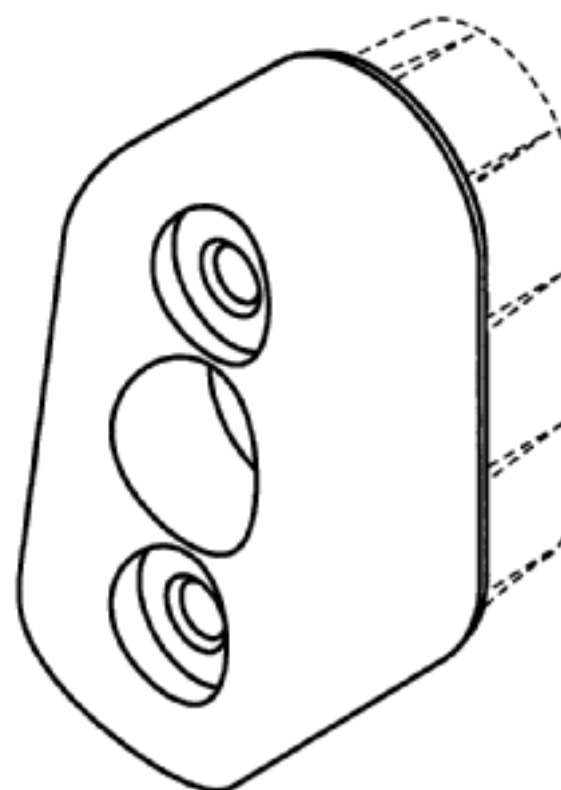
(21) Design Number: **14773/2012**
(22) Date of Filing Application: **25 September 2012**
(24) Date from which industrial property rights may have effect: **25 September 2012**
(54) Product in respect of which the design is registered: **Light emitting diode beacon light**
(51) International Design Classification: **26-05E**
(74) Name(s) of Attorney(s): **E F Wellington & Co**
(71) Name(s) and Address(s) of Applicant(s):
Code 3, Inc.
10986 North Warson Road St. Louis Missouri 63114-2029 United States of America
(72) Name(s) of Designer(s): **Paul L. Stein**
(45) Registration Date: **23 October 2012**
(30) Convention priority data:
(31) Number (32) Date (33) Country
29/418,625 18 Apr 2012 UNITED STATES OF AMERICA
(56) Related Art Documents: **Not Applicable**
(57) Statement of Newness and Distinctiveness: **Nil**



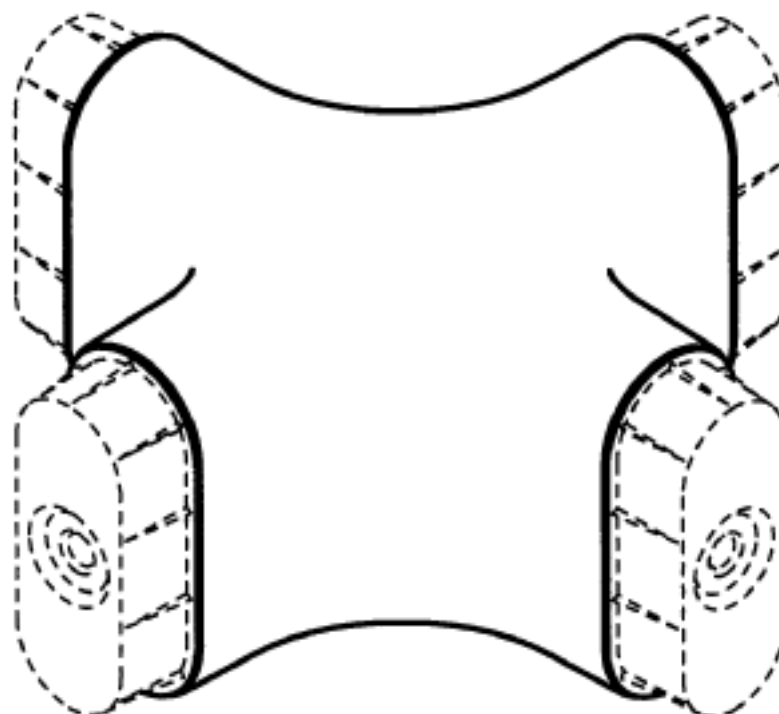
- (21) Design Number: **10598/2012**
(22) Date of Filing Application: **08 February 2012**
(24) Date from which industrial property rights may have effect: **08 February 2012**
(54) Product in respect of which the design is registered: **Dress**
(51) International Design Classification: **02-02C**
(74) Name(s) of Attorney(s): **Davies Collison Cave**
(71) Name(s) and Address(s) of Applicant(s):
Alive Girl Pty Ltd
125-135 Langridge Street Collingwood Victoria 3066 Australia
AG (Syd) Fashion Pty Ltd
125-135 Langridge Street Collingwood Victoria 3066 Australia
(72) Name(s) of Designer(s): **Vanessa Kortlang**
(45) Registration Date: **23 October 2012**
(56) Related Art Documents: **Not Applicable**
(57) Statement of Newness and Distinctiveness: **Newness and distinctiveness is claimed in the shape and configuration of the dress shown in the representations.**



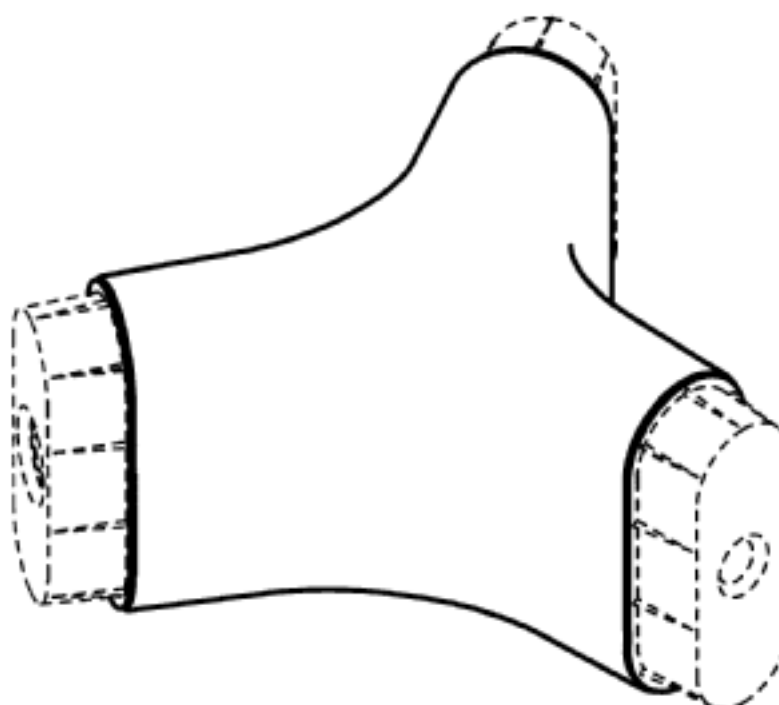
- (21) Design Number: **14774/2012**
(22) Date of Filing Application: **25 September 2012**
(24) Date from which industrial property rights may have effect: **25 September 2012**
(54) Product in respect of which the design is registered: **Table leg rail joiner**
(51) International Design Classification: **06-06E**
(74) Name(s) of Attorney(s): **HODGKINSON McINNES PATENTS**
(71) Name(s) and Address(s) of Applicant(s):
Thinking Ergonomix Pty Limited
6A Childs Rd Chipping Norton NSW 2170 Australia
(72) Name(s) of Designer(s): **Matthew Thomas Cramsie and Seaton McKeon**
(45) Registration Date: **23 October 2012**
(56) Related Art Documents: **Not Applicable**
(57) Statement of Newness and Distinctiveness: **Newness and distinctiveness is claimed in the shape and configuration of the Table leg rail joiner as shown in the representations. The ghost lines do not form part of the design.**



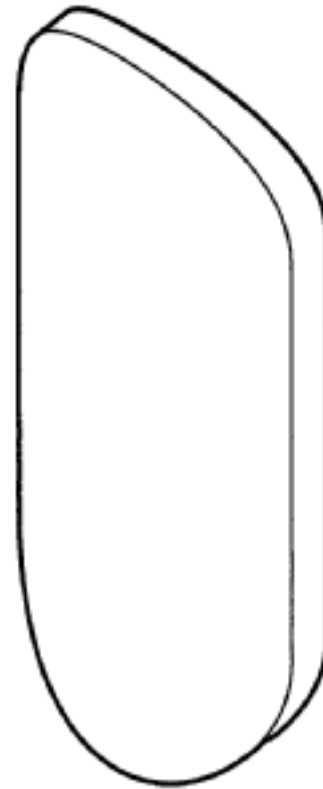
- (21) Design Number: **14775/2012**
(22) Date of Filing Application: **25 September 2012**
(24) Date from which industrial property rights may have effect: **25 September 2012**
(54) Product in respect of which the design is registered: **Table frame joiner**
(51) International Design Classification: **06-06E**
(74) Name(s) of Attorney(s): **HODGKINSON McINNES PATENTS**
(71) Name(s) and Address(s) of Applicant(s):
Thinking Ergonomix Pty Limited
6A Childs Rd Chipping Norton NSW 2170 Australia
(72) Name(s) of Designer(s): **Matthew Thomas Cramsie and Seaton McKeon**
(45) Registration Date: **23 October 2012**
(56) Related Art Documents: **Not Applicable**
(57) Statement of Newness and Distinctiveness: **Newness and distinctiveness is claimed in the shape and configuration of the Table frame joiner as shown in the representations. The ghost lines do not form part of the design.**



- (21) Design Number: **14776/2012**
(22) Date of Filing Application: **25 September 2012**
(24) Date from which industrial property rights may have effect: **25 September 2012**
(54) Product in respect of which the design is registered: **Table frame joiner**
(51) International Design Classification: **06-06E**
(74) Name(s) of Attorney(s): **HODGKINSON McINNES PATENTS**
(71) Name(s) and Address(s) of Applicant(s):
Thinking Ergonomix Pty Limited
6A Childs Rd Chipping Norton NSW 2170 Australia
(72) Name(s) of Designer(s): **Matthew Thomas Cramsie and Seaton McKeon**
(45) Registration Date: **23 October 2012**
(56) Related Art Documents: **Not Applicable**
(57) Statement of Newness and Distinctiveness: **Newness and distinctiveness is claimed in the shape and configuration of the Table frame joiner as shown in the representations. The ghost lines do not form part of the design.**



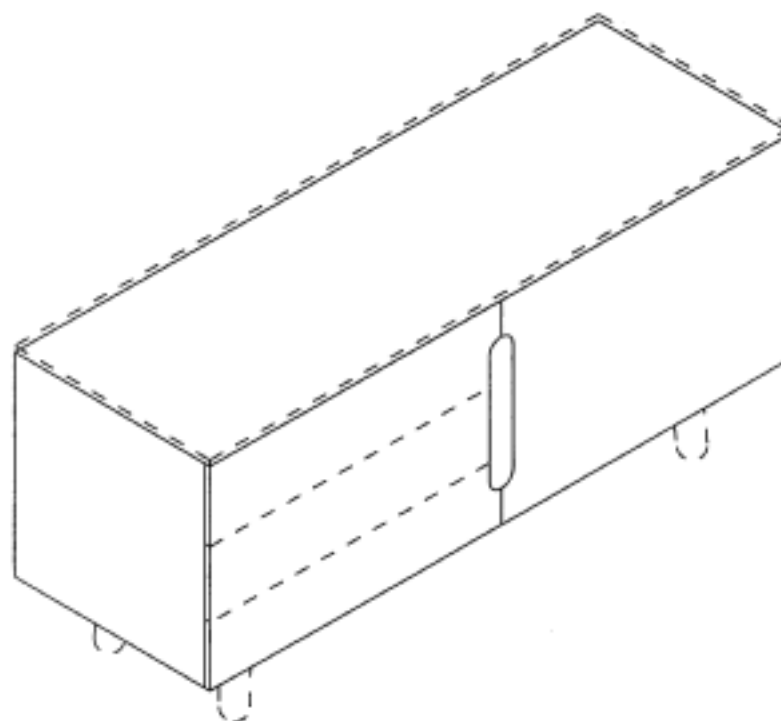
- (21) Design Number: **14777/2012**
(22) Date of Filing Application: **25 September 2012**
(24) Date from which industrial property rights may have effect: **25 September 2012**
(54) Product in respect of which the design is registered: **Clamping plate dress cap for table leg joiner**
(51) International Design Classification: **06-06E**
(74) Name(s) of Attorney(s): **HODGKINSON McINNES PATENTS**
(71) Name(s) and Address(s) of Applicant(s):
Thinking Ergonomix Pty Limited
6A Childs Rd Chipping Norton NSW 2170 Australia
(72) Name(s) of Designer(s): **Matthew Thomas Cramsie and Seaton McKeon**
(45) Registration Date: **23 October 2012**
(56) Related Art Documents: **Not Applicable**
(57) Statement of Newness and Distinctiveness: **Newness and distinctiveness is claimed in the shape and configuration of the Clamping plate dress cap for table leg joiner as shown in the representations.**



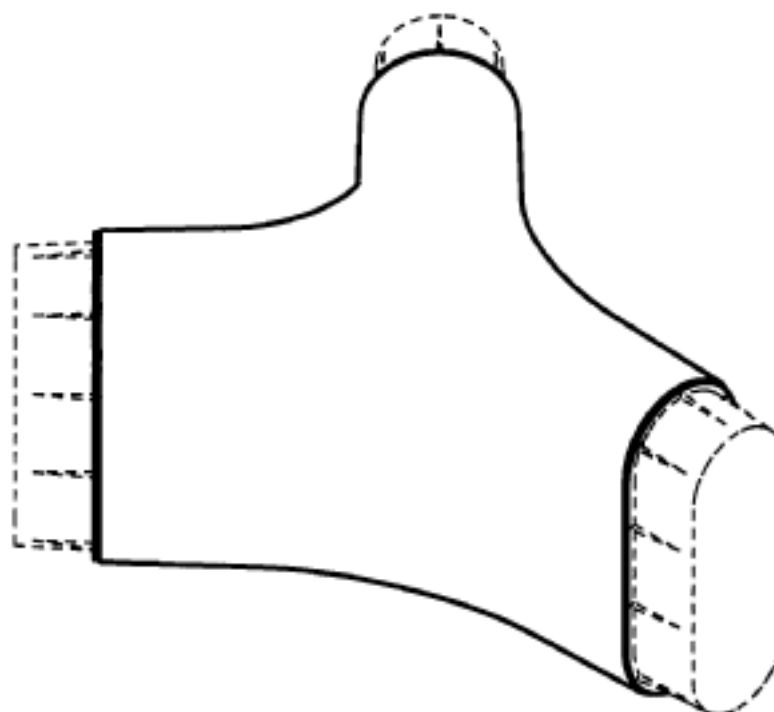
- (21) Design Number: **14779/2012**
(22) Date of Filing Application: **25 September 2012**
(24) Date from which industrial property rights may have effect: **25 September 2012**
(54) Product in respect of which the design is registered: **Clamping plate for table leg**
(51) International Design Classification: **06-06E**
(74) Name(s) of Attorney(s): **HODGKINSON McINNES PATENTS**
(71) Name(s) and Address(s) of Applicant(s):
Thinking Ergonomix Pty Limited
6A Childs Rd Chipping Norton NSW 2170 Australia
(72) Name(s) of Designer(s): **Matthew Thomas Cramsie and Seaton McKeon**
(45) Registration Date: **23 October 2012**
(56) Related Art Documents: **Not Applicable**
(57) Statement of Newness and Distinctiveness: **Newness and distinctiveness is claimed in the shape and configuration of the Clamping plate for table leg as shown in the representations.**



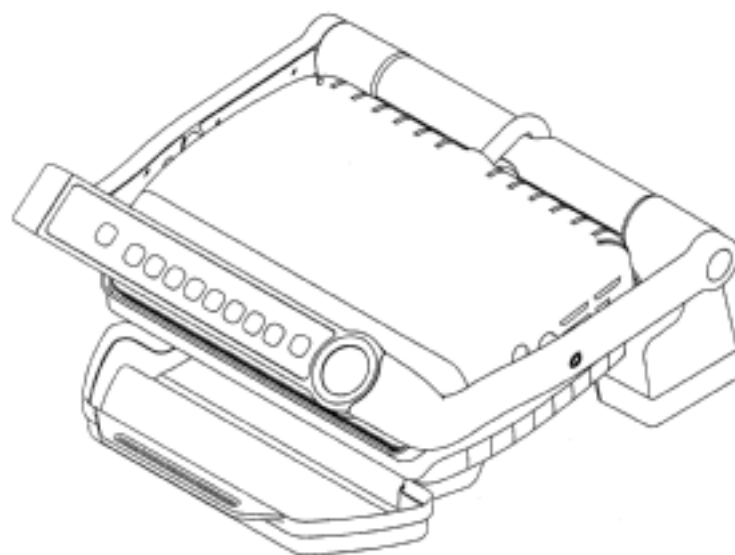
- (21) Design Number: **14780/2012**
(22) Date of Filing Application: **25 September 2012**
(24) Date from which industrial property rights may have effect: **25 September 2012**
(54) Product in respect of which the design is registered: **Credenza**
(51) International Design Classification: **06-04D**
(74) Name(s) of Attorney(s): **HODGKINSON McINNES PATENTS**
(71) Name(s) and Address(s) of Applicant(s):
Thinking Ergonomix Pty Limited
6A Childs Rd Chipping Norton NSW 2170 Australia
(72) Name(s) of Designer(s): **Matthew Thomas Cramsie and Seaton McKeon**
(45) Registration Date: **23 October 2012**
(56) Related Art Documents: **Not Applicable**
(57) Statement of Newness and Distinctiveness: **Newness and distinctiveness is claimed in the shape and configuration of a Credenza as shown in the representations. The ghost lines do not form part of the design.**



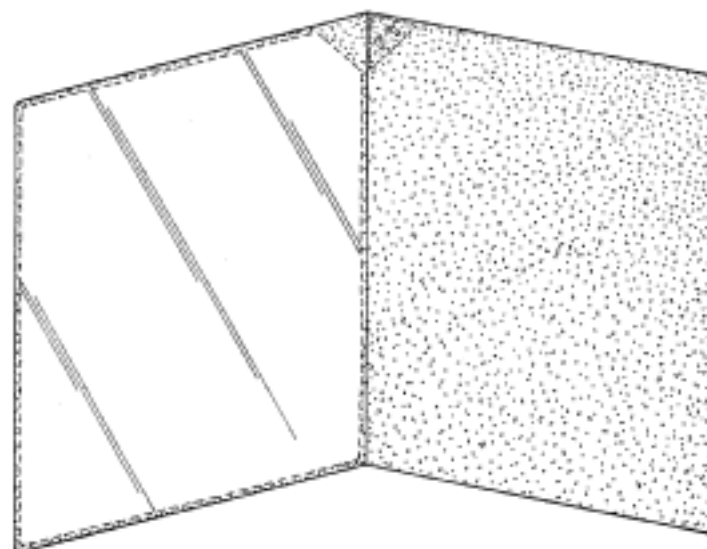
- (21) Design Number: **14781/2012**
(22) Date of Filing Application: **25 September 2012**
(24) Date from which industrial property rights may have effect: **25 September 2012**
(54) Product in respect of which the design is registered: **Table frame joiner**
(51) International Design Classification: **06-06F**
(74) Name(s) of Attorney(s): **HODGKINSON McINNES PATENTS**
(71) Name(s) and Address(s) of Applicant(s):
Thinking Ergonomix Pty Limited
6A Childs Rd Chipping Norton NSW 2170 Australia
(72) Name(s) of Designer(s): **Matthew Thomas Cramsie and Seaton McKeon**
(45) Registration Date: **23 October 2012**
(56) Related Art Documents: **Not Applicable**
(57) Statement of Newness and Distinctiveness: **Newness and distinctiveness is claimed in the shape and configuration of the Table frame joiner as shown in the representations. The ghost lines do not form part of the design.**



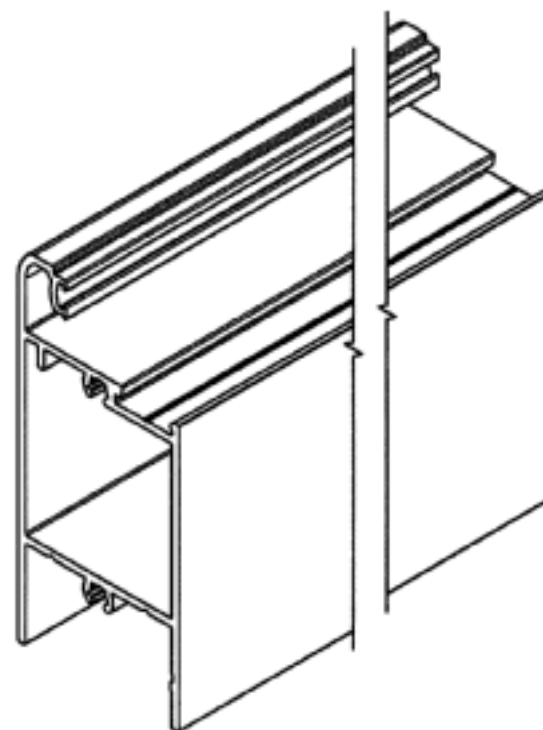
(21) Design Number: **14287/2012**
(22) Date of Filing Application: **30 August 2012**
(24) Date from which industrial property rights may have effect: **30 August 2012**
(54) Product in respect of which the design is registered: **An electric grill pan**
(51) International Design Classification: **07-02G, 07-02H**
(74) Name(s) of Attorney(s): **SPRUSON & FERGUSON**
(71) Name(s) and Address(s) of Applicant(s):
TEFAL
Zone Industrielle des Granges 74150 Rumilly France
(72) Name(s) of Designer(s): **Luc Josancy**
(45) Registration Date: **24 October 2012**
(30) Convention priority data:
(31) Number (32) Date (33) Country
001318679-0001 20 Mar 2012 EUROPEAN COMMUNITY
(56) Related Art Documents: **Not Applicable**
(57) Statement of Newness and Distinctiveness: **Newness and distinctiveness is claimed in the features of shape and/or configuration of an electric grill pan as illustrated in the accompanying representations.**



(21) Design Number: **14292/2012**
(22) Date of Filing Application: **30 August 2012**
(24) Date from which industrial property rights may have effect: **30 August 2012**
(54) Product in respect of which the design is registered: **Folder**
(51) International Design Classification: **19-04**
(74) Name(s) of Attorney(s): **PIZZEYS**
(71) Name(s) and Address(s) of Applicant(s):
Staples the Office Superstore, LLC
500 Staples Drive Framingham MA 01702 United States of America
(72) Name(s) of Designer(s): **Michael Kent and Margaret Safford and Greg Draudt and Mario Gonzalez and Ryan Hall**
(45) Registration Date: **24 October 2012**
(30) Convention priority data:
(31) Number (32) Date (33) Country
29/414919 06 Mar 2012 UNITED STATES OF AMERICA
(56) Related Art Documents: **Not Applicable**
(57) Statement of Newness and Distinctiveness: **The newness and distinctiveness of the design resides in the features of pattern and/or ornamentation OR shape and/or configuration shown in unbroken lines in the accompanying representations. (if required, see Convention document)**



- (21) Design Number: **14387/2012**
(22) Date of Filing Application: **05 September 2012**
(24) Date from which industrial property rights may have effect: **05 September 2012**
(54) Product in respect of which the design is registered: **Extrusion**
(51) International Design Classification: **25-01K**
(74) Name(s) of Attorney(s): **Freehills Patent Attorneys**
(71) Name(s) and Address(s) of Applicant(s):
Aluminium Specialties Group Pty Ltd
3 Alspeg PI Eastern Creek NSW 2766 Australia
(72) Name(s) of Designer(s): **Andy Nguyen**
(45) Registration Date: **24 October 2012**
(56) Related Art Documents: **Not Applicable**
(57) Statement of Newness and Distinctiveness: **Newness and distinctiveness resides in the features of shape and/or configuration of an extrusion of indefinite length as shown in the accompanying representations.**



- (21) Design Number: **14390/2012**
(22) Date of Filing Application: **05 September 2012**
(24) Date from which industrial property rights may have effect: **05 September 2012**
(54) Product in respect of which the design is registered: **Shoe**
(51) International Design Classification: **02-04NES**
(74) Name(s) of Attorney(s): **Trademark Central**
(71) Name(s) and Address(s) of Applicant(s):
All Podiatry Pty Ltd
PO BOX 2176 Toowong QLD 4066 Australia
(72) Name(s) of Designer(s): **Alan McCulloch and Caroline McCulloch**
(45) Registration Date: **24 October 2012**
(56) Related Art Documents: **Not Applicable**
(57) Statement of Newness and Distinctiveness: **Newness and distinctiveness is claimed in the features of shape and/or configuration of a shoe as illustrated in the accompanying representations, including the especially designed footbed, anatomical last shape, round heel and removable strap.**



- (21) Design Number: **14391/2012**
(22) Date of Filing Application: **05 September 2012**
(24) Date from which industrial property rights may have effect: **05 September 2012**
(54) Product in respect of which the design is registered: **Shoe**
(51) International Design Classification: **02-04NES**
(74) Name(s) of Attorney(s): **Trademark Central**
(71) Name(s) and Address(s) of Applicant(s):

All Podiatry Pty Ltd
PO BOX 2176 Toowong QLD 4066 Australia

- (72) Name(s) of Designer(s): **Alan McCulloch and Caroline McCulloch**

(45) Registration Date: **24 October 2012**

(56) Related Art Documents: **Not Applicable**

- (57) Statement of Newness and Distinctiveness: **Newness and distinctiveness is claimed in the features of shape and/or configuration of a shoe as illustrated in the accompanying representations, including the especially designed contoured footbed, anatomical last shape, round heel, ankle strap and the arrangement of studs.**



- (21) Design Number: **14392/2012**
(22) Date of Filing Application: **05 September 2012**
(24) Date from which industrial property rights may have effect: **05 September 2012**
(54) Product in respect of which the design is registered: **Shoe**
(51) International Design Classification: **02-04NES**
(74) Name(s) of Attorney(s): **Trademark Central**
(71) Name(s) and Address(s) of Applicant(s):

All Podiatry Pty Ltd
PO BOX 2176 Toowong QLD 4066 Australia

- (72) Name(s) of Designer(s): **Alan McCulloch and Caroline McCulloch**

(45) Registration Date: **24 October 2012**

(56) Related Art Documents: **Not Applicable**

- (57) Statement of Newness and Distinctiveness: **Newness and distinctiveness is claimed in the features of shape and/or configuration of a shoe as illustrated in the accompanying representations, including the especially designed footbed, anatomical last shape, studded eyelets, round heel and unique design within the sole.**

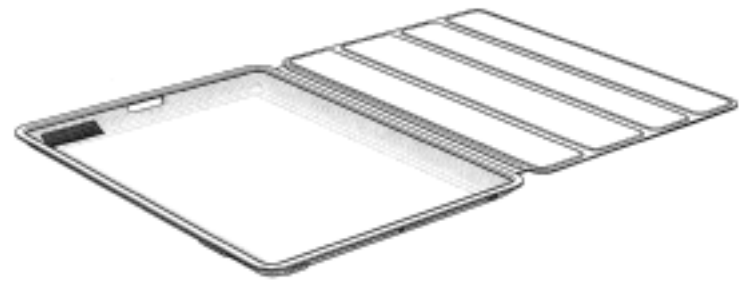


- (21) Design Number: **14399/2012**
(22) Date of Filing Application: **06 September 2012**
(24) Date from which industrial property rights may have effect: **06 September 2012**
(54) Product in respect of which the design is registered: **Case**
(51) International Design Classification: **03-01NES**
(74) Name(s) of Attorney(s): **Freehills Patent Attorneys**
(71) Name(s) and Address(s) of Applicant(s):

Apple Inc.

1 Infinite Loop Cupertino California 95014 United States of America

- (72) Name(s) of Designer(s): **Jody Akana and Bartley K. Andre and Jeremy Bataillou and Daniel J. Coster and Daniele De Iuliis and Evans Hankey and Julian Hoenig and Richard P. Howarth and Jonathan P. Ive and Duncan Robert Kerr and Shin Nishibori and Matthew Dean Rohrbach and Peter Russell-Clarke and Christopher J. Stringer and Eugene Antony Whang and Rico Zorkendorfer**
(45) Registration Date: **24 October 2012**
(30) Convention priority data:
(31) Number (32) Date (33) Country
29/415035 06 Mar 2012 UNITED STATES OF AMERICA
(56) Related Art Documents: **Not Applicable**
(57) Statement of Newness and Distinctiveness: **Newness and distinctiveness resides in the features of shape and/or configuration of a case as shown in solid outline in the accompanying figures. In the accompanying figures the solid shade lines show contour and not surface ornamentation.**

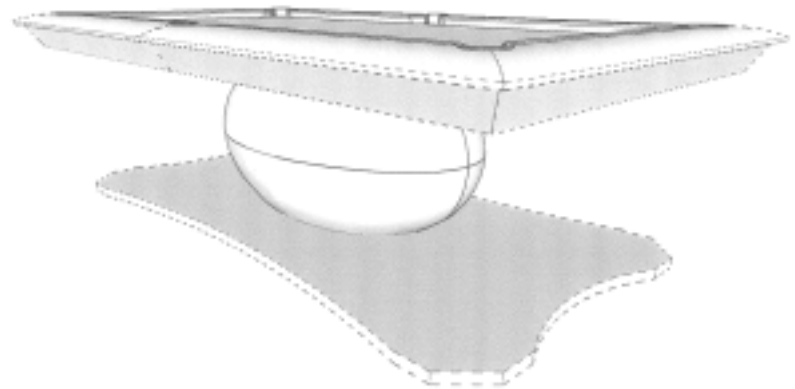


- (21) Design Number: **14400/2012**
(22) Date of Filing Application: **07 September 2012**
(24) Date from which industrial property rights may have effect: **07 September 2012**
(54) Product in respect of which the design is registered: **Billiards/pool/snooker table**
(51) International Design Classification: **06-03D**
(74) Name(s) of Attorney(s):
(71) Name(s) and Address(s) of Applicant(s):

Jason Clough

159 Cadles Rd Carrum Downs VIC 3201 Australia

- (72) Name(s) of Designer(s): **Jason Clough**
(45) Registration Date: **24 October 2012**
(56) Related Art Documents: **Not Applicable**
(57) Statement of Newness and Distinctiveness: **Construction of the frame/base section being of prolate spheroid in shape and appearance to represent a football.**



(21) Design Number: **14401/2012**
(22) Date of Filing Application: **06 September 2012**
(24) Date from which industrial property rights may have effect: **06 September 2012**
(54) Product in respect of which the design is registered: **Sanitary faucet**
(51) International Design Classification: **23-01H**
(74) Name(s) of Attorney(s): **Griffith Hack**
(71) Name(s) and Address(s) of Applicant(s):
Hansgrohe SE
Austr 5-9 D-77761 Schiltach Germany
(72) Name(s) of Designer(s): **Philippe Starck**
(45) Registration Date: **24 October 2012**
(30) Convention priority data:
(31) Number (32) Date (33) Country
001318273-0001 16 Mar 2012 EUROPEAN COMMUNITY
(56) Related Art Documents: **Not Applicable**
(57) Statement of Newness and Distinctiveness: **Newness and distinctiveness resides in the visual features, including shape, configuration and ornamentation of the product as shown in the attached representations.**



(21) Design Number: **14402/2012**
(22) Date of Filing Application: **06 September 2012**
(24) Date from which industrial property rights may have effect: **06 September 2012**
(54) Product in respect of which the design is registered: **Sanitary fitting**
(51) International Design Classification: **23-01H**
(74) Name(s) of Attorney(s): **Griffith Hack**
(71) Name(s) and Address(s) of Applicant(s):
Hansgrohe SE
Austr 5-9 D-77761 Schiltach Germany
(72) Name(s) of Designer(s): **Philippe Starck**
(45) Registration Date: **24 October 2012**
(30) Convention priority data:
(31) Number (32) Date (33) Country
001318273-0004 16 Mar 2012 EUROPEAN COMMUNITY
(56) Related Art Documents: **Not Applicable**
(57) Statement of Newness and Distinctiveness: **Newness and distinctiveness resides in the visual features, including shape, configuration and ornamentation of the product as shown in the attached representations.**



(21) Design Number: **14403/2012**
(22) Date of Filing Application: **06 September 2012**
(24) Date from which industrial property rights may have effect: **06 September 2012**
(54) Product in respect of which the design is registered: **Sanitary fitting**
(51) International Design Classification: **23-01B**
(74) Name(s) of Attorney(s): **Griffith Hack**
(71) Name(s) and Address(s) of Applicant(s):
Hansgrohe SE
Auestr 5-9 D-77761 Schiltach Germany
(72) Name(s) of Designer(s): **Philippe Starck**
(45) Registration Date: **24 October 2012**
(30) Convention priority data:
(31) Number (32) Date (33) Country
001318273-0005 16 Mar 2012 EUROPEAN COMMUNITY
(56) Related Art Documents: **Not Applicable**
(57) Statement of Newness and Distinctiveness: **Newness and distinctiveness resides in the visual features, including shape, configuration and ornamentation of the product as shown in the attached representations.**



(21) Design Number: **14404/2012**
(22) Date of Filing Application: **06 September 2012**
(24) Date from which industrial property rights may have effect: **06 September 2012**
(54) Product in respect of which the design is registered: **Sanitary faucet**
(51) International Design Classification: **23-01H**
(74) Name(s) of Attorney(s): **Griffith Hack**
(71) Name(s) and Address(s) of Applicant(s):
Hansgrohe SE
Auestr 5-9 D-77761 Schiltach Germany
(72) Name(s) of Designer(s): **Philippe Starck**
(45) Registration Date: **24 October 2012**
(30) Convention priority data:
(31) Number (32) Date (33) Country
001318273-0013 16 Mar 2012 EUROPEAN COMMUNITY
(56) Related Art Documents: **Not Applicable**
(57) Statement of Newness and Distinctiveness: **Newness and distinctiveness resides in the visual features, including shape, configuration and ornamentation of the product as shown in the attached representations.**



(21) Design Number: **14405/2012**
(22) Date of Filing Application: **06 September 2012**
(24) Date from which industrial property rights may have effect: **06 September 2012**
(54) Product in respect of which the design is registered: **Grip for a sanitary fitting**
(51) International Design Classification: **23-01H, 23-01NES**
(74) Name(s) of Attorney(s): **Griffith Hack**
(71) Name(s) and Address(s) of Applicant(s):
Hansgrohe SE
Auestr 5-9 D-77761 Schiltach Germany
(72) Name(s) of Designer(s): **Philippe Starck**
(45) Registration Date: **24 October 2012**
(30) Convention priority data:
(31) Number (32) Date (33) Country
001318273-0015 16 Mar 2012 EUROPEAN COMMUNITY
(56) Related Art Documents: **Not Applicable**
(57) Statement of Newness and Distinctiveness: **Newness and distinctiveness resides in the visual features, including shape, configuration and ornamentation of the product as shown in the attached representations.**



(21) Design Number: **14411/2012**
(22) Date of Filing Application: **06 September 2012**
(24) Date from which industrial property rights may have effect: **06 September 2012**
(54) Product in respect of which the design is registered: **Rising sun centenary badge**
(51) International Design Classification: **11-03**
(74) Name(s) of Attorney(s): **Fisher Adams Kelly**
(71) Name(s) and Address(s) of Applicant(s):
Anzac Day Commemoration Committee (Queensland) Incorporated
PO BOX 391 Aspley QLD 4034 Australia
(72) Name(s) of Designer(s): **Gregory Faux**
(45) Registration Date: **24 October 2012**
(56) Related Art Documents: **Not Applicable**
(57) Statement of Newness and Distinctiveness: **The newness and distinctiveness of the design resides in the shape and/or configuration of the RISING SUN CENTENARY BADGE shown in the representations.**



- (21) Design Number: **14412/2012**
(22) Date of Filing Application: **06 September 2012**
(24) Date from which industrial property rights may have effect: **06 September 2012**
(54) Product in respect of which the design is registered: **Slouch hat centenary badge**
(51) International Design Classification: **11-03**
(74) Name(s) of Attorney(s): **Fisher Adams Kelly**
(71) Name(s) and Address(s) of Applicant(s):
Anzac Day Commemoration Committee (Queensland) Incorporated
PO BOX 391 Aspley QLD 4034 Australia
(72) Name(s) of Designer(s): **Gregory Faux**
(45) Registration Date: **24 October 2012**
(56) Related Art Documents: **Not Applicable**
(57) Statement of Newness and Distinctiveness: **The newness and distinctiveness of the design resides in the shape and/or configuration of the SLOUCH HAT CENTENARY BADGE shown in the representations.**



- (21) Design Number: **14413/2012**
(22) Date of Filing Application: **06 September 2012**
(24) Date from which industrial property rights may have effect: **06 September 2012**
(54) Product in respect of which the design is registered: **Malaya-Borneo badge**
(51) International Design Classification: **11-03**
(74) Name(s) of Attorney(s): **Fisher Adams Kelly**
(71) Name(s) and Address(s) of Applicant(s):
Anzac Day Commemoration Committee (Queensland) Incorporated
PO BOX 391 Aspley QLD 4034 Australia
(72) Name(s) of Designer(s): **Gregory Faux**
(45) Registration Date: **24 October 2012**
(56) Related Art Documents: **Not Applicable**
(57) Statement of Newness and Distinctiveness: **The newness and distinctiveness of the design resides in the shape and/or configuration of the MALAYA-BORNEO BADGE shown in the representations.**



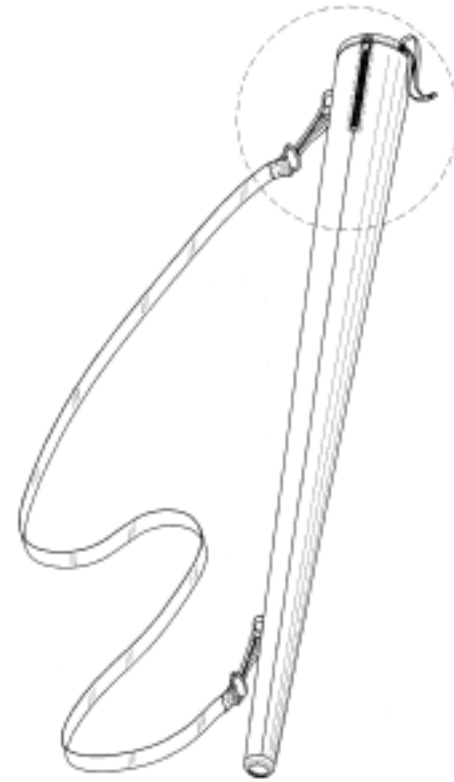
- (21) Design Number: **14414/2012**
(22) Date of Filing Application: **06 September 2012**
(24) Date from which industrial property rights may have effect: **06 September 2012**
(54) Product in respect of which the design is registered: **Centrepiece badge**
(51) International Design Classification: **11-03**
(74) Name(s) of Attorney(s): **Fisher Adams Kelly**
(71) Name(s) and Address(s) of Applicant(s):
Anzac Day Commemoration Committee (Queensland) Incorporated
PO BOX 391 Aspley QLD 4034 Australia
(72) Name(s) of Designer(s): **Gregory Faux**
(45) Registration Date: **24 October 2012**
(56) Related Art Documents: **Not Applicable**
(57) Statement of Newness and Distinctiveness: **The newness and distinctiveness of the design resides in the shape and/or configuration of the CENTREPIECE BADGE shown in the representations.**



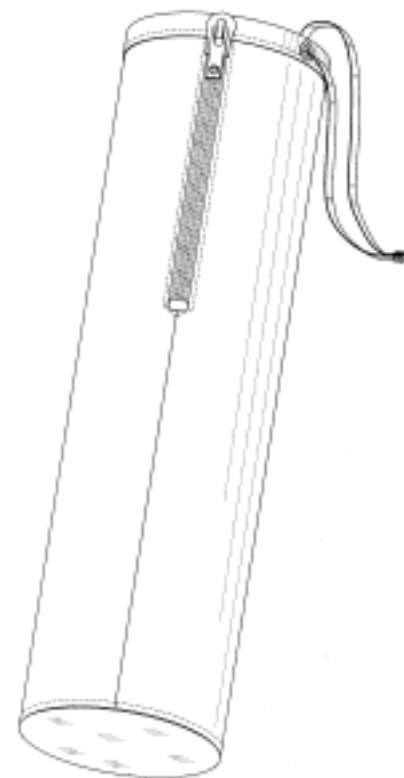
- (21) Design Number: **14415/2012**
(22) Date of Filing Application: **06 September 2012**
(24) Date from which industrial property rights may have effect: **06 September 2012**
(54) Product in respect of which the design is registered: **Poppy badge**
(51) International Design Classification: **11-03**
(74) Name(s) of Attorney(s): **Fisher Adams Kelly**
(71) Name(s) and Address(s) of Applicant(s):
Anzac Day Commemoration Committee (Queensland) Incorporated
PO BOX 391 Aspley QLD 4034 Australia
(72) Name(s) of Designer(s): **Gregory Faux**
(45) Registration Date: **24 October 2012**
(56) Related Art Documents: **Not Applicable**
(57) Statement of Newness and Distinctiveness: **The newness and distinctiveness of the design resides in the shape and/or configuration of the POPPY BADGE shown in the representations.**



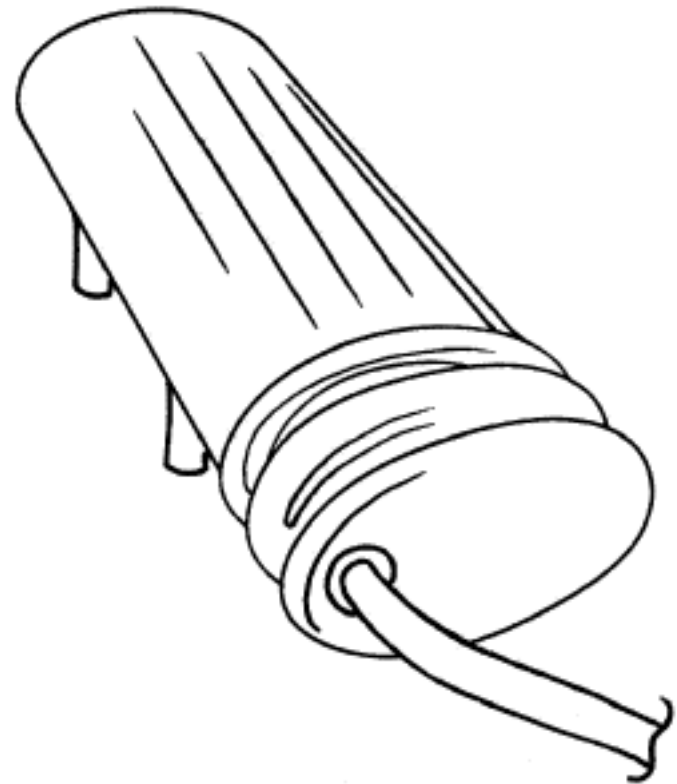
(21) Design Number: **14434/2012**
(22) Date of Filing Application: **06 September 2012**
(24) Date from which industrial property rights may have effect: **06 September 2012**
(54) Product in respect of which the design is registered: **Umbrella cover**
(51) International Design Classification: **03-01NES, 03-03**
(74) Name(s) of Attorney(s): **Meskin IP**
(71) Name(s) and Address(s) of Applicant(s):
Genevieve Bartlett
4 Avondale Ct Norman Gardens QLD 4701 Australia
(72) Name(s) of Designer(s): **Genevieve Bartlett**
(45) Registration Date: **24 October 2012**
(56) Related Art Documents: **Not Applicable**
(57) Statement of Newness and Distinctiveness: **Nil**



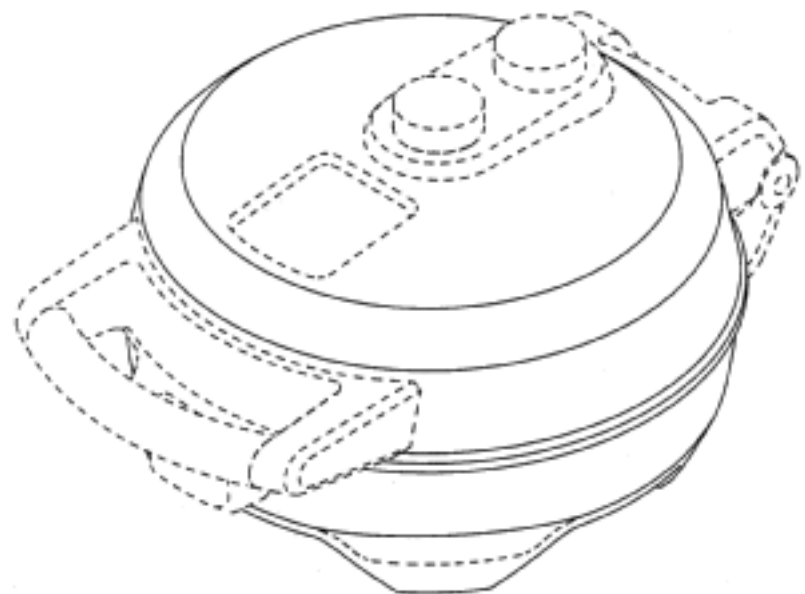
(21) Design Number: **14435/2012**
(22) Date of Filing Application: **06 September 2012**
(24) Date from which industrial property rights may have effect: **06 September 2012**
(54) Product in respect of which the design is registered: **Umbrella cover**
(51) International Design Classification: **03-01NES, 03-03**
(74) Name(s) of Attorney(s): **Meskin IP**
(71) Name(s) and Address(s) of Applicant(s):
Genevieve Bartlett
4 Avondale Ct Norman Gardens QLD 4701 Australia
(72) Name(s) of Designer(s): **Genevieve Bartlett**
(45) Registration Date: **24 October 2012**
(56) Related Art Documents: **Not Applicable**
(57) Statement of Newness and Distinctiveness: **Nil**



- (21) Design Number: **11981/2012**
(22) Date of Filing Application: **19 April 2012**
(24) Date from which industrial property rights may have effect: **19 April 2012**
(54) Product in respect of which the design is registered: **Waterproof battery cover**
(51) International Design Classification: **13-02**
(74) Name(s) of Attorney(s): **Lord & Company**
(71) Name(s) and Address(s) of Applicant(s):
Ashley Horton
49 Hefron Way Parmelia Western Australia 6167 Australia
(72) Name(s) of Designer(s): **Ashley Horton**
(45) Registration Date: **24 October 2012**
(56) Related Art Documents: **Not Applicable**
(57) Statement of Newness and Distinctiveness: **Nil**



- (21) Design Number: **12881/2012**
(22) Date of Filing Application: **19 June 2012**
(24) Date from which industrial property rights may have effect: **19 June 2012**
(54) Product in respect of which the design is registered: **Pizza maker**
(51) International Design Classification: **07-02H**
(74) Name(s) of Attorney(s): **Molins & Co**
(71) Name(s) and Address(s) of Applicant(s):
Breville Pty Limited
Building 2 Port Air Industrial Estate 1A Hale Street Botany New South Wales 2019 Australia
(72) Name(s) of Designer(s): **Mark Thomas**
(45) Registration Date: **24 October 2012**
(56) Related Art Documents: **Not Applicable**
(57) Statement of Newness and Distinctiveness: **Newness is claimed in the features of shape and configuration of the Pizza Maker as shown in the accompanying representations. Elements shown in dashed lines form no part of the design.**



- (21) Design Number: **13728/2012**
(22) Date of Filing Application: **26 July 2012**
(24) Date from which industrial property rights may have effect: **26 July 2012**
(54) Product in respect of which the design is registered: **Jacket**
(51) International Design Classification: **02-02NES**
(74) Name(s) of Attorney(s):
(71) Name(s) and Address(s) of Applicant(s):

LM Australasia Pty Ltd
L1 14-24 Easey St Collingwood VIC 3066 Australia

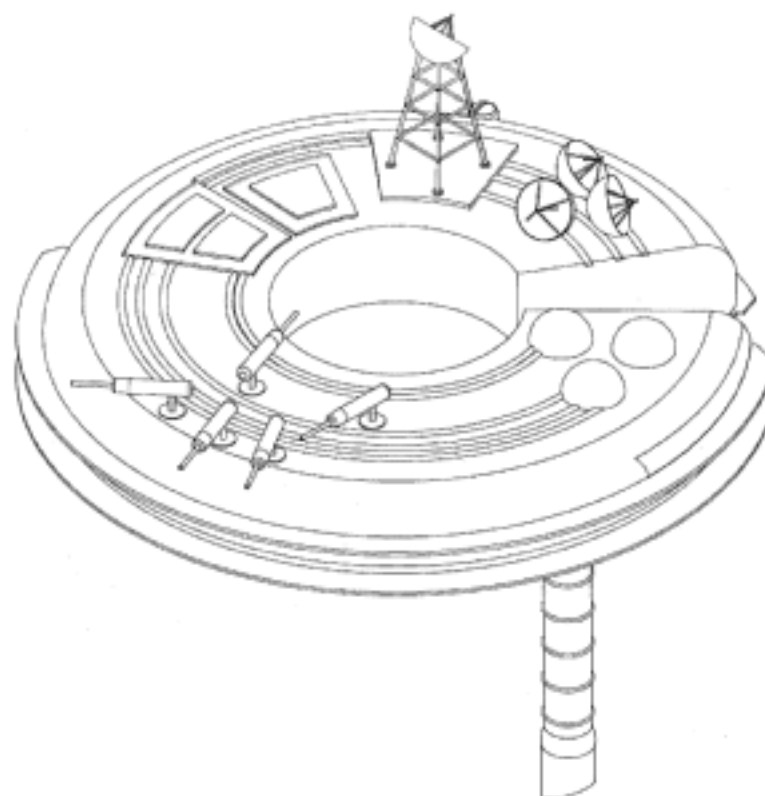
- (72) Name(s) of Designer(s): **Michel Abeysekera**
(45) Registration Date: **24 October 2012**
(56) Related Art Documents: **Not Applicable**
(57) Statement of Newness and Distinctiveness: **The variety and layout of special multi - purpose pockets is the new and distinctive aspect of this jacket. The pockets work in conjunction with a wiring system, allowing wearer to secure wiring of headphones to various carry - on technologies ie: Phone / iPad / iPod / MP3 player.**



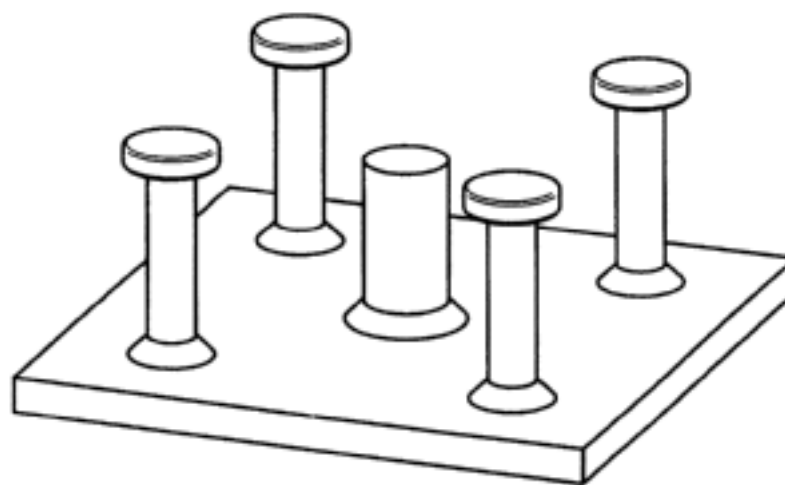
- (21) Design Number: **13825/2012**
(22) Date of Filing Application: **07 August 2012**
(24) Date from which industrial property rights may have effect: **07 August 2012**
(54) Product in respect of which the design is registered: **Superclick HQ toy**
(51) International Design Classification: **21-01D**
(74) Name(s) of Attorney(s): **DLA Piper Australia**
(71) Name(s) and Address(s) of Applicant(s):

The Click Foundation
21-31 Goodwood Street Richmond Victoria 3121 Australia

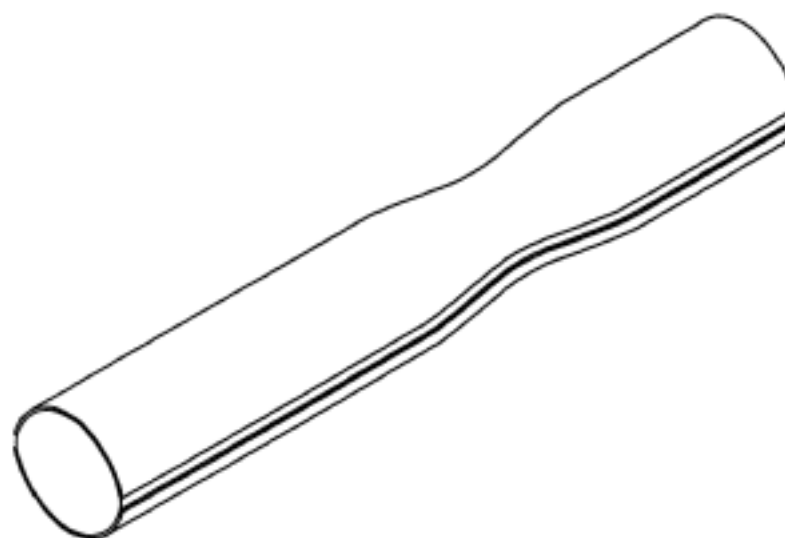
- (72) Name(s) of Designer(s): **Sinead Lau**
(45) Registration Date: **24 October 2012**
(56) Related Art Documents: **Not Applicable**
(57) Statement of Newness and Distinctiveness: **Nil**



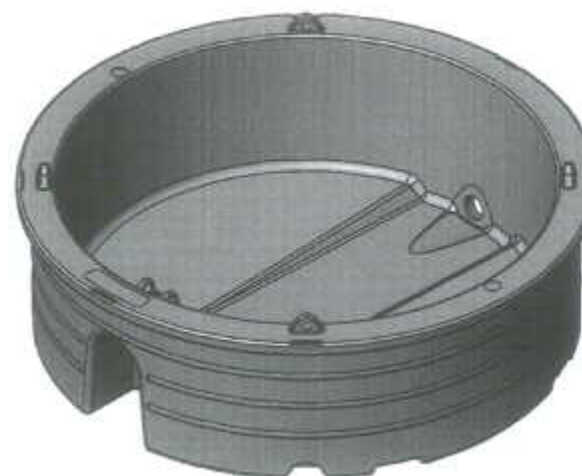
(21) Design Number: **14363/2012**
(22) Date of Filing Application: **04 September 2012**
(24) Date from which industrial property rights may have effect: **04 September 2012**
(54) Product in respect of which the design is registered: **Building plate**
(51) International Design Classification: **25-01B**
(74) Name(s) of Attorney(s): **Callinans**
(71) Name(s) and Address(s) of Applicant(s):
Tilt-Lift Equipment Pty Ltd
4/25-27 Olive Gr Keysborough VIC 3173 Australia
(72) Name(s) of Designer(s): **Mark Hilbert**
(45) Registration Date: **24 October 2012**
(56) Related Art Documents: **Not Applicable**
(57) Statement of Newness and Distinctiveness: **Nil**



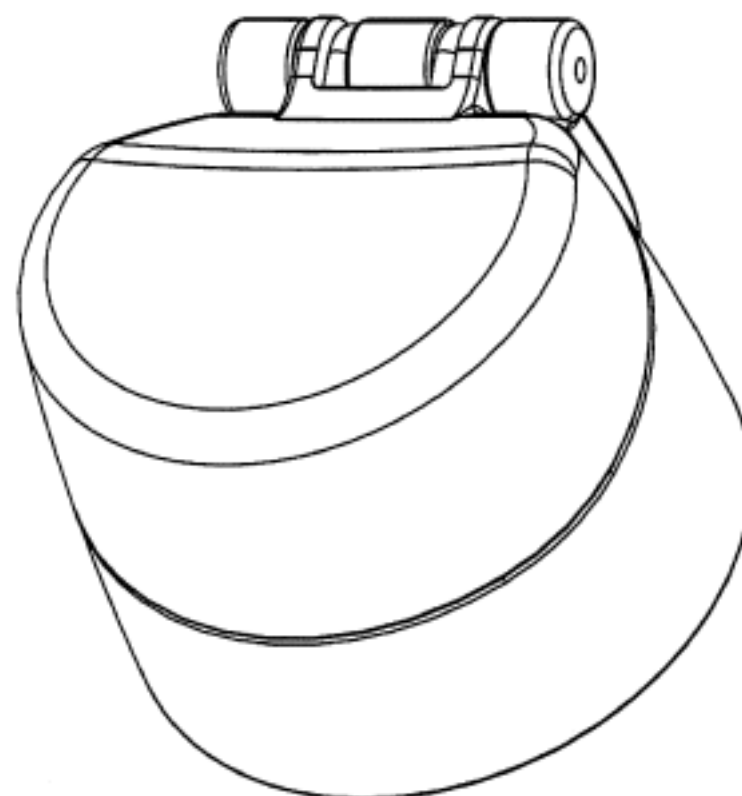
(21) Design Number: **14365/2012**
(22) Date of Filing Application: **04 September 2012**
(24) Date from which industrial property rights may have effect: **22 June 2012**
(54) Product in respect of which the design is registered: **Electronic cigarette**
(51) International Design Classification: **27-01, 27-99**
(74) Name(s) of Attorney(s): **Callinans**
(71) Name(s) and Address(s) of Applicant(s):
Philip Morris Products S.A.
Quay Jeanrenaud 3 2000 Neuchatel Switzerland
(72) Name(s) of Designer(s): **Aaron Abroff**
(45) Registration Date: **24 October 2012**
(30) Convention priority data:
(31) Number (32) Date (33) Country
001307656 23 Dec 2011 EUROPEAN COMMUNITY
(62) Divisional of: **344389**
(56) Related Art Documents: **Not Applicable**
(57) Statement of Newness and Distinctiveness: **Nil**



- (21) Design Number: **14377/2012**
(22) Date of Filing Application: **05 September 2012**
(24) Date from which industrial property rights may have effect: **05 September 2012**
(54) Product in respect of which the design is registered: **Round troughs**
(51) International Design Classification: **11-02B**
(74) Name(s) of Attorney(s):
(71) Name(s) and Address(s) of Applicant(s):
Simon John Gough
833 Ingham Rd Townsville QLD 4818 Australia
(72) Name(s) of Designer(s): **Simon John Gough and David Hollier and Andrew Gough**
(45) Registration Date: **24 October 2012**
(56) Related Art Documents: **Not Applicable**
(57) Statement of Newness and Distinctiveness: **Nil**



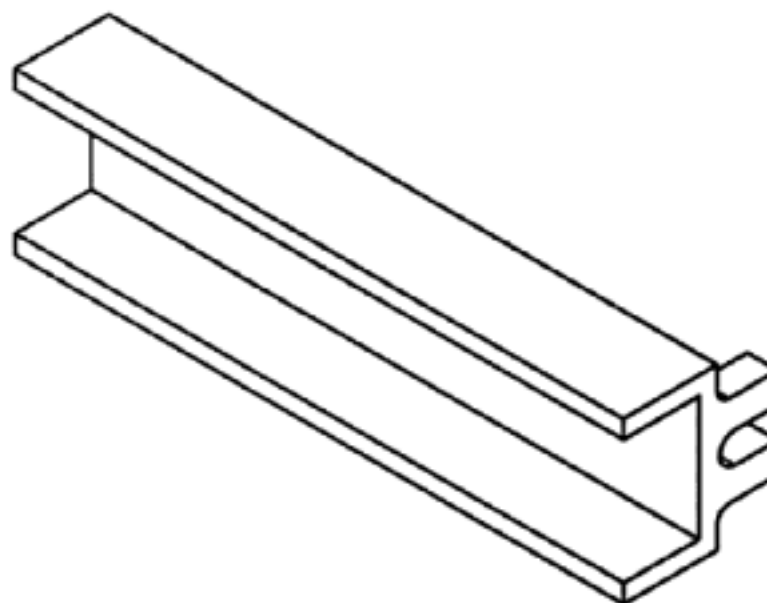
- (21) Design Number: **14379/2012**
(22) Date of Filing Application: **05 September 2012**
(24) Date from which industrial property rights may have effect: **05 September 2012**
(54) Product in respect of which the design is registered: **Lid for drink bottle with nozzle cover, carry loop and cover lock**
(51) International Design Classification: **09-07C**
(74) Name(s) of Attorney(s): **SPRUSON & FERGUSON**
(71) Name(s) and Address(s) of Applicant(s):
Thermos L.C.C.
475 N. Martingale Road Suite 1100 Schaumburg Illinois 60173 United States of America
(72) Name(s) of Designer(s): **Marvin Lane**
(45) Registration Date: **24 October 2012**
(30) Convention priority data:
(31) Number (32) Date (33) Country
29/416433 22 Mar 2012 UNITED STATES OF AMERICA
(56) Related Art Documents: **Not Applicable**
(57) Statement of Newness and Distinctiveness: **Newness and distinctiveness is claimed in the features of shape and/or configuration of a lid for drink bottle with nozzle cover, carry loop and cover lock as illustrated in the accompanying representations.**



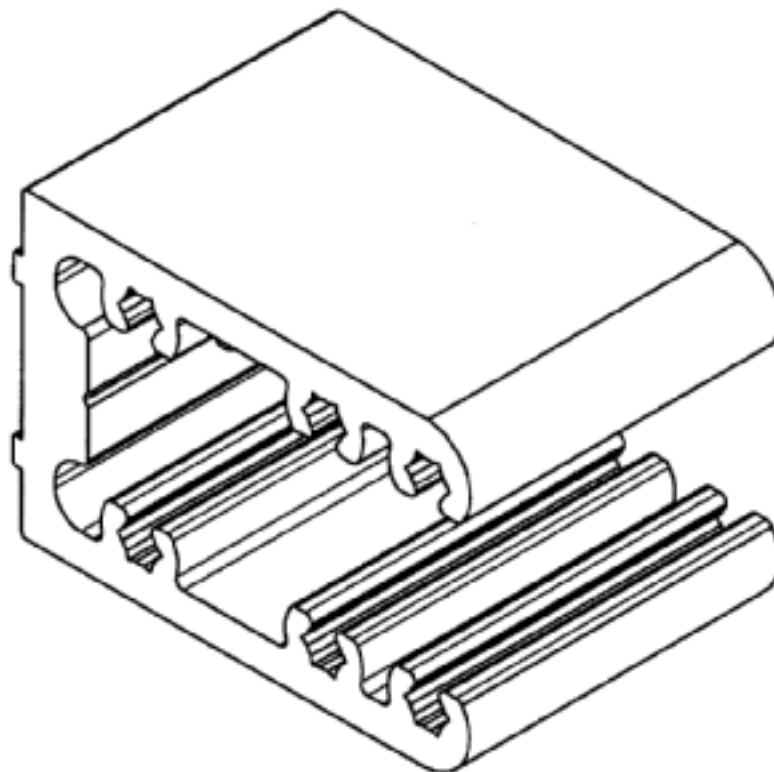
(21) Design Number: **14380/2012**
(22) Date of Filing Application: **05 September 2012**
(24) Date from which industrial property rights may have effect: **05 September 2012**
(54) Product in respect of which the design is registered: **Facial cleansing apparatus**
(51) International Design Classification: **28-03NES**
(74) Name(s) of Attorney(s): **FB Rice**
(71) Name(s) and Address(s) of Applicant(s):
Koninklijke Philips Electronics NV
Groenewoudseweg 1 5621 BA Eindhoven The Netherlands
(72) Name(s) of Designer(s): **Kim Helmbold and Hans Magnus Ahlstrom and Kon Euan Gerard Wong**
(45) Registration Date: **24 October 2012**
(30) Convention priority data:
(31) Number (32) Date (33) Country
002004028-0001 06 Mar 2012 EUROPEAN COMMUNITY
(56) Related Art Documents: **Not Applicable**
(57) Statement of Newness and Distinctiveness: **Newness and distinctiveness reside in the features of shape and configuration as shown in the representations.**



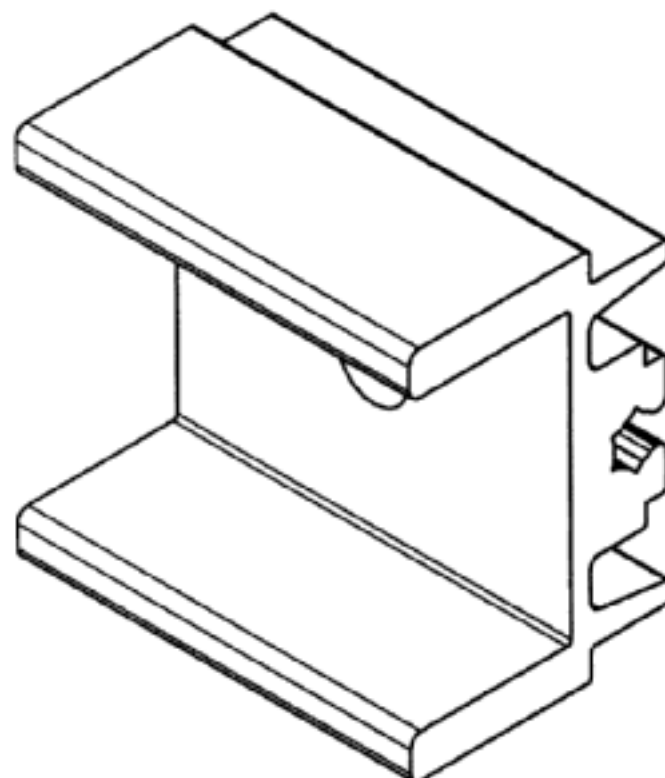
(21) Design Number: **14384/2012**
(22) Date of Filing Application: **05 September 2012**
(24) Date from which industrial property rights may have effect: **05 September 2012**
(54) Product in respect of which the design is registered: **Construction element**
(51) International Design Classification: **25-01K**
(74) Name(s) of Attorney(s): **Herbert Smith Freehills**
(71) Name(s) and Address(s) of Applicant(s):
Aluminium Specialties Group Pty Ltd
3 Alspeck PI Eastern Creek NSW 2766 Australia
(72) Name(s) of Designer(s): **Andy Nguyen**
(45) Registration Date: **24 October 2012**
(56) Related Art Documents: **Not Applicable**
(57) Statement of Newness and Distinctiveness: **Newness and distinctiveness resides in the features of shape and/or configuration of a construction element as shown in the accompanying representations.**



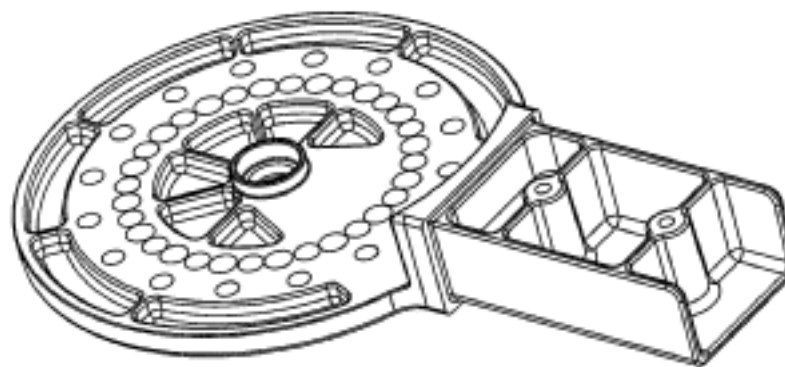
- (21) Design Number: **14385/2012**
(22) Date of Filing Application: **05 September 2012**
(24) Date from which industrial property rights may have effect: **05 September 2012**
(54) Product in respect of which the design is registered: **Construction element**
(51) International Design Classification: **25-01K**
(74) Name(s) of Attorney(s): **Herbert Smith Freehills**
(71) Name(s) and Address(s) of Applicant(s):
Aluminium Specialties Group Pty Ltd
3 Alspeck PI Eastern Creek NSW 2766 Australia
(72) Name(s) of Designer(s): **Andy Nguyen**
(45) Registration Date: **24 October 2012**
(56) Related Art Documents: **Not Applicable**
(57) Statement of Newness and Distinctiveness: **Newness and distinctiveness resides in the features of shape and/or configuration of a construction element as shown in the accompanying representations.**



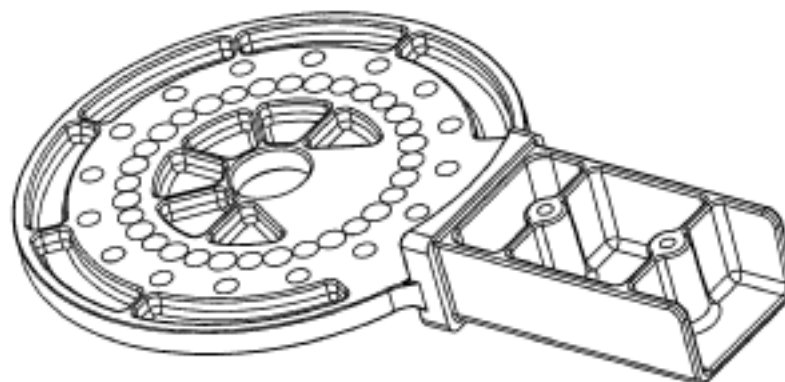
- (21) Design Number: **14386/2012**
(22) Date of Filing Application: **05 September 2012**
(24) Date from which industrial property rights may have effect: **05 September 2012**
(54) Product in respect of which the design is registered: **Construction element**
(51) International Design Classification: **25-01K**
(74) Name(s) of Attorney(s): **Herbert Smith Freehills**
(71) Name(s) and Address(s) of Applicant(s):
Aluminium Specialties Group Pty Ltd
3 Alspeck PI Eastern Creek NSW 2766 Australia
(72) Name(s) of Designer(s): **Andy Nguyen**
(45) Registration Date: **24 October 2012**
(56) Related Art Documents: **Not Applicable**
(57) Statement of Newness and Distinctiveness: **Newness and distinctiveness resides in the features of shape and/or configuration of a construction element as shown in the accompanying representations.**



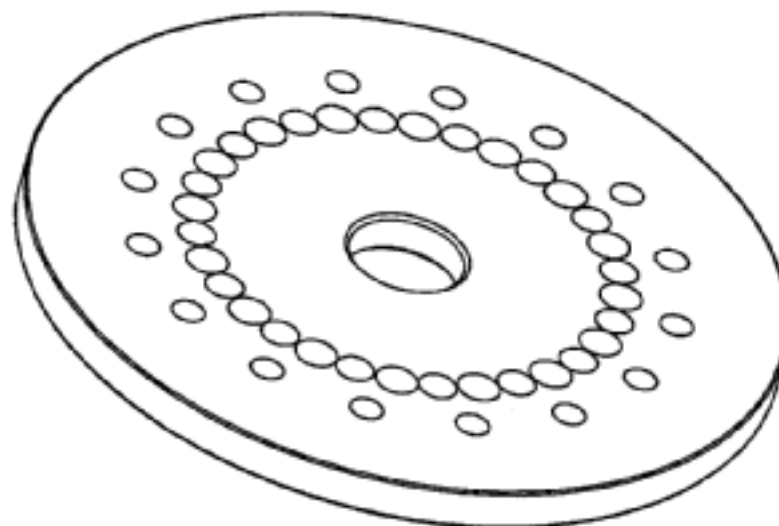
- (21) Design Number: **14042/2012**
(22) Date of Filing Application: **17 August 2012**
(24) Date from which industrial property rights may have effect: **17 August 2012**
(54) Product in respect of which the design is registered: **Furniture frame joint for a table**
(51) International Design Classification: **06-06E**
(74) Name(s) of Attorney(s): **HODGKINSON McINNES PATENTS**
(71) Name(s) and Address(s) of Applicant(s):
Thinking Ergonomix Pty Limited
6A Childs Road Chipping Norton New South Wales 2170 Australia
(72) Name(s) of Designer(s): **Matthew Thomas Cramsie and Seaton McKeon**
(45) Registration Date: **24 October 2012**
(56) Related Art Documents: **Not Applicable**
(57) Statement of Newness and Distinctiveness: **Newness and distinctiveness is claimed in the shape and configuration of the furniture frame joint as shown in the representations.**



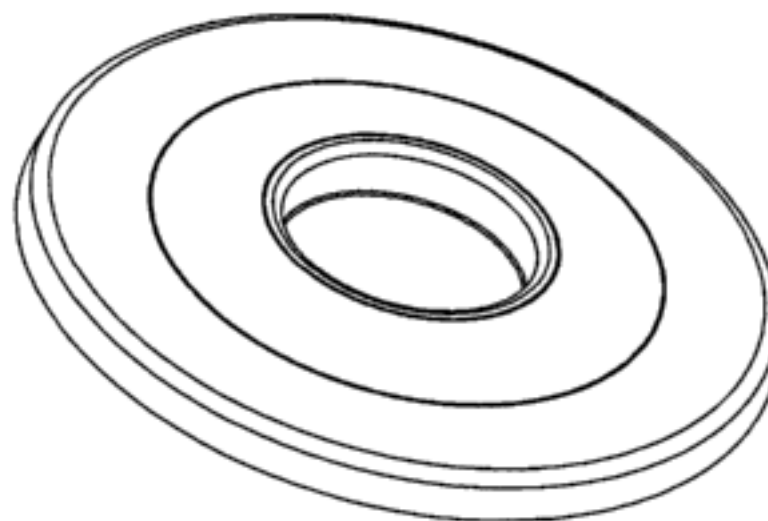
- (21) Design Number: **14043/2012**
(22) Date of Filing Application: **17 August 2012**
(24) Date from which industrial property rights may have effect: **17 August 2012**
(54) Product in respect of which the design is registered: **Furniture frame joint for a table**
(51) International Design Classification: **06-06E**
(74) Name(s) of Attorney(s): **HODGKINSON McINNES PATENTS**
(71) Name(s) and Address(s) of Applicant(s):
Thinking Ergonomix Pty Limited
6A Childs Road Chipping Norton New South Wales 2170 Australia
(72) Name(s) of Designer(s): **Matthew Thomas Cramsie and Seaton McKeon**
(45) Registration Date: **24 October 2012**
(56) Related Art Documents: **Not Applicable**
(57) Statement of Newness and Distinctiveness: **Newness and distinctiveness is claimed in the shape and configuration of the furniture frame joint as shown in the representations.**



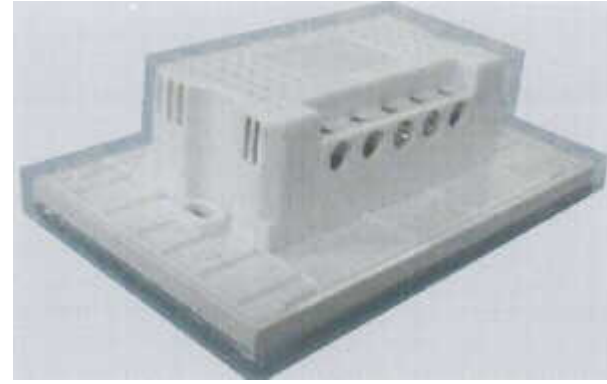
- (21) Design Number: **14044/2012**
(22) Date of Filing Application: **17 August 2012**
(24) Date from which industrial property rights may have effect: **17 August 2012**
(54) Product in respect of which the design is registered: **Furniture frame spacer for a table**
(51) International Design Classification: **06-06E**
(74) Name(s) of Attorney(s): **HODGKINSON McINNES PATENTS**
(71) Name(s) and Address(s) of Applicant(s):
Thinking Ergonomix Pty Limited
6A Childs Road Chipping Norton New South Wales 2170 Australia
(72) Name(s) of Designer(s): **Matthew Thomas Cramsie and Seaton McKeon**
(45) Registration Date: **24 October 2012**
(56) Related Art Documents: **Not Applicable**
(57) Statement of Newness and Distinctiveness: **Newness and distinctiveness is claimed in the shape and configuration of the furniture frame spacer as shown in the representations.**



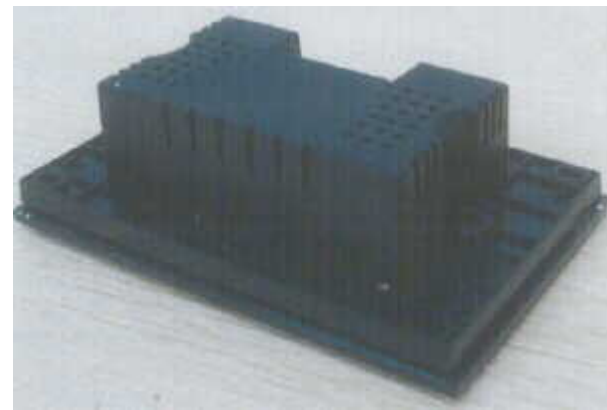
- (21) Design Number: **14045/2012**
(22) Date of Filing Application: **17 August 2012**
(24) Date from which industrial property rights may have effect: **17 August 2012**
(54) Product in respect of which the design is registered: **Furniture frame cap for a table**
(51) International Design Classification: **06-06E**
(74) Name(s) of Attorney(s): **HODGKINSON McINNES PATENTS**
(71) Name(s) and Address(s) of Applicant(s):
Thinking Ergonomix Pty Limited
6A Childs Road Chipping Norton New South Wales 2170 Australia
(72) Name(s) of Designer(s): **Matthew Thomas Cramsie and Seaton McKeon**
(45) Registration Date: **24 October 2012**
(56) Related Art Documents: **Not Applicable**
(57) Statement of Newness and Distinctiveness: **Newness and distinctiveness is claimed in the shape and configuration of the furniture frame cap as shown in the representations.**



- (21) Design Number: **14711/2012**
(22) Date of Filing Application: **21 September 2012**
(24) Date from which industrial property rights may have effect: **21 September 2012**
(54) Product in respect of which the design is registered: **Unique look for sensor touch switch, can use both black and white colour glass covers.**
(51) International Design Classification: **13-03D**
(74) Name(s) of Attorney(s):
(71) Name(s) and Address(s) of Applicant(s):
HQA Pty Ltd
1/11 Crown Ct Varsity Lakes Qld 4227 Australia
(72) Name(s) of Designer(s): **Anthony Aucone**
(45) Registration Date: **24 October 2012**
(56) Related Art Documents: **Not Applicable**
(57) Statement of Newness and Distinctiveness: **Nil**



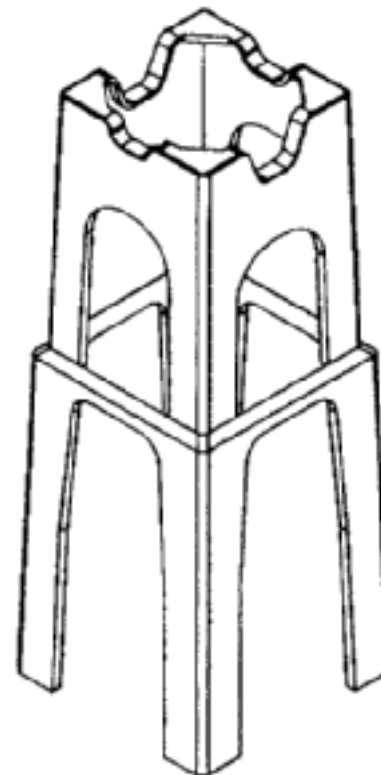
- (21) Design Number: **14712/2012**
(22) Date of Filing Application: **21 September 2012**
(24) Date from which industrial property rights may have effect: **21 September 2012**
(54) Product in respect of which the design is registered: **Unique look for sensor touch switch, can use both black and white colour glass covers.**
(51) International Design Classification: **13-03D**
(74) Name(s) of Attorney(s):
(71) Name(s) and Address(s) of Applicant(s):
HQA Pty Ltd
1/11 Crown Ct Varsity Lakes Qld 4227 Australia
(72) Name(s) of Designer(s): **Anthony Aucone**
(45) Registration Date: **24 October 2012**
(56) Related Art Documents: **Not Applicable**
(57) Statement of Newness and Distinctiveness: **Nil**



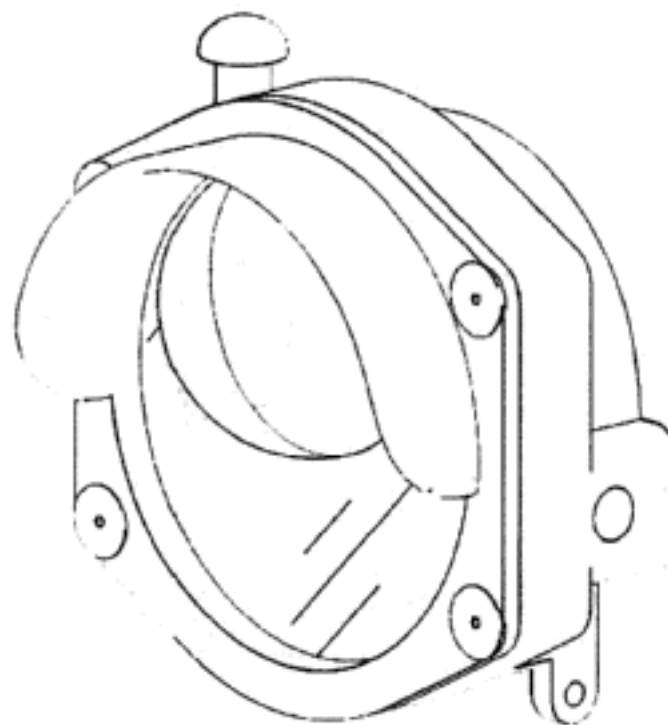
- (21) Design Number: **14971/2012**
(22) Date of Filing Application: **03 October 2012**
(24) Date from which industrial property rights may have effect: **03 October 2012**
(54) Product in respect of which the design is registered: **Outdoor hospitality stand**
(51) International Design Classification: **20-02E**
(74) Name(s) of Attorney(s): **Sandercock & Cowie**
(71) Name(s) and Address(s) of Applicant(s):
Mark Desmond Paulsen
31 Anthony St Langwarrin VIC 3910 Australia
(72) Name(s) of Designer(s): **Mark Desmond Paulsen**
(45) Registration Date: **24 October 2012**
(56) Related Art Documents: **Not Applicable**
(57) Statement of Newness and Distinctiveness: **Newness and distinctiveness reside in the shape and configuration of the outdoor hospitality stand as shown in the accompanying representations.**



- (21) Design Number: **14725/2012**
(22) Date of Filing Application: **21 September 2012**
(24) Date from which industrial property rights may have effect: **21 September 2012**
(54) Product in respect of which the design is registered: **Plastic barchair used to chair-up reinforcing steel prior to concrete pour**
(51) International Design Classification: **25-01B**
(74) Name(s) of Attorney(s):
(71) Name(s) and Address(s) of Applicant(s):
Lee Ann Gallagher
6 Pelican Pl Woronora Hts NSW 2233 Australia
(72) Name(s) of Designer(s): **Martin Gallagher**
(45) Registration Date: **24 October 2012**
(56) Related Art Documents: **Not Applicable**
(57) Statement of Newness and Distinctiveness: **The new design is of squared shape unlike existing barchairs with different features & taller than other plastic barchairs.**



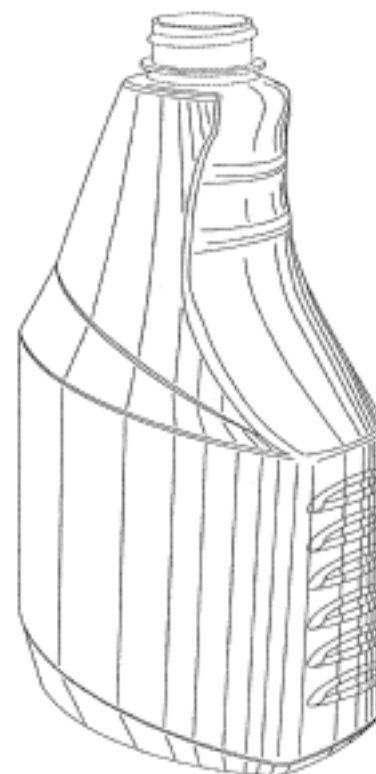
(21) Design Number: **11980/2012**
(22) Date of Filing Application: **19 April 2012**
(24) Date from which industrial property rights may have effect: **19 April 2012**
(54) Product in respect of which the design is registered: **Light head**
(51) International Design Classification: **26-02**
(74) Name(s) of Attorney(s): **Lord & Company**
(71) Name(s) and Address(s) of Applicant(s):
Ashley Horton
49 Hefron Way Parmelia Western Australia 6167 Australia
(72) Name(s) of Designer(s): **Ashley Horton**
(45) Registration Date: **25 October 2012**
(56) Related Art Documents: **Not Applicable**
(57) Statement of Newness and Distinctiveness: **Nil**



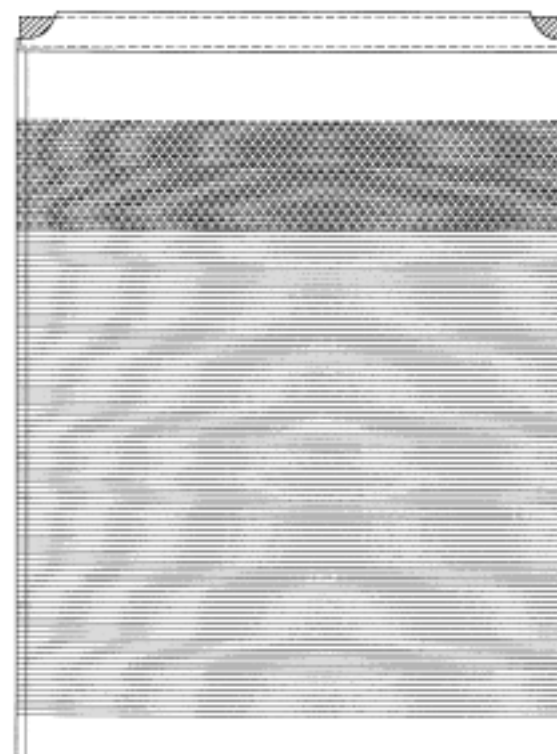
(21) Design Number: **13157/2012**
(22) Date of Filing Application: **06 July 2012**
(24) Date from which industrial property rights may have effect: **06 July 2012**
(54) Product in respect of which the design is registered: **Quad bike rollover frame**
(51) International Design Classification: **12-16E, 12-16NES**
(74) Name(s) of Attorney(s):
(71) Name(s) and Address(s) of Applicant(s):
Loader Construction Engineering Limited
17 Hope Street Masterton 5810 New Zealand
(72) Name(s) of Designer(s): **Bruce Hargood**
(45) Registration Date: **25 October 2012**
(56) Related Art Documents: **Not Applicable**
(57) Statement of Newness and Distinctiveness: **The design is to be applied to a quad bike rollover frame. The novelty of design is the elliptical shapes of the rollover frame and their configuration of being positioned at the rear corner extremities of a quad bike. DISCLAIMER: The novelty of the quad bike as shown in the representations is not part of the novelty of design.**



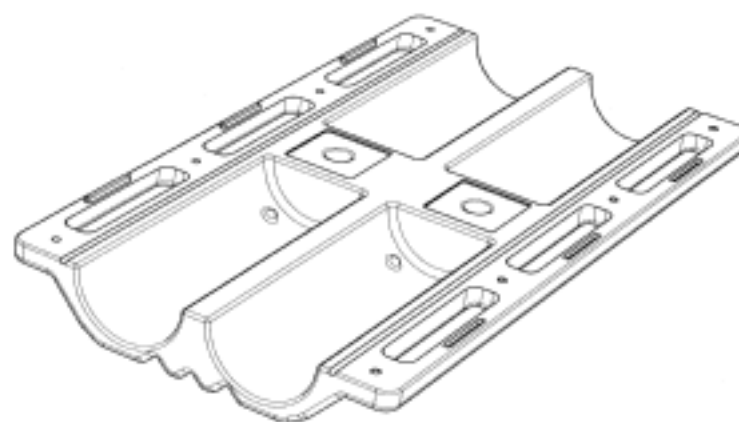
- (21) Design Number: **13705/2012**
(22) Date of Filing Application: **01 August 2012**
(24) Date from which industrial property rights may have effect: **01 August 2012**
(54) Product in respect of which the design is registered: **Bottle**
(51) International Design Classification: **09-01K**
(74) Name(s) of Attorney(s): **SPRUSON & FERGUSON**
(71) Name(s) and Address(s) of Applicant(s):
S. C. Johnson & Son, Inc.
1525 Howe Street Racine Wisconsin 53403-2236 United States of America
(72) Name(s) of Designer(s): **Jose De Jesus Castillo Higareda and Peter M. Neuman and Holger Hampf and Matthew D. Hern and Gary B. Swetish and Benjamin R. Lloyd**
(45) Registration Date: **25 October 2012**
(30) Convention priority data:
(31) Number (32) Date (33) Country
29/412,300 01 Feb 2012 UNITED STATES OF AMERICA
(56) Related Art Documents: **Not Applicable**
(57) Statement of Newness and Distinctiveness: **Newness and distinctiveness is claimed in the features of shape and/or configuration of a bottle as illustrated in continuous lines in the accompanying representations.**



- (21) Design Number: **14323/2012**
(22) Date of Filing Application: **31 August 2012**
(24) Date from which industrial property rights may have effect: **31 August 2012**
(54) Product in respect of which the design is registered: **Trash bag**
(51) International Design Classification: **09-05**
(74) Name(s) of Attorney(s): **PIZZEYS**
(71) Name(s) and Address(s) of Applicant(s):
The Glad Products Company
1221 Broadway Oakland CA 94612 United States of America
(72) Name(s) of Designer(s): **Robert W. Fraser and Kylie R. Wilcoxon**
(45) Registration Date: **25 October 2012**
(30) Convention priority data:
(31) Number (32) Date (33) Country
29/415,001 06 Mar 2012 UNITED STATES OF AMERICA
(56) Related Art Documents: **Not Applicable**
(57) Statement of Newness and Distinctiveness: **In the representations, the Applicant is showing a trash bag from a front view, side view, top view and bottom view. The broken lines shown form no part of the design of the bag.**



(21) Design Number: **14324/2012**
(22) Date of Filing Application: **31 August 2012**
(24) Date from which industrial property rights may have effect: **31 August 2012**
(54) Product in respect of which the design is registered: **Marine survival pod**
(51) International Design Classification: **12-06NES**
(74) Name(s) of Attorney(s): **FB Rice**
(71) Name(s) and Address(s) of Applicant(s):
Plastic Fabrications Pty Ltd
8 Negara Cres Goodwood TAS 7010 Australia
(72) Name(s) of Designer(s): **Glen Shackcloth**
(45) Registration Date: **25 October 2012**
(56) Related Art Documents: **Not Applicable**
(57) Statement of Newness and Distinctiveness: **Newness and distinctiveness reside in the features of the design as shown in the representations.**



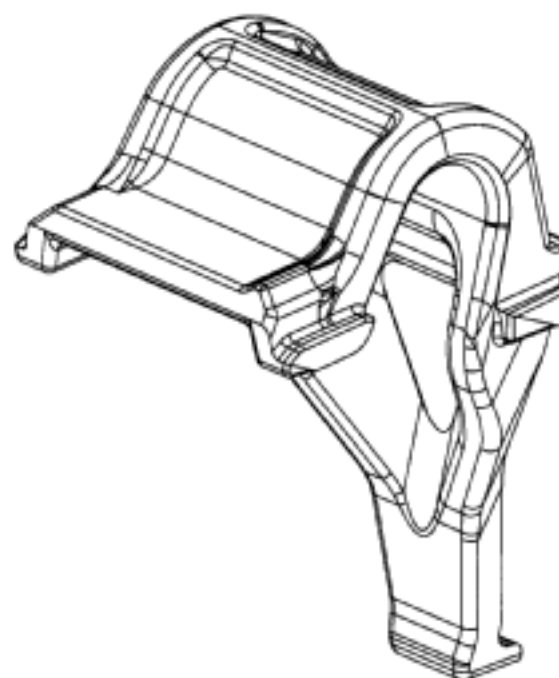
(21) Design Number: **14328/2012**
(22) Date of Filing Application: **03 September 2012**
(24) Date from which industrial property rights may have effect: **03 September 2012**
(54) Product in respect of which the design is registered: **A cup**
(51) International Design Classification: **07-01D**
(74) Name(s) of Attorney(s): **Banki Haddock Fiora**
(71) Name(s) and Address(s) of Applicant(s):
Societe des Produits Nestle S.A.
1800 Vevey Switzerland
(72) Name(s) of Designer(s): **Veronique Maire**
(45) Registration Date: **25 October 2012**
(30) Convention priority data:
(31) Number (32) Date (33) Country
138667 14 Mar 2012 SWITZERLAND
(56) Related Art Documents: **Not Applicable**
(57) Statement of Newness and Distinctiveness: **Nil**



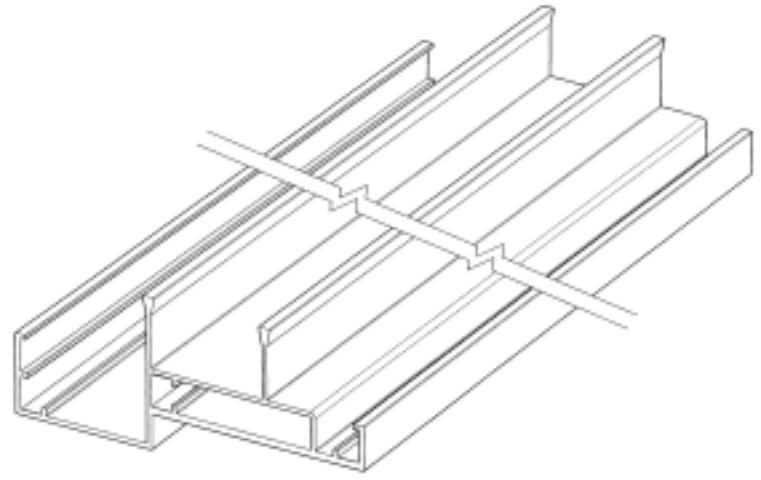
- (21) Design Number: **14342/2012**
(22) Date of Filing Application: **03 September 2012**
(24) Date from which industrial property rights may have effect: **03 September 2012**
(54) Product in respect of which the design is registered: **Station for managing bicycle rental**
(51) International Design Classification: **12-16K**
(74) Name(s) of Attorney(s): **Griffith Hack**
(71) Name(s) and Address(s) of Applicant(s):
Societe de velo en libre-service
2113 32nd Avenue Lachine QC H8T 3J1 Canada
(72) Name(s) of Designer(s): **Michel Dallaire**
(45) Registration Date: **25 October 2012**
(30) Convention priority data:
(31) Number (32) Date (33) Country
29/415,399 09 Mar 2012 UNITED STATES OF AMERICA
(56) Related Art Documents: **Not Applicable**
(57) Statement of Newness and Distinctiveness: **The shape, configuration and ornamentation of the product as shown by means of solid lines in the representations is new and distinctive. Those parts shown by means of dashed lines have been included for illustrative purposes only and do not form part of the design.**



- (21) Design Number: **14357/2012**
(22) Date of Filing Application: **31 August 2012**
(24) Date from which industrial property rights may have effect: **31 August 2012**
(54) Product in respect of which the design is registered: **An anchor for a rail fastening clip**
(51) International Design Classification: **12-03, 12-99, 08-08NES**
(74) Name(s) of Attorney(s): **Madderns**
(71) Name(s) and Address(s) of Applicant(s):
Pandrol Australia Pty Ltd
1 Schumacker Rd Wingfield SA 5013 Australia
(72) Name(s) of Designer(s): **Steven Harkness and Brenton Keast and Pierre Barthram**
(45) Registration Date: **25 October 2012**
(56) Related Art Documents: **Not Applicable**
(57) Statement of Newness and Distinctiveness: **The applicant company derives title to the design by virtue of a contract of employment with the designers.**



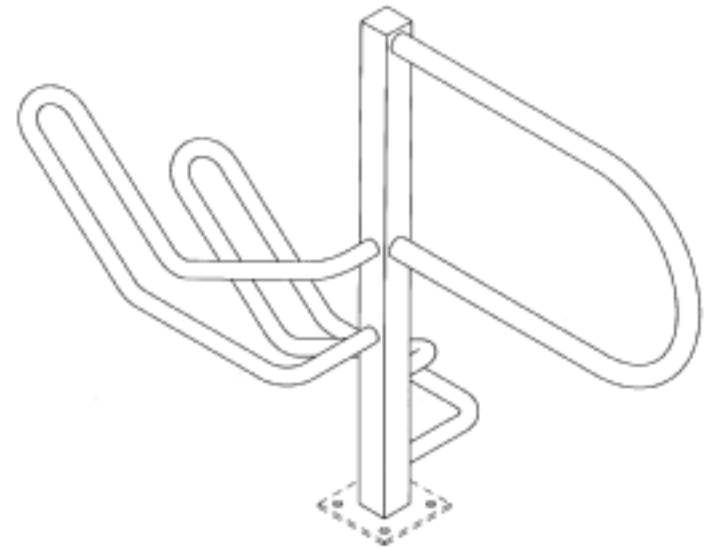
- (21) Design Number: **14358/2012**
(22) Date of Filing Application: **31 August 2012**
(24) Date from which industrial property rights may have effect: **31 August 2012**
(54) Product in respect of which the design is registered: **Precast frame adaptor member**
(51) International Design Classification: **25-01NES**
(74) Name(s) of Attorney(s): **Madderns**
(71) Name(s) and Address(s) of Applicant(s):
Prodrome Designs Pty Ltd
468 Stuart Hwy Winnellie NT 0820 Australia
(72) Name(s) of Designer(s): **John Koukouvas**
(45) Registration Date: **25 October 2012**
(56) Related Art Documents: **Not Applicable**
(57) Statement of Newness and Distinctiveness: **Newness and distinctiveness resides in the features of shape and configuration of a precast frame adaptor member as shown in the accompanying representations.**



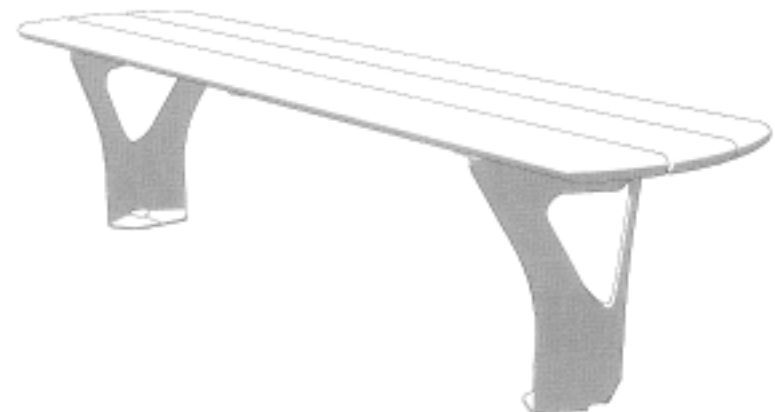
- (21) Design Number: **14951/2012**
(22) Date of Filing Application: **26 September 2012**
(24) Date from which industrial property rights may have effect: **26 September 2012**
(54) Product in respect of which the design is registered: **Customer help desk**
(51) International Design Classification: **06-03C**
(74) Name(s) of Attorney(s):
(71) Name(s) and Address(s) of Applicant(s):
Cie Ltd
PO Box 13208 Tauranga 3141 New Zealand
(72) Name(s) of Designer(s): **Paul White**
(45) Registration Date: **25 October 2012**
(56) Related Art Documents: **Not Applicable**
(57) Statement of Newness and Distinctiveness: **The design applies to a help desk and the distinctiveness resides in the shape and configuration as shown in attached drawings.**



- (21) Design Number: **14982/2012**
(22) Date of Filing Application: **04 October 2012**
(24) Date from which industrial property rights may have effect: **04 October 2012**
(54) Product in respect of which the design is registered: **Bike parking rail/rack**
(51) International Design Classification: **08-10**
(74) Name(s) of Attorney(s):
(71) Name(s) and Address(s) of Applicant(s):
Martyn S Wilson
8-10 Giffard St Silverwater NSW 2128 Australia
(72) Name(s) of Designer(s): **Martyn S Wilson**
(45) Registration Date: **25 October 2012**
(56) Related Art Documents: **Not Applicable**
(57) Statement of Newness and Distinctiveness: **The shape and configuration of the Bicycle Rail/Rack as shown in the representations is claimed to be new and distinctive, regardless of the shape of the sections used to construct the Rack/Rail and regardless of the shape of the foot mounting base plate shown by the dashed outline. The claim is made for the Rail as an individual item or more than one connected or installed together.**



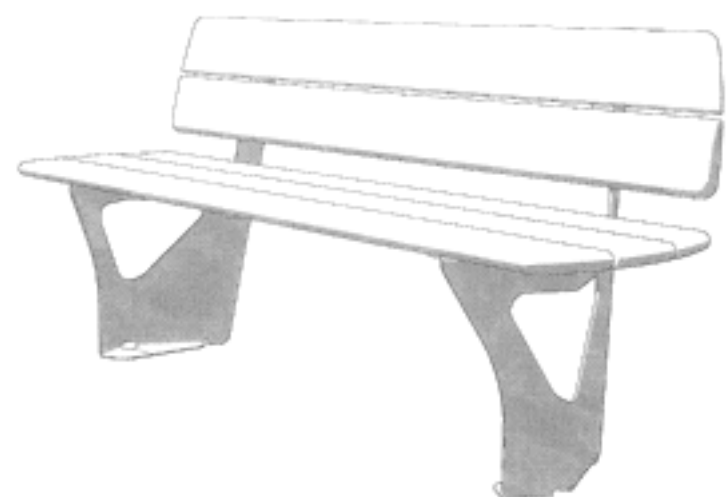
- (21) Design Number: **15022/2012**
(22) Date of Filing Application: **09 October 2012**
(24) Date from which industrial property rights may have effect: **09 October 2012**
(54) Product in respect of which the design is registered: **Backless bench seat**
(51) International Design Classification: **06-01C**
(74) Name(s) of Attorney(s):
(71) Name(s) and Address(s) of Applicant(s):
David Shaw
13 Kurilpa St West End QLD 4101 Australia
(72) Name(s) of Designer(s): **Surya Graf**
(45) Registration Date: **25 October 2012**
(56) Related Art Documents: **Not Applicable**
(57) Statement of Newness and Distinctiveness: **See attached drawings.**



- (21) Design Number: **15023/2012**
(22) Date of Filing Application: **09 October 2012**
(24) Date from which industrial property rights may have effect: **09 October 2012**
(54) Product in respect of which the design is registered: **Picnic table**
(51) International Design Classification: **06-03A**
(74) Name(s) of Attorney(s):
(71) Name(s) and Address(s) of Applicant(s):
 David Shaw
 13 Kurilpa St West End QLD 4101 Australia
(72) Name(s) of Designer(s): **Surya Graf**
(45) Registration Date: **25 October 2012**
(56) Related Art Documents: **Not Applicable**
(57) Statement of Newness and Distinctiveness: **See attached drawings.**



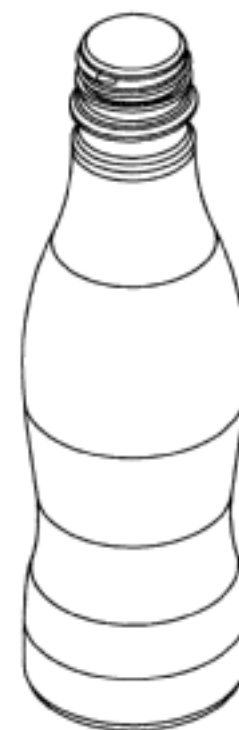
- (21) Design Number: **15024/2012**
(22) Date of Filing Application: **09 October 2012**
(24) Date from which industrial property rights may have effect: **09 October 2012**
(54) Product in respect of which the design is registered: **Bench seat with backrest**
(51) International Design Classification: **06-01C**
(74) Name(s) of Attorney(s):
(71) Name(s) and Address(s) of Applicant(s):
 David Shaw
 13 Kurilpa St West End QLD 4101 Australia
(72) Name(s) of Designer(s): **Surya Graf**
(45) Registration Date: **25 October 2012**
(56) Related Art Documents: **Not Applicable**
(57) Statement of Newness and Distinctiveness: **See attached drawings.**



(21) Design Number: **13918/2012**
(22) Date of Filing Application: **13 August 2012**
(24) Date from which industrial property rights may have effect: **13 August 2012**
(54) Product in respect of which the design is registered: **Bottle**
(51) International Design Classification: **09-01K**
(74) Name(s) of Attorney(s): **PHILLIPS ORMONDE FITZPATRICK**
(71) Name(s) and Address(s) of Applicant(s):
The Coca-Cola Company
One Coca-Cola Plaza N.W. Atlanta Georgia 30313 United States of America
(72) Name(s) of Designer(s): **John E. Adams and Darryl J. Dawson and Gopaldaswamy Rajesh**
(45) Registration Date: **25 October 2012**
(30) Convention priority data:
(31) Number (32) Date (33) Country
29/413,665 17 Feb 2012 UNITED STATES OF AMERICA
(56) Related Art Documents: **Not Applicable**
(57) Statement of Newness and Distinctiveness: **Those features of the bottle depicted in the representations that are new and distinctive are the shape and/or configuration. The features shown in broken line are not part of the design and are to be disregarded when considering the overall impression of the design.**



(21) Design Number: **15172/2012**
(22) Date of Filing Application: **13 August 2012**
(24) Date from which industrial property rights may have effect: **13 August 2012**
(54) Product in respect of which the design is registered: **Bottle**
(51) International Design Classification: **09-01K**
(74) Name(s) of Attorney(s): **PHILLIPS ORMONDE FITZPATRICK**
(71) Name(s) and Address(s) of Applicant(s):
The Coca-Cola Company
One Coca-Cola Plaza N.W. Atlanta Georgia 30313 United States of America
(72) Name(s) of Designer(s): **Gopaldaswamy Rajesh and John E. Adams and Darryl J. Dawson**
(45) Registration Date: **25 October 2012**
(30) Convention priority data:
(31) Number (32) Date (33) Country
29/413,665 17 Feb 2012 UNITED STATES OF AMERICA
(56) Related Art Documents: **Not Applicable**
(57) Statement of Newness and Distinctiveness: **Those features of the bottle depicted in the representations that are new and distinctive are the shape and/or configuration.**



- (21) Design Number: **13920/2012**
(22) Date of Filing Application: **13 August 2012**
(24) Date from which industrial property rights may have effect: **13 August 2012**
(54) Product in respect of which the design is registered: **Bottle**
(51) International Design Classification: **09-01K**
(74) Name(s) of Attorney(s): **PHILLIPS ORMONDE FITZPATRICK**
(71) Name(s) and Address(s) of Applicant(s):
The Coca-Cola Company
One Coca-Cola Plaza N.W. Atlanta Georgia 30313 United States of America
(72) Name(s) of Designer(s): **John E. Adams and Darryl J. Dawson and Gopalaswamy Rajesh**
(45) Registration Date: **25 October 2012**
(30) Convention priority data:
(31) Number (32) Date (33) Country
29/413,669 17 Feb 2012 UNITED STATES OF AMERICA
(56) Related Art Documents: **Not Applicable**
(57) Statement of Newness and Distinctiveness: **Those features of the bottle depicted in the representations that are new and distinctive are the shape and/or configuration. The features shown in broken line are not part of the design and are to be disregarded when considering the overall impression of the design.**



- (21) Design Number: **15173/2012**
(22) Date of Filing Application: **13 August 2012**
(24) Date from which industrial property rights may have effect: **13 August 2012**
(54) Product in respect of which the design is registered: **Bottle**
(51) International Design Classification: **09-01K**
(74) Name(s) of Attorney(s): **PHILLIPS ORMONDE FITZPATRICK**
(71) Name(s) and Address(s) of Applicant(s):
The Coca-Cola Company
One Coca-Cola Plaza N.W. Atlanta Georgia 30313 United States of America
(72) Name(s) of Designer(s): **Gopalaswamy Rajesh and John E. Adams and Darryl J. Dawson**
(45) Registration Date: **25 October 2012**
(30) Convention priority data:
(31) Number (32) Date (33) Country
29/413,669 17 Feb 2012 UNITED STATES OF AMERICA
(56) Related Art Documents: **Not Applicable**
(57) Statement of Newness and Distinctiveness: **Those features of the bottle depicted in the representations that are new and distinctive are the shape and/or configuration.**



(21) Design Number: **13919/2012**
(22) Date of Filing Application: **13 August 2012**
(24) Date from which industrial property rights may have effect: **13 August 2012**
(54) Product in respect of which the design is registered: **Bottle**
(51) International Design Classification: **09-01K**
(74) Name(s) of Attorney(s): **PHILLIPS ORMONDE FITZPATRICK**
(71) Name(s) and Address(s) of Applicant(s):

The Coca-Cola Company
One Coca-Cola Plaza N.W. Atlanta Georgia 30313 United States of America

(72) Name(s) of Designer(s): **John E. Adams and Darryl J. Dawson and Gopaldaswamy Rajesh**

(45) Registration Date: **25 October 2012**

(30) Convention priority data:

(31) Number	(32) Date	(33) Country
29/413,666	17 Feb 2012	UNITED STATES OF AMERICA

(56) Related Art Documents: **Not Applicable**

(57) Statement of Newness and Distinctiveness: **Those features of the bottle depicted in the representations that are new and distinctive are the shape and/or configuration. The features shown in broken line are not part of the design and are to be disregarded when considering the overall impression of the design.**



(21) Design Number: **15174/2012**
(22) Date of Filing Application: **13 August 2012**
(24) Date from which industrial property rights may have effect: **13 August 2012**
(54) Product in respect of which the design is registered: **Bottle**
(51) International Design Classification: **09-01K**
(74) Name(s) of Attorney(s): **PHILLIPS ORMONDE FITZPATRICK**
(71) Name(s) and Address(s) of Applicant(s):

The Coca-Cola Company
One Coca-Cola Plaza N.W. Atlanta Georgia 30313 United States of America

(72) Name(s) of Designer(s): **Gopaldaswamy Rajesh and John E. Adams and Darryl J. Dawson**

(45) Registration Date: **25 October 2012**

(30) Convention priority data:

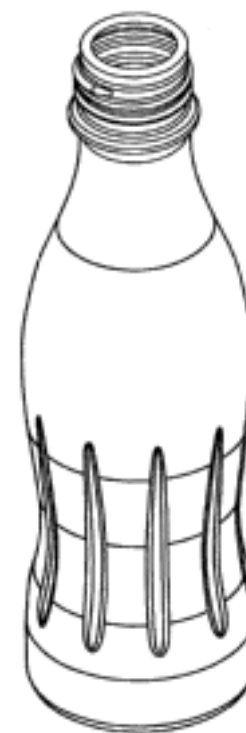
(31) Number	(32) Date	(33) Country
29/413,666	17 Feb 2012	UNITED STATES OF AMERICA

(56) Related Art Documents: **Not Applicable**

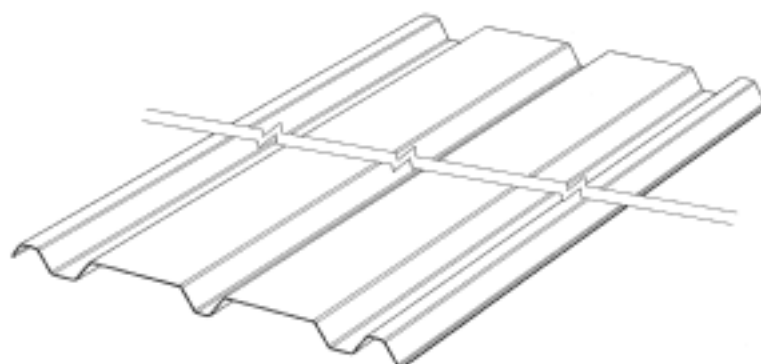
(57) Statement of Newness and Distinctiveness: **Those features of the bottle depicted in the representations that are new and distinctive are the shape and/or configuration.**



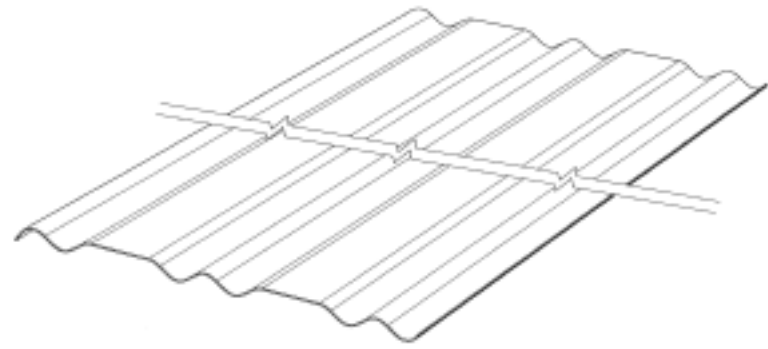
- (21) Design Number: **15175/2012**
(22) Date of Filing Application: **13 August 2012**
(24) Date from which industrial property rights may have effect: **13 August 2012**
(54) Product in respect of which the design is registered: **Bottle**
(51) International Design Classification: **09-01K**
(74) Name(s) of Attorney(s): **PHILLIPS ORMONDE FITZPATRICK**
(71) Name(s) and Address(s) of Applicant(s):
The Coca-Cola Company
One Coca-Cola Plaza N.W. Atlanta Georgia 30313 United States of America
(72) Name(s) of Designer(s): **Gopalaswamy Rajesh and John E. Adams and Darryl J. Dawson**
(45) Registration Date: **25 October 2012**
(30) Convention priority data:
(31) Number (32) Date (33) Country
29/413,666 17 Feb 2012 UNITED STATES OF AMERICA
(56) Related Art Documents: **Not Applicable**
(57) Statement of Newness and Distinctiveness: **Those features of the bottle depicted in the representations that are new and distinctive are the shape and/or configuration.**



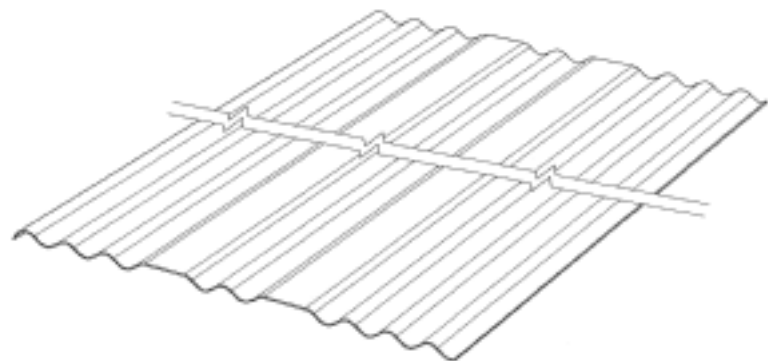
- (21) Design Number: **12191/2012**
(22) Date of Filing Application: **08 May 2012**
(24) Date from which industrial property rights may have effect: **08 May 2012**
(54) Product in respect of which the design is registered: **A sheet for roofing or walling**
(51) International Design Classification: **25-01G**
(74) Name(s) of Attorney(s): **Madderns**
(71) Name(s) and Address(s) of Applicant(s):
Fielders Australia Pty Ltd
15 Railway Terrace Mile End South Australia 5031 Australia
(72) Name(s) of Designer(s): **Rick Spangler and David Christian and Jed Broadbent**
(45) Registration Date: **26 October 2012**
(56) Related Art Documents: **Not Applicable**
(57) Statement of Newness and Distinctiveness: **Nil**



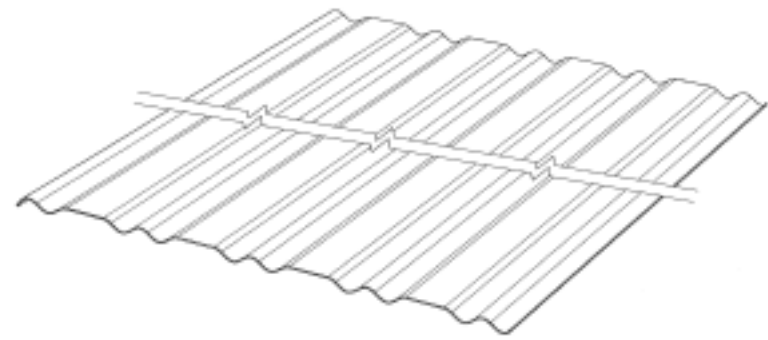
- (21) Design Number: **12192/2012**
(22) Date of Filing Application: **08 May 2012**
(24) Date from which industrial property rights may have effect: **08 May 2012**
(54) Product in respect of which the design is registered: **A sheet for roofing or walling**
(51) International Design Classification: **25-01G**
(74) Name(s) of Attorney(s): **Madderns**
(71) Name(s) and Address(s) of Applicant(s):
Fielders Australia Pty Ltd
15 Railway Terrace Mile End South Australia 5031 Australia
(72) Name(s) of Designer(s): **Rick Spangler and David Christian and Jed Broadbent**
(45) Registration Date: **26 October 2012**
(56) Related Art Documents: **Not Applicable**
(57) Statement of Newness and Distinctiveness: **Nil**



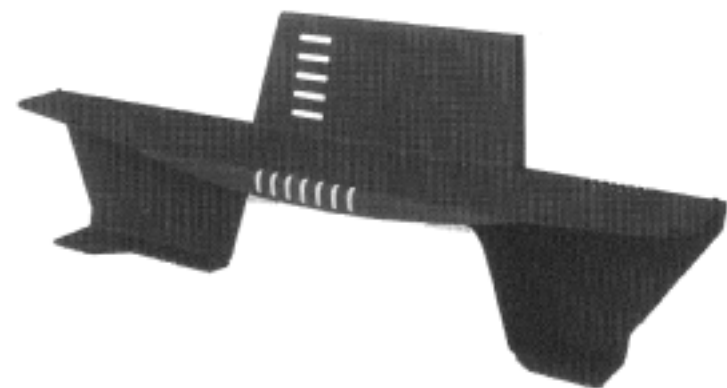
- (21) Design Number: **12193/2012**
(22) Date of Filing Application: **08 May 2012**
(24) Date from which industrial property rights may have effect: **08 May 2012**
(54) Product in respect of which the design is registered: **A sheet for roofing or walling**
(51) International Design Classification: **25-01G**
(74) Name(s) of Attorney(s): **Madderns**
(71) Name(s) and Address(s) of Applicant(s):
Fielders Australia Pty Ltd
15 Railway Terrace Mile End South Australia 5031 Australia
(72) Name(s) of Designer(s): **Rick Spangler and David Christian and Jed Broadbent**
(45) Registration Date: **26 October 2012**
(56) Related Art Documents: **Not Applicable**
(57) Statement of Newness and Distinctiveness: **Nil**



(21) Design Number: **12194/2012**
(22) Date of Filing Application: **08 May 2012**
(24) Date from which industrial property rights may have effect: **08 May 2012**
(54) Product in respect of which the design is registered: **A sheet for roofing or walling**
(51) International Design Classification: **25-01G**
(74) Name(s) of Attorney(s): **Madderns**
(71) Name(s) and Address(s) of Applicant(s):
Fielders Australia Pty Ltd
15 Railway Terrace Mile End South Australia 5031 Australia
(72) Name(s) of Designer(s): **Rick Spangler and David Christian and Jed Broadbent**
(45) Registration Date: **26 October 2012**
(56) Related Art Documents: **Not Applicable**
(57) Statement of Newness and Distinctiveness: **Nil**



(21) Design Number: **14021/2012**
(22) Date of Filing Application: **10 August 2012**
(24) Date from which industrial property rights may have effect: **10 August 2012**
(54) Product in respect of which the design is registered: **Submarine bench seat**
(51) International Design Classification: **06-01D**
(74) Name(s) of Attorney(s):
(71) Name(s) and Address(s) of Applicant(s):
David Shaw
13 Kurilpa Street West End Queensland 4101 Australia
(72) Name(s) of Designer(s): **Forest Gillham**
(45) Registration Date: **26 October 2012**
(56) Related Art Documents: **Not Applicable**
(57) Statement of Newness and Distinctiveness: **Nil**



(21) Design Number: **14454/2012**
(22) Date of Filing Application: **07 September 2012**
(24) Date from which industrial property rights may have effect: **07 September 2012**
(54) Product in respect of which the design is registered: **Light emitting device**
(51) International Design Classification: **26-04**
(74) Name(s) of Attorney(s): **Davies Collison Cave**
(71) Name(s) and Address(s) of Applicant(s):

Sensolite S.A.
7 place du Theatre Luxembourg 2613 Luxembourg

(72) Name(s) of Designer(s): **Peter Klein**

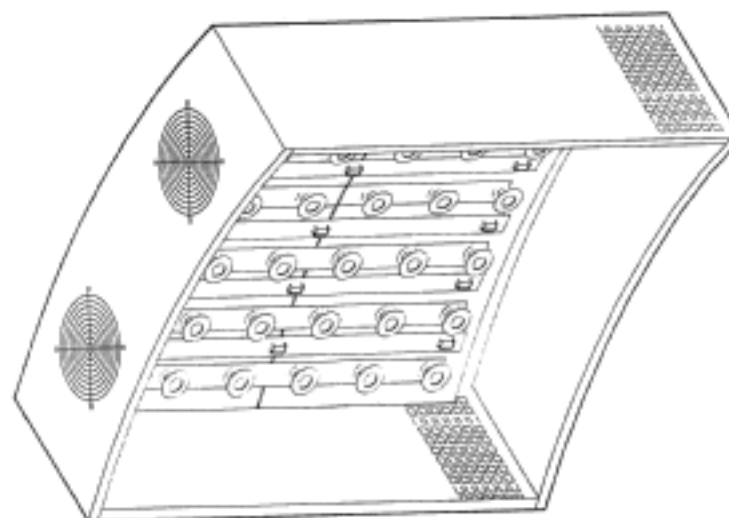
(45) Registration Date: **26 October 2012**

(30) Convention priority data:

(31) Number	(32) Date	(33) Country
002004564-0003	07 Mar 2012	EUROPEAN COMMUNITY

(56) Related Art Documents: **Not Applicable**

(57) Statement of Newness and Distinctiveness: **Nil**



(21) Design Number: **14455/2012**
(22) Date of Filing Application: **07 September 2012**
(24) Date from which industrial property rights may have effect: **07 September 2012**
(54) Product in respect of which the design is registered: **Light emitting device**
(51) International Design Classification: **26-04**
(74) Name(s) of Attorney(s): **Davies Collison Cave**
(71) Name(s) and Address(s) of Applicant(s):

Sensolite S.A.
7 place du Theatre Luxembourg 2613 Luxembourg

(72) Name(s) of Designer(s): **Peter Klein**

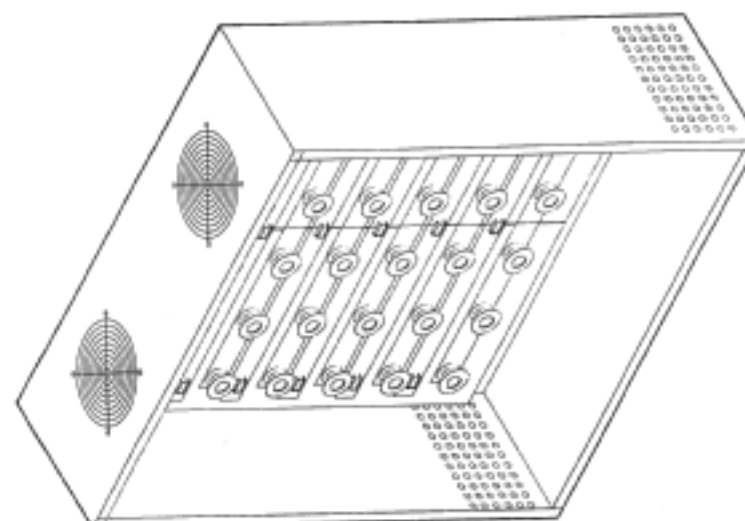
(45) Registration Date: **26 October 2012**

(30) Convention priority data:

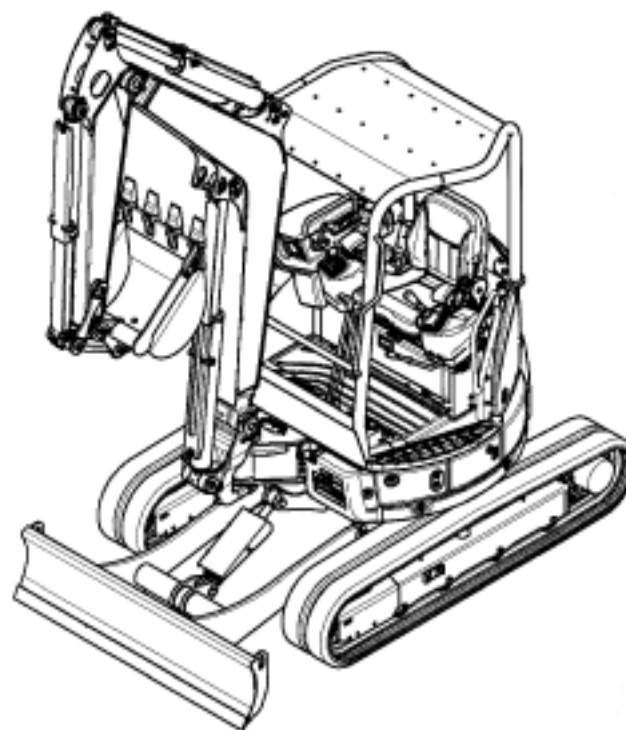
(31) Number	(32) Date	(33) Country
002004564-0004	07 Mar 2012	EUROPEAN COMMUNITY

(56) Related Art Documents: **Not Applicable**

(57) Statement of Newness and Distinctiveness: **Nil**



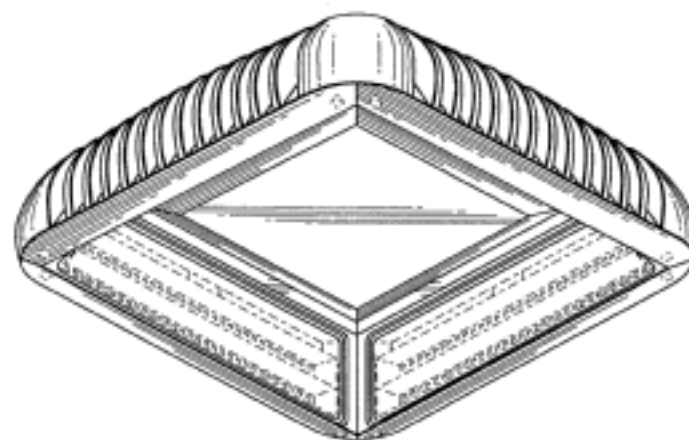
- (21) Design Number: **14795/2012**
(22) Date of Filing Application: **27 September 2012**
(24) Date from which industrial property rights may have effect: **27 September 2012**
(54) Product in respect of which the design is registered: **Excavator 1**
(51) International Design Classification: **15-04**
(74) Name(s) of Attorney(s): **WATERMARK PATENT AND TRADE MARKS ATTORNEYS**
(71) Name(s) and Address(s) of Applicant(s):
Yanmar Co., Ltd
1-9 Tsurunocho Kita-ku Osaka-shi Osaka 530-8311 Japan
(72) Name(s) of Designer(s): **Mitsuyuki Hatanaka and Masami Miyanishi and Masamitsu Uemura**
(45) Registration Date: **26 October 2012**
(30) Convention priority data:
(31) Number (32) Date (33) Country
2012-006998 27 Mar 2012 JAPAN
(56) Related Art Documents: **Not Applicable**
(57) Statement of Newness and Distinctiveness: **Newness and distinctiveness resides in the features of shape and/or configuration of the Excavator as shown in the accompanying representations.**



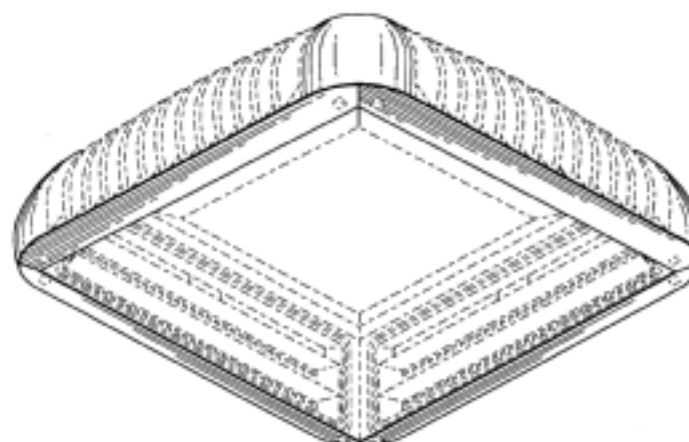
- (21) Design Number: **14972/2012**
(22) Date of Filing Application: **02 October 2012**
(24) Date from which industrial property rights may have effect: **02 October 2012**
(54) Product in respect of which the design is registered: **Drink container**
(51) International Design Classification: **09-01D**
(74) Name(s) of Attorney(s):
(71) Name(s) and Address(s) of Applicant(s):
Thirsty Sport Pty Ltd
283 Albert Rd South Melbourne VIC 3205 Australia
(72) Name(s) of Designer(s): **Lazaro Dorian**
(45) Registration Date: **26 October 2012**
(56) Related Art Documents: **Not Applicable**
(57) Statement of Newness and Distinctiveness: **Newness and distinctiveness resides in the shape, seam pattern and visual surface texture giving the appearance, except for size, of a real cricket ball.**



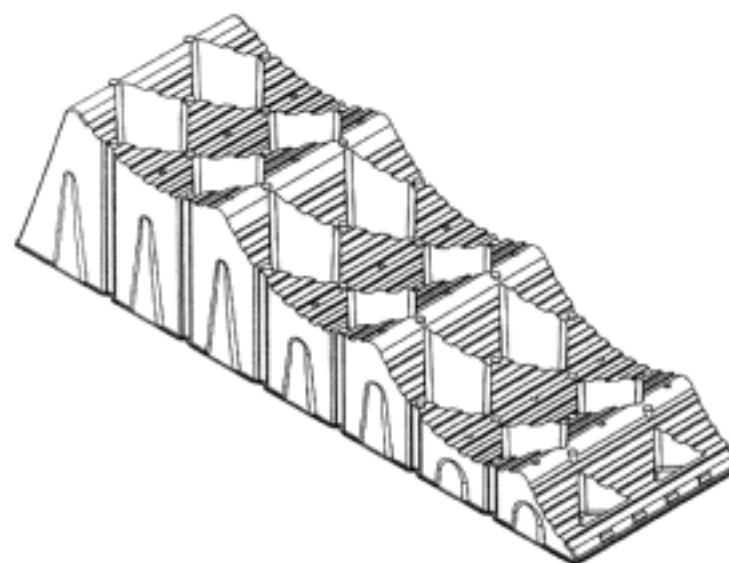
(21) Design Number: **14666/2012**
(22) Date of Filing Application: **19 September 2012**
(24) Date from which industrial property rights may have effect: **19 September 2012**
(54) Product in respect of which the design is registered: **Lighting**
(51) International Design Classification: **26-03**
(74) Name(s) of Attorney(s): **PIZZEYS**
(71) Name(s) and Address(s) of Applicant(s):
LSI Industries, Inc.
10000 Alliance Road Cincinnati OH 45242 United States of America
(72) Name(s) of Designer(s): **John D. Boyer and James G. Vanden Eynden and Larry Akers and Vincent Charles Anthony DiCola**
(45) Registration Date: **26 October 2012**
(30) Convention priority data:
(31) Number (32) Date (33) Country
29/420,099 04 May 2012 UNITED STATES OF AMERICA
(56) Related Art Documents: **Not Applicable**
(57) Statement of Newness and Distinctiveness: **The newness and distinctiveness of the design resides in the features of pattern and/or ornamentation OR shape and/or configuration shown in unbroken lines in the accompanying representations. (if required, see Convention document)**



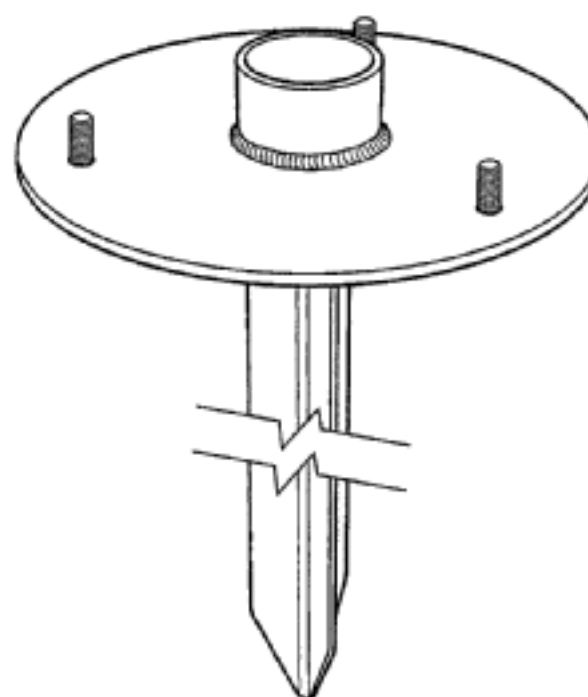
(21) Design Number: **15082/2012**
(22) Date of Filing Application: **19 September 2012**
(24) Date from which industrial property rights may have effect: **19 September 2012**
(54) Product in respect of which the design is registered: **Lighting**
(51) International Design Classification: **26-03**
(74) Name(s) of Attorney(s): **PIZZEYS**
(71) Name(s) and Address(s) of Applicant(s):
LSI Industries, Inc.
10000 Alliance Rd Cincinnati OH 45242 United States of America
(72) Name(s) of Designer(s): **John D. Boyer and James G. Vanden Eynden and Larry Akers and Vincent Charles Anthony DiCola**
(45) Registration Date: **26 October 2012**
(30) Convention priority data:
(31) Number (32) Date (33) Country
29/420,099 04 May 2012 UNITED STATES OF AMERICA
(56) Related Art Documents: **Not Applicable**
(57) Statement of Newness and Distinctiveness: **The newness and distinctiveness of the design resides in the features of pattern and/or ornamentation OR shape and/or configuration shown in unbroken lines in the accompanying representations.**



(21) Design Number: **15092/2012**
(22) Date of Filing Application: **15 October 2012**
(24) Date from which industrial property rights may have effect: **15 October 2012**
(54) Product in respect of which the design is registered: **A levelling device**
(51) International Design Classification: **12-16NES**
(74) Name(s) of Attorney(s): **Griffith Hack**
(71) Name(s) and Address(s) of Applicant(s):
Milenco Limited
Blackhill Drive Wolverton Mill Milton Keynes Buckinghamshire MK12
5TS United Kingdom
(72) Name(s) of Designer(s): **Frederick Nigel Milbank**
(45) Registration Date: **26 October 2012**
(30) Convention priority data:
(31) Number (32) Date (33) Country
002030510 20 Apr 2012 EUROPEAN COMMUNITY
(56) Related Art Documents: **Not Applicable**
(57) Statement of Newness and Distinctiveness: **Nil**



(21) Design Number: **15299/2012**
(22) Date of Filing Application: **08 August 2012**
(24) Date from which industrial property rights may have effect: **08 August 2012**
(54) Product in respect of which the design is registered: **Anchor Post**
(51) International Design Classification: **25-02A, 08-08NES**
(74) Name(s) of Attorney(s): **Madderns**
(71) Name(s) and Address(s) of Applicant(s):
Roadside Products Pty Ltd
45-49 St Leonards Road St Leonards Tasmania 7250 Australia
(72) Name(s) of Designer(s): **Ralph Edward Norton and Darran James Randall**
and Scott Wesley Payton and Roger Clive Trethewie
(45) Registration Date: **26 October 2012**
(56) Related Art Documents: **Not Applicable**
(57) Statement of Newness and Distinctiveness: **Newness and distinctiveness**
resides in the features of shape and configuration of an anchor post as
shown in the accompanying representations.



(21) Design Number: **14628/2012**
(22) Date of Filing Application: **18 September 2012**
(24) Date from which industrial property rights may have effect: **18 September 2012**
(54) Product in respect of which the design is registered: **A clip for holding an emergency tool**
(51) International Design Classification: **08-08NES**
(74) Name(s) of Attorney(s): **Davies Collison Cave**
(71) Name(s) and Address(s) of Applicant(s):
Laurent Colasse
718E Mason Street Santa Barbara CA 93103 United States of America

(72) Name(s) of Designer(s): **Laurent Colasse**

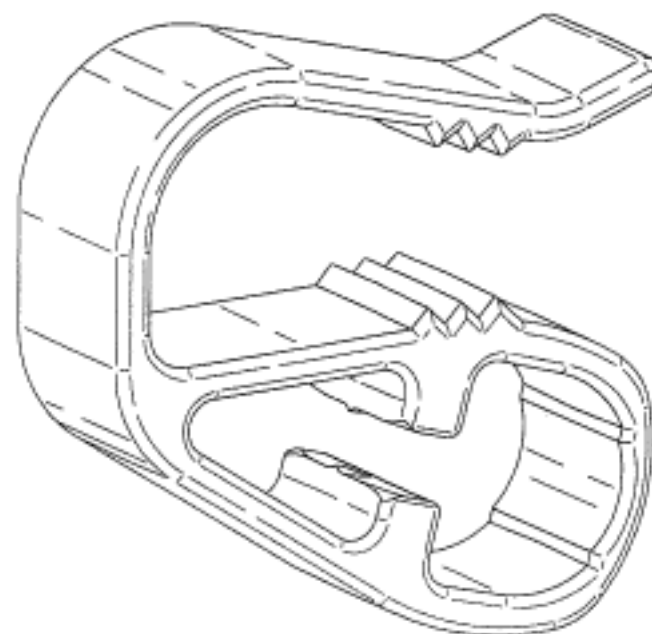
(45) Registration Date: **29 October 2012**

(30) Convention priority data:

(31) Number	(32) Date	(33) Country
29/416502	22 Mar 2012	UNITED STATES OF AMERICA

(56) Related Art Documents: **Not Applicable**

(57) Statement of Newness and Distinctiveness: **Newness and distinctiveness is claimed in the visual features shown in solid lines in the representations. In considering the extent of the design rights, the broken lines shown in the representations are for illustrative purposes only and do not form part of the design.**



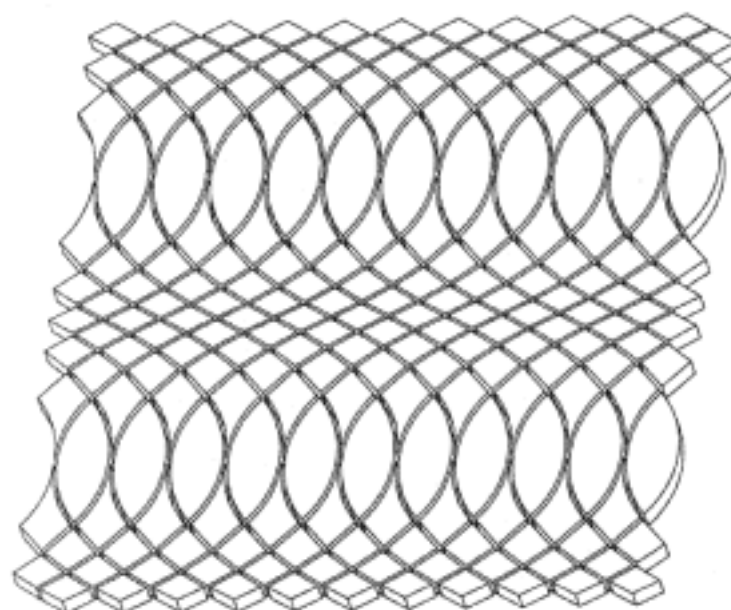
(21) Design Number: **14659/2012**
(22) Date of Filing Application: **19 September 2012**
(24) Date from which industrial property rights may have effect: **19 September 2012**
(54) Product in respect of which the design is registered: **A tesserae**
(51) International Design Classification: **25-01F**
(74) Name(s) of Attorney(s): **Allens Patent & Trade Mark Attorneys**
(71) Name(s) and Address(s) of Applicant(s):
Everstone International Pty Limited
20 Princes Rd E Auburn NSW 2144 Australia

(72) Name(s) of Designer(s): **John Zeng**

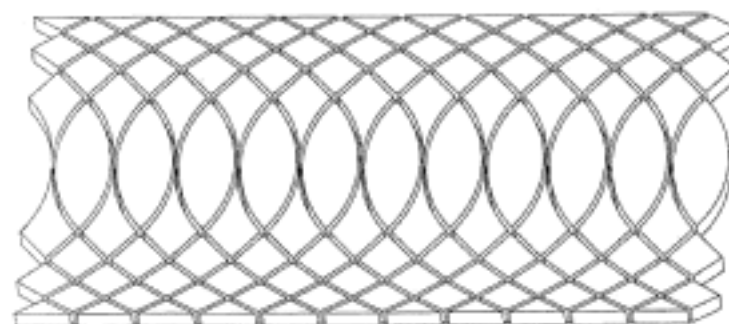
(45) Registration Date: **29 October 2012**

(56) Related Art Documents: **Not Applicable**

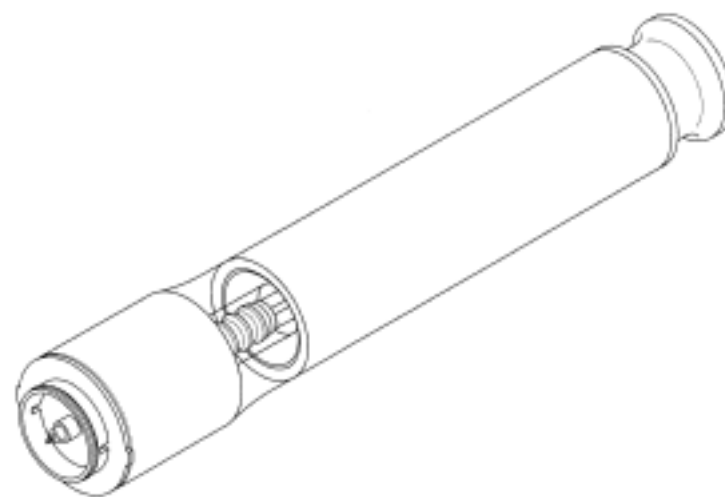
(57) Statement of Newness and Distinctiveness: **Newness and Distinctiveness is claimed in the tesserae as shown in the representations. It is to be understood that the tesserae shown is one tesserae unit and may be repeated indefinitely by placing other tesserae units at either side or either end of the tesserae unit shown.**



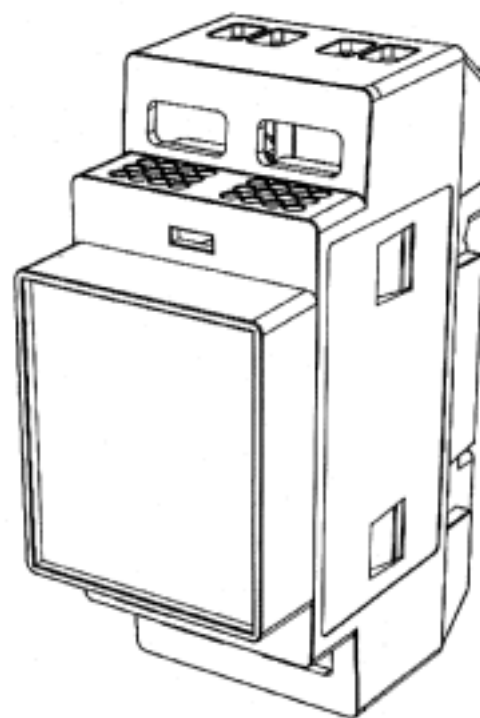
- (21) Design Number: **14660/2012**
(22) Date of Filing Application: **19 September 2012**
(24) Date from which industrial property rights may have effect: **19 September 2012**
(54) Product in respect of which the design is registered: **A tesserae**
(51) International Design Classification: **25-01F**
(74) Name(s) of Attorney(s): **Allens Patent & Trade Mark Attorneys**
(71) Name(s) and Address(s) of Applicant(s):
Everstone International Pty Limited
20 Princes Rd E Auburn NSW 2144 Australia
(72) Name(s) of Designer(s): **John Zeng**
(45) Registration Date: **29 October 2012**
(56) Related Art Documents: **Not Applicable**
(57) Statement of Newness and Distinctiveness: **Newness and Distinctiveness is claimed in the tesserae as shown in the representations. It is to be understood that the tesserae shown is one tesserae unit and may be repeated indefinitely by placing other tesserae units at either end of the tesserae unit shown.**



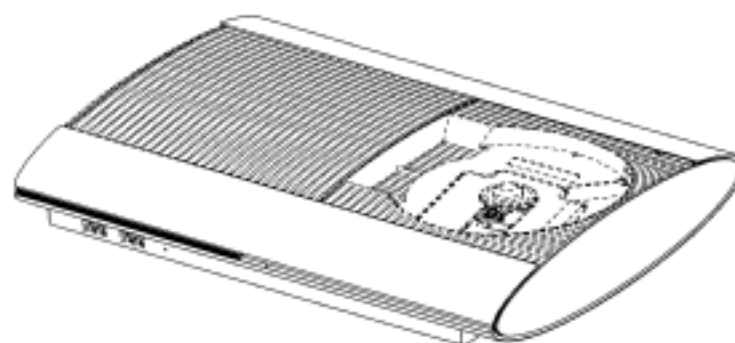
- (21) Design Number: **14665/2012**
(22) Date of Filing Application: **19 September 2012**
(24) Date from which industrial property rights may have effect: **19 September 2012**
(54) Product in respect of which the design is registered: **Intradermal injection device**
(51) International Design Classification: **24-02**
(74) Name(s) of Attorney(s): **Shelston IP**
(71) Name(s) and Address(s) of Applicant(s):
Terumo Kabushiki Kaisha
44-1 2-chome Hatagaya Shibuya-ku Tokyo Japan
(72) Name(s) of Designer(s): **Hiroataka Ohashi**
(45) Registration Date: **29 October 2012**
(30) Convention priority data:
(31) Number (32) Date (33) Country
2012-006606 23 Mar 2012 JAPAN
(56) Related Art Documents: **Not Applicable**
(57) Statement of Newness and Distinctiveness: **Newness and distinctiveness resides in the features of shape and/or configuration of the INTRADERMAL INJECTION DEVICE as shown in the solid lines in the accompanying representations.**



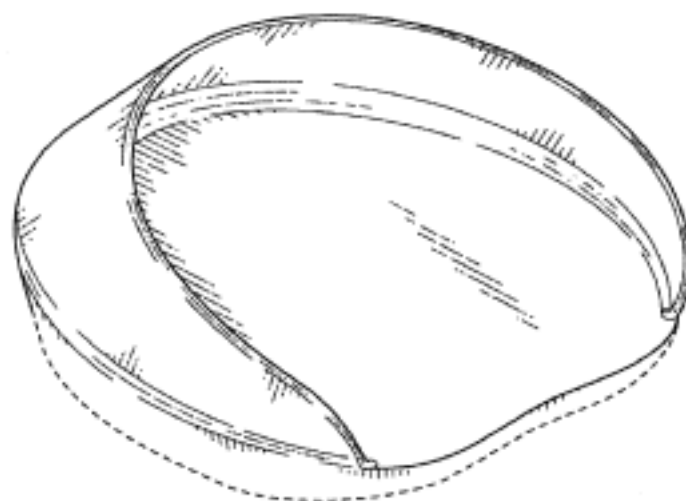
- (21) Design Number: **14724/2012**
(22) Date of Filing Application: **20 September 2012**
(24) Date from which industrial property rights may have effect: **20 September 2012**
(54) Product in respect of which the design is registered: **DIN rail enclosure with ventilation holes**
(51) International Design Classification: **13-03E**
(74) Name(s) of Attorney(s): **LESICAR MURRAY TRENTO**
(71) Name(s) and Address(s) of Applicant(s):
Gerard Lighting Pty Ltd
101 Port Wakefield Rd Cavan SA 5094 Australia
(72) Name(s) of Designer(s): **Jason Gerard and Anthony Kearney**
(45) Registration Date: **29 October 2012**
(56) Related Art Documents: **Not Applicable**
(57) Statement of Newness and Distinctiveness: **Newness and distinctiveness resides in the shape and/or configuration of the DIN rail enclosure with ventilation holes as shown in the accompanying representations, in particular the arrays of ventilation holes. The front fascia of the enclosure is shown blank and may include several features not being part of the design.**



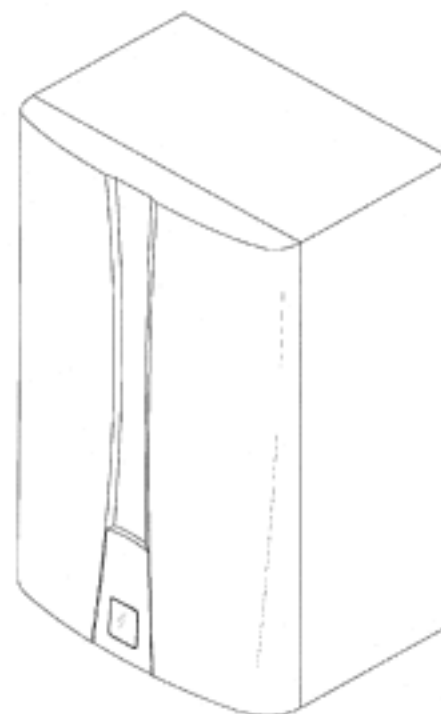
- (21) Design Number: **14751/2012**
(22) Date of Filing Application: **24 September 2012**
(24) Date from which industrial property rights may have effect: **24 September 2012**
(54) Product in respect of which the design is registered: **Arithmetic and control unit**
(51) International Design Classification: **21-01N**
(74) Name(s) of Attorney(s): **Shelston IP**
(71) Name(s) and Address(s) of Applicant(s):
Sony Computer Entertainment Inc.
1-7-1 Konan Minato-ku Tokyo Japan
(72) Name(s) of Designer(s): **Takashi Sogabe**
(45) Registration Date: **29 October 2012**
(30) Convention priority data:
(31) Number (32) Date (33) Country
2012-011278 15 May 2012 JAPAN
(56) Related Art Documents: **Not Applicable**
(57) Statement of Newness and Distinctiveness: **Newness and distinctiveness reside in the features of shape and/or configuration of an arithmetic and control unit as illustrated in solid lines in the accompanying representations. The features shown in broken lines are shown for illustrative purposes only and do not form part of the design.**



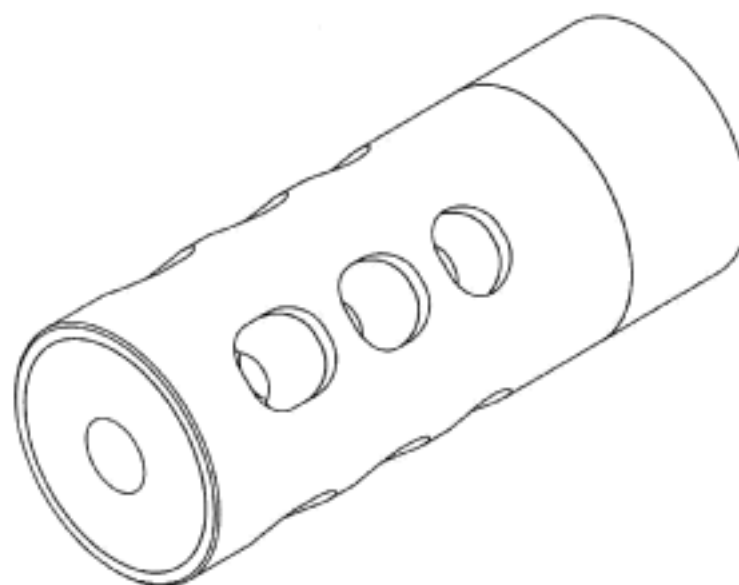
(21) Design Number: **14785/2012**
(22) Date of Filing Application: **26 September 2012**
(24) Date from which industrial property rights may have effect: **26 September 2012**
(54) Product in respect of which the design is registered: **Hoof boot**
(51) International Design Classification: **30-99**
(74) Name(s) of Attorney(s): **Adams Pluck**
(71) Name(s) and Address(s) of Applicant(s):
Kirt Lander
PO BOX 6488 Kingman Arizona 86402 United States of America
(72) Name(s) of Designer(s): **Kirt Lander**
(45) Registration Date: **29 October 2012**
(30) Convention priority data:
(31) Number (32) Date (33) Country
29/416762 27 Mar 2012 UNITED STATES OF AMERICA
(56) Related Art Documents: **Not Applicable**
(57) Statement of Newness and Distinctiveness: **Nil**



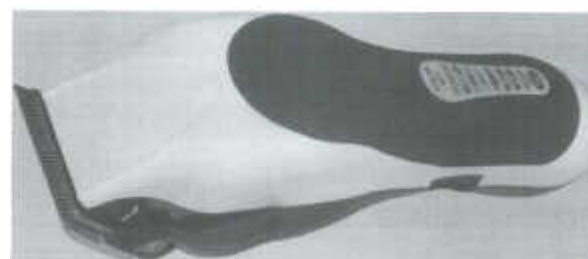
(21) Design Number: **14786/2012**
(22) Date of Filing Application: **27 September 2012**
(24) Date from which industrial property rights may have effect: **27 September 2012**
(54) Product in respect of which the design is registered: **Boiler exterior case**
(51) International Design Classification: **23-03NES**
(74) Name(s) of Attorney(s): **A J Park**
(71) Name(s) and Address(s) of Applicant(s):
Kyungdong Navien Co., Ltd.
437 Segyo-dong Pyeongtaek-si Gyeonggi-do Korea
(72) Name(s) of Designer(s): **Chi-Young Lee**
(45) Registration Date: **29 October 2012**
(30) Convention priority data:
(31) Number (32) Date (33) Country
30-2012-0014199 27 Mar 2012 REPUBLIC OF KOREA
(56) Related Art Documents: **Not Applicable**
(57) Statement of Newness and Distinctiveness: **Newness and distinctiveness reside in the features of shape and/or configuration of the BOILER EXTERIOR CASE as shown in the representations.**



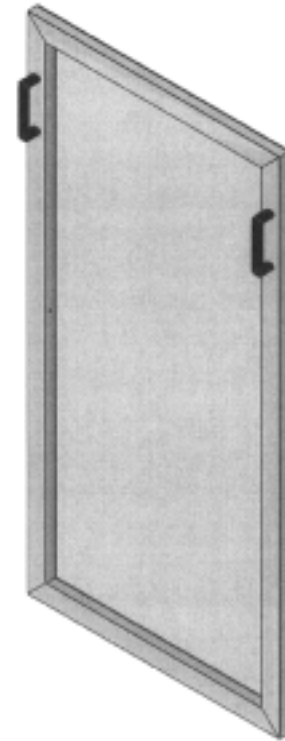
- (21) Design Number: **14787/2012**
(22) Date of Filing Application: **27 September 2012**
(24) Date from which industrial property rights may have effect: **27 September 2012**
(54) Product in respect of which the design is registered: **An adjustable muzzlebrake for a rifle**
(51) International Design Classification: **22-01**
(74) Name(s) of Attorney(s):
(71) Name(s) and Address(s) of Applicant(s):
Dean Frank Maisey
PO Box 14006 Tauranga 3143 New Zealand
(72) Name(s) of Designer(s): **Dean Frank Maisey**
(45) Registration Date: **29 October 2012**
(30) Convention priority data:
(31) Number (32) Date (33) Country
416651 27 Aug 2012 NEW ZEALAND
(56) Related Art Documents: **Not Applicable**
(57) Statement of Newness and Distinctiveness: **The design is to be applied to an adjustable muzzlebrake for a rifle, and the novelty resides in the features of shape and configuration as shown in the accompanying representations. Particular regard is to be had to the progressive gas chamber/port sizes, from small to large (or large to small).**



- (21) Design Number: **14790/2012**
(22) Date of Filing Application: **26 September 2012**
(24) Date from which industrial property rights may have effect: **26 September 2012**
(54) Product in respect of which the design is registered: **Electric hair clipper**
(51) International Design Classification: **28-03D**
(74) Name(s) of Attorney(s): **A.P.T. Patent and Trade Mark Attorneys**
(71) Name(s) and Address(s) of Applicant(s):
Qiao'ai Huang
No. 368 Sanduxi Village Xiangzhu Town Yongkang City Zhejiang China
(72) Name(s) of Designer(s): **Qiao'ai Huang**
(45) Registration Date: **29 October 2012**
(56) Related Art Documents: **Not Applicable**
(57) Statement of Newness and Distinctiveness: **Nil**



- (21) Design Number: **14797/2012**
(22) Date of Filing Application: **27 September 2012**
(24) Date from which industrial property rights may have effect: **27 September 2012**
(54) Product in respect of which the design is registered: **Window**
(51) International Design Classification: **25-02H**
(74) Name(s) of Attorney(s):
(71) Name(s) and Address(s) of Applicant(s):
Yakov Elgart
6 Don Crt Caulfield South VIC 3162 Australia
(72) Name(s) of Designer(s): **Yakov Elgart**
(45) Registration Date: **29 October 2012**
(56) Related Art Documents: **Not Applicable**
(57) Statement of Newness and Distinctiveness: **Nil**



- (21) Design Number: **14799/2012**
(22) Date of Filing Application: **26 September 2012**
(24) Date from which industrial property rights may have effect: **26 September 2012**
(54) Product in respect of which the design is registered: **Motor scooter**
(51) International Design Classification: **12-11**
(74) Name(s) of Attorney(s): **Griffith Hack**
(71) Name(s) and Address(s) of Applicant(s):
Honda Motor Co., Ltd.
1-1 Minami-Aoyama 2-chome Minato-ku Tokyo 107-8556 Japan
(72) Name(s) of Designer(s): **Sirasit Phutrakool and Charnchai Jarngprasert**
(45) Registration Date: **29 October 2012**
(30) Convention priority data:
(31) Number (32) Date (33) Country
2012-006827 26 Mar 2012 JAPAN
(56) Related Art Documents: **Not Applicable**
(57) Statement of Newness and Distinctiveness: **Newness and distinctiveness resides in the visual features, including shape, configuration and ornamentation of the product as shown in the accompanying representations.**



- (21) Design Number: **14801/2012**
(22) Date of Filing Application: **26 September 2012**
(24) Date from which industrial property rights may have effect: **26 September 2012**
(54) Product in respect of which the design is registered: **Headlight for motor scooter**
(51) International Design Classification: **26-06**
(74) Name(s) of Attorney(s): **Griffith Hack**
(71) Name(s) and Address(s) of Applicant(s):
Honda Motor Co., Ltd.
1-1 Minami-Aoyama 2-chome Minato-ku Tokyo 107-8556 Japan
(72) Name(s) of Designer(s): **Sirasit Phutrakool and Charnchai Jarngprasert**
(45) Registration Date: **29 October 2012**
(30) Convention priority data:
(31) Number (32) Date (33) Country
2012-006830 26 Mar 2012 JAPAN
(56) Related Art Documents: **Not Applicable**
(57) Statement of Newness and Distinctiveness: **Newness and distinctiveness resides in the visual features, including shape, configuration and ornamentation of the product as shown in the accompanying representations.**



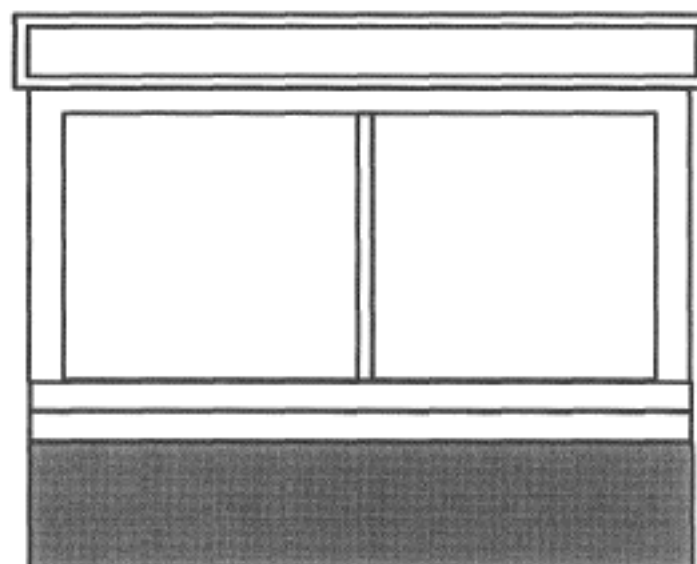
- (21) Design Number: **14802/2012**
(22) Date of Filing Application: **26 September 2012**
(24) Date from which industrial property rights may have effect: **26 September 2012**
(54) Product in respect of which the design is registered: **A carton**
(51) International Design Classification: **09-03M**
(74) Name(s) of Attorney(s): **Griffith Hack**
(71) Name(s) and Address(s) of Applicant(s):
Amcor Limited
109 Burwood Rd Hawthorn VIC 3122 Australia
(72) Name(s) of Designer(s): **Mark Moore**
(45) Registration Date: **29 October 2012**
(56) Related Art Documents: **Not Applicable**
(57) Statement of Newness and Distinctiveness: **The shape and configuration of the visual features of the side wall of the product, including the semi-oval shaped windows, the width and depth of the product tapering over its height, and the concave shaped panel, as shown in the accompanying representations is new and distinctive.**



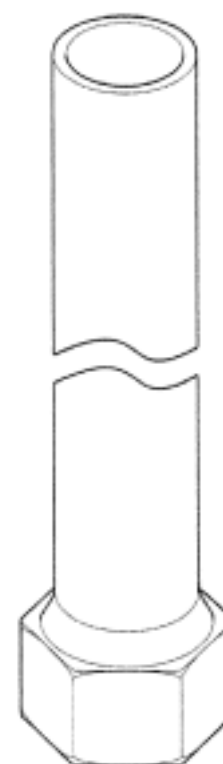
- (21) Design Number: **14803/2012**
(22) Date of Filing Application: **26 September 2012**
(24) Date from which industrial property rights may have effect: **26 September 2012**
(54) Product in respect of which the design is registered: **A carton**
(51) International Design Classification: **09-03M**
(74) Name(s) of Attorney(s): **Griffith Hack**
(71) Name(s) and Address(s) of Applicant(s):
Amcor Limited
109 Burwood Rd Hawthorn VIC 3122 Australia
(72) Name(s) of Designer(s): **Mark Moore**
(45) Registration Date: **29 October 2012**
(56) Related Art Documents: **Not Applicable**
(57) Statement of Newness and Distinctiveness: **The shape and configuration of the visual features of the side wall of the product, including the rectangular shaped windows, the width and depth of the product tapering over its height, and the concave shaped panel, as shown in the accompanying representations is new and distinctive.**



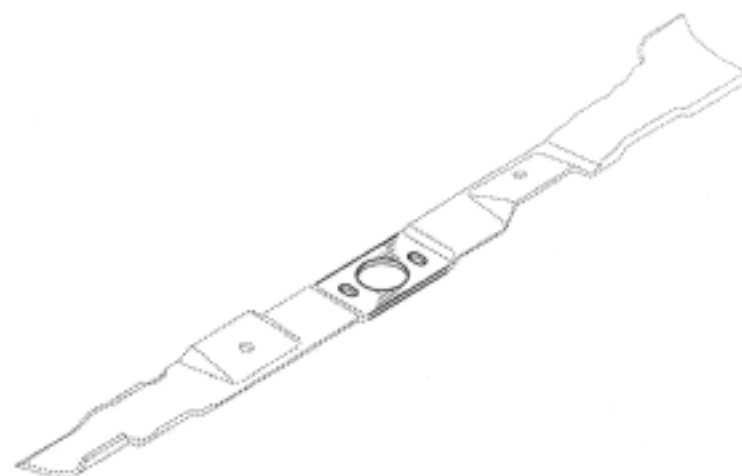
- (21) Design Number: **14804/2012**
(22) Date of Filing Application: **27 September 2012**
(24) Date from which industrial property rights may have effect: **27 September 2012**
(54) Product in respect of which the design is registered: **Houseboat conversion**
(51) International Design Classification: **12-06NES**
(74) Name(s) of Attorney(s):
(71) Name(s) and Address(s) of Applicant(s):
Christopher Laurie Mills
10 Stingray Pnt Mallacoota VIC 3892 Australia
(72) Name(s) of Designer(s): **Christopher Laurie Mills**
(45) Registration Date: **29 October 2012**
(56) Related Art Documents: **Not Applicable**
(57) Statement of Newness and Distinctiveness: **The objective of this design is to provide a combination of a Houseboat and Caravan. Use is as a caravan independently or on the way to deployment on lakes, rivers and estuaries where it is launched to provide an on-water habitation. The design is a conversion of a large aluminium open boat with two seats. Accommodation and shelter is provided with a structure that is inserted as a 'cassette' and fitted to the boat. The design is based on 2,400mm * 1,200mm marine ply sheets with low-density framing, cut to minimise waste and weight. Assembly is glue-and-screw to facilitate kit-build or rapid commercial build. Structure has been designed so that each element adds strength and stiffness while keeping weight to a minimum. Outdoor and indoor sheltered spaces are provided to maximise utility. Carriage and launch is provided by the standard trailer that comes with the boat.**



(21) Design Number: **14507/2012**
(22) Date of Filing Application: **11 September 2012**
(24) Date from which industrial property rights may have effect: **11 September 2012**
(54) Product in respect of which the design is registered: **Rock bolt**
(51) International Design Classification: **08-08B**
(74) Name(s) of Attorney(s): **Griffith Hack**
(71) Name(s) and Address(s) of Applicant(s):
RSC Mining (Pty) Ltd
1 Tedstone Street Wadeville 1428 South Africa
(72) Name(s) of Designer(s): **Johann Steyn and Simon Stefanus Delport**
(45) Registration Date: **29 October 2012**
(30) Convention priority data:
(31) Number (32) Date (33) Country
F2012/00348 16 Mar 2012 SOUTH AFRICA
(56) Related Art Documents: **Not Applicable**
(57) Statement of Newness and Distinctiveness: **The shape and configuration of the product as shown in the representations is new and distinctive. As indicated in the representations, the product may be of any length.**



(21) Design Number: **14508/2012**
(22) Date of Filing Application: **11 September 2012**
(24) Date from which industrial property rights may have effect: **11 September 2012**
(54) Product in respect of which the design is registered: **Mower blade**
(51) International Design Classification: **15-03B**
(74) Name(s) of Attorney(s): **SPRUSON & FERGUSON**
(71) Name(s) and Address(s) of Applicant(s):
Husqvarna Consumer Outdoor Products N.A. Inc.
9335 Harris Corners Parkway Charlotte North Carolina 28269 United States of America
(72) Name(s) of Designer(s): **Chris Roth**
(45) Registration Date: **29 October 2012**
(30) Convention priority data:
(31) Number (32) Date (33) Country
29/415966 16 Mar 2012 UNITED STATES OF AMERICA
(56) Related Art Documents: **Not Applicable**
(57) Statement of Newness and Distinctiveness: **Newness and distinctiveness is claimed in those features of shape and/or configuration of a mower blade illustrated in continuous lines in the accompanying representations.**



(21) Design Number: **14247/2012**
(22) Date of Filing Application: **28 August 2012**
(24) Date from which industrial property rights may have effect: **28 August 2012**
(54) Product in respect of which the design is registered: **Display screen with icon**
(51) International Design Classification: **14-01**
(74) Name(s) of Attorney(s): **Shelston IP**
(71) Name(s) and Address(s) of Applicant(s):

Microsoft Corporation
One Microsoft Way Redmond Washington 98052 United States of America

(72) Name(s) of Designer(s): **Jonathan Eric Gleasman**

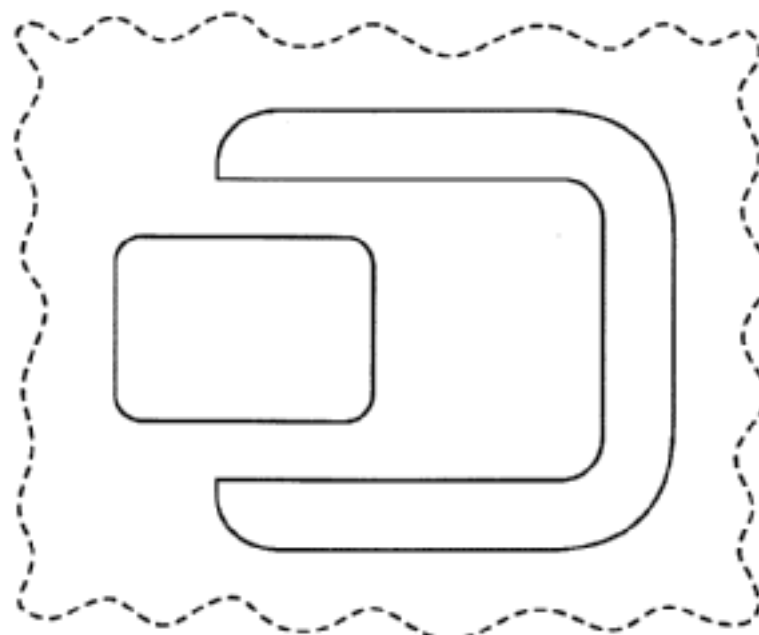
(45) Registration Date: **29 October 2012**

(30) Convention priority data:

(31) Number	(32) Date	(33) Country
29/414384	28 Feb 2012	UNITED STATES OF AMERICA

(56) Related Art Documents: **Not Applicable**

(57) Statement of Newness and Distinctiveness: **Newness and distinctiveness resides in the features of pattern and/or ornamentation of a display screen with icon as illustrated by solid lines in the accompanying representations. The features shown in broken outline are for contextual purposes only and do not form part of the design.**



(21) Design Number: **14248/2012**
(22) Date of Filing Application: **28 August 2012**
(24) Date from which industrial property rights may have effect: **28 August 2012**
(54) Product in respect of which the design is registered: **Inverter**
(51) International Design Classification: **13-02, 13-03NES**
(74) Name(s) of Attorney(s): **Shelston IP**
(71) Name(s) and Address(s) of Applicant(s):

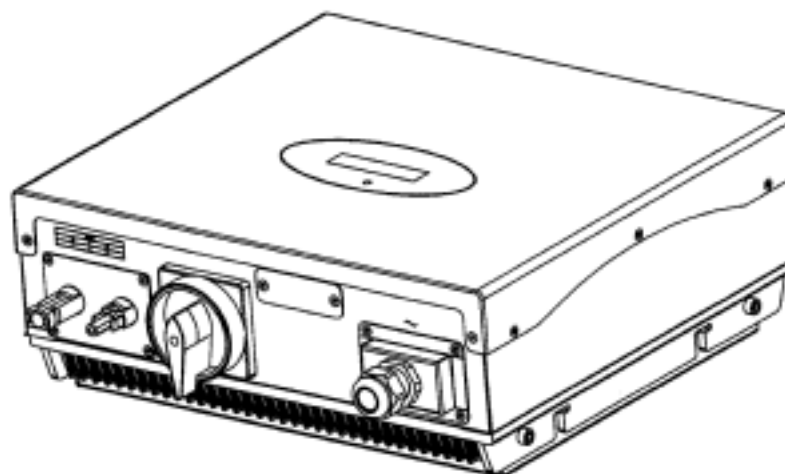
Shenzhen Growatt New Energy Technology Co Ltd
3rd Floor West Bld No 12B Xicheng Ind Zone xixiang St Bao'an District
Shenzhen People's Republic China

(72) Name(s) of Designer(s): **Shangzao Kui**

(45) Registration Date: **29 October 2012**

(56) Related Art Documents: **Not Applicable**

(57) Statement of Newness and Distinctiveness: **Newness and distinctiveness resides in the features of shape and/or configuration of an inverter as illustrated in the accompanying representations.**



(21) Design Number: **14249/2012**
(22) Date of Filing Application: **28 August 2012**
(24) Date from which industrial property rights may have effect: **28 August 2012**
(54) Product in respect of which the design is registered: **Display screen with icon**
(51) International Design Classification: **14-01**
(74) Name(s) of Attorney(s): **Shelston IP**
(71) Name(s) and Address(s) of Applicant(s):

Microsoft Corporation
One Microsoft Way Redmond Washington 98052 United States of America

(72) Name(s) of Designer(s): **Leslie MacNeil**

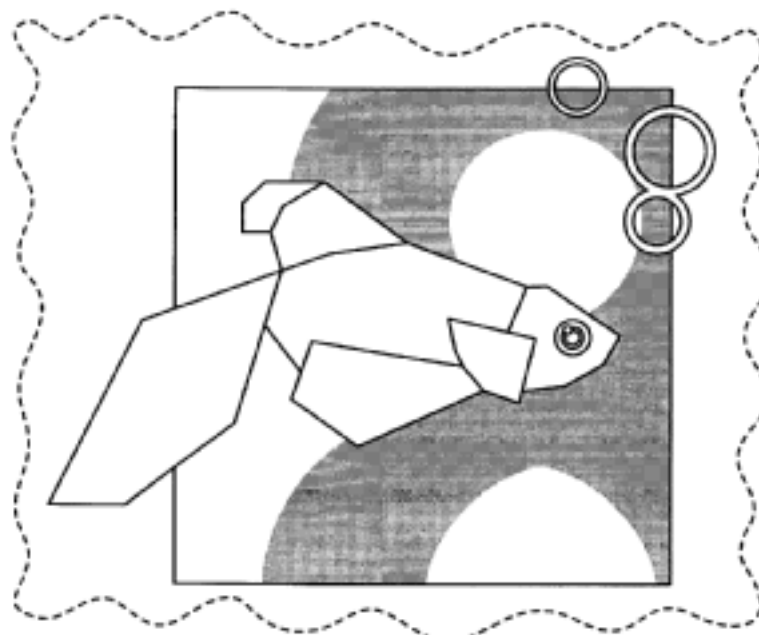
(45) Registration Date: **29 October 2012**

(30) Convention priority data:

(31) Number	(32) Date	(33) Country
29/414380	28 Feb 2012	UNITED STATES OF AMERICA

(56) Related Art Documents: **Not Applicable**

(57) Statement of Newness and Distinctiveness: **Newness and distinctiveness reside in the features of pattern and/or ornamentation of a display screen with icon as illustrated by solid lines in the accompanying representations. The features shown in broken outline are for contextual purposes only and do not form part of the design.**



(21) Design Number: **14269/2012**
(22) Date of Filing Application: **29 August 2012**
(24) Date from which industrial property rights may have effect: **29 August 2012**
(54) Product in respect of which the design is registered: **Garden oven 1**
(51) International Design Classification: **07-02D**
(74) Name(s) of Attorney(s): **FB Rice**
(71) Name(s) and Address(s) of Applicant(s):

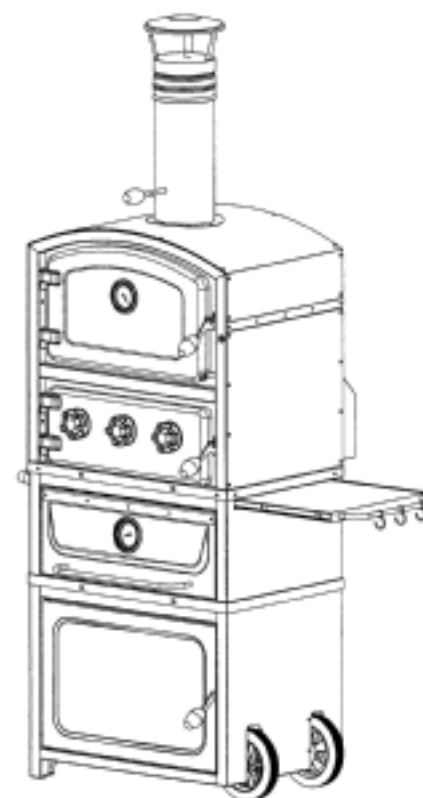
Garth Australia Pty Ltd
Level 14 140 William Street Melbourne Victoria 3000 Australia

(72) Name(s) of Designer(s): **Gavin Hill**

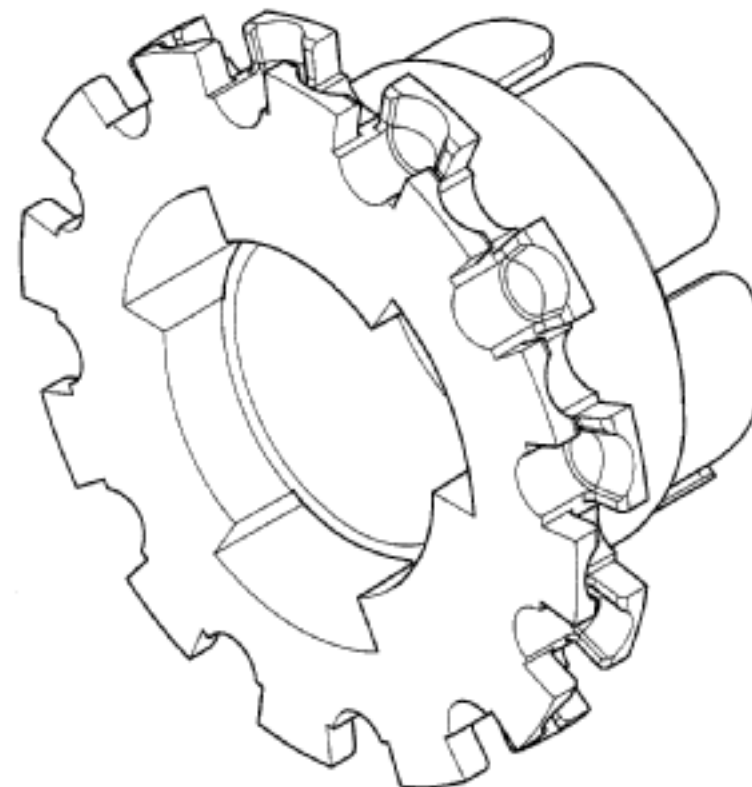
(45) Registration Date: **29 October 2012**

(56) Related Art Documents: **Not Applicable**

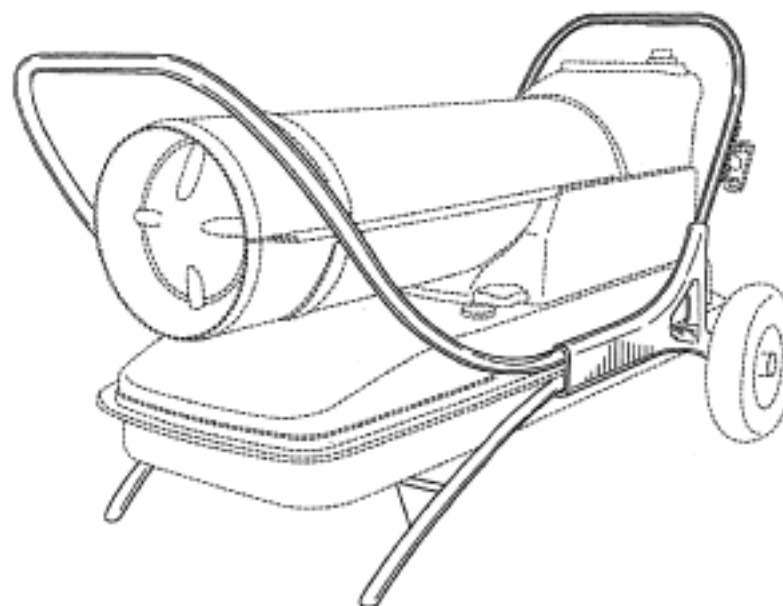
(57) Statement of Newness and Distinctiveness: **Newness and distinctiveness reside in the features of the design as shown in the representations.**



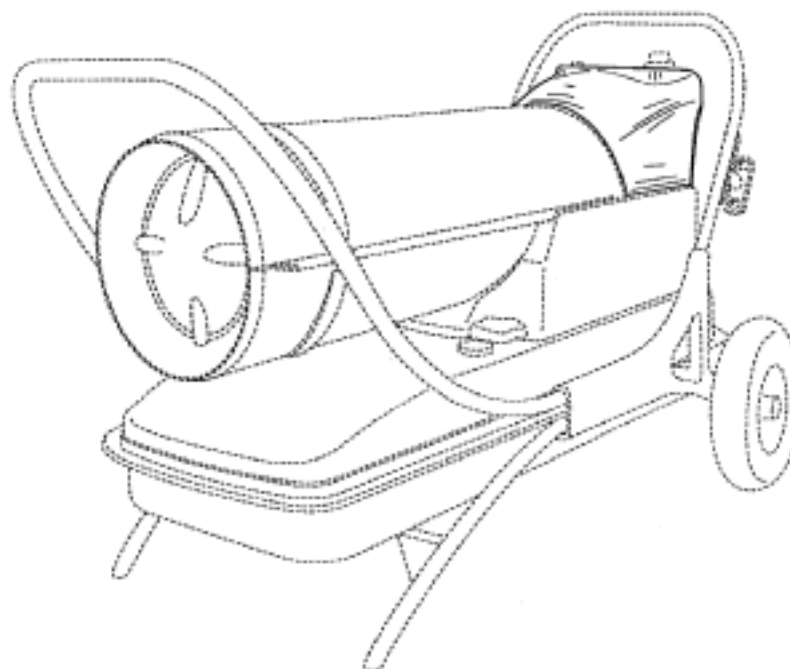
(21) Design Number: **14271/2012**
(22) Date of Filing Application: **29 August 2012**
(24) Date from which industrial property rights may have effect: **29 August 2012**
(54) Product in respect of which the design is registered: **Bead chain wheel for curtain**
(51) International Design Classification: **08-08H**
(74) Name(s) of Attorney(s): **Fisher Adams Kelly**
(71) Name(s) and Address(s) of Applicant(s):
Yi-Chin Tao
No 76 Meixian Street Gushan District Koahsiung City Taiwan
(72) Name(s) of Designer(s): **Yi-Chin Tao**
(45) Registration Date: **29 October 2012**
(56) Related Art Documents: **Not Applicable**
(57) Statement of Newness and Distinctiveness: **The newness and distinctiveness of the design resides in the shape and/or configuration of the BEAD CHAIN WHEEL FOR CURTAIN shown in the representations.**



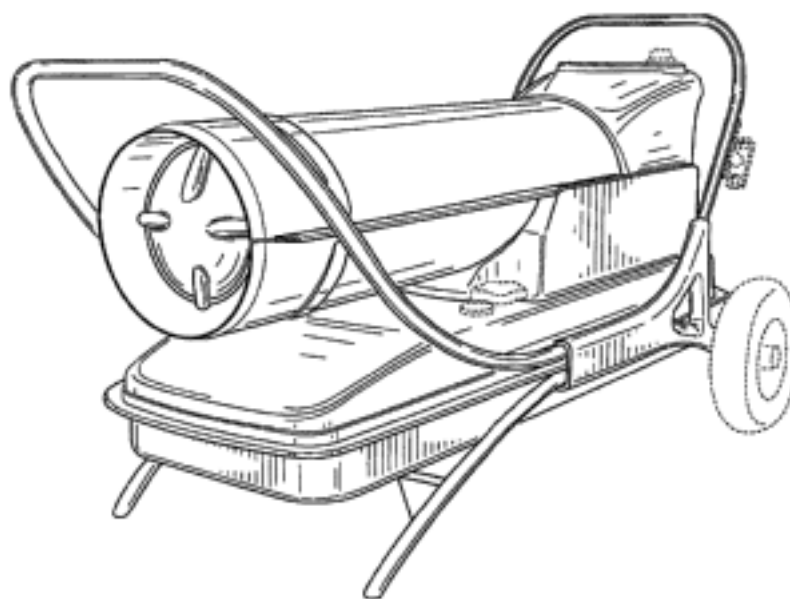
(21) Design Number: **14272/2012**
(22) Date of Filing Application: **29 August 2012**
(24) Date from which industrial property rights may have effect: **29 August 2012**
(54) Product in respect of which the design is registered: **Frame for a forced air heater**
(51) International Design Classification: **23-03F, 08-08NES**
(74) Name(s) of Attorney(s): **Fisher Adams Kelly**
(71) Name(s) and Address(s) of Applicant(s):
Pinnacle Products International, Inc
668 Stony Hill Road, # 302 Yardley 19067 United States of America
(72) Name(s) of Designer(s): **Anderson Quillian Smith and Anthony Russell Rogers**
(45) Registration Date: **29 October 2012**
(30) Convention priority data:
(31) Number (32) Date (33) Country
29/422434 21 May 2012 UNITED STATES OF AMERICA
(56) Related Art Documents: **Not Applicable**
(57) Statement of Newness and Distinctiveness: **The newness and distinctiveness of the design resides in the shape and/or configuration of the FRAME FOR A FORCED AIR HEATER shown in the representations. When considering the newness and distinctiveness of the design, the lines shown in phantom should be disregarded.**



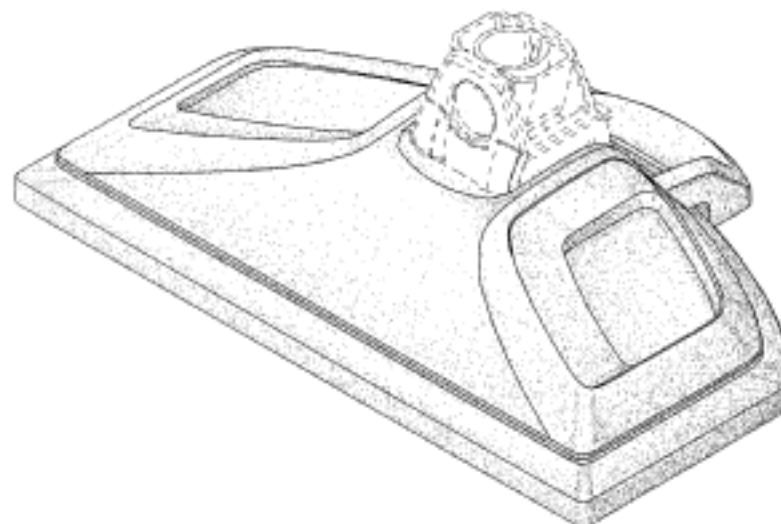
(21) Design Number: **14273/2012**
(22) Date of Filing Application: **29 August 2012**
(24) Date from which industrial property rights may have effect: **29 August 2012**
(54) Product in respect of which the design is registered: **Forced air heater**
(51) International Design Classification: **23-03F**
(74) Name(s) of Attorney(s): **Fisher Adams Kelly**
(71) Name(s) and Address(s) of Applicant(s):
Pinnacle Products International Inc
668 Stoney Hill Road # 302 Yardley 19067 United States of America
(72) Name(s) of Designer(s): **Anderson Quillian Smith and Anthony Russell Rogers**
(45) Registration Date: **29 October 2012**
(30) Convention priority data:
(31) Number (32) Date (33) Country
29/422436 21 May 2012 UNITED STATES OF AMERICA
(56) Related Art Documents: **Not Applicable**
(57) Statement of Newness and Distinctiveness: **The newness and distinctiveness of the design resides in the shape and/or configuration of the FORCED AIR HEATER shown in the representations. When considering the newness and distinctiveness of the design, the lines shown in phantom should be disregarded.**



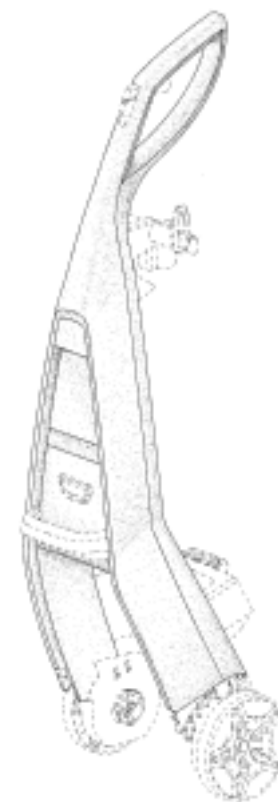
(21) Design Number: **14274/2012**
(22) Date of Filing Application: **29 August 2012**
(24) Date from which industrial property rights may have effect: **29 August 2012**
(54) Product in respect of which the design is registered: **Forced air heater**
(51) International Design Classification: **23-03F**
(74) Name(s) of Attorney(s): **Fisher Adams Kelly**
(71) Name(s) and Address(s) of Applicant(s):
Pinnacle Products International Inc
668 Stoney Hill Road # 302 Yardley 19067 United States of America
(72) Name(s) of Designer(s): **Anderson Quillian Smith and Anthony Russell Rogers**
(45) Registration Date: **29 October 2012**
(30) Convention priority data:
(31) Number (32) Date (33) Country
29/422435 21 May 2012 UNITED STATES OF AMERICA
(56) Related Art Documents: **Not Applicable**
(57) Statement of Newness and Distinctiveness: **The newness and distinctiveness of the design resides in the shape and/or configuration of the FORCED AIR HEATER shown in the representations. When considering the newness and distinctiveness of the design, the lines shown in phantom should be disregarded.**



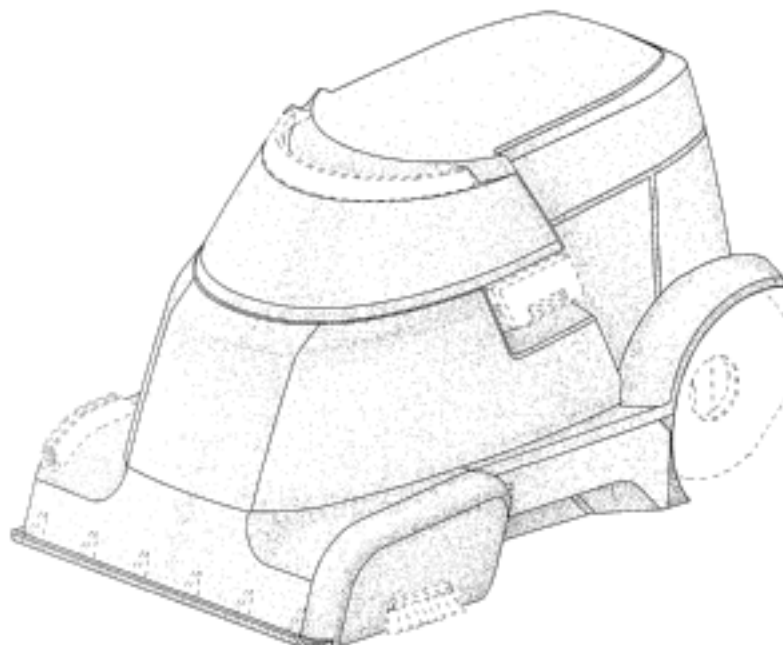
- (21) Design Number: **14276/2012**
(22) Date of Filing Application: **29 August 2012**
(24) Date from which industrial property rights may have effect: **29 August 2012**
(54) Product in respect of which the design is registered: **Vacuum cleaner foot**
(51) International Design Classification: **15-05**
(74) Name(s) of Attorney(s): **Griffith Hack**
(71) Name(s) and Address(s) of Applicant(s):
BISSELL Homecare, Inc.
2345 Walker Avenue N.W. Grand Rapids MI 49544 United States of America
(72) Name(s) of Designer(s): **Adam Luedke and Clifford Krapfl and Joseph Hyung Seok Lee and Thomas Mitchell**
(45) Registration Date: **29 October 2012**
(30) Convention priority data:
(31) Number (32) Date (33) Country
29/415,295 09 Mar 2012 UNITED STATES OF AMERICA
(56) Related Art Documents: **Not Applicable**
(57) Statement of Newness and Distinctiveness: **Newness and distinctiveness resides in the visual features, including shape, configuration and ornamentation, of the PRODUCT as shown by means of solid lines in the accompanying representations. Those parts shown by means of dashed lines have been included for illustrative purposes only, and do not form part of the design.**



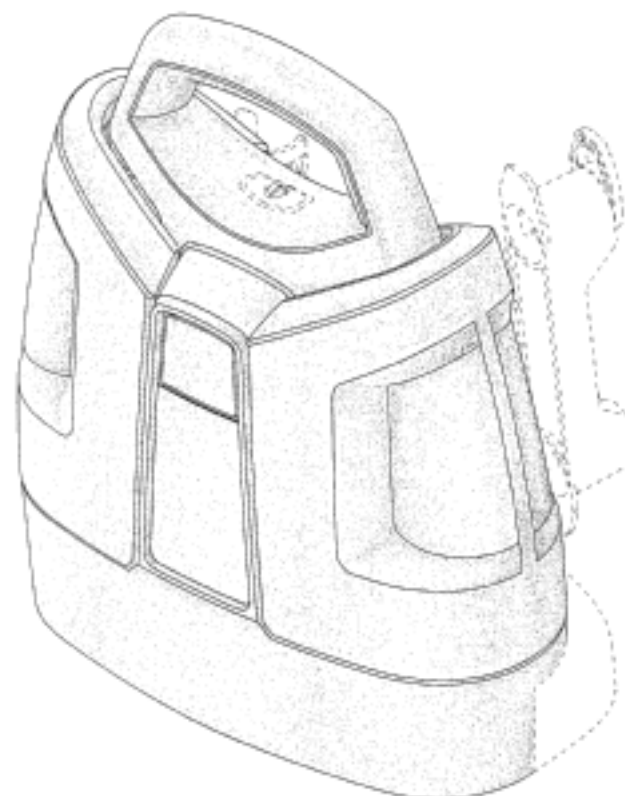
- (21) Design Number: **14277/2012**
(22) Date of Filing Application: **29 August 2012**
(24) Date from which industrial property rights may have effect: **29 August 2012**
(54) Product in respect of which the design is registered: **Vacuum cleaner handle**
(51) International Design Classification: **15-05**
(74) Name(s) of Attorney(s): **Griffith Hack**
(71) Name(s) and Address(s) of Applicant(s):
BISSELL Homecare, Inc.
2345 Walker Avenue N.W. Grand Rapids MI 49544 United States of America
(72) Name(s) of Designer(s): **Justin Benacquisto and Dave Miller and James Dangora and Jongho Nho and Paul Hatch**
(45) Registration Date: **29 October 2012**
(30) Convention priority data:
(31) Number (32) Date (33) Country
29/415,406 09 Mar 2012 UNITED STATES OF AMERICA
(56) Related Art Documents: **Not Applicable**
(57) Statement of Newness and Distinctiveness: **Newness and distinctiveness resides in the visual features, including shape, configuration and ornamentation, of the PRODUCT as shown by means of solid lines in the accompanying representations. Those parts shown by means of dashed lines have been included for illustrative purposes only, and do not form part of the design.**



- (21) Design Number: **14278/2012**
(22) Date of Filing Application: **29 August 2012**
(24) Date from which industrial property rights may have effect: **29 August 2012**
(54) Product in respect of which the design is registered: **Portion of floor cleaning machine**
(51) International Design Classification: **15-05**
(74) Name(s) of Attorney(s): **Griffith Hack**
(71) Name(s) and Address(s) of Applicant(s):
BISSELL Homecare, Inc.
2345 Walker Avenue N.W. Grand Rapids MI 49544 United States of America
(72) Name(s) of Designer(s): **Justin Benacquisto and Dave Miller and James Dangora and Jongho Nho and Paul Hatch**
(45) Registration Date: **29 October 2012**
(30) Convention priority data:
(31) Number (32) Date (33) Country
29/415,401 09 Mar 2012 UNITED STATES OF AMERICA
(56) Related Art Documents: **Not Applicable**
(57) Statement of Newness and Distinctiveness: **Newness and distinctiveness resides in the visual features, including shape, configuration and ornamentation, of the PRODUCT as shown by means of solid lines in the accompanying representations. Those parts shown by means of dashed lines have been included for illustrative purposes only, and do not form part of the design.**



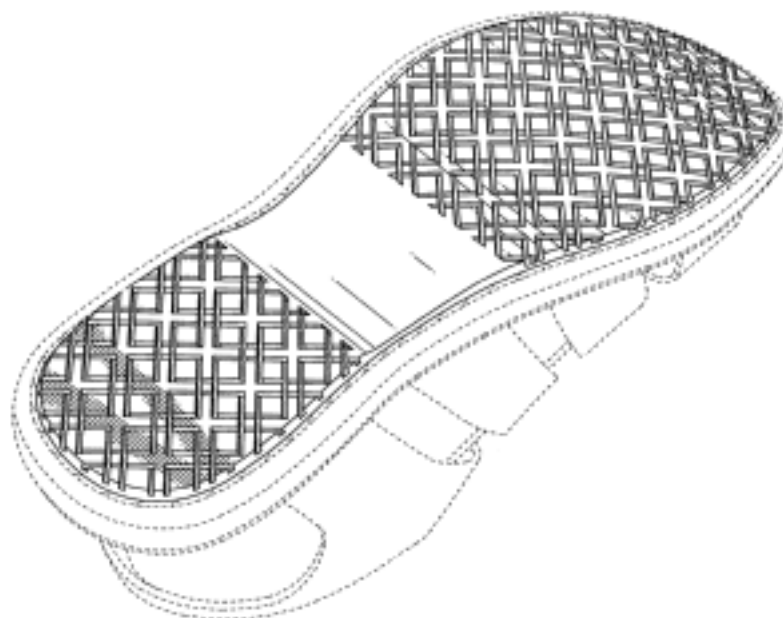
- (21) Design Number: **14279/2012**
(22) Date of Filing Application: **29 August 2012**
(24) Date from which industrial property rights may have effect: **29 August 2012**
(54) Product in respect of which the design is registered: **Deep cleaner**
(51) International Design Classification: **15-05**
(74) Name(s) of Attorney(s): **Griffith Hack**
(71) Name(s) and Address(s) of Applicant(s):
BISSELL Homecare, Inc.
2345 Walker Avenue N.W. Grand Rapids MI 49544 United States of America
(72) Name(s) of Designer(s): **Justin Benacquisto and Dave Miller and Jonathan Stanley**
(45) Registration Date: **29 October 2012**
(30) Convention priority data:
(31) Number (32) Date (33) Country
29/415,299 09 Mar 2012 UNITED STATES OF AMERICA
(56) Related Art Documents: **Not Applicable**
(57) Statement of Newness and Distinctiveness: **Newness and distinctiveness resides in the visual features, including shape, configuration and ornamentation, of the PRODUCT as shown by means of solid lines in the accompanying representations. Those parts shown by means of dashed lines have been included for illustrative purposes only, and do not form part of the design.**



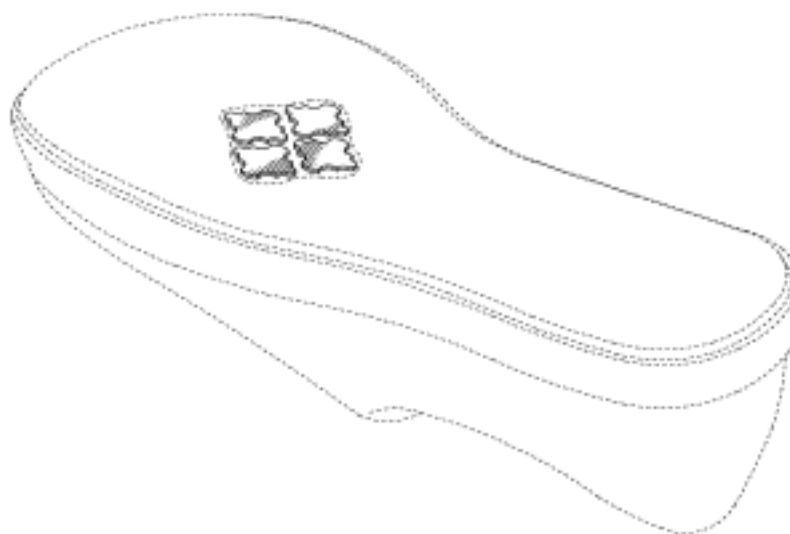
(21) Design Number: **14280/2012**
(22) Date of Filing Application: **29 August 2012**
(24) Date from which industrial property rights may have effect: **29 August 2012**
(54) Product in respect of which the design is registered: **Air intake snorkel for a vehicle**
(51) International Design Classification: **12-16NES**
(74) Name(s) of Attorney(s): **HODGKINSON McINNES PATENTS**
(71) Name(s) and Address(s) of Applicant(s):
Australian Performance Development Pty Ltd
73 Merrindale Drive South Croydon Victoria 3136 Australia
(72) Name(s) of Designer(s): **Andrew Berry**
(45) Registration Date: **29 October 2012**
(56) Related Art Documents: **Not Applicable**
(57) Statement of Newness and Distinctiveness: **Newness and distinctiveness is claimed in the shape and configuration of an air intake snorkel for a vehicle as shown in the representations.**



(21) Design Number: **14281/2012**
(22) Date of Filing Application: **29 August 2012**
(24) Date from which industrial property rights may have effect: **29 August 2012**
(54) Product in respect of which the design is registered: **Footwear outsole**
(51) International Design Classification: **02-04B**
(74) Name(s) of Attorney(s): **FB Rice**
(71) Name(s) and Address(s) of Applicant(s):
Deckers Outdoor Corporation
495-A South Fairview Avenue Goleta California 93117 United States of America
(72) Name(s) of Designer(s): **Alexandre Mentha**
(45) Registration Date: **29 October 2012**
(30) Convention priority data:
(31) Number (32) Date (33) Country
29/419370 27 Apr 2012 UNITED STATES OF AMERICA
(56) Related Art Documents: **Not Applicable**
(57) Statement of Newness and Distinctiveness: **Newness and distinctiveness reside in the features of shape and configuration as shown in solid lines in the representations excluding those features shown in broken lines.**



- (21) Design Number: **14282/2012**
(22) Date of Filing Application: **29 August 2012**
(24) Date from which industrial property rights may have effect: **29 August 2012**
(54) Product in respect of which the design is registered: **Footwear outsole**
(51) International Design Classification: **02-04B**
(74) Name(s) of Attorney(s): **FB Rice**
(71) Name(s) and Address(s) of Applicant(s):
Deckers Outdoor Corporation
495-A South Fairview Avenue Goleta California 93117 United States of America
(72) Name(s) of Designer(s): **Jennifer MacIntyre**
(45) Registration Date: **29 October 2012**
(30) Convention priority data:
(31) Number (32) Date (33) Country
29/419541 30 Apr 2012 UNITED STATES OF AMERICA
(56) Related Art Documents: **Not Applicable**
(57) Statement of Newness and Distinctiveness: **Newness and distinctiveness reside in the pattern as shown in solid lines in the representations excluding those features shown in broken lines, where the broken line around the four solid line elements of the sole in Figs. 1 and 2 is one pattern element.**



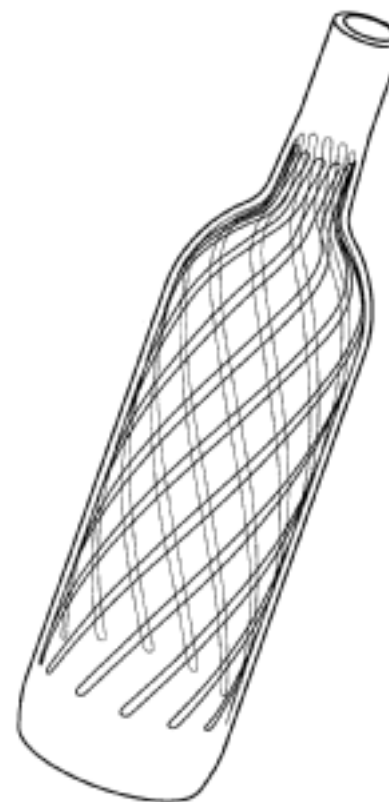
- (21) Design Number: **14284/2012**
(22) Date of Filing Application: **29 August 2012**
(24) Date from which industrial property rights may have effect: **29 August 2012**
(54) Product in respect of which the design is registered: **Smallgoods product**
(51) International Design Classification: **01-04**
(74) Name(s) of Attorney(s): **SPRUSON & FERGUSON**
(71) Name(s) and Address(s) of Applicant(s):
Jose Alfredo Pereira
360 Horsley Road Milperra New South Wales 2214 Australia
Maria Avelina Pereira
360 Horsley Road Milperra New South Wales 2214 Australia
(72) Name(s) of Designer(s): **Jose Alfredo Pereira**
(45) Registration Date: **29 October 2012**
(56) Related Art Documents: **Not Applicable**
(57) Statement of Newness and Distinctiveness: **Newness and distinctiveness is claimed in the features of shape and/or configuration of the profile of the upper face of a smallgoods product as illustrated in the accompanying representations.**



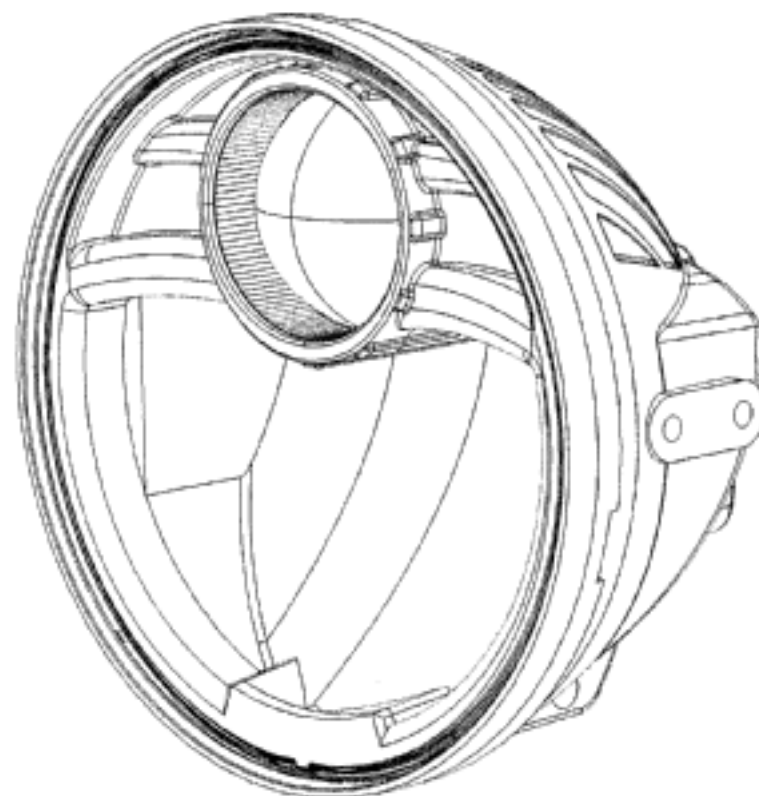
- (21) Design Number: **14285/2012**
(22) Date of Filing Application: **29 August 2012**
(24) Date from which industrial property rights may have effect: **29 August 2012**
(54) Product in respect of which the design is registered: **Smallgoods mould**
(51) International Design Classification: **07-02P, 07-04**
(74) Name(s) of Attorney(s): **SPRUSON & FERGUSON**
(71) Name(s) and Address(s) of Applicant(s):
Jose Alfredo Pereira
360 Horsley Road Milperra New South Wales 2214 Australia
Maria Avelina Pereira
360 Horsley Road Milperra New South Wales 2214 Australia
(72) Name(s) of Designer(s): **Jose Alfredo Pereira**
(45) Registration Date: **29 October 2012**
(56) Related Art Documents: **Not Applicable**
(57) Statement of Newness and Distinctiveness: **Newness and distinctiveness is claimed in the features of shape and/or configuration of the base wall of a smallgoods mould as illustrated in the accompanying representations.**



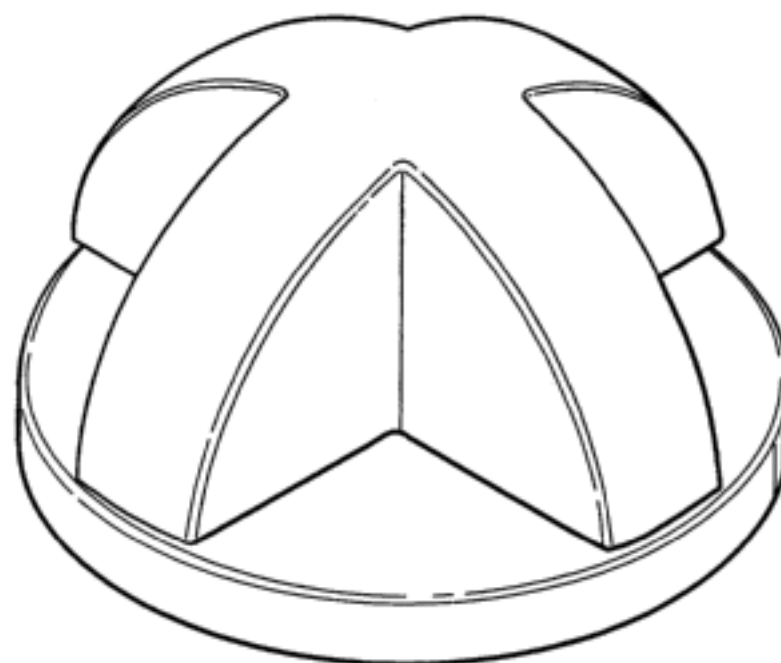
- (21) Design Number: **14314/2012**
(22) Date of Filing Application: **31 August 2012**
(24) Date from which industrial property rights may have effect: **31 August 2012**
(54) Product in respect of which the design is registered: **Bottle**
(51) International Design Classification: **09-01H**
(74) Name(s) of Attorney(s): **Shelston IP**
(71) Name(s) and Address(s) of Applicant(s):
Owens-Brockway Glass Container Inc.
One Michael Owens Way Perrysburg Ohio 43551 United States of America
(72) Name(s) of Designer(s): **Michael J. Lonsway and Vincent J. Bailey and Bruce A. Becker**
(45) Registration Date: **29 October 2012**
(30) Convention priority data:
(31) Number (32) Date (33) Country
29/417198 30 Mar 2012 UNITED STATES OF AMERICA
(56) Related Art Documents: **Not Applicable**
(57) Statement of Newness and Distinctiveness: **Newness and distinctiveness reside in the visual features of the design for a BOTTLE as shown in the accompanying representations, including the pattern of angularly spaced spiral ribs on the inside surface of the bottle.**



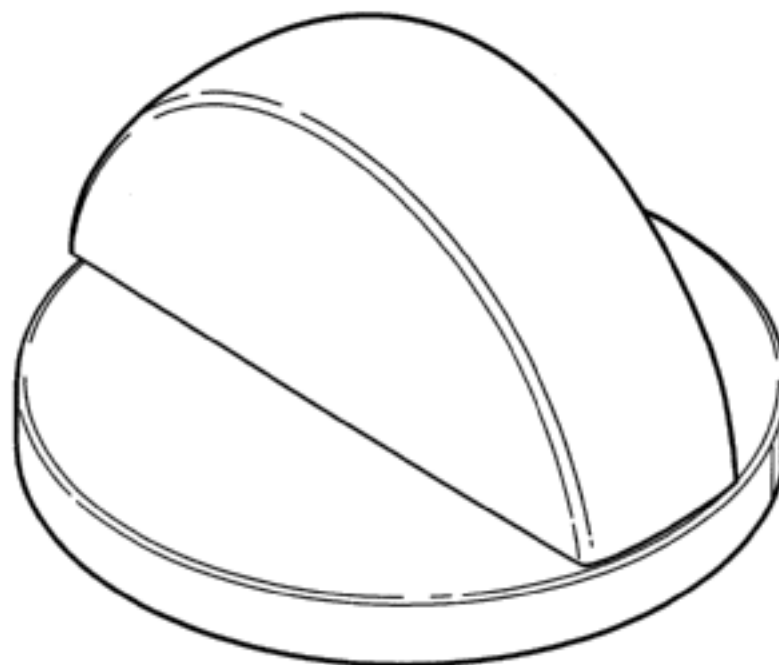
- (21) Design Number: **14359/2012**
(22) Date of Filing Application: **05 September 2012**
(24) Date from which industrial property rights may have effect: **05 September 2012**
(54) Product in respect of which the design is registered: **Vehicle light**
(51) International Design Classification: **26-06**
(74) Name(s) of Attorney(s): **WATERMARK PATENT AND TRADE MARKS ATTORNEYS**
(71) Name(s) and Address(s) of Applicant(s):
Owen Thurston Jurgens
c/- Ultra Auto Australia PO BOX 1760 Swan Hill VIC 3585 AUSTRALIA
Philippa Jane Jurgens
c/- Ultra Auto Australia PO BOX 1760 Swan Hill VIC 3585 AUSTRALIA
Terence Jurgens
c/- Ultra Auto Australia PO BOX 1760 Swan Hill VIC 3585 AUSTRALIA
Elise Rachael Jurgens
c/- Ultra Auto Australia PO BOX 1760 Swan Hill VIC 3585 AUSTRALIA
(72) Name(s) of Designer(s): **Terence Jurgens and Rosalind Jane Jurgens**
(45) Registration Date: **29 October 2012**
(56) Related Art Documents: **Not Applicable**
(57) Statement of Newness and Distinctiveness: **Newness and distinctiveness is claimed in the features of shape and/or configuration of a vehicle light as illustrated in the accompanying representations.**



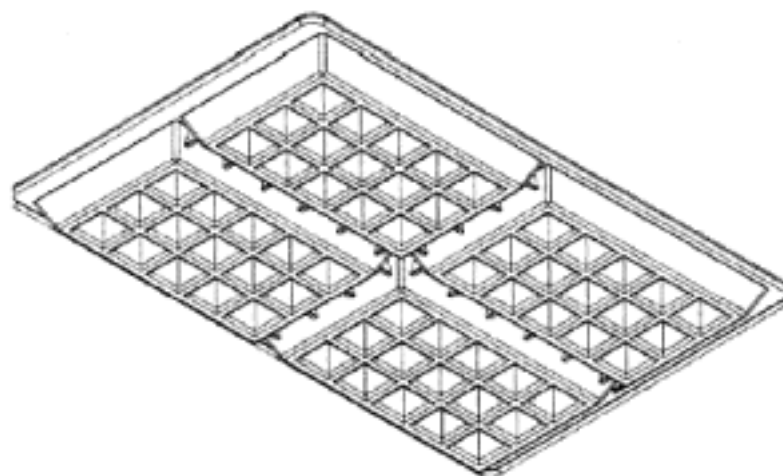
- (21) Design Number: **14360/2012**
(22) Date of Filing Application: **04 September 2012**
(24) Date from which industrial property rights may have effect: **04 September 2012**
(54) Product in respect of which the design is registered: **A tap handle**
(51) International Design Classification: **23-01H**
(74) Name(s) of Attorney(s): **PETER MAXWELL & ASSOCIATES**
(71) Name(s) and Address(s) of Applicant(s):
Meco Australia Pty Limited
30 Stennett Rd Ingleburn NSW 2565 Australia
(72) Name(s) of Designer(s): **Nicholas Kroopin**
(45) Registration Date: **29 October 2012**
(56) Related Art Documents: **Not Applicable**
(57) Statement of Newness and Distinctiveness: **Newness and distinctiveness is claimed in the shape and/or configuration of A TAP HANDLE as illustrated by the unbroken lines in the accompanying representations.**



(21) Design Number: **14361/2012**
(22) Date of Filing Application: **04 September 2012**
(24) Date from which industrial property rights may have effect: **04 September 2012**
(54) Product in respect of which the design is registered: **A tap handle**
(51) International Design Classification: **23-01H**
(74) Name(s) of Attorney(s): **PETER MAXWELL & ASSOCIATES**
(71) Name(s) and Address(s) of Applicant(s):
Meco Australia Pty Limited
30 Stennett Rd Ingleburn NSW 2565 Australia
(72) Name(s) of Designer(s): **Nicholas Kroopin**
(45) Registration Date: **29 October 2012**
(56) Related Art Documents: **Not Applicable**
(57) Statement of Newness and Distinctiveness: **Newness and distinctiveness is claimed in the shape and/or configuration of A TAP HANDLE as illustrated by the unbroken lines in the accompanying representations.**



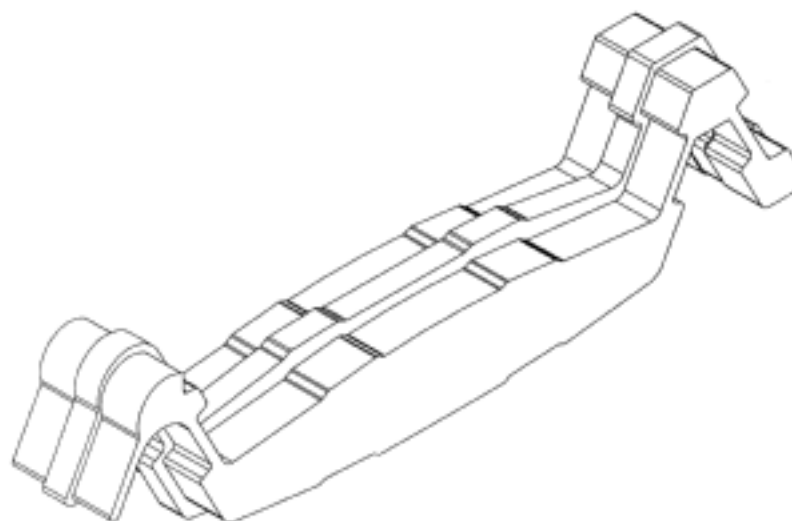
(21) Design Number: **14362/2012**
(22) Date of Filing Application: **04 September 2012**
(24) Date from which industrial property rights may have effect: **04 September 2012**
(54) Product in respect of which the design is registered: **Tray**
(51) International Design Classification: **07-02NES**
(74) Name(s) of Attorney(s): **Callinans**
(71) Name(s) and Address(s) of Applicant(s):
Betty Bossi AG
Burglistrasse 29 CH-8021 Zurich Switzerland
(72) Name(s) of Designer(s): **Valentin Engler**
(45) Registration Date: **29 October 2012**
(30) Convention priority data:
(31) Number (32) Date (33) Country
138980 14 Jun 2012 SWITZERLAND
(56) Related Art Documents: **Not Applicable**
(57) Statement of Newness and Distinctiveness: **Nil**



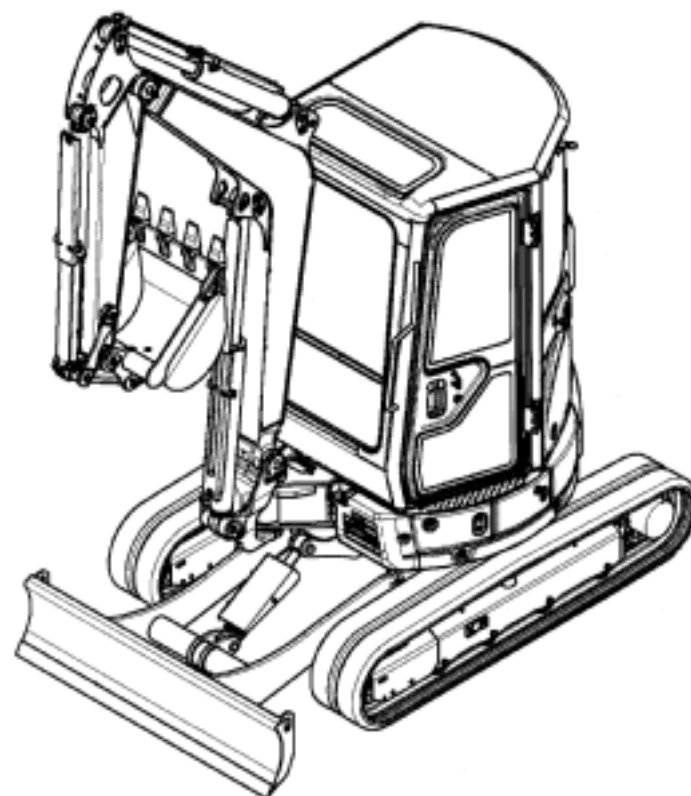
- (21) Design Number: **14606/2012**
(22) Date of Filing Application: **18 September 2012**
(24) Date from which industrial property rights may have effect: **18 September 2012**
(54) Product in respect of which the design is registered: **Golf bunker rake**
(51) International Design Classification: **08-05A**
(74) Name(s) of Attorney(s):
(71) Name(s) and Address(s) of Applicant(s):
Robert Ernest Rennick
6/26 Rochester Rd Canterbury VIC 3126 Australia
(72) Name(s) of Designer(s): **Robert Rennick**
(45) Registration Date: **29 October 2012**
(56) Related Art Documents: **Not Applicable**
(57) Statement of Newness and Distinctiveness: **A rake with telescope handle that is stored in a tube in the ground next or in the bunker.**



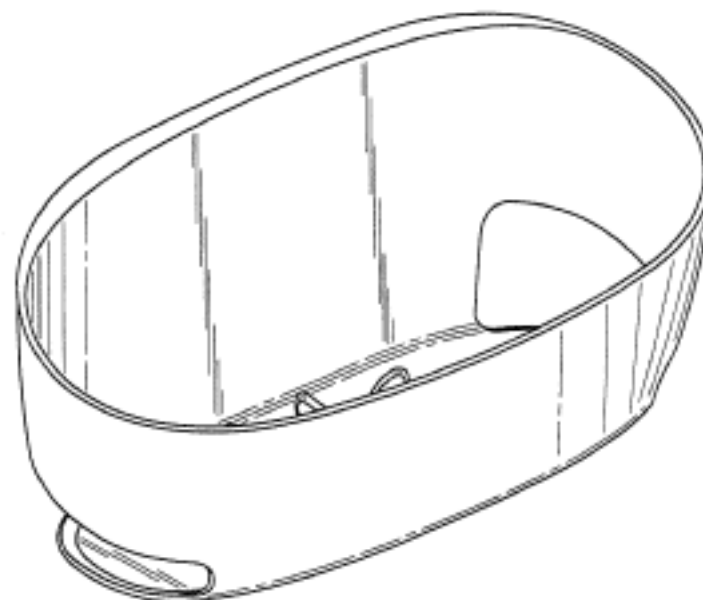
- (21) Design Number: **14671/2012**
(22) Date of Filing Application: **20 September 2012**
(24) Date from which industrial property rights may have effect: **20 September 2012**
(54) Product in respect of which the design is registered: **Sealing device**
(51) International Design Classification: **25-02E**
(74) Name(s) of Attorney(s): **PHILLIPS ORMONDE FITZPATRICK**
(71) Name(s) and Address(s) of Applicant(s):
Stramit Corporation Pty Limited
L11 Tower B Zenith Centre 821 Pacific Highway Chatswood NSW 2067
Australia
(72) Name(s) of Designer(s): **Christopher Lee Healy and Yuri Elmo Arguedas and John Richard Bugh**
(45) Registration Date: **29 October 2012**
(56) Related Art Documents: **Not Applicable**
(57) Statement of Newness and Distinctiveness: **Those features of the sealing device depicted in the representations that are new and distinctive are the shape and/or configuration.**



- (21) Design Number: **14796/2012**
(22) Date of Filing Application: **27 September 2012**
(24) Date from which industrial property rights may have effect: **27 September 2012**
(54) Product in respect of which the design is registered: **Excavator 2**
(51) International Design Classification: **15-04**
(74) Name(s) of Attorney(s): **WATERMARK PATENT AND TRADE MARKS ATTORNEYS**
(71) Name(s) and Address(s) of Applicant(s):
Yanmar Co., Ltd
1-9 Tsurunocho Kita-ku Osaka-shi Osaka 530-8311 Japan
(72) Name(s) of Designer(s): **Masami Miyanishi and Masamitsu Uemura and Hiroyuki Otsuki and Zenzo Uchida and Hisayuki Ishii**
(45) Registration Date: **29 October 2012**
(30) Convention priority data:
(31) Number (32) Date (33) Country
2012-006999 27 Mar 2012 JAPAN
(56) Related Art Documents: **Not Applicable**
(57) Statement of Newness and Distinctiveness: **Newness and distinctiveness resides in the features of the shape and/or configuration of the Excavator as shown in the accompanying representations.**



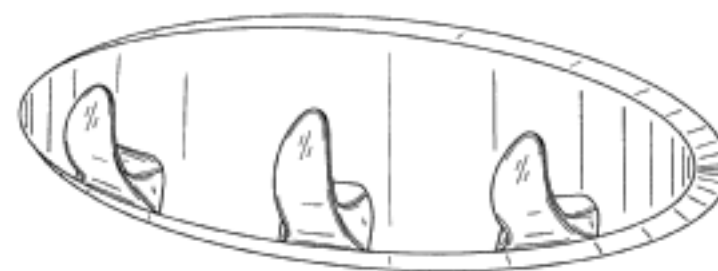
- (21) Design Number: **14817/2012**
(22) Date of Filing Application: **27 September 2012**
(24) Date from which industrial property rights may have effect: **27 September 2012**
(54) Product in respect of which the design is registered: **Caddy**
(51) International Design Classification: **23-02A**
(74) Name(s) of Attorney(s): **Davies Collison Cave**
(71) Name(s) and Address(s) of Applicant(s):
3M Innovative Properties Company
3M Center Post Office Box 33427 Saint Paul Minnesota 55133-3427
United States of America
(72) Name(s) of Designer(s): **Kevin J. Gilboe and Matthew J. Nettenstrom and Craig D. Thompson and Justin B. Peart and Jeremy A. Abel and Thomas M. McKeon**
(45) Registration Date: **30 October 2012**
(30) Convention priority data:
(31) Number (32) Date (33) Country
29/416810 27 Mar 2012 UNITED STATES OF AMERICA
(56) Related Art Documents: **Not Applicable**
(57) Statement of Newness and Distinctiveness: **Newness and distinctiveness is claimed in the visual features in solid lines in the representations. In considering the extent of the design rights, the broken lines shown in the representations are for illustrative purposes only and do not form part of the designs.**



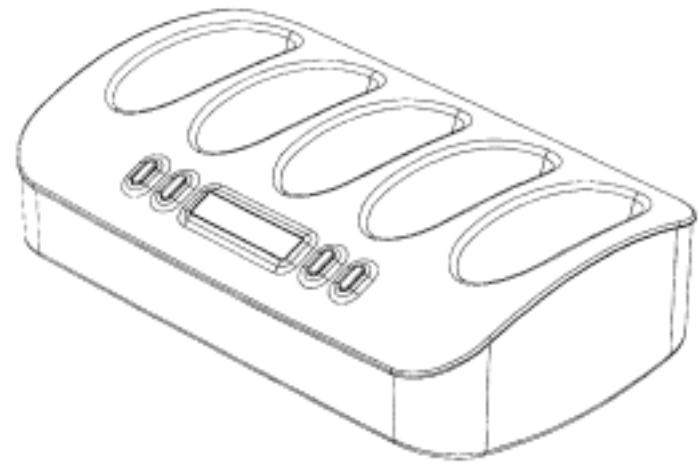
(21) Design Number: **14818/2012**
(22) Date of Filing Application: **27 September 2012**
(24) Date from which industrial property rights may have effect: **27 September 2012**
(54) Product in respect of which the design is registered: **Hook**
(51) International Design Classification: **08-08G**
(74) Name(s) of Attorney(s): **Davies Collison Cave**
(71) Name(s) and Address(s) of Applicant(s):
3M Innovative Properties Company
3M Center Post Office Box 33427 Saint Paul Minnesota 55133-3427
United States of America
(72) Name(s) of Designer(s): **Angela L. Pan and Kevin J. Gilboe**
(45) Registration Date: **30 October 2012**
(30) Convention priority data:
(31) Number (32) Date (33) Country
29/416797 27 Mar 2012 UNITED STATES OF AMERICA
(56) Related Art Documents: **Not Applicable**
(57) Statement of Newness and Distinctiveness: **Newness and distinctiveness is claimed in the visual features shown in solid lines in the representations.**



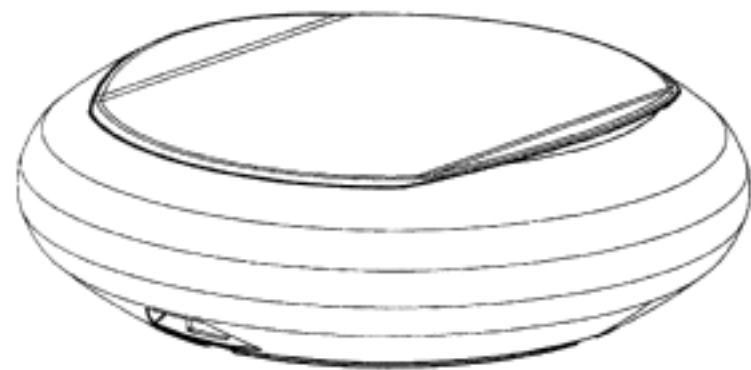
(21) Design Number: **14819/2012**
(22) Date of Filing Application: **27 September 2012**
(24) Date from which industrial property rights may have effect: **27 September 2012**
(54) Product in respect of which the design is registered: **Hook rack**
(51) International Design Classification: **08-08G, 06-04NES**
(74) Name(s) of Attorney(s): **Davies Collison Cave**
(71) Name(s) and Address(s) of Applicant(s):
3M Innovative Properties Company
3M Center Post Office Box 33427 Saint Paul Minnesota 55133-3427
United States of America
(72) Name(s) of Designer(s): **Kevin J. Gilboe and Justin B. Peart and Jeremy A. Abel and Matthew J. Nettenstrom**
(45) Registration Date: **30 October 2012**
(30) Convention priority data:
(31) Number (32) Date (33) Country
29/416831 27 Mar 2012 UNITED STATES OF AMERICA
(56) Related Art Documents: **Not Applicable**
(57) Statement of Newness and Distinctiveness: **Newness and distinctiveness is claimed in the visual features shown in solid lines in the representations.**



(21) Design Number: **14820/2012**
(22) Date of Filing Application: **24 September 2012**
(24) Date from which industrial property rights may have effect: **24 September 2012**
(54) Product in respect of which the design is registered: **Charging dock**
(51) International Design Classification: **14-01**
(74) Name(s) of Attorney(s): **Adams Pluck**
(71) Name(s) and Address(s) of Applicant(s):
Puck Charger Systems Pty Ltd
L2 6 O'Connell St Sydney NSW 2000 Australia
(72) Name(s) of Designer(s): **Sean Brandtman and Andrew Gemmell**
(45) Registration Date: **30 October 2012**
(56) Related Art Documents: **Not Applicable**
(57) Statement of Newness and Distinctiveness: **Nil**



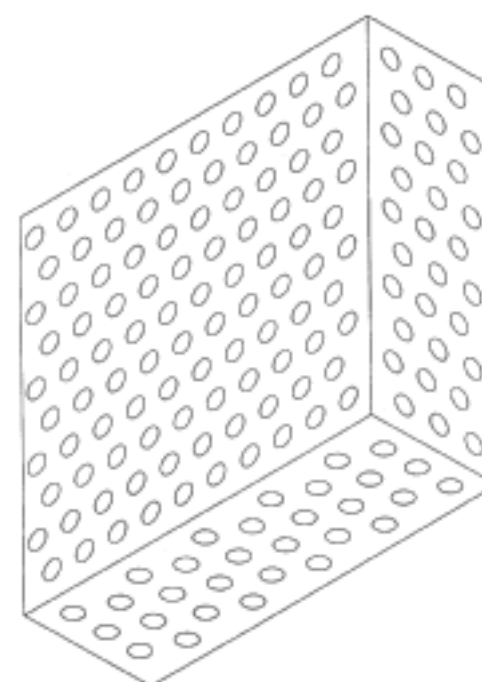
(21) Design Number: **14821/2012**
(22) Date of Filing Application: **24 September 2012**
(24) Date from which industrial property rights may have effect: **24 September 2012**
(54) Product in respect of which the design is registered: **Mobile device charger**
(51) International Design Classification: **14-01**
(74) Name(s) of Attorney(s): **Adams Pluck**
(71) Name(s) and Address(s) of Applicant(s):
Puck Charger Systems Pty Ltd
L2 6 O'Connell St Sydney NSW 2000 Australia
(72) Name(s) of Designer(s): **Sean Brandtman and Andrew Gemmell**
(45) Registration Date: **30 October 2012**
(56) Related Art Documents: **Not Applicable**
(57) Statement of Newness and Distinctiveness: **Nil**



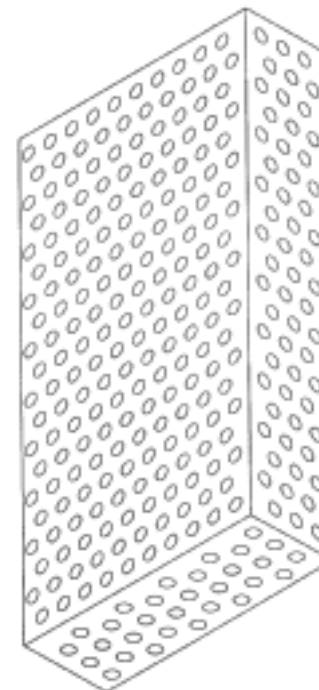
(21) Design Number: **14827/2012**
(22) Date of Filing Application: **28 September 2012**
(24) Date from which industrial property rights may have effect: **28 September 2012**
(54) Product in respect of which the design is registered: **A plant container for growing plants with its own light source**
(51) International Design Classification: **11-02B, 26-05NES**
(74) Name(s) of Attorney(s):
(71) Name(s) and Address(s) of Applicant(s):
Joshua Engwerda
9 Cooba St Canterbury VIC 3126 Australia
(72) Name(s) of Designer(s): **Joshua Engwerda**
(45) Registration Date: **30 October 2012**
(56) Related Art Documents: **Not Applicable**
(57) Statement of Newness and Distinctiveness: **Nil**



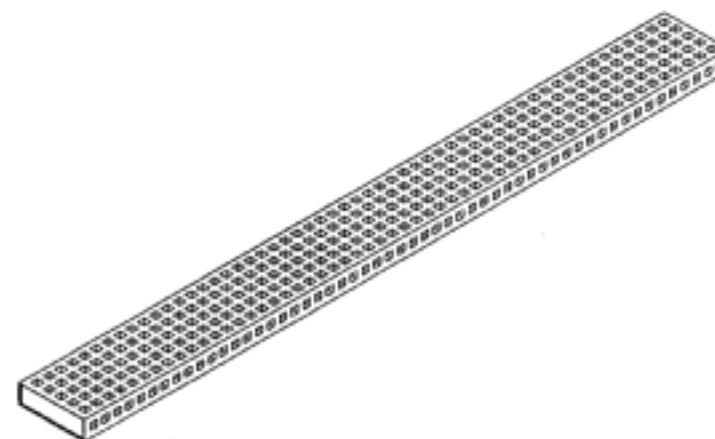
(21) Design Number: **14831/2012**
(22) Date of Filing Application: **26 September 2012**
(24) Date from which industrial property rights may have effect: **26 September 2012**
(54) Product in respect of which the design is registered: **Illumination apparatus**
(51) International Design Classification: **26-05A**
(74) Name(s) of Attorney(s): **Cullens Patent and Trade Mark Attorneys**
(71) Name(s) and Address(s) of Applicant(s):
Shimon Shahar
41 Frishman St Tel Aviv 64395 Israel
(72) Name(s) of Designer(s): **Shimon Shahar**
(45) Registration Date: **30 October 2012**
(30) Convention priority data:
(31) Number (32) Date (33) Country
52469 02 Apr 2012 ISRAEL
(56) Related Art Documents: **Not Applicable**
(57) Statement of Newness and Distinctiveness: **Nil**



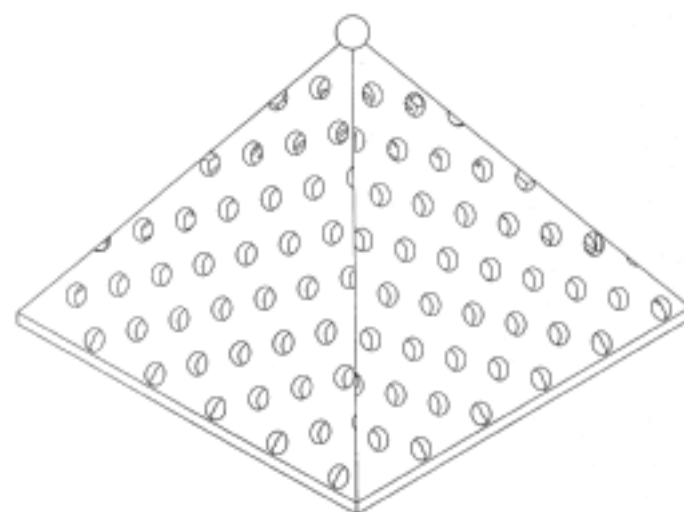
(21) Design Number: **14832/2012**
(22) Date of Filing Application: **26 September 2012**
(24) Date from which industrial property rights may have effect: **26 September 2012**
(54) Product in respect of which the design is registered: **Illumination apparatus**
(51) International Design Classification: **26-05A**
(74) Name(s) of Attorney(s): **Cullens Patent and Trade Mark Attorneys**
(71) Name(s) and Address(s) of Applicant(s):
Shimon Shahar
41 Frishman St Tel Aviv 64395 Israel
(72) Name(s) of Designer(s): **Shimon Shahar**
(45) Registration Date: **30 October 2012**
(30) Convention priority data:
(31) Number (32) Date (33) Country
52470 02 Apr 2012 ISRAEL
(56) Related Art Documents: **Not Applicable**
(57) Statement of Newness and Distinctiveness: **Nil**



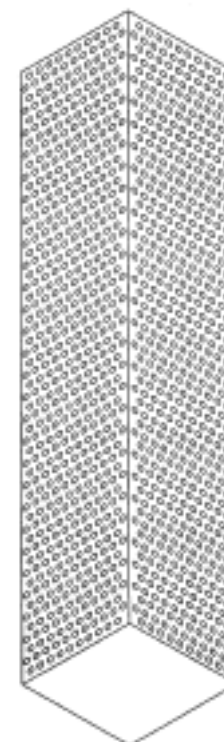
(21) Design Number: **14833/2012**
(22) Date of Filing Application: **26 September 2012**
(24) Date from which industrial property rights may have effect: **26 September 2012**
(54) Product in respect of which the design is registered: **Illumination apparatus**
(51) International Design Classification: **26-05A**
(74) Name(s) of Attorney(s): **Cullens Patent and Trade Mark Attorneys**
(71) Name(s) and Address(s) of Applicant(s):
Shimon Shahar
41 Frishman St Tel Aviv 64395 Israel
(72) Name(s) of Designer(s): **Shimon Shahar**
(45) Registration Date: **30 October 2012**
(30) Convention priority data:
(31) Number (32) Date (33) Country
52471 02 Apr 2012 ISRAEL
(56) Related Art Documents: **Not Applicable**
(57) Statement of Newness and Distinctiveness: **Nil**



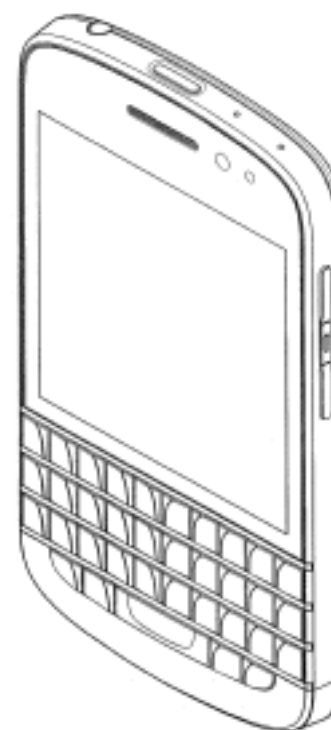
(21) Design Number: **14834/2012**
(22) Date of Filing Application: **26 September 2012**
(24) Date from which industrial property rights may have effect: **26 September 2012**
(54) Product in respect of which the design is registered: **Illumination apparatus**
(51) International Design Classification: **26-05A**
(74) Name(s) of Attorney(s): **Cullens Patent and Trade Mark Attorneys**
(71) Name(s) and Address(s) of Applicant(s):
Shimon Shahar
41 Frishman St Tel Aviv 64395 Israel
(72) Name(s) of Designer(s): **Shimon Shahar**
(45) Registration Date: **30 October 2012**
(30) Convention priority data:
(31) Number (32) Date (33) Country
52473 02 Apr 2012 ISRAEL
(56) Related Art Documents: **Not Applicable**
(57) Statement of Newness and Distinctiveness: **Nil**



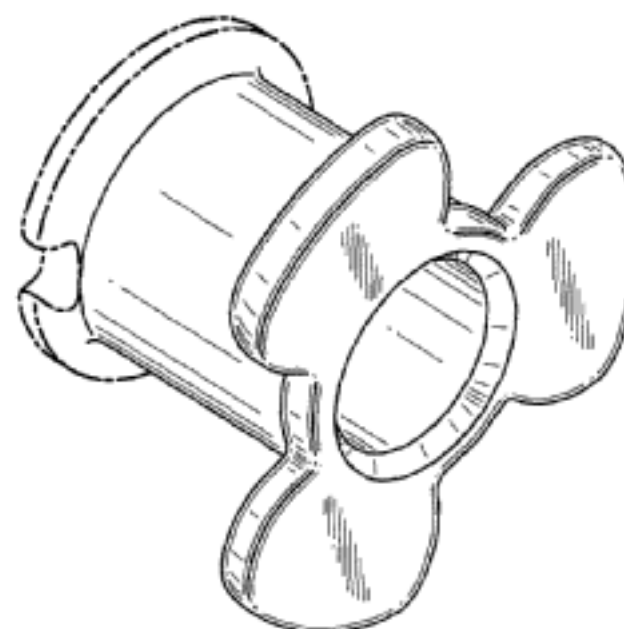
(21) Design Number: **14835/2012**
(22) Date of Filing Application: **26 September 2012**
(24) Date from which industrial property rights may have effect: **26 September 2012**
(54) Product in respect of which the design is registered: **Illumination apparatus**
(51) International Design Classification: **26-05A**
(74) Name(s) of Attorney(s): **Cullens Patent and Trade Mark Attorneys**
(71) Name(s) and Address(s) of Applicant(s):
Shimon Shahar
41 Frishman St Tel Aviv 64395 Israel
(72) Name(s) of Designer(s): **Shimon Shahar**
(45) Registration Date: **30 October 2012**
(30) Convention priority data:
(31) Number (32) Date (33) Country
52680 14 May 2012 ISRAEL
(56) Related Art Documents: **Not Applicable**
(57) Statement of Newness and Distinctiveness: **Nil**



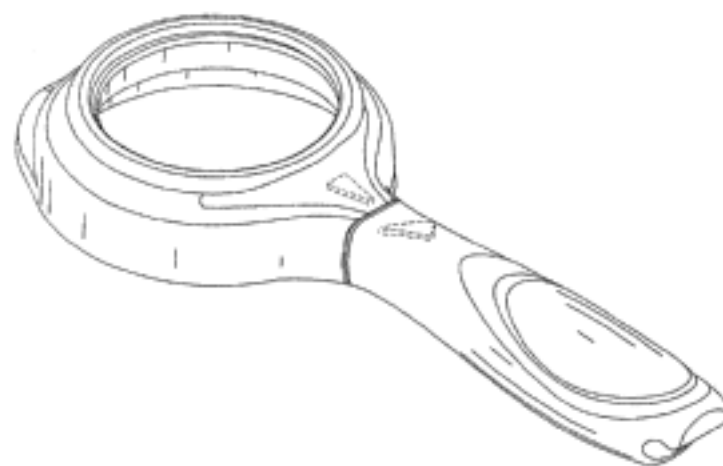
- (21) Design Number: **14836/2012**
(22) Date of Filing Application: **27 September 2012**
(24) Date from which industrial property rights may have effect: **27 September 2012**
(54) Product in respect of which the design is registered: **Handheld electronic device**
(51) International Design Classification: **14-03E**
(74) Name(s) of Attorney(s): **SPRUSON & FERGUSON**
(71) Name(s) and Address(s) of Applicant(s):
Research In Motion Limited
295 Phillip Street Waterloo Ontario N2L 3W8 Canada
(72) Name(s) of Designer(s): **Joseph Michael Hofer and Todd Andrew Wood and Di Tao and Peter Rak and Cortez Corley and Anders Fahrendorff and Ingve Holmung and Alison Phillips**
(45) Registration Date: **30 October 2012**
(30) Convention priority data:
(31) Number (32) Date (33) Country
29/417052 29 Mar 2012 UNITED STATES OF AMERICA
(56) Related Art Documents: **Not Applicable**
(57) Statement of Newness and Distinctiveness: **Newness and distinctiveness is claimed in the features of shape and/or configuration of handheld electronic device as illustrated in the accompanying representations.**



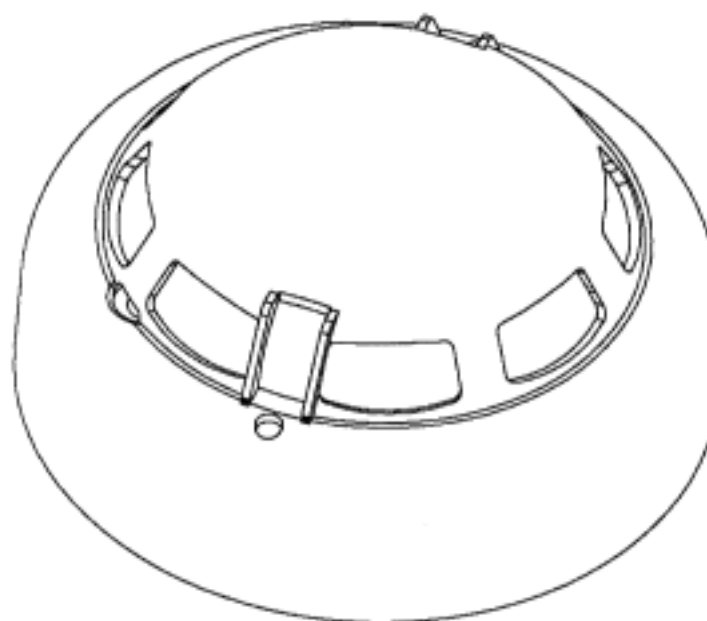
- (21) Design Number: **14837/2012**
(22) Date of Filing Application: **27 September 2012**
(24) Date from which industrial property rights may have effect: **27 September 2012**
(54) Product in respect of which the design is registered: **Tympanic membrane pressure equalization tube**
(51) International Design Classification: **24-01**
(74) Name(s) of Attorney(s): **Callinans**
(71) Name(s) and Address(s) of Applicant(s):
ACCLARENT, INC.
1525B O'Brien Drive Menlo Park California 94025 United States of America
(72) Name(s) of Designer(s): **Matthew D. Clopp and Scott J. Baron and Bernard H. Andreas**
(45) Registration Date: **30 October 2012**
(30) Convention priority data:
(31) Number (32) Date (33) Country
29/417,904 10 Apr 2012 UNITED STATES OF AMERICA
(56) Related Art Documents: **Not Applicable**
(57) Statement of Newness and Distinctiveness: **The design resides in the features of shape and configuration as applied to a TYMPANIC MEMBRANE PRESSURE EQUALISATION TUBE as shown in the accompanying representations.**



(21) Design Number: **14838/2012**
(22) Date of Filing Application: **27 September 2012**
(24) Date from which industrial property rights may have effect: **27 September 2012**
(54) Product in respect of which the design is registered: **Canning jar tool**
(51) International Design Classification: **07-06D**
(74) Name(s) of Attorney(s): **Griffith Hack**
(71) Name(s) and Address(s) of Applicant(s):
Hearthmark LLC
14611 Commerce Drive Daleville IN 47334 United States of America
(72) Name(s) of Designer(s): **Scott Hagar**
(45) Registration Date: **30 October 2012**
(30) Convention priority data:
(31) Number (32) Date (33) Country
29/418593 18 Apr 2012 UNITED STATES OF AMERICA
(56) Related Art Documents: **Not Applicable**
(57) Statement of Newness and Distinctiveness: **The shape or configuration of those portions of the product shown in solid lines is new and distinctive.**



(21) Design Number: **14839/2012**
(22) Date of Filing Application: **27 September 2012**
(24) Date from which industrial property rights may have effect: **27 September 2012**
(54) Product in respect of which the design is registered: **Fire detector**
(51) International Design Classification: **10-05**
(74) Name(s) of Attorney(s): **Griffith Hack**
(71) Name(s) and Address(s) of Applicant(s):
Hochiki Corporation
10-43 Kamiosaki 2-chome Shinagawa-ku Tokyo Japan
(72) Name(s) of Designer(s): **Manabu Dohi and Inderpreet Singh Pal and Leonard Manning**
(45) Registration Date: **30 October 2012**
(30) Convention priority data:
(31) Number (32) Date (33) Country
2012-22462 18 Sep 2012 JAPAN
(56) Related Art Documents: **Not Applicable**
(57) Statement of Newness and Distinctiveness: **The shape, configuration and ornamentation of the product as shown in the accompanying representations is new and distinctive.**



(21) Design Number: **14235/2012**
(22) Date of Filing Application: **27 August 2012**
(24) Date from which industrial property rights may have effect: **27 August 2012**
(54) Product in respect of which the design is registered: **Angle grinder**
(51) International Design Classification: **08-05N**
(74) Name(s) of Attorney(s): **Collison & Co**
(71) Name(s) and Address(s) of Applicant(s):
Hutchin Exports Ltd
The Lake Building 1st Floor Wickhams Cay 1 Road Town Tortola British
Virgin Islands

(72) Name(s) of Designer(s): **Michael Waldron**

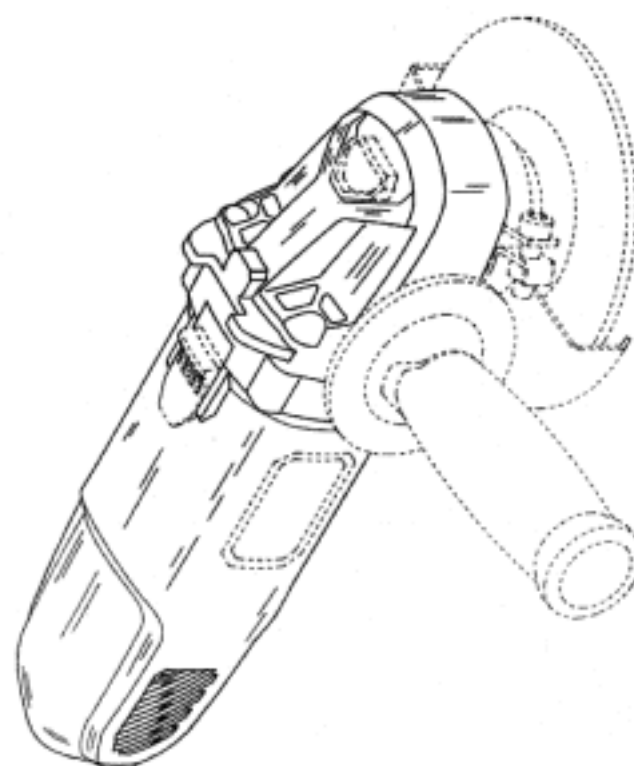
(45) Registration Date: **30 October 2012**

(30) Convention priority data:

(31) Number	(32) Date	(33) Country
US29/429723	15 Aug 2012	UNITED STATES OF AMERICA

(56) Related Art Documents: **Not Applicable**

(57) Statement of Newness and Distinctiveness: **Newness and distinctiveness is claimed in respect of the shape and configuration and/or pattern and ornamentation of the angle grinder as shown in the accompanying representations excluding the portions represented by the broken lines.**



(21) Design Number: **14236/2012**
(22) Date of Filing Application: **27 August 2012**
(24) Date from which industrial property rights may have effect: **27 August 2012**
(54) Product in respect of which the design is registered: **Angle grinder**
(51) International Design Classification: **08-05N**
(74) Name(s) of Attorney(s): **Collison & Co**
(71) Name(s) and Address(s) of Applicant(s):
Hutchin Exports Ltd
The Lake Building 1st Floor Wickhams Cay 1 Road Town Tortola British
Virgin Islands

(72) Name(s) of Designer(s): **Michael Waldron**

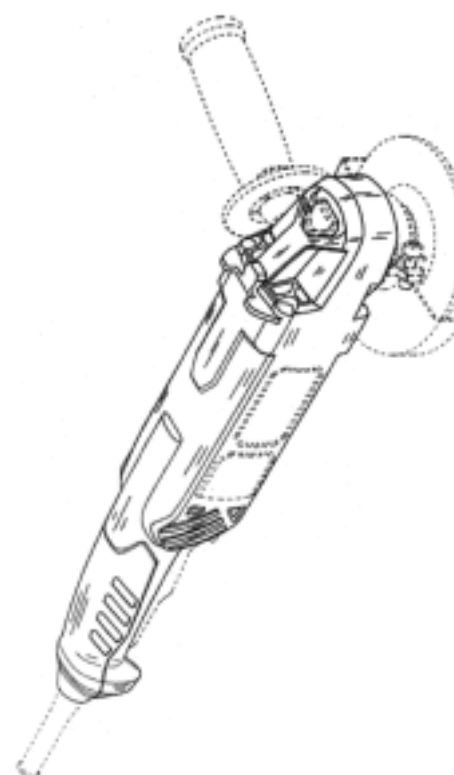
(45) Registration Date: **30 October 2012**

(30) Convention priority data:

(31) Number	(32) Date	(33) Country
US29/429716	15 Aug 2012	UNITED STATES OF AMERICA

(56) Related Art Documents: **Not Applicable**

(57) Statement of Newness and Distinctiveness: **Newness and distinctiveness is claimed in respect of the shape and configuration and/or pattern and ornamentation of the angle grinder as shown in the accompanying representations excluding the portions represented by the broken lines.**



(21) Design Number: **14237/2012**

(22) Date of Filing Application: **27 August 2012**

(24) Date from which industrial property rights may have effect: **27 August 2012**

(54) Product in respect of which the design is registered: **Angle grinder**

(51) International Design Classification: **08-05N**

(74) Name(s) of Attorney(s): **Collison & Co**

(71) Name(s) and Address(s) of Applicant(s):

Hutchin Exports Ltd

**The Lake Building 1st Floor Wickhams Cay 1 Road Town Tortola British
Virgin Islands**

(72) Name(s) of Designer(s): **Michael Waldron**

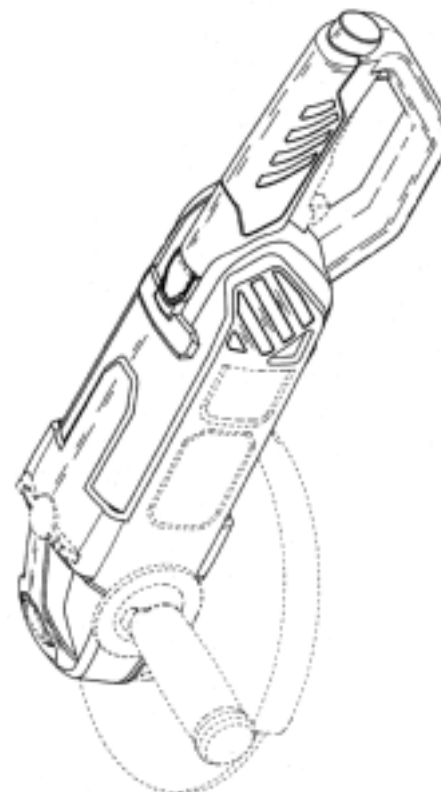
(45) Registration Date: **30 October 2012**

(30) Convention priority data:

(31) Number	(32) Date	(33) Country
US29/429708	15 Aug 2012	UNITED STATES OF AMERICA

(56) Related Art Documents: **Not Applicable**

(57) Statement of Newness and Distinctiveness: **Newness and distinctiveness is claimed in respect of the shape and configuration and/or pattern and ornamentation of the angle grinder as shown in the accompanying representations excluding the portions represented by the broken lines.**



(21) Design Number: **14440/2012**

(22) Date of Filing Application: **07 September 2012**

(24) Date from which industrial property rights may have effect: **07 September 2012**

(54) Product in respect of which the design is registered: **Medicament package**

(51) International Design Classification: **09-01NES, 24-99**

(74) Name(s) of Attorney(s):

(71) Name(s) and Address(s) of Applicant(s):

Logue and Co. Pty Ltd

199 Kiora Rd Yowie Bay NSW 2228 Australia

(72) Name(s) of Designer(s): **Anthony Thomas Logue**

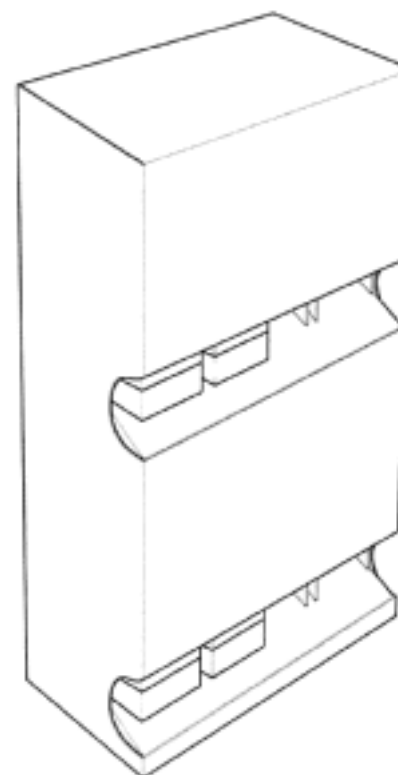
(45) Registration Date: **30 October 2012**

(56) Related Art Documents: **Not Applicable**

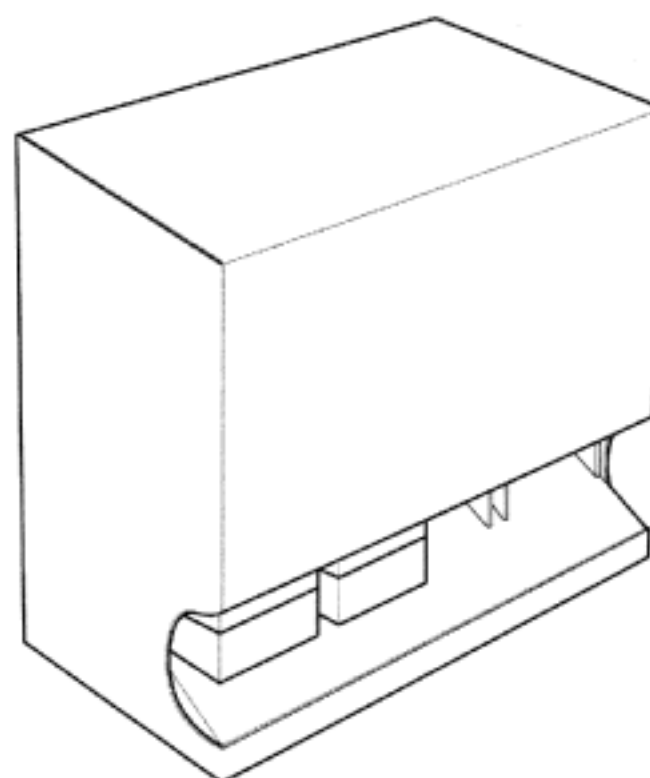
(57) Statement of Newness and Distinctiveness: **Newness and distinctiveness is claimed in the features of shape and/or configuration of a medicament package as depicted in the accompanying drawing.**



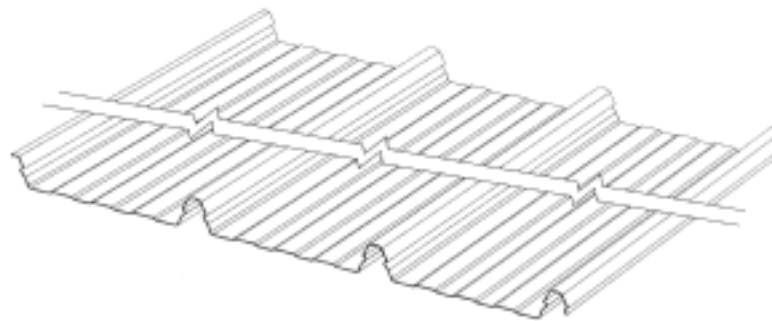
- (21) Design Number: **14441/2012**
(22) Date of Filing Application: **07 September 2012**
(24) Date from which industrial property rights may have effect: **07 September 2012**
(54) Product in respect of which the design is registered: **Vending machine**
(51) International Design Classification: **20-01**
(74) Name(s) of Attorney(s):
(71) Name(s) and Address(s) of Applicant(s):
Logue and Co. Pty Ltd
199 Kiora Rd Yowie Bay NSW 2228 Australia
(72) Name(s) of Designer(s): **Anthony Thomas Logue**
(45) Registration Date: **30 October 2012**
(56) Related Art Documents: **Not Applicable**
(57) Statement of Newness and Distinctiveness: **Newness and distinctiveness is claimed in the features of shape and/or configuration of a vending machine as depicted in the accompanying drawing.**



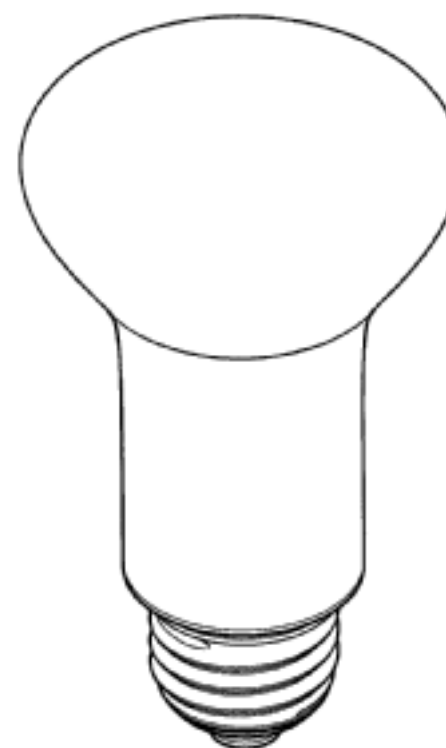
- (21) Design Number: **14442/2012**
(22) Date of Filing Application: **07 September 2012**
(24) Date from which industrial property rights may have effect: **07 September 2012**
(54) Product in respect of which the design is registered: **Vending Machine**
(51) International Design Classification: **20-01**
(74) Name(s) of Attorney(s):
(71) Name(s) and Address(s) of Applicant(s):
Logue and Co. Pty Ltd
199 Kiora Rd Yowie Bay NSW 2228 Australia
(72) Name(s) of Designer(s): **Anthony Thomas Logue**
(45) Registration Date: **30 October 2012**
(56) Related Art Documents: **Not Applicable**
(57) Statement of Newness and Distinctiveness: **Newness and distinctiveness is claimed in the features of shape and/or configuration of a vending machine as depicted in the accompanying drawing.**



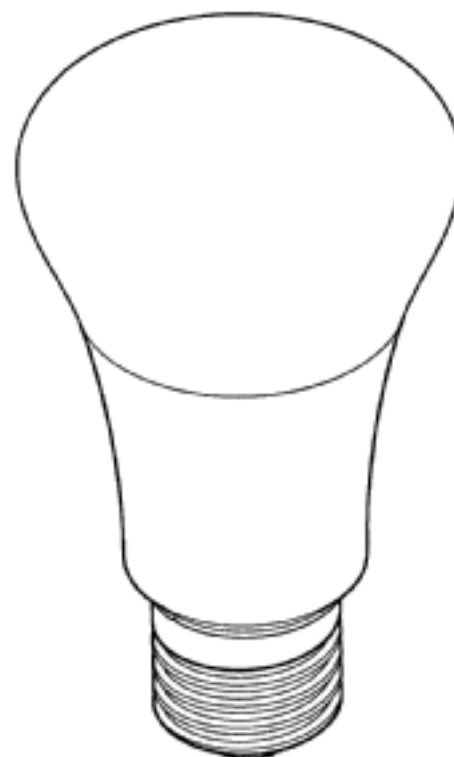
(21) Design Number: **14447/2012**
(22) Date of Filing Application: **07 September 2012**
(24) Date from which industrial property rights may have effect: **07 September 2012**
(54) Product in respect of which the design is registered: **A sheet for roofing or walling**
(51) International Design Classification: **25-01G**
(74) Name(s) of Attorney(s): **Madderns**
(71) Name(s) and Address(s) of Applicant(s):
Fielders Australia Pty Ltd
15 Railway Terrace Mile End SA 5031 Australia
(72) Name(s) of Designer(s): **Matthew James Lloyd and Kevin John Blaik**
(45) Registration Date: **30 October 2012**
(56) Related Art Documents: **Not Applicable**
(57) Statement of Newness and Distinctiveness: **Nil**



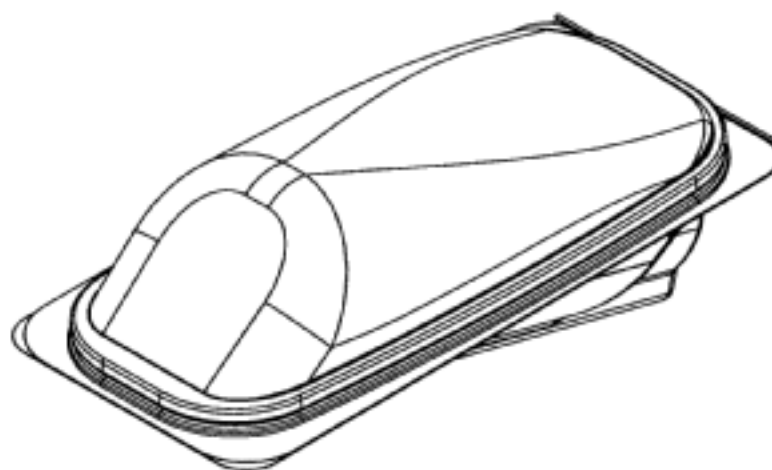
(21) Design Number: **14448/2012**
(22) Date of Filing Application: **07 September 2012**
(24) Date from which industrial property rights may have effect: **07 September 2012**
(54) Product in respect of which the design is registered: **LED bulb**
(51) International Design Classification: **26-05E**
(74) Name(s) of Attorney(s): **FB Rice**
(71) Name(s) and Address(s) of Applicant(s):
Koninklijke Philips Electronics N.V.
Groenewoudseweg 1 5621 BA Eindhoven The Netherlands
(72) Name(s) of Designer(s): **Peter Johannes Martinus Bukkems and Johan Petrus Maria Ansems and Joris Hubertus Antonius Hagelaar and Simon Eme Kaduk**
(45) Registration Date: **30 October 2012**
(30) Convention priority data:
(31) Number (32) Date (33) Country
002004358-0001 07 Mar 2012 EUROPEAN COMMUNITY
(56) Related Art Documents: **Not Applicable**
(57) Statement of Newness and Distinctiveness: **Newness and distinctiveness reside in the features of shape and configuration as shown in the representations.**



(21) Design Number: **14449/2012**
(22) Date of Filing Application: **07 September 2012**
(24) Date from which industrial property rights may have effect: **07 September 2012**
(54) Product in respect of which the design is registered: **LED bulb**
(51) International Design Classification: **26-05E**
(74) Name(s) of Attorney(s): **FB Rice**
(71) Name(s) and Address(s) of Applicant(s):
Koninklijke Philips Electronics N.V.
Groenewoudseweg 1 5621 BA Eindhoven The Netherlands
(72) Name(s) of Designer(s): **Peter Johannes Martinus Bukkems and Johan Petrus Maria Ansems and Joris Hubertus Antonius Hagelaar and Simon Eme Kaduk**
(45) Registration Date: **30 October 2012**
(30) Convention priority data:
(31) Number (32) Date (33) Country
002004358-0002 07 Mar 2012 EUROPEAN COMMUNITY
(56) Related Art Documents: **Not Applicable**
(57) Statement of Newness and Distinctiveness: **Newness and distinctiveness reside in the features of shape and configuration as shown in the representations.**



(21) Design Number: **14495/2012**
(22) Date of Filing Application: **10 September 2012**
(24) Date from which industrial property rights may have effect: **10 September 2012**
(54) Product in respect of which the design is registered: **Container**
(51) International Design Classification: **07-02NES, 09-03NES**
(74) Name(s) of Attorney(s): **WATERMARK PATENT AND TRADE MARKS ATTORNEYS**
(71) Name(s) and Address(s) of Applicant(s):
Alto Packaging Limited
Level 6 LJ Hooker House 57-59 Symonds Street Auckland New Zealand
(72) Name(s) of Designer(s): **Steven Mark Long**
(45) Registration Date: **30 October 2012**
(56) Related Art Documents: **Not Applicable**
(57) Statement of Newness and Distinctiveness: **Nil**



(21) Design Number: **14547/2012**

(22) Date of Filing Application: **12 September 2012**

(24) Date from which industrial property rights may have effect: **12 September 2012**

(54) Product in respect of which the design is registered: **Steam cleaner**

(51) International Design Classification: **15-05**

(74) Name(s) of Attorney(s): **Davies Collison Cave**

(71) Name(s) and Address(s) of Applicant(s):

Black & Decker Inc

1207 Drummond Plaza Newark Delaware 19711 United States of America

(72) Name(s) of Designer(s): **Stephen Houghton**

(45) Registration Date: **30 October 2012**

(30) Convention priority data:

(31) Number

(32) Date

(33) Country

001319149

23 Mar 2012

EUROPEAN COMMUNITY

(56) Related Art Documents: **Not Applicable**

(57) Statement of Newness and Distinctiveness: **Nil**



(21) Design Number: **14549/2012**

(22) Date of Filing Application: **12 September 2012**

(24) Date from which industrial property rights may have effect: **12 September 2012**

(54) Product in respect of which the design is registered: **Steam cleaner**

(51) International Design Classification: **15-05**

(74) Name(s) of Attorney(s): **Davies Collison Cave**

(71) Name(s) and Address(s) of Applicant(s):

Black & Decker Inc

1207 Drummond Plaza Newark Delaware 19711 United States of America

(72) Name(s) of Designer(s): **Stephen Houghton**

(45) Registration Date: **30 October 2012**

(30) Convention priority data:

(31) Number

(32) Date

(33) Country

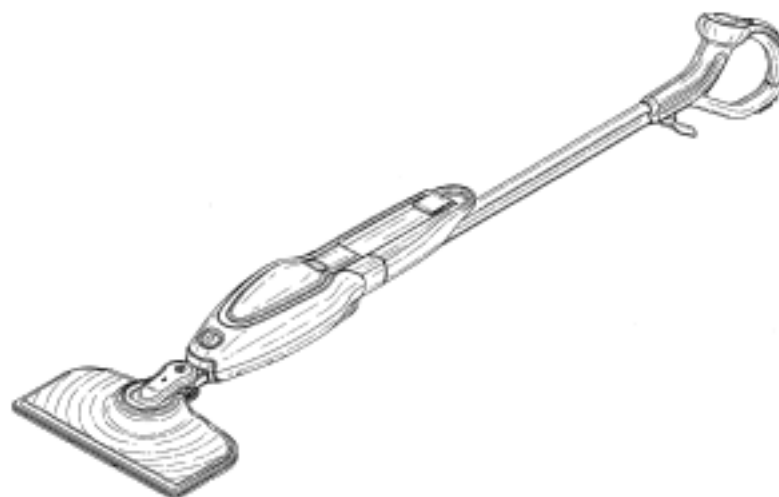
001319115

23 Mar 2012

EUROPEAN COMMUNITY

(56) Related Art Documents: **Not Applicable**

(57) Statement of Newness and Distinctiveness: **Nil**



(21) Design Number: **14550/2012**

(22) Date of Filing Application: **12 September 2012**

(24) Date from which industrial property rights may have effect: **12 September 2012**

(54) Product in respect of which the design is registered: **Air compressor**

(51) International Design Classification: **15-02**

(74) Name(s) of Attorney(s): **Davies Collison Cave**

(71) Name(s) and Address(s) of Applicant(s):

Black & Decker Inc

1207 Drummond Plaza Newark Delaware 19711 United States of America

(72) Name(s) of Designer(s): **Scott D. Craig and Craig R. Steinfels**

(45) Registration Date: **30 October 2012**

(30) Convention priority data:

(31) Number

(32) Date

(33) Country

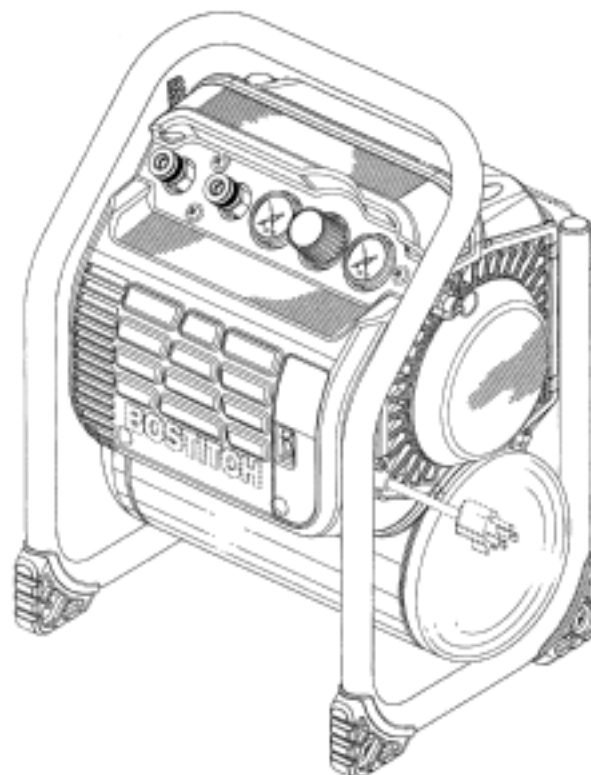
29/431587

10 Sep 2012

UNITED STATES OF AMERICA

(56) Related Art Documents: **Not Applicable**

(57) Statement of Newness and Distinctiveness: **Newness and distinctiveness is claimed in the visual features shown in solid lines in the representations.**



(21) Design Number: **14896/2012**

(22) Date of Filing Application: **28 September 2012**

(24) Date from which industrial property rights may have effect: **28 September 2012**

(54) Product in respect of which the design is registered: **Roulette wheel overlay**

(51) International Design Classification: **21-01L**

(74) Name(s) of Attorney(s): **Meskin IP**

(71) Name(s) and Address(s) of Applicant(s):

Vegas Game Point, LLC

2857 Paradise Road #1001 Las Vegas Nevada 89109 United States of America

(72) Name(s) of Designer(s): **Timothy J. Shelburn**

(45) Registration Date: **30 October 2012**

(30) Convention priority data:

(31) Number

(32) Date

(33) Country

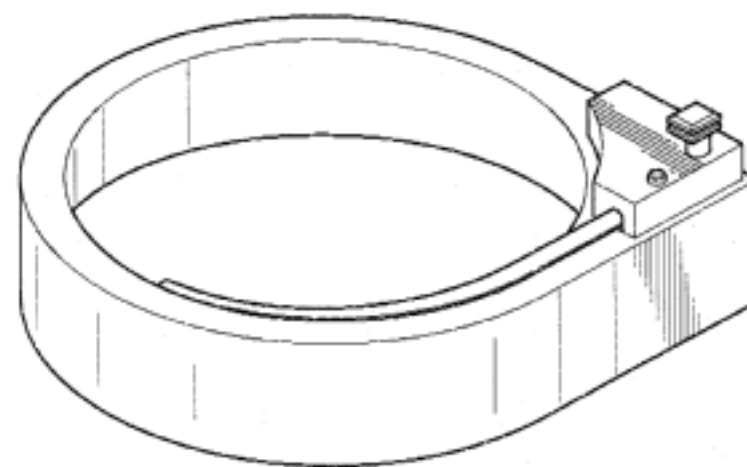
29/417446

03 Apr 2012

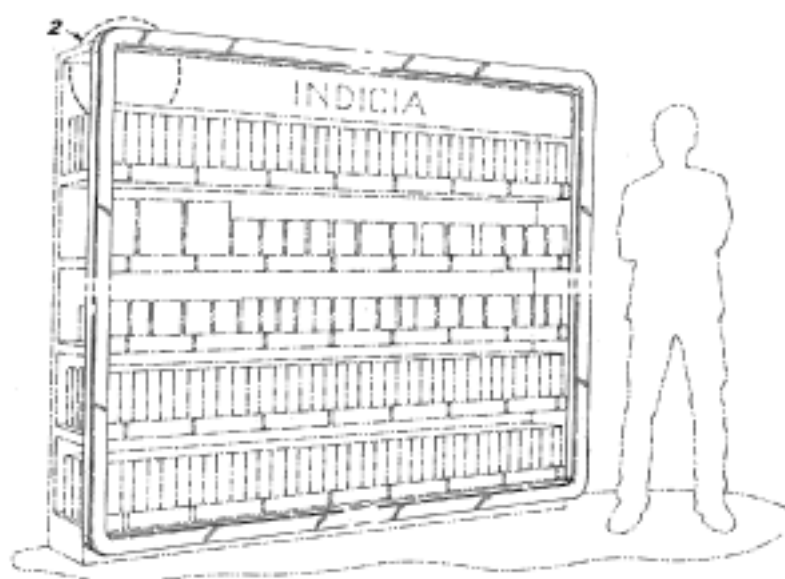
UNITED STATES OF AMERICA

(56) Related Art Documents: **Not Applicable**

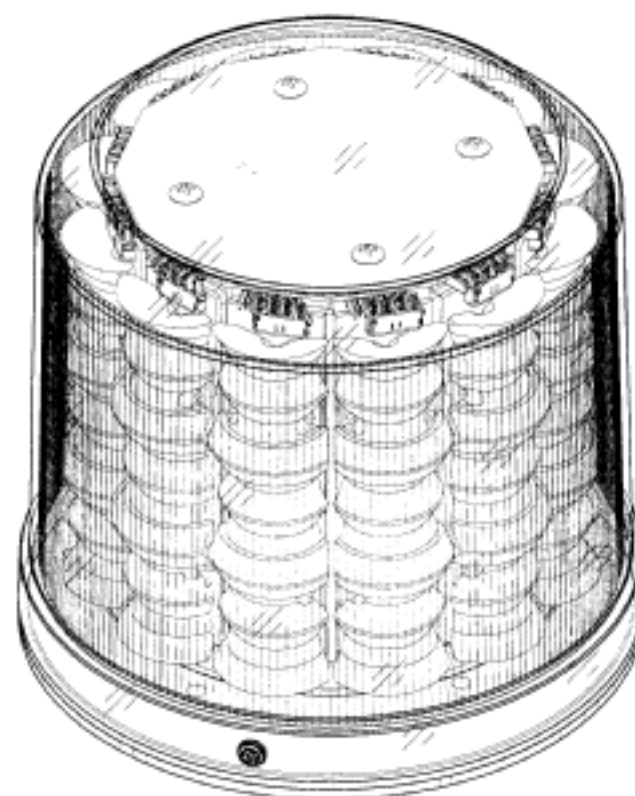
(57) Statement of Newness and Distinctiveness: **Nil**



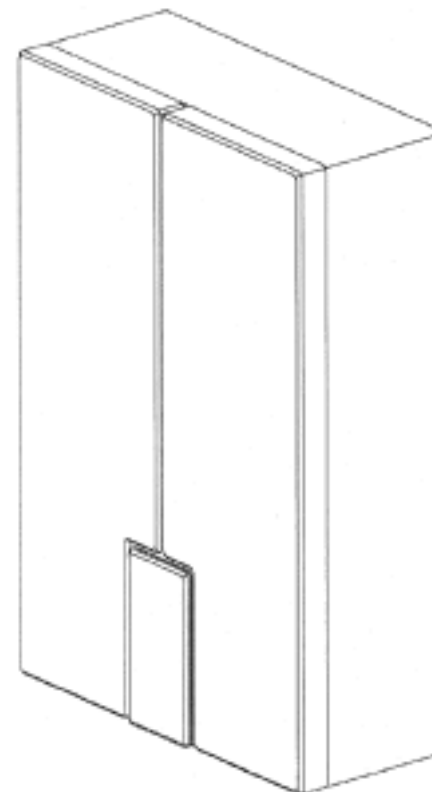
- (21) Design Number: **14897/2012**
(22) Date of Filing Application: **28 September 2012**
(24) Date from which industrial property rights may have effect: **28 September 2012**
(54) Product in respect of which the design is registered: **Display fixture for highlighting products**
(51) International Design Classification: **20-02E**
(74) Name(s) of Attorney(s): **Griffith Hack**
(71) Name(s) and Address(s) of Applicant(s):
S.C. Johnson and Son Inc.
1525 Howe Street Racine WI 53403-2236 United States of America
(72) Name(s) of Designer(s): **Pablo Javier Battilana**
(45) Registration Date: **30 October 2012**
(56) Related Art Documents: **Not Applicable**
(57) Statement of Newness and Distinctiveness: **The shape, configuration and ornamentation of the visual features of the product as illustrated by means of solid lines in the representations are new and distinctive. As indicated by the broken sections in the solid lines, the product may have any length or any height. In addition, those parts that have been illustrated by dashed lines in the representations have been included for illustrative purposes only, and do not form part of the design.**



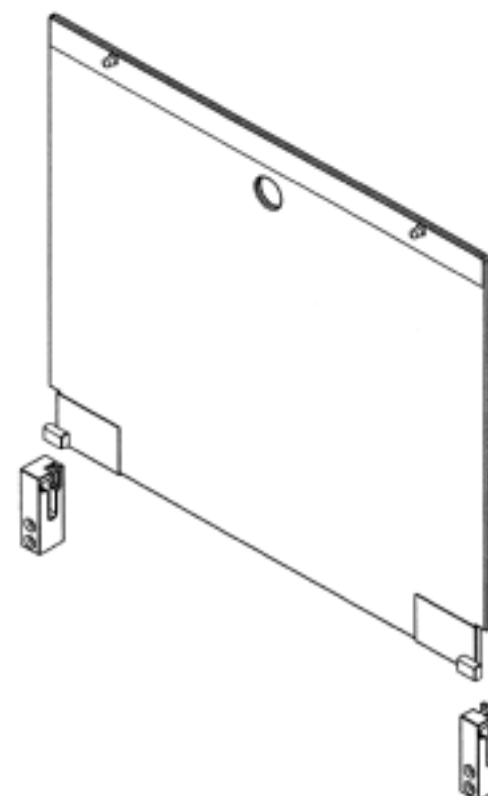
- (21) Design Number: **14807/2012**
(22) Date of Filing Application: **27 September 2012**
(24) Date from which industrial property rights may have effect: **27 September 2012**
(54) Product in respect of which the design is registered: **Light emitting diode beacon light**
(51) International Design Classification: **26-05E**
(74) Name(s) of Attorney(s):
(71) Name(s) and Address(s) of Applicant(s):
Code 3, Inc.
10986 North Warson Road St. Louis Missouri 63114-2029 United States of America
(72) Name(s) of Designer(s): **Paul L. Stein**
(45) Registration Date: **30 October 2012**
(30) Convention priority data:
(31) Number (32) Date (33) Country
29/418,626 18 Apr 2012 UNITED STATES OF AMERICA
(56) Related Art Documents: **Not Applicable**
(57) Statement of Newness and Distinctiveness: **Nil**



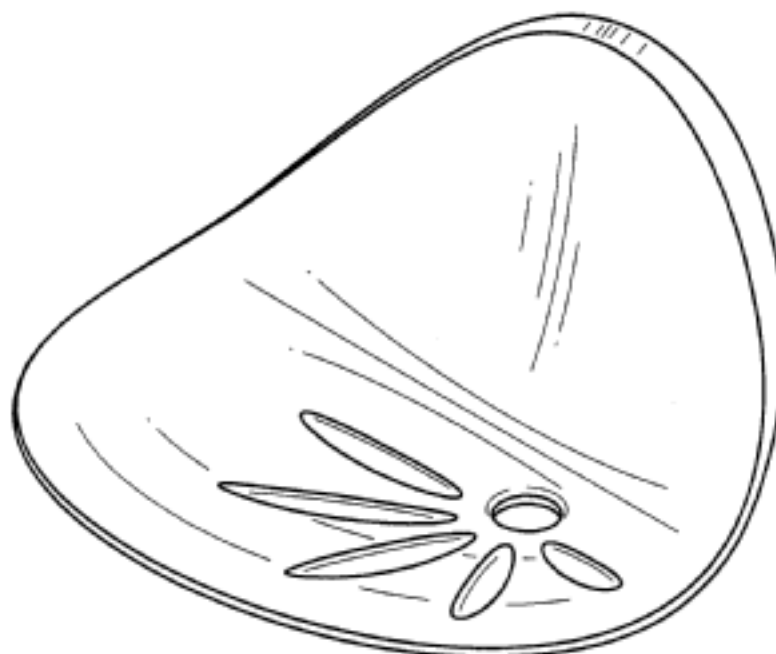
(21) Design Number: **14808/2012**
(22) Date of Filing Application: **27 September 2012**
(24) Date from which industrial property rights may have effect: **27 September 2012**
(54) Product in respect of which the design is registered: **Boiler exterior case**
(51) International Design Classification: **23-03NES**
(74) Name(s) of Attorney(s): **A J Park**
(71) Name(s) and Address(s) of Applicant(s):
Kyungdong Navien Co. Ltd
437 Segyo-dong Pyeongtaek-si Gyeonggi-do Korea
(72) Name(s) of Designer(s): **Chi-Young Lee**
(45) Registration Date: **30 October 2012**
(30) Convention priority data:
(31) Number (32) Date (33) Country
30-2012-0014201 27 Mar 2012 REPUBLIC OF KOREA
(56) Related Art Documents: **Not Applicable**
(57) Statement of Newness and Distinctiveness: **Newness and distinctiveness reside in the features of shape and/or configuration of the BOILER EXTERIOR CASE as shown in the representations.**



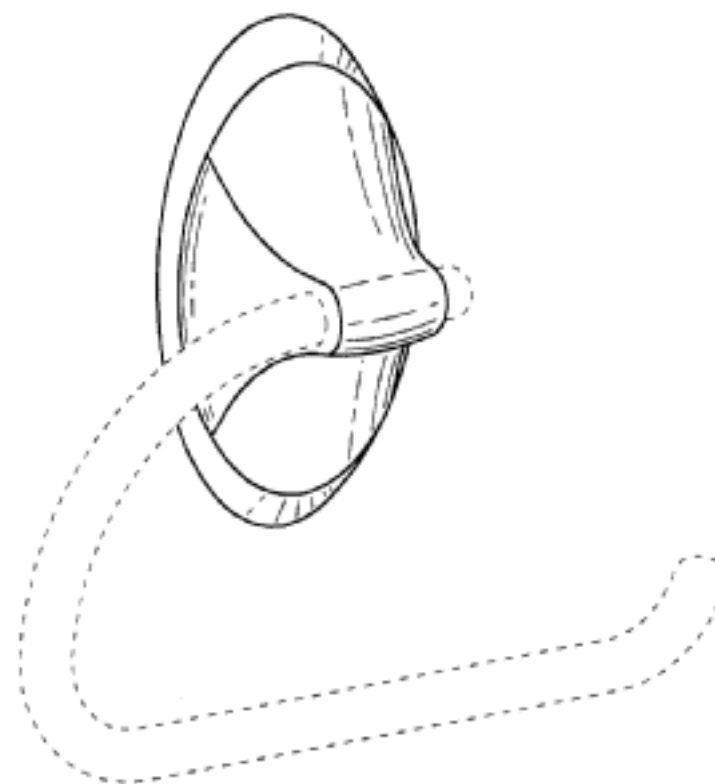
(21) Design Number: **14811/2012**
(22) Date of Filing Application: **27 September 2012**
(24) Date from which industrial property rights may have effect: **27 September 2012**
(54) Product in respect of which the design is registered: **Removable hinged lid for cookers and sinks**
(51) International Design Classification: **07-02C**
(74) Name(s) of Attorney(s): **PHILLIPS ORMONDE FITZPATRICK**
(71) Name(s) and Address(s) of Applicant(s):
Smev S.R.L.
Via Apollonio 11 36061 Bassano del Grappa (VI) Italy
(72) Name(s) of Designer(s): **Giuseppe Tosin**
(45) Registration Date: **30 October 2012**
(30) Convention priority data:
(31) Number (32) Date (33) Country
002022491 10 Apr 2012 EUROPEAN COMMUNITY
(56) Related Art Documents: **Not Applicable**
(57) Statement of Newness and Distinctiveness: **Those features of the removable hinged lid for cookers and/or sinks depicted in the representations that are new and distinctive are the shape and/or configuration.**



(21) Design Number: **14812/2012**
(22) Date of Filing Application: **27 September 2012**
(24) Date from which industrial property rights may have effect: **27 September 2012**
(54) Product in respect of which the design is registered: **Soap dish**
(51) International Design Classification: **23-02A**
(74) Name(s) of Attorney(s): **Davies Collison Cave**
(71) Name(s) and Address(s) of Applicant(s):
3M Innovative Properties Company
3M Center Post Office Box 33427 Saint Paul Minnesota 55133-3427
United States of America
(72) Name(s) of Designer(s): **Kevin J. Gilboe and Justin B. Peart and Matthew J. Nettenstrom and Jeremy A. Abel and Thomas M. McKeon**
(45) Registration Date: **30 October 2012**
(30) Convention priority data:
(31) Number (32) Date (33) Country
29/416803 27 Mar 2012 UNITED STATES OF AMERICA
(56) Related Art Documents: **Not Applicable**
(57) Statement of Newness and Distinctiveness: **Newness and distinctiveness is claimed in the visual features shown in solid lines in the representations. In considering the extent of the design rights, the broken lines shown in the representations are for illustrative purposes only and do not form part of the design.**



(21) Design Number: **14813/2012**
(22) Date of Filing Application: **27 September 2012**
(24) Date from which industrial property rights may have effect: **27 September 2012**
(54) Product in respect of which the design is registered: **Towel/paper holder**
(51) International Design Classification: **23-02A, 07-99C**
(74) Name(s) of Attorney(s): **Davies Collison Cave**
(71) Name(s) and Address(s) of Applicant(s):
3M Innovative Properties Company
3M Center Post Office Box 33427 Saint Paul Minnesota 55133-3427
United States of America
(72) Name(s) of Designer(s): **Kevin J. Gilboe and Justin B. Peart and Jeremy A. Abel and Matthew J. Nettenstrom and Thomas M. McKeon and Angela L. Pan and Craig D. Thompson**
(45) Registration Date: **30 October 2012**
(30) Convention priority data:
(31) Number (32) Date (33) Country
29/416829 27 Mar 2012 UNITED STATES OF AMERICA
(56) Related Art Documents: **Not Applicable**
(57) Statement of Newness and Distinctiveness: **Newness and distinctiveness is claimed in the visual features shown in solid lines in the representations. In considering the extent of the design rights, the broken lines shown in the representations are for illustrative purposes only and do not form part of the design.**



(21) Design Number: **14814/2012**
(22) Date of Filing Application: **27 September 2012**
(24) Date from which industrial property rights may have effect: **27 September 2012**
(54) Product in respect of which the design is registered: **Towel holder**
(51) International Design Classification: **07-05D**
(74) Name(s) of Attorney(s): **Davies Collison Cave**
(71) Name(s) and Address(s) of Applicant(s):

3M Innovative Properties Company
3M Center Post Office Box 33427 Saint Paul Minnesota 55133-3427
United States of America

(72) Name(s) of Designer(s): **Kevin J. Gilboe and Justin B. Peart and Jeremy A. Abel and Matthew J. Nettenstrom and Thomas M. McKeon and Angela L. Pan and Craig D. Thompson**

(45) Registration Date: **30 October 2012**

(30) Convention priority data:

(31) Number	(32) Date	(33) Country
29/416824	27 Mar 2012	UNITED STATES OF AMERICA

(56) Related Art Documents: **Not Applicable**

(57) Statement of Newness and Distinctiveness: **Newness and distinctiveness is claimed in the visual features shown in solid lines in the representations. In considering the extent of the design rights, the broken lines shown in the representations are for illustrative purposes only and do not form part of the design.**



(21) Design Number: **14815/2012**
(22) Date of Filing Application: **27 September 2012**
(24) Date from which industrial property rights may have effect: **27 September 2012**
(54) Product in respect of which the design is registered: **Toothbrush holder**
(51) International Design Classification: **23-02A**
(74) Name(s) of Attorney(s): **Davies Collison Cave**
(71) Name(s) and Address(s) of Applicant(s):

3M Innovative Properties Company
3M Center Post Office Box 33427 Saint Paul Minnesota 55133-3427
United States of America

(72) Name(s) of Designer(s): **Kevin J. Gilboe and Justin B. Peart and Matthew J. Nettenstrom and Jeremy A. Abel and Thomas M. McKeon**

(45) Registration Date: **30 October 2012**

(30) Convention priority data:

(31) Number	(32) Date	(33) Country
29/416799	27 Mar 2012	UNITED STATES OF AMERICA

(56) Related Art Documents: **Not Applicable**

(57) Statement of Newness and Distinctiveness: **Newness and distinctiveness is claimed in the visual features shown in solid lines in the representations. In considering the extent of the design rights, the broken lines shown in the representations are for illustrative purposes only and do not form part of the design.**



- (21) Design Number: **14816/2012**
(22) Date of Filing Application: **27 September 2012**
(24) Date from which industrial property rights may have effect: **27 September 2012**
(54) Product in respect of which the design is registered: **Towel/paper holder**
(51) International Design Classification: **07-05D**
(74) Name(s) of Attorney(s): **Davies Collison Cave**
(71) Name(s) and Address(s) of Applicant(s):

3M Innovative Properties Company
3M Center Post Office Box 33427 Saint Paul Minnesota 55133-3427
United States of America

- (72) Name(s) of Designer(s): **Kevin J. Gilboe and Justin B. Peart and Jeremy A. Abel and Matthew J. Nettenstrom and Angela L. Pan and Thomas M. McKeon and Craig D. Thompson**

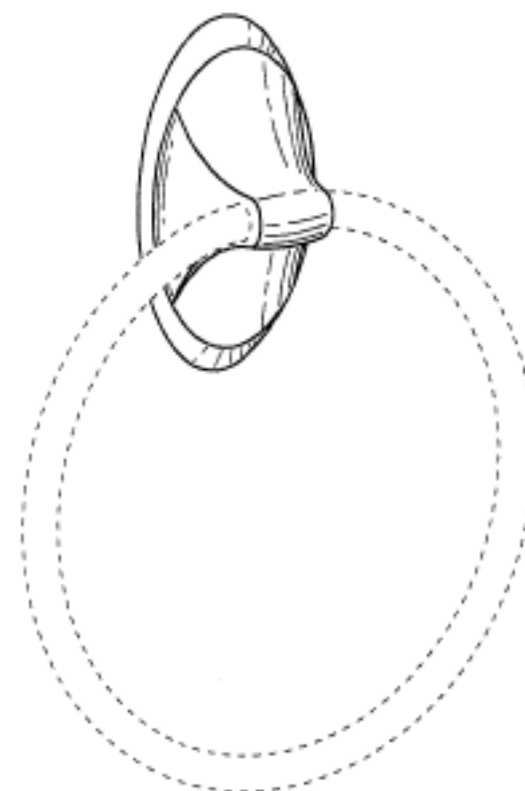
- (45) Registration Date: **30 October 2012**

- (30) Convention priority data:

(31) Number	(32) Date	(33) Country
29/416829	27 Mar 2012	UNITED STATES OF AMERICA

- (56) Related Art Documents: **Not Applicable**

- (57) Statement of Newness and Distinctiveness: **Newness and distinctiveness is claimed in the visual features shown in solid lines in the representations. In considering the extent of the design rights, the broken lines shown in the representations are for illustrative purposes only and do not form part of the design.**



- (21) Design Number: **14895/2012**
(22) Date of Filing Application: **10 October 2012**
(24) Date from which industrial property rights may have effect: **10 October 2012**
(54) Product in respect of which the design is registered: **Sports shirt**
(51) International Design Classification: **02-02NES**
(74) Name(s) of Attorney(s): **Houlihan2**
(71) Name(s) and Address(s) of Applicant(s):

Ivan Trassiev
165 Tzar Boris Blvd Apt 21 Sofia 1000 Bulgaria

- (72) Name(s) of Designer(s): **Ivan Trassiev**

- (45) Registration Date: **30 October 2012**

- (30) Convention priority data:

(31) Number	(32) Date	(33) Country
002045013-0001	22 May 2012	EUROPEAN COMMUNITY

- (56) Related Art Documents: **Not Applicable**

- (57) Statement of Newness and Distinctiveness: **Newness and distinctiveness reside in the shape and/or configuration of a SPORTS SHIRT having a windproof and waterproof membrane on the back thereof, illustrated by solid lines in the accompanying representations. The features shown in discontinuous lines or in broken outline are for illustrative purposes only and form no part of the design.**



(21) Design Number: **14901/2012**
(22) Date of Filing Application: **28 September 2012**
(24) Date from which industrial property rights may have effect: **28 September 2012**
(54) Product in respect of which the design is registered: **Handle for cookware**
(51) International Design Classification: **07-02R**
(74) Name(s) of Attorney(s): **PHILLIPS ORMONDE FITZPATRICK**
(71) Name(s) and Address(s) of Applicant(s):

Actervis GmbH
c/o Prv Provides Treuhandgesellschaft Lindenhof Dorfstr. 38 CH-6341
Baar (Zug) Switzerland

(72) Name(s) of Designer(s): **Juan Ramon Torres Martin**

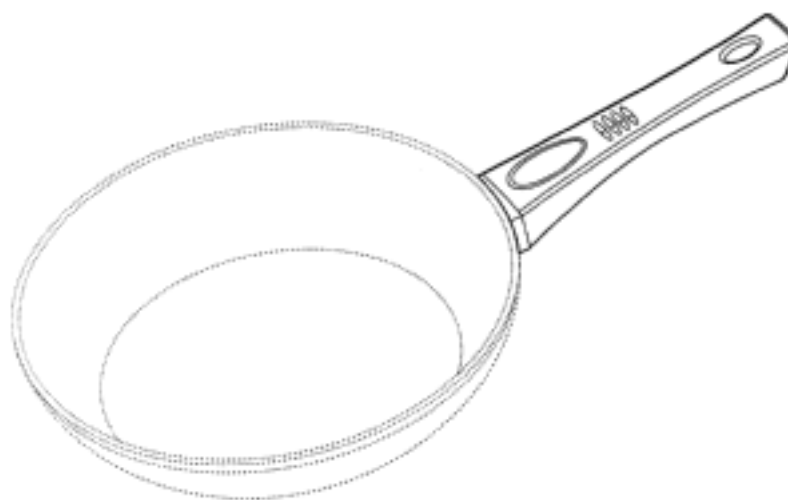
(45) Registration Date: **30 October 2012**

(30) Convention priority data:

(31) Number	(32) Date	(33) Country
001320717-0006	03 Apr 2012	EUROPEAN COMMUNITY

(56) Related Art Documents: **Not Applicable**

(57) Statement of Newness and Distinctiveness: **Those features of the handle for cookware depicted in the representations that are new and distinctive are the shape and/or configuration. The features shown in broken line are not part of the design and are to be disregarded when considering the overall impression of the design.**



(21) Design Number: **14902/2012**
(22) Date of Filing Application: **28 September 2012**
(24) Date from which industrial property rights may have effect: **28 September 2012**
(54) Product in respect of which the design is registered: **Handle for cookware**
(51) International Design Classification: **07-02R**
(74) Name(s) of Attorney(s): **PHILLIPS ORMONDE FITZPATRICK**
(71) Name(s) and Address(s) of Applicant(s):

Actervis GmbH
c/o Prv Provides Treuhandgesellschaft Lindenhof Dorfstr. 38 CH-6341
Baar (Zug) Switzerland

(72) Name(s) of Designer(s): **Juan Ramon Torres Martin**

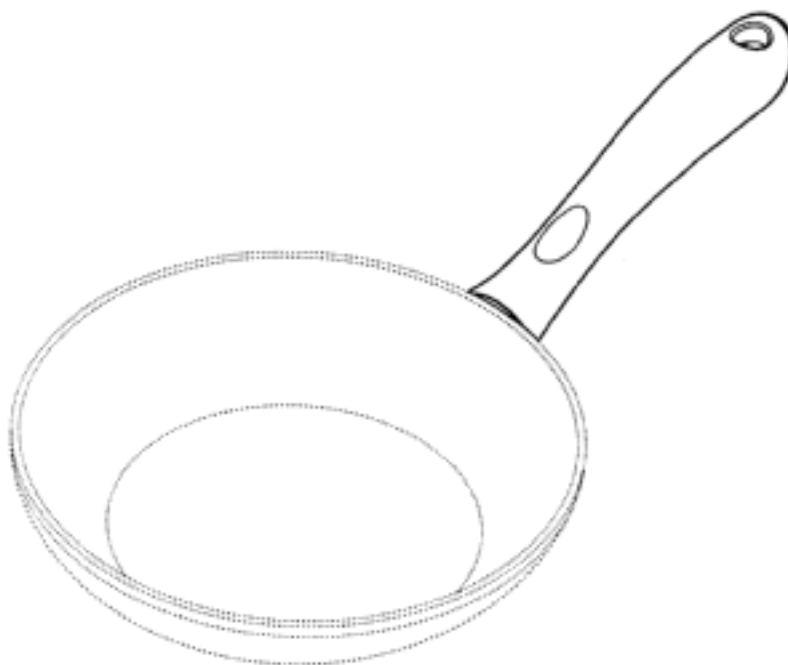
(45) Registration Date: **30 October 2012**

(30) Convention priority data:

(31) Number	(32) Date	(33) Country
001320717-0005	03 Apr 2012	EUROPEAN COMMUNITY

(56) Related Art Documents: **Not Applicable**

(57) Statement of Newness and Distinctiveness: **Those features of the handle for cookware depicted in the representations that are new and distinctive are the shape and/or configuration. The features shown in broken line are not part of the design and are to be disregarded when considering the overall impression of the design.**



(21) Design Number: **14903/2012**
(22) Date of Filing Application: **28 September 2012**
(24) Date from which industrial property rights may have effect: **28 September 2012**
(54) Product in respect of which the design is registered: **Handle for cookware**
(51) International Design Classification: **07-02R**
(74) Name(s) of Attorney(s): **PHILLIPS ORMONDE FITZPATRICK**
(71) Name(s) and Address(s) of Applicant(s):

Actervis, GmbH
c/o Prv Provides Treuhandgesellschaft Lindenhof Dorfstr. 38 CH-6341
Baar (Zug) Switzerland

(72) Name(s) of Designer(s): **Juan Ramon Torres Martin**

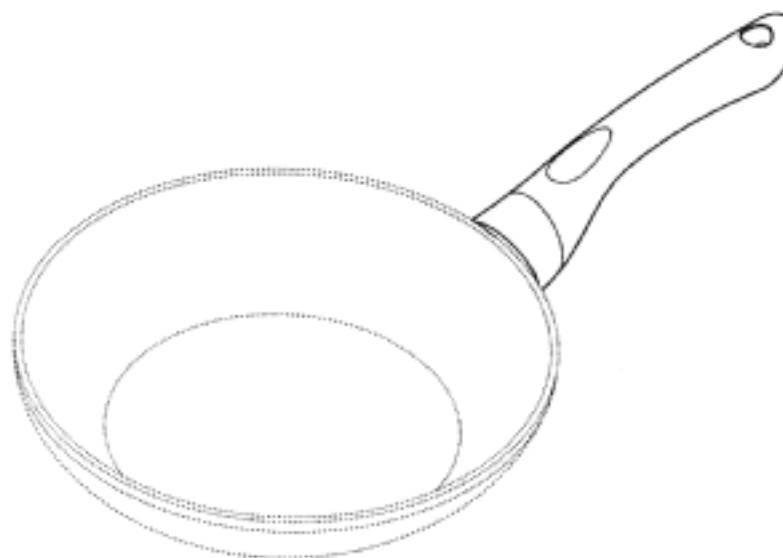
(45) Registration Date: **30 October 2012**

(30) Convention priority data:

(31) Number	(32) Date	(33) Country
001320717-0004	03 Apr 2012	EUROPEAN COMMUNITY

(56) Related Art Documents: **Not Applicable**

(57) Statement of Newness and Distinctiveness: **Those features of the handle for cookware depicted in the representations that are new and distinctive are the shape and/or configuration. The features shown in broken line are not part of the design and are to be disregarded when considering the overall impression of the design.**



(21) Design Number: **14905/2012**
(22) Date of Filing Application: **28 September 2012**
(24) Date from which industrial property rights may have effect: **28 September 2012**
(54) Product in respect of which the design is registered: **Muffler**
(51) International Design Classification: **15-01**
(74) Name(s) of Attorney(s): **PHILLIPS ORMONDE FITZPATRICK**
(71) Name(s) and Address(s) of Applicant(s):

General Electric Company
1 River Road Schenectady New York 12345 United States of America

(72) Name(s) of Designer(s): **William Maholick and Dustin Swartfager**

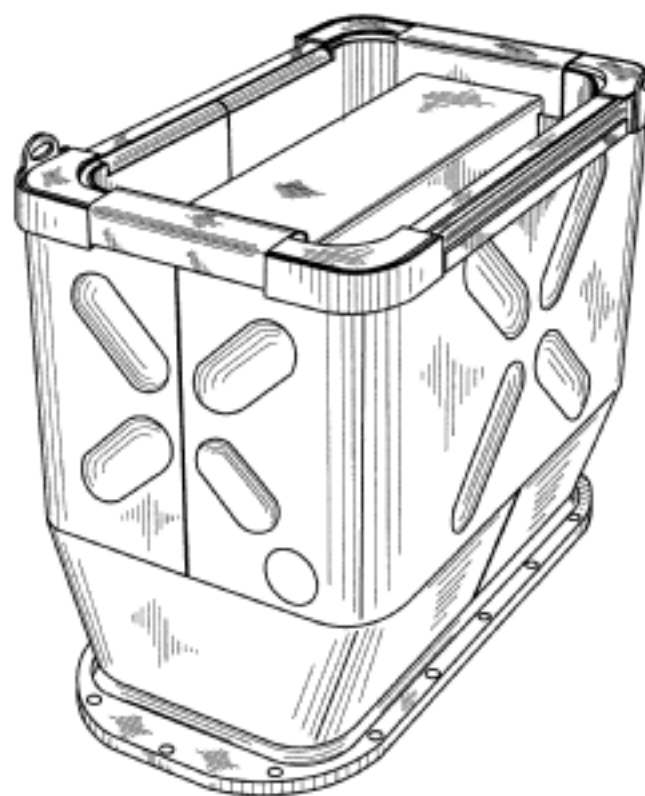
(45) Registration Date: **30 October 2012**

(30) Convention priority data:

(31) Number	(32) Date	(33) Country
29/418,279	13 Apr 2012	UNITED STATES OF AMERICA

(56) Related Art Documents: **Not Applicable**

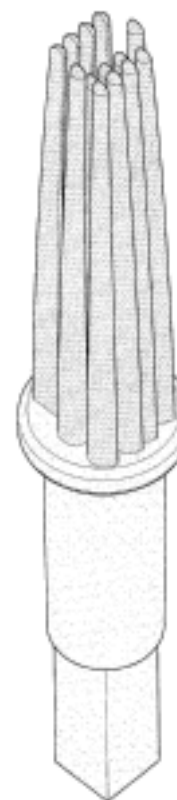
(57) Statement of Newness and Distinctiveness: **Those features of the muffler depicted in the representations that are new and distinctive are the shape and/or configuration.**



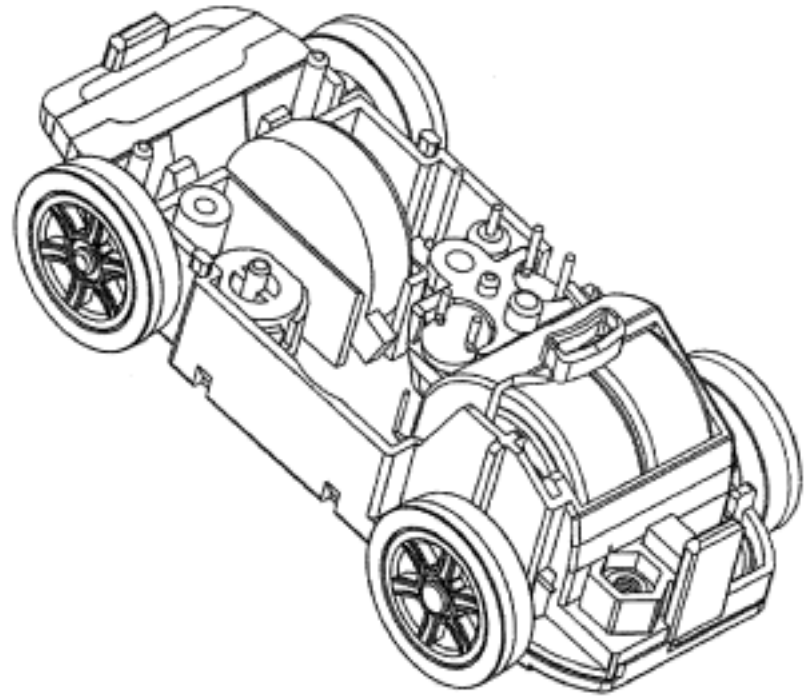
(21) Design Number: **14908/2012**
(22) Date of Filing Application: **28 September 2012**
(24) Date from which industrial property rights may have effect: **28 September 2012**
(54) Product in respect of which the design is registered: **Automobile**
(51) International Design Classification: **12-08**
(74) Name(s) of Attorney(s): **SPRUSON & FERGUSON**
(71) Name(s) and Address(s) of Applicant(s):
Honda Motor Co., Ltd.
1-1 Minamiaoyama 2-chome Minato-ku Tokyo Japan
(72) Name(s) of Designer(s): **Shigeru Suzuki**
(45) Registration Date: **30 October 2012**
(30) Convention priority data:
(31) Number (32) Date (33) Country
2012-008192 06 Apr 2012 JAPAN
(56) Related Art Documents: **Not Applicable**
(57) Statement of Newness and Distinctiveness: **Newness and distinctiveness is claimed in the features of shape and/or configuration of an automobile as illustrated in the accompanying representations.**



(21) Design Number: **14910/2012**
(22) Date of Filing Application: **28 September 2012**
(24) Date from which industrial property rights may have effect: **28 September 2012**
(54) Product in respect of which the design is registered: **Sampling brush for cervical screening**
(51) International Design Classification: **24-01**
(74) Name(s) of Attorney(s): **Madderns**
(71) Name(s) and Address(s) of Applicant(s):
Yih-Chiou Tsai
No 20-8 Lane 252 Tungchi St Taichang Li Tung Shih Dist Taichung City Taiwan
(72) Name(s) of Designer(s): **Yih-Chiou Tsai**
(45) Registration Date: **30 October 2012**
(56) Related Art Documents: **Not Applicable**
(57) Statement of Newness and Distinctiveness: **Newness and distinctiveness is claimed in the shape and/or configuration of a sampling brush for cervical screening as shown in the accompanying drawings.**



- (21) Design Number: **15099/2012**
(22) Date of Filing Application: **15 October 2012**
(24) Date from which industrial property rights may have effect: **15 October 2012**
(54) Product in respect of which the design is registered: **Toy police car without the body**
(51) International Design Classification: **21-01C**
(74) Name(s) of Attorney(s): **SPRUSON & FERGUSON**
(71) Name(s) and Address(s) of Applicant(s):
Innovation First, Inc.
1519 Interstate 30 West Greenville Texas 75402 United States of America
(72) Name(s) of Designer(s): **Robert H. Mimplitch III and David Anthony Norman and Douglas Michael Galletti and Raul Olivera and Gregory Lavender and Gregory Needel and Jeffrey Russell Waegelin**
(45) Registration Date: **30 October 2012**
(30) Convention priority data:
(31) Number (32) Date (33) Country
29/428458 31 Jul 2012 UNITED STATES OF AMERICA
(56) Related Art Documents: **Not Applicable**
(57) Statement of Newness and Distinctiveness: **Newness and distinctiveness is claimed in the features of shape and/or configuration of a toy police car without the body as illustrated in the accompanying representations.**



- (21) Design Number: **15171/2012**
(22) Date of Filing Application: **08 May 2012**
(24) Date from which industrial property rights may have effect: **08 May 2012**
(54) Product in respect of which the design is registered: **Top**
(51) International Design Classification: **02-02NES**
(74) Name(s) of Attorney(s): **MIDDLETONS**
(71) Name(s) and Address(s) of Applicant(s):
Beba Enterprises Pty Ltd
34 Garden Street South Yarra Victoria 3141 Australia
(72) Name(s) of Designer(s): **Arthur Soetedja**
(45) Registration Date: **30 October 2012**
(56) Related Art Documents: **Not Applicable**
(57) Statement of Newness and Distinctiveness: **Nil**



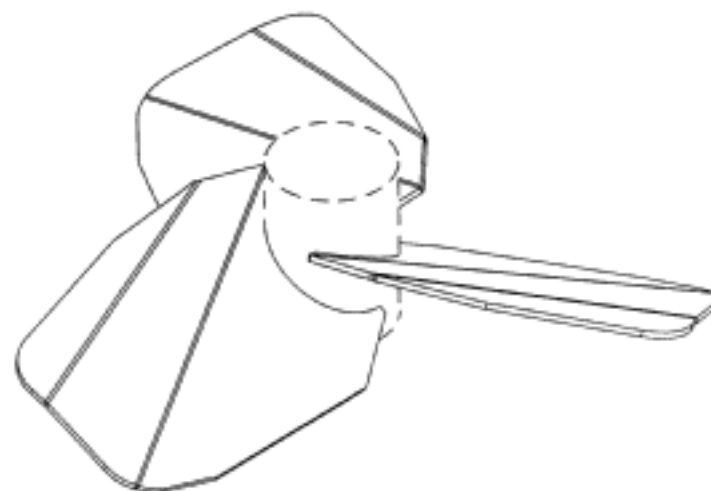
(21) Design Number: **12210/2012**
(22) Date of Filing Application: **08 May 2012**
(24) Date from which industrial property rights may have effect: **08 May 2012**
(54) Product in respect of which the design is registered: **Dress**
(51) International Design Classification: **02-02C**
(74) Name(s) of Attorney(s): **MIDDLETONS**
(71) Name(s) and Address(s) of Applicant(s):
Beba Enterprises Pty Ltd
34 Garden Street South Yarra Victoria 3141 Australia
(72) Name(s) of Designer(s): **Arthur Soetedja**
(45) Registration Date: **30 October 2012**
(56) Related Art Documents: **Not Applicable**
(57) Statement of Newness and Distinctiveness: **Nil**



(21) Design Number: **13981/2012**
(22) Date of Filing Application: **15 August 2012**
(24) Date from which industrial property rights may have effect: **15 August 2012**
(54) Product in respect of which the design is registered: **Thumb support**
(51) International Design Classification: **24-04**
(74) Name(s) of Attorney(s): **Davies Collison Cave**
(71) Name(s) and Address(s) of Applicant(s):
3M Innovative Properties Company
3M Center Post Office Box 33427 Saint Paul Minnesota 55133-3427
United States of America
(72) Name(s) of Designer(s): **Sherry A Hinds and Beth E Gramza and Jeremy J Jacobs**
(45) Registration Date: **31 October 2012**
(30) Convention priority data:
(31) Number (32) Date (33) Country
29/413750 20 Feb 2012 UNITED STATES OF AMERICA
(56) Related Art Documents: **Not Applicable**
(57) Statement of Newness and Distinctiveness: **Newness and distinctiveness is claimed in the visual features shown in the representations.**



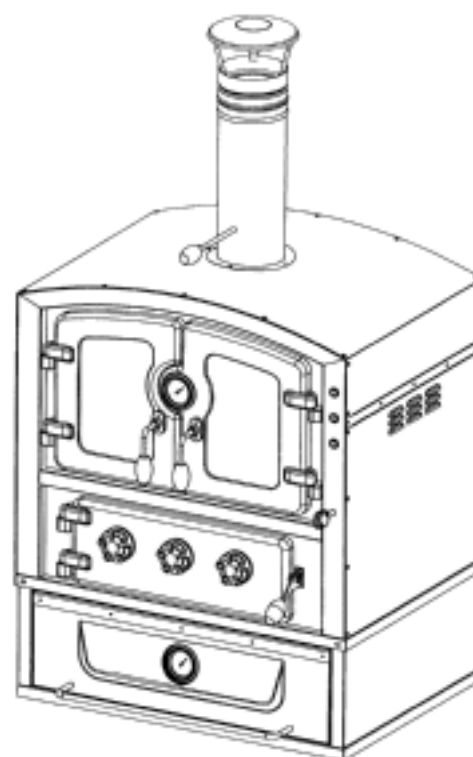
(21) Design Number: **14069/2012**
(22) Date of Filing Application: **20 August 2012**
(24) Date from which industrial property rights may have effect: **20 August 2012**
(54) Product in respect of which the design is registered: **Mixer impeller**
(51) International Design Classification: **23-04, 15-99**
(74) Name(s) of Attorney(s): **Davies Collison Cave**
(71) Name(s) and Address(s) of Applicant(s):
Outotec Oyj
Riihitontuntie 7 Espoo 02200 Finland
(72) Name(s) of Designer(s): **Jiliang Xia and Niclas Tylli and Tuomas Hirsi**
(45) Registration Date: **31 October 2012**
(30) Convention priority data:
(31) Number (32) Date (33) Country
001315758 20 Feb 2012 EUROPEAN COMMUNITY
(56) Related Art Documents: **Not Applicable**
(57) Statement of Newness and Distinctiveness: **Newness and distinctiveness is claimed in the visual features shown in solid lines in the representations.**



(21) Design Number: **14194/2012**
(22) Date of Filing Application: **24 August 2012**
(24) Date from which industrial property rights may have effect: **24 August 2012**
(54) Product in respect of which the design is registered: **Table top**
(51) International Design Classification: **06-03A**
(74) Name(s) of Attorney(s): **Griffith Hack**
(71) Name(s) and Address(s) of Applicant(s):
Lifetime Products, Inc.
Freeport Center Building D-11 Clearfield UT 84016 United States of America
(72) Name(s) of Designer(s): **Mitch Johnson and Jay Calkin and Frank Clegg**
(45) Registration Date: **31 October 2012**
(30) Convention priority data:
(31) Number (32) Date (33) Country
29/415,705 13 Mar 2012 UNITED STATES OF AMERICA
(56) Related Art Documents: **Not Applicable**
(57) Statement of Newness and Distinctiveness: **Newness and distinctiveness is shown in the shape and configuration of the product as illustrated and having particular regard to those features shown in solid lines.**



- (21) Design Number: **14270/2012**
(22) Date of Filing Application: **29 August 2012**
(24) Date from which industrial property rights may have effect: **29 August 2012**
(54) Product in respect of which the design is registered: **Garden oven II**
(51) International Design Classification: **07-02D**
(74) Name(s) of Attorney(s): **FB Rice**
(71) Name(s) and Address(s) of Applicant(s):
Garth Australia Pty Ltd
Level 14 140 William Street Melbourne Victoria 3000 Australia
(72) Name(s) of Designer(s): **Gavin Hill**
(45) Registration Date: **31 October 2012**
(56) Related Art Documents: **Not Applicable**
(57) Statement of Newness and Distinctiveness: **Newness and distinctiveness reside in the features of the design as shown in the representations.**



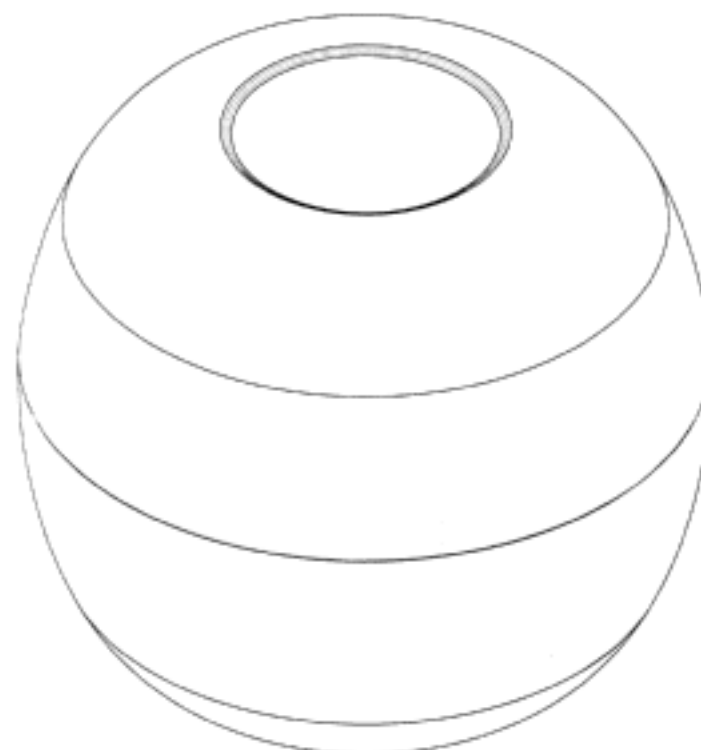
- (21) Design Number: **14436/2012**
(22) Date of Filing Application: **07 September 2012**
(24) Date from which industrial property rights may have effect: **07 September 2012**
(54) Product in respect of which the design is registered: **Configurable kitchen bowl**
(51) International Design Classification: **07-01B**
(74) Name(s) of Attorney(s): **Trademark Works**
(71) Name(s) and Address(s) of Applicant(s):
Joseph Joseph Limited
The Grove 30 Great Guildford Street London SE1 OHS United Kingdom
(72) Name(s) of Designer(s): **Bill Holding and Ben Cox**
(45) Registration Date: **31 October 2012**
(30) Convention priority data:
(31) Number (32) Date (33) Country
002054924-0003 08 Jun 2012 EUROPEAN COMMUNITY
(56) Related Art Documents: **Not Applicable**
(57) Statement of Newness and Distinctiveness: **Newness and distinctiveness is claimed in those features of shape and/or configuration of a set of kitchen bowls as illustrated in the accompanying representations.**



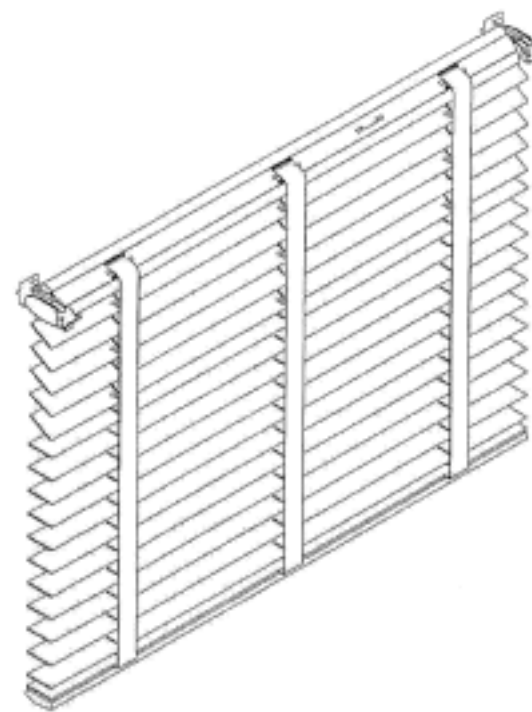
(21) Design Number: **14437/2012**
(22) Date of Filing Application: **07 September 2012**
(24) Date from which industrial property rights may have effect: **07 September 2012**
(54) Product in respect of which the design is registered: **Knife holder**
(51) International Design Classification: **07-99NES**
(74) Name(s) of Attorney(s): **Trademark Works**
(71) Name(s) and Address(s) of Applicant(s):
Joseph Joseph Limited
The Grove 30 Great Guildford Street London SE1 OHS United Kingdom
(72) Name(s) of Designer(s): **Antony Joseph**
(45) Registration Date: **31 October 2012**
(30) Convention priority data:
(31) Number (32) Date (33) Country
002054924-0004 08 Jun 2012 EUROPEAN COMMUNITY
(56) Related Art Documents: **Not Applicable**
(57) Statement of Newness and Distinctiveness: **Newness and distinctiveness is claimed in those features of shape and/or configuration of a kitchen knife holder as illustrated in the accompanying representations.**



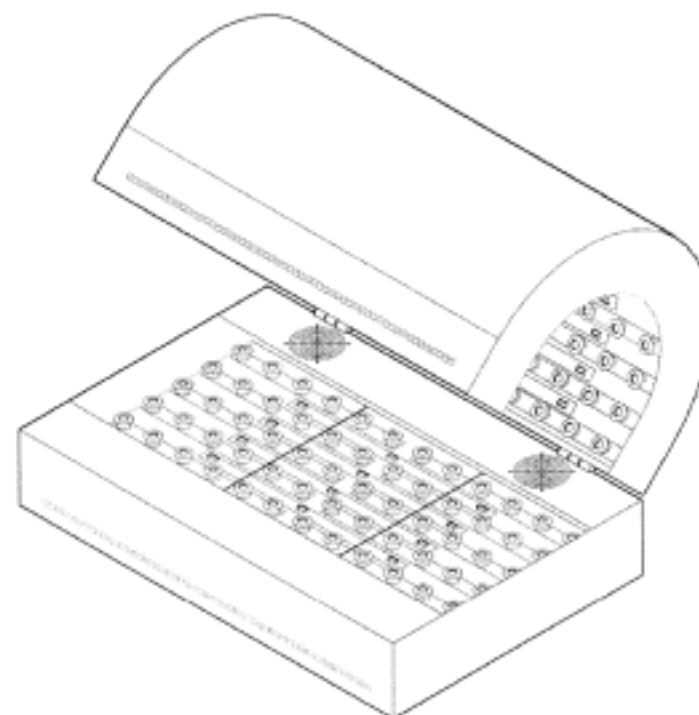
(21) Design Number: **14438/2012**
(22) Date of Filing Application: **07 September 2012**
(24) Date from which industrial property rights may have effect: **07 September 2012**
(54) Product in respect of which the design is registered: **A configurable kitchen bowl**
(51) International Design Classification: **07-01B**
(74) Name(s) of Attorney(s): **Trademark Works**
(71) Name(s) and Address(s) of Applicant(s):
Joseph Joseph Limited
The Grove 30 Great Guildford Street London SE1 OHS United Kingdom
(72) Name(s) of Designer(s): **Antony Joseph**
(45) Registration Date: **31 October 2012**
(30) Convention priority data:
(31) Number (32) Date (33) Country
002054924-0001 08 Jun 2012 EUROPEAN COMMUNITY
(56) Related Art Documents: **Not Applicable**
(57) Statement of Newness and Distinctiveness: **Newness and distinctiveness is claimed in those features of shape and/or configuration of a set of kitchen bowls as illustrated in the accompanying representations.**



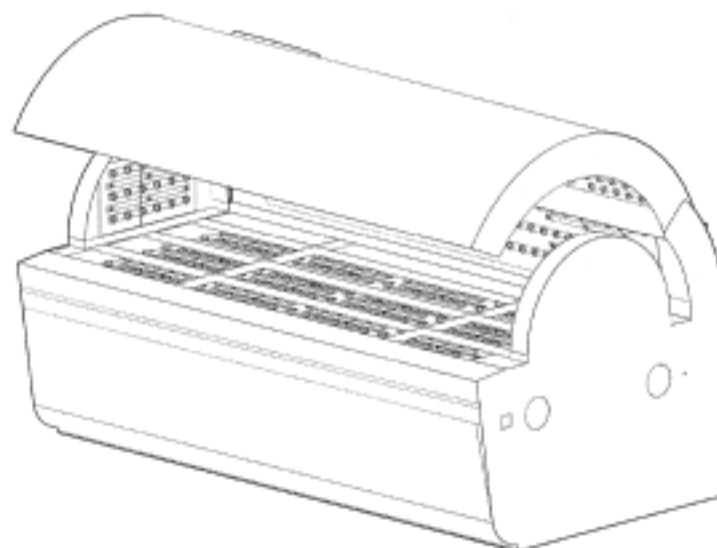
- (21) Design Number: **14439/2012**
(22) Date of Filing Application: **07 September 2012**
(24) Date from which industrial property rights may have effect: **07 September 2012**
(54) Product in respect of which the design is registered: **Blind for a window**
(51) International Design Classification: **06-10**
(74) Name(s) of Attorney(s): **Shelston IP**
(71) Name(s) and Address(s) of Applicant(s):
Hunter Douglas Industries B.V.
Piekstraat 2 NL-3071 EL Rotterdam The Netherlands
(72) Name(s) of Designer(s): **Nicolaas Dekker and Paul Joost Bram Wensink and Herve Lepetit**
(45) Registration Date: **31 October 2012**
(30) Convention priority data:
(31) Number (32) Date (33) Country
001317630-0001 08 Mar 2012 EUROPEAN COMMUNITY
(56) Related Art Documents: **Not Applicable**
(57) Statement of Newness and Distinctiveness: **Newness and distinctiveness reside in the features of shape and/or configuration of the blind for windows as illustrated in the accompanying representations.**



- (21) Design Number: **14453/2012**
(22) Date of Filing Application: **07 September 2012**
(24) Date from which industrial property rights may have effect: **07 September 2012**
(54) Product in respect of which the design is registered: **Light emitting device**
(51) International Design Classification: **26-04**
(74) Name(s) of Attorney(s): **Davies Collison Cave**
(71) Name(s) and Address(s) of Applicant(s):
Sensolite S.A.
7 place du Theatre Luxembourg 2613 Luxembourg
(72) Name(s) of Designer(s): **Peter Klein**
(45) Registration Date: **31 October 2012**
(30) Convention priority data:
(31) Number (32) Date (33) Country
002004564-0002 07 Mar 2012 EUROPEAN COMMUNITY
(56) Related Art Documents: **Not Applicable**
(57) Statement of Newness and Distinctiveness: **Nil.**



(21) Design Number: **14456/2012**
(22) Date of Filing Application: **07 September 2012**
(24) Date from which industrial property rights may have effect: **07 September 2012**
(54) Product in respect of which the design is registered: **Light emitting device**
(51) International Design Classification: **26-04**
(74) Name(s) of Attorney(s): **Davies Collison Cave**
(71) Name(s) and Address(s) of Applicant(s):
Sensolite S.A.
7 place du Theatre Luxembourg 2613 Luxembourg
(72) Name(s) of Designer(s): **Peter Klein**
(45) Registration Date: **31 October 2012**
(30) Convention priority data:
(31) Number (32) Date (33) Country
002004564-0001 07 Mar 2012 EUROPEAN COMMUNITY
(56) Related Art Documents: **Not Applicable**
(57) Statement of Newness and Distinctiveness: **Nil**



(21) Design Number: **14504/2012**
(22) Date of Filing Application: **11 September 2012**
(24) Date from which industrial property rights may have effect: **11 September 2012**
(54) Product in respect of which the design is registered: **A fan**
(51) International Design Classification: **23-04**
(74) Name(s) of Attorney(s):
(71) Name(s) and Address(s) of Applicant(s):
Das Werk Pty Ltd
PO Box 3006 Tamarama NSW 2026 Australia
(72) Name(s) of Designer(s): **Danny Gasser**
(45) Registration Date: **31 October 2012**
(56) Related Art Documents: **Not Applicable**
(57) Statement of Newness and Distinctiveness: **Newness and distinctiveness resides in the features of the shape and/or configuration of a fan as illustrated in the accompanying representations.**



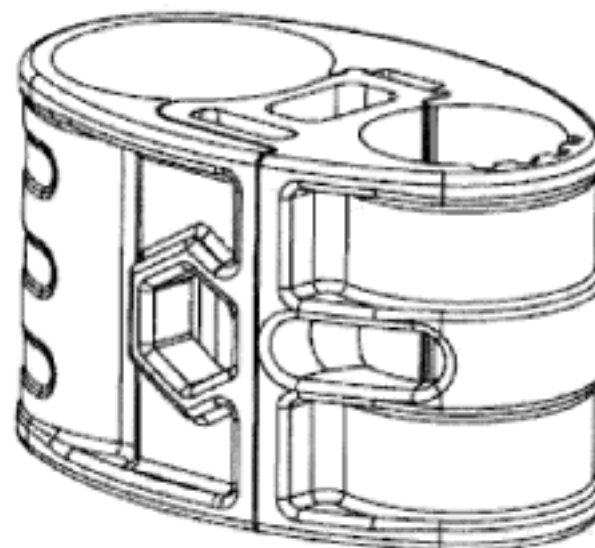
- (21) Design Number: **14505/2012**
(22) Date of Filing Application: **11 September 2012**
(24) Date from which industrial property rights may have effect: **11 September 2012**
(54) Product in respect of which the design is registered: **A fan**
(51) International Design Classification: **23-04**
(74) Name(s) of Attorney(s):
(71) Name(s) and Address(s) of Applicant(s):
Das Werk Pty Ltd
PO Box 3006 Tamarama NSW 2026 Australia
(72) Name(s) of Designer(s): **Danny Gasser**
(45) Registration Date: **31 October 2012**
(56) Related Art Documents: **Not Applicable**
(57) Statement of Newness and Distinctiveness: **Newness and distinctiveness resides in the features of the shape and/or configuration of a fan as illustrated in the accompanying representations.**



- (21) Design Number: **14726/2012**
(22) Date of Filing Application: **21 September 2012**
(24) Date from which industrial property rights may have effect: **21 September 2012**
(54) Product in respect of which the design is registered: **Exercise apparatus**
(51) International Design Classification: **21-02F**
(74) Name(s) of Attorney(s): **Davies Collison Cave**
(71) Name(s) and Address(s) of Applicant(s):
Inventec CC
49 Trafalgar Place Street Sandhurst Sandton 2196 Republic of South Africa
(72) Name(s) of Designer(s): **Willie van Straaten**
(45) Registration Date: **31 October 2012**
(56) Related Art Documents: **Not Applicable**
(57) Statement of Newness and Distinctiveness: **Nil**



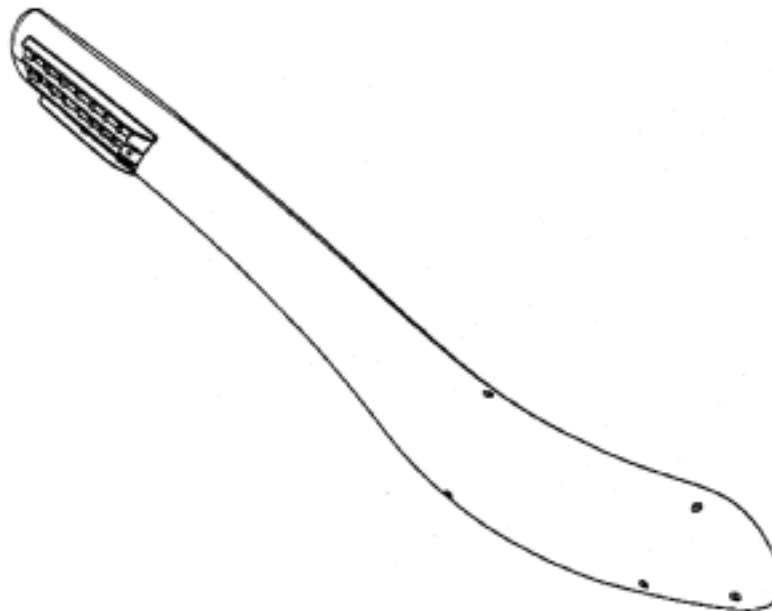
(21) Design Number: **14791/2012**
(22) Date of Filing Application: **25 September 2012**
(24) Date from which industrial property rights may have effect: **25 September 2012**
(54) Product in respect of which the design is registered: **Hinge**
(51) International Design Classification: **08-06**
(74) Name(s) of Attorney(s): **Golja Haines & Friend**
(71) Name(s) and Address(s) of Applicant(s):
K. Hartwall Oy Ab
Kay Hartwallin vag 2 01150 Soderkulla Finland
(72) Name(s) of Designer(s): **Johan Lindstrom**
(45) Registration Date: **31 October 2012**
(30) Convention priority data:
(31) Number (32) Date (33) Country
002019489-0002 03 Apr 2012 EUROPEAN COMMUNITY
(56) Related Art Documents: **Not Applicable**
(57) Statement of Newness and Distinctiveness: **Newness and distinctiveness is claimed in the shape and configuration of a hinge as illustrated in the accompanying representations.**



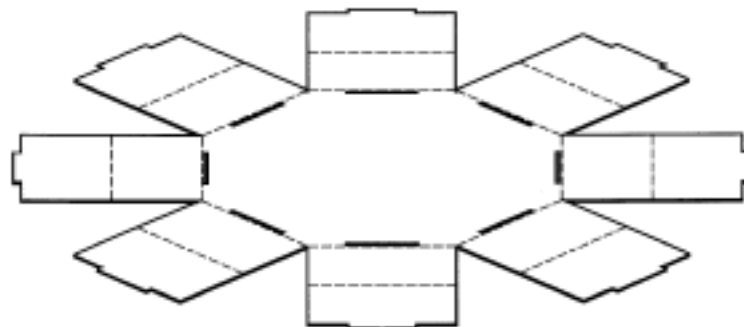
(21) Design Number: **15086/2012**
(22) Date of Filing Application: **15 October 2012**
(24) Date from which industrial property rights may have effect: **15 October 2012**
(54) Product in respect of which the design is registered: **Concrete roof tile exhaust duct**
(51) International Design Classification: **23-04, 25-02F**
(74) Name(s) of Attorney(s):
(71) Name(s) and Address(s) of Applicant(s):
Kevin John Baker
6 Sheehan St Pearce ACT 2607 Australia
(72) Name(s) of Designer(s): **Kevin John Baker**
(45) Registration Date: **31 October 2012**
(56) Related Art Documents: **Not Applicable**
(57) Statement of Newness and Distinctiveness: **Newness and distinctiveness is claimed in the shape and/or the configuration of the concrete roof tile exhaust duct as a whole as shown in representations.**



(21) Design Number: **14916/2012**
(22) Date of Filing Application: **28 September 2012**
(24) Date from which industrial property rights may have effect: **28 September 2012**
(54) Product in respect of which the design is registered: **Snorkel**
(51) International Design Classification: **12-16NES**
(74) Name(s) of Attorney(s): **EKM patent & trade marks**
(71) Name(s) and Address(s) of Applicant(s):
Trading AC Pty Ltd
18 Houghton Rd Warrandyte VIC 3113 Australia
(72) Name(s) of Designer(s): **Peter George Luxon**
(45) Registration Date: **31 October 2012**
(56) Related Art Documents: **Not Applicable**
(57) Statement of Newness and Distinctiveness: **Nil**



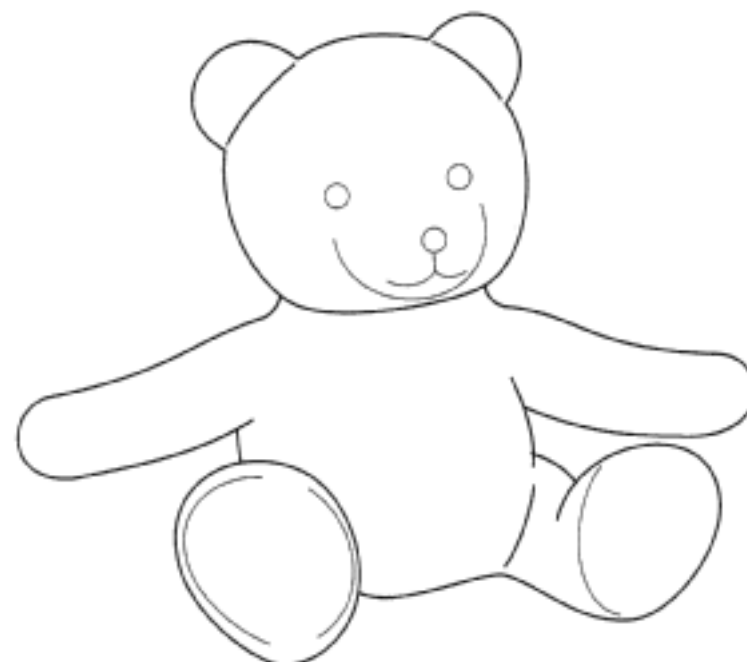
(21) Design Number: **14917/2012**
(22) Date of Filing Application: **28 September 2012**
(24) Date from which industrial property rights may have effect: **28 September 2012**
(54) Product in respect of which the design is registered: **Blank for a pet bed**
(51) International Design Classification: **30-06**
(74) Name(s) of Attorney(s): **Churchill Attorneys**
(71) Name(s) and Address(s) of Applicant(s):
Annette Viljoen
30 Chestnut Street Three Rivers Vereeniging South Africa
(72) Name(s) of Designer(s): **Annette Viljoen**
(45) Registration Date: **31 October 2012**
(30) Convention priority data:
(31) Number (32) Date (33) Country
F2012/00399 30 Mar 2012 SOUTH AFRICA
(56) Related Art Documents: **Not Applicable**
(57) Statement of Newness and Distinctiveness: **Newness and distinctiveness resides in features of shape and/or configuration of a blank for forming a pet bed as shown in the accompanying representations.**



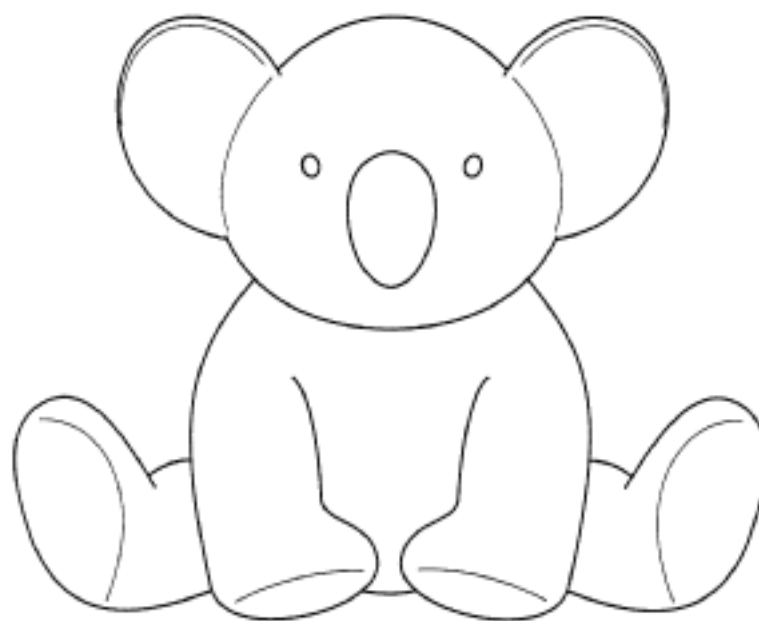
- (21) Design Number: **14919/2012**
(22) Date of Filing Application: **28 September 2012**
(24) Date from which industrial property rights may have effect: **28 September 2012**
(54) Product in respect of which the design is registered: **Stuffed toy and cushion**
(51) International Design Classification: **21-01A, 06-09**
(74) Name(s) of Attorney(s): **Golja Haines & Friend**
(71) Name(s) and Address(s) of Applicant(s):
Michael John Cook
5 Chorley Ave Butler WA 6036 Australia
(72) Name(s) of Designer(s): **Michael John Cook and Patricia Ann Cook**
(45) Registration Date: **31 October 2012**
(56) Related Art Documents: **Not Applicable**
(57) Statement of Newness and Distinctiveness: **Newness and distinctiveness resides in the shape and configuration of a stuffed toy which converts to a cushion, that converts between a bear shape as shown in Mode 1 and a cushion as shown in Mode 2, as illustrated in the accompanying representations.**



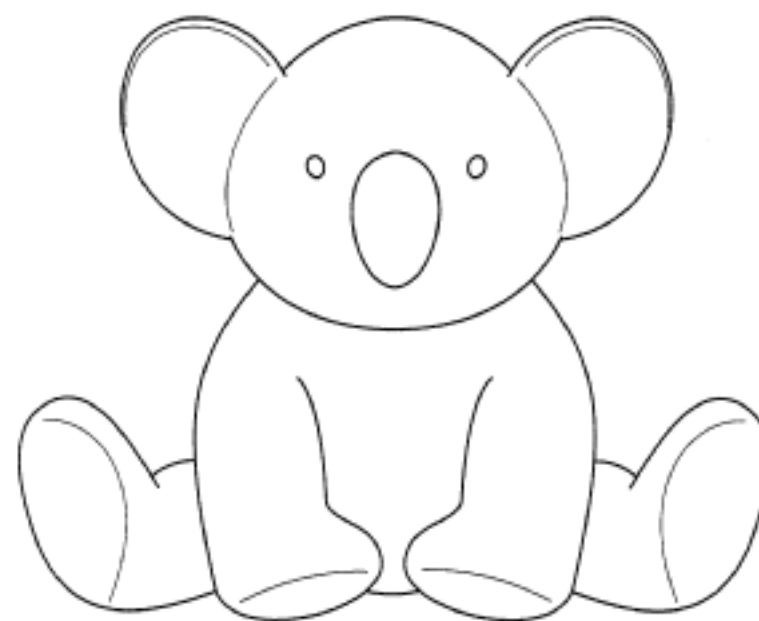
- (21) Design Number: **14920/2012**
(22) Date of Filing Application: **28 September 2012**
(24) Date from which industrial property rights may have effect: **28 September 2012**
(54) Product in respect of which the design is registered: **Stuffed toy and neck cushion**
(51) International Design Classification: **21-01A, 06-09**
(74) Name(s) of Attorney(s): **Golja Haines & Friend**
(71) Name(s) and Address(s) of Applicant(s):
Michael John Cook
5 Chorley Ave Butler WA 6036 Australia
(72) Name(s) of Designer(s): **Michael John Cook and Patricia Ann Cook**
(45) Registration Date: **31 October 2012**
(56) Related Art Documents: **Not Applicable**
(57) Statement of Newness and Distinctiveness: **Newness and distinctiveness resides in the shape and configuration of a stuffed toy which converts to a cushion, that converts between a bear shape as shown in Mode 1 and a neck cushion as shown in Mode 2, as illustrated in the accompanying representations.**



- (21) Design Number: **14921/2012**
(22) Date of Filing Application: **28 September 2012**
(24) Date from which industrial property rights may have effect: **28 September 2012**
(54) Product in respect of which the design is registered: **Stuffed toy and cushion**
(51) International Design Classification: **21-01A, 06-09**
(74) Name(s) of Attorney(s): **Golja Haines & Friend**
(71) Name(s) and Address(s) of Applicant(s):
Michael John Cook
5 Chorley Ave Butler WA 6036 Australia
(72) Name(s) of Designer(s): **Michael John Cook and Patricia Ann Cook**
(45) Registration Date: **31 October 2012**
(56) Related Art Documents: **Not Applicable**
(57) Statement of Newness and Distinctiveness: **Newness and distinctiveness resides in the shape and configuration of a stuffed toy which converts to a cushion, that converts between a koala shape as shown in Mode 1 and a cushion as shown in Mode 2, as illustrated in the accompanying representations.**



- (21) Design Number: **14922/2012**
(22) Date of Filing Application: **28 September 2012**
(24) Date from which industrial property rights may have effect: **28 September 2012**
(54) Product in respect of which the design is registered: **Stuffed toy and neck cushion**
(51) International Design Classification: **21-01A, 06-09**
(74) Name(s) of Attorney(s): **Golja Haines & Friend**
(71) Name(s) and Address(s) of Applicant(s):
Michael John Cook
5 Chorley Ave Butler WA 6036 Australia
(72) Name(s) of Designer(s): **Michael John Cook and Patricia Ann Cook**
(45) Registration Date: **31 October 2012**
(56) Related Art Documents: **Not Applicable**
(57) Statement of Newness and Distinctiveness: **Newness and distinctiveness resides in the shape and configuration of a stuffed toy which converts to a cushion, that converts between a koala shape as shown in Mode 1 and a neck cushion as shown in Mode 2, as illustrated in the accompanying representations.**



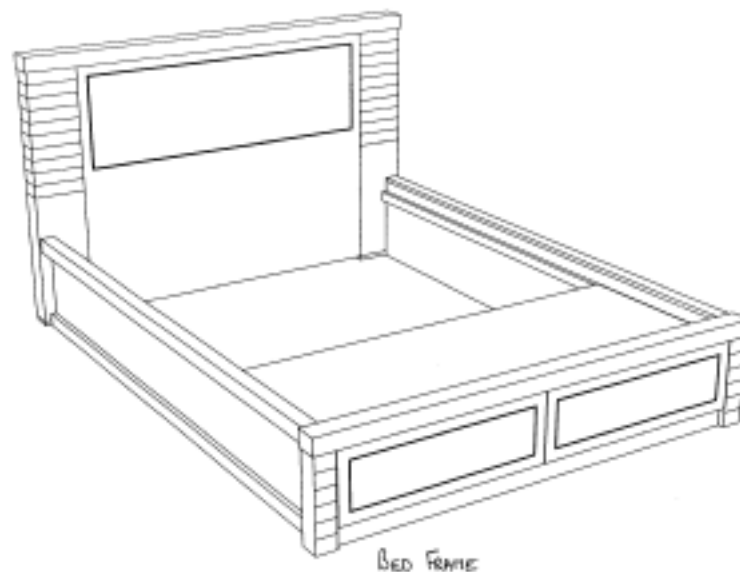
- (21) Design Number: **14923/2012**
(22) Date of Filing Application: **28 September 2012**
(24) Date from which industrial property rights may have effect: **28 September 2012**
(54) Product in respect of which the design is registered: **Stuffed toy and cushion**
(51) International Design Classification: **21-01A, 06-09**
(74) Name(s) of Attorney(s): **Golja Haines & Friend**
(71) Name(s) and Address(s) of Applicant(s):
Michael John Cook
5 Chorley Ave Butler WA 6036 Australia
(72) Name(s) of Designer(s): **Michael John Cook and Patricia Ann Cook**
(45) Registration Date: **31 October 2012**
(56) Related Art Documents: **Not Applicable**
(57) Statement of Newness and Distinctiveness: **Newness and distinctiveness resides in the shape and configuration of a stuffed toy which converts to a cushion, that converts between a kangaroo shape as shown in Mode 1 and a cushion as shown in Mode 2, as illustrated in the accompanying representations.**



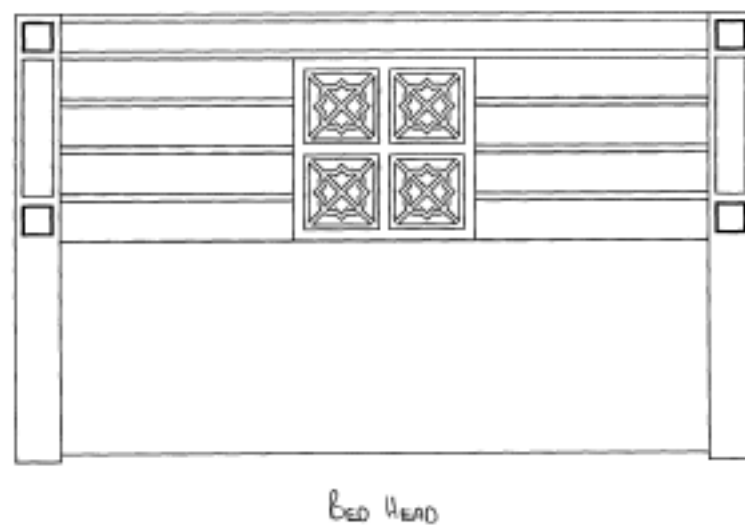
- (21) Design Number: **14924/2012**
(22) Date of Filing Application: **28 September 2012**
(24) Date from which industrial property rights may have effect: **28 September 2012**
(54) Product in respect of which the design is registered: **Stuffed toy and neck cushion**
(51) International Design Classification: **21-01A, 06-09**
(74) Name(s) of Attorney(s): **Golja Haines & Friend**
(71) Name(s) and Address(s) of Applicant(s):
Michael John Cook
5 Chorley Ave Butler WA 6036 Australia
(72) Name(s) of Designer(s): **Michael John Cook and Patricia Ann Cook**
(45) Registration Date: **31 October 2012**
(56) Related Art Documents: **Not Applicable**
(57) Statement of Newness and Distinctiveness: **Newness and distinctiveness resides in the shape and configuration of a stuffed toy which converts to a cushion, that converts between a kangaroo shape as shown in Mode 1 and a neck cushion as shown in Mode 2, as illustrated in the accompanying representations.**



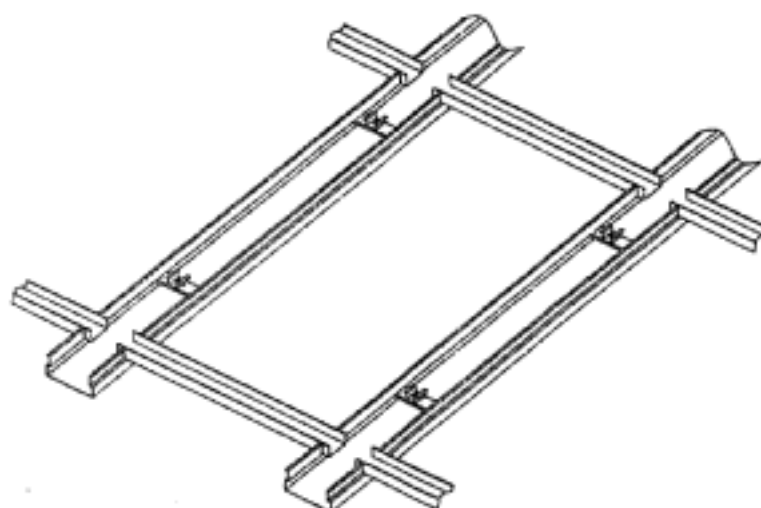
- (21) Design Number: **14925/2012**
(22) Date of Filing Application: **28 September 2012**
(24) Date from which industrial property rights may have effect: **28 September 2012**
(54) Product in respect of which the design is registered: **A bed frame, bed head, bedside table, tall boy and dresser**
(51) International Design Classification: **06-05**
(74) Name(s) of Attorney(s): **Elliptic Legal & Patent Services**
(71) Name(s) and Address(s) of Applicant(s):
AFI (WA) Pty Ltd
211 Camboon Rd Malaga WA 6090 Australia
(72) Name(s) of Designer(s): **Bruno Tassone and Chin Hoo Low**
(45) Registration Date: **31 October 2012**
(56) Related Art Documents: **Not Applicable**
(57) Statement of Newness and Distinctiveness: **Novelty is claimed in the pattern and ornamentation of the bedroom suite as shown in the accompanying representations.**



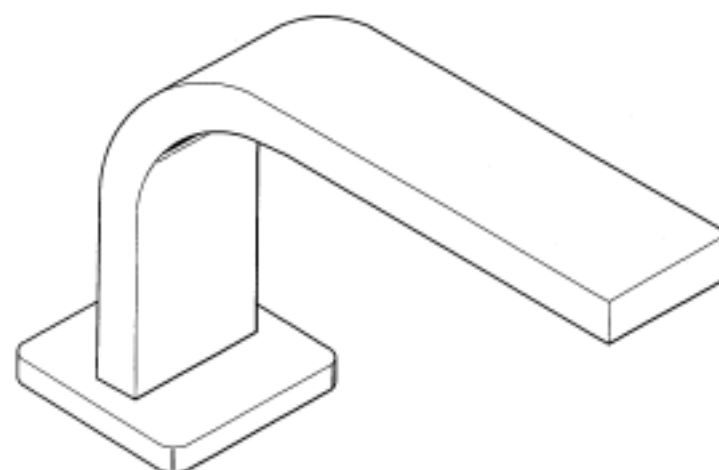
- (21) Design Number: **14926/2012**
(22) Date of Filing Application: **28 September 2012**
(24) Date from which industrial property rights may have effect: **28 September 2012**
(54) Product in respect of which the design is registered: **A bed frame, bed head, bedside table, tall boy and dresser**
(51) International Design Classification: **06-05**
(74) Name(s) of Attorney(s): **Elliptic Legal & Patent Services**
(71) Name(s) and Address(s) of Applicant(s):
AFI (WA) Pty Ltd
211 Camboon Rd Malaga WA 6090 Australia
(72) Name(s) of Designer(s): **Bruno Tassone and Chin Hoo Low**
(45) Registration Date: **31 October 2012**
(56) Related Art Documents: **Not Applicable**
(57) Statement of Newness and Distinctiveness: **Novelty is claimed in the pattern and ornamentation of the bedroom suite as shown in the accompanying representations.**



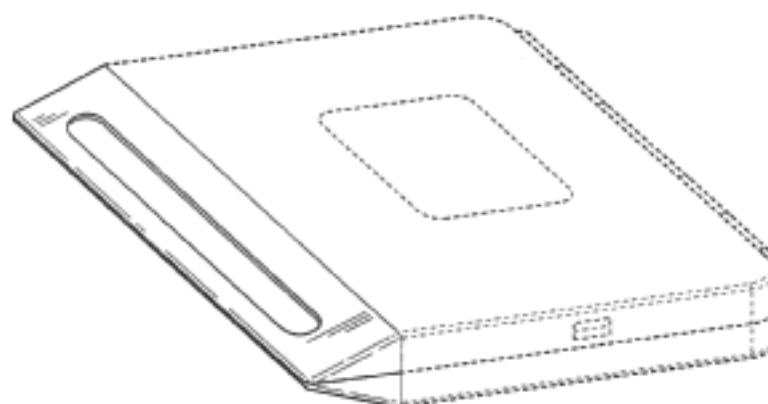
(21) Design Number: **14933/2012**
(22) Date of Filing Application: **03 October 2012**
(24) Date from which industrial property rights may have effect: **03 October 2012**
(54) Product in respect of which the design is registered: **A mounting device for solar panel**
(51) International Design Classification: **08-08L**
(74) Name(s) of Attorney(s):
(71) Name(s) and Address(s) of Applicant(s):
Max Tham Weng Hoe
Lot 3801 6 1/4 miles Jalan Klinik Section 32 Bukit Kemuning 40460 Shah Alam Selangor Darul Ehsan Malaysia
(72) Name(s) of Designer(s): **Max Tham Weng Hoe**
(45) Registration Date: **31 October 2012**
(30) Convention priority data:
(31) Number (32) Date (33) Country
12-01241-0101 07 Sep 2012 MALAYSIA
(56) Related Art Documents: **Not Applicable**
(57) Statement of Newness and Distinctiveness: **Nil**



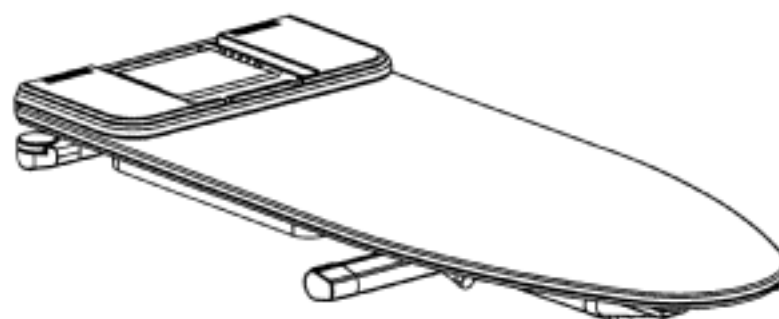
(21) Design Number: **14935/2012**
(22) Date of Filing Application: **03 October 2012**
(24) Date from which industrial property rights may have effect: **03 October 2012**
(54) Product in respect of which the design is registered: **A spout and handle**
(51) International Design Classification: **23-01H**
(74) Name(s) of Attorney(s): **PETER MAXWELL & ASSOCIATES**
(71) Name(s) and Address(s) of Applicant(s):
Meco Australia Pty Limited
30 Stennett Rd Ingleburn NSW 2565 Australia
(72) Name(s) of Designer(s): **Nicholas Kroopin**
(45) Registration Date: **31 October 2012**
(56) Related Art Documents: **Not Applicable**
(57) Statement of Newness and Distinctiveness: **Newness and distinctiveness is claimed in the shape and/or configuration of A SPOUT AND HANDLE as illustrated by the unbroken lines in the accompanying representations.**



- (21) Design Number: **14937/2012**
(22) Date of Filing Application: **03 October 2012**
(24) Date from which industrial property rights may have effect: **03 October 2012**
(54) Product in respect of which the design is registered: **Cover/case for a tablet or e-reader**
(51) International Design Classification: **03-01NES, 14-02**
(74) Name(s) of Attorney(s): **FB Rice**
(71) Name(s) and Address(s) of Applicant(s):
Kelly K Rouser
9948 S. Seeley Avenue Chicago Illinois 60643 United States of America
(72) Name(s) of Designer(s): **Kelly K Rouser**
(45) Registration Date: **31 October 2012**
(30) Convention priority data:
(31) Number (32) Date (33) Country
29/417420 03 Apr 2012 UNITED STATES OF AMERICA
(56) Related Art Documents: **Not Applicable**
(57) Statement of Newness and Distinctiveness: **Newness and distinctiveness reside in the features of the product shown in solid lines in the representations, excluding those features shown in broken lines, and in particular resides in the handle of the product.**



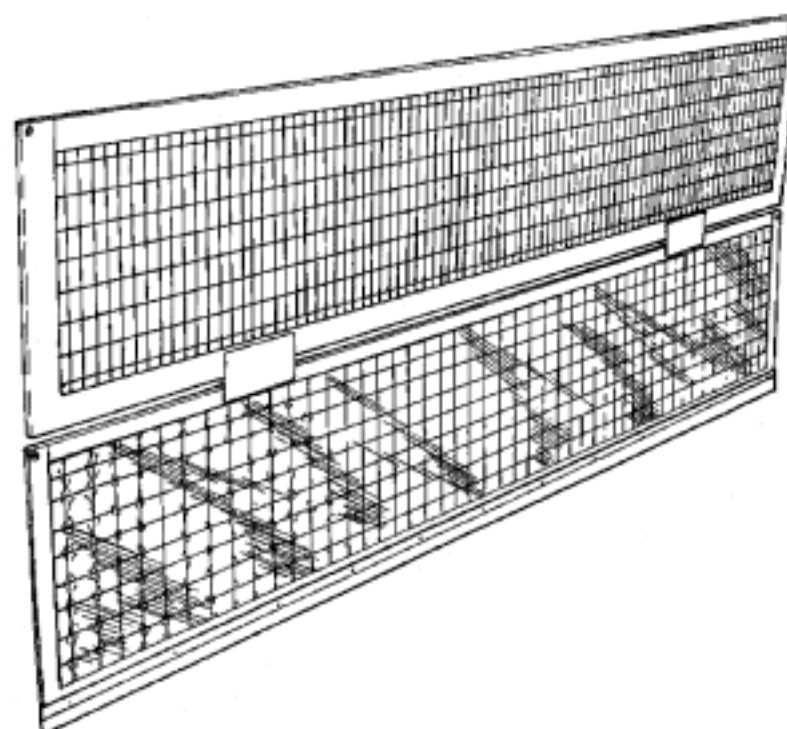
- (21) Design Number: **14940/2012**
(22) Date of Filing Application: **03 October 2012**
(24) Date from which industrial property rights may have effect: **03 October 2012**
(54) Product in respect of which the design is registered: **Ironing board**
(51) International Design Classification: **07-05A**
(74) Name(s) of Attorney(s): **SPRUSON & FERGUSON**
(71) Name(s) and Address(s) of Applicant(s):
CALOR
Place Ambroise Courtois 69008 Lyon France
(72) Name(s) of Designer(s): **Daniel Gameiro**
(45) Registration Date: **31 October 2012**
(30) Convention priority data:
(31) Number (32) Date (33) Country
001322457-0001 16 Apr 2012 EUROPEAN COMMUNITY
(56) Related Art Documents: **Not Applicable**
(57) Statement of Newness and Distinctiveness: **Newness and distinctiveness is claimed in the features of shape and/or configuration of an ironing board as illustrated in the accompanying representations.**



- (21) Design Number: **14941/2012**
(22) Date of Filing Application: **03 October 2012**
(24) Date from which industrial property rights may have effect: **03 October 2012**
(54) Product in respect of which the design is registered: **Tyre for motorcycle**
(51) International Design Classification: **12-15D**
(74) Name(s) of Attorney(s): **SPRUSON & FERGUSON**
(71) Name(s) and Address(s) of Applicant(s):
The Goodyear Tire & Rubber Company
1144 East Market Street Akron Ohio 44316-0001 United States of America
(72) Name(s) of Designer(s): **Masahiro Hikita**
(45) Registration Date: **31 October 2012**
(30) Convention priority data:
(31) Number (32) Date (33) Country
2012-007983 04 Apr 2012 JAPAN
(56) Related Art Documents: **Not Applicable**
(57) Statement of Newness and Distinctiveness: **Newness and distinctiveness is claimed in the features of shape and/or configuration of the tread of a tyre for motorcycle as illustrated in the accompanying representations, wherein the shape and/or configuration of the tread is repeated throughout the circumference of the tyre.**



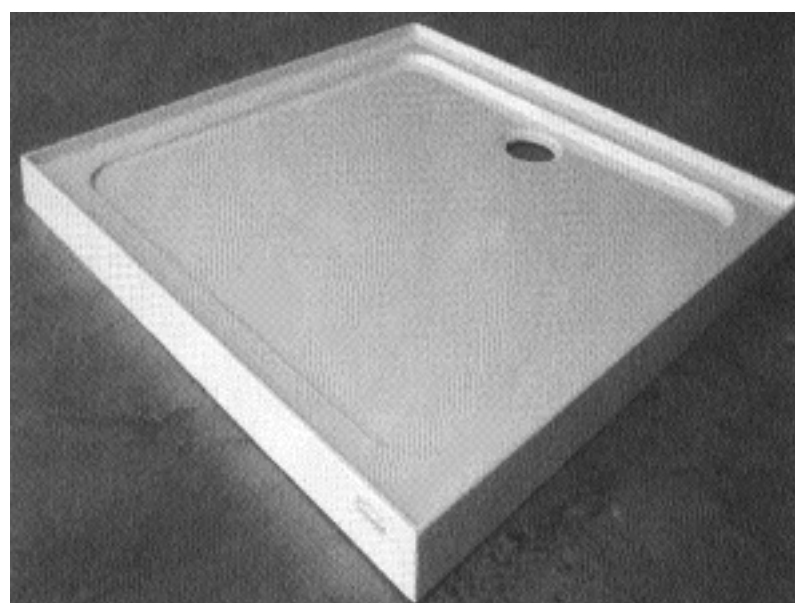
- (21) Design Number: **11144/2012**
(22) Date of Filing Application: **07 March 2012**
(24) Date from which industrial property rights may have effect: **07 March 2012**
(54) Product in respect of which the design is registered: **Scaffolding guard panel**
(51) International Design Classification: **25-04, 25-01B**
(74) Name(s) of Attorney(s):
(71) Name(s) and Address(s) of Applicant(s):
Underwood Companies Holdings Pty Ltd
21 Steel Place Morningside Queensland 4170 Australia
(72) Name(s) of Designer(s): **Lester George Underwood and Daniel Charles Underwood**
(45) Registration Date: **31 October 2012**
(56) Related Art Documents: **Not Applicable**
(57) Statement of Newness and Distinctiveness: **Newness and distinctiveness resides in the shape and configuration of a set of scaffolding guard panels as illustrated in the representation. When considering the scope of monopoly protection the shape and configuration of the screen mesh is to be disregarded.**



- (21) Design Number: **11660/2012**
(22) Date of Filing Application: **30 March 2012**
(24) Date from which industrial property rights may have effect: **30 March 2012**
(54) Product in respect of which the design is registered: **Stuffed toy and neck cushion**
(51) International Design Classification: **21-01A, 06-09**
(74) Name(s) of Attorney(s):
(71) Name(s) and Address(s) of Applicant(s):
Michael John Cook
5 Chorley Avenue Butler Western Australia 6036 Australia
(72) Name(s) of Designer(s): **Michael John Cook and Patricia Ann Cook**
(45) Registration Date: **31 October 2012**
(56) Related Art Documents: **Not Applicable**
(57) Statement of Newness and Distinctiveness: **Newness and distinctiveness resides in the shape and configuration of a stuffed toy and neck cushion that converts between a kangaroo shape as shown in Mode 1 and a neck cushion as shown in Mode 2.**



- (21) Design Number: **11816/2012**
(22) Date of Filing Application: **05 April 2012**
(24) Date from which industrial property rights may have effect: **05 April 2012**
(54) Product in respect of which the design is registered: **Shower tray**
(51) International Design Classification: **23-02B**
(74) Name(s) of Attorney(s): **Macpherson + Kelley**
(71) Name(s) and Address(s) of Applicant(s):
Troy Vugs
PO Box 666 Beaconsfield Victoria 3807 Australia
(72) Name(s) of Designer(s): **Troy Vugs**
(45) Registration Date: **31 October 2012**
(56) Related Art Documents: **Not Applicable**
(57) Statement of Newness and Distinctiveness: **The particular visual features of the design which the Applicant hereby identifies as new and distinctive are as follows: "Shower Tray", as illustrated in the accompanying representations.**



(21) Design Number: **13812/2012**

(22) Date of Filing Application: **02 August 2012**

(24) Date from which industrial property rights may have effect: **02 August 2012**

(54) Product in respect of which the design is registered: **Tailored couch**

(51) International Design Classification: **06-01G**

(74) Name(s) of Attorney(s):

(71) Name(s) and Address(s) of Applicant(s):

Ross Gardam

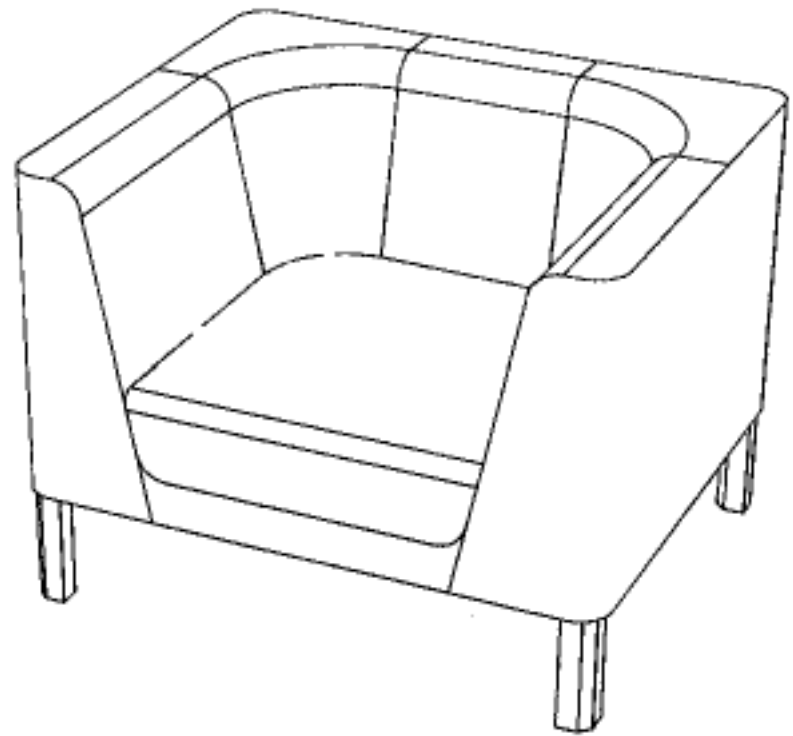
Unit 2 15-19 Anthony Street Victoria 3000 Australia

(72) Name(s) of Designer(s): **Ross Gardam**

(45) Registration Date: **31 October 2012**

(56) Related Art Documents: **Not Applicable**

(57) Statement of Newness and Distinctiveness: **The Tailored couch features a curved surface to the inside corners of the seat and seat back.**



(21) Design Number: **14460/2012**

(22) Date of Filing Application: **10 September 2012**

(24) Date from which industrial property rights may have effect: **10 September 2012**

(54) Product in respect of which the design is registered: **Surgical dissector**

(51) International Design Classification: **24-02**

(74) Name(s) of Attorney(s):

(71) Name(s) and Address(s) of Applicant(s):

Paul Joseph Weber

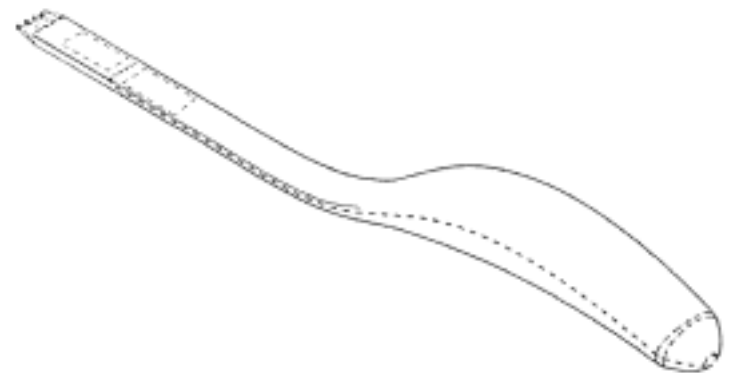
8 Abbottswood Lane Quail Rise Queenstown 9371 New Zealand

(72) Name(s) of Designer(s): **Paul Joseph Weber**

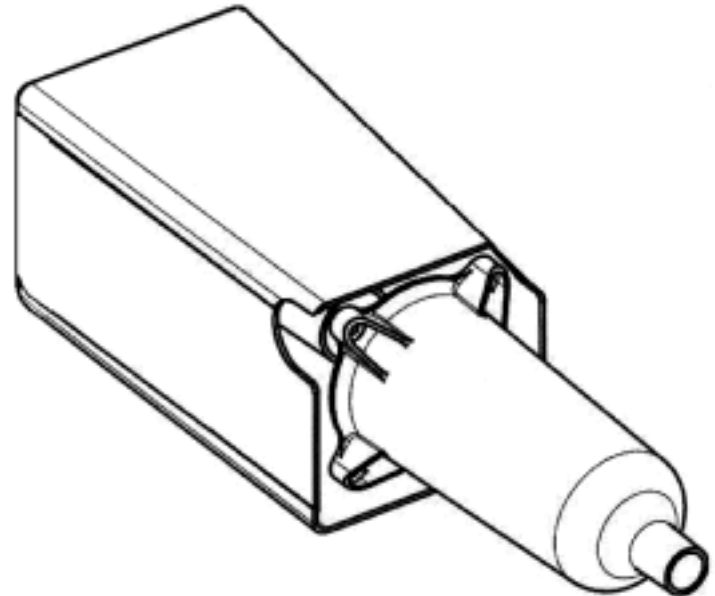
(45) Registration Date: **01 November 2012**

(56) Related Art Documents: **Not Applicable**

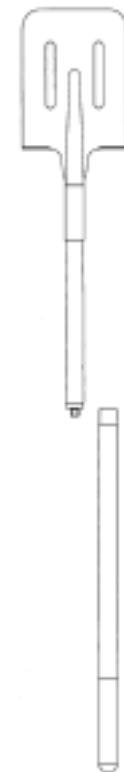
(57) Statement of Newness and Distinctiveness: **Nil**



- (21) Design Number: **14822/2012**
(22) Date of Filing Application: **27 September 2012**
(24) Date from which industrial property rights may have effect: **27 September 2012**
(54) Product in respect of which the design is registered: **Gas scourer**
(51) International Design Classification: **23-01F**
(74) Name(s) of Attorney(s):
(71) Name(s) and Address(s) of Applicant(s):
Siemens Industry, Inc.
3333 Old Milton Parkway GA 30005 United States of America
(72) Name(s) of Designer(s): **Roger Phelps and Joan-Amanda Lenting and William Davis**
(45) Registration Date: **01 November 2012**
(56) Related Art Documents: **Not Applicable**
(57) Statement of Newness and Distinctiveness: **Nil**



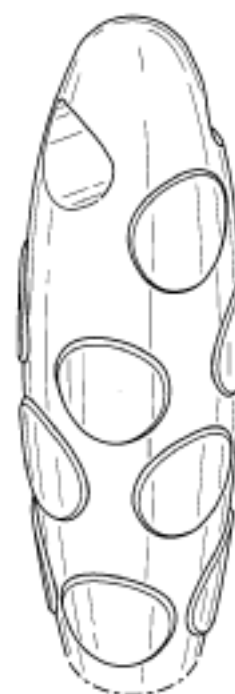
- (21) Design Number: **14828/2012**
(22) Date of Filing Application: **28 September 2012**
(24) Date from which industrial property rights may have effect: **28 September 2012**
(54) Product in respect of which the design is registered: **2 piece shovel (split shovel)**
(51) International Design Classification: **08-01**
(74) Name(s) of Attorney(s):
(71) Name(s) and Address(s) of Applicant(s):
4 x 4 Equip Pty Ltd
5/15 Nicole CI Bayswater VIC 3134 Australia
(72) Name(s) of Designer(s): **Ian David Hastie**
(45) Registration Date: **01 November 2012**
(56) Related Art Documents: **Not Applicable**
(57) Statement of Newness and Distinctiveness: **Stainless steel tube core - Stainless steel tubed Nut and Bolt welded to the core. Moulded individual handles -Detachable Handle -Compact design.**



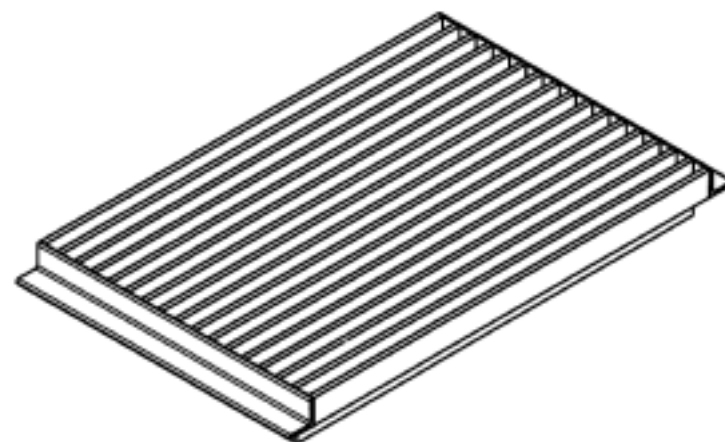
- (21) Design Number: **14829/2012**
(22) Date of Filing Application: **28 September 2012**
(24) Date from which industrial property rights may have effect: **28 September 2012**
(54) Product in respect of which the design is registered: **3 piece shovel (combo shovel)**
(51) International Design Classification: **08-01**
(74) Name(s) of Attorney(s):
(71) Name(s) and Address(s) of Applicant(s):
4 x 4 Equip Pty Ltd
5/15 Nicole CI Bayswater VIC 3134 Australia
(72) Name(s) of Designer(s): **Ian David Hastie**
(45) Registration Date: **01 November 2012**
(56) Related Art Documents: **Not Applicable**
(57) Statement of Newness and Distinctiveness: **Stainless steel tube core - Stainless steel tubed Nut and Bolt welded to the core. Moulded individual handles -Detachable Handle -Compact design. Able to be used as a spade or shovel.**



- (21) Design Number: **14943/2012**
(22) Date of Filing Application: **03 October 2012**
(24) Date from which industrial property rights may have effect: **03 October 2012**
(54) Product in respect of which the design is registered: **Handle portion**
(51) International Design Classification: **08-06**
(74) Name(s) of Attorney(s): **Shelston IP**
(71) Name(s) and Address(s) of Applicant(s):
The Libman Company
220 North Sheldon Arcola Illinois 61910 United States of America
(72) Name(s) of Designer(s): **Zeng Qinghua**
(45) Registration Date: **01 November 2012**
(56) Related Art Documents: **Not Applicable**
(57) Statement of Newness and Distinctiveness: **Newness and distinctiveness reside in the shape and/or configuration of a handle portion illustrated by solid lines in the accompanying representations. The features shown in discontinuous lines or in broken outline are for illustrative purposes only and form no part of the design.**



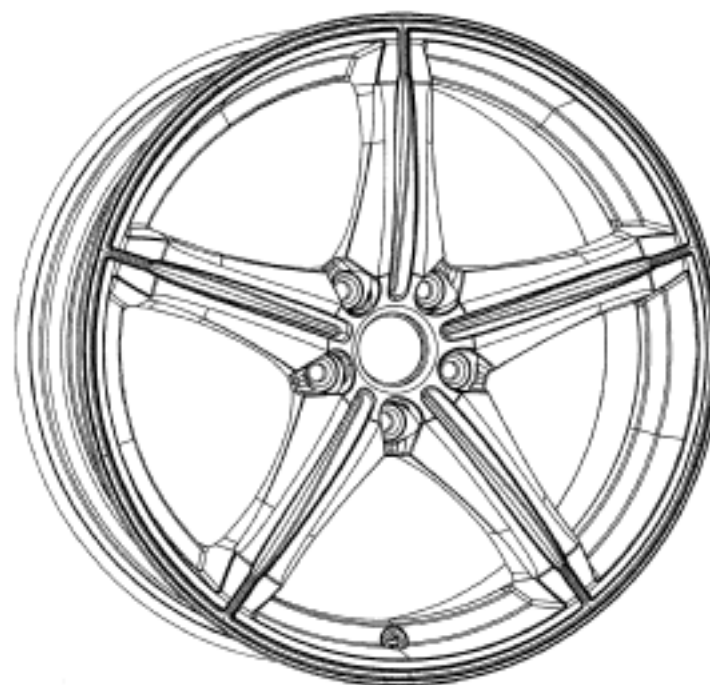
- (21) Design Number: **14944/2012**
(22) Date of Filing Application: **04 October 2012**
(24) Date from which industrial property rights may have effect: **04 October 2012**
(54) Product in respect of which the design is registered: **BBQ grilling rack dual purpose for meat and oysters**
(51) International Design Classification: **07-02E**
(74) Name(s) of Attorney(s):
(71) Name(s) and Address(s) of Applicant(s):
Robert Costanzo
19 Thomas St Cavan SA 5094 Australia
Stewart Frew
19 Thomas St Cavan SA 5094 Australia
(72) Name(s) of Designer(s): **Robert Costanzo and Stewart Frew**
(45) Registration Date: **01 November 2012**
(56) Related Art Documents: **Not Applicable**
(57) Statement of Newness and Distinctiveness: **Only dual purpose Steak and Oyster Rack, Can be turned over for Steak grilling and other side for Oyster Cooking in a std bbq.**



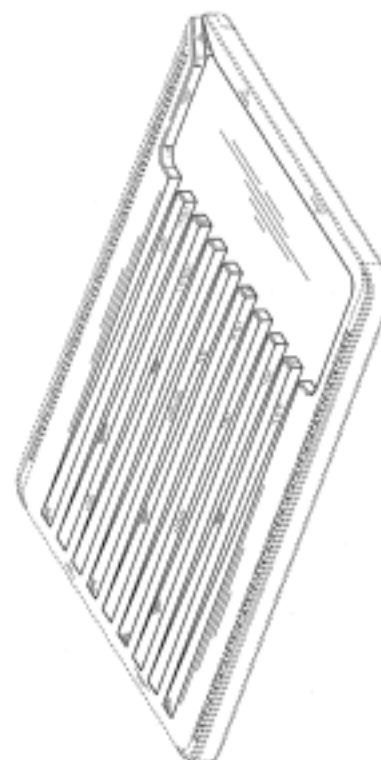
- (21) Design Number: **14946/2012**
(22) Date of Filing Application: **04 October 2012**
(24) Date from which industrial property rights may have effect: **04 October 2012**
(54) Product in respect of which the design is registered: **Gas cylinder cap with lever**
(51) International Design Classification: **09-01A**
(74) Name(s) of Attorney(s): **PHILLIPS ORMONDE FITZPATRICK**
(71) Name(s) and Address(s) of Applicant(s):
L'Air Liquide Societe Anonyme pour l'Etude et l'Exploitation des Procédés
Georges Claude
75 quai d'Orsay 75321 Paris Cedex 07 France
(72) Name(s) of Designer(s): **Holger Quick and Renaud Ligonesche**
(45) Registration Date: **01 November 2012**
(30) Convention priority data:
(31) Number (32) Date (33) Country
DM/078218 19 Apr 2012 WORLD INTELLECTUAL
PROPERTY ORGANIZATION
(WIPO)
(56) Related Art Documents: **Not Applicable**
(57) Statement of Newness and Distinctiveness: **Those features of the gas cylinder cap with lever depicted in the representations that are new and distinctive are the shape and/or configuration. The feature highlighted in yellow and the circular ring shown surrounding the area highlighted in yellow are not part of the design and are to be disregarded when considering the overall impression of the design.**



(21) Design Number: **14949/2012**
(22) Date of Filing Application: **04 October 2012**
(24) Date from which industrial property rights may have effect: **04 October 2012**
(54) Product in respect of which the design is registered: **A vehicle wheel**
(51) International Design Classification: **12-16A**
(74) Name(s) of Attorney(s): **Madderns**
(71) Name(s) and Address(s) of Applicant(s):
Arrowcrest Group Pty Ltd
34 Burleigh Ave Woodville North SA 5012 Australia
(72) Name(s) of Designer(s): **Glynn Helgeson**
(45) Registration Date: **01 November 2012**
(56) Related Art Documents: **Not Applicable**
(57) Statement of Newness and Distinctiveness: **Nil**



(21) Design Number: **14950/2012**
(22) Date of Filing Application: **04 October 2012**
(24) Date from which industrial property rights may have effect: **04 October 2012**
(54) Product in respect of which the design is registered: **Cutting board**
(51) International Design Classification: **07-04**
(74) Name(s) of Attorney(s): **SPRUSON & FERGUSON**
(71) Name(s) and Address(s) of Applicant(s):
Columbia Insurance Company
3024 Harney Street Omaha Nebraska 68131 United States of America
(72) Name(s) of Designer(s): **Roland Sudmalis**
(45) Registration Date: **01 November 2012**
(30) Convention priority data:
(31) Number (32) Date (33) Country
29/418896 23 Apr 2012 UNITED STATES OF AMERICA
(56) Related Art Documents: **Not Applicable**
(57) Statement of Newness and Distinctiveness: **Newness and distinctiveness is claimed in those features of shape and/or configuration of a cutting board illustrated in continuous lines in the accompanying representations.**



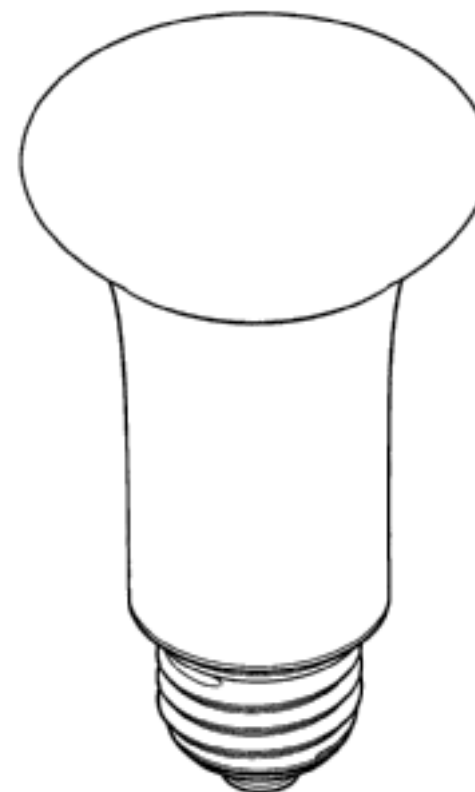
(21) Design Number: **14978/2012**
(22) Date of Filing Application: **05 October 2012**
(24) Date from which industrial property rights may have effect: **05 October 2012**
(54) Product in respect of which the design is registered: **Remote control device**
(51) International Design Classification: **14-03NES**
(74) Name(s) of Attorney(s): **WATERMARK PATENT AND TRADE MARKS ATTORNEYS**
(71) Name(s) and Address(s) of Applicant(s):
Schneider Electric Industries SAS
35 rue Joseph Monier F-92500 Rueil Malmaison France
(72) Name(s) of Designer(s): **Patrick Bouyer and Thierry Fort and Brice Raffin and Guillaume Reiner**
(45) Registration Date: **01 November 2012**
(30) Convention priority data:
(31) Number (32) Date (33) Country
002021972-0002 06 Apr 2012 EUROPEAN COMMUNITY
(56) Related Art Documents: **Not Applicable**
(57) Statement of Newness and Distinctiveness: **Nil**



(21) Design Number: **14992/2012**
(22) Date of Filing Application: **05 October 2012**
(24) Date from which industrial property rights may have effect: **05 October 2012**
(54) Product in respect of which the design is registered: **Bottle container**
(51) International Design Classification: **09-01D, 09-03E**
(74) Name(s) of Attorney(s): **Shelston IP**
(71) Name(s) and Address(s) of Applicant(s):
LYNX Consulting BVBA
Sint-Michielstraat 13 3020 Herent Belgium
(72) Name(s) of Designer(s): **Frank Bulens**
(45) Registration Date: **01 November 2012**
(30) Convention priority data:
(31) Number (32) Date (33) Country
002022822-001 10 Apr 2012 EUROPEAN COMMUNITY
(56) Related Art Documents: **Not Applicable**
(57) Statement of Newness and Distinctiveness: **Newness and distinctiveness reside in the features of shape and/or configuration of a BOTTLE CONTAINER as illustrated in the accompanying representations. The features shown in broken lines do not form part of the design.**



- (21) Design Number: **14450/2012**
(22) Date of Filing Application: **07 September 2012**
(24) Date from which industrial property rights may have effect: **07 September 2012**
(54) Product in respect of which the design is registered: **LED bulb**
(51) International Design Classification: **26-05E**
(74) Name(s) of Attorney(s): **FB Rice**
(71) Name(s) and Address(s) of Applicant(s):
Koninklijke Philips Electronics N.V.
Groenewoudseweg 1, 5621 BA Eindhoven, The Netherlands
(72) Name(s) of Designer(s): **Peter Johannes Martinus Bukkems and Johan Petrus Maria Ansems and Joris Hubertus Antonius Hagelaar and Simon Eme Kadijk**
(45) Registration Date: **01 November 2012**
(30) Convention priority data:
(31) Number (32) Date (33) Country
002004358-0003 07 Mar 2012 EUROPEAN COMMUNITY
(56) Related Art Documents: **Not Applicable**
(57) Statement of Newness and Distinctiveness: **Newness and distinctiveness reside in the features of shape and configuration as shown in the representations.**



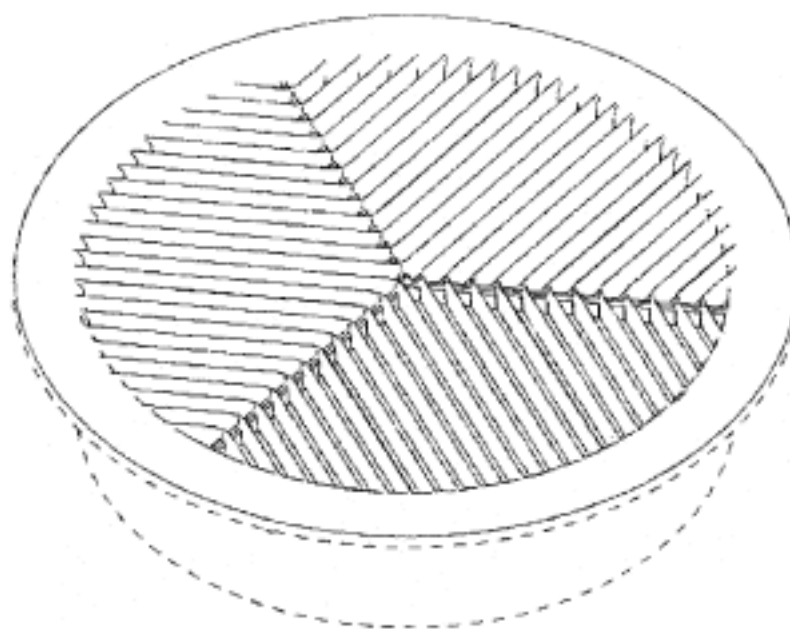
- (21) Design Number: **14457/2012**
(22) Date of Filing Application: **08 September 2012**
(24) Date from which industrial property rights may have effect: **08 September 2012**
(54) Product in respect of which the design is registered: **Extended cookware handle with patterned grip**
(51) International Design Classification: **07-02R**
(74) Name(s) of Attorney(s): **PIPERS Melbourne**
(71) Name(s) and Address(s) of Applicant(s):
Meyer Intellectual Properties Limited
382 Kwun Tong Road Hong Kong
(72) Name(s) of Designer(s): **Robert A Rae**
(45) Registration Date: **01 November 2012**
(30) Convention priority data:
(31) Number (32) Date (33) Country
29/415,268 08 Mar 2012 UNITED STATES OF AMERICA
(56) Related Art Documents: **Not Applicable**
(57) Statement of Newness and Distinctiveness: **This design is to be applied to a cookware elongated side handle and the novelty resides in the features of shape and configuration of the article shown in the accompanying representations. No novelty is claimed for the features shown in broken lines - those are for illustrative purposes only and depict the environment of the design.**



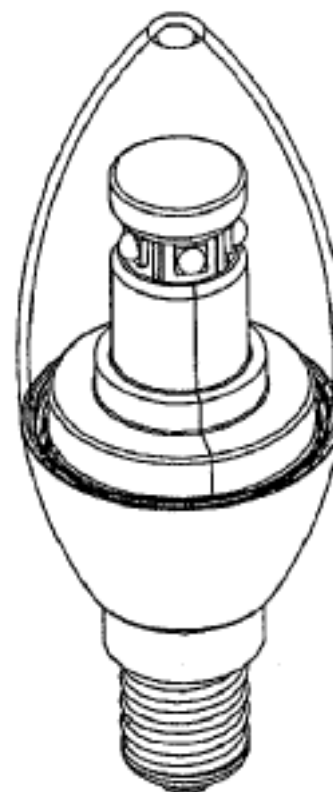
- (21) Design Number: **14458/2012**
(22) Date of Filing Application: **08 September 2012**
(24) Date from which industrial property rights may have effect: **08 September 2012**
(54) Product in respect of which the design is registered: **Extended cookware handle with patterned grip**
(51) International Design Classification: **07-02R**
(74) Name(s) of Attorney(s): **PIPERS Melbourne**
(71) Name(s) and Address(s) of Applicant(s):
Meyer Intellectual Properties Limited
382 Kwun Tong Road Hong Kong
(72) Name(s) of Designer(s): **Robert A Rae**
(45) Registration Date: **01 November 2012**
(30) Convention priority data:
(31) Number (32) Date (33) Country
29/415,271 08 Mar 2012 UNITED STATES OF AMERICA
(56) Related Art Documents: **Not Applicable**
(57) Statement of Newness and Distinctiveness: **This design is to be applied to a cookware elongated side handle and the novelty resides in the features of shape and configuration of the article shown in the accompanying representations. No novelty is claimed for the features shown in broken lines - those are for illustrative purposes only and depict the environment of the design.**



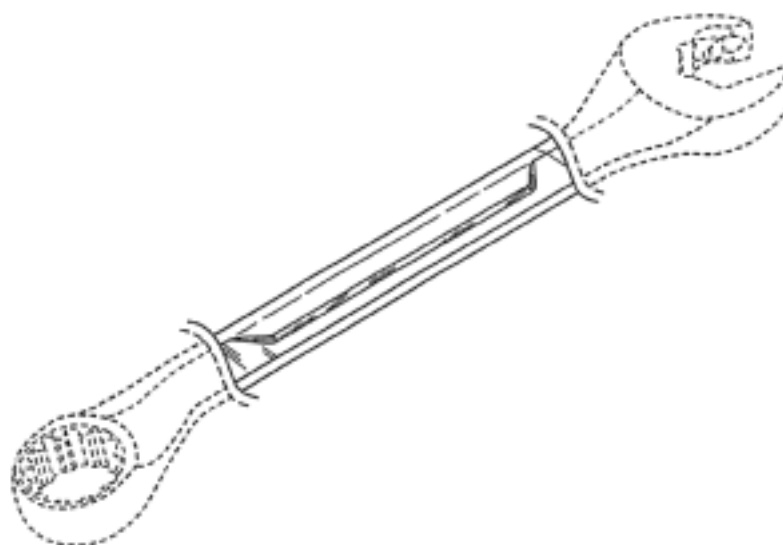
- (21) Design Number: **14459/2012**
(22) Date of Filing Application: **07 September 2012**
(24) Date from which industrial property rights may have effect: **07 September 2012**
(54) Product in respect of which the design is registered: **Air Grille**
(51) International Design Classification: **23-04**
(74) Name(s) of Attorney(s): **Griffith Hack**
(71) Name(s) and Address(s) of Applicant(s):
CSR Building Products Limited
Triniti 3 39 Delhi Rd North Ryde NSW 2113 Australia
(72) Name(s) of Designer(s): **Tarek Alfakhrany**
(45) Registration Date: **01 November 2012**
(56) Related Art Documents: **Not Applicable**
(57) Statement of Newness and Distinctiveness: **Newness and distinctiveness resides in the visual features, including shape, configuration and pattern, of an AIR GRILLE as shown in solid outline in the accompanying drawings. When determining whether the design is substantially similar in overall impression to another design, no regard is to be had to those features shown in dotted outline in the accompanying drawings, which features are provided for illustrative purposes only.**



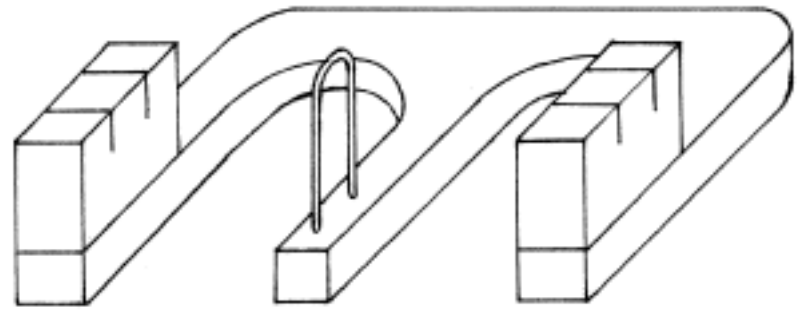
- (21) Design Number: **14462/2012**
(22) Date of Filing Application: **07 September 2012**
(24) Date from which industrial property rights may have effect: **07 September 2012**
(54) Product in respect of which the design is registered: **Candle lamp**
(51) International Design Classification: **26-04**
(74) Name(s) of Attorney(s): **SPRUSON & FERGUSON**
(71) Name(s) and Address(s) of Applicant(s):
Huizhou Light Engine Ltd.
No.7 Building No.21 Jiang Bei Yun Shan East Road Huizhou City
Guangdong China
(72) Name(s) of Designer(s): **Wa Hing Leung and Sue-Anne Tean Leung and**
Tin Po Flavio Chu and Chun Rong Li and Xiao Lin Zhang
(45) Registration Date: **01 November 2012**
(30) Convention priority data:
(31) Number (32) Date (33) Country
201230227669.6 06 Jun 2012 CHINA
(56) Related Art Documents: **Not Applicable**
(57) Statement of Newness and Distinctiveness: **Newness and distinctiveness**
is claimed in the features of shape and/or configuration of a candle lamp
as illustrated in the accompanying representations.



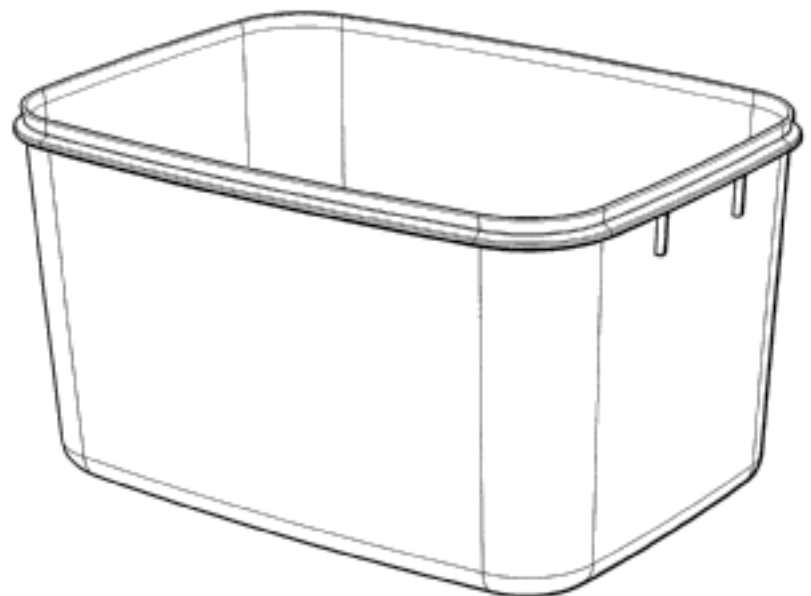
- (21) Design Number: **14461/2012**
(22) Date of Filing Application: **07 September 2012**
(24) Date from which industrial property rights may have effect: **07 September 2012**
(54) Product in respect of which the design is registered: **A Tool**
(51) International Design Classification: **08-05P, 08-06**
(74) Name(s) of Attorney(s): **SPRUSON & FERGUSON**
(71) Name(s) and Address(s) of Applicant(s):
Apex Brands, Inc.
14600 York Rd Suite A Sparks Maryland 21152 United States of America
(72) Name(s) of Designer(s): **Jonathan S. Beckwith and Daryll Scott Evans and**
John Evans Fontana
(45) Registration Date: **01 November 2012**
(30) Convention priority data:
(31) Number (32) Date (33) Country
29/416,378 21 Mar 2012 UNITED STATES OF AMERICA
(56) Related Art Documents: **Not Applicable**
(57) Statement of Newness and Distinctiveness: **newness and distinctiveness**
is claimed in those features of shape and/or configuration of a handle
section of a tool as illustrated in continuous lines in the accompanying
representations.



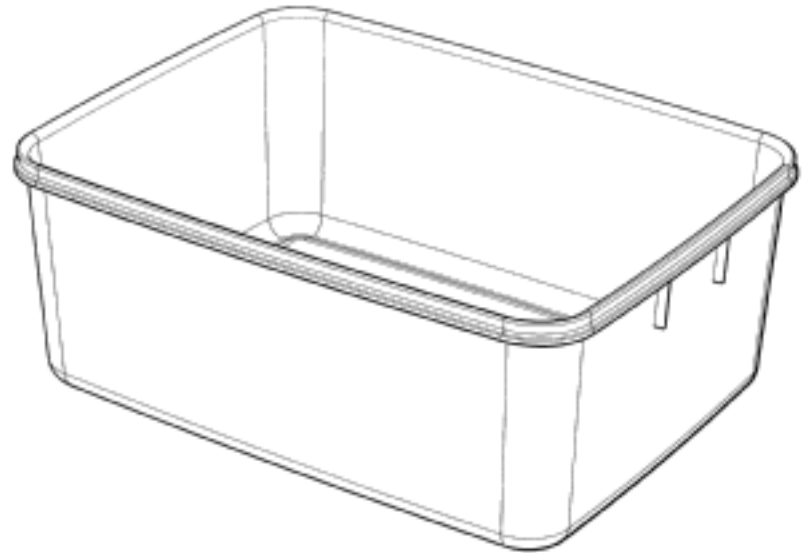
- (21) Design Number: **14485/2012**
(22) Date of Filing Application: **10 September 2012**
(24) Date from which industrial property rights may have effect: **10 September 2012**
(54) Product in respect of which the design is registered: **A knot tying jig**
(51) International Design Classification: **22-05, 08-05F**
(74) Name(s) of Attorney(s):
(71) Name(s) and Address(s) of Applicant(s):
Sydney Charles Bartley Headlam
49 Mercury PI Spring Beach Orford TAS 7190 Australia
(72) Name(s) of Designer(s): **Sydney Charles Bartley Headlam**
(45) Registration Date: **01 November 2012**
(56) Related Art Documents: **Not Applicable**
(57) Statement of Newness and Distinctiveness: **The combination of the 2 line grips on their fingers in conjunction with the 3 arches L Arch, Line arch on central finger and R Arch. The double arch "M" shape. It can be made to "Fine Arts", Gallery Standard" if desired by using Huon Pine, Blackwood etc.**



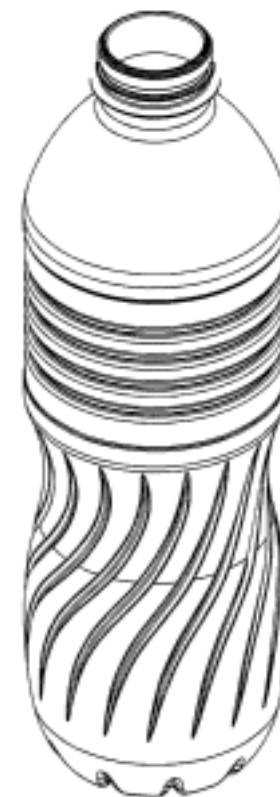
- (21) Design Number: **14491/2012**
(22) Date of Filing Application: **10 September 2012**
(24) Date from which industrial property rights may have effect: **10 September 2012**
(54) Product in respect of which the design is registered: **Container base**
(51) International Design Classification: **07-01NES, 09-03M**
(74) Name(s) of Attorney(s): **Callinans**
(71) Name(s) and Address(s) of Applicant(s):
The Decor Corporation Pty. Ltd.
1314 Ferntree Gully Rd Scoresby VIC 3179 Australia
(72) Name(s) of Designer(s): **Arthur Richard Carlson**
(45) Registration Date: **01 November 2012**
(56) Related Art Documents: **Not Applicable**
(57) Statement of Newness and Distinctiveness: **Nil**



(21) Design Number: **14492/2012**
(22) Date of Filing Application: **10 September 2012**
(24) Date from which industrial property rights may have effect: **10 September 2012**
(54) Product in respect of which the design is registered: **Container base**
(51) International Design Classification: **07-01NES, 09-03M**
(74) Name(s) of Attorney(s): **Callinans**
(71) Name(s) and Address(s) of Applicant(s):
The Decor Corporation Pty. Ltd.
1314 Ferntree Gully Rd Scoresby VIC 3179 Australia
(72) Name(s) of Designer(s): **Arthur Richard Carlson**
(45) Registration Date: **01 November 2012**
(56) Related Art Documents: **Not Applicable**
(57) Statement of Newness and Distinctiveness: **Nil**



(21) Design Number: **14494/2012**
(22) Date of Filing Application: **10 September 2012**
(24) Date from which industrial property rights may have effect: **10 September 2012**
(54) Product in respect of which the design is registered: **Bottle**
(51) International Design Classification: **09-01NES**
(74) Name(s) of Attorney(s): **Griffith Hack**
(71) Name(s) and Address(s) of Applicant(s):
Asahi Group Holdings, Ltd.
23-1 Azumabashi 1-chome Sumida-ku Tokyo 1308602 Japan
(72) Name(s) of Designer(s): **Bastian Tissmer**
(45) Registration Date: **01 November 2012**
(56) Related Art Documents: **Not Applicable**
(57) Statement of Newness and Distinctiveness: **Nil**



(21) Design Number: **14551/2012**

(22) Date of Filing Application: **12 September 2012**

(24) Date from which industrial property rights may have effect: **12 September 2012**

(54) Product in respect of which the design is registered: **Air compressor**

(51) International Design Classification: **15-02**

(74) Name(s) of Attorney(s): **Davies Collison Cave**

(71) Name(s) and Address(s) of Applicant(s):

Black & Decker Inc

1207 Drummond Plaza Newark Delaware 19711 United States of America

(72) Name(s) of Designer(s): **Scott D. Craig and Craig R. Steinfels**

(45) Registration Date: **01 November 2012**

(30) Convention priority data:

(31) Number

(32) Date

(33) Country

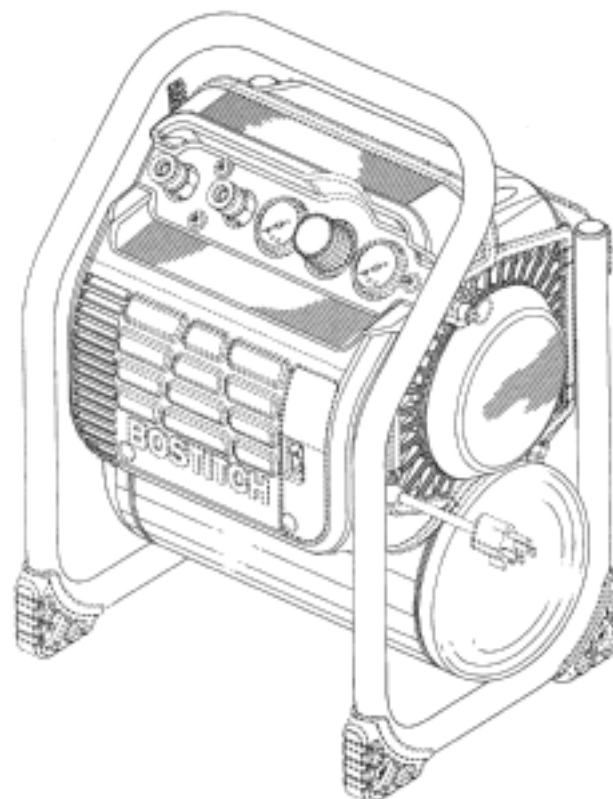
29/431588

10 Sep 2012

UNITED STATES OF AMERICA

(56) Related Art Documents: **Not Applicable**

(57) Statement of Newness and Distinctiveness: **Newness and distinctiveness is claimed in the visual features shown in solid lines in the representations.**



(21) Design Number: **14994/2012**

(22) Date of Filing Application: **05 October 2012**

(24) Date from which industrial property rights may have effect: **05 October 2012**

(54) Product in respect of which the design is registered: **Lantern**

(51) International Design Classification: **26-02**

(74) Name(s) of Attorney(s): **Ashurst Australia**

(71) Name(s) and Address(s) of Applicant(s):

Marimekko Oyj

Puusepankatu 4 00880 Helsinki Finland

(72) Name(s) of Designer(s): **Harri Paivio Koskinen**

(45) Registration Date: **01 November 2012**

(30) Convention priority data:

(31) Number

(32) Date

(33) Country

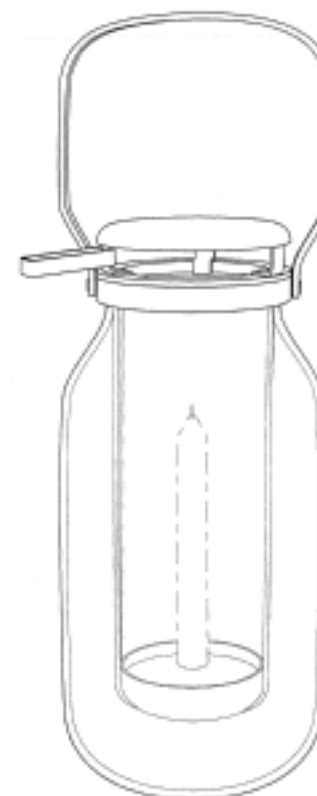
002112169-0001

02 Oct 2012

EUROPEAN COMMUNITY

(56) Related Art Documents: **Not Applicable**

(57) Statement of Newness and Distinctiveness: **Nil**



(21) Design Number: **14995/2012**

(22) Date of Filing Application: **05 October 2012**

(24) Date from which industrial property rights may have effect: **05 October 2012**

(54) Product in respect of which the design is registered: **Tyre for motorcycle**

(51) International Design Classification: **12-15C**

(74) Name(s) of Attorney(s): **SPRUSON & FERGUSON**

(71) Name(s) and Address(s) of Applicant(s):

**The Goodyear Tire & Rubber Company
1144 East Market Street Department 823 Akron Ohio 44316-0001 United
States of America**

(72) Name(s) of Designer(s): **Masahiro Hikita**

(45) Registration Date: **01 November 2012**

(30) Convention priority data:

(31) Number	(32) Date	(33) Country
2012-008268	09 Apr 2012	JAPAN

(56) Related Art Documents: **Not Applicable**

(57) Statement of Newness and Distinctiveness: **Newness and distinctiveness is claimed in the features of shape and/or configuration of the tread of a tyre as illustrated in the accompanying representations, wherein the shape and/or configuration of the tread is repeated throughout the circumference of the tyre.**



(21) Design Number: **14957/2012**

(22) Date of Filing Application: **04 October 2012**

(24) Date from which industrial property rights may have effect: **04 October 2012**

(54) Product in respect of which the design is registered: **Joiner strip**

(51) International Design Classification: **25-01K**

(74) Name(s) of Attorney(s): **Shelston IP**

(71) Name(s) and Address(s) of Applicant(s):

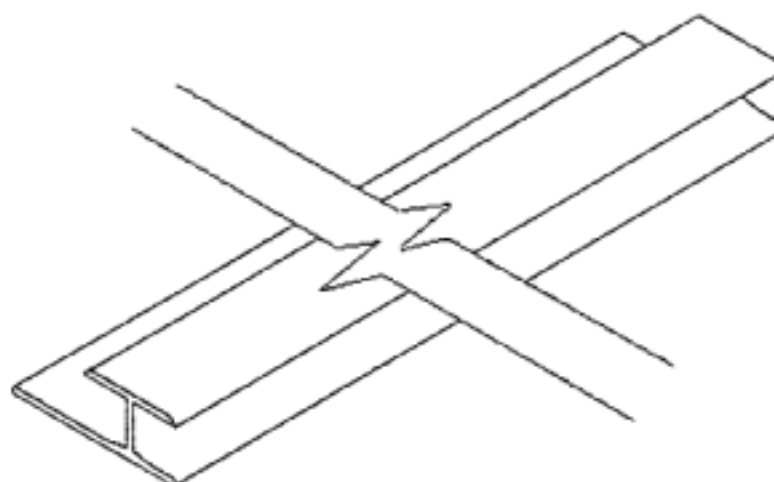
**James Hardie Technology Limited
Europa House Second Floor Harcourt Centre Harcourt Street Dublin 2
Ireland**

(72) Name(s) of Designer(s): **Darren Southwell**

(45) Registration Date: **01 November 2012**

(56) Related Art Documents: **Not Applicable**

(57) Statement of Newness and Distinctiveness: **Newness and distinctiveness resides in the features of shape and configuration of the joiner strip of constant cross section and indefinite length as shown in the accompanying representations.**



(21) Design Number: **14958/2012**

(22) Date of Filing Application: **04 October 2012**

(24) Date from which industrial property rights may have effect: **04 October 2012**

(54) Product in respect of which the design is registered: **External corner strip**

(51) International Design Classification: **25-01G**

(74) Name(s) of Attorney(s): **Shelston IP**

(71) Name(s) and Address(s) of Applicant(s):

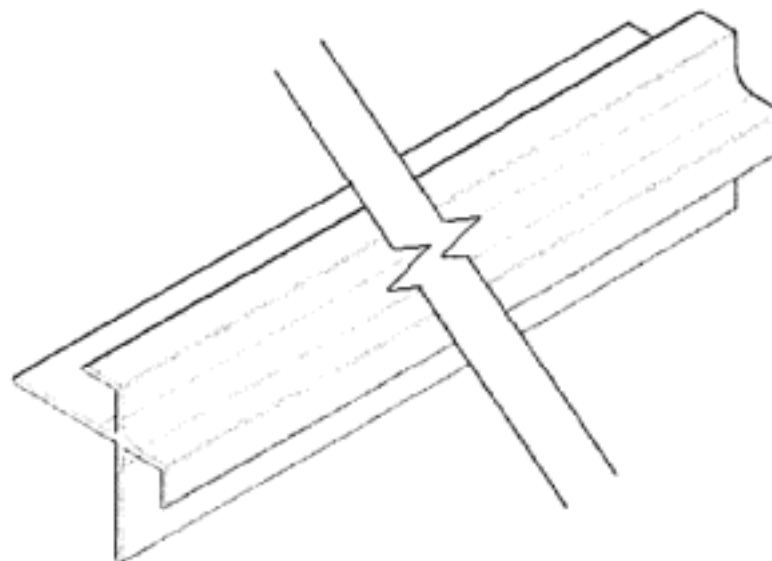
**James Hardie Technology Limited
Europa House Second Floor Harcourt Centre Harcourt Street Dublin 2
Ireland**

(72) Name(s) of Designer(s): **Darren Southwell**

(45) Registration Date: **01 November 2012**

(56) Related Art Documents: **Not Applicable**

(57) Statement of Newness and Distinctiveness: **Newness and distinctiveness resides in the features of shape and configuration of the external corner strip of constant cross section and indefinite length as shown in the accompanying representations.**



(21) Design Number: **14959/2012**

(22) Date of Filing Application: **04 October 2012**

(24) Date from which industrial property rights may have effect: **04 October 2012**

(54) Product in respect of which the design is registered: **Edge strip**

(51) International Design Classification: **25-01K**

(74) Name(s) of Attorney(s): **Shelston IP**

(71) Name(s) and Address(s) of Applicant(s):

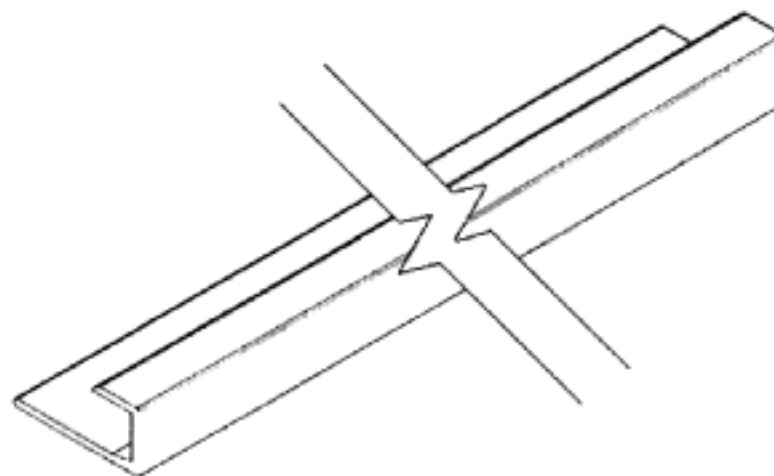
**James Hardie Technology Limited
Europa House Second Floor Harcourt Centre Harcourt Street Dublin 2
Ireland**

(72) Name(s) of Designer(s): **Darren Southwell**

(45) Registration Date: **01 November 2012**

(56) Related Art Documents: **Not Applicable**

(57) Statement of Newness and Distinctiveness: **Newness and distinctiveness resides in the features of shape and configuration of the edge strip of constant cross section and indefinite length as shown in the accompanying representations.**



(21) Design Number: **14960/2012**

(22) Date of Filing Application: **04 October 2012**

(24) Date from which industrial property rights may have effect: **04 October 2012**

(54) Product in respect of which the design is registered: **Exterior corner strip**

(51) International Design Classification: **25-01G**

(74) Name(s) of Attorney(s): **Shelston IP**

(71) Name(s) and Address(s) of Applicant(s):

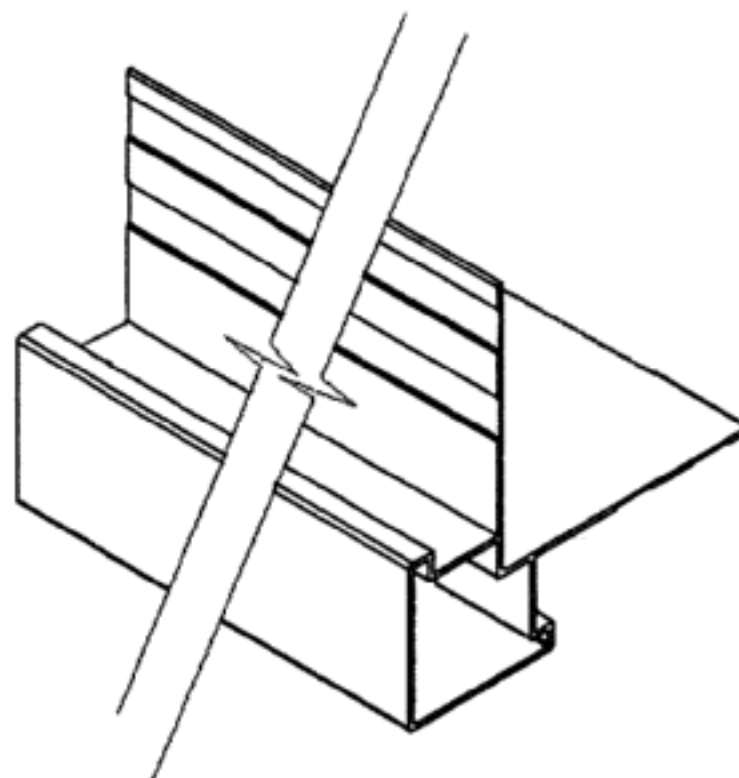
James Hardie Technology Limited
Europa House Second Floor Harcourt Centre Harcourt Street Dublin 2
Ireland

(72) Name(s) of Designer(s): **Darren Southwell**

(45) Registration Date: **01 November 2012**

(56) Related Art Documents: **Not Applicable**

(57) Statement of Newness and Distinctiveness: **Newness and distinctiveness resides in the features of shape and configuration defining the box like portion of the exterior corner strip shown in the accompanying representations, and in particular the features defining the two sides of the box portion that connect to the two flange elements. The exterior corner strip is of constant cross section and indefinite length.**



(21) Design Number: **14961/2012**

(22) Date of Filing Application: **04 October 2012**

(24) Date from which industrial property rights may have effect: **04 October 2012**

(54) Product in respect of which the design is registered: **Joiner strip**

(51) International Design Classification: **25-01K**

(74) Name(s) of Attorney(s): **Shelston IP**

(71) Name(s) and Address(s) of Applicant(s):

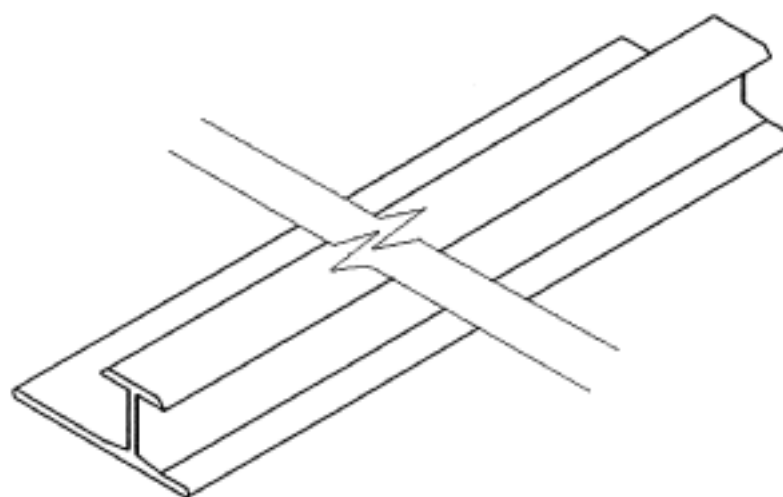
James Hardie Technology Limited
Europa House Second Floor Harcourt Centre Harcourt Street Dublin 2
Ireland

(72) Name(s) of Designer(s): **Darren Southwell**

(45) Registration Date: **01 November 2012**

(56) Related Art Documents: **Not Applicable**

(57) Statement of Newness and Distinctiveness: **Newness and distinctiveness resides in the features of shape and configuration of the joiner strip of constant cross section and indefinite length as shown in the accompanying representations.**



(21) Design Number: **14962/2012**

(22) Date of Filing Application: **04 October 2012**

(24) Date from which industrial property rights may have effect: **04 October 2012**

(54) Product in respect of which the design is registered: **Internal corner strip**

(51) International Design Classification: **25-01K**

(74) Name(s) of Attorney(s): **Shelston IP**

(71) Name(s) and Address(s) of Applicant(s):

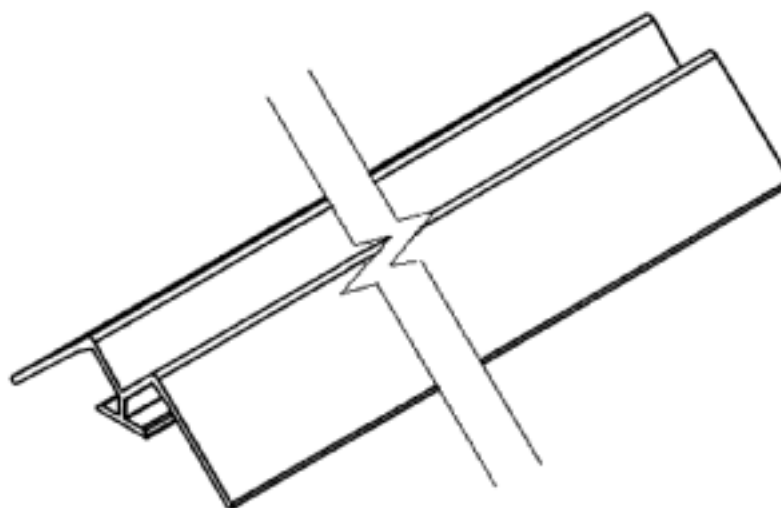
James Hardie Technology Limited
Europa House Second Floor Harcourt Centre Harcourt Street Dublin 2
Ireland

(72) Name(s) of Designer(s): **Darren Southwell**

(45) Registration Date: **01 November 2012**

(56) Related Art Documents: **Not Applicable**

(57) Statement of Newness and Distinctiveness: **Newness and distinctiveness resides in the features of shape and configuration of the internal corner strip of constant cross section and indefinite length as shown in the accompanying representations.**



(21) Design Number: **14963/2012**

(22) Date of Filing Application: **04 October 2012**

(24) Date from which industrial property rights may have effect: **04 October 2012**

(54) Product in respect of which the design is registered: **Joiner strip**

(51) International Design Classification: **25-01K**

(74) Name(s) of Attorney(s): **Shelston IP**

(71) Name(s) and Address(s) of Applicant(s):

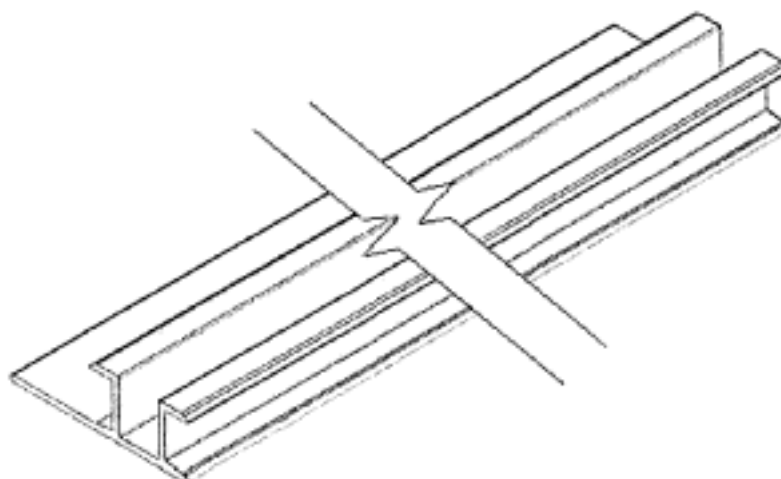
James Hardie Technology Limited
Europa House Second Floor Harcourt Centre Harcourt Street Dublin 2
Ireland

(72) Name(s) of Designer(s): **Darren Southwell**

(45) Registration Date: **01 November 2012**

(56) Related Art Documents: **Not Applicable**

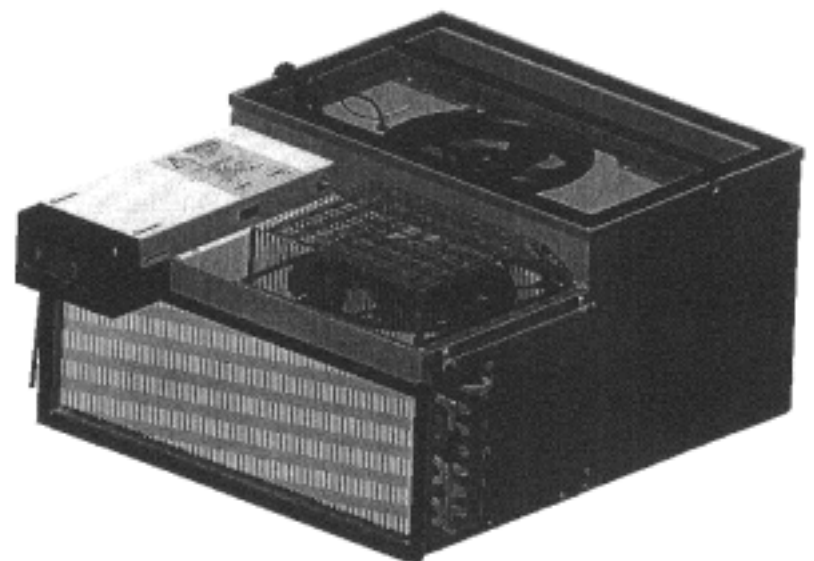
(57) Statement of Newness and Distinctiveness: **Newness and distinctiveness resides in the features of shape and configuration of the joiner strip of constant cross section and indefinite length as shown in the accompanying representations.**



- (21) Design Number: **14975/2012**
(22) Date of Filing Application: **05 October 2012**
(24) Date from which industrial property rights may have effect: **05 October 2012**
(54) Product in respect of which the design is registered: **Power pack unit for a hand held kitchen appliance**
(51) International Design Classification: **13-03D**
(74) Name(s) of Attorney(s): **WALLINGTON-DUMMER**
(71) Name(s) and Address(s) of Applicant(s):
Ian Geoffrey Wilson
40 Cobran Rd Cheltenham NSW 2119 Australia
(72) Name(s) of Designer(s): **Dominic Van der Merwe**
(45) Registration Date: **01 November 2012**
(56) Related Art Documents: **Not Applicable**
(57) Statement of Newness and Distinctiveness: **Nil**



- (21) Design Number: **14976/2012**
(22) Date of Filing Application: **04 October 2012**
(24) Date from which industrial property rights may have effect: **04 October 2012**
(54) Product in respect of which the design is registered: **Refrigeration package**
(51) International Design Classification: **15-07**
(74) Name(s) of Attorney(s): **IP Gateway Patent & Trademark Attorneys**
(71) Name(s) and Address(s) of Applicant(s):
TrainNorman Assets Pty Ltd
U5 Gardner Ct Quantum Business Park Wilsonton QLD 4350 Australia
(72) Name(s) of Designer(s): **Kerron Martin**
(45) Registration Date: **01 November 2012**
(56) Related Art Documents: **Not Applicable**
(57) Statement of Newness and Distinctiveness: **The newness and distinctiveness of the design resides in the visual features of shape and/or configuration of a refrigeration package as shown in the accompanying representations.**



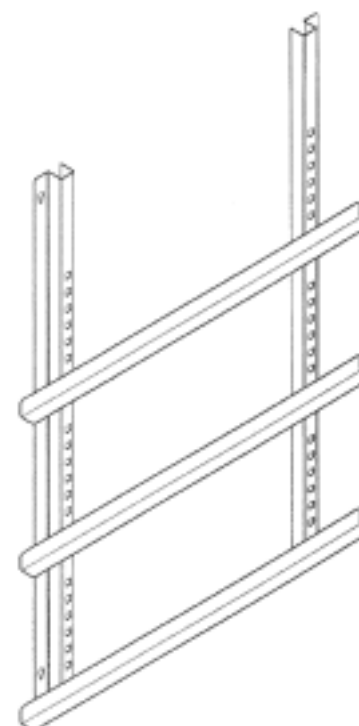
- (21) Design Number: **14989/2012**
(22) Date of Filing Application: **08 October 2012**
(24) Date from which industrial property rights may have effect: **08 October 2012**
(54) Product in respect of which the design is registered: **A dwelling**
(51) International Design Classification: **25-03**
(74) Name(s) of Attorney(s): **SPRUSON & FERGUSON**
(71) Name(s) and Address(s) of Applicant(s):
Trans-World Foods Pty Limited
1/48 Booker Bay Rd Booker Bay NSW 2257 Australia
(72) Name(s) of Designer(s): **Stanley Parker**
(45) Registration Date: **01 November 2012**
(56) Related Art Documents: **Not Applicable**
(57) Statement of Newness and Distinctiveness: **Newness and distinctiveness is claimed in the features of shape and/or configuration of a dwelling as illustrated in the accompanying representations.**



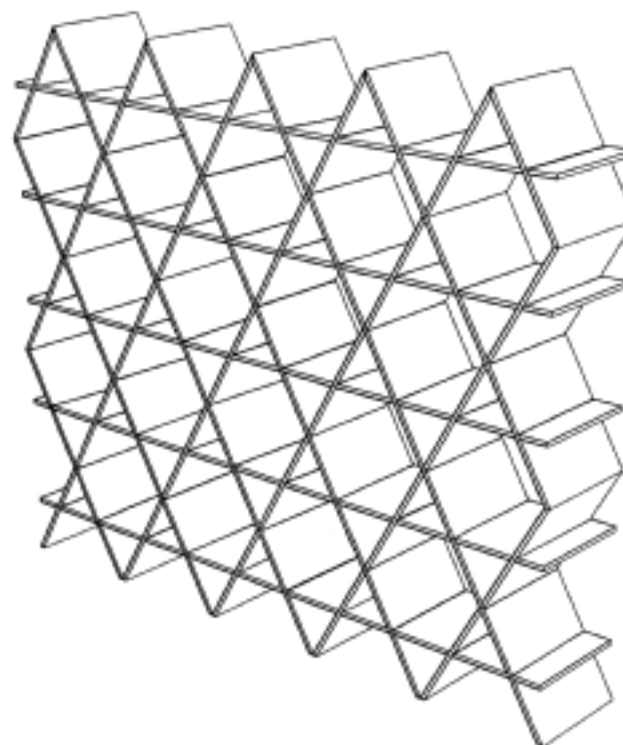
- (21) Design Number: **14990/2012**
(22) Date of Filing Application: **08 October 2012**
(24) Date from which industrial property rights may have effect: **08 October 2012**
(54) Product in respect of which the design is registered: **A strap**
(51) International Design Classification: **09-06, 29-02**
(74) Name(s) of Attorney(s): **SPRUSON & FERGUSON**
(71) Name(s) and Address(s) of Applicant(s):
Innovation Realisation Pty Ltd
10/49 Henderson Rd Erskineville NSW 2043 Australia
(72) Name(s) of Designer(s): **Sebastian Jacobs**
(45) Registration Date: **01 November 2012**
(56) Related Art Documents: **Not Applicable**
(57) Statement of Newness and Distinctiveness: **Newness and distinctiveness is claimed in the features of shape and/or configuration of a strap as illustrated in the accompanying representations.**



- (21) Design Number: **11786/2012**
(22) Date of Filing Application: **11 April 2012**
(24) Date from which industrial property rights may have effect: **11 April 2012**
(54) Product in respect of which the design is registered: **Racking**
(51) International Design Classification: **06-04NES**
(74) Name(s) of Attorney(s): **Lord & Company**
(71) Name(s) and Address(s) of Applicant(s):
Y-Gen Enterprises Pty Ltd
PO Box 4513 Myaree BC Western Australia 6960 Australia
(72) Name(s) of Designer(s): **Mark Victor Keefe Fiori**
(45) Registration Date: **02 November 2012**
(56) Related Art Documents: **Not Applicable**
(57) Statement of Newness and Distinctiveness: **Nil**



- (21) Design Number: **12070/2012**
(22) Date of Filing Application: **27 April 2012**
(24) Date from which industrial property rights may have effect: **27 April 2012**
(54) Product in respect of which the design is registered: **Cellar/larder storage system**
(51) International Design Classification: **06-04NES**
(74) Name(s) of Attorney(s):
(71) Name(s) and Address(s) of Applicant(s):
Isovin Systems Pty Ltd
PO Box U92 University of Wollongong NSW 2500 Australia
(72) Name(s) of Designer(s): **Gavin Dixon**
(45) Registration Date: **02 November 2012**
(56) Related Art Documents: **Not Applicable**
(57) Statement of Newness and Distinctiveness: **Monopoly is claimed in the features of shape and configuration of the storage system as illustrated in the accompanying representations.**



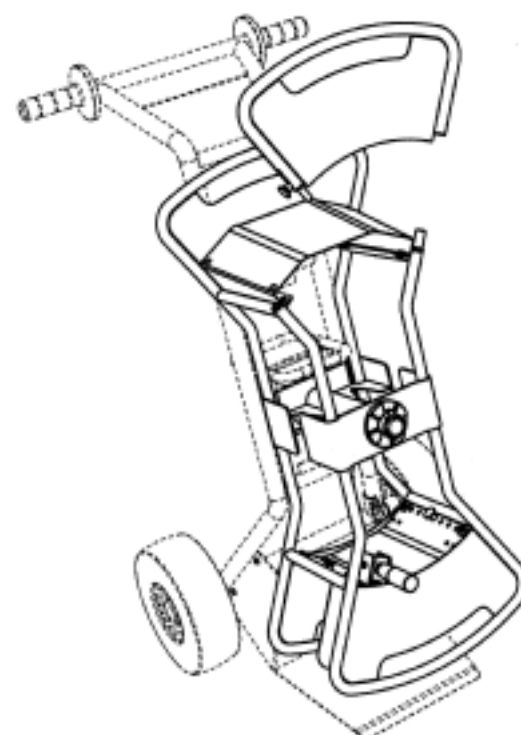
(21) Design Number: **14037/2012**
(22) Date of Filing Application: **17 August 2012**
(24) Date from which industrial property rights may have effect: **17 August 2012**
(54) Product in respect of which the design is registered: **Outdoor lighting fixture**
(51) International Design Classification: **26-05A**
(74) Name(s) of Attorney(s): **PHILLIPS ORMONDE FITZPATRICK**
(71) Name(s) and Address(s) of Applicant(s):
Schreder S.A.
Rue de Lusambo 67 B-1190 Brussels Belgium
(72) Name(s) of Designer(s): **Thomas Coulbeaut**
(45) Registration Date: **02 November 2012**
(30) Convention priority data:
(31) Number (32) Date (33) Country
001315154-0001 22 Feb 2012 EUROPEAN COMMUNITY
(56) Related Art Documents: **Not Applicable**
(57) Statement of Newness and Distinctiveness: **Nil**



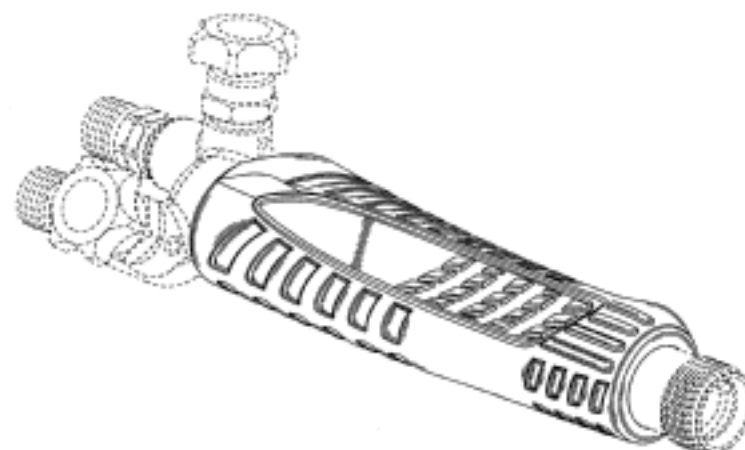
(21) Design Number: **14275/2012**
(22) Date of Filing Application: **29 August 2012**
(24) Date from which industrial property rights may have effect: **29 August 2012**
(54) Product in respect of which the design is registered: **Vacuum cleaner body**
(51) International Design Classification: **15-05**
(74) Name(s) of Attorney(s): **Griffith Hack**
(71) Name(s) and Address(s) of Applicant(s):
BISSELL Homecare, Inc.
2345 Walker Avenue N.W. Grand Rapids MI 49544 United States of America
(72) Name(s) of Designer(s): **Adam Luedke and Clifford Krapfl and Joseph Hyung Seok Lee and Thomas Mitchell**
(45) Registration Date: **02 November 2012**
(30) Convention priority data:
(31) Number (32) Date (33) Country
29/415,292 09 Mar 2012 UNITED STATES OF AMERICA
(56) Related Art Documents: **Not Applicable**
(57) Statement of Newness and Distinctiveness: **Newness and distinctiveness resides in the visual features, including shape, configuration and ornamentation, of the PRODUCT as shown by means of solid lines in the accompanying representations. Those parts shown by means of dashed lines have been included for illustrative purposes only, and do not form part of the design.**



(21) Design Number: **14350/2012**
(22) Date of Filing Application: **04 September 2012**
(24) Date from which industrial property rights may have effect: **04 September 2012**
(54) Product in respect of which the design is registered: **A reel**
(51) International Design Classification: **08-99**
(74) Name(s) of Attorney(s): **Cotters Patent & Trade Mark Attorneys**
(71) Name(s) and Address(s) of Applicant(s):
Livin Fernand Georges Dethier
Leemkuilstraat 144 Alken 3570 Belgium
(72) Name(s) of Designer(s): **Livin Fernand Georges Dethier**
(45) Registration Date: **02 November 2012**
(30) Convention priority data:
(31) Number (32) Date (33) Country
002004648-0001 07 Mar 2012 EUROPEAN COMMUNITY
(56) Related Art Documents: **Not Applicable**
(57) Statement of Newness and Distinctiveness: **Newness and distinctiveness is claimed in the features of shape and/or configuration of a reel as depicted in the accompanying drawings, and when considering the extent of monopoly protection, particular regard is to be given to the portions shown in continuous line.**



(21) Design Number: **14788/2012**
(22) Date of Filing Application: **26 September 2012**
(24) Date from which industrial property rights may have effect: **26 September 2012**
(54) Product in respect of which the design is registered: **Handle for a gas cutting torch**
(51) International Design Classification: **08-05M**
(74) Name(s) of Attorney(s): **Davies Collison Cave**
(71) Name(s) and Address(s) of Applicant(s):
Victor Equipment Company
2800 Airport Road Denton Texas 76027 United States of America
(72) Name(s) of Designer(s): **Robert A. Boyer**
(45) Registration Date: **02 November 2012**
(30) Convention priority data:
(31) Number (32) Date (33) Country
29/416720 26 Mar 2012 UNITED STATES OF AMERICA
(56) Related Art Documents: **Not Applicable**
(57) Statement of Newness and Distinctiveness: **Newness and distinctiveness is claimed in the visual features shown in solid lines in the representations.**



(21) Design Number: **15006/2012**
(22) Date of Filing Application: **09 October 2012**
(24) Date from which industrial property rights may have effect: **09 October 2012**
(54) Product in respect of which the design is registered: **A table call stand**
(51) International Design Classification: **10-06**
(74) Name(s) of Attorney(s): **Collison & Co**
(71) Name(s) and Address(s) of Applicant(s):
Sang Min Chung
104-503 Ssangyong Yega Apt 902-8 Dogok 1-dong Gangnam-gu Seoul
135-271 Republic of Korea

(72) Name(s) of Designer(s): **Sang Min Chung and Mendini Alessandro**
(45) Registration Date: **02 November 2012**

(30) Convention priority data:

(31) Number	(32) Date	(33) Country
30-2012-0016972	10 Apr 2012	REPUBLIC OF KOREA

(56) Related Art Documents: **Not Applicable**

(57) Statement of Newness and Distinctiveness: **Newness and distinctiveness is claimed in respect of the shape and configuration and/or pattern and ornamentation of the table call stand as shown in the accompanying representations.**



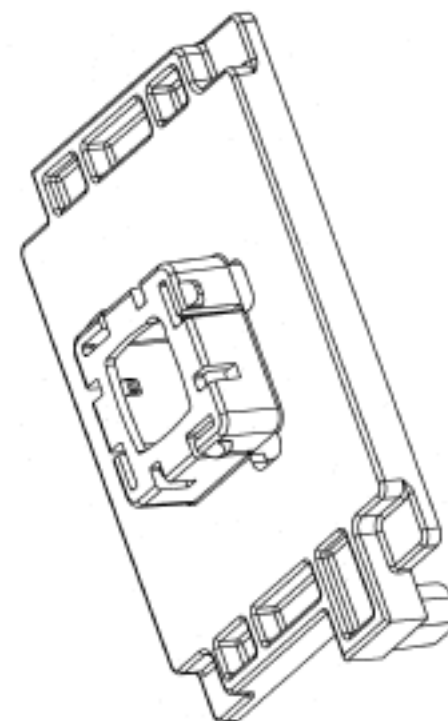
(21) Design Number: **15009/2012**
(22) Date of Filing Application: **08 October 2012**
(24) Date from which industrial property rights may have effect: **08 October 2012**
(54) Product in respect of which the design is registered: **A light switch housing unit for a light switch wall plate**
(51) International Design Classification: **13-03D**
(74) Name(s) of Attorney(s): **Collison & Co**
(71) Name(s) and Address(s) of Applicant(s):
Hendon Semiconductors Pty Ltd
1 Butler Drive Hendon SA 5014 Australia

(72) Name(s) of Designer(s): **Mark Nathan Spaile and Christopher James Hurr and Jeffery William Watts and Victor Davalos**

(45) Registration Date: **02 November 2012**

(56) Related Art Documents: **Not Applicable**

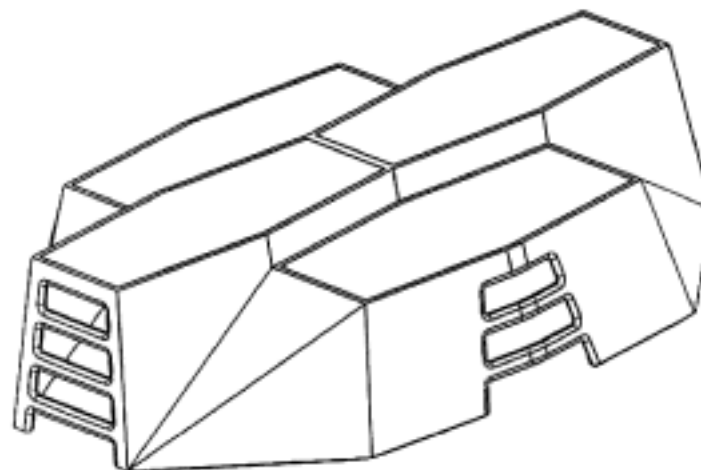
(57) Statement of Newness and Distinctiveness: **Nil**



(21) Design Number: **15018/2012**
(22) Date of Filing Application: **08 October 2012**
(24) Date from which industrial property rights may have effect: **08 October 2012**
(54) Product in respect of which the design is registered: **Brassiere**
(51) International Design Classification: **02-01A**
(74) Name(s) of Attorney(s): **Madderns**
(71) Name(s) and Address(s) of Applicant(s):
Ju-Chung Chang
1F No. 221 Sec.2 Chongde 2nd Road Beitun Dist. Taichung City Taiwan
(72) Name(s) of Designer(s): **Ju-Chung Chang**
(45) Registration Date: **02 November 2012**
(30) Convention priority data:
(31) Number (32) Date (33) Country
29/395848 10 Apr 2012 UNITED STATES OF AMERICA
(56) Related Art Documents: **Not Applicable**
(57) Statement of Newness and Distinctiveness: **Nil**



(21) Design Number: **15019/2012**
(22) Date of Filing Application: **09 October 2012**
(24) Date from which industrial property rights may have effect: **09 October 2012**
(54) Product in respect of which the design is registered: **Exercise apparatus**
(51) International Design Classification: **21-02F**
(74) Name(s) of Attorney(s): **Shelston IP**
(71) Name(s) and Address(s) of Applicant(s):
Beamblock Limited
29 Alfred Close Chiswick London W4 5UW United Kingdom
(72) Name(s) of Designer(s): **Thierry Christian Giunta and Alexander Lawrence Fowler and Jonathan Lloyd Blayney**
(45) Registration Date: **02 November 2012**
(30) Convention priority data:
(31) Number (32) Date (33) Country
002027912-0001 17 Apr 2012 EUROPEAN COMMUNITY
(56) Related Art Documents: **Not Applicable**
(57) Statement of Newness and Distinctiveness: **Newness and distinctiveness reside in the features of shape and/or configuration of an exercise apparatus as illustrated by solid lines in the accompanying representations.**



(21) Design Number: **14019/2012**

(22) Date of Filing Application: **16 August 2012**

(24) Date from which industrial property rights may have effect: **16 August 2012**

(54) Product in respect of which the design is registered: **Luminaire**

(51) International Design Classification: **26-05A**

(74) Name(s) of Attorney(s): **Cullens Patent and Trade Mark Attorneys**

(71) Name(s) and Address(s) of Applicant(s):

**Lighting Science Group Corporation
1227 South Patrick Drive Bldg 2A Satellite Beach FL 32937 United States
of America**

(72) Name(s) of Designer(s): **David Henderson and Zach Gibler and Kenneth
Marion Bowen and Stephanie Fulton Harris and Jay F. Perkins and
Mohan Bokka Rao and Ryan Robert Berger and Michael T. Kopczewski**

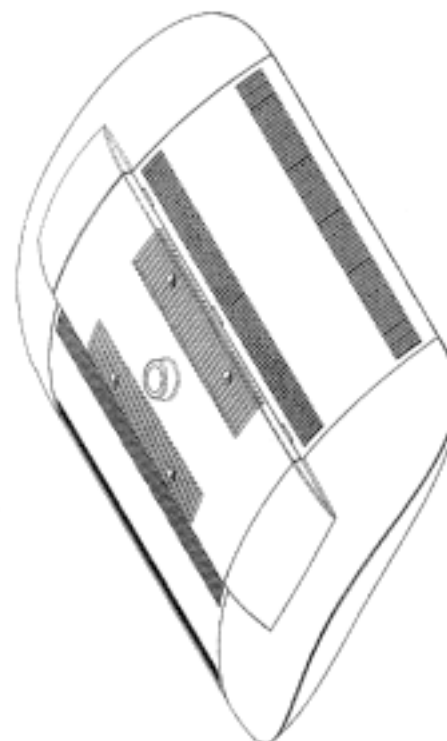
(45) Registration Date: **02 November 2012**

(30) Convention priority data:

(31) Number	(32) Date	(33) Country
29/413,981	23 Feb 2012	UNITED STATES OF AMERICA

(56) Related Art Documents: **Not Applicable**

(57) Statement of Newness and Distinctiveness: **Newness and distinctiveness
reside in the individual features of shape and configuration of the
luminaire as shown in the representations. Features, including the optic,
which are shown in dashed lines, do not form part of the design. The
surface treatment of the luminaire does not form part of the design.
References to "top perspective", "bottom perspective", "front", "rear",
"side", "top", and "bottom" in the figure descriptions are not necessarily
meant to require certain in-use orientation.**



(21) Design Number: **15432/2012**

(22) Date of Filing Application: **24 October 2012**

(24) Date from which industrial property rights may have effect: **16 August 2012**

(54) Product in respect of which the design is registered: **Luminaire**

(51) International Design Classification: **26-05A**

(74) Name(s) of Attorney(s): **Cullens Patent and Trade Mark Attorneys**

(71) Name(s) and Address(s) of Applicant(s):

**Lighting Science Group Corporation
1227 South Patrick Drive Bldg 2A Satellite Beach FL 32937 United States
of America**

(72) Name(s) of Designer(s): **David Henderson and Zach Gibler and Kenneth
Marion Bowen and Stephanie Fulton Harris and Jay F. Perkins and
Mohan Bokka Rao and Ryan Robert Berger and Michael T. Kopczewski**

(45) Registration Date: **02 November 2012**

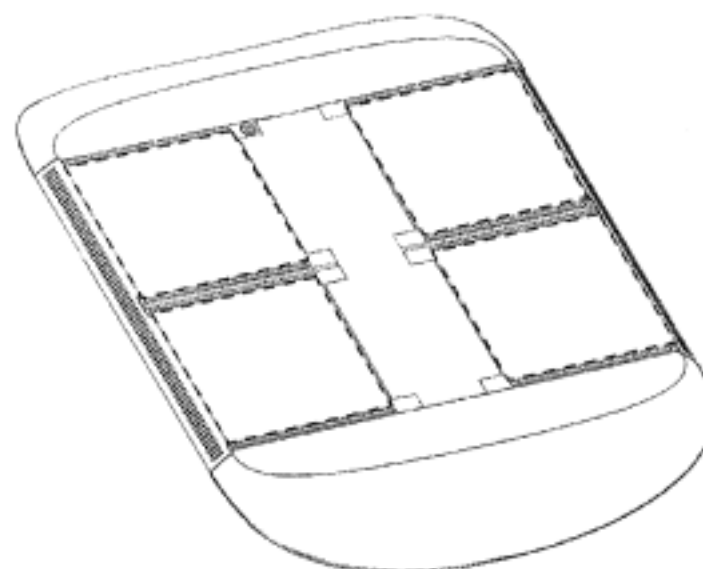
(30) Convention priority data:

(31) Number	(32) Date	(33) Country
29/413,981	23 Feb 2012	UNITED STATES OF AMERICA

(62) Divisional of: **345330**

(56) Related Art Documents: **Not Applicable**

(57) Statement of Newness and Distinctiveness: **Newness and distinctiveness
reside in the individual features of shape and configuration of the
luminaire as shown in the representations. Features, including the optic,
which are shown in dashed lines, do not form part of the design. The
surface treatment of the luminaire does not form part of the design.
References to "top perspective", "bottom perspective", "front", "rear",
"side", "top", and "bottom" in the figure descriptions are not necessarily
meant to require certain in-use orientation.**



(21) Design Number: **15433/2012**

(22) Date of Filing Application: **24 October 2012**

(24) Date from which industrial property rights may have effect: **16 August 2012**

(54) Product in respect of which the design is registered: **Luminaire**

(51) International Design Classification: **26-05A**

(74) Name(s) of Attorney(s): **Cullens Patent and Trade Mark Attorneys**

(71) Name(s) and Address(s) of Applicant(s):

Lighting Science Group Corporation
1227 South Patrick Drive Bldg 2A Satellite Beach FL 32937 United States
of America

(72) Name(s) of Designer(s): **David Henderson and Zach Gibler and Kenneth Marion Bowen and Stephanie Fulton Harris and Jay F. Perkins and Mohan Bokka Rao and Ryan Robert Berger and Michael T. Kopczewski**

(45) Registration Date: **02 November 2012**

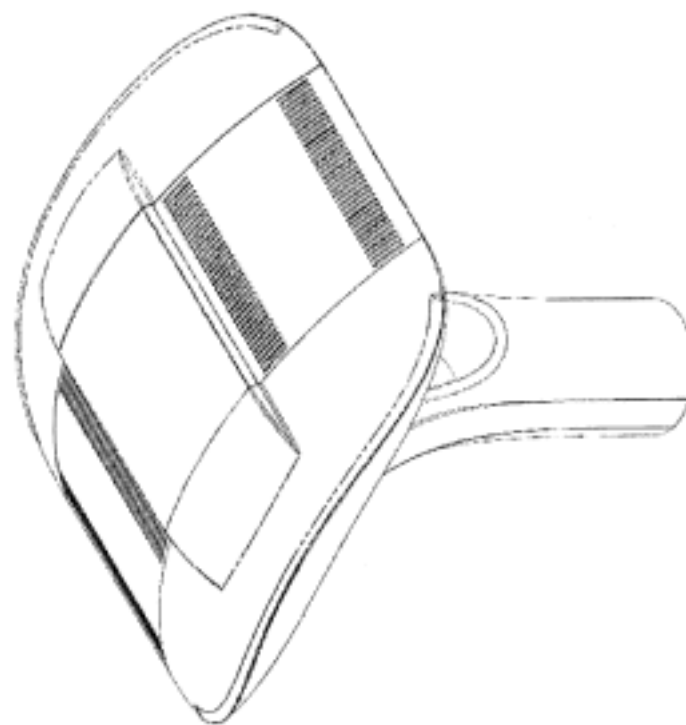
(30) Convention priority data:

(31) Number	(32) Date	(33) Country
29/413,981	23 Feb 2012	UNITED STATES OF AMERICA

(62) Divisional of: **345330**

(56) Related Art Documents: **Not Applicable**

(57) Statement of Newness and Distinctiveness: **Newness and distinctiveness reside in the individual features of shape and configuration of the luminaire as shown in the representations. Features, including the optic, which are shown in dashed lines, do not form part of the design. The surface treatment of the luminaire does not form part of the design. References to "top perspective", "bottom perspective", "front", "rear", "side", "top", and "bottom" in the figure descriptions are not necessarily meant to require certain in-use orientation.**



(21) Design Number: **15434/2012**

(22) Date of Filing Application: **24 October 2012**

(24) Date from which industrial property rights may have effect: **16 August 2012**

(54) Product in respect of which the design is registered: **Luminaire**

(51) International Design Classification: **26-05A**

(74) Name(s) of Attorney(s): **Cullens Patent and Trade Mark Attorneys**

(71) Name(s) and Address(s) of Applicant(s):

Lighting Science Group Corporation
1227 South Patrick Drive Bldg 2A Satellite Beach FL 32937 United States
of America

(72) Name(s) of Designer(s): **David Henderson and Zach Gibler and Kenneth Marion Bowen and Stephanie Fulton Harris and Jay F. Perkins and Mohan Bokka Rao and Ryan Robert Berger and Michael T. Kopczewski**

(45) Registration Date: **02 November 2012**

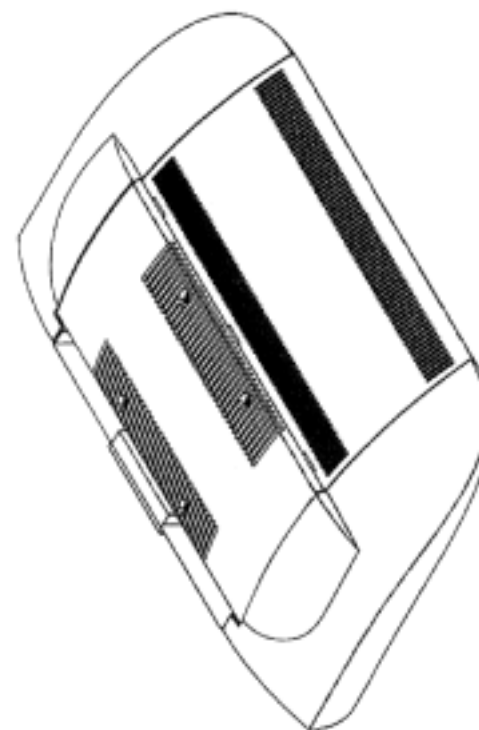
(30) Convention priority data:

(31) Number	(32) Date	(33) Country
29/413,981	23 Feb 2012	UNITED STATES OF AMERICA

(62) Divisional of: **345330**

(56) Related Art Documents: **Not Applicable**

(57) Statement of Newness and Distinctiveness: **Newness and distinctiveness reside in the individual features of shape and configuration of the luminaire as shown in the representations. Features, including the optic, which are shown in dashed lines, do not form part of the design. The surface treatment of the luminaire does not form part of the design. References to "top perspective", "bottom perspective", "front", "rear", "side", "top", and "bottom" in the figure descriptions are not necessarily meant to require certain in-use orientation.**



(21) Design Number: **15435/2012**

(22) Date of Filing Application: **24 October 2012**

(24) Date from which industrial property rights may have effect: **16 August 2012**

(54) Product in respect of which the design is registered: **Luminaire**

(51) International Design Classification: **26-05A**

(74) Name(s) of Attorney(s): **Cullens Patent and Trade Mark Attorneys**

(71) Name(s) and Address(s) of Applicant(s):

**Lighting Science Group Corporation
1227 South Patrick Drive Bldg 2A Satellite Beach FL 32937 United States
of America**

(72) Name(s) of Designer(s): **David Henderson and Zach Gibler and Kenneth
Marion Bowen and Stephanie Fulton Harris and Jay F. Perkins and
Mohan Bokka Rao and Ryan Robert Berger and Michael T. Kopczewski**

(45) Registration Date: **02 November 2012**

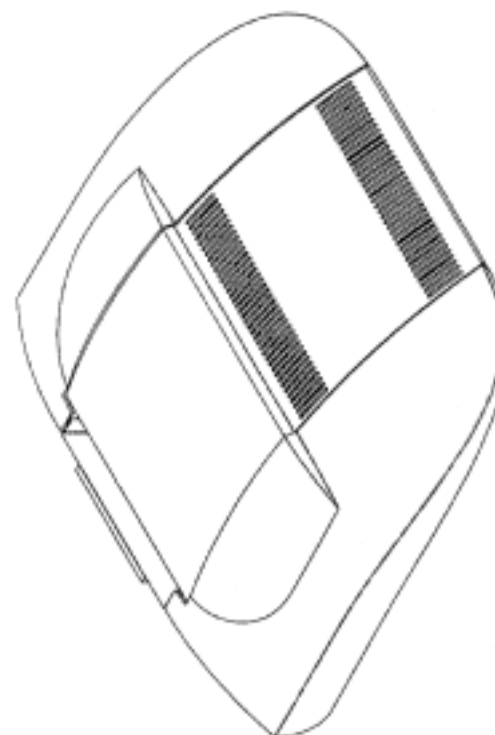
(30) Convention priority data:

(31) Number	(32) Date	(33) Country
29/413,981	23 Feb 2012	UNITED STATES OF AMERICA

(62) Divisional of: **345330**

(56) Related Art Documents: **Not Applicable**

(57) Statement of Newness and Distinctiveness: **Newness and distinctiveness
reside in the individual features of shape and configuration of the
luminaire as shown in the representations. Features, including the optic,
which are shown in dashed lines, do not form part of the design. The
surface treatment of the luminaire does not form part of the design.
References to "top perspective", "bottom perspective", "front", "rear",
"side", "top", and "bottom" in the figure descriptions are not necessarily
meant to require certain in-use orientation.**



(21) Design Number: **14942/2012**

(22) Date of Filing Application: **03 October 2012**

(24) Date from which industrial property rights may have effect: **03 October 2012**

(54) Product in respect of which the design is registered: **Device for collecting
and testing a fluid sample**

(51) International Design Classification: **24-02**

(74) Name(s) of Attorney(s): **Franke Hyland**

(71) Name(s) and Address(s) of Applicant(s):

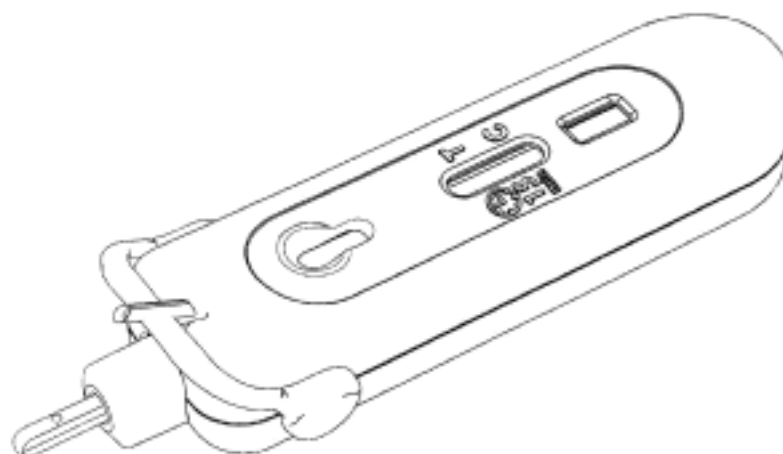
**Atomo Diagnostics Pty Limited
21 Marlborough St Drummoyne NSW 2047 Australia**

(72) Name(s) of Designer(s): **Richard Sokolov and Huw Wallis and Melody
Shiue and John Kelly**

(45) Registration Date: **02 November 2012**

(56) Related Art Documents: **Not Applicable**

(57) Statement of Newness and Distinctiveness: **Newness and distinctiveness
is claimed in the features of shape and/or configuration of a device for
collecting and testing a fluid sample as illustrated in the accompanying
representations.**



- (21) Design Number: **14915/2012**
(22) Date of Filing Application: **28 September 2012**
(24) Date from which industrial property rights may have effect: **28 September 2012**
(54) Product in respect of which the design is registered: **Carton clamp arm for a lift truck**
(51) International Design Classification: **12-16NES**
(74) Name(s) of Attorney(s): **Davies Collison Cave**
(71) Name(s) and Address(s) of Applicant(s):
Cascade Corporation
PO Box 20187 Portland Oregon 97294-0187 United States of America
(72) Name(s) of Designer(s): **Andrea Dal Dosso and Brian Sinclair White**
(45) Registration Date: **02 November 2012**
(30) Convention priority data:
(31) Number (32) Date (33) Country
29/417827 04 Apr 2012 UNITED STATES OF AMERICA
(56) Related Art Documents: **Not Applicable**
(57) Statement of Newness and Distinctiveness: **Newness and distinctiveness is claimed in the visual features shown in solid lines in the representations.**

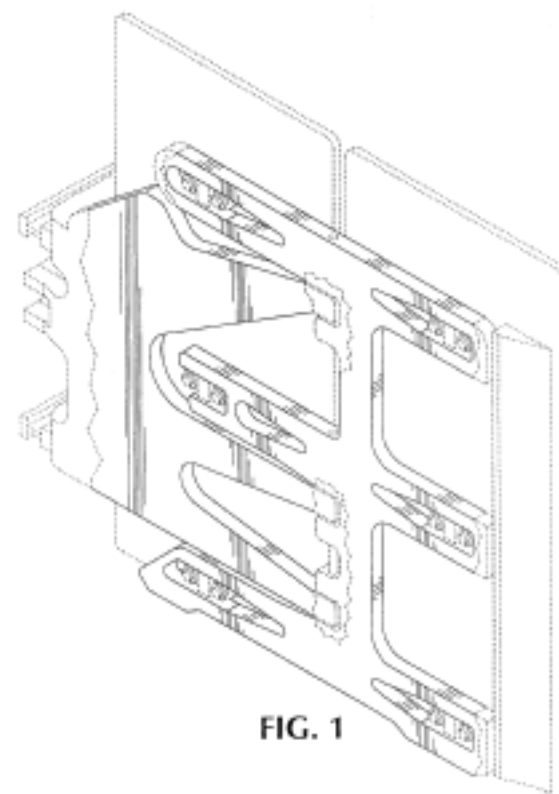
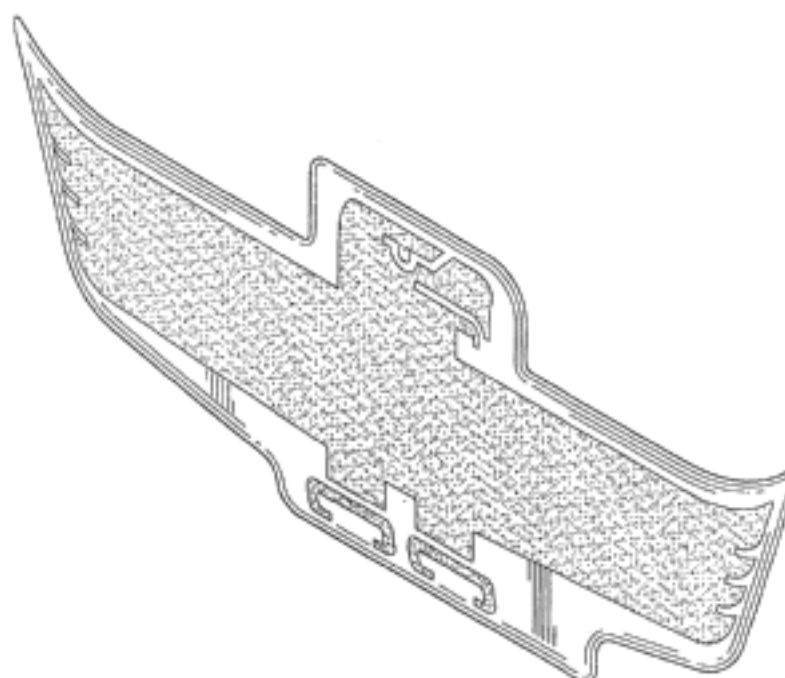


FIG. 1

- (21) Design Number: **14914/2012**
(22) Date of Filing Application: **28 September 2012**
(24) Date from which industrial property rights may have effect: **28 September 2012**
(54) Product in respect of which the design is registered: **Insignia badge for a machine**
(51) International Design Classification: **12-16D**
(74) Name(s) of Attorney(s): **Davies Collison Cave**
(71) Name(s) and Address(s) of Applicant(s):
Cascade Corporation
PO Box 20187 Portland Oregon 97294-0187 United States of America
(72) Name(s) of Designer(s): **Bradley J. Vandehey and D. Clark Jordan and Scott E. Schauer**
(45) Registration Date: **02 November 2012**
(30) Convention priority data:
(31) Number (32) Date (33) Country
29/417483 04 Apr 2012 UNITED STATES OF AMERICA
(56) Related Art Documents: **Not Applicable**
(57) Statement of Newness and Distinctiveness: **Nil**



(21) Design Number: **14911/2012**
(22) Date of Filing Application: **28 September 2012**
(24) Date from which industrial property rights may have effect: **28 September 2012**
(54) Product in respect of which the design is registered: **Bottle**
(51) International Design Classification: **09-01H**
(74) Name(s) of Attorney(s): **FB Rice**
(71) Name(s) and Address(s) of Applicant(s):

SAVERGLASS
3 rue de la Gare 60960 Feuquieres France

(72) Name(s) of Designer(s): **Regis Maillet and Thierry Bernard**

(45) Registration Date: **02 November 2012**

(56) Related Art Documents: **Not Applicable**

(57) Statement of Newness and Distinctiveness: **Newness and distinctiveness reside in the features of the bottle as shown in solid lines in the representations, and in particular in that the long cylindrical neck gradually expands towards the main portion of the bottle, an intermediate conical portion joins a main cylindrical portion of the bottle by a convex curvature which is asymmetric, this is, the length of the right side of the main portion of the bottle is shorter than the length of the left side of the same portion of the bottle, the bottom of the bottle being linked to the main cylindrical portion by a short and slight radius.**



(21) Design Number: **14900/2012**
(22) Date of Filing Application: **03 October 2012**
(24) Date from which industrial property rights may have effect: **03 October 2012**
(54) Product in respect of which the design is registered: **Extender**
(51) International Design Classification: **22-05**
(74) Name(s) of Attorney(s): **PIPERS Melbourne**
(71) Name(s) and Address(s) of Applicant(s):

Railblaza Limited
6 Tavern Road Silverdale Auckland 0932 New Zealand

(72) Name(s) of Designer(s): **Ross Gregory Pratt**

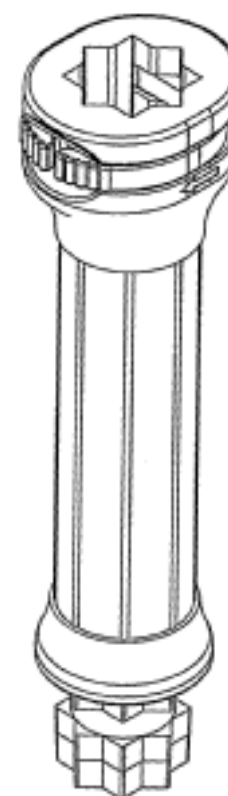
(45) Registration Date: **02 November 2012**

(30) Convention priority data:

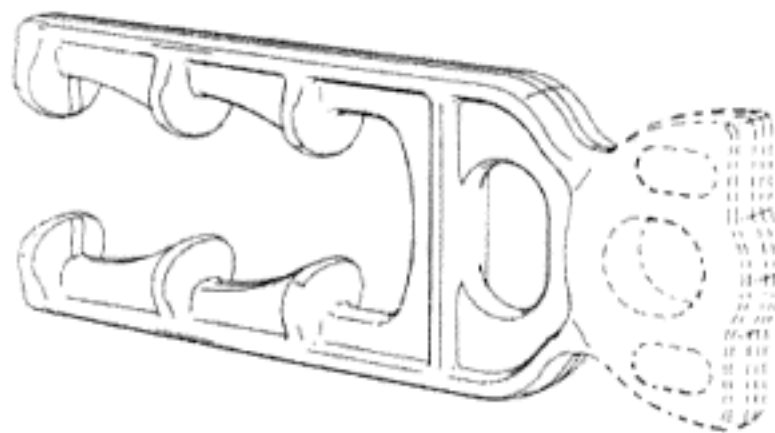
(31) Number	(32) Date	(33) Country
416163	27 Apr 2012	NEW ZEALAND

(56) Related Art Documents: **Not Applicable**

(57) Statement of Newness and Distinctiveness: **The design is to be applied to an Extender and the novelty resides in the features of shape and configuration of the Extender as shown in the accompanying representations. No novelty is claimed in the features of shape and configuration of the arrowhead shown in the front elevation view, rear elevation view and perspective view of the representations.**



- (21) Design Number: **14667/2012**
(22) Date of Filing Application: **19 September 2012**
(24) Date from which industrial property rights may have effect: **19 September 2012**
(54) Product in respect of which the design is registered: **Lifting anchor for concrete components**
(51) International Design Classification: **25-01B, 08-08NES**
(74) Name(s) of Attorney(s): **Davies Collison Cave**
(71) Name(s) and Address(s) of Applicant(s):
Illinois Tool Works Inc.
3600 West Lake Avenue Glenview Illinois 60026 United States of America
(72) Name(s) of Designer(s): **Andrew Saul Barraclough and Petar Uscumlic**
(45) Registration Date: **02 November 2012**
(56) Related Art Documents: **Not Applicable**
(57) Statement of Newness and Distinctiveness: **Newness and distinctiveness is claimed in the visual features shown in solid outlines in the representations.**



- (21) Design Number: **14631/2012**
(22) Date of Filing Application: **19 September 2012**
(24) Date from which industrial property rights may have effect: **19 September 2012**
(54) Product in respect of which the design is registered: **Truck cab, scale model of a truck cab and toy truck cab**
(51) International Design Classification: **12-08, 21-01C**
(74) Name(s) of Attorney(s): **WATERMARK PATENT AND TRADE MARKS ATTORNEYS**
(71) Name(s) and Address(s) of Applicant(s):
Volvo Lastvagnar AB
405 08 Goteborg Sweden
(72) Name(s) of Designer(s): **Asok George**
(45) Registration Date: **02 November 2012**
(30) Convention priority data:
(31) Number (32) Date (33) Country
002011452-0001 20 Mar 2012 EUROPEAN COMMUNITY
(56) Related Art Documents: **Not Applicable**
(57) Statement of Newness and Distinctiveness: **Nil**



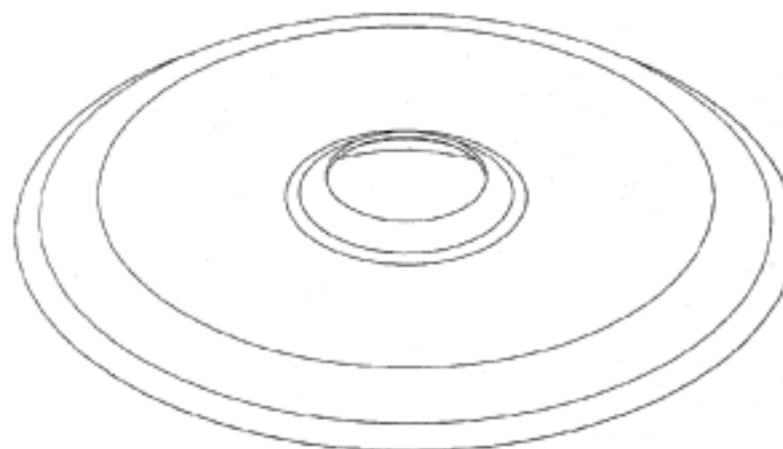
(21) Design Number: **14630/2012**
(22) Date of Filing Application: **19 September 2012**
(24) Date from which industrial property rights may have effect: **19 September 2012**
(54) Product in respect of which the design is registered: **Truck cab, scale model of a truck cab and toy truck cab**
(51) International Design Classification: **12-08, 21-01C**
(74) Name(s) of Attorney(s): **WATERMARK PATENT AND TRADE MARKS ATTORNEYS**
(71) Name(s) and Address(s) of Applicant(s):
Volvo Lastvagnar AB
405 08 Goteborg Sweden
(72) Name(s) of Designer(s): **Asok George**
(45) Registration Date: **02 November 2012**
(30) Convention priority data:
(31) Number (32) Date (33) Country
002011429-0001 20 Mar 2012 EUROPEAN COMMUNITY
(56) Related Art Documents: **Not Applicable**
(57) Statement of Newness and Distinctiveness: **Nil**



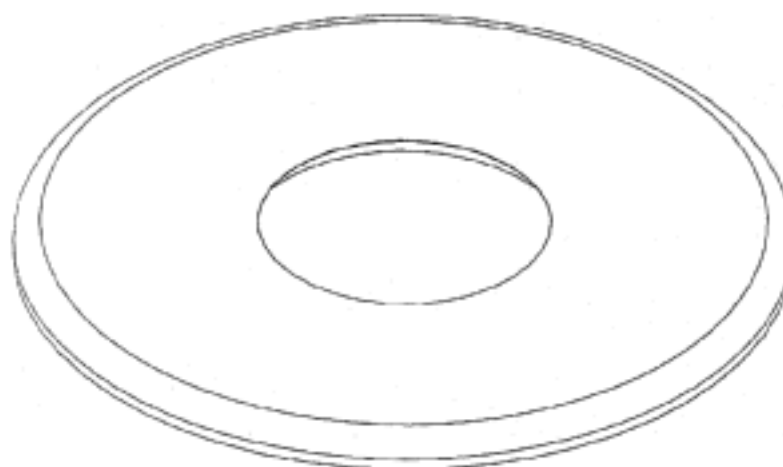
(21) Design Number: **14629/2012**
(22) Date of Filing Application: **19 September 2012**
(24) Date from which industrial property rights may have effect: **19 September 2012**
(54) Product in respect of which the design is registered: **Truck cab, scale model of a truck cab and toy truck cab**
(51) International Design Classification: **12-08, 21-01C**
(74) Name(s) of Attorney(s): **WATERMARK PATENT AND TRADE MARKS ATTORNEYS**
(71) Name(s) and Address(s) of Applicant(s):
Volvo Lastvagnar AB
405 08 Goteborg Sweden
(72) Name(s) of Designer(s): **Asok George**
(45) Registration Date: **02 November 2012**
(30) Convention priority data:
(31) Number (32) Date (33) Country
002011387-0001 20 Mar 2012 EUROPEAN COMMUNITY
(56) Related Art Documents: **Not Applicable**
(57) Statement of Newness and Distinctiveness: **Nil**



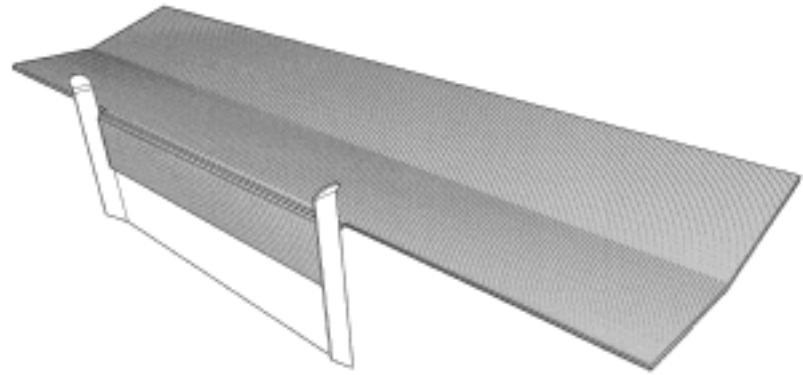
(21) Design Number: **14313/2012**
(22) Date of Filing Application: **31 August 2012**
(24) Date from which industrial property rights may have effect: **31 August 2012**
(54) Product in respect of which the design is registered: **A pipe gland**
(51) International Design Classification: **23-01A**
(74) Name(s) of Attorney(s): **A J Park**
(71) Name(s) and Address(s) of Applicant(s):
LAKE PRODUCTS LIMITED
9 Neptide Close Red Beach Red Beach 0932 New Zealand
(72) Name(s) of Designer(s): **Andrew Leo Haynes and Christopher Charles Morrow and Michael John Sumner**
(45) Registration Date: **02 November 2012**
(30) Convention priority data:
(31) Number (32) Date (33) Country
415934 02 Mar 2012 NEW ZEALAND
(56) Related Art Documents: **Not Applicable**
(57) Statement of Newness and Distinctiveness: **Nil**



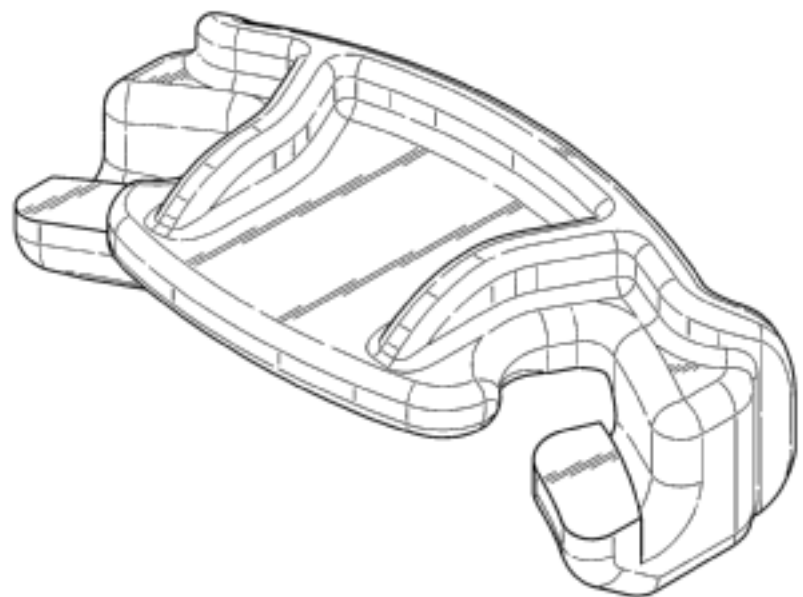
(21) Design Number: **14312/2012**
(22) Date of Filing Application: **31 August 2012**
(24) Date from which industrial property rights may have effect: **31 August 2012**
(54) Product in respect of which the design is registered: **A pipe gland**
(51) International Design Classification: **23-01A**
(74) Name(s) of Attorney(s): **A J Park**
(71) Name(s) and Address(s) of Applicant(s):
LAKE PRODUCTS LIMITED
9 Neptide Close Red Beach Red Beach 0932 New Zealand
(72) Name(s) of Designer(s): **Andrew Leo Haynes and Christopher Charles Morrow and Michael John Sumner**
(45) Registration Date: **02 November 2012**
(30) Convention priority data:
(31) Number (32) Date (33) Country
415933 02 Mar 2012 NEW ZEALAND
(56) Related Art Documents: **Not Applicable**
(57) Statement of Newness and Distinctiveness: **Nil**



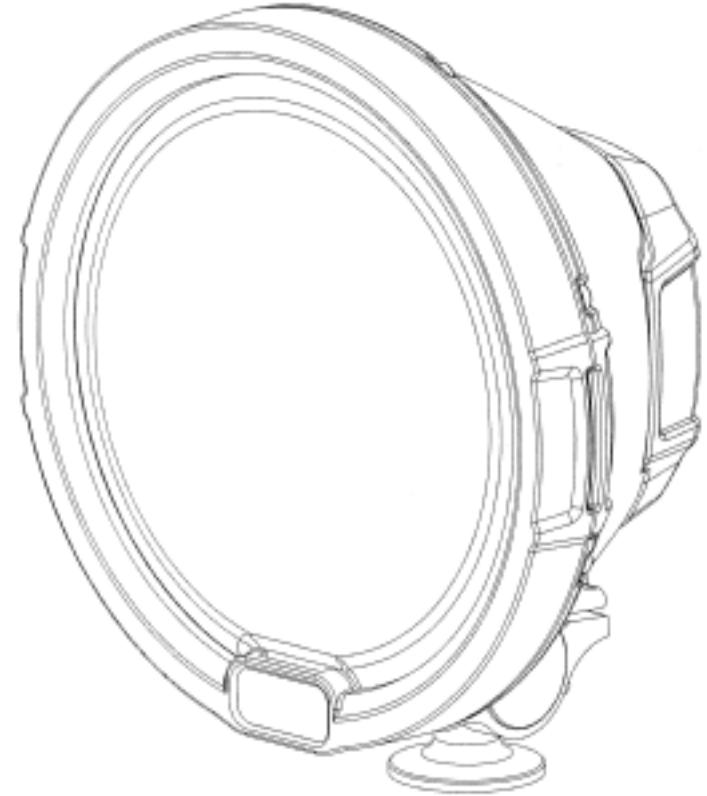
(21) Design Number: **15013/2012**
(22) Date of Filing Application: **10 October 2012**
(24) Date from which industrial property rights may have effect: **10 October 2012**
(54) Product in respect of which the design is registered: **A ladder safety rest**
(51) International Design Classification: **08-08NES, 25-04**
(74) Name(s) of Attorney(s): **Madderns**
(71) Name(s) and Address(s) of Applicant(s):
Ladder Safe Enterprises Pty Ltd
130 Norton Summit Rd Teringie SA 5072 Australia
(72) Name(s) of Designer(s): **Norbert von Hebestreit**
(45) Registration Date: **02 November 2012**
(56) Related Art Documents: **Not Applicable**
(57) Statement of Newness and Distinctiveness: **Nil**



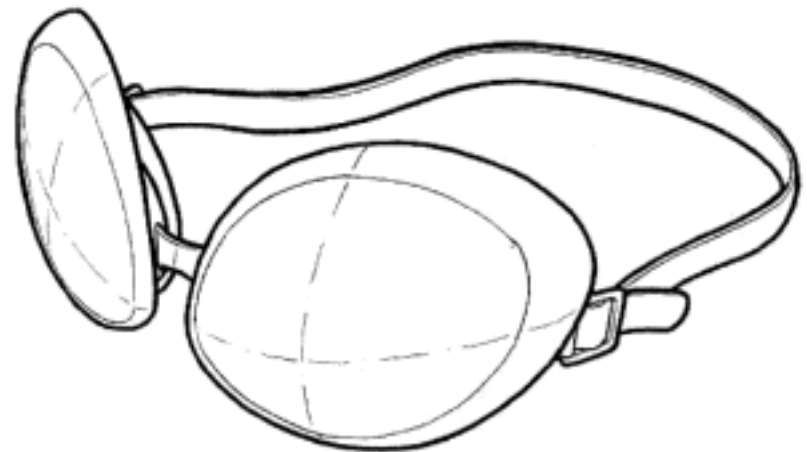
(21) Design Number: **15014/2012**
(22) Date of Filing Application: **10 October 2012**
(24) Date from which industrial property rights may have effect: **10 October 2012**
(54) Product in respect of which the design is registered: **Foot care apparatus**
(51) International Design Classification: **28-03NES**
(74) Name(s) of Attorney(s): **Madderns**
(71) Name(s) and Address(s) of Applicant(s):
LRC Products Limited
103-105 Bath Road Slough Berkshire SL1 3UH United Kingdom
(72) Name(s) of Designer(s): **Nicola Cardy and John Cocksedge and Michael Harrison-Blount**
(45) Registration Date: **02 November 2012**
(30) Convention priority data:
(31) Number (32) Date (33) Country
002022806-0001 10 Apr 2012 EUROPEAN COMMUNITY
(56) Related Art Documents: **Not Applicable**
(57) Statement of Newness and Distinctiveness: **Nil**



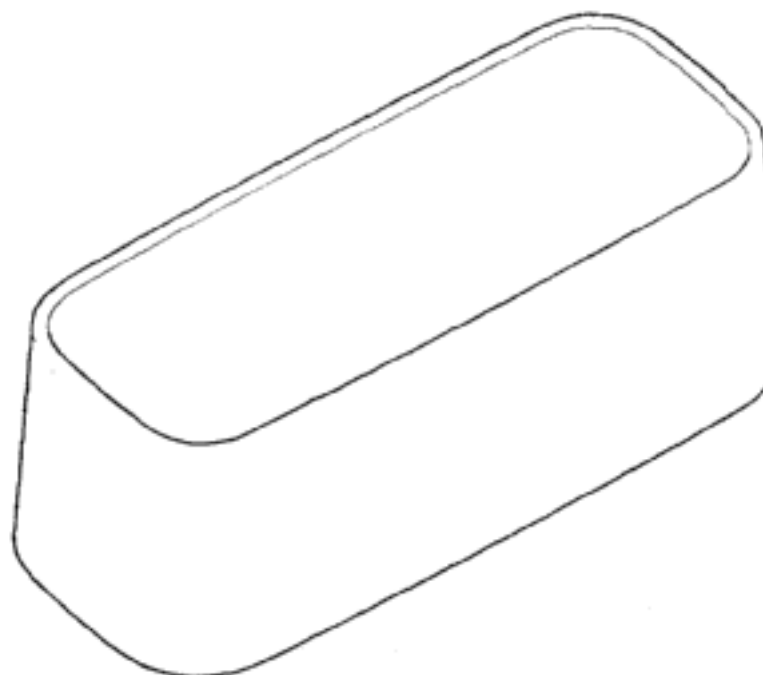
(21) Design Number: **15015/2012**
(22) Date of Filing Application: **10 October 2012**
(24) Date from which industrial property rights may have effect: **10 October 2012**
(54) Product in respect of which the design is registered: **Driving light for use with or on vehicles**
(51) International Design Classification: **26-06**
(74) Name(s) of Attorney(s):
(71) Name(s) and Address(s) of Applicant(s):
ARB Corporation Ltd
42-44 Garden St Kilsyth VIC 3137 Australia
(72) Name(s) of Designer(s): **James Luke**
(45) Registration Date: **02 November 2012**
(56) Related Art Documents: **Not Applicable**
(57) Statement of Newness and Distinctiveness: **Nil**



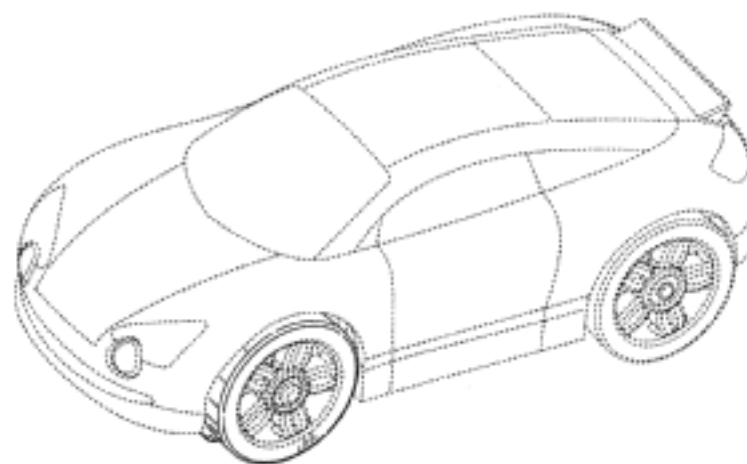
(21) Design Number: **15016/2012**
(22) Date of Filing Application: **11 October 2012**
(24) Date from which industrial property rights may have effect: **11 October 2012**
(54) Product in respect of which the design is registered: **Swimming goggles**
(51) International Design Classification: **16-06, 21-02D**
(74) Name(s) of Attorney(s):
(71) Name(s) and Address(s) of Applicant(s):
Zola Holdings Pty Ltd
PO BOX 652 Potts Point NSW 1335 Australia
(72) Name(s) of Designer(s): **Patrick Flanagan**
(45) Registration Date: **02 November 2012**
(56) Related Art Documents: **Not Applicable**
(57) Statement of Newness and Distinctiveness: **An oversized elliptical shaped swimming goggle.**



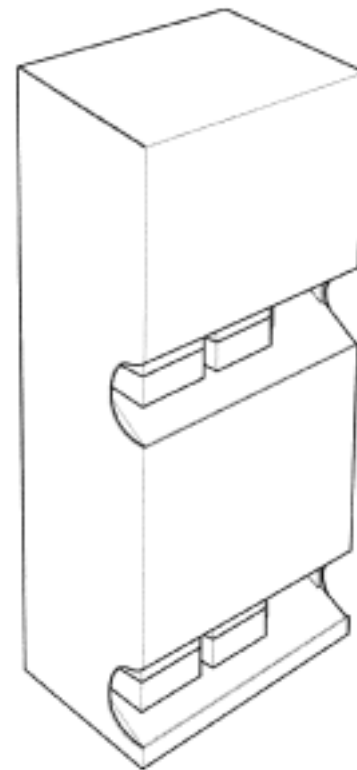
(21) Design Number: **15017/2012**
(22) Date of Filing Application: **09 October 2012**
(24) Date from which industrial property rights may have effect: **09 October 2012**
(54) Product in respect of which the design is registered: **A bath**
(51) International Design Classification: **23-02B**
(74) Name(s) of Attorney(s): **SPRUSON & FERGUSON**
(71) Name(s) and Address(s) of Applicant(s):
Caroma Industries Limited
L2 HQ South Tower 520 Wickham St Fortitude Valley QLD 4006 Australia
(72) Name(s) of Designer(s): **Marc Andrew Newson**
(45) Registration Date: **02 November 2012**
(56) Related Art Documents: **Not Applicable**
(57) Statement of Newness and Distinctiveness: **Newness and distinctiveness is claimed in the features of shape and/or configuration of a bath as illustrated in the accompanying representations.**



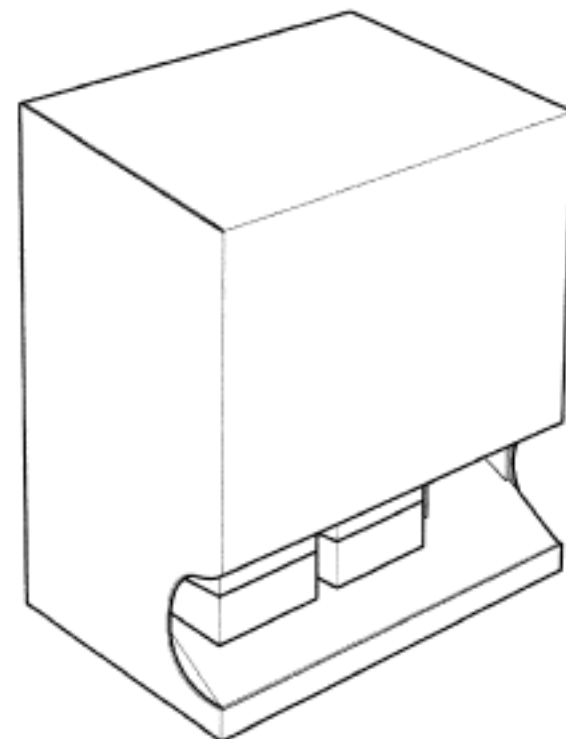
(21) Design Number: **14996/2012**
(22) Date of Filing Application: **05 October 2012**
(24) Date from which industrial property rights may have effect: **05 October 2012**
(54) Product in respect of which the design is registered: **Robotic toy car**
(51) International Design Classification: **21-01C**
(74) Name(s) of Attorney(s): **SPRUSON & FERGUSON**
(71) Name(s) and Address(s) of Applicant(s):
Innovation First, Inc.
1519 Interstate 30 West Greenville Texas 75402 United States of America
(72) Name(s) of Designer(s): **Robert H. Mimplitch III and David A. Norman and Raul Olivera and Douglas Michael Galletti and James Anthony Trzasko**
(45) Registration Date: **02 November 2012**
(30) Convention priority data:
(31) Number (32) Date (33) Country
29/418208 13 Apr 2012 UNITED STATES OF AMERICA
(56) Related Art Documents: **Not Applicable**
(57) Statement of Newness and Distinctiveness: **Newness and distinctiveness is claimed in those features of shape and/or configuration of a robotic toy car illustrated in continuous lines in the accompanying representations.**



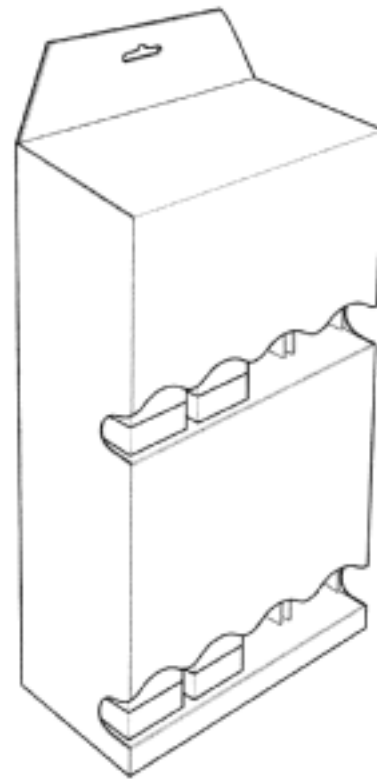
- (21) Design Number: **14497/2012**
(22) Date of Filing Application: **10 September 2012**
(24) Date from which industrial property rights may have effect: **10 September 2012**
(54) Product in respect of which the design is registered: **Vending machine**
(51) International Design Classification: **20-01**
(74) Name(s) of Attorney(s):
(71) Name(s) and Address(s) of Applicant(s):
Logue and Co. Pty Ltd
199 Kiora Rd Yowie Bay NSW 2228 Australia
(72) Name(s) of Designer(s): **Anthony Thomas Logue**
(45) Registration Date: **02 November 2012**
(56) Related Art Documents: **Not Applicable**
(57) Statement of Newness and Distinctiveness: **Newness and distinctiveness is claimed in the features of shape and/or configuration of a vending machine as depicted in the accompanying drawing.**



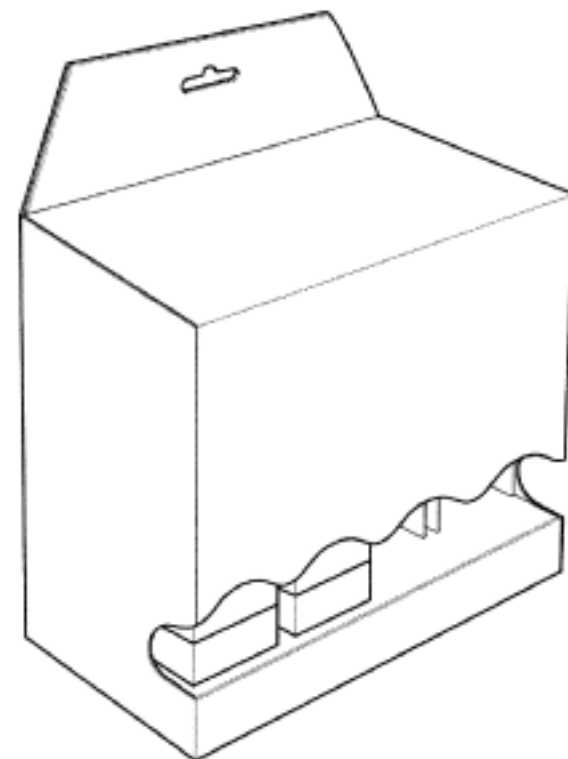
- (21) Design Number: **14498/2012**
(22) Date of Filing Application: **10 September 2012**
(24) Date from which industrial property rights may have effect: **10 September 2012**
(54) Product in respect of which the design is registered: **Vending machine**
(51) International Design Classification: **20-01**
(74) Name(s) of Attorney(s):
(71) Name(s) and Address(s) of Applicant(s):
Logue and Co. Pty Ltd
199 Kiora Rd Yowie Bay NSW 2228 Australia
(72) Name(s) of Designer(s): **Anthony Thomas Logue**
(45) Registration Date: **02 November 2012**
(56) Related Art Documents: **Not Applicable**
(57) Statement of Newness and Distinctiveness: **Newness and distinctiveness is claimed in the features of shape and/or configuration of a vending machine as depicted in the accompanying drawing.**



- (21) Design Number: **14499/2012**
(22) Date of Filing Application: **10 September 2012**
(24) Date from which industrial property rights may have effect: **10 September 2012**
(54) Product in respect of which the design is registered: **Vending machine**
(51) International Design Classification: **20-01**
(74) Name(s) of Attorney(s):
(71) Name(s) and Address(s) of Applicant(s):
Logue and Co. Pty Ltd
199 Kiora Rd Yowie Bay NSW 2228 Australia
(72) Name(s) of Designer(s): **Anthony Thomas Logue**
(45) Registration Date: **02 November 2012**
(56) Related Art Documents: **Not Applicable**
(57) Statement of Newness and Distinctiveness: **Newness and distinctiveness is claimed in the features of shape and/or configuration of a vending machine as depicted in the accompanying drawing.**



- (21) Design Number: **14500/2012**
(22) Date of Filing Application: **10 September 2012**
(24) Date from which industrial property rights may have effect: **10 September 2012**
(54) Product in respect of which the design is registered: **Vending machine**
(51) International Design Classification: **20-01**
(74) Name(s) of Attorney(s):
(71) Name(s) and Address(s) of Applicant(s):
Logue and Co. Pty Ltd
199 Kiora Rd Yowie Bay NSW 2228 Australia
(72) Name(s) of Designer(s): **Anthony Thomas Logue**
(45) Registration Date: **02 November 2012**
(56) Related Art Documents: **Not Applicable**
(57) Statement of Newness and Distinctiveness: **Newness and distinctiveness is claimed in the features of shape and/or configuration of a vending machine as depicted in the accompanying drawing.**



(21) Design Number: **14496/2012**
(22) Date of Filing Application: **10 September 2012**
(24) Date from which industrial property rights may have effect: **10 September 2012**
(54) Product in respect of which the design is registered: **Food packaging**
(51) International Design Classification: **09-05**
(74) Name(s) of Attorney(s): **PHILLIPS ORMONDE FITZPATRICK**
(71) Name(s) and Address(s) of Applicant(s):

C&T Tran trading as Nan Fong Trading Company
47-51 Cranwell St Braybrook VIC 3019 Australia

(72) Name(s) of Designer(s): **Thi Bau Tran**

(45) Registration Date: **02 November 2012**

(56) Related Art Documents: **Not Applicable**

(57) Statement of Newness and Distinctiveness: **Those features of the food packaging depicted in the representations that are new and distinctive are the pattern and/or ornamentation of the grass represented along the bottom of the package, the pictures representing a prepared food product, and the coloured bands across both the top and bottom of the food packaging, where the coloured bands may be of any colour. The features marked "A" and the specifically worded text as present on the package, are not part of the design and are to be disregarded when considering the overall impression of the design.**



(21) Design Number: **11496/2012**
(22) Date of Filing Application: **22 March 2012**
(24) Date from which industrial property rights may have effect: **22 March 2012**
(54) Product in respect of which the design is registered: **Display device**
(51) International Design Classification: **20-02NES**
(74) Name(s) of Attorney(s):
(71) Name(s) and Address(s) of Applicant(s):

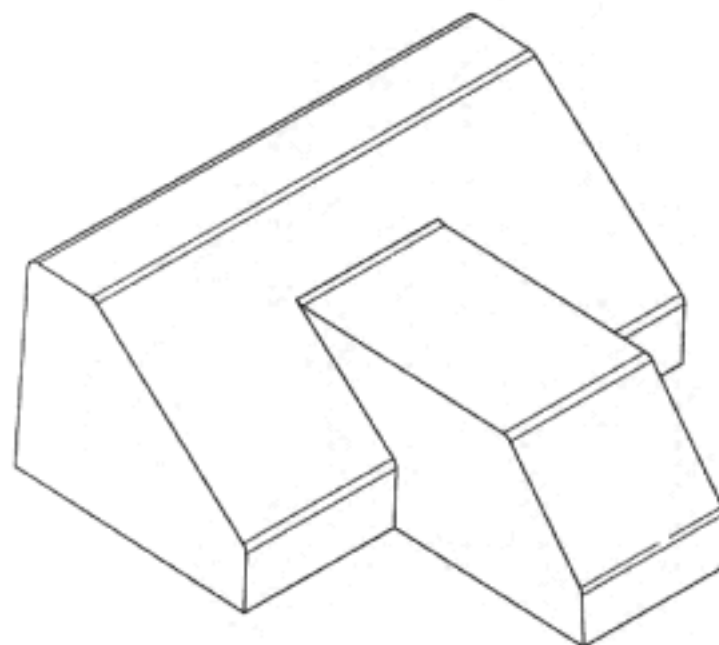
Glenn Gallagher
153 Eastern Avenue Kingsford New South Wales 2032 Australia

(72) Name(s) of Designer(s): **Glenn Gallagher**

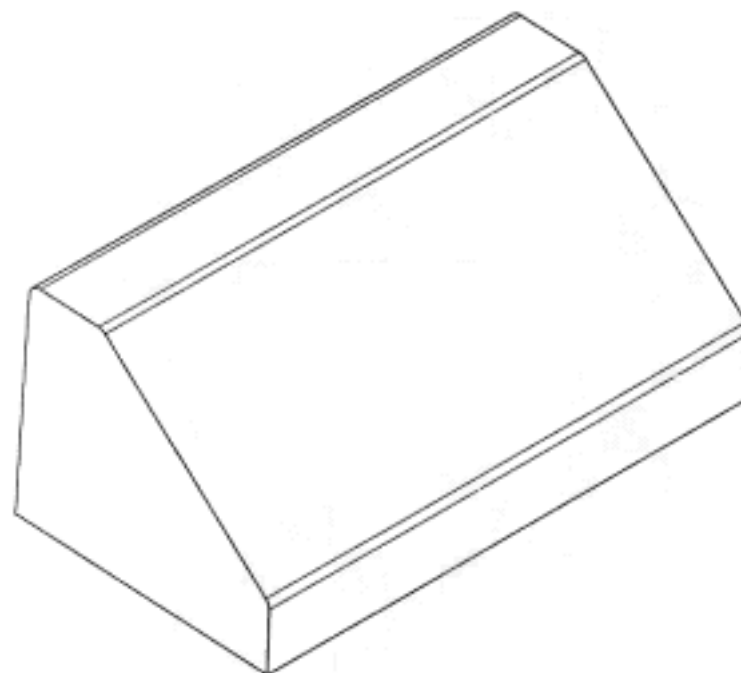
(45) Registration Date: **02 November 2012**

(56) Related Art Documents: **Not Applicable**

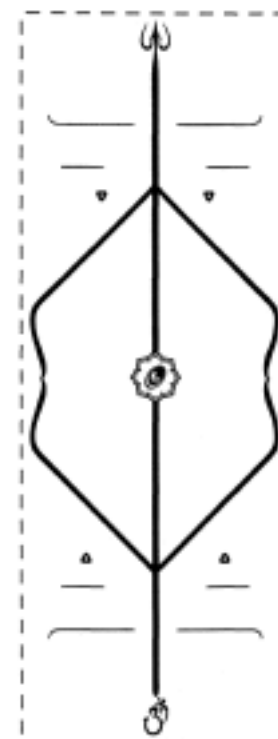
(57) Statement of Newness and Distinctiveness: **Newness and distinctiveness resides in the shape and or configuration of a display device being as depicted in the accompanying representations.**



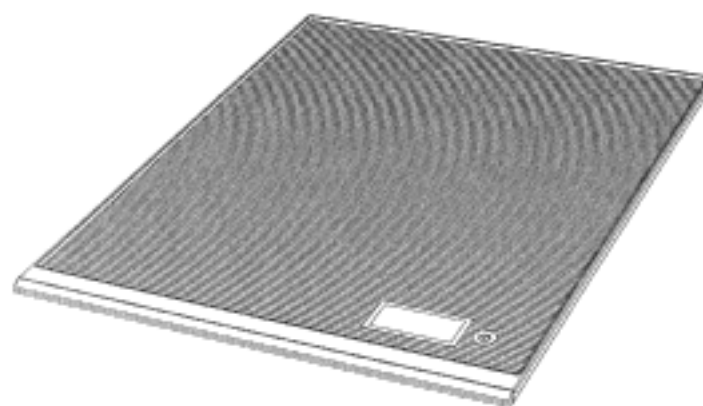
- (21) Design Number: **15458/2012**
(22) Date of Filing Application: **22 March 2012**
(24) Date from which industrial property rights may have effect: **22 March 2012**
(54) Product in respect of which the design is registered: **Display device**
(51) International Design Classification: **20-02NES**
(74) Name(s) of Attorney(s):
(71) Name(s) and Address(s) of Applicant(s):
Glenn Gallagher
153 Eastern Avenue Kingsford New South Wales 2032 Australia
(72) Name(s) of Designer(s): **Glenn Gallagher**
(45) Registration Date: **02 November 2012**
(56) Related Art Documents: **Not Applicable**
(57) Statement of Newness and Distinctiveness: **Newness and distinctiveness resides in the shape and or configuration of a display device being as depicted in the accompanying representations.**



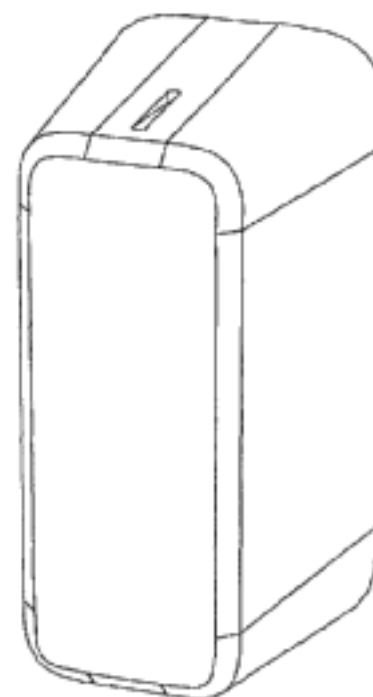
- (21) Design Number: **15030/2012**
(22) Date of Filing Application: **12 October 2012**
(24) Date from which industrial property rights may have effect: **12 October 2012**
(54) Product in respect of which the design is registered: **Yoga/exercise mat**
(51) International Design Classification: **21-02NES, 06-11**
(74) Name(s) of Attorney(s):
(71) Name(s) and Address(s) of Applicant(s):
James Armitage
77 Sutherland Avenue London W9 2HG United Kingdom
(72) Name(s) of Designer(s): **James Armitage**
(45) Registration Date: **05 November 2012**
(56) Related Art Documents: **Not Applicable**
(57) Statement of Newness and Distinctiveness: **Nil**



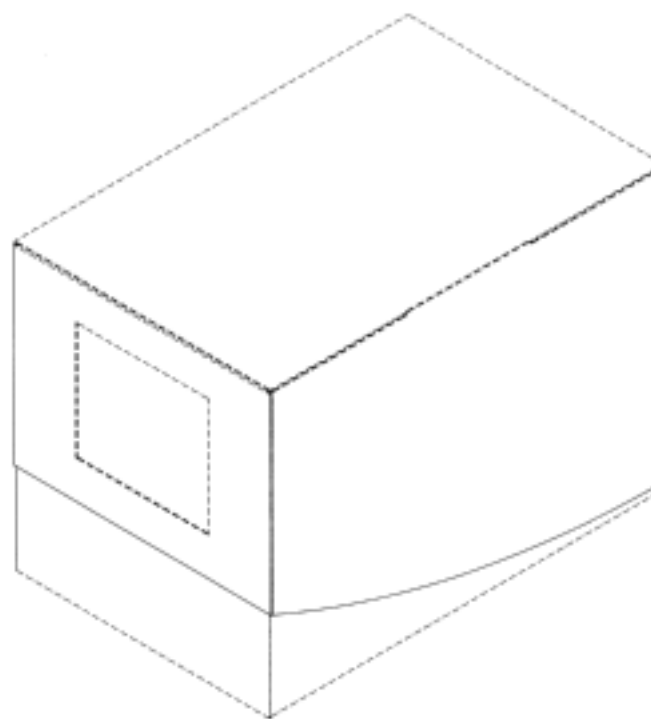
(21) Design Number: **15032/2012**
(22) Date of Filing Application: **11 October 2012**
(24) Date from which industrial property rights may have effect: **11 October 2012**
(54) Product in respect of which the design is registered: **A vacuum sealer**
(51) International Design Classification: **15-99**
(74) Name(s) of Attorney(s): **Halfords IP**
(71) Name(s) and Address(s) of Applicant(s):
Electrolux Professional S.p.A.
Viale Treviso 15 33170 - Pordenone Italy
(72) Name(s) of Designer(s): **Joachim Nordwall**
(45) Registration Date: **05 November 2012**
(30) Convention priority data:
(31) Number (32) Date (33) Country
002025320 13 Apr 2012 EUROPEAN COMMUNITY
(56) Related Art Documents: **Not Applicable**
(57) Statement of Newness and Distinctiveness: **Newness and distinctiveness is claimed in those features of shape and or configuration and or pattern and or ornamentation of a Vacuum Sealer as depicted in the representations.**



(21) Design Number: **15034/2012**
(22) Date of Filing Application: **11 October 2012**
(24) Date from which industrial property rights may have effect: **11 October 2012**
(54) Product in respect of which the design is registered: **An appliance knob**
(51) International Design Classification: **08-06**
(74) Name(s) of Attorney(s): **Halfords IP**
(71) Name(s) and Address(s) of Applicant(s):
Electrolux Professional S.p.A.
Viale Treviso 15 33170 - Pordenone Italy
(72) Name(s) of Designer(s): **Joachim Nordwall**
(45) Registration Date: **05 November 2012**
(30) Convention priority data:
(31) Number (32) Date (33) Country
002025379 13 Apr 2012 EUROPEAN COMMUNITY
(56) Related Art Documents: **Not Applicable**
(57) Statement of Newness and Distinctiveness: **Newness and distinctiveness is claimed in those features of shape and or configuration of an appliance knob as depicted in the representations.**



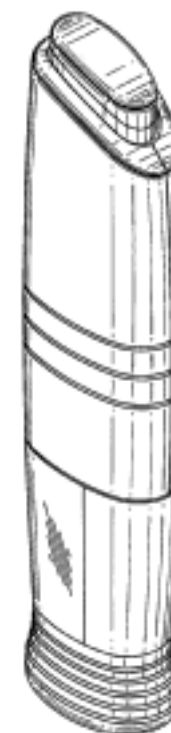
- (21) Design Number: **15039/2012**
(22) Date of Filing Application: **10 October 2012**
(24) Date from which industrial property rights may have effect: **10 October 2012**
(54) Product in respect of which the design is registered: **A two-part container**
(51) International Design Classification: **09-03NES**
(74) Name(s) of Attorney(s): **Freehills Patent Attorneys**
(71) Name(s) and Address(s) of Applicant(s):
Kimberly-Clark Worldwide, Inc.
2300 Winchester Road Neenah Wisconsin 54956 United States of America
(72) Name(s) of Designer(s): **Kelly D. Arehart and Victoria Brown and Jonathan Green and Darren John Hubbert and Todd James Huthmaker and James Garfield Pryor and Bradley M. Reynolds and Matthew Walton**
(45) Registration Date: **05 November 2012**
(30) Convention priority data:
(31) Number (32) Date (33) Country
29/420067 04 May 2012 UNITED STATES OF AMERICA
(56) Related Art Documents: **Not Applicable**
(57) Statement of Newness and Distinctiveness: **Newness and distinctiveness of the design resides in the shape of the two-part container as shown in solid outlines in the accompanying representations.**



- (21) Design Number: **15040/2012**
(22) Date of Filing Application: **11 October 2012**
(24) Date from which industrial property rights may have effect: **11 October 2012**
(54) Product in respect of which the design is registered: **Autoinjector**
(51) International Design Classification: **24-02**
(74) Name(s) of Attorney(s): **FB Rice**
(71) Name(s) and Address(s) of Applicant(s):
Becton, Dickinson and Company
1 Becton Drive Franklin Lakes New Jersey 07417-1880 United States of America
(72) Name(s) of Designer(s): **Jared Schneider and Mark Guarraia and Margaux Boyaval and Ryan Shafer and Jean-Yves Corbin**
(45) Registration Date: **05 November 2012**
(30) Convention priority data:
(31) Number (32) Date (33) Country
29/418244 13 Apr 2012 UNITED STATES OF AMERICA
(56) Related Art Documents: **Not Applicable**
(57) Statement of Newness and Distinctiveness: **Newness and distinctiveness reside in the features of the design as shown in the representations.**



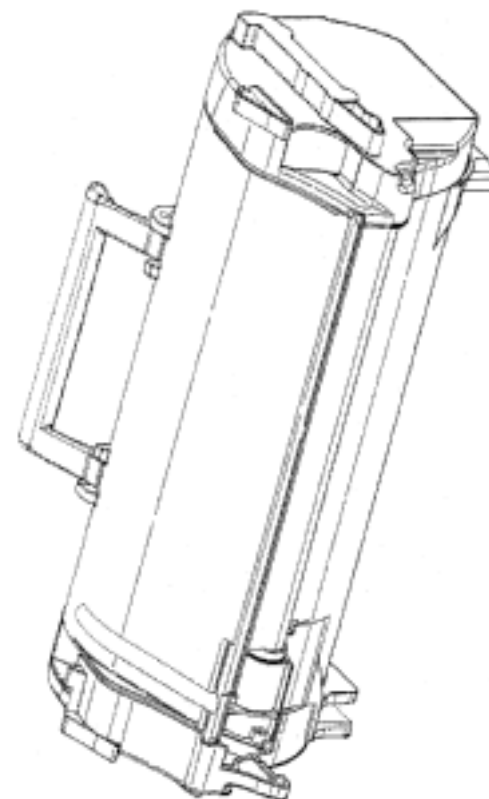
(21) Design Number: **15041/2012**
(22) Date of Filing Application: **11 October 2012**
(24) Date from which industrial property rights may have effect: **11 October 2012**
(54) Product in respect of which the design is registered: **Autoinjector**
(51) International Design Classification: **24-02**
(74) Name(s) of Attorney(s): **FB Rice**
(71) Name(s) and Address(s) of Applicant(s):
Becton Dickinson and Company
1 Becton Drive Franklin Lakes New Jersey 07417-1880 United States of America
(72) Name(s) of Designer(s): **Jared Schneider and Mark Guarraia and Margaux Boyaval and Ryan Shafer and Jean-Yves Corbin**
(45) Registration Date: **05 November 2012**
(30) Convention priority data:
(31) Number (32) Date (33) Country
29/418259 13 Apr 2012 UNITED STATES OF AMERICA
(56) Related Art Documents: **Not Applicable**
(57) Statement of Newness and Distinctiveness: **Newness and distinctiveness reside in the features of the design as shown in the representations.**



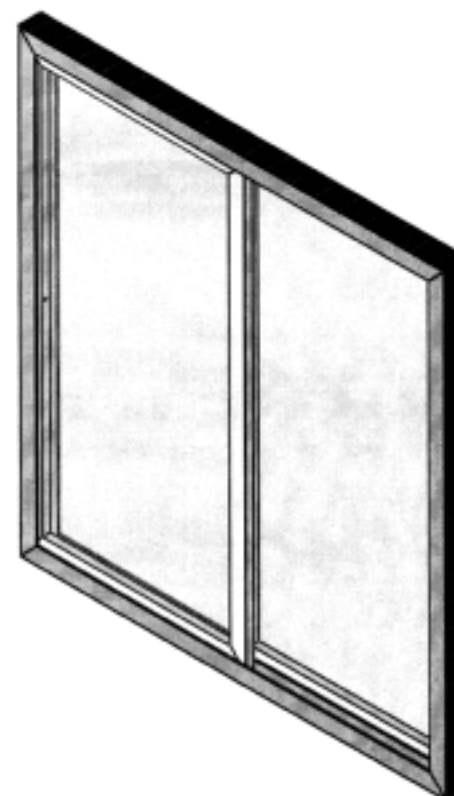
(21) Design Number: **14710/2012**
(22) Date of Filing Application: **21 September 2012**
(24) Date from which industrial property rights may have effect: **21 September 2012**
(54) Product in respect of which the design is registered: **Power point**
(51) International Design Classification: **13-03D**
(74) Name(s) of Attorney(s):
(71) Name(s) and Address(s) of Applicant(s):
HQA Pty Ltd
1/11 Crown Ct Varsity Lakes Qld 4227 Australia
(72) Name(s) of Designer(s): **Anthony Aucone**
(45) Registration Date: **05 November 2012**
(56) Related Art Documents: **Not Applicable**
(57) Statement of Newness and Distinctiveness: **Nil**



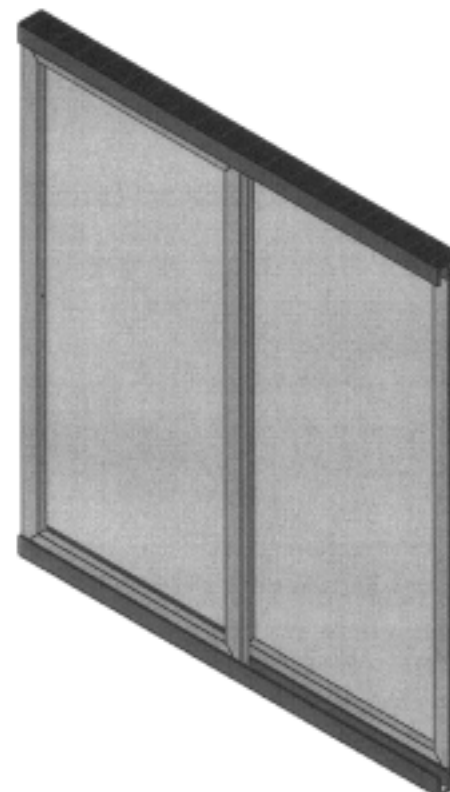
- (21) Design Number: **14571/2012**
(22) Date of Filing Application: **12 September 2012**
(24) Date from which industrial property rights may have effect: **12 September 2012**
(54) Product in respect of which the design is registered: **Laser Printer Toner Cartridge**
(51) International Design Classification: **14-02**
(74) Name(s) of Attorney(s): **Wrays**
(71) Name(s) and Address(s) of Applicant(s):
Lexmark International Inc
740 West New Circle Road Lexington Kentucky 40550 United States of America
(72) Name(s) of Designer(s): **Brian Lester Boettcher and James Anthony II Carter and Gregory Alan Cavill and Gary Neal Hackney and Jonathan David Kelley and Katrina Rosit Lactuan and James Richard Leemhuis and Benjamin Keith Newman and Matthew Lee Rogers and Bryan Christopher Scharf and Keith Seaman and Leighton De Leon Venezuela and Christopher Gene Vowels and Bryan Joseph Wiemers**
(45) Registration Date: **05 November 2012**
(56) Related Art Documents: **Not Applicable**
(57) Statement of Newness and Distinctiveness: **Newness and distinctiveness is claimed in the features of shape and/or configuration of the Laser Printer Toner Cartridge depicted in the accompanying representations. The features shown in broken lines are for illustrative purposes only and do not form part of the claimed design.**



- (21) Design Number: **14798/2012**
(22) Date of Filing Application: **27 September 2012**
(24) Date from which industrial property rights may have effect: **27 September 2012**
(54) Product in respect of which the design is registered: **Sliding window**
(51) International Design Classification: **25-02H**
(74) Name(s) of Attorney(s):
(71) Name(s) and Address(s) of Applicant(s):
Yakov Elgart
6 Don Crt Caulfield South VIC 3162 Australia
(72) Name(s) of Designer(s): **Yakov Elgart**
(45) Registration Date: **05 November 2012**
(56) Related Art Documents: **Not Applicable**
(57) Statement of Newness and Distinctiveness: **Nil**



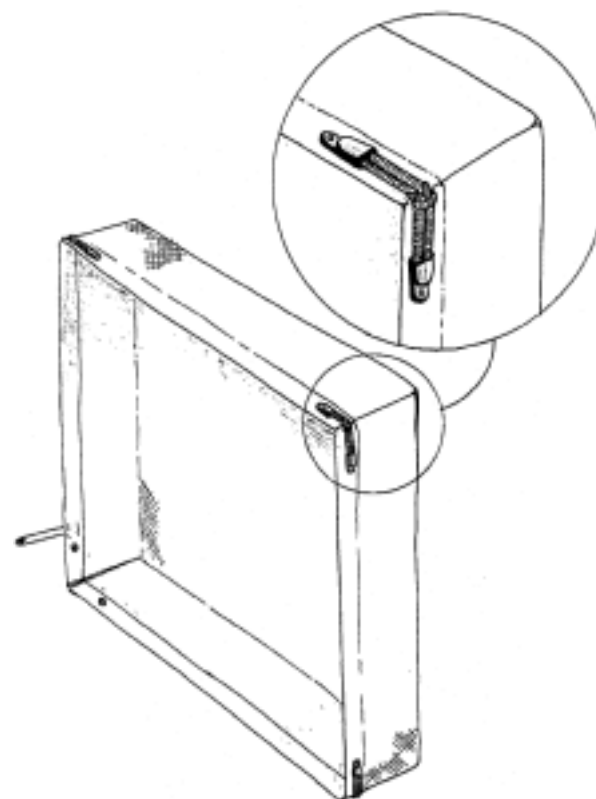
(21) Design Number: **15298/2012**
(22) Date of Filing Application: **27 September 2012**
(24) Date from which industrial property rights may have effect: **27 September 2012**
(54) Product in respect of which the design is registered: **Sliding window**
(51) International Design Classification: **25-02H**
(74) Name(s) of Attorney(s):
(71) Name(s) and Address(s) of Applicant(s):
Yakov Elgart
6 Don Ct Caulfield South Victoria 3162 Australia
(72) Name(s) of Designer(s): **Yakov Elgart**
(45) Registration Date: **05 November 2012**
(56) Related Art Documents: **Not Applicable**
(57) Statement of Newness and Distinctiveness: **Nil**



(21) Design Number: **15058/2012**
(22) Date of Filing Application: **11 October 2012**
(24) Date from which industrial property rights may have effect: **11 October 2012**
(54) Product in respect of which the design is registered: **Wind turbine rotor blade**
(51) International Design Classification: **15-01, 13-01**
(74) Name(s) of Attorney(s): **PIZZEYS**
(71) Name(s) and Address(s) of Applicant(s):
Wobben Properties GmbH
Dreekamp 5 Aurich 26605 Germany
(72) Name(s) of Designer(s): **Alexander Hoffmann**
(45) Registration Date: **05 November 2012**
(30) Convention priority data:
(31) Number (32) Date (33) Country
002023564-0001 11 Apr 2012 EUROPEAN COMMUNITY
(56) Related Art Documents: **Not Applicable**
(57) Statement of Newness and Distinctiveness: **The newness and distinctiveness of the design resides in the features of pattern and/or ornamentation OR shape and/or configuration shown in unbroken lines in the accompanying representations.**



- (21) Design Number: **15059/2012**
(22) Date of Filing Application: **11 October 2012**
(24) Date from which industrial property rights may have effect: **11 October 2012**
(54) Product in respect of which the design is registered: **Fabric fan cover with tensioning straps**
(51) International Design Classification: **03-04**
(74) Name(s) of Attorney(s):
(71) Name(s) and Address(s) of Applicant(s):
Harvey David Horsfall
140 Almond Rd Leeton NSW 2705 Australia
(72) Name(s) of Designer(s): **Harvey David Horsfall**
(45) Registration Date: **05 November 2012**
(56) Related Art Documents: **Not Applicable**
(57) Statement of Newness and Distinctiveness: **We claim monopoly on the shape & configuration of the tensioned fan cover as shown in the representations.**



- (21) Design Number: **15060/2012**
(22) Date of Filing Application: **11 October 2012**
(24) Date from which industrial property rights may have effect: **11 October 2012**
(54) Product in respect of which the design is registered: **Fabric fan cover with tensioning straps**
(51) International Design Classification: **13-03C, 13-03D**
(74) Name(s) of Attorney(s):
(71) Name(s) and Address(s) of Applicant(s):
Harvey David Horsfall
140 Almond Rd Leeton NSW 2705 Australia
(72) Name(s) of Designer(s): **Harvey David Horsfall**
(45) Registration Date: **05 November 2012**
(56) Related Art Documents: **Not Applicable**
(57) Statement of Newness and Distinctiveness: **We claim monopoly on the shape & configuration of the tensioned fan cover as shown in the representations.**

