



Australian Government

IP Australia

AUSTRALIAN OFFICIAL JOURNAL

OF

DESIGNS

Did you know a searchable version of this journal is now available online?

It's FREE and EASY to SEARCH.

Find it on our website (www.ipaustralia.gov.au)

by using the "Journals" link on the home page.

This Page Left Intentionally Blank

Contents

General Information & Notices

Proceedings Under the Designs Act 1906 preserved as a result of the provisions of Chapter 12 Part 2 of the Designs Act 2003

Extension of Period of Registration of Designs	3214
Extensions of Time Granted	3214
Registrations Ceased	3214
Subsequent Owners Registered	3214

Proceedings Under the Designs Act 2003

Applications Lapsed	3223
Applications Lodged	3218
Certificate of Examination	3227
Extension of Period of Registration of Design	3225
Extension of Time Granted Under Section 137	3225
Licences Registered	3225
Names Registered - Alterations and Amendments	3226
Publication and Registration Proceedings	
Designs Registered 345372 to 345618.....	3228
Registrations Ceased	3225
Revocation of Design Registrations	3225
Subsequent Owners Registered	3225

This Page Left Intentionally Blank

For information on the following please see our website www.ipaustralia.gov.au or contact our Customer Service Network on 1300651010

[Editorial enquiries](#)

[Contact information](#)

[Freedom of Information ACT](#)

[Professional Standards Board](#)

[Sales](#)

[Requests for Information under Section 194 \(c\)](#)

[Country Codes](#)

[Trade Mark and Designs Hearing Sessions](#)

[INID \(Internationally agreed Numbers for the Identification of Data\)](#)

“INID” NUMBERS in use on Australian Design Documents

“INID” is an acronym for “Internationally agreed Numbers for the Identification of Data”.

(10) Data concerning the registration/renewal

- (11) Serial number of the registration and/or number of the design document
- (12) Plain language designation of the kind of published document
- (19) Identification, using the two-letter code according to WIPO Standard ST.3, of the authority publishing or registering the industrial design

(20) Data concerning the application

- (21) Serial number of the application
- (22) Date of filing of the application
- (24) Date from which the industrial design right has effect

(30) Data relating to priority under the Paris Convention

- (31) Serial number assigned to the priority application
- (32) Date of filing of the priority application
- (33) Two-letter code, according to WIPO Standard ST.3, identifying the authority with which the priority application was made

(40) Date(s) of making information available to the public

- (45) Date of publication of the registered industrial design by printing or similar process, or making it available to the public by any other means

(50) Miscellaneous Information

- (51) International Classification for Industrial Designs (class and subclass of the Locarno Classification)
- (54) Designation of article(s) or product(s) covered by the industrial design or title of the industrial design
- (55) Reproduction of the industrial design (e.g., drawing, photograph) and explanations relating to the reproduction
- (56) List of prior art documents, if separate from descriptive text
- (57) Description of characteristic features of the industrial design including indication of colours

(60) References to other legally related application(s) and registration(s)

- (62) Serial number(s) and, if available, filing date(s) of application(s), registration(s) or document(s) related by division
- (66) Serial number(s) of the application, or the registration, of the design(s) which is (are) a variant(s) of the present one

(70) Identification of parties concerned with the application or registration

- (71) Name(s) and address(es) of the applicant(s)
- (72) Name(s) of the creator(s) if known to be such
- (74) Name(s) and address(es) of the representative(s)

This Page Left Intentionally Blank

OFFICIAL NOTICE

Approved Means from 1 December 2012

In the news article of 31 August 2012 we advised that fees for filing new IP Right applications were changing on 1 October 2012. At that time the Commissioner and Registrar specified transitional arrangements for filing new applications via an approved means. Those arrangements were implemented to support customers adapt to the new e-commerce capabilities available through eServices and Business to Business (B2B).

IP Australia recently announced the second release of eServices which includes new applications for all IP Rights.

Following this release the Commissioner and Registrar have specified that from 1 December 2012 the approved means to access reduced fees are as follows:

- When filing a new application (patent, trade mark, design or plant breeder's right) the transaction must be made using eServices or by B2B.

When a new application is filed by another means from 1 December 2012 (for example by mail, facsimile or at an IP Lodgement counter) the lower fee will not apply.

Customers are reminded that the approved means to renew an IP Right are eServices and B2B only. Customers are also reminded that payments made via EFT and EFTPOS are not an approved means.

Contact: IP Australia
Phone: 1300 651 010
Fax: +61 2 6283 7999
E-mail: assist@ipaaustralia.gov.au
Web: www.ipaustralia.gov.au

OFFICIAL NOTICE

Designs Act 2003

Declaration of Entitled Person Following Surrender of Registration

The following applicant is declared to be an entitled person under the provisions of Section 54(2) of the *Designs Act 2003* following revocation of Design Registrations 339593, 339596, 339597 & 339713 effective from 30 October 2012.

Application Numbers	Entitled Person	Priority Date
15411/2012	Carter Holt Harvey	2 November 2011
15412/2012	Corrugated	2 November 2011
15413/2012	Packaging Pty Ltd	2 November 2011
15415/2012		7 November 2011

Queries: Gary Flint
Trade Marks and Designs Administration
+61 2 6283 2023

Contact: IP Australia
Phone: 1300 651 010
Fax: +61 2 6283 7999
E-mail: assist@ipaustrialia.gov.au
Web: www.ipaustrialia.gov.au

OFFICIAL NOTICE

Declaration of the days in 2013 when the Designs Office, the Patent Office, the PBR Office and the Trade Marks Office and their sub-offices are taken not to be open for business

The close-down provisions in the Designs, Olympic Insignia protection, Patents, Plant Breeder's Rights and Trade Marks legislation provide for the effect of Designs Office, the Patent Office, the PBR Office and the Trade Marks Office ('the Canberra offices') or any of their sub-offices in the State capitals or territory not being open for business.

On 9 November 2012, the Director General of IP Australia declared under the close-down provisions the days when the Canberra offices and the sub-offices will not be open for business for the 2013 calendar year. A copy of the declaration is attached.

The Canberra offices and the State offices will not be open for business on the following days in the period **1 January 2013 to 1 January 2014**.

All the Canberra offices and the sub-offices:

All Saturdays and Sundays in the period.

The Canberra office

Tuesday, 1 January 2013	New Year's Day
Monday, 28 January 2013	Australia Day
Monday, 11 March 2013	Canberra Day
Friday, 29 March 2013	Good Friday
Monday, 1 April 2013	Easter Monday
Thursday, 25 April 2013	Anzac Day
Monday, 10 June 2013	Queen's Birthday Holiday
Monday, 30 September 2013	Family & Community Day
Monday, 7 October 2013	Labour Day
Wednesday, 25 December 2013 to Wednesday, 1 January 2014	Christmas Close Down

The New South Wales office

Tuesday, 1 January 2013	New Year's Day
Monday, 28 January 2013	Australia Day
Friday, 29 March 2013	Good Friday
Monday, 1 April 2013	Easter Monday
Thursday, 25 April 2013	Anzac Day
Monday, 10 June 2013	Queen's Birthday Holiday
Monday, 7 October 2013	Labour Day
Wednesday, 25 December 2013 to Wednesday, 1 January 2014	Christmas Close Down

The South Australian office

Tuesday, 1 January 2013	New Year's Day
Monday, 28 January 2013	Australia Day
Monday, 11 March 2013	Adelaide Cup Day
Friday, 29 March 2013	Good Friday
Monday, 1 April 2013	Easter Monday
Thursday, 25 April 2013	Anzac Day
Monday, 10 June 2013	Queen's Birthday Holiday
Monday, 7 October 2013	Labour Day
Wednesday, 25 December 2013 to Wednesday, 1 January 2014	Christmas Close Down

The Tasmanian office

Tuesday, 1 January 2013	New Year's Day
Monday, 28 January 2013	Australia Day
Monday, 11 February 2013	Royal Hobart Regatta
Monday, 11 March 2013	Eight Hours Day
Friday, 29 March 2013	Good Friday
Monday, 1 April 2013	Easter Monday
Thursday, 25 April 2013	Anzac Day
Monday, 10 June 2013	Queen's Birthday Holiday
Thursday, 24 October 2013	Royal Hobart Show
Wednesday, 25 December 2013 to Wednesday, 1 January 2014	Christmas Close Down

The Victorian office

Tuesday, 1 January 2013	New Year's Day
Monday, 28 January 2013	Australia Day
Monday, 11 March 2013	Labour Day
Friday, 29 March 2013	Good Friday
Monday, 1 April 2013	Easter Monday
Thursday, 25 April 2013	Anzac Day
Monday, 10 June 2013	Queen's Birthday Holiday
Tuesday, 5 November 2013	Melbourne Cup Day
Wednesday, 25 December 2013 to Wednesday, 1 January 2014	Christmas Close Down

The Western Australian office

Tuesday, 1 January 2013	New Year's Day
Monday, 28 January 2013	Australia Day
Monday, 4 March 2013	Labour Day
Friday, 29 March 2013	Good Friday
Monday, 1 April 2013	Easter Monday

Thursday, 25 April 2013	Anzac Day
Monday, 3 June 2013	Western Australia Day
Monday, 30 September 2013	Queen's Birthday Holiday
Wednesday, 25 December 2013 to Wednesday, 1 January 2014	Christmas Close Down

The Northern Territory office

Tuesday, 1 January 2013	New Year's Day
Monday, 28 January 2013	Australia Day
Friday, 29 March 2013	Good Friday
Monday, 1 April 2013	Easter Monday
Thursday, 25 April 2013	Anzac Day
Monday, 6 May 2013	May Day
Monday, 10 June 2013	Queen's Birthday Holiday
Friday, 26 July 2013	Darwin Show Day
Monday, 5 August 2013	Picnic Day
Wednesday, 25 December 2013 to Wednesday, 1 January 2014	Christmas Close Down

The Queensland office

Tuesday, 1 January 2013	New Year's Day
Monday, 28 January 2013	Australia Day
Friday, 29 March 2013	Good Friday
Monday, 1 April 2013	Easter Monday
Thursday, 25 April 2013	Anzac Day
Monday, 10 June 2013	Queen's Birthday
Wednesday, 14 August 2013	Royal Queensland Show
Monday, 7 October 2013	Labour Day
Tuesday, 25 December 2012 to Tuesday 1 January 2013	Christmas Close Down

For more information on the effect of the close-down provisions, please see the Official Notices of 23 March 2007 titled *Intellectual Property Legislation Amendment Regulations 2007 (No. 1)* and *The new close-down provisions in the trade marks legislation* available on IP Australia's website through the page www.ipaustralia.gov.au/resources/officialnotices.shtml.

Contact: IP Australia
Phone: 1300 651 010
Fax: +61 2 6283 7999
E-mail: assist@ipaustralia.gov.au
Web: www.ipaustralia.gov.au

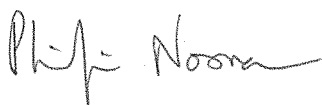
Director General of IP Australia

Declaration of the days when the Designs Office, the Patent Office, the PBR Office and the Trade Marks Office and their sub-offices are taken not to be open for business

With effect from 1 January 2013, section 136A of the *Designs Act 2003*, section 14A of the *Olympic Insignia Protection Act 1987*, section 222A of the *Patents Act 1990*, section 76A of the *Plant Breeder's Rights Act 1994* and section 223A of the *Trade Marks Act 1995* provide for the effect of the Designs Office, the Patent Office, the PBR Office and the Trade Marks Office ('the Offices') or any of their sub-offices not being open for business.

The Director General of IP Australia ('Director General') is the person prescribed under paragraph 2(b) of each of those sections. This means that the Director General can declare in writing a day or days on which the Offices or any of their sub-offices is taken not to be open for business for the purposes of those sections. Paragraph (4) (a) of each of those sections provides that such a declaration may be made before, on or after the day on which the Offices or any of their sub-offices is to be taken not to be open for business.

I, Philip Joseph Noonan, as the person currently employed as the Director General of IP Australia, declare the days in the period 1 January 2013 to 1 January 2014 when the Offices and their sub-offices are taken not to be open for business for the purpose of the sections mentioned above, as specified in the attached Schedule Parts 1 to 8.



Director General of IP Australia
9 November 2012

Declaration of the days in the period 1 January 2013 to 1 January 2014 when the Designs Office, the Patent Office, the PBR Office and the Trade Marks Office and their sub-offices are taken not to be open for business

AUTHORITY	Director General of IP Australia
REFERENCES	Section 136A of the <i>Designs Act 2003</i> , Section 14A of the <i>Olympic Insignia Protection Act 1987</i> , Section 222A of the <i>Patents Act 1990</i> , Section 76A of the <i>Plant Breeder's Rights Act 1994</i> and Section 223A of the <i>Trade Marks Act 1995</i>

Part 1 Days when the Designs Office, the Patent Office, the PBR Office and the Trade Marks Office—all located in the Australian Capital Territory—are taken not to be open for business

All Saturdays and Sundays in the period

Tuesday, 1 January 2013	New Year's Day
Monday, 28 January 2013	Australia Day
Monday, 11 March 2013	Canberra Day
Friday, 29 March 2013	Good Friday
Monday, 1 April 2013	Easter Monday
Thursday, 25 April 2013	Anzac Day
Monday, 10 June 2013	Queen's Birthday Holiday
Monday, 30 September 2013	Family & Community Day
Monday, 7 October 2013	Labour Day
Wednesday, 25 December 2013 to Wednesday, 1 January 2014	Christmas Close Down

Part 2 Days when the New South Wales sub-office of the Designs Office, the Patent Office, and the Trade Marks Office is taken not to be open for business

All Saturdays and Sundays in the period

Tuesday, 1 January 2013	New Year's Day
Monday, 28 January 2013	Australia Day
Friday, 29 March 2013	Good Friday
Monday, 1 April 2013	Easter Monday
Thursday, 25 April 2013	Anzac Day
Monday, 10 June 2013	Queen's Birthday Holiday
Monday, 7 October 2013	Labour Day
Wednesday, 25 December 2013 to Wednesday, 1 January 2014	Christmas Close Down

Part 3 Days when the South Australian sub-office of the Designs Office, the Patent Office, and the Trade Marks Office is taken not to be open for business:

All Saturdays and Sundays in the period

Tuesday, 1 January 2013	New Year's Day
Monday, 28 January 2013	Australia Day
Monday, 11 March 2013	Adelaide Cup Day
Friday, 29 March 2013	Good Friday
Monday, 1 April 2013	Easter Monday
Thursday, 25 April 2013	Anzac Day
Monday, 10 June 2013	Queen's Birthday Holiday
Monday, 7 October 2013	Labour Day
Wednesday, 25 December 2013 to Wednesday, 1 January 2014	Christmas Close Down

Part 4 Days when the Tasmanian sub-office of the Designs Office, the Patent Office, and the Trade Marks Office is taken not to be open for business

All Saturdays and Sundays in the period

Tuesday, 1 January 2013	New Year's Day
Monday, 28 January 2013	Australia Day
Monday, 11 February 2013	Royal Hobart Regatta
Monday, 11 March 2013	Eight Hours Day
Friday, 29 March 2013	Good Friday
Monday, 1 April 2013	Easter Monday
Thursday, 25 April 2013	Anzac Day
Monday, 10 June 2013	Queen's Birthday Holiday
Thursday, 24 October 2013	Royal Hobart Show
Wednesday, 25 December 2013 to Wednesday, 1 January 2014	Christmas Close Down

Part 5 Days when the Victorian sub-office of the Designs Office, the Patent Office, and the Trade Marks Office is taken not to be open for business

All Saturdays and Sundays in the period

Tuesday, 1 January 2013	New Year's Day
Monday, 28 January 2013	Australia Day
Monday, 11 March 2013	Labour Day
Friday, 29 March 2013	Good Friday
Monday, 1 April 2013	Easter Monday
Thursday, 25 April 2013	Anzac Day
Monday, 10 June 2013	Queen's Birthday Holiday
Tuesday, 5 November 2013	Melbourne Cup Day
Wednesday, 25 December 2013 to Wednesday, 1 January 2014	Christmas Close Down

Part 6 Days when the Western Australian sub-office of the Designs Office, the Patent Office, and the Trade Marks Office is taken not to be open for business

All Saturdays and Sundays in the period

Tuesday, 1 January 2013	New Year's Day
Monday, 28 January 2013	Australia Day
Monday, 4 March 2013	Labour Day
Friday, 29 March 2013	Good Friday
Monday, 1 April 2013	Easter Monday
Thursday, 25 April 2013	Anzac Day
Monday, 3 June 2013	Western Australia Day
Monday, 30 September 2013	Queen's Birthday Holiday
Wednesday, 25 December 2013 to Wednesday, 1 January 2014	Christmas Close Down

Part 7 Days when the Northern Territory sub-office of the Designs Office, the Patent Office, and the Trade Marks Office is taken not to be open for business

All Saturdays and Sundays in the period

Tuesday, 1 January 2013	New Year's Day
Monday, 28 January 2013	Australia Day
Friday, 29 March 2013	Good Friday
Monday, 1 April 2013	Easter Monday
Thursday, 25 April 2013	Anzac Day
Monday, 6 May 2013	May Day
Monday, 10 June 2013	Queen's Birthday Holiday
Friday, 26 July 2013	Darwin Show Day
Monday, 5 August 2013	Picnic Day
Wednesday, 25 December 2013 to Wednesday, 1 January 2014	Christmas Close Down

Part 8 Days when the Queensland sub-office of the Designs Office, the Patent Office, and the Trade Marks Office is taken not to be open for business

All Saturdays and Sundays in the period

Tuesday, 1 January 2013	New Year's Day
Monday, 28 January 2013	Australia Day
Friday, 29 March 2013	Good Friday
Monday, 1 April 2013	Easter Monday
Thursday, 25 April 2013	Anzac Day
Monday, 10 June 2013	Queen's Birthday
Wednesday, 14 August 2013	Royal Queensland Show
Monday, 7 October 2013	Labour Day
Tuesday, 25 December 2012 to Tuesday 1 January 2013	Christmas Close Down

Proceedings under the Designs Act 1906 preserved as a result of the provisions of Chapter 12 Part 2 of the Designs Act 2003.

This Page Left Intentionally Blank

Applications Lapsed

There were no Applications Lapsed under this section

Extension of Period of Registration of Designs

156733 **Jeffrey Leonard Reid** An Extension of time to extend a registration has been granted to 12/09/2012

1st Period (Section 27A(8))

2nd Period (Section 27A(12))

156733 156808

3rd Period (Section 27A(13))

146083	146830	147709
147870	148134	148318
148435	148436	148726
148779	149227	149388
149603	149770	150469
150771	150994	151013
151876	152326	152880
153166	153321	153838

Subsequent Owners Registered

(The name in parentheses is that of the subsequent owner)

143757	(CB Ideal Tapware Pty Ltd) Bridge Castings Pty Ltd
135065	(Illinois Tool Works Inc.) Underwood Companies Holdings Pty Ltd
153399	(Vanderland Pty Ltd) Cuddle Fish Aquatics Pty Ltd
140293	(2WP International Pty Ltd ACN137750906) 2WP International Pty Ltd
156090	(Helen of Troy Limited) The Procter & Gamble Company

Registrations Ceased

Note: Some of the following Registrations may have been previously advertised as ceased. In this instance, the previous advertisement still prevails.

130376	130377	130473
130474	130514	130648
130649	130650	130651
130652	130689	131347
131984	132009	132084
133108	133713	134062
134300	134301	134302
134303	134304	134392
134584	134763	134764
134784	134804	135004
135143	135159	135723
135724	135725	135726
136050	136051	136181
136463	136539	136860
136887	139082	139814
139815	145528	145529
145530	145535	145536
145952	146392	146505
146565	146566	146880
146881	147221	147222
147465	147501	147662
147923	148429	148587
148694	149052	150488
153535	153567	154282

Extensions of time granted

Applications lodged for extension of time have been granted.

This Page Left Intentionally Blank

Proceedings under the Designs Act 2003.

This Page Left Intentionally Blank

Applications Lodged

Lodgement information is in the following order: **Applicant's Name**; International Classification, Name of Product, Lodgement Date and **Design Number**. If the applicant claims an earlier priority date under an International Convention, the Convention Country and the associated filing date are shown in parentheses before the Lodgement Date. Divisional information will also appear in parentheses before the Lodgement Date.

Advanced View Saftey Systems Pty Ltd; 12-16H, Proximity view mirror assembly II, 02 Nov 2012	15486/2012	Chapman, Stephen Allan; 19-06, The product is a pyramid shaped whiteboard for use on desks or table tops. It has 2 parts - a pyramid shaped writing, surface and a base for this to rest on., (GB, 09 Feb 2011) 09 Nov 2012	15623/2012
Airius IP Holdings, LLC; 23-04, Air moving device, (US, 15 May 2012) 08 Nov 2012	15538/2012	Chilewich Sultan LLC; 06-13A, Place mat, 02 Nov 2012	15498/2012
Applethree PTY LTD; 07-06A, Bottle neck holder, 07 Nov 2012	15544/2012	Coleman Company, Inc., The; 07-02E, Grill, (US, 08 May 2012) 08 Nov 2012	15570/2012
Arka Organics Pty Ltd; 30-99, Horse products, 16 Nov 2012	15681/2012	Columbia Sportswear North America, Inc.; 05-05B, Printed cooling material, (US, 11 May 2012) 08 Nov 2012	15564/2012
Arllec Australia Pty Ltd; 13-03E, 1. single switch 2. double switch, 05 Nov 2012	15514/2012	Cook Medical Technologies LLC; 24-01, 24-02, pH Sensor, (US, 18 May 2012) 12 Nov 2012	15607/2012
Armstrong, Matthew John Mannigel; 17-04, Percussion musical instrument, 09 Nov 2012	15555/2012	Cook Medical Technologies LLC; 10-04, 14-02, Logger for remotely sensed parmeter, (US, 18 May 2011) 12 Nov 2012	15608/2012
Armstrong, Matthew John Mannigel; 17-04, Percussion musical instrument, 09 Nov 2012	15556/2012	Cospak Pty Ltd; 09-01H, A bottle or container, 13 Nov 2012	15650/2012
Armstrong, Matthew John Mannigel; 17-04, Percussion musical instrument, 09 Nov 2012	15554/2012	Craik, Sue; 02-02NES, Polo shirt, 02 Nov 2012	15480/2012
Australian Performance Development Pty Ltd; 12-16NES, Air intake snorkel for a vehicle, 16 Nov 2012	15683/2012	CCPI Pty Ltd; 23-01NES, Frame for drainage grate, 13 Nov 2012	15604/2012
Australian Tool Manufacturers Pty Ltd; 15-01, A static turbo impeller, 14 Nov 2012	15628/2012	Danone; 09-03M, Container, 09 Nov 2012	15560/2012
Bang Design IP Pty Ltd; 06-06E, Set of modular legs of indefinite width and height, 09 Nov 2012	15548/2012	Dart Industries Inc.; 09-07NES, Seal for a produce storage container, (US, 24 May 2012) 31 Oct 2012	15449/2012
Bang Design IP Pty Ltd; 06-06E, Set of modular legs of indefinite width or height, 09 Nov 2012	15552/2012	Dart Industries Inc.; 09-03K, Produce storage container, (US, 24 May 2012) 31 Oct 2012	15450/2012
Belkin International, Inc.; 14-02, Network device enclosure, (US, 30 Apr 2012) 30 Oct 2012	15455/2012	Dart Industries Inc.; 09-03K, Produce storage container, (US, 24 May 2012) 31 Oct 2012	15453/2012
Belkin International, Inc.; 14-99, Network device enclosure, (US, 30 Apr 2012) 30 Oct 2012	15456/2012	Dentsply IH AB; 09-03M, Package for drills, (EM, 08 May 2012) 01 Nov 2012	15479/2012
Bird-B-Gone, Inc; 22-06, Bird spike with base and prongs, (US, 07 Aug 2012) 08 Nov 2012	15536/2012	Deslandes, S;Moreira, F Gomes; 21-02D, 09-03C, Surfboard, 07 Nov 2012	15525/2012
Caird, Clay Edward James; 02-03, Headgear, 07 Nov 2012	15534/2012	Duke Manufacturing Co.; 07-02N, Pan, (US, 16 May 2012) 12 Nov 2012	15625/2012
		Duncan, Darren;Hares, Janeene; 08-08B, Fastener cover, 14 Nov 2012	15627/2012

Duval, V.J;Houseman, E.E; 21-02NES, Cubical foam with a cover that can be zipped up, 02 Nov 2012	15459/2012	Fujitsu Limited; 14-02, Arithmetic and control unit, 06 Nov 2012	15529/2012
DMC Industries Pty Ltd; 02-03, Headband for helmets with fake securing straps, 16 Nov 2012	15684/2012	Global Home; 06-04F, 4 drawer tallboy, 02 Nov 2012	15533/2012
F. Smit Holding B.V.; 06-01F, Chair, (EM, 31 May 2012) 13 Nov 2012	15603/2012	Global Home; 06-02, Queen bed with storage unit, 02 Nov 2012	15515/2012
Ferry, Howard; 23-01NES, 25-02NES, Tank baffle, 05 Nov 2012	15516/2012	Greenwaldt, Erwin W.;Fletcher, Robert Kenneth Yasuji; 26-05C, Light fixture with mounting bracket, (US, 08 May 2012) 08 Nov 2012	15567/2012
Fire & Safety Solutions (Int) Pty Ltd; 02-03, Fire fighting helmet brim with luminescent brim, 07 Nov 2012	15517/2012	Greenwaldt, Erwin W.;Fletcher, Robert Kenneth Yasuji; 26-05C, Light fixture with mounting bracket, (US, 08 May 2012) 08 Nov 2012	15566/2012
Fisher & Paykel Healthcare Limited;O'Connor, Mark Thomas;Gulliver, Laurence;Irving, Charles William Douglas;Ronayne, Michael Paul; 23-01B, A tube connector component, (US, 05 Oct 2012) 08 Nov 2012	15537/2012	GripScot Innovations Limited; 21-02B, Handle, (GB, 04 May 2012) 01 Nov 2012	15481/2012
Fit Laboratories Pty Ltd; 09-01NES, 09-02C, Container, 14 Nov 2012	15645/2012	Gulliver, Laurence;Fisher & Paykel Healthcare Limited;O'Connor, Mark Thomas;Irving, Charles William Douglas;Ronayne, Michael Paul; 23-01B, A tube connector component, (US, 05 Oct 2012) 08 Nov 2012	15537/2012
Fit Laboratories Pty Ltd; 09-01NES, 09-02C, Container, 14 Nov 2012	15644/2012	GMI IP Holdings Company Pty Ltd; 25-01K, A beam extrusion, 07 Nov 2012	15523/2012
Fletcher, Robert Kenneth Yasuji;Greenwaldt, Erwin W.; 26-05C, Light fixture with mounting bracket, (US, 08 May 2012) 08 Nov 2012	15567/2012	Haglund, Jorgen; 09-08, A part of a loading pallet, (Divisional of 14193/2012) 09 Nov 2012	15596/2012
Fletcher, Robert Kenneth Yasuji;Greenwaldt, Erwin W.; 26-05C, Light fixture with mounting bracket, (US, 08 May 2012) 08 Nov 2012	15566/2012	Haglund, Jorgen; 09-08, A part of a loading pallet, (Divisional of 14193/2012) 09 Nov 2012	15599/2012
Forever New Clothing Pty Ltd; 11-99, Accessory item, 02 Nov 2012	15491/2012	Haglund, Jorgen; 09-08, A part of a loading pallet, (Divisional of 14193/2012) 09 Nov 2012	15597/2012
Forever New Clothing Pty Ltd; 02-02C, Article of clothing, 05 Aug 2012	15670/2012	Haglund, Jorgen; 09-08, A part of a loading pallet, (Divisional of 14193/2012) 09 Nov 2012	15598/2012
Forever New Clothing Pty Ltd; 02-02C, Article of clothing, 05 Aug 2012	15671/2012	Hakim, Nouri E.; 24-04, Pacifier, (US, 11 May 2012) 12 Nov 2012	15610/2012
Forever New Clothing Pty Ltd; 02-02C, Article of clothing, 05 Aug 2012	15668/2012	Hakim, Nouri E.; 24-04, Pacifier, (US, 11 May 2012) 12 Nov 2012	15611/2012
Forever New Clothing Pty Ltd; 02-02C, Article of clothing, 05 Aug 2012	15669/2012	Hakim, Nouri E.; 24-04, Pacifier, (US, 11 May 2012) 12 Nov 2012	15609/2012
Forever New Clothing Pty Ltd; 02-02NES, Article of clothing, 05 Aug 2012	15666/2012	Hares, Janeene;Duncan, Darren; 08-08B, Fastener cover, 14 Nov 2012	15627/2012
Forever New Clothing Pty Ltd; 02-02C, Article of clothing, 05 Aug 2012	15667/2012	Haworth, Inc.; 06-01F, Office chair, (US, 16 May 2012) 07 Nov 2012	15545/2012
Forever New Clothing Pty Ltd; 02-02C, 02-02A, Article of clothing, 05 Nov 2012	15484/2012	Healthi Living Pty Limited; 09-03NES, Container, 09 Nov 2012	15589/2012
Forever New Clothing Pty Ltd; 02-02C, Article of clothing, 30 Oct 2012	15454/2012		
Fujitsu Limited; 14-02, Arithmetic and control, 06 Nov 2012	15530/2012		

Helding, Mark; 06-04NES, 08-08N, Steel storage rack end protection with internal fixings, 06 Nov 2012	15543/2012	Johnson, Johanna; 02-02C, A woman's garment, comprising beaded parts, 14 Nov 2012	15630/2012
Herbert Waldmann GmbH & Co. KG; 26-05A, A lamp, (WO, 01 Aug 2012) 02 Nov 2012	15474/2012	Johnson, Johanna; 02-02C, A woman's garment, comprising beaded parts, 14 Nov 2012	15631/2012
Herbert Waldmann GmbH & Co. KG; 26-05A, A lamp, (WO, 01 Aug 2012) 02 Nov 2012	15475/2012	Jorgenson-Watts Pty Ltd; 25-01K, An extrusion, 06 Nov 2012	15509/2012
Herbert Waldmann GmbH & Co. KG; 26-05A, A Lamp, (WO, 01 Aug 2012) 02 Nov 2012	15473/2012	Jorgenson-Watts Pty Ltd; 25-01K, An extrusion, 02 Nov 2012	15476/2012
Hermans, Ty Gerard; 10-04, Depth gauge, 14 Nov 2012	15647/2012	Julius Blum GmbH; 06-04F, Drawer (without front panel), (EM, 08 May 2012) 07 Nov 2012	15542/2012
Honda Motor Co., Ltd.; 12-11, Motorcycle, (JP, 17 May 2012) 15 Nov 2012	15699/2012	JETS Swimwear Pty Limited; 02-02A, Swimwear garment, 06 Nov 2012	15500/2012
Honda Motor Co., Ltd.; 12-11, Front side cowl for motorcycle, (JP, 10 May 2012) 09 Nov 2012	15591/2012	JETS Swimwear Pty Limited; 02-02A, Swimwear garment, 06 Nov 2012	15505/2012
Honda Motor Co., Ltd.; 12-11, Motorcycle, (JP, 10 May 2012) 09 Nov 2012	15593/2012	JETS Swimwear Pty Limited; 02-02A, Swimwear garment, 06 Nov 2012	15503/2012
Horsfall, Barry; 19-06, Writing implement, 08 Nov 2012	15579/2012	JETS Swimwear Pty Limited; 02-02A, Swimwear garment, 06 Nov 2012	15506/2012
Houseman, E.E; Duval, V.J; 21-02NES, Cubical foam with a cover that can be zipped up, 02 Nov 2012	15459/2012	JETS Swimwear Pty Limited; 02-02A, Swimwear garment, 06 Nov 2012	15504/2012
Irving, Charles William Douglas; Fisher & Paykel Healthcare Limited; O'Connor, Mark Thomas; Gulliver, Laurence; Ronayne, Michael Paul; 23-01B, A tube connector component, (US, 05 Oct 2012) 08 Nov 2012	15537/2012	JETS Swimwear Pty Limited; 02-02A, Swimwear garment, 06 Nov 2012	15502/2012
Iveco S.P.A.; 12-08, Vehicle, (EM, 14 May 2012) 07 Nov 2012	15524/2012	JETS Swimwear Pty Limited; 02-02A, Swimwear garment, 06 Nov 2012	15501/2012
Johnson, Johanna; 02-02C, A woman's garment, comprising beaded parts, 14 Nov 2012	15636/2012	JETS Swimwear Pty Limited; 02-02A, Swimwear garment, 06 Nov 2012	15499/2012
Johnson, Johanna; 02-02C, A woman's garment, 14 Nov 2012	15637/2012	Kegs On Tap Pty Ltd; 09-02C, BRU is a portable keg beer dispensing system, 12 Nov 2012	15585/2012
Johnson, Johanna; 02-02C, A woman's garment, 14 Nov 2012	15639/2012	Kellogg Company; 01-01, Edible biscuit, (EM, 08 May 2012) 08 Nov 2012	15578/2012
Johnson, Johanna; 02-02C, A woman's garment, comprising of beaded parts, 14 Nov 2012	15640/2012	Kone Corporation; 14-04, Display screen for lifting and transportation apparatus, (EM, 12 Nov 2012) 14 Nov 2012	15676/2012
Johnson, Johanna; 02-02C, A woman's garment, comprising beaded parts, 14 Nov 2012	15634/2012	Lacey, Peter John; 12-16NES, Awning cassette for RV vehicle, 06 Nov 2012	15508/2012
Johnson, Johanna; 02-02C, A woman's garment, comprising beaded parts, 14 Nov 2012	15632/2012	Lacey, Peter John; 12-16NES, Awning cassette for RV vehicle, 06 Nov 2012	15507/2012
Johnson, Johanna; 02-02C, A woman's garment, comprising beaded parts, 14 Nov 2012	15635/2012	Linak A/S; 13-03NES, Foot switch, (DK, 16 May 2012) 15 Nov 2012	15698/2012
Johnson, Johanna; 02-02C, A woman's garment, comprising beaded parts, 14 Nov 2012		LSI Industries, Inc.; 26-03, Lighting, (US, 04 May 2012) (Divisional of 14698/2012) 02 Nov 2012	15488/2012
Johnson, Johanna; 02-02C, A woman's garment, comprising beaded parts, 14 Nov 2012		Magpul Industries Corporation; 22-01, Translucent magazine for a firearm, (US, 04 May 2012) 02 Nov 2012	15487/2012

Magpul Industries Corporation; 22-01, Magazine, (US, 29 May 2012) 14 Nov 2012	15677/2012	Newton, Martin Lindsay; 08-08C, Building channel spring, 08 Nov 2012	15563/2012
Magpul Industries Corporation; 22-01, Rifle stock, (US, 29 May 2012) 14 Nov 2012	15679/2012	Nipro Corporation; 24-02, Indwelling needle, (JP, 10 May 2012) 09 Nov 2012	15588/2012
Magpul Industries Corporation; 22-01, Magazine, (US, 29 May 2012) 14 Nov 2012	15678/2012	O'Connor, Mark Thomas;Fisher & Paykel Healthcare Limited;Gulliver, Laurence;Irving, Charles William Douglas;Ronayne, Michael Paul; 23-01B, A tube connector component, (US, 05 Oct 2012) 08 Nov 2012	15537/2012
Magpul Industries Corporation; 22-03, 22-99, Magazine link, (US, 10 May 2012) 09 Nov 2012	15587/2012	Okamura Corporation; 06-01F, Chair, (JP, 09 May 2012) 06 Nov 2012	15531/2012
Mars, Incorporated; 01-06, Jumbo dentastix aerated chew, (EM, 02 May 2012) 02 Nov 2012	15457/2012	Peddie, Julie; 07-01A, Drink cooler, 09 Nov 2012	15581/2012
Mars, Incorporated; 01-01, Chocolate/confectionery block tablet, (EM, 16 Feb 2012) 06 Nov 2012	15490/2012	Peddie, Julie; 07-01A, Drink cooler, 09 Nov 2012	15582/2012
Martelli, Charlie; 25-02C, Concrete reinforcing mesh, 02 Nov 2012	15472/2012	Peddie, Julie; 07-01A, Drink cooler, 09 Nov 2012	15580/2012
Mascull, Roger Thomas; 06-01NES, A backrest, 12 Nov 2012	15583/2012	Pit Crew Management Consulting Services Pty Ltd; 14-99, Labour market reports for industry, 15 Nov 2012	15658/2012
Master Lock Company LLC; 08-07, Lock and key, (US, 23 May 2012) 13 Nov 2012	15648/2012	PractiCare Pty Limited; 09-05, A perforated blister pack, 08 Nov 2012	15565/2012
Master Lock Company LLC; 08-07, Lock and key, (US, 23 May 2012) 13 Nov 2012	15649/2012	Primus Australia Pty Ltd; 09-04, Laundry basket, 15 Nov 2012	15657/2012
Mitchell Bros Motorsport Pty Ltd; 12-16L, Towbar hitch, 16 Nov 2012	15680/2012	Quanash, Anthony Kwaw; 07-05NES, Screen cleaning device, 01 Nov 2012	15478/2012
Moddex Group Pty Ltd; 13-03E, Connector, 14 Nov 2012	15643/2012	Reckitt Benckiser LLC; 23-02A, Dispenser, (EM, 15 May 2012) 05 Nov 2012	15511/2012
Moddex Group Pty Ltd; 13-03E, Connector, 14 Nov 2012	15641/2012	Reckitt Benckiser LLC; 23-02A, Dispenser, (EM, 15 May 2012) 05 Nov 2012	15510/2012
Moddex Group Pty Ltd; 13-03E, Connector, 14 Nov 2012	15642/2012	Rentokil Initial 1927 plc; 23-02A, Soap dispenser, (WO, 04 May 2012) 02 Nov 2012	15492/2012
Moddex Group Pty Ltd; 13-03E, Connector, 14 Nov 2012	15638/2012	Rentokil Initial 1927 plc; 28-99, Air freshener device, 12 Nov 2012	15612/2012
Moddex Group Pty Ltd; 13-03E, Connector, 14 Nov 2012	15633/2012	Rentokil Initial 1927 plc; 28-99, Air freshener device, 12 Nov 2012	15613/2012
Moreira, F Gomes;Deslandes, S; 21-02D, 09-03C, Surfboard, 07 Nov 2012	15525/2012	Rentokil Initial 1927 plc; 09-09, Sanitary litter receptacle, (WO, 04 May 2012) 02 Nov 2012	15497/2012
Multigate Medical Products Pty Limited; 03-01NES, A Case, 12 Nov 2012	15606/2012	Rentokil Initial 1927 plc; 23-02A, Paper hand-towel dispenser, 12 Nov 2012	15615/2012
MEI Inc.; 20-01, Vending machine bezel, (US, 09 May 2012) 09 Nov 2012	15559/2012	Rentokil Initial 1927 plc; 23-02A, Toilet roll dispenser, 12 Nov 2012	15619/2012
MEI, Inc.; 20-01, Vending machine bezel, (US, 09 May 2012) 09 Nov 2012	15558/2012		
MEI, Inc.; 20-01, Vending machine bezel, (US, 09 May 2012) 09 Nov 2012	15557/2012		

Rentokil Initial 1927 plc; 09-09, Waste bin, 12 Nov 2012	15620/2012	S.P.M. Flow Control, Inc.; 14-01, Electronic device holder, (US, 09 May 2012) 08 Nov 2012	15571/2012
Rentokil Initial 1927 plc; 23-02A, Tissue dispenser, 12 Nov 2012	15618/2012	S.P.M. Flow Control, Inc.; 14-01, Electronic device holder, (US, 09 May 2012) 08 Nov 2012	15573/2012
Rentokil Initial 1927 plc; 23-02A, Linen hand-towel cabinet, 12 Nov 2012	15617/2012	S.P.M. Flow Control, Inc.; 14-01, Electronic device holder, (US, 09 May 2012) 08 Nov 2012	15574/2012
Rentokil Initial 1927 plc; 23-02A, Soap dispenser, 12 Nov 2012	15616/2012	S.P.M. Flow Control, Inc.; 14-01, Electronic device holder, (US, 09 May 2012) 08 Nov 2012	15572/2012
Rentokil Initial 1927 plc; 23-02C, Toilet cistern flush sanitiser, 12 Nov 2012	15614/2012	Sandvik Intellectual Property AB; 15-99, Crushing apparatus, (EM, 08 May 2012) 08 Nov 2012	15568/2012
Rentokil Initial 1927 plc; 09-09, Waste bin, 12 Nov 2012	15621/2012	Sandvik Intellectual Property AB; 15-99, Crushing apparatus, (EM, 08 May 2012) 08 Nov 2012	15569/2012
Rentokil Initial 1927 plc; 09-09, Waste bin for feminine hygiene product, 12 Nov 2012	15622/2012	Sargent Manufacturing Company; 08-07, Lock, (US, 10 May 2012) 09 Nov 2012	15592/2012
Rentokil Initial 1927 plc; 28-99, Deodorant holder, (WO, 04 May 2012) 02 Nov 2012	15496/2012	Shantou YongTong Crafts&Toys Co.ltd; 21-01C, Toy car, (CN, 04 May 2012) 02 Nov 2012	15485/2012
Rentokil Initial 1927 plc; 23-02A, Towel dispensing cabinet, (WO, 04 May 2012) 02 Nov 2012	15495/2012	Sheldon and Hammond Pty Ltd; 07-02R, A handle, 06 Nov 2012	15528/2012
Rentokil Initial 1927 plc; 23-02A, Toilet paper dispenser, (WO, 04 May 2012) 02 Nov 2012	15493/2012	Sheldon and Hammond Pty Ltd; 07-02R, A handle, 06 Nov 2012	15526/2012
Rentokil Initial 1927 plc; 23-02A, Sanitary dispensing device, (WO, 04 May 2012) 02 Nov 2012	15494/2012	Sheldon and Hammond Pty Ltd; 07-02R, A handle, 06 Nov 2012	15527/2012
Research In Motion Limited; 13-03D, Plug, (US, 30 May 2012) 09 Nov 2012	15590/2012	Shop Vac Corporation; 15-05, Vacuum cleaner, (US, 01 Aug 2012) 13 Nov 2012	15655/2012
Roads Corporation; 10-06, Pivotal traffic signal support, 05 Nov 2012	15483/2012	Smith, Alfred Wayne; 13-99, Set of ballasts, 12 Nov 2012	15584/2012
Robinsons Soft Drinks Limited; 09-01H, Bottle, (EM, 04 May 2012) 31 Oct 2012	15451/2012	Smith & Nephew Plc; 24-04, Medical dressing, (EM, 15 May 2012) 13 Nov 2012	15646/2012
Robinsons Soft Drinks Limited; 09-01H, Bottle, (EM, 04 May 2012) 31 Oct 2012	15452/2012	Soroczynski, Dr Tad;Soroczynski, Rafal; 24-01, Mask for sleep apnoea by natural breathing, 07 Nov 2012	15522/2012
Ronayne, Michael Paul;Fisher & Paykel Healthcare Limited;O'Connor, Mark Thomas;Gulliver, Laurence;Irving, Charles William Douglas; 23-01B, A tube connector component, (US, 05 Oct 2012) 08 Nov 2012	15537/2012	Soroczynski, Rafal;Soroczynski, Dr Tad; 24-01, Mask for sleep apnoea by natural breathing, 07 Nov 2012	15521/2012
Rosy Blue (India) Pvt. Ltd.; 11-01NES, Precious stone, 13 Nov 2012	15586/2012	Soroczynski, Dr Tad;Soroczynski, Rafal; 24-01, Mask for sleep apnoea by natural breathing, 07 Nov 2012	15521/2012
Rowbottom, John Philip; 02-01NES, pyjamas, 08 Nov 2012	15535/2012	Soroczynski, Rafal;Soroczynski, Dr Tad; 24-01, Mask for sleep apnoea by natural breathing, 07 Nov 2012	15522/2012
Ruud Lighting, Inc.; 26-05E, LED lens, (US, 07 May 2012) 07 Nov 2012	15540/2012	Steinel GmbH; 26-03, Exterior light, 09 Nov 2012	15600/2012
		Stubbs, Bruce Grahame; 12-06NES, Fibreglass outboard boat, 09 Nov 2012	15626/2012

Suh Ken Enterprises Co., Ltd.; 09-03M, Container, 06 Nov 2012	15532/2012	Trio Brothers Trading Pty Ltd; 09-01NES, Oil pourer, salad dressing dispenser, 09 Nov 2012	15546/2012
Sulzer Metco (US) Inc.; 24-02, Plasma gun, (US, 10 May 2012) 29 Oct 2012	15370/2012	Unilever PLC; 20-02C, Display cabinet, (EM, 11 May 2012) 09 Nov 2012	15594/2012
Tegometall International AG; 06-04NES, Rack shelf, (EM, 04 May 2012) 05 Nov 2012	15512/2012	Unilever PLC; 20-02C, Display cabinet, (EM, 11 May 2012) 09 Nov 2012	15595/2012
Tegometall International AG; 06-04NES, Rack shelf, (EM, 04 May 2012) 05 Nov 2012	15513/2012	Vac-U-Digga R&D Pty Ltd; 23-02NES, Transportable waste processing tank type A, 13 Nov 2012	15629/2012
Thachappilly, Joby Joseph; 20-02NES, 19-08, Computed generated design for brochure, 09 Nov 2012	15539/2012	Vac-U-Digga R&D Pty Ltd; 09-09, 23-01F, Waste processing tank type B, 13 Nov 2012	15602/2012
Thermos L.C.C.; 07-01NES, Food storage jar and lid with downward curved side lifting handles, (US, 21 May 2012) 15 Nov 2012	15686/2012	ViaCyte, Inc.; 24-01, Cell encapsulation device, (US, 31 May 2012) 01 Nov 2012	15482/2012
Thermos L.L.C.; 09-01NES, A drink bottle with smooth sides, (US, 21 May 2012) 15 Nov 2012	15687/2012	Vola A/S; 23-02B, Shower head, (EM, 10 May 2012) 09 Nov 2012	15553/2012
Thermos L.L.C.; 09-01NES, Drink bottle and lid with octagonal bottle grips and eight grip locations on lid, (US, 21 May 2012) 15 Nov 2012	15688/2012	Vola A/S; 23-02B, Shower head, (EM, 10 May 2012) 09 Nov 2012	15547/2012
Thermos L.L.C.; 09-01NES, Drink bottle with smooth hand grip, (US, 21 May 2012) 15 Nov 2012	15689/2012	Vola A/S; 23-02B, Shower head, (EM, 10 May 2012) 09 Nov 2012	15551/2012
Thermos L.L.C.; 07-01NES, A food jar and lid with oval grips, (US, 21 May 2012) 15 Nov 2012	15690/2012	Vola A/S; 23-02B, Shower head, (EM, 10 May 2012) 09 Nov 2012	15550/2012
Thermos L.L.C.; 09-01NES, Drink bottle lid with fluted crown, (US, 21 May 2012) 15 Nov 2012	15696/2012	Vola A/S; 23-02B, Shower head, (EM, 10 May 2012) 09 Nov 2012	15549/2012
Thermos L.L.C.; 09-01NES, Drink bottle and lid with lockable lid cover, (US, 22 May 2012) 15 Nov 2012	15697/2012	VARRD PTY LTD; 25-02NES, Steel lintel, 10 Nov 2012	15561/2012
Thirstysport Pty Ltd; 09-01D, Drink container, 13 Nov 2012	15624/2012	Wellstat Diagnostics, LLC; 14-01, 24-01, Sample cassette for a diagnostic instrument, (US, 15 May 2012) 08 Nov 2012	15577/2012
Torreblanca Gomez De Las Hera, Laura; 02-04B, Interchangeable shoe heel, 19 Oct 2012	15520/2012	Wellstat Diagnostics, LLC; 24-01, Sample cassette for a diagnostic instrument, (US, 15 May 2012) 08 Nov 2012	15575/2012
Toshiba Tec Kabushiki Kaisha; 14-02, Toner cartridge, (JP, 16 May 2012) 08 Nov 2012	15576/2012	Wellstat Diagnostics, LLC; 14-04, Diagnostic instrument with a display screen, (US, 15 May 2012) 07 Nov 2012	15541/2012
Total Shotcrete Pty Ltd; 10-04, Shotcrete depth gauge, 02 Nov 2012	15518/2012	Westate Publishers Pty Ltd; 03-01NES, Bottle holder, 07 Nov 2012	15519/2012
Total Shotcrete Pty Ltd; 10-04, Shotcrete depth gauge, 02 Nov 2012	15477/2012	York Precision plastics Pty Ltd; 21-03, Play equipment, 15 Nov 2012	15656/2012
Trio Brothers Trading Pty Ltd; 26-02, Portable karosene lamp, 13 Nov 2012	15605/2012		

Applications Lapsed

	13884 / 2012 (27-01)
14305 / 2012 (21-01C)	14306 / 2012 (21-01C)
14307 / 2012 (03-01A)	14308 / 2012 (03-01A)
14309 / 2012 (03-01A)	14310 / 2012 (03-01A)
14311 / 2012 (03-01A)	14371 / 2012 (09-09)
15490 / 2012 (01-01)	

Extension of Period of Registration of Designs

315384	316621	316651
316652	317730	318211
318228	318229	318247
318363	318364	318365
318366	318390	318391
318392	318403	318441
318510	318539	318540
318541	318551	318696
318710	318732	318736
318744	318783	318784
318785	318803	318804
318836	318844	318845
318872	318886	318887
318888	318889	318890
319150	319197	319198
319249	319432	319462
319463	319464	319545
319546	319547	319577
319637	319957	320502
320503	320522	320853
321510	321760	321911
322022	323561	324255
324256	327466	327467
327733	327734	327806
327807	327808	327809
328948	329303	329304
329305	329306	329869
329969	329970	343288

Revocation of Design Registrations

The following Design Registration(s) have been revoked and are taken never to have been registered:

342783	28-99
342813	28-99
342814	28-99

Registrations Ceased

313971	314094	314356
314980	315101	315102
315104	315105	315106
315108	315109	315116
315121	315124	315125
315126	315129	315130
315131	315139	315145
315146	315156	315158
315166	315167	315171
315172	315173	315176

315177	315184	315185
315186	315187	315188
315189	315190	315191
315192	315193	315194
315195	315196	315197
315198	315199	315200
315201	315202	315203
315204	315207	315406
315535	315628	315629
315771	315816	315821
316103	316479	316580
316669	316670	316671
316672	316673	316674
316675	316676	316677
316678	316709	316710
316711	316712	316871
316872	316873	316874
316875	316881	316942
330945	338230	340988

Extensions of time granted under Section 137

Applications lodged under section 137 for extension of time have been granted.

345589 **Dylan James Wood**

345590 **Dylan James Wood**

345591 **Dylan James Wood**

345547 **Liu Yan Hua**

345480 **Nadia Riach**

13490/2012 **Land & Sea Sports Pty Ltd**

13491/2012 **Land & Sea Sports Pty Ltd**

13492/2012 **Land & Sea Sports Pty Ltd**

13882/2012 **Education Projects Pty Ltd**

14203/2012 **Meyer Intellectual Properties Limited**

15490/2012 **Mars, Incorporated**

Licences Registered

321235 A licence has been granted to **Chivas Brothers Limited**

Subsequent Owners Registered

(The name in parentheses is that of the subsequent owner)

315715 **(Richard Matthews)** Speedsafe Australia P/L ATF McIntosh Family Trust

344687 **(Rip Buoy Holdings Limited)** Viking Global Industries Pty Ltd

306939 **(Chongqing Sokon Industry Group Stock Co., Ltd.)** Chongqing Yuan Innovation Technology (Group) Co., Ltd

- 307608 (**Illinois Tool Works Inc.)** Underwood Companies Holdings Pty Ltd
- 307609 (**Illinois Tool Works Inc.)** Underwood Companies Holdings Pty Ltd
- 310948 (**Illinois Tool Works Inc.)** Underwood Companies Holdings Pty Ltd
- 313932 (**Illinois Tool Works Inc.)** Underwood Companies Holdings Pty Ltd
- 324742 (**Illinois Tool Works Inc.)** Underwood Companies Holdings Pty Ltd
- 324743 (**Illinois Tool Works Inc.)** Underwood Companies Holdings Pty Ltd
- 324747 (**Illinois Tool Works Inc.)** Underwood Companies Holdings Pty Ltd
- 326775 (**Illinois Tool Works Inc.)** Underwood Companies Holdings Pty Ltd
- 327076 (**Genfac Property Investments Pty Ltd)** Timothy Mok
- 332370 (**Genfac Property Investments Pty Ltd)** Timothy Mok
- 314420 (**Chongqing Sokon Industry Group Stock Co., Ltd.)** Chongqing Sokon Automobile Industry (Group) Co., Ltd.
- 318832 (**Birk Solutions Pty Ltd)** Birk Developments Pty Ltd
- 318390 (**Alan Robert Millett;Vassilis Bakopoulos)** Nikolaos Filaretos Bakopoulos
- 318391 (**Alan Robert Millett;Vassilis Bakopoulos)** Nikolaos Filaretos Bakopoulos
- 318392 (**Alan Robert Millett;Vassilis Bakopoulos)** Nikolaos Filaretos Bakopoulos
- 318732 (**Alan Robert Millett;Vassilis Bakopoulos)** Nikolaos Filaretos Bakopoulos
- 321478 (**Alan Robert Millett;Vassilis Bakopoulos)** Nikolaos Filaretos Bakopoulos
- 321552 (**Alan Robert Millett;Vassilis Bakopoulos)** Nikolaos Filaretos Bakopoulos
- 333743 (**Mamma Guard Pty Ltd)** Paul Evans
- 341784 (**Pringles S.a.r.l.)** The Procter & Gamble Company
- 328372 (**Pringles S.a.r.l.)** The Procter & Gamble Company
- 328373 (**Pringles S.a.r.l.)** The Procter & Gamble Company
- 328374 (**Pringles S.a.r.l.)** The Procter & Gamble Company
- 335291 (**neo Burlesque Art Studio Pty Ltd)** Burlesque Studio Pty Ltd
- 328308 (**Smooth & Tan Pty Ltd)** Caron Laboratories Pty Ltd
- 328309 (**Smooth & Tan Pty Ltd)** Caron Laboratories Pty Ltd
- 321929 (**Pieter Albertus Reinecke)** Louise Cronje;Pieter Albertus Reinecke;Johannes Cronje
- 344861 (**3DFins Pty Ltd)** Courtney James Potter
- 344862 (**3DFins Pty Ltd)** Courtney James Potter
- 331425 (**David Finn)** Miami Stainless Pty Ltd

Names Registered - Alterations and Amendments

(The name in parentheses is that of the subsequent applicant)

- 319942 (**TIER TOYS LIMITED)** 3d Funtimes Limited

Certificate(s) of Examination

Examination of the following Design Registration(s) has been completed. Infringement proceedings may now be commenced.

310727	25-01NES	09/11/2012
317822	07-06A	16/11/2012
333367	25-02C	12/11/2012
341552	23-02B	16/11/2012
342126	28-01	14/11/2012
342286	10-05	06/11/2012
342838	07-01C	08/11/2012
343497	24-01	13/11/2012
343590	09-09	12/11/2012
343633	24-01	08/11/2012
343910	19-06	14/11/2012
343953	24-01	08/11/2012
343981	12-16NES	19/11/2012
344301	06-04NES	19/11/2012
344302	06-04NES	19/11/2012
344491	13-02	14/11/2012
344492	13-02	14/11/2012
344530	29-02	13/11/2012
344544	25-02B	13/11/2012
344545	25-02B	13/11/2012
344546	25-02B	13/11/2012
344547	25-02B	13/11/2012
344640	12-09	13/11/2012
344715	27-99	13/11/2012
344910	06-01F	15/11/2012
344911	06-01F	14/11/2012
344930	06-09	14/11/2012
344936	08-01	06/11/2012
345130	12-06NES	07/11/2012

Publication and Registration Proceedings

Designs Registered

This section provides a concordance between design number and registration number of Designs covered in this journal. It also shows the main class and registration date.

This section covers Registration numbers 345372 to 345618 .

The registration number shown below should be used in all future correspondence.

Design Number	Registration Number	International Classification Code (IDC)	Registration Date	Design Number	Registration Number	International Classification Code (IDC)	Registration Date
11383/2012	345588	12-05	16/11/2012	14156/2012	345491	06-03A	13/11/2012
11499/2012	345420	07-07B	08/11/2012	14157/2012	345492	06-03A	13/11/2012
11738/2012	345421	07-05E	08/11/2012	14158/2012	345493	06-01G	13/11/2012
11801/2012	345589	06-01NES	16/11/2012	14159/2012	345494	06-01G	13/11/2012
11802/2012	345590	06-01E	16/11/2012	14160/2012	345495	06-01G	13/11/2012
11803/2012	345591	06-01NES	16/11/2012	14161/2012	345496	06-01H	13/11/2012
11869/2012	345461	23-01A	12/11/2012	14171/2012	345464	12-12	12/11/2012
11870/2012	345462	23-01A	12/11/2012	14172/2012	345595	08-08G	16/11/2012
11871/2012	345463	23-01A	12/11/2012	14195/2012	345596	19-06	16/11/2012
12010/2012	345547	08-03	15/11/2012	14216/2012	345565	25-01K	16/11/2012
12138/2012	345398	08-06	07/11/2012	14339/2012	345502	24-02	13/11/2012
12282/2012	345548	08-08NES	15/11/2012	14340/2012	345503	14-99	13/11/2012
12483/2012	345563	07-01B	16/11/2012	14426/2012	345425	20-03NES	08/11/2012
12484/2012	345564	07-01B	16/11/2012	14427/2012	345426	20-03NES	08/11/2012
12570/2012	345480	12-02	12/11/2012	14490/2012	345504	09-01NES	13/11/2012
13018/2012	345497	12-08	13/11/2012	14612/2012	345465	11-01C	12/11/2012
13021/2012	345498	26-06	13/11/2012	14697/2012	345466	26-03	12/11/2012
13022/2012	345499	12-16C	13/11/2012	14698/2012	345401	26-03	07/11/2012
13023/2012	345500	12-16E	13/11/2012	14784/2012	345505	08-06	13/11/2012
13024/2012	345501	12-16C	13/11/2012	14789/2012	345405	23-01A	07/11/2012
13252/2012	345592	13-03NES	16/11/2012	14840/2012	345506	13-03E	13/11/2012
13253/2012	345593	13-03NES	16/11/2012	14898/2012	345507	02-03	13/11/2012
13361/2012	345594	08-05H	16/11/2012	14918/2012	345508	14-02	13/11/2012
13979/2012	345422	25-01B	08/11/2012	14945/2012	345549	02-05	15/11/2012
14032/2012	345423	08-10	08/11/2012	14947/2012	345403	08-09	07/11/2012
14046/2012	345399	09-01G	07/11/2012	14948/2012	345404	08-09	07/11/2012
14047/2012	345400	09-07C	07/11/2012	15003/2012	345468	09-01H	12/11/2012
14049/2012	345424	07-01D	08/11/2012	15004/2012	345469	09-01H	12/11/2012
14101/2012	345376	09-05	06/11/2012	15005/2012	345388	13-02	06/11/2012
14102/2012	345377	09-05	06/11/2012	15007/2012	345509	26-05B	13/11/2012
14103/2012	345378	09-05	06/11/2012	15036/2012	345372	10-05	06/11/2012
14104/2012	345379	09-05	06/11/2012	15049/2012	345470	29-02	12/11/2012
14105/2012	345380	09-05	06/11/2012	15064/2012	345373	08-08L	06/11/2012
14106/2012	345381	09-05	06/11/2012	15067/2012	345374	08-08L	06/11/2012
14107/2012	345382	09-05	06/11/2012	15068/2012	345375	08-08L	06/11/2012
14108/2012	345383	09-05	06/11/2012	15070/2012	345389	15-99	06/11/2012
14109/2012	345384	09-05	06/11/2012	15073/2012	345390	26-05B	06/11/2012
14110/2012	345385	09-05	06/11/2012	15074/2012	345391	26-05B	06/11/2012
14111/2012	345386	09-05	06/11/2012	15075/2012	345392	26-05B	06/11/2012
14112/2012	345387	09-05	06/11/2012	15091/2012	345406	24-04	07/11/2012
14146/2012	345481	06-01H	13/11/2012	15096/2012	345407	12-11	07/11/2012
14147/2012	345482	06-01F	13/11/2012	15097/2012	345408	21-01C	07/11/2012
14148/2012	345483	06-03B	13/11/2012	15098/2012	345409	21-01C	07/11/2012
14149/2012	345484	06-01H	13/11/2012	15102/2012	345410	09-07C	07/11/2012
14150/2012	345485	06-01F	13/11/2012	15108/2012	345393	20-03NES	07/11/2012
14151/2012	345486	06-01H	13/11/2012	15109/2012	345394	20-03NES	07/11/2012
14152/2012	345487	06-01F	13/11/2012	15110/2012	345467	09-01H	12/11/2012
14153/2012	345488	06-01F	13/11/2012	15112/2012	345471	09-01H	12/11/2012
14154/2012	345489	06-01F	13/11/2012	15114/2012	345395	23-04	07/11/2012
14155/2012	345490	06-01E	13/11/2012	15115/2012	345396	23-04	07/11/2012

Publication and Registration Proceedings - Designs Registered cont'd

Design Number	Registration Number	International Classification Code (IDC)	Registration Date	Design Number	Registration Number	International Classification Code (IDC)	Registration Date
15116/2012	345397	16-01	07/11/2012	15220/2012	345459	06-10	12/11/2012
15125/2012	345416	24-04	08/11/2012	15221/2012	345460	12-16C	12/11/2012
15126/2012	345417	16-06	08/11/2012	15222/2012	345511	12-16NES	13/11/2012
15128/2012	345418	06-01G	08/11/2012	15224/2012	345609	28-03NES	19/11/2012
15129/2012	345419	06-03A	08/11/2012	15225/2012	345512	12-11	13/11/2012
15130/2012	345608	02-02B	19/11/2012	15250/2012	345513	06-01NES	14/11/2012
15133/2012	345411	03-99	08/11/2012	15254/2012	345514	24-02	14/11/2012
15134/2012	345412	03-99	08/11/2012	15255/2012	345515	24-02	14/11/2012
15135/2012	345413	03-99	08/11/2012	15261/2012	345516	14-03B	14/11/2012
15136/2012	345414	03-99	08/11/2012	15262/2012	345517	09-01NES	14/11/2012
15137/2012	345566	24-01	16/11/2012	15263/2012	345528	09-01NES	14/11/2012
15139/2012	345415	25-01A	08/11/2012	15264/2012	345529	09-01NES	14/11/2012
15147/2012	345437	09-01A	09/11/2012	15265/2012	345530	09-01NES	14/11/2012
15148/2012	345438	09-01A	09/11/2012	15266/2012	345531	09-01NES	14/11/2012
15149/2012	345439	09-01A	09/11/2012	15267/2012	345518	09-07A	14/11/2012
15150/2012	345440	09-01A	09/11/2012	15268/2012	345519	09-01NES	14/11/2012
15151/2012	345441	15-07	09/11/2012	15269/2012	345551	09-07A	15/11/2012
15152/2012	345442	15-07	09/11/2012	15272/2012	345610	03-01NES	19/11/2012
15154/2012	345443	23-01H	09/11/2012	15275/2012	345532	11-02B	14/11/2012
15155/2012	345444	09-03L	09/11/2012	15276/2012	345533	11-02B	14/11/2012
15156/2012	345550	02-04B	15/11/2012	15277/2012	345534	11-02B	14/11/2012
15157/2012	345445	07-07A	09/11/2012	15278/2012	345535	11-02B	14/11/2012
15158/2012	345510	15-09	13/11/2012	15283/2012	345552	07-07A	15/11/2012
15160/2012	345446	03-01D	09/11/2012	15284/2012	345520	14-02	14/11/2012
15161/2012	345447	03-01D	09/11/2012	15285/2012	345521	14-02	14/11/2012
15162/2012	345448	03-01D	09/11/2012	15286/2012	345553	14-02	15/11/2012
15163/2012	345449	14-02	09/11/2012	15287/2012	345554	14-02	15/11/2012
15164/2012	345450	02-07B	09/11/2012	15288/2012	345555	14-02	15/11/2012
15165/2012	345451	07-02N	09/11/2012	15289/2012	345556	14-02	15/11/2012
15169/2012	345452	26-05E	09/11/2012	15290/2012	345522	14-02	14/11/2012
15176/2012	345427	25-01D	09/11/2012	15291/2012	345523	14-02	14/11/2012
15177/2012	345428	25-01D	09/11/2012	15292/2012	345524	14-02	14/11/2012
15178/2012	345429	25-01D	09/11/2012	15293/2012	345525	14-02	14/11/2012
15179/2012	345430	25-01D	09/11/2012	15294/2012	345526	14-02	14/11/2012
15180/2012	345431	25-01D	09/11/2012	15295/2012	345527	14-02	14/11/2012
15181/2012	345432	25-01D	09/11/2012	15296/2012	345557	14-02	15/11/2012
15182/2012	345433	25-01D	09/11/2012	15297/2012	345558	15-02	15/11/2012
15183/2012	345434	25-01D	09/11/2012	15300/2012	345559	09-01NES	15/11/2012
15184/2012	345435	25-01D	09/11/2012	15301/2012	345560	09-01NES	15/11/2012
15185/2012	345436	25-01D	09/11/2012	15302/2012	345561	09-01K	15/11/2012
15186/2012	345597	15-09	16/11/2012	15303/2012	345536	09-01K	15/11/2012
15197/2012	345472	31-00	12/11/2012	15304/2012	345537	09-01K	15/11/2012
15198/2012	345473	09-01K	12/11/2012	15305/2012	345538	09-07A	15/11/2012
15199/2012	345474	09-01K	12/11/2012	15306/2012	345539	21-01E	15/11/2012
15200/2012	345475	09-01K	12/11/2012	15307/2012	345540	12-16C	15/11/2012
15201/2012	345476	09-01K	12/11/2012	15308/2012	345541	13-03C	15/11/2012
15202/2012	345477	09-01K	12/11/2012	15309/2012	345542	24-04	15/11/2012
15203/2012	345478	09-01K	12/11/2012	15310/2012	345543	24-04	15/11/2012
15204/2012	345479	09-01K	12/11/2012	15312/2012	345544	25-01F	15/11/2012
15205/2012	345453	09-01K	12/11/2012	15313/2012	345545	30-08	15/11/2012
15212/2012	345454	10-02	12/11/2012	15314/2012	345546	30-08	15/11/2012
15213/2012	345455	10-02	12/11/2012	15315/2012	345611	21-01B	19/11/2012
15214/2012	345456	10-02	12/11/2012	15330/2012	345575	23-01C	16/11/2012
15215/2012	345457	10-02	12/11/2012	15331/2012	345576	23-01C	16/11/2012
15219/2012	345458	15-05	12/11/2012	15332/2012	345577	23-01C	16/11/2012

Publication and Registration Proceedings - Designs Registered cont'd

Design Number	Registration Number	International Classification Code (IDC)	Registration Date	Design Number	Registration Number	International Classification Code (IDC)	Registration Date
15333/2012	345578	23-01C	16/11/2012	15364/2012	345614	12-15A	19/11/2012
15335/2012	345579	02-02C	16/11/2012	15365/2012	345615	13-03NES	19/11/2012
15336/2012	345580	26-02	16/11/2012	15366/2012	345616	25-01K	19/11/2012
15338/2012	345581	25-03	16/11/2012	15372/2012	345617	10-04	19/11/2012
15343/2012	345582	06-05	16/11/2012	15374/2012	345618	09-01NES	19/11/2012
15344/2012	345583	09-01G	16/11/2012	15375/2012	345598	09-01NES	19/11/2012
15345/2012	345584	09-01G	16/11/2012	15376/2012	345599	09-01G	19/11/2012
15346/2012	345585	09-01G	16/11/2012	15377/2012	345600	09-01G	19/11/2012
15347/2012	345586	09-01G	16/11/2012	15378/2012	345601	09-01G	19/11/2012
15348/2012	345587	09-01G	16/11/2012	15379/2012	345602	09-01G	19/11/2012
15349/2012	345567	09-01G	16/11/2012	15383/2012	345603	25-02G	19/11/2012
15350/2012	345568	09-01G	16/11/2012	15384/2012	345604	14-03A	19/11/2012
15351/2012	345569	09-01G	16/11/2012	15385/2012	345605	06-01H	19/11/2012
15352/2012	345570	09-01G	16/11/2012	15386/2012	345606	08-08L	19/11/2012
15353/2012	345571	09-01G	16/11/2012	15388/2012	345607	08-08NES	19/11/2012
15355/2012	345572	23-04	16/11/2012	15488/2012	345402	26-03	07/11/2012
15356/2012	345573	06-01E	16/11/2012	15520/2012	345562	02-04B	15/11/2012
15359/2012	345574	21-02E	16/11/2012				
15362/2012	345612	26-03	19/11/2012				
15363/2012	345613	26-03	19/11/2012				

Publication and Registration Proceedings

Class Listing of Designs Published or Registered

The following section shows an International Classification Code listing of the Registered or Published Designs covered in this supplement.

Classification	Registration Number	Design Number	Classification	Registration Number	Design Number
02-02B	345608	15130/2012	07-07A	345552	15283/2012
02-02C	345579	15335/2012	07-07B	345420	11499/2012
02-03	345507	14898/2012	08-03	345547	12010/2012
02-04B	345550	15156/2012	08-05H	345594	13361/2012
02-04B	345562	15520/2012	08-06	345398	12138/2012
02-05	345549	14945/2012	08-06	345505	14784/2012
02-07B	345450	15164/2012	08-08G	345595	14172/2012
03-01D	345446	15160/2012	08-08L	345373	15064/2012
03-01D	345447	15161/2012	08-08L	345374	15067/2012
03-01D	345448	15162/2012	08-08L	345375	15068/2012
03-01NES	345610	15272/2012	08-08L	345606	15386/2012
03-99	345411	15133/2012	08-08NES	345373	15064/2012
03-99	345412	15134/2012	08-08NES	345374	15067/2012
03-99	345413	15135/2012	08-08NES	345375	15068/2012
03-99	345414	15136/2012	08-08NES	345548	12282/2012
06-01E	345490	14155/2012	08-08NES	345607	15388/2012
06-01E	345573	15356/2012	08-08O	345470	15049/2012
06-01E	345590	11802/2012	08-09	345403	14947/2012
06-01F	345482	14147/2012	08-09	345404	14948/2012
06-01F	345485	14150/2012	08-10	345423	14032/2012
06-01F	345487	14152/2012	09-01A	345437	15147/2012
06-01F	345488	14153/2012	09-01A	345438	15148/2012
06-01F	345489	14154/2012	09-01A	345439	15149/2012
06-01G	345418	15128/2012	09-01A	345440	15150/2012
06-01G	345493	14158/2012	09-01G	345399	14046/2012
06-01G	345494	14159/2012	09-01G	345567	15349/2012
06-01G	345495	14160/2012	09-01G	345568	15350/2012
06-01H	345481	14146/2012	09-01G	345569	15351/2012
06-01H	345484	14149/2012	09-01G	345570	15352/2012
06-01H	345486	14151/2012	09-01G	345571	15353/2012
06-01H	345496	14161/2012	09-01G	345583	15344/2012
06-01H	345605	15385/2012	09-01G	345584	15345/2012
06-01NES	345513	15250/2012	09-01G	345585	15346/2012
06-01NES	345589	11801/2012	09-01G	345586	15347/2012
06-01NES	345591	11803/2012	09-01G	345587	15348/2012
06-03A	345419	15129/2012	09-01G	345599	15376/2012
06-03A	345491	14156/2012	09-01G	345600	15377/2012
06-03A	345492	14157/2012	09-01G	345601	15378/2012
06-03A	345589	11801/2012	09-01G	345602	15379/2012
06-03A	345590	11802/2012	09-01H	345467	15110/2012
06-03A	345591	11803/2012	09-01H	345468	15003/2012
06-03B	345483	14148/2012	09-01H	345469	15004/2012
06-05	345492	14157/2012	09-01H	345471	15112/2012
06-05	345582	15343/2012	09-01K	345453	15205/2012
06-06H	345418	15128/2012	09-01K	345473	15198/2012
06-10	345459	15220/2012	09-01K	345474	15199/2012
07-01B	345563	12483/2012	09-01K	345475	15200/2012
07-01B	345564	12484/2012	09-01K	345476	15201/2012
07-01D	345424	14049/2012	09-01K	345477	15202/2012
07-02N	345451	15165/2012	09-01K	345478	15203/2012
07-05E	345421	11738/2012	09-01K	345479	15204/2012
07-06D	345417	15126/2012	09-01K	345536	15303/2012
07-07A	345445	15157/2012	09-01K	345537	15304/2012

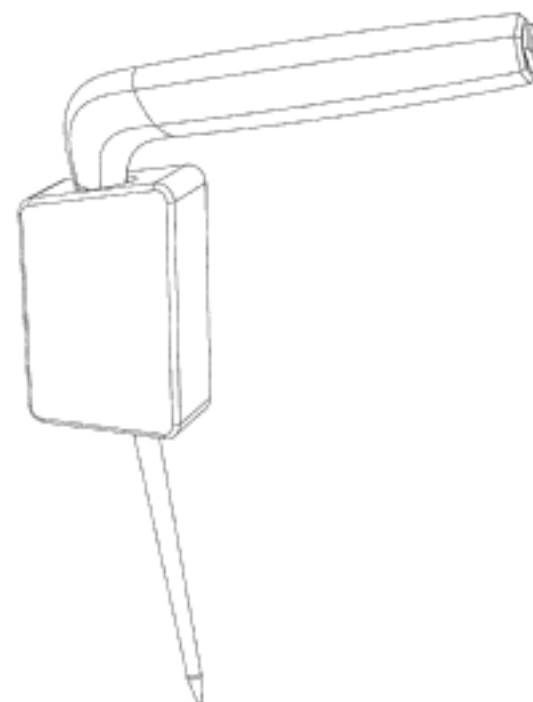
Registration Proceedings - Class Listing of Designs Published or Registered cont'd

Classification	Registration Number	Design Number	Classification	Registration Number	Design Number
09-01K	345561	15302/2012	12-16E	345500	13023/2012
09-01NES	345406	15091/2012	12-16NES	345511	15222/2012
09-01NES	345504	14490/2012	13-02	345388	15005/2012
09-01NES	345517	15262/2012	13-03C	345541	15308/2012
09-01NES	345519	15268/2012	13-03C	345606	15386/2012
09-01NES	345528	15263/2012	13-03E	345506	14840/2012
09-01NES	345529	15264/2012	13-03NES	345592	13252/2012
09-01NES	345530	15265/2012	13-03NES	345593	13253/2012
09-01NES	345531	15266/2012	13-03NES	345615	15365/2012
09-01NES	345559	15300/2012	13-99	345548	12282/2012
09-01NES	345560	15301/2012	14-02	345449	15163/2012
09-01NES	345598	15375/2012	14-02	345508	14918/2012
09-01NES	345618	15374/2012	14-02	345520	15284/2012
09-03L	345444	15155/2012	14-02	345521	15285/2012
09-05	345376	14101/2012	14-02	345522	15290/2012
09-05	345377	14102/2012	14-02	345523	15291/2012
09-05	345378	14103/2012	14-02	345524	15292/2012
09-05	345379	14104/2012	14-02	345525	15293/2012
09-05	345380	14105/2012	14-02	345526	15294/2012
09-05	345381	14106/2012	14-02	345527	15295/2012
09-05	345382	14107/2012	14-02	345553	15286/2012
09-05	345383	14108/2012	14-02	345554	15287/2012
09-05	345384	14109/2012	14-02	345555	15288/2012
09-05	345385	14110/2012	14-02	345556	15289/2012
09-05	345386	14111/2012	14-02	345557	15296/2012
09-05	345387	14112/2012	14-03A	345604	15384/2012
09-07A	345518	15267/2012	14-03B	345516	15261/2012
09-07A	345538	15305/2012	14-99	345503	14340/2012
09-07A	345551	15269/2012	15-02	345558	15297/2012
09-07C	345400	14047/2012	15-05	345458	15219/2012
09-07C	345410	15102/2012	15-07	345441	15151/2012
10-02	345454	15212/2012	15-07	345442	15152/2012
10-02	345455	15213/2012	15-09	345510	15158/2012
10-02	345456	15214/2012	15-09	345597	15186/2012
10-02	345457	15215/2012	15-99	345389	15070/2012
10-04	345617	15372/2012	15-99	345510	15158/2012
10-05	345372	15036/2012	15-99	345597	15186/2012
11-01C	345465	14612/2012	16-01	345397	15116/2012
11-02B	345532	15275/2012	16-06	345417	15126/2012
11-02B	345533	15276/2012	19-06	345596	14195/2012
11-02B	345534	15277/2012	20-02NES	345393	15108/2012
11-02B	345535	15278/2012	20-02NES	345394	15109/2012
11-02F	345611	15315/2012	20-03NES	345393	15108/2012
12-02	345480	12570/2012	20-03NES	345394	15109/2012
12-05	345588	11383/2012	20-03NES	345425	14426/2012
12-08	345497	13018/2012	20-03NES	345426	14427/2012
12-11	345407	15096/2012	21-01B	345611	15315/2012
12-11	345512	15225/2012	21-01C	345408	15097/2012
12-12	345464	14171/2012	21-01C	345409	15098/2012
12-13	345512	15225/2012	21-01E	345539	15306/2012
12-15A	345614	15364/2012	21-02E	345574	15359/2012
12-16C	345460	15221/2012	23-01A	345405	14789/2012
12-16C	345499	13022/2012	23-01A	345461	11869/2012
12-16C	345501	13024/2012	23-01A	345462	11870/2012
12-16C	345540	15307/2012	23-01A	345463	11871/2012
12-16E	345498	13021/2012	23-01C	345575	15330/2012

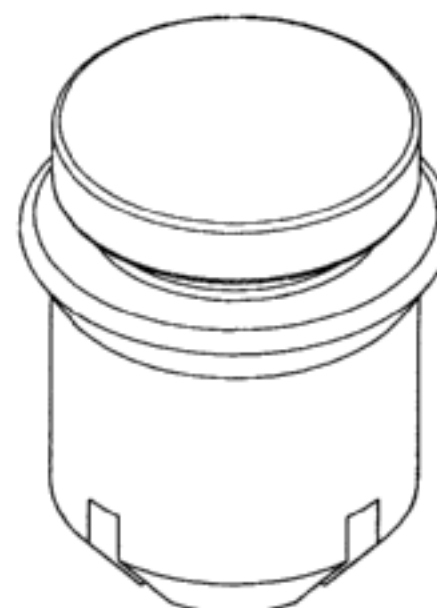
Registration Proceedings - Class Listing of Designs Published or Registered cont'd

Classification	Registration Number	Design Number	Classification	Registration Number	Design Number
23-01C	345576	15331/2012	25-01F	345544	15312/2012
23-01C	345577	15332/2012	25-01K	345565	14216/2012
23-01C	345578	15333/2012	25-01K	345616	15366/2012
23-01H	345443	15154/2012	25-02G	345603	15383/2012
23-04	345395	15114/2012	25-03	345581	15338/2012
23-04	345396	15115/2012	26-02	345580	15336/2012
23-04	345572	15355/2012	26-03	345401	14698/2012
24-01	345566	15137/2012	26-03	345402	15488/2012
24-02	345502	14339/2012	26-03	345466	14697/2012
24-02	345514	15254/2012	26-03	345612	15362/2012
24-02	345515	15255/2012	26-03	345613	15363/2012
24-04	345406	15091/2012	26-04	345395	15114/2012
24-04	345416	15125/2012	26-04	345396	15115/2012
24-04	345542	15309/2012	26-05B	345390	15073/2012
24-04	345543	15310/2012	26-05B	345391	15074/2012
25-01A	345415	15139/2012	26-05B	345392	15075/2012
25-01B	345422	13979/2012	26-05B	345509	15007/2012
25-01D	345427	15176/2012	26-05E	345452	15169/2012
25-01D	345428	15177/2012	26-06	345498	13021/2012
25-01D	345429	15178/2012	26-06	345500	13023/2012
25-01D	345430	15179/2012	28-03NES	345609	15224/2012
25-01D	345431	15180/2012	29-02	345470	15049/2012
25-01D	345432	15181/2012	30-08	345545	15313/2012
25-01D	345433	15182/2012	30-08	345546	15314/2012
25-01D	345434	15183/2012	31-00	345472	15197/2012
25-01D	345435	15184/2012			
25-01D	345436	15185/2012			

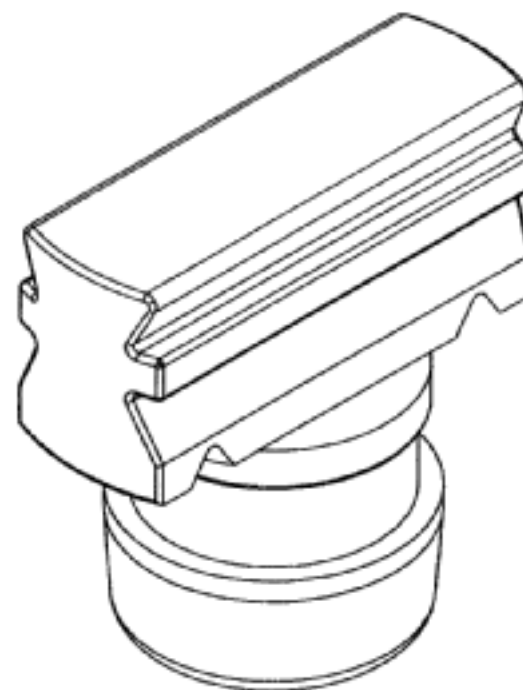
(21) Design Number: **15036/2012**
(22) Date of Filing Application: **11 October 2012**
(24) Date from which industrial property rights may have effect: **11 October 2012**
(54) Product in respect of which the design is registered: **A food probe**
(51) International Design Classification: **10-05**
(74) Name(s) of Attorney(s): **Halfords IP**
(71) Name(s) and Address(s) of Applicant(s):
Electrolux Professional S.p.A.
Viale Treviso 15 33170 - Pordenone Italy
(72) Name(s) of Designer(s): **Joachim Nordwall**
(45) Registration Date: **06 November 2012**
(30) Convention priority data:
(31) Number (32) Date (33) Country
001323661 13 Apr 2012 EUROPEAN COMMUNITY
(56) Related Art Documents: **Not Applicable**
(57) Statement of Newness and Distinctiveness: **Newness and distinctiveness is claimed in those features of shape and or configuration of a food probe as depicted in the representations.**



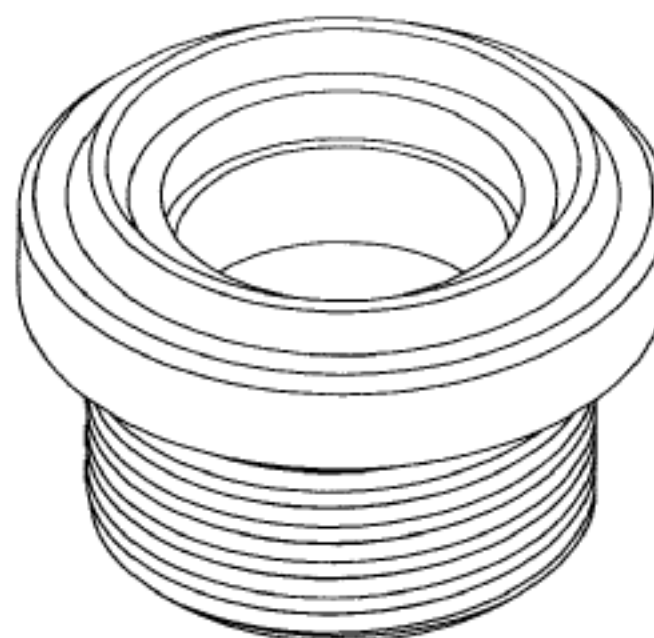
(21) Design Number: **15064/2012**
(22) Date of Filing Application: **12 October 2012**
(24) Date from which industrial property rights may have effect: **12 October 2012**
(54) Product in respect of which the design is registered: **Panel fixing adaptor**
(51) International Design Classification: **08-08L, 08-08NES**
(74) Name(s) of Attorney(s): **FB Rice**
(71) Name(s) and Address(s) of Applicant(s):
Locker Group Pty Ltd
2 Cojo PI Dandenong South VIC 3175 Australia
(72) Name(s) of Designer(s): **Jeff Zubovich and Ron Domitrovic**
(45) Registration Date: **06 November 2012**
(56) Related Art Documents: **Not Applicable**
(57) Statement of Newness and Distinctiveness: **Newness and distinctiveness reside in the features of the design as shown in the representations.**



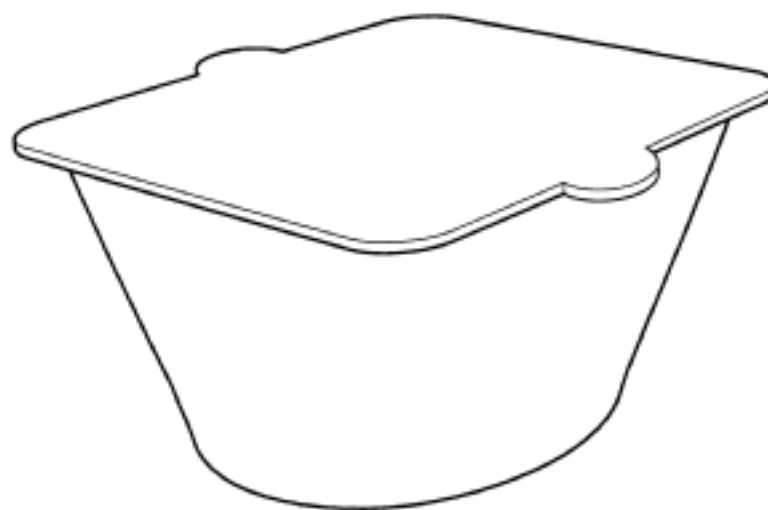
(21) Design Number: **15067/2012**
(22) Date of Filing Application: **12 October 2012**
(24) Date from which industrial property rights may have effect: **12 October 2012**
(54) Product in respect of which the design is registered: **Panel fixing snap adaptor**
(51) International Design Classification: **08-08L, 08-08NES**
(74) Name(s) of Attorney(s): **FB Rice**
(71) Name(s) and Address(s) of Applicant(s):
Locker Group Pty Ltd
2 Cojo PI Dandenong South VIC 3175 Australia
(72) Name(s) of Designer(s): **Jeff Zubovich**
(45) Registration Date: **06 November 2012**
(56) Related Art Documents: **Not Applicable**
(57) Statement of Newness and Distinctiveness: **Newness and distinctiveness reside in the features of the design as shown in the representations.**



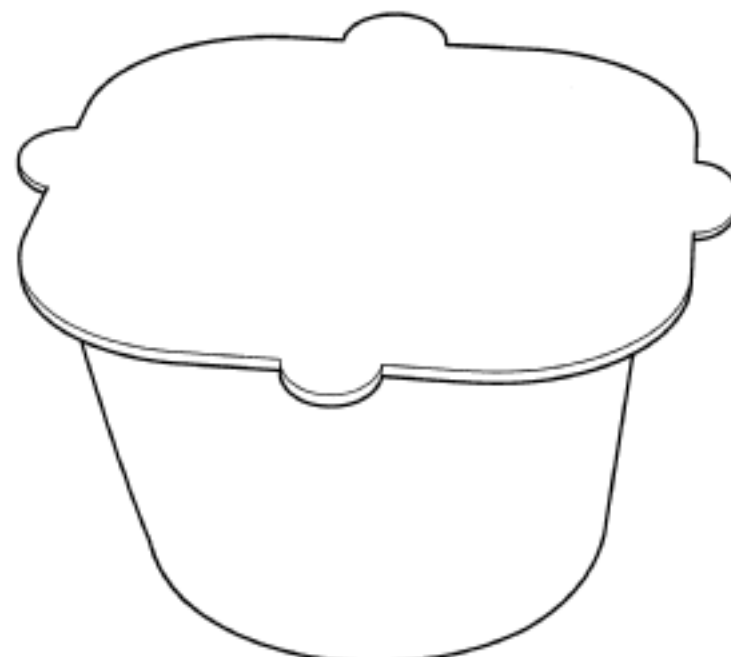
(21) Design Number: **15068/2012**
(22) Date of Filing Application: **12 October 2012**
(24) Date from which industrial property rights may have effect: **12 October 2012**
(54) Product in respect of which the design is registered: **Panel fixing adaptor insert**
(51) International Design Classification: **08-08L, 08-08NES**
(74) Name(s) of Attorney(s): **FB Rice**
(71) Name(s) and Address(s) of Applicant(s):
Locker Group Pty Ltd
2 Cojo PI Dandenong South VIC 3175 Australia
(72) Name(s) of Designer(s): **Jeff Zubovich**
(45) Registration Date: **06 November 2012**
(56) Related Art Documents: **Not Applicable**
(57) Statement of Newness and Distinctiveness: **Newness and distinctiveness reside in the features of the design as shown in the representations.**



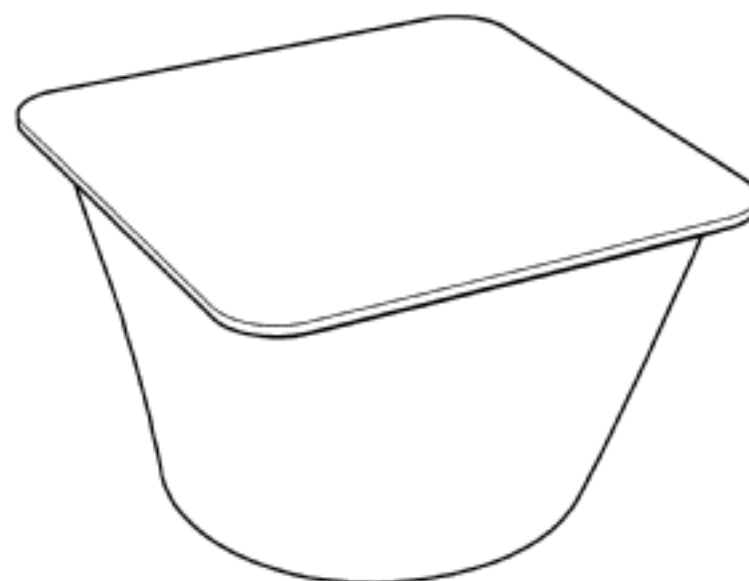
(21) Design Number: **14101/2012**
(22) Date of Filing Application: **21 August 2012**
(24) Date from which industrial property rights may have effect: **21 August 2012**
(54) Product in respect of which the design is registered: **Capsule**
(51) International Design Classification: **09-05**
(74) Name(s) of Attorney(s): **FB Rice**
(71) Name(s) and Address(s) of Applicant(s):
Koninklijke Philips Electronics N.V.
Groenewoudseweg 1 5621 BA Eindhoven The Netherlands
(72) Name(s) of Designer(s): **Dario De Pra**
(45) Registration Date: **06 November 2012**
(30) Convention priority data:
(31) Number (32) Date (33) Country
001995598-0005 21 Feb 2012 EUROPEAN COMMUNITY
(56) Related Art Documents: **Not Applicable**
(57) Statement of Newness and Distinctiveness: **Newness and distinctiveness reside in the features of shape and configuration as shown in the representations.**



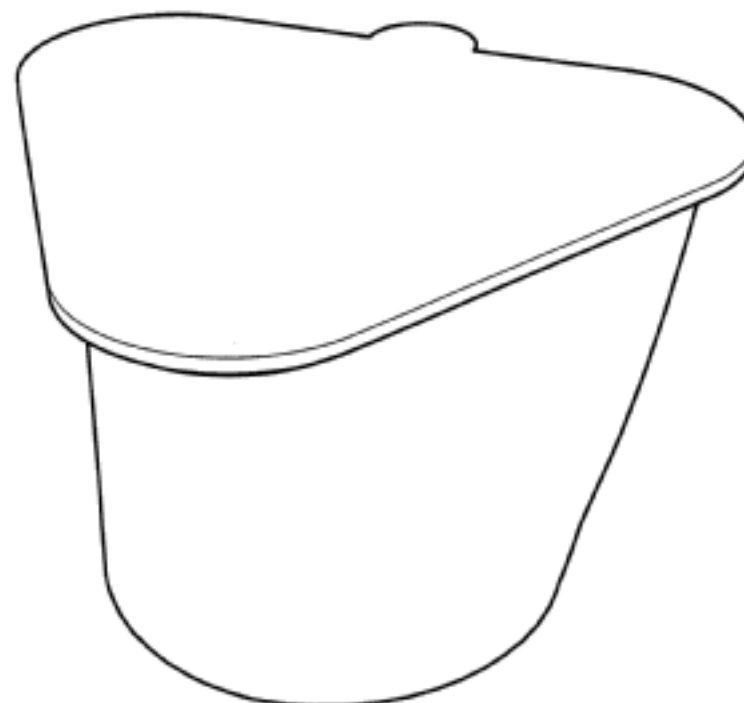
(21) Design Number: **14102/2012**
(22) Date of Filing Application: **21 August 2012**
(24) Date from which industrial property rights may have effect: **21 August 2012**
(54) Product in respect of which the design is registered: **Capsule**
(51) International Design Classification: **09-05**
(74) Name(s) of Attorney(s): **FB Rice**
(71) Name(s) and Address(s) of Applicant(s):
Koninklijke Philips Electronics N.V.
Groenewoudseweg 1 5621 BA Eindhoven The Netherlands
(72) Name(s) of Designer(s): **Dario De Pra**
(45) Registration Date: **06 November 2012**
(30) Convention priority data:
(31) Number (32) Date (33) Country
001995598-0002 21 Feb 2012 EUROPEAN COMMUNITY
(56) Related Art Documents: **Not Applicable**
(57) Statement of Newness and Distinctiveness: **Newness and distinctiveness reside in the features of shape and configuration as shown in the representations.**



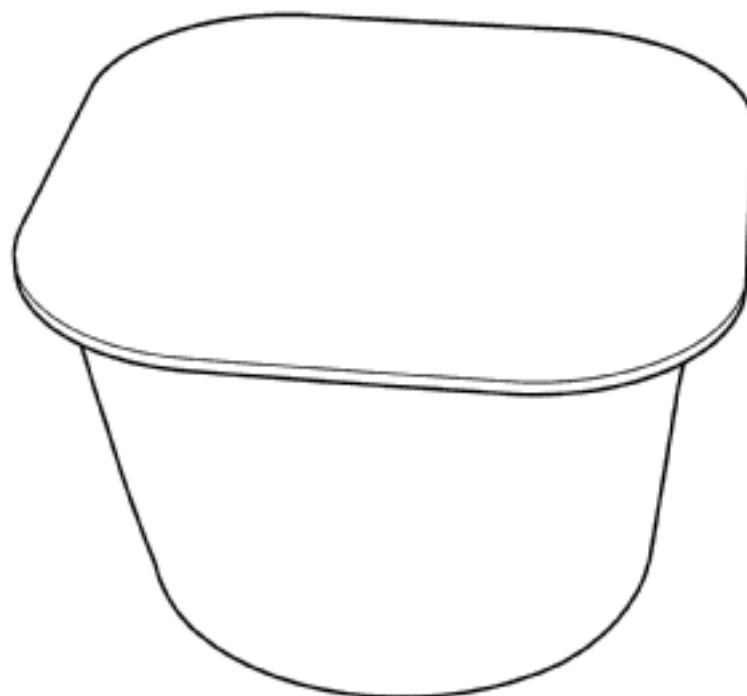
(21) Design Number: **14103/2012**
(22) Date of Filing Application: **21 August 2012**
(24) Date from which industrial property rights may have effect: **21 August 2012**
(54) Product in respect of which the design is registered: **Capsule**
(51) International Design Classification: **09-05**
(74) Name(s) of Attorney(s): **FB Rice**
(71) Name(s) and Address(s) of Applicant(s):
Koninklijke Philips Electronics N.V.
Groenewoudseweg 1 5621 BA Eindhoven The Netherlands
(72) Name(s) of Designer(s): **Dario De Pra**
(45) Registration Date: **06 November 2012**
(30) Convention priority data:
(31) Number (32) Date (33) Country
001995598-0004 21 Feb 2012 EUROPEAN COMMUNITY
(56) Related Art Documents: **Not Applicable**
(57) Statement of Newness and Distinctiveness: **Newness and distinctiveness reside in the features of shape and configuration as shown in the representations.**



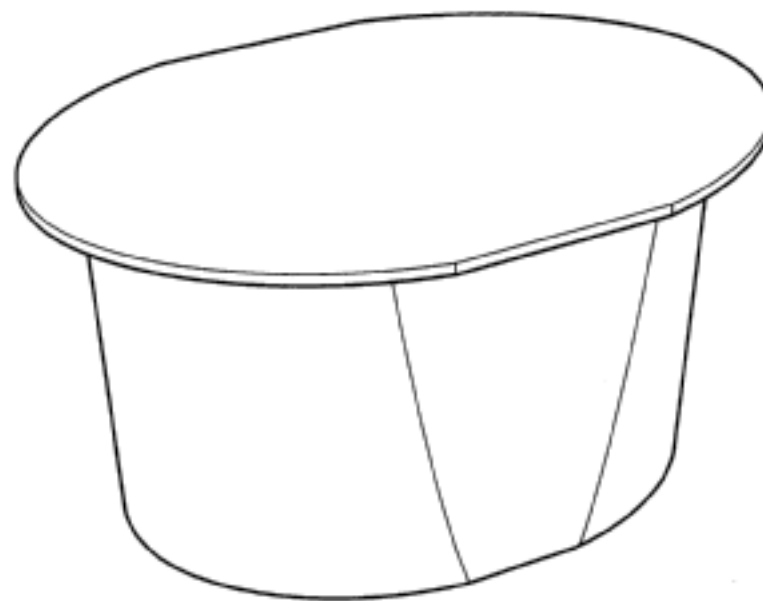
(21) Design Number: **14104/2012**
(22) Date of Filing Application: **21 August 2012**
(24) Date from which industrial property rights may have effect: **21 August 2012**
(54) Product in respect of which the design is registered: **Capsule**
(51) International Design Classification: **09-05**
(74) Name(s) of Attorney(s): **FB Rice**
(71) Name(s) and Address(s) of Applicant(s):
Koninklijke Philips Electronics N.V.
Groenewoudseweg 1 5621 BA Eindhoven The Netherlands
(72) Name(s) of Designer(s): **Dario De Pra**
(45) Registration Date: **06 November 2012**
(30) Convention priority data:
(31) Number (32) Date (33) Country
001995598-0003 21 Feb 2012 EUROPEAN COMMUNITY
(56) Related Art Documents: **Not Applicable**
(57) Statement of Newness and Distinctiveness: **Newness and distinctiveness reside in the features of shape and configuration as shown in the representations.**



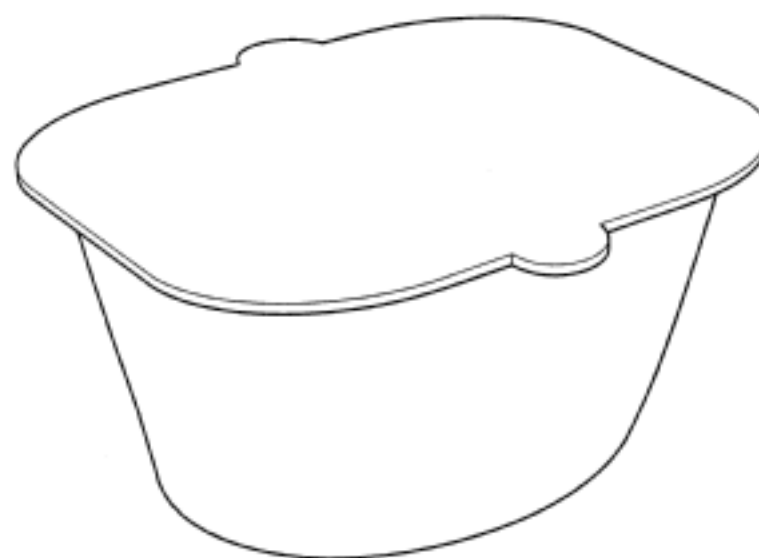
(21) Design Number: **14105/2012**
(22) Date of Filing Application: **21 August 2012**
(24) Date from which industrial property rights may have effect: **21 August 2012**
(54) Product in respect of which the design is registered: **Capsule**
(51) International Design Classification: **09-05**
(74) Name(s) of Attorney(s): **FB Rice**
(71) Name(s) and Address(s) of Applicant(s):
Koninklijke Philips Electronics N.V.
Groenewoudseweg 1 5621 BA Eindhoven The Netherlands
(72) Name(s) of Designer(s): **Dario De Pra**
(45) Registration Date: **06 November 2012**
(30) Convention priority data:
(31) Number (32) Date (33) Country
001995598-0001 21 Feb 2012 EUROPEAN COMMUNITY
(56) Related Art Documents: **Not Applicable**
(57) Statement of Newness and Distinctiveness: **Newness and distinctiveness reside in the features of shape and configuration as shown in the representations.**



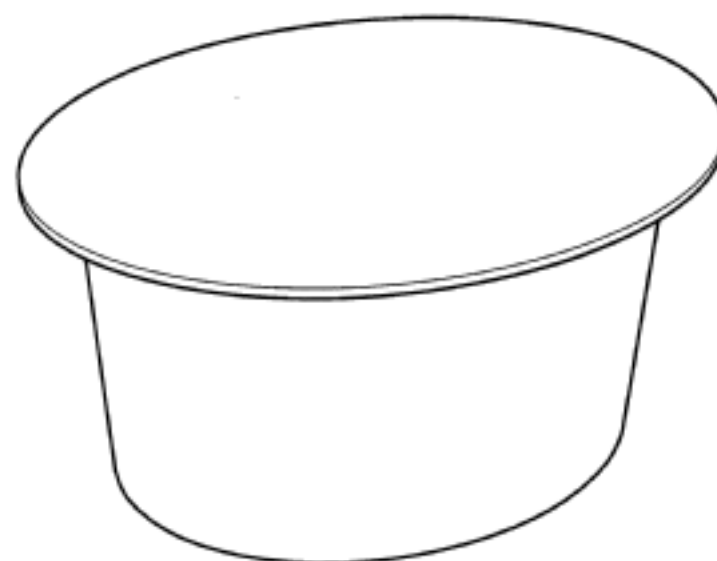
(21) Design Number: **14106/2012**
(22) Date of Filing Application: **21 August 2012**
(24) Date from which industrial property rights may have effect: **21 August 2012**
(54) Product in respect of which the design is registered: **Capsule**
(51) International Design Classification: **09-05**
(74) Name(s) of Attorney(s): **FB Rice**
(71) Name(s) and Address(s) of Applicant(s):
Koninklijke Philips Electronics N.V.
Groenewoudseweg 1 5621 BA Eindhoven The Netherlands
(72) Name(s) of Designer(s): **Dario De Pra**
(45) Registration Date: **06 November 2012**
(30) Convention priority data:
(31) Number (32) Date (33) Country
001995598-0006 21 Feb 2012 EUROPEAN COMMUNITY
(56) Related Art Documents: **Not Applicable**
(57) Statement of Newness and Distinctiveness: **Newness and distinctiveness reside in the features of shape and configuration as shown in the representations.**



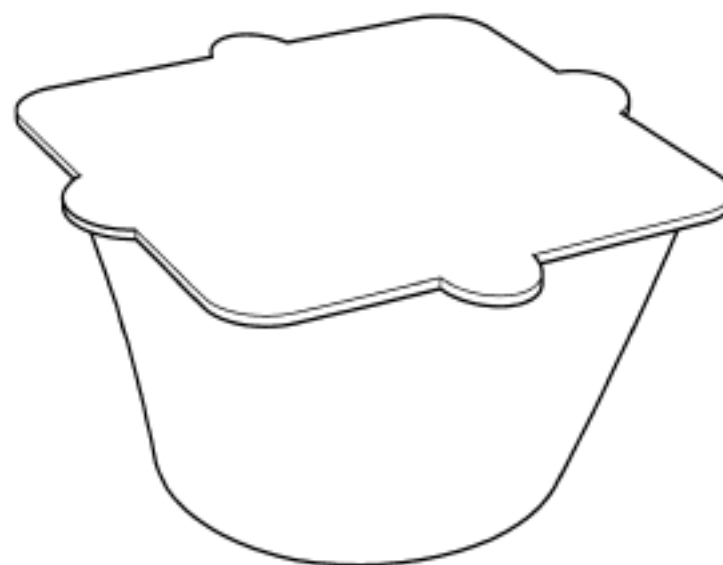
(21) Design Number: **14107/2012**
(22) Date of Filing Application: **21 August 2012**
(24) Date from which industrial property rights may have effect: **21 August 2012**
(54) Product in respect of which the design is registered: **Capsule**
(51) International Design Classification: **09-05**
(74) Name(s) of Attorney(s): **FB Rice**
(71) Name(s) and Address(s) of Applicant(s):
Koninklijke Philips Electronics N.V.
Groenewoudseweg 1 5621 BA Eindhoven The Netherlands
(72) Name(s) of Designer(s): **Dario De Pra**
(45) Registration Date: **06 November 2012**
(30) Convention priority data:
(31) Number (32) Date (33) Country
001995713-0003 21 Feb 2012 EUROPEAN COMMUNITY
(56) Related Art Documents: **Not Applicable**
(57) Statement of Newness and Distinctiveness: **Newness and distinctiveness reside in the features of shape and configuration as shown in the representations.**



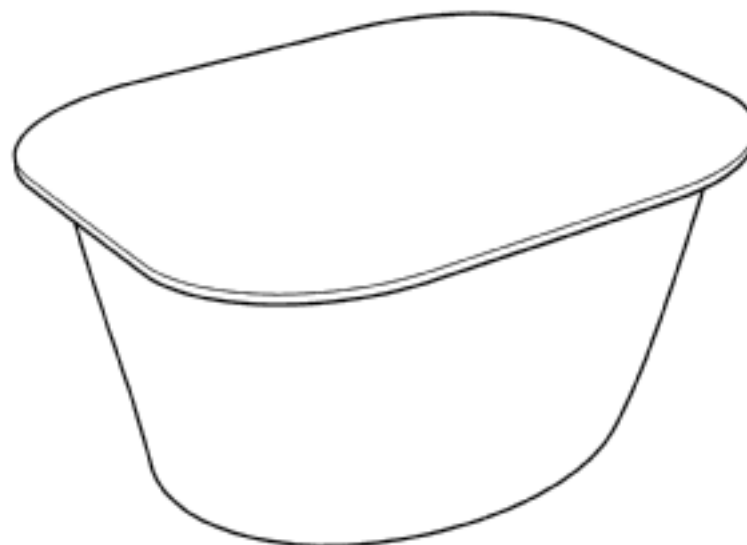
(21) Design Number: **14108/2012**
(22) Date of Filing Application: **21 August 2012**
(24) Date from which industrial property rights may have effect: **21 August 2012**
(54) Product in respect of which the design is registered: **Capsule**
(51) International Design Classification: **09-05**
(74) Name(s) of Attorney(s): **FB Rice**
(71) Name(s) and Address(s) of Applicant(s):
Koninklijke Philips Electronics N.V.
Groenewoudseweg 1 5621 BA Eindhoven The Netherlands
(72) Name(s) of Designer(s): **Dario De Pra**
(45) Registration Date: **06 November 2012**
(30) Convention priority data:
(31) Number (32) Date (33) Country
001995713-0002 21 Feb 2012 EUROPEAN COMMUNITY
(56) Related Art Documents: **Not Applicable**
(57) Statement of Newness and Distinctiveness: **Newness and distinctiveness reside in the features of shape and configuration as shown in the representations.**



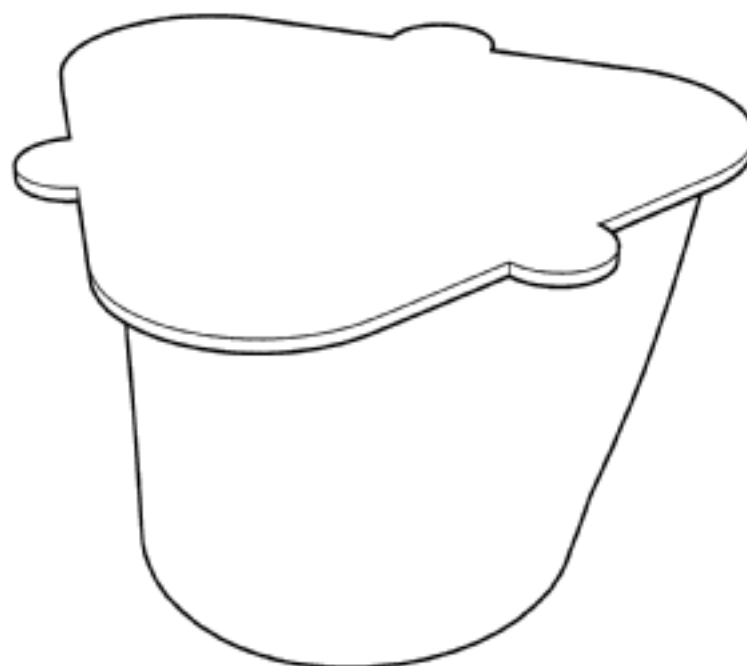
(21) Design Number: **14109/2012**
(22) Date of Filing Application: **21 August 2012**
(24) Date from which industrial property rights may have effect: **21 August 2012**
(54) Product in respect of which the design is registered: **Capsule**
(51) International Design Classification: **09-05**
(74) Name(s) of Attorney(s): **FB Rice**
(71) Name(s) and Address(s) of Applicant(s):
Koninklijke Philips Electronics N.V.
Groenewoudseweg 1 5621 BA Eindhoven The Netherlands
(72) Name(s) of Designer(s): **Dario De Pra**
(45) Registration Date: **06 November 2012**
(30) Convention priority data:
(31) Number (32) Date (33) Country
001995713-0001 21 Feb 2012 EUROPEAN COMMUNITY
(56) Related Art Documents: **Not Applicable**
(57) Statement of Newness and Distinctiveness: **Newness and distinctiveness reside in the features of shape and configuration as shown in the representations.**



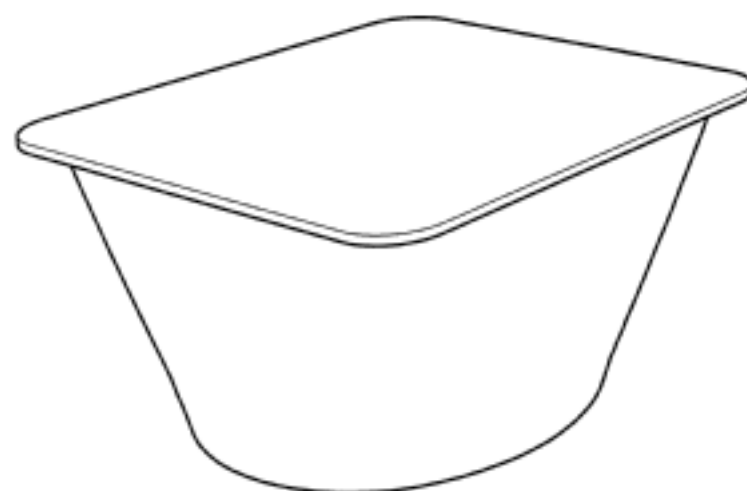
(21) Design Number: **14110/2012**
(22) Date of Filing Application: **21 August 2012**
(24) Date from which industrial property rights may have effect: **21 August 2012**
(54) Product in respect of which the design is registered: **Capsule**
(51) International Design Classification: **09-05**
(74) Name(s) of Attorney(s): **FB Rice**
(71) Name(s) and Address(s) of Applicant(s):
Koninklijke Philips Electronics N.V.
Groenewoudseweg 1 5621 BA Eindhoven The Netherlands
(72) Name(s) of Designer(s): **Dario De Pra**
(45) Registration Date: **06 November 2012**
(30) Convention priority data:
(31) Number (32) Date (33) Country
001995713-0004 21 Feb 2012 EUROPEAN COMMUNITY
(56) Related Art Documents: **Not Applicable**
(57) Statement of Newness and Distinctiveness: **Newness and distinctiveness reside in the features of shape and configuration as shown in the representations.**



(21) Design Number: **14111/2012**
(22) Date of Filing Application: **21 August 2012**
(24) Date from which industrial property rights may have effect: **21 August 2012**
(54) Product in respect of which the design is registered: **Capsule**
(51) International Design Classification: **09-05**
(74) Name(s) of Attorney(s): **FB Rice**
(71) Name(s) and Address(s) of Applicant(s):
Koninklijke Philips Electronics N.V.
Groenewoudseweg 1 5621 BA Eindhoven The Netherlands
(72) Name(s) of Designer(s): **Dario De Pra**
(45) Registration Date: **06 November 2012**
(30) Convention priority data:
(31) Number (32) Date (33) Country
001995713-0006 21 Feb 2012 EUROPEAN COMMUNITY
(56) Related Art Documents: **Not Applicable**
(57) Statement of Newness and Distinctiveness: **Newness and distinctiveness reside in the features of shape and configuration as shown in the representations.**



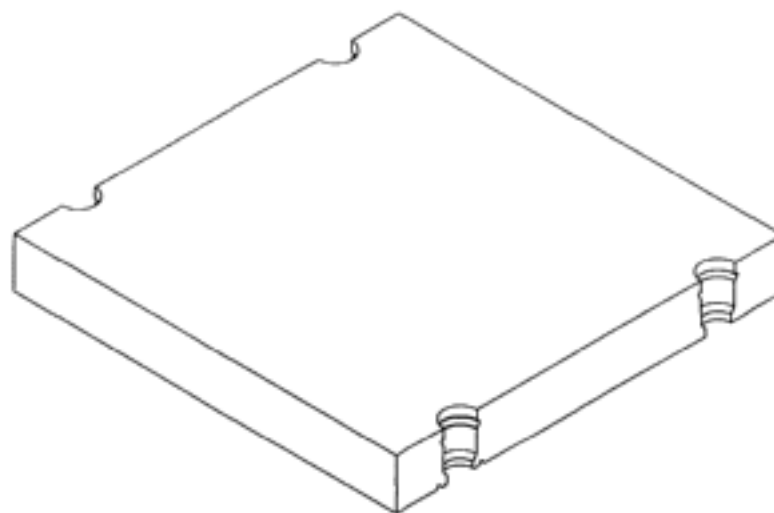
(21) Design Number: **14112/2012**
(22) Date of Filing Application: **21 August 2012**
(24) Date from which industrial property rights may have effect: **21 August 2012**
(54) Product in respect of which the design is registered: **Capsule**
(51) International Design Classification: **09-05**
(74) Name(s) of Attorney(s): **FB Rice**
(71) Name(s) and Address(s) of Applicant(s):
Koninklijke Philips Electronics N.V.
Groenewoudseweg 1 5621 BA Eindhoven The Netherlands
(72) Name(s) of Designer(s): **Dario De Pra**
(45) Registration Date: **06 November 2012**
(30) Convention priority data:
(31) Number (32) Date (33) Country
001995713-0005 21 Feb 2012 EUROPEAN COMMUNITY
(56) Related Art Documents: **Not Applicable**
(57) Statement of Newness and Distinctiveness: **Newness and distinctiveness reside in the features of shape and configuration as shown in the representations.**



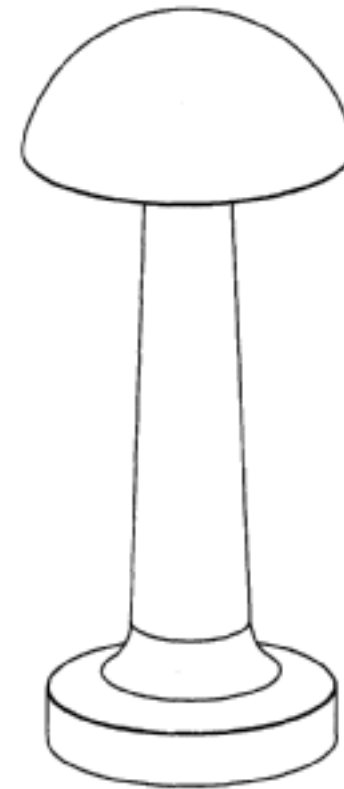
- (21) Design Number: **15005/2012**
(22) Date of Filing Application: **09 October 2012**
(24) Date from which industrial property rights may have effect: **09 October 2012**
(54) Product in respect of which the design is registered: **Charger**
(51) International Design Classification: **13-02**
(74) Name(s) of Attorney(s): **Halfords IP**
(71) Name(s) and Address(s) of Applicant(s):
Eveready Battery Company, Inc.
533 Maryville University Drive St Louis Missouri 63141 United States of America
(72) Name(s) of Designer(s): **Jonathan A. Fitch and David J. Hine and Donwoong Kang and David A. Furth**
(45) Registration Date: **06 November 2012**
(30) Convention priority data:
(31) Number (32) Date (33) Country
29/423205 30 May 2012 UNITED STATES OF AMERICA
(56) Related Art Documents: **Not Applicable**
(57) Statement of Newness and Distinctiveness: **Newness and distinctiveness is claimed in those features of shape and or configuration of a charger as depicted in the representations. Features shown in broken lines do not form part of the design.**



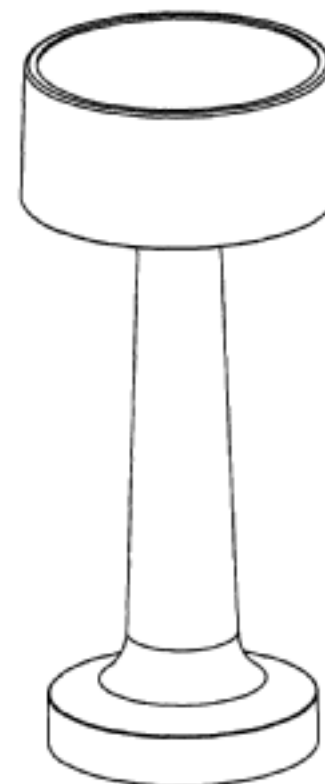
- (21) Design Number: **15070/2012**
(22) Date of Filing Application: **12 October 2012**
(24) Date from which industrial property rights may have effect: **12 October 2012**
(54) Product in respect of which the design is registered: **Screening panel**
(51) International Design Classification: **15-99**
(74) Name(s) of Attorney(s): **FB Rice**
(71) Name(s) and Address(s) of Applicant(s):
Locker Group Pty Ltd
2 Cojo PI Dandenong South VIC 3175 Australia
(72) Name(s) of Designer(s): **Jeff Zubovich and Ron Domitrovic**
(45) Registration Date: **06 November 2012**
(56) Related Art Documents: **Not Applicable**
(57) Statement of Newness and Distinctiveness: **Each feature of the panel fixing adaptor receiving portions as incorporated into the panel sides as shown in the representations.**



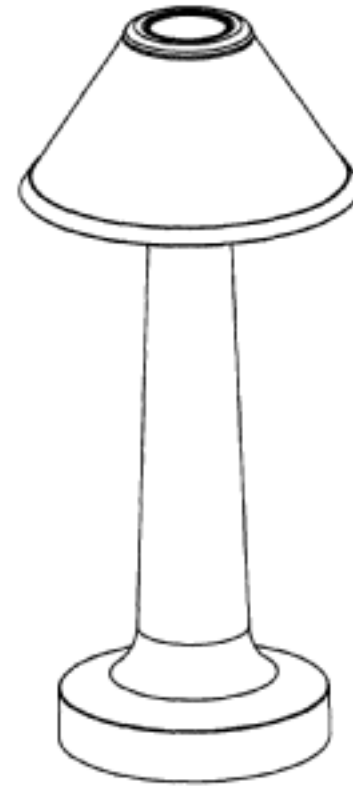
- (21) Design Number: **15073/2012**
(22) Date of Filing Application: **12 October 2012**
(24) Date from which industrial property rights may have effect: **12 October 2012**
(54) Product in respect of which the design is registered: **Lamp**
(51) International Design Classification: **26-05B**
(74) Name(s) of Attorney(s): **FB Rice**
(71) Name(s) and Address(s) of Applicant(s):
Neoz Pty Ltd
20 Tepko Rd Terrey Hills NSW 2084 Australia
(72) Name(s) of Designer(s): **Peter Ellis**
(45) Registration Date: **06 November 2012**
(56) Related Art Documents: **Not Applicable**
(57) Statement of Newness and Distinctiveness: **Newness and distinctiveness reside in the features of shape and configuration of the product as shown in the representations.**



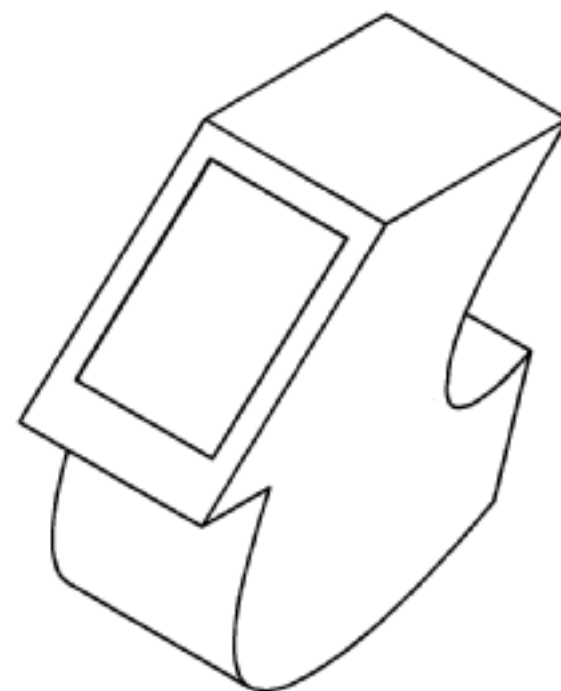
- (21) Design Number: **15074/2012**
(22) Date of Filing Application: **12 October 2012**
(24) Date from which industrial property rights may have effect: **12 October 2012**
(54) Product in respect of which the design is registered: **Lamp**
(51) International Design Classification: **26-05B**
(74) Name(s) of Attorney(s): **FB Rice**
(71) Name(s) and Address(s) of Applicant(s):
Neoz Pty Ltd
20 Tepko Rd Terrey Hills NSW 2084 Australia
(72) Name(s) of Designer(s): **Peter Ellis**
(45) Registration Date: **06 November 2012**
(56) Related Art Documents: **Not Applicable**
(57) Statement of Newness and Distinctiveness: **Newness and distinctiveness reside in the features of shape and configuration of the product as shown in the representations.**



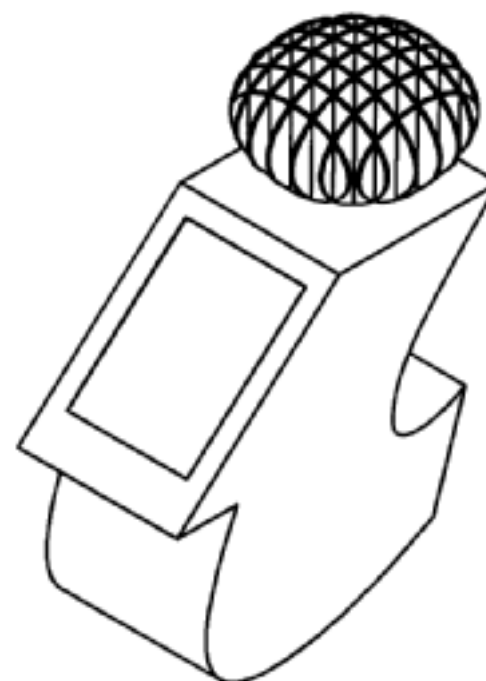
- (21) Design Number: **15075/2012**
(22) Date of Filing Application: **12 October 2012**
(24) Date from which industrial property rights may have effect: **12 October 2012**
(54) Product in respect of which the design is registered: **Lamp**
(51) International Design Classification: **26-05B**
(74) Name(s) of Attorney(s): **FB Rice**
(71) Name(s) and Address(s) of Applicant(s):
Neoz Pty Ltd
20 Tepko Rd Terrey Hills NSW 2084 Australia
(72) Name(s) of Designer(s): **Peter Ellis**
(45) Registration Date: **06 November 2012**
(56) Related Art Documents: **Not Applicable**
(57) Statement of Newness and Distinctiveness: **Newness and distinctiveness reside in the features of shape and configuration of the product as shown in the representations.**



- (21) Design Number: **15108/2012**
(22) Date of Filing Application: **15 October 2012**
(24) Date from which industrial property rights may have effect: **15 October 2012**
(54) Product in respect of which the design is registered: **Display module**
(51) International Design Classification: **20-03NES, 20-02NES**
(74) Name(s) of Attorney(s): **Fisher Adams Kelly**
(71) Name(s) and Address(s) of Applicant(s):
Aurora Research and Development Pty Ltd
37 Erskine St Dubbo NSW 2830 Australia
(72) Name(s) of Designer(s): **William Mackay Cameron**
(45) Registration Date: **07 November 2012**
(56) Related Art Documents: **Not Applicable**
(57) Statement of Newness and Distinctiveness: **The newness and distinctiveness of the design resides in the shape and/or configuration of the DISPLAY MODULE shown in the representations.**



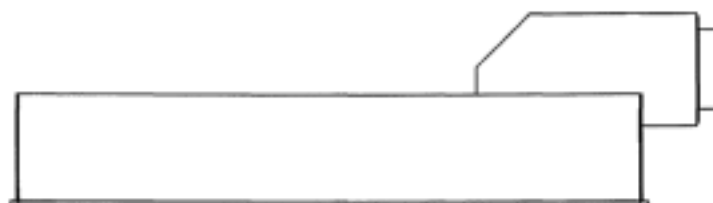
(21) Design Number: **15109/2012**
(22) Date of Filing Application: **15 October 2012**
(24) Date from which industrial property rights may have effect: **15 October 2012**
(54) Product in respect of which the design is registered: **Display module**
(51) International Design Classification: **20-03NES, 20-02NES**
(74) Name(s) of Attorney(s): **Fisher Adams Kelly**
(71) Name(s) and Address(s) of Applicant(s):
Aurora Research and Development Pty Ltd
37 Erskine St Dubbo NSW 2830 Australia
(72) Name(s) of Designer(s): **William Mackay Cameron**
(45) Registration Date: **07 November 2012**
(56) Related Art Documents: **Not Applicable**
(57) Statement of Newness and Distinctiveness: **The newness and distinctiveness of the design resides in the shape and/or configuration of the DISPLAY MODULE shown in the representations.**



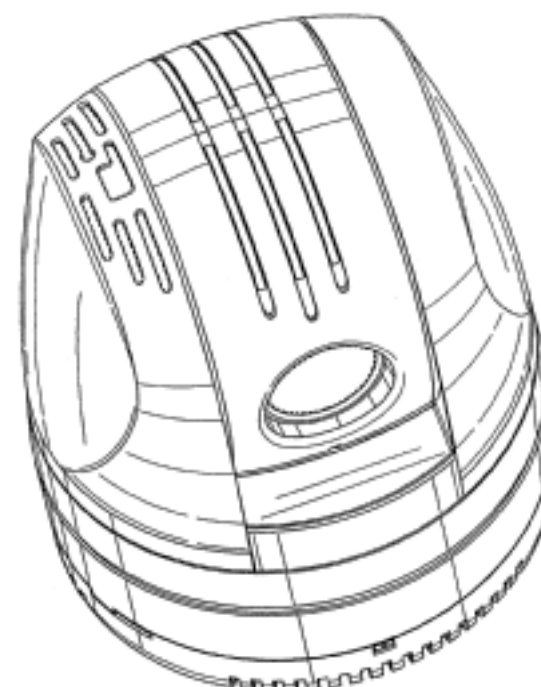
(21) Design Number: **15114/2012**
(22) Date of Filing Application: **15 October 2012**
(24) Date from which industrial property rights may have effect: **15 October 2012**
(54) Product in respect of which the design is registered: **Air-conditioning outlet with light**
(51) International Design Classification: **23-04, 26-04**
(74) Name(s) of Attorney(s): **Cullens Patent and Trade Mark Attorneys**
(71) Name(s) and Address(s) of Applicant(s):
Kimura Kohki Co., Ltd.
A-23 Uemachi Chuo-ku Osaka-shi Osaka 540-0005 Japan
(72) Name(s) of Designer(s): **Katsuhiro Urano**
(45) Registration Date: **07 November 2012**
(30) Convention priority data:
(31) Number (32) Date (33) Country
2012-012430 28 May 2012 JAPAN
(56) Related Art Documents: **Not Applicable**
(57) Statement of Newness and Distinctiveness: **Nil**



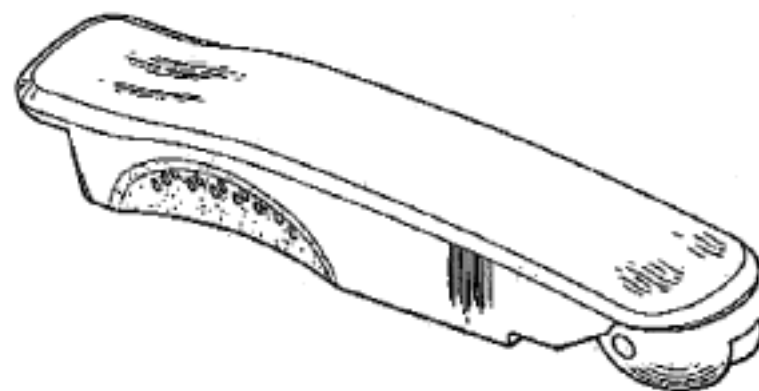
(21) Design Number: **15115/2012**
(22) Date of Filing Application: **15 October 2012**
(24) Date from which industrial property rights may have effect: **15 October 2012**
(54) Product in respect of which the design is registered: **Air-conditioning outlet with light**
(51) International Design Classification: **23-04, 26-04**
(74) Name(s) of Attorney(s): **Cullens Patent and Trade Mark Attorneys**
(71) Name(s) and Address(s) of Applicant(s):
Kimura Kohki Co., Ltd.
A-23 Uemachi Chuo-ku Osaka-shi Osaka 540-0005 Japan
(72) Name(s) of Designer(s): **Katsuhiko Urano**
(45) Registration Date: **07 November 2012**
(30) Convention priority data:
(31) Number (32) Date (33) Country
2012-012427 28 May 2012 JAPAN
(56) Related Art Documents: **Not Applicable**
(57) Statement of Newness and Distinctiveness: **Nil**



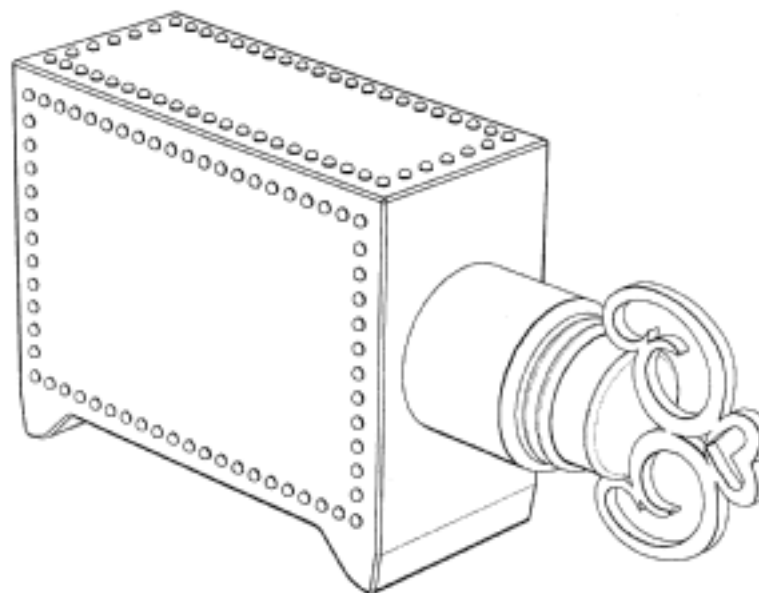
(21) Design Number: **15116/2012**
(22) Date of Filing Application: **16 October 2012**
(24) Date from which industrial property rights may have effect: **16 October 2012**
(54) Product in respect of which the design is registered: **Pan, tilt and zoom (PTZ) camera**
(51) International Design Classification: **16-01**
(74) Name(s) of Attorney(s): **SPRUSON & FERGUSON**
(71) Name(s) and Address(s) of Applicant(s):
Sensormatic Electronics, LLC
1501 Yamato Road Boca Raton Florida 33431 United States of America
(72) Name(s) of Designer(s): **Sergio M. Perez and Carlos E. DeJesus and Frederick Michael McBride**
(45) Registration Date: **07 November 2012**
(30) Convention priority data:
(31) Number (32) Date (33) Country
29/431381 06 Sep 2012 UNITED STATES OF AMERICA
(56) Related Art Documents: **Not Applicable**
(57) Statement of Newness and Distinctiveness: **Newness and distinctiveness is claimed in the features of shape and/or configuration of a pan, tilt and zoom (PTZ) camera as illustrated in the accompanying representations.**



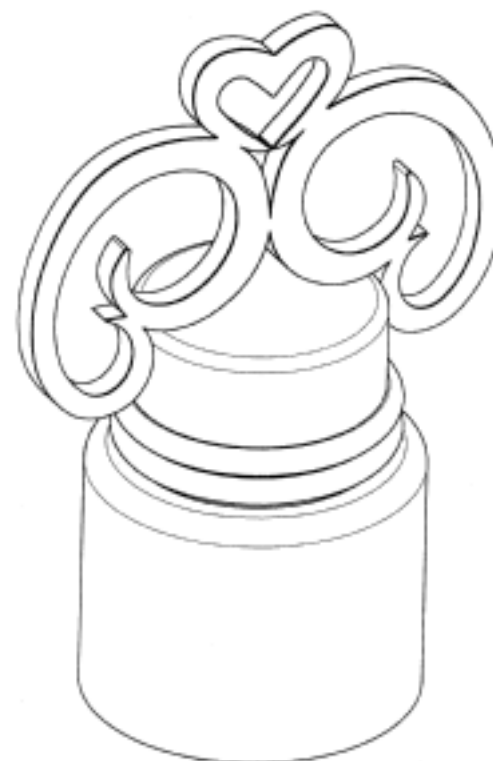
(21) Design Number: **12138/2012**
(22) Date of Filing Application: **01 May 2012**
(24) Date from which industrial property rights may have effect: **01 May 2012**
(54) Product in respect of which the design is registered: **Handle**
(51) International Design Classification: **08-06**
(74) Name(s) of Attorney(s): **Houlihan2**
(71) Name(s) and Address(s) of Applicant(s):
David Stuckey Investments Pty Ltd
Pitcher Partners 6th Floor 161 Collins Street Melbourne Victoria 3000
Australia
(72) Name(s) of Designer(s): **David Martin Stuckey and Marc Fraser**
(45) Registration Date: **07 November 2012**
(56) Related Art Documents: **Not Applicable**
(57) Statement of Newness and Distinctiveness: **Newness and distinctiveness reside in the shape and/or configuration of a Handle as illustrated in the accompanying representations.**



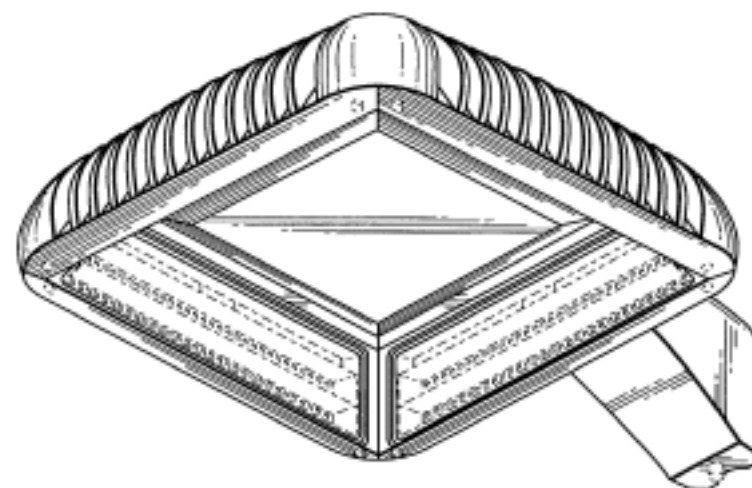
(21) Design Number: **14046/2012**
(22) Date of Filing Application: **17 August 2012**
(24) Date from which industrial property rights may have effect: **17 August 2012**
(54) Product in respect of which the design is registered: **Bottle for perfumery**
(51) International Design Classification: **09-01G**
(74) Name(s) of Attorney(s): **Davies Collison Cave**
(71) Name(s) and Address(s) of Applicant(s):
Coty Geneva SA
Rue de Lyon 87 Geneva 1203 Switzerland
(72) Name(s) of Designer(s): **Lutz Hermann and Daniela Seifert**
(45) Registration Date: **07 November 2012**
(30) Convention priority data:
(31) Number (32) Date (33) Country
001997214-0001 23 Feb 2012 EUROPEAN COMMUNITY
(56) Related Art Documents: **Not Applicable**
(57) Statement of Newness and Distinctiveness: **Nil**



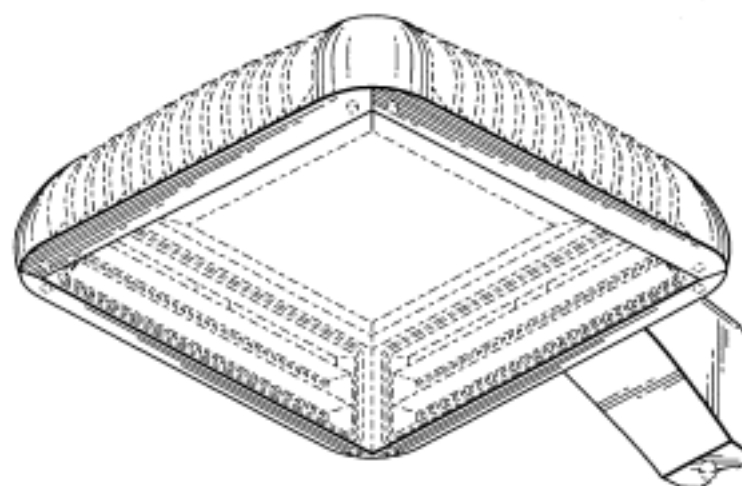
(21) Design Number: **14047/2012**
(22) Date of Filing Application: **17 August 2012**
(24) Date from which industrial property rights may have effect: **17 August 2012**
(54) Product in respect of which the design is registered: **Bottle top/stopper**
(51) International Design Classification: **09-07C**
(74) Name(s) of Attorney(s): **Davies Collison Cave**
(71) Name(s) and Address(s) of Applicant(s):
Coty Geneva SA
Rue de Lyon 87 Geneva 1203 Switzerland
(72) Name(s) of Designer(s): **Lutz Hermann and Daniela Seifert**
(45) Registration Date: **07 November 2012**
(30) Convention priority data:
(31) Number (32) Date (33) Country
001997214-0002 23 Feb 2012 EUROPEAN COMMUNITY
(56) Related Art Documents: **Not Applicable**
(57) Statement of Newness and Distinctiveness: **Nil**



(21) Design Number: **14698/2012**
(22) Date of Filing Application: **20 September 2012**
(24) Date from which industrial property rights may have effect: **20 September 2012**
(54) Product in respect of which the design is registered: **Lighting**
(51) International Design Classification: **26-03**
(74) Name(s) of Attorney(s): **PIZZEYS**
(71) Name(s) and Address(s) of Applicant(s):
LSI Industries, Inc.
1000 Alliance Road Cincinnati OH 45242 United States of America
(72) Name(s) of Designer(s): **John D. Boyer and James G. Vanden Eynden and Larry Akers and Vincent Charles Anthony DiCola**
(45) Registration Date: **07 November 2012**
(30) Convention priority data:
(31) Number (32) Date (33) Country
29/420,112 04 May 2012 UNITED STATES OF AMERICA
(56) Related Art Documents: **Not Applicable**
(57) Statement of Newness and Distinctiveness: **The newness and distinctiveness of the design resides in the features of pattern and/or ornamentation OR shape and/or configuration shown in unbroken lines in the accompanying representations. (if required, see Convention document)**



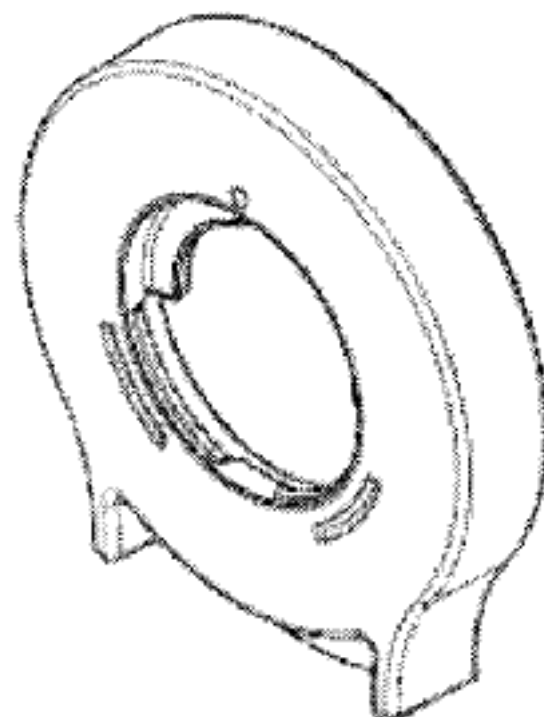
(21) Design Number: **15488/2012**
(22) Date of Filing Application: **02 November 2012**
(24) Date from which industrial property rights may have effect: **20 September 2012**
(54) Product in respect of which the design is registered: **Lighting**
(51) International Design Classification: **26-03**
(74) Name(s) of Attorney(s): **PIZZEYS**
(71) Name(s) and Address(s) of Applicant(s):
LSI Industries, Inc.
1000 Alliance Road Cincinnati OH 45242 United States of America
(72) Name(s) of Designer(s): **John D. Boyer and James G. Vanden Eynden and Larry Akers and Vincent Charles Anthony DiCola**
(45) Registration Date: **07 November 2012**
(30) Convention priority data:
(31) Number (32) Date (33) Country
29/420,112 04 May 2012 UNITED STATES OF AMERICA
(62) Divisional of: **345401**
(56) Related Art Documents: **Not Applicable**
(57) Statement of Newness and Distinctiveness: **The newness and distinctiveness of the design resides in the features of pattern and/or ornamentation OR shape and/or configuration shown in unbroken lines in the accompanying representations. (if required, see Convention document)**



(21) Design Number: **14947/2012**
(22) Date of Filing Application: **04 October 2012**
(24) Date from which industrial property rights may have effect: **04 October 2012**
(54) Product in respect of which the design is registered: **Spindle cover**
(51) International Design Classification: **08-09**
(74) Name(s) of Attorney(s): **King & Wood Mallesons**
(71) Name(s) and Address(s) of Applicant(s):
Carmelo Joseph Licciardi Di Stefano
110 Northcorp Bvd Broadmeadows VIC 3047 Australia
(72) Name(s) of Designer(s): **Carmelo Joseph Licciardi Di Stefano**
(45) Registration Date: **07 November 2012**
(56) Related Art Documents: **Not Applicable**
(57) Statement of Newness and Distinctiveness: **The following visual features of the design are new and distinctive: The shape and configuration of a spindle cover as shown in solid lines in the accompanying drawings. In considering the newness and distinctiveness of the design, no regard is to be had to the visual features depicted by the broken lines.**



- (21) Design Number: **14948/2012**
(22) Date of Filing Application: **04 October 2012**
(24) Date from which industrial property rights may have effect: **04 October 2012**
(54) Product in respect of which the design is registered: **Spindle cover**
(51) International Design Classification: **08-09**
(74) Name(s) of Attorney(s): **King & Wood Mallesons**
(71) Name(s) and Address(s) of Applicant(s):
Carmelo Joseph Licciardi Di Stefano
110 Northcorp Bvd Broadmeadows VIC 3047 Australia
(72) Name(s) of Designer(s): **Carmelo Joseph Licciardi Di Stefano**
(45) Registration Date: **07 November 2012**
(56) Related Art Documents: **Not Applicable**
(57) Statement of Newness and Distinctiveness: **The following visual features of the design are new and distinctive: The shape and configuration of a spindle cover as shown in solid lines in the accompanying drawings. In considering the newness and distinctiveness of the design, no regard is to be had to the visual features depicted by the broken lines.**



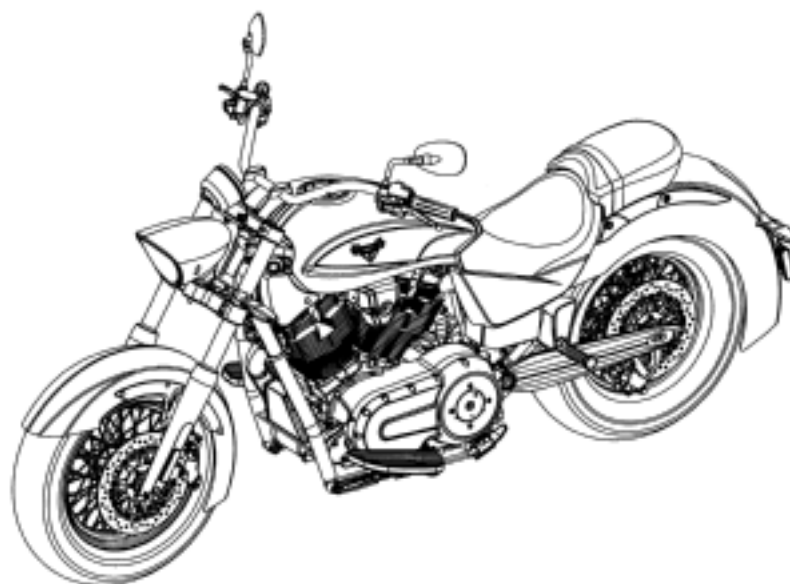
- (21) Design Number: **14789/2012**
(22) Date of Filing Application: **25 September 2012**
(24) Date from which industrial property rights may have effect: **25 September 2012**
(54) Product in respect of which the design is registered: **Convex pinnable lock joint**
(51) International Design Classification: **23-01A**
(74) Name(s) of Attorney(s):
(71) Name(s) and Address(s) of Applicant(s):
Sandie Holdings Pty Ltd
Box 848 Balcatta WA 6914 Australia
(72) Name(s) of Designer(s): **Shane Gherbaz**
(45) Registration Date: **07 November 2012**
(56) Related Art Documents: **Not Applicable**
(57) Statement of Newness and Distinctiveness: **Perpendicular flanges on the convex side to the vertical piece.**



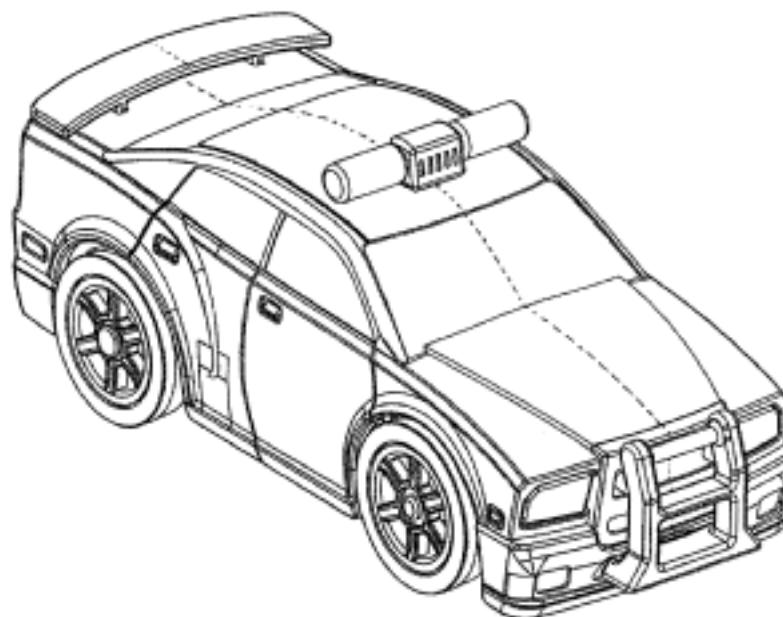
- (21) Design Number: **15091/2012**
(22) Date of Filing Application: **15 October 2012**
(24) Date from which industrial property rights may have effect: **15 October 2012**
(54) Product in respect of which the design is registered: **Container for applying liquid medicine**
(51) International Design Classification: **24-04, 09-01NES**
(74) Name(s) of Attorney(s): **Griffith Hack**
(71) Name(s) and Address(s) of Applicant(s):
Kobayashi Pharmaceutical Co., Ltd.
4-4-10 Doshomachi Chuo-Ku Osaka 541-0045 Japan
(72) Name(s) of Designer(s): **Yasuo Okuyama and Junichi Kano and Takahiro Nakata**
(45) Registration Date: **07 November 2012**
(56) Related Art Documents: **Not Applicable**
(57) Statement of Newness and Distinctiveness: **Newness and distinctiveness resides in the visual features including shape, configuration and ornamentation of the Container as shown in the representations. The cap included in Figure 7 is shown for illustrative purposes only and does not form part of the design.**



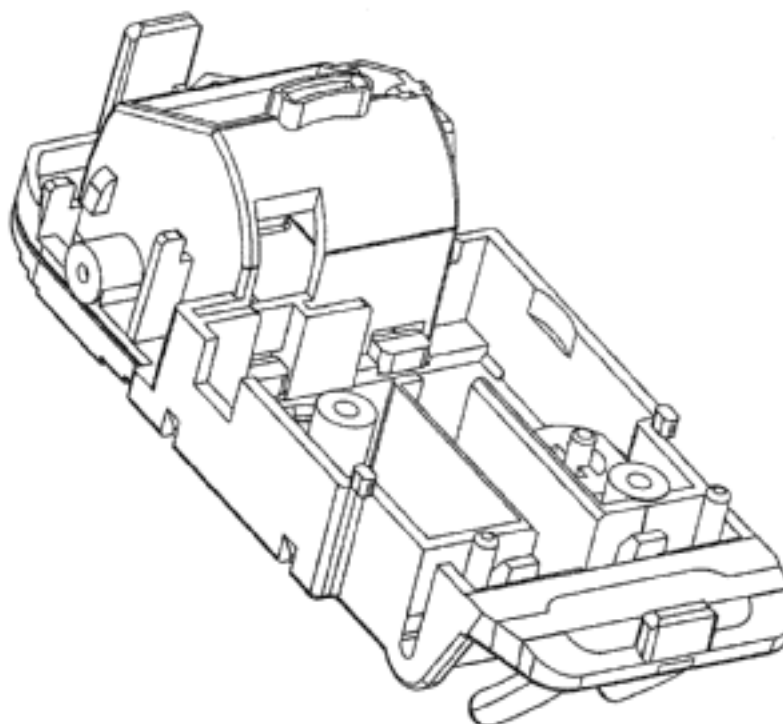
- (21) Design Number: **15096/2012**
(22) Date of Filing Application: **16 October 2012**
(24) Date from which industrial property rights may have effect: **16 October 2012**
(54) Product in respect of which the design is registered: **Motorcycle**
(51) International Design Classification: **12-11**
(74) Name(s) of Attorney(s): **WATERMARK PATENT AND TRADE MARKS ATTORNEYS**
(71) Name(s) and Address(s) of Applicant(s):
Polaris Industries Inc
2100 Highway 55 Medina Minnesota 55340 United States of America
(72) Name(s) of Designer(s): **Michael Song**
(45) Registration Date: **07 November 2012**
(30) Convention priority data:
(31) Number (32) Date (33) Country
29/418,690 19 Apr 2012 UNITED STATES OF AMERICA
(56) Related Art Documents: **Not Applicable**
(57) Statement of Newness and Distinctiveness: **Nil**



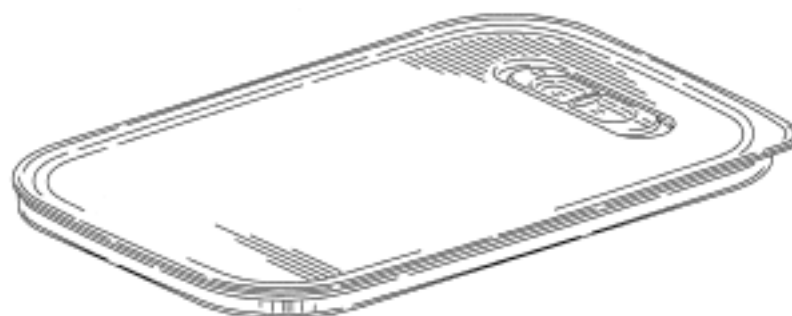
- (21) Design Number: **15097/2012**
(22) Date of Filing Application: **15 October 2012**
(24) Date from which industrial property rights may have effect: **15 October 2012**
(54) Product in respect of which the design is registered: **Toy police car**
(51) International Design Classification: **21-01C**
(74) Name(s) of Attorney(s): **SPRUSON & FERGUSON**
(71) Name(s) and Address(s) of Applicant(s):
Innovation First, Inc.
1519 Interstate 30 West Greenville Texas 75402 United States of America
(72) Name(s) of Designer(s): **Robert H. Mimplitch III and David Anthony Norman and Douglas Michael Galletti and Raul Olivera and Gregory Lavender and Gregory Needel and Jeffrey Russell Waegelin**
(45) Registration Date: **07 November 2012**
(30) Convention priority data:
(31) Number (32) Date (33) Country
29/428458 31 Jul 2012 UNITED STATES OF AMERICA
(56) Related Art Documents: **Not Applicable**
(57) Statement of Newness and Distinctiveness: **Newness and distinctiveness is claimed in the features of shape and/or configuration of a toy police car as illustrated in the accompanying representations.**



- (21) Design Number: **15098/2012**
(22) Date of Filing Application: **15 October 2012**
(24) Date from which industrial property rights may have effect: **15 October 2012**
(54) Product in respect of which the design is registered: **Chassis of a toy police car**
(51) International Design Classification: **21-01C**
(74) Name(s) of Attorney(s): **SPRUSON & FERGUSON**
(71) Name(s) and Address(s) of Applicant(s):
Innovation First, Inc.
1519 Interstate 30 West Greenville Texas 75402 United States of America
(72) Name(s) of Designer(s): **Robert H. Mimplitch III and David Anthony Norman and Douglas Michael Galletti and Raul Olivera and Gregory Lavender and Gregory Needel and Jeffrey Russell Waegelin**
(45) Registration Date: **07 November 2012**
(30) Convention priority data:
(31) Number (32) Date (33) Country
29/428458 31 Jul 2012 UNITED STATES OF AMERICA
(56) Related Art Documents: **Not Applicable**
(57) Statement of Newness and Distinctiveness: **Newness and distinctiveness is claimed in the features of shape and/or configuration of a Chassis of a toy police car illustrated in the accompanying representations.**



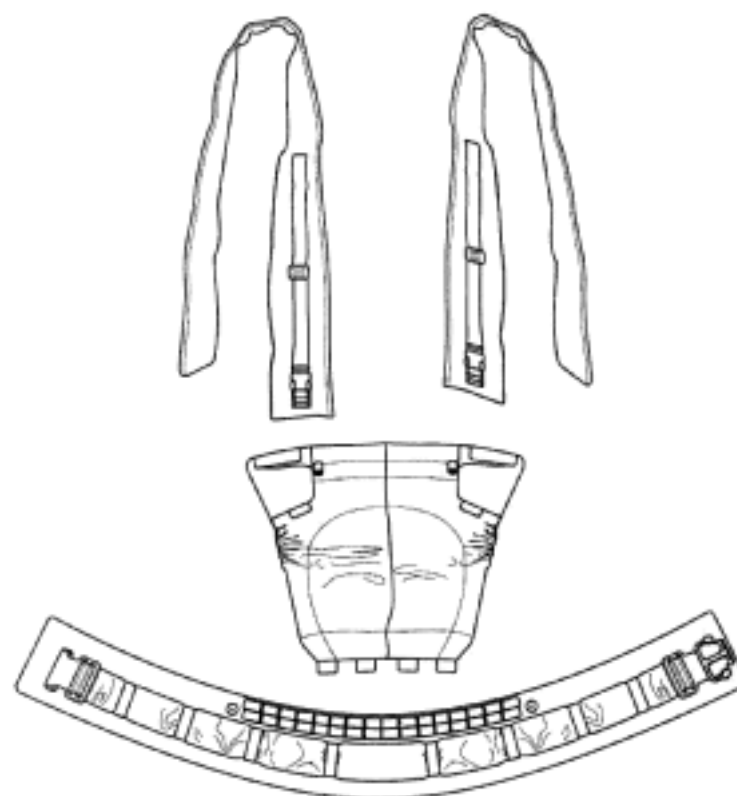
(21) Design Number: **15102/2012**
(22) Date of Filing Application: **15 October 2012**
(24) Date from which industrial property rights may have effect: **15 October 2012**
(54) Product in respect of which the design is registered: **Seal for a container**
(51) International Design Classification: **09-07C**
(74) Name(s) of Attorney(s): **PHILLIPS ORMONDE FITZPATRICK**
(71) Name(s) and Address(s) of Applicant(s):
Dart Industries Inc.
14901 S. Orange Blossom Trail Orlando Florida 32837 United States of America



(72) Name(s) of Designer(s): **Jan-Hendrik De Groot and Nathan E. Shirley**
(45) Registration Date: **07 November 2012**
(30) Convention priority data:
(31) Number (32) Date (33) Country
29/421,053 11 May 2012 UNITED STATES OF AMERICA
(56) Related Art Documents: **Not Applicable**
(57) Statement of Newness and Distinctiveness: **Those features of the seal for a container depicted in the representations that are new and distinctive are the shape and/or configuration.**

(21) Design Number: **15133/2012**
(22) Date of Filing Application: **17 October 2012**
(24) Date from which industrial property rights may have effect: **17 October 2012**
(54) Product in respect of which the design is registered: **Baby carrier**
(51) International Design Classification: **03-99**
(74) Name(s) of Attorney(s): **Griffith Hack**
(71) Name(s) and Address(s) of Applicant(s):
Ingo Schroder
Zum Scheider Feld 10 51467 Bergisch Germany

(72) Name(s) of Designer(s): **Ingo Schroder**
(45) Registration Date: **08 November 2012**
(30) Convention priority data:
(31) Number (32) Date (33) Country
DM/078 397 17 Apr 2012 GERMANY
(56) Related Art Documents: **Not Applicable**
(57) Statement of Newness and Distinctiveness: **Nil**



(21) Design Number: **15134/2012**
(22) Date of Filing Application: **17 October 2012**
(24) Date from which industrial property rights may have effect: **17 October 2012**
(54) Product in respect of which the design is registered: **Baby carrier component**
(51) International Design Classification: **03-99**
(74) Name(s) of Attorney(s): **Griffith Hack**
(71) Name(s) and Address(s) of Applicant(s):
Ingo Schroder
Zum Scheider Feld 10 51467 Bergisch Germany
(72) Name(s) of Designer(s): **Ingo Schroder**
(45) Registration Date: **08 November 2012**
(30) Convention priority data:
(31) Number (32) Date (33) Country
DM/078 397 17 Apr 2012 GERMANY
(56) Related Art Documents: **Not Applicable**
(57) Statement of Newness and Distinctiveness: **Nil**



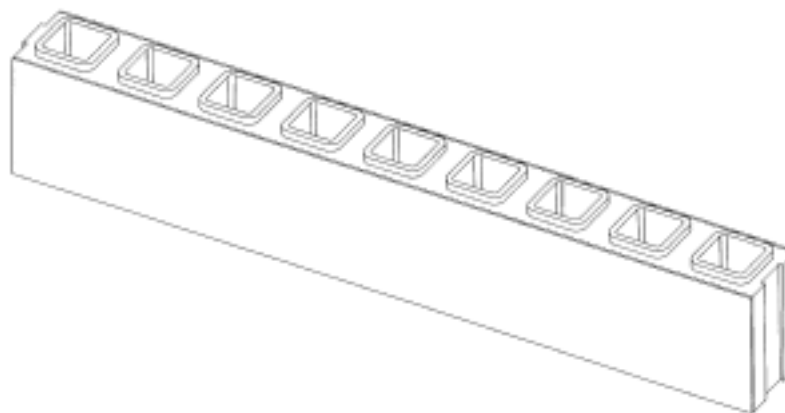
(21) Design Number: **15135/2012**
(22) Date of Filing Application: **17 October 2012**
(24) Date from which industrial property rights may have effect: **17 October 2012**
(54) Product in respect of which the design is registered: **Baby carrier component**
(51) International Design Classification: **03-99**
(74) Name(s) of Attorney(s): **Griffith Hack**
(71) Name(s) and Address(s) of Applicant(s):
Ingo Schroder
Zum Scheider Feld 10 51467 Bergisch Germany
(72) Name(s) of Designer(s): **Ingo Schroder**
(45) Registration Date: **08 November 2012**
(30) Convention priority data:
(31) Number (32) Date (33) Country
DM/078 397 17 Apr 2012 GERMANY
(56) Related Art Documents: **Not Applicable**
(57) Statement of Newness and Distinctiveness: **Nil**



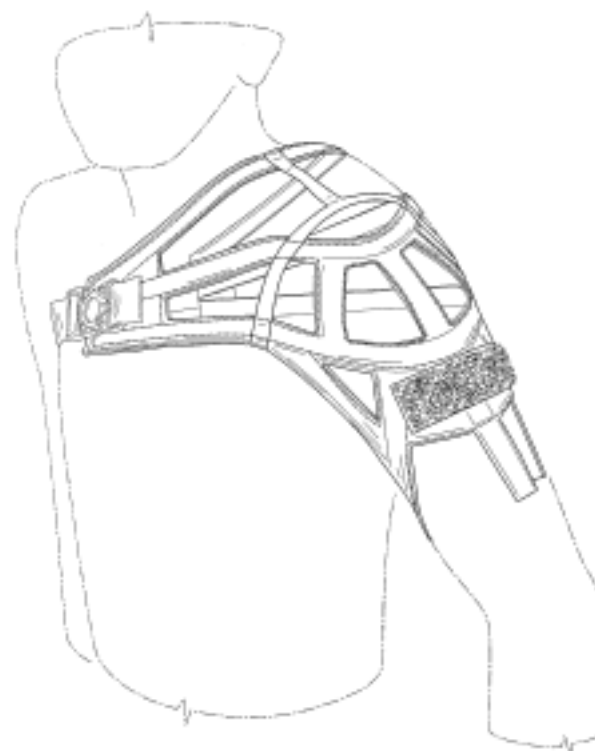
(21) Design Number: **15136/2012**
(22) Date of Filing Application: **17 October 2012**
(24) Date from which industrial property rights may have effect: **17 October 2012**
(54) Product in respect of which the design is registered: **Baby carrier component**
(51) International Design Classification: **03-99**
(74) Name(s) of Attorney(s): **Griffith Hack**
(71) Name(s) and Address(s) of Applicant(s):
Ingo Schroder
Zum Scheider Feld 10 51467 Bergisch Germany
(72) Name(s) of Designer(s): **Ingo Schroder**
(45) Registration Date: **08 November 2012**
(30) Convention priority data:
(31) Number (32) Date (33) Country
DM/078 397 17 Apr 2012 GERMANY
(56) Related Art Documents: **Not Applicable**
(57) Statement of Newness and Distinctiveness: **Nil**



(21) Design Number: **15139/2012**
(22) Date of Filing Application: **17 October 2012**
(24) Date from which industrial property rights may have effect: **17 October 2012**
(54) Product in respect of which the design is registered: **Building block**
(51) International Design Classification: **25-01A**
(74) Name(s) of Attorney(s): **Madderns**
(71) Name(s) and Address(s) of Applicant(s):
Kaine Telford
20 Sri Petaling 3 Sri Petaling Kuala Lumpur 57000 Malaysia
(72) Name(s) of Designer(s): **Kaine Telford**
(45) Registration Date: **08 November 2012**
(30) Convention priority data:
(31) Number (32) Date (33) Country
12-00485-0101 17 Apr 2012 MALAYSIA
(56) Related Art Documents: **Not Applicable**
(57) Statement of Newness and Distinctiveness: **Newness and distinctiveness is claimed in the shape and/or configuration of a building block as shown in the accompanying drawings.**



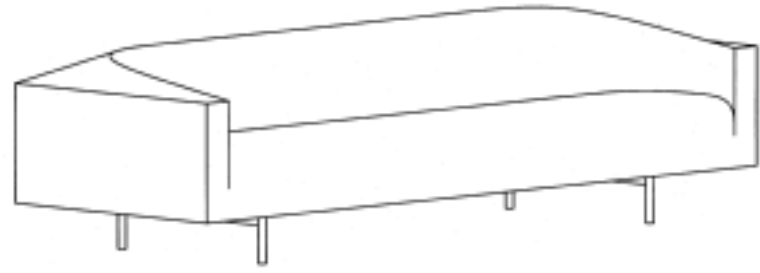
(21) Design Number: **15125/2012**
(22) Date of Filing Application: **17 October 2012**
(24) Date from which industrial property rights may have effect: **17 October 2012**
(54) Product in respect of which the design is registered: **Orthopedic shoulder support**
(51) International Design Classification: **24-04**
(74) Name(s) of Attorney(s): **Griffith Hack**
(71) Name(s) and Address(s) of Applicant(s):
DeRoyal Global Healthcare Solutions Limited
Arthur Cox Building Earlsfort Terrace Dublin Ireland
(72) Name(s) of Designer(s): **Thomas Eriksson**
(45) Registration Date: **08 November 2012**
(30) Convention priority data:
(31) Number (32) Date (33) Country
002029843-0001 20 Apr 2012 EUROPEAN COMMUNITY
(56) Related Art Documents: **Not Applicable**
(57) Statement of Newness and Distinctiveness: **Newness and distinctiveness resides in the visual features, including shape, configuration and ornamentation of the PRODUCT as shown by means of solid lines in the accompanying drawings. The outline of a transparent person shown by means of dashed lines has been included for illustrative purposes and does not form part of the design.**



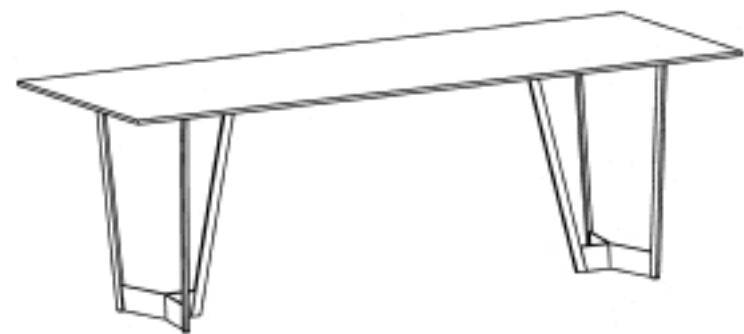
(21) Design Number: **15126/2012**
(22) Date of Filing Application: **17 October 2012**
(24) Date from which industrial property rights may have effect: **17 October 2012**
(54) Product in respect of which the design is registered: **Eyewear with integrated bottle opener**
(51) International Design Classification: **16-06, 07-06D**
(74) Name(s) of Attorney(s): **Cullens Patent and Trade Mark Attorneys**
(71) Name(s) and Address(s) of Applicant(s):
Liquid Shades, LLC
5264 Marigot Place San Diego CA 92124 United States of America
(72) Name(s) of Designer(s): **Matthew Decelles and Steven Dempsey and Patrick Eckstein and Zach Luczynski and Eric Zugner**
(45) Registration Date: **08 November 2012**
(30) Convention priority data:
(31) Number (32) Date (33) Country
29/418490 17 Apr 2012 UNITED STATES OF AMERICA
(56) Related Art Documents: **Not Applicable**
(57) Statement of Newness and Distinctiveness: **Nil**



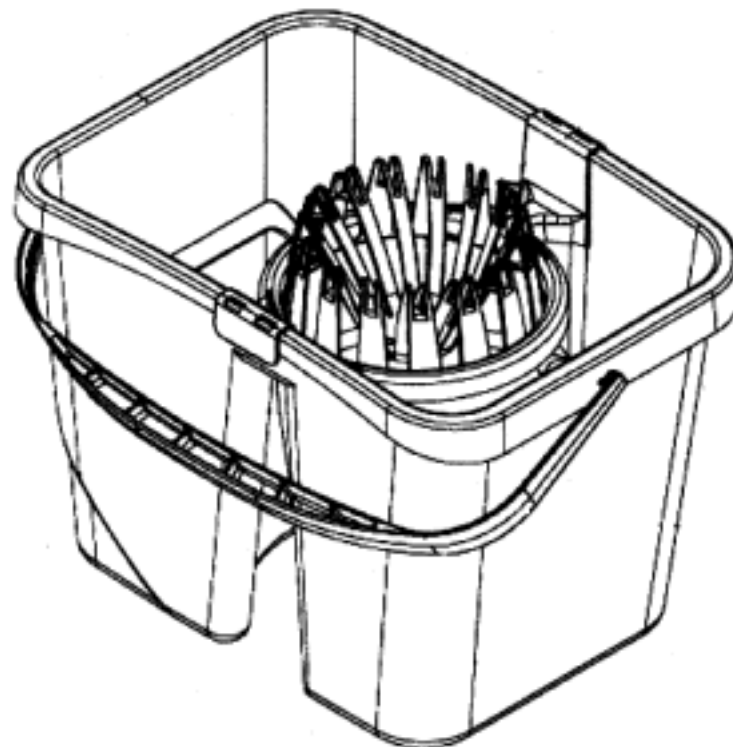
(21) Design Number: **15128/2012**
(22) Date of Filing Application: **17 October 2012**
(24) Date from which industrial property rights may have effect: **17 October 2012**
(54) Product in respect of which the design is registered: **Lounge & armchair**
(51) International Design Classification: **06-01G, 06-06H**
(74) Name(s) of Attorney(s):
(71) Name(s) and Address(s) of Applicant(s):
Keith Melbourne
12/95 Victoria St Fitzroy VIC 3065 Australia
(72) Name(s) of Designer(s): **Keith Melbourne**
(45) Registration Date: **08 November 2012**
(56) Related Art Documents: **Not Applicable**
(57) Statement of Newness and Distinctiveness: **Nil**



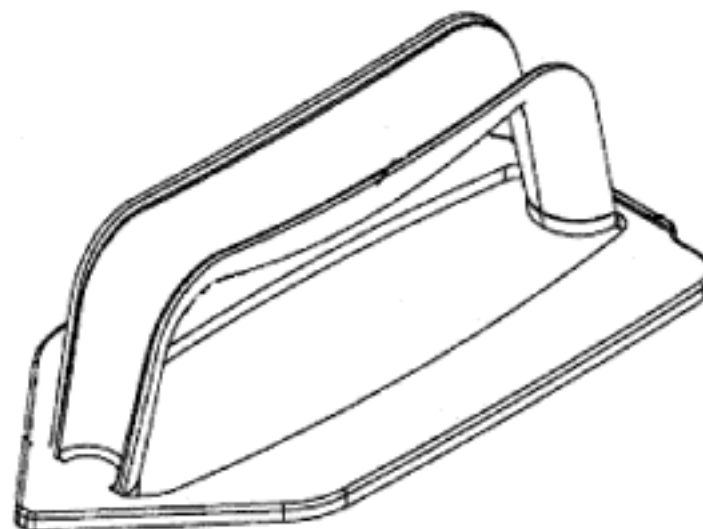
(21) Design Number: **15129/2012**
(22) Date of Filing Application: **17 October 2012**
(24) Date from which industrial property rights may have effect: **17 October 2012**
(54) Product in respect of which the design is registered: **Table**
(51) International Design Classification: **06-03A**
(74) Name(s) of Attorney(s):
(71) Name(s) and Address(s) of Applicant(s):
Keith Melbourne
12/95 Victoria St Fitzroy VIC 3065 Australia
(72) Name(s) of Designer(s): **Keith Melbourne**
(45) Registration Date: **08 November 2012**
(56) Related Art Documents: **Not Applicable**
(57) Statement of Newness and Distinctiveness: **Nil**



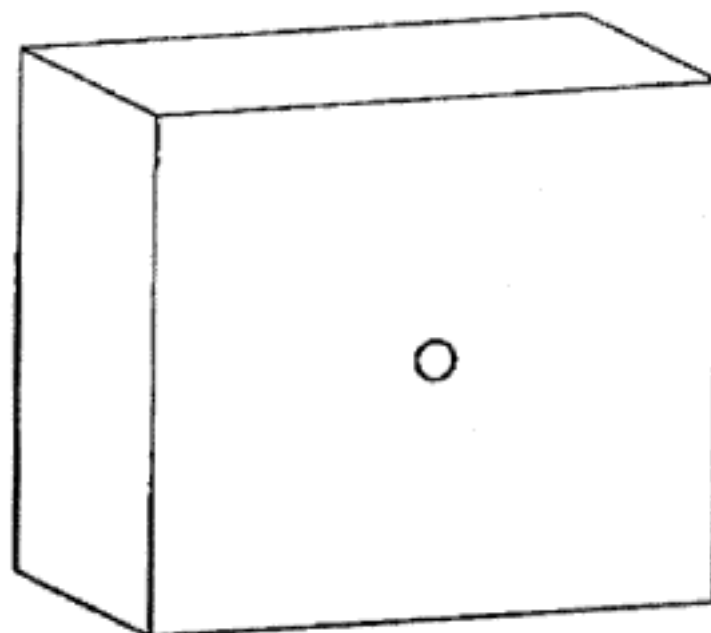
- (21) Design Number: **11499/2012**
(22) Date of Filing Application: **23 March 2012**
(24) Date from which industrial property rights may have effect: **23 March 2012**
(54) Product in respect of which the design is registered: **Mop bucket**
(51) International Design Classification: **07-07B**
(74) Name(s) of Attorney(s): **Allens Patent & Trade Mark Attorneys**
(71) Name(s) and Address(s) of Applicant(s):
E.D. Oates Pty Ltd
Maygar Bvd Broadmeadows VIC 3047 Australia
(72) Name(s) of Designer(s): **Frankie Ngan**
(45) Registration Date: **08 November 2012**
(56) Related Art Documents: **Not Applicable**
(57) Statement of Newness and Distinctiveness: **Newness and distinctiveness resides in the visual features of shape and/or configuration of a mop bucket as illustrated in the accompanying representations.**



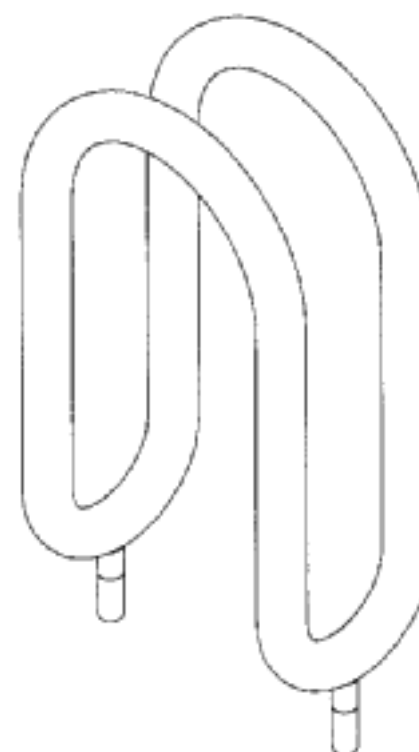
- (21) Design Number: **11738/2012**
(22) Date of Filing Application: **05 April 2012**
(24) Date from which industrial property rights may have effect: **05 April 2012**
(54) Product in respect of which the design is registered: **Cleaning implement**
(51) International Design Classification: **07-05E**
(74) Name(s) of Attorney(s): **Allens Patent & Trade Mark Attorneys**
(71) Name(s) and Address(s) of Applicant(s):
E.D. Oates Pty Ltd
Maygar Boulevard Broadmeadows Victoria 3047 Australia
(72) Name(s) of Designer(s): **Frankie Ngan**
(45) Registration Date: **08 November 2012**
(56) Related Art Documents: **Not Applicable**
(57) Statement of Newness and Distinctiveness: **Newness and distinctiveness resides in the visual features of shape and/or configuration of a cleaning implement as illustrated in the accompanying representations.**



- (21) Design Number: **13979/2012**
(22) Date of Filing Application: **16 August 2012**
(24) Date from which industrial property rights may have effect: **16 August 2012**
(54) Product in respect of which the design is registered: **Concrete spacer**
(51) International Design Classification: **25-01B**
(74) Name(s) of Attorney(s):
(71) Name(s) and Address(s) of Applicant(s):
Retail & Commercial Properties Pty Ltd
37 Bordeaux Street Doncaster East Victoria 3108 Australia
(72) Name(s) of Designer(s): **Leonard Samuel**
(45) Registration Date: **08 November 2012**
(56) Related Art Documents: **Not Applicable**
(57) Statement of Newness and Distinctiveness: **Newness and distinctiveness reside in the features of shape and configuration of the concrete spacer as shown in the accompanying representations.**



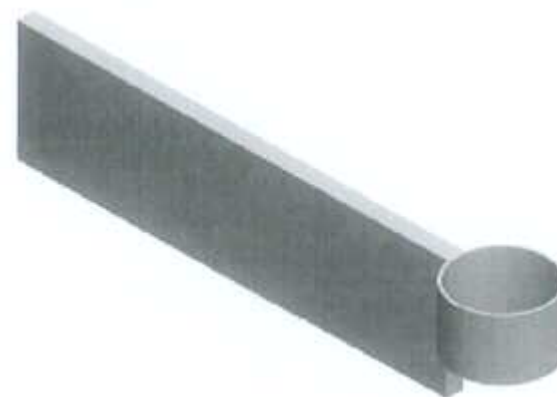
- (21) Design Number: **14032/2012**
(22) Date of Filing Application: **20 August 2012**
(24) Date from which industrial property rights may have effect: **20 August 2012**
(54) Product in respect of which the design is registered: **Zeal bicycle rack**
(51) International Design Classification: **08-10**
(74) Name(s) of Attorney(s):
(71) Name(s) and Address(s) of Applicant(s):
Barrier Group Pty Ltd
155 Weddell Road North Geelong Victoria 3215 Australia
(72) Name(s) of Designer(s): **Huiming Wong and Rick Hall**
(45) Registration Date: **08 November 2012**
(56) Related Art Documents: **Not Applicable**
(57) Statement of Newness and Distinctiveness: **The shape of the Zeal Bicycle Rack is new and distinctive.**



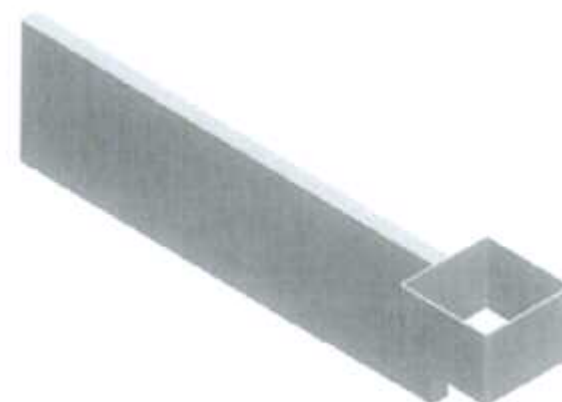
- (21) Design Number: **14049/2012**
(22) Date of Filing Application: **17 August 2012**
(24) Date from which industrial property rights may have effect: **17 August 2012**
(54) Product in respect of which the design is registered: **A Cup**
(51) International Design Classification: **07-01D**
(74) Name(s) of Attorney(s): **Chrysiliou IP**
(71) Name(s) and Address(s) of Applicant(s):
Jackel Trade Marks Pty Ltd
3 Kara Crescent Bayview New South Wales 2104 Australia
(72) Name(s) of Designer(s): **Arnold Rees and Sandra Archer**
(45) Registration Date: **08 November 2012**
(56) Related Art Documents: **Not Applicable**
(57) Statement of Newness and Distinctiveness: **Newness and distinctiveness is claimed in the features of shape and/or configuration of a cup as illustrated in the accompanying representations. In considering which features are new and distinctive, the numerals and letters on the cup are to be disregarded.**



- (21) Design Number: **14426/2012**
(22) Date of Filing Application: **06 September 2012**
(24) Date from which industrial property rights may have effect: **06 September 2012**
(54) Product in respect of which the design is registered: **Sign post**
(51) International Design Classification: **20-03NES**
(74) Name(s) of Attorney(s):
(71) Name(s) and Address(s) of Applicant(s):
Heine Jones Studio Pty Ltd
26 Murray St Yarraville VIC 3013 Australia
(72) Name(s) of Designer(s): **Mike Heine and Steve Jones and Peter Hvala**
(45) Registration Date: **08 November 2012**
(56) Related Art Documents: **Not Applicable**
(57) Statement of Newness and Distinctiveness: **Sign Element - Round Sleeve Monopoly is claimed on the distinct design of the illustrated sign element, with its unique interlocking post sleeve, for versatile, modular configuration into a sign post system. This sign element is specially designed to be visually appealing, minimalist and functional. The sign element is one component of a sign post assembly system; each element generally constructed from hollow metal tubing and fabricated formed thin metal plate. These features result in a visually modern, clean, uncluttered and robust signage system. With reference to the design illustrations of this application, the said sign element is scalable and configurable, depending on overall signage system requirements.**

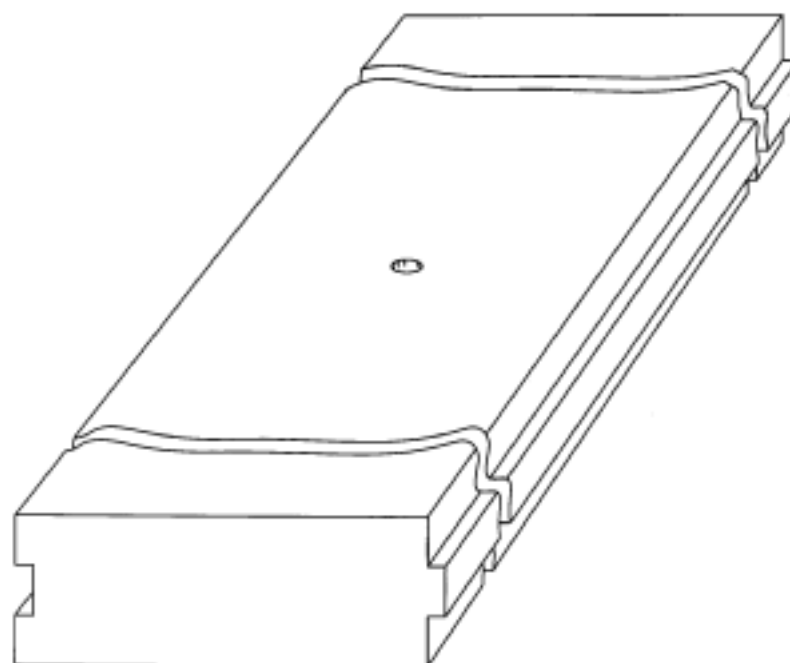


- (21) Design Number: **14427/2012**
(22) Date of Filing Application: **06 September 2012**
(24) Date from which industrial property rights may have effect: **06 September 2012**
(54) Product in respect of which the design is registered: **Sign post**
(51) International Design Classification: **20-03NES**
(74) Name(s) of Attorney(s):
(71) Name(s) and Address(s) of Applicant(s):



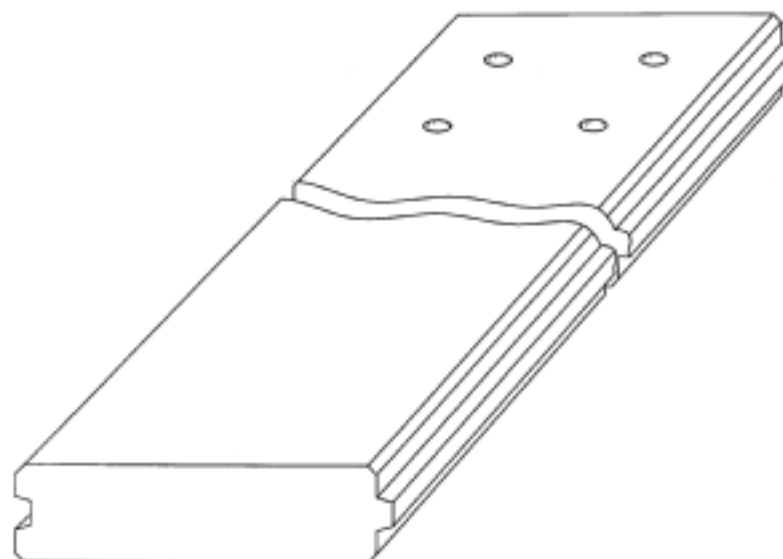
- Heine Jones Studio Pty Ltd**
26 Murray St Yarraville VIC 3013 Australia
(72) Name(s) of Designer(s): **Mike Heine and Steve Jones and Peter Hvala**
(45) Registration Date: **08 November 2012**
(56) Related Art Documents: **Not Applicable**
(57) Statement of Newness and Distinctiveness: **Sign Element - Square Sleeve Monopoly is claimed on the distinct design of the illustrated sign element, with its unique interlocking post sleeve, for versatile, modular configuration into a sign post system. This sign element is specially designed to be visually appealing, minimalist and functional. The sign element is one component of a sign post assembly system; each element generally constructed from hollow metal tubing and fabricated formed thin metal plate. These features result in a visually modern, clean uncluttered and robust signage system. With reference to the design illustrations of this application, the said sign element is scalable and configurable, depending on overall signage system requirements.**

- (21) Design Number: **15176/2012**
(22) Date of Filing Application: **18 October 2012**
(24) Date from which industrial property rights may have effect: **18 October 2012**
(54) Product in respect of which the design is registered: **A structural building panel**
(51) International Design Classification: **25-01D**
(74) Name(s) of Attorney(s): **Shelston IP**
(71) Name(s) and Address(s) of Applicant(s):

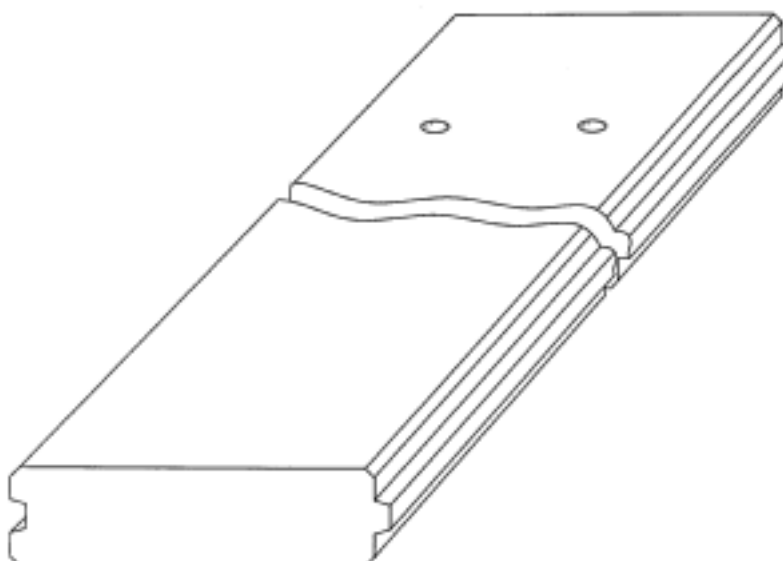


- Merhis Pty Ltd**
38-42 Seville St Fairfield East NSW 2163 Australia
(72) Name(s) of Designer(s): **Mark Merhi and Khalil Merhi**
(45) Registration Date: **09 November 2012**
(56) Related Art Documents: **Not Applicable**
(57) Statement of Newness and Distinctiveness: **Newness and distinctiveness reside in the features of shape and configuration of a structural building panel of indefinite length with integral lifting holes, as illustrated in the accompanying representations.**

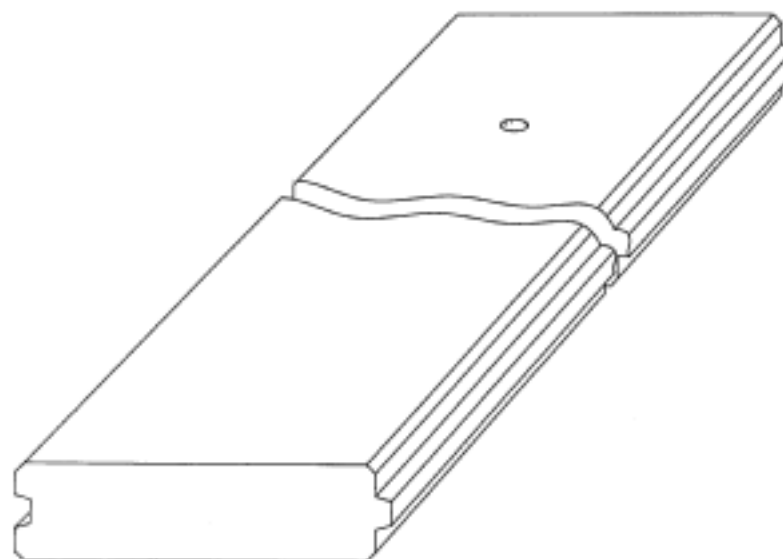
- (21) Design Number: **15177/2012**
(22) Date of Filing Application: **18 October 2012**
(24) Date from which industrial property rights may have effect: **18 October 2012**
(54) Product in respect of which the design is registered: **A structural building panel**
(51) International Design Classification: **25-01D**
(74) Name(s) of Attorney(s): **Shelston IP**
(71) Name(s) and Address(s) of Applicant(s):
Merhis Pty Ltd
38-42 Seville St Fairfield East NSW 2163 Australia
(72) Name(s) of Designer(s): **Mark Merhi and Khalil Merhi**
(45) Registration Date: **09 November 2012**
(56) Related Art Documents: **Not Applicable**
(57) Statement of Newness and Distinctiveness: **Newness and distinctiveness reside in the features of shape and configuration of a structural building panel of indefinite length with integral lifting holes, as illustrated in the accompanying representations.**



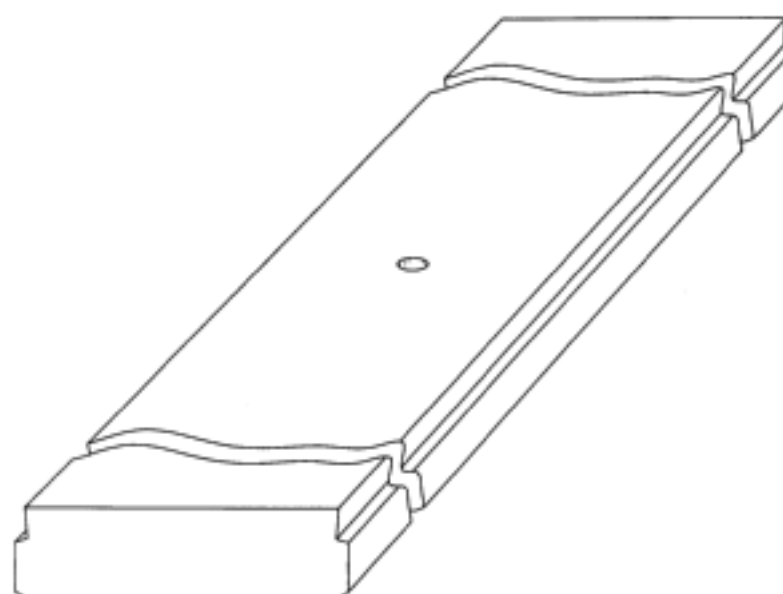
- (21) Design Number: **15178/2012**
(22) Date of Filing Application: **18 October 2012**
(24) Date from which industrial property rights may have effect: **18 October 2012**
(54) Product in respect of which the design is registered: **A structural building panel**
(51) International Design Classification: **25-01D**
(74) Name(s) of Attorney(s): **Shelston IP**
(71) Name(s) and Address(s) of Applicant(s):
Merhis Pty Ltd
38-42 Seville St Fairfield East NSW 2163 Australia
(72) Name(s) of Designer(s): **Mark Merhi and Khalil Merhi**
(45) Registration Date: **09 November 2012**
(56) Related Art Documents: **Not Applicable**
(57) Statement of Newness and Distinctiveness: **Newness and distinctiveness reside in the features of shape and configuration of a structural building panel of indefinite length with integral lifting holes, as illustrated in the accompanying representations.**



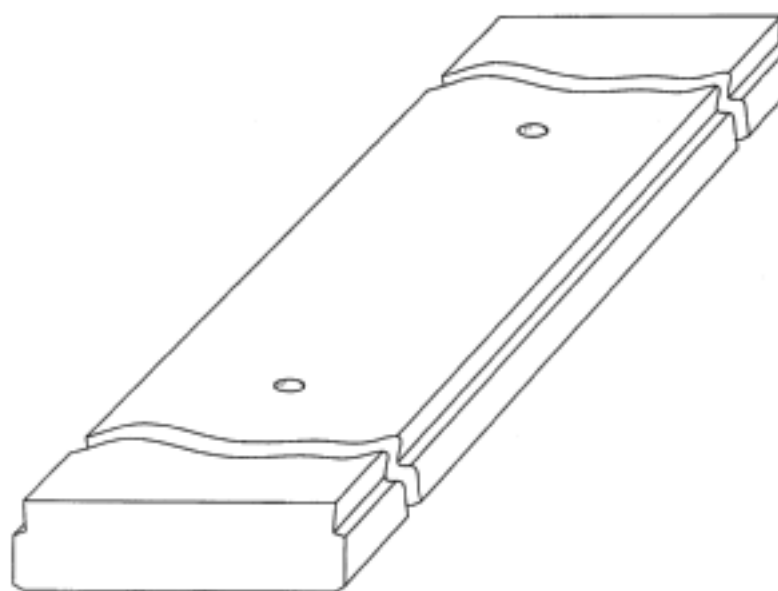
- (21) Design Number: **15179/2012**
(22) Date of Filing Application: **18 October 2012**
(24) Date from which industrial property rights may have effect: **18 October 2012**
(54) Product in respect of which the design is registered: **A structural building panel**
(51) International Design Classification: **25-01D**
(74) Name(s) of Attorney(s): **Shelston IP**
(71) Name(s) and Address(s) of Applicant(s):
Merhis Pty Ltd
38-42 Seville St Fairfield East NSW 2163 Australia
(72) Name(s) of Designer(s): **Mark Merhi and Khalil Merhi**
(45) Registration Date: **09 November 2012**
(56) Related Art Documents: **Not Applicable**
(57) Statement of Newness and Distinctiveness: **Newness and distinctiveness reside in the features of shape and configuration of a structural building panel of indefinite length with integral lifting holes, as illustrated in the accompanying representations.**



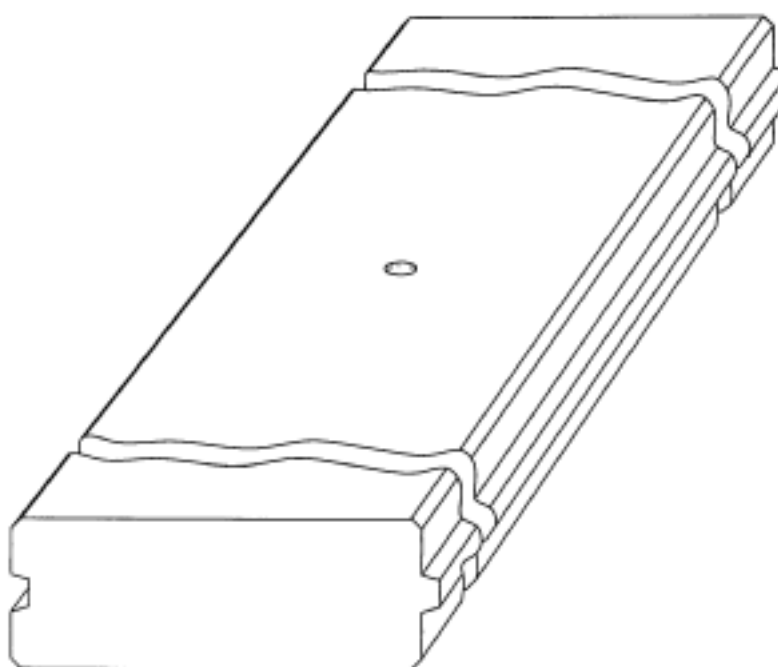
- (21) Design Number: **15180/2012**
(22) Date of Filing Application: **18 October 2012**
(24) Date from which industrial property rights may have effect: **18 October 2012**
(54) Product in respect of which the design is registered: **A structural building panel**
(51) International Design Classification: **25-01D**
(74) Name(s) of Attorney(s): **Shelston IP**
(71) Name(s) and Address(s) of Applicant(s):
Merhis Pty Ltd
38-42 Seville St Fairfield East NSW 2163 Australia
(72) Name(s) of Designer(s): **Mark Merhi and Khalil Merhi**
(45) Registration Date: **09 November 2012**
(56) Related Art Documents: **Not Applicable**
(57) Statement of Newness and Distinctiveness: **Newness and distinctiveness reside in the features of shape and configuration of a structural building panel of indefinite length with integral lifting holes, as illustrated in the accompanying representations.**



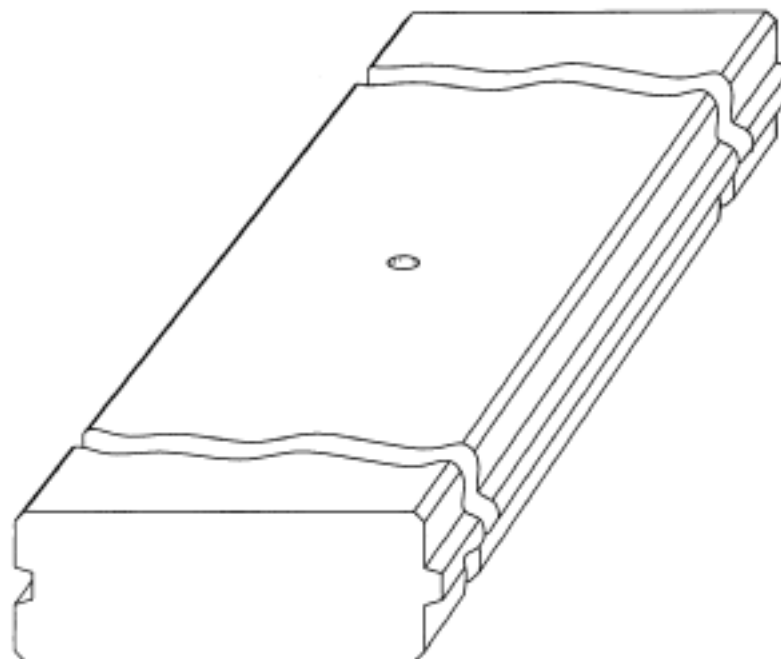
- (21) Design Number: **15181/2012**
(22) Date of Filing Application: **18 October 2012**
(24) Date from which industrial property rights may have effect: **18 October 2012**
(54) Product in respect of which the design is registered: **A structural building panel**
(51) International Design Classification: **25-01D**
(74) Name(s) of Attorney(s): **Shelston IP**
(71) Name(s) and Address(s) of Applicant(s):
Merhis Pty Ltd
38-42 Seville St Fairfield East NSW 2163 Australia
(72) Name(s) of Designer(s): **Mark Merhi and Khalil Merhi**
(45) Registration Date: **09 November 2012**
(56) Related Art Documents: **Not Applicable**
(57) Statement of Newness and Distinctiveness: **Newness and distinctiveness reside in the features of shape and configuration of a structural building panel of indefinite length with integral lifting holes, as illustrated in the accompanying representations.**



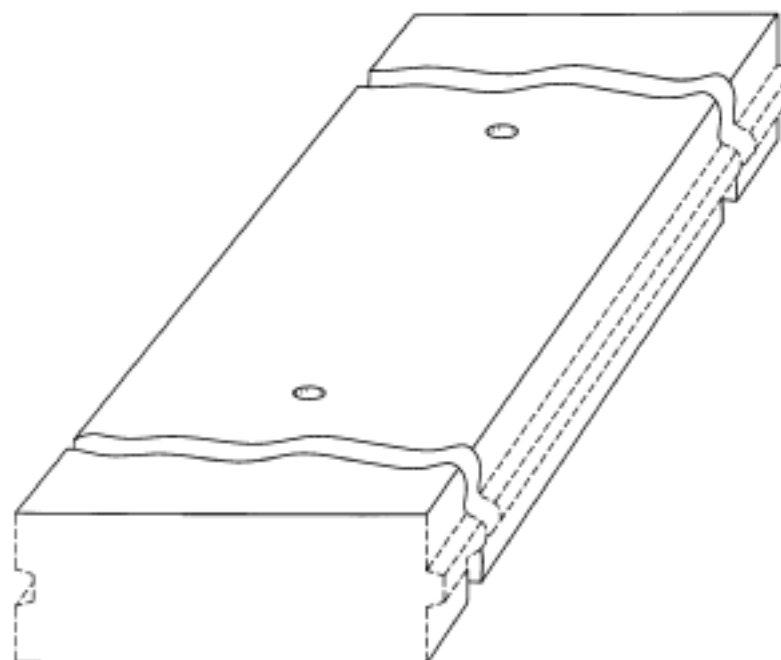
- (21) Design Number: **15182/2012**
(22) Date of Filing Application: **18 October 2012**
(24) Date from which industrial property rights may have effect: **18 October 2012**
(54) Product in respect of which the design is registered: **A structural building panel**
(51) International Design Classification: **25-01D**
(74) Name(s) of Attorney(s): **Shelston IP**
(71) Name(s) and Address(s) of Applicant(s):
Merhis Pty Ltd
38-42 Seville St Fairfield East NSW 2163 Australia
(72) Name(s) of Designer(s): **Mark Merhi and Khalil Merhi**
(45) Registration Date: **09 November 2012**
(56) Related Art Documents: **Not Applicable**
(57) Statement of Newness and Distinctiveness: **Newness and distinctiveness reside in the features of shape and configuration of a structural building panel of indefinite length with integral lifting holes, as illustrated in the accompanying representations.**



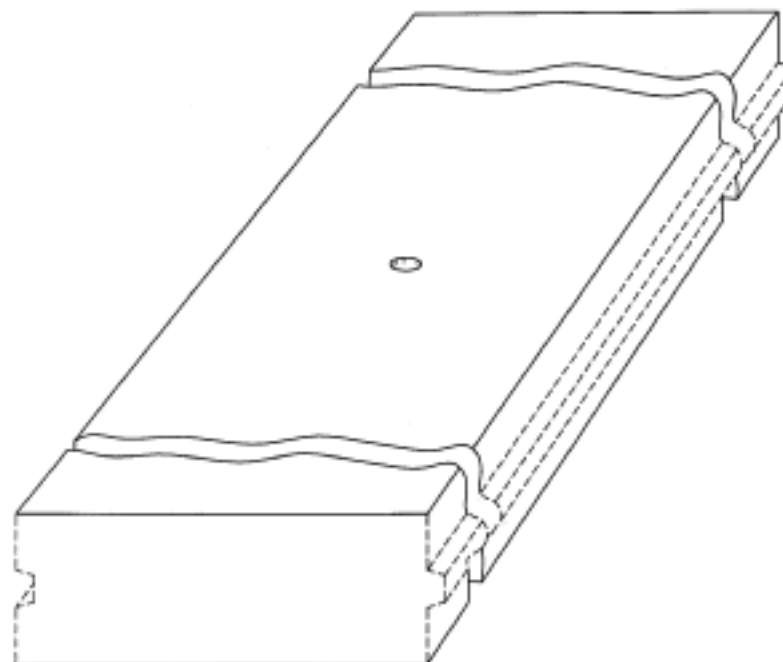
- (21) Design Number: **15183/2012**
(22) Date of Filing Application: **18 October 2012**
(24) Date from which industrial property rights may have effect: **18 October 2012**
(54) Product in respect of which the design is registered: **A structural building panel**
(51) International Design Classification: **25-01D**
(74) Name(s) of Attorney(s): **Shelston IP**
(71) Name(s) and Address(s) of Applicant(s):
Merhis Pty Ltd
38-42 Seville St Fairfield East NSW 2163 Australia
(72) Name(s) of Designer(s): **Mark Merhi and Khalil Merhi**
(45) Registration Date: **09 November 2012**
(56) Related Art Documents: **Not Applicable**
(57) Statement of Newness and Distinctiveness: **Newness and distinctiveness reside in the features of shape and configuration of a structural building panel of indefinite length with integral lifting holes, as illustrated in the accompanying representations.**



- (21) Design Number: **15184/2012**
(22) Date of Filing Application: **18 October 2012**
(24) Date from which industrial property rights may have effect: **18 October 2012**
(54) Product in respect of which the design is registered: **A structural building panel**
(51) International Design Classification: **25-01D**
(74) Name(s) of Attorney(s): **Shelston IP**
(71) Name(s) and Address(s) of Applicant(s):
Merhis Pty Ltd
38-42 Seville St Fairfield East NSW 2163 Australia
(72) Name(s) of Designer(s): **Mark Merhi and Khalil Merhi**
(45) Registration Date: **09 November 2012**
(56) Related Art Documents: **Not Applicable**
(57) Statement of Newness and Distinctiveness: **Newness and distinctiveness reside in the features of shape and configuration of a structural building panel of indefinite length with integral lifting holes, as illustrated in the accompanying representations.**



(21) Design Number: **15185/2012**
 (22) Date of Filing Application: **18 October 2012**
 (24) Date from which industrial property rights may have effect: **18 October 2012**
 (54) Product in respect of which the design is registered: **A structural building panel**
 (51) International Design Classification: **25-01D**
 (74) Name(s) of Attorney(s): **Shelston IP**
 (71) Name(s) and Address(s) of Applicant(s):
Merhis Pty Ltd
38-42 Seville St Fairfield East NSW 2163 Australia
 (72) Name(s) of Designer(s): **Mark Merhi and Khalil Merhi**
 (45) Registration Date: **09 November 2012**
 (56) Related Art Documents: **Not Applicable**
 (57) Statement of Newness and Distinctiveness: **Newness and distinctiveness reside in the features of shape and configuration of a structural building panel of indefinite length with integral lifting holes, as illustrated in the accompanying representations.**



(21) Design Number: **15147/2012**
 (22) Date of Filing Application: **18 October 2012**
 (24) Date from which industrial property rights may have effect: **18 October 2012**
 (54) Product in respect of which the design is registered: **Container**
 (51) International Design Classification: **09-01A**
 (74) Name(s) of Attorney(s): **FB Rice**
 (71) Name(s) and Address(s) of Applicant(s):
Colgate-Palmolive Company
300 Park Avenue New York New York 10022 United States of America
 (72) Name(s) of Designer(s): **John Clifford Crawford**
 (45) Registration Date: **09 November 2012**
 (30) Convention priority data:
 (31) Number (32) Date (33) Country
29/424006 07 Jun 2012 UNITED STATES OF AMERICA
 (56) Related Art Documents: **Not Applicable**
 (57) Statement of Newness and Distinctiveness: **Newness and distinctiveness reside in the features of the design as shown in the representations.**



(21) Design Number: **15148/2012**
(22) Date of Filing Application: **18 October 2012**
(24) Date from which industrial property rights may have effect: **18 October 2012**
(54) Product in respect of which the design is registered: **Container**
(51) International Design Classification: **09-01A**
(74) Name(s) of Attorney(s): **FB Rice**
(71) Name(s) and Address(s) of Applicant(s):
Colgate-Palmolive Company
300 Park Avenue New York New York 10022 United States of America
(72) Name(s) of Designer(s): **John Clifford Crawford**
(45) Registration Date: **09 November 2012**
(30) Convention priority data:
(31) Number (32) Date (33) Country
29/424006 07 Jun 2012 UNITED STATES OF AMERICA
(56) Related Art Documents: **Not Applicable**
(57) Statement of Newness and Distinctiveness: **Newness and distinctiveness reside in the features of the design as shown in the representations.**



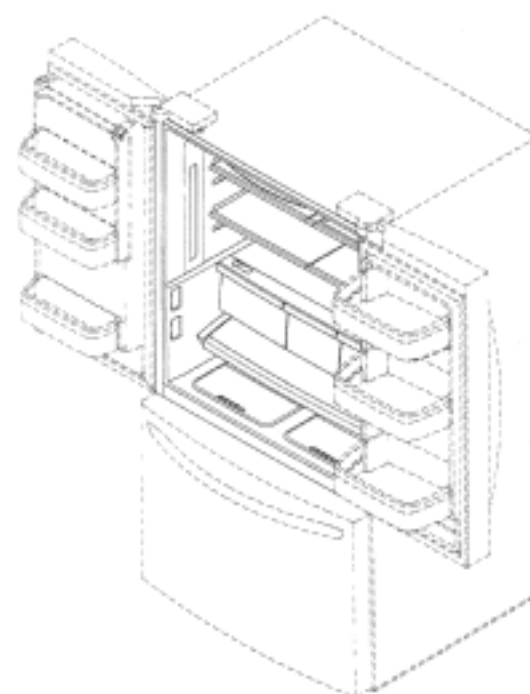
(21) Design Number: **15149/2012**
(22) Date of Filing Application: **18 October 2012**
(24) Date from which industrial property rights may have effect: **18 October 2012**
(54) Product in respect of which the design is registered: **Container**
(51) International Design Classification: **09-01A**
(74) Name(s) of Attorney(s): **FB Rice**
(71) Name(s) and Address(s) of Applicant(s):
Colgate-Palmolive Company
300 Park Avenue New York New York 10022 United States of America
(72) Name(s) of Designer(s): **John Clifford Crawford and Christopher Hart and Stacy Castro**
(45) Registration Date: **09 November 2012**
(30) Convention priority data:
(31) Number (32) Date (33) Country
29/423998 07 Jun 2012 UNITED STATES OF AMERICA
(56) Related Art Documents: **Not Applicable**
(57) Statement of Newness and Distinctiveness: **Newness and distinctiveness reside in the features of the design shown in solid lines in the representations excluding those features shown in broken lines.**



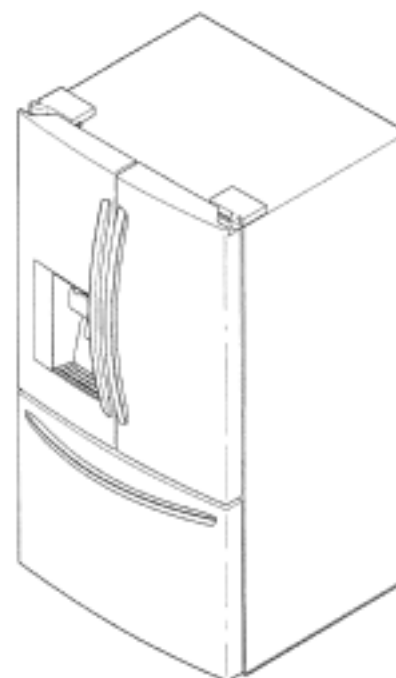
- (21) Design Number: **15150/2012**
(22) Date of Filing Application: **18 October 2012**
(24) Date from which industrial property rights may have effect: **18 October 2012**
(54) Product in respect of which the design is registered: **Container**
(51) International Design Classification: **09-01A**
(74) Name(s) of Attorney(s): **FB Rice**
(71) Name(s) and Address(s) of Applicant(s):
Colgate-Palmolive Company
300 Park Avenue New York New York 10022 United States of America
(72) Name(s) of Designer(s): **John Clifford Crawford and Christopher Hart and Stacy Castro**
(45) Registration Date: **09 November 2012**
(30) Convention priority data:
(31) Number (32) Date (33) Country
29/423997 07 Jun 2012 UNITED STATES OF AMERICA
(56) Related Art Documents: **Not Applicable**
(57) Statement of Newness and Distinctiveness: **Newness and distinctiveness reside in the features of the design shown in solid lines in the representations excluding those features shown in broken lines.**



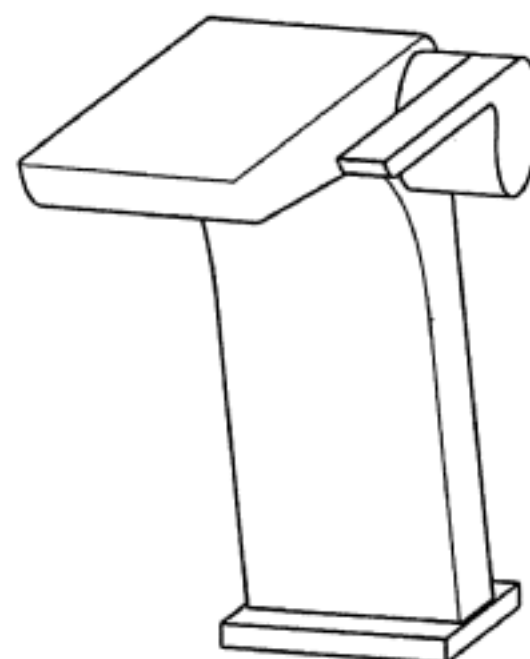
- (21) Design Number: **15151/2012**
(22) Date of Filing Application: **18 October 2012**
(24) Date from which industrial property rights may have effect: **18 October 2012**
(54) Product in respect of which the design is registered: **Refrigerator**
(51) International Design Classification: **15-07**
(74) Name(s) of Attorney(s): **FB Rice**
(71) Name(s) and Address(s) of Applicant(s):
LG Electronics Inc.
20 Yeouido-dong Yeongdeungpo-gu Seoul 150-721 Republic of Korea
(72) Name(s) of Designer(s): **Woonkyu Seo and Seonkyu Kim and Soomin Seo and Daesung Lee**
(45) Registration Date: **09 November 2012**
(30) Convention priority data:
(31) Number (32) Date (33) Country
30-2012-0020597 27 Apr 2012 REPUBLIC OF KOREA
(56) Related Art Documents: **Not Applicable**
(57) Statement of Newness and Distinctiveness: **Newness and distinctiveness reside in the features of the design shown in solid lines in the representations excluding those features shown in broken lines.**



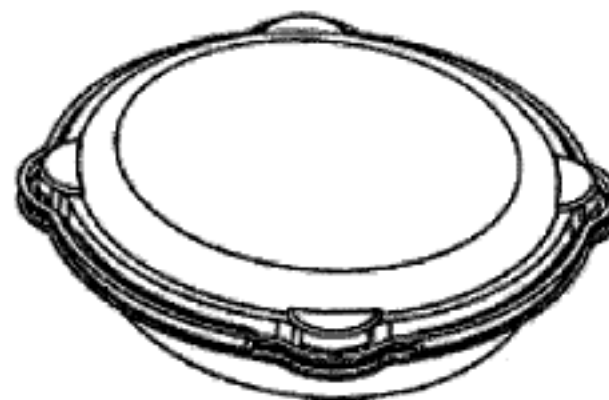
(21) Design Number: **15152/2012**
(22) Date of Filing Application: **18 October 2012**
(24) Date from which industrial property rights may have effect: **18 October 2012**
(54) Product in respect of which the design is registered: **Refrigerator**
(51) International Design Classification: **15-07**
(74) Name(s) of Attorney(s): **FB Rice**
(71) Name(s) and Address(s) of Applicant(s):
LG Electronics Inc.
20 Yeouido-dong Yeongdeungpo-gu Seoul 150-721 Republic of Korea
(72) Name(s) of Designer(s): **Woonkyu Seo and Seonkyu Kim and Soomin Seo and Daesung Lee**
(45) Registration Date: **09 November 2012**
(30) Convention priority data:
(31) Number (32) Date (33) Country
30-2012-0019081 20 Apr 2012 REPUBLIC OF KOREA
(56) Related Art Documents: **Not Applicable**
(57) Statement of Newness and Distinctiveness: **Newness and distinctiveness reside in the features of the design as shown in the representations.**



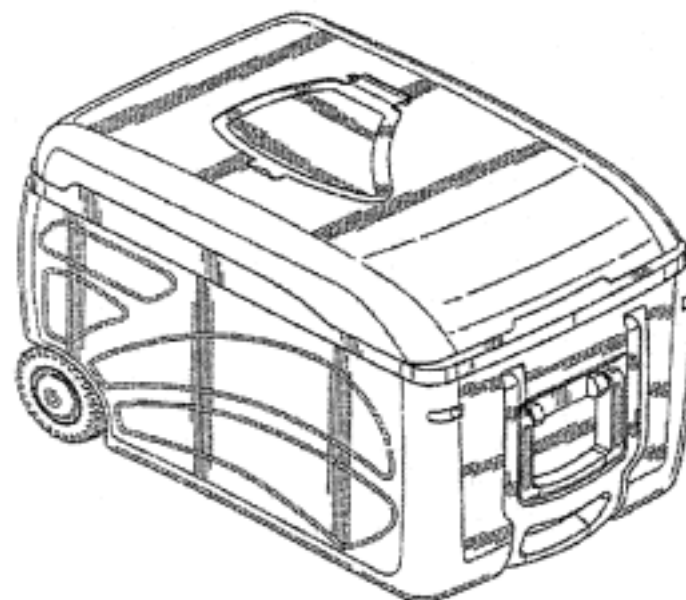
(21) Design Number: **15154/2012**
(22) Date of Filing Application: **18 October 2012**
(24) Date from which industrial property rights may have effect: **18 October 2012**
(54) Product in respect of which the design is registered: **Faucet**
(51) International Design Classification: **23-01H**
(74) Name(s) of Attorney(s): **SPRUSON & FERGUSON**
(71) Name(s) and Address(s) of Applicant(s):
Gessi S.P.A.
Parco Gessi Frazione Vintebbio 13037 Serravalle Sesia (Vercelli) Italy
(72) Name(s) of Designer(s): **Gian Luca Gessi**
(45) Registration Date: **09 November 2012**
(30) Convention priority data:
(31) Number (32) Date (33) Country
MI2012O00017 06 Aug 2012 ITALY
(56) Related Art Documents: **Not Applicable**
(57) Statement of Newness and Distinctiveness: **Newness and distinctiveness is claimed in the features of shape and/or configuration of a faucet as illustrated in the accompanying representations.**



- (21) Design Number: **15155/2012**
(22) Date of Filing Application: **18 October 2012**
(24) Date from which industrial property rights may have effect: **18 October 2012**
(54) Product in respect of which the design is registered: **A container**
(51) International Design Classification: **09-03L**
(74) Name(s) of Attorney(s): **SPRUSON & FERGUSON**
(71) Name(s) and Address(s) of Applicant(s):
Tacca-Plastics Australia Pty Ltd
1/4 Deadman Rd Moorebank NSW 2170 Australia
(72) Name(s) of Designer(s): **Domenic Tacca**
(45) Registration Date: **09 November 2012**
(56) Related Art Documents: **Not Applicable**
(57) Statement of Newness and Distinctiveness: **Newness and distinctiveness is claimed in the features of shape and/or configuration of a container as illustrated in the accompanying representations.**



- (21) Design Number: **15157/2012**
(22) Date of Filing Application: **19 October 2012**
(24) Date from which industrial property rights may have effect: **19 October 2012**
(54) Product in respect of which the design is registered: **Ice box with wheels**
(51) International Design Classification: **07-07A**
(74) Name(s) of Attorney(s): **EKM patent & trade marks**
(71) Name(s) and Address(s) of Applicant(s):
Tokyo Plast International Ltd.
102 Thosar House Hanuman Cross Road No.1 Vile Parle (East) Mumbai
400 057 India
(72) Name(s) of Designer(s): **Haresh Shah**
(45) Registration Date: **09 November 2012**
(56) Related Art Documents: **Not Applicable**
(57) Statement of Newness and Distinctiveness: **Newness and distinctiveness resides in the features of shape and/or configuration of the product as shown in the accompanying representations.**



(21) Design Number: **15160/2012**
(22) Date of Filing Application: **18 October 2012**
(24) Date from which industrial property rights may have effect: **18 October 2012**
(54) Product in respect of which the design is registered: **Corset-shaped organizer**
(51) International Design Classification: **03-01D**
(74) Name(s) of Attorney(s): **Griffith Hack**
(71) Name(s) and Address(s) of Applicant(s):
Umbra LLC
1705 Broadway Buffalo NY 14212 United States of America
(72) Name(s) of Designer(s): **Sung wook Park**
(45) Registration Date: **09 November 2012**
(30) Convention priority data:
(31) Number (32) Date (33) Country
29/423176 29 May 2012 UNITED STATES OF AMERICA
(56) Related Art Documents: **Not Applicable**
(57) Statement of Newness and Distinctiveness: **Newness and distinctiveness reside in the shape and configuration of the product as shown in solid lines in the accompanying representations. The dashed lines represent stitching, shown by way of illustration only, which does not form part of the design.**



(21) Design Number: **15161/2012**
(22) Date of Filing Application: **18 October 2012**
(24) Date from which industrial property rights may have effect: **18 October 2012**
(54) Product in respect of which the design is registered: **Dress-shaped organizer**
(51) International Design Classification: **03-01D**
(74) Name(s) of Attorney(s): **Griffith Hack**
(71) Name(s) and Address(s) of Applicant(s):
Umbra LLC
1705 Broadway Buffalo NY 14212 United States of America
(72) Name(s) of Designer(s): **Matthew J Carr and Beth Ann Cott**
(45) Registration Date: **09 November 2012**
(30) Convention priority data:
(31) Number (32) Date (33) Country
29/428489 31 Jul 2012 UNITED STATES OF AMERICA
(56) Related Art Documents: **Not Applicable**
(57) Statement of Newness and Distinctiveness: **Nil**



(21) Design Number: **15162/2012**
(22) Date of Filing Application: **18 October 2012**
(24) Date from which industrial property rights may have effect: **18 October 2012**
(54) Product in respect of which the design is registered: **Dress-shaped organizer**
(51) International Design Classification: **03-01D**
(74) Name(s) of Attorney(s): **Griffith Hack**
(71) Name(s) and Address(s) of Applicant(s):

Umbra LLC
1705 Broadway Buffalo NY 14212 United States of America

(72) Name(s) of Designer(s): **Matthew J Carr and Sung wook Park**

(45) Registration Date: **09 November 2012**

(30) Convention priority data:

(31) Number	(32) Date	(33) Country
29/431867	11 Sep 2012	UNITED STATES OF AMERICA

(56) Related Art Documents: **Not Applicable**

(57) Statement of Newness and Distinctiveness: **Newness and distinctiveness reside in the shape and configuration of the product as shown in solid lines in the accompanying representations. The dashed lines represent stitching, shown by the way of illustration only, which does not form part of the design.**



(21) Design Number: **15163/2012**
(22) Date of Filing Application: **18 October 2012**
(24) Date from which industrial property rights may have effect: **18 October 2012**
(54) Product in respect of which the design is registered: **Monitor**
(51) International Design Classification: **14-02**
(74) Name(s) of Attorney(s): **Griffith Hack**
(71) Name(s) and Address(s) of Applicant(s):

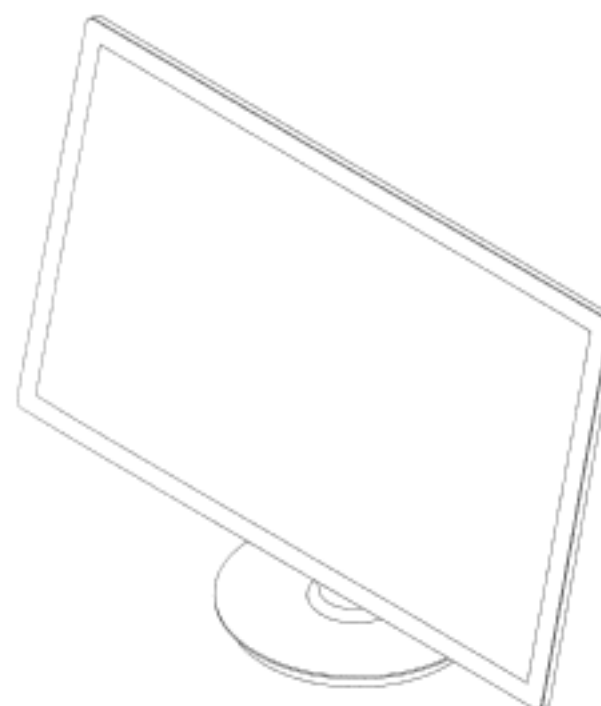
Samsung Electronics Co., Ltd.
416 Maetan-dong Yeongtong-gu Suwon-city Kyunggi-do Republic of Korea

(72) Name(s) of Designer(s): **Min-Hee Lee and Koung-Won Park and Tae-Yeon Won and Yun-Je Kang**

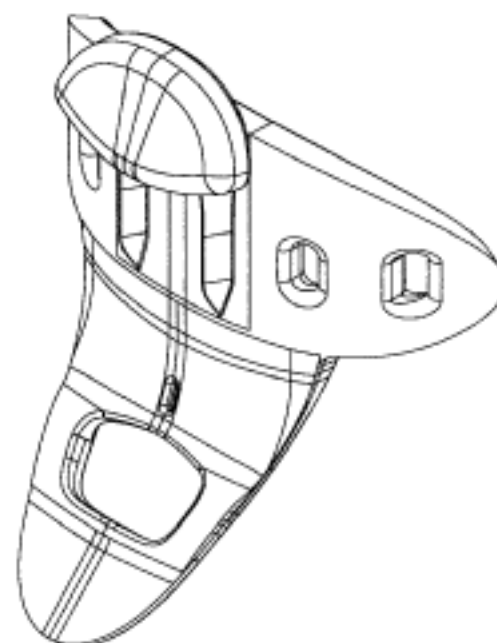
(45) Registration Date: **09 November 2012**

(56) Related Art Documents: **Not Applicable**

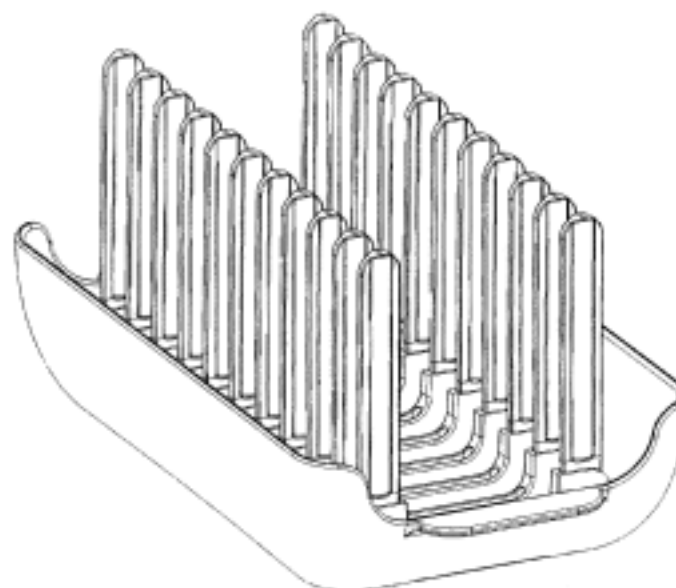
(57) Statement of Newness and Distinctiveness: **Newness and distinctiveness resides in the visual features including shape and configuration of the product as shown in the accompanying figures.**



- (21) Design Number: **15164/2012**
(22) Date of Filing Application: **18 October 2012**
(24) Date from which industrial property rights may have effect: **18 October 2012**
(54) Product in respect of which the design is registered: **Shoelace clip**
(51) International Design Classification: **02-07B**
(74) Name(s) of Attorney(s): **PHILLIPS ORMONDE FITZPATRICK**
(71) Name(s) and Address(s) of Applicant(s):
Loretta Maree Batten
U2 2 Winchester Rd Nunawading VIC 3131 Australia
(72) Name(s) of Designer(s): **Mark Simon Bayly**
(45) Registration Date: **09 November 2012**
(56) Related Art Documents: **Not Applicable**
(57) Statement of Newness and Distinctiveness: **Those features of the shoelace depicted in the representations that are new and distinctive are the shape and/or configuration.**



- (21) Design Number: **15165/2012**
(22) Date of Filing Application: **18 October 2012**
(24) Date from which industrial property rights may have effect: **18 October 2012**
(54) Product in respect of which the design is registered: **Microwave cooking tray**
(51) International Design Classification: **07-02N**
(74) Name(s) of Attorney(s): **Cotters Patent & Trade Mark Attorneys**
(71) Name(s) and Address(s) of Applicant(s):
Kayomars Kadva
65/77 Memorial Ave Liverpool NSW 2170 Australia
Kersi Kadva
65/77 Memorial Ave Liverpool NSW 2170 Australia
(72) Name(s) of Designer(s): **Kayomars Kadva and Kersi Kadva**
(45) Registration Date: **09 November 2012**
(56) Related Art Documents: **Not Applicable**
(57) Statement of Newness and Distinctiveness: **Newness and distinctiveness is claimed in the features of shape and/or configuration of a microwave cooking tray as depicted in the accompanying drawings.**



(21) Design Number: **15169/2012**
(22) Date of Filing Application: **19 October 2012**
(24) Date from which industrial property rights may have effect: **19 October 2012**
(54) Product in respect of which the design is registered: **Solar panel LED light**
(51) International Design Classification: **26-05E**
(74) Name(s) of Attorney(s):
(71) Name(s) and Address(s) of Applicant(s):
Anthony Aucone
1/11 Crown Ct Varsity Lakes QLD 4227 Australia
(72) Name(s) of Designer(s): **Anthony Aucone**
(45) Registration Date: **09 November 2012**
(56) Related Art Documents: **Not Applicable**
(57) Statement of Newness and Distinctiveness: **New design of the Solar Star Light.**



(21) Design Number: **15205/2012**
(22) Date of Filing Application: **19 October 2012**
(24) Date from which industrial property rights may have effect: **19 October 2012**
(54) Product in respect of which the design is registered: **Container**
(51) International Design Classification: **09-01K**
(74) Name(s) of Attorney(s): **FB Rice**
(71) Name(s) and Address(s) of Applicant(s):
Colgate-Palmolive Company
300 Park Avenue New York New York 10022 United States of America
(72) Name(s) of Designer(s): **John Clifford Crawford**
(45) Registration Date: **12 November 2012**
(30) Convention priority data:
(31) Number (32) Date (33) Country
29/424007 07 Jun 2012 UNITED STATES OF AMERICA
(56) Related Art Documents: **Not Applicable**
(57) Statement of Newness and Distinctiveness: **Newness and distinctiveness reside in the features of the design shown in solid lines in the representations excluding those features shown in broken lines.**



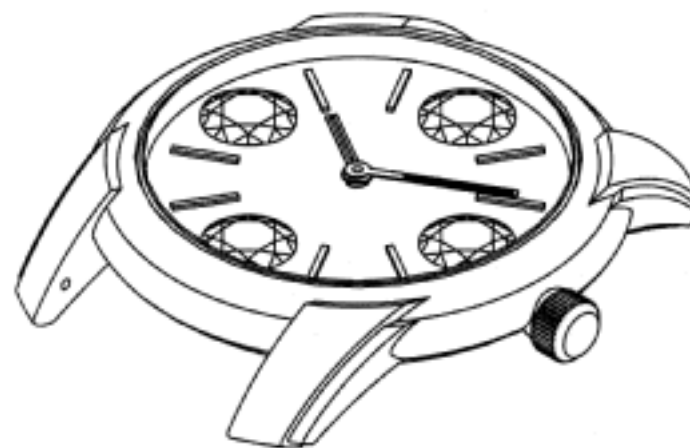
(21) Design Number: **15212/2012**
(22) Date of Filing Application: **19 October 2012**
(24) Date from which industrial property rights may have effect: **19 October 2012**
(54) Product in respect of which the design is registered: **Wrist watch**
(51) International Design Classification: **10-02**
(74) Name(s) of Attorney(s): **WATERMARK PATENT AND TRADE MARKS ATTORNEYS**
(71) Name(s) and Address(s) of Applicant(s):
Dolce & Gabbana S.r.l.
Via Carlo Goldoni 10 20129 Milano Italy
(72) Name(s) of Designer(s): **Domenico Dolce and Stefano Gabbana**
(45) Registration Date: **12 November 2012**
(30) Convention priority data:
(31) Number (32) Date (33) Country
002033126 26 Apr 2012 EUROPEAN COMMUNITY
(56) Related Art Documents: **Not Applicable**
(57) Statement of Newness and Distinctiveness: **Nil**



(21) Design Number: **15213/2012**
(22) Date of Filing Application: **19 October 2012**
(24) Date from which industrial property rights may have effect: **19 October 2012**
(54) Product in respect of which the design is registered: **Wrist watch**
(51) International Design Classification: **10-02**
(74) Name(s) of Attorney(s): **WATERMARK PATENT AND TRADE MARKS ATTORNEYS**
(71) Name(s) and Address(s) of Applicant(s):
Dolce & Gabbana S.r.l.
Via Carlo Goldoni 10 20129 Milano Italy
(72) Name(s) of Designer(s): **Domenico Dolce and Stefano Gabbana**
(45) Registration Date: **12 November 2012**
(30) Convention priority data:
(31) Number (32) Date (33) Country
002033126 26 Apr 2012 EUROPEAN COMMUNITY
(56) Related Art Documents: **Not Applicable**
(57) Statement of Newness and Distinctiveness: **Nil**



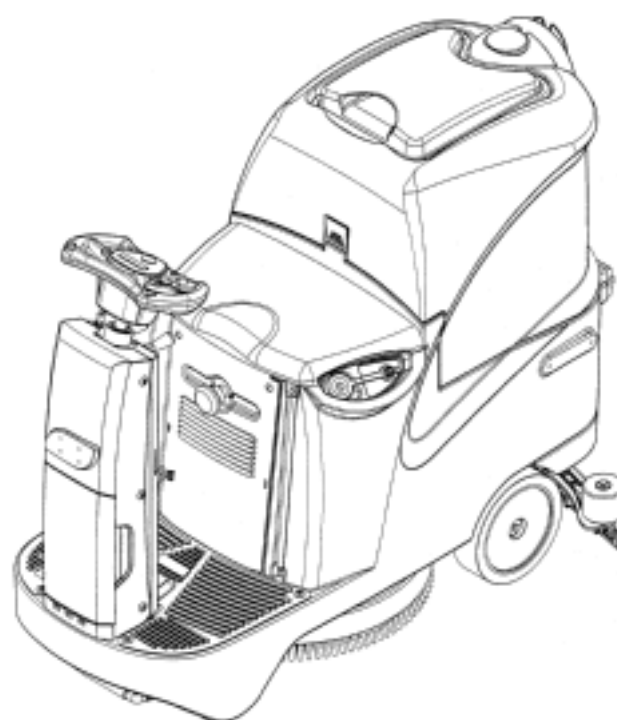
(21) Design Number: **15214/2012**
(22) Date of Filing Application: **19 October 2012**
(24) Date from which industrial property rights may have effect: **19 October 2012**
(54) Product in respect of which the design is registered: **Wrist watch**
(51) International Design Classification: **10-02**
(74) Name(s) of Attorney(s): **WATERMARK PATENT AND TRADE MARKS ATTORNEYS**
(71) Name(s) and Address(s) of Applicant(s):
Dolce & Gabbana S.r.l.
Via Carlo Goldoni 10 20129 Milano Italy
(72) Name(s) of Designer(s): **Domenico Dolce and Stefano Gabbana**
(45) Registration Date: **12 November 2012**
(30) Convention priority data:
(31) Number (32) Date (33) Country
002033126 26 Apr 2012 EUROPEAN COMMUNITY
(56) Related Art Documents: **Not Applicable**
(57) Statement of Newness and Distinctiveness: **Nil**



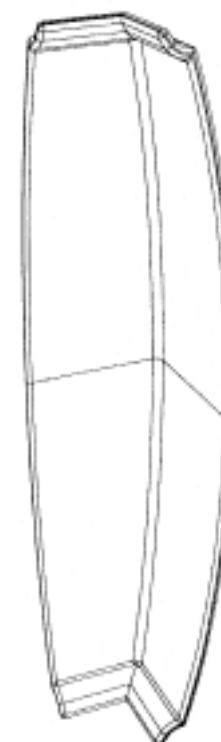
(21) Design Number: **15215/2012**
(22) Date of Filing Application: **19 October 2012**
(24) Date from which industrial property rights may have effect: **19 October 2012**
(54) Product in respect of which the design is registered: **Wrist Watch**
(51) International Design Classification: **10-02**
(74) Name(s) of Attorney(s): **WATERMARK PATENT AND TRADE MARKS ATTORNEYS**
(71) Name(s) and Address(s) of Applicant(s):
Dolce & Gabbana S.r.l.
Via Carlo Goldoni 10 20129 Milano Italy
(72) Name(s) of Designer(s): **Domenico Dolce and Stefano Gabbana**
(45) Registration Date: **12 November 2012**
(30) Convention priority data:
(31) Number (32) Date (33) Country
002033126 26 Apr 2012 EUROPEAN COMMUNITY
(56) Related Art Documents: **Not Applicable**
(57) Statement of Newness and Distinctiveness: **Nil**



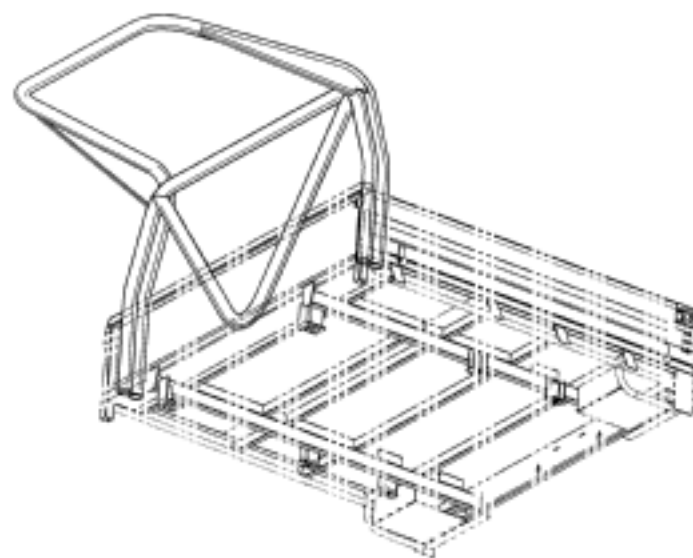
- (21) Design Number: **15219/2012**
(22) Date of Filing Application: **19 October 2012**
(24) Date from which industrial property rights may have effect: **19 October 2012**
(54) Product in respect of which the design is registered: **Floor cleaning machine**
(51) International Design Classification: **15-05**
(74) Name(s) of Attorney(s): **WATERMARK PATENT AND TRADE MARKS ATTORNEYS**
(71) Name(s) and Address(s) of Applicant(s):
FIMAP S.P.A.
Via Invalidi del Lavoro 1 37059 Zevio Frazione Santa Maria Italy
(72) Name(s) of Designer(s): **Massimiliano Ruffo**
(45) Registration Date: **12 November 2012**
(30) Convention priority data:
(31) Number (32) Date (33) Country
002035824 02 May 2012 EUROPEAN COMMUNITY
(56) Related Art Documents: **Not Applicable**
(57) Statement of Newness and Distinctiveness: **Nil**



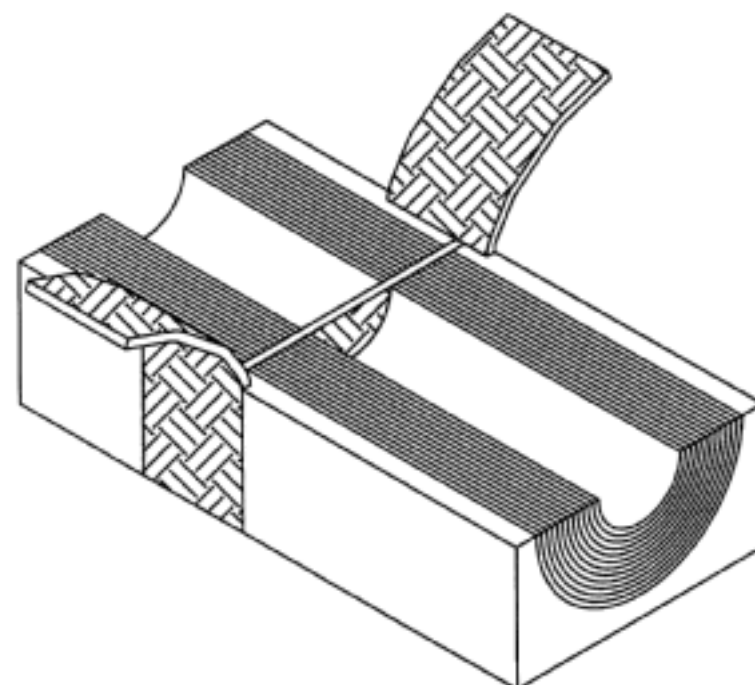
- (21) Design Number: **15220/2012**
(22) Date of Filing Application: **22 October 2012**
(24) Date from which industrial property rights may have effect: **22 October 2012**
(54) Product in respect of which the design is registered: **A valance/pelmet corner moulding**
(51) International Design Classification: **06-10**
(74) Name(s) of Attorney(s): **Smooenburg Pini Patent & Trade Mark Attorneys**
(71) Name(s) and Address(s) of Applicant(s):
Blindware Pty Ltd
U1 3 Dunlop Ct Bayswater Victoria 3153 Australia
(72) Name(s) of Designer(s): **Francois Habib and Grant Norton**
(45) Registration Date: **12 November 2012**
(56) Related Art Documents: **Not Applicable**
(57) Statement of Newness and Distinctiveness: **In considering the newness or distinctiveness of the design, regard is to be given to the overall shape and/or configuration of a valance/pelmet corner moulding as shown in the representations.**



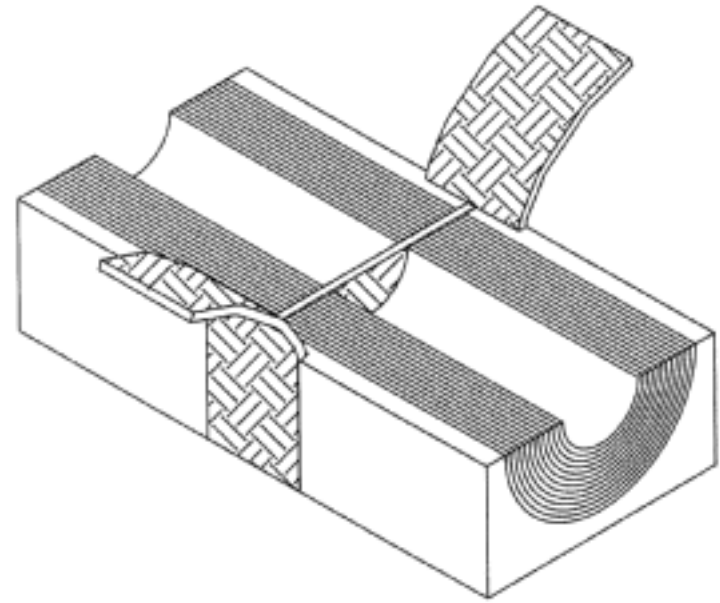
- (21) Design Number: **15221/2012**
(22) Date of Filing Application: **19 October 2012**
(24) Date from which industrial property rights may have effect: **19 October 2012**
(54) Product in respect of which the design is registered: **Roll over protection structure**
(51) International Design Classification: **12-16C**
(74) Name(s) of Attorney(s): **Fisher Adams Kelly**
(71) Name(s) and Address(s) of Applicant(s):
Macs Engineering Pty Ltd
1C Victoria St Mackay Queensland 4740 Australia
(72) Name(s) of Designer(s): **Ross Charles Fredrickson**
(45) Registration Date: **12 November 2012**
(56) Related Art Documents: **Not Applicable**
(57) Statement of Newness and Distinctiveness: **The newness and distinctiveness of the design resides in the shape and/or configuration of the ROLL OVER PROTECTION STRUCTURE shown in the representations. When considering the newness and distinctiveness of the design, the lines shown in phantom should be disregarded.**



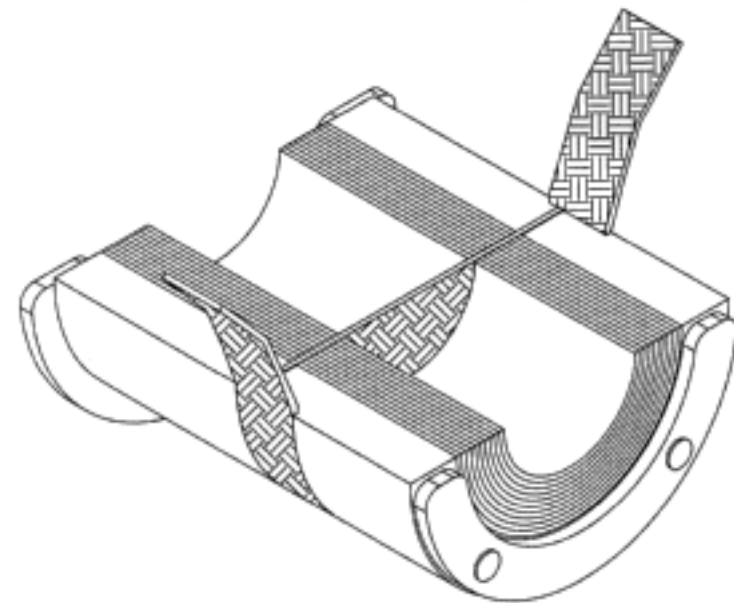
- (21) Design Number: **11869/2012**
(22) Date of Filing Application: **16 April 2012**
(24) Date from which industrial property rights may have effect: **16 April 2012**
(54) Product in respect of which the design is registered: **Cable and pipe penetration seal**
(51) International Design Classification: **23-01A**
(74) Name(s) of Attorney(s): **Griffith Hack**
(71) Name(s) and Address(s) of Applicant(s):
Roxtec AB
PO Box 540 Karlskrona S-371 23 Sweden
(72) Name(s) of Designer(s): **Bo Millevik**
(45) Registration Date: **12 November 2012**
(56) Related Art Documents: **Not Applicable**
(57) Statement of Newness and Distinctiveness: **Nil**



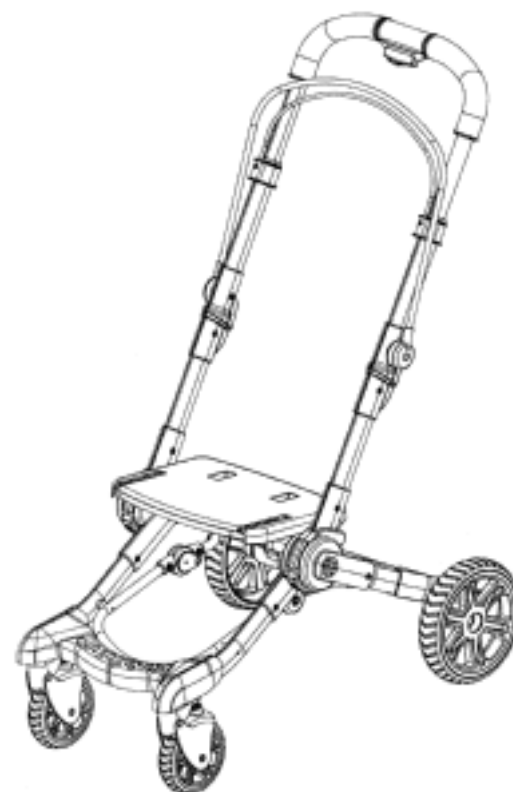
- (21) Design Number: **11870/2012**
(22) Date of Filing Application: **16 April 2012**
(24) Date from which industrial property rights may have effect: **16 April 2012**
(54) Product in respect of which the design is registered: **Cable and pipe penetration seal**
(51) International Design Classification: **23-01A**
(74) Name(s) of Attorney(s): **Griffith Hack**
(71) Name(s) and Address(s) of Applicant(s):
Roxtec AB
PO Box 540 Karlskrona S-371 23 Sweden
(72) Name(s) of Designer(s): **Bo Millevik**
(45) Registration Date: **12 November 2012**
(56) Related Art Documents: **Not Applicable**
(57) Statement of Newness and Distinctiveness: **Nil**



- (21) Design Number: **11871/2012**
(22) Date of Filing Application: **16 April 2012**
(24) Date from which industrial property rights may have effect: **16 April 2012**
(54) Product in respect of which the design is registered: **Cable and pipe penetration seal**
(51) International Design Classification: **23-01A**
(74) Name(s) of Attorney(s): **Griffith Hack**
(71) Name(s) and Address(s) of Applicant(s):
Roxtec AB
PO Box 540 Karlskrona S-371 23 Sweden
(72) Name(s) of Designer(s): **Bo Millevik**
(45) Registration Date: **12 November 2012**
(56) Related Art Documents: **Not Applicable**
(57) Statement of Newness and Distinctiveness: **Nil**



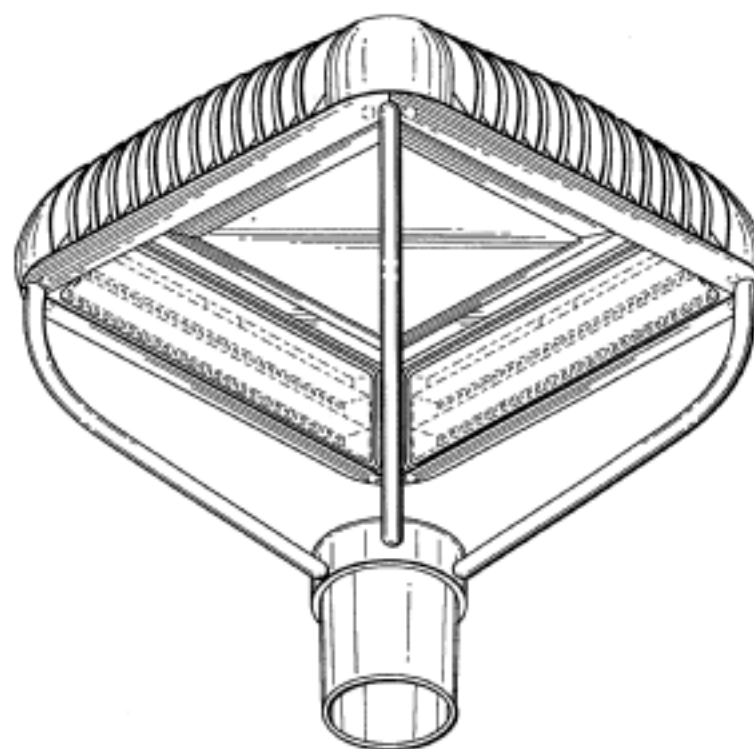
- (21) Design Number: **14171/2012**
(22) Date of Filing Application: **23 August 2012**
(24) Date from which industrial property rights may have effect: **23 August 2012**
(54) Product in respect of which the design is registered: **A stroller frame**
(51) International Design Classification: **12-12**
(74) Name(s) of Attorney(s): **WATERMARK PATENT AND TRADE MARKS ATTORNEYS**
(71) Name(s) and Address(s) of Applicant(s):
Modern Star International Pty Ltd
Level 1 122-126 Old Pittwater Road Brookvale New South Wales 2100
Australia
(72) Name(s) of Designer(s): **Michael Russell and Jon Seddon**
(45) Registration Date: **12 November 2012**
(56) Related Art Documents: **Not Applicable**
(57) Statement of Newness and Distinctiveness: **Nil**



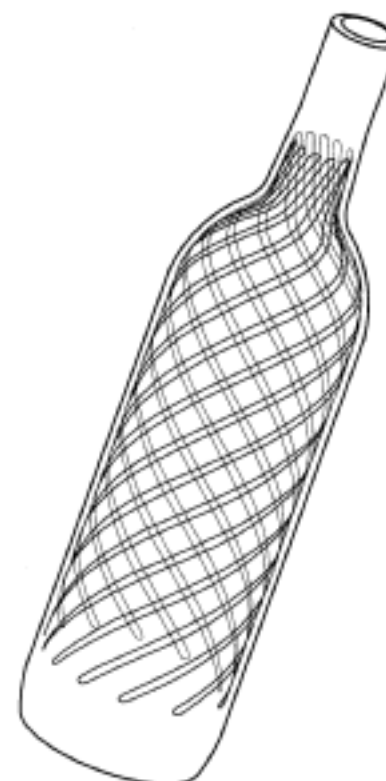
- (21) Design Number: **14612/2012**
(22) Date of Filing Application: **17 September 2012**
(24) Date from which industrial property rights may have effect: **17 September 2012**
(54) Product in respect of which the design is registered: **Wearable band**
(51) International Design Classification: **11-01C**
(74) Name(s) of Attorney(s):
(71) Name(s) and Address(s) of Applicant(s):
Pui Man Wan
Unit 19E Stage 2 Vigor Industrial Bldg 49-53 Ta Chuen Ping Street Kwai
Chung NT Hong Kong
(72) Name(s) of Designer(s): **Pui Man Wan**
(45) Registration Date: **12 November 2012**
(56) Related Art Documents: **Not Applicable**
(57) Statement of Newness and Distinctiveness: **(1) Use Polyurethane, Silicon or other Materials (2) Have irregular pattern on all or part of the watch strap / wrist band / belt. Irregular patterns create see through holes on the watch strap / wrist band / belt.**



(21) Design Number: **14697/2012**
(22) Date of Filing Application: **20 September 2012**
(24) Date from which industrial property rights may have effect: **20 September 2012**
(54) Product in respect of which the design is registered: **Lighting**
(51) International Design Classification: **26-03**
(74) Name(s) of Attorney(s): **PIZZEYS**
(71) Name(s) and Address(s) of Applicant(s):
LSI Industries, Inc.
1000 Alliance Road Cincinnati OH 45242 United States of America
(72) Name(s) of Designer(s): **John D. Boyer and James G. Vanden Eynden and Larry Akers and Vincent Charles Anthony DiCola**
(45) Registration Date: **12 November 2012**
(30) Convention priority data:
(31) Number (32) Date (33) Country
29/420,121 04 May 2012 UNITED STATES OF AMERICA
(56) Related Art Documents: **Not Applicable**
(57) Statement of Newness and Distinctiveness: **The newness and distinctiveness of the design resides in the features of pattern and/or ornamentation OR shape and/or configuration shown in unbroken lines in the accompanying representations. (if required, see Convention document)**



(21) Design Number: **15110/2012**
(22) Date of Filing Application: **16 October 2012**
(24) Date from which industrial property rights may have effect: **31 August 2012**
(54) Product in respect of which the design is registered: **Bottle**
(51) International Design Classification: **09-01H**
(74) Name(s) of Attorney(s): **Shelston IP**
(71) Name(s) and Address(s) of Applicant(s):
Owens-Brockway Glass Container Inc.
One Michael Owens Way Perrysburg Ohio 43551 United States of America
(72) Name(s) of Designer(s): **Michael J. Lonsway and Vincent J. Bailey and Bruce A. Becker**
(45) Registration Date: **12 November 2012**
(30) Convention priority data:
(31) Number (32) Date (33) Country
29/417198 30 Mar 2012 UNITED STATES OF AMERICA
(62) Divisional of: **345195**
(56) Related Art Documents: **Not Applicable**
(57) Statement of Newness and Distinctiveness: **Newness and distinctiveness reside in the visual features of the design for a BOTTLE as shown in the accompanying representations, including the pattern of angularly spaced spiral ribs on the inside surface of the bottle.**



- (21) Design Number: **15003/2012**
(22) Date of Filing Application: **09 October 2012**
(24) Date from which industrial property rights may have effect: **09 October 2012**
(54) Product in respect of which the design is registered: **Bottle**
(51) International Design Classification: **09-01H**
(74) Name(s) of Attorney(s): **FB Rice**
(71) Name(s) and Address(s) of Applicant(s):

SAVERGLASS
3 rue de la Gare 60960 Feuquieres France

- (72) Name(s) of Designer(s): **Jokin Arregui Letamendi**

(45) Registration Date: **12 November 2012**

(56) Related Art Documents: **Not Applicable**

- (57) Statement of Newness and Distinctiveness: **Newness and distinctiveness reside in the features of the bottle as shown in solid lines in the representations, excluding the features shown in dashed lines, the bottle having a long cylindrical neck which at its lower end expands towards the main portion of the bottle, this intermediate short conical portion joining the main cylindrical portion of the bottle with a rounded curvature, the main portion of the bottle being about 1/3 high compared to the total height of the bottle and having an inverted conical shape, the diameter of the bottom being narrower than the diameter of the upper part of the main portion of the bottle, and at its bottom, the bottle defining a central cavity which has a conical and rounded shape.**



- (21) Design Number: **15004/2012**
(22) Date of Filing Application: **09 October 2012**
(24) Date from which industrial property rights may have effect: **09 October 2012**
(54) Product in respect of which the design is registered: **Bottle**
(51) International Design Classification: **09-01H**
(74) Name(s) of Attorney(s): **FB Rice**
(71) Name(s) and Address(s) of Applicant(s):

SAVERGLASS
3 rue de la Gare 60960 Feuquieres France

- (72) Name(s) of Designer(s): **Jokin Arregui Letamendi**

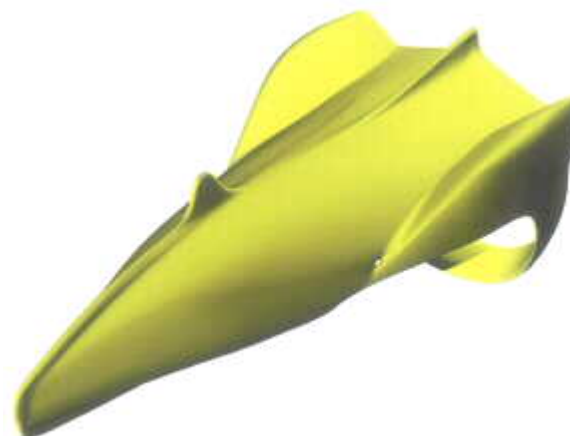
(45) Registration Date: **12 November 2012**

(56) Related Art Documents: **Not Applicable**

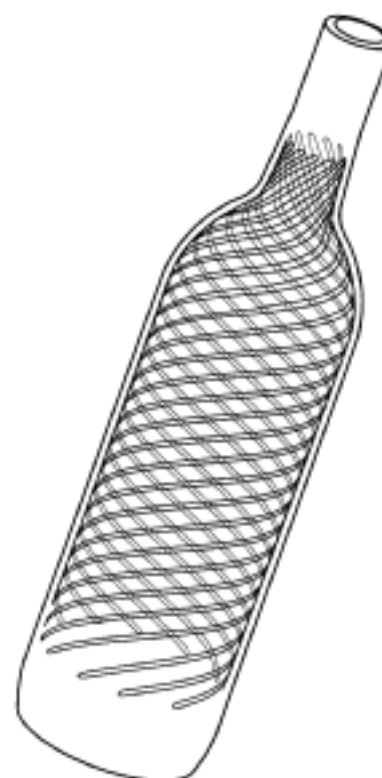
- (57) Statement of Newness and Distinctiveness: **Newness and distinctiveness reside in the features of the bottle as shown in solid lines in the representations, excluding the features shown in dashed lines, the bottle having a long cylindrical neck which at its lower end gradually expands towards the main portion of the bottle, this intermediate conical portion joining the main cylindrical portion of the bottle with a convex curvature, the height of the main portion of the bottle being about 1/3 of total height of the bottle, the diameter of the bottom being slightly narrower than the diameter of the upper part of the main cylindrical portion of the bottle, and at its bottom, the bottle defines a central cavity having a conical shape with the internal top of this cone ending with a small convex curvature.**



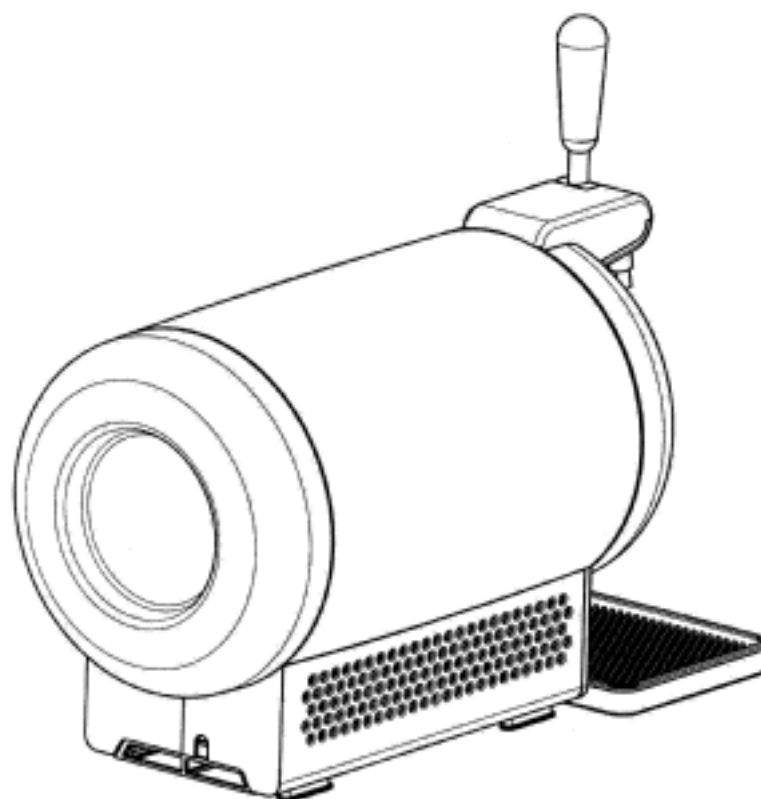
(21) Design Number: **15049/2012**
(22) Date of Filing Application: **12 October 2012**
(24) Date from which industrial property rights may have effect: **12 October 2012**
(54) Product in respect of which the design is registered: **Safety Buoy**
(51) International Design Classification: **29-02, 08-08O**
(74) Name(s) of Attorney(s): **WATERMARK PATENT AND TRADE MARKS ATTORNEYS**
(71) Name(s) and Address(s) of Applicant(s):
Rip Buoy Holdings Limited
7 Karungi Cres Port Macquarie NSW 2444 Australia
(72) Name(s) of Designer(s): **Neil John Wallace**
(45) Registration Date: **12 November 2012**
(56) Related Art Documents: **Not Applicable**
(57) Statement of Newness and Distinctiveness: **Nil**



(21) Design Number: **15112/2012**
(22) Date of Filing Application: **16 October 2012**
(24) Date from which industrial property rights may have effect: **16 October 2012**
(54) Product in respect of which the design is registered: **Bottle**
(51) International Design Classification: **09-01H**
(74) Name(s) of Attorney(s): **Shelston IP**
(71) Name(s) and Address(s) of Applicant(s):
Owens-Brockway Glass Container Inc.
One Michael Owens Way Perrysburg Ohio 43551 United States of America
(72) Name(s) of Designer(s): **Michael J. Lonsway and Vincent J. Bailey and Bruce A. Becker**
(45) Registration Date: **12 November 2012**
(30) Convention priority data:
(31) Number (32) Date (33) Country
29/417198 30 Mar 2012 UNITED STATES OF AMERICA
(56) Related Art Documents: **Not Applicable**
(57) Statement of Newness and Distinctiveness: **Newness and distinctiveness reside in the visual features of the design for a BOTTLE as shown in the accompanying representations, including the pattern of angularly spaced spiral ribs on the inside surface of the bottle.**



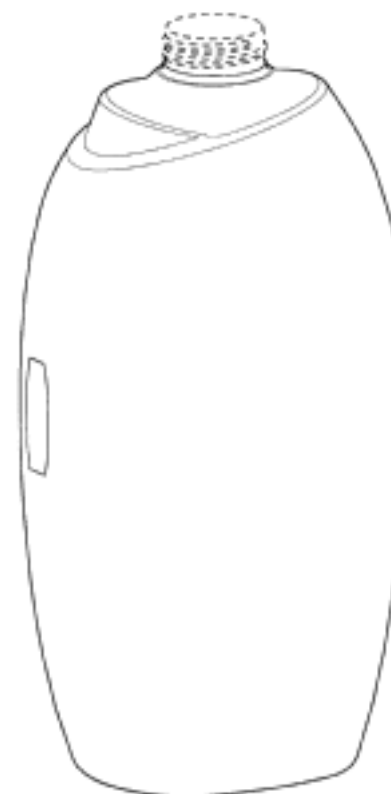
(21) Design Number: **15197/2012**
(22) Date of Filing Application: **19 October 2012**
(24) Date from which industrial property rights may have effect: **19 October 2012**
(54) Product in respect of which the design is registered: **Pouring stand for draught beer**
(51) International Design Classification: **31-00**
(74) Name(s) of Attorney(s): **FB Rice**
(71) Name(s) and Address(s) of Applicant(s):
Heineken Supply Chain B.V.
Tweede Weteringplantsoen 21 1017 ZD Amsterdam Netherlands
(72) Name(s) of Designer(s): **Marc Newson**
(45) Registration Date: **12 November 2012**
(30) Convention priority data:
(31) Number (32) Date (33) Country
002028951-0001 19 Apr 2012 EUROPEAN COMMUNITY
(56) Related Art Documents: **Not Applicable**
(57) Statement of Newness and Distinctiveness: **Newness and distinctiveness reside in the features of the design as shown in the representations.**



(21) Design Number: **15198/2012**
(22) Date of Filing Application: **19 October 2012**
(24) Date from which industrial property rights may have effect: **19 October 2012**
(54) Product in respect of which the design is registered: **Container**
(51) International Design Classification: **09-01K**
(74) Name(s) of Attorney(s): **FB Rice**
(71) Name(s) and Address(s) of Applicant(s):
Colgate-Palmolive Company
300 Park Avenue New York New York 10022 United States of America
(72) Name(s) of Designer(s): **John Clifford Crawford**
(45) Registration Date: **12 November 2012**
(30) Convention priority data:
(31) Number (32) Date (33) Country
29/424007 07 Jun 2012 UNITED STATES OF AMERICA
(56) Related Art Documents: **Not Applicable**
(57) Statement of Newness and Distinctiveness: **Newness and distinctiveness reside in the features of the design shown in solid lines in the representations excluding those features shown in broken lines.**



(21) Design Number: **15199/2012**
(22) Date of Filing Application: **19 October 2012**
(24) Date from which industrial property rights may have effect: **19 October 2012**
(54) Product in respect of which the design is registered: **Container**
(51) International Design Classification: **09-01K**
(74) Name(s) of Attorney(s): **FB Rice**
(71) Name(s) and Address(s) of Applicant(s):
Colgate-Palmolive Company
300 Park Avenue New York New York 10022 United States of America
(72) Name(s) of Designer(s): **John Clifford Crawford**
(45) Registration Date: **12 November 2012**
(30) Convention priority data:
(31) Number (32) Date (33) Country
29/424007 07 Jun 2012 UNITED STATES OF AMERICA
(56) Related Art Documents: **Not Applicable**
(57) Statement of Newness and Distinctiveness: **Newness and distinctiveness reside in the features of the design shown in solid lines in the representations excluding those features shown in broken lines.**



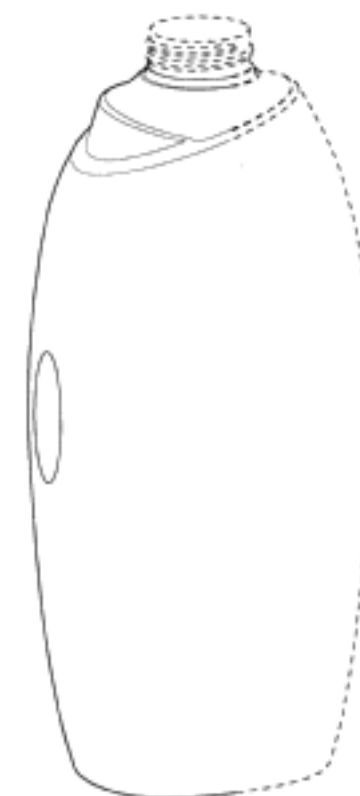
(21) Design Number: **15200/2012**
(22) Date of Filing Application: **19 October 2012**
(24) Date from which industrial property rights may have effect: **19 October 2012**
(54) Product in respect of which the design is registered: **Container**
(51) International Design Classification: **09-01K**
(74) Name(s) of Attorney(s): **FB Rice**
(71) Name(s) and Address(s) of Applicant(s):
Colgate-Palmolive Company
300 Park Avenue New York New York 10022 United States of America
(72) Name(s) of Designer(s): **John Clifford Crawford**
(45) Registration Date: **12 November 2012**
(30) Convention priority data:
(31) Number (32) Date (33) Country
29/424007 07 Jun 2012 UNITED STATES OF AMERICA
(56) Related Art Documents: **Not Applicable**
(57) Statement of Newness and Distinctiveness: **Newness and distinctiveness reside in the features of the design shown in solid lines in the representations excluding those features shown in broken lines.**



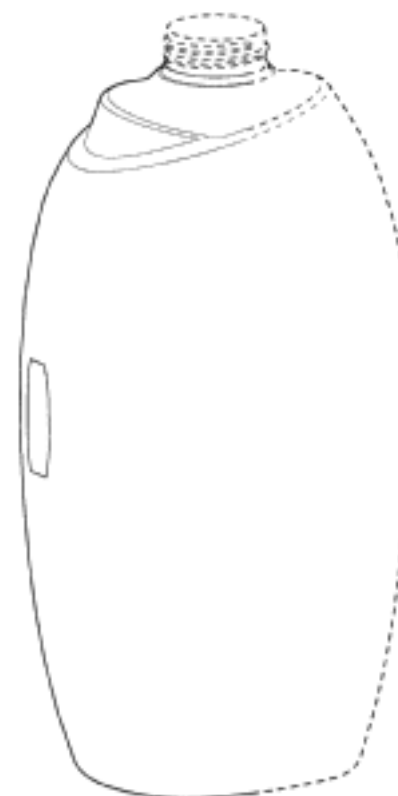
(21) Design Number: **15201/2012**
(22) Date of Filing Application: **19 October 2012**
(24) Date from which industrial property rights may have effect: **19 October 2012**
(54) Product in respect of which the design is registered: **Container**
(51) International Design Classification: **09-01K**
(74) Name(s) of Attorney(s): **FB Rice**
(71) Name(s) and Address(s) of Applicant(s):
Colgate-Palmolive Company
300 Park Avenue New York New York 10022 United States of America
(72) Name(s) of Designer(s): **John Clifford Crawford**
(45) Registration Date: **12 November 2012**
(30) Convention priority data:
(31) Number (32) Date (33) Country
29/424007 07 Jun 2012 UNITED STATES OF AMERICA
(56) Related Art Documents: **Not Applicable**
(57) Statement of Newness and Distinctiveness: **Newness and distinctiveness reside in the features of the design shown in solid lines in the representations excluding those features shown in broken lines.**



(21) Design Number: **15202/2012**
(22) Date of Filing Application: **19 October 2012**
(24) Date from which industrial property rights may have effect: **19 October 2012**
(54) Product in respect of which the design is registered: **Container**
(51) International Design Classification: **09-01K**
(74) Name(s) of Attorney(s): **FB Rice**
(71) Name(s) and Address(s) of Applicant(s):
Colgate-Palmolive Company
300 Park Avenue New York New York 10022 United States of America
(72) Name(s) of Designer(s): **John Clifford Crawford**
(45) Registration Date: **12 November 2012**
(30) Convention priority data:
(31) Number (32) Date (33) Country
29/424007 07 Jun 2012 UNITED STATES OF AMERICA
(56) Related Art Documents: **Not Applicable**
(57) Statement of Newness and Distinctiveness: **Newness and distinctiveness reside in the features of the design shown in solid lines in the representations excluding those features shown in broken lines.**



(21) Design Number: **15203/2012**
(22) Date of Filing Application: **19 October 2012**
(24) Date from which industrial property rights may have effect: **19 October 2012**
(54) Product in respect of which the design is registered: **Container**
(51) International Design Classification: **09-01K**
(74) Name(s) of Attorney(s): **FB Rice**
(71) Name(s) and Address(s) of Applicant(s):
Colgate-Palmolive Company
300 Park Avenue New York New York 10022 United States of America
(72) Name(s) of Designer(s): **John Clifford Crawford**
(45) Registration Date: **12 November 2012**
(30) Convention priority data:
(31) Number (32) Date (33) Country
29/424007 07 Jun 2012 UNITED STATES OF AMERICA
(56) Related Art Documents: **Not Applicable**
(57) Statement of Newness and Distinctiveness: **Newness and distinctiveness reside in the features of the design shown in solid lines in the representations excluding those features shown in broken lines.**



(21) Design Number: **15204/2012**
(22) Date of Filing Application: **19 October 2012**
(24) Date from which industrial property rights may have effect: **19 October 2012**
(54) Product in respect of which the design is registered: **Container**
(51) International Design Classification: **09-01K**
(74) Name(s) of Attorney(s): **FB Rice**
(71) Name(s) and Address(s) of Applicant(s):
Colgate-Palmolive Company
300 Park Avenue New York New York 10022 United States of America
(72) Name(s) of Designer(s): **John Clifford Crawford**
(45) Registration Date: **12 November 2012**
(30) Convention priority data:
(31) Number (32) Date (33) Country
29/424007 07 Jun 2012 UNITED STATES OF AMERICA
(56) Related Art Documents: **Not Applicable**
(57) Statement of Newness and Distinctiveness: **Newness and distinctiveness reside in the features of the design shown in solid lines in the representations excluding those features shown in broken lines.**



(21) Design Number: **12570/2012**
(22) Date of Filing Application: **25 May 2012**
(24) Date from which industrial property rights may have effect: **25 May 2012**
(54) Product in respect of which the design is registered: **Coffee cart**
(51) International Design Classification: **12-02**
(74) Name(s) of Attorney(s):
(71) Name(s) and Address(s) of Applicant(s):

Nadia Riach
13 Obley Street Cumnock New South Wales 2867 Australia

Duncan Murray
13 Obley Street Cumnock New South Wales 2667 New South Wales 2667
Australia

(72) Name(s) of Designer(s): **Nadia Riach and Duncan Murray**
(45) Registration Date: **12 November 2012**
(56) Related Art Documents: **Not Applicable**
(57) Statement of Newness and Distinctiveness: **Nil**



(21) Design Number: **14146/2012**
(22) Date of Filing Application: **20 August 2012**
(24) Date from which industrial property rights may have effect: **20 August 2012**
(54) Product in respect of which the design is registered: **Alu' sling sunlounger**
(51) International Design Classification: **06-01H**
(74) Name(s) of Attorney(s):
(71) Name(s) and Address(s) of Applicant(s):

Guangzhou Gardenart Furniture Co. Ltd
Unit 3A-1 4th Building No. 52 Shuiyin Road Yuexiu District Guangzhou
City Guangdong 510075 China

(72) Name(s) of Designer(s): **Cao Jianhui**
(45) Registration Date: **13 November 2012**
(56) Related Art Documents: **Not Applicable**
(57) Statement of Newness and Distinctiveness: **Nil**



(21) Design Number: **14147/2012**

(22) Date of Filing Application: **20 August 2012**

(24) Date from which industrial property rights may have effect: **20 August 2012**

(54) Product in respect of which the design is registered: **Alu' sling cover dining chair**

(51) International Design Classification: **06-01F**

(74) Name(s) of Attorney(s):

(71) Name(s) and Address(s) of Applicant(s):

**Guangzhou Gardenart Furniture Co. Ltd
Unit 3A-1 4th Building No. 52 Shuiyin Road Yuexiu District Guangzhou
City Guangdong 510075 China**

(72) Name(s) of Designer(s): **Cao Jianhui**

(45) Registration Date: **13 November 2012**

(56) Related Art Documents: **Not Applicable**

(57) Statement of Newness and Distinctiveness: **Nil**



(21) Design Number: **14148/2012**

(22) Date of Filing Application: **20 August 2012**

(24) Date from which industrial property rights may have effect: **20 August 2012**

(54) Product in respect of which the design is registered: **Alu'/glass table**

(51) International Design Classification: **06-03B**

(74) Name(s) of Attorney(s):

(71) Name(s) and Address(s) of Applicant(s):

**Guangzhou Gardenart Furniture Co. Ltd
Unit 3A-1 4th Building No. 52 Shuiyin Road Yuexiu District Guangzhou
City Guangdong 510075 China**

(72) Name(s) of Designer(s): **Cao Jianhui**

(45) Registration Date: **13 November 2012**

(56) Related Art Documents: **Not Applicable**

(57) Statement of Newness and Distinctiveness: **Nil**



(21) Design Number: **14149/2012**

(22) Date of Filing Application: **20 August 2012**

(24) Date from which industrial property rights may have effect: **20 August 2012**

(54) Product in respect of which the design is registered: **S/S sling sun lounger**

(51) International Design Classification: **06-01H**

(74) Name(s) of Attorney(s):

(71) Name(s) and Address(s) of Applicant(s):

Guangzhou Gardenart Furniture Co. Ltd
Unit 3A-1 4th Building No. 52 Shuiyin Road Yuexiu District Guangzhou
City Guangdong 510075 China

(72) Name(s) of Designer(s): **Cao Jianhui**

(45) Registration Date: **13 November 2012**

(56) Related Art Documents: **Not Applicable**

(57) Statement of Newness and Distinctiveness: **Nil**



(21) Design Number: **14150/2012**

(22) Date of Filing Application: **20 August 2012**

(24) Date from which industrial property rights may have effect: **20 August 2012**

(54) Product in respect of which the design is registered: **Alu' director chair**

(51) International Design Classification: **06-01F**

(74) Name(s) of Attorney(s):

(71) Name(s) and Address(s) of Applicant(s):

Guangzhou Gardenart Furniture Co. Ltd
Unit 3A-1 4th Building No. 52 Shuiyin Road Yuexiu District Guangzhou
City Guangdong 510075 China

(72) Name(s) of Designer(s): **Cao Jianhui**

(45) Registration Date: **13 November 2012**

(56) Related Art Documents: **Not Applicable**

(57) Statement of Newness and Distinctiveness: **Nil**



(21) Design Number: **14151/2012**

(22) Date of Filing Application: **20 August 2012**

(24) Date from which industrial property rights may have effect: **20 August 2012**

(54) Product in respect of which the design is registered: **Alu' sling armchair**

(51) International Design Classification: **06-01H**

(74) Name(s) of Attorney(s):

(71) Name(s) and Address(s) of Applicant(s):

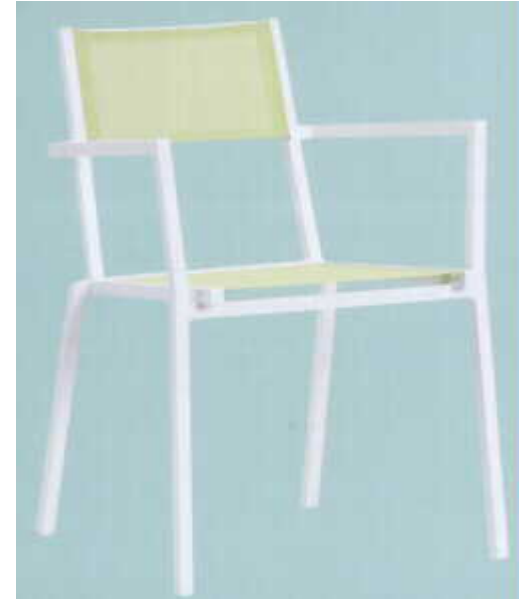
Guangzhou Gardenart Furniture Co. Ltd
Unit 3A-1 4th Building No. 52 Shuiyin Road Yuexiu District Guangzhou
City Guangdong 510075 China

(72) Name(s) of Designer(s): **Cao Jianhui**

(45) Registration Date: **13 November 2012**

(56) Related Art Documents: **Not Applicable**

(57) Statement of Newness and Distinctiveness: **Nil**



(21) Design Number: **14152/2012**

(22) Date of Filing Application: **20 August 2012**

(24) Date from which industrial property rights may have effect: **20 August 2012**

(54) Product in respect of which the design is registered: **Full alu' dining armchair**

(51) International Design Classification: **06-01F**

(74) Name(s) of Attorney(s):

(71) Name(s) and Address(s) of Applicant(s):

Guangzhou Gardenart Furniture Co. Ltd
Unit 3A-1 4th Building No. 52 Shuiyin Road Yuexiu District Guangzhou
City Guangdong 510075 China

(72) Name(s) of Designer(s): **Cao Jianhui**

(45) Registration Date: **13 November 2012**

(56) Related Art Documents: **Not Applicable**

(57) Statement of Newness and Distinctiveness: **Nil**



(21) Design Number: **14153/2012**

(22) Date of Filing Application: **20 August 2012**

(24) Date from which industrial property rights may have effect: **20 August 2012**

(54) Product in respect of which the design is registered: **Full alu' dining armchair**

(51) International Design Classification: **06-01F**

(74) Name(s) of Attorney(s):

(71) Name(s) and Address(s) of Applicant(s):

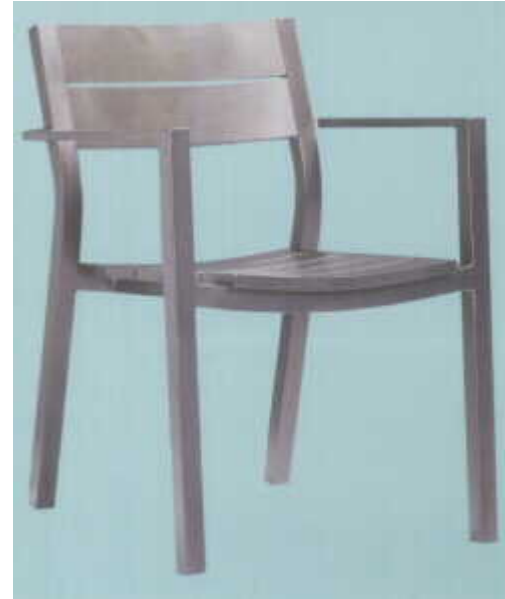
Guangzhou Gardenart Furniture Co. Ltd
Unit 3A-1 4th Building No. 52 Shuiyin Road Yuexiu District Guangzhou
City Guangdong 510075 China

(72) Name(s) of Designer(s): **Cao Jianhui**

(45) Registration Date: **13 November 2012**

(56) Related Art Documents: **Not Applicable**

(57) Statement of Newness and Distinctiveness: **Nil**



(21) Design Number: **14154/2012**

(22) Date of Filing Application: **20 August 2012**

(24) Date from which industrial property rights may have effect: **20 August 2012**

(54) Product in respect of which the design is registered: **Full alu' dining armchair**

(51) International Design Classification: **06-01F**

(74) Name(s) of Attorney(s):

(71) Name(s) and Address(s) of Applicant(s):

Guangzhou Gardenart Furniture Co. Ltd
Unit 3A-1 4th Building No. 52 Shuiyin Road Yuexiu District Guangzhou
City Guangdong 510075 China

(72) Name(s) of Designer(s): **Cao Jianhui**

(45) Registration Date: **13 November 2012**

(56) Related Art Documents: **Not Applicable**

(57) Statement of Newness and Distinctiveness: **Nil**



(21) Design Number: **14155/2012**

(22) Date of Filing Application: **20 August 2012**

(24) Date from which industrial property rights may have effect: **20 August 2012**

(54) Product in respect of which the design is registered: **Full alu' stool**

(51) International Design Classification: **06-01E**

(74) Name(s) of Attorney(s):

(71) Name(s) and Address(s) of Applicant(s):

Guangzhou Gardenart Furniture Co. Ltd
Unit 3A-1 4th Building No. 52 Shuiyin Road Yuexiu District Guangzhou
City Guangdong 510075 China

(72) Name(s) of Designer(s): **Cao Jianhui**

(45) Registration Date: **13 November 2012**

(56) Related Art Documents: **Not Applicable**

(57) Statement of Newness and Distinctiveness: **Nil**



(21) Design Number: **14156/2012**

(22) Date of Filing Application: **20 August 2012**

(24) Date from which industrial property rights may have effect: **20 August 2012**

(54) Product in respect of which the design is registered: **Full alu' dining table**

(51) International Design Classification: **06-03A**

(74) Name(s) of Attorney(s):

(71) Name(s) and Address(s) of Applicant(s):

Guangzhou Gardenart Furniture Co. Ltd
Unit 3A-1 4th Building No. 52 Shuiyin Road Yuexiu District Guangzhou
City Guangdong 510075 China

(72) Name(s) of Designer(s): **Cao Jianhui**

(45) Registration Date: **13 November 2012**

(56) Related Art Documents: **Not Applicable**

(57) Statement of Newness and Distinctiveness: **Nil**



(21) Design Number: **14157/2012**

(22) Date of Filing Application: **20 August 2012**

(24) Date from which industrial property rights may have effect: **20 August 2012**

(54) Product in respect of which the design is registered: **Alu' teak table with two benches**

(51) International Design Classification: **06-03A, 06-05**

(74) Name(s) of Attorney(s):

(71) Name(s) and Address(s) of Applicant(s):

Guangzhou Gardenart Furniture Co. Ltd
Unit 3A-1 4th Building No. 52 Shuiyin Road Yuexiu District Guangzhou
City Guangdong 510075 China

(72) Name(s) of Designer(s): **Cao Jianhui**

(45) Registration Date: **13 November 2012**

(56) Related Art Documents: **Not Applicable**

(57) Statement of Newness and Distinctiveness: **Nil**



(21) Design Number: **14158/2012**

(22) Date of Filing Application: **20 August 2012**

(24) Date from which industrial property rights may have effect: **20 August 2012**

(54) Product in respect of which the design is registered: **Alu' sofa, one seater, with two arms**

(51) International Design Classification: **06-01G**

(74) Name(s) of Attorney(s):

(71) Name(s) and Address(s) of Applicant(s):

Guangzhou Gardenart Furniture Co. Ltd
Unit 3A-1 4th Building No. 52 Shuiyin Road Yuexiu District Guangzhou
City Guangdong 510075 China

(72) Name(s) of Designer(s): **Cao Jianhui**

(45) Registration Date: **13 November 2012**

(56) Related Art Documents: **Not Applicable**

(57) Statement of Newness and Distinctiveness: **Nil**



(21) Design Number: **14159/2012**

(22) Date of Filing Application: **20 August 2012**

(24) Date from which industrial property rights may have effect: **20 August 2012**

(54) Product in respect of which the design is registered: **Alu-sofa, 2-seater with one armrest**

(51) International Design Classification: **06-01G**

(74) Name(s) of Attorney(s):

(71) Name(s) and Address(s) of Applicant(s):

**Guangzhou Gardenart Furniture Co. Ltd
Unit 3A-1 4th Building No. 52 Shuiyin Road Yuexiu District Guangzhou
City Guangdong 510075 China**

(72) Name(s) of Designer(s): **Cao Jianhui**

(45) Registration Date: **13 November 2012**

(56) Related Art Documents: **Not Applicable**

(57) Statement of Newness and Distinctiveness: **Nil**



(21) Design Number: **14160/2012**

(22) Date of Filing Application: **20 August 2012**

(24) Date from which industrial property rights may have effect: **20 August 2012**

(54) Product in respect of which the design is registered: **Alu-sofa, 2-seater w/o armrest**

(51) International Design Classification: **06-01G**

(74) Name(s) of Attorney(s):

(71) Name(s) and Address(s) of Applicant(s):

**Guangzhou Gardenart Furniture Co. Ltd
Unit 3A-1 4th Building No. 52 Shuiyin Road Yuexiu District Guangzhou
City Guangdong 510075 China**

(72) Name(s) of Designer(s): **Cao Jianhui**

(45) Registration Date: **13 November 2012**

(56) Related Art Documents: **Not Applicable**

(57) Statement of Newness and Distinctiveness: **Nil**



(21) Design Number: **14161/2012**

(22) Date of Filing Application: **20 August 2012**

(24) Date from which industrial property rights may have effect: **20 August 2012**

(54) Product in respect of which the design is registered: **Alu' sling sunlounger**

(51) International Design Classification: **06-01H**

(74) Name(s) of Attorney(s):

(71) Name(s) and Address(s) of Applicant(s):

**Guangzhou Gardenart Furniture Co. Ltd
Unit 3A-1 4th Building No. 52 Shuiyin Road Yuexiu District Guangzhou
City Guangdong 510075 China**

(72) Name(s) of Designer(s): **Cao Jianhui**

(45) Registration Date: **13 November 2012**

(56) Related Art Documents: **Not Applicable**

(57) Statement of Newness and Distinctiveness: **Nil**



(21) Design Number: **13018/2012**

(22) Date of Filing Application: **27 June 2012**

(24) Date from which industrial property rights may have effect: **27 June 2012**

(54) Product in respect of which the design is registered: **Automobile**

(51) International Design Classification: **12-08**

(74) Name(s) of Attorney(s): **SPRUSON & FERGUSON**

(71) Name(s) and Address(s) of Applicant(s):

**Toyota Jidosha Kabushiki Kaisha
1 Toyota-cho Toyota-shi Aichi-ken 471-8571 Japan**

(72) Name(s) of Designer(s): **Koichi Suga and Kenichi Hirai and Hirokazu Ikuma
and Hiroyuki Hatake and Jun Takahashi and Ken Billes**

(45) Registration Date: **13 November 2012**

(56) Related Art Documents: **Not Applicable**

(57) Statement of Newness and Distinctiveness: **Newness and distinctiveness is claimed in the features of shape and/or configuration of an automobile as illustrated in the accompanying representations, apart from Toyota emblems.**



- (21) Design Number: **13021/2012**
(22) Date of Filing Application: **27 June 2012**
(24) Date from which industrial property rights may have effect: **27 June 2012**
(54) Product in respect of which the design is registered: **Front combination lamp for an automobile**
(51) International Design Classification: **26-06, 12-16E**
(74) Name(s) of Attorney(s): **SPRUSON & FERGUSON**
(71) Name(s) and Address(s) of Applicant(s):
Toyota Jidosha Kabushiki Kaisha
1 Toyota-cho Toyota-shi Aichi-ken 471-8571 Japan
(72) Name(s) of Designer(s): **Shunsuke Sudo and Makoto Takahashi**
(45) Registration Date: **13 November 2012**
(56) Related Art Documents: **Not Applicable**
(57) Statement of Newness and Distinctiveness: **Newness and distinctiveness is claimed in the features of shape and/or configuration of a front combination lamp for an automobile as illustrated in the accompanying representations.**



- (21) Design Number: **13022/2012**
(22) Date of Filing Application: **27 June 2012**
(24) Date from which industrial property rights may have effect: **27 June 2012**
(54) Product in respect of which the design is registered: **Front bumper for an automobile**
(51) International Design Classification: **12-16C**
(74) Name(s) of Attorney(s): **SPRUSON & FERGUSON**
(71) Name(s) and Address(s) of Applicant(s):
Toyota Jidosha Kabushiki Kaisha
1 Toyota-cho Toyota-shi Aichi-ken 471-8571 Japan
(72) Name(s) of Designer(s): **Kenichi Hirai and Shunsuke Sudo and Junwon Han and Ken Billes and Jun Takahashi**
(45) Registration Date: **13 November 2012**
(56) Related Art Documents: **Not Applicable**
(57) Statement of Newness and Distinctiveness: **Newness and distinctiveness is claimed in the features of shape and/or configuration of a front bumper for an automobile as illustrated in the accompanying representations.**



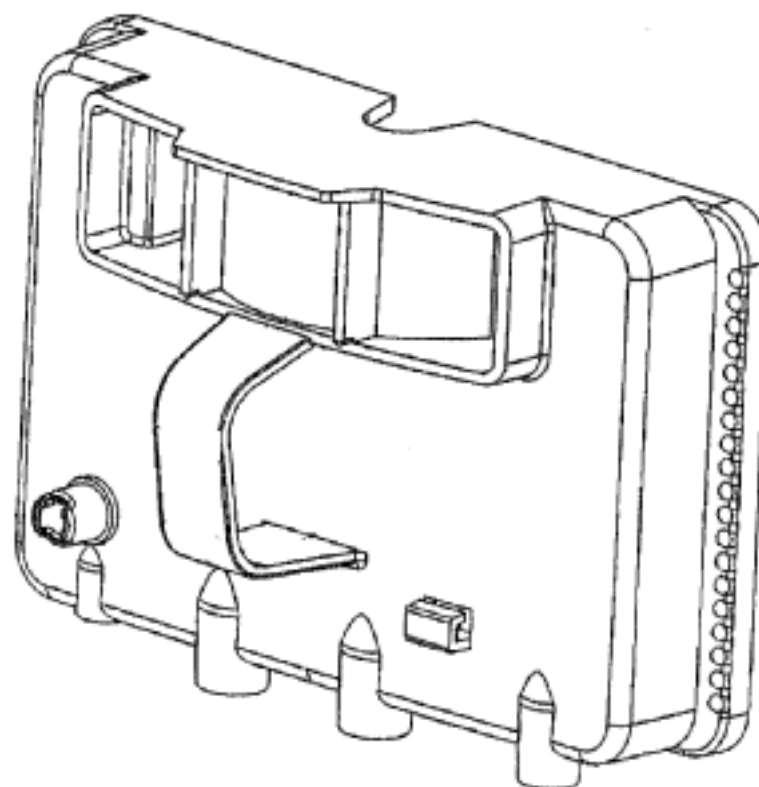
- (21) Design Number: **13023/2012**
(22) Date of Filing Application: **27 June 2012**
(24) Date from which industrial property rights may have effect: **27 June 2012**
(54) Product in respect of which the design is registered: **Rear combination lamp for an automobile**
(51) International Design Classification: **12-16E, 26-06**
(74) Name(s) of Attorney(s): **SPRUSON & FERGUSON**
(71) Name(s) and Address(s) of Applicant(s):
Toyota Jidosha Kabushiki Kaisha
1 Toyota-cho Toyota-shi Aichi-ken 471-8571 Japan
(72) Name(s) of Designer(s): **Shunsuke Sudo**
(45) Registration Date: **13 November 2012**
(56) Related Art Documents: **Not Applicable**
(57) Statement of Newness and Distinctiveness: **Newness and distinctiveness is claimed in the features of shape and/or configuration of a Rear combination lamp for an automobile as illustrated in the accompanying representations.**



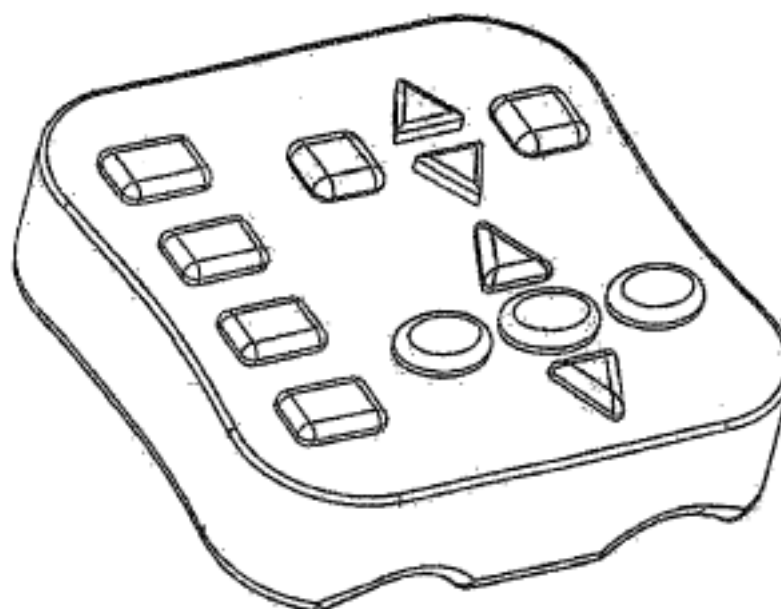
- (21) Design Number: **13024/2012**
(22) Date of Filing Application: **27 June 2012**
(24) Date from which industrial property rights may have effect: **27 June 2012**
(54) Product in respect of which the design is registered: **Rear bumper for an automobile**
(51) International Design Classification: **12-16C**
(74) Name(s) of Attorney(s): **SPRUSON & FERGUSON**
(71) Name(s) and Address(s) of Applicant(s):
Toyota Jidosha Kabushiki Kaisha
1 Toyota-cho Toyota-shi Aichi-ken 471-8571 Japan
(72) Name(s) of Designer(s): **Kenichi Hirai and Ken Billes and Jun Takahashi**
(45) Registration Date: **13 November 2012**
(56) Related Art Documents: **Not Applicable**
(57) Statement of Newness and Distinctiveness: **Newness and distinctiveness is claimed in the features of shape and/or configuration of a rear bumper for an automobile as illustrated in the accompanying representations.**



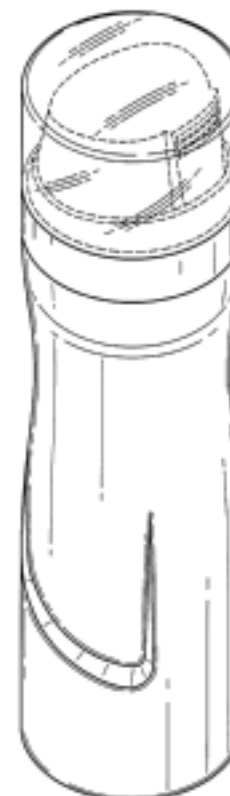
(21) Design Number: **14339/2012**
(22) Date of Filing Application: **03 September 2012**
(24) Date from which industrial property rights may have effect: **03 September 2012**
(54) Product in respect of which the design is registered: **Surgical cassette for a surgical system**
(51) International Design Classification: **24-02**
(74) Name(s) of Attorney(s): **Davies Collison Cave**
(71) Name(s) and Address(s) of Applicant(s):
Abbott Medical Optics Inc.
1700 E. St Andrew Place Santa Ana CA 92705 United States of America
(72) Name(s) of Designer(s): **James Gerg and Mark W. Ross**
(45) Registration Date: **13 November 2012**
(30) Convention priority data:
(31) Number (32) Date (33) Country
29/416070 17 Mar 2012 UNITED STATES OF AMERICA
(56) Related Art Documents: **Not Applicable**
(57) Statement of Newness and Distinctiveness: **Newness and distinctiveness is claimed in the visual features shown in solid lines in the representations. The features shown in broken lines do not form part of the design.**



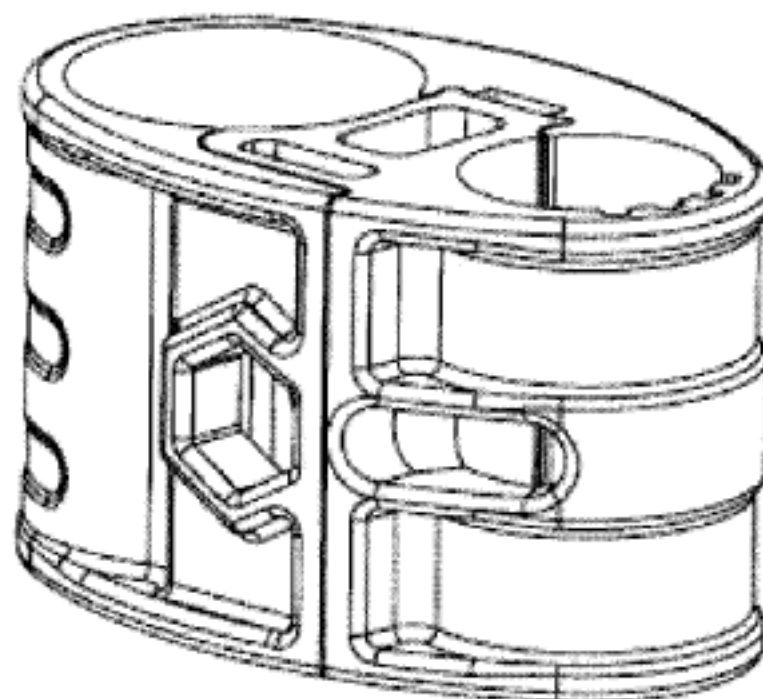
(21) Design Number: **14340/2012**
(22) Date of Filing Application: **03 September 2012**
(24) Date from which industrial property rights may have effect: **03 September 2012**
(54) Product in respect of which the design is registered: **Remote control**
(51) International Design Classification: **14-99**
(74) Name(s) of Attorney(s): **Davies Collison Cave**
(71) Name(s) and Address(s) of Applicant(s):
Abbott Medical Optics Inc.
1700 E. St Andrew Place Santa Ana CA 92705 United States of America
(72) Name(s) of Designer(s): **Timothy L. Hunter and Edith W. Fung and Mitch Mallough and Catherine P. Ha and Dustin P. Hassell and Anna Iwaniec Hickerson and Meng-Hisn (Gloria) Lin and Joshua Lawrence Miller and Jonathan Louis Weaver and Joy Catherine Wong**
(45) Registration Date: **13 November 2012**
(30) Convention priority data:
(31) Number (32) Date (33) Country
29/416068 17 Mar 2012 UNITED STATES OF AMERICA
(56) Related Art Documents: **Not Applicable**
(57) Statement of Newness and Distinctiveness: **Newness and distinctiveness is claimed in the visual features of shape and configuration of the article illustrated in the representations.**



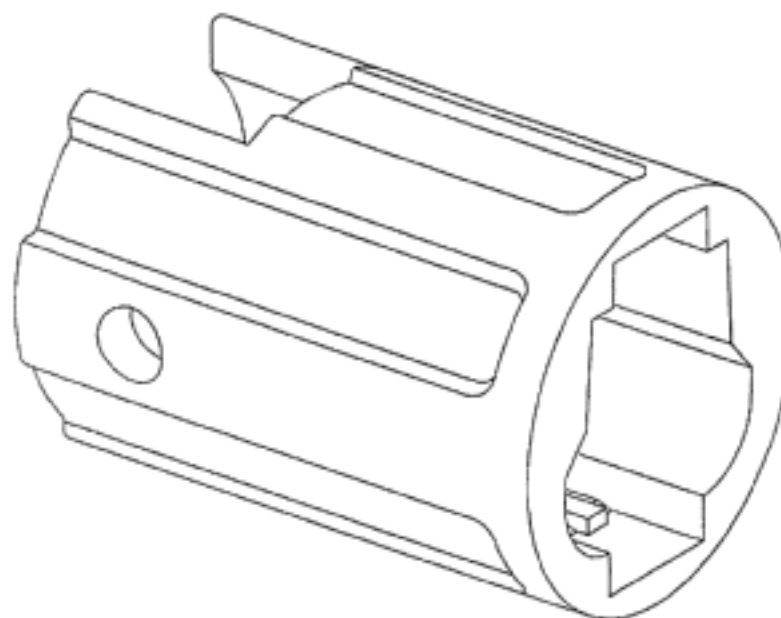
(21) Design Number: **14490/2012**
(22) Date of Filing Application: **10 September 2012**
(24) Date from which industrial property rights may have effect: **10 September 2012**
(54) Product in respect of which the design is registered: **Container**
(51) International Design Classification: **09-01NES**
(74) Name(s) of Attorney(s): **Davies Collison Cave**
(71) Name(s) and Address(s) of Applicant(s):
Unilever PLC
Unilever House 100 Victoria Embankment London EC4Y ODY United Kingdom
(72) Name(s) of Designer(s): **Evan Rhodes and Tina M. Carlson and Richard Anthony Stayte and Albert Sangjo Lee and John Bischoff**
(45) Registration Date: **13 November 2012**
(30) Convention priority data:
(31) Number (32) Date (33) Country
29/416348 21 Mar 2012 UNITED STATES OF AMERICA
(56) Related Art Documents: **Not Applicable**
(57) Statement of Newness and Distinctiveness: **Newness and distinctiveness is claimed in the visual features shown in solid lines in the representations.**



(21) Design Number: **14784/2012**
(22) Date of Filing Application: **25 September 2012**
(24) Date from which industrial property rights may have effect: **25 September 2012**
(54) Product in respect of which the design is registered: **Hinge**
(51) International Design Classification: **08-06**
(74) Name(s) of Attorney(s): **Golja Haines & Friend**
(71) Name(s) and Address(s) of Applicant(s):
K. Hartwall Oy Ab
Kay Hartwallin vag 2 01150 Soderkulla Finland
(72) Name(s) of Designer(s): **Johan Lindstrom**
(45) Registration Date: **13 November 2012**
(30) Convention priority data:
(31) Number (32) Date (33) Country
002019489-0001 03 Apr 2012 EUROPEAN COMMUNITY
(56) Related Art Documents: **Not Applicable**
(57) Statement of Newness and Distinctiveness: **Newness and distinctiveness is claimed in the shape and configuration of a hinge as illustrated in the accompanying representations.**



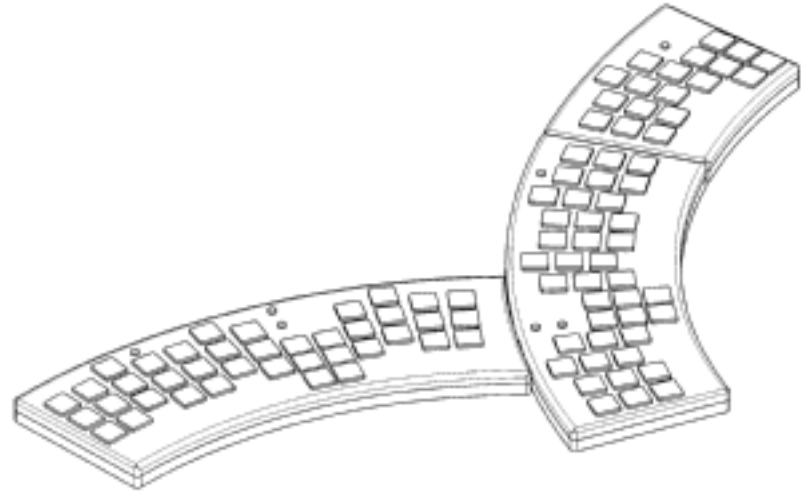
(21) Design Number: **14840/2012**
(22) Date of Filing Application: **27 September 2012**
(24) Date from which industrial property rights may have effect: **27 September 2012**
(54) Product in respect of which the design is registered: **A connector for mechanical and electrical goods**
(51) International Design Classification: **13-03E**
(74) Name(s) of Attorney(s): **Griffith Hack**
(71) Name(s) and Address(s) of Applicant(s):
Techtronic Outdoor Products Technology Limited
Canon's Court 22 Victoria Street Hamilton HM12 Bermuda
(72) Name(s) of Designer(s): **John W Olson and Matthew H Malone, Sr**
(45) Registration Date: **13 November 2012**
(30) Convention priority data:
(31) Number (32) Date (33) Country
29/417,137 30 Mar 2012 UNITED STATES OF AMERICA
(56) Related Art Documents: **Not Applicable**
(57) Statement of Newness and Distinctiveness: **Nil**



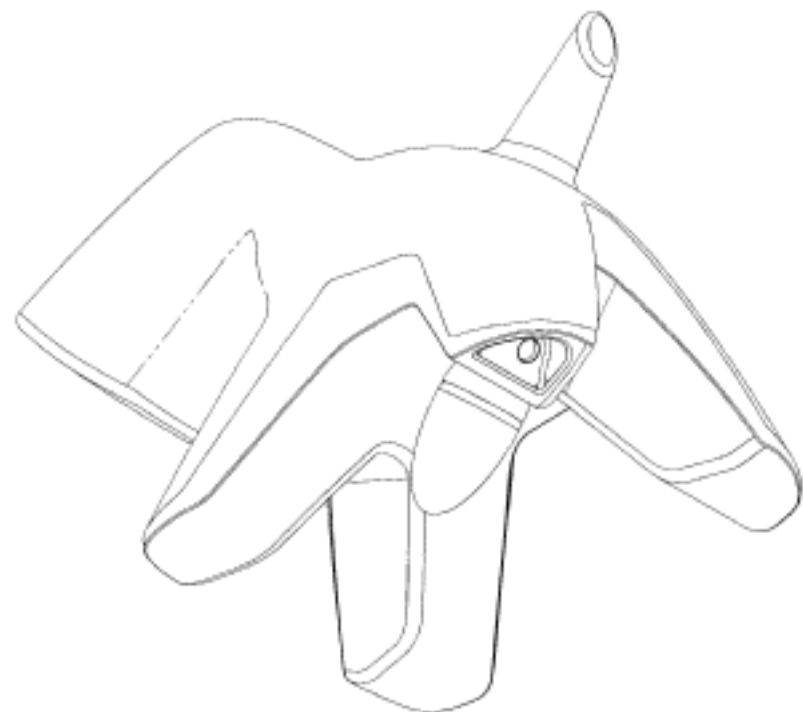
(21) Design Number: **14898/2012**
(22) Date of Filing Application: **28 September 2012**
(24) Date from which industrial property rights may have effect: **28 September 2012**
(54) Product in respect of which the design is registered: **Safety helmet**
(51) International Design Classification: **02-03**
(74) Name(s) of Attorney(s): **Griffith Hack**
(71) Name(s) and Address(s) of Applicant(s):
Helmet Integrated Systems Limited
Unit 3 Focus 4 Fourth Avenue Letchworth Hertfordshire SG6 2TU United Kingdom
(72) Name(s) of Designer(s): **Colin Church and Richard Cartwright**
(45) Registration Date: **13 November 2012**
(30) Convention priority data:
(31) Number (32) Date (33) Country
001346043-0001 27 Sep 2012 EUROPEAN COMMUNITY
(56) Related Art Documents: **Not Applicable**
(57) Statement of Newness and Distinctiveness: **The shape, configuration and ornamentation of the product as shown by means of solid lines in the representations is new and distinctive. Those parts shown by means of dashed lines and the inner goggle illustrated by means of the shading have been included for illustrate purposes only and do not form part of the design.**



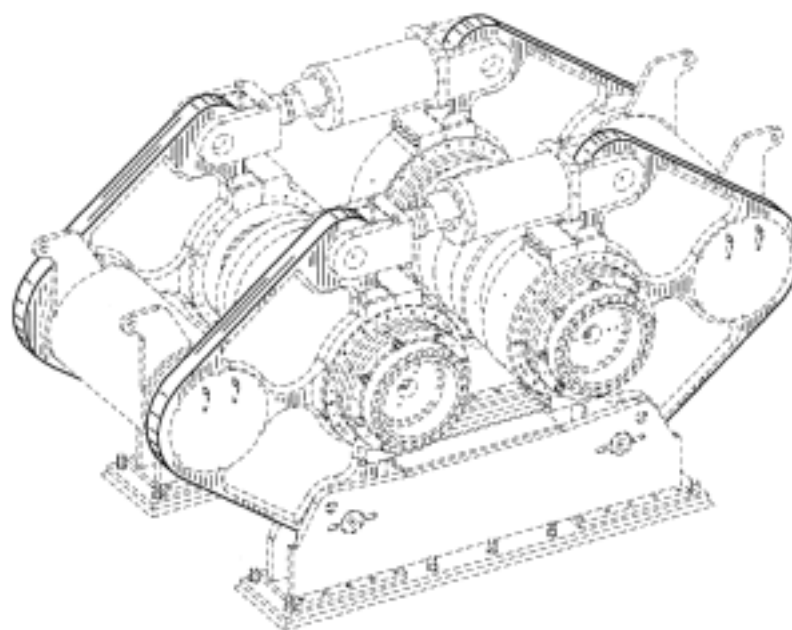
- (21) Design Number: **14918/2012**
(22) Date of Filing Application: **28 September 2012**
(24) Date from which industrial property rights may have effect: **28 September 2012**
(54) Product in respect of which the design is registered: **A computer keyboard**
(51) International Design Classification: **14-02**
(74) Name(s) of Attorney(s):
(71) Name(s) and Address(s) of Applicant(s):
Alexei Rybkin
U3/25 Rosella St Murrumbeena VIC 3163 Australia
(72) Name(s) of Designer(s): **Alexei Rybkin**
(45) Registration Date: **13 November 2012**
(56) Related Art Documents: **Not Applicable**
(57) Statement of Newness and Distinctiveness: **Nil**



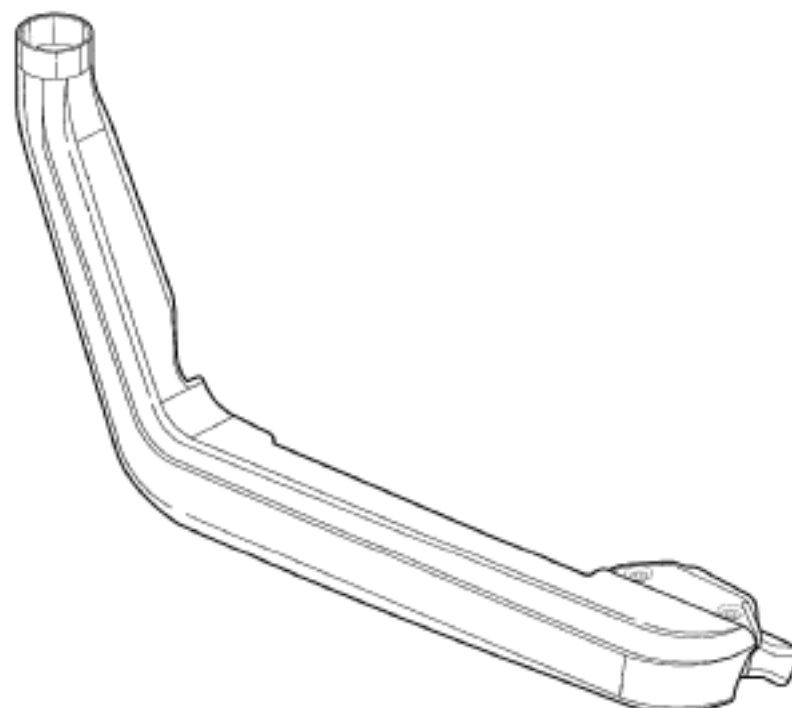
- (21) Design Number: **15007/2012**
(22) Date of Filing Application: **09 October 2012**
(24) Date from which industrial property rights may have effect: **09 October 2012**
(54) Product in respect of which the design is registered: **Lamp**
(51) International Design Classification: **26-05B**
(74) Name(s) of Attorney(s):
(71) Name(s) and Address(s) of Applicant(s):
Formzoo Holdings Pty Ltd
Suite 5 65 Macgregor Tce Bardon QLD 4065 Australia
(72) Name(s) of Designer(s): **Geoff Bywater and Mark Gilroy and Shaun Crossman**
(45) Registration Date: **13 November 2012**
(56) Related Art Documents: **Not Applicable**
(57) Statement of Newness and Distinctiveness: **Stylised dog design and shape of the lamp body. Position of the light globe in reference to a dogs anatomy.**



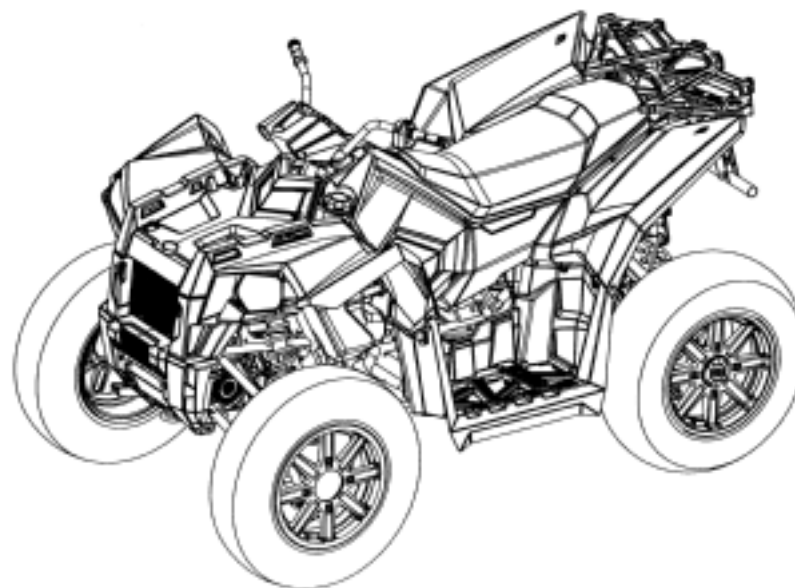
- (21) Design Number: **15158/2012**
(22) Date of Filing Application: **19 October 2012**
(24) Date from which industrial property rights may have effect: **19 October 2012**
(54) Product in respect of which the design is registered: **Roll crusher frame**
(51) International Design Classification: **15-09, 15-99**
(74) Name(s) of Attorney(s): **IP Gateway Patent & Trademark Attorneys**
(71) Name(s) and Address(s) of Applicant(s):
Metso Brasil Industria E Comercio Ltda
Avenida Independencia 2.500 Bairro Iporanga Sorocaba SP Brazil
18087-101
(72) Name(s) of Designer(s): **Paulo Barscevicus and Andrzej Niklewski**
(45) Registration Date: **13 November 2012**
(30) Convention priority data:
(31) Number (32) Date (33) Country
29/418,757 20 Apr 2012 UNITED STATES OF AMERICA
(56) Related Art Documents: **Not Applicable**
(57) Statement of Newness and Distinctiveness: **The newness and distinctiveness of the design resides in the visual features of shape and/or configuration of the roll crusher frame as shown in solid lines in the accompanying representations.**



- (21) Design Number: **15222/2012**
(22) Date of Filing Application: **22 October 2012**
(24) Date from which industrial property rights may have effect: **22 October 2012**
(54) Product in respect of which the design is registered: **Snorkel**
(51) International Design Classification: **12-16NES**
(74) Name(s) of Attorney(s): **Fisher Adams Kelly**
(71) Name(s) and Address(s) of Applicant(s):
StreetCar ORV LLC
28025 Oakland Oaks Ct WIXON 48493 Michigan United States of America
(72) Name(s) of Designer(s): **David Harriton**
(45) Registration Date: **13 November 2012**
(30) Convention priority data:
(31) Number (32) Date (33) Country
29/418862 23 Apr 2012 UNITED STATES OF AMERICA
(56) Related Art Documents: **Not Applicable**
(57) Statement of Newness and Distinctiveness: **The newness and distinctiveness of the design resides in the shape and/or configuration of the SNORKEL shown in the representations. When considering the newness and distinctiveness of the design, the broken lines should be disregarded.**



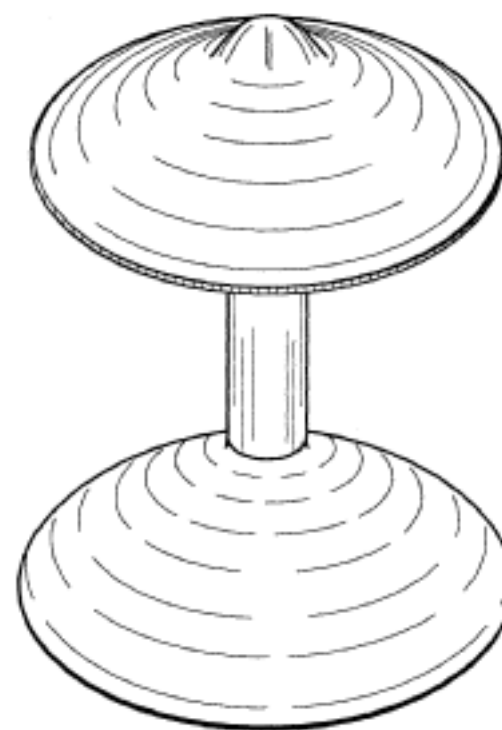
(21) Design Number: **15225/2012**
(22) Date of Filing Application: **23 October 2012**
(24) Date from which industrial property rights may have effect: **23 October 2012**
(54) Product in respect of which the design is registered: **All terrain vehicle**
(51) International Design Classification: **12-11, 12-13**
(74) Name(s) of Attorney(s): **WATERMARK PATENT AND TRADE MARKS ATTORNEYS**
(71) Name(s) and Address(s) of Applicant(s):
Polaris Industries Inc
2100 Highway 55 Medina Minnesota 55340 United States of America
(72) Name(s) of Designer(s): **Cameron D Fisher**
(45) Registration Date: **13 November 2012**
(30) Convention priority data:
(31) Number (32) Date (33) Country
29/419,484 27 Apr 2012 UNITED STATES OF AMERICA
(56) Related Art Documents: **Not Applicable**
(57) Statement of Newness and Distinctiveness: **Nil**



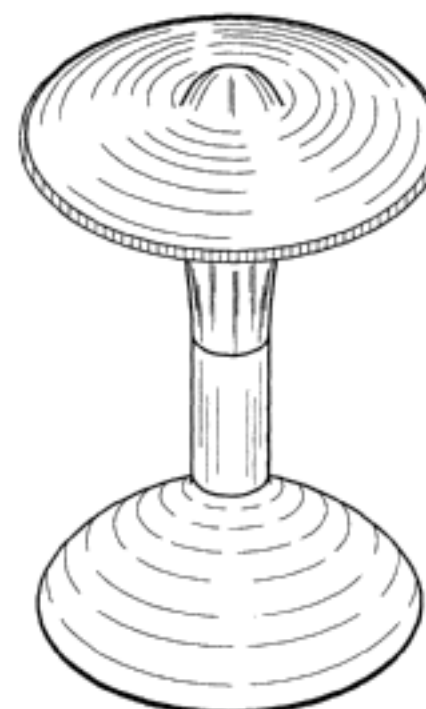
(21) Design Number: **15250/2012**
(22) Date of Filing Application: **23 October 2012**
(24) Date from which industrial property rights may have effect: **23 October 2012**
(54) Product in respect of which the design is registered: **Child seat**
(51) International Design Classification: **06-01NES**
(74) Name(s) of Attorney(s): **Fisher Adams Kelly**
(71) Name(s) and Address(s) of Applicant(s):
AMSA, Inc.
PO Box 17425 Boulder 80308 Colorado United States of America
(72) Name(s) of Designer(s): **Ivor Michel Walter**
(45) Registration Date: **14 November 2012**
(30) Convention priority data:
(31) Number (32) Date (33) Country
29/419,452 27 Apr 2012 UNITED STATES OF AMERICA
(56) Related Art Documents: **Not Applicable**
(57) Statement of Newness and Distinctiveness: **The newness and distinctiveness of the design resides in the shape and/or configuration of the child seat shown in solid lines in the representations, having particular regard to the solid retention flap and folding mechanism of the child seat.**



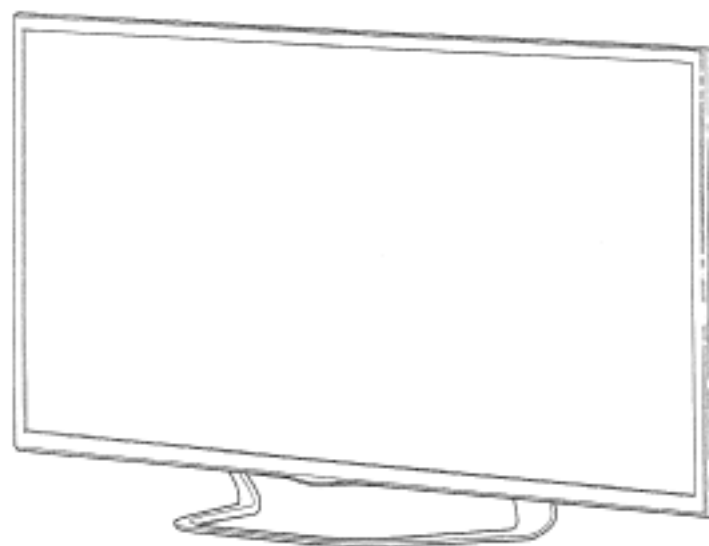
(21) Design Number: **15254/2012**
(22) Date of Filing Application: **23 October 2012**
(24) Date from which industrial property rights may have effect: **23 October 2012**
(54) Product in respect of which the design is registered: **Anal Plug**
(51) International Design Classification: **24-02**
(74) Name(s) of Attorney(s): **PHILLIPS ORMONDE FITZPATRICK**
(71) Name(s) and Address(s) of Applicant(s):
Renew Medical Inc.
532 Emerson Street Palo Alto California 94301 United States of America
(72) Name(s) of Designer(s): **Tidhar Shalon and Guy Kotlizky**
(45) Registration Date: **14 November 2012**
(30) Convention priority data:
(31) Number (32) Date (33) Country
29/423,622 03 Jun 2012 UNITED STATES OF AMERICA
(56) Related Art Documents: **Not Applicable**
(57) Statement of Newness and Distinctiveness: **Those features of the anal plug applicator depicted in the representations that are new and distinctive are the shape and/or configuration.**



(21) Design Number: **15255/2012**
(22) Date of Filing Application: **23 October 2012**
(24) Date from which industrial property rights may have effect: **23 October 2012**
(54) Product in respect of which the design is registered: **Anal plug**
(51) International Design Classification: **24-02**
(74) Name(s) of Attorney(s): **PHILLIPS ORMONDE FITZPATRICK**
(71) Name(s) and Address(s) of Applicant(s):
Renew Medical Inc.
532 Emerson Street Palo Alto California 94301 United States of America
(72) Name(s) of Designer(s): **Tidhar Shalon and Guy Kotlizky**
(45) Registration Date: **14 November 2012**
(56) Related Art Documents: **Not Applicable**
(57) Statement of Newness and Distinctiveness: **Those features of the anal plug depicted in the representations that are new and distinctive are the shape and/or configuration.**



(21) Design Number: **15261/2012**
(22) Date of Filing Application: **23 October 2012**
(24) Date from which industrial property rights may have effect: **23 October 2012**
(54) Product in respect of which the design is registered: **Television receiver**
(51) International Design Classification: **14-03B**
(74) Name(s) of Attorney(s): **FB Rice**
(71) Name(s) and Address(s) of Applicant(s):
LG Electronics Inc.
20 Yeouido-dong Yeongdeungpo-gu Seoul 150-721 Republic of Korea
(72) Name(s) of Designer(s): **Yeonjin Kim and Sunggu Joe and Eunbong Lee and Yongseock Kim**
(45) Registration Date: **14 November 2012**
(30) Convention priority data:
(31) Number (32) Date (33) Country
30-2012-0020234 26 Apr 2012 REPUBLIC OF KOREA
(56) Related Art Documents: **Not Applicable**
(57) Statement of Newness and Distinctiveness: **Newness and distinctiveness reside in the features of the design as shown in the representations.**



(21) Design Number: **15262/2012**
(22) Date of Filing Application: **23 October 2012**
(24) Date from which industrial property rights may have effect: **23 October 2012**
(54) Product in respect of which the design is registered: **Container**
(51) International Design Classification: **09-01NES**
(74) Name(s) of Attorney(s): **FB Rice**
(71) Name(s) and Address(s) of Applicant(s):
Colgate-Palmolive Company
300 Park Avenue New York New York 10022 United States of America
(72) Name(s) of Designer(s): **John Clifford Crawford**
(45) Registration Date: **14 November 2012**
(30) Convention priority data:
(31) Number (32) Date (33) Country
29/424001 07 Jun 2012 UNITED STATES OF AMERICA
(56) Related Art Documents: **Not Applicable**
(57) Statement of Newness and Distinctiveness: **Newness and distinctiveness reside in the features of the design as shown in the representations.**



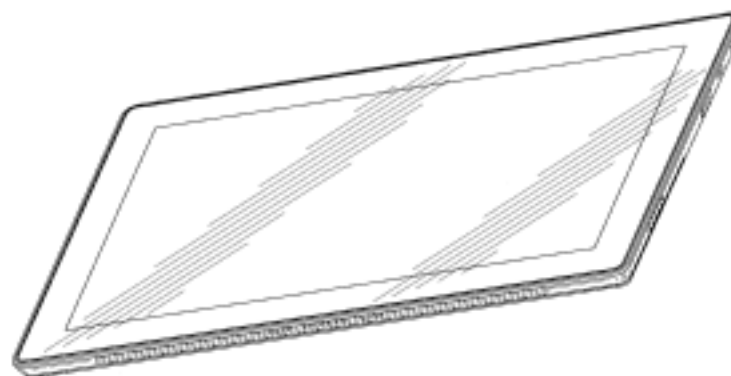
(21) Design Number: **15267/2012**
(22) Date of Filing Application: **23 October 2012**
(24) Date from which industrial property rights may have effect: **23 October 2012**
(54) Product in respect of which the design is registered: **Container**
(51) International Design Classification: **09-07A**
(74) Name(s) of Attorney(s): **FB Rice**
(71) Name(s) and Address(s) of Applicant(s):
Colgate-Palmolive Company
300 Park Avenue New York New York 10022 United States of America
(72) Name(s) of Designer(s): **John Clifford Crawford and Christopher Hart and Stacy Castro**
(45) Registration Date: **14 November 2012**
(30) Convention priority data:
(31) Number (32) Date (33) Country
29/424011 07 Jun 2012 UNITED STATES OF AMERICA
(56) Related Art Documents: **Not Applicable**
(57) Statement of Newness and Distinctiveness: **Newness and distinctiveness reside in the features of the design shown in solid lines in the representations excluding those features shown in broken lines.**



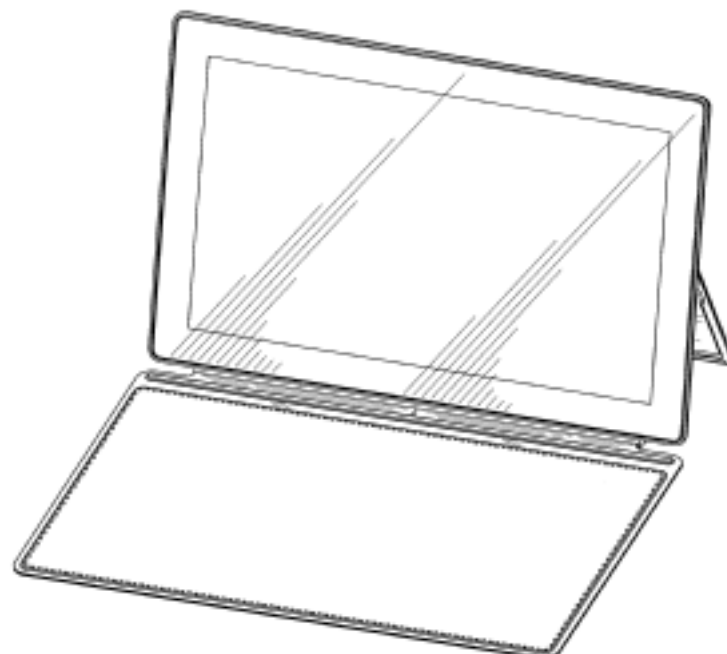
(21) Design Number: **15268/2012**
(22) Date of Filing Application: **23 October 2012**
(24) Date from which industrial property rights may have effect: **23 October 2012**
(54) Product in respect of which the design is registered: **Container**
(51) International Design Classification: **09-01NES**
(74) Name(s) of Attorney(s): **FB Rice**
(71) Name(s) and Address(s) of Applicant(s):
Colgate-Palmolive Company
300 Park Avenue New York New York 10022 United States of America
(72) Name(s) of Designer(s): **Kiat-Cheong Toh and Christopher Hart and Stacy Castro**
(45) Registration Date: **14 November 2012**
(30) Convention priority data:
(31) Number (32) Date (33) Country
29/424013 07 Jun 2012 UNITED STATES OF AMERICA
(56) Related Art Documents: **Not Applicable**
(57) Statement of Newness and Distinctiveness: **Newness and distinctiveness reside in the features of the design as shown in the representations.**



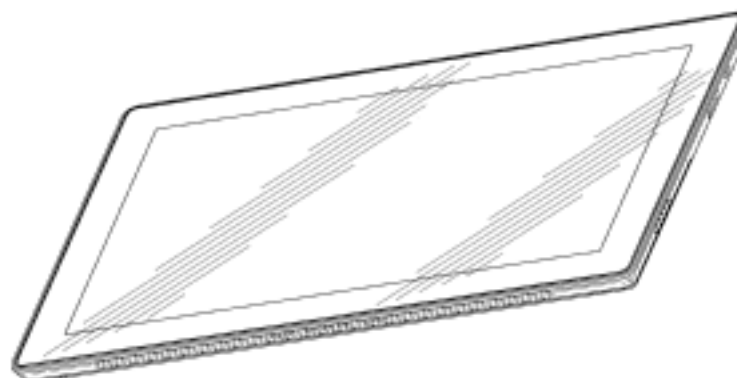
- (21) Design Number: **15284/2012**
(22) Date of Filing Application: **23 October 2012**
(24) Date from which industrial property rights may have effect: **23 October 2012**
(54) Product in respect of which the design is registered: **Electronic tablet**
(51) International Design Classification: **14-02**
(74) Name(s) of Attorney(s): **Shelston IP**
(71) Name(s) and Address(s) of Applicant(s):
Microsoft Corporation
One Microsoft Way Redmond Washington 98052 United States of America
(72) Name(s) of Designer(s): **Ralf Groene and Hua Wang and Anthony Reed and Katherine Bailey and Alec James Ishihara and Jan Raken**
(45) Registration Date: **14 November 2012**
(30) Convention priority data:
(31) Number (32) Date (33) Country
29/422117 16 May 2012 UNITED STATES OF AMERICA
(56) Related Art Documents: **Not Applicable**
(57) Statement of Newness and Distinctiveness: **Newness and distinctiveness reside in the features of shape and/or configuration of an electronic tablet as illustrated by solid lines in the accompanying representations. The features shown in broken outline are for contextual purposes only and do not form part of the design.**



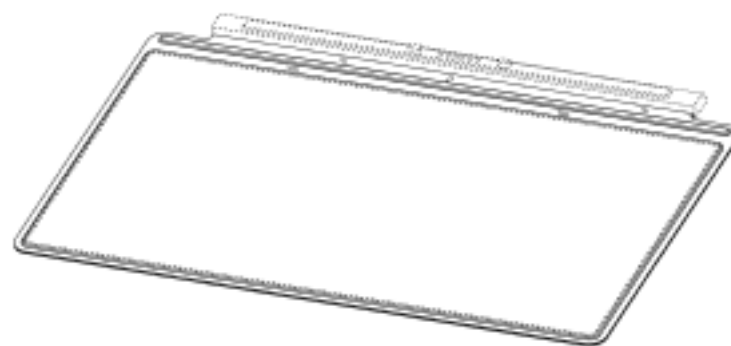
- (21) Design Number: **15285/2012**
(22) Date of Filing Application: **23 October 2012**
(24) Date from which industrial property rights may have effect: **23 October 2012**
(54) Product in respect of which the design is registered: **Electronic tablet with input device**
(51) International Design Classification: **14-02**
(74) Name(s) of Attorney(s): **Shelston IP**
(71) Name(s) and Address(s) of Applicant(s):
Microsoft Corporation
One Microsoft Way Redmond Washington 98052 United States of America
(72) Name(s) of Designer(s): **Ralf Groene and Hua Wang and Anthony Reed and Katherine Bailey and Alec James Ishihara and Jan Raken**
(45) Registration Date: **14 November 2012**
(30) Convention priority data:
(31) Number (32) Date (33) Country
29/422121 16 May 2012 UNITED STATES OF AMERICA
(56) Related Art Documents: **Not Applicable**
(57) Statement of Newness and Distinctiveness: **Newness and distinctiveness reside in the features of shape and/or configuration of an electronic tablet with input device as illustrated by solid lines in the accompanying representations. The features shown in broken outline are for contextual purposes only and do not form part of the design.**



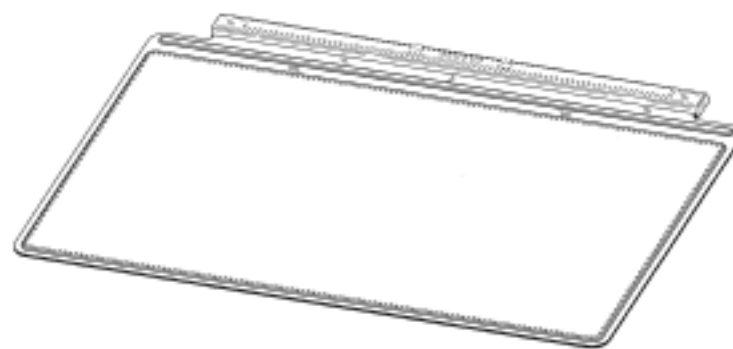
- (21) Design Number: **15290/2012**
(22) Date of Filing Application: **23 October 2012**
(24) Date from which industrial property rights may have effect: **23 October 2012**
(54) Product in respect of which the design is registered: **Electronic tablet**
(51) International Design Classification: **14-02**
(74) Name(s) of Attorney(s): **Shelston IP**
(71) Name(s) and Address(s) of Applicant(s):
Microsoft Corporation
One Microsoft Way Redmond Washington 98052 United States of America
(72) Name(s) of Designer(s): **Ralf Groene and Hua Wang and Anthony Reed and Katherine Bailey and Alec James Ishihara and Jan Raken**
(45) Registration Date: **14 November 2012**
(30) Convention priority data:
(31) Number (32) Date (33) Country
29/422117 16 May 2012 UNITED STATES OF AMERICA
(56) Related Art Documents: **Not Applicable**
(57) Statement of Newness and Distinctiveness: **Newness and distinctiveness reside in the features of shape and/or configuration of an electronic tablet as illustrated by solid lines in the accompanying representations. The features shown in broken outline are for contextual purposes only and do not form part of the design.**



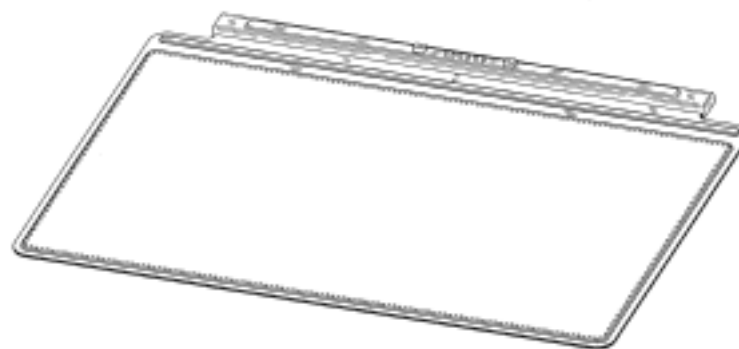
- (21) Design Number: **15291/2012**
(22) Date of Filing Application: **23 October 2012**
(24) Date from which industrial property rights may have effect: **23 October 2012**
(54) Product in respect of which the design is registered: **Input device for an electronic tablet**
(51) International Design Classification: **14-02**
(74) Name(s) of Attorney(s): **Shelston IP**
(71) Name(s) and Address(s) of Applicant(s):
Microsoft Corporation
One Microsoft Way Redmond Washington 98052 United States of America
(72) Name(s) of Designer(s): **Ralf Groene and Hua Wang and Alec James Ishihara and Anthony Reed**
(45) Registration Date: **14 November 2012**
(30) Convention priority data:
(31) Number (32) Date (33) Country
29/422122 16 May 2012 UNITED STATES OF AMERICA
(56) Related Art Documents: **Not Applicable**
(57) Statement of Newness and Distinctiveness: **Newness and distinctiveness reside in the features of shape and/or configuration of an input device for an electronic tablet as illustrated by solid lines in the accompanying representations. The features shown in broken outline are for contextual purposes only and do not form part of the design.**



- (21) Design Number: **15292/2012**
(22) Date of Filing Application: **23 October 2012**
(24) Date from which industrial property rights may have effect: **23 October 2012**
(54) Product in respect of which the design is registered: **Input device for an electronic tablet**
(51) International Design Classification: **14-02**
(74) Name(s) of Attorney(s): **Shelston IP**
(71) Name(s) and Address(s) of Applicant(s):
Microsoft Corporation
One Microsoft Way Redmond Washington 98052 United States of America
(72) Name(s) of Designer(s): **Ralf Groene and Hua Wang and Alec James Ishihara and Anthony Reed**
(45) Registration Date: **14 November 2012**
(30) Convention priority data:
(31) Number (32) Date (33) Country
29/422122 16 May 2012 UNITED STATES OF AMERICA
(56) Related Art Documents: **Not Applicable**
(57) Statement of Newness and Distinctiveness: **Newness and distinctiveness reside in the features of shape and/or configuration of an input device for an electronic tablet as illustrated by solid lines in the accompanying representations. The features shown in broken outline are for contextual purposes only and do not form part of the design.**



- (21) Design Number: **15293/2012**
(22) Date of Filing Application: **23 October 2012**
(24) Date from which industrial property rights may have effect: **23 October 2012**
(54) Product in respect of which the design is registered: **Input device for an electronic tablet**
(51) International Design Classification: **14-02**
(74) Name(s) of Attorney(s): **Shelston IP**
(71) Name(s) and Address(s) of Applicant(s):
Microsoft Corporation
One Microsoft Way Redmond Washington 98052 United States of America
(72) Name(s) of Designer(s): **Ralf Groene and Hua Wang and Alec James Ishihara and Anthony Reed**
(45) Registration Date: **14 November 2012**
(30) Convention priority data:
(31) Number (32) Date (33) Country
29/422122 16 May 2012 UNITED STATES OF AMERICA
(56) Related Art Documents: **Not Applicable**
(57) Statement of Newness and Distinctiveness: **Newness and distinctiveness reside in the features of shape and/or configuration of an input device for an electronic tablet as illustrated by solid lines in the accompanying representations. The features shown in broken outline are for contextual purposes only and do not form part of the design.**



- (21) Design Number: **15294/2012**
(22) Date of Filing Application: **23 October 2012**
(24) Date from which industrial property rights may have effect: **23 October 2012**
(54) Product in respect of which the design is registered: **Input device for an electronic tablet**
(51) International Design Classification: **14-02**
(74) Name(s) of Attorney(s): **Shelston IP**
(71) Name(s) and Address(s) of Applicant(s):
Microsoft Corporation
One Microsoft Way Redmond Washington 98052 United States of America
(72) Name(s) of Designer(s): **Ralf Groene and Hua Wang and Katherine Bailey and Alec James Ishihara and Karsten Aagaard and Anthony Reed and J. David Schultz**
(45) Registration Date: **14 November 2012**
(30) Convention priority data:
(31) Number (32) Date (33) Country
29/422123 16 May 2012 UNITED STATES OF AMERICA
(56) Related Art Documents: **Not Applicable**
(57) Statement of Newness and Distinctiveness: **Newness and distinctiveness reside in the features of shape and/or configuration of an input device for an electronic tablet as illustrated by solid lines in the accompanying representations.**



- (21) Design Number: **15295/2012**
(22) Date of Filing Application: **23 October 2012**
(24) Date from which industrial property rights may have effect: **23 October 2012**
(54) Product in respect of which the design is registered: **Input device for an electronic tablet**
(51) International Design Classification: **14-02**
(74) Name(s) of Attorney(s): **Shelston IP**
(71) Name(s) and Address(s) of Applicant(s):
Microsoft Corporation
One Microsoft Way Redmond Washington 98052 United States of America
(72) Name(s) of Designer(s): **Ralf Groene and Hua Wang and Katherine Bailey and Alec James Ishihara and Karsten Aagaard and Anthony Reed and J. David Schultz**
(45) Registration Date: **14 November 2012**
(30) Convention priority data:
(31) Number (32) Date (33) Country
29/422123 16 May 2012 UNITED STATES OF AMERICA
(56) Related Art Documents: **Not Applicable**
(57) Statement of Newness and Distinctiveness: **Newness and distinctiveness reside in the features of shape and/or configuration of an input device for an electronic tablet as illustrated by solid lines in the accompanying representations. The features shown in broken outline are for contextual purposes only and do not form part of the design.**



(21) Design Number: **15263/2012**
(22) Date of Filing Application: **23 October 2012**
(24) Date from which industrial property rights may have effect: **23 October 2012**
(54) Product in respect of which the design is registered: **Container**
(51) International Design Classification: **09-01NES**
(74) Name(s) of Attorney(s): **FB Rice**
(71) Name(s) and Address(s) of Applicant(s):
Colgate-Palmolive Company
300 Park Avenue New York New York 10022 United States of America
(72) Name(s) of Designer(s): **John Clifford Crawford**
(45) Registration Date: **14 November 2012**
(30) Convention priority data:
(31) Number (32) Date (33) Country
29/424001 07 Jun 2012 UNITED STATES OF AMERICA
(56) Related Art Documents: **Not Applicable**
(57) Statement of Newness and Distinctiveness: **Newness and distinctiveness reside in the features of the design as shown in the representations.**



(21) Design Number: **15264/2012**
(22) Date of Filing Application: **23 October 2012**
(24) Date from which industrial property rights may have effect: **23 October 2012**
(54) Product in respect of which the design is registered: **Container**
(51) International Design Classification: **09-01NES**
(74) Name(s) of Attorney(s): **FB Rice**
(71) Name(s) and Address(s) of Applicant(s):
Colgate-Palmolive Company
300 Park Avenue New York New York 10022 United States of America
(72) Name(s) of Designer(s): **John Clifford Crawford and Christopher Hart and Stacy Castro**
(45) Registration Date: **14 November 2012**
(30) Convention priority data:
(31) Number (32) Date (33) Country
29/424012 07 Jun 2012 UNITED STATES OF AMERICA
(56) Related Art Documents: **Not Applicable**
(57) Statement of Newness and Distinctiveness: **Newness and distinctiveness reside in the features of the design as shown in the representations.**



(21) Design Number: **15265/2012**
(22) Date of Filing Application: **23 October 2012**
(24) Date from which industrial property rights may have effect: **23 October 2012**
(54) Product in respect of which the design is registered: **Container**
(51) International Design Classification: **09-01NES**
(74) Name(s) of Attorney(s): **FB Rice**
(71) Name(s) and Address(s) of Applicant(s):
Colgate-Palmolive Company
300 Park Avenue New York New York 10022 United States of America
(72) Name(s) of Designer(s): **John Clifford Crawford and Christopher Hart and Stacy Castro**
(45) Registration Date: **14 November 2012**
(30) Convention priority data:
(31) Number (32) Date (33) Country
29/424012 07 Jun 2012 UNITED STATES OF AMERICA
(56) Related Art Documents: **Not Applicable**
(57) Statement of Newness and Distinctiveness: **Newness and distinctiveness reside in the features of the design shown in solid lines in the representations excluding those features shown in broken lines.**



(21) Design Number: **15266/2012**
(22) Date of Filing Application: **23 October 2012**
(24) Date from which industrial property rights may have effect: **23 October 2012**
(54) Product in respect of which the design is registered: **Container**
(51) International Design Classification: **09-01NES**
(74) Name(s) of Attorney(s): **FB Rice**
(71) Name(s) and Address(s) of Applicant(s):
Colgate-Palmolive Company
300 Park Avenue New York New York 10022 United States of America
(72) Name(s) of Designer(s): **John Clifford Crawford and Christopher Hart and Stacy Castro**
(45) Registration Date: **14 November 2012**
(30) Convention priority data:
(31) Number (32) Date (33) Country
29/424011 07 Jun 2012 UNITED STATES OF AMERICA
(56) Related Art Documents: **Not Applicable**
(57) Statement of Newness and Distinctiveness: **Newness and distinctiveness reside in the features of the design as shown in the representations.**



(21) Design Number: **15275/2012**

(22) Date of Filing Application: **23 October 2012**

(24) Date from which industrial property rights may have effect: **23 October 2012**

(54) Product in respect of which the design is registered: **Indoor growing unit**

(51) International Design Classification: **11-02B**

(74) Name(s) of Attorney(s): **A J Park**

(71) Name(s) and Address(s) of Applicant(s):

**OMS Investments, Inc.
10250 Constellation Place Suite 250 Los Angeles California 90067 United States of America**

(72) Name(s) of Designer(s): **Mark Gerard Prinster and Bradley Alan Schultz and Sara Ann Gordon and Kimberly Ann Rygielski and Matthew L. Phillips and Robert H. Bruno and Philip J. Nathan and Tara Marie Zasadzinski and Ashley E. Alexander**

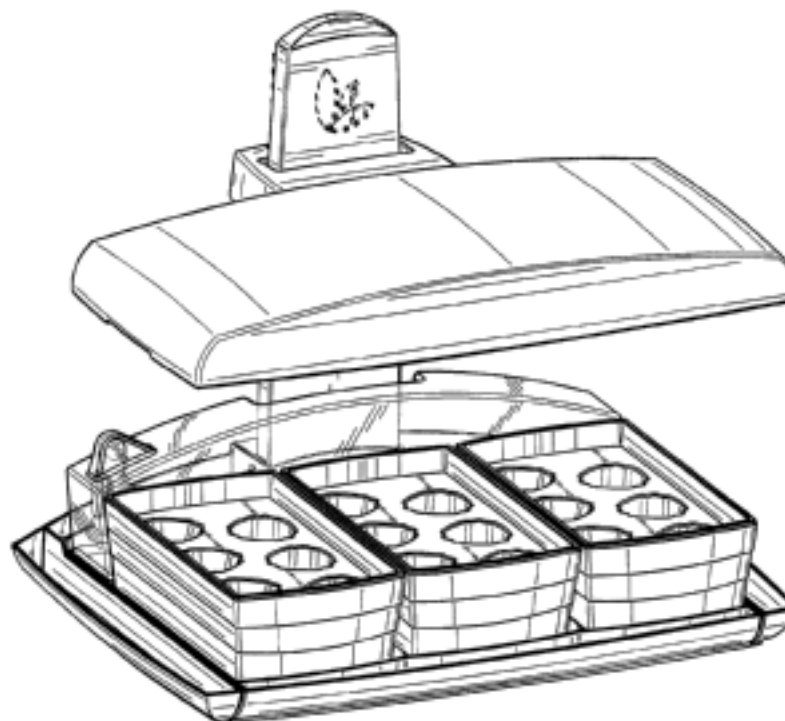
(45) Registration Date: **14 November 2012**

(30) Convention priority data:

(31) Number	(32) Date	(33) Country
29/418,920	23 Apr 2012	UNITED STATES OF AMERICA

(56) Related Art Documents: **Not Applicable**

(57) Statement of Newness and Distinctiveness: **Newness and distinctiveness reside in the features of shape and/or configuration of the INDOOR GROWING UNIT, as shown in the representations. Newness and distinctiveness are not claimed in relation to the features shown in broken lines in the representations, which features are shown for illustrative purposes only.**



(21) Design Number: **15276/2012**

(22) Date of Filing Application: **23 October 2012**

(24) Date from which industrial property rights may have effect: **23 October 2012**

(54) Product in respect of which the design is registered: **Indoor growing unit**

(51) International Design Classification: **11-02B**

(74) Name(s) of Attorney(s): **A J Park**

(71) Name(s) and Address(s) of Applicant(s):

**OMS Investments, Inc.
10250 Constellation Place Suite 250 Los Angeles California 90067 United States of America**

(72) Name(s) of Designer(s): **Mark Gerard Prinster and Bradley Alan Schultz and Sara Ann Gordon and Kimberly Ann Rygielski and Matthew L. Phillips and Robert H. Bruno and Philip J. Nathan and Tara Marie Zasadzinski and Ashley E. Alexander**

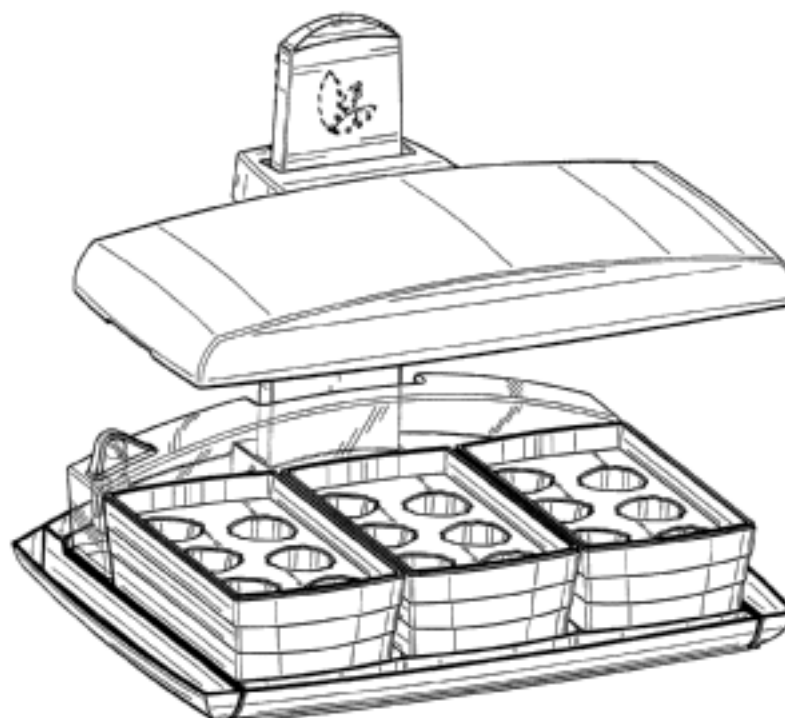
(45) Registration Date: **14 November 2012**

(30) Convention priority data:

(31) Number	(32) Date	(33) Country
29/418,920	23 Apr 2012	UNITED STATES OF AMERICA

(56) Related Art Documents: **Not Applicable**

(57) Statement of Newness and Distinctiveness: **Newness and distinctiveness reside in the features of shape and/or configuration of the INDOOR GROWING UNIT, as shown in the representations. Newness and distinctiveness are not claimed in relation to the features shown in broken lines in the representations, which features are shown for illustrative purposes only.**



(21) Design Number: **15277/2012**

(22) Date of Filing Application: **23 October 2012**

(24) Date from which industrial property rights may have effect: **23 October 2012**

(54) Product in respect of which the design is registered: **Indoor growing unit**

(51) International Design Classification: **11-02B**

(74) Name(s) of Attorney(s): **A J Park**

(71) Name(s) and Address(s) of Applicant(s):

**OMS Investments, Inc.
10250 Constellation Place Suite 250 Los Angeles California 90067 United States of America**

(72) Name(s) of Designer(s): **Mark Gerard Prinster and Bradley Alan Schultz and Sara Ann Gordon and Kimberly Ann Rygielski and Matthew L. Phillips and Robert H. Bruno and Philip J. Nathan and Tara Marie Zasadzinski and Ashley E. Alexander**

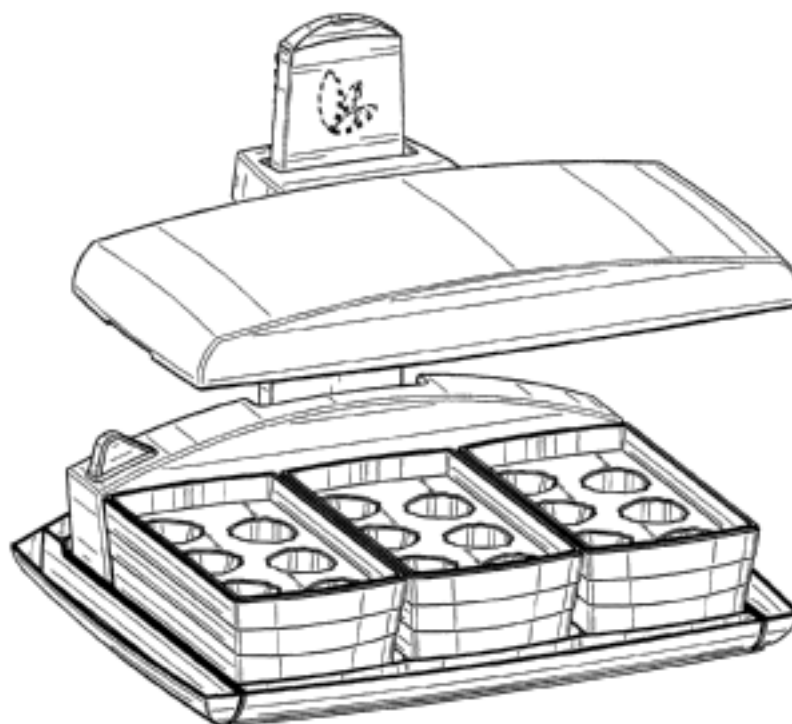
(45) Registration Date: **14 November 2012**

(30) Convention priority data:

(31) Number	(32) Date	(33) Country
29/418,920	23 Apr 2012	UNITED STATES OF AMERICA

(56) Related Art Documents: **Not Applicable**

(57) Statement of Newness and Distinctiveness: **Newness and distinctiveness reside in the features of shape and/or configuration of the INDOOR GROWING UNIT, as shown in the representations. Newness and distinctiveness are not claimed in relation to the features shown in broken lines in the representations, which features are shown for illustrative purposes only.**



(21) Design Number: **15278/2012**

(22) Date of Filing Application: **23 October 2012**

(24) Date from which industrial property rights may have effect: **23 October 2012**

(54) Product in respect of which the design is registered: **Indoor growing unit**

(51) International Design Classification: **11-02B**

(74) Name(s) of Attorney(s): **A J Park**

(71) Name(s) and Address(s) of Applicant(s):

**OMS Investments, Inc.
10250 Constellation Place Suite 250 Los Angeles California 90067 United States of America**

(72) Name(s) of Designer(s): **Mark Gerard Prinster and Bradley Alan Schultz and Sara Ann Gordon and Kimberly Ann Rygielski and Matthew L. Phillips and Robert H. Bruno and Philip J. Nathan and Tara Marie Zasadzinski and Ashley E. Alexander**

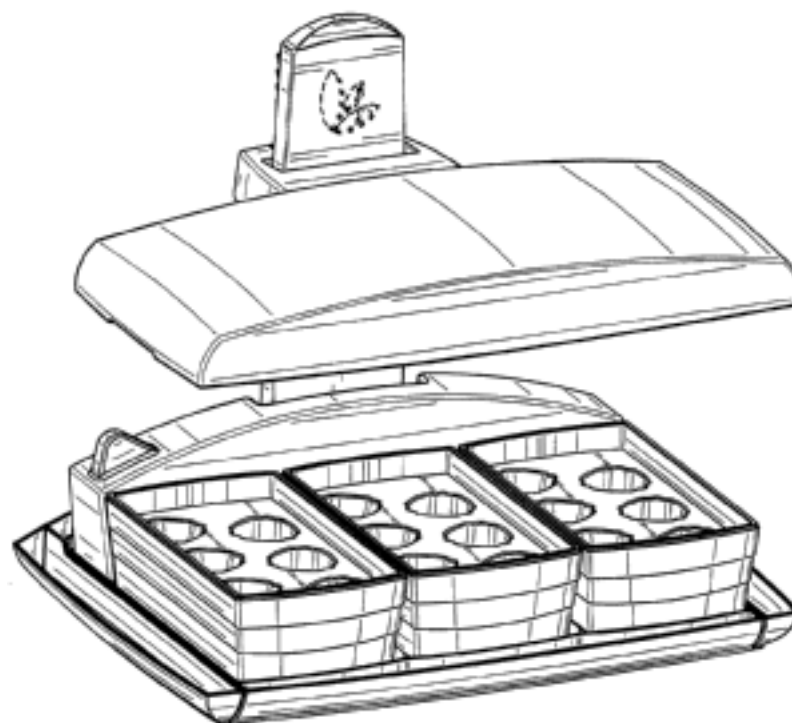
(45) Registration Date: **14 November 2012**

(30) Convention priority data:

(31) Number	(32) Date	(33) Country
29/418,920	23 Apr 2012	UNITED STATES OF AMERICA

(56) Related Art Documents: **Not Applicable**

(57) Statement of Newness and Distinctiveness: **Newness and distinctiveness reside in the features of shape and/or configuration of the INDOOR GROWING UNIT, as shown in the representations. Newness and distinctiveness are not claimed in relation to the features shown in broken lines in the representations, which features are shown for illustrative purposes only.**



(21) Design Number: **15303/2012**
(22) Date of Filing Application: **24 October 2012**
(24) Date from which industrial property rights may have effect: **24 October 2012**
(54) Product in respect of which the design is registered: **Container**
(51) International Design Classification: **09-01K**
(74) Name(s) of Attorney(s): **FB Rice**
(71) Name(s) and Address(s) of Applicant(s):
Colgate-Palmolive Company
300 Park Avenue New York New York 10022 United States of America
(72) Name(s) of Designer(s): **John Clifford Crawford**
(45) Registration Date: **15 November 2012**
(30) Convention priority data:
(31) Number (32) Date (33) Country
29/424003 07 Jun 2012 UNITED STATES OF AMERICA
(56) Related Art Documents: **Not Applicable**
(57) Statement of Newness and Distinctiveness: **Newness and distinctiveness reside in the features of the design shown in solid lines in the representations excluding those features shown in broken lines.**



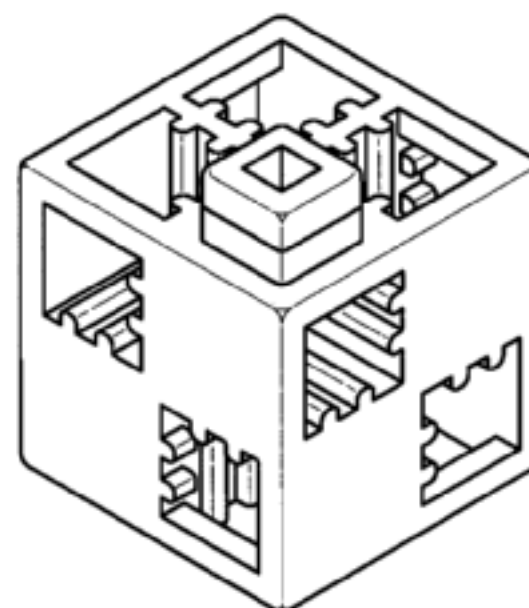
(21) Design Number: **15304/2012**
(22) Date of Filing Application: **24 October 2012**
(24) Date from which industrial property rights may have effect: **24 October 2012**
(54) Product in respect of which the design is registered: **Container**
(51) International Design Classification: **09-01K**
(74) Name(s) of Attorney(s): **FB Rice**
(71) Name(s) and Address(s) of Applicant(s):
Colgate-Palmolive Company
300 Park Avenue New York New York 10022 United States of America
(72) Name(s) of Designer(s): **John Clifford Crawford**
(45) Registration Date: **15 November 2012**
(30) Convention priority data:
(31) Number (32) Date (33) Country
29/424003 07 Jun 2012 UNITED STATES OF AMERICA
(56) Related Art Documents: **Not Applicable**
(57) Statement of Newness and Distinctiveness: **Newness and distinctiveness reside in the features of the design shown in solid lines in the representations excluding those features shown in broken lines.**



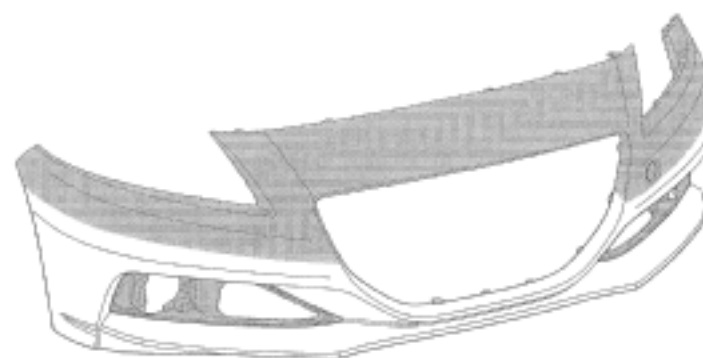
(21) Design Number: **15305/2012**
(22) Date of Filing Application: **24 October 2012**
(24) Date from which industrial property rights may have effect: **24 October 2012**
(54) Product in respect of which the design is registered: **Container**
(51) International Design Classification: **09-07A**
(74) Name(s) of Attorney(s): **FB Rice**
(71) Name(s) and Address(s) of Applicant(s):
Colgate-Palmolive Company
300 Park Avenue New York New York 10022 United States of America
(72) Name(s) of Designer(s): **John Clifford Crawford and Christopher Hart and Stacy Castro**
(45) Registration Date: **15 November 2012**
(30) Convention priority data:
(31) Number (32) Date (33) Country
29/424010 07 Jun 2012 UNITED STATES OF AMERICA
(56) Related Art Documents: **Not Applicable**
(57) Statement of Newness and Distinctiveness: **Newness and distinctiveness reside in the features of the design shown in solid lines in the representations excluding those features shown in broken lines.**



(21) Design Number: **15306/2012**
(22) Date of Filing Application: **24 October 2012**
(24) Date from which industrial property rights may have effect: **24 October 2012**
(54) Product in respect of which the design is registered: **Toy construction block**
(51) International Design Classification: **21-01E**
(74) Name(s) of Attorney(s): **Shelston IP**
(71) Name(s) and Address(s) of Applicant(s):
Artec Co., Ltd.
3-2-21 Kita-Kamei-cho Yao-shi Osaka 5810066 Japan
(72) Name(s) of Designer(s): **Yasumasa Uno**
(45) Registration Date: **15 November 2012**
(30) Convention priority data:
(31) Number (32) Date (33) Country
2012-017771 26 Jul 2012 JAPAN
(56) Related Art Documents: **Not Applicable**
(57) Statement of Newness and Distinctiveness: **Newness and distinctiveness resides in the features of shape and/or configuration of the toy construction block as shown in solid lines in the accompanying representations.**

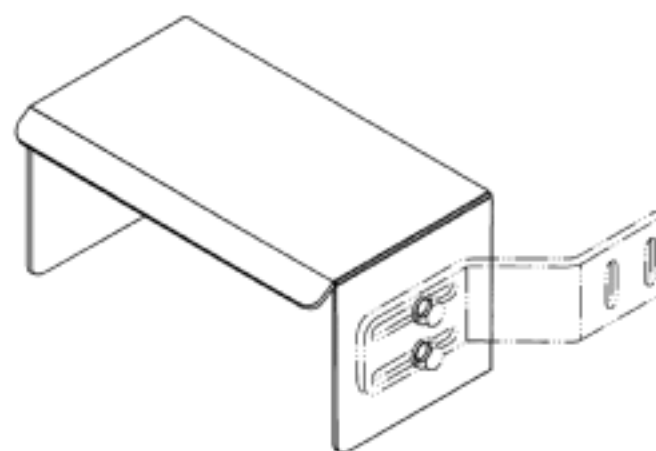


(21) Design Number: **15307/2012**
(22) Date of Filing Application: **24 October 2012**
(24) Date from which industrial property rights may have effect: **24 October 2012**
(54) Product in respect of which the design is registered: **Front bumper for automobiles**
(51) International Design Classification: **12-16C**
(74) Name(s) of Attorney(s): **Griffith Hack**
(71) Name(s) and Address(s) of Applicant(s):
Honda Motor Co., Ltd.
1-1 Minami-Aoyama 2-chome Minato-ku Tokyo 107-8556 Japan
(72) Name(s) of Designer(s): **Shingo Ishigaki**
(45) Registration Date: **15 November 2012**
(30) Convention priority data:
(31) Number (32) Date (33) Country
2012-010025 27 Apr 2012 JAPAN



(56) Related Art Documents: **Not Applicable**
(57) Statement of Newness and Distinctiveness: **The visual features, including shape, configuration and ornamentation, of the PRODUCT as shown by the portions illustrated by solid lines and without shading in the accompanying representations is new and distinctive. Those portions of the PRODUCT identified by means of grey shading and dashed lines is not relied for newness and distinctiveness and these portions of the PRODUCT have been included for illustrative purposes only.**

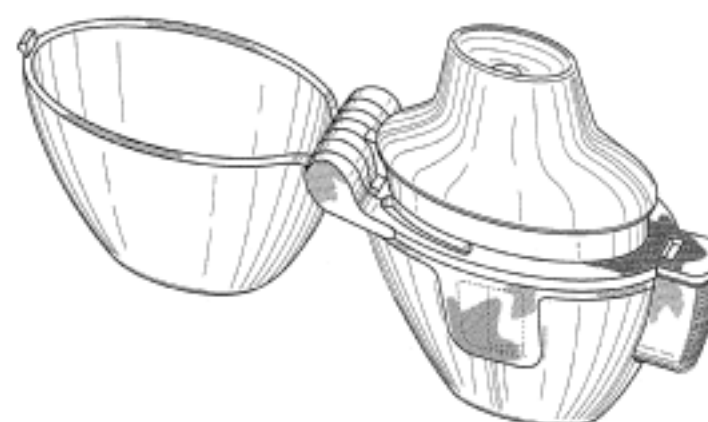
(21) Design Number: **15308/2012**
(22) Date of Filing Application: **24 October 2012**
(24) Date from which industrial property rights may have effect: **24 October 2012**
(54) Product in respect of which the design is registered: **Array isolator cover**
(51) International Design Classification: **13-03C**
(74) Name(s) of Attorney(s): **Fisher Adams Kelly**
(71) Name(s) and Address(s) of Applicant(s):
Linked Group Services Pty Ltd
8-10 Cowley's Rd Racecourse Mackay QLD 4740 Australia
(72) Name(s) of Designer(s): **Jason Sharam**
(45) Registration Date: **15 November 2012**
(56) Related Art Documents: **Not Applicable**
(57) Statement of Newness and Distinctiveness: **The newness and distinctiveness of the design resides in the shape and/or configuration of the ARRAY ISOLATOR COVER shown in the representations. When considering the newness and distinctiveness of the design, the lines shown in phantom should be disregarded.**



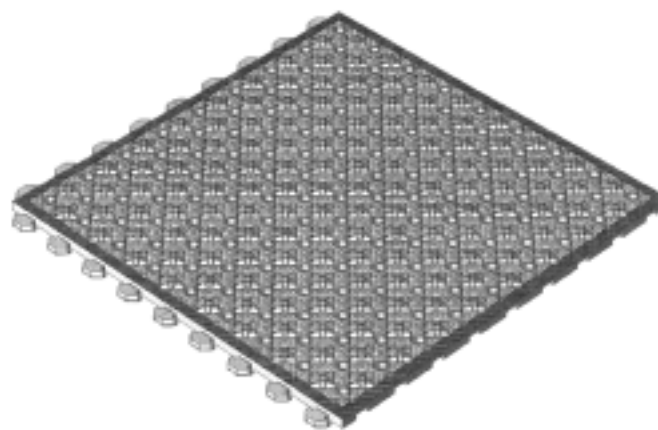
(21) Design Number: **15309/2012**
(22) Date of Filing Application: **24 October 2012**
(24) Date from which industrial property rights may have effect: **24 October 2012**
(54) Product in respect of which the design is registered: **Inhaler**
(51) International Design Classification: **24-04**
(74) Name(s) of Attorney(s): **PIZZEYS**
(71) Name(s) and Address(s) of Applicant(s):
Oriel Therapeutics, Inc.
630 Davis Drive Suite 120 Durham NC 27713 United States of America
(72) Name(s) of Designer(s): **Andrew J. Valentine and Charles A. Buckner III**
(45) Registration Date: **15 November 2012**
(30) Convention priority data:
(31) Number (32) Date (33) Country
29/420,366 08 May 2012 UNITED STATES OF AMERICA
(56) Related Art Documents: **Not Applicable**
(57) Statement of Newness and Distinctiveness: **Nil**



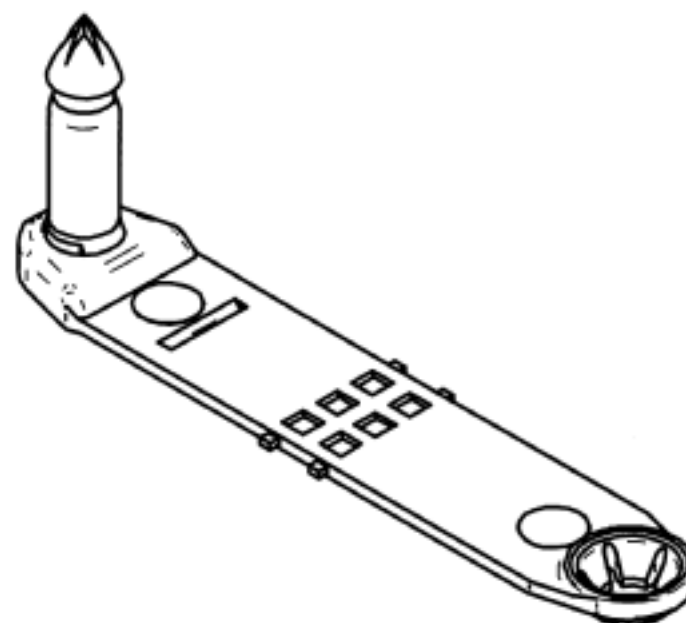
(21) Design Number: **15310/2012**
(22) Date of Filing Application: **24 October 2012**
(24) Date from which industrial property rights may have effect: **24 October 2012**
(54) Product in respect of which the design is registered: **Inhaler**
(51) International Design Classification: **24-04**
(74) Name(s) of Attorney(s): **PIZZEYS**
(71) Name(s) and Address(s) of Applicant(s):
Oriel Therapeutics, Inc.
630 Davis Drive Suite 120 Durham NC 27713 United States of America
(72) Name(s) of Designer(s): **Andrew J. Valentine and Charles A. Buckner III**
(45) Registration Date: **15 November 2012**
(30) Convention priority data:
(31) Number (32) Date (33) Country
29/420,366 08 May 2012 UNITED STATES OF AMERICA



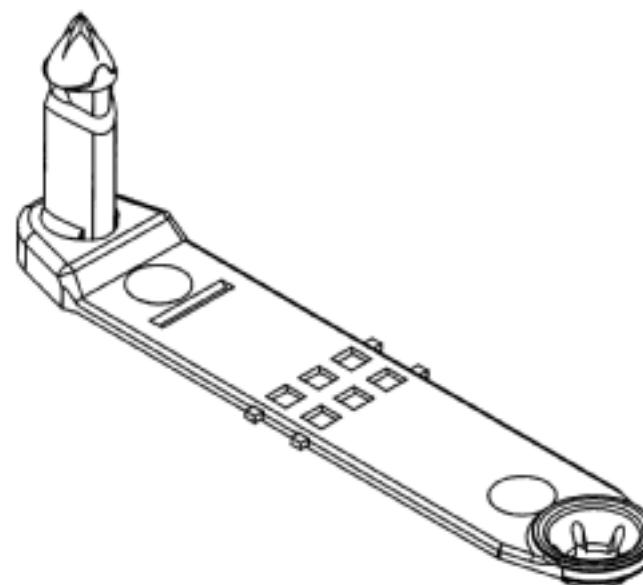
(21) Design Number: **15312/2012**
(22) Date of Filing Application: **24 October 2012**
(24) Date from which industrial property rights may have effect: **24 October 2012**
(54) Product in respect of which the design is registered: **A playground tile**
(51) International Design Classification: **25-01F**
(74) Name(s) of Attorney(s): **Acacia Law**
(71) Name(s) and Address(s) of Applicant(s):
Matta Products Limited
6 Cacson Place Pakuranga Heights Auckland 2010 New Zealand
(72) Name(s) of Designer(s): **Paul Harris**
(45) Registration Date: **15 November 2012**
(30) Convention priority data:
(31) Number (32) Date (33) Country
416194 26 Apr 2012 NEW ZEALAND
(56) Related Art Documents: **Not Applicable**
(57) Statement of Newness and Distinctiveness: **Nil**



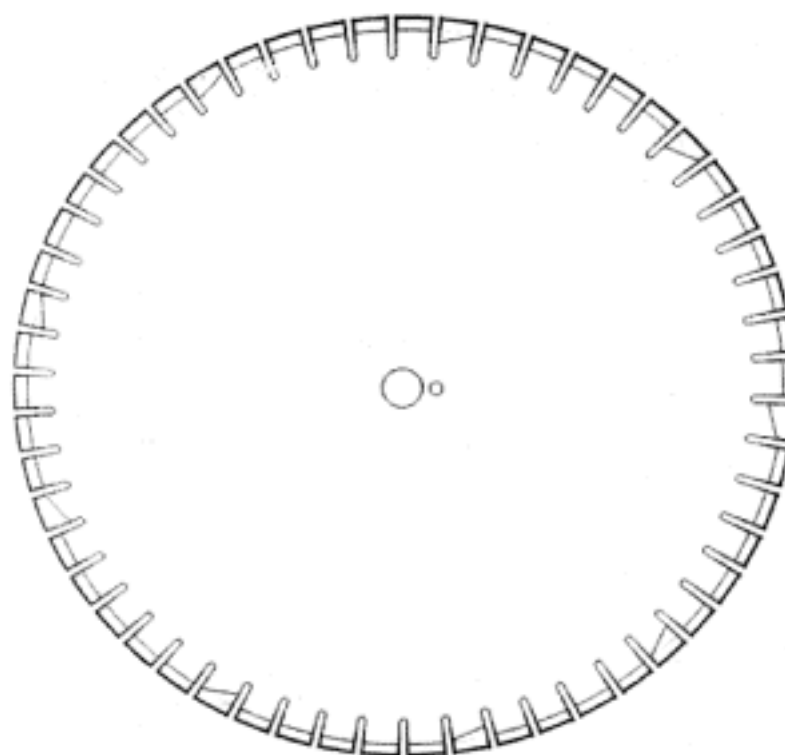
(21) Design Number: **15313/2012**
(22) Date of Filing Application: **24 October 2012**
(24) Date from which industrial property rights may have effect: **24 October 2012**
(54) Product in respect of which the design is registered: **An animal identification tag**
(51) International Design Classification: **30-08**
(74) Name(s) of Attorney(s): **Ellis Terry**
(71) Name(s) and Address(s) of Applicant(s):
Allflex Europe SAS
ZI de Plague Vitre 35500 France
(72) Name(s) of Designer(s): **Grant Townsend and James Andrew Nathan Stewart and John Decaluwe and Jean-Jacques Hilpert**
(45) Registration Date: **15 November 2012**
(30) Convention priority data:
(31) Number (32) Date (33) Country
416273 17 May 2012 NEW ZEALAND
(56) Related Art Documents: **Not Applicable**
(57) Statement of Newness and Distinctiveness: **Nil**



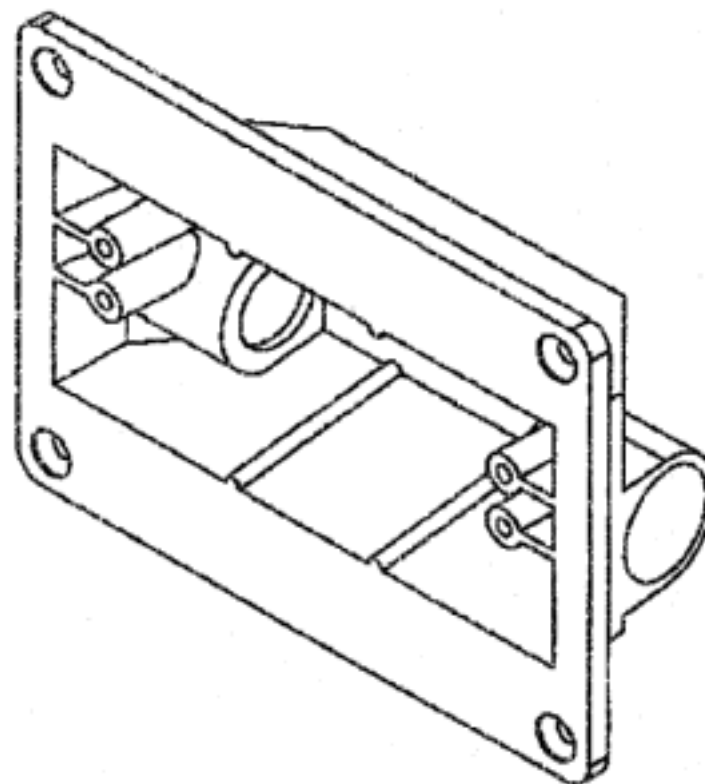
- (21) Design Number: **15314/2012**
(22) Date of Filing Application: **24 October 2012**
(24) Date from which industrial property rights may have effect: **24 October 2012**
(54) Product in respect of which the design is registered: **An animal identification tag**
(51) International Design Classification: **30-08**
(74) Name(s) of Attorney(s): **Ellis Terry**
(71) Name(s) and Address(s) of Applicant(s):
Allflex Europe SAS
ZI de Plague Vitre 35500 France
(72) Name(s) of Designer(s): **Grant Townsend and James Andrew Nathan Stewart and John Decaluwe and Jean-Jacques Hilpert**
(45) Registration Date: **15 November 2012**
(30) Convention priority data:
(31) Number (32) Date (33) Country
416273 17 May 2012 NEW ZEALAND
(56) Related Art Documents: **Not Applicable**
(57) Statement of Newness and Distinctiveness: **Nil**



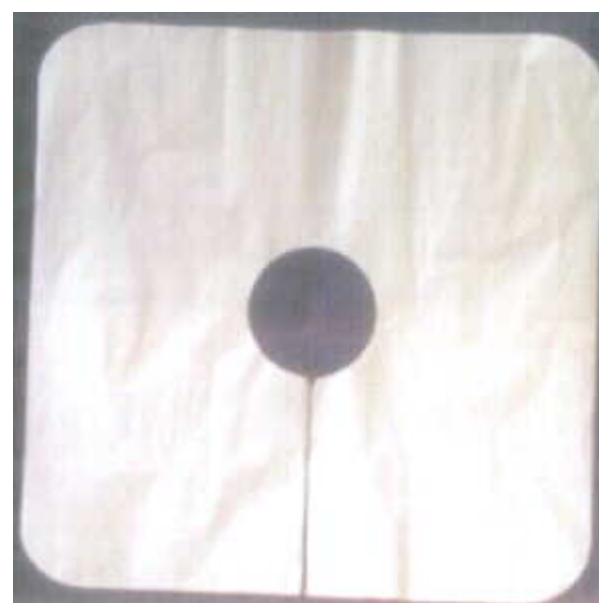
- (21) Design Number: **12010/2012**
(22) Date of Filing Application: **26 April 2012**
(24) Date from which industrial property rights may have effect: **26 April 2012**
(54) Product in respect of which the design is registered: **A diamond cutting blade**
(51) International Design Classification: **08-03**
(74) Name(s) of Attorney(s):
(71) Name(s) and Address(s) of Applicant(s):
Liu Yan Hua
1 Collins Street Thomastown Victoria 3074 Australia
(72) Name(s) of Designer(s): **Liu Yan Hua**
(45) Registration Date: **15 November 2012**
(56) Related Art Documents: **Not Applicable**
(57) Statement of Newness and Distinctiveness: **The product is unique because the alternating nature of the segments will ensure that a fast and smooth cut is achieved without the blade becoming stuck. Alternating segments will produce a wider cut which will reduce friction, reduce noise and achieve a deeper cut.**



- (21) Design Number: **12282/2012**
(22) Date of Filing Application: **11 May 2012**
(24) Date from which industrial property rights may have effect: **11 May 2012**
(54) Product in respect of which the design is registered: **A backing plate and wiring housing unit**
(51) International Design Classification: **08-08NES, 13-99**
(74) Name(s) of Attorney(s): **Intellepro Patent & Trade Mark Attorneys**
(71) Name(s) and Address(s) of Applicant(s):
Ballarat Holdings Pty Ltd
72 Bayley Road Pine Mountain Queensland 4306 Australia
(72) Name(s) of Designer(s): **Timothy Leonard Joseph Vos and John Michael Collier and Alan Alexander Lake and Holly Anne Lake**
(45) Registration Date: **15 November 2012**
(56) Related Art Documents: **Not Applicable**
(57) Statement of Newness and Distinctiveness: **Nil**



- (21) Design Number: **14945/2012**
(22) Date of Filing Application: **04 October 2012**
(24) Date from which industrial property rights may have effect: **04 October 2012**
(54) Product in respect of which the design is registered: **A cape**
(51) International Design Classification: **02-05**
(74) Name(s) of Attorney(s):
(71) Name(s) and Address(s) of Applicant(s):
Alyson Peace
27 Vicki Street Upper Riccarton Christchurch 8041 New Zealand
(72) Name(s) of Designer(s): **Alyson Peace**
(45) Registration Date: **15 November 2012**
(56) Related Art Documents: **Not Applicable**
(57) Statement of Newness and Distinctiveness: **This cape stays in place without the use of ties or fasteners.**



- (21) Design Number: **15156/2012**
(22) Date of Filing Application: **19 October 2012**
(24) Date from which industrial property rights may have effect: **19 October 2012**
(54) Product in respect of which the design is registered: **Interchangeable shoe heel**
(51) International Design Classification: **02-04B**
(74) Name(s) of Attorney(s):
(71) Name(s) and Address(s) of Applicant(s):
Laura Torreblanca Gomez De Las Hera
14 Shackel Ave Clovelly NSW 2031 Australia
(72) Name(s) of Designer(s): **Laura Torreblanca Gomez De Las Hera**
(45) Registration Date: **15 November 2012**
(56) Related Art Documents: **Not Applicable**
(57) Statement of Newness and Distinctiveness: **Nil**



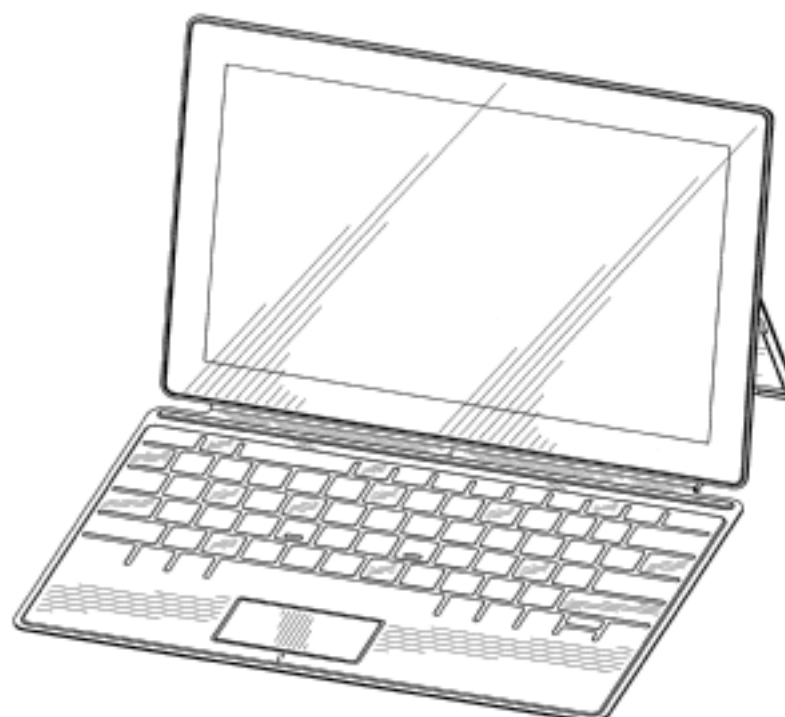
- (21) Design Number: **15269/2012**
(22) Date of Filing Application: **23 October 2012**
(24) Date from which industrial property rights may have effect: **23 October 2012**
(54) Product in respect of which the design is registered: **Container**
(51) International Design Classification: **09-07A**
(74) Name(s) of Attorney(s): **FB Rice**
(71) Name(s) and Address(s) of Applicant(s):
Colgate-Palmolive Company
300 Park Avenue New York New York 10022 United States of America
(72) Name(s) of Designer(s): **Kiat-Cheong Toh and Christopher Hart and Stacy Castro**
(45) Registration Date: **15 November 2012**
(30) Convention priority data:
(31) Number (32) Date (33) Country
29/424013 07 Jun 2012 UNITED STATES OF AMERICA
(56) Related Art Documents: **Not Applicable**
(57) Statement of Newness and Distinctiveness: **Newness and distinctiveness reside in the features of the design shown in solid lines in the representations excluding those features shown in broken lines.**



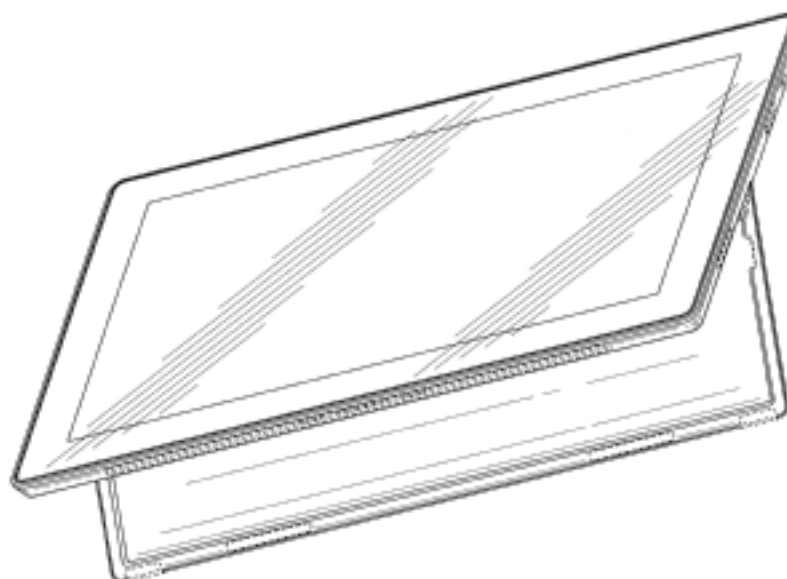
- (21) Design Number: **15283/2012**
(22) Date of Filing Application: **24 October 2012**
(24) Date from which industrial property rights may have effect: **24 October 2012**
(54) Product in respect of which the design is registered: **Drink cooler**
(51) International Design Classification: **07-07A**
(74) Name(s) of Attorney(s):
(71) Name(s) and Address(s) of Applicant(s):
Julie Peddie
6/38 Petrel Ave Mermaid Beach QLD 4218 Australia
(72) Name(s) of Designer(s): **Julie Peddie**
(45) Registration Date: **15 November 2012**
(56) Related Art Documents: **Not Applicable**
(57) Statement of Newness and Distinctiveness: **Individual pockets with cooling gel sewn into each pocket, pocket. Hook and loop - open and closure straps. k c The drink cooler is suitable to hold a 600 ml bottle or can.**



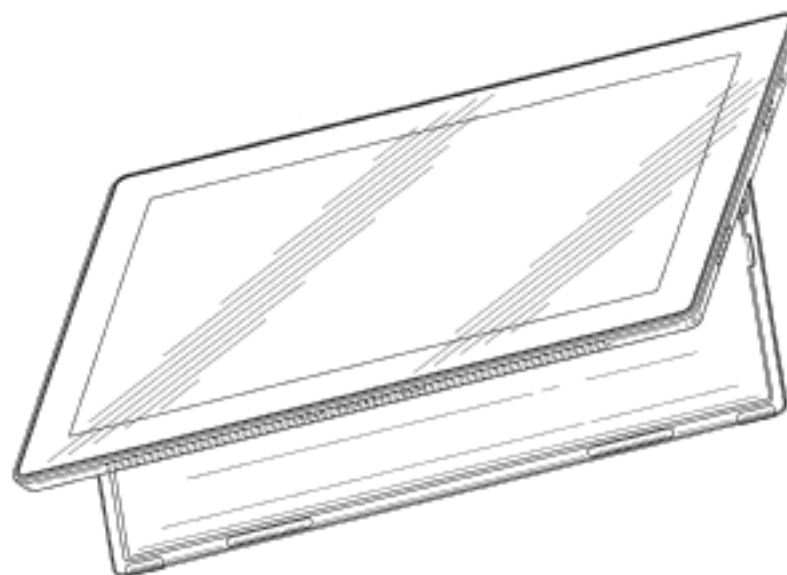
- (21) Design Number: **15286/2012**
(22) Date of Filing Application: **23 October 2012**
(24) Date from which industrial property rights may have effect: **23 October 2012**
(54) Product in respect of which the design is registered: **Electronic tablet with input device**
(51) International Design Classification: **14-02**
(74) Name(s) of Attorney(s): **Shelston IP**
(71) Name(s) and Address(s) of Applicant(s):
Microsoft Corporation
One Microsoft Way Redmond Washington 98052 United States of America
(72) Name(s) of Designer(s): **Ralf Groene and Hua Wang and Anthony Reed and Katherine Bailey and Alec James Ishihara and Jan Raken**
(45) Registration Date: **15 November 2012**
(30) Convention priority data:
(31) Number (32) Date (33) Country
29/422121 16 May 2012 UNITED STATES OF AMERICA
(56) Related Art Documents: **Not Applicable**
(57) Statement of Newness and Distinctiveness: **Newness and distinctiveness reside in the features of shape and/or configuration of an electronic tablet with input device as illustrated by solid lines in the accompanying representations. The features shown in broken outline are for contextual purposes only and do not form part of the design.**



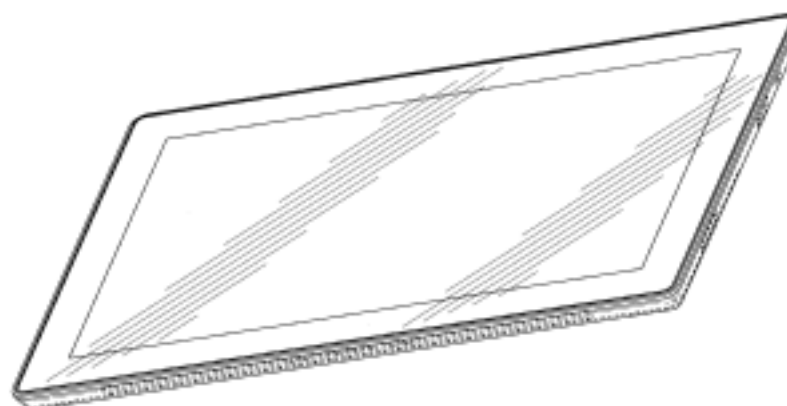
(21) Design Number: **15287/2012**
(22) Date of Filing Application: **23 October 2012**
(24) Date from which industrial property rights may have effect: **23 October 2012**
(54) Product in respect of which the design is registered: **Electronic tablet**
(51) International Design Classification: **14-02**
(74) Name(s) of Attorney(s): **Shelston IP**
(71) Name(s) and Address(s) of Applicant(s):
Microsoft Corporation
One Microsoft Way Redmond Washington 98052 United States of America
(72) Name(s) of Designer(s): **Ralf Groene and Hua Wang and Anthony Reed and Katherine Bailey and Alec James Ishihara and Jan Raken**
(45) Registration Date: **15 November 2012**
(30) Convention priority data:
(31) Number (32) Date (33) Country
29/422118 16 May 2012 UNITED STATES OF AMERICA
(56) Related Art Documents: **Not Applicable**
(57) Statement of Newness and Distinctiveness: **Newness and distinctiveness reside in the features of shape and/or configuration of an electronic tablet as illustrated by solid lines in the accompanying representations. The features shown in broken outline are for contextual purposes only and do not form part of the design.**



(21) Design Number: **15288/2012**
(22) Date of Filing Application: **23 October 2012**
(24) Date from which industrial property rights may have effect: **23 October 2012**
(54) Product in respect of which the design is registered: **Electronic tablet**
(51) International Design Classification: **14-02**
(74) Name(s) of Attorney(s): **Shelston IP**
(71) Name(s) and Address(s) of Applicant(s):
Microsoft Corporation
One Microsoft Way Redmond Washington 98052 United States of America
(72) Name(s) of Designer(s): **Ralf Groene and Hua Wang and Anthony Reed and Katherine Bailey and Alec James Ishihara and Jan Raken**
(45) Registration Date: **15 November 2012**
(30) Convention priority data:
(31) Number (32) Date (33) Country
29/422118 16 May 2012 UNITED STATES OF AMERICA
(56) Related Art Documents: **Not Applicable**
(57) Statement of Newness and Distinctiveness: **Newness and distinctiveness reside in the features of shape and/or configuration of an electronic tablet as illustrated by solid lines in the accompanying representations. The features shown in broken outline are for contextual purposes only and do not form part of the design.**



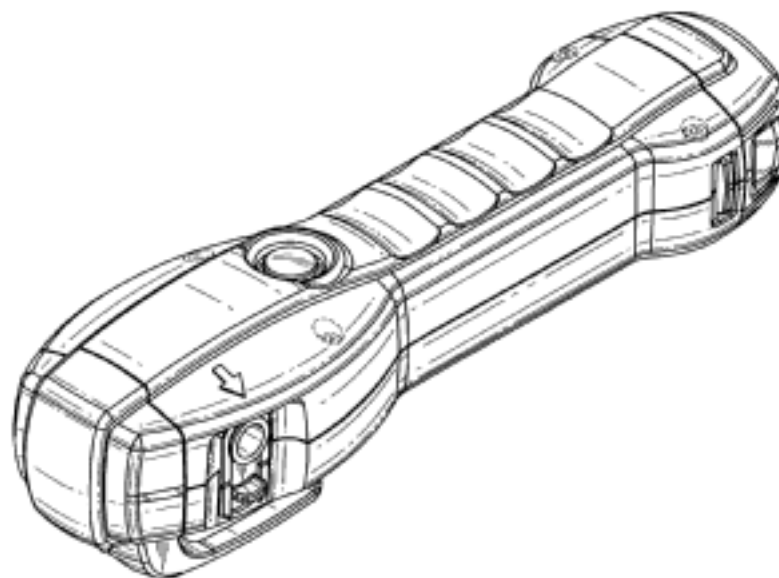
- (21) Design Number: **15289/2012**
(22) Date of Filing Application: **23 October 2012**
(24) Date from which industrial property rights may have effect: **23 October 2012**
(54) Product in respect of which the design is registered: **Electronic tablet**
(51) International Design Classification: **14-02**
(74) Name(s) of Attorney(s): **Shelston IP**
(71) Name(s) and Address(s) of Applicant(s):
Microsoft Corporation
One Microsoft Way Redmond Washington 98052 United States of America
(72) Name(s) of Designer(s): **Ralf Groene and Hua Wang and Anthony Reed and Katherine Bailey and Alec James Ishihara and Jan Raken**
(45) Registration Date: **15 November 2012**
(30) Convention priority data:
(31) Number (32) Date (33) Country
29/422117 16 May 2012 UNITED STATES OF AMERICA
(56) Related Art Documents: **Not Applicable**
(57) Statement of Newness and Distinctiveness: **Newness and distinctiveness reside in the features of shape and/or configuration of an electronic tablet as illustrated by solid lines in the accompanying representations. The features shown in broken outline are for contextual purposes only and do not form part of the design.**



- (21) Design Number: **15296/2012**
(22) Date of Filing Application: **23 October 2012**
(24) Date from which industrial property rights may have effect: **23 October 2012**
(54) Product in respect of which the design is registered: **Input device for an electronic tablet**
(51) International Design Classification: **14-02**
(74) Name(s) of Attorney(s): **Shelston IP**
(71) Name(s) and Address(s) of Applicant(s):
Microsoft Corporation
One Microsoft Way Redmond Washington 98052 United States of America
(72) Name(s) of Designer(s): **Ralf Groene and Hua Wang and Katherine Bailey and Alec James Ishihara and Karsten Aagaard and Anthony Reed and J. David Schultz**
(45) Registration Date: **15 November 2012**
(30) Convention priority data:
(31) Number (32) Date (33) Country
29/422123 16 May 2012 UNITED STATES OF AMERICA
(56) Related Art Documents: **Not Applicable**
(57) Statement of Newness and Distinctiveness: **Newness and distinctiveness reside in the features of shape and/or configuration of an input device for an electronic tablet as illustrated by solid lines in the accompanying representations. The features shown in broken outline are for contextual purposes only and do not form part of the design.**



(21) Design Number: **15297/2012**
(22) Date of Filing Application: **23 October 2012**
(24) Date from which industrial property rights may have effect: **23 October 2012**
(54) Product in respect of which the design is registered: **Hand-held, rechargeable, battery powered diaphragm pump**
(51) International Design Classification: **15-02**
(74) Name(s) of Attorney(s): **Shelston IP**
(71) Name(s) and Address(s) of Applicant(s):
Flow Control LLC.
1 Kondelin Road Gloucester Massachusetts 01930 United States of America
(72) Name(s) of Designer(s): **Gregory Cook and Michael H. Irving and Jeffery B. Schopperle and Mark F. Ingersoll**
(45) Registration Date: **15 November 2012**
(30) Convention priority data:
(31) Number (32) Date (33) Country
29/418986 24 Apr 2012 UNITED STATES OF AMERICA
(56) Related Art Documents: **Not Applicable**
(57) Statement of Newness and Distinctiveness: **Newness and distinctiveness resides in the features of shape and/or configuration of the hand-held, rechargeable, battery powered diaphragm pump as shown in solid lines in the accompanying representations.**



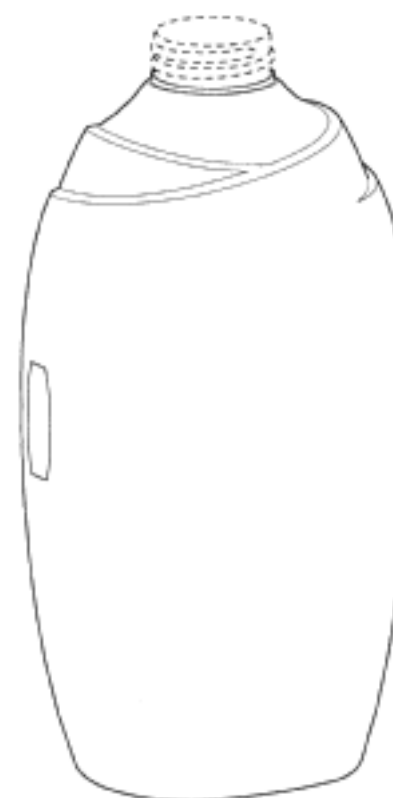
(21) Design Number: **15300/2012**
(22) Date of Filing Application: **24 October 2012**
(24) Date from which industrial property rights may have effect: **24 October 2012**
(54) Product in respect of which the design is registered: **Container**
(51) International Design Classification: **09-01NES**
(74) Name(s) of Attorney(s): **FB Rice**
(71) Name(s) and Address(s) of Applicant(s):
Colgate-Palmolive Company
300 Park Avenue New York New York 10022 United States of America
(72) Name(s) of Designer(s): **John Clifford Crawford and Christopher Hart and Stacy Castro**
(45) Registration Date: **15 November 2012**
(30) Convention priority data:
(31) Number (32) Date (33) Country
29/424010 07 Jun 2012 UNITED STATES OF AMERICA
(56) Related Art Documents: **Not Applicable**
(57) Statement of Newness and Distinctiveness: **Newness and distinctiveness reside in the features of the design as shown in the representations.**



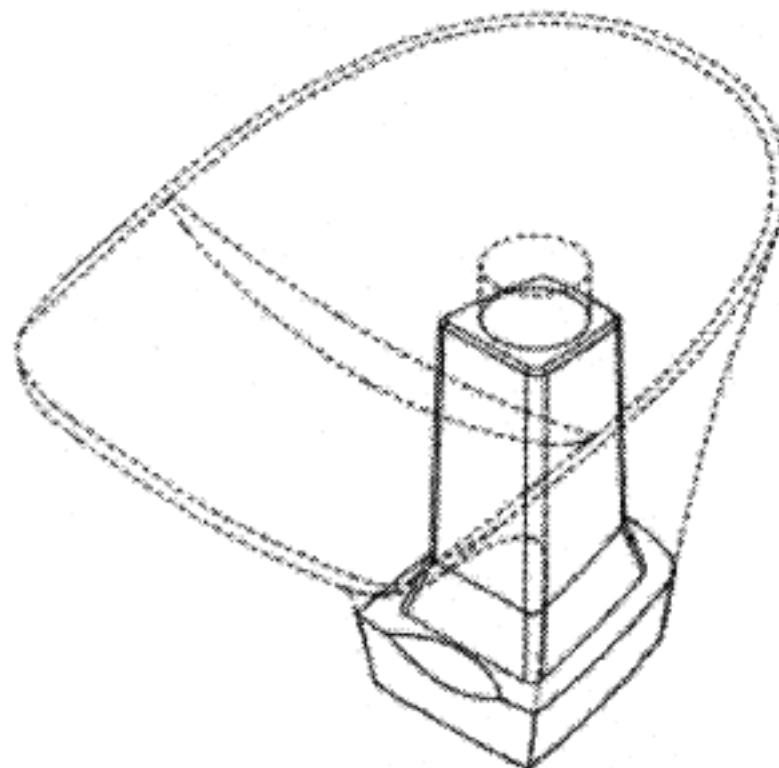
(21) Design Number: **15301/2012**
(22) Date of Filing Application: **24 October 2012**
(24) Date from which industrial property rights may have effect: **24 October 2012**
(54) Product in respect of which the design is registered: **Container**
(51) International Design Classification: **09-01NES**
(74) Name(s) of Attorney(s): **FB Rice**
(71) Name(s) and Address(s) of Applicant(s):
Colgate-Palmolive Company
300 Park Avenue New York New York 10022 United States of America
(72) Name(s) of Designer(s): **John Clifford Crawford**
(45) Registration Date: **15 November 2012**
(30) Convention priority data:
(31) Number (32) Date (33) Country
29/424002 07 Jun 2012 UNITED STATES OF AMERICA
(56) Related Art Documents: **Not Applicable**
(57) Statement of Newness and Distinctiveness: **Newness and distinctiveness reside in the features of the design shown in solid lines in the representations excluding those features shown in broken lines.**



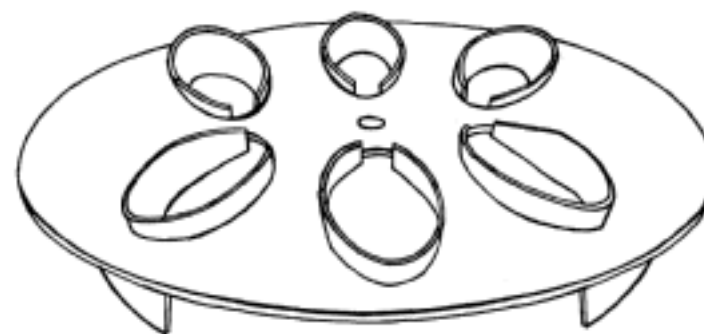
(21) Design Number: **15302/2012**
(22) Date of Filing Application: **24 October 2012**
(24) Date from which industrial property rights may have effect: **24 October 2012**
(54) Product in respect of which the design is registered: **Container**
(51) International Design Classification: **09-01K**
(74) Name(s) of Attorney(s): **FB Rice**
(71) Name(s) and Address(s) of Applicant(s):
Colgate-Palmolive Company
300 Park Avenue New York New York 10022 United States of America
(72) Name(s) of Designer(s): **John Clifford Crawford**
(45) Registration Date: **15 November 2012**
(30) Convention priority data:
(31) Number (32) Date (33) Country
29/424002 07 Jun 2012 UNITED STATES OF AMERICA
(56) Related Art Documents: **Not Applicable**
(57) Statement of Newness and Distinctiveness: **Newness and distinctiveness reside in the features of the design shown in solid lines in the representations excluding those features shown in broken lines.**



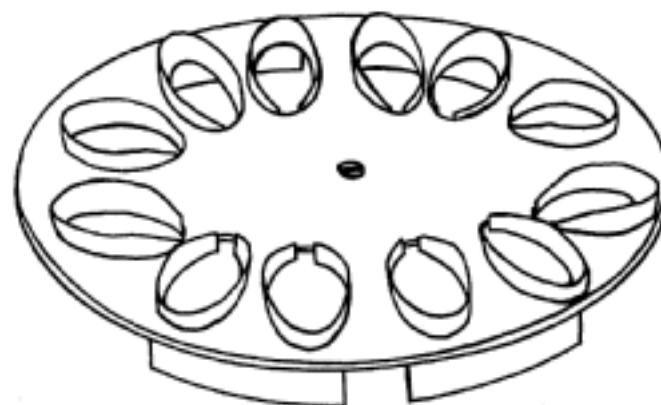
(21) Design Number: **15520/2012**
(22) Date of Filing Application: **19 October 2012**
(24) Date from which industrial property rights may have effect: **19 October 2012**
(54) Product in respect of which the design is registered: **Interchangeable shoe heel**
(51) International Design Classification: **02-04B**
(74) Name(s) of Attorney(s): **Meskin IP**
(71) Name(s) and Address(s) of Applicant(s):
Laura Torreblanca Gomez De Las Hera
14 Shackel Ave Clovelly New South Wales 2031 Australia
(72) Name(s) of Designer(s): **Laura Torreblanca Gomez De Las Hera**
(45) Registration Date: **15 November 2012**
(56) Related Art Documents: **Not Applicable**
(57) Statement of Newness and Distinctiveness: **Nil**



(21) Design Number: **12483/2012**
(22) Date of Filing Application: **23 May 2012**
(24) Date from which industrial property rights may have effect: **23 May 2012**
(54) Product in respect of which the design is registered: **6 oyster tray**
(51) International Design Classification: **07-01B**
(74) Name(s) of Attorney(s): **Lord & Company**
(71) Name(s) and Address(s) of Applicant(s):
Steven Knowles
PO Box 141 Ballajura WA 6065 Australia
Tracey Anne Knowles
PO Box 141 Ballajura WA 6065 Australia
(72) Name(s) of Designer(s): **Steven Knowles and Tracey Anne Knowles**
(45) Registration Date: **16 November 2012**
(56) Related Art Documents: **Not Applicable**
(57) Statement of Newness and Distinctiveness: **Nil**



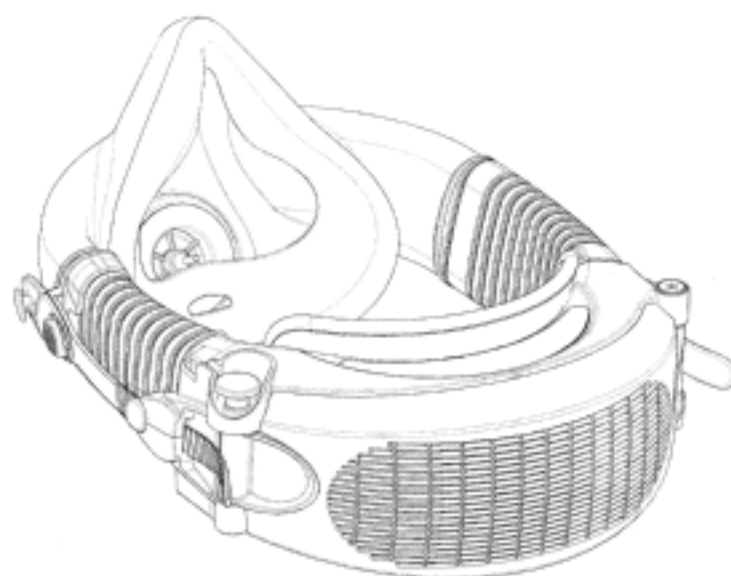
(21) Design Number: **12484/2012**
(22) Date of Filing Application: **23 May 2012**
(24) Date from which industrial property rights may have effect: **23 May 2012**
(54) Product in respect of which the design is registered: **12 oyster tray**
(51) International Design Classification: **07-01B**
(74) Name(s) of Attorney(s): **Lord & Company**
(71) Name(s) and Address(s) of Applicant(s):
Steven Knowles
PO Box 141 Ballajura WA 6065 Australia
Tracey Anne Knowles
PO Box 141 Ballajura WA 6065 Australia
(72) Name(s) of Designer(s): **Steven Knowles and Tracey Anne Knowles**
(45) Registration Date: **16 November 2012**
(56) Related Art Documents: **Not Applicable**
(57) Statement of Newness and Distinctiveness: **Nil**



(21) Design Number: **14216/2012**
(22) Date of Filing Application: **27 August 2012**
(24) Date from which industrial property rights may have effect: **27 August 2012**
(54) Product in respect of which the design is registered: **Extrusion**
(51) International Design Classification: **25-01K**
(74) Name(s) of Attorney(s):
(71) Name(s) and Address(s) of Applicant(s):
Foster Plastics Industries Pty Ltd
49-67 Sages Road Glenroy Victoria 3046 Australia
(72) Name(s) of Designer(s): **Glen Bracken**
(45) Registration Date: **16 November 2012**
(56) Related Art Documents: **Not Applicable**
(57) Statement of Newness and Distinctiveness: **The attached representations are of indefinite length.**



- (21) Design Number: **15137/2012**
(22) Date of Filing Application: **17 October 2012**
(24) Date from which industrial property rights may have effect: **17 October 2012**
(54) Product in respect of which the design is registered: **Respirator**
(51) International Design Classification: **24-01**
(74) Name(s) of Attorney(s): **Griffith Hack**
(71) Name(s) and Address(s) of Applicant(s):
PAFtec Technologies Pty Ltd
Unit 3 19 Hotham Pde Artarmon NSW 2064 Australia
(72) Name(s) of Designer(s): **Eric Fu and Dan Kao and Alexander Virr and John Snow and Damian Johnson**
(45) Registration Date: **16 November 2012**
(56) Related Art Documents: **Not Applicable**
(57) Statement of Newness and Distinctiveness: **Nil**



- (21) Design Number: **15349/2012**
(22) Date of Filing Application: **25 October 2012**
(24) Date from which industrial property rights may have effect: **25 October 2012**
(54) Product in respect of which the design is registered: **Container**
(51) International Design Classification: **09-01G**
(74) Name(s) of Attorney(s): **FB Rice**
(71) Name(s) and Address(s) of Applicant(s):
Colgate-Palmolive Company
300 Park Avenue New York New York 10022 United States of America
(72) Name(s) of Designer(s): **John Clifford Crawford and Kiat-Cheong Toh**
(45) Registration Date: **16 November 2012**
(30) Convention priority data:
(31) Number (32) Date (33) Country
29/424036 07 Jun 2012 UNITED STATES OF AMERICA
(56) Related Art Documents: **Not Applicable**
(57) Statement of Newness and Distinctiveness: **Newness and distinctiveness reside in the features of the design shown in solid lines in the representations excluding those features shown in broken lines.**



(21) Design Number: **15350/2012**
(22) Date of Filing Application: **25 October 2012**
(24) Date from which industrial property rights may have effect: **25 October 2012**
(54) Product in respect of which the design is registered: **Container**
(51) International Design Classification: **09-01G**
(74) Name(s) of Attorney(s): **FB Rice**
(71) Name(s) and Address(s) of Applicant(s):
Colgate-Palmolive Company
300 Park Avenue New York New York 10022 United States of America
(72) Name(s) of Designer(s): **John Clifford Crawford**
(45) Registration Date: **16 November 2012**
(30) Convention priority data:
(31) Number (32) Date (33) Country
29/424039 07 Jun 2012 UNITED STATES OF AMERICA
(56) Related Art Documents: **Not Applicable**
(57) Statement of Newness and Distinctiveness: **Newness and distinctiveness reside in the features of the design as shown in the representations.**



(21) Design Number: **15351/2012**
(22) Date of Filing Application: **25 October 2012**
(24) Date from which industrial property rights may have effect: **25 October 2012**
(54) Product in respect of which the design is registered: **Container**
(51) International Design Classification: **09-01G**
(74) Name(s) of Attorney(s): **FB Rice**
(71) Name(s) and Address(s) of Applicant(s):
Colgate-Palmolive Company
300 Park Avenue New York New York 10022 United States of America
(72) Name(s) of Designer(s): **John Clifford Crawford**
(45) Registration Date: **16 November 2012**
(30) Convention priority data:
(31) Number (32) Date (33) Country
29/424039 07 Jun 2012 UNITED STATES OF AMERICA
(56) Related Art Documents: **Not Applicable**
(57) Statement of Newness and Distinctiveness: **Newness and distinctiveness reside in the features of the design shown in solid lines in the representations excluding those features shown in broken lines.**



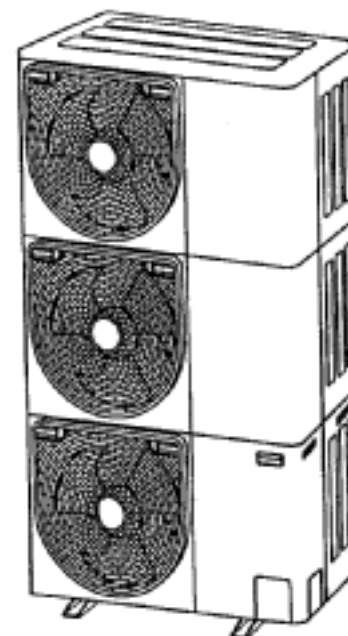
(21) Design Number: **15352/2012**
(22) Date of Filing Application: **25 October 2012**
(24) Date from which industrial property rights may have effect: **25 October 2012**
(54) Product in respect of which the design is registered: **Container**
(51) International Design Classification: **09-01G**
(74) Name(s) of Attorney(s): **FB Rice**
(71) Name(s) and Address(s) of Applicant(s):
Colgate-Palmolive Company
300 Park Avenue New York New York 10022 United States of America
(72) Name(s) of Designer(s): **John Clifford Crawford and Kiat-Cheong Toh**
(45) Registration Date: **16 November 2012**
(30) Convention priority data:
(31) Number (32) Date (33) Country
29/424028 07 Jun 2012 UNITED STATES OF AMERICA
(56) Related Art Documents: **Not Applicable**
(57) Statement of Newness and Distinctiveness: **Newness and distinctiveness reside in the features of the design as shown in the representations.**



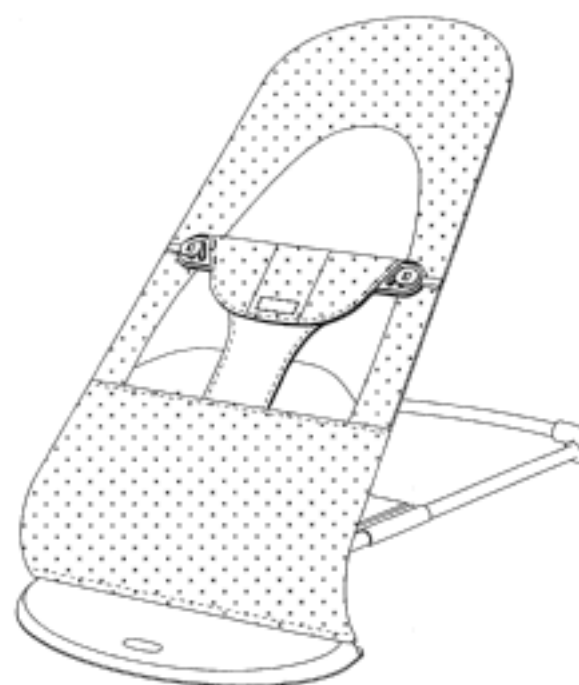
(21) Design Number: **15353/2012**
(22) Date of Filing Application: **25 October 2012**
(24) Date from which industrial property rights may have effect: **25 October 2012**
(54) Product in respect of which the design is registered: **Container**
(51) International Design Classification: **09-01G**
(74) Name(s) of Attorney(s): **FB Rice**
(71) Name(s) and Address(s) of Applicant(s):
Colgate-Palmolive Company
300 Park Avenue New York New York 10022 United States of America
(72) Name(s) of Designer(s): **John Clifford Crawford and Kiat-Cheong Toh**
(45) Registration Date: **16 November 2012**
(30) Convention priority data:
(31) Number (32) Date (33) Country
29/424028 07 Jun 2012 UNITED STATES OF AMERICA
(56) Related Art Documents: **Not Applicable**
(57) Statement of Newness and Distinctiveness: **Newness and distinctiveness reside in the features of the design shown in solid lines in the representations excluding those features shown in broken lines.**



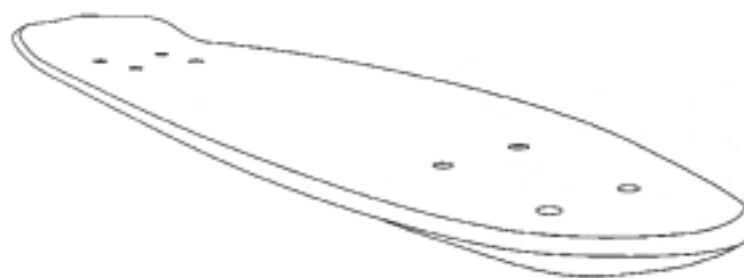
- (21) Design Number: **15355/2012**
(22) Date of Filing Application: **25 October 2012**
(24) Date from which industrial property rights may have effect: **25 October 2012**
(54) Product in respect of which the design is registered: **Heat exchanger for air conditioner**
(51) International Design Classification: **23-04**
(74) Name(s) of Attorney(s): **SPRUSON & FERGUSON**
(71) Name(s) and Address(s) of Applicant(s):
Toshiba Carrier Corporation
23-17 Takanawa 3-chome Minato-ku Tokyo Japan
(72) Name(s) of Designer(s): **Hirofumi Yamauchi and Kazuhisa Sato and Hiroyuki Niwa and Takamasa Okuma**
(45) Registration Date: **16 November 2012**
(30) Convention priority data:
(31) Number (32) Date (33) Country
ZL201230130247725 Apr 2012 CHINA
(56) Related Art Documents: **Not Applicable**
(57) Statement of Newness and Distinctiveness: **Newness and distinctiveness is claimed in the features of shape and/or configuration of a heat exchanger for air conditioner as illustrated in the accompanying representations.**



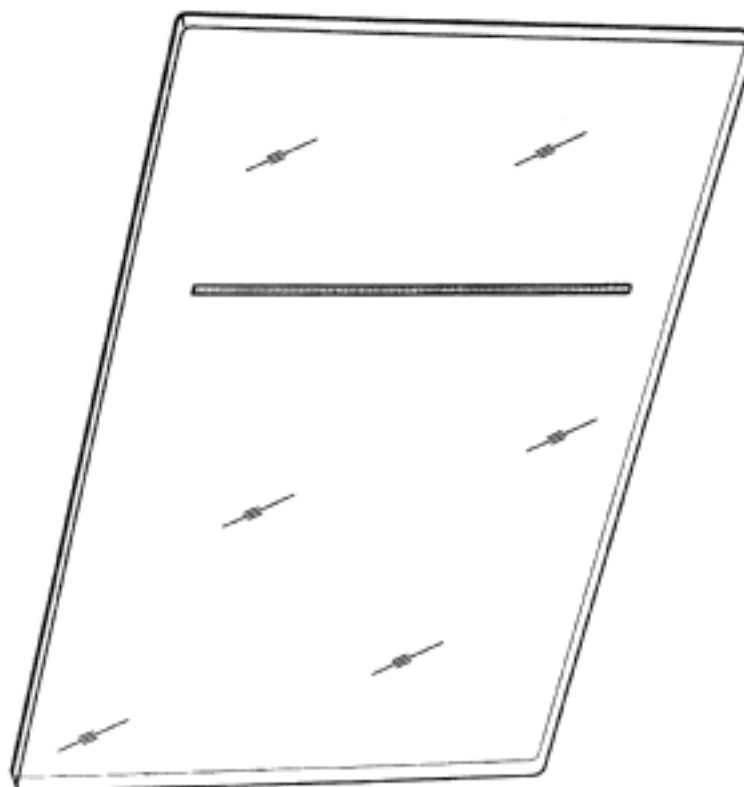
- (21) Design Number: **15356/2012**
(22) Date of Filing Application: **25 October 2012**
(24) Date from which industrial property rights may have effect: **25 October 2012**
(54) Product in respect of which the design is registered: **Baby bouncer**
(51) International Design Classification: **06-01E**
(74) Name(s) of Attorney(s): **SPRUSON & FERGUSON**
(71) Name(s) and Address(s) of Applicant(s):
BabyBjorn AB
Box 913 SE-170 09 SOLNA Sweden
(72) Name(s) of Designer(s): **Hakan Bergkvist and Lisen Elmberg and Marten Andren and Ulrika Vejbrink**
(45) Registration Date: **16 November 2012**
(30) Convention priority data:
(31) Number (32) Date (33) Country
002050559-0002 31 May 2012 EUROPEAN COMMUNITY
(56) Related Art Documents: **Not Applicable**
(57) Statement of Newness and Distinctiveness: **Newness and distinctiveness is claimed in the features of shape and/or configuration of a baby bouncer as illustrated in the accompanying representations.**



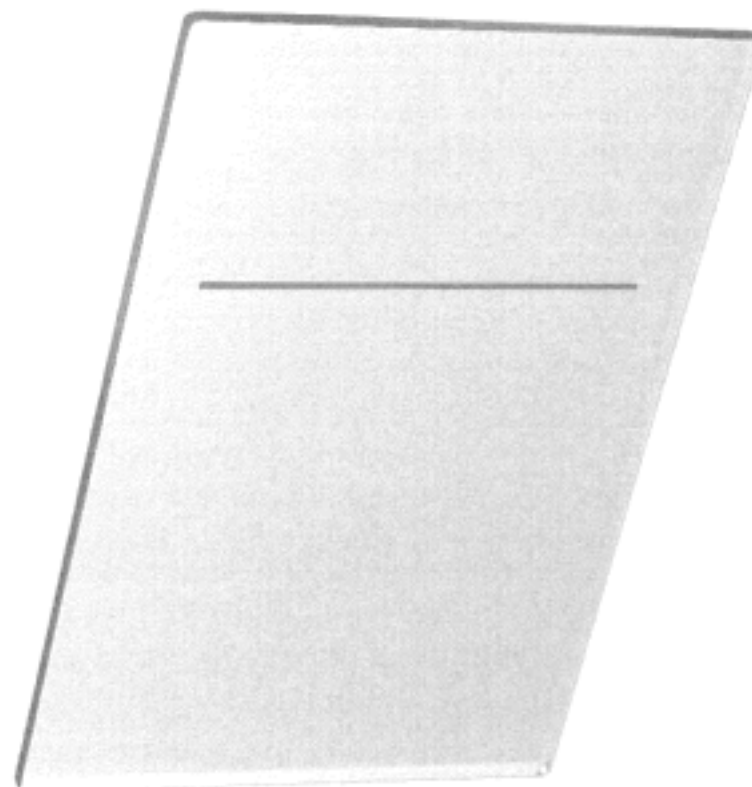
- (21) Design Number: **15359/2012**
(22) Date of Filing Application: **24 October 2012**
(24) Date from which industrial property rights may have effect: **24 October 2012**
(54) Product in respect of which the design is registered: **Sorcerer skateboard**
(51) International Design Classification: **21-02E**
(74) Name(s) of Attorney(s):
(71) Name(s) and Address(s) of Applicant(s):
Land & Sea Sports Pty Ltd
1/1 Jubilee Ave Warriewood NSW 2102 Australia
(72) Name(s) of Designer(s): **John Axford and Joshua Axford**
(45) Registration Date: **16 November 2012**
(56) Related Art Documents: **Not Applicable**
(57) Statement of Newness and Distinctiveness: **Nose and tail kick up, concave deck.**



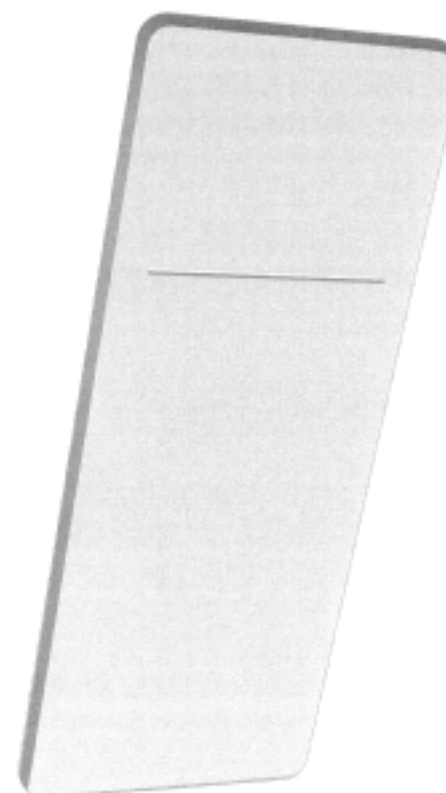
- (21) Design Number: **15330/2012**
(22) Date of Filing Application: **25 October 2012**
(24) Date from which industrial property rights may have effect: **25 October 2012**
(54) Product in respect of which the design is registered: **Control panels for flush tanks**
(51) International Design Classification: **23-01C**
(74) Name(s) of Attorney(s): **Fisher Adams Kelly**
(71) Name(s) and Address(s) of Applicant(s):
Geberit International AG
Schachenstrasse 77 8645 JONA Switzerland
(72) Name(s) of Designer(s): **Christoph Behling**
(45) Registration Date: **16 November 2012**
(30) Convention priority data:
(31) Number (32) Date (33) Country
**DM/078383 22 May 2012 WORLD INTELLECTUAL
PROPERTY ORGANIZATION
(WIPO)**
(56) Related Art Documents: **Not Applicable**
(57) Statement of Newness and Distinctiveness: **The newness and distinctiveness of the design resides in the shape and/or configuration of the CONTROL PANELS FOR FLUSH TANKS shown in the representations.**



(21) Design Number: **15331/2012**
(22) Date of Filing Application: **25 October 2012**
(24) Date from which industrial property rights may have effect: **25 October 2012**
(54) Product in respect of which the design is registered: **Control panels for flush tanks**
(51) International Design Classification: **23-01C**
(74) Name(s) of Attorney(s): **Fisher Adams Kelly**
(71) Name(s) and Address(s) of Applicant(s):
Geberit International AG
Schachenstrasse 77 8645 JONA Switzerland
(72) Name(s) of Designer(s): **Christoph Behling**
(45) Registration Date: **16 November 2012**
(30) Convention priority data:
(31) Number (32) Date (33) Country
DM/078383 22 May 2012 WORLD INTELLECTUAL
PROPERTY ORGANIZATION
(WIPO)
(56) Related Art Documents: **Not Applicable**
(57) Statement of Newness and Distinctiveness: **The newness and distinctiveness of the design resides in the shape and/or configuration of the CONTROL PANELS FOR FLUSH TANKS shown in the representations.**



(21) Design Number: **15332/2012**
(22) Date of Filing Application: **25 October 2012**
(24) Date from which industrial property rights may have effect: **25 October 2012**
(54) Product in respect of which the design is registered: **Control panels for flush tanks**
(51) International Design Classification: **23-01C**
(74) Name(s) of Attorney(s): **Fisher Adams Kelly**
(71) Name(s) and Address(s) of Applicant(s):
Geberit International AG
Schachenstrasse 77 8645 JONA Switzerland
(72) Name(s) of Designer(s): **Christoph Behling**
(45) Registration Date: **16 November 2012**
(30) Convention priority data:
(31) Number (32) Date (33) Country
DM/078383 22 May 2012 WORLD INTELLECTUAL
PROPERTY ORGANIZATION
(WIPO)
(56) Related Art Documents: **Not Applicable**
(57) Statement of Newness and Distinctiveness: **The newness and distinctiveness of the design resides in the shape and/or configuration of the CONTROL PANELS FOR FLUSH TANKS shown in the representations.**



(21) Design Number: **15333/2012**
(22) Date of Filing Application: **25 October 2012**
(24) Date from which industrial property rights may have effect: **25 October 2012**
(54) Product in respect of which the design is registered: **Control panels for flush tanks**
(51) International Design Classification: **23-01C**
(74) Name(s) of Attorney(s): **Fisher Adams Kelly**
(71) Name(s) and Address(s) of Applicant(s):

Geberit International AG
Schachenstrasse 77 8645 JONA Switzerland

(72) Name(s) of Designer(s): **Christoph Behling**

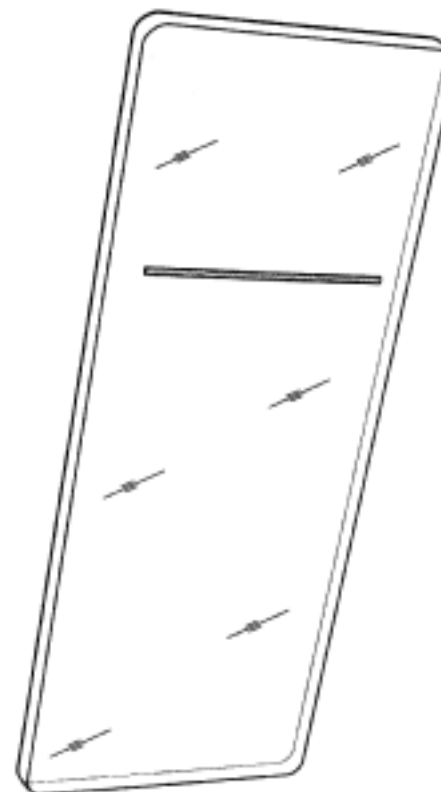
(45) Registration Date: **16 November 2012**

(30) Convention priority data:

(31) Number	(32) Date	(33) Country
DM/078383	22 May 2012	WORLD INTELLECTUAL PROPERTY ORGANIZATION (WIPO)

(56) Related Art Documents: **Not Applicable**

(57) Statement of Newness and Distinctiveness: **The newness and distinctiveness of the design resides in the shape and/or configuration of the CONTROL PANELS FOR FLUSH TANKS shown in the representations.**



(21) Design Number: **15335/2012**
(22) Date of Filing Application: **25 October 2012**
(24) Date from which industrial property rights may have effect: **25 October 2012**
(54) Product in respect of which the design is registered: **Men's clothing**
(51) International Design Classification: **02-02C**
(74) Name(s) of Attorney(s): **MIDDLETONS**
(71) Name(s) and Address(s) of Applicant(s):

Fifty-Fourth Rischell Pty Ltd
29 Simmons St South Yarra VIC 3141 Australia

(72) Name(s) of Designer(s): **Ty Henschke**

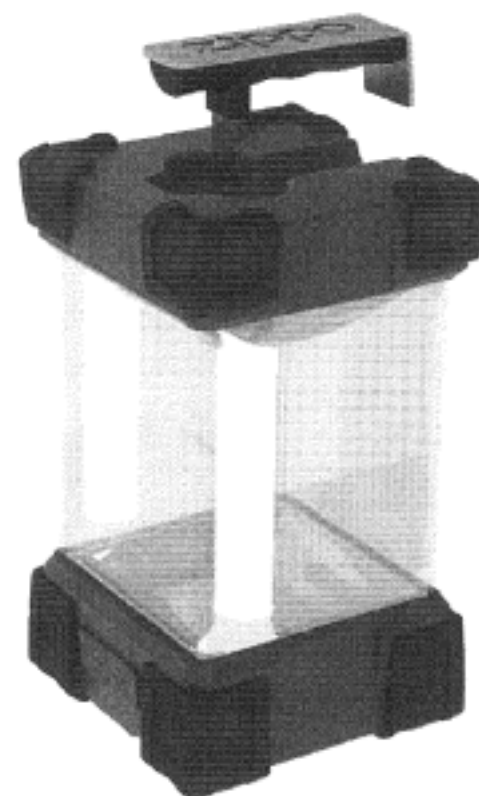
(45) Registration Date: **16 November 2012**

(56) Related Art Documents: **Not Applicable**

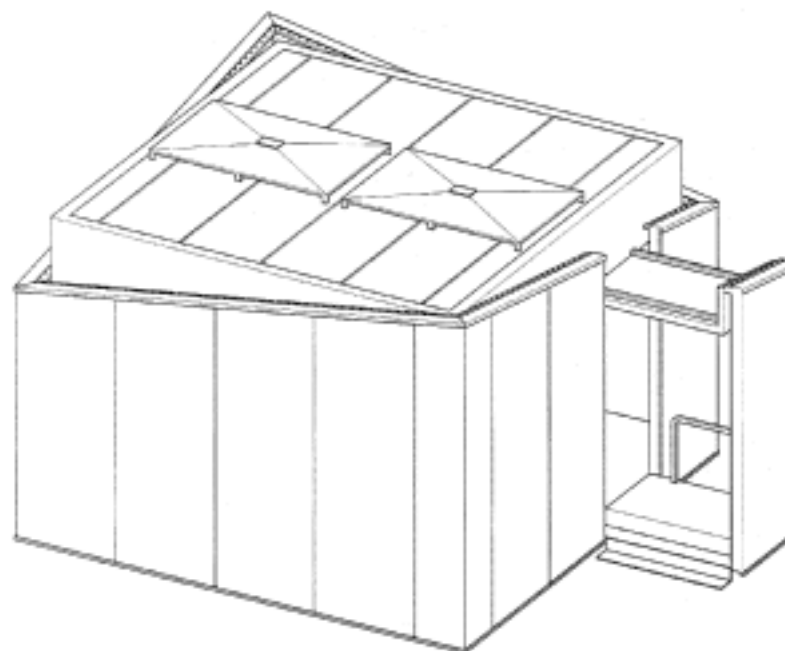
(57) Statement of Newness and Distinctiveness: **The words CALIBRE and ITALIAN FABRIC as shown in the accompanying representations are not claimed as visual features of the design.**



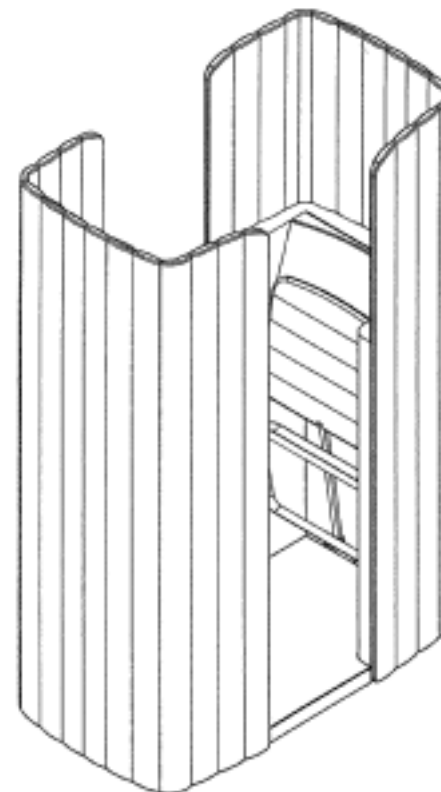
(21) Design Number: **15336/2012**
(22) Date of Filing Application: **25 October 2012**
(24) Date from which industrial property rights may have effect: **25 October 2012**
(54) Product in respect of which the design is registered: **A portable lamp**
(51) International Design Classification: **26-02**
(74) Name(s) of Attorney(s): **MIDDLETONS**
(71) Name(s) and Address(s) of Applicant(s):
Zippo Manufacturing Company
33 Barbour Street Bradford Pennsylvania 16701 United States of America
(72) Name(s) of Designer(s): **James M McDonough and Brian Barber and Howard Tripp 11 and Neal Barnes and Arthur R Hamilton**
(45) Registration Date: **16 November 2012**
(30) Convention priority data:
(31) Number (32) Date (33) Country
29/419,412 27 Apr 2012 UNITED STATES OF AMERICA
(56) Related Art Documents: **Not Applicable**
(57) Statement of Newness and Distinctiveness: **Nil**



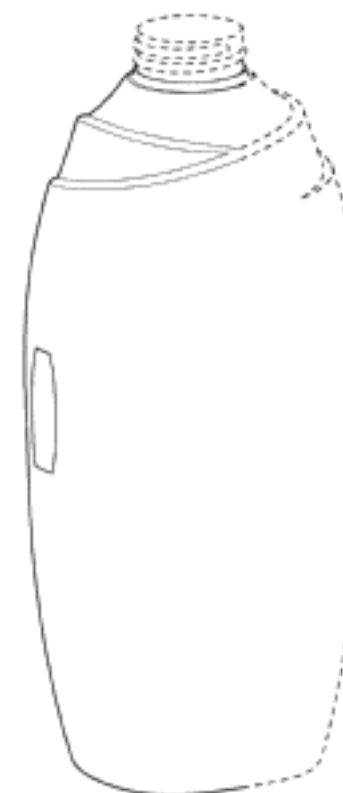
(21) Design Number: **15338/2012**
(22) Date of Filing Application: **25 October 2012**
(24) Date from which industrial property rights may have effect: **25 October 2012**
(54) Product in respect of which the design is registered: **Prefabricated House**
(51) International Design Classification: **25-03**
(74) Name(s) of Attorney(s): **Wrays**
(71) Name(s) and Address(s) of Applicant(s):
Samsung Electronics Co., Ltd
129 Samsung-ro Yeontong-gu Suwon-si Gyeonggi-Do 443-742 Republic of Korea
(72) Name(s) of Designer(s): **Jung-Mi Park and Hee-Kyung Kang and Soon Danielle Yang and Chang-Young Kim**
(45) Registration Date: **16 November 2012**
(30) Convention priority data:
(31) Number (32) Date (33) Country
30-2012-0024123 16 May 2012 REPUBLIC OF KOREA
(56) Related Art Documents: **Not Applicable**
(57) Statement of Newness and Distinctiveness: **Newness and distinctiveness is claimed in the features of shape and/or configuration of the Prefabricated House as shown in the accompanying representations.**



(21) Design Number: **15343/2012**
(22) Date of Filing Application: **25 October 2012**
(24) Date from which industrial property rights may have effect: **25 October 2012**
(54) Product in respect of which the design is registered: **Booth**
(51) International Design Classification: **06-05**
(74) Name(s) of Attorney(s): **FB Rice**
(71) Name(s) and Address(s) of Applicant(s):
George Liarikos
Studio 9 55 Kensington Garden Square London W2 4BA United Kingdom
(72) Name(s) of Designer(s): **George Liarikos**
(45) Registration Date: **16 November 2012**
(30) Convention priority data:
(31) Number (32) Date (33) Country
001324461-0004 27 Apr 2012 EUROPEAN COMMUNITY
(56) Related Art Documents: **Not Applicable**
(57) Statement of Newness and Distinctiveness: **Newness and distinctiveness reside in the features of the booth as shown in the representations, with the seat and table being movable as shown in the perspective views with table/seat deployed.**



(21) Design Number: **15344/2012**
(22) Date of Filing Application: **25 October 2012**
(24) Date from which industrial property rights may have effect: **25 October 2012**
(54) Product in respect of which the design is registered: **Container**
(51) International Design Classification: **09-01G**
(74) Name(s) of Attorney(s): **FB Rice**
(71) Name(s) and Address(s) of Applicant(s):
Colgate-Palmolive Company
300 Park Avenue New York New York 10022 United States of America
(72) Name(s) of Designer(s): **John Clifford Crawford**
(45) Registration Date: **16 November 2012**
(30) Convention priority data:
(31) Number (32) Date (33) Country
29/424004 07 Jun 2012 UNITED STATES OF AMERICA
(56) Related Art Documents: **Not Applicable**
(57) Statement of Newness and Distinctiveness: **Newness and distinctiveness reside in the features of the design shown in solid lines in the representations excluding those features shown in broken lines.**



(21) Design Number: **15345/2012**
(22) Date of Filing Application: **25 October 2012**
(24) Date from which industrial property rights may have effect: **25 October 2012**
(54) Product in respect of which the design is registered: **Container**
(51) International Design Classification: **09-01G**
(74) Name(s) of Attorney(s): **FB Rice**
(71) Name(s) and Address(s) of Applicant(s):
Colgate-Palmolive Company
300 Park Avenue New York New York 10022 United States of America
(72) Name(s) of Designer(s): **John Clifford Crawford**
(45) Registration Date: **16 November 2012**
(30) Convention priority data:
(31) Number (32) Date (33) Country
29/424004 07 Jun 2012 UNITED STATES OF AMERICA
(56) Related Art Documents: **Not Applicable**
(57) Statement of Newness and Distinctiveness: **Newness and distinctiveness reside in the features of the design shown in solid lines in the representations excluding those features shown in broken lines.**



(21) Design Number: **15346/2012**
(22) Date of Filing Application: **25 October 2012**
(24) Date from which industrial property rights may have effect: **25 October 2012**
(54) Product in respect of which the design is registered: **Container**
(51) International Design Classification: **09-01G**
(74) Name(s) of Attorney(s): **FB Rice**
(71) Name(s) and Address(s) of Applicant(s):
Colgate-Palmolive Company
300 Park Avenue New York New York 10022 United States of America
(72) Name(s) of Designer(s): **John Clifford Crawford and Kiat-Cheong Toh**
(45) Registration Date: **16 November 2012**
(30) Convention priority data:
(31) Number (32) Date (33) Country
29/424035 07 Jun 2012 UNITED STATES OF AMERICA
(56) Related Art Documents: **Not Applicable**
(57) Statement of Newness and Distinctiveness: **Newness and distinctiveness reside in the features of the design as shown in the representations.**



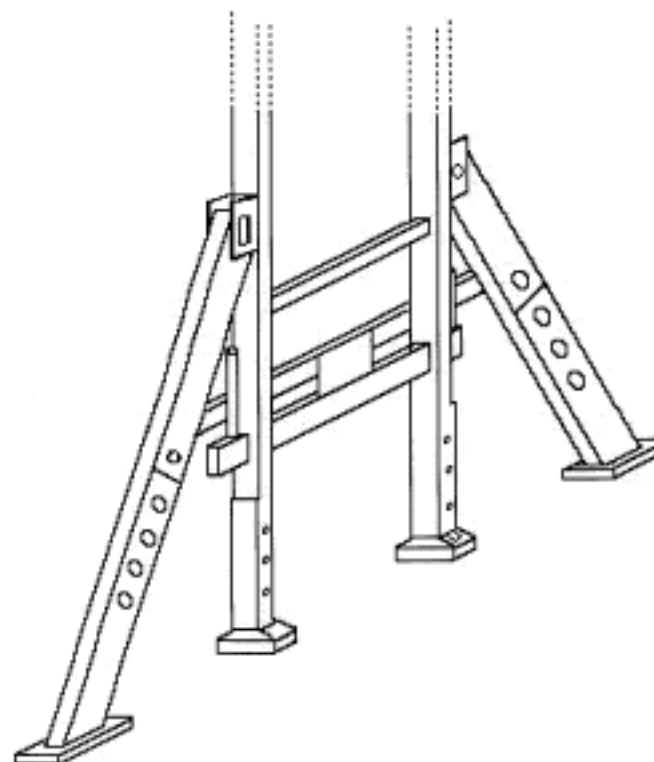
(21) Design Number: **15347/2012**
(22) Date of Filing Application: **25 October 2012**
(24) Date from which industrial property rights may have effect: **25 October 2012**
(54) Product in respect of which the design is registered: **Container**
(51) International Design Classification: **09-01G**
(74) Name(s) of Attorney(s): **FB Rice**
(71) Name(s) and Address(s) of Applicant(s):
Colgate-Palmolive Company
300 Park Avenue New York New York 10022 United States of America
(72) Name(s) of Designer(s): **John Clifford Crawford and Kiat-Cheong Toh**
(45) Registration Date: **16 November 2012**
(30) Convention priority data:
(31) Number (32) Date (33) Country
29/424035 07 Jun 2012 UNITED STATES OF AMERICA
(56) Related Art Documents: **Not Applicable**
(57) Statement of Newness and Distinctiveness: **Newness and distinctiveness reside in the features of the design shown in solid lines in the representations excluding those features shown in broken lines.**



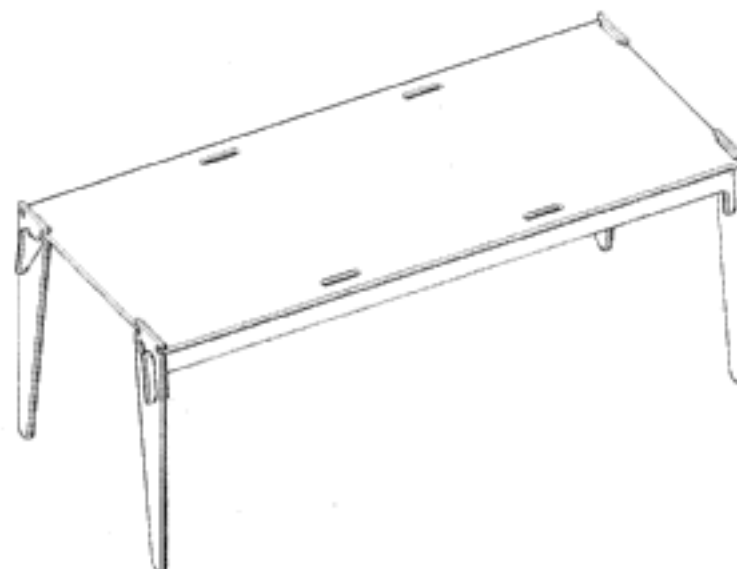
(21) Design Number: **15348/2012**
(22) Date of Filing Application: **25 October 2012**
(24) Date from which industrial property rights may have effect: **25 October 2012**
(54) Product in respect of which the design is registered: **Container**
(51) International Design Classification: **09-01G**
(74) Name(s) of Attorney(s): **FB Rice**
(71) Name(s) and Address(s) of Applicant(s):
Colgate-Palmolive Company
300 Park Avenue New York New York 10022 United States of America
(72) Name(s) of Designer(s): **John Clifford Crawford and Kiat-Cheong Toh**
(45) Registration Date: **16 November 2012**
(30) Convention priority data:
(31) Number (32) Date (33) Country
29/424036 07 Jun 2012 UNITED STATES OF AMERICA
(56) Related Art Documents: **Not Applicable**
(57) Statement of Newness and Distinctiveness: **Newness and distinctiveness reside in the features of the design as shown in the representations.**



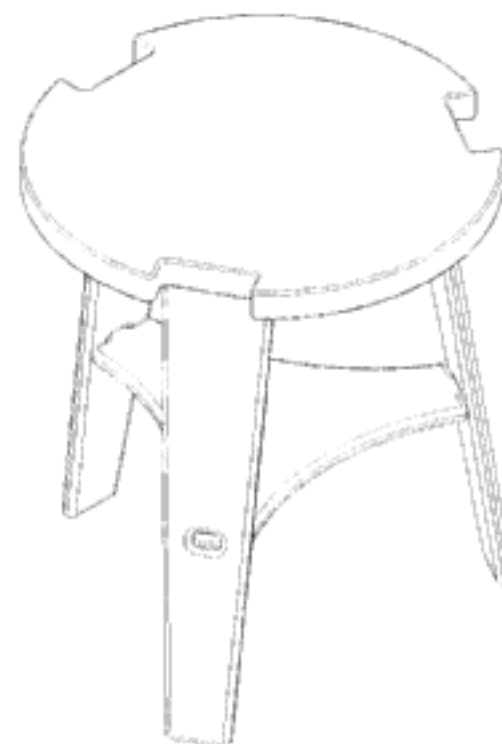
- (21) Design Number: **11383/2012**
(22) Date of Filing Application: **16 March 2012**
(24) Date from which industrial property rights may have effect: **16 March 2012**
(54) Product in respect of which the design is registered: **Lift base**
(51) International Design Classification: **12-05**
(74) Name(s) of Attorney(s): **Lord & Company**
(71) Name(s) and Address(s) of Applicant(s):
Waclaw Lysiak
PO Box 179 Bullsbrook Western Australia 6084 Australia
(72) Name(s) of Designer(s): **Waclaw Lysiak**
(45) Registration Date: **16 November 2012**
(56) Related Art Documents: **Not Applicable**
(57) Statement of Newness and Distinctiveness: **The particular visual feaures of the design which are new and distinctive are shape OR configuration.**



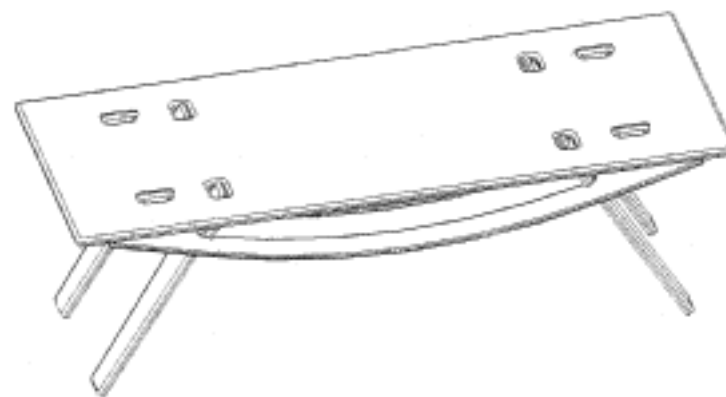
- (21) Design Number: **11801/2012**
(22) Date of Filing Application: **05 April 2012**
(24) Date from which industrial property rights may have effect: **05 April 2012**
(54) Product in respect of which the design is registered: **Childrens table & chair, table 800 x 800,**
(51) International Design Classification: **06-01NES, 06-03A**
(74) Name(s) of Attorney(s):
(71) Name(s) and Address(s) of Applicant(s):
Dylan James Wood
PO Box 325 Wingham New South Wales 2429 Australia
(72) Name(s) of Designer(s): **Dylan James Wood**
(45) Registration Date: **16 November 2012**
(56) Related Art Documents: **Not Applicable**
(57) Statement of Newness and Distinctiveness: **V-shaped slot together detail on legs when viewed from side, legs are notched on both sides to attach to side of seat or table surface, chair back is inserted from beneath chair surface.**



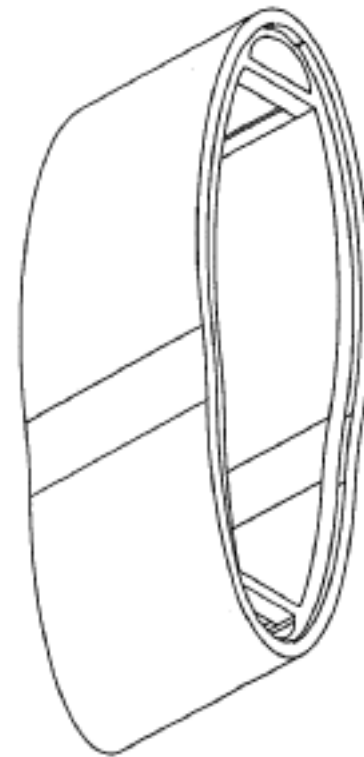
- (21) Design Number: **11802/2012**
(22) Date of Filing Application: **05 April 2012**
(24) Date from which industrial property rights may have effect: **05 April 2012**
(54) Product in respect of which the design is registered: **Side circle - stool, side circle - table,**
(51) International Design Classification: **06-01E, 06-03A**
(74) Name(s) of Attorney(s):
(71) Name(s) and Address(s) of Applicant(s):
Dylan James Wood
PO Box 325 Wingham New South Wales 2429 Australia
(72) Name(s) of Designer(s): **Dylan James Wood**
(45) Registration Date: **16 November 2012**
(56) Related Art Documents: **Not Applicable**
(57) Statement of Newness and Distinctiveness: **Stool and tables have a triangular leg spreader with concave sides, lugs on each point of this triangular spreader engage with cutout on legs. Triangular leg spreader cut-out detail on underside of stool and table tops. Notches and holes in stool & table tops allow for stacking.**



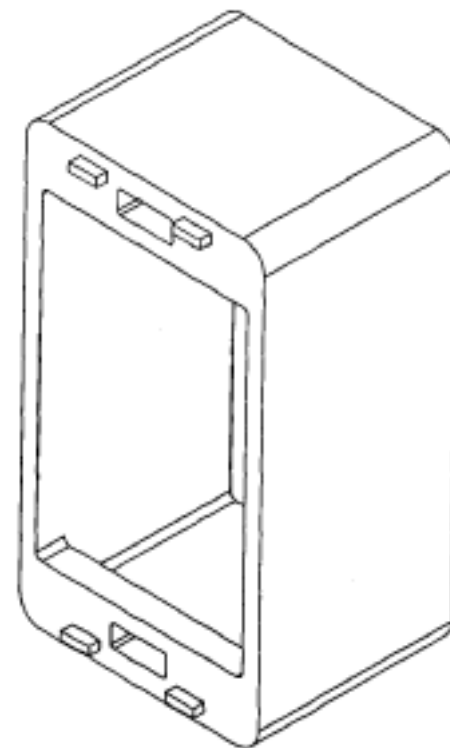
- (21) Design Number: **11803/2012**
(22) Date of Filing Application: **05 April 2012**
(24) Date from which industrial property rights may have effect: **05 April 2012**
(54) Product in respect of which the design is registered: **Short black coffee table**
(51) International Design Classification: **06-01NES, 06-03A**
(74) Name(s) of Attorney(s):
(71) Name(s) and Address(s) of Applicant(s):
Dylan James Wood
PO Box 325 Wingham New South Wales 2429 Australia
(72) Name(s) of Designer(s): **Dylan James Wood**
(45) Registration Date: **16 November 2012**
(56) Related Art Documents: **Not Applicable**
(57) Statement of Newness and Distinctiveness: **Cutout detail for leg protrusion through table top, locking lugs protrude through table top, cross shaped table legs, curved shelf below table surface as viewed from side.**



(21) Design Number: **13252/2012**
(22) Date of Filing Application: **06 July 2012**
(24) Date from which industrial property rights may have effect: **06 July 2012**
(54) Product in respect of which the design is registered: **Proximity mounting block**
(51) International Design Classification: **13-03NES**
(74) Name(s) of Attorney(s):
(71) Name(s) and Address(s) of Applicant(s):
Michael McNamara
68 Hemmant Tingalpa Road Hemmant Queensland 4174 Australia
(72) Name(s) of Designer(s): **Michael McNamara**
(45) Registration Date: **16 November 2012**
(56) Related Art Documents: **Not Applicable**
(57) Statement of Newness and Distinctiveness: **Nil**



(21) Design Number: **13253/2012**
(22) Date of Filing Application: **06 July 2012**
(24) Date from which industrial property rights may have effect: **06 July 2012**
(54) Product in respect of which the design is registered: **Proximity mounting block**
(51) International Design Classification: **13-03NES**
(74) Name(s) of Attorney(s):
(71) Name(s) and Address(s) of Applicant(s):
Michael McNamara
68 Hemmant Tingalpa Road Hemmant Queensland 4174 Australia
(72) Name(s) of Designer(s): **Michael McNamara**
(45) Registration Date: **16 November 2012**
(56) Related Art Documents: **Not Applicable**
(57) Statement of Newness and Distinctiveness: **Nil**



(21) Design Number: **13361/2012**

(22) Date of Filing Application: **16 July 2012**

(24) Date from which industrial property rights may have effect: **16 July 2012**

(54) Product in respect of which the design is registered: **Knife sharpener**

(51) International Design Classification: **08-05H**

(74) Name(s) of Attorney(s): **Griffith Hack**

(71) Name(s) and Address(s) of Applicant(s):

Telebrands Corp.

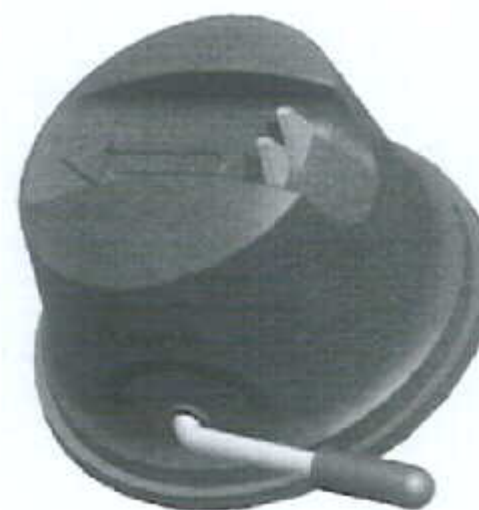
77 Two Bridges Road Fairfield New Jersey 07004 United States of America

(72) Name(s) of Designer(s): **Jun Yang**

(45) Registration Date: **16 November 2012**

(56) Related Art Documents: **Not Applicable**

(57) Statement of Newness and Distinctiveness: **Newness and distinctiveness resides in the visual features, including shape and configuration, of a KNIFE SHARPENER as shown in the accompanying representations. When determining whether the design is substantially similar in overall impression to another design, no regard is to be had to the wording or arrows on the KNIFE SHARPENER as shown in the accompanying representations, which features are provided for illustrative purposes only.**



(21) Design Number: **14172/2012**

(22) Date of Filing Application: **23 August 2012**

(24) Date from which industrial property rights may have effect: **23 August 2012**

(54) Product in respect of which the design is registered: **Temporary support hook for hanging items**

(51) International Design Classification: **08-08G**

(74) Name(s) of Attorney(s): **LESICAR MURRAY TRENTO**

(71) Name(s) and Address(s) of Applicant(s):

Innovations in Motion Pty Ltd

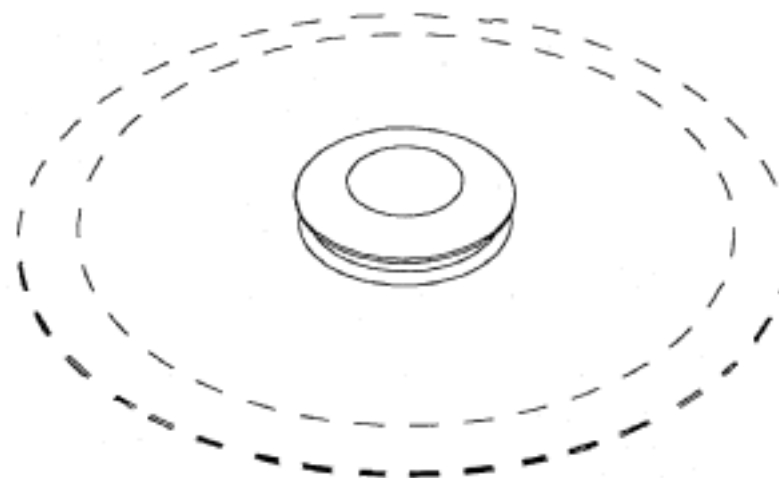
52 Pasadena Crescent Bentleigh East Victoria 3165 Australia

(72) Name(s) of Designer(s): **Christopher Ruffe**

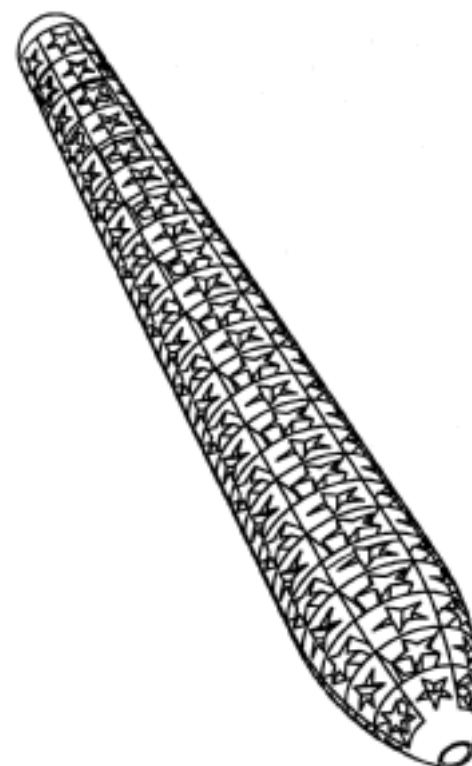
(45) Registration Date: **16 November 2012**

(56) Related Art Documents: **Not Applicable**

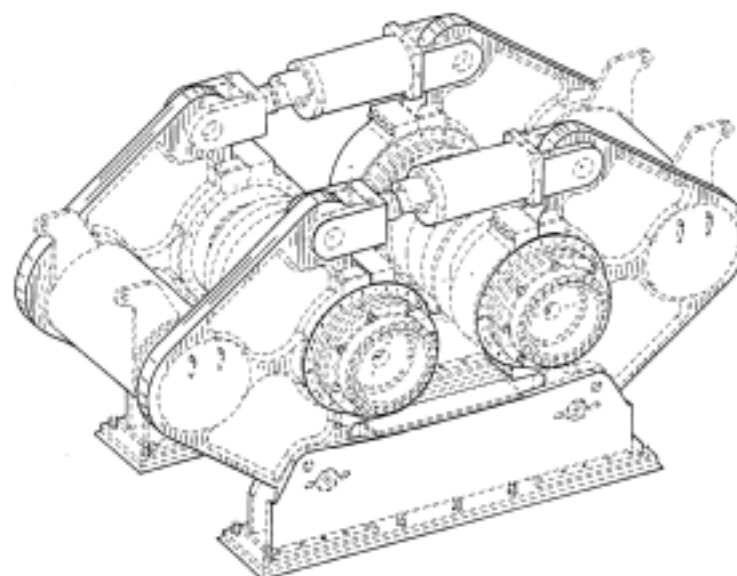
(57) Statement of Newness and Distinctiveness: **Newness and distinctiveness resides in the shape and/or configuration of a support device as depicted in full lines in the accompanying representations.**



- (21) Design Number: **14195/2012**
(22) Date of Filing Application: **24 August 2012**
(24) Date from which industrial property rights may have effect: **24 August 2012**
(54) Product in respect of which the design is registered: **Writing implement**
(51) International Design Classification: **19-06**
(74) Name(s) of Attorney(s):
(71) Name(s) and Address(s) of Applicant(s):
 Barry Horsfall
 624 Grange Road Henley Beach South Australia 5022 Australia
(72) Name(s) of Designer(s): **Barry Horsfall**
(45) Registration Date: **16 November 2012**
(56) Related Art Documents: **Not Applicable**
(57) Statement of Newness and Distinctiveness: **3D star and inverse star.**



- (21) Design Number: **15186/2012**
(22) Date of Filing Application: **19 October 2012**
(24) Date from which industrial property rights may have effect: **19 October 2012**
(54) Product in respect of which the design is registered: **Roll crusher frame**
(51) International Design Classification: **15-09, 15-99**
(74) Name(s) of Attorney(s): **IP Gateway Patent & Trademark Attorneys**
(71) Name(s) and Address(s) of Applicant(s):
 Metso Brasil Industria E Comercio Ltda
 Avenida Independencia 2.500 Bairro Iporanga Sorocaba SP 18087-101
 Brazil
(72) Name(s) of Designer(s): **Paulo Barscevicus and Andrzej Niklewski**
(45) Registration Date: **16 November 2012**
(30) Convention priority data:
 (31) Number (32) Date (33) Country
 29/418,757 20 Apr 2012 UNITED STATES OF AMERICA
(56) Related Art Documents: **Not Applicable**
(57) Statement of Newness and Distinctiveness: **The newness and distinctiveness of the design resides in the visual features of shape and/or configuration of the roll crusher frame as shown in solid lines in the accompanying representations.**



(21) Design Number: **15375/2012**
(22) Date of Filing Application: **26 October 2012**
(24) Date from which industrial property rights may have effect: **26 October 2012**
(54) Product in respect of which the design is registered: **Container**
(51) International Design Classification: **09-01NES**
(74) Name(s) of Attorney(s): **FB Rice**
(71) Name(s) and Address(s) of Applicant(s):
Colgate-Palmolive Company
300 Park Avenue New York New York 10022 United States of America
(72) Name(s) of Designer(s): **John Clifford Crawford**
(45) Registration Date: **19 November 2012**
(30) Convention priority data:
(31) Number (32) Date (33) Country
29/424005 07 Jun 2012 UNITED STATES OF AMERICA
(56) Related Art Documents: **Not Applicable**
(57) Statement of Newness and Distinctiveness: **Newness and distinctiveness reside in the features of the design shown in solid lines in the representations excluding those features shown in broken lines.**



(21) Design Number: **15376/2012**
(22) Date of Filing Application: **26 October 2012**
(24) Date from which industrial property rights may have effect: **26 October 2012**
(54) Product in respect of which the design is registered: **Container**
(51) International Design Classification: **09-01G**
(74) Name(s) of Attorney(s): **FB Rice**
(71) Name(s) and Address(s) of Applicant(s):
Colgate-Palmolive Company
300 Park Avenue New York New York 10022 United States of America
(72) Name(s) of Designer(s): **John Clifford Crawford and Kiat-Cheong Toh**
(45) Registration Date: **19 November 2012**
(30) Convention priority data:
(31) Number (32) Date (33) Country
29/424030 07 Jun 2012 UNITED STATES OF AMERICA
(56) Related Art Documents: **Not Applicable**
(57) Statement of Newness and Distinctiveness: **Newness and distinctiveness reside in the features of the design as shown in the representations.**



(21) Design Number: **15377/2012**
(22) Date of Filing Application: **26 October 2012**
(24) Date from which industrial property rights may have effect: **26 October 2012**
(54) Product in respect of which the design is registered: **Container**
(51) International Design Classification: **09-01G**
(74) Name(s) of Attorney(s): **FB Rice**
(71) Name(s) and Address(s) of Applicant(s):
Colgate-Palmolive Company
300 Park Avenue New York New York 10022 United States of America
(72) Name(s) of Designer(s): **John Clifford Crawford and Kiat-Cheong Toh**
(45) Registration Date: **19 November 2012**
(30) Convention priority data:
(31) Number (32) Date (33) Country
29/424030 07 Jun 2012 UNITED STATES OF AMERICA
(56) Related Art Documents: **Not Applicable**
(57) Statement of Newness and Distinctiveness: **Newness and distinctiveness reside in the features of the design shown in solid lines in the representations excluding those features shown in broken lines.**



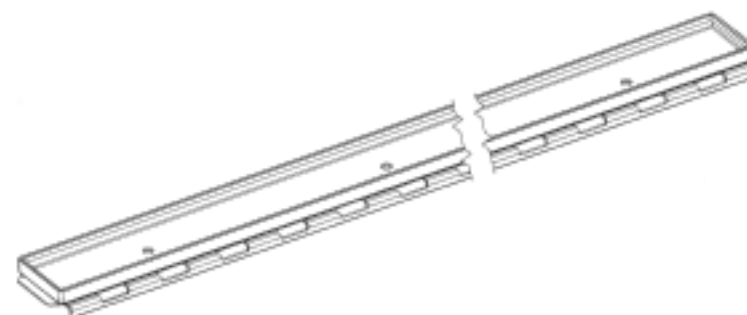
(21) Design Number: **15378/2012**
(22) Date of Filing Application: **26 October 2012**
(24) Date from which industrial property rights may have effect: **26 October 2012**
(54) Product in respect of which the design is registered: **Container**
(51) International Design Classification: **09-01G**
(74) Name(s) of Attorney(s): **FB Rice**
(71) Name(s) and Address(s) of Applicant(s):
Colgate-Palmolive Company
300 Park Avenue New York New York 10022 United States of America
(72) Name(s) of Designer(s): **John Clifford Crawford and Kiat-Cheong Toh**
(45) Registration Date: **19 November 2012**
(30) Convention priority data:
(31) Number (32) Date (33) Country
29/424041 07 Jun 2012 UNITED STATES OF AMERICA
(56) Related Art Documents: **Not Applicable**
(57) Statement of Newness and Distinctiveness: **Newness and distinctiveness reside in the features of the design as shown in the representations.**



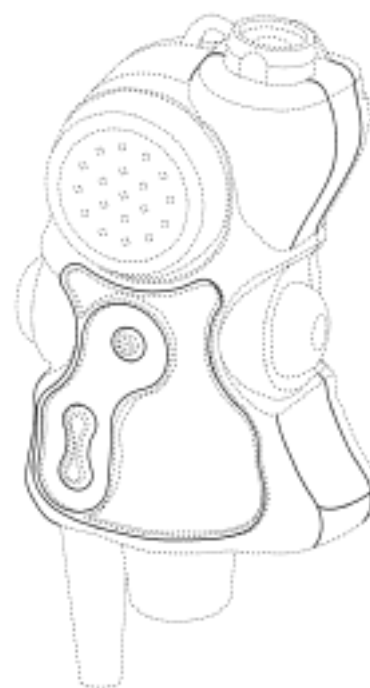
(21) Design Number: **15379/2012**
(22) Date of Filing Application: **26 October 2012**
(24) Date from which industrial property rights may have effect: **26 October 2012**
(54) Product in respect of which the design is registered: **Container**
(51) International Design Classification: **09-01G**
(74) Name(s) of Attorney(s): **FB Rice**
(71) Name(s) and Address(s) of Applicant(s):
Colgate-Palmolive Company
300 Park Avenue New York New York 10022 United States of America
(72) Name(s) of Designer(s): **John Clifford Crawford and Kiat-Cheong Toh**
(45) Registration Date: **19 November 2012**
(30) Convention priority data:
(31) Number (32) Date (33) Country
29/424041 07 Jun 2012 UNITED STATES OF AMERICA
(56) Related Art Documents: **Not Applicable**
(57) Statement of Newness and Distinctiveness: **Newness and distinctiveness reside in the features of the design shown in solid lines in the representations excluding those features shown in broken lines.**



(21) Design Number: **15383/2012**
(22) Date of Filing Application: **26 October 2012**
(24) Date from which industrial property rights may have effect: **26 October 2012**
(54) Product in respect of which the design is registered: **Floor grate insert**
(51) International Design Classification: **25-02G**
(74) Name(s) of Attorney(s): **Fisher Adams Kelly**
(71) Name(s) and Address(s) of Applicant(s):
Building Group Pty Ltd
45a Metrolink CCT West Campbellfield VIC 3061 Australia
(72) Name(s) of Designer(s): **Kamilo Saliba**
(45) Registration Date: **19 November 2012**
(56) Related Art Documents: **Not Applicable**
(57) Statement of Newness and Distinctiveness: **The newness and distinctiveness of the design resides in the shape and configuration of the FLOOR GRATE INSERT shown in the representations.**



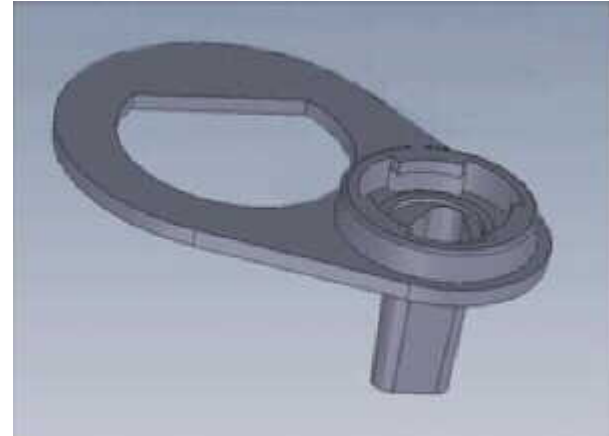
(21) Design Number: **15384/2012**
(22) Date of Filing Application: **26 October 2012**
(24) Date from which industrial property rights may have effect: **26 October 2012**
(54) Product in respect of which the design is registered: **Push-to-talk communication device**
(51) International Design Classification: **14-03A**
(74) Name(s) of Attorney(s): **Freehills Patent Attorneys**
(71) Name(s) and Address(s) of Applicant(s):
3M Innovative Properties Company
3M Center Post Office Box 33427 Saint Paul Minnesota 55133-3427
United States of America
(72) Name(s) of Designer(s): **Johan Hakansson**
(45) Registration Date: **19 November 2012**
(30) Convention priority data:
(31) Number (32) Date (33) Country
001324016-0001 27 Apr 2012 EUROPEAN COMMUNITY
(56) Related Art Documents: **Not Applicable**
(57) Statement of Newness and Distinctiveness: **Newness and distinctiveness of the design resides in the shape and configuration of the push-to-talk communication device as shown in solid outlines in the accompanying representations.**



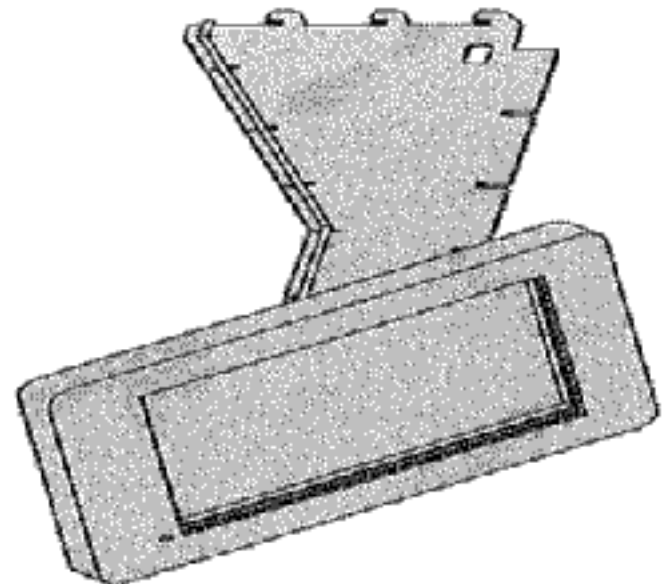
(21) Design Number: **15385/2012**
(22) Date of Filing Application: **30 October 2012**
(24) Date from which industrial property rights may have effect: **30 October 2012**
(54) Product in respect of which the design is registered: **A daybed**
(51) International Design Classification: **06-01H**
(74) Name(s) of Attorney(s): **WATERMARK PATENT AND TRADE MARKS ATTORNEYS**
(71) Name(s) and Address(s) of Applicant(s):
S2DIO Pty Ltd
30 Cloris Ave Beaumaris VIC 3193 Australia
(72) Name(s) of Designer(s): **Andre Shoenmakers**
(45) Registration Date: **19 November 2012**
(56) Related Art Documents: **Not Applicable**
(57) Statement of Newness and Distinctiveness: **Nil**



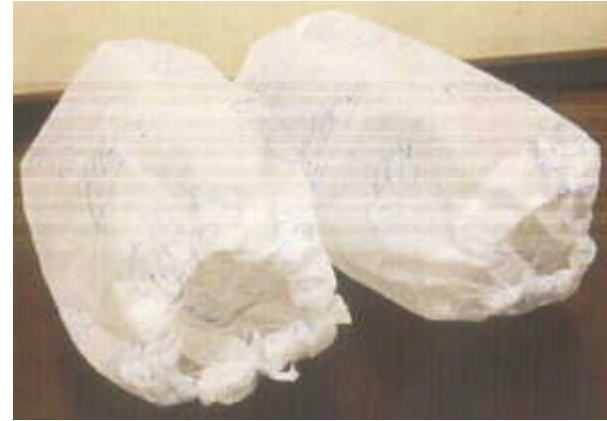
- (21) Design Number: **15386/2012**
(22) Date of Filing Application: **30 October 2012**
(24) Date from which industrial property rights may have effect: **30 October 2012**
(54) Product in respect of which the design is registered: **Smart meter mounting bracket**
(51) International Design Classification: **08-08L, 13-03C**
(74) Name(s) of Attorney(s): **Macpherson + Kelley**
(71) Name(s) and Address(s) of Applicant(s):
Watts Clever Group Limited
903/904 9th Floor 69 Jervois Street Sheung Wan Hong Kong
(72) Name(s) of Designer(s): **Mark Mortimer**
(45) Registration Date: **19 November 2012**
(56) Related Art Documents: **Not Applicable**
(57) Statement of Newness and Distinctiveness: **Novelty is claimed in the features of shape and configuration of a smart meter mounting bracket as illustrated in the accompanying representations.**



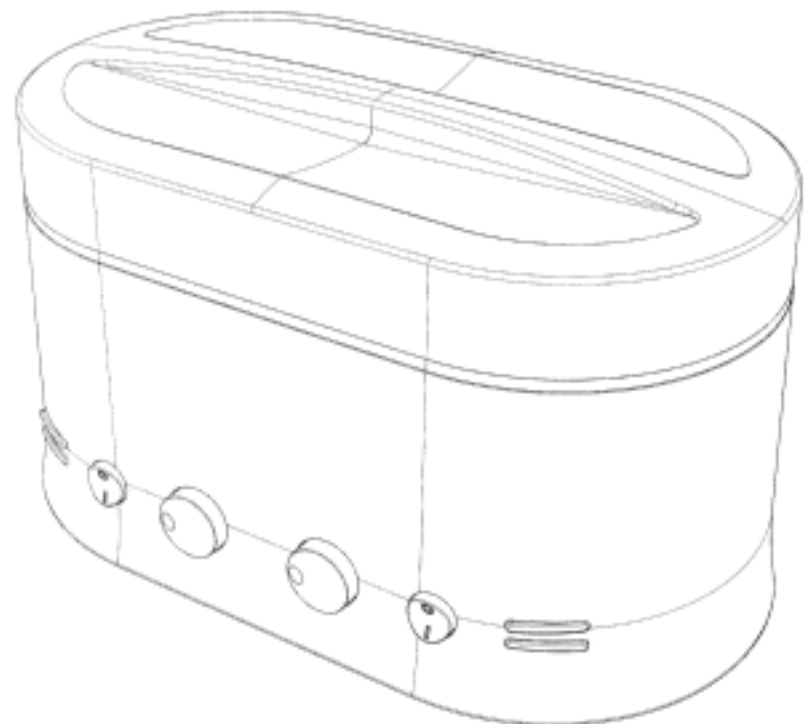
- (21) Design Number: **15388/2012**
(22) Date of Filing Application: **30 October 2012**
(24) Date from which industrial property rights may have effect: **30 October 2012**
(54) Product in respect of which the design is registered: **Touch screen bracket**
(51) International Design Classification: **08-08NES**
(74) Name(s) of Attorney(s): **Gadens Lawyers**
(71) Name(s) and Address(s) of Applicant(s):
Red Digital Management Pty Ltd
L12 160 Queen St Melbourne VIC 3000 Australia
(72) Name(s) of Designer(s): **Darren Hose**
(45) Registration Date: **19 November 2012**
(56) Related Art Documents: **Not Applicable**
(57) Statement of Newness and Distinctiveness: **Nil**



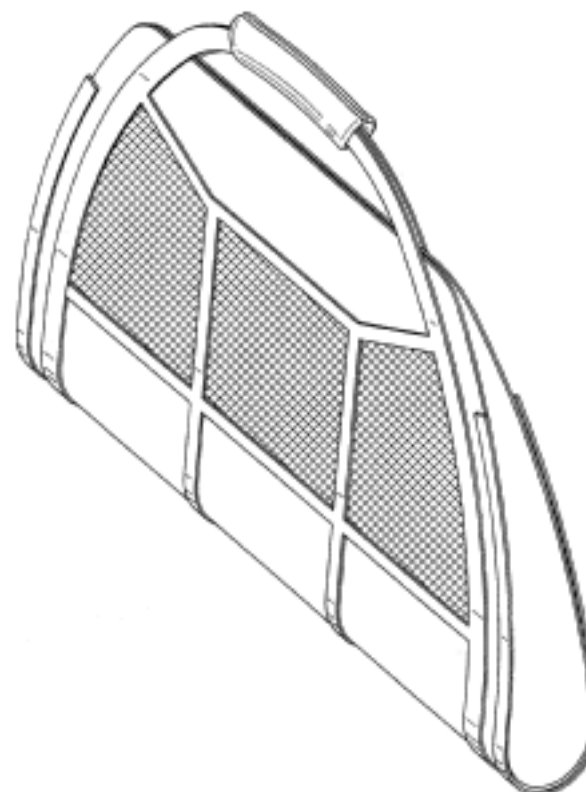
- (21) Design Number: **15130/2012**
(22) Date of Filing Application: **17 October 2012**
(24) Date from which industrial property rights may have effect: **17 October 2012**
(54) Product in respect of which the design is registered: **"Blue Bunny" baby clean sleeves are disposable protective sleeves for babies clothing.**
(51) International Design Classification: **02-02B**
(74) Name(s) of Attorney(s):
(71) Name(s) and Address(s) of Applicant(s):
Sandra Kaye DeVries
12 Prosser Way Singleton WA 6175 Australia
(72) Name(s) of Designer(s): **Sandra Kaye DeVries**
(45) Registration Date: **19 November 2012**
(56) Related Art Documents: **Not Applicable**
(57) Statement of Newness and Distinctiveness: **Nil**



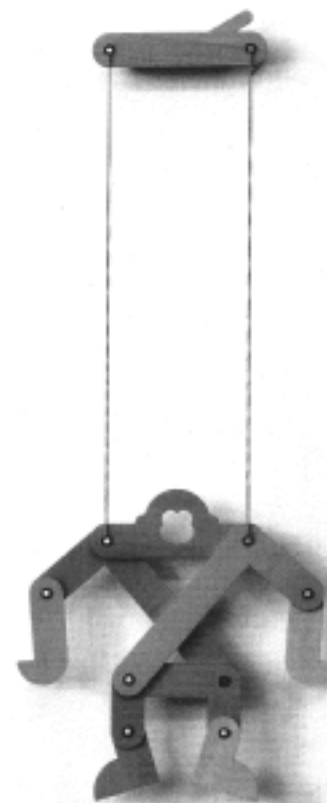
- (21) Design Number: **15224/2012**
(22) Date of Filing Application: **19 October 2012**
(24) Date from which industrial property rights may have effect: **19 October 2012**
(54) Product in respect of which the design is registered: **Dual wax warming pot**
(51) International Design Classification: **28-03NES**
(74) Name(s) of Attorney(s):
(71) Name(s) and Address(s) of Applicant(s):
Smooth & Tan Pty Ltd
148-150 Victoria St North Geelong VIC 3215 Australia
(72) Name(s) of Designer(s): **John Nielsen**
(45) Registration Date: **19 November 2012**
(56) Related Art Documents: **Not Applicable**
(57) Statement of Newness and Distinctiveness: **Newness and Distinctiveness is claimed in the shape and/or configuration of the dual depilatory wax warming pot having a lid and body as illustrated in the accompanying representations.**



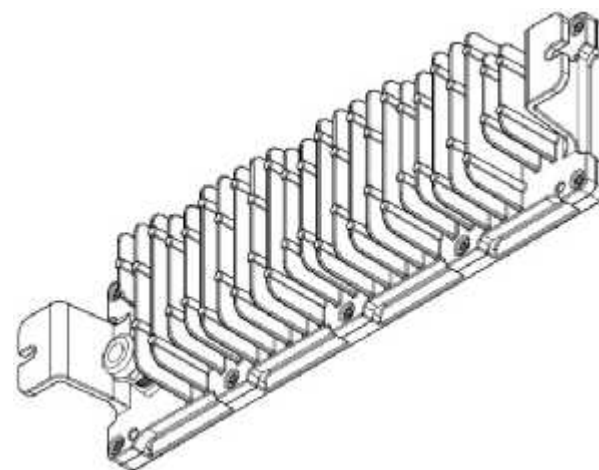
(21) Design Number: **15272/2012**
(22) Date of Filing Application: **22 October 2012**
(24) Date from which industrial property rights may have effect: **22 October 2012**
(54) Product in respect of which the design is registered: **A carrying device**
(51) International Design Classification: **03-01NES**
(74) Name(s) of Attorney(s): **MIDDLETONS**
(71) Name(s) and Address(s) of Applicant(s):
Zippo Manufacturing Company
33 Barbour Street Bradford Pennsylvania 16701 United States of America
(72) Name(s) of Designer(s): **James M. McDonough and Brian J Barber and Neal Barnes and Howard Tripp**
(45) Registration Date: **19 November 2012**
(30) Convention priority data:
(31) Number (32) Date (33) Country
29/419,397 27 Apr 2012 UNITED STATES OF AMERICA
(56) Related Art Documents: **Not Applicable**
(57) Statement of Newness and Distinctiveness: **Nil**



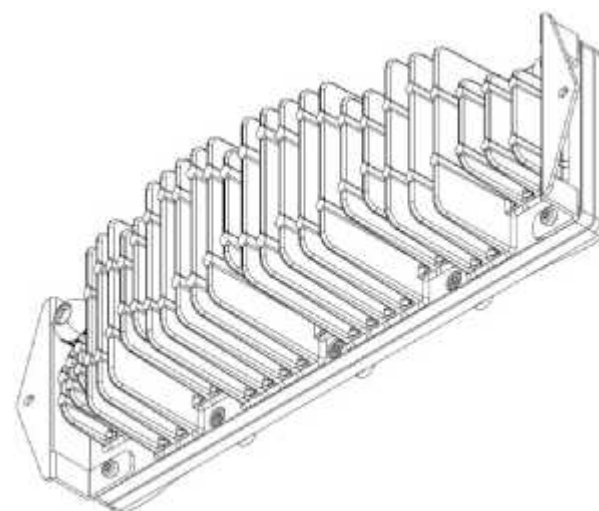
(21) Design Number: **15315/2012**
(22) Date of Filing Application: **24 October 2012**
(24) Date from which industrial property rights may have effect: **24 October 2012**
(54) Product in respect of which the design is registered: **A wall-hanging ape mobile**
(51) International Design Classification: **21-01B, 11-02F**
(74) Name(s) of Attorney(s):
(71) Name(s) and Address(s) of Applicant(s):
Robert Sim
4/19 Camden St Balaclava VIC 3183 Australia
(72) Name(s) of Designer(s): **Robert Sim**
(45) Registration Date: **19 November 2012**
(56) Related Art Documents: **Not Applicable**
(57) Statement of Newness and Distinctiveness: **The ApeMobile is constructed from simple, flat, geometric pieces that give it a distinctive look. The ApeMobile is available in different colour combinations, The ape's arms and legs animate distinctively as it swings from side to side.**



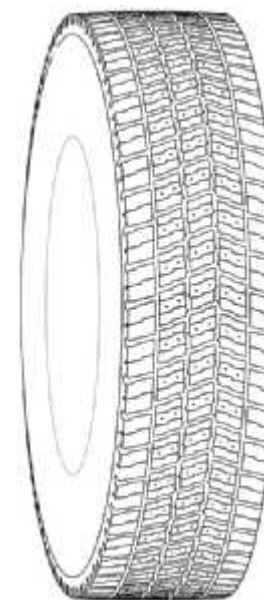
(21) Design Number: **15362/2012**
(22) Date of Filing Application: **29 October 2012**
(24) Date from which industrial property rights may have effect: **29 October 2012**
(54) Product in respect of which the design is registered: **Street light module**
(51) International Design Classification: **26-03**
(74) Name(s) of Attorney(s): **WATERMARK PATENT AND TRADE MARKS ATTORNEYS**
(71) Name(s) and Address(s) of Applicant(s):
Osram AG
Hellabrunner Str.1 Munchen 81543 Germany
(72) Name(s) of Designer(s): **Xiongjie Cheng and Yusheng Ming and Xiaoqing Sun and Yunsong Zhang**
(45) Registration Date: **19 November 2012**
(30) Convention priority data:
(31) Number (32) Date (33) Country
002041236 14 May 2012 EUROPEAN COMMUNITY
(56) Related Art Documents: **Not Applicable**
(57) Statement of Newness and Distinctiveness: **Nil**



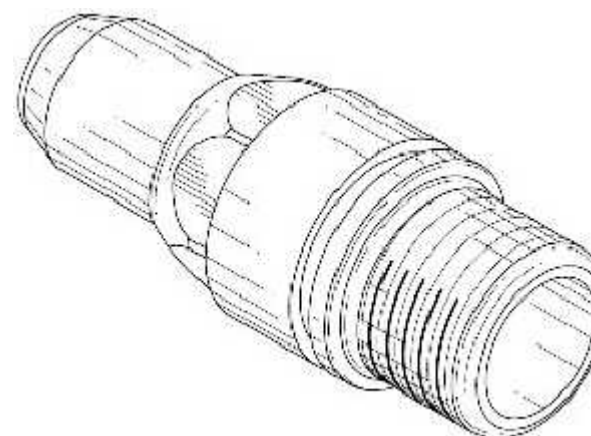
(21) Design Number: **15363/2012**
(22) Date of Filing Application: **29 October 2012**
(24) Date from which industrial property rights may have effect: **29 October 2012**
(54) Product in respect of which the design is registered: **Street light module**
(51) International Design Classification: **26-03**
(74) Name(s) of Attorney(s): **WATERMARK PATENT AND TRADE MARKS ATTORNEYS**
(71) Name(s) and Address(s) of Applicant(s):
Osram AG
Hellabrunner Str.1 Munchen 81543 Germany
(72) Name(s) of Designer(s): **Xiongjie Cheng and Tingming Liu and Xiaoqing Sun and Yunsong Zhang**
(45) Registration Date: **19 November 2012**
(30) Convention priority data:
(31) Number (32) Date (33) Country
002041111 14 May 2012 EUROPEAN COMMUNITY
(56) Related Art Documents: **Not Applicable**
(57) Statement of Newness and Distinctiveness: **Nil**



- (21) Design Number: **15364/2012**
(22) Date of Filing Application: **29 October 2012**
(24) Date from which industrial property rights may have effect: **29 October 2012**
(54) Product in respect of which the design is registered: **A tyre**
(51) International Design Classification: **12-15A**
(74) Name(s) of Attorney(s): **WATERMARK PATENT AND TRADE MARKS ATTORNEYS**
(71) Name(s) and Address(s) of Applicant(s):
COMPAGNIE GENERALE DES ETABLISSEMENTS MICHELIN
12 cours Sablon Clermont-Ferrand F- 63000 France
Michelin Recherche et Technique S.A.
Route Louis Braille 10 Granges-Paccot CH- 1763 Switzerland
(72) Name(s) of Designer(s): **Stephanie Cambon and Fabien Marlier and Benjamin Quantinet**
(45) Registration Date: **19 November 2012**
(30) Convention priority data:
(31) Number (32) Date (33) Country
12/2229 11 May 2012 FRANCE
(56) Related Art Documents: **Not Applicable**
(57) Statement of Newness and Distinctiveness: **Newness and distinctiveness resides in the appearance of the tread region of the tyre, the remainder of the tyre not forming part of the design.**



- (21) Design Number: **15365/2012**
(22) Date of Filing Application: **29 October 2012**
(24) Date from which industrial property rights may have effect: **29 October 2012**
(54) Product in respect of which the design is registered: **Electrode**
(51) International Design Classification: **13-03NES**
(74) Name(s) of Attorney(s): **WATERMARK PATENT AND TRADE MARKS ATTORNEYS**
(71) Name(s) and Address(s) of Applicant(s):
Sulzer Metco (US) Inc.
110 Prospect Avenue Westbury NY 11590 United States of America
(72) Name(s) of Designer(s): **Robert F. Savill Jr.**
(45) Registration Date: **19 November 2012**
(30) Convention priority data:
(31) Number (32) Date (33) Country
29/420,557 10 May 2012 UNITED STATES OF AMERICA
(56) Related Art Documents: **Not Applicable**
(57) Statement of Newness and Distinctiveness: **Nil**



(21) Design Number: **15366/2012**
(22) Date of Filing Application: **29 October 2012**
(24) Date from which industrial property rights may have effect: **29 October 2012**
(54) Product in respect of which the design is registered: **An extrusion**
(51) International Design Classification: **25-01K**
(74) Name(s) of Attorney(s): **Varsity IP**
(71) Name(s) and Address(s) of Applicant(s):
Mattane Pty Ltd
14 Binary St Yatala QLD 4207 Australia
(72) Name(s) of Designer(s): **David George Cook**
(45) Registration Date: **19 November 2012**
(56) Related Art Documents: **Not Applicable**
(57) Statement of Newness and Distinctiveness: **Nil**



(21) Design Number: **15372/2012**
(22) Date of Filing Application: **29 October 2012**
(24) Date from which industrial property rights may have effect: **29 October 2012**
(54) Product in respect of which the design is registered: **Measuring tool**
(51) International Design Classification: **10-04**
(74) Name(s) of Attorney(s):
(71) Name(s) and Address(s) of Applicant(s):
Tepra Pty Ltd
52 Country Dr Oakford WA 6121 Australia
(72) Name(s) of Designer(s): **Paul Machek and Nikolas Machek**
(45) Registration Date: **19 November 2012**
(56) Related Art Documents: **Not Applicable**
(57) Statement of Newness and Distinctiveness: **Nil**



- (21) Design Number: **15374/2012**
(22) Date of Filing Application: **26 October 2012**
(24) Date from which industrial property rights may have effect: **26 October 2012**
(54) Product in respect of which the design is registered: **Container**
(51) International Design Classification: **09-01NES**
(74) Name(s) of Attorney(s): **FB Rice**
(71) Name(s) and Address(s) of Applicant(s):
Colgate-Palmolive Company
300 Park Avenue New York New York 10022 United States of America
(72) Name(s) of Designer(s): **John Clifford Crawford**
(45) Registration Date: **19 November 2012**
(30) Convention priority data:
(31) Number (32) Date (33) Country
29/424005 07 Jun 2012 UNITED STATES OF AMERICA
(56) Related Art Documents: **Not Applicable**
(57) Statement of Newness and Distinctiveness: **Newness and distinctiveness reside in the features of the design shown in solid lines in the representations excluding those features shown in broken lines.**

