



Australian Government

IP Australia

AUSTRALIAN OFFICIAL JOURNAL

OF

DESIGNS

Did you know a searchable version of this journal is now available online?

It's FREE and EASY to SEARCH.

Find it on our website (www.ipaustralia.gov.au)

by using the "Journals" link on the home page.

This Page Left Intentionally Blank

Contents

General Information & Notices

**Proceedings Under the Designs Act 1906 preserved as a result of the provisions of Chapter 12
Part 2 of the Designs Act 2003**

Extension of Period of Registration of Designs 3508
Names Registered - Alterations and Amendments 3508
Registrations Ceased 3508
Subsequent Owners Registered 3508

Proceedings Under the Designs Act 2003

Applications Lapsed 3523
Applications Lodged 3512
Applications Withdrawn 3523
Certificate of Examination 3527
Extension of Period of Registration of Design 3525
Extension of Time Granted Under Section 137 3526
Names Registered - Alterations and Amendments 3526
Publication and Registration Proceedings
Designs Registered 345866 to 346020..... 3528
Registrations Ceased 3525
Revocation of Design Registrations 3525
Subsequent Owners Registered 3526

This Page Left Intentionally Blank

For information on the following please see our website www.ipaustralia.gov.au or contact our Customer Service Network on 1300651010

[Editorial enquiries](#)

[Contact information](#)

[Freedom of Information ACT](#)

[Professional Standards Board](#)

[Sales](#)

[Requests for Information under Section 194 \(c\)](#)

[Country Codes](#)

[Trade Mark and Designs Hearing Sessions](#)

[INID \(Internationally agreed Numbers for the Identification of Data\)](#)

“INID” NUMBERS in use on Australian Design Documents

“INID” is an acronym for “Internationally agreed Numbers for the Identification of Data”.

(10) Data concerning the registration/renewal

- (11) Serial number of the registration and/or number of the design document
- (12) Plain language designation of the kind of published document
- (19) Identification, using the two-letter code according to WIPO Standard ST.3, of the authority publishing or registering the industrial design

(20) Data concerning the application

- (21) Serial number of the application
- (22) Date of filing of the application
- (24) Date from which the industrial design right has effect

(30) Data relating to priority under the Paris Convention

- (31) Serial number assigned to the priority application
- (32) Date of filing of the priority application
- (33) Two-letter code, according to WIPO Standard ST.3, identifying the authority with which the priority application was made

(40) Date(s) of making information available to the public

- (45) Date of publication of the registered industrial design by printing or similar process, or making it available to the public by any other means

(50) Miscellaneous Information

- (51) International Classification for Industrial Designs (class and subclass of the Locarno Classification)
- (54) Designation of article(s) or product(s) covered by the industrial design or title of the industrial design
- (55) Reproduction of the industrial design (e.g., drawing, photograph) and explanations relating to the reproduction
- (56) List of prior art documents, if separate from descriptive text
- (57) Description of characteristic features of the industrial design including indication of colours

(60) References to other legally related application(s) and registration(s)

- (62) Serial number(s) and, if available, filing date(s) of application(s), registration(s) or document(s) related by division
- (66) Serial number(s) of the application, or the registration, of the design(s) which is (are) a variant(s) of the present one

(70) Identification of parties concerned with the application or registration

- (71) Name(s) and address(es) of the applicant(s)
- (72) Name(s) of the creator(s) if known to be such
- (74) Name(s) and address(es) of the representative(s)

This Page Left Intentionally Blank

Nil notices for this journal issue.

Proceedings under the Designs Act 1906 preserved as a result of the provisions of Chapter 12 Part 2 of the Designs Act 2003.

This Page Left Intentionally Blank

Applications Lapsed

There were no Applications Lapsed under this section

Extension of Period of Registration of Designs

1st Period (Section 27A(8))

2nd Period (Section 27A(12))

3rd Period (Section 27A(13))

| | | |
|--------|--------|--------|
| 146593 | 146941 | 147683 |
| 147684 | 147743 | 147817 |
| 147836 | 148151 | 148200 |
| 148201 | 148202 | 148203 |
| 148254 | 148297 | 149130 |
| 149131 | 149132 | 149230 |
| 149861 | 150067 | 150492 |
| 151795 | 151952 | 152002 |
| 152397 | 152706 | 152998 |
| 153465 | | |

Registrations Ceased

Note: Some of the following Registrations may have been previously advertised as ceased. In this instance, the previous advertisement still prevails.

| | | |
|--------|--------|--------|
| 129104 | 129215 | 129335 |
| 130441 | 130529 | 130530 |
| 130597 | 130663 | 130666 |
| 130679 | 130700 | 130728 |
| 130797 | 130799 | 130852 |
| 130853 | 130856 | 130857 |
| 130868 | 130886 | 130887 |
| 131114 | 131249 | 131294 |
| 132668 | 132789 | 133530 |
| 134690 | 135145 | 135160 |
| 135199 | 135512 | 135711 |
| 135811 | 136141 | 136606 |
| 144220 | 144400 | 145341 |
| 145695 | 145746 | 145760 |
| 145805 | 145843 | 145849 |
| 146023 | 146084 | 146149 |
| 146150 | 146200 | 146335 |
| 146337 | 146338 | 146506 |
| 146507 | 146618 | 146961 |
| 146962 | 147160 | 147161 |
| 147467 | 147468 | 147558 |
| 147559 | 147560 | 147561 |
| 147562 | 147766 | 147955 |
| 148014 | 148309 | 148430 |
| 148671 | 148672 | 148673 |
| 148674 | 148675 | 148893 |
| 150410 | 150411 | 150412 |
| 150413 | 150497 | 150871 |

150991 151018

Subsequent Owners Registered

(The name in parentheses is that of the subsequent owner)

| | | |
|--------|------------------------------------|--------------------|
| 145908 | (No Bull Accessories Pty Ltd) | Juan Dauwalder |
| 149693 | (No Bull Accessories Pty Ltd) | Juan Dauwalder |
| 153616 | (No Bull Accessories Pty Ltd) | Juan Dauwalder |
| 148743 | (W.E.S.T. Holdings (WA) Pty Ltd) | Sola-Kleen Pty Ltd |

Names Registered - Alterations and Amendments

(The name in parentheses is the new name of the proprietor)

| | | |
|--------|----------------------------------|--------------------------|
| 147633 | (South East Water Corporation) | South East Water Limited |
| 148711 | (JMVB Enterprises Pty Ltd) | A'Van Campers Pty Ltd |

This Page Left Intentionally Blank

Proceedings under the Designs Act 2003.

This Page Left Intentionally Blank

Applications Lodged

Lodgement information is in the following order: **Applicant's Name**; International Classification, Name of Product, Lodgement Date and **Design Number**. If the applicant claims an earlier priority date under an International Convention, the Convention Country and the associated filing date are shown in parentheses before the Lodgement Date. Divisional information will also appear in parentheses before the Lodgement Date.

| | | | |
|--|-------------------|--|-------------------|
| A & E John Property Pty. Ltd.; 08-08NES, Saddle clip, 06 Dec 2012 | 16181/2012 | Anzures, Freddy;Sabatelli, Alessandro Francesco; 14-01, Display screen for an electronic device, (US, 10 Jun 2012) 07 Dec 2012 | 16232/2012 |
| A. Fox Pty Ltd; 20-02E, 20-02NES, Point of sale display stand, 14 Dec 2012 | 16333/2012 | Apple Inc.; 09-03M, 13-03B, 14-99, Cords with packaging, (US, 10 Jun 2012) 10 Dec 2012 | 16266/2012 |
| A. Fox Pty Ltd; 20-02NES, Point of sale display stand (II), 14 Dec 2012 | 16334/2012 | Apple Inc.; 09-03M, 13-03B, 14-99, Cords with packaging, (US, 10 Jun 2012) 10 Dec 2012 | 16267/2012 |
| Acamba Pty Ltd; 23-01L, Guttering system, 04 Dec 2012 | 16025/2012 | Apple Inc.; 14-02, Electronic device, (US, 10 Jun 2012) 06 Dec 2012 | 16175/2012 |
| Actervis GmbH; 07-99NES, Lint roller, (EM, 07 Jun 2012) 05 Dec 2012 | 16096/2012 | Apple Inc.; 14-01, Display screen for an electronic device, (US, 11 Jun 2012) 11 Dec 2012 | 16305/2012 |
| Actervis GmbH; 03-01B, Wallet, (EM, 19 Jun 2012) 05 Dec 2012 | 16095/2012 | Apple Inc.; 14-01, Display screen for an electronic device, (US, 11 Jun 2012) 11 Dec 2012 | 16306/2012 |
| Actervis GmbH; 07-99NES, Lint roller, (EM, 07 Jun 2012) 05 Dec 2012 | 16097/2012 | Apple Inc.; 14-02, 13-03B, Connector having a body of metallic appearance, (US, 08 Jun 2012) 06 Dec 2012 | 16178/2012 |
| Actervis GmbH; 03-01B, Wallet, (EM, 19 Jun 2012) 05 Dec 2012 | 16094/2012 | Apple Inc.; 14-02, Electronic device, (US, 09 Jun 2012) 06 Dec 2012 | 16176/2012 |
| Agwill Pty Ltd; 11-99, Water fountain, 10 Dec 2012 | 16188/2012 | Apple Inc.; 13-03D, Adapter having a body of metallic appearance, (US, 08 Jun 2012) 06 Dec 2012 | 16182/2012 |
| All Table Sports Australia Pty Ltd;Hao, Guan Qun; 06-03D, Pool table, billiards table, snooker table, 29 Nov 2012 | 15948/2012 | Apple Inc.; 13-03D, Adapter, (US, 08 Jun 2012) 06 Dec 2012 | 16180/2012 |
| Aluminium Industries of Australia Pty Ltd; 06-04NES, Shelving system, 14 Dec 2012 | 16331/2012 | Apple Inc.; 14-02, 13-03B, Connector, (US, 08 Jun 2012) 06 Dec 2012 | 16177/2012 |
| Aluminium Industries of Australia Pty Ltd; 06-04NES, Shelving system, 14 Dec 2012 | 16330/2012 | Apple Inc.; 14-01, Display screen or portion thereof with icon, (US, 05 Jun 2012) 05 Dec 2012 | 16145/2012 |
| Aluminium Industries of Australia Pty Ltd; 06-04NES, Shelving system, 14 Dec 2012 | 16329/2012 | Apple Inc.; 14-01, Display screen or portion thereof with graphical user interface, (US, 05 Jun 2012) 05 Dec 2012 | 16146/2012 |
| Anderson, Chris; 21-02D, 21-01C, A handboard, 03 Dec 2012 | 16026/2012 | Apple Inc.; 14-01, Display screen or portion thereof with graphical user interface, (US, 06 Jun 2012) 05 Dec 2012 | 16144/2012 |
| Andrew, Benjamin Paul; 08-08NES, Mounting device, 28 Nov 2012 | 16038/2012 | Apple Inc.; 14-01, Display screen or portion thereof with graphical user interface, (US, 05 Jun 2012) 05 Dec 2012 | 16147/2012 |
| Ansell Limited; 28-01, Condom, (US, 27 Jun 2012) 10 Dec 2012 | 16284/2012 | | |
| Anzures, Freddy;Sabatelli, Alessandro Francesco; 14-01, Display screen for an electronic device, (US, 11 Jun 2012) 07 Dec 2012 | 16228/2012 | | |
| Anzures, Freddy;Sabatelli, Alessandro Francesco; 14-01, Display screen for an electronic device, (US, 10 Jun 2012) 07 Dec 2012 | 16230/2012 | | |

| | | | |
|---|-------------------|---|-------------------|
| Apple Inc.; 14-01, Display screen or portion thereof with graphical user interface, (US, 06 Jun 2012) 05 Dec 2012 | 16143/2012 | Australian Performance Development Pty Ltd; 12-16NES, Air intake snorkel for a vehicle, 12 Dec 2012 | 16288/2012 |
| Apple Inc.; 14-02, Electronic device, (US, 29 May 2012) 29 Nov 2012 | 15987/2012 | Avery Dennison Corporation; 19-08, Place card assemblies and portions thereof, (US, 04 Jun 2012) 03 Dec 2012 | 16035/2012 |
| Apple Inc.; 14-02, Electronic device, (US, 29 May 2012) 29 Nov 2012 | 15988/2012 | AFI (WA) Pty Ltd; 06-02, A bed frame, bed side table, tall boy and dresser, 09 Oct 2012 | 15996/2012 |
| Apple Inc.; 14-02, Electronic device, (US, 29 May 2012) 29 Nov 2012 | 15989/2012 | AFI (WA) Pty Ltd; 06-13B, Bed cover, 30 Nov 2012 | 16056/2012 |
| Apple Inc.; 14-02, Electronic device, (US, 29 May 2012) 29 Nov 2012 | 15990/2012 | AFI (WA) Pty Ltd; 06-13B, Bed cover, 29 Nov 2012 | 15947/2012 |
| Apple Inc.; 14-02, Electronic device, (US, 07 Sep 2012) 29 Nov 2012 | 15981/2012 | Bang Design IP Pty Ltd; 06-06E, Set of modular legs of infinite width or height, 09 Nov 2012 | 16134/2012 |
| Apple Inc.; 14-02, Electronic device, (US, 29 May 2012) 29 Nov 2012 | 15986/2012 | Bang Design IP Pty Ltd; 06-06E, Set of modular legs of indefinite width or height, 09 Nov 2012 | 16135/2012 |
| Apple Inc.; 14-02, Electronic device, (US, 29 May 2012) 29 Nov 2012 | 15985/2012 | Bang Design IP Pty Ltd; 06-06E, Set of modular legs of indefinite width and height, 09 Nov 2012 | 16132/2012 |
| Apple Inc.; 14-03A, Component for an electronic device, (US, 29 May 2012) 29 Nov 2012 | 15979/2012 | Bang Design IP Pty Ltd; 06-06E, Set of modular legs of indefinite width and height, 09 Nov 2012 | 16133/2012 |
| Apple Inc.; 14-02, Electronic device, (US, 29 May 2012) 29 Nov 2012 | 15983/2012 | Beba Enterprises Pty Ltd; 02-02NES, Jacket, 29 May 2012 | 15968/2012 |
| Apple Inc.; 14-02, Electronic device, (US, 29 May 2012) 29 Nov 2012 | 15984/2012 | Beba Enterprises Pty Ltd; 02-02C, Jumpsuit, 29 May 2012 | 15969/2012 |
| Apple Inc.; 14-03A, Component for an electronic device, (US, 10 Sep 2012) 29 Nov 2012 | 15977/2012 | Beba Enterprises Pty Ltd; 02-02C, Dress, 29 May 2012 | 15966/2012 |
| Apple Inc.; 14-02, Electronic device, (US, 29 May 2012) 29 Nov 2012 | 15991/2012 | Beba Enterprises Pty Ltd; 02-02C, Dress, 29 May 2012 | 15967/2012 |
| Apple Inc.; 14-02, Electronic device, (US, 29 May 2012) 29 Nov 2012 | 15982/2012 | Begg, Melissa; 21-04, 25-03, Permanent/semi-permanent safari tent with ensuite, 10 Dec 2012 | 16216/2012 |
| Apple Inc.; 14-02, Electronic device, (US, 29 May 2012) 29 Nov 2012 | 15978/2012 | Begg, Melissa; 25-03, 21-04, Permanent/semi-permanent 'safari style' tent, 10 Dec 2012 | 16215/2012 |
| Apple Inc.; 14-02, Electronic device, (US, 29 May 2012) 29 Nov 2012 | 15992/2012 | Berelowitz, Charles; 20-03C, Signpost, 07 Dec 2012 | 16165/2012 |
| Apple Inc.; 14-03A, Component for an electronic device, (US, 10 Sep 2012) 29 Nov 2012 | 15980/2012 | Brightgreen Pty Ltd; 26-05E, LED light bulb, 11 Dec 2012 | 16259/2012 |
| Apple Inc.; 14-02, Electronic device, (US, 29 May 2012) 29 Nov 2012 | 16289/2012 | Camp, Simon; 23-04, Ember guard, 07 Dec 2012 | 16171/2012 |
| Asapme Pty Ltd; 28-99, Air freshener, 12 Dec 2012 | | Casebolt, Matthew Phillip c/- Apple Inc.; Degner, Brett c/- Apple Inc.; Hopkinson, Ron Alan c/- Apple Inc.; Murphy, Robert Sean c/- Apple Inc.; 13-02, Battery, (US, 09 Jun 2012) 06 Dec 2012 | 16179/2012 |
| | | Charles, Salvina Maria; 06-13NES, Washing machine cover, 06 Dec 2012 | 16080/2012 |

| | | | |
|--|-------------------|--|-------------------|
| Chippendale, Rachel; 06-08, Hanger, 16 Dec 2012 | 16343/2012 | Electrolux Sea Pte Ltd; 15-05, Washing machine, (CN, 12 Jun 2012) 10 Dec 2012 | 16265/2012 |
| Clarkson, Ryan; 25-02C, 25-01G, A building eave made of metal, inclusive of aluminium, steel or copper, 11 Dec 2012 | 16322/2012 | Electrolux Sea Pte Ltd; 15-05, Soap drawer, (CN, 12 Jun 2012) 10 Dec 2012 | 16209/2012 |
| Colgate-Palmolive Company; 04-02, Oral care implement, (US, 07 Jun 2012) 30 Nov 2012 | 16028/2012 | Electrolux Sea Pte Ltd; 13-03D, Knob, (CN, 12 Jun 2012) 10 Dec 2012 | 16210/2012 |
| Compagnie Generale Des Etablissements Michelin; Michelin Recherche et Technique S.A.; 12-15B, A tyre, 14 Dec 2012 | 16323/2012 | Electrolux Sea Pte Ltd; 07-05NES, 15-05, Door assembly, (CN, 12 Jun 2012) 10 Dec 2012 | 16191/2012 |
| Compagnie Generale Des Etablissements Michelin; Michelin Recherche et Technique S.A.; 12-15NES, A tyre, 07 Dec 2012 | 16151/2012 | Essandem Pty Ltd aft The Reed Trading Trust; 06-04NES, Sliiform library shelving, 30 Nov 2012 | 16036/2012 |
| Creative Nail Design, Inc.; 28-03NES, Nail curing lamp, (US, 14 Jun 2012) 12 Dec 2012 | 16291/2012 | ELC Management LLC; 09-01G, Cosmetic container, (US, 02 Aug 2012) 06 Dec 2012 | 16193/2012 |
| Culley, Timothy; 10-06, Internally illuminated pavement marker, 12 Dec 2012 | 16293/2012 | ELC Management LLC; 09-01G, Cosmetic container, (US, 02 Aug 2012) 06 Dec 2012 | 16195/2012 |
| Cush Family Holdings Pty Ltd; 22-05, Fishing lure, 03 Dec 2012 | 16000/2012 | ELC Management LLC; 09-01G, Cosmetic container, (US, 02 Aug 2012) 06 Dec 2012 | 16194/2012 |
| Cush Family Holdings Pty Ltd; 22-05, Fishing lure, 03 Dec 2012 | 15999/2012 | Faulkner, Reginald Leigh; 09-01A, Rechargeable pepper spray, 06 Dec 2012 | 16091/2012 |
| Cush Family Holdings Pty Ltd; 22-05, Fishing lure, 03 Dec 2012 | 16001/2012 | Fiddes Payne Ltd; 07-02N, Assembled pot, (EP, 19 Jun 2012) 13 Dec 2012 | 16310/2012 |
| COSCO (J.M.) ALUMINUM DEVELOPMENTS CO., LTD.; 12-16K, Ladder rack for vehicle, (CN, 08 Oct 2012) 06 Dec 2012 | 16092/2012 | Fifty-Fourth Rischell Pty Ltd; 02-02NES, A top, 25 May 2012 | 16075/2012 |
| Dart Industries Inc.; 09-03K, Produce storage container, (US, 24 May 2012) 31 Oct 2012 | 16285/2012 | Fifty-Fourth Rischell Pty Ltd; 02-02NES, A shirt, 25 May 2012 | 16073/2012 |
| Dart Industries Inc.; 09-03K, Produce storage container, (US, 24 May 2012) 31 Oct 2012 | 16286/2012 | Fifty-Fourth Rischell Pty Ltd; 02-02NES, A shirt, 25 May 2012 | 16074/2012 |
| Degner, Brett c/- Apple Inc.; Casebolt, Matthew Phillip c/- Apple Inc.; Hopkinson, Ron Alan c/- Apple Inc.; Murphy, Robert Sean c/- Apple Inc.; 13-02, Battery, (US, 09 Jun 2012) 06 Dec 2012 | 16179/2012 | Fifty-Fourth Rischell Pty Ltd; 02-02C, A pair of pants, 25 May 2012 | 16072/2012 |
| Dellar, Tyge Donovan; 19-01, Writing pad, (NZ, 06 Jun 2012) 05 Dec 2012 | 16034/2012 | Forever New Clothing Pty Ltd; 02-02C, Article of clothing, 06 Dec 2012 | 16086/2012 |
| Dentsply IH AB; 24-01, Dental screw driver, (EM, 08 Jun 2012) 29 Nov 2012 | 16010/2012 | Forever New Clothing Pty Ltd; 02-02C, Article of clothing, 05 Dec 2012 | 16137/2012 |
| Dorony Pty Ltd; 23-01H, Spout, 03 Dec 2012 | 16003/2012 | Forever New Clothing Pty Ltd; 02-07A, 03-01B, 11-01A, 11-01D, Accessory item, 07 Dec 2012 | 16234/2012 |
| Edelcom; 13-03C, Electric box, (WO, 14 Jun 2012) 05 Dec 2012 | 16033/2012 | Forever New Clothing Pty Ltd; 02-07NES, Accessory items, 05 Dec 2012 | 16136/2012 |
| | | Forever New Clothing Pty Ltd; 02-02NES, Article of clothing, (Divisional of 11639/2012) 05 Dec 2012 | 16130/2012 |
| | | Forever New Clothing Pty Ltd; 02-02NES, Article of clothing, 01 Oct 2012 | 16131/2012 |

| | | | |
|---|-------------------|---|-------------------|
| Forever New Clothing Pty Ltd; 02-02C, 02-02NES, Articles of clothing, 07 Dec 2012 | 16167/2012 | Forever New Clothing Pty Ltd; 02-02NES, Article of clothing, (Divisional of 11639/2012) 05 Dec 2012 | 16102/2012 |
| Forever New Clothing Pty Ltd; 02-02NES, Article of clothing, (Divisional of 11639/2012) 05 Dec 2012 | 16119/2012 | Forever New Clothing Pty Ltd; 02-02NES, Article of clothing, (Divisional of 11639/2012) 05 Dec 2012 | 16127/2012 |
| Forever New Clothing Pty Ltd; 02-02NES, Article of clothing, (Divisional of 11639/2012) 05 Dec 2012 | 16129/2012 | Forever New Clothing Pty Ltd; 02-02NES, Article of clothing, (Divisional of 11639/2012) 05 Dec 2012 | 16128/2012 |
| Forever New Clothing Pty Ltd; 02-02NES, Article of clothing, (Divisional of 11639/2012) 05 Dec 2012 | 16125/2012 | Forever New Clothing Pty Ltd; 02-02NES, Article of clothing, (Divisional of 11639/2012) 05 Dec 2012 | 16121/2012 |
| Forever New Clothing Pty Ltd; 02-02C, Article of clothing, (Divisional of 11639/2012) 05 Dec 2012 | 16126/2012 | Forever New Clothing Pty Ltd; 02-02NES, Article of clothing, (Divisional of 11639/2012) 05 Dec 2012 | 16122/2012 |
| Forever New Clothing Pty Ltd; 02-02NES, Article of clothing, (Divisional of 11639/2012) 05 Dec 2012 | 16123/2012 | Forever New Clothing Pty Ltd; 02-02NES, Article of clothing, (Divisional of 11639/2012) 05 Dec 2012 | 16117/2012 |
| Forever New Clothing Pty Ltd; 02-02NES, Article of clothing, (Divisional of 11639/2012) 05 Dec 2012 | 16124/2012 | Forever New Clothing Pty Ltd; 02-02NES, Article of clothing, (Divisional of 11639/2012) 05 Dec 2012 | 16118/2012 |
| Forever New Clothing Pty Ltd; 02-02NES, Article of clothing, (Divisional of 11639/2012) 05 Dec 2012 | 16120/2012 | Forever New Clothing Pty Ltd; 02-02C, Article of clothing, (Divisional of 11639/2012) 05 Dec 2012 | 16107/2012 |
| Forever New Clothing Pty Ltd; 02-02C, Article of clothing, (Divisional of 11639/2012) 05 Dec 2012 | 16109/2012 | Forever New Clothing Pty Ltd; 02-02NES, Article of clothing, (Divisional of 11639/2012) 05 Dec 2012 | 16111/2012 |
| Forever New Clothing Pty Ltd; 02-02C, Article of clothing, (Divisional of 11639/2012) 05 Dec 2012 | 16110/2012 | Forever New Clothing Pty Ltd; 02-02C, Article of clothing, (Divisional of 11639/2012) 05 Dec 2012 | 16112/2012 |
| Forever New Clothing Pty Ltd; 02-02NES, Article of clothing, (Divisional of 11639/2012) 05 Dec 2012 | 16105/2012 | Forever New Clothing Pty Ltd; 02-02C, Article of clothing, (Divisional of 11639/2012) 05 Dec 2012 | 16108/2012 |
| Forever New Clothing Pty Ltd; 02-02C, Article of clothing, (Divisional of 11639/2012) 05 Dec 2012 | 16113/2012 | Fujitsu General Limited; 23-04, Air conditioner, (JP, 22 Aug 2012) 30 Nov 2012 | 16012/2012 |
| Forever New Clothing Pty Ltd; 02-02C, Article of clothing, (Divisional of 11639/2012) 05 Dec 2012 | 16114/2012 | Gallagher & Hayes Ltd T/a La Cuisine; 07-02N, Cast iron casserole, 14 Dec 2012 | 16317/2012 |
| Forever New Clothing Pty Ltd; 02-02C, Article of clothing, (Divisional of 11639/2012) 05 Dec 2012 | 16106/2012 | Gallagher & Hayes Ltd T/a La Cuisine; 07-02N, Cast iron casserole, 14 Dec 2012 | 16317/2012 |
| Forever New Clothing Pty Ltd; 02-02NES, Article of clothing, (Divisional of 11639/2012) 05 Dec 2012 | 16103/2012 | Gilmark Holdings Pty Ltd; 29-01, Safety harness for workers working at heights, 01 Nov 2012 | 15428/2012 |
| Forever New Clothing Pty Ltd; 02-02C, Article of clothing, (Divisional of 11639/2012) 05 Dec 2012 | 16115/2012 | Global Home; 06-04D, 06-05, Bexley sideboard, 10 Dec 2012 | 16325/2012 |
| Forever New Clothing Pty Ltd; 02-02C, Article of clothing, (Divisional of 11639/2012) 05 Dec 2012 | 16116/2012 | Global Home; 06-03A, 06-05, Bexley dining table, 10 Dec 2012 | 16327/2012 |
| Forever New Clothing Pty Ltd; 02-02NES, Article of clothing, (Divisional of 11639/2012) 05 Dec 2012 | 16104/2012 | Global Home; 06-03NES, 06-05, Bexley large TV unit, 10 Dec 2012 | 16326/2012 |

| | | | |
|---|-------------------|--|-------------------|
| Global Home; 06-03A, 06-05, Bexley coffee table, 10 Dec 2012 | 16324/2012 | Harrouk, Ahmed; 12-16A, Car alloy wheel design, 10 Dec 2012 | 16211/2012 |
| Gravity Board Games ApS; 21-01L, Gameboard, (EM, 07 Jun 2012) 07 Dec 2012 | 16219/2012 | Haworth, Inc.; 06-01F, 1. Chair without arms 2. chair with arms, 06 Dec 2012 | 16069/2012 |
| Gravity Board Games ApS; 21-01L, Gameboard, (EM, 07 Jun 2012) 07 Dec 2012 | 16220/2012 | Haworth, Inc.; 06-01F, 1. Chair without arms 2. chair with arms, (US, 08 Jun 2012) 06 Dec 2012 | 16070/2012 |
| Gravity Board Games ApS; 21-01L, Stand for gameboards, (EM, 07 Jun 2012) 07 Dec 2012 | 16218/2012 | Helen of Troy Limited; 06-01E, High chair, (US, 28 Aug 2012) 11 Dec 2012 | 16261/2012 |
| Gravity Board Games ApS; 21-01L, Gameboard, (EM, 07 Jun 2012) 07 Dec 2012 | 16217/2012 | Hella New Zealand Limited; 26-06, Truck light, 11 Dec 2012 | 16260/2012 |
| Gravity Board Games ApS; 21-01L, Gameboard, (EM, 07 Jun 2012) 07 Dec 2012 | 16222/2012 | Hon Shen Pty Ltd; 07-02A, A range hood, or a canopy range hood, 14 Dec 2012 | 16328/2012 |
| Gravity Board Games ApS; 21-01L, Gameboard, (EM, 07 Jun 2012) 07 Dec 2012 | 16223/2012 | Hopkinson, Ron Alan c/- Apple Inc.;Casebolt, Matthew Phillip c/- Apple Inc.;Degner, Brett c/- Apple Inc.;Murphy, Robert Sean c/- Apple Inc.; 13-02, Battery, (US, 09 Jun 2012) 06 Dec 2012 | 16179/2012 |
| Gravity Board Games ApS; 21-01L, Gameboard, (EM, 07 Jun 2012) 07 Dec 2012 | 16221/2012 | IQ Kids & Furniture Pty Ltd; 06-02, Racing car single bed, 27 Nov 2012 | 15945/2012 |
| GE Healthcare Bio-Sciences AB; 24-01, Chromatography column, (US, 21 Jun 2012) 17 Dec 2012 | 16353/2012 | Jeyes Group Limited; 23-02A, Dispenser for toilet cleansing, (WO, 26 Jun 2012) 17 Dec 2012 | 16363/2012 |
| GE Healthcare Bio-Sciences AB; 24-01, Chromatography system, (CN, 29 Jun 2012) 17 Dec 2012 | 16355/2012 | Joh. Friedrich Behrens AG; 03-01D, Tool box, (EM, 08 Jun 2012) 07 Dec 2012 | 16225/2012 |
| GM Global Technology Operations, LLC; 26-06, Rear combination lamp of car, (KR, 26 Jul 2012) 12 Dec 2012 | 16299/2012 | Joh. Friedrich Behrens AG; 03-01D, Tool box, (EM, 08 Jun 2012) 07 Dec 2012 | 16224/2012 |
| GM Global Technology Operations, LLC; 12-16C, Front bumper of car, (KR, 18 Jun 2012) 13 Dec 2012 | 16312/2012 | Johnson & Johnson Industrial Ltda;McNeil-PPC, Inc.; 28-01, Tablet, (US, 03 Feb 2012) (Divisional of 14966/2012) 10 Dec 2012 | 16279/2012 |
| GM Global Technology Operations, LLC; 26-06, Head lamp of car, (KR, 18 Jun 2012) 13 Dec 2012 | 16314/2012 | Johnson & Johnson Industrial Ltda;McNeil-PPC Inc.; 28-01, Tablet, (US, 03 Feb 2012) (Divisional of 14956/2012) 10 Dec 2012 | 16282/2012 |
| GM Global Technology Operations, LLC; 12-16C, Front bumper cover of car, (KR, 26 Jul 2012) 13 Dec 2012 | 16313/2012 | Johnson & Johnson Industrial Ltda;McNeil-PPC, Inc.; 28-01, Tablet, (US, 03 Feb 2012) (Divisional of 14967/2012) 10 Dec 2012 | 16277/2012 |
| GM Global Technology Operations, LLC; 12-16C, Rear bumper of car, (KR, 18 Jun 2012) 12 Dec 2012 | 16297/2012 | Johnson & Johnson Industrial Ltda;McNeil-PPC, Inc.; 28-01, Tablet, (US, 03 Feb 2012) (Divisional of 14967/2012) 10 Dec 2012 | 16274/2012 |
| Hansa Metallwerke AG; 23-01H, Tap, (EM, 29 Jun 2012) 17 Dec 2012 | 16356/2012 | Johnson & Johnson Industrial Ltda;McNeil-PPC, Inc.; 28-01, Tablet, (US, 03 Feb 2012) (Divisional of 14967/2012) 10 Dec 2012 | 16273/2012 |
| Hansa Metallwerke AG; 23-01H, Tap, (EM, 29 Jun 2012) 17 Dec 2012 | 16357/2012 | Johnson & Johnson Industrial Ltda;McNeil-PPC, Inc.; 28-01, Tablet, (US, 03 Feb 2012) (Divisional of 14967/2012) 10 Dec 2012 | 16278/2012 |
| Hao, Guan Qun;All Table Sports Australia Pty Ltd; 06-03D, Pool table, billiards table, snooker table, 29 Nov 2012 | 15948/2012 | Johnson & Johnson Industrial Ltda;McNeil-PPC, Inc.; 28-01, Tablet, (US, 03 Feb 2012) (Divisional of 14967/2012) 10 Dec 2012 | 16278/2012 |

| | | | |
|---|-------------------|---|-------------------|
| Johnson & Johnson Industrial Ltda;McNeil-PPC, Inc.; 28-01, Tablet, (US, 03 Feb 2012) (Divisional of 14967/2012) 10 Dec 2012 | 16275/2012 | Joseph Joseph Ltd; 07-02NES, 07-99NES, Baking Mat, (EM, 21 Nov 2012) 13 Dec 2012 | 16311/2012 |
| Johnson & Johnson Industrial Ltda;McNeil-PPC, Inc.; 28-01, Tablet, (US, 03 Feb 2012) (Divisional of 14966/2012) 10 Dec 2012 | 16281/2012 | Joseph Joseph Ltd; 07-06C, Salt and pepper set, (EM, 21 Sep 2012) 13 Dec 2012 | 16316/2012 |
| Johnson & Johnson Industrial Ltda;McNeil-PPC, Inc.; 28-01, Tablet, (US, 03 Feb 2012) (Divisional of 14967/2012) 10 Dec 2012 | 16276/2012 | Karsten Manufacturing Corporation; 21-02C, Golf club head, (US, 02 Jul 2012) 11 Dec 2012 | 16226/2012 |
| Johnson & Johnson Industrial Ltda;McNeil-PPC, Inc.; 28-01, Tablet, (US, 03 Feb 2012) (Divisional of 14966/2012) 10 Dec 2012 | 16280/2012 | Karunamuni, Chanaka;Lemay, Stephen O.;Van Os, Marcel; 14-01, Display screen for an electronic device, (US, 10 Jun 2012) 07 Dec 2012 | 16229/2012 |
| Johnson & Johnson Industrial Ltda;McNeil-PPC, Inc.; 28-01, Tablet, (US, 03 Feb 2012) (Divisional of 14968/2012) 10 Dec 2012 | 16270/2012 | Karunamuni, Chanaka;Lemay, Stephen O.; 14-01, Display screen for an electronic device, (US, 08 Jun 2012) 07 Dec 2012 | 16233/2012 |
| Johnson & Johnson Industrial Ltda;McNeil-PPC, Inc.; 28-01, Tablet, (US, 03 Feb 2012) (Divisional of 14968/2012) 10 Dec 2012 | 16272/2012 | Karunamuni, Chanaka;Lemay, Stephen O.;Van Os, Marcel; 14-01, Display screen for an electronic device, (US, 10 Jun 2012) 07 Dec 2012 | 16227/2012 |
| Johnson & Johnson Industrial Ltda;McNeil-PPC, Inc.; 28-01, Tablet, (US, 03 Feb 2012) (Divisional of 14968/2012) 10 Dec 2012 | 16268/2012 | King Furniture (Australia) Pty Ltd; 06-01G, A sofa, 07 Dec 2012 | 16237/2012 |
| Johnson & Johnson Industrial Ltda;McNeil-PPC, Inc.; 28-01, Tablet, (US, 03 Feb 2012) (Divisional of 14968/2012) 10 Dec 2012 | 16269/2012 | King Furniture (Australia) Pty Ltd; 25-01K, An extrusion, 13 Dec 2012 | 16308/2012 |
| Johnson & Johnson Industrial Ltda;McNeil-PPC, Inc.; 28-01, Tablet, (US, 03 Feb 2012) (Divisional of 14968/2012) 10 Dec 2012 | 16271/2012 | King Furniture (Australia) Pty Ltd; 06-01G, A ottoman, 07 Dec 2012 | 16244/2012 |
| Joseph Joseph Ltd; 07-06C, Salt cellars, (EP, 21 Sep 2012) 13 Dec 2012 | 16315/2012 | King Furniture (Australia) Pty Ltd; 06-01G, A chair, 07 Dec 2012 | 16250/2012 |
| Joseph Joseph Ltd; 23-02A, Soap dispenser, (EP, 18 Sep 2012) 17 Dec 2012 | 16364/2012 | King Furniture (Australia) Pty Ltd; 06-01G, A sofa, 07 Dec 2012 | 16245/2012 |
| Joseph Joseph Ltd; 07-05B, Ladles, (EP, 13 Sep 2012) 17 Dec 2012 | 16366/2012 | King Furniture (Australia) Pty Ltd; 06-01G, A sofa, 07 Dec 2012 | 16248/2012 |
| Joseph Joseph Ltd; 07-05B, Washing tubs, (EP, 13 Sep 2012) 17 Dec 2012 | 16365/2012 | King Furniture (Australia) Pty Ltd; 06-01G, A sofa, 07 Dec 2012 | 16249/2012 |
| Joseph Joseph Ltd; 07-99C, Holders for rolls of kitchen paper, (EP, 21 Sep 2012) 14 Dec 2012 | 16342/2012 | King Furniture (Australia) Pty Ltd; 06-01G, A sofa, 07 Dec 2012 | 16246/2012 |
| Joseph Joseph Ltd; 07-03, 08-03, Knife blade, (EP, 21 Sep 2012) 14 Dec 2012 | 16340/2012 | King Furniture (Australia) Pty Ltd; 06-01G, A chair, 07 Dec 2012 | 16247/2012 |
| Joseph Joseph Ltd; 07-03, Spoon handles, (EM, 21 Sep 2012) 11 Dec 2012 | 16263/2012 | King Furniture (Australia) Pty Ltd; 06-06G, A base for an article of furniture, 07 Dec 2012 | 16241/2012 |
| | | King Furniture (Australia) Pty Ltd; 06-06G, A base for an article of furniture, 07 Dec 2012 | 16240/2012 |
| | | King Furniture (Australia) Pty Ltd; 06-06G, A base for an article of furniture, 07 Dec 2012 | 16242/2012 |
| | | King Furniture (Australia) Pty Ltd; 06-06G, A base for an article of furniture, 07 Dec 2012 | 16243/2012 |
| | | King Furniture (Australia) Pty Ltd; 06-01G, A chair, 07 Dec 2012 | 16238/2012 |

| | | | |
|---|-------------------|---|-------------------|
| King Furniture (Australia) Pty Ltd; 06-01G, A sofa, 07 Dec 2012 | 16236/2012 | Lemay, Stephen O.;Karunamuni, Chanaka; 14-01, Display screen for an electronic device, (US, 08 Jun 2012) 07 Dec 2012 | 16233/2012 |
| King Furniture (Australia) Pty Ltd; 06-01G, A chaise, 07 Dec 2012 | 16256/2012 | Lemay, Stephen O.;Karunamuni, Chanaka;Van Os, Marcel; 14-01, Display screen for an electronic device, (US, 10 Jun 2012) 07 Dec 2012 | 16229/2012 |
| King Furniture (Australia) Pty Ltd; 06-01E, An ottoman, 07 Dec 2012 | 16239/2012 | Lemay, Stephen O.;Karunamuni, Chanaka;Van Os, Marcel; 14-01, Display screen for an electronic device, (US, 10 Jun 2012) 07 Dec 2012 | 16227/2012 |
| King Furniture (Australia) Pty Ltd; 06-01G, A chaise, 07 Dec 2012 | 16257/2012 | Les Mills International Limited; 21-02F, An exercise platform, 07 Dec 2012 | 16153/2012 |
| King Furniture (Australia) Pty Ltd; 06-01G, A sofa, 07 Dec 2012 | 16253/2012 | Les Mills International Limited; 21-02F, A riser for an exercise platform, 07 Dec 2012 | 16152/2012 |
| King Furniture (Australia) Pty Ltd; 06-01G, A sofa, 07 Dec 2012 | 16254/2012 | Lets Think Tea Pty Ltd; 20-03NES, Tea brand logo used across all packaging types, 17 Dec 2012 | 16354/2012 |
| King Furniture (Australia) Pty Ltd; 06-01G, A sofa, 07 Dec 2012 | 16255/2012 | LG Electronics Inc.; 14-03E, Mobile phone, (KR, 27 Jun 2012) 30 Nov 2012 | 16029/2012 |
| King Furniture (Australia) Pty Ltd; 06-06NES, A base for an article of furniture, 07 Dec 2012 | 16252/2012 | LJV Enterprises Pty Ltd; 20-03NES, 19-08, Logo, 21 Nov 2012 | 15794/2012 |
| King Furniture (Australia) Pty Ltd; 06-06NES, 06-06G, A base for an article of furniture, 07 Dec 2012 | 16251/2012 | LSI Industries, Inc.; 26-05C, Lighting, (US, 26 Oct 2012) 12 Dec 2012 | 16292/2012 |
| Knight, Christopher John; 06-01H, Outdoor furniture, chairs, 10 Dec 2012 | 16189/2012 | LVMH Fragrance Brands (Societe Anonyme); 06-01G, Perfume bottle, (EM, 09 Jul 2012) 05 Dec 2012 | 16044/2012 |
| Knog Pty Ltd; 08-07, Combination lock, 05 Dec 2012 | 16149/2012 | Magnetic Autocontrol GmbH; 25-02C, Barrier, (EM, 08 Jun 2012) 04 Dec 2012 | 16058/2012 |
| Knog Pty Ltd; 08-07, Coiled combination lock, 05 Dec 2012 | 16150/2012 | Magnetic Autocontrol GmbH; 25-02C, Barrier, (EM, 08 Jun 2012) 04 Dec 2012 | 16059/2012 |
| Knog Pty Ltd; 08-07, Coiled lock, 05 Dec 2012 | 16148/2012 | Marni International S.A. Luxembourg Pazzallo Branch; 09-01G, Container for perfume, (EM, 05 Oct 2012) 06 Dec 2012 | 16196/2012 |
| Kohler Co.; 23-02B, Shower faceplate and shower device, (Divisional of 14515/2012) 10 Dec 2012 | 16264/2012 | Master Lock Company LLC; 08-08NES, Securing device, (US, 15 Jun 2012) 12 Dec 2012 | 16298/2012 |
| Kopurlo Pty Ltd; 09-01H, Wine bottle, 06 Dec 2012 | 16087/2012 | Master Lock Company LLC; 08-07, Lock cover, (US, 23 Apr 2012) (Divisional of 15251/2012) 28 Nov 2012 | 15971/2012 |
| Kuanfly Technology Corp.; 13-01, 23-04, Fan blade for wind power generator, (TW, 29 Oct 2012) 14 Dec 2012 | 16341/2012 | Master Lock Company LLC; 08-07, Finger grips, (US, 23 Apr 2012) (Divisional of 15251/2012) 28 Nov 2012 | 15970/2012 |
| La Galvanina S.p.A.; 09-01NES, Bottle, (EM, 21 Jun 2012) 30 Nov 2012 | 16011/2012 | Maverick Engineering (Pty) Ltd; 09-05, 09-01NES, Container, 07 Dec 2012 | 16159/2012 |
| Laserderm International Holdings Pty Ltd; 24-01, 28-03NES, Apparatus for assisting in body cellular repair, 12 Dec 2012 | 16287/2012 | Maverick Engineering (Pty) Ltd; 09-05, 09-01NES, Container, 07 Dec 2012 | 16158/2012 |
| Legend Corporate Services Pty Ltd; 13-03B, 13-03C, Cable support duct, 12 Dec 2012 | 16318/2012 | | |
| Legend Corporate Services Pty Ltd; 13-03B, 13-03C, Cable support duct, 12 Dec 2012 | 16319/2012 | | |
| Legrand Australia Pty Ltd; 13-03D, Switch module, 05 Dec 2012 | 16043/2012 | | |
| Legrand Australia Pty Ltd; 10-05, Smoke alarm, 05 Dec 2012 | 16047/2012 | | |

| | | | |
|---|-------------------|---|-------------------|
| McNeil-PPC Inc.;Johnson & Johnson Industrial Ltda; 28-01, Tablet, (US, 03 Feb 2012) (Divisional of 14956/2012) 10 Dec 2012 | 16282/2012 | McNeil-PPC, Inc.;Johnson & Johnson Industrial Ltda; 28-01, Tablet, (US, 03 Feb 2012) (Divisional of 14968/2012) 10 Dec 2012 | 16271/2012 |
| McNeil-PPC, Inc.;Johnson & Johnson Industrial Ltda; 28-01, Tablet, (US, 03 Feb 2012) (Divisional of 14966/2012) 10 Dec 2012 | 16279/2012 | Meco Australia Pty Limited; 08-06, A handle, 30 Nov 2012 | 16032/2012 |
| McNeil-PPC, Inc.;Johnson & Johnson Industrial Ltda; 28-01, Tablet, (US, 03 Feb 2012) (Divisional of 14967/2012) 10 Dec 2012 | 16277/2012 | Metal Fortress Pty Ltd; 12-10, Front module for a trailer, 17 Dec 2012 | 16362/2012 |
| McNeil-PPC, Inc.;Johnson & Johnson Industrial Ltda; 28-01, Tablet, (US, 03 Feb 2012) (Divisional of 14967/2012) 10 Dec 2012 | 16274/2012 | Metal Fortress Pty Ltd; 12-16NES, Neck module for a trailer, 17 Dec 2012 | 16360/2012 |
| McNeil-PPC, Inc.;Johnson & Johnson Industrial Ltda; 28-01, Tablet, (US, 03 Feb 2012) (Divisional of 14967/2012) 10 Dec 2012 | 16278/2012 | Michelin Recherche et Technique S.A.;Compagnie Generale Des Etablissements Michelin; 12-15B, A tyre, 14 Dec 2012 | 16323/2012 |
| McNeil-PPC, Inc.;Johnson & Johnson Industrial Ltda; 28-01, Tablet, (US, 03 Feb 2012) (Divisional of 14967/2012) 10 Dec 2012 | 16275/2012 | Michelin Recherche et Technique S.A.;Compagnie Generale Des Etablissements Michelin; 12-15NES, A tyre, 07 Dec 2012 | 16151/2012 |
| McNeil-PPC, Inc.;Johnson & Johnson Industrial Ltda; 28-01, Tablet, (US, 03 Feb 2012) (Divisional of 14967/2012) 10 Dec 2012 | 16281/2012 | Microsoft Corporation; 14-01, Display screen with user interface, (US, 04 Jun 2012) 04 Dec 2012 | 16061/2012 |
| McNeil-PPC, Inc.;Johnson & Johnson Industrial Ltda; 28-01, Tablet, (US, 03 Feb 2012) (Divisional of 14966/2012) 10 Dec 2012 | 16276/2012 | Microsoft Corporation; 14-01, Display screen with user interface, (US, 04 Jun 2012) 04 Dec 2012 | 16062/2012 |
| McNeil-PPC, Inc.;Johnson & Johnson Industrial Ltda; 28-01, Tablet, (US, 03 Feb 2012) (Divisional of 14967/2012) 10 Dec 2012 | 16280/2012 | Microsoft Corporation; 14-01, Display screen with icon, (US, 04 Jun 2012) 04 Dec 2012 | 16063/2012 |
| McNeil-PPC, Inc.;Johnson & Johnson Industrial Ltda; 28-01, Tablet, (US, 03 Feb 2012) (Divisional of 14966/2012) 10 Dec 2012 | 16268/2012 | Microsoft Corporation; 14-01, Display screen with user interface, (US, 04 Jun 2012) 04 Dec 2012 | 16064/2012 |
| McNeil-PPC, Inc.;Johnson & Johnson Industrial Ltda; 28-01, Tablet, (US, 03 Feb 2012) (Divisional of 14968/2012) 10 Dec 2012 | 16270/2012 | Microsoft Corporation; 14-01, Display screen with user interface, (US, 04 Jun 2012) 04 Dec 2012 | 16065/2012 |
| McNeil-PPC, Inc.;Johnson & Johnson Industrial Ltda; 28-01, Tablet, (US, 03 Feb 2012) (Divisional of 14967/2012) 10 Dec 2012 | 16273/2012 | Microsoft Corporation; 14-01, Display screen with user interface, (US, 04 Jun 2012) 04 Dec 2012 | 16066/2012 |
| McNeil-PPC, Inc.;Johnson & Johnson Industrial Ltda; 28-01, Tablet, (US, 03 Feb 2012) (Divisional of 14968/2012) 10 Dec 2012 | 16269/2012 | Microsoft Corporation; 14-01, Display screen with icon, (US, 04 Jun 2012) 04 Dec 2012 | 16067/2012 |
| McNeil-PPC, Inc.;Johnson & Johnson Industrial Ltda; 28-01, Tablet, (US, 03 Feb 2012) (Divisional of 14968/2012) 10 Dec 2012 | 16272/2012 | Middleton, Lee Kenneth; 23-01B, Make your own downpipes for your home. Building industry, 28 Nov 2012 | 15965/2012 |
| | | Mifsud, Manuel; 25-02G, Solid concrete retaining wall system, 03 Dec 2012 | 16006/2012 |
| | | Moddex Group Pty Ltd; 08-08NES, Pivoting joint, 05 Dec 2012 | 16053/2012 |
| | | Modern Star International Pty Ltd; 12-12, A twin stroller frame, 06 Dec 2012 | 16071/2012 |
| | | Mun, Lee Ngai; 02-03, Safety helmet, 03 Dec 2012 | 16004/2012 |

| | | | |
|---|-------------------|--|-------------------|
| Murphy, Robert Sean c/- Apple Inc.; Casebolt, Matthew Phillip c/- Apple Inc.; Degner, Brett c/- Apple Inc.; Hopkinson, Ron Alan c/- Apple Inc.; 13-02, Battery, (US, 09 Jun 2012) 06 Dec 2012 | 16179/2012 | Prospectors Pty Ltd; 15-99, A core tray lid, 23 Jul 2012 | 16141/2012 |
| Nicholson, Shane Jay; 09-99, Container lid, 14 Dec 2012 | 16332/2012 | Prospectors Pty Ltd; 15-99, A core tray, 23 Jul 2012 | 16142/2012 |
| Nintendo Co., Ltd.; 13-02, Battery, (JP, 18 Jun 2012) 14 Dec 2012 | 16339/2012 | PC Locs Pty Ltd; 13-02, 06-04B, Laptop storage and charging trolley, 04 Dec 2012 | 16020/2012 |
| Nintendo Co., Ltd.; 13-03D, Connector plug, (JP, 04 Jun 2012) 04 Dec 2012 | 16015/2012 | Rapid Resource Solutions Pty. Ltd.; 12-16M, Brake rotor, 09 Dec 2012 | 16174/2012 |
| Nintendo Co., Ltd.; 13-03D, Connector plug, (JP, 05 Jun 2012) 04 Dec 2012 | 16017/2012 | Rastclat LLC; 11-01C, Bracelet, (US, 21 Jun 2012) 03 Dec 2012 | 16005/2012 |
| Nintendo Co., Ltd.; 13-03D, Connector plug, (JP, 04 Jun 2012) 04 Dec 2012 | 16014/2012 | Ratcliff, David Leslie; 25-01C, Building beam and post design for shedding and housing industry, 03 Dec 2012 | 16054/2012 |
| Nintendo Co., Ltd.; 13-03D, 14-02, Electric connector, (JP, 04 Jun 2012) 04 Dec 2012 | 16013/2012 | Red Bull GmbH; 15-07, Refrigerator, (EM, 13 Jun 2012) 10 Dec 2012 | 16201/2012 |
| Optex Solar Pty. Ltd.; 23-04, Solar roof ventilation units, 31 Oct 2012 | 16068/2012 | Red Bull GmbH; 15-07, Refrigerator, (EM, 20 Jun 2012) 12 Dec 2012 | 16295/2012 |
| Otis Elevator Company; 13-03NES, Elevator fixture, (US, 05 Apr 2012) 07 Dec 2012 | 16235/2012 | Red Bull GmbH; 15-07, Refrigerator, (EP, 20 Jun 2012) 12 Dec 2012 | 16294/2012 |
| Pearce, Grant; 08-06, 08-08K, A connector and/or an electric fence handle, (NZ, 13 Jun 2012) 12 Dec 2012 | 16321/2012 | Red Bull GmbH; 15-07, Refrigerator, (EM, 20 Jun 2012) 12 Dec 2012 | 16296/2012 |
| Peel, John; 14-01, Virtual reality device, 17 Dec 2012 | 16361/2012 | Red Bull GmbH; 15-07, Refrigerator, (EM, 13 Jun 2012) 10 Dec 2012 | 16202/2012 |
| Peerless Holdings Pty Ltd; 09-03NES, 09-03M, 07-01NES, A margarine tub, 07 Dec 2012 | 16157/2012 | Rhino Rack Australia Pty Limited; 12-16K, Vehicle roof track, 13 Dec 2012 | 16309/2012 |
| Philip Morris Products S.A.; 27-99, Smoker article, (EM, 12 Mar 2012) (Divisional of 14493/2012) 04 Dec 2012 | 16016/2012 | Rydstrand, Victoria; 13-03D, Electrical switch cover, cover plates, switch cover, 27 Nov 2012 | 15944/2012 |
| Philip Morris Products S.A.; 27-99, Smoker article, (EM, 12 Mar 2012) (Divisional of 14493/2012) 04 Dec 2012 | 16022/2012 | RML Engineering Limited; 07-01NES, 09-01K, A container, (NZ, 15 Jun 2012) 13 Dec 2012 | 16304/2012 |
| Philip Morris Products S.A.; 27-99, Smoker article, (EM, 12 Mar 2012) (Divisional of 14493/2012) 04 Dec 2012 | 16018/2012 | Sabatelli, Alessandro Francesco;Anzures, Freddy; 14-01, Display screen for an electronic device, (US, 11 Jun 2012) 07 Dec 2012 | 16228/2012 |
| Philip Morris Products S.A.; 27-99, Smoker article, (EM, 12 Mar 2012) (Divisional of 14493/2012) 04 Dec 2012 | 16019/2012 | Sabatelli, Alessandro Francesco;Anzures, Freddy; 14-01, Display screen for an electronic device, (US, 10 Jun 2012) 07 Dec 2012 | 16232/2012 |
| Philip Morris Products S.A.; 27-99, Smoker article, (EM, 12 Mar 2012) (Divisional of 14493/2012) 04 Dec 2012 | 16021/2012 | Sabatelli, Alessandro Francesco;Anzures, Freddy; 14-01, Display screen for an electronic device, (US, 10 Jun 2012) 07 Dec 2012 | 16230/2012 |
| Plested, Michael;The Design Market; 20-02E, Retail display, 30 Nov 2012 | 15972/2012 | Sandvik Intellectual Property AB; 15-99, Gyrotory crusher frame, (EM, 09 Jul 2012) 14 Dec 2012 | 16337/2012 |
| | | Sandvik Intellectual Property AB; 15-99, Gyrotory crusher frame, (EM, 09 Jul 2012) 14 Dec 2012 | 16336/2012 |

| | | | |
|--|-------------------|---|-------------------|
| Sandvik Intellectual Property AB; 15-99, Gyrotory crusher frame, (EM, 09 Jul 2012) 14 Dec 2012 | 16338/2012 | Steel-Tuff Rural Fencing Solutions Pty. Ltd.; 08-08K, A support assembly for a gate, 10 Dec 2012 | 16204/2012 |
| Sandvik Intellectual Property AB; 15-99, Jaw crusher support frame, (EM, 09 Jul 2012) 17 Dec 2012 | 16344/2012 | Steel-Tuff Rural Fencing Solutions Pty. Ltd.; 08-08K, A support assembly for a gate, 10 Dec 2012 | 16203/2012 |
| Sandvik Intellectual Property AB; 08-08D, Jaw plate clamping bar, (EP, 13 Jun 2012) 12 Dec 2012 | 16290/2012 | Steel-Tuff Rural Fencing Solutions Pty. Ltd.; 08-07, A support assembly for a gate, 10 Dec 2012 | 16199/2012 |
| Sandvik Intellectual Property AB; 15-99, Gyrotory crusher crushing head, (EM, 09 Jul 2012) 11 Dec 2012 | 16262/2012 | Steel-Tuff Rural Fencing Solutions Pty. Ltd.; 08-08NES, A device for supporting a gate, 10 Dec 2012 | 16186/2012 |
| Scania CV AB; 26-99, Spot lamp for a sun visor, (SE, 11 Jun 2012) 10 Dec 2012 | 16197/2012 | Steel-Tuff Rural Fencing Solutions Pty. Ltd.; 08-08NES, A device for supporting a gate, 10 Dec 2012 | 16187/2012 |
| Scholtes Family Holdings; 25-01K, An extrusion, 10 Dec 2012 | 16213/2012 | Steel-Tuff Rural Fencing Solutions Pty. Ltd.; 25-02NES, 08-07, A device for supporting a gate, 10 Dec 2012 | 16190/2012 |
| Schroeder Industries, Inc. doing business as Schroeder America; 07-04, Bar gun, (US, 02 Jul 2012) 06 Dec 2012 | 16084/2012 | Steel-Tuff Rural Fencing Solutions Pty. Ltd.; 25-01NES, 08-05NES, An apparatus for tensioning, 07 Dec 2012 | 16170/2012 |
| Schroeder Industries, Inc. doing business as Schroeder America; 07-02L, Bar gun, (US, 02 Jul 2012) 06 Dec 2012 | 16085/2012 | Steel-Tuff Rural Fencing Solutions Pty. Ltd.; 08-99, A component of a tensioning apparatus, 10 Dec 2012 | 16214/2012 |
| Scott, Stephen John; 21-02D, Stand up paddle boards and kayaks, 13 Dec 2012 | 16307/2012 | Steel-Tuff Rural Fencing Solutions Pty. Ltd.; 08-99, A component of a tensioning apparatus, 10 Dec 2012 | 16212/2012 |
| Sebel Furniture Ltd; 06-01E, An ottoman, 07 Dec 2012 | 16161/2012 | Steel-Tuff Rural Fencing Solutions Pty. Ltd.; 08-08NES, 25-02NES, A spacer, 07 Dec 2012 | 16166/2012 |
| Sebel Furniture Ltd; 06-11, A kindergarten mat, 05 Dec 2012 | 16041/2012 | Steel-Tuff Rural Fencing Solutions Pty. Ltd.; 25-01E, End cap for a post or picket, 12 Dec 2012 | 16302/2012 |
| Shandong Jinyu Tire Co., Ltd.; 12-15C, A tyre, 11 Dec 2012 | 16258/2012 | Steel-Tuff Rural Fencing Solutions Pty. Ltd.; 08-08A, Wire holder for securement to a post or picket, 12 Dec 2012 | 16300/2012 |
| Simmons, Richard Paul; 06-03C, An activity based work station, 10 Dec 2012 | 16192/2012 | Steel-Tuff Rural Fencing Solutions Pty. Ltd.; 25-01E, End cap for a post or picket, 12 Dec 2012 | 16301/2012 |
| Smiggle Pty Ltd; 21-01A, A figurine, 05 Dec 2012 | 16138/2012 | Steel-Tuff Rural Fencing Solutions Pty. Ltd.; 25-02NES, A section, 07 Dec 2012 | 16168/2012 |
| Sony Corporation; 13-02, Rechargeable battery, (JP, 05 Jun 2012) 04 Dec 2012 | 16055/2012 | Steel-Tuff Rural Fencing Solutions Pty. Ltd.; 08-99, Tensioning device, 07 Dec 2012 | 16163/2012 |
| Steel-Tuff Rural Fencing Solutions Pty. Ltd.; 25-02NES, A section, 07 Dec 2012 | 16169/2012 | | |
| Steel-Tuff Rural Fencing Solutions Pty. Ltd.; 08-07, A support assembly for a gate, 10 Dec 2012 | 16198/2012 | | |
| Steel-Tuff Rural Fencing Solutions Pty. Ltd.; 08-08NES, Device for supporting a gate, 10 Dec 2012 | 16184/2012 | | |

| | | | |
|---|-------------------|---|-------------------|
| Steel-Tuff Rural Fencing Solutions Pty. Ltd.; 08-08NES, A clamp, 07 Dec 2012 | 16164/2012 | The Ins Group; 14-03NES, Health information communications device, 26 Nov 2012 | 15933/2012 |
| Sunbeam Corporation Limited; 31-00, Food processor base, 04 Dec 2012 | 16057/2012 | The Stanley Works Israel Ltd.; 03-01D, Container, (EM, 06 Jun 2012) 05 Dec 2012 | 16037/2012 |
| Swarovski Aktiengesellschaft; 10-02, Watchcase for wristwatches, 17 Dec 2012 | 16351/2012 | The Stanley Works Israel Ltd.; 03-01D, Tool box, (EM, 07 Jun 2012) 06 Dec 2012 | 16081/2012 |
| SwitchEasy Limited; 03-01NES, 14-02, Protective casing for handheld electronic device, (HK, 07 Sep 2012) 17 Dec 2012 | 16345/2012 | The Stanley Works Israel Ltd.; 03-01D, Tool box, (EM, 07 Jun 2012) 06 Dec 2012 | 16077/2012 |
| SwitchEasy Limited; 03-01NES, Protective casing for handheld electronic device, (HK, 21 Aug 2012) 05 Dec 2012 | 16045/2012 | The Stanley Works Israel Ltd.; 03-01D, Tool box, (EM, 07 Jun 2012) 06 Dec 2012 | 16078/2012 |
| SCA Hygiene Products AB; 24-04, Sanitary towel, (EM, 11 Jun 2012) 07 Dec 2012 | 16156/2012 | The Stanley Works Israel Ltd.; 03-01D, Tool box, (EM, 07 Jun 2012) 06 Dec 2012 | 16076/2012 |
| SCA Hygiene Products AB; 24-04, Sanitary towel, (EM, 11 Jun 2012) 07 Dec 2012 | 16155/2012 | The Stanley Works Israel, Ltd.; 03-01D, Tool box, (EM, 26 Jun 2012) 17 Dec 2012 | 16352/2012 |
| SCA Hygiene Products AB; 24-04, Sanitary towel, (EM, 11 Jun 2012) 07 Dec 2012 | 16154/2012 | The Trustee for Lenew Unit Trust; 25-03, 12m cribbox 6m cribbox, 03 Dec 2012 | 16002/2012 |
| SCA Hygiene Products AB; 23-02A, Tissue dispenser, (EM, 06 Jul 2012) 05 Dec 2012 | 16042/2012 | The Yokohama Rubber Co., Ltd.; 12-15B, A tyre, (JP, 08 Jun 2012) 07 Dec 2012 | 16160/2012 |
| Tan, Julienne; 02-02NES, Garment, 28 Nov 2012 | 15993/2012 | Thompson, Stewart; 23-01F, Fuel tank, 26 Nov 2012 | 16030/2012 |
| Techtronic Power Tools Technology Limited; 08-03, Universal interface for accessory blades, (US, 25 Jun 2012) 17 Dec 2012 | 16347/2012 | Thompson, Stewart; 23-01F, Fuel tank/water tank, 26 Nov 2012 | 16031/2012 |
| Techtronic Power Tools Technology Limited; 08-99, Universal interface for accessory blades, (US, 25 Jun 2012) 17 Dec 2012 | 16348/2012 | Tomil s.r.o.; 28-99, Fragrance dispenser, (EM, 08 Jun 2012) 05 Dec 2012 | 16050/2012 |
| Techtronic Power Tools Technology Limited; 08-99, Universal interface for accessory blades, (US, 25 Jun 2012) 17 Dec 2012 | 16350/2012 | Tomilo s.r.o.; 28-99, Fragrance dispenser, (EM, 08 Jun 2012) 05 Dec 2012 | 16052/2012 |
| Techtronic Power Tools Technology Limited; 08-03, Universal interface for accessory blades, (US, 25 Jun 2012) 17 Dec 2012 | 16346/2012 | Tropicana Products, Inc.; 09-01NES, Bottle, (US, 05 Jun 2012) 05 Dec 2012 | 16093/2012 |
| Techtronic Power Tools Technology Limited; 08-99, Universal interface for accessory blades, (US, 25 Jun 2012) 17 Dec 2012 | 16349/2012 | Uni-Quip Australia Pty Ltd; 08-08L, Bracket, 06 Dec 2012 | 16088/2012 |
| The Design Market;Plested, Michael; 20-02E, Retail display, 30 Nov 2012 | 15972/2012 | Uni-Quip Australia Pty Ltd; 08-08L, Bracket, 06 Dec 2012 | 16090/2012 |
| The Goodyear Tire & Rubber Company; 12-15B, Tyre for automobile, (JP, 26 Jun 2012) 12 Dec 2012 | 16320/2012 | Uni-Quip Australia Pty Ltd; 08-08L, Bracket, 06 Dec 2012 | 16089/2012 |
| | | Unilever PLC; 09-07A, Cap, (GB, 18 Jun 2012) 06 Dec 2012 | 16079/2012 |
| | | Unilever PLC; 09-01NES, Bottle, (EM, 18 Jun 2012) 06 Dec 2012 | 16083/2012 |
| | | Unilever PLC; 09-03M, Box, (EM, 22 Jun 2012) 06 Dec 2012 | 16082/2012 |

| | | | |
|---|-------------------|--|-------------------|
| Unilever PLC; 02-02NES, Point of sale display, (EM, 18 Jun 2012) 30 Nov 2012 | 16009/2012 | Wong, Chun Kin Minor; 14-01, Display screen for an electronic device, (US, 10 Jun 2012) 07 Dec 2012 | 16231/2012 |
| Unilever PLC; 03-01A, 09-04, 20-02NES, Point of sale basket, (EM, 19 Jun 2012) 30 Nov 2012 | 16007/2012 | World Kitchen (Asia Pacific) Pte Ltd; 09-01NES, 07-01F, Eco grip glass bottle, (SG, 04 Dec 2012) 07 Dec 2012 | 16162/2012 |
| Unilever PLC; 03-01A, 09-04, 02-02NES, Point of sale basket, (EM, 19 Jun 2012) 30 Nov 2012 | 16008/2012 | Wu, Yuewei; 08-03, Utility knife, (CN, 11 Jul 2012) 14 Dec 2012 | 16335/2012 |
| Unipod Pty Ltd; 25-02NES, Spacer, 12 Dec 2012 | 16303/2012 | Zadow, Colin Robert; 07-06NES, Drinking straw, 09 Dec 2012 | 16173/2012 |
| UCB Pharma SA; 10-04, 24-04, Drive device for administering medication, 05 Dec 2012 | 16098/2012 | Zhejiang Zhengte Group Co., Ltd; 06-01NES, Swing with adjustable seat, (CN, 20 Jul 2012) 29 Nov 2012 | 15994/2012 |
| UCB Pharma SA; 10-01, 24-04, Drive device for administering medication, (GB, 30 Jul 2012) 05 Dec 2012 | 16100/2012 | Zhejiang Zhengte Group Co., Ltd; 06-01NES, Adjustable shaded hammock, (CN, 05 Jul 2012) 29 Nov 2012 | 15995/2012 |
| UCB Pharma SA; 24-01, Cassette device for administering medication, (GB, 30 Jul 2012) 05 Dec 2012 | 16099/2012 | Zhenpei Pan; 08-06, Handle, 10 Dec 2012 | 16200/2012 |
| Van Os, Marcel;Karunamuni, Chanaka;Lemay, Stephen O.; 14-01, Display screen for an electronic device, (US, 10 Jun 2012) 07 Dec 2012 | 16227/2012 | 3M Innovative Properties Company; 24-99, Orthopedic pressure device, (US, 18 Jun 2012) 17 Dec 2012 | 16359/2012 |
| Van Os, Marcel;Karunamuni, Chanaka;Lemay, Stephen O.; 14-01, Display screen for an electronic device, (US, 10 Jun 2012) 07 Dec 2012 | 16229/2012 | 3M Innovative Properties Company; 24-99, Orthopedic pressure device, (US, 18 Jun 2012) 17 Dec 2012 | 16358/2012 |
| Visy R & D Pty Ltd; 09-03F, Tray, 27 Nov 2012 | 16023/2012 | 3M Innovative Properties Company; 08-08G, Hanger, (US, 06 Jun 2012) 05 Dec 2012 | 16049/2012 |
| Visy R & D Pty Ltd; 09-03F, Tray, 27 Nov 2012 | 16024/2012 | 3M Innovative Properties Company; 06-07, Mirror, (US, 06 Jun 2012) 05 Dec 2012 | 16051/2012 |
| Visy R & D Pty Ltd; 09-07B, Blank for forming a lid of a container, 03 Dec 2012 | 15997/2012 | 3M Innovative Properties Company; 23-02A, Shelf, (US, 06 Jun 2012) 05 Dec 2012 | 16048/2012 |
| Visy R & D Pty Ltd; 09-03M, Blank for forming a container, 03 Dec 2012 | 15998/2012 | 3M Innovative Properties Company; 23-02A, Corner caddy, (US, 06 Jun 2012) 05 Dec 2012 | 16046/2012 |
| Ward, Duncan James Fraser; 26-05D, Light fitting, 05 Dec 2012 | 16040/2012 | 4 x 4 Equip Pty Ltd; 12-16NES, 14-03NES, Adjustable aerial or flag pole spring base, 30 Nov 2012 | 16027/2012 |
| Ward, Duncan James Fraser; 26-05D, Light fitting, 05 Dec 2012 | 16039/2012 | | |

Applications Withdrawn

15371 / 2012 (08-05M)

15539 / 2012 (20-02NES)

Applications Lapsed

12180 / 2012 (23-04)

| | |
|-----------------------|-------------------------|
| 12489 / 2012 (12-16B) | 12410 / 2012 (23-04) |
| 13716 / 2012 (06-03B) | 12578 / 2012 (08-08NES) |
| 14238 / 2012 (11-01G) | 14051 / 2012 (25-01G) |
| 14345 / 2012 (09-07B) | 14327 / 2012 (06-06F) |
| 14347 / 2012 (14-03B) | 14346 / 2012 (09-07B) |
| 14408 / 2012 (13-03B) | 14348 / 2012 (16-01) |
| | 15922 / 2012 (06-06E) |

Extension of Period of Registration of Designs

| | | |
|--------|--------|--------|
| 317408 | 317515 | 317516 |
| 317517 | 317518 | 317782 |
| 317783 | 318019 | 318082 |
| 318087 | 318174 | 318175 |
| 318176 | 318267 | 318367 |
| 318637 | 318654 | 318721 |
| 318722 | 318766 | 318767 |
| 318768 | 318862 | 318863 |
| 318864 | 318870 | 318934 |
| 318936 | 318940 | 318951 |
| 318952 | 318953 | 318989 |
| 318998 | 319023 | 319028 |
| 319029 | 319030 | 319031 |
| 319063 | 319064 | 319065 |
| 319093 | 319094 | 319139 |
| 319151 | 319158 | 319159 |
| 319161 | 319162 | 319229 |
| 319232 | 319233 | 319234 |
| 319235 | 319242 | 319286 |
| 319295 | 319296 | 319297 |
| 319301 | 319305 | 319306 |
| 319323 | 319325 | 319330 |
| 319332 | 319333 | 319334 |
| 319335 | 319336 | 319337 |
| 319340 | 319357 | 319407 |
| 319409 | 319470 | 319528 |
| 319529 | 319530 | 319538 |
| 319539 | 319543 | 319548 |
| 319549 | 319550 | 319551 |
| 319552 | 319553 | 319570 |
| 319573 | 319599 | 319601 |
| 319602 | 319603 | 319604 |
| 319605 | 319606 | 319607 |
| 319608 | 319609 | 319625 |
| 319645 | 319646 | 319659 |
| 319661 | 319689 | 319701 |
| 319702 | 319703 | 319715 |
| 319987 | 319988 | 319989 |
| 319990 | 319994 | 320023 |
| 320097 | 320129 | 320196 |
| 320197 | 320198 | 320411 |
| 320974 | 321097 | 321098 |
| 321099 | 321100 | 321155 |
| 321235 | 321270 | 322076 |
| 322077 | 322078 | 322079 |
| 322080 | 322081 | 322210 |
| 322211 | 322212 | 322213 |
| 322214 | 322215 | 322216 |
| 322217 | 322218 | 322219 |
| 322220 | 322221 | 322222 |
| 322223 | 322224 | 322280 |

| | | |
|--------|--------|--------|
| 322761 | 322762 | 322763 |
| 322764 | 322765 | 322766 |
| 322767 | 323187 | 323289 |
| 332702 | 332731 | 344301 |
| 344302 | | |

Revocation of Design Registrations

The following Design Registration(s) have been revoked and are taken never to have been registered:

328448 12-10

Registrations Ceased

| | | |
|--------|--------|--------|
| 307401 | 314969 | 315090 |
| 315091 | 315092 | 315170 |
| 315268 | 315269 | 315270 |
| 315408 | 315419 | 315420 |
| 315425 | 315428 | 315429 |
| 315439 | 315440 | 315466 |
| 315467 | 315468 | 315469 |
| 315470 | 315477 | 315479 |
| 315481 | 315482 | 315483 |
| 315499 | 315505 | 315506 |
| 315507 | 315508 | 315509 |
| 315510 | 315515 | 315516 |
| 315517 | 315518 | 315519 |
| 315544 | 315546 | 315549 |
| 315551 | 315556 | 315557 |
| 315558 | 315559 | 315583 |
| 315585 | 315591 | 315592 |
| 315593 | 315608 | 315609 |
| 315612 | 315622 | 315623 |
| 315633 | 315636 | 315668 |
| 315669 | 315672 | 315677 |
| 315678 | 315679 | 315680 |
| 315682 | 315695 | 315696 |
| 315697 | 315699 | 315700 |
| 315701 | 315702 | 315898 |
| 316135 | 316136 | 316137 |
| 316138 | 316139 | 316140 |
| 316163 | 316459 | 316460 |
| 316461 | 316462 | 316463 |
| 316466 | 316482 | 316562 |
| 316563 | 316565 | 316578 |
| 316689 | 316741 | 316843 |
| 316844 | 317193 | 317194 |
| 317270 | 317271 | 317329 |
| 317413 | 330945 | 337757 |
| 337758 | 337759 | 339385 |
| 340988 | 341840 | 342132 |

Extensions of time granted under Section 137

Applications lodged under section 137 for extension of time have been granted.

337155 **Chaiya Suriyapornpun**

13716/2012 **Nathan Goldsworthy**

345972 **IDC Solutions Pty Ltd**

15170/2012 **Essandem Pty Ltd aft The Reed Trading Trust**

15922/2012 **Nathan Goldsworthy**

15930/2012 **Sulzer Metco (US) Inc**

Subsequent Owners Registered

(The name in parentheses is that of the subsequent owner)

- 334321 (**Entanglements Pty Ltd**) Helen Francis Neyland
- 334320 (**Entanglements Pty Ltd**) Helen Francis Neyland
- 335282 (**All Podiatry Pty Ltd**) Alan McCulloch
- 306523 (**ZETCO VALVES PTY LTD**) Zetco Pty Ltd
- 306524 (**ZETCO VALVES PTY LTD**) Zetco Pty Ltd
- 343159 (**ZETCO VALVES PTY LTD**) Zetco Pty Limited
- 343160 (**ZETCO VALVES PTY LTD**) Zetco Pty Limited
- 343161 (**ZETCO VALVES PTY LTD**) Zetco Pty Limited
- 343162 (**ZETCO VALVES PTY LTD**) Zetco Pty Limited
- 343125 (**ZETCO VALVES PTY LTD**) Zetco Pty Limited
- 343126 (**ZETCO VALVES PTY LTD**) Zetco Pty Limited
- 343127 (**ZETCO VALVES PTY LTD**) Zetco Pty Limited
- 343128 (**ZETCO VALVES PTY LTD**) Zetco Pty Limited
- 343129 (**ZETCO VALVES PTY LTD**) Zetco Pty Limited
- 343130 (**ZETCO VALVES PTY LTD**) Zetco Pty Limited
- 343131 (**ZETCO VALVES PTY LTD**) Zetco Pty Limited
- 343132 (**ZETCO VALVES PTY LTD**) Zetco Pty Limited
- 343133 (**ZETCO VALVES PTY LTD**) Zetco Pty Limited
- 343134 (**ZETCO VALVES PTY LTD**) Zetco Pty Limited
- 335077 (**All Podiatry Pty Ltd**) Alan McCulloch
- 343158 (**ZETCO VALVES PTY LTD**) Zetco Pty Limited
- 327037 (**JamHub Corporation**) JamHub LLC.
- 329301 (**JamHub Corporation**) JamHub LLC
- 335281 (**All Podiatry Pty Ltd**) Alan McCulloch

Names Registered - Alterations and Amendments

(The name in parentheses is that of the subsequent applicant)

- 340150 (**AeroDesign, Inc.**) Breathable Foods Inc.

Certificate(s) of Examination

Examination of the following Design Registration(s) has been completed. Infringement proceedings may now be commenced.

| | | |
|--------|----------|------------|
| 321051 | 08-08NES | 24/09/2012 |
| 331068 | 26-04 | 17/12/2012 |
| 335222 | 15-07 | 01/11/2012 |
| 338160 | 11-01NES | 04/12/2012 |
| 342089 | 06-03A | 11/12/2012 |
| 343143 | 26-03 | 12/12/2012 |
| 343144 | 26-03 | 18/12/2012 |
| 343291 | 12-10 | 04/12/2012 |
| 343958 | 21-02D | 11/12/2012 |
| 343993 | 26-05D | 07/12/2012 |
| 344352 | 11-01NES | 11/12/2012 |
| 344353 | 11-01NES | 11/12/2012 |
| 344354 | 11-01NES | 11/12/2012 |
| 344639 | 15-99 | 07/12/2012 |
| 344810 | 07-02L | 06/12/2012 |
| 345087 | 19-04 | 10/12/2012 |
| 345191 | 02-04B | 04/12/2012 |
| 345192 | 02-04B | 04/12/2012 |
| 345326 | 10-06 | 07/12/2012 |
| 345401 | 26-03 | 10/12/2012 |
| 345402 | 26-03 | 10/12/2012 |
| 345453 | 09-01K | 30/11/2012 |
| 345466 | 26-03 | 05/12/2012 |
| 345475 | 09-01K | 12/12/2012 |
| 345476 | 09-01K | 12/12/2012 |
| 345477 | 09-01K | 12/12/2012 |
| 345478 | 09-01K | 12/12/2012 |
| 345536 | 09-01K | 14/12/2012 |
| 345537 | 09-01K | 14/12/2012 |
| 345538 | 09-07A | 05/12/2012 |
| 345542 | 24-04 | 10/12/2012 |
| 345543 | 24-04 | 10/12/2012 |
| 345560 | 09-01K | 14/12/2012 |
| 345561 | 09-01K | 14/12/2012 |
| 345568 | 09-01G | 17/12/2012 |
| 345569 | 09-01G | 17/12/2012 |
| 345583 | 09-01G | 17/12/2012 |
| 345584 | 09-01G | 17/12/2012 |
| 345585 | 09-01G | 17/12/2012 |
| 345586 | 09-01G | 17/12/2012 |
| 345598 | 09-01G | 17/12/2012 |
| 345662 | 04-02 | 12/12/2012 |
| 345663 | 04-02 | 12/12/2012 |
| 345700 | 24-01 | 12/12/2012 |
| 345726 | 26-03 | 05/12/2012 |
| 345827 | 15-99 | 17/12/2012 |

Publication and Registration Proceedings

Designs Registered

This section provides a concordance between design number and registration number of Designs covered in this journal. It also shows the main class and registration date.

This section covers Registration numbers 345866 to 346020 .

The registration number shown below should be used in all future correspondence.

| Design Number | Registration Number | International Classification Code (IDC) | Registration Date | Design Number | Registration Number | International Classification Code (IDC) | Registration Date |
|----------------------|----------------------------|--|--------------------------|----------------------|----------------------------|--|--------------------------|
| 11565/2012 | 345934 | 25-01K | 10/12/2012 | 14979/2012 | 345937 | 08-07 | 10/12/2012 |
| 11674/2012 | 345963 | 02-02C | 12/12/2012 | 14983/2012 | 345950 | 15-99 | 10/12/2012 |
| 11846/2012 | 345948 | 12-10 | 10/12/2012 | 14984/2012 | 345951 | 15-99 | 10/12/2012 |
| 13462/2012 | 345949 | 15-99 | 10/12/2012 | 14985/2012 | 345952 | 15-99 | 10/12/2012 |
| 13882/2012 | 345967 | 19-07 | 12/12/2012 | 14986/2012 | 345953 | 15-99 | 10/12/2012 |
| 13884/2012 | 345910 | 27-01 | 06/12/2012 | 14987/2012 | 345954 | 15-99 | 10/12/2012 |
| 14170/2012 | 345972 | 25-01D | 12/12/2012 | 14988/2012 | 345955 | 15-99 | 10/12/2012 |
| 14293/2012 | 345885 | 14-02 | 04/12/2012 | 15012/2012 | 345976 | 26-05E | 12/12/2012 |
| 14294/2012 | 345886 | 14-02 | 04/12/2012 | 15078/2012 | 345890 | 26-05E | 04/12/2012 |
| 14295/2012 | 345887 | 14-02 | 04/12/2012 | 15079/2012 | 345891 | 26-05E | 04/12/2012 |
| 14296/2012 | 345888 | 14-02 | 04/12/2012 | 15080/2012 | 345892 | 26-05E | 04/12/2012 |
| 14297/2012 | 345889 | 14-02 | 04/12/2012 | 15093/2012 | 345908 | 09-01H | 05/12/2012 |
| 14349/2012 | 345902 | 13-03NES | 05/12/2012 | 15094/2012 | 345909 | 09-01H | 05/12/2012 |
| 14383/2012 | 345903 | 14-01 | 05/12/2012 | 15143/2012 | 346020 | 09-07A | 17/12/2012 |
| 14409/2012 | 345935 | 07-02NES | 10/12/2012 | 15251/2012 | 345938 | 08-07 | 10/12/2012 |
| 14410/2012 | 345936 | 07-02NES | 10/12/2012 | 15280/2012 | 345924 | 03-01D | 10/12/2012 |
| 14422/2012 | 345904 | 07-03 | 05/12/2012 | 15281/2012 | 345925 | 03-01D | 10/12/2012 |
| 14423/2012 | 345905 | 07-03 | 05/12/2012 | 15329/2012 | 345926 | 23-02NES | 10/12/2012 |
| 14430/2012 | 345906 | 07-01B | 05/12/2012 | 15361/2012 | 345994 | 12-15A | 14/12/2012 |
| 14446/2012 | 345920 | 14-04 | 10/12/2012 | 15393/2012 | 345985 | 12-12 | 14/12/2012 |
| 14486/2012 | 346008 | 15-99 | 17/12/2012 | 15394/2012 | 345919 | 26-03 | 07/12/2012 |
| 14487/2012 | 346009 | 23-01G | 17/12/2012 | 15405/2012 | 345915 | 09-03M | 06/12/2012 |
| 14493/2012 | 345973 | 27-99 | 12/12/2012 | 15419/2012 | 345893 | 25-03 | 04/12/2012 |
| 14514/2012 | 345974 | 09-01H | 12/12/2012 | 15420/2012 | 346005 | 23-04 | 14/12/2012 |
| 14546/2012 | 345921 | 15-05 | 10/12/2012 | 15559/2012 | 345911 | 20-01 | 06/12/2012 |
| 14552/2012 | 346010 | 21-02C | 17/12/2012 | 15563/2012 | 345986 | 08-08C | 14/12/2012 |
| 14565/2012 | 345907 | 13-03C | 05/12/2012 | 15594/2012 | 345894 | 20-02C | 04/12/2012 |
| 14572/2012 | 345896 | 12-08 | 05/12/2012 | 15595/2012 | 345895 | 20-02C | 04/12/2012 |
| 14637/2012 | 345981 | 08-08L | 14/12/2012 | 15596/2012 | 345866 | 09-08 | 04/12/2012 |
| 14690/2012 | 346011 | 06-01E | 17/12/2012 | 15597/2012 | 345867 | 09-08 | 04/12/2012 |
| 14691/2012 | 346012 | 06-01E | 17/12/2012 | 15598/2012 | 345868 | 09-08 | 04/12/2012 |
| 14713/2012 | 345975 | 09-03L | 12/12/2012 | 15599/2012 | 345869 | 09-08 | 04/12/2012 |
| 14715/2012 | 345899 | 07-01NES | 05/12/2012 | 15604/2012 | 345912 | 23-01NES | 06/12/2012 |
| 14716/2012 | 345900 | 07-01NES | 05/12/2012 | 15609/2012 | 345916 | 24-04 | 06/12/2012 |
| 14717/2012 | 345901 | 07-01NES | 05/12/2012 | 15610/2012 | 345917 | 24-04 | 06/12/2012 |
| 14759/2012 | 345964 | 02-02C | 12/12/2012 | 15611/2012 | 345918 | 24-04 | 06/12/2012 |
| 14760/2012 | 345965 | 02-02C | 12/12/2012 | 15612/2012 | 345884 | 28-99 | 04/12/2012 |
| 14761/2012 | 345966 | 02-02C | 12/12/2012 | 15613/2012 | 345883 | 28-99 | 04/12/2012 |
| 14765/2012 | 346013 | 12-07 | 17/12/2012 | 15614/2012 | 345882 | 23-02C | 04/12/2012 |
| 14766/2012 | 346014 | 25-01A | 17/12/2012 | 15615/2012 | 345881 | 23-02A | 04/12/2012 |
| 14793/2012 | 346015 | 14-01 | 17/12/2012 | 15616/2012 | 345880 | 23-02A | 04/12/2012 |
| 14794/2012 | 346016 | 12-16NES | 17/12/2012 | 15617/2012 | 345879 | 23-02A | 04/12/2012 |
| 14800/2012 | 345982 | 12-11 | 14/12/2012 | 15618/2012 | 345878 | 23-02A | 04/12/2012 |
| 14805/2012 | 345983 | 03-01D | 14/12/2012 | 15619/2012 | 345877 | 23-02A | 04/12/2012 |
| 14809/2012 | 345922 | 08-08NES | 10/12/2012 | 15620/2012 | 345870 | 09-09 | 04/12/2012 |
| 14810/2012 | 345923 | 08-08NES | 10/12/2012 | 15621/2012 | 345871 | 09-09 | 04/12/2012 |
| 14841/2012 | 346017 | 13-03E | 17/12/2012 | 15622/2012 | 345872 | 09-09 | 04/12/2012 |
| 14899/2012 | 346018 | 08-06 | 17/12/2012 | 15625/2012 | 345873 | 07-02N | 04/12/2012 |
| 14964/2012 | 346019 | 13-03NES | 17/12/2012 | 15628/2012 | 345874 | 15-01 | 04/12/2012 |
| 14965/2012 | 345984 | 13-03NES | 14/12/2012 | 15629/2012 | 345875 | 23-02NES | 04/12/2012 |

Publication and Registration Proceedings - Designs Registered cont'd

| Design Number | Registration Number | International Classification Code (IDC) | Registration Date | Design Number | Registration Number | International Classification Code (IDC) | Registration Date |
|---------------|---------------------|---|-------------------|---------------|---------------------|---|-------------------|
| 15644/2012 | 345876 | 09-03L | 04/12/2012 | 15768/2012 | 345996 | 08-08L | 14/12/2012 |
| 15647/2012 | 345897 | 10-04 | 05/12/2012 | 15769/2012 | 345997 | 09-09 | 14/12/2012 |
| 15655/2012 | 345927 | 15-05 | 10/12/2012 | 15770/2012 | 345998 | 12-15NES | 14/12/2012 |
| 15656/2012 | 345928 | 21-03 | 10/12/2012 | 15771/2012 | 345999 | 26-06 | 14/12/2012 |
| 15657/2012 | 345898 | 07-07NES | 05/12/2012 | 15772/2012 | 345944 | 14-01 | 10/12/2012 |
| 15659/2012 | 345913 | 20-02NES | 06/12/2012 | 15773/2012 | 345945 | 02-03 | 10/12/2012 |
| 15660/2012 | 345914 | 24-02 | 06/12/2012 | 15774/2012 | 345946 | 02-03 | 10/12/2012 |
| 15661/2012 | 345939 | 14-02 | 10/12/2012 | 15792/2012 | 345959 | 09-09 | 10/12/2012 |
| 15662/2012 | 345940 | 14-02 | 10/12/2012 | 15793/2012 | 345960 | 08-03 | 10/12/2012 |
| 15663/2012 | 345941 | 14-02 | 10/12/2012 | 15816/2012 | 346006 | 02-03 | 14/12/2012 |
| 15664/2012 | 345942 | 14-02 | 10/12/2012 | 15817/2012 | 345969 | 13-03D | 12/12/2012 |
| 15665/2012 | 345943 | 14-02 | 10/12/2012 | 15818/2012 | 345970 | 13-03D | 12/12/2012 |
| 15692/2012 | 345995 | 09-01NES | 14/12/2012 | 15820/2012 | 345971 | 23-04 | 12/12/2012 |
| 15700/2012 | 345929 | 01-01 | 10/12/2012 | 15828/2012 | 345977 | 26-06 | 13/12/2012 |
| 15701/2012 | 345930 | 01-01 | 10/12/2012 | 15829/2012 | 345978 | 26-06 | 13/12/2012 |
| 15702/2012 | 345931 | 01-01 | 10/12/2012 | 15831/2012 | 346007 | 26-06 | 14/12/2012 |
| 15703/2012 | 345932 | 01-01 | 10/12/2012 | 15832/2012 | 345979 | 26-06 | 13/12/2012 |
| 15705/2012 | 345968 | 14-04 | 12/12/2012 | 15833/2012 | 345980 | 25-03 | 13/12/2012 |
| 15714/2012 | 345958 | 09-02NES | 10/12/2012 | 15837/2012 | 346000 | 24-02 | 14/12/2012 |
| 15728/2012 | 345987 | 08-08L | 14/12/2012 | 15838/2012 | 346001 | 09-03G | 14/12/2012 |
| 15755/2012 | 345988 | 07-02F | 14/12/2012 | 15840/2012 | 346002 | 12-15C | 14/12/2012 |
| 15756/2012 | 345989 | 08-08NES | 14/12/2012 | 15841/2012 | 346003 | 12-15C | 14/12/2012 |
| 15757/2012 | 345990 | 08-08NES | 14/12/2012 | 15941/2012 | 345947 | 25-01K | 10/12/2012 |
| 15758/2012 | 345961 | 24-02 | 11/12/2012 | 16068/2012 | 346004 | 23-04 | 14/12/2012 |
| 15759/2012 | 345962 | 24-02 | 11/12/2012 | 16141/2012 | 345956 | 15-99 | 10/12/2012 |
| 15760/2012 | 345933 | 24-02 | 10/12/2012 | 16142/2012 | 345957 | 15-99 | 10/12/2012 |
| 15763/2012 | 345991 | 21-02C | 14/12/2012 | | | | |
| 15764/2012 | 345992 | 21-02C | 14/12/2012 | | | | |
| 15767/2012 | 345993 | 09-09 | 14/12/2012 | | | | |

Publication and Registration Proceedings

Class Listing of Designs Published or Registered

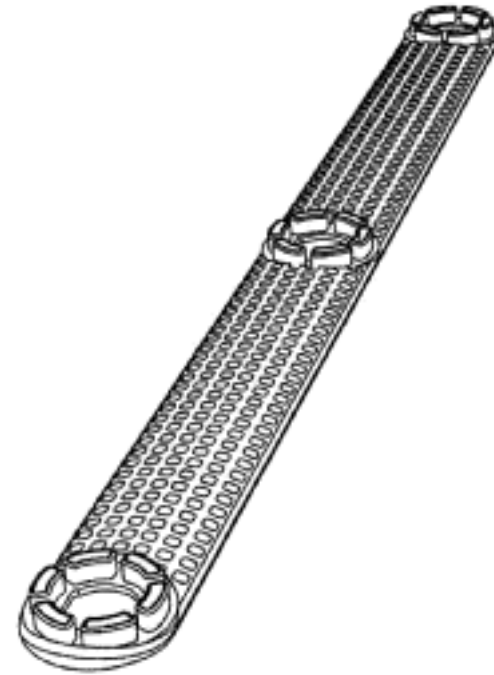
The following section shows an International Classification Code listing of the Registered or Published Designs covered in this supplement.

| Classification | Registration Number | Design Number | Classification | Registration Number | Design Number |
|-----------------------|----------------------------|----------------------|-----------------------|----------------------------|----------------------|
| 01-01 | 345929 | 15700/2012 | 09-07NES | 345955 | 14988/2012 |
| 01-01 | 345930 | 15701/2012 | 09-07NES | 345989 | 15756/2012 |
| 01-01 | 345931 | 15702/2012 | 09-07NES | 345990 | 15757/2012 |
| 01-01 | 345932 | 15703/2012 | 09-08 | 345866 | 15596/2012 |
| 02-02C | 345963 | 11674/2012 | 09-08 | 345867 | 15597/2012 |
| 02-02C | 345964 | 14759/2012 | 09-08 | 345868 | 15598/2012 |
| 02-02C | 345965 | 14760/2012 | 09-08 | 345869 | 15599/2012 |
| 02-02C | 345966 | 14761/2012 | 09-09 | 345870 | 15620/2012 |
| 02-03 | 345945 | 15773/2012 | 09-09 | 345871 | 15621/2012 |
| 02-03 | 345946 | 15774/2012 | 09-09 | 345872 | 15622/2012 |
| 02-03 | 346006 | 15816/2012 | 09-09 | 345959 | 15792/2012 |
| 03-01D | 345924 | 15280/2012 | 09-09 | 345993 | 15767/2012 |
| 03-01D | 345925 | 15281/2012 | 09-09 | 345997 | 15769/2012 |
| 03-01D | 345983 | 14805/2012 | 10-04 | 345897 | 15647/2012 |
| 06-01E | 346011 | 14690/2012 | 12-05 | 345984 | 14965/2012 |
| 06-01E | 346012 | 14691/2012 | 12-05 | 346019 | 14964/2012 |
| 07-01B | 345906 | 14430/2012 | 12-07 | 346013 | 14765/2012 |
| 07-01NES | 345899 | 14715/2012 | 12-08 | 345896 | 14572/2012 |
| 07-01NES | 345900 | 14716/2012 | 12-10 | 345948 | 11846/2012 |
| 07-01NES | 345901 | 14717/2012 | 12-11 | 345982 | 14800/2012 |
| 07-02F | 345988 | 15755/2012 | 12-11 | 346013 | 14765/2012 |
| 07-02N | 345873 | 15625/2012 | 12-12 | 345985 | 15393/2012 |
| 07-02NES | 345935 | 14409/2012 | 12-15A | 345994 | 15361/2012 |
| 07-02NES | 345936 | 14410/2012 | 12-15C | 346002 | 15840/2012 |
| 07-03 | 345904 | 14422/2012 | 12-15C | 346003 | 15841/2012 |
| 07-03 | 345905 | 14423/2012 | 12-15NES | 345998 | 15770/2012 |
| 07-07NES | 345898 | 15657/2012 | 12-16B | 345948 | 11846/2012 |
| 08-03 | 345960 | 15793/2012 | 12-16B | 345982 | 14800/2012 |
| 08-06 | 346018 | 14899/2012 | 12-16NES | 346016 | 14794/2012 |
| 08-07 | 345937 | 14979/2012 | 13-03C | 345907 | 14565/2012 |
| 08-07 | 345938 | 15251/2012 | 13-03D | 345969 | 15817/2012 |
| 08-08C | 345986 | 15563/2012 | 13-03D | 345970 | 15818/2012 |
| 08-08L | 345981 | 14637/2012 | 13-03E | 346017 | 14841/2012 |
| 08-08L | 345987 | 15728/2012 | 13-03NES | 345902 | 14349/2012 |
| 08-08L | 345996 | 15768/2012 | 13-03NES | 345984 | 14965/2012 |
| 08-08M | 345987 | 15728/2012 | 13-03NES | 346019 | 14964/2012 |
| 08-08NES | 345922 | 14809/2012 | 14-01 | 345903 | 14383/2012 |
| 08-08NES | 345923 | 14810/2012 | 14-01 | 345944 | 15772/2012 |
| 08-08NES | 345989 | 15756/2012 | 14-01 | 346015 | 14793/2012 |
| 08-08NES | 345990 | 15757/2012 | 14-02 | 345885 | 14293/2012 |
| 09-01H | 345908 | 15093/2012 | 14-02 | 345886 | 14294/2012 |
| 09-01H | 345909 | 15094/2012 | 14-02 | 345887 | 14295/2012 |
| 09-01H | 345974 | 14514/2012 | 14-02 | 345888 | 14296/2012 |
| 09-01NES | 345995 | 15692/2012 | 14-02 | 345889 | 14297/2012 |
| 09-02NES | 345958 | 15714/2012 | 14-02 | 345939 | 15661/2012 |
| 09-03G | 346001 | 15838/2012 | 14-02 | 345940 | 15662/2012 |
| 09-03L | 345876 | 15644/2012 | 14-02 | 345941 | 15663/2012 |
| 09-03L | 345975 | 14713/2012 | 14-02 | 345942 | 15664/2012 |
| 09-03M | 345915 | 15405/2012 | 14-02 | 345943 | 15665/2012 |
| 09-07A | 345953 | 14986/2012 | 14-04 | 345920 | 14446/2012 |
| 09-07A | 346020 | 15143/2012 | 14-04 | 345968 | 15705/2012 |
| 09-07B | 345995 | 15692/2012 | 15-01 | 345874 | 15628/2012 |
| 09-07NES | 345954 | 14987/2012 | 15-05 | 345921 | 14546/2012 |

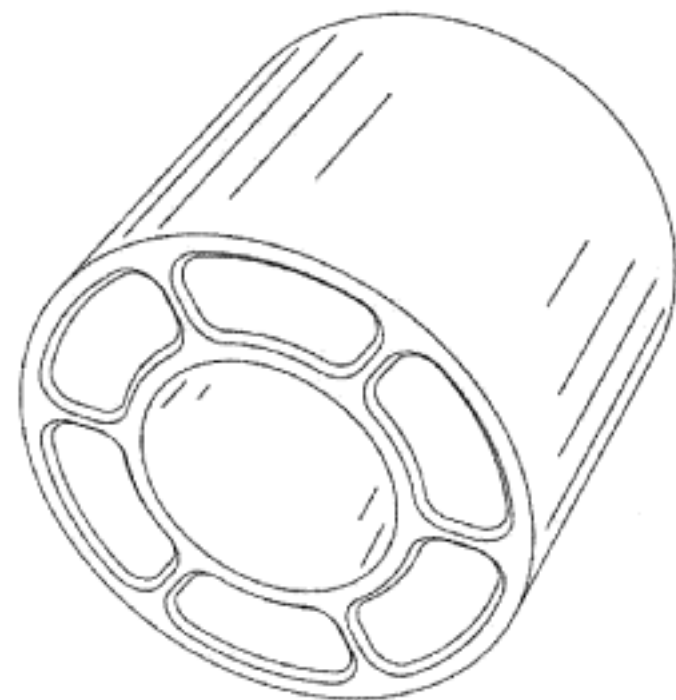
Registration Proceedings - Class Listing of Designs Published or Registered cont'd

| Classification | Registration Number | Design Number | Classification | Registration Number | Design Number |
|----------------|---------------------|---------------|----------------|---------------------|---------------|
| 15-05 | 345927 | 15655/2012 | 24-02 | 345933 | 15760/2012 |
| 15-99 | 345949 | 13462/2012 | 24-02 | 345961 | 15758/2012 |
| 15-99 | 345950 | 14983/2012 | 24-02 | 345962 | 15759/2012 |
| 15-99 | 345951 | 14984/2012 | 24-02 | 346000 | 15837/2012 |
| 15-99 | 345952 | 14985/2012 | 24-04 | 345916 | 15609/2012 |
| 15-99 | 345953 | 14986/2012 | 24-04 | 345917 | 15610/2012 |
| 15-99 | 345954 | 14987/2012 | 24-04 | 345918 | 15611/2012 |
| 15-99 | 345955 | 14988/2012 | 25-01A | 346014 | 14766/2012 |
| 15-99 | 345956 | 16141/2012 | 25-01C | 345947 | 15941/2012 |
| 15-99 | 345957 | 16142/2012 | 25-01D | 345972 | 14170/2012 |
| 15-99 | 346008 | 14486/2012 | 25-01K | 345934 | 11565/2012 |
| 19-07 | 345967 | 13882/2012 | 25-01K | 345947 | 15941/2012 |
| 20-01 | 345911 | 15559/2012 | 25-03 | 345893 | 15419/2012 |
| 20-02C | 345894 | 15594/2012 | 25-03 | 345980 | 15833/2012 |
| 20-02C | 345895 | 15595/2012 | 26-03 | 345919 | 15394/2012 |
| 20-02NES | 345913 | 15659/2012 | 26-04 | 345976 | 15012/2012 |
| 21-02C | 345991 | 15763/2012 | 26-05C | 345976 | 15012/2012 |
| 21-02C | 345992 | 15764/2012 | 26-05E | 345890 | 15078/2012 |
| 21-02C | 346010 | 14552/2012 | 26-05E | 345891 | 15079/2012 |
| 21-03 | 345928 | 15656/2012 | 26-05E | 345892 | 15080/2012 |
| 23-01G | 346009 | 14487/2012 | 26-05E | 345976 | 15012/2012 |
| 23-01NES | 345912 | 15604/2012 | 26-06 | 345977 | 15828/2012 |
| 23-02A | 345877 | 15619/2012 | 26-06 | 345978 | 15829/2012 |
| 23-02A | 345878 | 15618/2012 | 26-06 | 345979 | 15832/2012 |
| 23-02A | 345879 | 15617/2012 | 26-06 | 345999 | 15771/2012 |
| 23-02A | 345880 | 15616/2012 | 26-06 | 346007 | 15831/2012 |
| 23-02A | 345881 | 15615/2012 | 27-01 | 345910 | 13884/2012 |
| 23-02C | 345882 | 15614/2012 | 27-99 | 345973 | 14493/2012 |
| 23-02NES | 345875 | 15629/2012 | 28-99 | 345883 | 15613/2012 |
| 23-02NES | 345926 | 15329/2012 | 28-99 | 345884 | 15612/2012 |
| 23-04 | 345971 | 15820/2012 | 30-99 | 346001 | 15838/2012 |
| 23-04 | 346004 | 16068/2012 | | | |
| 23-04 | 346005 | 15420/2012 | | | |
| 24-02 | 345914 | 15660/2012 | | | |

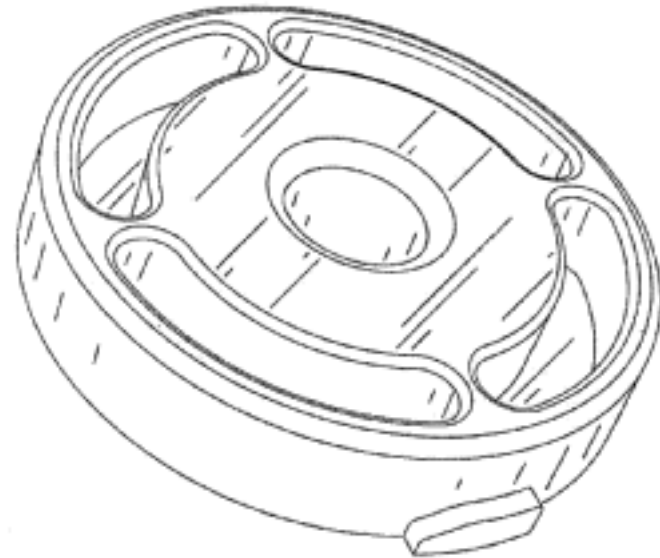
(21) Design Number: **15596/2012**
(22) Date of Filing Application: **09 November 2012**
(24) Date from which industrial property rights may have effect: **24 August 2012**
(54) Product in respect of which the design is registered: **A part of a loading pallet**
(51) International Design Classification: **09-08**
(74) Name(s) of Attorney(s): **Griffith Hack**
(71) Name(s) and Address(s) of Applicant(s):
Jorgen Haglund
Krongardsvagen 3 Varby 145 46 Sweden
(72) Name(s) of Designer(s): **Jorgen Haglund**
(45) Registration Date: **04 December 2012**
(62) Divisional of: **14193/2012**
(56) Related Art Documents: **Not Applicable**
(57) Statement of Newness and Distinctiveness: **Nil**



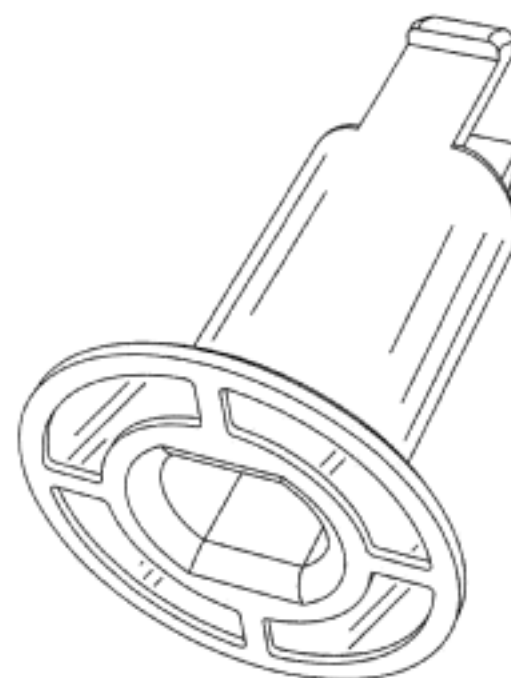
(21) Design Number: **15597/2012**
(22) Date of Filing Application: **09 November 2012**
(24) Date from which industrial property rights may have effect: **24 August 2012**
(54) Product in respect of which the design is registered: **A part of a loading pallet**
(51) International Design Classification: **09-08**
(74) Name(s) of Attorney(s): **Griffith Hack**
(71) Name(s) and Address(s) of Applicant(s):
Jorgen Haglund
Krongardsvagen 3 Varby 145 46 Sweden
(72) Name(s) of Designer(s): **Jorgen Haglund**
(45) Registration Date: **04 December 2012**
(62) Divisional of: **14193/2012**
(56) Related Art Documents: **Not Applicable**
(57) Statement of Newness and Distinctiveness: **Nil**



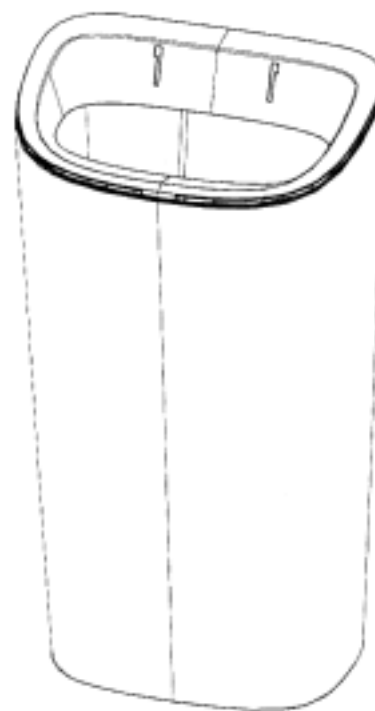
(21) Design Number: **15598/2012**
(22) Date of Filing Application: **09 November 2012**
(24) Date from which industrial property rights may have effect: **24 August 2012**
(54) Product in respect of which the design is registered: **A part of a loading pallet**
(51) International Design Classification: **09-08**
(74) Name(s) of Attorney(s): **Griffith Hack**
(71) Name(s) and Address(s) of Applicant(s):
Jorgen Haglund
Krongardsvagen 3 Varby 145 46 Sweden
(72) Name(s) of Designer(s): **Jorgen Haglund**
(45) Registration Date: **04 December 2012**
(62) Divisional of: **14193/2012**
(56) Related Art Documents: **Not Applicable**
(57) Statement of Newness and Distinctiveness: **Nil**



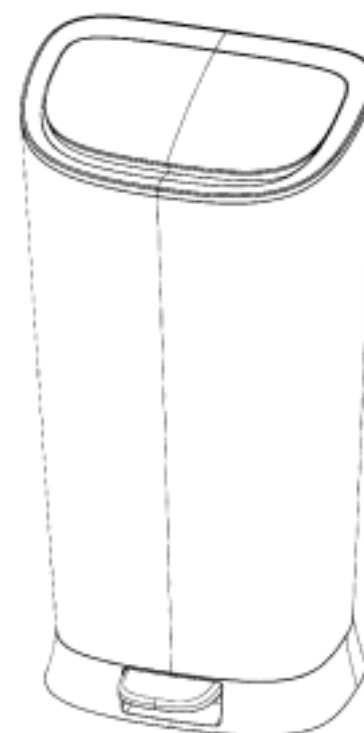
(21) Design Number: **15599/2012**
(22) Date of Filing Application: **09 November 2012**
(24) Date from which industrial property rights may have effect: **24 August 2012**
(54) Product in respect of which the design is registered: **A part of a loading pallet**
(51) International Design Classification: **09-08**
(74) Name(s) of Attorney(s): **Griffith Hack**
(71) Name(s) and Address(s) of Applicant(s):
Jorgen Haglund
Krongardsvagen 3 Varby 145 46 Sweden
(72) Name(s) of Designer(s): **Jorgen Haglund**
(45) Registration Date: **04 December 2012**
(62) Divisional of: **14193/2012**
(56) Related Art Documents: **Not Applicable**
(57) Statement of Newness and Distinctiveness: **Nil**



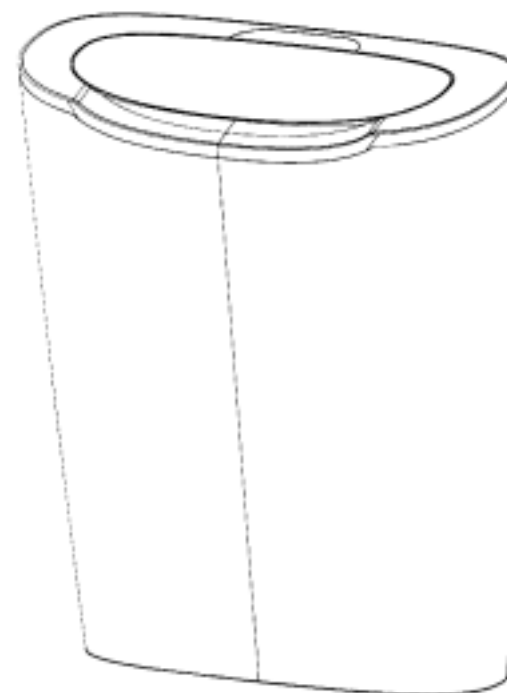
- (21) Design Number: **15620/2012**
(22) Date of Filing Application: **12 November 2012**
(24) Date from which industrial property rights may have effect: **12 November 2012**
(54) Product in respect of which the design is registered: **Waste bin**
(51) International Design Classification: **09-09**
(74) Name(s) of Attorney(s): **FB Rice**
(71) Name(s) and Address(s) of Applicant(s):
Rentokil Initial 1927 plc
2 City Place Beehive Ring Road Gatwick Airport West Sussex RH6 0HA
United Kingdom
(72) Name(s) of Designer(s): **Jeremy Ting Kung Sun and Michael Chong Nam Toh and Ryan Kian Seng Toh and Daze Lee and Danny Wen Hing Chu and Sit Wai Yong and Yazim Bin Ahmad and Chin Leong Kewk and Tsin Tsung Ooi**
(45) Registration Date: **04 December 2012**
(56) Related Art Documents: **Not Applicable**
(57) Statement of Newness and Distinctiveness: **Newness and distinctiveness reside in the features of the design as shown in the representations.**



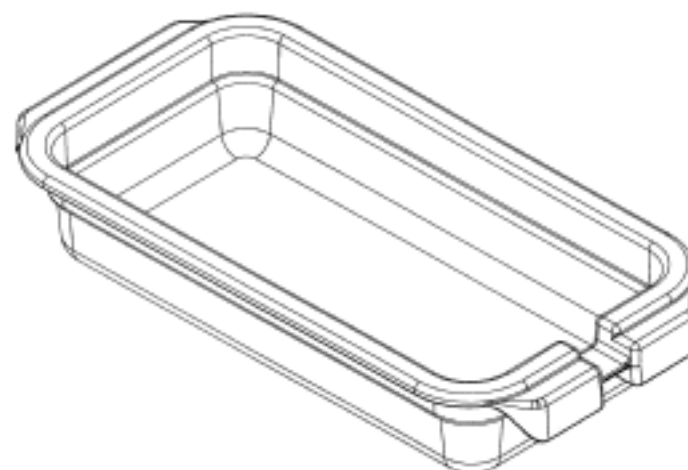
- (21) Design Number: **15621/2012**
(22) Date of Filing Application: **12 November 2012**
(24) Date from which industrial property rights may have effect: **12 November 2012**
(54) Product in respect of which the design is registered: **Waste bin**
(51) International Design Classification: **09-09**
(74) Name(s) of Attorney(s): **FB Rice**
(71) Name(s) and Address(s) of Applicant(s):
Rentokil Initial 1927 plc
2 City Place Beehive Ring Road Gatwick Airport West Sussex RH6 0HA
United Kingdom
(72) Name(s) of Designer(s): **Jeremy Ting Kung Sun and Michael Chong Nam Toh and Ryan Kian Seng Toh and Daze Lee and Danny Wen Hing Chu and Sit Wai Yong and Yazim Bin Ahmad and Chin Leong Kewk and Tsin Tsung Ooi**
(45) Registration Date: **04 December 2012**
(56) Related Art Documents: **Not Applicable**
(57) Statement of Newness and Distinctiveness: **Newness and distinctiveness reside in the features of the design as shown in the representations.**



- (21) Design Number: **15622/2012**
(22) Date of Filing Application: **12 November 2012**
(24) Date from which industrial property rights may have effect: **12 November 2012**
(54) Product in respect of which the design is registered: **Waste bin for feminine hygiene product**
(51) International Design Classification: **09-09**
(74) Name(s) of Attorney(s): **FB Rice**
(71) Name(s) and Address(s) of Applicant(s):
Rentokil Initial 1927 plc
2 City Place Beehive Ring Road Gatwick Airport West Sussex RH6 0HA
United Kingdom
(72) Name(s) of Designer(s): **Jeremy Ting Kung Sun and Michael Chong Nam Toh and Ryan Kian Seng Toh and Daze Lee and Danny Wen Hing Chu and Sit Wai Yong and Yazim Bin Ahmad and Chin Leong Kewk and Tsin Tsung Ooi**
(45) Registration Date: **04 December 2012**
(56) Related Art Documents: **Not Applicable**
(57) Statement of Newness and Distinctiveness: **Newness and distinctiveness reside in the features of the design as shown in the representations.**



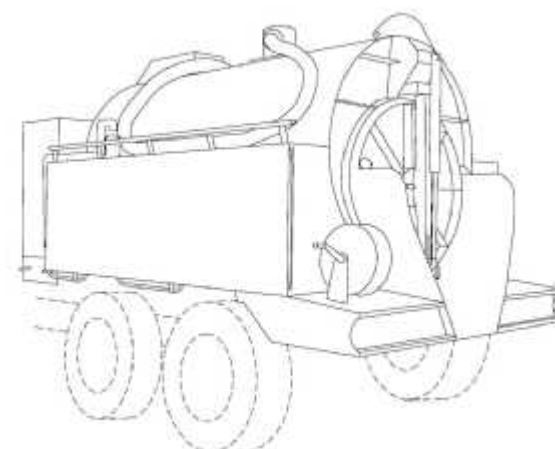
- (21) Design Number: **15625/2012**
(22) Date of Filing Application: **12 November 2012**
(24) Date from which industrial property rights may have effect: **12 November 2012**
(54) Product in respect of which the design is registered: **Pan**
(51) International Design Classification: **07-02N**
(74) Name(s) of Attorney(s): **E F Wellington & Co**
(71) Name(s) and Address(s) of Applicant(s):
Duke Manufacturing Co.
2305 North Broadway St. Louis Missouri 63102 United States of America
(72) Name(s) of Designer(s): **Christopher Seay Green and Robert J. Reese and Ralph Lee Macy**
(45) Registration Date: **04 December 2012**
(30) Convention priority data:
(31) Number (32) Date (33) Country
29/422,085 16 May 2012 UNITED STATES OF AMERICA
(56) Related Art Documents: **Not Applicable**
(57) Statement of Newness and Distinctiveness: **Nil**



- (21) Design Number: **15628/2012**
(22) Date of Filing Application: **14 November 2012**
(24) Date from which industrial property rights may have effect: **14 November 2012**
(54) Product in respect of which the design is registered: **A static turbo impeller**
(51) International Design Classification: **15-01**
(74) Name(s) of Attorney(s):
(71) Name(s) and Address(s) of Applicant(s):
Australian Tool Manufacturers Pty Ltd
C/- Michael Buck IP PO BOX 4361 St Lucia QLD 4067 Australia
(72) Name(s) of Designer(s): **Nicholas Searle Green**
(45) Registration Date: **04 December 2012**
(56) Related Art Documents: **Not Applicable**
(57) Statement of Newness and Distinctiveness: **The shape and configuration of a static turbo impeller as depicted in the accompanying representations.**



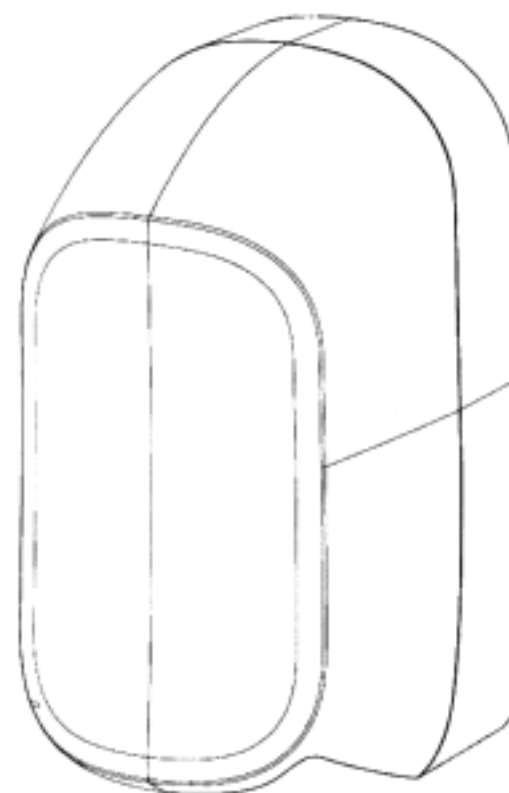
- (21) Design Number: **15629/2012**
(22) Date of Filing Application: **13 November 2012**
(24) Date from which industrial property rights may have effect: **13 November 2012**
(54) Product in respect of which the design is registered: **Transportable waste processing tank type A**
(51) International Design Classification: **23-02NES**
(74) Name(s) of Attorney(s): **Pegasus IP**
(71) Name(s) and Address(s) of Applicant(s):
Vac-U-Digga R&D Pty. Ltd.
L1 Il Main St Beenleigh QLD 4207 Australia
(72) Name(s) of Designer(s): **Neil Costello and Jack Beach**
(45) Registration Date: **04 December 2012**
(56) Related Art Documents: **Not Applicable**
(57) Statement of Newness and Distinctiveness: **Newness and distinctiveness resides in the shape and/or configuration of the product as shown in the reps.**



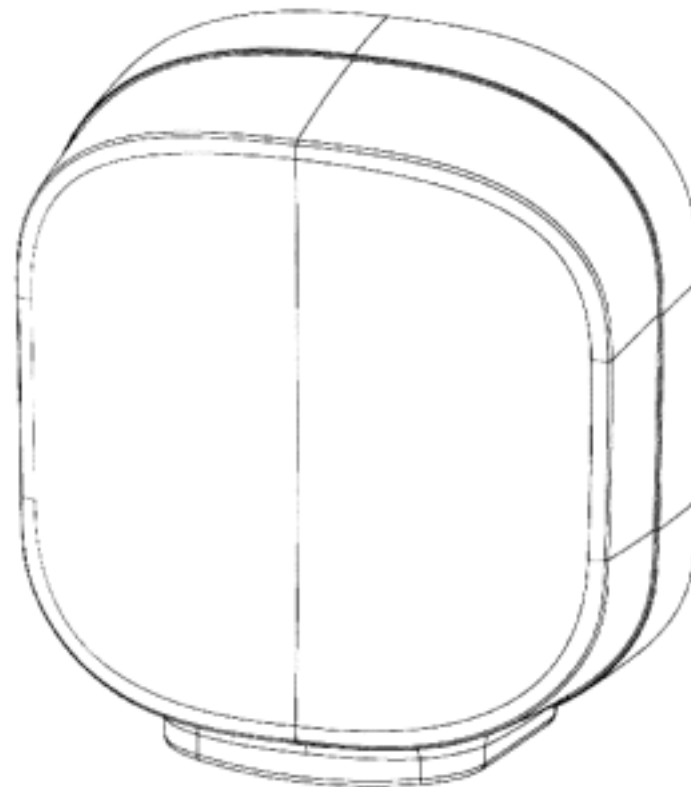
- (21) Design Number: **15644/2012**
(22) Date of Filing Application: **14 November 2012**
(24) Date from which industrial property rights may have effect: **14 November 2012**
(54) Product in respect of which the design is registered: **Container**
(51) International Design Classification: **09-03L**
(74) Name(s) of Attorney(s): **Actuate IP**
(71) Name(s) and Address(s) of Applicant(s):
Fit Laboratories Pty Ltd
211 Flemington Rd North Melbourne VIC 3051 Australia
(72) Name(s) of Designer(s): **John Ring and William Mark Ring**
(45) Registration Date: **04 December 2012**
(56) Related Art Documents: **Not Applicable**
(57) Statement of Newness and Distinctiveness: **Newness and distinctiveness is claimed in the shape and configuration and the different coloured segments of the CONTAINER as illustrated in the accompanying representations. The segments can be any combination of colours.**



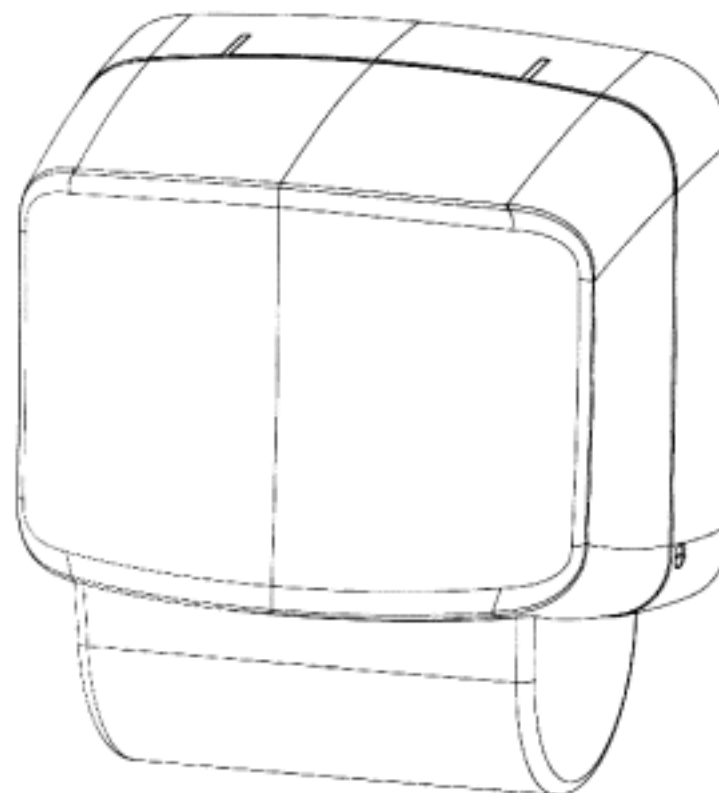
- (21) Design Number: **15619/2012**
(22) Date of Filing Application: **12 November 2012**
(24) Date from which industrial property rights may have effect: **12 November 2012**
(54) Product in respect of which the design is registered: **Toilet roll dispenser**
(51) International Design Classification: **23-02A**
(74) Name(s) of Attorney(s): **FB Rice**
(71) Name(s) and Address(s) of Applicant(s):
Rentokil Initial 1927 plc
2 City Place Beehive Ring Road Gatwick Airport West Sussex RH6 0HA
United Kingdom
(72) Name(s) of Designer(s): **Jeremy Ting Kung Sun and Michael Chong Nam Toh and Ryan Kian Seng Toh and Daze Lee and Danny Wen Hing Chu and Sit Wai Yong and Yazim Bin Ahmad and Chin Leong Kewk and Tsin Tsung Ooi**
(45) Registration Date: **04 December 2012**
(56) Related Art Documents: **Not Applicable**
(57) Statement of Newness and Distinctiveness: **Newness and distinctiveness reside in the features of the design as shown in the representations.**



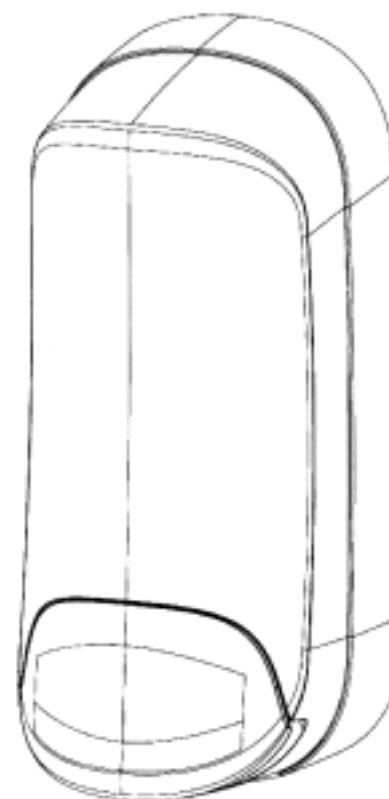
- (21) Design Number: **15618/2012**
(22) Date of Filing Application: **12 November 2012**
(24) Date from which industrial property rights may have effect: **12 November 2012**
(54) Product in respect of which the design is registered: **Tissue dispenser**
(51) International Design Classification: **23-02A**
(74) Name(s) of Attorney(s): **FB Rice**
(71) Name(s) and Address(s) of Applicant(s):
Rentokil Initial 1927 plc
2 City Place Beehive Ring Road Gatwick Airport West Sussex RH6 0HA
United Kingdom
(72) Name(s) of Designer(s): **Jeremy Ting Kung Sun and Michael Chong Nam Toh and Ryan Kian Seng Toh and Daze Lee and Danny Wen Hing Chu and Sit Wai Yong and Yazim Bin Ahmad and Chin Leong Kewk and Tsin Tsung Ooi**
(45) Registration Date: **04 December 2012**
(56) Related Art Documents: **Not Applicable**
(57) Statement of Newness and Distinctiveness: **Newness and distinctiveness reside in the features of the design as shown in the representations.**



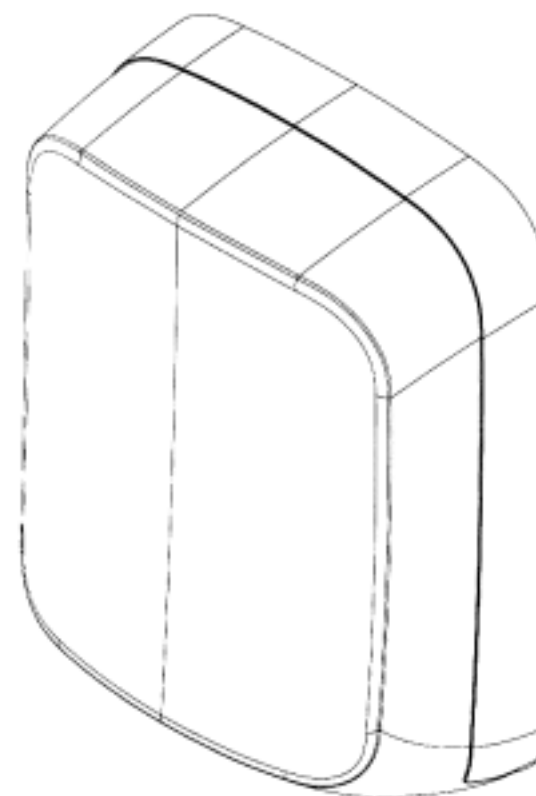
- (21) Design Number: **15617/2012**
(22) Date of Filing Application: **12 November 2012**
(24) Date from which industrial property rights may have effect: **12 November 2012**
(54) Product in respect of which the design is registered: **Linen hand-towel cabinet**
(51) International Design Classification: **23-02A**
(74) Name(s) of Attorney(s): **FB Rice**
(71) Name(s) and Address(s) of Applicant(s):
Rentokil Initial 1927 plc
2 City Place Beehive Ring Road Gatwick Airport West Sussex RH6 0HA
United Kingdom
(72) Name(s) of Designer(s): **Jeremy Ting Kung Sun and Michael Chong Nam Toh and Ryan Kian Seng Toh and Daze Lee and Danny Wen Hing Chu and Sit Wai Yong and Yazim Bin Ahmad and Chin Leong Kewk and Tsin Tsung Ooi**
(45) Registration Date: **04 December 2012**
(56) Related Art Documents: **Not Applicable**
(57) Statement of Newness and Distinctiveness: **Newness and distinctiveness reside in the features of the design as shown in the representations.**



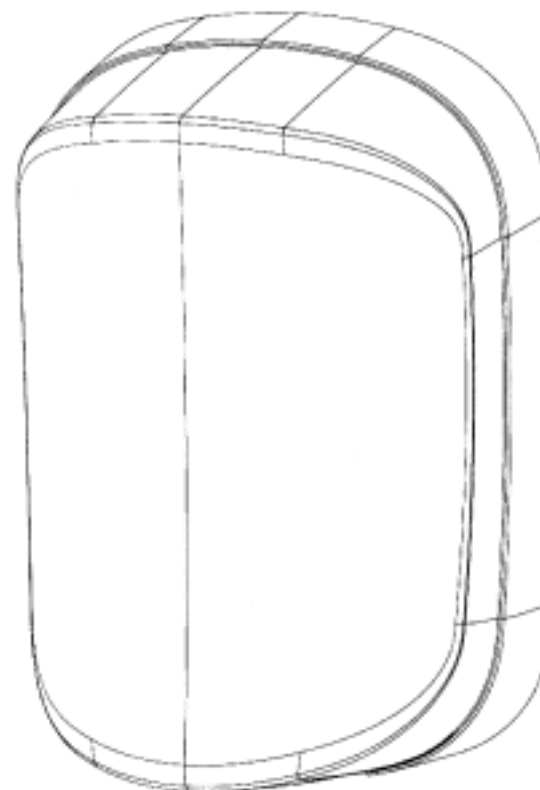
- (21) Design Number: **15616/2012**
(22) Date of Filing Application: **12 November 2012**
(24) Date from which industrial property rights may have effect: **12 November 2012**
(54) Product in respect of which the design is registered: **Soap dispenser**
(51) International Design Classification: **23-02A**
(74) Name(s) of Attorney(s): **FB Rice**
(71) Name(s) and Address(s) of Applicant(s):
Rentokil Initial 1927 plc
2 City Place Beehive Ring Road Gatwick Airport West Sussex RH6 0HA
United Kingdom
(72) Name(s) of Designer(s): **Jeremy Ting Kung Sun and Michael Chong Nam and Ryan Kian Seng Toh and Daze Lee and Danny Wen Hing Chu and Sit Wai Yong and Yazim Bin Ahmad and Chin Leong Kewk and Tsin Tsung Ooi**
(45) Registration Date: **04 December 2012**
(56) Related Art Documents: **Not Applicable**
(57) Statement of Newness and Distinctiveness: **Newness and distinctiveness reside in the features of the design as shown in the representations.**



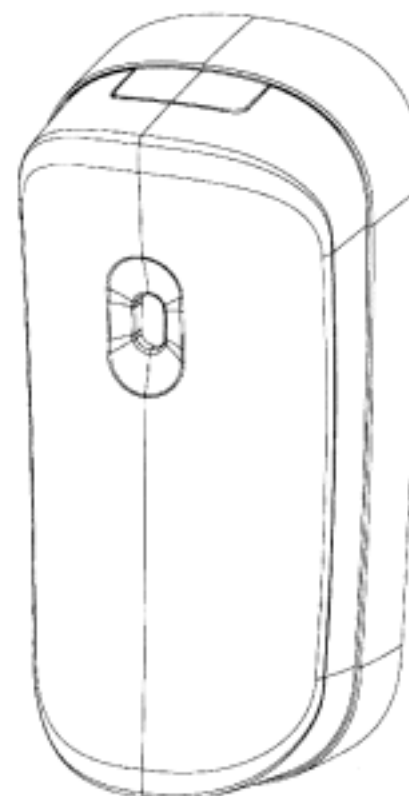
- (21) Design Number: **15615/2012**
(22) Date of Filing Application: **12 November 2012**
(24) Date from which industrial property rights may have effect: **12 November 2012**
(54) Product in respect of which the design is registered: **Paper hand-towel dispenser**
(51) International Design Classification: **23-02A**
(74) Name(s) of Attorney(s): **FB Rice**
(71) Name(s) and Address(s) of Applicant(s):
Rentokil Initial 1927 plc
2 City Place Beehive Ring Road Gatwick Airport West Sussex RH6 0HA
United Kingdom
(72) Name(s) of Designer(s): **Jeremy Ting Kung Sun and Michael Chong Nam Toh and Ryan Kian Seng Toh and Daze Lee and Danny Wen Hing Chu and Sit Wai Yong and Yazim Bin Ahmad and Chin Leong Kewk and Tsin Tsung Ooi**
(45) Registration Date: **04 December 2012**
(56) Related Art Documents: **Not Applicable**
(57) Statement of Newness and Distinctiveness: **Newness and distinctiveness reside in the features of the design as shown in the representations.**



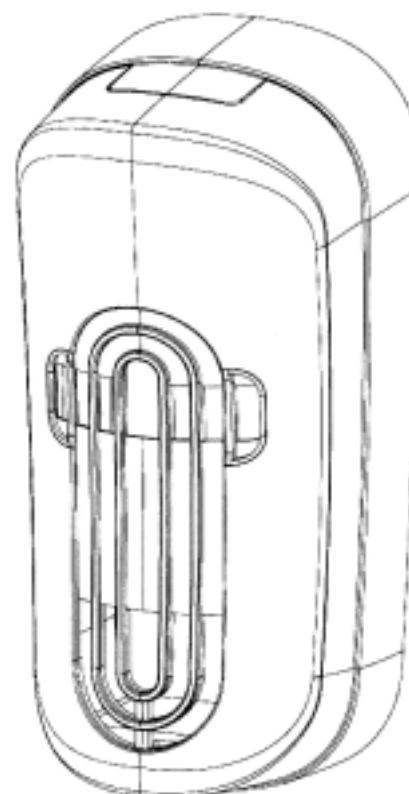
- (21) Design Number: **15614/2012**
(22) Date of Filing Application: **12 November 2012**
(24) Date from which industrial property rights may have effect: **12 November 2012**
(54) Product in respect of which the design is registered: **Toilet cistern flush sanitiser**
(51) International Design Classification: **23-02C**
(74) Name(s) of Attorney(s): **FB Rice**
(71) Name(s) and Address(s) of Applicant(s):
Rentokil Initial 1927 plc
2 City Place Beehive Ring Road Gatwick Airport West Sussex RH6 0HA
United Kingdom
(72) Name(s) of Designer(s): **Jeremy Ting Kung Sun and Michael Chong Nam Toh and Ryan Kian Seng Toh and Daze Lee and Danny Wen Hing Chu and Sit Wai Yong and Yazim Bin Ahmad and Chin Leong Kewk and Tsin Tsung Ooi**
(45) Registration Date: **04 December 2012**
(56) Related Art Documents: **Not Applicable**
(57) Statement of Newness and Distinctiveness: **Newness and distinctiveness reside in the features of the design as shown in the representations.**



- (21) Design Number: **15613/2012**
(22) Date of Filing Application: **12 November 2012**
(24) Date from which industrial property rights may have effect: **12 November 2012**
(54) Product in respect of which the design is registered: **Air freshener device**
(51) International Design Classification: **28-99**
(74) Name(s) of Attorney(s): **FB Rice**
(71) Name(s) and Address(s) of Applicant(s):
Rentokil Initial 1927 plc
2 City Place Beehive Ring Road Gatwick Airport West Sussex RH6 0HA
United Kingdom
(72) Name(s) of Designer(s): **Jeremy Ting Kung Sun and Michael Chong Nam Toh and Ryan Kian Seng Toh and Daze Lee and Danny Wen Hing Chu and Sit Wai Yong and Yazim Bin Ahmad and Chin Leong Kewk and Tsin Tsung Ooi**
(45) Registration Date: **04 December 2012**
(56) Related Art Documents: **Not Applicable**
(57) Statement of Newness and Distinctiveness: **Newness and distinctiveness reside in the features of the design as shown in the representations.**



- (21) Design Number: **15612/2012**
(22) Date of Filing Application: **12 November 2012**
(24) Date from which industrial property rights may have effect: **12 November 2012**
(54) Product in respect of which the design is registered: **Air freshener device**
(51) International Design Classification: **28-99**
(74) Name(s) of Attorney(s): **FB Rice**
(71) Name(s) and Address(s) of Applicant(s):
Rentokil Initial 1927 plc
2 City Place Beehive Ring Road Gatwick Airport West Sussex RH6 0HA
United Kingdom
(72) Name(s) of Designer(s): **Jeremy Ting Kung Sun and Michael Chong Nam Toh and Ryan Kian Seng Toh and Daze Lee and Danny Wen Hing Chu and Sit Wai Yong and Yazim Bin Ahmad and Chin Leong Kewk and Tsin Tsung Ooi**
(45) Registration Date: **04 December 2012**
(56) Related Art Documents: **Not Applicable**
(57) Statement of Newness and Distinctiveness: **Newness and distinctiveness reside in the features of the design as shown in the representations.**



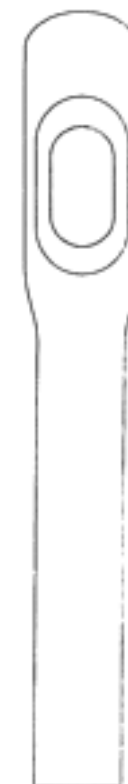
- (21) Design Number: **14293/2012**
(22) Date of Filing Application: **30 August 2012**
(24) Date from which industrial property rights may have effect: **30 August 2012**
(54) Product in respect of which the design is registered: **Smart card reader**
(51) International Design Classification: **14-02**
(74) Name(s) of Attorney(s): **Gilbert + Tobin Lawyers**
(71) Name(s) and Address(s) of Applicant(s):
Transport for New South Wales
18 Lee St Chippendale NSW 2008 Australia
(72) Name(s) of Designer(s): **Ian Davies and Innes Ferguson and Suzie Blackwell and Lee Liston and Robbie Wells**
(45) Registration Date: **04 December 2012**
(56) Related Art Documents: **Not Applicable**
(57) Statement of Newness and Distinctiveness: **Nil**



(21) Design Number: **14294/2012**
(22) Date of Filing Application: **30 August 2012**
(24) Date from which industrial property rights may have effect: **30 August 2012**
(54) Product in respect of which the design is registered: **Smart card reader**
(51) International Design Classification: **14-02**
(74) Name(s) of Attorney(s): **Gilbert + Tobin Lawyers**
(71) Name(s) and Address(s) of Applicant(s):
Transport for New South Wales
18 Lee St Chippendale NSW 2008 Australia
(72) Name(s) of Designer(s): **Ian Davies and Innes Ferguson and Suzie Blackwell and Lee Liston and Robbie Wells**
(45) Registration Date: **04 December 2012**
(56) Related Art Documents: **Not Applicable**
(57) Statement of Newness and Distinctiveness: **Nil**



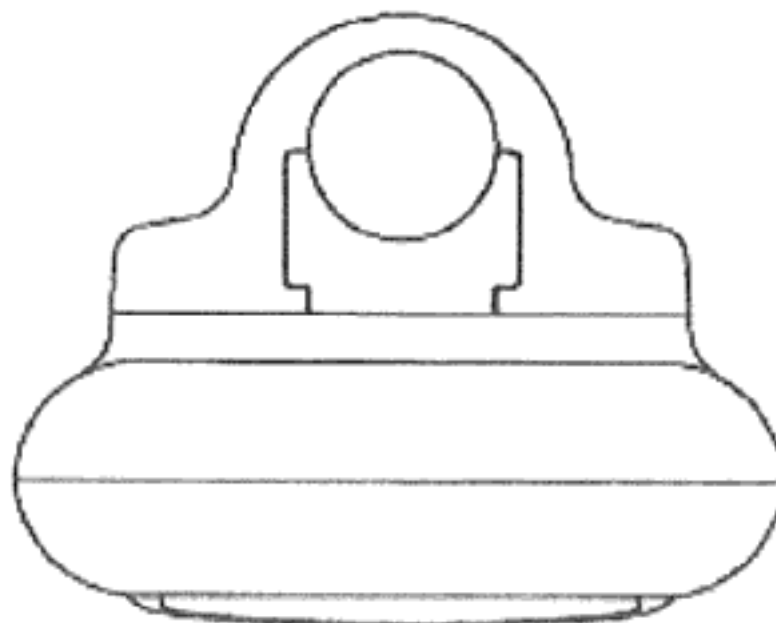
(21) Design Number: **14295/2012**
(22) Date of Filing Application: **30 August 2012**
(24) Date from which industrial property rights may have effect: **30 August 2012**
(54) Product in respect of which the design is registered: **Smart card reader**
(51) International Design Classification: **14-02**
(74) Name(s) of Attorney(s): **Gilbert + Tobin Lawyers**
(71) Name(s) and Address(s) of Applicant(s):
Transport for New South Wales
18 Lee St Chippendale NSW 2008 Australia
(72) Name(s) of Designer(s): **Ian Davies and Innes Ferguson and Suzie Blackwell and Lee Liston and Robbie Wells**
(45) Registration Date: **04 December 2012**
(56) Related Art Documents: **Not Applicable**
(57) Statement of Newness and Distinctiveness: **Nil**



- (21) Design Number: **14296/2012**
(22) Date of Filing Application: **30 August 2012**
(24) Date from which industrial property rights may have effect: **30 August 2012**
(54) Product in respect of which the design is registered: **Smart card reader**
(51) International Design Classification: **14-02**
(74) Name(s) of Attorney(s): **Gilbert + Tobin Lawyers**
(71) Name(s) and Address(s) of Applicant(s):
Transport for New South Wales
18 Lee St Chippendale NSW 2008 Australia
(72) Name(s) of Designer(s): **Ian Davies and Innes Ferguson and Suzie Blackwell and Lee Liston and Robbie Wells**
(45) Registration Date: **04 December 2012**
(56) Related Art Documents: **Not Applicable**
(57) Statement of Newness and Distinctiveness: **Nil**



- (21) Design Number: **14297/2012**
(22) Date of Filing Application: **30 August 2012**
(24) Date from which industrial property rights may have effect: **30 August 2012**
(54) Product in respect of which the design is registered: **Smart card reader**
(51) International Design Classification: **14-02**
(74) Name(s) of Attorney(s): **Gilbert + Tobin Lawyers**
(71) Name(s) and Address(s) of Applicant(s):
Transport for New South Wales
18 Lee St Chippendale NSW 2008 Australia
(72) Name(s) of Designer(s): **Ian Davies and Innes Ferguson and Suzie Blackwell and Lee Liston and Robbie Wells**
(45) Registration Date: **04 December 2012**
(56) Related Art Documents: **Not Applicable**
(57) Statement of Newness and Distinctiveness: **Nil**



(21) Design Number: **15078/2012**
(22) Date of Filing Application: **15 October 2012**
(24) Date from which industrial property rights may have effect: **15 October 2012**
(54) Product in respect of which the design is registered: **Universal Light**
(51) International Design Classification: **26-05E**
(74) Name(s) of Attorney(s): **WATERMARK PATENT AND TRADE MARKS ATTORNEYS**
(71) Name(s) and Address(s) of Applicant(s):
Herbert Waldmann GmbH & Co. KG
Peter-Henlein-Str. 5 Villingen-Schwenningen 78056 Germany
(72) Name(s) of Designer(s): **Gerhard Waldmann**
(45) Registration Date: **04 December 2012**
(30) Convention priority data:
(31) Number (32) Date (33) Country
40201210035930 09 May 2012 GERMANY
(56) Related Art Documents: **Not Applicable**
(57) Statement of Newness and Distinctiveness: **Nil**



(21) Design Number: **15079/2012**
(22) Date of Filing Application: **15 October 2012**
(24) Date from which industrial property rights may have effect: **15 October 2012**
(54) Product in respect of which the design is registered: **Universal light**
(51) International Design Classification: **26-05E**
(74) Name(s) of Attorney(s): **WATERMARK PATENT AND TRADE MARKS ATTORNEYS**
(71) Name(s) and Address(s) of Applicant(s):
Herbert Waldmann GmbH & Co. KG
Peter-Henlein-Str. 5 Villingen-Schwenningen 78056 Germany
(72) Name(s) of Designer(s): **Gerhard Waldmann**
(45) Registration Date: **04 December 2012**
(30) Convention priority data:
(31) Number (32) Date (33) Country
40201210035930 09 May 2012 GERMANY
(56) Related Art Documents: **Not Applicable**
(57) Statement of Newness and Distinctiveness: **Nil**



(21) Design Number: **15080/2012**
(22) Date of Filing Application: **15 October 2012**
(24) Date from which industrial property rights may have effect: **15 October 2012**
(54) Product in respect of which the design is registered: **Universal light**
(51) International Design Classification: **26-05E**
(74) Name(s) of Attorney(s): **WATERMARK PATENT AND TRADE MARKS ATTORNEYS**
(71) Name(s) and Address(s) of Applicant(s):
Herbert Waldmann GmbH & Co. KG
Peter-Henlein-Str. 5 Villingen-Schwenningen 78056 Germany
(72) Name(s) of Designer(s): **Gerhard Waldmann**
(45) Registration Date: **04 December 2012**
(30) Convention priority data:
(31) Number (32) Date (33) Country
40201210035930 09 May 2012 GERMANY
(56) Related Art Documents: **Not Applicable**
(57) Statement of Newness and Distinctiveness: **Nil**



(21) Design Number: **15419/2012**
(22) Date of Filing Application: **31 October 2012**
(24) Date from which industrial property rights may have effect: **31 October 2012**
(54) Product in respect of which the design is registered: **Treehouse**
(51) International Design Classification: **25-03**
(74) Name(s) of Attorney(s):
(71) Name(s) and Address(s) of Applicant(s):
Melanie Smith
U16 7-11 Stokes St Lane Cove North NSW 2066 Australia
(72) Name(s) of Designer(s): **Melanie Smith**
(45) Registration Date: **04 December 2012**
(56) Related Art Documents: **Not Applicable**
(57) Statement of Newness and Distinctiveness: **Nil**



- (21) Design Number: **15594/2012**
(22) Date of Filing Application: **09 November 2012**
(24) Date from which industrial property rights may have effect: **09 November 2012**
(54) Product in respect of which the design is registered: **Display cabinet**
(51) International Design Classification: **20-02C**
(74) Name(s) of Attorney(s): **Griffith Hack**
(71) Name(s) and Address(s) of Applicant(s):

Unilever PLC
Unilever House 100 Victoria Embankment London EC4Y 0DY United Kingdom

- (72) Name(s) of Designer(s): **Jamie Cobb and Antoni Kyriacos Papaloizou and Michael James Webster**

(45) Registration Date: **04 December 2012**

(30) Convention priority data:

| | | |
|-----------------------|--------------------|---------------------------|
| (31) Number | (32) Date | (33) Country |
| 002040451-0001 | 11 May 2012 | EUROPEAN COMMUNITY |

(56) Related Art Documents: **Not Applicable**

(57) Statement of Newness and Distinctiveness: **Newness and distinctiveness resides in the visual features, including shape and configuration, of a DISPLAY CABINET as shown in the accompanying drawings.**



- (21) Design Number: **15595/2012**
(22) Date of Filing Application: **09 November 2012**
(24) Date from which industrial property rights may have effect: **09 November 2012**
(54) Product in respect of which the design is registered: **Display cabinet**
(51) International Design Classification: **20-02C**
(74) Name(s) of Attorney(s): **Griffith Hack**
(71) Name(s) and Address(s) of Applicant(s):

Unilever PLC
Unilever House 100 Victoria Embankment London EC4Y 0DY United Kingdom

- (72) Name(s) of Designer(s): **Jamie Cobb and Antoni Kyriacos Papaloizou and Michael James Webster**

(45) Registration Date: **04 December 2012**

(30) Convention priority data:

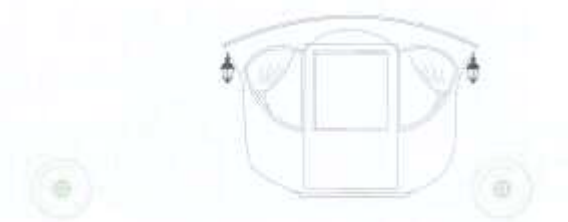
| | | |
|-----------------------|--------------------|---------------------------|
| (31) Number | (32) Date | (33) Country |
| 002040519-0001 | 11 May 2012 | EUROPEAN COMMUNITY |

(56) Related Art Documents: **Not Applicable**

(57) Statement of Newness and Distinctiveness: **Newness and distinctiveness resides in the visual features, including shape and configuration, of a DISPLAY CABINET as shown in the accompanying drawings.**



- (21) Design Number: **14572/2012**
(22) Date of Filing Application: **14 September 2012**
(24) Date from which industrial property rights may have effect: **14 September 2012**
(54) Product in respect of which the design is registered: **Wedding carriages**
(51) International Design Classification: **12-08**
(74) Name(s) of Attorney(s):
(71) Name(s) and Address(s) of Applicant(s):



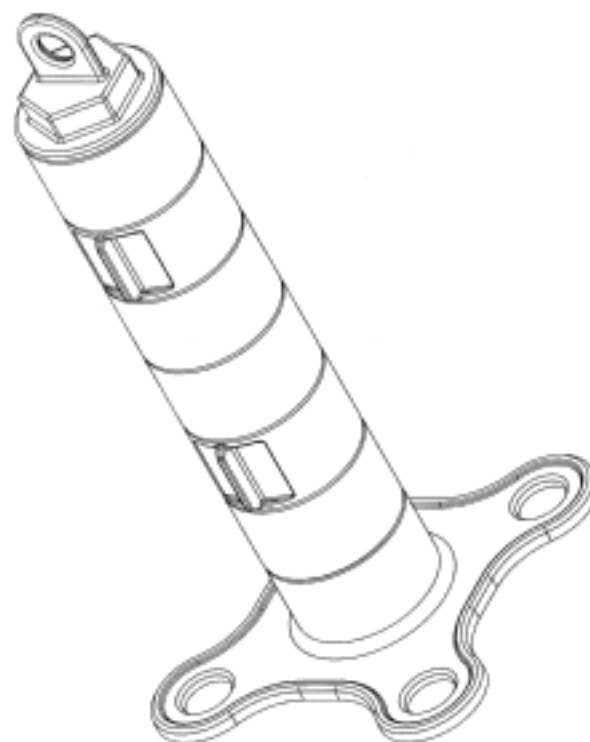
Alena Kouzmenkov
7 Grand Canal Way Runaway Bay QLD 4216 Australia

Slava Kouzmenkov
7 Grand Canal Way Runaway Bay QLD 4216 Australia

- (72) Name(s) of Designer(s): **Alena Kouzmenkov and Slava Kouzmenkov**
(45) Registration Date: **05 December 2012**
(56) Related Art Documents: **Not Applicable**

(57) Statement of Newness and Distinctiveness: **The objective is to create a unique form of hire car for weddings and private functions. The old tradition of coach and horses has always been popular since the televised events of coronations and royal weddings and often scenes from films and television shows featuring carriages going through Central park, New York. Today the distances that people want to travel and many council regulations limit the use of the horse and carriage. We have therefore created the royal coach concept which will be fitted (built onto) a customized vehicle. The top view indicates the seating configuration however this can be altered as required. Further we only wish to protect the carriage component as it will be specially built and the vehicle or the car brand may be altered. Therefore we are only protecting the carriage concept.**

- (21) Design Number: **15647/2012**
(22) Date of Filing Application: **14 November 2012**
(24) Date from which industrial property rights may have effect: **14 November 2012**
(54) Product in respect of which the design is registered: **Depth gauge**
(51) International Design Classification: **10-04**
(74) Name(s) of Attorney(s):
(71) Name(s) and Address(s) of Applicant(s):



Ty Gerard Hermans
2A Duffield Rd Margate QLD 4019 Australia

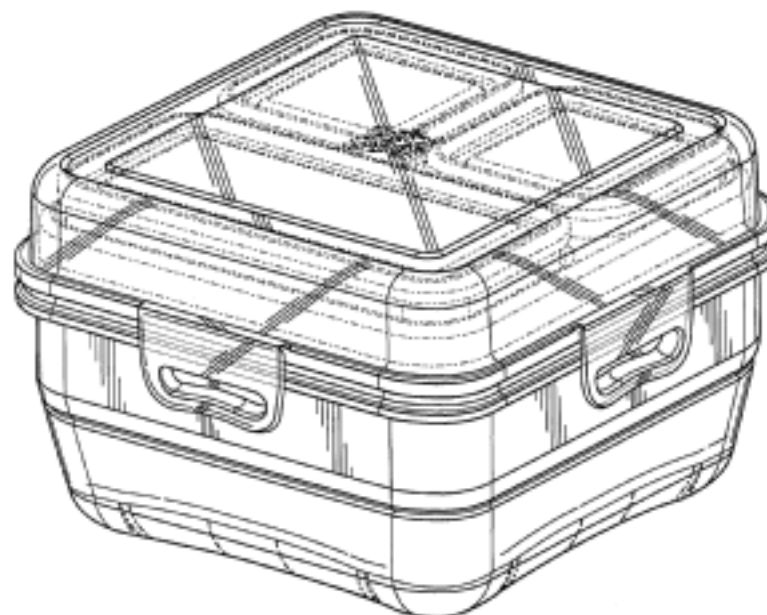
- (72) Name(s) of Designer(s): **Mayer Jung and Ty Hermans**
(45) Registration Date: **05 December 2012**
(56) Related Art Documents: **Not Applicable**

(57) Statement of Newness and Distinctiveness: **Newness and distinctiveness is claimed in the features of shape and configuration of the depth gauge as illustrated in the accompanying representations.**

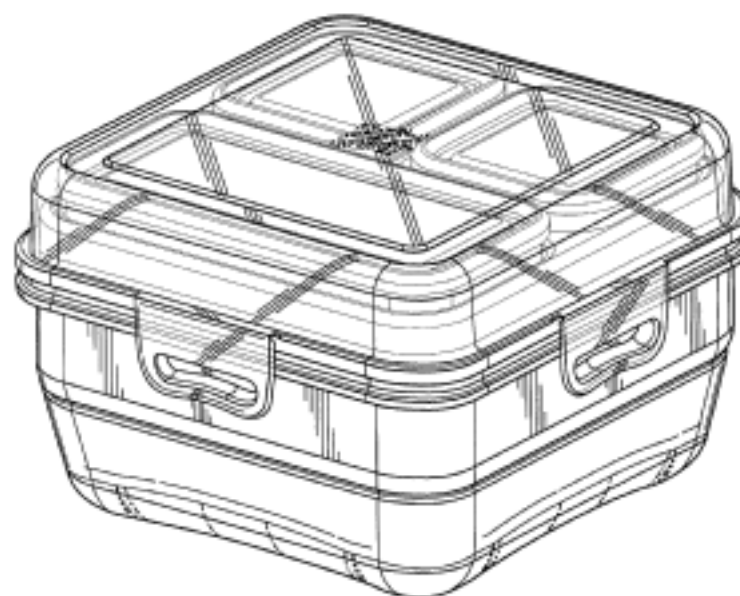
(21) Design Number: **15657/2012**
 (22) Date of Filing Application: **15 November 2012**
 (24) Date from which industrial property rights may have effect: **15 November 2012**
 (54) Product in respect of which the design is registered: **Laundry basket**
 (51) International Design Classification: **07-07NES**
 (74) Name(s) of Attorney(s):
 (71) Name(s) and Address(s) of Applicant(s):
Primus Australia Pty Ltd
L3 20 Enterprise Dr Bundoora VIC 3038 Australia
 (72) Name(s) of Designer(s): **Joel Noble**
 (45) Registration Date: **05 December 2012**
 (56) Related Art Documents: **Not Applicable**
 (57) Statement of Newness and Distinctiveness: **This design provides a compact and collapsible functionality to the common laundry or wash basket, improving on existing rigid designs. The band of flexible material in the middle of the baskets' construction allows it to be collapsed for improved storage size.**



(21) Design Number: **14715/2012**
 (22) Date of Filing Application: **21 September 2012**
 (24) Date from which industrial property rights may have effect: **21 September 2012**
 (54) Product in respect of which the design is registered: **Container**
 (51) International Design Classification: **07-01NES**
 (74) Name(s) of Attorney(s): **FB Rice**
 (71) Name(s) and Address(s) of Applicant(s):
Cool Gear International, LLC
10 Cordage Park Circle Plymouth Massachusetts 02360 United States of America
 (72) Name(s) of Designer(s): **Troy Kyle and Donna Roth and John Mason**
 (45) Registration Date: **05 December 2012**
 (30) Convention priority data:
 (31) Number (32) Date (33) Country
29/416388 21 Mar 2012 UNITED STATES OF AMERICA
 (56) Related Art Documents: **Not Applicable**
 (57) Statement of Newness and Distinctiveness: **Newness and distinctiveness reside in the features of shape and configuration of the product as shown in the representations, and excluding those features shown in broken lines.**



(21) Design Number: **14716/2012**
(22) Date of Filing Application: **21 September 2012**
(24) Date from which industrial property rights may have effect: **21 September 2012**
(54) Product in respect of which the design is registered: **Container**
(51) International Design Classification: **07-01NES**
(74) Name(s) of Attorney(s): **FB Rice**
(71) Name(s) and Address(s) of Applicant(s):
Cool Gear International, LLC
10 Cordage Park Circle Plymouth Massachusetts 02360 United States of America
(72) Name(s) of Designer(s): **Troy Kyle and Donna Roth and John Mason**
(45) Registration Date: **05 December 2012**
(30) Convention priority data:
(31) Number (32) Date (33) Country
29/416388 21 Mar 2012 UNITED STATES OF AMERICA
(56) Related Art Documents: **Not Applicable**
(57) Statement of Newness and Distinctiveness: **Newness and distinctiveness reside in the features of shape and configuration of the product as shown in the representations, and excluding those features shown in broken lines.**



(21) Design Number: **14717/2012**
(22) Date of Filing Application: **21 September 2012**
(24) Date from which industrial property rights may have effect: **21 September 2012**
(54) Product in respect of which the design is registered: **Container**
(51) International Design Classification: **07-01NES**
(74) Name(s) of Attorney(s): **FB Rice**
(71) Name(s) and Address(s) of Applicant(s):
Cool Gear International, LLC
10 Cordage Park Circle Plymouth Massachusetts 02360 United States of America
(72) Name(s) of Designer(s): **Troy Kyle and Donna Roth and John Mason**
(45) Registration Date: **05 December 2012**
(30) Convention priority data:
(31) Number (32) Date (33) Country
29/416388 21 Mar 2012 UNITED STATES OF AMERICA
(56) Related Art Documents: **Not Applicable**
(57) Statement of Newness and Distinctiveness: **Newness and distinctiveness reside in the features of shape and configuration of the product as shown in the representations, and excluding those features shown in broken lines.**



(21) Design Number: **14349/2012**

(22) Date of Filing Application: **04 September 2012**

(24) Date from which industrial property rights may have effect: **04 September 2012**

(54) Product in respect of which the design is registered: **Inverter**

(51) International Design Classification: **13-03NES**

(74) Name(s) of Attorney(s): **Shelston IP**

(71) Name(s) and Address(s) of Applicant(s):

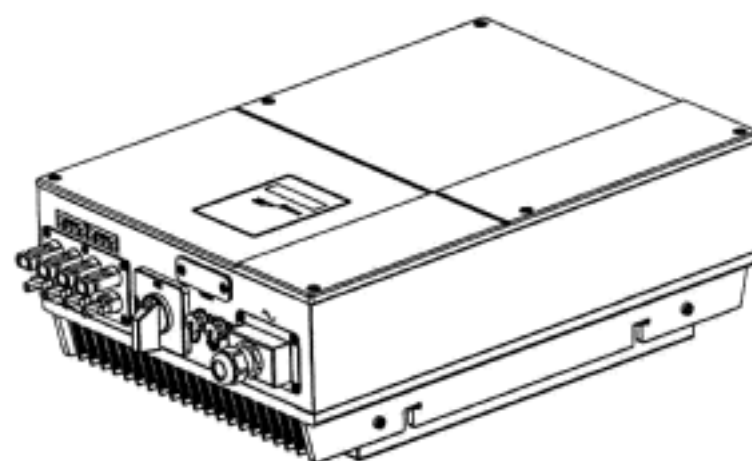
**Shenzhen Growatt New Energy Technology Co., Ltd.
3rd Floor West Bld NO.12.B Xicheng Ind Zone Xixiang St Bao'an District
Shenzhen People's Republic of China**

(72) Name(s) of Designer(s): **Shangzao Kui and Jianfeng Lv**

(45) Registration Date: **05 December 2012**

(56) Related Art Documents: **Not Applicable**

(57) Statement of Newness and Distinctiveness: **Newness and distinctiveness reside in the features of shape and/or configuration of an inverter as illustrated in the accompanying representations.**



(21) Design Number: **14383/2012**

(22) Date of Filing Application: **05 September 2012**

(24) Date from which industrial property rights may have effect: **05 September 2012**

(54) Product in respect of which the design is registered: **Display screen for an electronic device**

(51) International Design Classification: **14-01**

(74) Name(s) of Attorney(s): **Freehills Patent Attorneys**

(71) Name(s) and Address(s) of Applicant(s):

**Apple Inc.
One Infinite Loop Cupertino California 95014 United States of America**

(72) Name(s) of Designer(s): **Matt Evans and Alexander Harry Little and Sascha Hohne**

(45) Registration Date: **05 December 2012**

(30) Convention priority data:

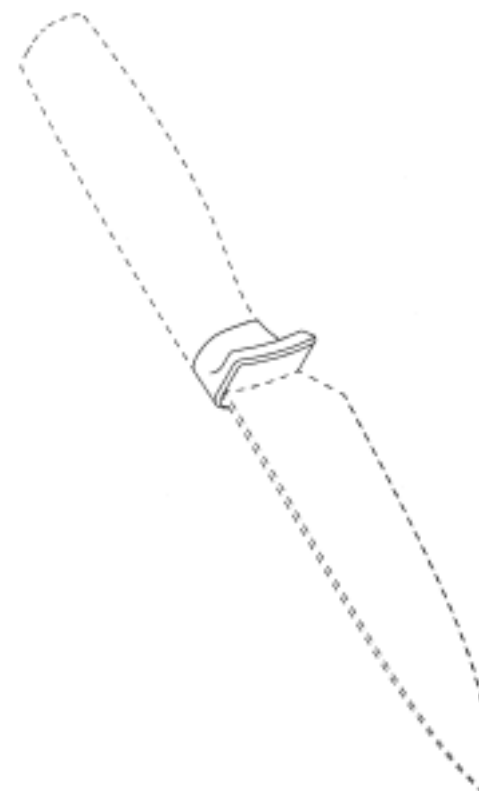
| (31) Number | (32) Date | (33) Country |
|------------------|--------------------|---------------------------------|
| 29/414899 | 05 Mar 2012 | UNITED STATES OF AMERICA |

(56) Related Art Documents: **Not Applicable**

(57) Statement of Newness and Distinctiveness: **Newness and distinctiveness is claimed in the features of pattern and/or ornamentation of a display screen for an electronic device as shown in solid outline in the accompanying representation.**



(21) Design Number: **14422/2012**
(22) Date of Filing Application: **07 September 2012**
(24) Date from which industrial property rights may have effect: **07 September 2012**
(54) Product in respect of which the design is registered: **Kitchen knife handle**
(51) International Design Classification: **07-03**
(74) Name(s) of Attorney(s): **Trademark Works**
(71) Name(s) and Address(s) of Applicant(s):
Joseph Joseph Limited
The Grove 30 Great Guildford Street London SE1 0HS United Kingdom
(72) Name(s) of Designer(s): **Antony Joseph**
(45) Registration Date: **05 December 2012**
(30) Convention priority data:
(31) Number (32) Date (33) Country
002055319-0001 11 Jun 2012 EUROPEAN COMMUNITY
(56) Related Art Documents: **Not Applicable**
(57) Statement of Newness and Distinctiveness: **Newness and distinctiveness is claimed in those features of shape and/or configuration of a kitchen knife handle as illustrated in the accompanying representations. Dotted lines represent environmental matter and are not a part of the design.**



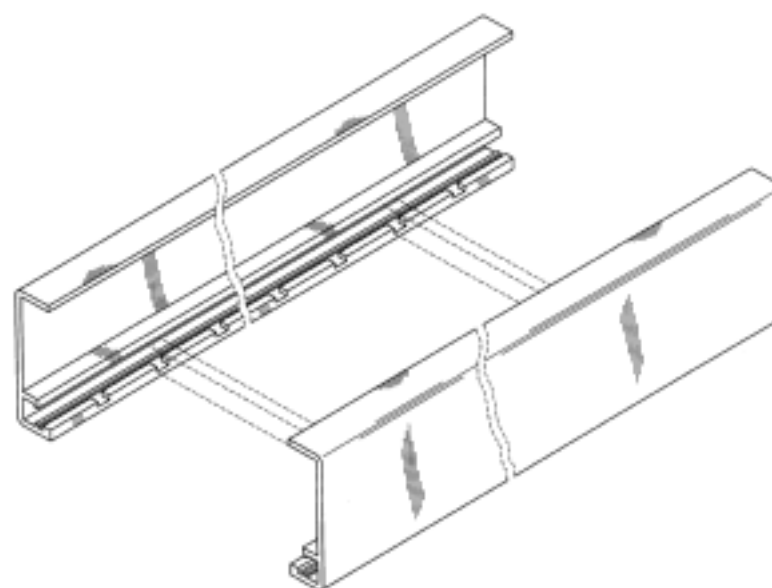
(21) Design Number: **14423/2012**
(22) Date of Filing Application: **07 September 2012**
(24) Date from which industrial property rights may have effect: **07 September 2012**
(54) Product in respect of which the design is registered: **Kitchen knife**
(51) International Design Classification: **07-03**
(74) Name(s) of Attorney(s): **Trademark Works**
(71) Name(s) and Address(s) of Applicant(s):
Joseph Joseph Limited
The Grove 30 Great Guildford Street London SE1 0HS United Kingdom
(72) Name(s) of Designer(s): **Antony Joseph**
(45) Registration Date: **05 December 2012**
(56) Related Art Documents: **Not Applicable**
(57) Statement of Newness and Distinctiveness: **Newness and distinctiveness is claimed in those features of shape and/or configuration of a kitchen knife as illustrated in the accompanying representations.**



(21) Design Number: **14430/2012**
(22) Date of Filing Application: **07 September 2012**
(24) Date from which industrial property rights may have effect: **07 September 2012**
(54) Product in respect of which the design is registered: **Serving tray**
(51) International Design Classification: **07-01B**
(74) Name(s) of Attorney(s): **Trademark Works**
(71) Name(s) and Address(s) of Applicant(s):
Joseph Joseph Limited
The Grove 30 Great Guildford Street London SE1 0HS United Kingdom
(72) Name(s) of Designer(s): **Bill Holding and Ben Cox**
(45) Registration Date: **05 December 2012**
(30) Convention priority data:
(31) Number (32) Date (33) Country
002054924-0002 08 Jun 2012 EUROPEAN COMMUNITY
(56) Related Art Documents: **Not Applicable**
(57) Statement of Newness and Distinctiveness: **Newness and distinctiveness is claimed in those features of shape and/or configuration of a set of kitchen bowls as illustrated in the accompanying representations.**



(21) Design Number: **14565/2012**
(22) Date of Filing Application: **13 September 2012**
(24) Date from which industrial property rights may have effect: **13 September 2012**
(54) Product in respect of which the design is registered: **Conduit tray**
(51) International Design Classification: **13-03C**
(74) Name(s) of Attorney(s): **DibbsBarker**
(71) Name(s) and Address(s) of Applicant(s):
Enduro Composites, Inc.
16602 Central Green Blvd Houston TX 77032 United States of America
(72) Name(s) of Designer(s): **Wallace Sandford Woodlief**
(45) Registration Date: **05 December 2012**
(30) Convention priority data:
(31) Number (32) Date (33) Country
USSN 29/416025 16 Mar 2012 UNITED STATES OF AMERICA
(56) Related Art Documents: **Not Applicable**
(57) Statement of Newness and Distinctiveness: **Nil**



(21) Design Number: **15093/2012**
(22) Date of Filing Application: **15 October 2012**
(24) Date from which industrial property rights may have effect: **15 October 2012**
(54) Product in respect of which the design is registered: **Bottle**
(51) International Design Classification: **09-01H**
(74) Name(s) of Attorney(s): **PIZZEYS**
(71) Name(s) and Address(s) of Applicant(s):
Lodestar Anstalt
PO Box 1150 Lova-Center Vaduz FL-9490 Liechtenstein
(72) Name(s) of Designer(s): **Raymond David Beverley**
(45) Registration Date: **05 December 2012**
(30) Convention priority data:
(31) Number (32) Date (33) Country
002030551-0001 20 Apr 2012 EUROPEAN COMMUNITY
(56) Related Art Documents: **Not Applicable**
(57) Statement of Newness and Distinctiveness: **Nil**



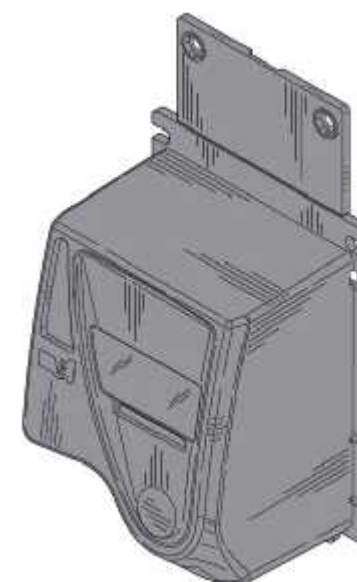
(21) Design Number: **15094/2012**
(22) Date of Filing Application: **15 October 2012**
(24) Date from which industrial property rights may have effect: **15 October 2012**
(54) Product in respect of which the design is registered: **Bottle**
(51) International Design Classification: **09-01H**
(74) Name(s) of Attorney(s): **PIZZEYS**
(71) Name(s) and Address(s) of Applicant(s):
Lodestar Anstalt
PO Box 1150 Lova-Center Vaduz FL-9490 Liechtenstein
(72) Name(s) of Designer(s): **Raymond David Beverley**
(45) Registration Date: **05 December 2012**
(30) Convention priority data:
(31) Number (32) Date (33) Country
002030551-0002 20 Apr 2012 EUROPEAN COMMUNITY
(56) Related Art Documents: **Not Applicable**
(57) Statement of Newness and Distinctiveness: **Nil**



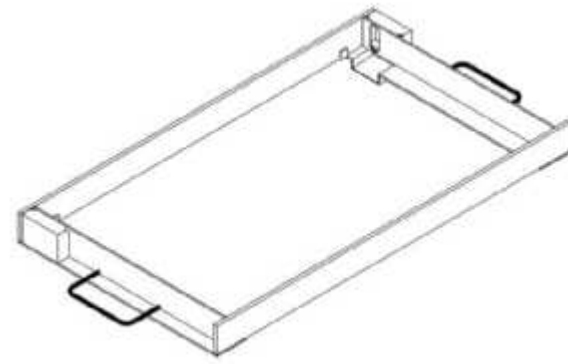
(21) Design Number: **13884/2012**
(22) Date of Filing Application: **09 August 2012**
(24) Date from which industrial property rights may have effect: **09 August 2012**
(54) Product in respect of which the design is registered: **Cigarette**
(51) International Design Classification: **27-01**
(74) Name(s) of Attorney(s): **Callinans**
(71) Name(s) and Address(s) of Applicant(s):
Philip Morris Products S.A.
Quai Jeanrenaud 3 2000 Neuchatel Switzerland
(72) Name(s) of Designer(s): **Frederic Lavanchy**
(45) Registration Date: **06 December 2012**
(30) Convention priority data:
(31) Number (32) Date (33) Country
0019911100-0002 13 Feb 2012 EUROPEAN COMMUNITY
(56) Related Art Documents: **Not Applicable**
(57) Statement of Newness and Distinctiveness: **Nil**



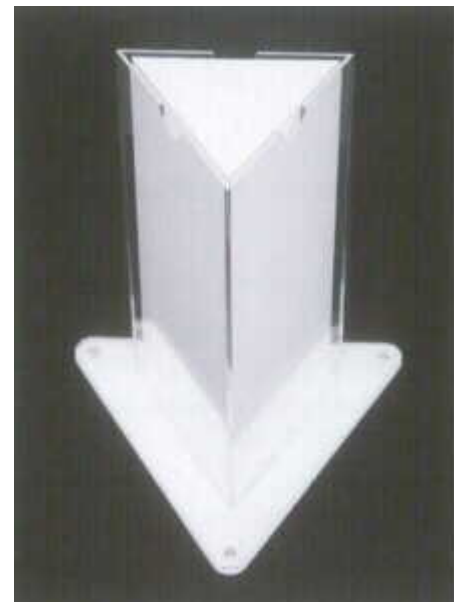
(21) Design Number: **15559/2012**
(22) Date of Filing Application: **09 November 2012**
(24) Date from which industrial property rights may have effect: **09 November 2012**
(54) Product in respect of which the design is registered: **Vending machine bezel**
(51) International Design Classification: **20-01**
(74) Name(s) of Attorney(s): **WATERMARK PATENT AND TRADE MARKS ATTORNEYS**
(71) Name(s) and Address(s) of Applicant(s):
MEI, Inc.
1301 Wilson Drive West Chester PA 19380 United States of America
(72) Name(s) of Designer(s): **Paul Theobald**
(45) Registration Date: **06 December 2012**
(30) Convention priority data:
(31) Number (32) Date (33) Country
29/420,470 09 May 2012 UNITED STATES OF AMERICA
(56) Related Art Documents: **Not Applicable**
(57) Statement of Newness and Distinctiveness: **Newness and distinctiveness is claimed in the visual features of shape and/or configuration of the vending machine bezel shown in the accompanying representations.**



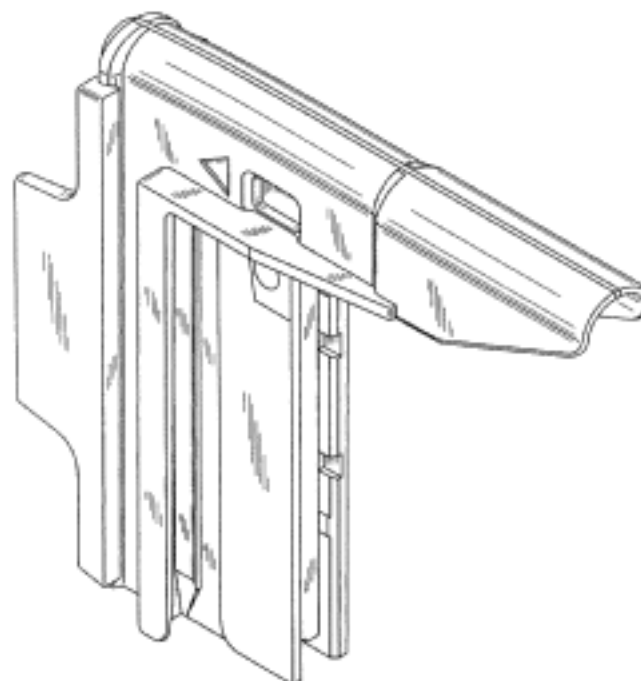
- (21) Design Number: **15604/2012**
(22) Date of Filing Application: **13 November 2012**
(24) Date from which industrial property rights may have effect: **13 November 2012**
(54) Product in respect of which the design is registered: **Frame for drainage grate**
(51) International Design Classification: **23-01NES**
(74) Name(s) of Attorney(s): **Knightsbridge Patent Attorneys**
(71) Name(s) and Address(s) of Applicant(s):
CCPI Pty Ltd
21-23 Marshall Ct Altona VIC 3018 Australia
(72) Name(s) of Designer(s): **Alan Frank Travers**
(45) Registration Date: **06 December 2012**
(56) Related Art Documents: **Not Applicable**
(57) Statement of Newness and Distinctiveness: **Newness and distinctiveness are claimed in the features of shape and configuration of a frame for a drainage grate as depicted in the accompanying representations of the product.**



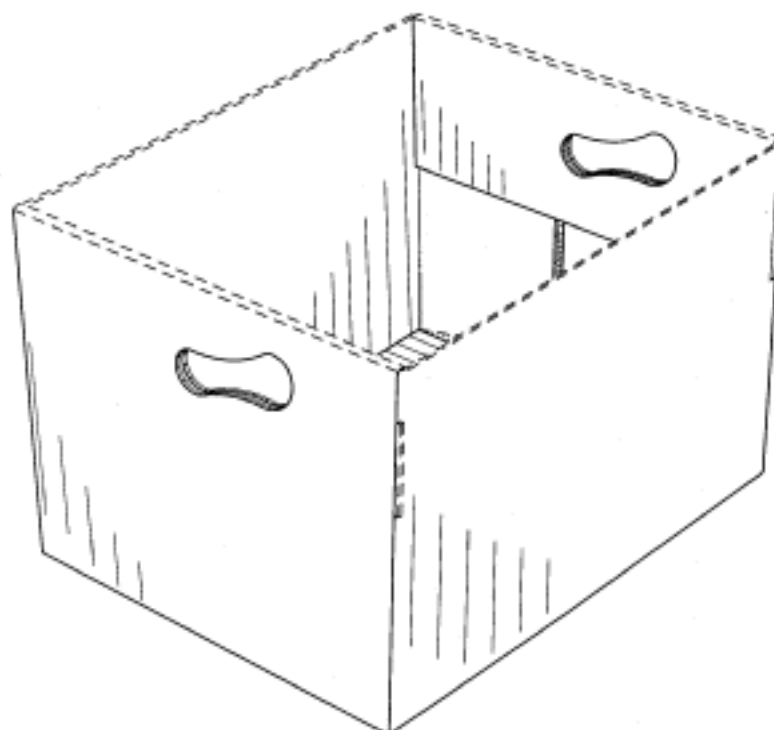
- (21) Design Number: **15659/2012**
(22) Date of Filing Application: **15 November 2012**
(24) Date from which industrial property rights may have effect: **15 November 2012**
(54) Product in respect of which the design is registered: **Menu holder**
(51) International Design Classification: **20-02NES**
(74) Name(s) of Attorney(s):
(71) Name(s) and Address(s) of Applicant(s):
Me Group Pty Ltd
1591 Botany Rd Botany NSW 2035 Australia
(72) Name(s) of Designer(s): **Neal Karpas**
(45) Registration Date: **06 December 2012**
(56) Related Art Documents: **Not Applicable**
(57) Statement of Newness and Distinctiveness: **Triangular Menu Stand with a base that is removable with magnets and has three separate slots.**



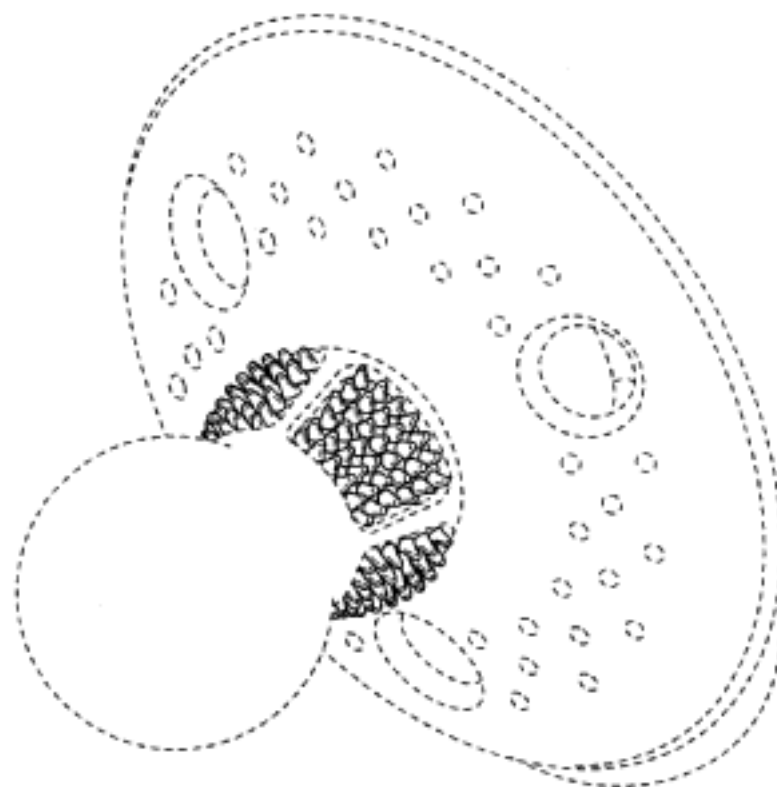
- (21) Design Number: **15660/2012**
(22) Date of Filing Application: **14 November 2012**
(24) Date from which industrial property rights may have effect: **14 November 2012**
(54) Product in respect of which the design is registered: **Cartridge**
(51) International Design Classification: **24-02**
(74) Name(s) of Attorney(s): **Freehills Patent Attorneys**
(71) Name(s) and Address(s) of Applicant(s):
Ethicon Endo-Surgery, Inc.
4545 Creek Road Cincinnati Ohio 45242 United States of America
(72) Name(s) of Designer(s): **John V Hunt and Siliang Chen and Peter B Madson and Zhang Yang and Shan Wan**
(45) Registration Date: **06 December 2012**
(30) Convention priority data:
(31) Number (32) Date (33) Country
29/423500 01 Jun 2012 UNITED STATES OF AMERICA
(56) Related Art Documents: **Not Applicable**
(57) Statement of Newness and Distinctiveness: **Newness and distinctiveness resides in the features of shape and configuration of the cartridge as shown in the representations.**



- (21) Design Number: **15405/2012**
(22) Date of Filing Application: **29 October 2012**
(24) Date from which industrial property rights may have effect: **29 October 2012**
(54) Product in respect of which the design is registered: **Carrying box**
(51) International Design Classification: **09-03M**
(74) Name(s) of Attorney(s): **Allens Patent & Trade Mark Attorneys**
(71) Name(s) and Address(s) of Applicant(s):
William Mitchell Scott
1004 Colina Drive Villa Hills KY 41017 United States of America
(72) Name(s) of Designer(s): **William Mitchell Scott**
(45) Registration Date: **06 December 2012**
(30) Convention priority data:
(31) Number (32) Date (33) Country
29/419,507 28 Apr 2012 UNITED STATES OF AMERICA
(56) Related Art Documents: **Not Applicable**
(57) Statement of Newness and Distinctiveness: **Newness and Distinctiveness is claimed in the shape and configuration of the grip openings on the carrying tote shown in the attached representations. The surface shading on the faces of the carrying tote forms no part of the design; dashed lines also indicate features not forming part of the design.**



(21) Design Number: **15609/2012**
(22) Date of Filing Application: **12 November 2012**
(24) Date from which industrial property rights may have effect: **12 November 2012**
(54) Product in respect of which the design is registered: **Pacifier**
(51) International Design Classification: **24-04**
(74) Name(s) of Attorney(s): **SPRUSON & FERGUSON**
(71) Name(s) and Address(s) of Applicant(s):
Nouri E. Hakim
3030 Aurora Avenue Monroe Louisiana 71201 United States of America
(72) Name(s) of Designer(s): **Nouri E. Hakim**
(45) Registration Date: **06 December 2012**
(30) Convention priority data:
(31) Number (32) Date (33) Country
29/420731 11 May 2012 UNITED STATES OF AMERICA
(56) Related Art Documents: **Not Applicable**
(57) Statement of Newness and Distinctiveness: **Newness and distinctiveness is claimed in the features of shape and/or configuration of a pacifier as illustrated in continuous lines in the accompanying representations.**



(21) Design Number: **15610/2012**
(22) Date of Filing Application: **12 November 2012**
(24) Date from which industrial property rights may have effect: **12 November 2012**
(54) Product in respect of which the design is registered: **Pacifier**
(51) International Design Classification: **24-04**
(74) Name(s) of Attorney(s): **SPRUSON & FERGUSON**
(71) Name(s) and Address(s) of Applicant(s):
Nouri E. Hakim
3030 Aurora Avenue Monroe Louisiana 71201 United States of America
(72) Name(s) of Designer(s): **Nouri E. Hakim**
(45) Registration Date: **06 December 2012**
(30) Convention priority data:
(31) Number (32) Date (33) Country
29/420731 11 May 2012 UNITED STATES OF AMERICA
(56) Related Art Documents: **Not Applicable**
(57) Statement of Newness and Distinctiveness: **Newness and distinctiveness is claimed in the features of shape and/or configuration of a pacifier as illustrated in continuous lines in the accompanying representations.**



(21) Design Number: **15611/2012**
(22) Date of Filing Application: **12 November 2012**
(24) Date from which industrial property rights may have effect: **12 November 2012**
(54) Product in respect of which the design is registered: **Pacifier**
(51) International Design Classification: **24-04**
(74) Name(s) of Attorney(s): **SPRUSON & FERGUSON**
(71) Name(s) and Address(s) of Applicant(s):
Nouri E. Hakim
3030 Aurora Avenue Monroe Louisiana 71201 United States of America
(72) Name(s) of Designer(s): **Nouri E. Hakim**
(45) Registration Date: **06 December 2012**
(30) Convention priority data:
(31) Number (32) Date (33) Country
29/420731 11 May 2012 UNITED STATES OF AMERICA
(56) Related Art Documents: **Not Applicable**
(57) Statement of Newness and Distinctiveness: **Newness and distinctiveness is claimed in the features of shape and/or configuration of a pacifier as illustrated in continuous lines in the accompanying representations.**



(21) Design Number: **15394/2012**
(22) Date of Filing Application: **29 October 2012**
(24) Date from which industrial property rights may have effect: **29 October 2012**
(54) Product in respect of which the design is registered: **Mobile street light**
(51) International Design Classification: **26-03**
(74) Name(s) of Attorney(s): **Madderns**
(71) Name(s) and Address(s) of Applicant(s):
MISIP Pty Ltd
PO BOX 7504 Cloisters Square Perth WA 6850 Australia
(72) Name(s) of Designer(s): **Grant Reynolds**
(45) Registration Date: **07 December 2012**
(56) Related Art Documents: **Not Applicable**
(57) Statement of Newness and Distinctiveness: **Nil**



(21) Design Number: **14446/2012**
(22) Date of Filing Application: **07 September 2012**
(24) Date from which industrial property rights may have effect: **07 September 2012**
(54) Product in respect of which the design is registered: **Display screen for an electronic device**
(51) International Design Classification: **14-04**
(74) Name(s) of Attorney(s): **Freehills Patent Attorneys**
(71) Name(s) and Address(s) of Applicant(s):

Randall Ubillos
c/o Apple Inc 1 Infinite Loop Cupertino California 95014 United States of America

Samuel Morgan Roberts
c/o Apple Inc 1 Infinite Loop Cupertino California 95014 United States of America

(72) Name(s) of Designer(s): **Randall Ubillos and Samuel Morgan Roberts**

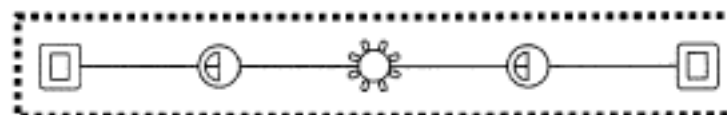
(45) Registration Date: **10 December 2012**

(30) Convention priority data:

| (31) Number | (32) Date | (33) Country |
|------------------|--------------------|---------------------------------|
| 29/415058 | 07 Mar 2012 | UNITED STATES OF AMERICA |

(56) Related Art Documents: **Not Applicable**

(57) Statement of Newness and Distinctiveness: **Newness and distinctiveness is claimed in the features of pattern and/or ornamentation of a display screen for an electronic device as shown in solid outline in the accompanying representation.**



(21) Design Number: **14546/2012**
(22) Date of Filing Application: **12 September 2012**
(24) Date from which industrial property rights may have effect: **12 September 2012**
(54) Product in respect of which the design is registered: **Steam cleaner**
(51) International Design Classification: **15-05**
(74) Name(s) of Attorney(s): **Davies Collison Cave**
(71) Name(s) and Address(s) of Applicant(s):

Black & Decker Inc
1207 Drummond Plaza Newark Delaware 19711 United States of America

(72) Name(s) of Designer(s): **Graeme Crawley**

(45) Registration Date: **10 December 2012**

(30) Convention priority data:

| (31) Number | (32) Date | (33) Country |
|------------------|--------------------|---------------------------|
| 001319156 | 23 Mar 2012 | EUROPEAN COMMUNITY |

(56) Related Art Documents: **Not Applicable**

(57) Statement of Newness and Distinctiveness: **Nil**



(21) Design Number: **14809/2012**
(22) Date of Filing Application: **27 September 2012**
(24) Date from which industrial property rights may have effect: **27 September 2012**
(54) Product in respect of which the design is registered: **One-sided hinge joint**
(51) International Design Classification: **08-08NES**
(74) Name(s) of Attorney(s): **PHILLIPS ORMONDE FITZPATRICK**
(71) Name(s) and Address(s) of Applicant(s):

Smev S.R.L.
Via Apollonio 11 36061 Bassano del Grappa (VI) Italy

(72) Name(s) of Designer(s): **Giuseppe Tosin**

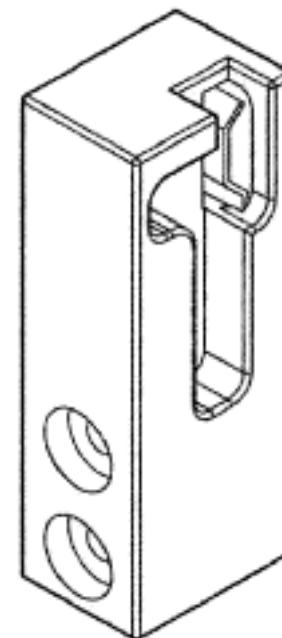
(45) Registration Date: **10 December 2012**

(30) Convention priority data:

| | | |
|-----------------------|--------------------|---------------------------|
| (31) Number | (32) Date | (33) Country |
| 002022491-0003 | 10 Apr 2012 | EUROPEAN COMMUNITY |

(56) Related Art Documents: **Not Applicable**

(57) Statement of Newness and Distinctiveness: **Those features of the one-sided hinge joint depicted in the representations that are new and distinctive are the shape and/or configuration.**



(21) Design Number: **14810/2012**
(22) Date of Filing Application: **27 September 2012**
(24) Date from which industrial property rights may have effect: **27 September 2012**
(54) Product in respect of which the design is registered: **Two-sided hinge joint**
(51) International Design Classification: **08-08NES**
(74) Name(s) of Attorney(s): **PHILLIPS ORMONDE FITZPATRICK**
(71) Name(s) and Address(s) of Applicant(s):

Smev S.R.L.
Via Apollonio 11 36061 Bassano del Grappa (VI) Italy

(72) Name(s) of Designer(s): **Giuseppe Tosin**

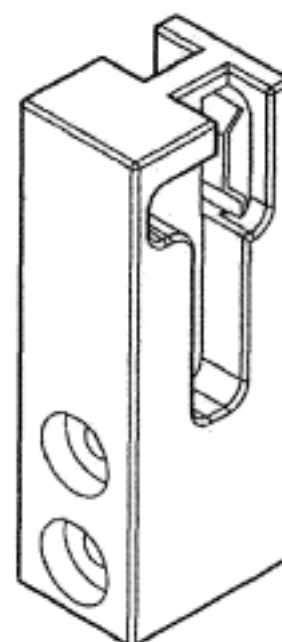
(45) Registration Date: **10 December 2012**

(30) Convention priority data:

| | | |
|-----------------------|--------------------|---------------------------|
| (31) Number | (32) Date | (33) Country |
| 002022491-0002 | 10 Apr 2012 | EUROPEAN COMMUNITY |

(56) Related Art Documents: **Not Applicable**

(57) Statement of Newness and Distinctiveness: **Those features of the two-sided hinge joint depicted in the representations that are new and distinctive are the shape and/or configuration.**



(21) Design Number: **15280/2012**

(22) Date of Filing Application: **23 October 2012**

(24) Date from which industrial property rights may have effect: **23 October 2012**

(54) Product in respect of which the design is registered: **Tool case**

(51) International Design Classification: **03-01D**

(74) Name(s) of Attorney(s): **IP Gateway Patent & Trademark Attorneys**

(71) Name(s) and Address(s) of Applicant(s):

**Irwin Industrial Tool Company
8935 North Pointe Executive Drive Huntersville North Carolina 28078
United States of America**

(72) Name(s) of Designer(s): **Matthew C. Green and Peter Weremchuk**

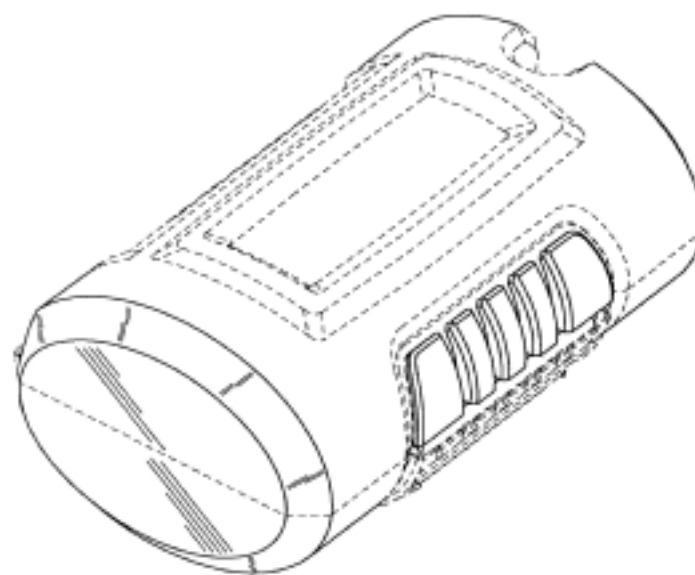
(45) Registration Date: **10 December 2012**

(30) Convention priority data:

| (31) Number | (32) Date | (33) Country |
|-------------------|--------------------|---------------------------------|
| 13/453,604 | 23 Apr 2012 | UNITED STATES OF AMERICA |

(56) Related Art Documents: **Not Applicable**

(57) Statement of Newness and Distinctiveness: **The newness and distinctiveness of the design reside in the shape and configuration of the TOOL CASE, as shown in solid lines in the accompanying representations.**



(21) Design Number: **15281/2012**

(22) Date of Filing Application: **23 October 2012**

(24) Date from which industrial property rights may have effect: **23 October 2012**

(54) Product in respect of which the design is registered: **Tool case**

(51) International Design Classification: **03-01D**

(74) Name(s) of Attorney(s): **IP Gateway Patent & Trademark Attorneys**

(71) Name(s) and Address(s) of Applicant(s):

**Irwin Industrial Tool Company
8935 North Pointe Executive Drive Huntersville North Carolina 28078
United States of America**

(72) Name(s) of Designer(s): **Matthew C. Green and Peter Weremchuk**

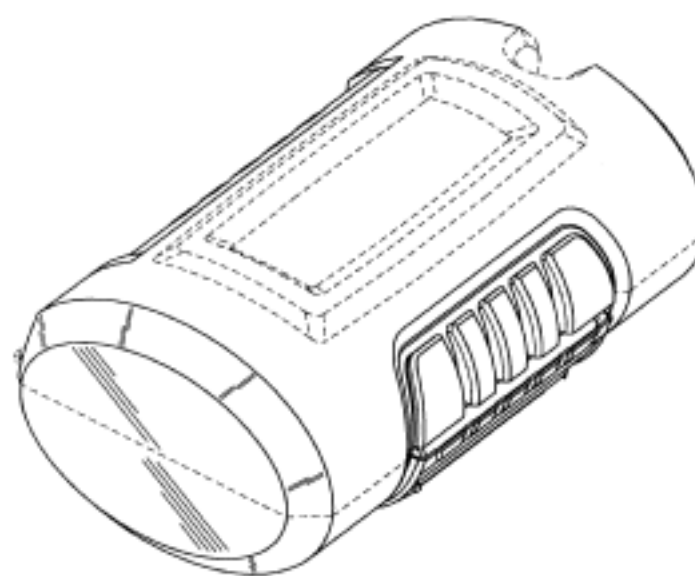
(45) Registration Date: **10 December 2012**

(30) Convention priority data:

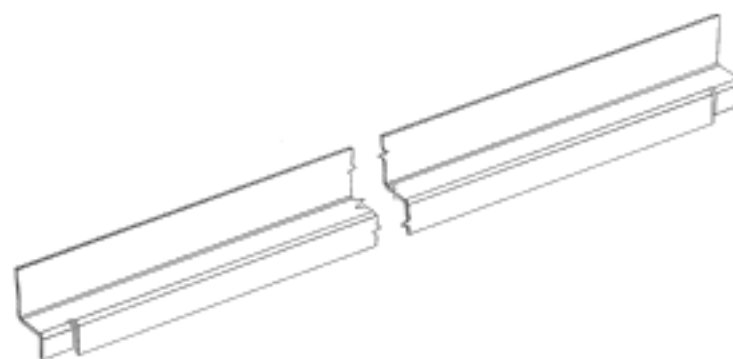
| (31) Number | (32) Date | (33) Country |
|-------------------|--------------------|---------------------------------|
| 13/453,604 | 23 Apr 2012 | UNITED STATES OF AMERICA |

(56) Related Art Documents: **Not Applicable**

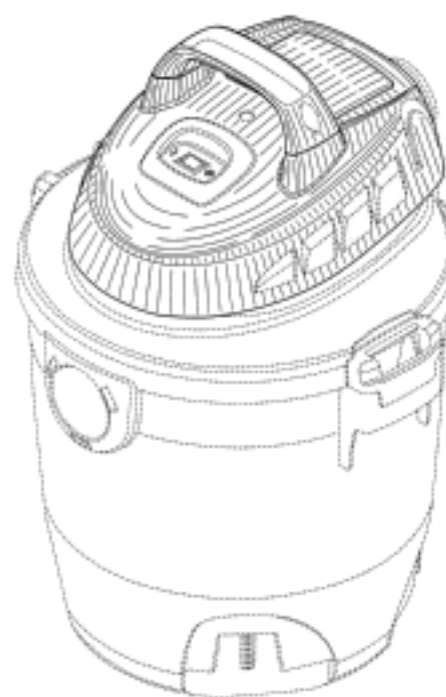
(57) Statement of Newness and Distinctiveness: **The newness and distinctiveness of the design reside in the shape and configuration of the TOOL CASE, as shown in solid lines in the accompanying representations.**



- (21) Design Number: **15329/2012**
(22) Date of Filing Application: **25 October 2012**
(24) Date from which industrial property rights may have effect: **25 October 2012**
(54) Product in respect of which the design is registered: **Wall accessory for a floor waste**
(51) International Design Classification: **23-02NES**
(74) Name(s) of Attorney(s): **Fisher Adams Kelly**
(71) Name(s) and Address(s) of Applicant(s):
Building Group Pty Ltd
45a Metrolink Circuit West Campbellfield Victoria 3061 Australia
(72) Name(s) of Designer(s): **Kamilo Saliba**
(45) Registration Date: **10 December 2012**
(56) Related Art Documents: **Not Applicable**
(57) Statement of Newness and Distinctiveness: **Newness and distinctiveness of the design resides in the shape and configuration of the WALL ACCESSORY FOR A FLOOR WASTE shown in the accompanying representations.**



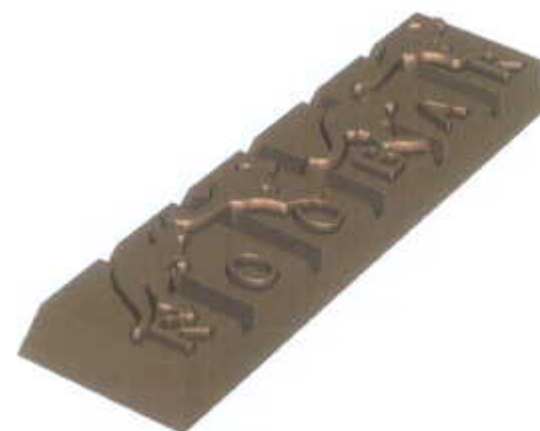
- (21) Design Number: **15655/2012**
(22) Date of Filing Application: **13 November 2012**
(24) Date from which industrial property rights may have effect: **13 November 2012**
(54) Product in respect of which the design is registered: **Vacuum cleaner**
(51) International Design Classification: **15-05**
(74) Name(s) of Attorney(s): **Griffith Hack**
(71) Name(s) and Address(s) of Applicant(s):
Shop Vac Corporation
2323 Reach Road Williamsport PA 17701-0307 United States Of America
(72) Name(s) of Designer(s): **Jason Gottschall and John Griffin and Robert L. Crevling**
(45) Registration Date: **10 December 2012**
(30) Convention priority data:
(31) Number (32) Date (33) Country
29/428594 01 Aug 2012 UNITED STATES OF AMERICA
(56) Related Art Documents: **Not Applicable**
(57) Statement of Newness and Distinctiveness: **Newness and distinctiveness resides in the visual features, including shape and configuration, of a VACUUM CLEANER as shown in solid outline in the accompanying drawings. When determining whether the design is substantially similar in overall impression to another design, no regard is to be had to the features shown in dotted outline in the accompanying drawings, which features are provided for illustrative purposes only.**



- (21) Design Number: **15656/2012**
(22) Date of Filing Application: **15 November 2012**
(24) Date from which industrial property rights may have effect: **15 November 2012**
(54) Product in respect of which the design is registered: **Play equipment**
(51) International Design Classification: **21-03**
(74) Name(s) of Attorney(s):
(71) Name(s) and Address(s) of Applicant(s):
York Precision plastics Pty Ltd
16 Wiggs Rd Riverwood NSW 2210 Australia
(72) Name(s) of Designer(s): **Chris Salmon**
(45) Registration Date: **10 December 2012**
(56) Related Art Documents: **Not Applicable**
(57) Statement of Newness and Distinctiveness: **Individual metal play frames can be joined by the use of a unique rubber cleat which is fixed to one piece but allows clamping to another making individual play frames modular in nature.**



- (21) Design Number: **15700/2012**
(22) Date of Filing Application: **14 November 2012**
(24) Date from which industrial property rights may have effect: **14 November 2012**
(54) Product in respect of which the design is registered: **Confectionery**
(51) International Design Classification: **01-01**
(74) Name(s) of Attorney(s):
(71) Name(s) and Address(s) of Applicant(s):
Natan Nadas
27 Grove St Marrickville NSW 2204 Australia
(72) Name(s) of Designer(s): **Glen Harrison**
(45) Registration Date: **10 December 2012**
(56) Related Art Documents: **Not Applicable**
(57) Statement of Newness and Distinctiveness: **Newness and distinctiveness of the design reside in the features of shape and/or configuration of the confectionery as depicted in the accompanying representations. When considering the features of newness and distinctiveness of the design, no regard is to be had to the colour of the confectionery as depicted in the accompanying representations.**



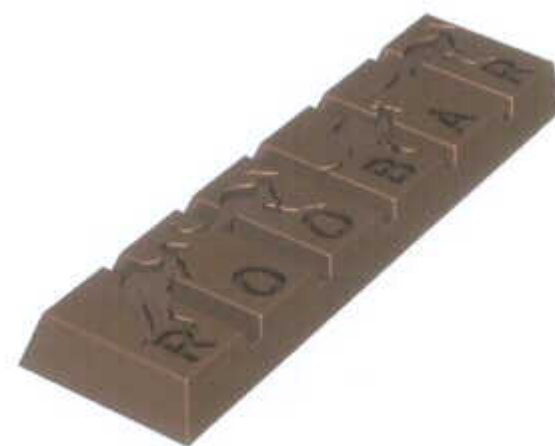
- (21) Design Number: **15701/2012**
(22) Date of Filing Application: **14 November 2012**
(24) Date from which industrial property rights may have effect: **14 November 2012**
(54) Product in respect of which the design is registered: **Confectionery**
(51) International Design Classification: **01-01**
(74) Name(s) of Attorney(s):
(71) Name(s) and Address(s) of Applicant(s):
Natan Nadas
27 Grove St Marrickville NSW 2204 Australia
(72) Name(s) of Designer(s): **Glen Harrison**
(45) Registration Date: **10 December 2012**
(56) Related Art Documents: **Not Applicable**
(57) Statement of Newness and Distinctiveness: **Newness and distinctiveness of the design reside in the features of shape and/or configuration of the confectionery as depicted in the accompanying representations. When considering the features of newness and distinctiveness of the design, no regard is to be had to the colour of the confectionery as depicted in the accompanying representations.**



- (21) Design Number: **15702/2012**
(22) Date of Filing Application: **14 November 2012**
(24) Date from which industrial property rights may have effect: **14 November 2012**
(54) Product in respect of which the design is registered: **Confectionery**
(51) International Design Classification: **01-01**
(74) Name(s) of Attorney(s):
(71) Name(s) and Address(s) of Applicant(s):
Natan Nadas
27 Grove St Marrickville NSW 2204 Australia
(72) Name(s) of Designer(s): **Glen Harrison**
(45) Registration Date: **10 December 2012**
(56) Related Art Documents: **Not Applicable**
(57) Statement of Newness and Distinctiveness: **Newness and distinctiveness of the design reside in the features of shape and/or configuration of the confectionery as depicted in the accompanying representations. When considering the features of newness and distinctiveness of the design, no regard is to be had to the colour of the confectionery as depicted in the accompanying representations.**



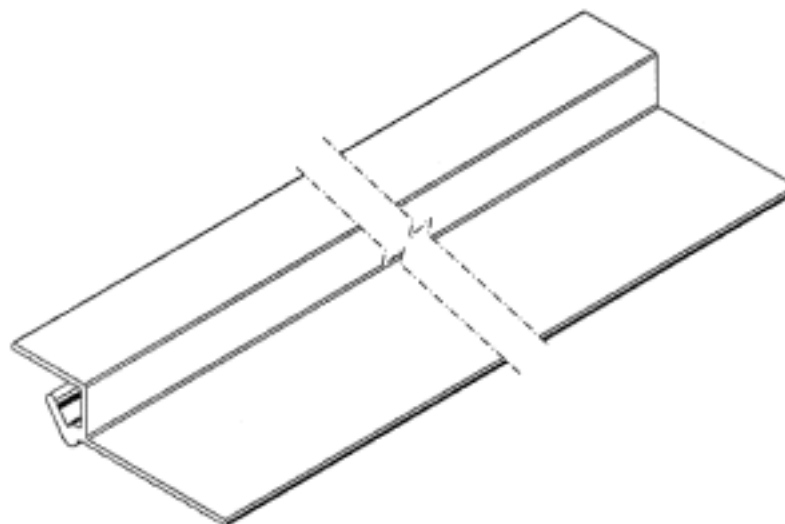
- (21) Design Number: **15703/2012**
(22) Date of Filing Application: **14 November 2012**
(24) Date from which industrial property rights may have effect: **14 November 2012**
(54) Product in respect of which the design is registered: **Confectionery**
(51) International Design Classification: **01-01**
(74) Name(s) of Attorney(s):
(71) Name(s) and Address(s) of Applicant(s):
Natan Nadas
27 Grove St Marrickville NSW 2204 Australia
(72) Name(s) of Designer(s): **Glen Harrison**
(45) Registration Date: **10 December 2012**
(56) Related Art Documents: **Not Applicable**
(57) Statement of Newness and Distinctiveness: **Newness and distinctiveness of the design reside in the features of shape and/or configuration of the confectionery as depicted in the accompanying representations. When considering the features of newness and distinctiveness of the design, no regard is to be had to the colour of the confectionery as depicted in the accompanying representations.**



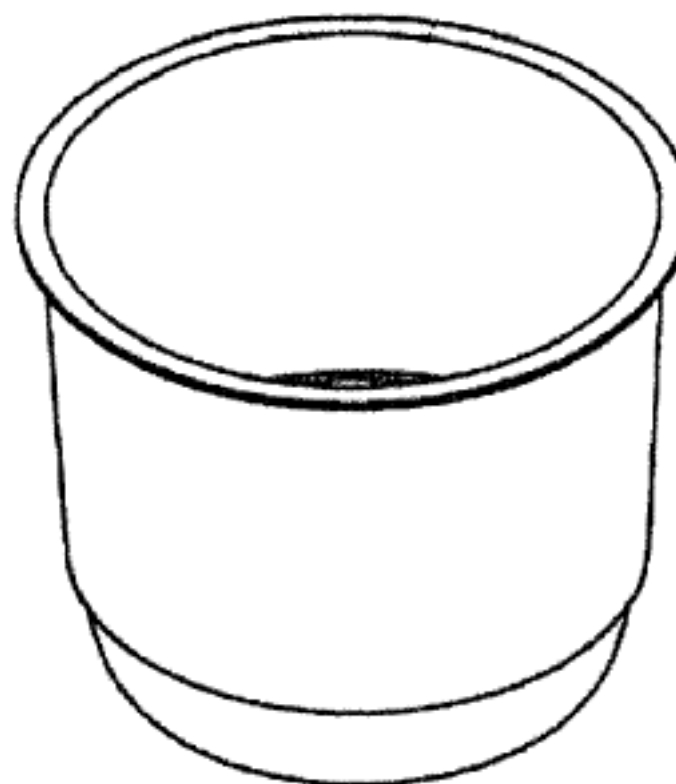
- (21) Design Number: **15760/2012**
(22) Date of Filing Application: **21 November 2012**
(24) Date from which industrial property rights may have effect: **21 November 2012**
(54) Product in respect of which the design is registered: **Handheld device and dock**
(51) International Design Classification: **24-02**
(74) Name(s) of Attorney(s): **PIZZEYS**
(71) Name(s) and Address(s) of Applicant(s):
MyoScience, Inc.
1600 Seaport Blvd North Building Suite 450 Redwood City California
94063 United States
(72) Name(s) of Designer(s): **Jonathon Mendoza and Geoff Baldwin and Nick Hausman and Jeffery Sevaites**
(45) Registration Date: **10 December 2012**
(30) Convention priority data:
(31) Number (32) Date (33) Country
29/421,237 18 Jun 2012 UNITED STATES OF AMERICA
(56) Related Art Documents: **Not Applicable**
(57) Statement of Newness and Distinctiveness: **The newness and distinctiveness of the design resides in the features of pattern and/or ornamentation OR shape and/or configuration shown in unbroken lines in the accompanying representations.**



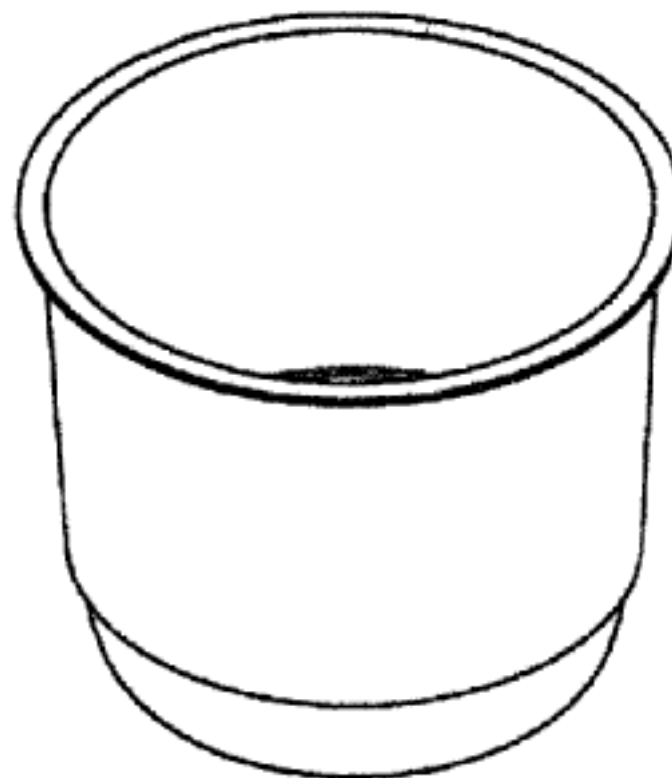
- (21) Design Number: **11565/2012**
(22) Date of Filing Application: **27 March 2012**
(24) Date from which industrial property rights may have effect: **27 March 2012**
(54) Product in respect of which the design is registered: **Corner member and/or member section**
(51) International Design Classification: **25-01K**
(74) Name(s) of Attorney(s): **Halfords IP**
(71) Name(s) and Address(s) of Applicant(s):
Reutlinger Australia Pty Ltd
55 Harbord Rd Freshwater New South Wales 2096 Australia
(72) Name(s) of Designer(s): **Michael Freeman and George Lang and Richard Hason**
(45) Registration Date: **10 December 2012**
(56) Related Art Documents: **Not Applicable**
(57) Statement of Newness and Distinctiveness: **Newness and distinctiveness is claimed in the features of shape and or configuration of a corner member and member section of indefinite length as depicted in the accompanying representations.**



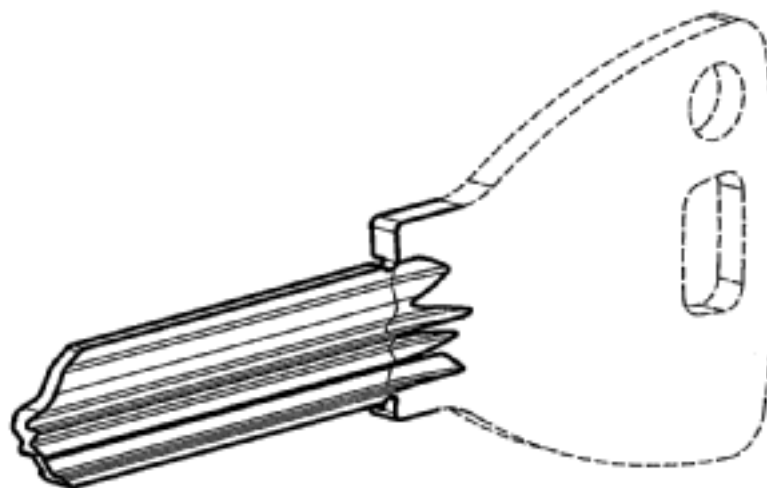
- (21) Design Number: **14409/2012**
(22) Date of Filing Application: **06 September 2012**
(24) Date from which industrial property rights may have effect: **06 September 2012**
(54) Product in respect of which the design is registered: **Container**
(51) International Design Classification: **07-02NES**
(74) Name(s) of Attorney(s): **Davies Collison Cave**
(71) Name(s) and Address(s) of Applicant(s):
Fonterra Brands (Australia) Pty Ltd
327 Ferntree Gully Rd Mount Waverley VIC 3149 Australia
(72) Name(s) of Designer(s): **Bryan Terry and Tim Gamble**
(45) Registration Date: **10 December 2012**
(56) Related Art Documents: **Not Applicable**
(57) Statement of Newness and Distinctiveness: **Nil**



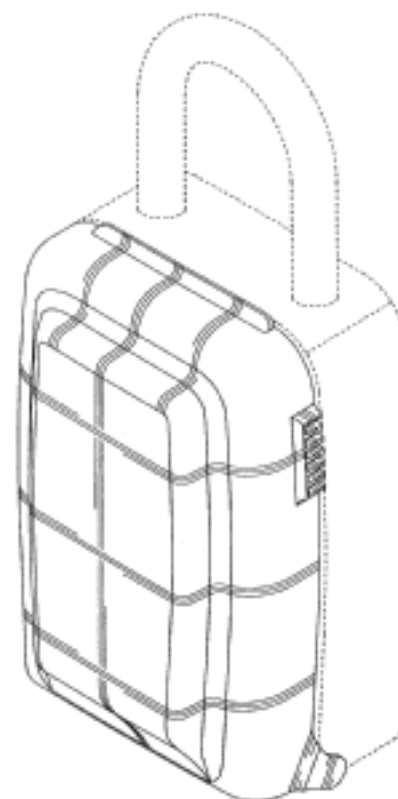
(21) Design Number: **14410/2012**
(22) Date of Filing Application: **06 September 2012**
(24) Date from which industrial property rights may have effect: **06 September 2012**
(54) Product in respect of which the design is registered: **Container**
(51) International Design Classification: **07-02NES**
(74) Name(s) of Attorney(s): **Davies Collison Cave**
(71) Name(s) and Address(s) of Applicant(s):
Fonterra Brands (Australia) Pty Ltd
327 Ferntree Gully Rd Mount Waverley VIC 3149 Australia
(72) Name(s) of Designer(s): **Bryan Terry and Tim Gamble**
(45) Registration Date: **10 December 2012**
(56) Related Art Documents: **Not Applicable**
(57) Statement of Newness and Distinctiveness: **Nil**



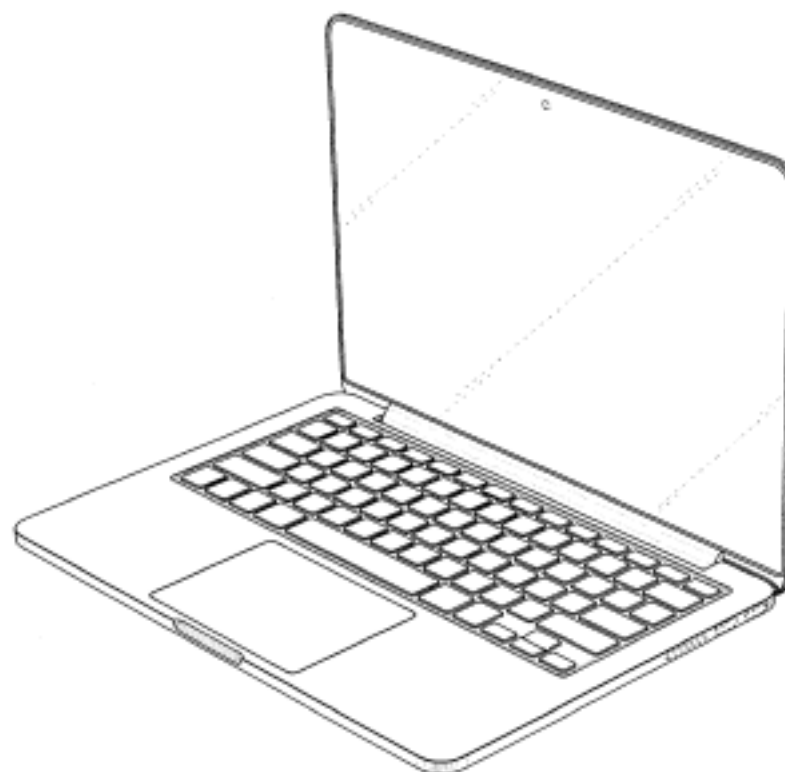
(21) Design Number: **14979/2012**
(22) Date of Filing Application: **05 October 2012**
(24) Date from which industrial property rights may have effect: **05 October 2012**
(54) Product in respect of which the design is registered: **A key blank**
(51) International Design Classification: **08-07**
(74) Name(s) of Attorney(s): **Chrysiliou IP**
(71) Name(s) and Address(s) of Applicant(s):
TNBT Holdings Pty Ltd
Centenary Distribution Centre U B1 2-6 Greenhills Ave Moorebank NSW
2170 Australia
(72) Name(s) of Designer(s): **David John Evans**
(45) Registration Date: **10 December 2012**
(56) Related Art Documents: **Not Applicable**
(57) Statement of Newness and Distinctiveness: **The design is to be applied to a key blank and the newness and distinctiveness resides in the features of the shape and/or configuration of the shank of the article as shown in the accompanying representations. In considering the scope of monopoly, the portion defined by broken lines are to be ignored.**



(21) Design Number: **15251/2012**
(22) Date of Filing Application: **22 October 2012**
(24) Date from which industrial property rights may have effect: **22 October 2012**
(54) Product in respect of which the design is registered: **Lock**
(51) International Design Classification: **08-07**
(74) Name(s) of Attorney(s): **Callinans**
(71) Name(s) and Address(s) of Applicant(s):
Master Lock Company LLC
137 W. Forest Hill Avenue Oak Creek Wisconsin 53154 United States of America
(72) Name(s) of Designer(s): **Scott B. Stevens**
(45) Registration Date: **10 December 2012**
(30) Convention priority data:
(31) Number (32) Date (33) Country
29/418,857 23 Apr 2012 UNITED STATES OF AMERICA
(56) Related Art Documents: **Not Applicable**
(57) Statement of Newness and Distinctiveness: **Newness and distinctiveness resides in the features of shape and/or configuration of the design shown in the representations. The features shown in broken lines in the representations are for illustrative purposes only and should not be considered when construing visual features of the design.**



(21) Design Number: **15661/2012**
(22) Date of Filing Application: **14 November 2012**
(24) Date from which industrial property rights may have effect: **14 November 2012**
(54) Product in respect of which the design is registered: **Electronic device**
(51) International Design Classification: **14-02**
(74) Name(s) of Attorney(s): **Freehills Patent Attorneys**
(71) Name(s) and Address(s) of Applicant(s):
Apple Inc.
1 Infinite Loop Cupertino California 95014 United States of America
(72) Name(s) of Designer(s): **Jody Akana and Bartley K Andre and Jeremy Bataillou and Daniel J Coster and Daniele De Iuliis and Evans Hankey and Julian Hoenig and Richard P Howarth and Jonathan P Ive and Duncan Robert Kerr and Matthew Dean Rohrbach and Peter Russell-Clarke and Mikael Silvano and Christopher J Stringer and Eugene Antony Whang and Rico Zorkendorfer**
(45) Registration Date: **10 December 2012**
(30) Convention priority data:
(31) Number (32) Date (33) Country
29/420873 14 May 2012 UNITED STATES OF AMERICA
(56) Related Art Documents: **Not Applicable**
(57) Statement of Newness and Distinctiveness: **Newness and distinctiveness of the design resides in the shape and configuration of those features of the electronic device illustrated in solid lines in the accompanying drawings.**



- (21) Design Number: **15662/2012**
(22) Date of Filing Application: **14 November 2012**
(24) Date from which industrial property rights may have effect: **14 November 2012**
(54) Product in respect of which the design is registered: **Electronic device**
(51) International Design Classification: **14-02**
(74) Name(s) of Attorney(s): **Freehills Patent Attorneys**
(71) Name(s) and Address(s) of Applicant(s):

Apple Inc.

1 Infinite Loop Cupertino California 95014 United States of America

- (72) Name(s) of Designer(s): **Jody Akana and Bartley K Andre and Jeremy Bataillou and Daniel J Coster and Daniele De Iuliis and Evans Hankey and Julian Hoenig and Richard P Howarth and Jonathan P Ive and Duncan Robert Kerr and Matthew Dean Rohrbach and Peter Russell-Clarke and Mikael Silvano and Christopher J Stringer and Eugene Antony Whang and Rico Zorkendorfer**

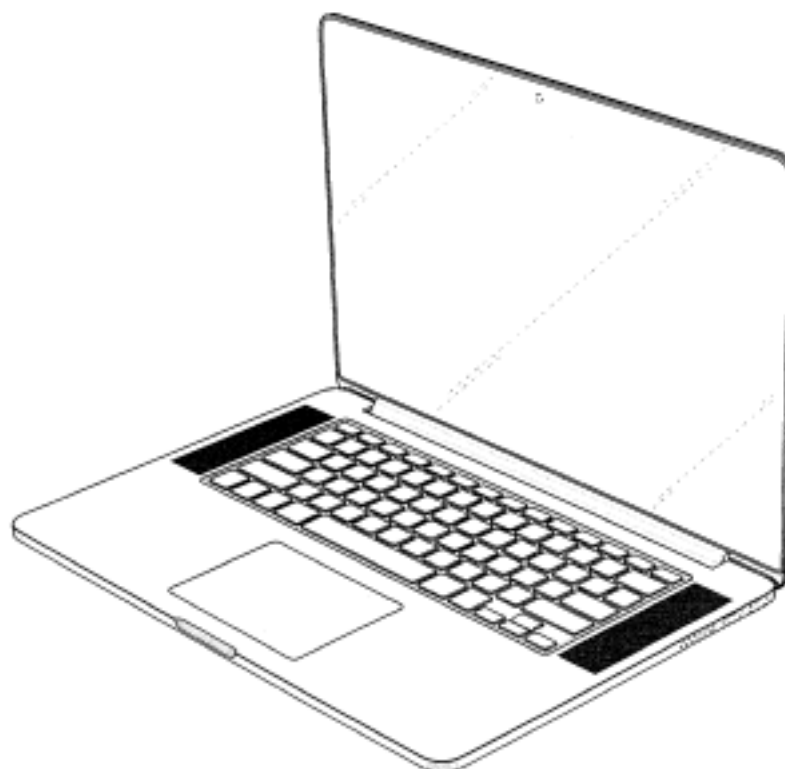
- (45) Registration Date: **10 December 2012**

- (30) Convention priority data:

| (31) Number | (32) Date | (33) Country |
|------------------|--------------------|---------------------------------|
| 29/420873 | 14 May 2012 | UNITED STATES OF AMERICA |

- (56) Related Art Documents: **Not Applicable**

- (57) Statement of Newness and Distinctiveness: **Newness and distinctiveness of the design resides in the shape and configuration of those features of the electronic device illustrated in solid lines in the accompanying drawings.**



- (21) Design Number: **15663/2012**
(22) Date of Filing Application: **14 November 2012**
(24) Date from which industrial property rights may have effect: **14 November 2012**
(54) Product in respect of which the design is registered: **Electronic device**
(51) International Design Classification: **14-02**
(74) Name(s) of Attorney(s): **Freehills Patent Attorneys**
(71) Name(s) and Address(s) of Applicant(s):

Apple Inc.

1 Infinite Loop Cupertino California 95014 United States of America

- (72) Name(s) of Designer(s): **Jody Akana and Bartley K Andre and Jeremy Bataillou and Daniel J Coster and Daniele De Iuliis and Evans Hankey and Julian Hoenig and Richard P Howarth and Jonathan P Ive and Duncan Robert Kerr and Matthew Dean Rohrbach and Peter Russell-Clarke and Mikael Silvano and Christopher J Stringer and Eugene Antony Whang and Rico Zorkendorfer**

- (45) Registration Date: **10 December 2012**

- (30) Convention priority data:

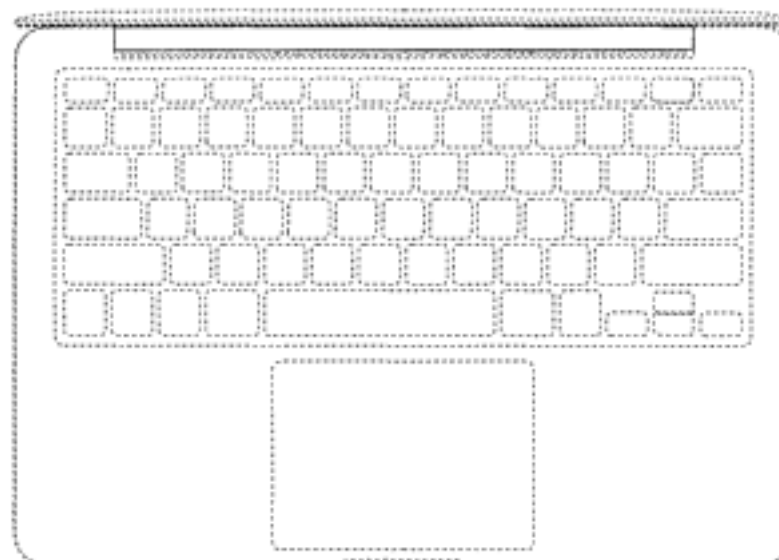
| (31) Number | (32) Date | (33) Country |
|------------------|--------------------|---------------------------------|
| 29/424261 | 08 Jun 2012 | UNITED STATES OF AMERICA |

- (56) Related Art Documents: **Not Applicable**

- (57) Statement of Newness and Distinctiveness: **Newness and distinctiveness of the design for an electronic device resides in the shape and configuration of the port illustrated in solid lines and marked "W" in the accompanying drawings.**



- (21) Design Number: **15664/2012**
(22) Date of Filing Application: **14 November 2012**
(24) Date from which industrial property rights may have effect: **14 November 2012**
(54) Product in respect of which the design is registered: **Electronic device**
(51) International Design Classification: **14-02**
(74) Name(s) of Attorney(s): **Freehills Patent Attorneys**
(71) Name(s) and Address(s) of Applicant(s):
Apple Inc.
1 Infinite Loop Cupertino California 95014 United States of America
(72) Name(s) of Designer(s): **Jody Akana and Bartley K Andre and Jeremy Bataillou and Daniel J Coster and Daniele De Iuliis and Evans Hankey and Julian Hoenig and Richard P Howarth and Jonathan P Ive and Duncan Robert Kerr and Matthew Dean Rohrbach and Peter Russell-Clarke and Mikael Silvano and Christopher J Stringer and Eugene Antony Whang and Rico Zorkendorfer**
(45) Registration Date: **10 December 2012**
(30) Convention priority data:
(31) Number (32) Date (33) Country
29/420873 14 May 2012 UNITED STATES OF AMERICA
(56) Related Art Documents: **Not Applicable**
(57) Statement of Newness and Distinctiveness: **Newness and distinctiveness of the design for an electronic device resides in the shape and configuration of the hinge illustrated in solid lines and marked "X" in the accompanying drawings.**



- (21) Design Number: **15665/2012**
(22) Date of Filing Application: **14 November 2012**
(24) Date from which industrial property rights may have effect: **14 November 2012**
(54) Product in respect of which the design is registered: **Electronic device**
(51) International Design Classification: **14-02**
(74) Name(s) of Attorney(s): **Freehills Patent Attorneys**
(71) Name(s) and Address(s) of Applicant(s):
Apple Inc.
1 Infinite Loop Cupertino California 95014 United States of America
(72) Name(s) of Designer(s): **Jody Akana and Bartley K Andre and Jeremy Bataillou and Daniel J Coster and Daniele De Iuliis and Evans Hankey and Julian Hoenig and Richard P Howarth and Jonathan P Ive and Duncan Robert Kerr and Matthew Dean Rohrbach and Peter Russell-Clarke and Mikael Silvano and Christopher J Stringer and Eugene Antony Whang and Rico Zorkendorfer**
(45) Registration Date: **10 December 2012**
(30) Convention priority data:
(31) Number (32) Date (33) Country
29/420873 14 May 2012 UNITED STATES OF AMERICA
(56) Related Art Documents: **Not Applicable**
(57) Statement of Newness and Distinctiveness: **Newness and distinctiveness of the design for an electronic device resides in the shape and configuration of the vents illustrated in solid lines and marked "Y" and "Z" in the accompanying drawings.**



(21) Design Number: **15772/2012**

(22) Date of Filing Application: **16 November 2012**

(24) Date from which industrial property rights may have effect: **16 November 2012**

(54) Product in respect of which the design is registered: **Earphone**

(51) International Design Classification: **14-01**

(74) Name(s) of Attorney(s): **Freehills Patent Attorneys**

(71) Name(s) and Address(s) of Applicant(s):

Koss Corporation

4129 North Port Washington Avenue Milwaukee Wisconsin 53212 United States America

(72) Name(s) of Designer(s): **Michael J. Koss and Michael J. Pelland and Nick S. Blair and Glenn T. Walters**

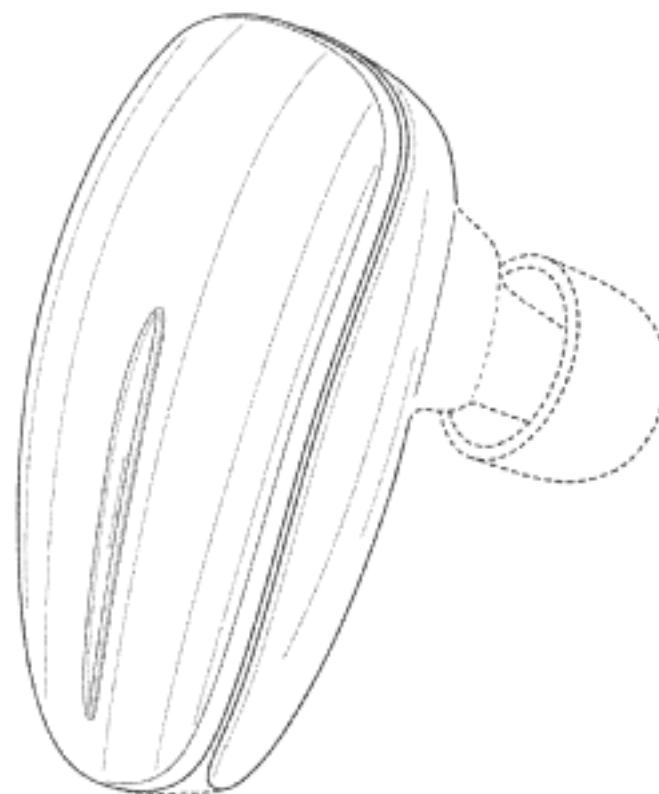
(45) Registration Date: **10 December 2012**

(30) Convention priority data:

| (31) Number | (32) Date | (33) Country |
|------------------|--------------------|---------------------------------|
| 29/424380 | 12 Jun 2012 | UNITED STATES OF AMERICA |

(56) Related Art Documents: **Not Applicable**

(57) Statement of Newness and Distinctiveness: **Newness and distinctiveness resides in the shape and configuration of the features shown in the attached representations by lines other than broken dash lines.**



(21) Design Number: **15773/2012**

(22) Date of Filing Application: **16 November 2012**

(24) Date from which industrial property rights may have effect: **16 November 2012**

(54) Product in respect of which the design is registered: **Integrated mask and hood**

(51) International Design Classification: **02-03**

(74) Name(s) of Attorney(s): **Freehills Patent Attorneys**

(71) Name(s) and Address(s) of Applicant(s):

Kimberly-Clark Worldwide, Inc.

2300 Winchester Road Neenah Wisconsin 54956 United States of America

(72) Name(s) of Designer(s): **Theresa M. McCoy and Damon R. Larkin and Tong J. Kim and Herb F. Velazquez and Jaime-Ramon Cassar**

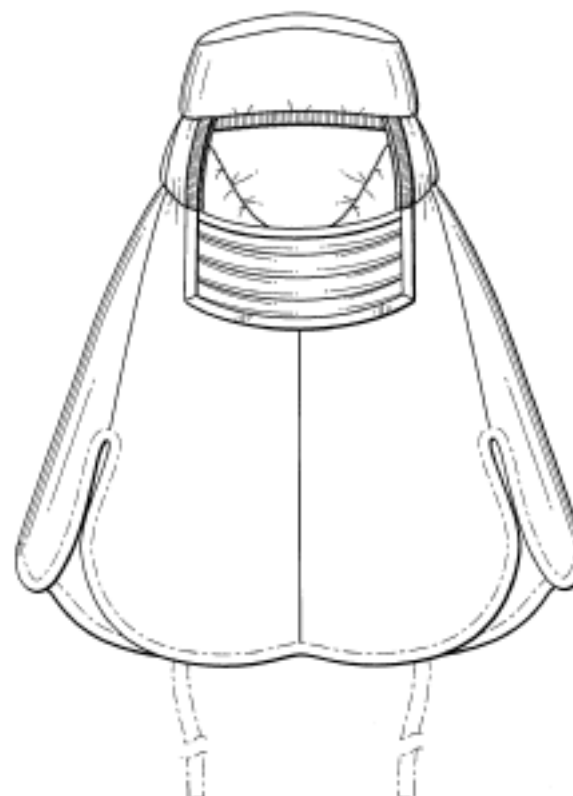
(45) Registration Date: **10 December 2012**

(30) Convention priority data:

| (31) Number | (32) Date | (33) Country |
|------------------|--------------------|---------------------------------|
| 29/424492 | 13 Jun 2012 | UNITED STATES OF AMERICA |

(56) Related Art Documents: **Not Applicable**

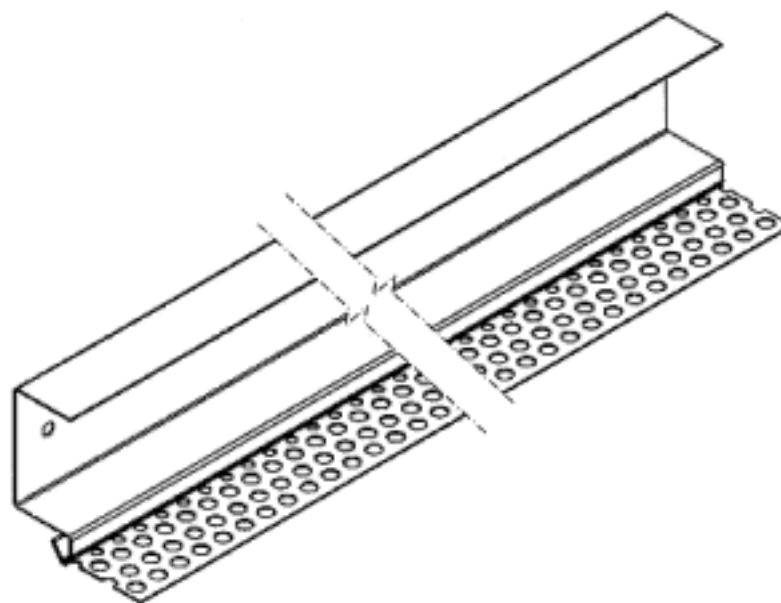
(57) Statement of Newness and Distinctiveness: **Newness and distinctiveness of the design resides in the shape and configuration of the integrated mask and hood as shown in solid outlines in the accompanying representations.**



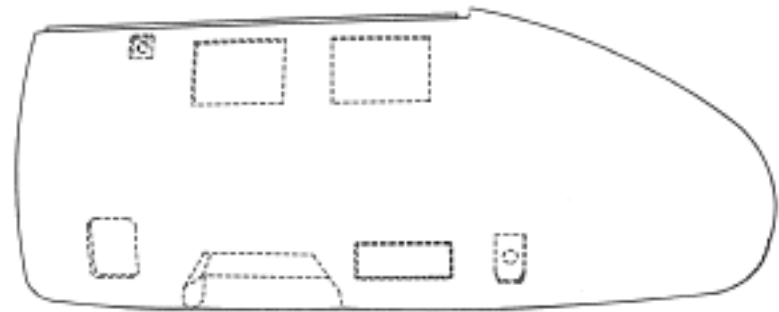
- (21) Design Number: **15774/2012**
(22) Date of Filing Application: **16 November 2012**
(24) Date from which industrial property rights may have effect: **16 November 2012**
(54) Product in respect of which the design is registered: **Integrated mask and hood**
(51) International Design Classification: **02-03**
(74) Name(s) of Attorney(s): **Freehills Patent Attorneys**
(71) Name(s) and Address(s) of Applicant(s):
Kimberly-Clark Worldwide, Inc.
2300 Winchester Road Neenah Wisconsin 54956 United States of America
(72) Name(s) of Designer(s): **Theresa M. McCoy and Damon R. Larkin and Tong J. Kim and Herb F. Velazquez and Jaime-Ramon Cassar**
(45) Registration Date: **10 December 2012**
(30) Convention priority data:
(31) Number (32) Date (33) Country
29/424492 13 Jun 2012 UNITED STATES OF AMERICA
(56) Related Art Documents: **Not Applicable**
(57) Statement of Newness and Distinctiveness: **Newness and distinctiveness of the design resides in the shape and configuration of the integrated mask and hood as shown in solid outlines in the accompanying representations.**



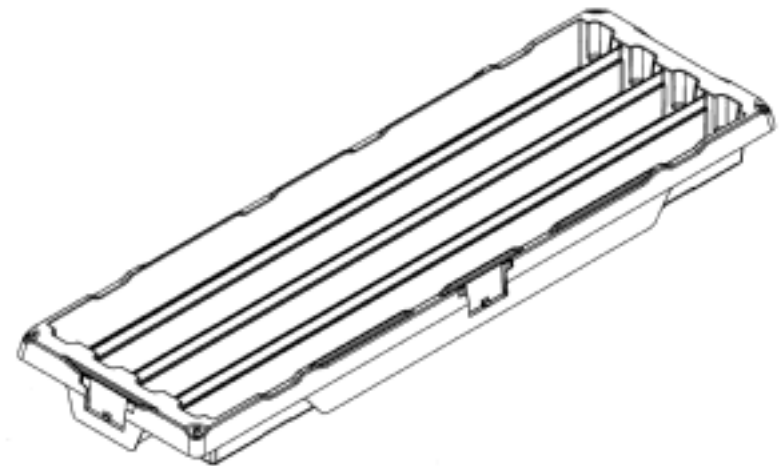
- (21) Design Number: **15941/2012**
(22) Date of Filing Application: **27 March 2012**
(24) Date from which industrial property rights may have effect: **27 March 2012**
(54) Product in respect of which the design is registered: **A section**
(51) International Design Classification: **25-01K, 25-01C**
(74) Name(s) of Attorney(s): **Halfords IP**
(71) Name(s) and Address(s) of Applicant(s):
Reutlinger Australia Pty Ltd
55 Harbord Rd Freshwater New South Wales 2096 Australia
(72) Name(s) of Designer(s): **Michael Freeman and George Lang and Luke Windsor**
(45) Registration Date: **10 December 2012**
(56) Related Art Documents: **Not Applicable**
(57) Statement of Newness and Distinctiveness: **Newness and distinctiveness is claimed in the features of shape and or configuration of a section of indefinite length as depicted in the accompanying representations.**



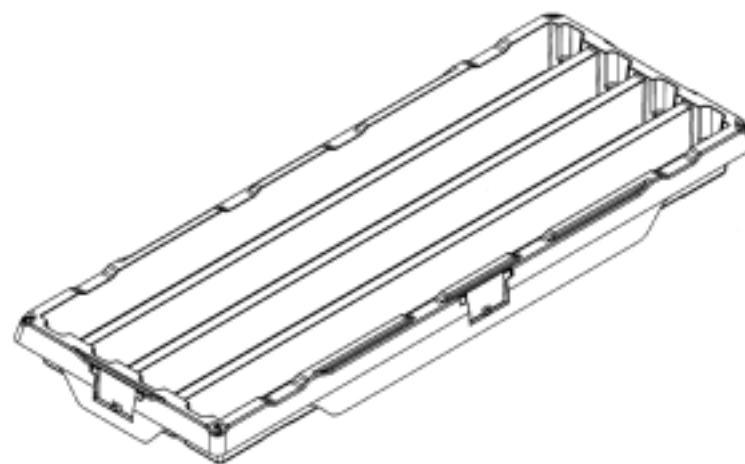
- (21) Design Number: **11846/2012**
(22) Date of Filing Application: **13 April 2012**
(24) Date from which industrial property rights may have effect: **13 April 2012**
(54) Product in respect of which the design is registered: **A caravan body**
(51) International Design Classification: **12-10, 12-16B**
(74) Name(s) of Attorney(s): **Davies Collison Cave**
(71) Name(s) and Address(s) of Applicant(s):
Designer Vans Pty Ltd
62 Newman Street Wangaratta Victoria 3677 Australia
(72) Name(s) of Designer(s): **Scott Anthony French and Barbara Joan Rouke**
(45) Registration Date: **10 December 2012**
(56) Related Art Documents: **Not Applicable**
(57) Statement of Newness and Distinctiveness: **Newness and distinctiveness is claimed in the visual features of the camper van body as shown in solid lines in the representations.**



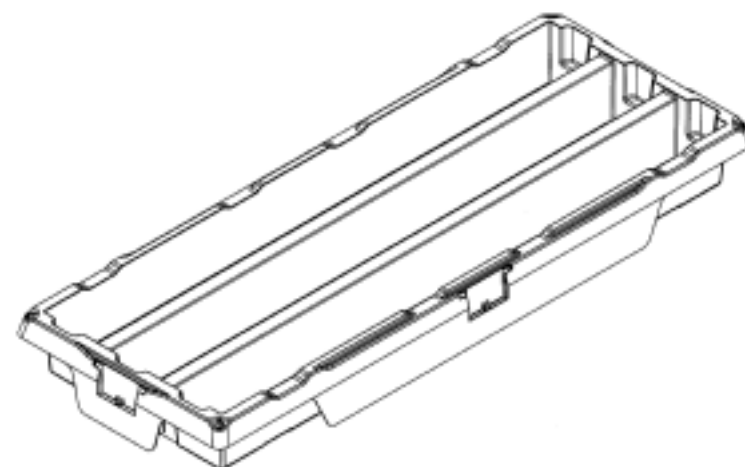
- (21) Design Number: **13462/2012**
(22) Date of Filing Application: **23 July 2012**
(24) Date from which industrial property rights may have effect: **23 July 2012**
(54) Product in respect of which the design is registered: **A core tray**
(51) International Design Classification: **15-99**
(74) Name(s) of Attorney(s): **Wrays**
(71) Name(s) and Address(s) of Applicant(s):
Prospectors Pty Ltd
7/22 Lexington Drive Bella Vista New South Wales 2153 Australia
(72) Name(s) of Designer(s): **Neil Davidson and Anton Lee See and Jacob Goodridge and Robert Keast**
(45) Registration Date: **10 December 2012**
(56) Related Art Documents: **Not Applicable**
(57) Statement of Newness and Distinctiveness: **Newness and distinctiveness is claimed in the shape and/or configuration of the core tray depicted in the representations provided herein.**



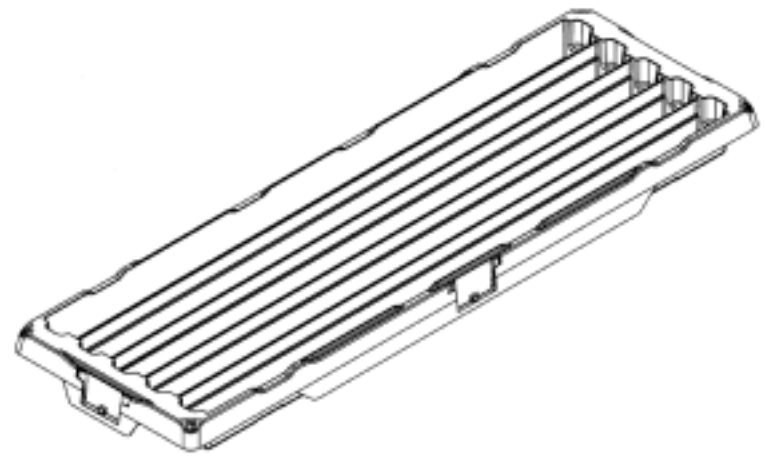
- (21) Design Number: **14983/2012**
(22) Date of Filing Application: **23 July 2012**
(24) Date from which industrial property rights may have effect: **23 July 2012**
(54) Product in respect of which the design is registered: **A core tray**
(51) International Design Classification: **15-99**
(74) Name(s) of Attorney(s):
(71) Name(s) and Address(s) of Applicant(s):
Prospectors Pty Ltd
7/22 Lexington Dr Bella Vista NSW 2153 Australia
(72) Name(s) of Designer(s): **Robert Keast and Neil Davidson and Anton Lee See and Jacob Goodridge**
(45) Registration Date: **10 December 2012**
(56) Related Art Documents: **Not Applicable**
(57) Statement of Newness and Distinctiveness: **Newness and distinctiveness is claimed in the shape and/or configuration of the core tray depicted in the representations provided herein.**



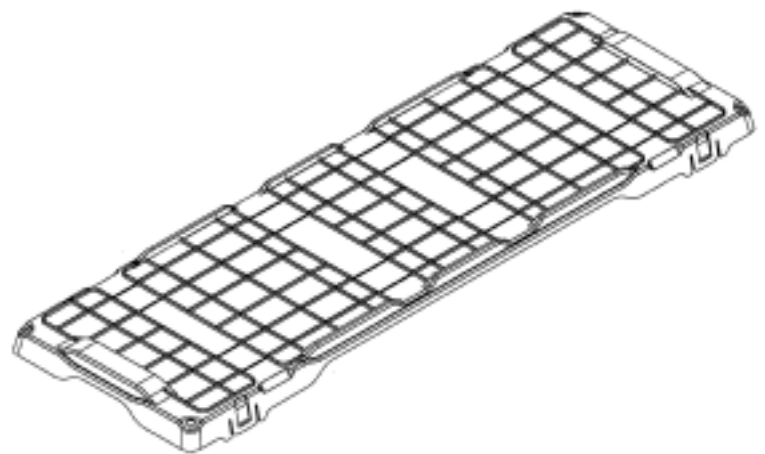
- (21) Design Number: **14984/2012**
(22) Date of Filing Application: **23 July 2012**
(24) Date from which industrial property rights may have effect: **23 July 2012**
(54) Product in respect of which the design is registered: **A core tray**
(51) International Design Classification: **15-99**
(74) Name(s) of Attorney(s):
(71) Name(s) and Address(s) of Applicant(s):
Prospectors Pty Ltd
7/22 Lexington Dr Bella Vista NSW 2153 Australia
(72) Name(s) of Designer(s): **Robert Keast and Neil Davidson and Anton Lee See and Jacob Goodridge**
(45) Registration Date: **10 December 2012**
(56) Related Art Documents: **Not Applicable**
(57) Statement of Newness and Distinctiveness: **Newness and distinctiveness is claimed in the shape and/or configuration of the core tray depicted in the representations provided herein.**



- (21) Design Number: **14985/2012**
(22) Date of Filing Application: **23 July 2012**
(24) Date from which industrial property rights may have effect: **23 July 2012**
(54) Product in respect of which the design is registered: **A core tray**
(51) International Design Classification: **15-99**
(74) Name(s) of Attorney(s):
(71) Name(s) and Address(s) of Applicant(s):
Prospectors Pty Ltd
7/22 Lexington Dr Bella Vista NSW 2153 Australia
(72) Name(s) of Designer(s): **Robert Keast and Neil Davidson and Anton Lee See and Jacob Goodridge**
(45) Registration Date: **10 December 2012**
(56) Related Art Documents: **Not Applicable**
(57) Statement of Newness and Distinctiveness: **Newness and distinctiveness is claimed in the shape and/or configuration of the core tray depicted in the representations provided herein.**



- (21) Design Number: **14986/2012**
(22) Date of Filing Application: **23 July 2012**
(24) Date from which industrial property rights may have effect: **23 July 2012**
(54) Product in respect of which the design is registered: **A core tray lid**
(51) International Design Classification: **15-99, 09-07A**
(74) Name(s) of Attorney(s):
(71) Name(s) and Address(s) of Applicant(s):
Prospectors Pty Ltd
7/22 Lexington Dr Bella Vista NSW 2153 Australia
(72) Name(s) of Designer(s): **Robert Keast and Neil Davidson and Anton Lee See and Jacob Goodridge**
(45) Registration Date: **10 December 2012**
(56) Related Art Documents: **Not Applicable**
(57) Statement of Newness and Distinctiveness: **Newness and distinctiveness is claimed in the shape and/or configuration of the core tray lid depicted in the representations provided herein.**



(21) Design Number: **14987/2012**

(22) Date of Filing Application: **23 July 2012**

(24) Date from which industrial property rights may have effect: **23 July 2012**

(54) Product in respect of which the design is registered: **A core tray accessory**

(51) International Design Classification: **15-99, 09-07NES**

(74) Name(s) of Attorney(s):

(71) Name(s) and Address(s) of Applicant(s):

Prospectors Pty Ltd

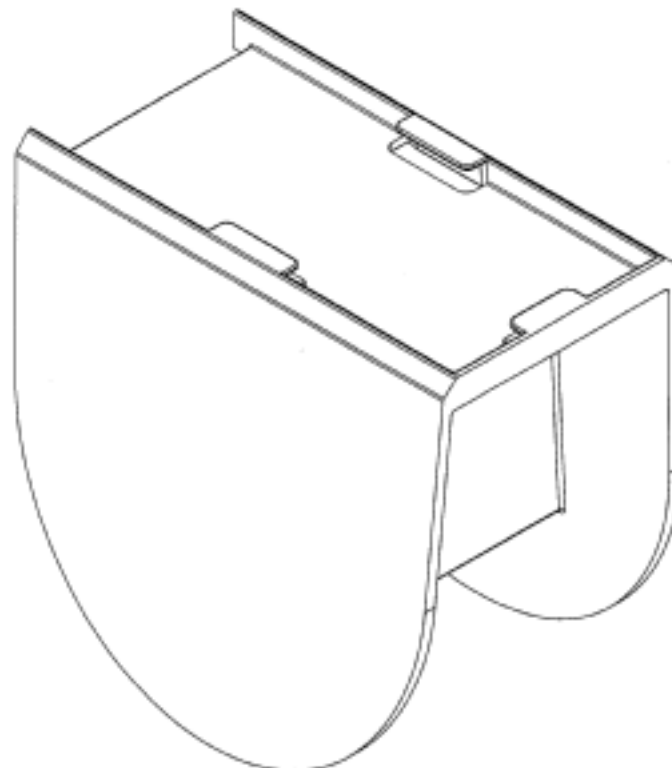
7/22 Lexington Dr Bella Vista NSW 2153 Australia

(72) Name(s) of Designer(s): **Robert Keast and Neil Davidson and Anton Lee See and Jacob Goodridge**

(45) Registration Date: **10 December 2012**

(56) Related Art Documents: **Not Applicable**

(57) Statement of Newness and Distinctiveness: **Newness and distinctiveness is claimed in the shape and/or configuration of the core tray accessory lid depicted in the representations provided herein.**



(21) Design Number: **14988/2012**

(22) Date of Filing Application: **23 July 2012**

(24) Date from which industrial property rights may have effect: **23 July 2012**

(54) Product in respect of which the design is registered: **A core tray accessory**

(51) International Design Classification: **15-99, 09-07NES**

(74) Name(s) of Attorney(s):

(71) Name(s) and Address(s) of Applicant(s):

Prospectors Pty Ltd

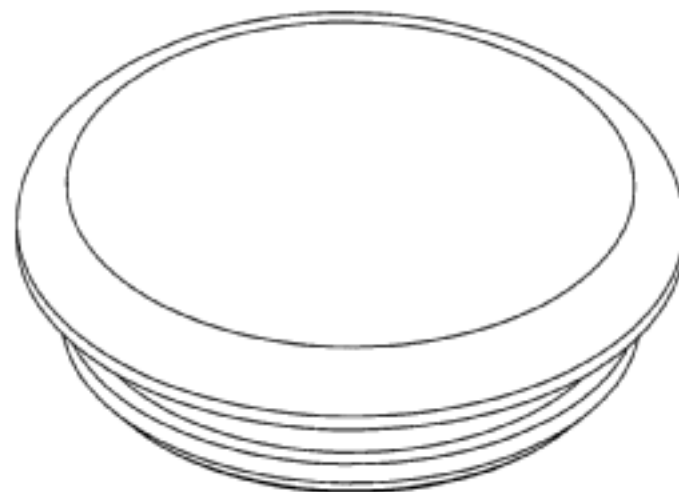
7/22 Lexington Dr Bella Vista NSW 2153 Australia

(72) Name(s) of Designer(s): **Robert Keast and Neil Davidson and Anton Lee See and Jacob Goodridge**

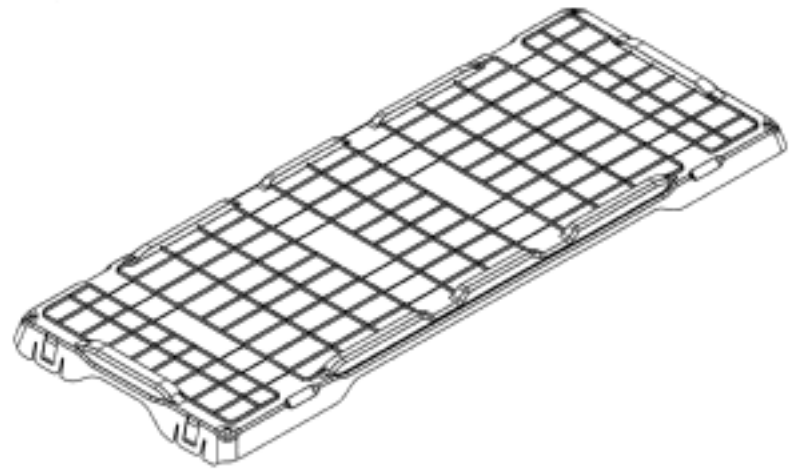
(45) Registration Date: **10 December 2012**

(56) Related Art Documents: **Not Applicable**

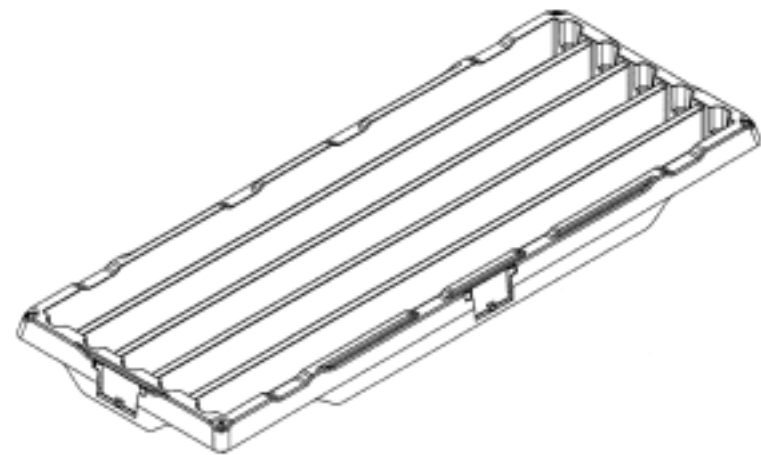
(57) Statement of Newness and Distinctiveness: **Newness and distinctiveness is claimed in the shape and/or configuration of the core tray accessory depicted in the representations provided herein.**



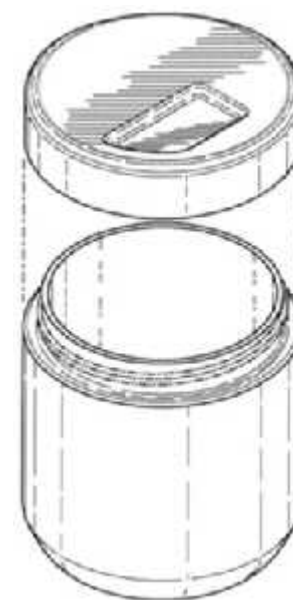
- (21) Design Number: **16141/2012**
(22) Date of Filing Application: **23 July 2012**
(24) Date from which industrial property rights may have effect: **23 July 2012**
(54) Product in respect of which the design is registered: **A core tray lid**
(51) International Design Classification: **15-99**
(74) Name(s) of Attorney(s): **Wrays**
(71) Name(s) and Address(s) of Applicant(s):
Prospectors Pty Ltd
7/22 Lexington Drive Bella Vista New South Wales 2153 Australia
(72) Name(s) of Designer(s): **Robert Keast and Neil Davidson and Anton Lee See and Jacob Goodridge**
(45) Registration Date: **10 December 2012**
(56) Related Art Documents: **Not Applicable**
(57) Statement of Newness and Distinctiveness: **Newness and distinctiveness is claimed in the shape and/or configuration of the core tray lid depicted in the representations provided herein.**



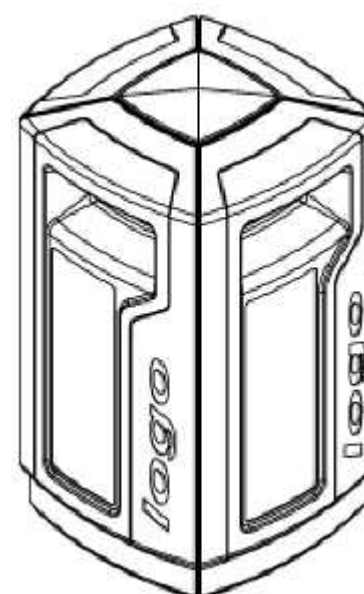
- (21) Design Number: **16142/2012**
(22) Date of Filing Application: **23 July 2012**
(24) Date from which industrial property rights may have effect: **23 July 2012**
(54) Product in respect of which the design is registered: **A core tray**
(51) International Design Classification: **15-99**
(74) Name(s) of Attorney(s): **Wrays**
(71) Name(s) and Address(s) of Applicant(s):
Prospectors Pty Ltd
7/22 Lexington Drive Bella Vista New South Wales 2153 Australia
(72) Name(s) of Designer(s): **Robert Keast and Neil Davidson and Anton Lee See and Jacob Goodridge**
(45) Registration Date: **10 December 2012**
(56) Related Art Documents: **Not Applicable**
(57) Statement of Newness and Distinctiveness: **Newness and distinctiveness is claimed in the shape and/or configuration of the core tray depicted in the representations provided herein.**



- (21) Design Number: **15714/2012**
(22) Date of Filing Application: **19 November 2012**
(24) Date from which industrial property rights may have effect: **19 November 2012**
(54) Product in respect of which the design is registered: **A canister**
(51) International Design Classification: **09-02NES**
(74) Name(s) of Attorney(s): **Smootenburg Patent & Trade Mark Attorneys**
(71) Name(s) and Address(s) of Applicant(s):
Klean Kanteen, Inc
4345 Hedstrom Way Chico CA 95973 United States of America
(72) Name(s) of Designer(s): **Casey Hopkins and James Osgood and Ethan Jewett and Brett Renlund**
(45) Registration Date: **10 December 2012**
(30) Convention priority data:
(31) Number (32) Date (33) Country
29/423,981 06 Jun 2012 UNITED STATES OF AMERICA
(56) Related Art Documents: **Not Applicable**
(57) Statement of Newness and Distinctiveness: **Newness and distinctiveness is claimed in features of shape and/or configuration of a canister as illustrated in the accompanying representations. No regard is to be had to the dashed lines in the figures, they are for environmental purposes only and form no part of the claimed design.**



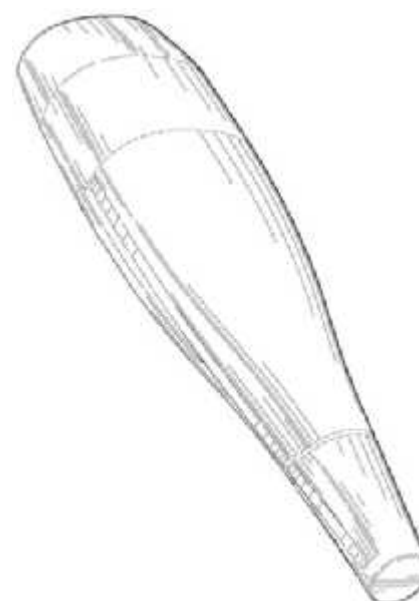
- (21) Design Number: **15792/2012**
(22) Date of Filing Application: **21 November 2012**
(24) Date from which industrial property rights may have effect: **21 November 2012**
(54) Product in respect of which the design is registered: **Recycling bin enclosure for generic bin**
(51) International Design Classification: **09-09**
(74) Name(s) of Attorney(s):
(71) Name(s) and Address(s) of Applicant(s):
Ecobins (Aust) Pty Ltd
SE3 2 Stuart St Balaclava VIC 3183 Australia
(72) Name(s) of Designer(s): **John Engelder**
(45) Registration Date: **10 December 2012**
(56) Related Art Documents: **Not Applicable**
(57) Statement of Newness and Distinctiveness: **Monopoly is claimed in the features of shape and/or configuration of the bin as illustrated in the representations accompanying the application.**



(21) Design Number: **15793/2012**
(22) Date of Filing Application: **21 November 2012**
(24) Date from which industrial property rights may have effect: **21 November 2012**
(54) Product in respect of which the design is registered: **Minneral Cutter Pick**
(51) International Design Classification: **08-03**
(74) Name(s) of Attorney(s): **Cullens Patent and Trade Mark Attorneys**
(71) Name(s) and Address(s) of Applicant(s):
Minnovation Limited
Cliffe Works Balne Lane Wakefield WF2 0DF United Kingdom
(72) Name(s) of Designer(s): **George Albert Parrott**
(45) Registration Date: **10 December 2012**
(56) Related Art Documents: **Not Applicable**
(57) Statement of Newness and Distinctiveness: **Nil**



(21) Design Number: **15758/2012**
(22) Date of Filing Application: **20 November 2012**
(24) Date from which industrial property rights may have effect: **20 November 2012**
(54) Product in respect of which the design is registered: **Handheld device**
(51) International Design Classification: **24-02**
(74) Name(s) of Attorney(s): **PIZZEYS**
(71) Name(s) and Address(s) of Applicant(s):
MyoScience, Inc.
1600 Seaport Blvd North Building Suite 450 Redwood City California
94063 United States
(72) Name(s) of Designer(s): **Jonathon Mendoza and Geoff Baldwin and Nick Hausman and Jeffery Servaites**
(45) Registration Date: **11 December 2012**
(30) Convention priority data:
(31) Number (32) Date (33) Country
29/421,240 18 Jun 2012 UNITED STATES OF AMERICA
(56) Related Art Documents: **Not Applicable**
(57) Statement of Newness and Distinctiveness: **The newness and distinctiveness of the design resides in the features of pattern and/or ornamentation OR shape and/or configuration shown in unbroken lines in the accompanying representations.**



(21) Design Number: **15759/2012**
(22) Date of Filing Application: **20 November 2012**
(24) Date from which industrial property rights may have effect: **20 November 2012**
(54) Product in respect of which the design is registered: **Dock**
(51) International Design Classification: **24-02**
(74) Name(s) of Attorney(s): **PIZZEYS**
(71) Name(s) and Address(s) of Applicant(s):

MyoScience, Inc.
1600 Seaport Blvd North Building Suite 450 Redwood City California
94063 United States

(72) Name(s) of Designer(s): **Jonathon Mendoza and Jeffery Servaites**

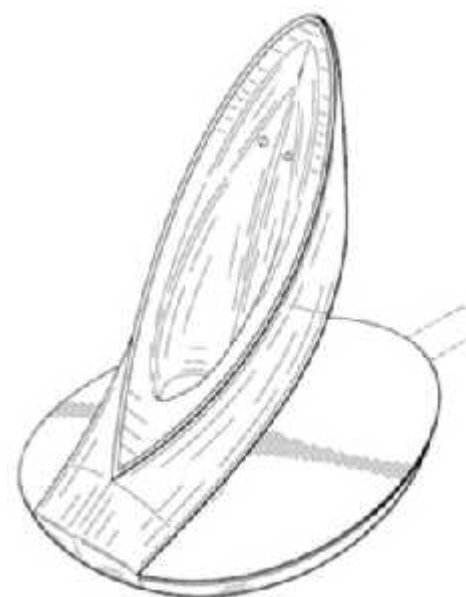
(45) Registration Date: **11 December 2012**

(30) Convention priority data:

| (31) Number | (32) Date | (33) Country |
|-------------------|--------------------|---------------------------------|
| 29/421,239 | 18 Jun 2012 | UNITED STATES OF AMERICA |

(56) Related Art Documents: **Not Applicable**

(57) Statement of Newness and Distinctiveness: **The newness and distinctiveness of the design resides in the features of pattern and/or ornamentation OR shape and/or configuration shown in unbroken lines in the accompanying representations.**



(21) Design Number: **11674/2012**
(22) Date of Filing Application: **03 April 2012**
(24) Date from which industrial property rights may have effect: **03 April 2012**
(54) Product in respect of which the design is registered: **A pair of pants**
(51) International Design Classification: **02-02C**
(74) Name(s) of Attorney(s): **MIDDLETONS**
(71) Name(s) and Address(s) of Applicant(s):

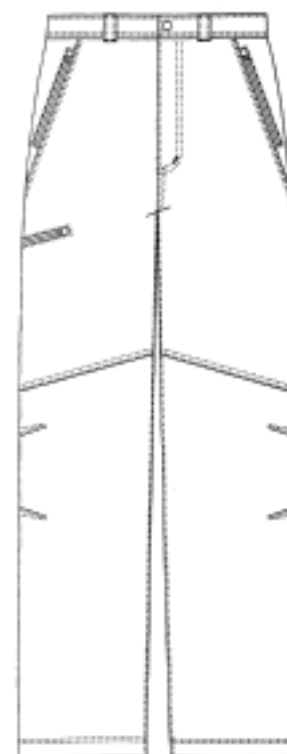
Gondwana Outdoor Clothing Co Pty Ltd
30 Barrett Street Kensington Victoria 3031 Australia

(72) Name(s) of Designer(s): **Catriona Dolphin**

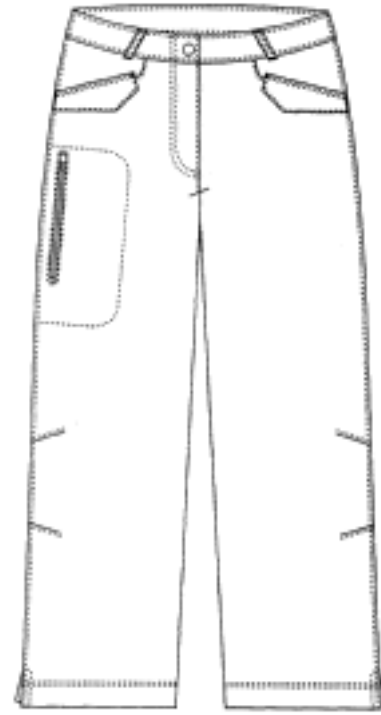
(45) Registration Date: **12 December 2012**

(56) Related Art Documents: **Not Applicable**

(57) Statement of Newness and Distinctiveness: **Nil**



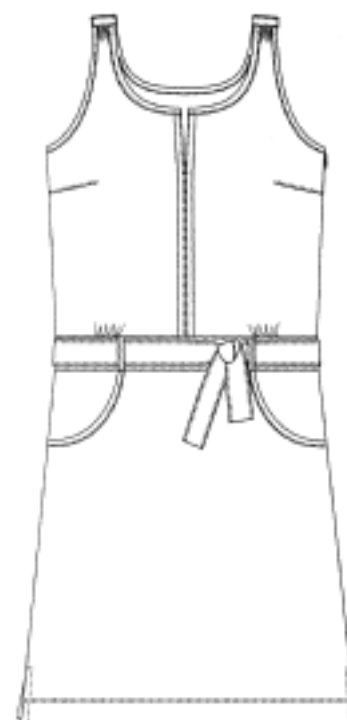
(21) Design Number: **14759/2012**
(22) Date of Filing Application: **03 April 2012**
(24) Date from which industrial property rights may have effect: **03 April 2012**
(54) Product in respect of which the design is registered: **A pair of pants**
(51) International Design Classification: **02-02C**
(74) Name(s) of Attorney(s): **MIDDLETONS**
(71) Name(s) and Address(s) of Applicant(s):
Gondwana Outdoor Clothing Co Pty Ltd
30 Barrett Street Kensington Victoria 3031 Australia
(72) Name(s) of Designer(s): **Catriona Dolphin**
(45) Registration Date: **12 December 2012**
(56) Related Art Documents: **Not Applicable**
(57) Statement of Newness and Distinctiveness: **Nil**



(21) Design Number: **14760/2012**
(22) Date of Filing Application: **03 April 2012**
(24) Date from which industrial property rights may have effect: **03 April 2012**
(54) Product in respect of which the design is registered: **A pair of pants**
(51) International Design Classification: **02-02C**
(74) Name(s) of Attorney(s): **MIDDLETONS**
(71) Name(s) and Address(s) of Applicant(s):
Gondwana Outdoor Clothing Co Pty Ltd
30 Barrett Street Kensington Victoria 3031 Australia
(72) Name(s) of Designer(s): **Catriona Dolphin**
(45) Registration Date: **12 December 2012**
(56) Related Art Documents: **Not Applicable**
(57) Statement of Newness and Distinctiveness: **Nil**



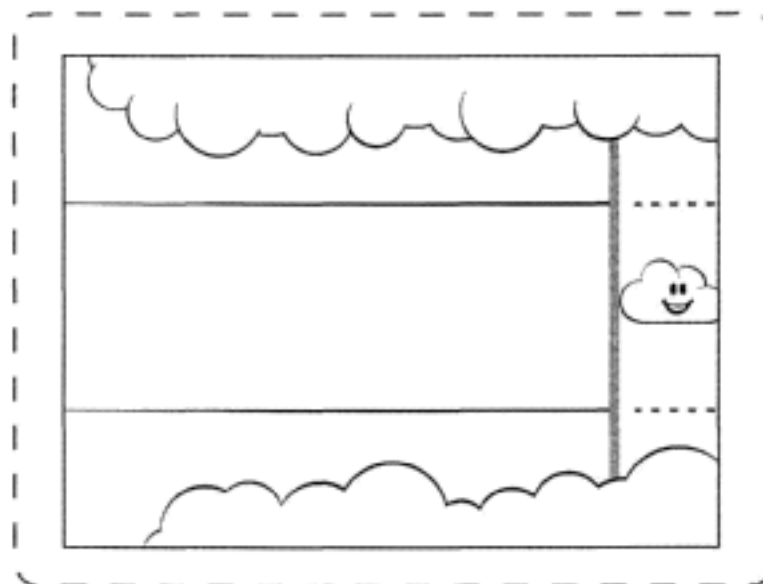
(21) Design Number: **14761/2012**
(22) Date of Filing Application: **03 April 2012**
(24) Date from which industrial property rights may have effect: **03 April 2012**
(54) Product in respect of which the design is registered: **A dress**
(51) International Design Classification: **02-02C**
(74) Name(s) of Attorney(s): **MIDDLETONS**
(71) Name(s) and Address(s) of Applicant(s):
Gondwana Outdoor Clothing Co Pty Ltd
30 Barrett Street Kensington Victoria 3031 Australia
(72) Name(s) of Designer(s): **Catriona Dolphin**
(45) Registration Date: **12 December 2012**
(56) Related Art Documents: **Not Applicable**
(57) Statement of Newness and Distinctiveness: **Nil**



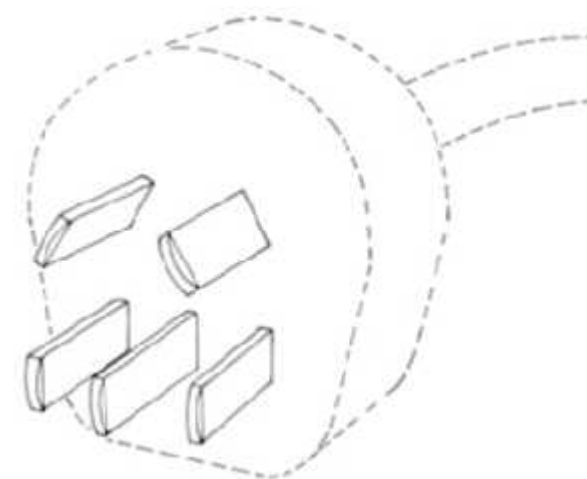
(21) Design Number: **13882/2012**
(22) Date of Filing Application: **08 August 2012**
(24) Date from which industrial property rights may have effect: **08 August 2012**
(54) Product in respect of which the design is registered: **Template for making a toy car**
(51) International Design Classification: **19-07**
(74) Name(s) of Attorney(s):
(71) Name(s) and Address(s) of Applicant(s):
Education Projects Pty Ltd
57 Bancroft Terrace Deception Bay Queensland 4508 Australia
(72) Name(s) of Designer(s): **Christopher Fowler**
(45) Registration Date: **12 December 2012**
(56) Related Art Documents: **Not Applicable**
(57) Statement of Newness and Distinctiveness: **This template is usually made of cardboard or paper and is used to construct the Rubber Band Powered Car (Take-Away) Design No. 13142/12**



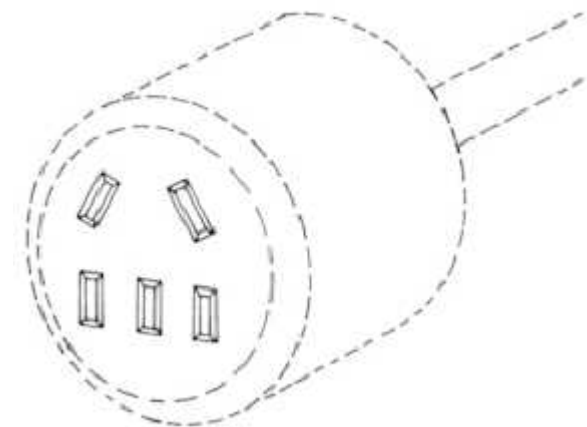
- (21) Design Number: **15705/2012**
(22) Date of Filing Application: **15 November 2012**
(24) Date from which industrial property rights may have effect: **15 November 2012**
(54) Product in respect of which the design is registered: **Display screen**
(51) International Design Classification: **14-04**
(74) Name(s) of Attorney(s): **Shelston IP**
(71) Name(s) and Address(s) of Applicant(s):
Aerocrine AB
Sundbybergsvagen 9 S-171 73 Solna Sweden
(72) Name(s) of Designer(s): **Per Larsen and Lennart Andersson and Gabriel Aberg and Magnus Gyllensward and Hans Peter Starck-Johnson**
(45) Registration Date: **12 December 2012**
(30) Convention priority data:
(31) Number (32) Date (33) Country
002057927 14 Jun 2012 EUROPEAN COMMUNITY
(56) Related Art Documents: **Not Applicable**
(57) Statement of Newness and Distinctiveness: **Newness and distinctiveness resides in the features of the display screen shown in solid lines in the accompanying representations. The periphery of the screen shown in broken lines does not form part of the design.**



- (21) Design Number: **15817/2012**
(22) Date of Filing Application: **22 November 2012**
(24) Date from which industrial property rights may have effect: **22 November 2012**
(54) Product in respect of which the design is registered: **A male electrical plug**
(51) International Design Classification: **13-03D**
(74) Name(s) of Attorney(s): **Fraser Old & Sohn**
(71) Name(s) and Address(s) of Applicant(s):
Assembly Electronics Pty. Ltd.
24 Binney Rd Kings Park NSW 2148 Australia
(72) Name(s) of Designer(s): **Jeremy Charles Gray**
(45) Registration Date: **12 December 2012**
(56) Related Art Documents: **Not Applicable**
(57) Statement of Newness and Distinctiveness: **Newness and distinctiveness is claimed in respect of the shape and/or configuration of the pins of the product illustrated in the accompanying representations. In carrying out a consideration in accordance with Section 19 the shape and/or configuration of the portions of the plug illustrated in broken lines in the representations is/are not to be considered either new or distinctive and does/do not form part of the design.**



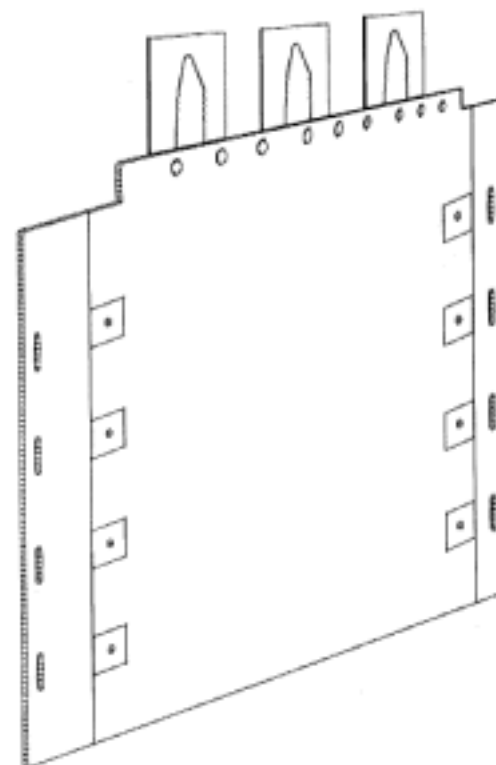
- (21) Design Number: **15818/2012**
(22) Date of Filing Application: **22 November 2012**
(24) Date from which industrial property rights may have effect: **22 November 2012**
(54) Product in respect of which the design is registered: **A female electrical socket**
(51) International Design Classification: **13-03D**
(74) Name(s) of Attorney(s): **Fraser Old & Sohn**
(71) Name(s) and Address(s) of Applicant(s):
Assembly Electronics Pty. Ltd.
24 Binney Rd Kings Park NSW 2148 Australia
(72) Name(s) of Designer(s): **Jeremy Charles Gray**
(45) Registration Date: **12 December 2012**
(56) Related Art Documents: **Not Applicable**
(57) Statement of Newness and Distinctiveness: **Newness and distinctiveness is claimed in respect of the shape and/or configuration of the socket apertures of the product illustrated in the accompanying representations. In carrying out a consideration in accordance with Section 19 the shape and/or configuration of the portions of the socket illustrated in broken lines in the representations is/are not to be considered either new or distinctive and does/do not form part of the design.**



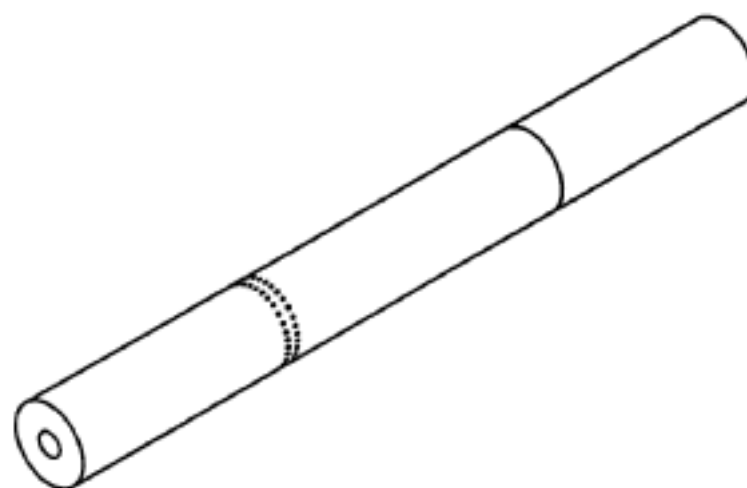
- (21) Design Number: **15820/2012**
(22) Date of Filing Application: **22 November 2012**
(24) Date from which industrial property rights may have effect: **22 November 2012**
(54) Product in respect of which the design is registered: **Plastic damper zone**
(51) International Design Classification: **23-04**
(74) Name(s) of Attorney(s):
(71) Name(s) and Address(s) of Applicant(s):
Zabdew Pty Ltd.
U2 18-20 Carlingford St Regents Park NSW 2143 Australia
(72) Name(s) of Designer(s): **Shuncan Chen**
(45) Registration Date: **12 December 2012**
(56) Related Art Documents: **Not Applicable**
(57) Statement of Newness and Distinctiveness: **Novelty resides in the ornamental design for a plastic damper zone as shown in the photos.**



- (21) Design Number: **14170/2012**
(22) Date of Filing Application: **23 August 2012**
(24) Date from which industrial property rights may have effect: **23 August 2012**
(54) Product in respect of which the design is registered: **A panel**
(51) International Design Classification: **25-01D**
(74) Name(s) of Attorney(s): **SPRUSON & FERGUSON**
(71) Name(s) and Address(s) of Applicant(s):
IDC Solutions Pty Ltd
Suite 8 21 Regent Street Redfern New South Wales 2016 Australia
(72) Name(s) of Designer(s): **Niall Coulter**
(45) Registration Date: **12 December 2012**
(56) Related Art Documents: **Not Applicable**
(57) Statement of Newness and Distinctiveness: **Newness and distinctiveness is claimed in the features of shape and/or configuration of a panel as illustrated in the accompanying representations.**



- (21) Design Number: **14493/2012**
(22) Date of Filing Application: **10 September 2012**
(24) Date from which industrial property rights may have effect: **10 September 2012**
(54) Product in respect of which the design is registered: **Smoker article**
(51) International Design Classification: **27-99**
(74) Name(s) of Attorney(s): **Callinans**
(71) Name(s) and Address(s) of Applicant(s):
Philip Morris Products S.A.
Quai Jeanrenaud 3 CH-2000 Neuchatel Switzerland
(72) Name(s) of Designer(s): **Frederic Lavanchy and Aleksandra Samulewicz and Oleg Mironov and Stephane Roudier and Roberto Mancini**
(45) Registration Date: **12 December 2012**
(30) Convention priority data:
(31) Number (32) Date (33) Country
001317556 12 Mar 2012 EUROPEAN COMMUNITY
(56) Related Art Documents: **Not Applicable**
(57) Statement of Newness and Distinctiveness: **Nil**



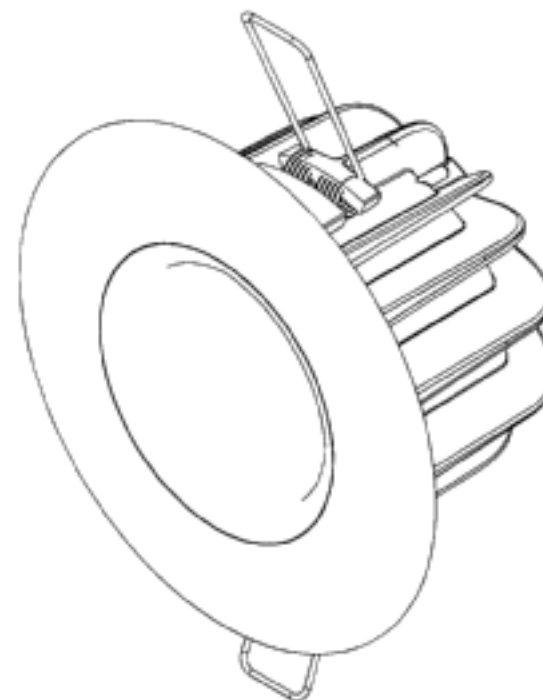
- (21) Design Number: **14514/2012**
(22) Date of Filing Application: **11 September 2012**
(24) Date from which industrial property rights may have effect: **11 September 2012**
(54) Product in respect of which the design is registered: **A bottle**
(51) International Design Classification: **09-01H**
(74) Name(s) of Attorney(s): **Ahearn Fox**
(71) Name(s) and Address(s) of Applicant(s):
Illuminated Industries Pty Ltd
12 Eurora St Kingston QLD 4118 Australia
(72) Name(s) of Designer(s): **Brett Thomas**
(45) Registration Date: **12 December 2012**
(56) Related Art Documents: **Not Applicable**
(57) Statement of Newness and Distinctiveness: **Newness and distinctiveness reside in the features of shape and configuration of a bottle as shown in the accompanying drawings wherein: Fig.1 is a top view of a bottle; Fig.2 is a bottom view of the bottle; Fig.3 is a side view of the bottle looking in the direction "A"; Fig.4 is a side view of the bottle looking in the direction "B"; Fig.5 is a side view of the bottle looking in the direction "C"; Fig.6 is a side view of the bottle looking in the direction "D"; Fig.7 is a cross-sectional view looking in the direction of arrows "E", and Fig.8 is a cross-sectional view of the bottle looking in the direction of arrows "F".**



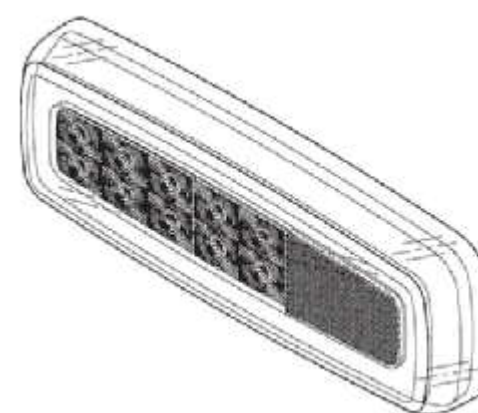
- (21) Design Number: **14713/2012**
(22) Date of Filing Application: **20 September 2012**
(24) Date from which industrial property rights may have effect: **20 September 2012**
(54) Product in respect of which the design is registered: **A can**
(51) International Design Classification: **09-03L**
(74) Name(s) of Attorney(s): **Corrs Chambers Westgarth**
(71) Name(s) and Address(s) of Applicant(s):
CUB Pty Ltd
77 Southbank Bvd Southbank VIC 3006 Australia
(72) Name(s) of Designer(s): **James McDermid**
(45) Registration Date: **12 December 2012**
(56) Related Art Documents: **Not Applicable**
(57) Statement of Newness and Distinctiveness: **Newness and distinctiveness is claimed in the shape and/or configuration of the horizontal ribbing applied to a cylinder as shown in the representations and the pattern and/or ornamentation produced by the two rounded rectangles applied below the cylinder rim. The rounded rectangles are not diametrically opposed but are positioned around the circumference of the can as shown in the overhead view of the design. The colour silver, as applied to the entire surface of the cylinder, is expressly claimed as part of the design. The circular top and bottom faces of the cylinder are expressly disclaimed.**



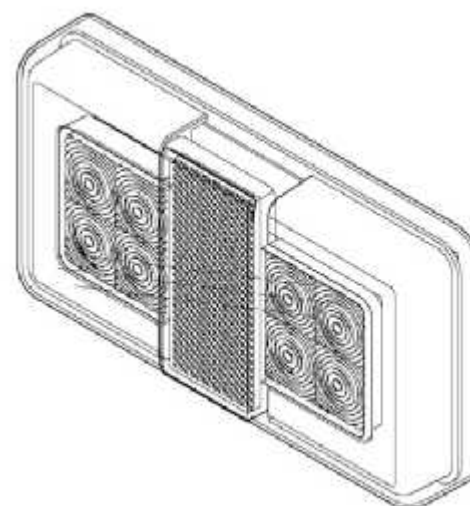
- (21) Design Number: **15012/2012**
(22) Date of Filing Application: **10 October 2012**
(24) Date from which industrial property rights may have effect: **10 October 2012**
(54) Product in respect of which the design is registered: **LED downlight**
(51) International Design Classification: **26-05E, 26-05C, 26-04**
(74) Name(s) of Attorney(s):
(71) Name(s) and Address(s) of Applicant(s):
Gerard Woods
53C Bolt Rd Nelson 7011 New Zealand
(72) Name(s) of Designer(s): **Gerard Woods and Jonathan Maunsell and David Moody**
(45) Registration Date: **12 December 2012**
(30) Convention priority data:
(31) Number (32) Date (33) Country
416685 05 Sep 2012 NEW ZEALAND
(56) Related Art Documents: **Not Applicable**
(57) Statement of Newness and Distinctiveness: **Die cast body that houses the LED, LENS and diffuser that is integral with the trim. Housing is also an integral heatsink designed to keep insulation away from the main body.**



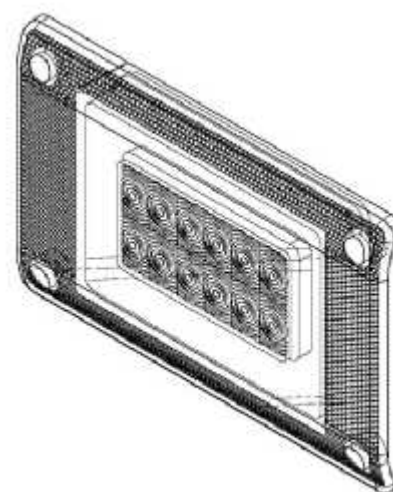
- (21) Design Number: **15828/2012**
(22) Date of Filing Application: **23 November 2012**
(24) Date from which industrial property rights may have effect: **23 November 2012**
(54) Product in respect of which the design is registered: **Vehicle lamp**
(51) International Design Classification: **26-06**
(74) Name(s) of Attorney(s): **A.P.T. Patent and Trade Mark Attorneys**
(71) Name(s) and Address(s) of Applicant(s):
Lucidity Enterprise Co., Ltd.
No. 18 Gongye 1st Rd Annan District Tainan City Taiwan
(72) Name(s) of Designer(s): **Chi-Hsuan Chou and Kuo-Yang Yeh**
(45) Registration Date: **13 December 2012**
(56) Related Art Documents: **Not Applicable**
(57) Statement of Newness and Distinctiveness: **Nil**



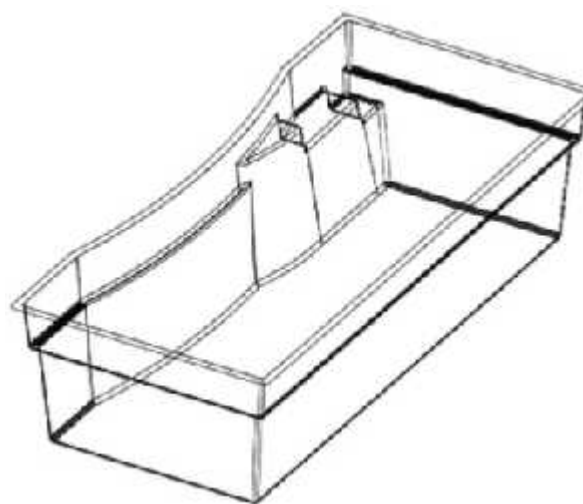
(21) Design Number: **15829/2012**
(22) Date of Filing Application: **23 November 2012**
(24) Date from which industrial property rights may have effect: **23 November 2012**
(54) Product in respect of which the design is registered: **Vehicle lamp**
(51) International Design Classification: **26-06**
(74) Name(s) of Attorney(s): **A.P.T. Patent and Trade Mark Attorneys**
(71) Name(s) and Address(s) of Applicant(s):
Lucidity Enterprise Co., Ltd.
No. 18 Gongye 1st Rd Annan District Tainan City Taiwan
(72) Name(s) of Designer(s): **Chi-Hsuan Chou and Chao-Ming Chang**
(45) Registration Date: **13 December 2012**
(56) Related Art Documents: **Not Applicable**
(57) Statement of Newness and Distinctiveness: **Nil**



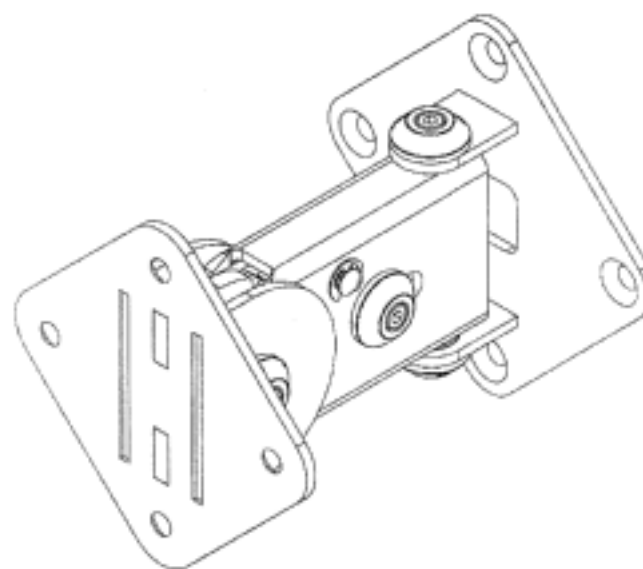
(21) Design Number: **15832/2012**
(22) Date of Filing Application: **23 November 2012**
(24) Date from which industrial property rights may have effect: **23 November 2012**
(54) Product in respect of which the design is registered: **Vehicle lamp**
(51) International Design Classification: **26-06**
(74) Name(s) of Attorney(s): **A.P.T. Patent and Trade Mark Attorneys**
(71) Name(s) and Address(s) of Applicant(s):
Lucidity Enterprise Co., Ltd.
No. 18 Gongye 1st Road Annan District Tainan City Taiwan
(72) Name(s) of Designer(s): **Chi-Hsuan Chou and Kuo-Yang Yeh**
(45) Registration Date: **13 December 2012**
(56) Related Art Documents: **Not Applicable**
(57) Statement of Newness and Distinctiveness: **Nil**



- (21) Design Number: **15833/2012**
(22) Date of Filing Application: **23 November 2012**
(24) Date from which industrial property rights may have effect: **23 November 2012**
(54) Product in respect of which the design is registered: **Swimming pool**
(51) International Design Classification: **25-03**
(74) Name(s) of Attorney(s): **GO trademarks**
(71) Name(s) and Address(s) of Applicant(s):
Barrier Reef Pools Pty Ltd
9 Doug Sullivan Ct Beaudesert QLD 4285 Australia
(72) Name(s) of Designer(s): **Michael Crooks**
(45) Registration Date: **13 December 2012**
(56) Related Art Documents: **Not Applicable**
(57) Statement of Newness and Distinctiveness: **The newness and distinctiveness of the design resides in the shape and/or configuration of the swimming pool as shown in the accompanying representations.**



- (21) Design Number: **14637/2012**
(22) Date of Filing Application: **18 September 2012**
(24) Date from which industrial property rights may have effect: **18 September 2012**
(54) Product in respect of which the design is registered: **Bracket**
(51) International Design Classification: **08-08L**
(74) Name(s) of Attorney(s): **Davies Collison Cave**
(71) Name(s) and Address(s) of Applicant(s):
Group Technologies Australasia Pty Ltd
L4 448 St Kilda Rd Melbourne VIC 3004 Australia
(72) Name(s) of Designer(s): **Michael Chijoff and Guillaume Boda**
(45) Registration Date: **14 December 2012**
(56) Related Art Documents: **Not Applicable**
(57) Statement of Newness and Distinctiveness: **Nil**



- (21) Design Number: **14800/2012**
(22) Date of Filing Application: **26 September 2012**
(24) Date from which industrial property rights may have effect: **26 September 2012**
(54) Product in respect of which the design is registered: **Front inner cover for motor scooters**
(51) International Design Classification: **12-11, 12-16B**
(74) Name(s) of Attorney(s): **Griffith Hack**
(71) Name(s) and Address(s) of Applicant(s):
Honda Motor Co., Ltd.
1-1 Minami-Aoyama 2-chome Minato-ku Tokyo 107-8556 Japan
(72) Name(s) of Designer(s): **Sirasit Phutrakool and Charnchai Jarngprasert**
(45) Registration Date: **14 December 2012**
(30) Convention priority data:
(31) Number (32) Date (33) Country
2012-006829 26 Mar 2012 JAPAN
(56) Related Art Documents: **Not Applicable**
(57) Statement of Newness and Distinctiveness: **Newness and distinctiveness resides in the visual features, including shape, configuration and ornamentation of the product as shown in the accompanying representations. Figure 11 illustrates the product when in use and those parts shown as translucent do not form part of the product of the present design and have been included of illustrative purposes only.**



- (21) Design Number: **14805/2012**
(22) Date of Filing Application: **27 September 2012**
(24) Date from which industrial property rights may have effect: **27 September 2012**
(54) Product in respect of which the design is registered: **Cosmetic cases and cosmetic kits**
(51) International Design Classification: **03-01D**
(74) Name(s) of Attorney(s):
(71) Name(s) and Address(s) of Applicant(s):
Elizabeth Anne Jones
199 Brougham St Woolloomooloo NSW 2011 Australia
(72) Name(s) of Designer(s): **Elizabeth Anne Jones**
(45) Registration Date: **14 December 2012**
(56) Related Art Documents: **Not Applicable**
(57) Statement of Newness and Distinctiveness: **An asymmetrical kidney shaped design which has not previously been applied to cosmetic cases or cosmetic kits.**



(21) Design Number: **14965/2012**

(22) Date of Filing Application: **04 October 2012**

(24) Date from which industrial property rights may have effect: **04 October 2012**

(54) Product in respect of which the design is registered: **Elevator fixture**

(51) International Design Classification: **13-03NES, 12-05**

(74) Name(s) of Attorney(s): **Shelston IP**

(71) Name(s) and Address(s) of Applicant(s):

Otis Elevator Company
10 Farm Springs Road Farmington Connecticut 06032 United States of America

(72) Name(s) of Designer(s): **Matthew Joyce Jr.**

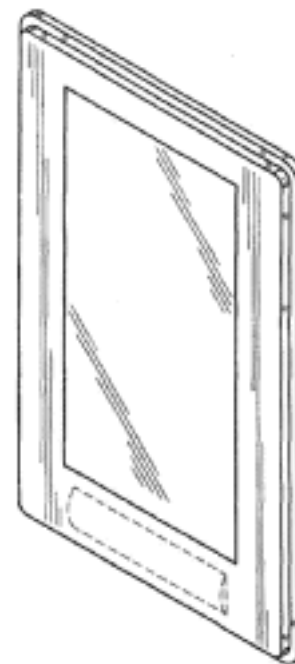
(45) Registration Date: **14 December 2012**

(30) Convention priority data:

| (31) Number | (32) Date | (33) Country |
|------------------|--------------------|---------------------------------|
| 29/417615 | 05 Apr 2012 | UNITED STATES OF AMERICA |

(56) Related Art Documents: **Not Applicable**

(57) Statement of Newness and Distinctiveness: **Newness and distinctiveness resides in the features of shape and/or configuration of the elevator fixture shown in the accompanying representations. The features shown in broken lines in the representations are for the purposes of illustration only, and form no part of the design.**



(21) Design Number: **15393/2012**

(22) Date of Filing Application: **31 October 2012**

(24) Date from which industrial property rights may have effect: **31 October 2012**

(54) Product in respect of which the design is registered: **Headrest mechanism for wheelchair**

(51) International Design Classification: **12-12**

(74) Name(s) of Attorney(s):

(71) Name(s) and Address(s) of Applicant(s):

Roger Thomas Mascull
7-9 Allens Road Ashburton 7700 New Zealand

(72) Name(s) of Designer(s): **William Mascull**

(45) Registration Date: **14 December 2012**

(56) Related Art Documents: **Not Applicable**

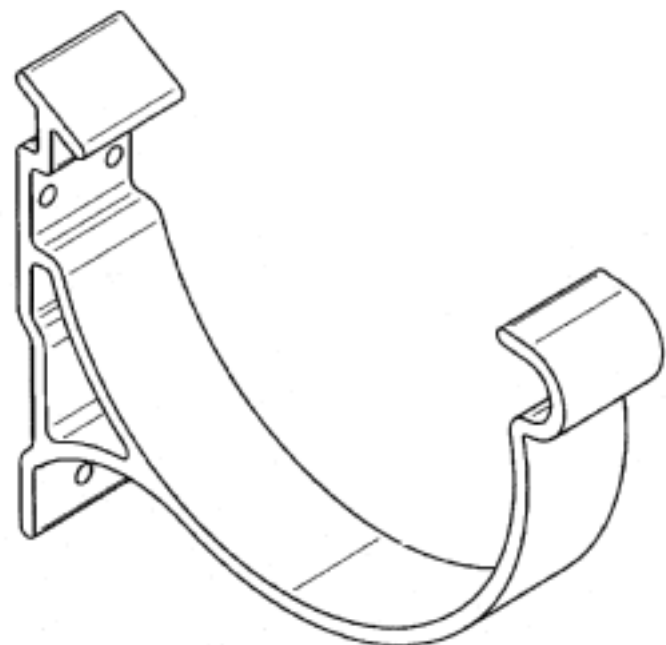
(57) Statement of Newness and Distinctiveness: **The novelty of the design resides in the features of shape and configuration of a headrest mechanism for a wheelchair and seat headrest as shown in the accompanying representations.**



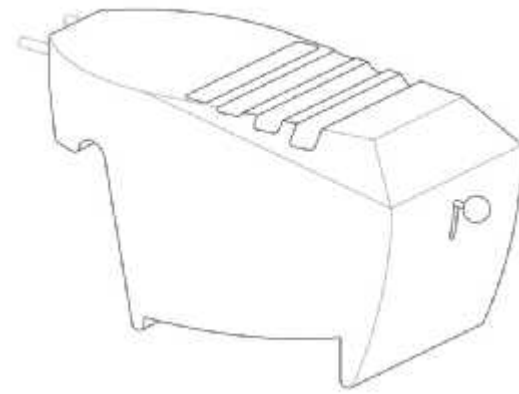
(21) Design Number: **15563/2012**
(22) Date of Filing Application: **08 November 2012**
(24) Date from which industrial property rights may have effect: **08 November 2012**
(54) Product in respect of which the design is registered: **Building channel spring**
(51) International Design Classification: **08-08C**
(74) Name(s) of Attorney(s): **Cullens Patent and Trade Mark Attorneys**
(71) Name(s) and Address(s) of Applicant(s):
Martin Lindsay Newton
C/- Newton Pipe & Associated Pty Ltd 27 Jack Dr Redbank Plains QLD
4301 Australia
(72) Name(s) of Designer(s): **Martin Lindsay Newton**
(45) Registration Date: **14 December 2012**
(56) Related Art Documents: **Not Applicable**
(57) Statement of Newness and Distinctiveness: **Nil**



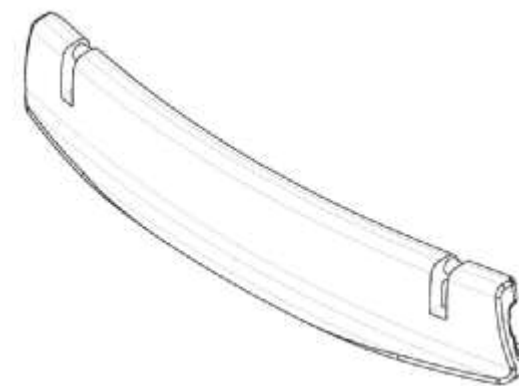
(21) Design Number: **15728/2012**
(22) Date of Filing Application: **16 November 2012**
(24) Date from which industrial property rights may have effect: **16 November 2012**
(54) Product in respect of which the design is registered: **Bracket**
(51) International Design Classification: **08-08L, 08-08M**
(74) Name(s) of Attorney(s): **Cullens Patent and Trade Mark Attorneys**
(71) Name(s) and Address(s) of Applicant(s):
Uni-Quip Australia Pty Ltd
20 Glendevon Cres Mt Warren Park QLD 4207 Australia
(72) Name(s) of Designer(s): **Michael Norman Carr**
(45) Registration Date: **14 December 2012**
(56) Related Art Documents: **Not Applicable**
(57) Statement of Newness and Distinctiveness: **Nil**



(21) Design Number: **15755/2012**
(22) Date of Filing Application: **20 November 2012**
(24) Date from which industrial property rights may have effect: **20 November 2012**
(54) Product in respect of which the design is registered: **Toaster**
(51) International Design Classification: **07-02F**
(74) Name(s) of Attorney(s): **Pegasus IP**
(71) Name(s) and Address(s) of Applicant(s):
Ian Stuart Sargeant
4/43 Racecourse Rd Hamilton Queensland 4007 Australia
(72) Name(s) of Designer(s): **Ian Stuart Sargeant**
(45) Registration Date: **14 December 2012**
(56) Related Art Documents: **Not Applicable**
(57) Statement of Newness and Distinctiveness: **Nil**



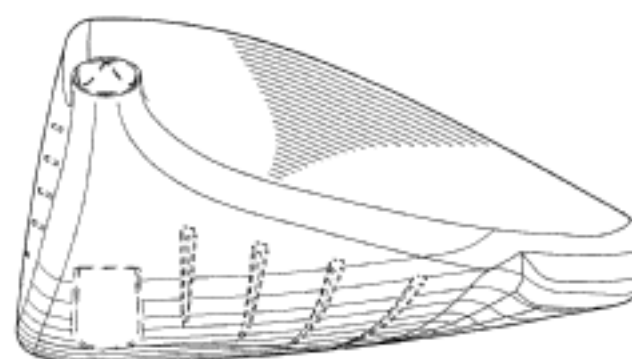
(21) Design Number: **15756/2012**
(22) Date of Filing Application: **20 November 2012**
(24) Date from which industrial property rights may have effect: **20 November 2012**
(54) Product in respect of which the design is registered: **A clip**
(51) International Design Classification: **08-08NES, 09-07NES**
(74) Name(s) of Attorney(s): **A J Park**
(71) Name(s) and Address(s) of Applicant(s):
Sistema Plastics Limited
80 Hugo Johnston Drive Penrose Auckland 1061 New Zealand
(72) Name(s) of Designer(s): **James Richard Manley**
(45) Registration Date: **14 December 2012**
(30) Convention priority data:
(31) Number (32) Date (33) Country
416413 19 Jun 2012 NEW ZEALAND
(56) Related Art Documents: **Not Applicable**
(57) Statement of Newness and Distinctiveness: **The newness and distinctiveness of the design resides in the features of shape and configuration as shown in the accompanying representations.**



- (21) Design Number: **15757/2012**
(22) Date of Filing Application: **20 November 2012**
(24) Date from which industrial property rights may have effect: **20 November 2012**
(54) Product in respect of which the design is registered: **A clip for a lid of a container**
(51) International Design Classification: **08-08NES, 09-07NES**
(74) Name(s) of Attorney(s): **A J Park**
(71) Name(s) and Address(s) of Applicant(s):
Sistema Plastics Limited
80 Hugo Johnston Drive Penrose Auckland 1061 New Zealand
(72) Name(s) of Designer(s): **James Richard Manley**
(45) Registration Date: **14 December 2012**
(30) Convention priority data:
(31) Number (32) Date (33) Country
416413 19 Jun 2012 NEW ZEALAND
(56) Related Art Documents: **Not Applicable**
(57) Statement of Newness and Distinctiveness: **The newness and distinctiveness of the design resides in the features of shape and configuration as shown in solid lines in the representations excluding those features shown in broken lines.**



- (21) Design Number: **15763/2012**
(22) Date of Filing Application: **16 November 2012**
(24) Date from which industrial property rights may have effect: **16 November 2012**
(54) Product in respect of which the design is registered: **Golf club head**
(51) International Design Classification: **21-02C**
(74) Name(s) of Attorney(s): **Davies Collison Cave**
(71) Name(s) and Address(s) of Applicant(s):
Karsten Manufacturing Corporation
2201 West Desert Cove Phoenix Arizona 85029 United States of America
(72) Name(s) of Designer(s): **Bradley D. Schweigert**
(45) Registration Date: **14 December 2012**
(30) Convention priority data:
(31) Number (32) Date (33) Country
29/423611 01 Jun 2012 UNITED STATES OF AMERICA
(56) Related Art Documents: **Not Applicable**
(57) Statement of Newness and Distinctiveness: **Newness and Distinctiveness is claimed in the visual features shown in solid lines in the representations. In considering the extent of the design rights, the broken lines shown in the representations are for illustrative purposes only and do not form part of the design.**



(21) Design Number: **15764/2012**

(22) Date of Filing Application: **16 November 2012**

(24) Date from which industrial property rights may have effect: **16 November 2012**

(54) Product in respect of which the design is registered: **Golf club head**

(51) International Design Classification: **21-02C**

(74) Name(s) of Attorney(s): **Davies Collison Cave**

(71) Name(s) and Address(s) of Applicant(s):

Karsten Manufacturing Corporation

2201 West Desert Cove Phoenix Arizona 85029 United States of America

(72) Name(s) of Designer(s): **Bradley D. Schweigert and Xiaojian Chen**

(45) Registration Date: **14 December 2012**

(30) Convention priority data:

(31) Number

(32) Date

(33) Country

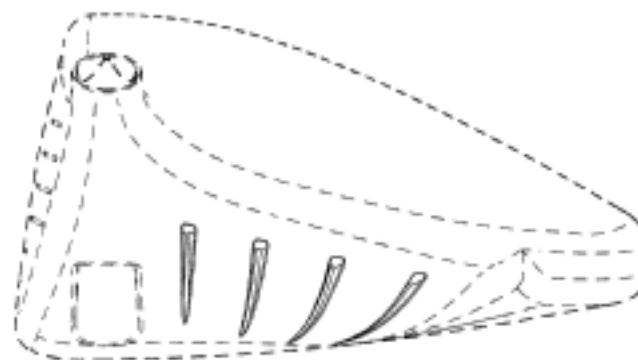
29/423612

01 Jun 2012

UNITED STATES OF AMERICA

(56) Related Art Documents: **Not Applicable**

(57) Statement of Newness and Distinctiveness: **Newness and Distinctiveness is claimed in the visual features shown in solid lines in the representations. In considering the extent of the design rights, the broken lines shown in the representations are for illustrative purposes only and do not form part of the design.**



(21) Design Number: **15767/2012**

(22) Date of Filing Application: **16 November 2012**

(24) Date from which industrial property rights may have effect: **16 November 2012**

(54) Product in respect of which the design is registered: **Bin lid**

(51) International Design Classification: **09-09**

(74) Name(s) of Attorney(s): **SPRUSON & FERGUSON**

(71) Name(s) and Address(s) of Applicant(s):

Astech Group (Aust) Pty Ltd

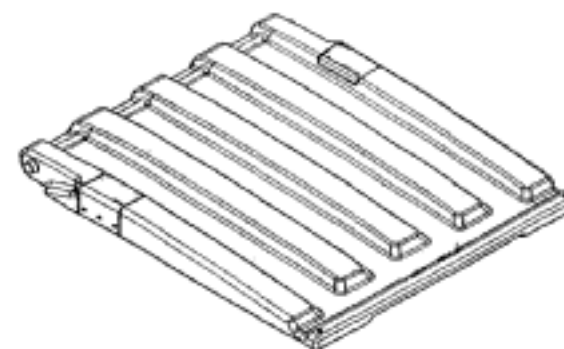
22-24 Altair PI Penrith NSW 2750 Australia

(72) Name(s) of Designer(s): **Gary Robert Bulloch and Trevor Richard Bulloch and Joshua Jeffress**

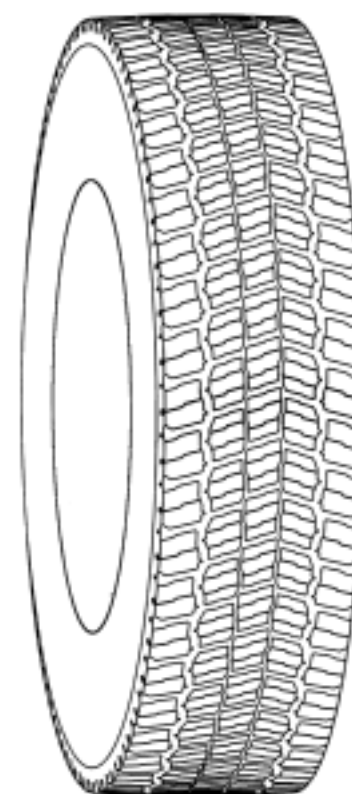
(45) Registration Date: **14 December 2012**

(56) Related Art Documents: **Not Applicable**

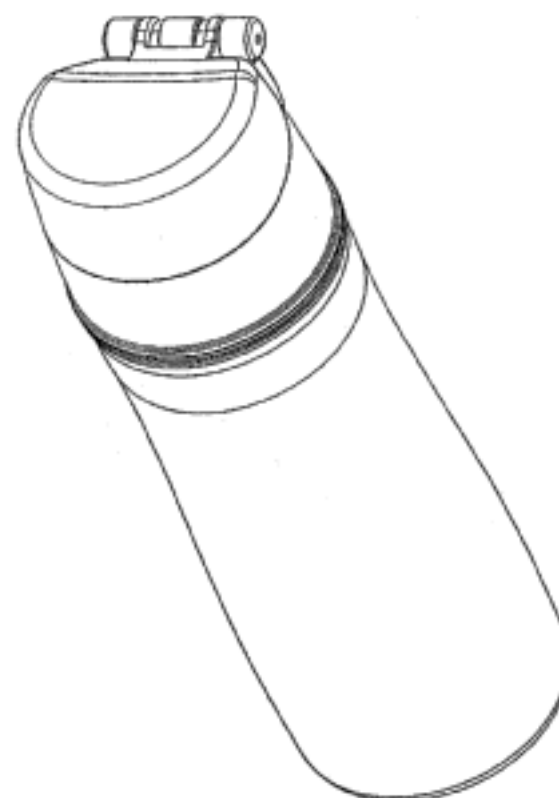
(57) Statement of Newness and Distinctiveness: **Newness and distinctiveness is claimed in the features of shape and/or configuration of a bin lid as illustrated in the accompanying representations.**



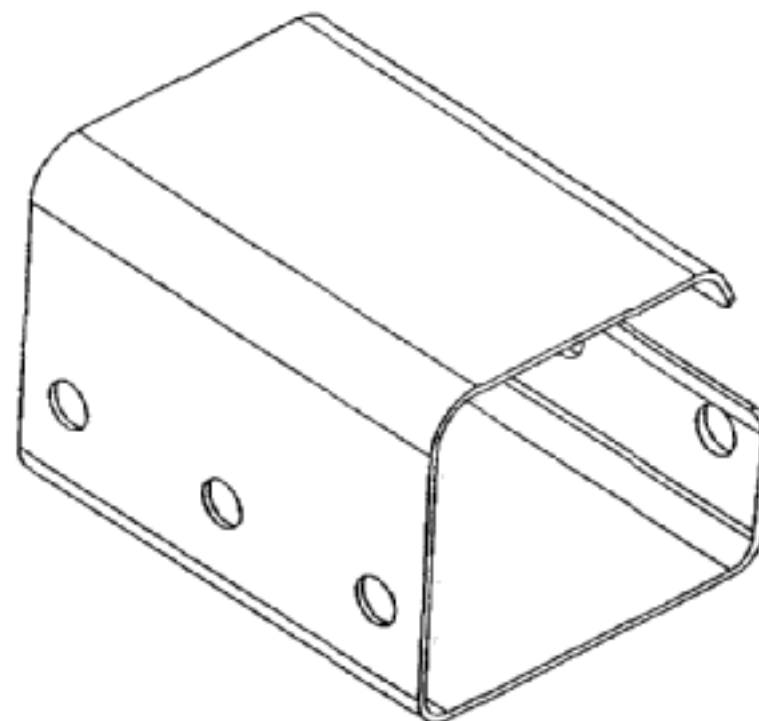
- (21) Design Number: **15361/2012**
(22) Date of Filing Application: **25 October 2012**
(24) Date from which industrial property rights may have effect: **25 October 2012**
(54) Product in respect of which the design is registered: **A tyre**
(51) International Design Classification: **12-15A**
(74) Name(s) of Attorney(s): **WATERMARK PATENT AND TRADE MARKS ATTORNEYS**
(71) Name(s) and Address(s) of Applicant(s):
COMPAGNIE GENERALE DES ETABLISSEMENTS MICHELIN
12 cours Sablon 63000 Clermont-Ferrand France
Michelin Recherche et Technique S.A.
Route Louis-Braille 10 et 12 CH-1763 Granges-Paccot Switzerland
(72) Name(s) of Designer(s): **Stephanie Cambon and Fabien Marlier and Benjamin Quantinet**
(45) Registration Date: **14 December 2012**
(56) Related Art Documents: **Not Applicable**
(57) Statement of Newness and Distinctiveness: **Newness and distinctiveness resides in the appearance of the tread region of the tyre, the remainder of the tyre not forming part of the design.**



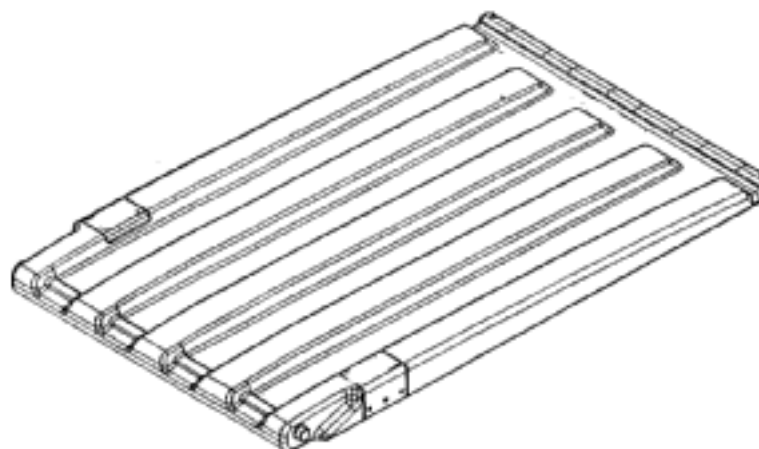
- (21) Design Number: **15692/2012**
(22) Date of Filing Application: **15 November 2012**
(24) Date from which industrial property rights may have effect: **15 November 2012**
(54) Product in respect of which the design is registered: **Drink bottle and lid with tapered bottle and lockable push button lid**
(51) International Design Classification: **09-01NES, 09-07B**
(74) Name(s) of Attorney(s): **SPRUSON & FERGUSON**
(71) Name(s) and Address(s) of Applicant(s):
Thermos L.L.C.
475 N. Martingale Road Suite 1100 Schaumburg Illinois 60173 United States of America
(72) Name(s) of Designer(s): **Alfredo Carreno and Marvin Lane**
(45) Registration Date: **14 December 2012**
(30) Convention priority data:
(31) Number (32) Date (33) Country
29/422439 21 May 2012 UNITED STATES OF AMERICA
(56) Related Art Documents: **Not Applicable**
(57) Statement of Newness and Distinctiveness: **Newness and distinctiveness is claimed in the features of shape and/or configuration of a drink bottle and lid with tapered bottle and lockable push button lid as illustrated in the accompanying representations.**



- (21) Design Number: **15768/2012**
(22) Date of Filing Application: **16 November 2012**
(24) Date from which industrial property rights may have effect: **16 November 2012**
(54) Product in respect of which the design is registered: **Bracket**
(51) International Design Classification: **08-08L**
(74) Name(s) of Attorney(s): **SPRUSON & FERGUSON**
(71) Name(s) and Address(s) of Applicant(s):
Astech Group (Aust) Pty Ltd
22-24 Altair Place Penrith NSW 2750 Australia
(72) Name(s) of Designer(s): **Gary Robert Bulloch and Trevor Richard Bulloch and Joshua Jeffress**
(45) Registration Date: **14 December 2012**
(56) Related Art Documents: **Not Applicable**
(57) Statement of Newness and Distinctiveness: **Newness and distinctiveness is claimed in the features of shape and/or configuration of a bracket as illustrated in the accompanying representations.**



- (21) Design Number: **15769/2012**
(22) Date of Filing Application: **16 November 2012**
(24) Date from which industrial property rights may have effect: **16 November 2012**
(54) Product in respect of which the design is registered: **Bin lid**
(51) International Design Classification: **09-09**
(74) Name(s) of Attorney(s): **SPRUSON & FERGUSON**
(71) Name(s) and Address(s) of Applicant(s):
Astech Group (Aust) Pty Ltd
22-24 Altair Place Penrith NSW 2750 Australia
(72) Name(s) of Designer(s): **Gary Robert Bulloch and Trevor Richard Bulloch and Joshua Jeffress**
(45) Registration Date: **14 December 2012**
(56) Related Art Documents: **Not Applicable**
(57) Statement of Newness and Distinctiveness: **Newness and distinctiveness is claimed in the features of shape and/or configuration of a bin lid as illustrated in the accompanying representations.**



(21) Design Number: **15770/2012**
(22) Date of Filing Application: **16 November 2012**
(24) Date from which industrial property rights may have effect: **16 November 2012**
(54) Product in respect of which the design is registered: **Tyre**
(51) International Design Classification: **12-15NES**
(74) Name(s) of Attorney(s): **SPRUSON & FERGUSON**
(71) Name(s) and Address(s) of Applicant(s):

The Goodyear Tire & Rubber Company
1144 East Market Street Akron Ohio 44316-0001 United States of America

(72) Name(s) of Designer(s): **Max Harold Dixon and Robert Anthony Neubauer**
(45) Registration Date: **14 December 2012**

(30) Convention priority data:

| (31) Number | (32) Date | (33) Country |
|------------------|--------------------|---------------------------------|
| 29/423371 | 31 May 2012 | UNITED STATES OF AMERICA |

(56) Related Art Documents: **Not Applicable**

(57) Statement of Newness and Distinctiveness: **Newness and distinctiveness is claimed in the features of shape and/or configuration of the tread of a tyre as illustrated in the accompanying representations, wherein the shape and/or configuration of the tread is repeated throughout the circumference of the tyre.**



(21) Design Number: **15771/2012**
(22) Date of Filing Application: **16 November 2012**
(24) Date from which industrial property rights may have effect: **16 November 2012**
(54) Product in respect of which the design is registered: **Headlight for heavy equipment**
(51) International Design Classification: **26-06**
(74) Name(s) of Attorney(s): **SPRUSON & FERGUSON**
(71) Name(s) and Address(s) of Applicant(s):

Vision X Asia Co., Ltd.
175-16 Cheongcheon-dong Bupyeong-gu Incheon-si 403-030 Republic of Korea

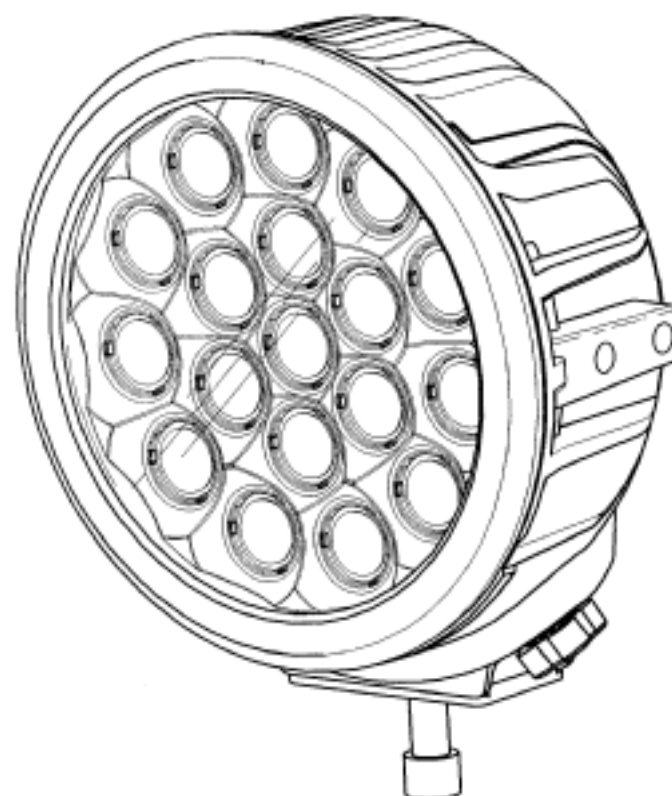
(72) Name(s) of Designer(s): **In-Hong Ko**
(45) Registration Date: **14 December 2012**

(30) Convention priority data:

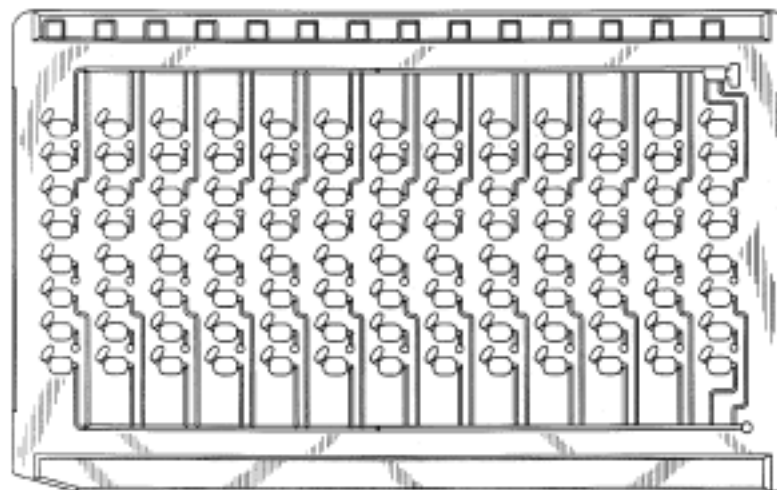
| (31) Number | (32) Date | (33) Country |
|------------------------|--------------------|--------------------------|
| 30-2012-0047815 | 09 Oct 2012 | REPUBLIC OF KOREA |

(56) Related Art Documents: **Not Applicable**

(57) Statement of Newness and Distinctiveness: **Newness and distinctiveness is claimed in the features of shape and/or configuration of a headlight for heavy equipment as illustrated in the accompanying representations.**



(21) Design Number: **15837/2012**
(22) Date of Filing Application: **21 November 2012**
(24) Date from which industrial property rights may have effect: **21 November 2012**
(54) Product in respect of which the design is registered: **Biochemical test card for use in automated microbial testing system**
(51) International Design Classification: **24-02**
(74) Name(s) of Attorney(s): **Wrays**
(71) Name(s) and Address(s) of Applicant(s):
bioMerieux, Inc.
595 Anglum Road Hazelwood Missouri 63042 United States of America
(72) Name(s) of Designer(s): **Raymond O'Bear and Stanley Philipak and Brian Livingston and Patrick Yerbic and David Hertlein**
(45) Registration Date: **14 December 2012**
(30) Convention priority data:
(31) Number (32) Date (33) Country
29/422,604 22 May 2012 UNITED STATES OF AMERICA
(56) Related Art Documents: **Not Applicable**
(57) Statement of Newness and Distinctiveness: **Newness and distinctiveness is claimed in the features of shape and/or configuration of the Biochemical Test Card For Use In Automated Microbial Testing System depicted in the accompanying representations.**



(21) Design Number: **15838/2012**
(22) Date of Filing Application: **21 November 2012**
(24) Date from which industrial property rights may have effect: **21 November 2012**
(54) Product in respect of which the design is registered: **Animal waste and organic matter digester**
(51) International Design Classification: **09-03G, 30-99**
(74) Name(s) of Attorney(s): **PHILLIPS ORMONDE FITZPATRICK**
(71) Name(s) and Address(s) of Applicant(s):
Rein Pty Ltd
14 Williamson Rd Ingleburn NSW 2565 Australia
(72) Name(s) of Designer(s): **Luke Nigel Natrass**
(45) Registration Date: **14 December 2012**
(56) Related Art Documents: **Not Applicable**
(57) Statement of Newness and Distinctiveness: **Those features of the animal waste and organic matter digester depicted in the representations that are new and distinctive are the shape and/or configuration.**



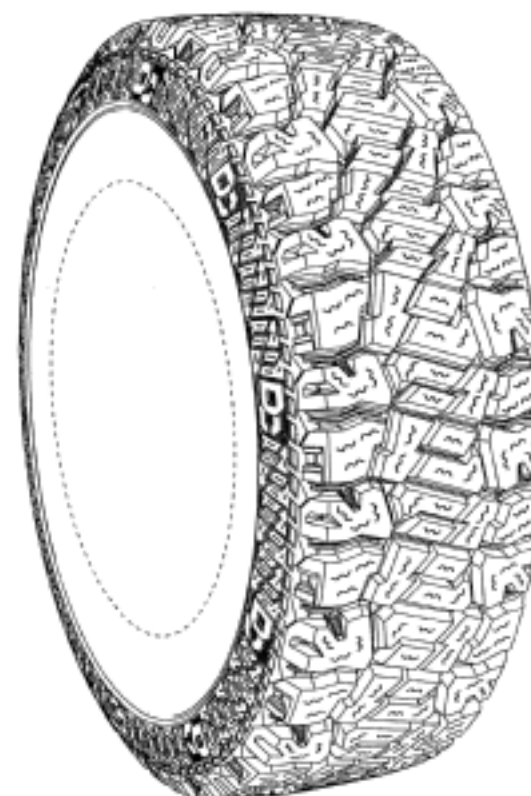
(21) Design Number: **15840/2012**
(22) Date of Filing Application: **22 November 2012**
(24) Date from which industrial property rights may have effect: **22 November 2012**
(54) Product in respect of which the design is registered: **Tire**
(51) International Design Classification: **12-15C**
(74) Name(s) of Attorney(s): **PHILLIPS ORMONDE FITZPATRICK**
(71) Name(s) and Address(s) of Applicant(s):
Cooper Tire & Rubber Company
701 Lima Avenue Findlay Ohio 45840 United States of America
(72) Name(s) of Designer(s): **James R. Fleckner**
(45) Registration Date: **14 December 2012**
(30) Convention priority data:
(31) Number (32) Date (33) Country
29/434,543 15 Oct 2012 UNITED STATES OF AMERICA

(56) Related Art Documents: **Not Applicable**
(57) Statement of Newness and Distinctiveness: **Those features of the tire depicted in the representations that are new and distinctive are the shape and/or configuration of the tread of the tire. The side walls and features shown in broken line are not part of the design and are to be disregarded when considering the overall impression of the design.**

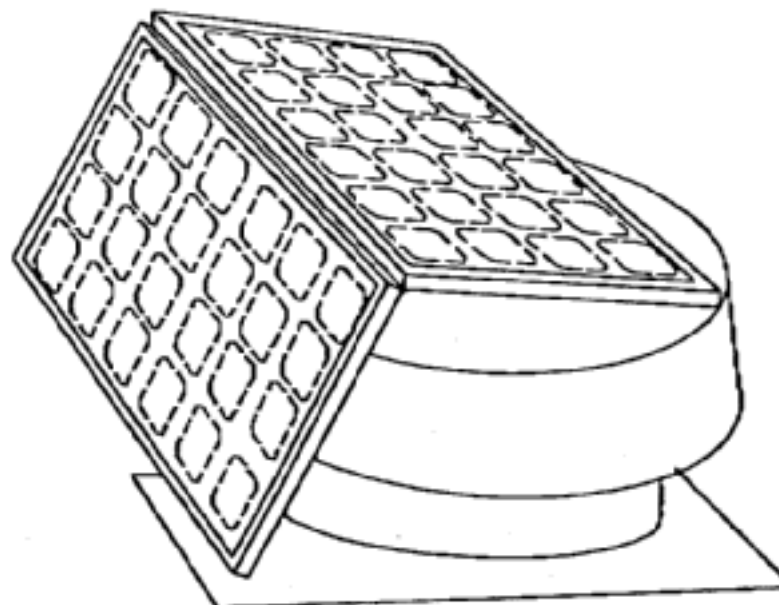


(21) Design Number: **15841/2012**
(22) Date of Filing Application: **22 November 2012**
(24) Date from which industrial property rights may have effect: **22 November 2012**
(54) Product in respect of which the design is registered: **Tire**
(51) International Design Classification: **12-15C**
(74) Name(s) of Attorney(s): **PHILLIPS ORMONDE FITZPATRICK**
(71) Name(s) and Address(s) of Applicant(s):
Cooper Tire & Rubber Company
701 Lima Avenue Findlay Ohio 45840 United States of America
(72) Name(s) of Designer(s): **Jeremy J Jacobs**
(45) Registration Date: **14 December 2012**
(30) Convention priority data:
(31) Number (32) Date (33) Country
29/434,221 11 Oct 2012 UNITED STATES OF AMERICA

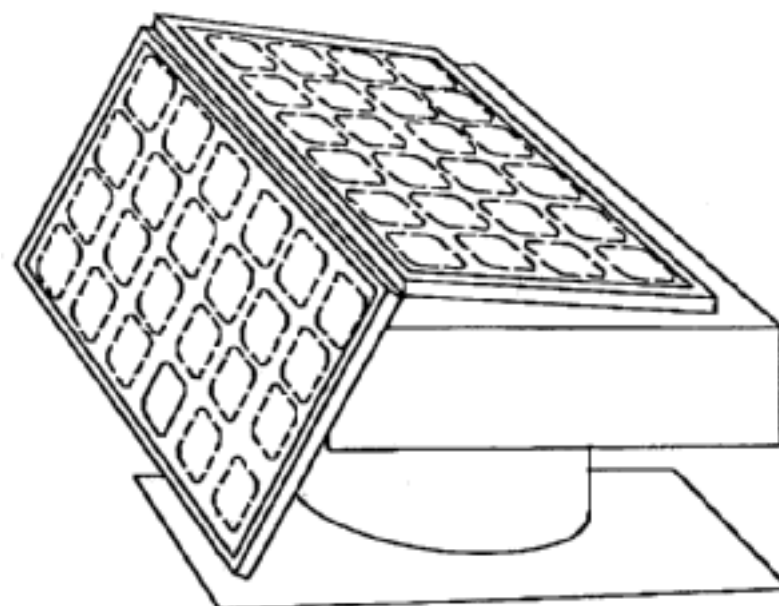
(56) Related Art Documents: **Not Applicable**
(57) Statement of Newness and Distinctiveness: **Those features of the tire depicted in the representations that are new and distinctive are the shape and/or configuration of the tread of the tire. The side walls and features shown in broken line are not part of the design and are to be disregarded when considering the overall impression of the design.**



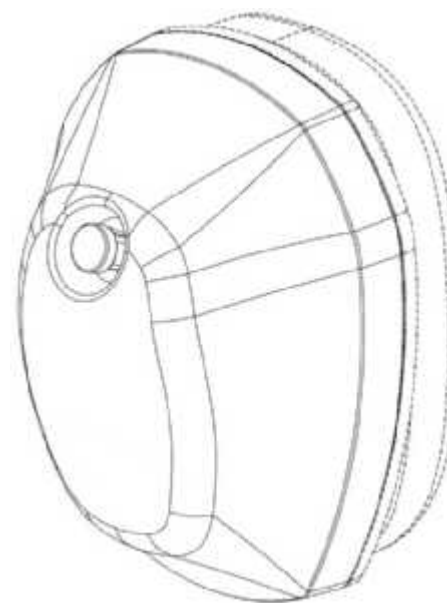
- (21) Design Number: **16068/2012**
(22) Date of Filing Application: **31 October 2012**
(24) Date from which industrial property rights may have effect: **31 October 2012**
(54) Product in respect of which the design is registered: **Solar roof ventilation units**
(51) International Design Classification: **23-04**
(74) Name(s) of Attorney(s): **EKM patent & trade marks**
(71) Name(s) and Address(s) of Applicant(s):
Optex Solar Pty. Ltd.
143 Beach St Port Melbourne VIC 3207 Australia
(72) Name(s) of Designer(s): **Gregory Grochola**
(45) Registration Date: **14 December 2012**
(56) Related Art Documents: **Not Applicable**
(57) Statement of Newness and Distinctiveness: **Newness and distinctiveness reside in the shape and configuration of the dual solar panels of the solar roof ventilation unit shown in the accompanying representations.**



- (21) Design Number: **15420/2012**
(22) Date of Filing Application: **31 October 2012**
(24) Date from which industrial property rights may have effect: **31 October 2012**
(54) Product in respect of which the design is registered: **Solar roof ventilation units**
(51) International Design Classification: **23-04**
(74) Name(s) of Attorney(s): **EKM patent & trade marks**
(71) Name(s) and Address(s) of Applicant(s):
Optex Solar Pty. Ltd.
143 Beach St Port Melbourne VIC 3207 Australia
(72) Name(s) of Designer(s): **Dr Gregory Grochola**
(45) Registration Date: **14 December 2012**
(56) Related Art Documents: **Not Applicable**
(57) Statement of Newness and Distinctiveness: **Newness and distinctiveness resides in the shape and configuration of the dual solar panels of the solar roof ventilation unit shown in the accompanying representations.**



- (21) Design Number: **15816/2012**
(22) Date of Filing Application: **22 November 2012**
(24) Date from which industrial property rights may have effect: **22 November 2012**
(54) Product in respect of which the design is registered: **Ear muff casing**
(51) International Design Classification: **02-03**
(74) Name(s) of Attorney(s): **HODGKINSON McINNES PATENTS**
(71) Name(s) and Address(s) of Applicant(s):
Jorge Miguel Pereira
8 Augustus CI Palmerston ACT 2913 Australia
(72) Name(s) of Designer(s): **Owen Bawden**
(45) Registration Date: **14 December 2012**
(56) Related Art Documents: **Not Applicable**
(57) Statement of Newness and Distinctiveness: **The newness and distinctiveness of the design resides in the shape and/or configuration of an ear muff casing including the recessed nipple connector, as shown in the representations. The features shown in dotted outline form no part of the design.**



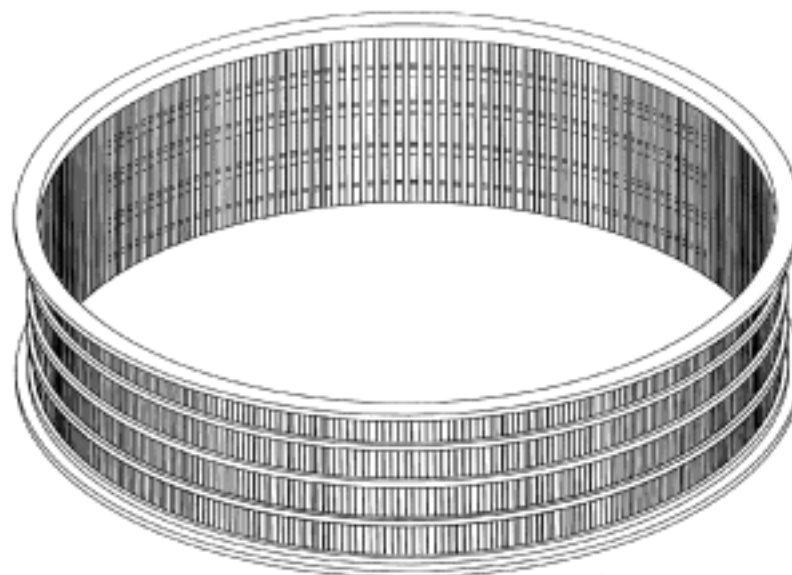
- (21) Design Number: **15831/2012**
(22) Date of Filing Application: **23 November 2012**
(24) Date from which industrial property rights may have effect: **23 November 2012**
(54) Product in respect of which the design is registered: **Vehicle lamp**
(51) International Design Classification: **26-06**
(74) Name(s) of Attorney(s): **A.P.T. Patent and Trade Mark Attorneys**
(71) Name(s) and Address(s) of Applicant(s):
Lucidity Enterprise Co., Ltd.
No. 18 Gongye 1st Road Annan District Tainan City Taiwan
(72) Name(s) of Designer(s): **Chi-Hsuan Chou and Kuo-Yang Yeh**
(45) Registration Date: **14 December 2012**
(56) Related Art Documents: **Not Applicable**
(57) Statement of Newness and Distinctiveness: **Nil**



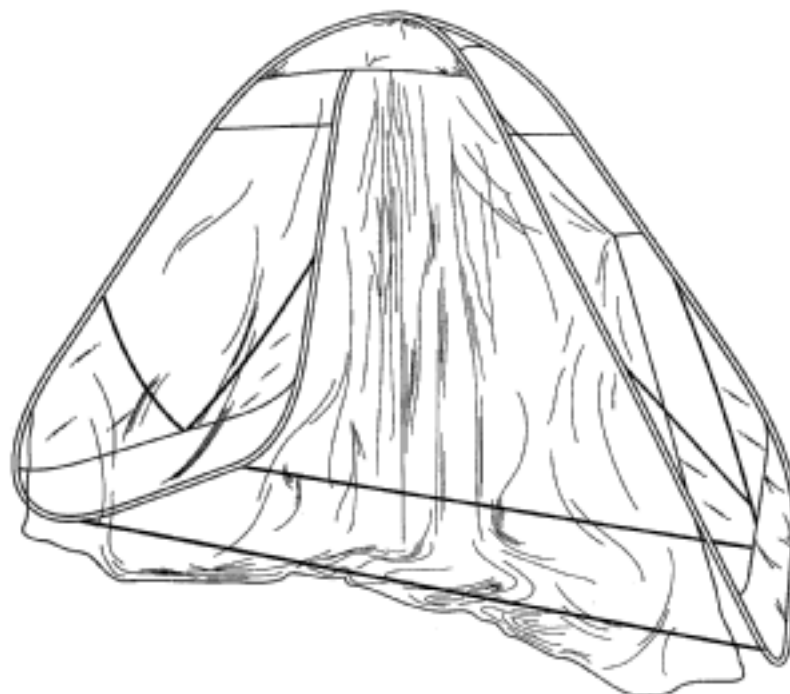
- (21) Design Number: **14486/2012**
(22) Date of Filing Application: **10 September 2012**
(24) Date from which industrial property rights may have effect: **10 September 2012**
(54) Product in respect of which the design is registered: **Flow restrictor for a slurry sampler**
(51) International Design Classification: **15-99**
(74) Name(s) of Attorney(s): **Davies Collison Cave**
(71) Name(s) and Address(s) of Applicant(s):
Bloomfield Collieries Pty. Limited
Four Mile Creek Rd Ashtonfield NSW 2323 Australia
(72) Name(s) of Designer(s): **Robert Booth**
(45) Registration Date: **17 December 2012**
(56) Related Art Documents: **Not Applicable**
(57) Statement of Newness and Distinctiveness: **Newness and distinctiveness is claimed in the visual features shown in solid lines in the representations.**



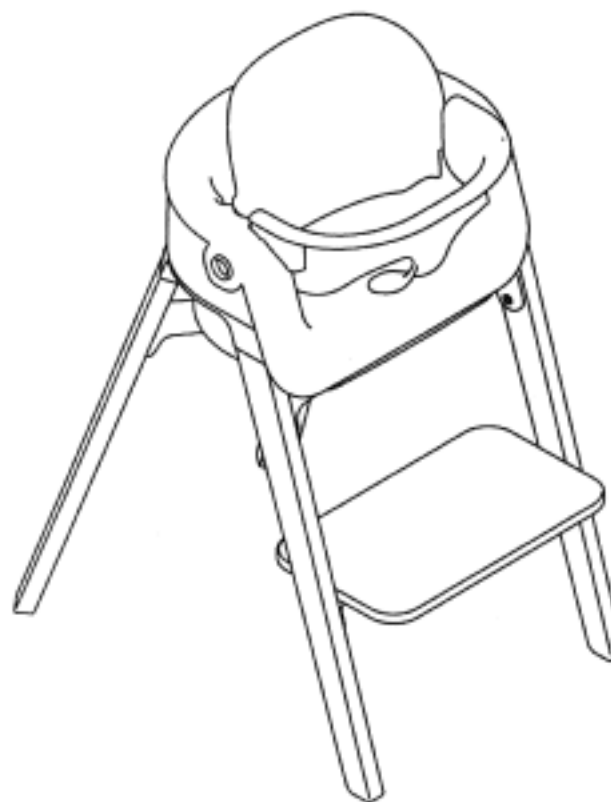
- (21) Design Number: **14487/2012**
(22) Date of Filing Application: **10 September 2012**
(24) Date from which industrial property rights may have effect: **10 September 2012**
(54) Product in respect of which the design is registered: **Strainer**
(51) International Design Classification: **23-01G**
(74) Name(s) of Attorney(s): **Davies Collison Cave**
(71) Name(s) and Address(s) of Applicant(s):
Bloomfield Collieries Pty. Limited
Four Mile Creek Rd Ashtonfield NSW 2323 Australia
(72) Name(s) of Designer(s): **Robert Booth**
(45) Registration Date: **17 December 2012**
(56) Related Art Documents: **Not Applicable**
(57) Statement of Newness and Distinctiveness: **Newness and distinctiveness is claimed in the visual features shown in the representations.**



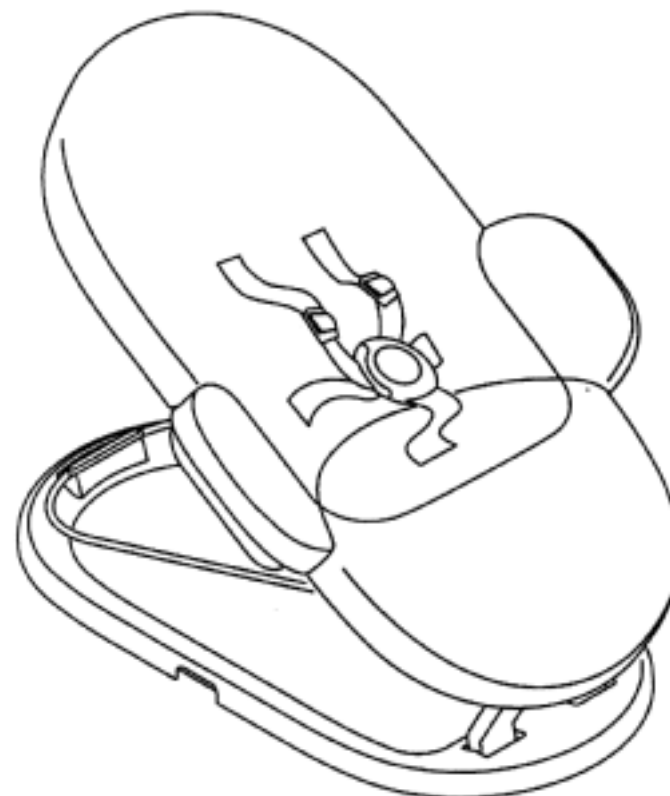
(21) Design Number: **14552/2012**
(22) Date of Filing Application: **12 September 2012**
(24) Date from which industrial property rights may have effect: **12 September 2012**
(54) Product in respect of which the design is registered: **Folding sport practice net**
(51) International Design Classification: **21-02C**
(74) Name(s) of Attorney(s): **Davies Collison Cave**
(71) Name(s) and Address(s) of Applicant(s):
Renan Lore
N188 Jiang Bin Zho Da Dao Shi Mao Wai Tan Hua Yuan Bld 1 28C Tai jiang dst Fuzhou PC 350009 People's Republic of China
Huaimian Zhang
XiuFeng Rd. 413#, SanMuJiaYuan Bldg 12, Rm.506, XianDian Town JianAn District, Fuzhou Fujian Fuzhou 350012 China
(72) Name(s) of Designer(s): **Huaimian Zhang and Renan Lore**
(45) Registration Date: **17 December 2012**
(30) Convention priority data:
(31) Number (32) Date (33) Country
29/416340 21 Mar 2012 UNITED STATES OF AMERICA
(56) Related Art Documents: **Not Applicable**
(57) Statement of Newness and Distinctiveness: **Nil**



(21) Design Number: **14690/2012**
(22) Date of Filing Application: **20 September 2012**
(24) Date from which industrial property rights may have effect: **20 September 2012**
(54) Product in respect of which the design is registered: **Chair with footrest and baby kit**
(51) International Design Classification: **06-01E**
(74) Name(s) of Attorney(s): **SPRUSON & FERGUSON**
(71) Name(s) and Address(s) of Applicant(s):
Stokke AS
Haahjem 6260 Skodje Norway
(72) Name(s) of Designer(s): **Anders August Kittilsen and Tore Vinje Brustad and Andreas Murray**
(45) Registration Date: **17 December 2012**
(30) Convention priority data:
(31) Number (32) Date (33) Country
20120244 22 Mar 2012 NORWAY
(56) Related Art Documents: **Not Applicable**
(57) Statement of Newness and Distinctiveness: **Newness and distinctiveness is claimed in the features of shape and/or configuration of a chair with footrest and baby kit as illustrated in the accompanying representations.**



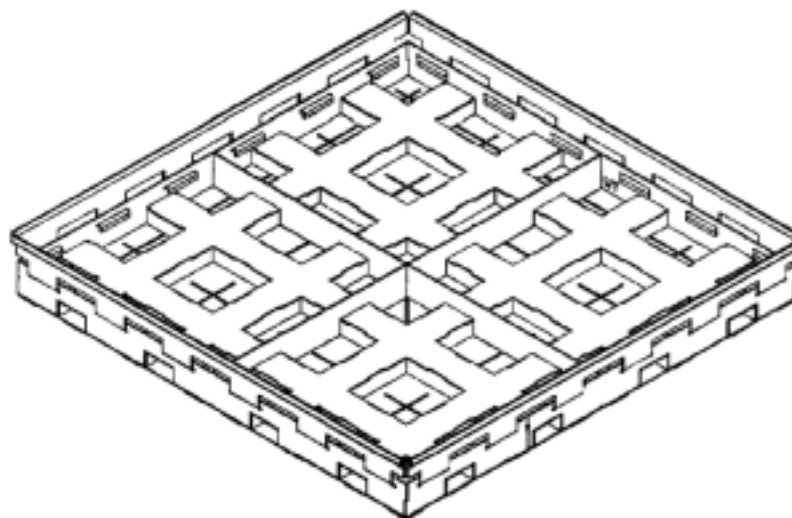
(21) Design Number: **14691/2012**
(22) Date of Filing Application: **20 September 2012**
(24) Date from which industrial property rights may have effect: **20 September 2012**
(54) Product in respect of which the design is registered: **A baby bouncer**
(51) International Design Classification: **06-01E**
(74) Name(s) of Attorney(s): **SPRUSON & FERGUSON**
(71) Name(s) and Address(s) of Applicant(s):
Stokke AS
Haahjem 6260 Skodje Norway
(72) Name(s) of Designer(s): **Anders August Kittilsen and Tore Vinje Brustad**
and Andreas Murray
(45) Registration Date: **17 December 2012**
(30) Convention priority data:
(31) Number (32) Date (33) Country
20120244 22 Mar 2012 NORWAY
(56) Related Art Documents: **Not Applicable**
(57) Statement of Newness and Distinctiveness: **Newness and distinctiveness is claimed in the features of shape and/or configuration of a baby bouncer as illustrated in the accompanying representations.**



(21) Design Number: **14765/2012**
(22) Date of Filing Application: **26 September 2012**
(24) Date from which industrial property rights may have effect: **26 September 2012**
(54) Product in respect of which the design is registered: **Flying bicycle**
(51) International Design Classification: **12-07, 12-11**
(74) Name(s) of Attorney(s):
(71) Name(s) and Address(s) of Applicant(s):
Michael Murray
46 Martha St Blayney NSW 2799 Australia
(72) Name(s) of Designer(s): **Michael Murray**
(45) Registration Date: **17 December 2012**
(56) Related Art Documents: **Not Applicable**
(57) Statement of Newness and Distinctiveness: **Nil**



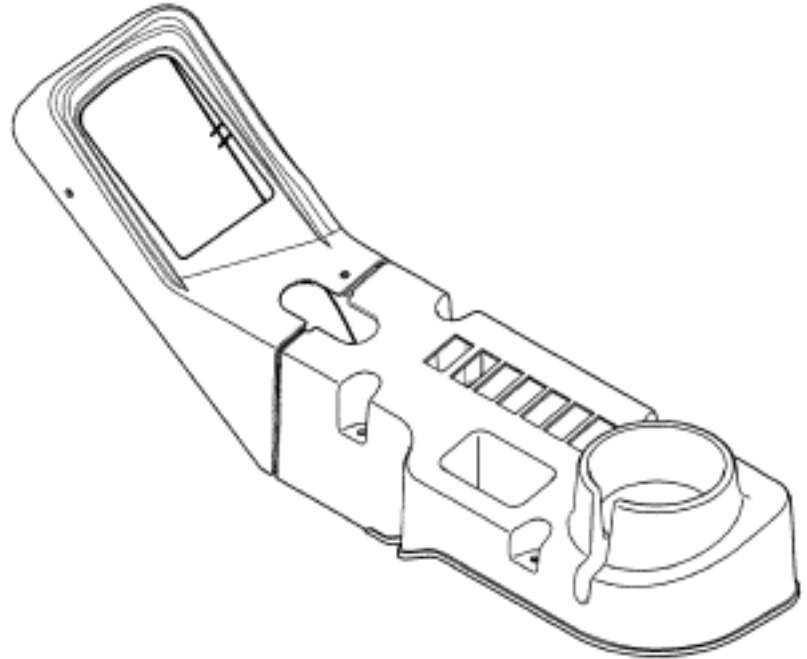
- (21) Design Number: **14766/2012**
(22) Date of Filing Application: **25 September 2012**
(24) Date from which industrial property rights may have effect: **25 September 2012**
(54) Product in respect of which the design is registered: **Turf module**
(51) International Design Classification: **25-01A**
(74) Name(s) of Attorney(s): **Actuate IP**
(71) Name(s) and Address(s) of Applicant(s):
Evergreen Turf Australia Pty Ltd
560 McGregor Rd Pakenham VIC 3810 Australia
(72) Name(s) of Designer(s): **Robert Davey**
(45) Registration Date: **17 December 2012**
(56) Related Art Documents: **Not Applicable**
(57) Statement of Newness and Distinctiveness: **Newness and distinctiveness is claimed in the features of shape and/or configuration of the turf module as illustrated in the accompanying representations.**



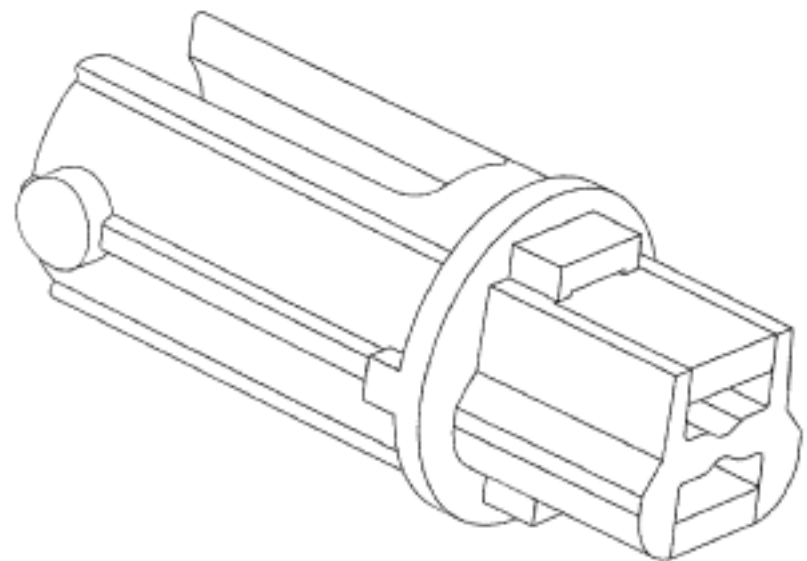
- (21) Design Number: **14793/2012**
(22) Date of Filing Application: **27 September 2012**
(24) Date from which industrial property rights may have effect: **27 September 2012**
(54) Product in respect of which the design is registered: **Electronic display panel**
(51) International Design Classification: **14-01**
(74) Name(s) of Attorney(s): **WATERMARK PATENT AND TRADE MARKS ATTORNEYS**
(71) Name(s) and Address(s) of Applicant(s):
Yanmar Co. Ltd
1-9 Tsurunocho Kita-Ku Osaka-Shi Osaka 530-8311 Japan
(72) Name(s) of Designer(s): **Mitsuhiro Takahashi and Nagahiro Ogata**
(45) Registration Date: **17 December 2012**
(30) Convention priority data:
(31) Number (32) Date (33) Country
2012-007002 27 Mar 2012 JAPAN
(56) Related Art Documents: **Not Applicable**
(57) Statement of Newness and Distinctiveness: **Newness and distinctiveness resides in the visual features of the Electronic display as shown in the accompanying representations.**



- (21) Design Number: **14794/2012**
(22) Date of Filing Application: **27 September 2012**
(24) Date from which industrial property rights may have effect: **27 September 2012**
(54) Product in respect of which the design is registered: **Operation panel cover for construction machinery**
(51) International Design Classification: **12-16NES**
(74) Name(s) of Attorney(s): **WATERMARK PATENT AND TRADE MARKS ATTORNEYS**
(71) Name(s) and Address(s) of Applicant(s):
Yanmar Co. Ltd
1-9 Tsurunocho Kita-Ku Osaka-Shi Osaka 530-8311 Japan
(72) Name(s) of Designer(s): **Zenzo Uchida and Masamitsu Uemura**
(45) Registration Date: **17 December 2012**
(30) Convention priority data:
(31) Number (32) Date (33) Country
2012-007000 27 Mar 2012 JAPAN
(56) Related Art Documents: **Not Applicable**
(57) Statement of Newness and Distinctiveness: **Newness and distinctiveness resides in the features of shape and/or configuration of the Operation Panel as shown in the accompanying representations.**



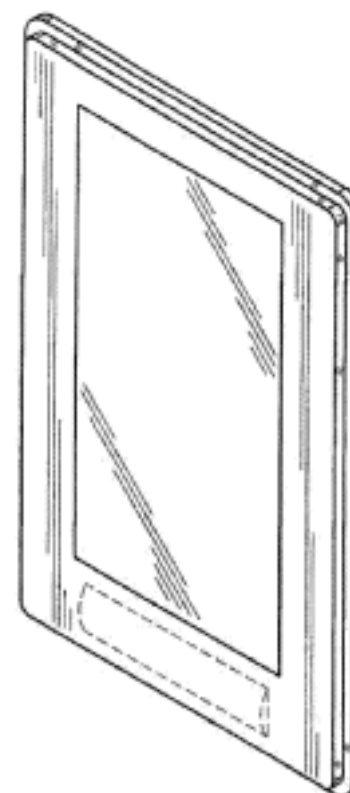
- (21) Design Number: **14841/2012**
(22) Date of Filing Application: **27 September 2012**
(24) Date from which industrial property rights may have effect: **27 September 2012**
(54) Product in respect of which the design is registered: **A connector for mechanical and electrical goods**
(51) International Design Classification: **13-03E**
(74) Name(s) of Attorney(s): **Griffith Hack**
(71) Name(s) and Address(s) of Applicant(s):
Techtronic Outdoor Products Technology Limited
Canon's Court 22 Victoria Street Hamilton HM12 Bermuda
(72) Name(s) of Designer(s): **John W Olson and Matthew H Malone, Sr**
(45) Registration Date: **17 December 2012**
(30) Convention priority data:
(31) Number (32) Date (33) Country
29/417,135 30 Mar 2012 UNITED STATES OF AMERICA
(56) Related Art Documents: **Not Applicable**
(57) Statement of Newness and Distinctiveness: **Nil**



(21) Design Number: **14899/2012**
(22) Date of Filing Application: **03 October 2012**
(24) Date from which industrial property rights may have effect: **03 October 2012**
(54) Product in respect of which the design is registered: **Door handle**
(51) International Design Classification: **08-06**
(74) Name(s) of Attorney(s): **WATERMARK PATENT AND TRADE MARKS ATTORNEYS**
(71) Name(s) and Address(s) of Applicant(s):
C.R. Laurence Co., Inc.
2503 E. Vernon Avenue Los Angeles California 90058 United States of America
(72) Name(s) of Designer(s): **Gary Sprague**
(45) Registration Date: **17 December 2012**
(30) Convention priority data:
(31) Number (32) Date (33) Country
29/422,144 16 Apr 2012 UNITED STATES OF AMERICA
(56) Related Art Documents: **Not Applicable**
(57) Statement of Newness and Distinctiveness: **Newness and distinctiveness resides in the features of shape and/or configuration of the door handle as shown in the accompanying representations. The portions shown in broken outline should be disregarded as it does not form part of the design.**



(21) Design Number: **14964/2012**
(22) Date of Filing Application: **04 October 2012**
(24) Date from which industrial property rights may have effect: **04 October 2012**
(54) Product in respect of which the design is registered: **Elevator fixture**
(51) International Design Classification: **13-03NES, 12-05**
(74) Name(s) of Attorney(s): **Shelston IP**
(71) Name(s) and Address(s) of Applicant(s):
Otis Elevator Company
Ten Farm Springs Road Farmington Connecticut 06032 United States of America
(72) Name(s) of Designer(s): **Matthew Joyce Jr.**
(45) Registration Date: **17 December 2012**
(30) Convention priority data:
(31) Number (32) Date (33) Country
29/417620 05 Apr 2012 UNITED STATES OF AMERICA
(56) Related Art Documents: **Not Applicable**
(57) Statement of Newness and Distinctiveness: **Newness and distinctiveness resides in the features of shape and/or configuration of the elevator fixture shown in the accompanying representations. The features shown in broken lines in the representations are for the purposes of illustration only, and form no part of the design.**



(21) Design Number: **15143/2012**

(22) Date of Filing Application: **18 October 2012**

(24) Date from which industrial property rights may have effect: **18 October 2012**

(54) Product in respect of which the design is registered: **Container**

(51) International Design Classification: **09-07A**

(74) Name(s) of Attorney(s): **FB Rice**

(71) Name(s) and Address(s) of Applicant(s):

Colgate-Palmolive Company

300 Park Avenue New York New York 1022 United States of America

(72) Name(s) of Designer(s): **John Clifford Crawford and Christopher Hart and Stacy Castro**

(45) Registration Date: **17 December 2012**

(30) Convention priority data:

(31) Number

(32) Date

(33) Country

29/423999

07 Jun 2012

UNITED STATES OF AMERICA

(56) Related Art Documents: **Not Applicable**

(57) Statement of Newness and Distinctiveness: **Newness and distinctiveness reside in the features of the design as shown in the representations.**

