



Australian Government

IP Australia

AUSTRALIAN OFFICIAL JOURNAL

OF

DESIGNS

Did you know a searchable version of this journal is now available online?

It's FREE and EASY to SEARCH.

Find it on our website (www.ipaustralia.gov.au)

by using the "Journals" link on the home page.

This Page Left Intentionally Blank

Contents

General Information & Notices

**Proceedings Under the Designs Act 1906 preserved as a result of the provisions of Chapter 12
Part 2 of the Designs Act 2003**

Extension of Period of Registration of Designs	2
Names Registered - Alterations and Amendments	2
Registrations Ceased	2

Proceedings Under the Designs Act 2003

Applications Lapsed	15
Applications Lodged	6
Certificate of Examination	17
Extension of Period of Registration of Design	16
Extension of Time Granted Under Section 137	16
Names Registered - Alterations and Amendments	16
Publication and Registration Proceedings	
Designs Registered 346021 to 346251.....	18
Registrations Ceased	16

This Page Left Intentionally Blank

For information on the following please see our website www.ipaustralia.gov.au or contact our Customer Service Network on 1300651010

[Editorial enquiries](#)

[Contact information](#)

[Freedom of Information ACT](#)

[Professional Standards Board](#)

[Sales](#)

[Requests for Information under Section 194 \(c\)](#)

[Country Codes](#)

[Trade Mark and Designs Hearing Sessions](#)

[INID \(Internationally agreed Numbers for the Identification of Data\)](#)

“INID” NUMBERS in use on Australian Design Documents

“INID” is an acronym for “Internationally agreed Numbers for the Identification of Data”.

(10) Data concerning the registration/renewal

- (11) Serial number of the registration and/or number of the design document
- (12) Plain language designation of the kind of published document
- (19) Identification, using the two-letter code according to WIPO Standard ST.3, of the authority publishing or registering the industrial design

(20) Data concerning the application

- (21) Serial number of the application
- (22) Date of filing of the application
- (24) Date from which the industrial design right has effect

(30) Data relating to priority under the Paris Convention

- (31) Serial number assigned to the priority application
- (32) Date of filing of the priority application
- (33) Two-letter code, according to WIPO Standard ST.3, identifying the authority with which the priority application was made

(40) Date(s) of making information available to the public

- (45) Date of publication of the registered industrial design by printing or similar process, or making it available to the public by any other means

(50) Miscellaneous Information

- (51) International Classification for Industrial Designs (class and subclass of the Locarno Classification)
- (54) Designation of article(s) or product(s) covered by the industrial design or title of the industrial design
- (55) Reproduction of the industrial design (e.g., drawing, photograph) and explanations relating to the reproduction
- (56) List of prior art documents, if separate from descriptive text
- (57) Description of characteristic features of the industrial design including indication of colours

(60) References to other legally related application(s) and registration(s)

- (62) Serial number(s) and, if available, filing date(s) of application(s), registration(s) or document(s) related by division
- (66) Serial number(s) of the application, or the registration, of the design(s) which is (are) a variant(s) of the present one

(70) Identification of parties concerned with the application or registration

- (71) Name(s) and address(es) of the applicant(s)
- (72) Name(s) of the creator(s) if known to be such
- (74) Name(s) and address(es) of the representative(s)

This Page Left Intentionally Blank

Nil notices for this journal issue.

Proceedings under the Designs Act 1906 preserved as a result of the provisions of Chapter 12 Part 2 of the Designs Act 2003.

This Page Left Intentionally Blank

Applications Lapsed

There were no Applications Lapsed under this section

Extension of Period of Registration of Designs

1st Period (Section 27A(8))

2nd Period (Section 27A(12))

3rd Period (Section 27A(13))

147599	147818	147966
148078	148079	148080
148081	148156	148174
148175	148178	148183
148186	148415	148573
148626	148648	148711
148927	148928	148984
149146	149739	149768
150162	150163	150349
150562	150952	150997
151585	151604	151853
153089		

Registrations Ceased

Note: Some of the following Registrations may have been previously advertised as ceased. In this instance, the previous advertisement still prevails.

130772	130810	130811
130863	130864	131083
131805	134340	135048
135754	135798	135799
135825	137264	139860
145959	146089	146152
146203	146204	146567
147238	147564	150296
150570		

Names Registered - Alterations and Amendments

(The name in parentheses is the new name of the proprietor)

150109	(LVMH Swiss Manufactures S.A.) TAG Heuer S.A.
151798	(LVMH Swiss Manufactures S.A.) TAG Heuer S.A.
150108	(LVMH Swiss Manufactures S.A.) TAG Heuer S.A.
133225	(LVMH Swiss Manufactures S.A.) TAG Heuer S.A.
133224	(LVMH Swiss Manufactures S.A.) TAG Heuer S.A.

This Page Left Intentionally Blank

Proceedings under the Designs Act 2003.

This Page Left Intentionally Blank

Applications Lodged

Lodgement information is in the following order: **Applicant's Name**; International Classification, Name of Product, Lodgement Date and **Design Number**. If the applicant claims an earlier priority date under an International Convention, the Convention Country and the associated filing date are shown in parentheses before the Lodgement Date. Divisional information will also appear in parentheses before the Lodgement Date.

iZettle Merchant Services AB; 14-02, Card reader, (WO, 04 Dec 2012) 20 Dec 2012	16568/2012	Becton Dickinson and Company; 24-01, A vial assembly, (Divisional of 15071/2012) 02 Jan 2013	10012/2013
A & J Waller Pty Ltd; 06-07, Photo frame, 01 Jan 2013	10002/2013	Becton Dickinson and Company; 24-01, A cap, (Divisional of 15072/2012) 02 Jan 2013	10008/2013
A & J Waller Pty Ltd; 06-07, Photo frame, 01 Jan 2013	10004/2013	Becton Dickinson and Company; 24-01, Vessel, (Divisional of 15077/2012) 24 Dec 2012	16587/2012
A & J Waller Pty Ltd; 06-07, Photo frame, 01 Jan 2013	10003/2013	Becton Dickinson and Company; 24-01, A basket, (Divisional of 15077/2012) 24 Dec 2012	16586/2012
Abey Australia Pty. Ltd.; 08-08A, 08-08NES, Clip member, 02 Jan 2013	10013/2013	Becton Dickinson and Company; 09-07B, A cap, (Divisional of 15077/2012) 24 Dec 2012	16585/2012
Adept Limited; 24-02, Anal plug, (NZ, 13 Jul 2012) 24 Dec 2012	16582/2012	Becton Dickinson and Company; 24-02, Vessel assembly, (Divisional of 15077/2012) 24 Dec 2012	16584/2012
Allianz SE; 18-03, Printing matrix, (EM, 26 Nov 2012) 14 Dec 2012	16369/2012	Becton Dickinson France S.A.S.; 24-02, Medical injector, (US, 18 Jun 2012) 18 Dec 2012	16386/2012
Angle Assist Pty Ltd; 25-01C, Angle member, 03 Jan 2013	10014/2013	Becton Dickinson France S.A.S.; 24-02, Packaging assembly for a medical injector, (US, 18 Jun 2012) 18 Dec 2012	16385/2012
Archibald, Matthew Joseph; 02-02C, 02-02NES, 02-03, Apparel, t-shirt, sweatshirt, cap, shorts, sports, 21 Dec 2012	16545/2012	Becton Dickinson France S.A.S.; 24-02, Medical injector, (US, 18 Jun 2012) 18 Dec 2012	16379/2012
Arka Organics Pty Ltd; 01-06, Animal feed, 01 Jan 2013	10001/2013	Becton Dickinson France S.A.S.; 24-02, Medical injector, (US, 18 Jun 2012) 18 Dec 2012	16383/2012
Australian Fitness Supplies Pty Limited; 21-02F, Gym equipment, 18 Dec 2012	16401/2012	Black & Decker Inc.; 08-05L, Paint applicator tool, (EM, 03 Jul 2012) 19 Dec 2012	16416/2012
Australian Fitness Supplies Pty Ltd; 21-02F, Fitness apparatus, 21 Dec 2012	16550/2012	Black & Decker Inc.; 08-05L, Paint cartridge cover, (EM, 03 Jul 2012) 19 Dec 2012	16417/2012
B and M Discretionary Trust; 25-01E, 25-02C, Farm fence end stay assembly, rural fencing, 04 Jan 2013	10029/2013	Braun GmbH; 04-02, External display device for toothbrush, (WO, 05 Jul 2012) 02 Jan 2013	10018/2013
BayCrest Biotechnology; 99-00, Health supplement - brain antioxidant (BrainGuard), (US, 20 Dec 2012) 20 Dec 2012	16448/2012	Bridgestone Corporation; 12-15B, Automobile tyre, (JP, 04 Jul 2012) 03 Jan 2013	10015/2013
Beba Enterprises Pty Ltd; 02-02C, 02-02NES, Articles of clothing, 24 Dec 2012	16659/2012	Bridgestone Corporation; 12-15B, Automobile tyre, (JP, 04 Jul 2012) 03 Jan 2013	10016/2013
Beba Enterprises Pty Ltd; 02-02C, 02-02NES, Articles of clothing, 14 Dec 2012	16367/2012	Bridgestone Corporation; 12-15B, Automobile tyre, (JP, 04 Jul 2012) 03 Jan 2013	10017/2013
Becton Dickinson and Company; 24-01, A cap, (Divisional of 15071/2012) 02 Jan 2013	10010/2013		
Becton Dickinson and Company; 24-01, A vial assembly, (Divisional of 15072/2012) 02 Jan 2013	10007/2013		

Bridgestone Corporation; 12-15B, Automobile tyre, (JP, 21 Nov 2012) 18 Dec 2012	16399/2012	Caterpillar Inc.; 15-04, Undercarriage track system for mobile earthmoving machine, (US, 29 Jun 2012) 19 Dec 2012	16535/2012
BYD Company Limited; 12-08, Automobile, (CN, 27 Jun 2012) 24 Dec 2012	16588/2012	Caterpillar Inc.; 15-04, Undercarriage track roller for mobile earthmoving machine, (US, 29 Jun 2012) 19 Dec 2012	16536/2012
BYD Company Limited; 12-08, Automobile, (CN, 27 Jun 2012) 24 Dec 2012	16589/2012	Caterpillar Inc.; 15-04, Undercarriage track system for mobile earthmoving machine, (US, 29 Jun 2012) 19 Dec 2012	16534/2012
BYD Company Limited; 12-08, Automobile, (CN, 27 Jun 2012) 24 Dec 2012	16590/2012	Caterpillar Inc.; 15-04, Undercarriage track she for mobile earthmoving machine, (US, 29 Jun 2012) 19 Dec 2012	16524/2012
Cafarelli, Calogero; 08-99, Reel end cap, 20 Dec 2012	16455/2012	Caterpillar Inc.; 15-04, Undercarriage track shoe for mobile earthmoving machine, (US, 29 Jun 2012) 19 Dec 2012	16520/2012
Caterpillar Inc.; 15-04, Undercarriage track shoe for mobile earthmoving machine, (US, 29 Jun 2012) 19 Dec 2012	16525/2012	Caterpillar Inc.; 15-04, Undercarriage track shoe for mobile earthmoving machine, (US, 29 Jun 2012) 19 Dec 2012	16521/2012
Caterpillar Inc.; 15-04, Undercarriage track link for mobile earthmoving machine, (US, 29 Jun 2012) 19 Dec 2012	16529/2012	Celgene Corporation; 28-01, Pharmaceutical tablets, (US, 25 Jun 2012) 18 Dec 2012	16664/2012
Caterpillar Inc.; 15-04, Undercarriage track idler for mobile earthmoving machine, (US, 29 Jun 2012) 19 Dec 2012	16532/2012	Cequent Consumer Products, Inc.; 12-16L, Hitch ball mount, (US, 22 Jun 2012) 19 Dec 2012	16516/2012
Caterpillar Inc.; 15-04, Undercarriage track idler for mobile earthmoving machine, (US, 29 Jun 2012) 19 Dec 2012	16531/2012	Challenge Implements Holdings Pty Limited; 15-03A, Grader attachment component, 17 Apr 2012	16412/2012
Caterpillar Inc.; 15-04, Undercarriage track link for mobile earthmoving machine, (US, 29 Jun 2012) 19 Dec 2012	16530/2012	Challenge Implements Holdings Pty Limited; 15-03A, Grader component, 17 Apr 2012	16413/2012
Caterpillar Inc.; 15-04, Undercarriage track link for mobile earthmoving machine, (US, 29 Jun 2012) 19 Dec 2012	16528/2012	Challenge Implements Holdings Pty Limited; 15-03A, Grader attachment component, 17 Apr 2012	16411/2012
Caterpillar Inc.; 15-04, Undercarriage track link for mobile earthmoving machine, (US, 29 Jun 2012) 19 Dec 2012	16527/2012	Cirtex Industries Limited; 08-99, Soil slope retention device, (NZ, 13 Apr 2012) (Divisional of 15051/2012) 18 Dec 2012	16389/2012
Caterpillar Inc.; 15-04, Undercarriage track link for mobile earthmoving machine, (US, 29 Jun 2012) 19 Dec 2012	16526/2012	Cirtex Industries Limited; 08-99, Soil slope retention device, 18 Dec 2012	16391/2012
Caterpillar Inc.; 15-04, Undercarriage track shoe for mobile earthmoving machine, (US, 29 Jun 2012) 19 Dec 2012	16522/2012	Cirtex Industries Limited; 08-99, Soil slope retention device, 18 Dec 2012	16392/2012
Caterpillar Inc.; 15-04, Undercarriage track system for mobile earthmoving machine, (US, 29 Jun 2012) 19 Dec 2012	16533/2012	Cirtex Industries Limited; 08-99, Soil slope retention device, 18 Dec 2012	16390/2012
Caterpillar Inc.; 15-04, Undercarriage track roller for mobile earthmoving machine, (US, 29 Jun 2012) 19 Dec 2012	16537/2012	Clean Wrap Co., Ltd.; 11-01NES, Pendant, 18 Dec 2012	16518/2012

Clean Wrap Co., Ltd.; 11-01NES, Pendant, 18 Dec 2012	16519/2012	Duke Manufacturing Co.; 07-02N, Pan, (US, 26 Jun 2012) 24 Dec 2012	16663/2012
Clean Wrap Co., Ltd.; 11-01NES, Pendant, 18 Dec 2012	16517/2012	Dyson Technology Limited; 15-05, Part of a vacuum cleaner, (EP, 19 Jul 2012) 04 Jan 2013	10027/2013
Cold Rush Refrigerated Lockers Pty Ltd; 06-04NES, Locker front divider assembly, 20 Dec 2012	16449/2012	Electrolux Appliances AB; 06-04NES, Drawer component or fascia plate, 19 Dec 2012	16505/2012
Compagnie Generale Des Etablissements Michelin; Michelin Recherche et Technique S.A.; 12-15B, A tyre, (US, 29 Jun 2012) 18 Dec 2012	16381/2012	Electrolux Appliances AB; 07-05NES, Door assembly, 19 Dec 2012	16508/2012
Compagnie Generale Des Etablissements Michelin; Michelin Recherche et Technique S.A.; 12-15B, A tyre, (US, 29 Jun 2012) 18 Dec 2012	16380/2012	Electrolux Appliances AB; 07-05NES, Door assembly, 19 Dec 2012	16510/2012
Concave Global Pty Ltd; 02-04NES, Football boot, 24 Dec 2012	16657/2012	Electrolux Appliances AB; 08-06, Appliance door handle, 19 Dec 2012	16511/2012
Concave Global Pty Ltd; 02-04NES, Football boot, 24 Dec 2012	16658/2012	Electrolux Appliances AB; 07-05NES, Door assembly, 19 Dec 2012	16509/2012
Creative Makings, LLC; 21-01NES, Tethered flying stunt toy, (US, 21 Dec 2012) 04 Jan 2013	10025/2013	Electrolux Appliances AB; 08-08N, Appliance shelf or crisper cover assembly, 19 Dec 2012	16506/2012
COMPAGNIE GENERALE DES ETABLISSEMENTS MICHELIN; Michelin Recherche et Technique S.A.; 12-15B, A tyre, (US, 29 Jun 2012) 18 Dec 2012	16382/2012	Electrolux Appliances AB; 06-06NES, Appliance shelf or cover assembly, 19 Dec 2012	16507/2012
Dart Industries Inc.; 07-02NES, Microwave container with cover, (US, 25 Jul 2012) 18 Dec 2012	16485/2012	Electrolux Appliances AB; 09-09, Door bin, 19 Dec 2012	16504/2012
Dart Industries Inc.; 07-02NES, Microwave container, (US, 25 Jul 2012) 18 Dec 2012	16489/2012	Electrolux Appliances AB; 06-04F, Appliance drawer and door, 19 Dec 2012	16503/2012
Dart Industries Inc.; 07-02NES, Cover for a microwave container, (US, 25 Jul 2012) 18 Dec 2012	16486/2012	Electrolux Appliances AB; 08-06, Appliance door handle, 19 Dec 2012	16512/2012
Dart Industries Inc.; 07-02NES, Microwave container, (US, 25 Jul 2012) 18 Dec 2012	16484/2012	Electrolux Professional S.p.A.; 07-02C, Induction cooker, (EM, 13 Apr 2012) 11 Oct 2012	16501/2012
Dart Industries Inc.; 07-02NES, Cover for a microwave container, (US, 25 Jul 2012) 18 Dec 2012	16487/2012	Electrolux Professional S.p.A.; 07-02C, Induction wok cooker, (EM, 13 Apr 2012) 11 Oct 2012	16502/2012
Dart Industries Inc.; 07-02NES, Microwave container with cover, (US, 25 Jul 2012) 18 Dec 2012	16488/2012	Electrolux Professional S.p.A.; 07-02C, Appliance door and control panel, (EM, 13 Apr 2012) 11 Oct 2012	16498/2012
Dezign Imagineering Limited; 21-02F, Exercise bike, (NZ, 26 Jun 2012) 18 Dec 2012	16388/2012	Electrolux Professional S.p.A.; 07-02H, Grilling apparatus, (EM, 13 Apr 2012) 11 Oct 2012	16500/2012
Dolce & Gabbana S.r.l.; 10-02, Wrist watch, (EM, 26 Apr 2012) 19 Oct 2012	16636/2012	Electrolux Professional S.p.A.; 07-02C, Fry cook top, (EM, 13 Apr 2012) 11 Oct 2012	16499/2012
Draeger Safetey AG & Co KGaA; 10-04, Calibrator, (EM, 25 Jun 2012) 20 Dec 2012	16457/2012	Electrolux Professional S.p.A.; 31-00, A mixer blade for a food mixing device, (EM, 13 Apr 2012) 11 Oct 2012	16377/2012
		Electrolux Professional S.p.A.; 07-02C, Control Panel, (EM, 13 Apr 2012) 19 Dec 2012	16445/2012
		Electrolux Professional S.p.A.; 31-00, A beater blade for a food mixing device, (EM, 13 Apr 2012) 11 Oct 2012	16378/2012

Elmich Pte Ltd; 09-03M, Tray for green wall, 24 Dec 2012	16583/2012	Gessi S.P.A.; 23-01H, Faucet, (IT, 03 Jul 2012) 21 Dec 2012	16631/2012
Exquisite & Co Pty Ltd; 21-02F, Exercise equipment or frame, 18 Apr 2012	16410/2012	Gotjamanos, Theo; 04-02, Combination infant teething ring and toothbrush, 24 Dec 2012	16609/2012
Fah, Ah N.; 23-02NES, A flotation element, 21 Dec 2012	16552/2012	Gotjamanos, Theo; 04-02, Toothbrush, 24 Dec 2012	16608/2012
Fiskars Brands Finland Oy Ab; 08-06, A handle for a plaything, (FI, 02 Jul 2012) 19 Dec 2012	16422/2012	Gruber LLC; 04-02, Dental cleaning head, (US, 10 Apr 2012) 10 Oct 2012	16633/2012
Fiskars Brands Finland Oy Ab; 08-06, A handle for a plaything, (FI, 02 Jul 2012) 19 Dec 2012	16424/2012	Guala Pack S.p.A.; 09-07A, Cap for a container, (IT, 18 Jul 2012) 19 Dec 2012	16469/2012
Fiskars Brands Finland Oy Ab; 08-06, 21-99, A handle for a play thing, (FI, 02 Jul 2012) 19 Dec 2012	16419/2012	Gum Drops LLC; 06-13NES, Surface treatment pad, (US, 26 Jun 2012) 27 Dec 2012	16610/2012
Forever New Clothing Pty Ltd; 02-02NES, Article of clothing, (GB, 30 Aug 2012) (Divisional of 15083/2012) 14 Dec 2012	16513/2012	Gum Drops LLC; 06-13NES, Surface treatment pad, (US, 26 Jun 2012) 27 Dec 2012	16612/2012
Forever New Clothing Pty Ltd; 03-01B, Accessory item, 24 Dec 2012	16655/2012	Gum Drops LLC; 06-13NES, Surface treatment pad, (US, 26 Jun 2012) 27 Dec 2012	16611/2012
Forever New Clothing Pty Ltd; 02-02C, Article of clothing, 24 Dec 2012	16656/2012	Gyrus ACMI, Inc.; 24-02, Microdebrider, (US, 23 Aug 2012) 18 Dec 2012	16494/2012
FBA Imports Pty Ltd; 07-07B, Bucket, 22 Dec 2012	16556/2012	GARDENA Manufacturing GmbH; 23-01C, Garden hose, 20 Dec 2012	16569/2012
Gerard Lighting Pty Ltd; 26-05D, Optical lens, 21 Dec 2012	16647/2012	GARDENA Manufacturing GmbH; 23-01C, Garden hose, 20 Dec 2012	16572/2012
Gerard Lighting Pty Ltd; 26-05D, Downlight housing, 21 Dec 2012	16644/2012	GARDENA Manufacturing GmbH; 23-01C, Garden hose, 20 Dec 2012	16570/2012
Gerard Lighting Pty Ltd; 26-05D, Reflector/lens arrangement, 21 Dec 2012	16650/2012	GARDENA Manufacturing GmbH; 23-01C, Garden hose, 20 Dec 2012	16571/2012
Gerard Lighting Pty Ltd; 26-05D, Reflector lens assembly, 21 Dec 2012	16645/2012	GMBH, Robert Bosch; 08-05N, Disc for sanding machines, (EM, 20 Jul 2012) 04 Jan 2013	10028/2013
Gerard Lighting Pty Ltd; 26-05D, Electronics housing, 21 Dec 2012	16643/2012	Hansgrohe SE; 23-02B, Hand shower, (EP, 11 Jul 2012) 19 Dec 2012	16421/2012
Gerard Lighting Pty Ltd; 26-05D, Reflector, 21 Dec 2012	16646/2012	Hansgrohe SE; 23-02B, Head shower, (EP, 11 Jul 2012) 19 Dec 2012	16420/2012
Gerard Lighting Pty Ltd; 26-05C, 26-05D, Light, 21 Dec 2012	16648/2012	Herbert Waldmann GmbH & Co. KG; 26-05A, A lamp, (IB, 13 Aug 2012) 20 Dec 2012	16453/2012
Gerard Lighting Pty Ltd; 26-05D, Electronics housing, 21 Dec 2012	16649/2012	Herbert Waldmann GmbH & Co. KG; 26-05A, A lamp, (WO, 13 Aug 2012) 20 Dec 2012	16450/2012
Gerard Lighting Pty Ltd; 26-05D, Downlight housing, 21 Dec 2012	16642/2012	Herbert Waldmann GmbH & Co. KG; 26-05A, A lamp, (WO, 13 Aug 2012) 20 Dec 2012	16452/2012
Gerard Lighting Pty Ltd; 10-05, 26-05A, Light with PIR sensor, 20 Dec 2012	16463/2012	Herbert Waldmann GmbH & Co. KG; 26-05A, A lamp, (WO, 13 Aug 2012) 20 Dec 2012	16451/2012
Gerard Lighting Pty Ltd; 10-05, 26-05A, Light with PIR sensor, 20 Dec 2012	16462/2012		
Gerard Lighting Pty Ltd; 10-05, 26-05NES, PIR sensor, 20 Dec 2012	16461/2012		

Hitachi Appliances, Inc.; 14-03NES, A controller for managing air conditioning systems, (JP, 18 Jul 2012) 21 Dec 2012	16490/2012	King Furniture (Australia) Pty Ltd; 06-01G, A chair, 24 Dec 2012	16602/2012
Hitachi Appliances, Inc.; 14-03NES, A controller for managing air conditioning systems, (JP, 18 Jul 2012) 21 Dec 2012	16491/2012	King Furniture (Australia) Pty Ltd; 06-01G, An article of furniture, 24 Dec 2012	16601/2012
Huffy Corporation; 12-11, Three wheeled vehicle, (US, 06 Jul 2012) 21 Dec 2012	16621/2012	King Furniture (Australia) Pty Ltd; 06-01G, An article of furniture, 24 Dec 2012	16600/2012
Huffy Corporation; 12-11, Frame member for a three wheeled vehicle, (US, 06 Jul 2012) 21 Dec 2012	16624/2012	King Furniture (Australia) Pty Ltd; 06-01G, An article of furniture, 24 Dec 2012	16598/2012
Huffy Corporation; 12-11, Steering lever for a three wheeled vehicle, (US, 06 Jul 2012) 21 Dec 2012	16622/2012	King Furniture (Australia) Pty Ltd; 06-01G, A chair, 24 Dec 2012	16597/2012
Huffy Corporation; 12-11, Frame member for a three wheeled vehicle, (US, 06 Jul 2012) 21 Dec 2012	16623/2012	King Furniture (Australia) Pty Ltd; 06-01G, A chair, 24 Dec 2012	16592/2012
Huffy Corporation; 12-11, Three wheeled vehicle, (US, 06 Jul 2012) 21 Dec 2012	16620/2012	King Furniture (Australia) Pty Ltd; 06-01G, A chair, 24 Dec 2012	16591/2012
Joh. Friedrich Behrens AG; 15-99, Gas nailer, (EM, 19 Jun 2012) 18 Dec 2012	16479/2012	King Furniture (Australia) Pty Ltd; 06-01G, An article of furniture, 24 Dec 2012	16606/2012
Joh. Friedrich Behrens AG; 15-99, Gas nailer, (EM, 19 Jun 2012) 18 Dec 2012	16480/2012	King Furniture (Australia) Pty Ltd; 06-01G, A chair, 24 Dec 2012	16594/2012
Joseph Joseph Ltd; 07-03, Cheese knife, (EP, 13 Sep 2012) 20 Dec 2012	16465/2012	Koninklijke Philips Electronics N.V.; 31-00, Blender, (EM, 28 Jun 2012) 28 Dec 2012	16613/2012
Joseph Joseph Ltd; 09-03F, Trays, (EP, 13 Sep 2012) 20 Dec 2012	16464/2012	Koninklijke Philips Electronics N.V.; 31-00, Blender, (WO, 02 Jul 2012) 02 Jan 2013	10006/2013
Joseph Joseph Ltd; 07-07B, Household containers, (EP, 13 Sep 2012) 18 Dec 2012	16403/2012	KENZO (a Societe Anonyme); 09-01G, Perfume bottle, (EM, 25 Jun 2012) 21 Dec 2012	16538/2012
Joseph Joseph Ltd; 07-05NES, Plate drying rack, (EP, 13 Sep 2012) 18 Dec 2012	16404/2012	Liao, Jen-Sheng;Liao, Chung-Hung;Liao, Chung-Liang; 08-01, Twist drill, 24 Dec 2012	16603/2012
Khim, Hong Gay; 06-04F, Chest, 21 Dec 2012	16548/2012	Liao, Chung-Hung;Liao, Chung-Liang;Liao, Jen-Sheng; 08-01, Twist drill, 24 Dec 2012	16603/2012
Khim, Hong Gay; 06-02, Bed, 21 Dec 2012	16547/2012	Liao, Chung-Liang;Liao, Chung-Hung;Liao, Jen-Sheng; 08-01, Twist drill, 24 Dec 2012	16603/2012
King Furniture (Australia) Pty Ltd; 06-01G, A sofa, 24 Dec 2012	16593/2012	Liao, Jen-Sheng;Liao, Chung-Hung;Liao, Chung-Liang; 08-01, Twist drill, 24 Dec 2012	16607/2012
King Furniture (Australia) Pty Ltd; 06-01G, A chair, 24 Dec 2012	16605/2012	Liao, Chung-Hung;Liao, Chung-Liang;Liao, Jen-Sheng; 08-01, Twist drill, 24 Dec 2012	16607/2012
King Furniture (Australia) Pty Ltd; 06-01E, An ottoman, 24 Dec 2012	16604/2012	Liao, Chung-Liang;Liao, Chung-Hung;Liao, Jen-Sheng; 08-01, Twist drill, 24 Dec 2012	16607/2012
King Furniture (Australia) Pty Ltd; 06-01G, A sofa, 24 Dec 2012	16595/2012	Liceexpulsion Pty Ltd; 04-02, Electronic lice comb, 01 Jan 2013	10005/2013
King Furniture (Australia) Pty Ltd; 06-01G, A chair, 24 Dec 2012	16596/2012	Lifeline Scientific, Inc.; 23-01NES, 23-02NES, Basin, (US, 10 Jul 2012) 19 Dec 2012	16473/2012

Lifeline Scientific, Inc.; 24-99, 09-99, Coolant container, (US, 10 Jul 2012) 19 Dec 2012	16472/2012	Master Lock Company LLC; 08-07, Lock, (US, 30 May 2012) 19 Dec 2012	16447/2012
Lifeline Scientific, Inc.; 24-01, Drape for an organ or tissue transporter, (US, 10 Jul 2012) 19 Dec 2012	16475/2012	McLaren Automotive Limited; 12-08, P11 Spyder exterior, (EP, 02 Jul 2012) 24 Dec 2012	16580/2012
Lifeline Scientific, Inc.; 24-01, Lid for organ or tissue container, (US, 10 Jul 2012) 19 Dec 2012	16471/2012	Metso Minerals (Sweden) AB; 08-99, 25-02NES, A liner member for lining a structure carrying particulate material, 19 Dec 2012	16565/2012
Lifeline Scientific, Inc.; 23-02NES, 24-99, Tube frame, (US, 10 Jul 2012) 19 Dec 2012	16476/2012	Metso Minerals (Sweden) AB; 25-01NES, A liner member for lining a structure carrying particulate material, 19 Dec 2012	16492/2012
Lifeline Scientific, Inc.; 24-01, Lid for organ or tissue container, (US, 10 Jul 2012) 19 Dec 2012	16477/2012	Metso Minerals (Sweden) AB; 25-01NES, A liner member for lining a structure carrying particulate material, 19 Dec 2012	16493/2012
Lifeline Scientific, Inc.; 24-01, Organ or tissue cradle, (US, 10 Jul 2012) 19 Dec 2012	16478/2012	Michelin Recherche et Technique S.A.;Compagnie Generale Des Etablissements Michelin; 12-15B, A tyre, (US, 29 Jun 2012) 18 Dec 2012	16381/2012
Lifeline Scientific, Inc.; 24-99, 09-99, Coolant container, (US, 10 Jul 2012) 19 Dec 2012	16474/2012	Michelin Recherche et Technique S.A.;COMPAGNIE GENERALE DES ETABLISSEMENTS MICHELIN; 12-15B, A tyre, (US, 29 Jun 2012) 18 Dec 2012	16382/2012
Lifeline Scientific, Inc.; 24-01, Organ or tissue cradle, (US, 10 Jul 2012) 19 Dec 2012	16470/2012	Michelin Recherche et Technique S.A.;Compagnie Generale Des Etablissements Michelin; 12-15B, A tyre, (US, 29 Jun 2012) 18 Dec 2012	16380/2012
Lifestyle and Fashion AG; 14-02, Protective covers for tablet PC's, (DE, 26 Jun 2012) 24 Dec 2012	16579/2012	Microsoft Corporation; 14-01, Display screen with interface, (US, 20 Jun 2012) 20 Dec 2012	16558/2012
Locker Group Pty Ltd; 15-99, 08-01, Mining screen sidebar with wear marker, 18 Dec 2012	16387/2012	Microsoft Corporation; 14-01, Display screen with icon, (US, 20 Jun 2012) 20 Dec 2012	16563/2012
Logue and Co. Pty Ltd; 20-01, Vending machine, 20 Dec 2012	16564/2012	Microsoft Corporation; 14-01, Display screen with user interface, (US, 20 Jun 2012) 20 Dec 2012	16560/2012
Logue and Co. Pty Ltd; 20-01, Vending machine, 21 Dec 2012	16651/2012	Microsoft Corporation; 14-01, Display screen with user interface, (US, 20 Jun 2012) 20 Dec 2012	16559/2012
Logue and Co. Pty Ltd; 20-01, Vending machine, 21 Dec 2012	16652/2012	Microsoft Corporation; 14-01, Display screen with icon, (US, 20 Jun 2012) 20 Dec 2012	16557/2012
Logue and Co. Pty Ltd; 20-01, Vending machine, 21 Dec 2012	16653/2012	Microsoft Corporation; 14-01, Display screen with icon, (US, 20 Jun 2012) 20 Dec 2012	16561/2012
Mars, Incorporated; 01-06, Pet Chew, (US, 22 Jun 2012) 21 Dec 2012	16540/2012	Microsoft Corporation; 14-01, Display screen with icon, (US, 20 Jun 2012) 20 Dec 2012	16562/2012
Mars, Incorporated; 01-06, Pet chew, (US, 22 Jun 2012) 21 Dec 2012	16541/2012	Mitsubishi Electric Corporation; 23-04, Air conditioner, (JP, 29 Jun 2012) 21 Dec 2012	16638/2012
Mars, Incorporated; 01-06, Pet chew, (US, 22 Jun 2012) 21 Dec 2012	16539/2012		
Mars, Incorporated; 01-06, Pet chew, (US, 22 Jun 2012) 21 Dec 2012	16542/2012		
Master Lock Company LLC; 08-07, Lock, (US, 30 May 2012) 19 Dec 2012	16446/2012		

Mitsubishi Electric Corporation; 23-04, Air conditioner, (JP, 03 Jul 2012) 21 Dec 2012	16639/2012	Olsson, Ashley Norman;Olsson, Ashley Dean;Olsson, Nathanael Dean;Olsson, Stafford James; 25-01C, 25-01K, Bar, 21 Dec 2012	16515/2012
Mitsubishi Electric Corporation; 23-04, Air conditioner, (JP, 29 Jun 2012) 21 Dec 2012	16637/2012	Olsson, Nathanael Dean;Olsson, Ashley Dean;Olsson, Ashley Norman;Olsson, Stafford James; 25-01C, 25-01K, Bar, 21 Dec 2012	16515/2012
MM&R Products, Inc.; 28-03B, Hair styling apparatus with rotatable member, (US, 01 Jun 2012) 21 Dec 2012	16654/2012	Olsson, Ashley Dean;Olsson, Ashley Norman;Olsson, Nathanael Dean;Olsson, Stafford James; 25-01C, 25-01K, Bar, 21 Dec 2012	16515/2012
Nintendo Co., Ltd; 14-02, A portable electronic computer, (JP, 18 Jun 2012) 18 Dec 2012	16396/2012	Pereira, Jorge Miguel; 29-02, Safety equipment, 22 Oct 2012	16662/2012
Nintendo Co., Ltd; 14-99, 21-01N, Stylus pen for operate a touch panel, (JP, 18 Jun 2012) 18 Dec 2012	16398/2012	Pereira, Jorge Miguel; 29-02, Safety equipment, 22 Oct 2012	16660/2012
Nintendo Co., Ltd; 14-02, Housing component for an electronic computer, (JP, 18 Jun 2012) 18 Dec 2012	16397/2012	Pereira, Jorge Miguel; 29-02, Safety equipment, 22 Oct 2012	16661/2012
Nintendo Co., Ltd; 14-02, A housing component for an electronic computer, (JP, 18 Jun 2012) 18 Dec 2012	16394/2012	Phonewoa Pty Ltd; 03-01NES, Case for electronic devices, 19 Dec 2012	16409/2012
Nintendo Co., Ltd; 06-03C, Stand for an electronic computer, (JP, 18 Jun 2012) 18 Dec 2012	16395/2012	Purnell, Andrew Howard;Williams, Nicholas John; 22-05, Connector for an oyster farming tray, 20 Dec 2012	16566/2012
Nintendo Co., Ltd.; 14-02, Housing component for an electronic computer, (JP, 18 Jun 2012) 18 Dec 2012	16393/2012	Purnell, Andrew Howard;Williams, Nicholas John; 22-05, Connector for an oyster farming tray, 20 Dec 2012	16567/2012
Nissan Jidosha Kabushiki Kaisha; 12-16C, Front bumper for automobile, (JP, 26 Jun 2012) 19 Dec 2012	16415/2012	Rapala VMC Oyj; 22-05, Fishing lure, (EM, 20 Apr 2012) 19 Oct 2012	16635/2012
Nissan Jidosha Kabushiki Kaisha; 12-16C, Front bumper for automobile, (JP, 26 Jun 2012) 19 Dec 2012	16414/2012	Rapala VMC Oyj; 22-05, Fishing lure, (EM, 20 Apr 2012) 19 Oct 2012	16634/2012
Oakley, Inc.; 16-06, Eyeglass and eyeglass component, (US, 29 Jun 2012) 24 Dec 2012	16578/2012	Revroof Pty Ltd; 25-01D, Wide profile building panel, 21 Dec 2012	16615/2012
Olsson, Ashley Dean;Olsson, Ashley Norman;Olsson, Nathanael Dean;Olsson, Stafford James; 15-99, Roll, 21 Dec 2012	16523/2012	Revroof Pty Ltd; 25-01D, Building panel, 21 Dec 2012	16616/2012
Olsson, Stafford James;Olsson, Ashley Dean;Olsson, Ashley Norman;Olsson, Nathanael Dean; 15-99, Roll, 21 Dec 2012	16523/2012	Roehrs, Sven; 19-08, 19-04, 12-99, 02-02C, 02-02NES, Advertising;books;fabric;clothing;vehicle;planes, 21 Dec 2012	16546/2012
Olsson, Stafford James;Olsson, Ashley Dean;Olsson, Ashley Norman;Olsson, Nathanael Dean; 25-01C, 25-01K, Bar, 21 Dec 2012	16515/2012	S.C. Johnson & Son, Inc.; 07-05E, Liquid applicator, (US, 27 Jun 2012) 21 Dec 2012	16619/2012
Olsson, Ashley Norman;Olsson, Ashley Dean;Olsson, Nathanael Dean;Olsson, Stafford James; 15-99, Roll, 21 Dec 2012	16523/2012	S.C. Johnson & Son, Inc.; 23-04, Fitting for an air treatment chemical dispenser, (US, 29 Jun 2012) 02 Jan 2013	10019/2013
Olsson, Nathanael Dean;Olsson, Ashley Dean;Olsson, Ashley Norman;Olsson, Stafford James; 15-99, Roll, 21 Dec 2012	16523/2012	S.C. Johnson & Son, Inc.; 23-04, Fitting for an air treatment chemical dispenser, (US, 29 Jun 2012) 02 Jan 2013	10021/2013
		S.C. Johnson & Son, Inc.; 23-04, Refill for an air treatment chemical dispenser, (US, 29 Jun 2012) 02 Jan 2013	10020/2013

S.C. Johnson & Son, Inc.; 07-05E, Liquid applicator, (US, 27 Jun 2012) 21 Dec 2012	16617/2012	Seafolly Pty Ltd; 02-02A, Swimwear, 30 Jul 2012	16425/2012
S.C. Johnson & Son, Inc.; 07-05E, Liquid applicator, (US, 27 Jun 2012) 21 Dec 2012	16618/2012	Seafolly Pty Ltd; 02-02A, Swimwear, 30 Jul 2012	16426/2012
S.C. Johnson & Son, Inc.; 09-01NES, Dispenser housing, 19 Dec 2012	16467/2012	Seo, Young Dae; 07-04, Orange knife, (KR, 26 Jun 2012) 02 Jan 2013	10026/2013
S.C. Johnson & Son, Inc.; 09-01NES, Dispenser housing, 19 Dec 2012	16468/2012	Solberg, Hallgeir; 25-02C, Protection device for handrail of a net cage, (NO, 25 Jun 2012) 20 Dec 2012	16460/2012
S.C. Johnson & Son, Inc.; 09-01NES, Dispenser housing, 19 Dec 2012	16466/2012	St. Jude Medical, Cardiology Division, Inc.; 08-06, Deployment handle, (US, 28 Jun 2012) 24 Dec 2012	16581/2012
Sanofi-Aventis Deutschland GmbH; 24-02, Injection device, (EM, 05 Jul 2012) 21 Dec 2012	16640/2012	Stockbrands Co. Pty Ltd; 30-08, An ear tag, 21 Dec 2012	16549/2012
Scaldis Saint-Martin, societe anonyme; 02-02NES, Garment, (WO, 19 Jun 2012) 18 Dec 2012	16481/2012	Sunbeam Corporation Limited; 31-00, Mixer, 14 Dec 2012	16375/2012
Scaldis Saint-Martin, societe anonyme; 02-02NES, Garment, (WO, 19 Jun 2012) 18 Dec 2012	16483/2012	SwitchEasy Limited; 03-01NES, 21-01N, Protective casing for handheld electronic device, (HK, 21 Aug 2012) 19 Dec 2012	16418/2012
Scaldis Saint-Martin, societe anonyme; 02-02NES, Garment, (WO, 19 Jun 2012) 18 Dec 2012	16482/2012	Telebrands Corp.; 23-01C, Hose connector, (US, 03 Oct 2012) 20 Dec 2012	16574/2012
Seafolly Pty Ltd; 02-02A, Swimwear, 30 Jul 2012	16435/2012	Telebrands Corp.; 23-01K, Valve, (US, 03 Oct 2012) 20 Dec 2012	16577/2012
Seafolly Pty Ltd; 02-02A, Swimwear, 30 Jul 2012	16436/2012	Telebrands Corp.; 23-01C, Hose of indefinite length and connectors therefor, (US, 03 Oct 2012) 20 Dec 2012	16575/2012
Seafolly Pty Ltd; 02-02A, Swimwear, 30 Jul 2012	16433/2012	Telebrands Corp.; 23-01C, Hose connector, (US, 03 Oct 2012) 20 Dec 2012	16576/2012
Seafolly Pty Ltd; 02-02A, Swimwear, 30 Jul 2012	16434/2012	The BSS Group Limited; 03-01D, 09-03NES, Container, 21 Dec 2012	16497/2012
Seafolly Pty Ltd; 02-02A, Swimwear, 30 Jul 2012	16431/2012	Tieco International Pty Ltd; 25-04, Ladder mate, 19 Dec 2012	16405/2012
Seafolly Pty Ltd; 02-02A, Swimwear, 30 Jul 2012	16432/2012	Tieco International Pty Ltd; 12-16NES, Air ram, 18 Dec 2012	16402/2012
Seafolly Pty Ltd; 02-02A, Swimwear, 30 Jul 2012	16427/2012	Tiger Profiles and Insulation LLC; 08-07, 25-02NES, A component of a locking assembly, (NZ, 30 Mar 2012) 01 Oct 2012	16632/2012
Seafolly Pty Ltd; 02-02A, Swimwear, 30 Jul 2012	16439/2012	TomTom International B.V.; 14-03A, A phone mount, (EM, 16 Jul 2012) 14 Dec 2012	16374/2012
Seafolly Pty Ltd; 02-02A, Swimwear, 30 Jul 2012	16440/2012	TomTom International B.V.; 14-03A, A hands-free car kit, (EM, 16 Jul 2012) 14 Dec 2012	16372/2012
Seafolly Pty Ltd; 02-02A, Swimwear, 30 Jul 2012	16437/2012	TomTom International B.V.; 14-03A, A phone mount, (EM, 16 Jul 2012) 14 Dec 2012	16373/2012
Seafolly Pty Ltd; 02-02A, Swimwear, 30 Jul 2012	16438/2012		
Seafolly Pty Ltd; 02-02A, Swimwear, 30 Jul 2012	16429/2012		
Seafolly Pty Ltd; 02-02A, Swimwear, 30 Jul 2012	16430/2012		
Seafolly Pty Ltd; 02-02A, Swimwear, 30 Jul 2012	16428/2012		

TomTom International B.V.; 14-03A, A hands - free car kit, (EM, 16 Jul 2012) 14 Dec 2012	16371/2012	Wilson Sporting Goods Co.; 02-04NES, Shoe, (FR, 06 Jul 2012) 21 Dec 2012	16628/2012
TomTom International B.V.; 14-03A, A hands-free car kit, (EM, 16 Jul 2012) 14 Dec 2012	16370/2012	Wilson Sporting Goods Co.; 02-04NES, Shoe, (FR, 06 Jul 2012) 21 Dec 2012	16629/2012
Trambas, Dimitrios; 09-03K, Transport container, 17 Dec 2012	16407/2012	Wilson Sporting Goods Co.; 02-04NES, Shoe, (FR, 06 Jul 2012) 21 Dec 2012	16625/2012
Trambas, Dimitrios; 09-03K, Transport container, 17 Dec 2012	16408/2012	Wispac Industry Sdn Bhd; 09-01K, Bottle (09-01), 20 Dec 2012	16458/2012
Trambas, Dimitrios; 09-03K, Transport container, 17 Dec 2012	16406/2012	Wispac Industry Sdn Bhd; 09-01K, Bottle (09-01), 20 Dec 2012	16459/2012
Trimas Corporation (NZ) Pty Limited; 08-08B, Coupling nut, 19 Dec 2012	16514/2012	Yu, Richard; 07-99B, Hot water bottle, 31 Dec 2012	16614/2012
Unilever PLC; 07-02L, Beverage brewing device, (EM, 06 Jul 2012) 21 Dec 2012	16543/2012	Yuen, Michael; 23-03E, Fire apparatus, 19 Dec 2012	16495/2012
Unilever PLC; 07-02L, Beverage brewing device, (EM, 06 Jul 2012) 21 Dec 2012	16544/2012	Yuen, Michael; 23-03E, Fire apparatus, 19 Dec 2012	16496/2012
Vent-Axia Group Limited; 23-04, Extractor fan, (EM, 29 Jun 2012) 02 Jan 2013	10024/2013	Zenith Interiors Pty Ltd; 08-08NES, Rail joiner, 21 Dec 2012	16553/2012
Vent-Axia Group Limited; 03-04, 23-04, Extractor fan, (EM, 29 Jun 2012) 02 Jan 2013	10023/2013	Zenith Interiors Pty Ltd; 08-09, 08-08NES, Bracket, 21 Dec 2012	16551/2012
Vent-Axia Group Limited; 03-04, 23-04, Extractor fan, (EM, 29 Jun 2012) 02 Jan 2013	10022/2013	Zenith Interiors Pty Ltd; 08-08NES, Module joiner, 21 Dec 2012	16554/2012
W.G. & B. Manufacturing Pty. Ltd.; 99-00, Magnet encapsulator, 18 Dec 2012	16384/2012	Zhejiang CFMOTO Power Co., Ltd; 12-08, All-terrain vehicle, (CN, 15 Aug 2012) 18 Dec 2012	16400/2012
Wikipad, Inc.; 14-04, User interface icon queue for a display screen, (US, 05 Oct 2012) 20 Dec 2012	16454/2012	Zila Kavehaz Kft; 07-02P, Moulds for food products, (EM, 02 Jul 2012) 19 Dec 2012	16441/2012
Williams, Nicholas John;Purnell, Andrew Howard; 22-05, Connector for an oyster farming tray, 20 Dec 2012	16566/2012	Zila Kavehaz Kft; 07-02P, Moulds for food products, (EM, 02 Jul 2012) 19 Dec 2012	16442/2012
Williams, Nicholas John;Purnell, Andrew Howard; 22-05, Connector for an oyster farming tray, 20 Dec 2012	16567/2012	Zila Kavehaz Kft; 07-02P, Moulds for food products, (EM, 02 Jul 2012) 19 Dec 2012	16443/2012
Wilson Sporting Goods Co.; 02-04NES, Shoe, (FR, 06 Jul 2012) 21 Dec 2012	16626/2012	3M Innovative Properties Company; 24-04, Orthopedic pressure device, (US, 18 Jun 2012) 18 Dec 2012	16368/2012
Wilson Sporting Goods Co.; 02-04B, Sole for a shoe, (FR, 06 Jul 2012) 21 Dec 2012	16630/2012	3M Innovative Properties Company; 24-01, Respirator support structure, (US, 02 Jul 2012) 21 Dec 2012	16641/2012
Wilson Sporting Goods Co.; 02-04NES, Shoe, (FR, 06 Jul 2012) 21 Dec 2012	16627/2012	3M Innovative Properties Company; 24-99, Orthopedic pressure device, (US, 18 Jun 2012) 18 Dec 2012	16376/2012

Applications Lapsed

12865 / 2012 (09-01H)	13027 / 2012 (08-08NES)
13497 / 2012 (06-03B)	13972 / 2012 (07-99B)
14299 / 2012 (25-03)	14513 / 2012 (09-01H)
14638 / 2012 (26-05E)	14639 / 2012 (19-08)
14762 / 2012 (03-01B)	14763 / 2012 (03-01B)
14764 / 2012 (03-01B)	14939 / 2012 (31-00)
14970 / 2012 (06-03B)	14999 / 2012 (13-03D)
15065 / 2012 (99-00)	15066 / 2012 (99-00)
15090 / 2012 (11-03)	15131 / 2012 (05-05A)
15132 / 2012 (05-05NES)	15206 / 2012 (11-02A)
15227 / 2012 (08-08H)	15390 / 2012 (06-13A)
15391 / 2012 (06-13A)	

Extension of Period of Registration of Designs

316473	318260	318302
318303	318746	318747
318748	318950	319066
319088	319132	319133
319134	319135	319136
319140	319141	319145
319146	319147	319163
319164	319165	319166
319167	319168	319169
319170	319171	319172
319173	319174	319175
319176	319177	319178
319222	319223	319224
319225	319236	319237
319238	319240	319284
319302	319303	319344
319360	319366	319372
319375	319379	319380
319381	319384	319391
319392	319393	319396
319405	319406	319429
319493	319494	319495
319513	319515	319516
319581	319582	319583
319631	319632	319647
319751	319795	319796
319797	319806	319807
319808	319816	319817
319818	319826	319831
319832	319833	319834
319846	319847	319848
319873	319880	319886
319903	319922	319924
319925	319926	319943
319946	320058	320059
320060	320061	320207
320208	320216	320217
320218	320219	320220
320257	320258	320259
320260	320261	320262
320263	320295	320331
320332	320333	320377
320401	320587	320588
320605	320779	321263
321677	322358	

Registrations Ceased

336192	341959
--------	--------

Extensions of time granted under Section 137

Applications lodged under section 137 for extension of time have been granted.

- 346192 **Setup 4 Life Pty Ltd**
- 346193 **Setup 4 Life Pty Ltd**
- 346196 **A-Esque Pty Ltd**
- 346197 **A-Esque Pty Ltd**
- 346198 **A-Esque Pty Ltd**

Names Registered - Alterations and Amendments

(The name in parentheses is that of the subsequent applicant)

- 327543 (**LVMH Swiss Manufactures S.A.**) TAG Heuer SA
- 322624 (**LVMH Swiss Manufactures S.A.**) TAG Heuer SA
- 311314 (**LVMH Swiss Manufactures S.A.**) TAG Heuer SA
- 311315 (**LVMH Swiss Manufactures S.A.**) TAG Heuer SA
- 301248 (**LVMH Swiss Manufactures S.A.**) TAG Heuer S.A.
- 300933 (**LVMH Swiss Manufactures S.A.**) TAG Heuer S.A.
- 322653 (**LVMH Swiss Manufactures S.A.**) TAG Heuer SA
- 322652 (**LVMH Swiss Manufactures S.A.**) TAG Heuer SA
- 320167 (**Heyrex Limited**) Say Systems Ltd
- 320168 (**Heyrex Limited**) Say Systems Ltd

Certificate(s) of Examination

Examination of the following Design Registration(s) has been completed. Infringement proceedings may now be commenced.

301427	21-01N	20/12/2012
301431	21-01N	20/12/2012
301432	21-01N	20/12/2012
301433	21-01N	20/12/2012
301434	21-01N	20/12/2012
301444	21-01N	02/01/2013
313441	07-01C	02/01/2013
329130	12-06NES	21/12/2012
330813	21-02F	19/12/2012
331583	12-06NES	21/12/2012
331584	12-06NES	21/12/2012
337155	08-05E	19/12/2012
343488	19-06	21/12/2012
343961	23-04	21/12/2012
344315	14-03NES	02/01/2013
344556	13-03NES	03/01/2013
344557	13-03NES	03/01/2013
344558	13-03NES	03/01/2013
344559	13-03NES	03/01/2013
344671	23-04	21/12/2012
344672	23-04	21/12/2012
344747	13-01	21/12/2012
344748	13-01	21/12/2012
344749	13-01	21/12/2012
344804	09-01NES	20/12/2012
345369	15-01	19/12/2012
345473	09-01K	30/11/2012
345474	09-01K	30/11/2012
345479	09-01K	30/11/2012
345567	09-01G	20/12/2012
345570	09-01G	20/12/2012
345571	09-01G	20/12/2012
345587	09-01G	20/12/2012
345618	09-01G	30/11/2012

Publication and Registration Proceedings

Designs Registered

This section provides a concordance between design number and registration number of Designs covered in this journal. It also shows the main class and registration date.

This section covers Registration numbers 346021 to 346251 .

The registration number shown below should be used in all future correspondence.

Design Number	Registration Number	International Classification Code (IDC)	Registration Date	Design Number	Registration Number	International Classification Code (IDC)	Registration Date
11739/2012	346038	08-08C	19/12/2012	14966/2012	346203	28-01	07/01/2013
11905/2012	346186	15-03A	07/01/2013	14967/2012	346048	28-01	19/12/2012
11913/2012	346190	21-02F	07/01/2013	14968/2012	346049	28-01	19/12/2012
12180/2012	346192	23-04	07/01/2013	14977/2012	346223	15-99	07/01/2013
12410/2012	346193	23-04	07/01/2013	15020/2012	346233	11-01NES	07/01/2013
12563/2012	346087	02-02C	03/01/2013	15033/2012	346204	07-02C	07/01/2013
13019/2012	346217	12-08	07/01/2013	15035/2012	346206	31-00	07/01/2013
13020/2012	346218	12-16B	07/01/2013	15037/2012	346209	08-06	07/01/2013
13606/2012	346039	06-03A	19/12/2012	15038/2012	346210	07-02C	07/01/2013
13716/2012	346041	06-03B	19/12/2012	15057/2012	346215	04-02	07/01/2013
13990/2012	346021	08-06	19/12/2012	15095/2012	346059	09-07C	03/01/2013
13991/2012	346022	08-06	19/12/2012	15101/2012	346231	21-01N	07/01/2013
13992/2012	346023	08-06	19/12/2012	15103/2012	346060	09-03F	03/01/2013
13993/2012	346024	08-06	19/12/2012	15104/2012	346062	09-03F	03/01/2013
13994/2012	346025	08-06	19/12/2012	15144/2012	346064	09-07A	03/01/2013
13995/2012	346026	08-06	19/12/2012	15146/2012	346065	09-07A	03/01/2013
13996/2012	346027	08-06	19/12/2012	15159/2012	346066	14-02	03/01/2013
13997/2012	346028	08-06	19/12/2012	15223/2012	346094	10-04	03/01/2013
13998/2012	346029	08-06	19/12/2012	15231/2012	346141	11-02B	04/01/2013
13999/2012	346030	08-06	19/12/2012	15232/2012	346142	11-02B	04/01/2013
14000/2012	346031	08-06	19/12/2012	15233/2012	346143	11-02B	04/01/2013
14001/2012	346032	08-06	19/12/2012	15234/2012	346144	11-02B	04/01/2013
14002/2012	346033	08-06	19/12/2012	15235/2012	346145	11-02B	04/01/2013
14003/2012	346034	08-07	19/12/2012	15236/2012	346146	11-02B	04/01/2013
14004/2012	346035	08-07	19/12/2012	15237/2012	346147	11-02B	04/01/2013
14005/2012	346036	08-07	19/12/2012	15238/2012	346148	11-02B	04/01/2013
14006/2012	346037	08-07	19/12/2012	15239/2012	346149	11-02B	04/01/2013
14307/2012	346050	03-01A	19/12/2012	15240/2012	346150	11-02B	04/01/2013
14308/2012	346092	03-01A	03/01/2013	15241/2012	346151	11-02B	04/01/2013
14309/2012	346051	03-01A	19/12/2012	15242/2012	346152	11-02B	04/01/2013
14310/2012	346093	03-01A	03/01/2013	15243/2012	346153	11-02B	04/01/2013
14311/2012	346052	03-01A	19/12/2012	15244/2012	346154	11-02B	04/01/2013
14419/2012	346194	10-04	07/01/2013	15245/2012	346155	11-02B	04/01/2013
14420/2012	346043	07-04	19/12/2012	15246/2012	346224	11-02B	07/01/2013
14424/2012	346044	07-04	19/12/2012	15247/2012	346225	11-02B	07/01/2013
14425/2012	346045	07-04	19/12/2012	15248/2012	346226	11-02B	07/01/2013
14515/2012	346046	23-02B	19/12/2012	15249/2012	346227	11-02B	07/01/2013
14599/2012	346195	09-01K	07/01/2013	15256/2012	346232	28-03NES	07/01/2013
14755/2012	346047	09-01NES	19/12/2012	15423/2012	346067	07-01F	03/01/2013
14762/2012	346196	03-01B	07/01/2013	15450/2012	346095	09-03K	03/01/2013
14763/2012	346197	03-01B	07/01/2013	15453/2012	346096	09-03K	03/01/2013
14764/2012	346198	03-01B	07/01/2013	15457/2012	346055	01-06	19/12/2012
14826/2012	346228	12-16B	07/01/2013	15471/2012	346056	21-04	19/12/2012
14906/2012	346219	03-01NES	07/01/2013	15477/2012	346245	10-04	07/01/2013
14913/2012	346199	25-02NES	07/01/2013	15515/2012	346229	06-02	07/01/2013
14938/2012	346201	31-00	07/01/2013	15525/2012	346239	09-03C	07/01/2013
14952/2012	346220	06-02	07/01/2013	15526/2012	346234	07-02R	07/01/2013
14953/2012	346221	06-03NES	07/01/2013	15533/2012	346230	06-04F	07/01/2013
14954/2012	346222	06-04F	07/01/2013	15544/2012	346097	07-06A	03/01/2013
14956/2012	346202	28-01	07/01/2013	15548/2012	346135	06-06E	04/01/2013

Publication and Registration Proceedings - Designs Registered cont'd

Design Number	Registration Number	International Classification Code (IDC)	Registration Date	Design Number	Registration Number	International Classification Code (IDC)	Registration Date
15552/2012	346138	06-06E	04/01/2013	15942/2012	346083	21-02A	03/01/2013
15586/2012	346249	11-01NES	07/01/2013	15943/2012	346084	07-02P	03/01/2013
15608/2012	346235	10-04	07/01/2013	15946/2012	346162	12-05	07/01/2013
15624/2012	346098	09-01D	03/01/2013	15948/2012	346085	06-03D	03/01/2013
15633/2012	346246	08-08K	07/01/2013	15949/2012	346077	15-01	03/01/2013
15638/2012	346247	08-08K	07/01/2013	15951/2012	346163	25-01K	07/01/2013
15686/2012	346068	07-01NES	03/01/2013	15952/2012	346164	25-01K	07/01/2013
15754/2012	346099	07-01E	03/01/2013	15953/2012	346165	25-01K	07/01/2013
15761/2012	346053	01-01	19/12/2012	15954/2012	346166	25-01K	07/01/2013
15762/2012	346054	01-01	19/12/2012	15955/2012	346167	25-01K	07/01/2013
15777/2012	346100	08-07	03/01/2013	15956/2012	346168	21-02C	07/01/2013
15795/2012	346069	03-01NES	03/01/2013	15957/2012	346169	28-03A	07/01/2013
15796/2012	346070	24-02	03/01/2013	15958/2012	346170	28-03A	07/01/2013
15856/2012	346080	21-01N	03/01/2013	15959/2012	346171	28-03A	07/01/2013
15857/2012	346101	23-02C	03/01/2013	15960/2012	346172	28-03A	07/01/2013
15858/2012	346102	23-02C	03/01/2013	15961/2012	346173	28-03A	07/01/2013
15859/2012	346103	23-02C	03/01/2013	15962/2012	346157	28-03A	04/01/2013
15860/2012	346104	23-02C	03/01/2013	15963/2012	346174	12-05	07/01/2013
15863/2012	346057	02-02B	19/12/2012	15964/2012	346175	12-05	07/01/2013
15864/2012	346250	08-05NES	07/01/2013	15966/2012	346088	02-02C	03/01/2013
15865/2012	346071	14-01	03/01/2013	15967/2012	346089	02-02C	03/01/2013
15866/2012	346105	14-01	03/01/2013	15968/2012	346090	02-02NES	03/01/2013
15867/2012	346106	14-04	03/01/2013	15969/2012	346091	02-02C	03/01/2013
15868/2012	346107	14-04	03/01/2013	15970/2012	346176	08-07	07/01/2013
15869/2012	346236	14-04	07/01/2013	15971/2012	346177	08-07	07/01/2013
15870/2012	346237	14-04	07/01/2013	15972/2012	346086	20-02E	03/01/2013
15872/2012	346238	14-04	07/01/2013	15980/2012	346120	14-02	04/01/2013
15873/2012	346110	14-04	04/01/2013	15981/2012	346121	14-02	04/01/2013
15874/2012	346111	21-02C	04/01/2013	15982/2012	346122	14-02	04/01/2013
15875/2012	346112	26-05C	04/01/2013	15983/2012	346123	14-02	04/01/2013
15876/2012	346113	12-11	04/01/2013	15984/2012	346124	14-02	04/01/2013
15877/2012	346114	12-11	04/01/2013	15985/2012	346125	14-02	04/01/2013
15878/2012	346108	08-07	03/01/2013	15986/2012	346126	14-02	04/01/2013
15881/2012	346115	07-02K	04/01/2013	15987/2012	346127	14-02	04/01/2013
15883/2012	346116	08-08NES	04/01/2013	15988/2012	346128	14-02	04/01/2013
15884/2012	346117	08-08NES	04/01/2013	15989/2012	346129	14-02	04/01/2013
15885/2012	346118	14-02	04/01/2013	15990/2012	346130	14-02	04/01/2013
15886/2012	346119	14-02	04/01/2013	15994/2012	346178	06-01NES	07/01/2013
15898/2012	346072	21-02A	03/01/2013	15995/2012	346179	06-02	07/01/2013
15904/2012	346243	31-00	07/01/2013	16003/2012	346180	23-01H	07/01/2013
15905/2012	346058	15-05	19/12/2012	16004/2012	346181	02-03	07/01/2013
15907/2012	346073	26-06	03/01/2013	16006/2012	346131	25-01A	04/01/2013
15913/2012	346040	06-06E	19/12/2012	16007/2012	346132	20-02NES	04/01/2013
15915/2012	346081	15-02	03/01/2013	16008/2012	346133	20-02NES	04/01/2013
15916/2012	346061	09-03F	03/01/2013	16009/2012	346134	02-02NES	04/01/2013
15917/2012	346063	09-03F	03/01/2013	16023/2012	346078	09-03F	03/01/2013
15918/2012	346082	15-02	03/01/2013	16024/2012	346079	09-03F	03/01/2013
15922/2012	346042	06-06E	19/12/2012	16026/2012	346158	21-02D	04/01/2013
15924/2012	346244	06-03D	07/01/2013	16029/2012	346182	14-03E	07/01/2013
15929/2012	346109	03-01B	03/01/2013	16032/2012	346183	08-06	07/01/2013
15930/2012	346156	08-05M	04/01/2013	16055/2012	346184	13-02	07/01/2013
15931/2012	346074	12-13	03/01/2013	16058/2012	346185	25-02C	07/01/2013
15932/2012	346075	12-13	03/01/2013	16132/2012	346136	06-06E	04/01/2013
15934/2012	346161	02-02C	07/01/2013	16133/2012	346137	06-06E	04/01/2013
15940/2012	346076	09-03F	03/01/2013	16134/2012	346139	06-06E	04/01/2013

Publication and Registration Proceedings - Designs Registered cont'd

Design Number	Registration Number	International Classification Code (IDC)	Registration Date	Design Number	Registration Number	International Classification Code (IDC)	Registration Date
16135/2012	346140	06-06E	04/01/2013	16412/2012	346188	15-03A	07/01/2013
16262/2012	346248	15-99	07/01/2013	16413/2012	346189	15-03A	07/01/2013
16285/2012	346159	09-03K	04/01/2013	16498/2012	346205	07-02C	07/01/2013
16286/2012	346160	09-03K	04/01/2013	16499/2012	346211	07-02C	07/01/2013
16336/2012	346242	15-99	07/01/2013	16500/2012	346212	07-02H	07/01/2013
16337/2012	346241	15-99	07/01/2013	16501/2012	346213	07-02C	07/01/2013
16338/2012	346240	15-99	07/01/2013	16502/2012	346214	07-02C	07/01/2013
16344/2012	346251	15-99	07/01/2013	16632/2012	346200	08-07	07/01/2013
16377/2012	346207	31-00	07/01/2013	16633/2012	346216	04-02	07/01/2013
16378/2012	346208	31-00	07/01/2013				
16410/2012	346191	21-02F	07/01/2013				
16411/2012	346187	15-03A	07/01/2013				

Publication and Registration Proceedings

Class Listing of Designs Published or Registered

The following section shows an International Classification Code listing of the Registered or Published Designs covered in this supplement.

Classification	Registration Number	Design Number	Classification	Registration Number	Design Number
01-01	346053	15761/2012	07-02C	346211	16499/2012
01-01	346054	15762/2012	07-02C	346213	16501/2012
01-06	346055	15457/2012	07-02C	346214	16502/2012
02-02B	346057	15863/2012	07-02H	346212	16500/2012
02-02B	346161	15934/2012	07-02K	346115	15881/2012
02-02C	346057	15863/2012	07-02P	346084	15943/2012
02-02C	346087	12563/2012	07-02R	346234	15526/2012
02-02C	346088	15966/2012	07-04	346043	14420/2012
02-02C	346089	15967/2012	07-04	346044	14424/2012
02-02C	346091	15969/2012	07-04	346045	14425/2012
02-02C	346161	15934/2012	07-06A	346097	15544/2012
02-02NES	346090	15968/2012	07-07A	346097	15544/2012
02-02NES	346134	16009/2012	08-05M	346156	15930/2012
02-03	346181	16004/2012	08-05NES	346250	15864/2012
03-01A	346050	14307/2012	08-06	346021	13990/2012
03-01A	346051	14309/2012	08-06	346022	13991/2012
03-01A	346052	14311/2012	08-06	346023	13992/2012
03-01A	346092	14308/2012	08-06	346024	13993/2012
03-01A	346093	14310/2012	08-06	346025	13994/2012
03-01B	346109	15929/2012	08-06	346026	13995/2012
03-01B	346196	14762/2012	08-06	346027	13996/2012
03-01B	346197	14763/2012	08-06	346028	13997/2012
03-01B	346198	14764/2012	08-06	346029	13998/2012
03-01NES	346069	15795/2012	08-06	346030	13999/2012
03-01NES	346219	14906/2012	08-06	346031	14000/2012
04-02	346215	15057/2012	08-06	346032	14001/2012
04-02	346216	16633/2012	08-06	346033	14002/2012
06-01NES	346178	15994/2012	08-06	346183	16032/2012
06-02	346179	15995/2012	08-06	346209	15037/2012
06-02	346220	14952/2012	08-07	346034	14003/2012
06-02	346229	15515/2012	08-07	346035	14004/2012
06-03A	346039	13606/2012	08-07	346036	14005/2012
06-03B	346039	13606/2012	08-07	346037	14006/2012
06-03B	346041	13716/2012	08-07	346100	15777/2012
06-03D	346085	15948/2012	08-07	346108	15878/2012
06-03D	346244	15924/2012	08-07	346176	15970/2012
06-03NES	346221	14953/2012	08-07	346177	15971/2012
06-04F	346222	14954/2012	08-07	346199	14913/2012
06-04F	346230	15533/2012	08-07	346200	16632/2012
06-06E	346040	15913/2012	08-08C	346038	11739/2012
06-06E	346042	15922/2012	08-08K	346246	15633/2012
06-06E	346135	15548/2012	08-08K	346247	15638/2012
06-06E	346136	16132/2012	08-08NES	346116	15883/2012
06-06E	346137	16133/2012	08-08NES	346117	15884/2012
06-06E	346138	15552/2012	09-01D	346098	15624/2012
06-06E	346139	16134/2012	09-01K	346195	14599/2012
06-06E	346140	16135/2012	09-01NES	346047	14755/2012
07-01E	346099	15754/2012	09-03C	346239	15525/2012
07-01F	346067	15423/2012	09-03F	346060	15103/2012
07-01NES	346068	15686/2012	09-03F	346061	15916/2012
07-02C	346204	15033/2012	09-03F	346062	15104/2012
07-02C	346205	16498/2012	09-03F	346063	15917/2012
07-02C	346210	15038/2012	09-03F	346076	15940/2012

Registration Proceedings - Class Listing of Designs Published or Registered cont'd

Classification	Registration Number	Design Number	Classification	Registration Number	Design Number
09-03F	346078	16023/2012	14-02	346125	15985/2012
09-03F	346079	16024/2012	14-02	346126	15986/2012
09-03K	346095	15450/2012	14-02	346127	15987/2012
09-03K	346096	15453/2012	14-02	346128	15988/2012
09-03K	346159	16285/2012	14-02	346129	15989/2012
09-03K	346160	16286/2012	14-02	346130	15990/2012
09-07A	346064	15144/2012	14-02	346235	15608/2012
09-07A	346065	15146/2012	14-03A	346219	14906/2012
09-07C	346059	15095/2012	14-03E	346182	16029/2012
10-04	346094	15223/2012	14-04	346106	15867/2012
10-04	346194	14419/2012	14-04	346107	15868/2012
10-04	346235	15608/2012	14-04	346110	15873/2012
10-04	346245	15477/2012	14-04	346236	15869/2012
11-01NES	346233	15020/2012	14-04	346237	15870/2012
11-01NES	346249	15586/2012	14-04	346238	15872/2012
11-02B	346141	15231/2012	14-99	346116	15883/2012
11-02B	346142	15232/2012	14-99	346117	15884/2012
11-02B	346143	15233/2012	15-01	346077	15949/2012
11-02B	346144	15234/2012	15-02	346081	15915/2012
11-02B	346145	15235/2012	15-02	346082	15918/2012
11-02B	346146	15236/2012	15-03A	346186	11905/2012
11-02B	346147	15237/2012	15-03A	346187	16411/2012
11-02B	346148	15238/2012	15-03A	346188	16412/2012
11-02B	346149	15239/2012	15-03A	346189	16413/2012
11-02B	346150	15240/2012	15-05	346058	15905/2012
11-02B	346151	15241/2012	15-07	346209	15037/2012
11-02B	346152	15242/2012	15-99	346223	14977/2012
11-02B	346153	15243/2012	15-99	346240	16338/2012
11-02B	346154	15244/2012	15-99	346241	16337/2012
11-02B	346155	15245/2012	15-99	346242	16336/2012
11-02B	346224	15246/2012	15-99	346248	16262/2012
11-02B	346225	15247/2012	15-99	346251	16344/2012
11-02B	346226	15248/2012	17-05	346059	15095/2012
11-02B	346227	15249/2012	20-02E	346086	15972/2012
12-05	346162	15946/2012	20-02NES	346132	16007/2012
12-05	346174	15963/2012	20-02NES	346133	16008/2012
12-05	346175	15964/2012	21-01N	346080	15856/2012
12-05	346223	14977/2012	21-01N	346231	15101/2012
12-08	346217	13019/2012	21-02A	346072	15898/2012
12-11	346113	15876/2012	21-02A	346083	15942/2012
12-11	346114	15877/2012	21-02C	346111	15874/2012
12-13	346074	15931/2012	21-02C	346168	15956/2012
12-13	346075	15932/2012	21-02D	346158	16026/2012
12-16B	346218	13020/2012	21-02F	346190	11913/2012
12-16B	346228	14826/2012	21-02F	346191	16410/2012
13-02	346184	16055/2012	21-04	346056	15471/2012
14-01	346071	15865/2012	23-01H	346180	16003/2012
14-01	346105	15866/2012	23-02B	346046	14515/2012
14-02	346066	15159/2012	23-02C	346101	15857/2012
14-02	346118	15885/2012	23-02C	346102	15858/2012
14-02	346119	15886/2012	23-02C	346103	15859/2012
14-02	346120	15980/2012	23-02C	346104	15860/2012
14-02	346121	15981/2012	23-04	346192	12180/2012
14-02	346122	15982/2012	23-04	346193	12410/2012
14-02	346123	15983/2012	24-02	346070	15796/2012
14-02	346124	15984/2012	25-01A	346131	16006/2012

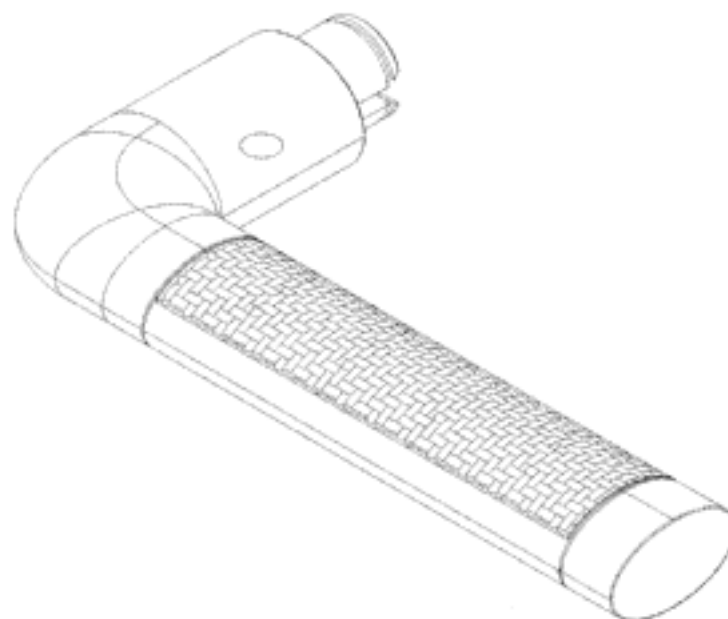
Registration Proceedings - Class Listing of Designs Published or Registered cont'd

Classification	Registration Number	Design Number	Classification	Registration Number	Design Number
25-01K	346163	15951/2012	28-03A	346157	15962/2012
25-01K	346164	15952/2012	28-03A	346169	15957/2012
25-01K	346165	15953/2012	28-03A	346170	15958/2012
25-01K	346166	15954/2012	28-03A	346171	15959/2012
25-01K	346167	15955/2012	28-03A	346172	15960/2012
25-02C	346185	16058/2012	28-03A	346173	15961/2012
25-02NES	346199	14913/2012	28-03NES	346232	15256/2012
25-02NES	346200	16632/2012	31-00	346201	14938/2012
26-05C	346112	15875/2012	31-00	346206	15035/2012
26-06	346073	15907/2012	31-00	346207	16377/2012
28-01	346048	14967/2012	31-00	346208	16378/2012
28-01	346049	14968/2012	31-00	346243	15904/2012
28-01	346202	14956/2012			
28-01	346203	14966/2012			

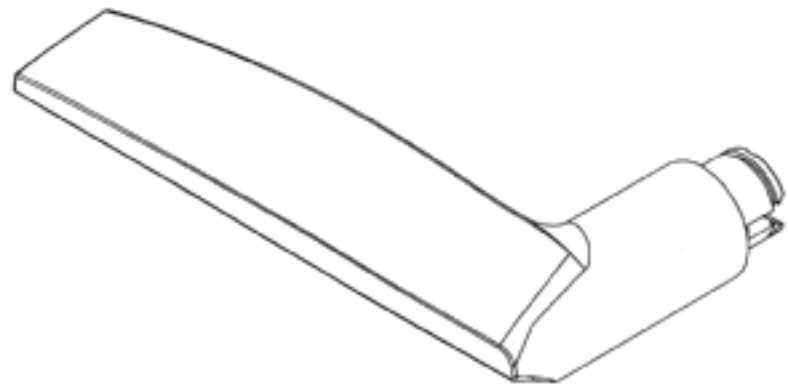
(21) Design Number: **13990/2012**
(22) Date of Filing Application: **15 August 2012**
(24) Date from which industrial property rights may have effect: **15 August 2012**
(54) Product in respect of which the design is registered: **Door handle**
(51) International Design Classification: **08-06**
(74) Name(s) of Attorney(s):
(71) Name(s) and Address(s) of Applicant(s):
Zhanting He
101/140 Maroubra Road Maroubra New South Wales 2035 Australia
(72) Name(s) of Designer(s): **Zhanting He**
(45) Registration Date: **19 December 2012**
(56) Related Art Documents: **Not Applicable**
(57) Statement of Newness and Distinctiveness: **Nil**



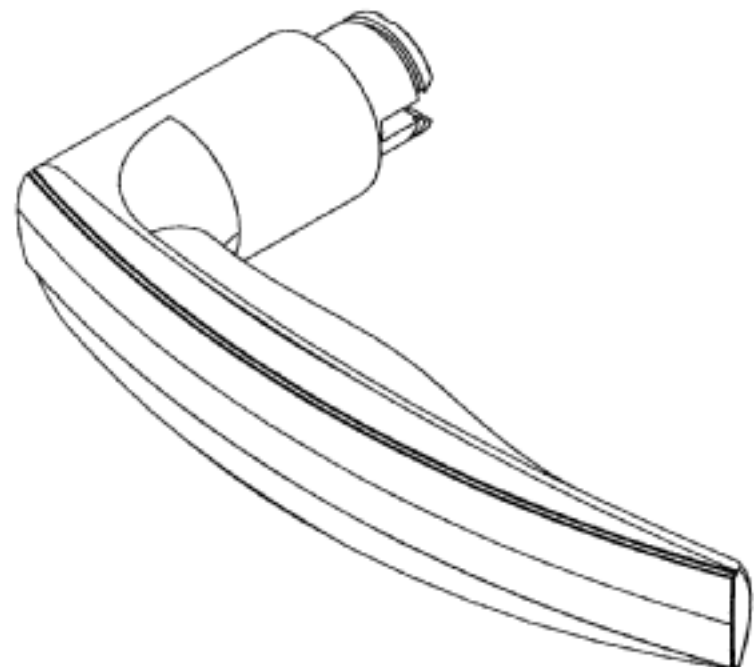
(21) Design Number: **13991/2012**
(22) Date of Filing Application: **15 August 2012**
(24) Date from which industrial property rights may have effect: **15 August 2012**
(54) Product in respect of which the design is registered: **Door handle**
(51) International Design Classification: **08-06**
(74) Name(s) of Attorney(s):
(71) Name(s) and Address(s) of Applicant(s):
Zhanting He
101/140 Maroubra Road Maroubra New South Wales 2035 Australia
(72) Name(s) of Designer(s): **Zhanting He**
(45) Registration Date: **19 December 2012**
(56) Related Art Documents: **Not Applicable**
(57) Statement of Newness and Distinctiveness: **Nil**



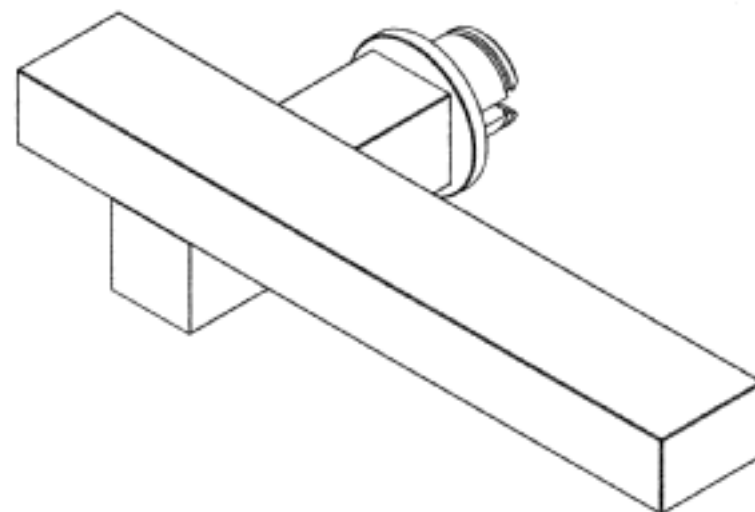
(21) Design Number: **13992/2012**
(22) Date of Filing Application: **15 August 2012**
(24) Date from which industrial property rights may have effect: **15 August 2012**
(54) Product in respect of which the design is registered: **Door handle**
(51) International Design Classification: **08-06**
(74) Name(s) of Attorney(s):
(71) Name(s) and Address(s) of Applicant(s):
Zhanting He
101/140 Maroubra Road Maroubra New South Wales 2035 Australia
(72) Name(s) of Designer(s): **Zhanting He**
(45) Registration Date: **19 December 2012**
(56) Related Art Documents: **Not Applicable**
(57) Statement of Newness and Distinctiveness: **Nil**



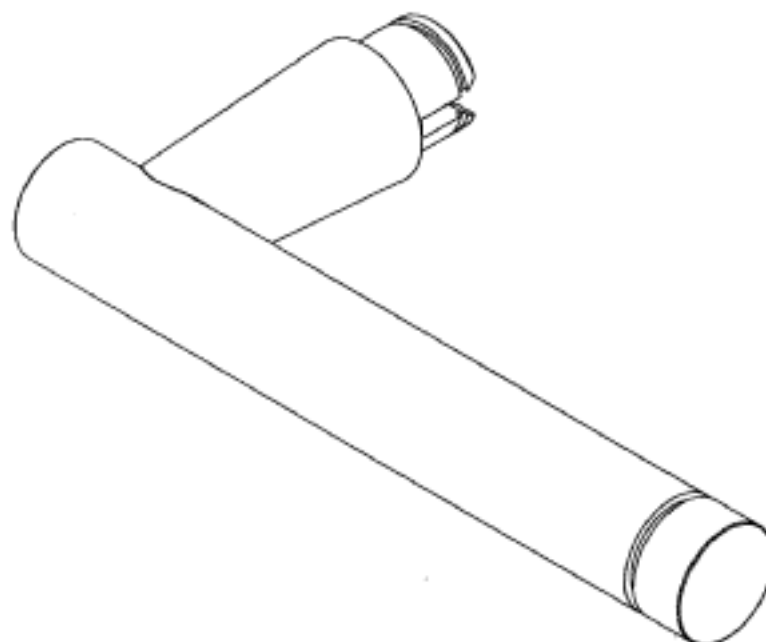
(21) Design Number: **13993/2012**
(22) Date of Filing Application: **15 August 2012**
(24) Date from which industrial property rights may have effect: **15 August 2012**
(54) Product in respect of which the design is registered: **Door handle**
(51) International Design Classification: **08-06**
(74) Name(s) of Attorney(s):
(71) Name(s) and Address(s) of Applicant(s):
Zhanting He
101/140 Maroubra Road Maroubra New South Wales 2035 Australia
(72) Name(s) of Designer(s): **Zhanting He**
(45) Registration Date: **19 December 2012**
(56) Related Art Documents: **Not Applicable**
(57) Statement of Newness and Distinctiveness: **Nil**



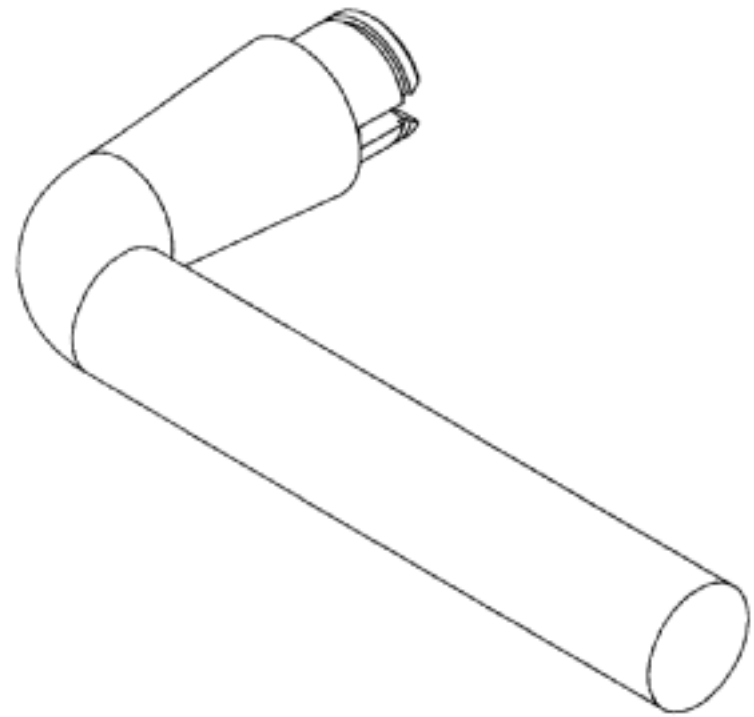
(21) Design Number: **13994/2012**
(22) Date of Filing Application: **15 August 2012**
(24) Date from which industrial property rights may have effect: **15 August 2012**
(54) Product in respect of which the design is registered: **Door handle**
(51) International Design Classification: **08-06**
(74) Name(s) of Attorney(s):
(71) Name(s) and Address(s) of Applicant(s):
Zhanting He
101/140 Maroubra Road Maroubra New South Wales 2035 Australia
(72) Name(s) of Designer(s): **Zhanting He**
(45) Registration Date: **19 December 2012**
(56) Related Art Documents: **Not Applicable**
(57) Statement of Newness and Distinctiveness: **Nil**



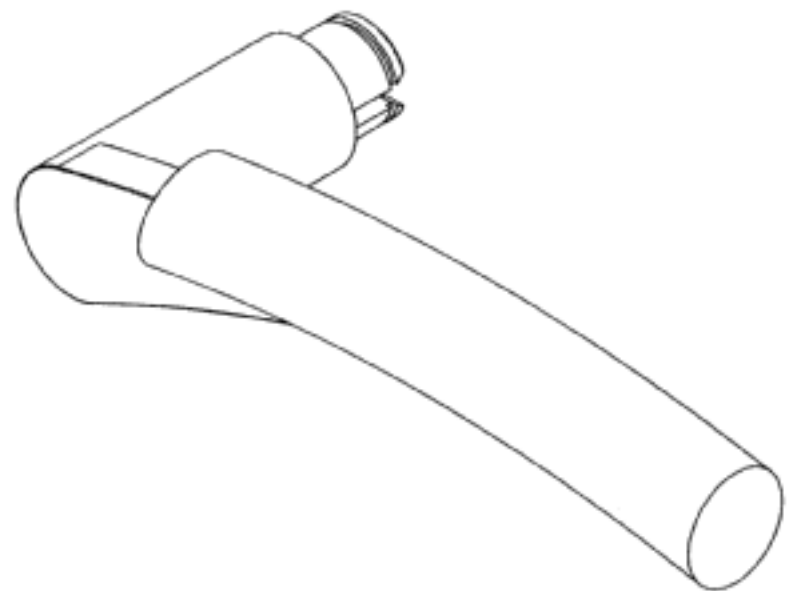
(21) Design Number: **13995/2012**
(22) Date of Filing Application: **15 August 2012**
(24) Date from which industrial property rights may have effect: **15 August 2012**
(54) Product in respect of which the design is registered: **Door handle**
(51) International Design Classification: **08-06**
(74) Name(s) of Attorney(s):
(71) Name(s) and Address(s) of Applicant(s):
Zhanting He
101/140 Maroubra Road Maroubra New South Wales 2035 Australia
(72) Name(s) of Designer(s): **Zhanting He**
(45) Registration Date: **19 December 2012**
(56) Related Art Documents: **Not Applicable**
(57) Statement of Newness and Distinctiveness: **Nil**



(21) Design Number: **13996/2012**
(22) Date of Filing Application: **15 August 2012**
(24) Date from which industrial property rights may have effect: **15 August 2012**
(54) Product in respect of which the design is registered: **Door handle**
(51) International Design Classification: **08-06**
(74) Name(s) of Attorney(s):
(71) Name(s) and Address(s) of Applicant(s):
Zhanting He
101/140 Maroubra Road Maroubra New South Wales 2035 Australia
(72) Name(s) of Designer(s): **Zhanting He**
(45) Registration Date: **19 December 2012**
(56) Related Art Documents: **Not Applicable**
(57) Statement of Newness and Distinctiveness: **Nil**



(21) Design Number: **13997/2012**
(22) Date of Filing Application: **15 August 2012**
(24) Date from which industrial property rights may have effect: **15 August 2012**
(54) Product in respect of which the design is registered: **Door handle**
(51) International Design Classification: **08-06**
(74) Name(s) of Attorney(s):
(71) Name(s) and Address(s) of Applicant(s):
Zhanting He
101/140 Maroubra Road Maroubra New South Wales 2035 Australia
(72) Name(s) of Designer(s): **Zhanting He**
(45) Registration Date: **19 December 2012**
(56) Related Art Documents: **Not Applicable**
(57) Statement of Newness and Distinctiveness: **Nil**



(21) Design Number: **13998/2012**

(22) Date of Filing Application: **15 August 2012**

(24) Date from which industrial property rights may have effect: **15 August 2012**

(54) Product in respect of which the design is registered: **Door handle**

(51) International Design Classification: **08-06**

(74) Name(s) of Attorney(s):

(71) Name(s) and Address(s) of Applicant(s):

Zhanting He

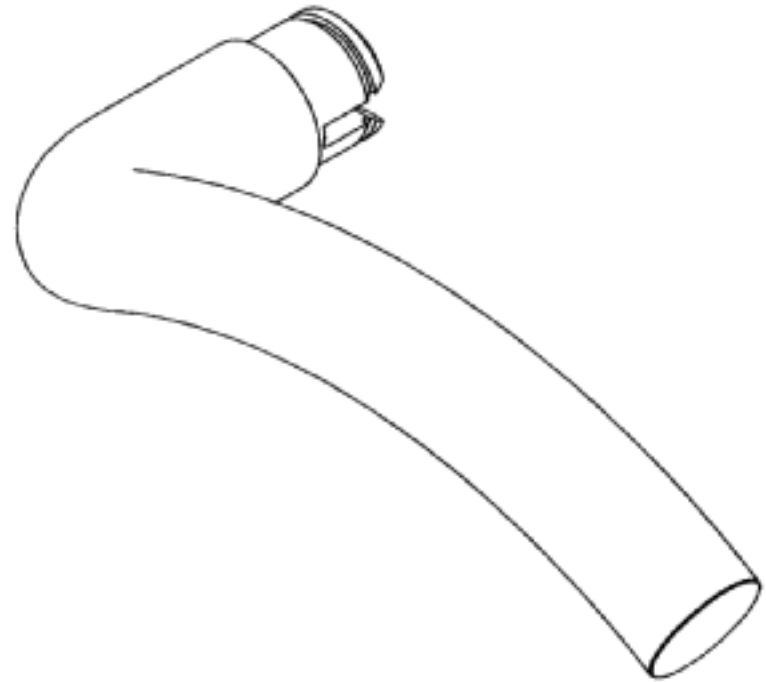
101/140 Maroubra Road Maroubra New South Wales 2035 Australia

(72) Name(s) of Designer(s): **Zhanting He**

(45) Registration Date: **19 December 2012**

(56) Related Art Documents: **Not Applicable**

(57) Statement of Newness and Distinctiveness: **Nil**



(21) Design Number: **13999/2012**

(22) Date of Filing Application: **15 August 2012**

(24) Date from which industrial property rights may have effect: **15 August 2012**

(54) Product in respect of which the design is registered: **Door handle**

(51) International Design Classification: **08-06**

(74) Name(s) of Attorney(s):

(71) Name(s) and Address(s) of Applicant(s):

Zhanting He

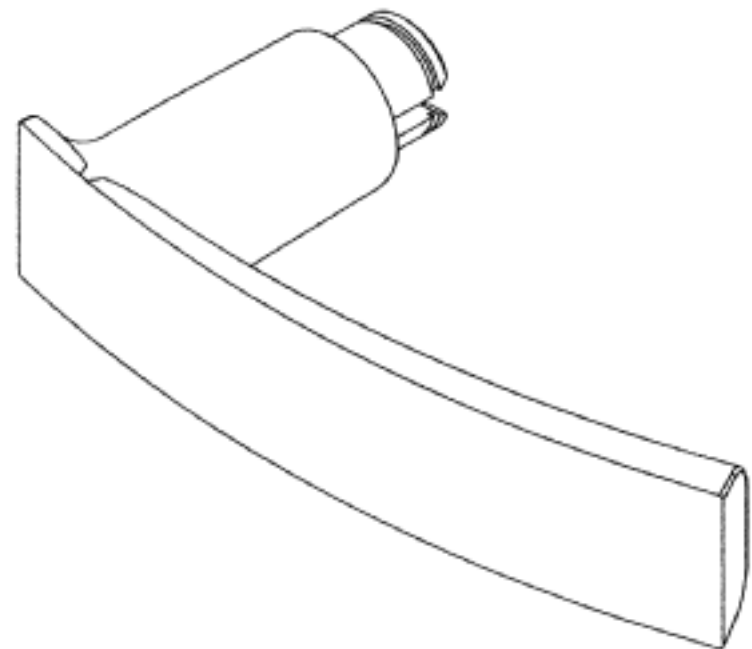
101/140 Maroubra Road Maroubra New South Wales 2035 Australia

(72) Name(s) of Designer(s): **Zhanting He**

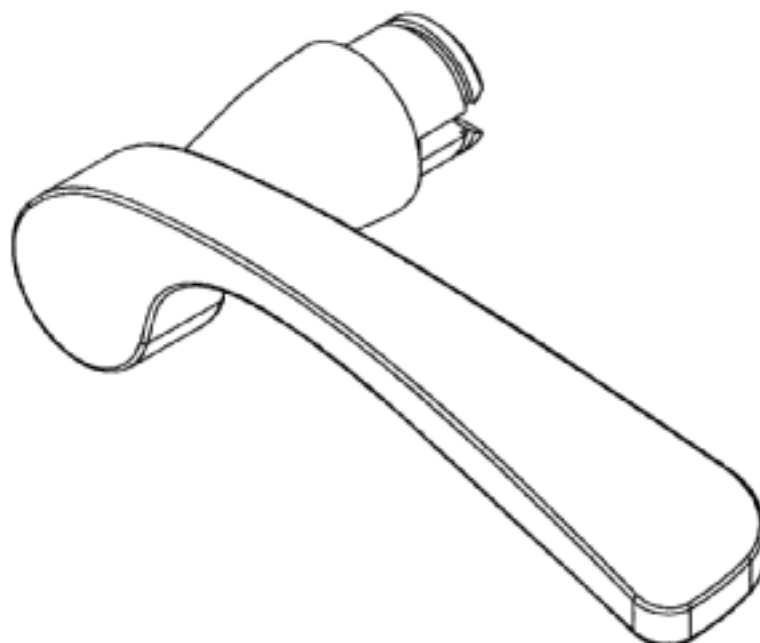
(45) Registration Date: **19 December 2012**

(56) Related Art Documents: **Not Applicable**

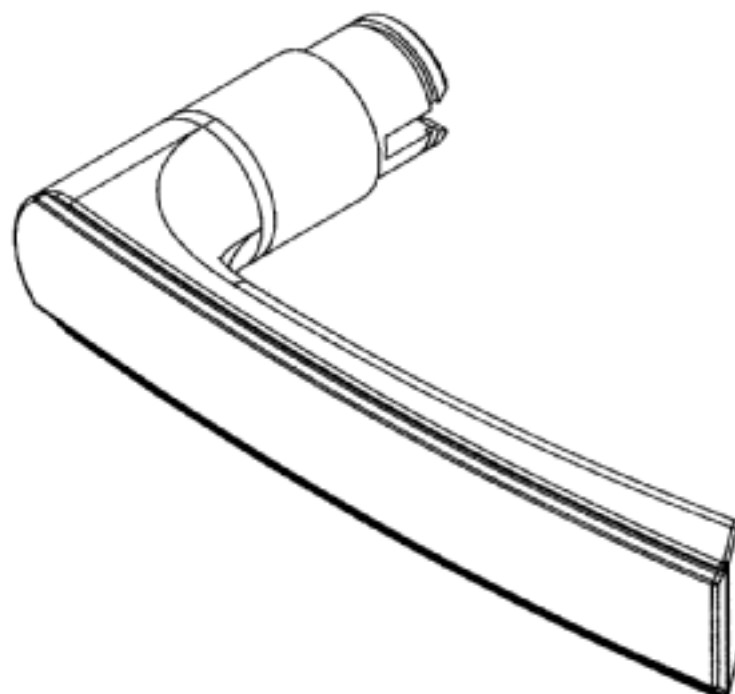
(57) Statement of Newness and Distinctiveness: **Nil**



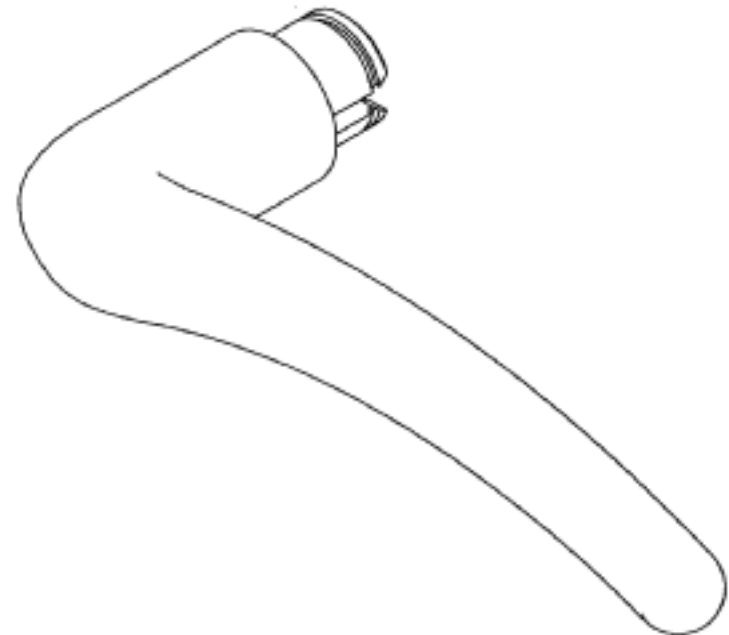
(21) Design Number: **14000/2012**
(22) Date of Filing Application: **15 August 2012**
(24) Date from which industrial property rights may have effect: **15 August 2012**
(54) Product in respect of which the design is registered: **Door handle**
(51) International Design Classification: **08-06**
(74) Name(s) of Attorney(s):
(71) Name(s) and Address(s) of Applicant(s):
Zhanting He
101/140 Maroubra Road Maroubra New South Wales 2035 Australia
(72) Name(s) of Designer(s): **Zhanting He**
(45) Registration Date: **19 December 2012**
(56) Related Art Documents: **Not Applicable**
(57) Statement of Newness and Distinctiveness: **Nil**



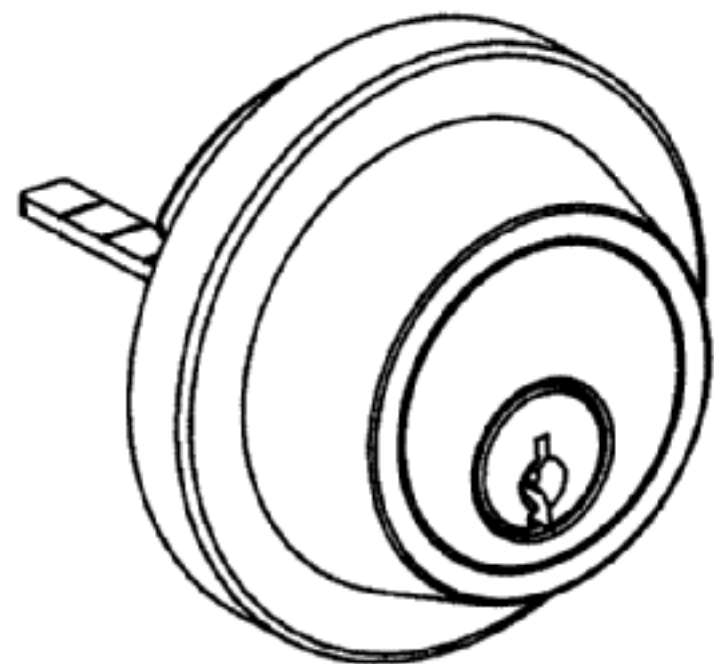
(21) Design Number: **14001/2012**
(22) Date of Filing Application: **15 August 2012**
(24) Date from which industrial property rights may have effect: **15 August 2012**
(54) Product in respect of which the design is registered: **Door handle**
(51) International Design Classification: **08-06**
(74) Name(s) of Attorney(s):
(71) Name(s) and Address(s) of Applicant(s):
Zhanting He
101/140 Maroubra Road Maroubra New South Wales 2035 Australia
(72) Name(s) of Designer(s): **Zhanting He**
(45) Registration Date: **19 December 2012**
(56) Related Art Documents: **Not Applicable**
(57) Statement of Newness and Distinctiveness: **Nil**



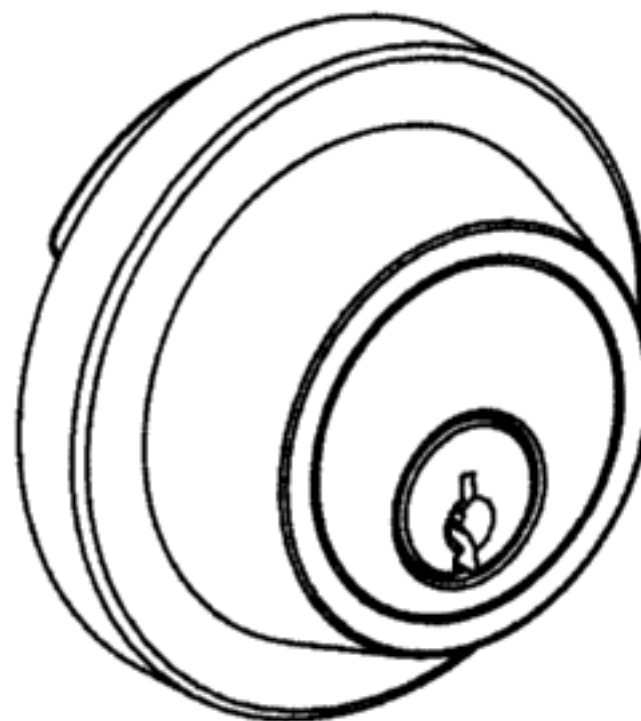
(21) Design Number: **14002/2012**
(22) Date of Filing Application: **15 August 2012**
(24) Date from which industrial property rights may have effect: **15 August 2012**
(54) Product in respect of which the design is registered: **Door handle**
(51) International Design Classification: **08-06**
(74) Name(s) of Attorney(s):
(71) Name(s) and Address(s) of Applicant(s):
Zhanting He
101/140 Maroubra Road Maroubra New South Wales 2035 Australia
(72) Name(s) of Designer(s): **Zhanting He**
(45) Registration Date: **19 December 2012**
(56) Related Art Documents: **Not Applicable**
(57) Statement of Newness and Distinctiveness: **Nil**



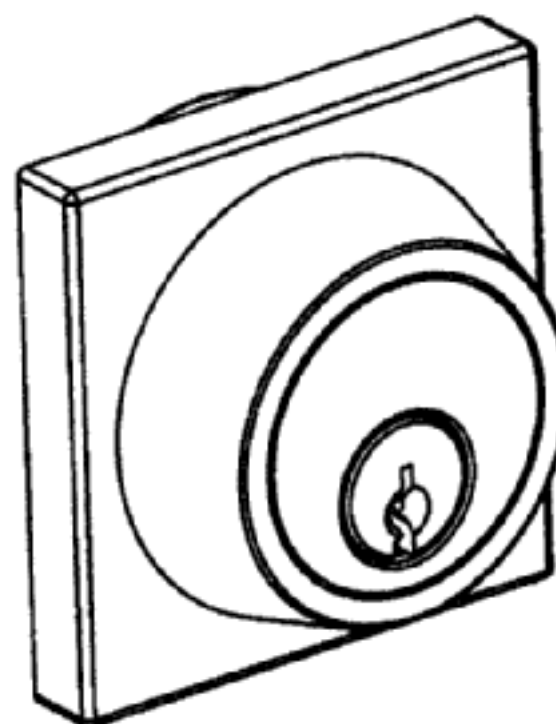
(21) Design Number: **14003/2012**
(22) Date of Filing Application: **15 August 2012**
(24) Date from which industrial property rights may have effect: **15 August 2012**
(54) Product in respect of which the design is registered: **Single cylinder deadbolt with internal turn snib**
(51) International Design Classification: **08-07**
(74) Name(s) of Attorney(s):
(71) Name(s) and Address(s) of Applicant(s):
Zhanting He
101/140 Maroubra Road Maroubra New South Wales 2035 Australia
(72) Name(s) of Designer(s): **Zhanting He**
(45) Registration Date: **19 December 2012**
(56) Related Art Documents: **Not Applicable**
(57) Statement of Newness and Distinctiveness: **The new design of the internal turn snib and flat round rose plate.**



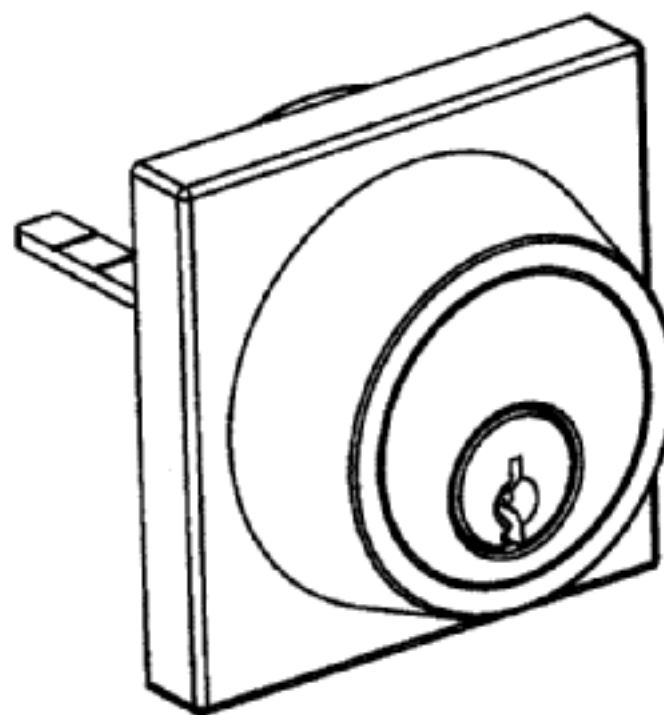
- (21) Design Number: **14004/2012**
(22) Date of Filing Application: **15 August 2012**
(24) Date from which industrial property rights may have effect: **15 August 2012**
(54) Product in respect of which the design is registered: **New double cylinder deadbolt design with flat round rose plate and bevelled cylinder collar**
(51) International Design Classification: **08-07**
(74) Name(s) of Attorney(s):
(71) Name(s) and Address(s) of Applicant(s):
Zhanting He
101/140 Maroubra Road Maroubra New South Wales 2035 Australia
(72) Name(s) of Designer(s): **Zhanting He**
(45) Registration Date: **19 December 2012**
(56) Related Art Documents: **Not Applicable**
(57) Statement of Newness and Distinctiveness: **New flat round rose plate and bevelled cylinder collar.**



- (21) Design Number: **14005/2012**
(22) Date of Filing Application: **15 August 2012**
(24) Date from which industrial property rights may have effect: **15 August 2012**
(54) Product in respect of which the design is registered: **New double cylinder deadbolt design with flat square rose plate and bevelled cylinder collar**
(51) International Design Classification: **08-07**
(74) Name(s) of Attorney(s):
(71) Name(s) and Address(s) of Applicant(s):
Zhanting He
101/140 Maroubra Road Maroubra New South Wales 2035 Australia
(72) Name(s) of Designer(s): **Zhanting He**
(45) Registration Date: **19 December 2012**
(56) Related Art Documents: **Not Applicable**
(57) Statement of Newness and Distinctiveness: **New flat round rose plate and bevelled cylinder collar.**



- (21) Design Number: **14006/2012**
(22) Date of Filing Application: **15 August 2012**
(24) Date from which industrial property rights may have effect: **15 August 2012**
(54) Product in respect of which the design is registered: **New single cylinder deadbolt with internal turn snib**
(51) International Design Classification: **08-07**
(74) Name(s) of Attorney(s):
(71) Name(s) and Address(s) of Applicant(s):
Zhanting He
101/140 Maroubra Road Maroubra New South Wales 2035 Australia
(72) Name(s) of Designer(s): **Zhanting He**
(45) Registration Date: **19 December 2012**
(56) Related Art Documents: **Not Applicable**
(57) Statement of Newness and Distinctiveness: **The new design of the internal turn snib and flat square rose plate.**



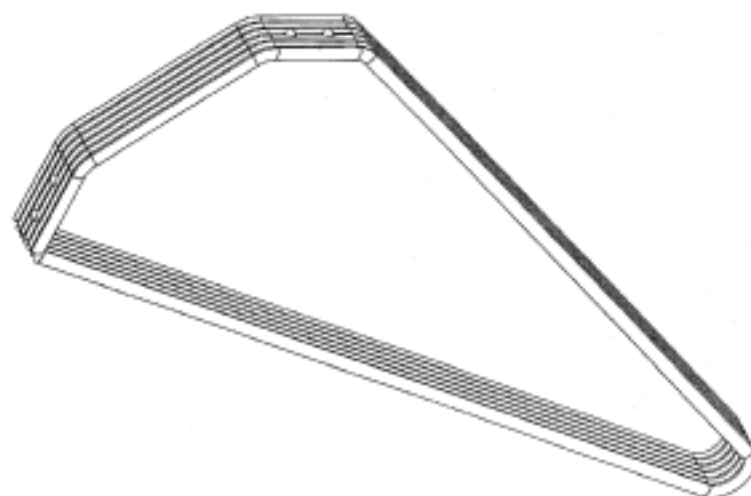
- (21) Design Number: **11739/2012**
(22) Date of Filing Application: **05 April 2012**
(24) Date from which industrial property rights may have effect: **05 April 2012**
(54) Product in respect of which the design is registered: **Clip**
(51) International Design Classification: **08-08C**
(74) Name(s) of Attorney(s): **Allens Patent & Trade Mark Attorneys**
(71) Name(s) and Address(s) of Applicant(s):
NCI Holdings Pty Ltd
90-92 Chifley Drive Preston Victoria 3072 Australia
(72) Name(s) of Designer(s): **Salvador Mendoza**
(45) Registration Date: **19 December 2012**
(56) Related Art Documents: **Not Applicable**
(57) Statement of Newness and Distinctiveness: **Newness and distinctiveness resides in the visual features of shape and/or configuration of a clip as illustrated in the accompanying representations.**



- (21) Design Number: **13606/2012**
(22) Date of Filing Application: **31 July 2012**
(24) Date from which industrial property rights may have effect: **31 July 2012**
(54) Product in respect of which the design is registered: **Rectangular table, round table**
(51) International Design Classification: **06-03A, 06-03B**
(74) Name(s) of Attorney(s):
(71) Name(s) and Address(s) of Applicant(s):
Nathan James Goldsworthy
34 Sherwood Avenue Grey Lynn Auckland 1021 Australia
(72) Name(s) of Designer(s): **Nathan Goldsworthy**
(45) Registration Date: **19 December 2012**
(56) Related Art Documents: **Not Applicable**
(57) Statement of Newness and Distinctiveness: **The distinctiveness of this design resides in the detail and shape of the legs and the relationship of the angles within the leg.**



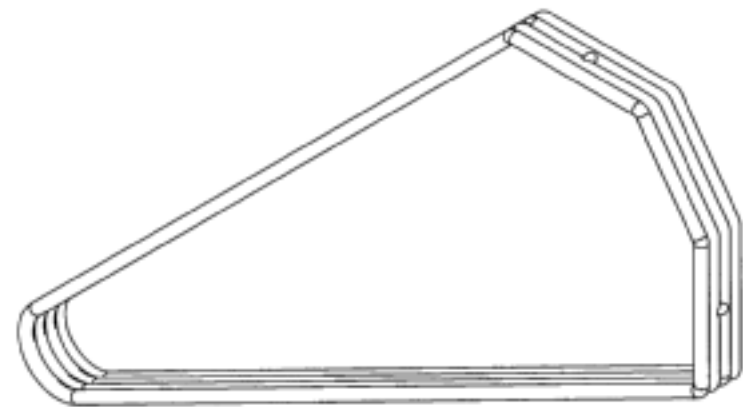
- (21) Design Number: **15913/2012**
(22) Date of Filing Application: **31 July 2012**
(24) Date from which industrial property rights may have effect: **31 July 2012**
(54) Product in respect of which the design is registered: **Table leg**
(51) International Design Classification: **06-06E**
(74) Name(s) of Attorney(s):
(71) Name(s) and Address(s) of Applicant(s):
Nathan James Goldsworthy
34 Sherwood Avenue Grey Lynn Auckland 1021 Australia
(72) Name(s) of Designer(s): **Nathan Goldsworthy**
(45) Registration Date: **19 December 2012**
(56) Related Art Documents: **Not Applicable**
(57) Statement of Newness and Distinctiveness: **The distinctiveness of this design resides in the detail and shape of the leg and the relationship of the angles with the leg.**



- (21) Design Number: **13716/2012**
(22) Date of Filing Application: **01 August 2012**
(24) Date from which industrial property rights may have effect: **01 August 2012**
(54) Product in respect of which the design is registered: **Coffee table**
(51) International Design Classification: **06-03B**
(74) Name(s) of Attorney(s):
(71) Name(s) and Address(s) of Applicant(s):
Nathan James Goldsworthy
34 Sherwood Avenue Grey Lynn Auckland 1021 Australia
(72) Name(s) of Designer(s): **Nathan Goldsworthy**
(45) Registration Date: **19 December 2012**
(56) Related Art Documents: **Not Applicable**
(57) Statement of Newness and Distinctiveness: **The distinctiveness of this design resides in the detail and shape of the legs and the relationship of the angles within the leg.**



- (21) Design Number: **15922/2012**
(22) Date of Filing Application: **01 August 2012**
(24) Date from which industrial property rights may have effect: **01 August 2012**
(54) Product in respect of which the design is registered: **Leg for coffee table**
(51) International Design Classification: **06-06E**
(74) Name(s) of Attorney(s):
(71) Name(s) and Address(s) of Applicant(s):
Nathan James Goldsworthy
34 Sherwood Avenue Grey Lynn Auckland 1021 Australia
(72) Name(s) of Designer(s): **Nathan Goldsworthy**
(45) Registration Date: **19 December 2012**
(56) Related Art Documents: **Not Applicable**
(57) Statement of Newness and Distinctiveness: **The distinctiveness of this design resides in the detail and shape of the leg and the relationship of the angles within the leg.**



(21) Design Number: **14420/2012**
(22) Date of Filing Application: **07 September 2012**
(24) Date from which industrial property rights may have effect: **07 September 2012**
(54) Product in respect of which the design is registered: **Bread board**
(51) International Design Classification: **07-04**
(74) Name(s) of Attorney(s): **Trademark Central**
(71) Name(s) and Address(s) of Applicant(s):
Joseph Joseph Limited
The Grove 30 Great Guildford Street London SE1 0HS United Kingdom
(72) Name(s) of Designer(s): **Bill Holding and Ben Cox**
(45) Registration Date: **19 December 2012**
(30) Convention priority data:
(31) Number (32) Date (33) Country
002054924-0007 08 Jun 2012 EUROPEAN COMMUNITY
(56) Related Art Documents: **Not Applicable**
(57) Statement of Newness and Distinctiveness: **Newness and distinctiveness is claimed in those features of shape and/or configuration of a bread board as illustrated the accompanying representations.**



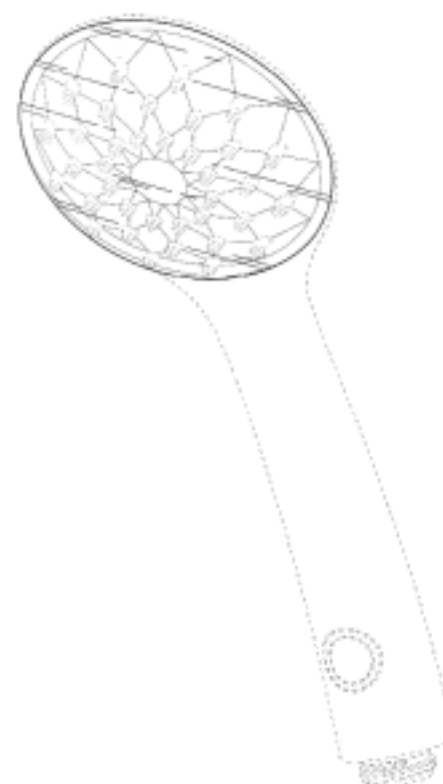
(21) Design Number: **14424/2012**
(22) Date of Filing Application: **07 September 2012**
(24) Date from which industrial property rights may have effect: **07 September 2012**
(54) Product in respect of which the design is registered: **Kitchen cutting board**
(51) International Design Classification: **07-04**
(74) Name(s) of Attorney(s): **Trademark Central**
(71) Name(s) and Address(s) of Applicant(s):
Joseph Joseph Limited
The Grove 30 Great Guildford Street London SE1 0HS United Kingdom
(72) Name(s) of Designer(s): **Antony Joseph**
(45) Registration Date: **19 December 2012**
(30) Convention priority data:
(31) Number (32) Date (33) Country
002054924-0006 08 Jun 2012 EUROPEAN COMMUNITY
(56) Related Art Documents: **Not Applicable**
(57) Statement of Newness and Distinctiveness: **Newness and distinctiveness is claimed in those features of shape and/or configuration of a chopping board as illustrated in the accompanying representations.**



(21) Design Number: **14425/2012**
(22) Date of Filing Application: **07 September 2012**
(24) Date from which industrial property rights may have effect: **07 September 2012**
(54) Product in respect of which the design is registered: **Kitchen cutting board**
(51) International Design Classification: **07-04**
(74) Name(s) of Attorney(s): **Trademark Central**
(71) Name(s) and Address(s) of Applicant(s):
Joseph Joseph Limited
The Grove 30 Great Guildford Street London SE1 0HS United Kingdom
(72) Name(s) of Designer(s): **Antony Joseph**
(45) Registration Date: **19 December 2012**
(56) Related Art Documents: **Not Applicable**
(57) Statement of Newness and Distinctiveness: **Newness and distinctiveness is claimed in those features of shape and/or configuration of a chopping board as illustrated in the accompanying representations.**



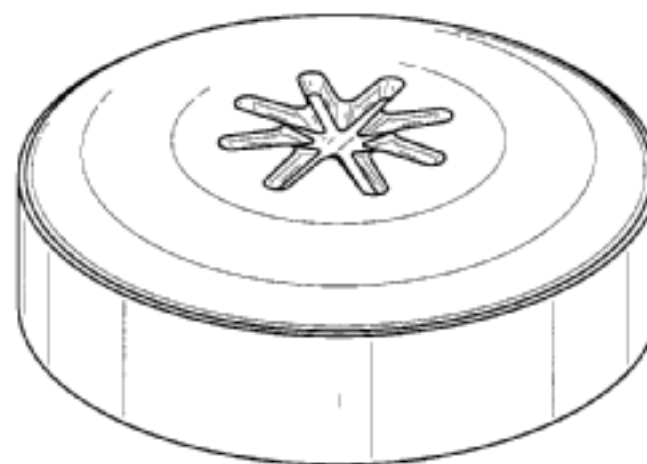
(21) Design Number: **14515/2012**
(22) Date of Filing Application: **12 September 2012**
(24) Date from which industrial property rights may have effect: **12 September 2012**
(54) Product in respect of which the design is registered: **Shower faceplate**
(51) International Design Classification: **23-02B**
(74) Name(s) of Attorney(s): **Griffith Hack**
(71) Name(s) and Address(s) of Applicant(s):
Kohler Co.
444 Highland Drive Kohler WI 53044 United States of America
(72) Name(s) of Designer(s): **Kenneth S. Hanna and Gregory de Swarte and Leila M. Rubin and Eugenio Duarte**
(45) Registration Date: **19 December 2012**
(30) Convention priority data:
(31) Number (32) Date (33) Country
29/415,587 12 Mar 2012 UNITED STATES OF AMERICA
(56) Related Art Documents: **Not Applicable**
(57) Statement of Newness and Distinctiveness: **Newness and distinctiveness resides in the visual features of the product, including shape, configuration and ornamentation as shown by means of solid lines in the accompanying representations. Those parts illustrated by means of dashed lines in the representations have been included for illustrative purposes only and do not form part of the design.**



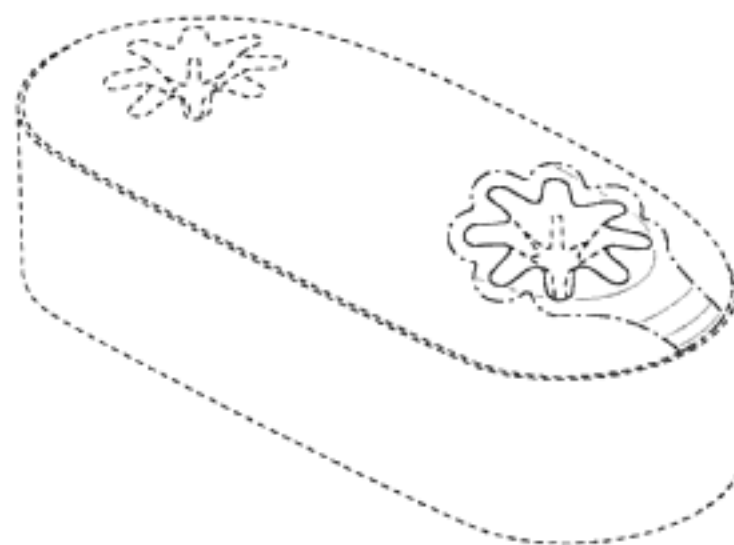
(21) Design Number: **14755/2012**
(22) Date of Filing Application: **24 September 2012**
(24) Date from which industrial property rights may have effect: **24 September 2012**
(54) Product in respect of which the design is registered: **Bottle**
(51) International Design Classification: **09-01NES**
(74) Name(s) of Attorney(s): **Callinans**
(71) Name(s) and Address(s) of Applicant(s):
Trydel Research Pty Ltd
31 Cornhill St Ferntree Gully VIC 3124 Australia
(72) Name(s) of Designer(s): **Terry Dowel**
(45) Registration Date: **19 December 2012**
(56) Related Art Documents: **Not Applicable**
(57) Statement of Newness and Distinctiveness: **The design resides in the application of the features of shape and configuration to a bottle as illustrated. The design may be applied in any suitable manner and using any suitable means.**



(21) Design Number: **14967/2012**
(22) Date of Filing Application: **04 October 2012**
(24) Date from which industrial property rights may have effect: **27 July 2012**
(54) Product in respect of which the design is registered: **Tablet**
(51) International Design Classification: **28-01**
(74) Name(s) of Attorney(s): **Shelston IP**
(71) Name(s) and Address(s) of Applicant(s):
McNeil-PPC Inc.
199 Grandview Road Skillman New Jersey 08558 United States of America
Johnson & Johnson Industrial Ltda
Rhighway Presidente Dutra KM 154 Sao Jose Dos Campos Sao Paulo Brazil
(72) Name(s) of Designer(s): **Joel Waldman and Fernanda Franzoi**
(45) Registration Date: **19 December 2012**
(30) Convention priority data:
(31) Number (32) Date (33) Country
29/412544 03 Feb 2012 UNITED STATES OF AMERICA
(62) Divisional of: **344886**
(56) Related Art Documents: **Not Applicable**
(57) Statement of Newness and Distinctiveness: **Newness and distinctiveness reside in the star formed on the upper curved surface of a tablet.**



- (21) Design Number: **14968/2012**
(22) Date of Filing Application: **04 October 2012**
(24) Date from which industrial property rights may have effect: **27 July 2012**
(54) Product in respect of which the design is registered: **Tablet**
(51) International Design Classification: **28-01**
(74) Name(s) of Attorney(s): **Shelston IP**
(71) Name(s) and Address(s) of Applicant(s):
McNeil-PPC Inc.
199 Grandview Road Skillman New Jersey 08558 United States of America
Johnson & Johnson Industrial Ltda
Righway Presidente Dutra KM 154 Sao Jose Dos Campos Sao Paulo Brazil
(72) Name(s) of Designer(s): **Joel Waldman and Anthony Bean and Fernanda Franzoi**
(45) Registration Date: **19 December 2012**
(30) Convention priority data:
(31) Number (32) Date (33) Country
29/412543 03 Feb 2012 UNITED STATES OF AMERICA
(62) Divisional of: **344887**
(56) Related Art Documents: **Not Applicable**
(57) Statement of Newness and Distinctiveness: **Newness and distinctiveness reside in the star shape formed on the curved upper surface of the tablet and its relative position thereon as illustrated in solid lines. The features shown in broken lines are shown for illustrative purposes only and do not form part of the design.**



- (21) Design Number: **14307/2012**
(22) Date of Filing Application: **29 August 2012**
(24) Date from which industrial property rights may have effect: **29 August 2012**
(54) Product in respect of which the design is registered: **Dress storage/carry case**
(51) International Design Classification: **03-01A**
(74) Name(s) of Attorney(s):
(71) Name(s) and Address(s) of Applicant(s):
Angelo Konstas
PO BOX 545 Sans Souci NSW 2219 Australia
Khatira Konstas
PO BOX 545 Sans Souci NSW 2219 Australia
(72) Name(s) of Designer(s): **Khatira Konstas and Angelo Konstas**
(45) Registration Date: **19 December 2012**
(56) Related Art Documents: **Not Applicable**
(57) Statement of Newness and Distinctiveness: **Newness and distinctiveness is claimed in the pattern and ornamentation shown in the representations.**



- (21) Design Number: **14309/2012**
(22) Date of Filing Application: **29 August 2012**
(24) Date from which industrial property rights may have effect: **29 August 2012**
(54) Product in respect of which the design is registered: **Dress storage/carry case**
(51) International Design Classification: **03-01A**
(74) Name(s) of Attorney(s):
(71) Name(s) and Address(s) of Applicant(s):
 Angelo Konstas
 PO BOX 545 Sans Souci NSW 2219 Australia
 Khatira Konstas
 PO BOX 545 Sans Souci NSW 2219 Australia
(72) Name(s) of Designer(s): **Khatira Konstas and Angelo Konstas**
(45) Registration Date: **19 December 2012**
(56) Related Art Documents: **Not Applicable**
(57) Statement of Newness and Distinctiveness: **Newness and distinctiveness is claimed in the pattern and ornamentation shown in the representations.**



- (21) Design Number: **14311/2012**
(22) Date of Filing Application: **29 August 2012**
(24) Date from which industrial property rights may have effect: **29 August 2012**
(54) Product in respect of which the design is registered: **dress storage/carry case**
(51) International Design Classification: **03-01A**
(74) Name(s) of Attorney(s):
(71) Name(s) and Address(s) of Applicant(s):
 Angelo Konstas
 PO BOX 545 Sans Souci NSW 2219 Australia
 Khatira Konstas
 PO BOX 545 Sans Souci NSW 2219 Australia
(72) Name(s) of Designer(s): **Khatira Konstas and Angelo Konstas**
(45) Registration Date: **19 December 2012**
(56) Related Art Documents: **Not Applicable**
(57) Statement of Newness and Distinctiveness: **Newness and distinctiveness is claimed in the pattern and ornamentation shown in the representations.**



(21) Design Number: **15761/2012**
(22) Date of Filing Application: **16 November 2012**
(24) Date from which industrial property rights may have effect: **16 November 2012**
(54) Product in respect of which the design is registered: **Baked foodstuff**
(51) International Design Classification: **01-01**
(74) Name(s) of Attorney(s): **Griffith Hack**
(71) Name(s) and Address(s) of Applicant(s):
Kraft Foods Global Brands LLC
Three Lakes Drive Northfield Illinois 60093 United States of America
(72) Name(s) of Designer(s): **Richard A Couttenye and Theodore Janulis**
(45) Registration Date: **19 December 2012**
(30) Convention priority data:
(31) Number (32) Date (33) Country
29/423753 05 Jun 2012 UNITED STATES OF AMERICA



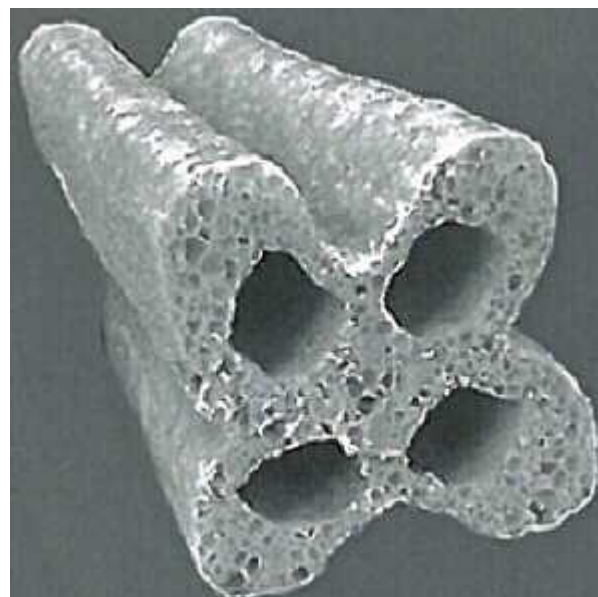
(56) Related Art Documents: **Not Applicable**
(57) Statement of Newness and Distinctiveness: **Newness and distinctiveness resides in the visual features, including shape and configuration, of a Baked Foodstuff as shown in solid outline in the accompanying drawings. When determining whether the design is substantially similar in overall impression to another design, no regard is to be had to those features shown in dotted outline in the accompanying drawings, which features are provided for illustrative purposes only.**

(21) Design Number: **15762/2012**
(22) Date of Filing Application: **16 November 2012**
(24) Date from which industrial property rights may have effect: **16 November 2012**
(54) Product in respect of which the design is registered: **Baked foodstuff**
(51) International Design Classification: **01-01**
(74) Name(s) of Attorney(s): **Griffith Hack**
(71) Name(s) and Address(s) of Applicant(s):
Kraft Foods Global Brands LLC
Three Lakes Drive Northfield Illinois 60093 United States of America
(72) Name(s) of Designer(s): **Richard A Couttenye and Theodore Janulis**
(45) Registration Date: **19 December 2012**
(30) Convention priority data:
(31) Number (32) Date (33) Country
29/423753 05 Jun 2012 UNITED STATES OF AMERICA

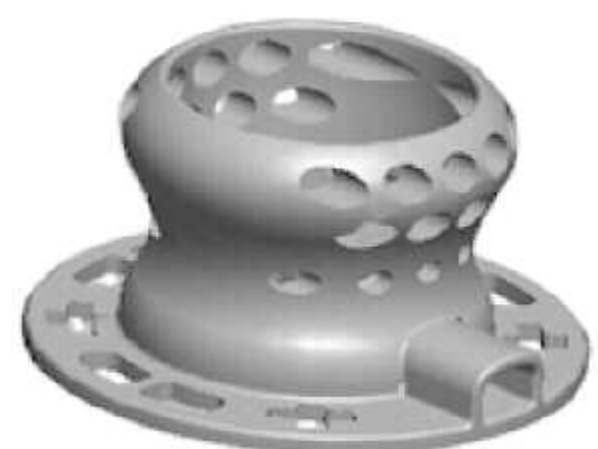


(56) Related Art Documents: **Not Applicable**
(57) Statement of Newness and Distinctiveness: **Newness and distinctiveness resides in the visual features, including shape and configuration, of a Baked Foodstuff as shown in solid outline in the accompanying drawings. When determining whether the design is substantially similar in overall impression to another design, no regard is to be had to those features shown in dotted outline in the accompanying drawings, which features are provided for illustrative purposes only.**

- (21) Design Number: **15457/2012**
(22) Date of Filing Application: **02 November 2012**
(24) Date from which industrial property rights may have effect: **02 November 2012**
(54) Product in respect of which the design is registered: **Jumbo dentastix aerated chew**
(51) International Design Classification: **01-06**
(74) Name(s) of Attorney(s): **Baker & McKenzie**
(71) Name(s) and Address(s) of Applicant(s):
Mars, Incorporated
6885 Elm Street McLean Virginia 22101-3883 United States of America
(72) Name(s) of Designer(s): **Kay Susan Brown and Andrew James Newton**
(45) Registration Date: **19 December 2012**
(30) Convention priority data:
(31) Number (32) Date (33) Country
2035733-0013 02 May 2012 EUROPEAN COMMUNITY
(56) Related Art Documents: **Not Applicable**
(57) Statement of Newness and Distinctiveness: **The newness and distinctiveness of the design resides in the features of shape, configuration, pattern and/or ornamentation of the product depicted in the representations.**



- (21) Design Number: **15471/2012**
(22) Date of Filing Application: **02 November 2012**
(24) Date from which industrial property rights may have effect: **02 November 2012**
(54) Product in respect of which the design is registered: **Fastening component for stand for tent**
(51) International Design Classification: **21-04**
(74) Name(s) of Attorney(s):
(71) Name(s) and Address(s) of Applicant(s):
K. Y. Chow
39 Canberra St St Johns Park NSW 2176 Australia
(72) Name(s) of Designer(s): **Xinwei Gao**
(45) Registration Date: **19 December 2012**
(56) Related Art Documents: **Not Applicable**
(57) Statement of Newness and Distinctiveness: **Nil**



- (21) Design Number: **15863/2012**
(22) Date of Filing Application: **26 November 2012**
(24) Date from which industrial property rights may have effect: **26 November 2012**
(54) Product in respect of which the design is registered: **Pants**
(51) International Design Classification: **02-02B, 02-02C**
(74) Name(s) of Attorney(s):
(71) Name(s) and Address(s) of Applicant(s):
Ken Buraaq Pty Ltd
29/7 Dunstons Ct Thomastown VIC 3074 Australia
(72) Name(s) of Designer(s): **Waqas Arshad and Nasar Momin**
(45) Registration Date: **19 December 2012**
(56) Related Art Documents: **Not Applicable**
(57) Statement of Newness and Distinctiveness: **Monopoly is claimed in the shape, configuration, pattern and ornamentation of the pair of pants as shown in the accompanying representations. Furthermore, newness and distinctiveness is claimed in size, positioning and placement of protective lining to a pair of pants and location of stitching to attach such protective lining to a pair of pants.**



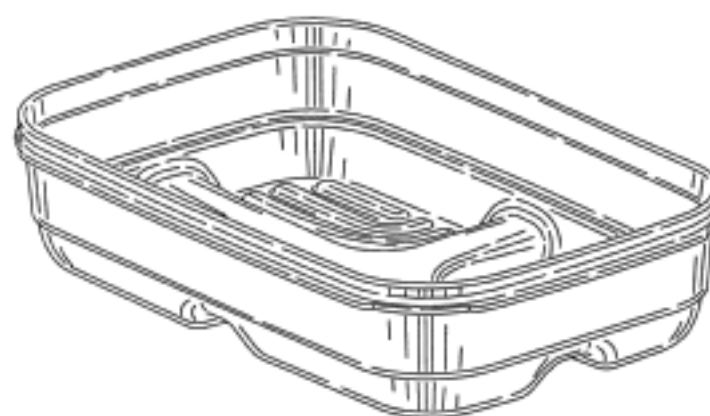
- (21) Design Number: **15905/2012**
(22) Date of Filing Application: **27 November 2012**
(24) Date from which industrial property rights may have effect: **12 September 2012**
(54) Product in respect of which the design is registered: **A chassis for a steam cleaner**
(51) International Design Classification: **15-05**
(74) Name(s) of Attorney(s): **Davies Collison Cave**
(71) Name(s) and Address(s) of Applicant(s):
Black & Decker Inc
1207 Drummond Plaza Newark Delaware 19711-5740 United States of America
(72) Name(s) of Designer(s): **Graeme Crawley and Stephen Houghton**
(45) Registration Date: **19 December 2012**
(62) Divisional of: **345921**
(56) Related Art Documents: **Not Applicable**
(57) Statement of Newness and Distinctiveness: **Nil**



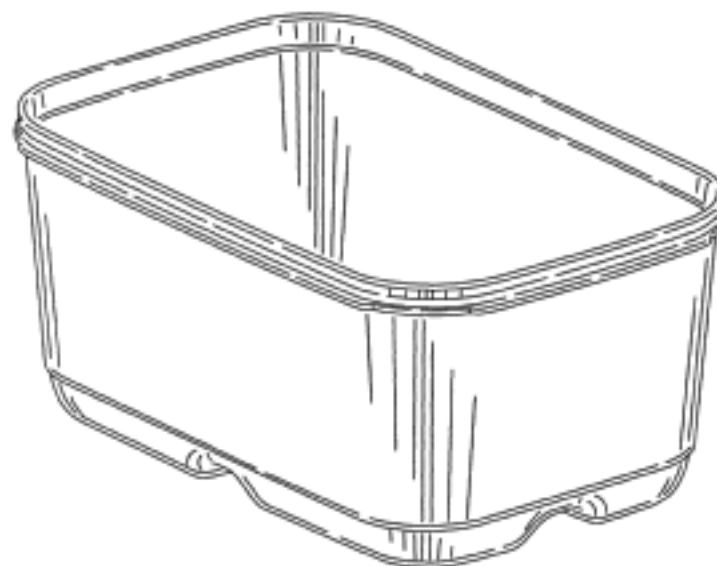
(21) Design Number: **15095/2012**
(22) Date of Filing Application: **12 October 2012**
(24) Date from which industrial property rights may have effect: **12 October 2012**
(54) Product in respect of which the design is registered: **A bottle cap that generates music when turned, by use of music box technology**
(51) International Design Classification: **09-07C, 17-05**
(74) Name(s) of Attorney(s):
(71) Name(s) and Address(s) of Applicant(s):
Roger Price
7 Chakola Ave Hornsby Heights NSW 2077 Australia
(72) Name(s) of Designer(s): **Roger Price**
(45) Registration Date: **03 January 2013**
(56) Related Art Documents: **Not Applicable**
(57) Statement of Newness and Distinctiveness: **The shape of the cap.**



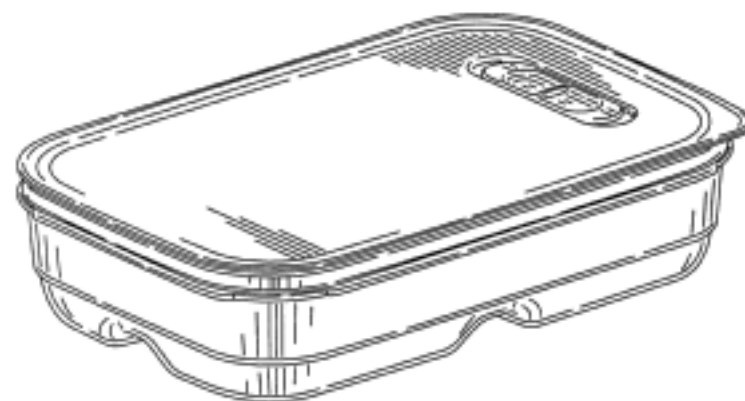
(21) Design Number: **15103/2012**
(22) Date of Filing Application: **15 October 2012**
(24) Date from which industrial property rights may have effect: **15 October 2012**
(54) Product in respect of which the design is registered: **Container**
(51) International Design Classification: **09-03F**
(74) Name(s) of Attorney(s): **PHILLIPS ORMONDE FITZPATRICK**
(71) Name(s) and Address(s) of Applicant(s):
Dart Industries Inc.
14901 S. Orange Blossom Trail Orlando Florida 32837 United States of America
(72) Name(s) of Designer(s): **Jan-Hendrik De Groote and Nathan E. Shirley**
(45) Registration Date: **03 January 2013**
(30) Convention priority data:
(31) Number (32) Date (33) Country
29/421,059 11 May 2012 UNITED STATES OF AMERICA
(56) Related Art Documents: **Not Applicable**
(57) Statement of Newness and Distinctiveness: **Those features of the container depicted in the representations that are new and distinctive are the shape and/or configuration.**



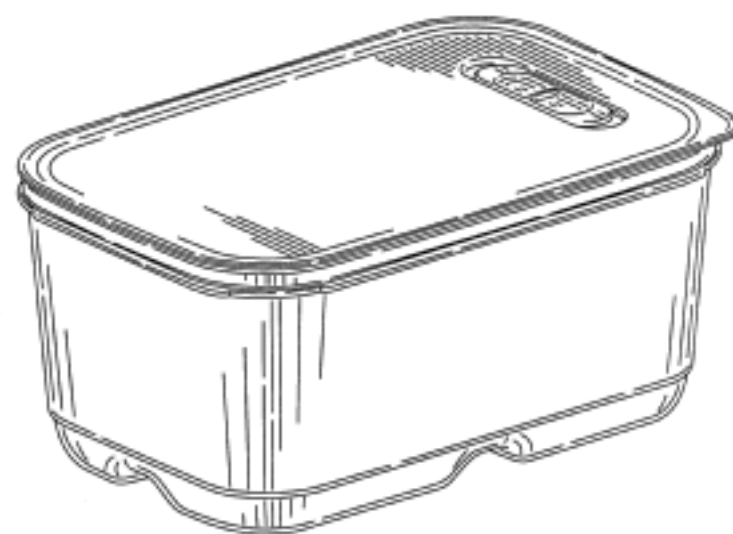
(21) Design Number: **15916/2012**
(22) Date of Filing Application: **15 October 2012**
(24) Date from which industrial property rights may have effect: **15 October 2012**
(54) Product in respect of which the design is registered: **Container**
(51) International Design Classification: **09-03F**
(74) Name(s) of Attorney(s): **PHILLIPS ORMONDE FITZPATRICK**
(71) Name(s) and Address(s) of Applicant(s):
Dart Industries Inc.
14901 S. Orange Blossom Trail Orlando Florida 32837 United States of America
(72) Name(s) of Designer(s): **Jan-Hendrik De Groote and Nathan E. Shirley**
(45) Registration Date: **03 January 2013**
(30) Convention priority data:
(31) Number (32) Date (33) Country
29/421,059 11 May 2012 UNITED STATES OF AMERICA
(56) Related Art Documents: **Not Applicable**
(57) Statement of Newness and Distinctiveness: **Those features of the container depicted in the representations that are new and distinctive are the shape and/or configuration.**



(21) Design Number: **15104/2012**
(22) Date of Filing Application: **15 October 2012**
(24) Date from which industrial property rights may have effect: **15 October 2012**
(54) Product in respect of which the design is registered: **Container with lid**
(51) International Design Classification: **09-03F**
(74) Name(s) of Attorney(s): **PHILLIPS ORMONDE FITZPATRICK**
(71) Name(s) and Address(s) of Applicant(s):
Dart Industries Inc.
14901 S. Orange Blossom Trail Orlando Florida 32837 United States of America
(72) Name(s) of Designer(s): **Jan-Hendrik De Groote and Nathan E. Shirley**
(45) Registration Date: **03 January 2013**
(30) Convention priority data:
(31) Number (32) Date (33) Country
29/421,057 11 May 2012 UNITED STATES OF AMERICA
(56) Related Art Documents: **Not Applicable**
(57) Statement of Newness and Distinctiveness: **Those features of the container with lid depicted in the representations that are new and distinctive are the shape and/or configuration.**



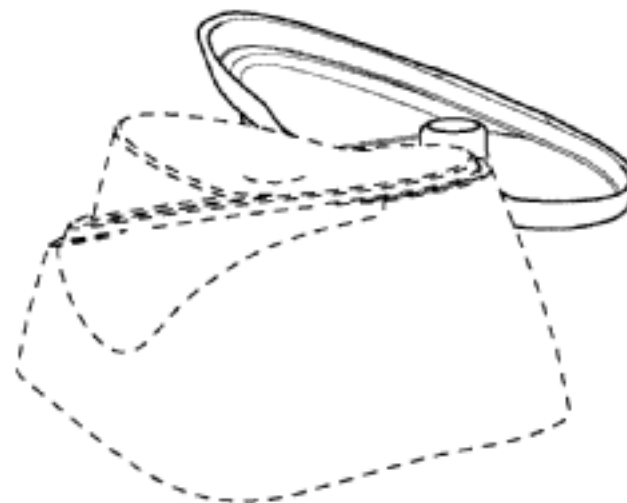
(21) Design Number: **15917/2012**
(22) Date of Filing Application: **15 October 2012**
(24) Date from which industrial property rights may have effect: **15 October 2012**
(54) Product in respect of which the design is registered: **Container with lid**
(51) International Design Classification: **09-03F**
(74) Name(s) of Attorney(s): **PHILLIPS ORMONDE FITZPATRICK**
(71) Name(s) and Address(s) of Applicant(s):
Dart Industries Inc.
14901 S. Orange Blossom Trail Orlando Florida 32837 United States of America
(72) Name(s) of Designer(s): **Jan-Hendrik De Groot and Nathan E. Shirley**
(45) Registration Date: **03 January 2013**
(30) Convention priority data:
(31) Number (32) Date (33) Country
29/421,057 11 May 2012 UNITED STATES OF AMERICA
(56) Related Art Documents: **Not Applicable**
(57) Statement of Newness and Distinctiveness: **Those features of the container with lid depicted in the representations that are new and distinctive are the shape and/or configuration.**



(21) Design Number: **15144/2012**
(22) Date of Filing Application: **18 October 2012**
(24) Date from which industrial property rights may have effect: **18 October 2012**
(54) Product in respect of which the design is registered: **Container**
(51) International Design Classification: **09-07A**
(74) Name(s) of Attorney(s): **FB Rice**
(71) Name(s) and Address(s) of Applicant(s):
Colgate-Palmolive Company
300 Park Avenue New York New York 10022 United States of America
(72) Name(s) of Designer(s): **John Clifford Crawford and Christopher Hart and Stacy Castro**
(45) Registration Date: **03 January 2013**
(30) Convention priority data:
(31) Number (32) Date (33) Country
29/423999 07 Jun 2012 UNITED STATES OF AMERICA
(56) Related Art Documents: **Not Applicable**
(57) Statement of Newness and Distinctiveness: **Newness and distinctiveness reside in the features of the design as shown in the representations.**



(21) Design Number: **15146/2012**
(22) Date of Filing Application: **18 October 2012**
(24) Date from which industrial property rights may have effect: **18 October 2012**
(54) Product in respect of which the design is registered: **A portion of a cap for a container**
(51) International Design Classification: **09-07A**
(74) Name(s) of Attorney(s): **FB Rice**
(71) Name(s) and Address(s) of Applicant(s):
Colgate-Palmolive Company
300 Park Avenue New York New York 10022 United States of America
(72) Name(s) of Designer(s): **John Clifford Crawford and Christopher Hart and Stacy Castro**
(45) Registration Date: **03 January 2013**
(30) Convention priority data:
(31) Number (32) Date (33) Country
29/424000 07 Jun 2012 UNITED STATES OF AMERICA
(56) Related Art Documents: **Not Applicable**
(57) Statement of Newness and Distinctiveness: **Newness and distinctiveness reside in the features of the design shown in solid lines in the representations excluding those features shown in broken lines.**



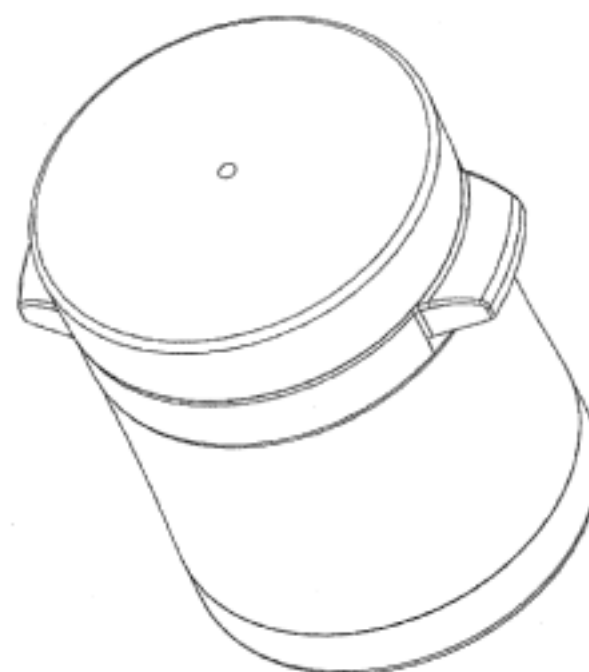
(21) Design Number: **15159/2012**
(22) Date of Filing Application: **18 October 2012**
(24) Date from which industrial property rights may have effect: **18 October 2012**
(54) Product in respect of which the design is registered: **A user transaction terminal**
(51) International Design Classification: **14-02**
(74) Name(s) of Attorney(s): **Marks & Clerk Australia**
(71) Name(s) and Address(s) of Applicant(s):
Korala Associates Limited
John Cotton Building 10-14 Sunnyside Edinburgh EH7 5RA United Kingdom
(72) Name(s) of Designer(s): **Michael Reuter and Thomas Luley**
(45) Registration Date: **03 January 2013**
(30) Convention priority data:
(31) Number (32) Date (33) Country
002032201-0001 24 Apr 2012 EUROPEAN COMMUNITY
(56) Related Art Documents: **Not Applicable**
(57) Statement of Newness and Distinctiveness: **Nil**



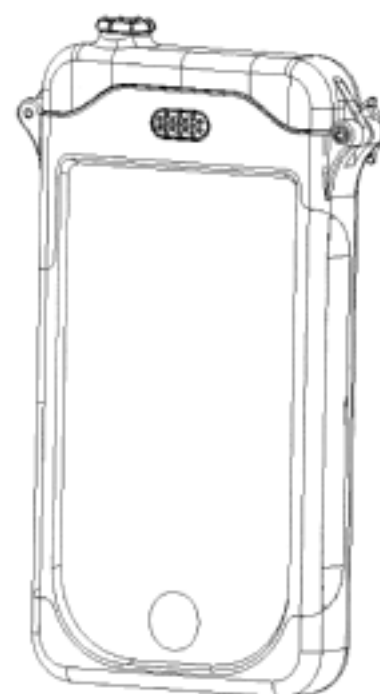
(21) Design Number: **15423/2012**
(22) Date of Filing Application: **30 October 2012**
(24) Date from which industrial property rights may have effect: **30 October 2012**
(54) Product in respect of which the design is registered: **Beverage container**
(51) International Design Classification: **07-01F**
(74) Name(s) of Attorney(s): **Griffith Hack**
(71) Name(s) and Address(s) of Applicant(s):
Pacific Market International, LLC
2401 Elliott Avenue Fourth Floor Seattle WA 98121 United States of America
(72) Name(s) of Designer(s): **Sarah Danger George and Andrew C.F. Wahl**
(45) Registration Date: **03 January 2013**
(30) Convention priority data:
(31) Number (32) Date (33) Country
29/420,594 10 May 2012 UNITED STATES OF AMERICA
(56) Related Art Documents: **Not Applicable**
(57) Statement of Newness and Distinctiveness: **The shape and configuration of those parts of the design shown by means of solid lines in the representations are new and distinctive.**



(21) Design Number: **15686/2012**
(22) Date of Filing Application: **15 November 2012**
(24) Date from which industrial property rights may have effect: **15 November 2012**
(54) Product in respect of which the design is registered: **Food storage jar and lid with downward curved side lifting handles**
(51) International Design Classification: **07-01NES**
(74) Name(s) of Attorney(s): **SPRUSON & FERGUSON**
(71) Name(s) and Address(s) of Applicant(s):
Thermos L.L.C.
475 N. Martingale Road Suite 1100 Schaumburg Illinois 60173 United States of America
(72) Name(s) of Designer(s): **Marvin Lane**
(45) Registration Date: **03 January 2013**
(30) Convention priority data:
(31) Number (32) Date (33) Country
29/422437 21 May 2012 UNITED STATES OF AMERICA
(56) Related Art Documents: **Not Applicable**
(57) Statement of Newness and Distinctiveness: **Newness and distinctiveness is claimed in the features of shape and/or configuration of a food storage jar and lid with downward curved side lifting handles as illustrated in the accompanying representations.**



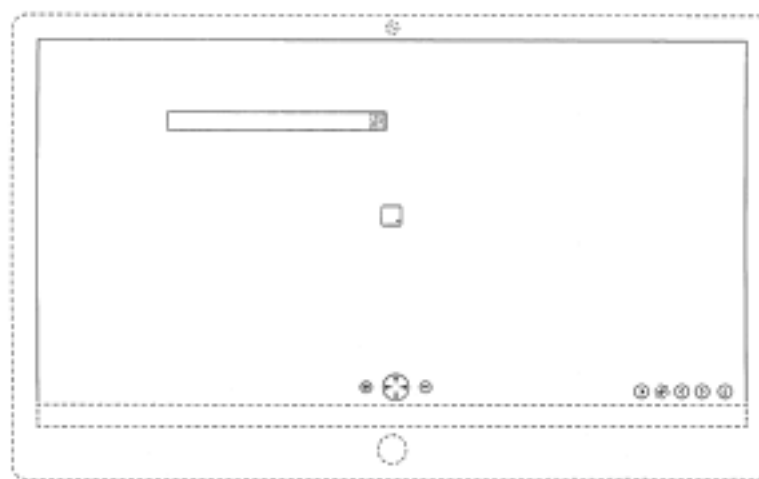
(21) Design Number: **15795/2012**
(22) Date of Filing Application: **20 November 2012**
(24) Date from which industrial property rights may have effect: **20 November 2012**
(54) Product in respect of which the design is registered: **Waterproof cover for mobile phone**
(51) International Design Classification: **03-01NES**
(74) Name(s) of Attorney(s): **FB Rice**
(71) Name(s) and Address(s) of Applicant(s):
Master Mind Technology Limited
Room 1601-1602 Shun Kwong Commerical building 8 des Voeux Road
West Sheung Wan Hong Kong
(72) Name(s) of Designer(s): **Eric Bouniol**
(45) Registration Date: **03 January 2013**
(30) Convention priority data:
(31) Number (32) Date (33) Country
002106831-0001 20 Sep 2012 EUROPEAN COMMUNITY
(56) Related Art Documents: **Not Applicable**
(57) Statement of Newness and Distinctiveness: **Newness and distinctiveness reside in the features of the design as shown in the representations.**



(21) Design Number: **15796/2012**
(22) Date of Filing Application: **20 November 2012**
(24) Date from which industrial property rights may have effect: **20 November 2012**
(54) Product in respect of which the design is registered: **Stapler**
(51) International Design Classification: **24-02**
(74) Name(s) of Attorney(s): **Freehills Patent Attorneys**
(71) Name(s) and Address(s) of Applicant(s):
Ethicon Endo-Surgery, Inc.
4545 Creek Road Cincinnati Ohio 45242 United States of America
(72) Name(s) of Designer(s): **John V. Hunt and Siliang Chen and Peter B. Madson and Zhang Yang and Shan Wan**
(45) Registration Date: **03 January 2013**
(30) Convention priority data:
(31) Number (32) Date (33) Country
29/423364 31 May 2012 UNITED STATES OF AMERICA
(56) Related Art Documents: **Not Applicable**
(57) Statement of Newness and Distinctiveness: **Newness and distinctiveness resides in the features of shape and configuration of the stapler as shown in the representations.**



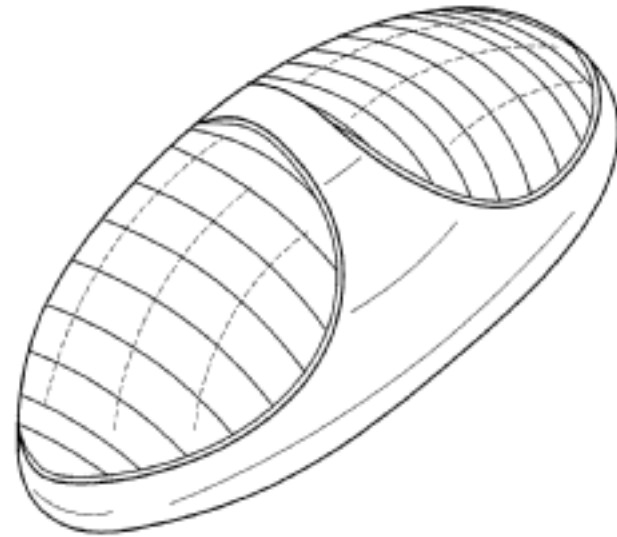
- (21) Design Number: **15865/2012**
(22) Date of Filing Application: **23 November 2012**
(24) Date from which industrial property rights may have effect: **23 November 2012**
(54) Product in respect of which the design is registered: **Display screen with graphical user interface**
(51) International Design Classification: **14-01**
(74) Name(s) of Attorney(s): **Shelston IP**
(71) Name(s) and Address(s) of Applicant(s):
Microsoft Corporation
One Microsoft Way Redmond Washington 98052 United States of America
(72) Name(s) of Designer(s): **Rajeev Kumar Chand and Sander Martijn Vieggers and Shree Lakshmi Rao**
(45) Registration Date: **03 January 2013**
(30) Convention priority data:
(31) Number (32) Date (33) Country
29/435518 24 Oct 2012 UNITED STATES OF AMERICA
(56) Related Art Documents: **Not Applicable**
(57) Statement of Newness and Distinctiveness: **Newness and distinctiveness reside in the pattern and/or ornamentation of a display screen with graphical user interface as illustrated by solid lines in the accompanying representation. The features shown in broken outline are for contextual purposes only and do not form part of the design.**



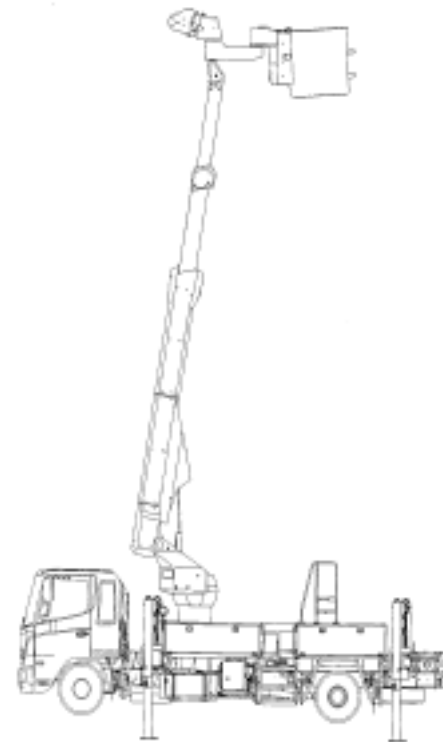
- (21) Design Number: **15898/2012**
(22) Date of Filing Application: **23 November 2012**
(24) Date from which industrial property rights may have effect: **23 November 2012**
(54) Product in respect of which the design is registered: **Ball for exercise**
(51) International Design Classification: **21-02A**
(74) Name(s) of Attorney(s): **Madderns**
(71) Name(s) and Address(s) of Applicant(s):
Escape Fitness Limited
Eastwood House The Office Vge Cygnet Pk Hampton Peterborough
Cambridgeshire PE7 8FD United Kingdom
(72) Name(s) of Designer(s): **Martin Childs**
(45) Registration Date: **03 January 2013**
(30) Convention priority data:
(31) Number (32) Date (33) Country
002047415 25 May 2012 EUROPEAN COMMUNITY
(56) Related Art Documents: **Not Applicable**
(57) Statement of Newness and Distinctiveness: **Nil**



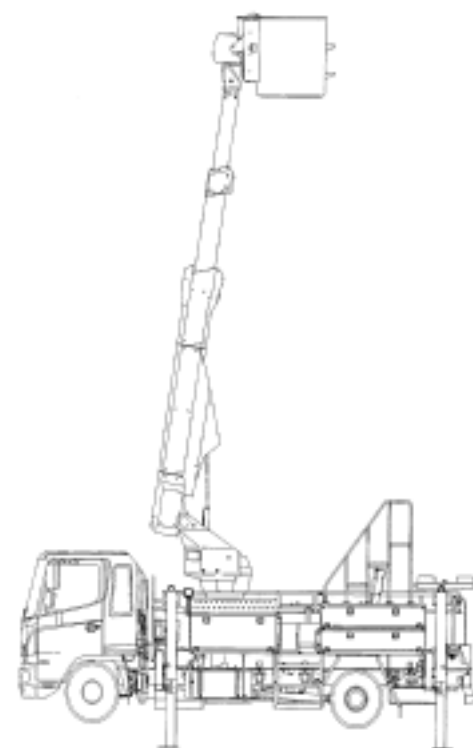
- (21) Design Number: **15907/2012**
(22) Date of Filing Application: **26 November 2012**
(24) Date from which industrial property rights may have effect: **26 November 2012**
(54) Product in respect of which the design is registered: **Lighting assembly**
(51) International Design Classification: **26-06**
(74) Name(s) of Attorney(s): **Griffith Hack**
(71) Name(s) and Address(s) of Applicant(s):
LED Technologies Pty Ltd
42 Enterprise Dr Bundoora VIC 3083 Australia
(72) Name(s) of Designer(s): **Tony Ottobre**
(45) Registration Date: **03 January 2013**
(56) Related Art Documents: **Not Applicable**
(57) Statement of Newness and Distinctiveness: **Nil**



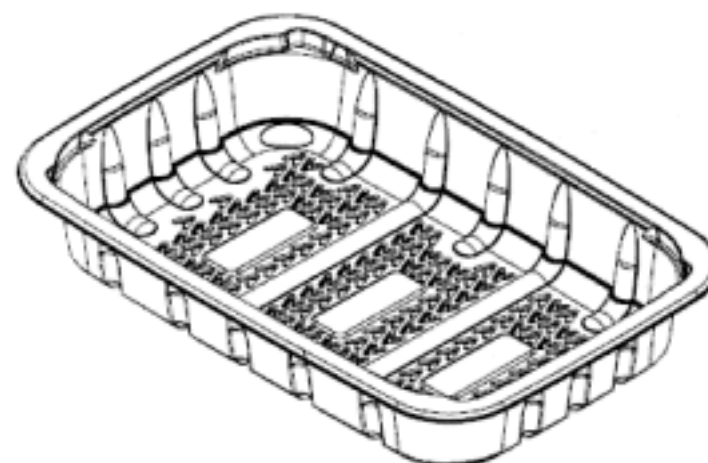
- (21) Design Number: **15931/2012**
(22) Date of Filing Application: **27 November 2012**
(24) Date from which industrial property rights may have effect: **27 November 2012**
(54) Product in respect of which the design is registered: **Vehicle with aerial lift**
(51) International Design Classification: **12-13**
(74) Name(s) of Attorney(s): **Callinans**
(71) Name(s) and Address(s) of Applicant(s):
Kabushiki Kaisha Aichi Corporation
1152-10 Aza Yamashita Oaza Ryoke Ageo-shi Saitama 362-8550 Japan
(72) Name(s) of Designer(s): **Tsutomu Houjou and Wataru Koyano**
(45) Registration Date: **03 January 2013**
(56) Related Art Documents: **Not Applicable**
(57) Statement of Newness and Distinctiveness: **Nil**



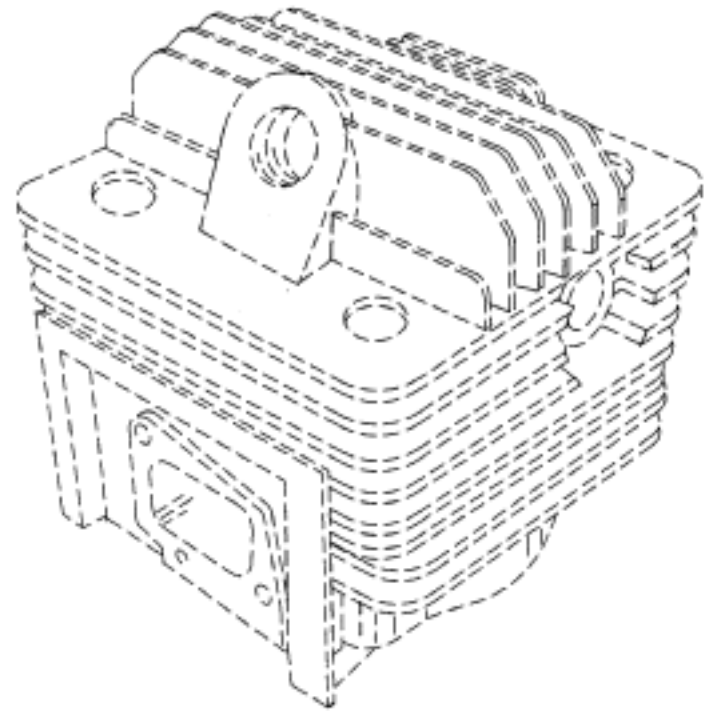
- (21) Design Number: **15932/2012**
(22) Date of Filing Application: **27 November 2012**
(24) Date from which industrial property rights may have effect: **27 November 2012**
(54) Product in respect of which the design is registered: **Vehicle with aerial lift**
(51) International Design Classification: **12-13**
(74) Name(s) of Attorney(s): **Callinans**
(71) Name(s) and Address(s) of Applicant(s):
Kabushiki Kaisha Aichi Corporation
1152-10 Aza Yamashita Oaza Ryoke Ageo-shi Saitama 362-8550 Japan
(72) Name(s) of Designer(s): **Tsutomu Houjou and Wataru Koyano**
(45) Registration Date: **03 January 2013**
(56) Related Art Documents: **Not Applicable**
(57) Statement of Newness and Distinctiveness: **Nil**



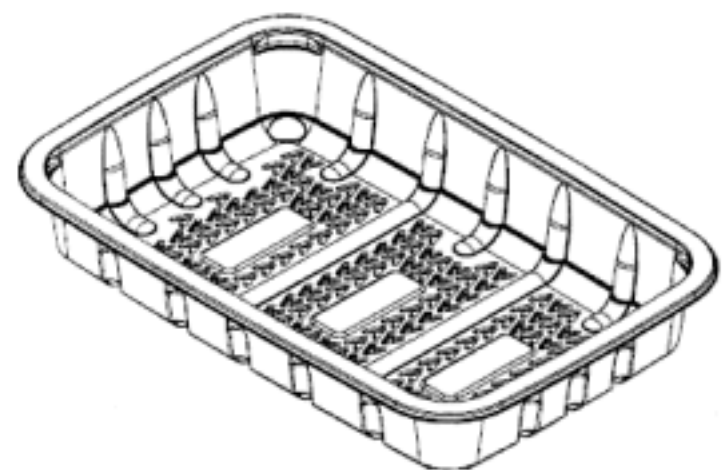
- (21) Design Number: **15940/2012**
(22) Date of Filing Application: **27 November 2012**
(24) Date from which industrial property rights may have effect: **27 November 2012**
(54) Product in respect of which the design is registered: **Tray**
(51) International Design Classification: **09-03F**
(74) Name(s) of Attorney(s): **EKM patent & trade marks**
(71) Name(s) and Address(s) of Applicant(s):
Visy R & D Pty Ltd
L11 2 Southbank Bvd Southbank VIC 3006 Australia
(72) Name(s) of Designer(s): **Brett Medlin**
(45) Registration Date: **03 January 2013**
(56) Related Art Documents: **Not Applicable**
(57) Statement of Newness and Distinctiveness: **Newness and distinctiveness resides in the features of shape and/or configuration of the product as shown in the accompanying representations and the arrow-shaped depressions in its base.**



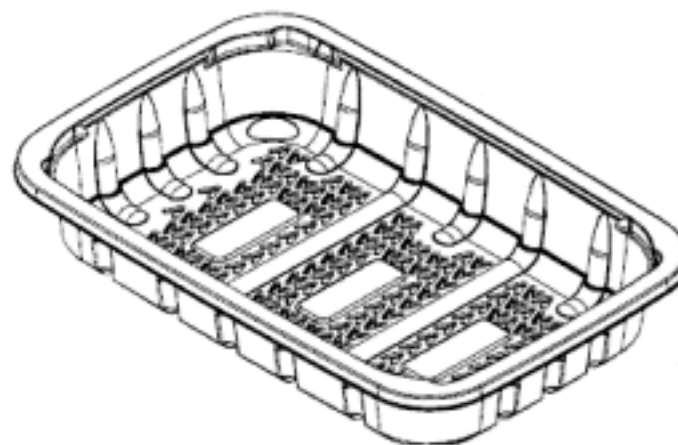
- (21) Design Number: **15949/2012**
(22) Date of Filing Application: **28 November 2012**
(24) Date from which industrial property rights may have effect: **28 November 2012**
(54) Product in respect of which the design is registered: **Dual port for a combustion engine**
(51) International Design Classification: **15-01**
(74) Name(s) of Attorney(s): **Griffith Hack**
(71) Name(s) and Address(s) of Applicant(s):
Price Commerce International Pty Ltd
Toorak Business Centre 23 Milton Pde Malvern VIC 3144 Australia
(72) Name(s) of Designer(s): **Stephen Price**
(45) Registration Date: **03 January 2013**
(56) Related Art Documents: **Not Applicable**
(57) Statement of Newness and Distinctiveness: **Nil**



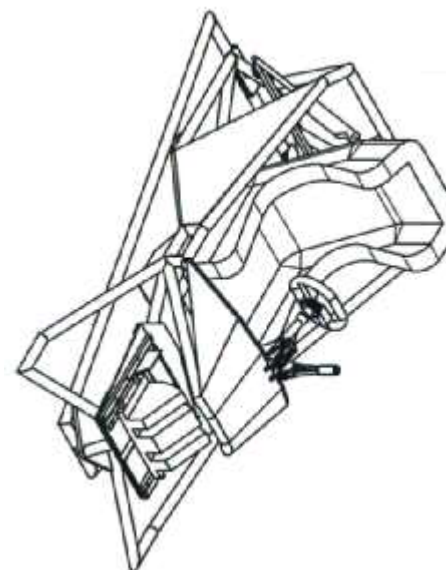
- (21) Design Number: **16023/2012**
(22) Date of Filing Application: **27 November 2012**
(24) Date from which industrial property rights may have effect: **27 November 2012**
(54) Product in respect of which the design is registered: **Tray**
(51) International Design Classification: **09-03F**
(74) Name(s) of Attorney(s): **EKM patent & trade marks**
(71) Name(s) and Address(s) of Applicant(s):
Visy R & D Pty Ltd
L11 2 Southbank Bvd Southbank VIC 3006 Australia
(72) Name(s) of Designer(s): **Brett Medlin**
(45) Registration Date: **03 January 2013**
(56) Related Art Documents: **Not Applicable**
(57) Statement of Newness and Distinctiveness: **Newness and distinctiveness resides in the features of shape and/or configuration of the product as shown in the accompanying representations and the arrow-shaped depressions in its base.**



- (21) Design Number: **16024/2012**
(22) Date of Filing Application: **27 November 2012**
(24) Date from which industrial property rights may have effect: **27 November 2012**
(54) Product in respect of which the design is registered: **Tray**
(51) International Design Classification: **09-03F**
(74) Name(s) of Attorney(s): **EKM patent & trade marks**
(71) Name(s) and Address(s) of Applicant(s):
Visy R & D Pty Ltd
L11 2 Southbank Bvd Southbank VIC 3006 Australia
(72) Name(s) of Designer(s): **Brett Medlin**
(45) Registration Date: **03 January 2013**
(56) Related Art Documents: **Not Applicable**
(57) Statement of Newness and Distinctiveness: **Newness and distinctiveness resides in the features of shape and/or configuration of the product as shown in the accompanying representations and the arrow-shaped depressions in its base.**



- (21) Design Number: **15856/2012**
(22) Date of Filing Application: **26 November 2012**
(24) Date from which industrial property rights may have effect: **26 November 2012**
(54) Product in respect of which the design is registered: **Racing car simulator**
(51) International Design Classification: **21-01N**
(74) Name(s) of Attorney(s):
(71) Name(s) and Address(s) of Applicant(s):
Five Star Simulations Pty Ltd
PO BOX 3006 Windang New South Wales 2528 Australia
(72) Name(s) of Designer(s): **Anthony Pearce and Mark Payer**
(45) Registration Date: **03 January 2013**
(56) Related Art Documents: **Not Applicable**
(57) Statement of Newness and Distinctiveness: **Nil**



- (21) Design Number: **15915/2012**
(22) Date of Filing Application: **28 November 2012**
(24) Date from which industrial property rights may have effect: **28 November 2012**
(54) Product in respect of which the design is registered: **Metering pump**
(51) International Design Classification: **15-02**
(74) Name(s) of Attorney(s): **WATERMARK PATENT AND TRADE MARKS ATTORNEYS**
(71) Name(s) and Address(s) of Applicant(s):
Dosatron International
rue Pascal Tresses Bordeaux 33370 France
(72) Name(s) of Designer(s): **Christophe Charriere**
(45) Registration Date: **03 January 2013**
(30) Convention priority data:
(31) Number (32) Date (33) Country
002066563-0001 02 Jul 2012 EUROPEAN COMMUNITY
(56) Related Art Documents: **Not Applicable**
(57) Statement of Newness and Distinctiveness: **Newness and distinctiveness is claimed in the visual features of the metering pump as shown in the accompanying representations.**



- (21) Design Number: **15918/2012**
(22) Date of Filing Application: **28 November 2012**
(24) Date from which industrial property rights may have effect: **28 November 2012**
(54) Product in respect of which the design is registered: **Metering pump cover**
(51) International Design Classification: **15-02**
(74) Name(s) of Attorney(s): **WATERMARK PATENT AND TRADE MARKS ATTORNEYS**
(71) Name(s) and Address(s) of Applicant(s):
Dosatron International
rue Pascal Tresses Bordeaux 33370 France
(72) Name(s) of Designer(s): **Sandrine Lambinet**
(45) Registration Date: **03 January 2013**
(30) Convention priority data:
(31) Number (32) Date (33) Country
002066563-0004 02 Jul 2012 EUROPEAN COMMUNITY
(56) Related Art Documents: **Not Applicable**
(57) Statement of Newness and Distinctiveness: **Newness and distinctiveness is claimed in the visual features of the metering pump cover as shown in the accompanying representations.**



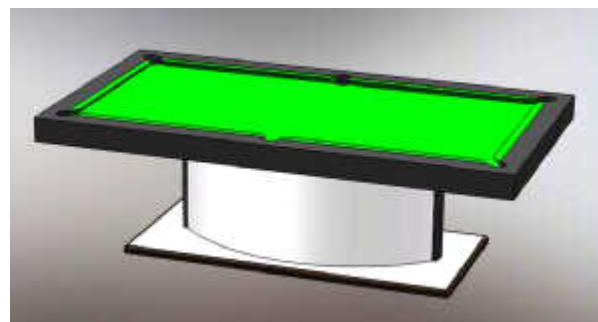
- (21) Design Number: **15942/2012**
(22) Date of Filing Application: **29 November 2012**
(24) Date from which industrial property rights may have effect: **29 November 2012**
(54) Product in respect of which the design is registered: **Rugby ball**
(51) International Design Classification: **21-02A**
(74) Name(s) of Attorney(s):
(71) Name(s) and Address(s) of Applicant(s):
Jordan Scott Bannister
7 Peel Ct Gladstone Park VIC 3043 Australia
(72) Name(s) of Designer(s): **Jordan Scott Bannister**
(45) Registration Date: **03 January 2013**
(56) Related Art Documents: **Not Applicable**
(57) Statement of Newness and Distinctiveness: **Rugby Ball that teaches kids how to kick certain types of kicks by showing markings on the ball where to place their foot on the ball. It also teaches kids how to pass the rugby ball by showing markings where to place their thumbs.**



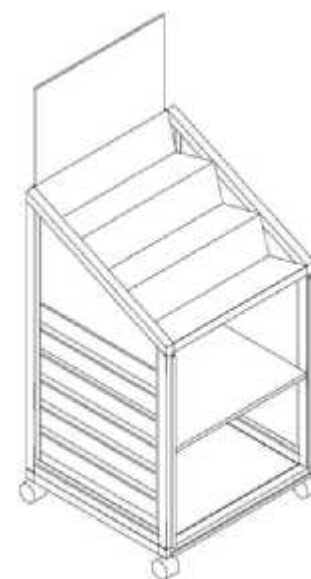
- (21) Design Number: **15943/2012**
(22) Date of Filing Application: **29 November 2012**
(24) Date from which industrial property rights may have effect: **29 November 2012**
(54) Product in respect of which the design is registered: **Baking tray**
(51) International Design Classification: **07-02P**
(74) Name(s) of Attorney(s):
(71) Name(s) and Address(s) of Applicant(s):
Bortz Product Design Pty Ltd
49 Catherine St St Ives NSW 2075 Australia
(72) Name(s) of Designer(s): **Gary Bortz**
(45) Registration Date: **03 January 2013**
(56) Related Art Documents: **Not Applicable**
(57) Statement of Newness and Distinctiveness: **The shape of this baking tray allows for items such as biscuits to be baked in a bar format and easily removed from the tray.**



- (21) Design Number: **15948/2012**
(22) Date of Filing Application: **29 November 2012**
(24) Date from which industrial property rights may have effect: **29 November 2012**
(54) Product in respect of which the design is registered: **Pool table, billiards table, snooker table**
(51) International Design Classification: **06-03D**
(74) Name(s) of Attorney(s):
(71) Name(s) and Address(s) of Applicant(s):
Guan Qun Hao
610 South Rd Moorabbin VIC 3189 Australia
All Table Sports Australia Pty Ltd
610 South Rd Moorabbin VIC 3189 Australia
(72) Name(s) of Designer(s): **Guan Qun Hao**
(45) Registration Date: **03 January 2013**
(56) Related Art Documents: **Not Applicable**
(57) Statement of Newness and Distinctiveness: **The newness and distinctiveness for the application is the unique design of the table legs/stand--the new design table is with oval shape leg/stand system. Please see attached pictures for detail. There is no same or similar shape leg/stand designed pool billiards table in world wide.**



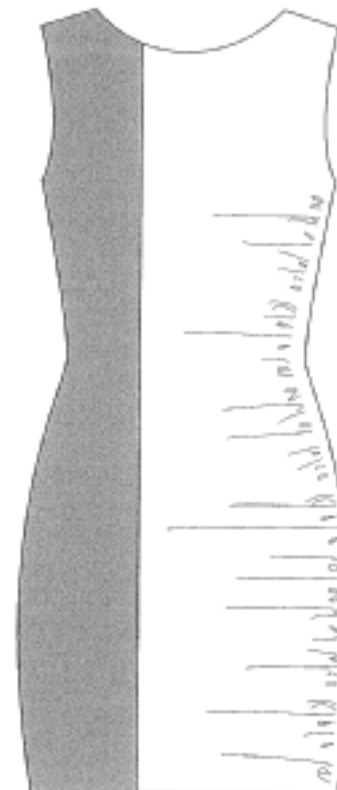
- (21) Design Number: **15972/2012**
(22) Date of Filing Application: **30 November 2012**
(24) Date from which industrial property rights may have effect: **30 November 2012**
(54) Product in respect of which the design is registered: **Retail display**
(51) International Design Classification: **20-02E**
(74) Name(s) of Attorney(s):
(71) Name(s) and Address(s) of Applicant(s):
The Design Market
15C/31 Quirk Rd Manly Vale NSW 2093 Australia
Michael Plested
15C/31 Quirk Rd Manly Vale NSW 2093 Australia
(72) Name(s) of Designer(s): **Michael Plested**
(45) Registration Date: **03 January 2013**
(56) Related Art Documents: **Not Applicable**
(57) Statement of Newness and Distinctiveness: **Flat-packed mobile display with top and internal shelving. Has optional changeable front, top, rear and side branding.**



(21) Design Number: **12563/2012**
(22) Date of Filing Application: **29 May 2012**
(24) Date from which industrial property rights may have effect: **29 May 2012**
(54) Product in respect of which the design is registered: **skirt**
(51) International Design Classification: **02-02C**
(74) Name(s) of Attorney(s): **MIDDLETONS**
(71) Name(s) and Address(s) of Applicant(s):
Beba Enterprises Pty Ltd
34 Garden Street South Yarra Victoria 3141 Australia
(72) Name(s) of Designer(s): **Arthur Soetedja**
(45) Registration Date: **03 January 2013**
(56) Related Art Documents: **Not Applicable**
(57) Statement of Newness and Distinctiveness: **Nil**



(21) Design Number: **15966/2012**
(22) Date of Filing Application: **29 May 2012**
(24) Date from which industrial property rights may have effect: **29 May 2012**
(54) Product in respect of which the design is registered: **Dress**
(51) International Design Classification: **02-02C**
(74) Name(s) of Attorney(s): **MIDDLETONS**
(71) Name(s) and Address(s) of Applicant(s):
Beba Enterprises Pty Ltd
34 Garden Street South Yarra Victoria 3141 Australia
(72) Name(s) of Designer(s): **Arthur Soetedja**
(45) Registration Date: **03 January 2013**
(56) Related Art Documents: **Not Applicable**
(57) Statement of Newness and Distinctiveness: **Nil**



(21) Design Number: **15967/2012**
(22) Date of Filing Application: **29 May 2012**
(24) Date from which industrial property rights may have effect: **29 May 2012**
(54) Product in respect of which the design is registered: **Dress**
(51) International Design Classification: **02-02C**
(74) Name(s) of Attorney(s): **MIDDLETONS**
(71) Name(s) and Address(s) of Applicant(s):
Beba Enterprises Pty Ltd
34 Garden Street South Yarra Victoria 3141 Australia
(72) Name(s) of Designer(s): **Arthur Soetedja**
(45) Registration Date: **03 January 2013**
(56) Related Art Documents: **Not Applicable**
(57) Statement of Newness and Distinctiveness: **Nil**



(21) Design Number: **15968/2012**
(22) Date of Filing Application: **29 May 2012**
(24) Date from which industrial property rights may have effect: **29 May 2012**
(54) Product in respect of which the design is registered: **Jacket**
(51) International Design Classification: **02-02NES**
(74) Name(s) of Attorney(s): **MIDDLETONS**
(71) Name(s) and Address(s) of Applicant(s):
Beba Enterprises Pty Ltd
34 Garden Street South Yarra Victoria 3141 Australia
(72) Name(s) of Designer(s): **Arthur Soetedja**
(45) Registration Date: **03 January 2013**
(56) Related Art Documents: **Not Applicable**
(57) Statement of Newness and Distinctiveness: **Nil**



- (21) Design Number: **15969/2012**
(22) Date of Filing Application: **29 May 2012**
(24) Date from which industrial property rights may have effect: **29 May 2012**
(54) Product in respect of which the design is registered: **Jumpsuit**
(51) International Design Classification: **02-02C**
(74) Name(s) of Attorney(s): **MIDDLETONS**
(71) Name(s) and Address(s) of Applicant(s):
Beba Enterprises Pty Ltd
34 Garden Street South Yarra Victoria 3141 Australia
(72) Name(s) of Designer(s): **Arthur Soetedja**
(45) Registration Date: **03 January 2013**
(56) Related Art Documents: **Not Applicable**
(57) Statement of Newness and Distinctiveness: **Nil**



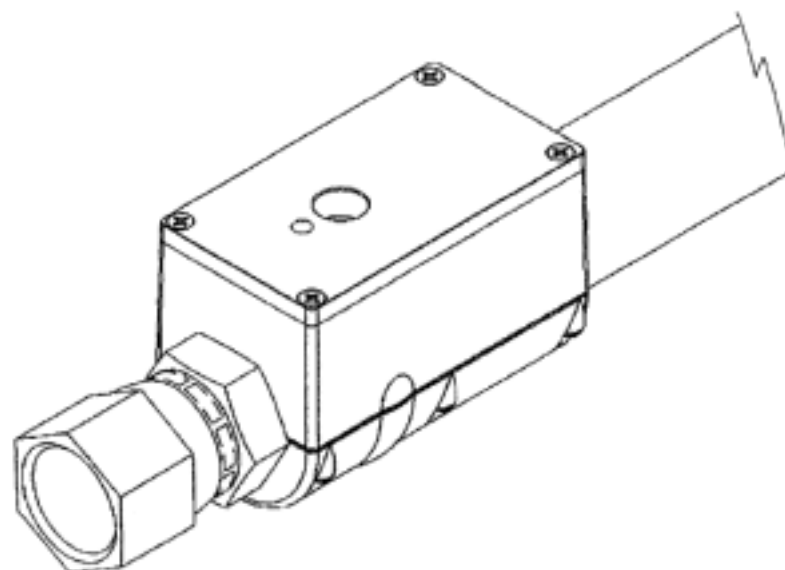
- (21) Design Number: **14308/2012**
(22) Date of Filing Application: **29 August 2012**
(24) Date from which industrial property rights may have effect: **29 August 2012**
(54) Product in respect of which the design is registered: **Dress storage/carry case**
(51) International Design Classification: **03-01A**
(74) Name(s) of Attorney(s):
(71) Name(s) and Address(s) of Applicant(s):
Angelo Konstas
PO BOX 545 Sans Souci NSW 2219 Australia
Khatira Konstas
PO BOX 545 Sans Souci NSW 2219 Australia
(72) Name(s) of Designer(s): **Khatira Konstas and Angelo Konstas**
(45) Registration Date: **03 January 2013**
(56) Related Art Documents: **Not Applicable**
(57) Statement of Newness and Distinctiveness: **Newness and distinctiveness is claimed in the pattern and ornamentation shown in the representations.**



(21) Design Number: **14310/2012**
(22) Date of Filing Application: **29 August 2012**
(24) Date from which industrial property rights may have effect: **29 August 2012**
(54) Product in respect of which the design is registered: **Dress storage/carry case**
(51) International Design Classification: **03-01A**
(74) Name(s) of Attorney(s):
(71) Name(s) and Address(s) of Applicant(s):
Angelo Konstas
PO BOX 545 Sans Souci NSW 2219 Australia
Khatira Konstas
PO BOX 545 Sans Souci NSW 2219 Australia
(72) Name(s) of Designer(s): **Khatira Konstas and Angelo Konstas**
(45) Registration Date: **03 January 2013**
(56) Related Art Documents: **Not Applicable**
(57) Statement of Newness and Distinctiveness: **Newness and distinctiveness is claimed in the pattern and ornamentation shown in the representations.**



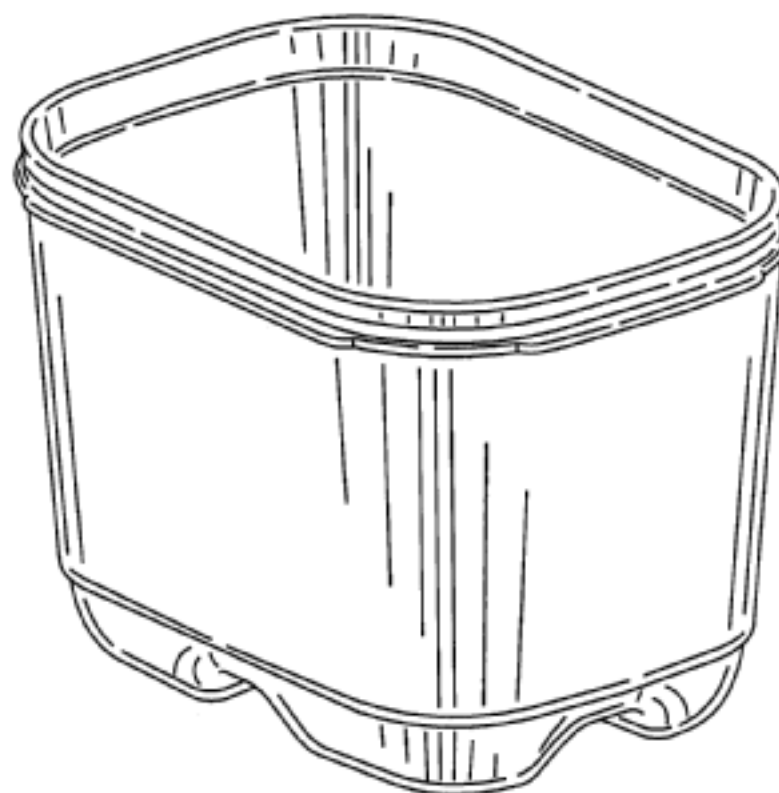
(21) Design Number: **15223/2012**
(22) Date of Filing Application: **22 October 2012**
(24) Date from which industrial property rights may have effect: **22 October 2012**
(54) Product in respect of which the design is registered: **Hose and sensor assembly**
(51) International Design Classification: **10-04**
(74) Name(s) of Attorney(s): **FB Rice**
(71) Name(s) and Address(s) of Applicant(s):
Eaton Corporation
Eaton Center 1111 Superior Avenue Cleveland Ohio 44114-2584 United States of America
(72) Name(s) of Designer(s): **James Dean Betsinger**
(45) Registration Date: **03 January 2013**
(30) Convention priority data:
(31) Number (32) Date (33) Country
29/419398 27 Apr 2012 UNITED STATES OF AMERICA
(56) Related Art Documents: **Not Applicable**
(57) Statement of Newness and Distinctiveness: **Newness and distinctiveness reside in the features of the design shown in the representations, the hose of the article being of indefinite length.**



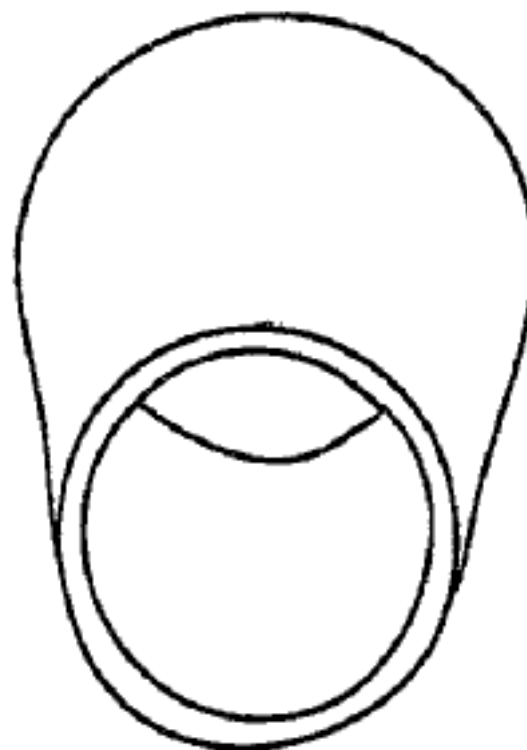
(21) Design Number: **15450/2012**
(22) Date of Filing Application: **31 October 2012**
(24) Date from which industrial property rights may have effect: **31 October 2012**
(54) Product in respect of which the design is registered: **Produce storage container**
(51) International Design Classification: **09-03K**
(74) Name(s) of Attorney(s): **PHILLIPS ORMONDE FITZPATRICK**
(71) Name(s) and Address(s) of Applicant(s):
Dart Industries Inc.
14901 S. Orange Blossom Trail Orlando Florida 32837 United States of America
(72) Name(s) of Designer(s): **Jan-Hendrik De Groote and Nathan E. Shirley**
(45) Registration Date: **03 January 2013**
(30) Convention priority data:
(31) Number (32) Date (33) Country
29/421,116 24 May 2012 UNITED STATES OF AMERICA
(56) Related Art Documents: **Not Applicable**
(57) Statement of Newness and Distinctiveness: **Those features of the produce storage container depicted in the representations that are new and distinctive are the shape and/or configuration.**



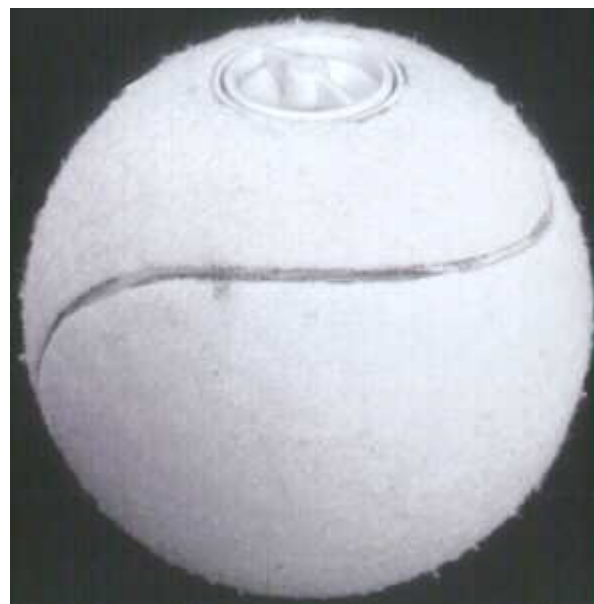
(21) Design Number: **15453/2012**
(22) Date of Filing Application: **31 October 2012**
(24) Date from which industrial property rights may have effect: **31 October 2012**
(54) Product in respect of which the design is registered: **Produce storage container**
(51) International Design Classification: **09-03K**
(74) Name(s) of Attorney(s): **PHILLIPS ORMONDE FITZPATRICK**
(71) Name(s) and Address(s) of Applicant(s):
Dart Industries Inc.
14901 S. Orange Blossom Trail Orlando Florida 32837 United States of America
(72) Name(s) of Designer(s): **Jan-Hendrik De Groote and Nathan E. Shirley**
(45) Registration Date: **03 January 2013**
(30) Convention priority data:
(31) Number (32) Date (33) Country
29/421,119 24 May 2012 UNITED STATES OF AMERICA
(56) Related Art Documents: **Not Applicable**
(57) Statement of Newness and Distinctiveness: **Those features of the produce storage container depicted in the representations that are new and distinctive are the shape and/or configuration.**



- (21) Design Number: **15544/2012**
(22) Date of Filing Application: **07 November 2012**
(24) Date from which industrial property rights may have effect: **07 November 2012**
(54) Product in respect of which the design is registered: **Bottle neck holder**
(51) International Design Classification: **07-06A, 07-07A**
(74) Name(s) of Attorney(s): **Molins & Co**
(71) Name(s) and Address(s) of Applicant(s):
Applethree PTY LTD
21 Berry Av Green Point NSW 2551 Australia
(72) Name(s) of Designer(s): **James Hughes**
(45) Registration Date: **03 January 2013**
(56) Related Art Documents: **Not Applicable**
(57) Statement of Newness and Distinctiveness: **Newness is claimed in the shape and configuration of an insulator for beverage bottle. The thickness of the insulator is not considered to be an essential integer of the design.**



- (21) Design Number: **15624/2012**
(22) Date of Filing Application: **13 November 2012**
(24) Date from which industrial property rights may have effect: **13 November 2012**
(54) Product in respect of which the design is registered: **Drink container**
(51) International Design Classification: **09-01D**
(74) Name(s) of Attorney(s):
(71) Name(s) and Address(s) of Applicant(s):
Thirstysport Pty Ltd
238 Albert Rd South Melbourne VIC 3205 Australia
(72) Name(s) of Designer(s): **Lazaro Dorian**
(45) Registration Date: **03 January 2013**
(56) Related Art Documents: **Not Applicable**
(57) Statement of Newness and Distinctiveness: **Newness and distinctiveness resides in the visual features shape, pattern and furry visual surface texture giving an overall impression, except for size of a real tennis ball.**



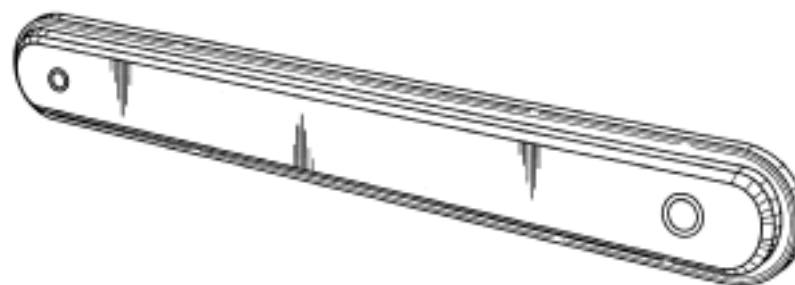
- (21) Design Number: **15754/2012**
(22) Date of Filing Application: **16 November 2012**
(24) Date from which industrial property rights may have effect: **16 November 2012**
(54) Product in respect of which the design is registered: **A teat**
(51) International Design Classification: **07-01E**
(74) Name(s) of Attorney(s): **Griffith Hack**
(71) Name(s) and Address(s) of Applicant(s):
I-Sip Trading Pty Ltd
PO BOX 8368 Armadale Victoria 3143 Australia
(72) Name(s) of Designer(s): **Julia Wilson**
(45) Registration Date: **03 January 2013**
(56) Related Art Documents: **Not Applicable**
(57) Statement of Newness and Distinctiveness: **Newness and distinctiveness resides in the shape and configuration of the product as illustrated in the drawings. No Newness and Distinctiveness is shown by the features represented in dashed lines.**



- (21) Design Number: **15777/2012**
(22) Date of Filing Application: **19 November 2012**
(24) Date from which industrial property rights may have effect: **19 November 2012**
(54) Product in respect of which the design is registered: **A metal door latch**
(51) International Design Classification: **08-07**
(74) Name(s) of Attorney(s):
(71) Name(s) and Address(s) of Applicant(s):
Peter Francis Layton
2 Stathgrove Way Orange NSW 2800 Australia
(72) Name(s) of Designer(s): **Peter Francis Layton**
(45) Registration Date: **03 January 2013**
(56) Related Art Documents: **Not Applicable**
(57) Statement of Newness and Distinctiveness: **Monopoly is claimed in the shape and configuration of a door latch as shown in the representations accompanying.**



(21) Design Number: **15857/2012**
(22) Date of Filing Application: **21 November 2012**
(24) Date from which industrial property rights may have effect: **21 November 2012**
(54) Product in respect of which the design is registered: **Control panels for toilets and/or urinals**
(51) International Design Classification: **23-02C**
(74) Name(s) of Attorney(s): **Fisher Adams Kelly**
(71) Name(s) and Address(s) of Applicant(s):
Geberit International AG
Schachenstrasse 77 8645 JONA Switzerland
(72) Name(s) of Designer(s): **Christoph Behling**
(45) Registration Date: **03 January 2013**
(30) Convention priority data:
(31) Number (32) Date (33) Country
DM/078383 22 May 2012 WORLD INTELLECTUAL
PROPERTY ORGANIZATION
(WIPO)
(56) Related Art Documents: **Not Applicable**
(57) Statement of Newness and Distinctiveness: **The newness and distinctiveness of the design resides in the shape and/or configuration of the CONTROL PANELS FOR TOILETS AND/OR URINALS shown in the representations.**



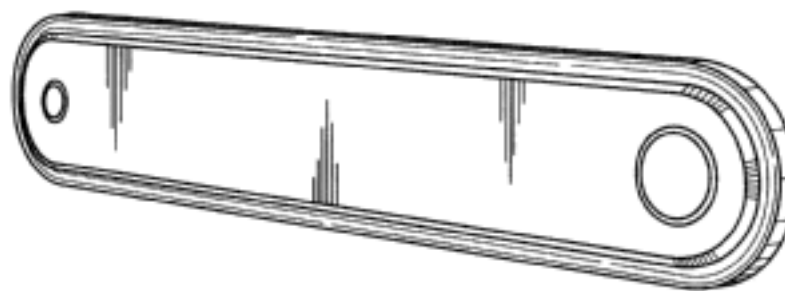
(21) Design Number: **15858/2012**
(22) Date of Filing Application: **21 November 2012**
(24) Date from which industrial property rights may have effect: **21 November 2012**
(54) Product in respect of which the design is registered: **Control panels for toilets and/or urinals**
(51) International Design Classification: **23-02C**
(74) Name(s) of Attorney(s): **Fisher Adams Kelly**
(71) Name(s) and Address(s) of Applicant(s):
Geberit International AG
Schachenstrasse 77 8645 JONA Switzerland
(72) Name(s) of Designer(s): **Christoph Behling**
(45) Registration Date: **03 January 2013**
(30) Convention priority data:
(31) Number (32) Date (33) Country
DM/078383 22 May 2012 WORLD INTELLECTUAL
PROPERTY ORGANIZATION
(WIPO)
(56) Related Art Documents: **Not Applicable**
(57) Statement of Newness and Distinctiveness: **The newness and distinctiveness of the design resides in the shape and/or configuration of the CONTROL PANELS FOR TOILETS AND/OR URINALS shown in the representations.**



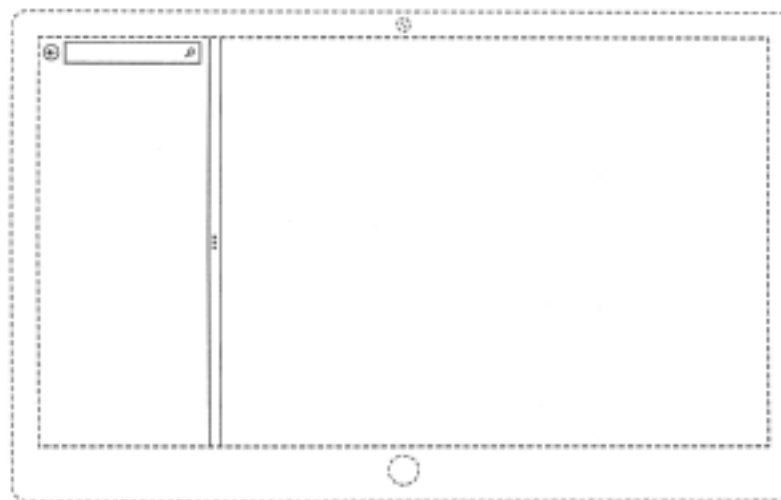
(21) Design Number: **15859/2012**
(22) Date of Filing Application: **21 November 2012**
(24) Date from which industrial property rights may have effect: **21 November 2012**
(54) Product in respect of which the design is registered: **Control panels for toilets and/or urinals**
(51) International Design Classification: **23-02C**
(74) Name(s) of Attorney(s): **Fisher Adams Kelly**
(71) Name(s) and Address(s) of Applicant(s):
Geberit International AG
Schachenstrasse 77 8645 JONA Switzerland
(72) Name(s) of Designer(s): **Christoph Behling**
(45) Registration Date: **03 January 2013**
(30) Convention priority data:
(31) Number (32) Date (33) Country
DM/078383 22 May 2012 WORLD INTELLECTUAL
PROPERTY ORGANIZATION
(WIPO)
(56) Related Art Documents: **Not Applicable**
(57) Statement of Newness and Distinctiveness: **The newness and distinctiveness of the design resides in the shape and/or configuration of the CONTROL PANELS FOR TOILETS AND/OR URINALS shown in the representations.**



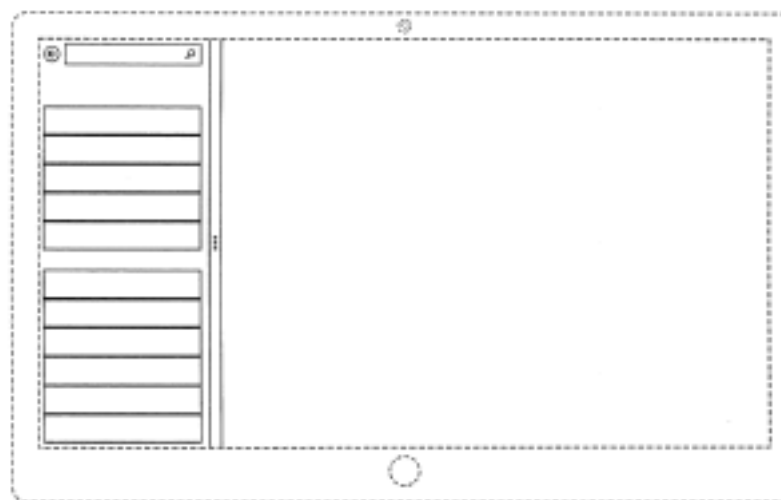
(21) Design Number: **15860/2012**
(22) Date of Filing Application: **21 November 2012**
(24) Date from which industrial property rights may have effect: **21 November 2012**
(54) Product in respect of which the design is registered: **Control panels for toilets and/or urinals**
(51) International Design Classification: **23-02C**
(74) Name(s) of Attorney(s): **Fisher Adams Kelly**
(71) Name(s) and Address(s) of Applicant(s):
Geberit International AG
Schachenstrasse 77 8645 JONA Switzerland
(72) Name(s) of Designer(s): **Christoph Behling**
(45) Registration Date: **03 January 2013**
(30) Convention priority data:
(31) Number (32) Date (33) Country
DM/078383 22 May 2012 WORLD INTELLECTUAL
PROPERTY ORGANIZATION
(WIPO)
(56) Related Art Documents: **Not Applicable**
(57) Statement of Newness and Distinctiveness: **The newness and distinctiveness of the design resides in the shape and/or configuration of the CONTROL PANELS FOR TOILETS AND/OR URINALS shown in the representations.**



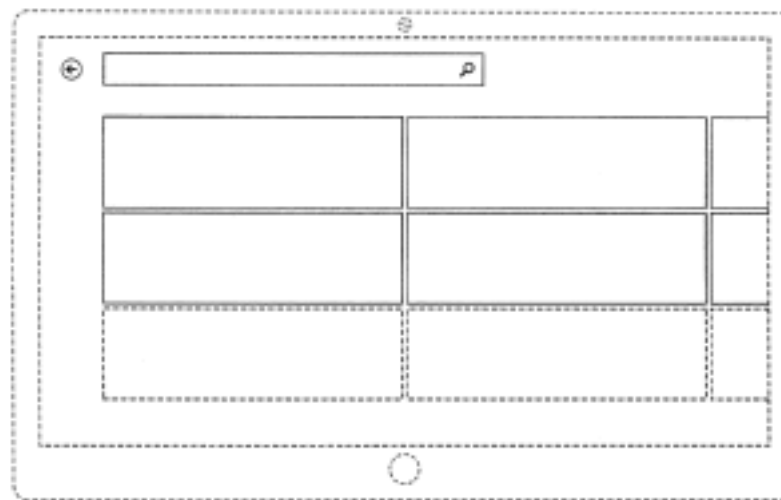
- (21) Design Number: **15866/2012**
(22) Date of Filing Application: **23 November 2012**
(24) Date from which industrial property rights may have effect: **23 November 2012**
(54) Product in respect of which the design is registered: **Display screen with graphical user interface**
(51) International Design Classification: **14-01**
(74) Name(s) of Attorney(s): **Shelston IP**
(71) Name(s) and Address(s) of Applicant(s):
Microsoft Corporation
One Microsoft Way Redmond Washington 98052 United States of America
(72) Name(s) of Designer(s): **Manuel Lima and Brian Morris and Manuel Tan and Xiaogang Yang and Robb Dean Anderson**
(45) Registration Date: **03 January 2013**
(30) Convention priority data:
(31) Number (32) Date (33) Country
29/434522 12 Oct 2012 UNITED STATES OF AMERICA
(56) Related Art Documents: **Not Applicable**
(57) Statement of Newness and Distinctiveness: **Newness and distinctiveness reside in the pattern and/or ornamentation of a display screen with graphical user interface as illustrated by solid lines in the accompanying representation. The features shown in broken outline are for contextual purposes only and do not form part of the design.**



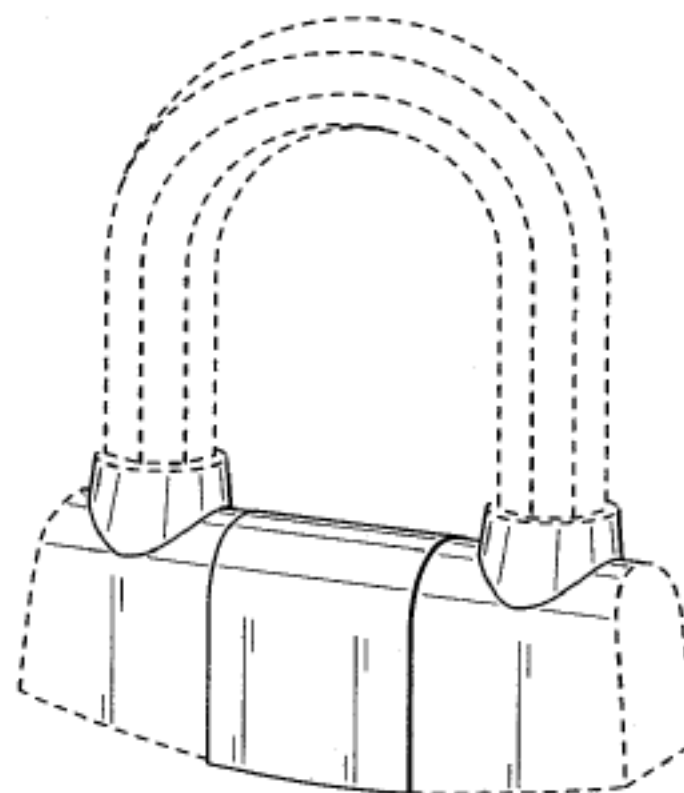
- (21) Design Number: **15867/2012**
(22) Date of Filing Application: **23 November 2012**
(24) Date from which industrial property rights may have effect: **23 November 2012**
(54) Product in respect of which the design is registered: **Display screen with graphical user interface**
(51) International Design Classification: **14-04**
(74) Name(s) of Attorney(s): **Shelston IP**
(71) Name(s) and Address(s) of Applicant(s):
Microsoft Corporation
One Microsoft Way Redmond Washington 98052 United States of America
(72) Name(s) of Designer(s): **Manuel Lima and Brian Morris and Manuel Tan and Xiaogang Yang and Robb Dean Anderson**
(45) Registration Date: **03 January 2013**
(30) Convention priority data:
(31) Number (32) Date (33) Country
29/434522 12 Oct 2012 UNITED STATES OF AMERICA
(56) Related Art Documents: **Not Applicable**
(57) Statement of Newness and Distinctiveness: **Newness and distinctiveness reside in the pattern and/or ornamentation of a display screen with graphical user interface as illustrated by solid lines in the accompanying representation. The features shown in broken outline are for contextual purposes only and do not form part of the design.**



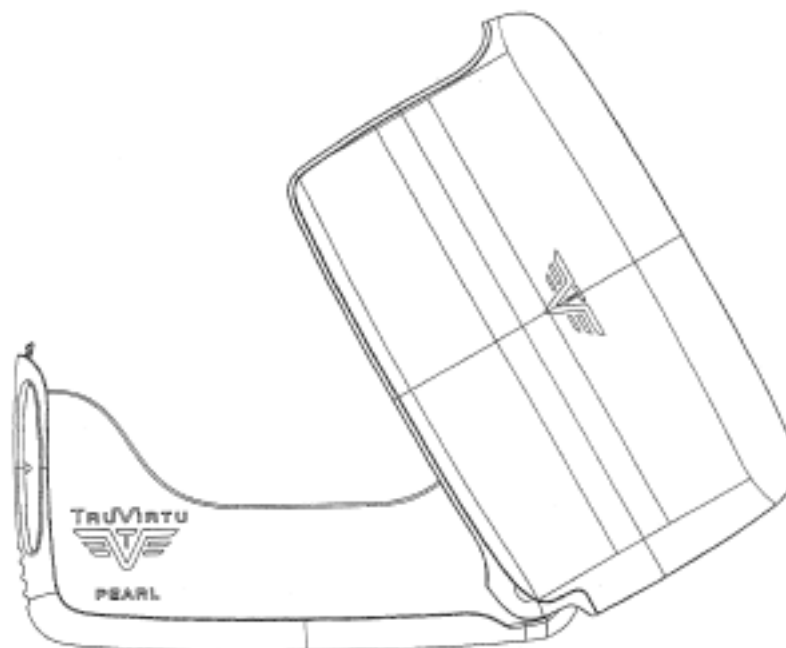
- (21) Design Number: **15868/2012**
(22) Date of Filing Application: **23 November 2012**
(24) Date from which industrial property rights may have effect: **23 November 2012**
(54) Product in respect of which the design is registered: **Display screen with graphical user interface**
(51) International Design Classification: **14-04**
(74) Name(s) of Attorney(s): **Shelston IP**
(71) Name(s) and Address(s) of Applicant(s):
Microsoft Corporation
One Microsoft Way Redmond Washington 98052 United States of America
(72) Name(s) of Designer(s): **Manuel Lima and Brian Morris and Manuel Tan and Robert Scott Dietz and Robb Dean Anderson**
(45) Registration Date: **03 January 2013**
(30) Convention priority data:
(31) Number (32) Date (33) Country
29/434523 12 Oct 2012 UNITED STATES OF AMERICA
(56) Related Art Documents: **Not Applicable**
(57) Statement of Newness and Distinctiveness: **Newness and distinctiveness reside in the pattern and/or ornamentation of a display screen with graphical user interface as illustrated by solid lines in the accompanying representation. The features shown in broken outline are for contextual purposes only and do not form part of the design.**



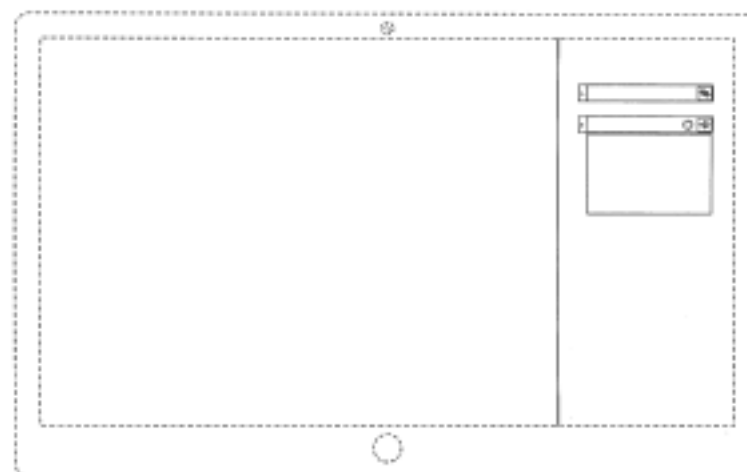
- (21) Design Number: **15878/2012**
(22) Date of Filing Application: **21 November 2012**
(24) Date from which industrial property rights may have effect: **10 October 2012**
(54) Product in respect of which the design is registered: **Lock**
(51) International Design Classification: **08-07**
(74) Name(s) of Attorney(s): **Callinans**
(71) Name(s) and Address(s) of Applicant(s):
Master Lock Company LLC
137 W. Forest Avenue PO Box 927 Oak Creek Wisconsin 53154 United States of America
(72) Name(s) of Designer(s): **Laurent Ferragu**
(45) Registration Date: **03 January 2013**
(30) Convention priority data:
(31) Number (32) Date (33) Country
29/418,163 12 Apr 2012 UNITED STATES OF AMERICA
(62) Divisional of: **345813**
(56) Related Art Documents: **Not Applicable**
(57) Statement of Newness and Distinctiveness: **Newness and distinctiveness are provided by the shape and/or configuration of the design shown in the representations. The features shown in broken lines in the representations are for illustrative purposes only and should not be considered when construing visual features of the design.**



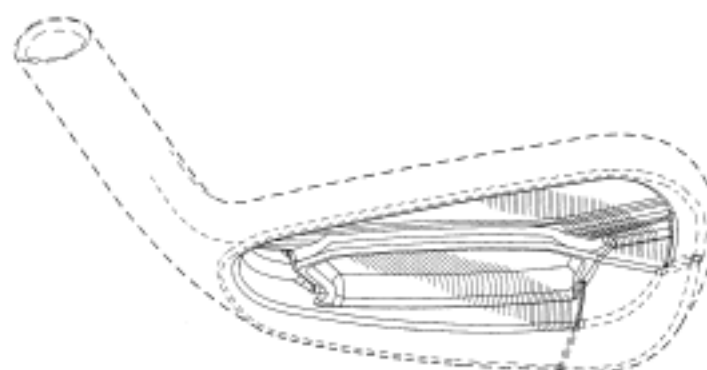
- (21) Design Number: **15929/2012**
(22) Date of Filing Application: **27 November 2012**
(24) Date from which industrial property rights may have effect: **27 November 2012**
(54) Product in respect of which the design is registered: **Credit card case**
(51) International Design Classification: **03-01B**
(74) Name(s) of Attorney(s): **SPRUSON & FERGUSON**
(71) Name(s) and Address(s) of Applicant(s):
Thomas Wingerter
Schluterstrasse 22 20146 Hamburg Germany
Katrin Mengel
Schluterstrasse 22 20146 Hamburg Germany
(72) Name(s) of Designer(s): **Emmanuel Dietrich**
(45) Registration Date: **03 January 2013**
(56) Related Art Documents: **Not Applicable**
(57) Statement of Newness and Distinctiveness: **Newness and distinctiveness is claimed in the features of shape and/or configuration of a credit card case as illustrated in the accompanying representations.**



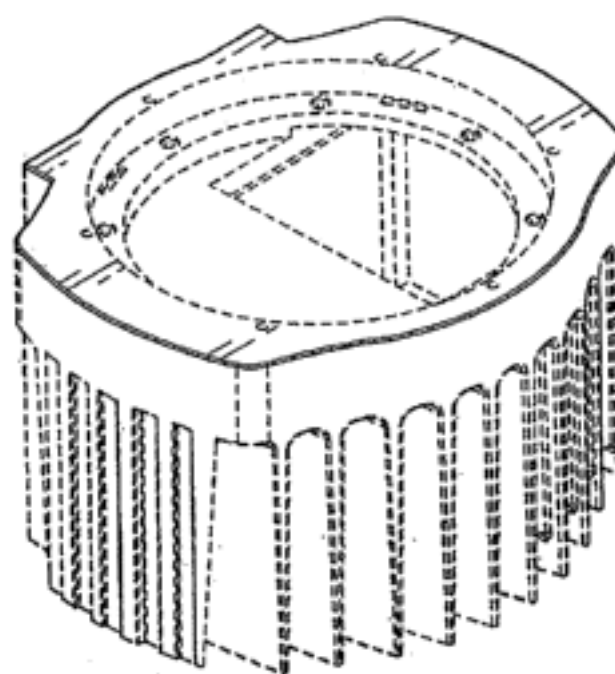
- (21) Design Number: **15873/2012**
(22) Date of Filing Application: **23 November 2012**
(24) Date from which industrial property rights may have effect: **23 November 2012**
(54) Product in respect of which the design is registered: **Display screen with graphical user interface**
(51) International Design Classification: **14-04**
(74) Name(s) of Attorney(s): **Shelston IP**
(71) Name(s) and Address(s) of Applicant(s):
Microsoft Corporation
One Microsoft Way Redmond Washington 98052 United States of America
(72) Name(s) of Designer(s): **Diego D. Baca Del Rosario and Vincent J. Pasceri**
(45) Registration Date: **04 January 2013**
(30) Convention priority data:
(31) Number (32) Date (33) Country
29/434449 12 Oct 2012 UNITED STATES OF AMERICA
(56) Related Art Documents: **Not Applicable**
(57) Statement of Newness and Distinctiveness: **Newness and distinctiveness reside in the pattern and/or ornamentation of a display screen with graphical user interface as illustrated by solid lines in the accompanying representation. The features shown in broken outline are for contextual purposes only and do not form part of the design.**



(21) Design Number: **15874/2012**
(22) Date of Filing Application: **23 November 2012**
(24) Date from which industrial property rights may have effect: **23 November 2012**
(54) Product in respect of which the design is registered: **Golf club head**
(51) International Design Classification: **21-02C**
(74) Name(s) of Attorney(s): **Davies Collison Cave**
(71) Name(s) and Address(s) of Applicant(s):
Karsten Manufacturing Corporation
2201 West Desert Cove Phoenix Arizona 85029 United States of America
(72) Name(s) of Designer(s): **Marty R. Jertson and Xiaojian Chen and Ryan M. Stokke and Bradley D. Schweigert**
(45) Registration Date: **04 January 2013**
(30) Convention priority data:
(31) Number (32) Date (33) Country
29/425311 21 Jun 2012 UNITED STATES OF AMERICA
(56) Related Art Documents: **Not Applicable**
(57) Statement of Newness and Distinctiveness: **Newness and Distinctiveness is claimed in the visual features shown in solid lines in the representations. In considering the extent of the design rights, the broken lines shown in the representations are for illustrative purposes only and do not form part of the design.**



(21) Design Number: **15875/2012**
(22) Date of Filing Application: **23 November 2012**
(24) Date from which industrial property rights may have effect: **23 November 2012**
(54) Product in respect of which the design is registered: **Light fixture housing**
(51) International Design Classification: **26-05C**
(74) Name(s) of Attorney(s): **SPRUSON & FERGUSON**
(71) Name(s) and Address(s) of Applicant(s):
Phoenix Products Company, Inc.
8711 West Port Avenue Milwaukee Wisconsin 53224 United States of America
(72) Name(s) of Designer(s): **Robert Kenneth Yasuji Fletcher and Jason John Pechloff**
(45) Registration Date: **04 January 2013**
(30) Convention priority data:
(31) Number (32) Date (33) Country
29/432760 20 Sep 2012 UNITED STATES OF AMERICA
(56) Related Art Documents: **Not Applicable**
(57) Statement of Newness and Distinctiveness: **Newness and distinctiveness is claimed in those features of shape and/or configuration of a light fixture housing illustrated in continuous lines in the accompanying representations.**



- (21) Design Number: **15876/2012**
(22) Date of Filing Application: **23 November 2012**
(24) Date from which industrial property rights may have effect: **23 November 2012**
(54) Product in respect of which the design is registered: **Front side cowl for motorcycle**
(51) International Design Classification: **12-11**
(74) Name(s) of Attorney(s): **SPRUSON & FERGUSON**
(71) Name(s) and Address(s) of Applicant(s):
Honda Motor Co., Ltd.
1-1 Minamiaoyama 2-chome Minato-ku Tokyo Japan
(72) Name(s) of Designer(s): **Hiroaki Tsukui and Masato Nagato**
(45) Registration Date: **04 January 2013**
(30) Convention priority data:
(31) Number (32) Date (33) Country
2012-012233 24 May 2012 JAPAN
(56) Related Art Documents: **Not Applicable**
(57) Statement of Newness and Distinctiveness: **Newness and distinctiveness is claimed in the features of shape and/or configuration of a front side cowl for motorcycle as illustrated in the accompanying representations.**



- (21) Design Number: **15877/2012**
(22) Date of Filing Application: **23 November 2012**
(24) Date from which industrial property rights may have effect: **23 November 2012**
(54) Product in respect of which the design is registered: **Motorcycle**
(51) International Design Classification: **12-11**
(74) Name(s) of Attorney(s): **SPRUSON & FERGUSON**
(71) Name(s) and Address(s) of Applicant(s):
Honda Motor Co., Ltd.
1-1 Minamiaoyama 2-chome Minato-ku Tokyo Japan
(72) Name(s) of Designer(s): **Hiroaki Tsukui and Masato Nagata**
(45) Registration Date: **04 January 2013**
(30) Convention priority data:
(31) Number (32) Date (33) Country
2012-012232 24 May 2012 JAPAN
(56) Related Art Documents: **Not Applicable**
(57) Statement of Newness and Distinctiveness: **Newness and distinctiveness is claimed in the features of shape and/or configuration of a motorcycle as illustrated in the accompanying representations.**



(21) Design Number: **15881/2012**
(22) Date of Filing Application: **23 November 2012**
(24) Date from which industrial property rights may have effect: **23 November 2012**
(54) Product in respect of which the design is registered: **Kettle**
(51) International Design Classification: **07-02K**
(74) Name(s) of Attorney(s): **Fisher Adams Kelly**
(71) Name(s) and Address(s) of Applicant(s):

Alex Gort-Barten
County Oak Way Crawley West Sussex RH11 7ST United Kingdom

(72) Name(s) of Designer(s): **Alex Gort-Barten**

(45) Registration Date: **04 January 2013**

(30) Convention priority data:

(31) Number	(32) Date	(33) Country
002046219	23 May 2012	EUROPEAN COMMUNITY

(56) Related Art Documents: **Not Applicable**

(57) Statement of Newness and Distinctiveness: **The newness and distinctiveness of the design reside in the shape and/or configuration of the KETTLE shown in the representations.**



(21) Design Number: **15883/2012**
(22) Date of Filing Application: **23 November 2012**
(24) Date from which industrial property rights may have effect: **23 November 2012**
(54) Product in respect of which the design is registered: **Tablet stand with security mounting bracket**
(51) International Design Classification: **08-08NES, 14-99**
(74) Name(s) of Attorney(s): **Griffith Hack**
(71) Name(s) and Address(s) of Applicant(s):

Dundee Precious Metals Inc.
Dundee Place 1 Adelaide Street East Suite 500 PO Box 195 Toronto ON M5C 2V9 Canada

(72) Name(s) of Designer(s): **Mark Gelsomini and Richard Coulson**

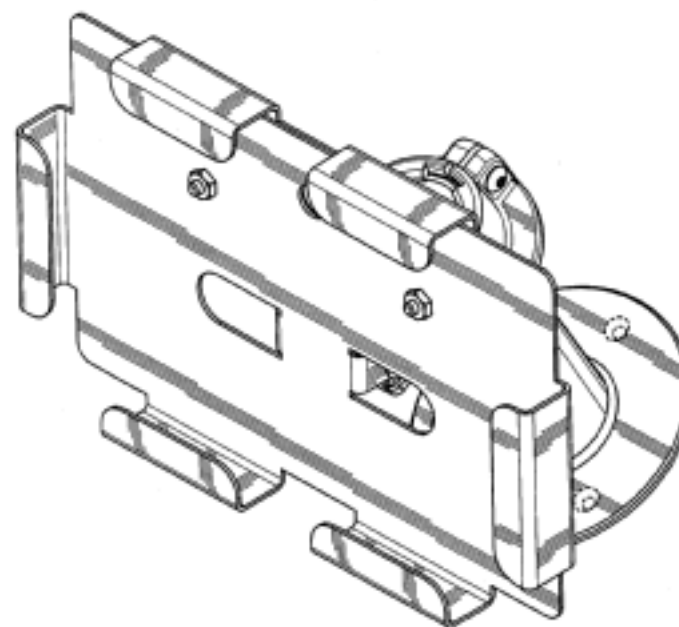
(45) Registration Date: **04 January 2013**

(30) Convention priority data:

(31) Number	(32) Date	(33) Country
145747	23 May 2012	CANADA

(56) Related Art Documents: **Not Applicable**

(57) Statement of Newness and Distinctiveness: **Newness and distinctiveness resides in the visual features, including shape, configuration, pattern and ornamentation, of a tablet stand with security mounting bracket as shown in solid outline in the accompanying drawings. When determining whether the design is substantially similar in overall impression to another design, no regard is to be had to those features shown in dotted outline in the accompanying drawings, which features are provided for illustrative purposes only.**



(21) Design Number: **15884/2012**
(22) Date of Filing Application: **23 November 2012**
(24) Date from which industrial property rights may have effect: **23 November 2012**
(54) Product in respect of which the design is registered: **Tablet stand with security mounting bracket**
(51) International Design Classification: **08-08NES, 14-99**
(74) Name(s) of Attorney(s): **Griffith Hack**
(71) Name(s) and Address(s) of Applicant(s):
Dundee Precious Metals Inc.
Dundee Place 1 Adelaide Street East Suite 500 PO Box 195 Toronto ON
M5C 2V9 Canada

(72) Name(s) of Designer(s): **Mark Gelsomini and Richard Coulson**

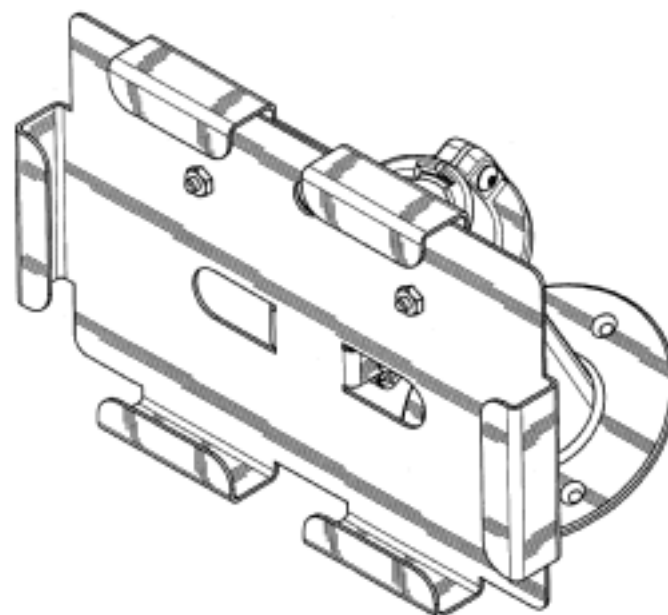
(45) Registration Date: **04 January 2013**

(30) Convention priority data:

(31) Number	(32) Date	(33) Country
145747	23 May 2012	CANADA

(56) Related Art Documents: **Not Applicable**

(57) Statement of Newness and Distinctiveness: **Newness and distinctiveness resides in the visual features, including shape, configuration, pattern and ornamentation, of a tablet stand with security mounting bracket as shown in solid outline in the accompanying drawings. When determining whether the design is substantially similar in overall impression to another design, no regard is to be had to those features shown in dotted outline in the accompanying drawings, which features are provided for illustrative purposes only.**



(21) Design Number: **15885/2012**
(22) Date of Filing Application: **23 November 2012**
(24) Date from which industrial property rights may have effect: **23 November 2012**
(54) Product in respect of which the design is registered: **Tablet case**
(51) International Design Classification: **14-02**
(74) Name(s) of Attorney(s): **Griffith Hack**
(71) Name(s) and Address(s) of Applicant(s):
Dundee Precious Metals Inc.
Dundee Place 1 Adelaide Street East Suite 500 PO Box 195 Toronto ON
M5C 2V9 Canada

(72) Name(s) of Designer(s): **Mark Gelsomini and Richard Coulson**

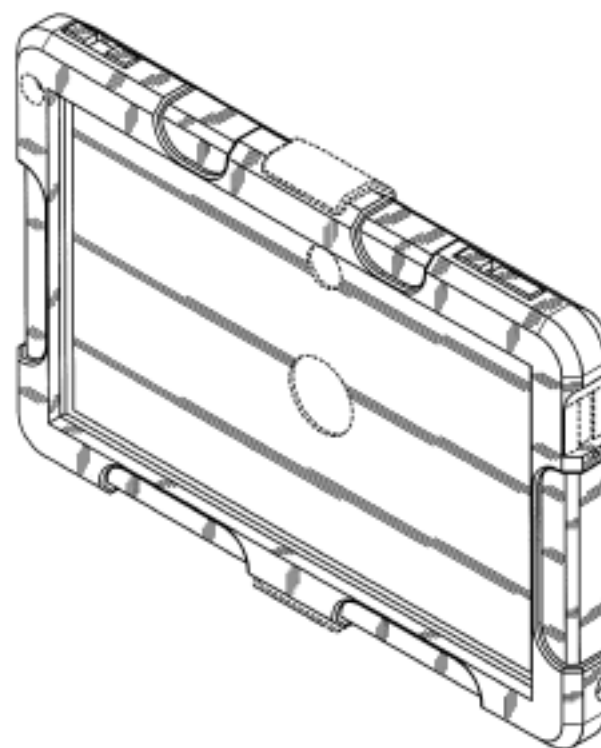
(45) Registration Date: **04 January 2013**

(30) Convention priority data:

(31) Number	(32) Date	(33) Country
145745	23 May 2012	CANADA

(56) Related Art Documents: **Not Applicable**

(57) Statement of Newness and Distinctiveness: **Newness and distinctiveness resides in the visual features, including shape, [and] configuration, [pattern and ornamentation] of a tablet case as shown in solid outline in the accompanying drawings. When determining whether the design is substantially similar in overall impression to another design, no regard is to be had to those features shown in dotted outline in the accompanying drawings, which features are provided for illustrative purposes only.**



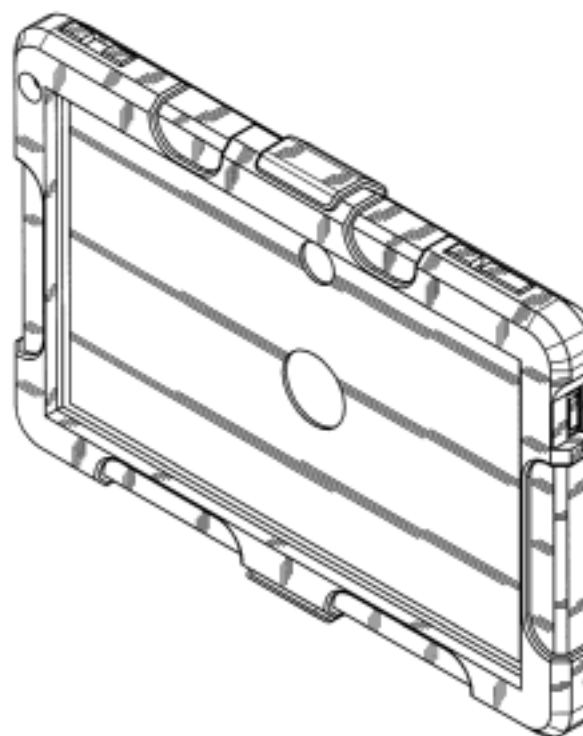
(21) Design Number: **15886/2012**
(22) Date of Filing Application: **23 November 2012**
(24) Date from which industrial property rights may have effect: **23 November 2012**
(54) Product in respect of which the design is registered: **Tablet case**
(51) International Design Classification: **14-02**
(74) Name(s) of Attorney(s): **Griffith Hack**
(71) Name(s) and Address(s) of Applicant(s):
Dundee Precious Metals Inc.
Dundee Place 1 Adelaide Street East Suite 500 PO Box 195 Toronto ON
M5C 2V9 Canada

(72) Name(s) of Designer(s): **Mark Gelsomini and Richard Coulson**
(45) Registration Date: **04 January 2013**

(30) Convention priority data:
(31) Number (32) Date (33) Country
145745 23 May 2012 CANADA

(56) Related Art Documents: **Not Applicable**

(57) Statement of Newness and Distinctiveness: **Newness and distinctiveness resides in the visual features, including shape, [and] configuration, [pattern and ornamentation] of a tablet case as shown in solid outline in the accompanying drawings. When determining whether the design is substantially similar in overall impression to another design, no regard is to be had to those features shown in dotted outline in the accompanying drawings, which features are provided for illustrative purposes only.**



(21) Design Number: **15980/2012**
(22) Date of Filing Application: **29 November 2012**
(24) Date from which industrial property rights may have effect: **29 November 2012**
(54) Product in respect of which the design is registered: **Electronic device**
(51) International Design Classification: **14-02**
(74) Name(s) of Attorney(s): **Freehills Patent Attorneys**
(71) Name(s) and Address(s) of Applicant(s):
Apple Inc.
One Infinite Loop Cupertino California 95014 United States of America

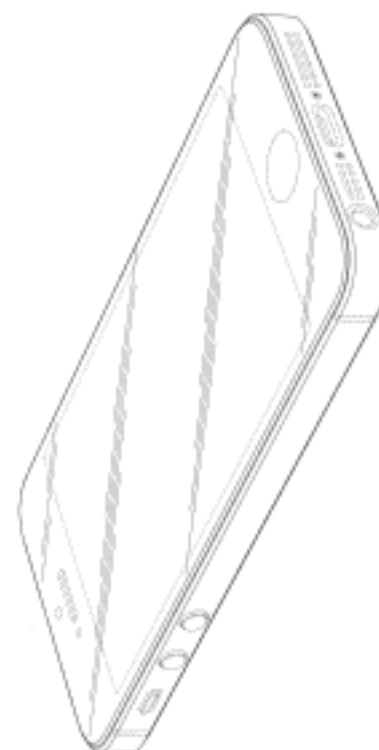
(72) Name(s) of Designer(s): **Jody Akana and Bartley K. Andre and Jeremy Bataillou and Daniel J. Coster and Daniele De Iuliis and M. Evans Hankey and Julian Hoenig and Richard P. Howarth and Jonathan P. Ive and Duncan Robert Kerr and Shin Nishibori and Matthew Dean Rohrbach and Peter Russell-Clarke and Christopher J. Stringer and Eugene Antony Whang and Rico Zorkendorfer**

(45) Registration Date: **04 January 2013**

(30) Convention priority data:
(31) Number (32) Date (33) Country
29/423180 29 May 2012 UNITED STATES OF AMERICA

(56) Related Art Documents: **Not Applicable**

(57) Statement of Newness and Distinctiveness: **Newness and distinctiveness resides in the features shown in solid lines in the accompanying figures.**



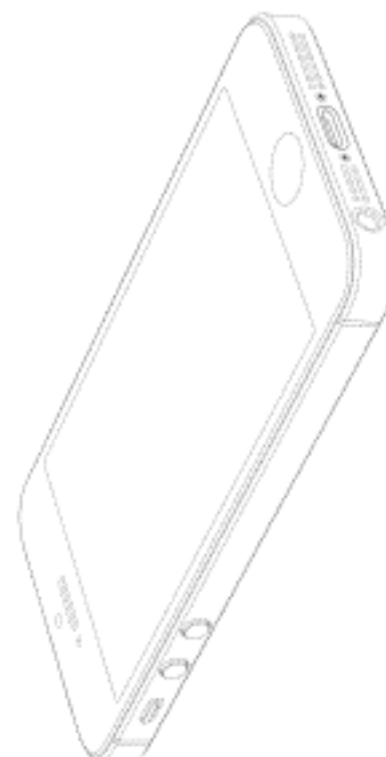
- (21) Design Number: **15981/2012**
(22) Date of Filing Application: **29 November 2012**
(24) Date from which industrial property rights may have effect: **29 November 2012**
(54) Product in respect of which the design is registered: **Electronic device**
(51) International Design Classification: **14-02**
(74) Name(s) of Attorney(s): **Freehills Patent Attorneys**
(71) Name(s) and Address(s) of Applicant(s):
Apple Inc.
One Infinite Loop Cupertino California 95014 United States of America
(72) Name(s) of Designer(s): **Jody Akana and Bartley K. Andre and Jeremy Bataillou and Daniel J. Coster and Daniele De lulus and M. Evans Hankey and Julian Hoenig and Richard P. Howarth and Jonathan P. Ive and Duncan Robert Kerr and Shin Nishibori and Matthew Dean Rohrbach and Peter Russell-Clarke and Christopher J. Stringer and Eugene Antony Whang and Rico Zorkendorfer**
(45) Registration Date: **04 January 2013**
(30) Convention priority data:
(31) Number (32) Date (33) Country
29/423180 29 May 2012 UNITED STATES OF AMERICA
(56) Related Art Documents: **Not Applicable**
(57) Statement of Newness and Distinctiveness: **Newness and distinctiveness resides in the features shown in solid lines in the accompanying figures.**



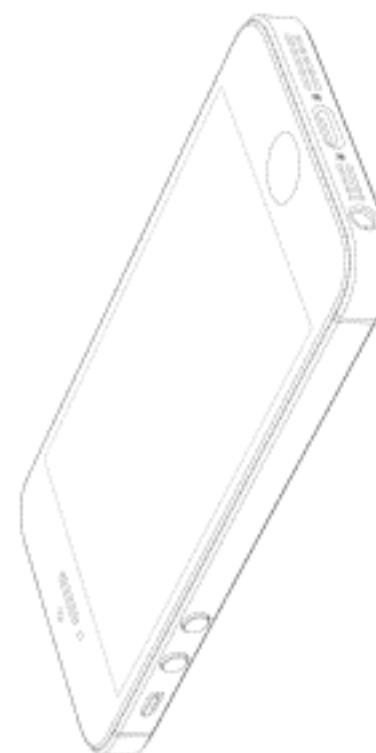
- (21) Design Number: **15982/2012**
(22) Date of Filing Application: **29 November 2012**
(24) Date from which industrial property rights may have effect: **29 November 2012**
(54) Product in respect of which the design is registered: **Electronic device**
(51) International Design Classification: **14-02**
(74) Name(s) of Attorney(s): **Freehills Patent Attorneys**
(71) Name(s) and Address(s) of Applicant(s):
Apple Inc.
One Infinite Loop Cupertino California 95014 United States of America
(72) Name(s) of Designer(s): **Jody Akana and Bartley K. Andre and Jeremy Bataillou and Daniel J. Coster and Daniele De luliis and M. Evans Hankey and Julian Hoenig and Richard P. Howarth and Jonathan P. Ive and Duncan Robert Kerr and Shin Nishibori and Matthew Dean Rohrbach and Peter Russell-Clarke and Christopher J. Stringer and Eugene Antony Whang and Rico Zorkendorfer**
(45) Registration Date: **04 January 2013**
(30) Convention priority data:
(31) Number (32) Date (33) Country
29/423180 29 May 2012 UNITED STATES OF AMERICA
(56) Related Art Documents: **Not Applicable**
(57) Statement of Newness and Distinctiveness: **Newness and distinctiveness resides in the features shown in solid lines and grey colouring in the accompanying figures, wherein the solid shade lines illustrate transparency and the grey colouring illustrates differences in appearance.**



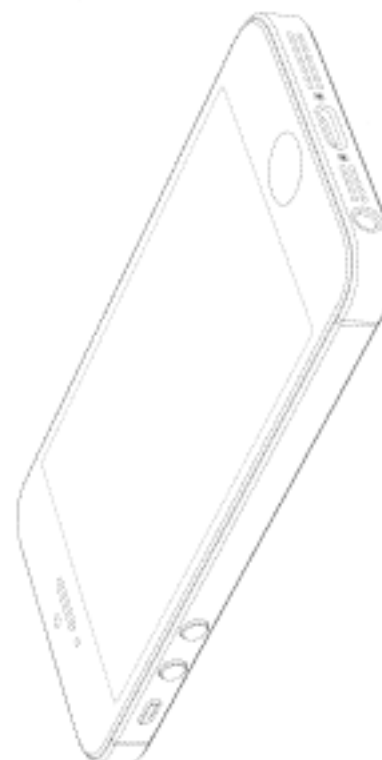
- (21) Design Number: **15983/2012**
(22) Date of Filing Application: **29 November 2012**
(24) Date from which industrial property rights may have effect: **29 November 2012**
(54) Product in respect of which the design is registered: **Electronic device**
(51) International Design Classification: **14-02**
(74) Name(s) of Attorney(s): **Freehills Patent Attorneys**
(71) Name(s) and Address(s) of Applicant(s):
Apple Inc.
One Infinite Loop Cupertino California 95014 United States of America
(72) Name(s) of Designer(s): **Jody Akana and Bartley K. Andre and Jeremy Bataillou and Daniel J. Coster and Daniele De Iuliis and M. Evans Hankey and Julian Hoenig and Richard P. Howarth and Jonathan P. Ive and Duncan Robert Kerr and Shin Nishibori and Matthew Dean Rohrbach and Peter Russell-Clarke and Christopher J. Stringer and Eugene Antony Whang and Rico Zorkendorfer**
(45) Registration Date: **04 January 2013**
(30) Convention priority data:
(31) Number (32) Date (33) Country
29/423180 29 May 2012 UNITED STATES OF AMERICA
(56) Related Art Documents: **Not Applicable**
(57) Statement of Newness and Distinctiveness: **Newness and distinctiveness resides in the features shown in solid lines in the accompanying figures.**



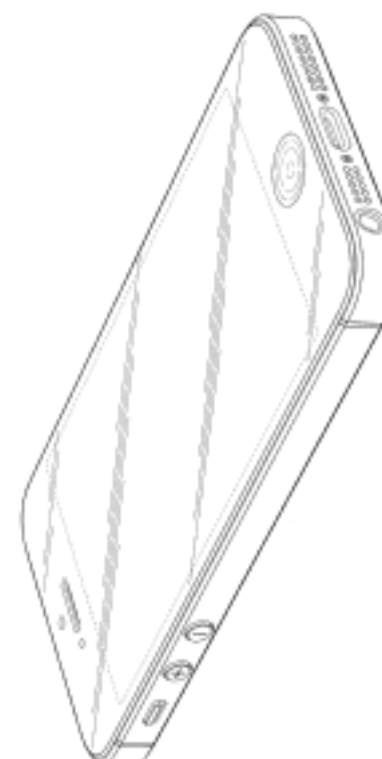
- (21) Design Number: **15984/2012**
(22) Date of Filing Application: **29 November 2012**
(24) Date from which industrial property rights may have effect: **29 November 2012**
(54) Product in respect of which the design is registered: **Electronic device**
(51) International Design Classification: **14-02**
(74) Name(s) of Attorney(s): **Freehills Patent Attorneys**
(71) Name(s) and Address(s) of Applicant(s):
Apple Inc.
One Infinite Loop Cupertino California 95014 United States of America
(72) Name(s) of Designer(s): **Jody Akana and Bartley K. Andre and Jeremy Bataillou and Daniel J. Coster and Daniele De Iuliis and M. Evans Hankey and Julian Hoenig and Richard P. Howarth and Jonathan P. Ive and Duncan Robert Kerr and Shin Nishibori and Matthew Dean Rohrbach and Peter Russell-Clarke and Christopher J. Stringer and Eugene Antony Whang and Rico Zorkendorfer**
(45) Registration Date: **04 January 2013**
(30) Convention priority data:
(31) Number (32) Date (33) Country
29/423180 29 May 2012 UNITED STATES OF AMERICA
(56) Related Art Documents: **Not Applicable**
(57) Statement of Newness and Distinctiveness: **Newness and distinctiveness resides in the features shown in solid lines in the accompanying figures.**



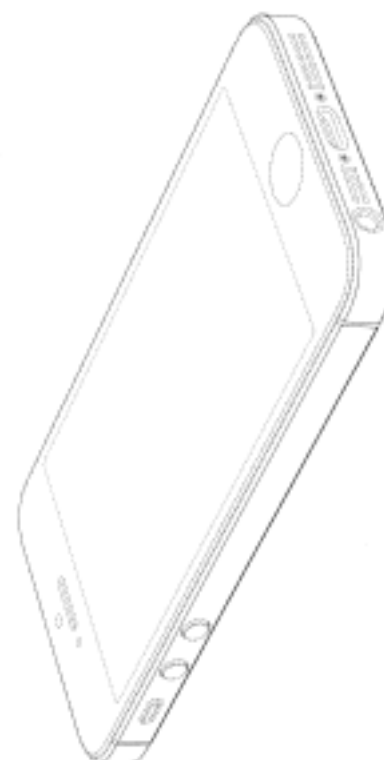
- (21) Design Number: **15985/2012**
(22) Date of Filing Application: **29 November 2012**
(24) Date from which industrial property rights may have effect: **29 November 2012**
(54) Product in respect of which the design is registered: **Electronic device**
(51) International Design Classification: **14-02**
(74) Name(s) of Attorney(s): **Freehills Patent Attorneys**
(71) Name(s) and Address(s) of Applicant(s):
Apple Inc.
One Infinite Loop Cupertino California 95014 United States of America
(72) Name(s) of Designer(s): **Jody Akana and Bartley K. Andre and Jeremy Bataillou and Daniel J. Coster and Daniele De Iuliis and M. Evans Hankey and Julian Hoenig and Richard P. Howarth and Jonathan P. Ive and Duncan Robert Kerr and Shin Nishibori and Matthew Dean Rohrbach and Peter Russell-Clarke and Christopher J. Stringer and Eugene Antony Whang and Rico Zorkendorfer**
(45) Registration Date: **04 January 2013**
(30) Convention priority data:
(31) Number (32) Date (33) Country
29/426180 29 May 2012 UNITED STATES OF AMERICA
(56) Related Art Documents: **Not Applicable**
(57) Statement of Newness and Distinctiveness: **Newness and distinctiveness resides in the features shown in solid lines in the accompanying figures.**



- (21) Design Number: **15986/2012**
(22) Date of Filing Application: **29 November 2012**
(24) Date from which industrial property rights may have effect: **29 November 2012**
(54) Product in respect of which the design is registered: **Electronic device**
(51) International Design Classification: **14-02**
(74) Name(s) of Attorney(s): **Freehills Patent Attorneys**
(71) Name(s) and Address(s) of Applicant(s):
Apple Inc.
One Infinite Loop Cupertino California 95014 United States of America
(72) Name(s) of Designer(s): **Jody Akana and Bartley K. Andre and Jeremy Bataillou and Daniel J. Coster and Daniele De Iuliis and M. Evans Hankey and Julian Hoenig and Richard P. Howarth and Jonathan P. Ive and Duncan Robert Kerr and Shin Nishibori and Matthew Dean Rohrbach and Peter Russell-Clarke and Christopher J. Stringer and Eugene Antony Whang and Rico Zorkendorfer**
(45) Registration Date: **04 January 2013**
(30) Convention priority data:
(31) Number (32) Date (33) Country
29/423180 29 May 2012 UNITED STATES OF AMERICA
(56) Related Art Documents: **Not Applicable**
(57) Statement of Newness and Distinctiveness: **Newness and distinctiveness resides in the features shown in solid lines in the accompanying figures.**



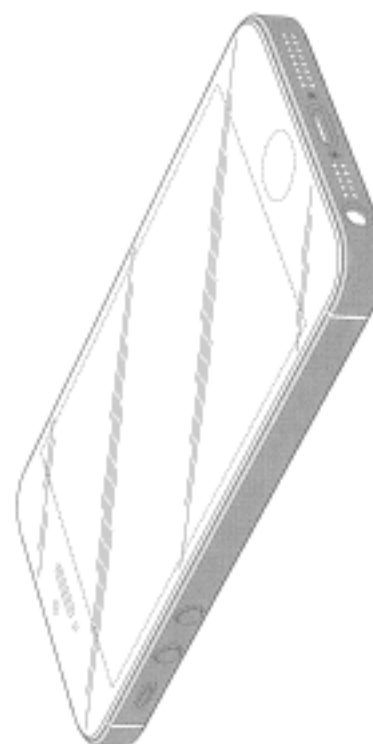
- (21) Design Number: **15987/2012**
(22) Date of Filing Application: **29 November 2012**
(24) Date from which industrial property rights may have effect: **29 November 2012**
(54) Product in respect of which the design is registered: **Electronic device**
(51) International Design Classification: **14-02**
(74) Name(s) of Attorney(s): **Freehills Patent Attorneys**
(71) Name(s) and Address(s) of Applicant(s):
Apple Inc.
One Infinite Loop Cupertino California 95014 United States of America
(72) Name(s) of Designer(s): **Jody Akana and Bartley K. Andre and Jeremy Bataillou and Daniel J. Coster and Daniele De Iuliis and M. Evans Hankey and Julian Hoenig and Richard P. Howarth and Jonathan P. Ive and Duncan Robert Kerr and Shin Nishibori and Matthew Dean Rohrbach and Peter Russell-Clarke and Christopher J. Stringer and Eugene Antony Whang and Rico Zorkendorfer**
(45) Registration Date: **04 January 2013**
(30) Convention priority data:
(31) Number (32) Date (33) Country
29/423180 29 May 2012 UNITED STATES OF AMERICA
(56) Related Art Documents: **Not Applicable**
(57) Statement of Newness and Distinctiveness: **Newness and distinctiveness resides in the features shown in solid lines in the accompanying figures.**



- (21) Design Number: **15988/2012**
(22) Date of Filing Application: **29 November 2012**
(24) Date from which industrial property rights may have effect: **29 November 2012**
(54) Product in respect of which the design is registered: **Electronic device**
(51) International Design Classification: **14-02**
(74) Name(s) of Attorney(s): **Freehills Patent Attorneys**
(71) Name(s) and Address(s) of Applicant(s):
Apple Inc.
One Infinite Loop Cupertino California 95014 United States of America
(72) Name(s) of Designer(s): **Jody Akana and Bartley K. Andre and Jeremy Bataillou and Daniel J. Coster and Daniele De Iuliis and M. Evans Hankey and Julian Hoenig and Richard P. Howarth and Jonathan P. Ive and Duncan Robert Kerr and Shin Nishibori and Matthew Dean Rohrbach and Peter Russell-Clarke and Christopher J. Stringer and Eugene Antony Whang and Rico Zorkendorfer**
(45) Registration Date: **04 January 2013**
(30) Convention priority data:
(31) Number (32) Date (33) Country
29/423180 29 May 2012 UNITED STATES OF AMERICA
(56) Related Art Documents: **Not Applicable**
(57) Statement of Newness and Distinctiveness: **Newness and distinctiveness resides in the features shown in solid lines in the accompanying figures.**



- (21) Design Number: **15989/2012**
(22) Date of Filing Application: **29 November 2012**
(24) Date from which industrial property rights may have effect: **29 November 2012**
(54) Product in respect of which the design is registered: **Electronic device**
(51) International Design Classification: **14-02**
(74) Name(s) of Attorney(s): **Freehills Patent Attorneys**
(71) Name(s) and Address(s) of Applicant(s):
Apple Inc.
One Infinite Loop Cupertino California 95014 United States of America
(72) Name(s) of Designer(s): **Jody Akana and Bartley K. Andre and Jeremy Bataillou and Daniel J. Coster and Daniele De Iuliis and M. Evans Hankey and Julian Hoenig and Richard P. Howarth and Jonathan P. Ive and Duncan Robert Kerr and Shin Nishibori and Matthew Dean Rohrbach and Peter Russell-Clarke and Christopher J. Stringer and Eugene Antony Whang and Rico Zorkendorfer**
(45) Registration Date: **04 January 2013**
(30) Convention priority data:
(31) Number (32) Date (33) Country
29/423180 29 May 2012 UNITED STATES OF AMERICA
(56) Related Art Documents: **Not Applicable**
(57) Statement of Newness and Distinctiveness: **Newness and distinctiveness resides in the features shown in solid lines and grey colouring in the accompanying figures, wherein the solid shade lines illustrate transparency and the grey colouring illustrates differences in appearance.**



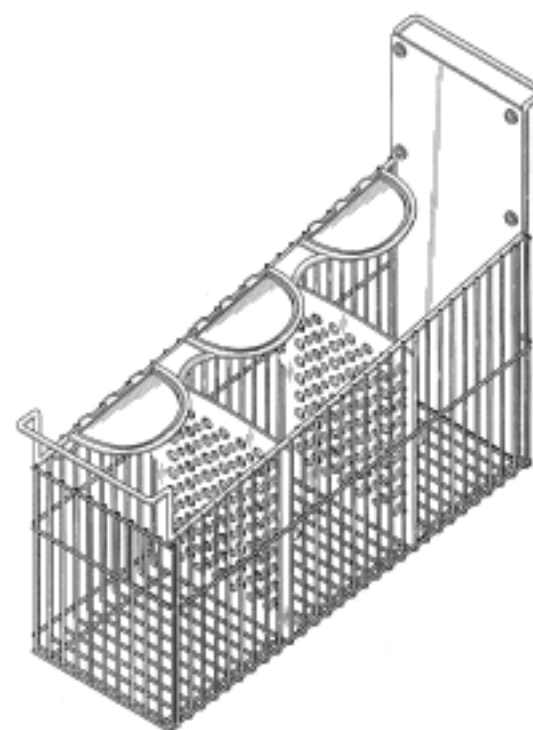
- (21) Design Number: **15990/2012**
(22) Date of Filing Application: **29 November 2012**
(24) Date from which industrial property rights may have effect: **29 November 2012**
(54) Product in respect of which the design is registered: **Electronic device**
(51) International Design Classification: **14-02**
(74) Name(s) of Attorney(s): **Freehills Patent Attorneys**
(71) Name(s) and Address(s) of Applicant(s):
Apple Inc.
One Infinite Loop Cupertino California 95014 United States of America
(72) Name(s) of Designer(s): **Jody Akana and Bartley K. Andre and Jeremy Bataillou and Daniel J. Coster and Daniele De Iuliis and M. Evans Hankey and Julian Hoenig and Richard P. Howarth and Jonathan P. Ive and Duncan Robert Kerr and Shin Nishibori and Matthew Dean Rohrbach and Peter Russell-Clarke and Christopher J. Stringer and Eugene Antony Whang and Rico Zorkendorfer**
(45) Registration Date: **04 January 2013**
(30) Convention priority data:
(31) Number (32) Date (33) Country
29/423180 29 May 2012 UNITED STATES OF AMERICA
(56) Related Art Documents: **Not Applicable**
(57) Statement of Newness and Distinctiveness: **Nil**



- (21) Design Number: **16006/2012**
(22) Date of Filing Application: **03 December 2012**
(24) Date from which industrial property rights may have effect: **03 December 2012**
(54) Product in respect of which the design is registered: **Solid concrete retaining wall system**
(51) International Design Classification: **25-01A**
(74) Name(s) of Attorney(s):
(71) Name(s) and Address(s) of Applicant(s):
Manuel Mifsud
6 Jefferson Gr Kenthurst NSW 2156 Australia
(72) Name(s) of Designer(s): **Manuel Mifsud**
(45) Registration Date: **04 January 2013**
(56) Related Art Documents: **Not Applicable**
(57) Statement of Newness and Distinctiveness: **One concrete retaining wall block is equivalent to 27 standard besser blocks used in retaining walls. It has male locating lugs on top and female locating lugs on the bottom, with a cored hole in the centre of each lug. This allows core filling after the wall is complete. It also has a decorative block pattern on the face.**



- (21) Design Number: **16007/2012**
(22) Date of Filing Application: **30 November 2012**
(24) Date from which industrial property rights may have effect: **30 November 2012**
(54) Product in respect of which the design is registered: **Point of sale basket**
(51) International Design Classification: **20-02NES**
(74) Name(s) of Attorney(s): **Griffith Hack**
(71) Name(s) and Address(s) of Applicant(s):
Unilever PLC
Unilever House 100 Victoria Embankment London EC4Y ODY United Kingdom
(72) Name(s) of Designer(s): **Amy Monica Kempson Eherington and Thomas Matthew Ward**
(45) Registration Date: **04 January 2013**
(30) Convention priority data:
(31) Number (32) Date (33) Country
002059758-0001 19 Jun 2012 EUROPEAN COMMUNITY
(56) Related Art Documents: **Not Applicable**
(57) Statement of Newness and Distinctiveness: **Newness and distinctiveness resides in the visual features, including shape and configuration, of a POINT OF SALE BASKET as shown in solid outline in the accompanying drawings.**



(21) Design Number: **16008/2012**
(22) Date of Filing Application: **30 November 2012**
(24) Date from which industrial property rights may have effect: **30 November 2012**
(54) Product in respect of which the design is registered: **Point of sale basket**
(51) International Design Classification: **20-02NES**
(74) Name(s) of Attorney(s): **Griffith Hack**
(71) Name(s) and Address(s) of Applicant(s):

Unilever PLC
Unilever House 100 Victoria Embankment London Gt Lon EC4Y 0DY
United Kingdom

(72) Name(s) of Designer(s): **Amy Monica Kempson Etherington and Thomas Matthew Ward**

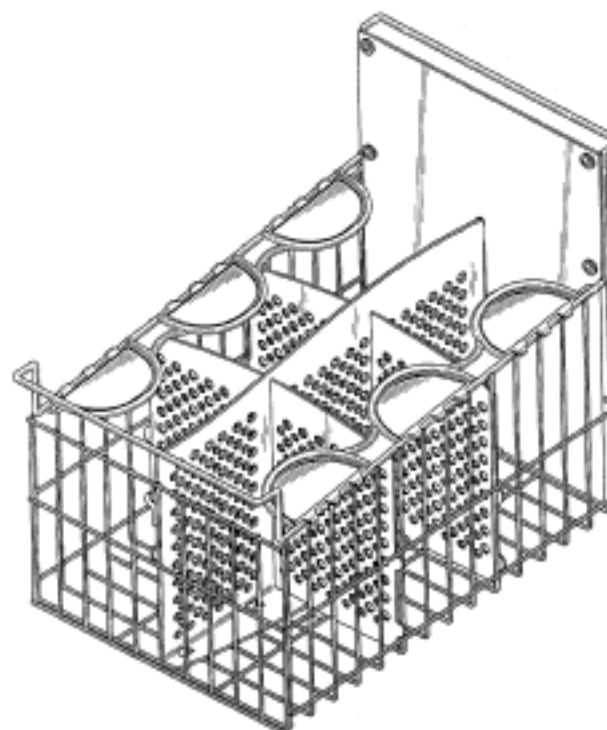
(45) Registration Date: **04 January 2013**

(30) Convention priority data:

(31) Number	(32) Date	(33) Country
002059683-0001	19 Jun 2012	EUROPEAN COMMUNITY

(56) Related Art Documents: **Not Applicable**

(57) Statement of Newness and Distinctiveness: **Newness and distinctiveness resides in the visual features, including shape and configuration, of a POINT OF SALE BASKET as shown in solid outline in the accompanying drawings.**



(21) Design Number: **16009/2012**
(22) Date of Filing Application: **30 November 2012**
(24) Date from which industrial property rights may have effect: **30 November 2012**
(54) Product in respect of which the design is registered: **Point of sale display**
(51) International Design Classification: **02-02NES**
(74) Name(s) of Attorney(s): **Griffith Hack**
(71) Name(s) and Address(s) of Applicant(s):

Unilever PLC
Unilever House 100 Victoria Embankment London EC4Y 0DY United Kingdom

(72) Name(s) of Designer(s): **Amy Monica Kempson Etherington and Thomas Matthew Ward**

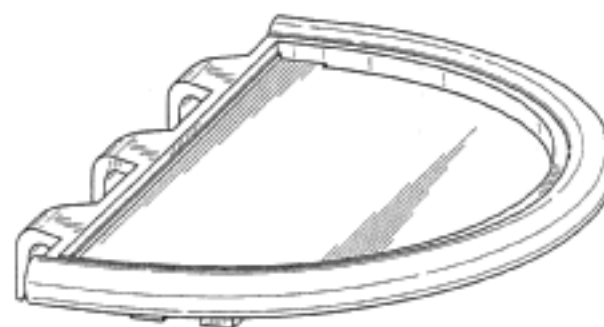
(45) Registration Date: **04 January 2013**

(30) Convention priority data:

(31) Number	(32) Date	(33) Country
002059352-0001	18 Jun 2012	EUROPEAN COMMUNITY

(56) Related Art Documents: **Not Applicable**

(57) Statement of Newness and Distinctiveness: **Newness and distinctiveness resides in the visual features, including shape and configuration, of a POINT OF SALE DISPLAY as shown in solid outline in the accompanying drawings.**



- (21) Design Number: **15548/2012**
(22) Date of Filing Application: **09 November 2012**
(24) Date from which industrial property rights may have effect: **09 November 2012**
(54) Product in respect of which the design is registered: **Set of modular legs of indefinite width and height**
(51) International Design Classification: **06-06E**
(74) Name(s) of Attorney(s):
(71) Name(s) and Address(s) of Applicant(s):
Bang Design IP Pty Ltd
91 Beattie St Balmain NSW 2041 Australia
(72) Name(s) of Designer(s): **Bryan Marshall and David Granger**
(45) Registration Date: **04 January 2013**
(56) Related Art Documents: **Not Applicable**
(57) Statement of Newness and Distinctiveness: **Newness and distinctiveness is claimed in those visual features that are represented in the unbroken lines.**



- (21) Design Number: **16132/2012**
(22) Date of Filing Application: **09 November 2012**
(24) Date from which industrial property rights may have effect: **09 November 2012**
(54) Product in respect of which the design is registered: **Set of modular legs of indefinite width and height**
(51) International Design Classification: **06-06E**
(74) Name(s) of Attorney(s):
(71) Name(s) and Address(s) of Applicant(s):
Bang Design IP Pty Ltd
91 Beattie St Balmain NSW 2041 Australia
(72) Name(s) of Designer(s): **Bryan Marshall and David Granger**
(45) Registration Date: **04 January 2013**
(56) Related Art Documents: **Not Applicable**
(57) Statement of Newness and Distinctiveness: **Newness and distinctiveness is claimed in those visual features that are represented in the unbroken lines.**



- (21) Design Number: **16133/2012**
(22) Date of Filing Application: **09 November 2012**
(24) Date from which industrial property rights may have effect: **09 November 2012**
(54) Product in respect of which the design is registered: **Set of modular legs of indefinite width and height**
(51) International Design Classification: **06-06E**
(74) Name(s) of Attorney(s):
(71) Name(s) and Address(s) of Applicant(s):
Bang Design IP Pty Ltd
91 Beattie St Balmain NSW 2041 Australia
(72) Name(s) of Designer(s): **Bryan Marshall and David Granger**
(45) Registration Date: **04 January 2013**
(56) Related Art Documents: **Not Applicable**
(57) Statement of Newness and Distinctiveness: **Newness and distinctiveness is claimed in those visual features that are represented in the unbroken lines.**



- (21) Design Number: **15552/2012**
(22) Date of Filing Application: **09 November 2012**
(24) Date from which industrial property rights may have effect: **09 November 2012**
(54) Product in respect of which the design is registered: **Set of modular legs of indefinite width or height**
(51) International Design Classification: **06-06E**
(74) Name(s) of Attorney(s):
(71) Name(s) and Address(s) of Applicant(s):
Bang Design IP Pty Ltd
91 Beattie St Balmain NSW 2041 Australia
(72) Name(s) of Designer(s): **Bryan Marshall and David Granger**
(45) Registration Date: **04 January 2013**
(56) Related Art Documents: **Not Applicable**
(57) Statement of Newness and Distinctiveness: **Newness and distinctiveness is claimed in those visual features that are represented in the unbroken lines.**



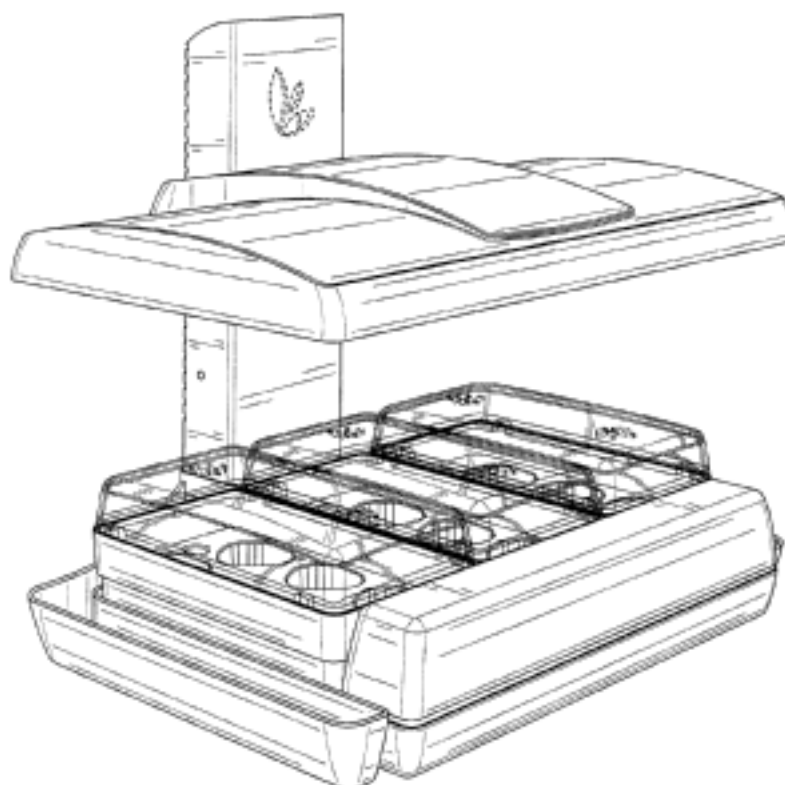
- (21) Design Number: **16134/2012**
(22) Date of Filing Application: **09 November 2012**
(24) Date from which industrial property rights may have effect: **09 November 2012**
(54) Product in respect of which the design is registered: **Set of modular legs of infinite width or height**
(51) International Design Classification: **06-06E**
(74) Name(s) of Attorney(s):
(71) Name(s) and Address(s) of Applicant(s):
Bang Design IP Pty Ltd
91 Beattie St Balmain NSW 2041 Australia
(72) Name(s) of Designer(s): **Bryan Marshall and David Granger**
(45) Registration Date: **04 January 2013**
(56) Related Art Documents: **Not Applicable**
(57) Statement of Newness and Distinctiveness: **Newness and distinctiveness is claimed in those visual features that are represented in the unbroken lines.**



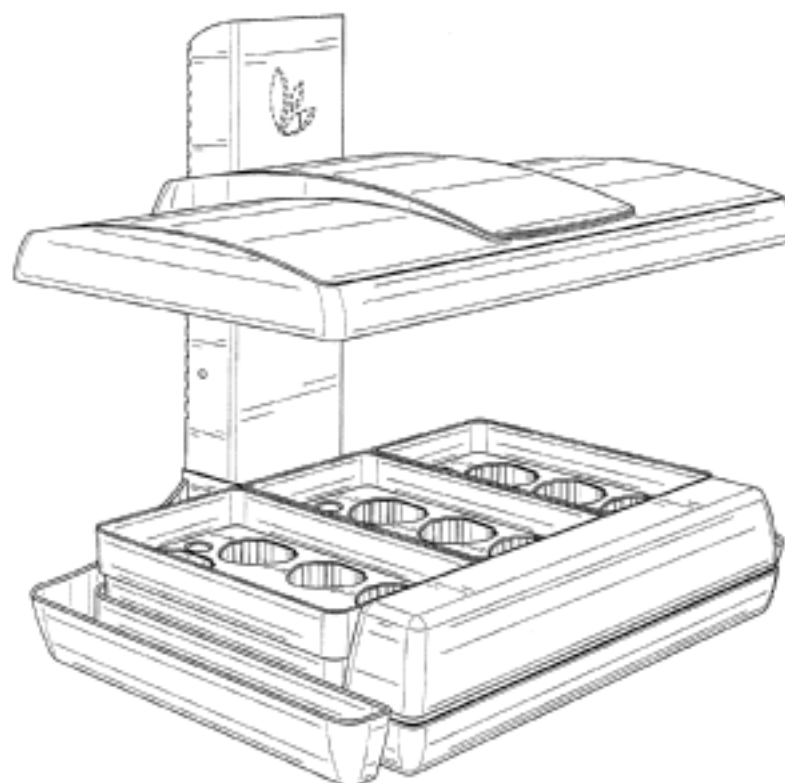
- (21) Design Number: **16135/2012**
(22) Date of Filing Application: **09 November 2012**
(24) Date from which industrial property rights may have effect: **09 November 2012**
(54) Product in respect of which the design is registered: **Set of modular legs of indefinite width or height**
(51) International Design Classification: **06-06E**
(74) Name(s) of Attorney(s):
(71) Name(s) and Address(s) of Applicant(s):
Bang Design IP Pty Ltd
91 Beattie St Balmain NSW 2041 Australia
(72) Name(s) of Designer(s): **Bryan Marshall and David Granger**
(45) Registration Date: **04 January 2013**
(56) Related Art Documents: **Not Applicable**
(57) Statement of Newness and Distinctiveness: **Newness and distinctiveness is claimed in those visual features that are represented in the unbroken lines.**



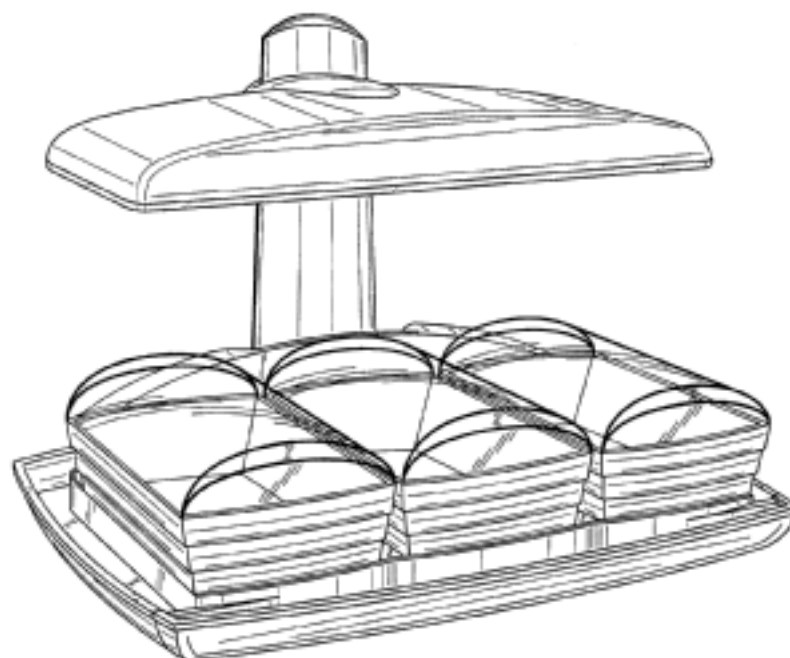
- (21) Design Number: **15231/2012**
(22) Date of Filing Application: **23 October 2012**
(24) Date from which industrial property rights may have effect: **23 October 2012**
(54) Product in respect of which the design is registered: **Indoor growing unit**
(51) International Design Classification: **11-02B**
(74) Name(s) of Attorney(s): **A J Park**
(71) Name(s) and Address(s) of Applicant(s):
OMS Investments, Inc.
10250 Constellation Place Suite 250 Los Angeles California 90067 United States of America
- (72) Name(s) of Designer(s): **Mark Gerard Prinster and Bradley Alan Schultz and Sara Ann Gordon and Kimberly Ann Rygielski and Matthew L. Phillips and Robert H. Bruno and Philip J. Nathan and Tara Marie Zasadzinski**
- (45) Registration Date: **04 January 2013**
- (30) Convention priority data:
- | | | |
|-------------------|--------------------|---------------------------------|
| (31) Number | (32) Date | (33) Country |
| 29/418,920 | 23 Apr 2012 | UNITED STATES OF AMERICA |
- (56) Related Art Documents: **Not Applicable**
- (57) Statement of Newness and Distinctiveness: **Newness and distinctiveness reside in the features of shape and/or configuration of the INDOOR GROWING UNIT, as shown in the representations. Newness and distinctiveness are not claimed in relation to the features shown in broken lines in the representations, which features are shown for illustrative purposes only.**



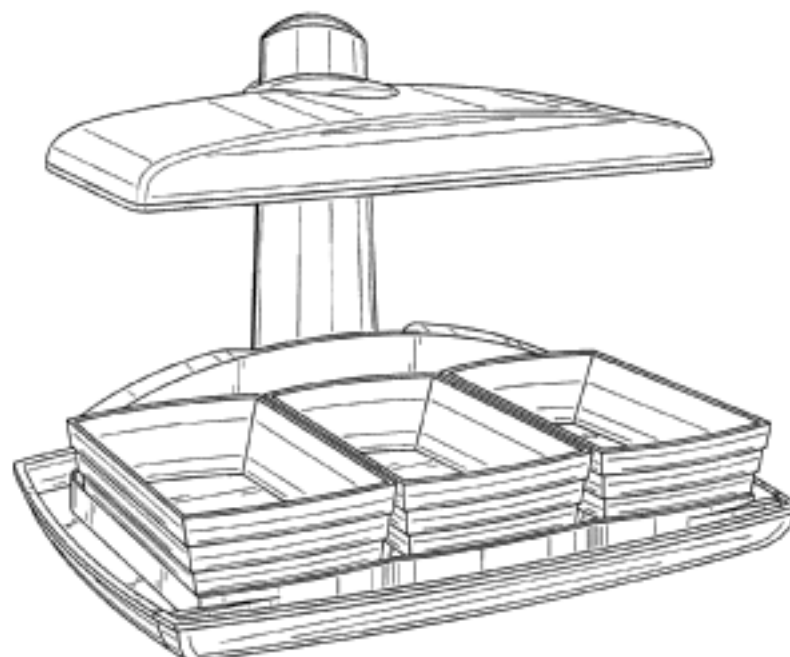
- (21) Design Number: **15232/2012**
(22) Date of Filing Application: **23 October 2012**
(24) Date from which industrial property rights may have effect: **23 October 2012**
(54) Product in respect of which the design is registered: **Indoor growing unit**
(51) International Design Classification: **11-02B**
(74) Name(s) of Attorney(s): **A J Park**
(71) Name(s) and Address(s) of Applicant(s):
OMS Investments, Inc.
10250 Constellation Place Suite 250 Los Angeles California 90067 United States of America
- (72) Name(s) of Designer(s): **Mark Gerard Prinster and Bradley Alan Schultz and Sara Ann Gordon and Kimberly Ann Rygielski and Matthew L. Phillips and Robert H. Bruno and Philip J. Nathan and Tara Marie Zasadzinski**
- (45) Registration Date: **04 January 2013**
- (30) Convention priority data:
- | | | |
|-------------------|--------------------|---------------------------------|
| (31) Number | (32) Date | (33) Country |
| 29/418,920 | 23 Apr 2012 | UNITED STATES OF AMERICA |
- (56) Related Art Documents: **Not Applicable**
- (57) Statement of Newness and Distinctiveness: **Newness and distinctiveness reside in the features of shape and/or configuration of the INDOOR GROWING UNIT, as shown in the representations. Newness and distinctiveness are not claimed in relation to the features shown in broken lines in the representations, which features are shown for illustrative purposes only.**



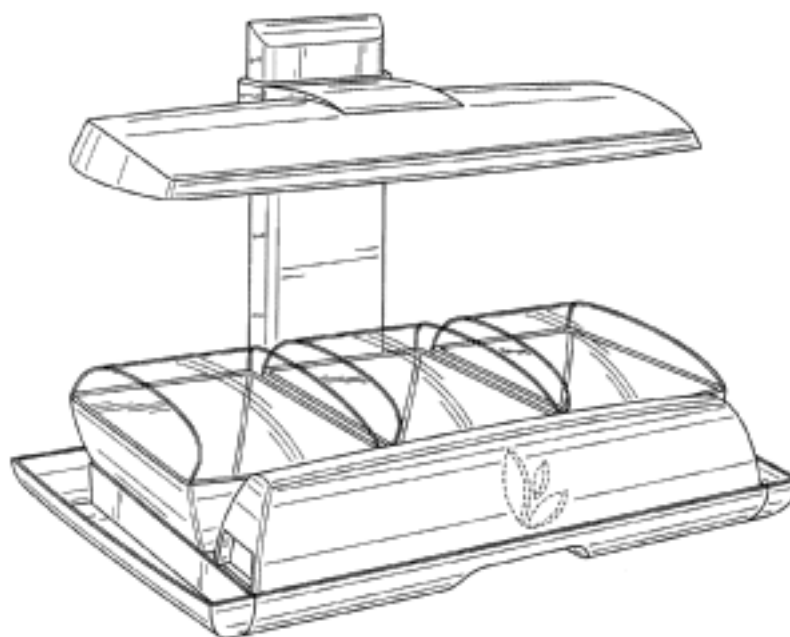
- (21) Design Number: **15233/2012**
(22) Date of Filing Application: **23 October 2012**
(24) Date from which industrial property rights may have effect: **23 October 2012**
(54) Product in respect of which the design is registered: **Indoor growing unit**
(51) International Design Classification: **11-02B**
(74) Name(s) of Attorney(s): **A J Park**
(71) Name(s) and Address(s) of Applicant(s):
OMS Investments, Inc.
10250 Constellation Place Suite 250 Los Angeles California 90067 United States of America
- (72) Name(s) of Designer(s): **Mark Gerard Prinster and Bradley Alan Schultz and Sara Ann Gordon and Kimberly Ann Rygielski and Matthew L. Phillips and Robert H. Bruno and Philip J. Nathan and Tara Marie Zasadzinski**
- (45) Registration Date: **04 January 2013**
- (30) Convention priority data:
(31) Number (32) Date (33) Country
29/418,920 23 Apr 2012 UNITED STATES OF AMERICA
- (56) Related Art Documents: **Not Applicable**
- (57) Statement of Newness and Distinctiveness: **Newness and distinctiveness reside in the features of shape and/or configuration of the INDOOR GROWING UNIT, as shown in the representations.**



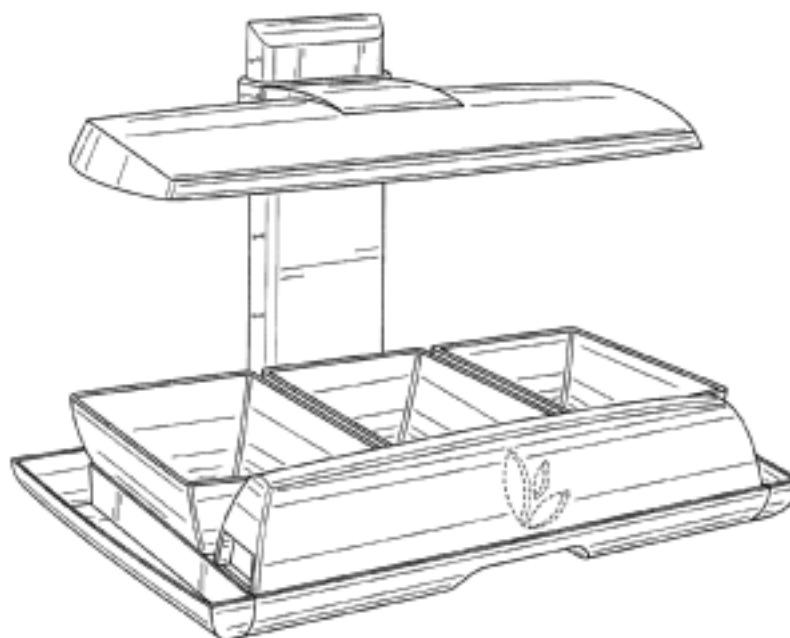
- (21) Design Number: **15234/2012**
(22) Date of Filing Application: **23 October 2012**
(24) Date from which industrial property rights may have effect: **23 October 2012**
(54) Product in respect of which the design is registered: **Indoor growing unit**
(51) International Design Classification: **11-02B**
(74) Name(s) of Attorney(s): **A J Park**
(71) Name(s) and Address(s) of Applicant(s):
OMS Investments, Inc.
10250 Constellation Place Suite 250 Los Angeles California 90067 United States of America
- (72) Name(s) of Designer(s): **Mark Gerard Prinster and Bradley Alan Schultz and Sara Ann Gordon and Kimberly Ann Rygielski and Matthew L. Phillips and Robert H. Bruno and Philip J. Nathan and Tara Marie Zasadzinski**
- (45) Registration Date: **04 January 2013**
- (30) Convention priority data:
(31) Number (32) Date (33) Country
29/418,920 23 Apr 2012 UNITED STATES OF AMERICA
- (56) Related Art Documents: **Not Applicable**
- (57) Statement of Newness and Distinctiveness: **Newness and distinctiveness reside in the features of shape and/or configuration of the INDOOR GROWING UNIT, as shown in the representations.**



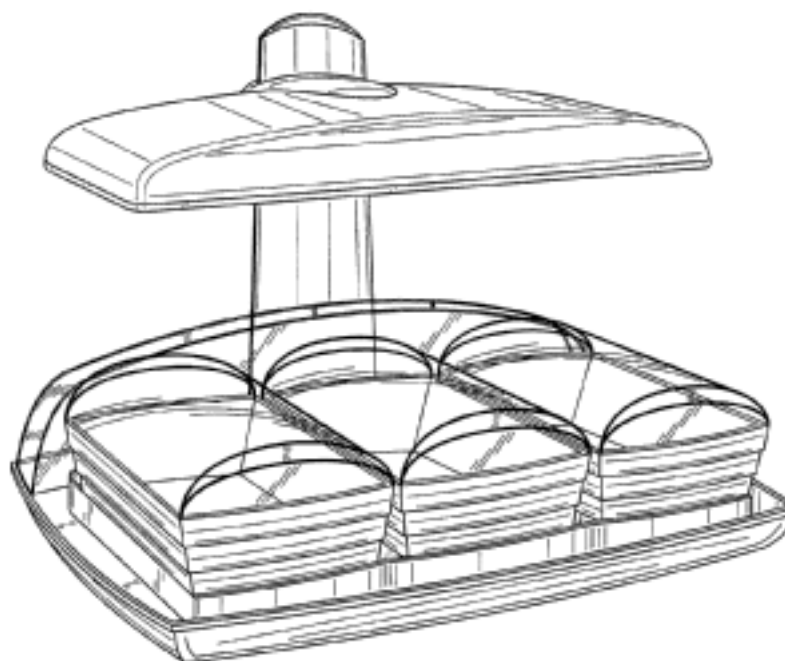
- (21) Design Number: **15235/2012**
(22) Date of Filing Application: **23 October 2012**
(24) Date from which industrial property rights may have effect: **23 October 2012**
(54) Product in respect of which the design is registered: **Indoor growing unit**
(51) International Design Classification: **11-02B**
(74) Name(s) of Attorney(s): **A J Park**
(71) Name(s) and Address(s) of Applicant(s):
OMS Investments, Inc.
10250 Constellation Place Suite 250 Los Angeles California 90067 United States of America
- (72) Name(s) of Designer(s): **Mark Gerard Prinster and Bradley Alan Schultz and Sara Ann Gordon and Kimberly Ann Rygielski and Matthew L. Phillips and Robert H. Bruno and Philip J. Nathan and Tara Marie Zasadzinski**
- (45) Registration Date: **04 January 2013**
- (30) Convention priority data:
- | | | |
|-------------------|--------------------|---------------------------------|
| (31) Number | (32) Date | (33) Country |
| 29/418,920 | 23 Apr 2012 | UNITED STATES OF AMERICA |
- (56) Related Art Documents: **Not Applicable**
- (57) Statement of Newness and Distinctiveness: **Newness and distinctiveness reside in the features of shape and/or configuration of the INDOOR GROWING UNIT, as shown in the representations. Newness and distinctiveness are not claimed in relation to the features shown in broken lines in the representations, which features are shown for illustrative purposes only.**



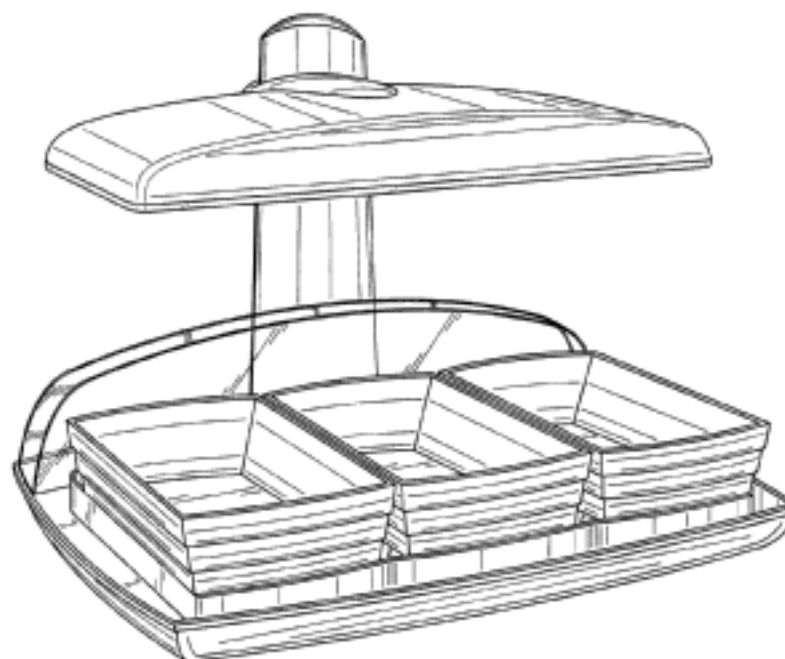
- (21) Design Number: **15236/2012**
(22) Date of Filing Application: **23 October 2012**
(24) Date from which industrial property rights may have effect: **23 October 2012**
(54) Product in respect of which the design is registered: **Indoor growing unit**
(51) International Design Classification: **11-02B**
(74) Name(s) of Attorney(s): **A J Park**
(71) Name(s) and Address(s) of Applicant(s):
OMS Investments, Inc.
10250 Constellation Place Suite 250 Los Angeles California 90067 United States of America
- (72) Name(s) of Designer(s): **Mark Gerard Prinster and Bradley Alan Schultz and Sara Ann Gordon and Kimberly Ann Rygielski and Matthew L. Phillips and Robert H. Bruno and Philip J. Nathan and Tara Marie Zasadzinski**
- (45) Registration Date: **04 January 2013**
- (30) Convention priority data:
- | | | |
|-------------------|--------------------|---------------------------------|
| (31) Number | (32) Date | (33) Country |
| 29/418,920 | 23 Apr 2012 | UNITED STATES OF AMERICA |
- (56) Related Art Documents: **Not Applicable**
- (57) Statement of Newness and Distinctiveness: **Newness and distinctiveness reside in the features of shape and/or configuration of the INDOOR GROWING UNIT, as shown in the representations. Newness and distinctiveness are not claimed in relation to the features shown in broken lines in the representations, which features are shown for illustrative purposes only.**



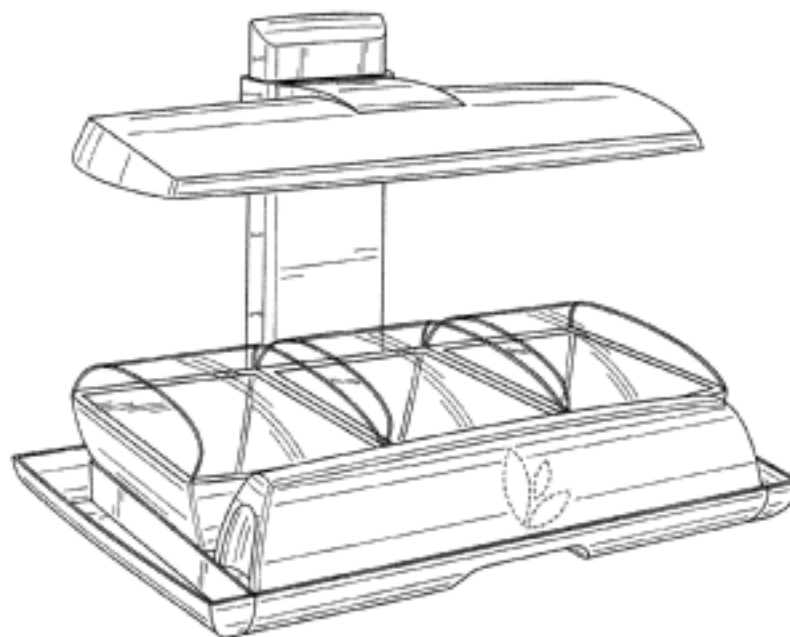
- (21) Design Number: **15237/2012**
(22) Date of Filing Application: **23 October 2012**
(24) Date from which industrial property rights may have effect: **23 October 2012**
(54) Product in respect of which the design is registered: **Indoor growing unit**
(51) International Design Classification: **11-02B**
(74) Name(s) of Attorney(s): **A J Park**
(71) Name(s) and Address(s) of Applicant(s):
OMS Investments, Inc.
10250 Constellation Place Suite 250 Los Angeles California 90067 United States of America
- (72) Name(s) of Designer(s): **Mark Gerard Prinster and Bradley Alan Schultz and Sara Ann Gordon and Kimberly Ann Rygielski and Matthew L. Phillips and Robert H. Bruno and Philip J. Nathan and Tara Marie Zasadzinski**
- (45) Registration Date: **04 January 2013**
- (30) Convention priority data:
(31) Number (32) Date (33) Country
29/418,920 23 Apr 2012 UNITED STATES OF AMERICA
- (56) Related Art Documents: **Not Applicable**
- (57) Statement of Newness and Distinctiveness: **Newness and distinctiveness reside in the features of shape and/or configuration of the INDOOR GROWING UNIT, as shown in the representations.**



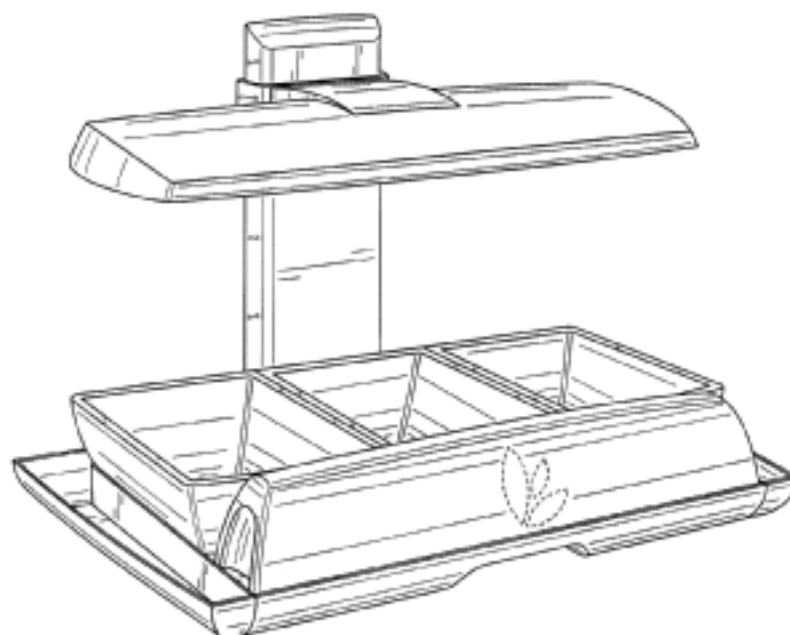
- (21) Design Number: **15238/2012**
(22) Date of Filing Application: **23 October 2012**
(24) Date from which industrial property rights may have effect: **23 October 2012**
(54) Product in respect of which the design is registered: **Indoor growing unit**
(51) International Design Classification: **11-02B**
(74) Name(s) of Attorney(s): **A J Park**
(71) Name(s) and Address(s) of Applicant(s):
OMS Investments, Inc.
10250 Constellation Place Suite 250 Los Angeles California 90067 United States of America
- (72) Name(s) of Designer(s): **Mark Gerard Prinster and Bradley Alan Schultz and Sara Ann Gordon and Kimberly Ann Rygielski and Matthew L. Phillips and Robert H. Bruno and Philip J. Nathan and Tara Marie Zasadzinski**
- (45) Registration Date: **04 January 2013**
- (30) Convention priority data:
(31) Number (32) Date (33) Country
29/418,920 23 Apr 2012 UNITED STATES OF AMERICA
- (56) Related Art Documents: **Not Applicable**
- (57) Statement of Newness and Distinctiveness: **Newness and distinctiveness reside in the features of shape and/or configuration of the INDOOR GROWING UNIT, as shown in the representations.**



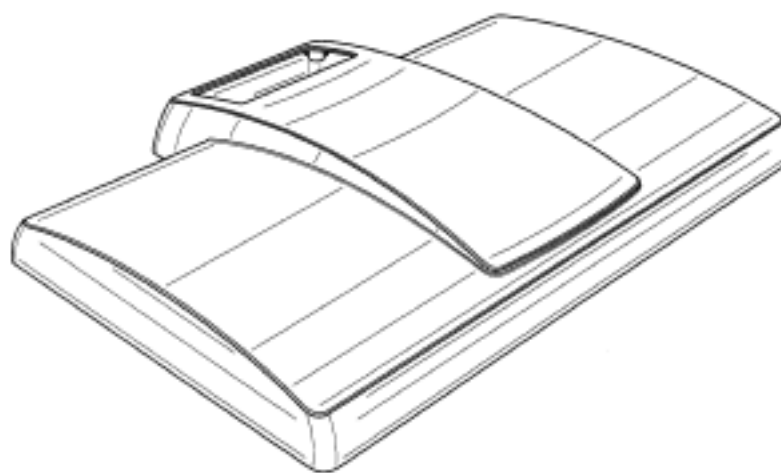
- (21) Design Number: **15239/2012**
(22) Date of Filing Application: **23 October 2012**
(24) Date from which industrial property rights may have effect: **23 October 2012**
(54) Product in respect of which the design is registered: **Indoor growing unit**
(51) International Design Classification: **11-02B**
(74) Name(s) of Attorney(s): **A J Park**
(71) Name(s) and Address(s) of Applicant(s):
OMS Investments, Inc.
10250 Constellation Place Suite 250 Los Angeles California 90067 United States of America
- (72) Name(s) of Designer(s): **Mark Gerard Prinster and Bradley Alan Schultz and Sara Ann Gordon and Kimberly Ann Rygielski and Matthew L. Phillips and Robert H. Bruno and Philip J. Nathan and Tara Marie Zasadzinski**
- (45) Registration Date: **04 January 2013**
- (30) Convention priority data:
- | | | |
|-------------------|--------------------|---------------------------------|
| (31) Number | (32) Date | (33) Country |
| 29/418,920 | 23 Apr 2012 | UNITED STATES OF AMERICA |
- (56) Related Art Documents: **Not Applicable**
- (57) Statement of Newness and Distinctiveness: **Newness and distinctiveness reside in the features of shape and/or configuration of the INDOOR GROWING UNIT, as shown in the representations. Newness and distinctiveness are not claimed in relation to the features shown in broken lines in the representations, which features are shown for illustrative purposes only.**



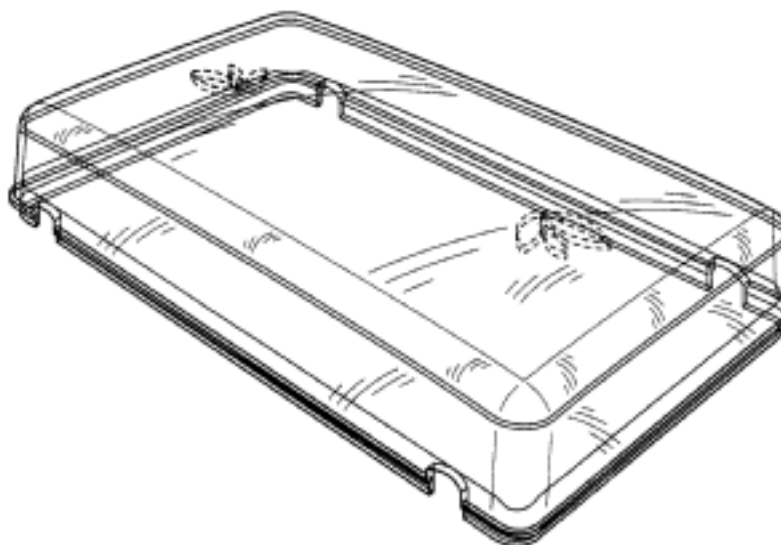
- (21) Design Number: **15240/2012**
(22) Date of Filing Application: **23 October 2012**
(24) Date from which industrial property rights may have effect: **23 October 2012**
(54) Product in respect of which the design is registered: **Indoor growing unit**
(51) International Design Classification: **11-02B**
(74) Name(s) of Attorney(s): **A J Park**
(71) Name(s) and Address(s) of Applicant(s):
OMS Investments, Inc.
10250 Constellation Place Suite 250 Los Angeles California 90067 United States of America
- (72) Name(s) of Designer(s): **Mark Gerard Prinster and Bradley Alan Schultz and Sara Ann Gordon and Kimberly Ann Rygielski and Matthew L. Phillips and Robert H. Bruno and Philip J. Nathan and Tara Marie Zasadzinski**
- (45) Registration Date: **04 January 2013**
- (30) Convention priority data:
- | | | |
|-------------------|--------------------|---------------------------------|
| (31) Number | (32) Date | (33) Country |
| 29/418,920 | 23 Apr 2012 | UNITED STATES OF AMERICA |
- (56) Related Art Documents: **Not Applicable**
- (57) Statement of Newness and Distinctiveness: **Newness and distinctiveness reside in the features of shape and/or configuration of the INDOOR GROWING UNIT, as shown in the representations. Newness and distinctiveness are not claimed in relation to the features shown in broken lines in the representations, which features are shown for illustrative purposes only.**



- (21) Design Number: **15241/2012**
(22) Date of Filing Application: **23 October 2012**
(24) Date from which industrial property rights may have effect: **23 October 2012**
(54) Product in respect of which the design is registered: **Indoor growing unit hood**
(51) International Design Classification: **11-02B**
(74) Name(s) of Attorney(s): **A J Park**
(71) Name(s) and Address(s) of Applicant(s):
OMS Investments, Inc.
10250 Constellation Place Suite 250 Los Angeles California 90067 United States of America
(72) Name(s) of Designer(s): **Mark Gerard Prinster and Bradley Alan Schultz and Sara Ann Gordon and Kimberly Ann Rygielski and Matthew L. Phillips and Robert H. Bruno and Philip J. Nathan and Tara Marie Zasadzinski**
(45) Registration Date: **04 January 2013**
(30) Convention priority data:
(31) Number (32) Date (33) Country
29/418,920 23 Apr 2012 UNITED STATES OF AMERICA
(56) Related Art Documents: **Not Applicable**
(57) Statement of Newness and Distinctiveness: **Newness and distinctiveness reside in the features of shape and/or configuration of the INDOOR GROWING UNIT HOOD, as shown in the representations.**



- (21) Design Number: **15242/2012**
(22) Date of Filing Application: **23 October 2012**
(24) Date from which industrial property rights may have effect: **23 October 2012**
(54) Product in respect of which the design is registered: **Indoor growing unit cover**
(51) International Design Classification: **11-02B**
(74) Name(s) of Attorney(s): **A J Park**
(71) Name(s) and Address(s) of Applicant(s):
OMS Investments, Inc.
10250 Constellation Place Suite 250 Los Angeles California 90067 United States of America
(72) Name(s) of Designer(s): **Mark Gerard Prinster and Bradley Alan Schultz and Sara Ann Gordon and Kimberly Ann Rygielski and Matthew L. Phillips and Robert H. Bruno and Philip J. Nathan and Tara Marie Zasadzinski**
(45) Registration Date: **04 January 2013**
(30) Convention priority data:
(31) Number (32) Date (33) Country
29/418,920 23 Apr 2012 UNITED STATES OF AMERICA
(56) Related Art Documents: **Not Applicable**
(57) Statement of Newness and Distinctiveness: **Newness and distinctiveness reside in the features of shape and/or configuration of the INDOOR GROWING UNIT COVER, as shown in the representations. Newness and distinctiveness are not claimed in relation to the features shown in broken lines in the representations, which features are shown for illustrative purposes only.**



(21) Design Number: **15243/2012**

(22) Date of Filing Application: **23 October 2012**

(24) Date from which industrial property rights may have effect: **23 October 2012**

(54) Product in respect of which the design is registered: **Indoor growing unit tray**

(51) International Design Classification: **11-02B**

(74) Name(s) of Attorney(s): **A J Park**

(71) Name(s) and Address(s) of Applicant(s):

**OMS Investments, Inc.
10250 Constellation Place Suite 250 Los Angeles California 90067 United States of America**

(72) Name(s) of Designer(s): **Mark Gerard Prinster and Bradley Alan Schultz and Sara Ann Gordon and Kimberly Ann Rygielski and Matthew L. Phillips and Robert H. Bruno and Philip J. Nathan and Tara Marie Zasadzinski**

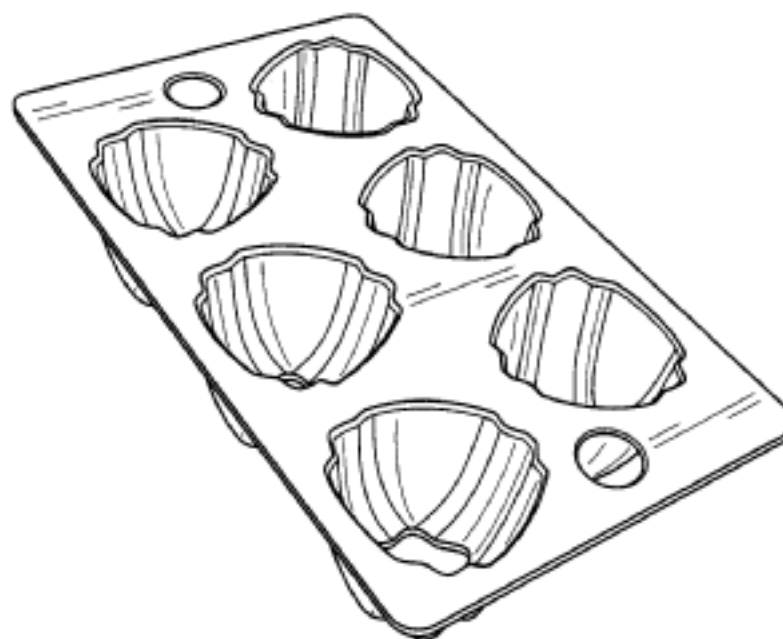
(45) Registration Date: **04 January 2013**

(30) Convention priority data:

(31) Number	(32) Date	(33) Country
29/418,920	23 Apr 2012	UNITED STATES OF AMERICA

(56) Related Art Documents: **Not Applicable**

(57) Statement of Newness and Distinctiveness: **Newness and distinctiveness reside in the features of shape and/or configuration of the INDOOR GROWING UNIT TRAY, as shown in the representations.**



(21) Design Number: **15244/2012**

(22) Date of Filing Application: **23 October 2012**

(24) Date from which industrial property rights may have effect: **23 October 2012**

(54) Product in respect of which the design is registered: **Indoor growing unit tray**

(51) International Design Classification: **11-02B**

(74) Name(s) of Attorney(s): **A J Park**

(71) Name(s) and Address(s) of Applicant(s):

**OMS Investments, Inc.
10250 Constellation Place Suite 250 Los Angeles California 90067 United States of America**

(72) Name(s) of Designer(s): **Mark Gerard Prinster and Bradley Alan Schultz and Sara Ann Gordon and Kimberly Ann Rygielski and Matthew L. Phillips and Robert H. Bruno and Philip J. Nathan and Tara Marie Zasadzinski**

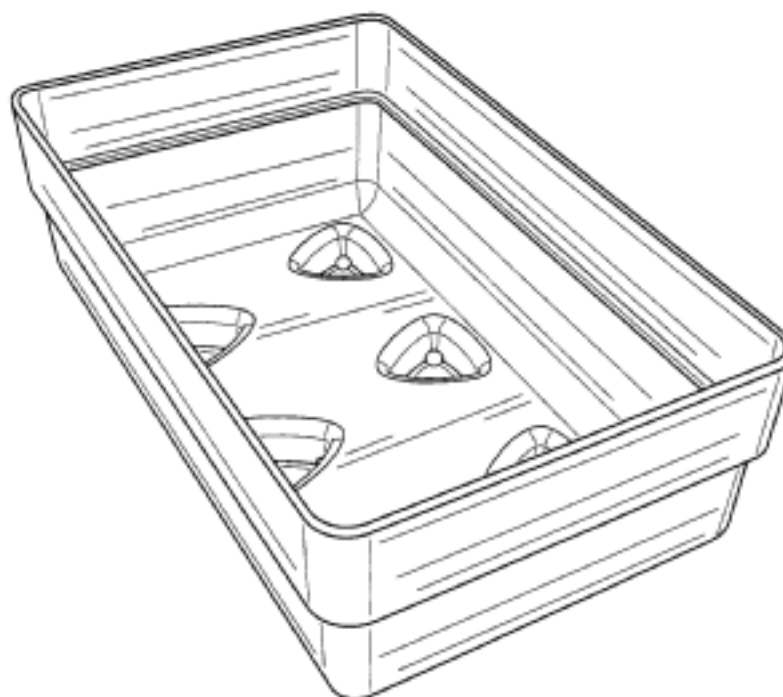
(45) Registration Date: **04 January 2013**

(30) Convention priority data:

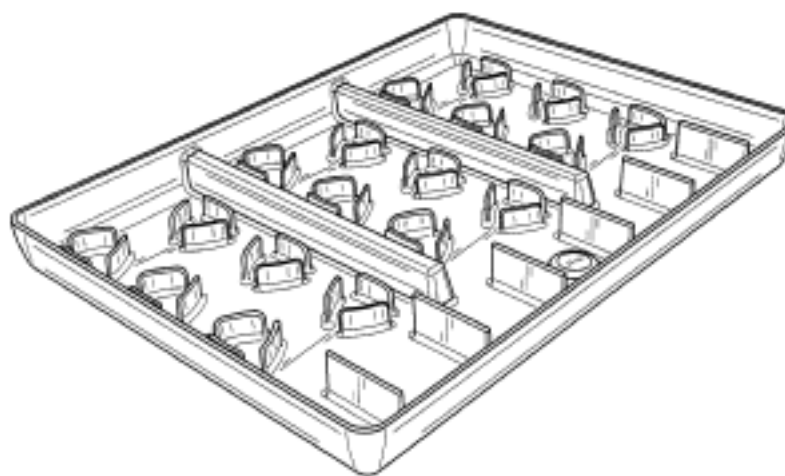
(31) Number	(32) Date	(33) Country
29/418,920	23 Apr 2012	UNITED STATES OF AMERICA

(56) Related Art Documents: **Not Applicable**

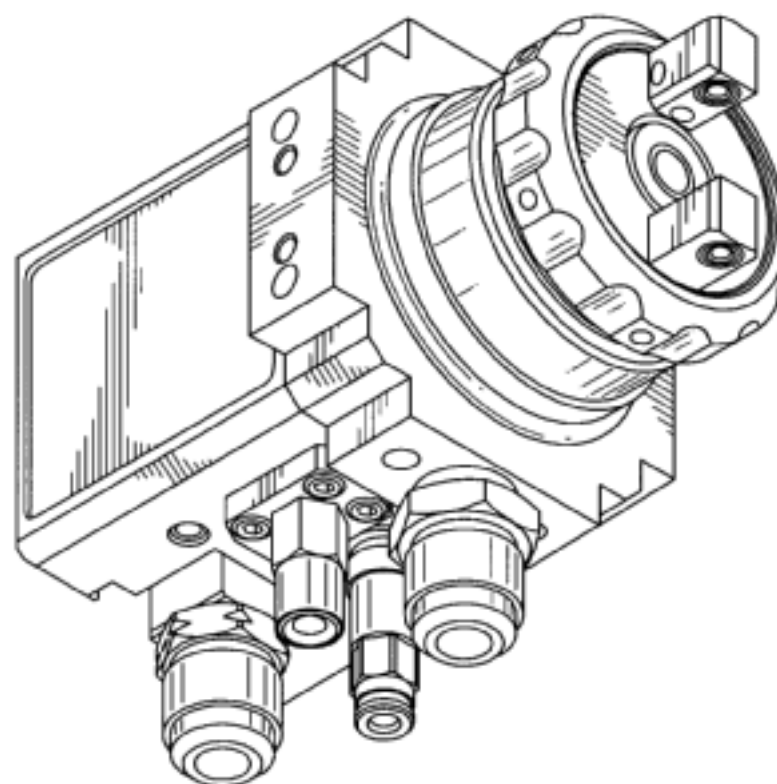
(57) Statement of Newness and Distinctiveness: **Newness and distinctiveness reside in the features of shape and/or configuration of the INDOOR GROWING UNIT TRAY, as shown in the representations.**



- (21) Design Number: **15245/2012**
(22) Date of Filing Application: **23 October 2012**
(24) Date from which industrial property rights may have effect: **23 October 2012**
(54) Product in respect of which the design is registered: **Indoor growing unit base tray**
(51) International Design Classification: **11-02B**
(74) Name(s) of Attorney(s): **A J Park**
(71) Name(s) and Address(s) of Applicant(s):
OMS Investments, Inc.
10250 Constellation Place Suite 250 Los Angeles California 90067 United States of America
(72) Name(s) of Designer(s): **Mark Gerard Prinster and Bradley Alan Schultz and Sara Ann Gordon and Kimberly Ann Rygielski and Matthew L. Phillips and Robert H. Bruno and Philip J. Nathan and Tara Marie Zasadzinski**
(45) Registration Date: **04 January 2013**
(30) Convention priority data:
(31) Number (32) Date (33) Country
29/419,920 23 Apr 2012 UNITED STATES OF AMERICA
(56) Related Art Documents: **Not Applicable**
(57) Statement of Newness and Distinctiveness: **Newness and distinctiveness reside in the features of shape and/or configuration of the INDOOR GROWING UNIT BASE TRAY, as shown in the representations.**



- (21) Design Number: **15930/2012**
(22) Date of Filing Application: **27 November 2012**
(24) Date from which industrial property rights may have effect: **27 November 2012**
(54) Product in respect of which the design is registered: **Plasma gun**
(51) International Design Classification: **08-05M**
(74) Name(s) of Attorney(s): **WATERMARK PATENT AND TRADE MARKS ATTORNEYS**
(71) Name(s) and Address(s) of Applicant(s):
Sulzer Metco (US) Inc
1101 Prospect Avenue Westbury NY 11590 United States of America
(72) Name(s) of Designer(s): **Robert F Savill Jr.**
(45) Registration Date: **04 January 2013**
(30) Convention priority data:
(31) Number (32) Date (33) Country
29/420,567 10 May 2012 UNITED STATES OF AMERICA
(56) Related Art Documents: **Not Applicable**
(57) Statement of Newness and Distinctiveness: **Nil**



(21) Design Number: **15962/2012**
(22) Date of Filing Application: **28 November 2012**
(24) Date from which industrial property rights may have effect: **28 November 2012**
(54) Product in respect of which the design is registered: **Safety razor handle**
(51) International Design Classification: **28-03A**
(74) Name(s) of Attorney(s): **Halfords IP**
(71) Name(s) and Address(s) of Applicant(s):
Eveready Battery Company, Inc.
533 Maryville University Drive St Louis Missouri 63141 United States of America

(72) Name(s) of Designer(s): **Christopher Barrow and David Stowers**

(45) Registration Date: **04 January 2013**

(30) Convention priority data:

(31) Number	(32) Date	(33) Country
29/425878	28 Jun 2012	UNITED STATES OF AMERICA

(56) Related Art Documents: **Not Applicable**

(57) Statement of Newness and Distinctiveness: **Newness and distinctiveness is claimed in those features of shape and or configuration of a safety razor handle as depicted in the accompanying representations.**



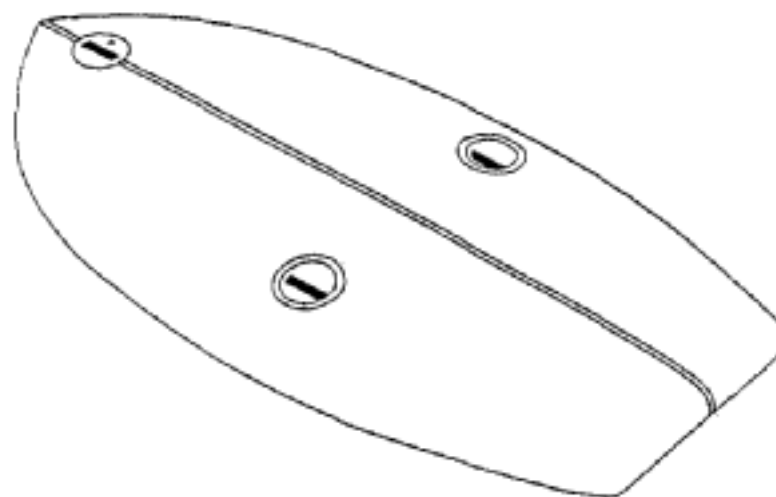
(21) Design Number: **16026/2012**
(22) Date of Filing Application: **03 December 2012**
(24) Date from which industrial property rights may have effect: **03 December 2012**
(54) Product in respect of which the design is registered: **A handboard**
(51) International Design Classification: **21-02D**
(74) Name(s) of Attorney(s): **SPRUSON & FERGUSON**
(71) Name(s) and Address(s) of Applicant(s):
Chris Anderson
12 Sanctuary Place Minnamurra New South Wales 2533 Australia

(72) Name(s) of Designer(s): **Chris Anderson**

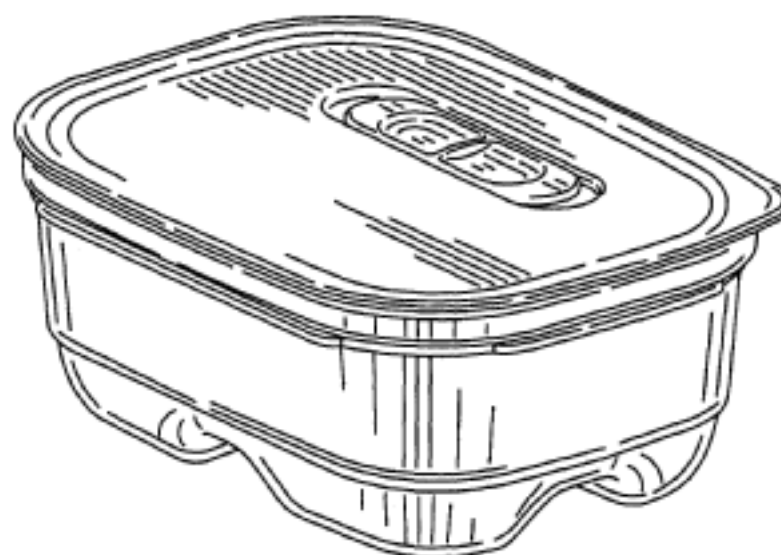
(45) Registration Date: **04 January 2013**

(56) Related Art Documents: **Not Applicable**

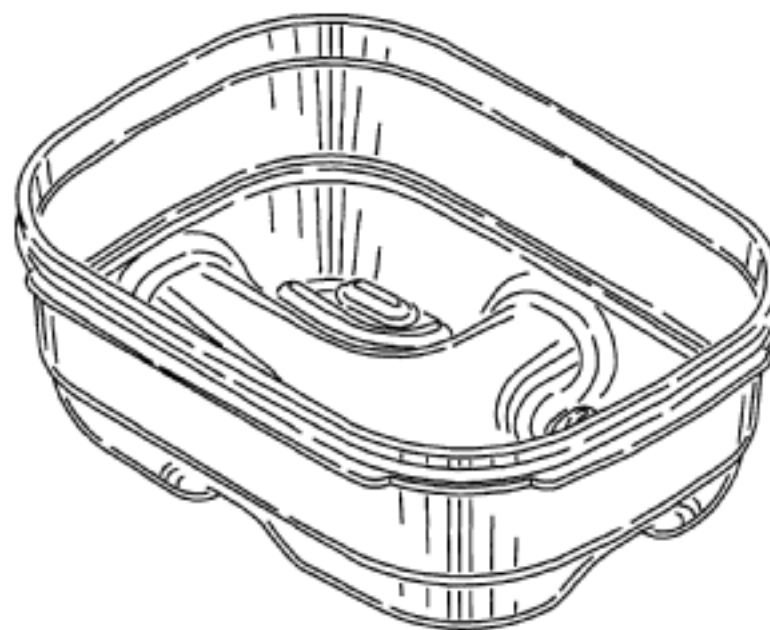
(57) Statement of Newness and Distinctiveness: **Newness and distinctiveness is claimed in the features of shape and/or configuration of a handboard as illustrated in the accompanying representations.**



(21) Design Number: **16285/2012**
(22) Date of Filing Application: **31 October 2012**
(24) Date from which industrial property rights may have effect: **31 October 2012**
(54) Product in respect of which the design is registered: **Produce storage container**
(51) International Design Classification: **09-03K**
(74) Name(s) of Attorney(s): **PHILLIPS ORMONDE FITZPATRICK**
(71) Name(s) and Address(s) of Applicant(s):
Dart Industries Inc.
14901 S. Orange Blossom Trail Orlando Florida 32837 United States of America
(72) Name(s) of Designer(s): **Jan-Hendrik De Groote and Nathan E. Shirley**
(45) Registration Date: **04 January 2013**
(30) Convention priority data:
(31) Number (32) Date (33) Country
29/421,116 24 May 2012 UNITED STATES OF AMERICA
(56) Related Art Documents: **Not Applicable**
(57) Statement of Newness and Distinctiveness: **Those features of the produce storage container depicted in the representations that are new and distinctive are the shape and/or configuration.**



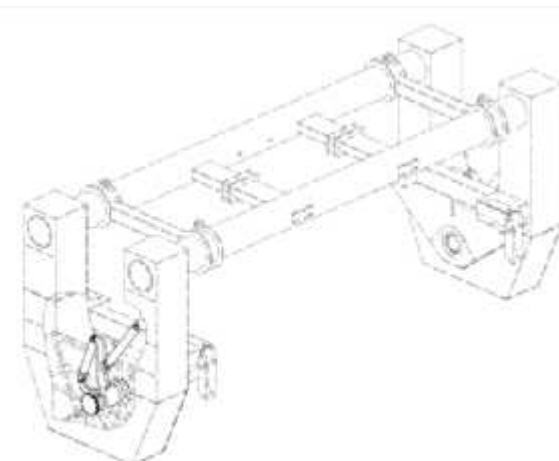
(21) Design Number: **16286/2012**
(22) Date of Filing Application: **31 October 2012**
(24) Date from which industrial property rights may have effect: **31 October 2012**
(54) Product in respect of which the design is registered: **Produce storage container**
(51) International Design Classification: **09-03K**
(74) Name(s) of Attorney(s): **PHILLIPS ORMONDE FITZPATRICK**
(71) Name(s) and Address(s) of Applicant(s):
Dart Industries Inc.
14901 S. Orange Blossom Trail Orlando Florida 32837 United States of America
(72) Name(s) of Designer(s): **Jan-Hendrik De Groote and Nathan E. Shirley**
(45) Registration Date: **04 January 2013**
(30) Convention priority data:
(31) Number (32) Date (33) Country
24/421,119 24 May 2012 UNITED STATES OF AMERICA
(56) Related Art Documents: **Not Applicable**
(57) Statement of Newness and Distinctiveness: **Those features of the produce storage container depicted in the representations that are new and distinctive are the shape and/or configuration.**



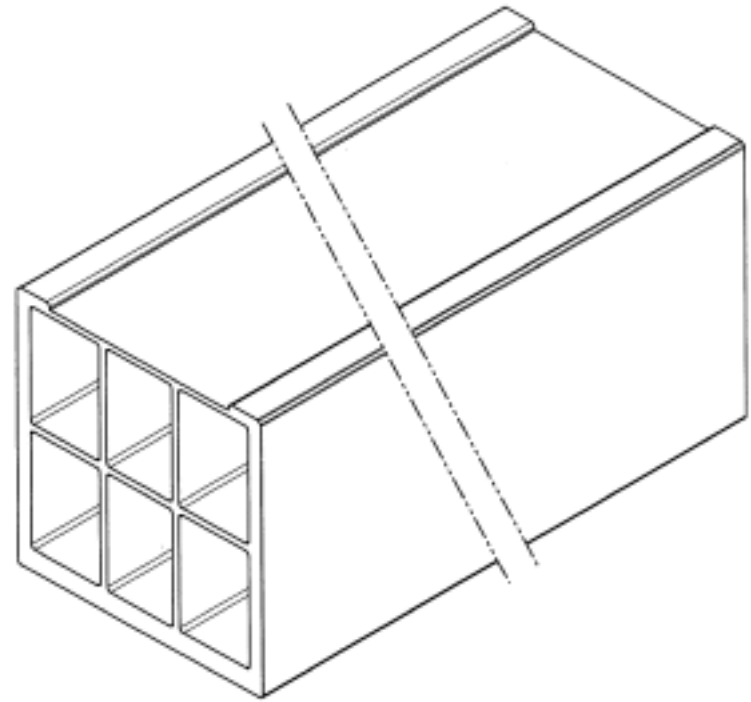
- (21) Design Number: **15934/2012**
(22) Date of Filing Application: **29 November 2012**
(24) Date from which industrial property rights may have effect: **29 November 2012**
(54) Product in respect of which the design is registered: **Pants**
(51) International Design Classification: **02-02C, 02-02B**
(74) Name(s) of Attorney(s):
(71) Name(s) and Address(s) of Applicant(s):
Ken Buraaq Pty Ltd
29/7 Dunstons Ct Thomastown VIC 3074 Australia
(72) Name(s) of Designer(s): **Waqas Arshad**
(45) Registration Date: **07 January 2013**
(56) Related Art Documents: **Not Applicable**
(57) Statement of Newness and Distinctiveness: **Monopoly is claimed in the shape, configuration, pattern and ornamentation of the pair of pants shown in the representations. Furthermore newness and distinctiveness is claimed in the shape and/or configuration of the internal lining of the pants as illustrated in the accompanying representations.**



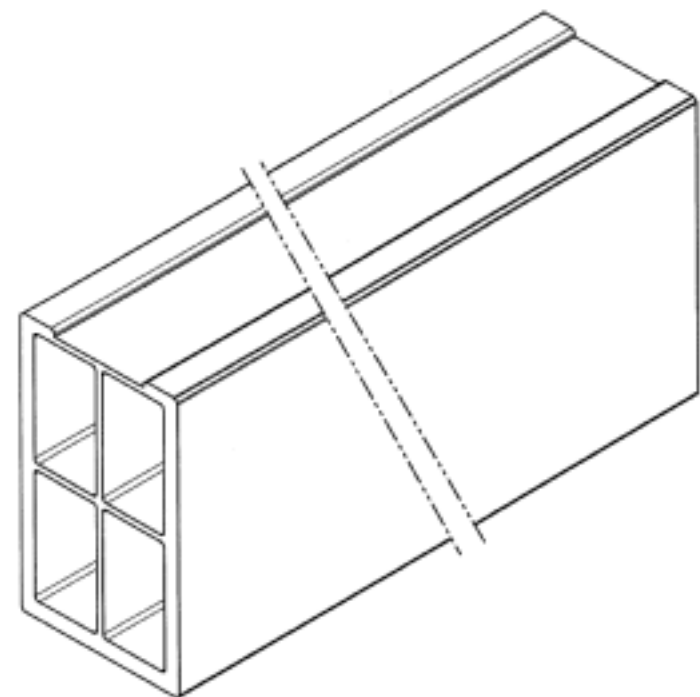
- (21) Design Number: **15946/2012**
(22) Date of Filing Application: **29 November 2012**
(24) Date from which industrial property rights may have effect: **29 November 2012**
(54) Product in respect of which the design is registered: **A crank arm assembly for container-handling apparatus**
(51) International Design Classification: **12-05**
(74) Name(s) of Attorney(s): **Australian Patent and TradeMark Services**
(71) Name(s) and Address(s) of Applicant(s):
Australian Mobile Mining Equipment Systems and Accessories Pty. Limited
18 Sleight Pl Wetherill Park NSW 2164 Australia
(72) Name(s) of Designer(s): **Murray Robert Bridle**
(45) Registration Date: **07 January 2013**
(56) Related Art Documents: **Not Applicable**
(57) Statement of Newness and Distinctiveness: **Newness and distinctiveness is claimed in the shape and/or configuration of a crank arm assembly, as illustrated in continuous (unbroken) lines in the accompanying representations. The features shown in broken lines are not part of the design and are to be disregarded.**



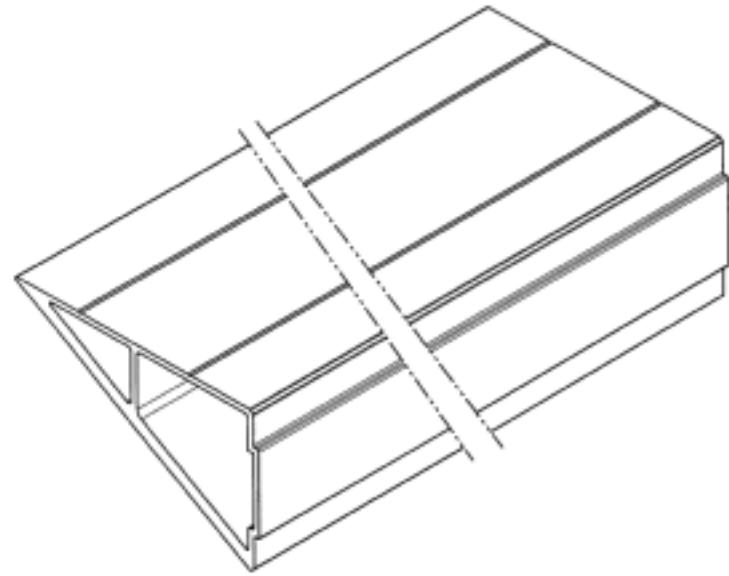
- (21) Design Number: **15951/2012**
(22) Date of Filing Application: **28 November 2012**
(24) Date from which industrial property rights may have effect: **28 November 2012**
(54) Product in respect of which the design is registered: **An extrusion**
(51) International Design Classification: **25-01K**
(74) Name(s) of Attorney(s): **PHILLIPS ORMONDE FITZPATRICK**
(71) Name(s) and Address(s) of Applicant(s):
Lite Guard Safety Solutions Pty Ltd
13 Burton St Dromana VIC 3936 Australia
(72) Name(s) of Designer(s): **Peter Anthony Geldart**
(45) Registration Date: **07 January 2013**
(56) Related Art Documents: **Not Applicable**
(57) Statement of Newness and Distinctiveness: **Those features of the extrusion depicted in the representations that are new and distinctive are the shape and/or configuration. The extrusion may be of indefinite length.**



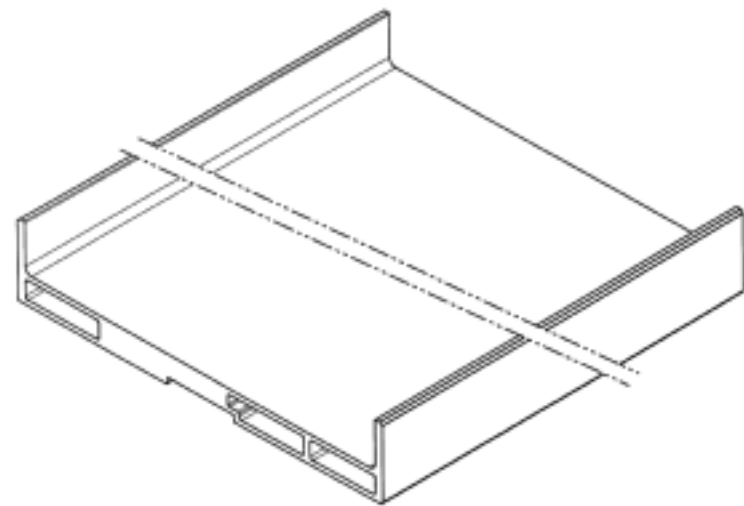
- (21) Design Number: **15952/2012**
(22) Date of Filing Application: **28 November 2012**
(24) Date from which industrial property rights may have effect: **28 November 2012**
(54) Product in respect of which the design is registered: **An extrusion**
(51) International Design Classification: **25-01K**
(74) Name(s) of Attorney(s): **PHILLIPS ORMONDE FITZPATRICK**
(71) Name(s) and Address(s) of Applicant(s):
Lite Guard Safety Solutions Pty Ltd
13 Burton St Dromana VIC 3936 Australia
(72) Name(s) of Designer(s): **Peter Anthony Geldart**
(45) Registration Date: **07 January 2013**
(56) Related Art Documents: **Not Applicable**
(57) Statement of Newness and Distinctiveness: **Those features of the extrusion depicted in the representations that are new and distinctive are the shape and/or configuration. The extrusion may be of indefinite length.**



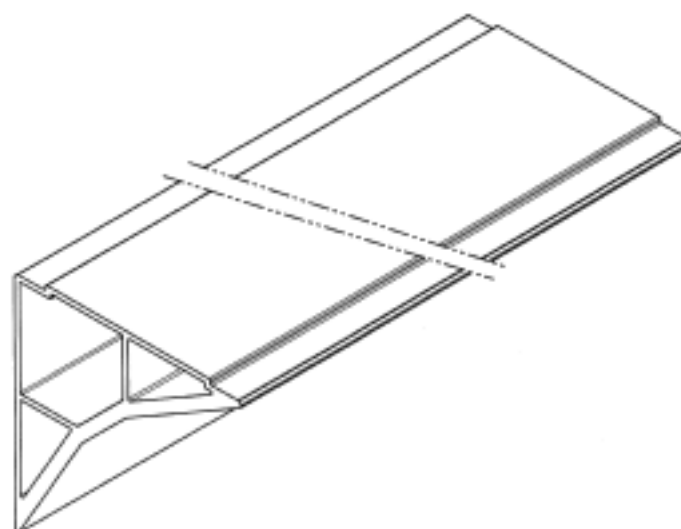
- (21) Design Number: **15953/2012**
(22) Date of Filing Application: **28 November 2012**
(24) Date from which industrial property rights may have effect: **28 November 2012**
(54) Product in respect of which the design is registered: **An extrusion**
(51) International Design Classification: **25-01K**
(74) Name(s) of Attorney(s): **PHILLIPS ORMONDE FITZPATRICK**
(71) Name(s) and Address(s) of Applicant(s):
Lite Guard Safety Solutions Pty Ltd
13 Burton St Dromana VIC 3936 Australia
(72) Name(s) of Designer(s): **Peter Anthony Geldart**
(45) Registration Date: **07 January 2013**
(56) Related Art Documents: **Not Applicable**
(57) Statement of Newness and Distinctiveness: **Those features of the extrusion depicted in the representations that are new and distinctive are the shape and/or configuration. The extrusion may be of indefinite length.**



- (21) Design Number: **15954/2012**
(22) Date of Filing Application: **28 November 2012**
(24) Date from which industrial property rights may have effect: **28 November 2012**
(54) Product in respect of which the design is registered: **An extrusion**
(51) International Design Classification: **25-01K**
(74) Name(s) of Attorney(s): **PHILLIPS ORMONDE FITZPATRICK**
(71) Name(s) and Address(s) of Applicant(s):
Lite Guard Safety Solutions Pty Ltd
13 Burton St Dromana VIC 3936 Australia
(72) Name(s) of Designer(s): **Peter Anthony Geldart**
(45) Registration Date: **07 January 2013**
(56) Related Art Documents: **Not Applicable**
(57) Statement of Newness and Distinctiveness: **Those features of the extrusion depicted in the representations that are new and distinctive are the shape and/or configuration. The extrusion may be of indefinite length.**



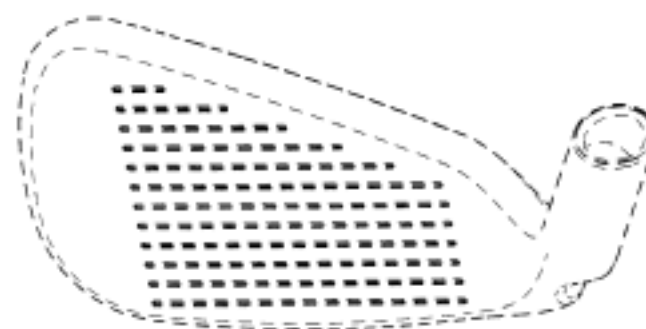
- (21) Design Number: **15955/2012**
(22) Date of Filing Application: **28 November 2012**
(24) Date from which industrial property rights may have effect: **28 November 2012**
(54) Product in respect of which the design is registered: **An extrusion**
(51) International Design Classification: **25-01K**
(74) Name(s) of Attorney(s): **PHILLIPS ORMONDE FITZPATRICK**
(71) Name(s) and Address(s) of Applicant(s):
Lite Guard Safety Solutions Pty Ltd
13 Burton St Dromana VIC 3936 Australia
(72) Name(s) of Designer(s): **Peter Anthony Geldart**
(45) Registration Date: **07 January 2013**
(56) Related Art Documents: **Not Applicable**
(57) Statement of Newness and Distinctiveness: **Those features of the extrusion depicted in the representations that are new and distinctive are the shape and/or configuration. The extrusion may be of indefinite length.**



- (21) Design Number: **15956/2012**
(22) Date of Filing Application: **28 November 2012**
(24) Date from which industrial property rights may have effect: **28 November 2012**
(54) Product in respect of which the design is registered: **Golf club head**
(51) International Design Classification: **21-02C**
(74) Name(s) of Attorney(s): **Davies Collison Cave**
(71) Name(s) and Address(s) of Applicant(s):
Karsten Manufacturing Corporation
2201 West Desert Cove Phoenix Arizona 85029 United States of America
(72) Name(s) of Designer(s): **Marty R. Jerston and Xiaojian Chen and Ryan M. Stokke and Bradley D. Schweigert**
(45) Registration Date: **07 January 2013**
(30) Convention priority data:

(31) Number	(32) Date	(33) Country
29/425407	22 Jun 2012	UNITED STATES OF AMERICA

(56) Related Art Documents: **Not Applicable**
(57) Statement of Newness and Distinctiveness: **Newness and distinctiveness is claimed in the visual features shown in solid lines in the representations. In considering the extent of the design rights, the broken lines shown in the representations are for illustrative purposes only and do not form part of the design.**



(21) Design Number: **15957/2012**
(22) Date of Filing Application: **28 November 2012**
(24) Date from which industrial property rights may have effect: **28 November 2012**
(54) Product in respect of which the design is registered: **Safety razor**
(51) International Design Classification: **28-03A**
(74) Name(s) of Attorney(s): **Halfords IP**
(71) Name(s) and Address(s) of Applicant(s):
Eveready Battery Company, Inc.
533 Maryville University Drive St Louis Missouri 63141 United States of America

(72) Name(s) of Designer(s): **Christopher Barrow and David Stowers**
(45) Registration Date: **07 January 2013**

(30) Convention priority data:
(31) Number (32) Date (33) Country
29/426023 29 Jun 2012 UNITED STATES OF AMERICA

(56) Related Art Documents: **Not Applicable**
(57) Statement of Newness and Distinctiveness: **Newness and Distinctiveness is claimed in those features of shape and or configuration of a safety razor as depicted in the accompanying representations.**



(21) Design Number: **15958/2012**
(22) Date of Filing Application: **28 November 2012**
(24) Date from which industrial property rights may have effect: **28 November 2012**
(54) Product in respect of which the design is registered: **Safety razor handle**
(51) International Design Classification: **28-03A**
(74) Name(s) of Attorney(s): **Halfords IP**
(71) Name(s) and Address(s) of Applicant(s):
Eveready Battery Company, Inc.
533 Maryville University Drive St Louis Missouri 63141 United States of America

(72) Name(s) of Designer(s): **Christopher Barrow and David Stowers**
(45) Registration Date: **07 January 2013**

(30) Convention priority data:
(31) Number (32) Date (33) Country
29/426026 29 Jun 2012 UNITED STATES OF AMERICA

(56) Related Art Documents: **Not Applicable**
(57) Statement of Newness and Distinctiveness: **Newness and Distinctiveness is claimed in those features of shape and or configuration of a safety razor handle as depicted in the accompanying representations.**



(21) Design Number: **15959/2012**
(22) Date of Filing Application: **28 November 2012**
(24) Date from which industrial property rights may have effect: **28 November 2012**
(54) Product in respect of which the design is registered: **Safety razor**
(51) International Design Classification: **28-03A**
(74) Name(s) of Attorney(s): **Halfords IP**
(71) Name(s) and Address(s) of Applicant(s):
Eveready Battery Company, Inc.
533 Maryville University Drive St Louis Missouri 63141 United States of America

(72) Name(s) of Designer(s): **Christopher Barrow and David Stowers**
(45) Registration Date: **07 January 2013**

(30) Convention priority data:
(31) Number (32) Date (33) Country
29/425764 27 Jun 2012 UNITED STATES OF AMERICA

(56) Related Art Documents: **Not Applicable**
(57) Statement of Newness and Distinctiveness: **Newness and Distinctiveness is claimed in those features of shape and or configuration of a safety razor as depicted in the accompanying representations.**

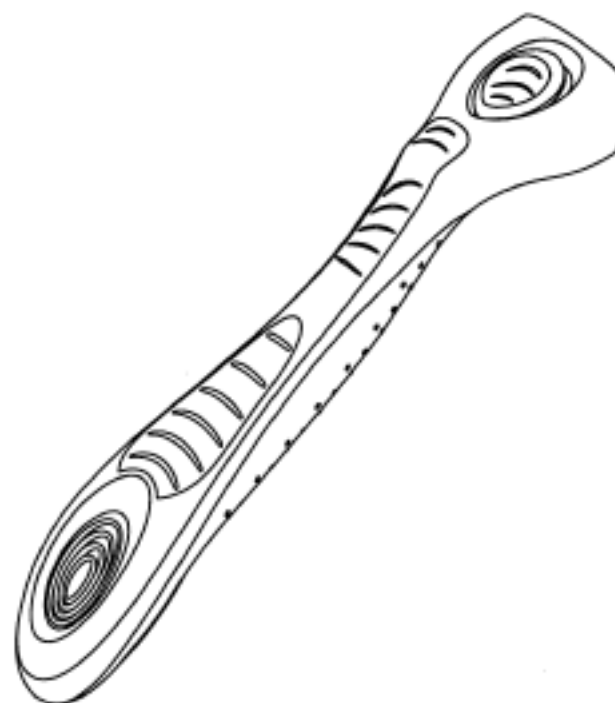


(21) Design Number: **15960/2012**
(22) Date of Filing Application: **28 November 2012**
(24) Date from which industrial property rights may have effect: **28 November 2012**
(54) Product in respect of which the design is registered: **Safety razor handle**
(51) International Design Classification: **28-03A**
(74) Name(s) of Attorney(s): **Halfords IP**
(71) Name(s) and Address(s) of Applicant(s):
Eveready Battery Company, Inc.
533 Maryville University Drive St Louis Missouri 63141 United States of America

(72) Name(s) of Designer(s): **Christopher Barrow and David Stowers**
(45) Registration Date: **07 January 2013**

(30) Convention priority data:
(31) Number (32) Date (33) Country
29/425773 27 Jun 2012 UNITED STATES OF AMERICA

(56) Related Art Documents: **Not Applicable**
(57) Statement of Newness and Distinctiveness: **Newness and Distinctiveness is claimed in those features of shape and or configuration of a safety razor handle as depicted in the accompanying representations.**



(21) Design Number: **15961/2012**
(22) Date of Filing Application: **28 November 2012**
(24) Date from which industrial property rights may have effect: **28 November 2012**
(54) Product in respect of which the design is registered: **Safety razor**
(51) International Design Classification: **28-03A**
(74) Name(s) of Attorney(s): **Halfords IP**
(71) Name(s) and Address(s) of Applicant(s):
Eveready Battery Company, Inc.
533 Maryville University Drive St Louis Missouri 63141 United States of America

(72) Name(s) of Designer(s): **Christopher Barrow and David Stowers**
(45) Registration Date: **07 January 2013**

(30) Convention priority data:
(31) Number (32) Date (33) Country
29/425877 28 Jun 2012 UNITED STATES OF AMERICA

(56) Related Art Documents: **Not Applicable**
(57) Statement of Newness and Distinctiveness: **Newness and Distinctiveness is claimed in those features of shape and or configuration of a safety razor as depicted in the accompanying representations.**

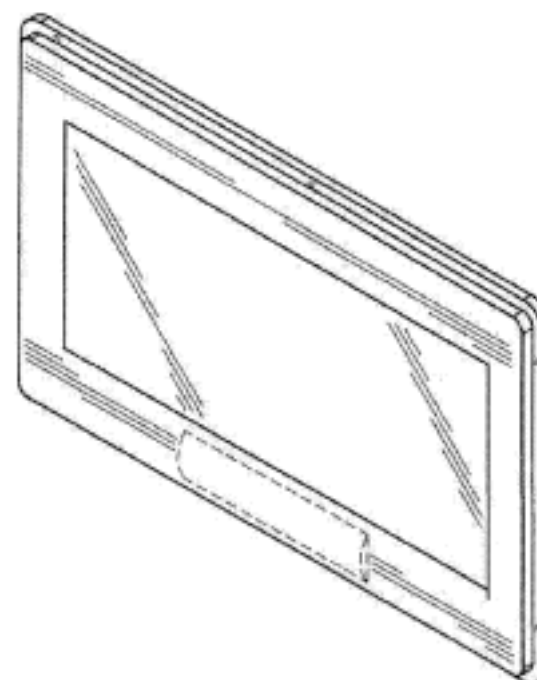


(21) Design Number: **15963/2012**
(22) Date of Filing Application: **28 November 2012**
(24) Date from which industrial property rights may have effect: **04 October 2012**
(54) Product in respect of which the design is registered: **Elevator fixture**
(51) International Design Classification: **12-05**
(74) Name(s) of Attorney(s): **Shelston IP**
(71) Name(s) and Address(s) of Applicant(s):
Otis Elevator Company
10 Farm Springs Road Farmington Connecticut 06032 United States of America

(72) Name(s) of Designer(s): **Matthew Joyce Jr.**
(45) Registration Date: **07 January 2013**

(30) Convention priority data:
(31) Number (32) Date (33) Country
29/417620 05 Apr 2012 UNITED STATES OF AMERICA

(62) Divisional of: **346019**
(56) Related Art Documents: **Not Applicable**
(57) Statement of Newness and Distinctiveness: **Newness and distinctiveness resides in the features of shape and/or configuration of the elevator fixture shown in the accompanying representations. The features shown in broken lines in the representations are for the purpose of illustration only, and form no part of the design.**



(21) Design Number: **15964/2012**
(22) Date of Filing Application: **28 November 2012**
(24) Date from which industrial property rights may have effect: **28 November 2012**
(54) Product in respect of which the design is registered: **Winch**
(51) International Design Classification: **12-05**
(74) Name(s) of Attorney(s): **Shelston IP**
(71) Name(s) and Address(s) of Applicant(s):

Warn Industries, Inc.
12900 SE Capps Road Clackamas Oregon 97015 United States of America

(72) Name(s) of Designer(s): **Darren G. Fretz and Bryan M. Averill and Steven W. Shuyler and Bryon M. Borntreger and Kyle A. Hartelt and Glenda M. Steele**

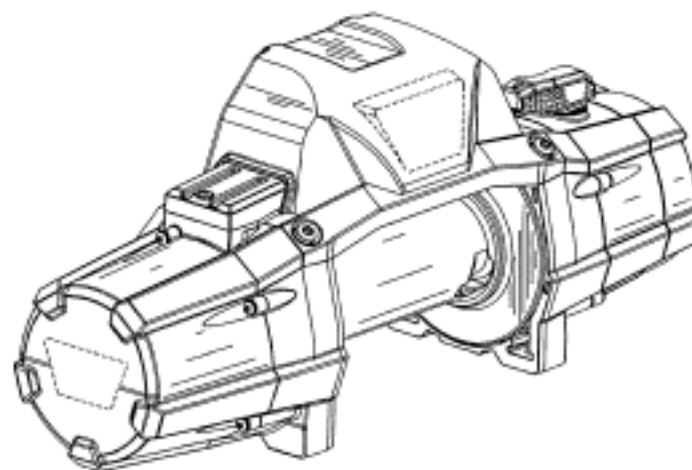
(45) Registration Date: **07 January 2013**

(30) Convention priority data:

(31) Number	(32) Date	(33) Country
29/426013	29 Jun 2012	UNITED STATES OF AMERICA

(56) Related Art Documents: **Not Applicable**

(57) Statement of Newness and Distinctiveness: **Newness and distinctiveness resides in the features of shape and configuration of the winch as illustrated in the accompanying representations. The features shown in broken lines do not form part of the design.**



(21) Design Number: **15970/2012**
(22) Date of Filing Application: **28 November 2012**
(24) Date from which industrial property rights may have effect: **22 October 2012**
(54) Product in respect of which the design is registered: **Finger grips**
(51) International Design Classification: **08-07**
(74) Name(s) of Attorney(s): **Callinans**
(71) Name(s) and Address(s) of Applicant(s):

Master Lock Company LLC
137 W. Forest Hill Avenue Oak Creek Wisconsin 53154 United States of America

(72) Name(s) of Designer(s): **Scott B. Stevens**

(45) Registration Date: **07 January 2013**

(30) Convention priority data:

(31) Number	(32) Date	(33) Country
29/418,857	23 Apr 2012	UNITED STATES OF AMERICA

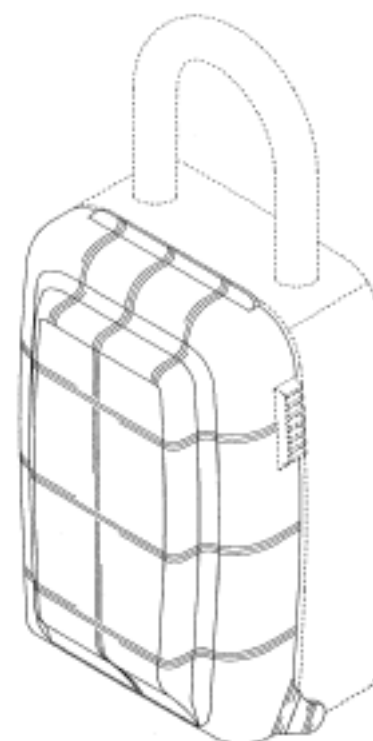
(62) Divisional of: **345938**

(56) Related Art Documents: **Not Applicable**

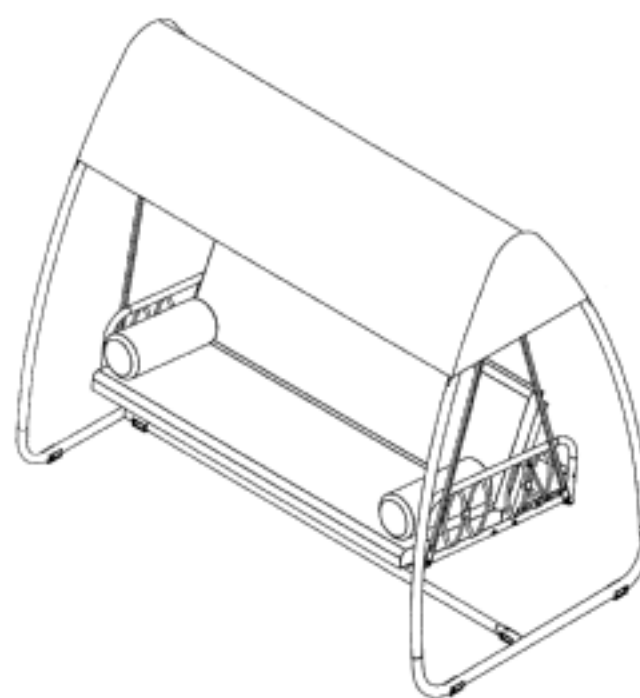
(57) Statement of Newness and Distinctiveness: **Newness and distinctiveness resides in the features of shape and/or configuration of the design shown in the representations. The features shown in broken lines in the representations are for illustrative purposes only and should not be considered when construing visual features of the design.**



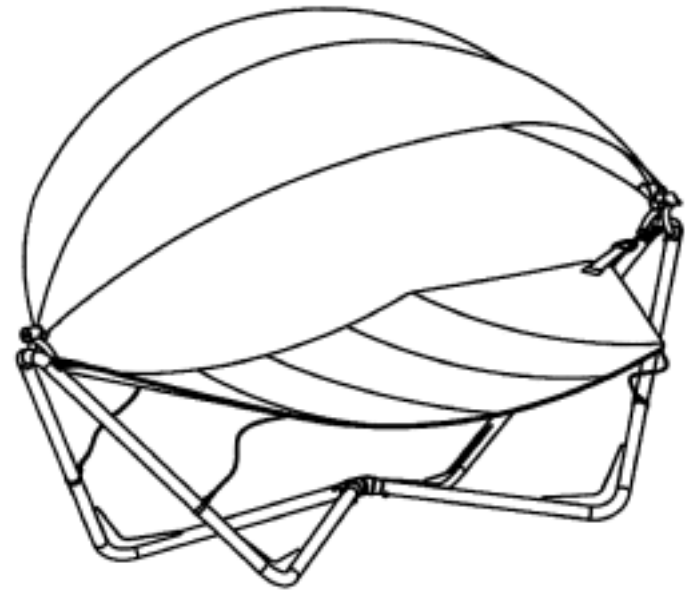
- (21) Design Number: **15971/2012**
(22) Date of Filing Application: **28 November 2012**
(24) Date from which industrial property rights may have effect: **22 October 2012**
(54) Product in respect of which the design is registered: **Lock cover**
(51) International Design Classification: **08-07**
(74) Name(s) of Attorney(s): **Callinans**
(71) Name(s) and Address(s) of Applicant(s):
Master Lock Company LLC
137 W. Forest Hill Avenue Oak Creek Wisconsin 53154 United States of America
(72) Name(s) of Designer(s): **Scott B. Stevens**
(45) Registration Date: **07 January 2013**
(30) Convention priority data:
(31) Number (32) Date (33) Country
29/418,857 23 Apr 2012 UNITED STATES OF AMERICA
(62) Divisional of: **345938**
(56) Related Art Documents: **Not Applicable**
(57) Statement of Newness and Distinctiveness: **Newness and distinctiveness resides in the features of shape and/or configuration of the design shown in the representations. The features shown in broken lines in the representations are for illustrative purposes only and should not be considered when construing visual features of the design.**



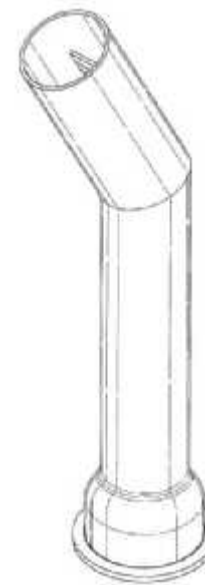
- (21) Design Number: **15994/2012**
(22) Date of Filing Application: **29 November 2012**
(24) Date from which industrial property rights may have effect: **29 November 2012**
(54) Product in respect of which the design is registered: **Swing with adjustable seat**
(51) International Design Classification: **06-01NES**
(74) Name(s) of Attorney(s): **HODGKINSON McINNES PATENTS**
(71) Name(s) and Address(s) of Applicant(s):
Zhejiang Zhengte Group Co., Ltd
No. 811 Oriental Ave Linhai Zhejiang 317004 China
(72) Name(s) of Designer(s): **Jian Zhou and Caihua Shan**
(45) Registration Date: **07 January 2013**
(30) Convention priority data:
(31) Number (32) Date (33) Country
201230328670.8 20 Jul 2012 CHINA
(56) Related Art Documents: **Not Applicable**
(57) Statement of Newness and Distinctiveness: **Newness and distinctiveness is claimed in the shape and configuration of a Swing with Adjustable Seat as shown in the representations.**



- (21) Design Number: **15995/2012**
(22) Date of Filing Application: **29 November 2012**
(24) Date from which industrial property rights may have effect: **29 November 2012**
(54) Product in respect of which the design is registered: **Adjustable shaded hammock**
(51) International Design Classification: **06-02**
(74) Name(s) of Attorney(s): **HODGKINSON McINNES PATENTS**
(71) Name(s) and Address(s) of Applicant(s):
Zhejiang Zhengte Group Co., Ltd
No. 811 Oriental Ave Linhai Zhejiang 317004 China
(72) Name(s) of Designer(s): **Jian Zhou and Caihua Shan**
(45) Registration Date: **07 January 2013**
(30) Convention priority data:
(31) Number (32) Date (33) Country
201230297809.7 05 Jul 2012 CHINA
(56) Related Art Documents: **Not Applicable**
(57) Statement of Newness and Distinctiveness: **Newness and distinctiveness is claimed in the shape and configuration of an Adjustable Shaded Hammock as shown in the representations. The ghost lines do not form part of the design.**



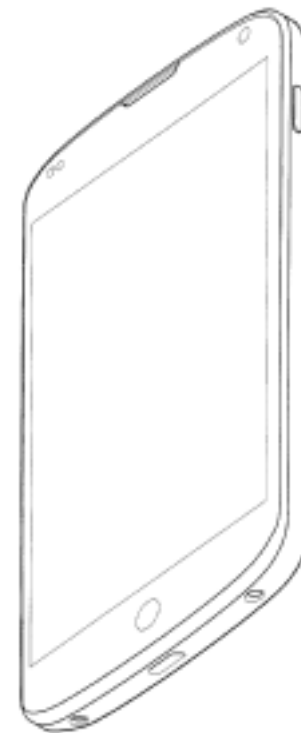
- (21) Design Number: **16003/2012**
(22) Date of Filing Application: **03 December 2012**
(24) Date from which industrial property rights may have effect: **03 December 2012**
(54) Product in respect of which the design is registered: **Spout**
(51) International Design Classification: **23-01H**
(74) Name(s) of Attorney(s): **WATERMARK PATENT AND TRADE MARKS ATTORNEYS**
(71) Name(s) and Address(s) of Applicant(s):
Dorony Pty Ltd
63 Blazey St Richmond VIC 3121 Australia
(72) Name(s) of Designer(s): **Tony Cachia**
(45) Registration Date: **07 January 2013**
(56) Related Art Documents: **Not Applicable**
(57) Statement of Newness and Distinctiveness: **Nil**



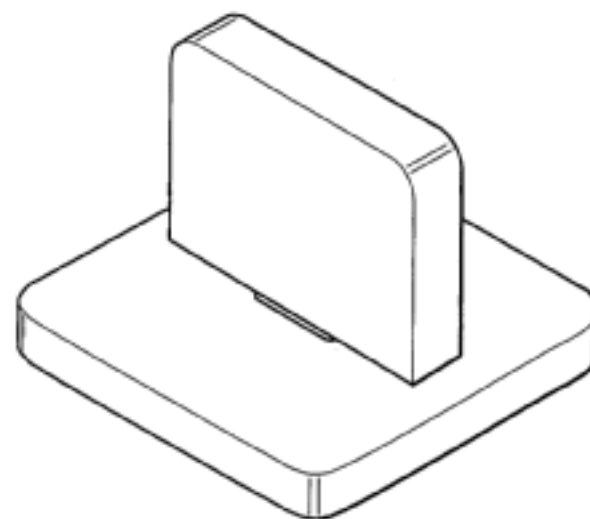
(21) Design Number: **16004/2012**
(22) Date of Filing Application: **03 December 2012**
(24) Date from which industrial property rights may have effect: **03 December 2012**
(54) Product in respect of which the design is registered: **Safety helmet**
(51) International Design Classification: **02-03**
(74) Name(s) of Attorney(s):
(71) Name(s) and Address(s) of Applicant(s):
Lee Ngai Mun
No. 62 Jalan CH 1 Cheras Hartamas 43200 Selangor Darul Ehsan
Malaysia
(72) Name(s) of Designer(s): **Lee Ngai Mun**
(45) Registration Date: **07 January 2013**
(56) Related Art Documents: **Not Applicable**
(57) Statement of Newness and Distinctiveness: **Nil**



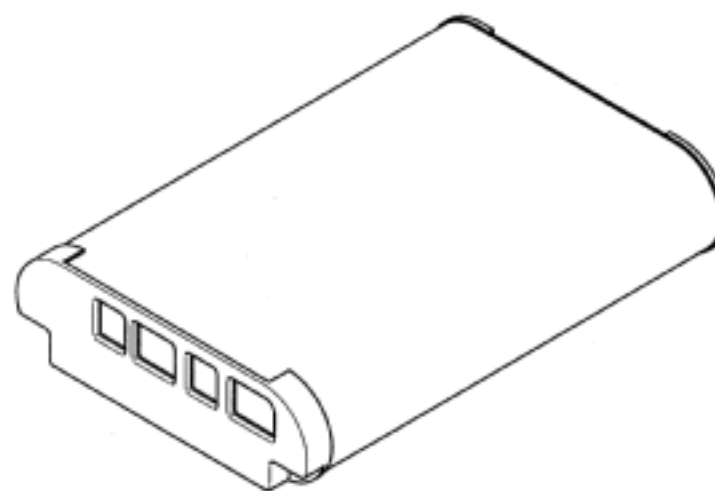
(21) Design Number: **16029/2012**
(22) Date of Filing Application: **30 November 2012**
(24) Date from which industrial property rights may have effect: **30 November 2012**
(54) Product in respect of which the design is registered: **Mobile phone**
(51) International Design Classification: **14-03E**
(74) Name(s) of Attorney(s): **FB Rice**
(71) Name(s) and Address(s) of Applicant(s):
LG Electronics Inc.
20 Yeouido-dong Yeongdeungpo-gu Seoul 150-721 Republic of Korea
(72) Name(s) of Designer(s): **Seala Park and Hyunwoo Yoo and Cheolwoong**
Shin and Byunghyun Yi
(45) Registration Date: **07 January 2013**
(30) Convention priority data:
(31) Number (32) Date (33) Country
30-2012-0031408 27 Jun 2012 REPUBLIC OF KOREA
(56) Related Art Documents: **Not Applicable**
(57) Statement of Newness and Distinctiveness: **Newness and distinctiveness**
reside in the features of the design as shown in the representations.



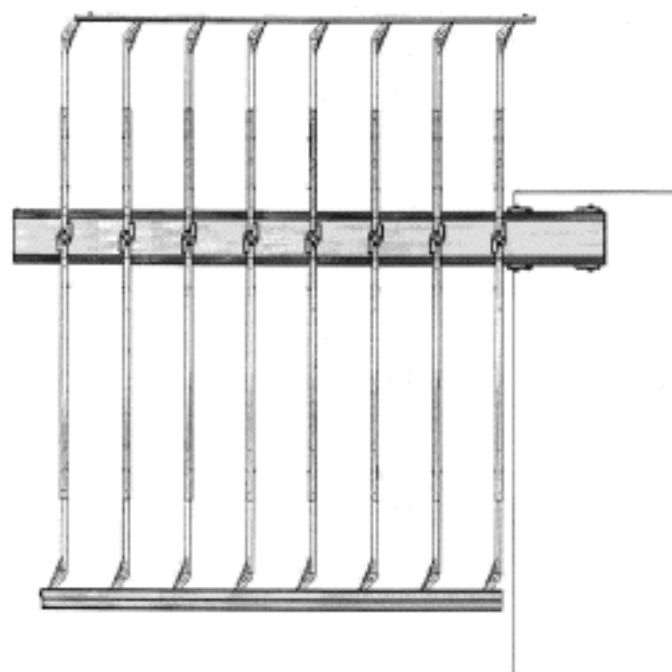
- (21) Design Number: **16032/2012**
(22) Date of Filing Application: **30 November 2012**
(24) Date from which industrial property rights may have effect: **30 November 2012**
(54) Product in respect of which the design is registered: **A handle**
(51) International Design Classification: **08-06**
(74) Name(s) of Attorney(s): **PETER MAXWELL & ASSOCIATES**
(71) Name(s) and Address(s) of Applicant(s):
Meco Australia Pty Limited
30 Stennett Rd Ingleburn NSW 2565 Australia
(72) Name(s) of Designer(s): **Nicholas Kroopin**
(45) Registration Date: **07 January 2013**
(56) Related Art Documents: **Not Applicable**
(57) Statement of Newness and Distinctiveness: **Newness and distinctiveness is claimed in the shape and/or configuration of A HANDLE as illustrated by the unbroken lines in the accompanying representations.**



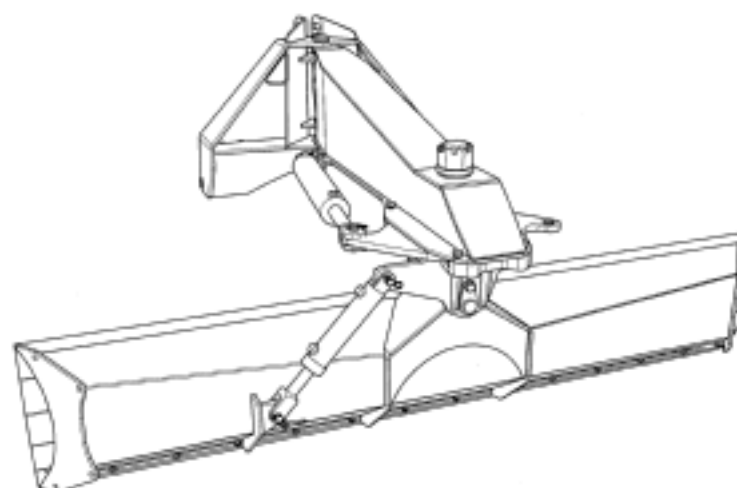
- (21) Design Number: **16055/2012**
(22) Date of Filing Application: **04 December 2012**
(24) Date from which industrial property rights may have effect: **04 December 2012**
(54) Product in respect of which the design is registered: **Rechargeable battery**
(51) International Design Classification: **13-02**
(74) Name(s) of Attorney(s): **Allens Patent & Trade Mark Attorneys**
(71) Name(s) and Address(s) of Applicant(s):
Sony Corporation
1-7-1 Konan Minato-ku Tokyo 108-0075 Japan
(72) Name(s) of Designer(s): **Kiyoshi Yonishi and Atsuhiko Kumagai**
(45) Registration Date: **07 January 2013**
(30) Convention priority data:
(31) Number (32) Date (33) Country
2012-013285 05 Jun 2012 JAPAN
(56) Related Art Documents: **Not Applicable**
(57) Statement of Newness and Distinctiveness: **Newness and distinctiveness resides in the features of shape and configuration of a rechargeable battery as shown in the accompanying representations.**



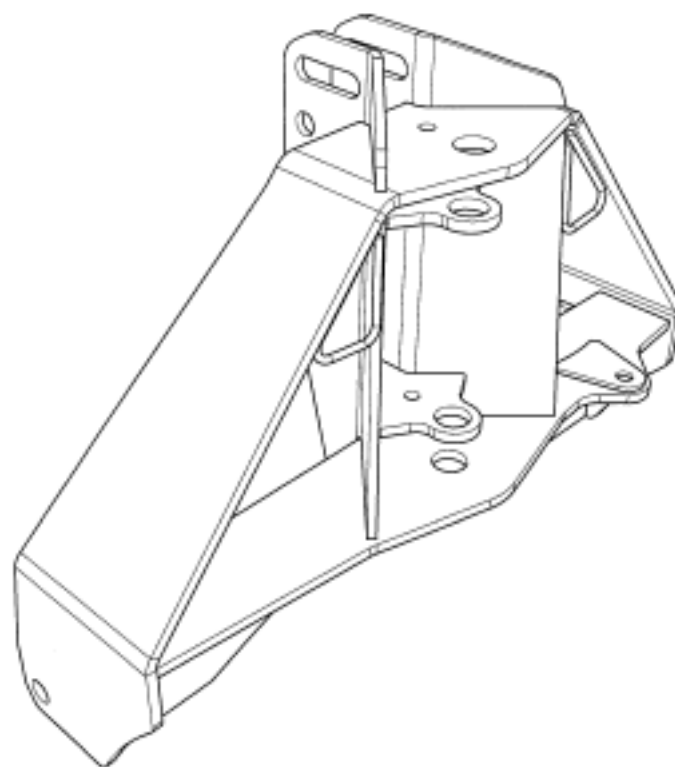
- (21) Design Number: **16058/2012**
(22) Date of Filing Application: **04 December 2012**
(24) Date from which industrial property rights may have effect: **04 December 2012**
(54) Product in respect of which the design is registered: **Barrier**
(51) International Design Classification: **25-02C**
(74) Name(s) of Attorney(s): **Shelston IP**
(71) Name(s) and Address(s) of Applicant(s):
Magnetic Autocontrol GmbH
Grienmatt 20 79650 Schopfheim Germany
(72) Name(s) of Designer(s): **Thomas Burgin**
(45) Registration Date: **07 January 2013**
(30) Convention priority data:
(31) Number (32) Date (33) Country
002054882-0001 08 Jun 2012 EUROPEAN COMMUNITY
(56) Related Art Documents: **Not Applicable**
(57) Statement of Newness and Distinctiveness: **Newness and distinctiveness resides in the features of shape and configuration of the upper portion of the barrier grid above the main barrier beam of the barrier shown in the accompanying representations. The rectangular post to which the barrier is attached does not form part of the design and is included only to show context of use.**



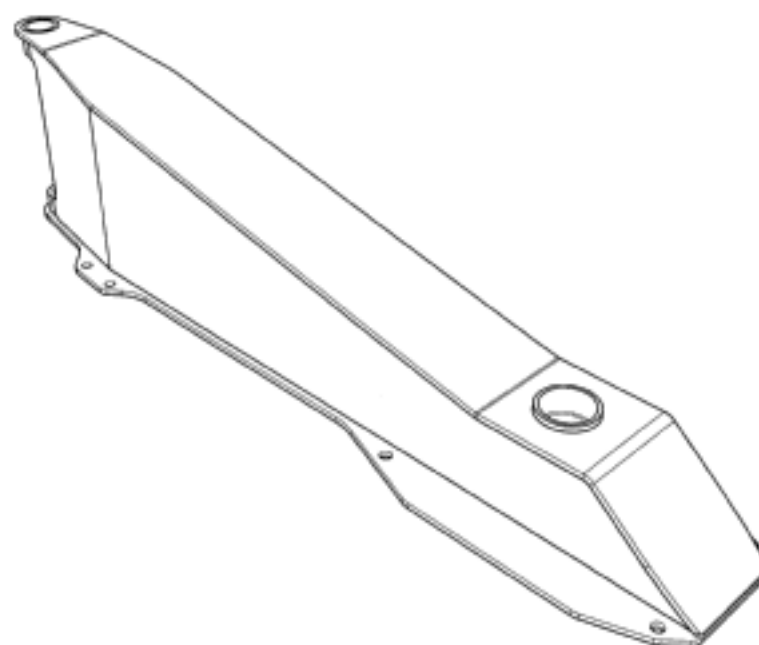
- (21) Design Number: **11905/2012**
(22) Date of Filing Application: **17 April 2012**
(24) Date from which industrial property rights may have effect: **17 April 2012**
(54) Product in respect of which the design is registered: **Grader attachment assembly**
(51) International Design Classification: **15-03A**
(74) Name(s) of Attorney(s): **Halfords IP**
(71) Name(s) and Address(s) of Applicant(s):
Challenge Implements Holdings Pty Limited
Leewood Drive Orange New South Wales 2800 Australia
(72) Name(s) of Designer(s): **Craig Healey and John Healey and Daniel Webb and Jack Rahilly**
(45) Registration Date: **07 January 2013**
(56) Related Art Documents: **Not Applicable**
(57) Statement of Newness and Distinctiveness: **Newness and distinctiveness resides in the features of shape and or configuration of a grader attachment assembly thereof as depicted in the accompanying representations.**



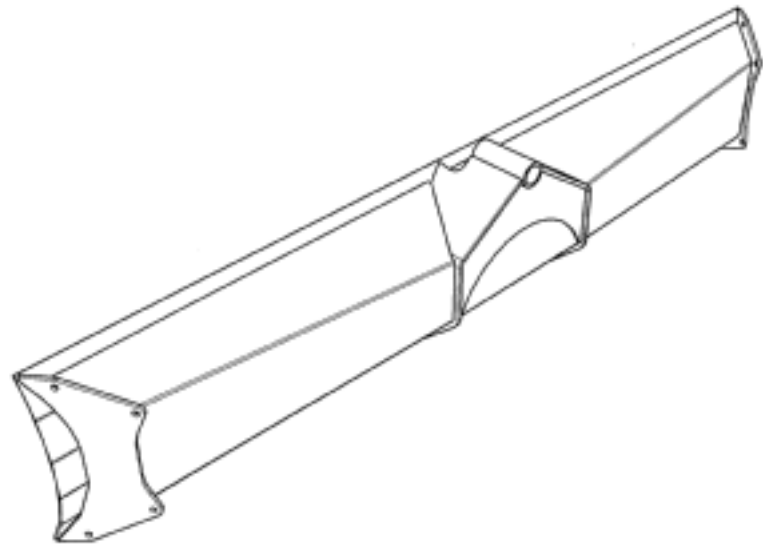
- (21) Design Number: **16411/2012**
(22) Date of Filing Application: **17 April 2012**
(24) Date from which industrial property rights may have effect: **17 April 2012**
(54) Product in respect of which the design is registered: **Grader attachment component**
(51) International Design Classification: **15-03A**
(74) Name(s) of Attorney(s): **Halfords IP**
(71) Name(s) and Address(s) of Applicant(s):
Challenge Implements Holdings Pty Limited
Leewood Drive Orange New South Wales 2800 Australia
(72) Name(s) of Designer(s): **Craig Healey and John Healey and Daniel Webb and Jack Rahilly**
(45) Registration Date: **07 January 2013**
(56) Related Art Documents: **Not Applicable**
(57) Statement of Newness and Distinctiveness: **Newness and distinctiveness resides in the features of shape and or configuration of a grader attachment component thereof as depicted in the accompanying representations.**



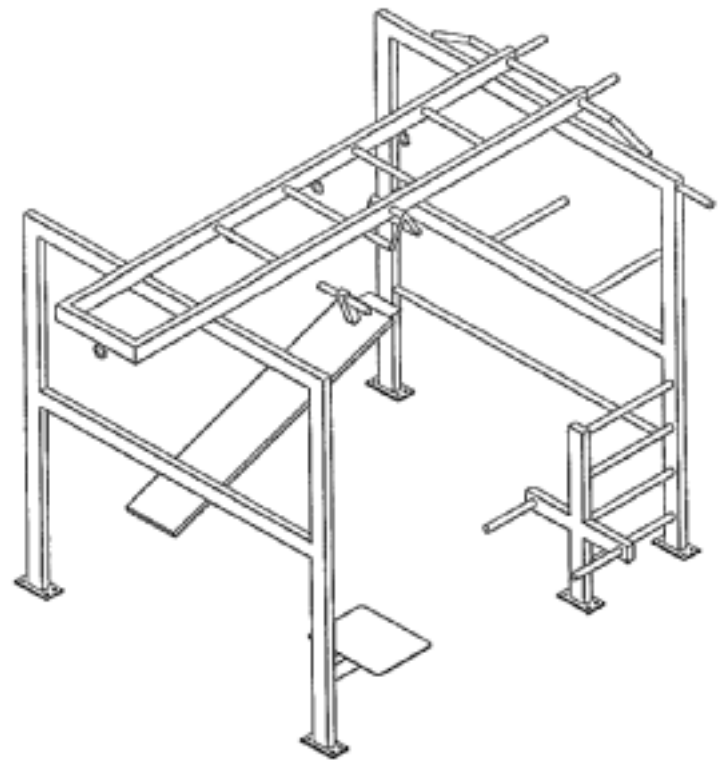
- (21) Design Number: **16412/2012**
(22) Date of Filing Application: **17 April 2012**
(24) Date from which industrial property rights may have effect: **17 April 2012**
(54) Product in respect of which the design is registered: **Grader attachment component**
(51) International Design Classification: **15-03A**
(74) Name(s) of Attorney(s): **Halfords IP**
(71) Name(s) and Address(s) of Applicant(s):
Challenge Implements Holdings Pty Limited
Leewood Drive Orange New South Wales 2800 Australia
(72) Name(s) of Designer(s): **Craig Healey and John Healey and Daniel Webb and Jack Rahilly**
(45) Registration Date: **07 January 2013**
(56) Related Art Documents: **Not Applicable**
(57) Statement of Newness and Distinctiveness: **Newness and distinctiveness resides in the features of shape and or configuration of a grader attachment component thereof as depicted in the accompanying representations.**



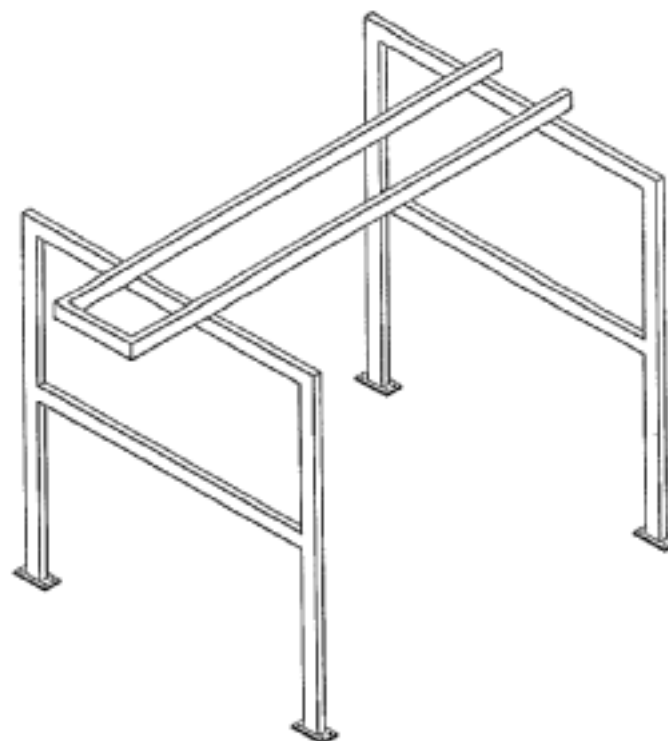
- (21) Design Number: **16413/2012**
(22) Date of Filing Application: **17 April 2012**
(24) Date from which industrial property rights may have effect: **17 April 2012**
(54) Product in respect of which the design is registered: **Grader component**
(51) International Design Classification: **15-03A**
(74) Name(s) of Attorney(s): **Halfords IP**
(71) Name(s) and Address(s) of Applicant(s):
Challenge Implements Holdings Pty Limited
Leewood Drive Orange New South Wales 2800 Australia
(72) Name(s) of Designer(s): **Craig Healey and John Healey and Daniel Webb and Jack Rahilly**
(45) Registration Date: **07 January 2013**
(56) Related Art Documents: **Not Applicable**
(57) Statement of Newness and Distinctiveness: **Newness and distinctiveness resides in the features of shape and or configuration of a grader component thereof as depicted in the accompanying representations.**



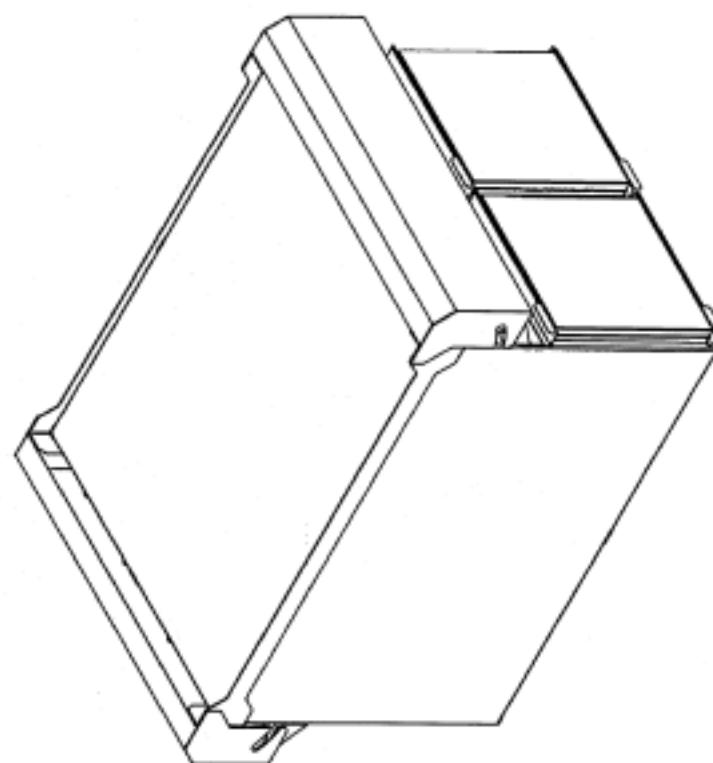
- (21) Design Number: **11913/2012**
(22) Date of Filing Application: **18 April 2012**
(24) Date from which industrial property rights may have effect: **18 April 2012**
(54) Product in respect of which the design is registered: **Exercise equipment or frame**
(51) International Design Classification: **21-02F**
(74) Name(s) of Attorney(s): **Halfords IP**
(71) Name(s) and Address(s) of Applicant(s):
Exquisite & Co Pty Ltd
16 Stonybrook Terrace Bella Vista New South Wales 2153 Australia
(72) Name(s) of Designer(s): **Christian Nasr**
(45) Registration Date: **07 January 2013**
(56) Related Art Documents: **Not Applicable**
(57) Statement of Newness and Distinctiveness: **Newness and distinctiveness resides in the shape and or configuration of exercise equipment or frame being as depicted in the accompanying representations.**



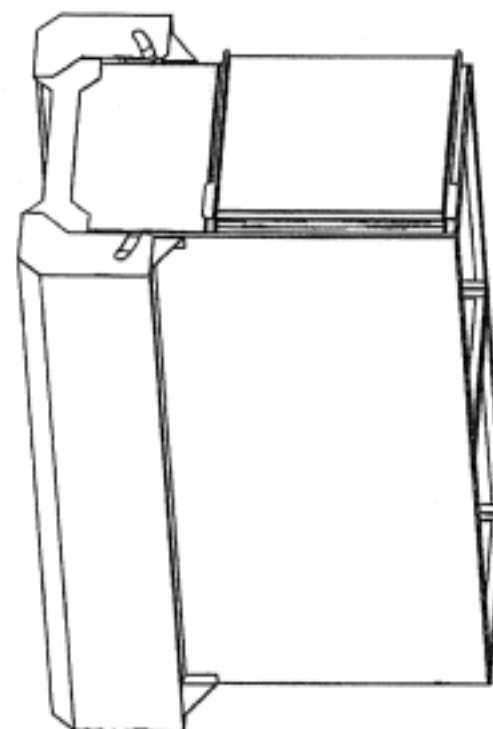
- (21) Design Number: **16410/2012**
(22) Date of Filing Application: **18 April 2012**
(24) Date from which industrial property rights may have effect: **18 April 2012**
(54) Product in respect of which the design is registered: **Exercise equipment or frame**
(51) International Design Classification: **21-02F**
(74) Name(s) of Attorney(s): **Halfords IP**
(71) Name(s) and Address(s) of Applicant(s):
Exquisite & Co Pty Ltd
16 Stonybrook Terrace Bella Vista New South Wales 2153 Australia
(72) Name(s) of Designer(s): **Christian Nasr**
(45) Registration Date: **07 January 2013**
(56) Related Art Documents: **Not Applicable**
(57) Statement of Newness and Distinctiveness: **Newness and distinctiveness resides in the shape and or configuration of exercise equipment or frame being as depicted in the accompanying representations.**



- (21) Design Number: **12180/2012**
(22) Date of Filing Application: **03 May 2012**
(24) Date from which industrial property rights may have effect: **03 May 2012**
(54) Product in respect of which the design is registered: **A dust collector housing**
(51) International Design Classification: **23-04**
(74) Name(s) of Attorney(s):
(71) Name(s) and Address(s) of Applicant(s):
Setup 4 Life Pty Ltd
C/- Cameron Patterson & Co Level 15/240 Queen Street Queensland
4000 Australia
(72) Name(s) of Designer(s): **Andrew John Fanning and William Ernest Palmer**
(45) Registration Date: **07 January 2013**
(56) Related Art Documents: **Not Applicable**
(57) Statement of Newness and Distinctiveness: **Newness and distinctiveness is claimed in the external features of shape and configuration of a dust collector housing as illustrated in the accompanying drawings.**



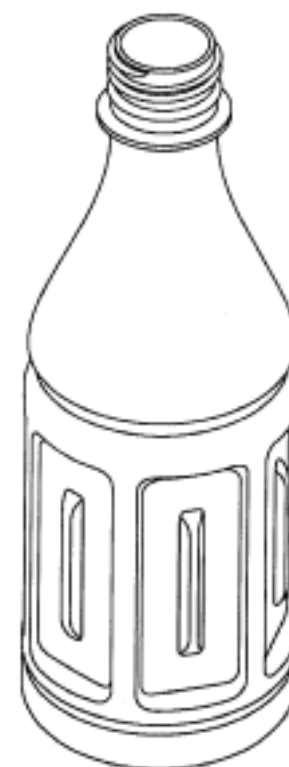
(21) Design Number: **12410/2012**
(22) Date of Filing Application: **02 May 2012**
(24) Date from which industrial property rights may have effect: **02 May 2012**
(54) Product in respect of which the design is registered: **A dust collector housing**
(51) International Design Classification: **23-04**
(74) Name(s) of Attorney(s):
(71) Name(s) and Address(s) of Applicant(s):
Setup 4 Life Pty Ltd
C/- Cameron Patterson & Co Level 15/240 Queen Street Queensland
4000 Australia
(72) Name(s) of Designer(s): **Andrew John Fanning and William Ernest Palmer**
(45) Registration Date: **07 January 2013**
(56) Related Art Documents: **Not Applicable**
(57) Statement of Newness and Distinctiveness: **Newness and distinctiveness is claimed in the external features of shape and configuration of a dust collector housing as illustrated in the accompanying drawings.**



(21) Design Number: **14419/2012**
(22) Date of Filing Application: **07 September 2012**
(24) Date from which industrial property rights may have effect: **07 September 2012**
(54) Product in respect of which the design is registered: **Kitchen scales**
(51) International Design Classification: **10-04**
(74) Name(s) of Attorney(s): **Trademark Works**
(71) Name(s) and Address(s) of Applicant(s):
Joseph Joseph Limited
The Grove 30 Great Guildford Street London SE1 0HS United Kingdom
(72) Name(s) of Designer(s): **Bill Holding and Ben Cox**
(45) Registration Date: **07 January 2013**
(30) Convention priority data:
(31) Number (32) Date (33) Country
002047936-0001 25 May 2012 EUROPEAN COMMUNITY
(56) Related Art Documents: **Not Applicable**
(57) Statement of Newness and Distinctiveness: **Newness and distinctiveness is claimed in those features of shape and/or configuration of a kitchen scale as illustrated in the accompanying representations.**



(21) Design Number: **14599/2012**
(22) Date of Filing Application: **14 September 2012**
(24) Date from which industrial property rights may have effect: **14 September 2012**
(54) Product in respect of which the design is registered: **Bottle**
(51) International Design Classification: **09-01K**
(74) Name(s) of Attorney(s): **SPRUSON & FERGUSON**
(71) Name(s) and Address(s) of Applicant(s):
Tropicana Products, Inc.
1001 13th Avenue E. Bradenton Florida 34208 United States of America
(72) Name(s) of Designer(s): **Yen Heng Boon**
(45) Registration Date: **07 January 2013**
(30) Convention priority data:
(31) Number (32) Date (33) Country
29/415787 14 Mar 2012 UNITED STATES OF AMERICA
(56) Related Art Documents: **Not Applicable**
(57) Statement of Newness and Distinctiveness: **Newness and distinctiveness is claimed in the features of shape and/or configuration of a bottle as illustrated in the accompanying representations.**



(21) Design Number: **14762/2012**
(22) Date of Filing Application: **25 September 2012**
(24) Date from which industrial property rights may have effect: **25 September 2012**
(54) Product in respect of which the design is registered: **Handbag**
(51) International Design Classification: **03-01B**
(74) Name(s) of Attorney(s): **Corrs Chambers Westgarth**
(71) Name(s) and Address(s) of Applicant(s):
A-Esque Pty Ltd
L10 650 Chapel St South Yarra VIC 3141 Australia
(72) Name(s) of Designer(s): **Amanda Briskin-Rettig**
(45) Registration Date: **07 January 2013**
(56) Related Art Documents: **Not Applicable**
(57) Statement of Newness and Distinctiveness: **The design consists of an inner shell that is constructed using an angular base that is bordered by a thin piping, which fits inside a separate external shell. Newness and distinctiveness is claimed in the overall shape and configuration of the design as well as its component inner and outer shell parts, as shown in the representations. The colours shown in the representations are specifically disclaimed from the design.**



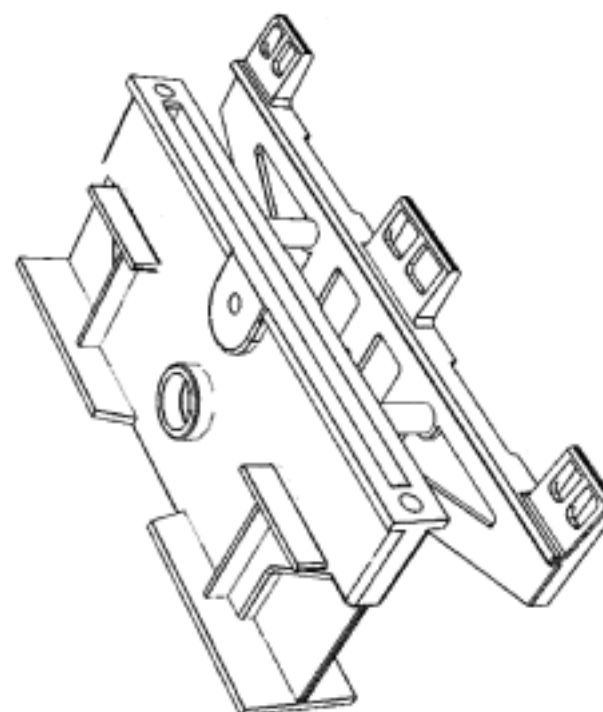
- (21) Design Number: **14763/2012**
(22) Date of Filing Application: **25 September 2012**
(24) Date from which industrial property rights may have effect: **25 September 2012**
(54) Product in respect of which the design is registered: **Handbag with configurable straps**
(51) International Design Classification: **03-01B**
(74) Name(s) of Attorney(s): **Corrs Chambers Westgarth**
(71) Name(s) and Address(s) of Applicant(s):
A-Esque Pty Ltd
L10 650 Chapel St South Yarra VIC 3141 Australia
(72) Name(s) of Designer(s): **Amanda Briskin-Rettig**
(45) Registration Date: **07 January 2013**
(56) Related Art Documents: **Not Applicable**
(57) Statement of Newness and Distinctiveness: **The new and distinctive features comprise the metal hardware/loops attached to the top line of the bag through which straps can be configured for various looks, as shown in the representations. All representations relate to an identical product.**



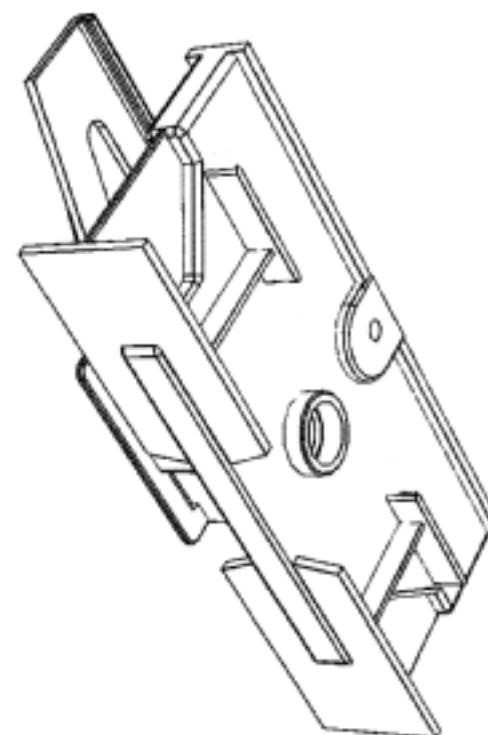
- (21) Design Number: **14764/2012**
(22) Date of Filing Application: **25 September 2012**
(24) Date from which industrial property rights may have effect: **25 September 2012**
(54) Product in respect of which the design is registered: **Handbag**
(51) International Design Classification: **03-01B**
(74) Name(s) of Attorney(s): **Corrs Chambers Westgarth**
(71) Name(s) and Address(s) of Applicant(s):
A-Esque Pty Ltd
L10 650 Chapel St South Yarra VIC 3141 Australia
(72) Name(s) of Designer(s): **Amanda Briskin-Rettig**
(45) Registration Date: **07 January 2013**
(56) Related Art Documents: **Not Applicable**
(57) Statement of Newness and Distinctiveness: **Newness and distinctiveness is claimed in the overall shape and configuration of the design which includes the triple zipper entry as well as the asymmetrical strap placement as shown in the representations (i.e. long strap on a single side and short straps at the top of the bag). The colours shown in the representations are specifically disclaimed from the design.**



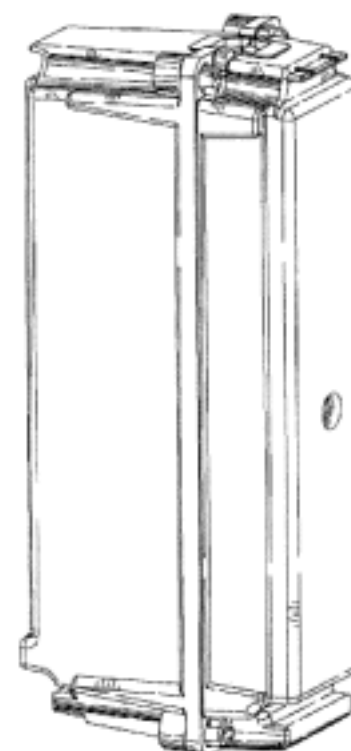
(21) Design Number: **14913/2012**
(22) Date of Filing Application: **01 October 2012**
(24) Date from which industrial property rights may have effect: **01 October 2012**
(54) Product in respect of which the design is registered: **A component of a locking assembly**
(51) International Design Classification: **25-02NES, 08-07**
(74) Name(s) of Attorney(s): **James & Wells Intellectual Property**
(71) Name(s) and Address(s) of Applicant(s):
Tiger Profiles and Insulation LLC
Sharjah Industrial Area 2 Al Khan Road Sharjah United Arab Emirates
(72) Name(s) of Designer(s): **Bernard Robert Nasr and Kerry Allan Hayes**
(45) Registration Date: **07 January 2013**
(30) Convention priority data:
(31) Number (32) Date (33) Country
416102 30 Mar 2012 NEW ZEALAND
(56) Related Art Documents: **Not Applicable**
(57) Statement of Newness and Distinctiveness: **Nil**



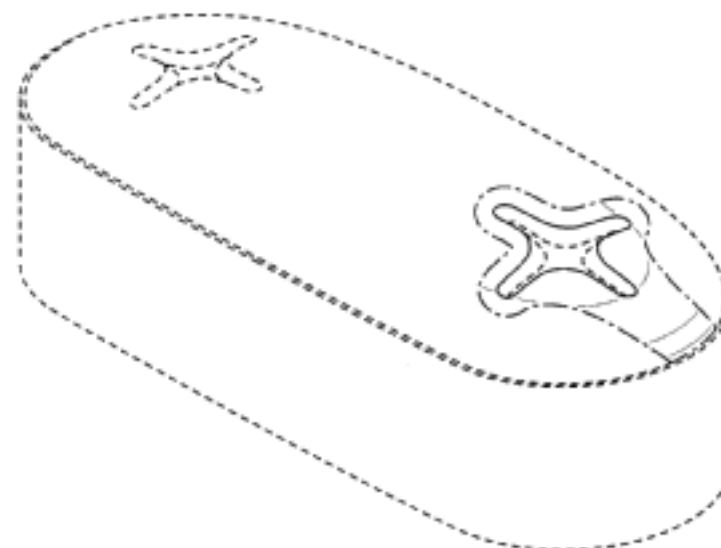
(21) Design Number: **16632/2012**
(22) Date of Filing Application: **01 October 2012**
(24) Date from which industrial property rights may have effect: **01 October 2012**
(54) Product in respect of which the design is registered: **A component of a locking assembly**
(51) International Design Classification: **08-07, 25-02NES**
(74) Name(s) of Attorney(s): **A J Park**
(71) Name(s) and Address(s) of Applicant(s):
Tiger Profiles and Insulation LLC
Sharjah Industrial Area 2 Al Khan Road Sharjah United Arab Emirates
(72) Name(s) of Designer(s): **Bernard Robert Nasr and Kerry Allan Hayes**
(45) Registration Date: **07 January 2013**
(30) Convention priority data:
(31) Number (32) Date (33) Country
416102 30 Mar 2012 NEW ZEALAND
(56) Related Art Documents: **Not Applicable**
(57) Statement of Newness and Distinctiveness: **Nil**



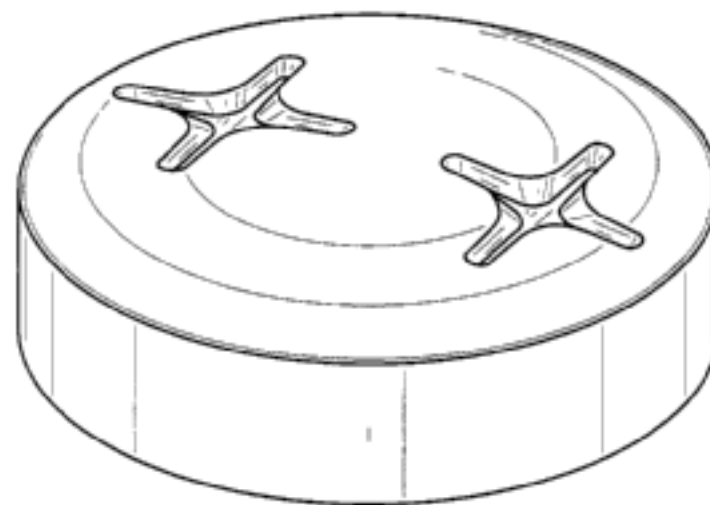
(21) Design Number: **14938/2012**
(22) Date of Filing Application: **03 October 2012**
(24) Date from which industrial property rights may have effect: **03 October 2012**
(54) Product in respect of which the design is registered: **Cartridge for beverage dispenser**
(51) International Design Classification: **31-00**
(74) Name(s) of Attorney(s): **SPRUSON & FERGUSON**
(71) Name(s) and Address(s) of Applicant(s):
PepsiCo, Inc.
700 Anderson Hill Road Purchase New York 10577 United States of America
(72) Name(s) of Designer(s): **Joseph H. Boggs and Paul J. Donnelly and Arthur Forkos and Ronald Beilstein and Andrew T. Butkus and Edward P. Butler III and Hilary Farnsworth and Brian C. Jones**
(45) Registration Date: **07 January 2013**
(30) Convention priority data:
(31) Number (32) Date (33) Country
29/417436 03 Apr 2012 UNITED STATES OF AMERICA
(56) Related Art Documents: **Not Applicable**
(57) Statement of Newness and Distinctiveness: **Newness and distinctiveness is claimed in the features of shape and/or configuration of a cartridge for beverage dispenser as illustrated in the accompanying representations.**



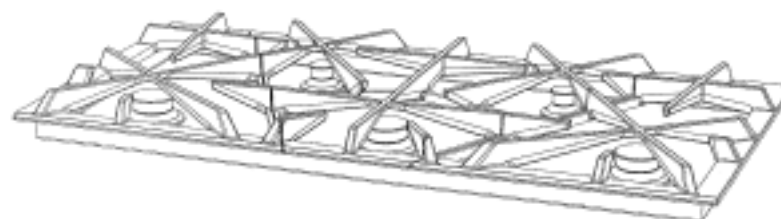
(21) Design Number: **14956/2012**
(22) Date of Filing Application: **04 October 2012**
(24) Date from which industrial property rights may have effect: **27 July 2012**
(54) Product in respect of which the design is registered: **Tablet**
(51) International Design Classification: **28-01**
(74) Name(s) of Attorney(s): **Shelston IP**
(71) Name(s) and Address(s) of Applicant(s):
McNeil-PPC, Inc.
199 Grandview Road Skillman New Jersey 08558 United States of America
Johnson & Johnson Industrial Ltda
Righway Presidente Dutra KM 154 Sao Jose Dos Campos Sao Paulo Brazil
(72) Name(s) of Designer(s): **Joel Waldman and Franzoi Fernanda**
(45) Registration Date: **07 January 2013**
(30) Convention priority data:
(31) Number (32) Date (33) Country
29/412547 03 Feb 2012 UNITED STATES OF AMERICA
(62) Divisional of: **344916**
(56) Related Art Documents: **Not Applicable**
(57) Statement of Newness and Distinctiveness: **Newness and distinctiveness reside in the star shape formed on the upper curved surface of a TABLET and its relative position thereon as illustrated in solid lines. The features shown in broken lines are shown for illustrative purposes only and do not form part of the design.**



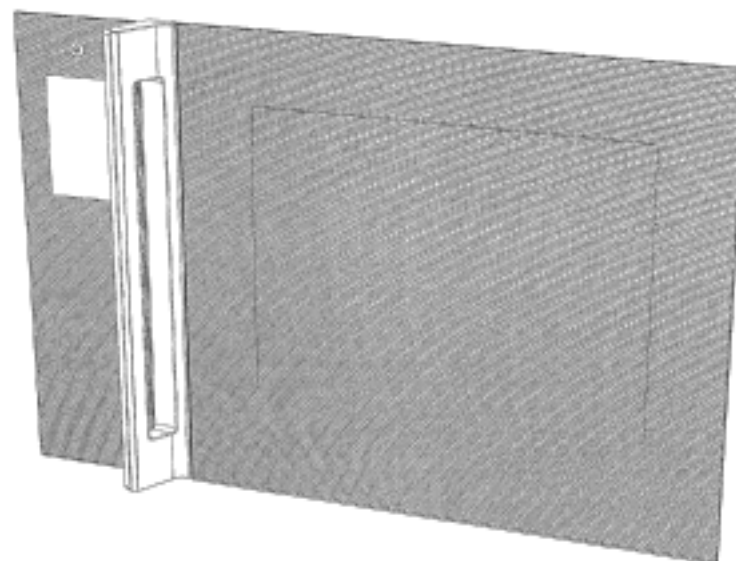
(21) Design Number: **14966/2012**
(22) Date of Filing Application: **04 October 2012**
(24) Date from which industrial property rights may have effect: **27 July 2012**
(54) Product in respect of which the design is registered: **Tablet**
(51) International Design Classification: **28-01**
(74) Name(s) of Attorney(s): **Shelston IP**
(71) Name(s) and Address(s) of Applicant(s):
McNeil-PPC, Inc.
199 Grandview Road Skillman New Jersey 08558 United States of America
Johnson & Johnson Industrial Ltda
Righway Presidente Dutra KM 154 Sao Jose Dos Campos Sao Paulo Brazil
(72) Name(s) of Designer(s): **Joel Waldman and Fernanda Franzoi**
(45) Registration Date: **07 January 2013**
(30) Convention priority data:
(31) Number (32) Date (33) Country
29/412548 03 Feb 2012 UNITED STATES OF AMERICA
(62) Divisional of: **344917**
(56) Related Art Documents: **Not Applicable**
(57) Statement of Newness and Distinctiveness: **Newness and distinctiveness reside in the star shapes formed in the upper curved surface of a TABLET.**



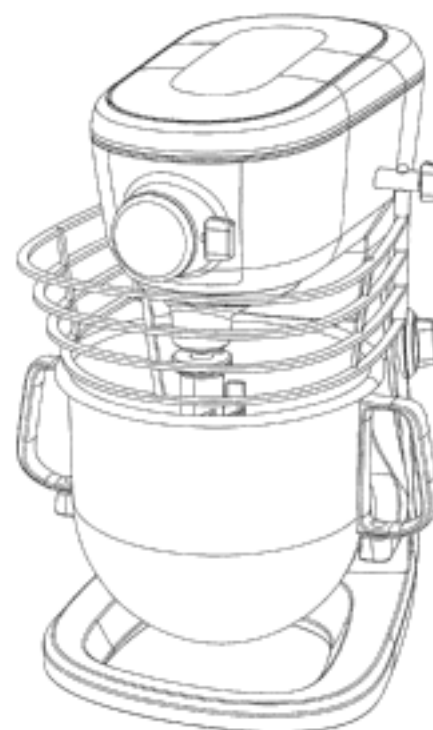
(21) Design Number: **15033/2012**
(22) Date of Filing Application: **11 October 2012**
(24) Date from which industrial property rights may have effect: **11 October 2012**
(54) Product in respect of which the design is registered: **Gas cooking hob**
(51) International Design Classification: **07-02C**
(74) Name(s) of Attorney(s): **Halfords IP**
(71) Name(s) and Address(s) of Applicant(s):
Electrolux Professional S.p.A.
Viale Treviso 15 I-33170 Pordenone Italy
(72) Name(s) of Designer(s): **Joachim Nordwall**
(45) Registration Date: **07 January 2013**
(30) Convention priority data:
(31) Number (32) Date (33) Country
002025221 13 Apr 2012 EUROPEAN COMMUNITY
(56) Related Art Documents: **Not Applicable**
(57) Statement of Newness and Distinctiveness: **Newness and distinctiveness is claimed in those features of shape and or configuration and or pattern and or ornamentation of a gas cooking hob as depicted in the representations.**



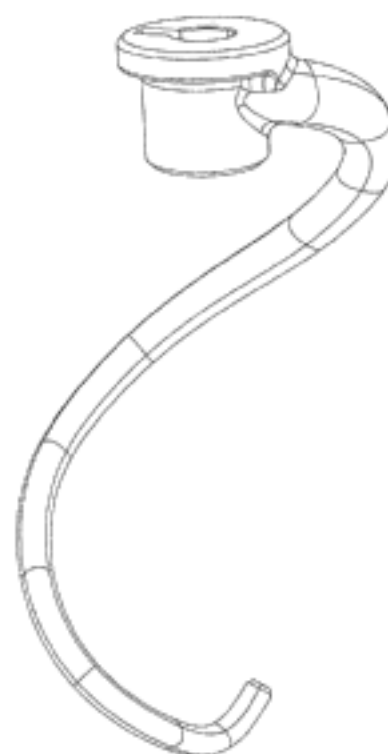
- (21) Design Number: **16498/2012**
(22) Date of Filing Application: **11 October 2012**
(24) Date from which industrial property rights may have effect: **11 October 2012**
(54) Product in respect of which the design is registered: **Appliance door and control panel**
(51) International Design Classification: **07-02C**
(74) Name(s) of Attorney(s): **Halfords IP**
(71) Name(s) and Address(s) of Applicant(s):
Electrolux Professional S.p.A.
Viale Treviso 15 I-33170 Pordenone Italy
(72) Name(s) of Designer(s): **Joachim Nordwall**
(45) Registration Date: **07 January 2013**
(30) Convention priority data:
(31) Number (32) Date (33) Country
002025221 13 Apr 2012 EUROPEAN COMMUNITY
(56) Related Art Documents: **Not Applicable**
(57) Statement of Newness and Distinctiveness: **Newness and distinctiveness is claimed in those features of shape and or configuration and or pattern and or ornamentation of an Appliance Door and Control Panel as depicted in the representations.**



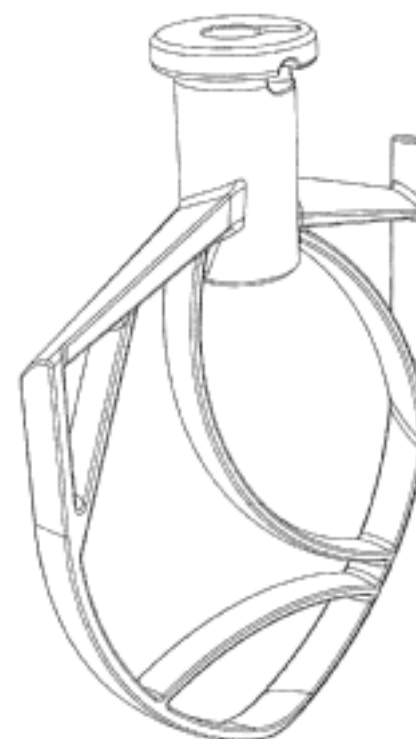
- (21) Design Number: **15035/2012**
(22) Date of Filing Application: **11 October 2012**
(24) Date from which industrial property rights may have effect: **11 October 2012**
(54) Product in respect of which the design is registered: **A food mixing device**
(51) International Design Classification: **31-00**
(74) Name(s) of Attorney(s): **Halfords IP**
(71) Name(s) and Address(s) of Applicant(s):
Electrolux Professional S.p.A.
Viale Treviso 15 33170 - Pordenone Italy
(72) Name(s) of Designer(s): **Joachim Nordwall**
(45) Registration Date: **07 January 2013**
(30) Convention priority data:
(31) Number (32) Date (33) Country
002025304 13 Apr 2012 EUROPEAN COMMUNITY
(56) Related Art Documents: **Not Applicable**
(57) Statement of Newness and Distinctiveness: **Newness and distinctiveness is claimed in those features of shape and or configuration of a food mixing device as depicted in the representations.**



- (21) Design Number: **16377/2012**
(22) Date of Filing Application: **11 October 2012**
(24) Date from which industrial property rights may have effect: **11 October 2012**
(54) Product in respect of which the design is registered: **A mixer blade for a food mixing device**
(51) International Design Classification: **31-00**
(74) Name(s) of Attorney(s): **Halfords IP**
(71) Name(s) and Address(s) of Applicant(s):
Electrolux Professional S.p.A.
Viale Treviso 15 33170 - Pordenone Italy
(72) Name(s) of Designer(s): **Joachim Nordwall**
(45) Registration Date: **07 January 2013**
(30) Convention priority data:
(31) Number (32) Date (33) Country
002025304 13 Apr 2012 EUROPEAN COMMUNITY
(56) Related Art Documents: **Not Applicable**
(57) Statement of Newness and Distinctiveness: **Newness and distinctiveness is claimed in those features of shape and or configuration of a mixer blade for a food mixing device as depicted in the representations.**



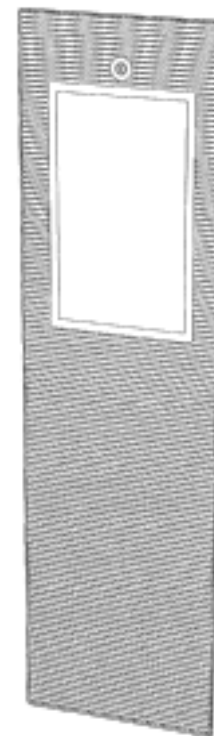
- (21) Design Number: **16378/2012**
(22) Date of Filing Application: **11 October 2012**
(24) Date from which industrial property rights may have effect: **11 October 2012**
(54) Product in respect of which the design is registered: **A beater blade for a food mixing device**
(51) International Design Classification: **31-00**
(74) Name(s) of Attorney(s): **Halfords IP**
(71) Name(s) and Address(s) of Applicant(s):
Electrolux Professional S.p.A.
Viale Treviso 15 33170 - Pordenone Italy
(72) Name(s) of Designer(s): **Joachim Nordwall**
(45) Registration Date: **07 January 2013**
(30) Convention priority data:
(31) Number (32) Date (33) Country
002025304 13 Apr 2012 EUROPEAN COMMUNITY
(56) Related Art Documents: **Not Applicable**
(57) Statement of Newness and Distinctiveness: **Newness and distinctiveness is claimed in those features of shape and or configuration of a beater blade for a food mixing device as depicted in the representations.**



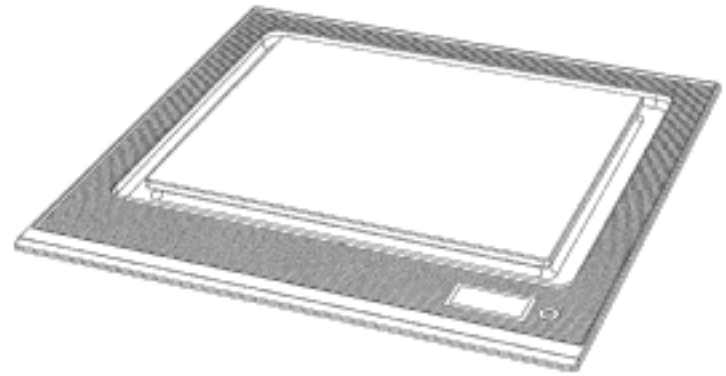
- (21) Design Number: **15037/2012**
(22) Date of Filing Application: **11 October 2012**
(24) Date from which industrial property rights may have effect: **11 October 2012**
(54) Product in respect of which the design is registered: **A handle for a kitchen appliance**
(51) International Design Classification: **08-06, 15-07**
(74) Name(s) of Attorney(s): **Halfords IP**
(71) Name(s) and Address(s) of Applicant(s):
Electrolux Professional S.p.A.
Viale Treviso 15 33170 - Pordenone Italy
(72) Name(s) of Designer(s): **Joachim Nordwall**
(45) Registration Date: **07 January 2013**
(30) Convention priority data:
(31) Number (32) Date (33) Country
001323679 13 Apr 2012 EUROPEAN COMMUNITY
(56) Related Art Documents: **Not Applicable**
(57) Statement of Newness and Distinctiveness: **Newness and distinctiveness is claimed in those features of shape and or configuration of a Handle as depicted in the representations.**



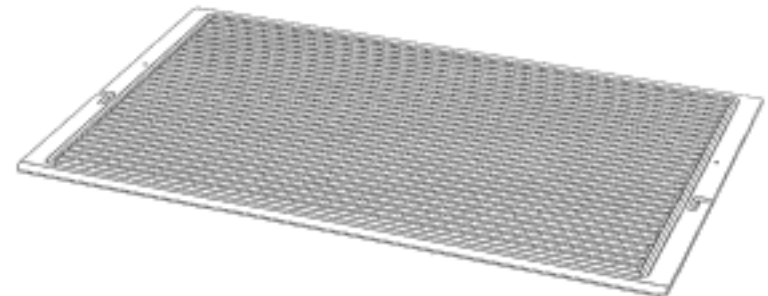
- (21) Design Number: **15038/2012**
(22) Date of Filing Application: **11 October 2012**
(24) Date from which industrial property rights may have effect: **11 October 2012**
(54) Product in respect of which the design is registered: **Control panel**
(51) International Design Classification: **07-02C**
(74) Name(s) of Attorney(s): **Halfords IP**
(71) Name(s) and Address(s) of Applicant(s):
Electrolux Professional S.p.A.
Viale Treviso 15 I-33170 Pordenone Italy
(72) Name(s) of Designer(s): **Joachim Nordwall**
(45) Registration Date: **07 January 2013**
(30) Convention priority data:
(31) Number (32) Date (33) Country
002025221 13 Apr 2012 EUROPEAN COMMUNITY
(56) Related Art Documents: **Not Applicable**
(57) Statement of Newness and Distinctiveness: **Newness and distinctiveness is claimed in those features of shape and or configuration and or pattern and or ornamentation of a control panel as depicted in the representations.**



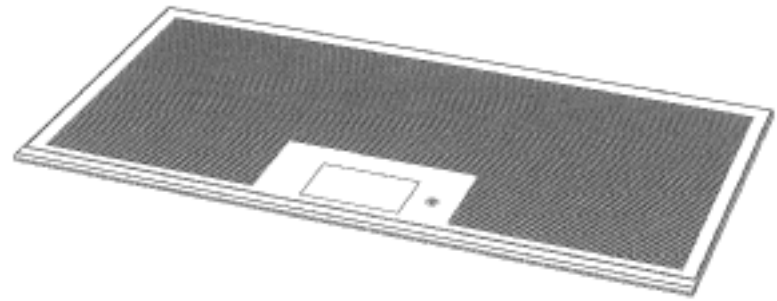
- (21) Design Number: **16499/2012**
(22) Date of Filing Application: **11 October 2012**
(24) Date from which industrial property rights may have effect: **11 October 2012**
(54) Product in respect of which the design is registered: **Fry cook top**
(51) International Design Classification: **07-02C**
(74) Name(s) of Attorney(s): **Halfords IP**
(71) Name(s) and Address(s) of Applicant(s):
Electrolux Professional S.p.A.
Viale Treviso 15 I-33170 Pordenone Italy
(72) Name(s) of Designer(s): **Joachim Nordwall**
(45) Registration Date: **07 January 2013**
(30) Convention priority data:
(31) Number (32) Date (33) Country
002025221 13 Apr 2012 EUROPEAN COMMUNITY
(56) Related Art Documents: **Not Applicable**
(57) Statement of Newness and Distinctiveness: **Newness and distinctiveness is claimed in those features of shape and or configuration and or pattern and or ornamentation of a Fry Cook Top as depicted in the representations.**



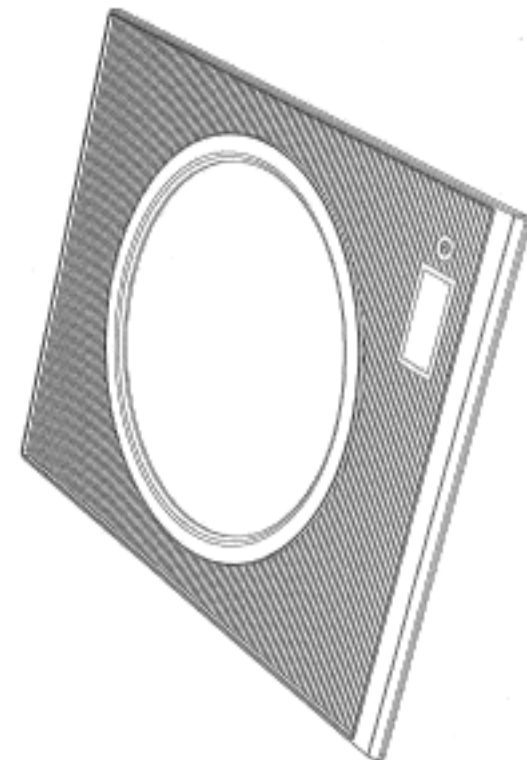
- (21) Design Number: **16500/2012**
(22) Date of Filing Application: **11 October 2012**
(24) Date from which industrial property rights may have effect: **11 October 2012**
(54) Product in respect of which the design is registered: **Grilling apparatus**
(51) International Design Classification: **07-02H**
(74) Name(s) of Attorney(s): **Halfords IP**
(71) Name(s) and Address(s) of Applicant(s):
Electrolux Professional S.p.A.
Viale Treviso 15 I-33170 Pordenone Italy
(72) Name(s) of Designer(s): **Joachim Nordwall**
(45) Registration Date: **07 January 2013**
(30) Convention priority data:
(31) Number (32) Date (33) Country
002025221 13 Apr 2012 EUROPEAN COMMUNITY
(56) Related Art Documents: **Not Applicable**
(57) Statement of Newness and Distinctiveness: **Newness and distinctiveness is claimed in those features of shape and or configuration and or pattern and or ornamentation of a Grilling Apparatus as depicted in the representations.**



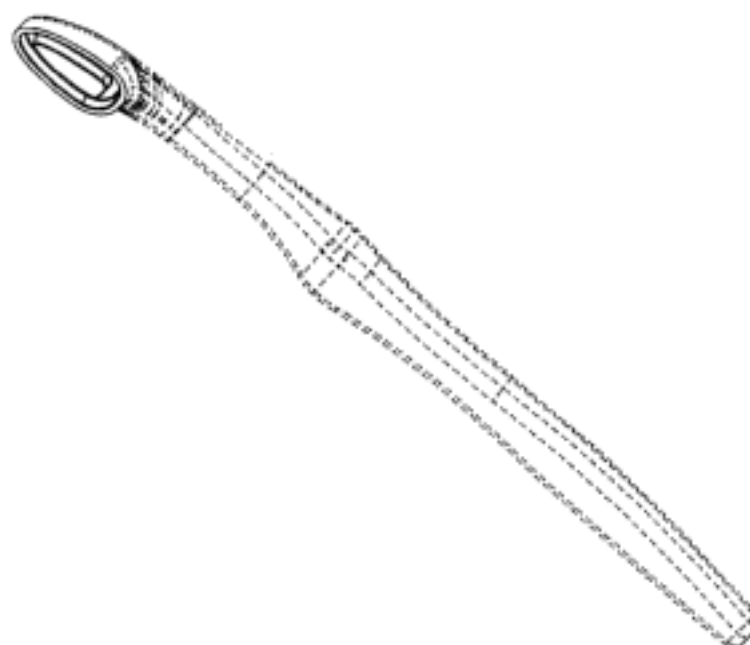
- (21) Design Number: **16501/2012**
(22) Date of Filing Application: **11 October 2012**
(24) Date from which industrial property rights may have effect: **11 October 2012**
(54) Product in respect of which the design is registered: **Induction cooker**
(51) International Design Classification: **07-02C**
(74) Name(s) of Attorney(s): **Halfords IP**
(71) Name(s) and Address(s) of Applicant(s):
Electrolux Professional S.p.A.
Viale Treviso 15 I-33170 Pordenone Italy
(72) Name(s) of Designer(s): **Joachim Nordwall**
(45) Registration Date: **07 January 2013**
(30) Convention priority data:
(31) Number (32) Date (33) Country
002025221 13 Apr 2012 EUROPEAN COMMUNITY
(56) Related Art Documents: **Not Applicable**
(57) Statement of Newness and Distinctiveness: **Newness and distinctiveness is claimed in those features of shape and or configuration and or pattern and or ornamentation of an Induction Cooker as depicted in the representations.**



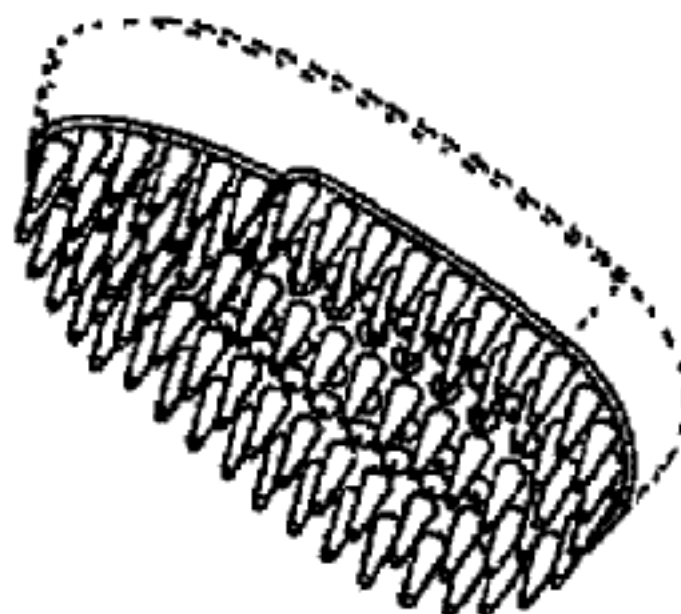
- (21) Design Number: **16502/2012**
(22) Date of Filing Application: **11 October 2012**
(24) Date from which industrial property rights may have effect: **11 October 2012**
(54) Product in respect of which the design is registered: **Induction wok cooker**
(51) International Design Classification: **07-02C**
(74) Name(s) of Attorney(s): **Halfords IP**
(71) Name(s) and Address(s) of Applicant(s):
Electrolux Professional S.p.A.
Viale Treviso 15 I-33170 Pordenone Italy
(72) Name(s) of Designer(s): **Joachim Nordwall**
(45) Registration Date: **07 January 2013**
(30) Convention priority data:
(31) Number (32) Date (33) Country
002025221 13 Apr 2012 EUROPEAN COMMUNITY
(56) Related Art Documents: **Not Applicable**
(57) Statement of Newness and Distinctiveness: **Newness and distinctiveness is claimed in those features of shape and or configuration and or pattern and or ornamentation of an Induction Wok Cooker as depicted in the representations.**



(21) Design Number: **15057/2012**
(22) Date of Filing Application: **10 October 2012**
(24) Date from which industrial property rights may have effect: **10 October 2012**
(54) Product in respect of which the design is registered: **Dental cleaning device**
(51) International Design Classification: **04-02**
(74) Name(s) of Attorney(s): **Fisher Adams Kelly**
(71) Name(s) and Address(s) of Applicant(s):
Gruber LLC
54 Old Pond Road Great Neck 11023 New York United States of America
(72) Name(s) of Designer(s): **Jack Gruber and Edward Kozloski**
(45) Registration Date: **07 January 2013**
(30) Convention priority data:
(31) Number (32) Date (33) Country
29/417945 10 Apr 2012 UNITED STATES OF AMERICA
(56) Related Art Documents: **Not Applicable**
(57) Statement of Newness and Distinctiveness: **The newness and distinctiveness of the design resides in the shape and/or configuration of the dental cleaning device shown in the representations. When considering the newness and distinctiveness of the design, the lines shown in phantom should be disregarded.**



(21) Design Number: **16633/2012**
(22) Date of Filing Application: **10 October 2012**
(24) Date from which industrial property rights may have effect: **10 October 2012**
(54) Product in respect of which the design is registered: **Dental cleaning head**
(51) International Design Classification: **04-02**
(74) Name(s) of Attorney(s): **Fisher Adams Kelly**
(71) Name(s) and Address(s) of Applicant(s):
Gruber LLC
54 Old Pond Road Great Neck 11023 New York United States of America
(72) Name(s) of Designer(s): **Jack Gruber and Edward Kozloski**
(45) Registration Date: **07 January 2013**
(30) Convention priority data:
(31) Number (32) Date (33) Country
29/417945 10 Apr 2012 UNITED STATES OF AMERICA
(56) Related Art Documents: **Not Applicable**
(57) Statement of Newness and Distinctiveness: **The newness and distinctiveness of the design resides in the shape and/or configuration of the DENTAL CLEANING HEAD shown in the accompanying representations, in particular, the dimensions of the conical protrusions on the cleaning head. When considering the newness and distinctiveness of the design, the lines shown in phantom should be disregarded.**



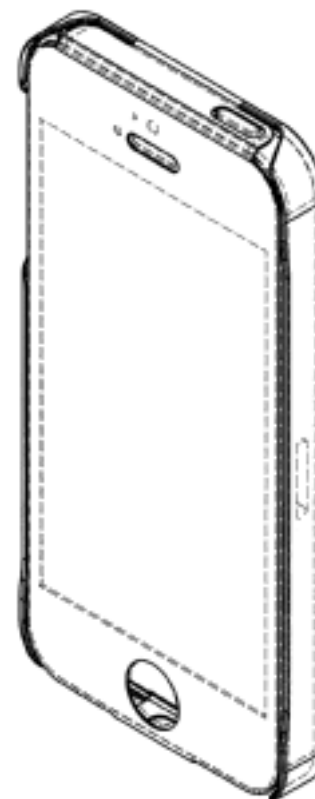
- (21) Design Number: **13019/2012**
(22) Date of Filing Application: **27 June 2012**
(24) Date from which industrial property rights may have effect: **27 June 2012**
(54) Product in respect of which the design is registered: **Automobile**
(51) International Design Classification: **12-08**
(74) Name(s) of Attorney(s): **SPRUSON & FERGUSON**
(71) Name(s) and Address(s) of Applicant(s):
Toyota Jidosha Kabushiki Kaisha
1 Toyota-cho Toyota-shi Aichi-ken 471-8571 Japan
(72) Name(s) of Designer(s): **Koichi Suga and Kenichi Hirai and Jun Takahashi and Ken Billes**
(45) Registration Date: **07 January 2013**
(56) Related Art Documents: **Not Applicable**
(57) Statement of Newness and Distinctiveness: **Newness and distinctiveness is claimed in those features of shape and/or configuration of an automobile that are illustrated in darker shades in the additional views of the accompanying representations, apart from Toyota emblems**



- (21) Design Number: **13020/2012**
(22) Date of Filing Application: **27 June 2012**
(24) Date from which industrial property rights may have effect: **27 June 2012**
(54) Product in respect of which the design is registered: **Automobile**
(51) International Design Classification: **12-16B**
(74) Name(s) of Attorney(s): **SPRUSON & FERGUSON**
(71) Name(s) and Address(s) of Applicant(s):
Toyota Jidosha Kabushiki Kaisha
1 Toyota-cho Toyota-shi Aichi-ken 471-8571 Japan
(72) Name(s) of Designer(s): **Koichi Suga and Kenichi Hirai and Ken Billes and Jun Takahashi**
(45) Registration Date: **07 January 2013**
(56) Related Art Documents: **Not Applicable**
(57) Statement of Newness and Distinctiveness: **Newness and distinctiveness is claimed in those features of shape and/or configuration of an automobile that are illustrated in darker shades in the additional views of the accompanying representations, apart from Toyota emblems.**



- (21) Design Number: **14906/2012**
(22) Date of Filing Application: **28 September 2012**
(24) Date from which industrial property rights may have effect: **28 September 2012**
(54) Product in respect of which the design is registered: **Cover for a portable electronic device**
(51) International Design Classification: **03-01NES, 14-03A**
(74) Name(s) of Attorney(s): **Janet Stead & Associates, Patent and Trade Mark Attorneys**
(71) Name(s) and Address(s) of Applicant(s):
Force Technology International Pty. Ltd.
61 Belmont Ave Belmont WA 6104 Australia
(72) Name(s) of Designer(s): **Samuel Lizzi**
(45) Registration Date: **07 January 2013**
(56) Related Art Documents: **Not Applicable**
(57) Statement of Newness and Distinctiveness: **Newness and distinctiveness is claimed in the shape and/or configuration of a Cover for a Portable Electronic Device as illustrated in the accompanying representations. In construing the scope of the monopoly, the portable electronic device marked with dotted lines should be disregarded.**



- (21) Design Number: **14952/2012**
(22) Date of Filing Application: **03 October 2012**
(24) Date from which industrial property rights may have effect: **03 October 2012**
(54) Product in respect of which the design is registered: **5' Bed**
(51) International Design Classification: **06-02**
(74) Name(s) of Attorney(s):
(71) Name(s) and Address(s) of Applicant(s):
Global Home S.R.O
18th Floor Ree Tower 9 Doan Bo Street Ward 12 District 4 HCMC
Vietnam
(72) Name(s) of Designer(s): **Matthew Hobbs**
(45) Registration Date: **07 January 2013**
(56) Related Art Documents: **Not Applicable**
(57) Statement of Newness and Distinctiveness: **Corner detail, bar handle, glaze finish, recessed drawer**



(21) Design Number: **14953/2012**

(22) Date of Filing Application: **03 October 2012**

(24) Date from which industrial property rights may have effect: **03 October 2012**

(54) Product in respect of which the design is registered: **Bedside**

(51) International Design Classification: **06-03NES**

(74) Name(s) of Attorney(s):

(71) Name(s) and Address(s) of Applicant(s):

Global Home S.R.O

**18th Floor Ree Tower 9 Doan Bo Street Ward 12 District 4 HCMC
Vietnam**

(72) Name(s) of Designer(s): **Matthew Hobbs**

(45) Registration Date: **07 January 2013**

(56) Related Art Documents: **Not Applicable**

(57) Statement of Newness and Distinctiveness: **Corner detail, bar handle, glaze finish, recessed drawer**



(21) Design Number: **14954/2012**

(22) Date of Filing Application: **03 October 2012**

(24) Date from which industrial property rights may have effect: **03 October 2012**

(54) Product in respect of which the design is registered: **Chest 4 drawer**

(51) International Design Classification: **06-04F**

(74) Name(s) of Attorney(s):

(71) Name(s) and Address(s) of Applicant(s):

Global Home S.R.O

**18th Floor Ree Tower 9 Doan Bo Street Ward 12 District 4 HCMC
Vietnam**

(72) Name(s) of Designer(s): **Matthew Hobbs**

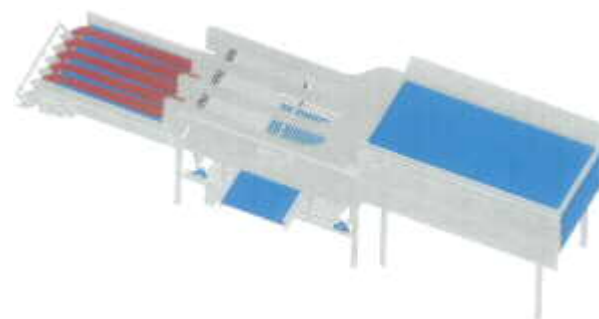
(45) Registration Date: **07 January 2013**

(56) Related Art Documents: **Not Applicable**

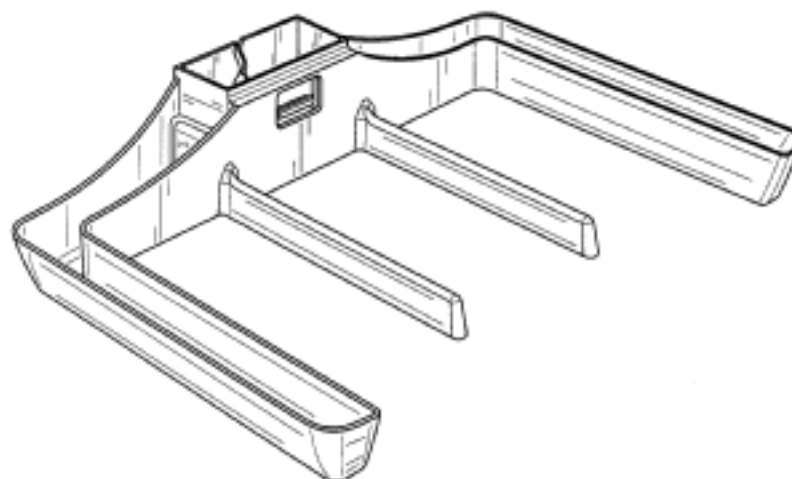
(57) Statement of Newness and Distinctiveness: **Corner detail, bar handle, glaze finish, recessed drawer**



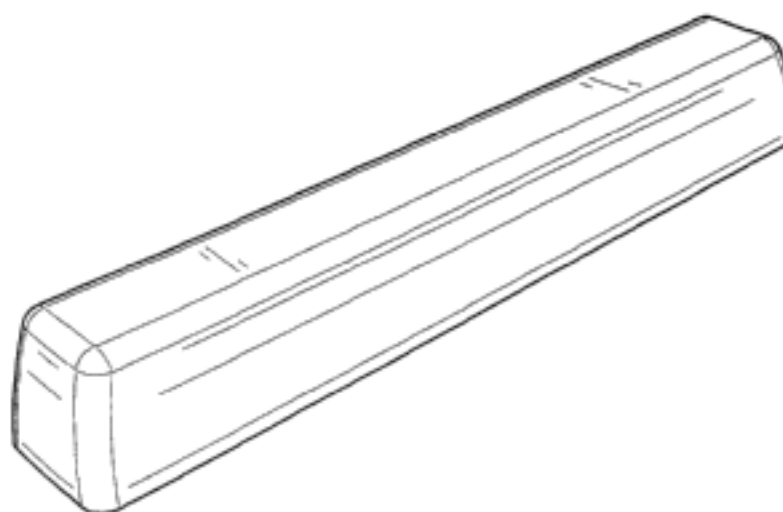
- (21) Design Number: **14977/2012**
(22) Date of Filing Application: **05 October 2012**
(24) Date from which industrial property rights may have effect: **05 October 2012**
(54) Product in respect of which the design is registered: **Counting/sorting machine**
(51) International Design Classification: **15-99, 12-05**
(74) Name(s) of Attorney(s):
(71) Name(s) and Address(s) of Applicant(s):
Robert Costanzo
15 Maxwell Rd Manningham SA 5086 Australia
(72) Name(s) of Designer(s): **Robert Costanzo**
(45) Registration Date: **07 January 2013**
(56) Related Art Documents: **Not Applicable**
(57) Statement of Newness and Distinctiveness: **Singulation of products, speed equipment, versatility of unit.**



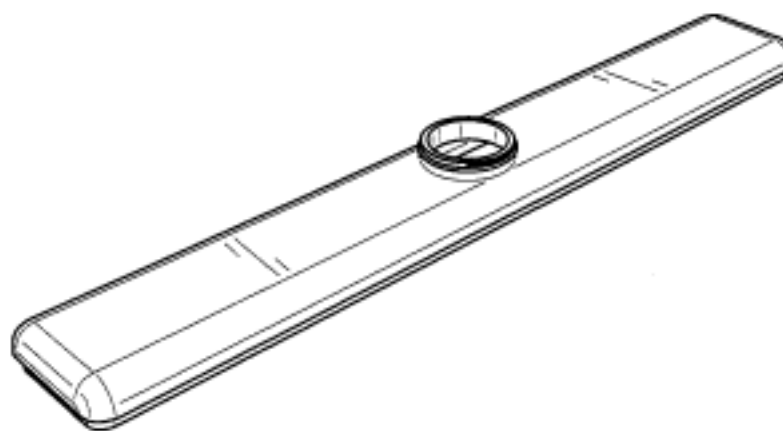
- (21) Design Number: **15246/2012**
(22) Date of Filing Application: **23 October 2012**
(24) Date from which industrial property rights may have effect: **23 October 2012**
(54) Product in respect of which the design is registered: **Indoor growing unit stand**
(51) International Design Classification: **11-02B**
(74) Name(s) of Attorney(s): **A J Park**
(71) Name(s) and Address(s) of Applicant(s):
OMS Investments, Inc.
10250 Constellation Place Suite 250 Los Angeles California 90067 United States of America
(72) Name(s) of Designer(s): **Mark Gerard Prinster and Bradley Alan Schultz and Sara Ann Gordon and Kimberly Ann Rygielski and Matthew L. Phillips and Robert H. Bruno and Philip J. Nathan and Tara Marie Zasadzinski**
(45) Registration Date: **07 January 2013**
(30) Convention priority data:
(31) Number (32) Date (33) Country
29/418,920 23 Apr 2012 UNITED STATES OF AMERICA
(56) Related Art Documents: **Not Applicable**
(57) Statement of Newness and Distinctiveness: **Newness and distinctiveness reside in the features of shape and/or configuration of the INDOOR GROWING UNIT STAND, as shown in the representations.**



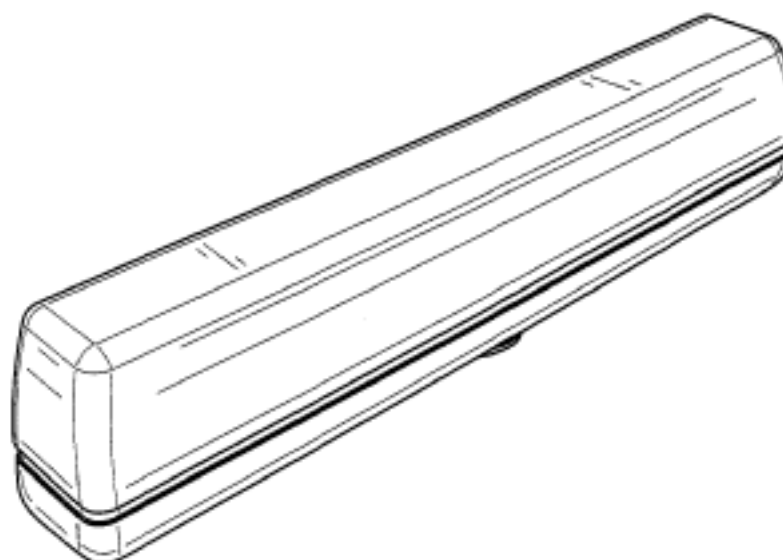
(21) Design Number: **15247/2012**
(22) Date of Filing Application: **23 October 2012**
(24) Date from which industrial property rights may have effect: **23 October 2012**
(54) Product in respect of which the design is registered: **Indoor growing unit water reservoir top portion**
(51) International Design Classification: **11-02B**
(74) Name(s) of Attorney(s): **A J Park**
(71) Name(s) and Address(s) of Applicant(s):
OMS Investments, Inc.
10250 Constellation Place Suite 250 Los Angeles California 90067 United States of America
(72) Name(s) of Designer(s): **Mark Gerard Prinster and Bradley Alan Schultz and Sara Ann Gordon and Kimberly Ann Rygielski and Matthew L. Phillips and Robert H. Bruno and Philip J. Nathan and Tara Marie Zasadzinski**
(45) Registration Date: **07 January 2013**
(30) Convention priority data:
(31) Number (32) Date (33) Country
29/418,920 23 Apr 2012 UNITED STATES OF AMERICA
(56) Related Art Documents: **Not Applicable**
(57) Statement of Newness and Distinctiveness: **Newness and distinctiveness reside in the features of shape and/or configuration of the INDOOR GROWING UNIT WATER RESERVOIR TOP PORTION, as shown in the representations.**



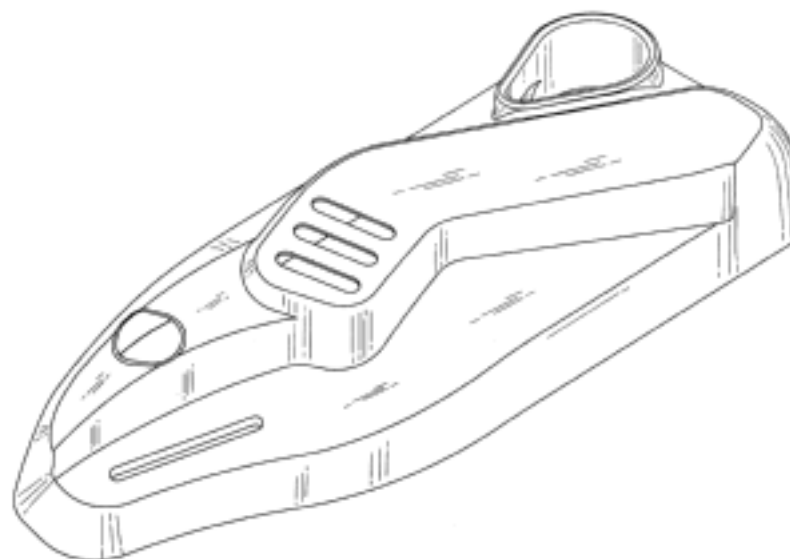
(21) Design Number: **15248/2012**
(22) Date of Filing Application: **23 October 2012**
(24) Date from which industrial property rights may have effect: **23 October 2012**
(54) Product in respect of which the design is registered: **Indoor growing unit water reservoir bottom portion**
(51) International Design Classification: **11-02B**
(74) Name(s) of Attorney(s): **A J Park**
(71) Name(s) and Address(s) of Applicant(s):
OMS Investments, Inc.
10250 Constellation Place Suite 250 Los Angeles California 90067 United States of America
(72) Name(s) of Designer(s): **Mark Gerard Prinster and Bradley Alan Schultz and Sara Ann Gordon and Kimberly Ann Rygielski and Mark Anthony Phillips and Robert H. Bruno and Philip J. Nathan and Tara Marie Zasadzinski**
(45) Registration Date: **07 January 2013**
(30) Convention priority data:
(31) Number (32) Date (33) Country
29/418,920 23 Apr 2012 UNITED STATES OF AMERICA
(56) Related Art Documents: **Not Applicable**
(57) Statement of Newness and Distinctiveness: **Newness and distinctiveness reside in the features of shape and/or configuration of the INDOOR GROWING UNIT WATER RESERVOIR BOTTOM PORTION, as shown in the representations.**



- (21) Design Number: **15249/2012**
(22) Date of Filing Application: **23 October 2012**
(24) Date from which industrial property rights may have effect: **23 October 2012**
(54) Product in respect of which the design is registered: **Indoor growing unit water reservoir**
(51) International Design Classification: **11-02B**
(74) Name(s) of Attorney(s): **A J Park**
(71) Name(s) and Address(s) of Applicant(s):
OMS Investments, Inc.
10250 Constellation Place Suite 250 Los Angeles California 90067 United States of America
(72) Name(s) of Designer(s): **Mark Gerard Prinster and Bradley Alan Schultz and Sara Ann Gordon and Kimberly Ann Rygielski and Matthew L. Phillips and Robert H. Bruno and Philip J. Nathan and Tara Marie Zasadzinski**
(45) Registration Date: **07 January 2013**
(30) Convention priority data:
(31) Number (32) Date (33) Country
29/418,920 23 Apr 2012 UNITED STATES OF AMERICA
(56) Related Art Documents: **Not Applicable**
(57) Statement of Newness and Distinctiveness: **Newness and distinctiveness reside in the features of shape and/or configuration of the INDOOR GROWING UNIT RESERVOIR, as shown in the representations.**



- (21) Design Number: **14826/2012**
(22) Date of Filing Application: **27 September 2012**
(24) Date from which industrial property rights may have effect: **27 September 2012**
(54) Product in respect of which the design is registered: **Operation panel for working vehicle**
(51) International Design Classification: **12-16B**
(74) Name(s) of Attorney(s): **Shelston IP**
(71) Name(s) and Address(s) of Applicant(s):
Iseki & Co., Ltd
700 Umaki-cho Matsuyama-shi Ehime-ken 799-2692 Japan
(72) Name(s) of Designer(s): **Makoto Takagi and Shohei Kurokawa and Takashi Wakino**
(45) Registration Date: **07 January 2013**
(30) Convention priority data:
(31) Number (32) Date (33) Country
2012-008163 06 Apr 2012 JAPAN
(56) Related Art Documents: **Not Applicable**
(57) Statement of Newness and Distinctiveness: **Newness and distinctiveness reside in the features of shape and/or configuration of the OPERATION PANEL FOR WORKING VEHICLE as illustrated in the accompanying representations.**



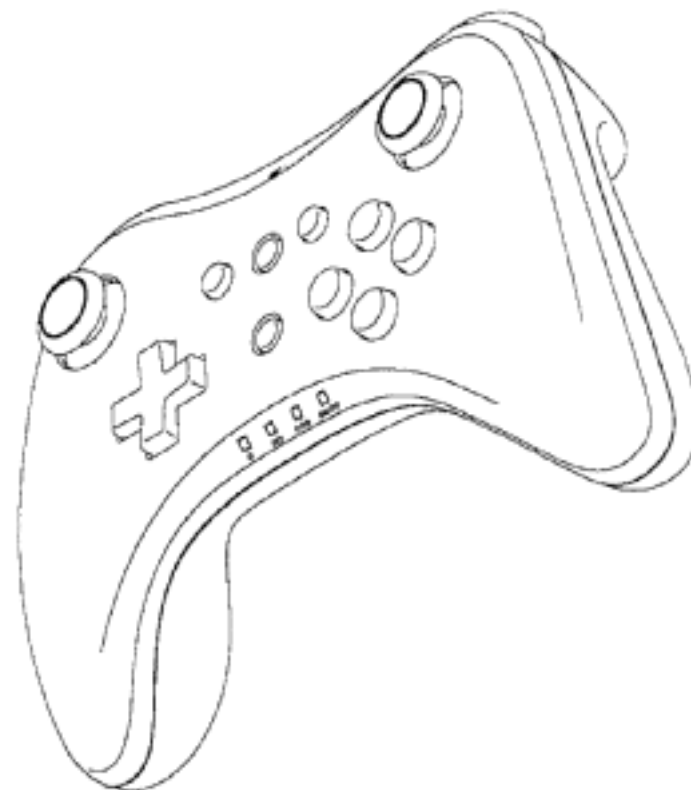
(21) Design Number: **15515/2012**
(22) Date of Filing Application: **03 October 2012**
(24) Date from which industrial property rights may have effect: **03 October 2012**
(54) Product in respect of which the design is registered: **Queen bed with storage unit**
(51) International Design Classification: **06-02**
(74) Name(s) of Attorney(s):
(71) Name(s) and Address(s) of Applicant(s):
Global Home S.R.O
18th Floor Ree Tower 9 Doan Bo Street Ward 12 District 4 HCMC
Vietnam
(72) Name(s) of Designer(s): **Matt Hobbs**
(45) Registration Date: **07 January 2013**
(56) Related Art Documents: **Not Applicable**
(57) Statement of Newness and Distinctiveness: **Corner detail, bar handle, colour and finish combination.**



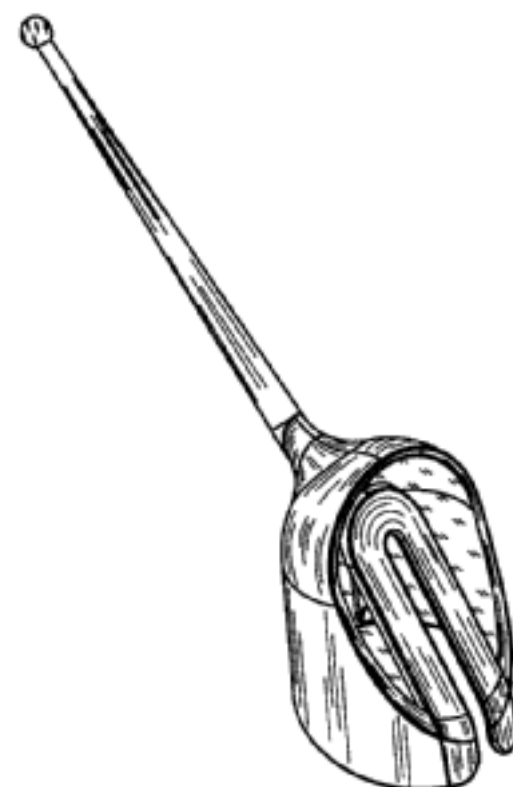
(21) Design Number: **15533/2012**
(22) Date of Filing Application: **03 October 2012**
(24) Date from which industrial property rights may have effect: **03 October 2012**
(54) Product in respect of which the design is registered: **4 drawer tallboy**
(51) International Design Classification: **06-04F**
(74) Name(s) of Attorney(s):
(71) Name(s) and Address(s) of Applicant(s):
Global Home S.R.O
18th Floor Ree Tower 9 Doan Bo Street Ward 12 District 4 HCMC
Vietnam
(72) Name(s) of Designer(s): **Matt Hobbs**
(45) Registration Date: **07 January 2013**
(56) Related Art Documents: **Not Applicable**
(57) Statement of Newness and Distinctiveness: **Corner detail, bar handle, colour and finish combination.**



(21) Design Number: **15101/2012**
(22) Date of Filing Application: **15 October 2012**
(24) Date from which industrial property rights may have effect: **15 October 2012**
(54) Product in respect of which the design is registered: **Controller for electronic computer**
(51) International Design Classification: **21-01N**
(74) Name(s) of Attorney(s): **Davies Collison Cave**
(71) Name(s) and Address(s) of Applicant(s):
Nintendo Co., Ltd.
11-1 Hokotate-cho Kamitoba Minami-ku Kyoto Japan
(72) Name(s) of Designer(s): **Masato Ibuki and Yasuhisa Kitano and Fumiyoshi Suetake and Hitoshi Tsuchiya**
(45) Registration Date: **07 January 2013**
(30) Convention priority data:
(31) Number (32) Date (33) Country
2012-008870 16 Apr 2012 JAPAN
(56) Related Art Documents: **Not Applicable**
(57) Statement of Newness and Distinctiveness: **Nil**



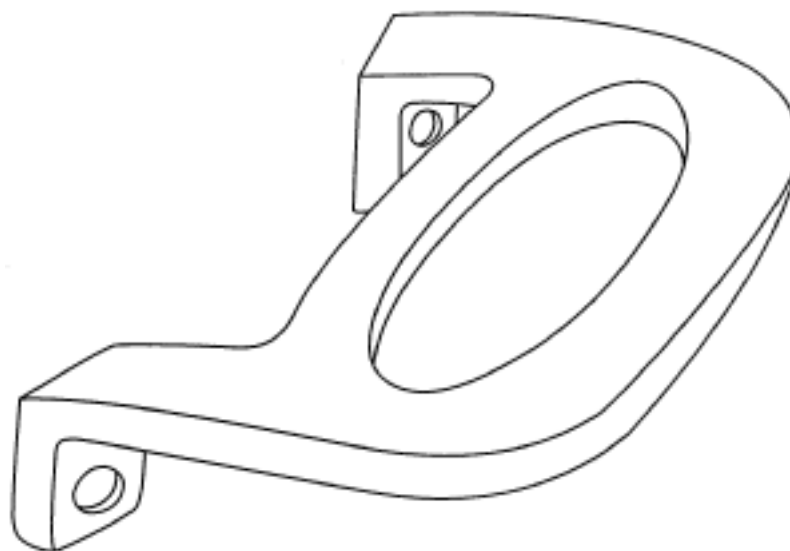
(21) Design Number: **15256/2012**
(22) Date of Filing Application: **23 October 2012**
(24) Date from which industrial property rights may have effect: **23 October 2012**
(54) Product in respect of which the design is registered: **Finger tip applicator**
(51) International Design Classification: **28-03NES**
(74) Name(s) of Attorney(s): **PHILLIPS ORMONDE FITZPATRICK**
(71) Name(s) and Address(s) of Applicant(s):
Renew Medical Inc.
532 Emerson Street Palo Alto California 94301 United States of America
(72) Name(s) of Designer(s): **Yoav Tikochinsky**
(45) Registration Date: **07 January 2013**
(30) Convention priority data:
(31) Number (32) Date (33) Country
29/423,620 03 Jun 2012 UNITED STATES OF AMERICA
(56) Related Art Documents: **Not Applicable**
(57) Statement of Newness and Distinctiveness: **Those features of the finger tip applicator depicted in the representations that are new and distinctive are the shape and/or configuration.**



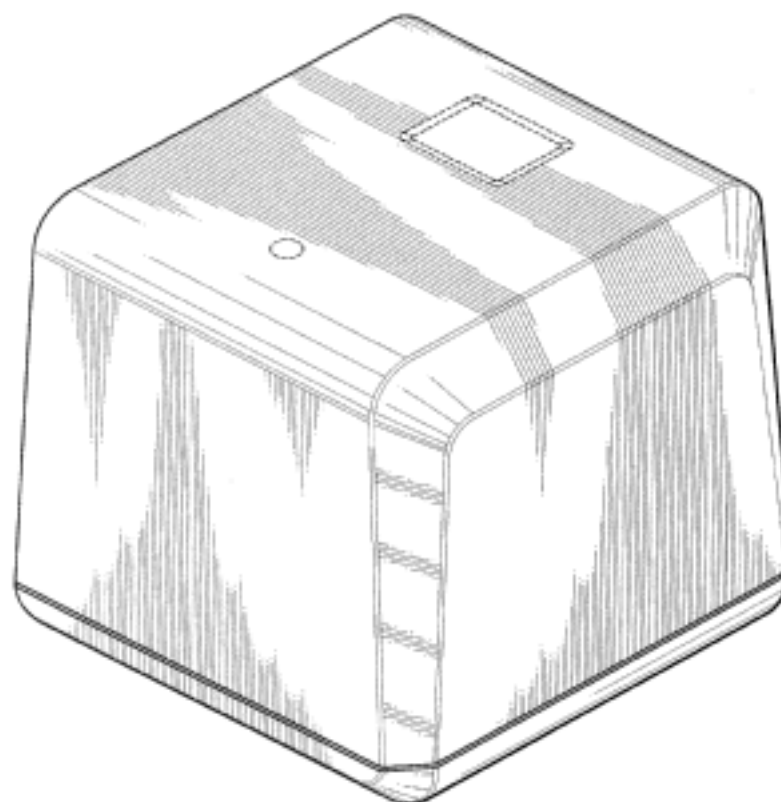
- (21) Design Number: **15020/2012**
(22) Date of Filing Application: **09 October 2012**
(24) Date from which industrial property rights may have effect: **09 October 2012**
(54) Product in respect of which the design is registered: **Nugget frame pendant (jewellery)**
(51) International Design Classification: **11-01NES**
(74) Name(s) of Attorney(s):
(71) Name(s) and Address(s) of Applicant(s):
Wilmarie Mulder
2A Morley Way Kalgoorlie WA 6430 Australia
(72) Name(s) of Designer(s): **Wilmarie Mulder**
(45) Registration Date: **07 January 2013**
(56) Related Art Documents: **Not Applicable**
(57) Statement of Newness and Distinctiveness: **The Nugget Frame Pendant design has a variable diameter to suit different size round flat disk like objects such as; gems, medallions and coins. The depth of the frame is variable due to the thickness of different round disk like objects. However, the principal and design remains the same. The kangaroo shape bail is new and distinctive to the design and can be used as a standalone attachment for different pendants. The natural gold nuggets are also distinctive part of the design. Monopoly and is claimed in the features of the kangaroo shape and bail, configuration and ornamentation of the jewellery piece as shown in the accompanying representations.**



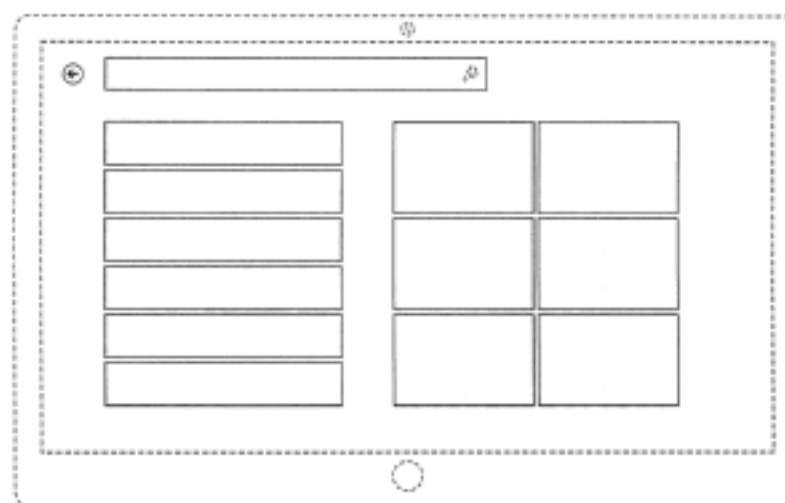
- (21) Design Number: **15526/2012**
(22) Date of Filing Application: **06 November 2012**
(24) Date from which industrial property rights may have effect: **06 November 2012**
(54) Product in respect of which the design is registered: **A handle for cookware**
(51) International Design Classification: **07-02R**
(74) Name(s) of Attorney(s): **SPRUSON & FERGUSON**
(71) Name(s) and Address(s) of Applicant(s):
Sheldon and Hammond Pty Ltd
24 Salisbury Rd Asquith NSW 2077 Australia
(72) Name(s) of Designer(s): **Alexander Angus**
(45) Registration Date: **07 January 2013**
(56) Related Art Documents: **Not Applicable**
(57) Statement of Newness and Distinctiveness: **Newness and distinctiveness is claimed in the features of shape and/or configuration of a handle for cookware as illustrated in the accompanying representations.**



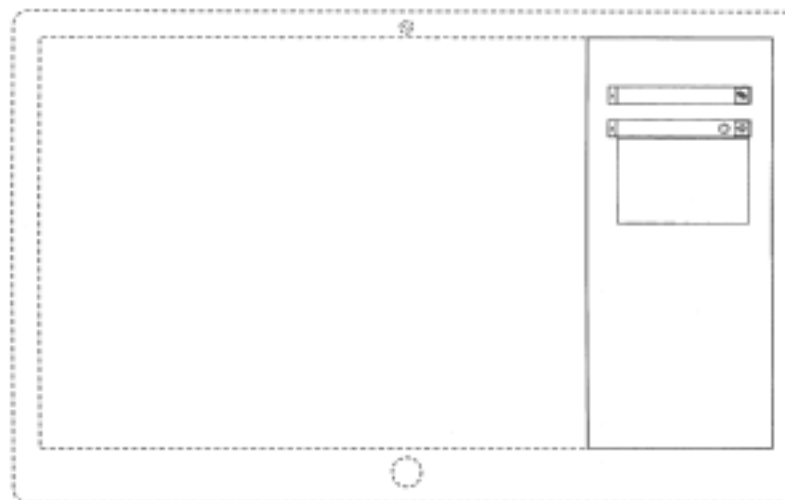
- (21) Design Number: **15608/2012**
(22) Date of Filing Application: **12 November 2012**
(24) Date from which industrial property rights may have effect: **12 November 2012**
(54) Product in respect of which the design is registered: **Logger for remotely sensed parameter**
(51) International Design Classification: **10-04, 14-02**
(74) Name(s) of Attorney(s): **PHILLIPS ORMONDE FITZPATRICK**
(71) Name(s) and Address(s) of Applicant(s):
Cook Medical Technologies LLC
750 Daniels Way Bloomington Indiana 47404 United States of America
(72) Name(s) of Designer(s): **Michael Carl Junger and Geoff Bywater and Tiffany Suk-Harn Burleigh**
(45) Registration Date: **07 January 2013**
(30) Convention priority data:
(31) Number (32) Date (33) Country
29/422,288 18 May 2012 UNITED STATES OF AMERICA
(56) Related Art Documents: **Not Applicable**
(57) Statement of Newness and Distinctiveness: **Those features of the logger for remotely sensed parameter depicted in the representations that are new and distinctive are the shape and/or configuration. The features shown in broken lines are not part of the design and are to be disregarded when considering the overall impression of the design.**



- (21) Design Number: **15869/2012**
(22) Date of Filing Application: **23 November 2012**
(24) Date from which industrial property rights may have effect: **23 November 2012**
(54) Product in respect of which the design is registered: **Display screen with graphical user interface**
(51) International Design Classification: **14-04**
(74) Name(s) of Attorney(s): **Shelston IP**
(71) Name(s) and Address(s) of Applicant(s):
Microsoft Corporation
One Microsoft Way Redmond Washington 98052 United States of America
(72) Name(s) of Designer(s): **Manuel Lima and Brian Morris and Manuel Tan and Xiaogang Yang**
(45) Registration Date: **07 January 2013**
(30) Convention priority data:
(31) Number (32) Date (33) Country
29/434525 12 Oct 2012 UNITED STATES OF AMERICA
(56) Related Art Documents: **Not Applicable**
(57) Statement of Newness and Distinctiveness: **Newness and distinctiveness reside in the pattern and/or ornamentation of a display screen with graphical user interface as illustrated by solid lines in the accompanying representation. The features shown in broken outline are for contextual purposes only and do not form part of the design.**



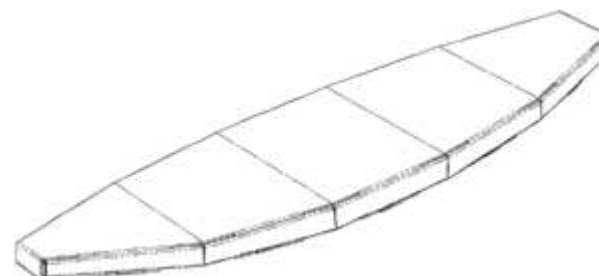
- (21) Design Number: **15870/2012**
(22) Date of Filing Application: **23 November 2012**
(24) Date from which industrial property rights may have effect: **23 November 2012**
(54) Product in respect of which the design is registered: **Display screen with graphical user interface**
(51) International Design Classification: **14-04**
(74) Name(s) of Attorney(s): **Shelston IP**
(71) Name(s) and Address(s) of Applicant(s):
Microsoft Corporation
One Microsoft Way Redmond Washington 98052 United States of America
(72) Name(s) of Designer(s): **Diego D. Baca Del Rosario and Vincent J. Pasceri**
(45) Registration Date: **07 January 2013**
(30) Convention priority data:
(31) Number (32) Date (33) Country
29/434449 12 Oct 2012 UNITED STATES OF AMERICA
(56) Related Art Documents: **Not Applicable**
(57) Statement of Newness and Distinctiveness: **Newness and distinctiveness reside in the pattern and/or ornamentation of a display screen with graphical user interface as illustrated by solid lines in the accompanying representation. The features shown in broken outline are for contextual purposes only and do not form part of the design.**



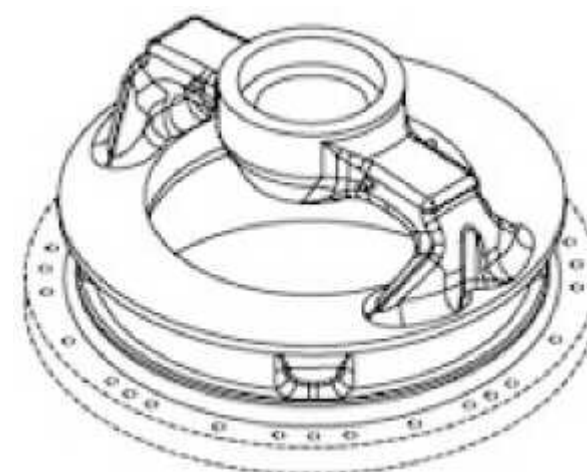
- (21) Design Number: **15872/2012**
(22) Date of Filing Application: **23 November 2012**
(24) Date from which industrial property rights may have effect: **23 November 2012**
(54) Product in respect of which the design is registered: **Display screen with graphical user interface**
(51) International Design Classification: **14-04**
(74) Name(s) of Attorney(s): **Shelston IP**
(71) Name(s) and Address(s) of Applicant(s):
Microsoft Corporation
One Microsoft Way Redmond Washington 98052 United States of America
(72) Name(s) of Designer(s): **Shree Lakshmi Rao and Rajeev Kumar Chand and Sander Martijn Vieggers**
(45) Registration Date: **07 January 2013**
(30) Convention priority data:
(31) Number (32) Date (33) Country
29/435517 24 Oct 2012 UNITED STATES OF AMERICA
(56) Related Art Documents: **Not Applicable**
(57) Statement of Newness and Distinctiveness: **Newness and distinctiveness reside in the pattern and/or ornamentation of a display screen with graphical user interface as illustrated by solid lines in the accompanying representation. The features shown in broken outline are for contextual purposes only and do not form part of the design.**



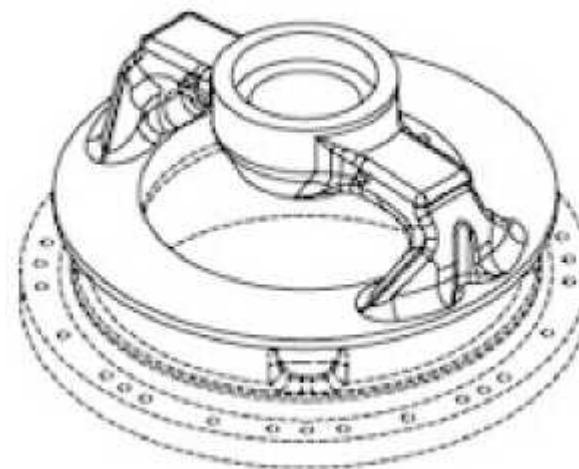
- (21) Design Number: **15525/2012**
(22) Date of Filing Application: **07 November 2012**
(24) Date from which industrial property rights may have effect: **07 November 2012**
(54) Product in respect of which the design is registered: **Packaging for a surfboard**
(51) International Design Classification: **09-03C**
(74) Name(s) of Attorney(s):
(71) Name(s) and Address(s) of Applicant(s):
S Deslandes
38 Laura St Maylands SA 5069 Australia
F Gomes Moreira
38 Laura St Maylands SA 5069 Australia
(72) Name(s) of Designer(s): **Samuel John Deslandes and Fernando Gomes Moreira**
(45) Registration Date: **07 January 2013**
(56) Related Art Documents: **Not Applicable**
(57) Statement of Newness and Distinctiveness: **The design relates to the packaging and protection of surfboards from damage during transport and handling. This design is new and distinctive as the box is original in it's shape and concept. The box is specifically designed to fit the surfboard to minimise space when travelling or transportation. The design also provides great strength and protection by using corrugated materials with double walls and Velcro for easy access. Plastic clips can also be used.**



- (21) Design Number: **16338/2012**
(22) Date of Filing Application: **14 December 2012**
(24) Date from which industrial property rights may have effect: **14 December 2012**
(54) Product in respect of which the design is registered: **Gyratory crusher frame**
(51) International Design Classification: **15-99**
(74) Name(s) of Attorney(s): **Griffith Hack**
(71) Name(s) and Address(s) of Applicant(s):
Sandvik Intellectual Property AB
Sandviken SE-811 81 Sweden
(72) Name(s) of Designer(s): **Patric Malmqvist and Bengt-Arne Eriksson and Niklas Aberg and Gustav Bern and Axel Bergman and Mikael Larsson**
(45) Registration Date: **07 January 2013**
(30) Convention priority data:
(31) Number (32) Date (33) Country
001333793 09 Jul 2012 EUROPEAN COMMUNITY
(56) Related Art Documents: **Not Applicable**
(57) Statement of Newness and Distinctiveness: **Newness and distinctiveness resides in the visual features, including shape, and configuration, of a GYRATORY CRUSHER FRAME as shown in solid outline in the accompanying drawings. When determining whether the design is substantially similar in overall impression to another design, no regard is to had to those features shown in dotted outline in the accompanying drawings, which features are provided for illustrative purposes only.**

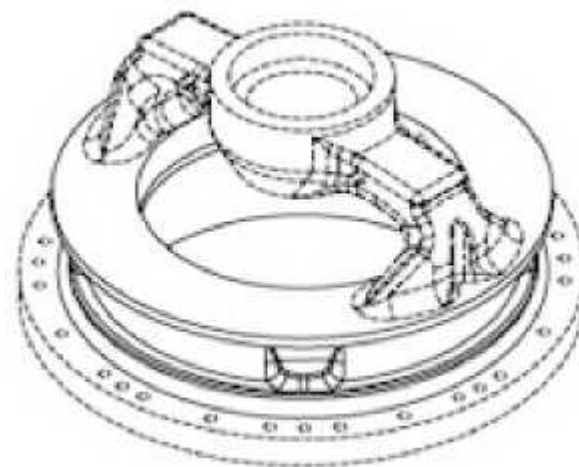


(21) Design Number: **16337/2012**
(22) Date of Filing Application: **14 December 2012**
(24) Date from which industrial property rights may have effect: **14 December 2012**
(54) Product in respect of which the design is registered: **Gyratory crusher frame**
(51) International Design Classification: **15-99**
(74) Name(s) of Attorney(s): **Griffith Hack**
(71) Name(s) and Address(s) of Applicant(s):
Sandvik Intellectual Property AB
Sandviken SE-811 81 Sweden
(72) Name(s) of Designer(s): **Patric Malmqvist and Bengt-Arne Eriksson and Niklas Aberg and Gustav Bern and Axel Bergman and Mikael Larsson**
(45) Registration Date: **07 January 2013**
(30) Convention priority data:
(31) Number (32) Date (33) Country
001333793 09 Jul 2012 EUROPEAN COMMUNITY



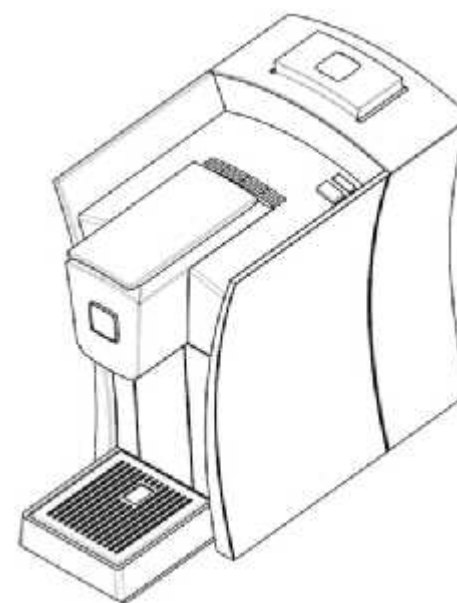
(56) Related Art Documents: **Not Applicable**
(57) Statement of Newness and Distinctiveness: **Newness and distinctiveness resides in the visual features, including shape, and configuration, of a GYRATORY CRUSHER FRAME as shown in solid outline in the accompanying drawings. When determining whether the design is substantially similar in overall impression to another design, no regard is to be had to those features shown in dotted outline in the accompanying drawings, which features are provided for illustrative purposes only.**

(21) Design Number: **16336/2012**
(22) Date of Filing Application: **14 December 2012**
(24) Date from which industrial property rights may have effect: **14 December 2012**
(54) Product in respect of which the design is registered: **Gyratory crusher frame**
(51) International Design Classification: **15-99**
(74) Name(s) of Attorney(s): **Griffith Hack**
(71) Name(s) and Address(s) of Applicant(s):
Sandvik Intellectual Property AB
Sandviken SE-811 81 Sweden
(72) Name(s) of Designer(s): **Patric Malmqvist and Bengt-Arne Eriksson and Niklas Aberg and Gustav Bern and Axel Bergman and Mikael Larsson**
(45) Registration Date: **07 January 2013**
(30) Convention priority data:
(31) Number (32) Date (33) Country
001333793 09 Jul 2012 EUROPEAN COMMUNITY



(56) Related Art Documents: **Not Applicable**
(57) Statement of Newness and Distinctiveness: **Newness and distinctiveness resides in the visual features, including shape, and configuration, of a GYRATORY CRUSHER FRAME as shown in solid outline in the accompanying drawings. When determining whether the design is substantially similar in overall impression to another design, no regard is to be had to those features shown in dotted outline in the accompanying drawings, which features are provided for illustrative purposes only.**

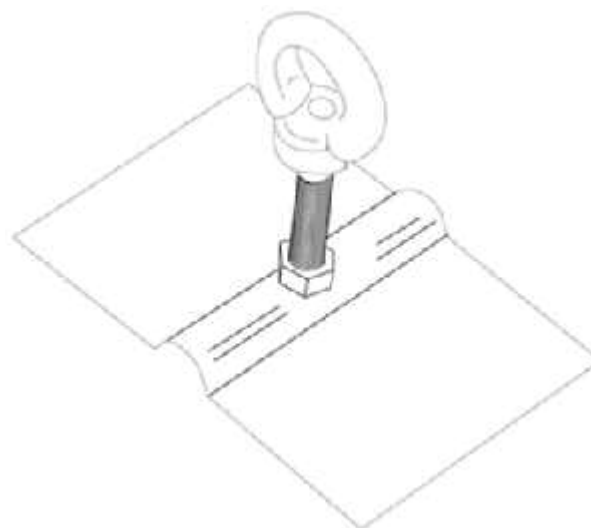
(21) Design Number: **15904/2012**
(22) Date of Filing Application: **27 November 2012**
(24) Date from which industrial property rights may have effect: **27 November 2012**
(54) Product in respect of which the design is registered: **Beverage dispenser**
(51) International Design Classification: **31-00**
(74) Name(s) of Attorney(s): **Banki Haddock Fiora**
(71) Name(s) and Address(s) of Applicant(s):
Societe Des Produits Nestle S.A.
Vevey Canton of Vaud 1800 Switzerland
(72) Name(s) of Designer(s): **Frank Rousselin**
(45) Registration Date: **07 January 2013**
(30) Convention priority data:
(31) Number (32) Date (33) Country
139138 06 Sep 2012 SWITZERLAND
(56) Related Art Documents: **Not Applicable**
(57) Statement of Newness and Distinctiveness: **Nil**



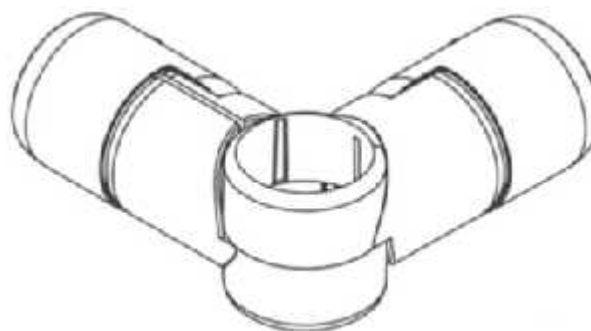
(21) Design Number: **15924/2012**
(22) Date of Filing Application: **28 November 2012**
(24) Date from which industrial property rights may have effect: **28 November 2012**
(54) Product in respect of which the design is registered: **Pool table, billiards table, snooker table**
(51) International Design Classification: **06-03D**
(74) Name(s) of Attorney(s):
(71) Name(s) and Address(s) of Applicant(s):
Guan Qun Hao
610 South Rd Moorabbin VIC 3189 Australia
All Table Sports Australia Pty Ltd
610 South Rd Moorabbin VIC 3189 Australia
(72) Name(s) of Designer(s): **Guan Qun Hao**
(45) Registration Date: **07 January 2013**
(56) Related Art Documents: **Not Applicable**
(57) Statement of Newness and Distinctiveness: **The newness and distinctiveness for the application is the unique design of the table legs/stand---the new design table is with "o" shape leg/stand system. Please see attached pictures for detail. There is no same or similar shape leg designed pool billiards table in world wide.**



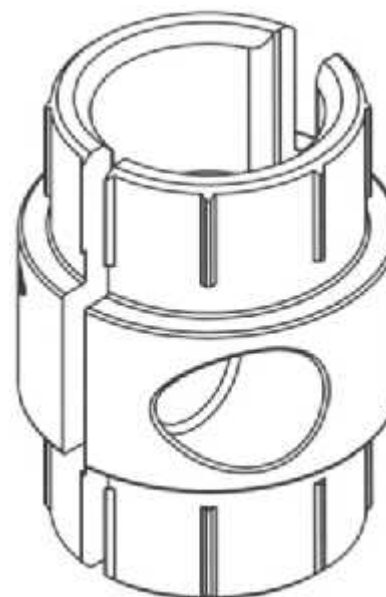
- (21) Design Number: **15477/2012**
(22) Date of Filing Application: **02 November 2012**
(24) Date from which industrial property rights may have effect: **02 November 2012**
(54) Product in respect of which the design is registered: **Shotcrete depth gauge**
(51) International Design Classification: **10-04**
(74) Name(s) of Attorney(s):
(71) Name(s) and Address(s) of Applicant(s):
Total Shotcrete Pty Ltd
13 Phillip St Pingelly WA 6308 Australia
(72) Name(s) of Designer(s): **Craig Matthews**
(45) Registration Date: **07 January 2013**
(56) Related Art Documents: **Not Applicable**
(57) Statement of Newness and Distinctiveness: **Newness and distinctiveness is claimed in the shape and configuration of a 'Shotcrete Depth Gauge' as shown in the drawings. In considering the newness and distinctiveness of the design no regard is to be had to the features represented by the dotted lines.**



- (21) Design Number: **15633/2012**
(22) Date of Filing Application: **14 November 2012**
(24) Date from which industrial property rights may have effect: **14 November 2012**
(54) Product in respect of which the design is registered: **Railing Connector**
(51) International Design Classification: **08-08K**
(74) Name(s) of Attorney(s): **Actuate IP**
(71) Name(s) and Address(s) of Applicant(s):
Moddex Group Pty Ltd
Kalman House 1 Kalman Dr Boronia VIC 3155 Australia
(72) Name(s) of Designer(s): **Steven Thrush and Iain White**
(45) Registration Date: **07 January 2013**
(56) Related Art Documents: **Not Applicable**
(57) Statement of Newness and Distinctiveness: **Newness and distinctiveness is claimed in the features of shape and/or configuration of the CONNECTOR as illustrated in the accompanying representations.**



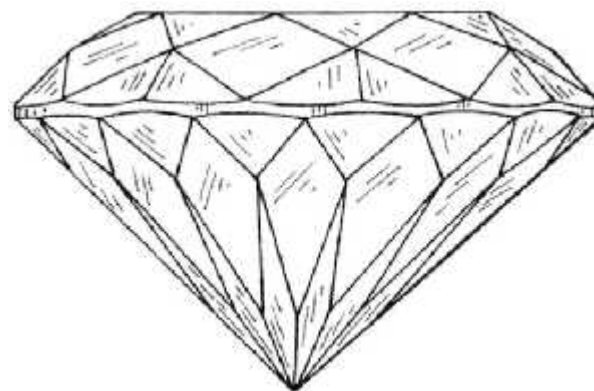
- (21) Design Number: **15638/2012**
(22) Date of Filing Application: **14 November 2012**
(24) Date from which industrial property rights may have effect: **14 November 2012**
(54) Product in respect of which the design is registered: **Railing Connector**
(51) International Design Classification: **08-08K**
(74) Name(s) of Attorney(s): **Actuate IP**
(71) Name(s) and Address(s) of Applicant(s):
Moddex Group Pty Ltd
Kalman House 1 Kalman Dr Boronia VIC 3155 Australia
(72) Name(s) of Designer(s): **Dean Vos and Alvin Charles Rowland**
(45) Registration Date: **07 January 2013**
(56) Related Art Documents: **Not Applicable**
(57) Statement of Newness and Distinctiveness: **Newness and distinctiveness is claimed in the features of shape and/or configuration of the CONNECTOR as illustrated in the accompanying representations.**



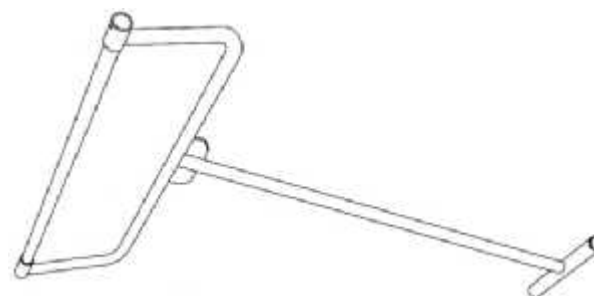
- (21) Design Number: **16262/2012**
(22) Date of Filing Application: **11 December 2012**
(24) Date from which industrial property rights may have effect: **11 December 2012**
(54) Product in respect of which the design is registered: **Gyratory crusher crushing head**
(51) International Design Classification: **15-99**
(74) Name(s) of Attorney(s): **Griffith Hack**
(71) Name(s) and Address(s) of Applicant(s):
Sandvik Intellectual Property AB
Sandviken SE-811 81 Sweden
(72) Name(s) of Designer(s): **Patric Malmqvist and Bengt-Arne Eriksson and Gustav Bern and Axel Bergman and Mikael Larsson**
(45) Registration Date: **07 January 2013**
(30) Convention priority data:
(31) Number (32) Date (33) Country
001333785-0001 09 Jul 2012 EUROPEAN COMMUNITY
(56) Related Art Documents: **Not Applicable**
(57) Statement of Newness and Distinctiveness: **Newness and distinctiveness resides in the visual features, including shape, configuration, pattern and ornamentation, of a GYRATORY CRUSHER CRUSHING HEAD as shown in solid outline in the accompanying drawings.**



- (21) Design Number: **15586/2012**
(22) Date of Filing Application: **13 November 2012**
(24) Date from which industrial property rights may have effect: **13 November 2012**
(54) Product in respect of which the design is registered: **Cut and polished precious stone**
(51) International Design Classification: **11-01NES**
(74) Name(s) of Attorney(s): **PIPERS**
(71) Name(s) and Address(s) of Applicant(s):
Rosy Blue (India) Pvt. Ltd.
1608-09 Prasad Chambers Opera House Mumbai 400 004 India
(72) Name(s) of Designer(s): **Vishal Mehta**
(45) Registration Date: **07 January 2013**
(56) Related Art Documents: **Not Applicable**
(57) Statement of Newness and Distinctiveness: **The design is to be applied to a PRECIOUS STONE and the novelty resides in the features of shape and configuration of the PRECIOUS STONE as shown in the accompanying representations.**



- (21) Design Number: **15864/2012**
(22) Date of Filing Application: **26 November 2012**
(24) Date from which industrial property rights may have effect: **26 November 2012**
(54) Product in respect of which the design is registered: **Dispenser for rolled fencing or sheet material**
(51) International Design Classification: **08-05NES**
(74) Name(s) of Attorney(s): **Golja Haines & Friend**
(71) Name(s) and Address(s) of Applicant(s):
Lewis Michael Tomcsanyi
11 Salvado Rd Orana Albany WA 6330 Australia
(72) Name(s) of Designer(s): **Lewis Michael Tomcsanyi**
(45) Registration Date: **07 January 2013**
(56) Related Art Documents: **Not Applicable**
(57) Statement of Newness and Distinctiveness: **Newness and distinctiveness resides in the visual features of shape and/or configuration of a dispenser for rolled fencing or sheet material as illustrated in the representations.**



(21) Design Number: **16344/2012**

(22) Date of Filing Application: **17 December 2012**

(24) Date from which industrial property rights may have effect: **17 December 2012**

(54) Product in respect of which the design is registered: **Jaw crusher support frame**

(51) International Design Classification: **15-99**

(74) Name(s) of Attorney(s): **Griffith Hack**

(71) Name(s) and Address(s) of Applicant(s):

**Sandvik Intellectual Property AB
Sandviken SE-811 81 Sweden**

(72) Name(s) of Designer(s): **Karin Ljunggren and Roger Sjobeck and Marten Lindberg**

(45) Registration Date: **07 January 2013**

(30) Convention priority data:

(31) Number	(32) Date	(33) Country
001333801-0001	09 Jul 2012	EUROPEAN COMMUNITY

(56) Related Art Documents: **Not Applicable**

(57) Statement of Newness and Distinctiveness: **Newness and distinctiveness resides in the visual features, including shape and configuration of a JAW CRUSHER SUPPORT FRAME as shown in the accompanying drawings. When determining whether the design is substantially similar in overall impression to another design, particular regard is to be had to the saddle shown in solid outline in the accompanying drawings.**

