



Australian Government

IP Australia

AUSTRALIAN OFFICIAL JOURNAL

OF

DESIGNS

Did you know a searchable version of this journal is now available online?

It's FREE and EASY to SEARCH.

Find it on our website (www.ipaustralia.gov.au)

by using the "Journals" link on the home page.

This Page Left Intentionally Blank

Contents

General Information & Notices

**Proceedings Under the Designs Act 1906 preserved as a result of the provisions of Chapter 12
Part 2 of the Designs Act 2003**

Extension of Period of Registration of Designs 142

Registrations Ceased 142

Proceedings Under the Designs Act 2003

Applications for Extension of Time Under Section 137 158

Applications Assigned 158

Applications Lapsed 156

Applications Lodged 146

Applications Withdrawn 156

Certificate of Examination 160

Corrigenda 159

Extension of Period of Registration of Design 157

Extension of Time Granted Under Section 137 158

Names Registered - Alterations and Amendments 158

Publication and Registration Proceedings

Designs Registered 346252 to 346506..... 161

Registrations Ceased 157

Subsequent Owners Registered 158

This Page Left Intentionally Blank

For information on the following please see our website www.ipaustralia.gov.au or contact our Customer Service Network on 1300651010

[Editorial enquiries](#)

[Contact information](#)

[Freedom of Information ACT](#)

[Professional Standards Board](#)

[Sales](#)

[Requests for Information under Section 194 \(c\)](#)

[Country Codes](#)

[Trade Mark and Designs Hearing Sessions](#)

[INID \(Internationally agreed Numbers for the Identification of Data\)](#)

“INID” NUMBERS in use on Australian Design Documents

“INID” is an acronym for “Internationally agreed Numbers for the Identification of Data”.

(10) Data concerning the registration/renewal

- (11) Serial number of the registration and/or number of the design document
- (12) Plain language designation of the kind of published document
- (19) Identification, using the two-letter code according to WIPO Standard ST.3, of the authority publishing or registering the industrial design

(20) Data concerning the application

- (21) Serial number of the application
- (22) Date of filing of the application
- (24) Date from which the industrial design right has effect

(30) Data relating to priority under the Paris Convention

- (31) Serial number assigned to the priority application
- (32) Date of filing of the priority application
- (33) Two-letter code, according to WIPO Standard ST.3, identifying the authority with which the priority application was made

(40) Date(s) of making information available to the public

- (45) Date of publication of the registered industrial design by printing or similar process, or making it available to the public by any other means

(50) Miscellaneous Information

- (51) International Classification for Industrial Designs (class and subclass of the Locarno Classification)
- (54) Designation of article(s) or product(s) covered by the industrial design or title of the industrial design
- (55) Reproduction of the industrial design (e.g., drawing, photograph) and explanations relating to the reproduction
- (56) List of prior art documents, if separate from descriptive text
- (57) Description of characteristic features of the industrial design including indication of colours

(60) References to other legally related application(s) and registration(s)

- (62) Serial number(s) and, if available, filing date(s) of application(s), registration(s) or document(s) related by division
- (66) Serial number(s) of the application, or the registration, of the design(s) which is (are) a variant(s) of the present one

(70) Identification of parties concerned with the application or registration

- (71) Name(s) and address(es) of the applicant(s)
- (72) Name(s) of the creator(s) if known to be such
- (74) Name(s) and address(es) of the representative(s)

This Page Left Intentionally Blank

OFFICIAL NOTICE**Designs Act 2003****Designs Act 2003
Amendments to Registered Designs
Extension of Time to Claim Convention Priority**

Due to an office error, notification was not given to the applicant that an extension of time was required to claim convention priority from previously filed overseas applications in relation to the following design applications lodged on 30 July 2012 (since registered).

Application details: 13582/2012 (Candle holders), 13583/2012 (Spot light), 13584/2012 (Wall lamp) & 13585/20121 (Candle holder with a reflector)

Applicant: Elsteel (Private) Limited
Spur Road 2
Phase 1 EPZ
Katunayake 11420
Sri Lanka

Address for Service: IPD Group (Att: Brian Rodricks)
25 Princess Road
REGENTS PARK NSW 2143

Convention priority claimed: European Community – Filing date 01/10/2011 – Basic application Nos. 001925835-0001 to 0004

An extension of time for the period 1 April 2012 to 30 July 2012 has been applied for under the provisions of Section 137(2)(a). Any person wishing to oppose the grant of such extensions of time must file a notice of opposition in the approved form within 1 month from the date of this notice and serve a copy of the notice on the applicant.

Queries: Gary Flint
Trade Marks and Designs Administration
+61 2 6283 2023

Contact: IP Australia
Phone: 1300 651 010
Fax: +61 2 6283 7999
E-mail: assist@ipaustalia.gov.au
Web: www.ipaustralia.gov.au

Proceedings under the Designs Act 1906 preserved as a result of the provisions of Chapter 12 Part 2 of the Designs Act 2003.

This Page Left Intentionally Blank

Applications Lapsed

There were no Applications Lapsed under this section

Extension of Period of Registration of Designs			146167	146241	146291
			146298	146341	146402
			146404	146509	146510
1st Period (Section 27A(8))			146512	146516	146772
			147163	147166	147167
2nd Period (Section 27A(12))			147224	147365	147664
			147719	147734	148296
3rd Period (Section 27A(13))			148599	149916	149938
			150155	150424	150425
146470	146471	146472	150426	150427	150428
146473	147905	147967	150431	150432	150433
147968	147969	147970	150434	150440	150445
147998	148095	148152	150560	150803	150893
148257	148459	148646	150933	151032	
148689	148789	148926			
149097	149098	149434			
150009	150068	152086			
152323	152997				

Registrations Ceased

Note: Some of the following Registrations may have been previously advertised as ceased. In this instance, the previous advertisement still prevails.

130710	130805	130895
130896	130905	130917
130918	130920	130945
130946	130947	130949
130950	130951	130952
130963	130964	130965
130968	130971	130973
130977	130978	130979
130983	131084	131251
131357	131430	131605
131607	131614	131615
131616	131617	131718
131857	131858	131907
132328	132611	133150
133188	133189	133259
133260	133820	133821
133822	133823	133824
133825	133826	133827
133828	133956	134010
134224	134262	134263
134440	134441	134765
134908	134909	135812
136127	136128	144239
144240	144714	144837
144838	144840	144952
144953	144955	145964
145965	145999	146026
146093	146101	146103
146154	146163	146164

This Page Left Intentionally Blank

Proceedings under the Designs Act 2003.

This Page Left Intentionally Blank

Applications Lodged

Lodgement information is in the following order: **Applicant's Name**; International Classification, Name of Product, Lodgement Date and **Design Number**. If the applicant claims an earlier priority date under an International Convention, the Convention Country and the associated filing date are shown in parentheses before the Lodgement Date. Divisional information will also appear in parentheses before the Lodgement Date.

A & J Waller Pty Ltd; 06-07, Photo frame, 16 Jan 2013	10225/2013	Andre, Bartley K.;Akana, Jody;Bataillou, Jeremy;Coster, Daniel J.;De Iuliis, Daniele;Hankey, M. Evans;Hoenig, Julian;Howarth, Richard P.;Ive, Jonathan P.;Kerr, Duncan Robert;Nishibori, Shin;Rohrbach, Matthew Dean;Russell-Clarke, Peter;Stringer, Christopher J.;Whang, Eugene Antony;Zorkendorfer, Rico; 14-02, Connector, (US, 12 Sep 2012) 14 Jan 2013	10221/2013
Adams, Stephen P; 26-99, Landing light, (US, 16 Jul 2012) 15 Jan 2013	10198/2013		
Agressor Corporation Pty Ltd; 09-99, Support base for a materials handling container, 15 Jan 2013	10200/2013		
Agressor Corporation Pty Ltd; 09-99, Materials handling container, 15 Jan 2013	10206/2013		
Agressor Corporation Pty Ltd; 09-99, Support base for a materials handling container, 15 Jan 2013	10204/2013		
Akana, Jody;Andre, Bartley K.;Bataillou, Jeremy;Coster, Daniel J.;De Iuliis, Daniele;Hankey, M. Evans;Hoenig, Julian;Howarth, Richard P.;Ive, Jonathan P.;Kerr, Duncan Robert;Nishibori, Shin;Rohrbach, Matthew Dean;Russell-Clarke, Peter;Stringer, Christopher J.;Whang, Eugene Antony;Zorkendorfer, Rico; 14-02, Connector, (US, 12 Sep 2012) 14 Jan 2013	10221/2013		
Akana, Jody;Andre, Bartley K.;Bataillou, Jeremy;Coster, Daniel J.;De Iuliis, Daniele;Hankey, M. Evans;Hoenig, Julian;Howarth, Richard P.;Ive, Jonathan P.;Kerr, Duncan Robert;Nishibori, Shin;Rohrbach, Matthew Dean;Russell-Clarke, Peter;Stringer, Christopher J.;Whang, Eugene Antony;Zorkendorfer, Rico; 14-02, Connector, (US, 12 Sep 2012) 14 Jan 2013	10220/2013		
Andre, Bartley K.;Akana, Jody;Bataillou, Jeremy;Coster, Daniel J.;De Iuliis, Daniele;Hankey, M. Evans;Hoenig, Julian;Howarth, Richard P.;Ive, Jonathan P.;Kerr, Duncan Robert;Nishibori, Shin;Rohrbach, Matthew Dean;Russell-Clarke, Peter;Stringer, Christopher J.;Whang, Eugene Antony;Zorkendorfer, Rico; 14-02, Connector, (US, 12 Sep 2012) 14 Jan 2013	10220/2013		
		Angle Assist Pty Ltd; 25-01C, Angle member, 16 Jan 2013	10224/2013
		Animal Care Systems, Inc; 30-02, Animal cage, (US, 26 Jul 2012) 16 Jan 2013	10229/2013
		Apollo Fire Detectors Limited; 13-03D, Switchboxes, (EP, 20 Jul 2012) 10 Jan 2013	10154/2013
		Apollo Fire Detectors Limited; 13-03D, Switchboxes, (EP, 20 Jul 2012) 10 Jan 2013	10155/2013
		Apple Inc.; 14-02, Connector, (US, 06 Jul 2012) 04 Jan 2013	10138/2013
		Apple Inc.; 14-02, Electronic device, (US, 11 Aug 2012) 11 Jan 2013	10193/2013
		Apple Inc.; 14-02, Electronic device, (US, 11 Aug 2012) 11 Jan 2013	10197/2013
		Apple Inc.; 14-02, Electronic device, (US, 11 Aug 2012) 11 Jan 2013	10195/2013
		Apple Inc.; 14-02, Electronic device, (US, 11 Aug 2012) 11 Jan 2013	10196/2013
		Apple Inc.; 14-02, Electronic device, (US, 11 Aug 2012) 11 Jan 2013	10194/2013
		Apple Inc.; 14-02, Electronic device, (US, 11 Aug 2012) 11 Jan 2013	10192/2013
		Apple Inc.; 14-02, Connector, (US, 06 Jul 2012) 04 Jan 2013	10137/2013
		Apple Inc.; 14-02, Connector, (US, 06 Jul 2012) 04 Jan 2013	10136/2013

Apple Inc.; 14-02, Connector, (US, 06 Jul 2012) 04 Jan 2013	10135/2013	Bataillou, Jeremy;Akana, Jody;Andre, Bartley K.;Coster, Daniel J.;De Iuliis, Daniele;Hankey, M. Evans;Hoenig, Julian;Howarth, Richard P.;Ive, Jonathan P.;Kerr, Duncan Robert;Nishibori, Shin;Rohrbach, Matthew Dean;Russell-Clarke, Peter;Stringer, Christopher J.;Whang, Eugene Antony;Zorkendorfer, Rico; 14-02, Connector, (US, 12 Sep 2012) 14 Jan 2013	10221/2013
Apple Inc.; 14-02, Connector, (US, 06 Jul 2012) 04 Jan 2013	10133/2013		
Apple Inc.; 14-02, Connector, (US, 06 Jul 2012) 04 Jan 2013	10134/2013		
Apple Inc.; 14-02, Connector, (US, 06 Jul 2012) 04 Jan 2013	10132/2013	Beba Enterprises Pty Ltd; 02-02C, Dress, 04 Jul 2012	16670/2012
Ariat International, Inc.; 02-04NES, Footwear upper, (US, 06 Jul 2012) 03 Jan 2013	10057/2013	Beba Enterprises Pty Ltd; 02-02NES, Top, 04 Jul 2012	16680/2012
Ariat International, Inc.; 02-04B, Footwear outsole, (US, 06 Jul 2012) 03 Jan 2013	10058/2013	Beba Enterprises Pty Ltd; 02-02C, Skirt, 04 Jul 2012	16681/2012
Atlas Gaming Technologies Pty Ltd; 14-02, 21-01NES, Slot machine button panel layout, 15 Jan 2013	10202/2013	Beba Enterprises Pty Ltd; 02-02C, Jumpsuit, 04 Jul 2012	16671/2012
Aus Steel Pty Ltd; 08-08C, Support clip, 17 Jan 2013	10241/2013	Beba Enterprises Pty Ltd; 02-02C, Dress, 04 Jul 2012	16668/2012
Australia United Pty Limited;Australia United Pty Ltd; 11-02E, Koala fridge magnet with bottle opener, 15 Jan 2013	10201/2013	Beba Enterprises Pty Ltd; 02-02C, Vest, 04 Jul 2012	16678/2012
Australia United Pty Ltd;Australia United Pty Limited; 11-02E, Koala fridge magnet with bottle opener, 15 Jan 2013	10201/2013	Beba Enterprises Pty Ltd; 02-02C, Jeans, 04 Jul 2012	16679/2012
Australia United Pty Ltd;Australia United Pty Limited; 11-02E, Koala fridge magnet with bottle opener, 15 Jan 2013	10201/2013	Beba Enterprises Pty Ltd; 02-02C, Dress, 04 Jul 2012	16672/2012
Australia United Pty Ltd;Australia United Pty Limited; 11-02E, Koala fridge magnet with bottle opener, 15 Jan 2013	10201/2013	Beba Enterprises Pty Ltd; 02-02C, Dress, 04 Jul 2012	16673/2012
Australia United Pty Ltd;Australia United Pty Limited; 11-02E, Koala fridge magnet with bottle opener, 15 Jan 2013	10201/2013	Beba Enterprises Pty Ltd; 02-02C, Dress, 04 Jul 2012	16669/2012
Avery Dennison Corporation; 08-06, Handle assembly, (US, 02 Aug 2012) 14 Jan 2013	10219/2013	Beba Enterprises Pty Ltd; 02-02C, Dress, 04 Jul 2012	16667/2012
AL-KO International Pty Ltd; 12-16M, Park brake assembly, 18 Jan 2013	10275/2013	Beba Enterprises Pty Ltd; 02-02NES, Jacket, 04 Jul 2012	16667/2012
AL-KO International Pty Ltd; 12-16L, Coupling, 18 Jan 2013	10272/2013	Beba Enterprises Pty Ltd; 02-02C, Dress, 04 Jul 2012	16676/2012
Barski, Karen H.; 02-02C, Swaddling garment, (US, 12 Jul 2012) 10 Jan 2013	10152/2013	Beba Enterprises Pty Ltd; 02-02C, Dress, 04 Jul 2012	16677/2012
Bataillou, Jeremy;Akana, Jody;Andre, Bartley K.;Coster, Daniel J.;De Iuliis, Daniele;Hankey, M. Evans;Hoenig, Julian;Howarth, Richard P.;Ive, Jonathan P.;Kerr, Duncan Robert;Nishibori, Shin;Rohrbach, Matthew Dean;Russell-Clarke, Peter;Stringer, Christopher J.;Whang, Eugene Antony;Zorkendorfer, Rico; 14-02, Connector, (US, 12 Sep 2012) 14 Jan 2013	10220/2013	Beba Enterprises Pty Ltd; 02-02C, Dress, 04 Jul 2012	16674/2012
		Beba Enterprises Pty Ltd; 02-02NES, Top, 04 Jul 2012	16675/2012
		Bentley, Rex; 12-16B, A canopy fitted to a single seat ride on electric, 12 Jan 2013	10174/2013
		Berelowitz, Charles; 20-03NES, Signpost, 15 Jan 2013	10205/2013
		Brereton Sports Marketing; 02-02B, A unique BBQ apron sign, 07 Jan 2013	10109/2013
		Brinkley, Joseph Heath;Daniels, Richard Beau; 21-01A, Fixture adapted for use with a stability ball, (US, 09 Aug 2012) 17 Jan 2013	10252/2013

Business Boost Co., Limited (HK);Tait, Harrison;Tait, Perry; 23-01G, Water filtration system for window cleaners, 11 Jan 2013	10173/2013	Coster, Daniel J.;Akana, Jody;Andre, Bartley K.;Bataillou, Jeremy;De Iuliis, Daniele;Hankey, M. Evans;Hoenig, Julian;Howarth, Richard P.;Ive, Jonathan P.;Kerr, Duncan Robert;Nishibori, Shin;Rohrbach, Matthew Dean;Russell-Clarke, Peter;Stringer, Christopher J.;Whang, Eugene Antony;Zorkendorfer, Rico; 14-02, Connector, (US, 12 Sep 2012) 14 Jan 2013	10221/2013
Candybook LLC; 03-01NES, Cell phone loop case, (US, 21 Jul 2012) 18 Jan 2013	10278/2013	Coster, Daniel J.;Akana, Jody;Andre, Bartley K.;Bataillou, Jeremy;De Iuliis, Daniele;Hankey, M. Evans;Hoenig, Julian;Howarth, Richard P.;Ive, Jonathan P.;Kerr, Duncan Robert;Nishibori, Shin;Rohrbach, Matthew Dean;Russell-Clarke, Peter;Stringer, Christopher J.;Whang, Eugene Antony;Zorkendorfer, Rico; 14-02, Connector, (US, 12 Sep 2012) 14 Jan 2013	10220/2013
Carnell, Sean Richard;Holt, Kenneth Charles; 14-02, Connector, (NZ, 17 Jul 2012) 17 Jan 2013	10246/2013	CC Apps Pty Ltd; 21-01N, iPad / android app, 17 Jan 2013	10249/2013
Carnell, Sean Richard;Holt, Kenneth Charles; 25-01NES, Construction element, (NZ, 17 Jul 2012) 17 Jan 2013	10250/2013	Daikin Industries Ltd; 23-04, Air conditioner, (JP, 26 Jul 2012) 15 Jan 2013	10237/2013
Carnell, Sean Richard;Holt, Kenneth Charles; 23-01A, Connector, (NZ, 17 Jul 2012) 17 Jan 2013	10248/2013	Daikin Industries Ltd; 23-04, Air conditioner, (JP, 26 Jul 2012) 15 Jan 2013	10239/2013
Ceramicas Gala, S.A.; 23-02C, Toilet, (EM, 21 Dec 2012) 07 Jan 2013	10110/2013	Daikin Industries Ltd; 23-04, Air conditioner, (JP, 26 Jul 2012) 15 Jan 2013	10238/2013
Ceramicas Gala, S.A.; 23-02C, Toilet, (EM, 21 Dec 2012) 07 Jan 2013	10112/2013	Daniels, Richard Beau;Brinkley, Joseph Heath; 21-01A, Fixture adapted for use with a stability ball, (US, 09 Aug 2012) 17 Jan 2013	10252/2013
Ceramicas Gala, S.A.; 23-02C, Toilet, (EM, 21 Dec 2012) 07 Jan 2013	10111/2013	De Iuliis, Daniele;Akana, Jody;Andre, Bartley K.;Bataillou, Jeremy;Coster, Daniel J.;Hankey, M. Evans;Hoenig, Julian;Howarth, Richard P.;Ive, Jonathan P.;Kerr, Duncan Robert;Nishibori, Shin;Rohrbach, Matthew Dean;Russell-Clarke, Peter;Stringer, Christopher J.;Whang, Eugene Antony;Zorkendorfer, Rico; 14-02, Connector, (US, 12 Sep 2012) 14 Jan 2013	10221/2013
Colgate-Palmolive Company; 04-02, Oral care implement package, (US, 19 Jul 2012) 14 Jan 2013	10185/2013	De Iuliis, Daniele;Akana, Jody;Andre, Bartley K.;Bataillou, Jeremy;Coster, Daniel J.;Hankey, M. Evans;Hoenig, Julian;Howarth, Richard P.;Ive, Jonathan P.;Kerr, Duncan Robert;Nishibori, Shin;Rohrbach, Matthew Dean;Russell-Clarke, Peter;Stringer, Christopher J.;Whang, Eugene Antony;Zorkendorfer, Rico; 14-02, Connector, (US, 12 Sep 2012) 14 Jan 2013	10220/2013
Colgate-Palmolive Company; 04-02, Oral care implement package, (US, 19 Jul 2012) 14 Jan 2013	10179/2013	Despotellis, Neil; 25-01B, Footing plate, 16 Jan 2013	10212/2013
Colgate-Palmolive Company; 04-02, Oral care implement package, (US, 19 Jul 2012) 14 Jan 2013	10186/2013		
Colgate-Palmolive Company; 04-02, Oral care implement package, (US, 19 Jul 2012) 14 Jan 2013	10187/2013		
Conn, Paul A;Conn, Jennifer K; 23-02C, Stainless steel toilet pan, 17 Jan 2013	10253/2013		
Conn, Jennifer K;Conn, Paul A; 23-02C, Stainless steel toilet pan, 17 Jan 2013	10253/2013		
Conway, Brandon David;Ferrer, Annette; 09-01B, Compact water bottle with storage for medication, 17 Jan 2013	10255/2013		
Cool Gear International, LLC; 09-03L, Resealable container, (US, 18 Oct 2012) 18 Jan 2013	10274/2013		
Cool Gear International, LLC; 09-99, Resealable container, (US, 18 Oct 2012) 18 Jan 2013	10273/2013		

Despotellis, Neil; 25-01B, Footing plate, 16 Jan 2013	10213/2013	Forever New Clothing Pty Ltd; 02-02C, 02-02NES, Article of clothing, 10 Jan 2013	10176/2013
Despotellis, Neil; 25-01B, Footing plate, 16 Jan 2013	10209/2013	Gessi S.P.A.; 23-01H, Faucet, (IT, 06 Aug 2012) 14 Jan 2013	10217/2013
Despotellis, Neil; 25-01B, Footing plate, 16 Jan 2013	10210/2013	Gessi S.P.A.; 23-01H, Faucet, (IT, 06 Aug 2012) 14 Jan 2013	10215/2013
Despotellis, Neil; 25-01B, Footing plate, 16 Jan 2013	10211/2013	Gessi S.P.A.; 23-01H, Faucet, (IT, 06 Aug 2012) 14 Jan 2013	10218/2013
Dolce & Gabbana S.r.l.; 10-02, Wrist watch, (EM, 26 Apr 2012) 19 Oct 2012	16665/2012	Gessi S.P.A.; 23-01H, Faucet, (IT, 06 Aug 2012) 14 Jan 2013	10216/2013
Dolce & Gabbana S.r.l.; 10-02, Wrist watch, (EM, 26 Apr 2012) 19 Oct 2012	16684/2012	Global Trading Solutions Pty Ltd; 25-04, 12-16NES, Vehicle ladder, 18 Jan 2013	10264/2013
Dolce & Gabbana S.r.l.; 10-02, Wrist watch, (EM, 26 Apr 2012) 19 Oct 2012	16685/2012	Google Inc.; 14-02, Electronic device, (US, 31 May 2012) (Divisional of 15427/2012) 16 Jan 2013	10258/2013
Dolce & Gabbana S.r.l.; 10-02, Wrist watch, (EM, 26 Apr 2012) 19 Oct 2012	16666/2012	Gravolin, Dennis Ronald;Gravolin, Sandra Lorraine; 13-03B, 13-03C, Connector cover, 02 Jan 2013	10108/2013
Edge Protection New Zealand Limited; 08-08L, A bracket for a roof guard rail, (NZ, 19 Jul 2012) 18 Jan 2013	10266/2013	Gravolin, Sandra Lorraine;Gravolin, Dennis Ronald; 13-03B, 13-03C, Connector cover, 02 Jan 2013	10108/2013
Elegant Garden World Pty Ltd; 99-00, Letterbox, 11 Jan 2013	10178/2013	Gravolin, Dennis Ronald;Gravolin, Sandra Lorraine; 13-03B, 13-03C, Connector cover, 02 Jan 2013	10107/2013
Elegant Garden World Pty Ltd; 99-00, Letterbox, 11 Jan 2013	10177/2013	Gravolin, Sandra Lorraine;Gravolin, Dennis Ronald; 13-03B, 13-03C, Connector cover, 02 Jan 2013	10107/2013
Ethicon Endo-Surgery, Inc.; 24-02, Surgical stapler handle, (US, 20 Jul 2012) 07 Jan 2013	10126/2013	Grenline Industries Pty Ltd; 08-08NES, Gas bottle support leg, 14 Jan 2013	10188/2013
Ethicon Endo-Surgery, Inc.; 24-02, Surgical stapler cartridge, (US, 20 Jul 2012) 04 Jan 2013	10131/2013	Guangdong Xinbao Electrical Appliances Holdings Co., Ltd; 07-02K, Kettle, (CN, 20 Jul 2012) 08 Jan 2013	10142/2013
Ethicon Endo-Surgery, Inc.; 24-02, Surgical stapler handle, (US, 20 Jul 2012) 07 Jan 2013	10128/2013	Hankey, M. Evans;Akana, Jody;Andre, Bartley K.;Bataillou, Jeremy;Coster, Daniel J.;De Iuliis, Daniele;Hoenig, Julian;Howarth, Richard P.;Ive, Jonathan P.;Kerr, Duncan Robert;Nishibori, Shin;Rohrbach, Matthew Dean;Russell-Clarke, Peter;Stringer, Christopher J.;Whang, Eugene Antony;Zorkendorfer, Rico; 14-02, Connector, (US, 12 Sep 2012) 14 Jan 2013	10220/2013
Ethicon Endo-Surgery, Inc.; 24-02, Surgical stapler cartridge, (US, 20 Jul 2012) 07 Jan 2013	10127/2013		
Eveready Battery Company, Inc.; 26-02, Lighting device, (US, 13 Jul 2012) 10 Jan 2013	10156/2013		
Eveready Battery Company, Inc.; 26-02, Lighting device, (US, 31 Jul 2012) 17 Jan 2013	10243/2013		
Eveready Battery Company, Inc.; 26-02, Lighting device, (US, 31 Jul 2012) 17 Jan 2013	10244/2013		
Ferrer, Annette;Conway, Brandon David; 09-01B, Compact water bottle with storage for medication, 17 Jan 2013	10255/2013		
Fifty-Fourth Rischell Pty Ltd; 02-02C, 02-02NES, Men's clothing, 11 Jan 2013	10189/2013		

Hankey, M. Evans;Akana, Jody;Andre, Bartley K.;Bataillou, Jeremy;Coster, Daniel J.;De Iuliis, Daniele;Hoenig, Julian;Howarth, Richard P.;Ive, Jonathan P.;Kerr, Duncan Robert;Nishibori, Shin;Rohrbach, Matthew Dean;Russell-Clarke, Peter;Stringer, Christopher J.;Whang, Eugene Antony;Zorkendorfer, Rico; 14-02, Connector, (US, 12 Sep 2012) 14 Jan 2013	10221/2013	Holt, Kenneth Charles;Carnell, Sean Richard; 25-01NES, Construction element, (NZ, 17 Jul 2012) 17 Jan 2013	10250/2013
Hannaway, Una; 20-02NES, A display unit, (EM, 11 Jul 2012) 11 Jan 2013	10170/2013	Holt, Kenneth Charles;Carnell, Sean Richard; 23-01A, Connector, (NZ, 17 Jul 2012) 17 Jan 2013	10248/2013
Hannaway, Una; 20-02NES, A display unit, (EM, 11 Jul 2012) 11 Jan 2013	10171/2013	Honda Motor Co., Ltd.; 12-11, A front cowl for a motorcycle, (JP, 18 Jul 2012) 11 Jan 2013	10190/2013
Harris, David John; 03-01B, 08-08A, Wedge and clip, 01 Jan 2013	10000/2013	Honda Motor Co., Ltd.; 12-11, A motorcycle, (JP, 18 Jul 2012) 11 Jan 2013	10191/2013
Haworth, Inc.; 06-01F, Office chair, (Divisional of 15545/2012) 16 Jan 2013	10235/2013	Hot Octopuss Ltd; 24-99, 28-03NES, Sexual stimulation device, (EM, 24 Jul 2012) 07 Jan 2013	10125/2013
Hi-Seasons Products (Changzhou) Co., Ltd.; 23-03NES, Heater, 15 Jan 2013	10203/2013	Howarth, Richard P.;Akana, Jody;Andre, Bartley K.;Bataillou, Jeremy;Coster, Daniel J.;De Iuliis, Daniele;Hankey, M. Evans;Hoenig, Julian;Ive, Jonathan P.;Kerr, Duncan Robert;Nishibori, Shin;Rohrbach, Matthew Dean;Russell-Clarke, Peter;Stringer, Christopher J.;Whang, Eugene Antony;Zorkendorfer, Rico; 14-02, Connector, (US, 12 Sep 2012) 14 Jan 2013	10221/2013
Hoenig, Julian;Akana, Jody;Andre, Bartley K.;Bataillou, Jeremy;Coster, Daniel J.;De Iuliis, Daniele;Hankey, M. Evans;Howarth, Richard P.;Ive, Jonathan P.;Kerr, Duncan Robert;Nishibori, Shin;Rohrbach, Matthew Dean;Russell-Clarke, Peter;Stringer, Christopher J.;Whang, Eugene Antony;Zorkendorfer, Rico; 14-02, Connector, (US, 12 Sep 2012) 14 Jan 2013	10221/2013	Howarth, Richard P.;Akana, Jody;Andre, Bartley K.;Bataillou, Jeremy;Coster, Daniel J.;De Iuliis, Daniele;Hankey, M. Evans;Hoenig, Julian;Ive, Jonathan P.;Kerr, Duncan Robert;Nishibori, Shin;Rohrbach, Matthew Dean;Russell-Clarke, Peter;Stringer, Christopher J.;Whang, Eugene Antony;Zorkendorfer, Rico; 14-02, Connector, (US, 12 Sep 2012) 14 Jan 2013	10220/2013
Hoenig, Julian;Akana, Jody;Andre, Bartley K.;Bataillou, Jeremy;Coster, Daniel J.;De Iuliis, Daniele;Hankey, M. Evans;Howarth, Richard P.;Ive, Jonathan P.;Kerr, Duncan Robert;Nishibori, Shin;Rohrbach, Matthew Dean;Russell-Clarke, Peter;Stringer, Christopher J.;Whang, Eugene Antony;Zorkendorfer, Rico; 14-02, Connector, (US, 12 Sep 2012) 14 Jan 2013	10220/2013	Hubco Automotive Limited; 12-16K, A cargo box, (US, 11 Sep 2012) 14 Jan 2013	10180/2013
Holster Fashion Pty Ltd; 02-04NES, An upper for footwear, 18 Jan 2013	10268/2013	Hubco Automotive Limited; 12-16K, A cargo box, (US, 11 Sep 2012) 14 Jan 2013	10181/2013
Holster Fashion Pty Ltd; 02-04B, Sole for footwear, 18 Jan 2013	10267/2013	I.P. Cameras Australia Pty Ltd; 25-04, 12-05, Mobile CCTV Platform, 17 Jan 2013	10254/2013
Holster Fashion Pty Ltd; 02-04NES, An upper for footwear, 18 Jan 2013	10265/2013	Innovation First, Inc.; 21-01B, Toy figure, (US, 11 Jul 2012) 08 Jan 2013	10149/2013
Holt, Kenneth Charles;Carnell, Sean Richard; 14-02, Connector, (NZ, 17 Jul 2012) 17 Jan 2013	10246/2013	Innovation First, Inc.; 21-01C, Toy track intersection component, (US, 10 Jul 2012) 08 Jan 2013	10148/2013
		Innovation First, Inc.; 21-01C, Toy track component, (US, 10 Jul 2012) 08 Jan 2013	10147/2013

Innovation First, Inc.; 21-01B, Toy figure, (US, 11 Jul 2012) 08 Jan 2013	10150/2013	Kerr, Duncan Robert;Akana, Jody;Andre, Bartley K.;Bataillou, Jeremy;Coster, Daniel J.;De Iuliis, Daniele;Hankey, M. Evans;Hoenig, Julian;Howarth, Richard P.;Ive, Jonathan P.;Nishibori, Shin;Rohrbach, Matthew Dean;Russell-Clarke, Peter;Stringer, Christopher J.;Whang, Eugene Antony;Zorkendorfer, Rico; 14-02, Connector, (US, 12 Sep 2012) 14 Jan 2013	10221/2013
Innovation First, Inc.; 21-01C, Toy figure, (US, 06 Jul 2012) 03 Jan 2013	10030/2013		
Innovation First, Inc.; 21-01C, Toy figure, (US, 06 Jul 2012) 03 Jan 2013	10031/2013		
Iseki & Co., Ltd.; 12-16NES, Operation panel for a working vehicle, (JP, 14 Sep 2012) 16 Jan 2013	10231/2013	Kerr, Duncan Robert;Akana, Jody;Andre, Bartley K.;Bataillou, Jeremy;Coster, Daniel J.;De Iuliis, Daniele;Hankey, M. Evans;Hoenig, Julian;Howarth, Richard P.;Ive, Jonathan P.;Nishibori, Shin;Rohrbach, Matthew Dean;Russell-Clarke, Peter;Stringer, Christopher J.;Whang, Eugene Antony;Zorkendorfer, Rico; 14-02, Connector, (US, 12 Sep 2012) 14 Jan 2013	10220/2013
Iseki & Co., Ltd.; 12-16NES, Indicator panel for a vehicle, (JP, 14 Sep 2012) 16 Jan 2013	10226/2013		
Iseki & Co., Ltd.; 12-16NES, Operation panel for a working vehicle, (JP, 14 Sep 2012) 16 Jan 2013	10228/2013		
Issachar Limited; 23-02A, 24-99, An oral hygiene and medication device housing, 14 Jan 2013	10175/2013	Klean Kanteen, Inc.; 07-01C, Insulated pint, (US, 31 Jul 2012) 18 Jan 2013	10257/2013
Ive, Jonathan P.;Akana, Jody;Andre, Bartley K.;Bataillou, Jeremy;Coster, Daniel J.;De Iuliis, Daniele;Hankey, M. Evans;Hoenig, Julian;Howarth, Richard P.;Kerr, Duncan Robert;Nishibori, Shin;Rohrbach, Matthew Dean;Russell-Clarke, Peter;Stringer, Christopher J.;Whang, Eugene Antony;Zorkendorfer, Rico; 14-02, Connector, (US, 12 Sep 2012) 14 Jan 2013	10221/2013	KAIP Pty Limited; 23-04, A heating, ventilation and air-conditioning unit, 08 Jan 2013	10119/2013
Ive, Jonathan P.;Akana, Jody;Andre, Bartley K.;Bataillou, Jeremy;Coster, Daniel J.;De Iuliis, Daniele;Hankey, M. Evans;Hoenig, Julian;Howarth, Richard P.;Kerr, Duncan Robert;Nishibori, Shin;Rohrbach, Matthew Dean;Russell-Clarke, Peter;Stringer, Christopher J.;Whang, Eugene Antony;Zorkendorfer, Rico; 14-02, Connector, (US, 12 Sep 2012) 14 Jan 2013	10220/2013	Laboratorios Leon Farma, S.A.; 24-02, Vaginal applicator, (EM, 24 Jul 2012) 11 Jan 2013	10165/2013
		Liu, En-Heng; 24-01, Device for bone regeneration in dental implants, 08 Jan 2013	10124/2013
		Logan, Gavin Peter; 20-03NES, Apps ipad phones website caps T-shirts stationary, 14 Jan 2013	10182/2013
		Martor KG; 08-03, Safety cutter, (EM, 18 Jul 2012) 18 Jan 2013	10263/2013
		McNamara, Michael; 13-03NES, Proximity mounting block, 10 Jan 2013	10158/2013
Jindex Pty Limited; 23-02C, Valve cartridge, 14 Jan 2013	10183/2013	Mitsubishi Electric Corporation; 14-03NES, Remote controller for air conditioner, (JP, 12 Jul 2012) 08 Jan 2013	10143/2013
Jong, P;Tam, N.D.; 20-03NES, Business logo, 17 Jan 2013	10256/2013	Mitsubishi Electric Corporation; 15-07, Refrigerator, (JP, 03 Aug 2012) 17 Jan 2013	10251/2013
Julius Blum GmbH; 06-06D, Drawer (without front panel), (EM, 08 May 2012) 15 Jan 2013	10240/2013	Mitsubishi Electric Corporation; 15-07, Refrigerator, (JP, 19 Jul 2012) 17 Jan 2013	10245/2013
K'NEX Limited Partnership Group; 21-01E, Building block for a construction toy set, (US, 13 Jul 2012) 11 Jan 2013	10169/2013	Mitsubishi Electric Corporation; 15-07, Refrigerator, (JP, 19 Jul 2012) 16 Jan 2013	10234/2013
Karma Medical Products Co., Ltd.; 12-12, Wheelchair, 16 Jan 2013	10259/2013	Mitsubishi Electric Corporation; 15-07, Refrigerator, (JP, 19 Jul 2012) 17 Jan 2013	10242/2013
Karma Medical Products Co., Ltd.; 12-12, Wheelchair frame, 16 Jan 2013	10260/2013		

Mitsubishi Electric Corporation; 15-07, Refrigerator, (JP, 19 Jul 2012) 16 Jan 2013	10232/2013	MAN Truck & Bus AG; 12-16B, Corner panel for a vehicle, (EM, 04 Jul 2012) 03 Jan 2013	10034/2013
Mitsubishi Electric Corporation; 15-07, Refrigerator, (JP, 19 Jul 2012) 16 Jan 2013	10233/2013	MAN Truck & Bus AG; 12-08, Driver's cabin for a vehicle, (EM, 04 Jul 2012) 03 Jan 2013	10089/2013
Mitsubishi Electric Corporation; 14-03NES, Remote controller for air conditioner, (JP, 12 Jul 2012) 08 Jan 2013	10144/2013	MAN Truck & Bus AG; 12-08, Driver's cabin for a vehicle, (EM, 04 Jul 2012) 03 Jan 2013	10103/2013
Mitsubishi Electric Corporation; 15-07, Refrigerator, (JP, 19 Aug 2012) 16 Jan 2013	10227/2013	MAN Truck & Bus AG; 12-08, Driver's cabin for a vehicle, (EM, 04 Jul 2012) 03 Jan 2013	10104/2013
Mitsubishi Electric Corporation; 15-07, Refrigerator, (JP, 19 Jul 2012) 16 Jan 2013	10230/2013	MAN Truck & Bus AG; 12-16B, Corner panel for a vehicle, (EM, 04 Jul 2012) 03 Jan 2013	10039/2013
Mizutani, Kazuo; 09-02NES, Liquid container, (JP, 14 Jul 2012) 09 Jan 2013	10140/2013	MAN Truck & Bus AG; 12-16B, Grille for a vehicle, (EM, 04 Jul 2012) 03 Jan 2013	10040/2013
MAM Babyartikel Gesellschaft m.b.H; 07-01E, Starter cup, (EM, 11 Jul 2012) 04 Jan 2013	10129/2013	MAN Truck & Bus AG; 12-16B, Grille for a vehicle, (EM, 04 Jul 2012) 03 Jan 2013	10035/2013
MAN Truck & Bus AG; 12-08, Driver's cabin for a vehicle, (EM, 04 Jul 2012) 03 Jan 2013	10105/2013	MAN Truck & Bus AG; 12-16B, Grille for a vehicle, (EM, 04 Jul 2012) 03 Jan 2013	10043/2013
MAN Truck & Bus AG; 12-08, Driver's cabin for a vehicle, (EM, 04 Jul 2012) 03 Jan 2013	10106/2013	MAN Truck & Bus AG; 12-16B, Grille for a vehicle, (EM, 04 Jul 2012) 03 Jan 2013	10044/2013
MAN Truck & Bus AG; 12-08, Driver's cabin for a vehicle, (EM, 04 Jul 2012) 03 Jan 2013	10101/2013	MAN Truck & Bus AG; 12-16B, Grille for a vehicle, (EM, 04 Jul 2012) 03 Jan 2013	10036/2013
MAN Truck & Bus AG; 12-08, Driver's cabin for a vehicle, (EM, 04 Jul 2012) 03 Jan 2013	10102/2013	MAN Truck & Bus AG; 12-16B, Grille for a vehicle, (EM, 04 Jul 2012) 03 Jan 2013	10032/2013
MAN Truck & Bus AG; 12-08, Driver's cabin for a vehicle, (EM, 04 Jul 2012) 03 Jan 2013	10037/2013	MAN Truck & Bus AG; 12-08, Driver's cabin for a vehicle, (EM, 04 Jul 2012) 03 Jan 2013	10099/2013
MAN Truck & Bus AG; 12-16B, Grille for a vehicle, (EM, 04 Jul 2012) 03 Jan 2013	10041/2013	MAN Truck & Bus AG; 12-08, Driver's cabin for a vehicle, (EM, 04 Jul 2012) 03 Jan 2013	10100/2013
MAN Truck & Bus AG; 12-16B, Grille for a vehicle, (EM, 04 Jul 2012) 03 Jan 2013	10042/2013	MAN Truck & Bus AG; 12-08, Driver's cabin for a vehicle, (EM, 04 Jul 2012) 03 Jan 2013	10090/2013
MAN Truck & Bus AG; 12-16B, Corner panel for a vehicle, (EM, 04 Jul 2012) 03 Jan 2013	10038/2013	MAN Truck & Bus AG; 12-08, Driver's cabin for a vehicle, (EM, 04 Jul 2012) 03 Jan 2013	10091/2013
MAN Truck & Bus AG; 12-16B, Corner panel for a vehicle, (EM, 04 Jul 2012) 03 Jan 2013	10033/2013	MAN Truck & Bus AG; 12-08, Driver's cabin for a vehicle, (EM, 04 Jul 2012) 03 Jan 2013	10092/2013
MAN Truck & Bus AG; 12-16B, Grille for a vehicle, (EM, 04 Jul 2012) 03 Jan 2013	10045/2013	MAN Truck & Bus AG; 12-08, Driver's cabin for a vehicle, (EM, 04 Jul 2012) 03 Jan 2013	10093/2013
MAN Truck & Bus AG; 12-08, Driver's cabin for a vehicle, (EM, 04 Jul 2012) 03 Jan 2013	10046/2013	MAN Truck & Bus AG; 12-08, Driver's cabin for a vehicle, (EM, 04 Jul 2012) 03 Jan 2013	10094/2013

MAN Truck & Bus AG; 12-16B, Grille for a vehicle, (EM, 04 Jul 2012) 03 Jan 2013	10049/2013	Nowy Styl Sp. z o.o.; 06-06E, Table leg system, (EM, 03 Oct 2012) 09 Jan 2013	10164/2013
MAN Truck & Bus AG; 12-16B, Grille for a vehicle, (EM, 04 Jul 2012) 03 Jan 2013	10050/2013	Oakley Inc.; 16-06, Eyeglasses, (US, 16 Jul 2012) 16 Jan 2013	10223/2013
MAN Truck & Bus AG; 12-16B, Grille for a vehicle, (EM, 04 Jul 2012) 03 Jan 2013	10051/2013	Pelco Inc; 16-01, Security Camera, (CN, 18 Jul 2012) 18 Jan 2013	10271/2013
MAN Truck & Bus AG; 12-16B, Grille for a vehicle, (EM, 04 Jul 2012) 03 Jan 2013	10052/2013	Pelikan Artline Pty Limited; 19-02, Nestable document table, 17 Jan 2013	10247/2013
MAN Truck & Bus AG; 12-16B, Grille for a vehicle, (EM, 04 Jul 2012) 03 Jan 2013	10053/2013	Performance Designed Products, LLC; 08-08NES, Sensor mount, (US, 10 Jul 2012) 09 Jan 2013	10139/2013
MAN Truck & Bus AG; 12-16B, Grille for a vehicle, (EM, 04 Jul 2012) 03 Jan 2013	10054/2013	Purple Line Pty Ltd; 12-16NES, Jack extension and adaptor, 18 Jan 2013	10261/2013
MAN Truck & Bus AG; 12-08, Driver's cabin for a vehicle, (EM, 04 Jul 2012) 03 Jan 2013	10055/2013	Reckitt Benckiser LLC; 09-01A, Bottle, (EM, 17 Jul 2012) 07 Jan 2013	10146/2013
MAN Truck & Bus AG; 12-16B, Grille for a vehicle, (EM, 04 Jul 2012) 03 Jan 2013	10056/2013	Reckitt Benckiser LLC; 09-01A, Bottle, (EM, 17 Jul 2012) 07 Jan 2013	10145/2013
Nanayakkara, Lakdas; 25-01A, Masonry block, 18 Jan 2013	10262/2013	Reckitt Benckiser N.V.; 09-99, Packaging pouch, (EM, 10 Jul 2012) 09 Jan 2013	10160/2013
Navius, Maxie; 26-05B, Floor lamp, 15 Jan 2013	10199/2013	Reckitt Benckiser N.V.; 09-99, Packaging pouch, (EM, 10 Jul 2012) 09 Jan 2013	10161/2013
Nikles Tec Italia S.r.l.; 23-02B, 23-01NES, 23-02A, Hand showers, shower heads, thermostatic mixer and shower rail, (IB, 10 Jul 2012) 09 Jan 2013	10162/2013	Repac, Cedimir; 07-04, Kitchen tool, (DE, 19 Jul 2012) 18 Jan 2013	10276/2013
Nishibori, Shin;Akana, Jody;Andre, Bartley K.;Bataillou, Jeremy;Coster, Daniel J.;De Iuliis, Daniele;Hankey, M. Evans;Hoenig, Julian;Howarth, Richard P.;Ive, Jonathan P.;Kerr, Duncan Robert;Rohrbach, Matthew Dean;Russell-Clarke, Peter;Stringer, Christopher J.;Whang, Eugene Antony;Zorkendorfer, Rico; 14-02, Connector, (US, 12 Sep 2012) 14 Jan 2013	10221/2013	Repac, Cedimir; 07-04, Kitche tool, (DE, 19 Jul 2012) 18 Jan 2013	10277/2013
Nishibori, Shin;Akana, Jody;Andre, Bartley K.;Bataillou, Jeremy;Coster, Daniel J.;De Iuliis, Daniele;Hankey, M. Evans;Hoenig, Julian;Howarth, Richard P.;Ive, Jonathan P.;Kerr, Duncan Robert;Rohrbach, Matthew Dean;Russell-Clarke, Peter;Stringer, Christopher J.;Whang, Eugene Antony;Zorkendorfer, Rico; 14-02, Connector, (US, 12 Sep 2012) 14 Jan 2013	10220/2013	Rimowa GmbH; 03-01NES, Laptop case, (EM, 13 Jul 2012) 11 Jan 2013	10172/2013
Nowy Styl Sp. z o.o.; 06-06E, Table leg system, (EM, 03 Oct 2012) 09 Jan 2013	10163/2013	Rockwell Architecture, Planning and Design P.C.; 21-03, Playground block, (US, 23 Apr 2012) (Divisional of 15260/2012) 08 Jan 2013	10115/2013
		Rockwell Architecture, Planning and Design P.C.; 21-03, Playground block, (US, 23 Apr 2012) (Divisional of 15260/2012) 08 Jan 2013	10123/2013
		Rockwell Architecture, Planning and Design P.C.; 21-03, Playground block, (US, 23 Apr 2012) (Divisional of 15260/2012) 08 Jan 2013	10117/2013
		Rockwell Architecture, Planning and Design P.C.; 21-03, Playground block, (US, 23 Apr 2012) (Divisional of 15260/2012) 08 Jan 2013	10120/2013

Rockwell Architecture, Planning and Design P.C.; 21-03, Playground block, (US, 23 Apr 2012) (Divisional of 15260/2012) 08 Jan 2013	10118/2013	Simpro Handling Equipment Ltd; 09-09, 12-05, A multi-tip bin tipper, (Divisional of 14371/2012) 08 Jan 2013	10114/2013
Rockwell Architecture, Planning and Design P.C.; 21-03, Playground block, (US, 23 Apr 2012) (Divisional of 15260/2012) 08 Jan 2013	10116/2013	Stanley Works (Europe) GmbH; 08-05NES, Cable stripper, (EM, 17 Jul 2012) 16 Jan 2013	10222/2013
Rockwell Architecture, Planning and Design P.C.; 21-03, Playground block, (US, 23 Apr 2012) (Divisional of 15260/2012) 08 Jan 2013	10121/2013	Stokely-Van Camp, Inc.; 09-03NES, Container, (US, 09 Jul 2012) 09 Jan 2013	10159/2013
Rockwell Architecture, Planning and Design P.C.; 21-03, Playground block, (US, 23 Apr 2012) (Divisional of 15260/2012) 08 Jan 2013	10122/2013	Strange, Stephen; 08-08L, A bracket, 14 Jan 2013	10214/2013
Rohrbach, Matthew Dean;Akana, Jody;Andre, Bartley K.;Bataillou, Jeremy;Coster, Daniel J.;De Iuliis, Daniele;Hankey, M. Evans;Hoenig, Julian;Howarth, Richard P.;Ive, Jonathan P.;Kerr, Duncan Robert;Nishibori, Shin;Russell-Clarke, Peter;Stringer, Christopher J.;Whang, Eugene Antony;Zorkendorfer, Rico; 14-02, Connector, (US, 12 Sep 2012) 14 Jan 2013	10221/2013	Stringer, Christopher J.;Akana, Jody;Andre, Bartley K.;Bataillou, Jeremy;Coster, Daniel J.;De Iuliis, Daniele;Hankey, M. Evans;Hoenig, Julian;Howarth, Richard P.;Ive, Jonathan P.;Kerr, Duncan Robert;Nishibori, Shin;Rohrbach, Matthew Dean;Russell-Clarke, Peter;Whang, Eugene Antony;Zorkendorfer, Rico; 14-02, Connector, (US, 12 Sep 2012) 14 Jan 2013	10220/2013
Rohrbach, Matthew Dean;Akana, Jody;Andre, Bartley K.;Bataillou, Jeremy;Coster, Daniel J.;De Iuliis, Daniele;Hankey, M. Evans;Hoenig, Julian;Howarth, Richard P.;Ive, Jonathan P.;Kerr, Duncan Robert;Nishibori, Shin;Russell-Clarke, Peter;Stringer, Christopher J.;Whang, Eugene Antony;Zorkendorfer, Rico; 14-02, Connector, (US, 12 Sep 2012) 14 Jan 2013	10220/2013	Stringer, Christopher J.;Akana, Jody;Andre, Bartley K.;Bataillou, Jeremy;Coster, Daniel J.;De Iuliis, Daniele;Hankey, M. Evans;Hoenig, Julian;Howarth, Richard P.;Ive, Jonathan P.;Kerr, Duncan Robert;Nishibori, Shin;Rohrbach, Matthew Dean;Russell-Clarke, Peter;Whang, Eugene Antony;Zorkendorfer, Rico; 14-02, Connector, (US, 12 Sep 2012) 14 Jan 2013	10221/2013
Russell-Clarke, Peter;Akana, Jody;Andre, Bartley K.;Bataillou, Jeremy;Coster, Daniel J.;De Iuliis, Daniele;Hankey, M. Evans;Hoenig, Julian;Howarth, Richard P.;Ive, Jonathan P.;Kerr, Duncan Robert;Nishibori, Shin;Rohrbach, Matthew Dean;Stringer, Christopher J.;Whang, Eugene Antony;Zorkendorfer, Rico; 14-02, Connector, (US, 12 Sep 2012) 14 Jan 2013	10221/2013	Suzuki Motor Corporation; 12-08, Automobile, 16 Jan 2013	10236/2013
Russell-Clarke, Peter;Akana, Jody;Andre, Bartley K.;Bataillou, Jeremy;Coster, Daniel J.;De Iuliis, Daniele;Hankey, M. Evans;Hoenig, Julian;Howarth, Richard P.;Ive, Jonathan P.;Kerr, Duncan Robert;Nishibori, Shin;Rohrbach, Matthew Dean;Stringer, Christopher J.;Whang, Eugene Antony;Zorkendorfer, Rico; 14-02, Connector, (US, 12 Sep 2012) 14 Jan 2013	10220/2013	Syngenta Crop Protection, LLC; 09-07A, Trigger spray, (US, 20 Jul 2012) 18 Jan 2013	10269/2013
Russell-Clarke, Peter;Akana, Jody;Andre, Bartley K.;Bataillou, Jeremy;Coster, Daniel J.;De Iuliis, Daniele;Hankey, M. Evans;Hoenig, Julian;Howarth, Richard P.;Ive, Jonathan P.;Kerr, Duncan Robert;Nishibori, Shin;Rohrbach, Matthew Dean;Stringer, Christopher J.;Whang, Eugene Antony;Zorkendorfer, Rico; 14-02, Connector, (US, 12 Sep 2012) 14 Jan 2013	10221/2013	SAVERGLASS; 09-01NES, Bottle, (EM, 31 Aug 2012) 11 Jan 2013	10168/2013
Russell-Clarke, Peter;Akana, Jody;Andre, Bartley K.;Bataillou, Jeremy;Coster, Daniel J.;De Iuliis, Daniele;Hankey, M. Evans;Hoenig, Julian;Howarth, Richard P.;Ive, Jonathan P.;Kerr, Duncan Robert;Nishibori, Shin;Rohrbach, Matthew Dean;Stringer, Christopher J.;Whang, Eugene Antony;Zorkendorfer, Rico; 14-02, Connector, (US, 12 Sep 2012) 14 Jan 2013	10220/2013	SAVERGLASS; 09-01H, Bottle, (WO, 13 Jul 2012) 11 Jan 2013	10166/2013
Scheer, Peter; 99-00, Bund, 18 Jan 2013	10270/2013	SAVERGLASS; 09-01H, Bottle, (EM, 19 Jul 2012) 11 Jan 2013	10167/2013
		Tait, Perry;Tait, Harrison;Business Boost Co., Limited (HK); 23-01G, Water filtration system for window cleaners, 11 Jan 2013	10173/2013
		Tait, Harrison;Tait, Perry;Business Boost Co., Limited (HK); 23-01G, Water filtration system for window cleaners, 11 Jan 2013	10173/2013
		Tam, N.D.;Jong, P; 20-03NES, Business logo, 17 Jan 2013	10256/2013

Telebrands Corp.; 03-01B, Wallet case, (US, 02 Jan 2013) 10 Jan 2013	10153/2013	Whang, Eugene Antony;Akana, Jody;Andre, Bartley K.;Bataillou, Jeremy;Coster, Daniel J.;De Iuliis, Daniele;Hankey, M. Evans;Hoenig, Julian;Howarth, Richard P.;Ive, Jonathan P.;Kerr, Duncan Robert;Nishibori, Shin;Rohrbach, Matthew Dean;Russell-Clarke, Peter;Stringer, Christopher J.;Zorkendorfer, Rico; 14-02, Connector, (US, 12 Sep 2012) 14 Jan 2013	10220/2013
Telebrands Corp.; 07-02N, Hinged cooking utensil, (US, 07 Dec 2012) 08 Jan 2013	10141/2013	Wildchild Design Pty. Ltd.; 21-01F, Ride on toy, 15 Jan 2013	10207/2013
The Duobuds Company Pty Ltd; 14-01, Headphone connector assembly, 10 Jan 2013	10157/2013	Wu, Johnathan; 06-01F, Chair, 15 Jan 2013	10208/2013
The Gillette Company; 09-03F, 09-05, Shaving razor package, (US, 09 Jul 2012) 04 Jan 2013	10130/2013	Zorkendorfer, Rico;Akana, Jody;Andre, Bartley K.;Bataillou, Jeremy;Coster, Daniel J.;De Iuliis, Daniele;Hankey, M. Evans;Hoenig, Julian;Howarth, Richard P.;Ive, Jonathan P.;Kerr, Duncan Robert;Nishibori, Shin;Rohrbach, Matthew Dean;Russell-Clarke, Peter;Stringer, Christopher J.;Whang, Eugene Antony; 14-02, Connector, (US, 12 Sep 2012) 14 Jan 2013	10221/2013
Thirstysport Pty Ltd; 09-01D, Drink container, 29 Oct 2012	16682/2012	Zorkendorfer, Rico;Akana, Jody;Andre, Bartley K.;Bataillou, Jeremy;Coster, Daniel J.;De Iuliis, Daniele;Hankey, M. Evans;Hoenig, Julian;Howarth, Richard P.;Ive, Jonathan P.;Kerr, Duncan Robert;Nishibori, Shin;Rohrbach, Matthew Dean;Russell-Clarke, Peter;Stringer, Christopher J.;Whang, Eugene Antony; 14-02, Connector, (US, 12 Sep 2012) 14 Jan 2013	10220/2013
Thirstysport Pty Ltd; 09-01D, Drink container, 29 Oct 2012	16683/2012	3M Innovative Properties Company; 26-05E, LED desk lamp, (KR, 09 Jul 2012) 08 Jan 2013	10151/2013
Visy R & D Pty Ltd; 09-07B, Screw cap for a jar, 07 Jan 2013	10113/2013		
Whang, Eugene Antony;Akana, Jody;Andre, Bartley K.;Bataillou, Jeremy;Coster, Daniel J.;De Iuliis, Daniele;Hankey, M. Evans;Hoenig, Julian;Howarth, Richard P.;Ive, Jonathan P.;Kerr, Duncan Robert;Nishibori, Shin;Rohrbach, Matthew Dean;Russell-Clarke, Peter;Stringer, Christopher J.;Zorkendorfer, Rico; 14-02, Connector, (US, 12 Sep 2012) 14 Jan 2013	10221/2013		

Applications Withdrawn

13083 / 2012 (25-01C) 10014 / 2013 (25-01C)
10114 / 2013 (09-09)

Applications Lapsed

13078 / 2012 (02-02C) 14601 / 2012 (08-10)
14672 / 2012 (07-07A) 15056 / 2012 (08-07)
15207 / 2012 (12-11) 15279 / 2012 (06-01F)
15437 / 2012 (21-01B) 15518 / 2012 (10-04)
10220 / 2013 (14-02) 10221 / 2013 (14-02)
10240 / 2013 (06-06D)

Extension of Period of Registration of Designs

314975	315064	317514
317872	318359	318360
318361	318473	318564
318846	318847	318879
319243	319244	319246
319247	319248	319283
319285	319287	319294
319304	319308	319309
319310	319311	319312
319316	319317	319321
319322	319324	319326
319338	319339	319341
319347	319358	319359
319361	319362	319363
319364	319373	319402
319403	319473	319474
319475	319479	319505
319506	319508	319521
319522	319523	319524
319563	319564	319567
319568	319610	319611
319612	319623	319629
319630	319634	319639
319641	319648	319655
319657	319662	319663
319664	319665	319674
319675	319704	319735
319738	319783	320006
320015	320022	320025
320026	320029	320030
320031	320032	320051
320052	320099	320115
320117	320134	320135
320265	320270	320328
320338	320376	320378
320379	320481	320558
320559	320826	320827
320828	320829	320830
320831	320832	321045
321050	321051	321082
321259	321676	322427
322979	322980	322981
322982	322983	323516
323517	323518	323519
323520		

Registrations Ceased

314617	314671	314672
314770	314896	314897

315008	315118	315225
315226	315555	315652
315653	315657	315720
315725	315731	315732
315733	315734	315735
315738	315739	315740
315741	315742	315743
315744	315745	315746
315747	315748	315749
315751	315754	315760
315762	315764	315765
315766	315767	315768
315769	315774	315776
315781	315782	315784
315796	315797	315798
315799	315800	315819
315820	315822	315823
315824	315828	315833
315834	315835	315836
315839	315842	315843
315844	315848	315852
315853	315862	315863
315865	315875	315876
315877	315878	315879
315886	315906	315907
315912	315913	315922
315923	315930	315931
315935	315941	315948
315982	315983	315996
315997	315998	315999
316007	316014	316017
316018	316019	316021
316022	316023	316024
316025	316033	316034
316035	316036	316037
316038	316039	316040
316041	316042	316045
316048	316049	316050
316063	316065	316066
316069	316076	316104
316105	316107	316108
316110	316111	316112
316113	316119	316150
316151	316152	316153
316154	316155	316156
316160	316266	316270
316301	316302	316357
316358	316359	316383
316384	316485	316486
316564	316775	316885
316886	316887	316888
316889	317038	317040
317041	317079	317080
317081	317082	317116

317117	317118	317155
317183	317415	317416
317594	317597	317598
317599	317600	317601
317740	317761	317762
317763	317764	317784
317786	317787	318203
318204	318205	318206
318207	318208	318209
318347	318348	318349
318609	318742	318854
337764	339732	340828
340829	341056	341123
342527		

Applications for Extension of time under Section 137

Applications under section 137 for extension of time have been lodged. Objections must be lodged within 1 month from the date of this journal.

10244/2012 **Nigel Trevor Warin** Address for Service: N.T. Warin
PO Box 1548 MIDLAND WA 6936

Extensions of time granted under Section 137

Applications lodged under section 137 for extension of time have been granted.

314975 **Poly Industries Pty Ltd**
315064 **Phone Defense Pty Ltd**
346384 **Jorgen Haglund**
14408/2012 **Spectracraft Pty Ltd**
14408/2012 **Spectracraft Pty Ltd**
346336 **Forever New Clothing Pty Ltd**
14970/2012 **Robert Kevin Shea**
14999/2012 **Christopher John McMillan**
346405 **NHP Electrical Engineering Products Pty. Ltd.**
15090/2012 **My Sporting Times Limited**
10220/2013 **Jody Akana**
10221/2013 **Jody Akana**
10240/2013 **Julius Blum GmbH**

Applications Assigned

(The name in parentheses is that of the subsequent applicant)

13925/2012 (**Mamma Guard Pty Ltd**) Paul Evans

Subsequent Owners Registered

(The name in parentheses is that of the subsequent owner)

304961	(Schneider Electric Danmark A/S) JO-EL-Electric A/S
344995	(Twenty Years BST Pty Ltd) Douglas Brett McCasker
329921	(Richard Mark Worthington) Jeffrey Alan Fleck;Richard Mark Worthington
329849	(Richard Mark Worthington) Jeffrey Alan Fleck;Richard Mark Worthington
329850	(Richard Mark Worthington) Jeffrey Alan Fleck;Richard Mark Worthington
308239	(GEA Mechanical Equipment (UK) Limited) Breconcherry Limited
308848	(GEA Mechanical Equipment (UK) Limited) Breconcherry Limited
310159	(Annette Sammut) Artmode Pty Ltd
327540	(Lexington International, LLC) Lexington Lasercomb IPAG
329362	(Lexington International, LLC) Lexington LaserComb IP AG
343762	(Happy Soldier Group Pty Ltd) Vincent Sin
329920	(Richard Mark Worthington) Jeffrey Alan Fleck;Richard Mark Worthington
338141	(Jam Jar Shop Ltd) TRL Trading Limited
338142	(Jam Jar Shop Ltd) TRL Trading Limited
338143	(Jam Jar Shop Ltd) TRL Trading Limited
332872	(Dayco IP Holdings, LLC) Dayco Products, LLC
327717	(Titan Hamburg GmbH) Titan Kofferwerk GmbH

Names Registered - Alterations and Amendments

(The name in parentheses is that of the subsequent applicant)

320169	(Heyrex Limited) Say Systems Ltd
342551	(Steelvision Pty Ltd) Steelforce Pty Ltd

Corrigenda

Number 14299/2012

In Vol 27 , No 1 , page 15 under the heading **Applications Lapsed**; This entry was entered in error.

Certificate(s) of Examination

Examination of the following Design Registration(s) has been completed. Infringement proceedings may now be commenced.

329151	07-01C	17/01/2013
329752	06-01H	09/01/2013
329753	06-01H	09/01/2013
329754	06-03NES	10/01/2013
341451	06-01H	15/01/2013
343474	14-02	09/01/2013
343475	14-02	09/01/2013
343548	23-01G	08/01/2013
343550	23-01G	08/01/2013
344021	01-01	16/01/2013
344022	01-01	16/01/2013
344395	25-02B	15/01/2013
344599	27-99	10/01/2013
344890	26-02	11/01/2013
345063	13-03B	16/01/2013
345064	13-03B	16/01/2013
345065	13-03B	16/01/2013
345066	13-03B	16/01/2013
345067	13-03B	16/01/2013
345068	13-03B	16/01/2013
345069	13-03B	16/01/2013
345279	07-05A	21/01/2013
345308	12-15C	14/01/2013
345816	15-99	21/01/2013
345817	15-99	21/01/2013
345842	13-99	17/01/2013
345857	12-03	18/01/2013

Publication and Registration Proceedings

Designs Registered

This section provides a concordance between design number and registration number of Designs covered in this journal. It also shows the main class and registration date.

This section covers Registration numbers 346252 to 346506 .

The registration number shown below should be used in all future correspondence.

Design Number	Registration Number	International Classification Code (IDC)	Registration Date	Design Number	Registration Number	International Classification Code (IDC)	Registration Date
11639/2012	346304	02-02NES	09/01/2013	15337/2012	346373	25-01D	11/01/2013
11867/2012	346335	06-06NES	09/01/2013	15342/2012	346348	14-01	10/01/2013
12169/2012	346417	25-02NES	16/01/2013	15354/2012	346438	15-03C	17/01/2013
12503/2012	346278	09-09	09/01/2013	15360/2012	346283	22-05	09/01/2013
12517/2012	346489	12-15B	21/01/2013	15380/2012	346409	23-01NES	15/01/2013
12951/2012	346377	31-00	11/01/2013	15382/2012	346284	11-05	09/01/2013
13079/2012	346279	09-03NES	09/01/2013	15396/2012	346269	25-02NES	09/01/2013
14193/2012	346384	09-08	11/01/2013	15397/2012	346270	25-02NES	09/01/2013
14231/2012	346280	08-08NES	09/01/2013	15398/2012	346364	25-02NES	10/01/2013
14232/2012	346281	25-01F	09/01/2013	15399/2012	346285	21-01N	09/01/2013
14596/2012	346336	02-02C	09/01/2013	15400/2012	346365	21-01N	10/01/2013
15008/2012	346445	13-03D	18/01/2013	15402/2012	346439	07-01NES	17/01/2013
15051/2012	346337	08-99	09/01/2013	15409/2012	346440	06-02	17/01/2013
15056/2012	346405	08-07	15/01/2013	15414/2012	346441	06-02	17/01/2013
15062/2012	346446	09-03NES	18/01/2013	15417/2012	346442	06-02	17/01/2013
15071/2012	346342	24-01	10/01/2013	15431/2012	346366	07-01NES	10/01/2013
15072/2012	346344	24-01	10/01/2013	15446/2012	346443	08-08NES	17/01/2013
15077/2012	346418	24-02	16/01/2013	15448/2012	346444	09-01K	17/01/2013
15111/2012	346356	25-01C	10/01/2013	15460/2012	346422	21-04	17/01/2013
15113/2012	346357	25-01C	10/01/2013	15461/2012	346423	21-04	17/01/2013
15117/2012	346403	09-03F	14/01/2013	15462/2012	346424	21-04	17/01/2013
15145/2012	346391	09-07A	14/01/2013	15463/2012	346425	21-04	17/01/2013
15166/2012	346358	08-01	10/01/2013	15464/2012	346426	21-04	17/01/2013
15167/2012	346359	08-01	10/01/2013	15465/2012	346427	21-04	17/01/2013
15168/2012	346419	08-01	16/01/2013	15466/2012	346428	21-04	17/01/2013
15188/2012	346343	25-01K	10/01/2013	15492/2012	346490	23-02A	21/01/2013
15189/2012	346345	25-01K	10/01/2013	15493/2012	346491	23-02A	21/01/2013
15190/2012	346346	25-01K	10/01/2013	15494/2012	346492	23-02A	21/01/2013
15191/2012	346347	25-01K	10/01/2013	15495/2012	346493	23-02A	21/01/2013
15192/2012	346360	25-01K	10/01/2013	15496/2012	346494	28-99	21/01/2013
15193/2012	346361	25-01K	10/01/2013	15497/2012	346495	09-09	21/01/2013
15194/2012	346362	25-01K	10/01/2013	15512/2012	346271	06-04NES	09/01/2013
15195/2012	346363	25-01K	10/01/2013	15513/2012	346272	06-04NES	09/01/2013
15196/2012	346369	22-05	11/01/2013	15514/2012	346449	13-03E	18/01/2013
15210/2012	346380	10-02	14/01/2013	15519/2012	346273	09-03E	09/01/2013
15211/2012	346382	10-02	14/01/2013	15527/2012	346286	07-02R	09/01/2013
15216/2012	346376	10-02	14/01/2013	15542/2012	346287	06-06D	09/01/2013
15217/2012	346378	10-02	14/01/2013	15564/2012	346496	05-05B	21/01/2013
15218/2012	346392	10-02	14/01/2013	15566/2012	346288	26-05C	09/01/2013
15252/2012	346436	03-01NES	17/01/2013	15578/2012	346289	01-01	09/01/2013
15257/2012	346447	13-03NES	18/01/2013	15588/2012	346497	24-02	21/01/2013
15258/2012	346448	13-03NES	18/01/2013	15606/2012	346290	03-01NES	09/01/2013
15259/2012	346282	08-07	09/01/2013	15641/2012	346394	08-08K	14/01/2013
15260/2012	346437	21-01E	17/01/2013	15642/2012	346395	08-08K	14/01/2013
15311/2012	346370	16-01	11/01/2013	15643/2012	346396	08-08K	14/01/2013
15316/2012	346406	23-02A	15/01/2013	15646/2012	346291	24-04	09/01/2013
15317/2012	346407	23-02A	15/01/2013	15673/2012	346498	23-04	21/01/2013
15318/2012	346408	07-05D	15/01/2013	15698/2012	346471	06-06C	21/01/2013
15327/2012	346371	25-02H	11/01/2013	15699/2012	346292	12-11	09/01/2013
15328/2012	346372	25-02H	11/01/2013	15709/2012	346276	23-01L	09/01/2013

Publication and Registration Proceedings - Designs Registered cont'd

Design Number	Registration Number	International Classification Code (IDC)	Registration Date	Design Number	Registration Number	International Classification Code (IDC)	Registration Date
15711/2012	346275	23-01L	09/01/2013	16064/2012	346300	14-02	09/01/2013
15712/2012	346385	23-01L	11/01/2013	16065/2012	346301	14-02	09/01/2013
15717/2012	346397	14-02	14/01/2013	16066/2012	346302	14-02	09/01/2013
15725/2012	346274	14-02	09/01/2013	16067/2012	346303	14-02	09/01/2013
15765/2012	346450	03-01D	18/01/2013	16071/2012	346388	12-12	11/01/2013
15776/2012	346451	28-99	18/01/2013	16080/2012	346263	06-13NES	08/01/2013
15797/2012	346349	08-07	10/01/2013	16084/2012	346264	07-04	08/01/2013
15807/2012	346410	08-07	15/01/2013	16085/2012	346389	07-04	11/01/2013
15809/2012	346411	08-07	15/01/2013	16087/2012	346390	09-01D	11/01/2013
15810/2012	346412	08-07	15/01/2013	16094/2012	346401	03-01B	14/01/2013
15812/2012	346293	21-01B	09/01/2013	16095/2012	346265	03-01B	08/01/2013
15813/2012	346338	06-03NES	10/01/2013	16096/2012	346266	07-99NES	08/01/2013
15815/2012	346339	25-03	10/01/2013	16097/2012	346267	07-99NES	08/01/2013
15824/2012	346341	07-01C	10/01/2013	16098/2012	346268	24-02	08/01/2013
15825/2012	346340	09-01NES	10/01/2013	16100/2012	346402	24-02	14/01/2013
15839/2012	346398	09-01G	14/01/2013	16102/2012	346305	02-02NES	09/01/2013
15843/2012	346294	26-02	09/01/2013	16103/2012	346306	02-02NES	09/01/2013
15844/2012	346295	26-02	09/01/2013	16104/2012	346307	02-02NES	09/01/2013
15845/2012	346399	26-02	14/01/2013	16105/2012	346308	02-02NES	09/01/2013
15846/2012	346472	24-03	21/01/2013	16106/2012	346309	02-02C	09/01/2013
15862/2012	346350	03-01NES	10/01/2013	16107/2012	346310	02-02C	09/01/2013
15871/2012	346452	14-04	18/01/2013	16108/2012	346311	02-02C	09/01/2013
15912/2012	346296	23-01NES	09/01/2013	16109/2012	346312	02-02C	09/01/2013
15923/2012	346473	23-02F	21/01/2013	16110/2012	346313	02-02C	09/01/2013
15945/2012	346414	06-02	16/01/2013	16111/2012	346314	02-02NES	09/01/2013
15950/2012	346297	03-99	09/01/2013	16112/2012	346315	02-02C	09/01/2013
15973/2012	346474	08-07	21/01/2013	16113/2012	346316	02-02C	09/01/2013
16011/2012	346277	09-01NES	09/01/2013	16114/2012	346317	02-02C	09/01/2013
16012/2012	346400	23-04	14/01/2013	16115/2012	346318	02-02C	09/01/2013
16016/2012	346351	27-99	10/01/2013	16116/2012	346319	02-02C	09/01/2013
16018/2012	346352	27-99	10/01/2013	16117/2012	346320	02-02NES	09/01/2013
16019/2012	346353	27-99	10/01/2013	16118/2012	346321	02-02NES	09/01/2013
16020/2012	346354	13-02	10/01/2013	16119/2012	346322	02-02NES	09/01/2013
16021/2012	346386	27-99	11/01/2013	16120/2012	346323	02-02NES	09/01/2013
16022/2012	346355	27-99	10/01/2013	16121/2012	346324	02-02NES	09/01/2013
16028/2012	346420	04-02	16/01/2013	16122/2012	346325	02-02NES	09/01/2013
16030/2012	346413	23-01F	15/01/2013	16123/2012	346326	02-02NES	09/01/2013
16031/2012	346453	23-01F	18/01/2013	16124/2012	346327	02-02NES	09/01/2013
16033/2012	346252	13-03C	08/01/2013	16125/2012	346328	02-02NES	09/01/2013
16034/2012	346253	14-02	08/01/2013	16126/2012	346329	02-02C	09/01/2013
16039/2012	346254	26-05C	08/01/2013	16127/2012	346330	02-02NES	09/01/2013
16040/2012	346255	26-05C	08/01/2013	16128/2012	346331	02-02NES	09/01/2013
16041/2012	346421	06-11	16/01/2013	16129/2012	346332	02-02NES	09/01/2013
16042/2012	346256	23-02A	08/01/2013	16130/2012	346333	02-02NES	09/01/2013
16044/2012	346257	06-01G	08/01/2013	16131/2012	346334	02-02NES	09/01/2013
16045/2012	346258	03-01NES	08/01/2013	16180/2012	346415	13-03D	16/01/2013
16046/2012	346259	23-02A	08/01/2013	16182/2012	346416	13-03D	16/01/2013
16047/2012	346260	10-05	08/01/2013	16193/2012	346454	09-01G	18/01/2013
16048/2012	346387	23-02A	11/01/2013	16194/2012	346455	09-01G	18/01/2013
16049/2012	346261	08-08G	08/01/2013	16195/2012	346456	09-01G	18/01/2013
16051/2012	346262	06-07	08/01/2013	16196/2012	346457	09-01G	18/01/2013
16059/2012	346367	25-02C	10/01/2013	16203/2012	346429	08-08K	17/01/2013
16061/2012	346368	14-02	10/01/2013	16204/2012	346430	08-08K	17/01/2013
16062/2012	346298	14-02	09/01/2013	16206/2012	346431	15-05	17/01/2013
16063/2012	346299	14-02	09/01/2013	16207/2012	346432	15-05	17/01/2013

Publication and Registration Proceedings - Designs Registered cont'd

Design Number	Registration Number	International Classification Code (IDC)	Registration Date	Design Number	Registration Number	International Classification Code (IDC)	Registration Date
16208/2012	346433	15-05	17/01/2013	16358/2012	346481	24-04	21/01/2013
16215/2012	346434	25-03	17/01/2013	16359/2012	346482	24-04	21/01/2013
16216/2012	346435	21-04	17/01/2013	16360/2012	346483	12-10	21/01/2013
16226/2012	346458	21-02C	18/01/2013	16361/2012	346484	25-03	21/01/2013
16260/2012	346459	26-06	18/01/2013	16362/2012	346485	12-10	21/01/2013
16261/2012	346460	06-01E	18/01/2013	16363/2012	346486	28-99	21/01/2013
16287/2012	346461	24-01	18/01/2013	16364/2012	346487	23-02A	21/01/2013
16289/2012	346462	28-99	18/01/2013	16369/2012	346499	18-03	21/01/2013
16292/2012	346463	26-05C	18/01/2013	16370/2012	346500	14-03A	21/01/2013
16293/2012	346464	10-06	18/01/2013	16371/2012	346501	14-03A	21/01/2013
16297/2012	346465	12-16C	18/01/2013	16372/2012	346502	14-03A	21/01/2013
16299/2012	346466	26-06	18/01/2013	16373/2012	346503	14-03A	21/01/2013
16300/2012	346467	25-01E	18/01/2013	16374/2012	346504	14-03A	21/01/2013
16301/2012	346468	25-01E	18/01/2013	16513/2012	346470	02-02NES	18/01/2013
16302/2012	346469	08-08NES	18/01/2013	16634/2012	346374	22-05	11/01/2013
16335/2012	346505	08-03	21/01/2013	16635/2012	346375	22-05	11/01/2013
16340/2012	346475	07-03	21/01/2013	16636/2012	346393	10-02	14/01/2013
16341/2012	346506	13-01	21/01/2013	16665/2012	346404	10-02	14/01/2013
16343/2012	346476	06-08	21/01/2013	16666/2012	346379	10-02	14/01/2013
16345/2012	346477	03-01NES	21/01/2013	16684/2012	346381	10-02	14/01/2013
16348/2012	346478	08-03	21/01/2013	16685/2012	346383	10-02	14/01/2013
16349/2012	346479	08-03	21/01/2013				
16350/2012	346488	08-03	21/01/2013				
16351/2012	346480	10-02	21/01/2013				

Publication and Registration Proceedings

Class Listing of Designs Published or Registered

The following section shows an International Classification Code listing of the Registered or Published Designs covered in this supplement.

Classification	Registration Number	Design Number	Classification	Registration Number	Design Number
01-01	346289	15578/2012	06-04B	346354	16020/2012
02-02C	346309	16106/2012	06-04NES	346271	15512/2012
02-02C	346310	16107/2012	06-04NES	346272	15513/2012
02-02C	346311	16108/2012	06-06C	346471	15698/2012
02-02C	346312	16109/2012	06-06D	346287	15542/2012
02-02C	346313	16110/2012	06-06NES	346335	11867/2012
02-02C	346315	16112/2012	06-07	346262	16051/2012
02-02C	346316	16113/2012	06-08	346476	16343/2012
02-02C	346317	16114/2012	06-11	346421	16041/2012
02-02C	346318	16115/2012	06-13NES	346263	16080/2012
02-02C	346319	16116/2012	07-01C	346341	15824/2012
02-02C	346329	16126/2012	07-01NES	346279	13079/2012
02-02C	346336	14596/2012	07-01NES	346366	15431/2012
02-02NES	346304	11639/2012	07-01NES	346439	15402/2012
02-02NES	346305	16102/2012	07-02R	346286	15527/2012
02-02NES	346306	16103/2012	07-03	346475	16340/2012
02-02NES	346307	16104/2012	07-04	346264	16084/2012
02-02NES	346308	16105/2012	07-04	346389	16085/2012
02-02NES	346314	16111/2012	07-05D	346408	15318/2012
02-02NES	346320	16117/2012	07-99NES	346266	16096/2012
02-02NES	346321	16118/2012	07-99NES	346267	16097/2012
02-02NES	346322	16119/2012	08-01	346358	15166/2012
02-02NES	346323	16120/2012	08-01	346359	15167/2012
02-02NES	346324	16121/2012	08-01	346419	15168/2012
02-02NES	346325	16122/2012	08-03	346475	16340/2012
02-02NES	346326	16123/2012	08-03	346478	16348/2012
02-02NES	346327	16124/2012	08-03	346479	16349/2012
02-02NES	346328	16125/2012	08-03	346488	16350/2012
02-02NES	346330	16127/2012	08-03	346505	16335/2012
02-02NES	346331	16128/2012	08-07	346282	15259/2012
02-02NES	346332	16129/2012	08-07	346349	15797/2012
02-02NES	346333	16130/2012	08-07	346405	15056/2012
02-02NES	346334	16131/2012	08-07	346410	15807/2012
02-02NES	346470	16513/2012	08-07	346411	15809/2012
03-01B	346265	16095/2012	08-07	346412	15810/2012
03-01B	346401	16094/2012	08-07	346474	15973/2012
03-01D	346450	15765/2012	08-08G	346261	16049/2012
03-01NES	346258	16045/2012	08-08K	346394	15641/2012
03-01NES	346273	15519/2012	08-08K	346395	15642/2012
03-01NES	346290	15606/2012	08-08K	346396	15643/2012
03-01NES	346350	15862/2012	08-08K	346429	16203/2012
03-01NES	346436	15252/2012	08-08K	346430	16204/2012
03-01NES	346477	16345/2012	08-08NES	346280	14231/2012
03-99	346297	15950/2012	08-08NES	346443	15446/2012
04-02	346420	16028/2012	08-08NES	346469	16302/2012
05-05B	346496	15564/2012	08-99	346337	15051/2012
06-01E	346460	16261/2012	09-01D	346390	16087/2012
06-01G	346257	16044/2012	09-01G	346398	15839/2012
06-02	346414	15945/2012	09-01G	346454	16193/2012
06-02	346440	15409/2012	09-01G	346455	16194/2012
06-02	346441	15414/2012	09-01G	346456	16195/2012
06-02	346442	15417/2012	09-01G	346457	16196/2012
06-03NES	346338	15813/2012	09-01K	346444	15448/2012

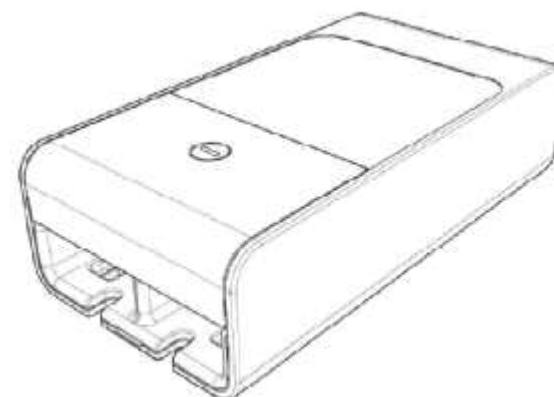
Registration Proceedings - Class Listing of Designs Published or Registered cont'd

Classification	Registration Number	Design Number	Classification	Registration Number	Design Number
09-01NES	346277	16011/2012	14-03A	346504	16374/2012
09-01NES	346340	15825/2012	14-04	346452	15871/2012
09-03E	346273	15519/2012	15-03C	346438	15354/2012
09-03F	346403	15117/2012	15-05	346431	16206/2012
09-03NES	346279	13079/2012	15-05	346432	16207/2012
09-03NES	346446	15062/2012	15-05	346433	16208/2012
09-07A	346391	15145/2012	16-01	346370	15311/2012
09-08	346384	14193/2012	18-03	346499	16369/2012
09-09	346278	12503/2012	19-06	346253	16034/2012
09-09	346495	15497/2012	20-02NES	346335	11867/2012
10-02	346376	15216/2012	21-01B	346293	15812/2012
10-02	346378	15217/2012	21-01B	346447	15257/2012
10-02	346379	16666/2012	21-01B	346448	15258/2012
10-02	346380	15210/2012	21-01E	346437	15260/2012
10-02	346381	16684/2012	21-01N	346285	15399/2012
10-02	346382	15211/2012	21-01N	346365	15400/2012
10-02	346383	16685/2012	21-02C	346458	16226/2012
10-02	346392	15218/2012	21-03	346437	15260/2012
10-02	346393	16636/2012	21-04	346422	15460/2012
10-02	346404	16665/2012	21-04	346423	15461/2012
10-02	346480	16351/2012	21-04	346424	15462/2012
10-05	346260	16047/2012	21-04	346425	15463/2012
10-06	346464	16293/2012	21-04	346426	15464/2012
11-05	346284	15382/2012	21-04	346427	15465/2012
12-10	346483	16360/2012	21-04	346428	15466/2012
12-10	346485	16362/2012	21-04	346434	16215/2012
12-11	346292	15699/2012	21-04	346435	16216/2012
12-12	346388	16071/2012	22-05	346283	15360/2012
12-15B	346489	12517/2012	22-05	346369	15196/2012
12-16C	346465	16297/2012	22-05	346374	16634/2012
13-01	346506	16341/2012	22-05	346375	16635/2012
13-02	346354	16020/2012	22-99	346285	15399/2012
13-03C	346252	16033/2012	22-99	346365	15400/2012
13-03D	346415	16180/2012	23-01F	346413	16030/2012
13-03D	346416	16182/2012	23-01F	346453	16031/2012
13-03D	346445	15008/2012	23-01L	346275	15711/2012
13-03E	346449	15514/2012	23-01L	346276	15709/2012
13-03NES	346447	15257/2012	23-01L	346385	15712/2012
13-03NES	346448	15258/2012	23-01NES	346296	15912/2012
14-01	346348	15342/2012	23-01NES	346409	15380/2012
14-02	346253	16034/2012	23-02A	346256	16042/2012
14-02	346274	15725/2012	23-02A	346259	16046/2012
14-02	346298	16062/2012	23-02A	346387	16048/2012
14-02	346299	16063/2012	23-02A	346406	15316/2012
14-02	346300	16064/2012	23-02A	346407	15317/2012
14-02	346301	16065/2012	23-02A	346487	16364/2012
14-02	346302	16066/2012	23-02A	346490	15492/2012
14-02	346303	16067/2012	23-02A	346491	15493/2012
14-02	346368	16061/2012	23-02A	346492	15494/2012
14-02	346397	15717/2012	23-02A	346493	15495/2012
14-02	346443	15446/2012	23-02F	346473	15923/2012
14-02	346477	16345/2012	23-04	346400	16012/2012
14-03A	346500	16370/2012	23-04	346498	15673/2012
14-03A	346501	16371/2012	24-01	346342	15071/2012
14-03A	346502	16372/2012	24-01	346344	15072/2012
14-03A	346503	16373/2012	24-01	346461	16287/2012

Registration Proceedings - Class Listing of Designs Published or Registered cont'd

Classification	Registration Number	Design Number	Classification	Registration Number	Design Number
24-02	346268	16098/2012	25-03	346434	16215/2012
24-02	346402	16100/2012	25-03	346435	16216/2012
24-02	346418	15077/2012	25-03	346484	16361/2012
24-02	346497	15588/2012	26-02	346294	15843/2012
24-03	346472	15846/2012	26-02	346295	15844/2012
24-04	346291	15646/2012	26-02	346399	15845/2012
24-04	346481	16358/2012	26-03	346463	16292/2012
24-04	346482	16359/2012	26-03	346464	16293/2012
25-01C	346356	15111/2012	26-05A	346463	16292/2012
25-01C	346357	15113/2012	26-05C	346254	16039/2012
25-01D	346373	15337/2012	26-05C	346255	16040/2012
25-01E	346467	16300/2012	26-05C	346288	15566/2012
25-01E	346468	16301/2012	26-05C	346463	16292/2012
25-01F	346281	14232/2012	26-05E	346463	16292/2012
25-01K	346343	15188/2012	26-06	346459	16260/2012
25-01K	346345	15189/2012	26-06	346466	16299/2012
25-01K	346346	15190/2012	27-99	346351	16016/2012
25-01K	346347	15191/2012	27-99	346352	16018/2012
25-01K	346360	15192/2012	27-99	346353	16019/2012
25-01K	346361	15193/2012	27-99	346355	16022/2012
25-01K	346362	15194/2012	27-99	346386	16021/2012
25-01K	346363	15195/2012	28-03NES	346436	15252/2012
25-02C	346367	16059/2012	28-03NES	346461	16287/2012
25-02H	346371	15327/2012	28-99	346451	15776/2012
25-02H	346372	15328/2012	28-99	346462	16289/2012
25-02NES	346269	15396/2012	28-99	346486	16363/2012
25-02NES	346270	15397/2012	28-99	346494	15496/2012
25-02NES	346364	15398/2012	31-00	346377	12951/2012
25-02NES	346417	12169/2012			
25-03	346339	15815/2012			

(21) Design Number: **16033/2012**
(22) Date of Filing Application: **05 December 2012**
(24) Date from which industrial property rights may have effect: **05 December 2012**
(54) Product in respect of which the design is registered: **Electric box**
(51) International Design Classification: **13-03C**
(74) Name(s) of Attorney(s): **Baldwins Intellectual Property**
(71) Name(s) and Address(s) of Applicant(s):



Edelcom
37 rue de Lyon Paris 75012 France

(72) Name(s) of Designer(s): **Denis Le Rouzo**

(45) Registration Date: **08 January 2013**

(30) Convention priority data:

(31) Number	(32) Date	(33) Country
675155001	14 Jun 2012	WORLD INTELLECTUAL PROPERTY ORGANIZATION (WIPO)

(56) Related Art Documents: **Not Applicable**

(57) Statement of Newness and Distinctiveness: **Nil**

(21) Design Number: **16034/2012**
(22) Date of Filing Application: **05 December 2012**
(24) Date from which industrial property rights may have effect: **05 December 2012**
(54) Product in respect of which the design is registered: **Writing pad**
(51) International Design Classification: **14-02, 19-06**
(74) Name(s) of Attorney(s): **A J Park**
(71) Name(s) and Address(s) of Applicant(s):



Tyge Donovan Dellar
37 Regent Street Papatoetoe Auckland 2025 New Zealand

(72) Name(s) of Designer(s): **Tyge Donovan Dellar**

(45) Registration Date: **08 January 2013**

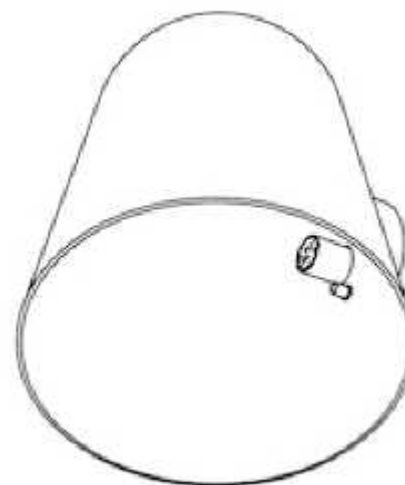
(30) Convention priority data:

(31) Number	(32) Date	(33) Country
416332	06 Jun 2012	NEW ZEALAND

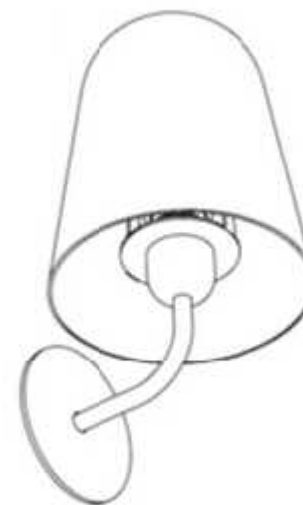
(56) Related Art Documents: **Not Applicable**

(57) Statement of Newness and Distinctiveness: **The design is to be applied to a Writing Pad. The novelty of the design resides in the features and/or configuration of the writing pad, substantially as shown in the accompanying representations.**

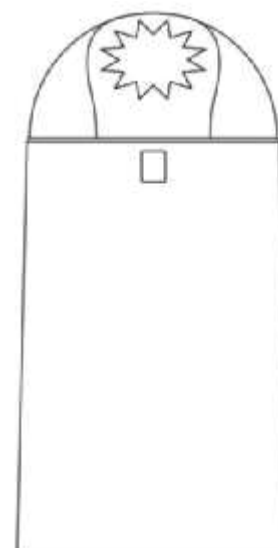
- (21) Design Number: **16039/2012**
(22) Date of Filing Application: **05 December 2012**
(24) Date from which industrial property rights may have effect: **05 December 2012**
(54) Product in respect of which the design is registered: **Light fitting**
(51) International Design Classification: **26-05C**
(74) Name(s) of Attorney(s):
(71) Name(s) and Address(s) of Applicant(s):
Duncan James Fraser Ward
96 Hudsons Rd Spotswood VIC 3015 Australia
(72) Name(s) of Designer(s): **Duncan Ward**
(45) Registration Date: **08 January 2013**
(56) Related Art Documents: **Not Applicable**
(57) Statement of Newness and Distinctiveness: **The newness and distinctiveness of the indoor wall light design resides in the shape, form and installation of the bracket and shade, with minimal visible mechanical fixings.**



- (21) Design Number: **16040/2012**
(22) Date of Filing Application: **05 December 2012**
(24) Date from which industrial property rights may have effect: **05 December 2012**
(54) Product in respect of which the design is registered: **Light fitting**
(51) International Design Classification: **26-05C**
(74) Name(s) of Attorney(s):
(71) Name(s) and Address(s) of Applicant(s):
Duncan James Fraser Ward
96 Hudsons Rd Spotswood VIC 3015 Australia
(72) Name(s) of Designer(s): **Duncan Ward**
(45) Registration Date: **08 January 2013**
(56) Related Art Documents: **Not Applicable**
(57) Statement of Newness and Distinctiveness: **The newness and distinctiveness of the indoor wall light design resides in the shape, form and installation of the bracket and shade, with minimal visible mechanical fixings.**



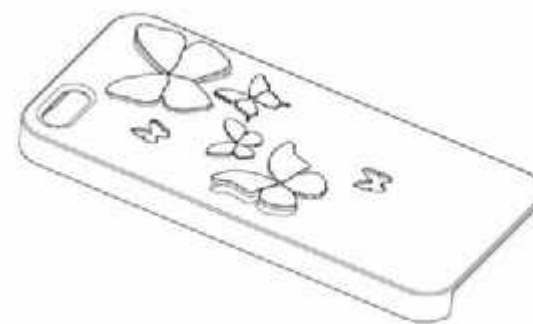
- (21) Design Number: **16042/2012**
(22) Date of Filing Application: **05 December 2012**
(24) Date from which industrial property rights may have effect: **05 December 2012**
(54) Product in respect of which the design is registered: **Tissue dispenser**
(51) International Design Classification: **23-02A**
(74) Name(s) of Attorney(s): **WATERMARK PATENT AND TRADE MARKS ATTORNEYS**
(71) Name(s) and Address(s) of Applicant(s):
SCA Hygiene Products AB
S-405 03 Goteborg Sweden
(72) Name(s) of Designer(s): **Lina Odhe and Cecilia Axen Stoop**
(45) Registration Date: **08 January 2013**
(30) Convention priority data:
(31) Number (32) Date (33) Country
002069419 06 Jul 2012 EUROPEAN COMMUNITY
(56) Related Art Documents: **Not Applicable**
(57) Statement of Newness and Distinctiveness: **Newness and distinctiveness resides in the upper portion of the dispenser including the cone shape (when viewed in elevation), the star-shaped dispensing aperture, and the circular gripping aperture.**



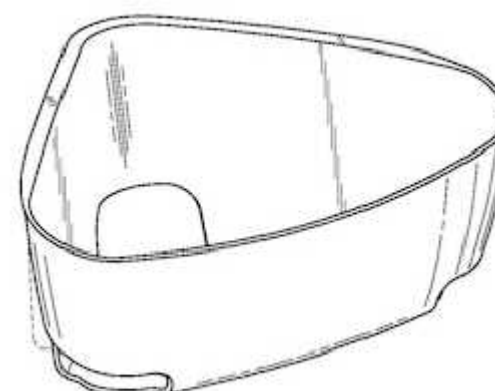
- (21) Design Number: **16044/2012**
(22) Date of Filing Application: **05 December 2012**
(24) Date from which industrial property rights may have effect: **05 December 2012**
(54) Product in respect of which the design is registered: **Perfume bottle**
(51) International Design Classification: **06-01G**
(74) Name(s) of Attorney(s): **Griffith Hack**
(71) Name(s) and Address(s) of Applicant(s):
LVMH Fragrance Brands (Societe Anonyme)
77 Rue Anatole France Levallois Perret 92300 France
(72) Name(s) of Designer(s): **Carole Albertini**
(45) Registration Date: **08 January 2013**
(30) Convention priority data:
(31) Number (32) Date (33) Country
002070078-0001 09 Jul 2012 EUROPEAN COMMUNITY
(56) Related Art Documents: **Not Applicable**
(57) Statement of Newness and Distinctiveness: **Newness and distinctiveness resides in the visual features, including shape, configuration and ornamentation of the product as shown in the accompanying representation.**



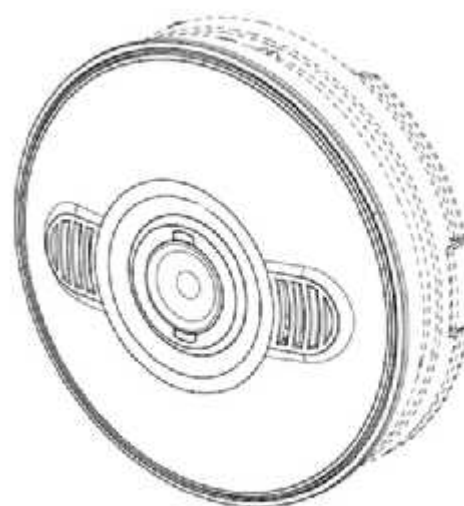
(21) Design Number: **16045/2012**
(22) Date of Filing Application: **05 December 2012**
(24) Date from which industrial property rights may have effect: **05 December 2012**
(54) Product in respect of which the design is registered: **Protective casing for handheld electronic device**
(51) International Design Classification: **03-01NES**
(74) Name(s) of Attorney(s): **Griffith Hack**
(71) Name(s) and Address(s) of Applicant(s):
SwitchEasy Limited
Room 314 Sing Win Factory Building 15-17 Shing Yip Street Kwun Tong
Kowloon Hong Kong
(72) Name(s) of Designer(s): **Chi Vun Steven Bau**
(45) Registration Date: **08 January 2013**
(30) Convention priority data:
(31) Number (32) Date (33) Country
1201644.0M001 21 Aug 2012 HONG KONG
(56) Related Art Documents: **Not Applicable**
(57) Statement of Newness and Distinctiveness: **Newness and distinctiveness resides in the visual features, including shape, configuration and ornamentation of the product as shown in the accompanying representations.**



(21) Design Number: **16046/2012**
(22) Date of Filing Application: **05 December 2012**
(24) Date from which industrial property rights may have effect: **05 December 2012**
(54) Product in respect of which the design is registered: **Corner caddy**
(51) International Design Classification: **23-02A**
(74) Name(s) of Attorney(s): **Davies Collison Cave**
(71) Name(s) and Address(s) of Applicant(s):
3M Innovative Properties Company
3M Center Saint Paul Minnesota 55133-3427 United States of America
(72) Name(s) of Designer(s): **Kevin James Gilboe and Craig Donald Thompson and Angela Lilun Pan and Matthew Joel Nettenstrom and Justin Banker Peart and Thomas Michael McKeon and Jeremy Aaron Abel**
(45) Registration Date: **08 January 2013**
(30) Convention priority data:
(31) Number (32) Date (33) Country
29/423907 06 Jun 2012 UNITED STATES OF AMERICA
(56) Related Art Documents: **Not Applicable**
(57) Statement of Newness and Distinctiveness: **Newness and distinctiveness is claimed in the visual features shown in solid lines in the representations. In considering the extent of the design rights, the broken lines shown in the representations are for illustrative purposes only and do not form part of the design.**



- (21) Design Number: **16047/2012**
(22) Date of Filing Application: **05 December 2012**
(24) Date from which industrial property rights may have effect: **05 December 2012**
(54) Product in respect of which the design is registered: **Smoke alarm**
(51) International Design Classification: **10-05**
(74) Name(s) of Attorney(s): **Griffith Hack**
(71) Name(s) and Address(s) of Applicant(s):
Legrand Australia Pty Ltd
U 99 79-99 St Hilliers Rd Auburn NSW 2144 Australia
(72) Name(s) of Designer(s): **Vincent Palicki**
(45) Registration Date: **08 January 2013**
(56) Related Art Documents: **Not Applicable**
(57) Statement of Newness and Distinctiveness: **Newness and distinctiveness resides in the visual features, including shape and configuration of a SMOKE ALARM as shown in solid outline in the accompanying drawings. When determining whether the design is substantially similar in overall impression to another design, no regard is to be had to the features shown in dotted outline in the accompanying drawings, which features are provided for illustrative purposes only.**



- (21) Design Number: **16049/2012**
(22) Date of Filing Application: **05 December 2012**
(24) Date from which industrial property rights may have effect: **05 December 2012**
(54) Product in respect of which the design is registered: **Hanger**
(51) International Design Classification: **08-08G**
(74) Name(s) of Attorney(s): **Davies Collison Cave**
(71) Name(s) and Address(s) of Applicant(s):
3M Innovative Properties Company
3M Center Saint Paul Minnesota 55133-3427 United States of America
(72) Name(s) of Designer(s): **Kevin James Gilboe and Craig Donald Thompson and Angela Lilun Pan and Jeremy Aaron Abel and Matthew Joel Nettenstrom**
(45) Registration Date: **08 January 2013**
(30) Convention priority data:
(31) Number (32) Date (33) Country
29/423909 06 Jun 2012 UNITED STATES OF AMERICA
(56) Related Art Documents: **Not Applicable**
(57) Statement of Newness and Distinctiveness: **Newness and distinctiveness is claimed in the visual features shown in solid lines in the representations.**



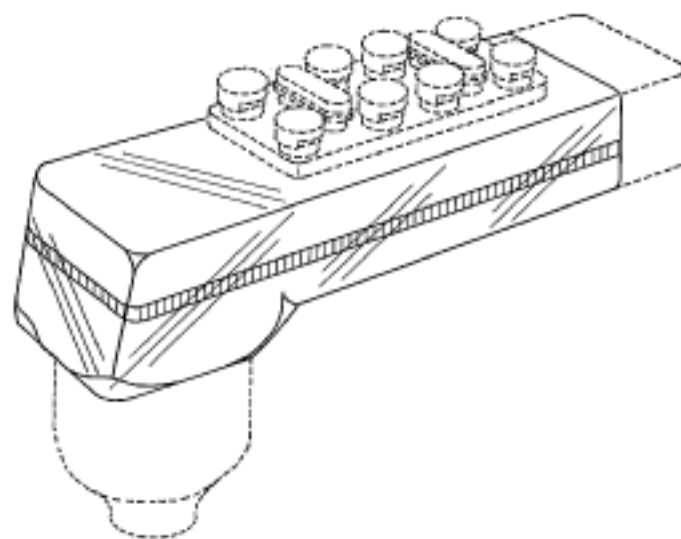
(21) Design Number: **16051/2012**
(22) Date of Filing Application: **05 December 2012**
(24) Date from which industrial property rights may have effect: **05 December 2012**
(54) Product in respect of which the design is registered: **Mirror**
(51) International Design Classification: **06-07**
(74) Name(s) of Attorney(s): **Davies Collison Cave**
(71) Name(s) and Address(s) of Applicant(s):
3M Innovative Properties Company
3M Center Saint Paul Minnesota 55133-3427 United States of America
(72) Name(s) of Designer(s): **Kevin James Gilboe and Craig Donald Thompson and Angela Lilun Pan and Matthew Joel Nettenstrom and Justin Banker Peart and Thomas Michael McKeon and Jeremy Aaron Abel**
(45) Registration Date: **08 January 2013**
(30) Convention priority data:
(31) Number (32) Date (33) Country
29/423946 06 Jun 2012 UNITED STATES OF AMERICA
(56) Related Art Documents: **Not Applicable**
(57) Statement of Newness and Distinctiveness: **Newness and distinctiveness is claimed in the visual features shown in solid lines in the representations.**



(21) Design Number: **16080/2012**
(22) Date of Filing Application: **06 December 2012**
(24) Date from which industrial property rights may have effect: **06 December 2012**
(54) Product in respect of which the design is registered: **Washing machine cover**
(51) International Design Classification: **06-13NES**
(74) Name(s) of Attorney(s): **Pegasus IP**
(71) Name(s) and Address(s) of Applicant(s):
Salvina Maria Charles
72 Cascade Dr Forest Lake QLD 4078 Australia
(72) Name(s) of Designer(s): **Salvina Maria Charles**
(45) Registration Date: **08 January 2013**
(56) Related Art Documents: **Not Applicable**
(57) Statement of Newness and Distinctiveness: **Newness and distinctiveness resides in the features of shape and/or configuration of the product as shown in the reps.**



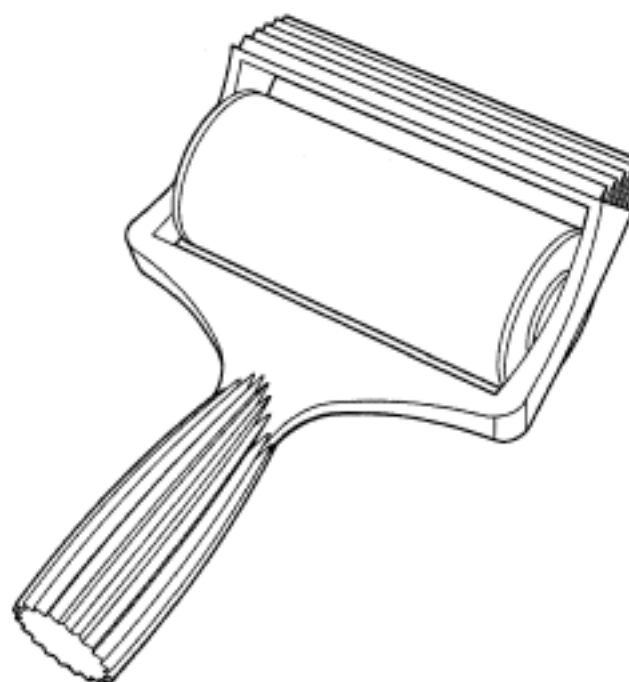
(21) Design Number: **16084/2012**
(22) Date of Filing Application: **06 December 2012**
(24) Date from which industrial property rights may have effect: **06 December 2012**
(54) Product in respect of which the design is registered: **Bar gun**
(51) International Design Classification: **07-04**
(74) Name(s) of Attorney(s): **Baldwins**
(71) Name(s) and Address(s) of Applicant(s):
Schroeder Industries, Inc. doing business as Schroeder America
5620 Business Park San Antonio Texas 78218 United States of America
(72) Name(s) of Designer(s): **Sam Brown**
(45) Registration Date: **08 January 2013**
(30) Convention priority data:
(31) Number (32) Date (33) Country
29/426202 02 Jul 2012 UNITED STATES OF AMERICA
(56) Related Art Documents: **Not Applicable**
(57) Statement of Newness and Distinctiveness: **The drawing is lined for color. The broken line showing of portions of the bar gun is for the purpose of illustrating portions of the bar gun and forms no part of the claimed design.**



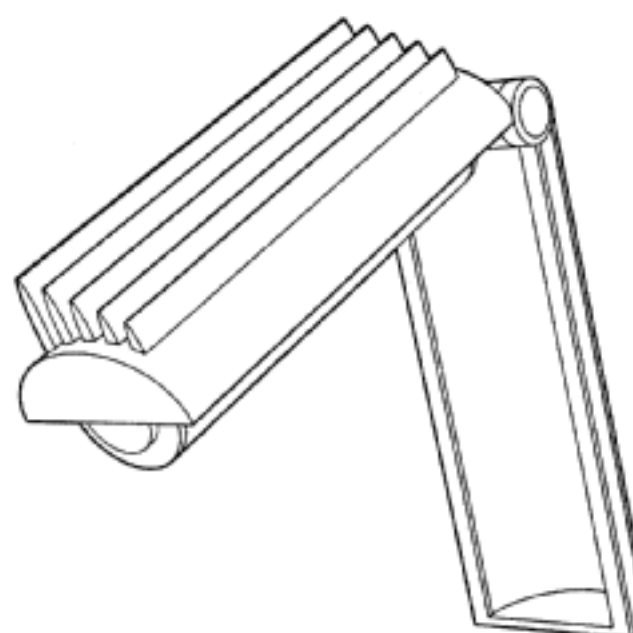
(21) Design Number: **16095/2012**
(22) Date of Filing Application: **05 December 2012**
(24) Date from which industrial property rights may have effect: **05 December 2012**
(54) Product in respect of which the design is registered: **Wallet**
(51) International Design Classification: **03-01B**
(74) Name(s) of Attorney(s): **PHILLIPS ORMONDE FITZPATRICK**
(71) Name(s) and Address(s) of Applicant(s):
Actervis GmbH
c/o Prv Provides Treuhandgesellschaft Lindenhof Dorfstr. 38 CH-6341
Baar (Zug) Switzerland
(72) Name(s) of Designer(s): **Juan Jose Campdera Lozano**
(45) Registration Date: **08 January 2013**
(30) Convention priority data:
(31) Number (32) Date (33) Country
001331532-002 19 Jun 2012 EUROPEAN COMMUNITY
(56) Related Art Documents: **Not Applicable**
(57) Statement of Newness and Distinctiveness: **Nil**



(21) Design Number: **16096/2012**
(22) Date of Filing Application: **05 December 2012**
(24) Date from which industrial property rights may have effect: **05 December 2012**
(54) Product in respect of which the design is registered: **Lint roller**
(51) International Design Classification: **07-99NES**
(74) Name(s) of Attorney(s): **PHILLIPS ORMONDE FITZPATRICK**
(71) Name(s) and Address(s) of Applicant(s):
Actervis GmbH
c/o Prv Provides Treuhandgesellschaft Lindenhof Dorfstr. 38 CH-6341
Baar (Zug) Switzerland
(72) Name(s) of Designer(s): **Juan Jose Campdera Lozano**
(45) Registration Date: **08 January 2013**
(30) Convention priority data:
(31) Number (32) Date (33) Country
001329841-0004 07 Jun 2012 EUROPEAN COMMUNITY
(56) Related Art Documents: **Not Applicable**
(57) Statement of Newness and Distinctiveness: **Nil**



(21) Design Number: **16097/2012**
(22) Date of Filing Application: **05 December 2012**
(24) Date from which industrial property rights may have effect: **05 December 2012**
(54) Product in respect of which the design is registered: **Lint roller**
(51) International Design Classification: **07-99NES**
(74) Name(s) of Attorney(s): **PHILLIPS ORMONDE FITZPATRICK**
(71) Name(s) and Address(s) of Applicant(s):
Actervis GmbH
c/o Prv Provides Treuhandgesellschaft Lindenhof Dorfstr. 38 CH-6341
Baar (Zug) Switzerland
(72) Name(s) of Designer(s): **Juan Jose Campdera Lozano**
(45) Registration Date: **08 January 2013**
(30) Convention priority data:
(31) Number (32) Date (33) Country
001329841-0006 07 Jun 2012 EUROPEAN COMMUNITY
(56) Related Art Documents: **Not Applicable**
(57) Statement of Newness and Distinctiveness: **Nil**



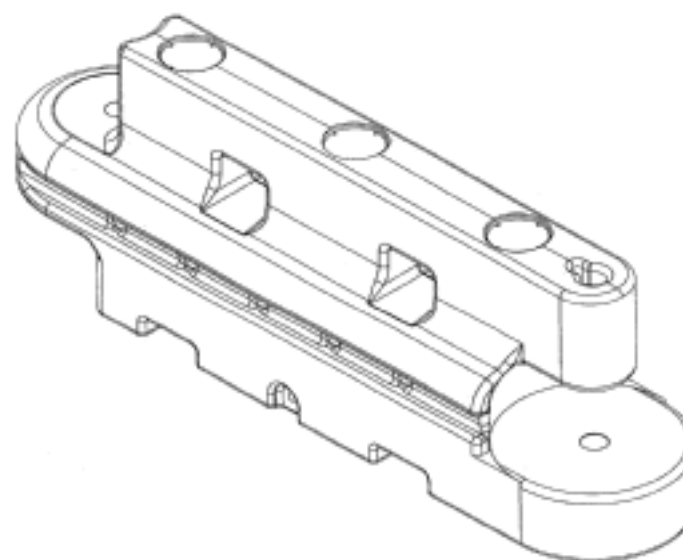
- (21) Design Number: **16098/2012**
(22) Date of Filing Application: **05 December 2012**
(24) Date from which industrial property rights may have effect: **05 December 2012**
(54) Product in respect of which the design is registered: **Drive device for administering medication**
(51) International Design Classification: **24-02**
(74) Name(s) of Attorney(s): **Shelston IP**
(71) Name(s) and Address(s) of Applicant(s):
UCB Pharma SA
Allee de la Recherche 60 B-1070 Brussels Belgium
(72) Name(s) of Designer(s): **Martin McLoughlin and Michael Heald**
(45) Registration Date: **08 January 2013**
(56) Related Art Documents: **Not Applicable**
(57) Statement of Newness and Distinctiveness: **Newness and distinctiveness reside in the shape and configuration and/or pattern and ornamentation of the design for a Drive device for administering medication as illustrated in the accompanying drawings. Those features shown in broken lines are displayed for illustrative purposes only and are not considered part of the design.**



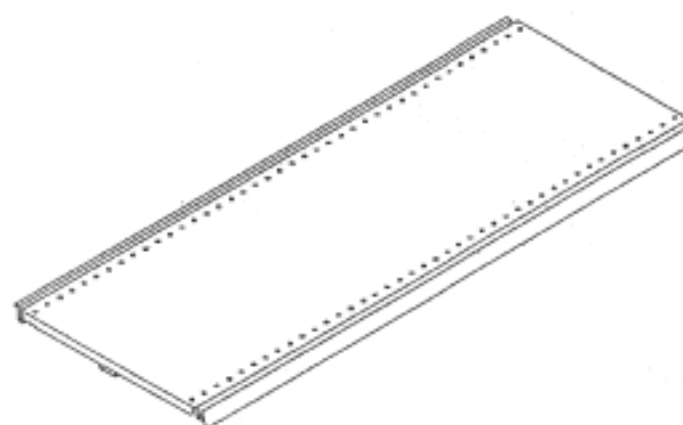
- (21) Design Number: **15396/2012**
(22) Date of Filing Application: **29 October 2012**
(24) Date from which industrial property rights may have effect: **29 October 2012**
(54) Product in respect of which the design is registered: **Barrier for roadways**
(51) International Design Classification: **25-02NES**
(74) Name(s) of Attorney(s): **Davies Collison Cave**
(71) Name(s) and Address(s) of Applicant(s):
OPD Group AS
Asdalstrand 171 N-3960 Stathelle Norway
(72) Name(s) of Designer(s): **Oyvind Reutherdal and Kjell Roar Skaugen**
(45) Registration Date: **09 January 2013**
(30) Convention priority data:
(31) Number (32) Date (33) Country
20120427 04 May 2012 NORWAY
(56) Related Art Documents: **Not Applicable**
(57) Statement of Newness and Distinctiveness: **Newness and distinctiveness is claimed in the shape and configuration of the barrier shown in the accompanying representation. Any number of barriers may be interconnected end-to-end to form a composite barrier of varying shape and length.**



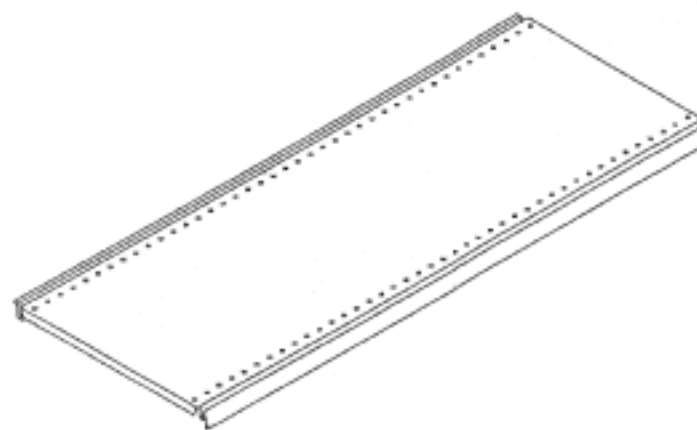
(21) Design Number: **15397/2012**
(22) Date of Filing Application: **29 October 2012**
(24) Date from which industrial property rights may have effect: **29 October 2012**
(54) Product in respect of which the design is registered: **Barrier for roadways**
(51) International Design Classification: **25-02NES**
(74) Name(s) of Attorney(s): **Davies Collison Cave**
(71) Name(s) and Address(s) of Applicant(s):
OPD Group AS
Asdalstrand 171 N-3960 Stathelle Norway
(72) Name(s) of Designer(s): **Oyvind Reutherdal and Kjell Roar Skaugen**
(45) Registration Date: **09 January 2013**
(30) Convention priority data:
(31) Number (32) Date (33) Country
20120427 04 May 2012 NORWAY
(56) Related Art Documents: **Not Applicable**
(57) Statement of Newness and Distinctiveness: **Nil**



(21) Design Number: **15512/2012**
(22) Date of Filing Application: **05 November 2012**
(24) Date from which industrial property rights may have effect: **05 November 2012**
(54) Product in respect of which the design is registered: **Rack shelf**
(51) International Design Classification: **06-04NES**
(74) Name(s) of Attorney(s): **Davies Collison Cave**
(71) Name(s) and Address(s) of Applicant(s):
Tegometall International AG
Industriestrasse 7 Lengwil 8574 Switzerland
(72) Name(s) of Designer(s): **Ulrich Bohnacker**
(45) Registration Date: **09 January 2013**
(30) Convention priority data:
(31) Number (32) Date (33) Country
001324768-001 04 May 2012 EUROPEAN COMMUNITY
(56) Related Art Documents: **Not Applicable**
(57) Statement of Newness and Distinctiveness: **Newness and distinctiveness is claimed in the visual features shown in solid lines in the representations.**



- (21) Design Number: **15513/2012**
(22) Date of Filing Application: **05 November 2012**
(24) Date from which industrial property rights may have effect: **05 November 2012**
(54) Product in respect of which the design is registered: **Rack shelf**
(51) International Design Classification: **06-04NES**
(74) Name(s) of Attorney(s): **Davies Collison Cave**
(71) Name(s) and Address(s) of Applicant(s):
Tegometall International AG
Industriestrasse 7 Lengwil 8574 Switzerland
(72) Name(s) of Designer(s): **Ulrich Bohnacker**
(45) Registration Date: **09 January 2013**
(30) Convention priority data:
(31) Number (32) Date (33) Country
001324768-002 04 May 2012 EUROPEAN COMMUNITY
(56) Related Art Documents: **Not Applicable**
(57) Statement of Newness and Distinctiveness: **Newness and distinctiveness is claimed in the visual features shown in solid lines in the representations.**



- (21) Design Number: **15519/2012**
(22) Date of Filing Application: **07 November 2012**
(24) Date from which industrial property rights may have effect: **07 November 2012**
(54) Product in respect of which the design is registered: **Bottle holder**
(51) International Design Classification: **09-03E, 03-01NES**
(74) Name(s) of Attorney(s):
(71) Name(s) and Address(s) of Applicant(s):
Westate Publishers Pty Ltd
PO BOX 510 Kalamunda WA 6926 Australia
(72) Name(s) of Designer(s): **Nick Underwood**
(45) Registration Date: **09 January 2013**
(56) Related Art Documents: **Not Applicable**
(57) Statement of Newness and Distinctiveness: **A padded folding canvas roll to hold and protect up to six bottles in transit.**



(21) Design Number: **15725/2012**
(22) Date of Filing Application: **16 November 2012**
(24) Date from which industrial property rights may have effect: **16 November 2012**
(54) Product in respect of which the design is registered: **Toner cartridge**
(51) International Design Classification: **14-02**
(74) Name(s) of Attorney(s): **Shelston IP**
(71) Name(s) and Address(s) of Applicant(s):

Fuji Xerox Co., Ltd.
7-3 Akasaka 9-chome Minato-ku Tokyo Japan

(72) Name(s) of Designer(s): **Kazunori Koshimori and Kaoru Watanabe**

(45) Registration Date: **09 January 2013**

(30) Convention priority data:

(31) Number	(32) Date	(33) Country
2012-011911	22 May 2012	JAPAN

(56) Related Art Documents: **Not Applicable**

(57) Statement of Newness and Distinctiveness: **Newness and distinctiveness reside in the features of shape and/or configuration of the toner cartridge indicated in grey scale in the accompanying representations. The features shown in green in the accompanying representations form no part of the design.**



(21) Design Number: **15711/2012**
(22) Date of Filing Application: **19 November 2012**
(24) Date from which industrial property rights may have effect: **19 November 2012**
(54) Product in respect of which the design is registered: **Gutter outlet**
(51) International Design Classification: **23-01L**
(74) Name(s) of Attorney(s): **Cullens Patent and Trade Mark Attorneys**
(71) Name(s) and Address(s) of Applicant(s):

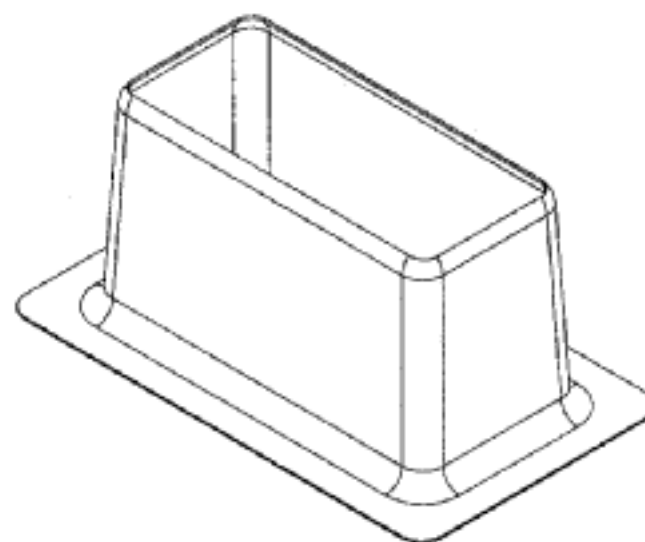
Uni-Quip Australia Pty Ltd
20 Glendevon Cres Mt Warren Park QLD 4207 Australia

(72) Name(s) of Designer(s): **Michael Norman Carr**

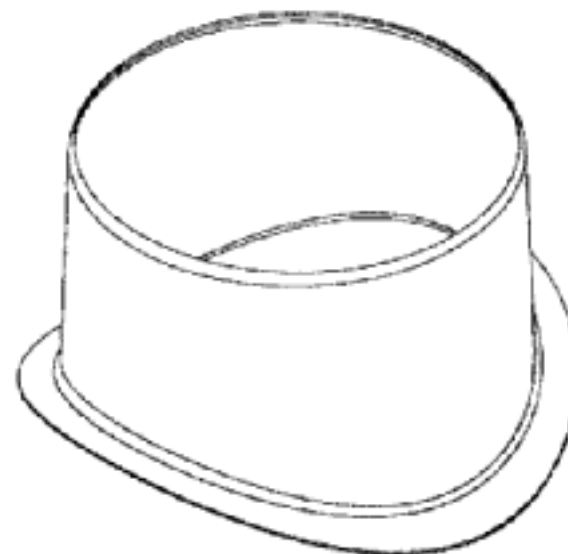
(45) Registration Date: **09 January 2013**

(56) Related Art Documents: **Not Applicable**

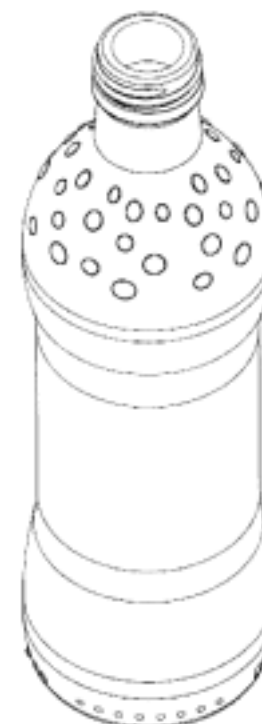
(57) Statement of Newness and Distinctiveness: **Nil**



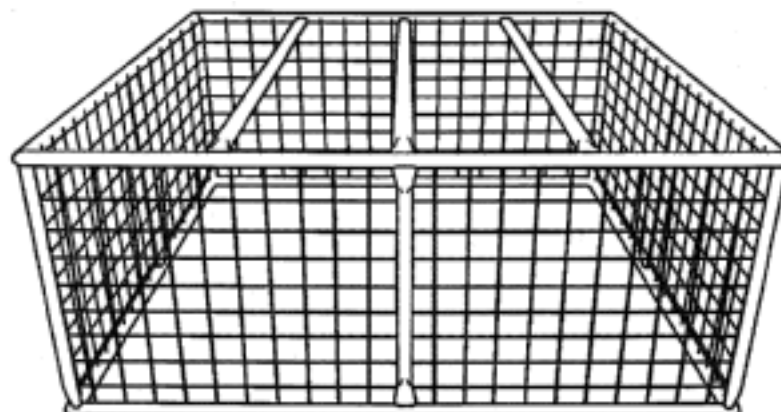
(21) Design Number: **15709/2012**
(22) Date of Filing Application: **19 November 2012**
(24) Date from which industrial property rights may have effect: **19 November 2012**
(54) Product in respect of which the design is registered: **Gutter outlet**
(51) International Design Classification: **23-01L**
(74) Name(s) of Attorney(s): **Cullens Patent and Trade Mark Attorneys**
(71) Name(s) and Address(s) of Applicant(s):
Uni-Quip Australia Pty Ltd
20 Glendevon Cres Mt Warren Park QLD 4207 Australia
(72) Name(s) of Designer(s): **Michael Norman Carr**
(45) Registration Date: **09 January 2013**
(56) Related Art Documents: **Not Applicable**
(57) Statement of Newness and Distinctiveness: **Nil**



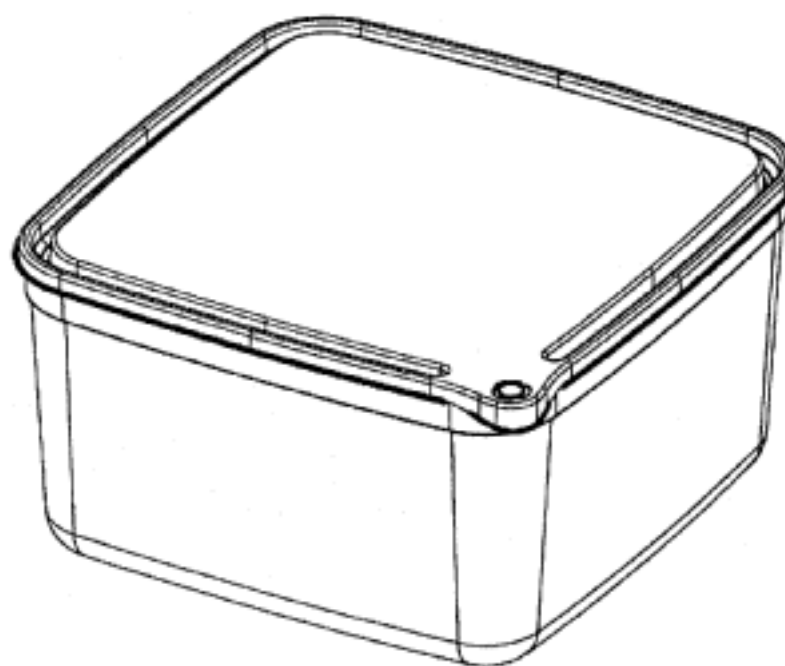
(21) Design Number: **16011/2012**
(22) Date of Filing Application: **30 November 2012**
(24) Date from which industrial property rights may have effect: **30 November 2012**
(54) Product in respect of which the design is registered: **Bottle**
(51) International Design Classification: **09-01NES**
(74) Name(s) of Attorney(s): **SPRUSON & FERGUSON**
(71) Name(s) and Address(s) of Applicant(s):
La Galvanina S.p.A.
Via della Torretta 2 I - 47900 Rimini RN Italy
(72) Name(s) of Designer(s): **Rino Mini**
(45) Registration Date: **09 January 2013**
(30) Convention priority data:
(31) Number (32) Date (33) Country
002061226-0001 21 Jun 2012 EUROPEAN COMMUNITY
(56) Related Art Documents: **Not Applicable**
(57) Statement of Newness and Distinctiveness: **Newness and distinctiveness is claimed in the features of shape and/or configuration of a bottle as illustrated in the accompanying representations.**



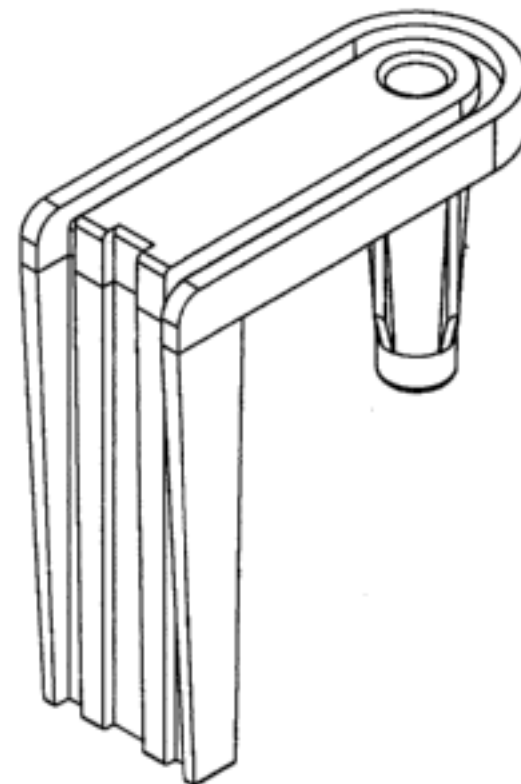
- (21) Design Number: **12503/2012**
(22) Date of Filing Application: **24 May 2012**
(24) Date from which industrial property rights may have effect: **24 May 2012**
(54) Product in respect of which the design is registered: **Waste containment means**
(51) International Design Classification: **09-09**
(74) Name(s) of Attorney(s):
(71) Name(s) and Address(s) of Applicant(s):
KRSL PTY LTD
42 Accra Way Quinns Rocks WA 6030 Australia
(72) Name(s) of Designer(s): **Kenneth Richard Stanley Little**
(45) Registration Date: **09 January 2013**
(56) Related Art Documents: **Not Applicable**
(57) Statement of Newness and Distinctiveness: **Nil**



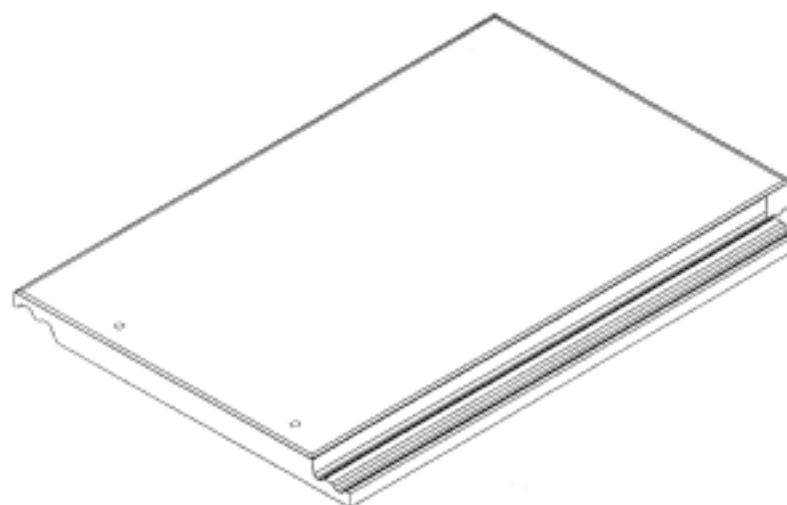
- (21) Design Number: **13079/2012**
(22) Date of Filing Application: **28 June 2012**
(24) Date from which industrial property rights may have effect: **28 June 2012**
(54) Product in respect of which the design is registered: **A container**
(51) International Design Classification: **09-03NES, 07-01NES**
(74) Name(s) of Attorney(s): **Smootenburg Patent & Trade Mark Attorneys**
(71) Name(s) and Address(s) of Applicant(s):
Alto Manufacturing Pty Ltd
225 Wellington Road Mulgrave Victoria 3170 Australia
(72) Name(s) of Designer(s): **Ian Janetzki and Marc Fraser**
(45) Registration Date: **09 January 2013**
(56) Related Art Documents: **Not Applicable**
(57) Statement of Newness and Distinctiveness: **Newness and distinctiveness is claimed in features of shape and/or configuration of a container as illustrated in the accompanying representations. In considering which features are new and distinctive, particular regard is to be had to the detail of the corner A as shown in Figure 2.**



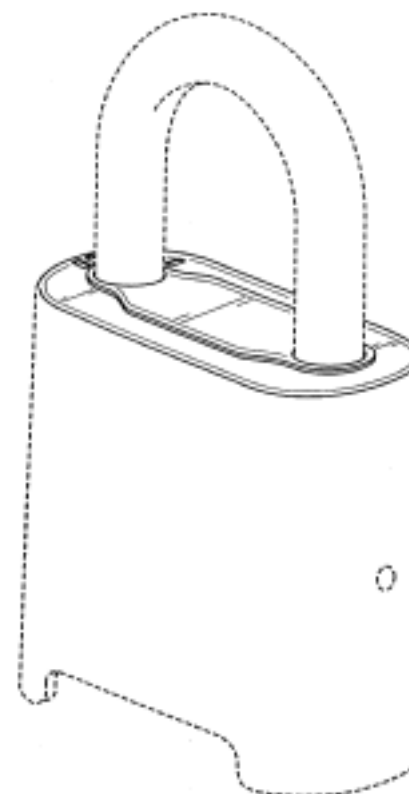
- (21) Design Number: **14231/2012**
(22) Date of Filing Application: **27 August 2012**
(24) Date from which industrial property rights may have effect: **27 August 2012**
(54) Product in respect of which the design is registered: **Batten lug**
(51) International Design Classification: **08-08NES**
(74) Name(s) of Attorney(s): **PHILLIPS ORMONDE FITZPATRICK**
(71) Name(s) and Address(s) of Applicant(s):
Brickworks Building Products Pty Ltd
738-780 Wallgrove Road Horsley Park New South Wales 2175 Australia
(72) Name(s) of Designer(s): **Cathy Inglis and David Millington and Baden Bradbury and Blake Stacey**
(45) Registration Date: **09 January 2013**
(56) Related Art Documents: **Not Applicable**
(57) Statement of Newness and Distinctiveness: **Those features of the batten lug depicted in the representations that are new and distinctive are the shape and/or configuration.**



- (21) Design Number: **14232/2012**
(22) Date of Filing Application: **27 August 2012**
(24) Date from which industrial property rights may have effect: **27 August 2012**
(54) Product in respect of which the design is registered: **Roof tile**
(51) International Design Classification: **25-01F**
(74) Name(s) of Attorney(s): **PHILLIPS ORMONDE FITZPATRICK**
(71) Name(s) and Address(s) of Applicant(s):
Brickworks Building Products Pty Ltd
738-780 Wallgrove Road Horsley Park New South Wales 2175 Australia
(72) Name(s) of Designer(s): **Cathy Inglis and David Millington and Baden Bradbury and Blake Stacey**
(45) Registration Date: **09 January 2013**
(56) Related Art Documents: **Not Applicable**
(57) Statement of Newness and Distinctiveness: **Those features of the roof tile depicted in the representations that are new and distinctive are the shape and/or configuration.**



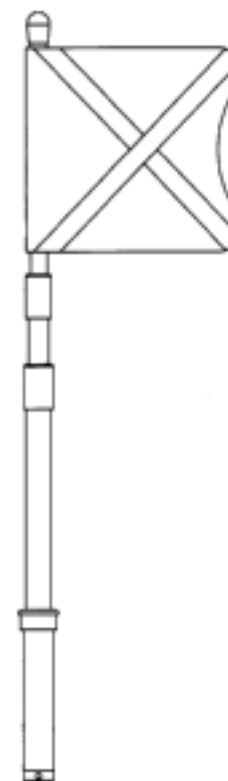
(21) Design Number: **15259/2012**
(22) Date of Filing Application: **23 October 2012**
(24) Date from which industrial property rights may have effect: **23 October 2012**
(54) Product in respect of which the design is registered: **Top plate incorporated into a lock**
(51) International Design Classification: **08-07**
(74) Name(s) of Attorney(s): **Callinans**
(71) Name(s) and Address(s) of Applicant(s):
Master Lock Company LLC
137 W. Forest Hill Avenue Oak Creek Wisconsin 53154 United States of America
(72) Name(s) of Designer(s): **Scott B. Stevens and Justin Matuszek**
(45) Registration Date: **09 January 2013**
(30) Convention priority data:
(31) Number (32) Date (33) Country
29/423,247 30 May 2012 UNITED STATES OF AMERICA
(56) Related Art Documents: **Not Applicable**
(57) Statement of Newness and Distinctiveness: **Newness and distinctiveness resides in the features of shape and/or configuration of the design shown in the representations. The features shown in broken lines in the representations are for illustrative purposes only and should not be considered when construing visual features of the design.**



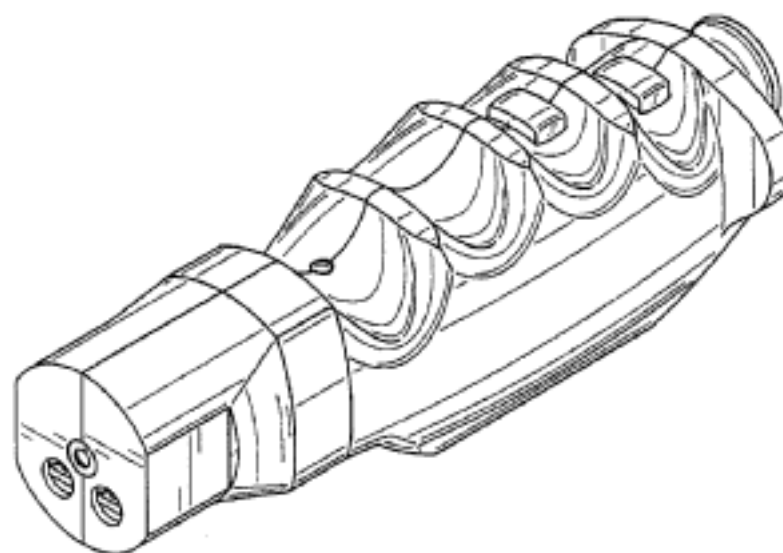
(21) Design Number: **15360/2012**
(22) Date of Filing Application: **24 October 2012**
(24) Date from which industrial property rights may have effect: **24 October 2012**
(54) Product in respect of which the design is registered: **Handle of fishing rod**
(51) International Design Classification: **22-05**
(74) Name(s) of Attorney(s): **A.P.T. Patent and Trade Mark Attorneys**
(71) Name(s) and Address(s) of Applicant(s):
KangWon Industry Co., Ltd.
57 Yongcheon-ri Wachon-myeon Gyeongsan-si Gyeongbuk Korea
(72) Name(s) of Designer(s): **Young Oh Ban and JinSool Park**
(45) Registration Date: **09 January 2013**
(56) Related Art Documents: **Not Applicable**
(57) Statement of Newness and Distinctiveness: **Nil**



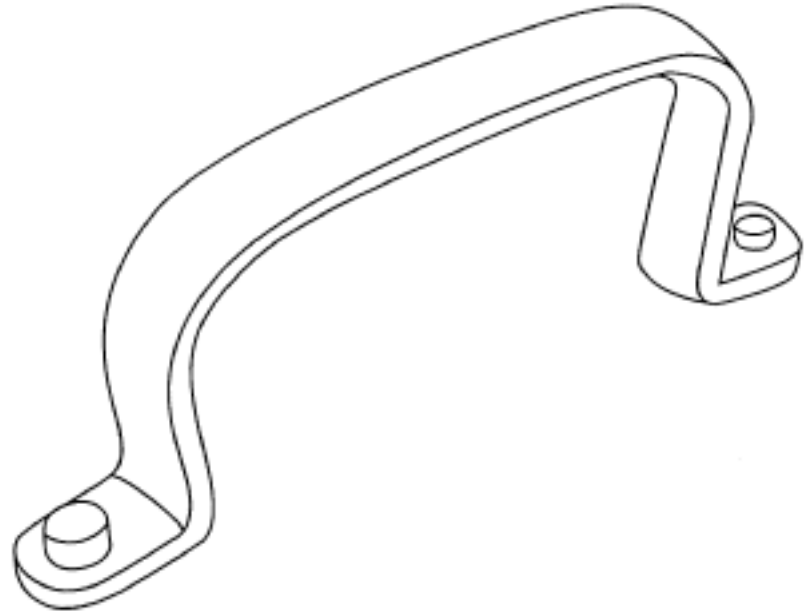
- (21) Design Number: **15382/2012**
(22) Date of Filing Application: **25 October 2012**
(24) Date from which industrial property rights may have effect: **25 October 2012**
(54) Product in respect of which the design is registered: **Telescopic 3 piece safety flag pole**
(51) International Design Classification: **11-05**
(74) Name(s) of Attorney(s):
(71) Name(s) and Address(s) of Applicant(s):
4x4 Equip Pty Ltd
5/15 Nicole CI Bayswater VIC 3134 Australia
(72) Name(s) of Designer(s): **Ian David Hastie**
(45) Registration Date: **09 January 2013**
(56) Related Art Documents: **Not Applicable**
(57) Statement of Newness and Distinctiveness: **Tough durable fibreglass material, designed to reduce excessive 'Whipping' Telescopic Cam-Lock adjustment Infinite adjustment of height up to maximum length Steel or Stainless Steel tube base for optimum support Facility in base enabling quick connection to optional mounting bases 'High visibility' flag material with 'Reflective Cross' for safety Unique Mesh flag material and cut profile to reduce wind drag Easily stored when not in use**



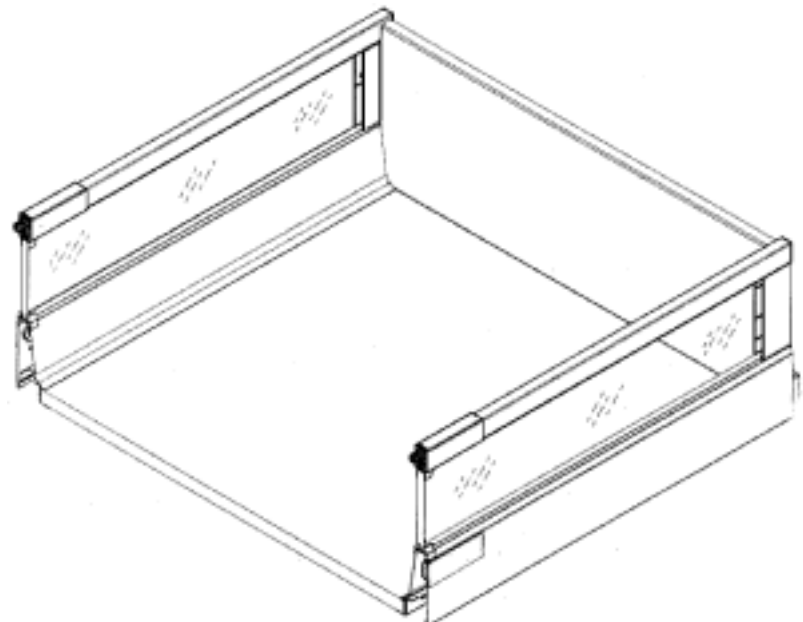
- (21) Design Number: **15399/2012**
(22) Date of Filing Application: **29 October 2012**
(24) Date from which industrial property rights may have effect: **29 October 2012**
(54) Product in respect of which the design is registered: **Controller for simulator**
(51) International Design Classification: **21-01N, 22-99**
(74) Name(s) of Attorney(s): **Davies Collison Cave**
(71) Name(s) and Address(s) of Applicant(s):
Dynamic Animation Systems, Inc.
12015 Lee Jackson Hwy SE 200 Fairfax VA 22033 United States of America
(72) Name(s) of Designer(s): **David A. Slayton and Dale E. Newcomb Jr. and Jack B. Amis and Dennis Deutsch and Carl Douglas Walker and Susana B. Slayton**
(45) Registration Date: **09 January 2013**
(30) Convention priority data:
(31) Number (32) Date (33) Country
29/419489 27 Apr 2012 UNITED STATES OF AMERICA
(56) Related Art Documents: **Not Applicable**
(57) Statement of Newness and Distinctiveness: **Newness and distinctiveness is claimed in the visual features shown in solid lines in the representations. The dashed lines do not form part of the design.**



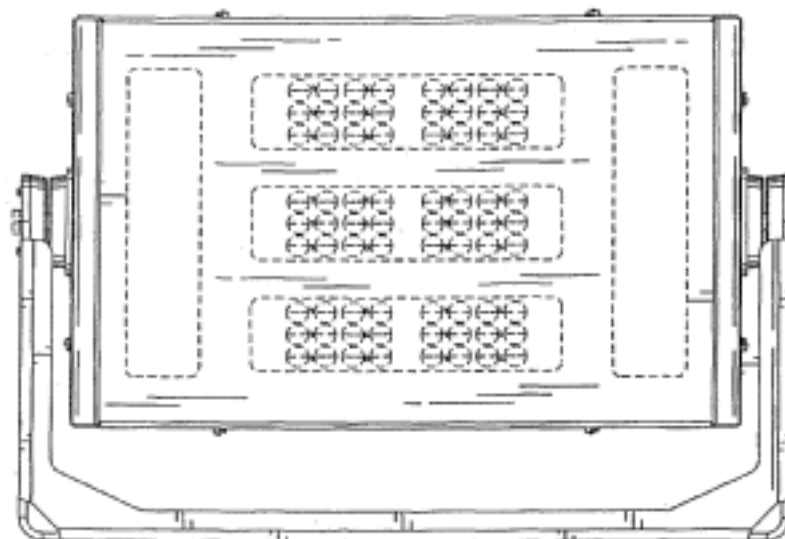
- (21) Design Number: **15527/2012**
(22) Date of Filing Application: **06 November 2012**
(24) Date from which industrial property rights may have effect: **06 November 2012**
(54) Product in respect of which the design is registered: **A handle for cookware**
(51) International Design Classification: **07-02R**
(74) Name(s) of Attorney(s): **SPRUSON & FERGUSON**
(71) Name(s) and Address(s) of Applicant(s):
Sheldon and Hammond Pty Ltd
24 Salisbury Rd Asquith NSW 2077 Australia
(72) Name(s) of Designer(s): **Alexander Angus**
(45) Registration Date: **09 January 2013**
(56) Related Art Documents: **Not Applicable**
(57) Statement of Newness and Distinctiveness: **Newness and distinctiveness is claimed in the features of shape and/or configuration of a handle as illustrated in the accompanying representations.**



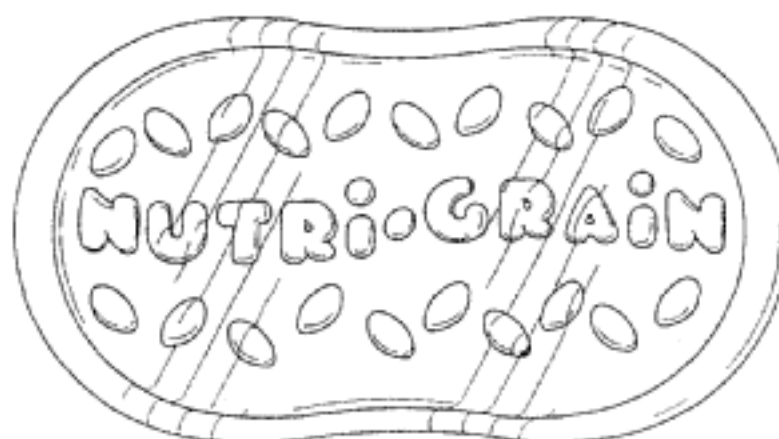
- (21) Design Number: **15542/2012**
(22) Date of Filing Application: **07 November 2012**
(24) Date from which industrial property rights may have effect: **07 November 2012**
(54) Product in respect of which the design is registered: **Drawer (without front panel)**
(51) International Design Classification: **06-06D**
(74) Name(s) of Attorney(s): **Callinans**
(71) Name(s) and Address(s) of Applicant(s):
Julius Blum GmbH
Industriestrasse 1 6973 Hochst Austria
(72) Name(s) of Designer(s): **Markus Kampl**
(45) Registration Date: **09 January 2013**
(30) Convention priority data:
(31) Number (32) Date (33) Country
2038539-0006 08 May 2012 EUROPEAN COMMUNITY
(56) Related Art Documents: **Not Applicable**
(57) Statement of Newness and Distinctiveness: **Nil**



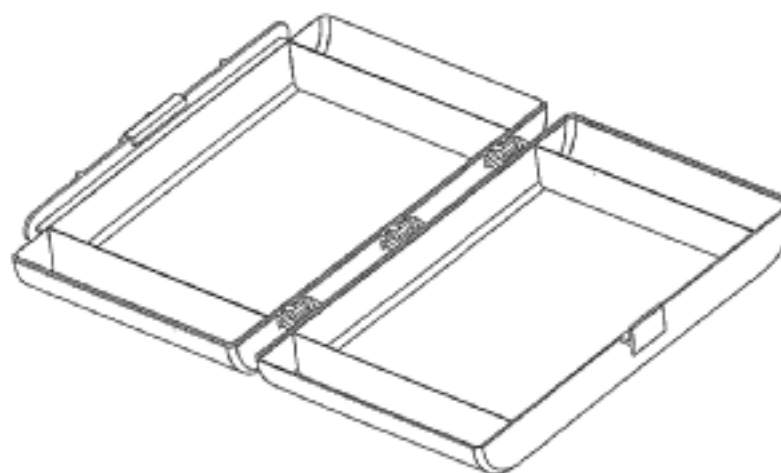
- (21) Design Number: **15566/2012**
(22) Date of Filing Application: **08 November 2012**
(24) Date from which industrial property rights may have effect: **08 November 2012**
(54) Product in respect of which the design is registered: **Light fixture with mounting bracket**
(51) International Design Classification: **26-05C**
(74) Name(s) of Attorney(s): **SPRUSON & FERGUSON**
(71) Name(s) and Address(s) of Applicant(s):
Robert Kenneth Yasuji Fletcher
3768 North Bay Drive Racine Wisconsin 53402 United States of America
Erwin W. Greenwaldt
2920 N. 78th Street Milwaukee Wisconsin 53222 United States of America
(72) Name(s) of Designer(s): **Robert Kenneth Yasuji Fletcher and Erwin W. Greenwaldt**
(45) Registration Date: **09 January 2013**
(30) Convention priority data:
(31) Number (32) Date (33) Country
29/420368 08 May 2012 UNITED STATES OF AMERICA
(56) Related Art Documents: **Not Applicable**
(57) Statement of Newness and Distinctiveness: **Newness and distinctiveness is claimed in the features of shape and/or configuration of a light fixture with mounting bracket as illustrated in continuous lines in the accompanying representations, in which particular regard is given to the shape and/or configuration of the mounting bracket and chamfered edges of the light fixture housing.**



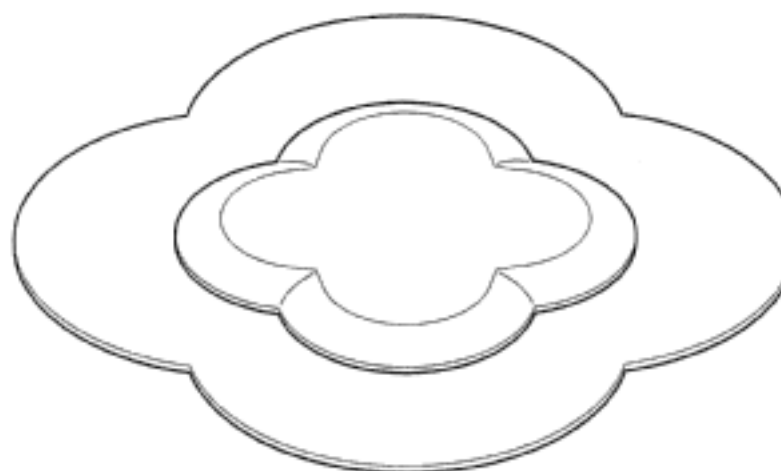
- (21) Design Number: **15578/2012**
(22) Date of Filing Application: **08 November 2012**
(24) Date from which industrial property rights may have effect: **08 November 2012**
(54) Product in respect of which the design is registered: **Edible biscuit**
(51) International Design Classification: **01-01**
(74) Name(s) of Attorney(s): **Davies Collison Cave**
(71) Name(s) and Address(s) of Applicant(s):
Kellogg Company
One Kellogg Square PO Box 3599 Battle Creek Michigan 49016-3599
United States of America
(72) Name(s) of Designer(s): **Donald E. Barnes and David Acosta Sanchez and Victoria Brunning**
(45) Registration Date: **09 January 2013**
(30) Convention priority data:
(31) Number (32) Date (33) Country
002038398 08 May 2012 EUROPEAN COMMUNITY
(56) Related Art Documents: **Not Applicable**
(57) Statement of Newness and Distinctiveness: **Nil**



- (21) Design Number: **15606/2012**
(22) Date of Filing Application: **12 November 2012**
(24) Date from which industrial property rights may have effect: **12 November 2012**
(54) Product in respect of which the design is registered: **A Case for carrying medical instruments**
(51) International Design Classification: **03-01NES**
(74) Name(s) of Attorney(s): **Chrysiliou IP**
(71) Name(s) and Address(s) of Applicant(s):
Multigate Medical Products Pty Limited
11-17 Nelson Rd Yennora NSW 2161 Australia
(72) Name(s) of Designer(s): **Ben Chen**
(45) Registration Date: **09 January 2013**
(56) Related Art Documents: **Not Applicable**
(57) Statement of Newness and Distinctiveness: **Newness and distinctiveness is claimed in the features of shape and/or configuration of a case as illustrated in the accompanying representations. In considering which features are new and distinctive, the interior and hinges of the case are to be disregarded.**



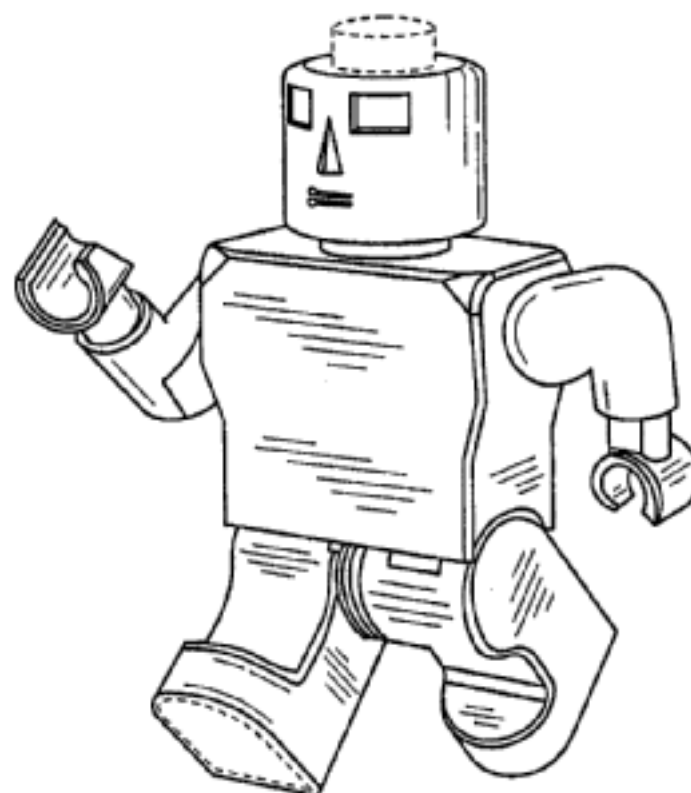
- (21) Design Number: **15646/2012**
(22) Date of Filing Application: **13 November 2012**
(24) Date from which industrial property rights may have effect: **13 November 2012**
(54) Product in respect of which the design is registered: **Medical dressing**
(51) International Design Classification: **24-04**
(74) Name(s) of Attorney(s): **Griffith Hack**
(71) Name(s) and Address(s) of Applicant(s):
Smith & Nephew Plc
15 Adam Street London WC2N 6LA United Kingdom
(72) Name(s) of Designer(s): **Damian Smith and Helene Lecomte and Ella Mumby**
(45) Registration Date: **09 January 2013**
(30) Convention priority data:
(31) Number (32) Date (33) Country
002041673-001 15 May 2012 EUROPEAN COMMUNITY
(56) Related Art Documents: **Not Applicable**
(57) Statement of Newness and Distinctiveness: **Newness and distinctiveness resides in the visual features, including shape, configuration and ornamentation of the product as show in the accompanying representations.**



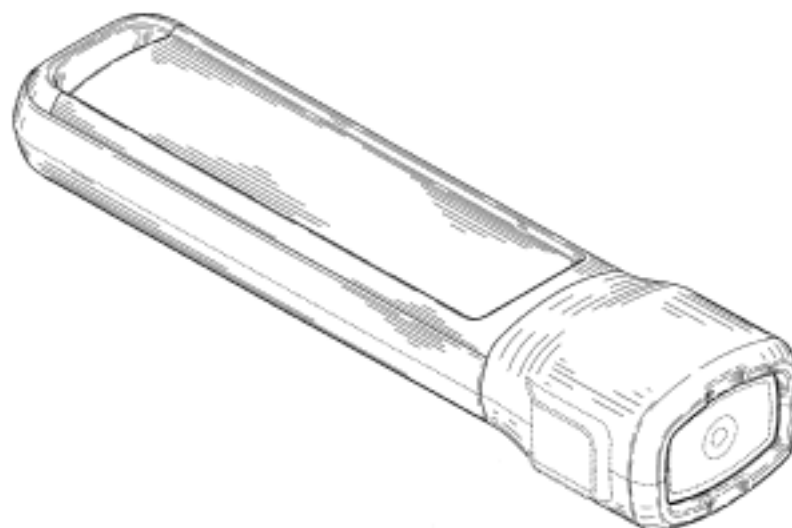
(21) Design Number: **15699/2012**
(22) Date of Filing Application: **15 November 2012**
(24) Date from which industrial property rights may have effect: **15 November 2012**
(54) Product in respect of which the design is registered: **Motorcycle**
(51) International Design Classification: **12-11**
(74) Name(s) of Attorney(s): **SPRUSON & FERGUSON**
(71) Name(s) and Address(s) of Applicant(s):
Honda Motor Co., Ltd.
1-1 Minamiaoyama 2-chome Minato-ku Tokyo Japan
(72) Name(s) of Designer(s): **Takeshi Futamata and Arihide Tsujimoto**
(45) Registration Date: **09 January 2013**
(30) Convention priority data:
(31) Number (32) Date (33) Country
2012-011514 17 May 2012 JAPAN
(56) Related Art Documents: **Not Applicable**
(57) Statement of Newness and Distinctiveness: **Newness and distinctiveness is claimed in the features of shape and/or configuration of a motorcycle as illustrated in the accompanying representations.**



(21) Design Number: **15812/2012**
(22) Date of Filing Application: **19 November 2012**
(24) Date from which industrial property rights may have effect: **19 November 2012**
(54) Product in respect of which the design is registered: **Toy figure**
(51) International Design Classification: **21-01B**
(74) Name(s) of Attorney(s): **Griffith Hack**
(71) Name(s) and Address(s) of Applicant(s):
Best-Lock Construction Toys, Inc.
444 Brickell Avenue Suite 300 Miami FL 33131 United States of America
(72) Name(s) of Designer(s): **Torsten Geller**
(45) Registration Date: **09 January 2013**
(30) Convention priority data:
(31) Number (32) Date (33) Country
29/422,369 18 May 2012 UNITED STATES OF AMERICA
(56) Related Art Documents: **Not Applicable**
(57) Statement of Newness and Distinctiveness: **Newness and distinctiveness resides in the visual features, including shape and configuration, of a TOY FIGURE as shown in solid outline in the accompanying drawings. When determining whether the design is substantially similar in overall impression to another design, no regard is to be had to those features shown in dotted outline in the accompanying drawings, which features are provided for illustrative purposes only.**

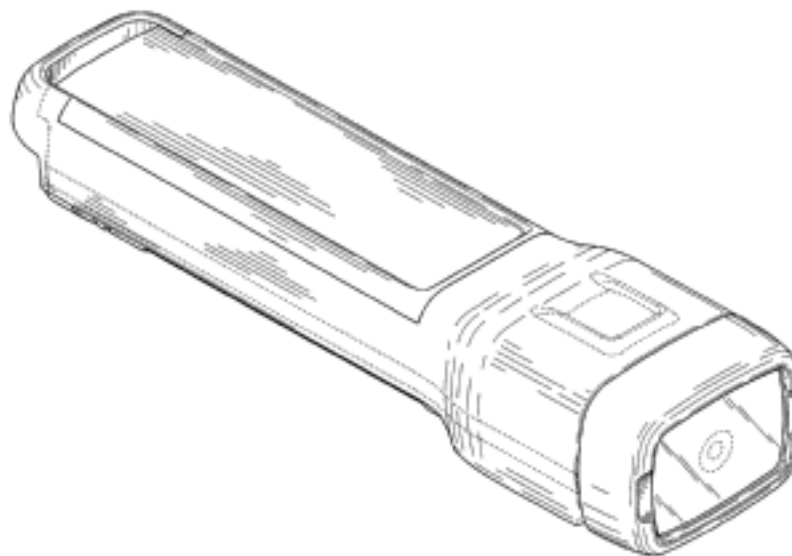


(21) Design Number: **15843/2012**
 (22) Date of Filing Application: **21 November 2012**
 (24) Date from which industrial property rights may have effect: **21 November 2012**
 (54) Product in respect of which the design is registered: **Lighting device**
 (51) International Design Classification: **26-02**
 (74) Name(s) of Attorney(s): **Halfords IP**
 (71) Name(s) and Address(s) of Applicant(s):
Eveready Battery Company, Inc.
533 Maryville University Drive St Louis Missouri 63141 United States of America



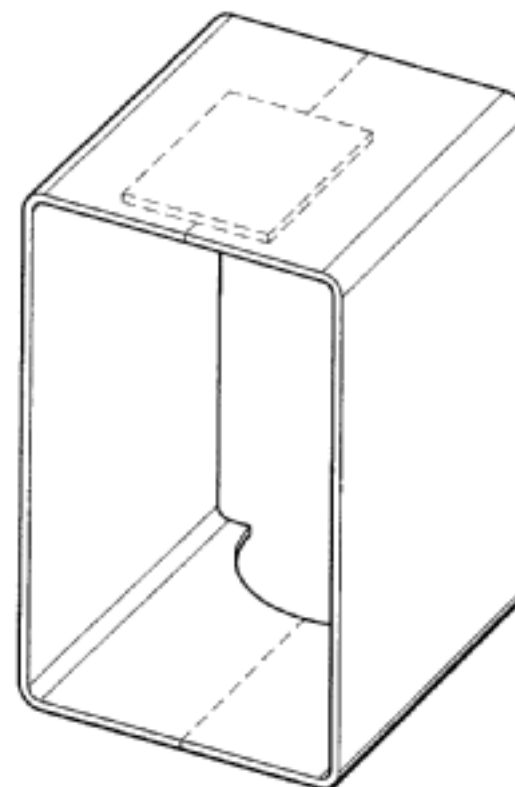
(72) Name(s) of Designer(s): **Angelo Kotsis and Timothy J. Rugendyke**
 (45) Registration Date: **09 January 2013**
 (30) Convention priority data:
 (31) Number (32) Date (33) Country
29/424322 11 Jun 2012 UNITED STATES OF AMERICA
 (56) Related Art Documents: **Not Applicable**
 (57) Statement of Newness and Distinctiveness: **Newness and Distinctiveness is claimed in those features of shape and or configuration of a lighting device in the accompanying representations. Shading lines and features shown in broken lines do not form part of the design.**

(21) Design Number: **15844/2012**
 (22) Date of Filing Application: **21 November 2012**
 (24) Date from which industrial property rights may have effect: **21 November 2012**
 (54) Product in respect of which the design is registered: **Lighting device**
 (51) International Design Classification: **26-02**
 (74) Name(s) of Attorney(s): **Halfords IP**
 (71) Name(s) and Address(s) of Applicant(s):
Eveready Battery Company, Inc.
533 Maryville University Drive St Louis Missouri 63141 United States of America

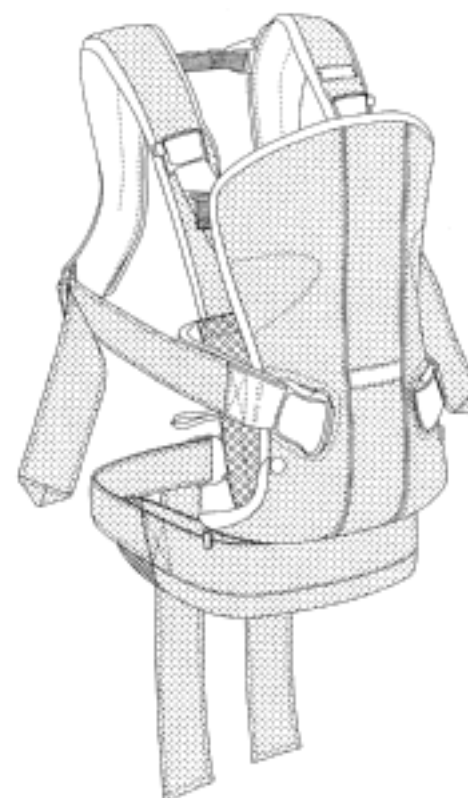


(72) Name(s) of Designer(s): **Timothy J. Rugendyke and Samuel J. Weise and John R. Brown**
 (45) Registration Date: **09 January 2013**
 (30) Convention priority data:
 (31) Number (32) Date (33) Country
29/424325 11 Jun 2012 UNITED STATES OF AMERICA
 (56) Related Art Documents: **Not Applicable**
 (57) Statement of Newness and Distinctiveness: **Newness and Distinctiveness is claimed in those features of shape and or configuration of a lighting device in the accompanying representations. Shading lines and features shown in broken lines do not form part of the design.**

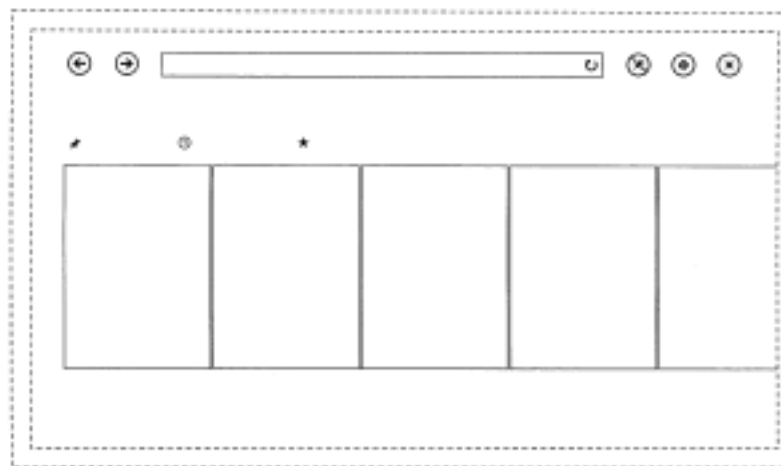
- (21) Design Number: **15912/2012**
(22) Date of Filing Application: **26 November 2012**
(24) Date from which industrial property rights may have effect: **26 November 2012**
(54) Product in respect of which the design is registered: **Spacer for a tundish**
(51) International Design Classification: **23-01NES**
(74) Name(s) of Attorney(s): **Callinans**
(71) Name(s) and Address(s) of Applicant(s):
M.A.G. Industries (Australia) Pty Ltd
5 Willsmore St Williamstown VIC 3016 Australia
(72) Name(s) of Designer(s): **Mark Griffith**
(45) Registration Date: **09 January 2013**
(56) Related Art Documents: **Not Applicable**
(57) Statement of Newness and Distinctiveness: **Newness and distinctiveness resides in the features of shape and/or configuration of a spacer for a plumbing fixture as shown in solid lines in the accompanying representations. The features shown in broken lines in the representations are for illustrative purposes only and should not be considered when construing visual features of the design.**



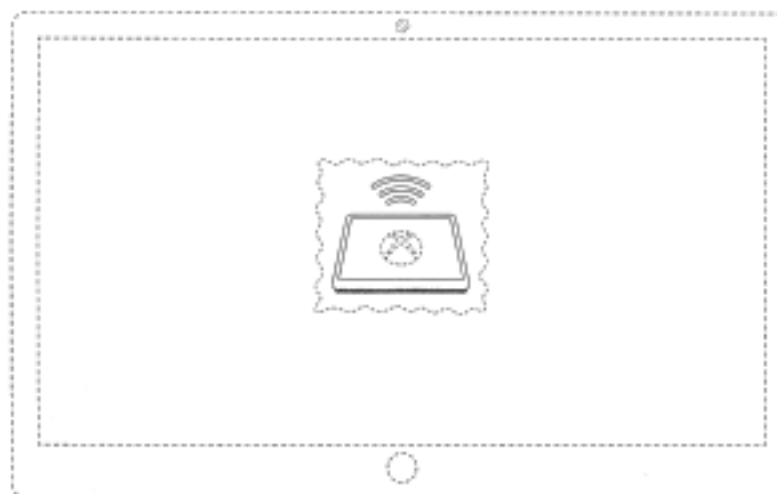
- (21) Design Number: **15950/2012**
(22) Date of Filing Application: **28 November 2012**
(24) Date from which industrial property rights may have effect: **28 November 2012**
(54) Product in respect of which the design is registered: **Baby carrier**
(51) International Design Classification: **03-99**
(74) Name(s) of Attorney(s): **SPRUSON & FERGUSON**
(71) Name(s) and Address(s) of Applicant(s):
BabyBjorn AB
Box 913 SE-170 09 SOLNA Sweden
(72) Name(s) of Designer(s): **Marten Andren and Ulrika Vejbrink and David Thalen and Kim de Bruin-Lyckman**
(45) Registration Date: **09 January 2013**
(30) Convention priority data:
(31) Number (32) Date (33) Country
002072454-0001 12 Jul 2012 EUROPEAN COMMUNITY
(56) Related Art Documents: **Not Applicable**
(57) Statement of Newness and Distinctiveness: **Newness and distinctiveness is claimed in the features of shape and/or configuration of a baby carrier as illustrated in the accompanying representations.**



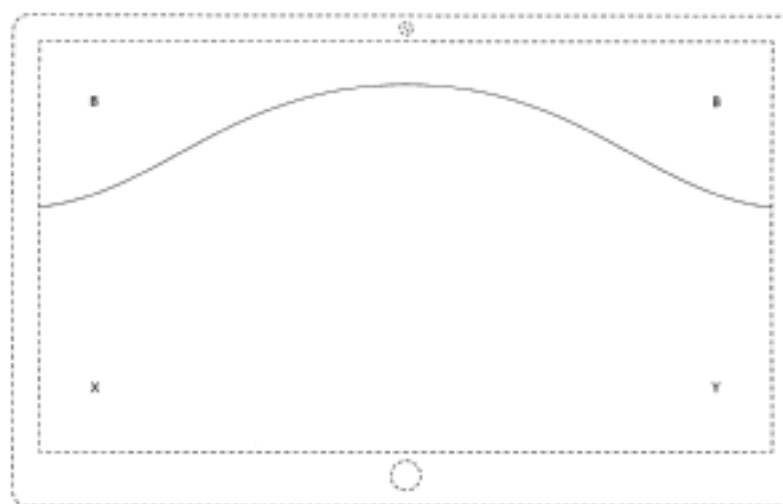
- (21) Design Number: **16062/2012**
(22) Date of Filing Application: **04 December 2012**
(24) Date from which industrial property rights may have effect: **04 December 2012**
(54) Product in respect of which the design is registered: **Display screen with user interface**
(51) International Design Classification: **14-02**
(74) Name(s) of Attorney(s): **Shelston IP**
(71) Name(s) and Address(s) of Applicant(s):
Microsoft Corporation
One Microsoft Way Redmond Washington 98052 United States of America
(72) Name(s) of Designer(s): **David Gardner and Neil Cueto and Matthew James Schoenholz and Daniel John Zurawski**
(45) Registration Date: **09 January 2013**
(30) Convention priority data:
(31) Number (32) Date (33) Country
29/423671 04 Jun 2012 UNITED STATES OF AMERICA
(56) Related Art Documents: **Not Applicable**
(57) Statement of Newness and Distinctiveness: **Newness and distinctiveness reside in the pattern and/or ornamentation of a display screen with user interface as illustrated by solid lines in the accompanying representation. The features shown in broken outline are for contextual purposes only and do not form part of the design.**



- (21) Design Number: **16063/2012**
(22) Date of Filing Application: **04 December 2012**
(24) Date from which industrial property rights may have effect: **04 December 2012**
(54) Product in respect of which the design is registered: **Display screen with icon**
(51) International Design Classification: **14-02**
(74) Name(s) of Attorney(s): **Shelston IP**
(71) Name(s) and Address(s) of Applicant(s):
Microsoft Corporation
One Microsoft Way Redmond Washington 98052 United States of America
(72) Name(s) of Designer(s): **Becky Ann Brown and Daniel Martin Varon and Brian Allen Shobe and Spencer Israel Antonin Nataraja Hurd**
(45) Registration Date: **09 January 2013**
(30) Convention priority data:
(31) Number (32) Date (33) Country
29/423672 04 Jun 2012 UNITED STATES OF AMERICA
(56) Related Art Documents: **Not Applicable**
(57) Statement of Newness and Distinctiveness: **Newness and distinctiveness reside in the pattern and/or ornamentation of a display screen with icon as illustrated by solid lines in the accompanying representation. The features shown in broken outline are for contextual purposes only and do not form part of the design.**

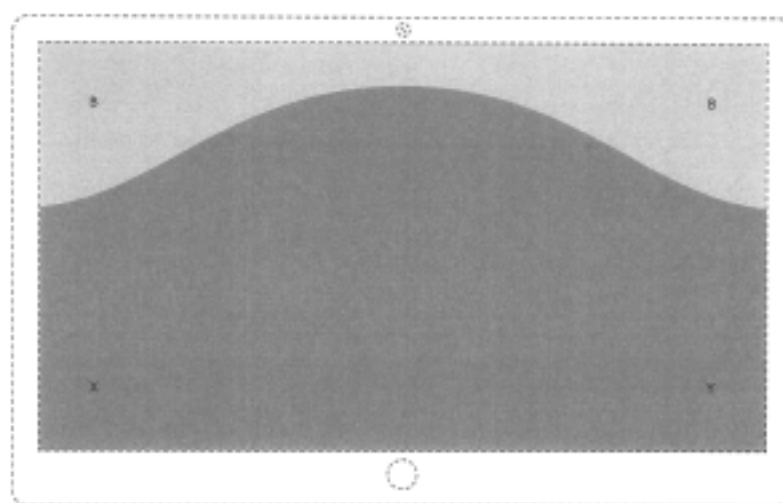


(21) Design Number: **16064/2012**
(22) Date of Filing Application: **04 December 2012**
(24) Date from which industrial property rights may have effect: **04 December 2012**
(54) Product in respect of which the design is registered: **Display screen with user interface**
(51) International Design Classification: **14-02**
(74) Name(s) of Attorney(s): **Shelston IP**
(71) Name(s) and Address(s) of Applicant(s):
Microsoft Corporation
One Microsoft Way Redmond Washington 98052 United States of America
(72) Name(s) of Designer(s): **Daniel Martin Varon and Brian Allen Shobe and Spencer Israel Antonin Nataraja Hurd**
(45) Registration Date: **09 January 2013**
(30) Convention priority data:
(31) Number (32) Date (33) Country
29/423677 04 Jun 2012 UNITED STATES OF AMERICA



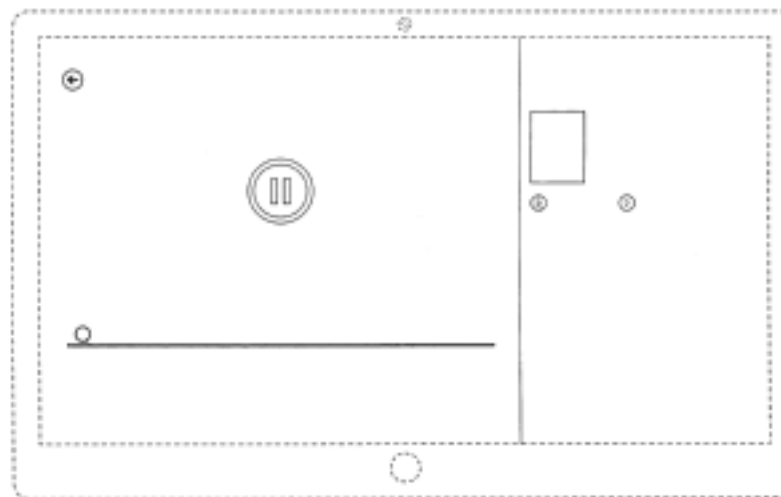
(56) Related Art Documents: **Not Applicable**
(57) Statement of Newness and Distinctiveness: **Newness and distinctiveness reside in the pattern and/or ornamentation of a display screen with user interface as illustrated by solid lines in the accompanying representation. The features shown in broken outline are for contextual purposes only and do not form part of the design. The alphabetic letters depicted are indicative only, and may be substituted by alternative symbols or alphanumeric characters.**

(21) Design Number: **16065/2012**
(22) Date of Filing Application: **04 December 2012**
(24) Date from which industrial property rights may have effect: **04 December 2012**
(54) Product in respect of which the design is registered: **Display screen with user interface**
(51) International Design Classification: **14-02**
(74) Name(s) of Attorney(s): **Shelston IP**
(71) Name(s) and Address(s) of Applicant(s):
Microsoft Corporation
One Microsoft Way Redmond Washington 98052 United States of America
(72) Name(s) of Designer(s): **Daniel Martin Varon and Brian Allen Shobe and Spencer Israel Antonin Nataraja Hurd**
(45) Registration Date: **09 January 2013**
(30) Convention priority data:
(31) Number (32) Date (33) Country
29/423677 04 Jun 2012 UNITED STATES OF AMERICA

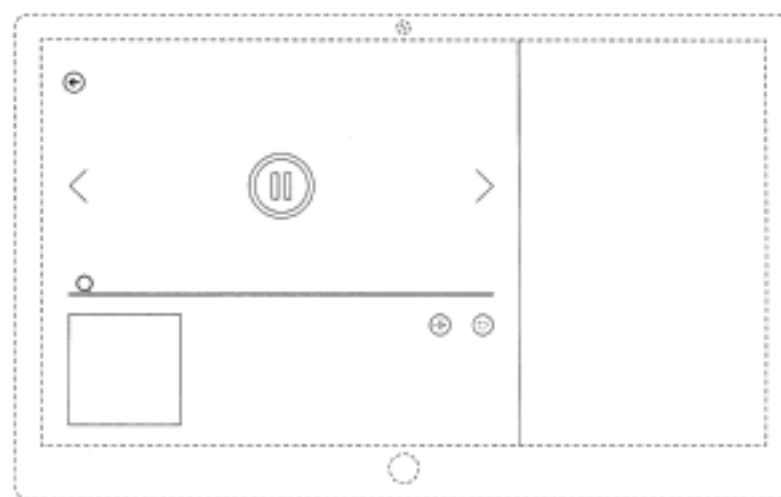


(56) Related Art Documents: **Not Applicable**
(57) Statement of Newness and Distinctiveness: **Newness and distinctiveness reside in the pattern and/or ornamentation of a display screen with user interface as illustrated by solid lines in the accompanying representation. The features shown in broken outline are for contextual purposes only and do not form part of the design. The alphabetic letters depicted are indicative only, and may be substituted by alternative symbols or alphanumeric characters.**

- (21) Design Number: **16066/2012**
(22) Date of Filing Application: **04 December 2012**
(24) Date from which industrial property rights may have effect: **04 December 2012**
(54) Product in respect of which the design is registered: **Display screen with user interface**
(51) International Design Classification: **14-02**
(74) Name(s) of Attorney(s): **Shelston IP**
(71) Name(s) and Address(s) of Applicant(s):
Microsoft Corporation
One Microsoft Way Redmond Washington 98052 United States of America
(72) Name(s) of Designer(s): **Daniel Martin Varon and Brian Allen Shobe and Spencer Israel Antonin Nataraja Hurd**
(45) Registration Date: **09 January 2013**
(30) Convention priority data:
(31) Number (32) Date (33) Country
29/423679 04 Jun 2012 UNITED STATES OF AMERICA
(56) Related Art Documents: **Not Applicable**
(57) Statement of Newness and Distinctiveness: **Newness and distinctiveness reside in the pattern and/or ornamentation of a display screen with user interface as illustrated by solid lines in the accompanying representation. The features shown in broken outline are for contextual purposes only and do not form part of the design.**



- (21) Design Number: **16067/2012**
(22) Date of Filing Application: **04 December 2012**
(24) Date from which industrial property rights may have effect: **04 December 2012**
(54) Product in respect of which the design is registered: **Display screen with user interface**
(51) International Design Classification: **14-02**
(74) Name(s) of Attorney(s): **Shelston IP**
(71) Name(s) and Address(s) of Applicant(s):
Microsoft Corporation
One Microsoft Way Redmond Washington 98052 United States of America
(72) Name(s) of Designer(s): **Daniel Martin Varon and Brian Allen Shobe and Spencer Israel Antonin Nataraja Hurd**
(45) Registration Date: **09 January 2013**
(30) Convention priority data:
(31) Number (32) Date (33) Country
29/423681 04 Jun 2012 UNITED STATES OF AMERICA
(56) Related Art Documents: **Not Applicable**
(57) Statement of Newness and Distinctiveness: **Newness and distinctiveness reside in the pattern and/or ornamentation of a display screen with user interface as illustrated by solid lines in the accompanying representation. The features shown in broken outline are for contextual purposes only and do not form part of the design.**



- (21) Design Number: **11639/2012**
(22) Date of Filing Application: **29 March 2012**
(24) Date from which industrial property rights may have effect: **29 March 2012**
(54) Product in respect of which the design is registered: **Article of clothing**
(51) International Design Classification: **02-02NES**
(74) Name(s) of Attorney(s): **Allens Patent & Trade Mark Attorneys**
(71) Name(s) and Address(s) of Applicant(s):
Forever New Clothing Pty Ltd
714-716 High St Kew East VIC 3102 Australia
(72) Name(s) of Designer(s): **Simon Edwards**
(45) Registration Date: **09 January 2013**
(56) Related Art Documents: **Not Applicable**
(57) Statement of Newness and Distinctiveness: **Newness and distinctiveness resides in the visual features of shape, configuration, pattern and/or ornamentation of an article of clothing as shown in the accompanying representations.**



- (21) Design Number: **16102/2012**
(22) Date of Filing Application: **05 December 2012**
(24) Date from which industrial property rights may have effect: **29 March 2012**
(54) Product in respect of which the design is registered: **Article of clothing**
(51) International Design Classification: **02-02NES**
(74) Name(s) of Attorney(s): **Allens Patent & Trade Mark Attorneys**
(71) Name(s) and Address(s) of Applicant(s):
Forever New Clothing Pty Ltd
714-716 High St Kew East VIC 3102 Australia
(72) Name(s) of Designer(s): **Gemma Henderson**
(45) Registration Date: **09 January 2013**
(62) Divisional of: **346304**
(56) Related Art Documents: **Not Applicable**
(57) Statement of Newness and Distinctiveness: **Newness and distinctiveness resides in the visual features of shape, configuration, pattern and/or ornamentation of an article of clothing as shown in the accompanying representations.**



- (21) Design Number: **16103/2012**
(22) Date of Filing Application: **05 December 2012**
(24) Date from which industrial property rights may have effect: **29 March 2012**
(54) Product in respect of which the design is registered: **Article of clothing**
(51) International Design Classification: **02-02NES**
(74) Name(s) of Attorney(s): **Allens Patent & Trade Mark Attorneys**
(71) Name(s) and Address(s) of Applicant(s):
Forever New Clothing Pty Ltd
714-716 High St Kew East VIC 3102 Australia
(72) Name(s) of Designer(s): **Simon Edwards**
(45) Registration Date: **09 January 2013**
(62) Divisional of: **346304**
(56) Related Art Documents: **Not Applicable**
(57) Statement of Newness and Distinctiveness: **Newness and distinctiveness resides in the visual features of shape, configuration, pattern and/or ornamentation of an article of clothing as shown in the accompanying representations.**



- (21) Design Number: **16104/2012**
(22) Date of Filing Application: **05 December 2012**
(24) Date from which industrial property rights may have effect: **29 March 2012**
(54) Product in respect of which the design is registered: **Article of clothing**
(51) International Design Classification: **02-02NES**
(74) Name(s) of Attorney(s): **Allens Patent & Trade Mark Attorneys**
(71) Name(s) and Address(s) of Applicant(s):
Forever New Clothing Pty Ltd
714-716 High St Kew East VIC 3102 Australia
(72) Name(s) of Designer(s): **Simon Edwards**
(45) Registration Date: **09 January 2013**
(62) Divisional of: **346304**
(56) Related Art Documents: **Not Applicable**
(57) Statement of Newness and Distinctiveness: **Newness and distinctiveness resides in the visual features of shape, configuration, pattern and/or ornamentation of an article of clothing as shown in the accompanying representations.**



- (21) Design Number: **16105/2012**
(22) Date of Filing Application: **05 December 2012**
(24) Date from which industrial property rights may have effect: **29 March 2012**
(54) Product in respect of which the design is registered: **Article of clothing**
(51) International Design Classification: **02-02NES**
(74) Name(s) of Attorney(s): **Allens Patent & Trade Mark Attorneys**
(71) Name(s) and Address(s) of Applicant(s):
Forever New Clothing Pty Ltd
714-716 High St Kew East VIC 3102 Australia
(72) Name(s) of Designer(s): **Simon Edwards**
(45) Registration Date: **09 January 2013**
(62) Divisional of: **346304**
(56) Related Art Documents: **Not Applicable**
(57) Statement of Newness and Distinctiveness: **Newness and distinctiveness resides in the visual features of shape, configuration, pattern and/or ornamentation of an article of clothing as shown in the accompanying representations.**



- (21) Design Number: **16106/2012**
(22) Date of Filing Application: **05 December 2012**
(24) Date from which industrial property rights may have effect: **29 March 2012**
(54) Product in respect of which the design is registered: **Article of clothing**
(51) International Design Classification: **02-02C**
(74) Name(s) of Attorney(s): **Allens Patent & Trade Mark Attorneys**
(71) Name(s) and Address(s) of Applicant(s):
Forever New Clothing Pty Ltd
714-716 High St Kew East VIC 3102 Australia
(72) Name(s) of Designer(s): **Gemma Henderson**
(45) Registration Date: **09 January 2013**
(62) Divisional of: **346304**
(56) Related Art Documents: **Not Applicable**
(57) Statement of Newness and Distinctiveness: **Newness and distinctiveness resides in the visual features of shape, configuration, pattern and/or ornamentation of an article of clothing as shown in the accompanying representations.**



- (21) Design Number: **16107/2012**
(22) Date of Filing Application: **05 December 2012**
(24) Date from which industrial property rights may have effect: **29 March 2012**
(54) Product in respect of which the design is registered: **Article of clothing**
(51) International Design Classification: **02-02C**
(74) Name(s) of Attorney(s): **Allens Patent & Trade Mark Attorneys**
(71) Name(s) and Address(s) of Applicant(s):
Forever New Clothing Pty Ltd
714-716 High St Kew East VIC 3102 Australia
(72) Name(s) of Designer(s): **Gemma Henderson**
(45) Registration Date: **09 January 2013**
(62) Divisional of: **346304**
(56) Related Art Documents: **Not Applicable**
(57) Statement of Newness and Distinctiveness: **Newness and distinctiveness resides in the visual features of shape, configuration, pattern and/or ornamentation of an article of clothing as shown in the accompanying representations.**



- (21) Design Number: **16108/2012**
(22) Date of Filing Application: **05 December 2012**
(24) Date from which industrial property rights may have effect: **29 March 2012**
(54) Product in respect of which the design is registered: **Article of clothing**
(51) International Design Classification: **02-02C**
(74) Name(s) of Attorney(s): **Allens Patent & Trade Mark Attorneys**
(71) Name(s) and Address(s) of Applicant(s):
Forever New Clothing Pty Ltd
714-716 High St Kew East VIC 3102 Australia
(72) Name(s) of Designer(s): **Gemma Henderson**
(45) Registration Date: **09 January 2013**
(62) Divisional of: **346304**
(56) Related Art Documents: **Not Applicable**
(57) Statement of Newness and Distinctiveness: **Newness and distinctiveness resides in the visual features of shape, configuration, pattern and/or ornamentation of an article of clothing as shown in the accompanying representations.**



- (21) Design Number: **16109/2012**
(22) Date of Filing Application: **05 December 2012**
(24) Date from which industrial property rights may have effect: **29 March 2012**
(54) Product in respect of which the design is registered: **Article of clothing**
(51) International Design Classification: **02-02C**
(74) Name(s) of Attorney(s): **Allens Patent & Trade Mark Attorneys**
(71) Name(s) and Address(s) of Applicant(s):
Forever New Clothing Pty Ltd
714-716 High St Kew East VIC 3102 Australia
(72) Name(s) of Designer(s): **Gemma Henderson**
(45) Registration Date: **09 January 2013**
(62) Divisional of: **346304**
(56) Related Art Documents: **Not Applicable**
(57) Statement of Newness and Distinctiveness: **Newness and distinctiveness resides in the visual features of shape, configuration, pattern and/or ornamentation of an article of clothing as shown in the accompanying representations.**



- (21) Design Number: **16110/2012**
(22) Date of Filing Application: **05 December 2012**
(24) Date from which industrial property rights may have effect: **29 March 2012**
(54) Product in respect of which the design is registered: **Article of clothing**
(51) International Design Classification: **02-02C**
(74) Name(s) of Attorney(s): **Allens Patent & Trade Mark Attorneys**
(71) Name(s) and Address(s) of Applicant(s):
Forever New Clothing Pty Ltd
714-716 High St Kew East VIC 3102 Australia
(72) Name(s) of Designer(s): **Gemma Henderson**
(45) Registration Date: **09 January 2013**
(62) Divisional of: **346304**
(56) Related Art Documents: **Not Applicable**
(57) Statement of Newness and Distinctiveness: **Newness and distinctiveness resides in the visual features of shape, configuration, pattern and/or ornamentation of an article of clothing as shown in the accompanying representations.**



- (21) Design Number: **16111/2012**
(22) Date of Filing Application: **05 December 2012**
(24) Date from which industrial property rights may have effect: **29 March 2012**
(54) Product in respect of which the design is registered: **Article of clothing**
(51) International Design Classification: **02-02NES**
(74) Name(s) of Attorney(s): **Allens Patent & Trade Mark Attorneys**
(71) Name(s) and Address(s) of Applicant(s):
Forever New Clothing Pty Ltd
714-716 High St Kew East VIC 3102 Australia
(72) Name(s) of Designer(s): **Mantra Ahrendt**
(45) Registration Date: **09 January 2013**
(62) Divisional of: **346304**
(56) Related Art Documents: **Not Applicable**
(57) Statement of Newness and Distinctiveness: **Newness and distinctiveness resides in the visual features of shape, configuration, pattern and/or ornamentation of an article of clothing as shown in the accompanying representations.**



- (21) Design Number: **16112/2012**
(22) Date of Filing Application: **05 December 2012**
(24) Date from which industrial property rights may have effect: **29 March 2012**
(54) Product in respect of which the design is registered: **Article of clothing**
(51) International Design Classification: **02-02C**
(74) Name(s) of Attorney(s): **Allens Patent & Trade Mark Attorneys**
(71) Name(s) and Address(s) of Applicant(s):
Forever New Clothing Pty Ltd
714-716 High St Kew East VIC 3102 Australia
(72) Name(s) of Designer(s): **Laura Mitchell**
(45) Registration Date: **09 January 2013**
(62) Divisional of: **346304**
(56) Related Art Documents: **Not Applicable**
(57) Statement of Newness and Distinctiveness: **Newness and distinctiveness resides in the visual features of shape, configuration, pattern and/or ornamentation of an article of clothing as shown in the accompanying representations.**



- (21) Design Number: **16113/2012**
(22) Date of Filing Application: **05 December 2012**
(24) Date from which industrial property rights may have effect: **29 March 2012**
(54) Product in respect of which the design is registered: **Article of clothing**
(51) International Design Classification: **02-02C**
(74) Name(s) of Attorney(s): **Allens Patent & Trade Mark Attorneys**
(71) Name(s) and Address(s) of Applicant(s):
Forever New Clothing Pty Ltd
714-716 High St Kew East VIC 3102 Australia
(72) Name(s) of Designer(s): **Laura Mitchell**
(45) Registration Date: **09 January 2013**
(62) Divisional of: **346304**
(56) Related Art Documents: **Not Applicable**
(57) Statement of Newness and Distinctiveness: **Newness and distinctiveness resides in the visual features of shape, configuration, pattern and/or ornamentation of an article of clothing as shown in the accompanying representations.**



- (21) Design Number: **16114/2012**
(22) Date of Filing Application: **05 December 2012**
(24) Date from which industrial property rights may have effect: **29 March 2012**
(54) Product in respect of which the design is registered: **Article of clothing**
(51) International Design Classification: **02-02C**
(74) Name(s) of Attorney(s): **Allens Patent & Trade Mark Attorneys**
(71) Name(s) and Address(s) of Applicant(s):
Forever New Clothing Pty Ltd
714-716 High St Kew East VIC 3102 Australia
(72) Name(s) of Designer(s): **Laura Mitchell**
(45) Registration Date: **09 January 2013**
(62) Divisional of: **346304**
(56) Related Art Documents: **Not Applicable**
(57) Statement of Newness and Distinctiveness: **Newness and distinctiveness resides in the visual features of shape, configuration, pattern and/or ornamentation of an article of clothing as shown in the accompanying representations.**



- (21) Design Number: **16115/2012**
(22) Date of Filing Application: **05 December 2012**
(24) Date from which industrial property rights may have effect: **29 March 2012**
(54) Product in respect of which the design is registered: **Article of clothing**
(51) International Design Classification: **02-02C**
(74) Name(s) of Attorney(s): **Allens Patent & Trade Mark Attorneys**
(71) Name(s) and Address(s) of Applicant(s):
Forever New Clothing Pty Ltd
714-716 High St Kew East VIC 3102 Australia
(72) Name(s) of Designer(s): **Dulcie Flynn**
(45) Registration Date: **09 January 2013**
(62) Divisional of: **346304**
(56) Related Art Documents: **Not Applicable**
(57) Statement of Newness and Distinctiveness: **Newness and distinctiveness resides in the visual features of shape, configuration, pattern and/or ornamentation of an article of clothing as shown in the accompanying representations.**



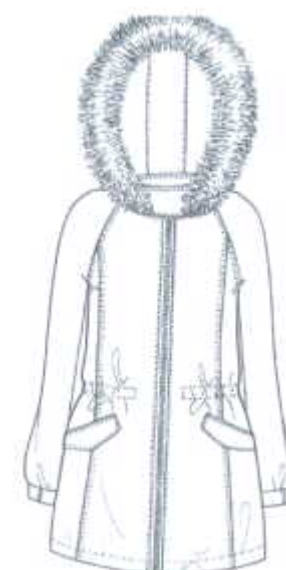
- (21) Design Number: **16116/2012**
(22) Date of Filing Application: **05 December 2012**
(24) Date from which industrial property rights may have effect: **29 March 2012**
(54) Product in respect of which the design is registered: **Article of clothing**
(51) International Design Classification: **02-02C**
(74) Name(s) of Attorney(s): **Allens Patent & Trade Mark Attorneys**
(71) Name(s) and Address(s) of Applicant(s):
Forever New Clothing Pty Ltd
714-716 High St Kew East VIC 3102 Australia
(72) Name(s) of Designer(s): **Tristan Melle**
(45) Registration Date: **09 January 2013**
(62) Divisional of: **346304**
(56) Related Art Documents: **Not Applicable**
(57) Statement of Newness and Distinctiveness: **Newness and distinctiveness resides in the visual features of shape, configuration, pattern and/or ornamentation of an article of clothing as shown in the accompanying representations.**



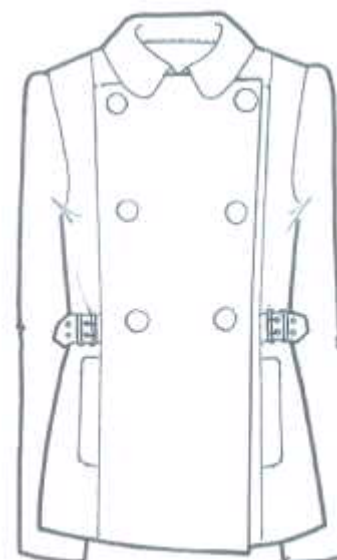
- (21) Design Number: **16117/2012**
(22) Date of Filing Application: **05 December 2012**
(24) Date from which industrial property rights may have effect: **29 March 2012**
(54) Product in respect of which the design is registered: **Article of clothing**
(51) International Design Classification: **02-02NES**
(74) Name(s) of Attorney(s): **Allens Patent & Trade Mark Attorneys**
(71) Name(s) and Address(s) of Applicant(s):
Forever New Clothing Pty Ltd
714-716 High St Kew East VIC 3102 Australia
(72) Name(s) of Designer(s): **Mantra Ahrendt**
(45) Registration Date: **09 January 2013**
(62) Divisional of: **346304**
(56) Related Art Documents: **Not Applicable**
(57) Statement of Newness and Distinctiveness: **Newness and distinctiveness resides in the visual features of shape, configuration, pattern and/or ornamentation of an article of clothing as shown in the accompanying representations.**



- (21) Design Number: **16118/2012**
(22) Date of Filing Application: **05 December 2012**
(24) Date from which industrial property rights may have effect: **29 March 2012**
(54) Product in respect of which the design is registered: **Article of clothing**
(51) International Design Classification: **02-02NES**
(74) Name(s) of Attorney(s): **Allens Patent & Trade Mark Attorneys**
(71) Name(s) and Address(s) of Applicant(s):
Forever New Clothing Pty Ltd
714-716 High St Kew East VIC 3102 Australia
(72) Name(s) of Designer(s): **Mantra Ahrendt**
(45) Registration Date: **09 January 2013**
(62) Divisional of: **346304**
(56) Related Art Documents: **Not Applicable**
(57) Statement of Newness and Distinctiveness: **Newness and distinctiveness resides in the visual features of shape, configuration, pattern and/or ornamentation of an article of clothing as shown in the accompanying representations.**



- (21) Design Number: **16119/2012**
(22) Date of Filing Application: **05 December 2012**
(24) Date from which industrial property rights may have effect: **29 March 2012**
(54) Product in respect of which the design is registered: **Article of clothing**
(51) International Design Classification: **02-02NES**
(74) Name(s) of Attorney(s): **Allens Patent & Trade Mark Attorneys**
(71) Name(s) and Address(s) of Applicant(s):
Forever New Clothing Pty Ltd
714-716 High St Kew East VIC 3102 Australia
(72) Name(s) of Designer(s): **Mantra Ahrendt**
(45) Registration Date: **09 January 2013**
(62) Divisional of: **346304**
(56) Related Art Documents: **Not Applicable**
(57) Statement of Newness and Distinctiveness: **Newness and distinctiveness resides in the visual features of shape, configuration, pattern and/or ornamentation of an article of clothing as shown in the accompanying representations.**



- (21) Design Number: **16120/2012**
(22) Date of Filing Application: **05 December 2012**
(24) Date from which industrial property rights may have effect: **29 March 2012**
(54) Product in respect of which the design is registered: **Article of clothing**
(51) International Design Classification: **02-02NES**
(74) Name(s) of Attorney(s): **Allens Patent & Trade Mark Attorneys**
(71) Name(s) and Address(s) of Applicant(s):
Forever New Clothing Pty Ltd
714-716 High St Kew East VIC 3102 Australia
(72) Name(s) of Designer(s): **Mantra Ahrendt**
(45) Registration Date: **09 January 2013**
(62) Divisional of: **346304**
(56) Related Art Documents: **Not Applicable**
(57) Statement of Newness and Distinctiveness: **Newness and distinctiveness resides in the visual features of shape, configuration, pattern and/or ornamentation of an article of clothing as shown in the accompanying representations.**



- (21) Design Number: **16121/2012**
(22) Date of Filing Application: **05 December 2012**
(24) Date from which industrial property rights may have effect: **29 March 2012**
(54) Product in respect of which the design is registered: **Article of clothing**
(51) International Design Classification: **02-02NES**
(74) Name(s) of Attorney(s): **Allens Patent & Trade Mark Attorneys**
(71) Name(s) and Address(s) of Applicant(s):
Forever New Clothing Pty Ltd
714-716 High St Kew East VIC 3102 Australia
(72) Name(s) of Designer(s): **Mantra Ahrendt**
(45) Registration Date: **09 January 2013**
(62) Divisional of: **346304**
(56) Related Art Documents: **Not Applicable**
(57) Statement of Newness and Distinctiveness: **Newness and distinctiveness resides in the visual features of shape, configuration, pattern and/or ornamentation of an article of clothing as shown in the accompanying representations.**



- (21) Design Number: **16122/2012**
(22) Date of Filing Application: **05 December 2012**
(24) Date from which industrial property rights may have effect: **29 March 2012**
(54) Product in respect of which the design is registered: **Article of clothing**
(51) International Design Classification: **02-02NES**
(74) Name(s) of Attorney(s): **Allens Patent & Trade Mark Attorneys**
(71) Name(s) and Address(s) of Applicant(s):
Forever New Clothing Pty Ltd
714-716 High St Kew East VIC 3102 Australia
(72) Name(s) of Designer(s): **Alice Burrow**
(45) Registration Date: **09 January 2013**
(62) Divisional of: **346304**
(56) Related Art Documents: **Not Applicable**
(57) Statement of Newness and Distinctiveness: **Newness and distinctiveness resides in the visual features of shape, configuration, pattern and/or ornamentation of an article of clothing as shown in the accompanying representations.**



- (21) Design Number: **16123/2012**
(22) Date of Filing Application: **05 December 2012**
(24) Date from which industrial property rights may have effect: **29 March 2012**
(54) Product in respect of which the design is registered: **Article of clothing**
(51) International Design Classification: **02-02NES**
(74) Name(s) of Attorney(s): **Allens Patent & Trade Mark Attorneys**
(71) Name(s) and Address(s) of Applicant(s):
Forever New Clothing Pty Ltd
714-716 High St Kew East VIC 3102 Australia
(72) Name(s) of Designer(s): **Alice Burrow**
(45) Registration Date: **09 January 2013**
(62) Divisional of: **346304**
(56) Related Art Documents: **Not Applicable**
(57) Statement of Newness and Distinctiveness: **Newness and distinctiveness resides in the visual features of shape, configuration, pattern and/or ornamentation of an article of clothing as shown in the accompanying representations.**



- (21) Design Number: **16124/2012**
(22) Date of Filing Application: **05 December 2012**
(24) Date from which industrial property rights may have effect: **29 March 2012**
(54) Product in respect of which the design is registered: **Article of clothing**
(51) International Design Classification: **02-02NES**
(74) Name(s) of Attorney(s): **Allens Patent & Trade Mark Attorneys**
(71) Name(s) and Address(s) of Applicant(s):
Forever New Clothing Pty Ltd
714-716 High St Kew East VIC 3102 Australia
(72) Name(s) of Designer(s): **Octavia Miller**
(45) Registration Date: **09 January 2013**
(62) Divisional of: **346304**
(56) Related Art Documents: **Not Applicable**
(57) Statement of Newness and Distinctiveness: **Newness and distinctiveness resides in the visual features of shape, configuration, pattern and/or ornamentation of an article of clothing as shown in the accompanying representations.**



- (21) Design Number: **16125/2012**
(22) Date of Filing Application: **05 December 2012**
(24) Date from which industrial property rights may have effect: **29 March 2012**
(54) Product in respect of which the design is registered: **Article of clothing**
(51) International Design Classification: **02-02NES**
(74) Name(s) of Attorney(s): **Allens Patent & Trade Mark Attorneys**
(71) Name(s) and Address(s) of Applicant(s):
Forever New Clothing Pty Ltd
714-716 High St Kew East VIC 3102 Australia
(72) Name(s) of Designer(s): **Susie Abbott**
(45) Registration Date: **09 January 2013**
(62) Divisional of: **346304**
(56) Related Art Documents: **Not Applicable**
(57) Statement of Newness and Distinctiveness: **Newness and distinctiveness resides in the visual features of shape, configuration, pattern and/or ornamentation of an article of clothing as shown in the accompanying representations.**



- (21) Design Number: **16126/2012**
(22) Date of Filing Application: **05 December 2012**
(24) Date from which industrial property rights may have effect: **29 March 2012**
(54) Product in respect of which the design is registered: **Article of clothing**
(51) International Design Classification: **02-02C**
(74) Name(s) of Attorney(s): **Allens Patent & Trade Mark Attorneys**
(71) Name(s) and Address(s) of Applicant(s):
Forever New Clothing Pty Ltd
714-716 High St Kew East VIC 3102 Australia
(72) Name(s) of Designer(s): **Mary McCarthy**
(45) Registration Date: **09 January 2013**
(62) Divisional of: **346304**
(56) Related Art Documents: **Not Applicable**
(57) Statement of Newness and Distinctiveness: **Newness and distinctiveness resides in the visual features of shape, configuration, pattern and/or ornamentation of an article of clothing as shown in the accompanying representations.**



- (21) Design Number: **16127/2012**
(22) Date of Filing Application: **05 December 2012**
(24) Date from which industrial property rights may have effect: **29 March 2012**
(54) Product in respect of which the design is registered: **Article of clothing**
(51) International Design Classification: **02-02NES**
(74) Name(s) of Attorney(s): **Allens Patent & Trade Mark Attorneys**
(71) Name(s) and Address(s) of Applicant(s):
Forever New Clothing Pty Ltd
714-716 High St Kew East VIC 3102 Australia
(72) Name(s) of Designer(s): **Gemma Henderson**
(45) Registration Date: **09 January 2013**
(62) Divisional of: **346304**
(56) Related Art Documents: **Not Applicable**
(57) Statement of Newness and Distinctiveness: **Newness and distinctiveness resides in the visual features of shape, configuration, pattern and/or ornamentation of an article of clothing as shown in the accompanying representations.**



- (21) Design Number: **16128/2012**
(22) Date of Filing Application: **05 December 2012**
(24) Date from which industrial property rights may have effect: **29 March 2012**
(54) Product in respect of which the design is registered: **Article of clothing**
(51) International Design Classification: **02-02NES**
(74) Name(s) of Attorney(s): **Allens Patent & Trade Mark Attorneys**
(71) Name(s) and Address(s) of Applicant(s):
Forever New Clothing Pty Ltd
714-716 High St Kew East VIC 3102 Australia
(72) Name(s) of Designer(s): **Gemma Henderson**
(45) Registration Date: **09 January 2013**
(62) Divisional of: **346304**
(56) Related Art Documents: **Not Applicable**
(57) Statement of Newness and Distinctiveness: **Newness and distinctiveness resides in the visual features of shape, configuration, pattern and/or ornamentation of an article of clothing as shown in the accompanying representations.**



- (21) Design Number: **16129/2012**
(22) Date of Filing Application: **05 December 2012**
(24) Date from which industrial property rights may have effect: **29 March 2012**
(54) Product in respect of which the design is registered: **Article of clothing**
(51) International Design Classification: **02-02NES**
(74) Name(s) of Attorney(s): **Allens Patent & Trade Mark Attorneys**
(71) Name(s) and Address(s) of Applicant(s):
Forever New Clothing Pty Ltd
714-716 High St Kew East VIC 3102 Australia
(72) Name(s) of Designer(s): **Gemma Henderson**
(45) Registration Date: **09 January 2013**
(62) Divisional of: **346304**
(56) Related Art Documents: **Not Applicable**
(57) Statement of Newness and Distinctiveness: **Newness and distinctiveness resides in the visual features of shape, configuration, pattern and/or ornamentation of an article of clothing as shown in the accompanying representations.**



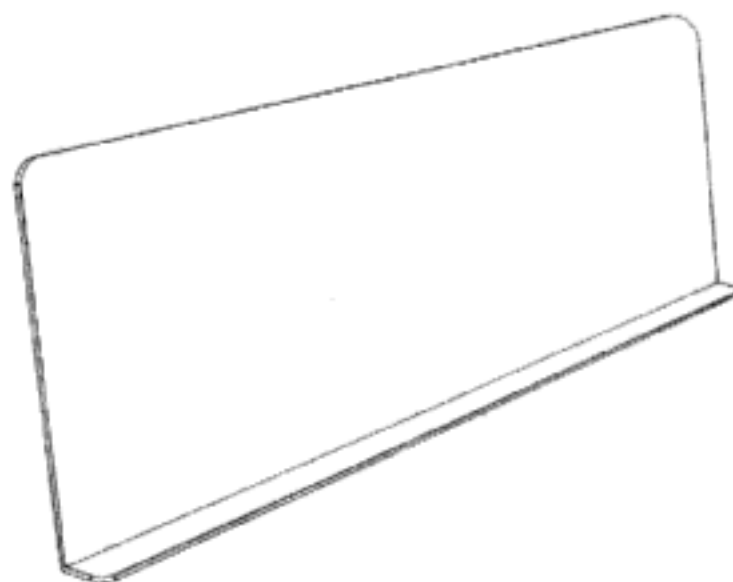
- (21) Design Number: **16130/2012**
(22) Date of Filing Application: **05 December 2012**
(24) Date from which industrial property rights may have effect: **29 March 2012**
(54) Product in respect of which the design is registered: **Article of clothing**
(51) International Design Classification: **02-02NES**
(74) Name(s) of Attorney(s): **Allens Patent & Trade Mark Attorneys**
(71) Name(s) and Address(s) of Applicant(s):
Forever New Clothing Pty Ltd
714-716 High St Kew East VIC 3102 Australia
(72) Name(s) of Designer(s): **Gemma Henderson**
(45) Registration Date: **09 January 2013**
(62) Divisional of: **346304**
(56) Related Art Documents: **Not Applicable**
(57) Statement of Newness and Distinctiveness: **Newness and distinctiveness resides in the visual features of shape, configuration, pattern and/or ornamentation of an article of clothing as shown in the accompanying representations.**



- (21) Design Number: **16131/2012**
(22) Date of Filing Application: **01 October 2012**
(24) Date from which industrial property rights may have effect: **29 March 2012**
(54) Product in respect of which the design is registered: **Article of clothing**
(51) International Design Classification: **02-02NES**
(74) Name(s) of Attorney(s): **Allens Patent & Trade Mark Attorneys**
(71) Name(s) and Address(s) of Applicant(s):
Forever New Clothing Pty Ltd
714-716 High St Kew East VIC 3102 Australia
(72) Name(s) of Designer(s): **Gemma Henderson**
(45) Registration Date: **09 January 2013**
(62) Divisional of: **346304**
(56) Related Art Documents: **Not Applicable**
(57) Statement of Newness and Distinctiveness: **Newness and distinctiveness resides in the visual features of shape, configuration, pattern and/or ornamentation of an article of clothing as shown in the accompanying representations.**



- (21) Design Number: **11867/2012**
(22) Date of Filing Application: **16 April 2012**
(24) Date from which industrial property rights may have effect: **16 April 2012**
(54) Product in respect of which the design is registered: **Music stand adapter**
(51) International Design Classification: **06-06NES, 20-02NES**
(74) Name(s) of Attorney(s): **Fisher Adams Kelly**
(71) Name(s) and Address(s) of Applicant(s):
Harald Fisher
2 Iowa Place Springfield Queensland 4300 Australia
(72) Name(s) of Designer(s): **Harald Fisher**
(45) Registration Date: **09 January 2013**
(56) Related Art Documents: **Not Applicable**
(57) Statement of Newness and Distinctiveness: **The newness and distinctiveness of the design resides in the shape and/or configuration of the MUSIC STAND shown in the representations.**



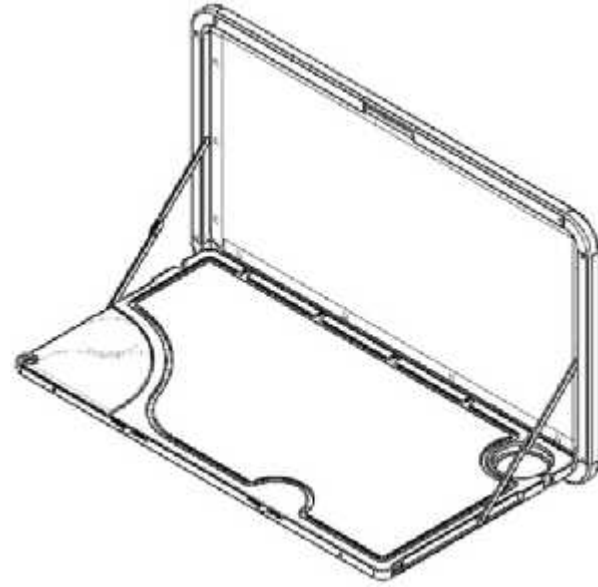
(21) Design Number: **14596/2012**
(22) Date of Filing Application: **11 September 2012**
(24) Date from which industrial property rights may have effect: **09 January 2012**
(54) Product in respect of which the design is registered: **Article of clothing**
(51) International Design Classification: **02-02C**
(74) Name(s) of Attorney(s): **Allens Patent & Trade Mark Attorneys**
(71) Name(s) and Address(s) of Applicant(s):
Forever New Clothing Pty Ltd
714-716 High St Kew East VIC 3102 Australia
(72) Name(s) of Designer(s): **Laura Mitchell**
(45) Registration Date: **09 January 2013**
(62) Divisional of: **344497**
(56) Related Art Documents: **Not Applicable**
(57) Statement of Newness and Distinctiveness: **Newness and distinctiveness resides in the visual features of shape and/or configuration of an article of clothing as shown in the accompanying representations.**



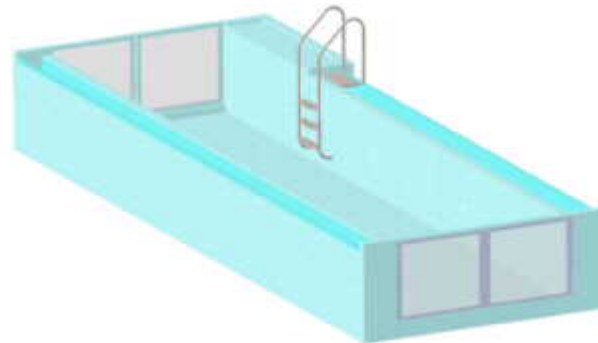
(21) Design Number: **15051/2012**
(22) Date of Filing Application: **12 October 2012**
(24) Date from which industrial property rights may have effect: **12 October 2012**
(54) Product in respect of which the design is registered: **Soil slope retention device**
(51) International Design Classification: **08-99**
(74) Name(s) of Attorney(s): **A J Park**
(71) Name(s) and Address(s) of Applicant(s):
Cirtex Industries Limited
16 Queen Street Kopu New Zealand
(72) Name(s) of Designer(s): **Larry Joseph Judd**
(45) Registration Date: **09 January 2013**
(30) Convention priority data:
(31) Number (32) Date (33) Country
416149 13 Apr 2012 NEW ZEALAND
(56) Related Art Documents: **Not Applicable**
(57) Statement of Newness and Distinctiveness: **Newness and distinctiveness is claimed in the features of shape and/or configuration of each retention device as shown in the representations, irrespective of the location at where the plate is secured to the stake at distance D from the end of the stake and wherein distance E from the notional break line is undefined.**



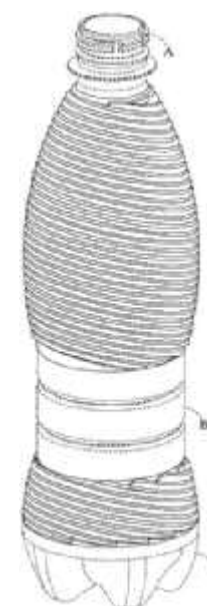
- (21) Design Number: **15813/2012**
(22) Date of Filing Application: **22 November 2012**
(24) Date from which industrial property rights may have effect: **22 November 2012**
(54) Product in respect of which the design is registered: **Bar table**
(51) International Design Classification: **06-03NES**
(74) Name(s) of Attorney(s): **Dark IP**
(71) Name(s) and Address(s) of Applicant(s):
OZRV Supplies Pty Ltd
310 Hume Hwy Craigieburn VIC 3064 Australia
(72) Name(s) of Designer(s): **Steve Dongovski and John Pitts**
(45) Registration Date: **10 January 2013**
(56) Related Art Documents: **Not Applicable**
(57) Statement of Newness and Distinctiveness: **The newness and distinctiveness of the design resides in the shape and/or configuration of the bar table shown in the representations.**



- (21) Design Number: **15815/2012**
(22) Date of Filing Application: **22 November 2012**
(24) Date from which industrial property rights may have effect: **22 November 2012**
(54) Product in respect of which the design is registered: **Swimming pool**
(51) International Design Classification: **25-03**
(74) Name(s) of Attorney(s):
(71) Name(s) and Address(s) of Applicant(s):
Terry Tisdale
23 Britton St Smithfield NSW 2164 Australia
(72) Name(s) of Designer(s): **Terry Tisdale**
(45) Registration Date: **10 January 2013**
(56) Related Art Documents: **Not Applicable**
(57) Statement of Newness and Distinctiveness: **Monopoly is claimed in the shape and configuration in the shape of a pool for public and private use as illustrated in the representations Fig1 & 2 represent the multiple modules of the swimming pool being assembled together with sealing material between them Fig3 represents individual modules of the swimming pool ranging from two, three and as many modules as it requires Fig4 represents the pool divided by a separator so that one module is used as a spa while reaming modules for swimming.**



(21) Design Number: **15825/2012**
(22) Date of Filing Application: **23 November 2012**
(24) Date from which industrial property rights may have effect: **23 November 2012**
(54) Product in respect of which the design is registered: **A bottle**
(51) International Design Classification: **09-01NES**
(74) Name(s) of Attorney(s): **WATERMARK PATENT AND TRADE MARKS ATTORNEYS**
(71) Name(s) and Address(s) of Applicant(s):
Credscan Proprietary Limited
Silverstream Farm Kranskop 3268 South Africa
(72) Name(s) of Designer(s): **Brian Steinhobel**
(45) Registration Date: **10 January 2013**
(30) Convention priority data:
(31) Number (32) Date (33) Country
A2012/01859 19 Oct 2012 SOUTH AFRICA



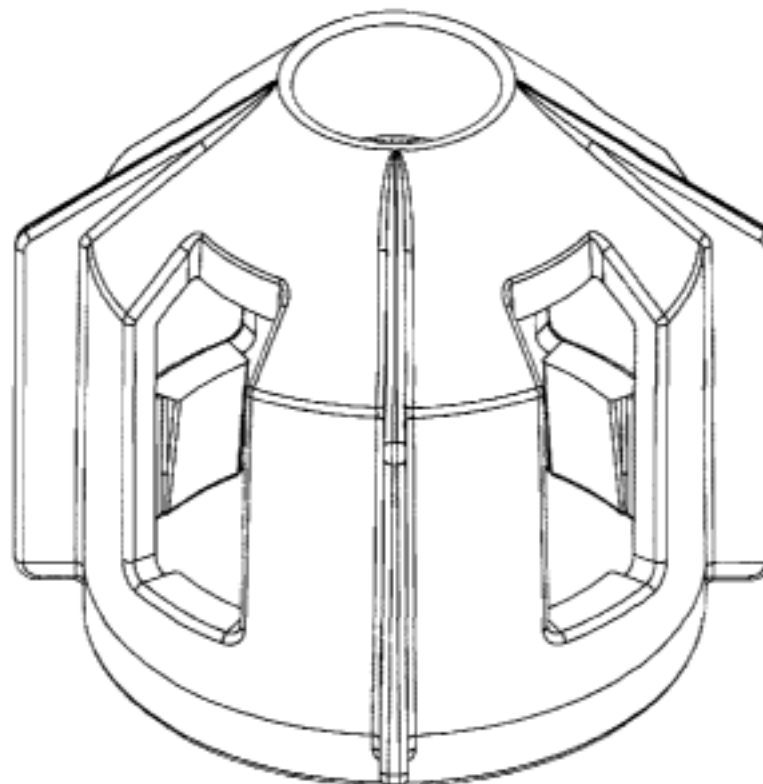
(56) Related Art Documents: **Not Applicable**
(57) Statement of Newness and Distinctiveness: **Newness and distinctiveness resides in the visual features of shape and/or configuration of the portions in solid lines of the bottle shown in the accompanying representations. For the purposes of assessing newness and distinctiveness of the design, the bottleneck portion labelled 'A', the waist portion labelled 'B' and the base portion labelled 'C' in the representations are to be disregarded.**

(21) Design Number: **15824/2012**
(22) Date of Filing Application: **23 November 2012**
(24) Date from which industrial property rights may have effect: **23 November 2012**
(54) Product in respect of which the design is registered: **A glass**
(51) International Design Classification: **07-01C**
(74) Name(s) of Attorney(s): **WATERMARK PATENT AND TRADE MARKS ATTORNEYS**
(71) Name(s) and Address(s) of Applicant(s):
Nachtmann GmbH
Zacharias-Frank-Strasse 7 Neustadt a. d. Waldnaab 92660 Germany
(72) Name(s) of Designer(s): **Georg Riedel**
(45) Registration Date: **10 January 2013**
(30) Convention priority data:
(31) Number (32) Date (33) Country
002123018 22 Oct 2012 EUROPEAN COMMUNITY



(56) Related Art Documents: **Not Applicable**
(57) Statement of Newness and Distinctiveness: **Nil**

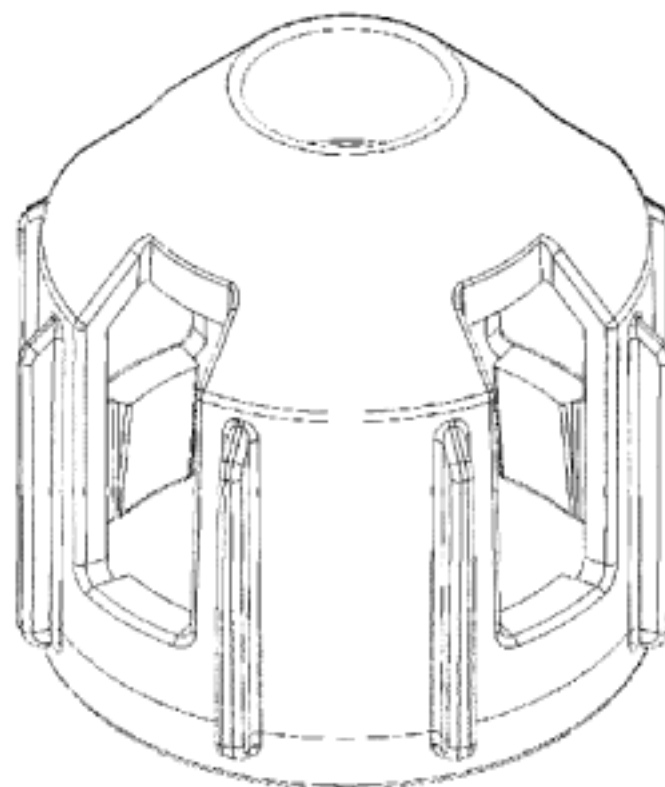
- (21) Design Number: **15071/2012**
(22) Date of Filing Application: **12 October 2012**
(24) Date from which industrial property rights may have effect: **12 October 2012**
(54) Product in respect of which the design is registered: **A cap**
(51) International Design Classification: **24-01**
(74) Name(s) of Attorney(s): **Davies Collison Cave**
(71) Name(s) and Address(s) of Applicant(s):
Becton Dickinson and Company
1 Becton Drive MC 110 Franklin Lakes New Jersey 07417-1880 United States of America
(72) Name(s) of Designer(s): **Adam C. Curry and Jeffrey S. Krause and Melody M.H. Kuroda and Dwight Livingston and Michael Justin Lizzi and Artis Lockhart and Ernie Ritchey and Michael L. Marshall and M.Scott Ullrich**
(45) Registration Date: **10 January 2013**
(30) Convention priority data:
(31) Number (32) Date (33) Country
29/418182 12 Apr 2012 UNITED STATES OF AMERICA
(56) Related Art Documents: **Not Applicable**
(57) Statement of Newness and Distinctiveness: **Newness and distinctiveness is claimed in the visual features shown in solid lines in the representations.**



- (21) Design Number: **15188/2012**
(22) Date of Filing Application: **19 October 2012**
(24) Date from which industrial property rights may have effect: **19 October 2012**
(54) Product in respect of which the design is registered: **A profile**
(51) International Design Classification: **25-01K**
(74) Name(s) of Attorney(s): **Griffith Hack**
(71) Name(s) and Address(s) of Applicant(s):
Capral Limited
151 Barry Rd Campbellfield VIC 3061 Australia
(72) Name(s) of Designer(s): **Benjamin Ian Tilley**
(45) Registration Date: **10 January 2013**
(56) Related Art Documents: **Not Applicable**
(57) Statement of Newness and Distinctiveness: **Newness and distinctiveness is claimed in the shape and configuration of the product as illustrated in the drawings, which is of indefinite length.**



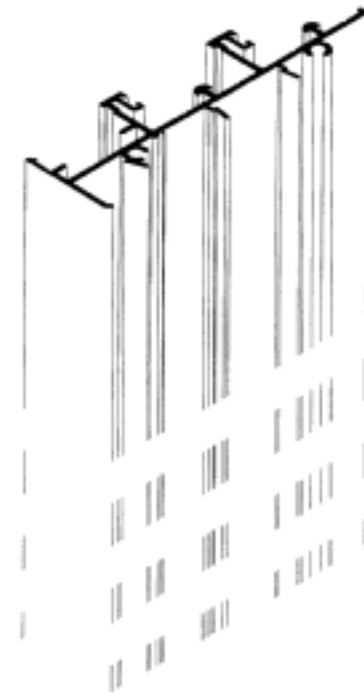
- (21) Design Number: **15072/2012**
(22) Date of Filing Application: **12 October 2012**
(24) Date from which industrial property rights may have effect: **12 October 2012**
(54) Product in respect of which the design is registered: **A cap**
(51) International Design Classification: **24-01**
(74) Name(s) of Attorney(s): **Davies Collison Cave**
(71) Name(s) and Address(s) of Applicant(s):
Becton Dickinson and Company
1 Becton Drive MC 110 Franklin Lakes New Jersey 07417-1880 United States of America
(72) Name(s) of Designer(s): **Adam C. Curry and Jeffrey S. Krause and Melody M.H. Kuroda and Dwight Livingston and Michael Justin Lizzi and Artis Lockhart and Ernie Ritchey and Michael L. Marshall and M.Scott Ullrich**
(45) Registration Date: **10 January 2013**
(30) Convention priority data:
(31) Number (32) Date (33) Country
29/418183 12 Apr 2012 UNITED STATES OF AMERICA
(56) Related Art Documents: **Not Applicable**
(57) Statement of Newness and Distinctiveness: **Newness and distinctiveness is claimed in the visual features shown in solid lines in the representations.**



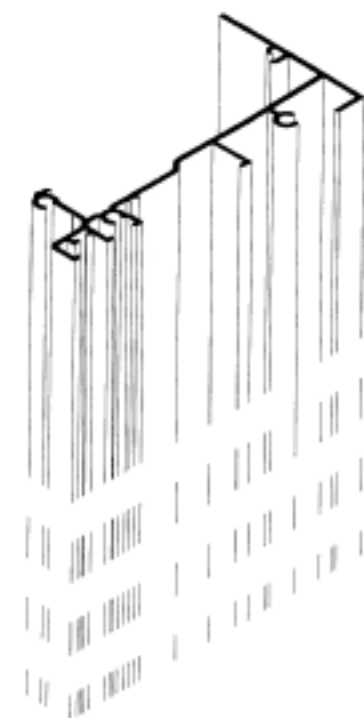
- (21) Design Number: **15189/2012**
(22) Date of Filing Application: **19 October 2012**
(24) Date from which industrial property rights may have effect: **19 October 2012**
(54) Product in respect of which the design is registered: **A profile**
(51) International Design Classification: **25-01K**
(74) Name(s) of Attorney(s): **Griffith Hack**
(71) Name(s) and Address(s) of Applicant(s):
Capral Limited
151 Barry Rd Campbellfield VIC 3061 Australia
(72) Name(s) of Designer(s): **Benjamin Ian Tilley**
(45) Registration Date: **10 January 2013**
(56) Related Art Documents: **Not Applicable**
(57) Statement of Newness and Distinctiveness: **Newness and distinctiveness is claimed in the shape and configuration of the product as illustrated in the drawings, which is of indefinite length.**



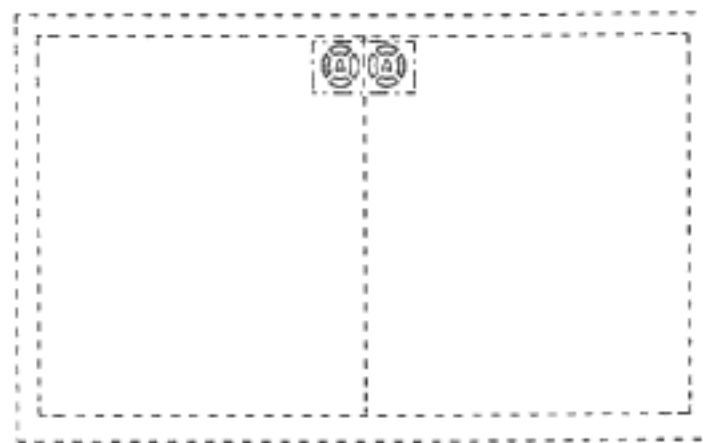
- (21) Design Number: **15190/2012**
(22) Date of Filing Application: **19 October 2012**
(24) Date from which industrial property rights may have effect: **19 October 2012**
(54) Product in respect of which the design is registered: **A profile**
(51) International Design Classification: **25-01K**
(74) Name(s) of Attorney(s): **Griffith Hack**
(71) Name(s) and Address(s) of Applicant(s):
Capral Limited
151 Barry Rd Campbellfield VIC 3061 Australia
(72) Name(s) of Designer(s): **Benjamin Ian Tilley**
(45) Registration Date: **10 January 2013**
(56) Related Art Documents: **Not Applicable**
(57) Statement of Newness and Distinctiveness: **Newness and distinctiveness is claimed in the shape and configuration of the product as illustrated in the drawings, which is of indefinite length.**



- (21) Design Number: **15191/2012**
(22) Date of Filing Application: **19 October 2012**
(24) Date from which industrial property rights may have effect: **19 October 2012**
(54) Product in respect of which the design is registered: **A profile**
(51) International Design Classification: **25-01K**
(74) Name(s) of Attorney(s): **Griffith Hack**
(71) Name(s) and Address(s) of Applicant(s):
Capral Limited
151 Barry Rd Campbellfield VIC 3061 Australia
(72) Name(s) of Designer(s): **Benjamin Ian Tilley**
(45) Registration Date: **10 January 2013**
(56) Related Art Documents: **Not Applicable**
(57) Statement of Newness and Distinctiveness: **Newness and distinctiveness is claimed in the shape and configuration of the product as illustrated in the drawings, which is of indefinite length.**



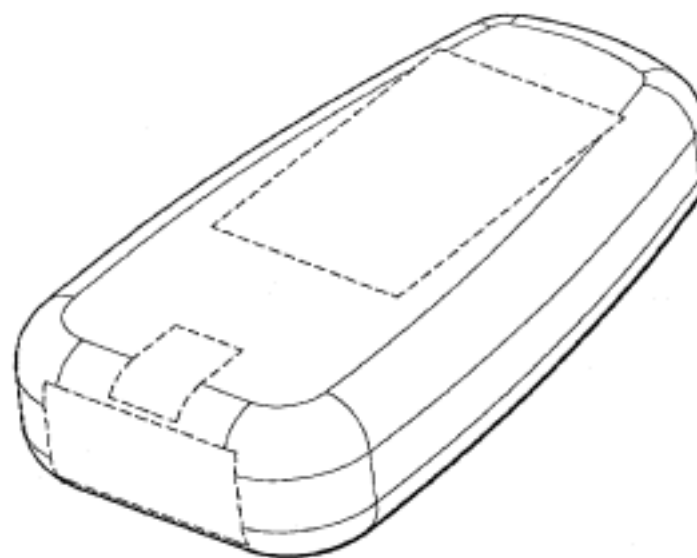
- (21) Design Number: **15342/2012**
(22) Date of Filing Application: **25 October 2012**
(24) Date from which industrial property rights may have effect: **25 October 2012**
(54) Product in respect of which the design is registered: **Display screen**
(51) International Design Classification: **14-01**
(74) Name(s) of Attorney(s): **Davies Collison Cave**
(71) Name(s) and Address(s) of Applicant(s):
Hitachi Construction Machinery Co., Ltd.
5-1 Koraku 2-chome Bunkyo-ku Tokyo Japan
(72) Name(s) of Designer(s): **Hidefumi Ishimoto and Yoshihiro Inanobe and Yoichi Kowatari and Eitaro Ito and Kenta Tsukijishin and Takaahi Ishii**
(45) Registration Date: **10 January 2013**
(30) Convention priority data:
(31) Number (32) Date (33) Country
2012-009904 26 Apr 2012 JAPAN
(56) Related Art Documents: **Not Applicable**
(57) Statement of Newness and Distinctiveness: **Newness and distinctiveness is claimed in the visual features shown in solid lines in the representations and representing a graphical user interface displayed on the display screen.**



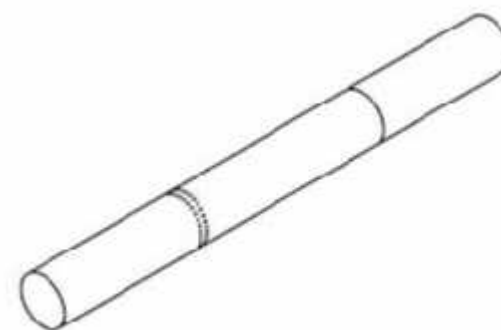
- (21) Design Number: **15797/2012**
(22) Date of Filing Application: **20 November 2012**
(24) Date from which industrial property rights may have effect: **20 November 2012**
(54) Product in respect of which the design is registered: **Lock**
(51) International Design Classification: **08-07**
(74) Name(s) of Attorney(s): **Callinans**
(71) Name(s) and Address(s) of Applicant(s):
Sinox Company Limited
3F No.2 Lane 93 Chien-I-Rd Chung-Ho Dist New Taipei City 23585
Taiwan (R.O.C.)
(72) Name(s) of Designer(s): **Chia-Hung Wang**
(45) Registration Date: **10 January 2013**
(30) Convention priority data:
(31) Number (32) Date (33) Country
29/422554 22 May 2012 UNITED STATES OF AMERICA
(56) Related Art Documents: **Not Applicable**
(57) Statement of Newness and Distinctiveness: **Newness and distinctiveness are provided by the shape and/or configuration of the design shown in the representations. The features shown in broken lines in the representations are for illustrative purposes only and should not be considered when construing visual features of the design.**



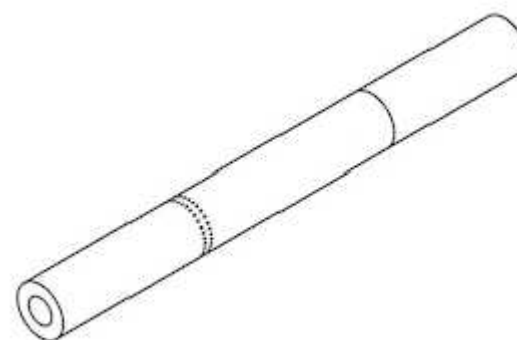
(21) Design Number: **15862/2012**
(22) Date of Filing Application: **21 November 2012**
(24) Date from which industrial property rights may have effect: **21 November 2012**
(54) Product in respect of which the design is registered: **Cover for a tablet dispenser**
(51) International Design Classification: **03-01NES**
(74) Name(s) of Attorney(s): **Houlihan2**
(71) Name(s) and Address(s) of Applicant(s):
Stephanie Eileen Strangis
30 Wild Cherry Ave Pakenham VIC 3810 Australia
(72) Name(s) of Designer(s): **Stephanie Eileen Strangis**
(45) Registration Date: **10 January 2013**
(56) Related Art Documents: **Not Applicable**
(57) Statement of Newness and Distinctiveness: **Newness and distinctiveness reside in the shape and/or configuration of a COVER FOR A DISPENSER as illustrated in the accompanying representations.**



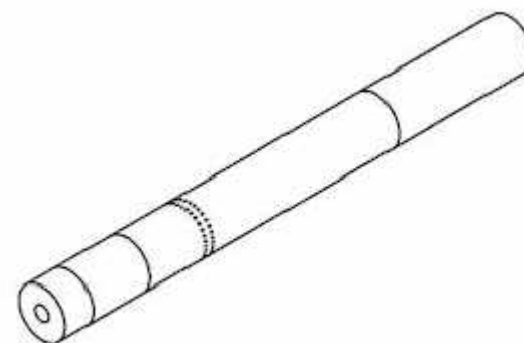
(21) Design Number: **16016/2012**
(22) Date of Filing Application: **04 December 2012**
(24) Date from which industrial property rights may have effect: **10 September 2012**
(54) Product in respect of which the design is registered: **Smoker article**
(51) International Design Classification: **27-99**
(74) Name(s) of Attorney(s): **Callinans**
(71) Name(s) and Address(s) of Applicant(s):
Philip Morris Products S.A.
Quai Jeanrenaud 3 Neuchatel 2000 Switzerland
(72) Name(s) of Designer(s): **Frederic Lavanchy and Aleksandra Samulewicz and Oleg Mironov and Stephane Roudier and Roberto Mancini**
(45) Registration Date: **10 January 2013**
(30) Convention priority data:
(31) Number (32) Date (33) Country
001317556 12 Mar 2012 EUROPEAN COMMUNITY
(62) Divisional of: **345973**
(56) Related Art Documents: **Not Applicable**
(57) Statement of Newness and Distinctiveness: **Nil**



(21) Design Number: **16018/2012**
(22) Date of Filing Application: **04 December 2012**
(24) Date from which industrial property rights may have effect: **10 September 2012**
(54) Product in respect of which the design is registered: **Smoker article**
(51) International Design Classification: **27-99**
(74) Name(s) of Attorney(s): **Callinans**
(71) Name(s) and Address(s) of Applicant(s):
Philip Morris Products S.A.
Quai Jeanrenaud 3 Neuchatel 2000 Switzerland
(72) Name(s) of Designer(s): **Frederic Lavanchy and Aleksandra Samulewicz
and Oleg Mironov and Stephane Roudier and Roberto Mancini**
(45) Registration Date: **10 January 2013**
(30) Convention priority data:
(31) Number (32) Date (33) Country
001317556 12 Mar 2012 EUROPEAN COMMUNITY
(62) Divisional of: **345973**
(56) Related Art Documents: **Not Applicable**
(57) Statement of Newness and Distinctiveness: **Nil**



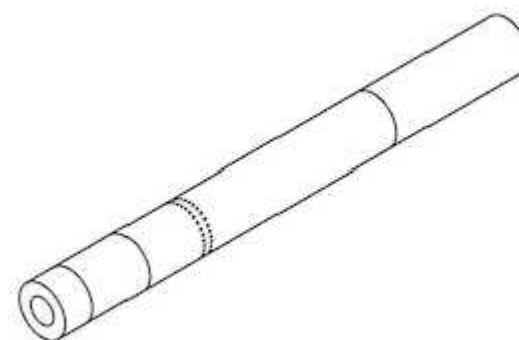
(21) Design Number: **16019/2012**
(22) Date of Filing Application: **04 December 2012**
(24) Date from which industrial property rights may have effect: **10 September 2012**
(54) Product in respect of which the design is registered: **Smoker article**
(51) International Design Classification: **27-99**
(74) Name(s) of Attorney(s): **Callinans**
(71) Name(s) and Address(s) of Applicant(s):
Philip Morris Products S.A.
Quai Jeanrenaud 3 Neuchatel 2000 Switzerland
(72) Name(s) of Designer(s): **Frederic Lavanchy and Aleksandra Samulewicz
and Oleg Mironov and Stephane Roudier and Roberto Mancini**
(45) Registration Date: **10 January 2013**
(30) Convention priority data:
(31) Number (32) Date (33) Country
001317556 12 Mar 2012 EUROPEAN COMMUNITY
(62) Divisional of: **345973**
(56) Related Art Documents: **Not Applicable**
(57) Statement of Newness and Distinctiveness: **Nil**



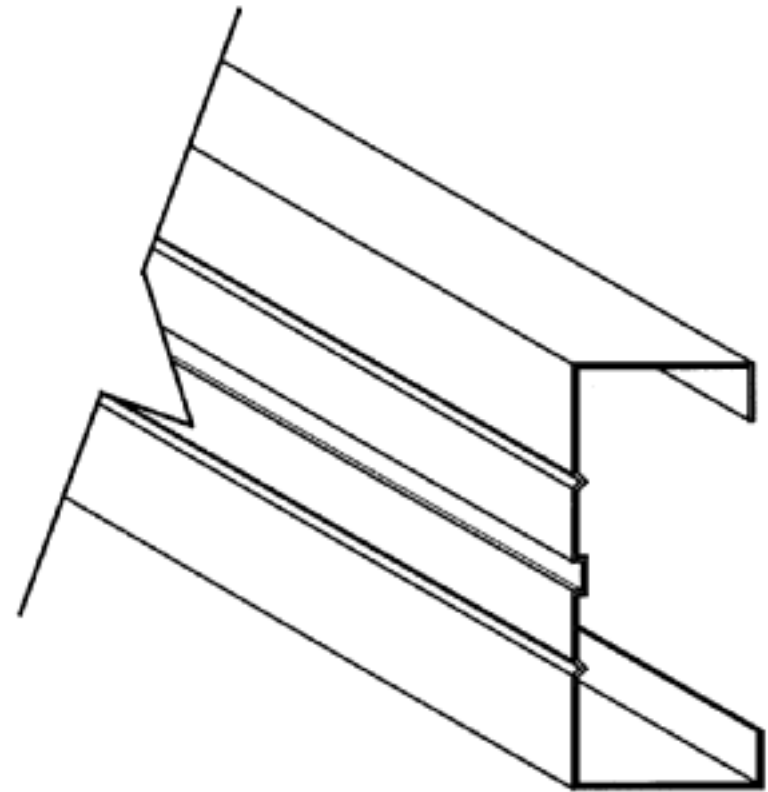
- (21) Design Number: **16020/2012**
(22) Date of Filing Application: **04 December 2012**
(24) Date from which industrial property rights may have effect: **04 December 2012**
(54) Product in respect of which the design is registered: **Laptop storage and charging trolley**
(51) International Design Classification: **13-02, 06-04B**
(74) Name(s) of Attorney(s):
(71) Name(s) and Address(s) of Applicant(s):
PC Locs Pty Ltd
187 Mulgul Rd Malaga WA 6090 Australia
(72) Name(s) of Designer(s): **Robert Culley and Ben Sullivan**
(45) Registration Date: **10 January 2013**
(56) Related Art Documents: **Not Applicable**
(57) Statement of Newness and Distinctiveness: **The newness and distinctiveness of the design resides in the shape and operation of the 'hopper' that contains one or two aluminium tablet-device baskets. It is hinged on the lower front edge and allows placement or removal of the basket and locking.**



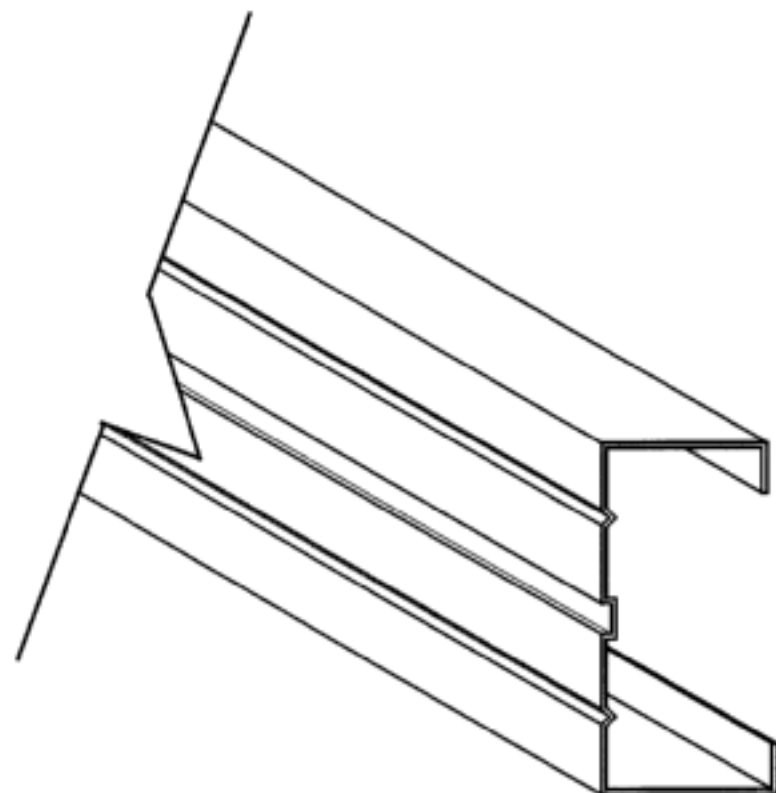
- (21) Design Number: **16022/2012**
(22) Date of Filing Application: **04 December 2012**
(24) Date from which industrial property rights may have effect: **10 September 2012**
(54) Product in respect of which the design is registered: **Smoker article**
(51) International Design Classification: **27-99**
(74) Name(s) of Attorney(s): **Callinans**
(71) Name(s) and Address(s) of Applicant(s):
Philip Morris Products S.A.
Quai Jeanrenaud 3 Neuchatel 2000 Switzerland
(72) Name(s) of Designer(s): **Frederic Lavanchy and Aleksandra Samulewicz and Oleg Mironov and Stephane Roudier and Roberto Mancini**
(45) Registration Date: **10 January 2013**
(30) Convention priority data:
(31) Number (32) Date (33) Country
001317556 12 Mar 2012 EUROPEAN COMMUNITY
(62) Divisional of: **345973**
(56) Related Art Documents: **Not Applicable**
(57) Statement of Newness and Distinctiveness: **Nil**



- (21) Design Number: **15111/2012**
(22) Date of Filing Application: **15 October 2012**
(24) Date from which industrial property rights may have effect: **15 October 2012**
(54) Product in respect of which the design is registered: **A cold rolled structural member**
(51) International Design Classification: **25-01C**
(74) Name(s) of Attorney(s): **Davies Collison Cave**
(71) Name(s) and Address(s) of Applicant(s):
Aus Steel Pty Ltd
17 Rogilla Close Wallsend NSW 2287 Australia
(72) Name(s) of Designer(s): **Simon Love**
(45) Registration Date: **10 January 2013**
(56) Related Art Documents: **Not Applicable**
(57) Statement of Newness and Distinctiveness: **Newness and distinctiveness is claimed in the visual features of a cold rolled structural member of indeterminate length shown in solid lines in the representations.**



- (21) Design Number: **15113/2012**
(22) Date of Filing Application: **15 October 2012**
(24) Date from which industrial property rights may have effect: **15 October 2012**
(54) Product in respect of which the design is registered: **A cold rolled structural member**
(51) International Design Classification: **25-01C**
(74) Name(s) of Attorney(s): **Davies Collison Cave**
(71) Name(s) and Address(s) of Applicant(s):
Aus Steel Pty Ltd
17 Rogilla Close Wallsend NSW 2287 Australia
(72) Name(s) of Designer(s): **Simon Love**
(45) Registration Date: **10 January 2013**
(56) Related Art Documents: **Not Applicable**
(57) Statement of Newness and Distinctiveness: **Newness and distinctiveness is claimed in the visual features of a cold rolled structural member of indeterminate length shown in solid lines in the representations.**

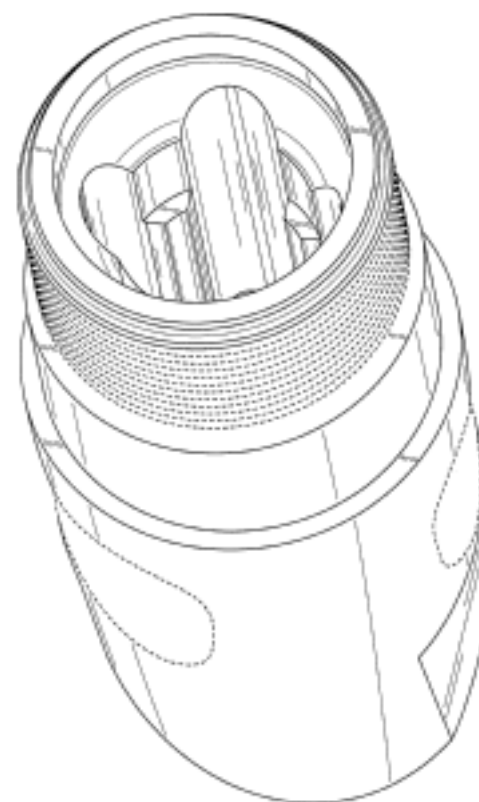


(21) Design Number: **15166/2012**
(22) Date of Filing Application: **18 October 2012**
(24) Date from which industrial property rights may have effect: **18 October 2012**
(54) Product in respect of which the design is registered: **Latch body**
(51) International Design Classification: **08-01**
(74) Name(s) of Attorney(s): **Cotters Patent & Trade Mark Attorneys**
(71) Name(s) and Address(s) of Applicant(s):
Longyear TM, Inc.
10808 South River Front Parkway Suite 600 South Jordan Utah 84095
United States of America

(72) Name(s) of Designer(s): **Christopher L. Drenth**
(45) Registration Date: **10 January 2013**

(30) Convention priority data:
(31) Number (32) Date (33) Country
29/430,541 27 Aug 2012 UNITED STATES OF AMERICA

(56) Related Art Documents: **Not Applicable**
(57) Statement of Newness and Distinctiveness: **Newness and distinctiveness is claimed in the features of shape and/or configuration of a latch body as depicted in the accompanying drawings, having particular regard to the features shown in continuous line.**

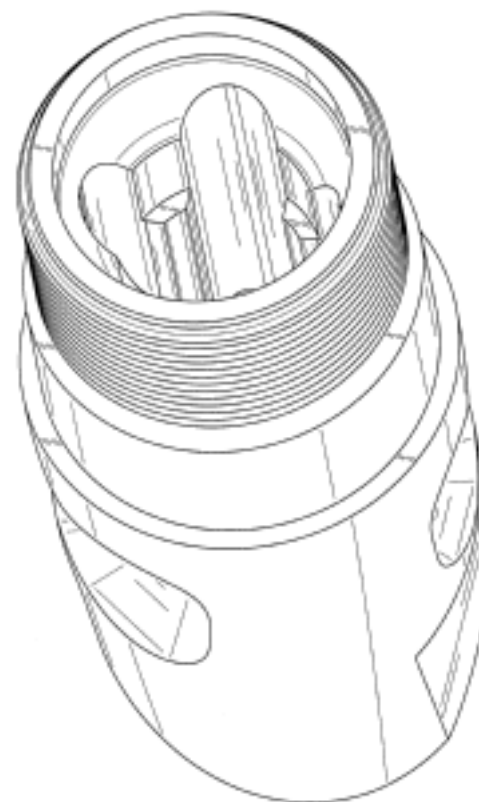


(21) Design Number: **15167/2012**
(22) Date of Filing Application: **18 October 2012**
(24) Date from which industrial property rights may have effect: **18 October 2012**
(54) Product in respect of which the design is registered: **Latch body**
(51) International Design Classification: **08-01**
(74) Name(s) of Attorney(s): **Cotters Patent & Trade Mark Attorneys**
(71) Name(s) and Address(s) of Applicant(s):
Longyear TM, Inc.
10808 South River Front Parkway Suite 600 South Jordan Utah 84095
United States of America

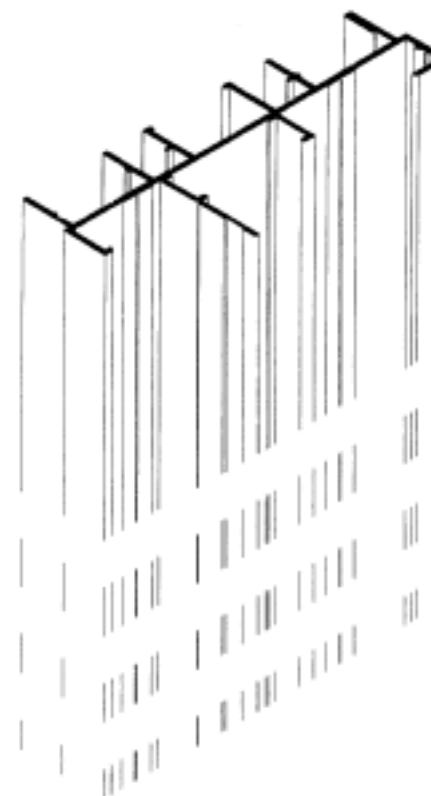
(72) Name(s) of Designer(s): **Christopher L. Drenth**
(45) Registration Date: **10 January 2013**

(30) Convention priority data:
(31) Number (32) Date (33) Country
29/430,535 27 Aug 2012 UNITED STATES OF AMERICA

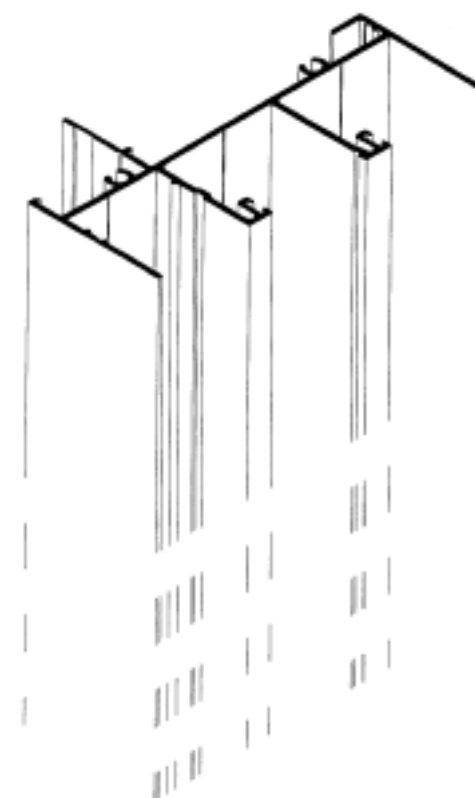
(56) Related Art Documents: **Not Applicable**
(57) Statement of Newness and Distinctiveness: **Newness and distinctiveness is claimed in the features of shape and/or configuration of a latch body as depicted in the accompanying drawings.**



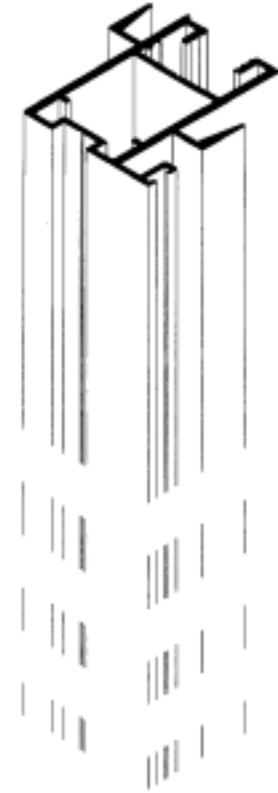
- (21) Design Number: **15192/2012**
(22) Date of Filing Application: **19 October 2012**
(24) Date from which industrial property rights may have effect: **19 October 2012**
(54) Product in respect of which the design is registered: **A profile**
(51) International Design Classification: **25-01K**
(74) Name(s) of Attorney(s): **Griffith Hack**
(71) Name(s) and Address(s) of Applicant(s):
Capral Limited
151 Barry Rd Campbellfield VIC 3061 Australia
(72) Name(s) of Designer(s): **Benjamin Ian Tilley**
(45) Registration Date: **10 January 2013**
(56) Related Art Documents: **Not Applicable**
(57) Statement of Newness and Distinctiveness: **Newness and distinctiveness is claimed in the shape and configuration of the product as illustrated in the drawings, which is of indefinite length.**



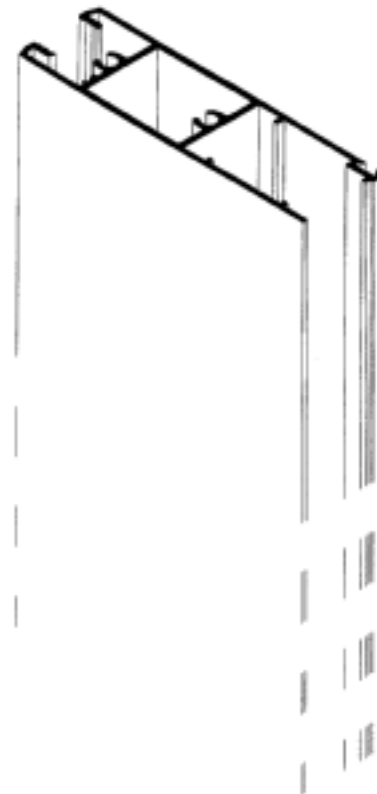
- (21) Design Number: **15193/2012**
(22) Date of Filing Application: **19 October 2012**
(24) Date from which industrial property rights may have effect: **19 October 2012**
(54) Product in respect of which the design is registered: **A profile**
(51) International Design Classification: **25-01K**
(74) Name(s) of Attorney(s): **Griffith Hack**
(71) Name(s) and Address(s) of Applicant(s):
Capral Limited
151 Barry Rd Campbellfield VIC 3061 Australia
(72) Name(s) of Designer(s): **Benjamin Ian Tilley**
(45) Registration Date: **10 January 2013**
(56) Related Art Documents: **Not Applicable**
(57) Statement of Newness and Distinctiveness: **Newness and distinctiveness is claimed in the shape and configuration of the product as illustrated in the drawings, which is of indefinite length.**



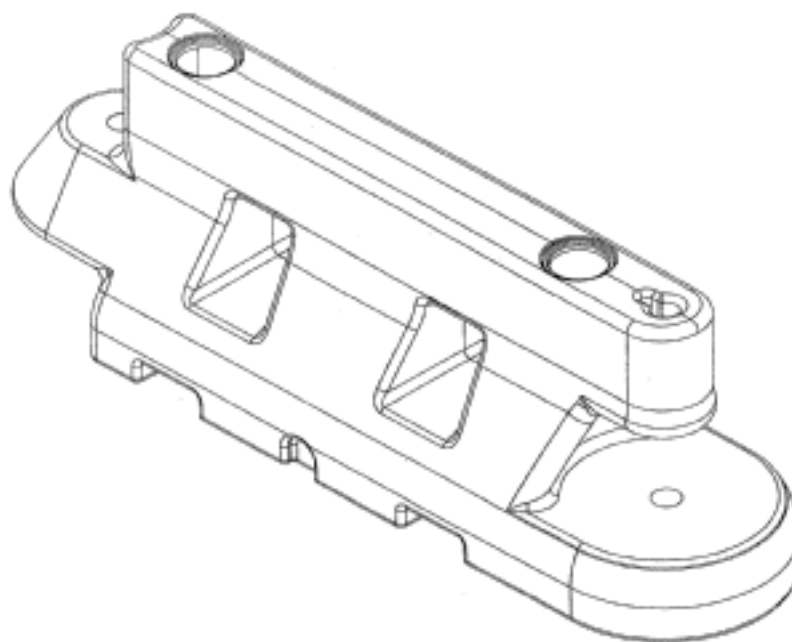
- (21) Design Number: **15194/2012**
(22) Date of Filing Application: **19 October 2012**
(24) Date from which industrial property rights may have effect: **19 October 2012**
(54) Product in respect of which the design is registered: **A profile**
(51) International Design Classification: **25-01K**
(74) Name(s) of Attorney(s): **Griffith Hack**
(71) Name(s) and Address(s) of Applicant(s):
Capral Limited
151 Barry Rd Campbellfield VIC 3061 Australia
(72) Name(s) of Designer(s): **Benjamin Ian Tilley**
(45) Registration Date: **10 January 2013**
(56) Related Art Documents: **Not Applicable**
(57) Statement of Newness and Distinctiveness: **Newness and distinctiveness is claimed in the shape and configuration of the product as illustrated in the drawings, which is of indefinite length.**



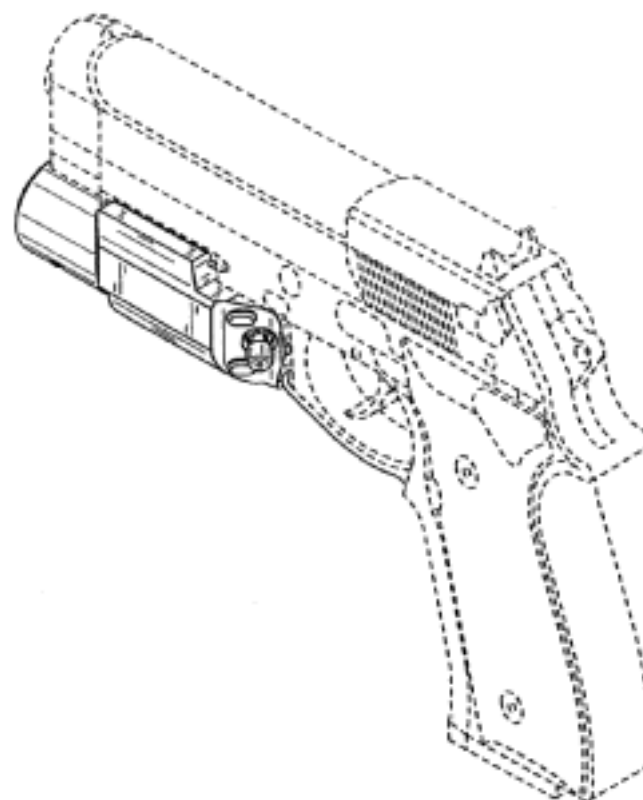
- (21) Design Number: **15195/2012**
(22) Date of Filing Application: **19 October 2012**
(24) Date from which industrial property rights may have effect: **19 October 2012**
(54) Product in respect of which the design is registered: **A profile**
(51) International Design Classification: **25-01K**
(74) Name(s) of Attorney(s): **Griffith Hack**
(71) Name(s) and Address(s) of Applicant(s):
Capral Limited
151 Barry Rd Campbellfield VIC 3061 Australia
(72) Name(s) of Designer(s): **Benjamin Ian Tilley**
(45) Registration Date: **10 January 2013**
(56) Related Art Documents: **Not Applicable**
(57) Statement of Newness and Distinctiveness: **Newness and distinctiveness is claimed in the shape and configuration of the product as illustrated in the drawings, which is of indefinite length.**



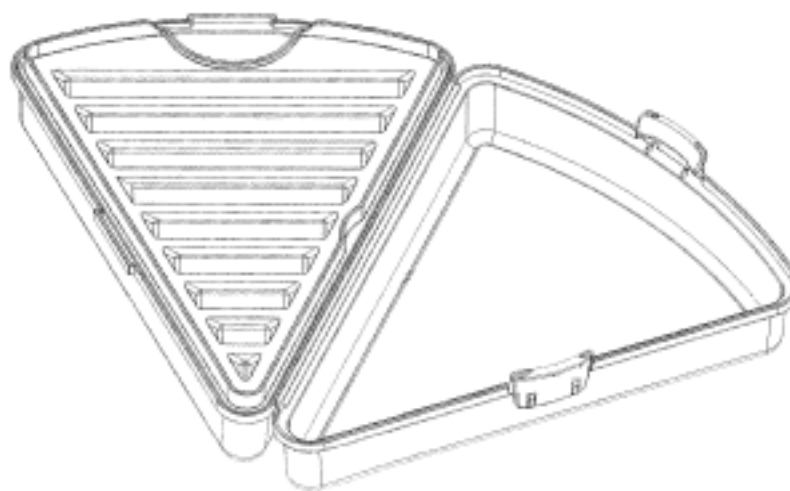
(21) Design Number: **15398/2012**
(22) Date of Filing Application: **29 October 2012**
(24) Date from which industrial property rights may have effect: **29 October 2012**
(54) Product in respect of which the design is registered: **Barrier for roadways**
(51) International Design Classification: **25-02NES**
(74) Name(s) of Attorney(s): **Davies Collison Cave**
(71) Name(s) and Address(s) of Applicant(s):
OPD Group AS
Asdalstrand 171 N-3960 Stathelle Norway
(72) Name(s) of Designer(s): **Oyvind Reutherdal and Kjell Roar Skaugen**
(45) Registration Date: **10 January 2013**
(30) Convention priority data:
(31) Number (32) Date (33) Country
20120427 04 May 2012 NORWAY
(56) Related Art Documents: **Not Applicable**
(57) Statement of Newness and Distinctiveness: **Nil**



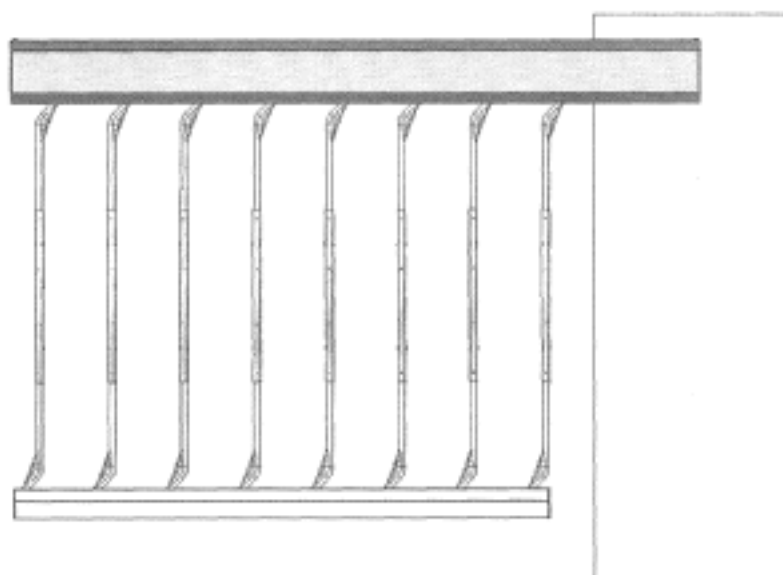
(21) Design Number: **15400/2012**
(22) Date of Filing Application: **29 October 2012**
(24) Date from which industrial property rights may have effect: **29 October 2012**
(54) Product in respect of which the design is registered: **Controller for simulator**
(51) International Design Classification: **21-01N, 22-99**
(74) Name(s) of Attorney(s): **Davies Collison Cave**
(71) Name(s) and Address(s) of Applicant(s):
Dynamic Animation Systems, Inc.
12015 Lee Jackson Hwy SE 200 Fairfax VA 22033 United States of America
(72) Name(s) of Designer(s): **David A. Slayton and Dale E. Newcomb Jr. and Jack B. Amis and Dan Ewert and Carl Douglas Walker and Susana B. Slayton**
(45) Registration Date: **10 January 2013**
(30) Convention priority data:
(31) Number (32) Date (33) Country
29/419491 27 Apr 2012 UNITED STATES OF AMERICA
(56) Related Art Documents: **Not Applicable**
(57) Statement of Newness and Distinctiveness: **Newness and distinctiveness is claimed in the visual features shown in solid lines in the representations. The dashed lines do not form part of the design.**



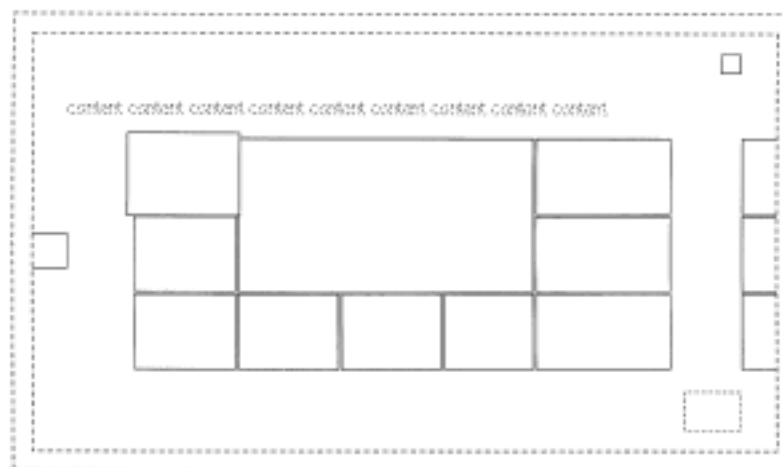
(21) Design Number: **15431/2012**
(22) Date of Filing Application: **30 October 2012**
(24) Date from which industrial property rights may have effect: **30 October 2012**
(54) Product in respect of which the design is registered: **Latch closable container**
(51) International Design Classification: **07-01NES**
(74) Name(s) of Attorney(s): **A J Park**
(71) Name(s) and Address(s) of Applicant(s):
Sistema Plastics Limited
80 Hugo Johnson Drive Penrose Auckland New Zealand
(72) Name(s) of Designer(s): **James Richard Manley and Brendan Jon Lindsay**
(45) Registration Date: **10 January 2013**
(30) Convention priority data:
(31) Number (32) Date (33) Country
29/422,359 18 May 2012 UNITED STATES OF AMERICA
(56) Related Art Documents: **Not Applicable**
(57) Statement of Newness and Distinctiveness: **The newness and distinctiveness of the design resides in the features of shape and configuration as shown in the accompanying representations.**



(21) Design Number: **16059/2012**
(22) Date of Filing Application: **04 December 2012**
(24) Date from which industrial property rights may have effect: **04 December 2012**
(54) Product in respect of which the design is registered: **Barrier**
(51) International Design Classification: **25-02C**
(74) Name(s) of Attorney(s): **Shelston IP**
(71) Name(s) and Address(s) of Applicant(s):
Magnetic Autocontrol GmbH
Grienmatt 20 79650 Schopfheim Germany
(72) Name(s) of Designer(s): **Thomas Burgin**
(45) Registration Date: **10 January 2013**
(30) Convention priority data:
(31) Number (32) Date (33) Country
002054882-0002 08 Jun 2012 EUROPEAN COMMUNITY
(56) Related Art Documents: **Not Applicable**
(57) Statement of Newness and Distinctiveness: **Newness and distinctiveness resides in the features of shape and configuration of the upper portion of the barrier grid above the main barrier beam of the barrier shown in the accompanying representations. The rectangular post to which the barrier is attached does not form part of the design and is included only to show context of use.**



- (21) Design Number: **16061/2012**
(22) Date of Filing Application: **04 December 2012**
(24) Date from which industrial property rights may have effect: **04 December 2012**
(54) Product in respect of which the design is registered: **Display screen with user interface**
(51) International Design Classification: **14-02**
(74) Name(s) of Attorney(s): **Shelston IP**
(71) Name(s) and Address(s) of Applicant(s):
Microsoft Corporation
One Microsoft Way Redmond Washington 98052 United States of America
(72) Name(s) of Designer(s): **David Gardner and Jeffrey Scott Fleischmann and Jason Giles and Matthew James Schoenholz and John A. Solaro**
(45) Registration Date: **10 January 2013**
(30) Convention priority data:
(31) Number (32) Date (33) Country
29/423708 04 Jun 2012 UNITED STATES OF AMERICA
(56) Related Art Documents: **Not Applicable**
(57) Statement of Newness and Distinctiveness: **Newness and distinctiveness reside in the pattern and/or ornamentation of a display screen with user interface as illustrated by solid lines in the accompanying representation. The features shown in broken outline are for contextual purposes only and do not form part of the design.**



- (21) Design Number: **15196/2012**
(22) Date of Filing Application: **19 October 2012**
(24) Date from which industrial property rights may have effect: **19 October 2012**
(54) Product in respect of which the design is registered: **Fishing lure**
(51) International Design Classification: **22-05**
(74) Name(s) of Attorney(s): **Davies Collison Cave**
(71) Name(s) and Address(s) of Applicant(s):
Rapala VMC Oyj
Tehtaantie 2 FIN-17200 Vaaksy Finland
(72) Name(s) of Designer(s): **Heikki Niemela**
(45) Registration Date: **11 January 2013**
(30) Convention priority data:
(31) Number (32) Date (33) Country
002030445 20 Apr 2012 EUROPEAN COMMUNITY
(56) Related Art Documents: **Not Applicable**
(57) Statement of Newness and Distinctiveness: **Newness and distinctiveness is claimed in the feature of shape, configuration, pattern and ornamentation of the article shown in the representations.**



(21) Design Number: **15311/2012**

(22) Date of Filing Application: **19 October 2012**

(24) Date from which industrial property rights may have effect: **19 October 2012**

(54) Product in respect of which the design is registered: **Camera**

(51) International Design Classification: **16-01**

(74) Name(s) of Attorney(s): **PIPERS**

(71) Name(s) and Address(s) of Applicant(s):

Decathlon

4 Boulevard de Mons 59650 Villeneuve d'Ascq Cedex France

(72) Name(s) of Designer(s): **Constant Melchior**

(45) Registration Date: **11 January 2013**

(30) Convention priority data:

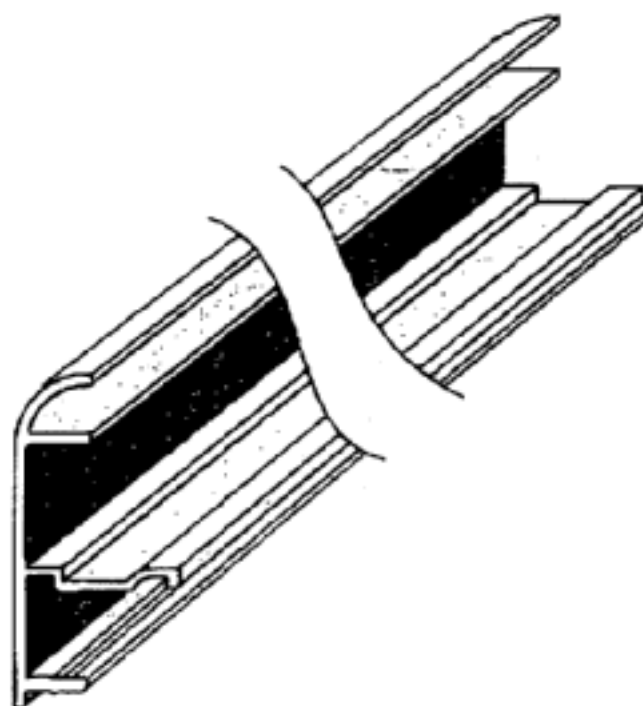
(31) Number	(32) Date	(33) Country
002107318-0001	21 Sep 2012	EUROPEAN COMMUNITY

(56) Related Art Documents: **Not Applicable**

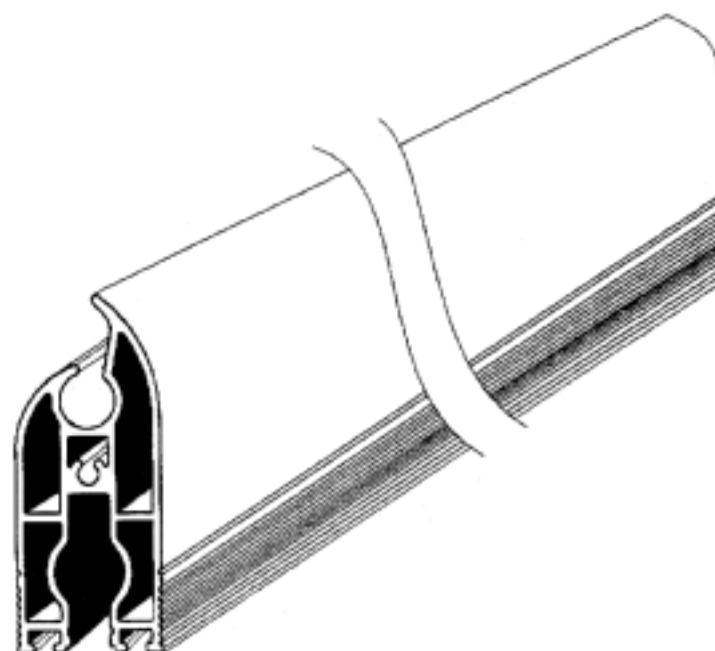
(57) Statement of Newness and Distinctiveness: **Cameras for filming, more particularly this application for Registration of Industrial Design refers to an ornamental set applied to a camera for filming wherein its original lines characterize said camera as being both new and readily distinguishable from conventional designs, not only for presenting a new visual effect, but also due to its design resulting in a useful model comprising 3 lenses, thus allowing three dimensional (3D) shootings. For a better understanding of this application for registration of industrial design, a brief description thereof is given hereinbelow by means of the accompanying figures, where: Figure 1 - shows a front view; Figure 2 - shows a top view; Figure 3 - illustrates a side view; Figure 4 - shows a view in perspective, and Figure 5 - shows a side view. As can be noted in light of the above exposition and accompanying figures, this is a unique industrial design applied for cameras for filming, with a configuration that perfectly fits into the criteria that define the Industrial Design Registration, since it provides a particular and unique assemble of details that combine and modify known elements providing a new look with useful characteristics defining a plastic form that is also characterized by the new ornamental configuration.**



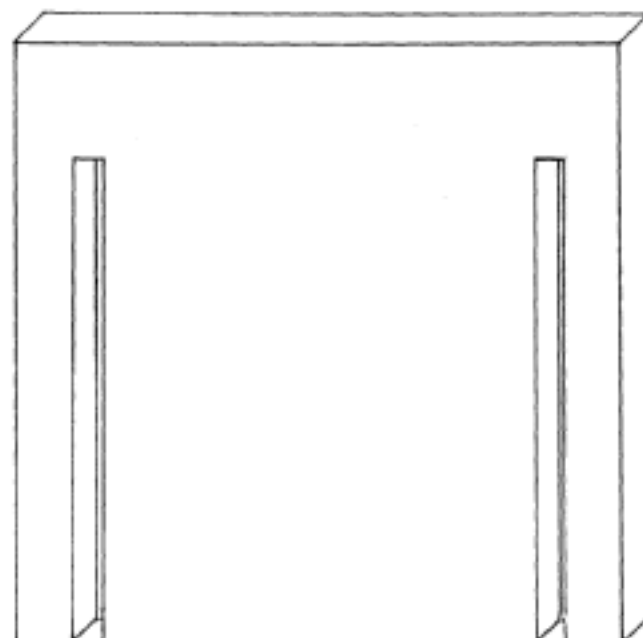
- (21) Design Number: **15327/2012**
(22) Date of Filing Application: **28 October 2012**
(24) Date from which industrial property rights may have effect: **28 October 2012**
(54) Product in respect of which the design is registered: **Side channel for an awning**
(51) International Design Classification: **25-02H**
(74) Name(s) of Attorney(s):
(71) Name(s) and Address(s) of Applicant(s):
Peter Dennis Monkhouse
3A Wirriga St Regency Park South Australia 5010 Australia
(72) Name(s) of Designer(s): **Peter Dennis Monkhouse**
(45) Registration Date: **11 January 2013**
(56) Related Art Documents: **Not Applicable**
(57) Statement of Newness and Distinctiveness: **2 part clip together side channel that allows fixing of part A to a solid surface prior to inserting the flexible retaining guide and then clipping part B to part A forming an enclosed box with domed leading edge. When part A and part B are clipped together a vertical slot is formed in the domed edge which will run the length of the joined parts. The profile of part A includes 2 receptacles to accept the part B profiles 2 corresponding protrusions, giving a unique clip together system.**



- (21) Design Number: **15328/2012**
(22) Date of Filing Application: **28 October 2012**
(24) Date from which industrial property rights may have effect: **28 October 2012**
(54) Product in respect of which the design is registered: **Bottom bar for blinds, awnings and shutters**
(51) International Design Classification: **25-02H**
(74) Name(s) of Attorney(s):
(71) Name(s) and Address(s) of Applicant(s):
Peter Dennis Monkhouse
3A Wirriga St Regency Park South Australia 5010 Australia
(72) Name(s) of Designer(s): **Peter Dennis Monkhouse**
(45) Registration Date: **11 January 2013**
(56) Related Art Documents: **Not Applicable**
(57) Statement of Newness and Distinctiveness: **The profile allows for multiple combinations of fabrics and/or weather strips to be inserted and retained while also allowing for the insertion of the exclusive latching mechanisms. The lower outside edges (front & rear) are grooved to assist gripping the bar and the top centre overhanging edge is unique in designed to assist in maintaining a taut fabric.**



(21) Design Number: **15337/2012**
(22) Date of Filing Application: **25 October 2012**
(24) Date from which industrial property rights may have effect: **25 October 2012**
(54) Product in respect of which the design is registered: **Panel**
(51) International Design Classification: **25-01D**
(74) Name(s) of Attorney(s): **Cullens Patent and Trade Mark Attorneys**
(71) Name(s) and Address(s) of Applicant(s):
lander Pty Ltd
PO BOX 154 Maroochydore QLD 4558 Australia
(72) Name(s) of Designer(s): **Ian Desmond Ritchie**
(45) Registration Date: **11 January 2013**
(56) Related Art Documents: **Not Applicable**
(57) Statement of Newness and Distinctiveness: **The new and distinctive features are the features of shape and configuration of the panel as shown in the representations. The height and width of the panel are not new and distinctive features and they may vary. The recesses in the panel are new and distinctive. The height and width of the recesses may vary.**



(21) Design Number: **16634/2012**
(22) Date of Filing Application: **19 October 2012**
(24) Date from which industrial property rights may have effect: **19 October 2012**
(54) Product in respect of which the design is registered: **Fishing lure**
(51) International Design Classification: **22-05**
(74) Name(s) of Attorney(s): **Davies Collison Cave**
(71) Name(s) and Address(s) of Applicant(s):
Rapala VMC Oyj
Tehtaantie 2 FIN-17200 Vaaksy Finland
(72) Name(s) of Designer(s): **Harri Leppala**
(45) Registration Date: **11 January 2013**
(30) Convention priority data:
(31) Number (32) Date (33) Country
002030445 20 Apr 2012 EUROPEAN COMMUNITY
(56) Related Art Documents: **Not Applicable**
(57) Statement of Newness and Distinctiveness: **Newness and distinctiveness is claimed in the feature of shape, configuration, pattern and ornamentation of the article shown in the representations.**



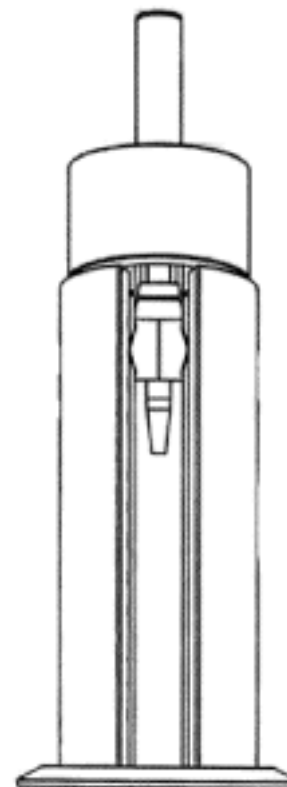
(21) Design Number: **16635/2012**
(22) Date of Filing Application: **19 October 2012**
(24) Date from which industrial property rights may have effect: **19 October 2012**
(54) Product in respect of which the design is registered: **Fishing lure**
(51) International Design Classification: **22-05**
(74) Name(s) of Attorney(s): **Davies Collison Cave**
(71) Name(s) and Address(s) of Applicant(s):
Rapala VMC Oyj
Tehtaantie 2 FIN-17200 Vaaksy Finland
(72) Name(s) of Designer(s): **Harri Leppala**
(45) Registration Date: **11 January 2013**
(30) Convention priority data:
(31) Number (32) Date (33) Country
002030445 20 Apr 2012 EUROPEAN COMMUNITY
(56) Related Art Documents: **Not Applicable**
(57) Statement of Newness and Distinctiveness: **Newness and distinctiveness is claimed in the feature of shape, configuration, pattern and ornamentation of the article shown in the representations.**



(21) Design Number: **15216/2012**
(22) Date of Filing Application: **19 October 2012**
(24) Date from which industrial property rights may have effect: **19 October 2012**
(54) Product in respect of which the design is registered: **Wrist watch**
(51) International Design Classification: **10-02**
(74) Name(s) of Attorney(s): **WATERMARK PATENT AND TRADE MARKS ATTORNEYS**
(71) Name(s) and Address(s) of Applicant(s):
Dolce & Gabbana S.r.l.
Via Carlo Goldoni 10 20129 Milano Italy
(72) Name(s) of Designer(s): **Domenico Dolce and Stefano Gabbana**
(45) Registration Date: **14 January 2013**
(30) Convention priority data:
(31) Number (32) Date (33) Country
002033126 26 Apr 2012 EUROPEAN COMMUNITY
(56) Related Art Documents: **Not Applicable**
(57) Statement of Newness and Distinctiveness: **Nil**



(21) Design Number: **12951/2012**
(22) Date of Filing Application: **22 June 2012**
(24) Date from which industrial property rights may have effect: **22 June 2012**
(54) Product in respect of which the design is registered: **Drinks dispenser**
(51) International Design Classification: **31-00**
(74) Name(s) of Attorney(s): **Ashurst Australia**
(71) Name(s) and Address(s) of Applicant(s):
Diageo Ireland
St. James's Gate Dublin 8 Ireland
(72) Name(s) of Designer(s): **Neil Hirst**
(45) Registration Date: **11 January 2013**
(56) Related Art Documents: **Not Applicable**
(57) Statement of Newness and Distinctiveness: **The novelty in the design resides in the features of the shape and configuration of the article as shown in the representations.**



(21) Design Number: **15217/2012**
(22) Date of Filing Application: **19 October 2012**
(24) Date from which industrial property rights may have effect: **19 October 2012**
(54) Product in respect of which the design is registered: **Wrist watch**
(51) International Design Classification: **10-02**
(74) Name(s) of Attorney(s): **WATERMARK PATENT AND TRADE MARKS ATTORNEYS**
(71) Name(s) and Address(s) of Applicant(s):
Dolce & Gabbana S.r.l.
Via Carlo Goldoni 10 20129 Milano Italy
(72) Name(s) of Designer(s): **Domenico Dolce and Stefano Gabbana**
(45) Registration Date: **14 January 2013**
(30) Convention priority data:
(31) Number (32) Date (33) Country
002033216 26 Apr 2012 EUROPEAN COMMUNITY
(56) Related Art Documents: **Not Applicable**
(57) Statement of Newness and Distinctiveness: **Nil**



(21) Design Number: **16666/2012**
(22) Date of Filing Application: **19 October 2012**
(24) Date from which industrial property rights may have effect: **19 October 2012**
(54) Product in respect of which the design is registered: **Wrist watch**
(51) International Design Classification: **10-02**
(74) Name(s) of Attorney(s): **WATERMARK PATENT AND TRADE MARKS ATTORNEYS**
(71) Name(s) and Address(s) of Applicant(s):
Dolce & Gabbana S.r.l.
Via Carlo Goldoni 10 20129 Milano Italy
(72) Name(s) of Designer(s): **Domenico Dolce and Stefano Gabbana**
(45) Registration Date: **14 January 2013**
(30) Convention priority data:
(31) Number (32) Date (33) Country
002033126 26 Apr 2012 EUROPEAN COMMUNITY
(56) Related Art Documents: **Not Applicable**
(57) Statement of Newness and Distinctiveness: **Nil**



(21) Design Number: **15210/2012**
(22) Date of Filing Application: **19 October 2012**
(24) Date from which industrial property rights may have effect: **19 October 2012**
(54) Product in respect of which the design is registered: **Wrist watch**
(51) International Design Classification: **10-02**
(74) Name(s) of Attorney(s): **WATERMARK PATENT AND TRADE MARKS ATTORNEYS**
(71) Name(s) and Address(s) of Applicant(s):
Dolce & Gabbana S.r.l.
Via Carlo Goldoni 10 20129 Milano Italy
(72) Name(s) of Designer(s): **Domenico Dolce and Stefano Gabbana**
(45) Registration Date: **14 January 2013**
(30) Convention priority data:
(31) Number (32) Date (33) Country
002033126 26 Apr 2012 EUROPEAN COMMUNITY
(56) Related Art Documents: **Not Applicable**
(57) Statement of Newness and Distinctiveness: **Nil**



(21) Design Number: **16684/2012**
(22) Date of Filing Application: **19 October 2012**
(24) Date from which industrial property rights may have effect: **19 October 2012**
(54) Product in respect of which the design is registered: **Wrist watch**
(51) International Design Classification: **10-02**
(74) Name(s) of Attorney(s): **WATERMARK PATENT AND TRADE MARKS ATTORNEYS**
(71) Name(s) and Address(s) of Applicant(s):
Dolce & Gabbana S.r.l.
Via Carlo Goldoni 10 20129 Milano Italy
(72) Name(s) of Designer(s): **Domenico Dolce and Stefano Gabbana**
(45) Registration Date: **14 January 2013**
(30) Convention priority data:
(31) Number (32) Date (33) Country
002033126 26 Apr 2012 EUROPEAN COMMUNITY
(56) Related Art Documents: **Not Applicable**
(57) Statement of Newness and Distinctiveness: **Nil**



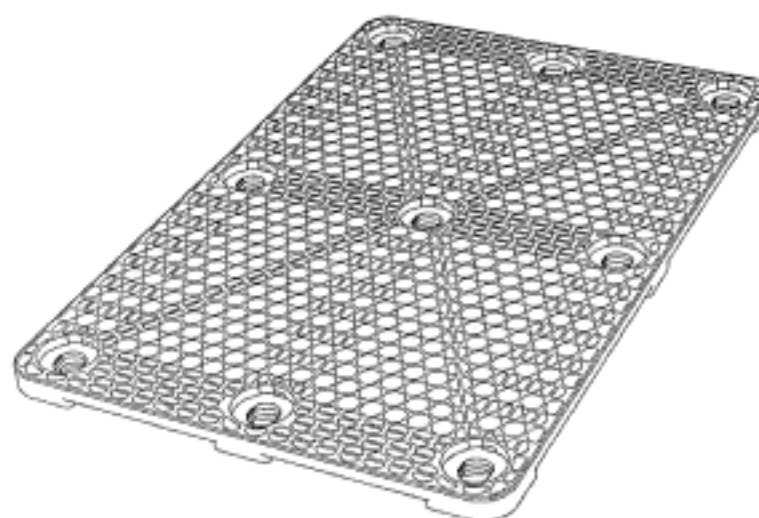
(21) Design Number: **15211/2012**
(22) Date of Filing Application: **19 October 2012**
(24) Date from which industrial property rights may have effect: **19 October 2012**
(54) Product in respect of which the design is registered: **Wrist watch**
(51) International Design Classification: **10-02**
(74) Name(s) of Attorney(s): **WATERMARK PATENT AND TRADE MARKS ATTORNEYS**
(71) Name(s) and Address(s) of Applicant(s):
Dolce & Gabbana S.r.l.
Via Carlo Goldoni 10 20129 Milano Italy
(72) Name(s) of Designer(s): **Domenico Dolce and Stefano Gabbana**
(45) Registration Date: **14 January 2013**
(30) Convention priority data:
(31) Number (32) Date (33) Country
002033126 26 Apr 2012 EUROPEAN COMMUNITY
(56) Related Art Documents: **Not Applicable**
(57) Statement of Newness and Distinctiveness: **Nil**



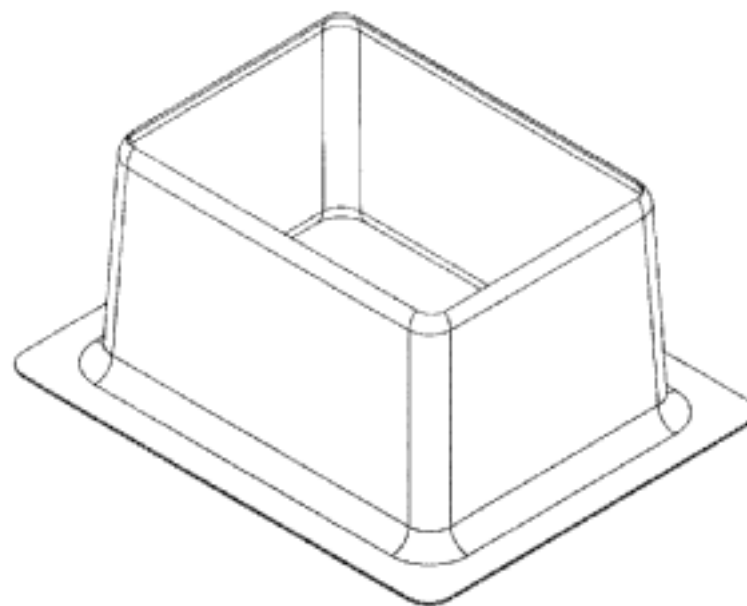
(21) Design Number: **16685/2012**
(22) Date of Filing Application: **19 October 2012**
(24) Date from which industrial property rights may have effect: **19 October 2012**
(54) Product in respect of which the design is registered: **Wrist watch**
(51) International Design Classification: **10-02**
(74) Name(s) of Attorney(s): **WATERMARK PATENT AND TRADE MARKS ATTORNEYS**
(71) Name(s) and Address(s) of Applicant(s):
Dolce & Gabbana S.r.l.
Via Carlo Goldoni 10 20129 Milano Italy
(72) Name(s) of Designer(s): **Domenico Dolce and Stefano Gabbana**
(45) Registration Date: **14 January 2013**
(30) Convention priority data:
(31) Number (32) Date (33) Country
002033126 26 Apr 2012 EUROPEAN COMMUNITY
(56) Related Art Documents: **Not Applicable**
(57) Statement of Newness and Distinctiveness: **Nil**



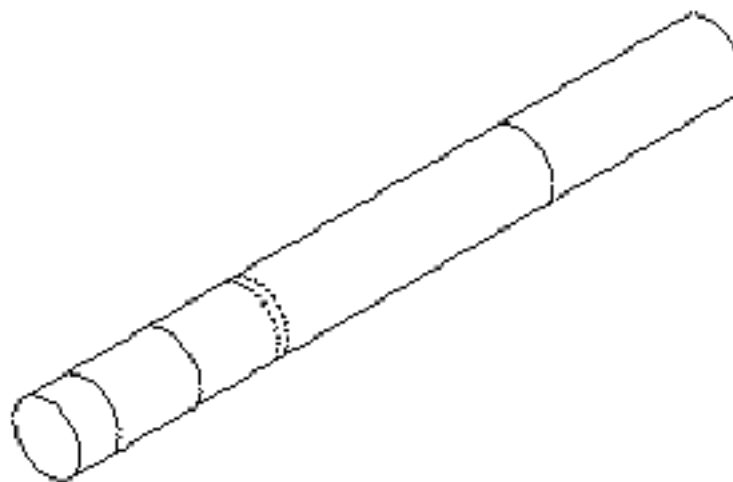
(21) Design Number: **14193/2012**
(22) Date of Filing Application: **24 August 2012**
(24) Date from which industrial property rights may have effect: **24 August 2012**
(54) Product in respect of which the design is registered: **A part of a loading pallet**
(51) International Design Classification: **09-08**
(74) Name(s) of Attorney(s): **Griffith Hack**
(71) Name(s) and Address(s) of Applicant(s):
Jorgen Haglund
Krongardsvagen 3 Varby 145 46 Sweden
(72) Name(s) of Designer(s): **Jorgen Haglund**
(45) Registration Date: **11 January 2013**
(30) Convention priority data:
(31) Number (32) Date (33) Country
001997495 24 Feb 2012 EUROPEAN COMMUNITY
(56) Related Art Documents: **Not Applicable**
(57) Statement of Newness and Distinctiveness: **Nil**



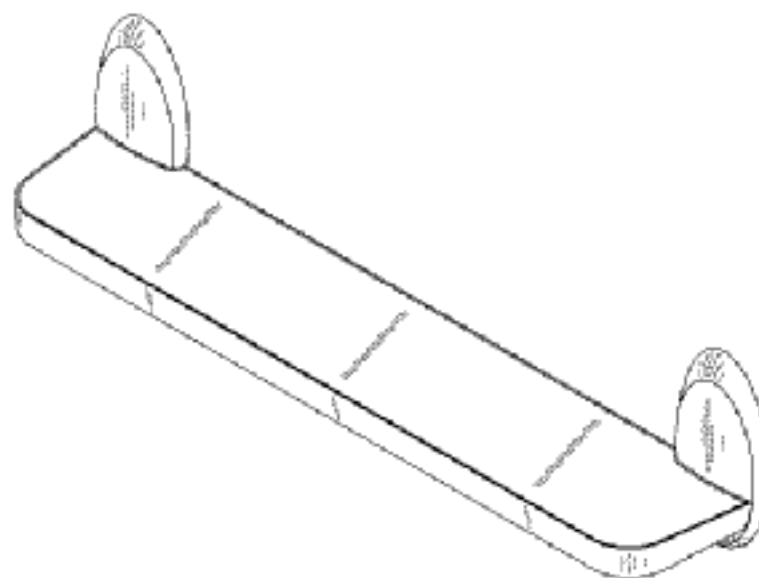
(21) Design Number: **15712/2012**
(22) Date of Filing Application: **19 November 2012**
(24) Date from which industrial property rights may have effect: **19 November 2012**
(54) Product in respect of which the design is registered: **Gutter outlet**
(51) International Design Classification: **23-01L**
(74) Name(s) of Attorney(s): **Cullens Patent and Trade Mark Attorneys**
(71) Name(s) and Address(s) of Applicant(s):
Uni-Quip Australia Pty Ltd
20 Glendevon Cres Mt Warren Park QLD 4207 Australia
(72) Name(s) of Designer(s): **Michael Norman Carr**
(45) Registration Date: **11 January 2013**
(56) Related Art Documents: **Not Applicable**
(57) Statement of Newness and Distinctiveness: **Nil**



(21) Design Number: **16021/2012**
(22) Date of Filing Application: **04 December 2012**
(24) Date from which industrial property rights may have effect: **10 September 2012**
(54) Product in respect of which the design is registered: **Smoker article**
(51) International Design Classification: **27-99**
(74) Name(s) of Attorney(s): **Callinans**
(71) Name(s) and Address(s) of Applicant(s):
Philip Morris Products S.A.
Quai Jeanrenaud 3 Neuchatel 2000 Switzerland
(72) Name(s) of Designer(s): **Frederic Lavanchy and Aleksandra Samulewicz**
and Oleg Mironov and Stephane Roudier and Roberto Mancini
(45) Registration Date: **11 January 2013**
(30) Convention priority data:
(31) Number (32) Date (33) Country
001317556 12 Mar 2012 EUROPEAN COMMUNITY
(62) Divisional of: **345973**
(56) Related Art Documents: **Not Applicable**
(57) Statement of Newness and Distinctiveness: **Nil**



(21) Design Number: **16048/2012**
(22) Date of Filing Application: **05 December 2012**
(24) Date from which industrial property rights may have effect: **05 December 2012**
(54) Product in respect of which the design is registered: **Shelf**
(51) International Design Classification: **23-02A**
(74) Name(s) of Attorney(s): **Davies Collison Cave**
(71) Name(s) and Address(s) of Applicant(s):
3M Innovative Properties Company
3M Center Saint Paul Minnesota 55133-3427 United States of America
(72) Name(s) of Designer(s): **Kevin James Gilboe and Craig Donald Thompson and Angela Lilun Pan and Matthew Joel Nettenstrom and Justin Banker Peart and Thomas Michael McKeon and Jeremy Aaron Abel**
(45) Registration Date: **11 January 2013**
(30) Convention priority data:
(31) Number (32) Date (33) Country
29/423917 06 Jun 2012 UNITED STATES OF AMERICA
(56) Related Art Documents: **Not Applicable**
(57) Statement of Newness and Distinctiveness: **Newness and distinctiveness is claimed in the visual features shown in solid lines in the representations. In considering the extent of the design rights, the broken lines shown in the representations are for illustrative purposes only and do not form part of the design.**



(21) Design Number: **16071/2012**
(22) Date of Filing Application: **06 December 2012**
(24) Date from which industrial property rights may have effect: **06 December 2012**
(54) Product in respect of which the design is registered: **A twin stroller frame**
(51) International Design Classification: **12-12**
(74) Name(s) of Attorney(s): **WATERMARK PATENT AND TRADE MARKS ATTORNEYS**
(71) Name(s) and Address(s) of Applicant(s):
Modern Star International Pty Ltd
L1 122-126 Old Pittwater Rd Brookvale NSW 2100 Australia
(72) Name(s) of Designer(s): **Michael Russell and Jon Seddon**
(45) Registration Date: **11 January 2013**
(56) Related Art Documents: **Not Applicable**
(57) Statement of Newness and Distinctiveness: **Nil**



(21) Design Number: **16085/2012**
(22) Date of Filing Application: **06 December 2012**
(24) Date from which industrial property rights may have effect: **06 December 2012**
(54) Product in respect of which the design is registered: **Bar gun**
(51) International Design Classification: **07-04**
(74) Name(s) of Attorney(s): **Baldwins**
(71) Name(s) and Address(s) of Applicant(s):

Schroeder Industries, Inc. doing business as Schroeder America
5620 Business Park San Antonio TX 78218-5505 United States of America

(72) Name(s) of Designer(s): **Sam Brown**

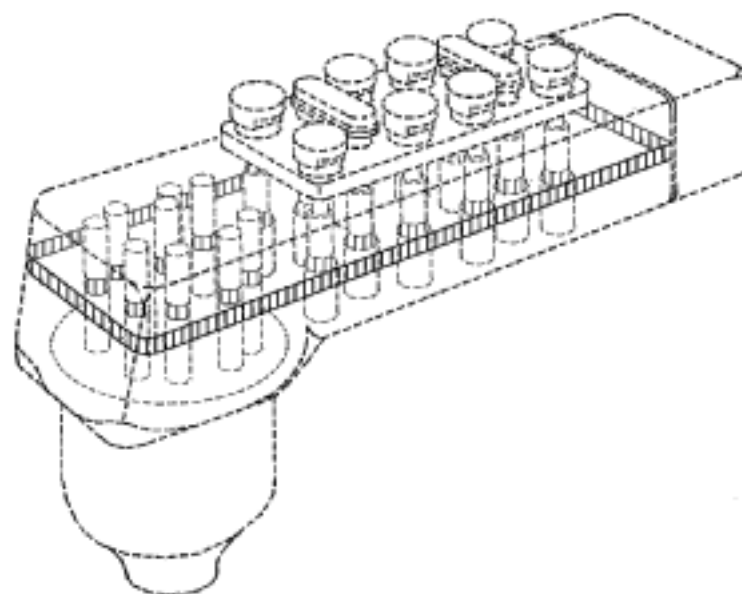
(45) Registration Date: **11 January 2013**

(30) Convention priority data:

(31) Number	(32) Date	(33) Country
29/426206	02 Jul 2012	UNITED STATES OF AMERICA

(56) Related Art Documents: **Not Applicable**

(57) Statement of Newness and Distinctiveness: **The drawing is lined for color. The broken line showing of portions of the bar gun is for the purpose of illustrating portions of the bar gun and forms no part of the claimed design.**



(21) Design Number: **16087/2012**
(22) Date of Filing Application: **06 December 2012**
(24) Date from which industrial property rights may have effect: **06 December 2012**
(54) Product in respect of which the design is registered: **Wine bottle**
(51) International Design Classification: **09-01D**
(74) Name(s) of Attorney(s): **Trademark Works**
(71) Name(s) and Address(s) of Applicant(s):

Kopurlo Pty Ltd
1/10 Endeavour Dr Port Adelaide SA 5015 Australia

(72) Name(s) of Designer(s): **Ross Sturdy**

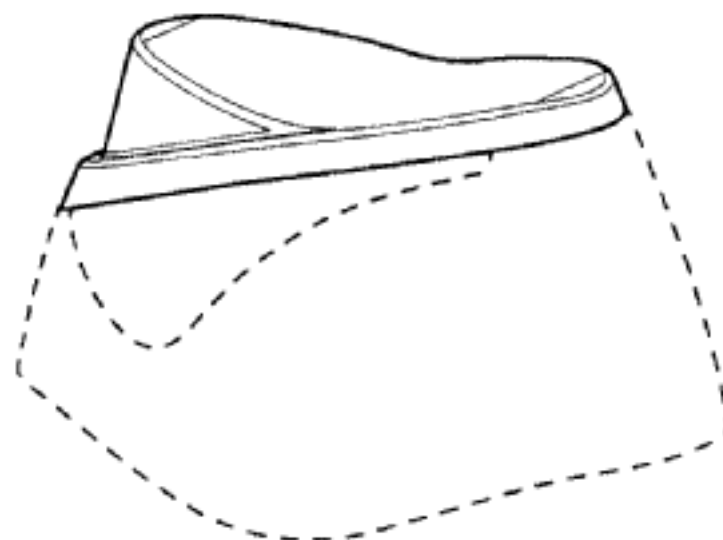
(45) Registration Date: **11 January 2013**

(56) Related Art Documents: **Not Applicable**

(57) Statement of Newness and Distinctiveness: **Nil**



(21) Design Number: **15145/2012**
(22) Date of Filing Application: **18 October 2012**
(24) Date from which industrial property rights may have effect: **18 October 2012**
(54) Product in respect of which the design is registered: **A portion of a cap for a container**
(51) International Design Classification: **09-07A**
(74) Name(s) of Attorney(s): **FB Rice**
(71) Name(s) and Address(s) of Applicant(s):
Colgate-Palmolive Company
300 Park Avenue New York New York 10022 United States of America
(72) Name(s) of Designer(s): **John Clifford Crawford and Christopher Hart and Stacy Castro**
(45) Registration Date: **14 January 2013**
(30) Convention priority data:
(31) Number (32) Date (33) Country
29/424000 07 Jun 2012 UNITED STATES OF AMERICA
(56) Related Art Documents: **Not Applicable**
(57) Statement of Newness and Distinctiveness: **Newness and distinctiveness reside in the features of the design shown in solid lines in the representations excluding those features shown in broken lines.**



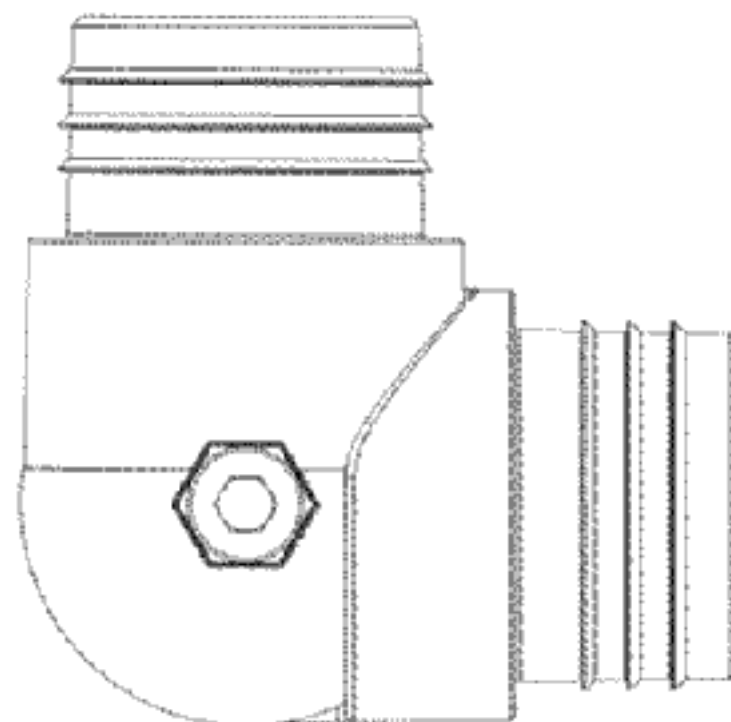
(21) Design Number: **15218/2012**
(22) Date of Filing Application: **19 October 2012**
(24) Date from which industrial property rights may have effect: **19 October 2012**
(54) Product in respect of which the design is registered: **Wrist watch**
(51) International Design Classification: **10-02**
(74) Name(s) of Attorney(s): **WATERMARK PATENT AND TRADE MARKS ATTORNEYS**
(71) Name(s) and Address(s) of Applicant(s):
Dolce & Gabbana S.r.l.
Via Carlo Goldoni 10 20129 Milano Italy
(72) Name(s) of Designer(s): **Domenico Dolce and Stefano Gabbana**
(45) Registration Date: **14 January 2013**
(30) Convention priority data:
(31) Number (32) Date (33) Country
002033126 26 Apr 2012 EUROPEAN COMMUNITY
(56) Related Art Documents: **Not Applicable**
(57) Statement of Newness and Distinctiveness: **Nil**



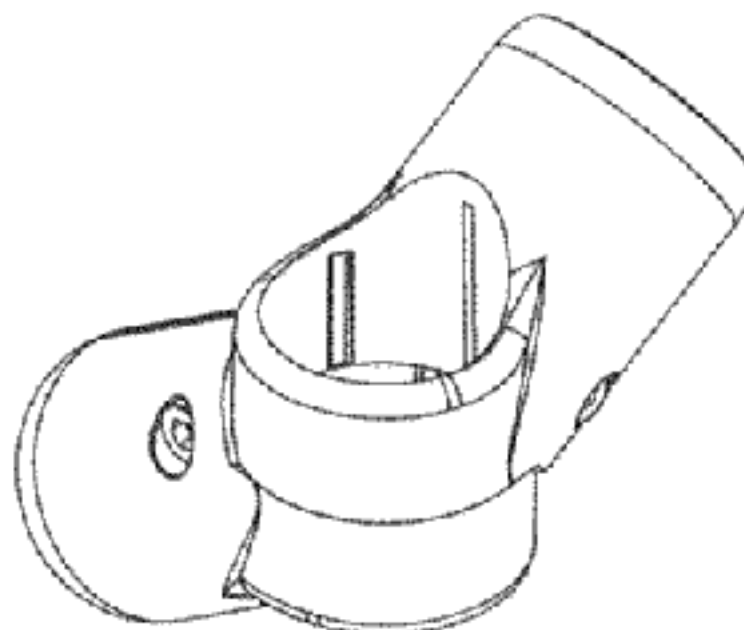
(21) Design Number: **16636/2012**
(22) Date of Filing Application: **19 October 2012**
(24) Date from which industrial property rights may have effect: **19 October 2012**
(54) Product in respect of which the design is registered: **Wrist watch**
(51) International Design Classification: **10-02**
(74) Name(s) of Attorney(s): **WATERMARK PATENT AND TRADE MARKS ATTORNEYS**
(71) Name(s) and Address(s) of Applicant(s):
Dolce & Gabbana S.r.l.
Via Carlo Goldoni 10 20129 Milano Italy
(72) Name(s) of Designer(s): **Domenico Dolce and Stefano Gabbana**
(45) Registration Date: **14 January 2013**
(30) Convention priority data:
(31) Number (32) Date (33) Country
002033126 26 Apr 2012 EUROPEAN COMMUNITY
(56) Related Art Documents: **Not Applicable**
(57) Statement of Newness and Distinctiveness: **Nil**



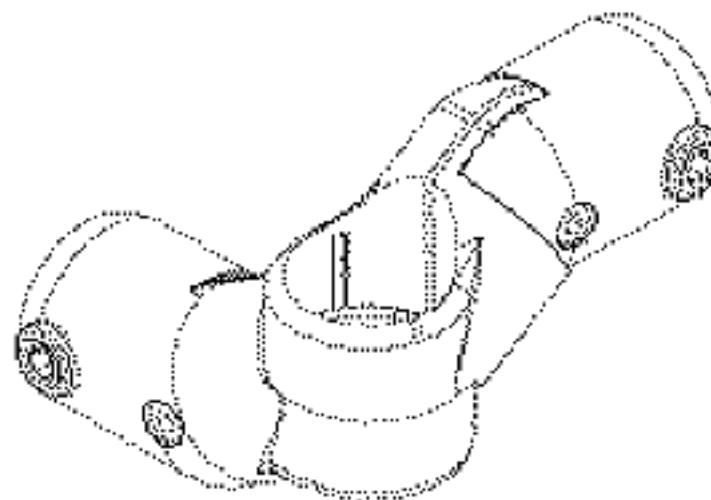
(21) Design Number: **15641/2012**
(22) Date of Filing Application: **14 November 2012**
(24) Date from which industrial property rights may have effect: **14 November 2012**
(54) Product in respect of which the design is registered: **Railing Connector**
(51) International Design Classification: **08-08K**
(74) Name(s) of Attorney(s): **Actuate IP**
(71) Name(s) and Address(s) of Applicant(s):
Moddex Group Pty Ltd
Kalman House 1 Kalman Dr Boronia VIC 3155 Australia
(72) Name(s) of Designer(s): **Dean Vos and Steven Thrush**
(45) Registration Date: **14 January 2013**
(56) Related Art Documents: **Not Applicable**
(57) Statement of Newness and Distinctiveness: **Newness and distinctiveness is claimed in the features of shape and/or configuration of the CONNECTOR as illustrated in the accompanying representations.**



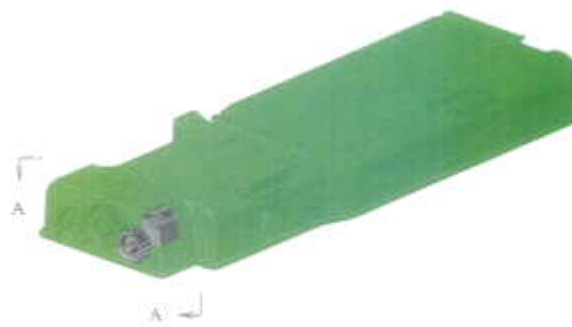
- (21) Design Number: **15642/2012**
(22) Date of Filing Application: **14 November 2012**
(24) Date from which industrial property rights may have effect: **14 November 2012**
(54) Product in respect of which the design is registered: **Railing connector**
(51) International Design Classification: **08-08K**
(74) Name(s) of Attorney(s): **Actuate IP**
(71) Name(s) and Address(s) of Applicant(s):
Moddex Group Pty Ltd
Kalman House 1 Kalman Dr Boronia VIC 3155 Australia
(72) Name(s) of Designer(s): **Steven Thrush and Dean Vos**
(45) Registration Date: **14 January 2013**
(56) Related Art Documents: **Not Applicable**
(57) Statement of Newness and Distinctiveness: **Newness and distinctiveness is claimed in the features of shape and/or configuration of the CONNECTOR as illustrated in the accompanying representations.**



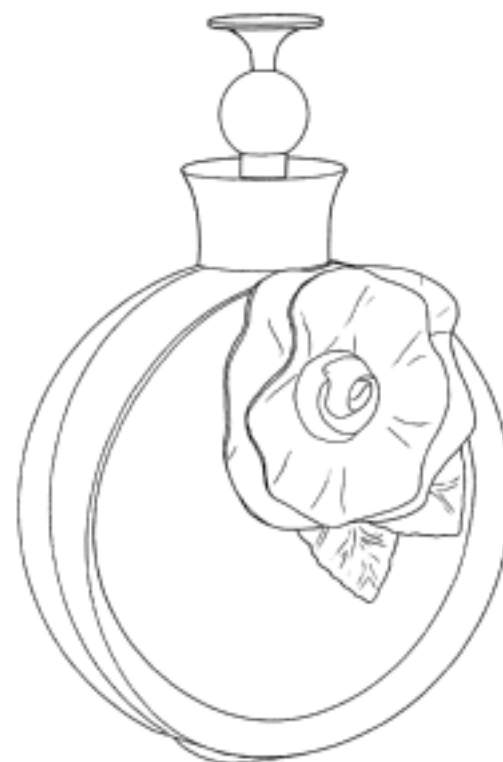
- (21) Design Number: **15643/2012**
(22) Date of Filing Application: **14 November 2012**
(24) Date from which industrial property rights may have effect: **14 November 2012**
(54) Product in respect of which the design is registered: **Railing connector**
(51) International Design Classification: **08-08K**
(74) Name(s) of Attorney(s): **Actuate IP**
(71) Name(s) and Address(s) of Applicant(s):
Moddex Group Pty Ltd
Kalman House 1 Kalman Dr Boronia VIC 3155 Australia
(72) Name(s) of Designer(s): **Steven Thrush and Dean Vos**
(45) Registration Date: **14 January 2013**
(56) Related Art Documents: **Not Applicable**
(57) Statement of Newness and Distinctiveness: **Newness and distinctiveness is claimed in the features of shape and/or configuration of the CONNECTOR as illustrated in the accompanying representations.**



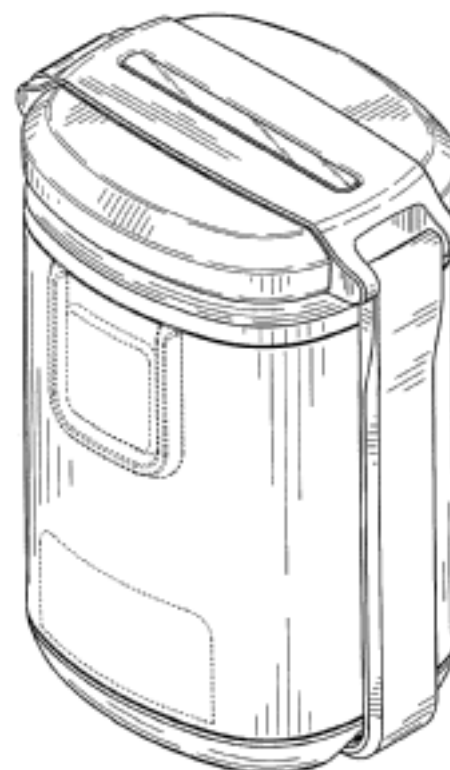
- (21) Design Number: **15717/2012**
(22) Date of Filing Application: **16 November 2012**
(24) Date from which industrial property rights may have effect: **16 November 2012**
(54) Product in respect of which the design is registered: **Toner cartridge**
(51) International Design Classification: **14-02**
(74) Name(s) of Attorney(s): **Shelston IP**
(71) Name(s) and Address(s) of Applicant(s):
Fuji Xerox Co., Ltd.
7-3 Akasaka 9-chome Minato-ku Tokyo Japan
(72) Name(s) of Designer(s): **Naofumi Murayama and Shigemasa Nakaya and Toshio Takiguchi**
(45) Registration Date: **14 January 2013**
(30) Convention priority data:
(31) Number (32) Date (33) Country
2012-011376 16 May 2012 JAPAN
(56) Related Art Documents: **Not Applicable**
(57) Statement of Newness and Distinctiveness: **Newness and distinctiveness reside in the features of shape and/or configuration of the toner cartridge indicated in grey scale in the accompanying representations. The features shown in green in the accompanying representations form no part of the design.**



- (21) Design Number: **15839/2012**
(22) Date of Filing Application: **22 November 2012**
(24) Date from which industrial property rights may have effect: **22 November 2012**
(54) Product in respect of which the design is registered: **Container for perfume**
(51) International Design Classification: **09-01G**
(74) Name(s) of Attorney(s): **PHILLIPS ORMONDE FITZPATRICK**
(71) Name(s) and Address(s) of Applicant(s):
Valentino S.p.A.
Via Turati 16/18 I-20121 Milano Italy
(72) Name(s) of Designer(s): **Jerome Faillant Dumas**
(45) Registration Date: **14 January 2013**
(30) Convention priority data:
(31) Number (32) Date (33) Country
002086488 10 Aug 2012 EUROPEAN COMMUNITY
(56) Related Art Documents: **Not Applicable**
(57) Statement of Newness and Distinctiveness: **Nil**



(21) Design Number: **15845/2012**
(22) Date of Filing Application: **21 November 2012**
(24) Date from which industrial property rights may have effect: **21 November 2012**
(54) Product in respect of which the design is registered: **Lighting device**
(51) International Design Classification: **26-02**
(74) Name(s) of Attorney(s): **Halfords IP**
(71) Name(s) and Address(s) of Applicant(s):
Eveready Battery Company, Inc.
533 Maryville University Drive St Louis Missouri 63141 United States of America
(72) Name(s) of Designer(s): **Jason R. Bennett and Angelo Kotsis and Timothy J. Rugendyke**
(45) Registration Date: **14 January 2013**
(30) Convention priority data:
(31) Number (32) Date (33) Country
29/424326 11 Jun 2012 UNITED STATES OF AMERICA
(56) Related Art Documents: **Not Applicable**
(57) Statement of Newness and Distinctiveness: **Newness and Distinctiveness is claimed in those features of shape and or configuration of a lighting device in the accompanying representations. Shading lines and features shown in broken lines do not form part of the design.**



(21) Design Number: **16012/2012**
(22) Date of Filing Application: **30 November 2012**
(24) Date from which industrial property rights may have effect: **30 November 2012**
(54) Product in respect of which the design is registered: **Air conditioner**
(51) International Design Classification: **23-04**
(74) Name(s) of Attorney(s): **SPRUSON & FERGUSON**
(71) Name(s) and Address(s) of Applicant(s):
Fujitsu General Limited
1116 Suenaga Takatsu-ku Kawasaki-shi Kanagawa 213-8502 Japan
(72) Name(s) of Designer(s): **Shintaro Ueno**
(45) Registration Date: **14 January 2013**
(30) Convention priority data:
(31) Number (32) Date (33) Country
2012-019999 22 Aug 2012 JAPAN
(56) Related Art Documents: **Not Applicable**
(57) Statement of Newness and Distinctiveness: **Newness and distinctiveness is claimed in the features of shape and/or configuration of an air conditioner as illustrated in the accompanying representations.**



(21) Design Number: **16094/2012**
(22) Date of Filing Application: **05 December 2012**
(24) Date from which industrial property rights may have effect: **05 December 2012**
(54) Product in respect of which the design is registered: **Wallet**
(51) International Design Classification: **03-01B**
(74) Name(s) of Attorney(s): **PHILLIPS ORMONDE FITZPATRICK**
(71) Name(s) and Address(s) of Applicant(s):

Actervis GmbH
c/o Prv Provides Treuhandgesellschaft Lindenhof Dorfstr. 38 CH-6341
Baar (Zug) Switzerland

(72) Name(s) of Designer(s): **Juan Jose Campdera Lozano**

(45) Registration Date: **14 January 2013**

(30) Convention priority data:

(31) Number	(32) Date	(33) Country
001331532-001	19 Jun 2012	EUROPEAN COMMUNITY

(56) Related Art Documents: **Not Applicable**

(57) Statement of Newness and Distinctiveness: **Nil**



(21) Design Number: **16100/2012**
(22) Date of Filing Application: **05 December 2012**
(24) Date from which industrial property rights may have effect: **05 December 2012**
(54) Product in respect of which the design is registered: **Drive device for administering medication**
(51) International Design Classification: **24-02**
(74) Name(s) of Attorney(s): **Shelston IP**
(71) Name(s) and Address(s) of Applicant(s):

UCB Pharma SA
Allee de la Recherche 60 B-1070 Brussels Belgium

(72) Name(s) of Designer(s): **Martin McLoughlin and Michael Heald**

(45) Registration Date: **14 January 2013**

(30) Convention priority data:

(31) Number	(32) Date	(33) Country
1213498.7	30 Jul 2012	UNITED KINGDOM

(56) Related Art Documents: **Not Applicable**

(57) Statement of Newness and Distinctiveness: **Newness and distinctiveness reside in the shape and configuration and/or pattern and ornamentation of the design for a Drive device for administering medication as illustrated in the accompanying drawings. Those features shown in broken line are displayed for illustrative purposes only and are not considered part of the design.**



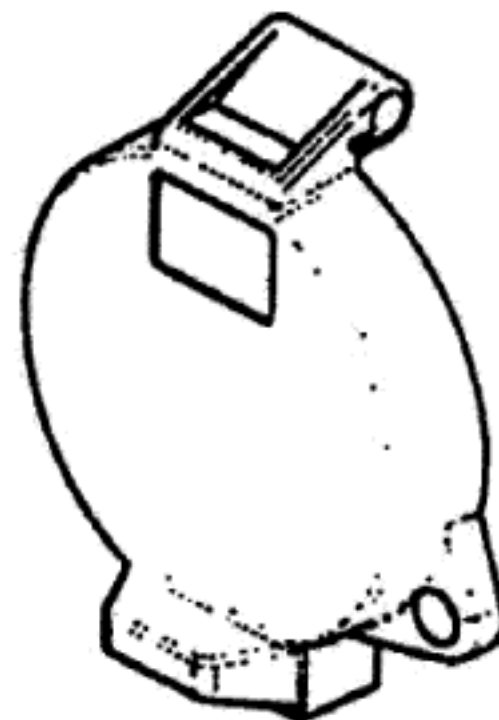
(21) Design Number: **15117/2012**
(22) Date of Filing Application: **16 October 2012**
(24) Date from which industrial property rights may have effect: **16 October 2012**
(54) Product in respect of which the design is registered: **Container for foodstuff**
(51) International Design Classification: **09-03F**
(74) Name(s) of Attorney(s): **Davies Collison Cave**
(71) Name(s) and Address(s) of Applicant(s):
Cryovac Australia Pty Ltd
90 Keilor Park Dr Tullamarine VIC 3043 Australia
(72) Name(s) of Designer(s): **Lee Andrew Baker**
(45) Registration Date: **14 January 2013**
(56) Related Art Documents: **Not Applicable**
(57) Statement of Newness and Distinctiveness: **Nil**



(21) Design Number: **16665/2012**
(22) Date of Filing Application: **19 October 2012**
(24) Date from which industrial property rights may have effect: **19 October 2012**
(54) Product in respect of which the design is registered: **Wrist watch**
(51) International Design Classification: **10-02**
(74) Name(s) of Attorney(s): **WATERMARK PATENT AND TRADE MARKS ATTORNEYS**
(71) Name(s) and Address(s) of Applicant(s):
Dolce & Gabbana S.r.l.
Via Carlo Goldoni 10 20129 Milano Italy
(72) Name(s) of Designer(s): **Domenico Dolce and Stefano Gabbana**
(45) Registration Date: **14 January 2013**
(30) Convention priority data:
(31) Number (32) Date (33) Country
002033126 26 Apr 2012 EUROPEAN COMMUNITY
(56) Related Art Documents: **Not Applicable**
(57) Statement of Newness and Distinctiveness: **Nil**



- (21) Design Number: **15056/2012**
(22) Date of Filing Application: **10 October 2012**
(24) Date from which industrial property rights may have effect: **10 October 2012**
(54) Product in respect of which the design is registered: **Flap or locking means for a socket**
(51) International Design Classification: **08-07**
(74) Name(s) of Attorney(s): **Callinans**
(71) Name(s) and Address(s) of Applicant(s):
NHP Electrical Engineering Products Pty. Ltd.
43-67 River St Richmond VIC 3121 Australia
(72) Name(s) of Designer(s): **Dean Holmes and Christian James**
(45) Registration Date: **15 January 2013**
(56) Related Art Documents: **Not Applicable**
(57) Statement of Newness and Distinctiveness: **Newness and originality is claimed in the features of shape and/or configuration as applied to a FLAP OR LOCKING MEANS FOR A SOCKET as shown in the accompanying representations. The socket does not constitute part of the design.**



- (21) Design Number: **15316/2012**
(22) Date of Filing Application: **25 October 2012**
(24) Date from which industrial property rights may have effect: **25 October 2012**
(54) Product in respect of which the design is registered: **Bath caddy 01**
(51) International Design Classification: **23-02A**
(74) Name(s) of Attorney(s):
(71) Name(s) and Address(s) of Applicant(s):
Elaine Richardson
57 Brandling St Alexandria NSW 2015 Australia
(72) Name(s) of Designer(s): **Elaine Richardson**
(45) Registration Date: **15 January 2013**
(56) Related Art Documents: **Not Applicable**
(57) Statement of Newness and Distinctiveness: **Nil**



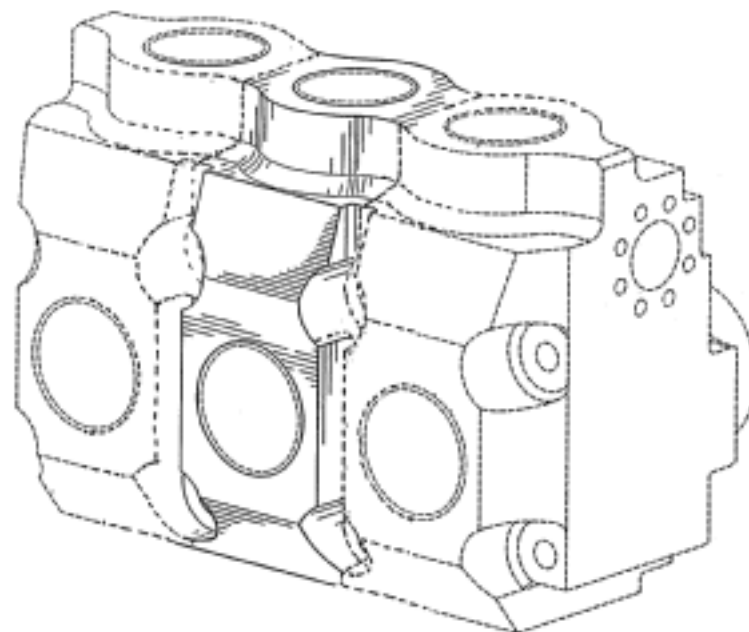
(21) Design Number: **15317/2012**
(22) Date of Filing Application: **25 October 2012**
(24) Date from which industrial property rights may have effect: **25 October 2012**
(54) Product in respect of which the design is registered: **Bath caddy 02**
(51) International Design Classification: **23-02A**
(74) Name(s) of Attorney(s):
(71) Name(s) and Address(s) of Applicant(s):
Elaine Richardson
57 Brandling St Alexandria NSW 2015 Australia
(72) Name(s) of Designer(s): **Elaine Richardson**
(45) Registration Date: **15 January 2013**
(56) Related Art Documents: **Not Applicable**
(57) Statement of Newness and Distinctiveness: **Nil**



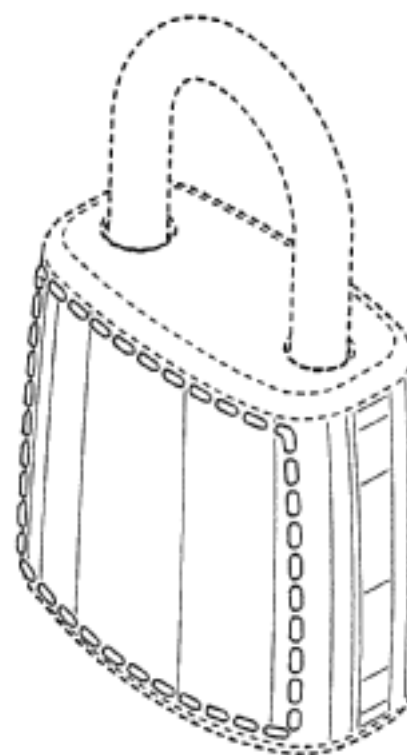
(21) Design Number: **15318/2012**
(22) Date of Filing Application: **25 October 2012**
(24) Date from which industrial property rights may have effect: **25 October 2012**
(54) Product in respect of which the design is registered: **Kitchen sink caddy**
(51) International Design Classification: **07-05D**
(74) Name(s) of Attorney(s):
(71) Name(s) and Address(s) of Applicant(s):
Elaine Richardson
57 Brandling St Alexandria NSW 2015 Australia
(72) Name(s) of Designer(s): **Elaine Richardson**
(45) Registration Date: **15 January 2013**
(56) Related Art Documents: **Not Applicable**
(57) Statement of Newness and Distinctiveness: **Nil**



(21) Design Number: **15380/2012**
(22) Date of Filing Application: **26 October 2012**
(24) Date from which industrial property rights may have effect: **26 October 2012**
(54) Product in respect of which the design is registered: **A fluid cylinder for a pump**
(51) International Design Classification: **23-01NES**
(74) Name(s) of Attorney(s): **SPRUSON & FERGUSON**
(71) Name(s) and Address(s) of Applicant(s):
S.P.M. Flow Control, Inc.
7601 Wyatt Drive Fort Worth Texas 76108 United States of America
(72) Name(s) of Designer(s): **Johnny E. DeLeon and Jacob A. Bayyouk**
(45) Registration Date: **15 January 2013**
(30) Convention priority data:
(31) Number (32) Date (33) Country
29/419,417 27 Apr 2012 UNITED STATES OF AMERICA
(56) Related Art Documents: **Not Applicable**
(57) Statement of Newness and Distinctiveness: **Newness and distinctiveness is claimed in the features of shape and/or configuration of a fluid cylinder as illustrated in continuous lines in the accompanying representations.**



(21) Design Number: **15807/2012**
(22) Date of Filing Application: **20 November 2012**
(24) Date from which industrial property rights may have effect: **20 November 2012**
(54) Product in respect of which the design is registered: **Lock**
(51) International Design Classification: **08-07**
(74) Name(s) of Attorney(s): **Callinans**
(71) Name(s) and Address(s) of Applicant(s):
Sinox Company Limited
3F No. 2 Lane 93 Chien-I-Rd Chung-Ho Dist. New Taipei City 23585
Taiwan
(72) Name(s) of Designer(s): **Chia-Hung Wang**
(45) Registration Date: **15 January 2013**
(30) Convention priority data:
(31) Number (32) Date (33) Country
29/422,555 22 May 2012 UNITED STATES OF AMERICA
(56) Related Art Documents: **Not Applicable**
(57) Statement of Newness and Distinctiveness: **Newness and distinctiveness are provided by the shape and/or configuration of the design shown in the representations. The features shown in broken lines in the representations are for illustrative purposes only and should not be considered when construing visual features of the design.**



(21) Design Number: **15809/2012**
(22) Date of Filing Application: **19 November 2012**
(24) Date from which industrial property rights may have effect: **17 September 2012**
(54) Product in respect of which the design is registered: **Lock**
(51) International Design Classification: **08-07**
(74) Name(s) of Attorney(s): **Callinans**
(71) Name(s) and Address(s) of Applicant(s):

Sinox Company Limited
3F No. 2 Lane 93 Chien-I-Rd Chung-Ho Dist. New Taipei City 23585
Taiwan

(72) Name(s) of Designer(s): **Chia-Hung Wang**

(45) Registration Date: **15 January 2013**

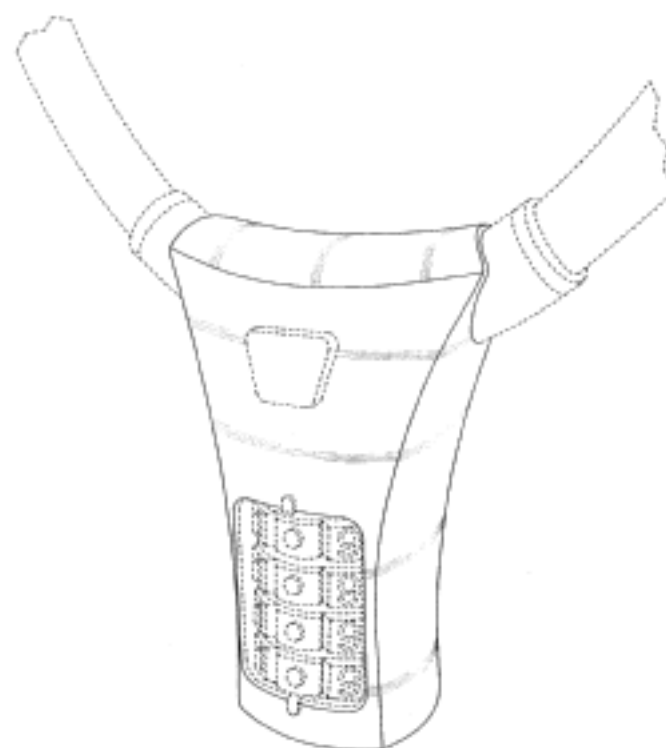
(30) Convention priority data:

(31) Number	(32) Date	(33) Country
29/417,602	05 Apr 2012	UNITED STATES OF AMERICA

(62) Divisional of: **345830**

(56) Related Art Documents: **Not Applicable**

(57) Statement of Newness and Distinctiveness: **Newness and distinctiveness are provided by the shape and/or configuration of the design shown in the representations. The features shown in broken lines in the representations are for illustrative purposes only and should not be considered when construing visual features of the design.**



(21) Design Number: **15810/2012**
(22) Date of Filing Application: **19 November 2012**
(24) Date from which industrial property rights may have effect: **17 September 2012**
(54) Product in respect of which the design is registered: **Lock**
(51) International Design Classification: **08-07**
(74) Name(s) of Attorney(s): **Callinans**
(71) Name(s) and Address(s) of Applicant(s):

Sinox Company Limited
3F No. 2 Lane 93 Chien-I-Rd Chung-Ho Dist. New Taipei City 23585
Taiwan

(72) Name(s) of Designer(s): **Chia-Hung Wang**

(45) Registration Date: **15 January 2013**

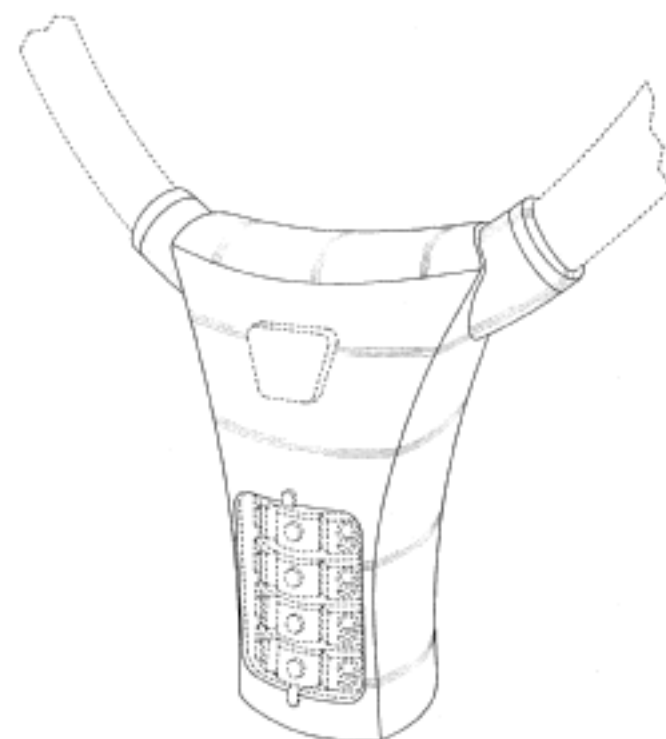
(30) Convention priority data:

(31) Number	(32) Date	(33) Country
29/417,602	05 Apr 2012	UNITED STATES OF AMERICA

(62) Divisional of: **345830**

(56) Related Art Documents: **Not Applicable**

(57) Statement of Newness and Distinctiveness: **Newness and distinctiveness are provided by the shape and/or configuration of the design shown in the representations. The features shown in broken lines in the representations are for illustrative purposes only and should not be considered when construing visual features of the design.**



(21) Design Number: **16030/2012**
(22) Date of Filing Application: **26 November 2012**
(24) Date from which industrial property rights may have effect: **26 November 2012**
(54) Product in respect of which the design is registered: **Fuel tank**
(51) International Design Classification: **23-01F**
(74) Name(s) of Attorney(s):
(71) Name(s) and Address(s) of Applicant(s):
Stewart Thompson
5-7 Freight Road Tullamarine Victoria 3043 Australia
(72) Name(s) of Designer(s): **Stewart Thompson and Paul Cooper**
(45) Registration Date: **15 January 2013**
(56) Related Art Documents: **Not Applicable**
(57) Statement of Newness and Distinctiveness: **Tank larger than original to use original mounting points.**



(21) Design Number: **15945/2012**
(22) Date of Filing Application: **27 November 2012**
(24) Date from which industrial property rights may have effect: **27 November 2012**
(54) Product in respect of which the design is registered: **Racing car single bed**
(51) International Design Classification: **06-02**
(74) Name(s) of Attorney(s):
(71) Name(s) and Address(s) of Applicant(s):
IQ Kids & Furniture Pty Ltd
Unit 4 3-7 Rhur St Dandenong South VIC 3175 Australia
(72) Name(s) of Designer(s): **Wee Koon Ng**
(45) Registration Date: **16 January 2013**
(56) Related Art Documents: **Not Applicable**
(57) Statement of Newness and Distinctiveness: **Artwork design on side panel.**



- (21) Design Number: **16180/2012**
(22) Date of Filing Application: **06 December 2012**
(24) Date from which industrial property rights may have effect: **06 December 2012**
(54) Product in respect of which the design is registered: **Adapter**
(51) International Design Classification: **13-03D**
(74) Name(s) of Attorney(s): **Freehills Patent Attorneys**
(71) Name(s) and Address(s) of Applicant(s):

Apple Inc.

1 Infinite Loop Cupertino California 95014 United States of America

- (72) Name(s) of Designer(s): **Jody Akana and Bartley K. Andre and Jeremy Bataillou and Daniel J. Coster and Daniele De Iuliis and Evans Hankey and Julian Hoenig and Richard P. Howarth and Jonathan P. Ive and Duncan Robert Kerr and Matthew Dean Rohrbach and Peter Russell-Clarke and Mikael Silvanto and Christopher J. Stringer and Eugene Antony Whang and Rico Zorkendorfer**

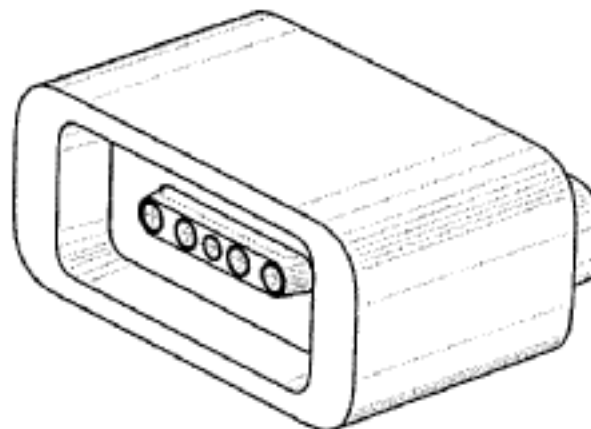
- (45) Registration Date: **16 January 2013**

- (30) Convention priority data:

(31) Number	(32) Date	(33) Country
29/424258	08 Jun 2012	UNITED STATES OF AMERICA

- (56) Related Art Documents: **Not Applicable**

- (57) Statement of Newness and Distinctiveness: **Newness and distinctiveness of the design reside in the features of shape and configuration of the adapter shown in solid lines in the accompanying representations.**



- (21) Design Number: **16182/2012**
(22) Date of Filing Application: **06 December 2012**
(24) Date from which industrial property rights may have effect: **06 December 2012**
(54) Product in respect of which the design is registered: **Adapter having a body of metallic appearance**
(51) International Design Classification: **13-03D**
(74) Name(s) of Attorney(s): **Freehills Patent Attorneys**
(71) Name(s) and Address(s) of Applicant(s):

Apple Inc.

1 Infinite Loop Cupertino California 95014 United States of America

- (72) Name(s) of Designer(s): **Jody Akana and Bartley K. Andre and Jeremy Bataillou and Daniel J. Coster and Daniele De Iuliis and Evans Hankey and Julian Hoenig and Richard P. Howarth and Jonathan P. Ive and Duncan Robert Kerr and Matthew Dean Rohrbach and Peter Russell-Clarke and Mikael Silvanto and Christopher J. Stringer and Eugene Antony Whang and Rico Zorkendorfer**

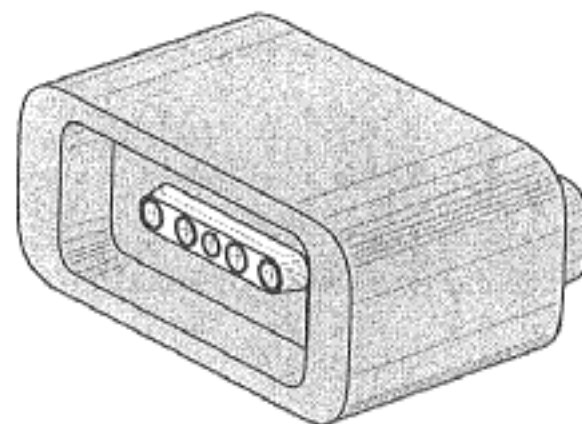
- (45) Registration Date: **16 January 2013**

- (30) Convention priority data:

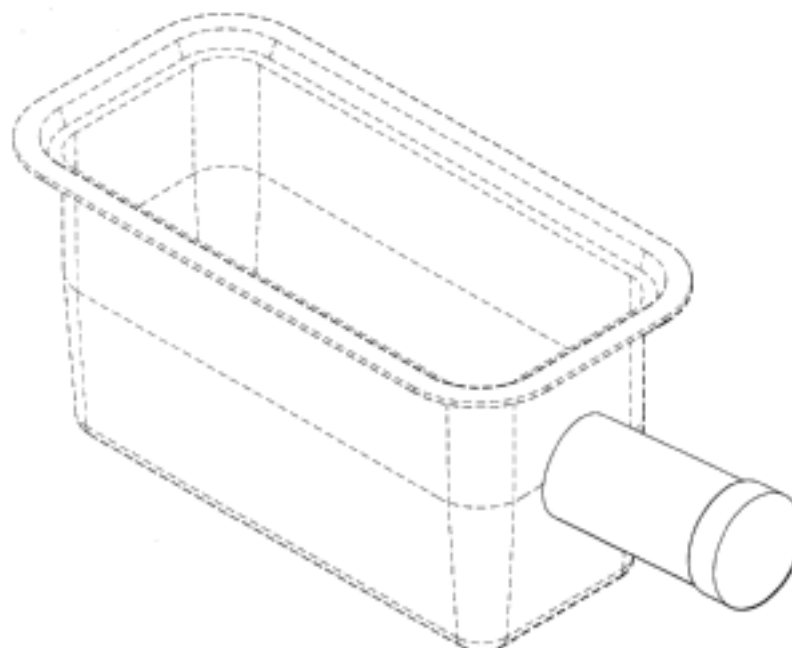
(31) Number	(32) Date	(33) Country
29/424258	08 Jun 2012	UNITED STATES OF AMERICA

- (56) Related Art Documents: **Not Applicable**

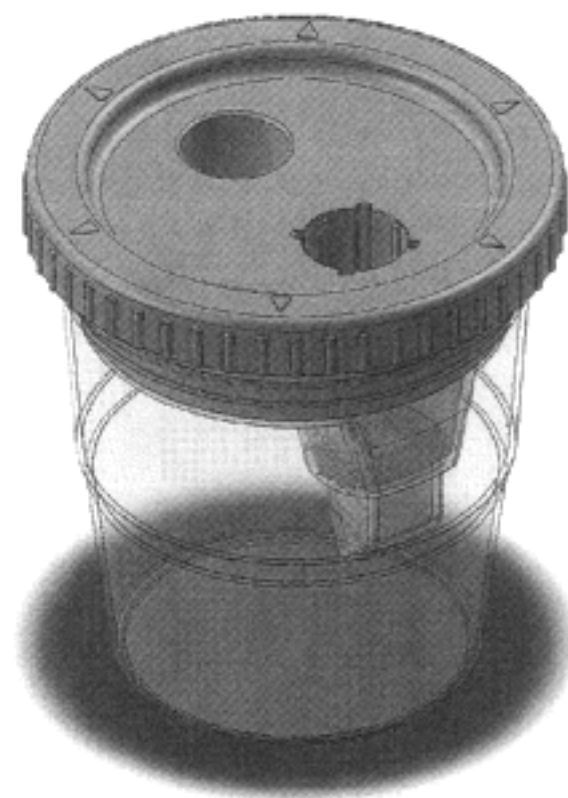
- (57) Statement of Newness and Distinctiveness: **Newness and distinctiveness of the design reside in the features of shape and configuration of the adapter shown in solid lines in the accompanying representations in combination with the metallic appearance of the body, which is shaded grey in the accompanying representations.**



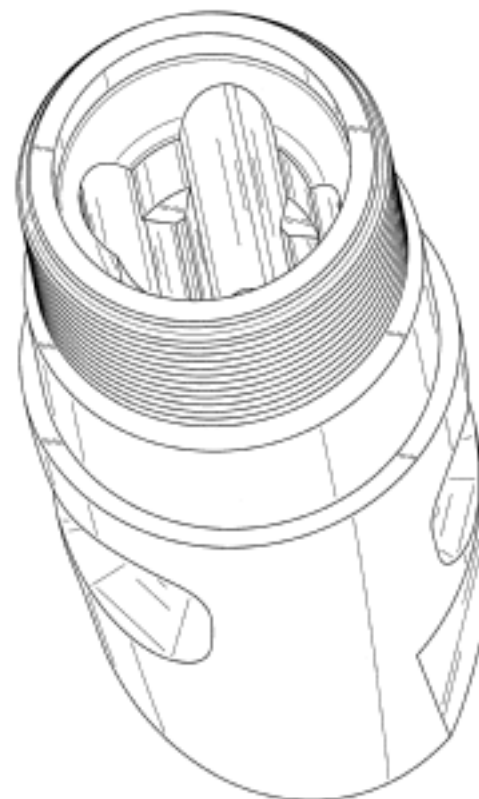
- (21) Design Number: **12169/2012**
(22) Date of Filing Application: **07 May 2012**
(24) Date from which industrial property rights may have effect: **07 May 2012**
(54) Product in respect of which the design is registered: **Utility pit with extension component**
(51) International Design Classification: **25-02NES**
(74) Name(s) of Attorney(s): **Davies Collison Cave**
(71) Name(s) and Address(s) of Applicant(s):
Telstra Corporation Limited
Level 38 242 Exhibition Street Melbourne Victoria 3000 Australia
(72) Name(s) of Designer(s): **Robert Banek**
(45) Registration Date: **16 January 2013**
(56) Related Art Documents: **Not Applicable**
(57) Statement of Newness and Distinctiveness: **The shape and configuration of the parts of the design shown in solid lines in the representations are new and distinctive.**



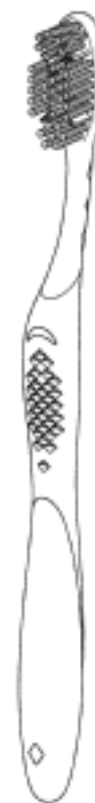
- (21) Design Number: **15077/2012**
(22) Date of Filing Application: **12 October 2012**
(24) Date from which industrial property rights may have effect: **12 October 2012**
(54) Product in respect of which the design is registered: **Vessel assembly**
(51) International Design Classification: **24-02**
(74) Name(s) of Attorney(s): **Davies Collison Cave**
(71) Name(s) and Address(s) of Applicant(s):
Becton Dickinson and Company
1 Becton Drive MC 110 Franklin Lakes New Jersey 07417-1880 United States of America
(72) Name(s) of Designer(s): **Melody M.H. Kuroda and David Lentz Ammon and Dwight Livingstone and Michael Justin Lizzi and Scott N. Danhof and Gregory S. Kramer and Thomas D. Haubert and Michael L. Marshall and James A. Prescott and Randy J. Somerville and M. Scott Ulrich**
(45) Registration Date: **16 January 2013**
(30) Convention priority data:
(31) Number (32) Date (33) Country
29/418181 12 Apr 2012 UNITED STATES OF AMERICA
(56) Related Art Documents: **Not Applicable**
(57) Statement of Newness and Distinctiveness: **Newness and distinctiveness is claimed in the visual features shown in solid lines in the representations.**



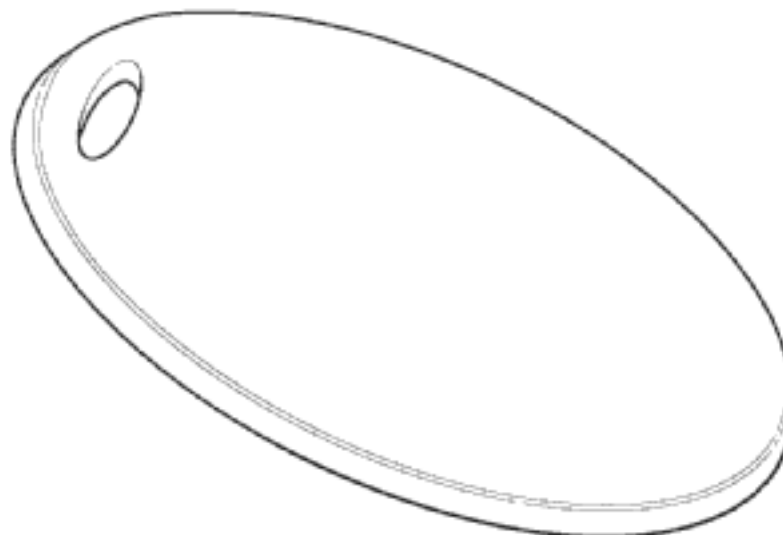
(21) Design Number: **15168/2012**
(22) Date of Filing Application: **18 October 2012**
(24) Date from which industrial property rights may have effect: **18 October 2012**
(54) Product in respect of which the design is registered: **Latch body**
(51) International Design Classification: **08-01**
(74) Name(s) of Attorney(s): **Cotters Patent & Trade Mark Attorneys**
(71) Name(s) and Address(s) of Applicant(s):
Longyear TM, Inc.
10808 South River Front Parkway Suite 600 South Jordan Utah 84095
United States of America
(72) Name(s) of Designer(s): **Christopher L. Drenth**
(45) Registration Date: **16 January 2013**
(30) Convention priority data:
(31) Number (32) Date (33) Country
29/430,543 27 Aug 2012 UNITED STATES OF AMERICA
(56) Related Art Documents: **Not Applicable**
(57) Statement of Newness and Distinctiveness: **Newness and distinctiveness is claimed in the features of shape and/or configuration of a latch body as depicted in the accompanying representations.**



(21) Design Number: **16028/2012**
(22) Date of Filing Application: **30 November 2012**
(24) Date from which industrial property rights may have effect: **30 November 2012**
(54) Product in respect of which the design is registered: **Oral care implement**
(51) International Design Classification: **04-02**
(74) Name(s) of Attorney(s): **FB Rice**
(71) Name(s) and Address(s) of Applicant(s):
Colgate-Palmolive Company
300 Park Avenue New York New York 10022 United States of America
(72) Name(s) of Designer(s): **Wen Jin Xi and Guang Sheng Guo and Jian Rong Zhou**
(45) Registration Date: **16 January 2013**
(30) Convention priority data:
(31) Number (32) Date (33) Country
29/424066 07 Jun 2012 UNITED STATES OF AMERICA
(56) Related Art Documents: **Not Applicable**
(57) Statement of Newness and Distinctiveness: **Newness and distinctiveness reside in the features of the design as shown in the representations.**



- (21) Design Number: **16041/2012**
(22) Date of Filing Application: **05 December 2012**
(24) Date from which industrial property rights may have effect: **05 December 2012**
(54) Product in respect of which the design is registered: **A kindergarten mat**
(51) International Design Classification: **06-11**
(74) Name(s) of Attorney(s): **Fraser Old & Sohn**
(71) Name(s) and Address(s) of Applicant(s):
Sebel Furniture Ltd
921 Gow St Padstow NSW 2211 Australia
(72) Name(s) of Designer(s): **Gregory Brent Welsh**
(45) Registration Date: **16 January 2013**
(56) Related Art Documents: **Not Applicable**
(57) Statement of Newness and Distinctiveness: **Newness and distinctiveness is claimed in respect of the shape and/or configuration of the product illustrated in the accompanying representations.**



- (21) Design Number: **15460/2012**
(22) Date of Filing Application: **02 November 2012**
(24) Date from which industrial property rights may have effect: **02 November 2012**
(54) Product in respect of which the design is registered: **Stand for tent**
(51) International Design Classification: **21-04**
(74) Name(s) of Attorney(s):
(71) Name(s) and Address(s) of Applicant(s):
Xinwei Gao
202 Block 3 Suwei Garden No 50 Suwei Road Gulou District Fuzhou City
Fujian Province 350001 China
(72) Name(s) of Designer(s): **Xinwei Gao**
(45) Registration Date: **17 January 2013**
(56) Related Art Documents: **Not Applicable**
(57) Statement of Newness and Distinctiveness: **Nil**



(21) Design Number: **15461/2012**

(22) Date of Filing Application: **02 November 2012**

(24) Date from which industrial property rights may have effect: **02 November 2012**

(54) Product in respect of which the design is registered: **Stand for tent**

(51) International Design Classification: **21-04**

(74) Name(s) of Attorney(s):

(71) Name(s) and Address(s) of Applicant(s):

K. Y. Chow

39 Canberra St St Johns Park NSW 2176 Australia

(72) Name(s) of Designer(s): **Xinwei Gao**

(45) Registration Date: **17 January 2013**

(56) Related Art Documents: **Not Applicable**

(57) Statement of Newness and Distinctiveness: **Nil**



(21) Design Number: **15462/2012**

(22) Date of Filing Application: **02 November 2012**

(24) Date from which industrial property rights may have effect: **02 November 2012**

(54) Product in respect of which the design is registered: **Stand for tent**

(51) International Design Classification: **21-04**

(74) Name(s) of Attorney(s):

(71) Name(s) and Address(s) of Applicant(s):

K. Y. Chow

39 Canberra St St Johns Park NSW 2176 Australia

(72) Name(s) of Designer(s): **Xinwei Gao**

(45) Registration Date: **17 January 2013**

(56) Related Art Documents: **Not Applicable**

(57) Statement of Newness and Distinctiveness: **Nil**



(21) Design Number: **15463/2012**
(22) Date of Filing Application: **02 November 2012**
(24) Date from which industrial property rights may have effect: **02 November 2012**
(54) Product in respect of which the design is registered: **Stand for tent**
(51) International Design Classification: **21-04**
(74) Name(s) of Attorney(s):
(71) Name(s) and Address(s) of Applicant(s):
K. Y. Chow
39 Canberra St St Johns Park NSW 2176 Australia
(72) Name(s) of Designer(s): **Xinwei Gao**
(45) Registration Date: **17 January 2013**
(56) Related Art Documents: **Not Applicable**
(57) Statement of Newness and Distinctiveness: **Nil**



(21) Design Number: **15464/2012**
(22) Date of Filing Application: **02 November 2012**
(24) Date from which industrial property rights may have effect: **02 November 2012**
(54) Product in respect of which the design is registered: **Stand for tent**
(51) International Design Classification: **21-04**
(74) Name(s) of Attorney(s):
(71) Name(s) and Address(s) of Applicant(s):
K. Y. Chow
39 Canberra St St Johns Park NSW 2176 Australia
(72) Name(s) of Designer(s): **Xinwei Gao**
(45) Registration Date: **17 January 2013**
(56) Related Art Documents: **Not Applicable**
(57) Statement of Newness and Distinctiveness: **Nil**



(21) Design Number: **15465/2012**

(22) Date of Filing Application: **02 November 2012**

(24) Date from which industrial property rights may have effect: **02 November 2012**

(54) Product in respect of which the design is registered: **Stand for tent**

(51) International Design Classification: **21-04**

(74) Name(s) of Attorney(s):

(71) Name(s) and Address(s) of Applicant(s):

K. Y. Chow

39 Canberra St St Johns Park NSW 2176 Australia

(72) Name(s) of Designer(s): **Xinwei Gao**

(45) Registration Date: **17 January 2013**

(56) Related Art Documents: **Not Applicable**

(57) Statement of Newness and Distinctiveness: **Nil**



(21) Design Number: **15466/2012**

(22) Date of Filing Application: **02 November 2012**

(24) Date from which industrial property rights may have effect: **02 November 2012**

(54) Product in respect of which the design is registered: **Stand for tent**

(51) International Design Classification: **21-04**

(74) Name(s) of Attorney(s):

(71) Name(s) and Address(s) of Applicant(s):

K. Y. Chow

39 Canberra St St Johns Park NSW 2176 Australia

(72) Name(s) of Designer(s): **Xinwei Gao**

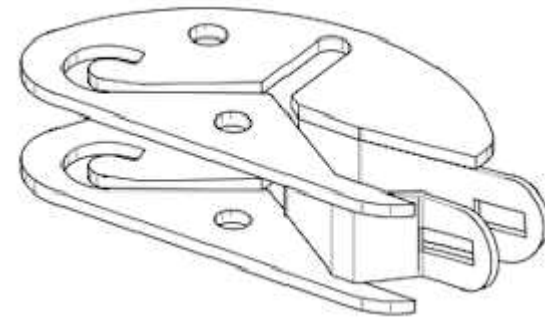
(45) Registration Date: **17 January 2013**

(56) Related Art Documents: **Not Applicable**

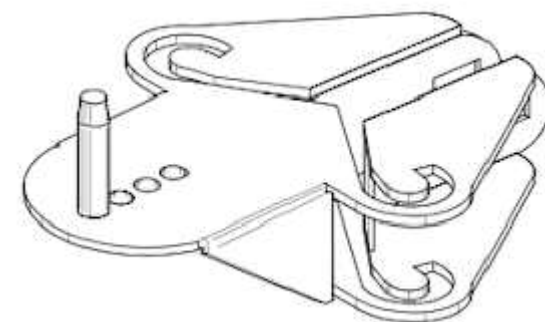
(57) Statement of Newness and Distinctiveness: **Nil**



- (21) Design Number: **16203/2012**
(22) Date of Filing Application: **10 December 2012**
(24) Date from which industrial property rights may have effect: **10 December 2012**
(54) Product in respect of which the design is registered: **A support assembly for a gate**
(51) International Design Classification: **08-08K**
(74) Name(s) of Attorney(s): **Knightsbridge Patent Attorneys**
(71) Name(s) and Address(s) of Applicant(s):
Steel-Tuff Rural Fencing Solutions Pty. Ltd.
9-11 Turbo Dr Bayswater VIC 3153 Australia
(72) Name(s) of Designer(s): **Neil Henry French**
(45) Registration Date: **17 January 2013**
(56) Related Art Documents: **Not Applicable**
(57) Statement of Newness and Distinctiveness: **The applicant claims that newness and distinctiveness reside in the features of shape and configuration of a support assembly for a gate, as depicted in the accompanying representations.**



- (21) Design Number: **16204/2012**
(22) Date of Filing Application: **10 December 2012**
(24) Date from which industrial property rights may have effect: **10 December 2012**
(54) Product in respect of which the design is registered: **A support assembly for a gate**
(51) International Design Classification: **08-08K**
(74) Name(s) of Attorney(s): **Knightsbridge Patent Attorneys**
(71) Name(s) and Address(s) of Applicant(s):
Steel-Tuff Rural Fencing Solutions Pty. Ltd.
9-11 Turbo Dr Bayswater VIC 3153 Australia
(72) Name(s) of Designer(s): **Neil Henry French**
(45) Registration Date: **17 January 2013**
(56) Related Art Documents: **Not Applicable**
(57) Statement of Newness and Distinctiveness: **The applicant claims that newness and distinctiveness reside in the features of shape and configuration of a support assembly for a gate, as depicted in the accompanying representations.**



(21) Design Number: **16206/2012**

(22) Date of Filing Application: **10 December 2012**

(24) Date from which industrial property rights may have effect: **10 December 2012**

(54) Product in respect of which the design is registered: **Fascia plate**

(51) International Design Classification: **15-05**

(74) Name(s) of Attorney(s): **Halfords IP**

(71) Name(s) and Address(s) of Applicant(s):

Electrolux Sea Pte Ltd

**11 Lorong 3 Toa Payoh Jackson Square Block B # 01 13 14 15 Singapore
319579 Singapore**

(72) Name(s) of Designer(s): **Swaminathan Iyer and Pernilla Johansson**

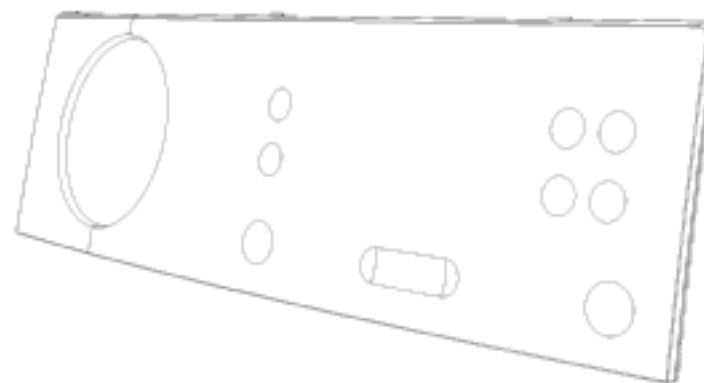
(45) Registration Date: **17 January 2013**

(30) Convention priority data:

(31) Number	(32) Date	(33) Country
201230251751.2	12 Jun 2012	CHINA

(56) Related Art Documents: **Not Applicable**

(57) Statement of Newness and Distinctiveness: **Newness and distinctiveness resides in the shape and or configuration of a fascia plate for a fabric care appliance as depicted in the accompanying representations.**



(21) Design Number: **16207/2012**

(22) Date of Filing Application: **10 December 2012**

(24) Date from which industrial property rights may have effect: **10 December 2012**

(54) Product in respect of which the design is registered: **Fascia plate**

(51) International Design Classification: **15-05**

(74) Name(s) of Attorney(s): **Halfords IP**

(71) Name(s) and Address(s) of Applicant(s):

Electrolux Sea Pte Ltd

**11 Lorong 3 Toa Payoh Jackson Square Block B # 01 13 14 15 Singapore
319579 Singapore**

(72) Name(s) of Designer(s): **Swaminathan Iyer and Pernilla Johansson**

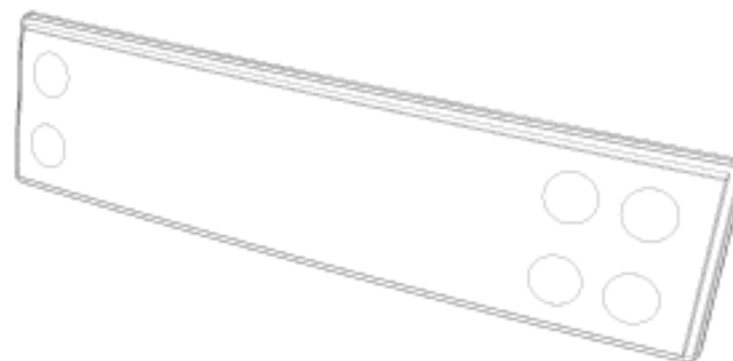
(45) Registration Date: **17 January 2013**

(30) Convention priority data:

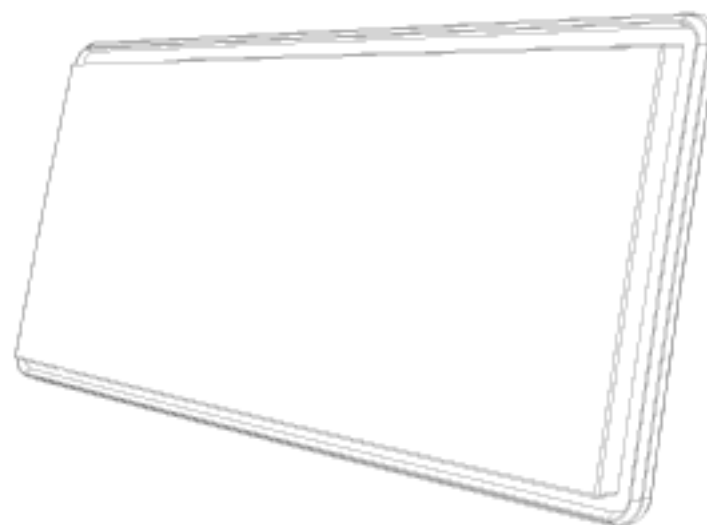
(31) Number	(32) Date	(33) Country
201230251757.X	12 Jun 2012	CHINA

(56) Related Art Documents: **Not Applicable**

(57) Statement of Newness and Distinctiveness: **Newness and Distinctiveness resides in the shape and or configuration of a fascia plate for a fabric care appliance as depicted in the accompanying representations.**



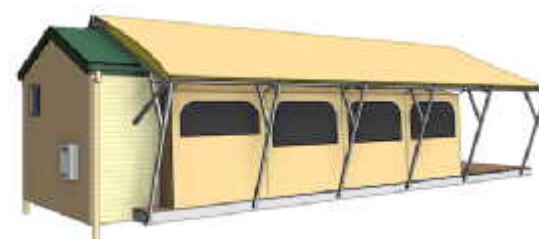
- (21) Design Number: **16208/2012**
(22) Date of Filing Application: **10 December 2012**
(24) Date from which industrial property rights may have effect: **10 December 2012**
(54) Product in respect of which the design is registered: **Fascia plate**
(51) International Design Classification: **15-05**
(74) Name(s) of Attorney(s): **Halfords IP**
(71) Name(s) and Address(s) of Applicant(s):
Electrolux Sea Pte Ltd
11 Lorong 3 Toa Payoh Jackson Square Block B # 01 13 14 15 Singapore
319579 Singapore
(72) Name(s) of Designer(s): **Swaminathan Iyer and Pernilla Johansson**
(45) Registration Date: **17 January 2013**
(30) Convention priority data:
(31) Number (32) Date (33) Country
201230251771.X 12 Jun 2012 CHINA
(56) Related Art Documents: **Not Applicable**
(57) Statement of Newness and Distinctiveness: **Newness and Distinctiveness resides in the shape and or configuration of a fascia plate for a fabric care appliance as depicted in the accompanying representations.**



- (21) Design Number: **16215/2012**
(22) Date of Filing Application: **10 December 2012**
(24) Date from which industrial property rights may have effect: **10 December 2012**
(54) Product in respect of which the design is registered: **Permanent/semi-permanent 'safari style' tent**
(51) International Design Classification: **25-03, 21-04**
(74) Name(s) of Attorney(s):
(71) Name(s) and Address(s) of Applicant(s):
Thread Bear Research Pty Ltd
3/1 Endeavour CI Ballina NSW 2478 Australia
(72) Name(s) of Designer(s): **Grant Cameron Jenkins**
(45) Registration Date: **17 January 2013**
(56) Related Art Documents: **Not Applicable**
(57) Statement of Newness and Distinctiveness: **Newness and distinctiveness is claimed in the features of shape and configuration of the permanent/semi-permanent tent product (including canopy, frame and base) as illustrated in the representations accompanying the application. Those features for which monopoly is claimed for are the features of shape and configuration in combination. Features of shading and colour scheme as shown in the representations are to be accorded lesser weight, being provided for exemplary purposes only.**



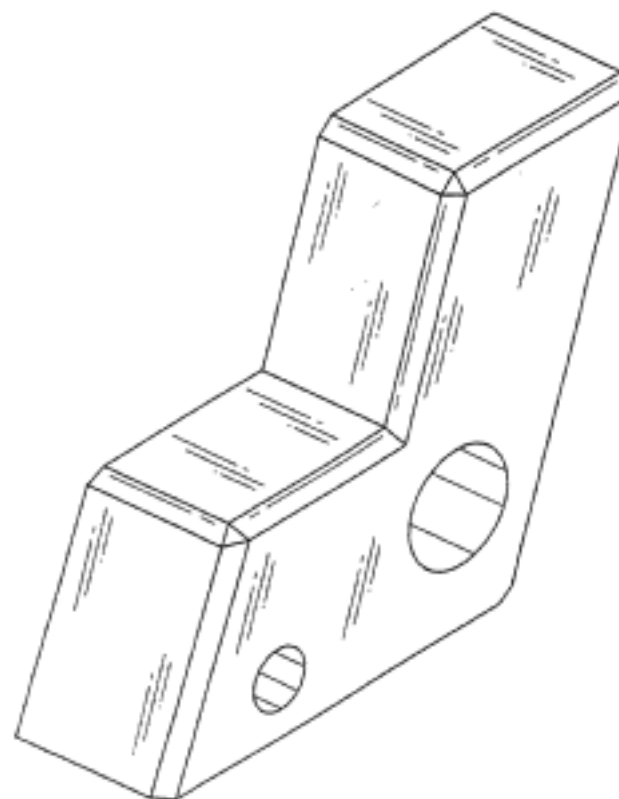
- (21) Design Number: **16216/2012**
(22) Date of Filing Application: **10 December 2012**
(24) Date from which industrial property rights may have effect: **10 December 2012**
(54) Product in respect of which the design is registered: **Permanent/semi-permanent safari tent with ensuite**
(51) International Design Classification: **21-04, 25-03**
(74) Name(s) of Attorney(s):
(71) Name(s) and Address(s) of Applicant(s):
Thread Bear Research Pty Ltd
3/1 Endeavour Ct Ballina NSW 2478 Australia
(72) Name(s) of Designer(s): **Grant Cameron Jenkins**
(45) Registration Date: **17 January 2013**
(56) Related Art Documents: **Not Applicable**
(57) Statement of Newness and Distinctiveness: **Newness and distinctiveness is claimed in the features of shape and configuration of the permanent/semi-permanent tent product (including canopy, frame and base) as illustrated in the representations accompanying the application. Those features for which monopoly is claimed for are the features of shape and configuration in combination. Features of shading and colour scheme as shown in the representations are to be accorded lesser weight, being provided for exemplary purposes only.**



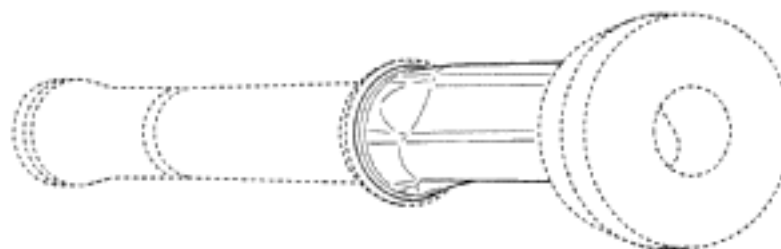
- (21) Design Number: **15252/2012**
(22) Date of Filing Application: **23 October 2012**
(24) Date from which industrial property rights may have effect: **23 October 2012**
(54) Product in respect of which the design is registered: **A massager and container**
(51) International Design Classification: **03-01NES, 28-03NES**
(74) Name(s) of Attorney(s): **Adams Pluck**
(71) Name(s) and Address(s) of Applicant(s):
Taalman Family Trust (IT 1714/96)
6 Chapman Road Seaview, Port Elizabeth 6027 South Africa
(72) Name(s) of Designer(s): **Johannes Franciscus Josephus Taalman**
(45) Registration Date: **17 January 2013**
(30) Convention priority data:
(31) Number (32) Date (33) Country
A2012/00540 23 Apr 2012 SOUTH AFRICA
(56) Related Art Documents: **Not Applicable**
(57) Statement of Newness and Distinctiveness: **Newness and distinctiveness resides in the visual features of shape and/or configuration of the massager and container as shown in the accompanying drawings. No regard is to be had to colouring of the massager and container.**



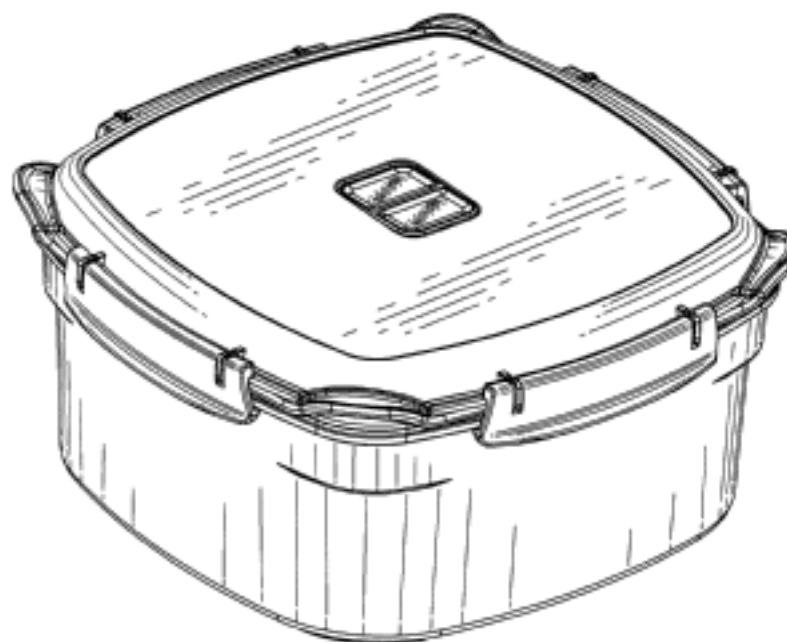
- (21) Design Number: **15260/2012**
(22) Date of Filing Application: **23 October 2012**
(24) Date from which industrial property rights may have effect: **23 October 2012**
(54) Product in respect of which the design is registered: **Playground block**
(51) International Design Classification: **21-01E, 21-03**
(74) Name(s) of Attorney(s): **Callinans**
(71) Name(s) and Address(s) of Applicant(s):
Rockwell Architecture, Planning and Design P.C.
5 Union Square West New York New York 10003 United States of America
(72) Name(s) of Designer(s): **Barry Richards and David Rockwell and Shunyi Wu**
(45) Registration Date: **17 January 2013**
(30) Convention priority data:
(31) Number (32) Date (33) Country
29/418,866 23 Apr 2012 UNITED STATES OF AMERICA
(56) Related Art Documents: **Not Applicable**
(57) Statement of Newness and Distinctiveness: **Novelty and distinctiveness lies in the shape and configuration of the parts of the kit.**



- (21) Design Number: **15354/2012**
(22) Date of Filing Application: **25 October 2012**
(24) Date from which industrial property rights may have effect: **25 October 2012**
(54) Product in respect of which the design is registered: **Teatcup liner**
(51) International Design Classification: **15-03C**
(74) Name(s) of Attorney(s): **SPRUSON & FERGUSON**
(71) Name(s) and Address(s) of Applicant(s):
DeLaval Holding AB
Gustaf de Laval's vag 15 SE-147 21 Tumba Sweden
(72) Name(s) of Designer(s): **Nils Alveby**
(45) Registration Date: **17 January 2013**
(30) Convention priority data:
(31) Number (32) Date (33) Country
002110734 28 Sep 2012 EUROPEAN COMMUNITY
(56) Related Art Documents: **Not Applicable**
(57) Statement of Newness and Distinctiveness: **Newness and distinctiveness is claimed in those features of shape and/or configuration of a teatcup liner illustrated in continuous lines in the accompanying representations.**



- (21) Design Number: **15402/2012**
(22) Date of Filing Application: **30 October 2012**
(24) Date from which industrial property rights may have effect: **30 October 2012**
(54) Product in respect of which the design is registered: **A lidded container**
(51) International Design Classification: **07-01NES**
(74) Name(s) of Attorney(s): **A J Park**
(71) Name(s) and Address(s) of Applicant(s):
Sistema Plastics Limited
80 Hugo Johnston Dr Penrose Auckland 1061 New Zealand
(72) Name(s) of Designer(s): **James Richard Manley**
(45) Registration Date: **17 January 2013**
(30) Convention priority data:
(31) Number (32) Date (33) Country
416414 19 Jun 2012 NEW ZEALAND
(56) Related Art Documents: **Not Applicable**
(57) Statement of Newness and Distinctiveness: **The newness and distinctiveness of the design resides in the features of shape and configuration as shown in the accompanying representations.**



- (21) Design Number: **15409/2012**
(22) Date of Filing Application: **31 October 2012**
(24) Date from which industrial property rights may have effect: **31 October 2012**
(54) Product in respect of which the design is registered: **Reconfigurable furniture**
(51) International Design Classification: **06-02**
(74) Name(s) of Attorney(s): **WATERMARK PATENT AND TRADE MARKS ATTORNEYS**
(71) Name(s) and Address(s) of Applicant(s):
Boori International Pty Ltd
18-20 Charles St St Marys NSW 2760 Australia
(72) Name(s) of Designer(s): **Justin Chui**
(45) Registration Date: **17 January 2013**
(56) Related Art Documents: **Not Applicable**
(57) Statement of Newness and Distinctiveness: **Newness and distinctiveness of the design is claimed in the features of shape and/or configuration of an item of furniture. The design is adapted to be reconfigured into different forms, as depicted in the accompanying representations.**



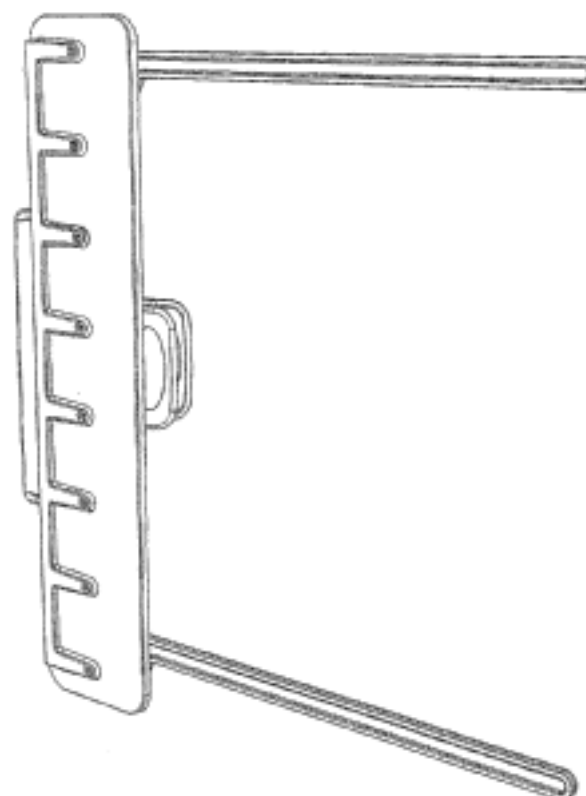
- (21) Design Number: **15414/2012**
(22) Date of Filing Application: **31 October 2012**
(24) Date from which industrial property rights may have effect: **31 October 2012**
(54) Product in respect of which the design is registered: **Reconfigurable furniture**
(51) International Design Classification: **06-02**
(74) Name(s) of Attorney(s): **WATERMARK PATENT AND TRADE MARKS ATTORNEYS**
(71) Name(s) and Address(s) of Applicant(s):
Boori International Pty Ltd
18-20 Charles St St Marys NSW 2760 Australia
(72) Name(s) of Designer(s): **Justin Chui**
(45) Registration Date: **17 January 2013**
(56) Related Art Documents: **Not Applicable**
(57) Statement of Newness and Distinctiveness: **Newness and distinctiveness of the design is claimed in the features of shape and/or configuration of an item of furniture. The design is adapted to be reconfigured into different forms, as depicted in the accompanying representations.**



- (21) Design Number: **15417/2012**
(22) Date of Filing Application: **31 October 2012**
(24) Date from which industrial property rights may have effect: **31 October 2012**
(54) Product in respect of which the design is registered: **Reconfigurable furniture**
(51) International Design Classification: **06-02**
(74) Name(s) of Attorney(s): **WATERMARK PATENT AND TRADE MARKS ATTORNEYS**
(71) Name(s) and Address(s) of Applicant(s):
Boori International Pty Ltd
18-20 Charles St St Marys NSW 2760 Australia
(72) Name(s) of Designer(s): **Justin Chui**
(45) Registration Date: **17 January 2013**
(56) Related Art Documents: **Not Applicable**
(57) Statement of Newness and Distinctiveness: **Newness and distinctiveness of the design is claimed in the features of shape and/or configuration of an item of furniture. The design is adapted to be reconfigured into different forms, as depicted in the accompanying representations.**



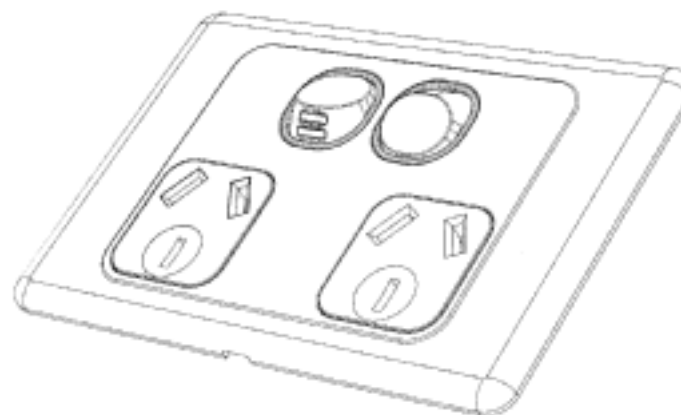
- (21) Design Number: **15446/2012**
(22) Date of Filing Application: **31 October 2012**
(24) Date from which industrial property rights may have effect: **31 October 2012**
(54) Product in respect of which the design is registered: **Monitor mount with clip**
(51) International Design Classification: **08-08NES, 14-02**
(74) Name(s) of Attorney(s): **Griffith Hack**
(71) Name(s) and Address(s) of Applicant(s):
Eric Costas
U6 2-4 Reed St Cremorne NSW 2090 Australia
(72) Name(s) of Designer(s): **Eric Costas**
(45) Registration Date: **17 January 2013**
(56) Related Art Documents: **Not Applicable**
(57) Statement of Newness and Distinctiveness: **Nil**



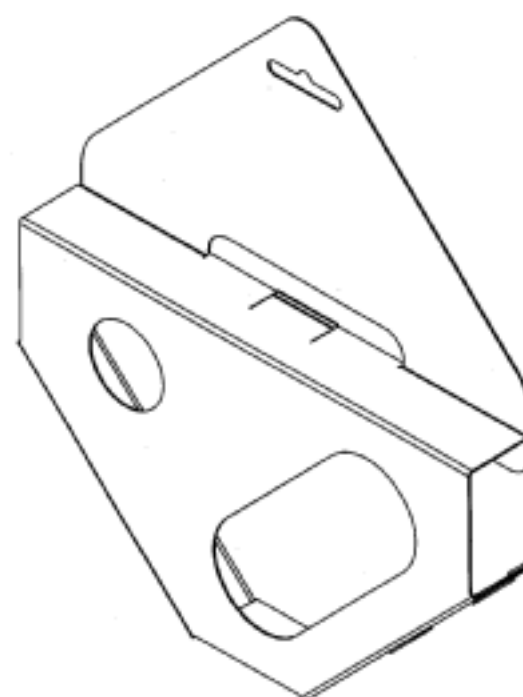
- (21) Design Number: **15448/2012**
(22) Date of Filing Application: **31 October 2012**
(24) Date from which industrial property rights may have effect: **31 October 2012**
(54) Product in respect of which the design is registered: **Bottle**
(51) International Design Classification: **09-01K**
(74) Name(s) of Attorney(s): **PHILLIPS ORMONDE FITZPATRICK**
(71) Name(s) and Address(s) of Applicant(s):
Koninklijke De Kuyper B.V.
Buitenhavenweg 98 3113 BE Schiedam The Netherlands
(72) Name(s) of Designer(s): **Niels Valkenburg**
(45) Registration Date: **17 January 2013**
(56) Related Art Documents: **Not Applicable**
(57) Statement of Newness and Distinctiveness: **Those features of the bottle depicted in the representations that are new and distinctive are the shape and/or configuration. The bottom view including the markings may or may not form part of the design.**



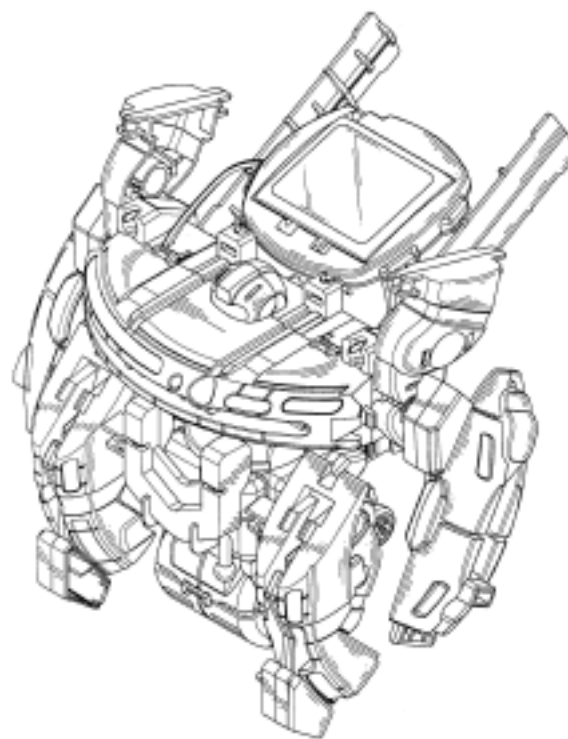
- (21) Design Number: **15008/2012**
(22) Date of Filing Application: **08 October 2012**
(24) Date from which industrial property rights may have effect: **08 October 2012**
(54) Product in respect of which the design is registered: **Power outlet**
(51) International Design Classification: **13-03D**
(74) Name(s) of Attorney(s): **Davies Collison Cave**
(71) Name(s) and Address(s) of Applicant(s):
Arlec Australia Pty Ltd
Building 3 31-41 Joseph St Blackburn North VIC 3130 Australia
(72) Name(s) of Designer(s): **Karyn Werner and Monty Puika**
(45) Registration Date: **18 January 2013**
(56) Related Art Documents: **Not Applicable**
(57) Statement of Newness and Distinctiveness: **Newness and distinctiveness is claimed in the visual features of a front portion of a power outlet shown forward of line A-A drawn in Figures 1, 3, 5 and 6, but not in the visual features of the rear portion of the power outlet which are rearward of the line A-A, or the shading/colouring depicted in Figure 7.**



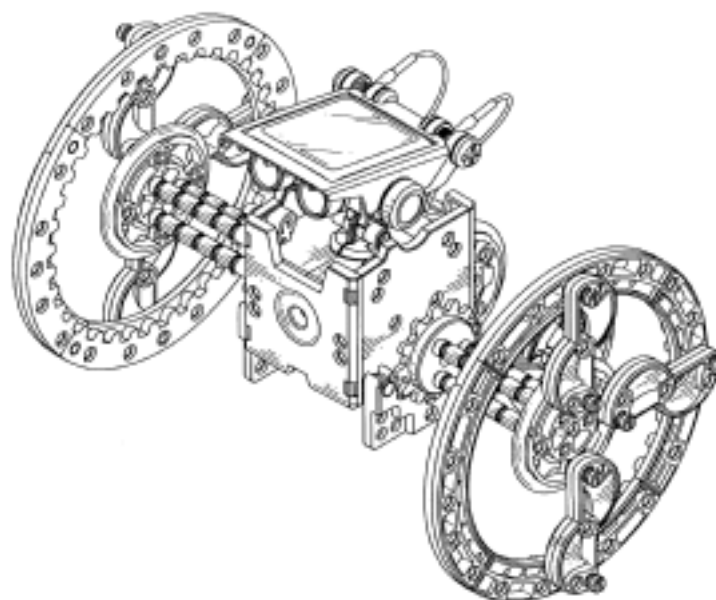
- (21) Design Number: **15062/2012**
(22) Date of Filing Application: **12 October 2012**
(24) Date from which industrial property rights may have effect: **12 October 2012**
(54) Product in respect of which the design is registered: **Packaging for outdoor accessory**
(51) International Design Classification: **09-03NES**
(74) Name(s) of Attorney(s):
(71) Name(s) and Address(s) of Applicant(s):
Calibre8 Pty Ltd
8/16 Abinger St Richmond VIC 3121 Australia
(72) Name(s) of Designer(s): **Ashley Martin Newland and Nick Dobson**
(45) Registration Date: **18 January 2013**
(56) Related Art Documents: **Not Applicable**
(57) Statement of Newness and Distinctiveness: **Nil**



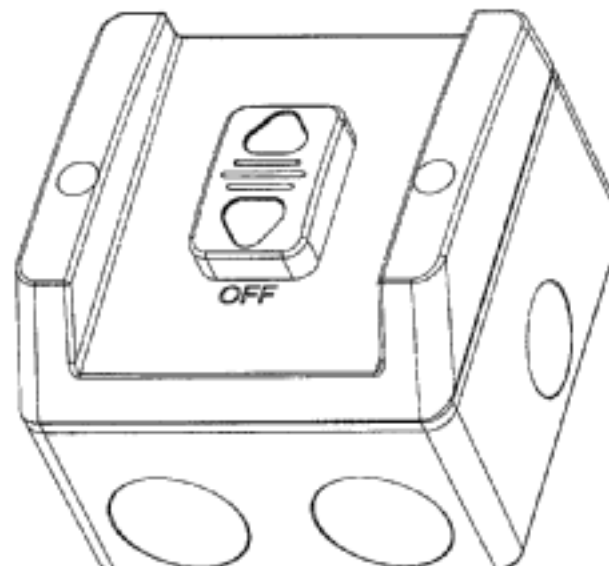
- (21) Design Number: **15257/2012**
(22) Date of Filing Application: **23 October 2012**
(24) Date from which industrial property rights may have effect: **23 October 2012**
(54) Product in respect of which the design is registered: **Solar powered toy robot**
(51) International Design Classification: **13-03NES, 21-01B**
(74) Name(s) of Attorney(s): **Madderns**
(71) Name(s) and Address(s) of Applicant(s):
Wen-Hsien Lee
2F, No. 3, Lane 130, Minquan Road, Xindian Dist., New Taipei City,
Taiwan
(72) Name(s) of Designer(s): **Wen-Hsien Lee**
(45) Registration Date: **18 January 2013**
(56) Related Art Documents: **Not Applicable**
(57) Statement of Newness and Distinctiveness: **Newness and distinctiveness is claimed in the shape and/or configuration of a solar robot as shown in the accompanying drawings.**



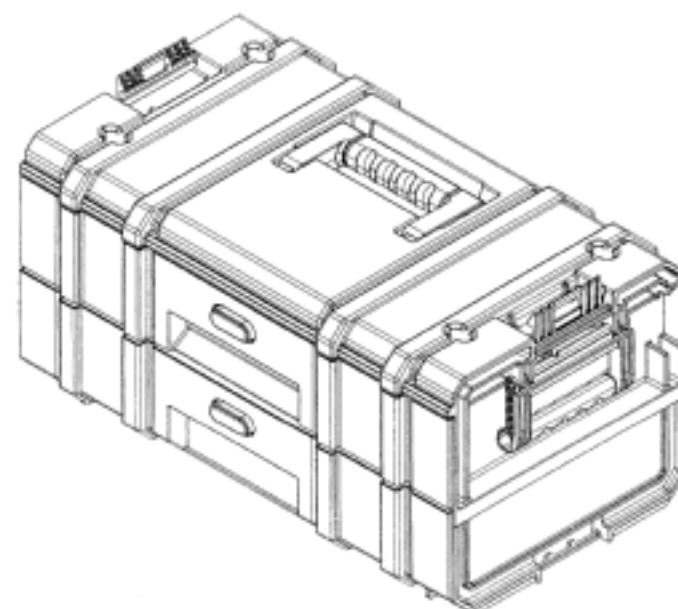
- (21) Design Number: **15258/2012**
(22) Date of Filing Application: **23 October 2012**
(24) Date from which industrial property rights may have effect: **23 October 2012**
(54) Product in respect of which the design is registered: **Solar powered toy robot**
(51) International Design Classification: **13-03NES, 21-01B**
(74) Name(s) of Attorney(s): **Madderns**
(71) Name(s) and Address(s) of Applicant(s):
Wen-Hsien Lee
2F, No. 3, Lane 130, Minquan Road, Xindian Dist., New Taipei City,
Taiwan
(72) Name(s) of Designer(s): **Wen-Hsien Lee**
(45) Registration Date: **18 January 2013**
(56) Related Art Documents: **Not Applicable**
(57) Statement of Newness and Distinctiveness: **Newness and distinctiveness is claimed in the shape and/or configuration of a solar robot as shown in the accompanying drawings.**



(21) Design Number: **15514/2012**
(22) Date of Filing Application: **05 November 2012**
(24) Date from which industrial property rights may have effect: **05 November 2012**
(54) Product in respect of which the design is registered: **1. Single switch 2. Double switch**
(51) International Design Classification: **13-03E**
(74) Name(s) of Attorney(s): **Davies Collison Cave**
(71) Name(s) and Address(s) of Applicant(s):
Arlec Australia Pty Ltd
Building 3 31-41 Joseph St Blackburn North VIC 3130 Australia
(72) Name(s) of Designer(s): **Monvids Puika and Kar Lun Tam**
(45) Registration Date: **18 January 2013**
(56) Related Art Documents: **Not Applicable**
(57) Statement of Newness and Distinctiveness: **Nil**



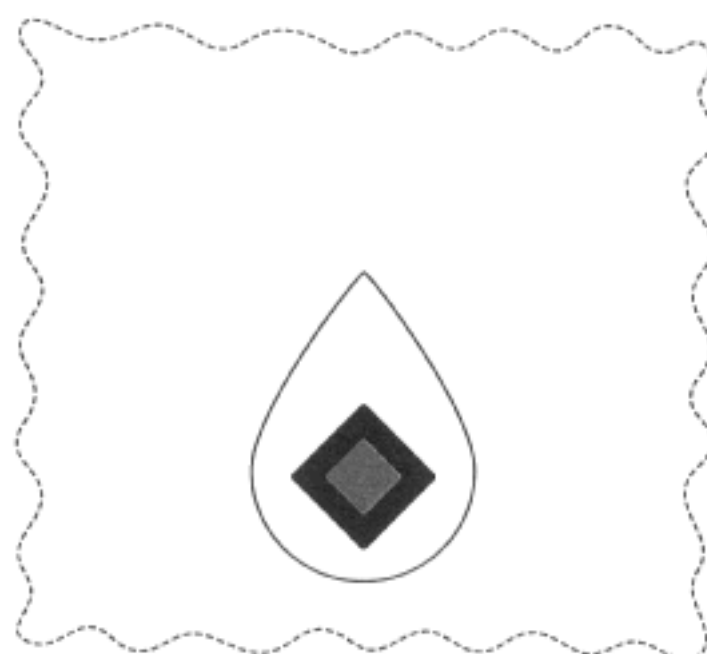
(21) Design Number: **15765/2012**
(22) Date of Filing Application: **16 November 2012**
(24) Date from which industrial property rights may have effect: **16 November 2012**
(54) Product in respect of which the design is registered: **Toolbox**
(51) International Design Classification: **03-01D**
(74) Name(s) of Attorney(s): **Davies Collison Cave**
(71) Name(s) and Address(s) of Applicant(s):
The Stanley Works Israel Ltd.
19 Ha'Melacha Street Rosh Ha'Ayin 48091 Israel
(72) Name(s) of Designer(s): **Nadin Daniel Horovitz and Tsafirir Hofman**
(45) Registration Date: **18 January 2013**
(30) Convention priority data:
(31) Number (32) Date (33) Country
001328538-0001 31 May 2012 EUROPEAN COMMUNITY
(56) Related Art Documents: **Not Applicable**
(57) Statement of Newness and Distinctiveness: **Nil**



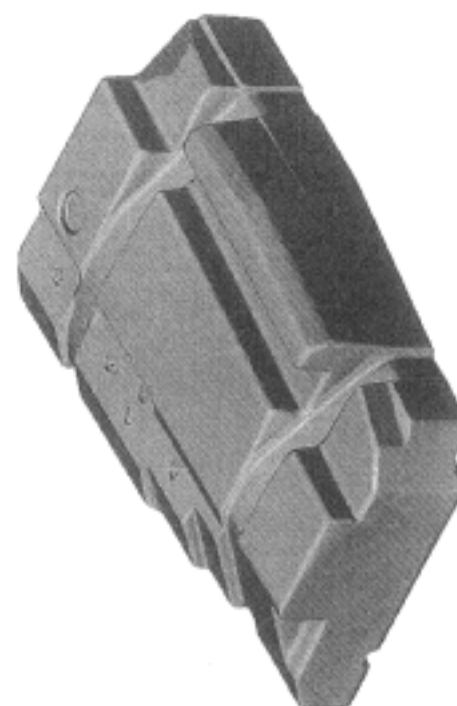
- (21) Design Number: **15776/2012**
(22) Date of Filing Application: **19 November 2012**
(24) Date from which industrial property rights may have effect: **19 November 2012**
(54) Product in respect of which the design is registered: **Air freshener**
(51) International Design Classification: **28-99**
(74) Name(s) of Attorney(s):
(71) Name(s) and Address(s) of Applicant(s):
Eliza Bialkowski
17 Godfrey St Darlington SA 5047 Australia
(72) Name(s) of Designer(s): **Eliza Bialkowski**
(45) Registration Date: **18 January 2013**
(56) Related Art Documents: **Not Applicable**
(57) Statement of Newness and Distinctiveness: **Love heart with Lucky charms and words Good Luck.**



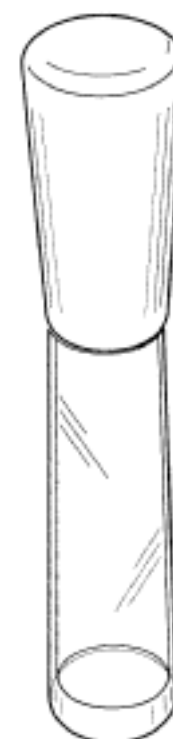
- (21) Design Number: **15871/2012**
(22) Date of Filing Application: **23 November 2012**
(24) Date from which industrial property rights may have effect: **23 November 2012**
(54) Product in respect of which the design is registered: **Display screen with icon**
(51) International Design Classification: **14-04**
(74) Name(s) of Attorney(s): **Shelston IP**
(71) Name(s) and Address(s) of Applicant(s):
Microsoft Corporation
One Microsoft Way Redmond Washington 98052 United States of America
(72) Name(s) of Designer(s): **Romualdo T. Impas**
(45) Registration Date: **18 January 2013**
(30) Convention priority data:
(31) Number (32) Date (33) Country
29/434445 12 Oct 2012 UNITED STATES OF AMERICA
(56) Related Art Documents: **Not Applicable**
(57) Statement of Newness and Distinctiveness: **Newness and distinctiveness reside in the pattern and/or ornamentation of a display screen with icon as illustrated by solid lines in the accompanying representation. The features shown in broken outline are for contextual purposes only and do not form part of the design.**



(21) Design Number: **16031/2012**
(22) Date of Filing Application: **26 November 2012**
(24) Date from which industrial property rights may have effect: **26 November 2012**
(54) Product in respect of which the design is registered: **Fuel tank/water tank**
(51) International Design Classification: **23-01F**
(74) Name(s) of Attorney(s):
(71) Name(s) and Address(s) of Applicant(s):
Stewart Thompson
5-7 Freight Road Tullamarine Victoria 3043 Australia
(72) Name(s) of Designer(s): **Stewart Thompson and Paul Cooper**
(45) Registration Date: **18 January 2013**
(56) Related Art Documents: **Not Applicable**
(57) Statement of Newness and Distinctiveness: **To optimise area underneath vehicle for extra fuel or water storage.**



(21) Design Number: **16193/2012**
(22) Date of Filing Application: **06 December 2012**
(24) Date from which industrial property rights may have effect: **06 December 2012**
(54) Product in respect of which the design is registered: **Cosmetic container**
(51) International Design Classification: **09-01G**
(74) Name(s) of Attorney(s): **PHILLIPS ORMONDE FITZPATRICK**
(71) Name(s) and Address(s) of Applicant(s):
ELC Management LLC
155 Pinelawn Road Suite 345 South Melville New York 11747 United States of America
(72) Name(s) of Designer(s): **David F. Cole and Thomas Hall**
(45) Registration Date: **18 January 2013**
(30) Convention priority data:
(31) Number (32) Date (33) Country
29/428,694 02 Aug 2012 UNITED STATES OF AMERICA
(56) Related Art Documents: **Not Applicable**
(57) Statement of Newness and Distinctiveness: **Those features of the cosmetic container depicted in the representations that are new and distinctive are the shape and/or configuration.**



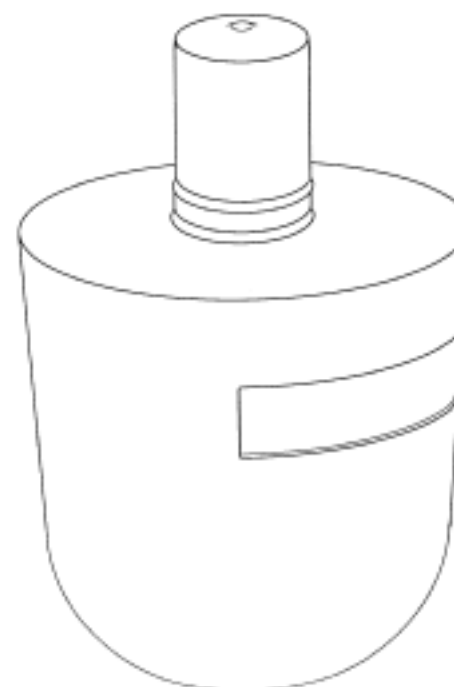
(21) Design Number: **16194/2012**
(22) Date of Filing Application: **06 December 2012**
(24) Date from which industrial property rights may have effect: **06 December 2012**
(54) Product in respect of which the design is registered: **Cosmetic container**
(51) International Design Classification: **09-01G**
(74) Name(s) of Attorney(s): **PHILLIPS ORMONDE FITZPATRICK**
(71) Name(s) and Address(s) of Applicant(s):
ELC Management LLC
155 Pinelawn Road Suite 345 South Melville New York 11747 United States of America
(72) Name(s) of Designer(s): **David F. Cole and Thomas Hall**
(45) Registration Date: **18 January 2013**
(30) Convention priority data:
(31) Number (32) Date (33) Country
29/428,695 02 Aug 2012 UNITED STATES OF AMERICA
(56) Related Art Documents: **Not Applicable**
(57) Statement of Newness and Distinctiveness: **Those features of the cosmetic container depicted in the representations that are new and distinctive are the shape and/or configuration.**



(21) Design Number: **16195/2012**
(22) Date of Filing Application: **06 December 2012**
(24) Date from which industrial property rights may have effect: **06 December 2012**
(54) Product in respect of which the design is registered: **Cosmetic container**
(51) International Design Classification: **09-01G**
(74) Name(s) of Attorney(s): **PHILLIPS ORMONDE FITZPATRICK**
(71) Name(s) and Address(s) of Applicant(s):
ELC Management LLC
155 Pinelawn Road Suite 345 South Melville New York 11747 United States of America
(72) Name(s) of Designer(s): **David F. Cole and Thomas Hall**
(45) Registration Date: **18 January 2013**
(30) Convention priority data:
(31) Number (32) Date (33) Country
29/428,697 02 Aug 2012 UNITED STATES OF AMERICA
(56) Related Art Documents: **Not Applicable**
(57) Statement of Newness and Distinctiveness: **Those features of the cosmetic container depicted in the representations that are new and distinctive are the shape and/or configuration.**



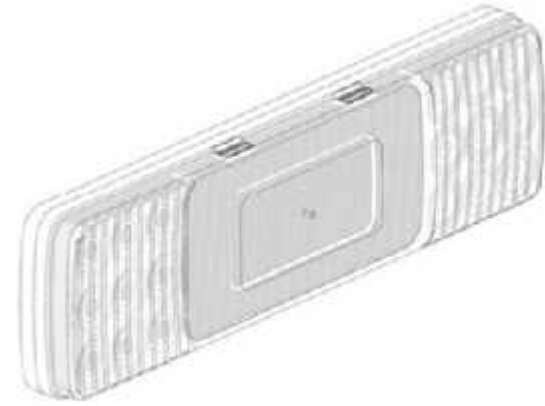
(21) Design Number: **16196/2012**
(22) Date of Filing Application: **06 December 2012**
(24) Date from which industrial property rights may have effect: **06 December 2012**
(54) Product in respect of which the design is registered: **Container for perfume**
(51) International Design Classification: **09-01G**
(74) Name(s) of Attorney(s): **PHILLIPS ORMONDE FITZPATRICK**
(71) Name(s) and Address(s) of Applicant(s):
Marni International S.A. Luxembourg Pazzallo Branch
Quartiere la Sguancia 23 CH-6902 Lugano Switzerland
(72) Name(s) of Designer(s): **Consuelo Castiglioni**
(45) Registration Date: **18 January 2013**
(30) Convention priority data:
(31) Number (32) Date (33) Country
002114363 05 Oct 2012 EUROPEAN COMMUNITY
(56) Related Art Documents: **Not Applicable**
(57) Statement of Newness and Distinctiveness: **Those features of the container for perfume depicted in the representations that are new and distinctive are the shape and/or configuration.**



(21) Design Number: **16226/2012**
(22) Date of Filing Application: **11 December 2012**
(24) Date from which industrial property rights may have effect: **11 December 2012**
(54) Product in respect of which the design is registered: **Golf club head**
(51) International Design Classification: **21-02C**
(74) Name(s) of Attorney(s): **Davies Collison Cave**
(71) Name(s) and Address(s) of Applicant(s):
Karsten Manufacturing Corporation
2201 West Desert Cove Phoenix Arizona 85029 United States of America
(72) Name(s) of Designer(s): **Ryan M. Stokke and Xiaojian Chen and Marty R. Jertson and Bradley D. Schweigert**
(45) Registration Date: **18 January 2013**
(30) Convention priority data:
(31) Number (32) Date (33) Country
29/426257 02 Jul 2012 UNITED STATES OF AMERICA
(56) Related Art Documents: **Not Applicable**
(57) Statement of Newness and Distinctiveness: **Newness and distinctiveness is claimed in the visual features shown in solid lines in the representations. In considering the extent of the design rights, the broken lines shown in the representations are for illustrative purposes only and do not form part of the design.**



(21) Design Number: **16260/2012**
(22) Date of Filing Application: **11 December 2012**
(24) Date from which industrial property rights may have effect: **11 December 2012**
(54) Product in respect of which the design is registered: **Truck light**
(51) International Design Classification: **26-06**
(74) Name(s) of Attorney(s): **Griffith Hack**
(71) Name(s) and Address(s) of Applicant(s):
Hella New Zealand Limited
81-83 Ben Lomond Crescent Pakuranga Auckland New Zealand
(72) Name(s) of Designer(s): **Martin Reinbach**
(45) Registration Date: **18 January 2013**
(56) Related Art Documents: **Not Applicable**
(57) Statement of Newness and Distinctiveness: **Nil**



(21) Design Number: **16261/2012**
(22) Date of Filing Application: **11 December 2012**
(24) Date from which industrial property rights may have effect: **11 December 2012**
(54) Product in respect of which the design is registered: **High chair**
(51) International Design Classification: **06-01E**
(74) Name(s) of Attorney(s): **Cullens Patent and Trade Mark Attorneys**
(71) Name(s) and Address(s) of Applicant(s):
Helen of Troy Limited
The Phoenix Centre George Street Belleville St. Michael Barbados
(72) Name(s) of Designer(s): **Christian Stolarz and Eli Worden and Charlie Paradise**
(45) Registration Date: **18 January 2013**
(30) Convention priority data:
(31) Number (32) Date (33) Country
29/430671 28 Aug 2012 UNITED STATES OF AMERICA
(56) Related Art Documents: **Not Applicable**
(57) Statement of Newness and Distinctiveness: **Nil**



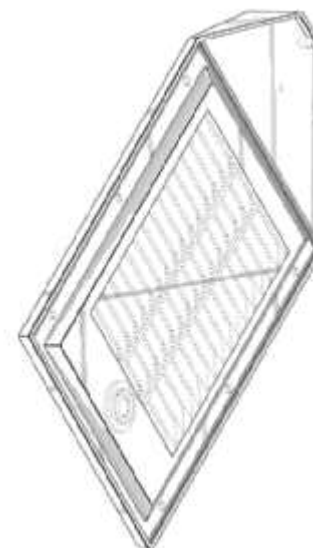
- (21) Design Number: **16287/2012**
(22) Date of Filing Application: **12 December 2012**
(24) Date from which industrial property rights may have effect: **12 December 2012**
(54) Product in respect of which the design is registered: **Apparatus for assisting in body cellular repair**
(51) International Design Classification: **24-01, 28-03NES**
(74) Name(s) of Attorney(s): **Baxter IP**
(71) Name(s) and Address(s) of Applicant(s):
Laserderm International Holdings Pty Ltd
61 Petterd St Page ACT 2614 Australia
(72) Name(s) of Designer(s): **Mladen Jovanovic and Vicki Jovanovic**
(45) Registration Date: **18 January 2013**
(56) Related Art Documents: **Not Applicable**
(57) Statement of Newness and Distinctiveness: **Newness and distinctiveness is claimed in the features of shape and/or configuration of an apparatus for assisting in body cellular repair as shown in the accompanying representations.**



- (21) Design Number: **16289/2012**
(22) Date of Filing Application: **12 December 2012**
(24) Date from which industrial property rights may have effect: **12 December 2012**
(54) Product in respect of which the design is registered: **Air freshener**
(51) International Design Classification: **28-99**
(74) Name(s) of Attorney(s):
(71) Name(s) and Address(s) of Applicant(s):
Asapme Pty Ltd
17 Godfrey St Darlington SA 5047 Australia
(72) Name(s) of Designer(s): **Eliza Bialkowski**
(45) Registration Date: **18 January 2013**
(56) Related Art Documents: **Not Applicable**
(57) Statement of Newness and Distinctiveness: **Front of the Air Freshener has 4 Gold Lucky Coins and in the centre a pot of Gold. The back of the Air Freshener has a Leprechaun with a beer and gold. This air freshener is double sided with a different pictures on each.**



(21) Design Number: **16292/2012**
(22) Date of Filing Application: **12 December 2012**
(24) Date from which industrial property rights may have effect: **12 December 2012**
(54) Product in respect of which the design is registered: **Lighting**
(51) International Design Classification: **26-05C, 26-03, 26-05E, 26-05A**
(74) Name(s) of Attorney(s): **PIZZEYS**
(71) Name(s) and Address(s) of Applicant(s):
LSI Industries, Inc.
10000 Alliance Rd Cincinnati OH 45242 United States of America
(72) Name(s) of Designer(s): **John D. Boyer and Earl G. Boertlein**
(45) Registration Date: **18 January 2013**
(30) Convention priority data:
(31) Number (32) Date (33) Country
29/435,638 26 Oct 2012 UNITED STATES OF AMERICA
(56) Related Art Documents: **Not Applicable**
(57) Statement of Newness and Distinctiveness: **The newness and distinctiveness of the design resides in the features of pattern and/or ornamentation OR shape and/or configuration shown in unbroken lines.**



(21) Design Number: **16293/2012**
(22) Date of Filing Application: **12 December 2012**
(24) Date from which industrial property rights may have effect: **12 December 2012**
(54) Product in respect of which the design is registered: **Internally illuminated pavement marker**
(51) International Design Classification: **10-06, 26-03**
(74) Name(s) of Attorney(s):
(71) Name(s) and Address(s) of Applicant(s):
Timothy Culley
PO BOX 1673 Carindale QLD 4152 Australia
(72) Name(s) of Designer(s): **Timothy Culley**
(45) Registration Date: **18 January 2013**
(56) Related Art Documents: **Not Applicable**
(57) Statement of Newness and Distinctiveness: **Nil**



(21) Design Number: **16297/2012**

(22) Date of Filing Application: **12 December 2012**

(24) Date from which industrial property rights may have effect: **12 December 2012**

(54) Product in respect of which the design is registered: **Rear bumper of car**

(51) International Design Classification: **12-16C**

(74) Name(s) of Attorney(s): **Baxter IP**

(71) Name(s) and Address(s) of Applicant(s):

GM Global Technology Operations, LLC
300 Renaissance Center Detroit Michigan 48265-3000 United States of America

(72) Name(s) of Designer(s): **Gyung-won Lee**

(45) Registration Date: **18 January 2013**

(30) Convention priority data:

(31) Number	(32) Date	(33) Country
30-2012-0029635	18 Jun 2012	REPUBLIC OF KOREA

(56) Related Art Documents: **Not Applicable**

(57) Statement of Newness and Distinctiveness: **Newness and distinctiveness is claimed in the features of shape and/or configuration of a rear bumper of car as shown in the accompanying representations.**



(21) Design Number: **16299/2012**

(22) Date of Filing Application: **12 December 2012**

(24) Date from which industrial property rights may have effect: **12 December 2012**

(54) Product in respect of which the design is registered: **Rear combination lamp of car**

(51) International Design Classification: **26-06**

(74) Name(s) of Attorney(s): **Baxter IP**

(71) Name(s) and Address(s) of Applicant(s):

GM Global Technology Operations, LLC
300 Renaissance Center Detroit Michigan 48265-3000 United States of America

(72) Name(s) of Designer(s): **Oh-soo Kim**

(45) Registration Date: **18 January 2013**

(30) Convention priority data:

(31) Number	(32) Date	(33) Country
30-2012-0036391	26 Jul 2012	REPUBLIC OF KOREA

(56) Related Art Documents: **Not Applicable**

(57) Statement of Newness and Distinctiveness: **Newness and distinctiveness is claimed in the features of shape and/or configuration of a rear combination lamp of car as shown in the accompanying representations.**



- (21) Design Number: **16300/2012**
(22) Date of Filing Application: **12 December 2012**
(24) Date from which industrial property rights may have effect: **12 December 2012**
(54) Product in respect of which the design is registered: **End cap for a post or picket**
(51) International Design Classification: **25-01E**
(74) Name(s) of Attorney(s): **Knightsbridge Patent Attorneys**
(71) Name(s) and Address(s) of Applicant(s):
Steel-Tuff Rural Fencing Solutions Pty. Ltd.
9-11 Turbo Dr Bayswater VIC 3153 Australia
(72) Name(s) of Designer(s): **Neil Henry French**
(45) Registration Date: **18 January 2013**
(56) Related Art Documents: **Not Applicable**
(57) Statement of Newness and Distinctiveness: **The applicant claims that newness and distinctiveness reside in the features of shape and configuration of an end cap for a post or picket, as depicted in the accompanying representations.**



- (21) Design Number: **16301/2012**
(22) Date of Filing Application: **12 December 2012**
(24) Date from which industrial property rights may have effect: **12 December 2012**
(54) Product in respect of which the design is registered: **End cap for a post or picket**
(51) International Design Classification: **25-01E**
(74) Name(s) of Attorney(s): **Knightsbridge Patent Attorneys**
(71) Name(s) and Address(s) of Applicant(s):
Steel-Tuff Rural Fencing Solutions Pty. Ltd.
9-11 Turbo Dr Bayswater VIC 3153 Australia
(72) Name(s) of Designer(s): **Neil Henry French**
(45) Registration Date: **18 January 2013**
(56) Related Art Documents: **Not Applicable**
(57) Statement of Newness and Distinctiveness: **The applicant claims that newness and distinctiveness reside in the features of shape and configuration of an end cap for a post or picket, as depicted in the accompanying representations.**



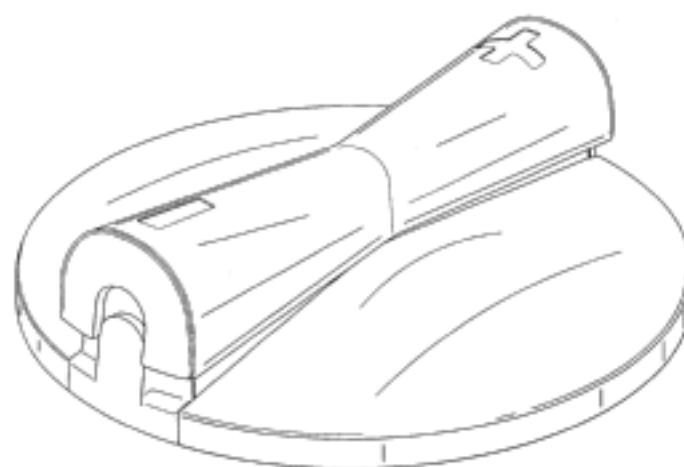
- (21) Design Number: **16302/2012**
(22) Date of Filing Application: **12 December 2012**
(24) Date from which industrial property rights may have effect: **12 December 2012**
(54) Product in respect of which the design is registered: **Wire holder for securement to a post or picket**
(51) International Design Classification: **08-08NES**
(74) Name(s) of Attorney(s): **Knightsbridge Patent Attorneys**
(71) Name(s) and Address(s) of Applicant(s):
Steel-Tuff Rural Fencing Solutions Pty. Ltd.
9-11 Turbo Dr Bayswater VIC 3153 Australia
(72) Name(s) of Designer(s): **Neil Henry French**
(45) Registration Date: **18 January 2013**
(56) Related Art Documents: **Not Applicable**
(57) Statement of Newness and Distinctiveness: **The applicant claims that newness and distinctiveness reside in the features of shape and configuration of a wire holder for securement to a post or picket, as depicted in the accompanying representations.**



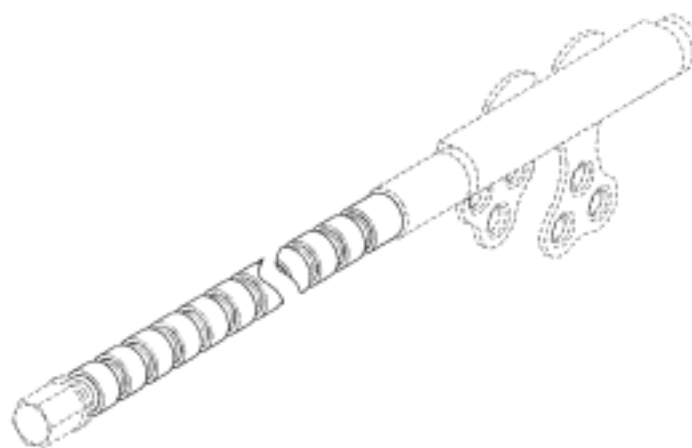
- (21) Design Number: **16513/2012**
(22) Date of Filing Application: **14 December 2012**
(24) Date from which industrial property rights may have effect: **12 October 2012**
(54) Product in respect of which the design is registered: **Article of clothing**
(51) International Design Classification: **02-02NES**
(74) Name(s) of Attorney(s): **Allens Patent & Trade Mark Attorneys**
(71) Name(s) and Address(s) of Applicant(s):
Forever New Clothing Pty Ltd
714-716 High St Kew East VIC 3102 Australia
(72) Name(s) of Designer(s): **Gemma Henderson**
(45) Registration Date: **18 January 2013**
(30) Convention priority data:
(31) Number (32) Date (33) Country
4026134 30 Aug 2012 UNITED KINGDOM
(62) Divisional of: **15083/2012**
(56) Related Art Documents: **Not Applicable**
(57) Statement of Newness and Distinctiveness: **Newness and distinctiveness resides in the visual features of shape, configuration, pattern and/or ornamentation of an article of clothing as shown in the accompanying representations.**



- (21) Design Number: **15698/2012**
(22) Date of Filing Application: **15 November 2012**
(24) Date from which industrial property rights may have effect: **15 November 2012**
(54) Product in respect of which the design is registered: **Foot switch for an electric actuator system**
(51) International Design Classification: **06-06C**
(74) Name(s) of Attorney(s): **SPRUSON & FERGUSON**
(71) Name(s) and Address(s) of Applicant(s):
Linak A/S
Smedevaegnet 8 Guderup DK-6430 Nordborg Denmark
(72) Name(s) of Designer(s): **Steffen Schmelling**
(45) Registration Date: **21 January 2013**
(30) Convention priority data:
(31) Number (32) Date (33) Country
DA 2012 00072 16 May 2012 DENMARK
(56) Related Art Documents: **Not Applicable**
(57) Statement of Newness and Distinctiveness: **Newness and distinctiveness is claimed in the features of shape and/or configuration of the rocking element of a foot switch as illustrated in the accompanying representations.**



- (21) Design Number: **15846/2012**
(22) Date of Filing Application: **21 November 2012**
(24) Date from which industrial property rights may have effect: **21 November 2012**
(54) Product in respect of which the design is registered: **Bone distractor**
(51) International Design Classification: **24-03**
(74) Name(s) of Attorney(s): **Davies Collison Cave**
(71) Name(s) and Address(s) of Applicant(s):
Southern Implants (Pty) Ltd
Southern Implants Office Park Building 10 1 Albert Road Irene Centurion
0157 Republic of South Africa
(72) Name(s) of Designer(s): **Thomas Gerhardt**
(45) Registration Date: **21 January 2013**
(30) Convention priority data:
(31) Number (32) Date (33) Country
F2012/00870 07 Jun 2012 SOUTH AFRICA
(56) Related Art Documents: **Not Applicable**
(57) Statement of Newness and Distinctiveness: **Newness and distinctiveness is claimed in the visual features shown in solid lines in the representations.**



- (21) Design Number: **15923/2012**
(22) Date of Filing Application: **28 November 2012**
(24) Date from which industrial property rights may have effect: **28 November 2012**
(54) Product in respect of which the design is registered: **A single and twin door bathroom vanity**
(51) International Design Classification: **23-02F**
(74) Name(s) of Attorney(s): **HODGKINSON McINNES PATENTS**
(71) Name(s) and Address(s) of Applicant(s):
Gemini Industries Pty Ltd
3/97 Banksia St Botany NSW 2019 Australia
(72) Name(s) of Designer(s): **James Arthur Longley**
(45) Registration Date: **21 January 2013**
(56) Related Art Documents: **Not Applicable**
(57) Statement of Newness and Distinctiveness: **Statement of Newness and Distinctiveness is claimed in the shape and configuration of a bathroom vanity as shown in the representations. The features shown in ghost lines are representative only and do not form part of the design.**



- (21) Design Number: **15973/2012**
(22) Date of Filing Application: **30 November 2012**
(24) Date from which industrial property rights may have effect: **30 November 2012**
(54) Product in respect of which the design is registered: **Lock**
(51) International Design Classification: **08-07**
(74) Name(s) of Attorney(s): **Callinans**
(71) Name(s) and Address(s) of Applicant(s):
Master Lock Company LLC
137 W. Forest Hill Avenue Oak Creek Wisconsin 53154 United States of America
(72) Name(s) of Designer(s): **Scott B. Stevens**
(45) Registration Date: **21 January 2013**
(30) Convention priority data:
(31) Number (32) Date (33) Country
29/423,699 04 Jun 2012 UNITED STATES OF AMERICA
(56) Related Art Documents: **Not Applicable**
(57) Statement of Newness and Distinctiveness: **Newness and distinctiveness are provided by the shape and/or configuration of the design shown in the representations. The shaded parts are disclaimed for the purposes of newness and distinctiveness.**



(21) Design Number: **16340/2012**

(22) Date of Filing Application: **14 December 2012**

(24) Date from which industrial property rights may have effect: **14 December 2012**

(54) Product in respect of which the design is registered: **Knife blade**

(51) International Design Classification: **07-03, 08-03**

(74) Name(s) of Attorney(s): **Trademark Works**

(71) Name(s) and Address(s) of Applicant(s):

Joseph Joseph Ltd

The Grove 30 Great Guildford Street SE1 0HS London United Kingdom

(72) Name(s) of Designer(s): **Richard Hartshorn and Edward Goodwin**

(45) Registration Date: **21 January 2013**

(30) Convention priority data:

(31) Number

(32) Date

(33) Country

002107078-0004 21 Sep 2012

EUROPEAN PATENT OFFICE (EPO)

(56) Related Art Documents: **Not Applicable**

(57) Statement of Newness and Distinctiveness: **The newness and distinctiveness of the design resides in the shape of the knife blade which has rotating handles that also act as integrated blade guards, as shown in the accompanying representations.**



(21) Design Number: **16343/2012**

(22) Date of Filing Application: **16 December 2012**

(24) Date from which industrial property rights may have effect: **16 December 2012**

(54) Product in respect of which the design is registered: **Hanger**

(51) International Design Classification: **06-08**

(74) Name(s) of Attorney(s):

(71) Name(s) and Address(s) of Applicant(s):

Rachel Chippendale

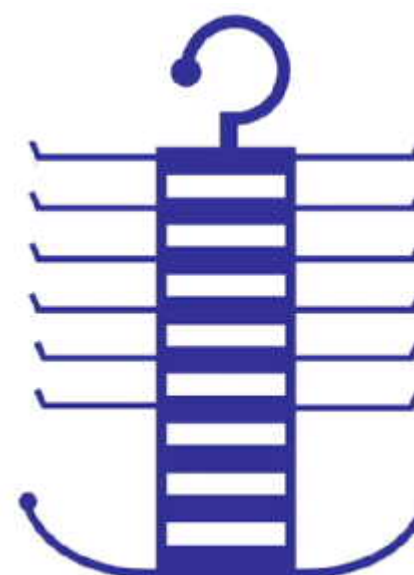
13 Mitchell Pde Orange NSW 2800 Australia

(72) Name(s) of Designer(s): **Rachel Chippendale**

(45) Registration Date: **21 January 2013**

(56) Related Art Documents: **Not Applicable**

(57) Statement of Newness and Distinctiveness: **I hereby state that design RC002 is new and distinctive. It is a modification of the traditional tie hanger to become a tie, belt and jewellery hanger. The newness and distinctiveness of the design resides in the vertical mid-section with hollow cut outs and horizontal curved hooks at the bottom.**



(21) Design Number: **16345/2012**
(22) Date of Filing Application: **17 December 2012**
(24) Date from which industrial property rights may have effect: **17 December 2012**
(54) Product in respect of which the design is registered: **Protective casing for handheld electronic device**
(51) International Design Classification: **03-01NES, 14-02**
(74) Name(s) of Attorney(s): **Griffith Hack**
(71) Name(s) and Address(s) of Applicant(s):
SwitchEasy Limited
Room 314 Sing Win Factory Building 15-17 Shing Yip Street Kwun Tong
Kowloon Hong Kong
(72) Name(s) of Designer(s): **Chi Vun Steven Bau**
(45) Registration Date: **21 January 2013**
(30) Convention priority data:
(31) Number (32) Date (33) Country
1201785.9M001 07 Sep 2012 HONG KONG
(56) Related Art Documents: **Not Applicable**
(57) Statement of Newness and Distinctiveness: **Newness and distinctiveness resides in the visual features, including shape, configuration and ornamentation of the product as shown in the accompanying representations.**



(21) Design Number: **16348/2012**
(22) Date of Filing Application: **17 December 2012**
(24) Date from which industrial property rights may have effect: **17 December 2012**
(54) Product in respect of which the design is registered: **Universal interface for accessory blades**
(51) International Design Classification: **08-03**
(74) Name(s) of Attorney(s): **Griffith Hack**
(71) Name(s) and Address(s) of Applicant(s):
Techtronic Power Tools Technology Limited
Trident Chambers PO Box 146 Road Town Central Tortola VG1110
British Virgin Islands
(72) Name(s) of Designer(s): **Richard Davidian and James Keith**
(45) Registration Date: **21 January 2013**
(30) Convention priority data:
(31) Number (32) Date (33) Country
29/425,617 25 Jun 2012 UNITED STATES OF AMERICA
(56) Related Art Documents: **Not Applicable**
(57) Statement of Newness and Distinctiveness: **Newness and distinctiveness of the design resides in the visual features, including shape, configuration or shape and configuration of the universal interface for accessory blades as illustrated by means of the solid lines in the accompanying representations. The parts illustrated by means of dashed lines have been included for illustrative purposes only and do not form part of the design.**

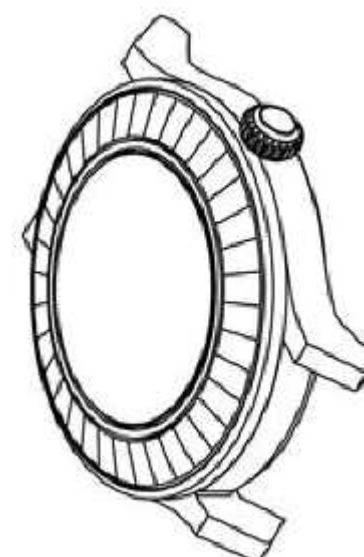


(21) Design Number: **16349/2012**
(22) Date of Filing Application: **17 December 2012**
(24) Date from which industrial property rights may have effect: **17 December 2012**
(54) Product in respect of which the design is registered: **Universal interface for accessory blades**
(51) International Design Classification: **08-03**
(74) Name(s) of Attorney(s): **Griffith Hack**
(71) Name(s) and Address(s) of Applicant(s):
Techtronic Power Tools Technology Limited
Trident Chambers PO Box 146 Road Town Central Tortola VG1110
British Virgin Islands
(72) Name(s) of Designer(s): **Richard Davidian and James Keith**
(45) Registration Date: **21 January 2013**
(30) Convention priority data:
(31) Number (32) Date (33) Country
29/425,619 25 Jun 2012 UNITED STATES OF AMERICA



(56) Related Art Documents: **Not Applicable**
(57) Statement of Newness and Distinctiveness: **Newness and distinctiveness of the design resides in the visual features, including shape, configuration or shape and configuration of the universal interface for accessory blades as illustrated by means of the solid lines in the accompanying representations. The parts illustrated by means of dashed lines have been included for illustrative purposes only and do not form part of the design.**

(21) Design Number: **16351/2012**
(22) Date of Filing Application: **17 December 2012**
(24) Date from which industrial property rights may have effect: **17 December 2012**
(54) Product in respect of which the design is registered: **Watchcase for wristwatches**
(51) International Design Classification: **10-02**
(74) Name(s) of Attorney(s): **Callinans**
(71) Name(s) and Address(s) of Applicant(s):
Swarovski Aktiengesellschaft
Droschistrasse 15 Triesen FL-9495 Liechtenstein
(72) Name(s) of Designer(s): **Mahito Nashimoto**
(45) Registration Date: **21 January 2013**
(30) Convention priority data:
(31) Number (32) Date (33) Country
2106310-0001 20 Sep 2012 EUROPEAN COMMUNITY



(56) Related Art Documents: **Not Applicable**
(57) Statement of Newness and Distinctiveness: **Nil**

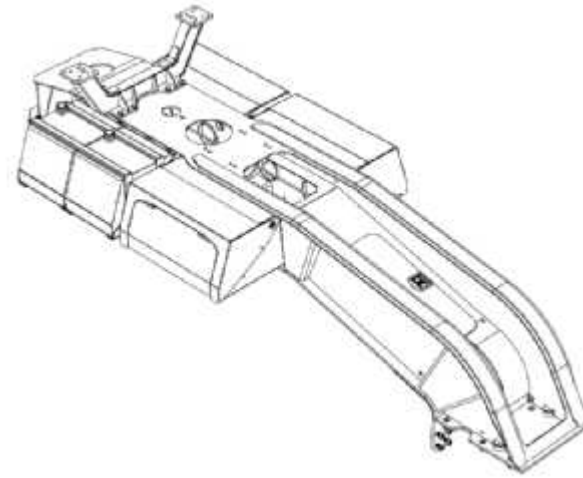
- (21) Design Number: **16358/2012**
(22) Date of Filing Application: **17 December 2012**
(24) Date from which industrial property rights may have effect: **17 December 2012**
(54) Product in respect of which the design is registered: **Orthopedic pressure device**
(51) International Design Classification: **24-04**
(74) Name(s) of Attorney(s): **Davies Collison Cave**
(71) Name(s) and Address(s) of Applicant(s):
3M Innovative Properties Company
3M Center Saint Paul Minnesota 55133-3427 United States of America
(72) Name(s) of Designer(s): **Edward Leonard Weaver II and John Robert Elrod and Dominic Joseph Julian and Jeremy Joseph Jacobs and Michael Joseph Nickel and Sean Thomas Cavanagh**
(45) Registration Date: **21 January 2013**
(30) Convention priority data:
(31) Number (32) Date (33) Country
29/424969 18 Jun 2012 UNITED STATES OF AMERICA
(56) Related Art Documents: **Not Applicable**
(57) Statement of Newness and Distinctiveness: **Newness and distinctiveness is claimed in the visual features shown in solid lines in the representations. In considering the extent of the design rights, the broken lines shown in the representations are for illustrative purposes only and do not form part of the design.**



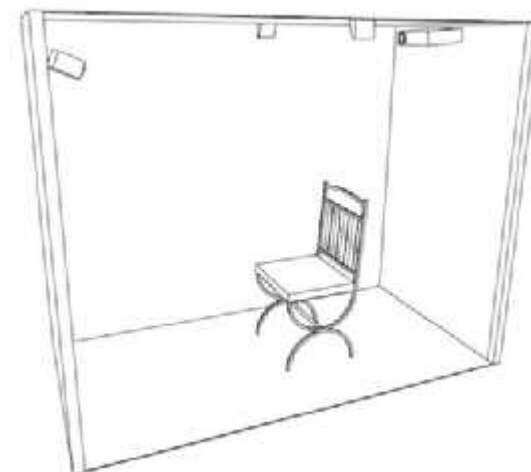
- (21) Design Number: **16359/2012**
(22) Date of Filing Application: **17 December 2012**
(24) Date from which industrial property rights may have effect: **17 December 2012**
(54) Product in respect of which the design is registered: **Orthopedic pressure device**
(51) International Design Classification: **24-04**
(74) Name(s) of Attorney(s): **Davies Collison Cave**
(71) Name(s) and Address(s) of Applicant(s):
3M Innovative Properties Company
3M Center Saint Paul Minnesota 55133-3427 United States of America
(72) Name(s) of Designer(s): **Edward Leonard Weaver II and John Robert Elrod and Dominic Joseph Julian and Jeremy Joseph Jacobs and Michael Joseph Nickel and Sean Thomas Cavanagh**
(45) Registration Date: **21 January 2013**
(30) Convention priority data:
(31) Number (32) Date (33) Country
29/424971 18 Jun 2012 UNITED STATES OF AMERICA
(56) Related Art Documents: **Not Applicable**
(57) Statement of Newness and Distinctiveness: **Newness and distinctiveness is claimed in the visual features shown in solid lines in the representations. In considering the extent of the design rights, the broken lines shown in the representations are for illustrative purposes only and do not form part of the design.**



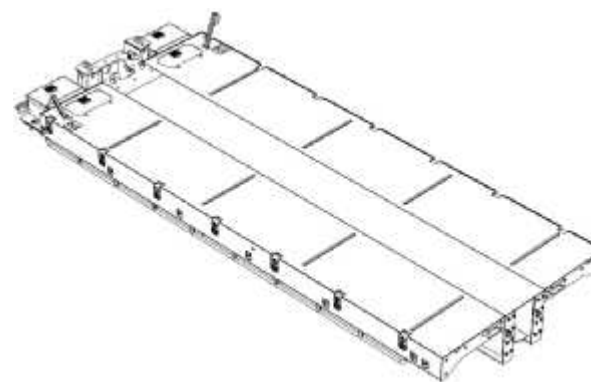
- (21) Design Number: **16360/2012**
(22) Date of Filing Application: **17 December 2012**
(24) Date from which industrial property rights may have effect: **17 December 2012**
(54) Product in respect of which the design is registered: **Neck module for a trailer**
(51) International Design Classification: **12-10**
(74) Name(s) of Attorney(s): **Varsity IP**
(71) Name(s) and Address(s) of Applicant(s):
Metal Fortress Pty Ltd
PO BOX 642 Sumner Park QLD 4074 Australia
(72) Name(s) of Designer(s): **Christopher Graham Lusty**
(45) Registration Date: **21 January 2013**
(56) Related Art Documents: **Not Applicable**
(57) Statement of Newness and Distinctiveness: **Nil**



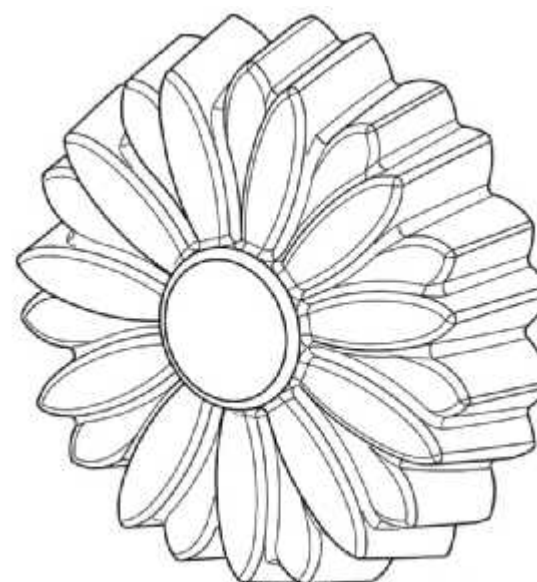
- (21) Design Number: **16361/2012**
(22) Date of Filing Application: **17 December 2012**
(24) Date from which industrial property rights may have effect: **17 December 2012**
(54) Product in respect of which the design is registered: **Virtual reality device**
(51) International Design Classification: **25-03**
(74) Name(s) of Attorney(s):
(71) Name(s) and Address(s) of Applicant(s):
John Peel
691 Sturt Hwy Wagga Wagga NSW 2650 Australia
(72) Name(s) of Designer(s): **John Peel**
(45) Registration Date: **21 January 2013**
(56) Related Art Documents: **Not Applicable**
(57) Statement of Newness and Distinctiveness: **The newness and distinctiveness of the design resides in the shape and position of the collective elements that collaboratively make up this virtual reality environment as shown in the accompanying representations.**



(21) Design Number: **16362/2012**
(22) Date of Filing Application: **17 December 2012**
(24) Date from which industrial property rights may have effect: **17 December 2012**
(54) Product in respect of which the design is registered: **Front module for a trailer**
(51) International Design Classification: **12-10**
(74) Name(s) of Attorney(s): **Varsity IP**
(71) Name(s) and Address(s) of Applicant(s):
Metal Fortress Pty Ltd
PO BOX 642 Sumner Park QLD 4074 Australia
(72) Name(s) of Designer(s): **Christopher Graham Lusty**
(45) Registration Date: **21 January 2013**
(56) Related Art Documents: **Not Applicable**
(57) Statement of Newness and Distinctiveness: **Nil**



(21) Design Number: **16363/2012**
(22) Date of Filing Application: **17 December 2012**
(24) Date from which industrial property rights may have effect: **17 December 2012**
(54) Product in respect of which the design is registered: **Dispenser for toilet cleansing**
(51) International Design Classification: **28-99**
(74) Name(s) of Attorney(s): **Marks & Clerk Australia**
(71) Name(s) and Address(s) of Applicant(s):
Jeyes Group Limited
Tennyson House Cambridge Business Park Cambridge CB4 0WZ United Kingdom
(72) Name(s) of Designer(s): **Matthew Stevenson**
(45) Registration Date: **21 January 2013**
(30) Convention priority data:
(31) Number (32) Date (33) Country
**WIPO11165 26 Jun 2012 WORLD INTELLECTUAL
PROPERTY ORGANIZATION
(WIPO)**
(56) Related Art Documents: **Not Applicable**
(57) Statement of Newness and Distinctiveness: **Nil**



(21) Design Number: **16364/2012**

(22) Date of Filing Application: **17 December 2012**

(24) Date from which industrial property rights may have effect: **17 December 2012**

(54) Product in respect of which the design is registered: **Soap dispenser**

(51) International Design Classification: **23-02A**

(74) Name(s) of Attorney(s): **Trademark Works**

(71) Name(s) and Address(s) of Applicant(s):

Joseph Joseph Ltd

The Grove 30 Great Guildford Street SE1 0HS London United Kingdom

(72) Name(s) of Designer(s): **Tej Chauhan and Beatrice Mueller**

(45) Registration Date: **21 January 2013**

(30) Convention priority data:

(31) Number

(32) Date

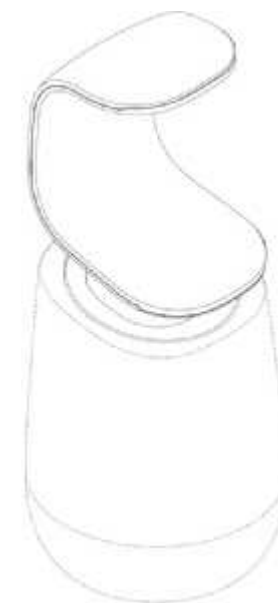
(33) Country

002104828-0001 18 Sep 2012

EUROPEAN PATENT OFFICE (EPO)

(56) Related Art Documents: **Not Applicable**

(57) Statement of Newness and Distinctiveness: **The newness and distinctiveness of the design resides in the C shape head dispenser as shown in the continuous lines in the accompanying representations. The broken lines are not part of the design and are to be disregarded when considering overall impression of the design.**



(21) Design Number: **16350/2012**

(22) Date of Filing Application: **17 December 2012**

(24) Date from which industrial property rights may have effect: **17 December 2012**

(54) Product in respect of which the design is registered: **Universal interface for accessory blades**

(51) International Design Classification: **08-03**

(74) Name(s) of Attorney(s): **Griffith Hack**

(71) Name(s) and Address(s) of Applicant(s):

Techtronic Power Tools Technology Limited

Trident Chambers PO Box 146 Road Town Central Tortola VG1110

British Virgin Islands

(72) Name(s) of Designer(s): **Richard Davidian and James Keith**

(45) Registration Date: **21 January 2013**

(30) Convention priority data:

(31) Number

(32) Date

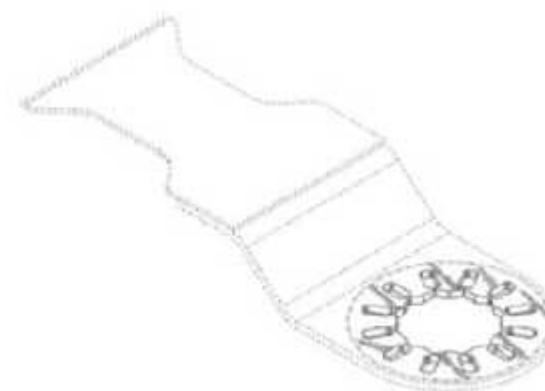
(33) Country

29/425,620 25 Jun 2012

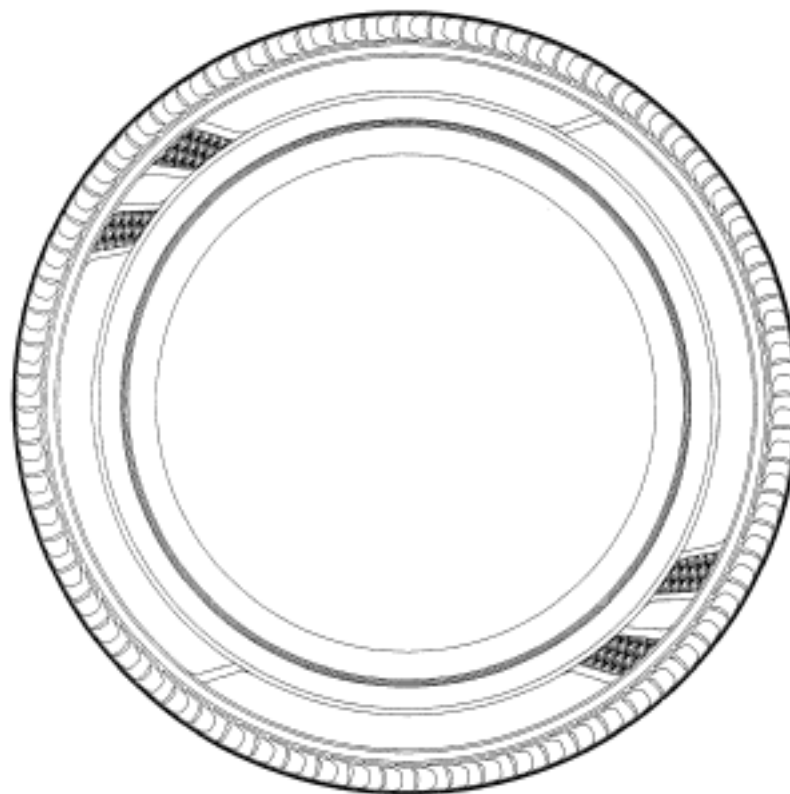
UNITED STATES OF AMERICA

(56) Related Art Documents: **Not Applicable**

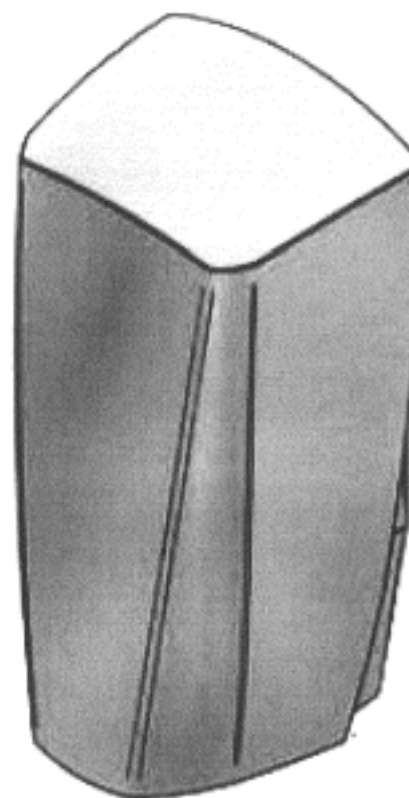
(57) Statement of Newness and Distinctiveness: **Newness and distinctiveness of the design resides in the visual features, including shape, configuration or shape and configuration of the universal interface for accessory blades as illustrated by means of the solid lines in the accompanying representations. The parts illustrated by means of dashed lines have been included for illustrative purposes only and do not form part of the design.**



- (21) Design Number: **12517/2012**
(22) Date of Filing Application: **24 May 2012**
(24) Date from which industrial property rights may have effect: **24 May 2012**
(54) Product in respect of which the design is registered: **Automobile tyre**
(51) International Design Classification: **12-15B**
(74) Name(s) of Attorney(s): **Griffith Hack**
(71) Name(s) and Address(s) of Applicant(s):
Bridgestone Corporation
10-1 Kyobashi 1-chome Chuo-ku Tokyo 104-8340 Japan
(72) Name(s) of Designer(s): **Sotaro Iwabuchi**
(45) Registration Date: **21 January 2013**
(56) Related Art Documents: **Not Applicable**
(57) Statement of Newness and Distinctiveness: **The shape, configuration and ornamentation of the product including the specific feature in the sidewall portion is new and distinctive.**



- (21) Design Number: **15492/2012**
(22) Date of Filing Application: **02 November 2012**
(24) Date from which industrial property rights may have effect: **02 November 2012**
(54) Product in respect of which the design is registered: **Soap dispenser**
(51) International Design Classification: **23-02A**
(74) Name(s) of Attorney(s): **FB Rice**
(71) Name(s) and Address(s) of Applicant(s):
Rentokil Initial 1927 plc
2 City Place Beehive Ring Road Gatwick Airport West Sussex RH6 0HA
United Kingdom
(72) Name(s) of Designer(s): **Aleksander Borgenhov**
(45) Registration Date: **21 January 2013**
(30) Convention priority data:
(31) Number (32) Date (33) Country
DM/079063 04 May 2012 WORLD INTELLECTUAL
PROPERTY ORGANIZATION
(WIPO)
(56) Related Art Documents: **Not Applicable**
(57) Statement of Newness and Distinctiveness: **Newness and distinctiveness reside in the features of the design as shown in the representations.**



(21) Design Number: **15493/2012**

(22) Date of Filing Application: **02 November 2012**

(24) Date from which industrial property rights may have effect: **02 November 2012**

(54) Product in respect of which the design is registered: **Toilet paper dispenser**

(51) International Design Classification: **23-02A**

(74) Name(s) of Attorney(s): **FB Rice**

(71) Name(s) and Address(s) of Applicant(s):

Rentokil Initial 1927 plc
2 City Place Beehive Ring Road Gatwick Airport West Sussex RH6 0HA
United Kingdom

(72) Name(s) of Designer(s): **Aleksander Borgenhov**

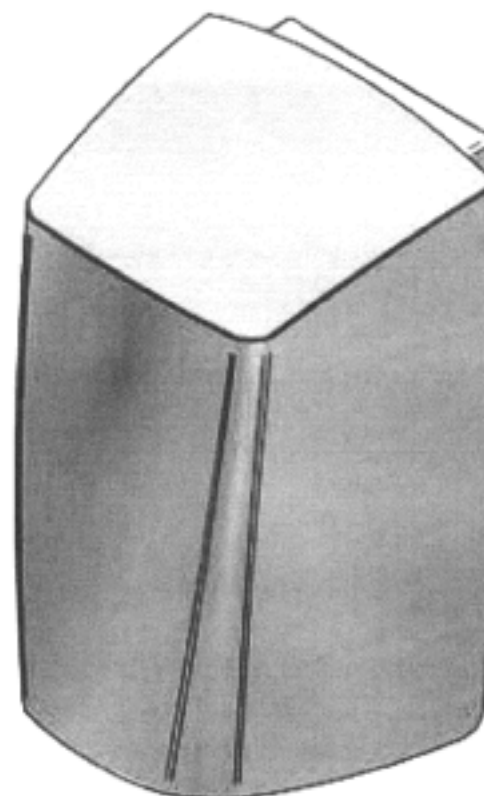
(45) Registration Date: **21 January 2013**

(30) Convention priority data:

(31) Number	(32) Date	(33) Country
DM/079063	04 May 2012	WORLD INTELLECTUAL PROPERTY ORGANIZATION (WIPO)

(56) Related Art Documents: **Not Applicable**

(57) Statement of Newness and Distinctiveness: **Newness and distinctiveness
reside in the features of the design as shown in the representations.**



(21) Design Number: **15494/2012**

(22) Date of Filing Application: **02 November 2012**

(24) Date from which industrial property rights may have effect: **02 November 2012**

(54) Product in respect of which the design is registered: **Sanitary dispensing
device**

(51) International Design Classification: **23-02A**

(74) Name(s) of Attorney(s): **FB Rice**

(71) Name(s) and Address(s) of Applicant(s):

Rentokil Initial 1927 plc
2 City Place Beehive Ring Road Gatwick Airport West Sussex RH6 0HA
United Kingdom

(72) Name(s) of Designer(s): **Aleksander Borgenhov**

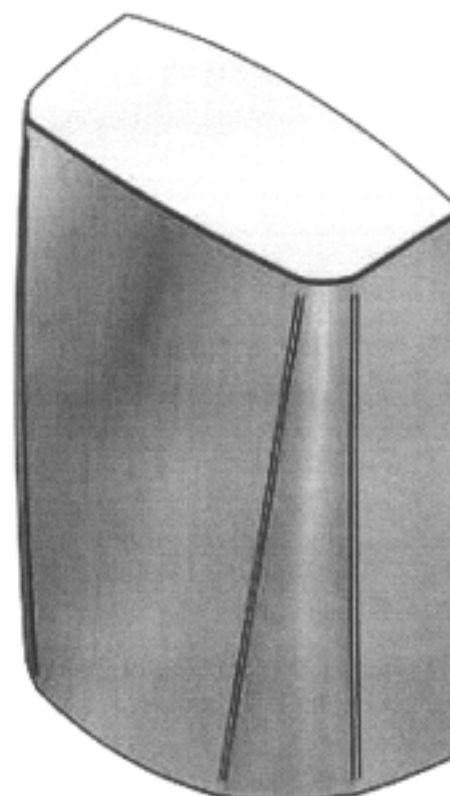
(45) Registration Date: **21 January 2013**

(30) Convention priority data:

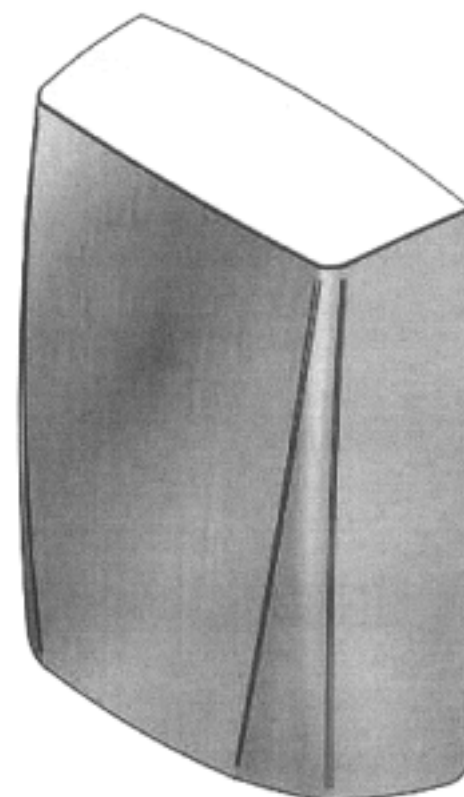
(31) Number	(32) Date	(33) Country
DM/079063	04 May 2012	WORLD INTELLECTUAL PROPERTY ORGANIZATION (WIPO)

(56) Related Art Documents: **Not Applicable**

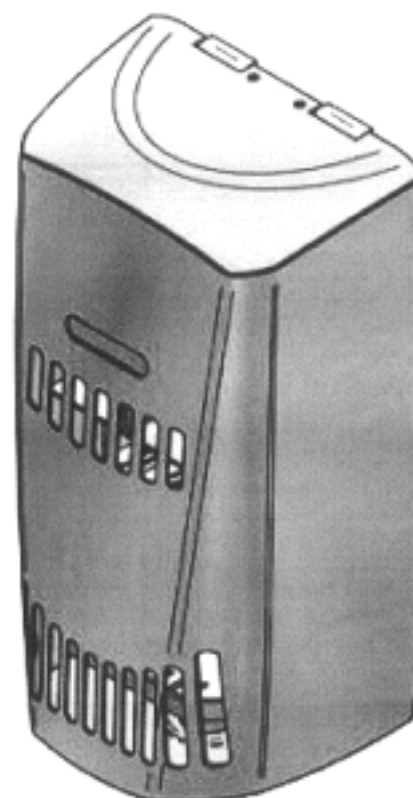
(57) Statement of Newness and Distinctiveness: **Newness and distinctiveness
reside in the features of the design as shown in the representations.**



(21) Design Number: **15495/2012**
(22) Date of Filing Application: **02 November 2012**
(24) Date from which industrial property rights may have effect: **02 November 2012**
(54) Product in respect of which the design is registered: **Towel dispensing cabinet**
(51) International Design Classification: **23-02A**
(74) Name(s) of Attorney(s): **FB Rice**
(71) Name(s) and Address(s) of Applicant(s):
Rentokil Initial 1927 plc
2 City Place Beehive Ring Road Gatwick Airport West Sussex RH6 0HA
United Kingdom
(72) Name(s) of Designer(s): **Aleksander Borgenhov**
(45) Registration Date: **21 January 2013**
(30) Convention priority data:
(31) Number (32) Date (33) Country
DM/079063 04 May 2012 WORLD INTELLECTUAL
PROPERTY ORGANIZATION
(WIPO)
(56) Related Art Documents: **Not Applicable**
(57) Statement of Newness and Distinctiveness: **Newness and distinctiveness**
reside in the features of the design as shown in the representations.



(21) Design Number: **15496/2012**
(22) Date of Filing Application: **02 November 2012**
(24) Date from which industrial property rights may have effect: **02 November 2012**
(54) Product in respect of which the design is registered: **Deodorant holder**
(51) International Design Classification: **28-99**
(74) Name(s) of Attorney(s): **FB Rice**
(71) Name(s) and Address(s) of Applicant(s):
Rentokil Initial 1927 plc
2 City Place Beehive Ring Road Gatwick Airport West Sussex RH6 0HA
United Kingdom
(72) Name(s) of Designer(s): **Aleksander Borgenhov**
(45) Registration Date: **21 January 2013**
(30) Convention priority data:
(31) Number (32) Date (33) Country
DM/079063 04 May 2012 WORLD INTELLECTUAL
PROPERTY ORGANIZATION
(WIPO)
(56) Related Art Documents: **Not Applicable**
(57) Statement of Newness and Distinctiveness: **Newness and distinctiveness**
reside in the features of the design as shown in the representations.



(21) Design Number: **15497/2012**
(22) Date of Filing Application: **02 November 2012**
(24) Date from which industrial property rights may have effect: **02 November 2012**
(54) Product in respect of which the design is registered: **Sanitary litter receptacle**
(51) International Design Classification: **09-09**
(74) Name(s) of Attorney(s): **FB Rice**
(71) Name(s) and Address(s) of Applicant(s):
Rentokil Initial 1927 plc
2 City Place Beehive Ring Road Gatwick Airport West Sussex RH6 0HA
United Kingdom

(72) Name(s) of Designer(s): **Aleksander Borgenhov**

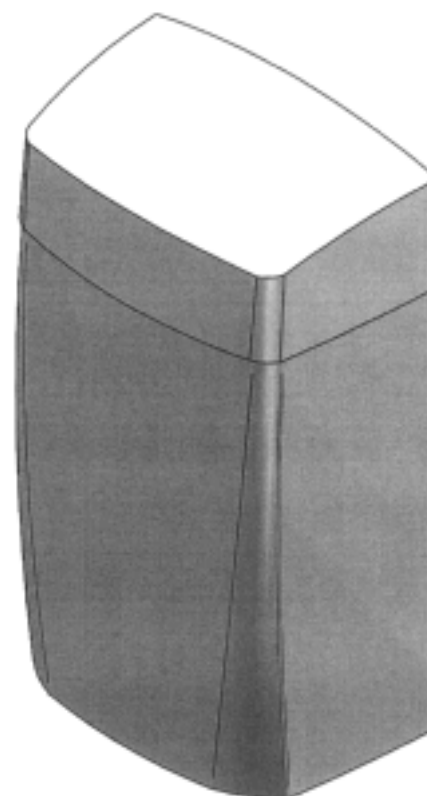
(45) Registration Date: **21 January 2013**

(30) Convention priority data:

(31) Number	(32) Date	(33) Country
DM/079063	04 May 2012	WORLD INTELLECTUAL PROPERTY ORGANIZATION (WIPO)

(56) Related Art Documents: **Not Applicable**

(57) Statement of Newness and Distinctiveness: **Newness and distinctiveness reside in the features of the design as shown in the representations.**



(21) Design Number: **15564/2012**
(22) Date of Filing Application: **08 November 2012**
(24) Date from which industrial property rights may have effect: **08 November 2012**
(54) Product in respect of which the design is registered: **Printed cooling textile**
(51) International Design Classification: **05-05B**
(74) Name(s) of Attorney(s): **Fisher Adams Kelly**
(71) Name(s) and Address(s) of Applicant(s):
Columbia Sportswear North America, Inc.
14375 NW Science Park Drive PORTLAND 97229 Oregon United States
of America

(72) Name(s) of Designer(s): **Christopher Araujo and Michael E. "Woody" Blackford**

(45) Registration Date: **21 January 2013**

(30) Convention priority data:

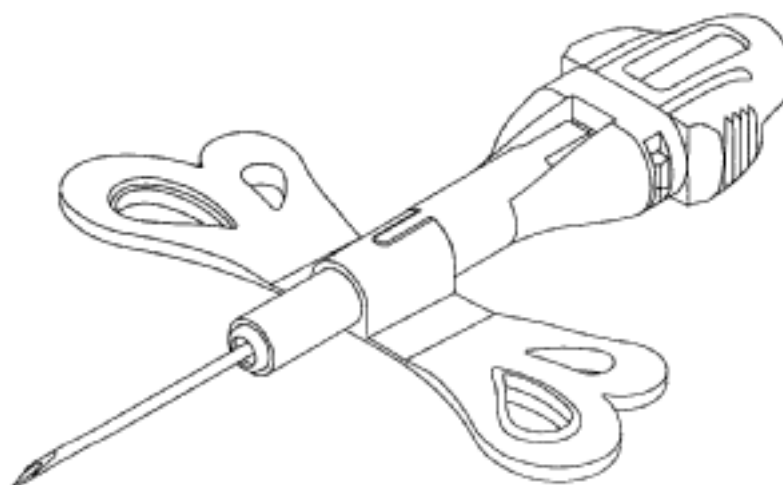
(31) Number	(32) Date	(33) Country
29/420768	11 May 2012	UNITED STATES OF AMERICA

(56) Related Art Documents: **Not Applicable**

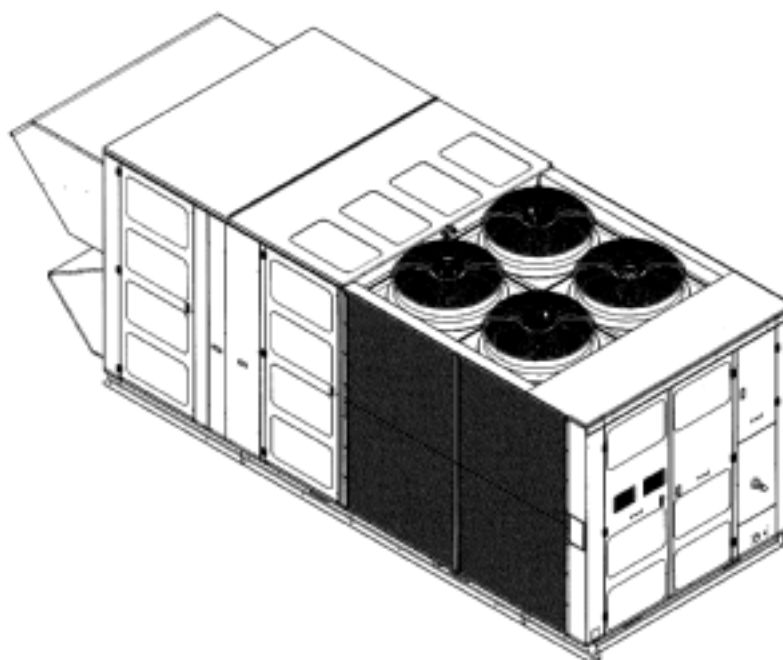
(57) Statement of Newness and Distinctiveness: **The newness and distinctiveness of the design resides in the pattern and/or ornamentation of the PRINTED COOLING MATERIAL shown in the representations.**



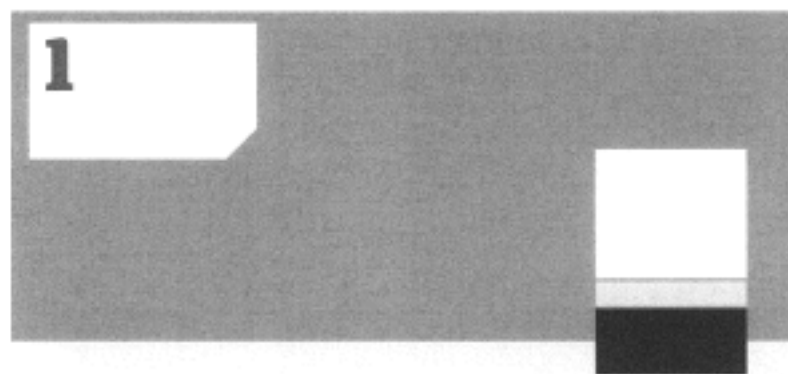
- (21) Design Number: **15588/2012**
(22) Date of Filing Application: **09 November 2012**
(24) Date from which industrial property rights may have effect: **09 November 2012**
(54) Product in respect of which the design is registered: **Indwelling needle**
(51) International Design Classification: **24-02**
(74) Name(s) of Attorney(s): **Davies Collison Cave**
(71) Name(s) and Address(s) of Applicant(s):
Nipro Corporation
9-3 Honjonishi 3-chome Kita-ku Osaka-shi Osaka Japan
(72) Name(s) of Designer(s): **Naoki Nakagawa and Tomohiro Uchimura and Tomoe Morita and Tatsuya Kudo**
(45) Registration Date: **21 January 2013**
(30) Convention priority data:
(31) Number (32) Date (33) Country
D2012-010872 10 May 2012 JAPAN
(56) Related Art Documents: **Not Applicable**
(57) Statement of Newness and Distinctiveness: **Nil**



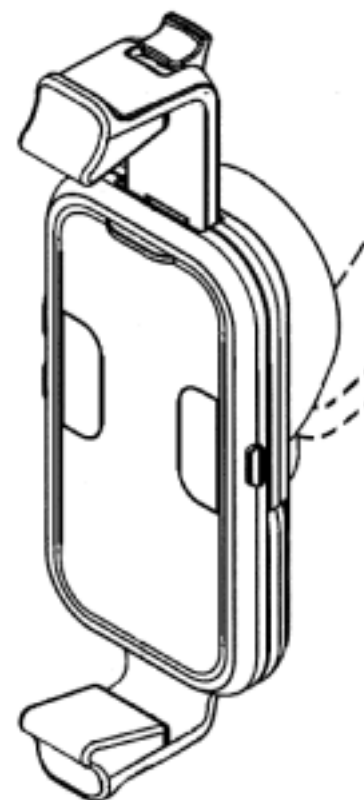
- (21) Design Number: **15673/2012**
(22) Date of Filing Application: **14 November 2012**
(24) Date from which industrial property rights may have effect: **14 November 2012**
(54) Product in respect of which the design is registered: **Roof top air conditioner**
(51) International Design Classification: **23-04**
(74) Name(s) of Attorney(s): **Davies Collison Cave**
(71) Name(s) and Address(s) of Applicant(s):
Actron Engineering Pty Limited
5 Irvine PI Bella Vista NSW 2153 Australia
(72) Name(s) of Designer(s): **Garry Clifford Mundy and Kevin Brian Mundy and Robert Garry Mundy and Subhash Singheshwar Jha and Martin Wu**
(45) Registration Date: **21 January 2013**
(56) Related Art Documents: **Not Applicable**
(57) Statement of Newness and Distinctiveness: **Newness and distinctiveness is claimed in the visual features shown in solid lines in the representations.**



(21) Design Number: **16369/2012**
(22) Date of Filing Application: **14 December 2012**
(24) Date from which industrial property rights may have effect: **14 December 2012**
(54) Product in respect of which the design is registered: **Printing matrix**
(51) International Design Classification: **18-03**
(74) Name(s) of Attorney(s): **Freehills Patent Attorneys**
(71) Name(s) and Address(s) of Applicant(s):
Allianz SE
Koniginstr.28 D-80802 Munchen Germany
(72) Name(s) of Designer(s): **Nils Leonard and Jimmy Blom and Richard Evans**
(45) Registration Date: **21 January 2013**
(30) Convention priority data:
(31) Number (32) Date (33) Country
2142323-0001 26 Nov 2012 EUROPEAN COMMUNITY
(56) Related Art Documents: **Not Applicable**
(57) Statement of Newness and Distinctiveness: **Nil**



(21) Design Number: **16370/2012**
(22) Date of Filing Application: **14 December 2012**
(24) Date from which industrial property rights may have effect: **14 December 2012**
(54) Product in respect of which the design is registered: **A hands-free car kit**
(51) International Design Classification: **14-03A**
(74) Name(s) of Attorney(s): **SPRUSON & FERGUSON**
(71) Name(s) and Address(s) of Applicant(s):
TomTom International B.V.
Rembrandtplein 35 1017CT Amsterdam The Netherlands
(72) Name(s) of Designer(s): **Benjamin John Henley and Martin Riddiford**
(45) Registration Date: **21 January 2013**
(30) Convention priority data:
(31) Number (32) Date (33) Country
02074682-0001 16 Jul 2012 EUROPEAN COMMUNITY
(56) Related Art Documents: **Not Applicable**
(57) Statement of Newness and Distinctiveness: **Newness and distinctiveness is claimed in the features of shape and/or configuration of a hands-free car kit as illustrated in continuous lines in the accompanying representation.**



(21) Design Number: **16371/2012**
(22) Date of Filing Application: **14 December 2012**
(24) Date from which industrial property rights may have effect: **14 December 2012**
(54) Product in respect of which the design is registered: **A hands - free car kit**
(51) International Design Classification: **14-03A**
(74) Name(s) of Attorney(s): **SPRUSON & FERGUSON**
(71) Name(s) and Address(s) of Applicant(s):

TomTom International B.V.
Rembrandtplein 35 1017CT Amsterdam The Netherlands

(72) Name(s) of Designer(s): **Benjamin John Henley and Martin Riddiford**

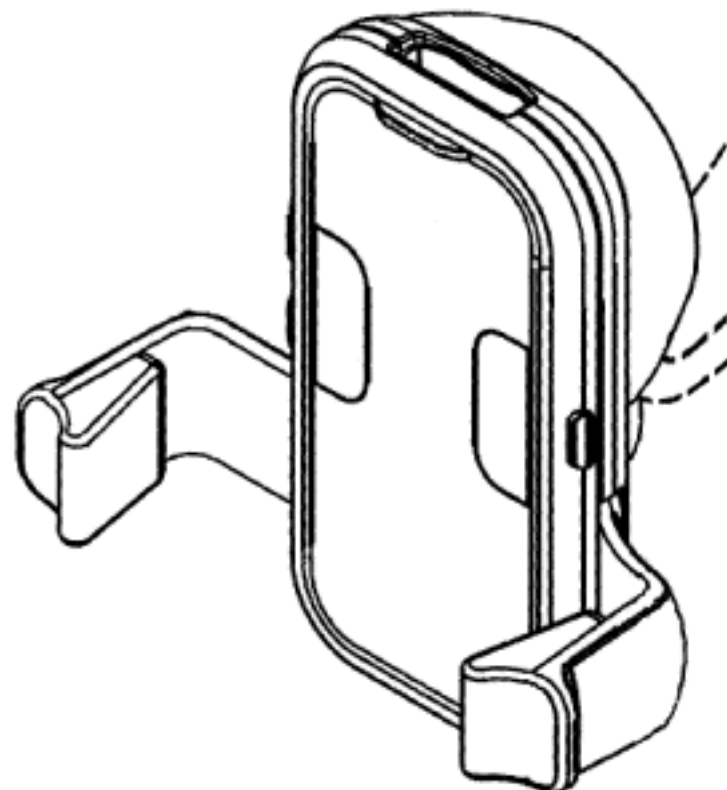
(45) Registration Date: **21 January 2013**

(30) Convention priority data:

(31) Number	(32) Date	(33) Country
02074682-0002	16 Jul 2012	EUROPEAN COMMUNITY

(56) Related Art Documents: **Not Applicable**

(57) Statement of Newness and Distinctiveness: **Newness and distinctiveness is claimed in the features of shape and/or configuration of a hands - free car kit as illustrated in continuous lines in the accompanying representations.**



(21) Design Number: **16372/2012**
(22) Date of Filing Application: **14 December 2012**
(24) Date from which industrial property rights may have effect: **14 December 2012**
(54) Product in respect of which the design is registered: **A hands-free car kit**
(51) International Design Classification: **14-03A**
(74) Name(s) of Attorney(s): **SPRUSON & FERGUSON**
(71) Name(s) and Address(s) of Applicant(s):

TomTom International B.V.
Rembrandtplein 35 1017CT Amsterdam The Netherlands

(72) Name(s) of Designer(s): **Benjamin John Henley and Martin Riddiford**

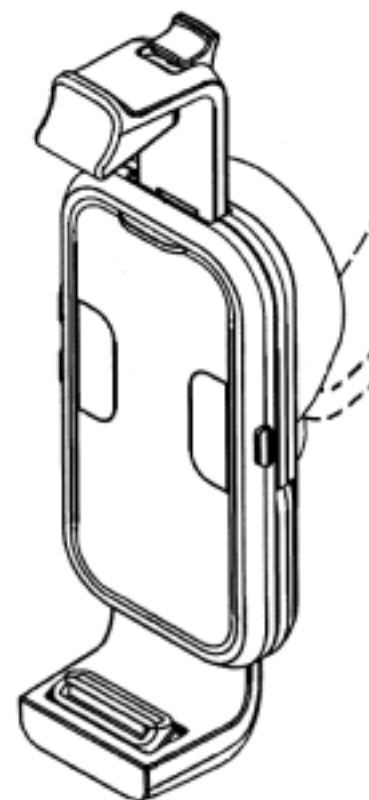
(45) Registration Date: **21 January 2013**

(30) Convention priority data:

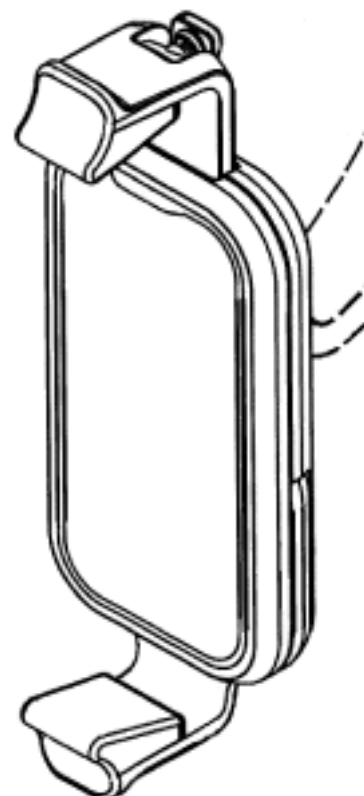
(31) Number	(32) Date	(33) Country
02074682-0003	16 Jul 2012	EUROPEAN COMMUNITY

(56) Related Art Documents: **Not Applicable**

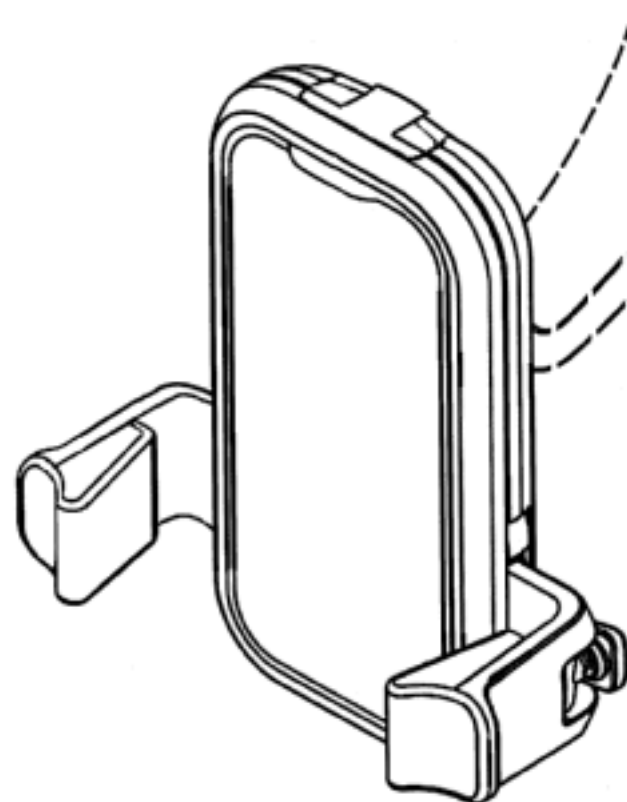
(57) Statement of Newness and Distinctiveness: **Newness and distinctiveness is claimed in the features of shape and/or configuration of a hands - free car kit as illustrated in continuous lines in the accompanying representations.**



(21) Design Number: **16373/2012**
(22) Date of Filing Application: **14 December 2012**
(24) Date from which industrial property rights may have effect: **14 December 2012**
(54) Product in respect of which the design is registered: **A phone mount**
(51) International Design Classification: **14-03A**
(74) Name(s) of Attorney(s): **SPRUSON & FERGUSON**
(71) Name(s) and Address(s) of Applicant(s):
TomTom International B.V.
Rembrandtplein 35 1017CT Amsterdam The Netherlands
(72) Name(s) of Designer(s): **Benjamin John Henley and Martin Riddiford**
(45) Registration Date: **21 January 2013**
(30) Convention priority data:
(31) Number (32) Date (33) Country
02074682-0004 16 Jul 2012 EUROPEAN COMMUNITY
(56) Related Art Documents: **Not Applicable**
(57) Statement of Newness and Distinctiveness: **Newness and distinctiveness is claimed in the features of shape and/or configuration of a phone mount as illustrated in continuous lines in the accompanying representations.**



(21) Design Number: **16374/2012**
(22) Date of Filing Application: **14 December 2012**
(24) Date from which industrial property rights may have effect: **14 December 2012**
(54) Product in respect of which the design is registered: **A phone mount**
(51) International Design Classification: **14-03A**
(74) Name(s) of Attorney(s): **SPRUSON & FERGUSON**
(71) Name(s) and Address(s) of Applicant(s):
TomTom International B.V.
Rembrandtplein 35 1017 CT Amsterdam The Netherlands
(72) Name(s) of Designer(s): **Benjamin John Henley and Martin Riddiford**
(45) Registration Date: **21 January 2013**
(30) Convention priority data:
(31) Number (32) Date (33) Country
02074682-0005 16 Jul 2012 EUROPEAN COMMUNITY
(56) Related Art Documents: **Not Applicable**
(57) Statement of Newness and Distinctiveness: **Newness and distinctiveness is claimed in the features of shape and/or configuration of a phone mount as illustrated in continuous lines in the accompanying representations.**



(21) Design Number: **16335/2012**
(22) Date of Filing Application: **14 December 2012**
(24) Date from which industrial property rights may have effect: **14 December 2012**
(54) Product in respect of which the design is registered: **Utility knife**
(51) International Design Classification: **08-03**
(74) Name(s) of Attorney(s): **Hunt & Hunt**
(71) Name(s) and Address(s) of Applicant(s):

Yuewei Wu
Ningbo Xingwei Plastic Prod Co Ltd Ind Z of Xidian Xidianzhen
Ninghaixian Ningbo City Zhejiangsheng 315613 China

(72) Name(s) of Designer(s): **Yuewei Wu**

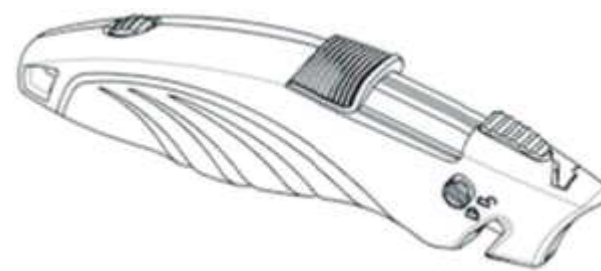
(45) Registration Date: **21 January 2013**

(30) Convention priority data:

(31) Number	(32) Date	(33) Country
201230309665.2	11 Jul 2012	CHINA

(56) Related Art Documents: **Not Applicable**

(57) Statement of Newness and Distinctiveness: **Nil**



(21) Design Number: **16341/2012**
(22) Date of Filing Application: **14 December 2012**
(24) Date from which industrial property rights may have effect: **14 December 2012**
(54) Product in respect of which the design is registered: **Fan blade for wind power generator**
(51) International Design Classification: **13-01**
(74) Name(s) of Attorney(s): **WALLINGTON-DUMMER**
(71) Name(s) and Address(s) of Applicant(s):

Kuanfly Technology Corp.
No. 72 Pingde Rd Pingzhen City Taoyuan County 324 Taiwan

(72) Name(s) of Designer(s): **Chung-Chen Wang**

(45) Registration Date: **21 January 2013**

(30) Convention priority data:

(31) Number	(32) Date	(33) Country
101306350	29 Oct 2012	TAIWAN, PROVINCE OF CHINA

(56) Related Art Documents: **Not Applicable**

(57) Statement of Newness and Distinctiveness: **Nil**

