



Australian Government

IP Australia

AUSTRALIAN OFFICIAL JOURNAL

OF

DESIGNS

Did you know a searchable version of this journal is now available online?

It's FREE and EASY to SEARCH.

Find it on our website (www.ipaustralia.gov.au)

by using the "Journals" link on the home page.

This Page Left Intentionally Blank

Contents

General Information & Notices

**Proceedings Under the Designs Act 1906 preserved as a result of the provisions of Chapter 12
Part 2 of the Designs Act 2003**

Extension of Period of Registration of Designs 296

Registrations Ceased 296

Proceedings Under the Designs Act 2003

Applications for Extension of Time Under Section 137 306

Applications Lapsed 305

Applications Lodged 300

Applications Withdrawn 304

Certificate of Examination 308

Extension of Period of Registration of Design 306

Extension of Time Granted Under Section 137 307

Publication and Registration Proceedings

Designs Registered 346507 to 346724..... 309

Registrations Ceased 306

Subsequent Owners Registered 307

This Page Left Intentionally Blank

For information on the following please see our website www.ipaustralia.gov.au or contact our Customer Service Network on 1300651010

[Editorial enquiries](#)

[Contact information](#)

[Freedom of Information ACT](#)

[Professional Standards Board](#)

[Sales](#)

[Requests for Information under Section 194 \(c\)](#)

[Country Codes](#)

[Trade Mark and Designs Hearing Sessions](#)

[INID \(Internationally agreed Numbers for the Identification of Data\)](#)

“INID” NUMBERS in use on Australian Design Documents

“INID” is an acronym for “Internationally agreed Numbers for the Identification of Data”.

(10) Data concerning the registration/renewal

- (11) Serial number of the registration and/or number of the design document
- (12) Plain language designation of the kind of published document
- (19) Identification, using the two-letter code according to WIPO Standard ST.3, of the authority publishing or registering the industrial design

(20) Data concerning the application

- (21) Serial number of the application
- (22) Date of filing of the application
- (24) Date from which the industrial design right has effect

(30) Data relating to priority under the Paris Convention

- (31) Serial number assigned to the priority application
- (32) Date of filing of the priority application
- (33) Two-letter code, according to WIPO Standard ST.3, identifying the authority with which the priority application was made

(40) Date(s) of making information available to the public

- (45) Date of publication of the registered industrial design by printing or similar process, or making it available to the public by any other means

(50) Miscellaneous Information

- (51) International Classification for Industrial Designs (class and subclass of the Locarno Classification)
- (54) Designation of article(s) or product(s) covered by the industrial design or title of the industrial design
- (55) Reproduction of the industrial design (e.g., drawing, photograph) and explanations relating to the reproduction
- (56) List of prior art documents, if separate from descriptive text
- (57) Description of characteristic features of the industrial design including indication of colours

(60) References to other legally related application(s) and registration(s)

- (62) Serial number(s) and, if available, filing date(s) of application(s), registration(s) or document(s) related by division
- (66) Serial number(s) of the application, or the registration, of the design(s) which is (are) a variant(s) of the present one

(70) Identification of parties concerned with the application or registration

- (71) Name(s) and address(es) of the applicant(s)
- (72) Name(s) of the creator(s) if known to be such
- (74) Name(s) and address(es) of the representative(s)

This Page Left Intentionally Blank

Nil notices for this journal issue.

Proceedings under the Designs Act 1906 preserved as a result of the provisions of Chapter 12 Part 2 of the Designs Act 2003.

This Page Left Intentionally Blank

Applications Lapsed

There were no Applications Lapsed under this section

Extension of Period of Registration of Designs

1st Period (Section 27A(8))

2nd Period (Section 27A(12))

3rd Period (Section 27A(13))

147067	147406	147877
148161	148162	148163
148260	148261	148387
148391	148519	148520
148719	148901	149096
149195	149633	149655
149769	150335	150336
150337	150815	151017
151076	151077	151078
151079	151080	151081
152251	152296	152439

Registrations Ceased

Note: Some of the following Registrations may have been previously advertised as ceased. In this instance, the previous advertisement still prevails.

130953	130954	130955
131013	131014	131190
131192	131193	131194
131195	131296	131297
131729	131730	131731
131732	132140	132321
132514	132515	135391
135392	135411	135412
135413	135414	135415
135991	146108	146207
146460	146621	146622
146843	146886	147025
147168	147169	147443
147844	147846	147848
147856	148313	149689
150102	150103	150104
150256	151136	151222

This Page Left Intentionally Blank

Proceedings under the Designs Act 2003.

This Page Left Intentionally Blank

Applications Lodged

Lodgement information is in the following order: **Applicant's Name**; International Classification, Name of Product, Lodgement Date and **Design Number**. If the applicant claims an earlier priority date under an International Convention, the Convention Country and the associated filing date are shown in parentheses before the Lodgement Date. Divisional information will also appear in parentheses before the Lodgement Date.

Abd Al Hamid Farrag, Naser;Abd Al Hamid Farrag, Sarah; 08-05L, Paint roller ramp, 23 Jan 2013	10357/2013	Apple Inc.; 13-03D, Adapter, (US, 07 Sep 2012) 24 Jan 2013	10398/2013
Abd Al Hamid Farrag, Sarah;Abd Al Hamid Farrag, Naser; 08-05L, Paint roller ramp, 23 Jan 2013	10357/2013	AptarGroup, Inc.; 09-07A, Dispensing closure, (US, 04 Sep 2012) 24 Jan 2013	10394/2013
Aeroklas Company Limited; 12-16K, Vehicle utility box, (TH, 01 Aug 2012) 22 Jan 2013	10317/2013	Australian Mobile Mining Equipment Systems and Accessories Pty. Limited; 08-07, A locking device for securing a lid to a container, 21 Jan 2013	10289/2013
Alpargatas S.A.; 02-04NES, Sandals, (EM, 25 Jul 2012) 21 Jan 2013	10323/2013	Australian Mobile Mining Equipment Systems and Accessories Pty. Limited; 12-05, A crane head block, 25 Jan 2013	10385/2013
Alpargatas S.A.; 02-04NES, Footwear, (EM, 17 Aug 2012) 18 Jan 2013	10295/2013	B'Julde Pty Ltd; 03-01B, Handbag, 25 Jan 2013	10370/2013
Alpargatas S.A.; 02-04NES, Footwear, (EM, 17 Aug 2012) 18 Jan 2013	10300/2013	B'Julde Pty Ltd; 03-01B, Handbag, 25 Jan 2013	10371/2013
Alpargatas S.A.; 02-04NES, Footwear, (EM, 17 Aug 2012) 18 Jan 2013	10298/2013	B'Julde Pty Ltd; 03-01B, Handbag, 25 Jan 2013	10368/2013
Alpargatas S.A.; 02-04NES, Footwear, (EM, 17 Aug 2012) 18 Jan 2013	10299/2013	B'Julde Pty Ltd; 03-01B, Handbag, 25 Jan 2013	10372/2013
Alpargatas S.A.; 02-04NES, Footwear, (EM, 17 Aug 2012) 18 Jan 2013	10297/2013	B'Julde Pty Ltd; 03-01B, Handbag, 25 Jan 2013	10369/2013
Alpargatas S.A.; 02-04NES, Footwear, (EM, 17 Aug 2012) 18 Jan 2013	10296/2013	B'Julde Pty Ltd; 03-01B, Handbag, 25 Jan 2013	10367/2013
Amor, Steven James Henry; 99-00, Insulating device megaphone peak cap fan mousepad, 30 Jan 2013	10441/2013	Bailey, Stuart William; 21-01H, Steel spinning target for shooting practices, 29 Jan 2013	10432/2013
Amor, Steven James Henry; 99-00, Insulating deivce megaphone peak cap fan mousepad, 30 Jan 2013	10442/2013	Beaver Mulching Inc.; 15-03NES, Mulching tooth and holder, (CA, 01 Aug 2012) 30 Jan 2013	10443/2013
Amor, Steven James Henry; 99-00, Insulating device megaphone peak cap fan mousepad, 30 Jan 2013	10440/2013	Berelowitz, Charles; 20-03NES, Signpost, 25 Jan 2013	10384/2013
Apple Inc.; 13-03D, Adapter, (US, 07 Sep 2012) 24 Jan 2013	10397/2013	Blackout Power Products Limited; 10-06, A marker cone, 24 Jan 2013	10343/2013
Apple Inc.; 13-03D, Adapter, (US, 07 Sep 2012) 24 Jan 2013	10399/2013	Blackout Power Products Limited; 10-06, A marker cone, 24 Jan 2013	10342/2013
Apple Inc.; 14-02, Connector, (US, 07 Sep 2012) 24 Jan 2013	10400/2013	Buttie, Joseph; 99-00, Newspapers & shopping catalogues mail box, 23 Jan 2013	10329/2013
		Caroma Industries Limited; 08-08G, A robe holder, 23 Jan 2013	10351/2013
		Caroma Industries Limited; 07-99NES, A toilet brush holder, 23 Jan 2013	10352/2013
		Caroma Industries Limited; 23-02A, A toilet roll holder, 23 Jan 2013	10353/2013

Caroma Industries Limited; 08-08N, A shelf, 23 Jan 2013	10354/2013	First Wave Products Group, LLC; 28-99, Cup for pill crushing, 25 Jan 2013	10361/2013
Caroma Industries Limited; 07-05D, A towel rail, 23 Jan 2013	10355/2013	Fitzgerald, Peter Michael; 25-04, Ladder support bracket, 21 Jan 2013	10290/2013
Challenge Implements Holdings Pty Limited; 15-03A, Grader attachment assembly, 21 Jan 2013	10283/2013	Fitzgerald, Peter Michael; 08-08L, Anchor, 21 Jan 2013	10293/2013
Challenge Implements Holdings Pty Limited; 15-03A, Grader blade, 21 Jan 2013	10282/2013	Fitzgerald, Peter Michael; 08-08L, Bracket, 21 Jan 2013	10291/2013
Checkers Industrial Products, LLC; 13-03C, Hand grip connector for cable protectors, (US, 10 Aug 2012) 25 Jan 2013	10374/2013	Fitzgerald, Peter Michael; 08-08L, Bracket, 21 Jan 2013	10292/2013
Checkers Industrial Products, LLC; 13-03C, Cable protector lid connection system, (US, 26 Jul 2012) 25 Jan 2013	10373/2013	Florenca, Isaias; 11-01NES, Pendant, 28 Jan 2013	10393/2013
Cherry, Allie; 12-16NES, Rear fitting vehicle awning, (GB, 10 Jan 2013) 28 Jan 2013	10388/2013	Force Of Nature Energy Pty Ltd; 14-02, Device for charging a portable-electronic-device, 24 Jan 2013	10348/2013
Clarkson, Ryan James; 99-00, , 23 Jan 2013	10437/2013	Freeway Design Ltd; 06-01H, Folding table mechanism, 28 Jan 2013	10389/2013
Colgate-Palmolive Company; 03-01D, Oral care implement packaging, (US, 16 Aug 2012) 29 Jan 2013	10405/2013	Fujitsu General Limited; 23-04, Air conditioner, (JP, 26 Jul 2012) 25 Jan 2013	10434/2013
Colgate-Palmolive Company; 03-01D, Oral care implement packaging, (US, 16 Aug 2012) 29 Jan 2013	10407/2013	Geberit International AG; 23-02C, Toilet bowl, (WO, 31 Jul 2012) 25 Jan 2013	10380/2013
Compagnie Generale Des Etablissements Michelin; Michelin Recherche et Technique S.A.; 12-15B, A tyre, (US, 17 Aug 2012) 22 Jan 2013	10310/2013	Geberit International AG; 23-02C, Toilet bowl, (WO, 31 Jul 2012) 25 Jan 2013	10377/2013
Consegna Group Limited; 24-99, Nasal dilator device, 21 Jan 2013	10286/2013	Geberit International AG; 23-02C, Closets, (CH, 16 Aug 2012) 25 Jan 2013	10381/2013
Consegna Group Limited; 24-02, Nasal dilator device, 21 Jan 2013	10288/2013	Geberit International AG; 23-02C, Closets, (CH, 16 Aug 2012) 25 Jan 2013	10382/2013
Consegna Group Limited; 24-99, Nasal dilator device, 21 Jan 2013	10287/2013	Geberit International AG; 23-02C, Toilet bowl, (WO, 31 Jul 2012) 25 Jan 2013	10378/2013
Continental Reifen Deutschland GmbH; 12-15B, Tyre, (EP, 17 Sep 2012) 30 Jan 2013	10439/2013	Geberit International AG; 23-02C, Toilet bowl, (WO, 31 Jul 2012) 25 Jan 2013	10379/2013
Creative Cuisine (Australia) Pty Ltd; 09-03F, Food trays, 22 Jan 2013	10313/2013	General Electric Company; 15-01, Turbocharger, (US, 24 Jul 2012) 21 Jan 2013	10333/2013
Dodds, Alison Therese; 21-01L, Dice, 29 Jan 2013	10428/2013	General Electric Company; 15-01, Turbocharger, (US, 24 Jul 2012) 21 Jan 2013	10334/2013
Faulkner, Reginald Leigh; 12-05, Detachable trailer ramp, 26 Jan 2013	10387/2013	Guangdong Xinbao Electrical Appliances Holdings Co., Ltd; 07-02NES, Bread maker, (CN, 17 Sep 2012) 30 Jan 2013	10438/2013
Fielders Australia Pty Ltd; 23-03D, 25-01G, Solar roof sheeting, 24 Aug 2012	14184/2012	GM Global Technology Operations LLC; 12-08, A motor vehicle, 30 Jan 2013	10445/2013
First Wave Products Group, LLC; 28-99, Cup for pill crushing, (US, 25 Jul 2012) 25 Jan 2013	10360/2013	Hamilton, Krisztina; 08-99, Torque, 21 Jan 2013	10284/2013

Hanrahan, William; 20-03NES, Logo for a tourism business, 24 Jan 2013	10349/2013	Koninklijke Philips Electronics N.V.; 07-04, Salad maker, (EM, 26 Jul 2012) 24 Jan 2013	10344/2013
Hella KGaA Hueck & Co.; 26-05A, Lamp, (DE, 26 Jul 2012) 29 Jan 2013	10415/2013	Koninklijke Philips Electronics N.V.; 15-05, Vacuum cleaner, (EM, 26 Jul 2012) 24 Jan 2013	10331/2013
Hella KGaA Hueck & Co.; 26-05A, Lamp, (DE, 26 Jul 2012) 29 Jan 2013	10417/2013	Koninklijke Philips Electronics N.V.; 28-03A, Total body shaver, (EM, 26 Jul 2012) 24 Jan 2013	10330/2013
Hella KGaA Hueck & Co.; 26-05A, 26-05E, Lamp, (DE, 26 Jul 2012) 29 Jan 2013	10422/2013	Lava Ltd.; 16-06, Sunglasses, 17 Jan 2013	10308/2013
Hella KGaA Hueck & Co.; 26-05A, 26-05E, Lamp, (DE, 26 Jul 2012) 29 Jan 2013	10423/2013	Lava Ltd.; 16-06, Sunglasses, 17 Jan 2013	10302/2013
Hella KGaA Hueck & Co.; 26-05A, Lamp, (DE, 26 Jul 2012) 29 Jan 2013	10424/2013	Lava Ltd.; 16-06, Sunglasses, 17 Jan 2013	10303/2013
Hella KGaA Hueck & Co.; 26-05A, Lamp, (DE, 26 Jul 2012) 29 Jan 2013	10425/2013	Lava Ltd.; 16-06, Sunglasses, 17 Jan 2013	10301/2013
Hella KGaA Hueck & Co.; 26-05A, Lamp, (DE, 26 Jul 2012) 29 Jan 2013	10426/2013	Lava Ltd.; 16-06, Sunglasses, 17 Jan 2013	10304/2013
Hella KGaA Hueck & Co.; 26-05A, 26-05E, Lamp, (DE, 26 Jul 2012) 29 Jan 2013	10421/2013	Lava Ltd.; 16-06, Sunglasses, 17 Jan 2013	10305/2013
Hella KGaA Hueck & Co.; 26-05A, 26-05E, Lamp, (DE, 26 Jul 2012) 29 Jan 2013	10419/2013	Lava Ltd.; 16-06, Sunglasses, 17 Jan 2013	10309/2013
Invacare International Sarl; 12-12, Wheelchairs and parts of wheelchairs, (WO, 31 Jul 2012) 31 Jan 2013	10464/2013	Lava Ltd.; 16-06, Sunglasses, 17 Jan 2013	10306/2013
Iseki & Co., Ltd.; 12-09, Tractor, (JP, 15 Sep 2012) 28 Jan 2013	10390/2013	Lava Ltd.; 16-06, Sunglasses, 17 Jan 2013	10307/2013
Iseki & Co., Ltd.; 12-16K, Dashboard for a working vehicle, (JP, 14 Sep 2012) 28 Jan 2013	10391/2013	Liebenow, Monica; 08-05NES, Pocket tool and tool components, 29 Jan 2013	10463/2013
Iseki & Co., Ltd.; 12-16B, Bonnet for a working vehicle, (JP, 15 Sep 2012) 28 Jan 2013	10392/2013	Lifescan Scotland Limited; 10-05, Analyte test meter, (US, 30 Jul 2012) 25 Jan 2013	10362/2013
Jardin Netherlands B.V.; 06-01G, Chair [seat], (EP, 23 Jul 2012) 22 Jan 2013	10311/2013	Ma, Jinlin; 12-15A, Trye treads, 22 Jan 2013	10322/2013
Jemella Group Limited; 28-03B, Diffuser, (EM, 09 Jan 2013) 22 Jan 2013	10336/2013	Ma, Jinlin; 12-15A, Tyre treads, (CN, 06 Dec 2012) 22 Jan 2013	10320/2013
Johnson Controls Technology Company; 13-02, Battery maintainer, (US, 29 Oct 2012) 25 Jan 2013	10433/2013	Ma, Jinlin; 12-15A, Tyre treads, 22 Jan 2013	10321/2013
Konami Gaming, Inc.; 21-03, , (US, 18 Jan 2013) 23 Jan 2013	10359/2013	Ma, Jinlin; 12-15A, Tyre treads, (CN, 06 Dec 2012) 22 Jan 2013	10319/2013
Koninklijke Philips Electronics N.V.; 07-02N, Cooking apparatus, (EM, 26 Jul 2012) 25 Jan 2013	10358/2013	Marchetti, Roberto; 31-00, Filter part of machine for preparing drinks, (EM, 31 Jul 2012) 29 Jan 2013	10402/2013
		Metrotest.Com Limited; 03-01NES, Bag for test equipment, 23 Jan 2013	10324/2013
		Michelin Recherche et Technique S.A.;Compagnie Generale Des Etablissements Michelin; 12-15B, A tyre, (US, 17 Aug 2012) 22 Jan 2013	10310/2013

Mitsubishi Electric Corporation; 23-04, Air conditioner, (JP, 30 Jul 2012) 25 Jan 2013	10366/2013	Onesteel Wire Pty Limited; 25-01E, Post, 30 Jan 2013	10453/2013
Mitsubishi Electric Corporation; 23-04, Air conditioner, (JP, 30 Jul 2012) 25 Jan 2013	10363/2013	Onesteel Wire Pty Limited; 25-01E, Post, 30 Jan 2013	10447/2013
Mula, Thor Papesch; 06-04D, Mobile bar unit, 20 Jan 2013	10279/2013	Orbach, Nathah; 14-01, Headphones, 29 Jan 2013	10410/2013
METALAST, S.A. (Sociedad Unipersonal); 15-05, Swimming pool cleaner, (EM, 20 Jul 2012) 17 Jan 2013	10280/2013	Orbach, Nathah; 14-01, Headphones, 29 Jan 2013	10412/2013
METALAST, S.A. (Sociedad Unipersonal); 14-01, Display screen with users interface, (EM, 17 Jul 2012) 17 Jan 2013	10281/2013	Orbach, Nathan; 14-01, Headphones, 29 Jan 2013	10416/2013
Nilsson, Mikael; 09-01F, Shaker and cap, 24 Jan 2013	10346/2013	Orbach, Nathah; 14-01, Headphones, 29 Jan 2013	10409/2013
Nilsson, Mikael; 09-01F, Shaker and cap, 24 Jan 2013	10347/2013	Orbach, Nathah; 14-01, Headphones, 29 Jan 2013	10420/2013
Nomaco, Inc; 99-00, Motion isolation insulator pad, (US, 26 Jul 2012) 29 Jan 2013	10413/2013	Orbach, Nathah; 14-01, Headphones, 29 Jan 2013	10418/2013
Oakley, Inc.; 16-06, Eyeglasses and eyeglass components, (US, 23 Jul 2012) 23 Jan 2013	10326/2013	Oyj, Marimekko; 07-01F, Jug, (EM, 21 Jan 2013) 25 Jan 2013	10376/2013
Onesteel Wire Pty Limited; 25-01E, Post, 30 Jan 2013	10446/2013	Panasonic Corporation; 28-03D, Electric hair clipper, 25 Jan 2013	10435/2013
Onesteel Wire Pty Limited; 25-01E, Post, 30 Jan 2013	10457/2013	Patricks Universal Exports Pty Ltd; 09-03M, A container, 22 Jan 2013	10318/2013
Onesteel Wire Pty Limited; 08-08C, Clip, 30 Jan 2013	10458/2013	Powell, Kym; 23-02A, Device for warming wipes, 25 Jan 2013	10364/2013
Onesteel Wire Pty Limited; 08-08A, Clip, 30 Jan 2013	10460/2013	Proceq AG; 10-04, Measuring instrument, (CH, 10 Oct 2012) 21 Jan 2013	10285/2013
Onesteel Wire Pty Limited; 25-01E, Post, 30 Jan 2013	10449/2013	Purple Line Pty Ltd; 12-10, 08-07, Trailer hitch lock, 25 Jan 2013	10365/2013
Onesteel Wire Pty Limited; 08-08C, Clip, 30 Jan 2013	10459/2013	PT. Barat Jaya Sentosa Perkasa; 23-03NES, Bioreactor, 30 Jan 2013	10444/2013
Onesteel Wire Pty Limited; 25-01E, Post, 30 Jan 2013	10455/2013	Robert Bosch GmbH; 14-03NES, Oscillator, (EM, 12 Oct 2012) 22 Jan 2013	10312/2013
Onesteel Wire Pty Limited; 25-01E, Post, 30 Jan 2013	10456/2013	S.C. Johnson & Son, Inc.; 09-01A, Dispensing device, (US, 24 Jul 2012) 23 Jan 2013	10356/2013
Onesteel Wire Pty Limited; 25-01E, Post, 30 Jan 2013	10454/2013	S.C. Johnson & Son, Inc.; 09-01A, Dispensing device, (US, 24 Jul 2012) 23 Jan 2013	10350/2013
Onesteel Wire Pty Limited; 08-08A, Clip, 30 Jan 2013	10461/2013	Santa Maria Pty Ltd; 06-01F, Plywood chair, 31 Jan 2013	10466/2013
Onesteel Wire Pty Limited; 08-08A, Clip, 30 Jan 2013	10462/2013	Santa Maria Pty Ltd; 06-03B, Plywood and glass coffee table, 31 Jan 2013	10465/2013
Onesteel Wire Pty Limited; 25-01E, Post, 30 Jan 2013	10450/2013	Santa Maria Pty Ltd; 06-04NES, Plywood wall unit, 31 Jan 2013	10468/2013
Onesteel Wire Pty Limited; 25-01E, Post, 30 Jan 2013	10451/2013	Santa Maria Pty Ltd; 06-04NES, Plywood cabinet for LP records AV & HIFI equipment, 31 Jan 2013	10469/2013

Santa Maria Pty Ltd; 06-03C, Plywood desk, 31 Jan 2013	10467/2013	The Goodyear Tire & Rubber Company; 12-15D, Tyre for motorcycle, (JP, 01 Aug 2012) 24 Jan 2013	10395/2013
Scott, Thomas Farnen; 03-01NES, A box, 29 Jan 2013	10411/2013	Tosy Robotics Joint Stock Company; 21-01B, Dancing toy robot, (VN, 29 Aug 2012) 30 Jan 2013	10436/2013
Societe des Produits Nestle S.A.; 09-07A, A closure, (CH, 14 Sep 2012) 24 Jan 2013	10340/2013	Trek Technology (Singapore) Pte Ltd; 14-02, Portable data storage device, (SG, 17 Oct 2012) 23 Jan 2013	10325/2013
Societe des Produits Nestle S.A.; 09-07A, A closure, (CH, 14 Sep 2012) 24 Jan 2013	10341/2013	Ute Australia Pty. Ltd.; 25-03, Letterbox, 29 Jan 2013	10403/2013
Societe des Produits Nestle S.A.; 09-03M, Ornamentation for packaging, (CH, 09 Oct 2012) 22 Jan 2013	10315/2013	Ute Locker Pty Ltd; 03-01D, 12-16K, Cargo box, 25 Jan 2013	10383/2013
Societe des Produits Nestle S.A.; 09-01NES, A container with closure, (CH, 14 Sep 2012) 24 Jan 2013	10338/2013	Ward, Duncan James Fraser; 26-05C, Indoor wall light, 24 Jan 2013	10345/2013
Societe des Produits Nestle S.A.; 09-01NES, A container, (CH, 14 Sep 2012) 24 Jan 2013	10339/2013	Wellstat Diagnostics, LLC; 24-02, Sample cassette for a diagnostic instrument, (Divisional of 15575/2012) 29 Jan 2013	10429/2013
Societe des Produits Nestle S.A.; 09-03M, Ornamentation for packaging, (CH, 09 Oct 2012) 22 Jan 2013	10316/2013	Wellstat Diagnostics, LLC; 24-02, Sample cassette for a diagnostic instrument, 29 Jan 2013	10404/2013
Societe des Produits Nestle S.A.; 09-03M, Ornamentation for packaging, (CH, 09 Oct 2012) 22 Jan 2013	10314/2013	Wellstat Diagnostics, LLC; 24-02, Sample cassette for a diagnostic instrument, (Divisional of 15577/2012) 29 Jan 2013	10430/2013
Societe Des Produits Nestle S.A.; 09-07B, A container with closure, (CH, 14 Sep 2012) 24 Jan 2013	10337/2013	Wellstat Diagnostics, LLC; 24-02, Sample cassette for a diagnostic instrument, 29 Jan 2013	10408/2013
Soremartec S.A.; 09-05, Packaging, (WO, 27 Jul 2012) 21 Jan 2013	10332/2013	Wellstat Diagnostics, LLC; 24-02, Sample cassette for a diagnostic instrument, (Divisional of 15577/2012) 29 Jan 2013	10431/2013
Southern, Lauren Anne; 06-13B, Pram / stroller liner, 31 Jan 2013	10470/2013	Wellstat Diagnostics, LLC; 24-02, Sample cassette for a diagnostic instrument, (Divisional of 15575/2012) 29 Jan 2013	10427/2013
Take Two Marketing and Events Pty Ltd; 08-05H, A knife sharpener, 22 Jan 2013	10335/2013	Wildchild Design Pty. Ltd.; 21-01F, Ride on toy, 26 Jan 2013	10386/2013
The trustee for b.box for kids trust; 07-01E, Children's sippy cup, 25 Jan 2013	10375/2013	Yamaha Hatsudoki Kabushiki Kaisha; 12-07, Helicopter, (JP, 20 Jul 2012) 18 Jan 2013	10294/2013
The Decor Corporation Pty. Ltd.; 07-02B, Muffin tray, 29 Jan 2013	10401/2013	Zamya Limited; 09-01G, Container for cosmetics, 29 Jan 2013	10414/2013
The Goodyear Tire & Rubber Company; 12-15D, Tyre for motorcycle, (JP, 02 Aug 2012) 24 Jan 2013	10396/2013		

Applications Withdrawn

15730 / 2012 (12-16N)	15733 / 2012 (12-16N)
15737 / 2012 (12-16N)	15741 / 2012 (12-16N)
15744 / 2012 (12-16N)	15747 / 2012 (12-16N)
10200 / 2013 (09-99)	

Applications Lapsed

15381 / 2012 (09-01H)

15487 / 2012 (22-01)

15676 / 2012 (14-04)

15416 / 2012 (21-03)

15626 / 2012 (12-06NES)

Extension of Period of Registration of Designs

317334	318463	319083
319377	319385	319386
319411	319412	319413
319415	319416	319480
319482	319483	319484
319485	319486	319496
319526	319527	319531
319532	319533	319537
319555	319556	319557
319635	319636	319640
319683	319706	319716
319717	319718	319719
319720	319721	319722
319723	319724	319725
319726	319727	319728
319729	319730	319732
319747	319755	319761
319762	319763	319766
319767	319768	319769
319770	319771	319772
319773	319774	319775
319776	319777	319778
319779	319789	319820
319821	319823	319851
319852	319853	319854
319871	319872	319904
319905	319906	319907
319908	319909	319910
319911	319912	319914
319921	319927	319928
319929	319930	319931
319935	319936	319950
319997	320007	320008
320009	320010	320011
320012	320013	320014
320045	320048	320067
320119	320132	320133
320140	320180	320203
320204	320205	320206
320272	320273	320357
320358	320359	320383
320389	320390	320392
320393	320394	320395
320396	320413	320424
320425	320426	320427
320440	320586	320589
320590	320622	320642
320643	320854	320855
320856	320910	320911
320922	320923	320924
320925	320926	320927

320928	320929	320930
321375	321896	321897
321898	321899	321900
321901	321902	321903
322428	322429	322459
322460		

Registrations Ceased

315271	315272	315375
315376	315400	315455
315755	315866	315953
315954	315955	315956
315957	315958	315960
315961	315962	315963
315964	315966	315967
315969	315970	315972
315973	315974	315976
316081	316082	316083
316084	316089	316090
316092	316094	316097
316143	316144	316164
316165	316166	316167
316168	316169	316170
316176	316179	316183
316184	316188	316189
316190	316195	316196
316197	316201	316202
316203	316204	316205
316206	316207	316208
316209	316210	316211
316212	316222	316225
316228	316231	316232
316233	316235	316236
316248	316249	316250
316257	316261	316279
316280	316281	316282
316283	316284	316286
316287	316288	316290
316291	316303	316306
316307	316308	316414
316426	316435	316436
316437	316439	316511
316558	316559	316583
316905	316906	316907
316928	316929	317042
317083	317084	317092
317093	317119	317148
317152	317158	317175
317635	319575	

Applications for Extension of time under Section 137

Applications under section 137 for extension of time have been lodged. Objections must be lodged within 1 month from the date of this journal.

314731 **Sun Chan** Address for Service: FB Rice Level 23 200 Queen Street MELBOURNE VIC 3000

Extensions of time granted under Section 137

Applications lodged under section 137 for extension of time have been granted.

15131/2012 **Teresa Papadopoulos**

15132/2012 **Teresa Papadopoulos**

15274/2012 **Visy R & D Pty Ltd**

346628 **The Coca-Cola Company**

15540/2012 **Ruud Lighting, Inc.**

Subsequent Owners Registered

(The name in parentheses is that of the subsequent owner)

- 342737 (**FF Seeley Nominees Pty Ltd**) Gary Ryan
- 316787 (**Lovelifashion Pty Limited; Carrington Licensing Pty Limited**) Mendies Y Pty Ltd
- 308204 (**A & E John Property Pty. Ltd.**) Gray Roofing Solutions Pty Ltd
- 308244 (**A & E John Property Pty. Ltd.**) Gray Roofing Solutions Pty Ltd
- 308245 (**A & E John Property Pty. Ltd.**) Gray Roofing Solutions Pty Ltd
- 308203 (**A & E John Property Pty. Ltd.**) Gray Roofing Solutions Pty Ltd
- 333190 (**JKL IP Company LLC**) Jodi E. Caden
- 321290 (**Hicap Closures Co., Ltd**) Shandong Hicap Closures Co., Ltd.

Certificate(s) of Examination

Examination of the following Design Registration(s) has been completed. Infringement proceedings may now be commenced.

307140	26-05A	29/01/2013
319450	29-02	22/01/2013
333216	23-03B	29/01/2013
334208	07-02E	22/01/2013
336185	21-03	25/01/2013
336186	21-03	25/01/2013
336187	21-03	25/01/2013
336188	21-03	25/01/2013
340447	07-07B	25/01/2013
342602	07-01C	24/01/2013
342627	07-01C	24/01/2013
343208	15-02	23/01/2013
343209	15-02	23/01/2013
343283	23-02B	23/01/2013
343904	31-00	31/01/2013
344005	08-05A	22/01/2013
344991	03-01NES	30/01/2013
345050	06-03NES	29/01/2013
345113	09-07C	31/01/2013
345125	25-01B	31/01/2013
345190	12-16NES	31/01/2013
345286	23-01F	22/01/2013
345295	09-01D	31/01/2013
345409	21-01C	24/01/2013
345486	06-01H	31/01/2013
345487	06-01F	31/01/2013
345488	06-01F	31/01/2013
345898	07-07NES	29/01/2013
345908	09-01H	25/01/2013
345909	09-01H	25/01/2013
345924	03-01D	23/01/2013
345925	03-01D	23/01/2013
345933	24-02	24/01/2013
345961	24-02	24/01/2013
346470	02-02NES	31/01/2013

Publication and Registration Proceedings

Designs Registered

This section provides a concordance between design number and registration number of Designs covered in this journal. It also shows the main class and registration date.

This section covers Registration numbers 346507 to 346724 .

The registration number shown below should be used in all future correspondence.

Design Number	Registration Number	International Classification Code (IDC)	Registration Date	Design Number	Registration Number	International Classification Code (IDC)	Registration Date
12705/2012	346607	23-01C	29/01/2013	15766/2012	346547	08-99	23/01/2013
12708/2012	346537	23-01C	23/01/2013	15778/2012	346548	22-01	23/01/2013
12709/2012	346608	23-01C	29/01/2013	15779/2012	346653	23-03F	31/01/2013
12710/2012	346538	23-01C	23/01/2013	15780/2012	346549	02-02NES	23/01/2013
12711/2012	346609	23-01C	29/01/2013	15782/2012	346550	02-02C	23/01/2013
12712/2012	346577	23-01C	24/01/2013	15783/2012	346551	02-02C	23/01/2013
12713/2012	346610	23-01C	29/01/2013	15784/2012	346552	02-02C	23/01/2013
12714/2012	346611	23-01C	29/01/2013	15785/2012	346553	02-02NES	23/01/2013
12715/2012	346539	23-01C	23/01/2013	15786/2012	346554	02-02NES	23/01/2013
12717/2012	346540	23-01C	23/01/2013	15787/2012	346579	02-02NES	24/01/2013
12719/2012	346596	23-01C	25/01/2013	15788/2012	346555	02-02NES	23/01/2013
13140/2012	346612	09-01H	29/01/2013	15789/2012	346556	02-02C	23/01/2013
13382/2012	346651	25-02NES	31/01/2013	15790/2012	346557	02-02NES	23/01/2013
13868/2012	346613	11-01K	29/01/2013	15791/2012	346558	02-02NES	23/01/2013
14097/2012	346652	25-01C	31/01/2013	15808/2012	346633	08-07	30/01/2013
14203/2012	346507	07-02N	22/01/2013	15834/2012	346512	09-03NES	23/01/2013
14204/2012	346508	07-02N	22/01/2013	15835/2012	346513	09-07B	23/01/2013
14205/2012	346509	07-02N	22/01/2013	15836/2012	346514	08-08G	23/01/2013
14206/2012	346510	07-02N	22/01/2013	15842/2012	346515	26-02	23/01/2013
14371/2012	346627	09-09	30/01/2013	15848/2012	346634	20-03NES	30/01/2013
14823/2012	346614	02-01B	29/01/2013	15852/2012	346672	14-01	01/02/2013
14955/2012	346711	23-01A	04/02/2013	15853/2012	346673	13-03E	01/02/2013
14999/2012	346511	13-03D	22/01/2013	15854/2012	346674	14-01	01/02/2013
15010/2012	346541	06-06B	23/01/2013	15855/2012	346675	14-02	01/02/2013
15090/2012	346615	11-03	29/01/2013	15887/2012	346516	14-99	23/01/2013
15253/2012	346604	24-02	25/01/2013	15888/2012	346517	14-99	23/01/2013
15381/2012	346628	09-01H	30/01/2013	15889/2012	346518	14-99	23/01/2013
15410/2012	346594	06-02	24/01/2013	15890/2012	346519	14-99	23/01/2013
15427/2012	346542	14-02	23/01/2013	15891/2012	346520	14-03A	23/01/2013
15445/2012	346543	08-08NES	23/01/2013	15892/2012	346521	14-03A	23/01/2013
15483/2012	346640	10-06	30/01/2013	15893/2012	346522	14-03A	23/01/2013
15529/2012	346629	14-02	30/01/2013	15894/2012	346523	14-03A	23/01/2013
15530/2012	346630	14-02	30/01/2013	15895/2012	346635	03-01NES	30/01/2013
15541/2012	346631	24-01	30/01/2013	15896/2012	346636	03-01NES	30/01/2013
15543/2012	346616	06-04NES	29/01/2013	15897/2012	346637	03-01NES	30/01/2013
15545/2012	346578	06-01F	24/01/2013	15906/2012	346647	25-02A	30/01/2013
15547/2012	346641	23-02B	30/01/2013	15910/2012	346638	23-04	30/01/2013
15549/2012	346642	23-02B	30/01/2013	15965/2012	346639	23-01A	30/01/2013
15550/2012	346643	23-02B	30/01/2013	15996/2012	346559	06-02	23/01/2013
15551/2012	346644	23-02B	30/01/2013	15999/2012	346648	22-05	30/01/2013
15553/2012	346645	23-02B	30/01/2013	16000/2012	346649	22-05	30/01/2013
15558/2012	346606	20-01	25/01/2013	16001/2012	346650	22-05	30/01/2013
15560/2012	346668	09-03M	31/01/2013	16037/2012	346528	09-03M	23/01/2013
15576/2012	346632	16-03	30/01/2013	16076/2012	346529	03-01D	23/01/2013
15587/2012	346544	22-01	23/01/2013	16077/2012	346605	03-01D	25/01/2013
15645/2012	346646	09-03L	30/01/2013	16078/2012	346530	03-01D	23/01/2013
15672/2012	346670	23-04	01/02/2013	16081/2012	346531	03-01D	23/01/2013
15677/2012	346671	22-01	01/02/2013	16082/2012	346601	09-03M	25/01/2013
15678/2012	346545	22-01	23/01/2013	16083/2012	346532	09-01K	23/01/2013
15679/2012	346546	22-01	23/01/2013	16092/2012	346617	12-16K	29/01/2013

Publication and Registration Proceedings - Designs Registered cont'd

Design Number	Registration Number	International Classification Code (IDC)	Registration Date	Design Number	Registration Number	International Classification Code (IDC)	Registration Date
16151/2012	346618	12-15NES	29/01/2013	16273/2012	346663	28-01	31/01/2013
16152/2012	346619	21-02F	29/01/2013	16276/2012	346664	28-01	31/01/2013
16153/2012	346620	21-02F	29/01/2013	16277/2012	346665	28-01	31/01/2013
16155/2012	346621	24-04	29/01/2013	16279/2012	346666	28-01	31/01/2013
16156/2012	346622	24-04	29/01/2013	16280/2012	346667	28-01	31/01/2013
16175/2012	346623	14-02	29/01/2013	16288/2012	346535	12-16NES	23/01/2013
16176/2012	346624	14-02	29/01/2013	16290/2012	346536	08-01	23/01/2013
16177/2012	346625	14-02	29/01/2013	16303/2012	346524	25-02NES	23/01/2013
16178/2012	346626	14-02	29/01/2013	16304/2012	346582	07-01NES	24/01/2013
16184/2012	346706	08-08K	04/02/2013	16307/2012	346583	21-02D	24/01/2013
16190/2012	346693	08-08K	04/02/2013	16308/2012	346584	25-01K	24/01/2013
16191/2012	346694	07-05NES	04/02/2013	16309/2012	346585	12-16K	24/01/2013
16192/2012	346695	06-03C	04/02/2013	16310/2012	346602	11-02B	25/01/2013
16199/2012	346696	08-08K	04/02/2013	16311/2012	346586	07-02NES	24/01/2013
16205/2012	346533	15-05	23/01/2013	16312/2012	346603	12-16C	25/01/2013
16209/2012	346534	15-05	23/01/2013	16313/2012	346587	12-16C	24/01/2013
16217/2012	346656	21-01L	31/01/2013	16314/2012	346588	26-06	24/01/2013
16218/2012	346657	21-01L	31/01/2013	16315/2012	346589	07-06C	24/01/2013
16219/2012	346658	21-01L	31/01/2013	16316/2012	346590	07-06C	24/01/2013
16220/2012	346659	21-01L	31/01/2013	16317/2012	346591	07-02N	24/01/2013
16221/2012	346660	21-01L	31/01/2013	16318/2012	346525	13-03C	23/01/2013
16222/2012	346661	21-01L	31/01/2013	16319/2012	346526	13-03C	23/01/2013
16223/2012	346654	21-01L	31/01/2013	16320/2012	346527	12-15B	23/01/2013
16224/2012	346655	03-01D	31/01/2013	16323/2012	346592	12-15B	24/01/2013
16225/2012	346712	03-01D	04/02/2013	16329/2012	346597	06-04NES	25/01/2013
16227/2012	346713	14-01	04/02/2013	16330/2012	346598	06-04NES	25/01/2013
16228/2012	346714	14-01	04/02/2013	16331/2012	346599	06-04NES	25/01/2013
16229/2012	346715	14-01	04/02/2013	16332/2012	346669	09-07NES	31/01/2013
16230/2012	346716	14-01	04/02/2013	16333/2012	346595	20-02E	24/01/2013
16231/2012	346717	14-01	04/02/2013	16365/2012	346593	07-05B	24/01/2013
16232/2012	346718	14-01	04/02/2013	16366/2012	346560	07-04	24/01/2013
16233/2012	346719	14-01	04/02/2013	16368/2012	346561	24-04	24/01/2013
16236/2012	346720	06-01G	04/02/2013	16376/2012	346562	24-99	24/01/2013
16237/2012	346676	06-01G	01/02/2013	16379/2012	346563	24-02	24/01/2013
16238/2012	346677	06-01G	01/02/2013	16380/2012	346600	12-15B	25/01/2013
16239/2012	346678	06-01E	01/02/2013	16381/2012	346564	12-15B	24/01/2013
16240/2012	346679	06-06G	01/02/2013	16382/2012	346705	12-15B	04/02/2013
16241/2012	346680	06-06G	01/02/2013	16383/2012	346565	24-02	24/01/2013
16242/2012	346681	06-06H	01/02/2013	16385/2012	346566	24-02	24/01/2013
16243/2012	346682	06-06H	01/02/2013	16386/2012	346567	24-02	24/01/2013
16244/2012	346683	06-01G	01/02/2013	16387/2012	346697	15-99	04/02/2013
16245/2012	346684	06-01G	01/02/2013	16388/2012	346698	21-02F	04/02/2013
16246/2012	346685	06-01G	01/02/2013	16400/2012	346699	12-08	04/02/2013
16247/2012	346686	06-01G	01/02/2013	16401/2012	346568	21-02F	24/01/2013
16248/2012	346687	06-01G	01/02/2013	16402/2012	346569	12-16NES	24/01/2013
16249/2012	346688	06-01G	01/02/2013	16403/2012	346700	07-05D	04/02/2013
16250/2012	346721	06-01G	04/02/2013	16406/2012	346580	09-03K	24/01/2013
16251/2012	346722	06-06NES	04/02/2013	16407/2012	346581	09-03K	24/01/2013
16252/2012	346723	06-06H	04/02/2013	16409/2012	346701	03-01NES	04/02/2013
16253/2012	346724	06-01G	04/02/2013	16414/2012	346702	12-16C	04/02/2013
16254/2012	346689	06-01G	01/02/2013	16415/2012	346703	12-16C	04/02/2013
16255/2012	346690	06-01G	01/02/2013	16480/2012	346704	15-99	04/02/2013
16256/2012	346691	06-01G	01/02/2013	16485/2012	346707	07-02NES	04/02/2013
16257/2012	346692	06-01G	01/02/2013	16487/2012	346708	07-02NES	04/02/2013
16270/2012	346662	28-01	31/01/2013	16489/2012	346709	07-02NES	04/02/2013

Publication and Registration Proceedings - Designs Registered cont'd

Design Number	Registration Number	International Classification Code (IDC)	Registration Date	Design Number	Registration Number	International Classification Code (IDC)	Registration Date
16494/2012	346710	24-02	04/02/2013	10237/2013	346574	23-04	24/01/2013
10164/2013	346570	06-06E	24/01/2013	10238/2013	346575	23-04	24/01/2013
10185/2013	346571	09-05	24/01/2013	10239/2013	346576	23-04	24/01/2013
10220/2013	346572	14-02	24/01/2013				
10221/2013	346573	14-02	24/01/2013				

Publication and Registration Proceedings

Class Listing of Designs Published or Registered

The following section shows an International Classification Code listing of the Registered or Published Designs covered in this supplement.

Classification	Registration Number	Design Number	Classification	Registration Number	Design Number
02-01B	346614	14823/2012	06-06G	346680	16241/2012
02-02C	346550	15782/2012	06-06G	346722	16251/2012
02-02C	346551	15783/2012	06-06H	346681	16242/2012
02-02C	346552	15784/2012	06-06H	346682	16243/2012
02-02C	346556	15789/2012	06-06H	346723	16252/2012
02-02NES	346549	15780/2012	06-06NES	346722	16251/2012
02-02NES	346553	15785/2012	07-01NES	346582	16304/2012
02-02NES	346554	15786/2012	07-02N	346507	14203/2012
02-02NES	346555	15788/2012	07-02N	346508	14204/2012
02-02NES	346557	15790/2012	07-02N	346509	14205/2012
02-02NES	346558	15791/2012	07-02N	346510	14206/2012
02-02NES	346579	15787/2012	07-02N	346591	16317/2012
03-01D	346529	16076/2012	07-02NES	346586	16311/2012
03-01D	346530	16078/2012	07-02NES	346707	16485/2012
03-01D	346531	16081/2012	07-02NES	346708	16487/2012
03-01D	346605	16077/2012	07-02NES	346709	16489/2012
03-01D	346655	16224/2012	07-04	346560	16366/2012
03-01D	346712	16225/2012	07-05B	346593	16365/2012
03-01NES	346566	16385/2012	07-05D	346700	16403/2012
03-01NES	346635	15895/2012	07-05NES	346694	16191/2012
03-01NES	346636	15896/2012	07-06C	346589	16315/2012
03-01NES	346637	15897/2012	07-06C	346590	16316/2012
03-01NES	346701	16409/2012	07-99NES	346586	16311/2012
06-01E	346678	16239/2012	08-01	346536	16290/2012
06-01F	346578	15545/2012	08-07	346633	15808/2012
06-01G	346676	16237/2012	08-08G	346514	15836/2012
06-01G	346677	16238/2012	08-08K	346693	16190/2012
06-01G	346683	16244/2012	08-08K	346696	16199/2012
06-01G	346684	16245/2012	08-08K	346706	16184/2012
06-01G	346685	16246/2012	08-08N	346616	15543/2012
06-01G	346686	16247/2012	08-08NES	346543	15445/2012
06-01G	346687	16248/2012	08-99	346547	15766/2012
06-01G	346688	16249/2012	09-01H	346612	13140/2012
06-01G	346689	16254/2012	09-01H	346628	15381/2012
06-01G	346690	16255/2012	09-01K	346532	16083/2012
06-01G	346691	16256/2012	09-01K	346582	16304/2012
06-01G	346692	16257/2012	09-01NES	346612	13140/2012
06-01G	346720	16236/2012	09-03K	346580	16406/2012
06-01G	346721	16250/2012	09-03K	346581	16407/2012
06-01G	346724	16253/2012	09-03L	346646	15645/2012
06-02	346559	15996/2012	09-03M	346528	16037/2012
06-02	346594	15410/2012	09-03M	346601	16082/2012
06-03C	346695	16192/2012	09-03M	346668	15560/2012
06-04F	346541	15010/2012	09-03NES	346512	15834/2012
06-04NES	346597	16329/2012	09-05	346571	10185/2013
06-04NES	346598	16330/2012	09-07B	346513	15835/2012
06-04NES	346599	16331/2012	09-07NES	346669	16332/2012
06-04NES	346616	15543/2012	09-09	346627	14371/2012
06-05	346541	15010/2012	10-06	346640	15483/2012
06-05	346695	16192/2012	11-01K	346613	13868/2012
06-06B	346541	15010/2012	11-02B	346602	16310/2012
06-06E	346570	10164/2013	11-03	346615	15090/2012
06-06G	346679	16240/2012	12-02	346583	16307/2012

Registration Proceedings - Class Listing of Designs Published or Registered cont'd

Classification	Registration Number	Design Number	Classification	Registration Number	Design Number
12-08	346699	16400/2012	20-02E	346595	16333/2012
12-15B	346527	16320/2012	20-02NES	346595	16333/2012
12-15B	346564	16381/2012	20-03NES	346634	15848/2012
12-15B	346592	16323/2012	21-01L	346654	16223/2012
12-15B	346600	16380/2012	21-01L	346656	16217/2012
12-15B	346705	16382/2012	21-01L	346657	16218/2012
12-15NES	346618	16151/2012	21-01L	346658	16219/2012
12-16C	346587	16313/2012	21-01L	346659	16220/2012
12-16C	346603	16312/2012	21-01L	346660	16221/2012
12-16C	346702	16414/2012	21-01L	346661	16222/2012
12-16C	346703	16415/2012	21-02D	346583	16307/2012
12-16K	346585	16309/2012	21-02F	346568	16401/2012
12-16K	346617	16092/2012	21-02F	346619	16152/2012
12-16NES	346535	16288/2012	21-02F	346620	16153/2012
12-16NES	346569	16402/2012	21-02F	346698	16388/2012
13-03B	346625	16177/2012	22-01	346544	15587/2012
13-03B	346626	16178/2012	22-01	346545	15678/2012
13-03C	346525	16318/2012	22-01	346546	15679/2012
13-03C	346526	16319/2012	22-01	346548	15778/2012
13-03C	346711	14955/2012	22-01	346671	15677/2012
13-03D	346511	14999/2012	22-05	346648	15999/2012
13-03E	346673	15853/2012	22-05	346649	16000/2012
14-01	346672	15852/2012	22-05	346650	16001/2012
14-01	346674	15854/2012	23-01A	346639	15965/2012
14-01	346713	16227/2012	23-01A	346711	14955/2012
14-01	346714	16228/2012	23-01B	346670	15672/2012
14-01	346715	16229/2012	23-01C	346537	12708/2012
14-01	346716	16230/2012	23-01C	346538	12710/2012
14-01	346717	16231/2012	23-01C	346539	12715/2012
14-01	346718	16232/2012	23-01C	346540	12717/2012
14-01	346719	16233/2012	23-01C	346577	12712/2012
14-02	346542	15427/2012	23-01C	346596	12719/2012
14-02	346572	10220/2013	23-01C	346607	12705/2012
14-02	346573	10221/2013	23-01C	346608	12709/2012
14-02	346623	16175/2012	23-01C	346609	12711/2012
14-02	346624	16176/2012	23-01C	346610	12713/2012
14-02	346625	16177/2012	23-01C	346611	12714/2012
14-02	346626	16178/2012	23-02B	346641	15547/2012
14-02	346629	15529/2012	23-02B	346642	15549/2012
14-02	346630	15530/2012	23-02B	346643	15550/2012
14-02	346675	15855/2012	23-02B	346644	15551/2012
14-03A	346520	15891/2012	23-02B	346645	15553/2012
14-03A	346521	15892/2012	23-03D	346651	13382/2012
14-03A	346522	15893/2012	23-03F	346653	15779/2012
14-03A	346523	15894/2012	23-04	346574	10237/2013
14-99	346516	15887/2012	23-04	346575	10238/2013
14-99	346517	15888/2012	23-04	346576	10239/2013
14-99	346518	15889/2012	23-04	346638	15910/2012
14-99	346519	15890/2012	23-04	346670	15672/2012
15-05	346533	16205/2012	24-01	346631	15541/2012
15-05	346534	16209/2012	24-01	346669	16332/2012
15-05	346694	16191/2012	24-02	346563	16379/2012
15-99	346697	16387/2012	24-02	346565	16383/2012
15-99	346704	16480/2012	24-02	346566	16385/2012
16-03	346632	15576/2012	24-02	346567	16386/2012
20-01	346606	15558/2012	24-02	346604	15253/2012

Registration Proceedings - Class Listing of Designs Published or Registered cont'd

Classification	Registration Number	Design Number	Classification	Registration Number	Design Number
24-02	346710	16494/2012	26-02	346515	15842/2012
24-04	346561	16368/2012	26-06	346588	16314/2012
24-04	346562	16376/2012	28-01	346662	16270/2012
24-04	346621	16155/2012	28-01	346663	16273/2012
24-04	346622	16156/2012	28-01	346664	16276/2012
24-99	346562	16376/2012	28-01	346665	16277/2012
25-01C	346652	14097/2012	28-01	346666	16279/2012
25-01K	346584	16308/2012	28-01	346667	16280/2012
25-02A	346647	15906/2012			
25-02NES	346524	16303/2012			
25-02NES	346651	13382/2012			

(21) Design Number: **14203/2012**

(22) Date of Filing Application: **24 August 2012**

(24) Date from which industrial property rights may have effect: **24 August 2012**

(54) Product in respect of which the design is registered: **Cookware vessel with decorative rim and exterior**

(51) International Design Classification: **07-02N**

(74) Name(s) of Attorney(s): **PIPERS Melbourne**

(71) Name(s) and Address(s) of Applicant(s):

**Meyer Intellectual Properties Limited
382 Kwun Tong Road Hong Kong**

(72) Name(s) of Designer(s): **Stanley Kin Sui Cheng and Vincent Chi-Seng Cheng and Homer Hin Hang Cheung**

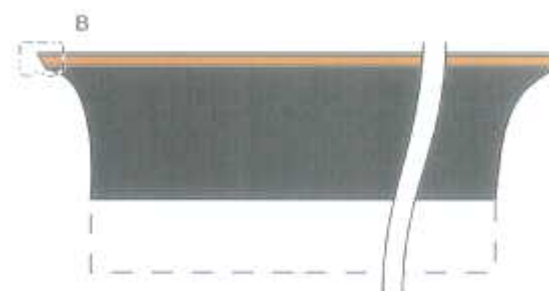
(45) Registration Date: **22 January 2013**

(30) Convention priority data:

(31) Number	(32) Date	(33) Country
29/395,597	24 Feb 2012	UNITED STATES OF AMERICA

(56) Related Art Documents: **Not Applicable**

(57) Statement of Newness and Distinctiveness: **This design is to be applied to a "Cookware vessel with decorative rim and exterior" and the novelty resides in the features of shape and configuration of the articles shown in the accompanying representations. The curved vertical breaking line pairs that are separated by a white space are to illustrate that the vessel body may have a variable exterior and internal width. No claim is made to the interior of the vessel, as the colour, appearance and depth of the interior of the vessels are not part of the claimed design. The broken lines in the representations are for illustrative purposes only, depicting the environment of the new design, forming no part thereof as claimed, with the bottom portion of the vessel shown in broken lines to illustrate that the vessel body has a variable exterior and internal height. Shading in the representations is to represent the rim of the vessel having a layered appearance in which the top layer is a reflective silver colour shade, the wider middle layer is a copper colour, and the lower layer is also a reflective silver colour shade. The larger external sidewall portions of the vessel have a matt gray colour that is darker than the reflective silver colour shape of the adjacent rim. The colours of the design are not limited to the exact hues, brightness and saturation depicted in the representations.**



(21) Design Number: **14204/2012**

(22) Date of Filing Application: **24 August 2012**

(24) Date from which industrial property rights may have effect: **24 August 2012**

(54) Product in respect of which the design is registered: **Cookware vessel with decorative rim and exterior**

(51) International Design Classification: **07-02N**

(74) Name(s) of Attorney(s): **PIPERS Melbourne**

(71) Name(s) and Address(s) of Applicant(s):

**Meyer Intellectual Properties Limited
382 Kwun Tong Road Hong Kong**

(72) Name(s) of Designer(s): **Stanley Kin Sui Cheng and Vincent Chi-Seng Cheng and Homer Hin Hang Cheung**

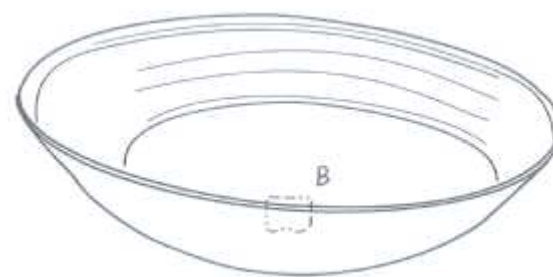
(45) Registration Date: **22 January 2013**

(30) Convention priority data:

(31) Number	(32) Date	(33) Country
29/395,597	24 Feb 2012	UNITED STATES OF AMERICA

(56) Related Art Documents: **Not Applicable**

(57) Statement of Newness and Distinctiveness: **This design is to be applied to a "Cookware vessel with decorative rim and exterior" and the novelty resides in the features of shape and configuration of the articles shown in the accompanying representations. The curved vertical breaking line pairs that are separated by a white space are to illustrate that the vessel body may have a variable exterior and internal width. No claim is made to the interior of the vessel, as the colour, appearance and depth of the interior of the vessels are not part of the claimed design. The broken lines in the representations are for illustrative purposes only, depicting the environment of the new design, forming no part thereof as claimed, with the bottom portion of the vessel shown in broken lines to illustrate that the vessel body has a variable exterior and internal height. Shading in the representations is to represent the rim of the vessel having a layered appearance in which the top layer is a reflective silver colour shade, the wider middle layer is a copper colour, and the lower layer is also a reflective silver colour shade. The larger external sidewall portions of the vessel have a matt gray colour that is darker than the reflective silver colour shape of the adjacent rim. The colours of the design are not limited to the exact hues, brightness and saturation depicted in the representations.**



- (21) Design Number: **14205/2012**
(22) Date of Filing Application: **24 August 2012**
(24) Date from which industrial property rights may have effect: **24 August 2012**
(54) Product in respect of which the design is registered: **Cookware vessel with decorative rim and exterior**
(51) International Design Classification: **07-02N**
(74) Name(s) of Attorney(s): **PIPERS Melbourne**
(71) Name(s) and Address(s) of Applicant(s):
Meyer Intellectual Properties Limited
382 Kwun Tong Road Hong Kong
(72) Name(s) of Designer(s): **Stanley Kin Sui Cheng and Vincent Chi-Seng Cheng and Homer Hin Hang Cheung**
(45) Registration Date: **22 January 2013**
(30) Convention priority data:
(31) Number (32) Date (33) Country
29/395,597 24 Feb 2012 UNITED STATES OF AMERICA



- (56) Related Art Documents: **Not Applicable**
(57) Statement of Newness and Distinctiveness: **This design is to be applied to a "Cookware vessel with decorative rim and exterior" and the novelty resides in the features of shape and configuration of the articles shown in the accompanying representations. The curved vertical breaking line pairs that are separated by a white space are to illustrate that the vessel body may have a variable exterior and internal width. No claim is made to the interior of the vessel, as the colour, appearance and depth of the interior of the vessels are not part of the claimed design. The broken lines in the representations are for illustrative purposes only, depicting the environment of the new design, forming no part thereof as claimed, with the bottom portion of the vessel shown in broken lines to illustrate that the vessel body has a variable exterior and internal height. Shading in the representations is to represent the rim of the vessel having a layered appearance in which the top layer is a reflective silver colour shade, the wider middle layer is a copper colour, and the lower layer is also a reflective silver colour shade. The larger external sidewall portions of the vessel have a matt gray colour that is darker than the reflective silver colour shape of the adjacent rim. The colours of the design are not limited to the exact hues, brightness and saturation depicted in the representations.**

(21) Design Number: **14206/2012**

(22) Date of Filing Application: **24 August 2012**

(24) Date from which industrial property rights may have effect: **24 August 2012**

(54) Product in respect of which the design is registered: **Cookware vessel with decorative rim and exterior**

(51) International Design Classification: **07-02N**

(74) Name(s) of Attorney(s): **PIPERS Melbourne**

(71) Name(s) and Address(s) of Applicant(s):

**Meyer Intellectual Properties Limited
382 Kwun Tong Road Hong Kong**

(72) Name(s) of Designer(s): **Stanley Kin Sui Cheng and Vincent Chi-Seng Cheng and Homer Hin Hang Cheung**

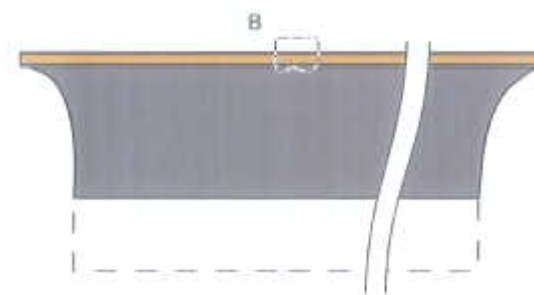
(45) Registration Date: **22 January 2013**

(30) Convention priority data:

(31) Number	(32) Date	(33) Country
29/395,597	24 Feb 2012	UNITED STATES OF AMERICA

(56) Related Art Documents: **Not Applicable**

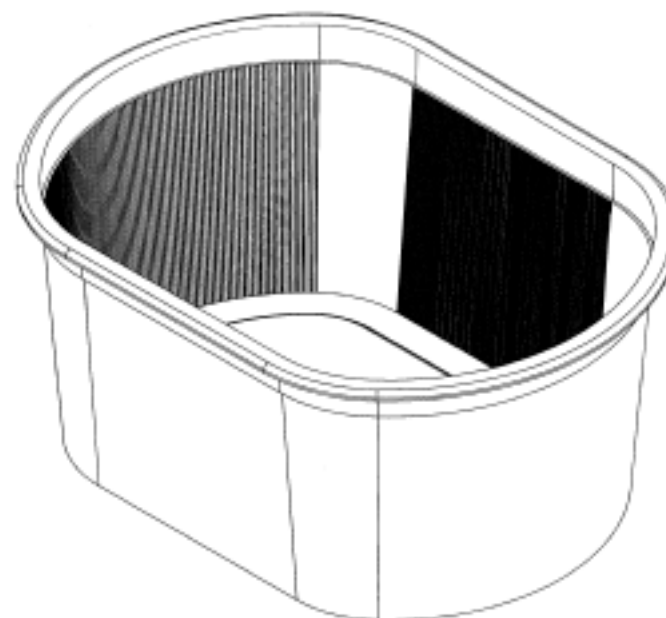
(57) Statement of Newness and Distinctiveness: **This design is to be applied to a "Cookware vessel with decorative rim and exterior" and the novelty resides in the features of shape and configuration of the articles shown in the accompanying representations. The curved vertical breaking line pairs that are separated by a white space are to illustrate that the vessel body may have a variable exterior and internal width. No claim is made to the interior of the vessel, as the colour, appearance and depth of the interior of the vessels are not part of the claimed design. The broken lines in the representations are for illustrative purposes only, depicting the environment of the new design, forming no part thereof as claimed, with the bottom portion of the vessel shown in broken lines to illustrate that the vessel body has a variable exterior and internal height. Shading in the representations is to represent the rim of the vessel having a layered appearance in which the top layer is a reflective silver colour shade, the wider middle layer is a copper colour, and the lower layer is also a reflective silver colour shade. The larger external sidewall portions of the vessel have a matt gray colour that is darker than the reflective silver colour shape of the adjacent rim. The colours of the design are not limited to the exact hues, brightness and saturation depicted in the representations.**



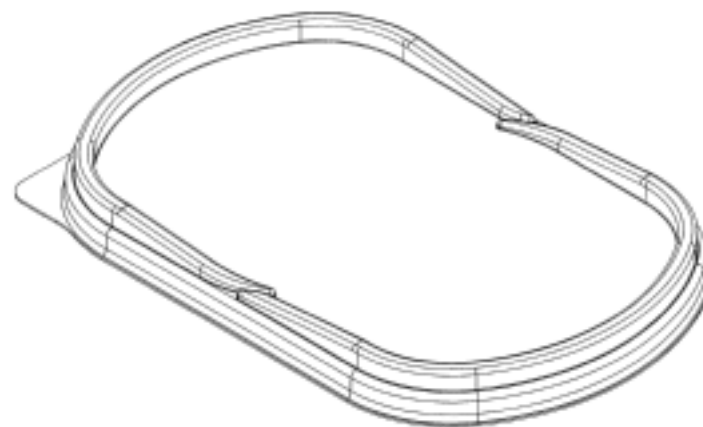
- (21) Design Number: **14999/2012**
(22) Date of Filing Application: **09 October 2012**
(24) Date from which industrial property rights may have effect: **09 October 2012**
(54) Product in respect of which the design is registered: **Light switch inhibitor**
(51) International Design Classification: **13-03D**
(74) Name(s) of Attorney(s):
(71) Name(s) and Address(s) of Applicant(s):
Christopher John McMillan
15 Avon Rd Avonsleigh VIC 3782 Australia
(72) Name(s) of Designer(s): **Christopher John McMillan**
(45) Registration Date: **22 January 2013**
(56) Related Art Documents: **Not Applicable**
(57) Statement of Newness and Distinctiveness: **Nil**



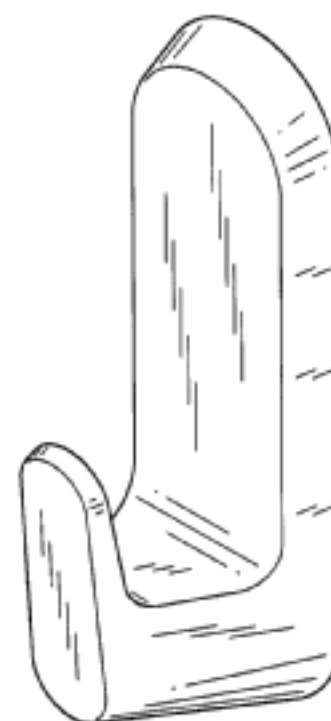
- (21) Design Number: **15834/2012**
(22) Date of Filing Application: **22 November 2012**
(24) Date from which industrial property rights may have effect: **22 November 2012**
(54) Product in respect of which the design is registered: **Tub**
(51) International Design Classification: **09-03NES**
(74) Name(s) of Attorney(s): **Griffith Hack**
(71) Name(s) and Address(s) of Applicant(s):
Sophinity Pty Ltd
62 Lancaster St Ingleburn NSW 2565 Australia
(72) Name(s) of Designer(s): **Craig Wellman**
(45) Registration Date: **23 January 2013**
(56) Related Art Documents: **Not Applicable**
(57) Statement of Newness and Distinctiveness: **Newness and distinctiveness resides in the visual features, including shape, configuration and ornamentation, of ribs as shown on the inside wall of a TUB as illustrated in the accompanying drawings, including in the detail view marked B of the top view. When determining whether the TUB is substantially similar in overall impression to another design, no regard is to be had to those features shown in dotted outline in the In-Use Assembled View, which features shown in dotted outline in the In-Use Assembled View, which features are provided for illustrative purposes only.**



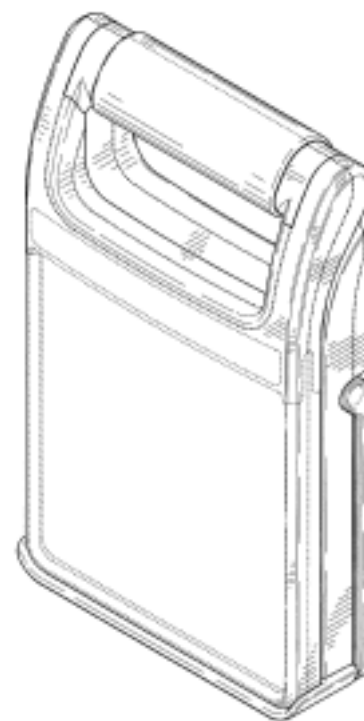
- (21) Design Number: **15835/2012**
(22) Date of Filing Application: **22 November 2012**
(24) Date from which industrial property rights may have effect: **22 November 2012**
(54) Product in respect of which the design is registered: **Lid**
(51) International Design Classification: **09-07B**
(74) Name(s) of Attorney(s): **Griffith Hack**
(71) Name(s) and Address(s) of Applicant(s):
Sophinity Pty Ltd
62 Lancaster St Ingleburn NSW 2565 Australia
(72) Name(s) of Designer(s): **Craig Wellman**
(45) Registration Date: **23 January 2013**
(56) Related Art Documents: **Not Applicable**
(57) Statement of Newness and Distinctiveness: **Newness and distinctiveness resides in the visual features, including shape, configuration and ornamentation, of the downwardly tapering and curved ends located generally centrally in each of the long sides of the upstanding perimeter wall as shown in the LID as illustrated in the accompanying drawings. When determining whether the LID is substantially similar in overall impression to another design, no regard is to be had to those features shown in dotted outline in the In-Use View, which features are provided for illustrative purposes only.**



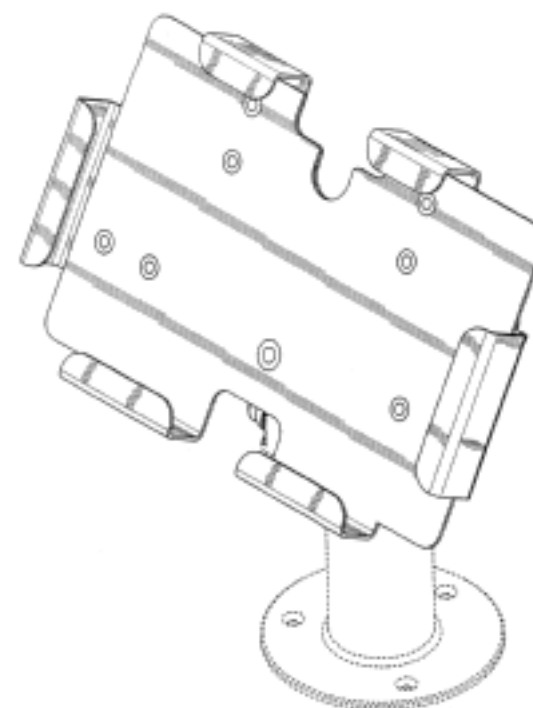
- (21) Design Number: **15836/2012**
(22) Date of Filing Application: **22 November 2012**
(24) Date from which industrial property rights may have effect: **22 November 2012**
(54) Product in respect of which the design is registered: **Hook**
(51) International Design Classification: **08-08G**
(74) Name(s) of Attorney(s): **Davies Collison Cave**
(71) Name(s) and Address(s) of Applicant(s):
3M Innovative Properties Company
3M Center Saint Paul Minnesota 55133-3427 United States of America
(72) Name(s) of Designer(s): **Kevin J. Gilboe**
(45) Registration Date: **23 January 2013**
(30) Convention priority data:
(31) Number (32) Date (33) Country
29/422954 25 May 2012 UNITED STATES OF AMERICA
(56) Related Art Documents: **Not Applicable**
(57) Statement of Newness and Distinctiveness: **Newness and distinctiveness is claimed in the visual features shown in solid lines in the representations. The hook can comprise opaque materials and/or transparent or translucent materials.**



- (21) Design Number: **15842/2012**
(22) Date of Filing Application: **21 November 2012**
(24) Date from which industrial property rights may have effect: **21 November 2012**
(54) Product in respect of which the design is registered: **A portable lighting device**
(51) International Design Classification: **26-02**
(74) Name(s) of Attorney(s): **Halfords IP**
(71) Name(s) and Address(s) of Applicant(s):
Eveready Battery Company, Inc.
533 Maryville University Drive St Louis Missouri 63141 United States of America
(72) Name(s) of Designer(s): **John R. Brown and Angelo Kotsis and Timothy J. Rugendyke**
(45) Registration Date: **23 January 2013**
(30) Convention priority data:
(31) Number (32) Date (33) Country
29/424320 11 Jun 2012 UNITED STATES OF AMERICA
(56) Related Art Documents: **Not Applicable**
(57) Statement of Newness and Distinctiveness: **Newness and Distinctiveness is claimed in those features of shape and or configuration of a lighting device in the accompanying representations. Shading lines and features shown in broken lines do not form part of the design.**



- (21) Design Number: **15887/2012**
(22) Date of Filing Application: **23 November 2012**
(24) Date from which industrial property rights may have effect: **23 November 2012**
(54) Product in respect of which the design is registered: **Tablet stand with ball joint**
(51) International Design Classification: **14-99**
(74) Name(s) of Attorney(s): **Griffith Hack**
(71) Name(s) and Address(s) of Applicant(s):
Dundee Precious Metals Inc.
Dundee Place 1 Adelaide Street East Suite 500 PO Box 195 Toronto ON M5C 2V9 Canada
(72) Name(s) of Designer(s): **Mark Gelsomini and Richard Coulson**
(45) Registration Date: **23 January 2013**
(30) Convention priority data:
(31) Number (32) Date (33) Country
145746 23 May 2012 CANADA
(56) Related Art Documents: **Not Applicable**
(57) Statement of Newness and Distinctiveness: **The design consists of the features of shape, ornament, pattern and configuration of a tablet stand with ball joint shown in solid lines in the drawings. The broken lines in the drawings are for illustrative purposes only and form no part of the design.**



(21) Design Number: **15888/2012**
(22) Date of Filing Application: **23 November 2012**
(24) Date from which industrial property rights may have effect: **23 November 2012**
(54) Product in respect of which the design is registered: **Tablet stand with ball joint**
(51) International Design Classification: **14-99**
(74) Name(s) of Attorney(s): **Griffith Hack**
(71) Name(s) and Address(s) of Applicant(s):
Dundee Precious Metals Inc.
Dundee Place 1 Adelaide Street East Suite 500 PO Box 195 Toronto ON
M5C 2V9 Canada

(72) Name(s) of Designer(s): **Mark Gelsomini and Richard Coulson**

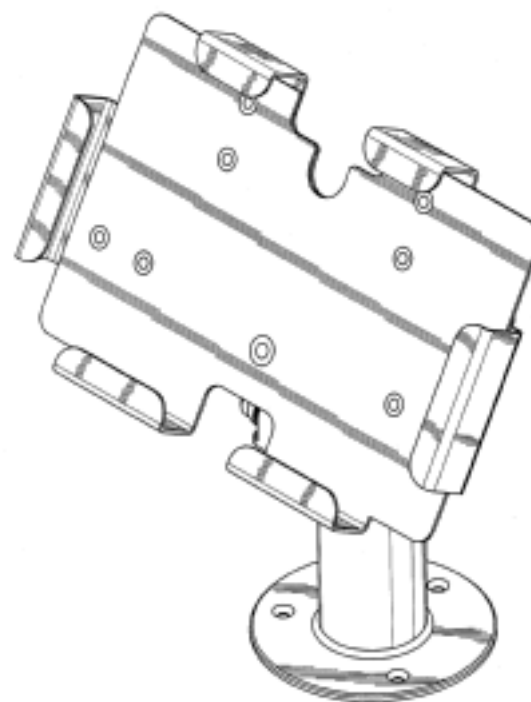
(45) Registration Date: **23 January 2013**

(30) Convention priority data:

(31) Number	(32) Date	(33) Country
145746	23 May 2012	CANADA

(56) Related Art Documents: **Not Applicable**

(57) Statement of Newness and Distinctiveness: **The design consists of the features of shape, ornament, pattern and configuration of a tablet stand with ball joint shown in solid lines in the drawings. The broken lines in the drawings are for illustrative purposes only and form no part of the design.**



(21) Design Number: **15889/2012**
(22) Date of Filing Application: **23 November 2012**
(24) Date from which industrial property rights may have effect: **23 November 2012**
(54) Product in respect of which the design is registered: **Tablet stand with ball joint**
(51) International Design Classification: **14-99**
(74) Name(s) of Attorney(s): **Griffith Hack**
(71) Name(s) and Address(s) of Applicant(s):
Dundee Precious Metals Inc.
Dundee Place 1 Adelaide Street East Suite 500 PO Box 195 Toronto ON
M5C 2V9 Canada

(72) Name(s) of Designer(s): **Mark Gelsomini and Richard Coulson**

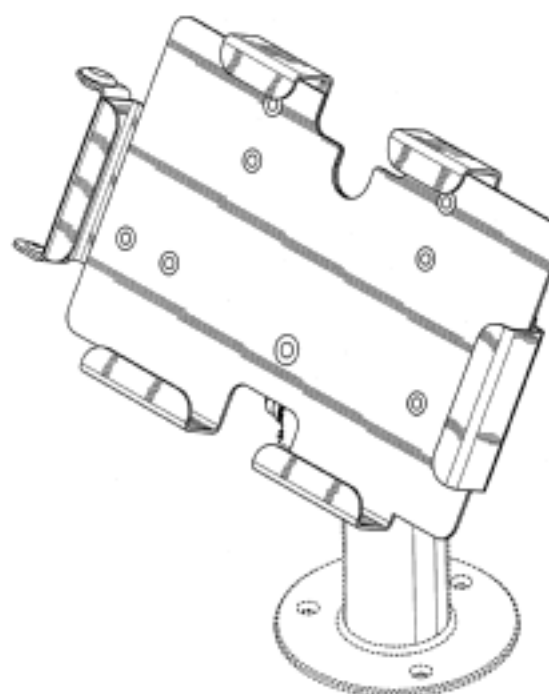
(45) Registration Date: **23 January 2013**

(30) Convention priority data:

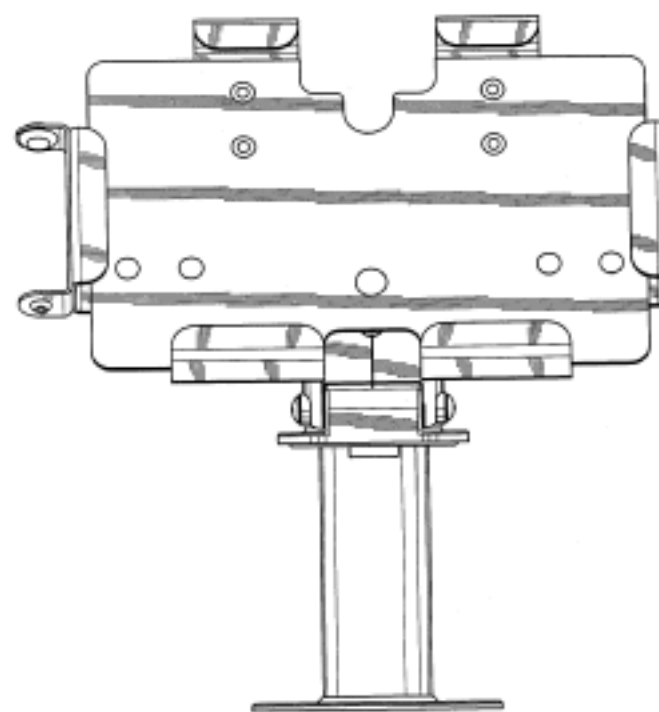
(31) Number	(32) Date	(33) Country
145746	23 May 2012	CANADA

(56) Related Art Documents: **Not Applicable**

(57) Statement of Newness and Distinctiveness: **The design consists of the features of shape, ornament, pattern and configuration of a tablet stand with ball joint shown in solid lines in the drawings. The broken lines in the drawings are for illustrative purposes only and form no part of the design.**

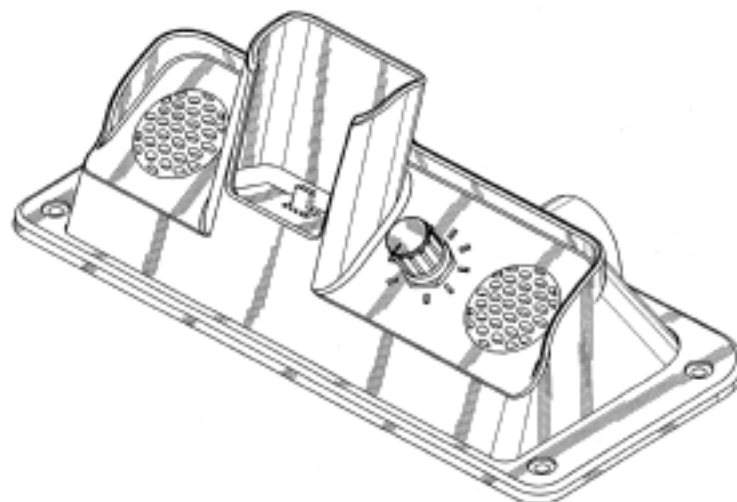


(21) Design Number: **15890/2012**
(22) Date of Filing Application: **23 November 2012**
(24) Date from which industrial property rights may have effect: **23 November 2012**
(54) Product in respect of which the design is registered: **Tablet stand with ball joint**
(51) International Design Classification: **14-99**
(74) Name(s) of Attorney(s): **Griffith Hack**
(71) Name(s) and Address(s) of Applicant(s):
Dundee Precious Metals Inc.
Dundee Place 1 Adelaide Street East Suite 500 PO Box 195 Toronto ON
M5C 2V9 Canada
(72) Name(s) of Designer(s): **Mark Gelsomini and Richard Coulson**
(45) Registration Date: **23 January 2013**
(30) Convention priority data:
(31) Number (32) Date (33) Country
145746 23 May 2012 CANADA



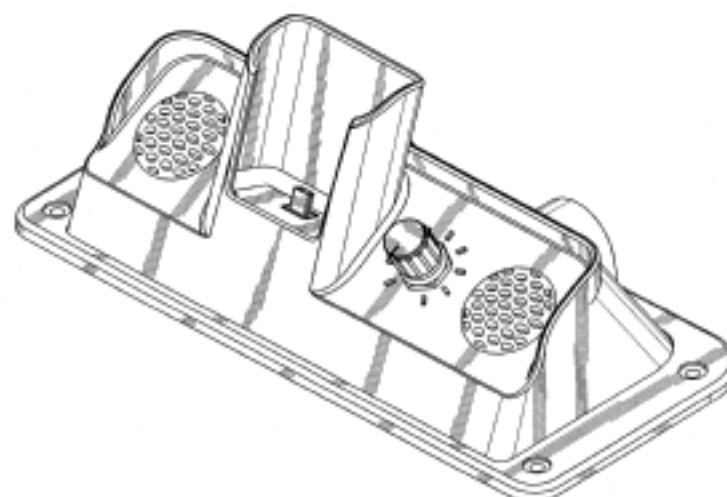
(56) Related Art Documents: **Not Applicable**
(57) Statement of Newness and Distinctiveness: **The design consists of the features of shape, ornament, pattern and configuration of a tablet stand with ball joint shown in solid lines in the drawings. The broken lines in the drawings are for illustrative purposes only and form no part of the design.**

(21) Design Number: **15891/2012**
(22) Date of Filing Application: **23 November 2012**
(24) Date from which industrial property rights may have effect: **23 November 2012**
(54) Product in respect of which the design is registered: **Cradle for communications device**
(51) International Design Classification: **14-03A**
(74) Name(s) of Attorney(s): **Griffith Hack**
(71) Name(s) and Address(s) of Applicant(s):
Dundee Precious Metals Inc.
Dundee Place 1 Adelaide Street East Suite 500 PO Box 195 Toronto ON
M5C 2V9 Canada
(72) Name(s) of Designer(s): **Mark Gelsomini and Richard Coulson**
(45) Registration Date: **23 January 2013**
(30) Convention priority data:
(31) Number (32) Date (33) Country
145748 23 May 2012 CANADA



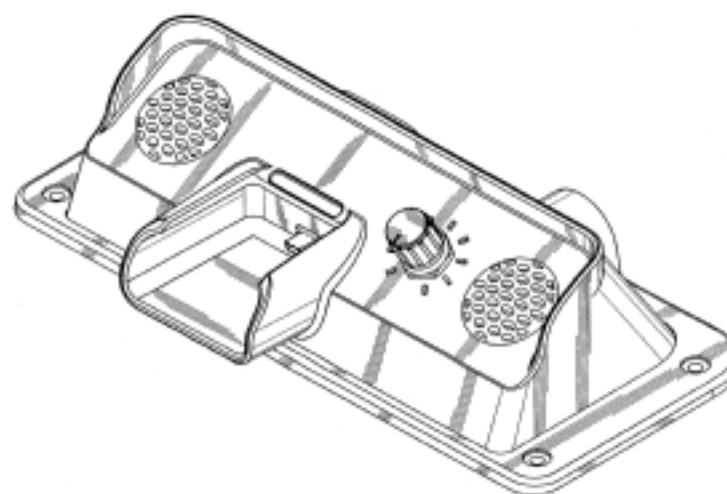
(56) Related Art Documents: **Not Applicable**
(57) Statement of Newness and Distinctiveness: **Newness and distinctiveness resides in the visual features, including shape, configuration, pattern and ornamentation, of a CRADLE FOR COMMUNICATIONS DEVICE as shown in solid outline in the accompanying drawings. When determining whether the design is substantially similar in overall impression to another design, no regard is to be had to those features shown in dotted outline in the accompanying drawings, which features are provided for illustrative purposes only.**

(21) Design Number: **15892/2012**
(22) Date of Filing Application: **23 November 2012**
(24) Date from which industrial property rights may have effect: **23 November 2012**
(54) Product in respect of which the design is registered: **Cradle for communications device**
(51) International Design Classification: **14-03A**
(74) Name(s) of Attorney(s): **Griffith Hack**
(71) Name(s) and Address(s) of Applicant(s):
Dundee Precious Metals Inc.
Dundee Place 1 Adelaide Street East Suite 500 PO Box 195 Toronto ON
M5C 2V9 Canada
(72) Name(s) of Designer(s): **Mark Gelsomini and Richard Coulson**
(45) Registration Date: **23 January 2013**
(30) Convention priority data:
(31) Number (32) Date (33) Country
145748 23 May 2012 CANADA



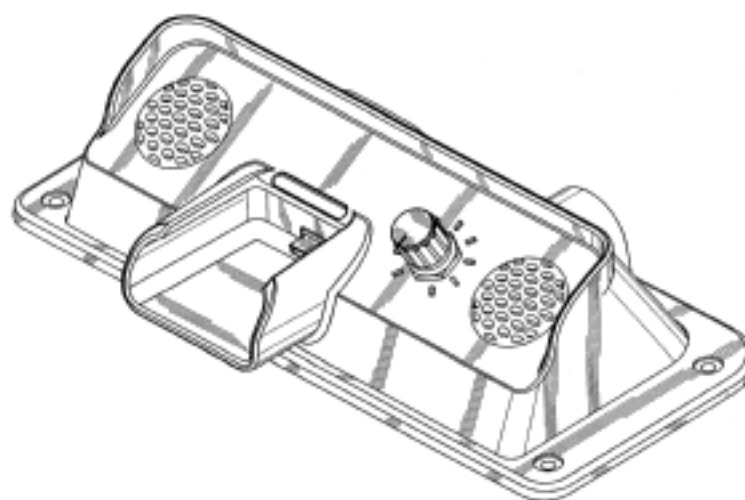
(56) Related Art Documents: **Not Applicable**
(57) Statement of Newness and Distinctiveness: **Newness and distinctiveness resides in the visual features, including shape, configuration, pattern and ornamentation, of a CRADLE FOR COMMUNICATIONS DEVICE as shown in solid outline in the accompanying drawings. When determining whether the design is substantially similar in overall impression to another design, no regard is to be had to those features shown in dotted outline in the accompanying drawings, which features are provided for illustrative purposes only.**

(21) Design Number: **15893/2012**
(22) Date of Filing Application: **23 November 2012**
(24) Date from which industrial property rights may have effect: **23 November 2012**
(54) Product in respect of which the design is registered: **Cradle for communications device**
(51) International Design Classification: **14-03A**
(74) Name(s) of Attorney(s): **Griffith Hack**
(71) Name(s) and Address(s) of Applicant(s):
Dundee Precious Metals Inc.
Dundee Place 1 Adelaide Street East Suite 500 PO Box 195 Toronto ON
M5C 2V9 Canada
(72) Name(s) of Designer(s): **Mark Gelsomini and Richard Coulson**
(45) Registration Date: **23 January 2013**
(30) Convention priority data:
(31) Number (32) Date (33) Country
145748 23 May 2012 CANADA



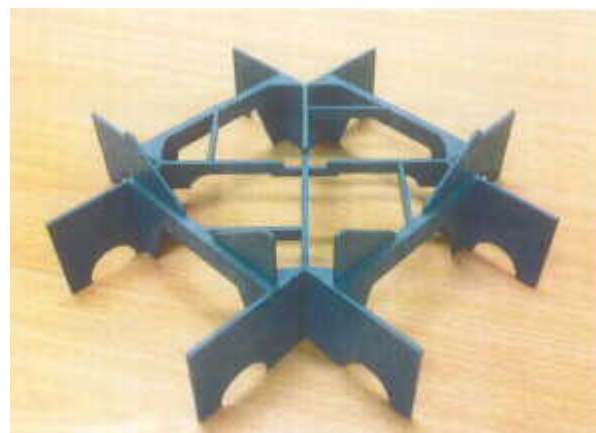
(56) Related Art Documents: **Not Applicable**
(57) Statement of Newness and Distinctiveness: **Newness and distinctiveness resides in the visual features, including shape, configuration, pattern and ornamentation, of a CRADLE FOR COMMUNICATIONS DEVICE as shown in solid outline in the accompanying drawings. When determining whether the design is substantially similar in overall impression to another design, no regard is to be had to those features shown in dotted outline in the accompanying drawings, which features are provided for illustrative purposes only.**

(21) Design Number: **15894/2012**
(22) Date of Filing Application: **23 November 2012**
(24) Date from which industrial property rights may have effect: **23 November 2012**
(54) Product in respect of which the design is registered: **Cradle for communications device**
(51) International Design Classification: **14-03A**
(74) Name(s) of Attorney(s): **Griffith Hack**
(71) Name(s) and Address(s) of Applicant(s):
Dundee Precious Metals Inc.
Dundee Place 1 Adelaide Street East Suite 500 PO Box 195 Toronto ON
M5C 2V9 Canada
(72) Name(s) of Designer(s): **Mark Gelsomini and Richard Coulson**
(45) Registration Date: **23 January 2013**
(30) Convention priority data:
(31) Number (32) Date (33) Country
145748 23 May 2012 CANADA

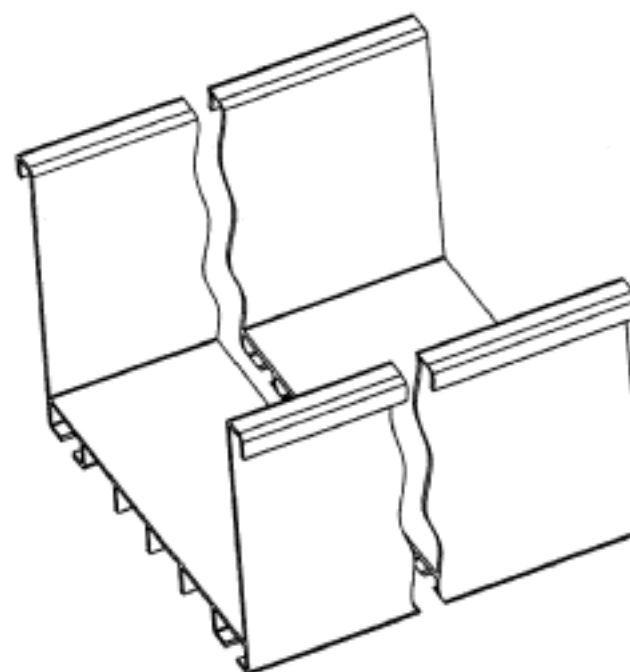


(56) Related Art Documents: **Not Applicable**
(57) Statement of Newness and Distinctiveness: **Newness and distinctiveness resides in the visual features, including shape, configuration, pattern and ornamentation, of a CRADLE FOR COMMUNICATIONS DEVICE as shown in solid outline in the accompanying drawings. When determining whether the design is substantially similar in overall impression to another design, no regard is to be had to those features shown in dotted outline in the accompanying drawings, which features are provided for illustrative purposes only.**

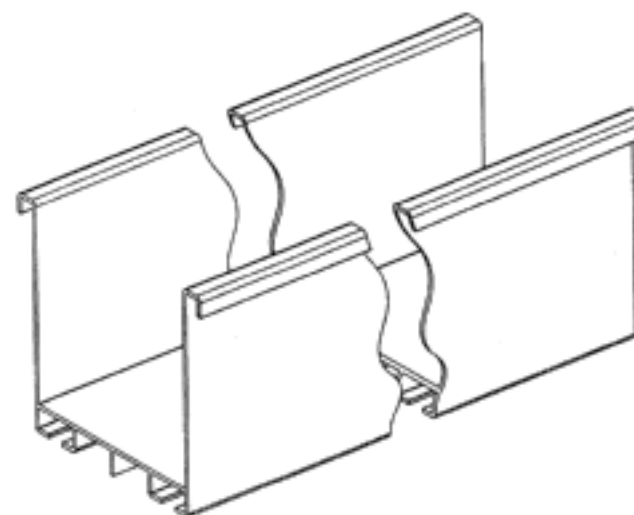
(21) Design Number: **16303/2012**
(22) Date of Filing Application: **12 December 2012**
(24) Date from which industrial property rights may have effect: **12 December 2012**
(54) Product in respect of which the design is registered: **Spacer**
(51) International Design Classification: **25-02NES**
(74) Name(s) of Attorney(s):
(71) Name(s) and Address(s) of Applicant(s):
Unipod Pty Ltd
40 Buys Ct Derrimut VIC 3030 Australia
(72) Name(s) of Designer(s): **Peter Sheehan**
(45) Registration Date: **23 January 2013**
(56) Related Art Documents: **Not Applicable**
(57) Statement of Newness and Distinctiveness: **Monopoly is claimed in the shape and/or configuration of the spacer as illustrated in the accompanying representations.**



- (21) Design Number: **16318/2012**
(22) Date of Filing Application: **12 December 2012**
(24) Date from which industrial property rights may have effect: **12 December 2012**
(54) Product in respect of which the design is registered: **Cable support duct**
(51) International Design Classification: **13-03C**
(74) Name(s) of Attorney(s): **SPRUSON & FERGUSON**
(71) Name(s) and Address(s) of Applicant(s):
Legend Corporate Services Pty Ltd
1 Butler Dr Hendon SA 5014 Australia
(72) Name(s) of Designer(s): **Bruce James Ogden**
(45) Registration Date: **23 January 2013**
(56) Related Art Documents: **Not Applicable**
(57) Statement of Newness and Distinctiveness: **Newness and distinctiveness is claimed in the features of shape and/or configuration of a cable support duct as illustrated in the accompanying representations, apart from the length of the duct which is indicated as indefinite in the representations.**



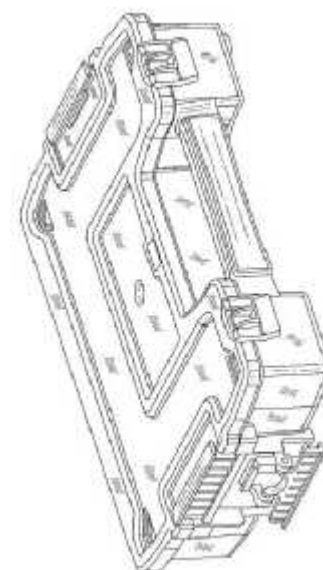
- (21) Design Number: **16319/2012**
(22) Date of Filing Application: **12 December 2012**
(24) Date from which industrial property rights may have effect: **12 December 2012**
(54) Product in respect of which the design is registered: **Cable support duct**
(51) International Design Classification: **13-03C**
(74) Name(s) of Attorney(s): **SPRUSON & FERGUSON**
(71) Name(s) and Address(s) of Applicant(s):
Legend Corporate Services Pty Ltd
1 Butler Dr Hendon SA 5014 Australia
(72) Name(s) of Designer(s): **Bruce James Ogden**
(45) Registration Date: **23 January 2013**
(56) Related Art Documents: **Not Applicable**
(57) Statement of Newness and Distinctiveness: **Newness and distinctiveness is claimed in the features of shape and/or configuration of a cable support duct as illustrated in the accompanying representations, apart from the length of the duct which is indicated as indefinite in the representations.**



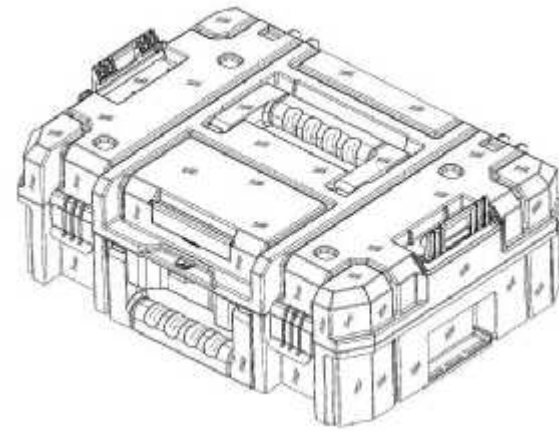
(21) Design Number: **16320/2012**
(22) Date of Filing Application: **12 December 2012**
(24) Date from which industrial property rights may have effect: **12 December 2012**
(54) Product in respect of which the design is registered: **Tyre for automobile**
(51) International Design Classification: **12-15B**
(74) Name(s) of Attorney(s): **SPRUSON & FERGUSON**
(71) Name(s) and Address(s) of Applicant(s):
The Goodyear Tire & Rubber Company
1144 East Market Street Akron Ohio 44316-0001 United States of America
(72) Name(s) of Designer(s): **Yoshiaki Takemoto**
(45) Registration Date: **23 January 2013**
(30) Convention priority data:
(31) Number (32) Date (33) Country
2012-010534 26 Jun 2012 JAPAN
(56) Related Art Documents: **Not Applicable**
(57) Statement of Newness and Distinctiveness: **Newness and distinctiveness is claimed in the features of shape and/or configuration of the tread of a tyre for automobile as illustrated in the accompanying representations, wherein the shape and/or configuration of the tread is repeated throughout the circumference of the tyre.**



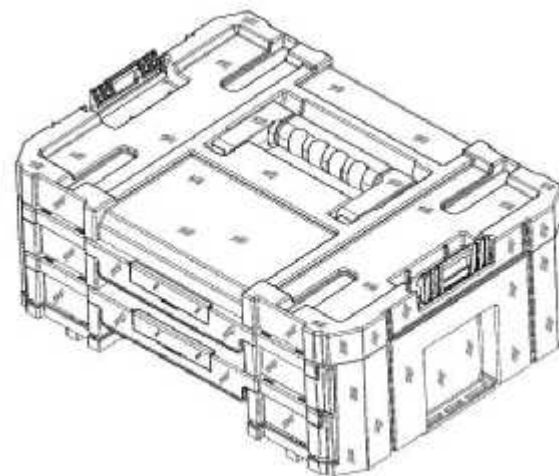
(21) Design Number: **16037/2012**
(22) Date of Filing Application: **05 December 2012**
(24) Date from which industrial property rights may have effect: **05 December 2012**
(54) Product in respect of which the design is registered: **Container**
(51) International Design Classification: **09-03M**
(74) Name(s) of Attorney(s): **Davies Collison Cave**
(71) Name(s) and Address(s) of Applicant(s):
The Stanley Works Israel Ltd.
19 Ha'Melacha Street Rosh Ha'Ayin 48091 Israel
(72) Name(s) of Designer(s): **Sharon Bar-Erez**
(45) Registration Date: **23 January 2013**
(30) Convention priority data:
(31) Number (32) Date (33) Country
001329569 06 Jun 2012 EUROPEAN COMMUNITY
(56) Related Art Documents: **Not Applicable**
(57) Statement of Newness and Distinctiveness: **Nil**



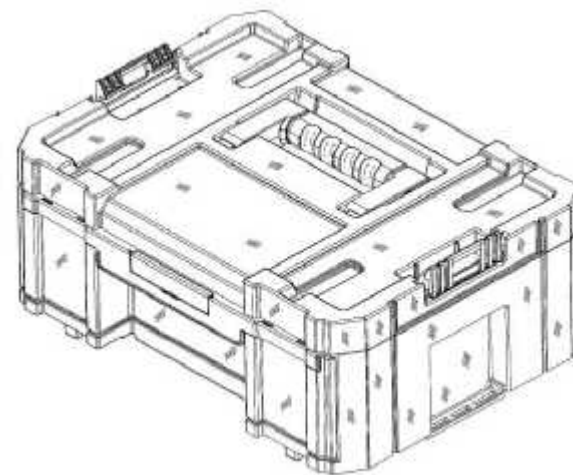
(21) Design Number: **16076/2012**
(22) Date of Filing Application: **06 December 2012**
(24) Date from which industrial property rights may have effect: **06 December 2012**
(54) Product in respect of which the design is registered: **Tool box**
(51) International Design Classification: **03-01D**
(74) Name(s) of Attorney(s): **Davies Collison Cave**
(71) Name(s) and Address(s) of Applicant(s):
The Stanley Works Israel Ltd.
19 Ha'Melacha Street Rosh Ha'Ayin 48091 Israel
(72) Name(s) of Designer(s): **Yosi Sabbag and Elad Shitrit**
(45) Registration Date: **23 January 2013**
(30) Convention priority data:
(31) Number (32) Date (33) Country
001329619 07 Jun 2012 EUROPEAN COMMUNITY
(56) Related Art Documents: **Not Applicable**
(57) Statement of Newness and Distinctiveness: **Nil**



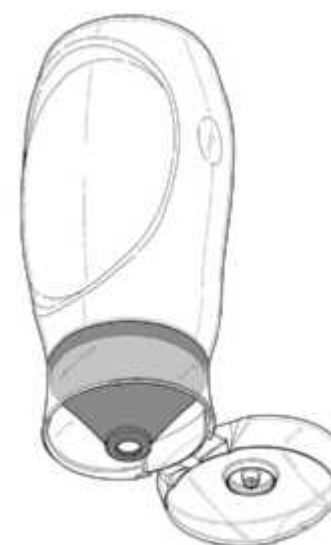
(21) Design Number: **16078/2012**
(22) Date of Filing Application: **06 December 2012**
(24) Date from which industrial property rights may have effect: **06 December 2012**
(54) Product in respect of which the design is registered: **Tool box**
(51) International Design Classification: **03-01D**
(74) Name(s) of Attorney(s): **Davies Collison Cave**
(71) Name(s) and Address(s) of Applicant(s):
The Stanley Works Israel Ltd.
19 Ha'Melacha Street Rosh Ha'Ayin 48091 Israel
(72) Name(s) of Designer(s): **Yosi Sabbag and Elad Shitrit**
(45) Registration Date: **23 January 2013**
(30) Convention priority data:
(31) Number (32) Date (33) Country
001329635 07 Jun 2012 EUROPEAN COMMUNITY
(56) Related Art Documents: **Not Applicable**
(57) Statement of Newness and Distinctiveness: **Nil**



(21) Design Number: **16081/2012**
(22) Date of Filing Application: **06 December 2012**
(24) Date from which industrial property rights may have effect: **06 December 2012**
(54) Product in respect of which the design is registered: **Tool box**
(51) International Design Classification: **03-01D**
(74) Name(s) of Attorney(s): **Davies Collison Cave**
(71) Name(s) and Address(s) of Applicant(s):
The Stanley Works Israel Ltd.
19 Ha'Melacha Street Rosh Ha'Ayin 48091 Israel
(72) Name(s) of Designer(s): **Yosi Sabbag and Elad Shitrit**
(45) Registration Date: **23 January 2013**
(30) Convention priority data:
(31) Number (32) Date (33) Country
001329635 07 Jun 2012 EUROPEAN COMMUNITY
(56) Related Art Documents: **Not Applicable**
(57) Statement of Newness and Distinctiveness: **Nil**



(21) Design Number: **16083/2012**
(22) Date of Filing Application: **06 December 2012**
(24) Date from which industrial property rights may have effect: **06 December 2012**
(54) Product in respect of which the design is registered: **Bottle**
(51) International Design Classification: **09-01K**
(74) Name(s) of Attorney(s): **Davies Collison Cave**
(71) Name(s) and Address(s) of Applicant(s):
Unilever PLC
Unilever House 100 Embarkment Road London Greater London EC4Y
0DY United Kingdom
(72) Name(s) of Designer(s): **Marije Karen R Lujendijk**
(45) Registration Date: **23 January 2013**
(30) Convention priority data:
(31) Number (32) Date (33) Country
001331276-0015 18 Jun 2012 EUROPEAN COMMUNITY
(56) Related Art Documents: **Not Applicable**
(57) Statement of Newness and Distinctiveness: **Newness and distinctiveness is claimed in the visual features shown in solid lines in the representations.**



(21) Design Number: **16205/2012**

(22) Date of Filing Application: **10 December 2012**

(24) Date from which industrial property rights may have effect: **10 December 2012**

(54) Product in respect of which the design is registered: **Fascia plate**

(51) International Design Classification: **15-05**

(74) Name(s) of Attorney(s): **Halfords IP**

(71) Name(s) and Address(s) of Applicant(s):

Electrolux Sea Pte Ltd

**11 Lorong 3 Toa Payoh Jackson Square Block B # 01 13 14 15 Singapore
319579 Singapore**

(72) Name(s) of Designer(s): **Swaminathan Iyer and Pernilla Johansson**

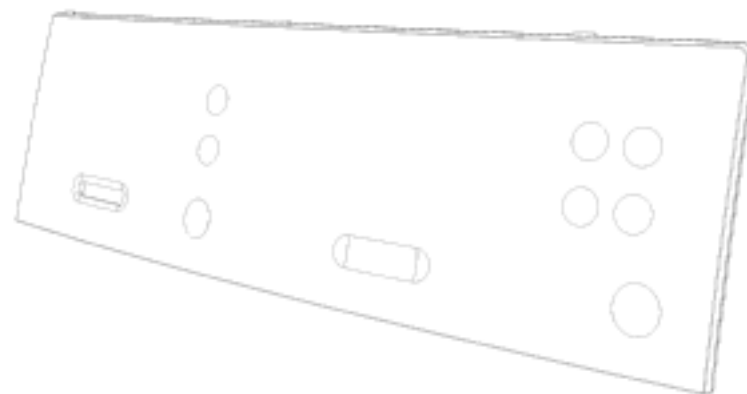
(45) Registration Date: **23 January 2013**

(30) Convention priority data:

(31) Number	(32) Date	(33) Country
201230251739.1	12 Jun 2012	CHINA

(56) Related Art Documents: **Not Applicable**

(57) Statement of Newness and Distinctiveness: **Newness and distinctiveness resides in the shape and or configuration of a fascia plate for a fabric care appliance as depicted in the accompanying representations.**



(21) Design Number: **16209/2012**

(22) Date of Filing Application: **10 December 2012**

(24) Date from which industrial property rights may have effect: **10 December 2012**

(54) Product in respect of which the design is registered: **Soap drawer**

(51) International Design Classification: **15-05**

(74) Name(s) of Attorney(s): **Halfords IP**

(71) Name(s) and Address(s) of Applicant(s):

Electrolux Sea Pte Ltd

**11 Lorong 3 Toa Payoh Jackson Square Block B # 01 13 14 15 Singapore
319579 Singapore**

(72) Name(s) of Designer(s): **Swaminathan Iyer and Pernilla Johansson**

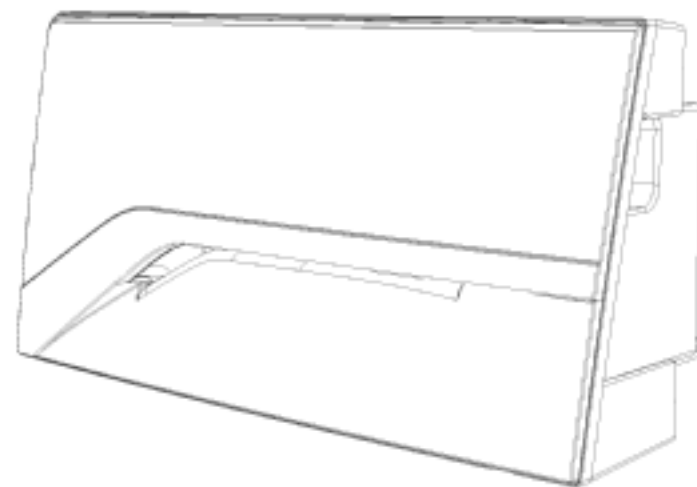
(45) Registration Date: **23 January 2013**

(30) Convention priority data:

(31) Number	(32) Date	(33) Country
201230251739.1	12 Jun 2012	CHINA

(56) Related Art Documents: **Not Applicable**

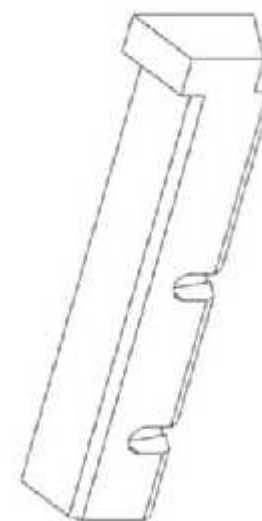
(57) Statement of Newness and Distinctiveness: **Newness and Distinctiveness resides in the shape and or configuration of a soap drawer for a fabric care appliance as depicted in the accompanying representations.**



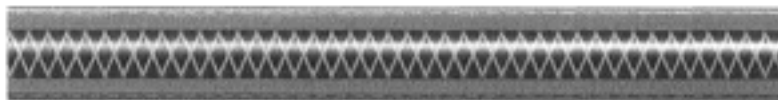
(21) Design Number: **16288/2012**
(22) Date of Filing Application: **12 December 2012**
(24) Date from which industrial property rights may have effect: **12 December 2012**
(54) Product in respect of which the design is registered: **Air intake snorkel for a vehicle**
(51) International Design Classification: **12-16NES**
(74) Name(s) of Attorney(s): **HODGKINSON McINNES PATENTS**
(71) Name(s) and Address(s) of Applicant(s):
Australian Performance Development Pty Ltd
73 Merrindale Dr South Croydon VIC 3136 Australia
(72) Name(s) of Designer(s): **Andrew Berry**
(45) Registration Date: **23 January 2013**
(56) Related Art Documents: **Not Applicable**
(57) Statement of Newness and Distinctiveness: **Newness and distinctiveness is claimed in the shape and configuration of an Air Intake Snorkel for a Vehicle as shown in the representations.**



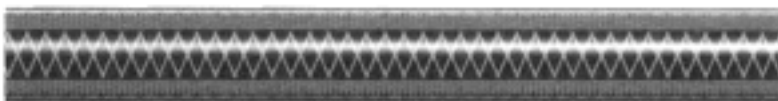
(21) Design Number: **16290/2012**
(22) Date of Filing Application: **12 December 2012**
(24) Date from which industrial property rights may have effect: **12 December 2012**
(54) Product in respect of which the design is registered: **Jaw plate clamping bar**
(51) International Design Classification: **08-01**
(74) Name(s) of Attorney(s): **Griffith Hack**
(71) Name(s) and Address(s) of Applicant(s):
Sandvik Intellectual Property AB
Sandviken SE-811 81 Sweden
(72) Name(s) of Designer(s): **Roger Sjoback and Karin Ljunggren and Marten Lindberg**
(45) Registration Date: **23 January 2013**
(30) Convention priority data:
(31) Number (32) Date (33) Country
001330674-0001 13 Jun 2012 EUROPEAN PATENT OFFICE (EPO)
(56) Related Art Documents: **Not Applicable**
(57) Statement of Newness and Distinctiveness: **Nil**



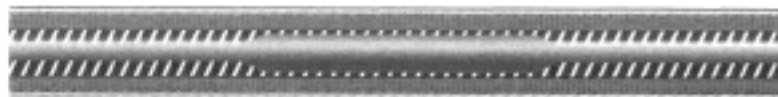
(21) Design Number: **12708/2012**
(22) Date of Filing Application: **07 June 2012**
(24) Date from which industrial property rights may have effect: **07 June 2012**
(54) Product in respect of which the design is registered: **Garden hose**
(51) International Design Classification: **23-01C**
(74) Name(s) of Attorney(s): **SPRUSON & FERGUSON**
(71) Name(s) and Address(s) of Applicant(s):
GARDENA Manufacturing GmbH
Hans Lorenser Strasse 40 D-89079 ULM Germany
(72) Name(s) of Designer(s): **Aleksandar Tatic**
(45) Registration Date: **23 January 2013**
(30) Convention priority data:
(31) Number (32) Date (33) Country
002046037 23 May 2012 EUROPEAN COMMUNITY
(56) Related Art Documents: **Not Applicable**
(57) Statement of Newness and Distinctiveness: **Newness and distinctiveness is claimed in the features of pattern and/or ornamentation and shape and/or configuration of a garden hose as illustrated in the accompanying representations, apart from the length of the garden hose.**



(21) Design Number: **12710/2012**
(22) Date of Filing Application: **07 June 2012**
(24) Date from which industrial property rights may have effect: **07 June 2012**
(54) Product in respect of which the design is registered: **Garden hose**
(51) International Design Classification: **23-01C**
(74) Name(s) of Attorney(s): **SPRUSON & FERGUSON**
(71) Name(s) and Address(s) of Applicant(s):
GARDENA Manufacturing GmbH
Hans Lorenser Strasse 40 D-89079 ULM Germany
(72) Name(s) of Designer(s): **Aleksandar Tatic**
(45) Registration Date: **23 January 2013**
(30) Convention priority data:
(31) Number (32) Date (33) Country
002046037 23 May 2012 EUROPEAN COMMUNITY
(56) Related Art Documents: **Not Applicable**
(57) Statement of Newness and Distinctiveness: **Newness and distinctiveness is claimed in the features of pattern and/or ornamentation and shape and/or configuration of a garden hose as illustrated in the accompanying representations, apart from the length of the garden hose.**



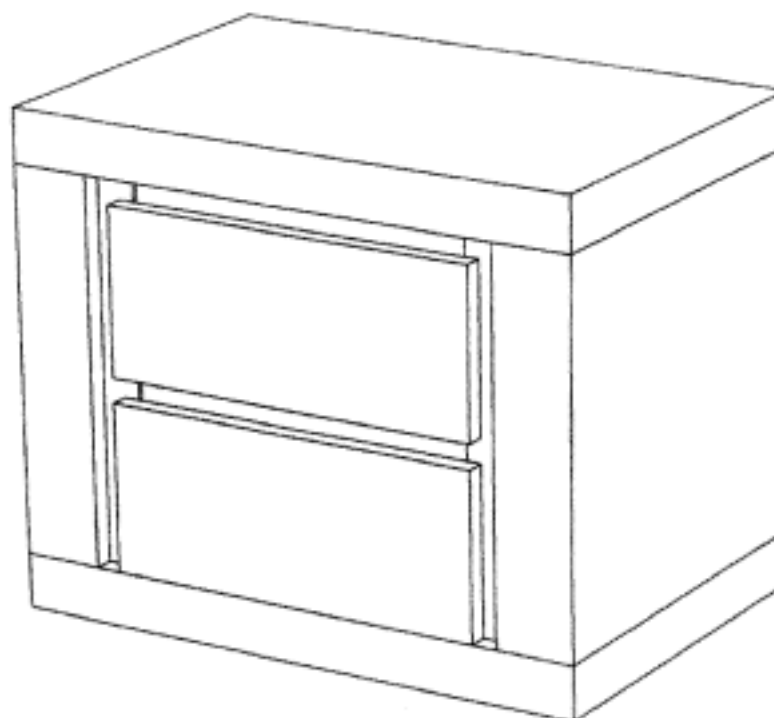
(21) Design Number: **12715/2012**
(22) Date of Filing Application: **07 June 2012**
(24) Date from which industrial property rights may have effect: **07 June 2012**
(54) Product in respect of which the design is registered: **Garden hose**
(51) International Design Classification: **23-01C**
(74) Name(s) of Attorney(s): **SPRUSON & FERGUSON**
(71) Name(s) and Address(s) of Applicant(s):
GARDENA Manufacturing GmbH
Hans Lorenser Strasse 40 D-89079 ULM Germany
(72) Name(s) of Designer(s): **Aleksandar Tatic**
(45) Registration Date: **23 January 2013**
(30) Convention priority data:
(31) Number (32) Date (33) Country
002046037 23 May 2012 EUROPEAN COMMUNITY
(56) Related Art Documents: **Not Applicable**
(57) Statement of Newness and Distinctiveness: **Newness and distinctiveness is claimed in the features of pattern and/or ornamentation and shape and/or configuration of a garden hose as illustrated in the accompanying representations, apart from the length of the garden hose.**



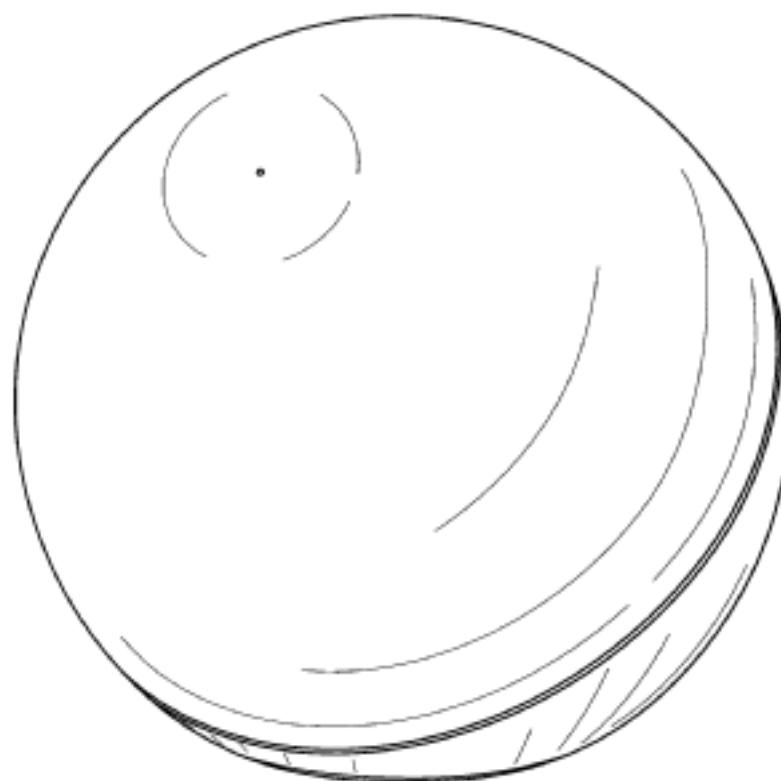
(21) Design Number: **12717/2012**
(22) Date of Filing Application: **07 June 2012**
(24) Date from which industrial property rights may have effect: **07 June 2012**
(54) Product in respect of which the design is registered: **Garden hose**
(51) International Design Classification: **23-01C**
(74) Name(s) of Attorney(s): **SPRUSON & FERGUSON**
(71) Name(s) and Address(s) of Applicant(s):
GARDENA Manufacturing GmbH
Hans Lorenser Strasse 40 D-89079 ULM Germany
(72) Name(s) of Designer(s): **Aleksandar Tatic**
(45) Registration Date: **23 January 2013**
(30) Convention priority data:
(31) Number (32) Date (33) Country
002046037 23 May 2012 EUROPEAN COMMUNITY
(56) Related Art Documents: **Not Applicable**
(57) Statement of Newness and Distinctiveness: **Newness and distinctiveness is claimed in the features of pattern and/or ornamentation and shape and/or configuration of a garden hose as illustrated in the accompanying representations, apart from the length of the garden hose.**



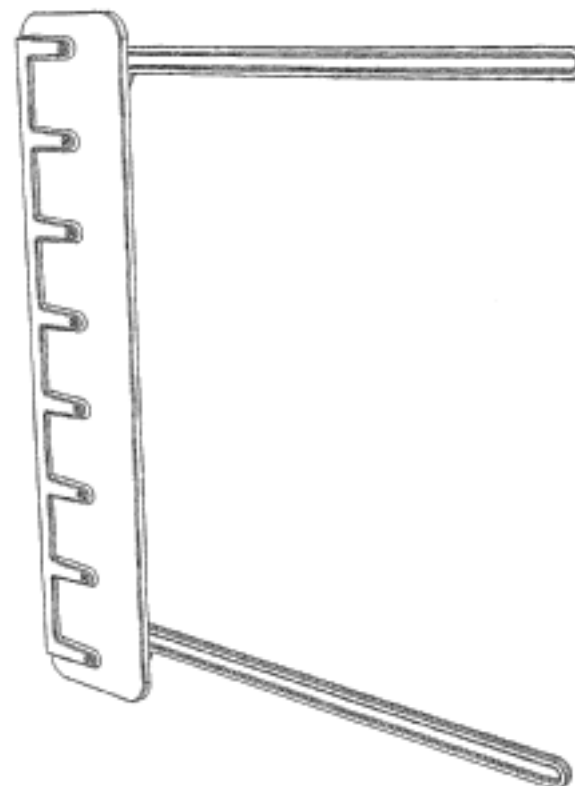
- (21) Design Number: **15010/2012**
(22) Date of Filing Application: **09 October 2012**
(24) Date from which industrial property rights may have effect: **09 October 2012**
(54) Product in respect of which the design is registered: **A bed side table, tall boy and dresser**
(51) International Design Classification: **06-06B, 06-04F, 06-05**
(74) Name(s) of Attorney(s): **Elliptic Legal & Patent Services**
(71) Name(s) and Address(s) of Applicant(s):
AFI (WA) Pty Ltd
211 Camboon Road Malaga Western Australia 6090 Australia
(72) Name(s) of Designer(s): **Philip Khor Ching Yee**
(45) Registration Date: **23 January 2013**
(56) Related Art Documents: **Not Applicable**
(57) Statement of Newness and Distinctiveness: **Novelty is claimed in the pattern and ornamentation of the bedroom suite as shown in the accompanying representations.**



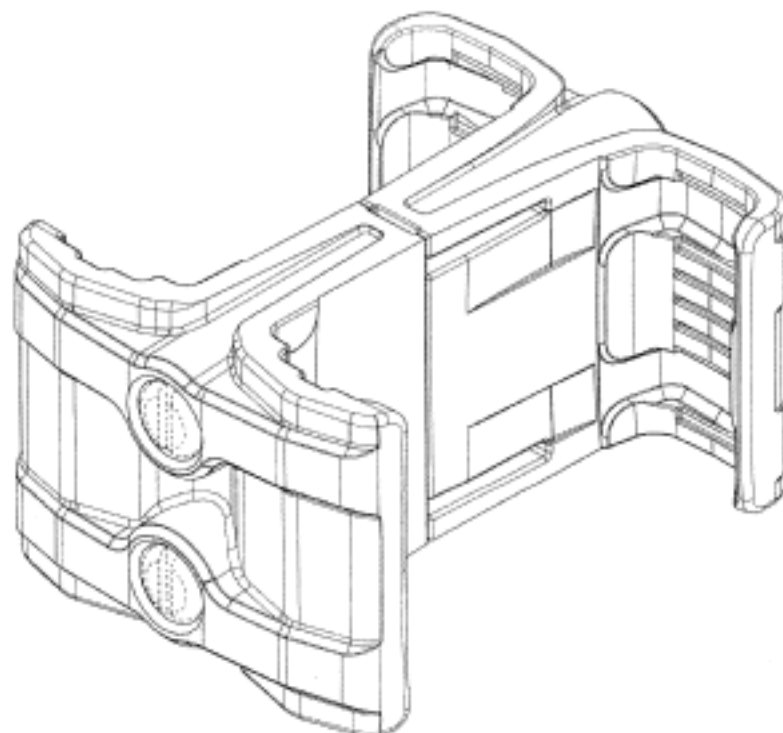
- (21) Design Number: **15427/2012**
(22) Date of Filing Application: **30 October 2012**
(24) Date from which industrial property rights may have effect: **30 October 2012**
(54) Product in respect of which the design is registered: **Electronic device**
(51) International Design Classification: **14-02**
(74) Name(s) of Attorney(s): **Shelston IP**
(71) Name(s) and Address(s) of Applicant(s):
Google Inc.
2400 Bayshore Parkway Mountain View California 94043 United States of America
(72) Name(s) of Designer(s): **Joe Freeman Britt Jr and Maaiké Evers and Michael Simonian**
(45) Registration Date: **23 January 2013**
(30) Convention priority data:
(31) Number (32) Date (33) Country
29/423355 31 May 2012 UNITED STATES OF AMERICA
(56) Related Art Documents: **Not Applicable**
(57) Statement of Newness and Distinctiveness: **Newness and distinctiveness resides in the features of shape and configuration of an electronic device as illustrated in the accompanying representations.**



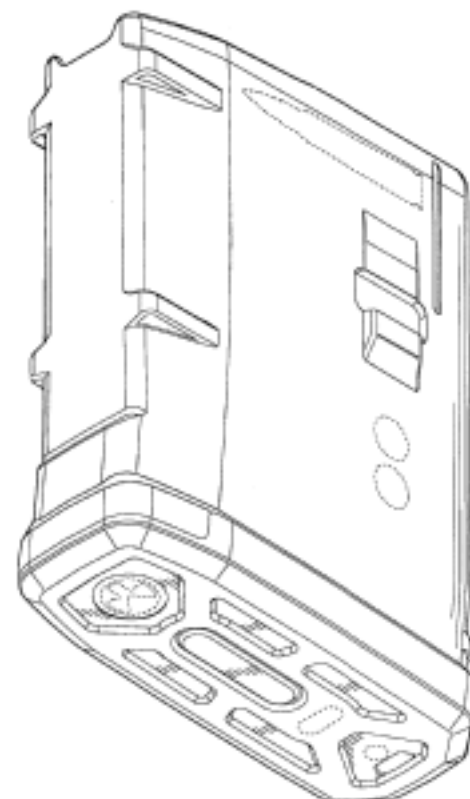
- (21) Design Number: **15445/2012**
(22) Date of Filing Application: **31 October 2012**
(24) Date from which industrial property rights may have effect: **31 October 2012**
(54) Product in respect of which the design is registered: **Monitor mount**
(51) International Design Classification: **08-08NES**
(74) Name(s) of Attorney(s): **Griffith Hack**
(71) Name(s) and Address(s) of Applicant(s):
Eric Costas
U6 2-4 Reed St Cremorne NSW 2090 Australia
(72) Name(s) of Designer(s): **Eric Costas**
(45) Registration Date: **23 January 2013**
(56) Related Art Documents: **Not Applicable**
(57) Statement of Newness and Distinctiveness: **Nil**



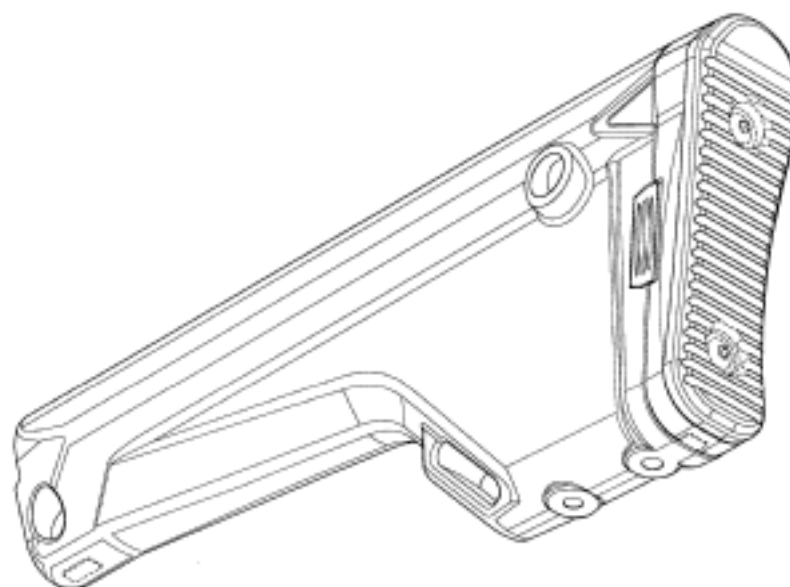
- (21) Design Number: **15587/2012**
(22) Date of Filing Application: **09 November 2012**
(24) Date from which industrial property rights may have effect: **09 November 2012**
(54) Product in respect of which the design is registered: **Magazine link**
(51) International Design Classification: **22-01**
(74) Name(s) of Attorney(s): **Davies Collison Cave**
(71) Name(s) and Address(s) of Applicant(s):
Magpul Industries Corporation
400 Young Court Unit 1 Erie Colorado 80516 United States of America
(72) Name(s) of Designer(s): **Richard Fitzpatrick and Michael T. Mayberry and
Jeremy Kerbs and Brad Bennett and Brian Nakayama**
(45) Registration Date: **23 January 2013**
(30) Convention priority data:
(31) Number (32) Date (33) Country
29/420598 10 May 2012 UNITED STATES OF AMERICA
(56) Related Art Documents: **Not Applicable**
(57) Statement of Newness and Distinctiveness: **Newness and distinctiveness is
claimed in the visual features shown in solid lines in the representations.**



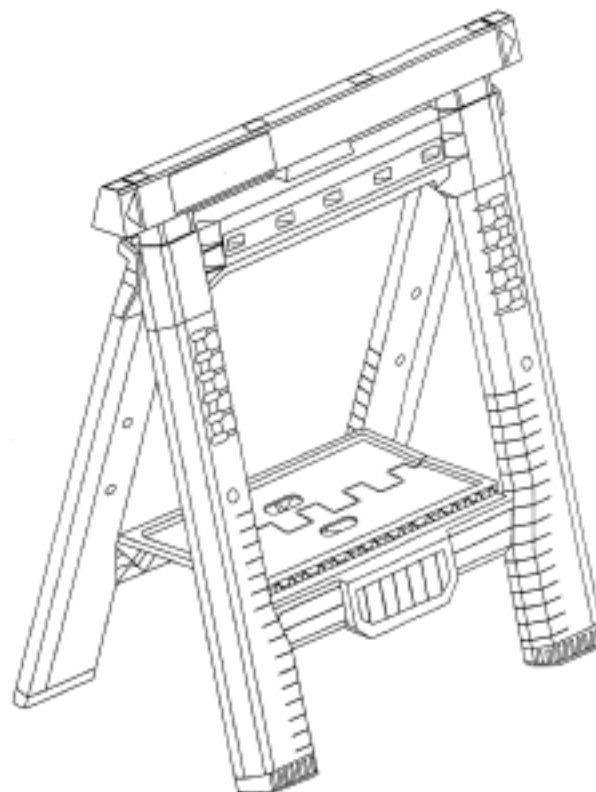
- (21) Design Number: **15678/2012**
(22) Date of Filing Application: **14 November 2012**
(24) Date from which industrial property rights may have effect: **14 November 2012**
(54) Product in respect of which the design is registered: **Magazine**
(51) International Design Classification: **22-01**
(74) Name(s) of Attorney(s): **Davies Collison Cave**
(71) Name(s) and Address(s) of Applicant(s):
Magpul Industries Corporation
400 Young Court Unit 1 Erie Colorado 80516 United States of America
(72) Name(s) of Designer(s): **Brad Bennett and Richard Fitzpatrick and Michael T. Mayberry and Brian Nakayama and Nick Kielsmeier and Chad McKonly**
(45) Registration Date: **23 January 2013**
(30) Convention priority data:
(31) Number (32) Date (33) Country
29/423116 29 May 2012 UNITED STATES OF AMERICA
(56) Related Art Documents: **Not Applicable**
(57) Statement of Newness and Distinctiveness: **Newness and distinctiveness is claimed in the visual features shown in solid lines in the representations.**



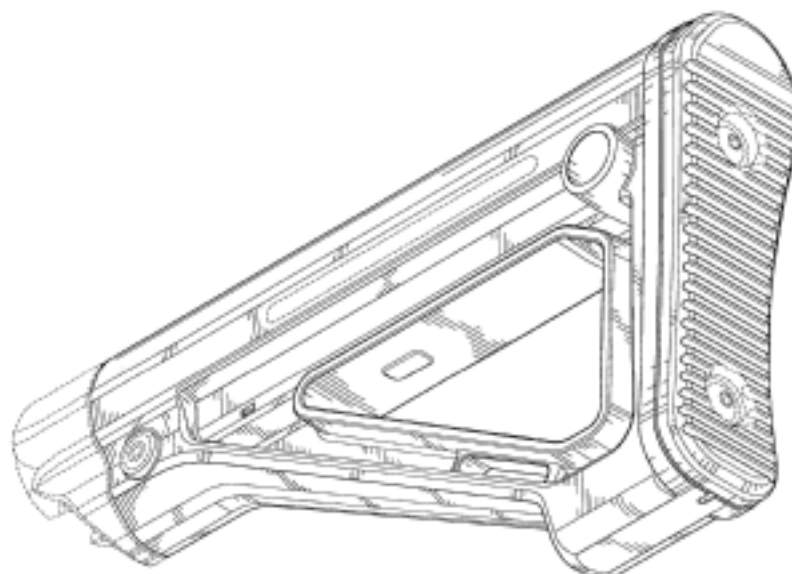
- (21) Design Number: **15679/2012**
(22) Date of Filing Application: **14 November 2012**
(24) Date from which industrial property rights may have effect: **14 November 2012**
(54) Product in respect of which the design is registered: **Rifle stock**
(51) International Design Classification: **22-01**
(74) Name(s) of Attorney(s): **Davies Collison Cave**
(71) Name(s) and Address(s) of Applicant(s):
Magpul Industries Corporation
400 Young Court Unit 1 Erie Colorado 80516 United States of America
(72) Name(s) of Designer(s): **Richard Fitzpatrick and Michael T. Mayberry and Brad Bennett and Sean Flickinger and Brian Nakayama and Thomas Ward Jr.**
(45) Registration Date: **23 January 2013**
(30) Convention priority data:
(31) Number (32) Date (33) Country
29/423118 29 May 2012 UNITED STATES OF AMERICA
(56) Related Art Documents: **Not Applicable**
(57) Statement of Newness and Distinctiveness: **Newness and distinctiveness is claimed in the visual features shown in solid lines in the representations.**



(21) Design Number: **15766/2012**
(22) Date of Filing Application: **16 November 2012**
(24) Date from which industrial property rights may have effect: **16 November 2012**
(54) Product in respect of which the design is registered: **Sawhorse**
(51) International Design Classification: **08-99**
(74) Name(s) of Attorney(s): **Davies Collison Cave**
(71) Name(s) and Address(s) of Applicant(s):
The Stanley Works Israel Ltd.
19 Ha'Melacha Street Rosh Ha'Ayin 48091 Israel
(72) Name(s) of Designer(s): **Boaz Ken-Dror and Sharon Fella Bar-Erez and Yosi Sabbag**
(45) Registration Date: **23 January 2013**
(30) Convention priority data:
(31) Number (32) Date (33) Country
001327985-0001 25 May 2012 EUROPEAN COMMUNITY
(56) Related Art Documents: **Not Applicable**
(57) Statement of Newness and Distinctiveness: **Nil**



(21) Design Number: **15778/2012**
(22) Date of Filing Application: **19 November 2012**
(24) Date from which industrial property rights may have effect: **19 November 2012**
(54) Product in respect of which the design is registered: **Fixed carbine stock**
(51) International Design Classification: **22-01**
(74) Name(s) of Attorney(s): **Davies Collison Cave**
(71) Name(s) and Address(s) of Applicant(s):
Magpul Industries Corporation
400 Young Court Unit 1 Erie Colorado 80516 United States of America
(72) Name(s) of Designer(s): **Richard Fitzpatrick and Michael T. Mayberry and Brad Bennett and Chad McKonly and Grady Barfoot and Thomas Ward Jr. and Sean William Flickinger and Jeremy Kerbs and Brian Nakayama**
(45) Registration Date: **23 January 2013**
(30) Convention priority data:
(31) Number (32) Date (33) Country
29/424241 08 Jun 2012 UNITED STATES OF AMERICA
(56) Related Art Documents: **Not Applicable**
(57) Statement of Newness and Distinctiveness: **Newness and distinctiveness is claimed in the visual features shown in solid lines in the representations.**



- (21) Design Number: **15780/2012**
(22) Date of Filing Application: **16 November 2012**
(24) Date from which industrial property rights may have effect: **09 March 2012**
(54) Product in respect of which the design is registered: **Article of clothing**
(51) International Design Classification: **02-02NES**
(74) Name(s) of Attorney(s): **Allens Patent & Trade Mark Attorneys**
(71) Name(s) and Address(s) of Applicant(s):
Forever New Clothing Pty Ltd
714-716 High St Kew East Victoria 3102 Australia
(72) Name(s) of Designer(s): **Gemma Henderson**
(45) Registration Date: **23 January 2013**
(62) Divisional of: **345695**
(56) Related Art Documents: **Not Applicable**
(57) Statement of Newness and Distinctiveness: **Newness and distinctiveness resides in the visual features of shape, configuration, pattern and/or ornamentation of an article of clothing as shown in the accompanying representations.**



- (21) Design Number: **15782/2012**
(22) Date of Filing Application: **16 November 2012**
(24) Date from which industrial property rights may have effect: **09 March 2012**
(54) Product in respect of which the design is registered: **Article of clothing**
(51) International Design Classification: **02-02C**
(74) Name(s) of Attorney(s): **Allens Patent & Trade Mark Attorneys**
(71) Name(s) and Address(s) of Applicant(s):
Forever New Clothing Pty Ltd
714-716 High St Kew East Victoria 3102 Australia
(72) Name(s) of Designer(s): **Mary McCarthy**
(45) Registration Date: **23 January 2013**
(62) Divisional of: **345695**
(56) Related Art Documents: **Not Applicable**
(57) Statement of Newness and Distinctiveness: **Newness and distinctiveness resides in the visual features of shape, configuration, pattern and/or ornamentation of an article of clothing as shown in the accompanying representations.**



- (21) Design Number: **15783/2012**
(22) Date of Filing Application: **16 November 2012**
(24) Date from which industrial property rights may have effect: **09 March 2012**
(54) Product in respect of which the design is registered: **Article of clothing**
(51) International Design Classification: **02-02C**
(74) Name(s) of Attorney(s): **Allens Patent & Trade Mark Attorneys**
(71) Name(s) and Address(s) of Applicant(s):
Forever New Clothing Pty Ltd
714-716 High St Kew East Victoria 3102 Australia
(72) Name(s) of Designer(s): **Tristan Melle**
(45) Registration Date: **23 January 2013**
(62) Divisional of: **345695**
(56) Related Art Documents: **Not Applicable**
(57) Statement of Newness and Distinctiveness: **Newness and distinctiveness resides in the visual features of shape, configuration, pattern and/or ornamentation of an article of clothing as shown in the accompanying representations.**



- (21) Design Number: **15784/2012**
(22) Date of Filing Application: **16 November 2012**
(24) Date from which industrial property rights may have effect: **16 November 2012**
(54) Product in respect of which the design is registered: **Article of clothing**
(51) International Design Classification: **02-02C**
(74) Name(s) of Attorney(s): **Allens Patent & Trade Mark Attorneys**
(71) Name(s) and Address(s) of Applicant(s):
Forever New Clothing Pty Ltd
714-716 High St Kew East Victoria 3102 Australia
(72) Name(s) of Designer(s): **Laura Mitchell**
(45) Registration Date: **23 January 2013**
(56) Related Art Documents: **Not Applicable**
(57) Statement of Newness and Distinctiveness: **Newness and distinctiveness resides in the visual features of shape, configuration, pattern and/or ornamentation of an article of clothing as shown in the accompanying representations.**



- (21) Design Number: **15785/2012**
(22) Date of Filing Application: **16 November 2012**
(24) Date from which industrial property rights may have effect: **09 March 2012**
(54) Product in respect of which the design is registered: **Article of clothing**
(51) International Design Classification: **02-02NES**
(74) Name(s) of Attorney(s): **Allens Patent & Trade Mark Attorneys**
(71) Name(s) and Address(s) of Applicant(s):
Forever New Clothing Pty Ltd
714-716 High St Kew East Victoria 3102 Australia
(72) Name(s) of Designer(s): **Alice Burrow**
(45) Registration Date: **23 January 2013**
(62) Divisional of: **345695**
(56) Related Art Documents: **Not Applicable**
(57) Statement of Newness and Distinctiveness: **Newness and distinctiveness resides in the visual features of shape, configuration, pattern and/or ornamentation of an article of clothing as shown in the accompanying representations.**



- (21) Design Number: **15786/2012**
(22) Date of Filing Application: **16 November 2012**
(24) Date from which industrial property rights may have effect: **09 March 2012**
(54) Product in respect of which the design is registered: **Article of clothing**
(51) International Design Classification: **02-02NES**
(74) Name(s) of Attorney(s): **Allens Patent & Trade Mark Attorneys**
(71) Name(s) and Address(s) of Applicant(s):
Forever New Clothing Pty Ltd
714-716 High St Kew East Victoria 3102 Australia
(72) Name(s) of Designer(s): **Alice Burrow**
(45) Registration Date: **23 January 2013**
(62) Divisional of: **345695**
(56) Related Art Documents: **Not Applicable**
(57) Statement of Newness and Distinctiveness: **Newness and distinctiveness resides in the visual features of shape, configuration, pattern and/or ornamentation of an article of clothing as shown in the accompanying representations.**



- (21) Design Number: **15788/2012**
(22) Date of Filing Application: **16 November 2012**
(24) Date from which industrial property rights may have effect: **09 March 2012**
(54) Product in respect of which the design is registered: **Article of clothing**
(51) International Design Classification: **02-02NES**
(74) Name(s) of Attorney(s): **Allens Patent & Trade Mark Attorneys**
(71) Name(s) and Address(s) of Applicant(s):
Forever New Clothing Pty Ltd
714-716 High St Kew East Victoria 3102 Australia
(72) Name(s) of Designer(s): **Dulcie Flynn**
(45) Registration Date: **23 January 2013**
(62) Divisional of: **345695**
(56) Related Art Documents: **Not Applicable**
(57) Statement of Newness and Distinctiveness: **Newness and distinctiveness resides in the visual features of shape, configuration, pattern and/or ornamentation of an article of clothing as shown in the accompanying representations.**



- (21) Design Number: **15789/2012**
(22) Date of Filing Application: **16 November 2012**
(24) Date from which industrial property rights may have effect: **09 March 2012**
(54) Product in respect of which the design is registered: **Article of clothing**
(51) International Design Classification: **02-02C**
(74) Name(s) of Attorney(s): **Allens Patent & Trade Mark Attorneys**
(71) Name(s) and Address(s) of Applicant(s):
Forever New Clothing Pty Ltd
714-716 High St Kew East Victoria 3102 Australia
(72) Name(s) of Designer(s): **Octavia Miller**
(45) Registration Date: **23 January 2013**
(62) Divisional of: **345695**
(56) Related Art Documents: **Not Applicable**
(57) Statement of Newness and Distinctiveness: **Newness and distinctiveness resides in the visual features of shape, configuration, pattern and/or ornamentation of an article of clothing as shown in the accompanying representations.**



- (21) Design Number: **15790/2012**
(22) Date of Filing Application: **16 November 2012**
(24) Date from which industrial property rights may have effect: **09 March 2012**
(54) Product in respect of which the design is registered: **Article of clothing**
(51) International Design Classification: **02-02NES**
(74) Name(s) of Attorney(s): **Allens Patent & Trade Mark Attorneys**
(71) Name(s) and Address(s) of Applicant(s):
Forever New Clothing Pty Ltd
714-716 High St Kew East Victoria 3102 Australia
(72) Name(s) of Designer(s): **Gemma Henderson**
(45) Registration Date: **23 January 2013**
(62) Divisional of: **345695**
(56) Related Art Documents: **Not Applicable**
(57) Statement of Newness and Distinctiveness: **Newness and distinctiveness resides in the visual features of shape, configuration, pattern and/or ornamentation of an article of clothing as shown in the accompanying representations.**



- (21) Design Number: **15791/2012**
(22) Date of Filing Application: **16 November 2012**
(24) Date from which industrial property rights may have effect: **09 March 2012**
(54) Product in respect of which the design is registered: **Article of clothing**
(51) International Design Classification: **02-02NES**
(74) Name(s) of Attorney(s): **Allens Patent & Trade Mark Attorneys**
(71) Name(s) and Address(s) of Applicant(s):
Forever New Clothing Pty Ltd
714-716 High St Kew East Victoria 3102 Australia
(72) Name(s) of Designer(s): **Gemma Henderson**
(45) Registration Date: **23 January 2013**
(62) Divisional of: **345695**
(56) Related Art Documents: **Not Applicable**
(57) Statement of Newness and Distinctiveness: **Newness and distinctiveness resides in the visual features of shape, configuration, pattern and/or ornamentation of an article of clothing as shown in the accompanying representations.**



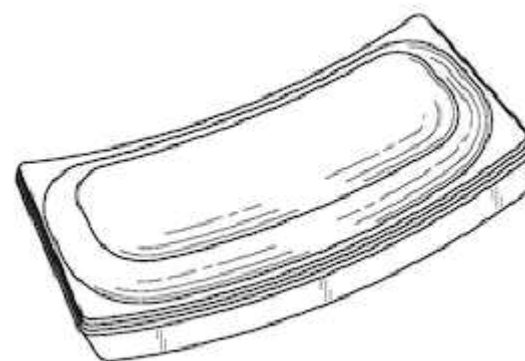
(21) Design Number: **15996/2012**
(22) Date of Filing Application: **09 October 2012**
(24) Date from which industrial property rights may have effect: **09 October 2012**
(54) Product in respect of which the design is registered: **A bed frame**
(51) International Design Classification: **06-02**
(74) Name(s) of Attorney(s): **Elliptic Legal & Patent Services**
(71) Name(s) and Address(s) of Applicant(s):
AFI (WA) Pty Ltd
211 Camboon Road Malaga Western Australia 6090 Australia
(72) Name(s) of Designer(s): **Philip Khor Ching Yee**
(45) Registration Date: **23 January 2013**
(56) Related Art Documents: **Not Applicable**
(57) Statement of Newness and Distinctiveness: **Novelty is claimed in the pattern and ornamentation of the bedroom suite as shown in the accompanying representations.**



(21) Design Number: **16366/2012**
(22) Date of Filing Application: **17 December 2012**
(24) Date from which industrial property rights may have effect: **17 December 2012**
(54) Product in respect of which the design is registered: **Ladles**
(51) International Design Classification: **07-04**
(74) Name(s) of Attorney(s): **Trademark Works**
(71) Name(s) and Address(s) of Applicant(s):
Joseph Joseph Ltd
The Grove 30 Great Guildford Street SE1 OHS London United Kingdom
(72) Name(s) of Designer(s): **Bill Holding and Ben Cox**
(45) Registration Date: **24 January 2013**
(30) Convention priority data:
(31) Number (32) Date (33) Country
002102343-0001 13 Sep 2012 EUROPEAN PATENT OFFICE (EPO)
(56) Related Art Documents: **Not Applicable**
(57) Statement of Newness and Distinctiveness: **The newness and distinctiveness of the design resides in the shape of the ladle as shown in the cin the accompanying representations.**



(21) Design Number: **16368/2012**
(22) Date of Filing Application: **18 December 2012**
(24) Date from which industrial property rights may have effect: **18 December 2012**
(54) Product in respect of which the design is registered: **Orthopedic pressure device**
(51) International Design Classification: **24-04**
(74) Name(s) of Attorney(s): **Davies Collison Cave**
(71) Name(s) and Address(s) of Applicant(s):
3M Innovative Properties Company
3M Center Saint Paul Minnesota 55133-3427 United States of America
(72) Name(s) of Designer(s): **Dominic Joseph Julian and Jeremy Joseph Jacobs**
(45) Registration Date: **24 January 2013**
(30) Convention priority data:
(31) Number (32) Date (33) Country
29/424976 18 Jun 2012 UNITED STATES OF AMERICA
(56) Related Art Documents: **Not Applicable**
(57) Statement of Newness and Distinctiveness: **Newness and distinctiveness is claimed in the visual features shown in solid lines in the representations.**



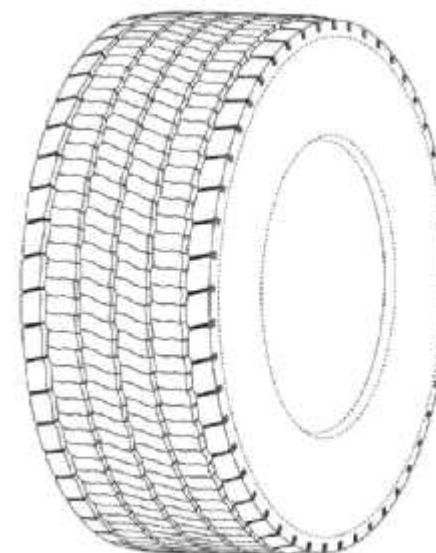
(21) Design Number: **16376/2012**
(22) Date of Filing Application: **18 December 2012**
(24) Date from which industrial property rights may have effect: **18 December 2012**
(54) Product in respect of which the design is registered: **Orthopedic pressure device**
(51) International Design Classification: **24-99, 24-04**
(74) Name(s) of Attorney(s): **Davies Collison Cave**
(71) Name(s) and Address(s) of Applicant(s):
3M Innovative Properties Company
3M Center Saint Paul Minnesota 55133-3427 United States of America
(72) Name(s) of Designer(s): **Dominic Joseph Julian and Jeremy Joseph Jacobs**
(45) Registration Date: **24 January 2013**
(30) Convention priority data:
(31) Number (32) Date (33) Country
29/424973 18 Jun 2012 UNITED STATES OF AMERICA
(56) Related Art Documents: **Not Applicable**
(57) Statement of Newness and Distinctiveness: **Newness and distinctiveness is claimed in the visual features shown in solid lines in the representations. In considering the extent of the design rights, the broken lines shown in the representations are for illustrative purposes only and do not form part of the design.**



(21) Design Number: **16379/2012**
(22) Date of Filing Application: **18 December 2012**
(24) Date from which industrial property rights may have effect: **18 December 2012**
(54) Product in respect of which the design is registered: **Medical injector**
(51) International Design Classification: **24-02**
(74) Name(s) of Attorney(s): **FB Rice**
(71) Name(s) and Address(s) of Applicant(s):
Becton Dickinson France S.A.S.
Rue Aristide Berges Le Pont-de-Claix 38800 France
(72) Name(s) of Designer(s): **Mathieu Lehaneur**
(45) Registration Date: **24 January 2013**
(30) Convention priority data:
(31) Number (32) Date (33) Country
29/424954 18 Jun 2012 UNITED STATES OF AMERICA
(56) Related Art Documents: **Not Applicable**
(57) Statement of Newness and Distinctiveness: **Newness and distinctiveness reside in the shape and configuration of the design as shown in the representations.**



(21) Design Number: **16381/2012**
(22) Date of Filing Application: **18 December 2012**
(24) Date from which industrial property rights may have effect: **18 December 2012**
(54) Product in respect of which the design is registered: **A tyre**
(51) International Design Classification: **12-15B**
(74) Name(s) of Attorney(s): **WATERMARK PATENT AND TRADE MARKS ATTORNEYS**
(71) Name(s) and Address(s) of Applicant(s):
Compagnie Generale Des Etablissements Michelin
12 cours Sablon Clermont-Ferrand F- 63000 France
Michelin Recherche et Technique S.A.
Route Louis-Braille 10 Granges-Paccot CH-1763 Switzerland
(72) Name(s) of Designer(s): **Maxime Rolland and Joseph A. Stain and John Anthony Hutz**
(45) Registration Date: **24 January 2013**
(30) Convention priority data:
(31) Number (32) Date (33) Country
29/426,080 29 Jun 2012 UNITED STATES OF AMERICA
(56) Related Art Documents: **Not Applicable**
(57) Statement of Newness and Distinctiveness: **Newness and distinctiveness resides in the appearance of the tread region of the tyre, the remainder of the tyre should be disregarded when considering the monopoly in the design.**



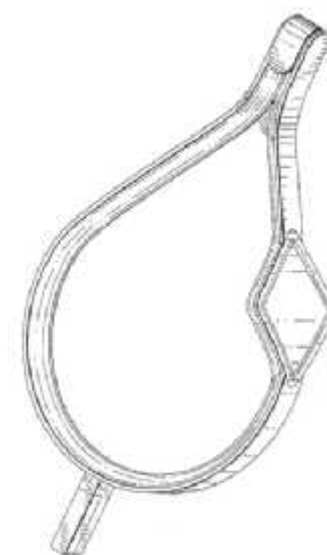
(21) Design Number: **16383/2012**
(22) Date of Filing Application: **18 December 2012**
(24) Date from which industrial property rights may have effect: **18 December 2012**
(54) Product in respect of which the design is registered: **Medical injector**
(51) International Design Classification: **24-02**
(74) Name(s) of Attorney(s): **FB Rice**
(71) Name(s) and Address(s) of Applicant(s):
Becton Dickinson France S.A.S.
Rue Aristide Berges Le Pont-de-Claix 38800 France
(72) Name(s) of Designer(s): **Mathieu Lehaneur**
(45) Registration Date: **24 January 2013**
(30) Convention priority data:
(31) Number (32) Date (33) Country
29/424953 18 Jun 2012 UNITED STATES OF AMERICA
(56) Related Art Documents: **Not Applicable**
(57) Statement of Newness and Distinctiveness: **Newness and distinctiveness reside in the shape and configuration of the design as shown in the representations.**



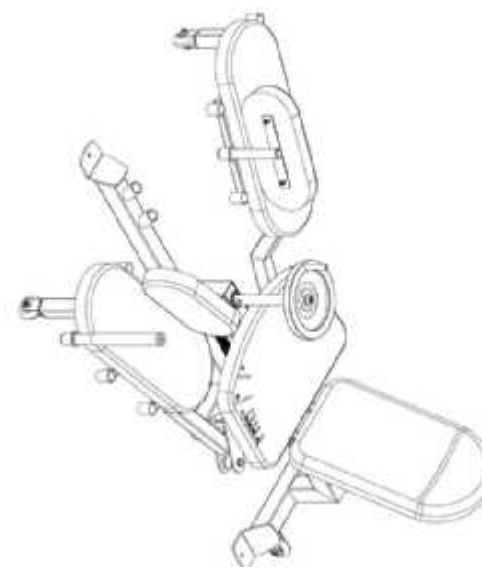
(21) Design Number: **16385/2012**
(22) Date of Filing Application: **18 December 2012**
(24) Date from which industrial property rights may have effect: **18 December 2012**
(54) Product in respect of which the design is registered: **Packaging assembly for a medical injector**
(51) International Design Classification: **24-02, 03-01NES**
(74) Name(s) of Attorney(s): **FB Rice**
(71) Name(s) and Address(s) of Applicant(s):
Becton Dickinson France S.A.S.
Rue Aristide Berges Le Pont-de-Claix 38800 France
(72) Name(s) of Designer(s): **Mathieu Lehaneur**
(45) Registration Date: **24 January 2013**
(30) Convention priority data:
(31) Number (32) Date (33) Country
29/424955 18 Jun 2012 UNITED STATES OF AMERICA
(56) Related Art Documents: **Not Applicable**
(57) Statement of Newness and Distinctiveness: **Newness and distinctiveness reside in the shape and configuration of the design as shown in the representations, excluding those features of the design represented in broken lines.**



(21) Design Number: **16386/2012**
(22) Date of Filing Application: **18 December 2012**
(24) Date from which industrial property rights may have effect: **18 December 2012**
(54) Product in respect of which the design is registered: **Medical injector**
(51) International Design Classification: **24-02**
(74) Name(s) of Attorney(s): **FB Rice**
(71) Name(s) and Address(s) of Applicant(s):
Becton Dickinson France S.A.S.
Rue Aristide Berges Le Pont-de-Claix 38800 France
(72) Name(s) of Designer(s): **Mathieu Lehanneur**
(45) Registration Date: **24 January 2013**
(30) Convention priority data:
(31) Number (32) Date (33) Country
29/424951 18 Jun 2012 UNITED STATES OF AMERICA
(56) Related Art Documents: **Not Applicable**
(57) Statement of Newness and Distinctiveness: **Newness and distinctiveness reside in the shape and configuration of the design as shown in the representations.**



(21) Design Number: **16401/2012**
(22) Date of Filing Application: **18 December 2012**
(24) Date from which industrial property rights may have effect: **18 December 2012**
(54) Product in respect of which the design is registered: **Gym equipment**
(51) International Design Classification: **21-02F**
(74) Name(s) of Attorney(s): **Complete IP Pty Limited**
(71) Name(s) and Address(s) of Applicant(s):
Australian Fitness Supplies Pty Limited
1/2 Activity Cres Molendinar QLD 4214 Australia
(72) Name(s) of Designer(s): **Daniel Alenaddaf**
(45) Registration Date: **24 January 2013**
(56) Related Art Documents: **Not Applicable**
(57) Statement of Newness and Distinctiveness: **Newness and distinctiveness is claimed in a number of the features of the design, being: a) The existence of, shape and configuration of the handle at the front of the equipment as seen in the accompanying drawing; b) The existence of, shape and configuration of wheels at the rear of the equipment as seen in the accompanying drawing; c) The shape and configuration of the rear padding as seen in the accompanying drawing; d) The appearance of the measurements imprinted to the seat of the machine as seen in the accompanying drawings; e) The existence of, shape and configuration of the removable wheel with handle angle adjustment as seen in the accompanying drawing**



- (21) Design Number: **16402/2012**
(22) Date of Filing Application: **18 December 2012**
(24) Date from which industrial property rights may have effect: **18 December 2012**
(54) Product in respect of which the design is registered: **Air ram**
(51) International Design Classification: **12-16NES**
(74) Name(s) of Attorney(s): **Macpherson + Kelley**
(71) Name(s) and Address(s) of Applicant(s):
Tieco International Pty Ltd
4 Tampe Rd Rowville VIC 3178 Australia
(72) Name(s) of Designer(s): **Trevor Smith**
(45) Registration Date: **24 January 2013**
(56) Related Art Documents: **Not Applicable**
(57) Statement of Newness and Distinctiveness: **The design is to be applied to an air intake for trucks and the novelty resides in the features of shape and configuration as shown in the accompanying representations. In particular the slot venting on the sides, the creasing of the top and the length of the slots in the neck are included in the design application but the general shape of the air ram itself is disclaimed.**



- (21) Design Number: **10164/2013**
(22) Date of Filing Application: **09 January 2013**
(24) Date from which industrial property rights may have effect: **09 January 2013**
(54) Product in respect of which the design is registered: **Table leg system**
(51) International Design Classification: **06-06E**
(74) Name(s) of Attorney(s): **Fisher Adams Kelly**
(71) Name(s) and Address(s) of Applicant(s):
Nowy Styl Sp. z o.o.
ul. Puzaka 49 KROSNO 38-400 Poland
(72) Name(s) of Designer(s): **Jens Korte**
(45) Registration Date: **24 January 2013**
(30) Convention priority data:
(31) Number (32) Date (33) Country
002113126-0001 03 Oct 2012 EUROPEAN COMMUNITY
(56) Related Art Documents: **Not Applicable**
(57) Statement of Newness and Distinctiveness: **The newness and distinctiveness of the design resides in the shape and/or configuration of the TABLE LEG SYSTEM shown in the representations.**



(21) Design Number: **10185/2013**

(22) Date of Filing Application: **14 January 2013**

(24) Date from which industrial property rights may have effect: **14 January 2013**

(54) Product in respect of which the design is registered: **Oral care implement package**

(51) International Design Classification: **09-05**

(74) Name(s) of Attorney(s): **FB Rice**

(71) Name(s) and Address(s) of Applicant(s):

Colgate-Palmolive Company

300 Park Avenue New York New York 10022 United States of America

(72) Name(s) of Designer(s): **David Kyung Min Lee and Stephen Nelson**

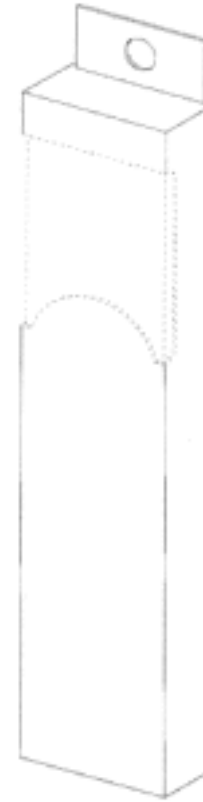
(45) Registration Date: **24 January 2013**

(30) Convention priority data:

(31) Number	(32) Date	(33) Country
29/427593	19 Jul 2012	UNITED STATES OF AMERICA

(56) Related Art Documents: **Not Applicable**

(57) Statement of Newness and Distinctiveness: **Newness and distinctiveness reside in the features of the design as shown in solid lines in the representations excluding those features shown in broken lines.**



(19) AU

(21) Design Number: **10220/2013**

(22) Date of Filing Application: **14 January 2013**

(24) Date from which industrial property rights may have effect: **14 January 2013**

(54) Product in respect of which the design is registered: **Connector**

(51) International Design Classification: **14-02**

(74) Name(s) of Attorney(s): **Freehills Patent Attorneys**

(71) Name(s) and Address(s) of Applicant(s):

Jody Akana

**c/o Apple Inc. 1 Infinite Loop MS 302-1ID Cupertino California 95014
United States of America**

Bartley K. Andre

**c/o Apple Inc. 1 Infinite Loop MS 302-1ID Cupertino California 95014
United States of America**

Jeremy Bataillou

**c/o Apple Inc. 1 Infinite Loop MS 302-1ID Cupertino California 95014
United States of America**

Daniel J. Coster

**c/o Apple Inc. 1 Infinite Loop MS 302-1ID Cupertino California 95014
United States of America**

Daniele De Iuliis

**c/o Apple Inc. 1 Infinite Loop MS 302-1ID Cupertino California 95014
United States of America**

M. Evans Hankey

**c/o Apple Inc. 1 Infinite Loop MS 302-1ID Cupertino California 95014
United States of America**

Julian Hoenig

**c/o Apple Inc. 1 Infinite Loop MS 302-1ID Cupertino California 95014
United States of America**

Richard P. Howarth

**c/o Apple Inc. 1 Infinite Loop MS 302-1ID Cupertino California 95014
United States of America**

Jonathan P. Ive

**c/o Apple Inc. 1 Infinite Loop MS 302-1ID Cupertino California 95014
United States of America**

Duncan Robert Kerr

**c/o Apple Inc. 1 Infinite Loop MS 302-1ID Cupertino California 95014
United States of America**

Shin Nishibori

**c/o Apple Inc. 1 Infinite Loop MS 302-1ID Cupertino California 95014
United States of America**

Matthew Dean Rohrbach

**c/o Apple Inc. 1 Infinite Loop MS 302-1ID Cupertino California 95014
United States of America**

Peter Russell-Clarke

**c/o Apple Inc. 1 Infinite Loop MS 302-1ID Cupertino California 95014
United States of America**

Christopher J. Stringer

**c/o Apple Inc. 1 Infinite Loop MS 302-1ID Cupertino California 95014
United States of America**

Eugene Antony Whang

**c/o Apple Inc. 1 Infinite Loop MS 302-1ID Cupertino California 95014
United States of America**

Rico Zorkendorfer

**c/o Apple Inc. 1 Infinite Loop MS 302-1ID Cupertino California 95014
United States of America**

(72) Name(s) of Designer(s): **Jody Akana and Bartley K. Andre and Jeremy Bataillou and Daniel J. Coster and Daniele De Iuliis and M. Evans Hankey and Julian Hoenig and Richard P. Howarth and Jonathan P. Ive and Duncan Robert Kerr and Shin Nishibori and Matthew Dean Rohrbach and Peter Russell-Clarke and Christopher J. Stringer and Eugene Antony Whang and Rico Zorkendorfer**

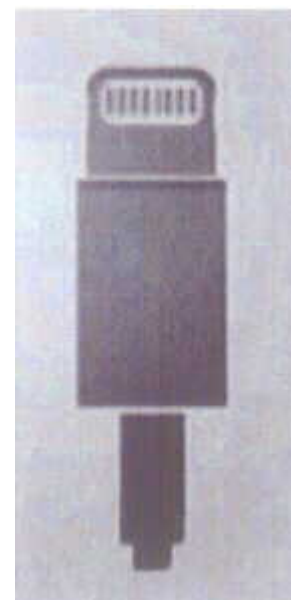
(45) Registration Date: **24 January 2013**

(30) Convention priority data:

(31) Number	(32) Date	(33) Country
29/426,587	06 Jul 2012	UNITED STATES OF AMERICA

(56) Related Art Documents: **Not Applicable**

(57) Statement of Newness and Distinctiveness: **Newness and distinctiveness is claimed in the silhouette of a connector as illustrated in the accompanying drawings.**



(19) AU

(21) Design Number: 10221/2013

(22) Date of Filing Application: 14 January 2013

(24) Date from which industrial property rights may have effect: 14 January 2013

(54) Product in respect of which the design is registered: Connector

(51) International Design Classification: 14-02

(74) Name(s) of Attorney(s): Freehills Patent Attorneys

(71) Name(s) and Address(s) of Applicant(s):

Jody Akana

c/o Apple Inc. 1 Infinite Loop MS 302-1ID Cupertino California 95014
United States of America

Bartley K. Andre

c/o Apple Inc. 1 Infinite Loop MS 302-1ID Cupertino California 95014
United States of America

Jeremy Bataillou

c/o Apple Inc. 1 Infinite Loop MS 302-1ID Cupertino California 95014
United States of America

Daniel J. Coster

c/o Apple Inc. 1 Infinite Loop MS 302-1ID Cupertino California 95014
United States of America

Daniele De Iuliis

c/o Apple Inc. 1 Infinite Loop MS 302-1ID Cupertino California 95014
United States of America

M. Evans Hankey

c/o Apple Inc. 1 Infinite Loop MS 302-1ID Cupertino California 95014
United States of America

Julian Hoenig

c/o Apple Inc. 1 Infinite Loop MS 302-1ID Cupertino California 95014
United States of America

Richard P. Howarth

c/o Apple Inc. 1 Infinite Loop MS 302-1ID Cupertino California 95014
United States of America

Jonathan P. Ive

c/o Apple Inc. 1 Infinite Loop MS 302-1ID Cupertino California 95014
United States of America

Duncan Robert Kerr

c/o Apple Inc. 1 Infinite Loop MS 302-1ID Cupertino California 95014
United States of America

Shin Nishibori

c/o Apple Inc. 1 Infinite Loop MS 302-1ID Cupertino California 95014
United States of America

Matthew Dean Rohrbach

c/o Apple Inc. 1 Infinite Loop MS 302-1ID Cupertino California 95014
United States of America

Peter Russell-Clarke

c/o Apple Inc. 1 Infinite Loop MS 302-1ID Cupertino California 95014
United States of America

Christopher J. Stringer

c/o Apple Inc. 1 Infinite Loop MS 302-1ID Cupertino California 95014
United States of America

Eugene Antony Whang

c/o Apple Inc. 1 Infinite Loop MS 302-1ID Cupertino California 95014
United States of America

Rico Zorkendorfer

c/o Apple Inc. 1 Infinite Loop MS 302-1ID Cupertino California 95014
United States of America

(72) Name(s) of Designer(s): Jody Akana and Bartley K. Andre and Jeremy Bataillou and Daniel J. Coster and Daniele De Iuliis and M. Evans Hankey and Julian Hoenig and Richard P. Howarth and Jonathan P. Ive and Duncan Robert Kerr and Shin Nishibori and Matthew Dean Rohrbach and Peter Russell-Clarke and Christopher J. Stringer and Eugene Antony Whang and Rico Zorkendorfer

(45) Registration Date: 24 January 2013

(30) Convention priority data:

(31) Number	(32) Date	(33) Country
29/426,587	06 Jul 2012	UNITED STATES OF AMERICA

(56) Related Art Documents: Not Applicable

(57) Statement of Newness and Distinctiveness: Newness and distinctiveness is claimed in the silhouette of a connector as illustrated in the accompanying drawings.



(21) Design Number: **10237/2013**

(22) Date of Filing Application: **15 January 2013**

(24) Date from which industrial property rights may have effect: **15 January 2013**

(54) Product in respect of which the design is registered: **Air conditioner**

(51) International Design Classification: **23-04**

(74) Name(s) of Attorney(s): **Freehills Patent Attorneys**

(71) Name(s) and Address(s) of Applicant(s):

**Daikin Industries Ltd
Umeda Centre Building 4-12 Nakazaki-Nishi 2-Chome Kita-ku Osaka-Shi
Osaka-Fu Japan**

(72) Name(s) of Designer(s): **Kouichirou Seki**

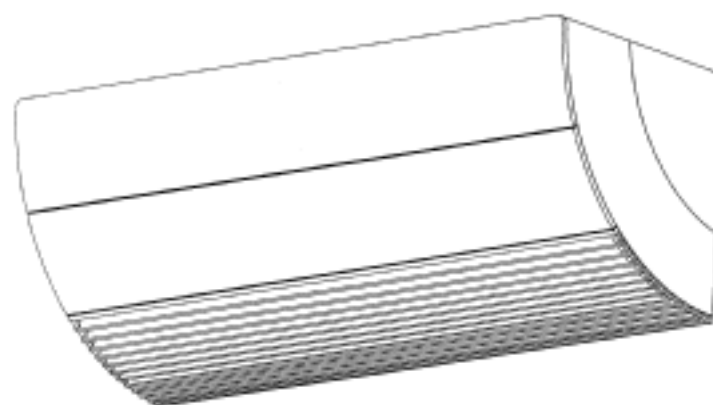
(45) Registration Date: **24 January 2013**

(30) Convention priority data:

(31) Number	(32) Date	(33) Country
2012-017822	26 Jul 2012	JAPAN

(56) Related Art Documents: **Not Applicable**

(57) Statement of Newness and Distinctiveness: **Newness and distinctiveness reside in the features of shape and configuration of the air conditioner as shown in the accompanying representations.**



(21) Design Number: **10238/2013**

(22) Date of Filing Application: **15 January 2013**

(24) Date from which industrial property rights may have effect: **15 January 2013**

(54) Product in respect of which the design is registered: **Air conditioner**

(51) International Design Classification: **23-04**

(74) Name(s) of Attorney(s): **Freehills Patent Attorneys**

(71) Name(s) and Address(s) of Applicant(s):

**Daikin Industries Ltd
Umeda Centre Building 4-12 Nakazaki-Nishi 2-Chome Kita-ku Osaka-Shi
Osaka-Fu Japan**

(72) Name(s) of Designer(s): **Kouichirou Seki**

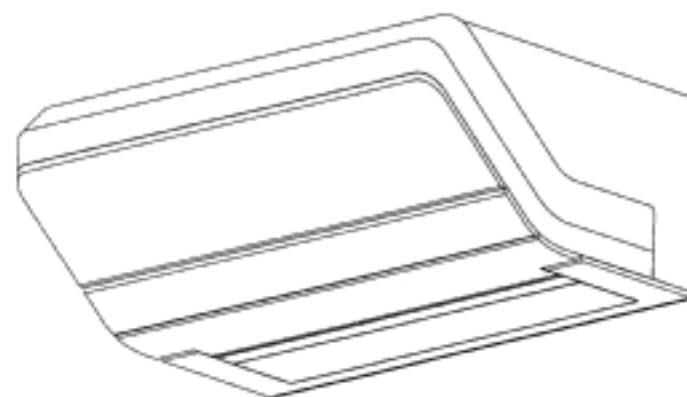
(45) Registration Date: **24 January 2013**

(30) Convention priority data:

(31) Number	(32) Date	(33) Country
2012-017823	26 Jul 2012	JAPAN

(56) Related Art Documents: **Not Applicable**

(57) Statement of Newness and Distinctiveness: **Newness and distinctiveness reside in the features of shape and configuration of the air conditioner as shown in the accompanying representations.**



(21) Design Number: **10239/2013**

(22) Date of Filing Application: **15 January 2013**

(24) Date from which industrial property rights may have effect: **15 January 2013**

(54) Product in respect of which the design is registered: **Air conditioner**

(51) International Design Classification: **23-04**

(74) Name(s) of Attorney(s): **Freehills Patent Attorneys**

(71) Name(s) and Address(s) of Applicant(s):

**Daikin Industries Ltd
Umeda Centre Building 4-12 Nakazaki-Nishi 2-Chome Kita-ku Osaka-Shi
Osaka-Fu Japan**

(72) Name(s) of Designer(s): **Kouichirou Seki**

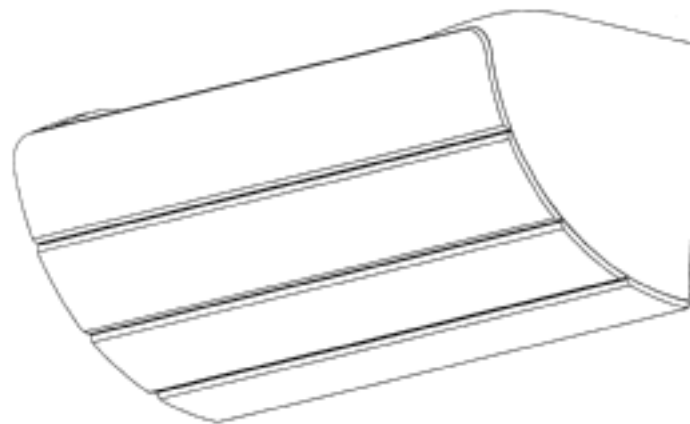
(45) Registration Date: **24 January 2013**

(30) Convention priority data:

(31) Number	(32) Date	(33) Country
2012-017816	26 Jul 2012	JAPAN

(56) Related Art Documents: **Not Applicable**

(57) Statement of Newness and Distinctiveness: **Newness and distinctiveness reside in the features of shape and configuration of the air conditioner as shown in the accompanying representations.**



(21) Design Number: **12712/2012**

(22) Date of Filing Application: **07 June 2012**

(24) Date from which industrial property rights may have effect: **07 June 2012**

(54) Product in respect of which the design is registered: **Garden hose**

(51) International Design Classification: **23-01C**

(74) Name(s) of Attorney(s): **SPRUSON & FERGUSON**

(71) Name(s) and Address(s) of Applicant(s):

**GARDENA Manufacturing GmbH
Hans Lorenser Strasse 40 D-89079 ULM Germany**

(72) Name(s) of Designer(s): **Aleksandar Tatic**

(45) Registration Date: **24 January 2013**

(30) Convention priority data:

(31) Number	(32) Date	(33) Country
002046037	23 May 2012	EUROPEAN COMMUNITY

(56) Related Art Documents: **Not Applicable**

(57) Statement of Newness and Distinctiveness: **Newness and distinctiveness is claimed in the features of pattern and/or ornamentation and shape and/or configuration of a garden hose as illustrated in the accompanying representations, apart from the length of the garden hose.**



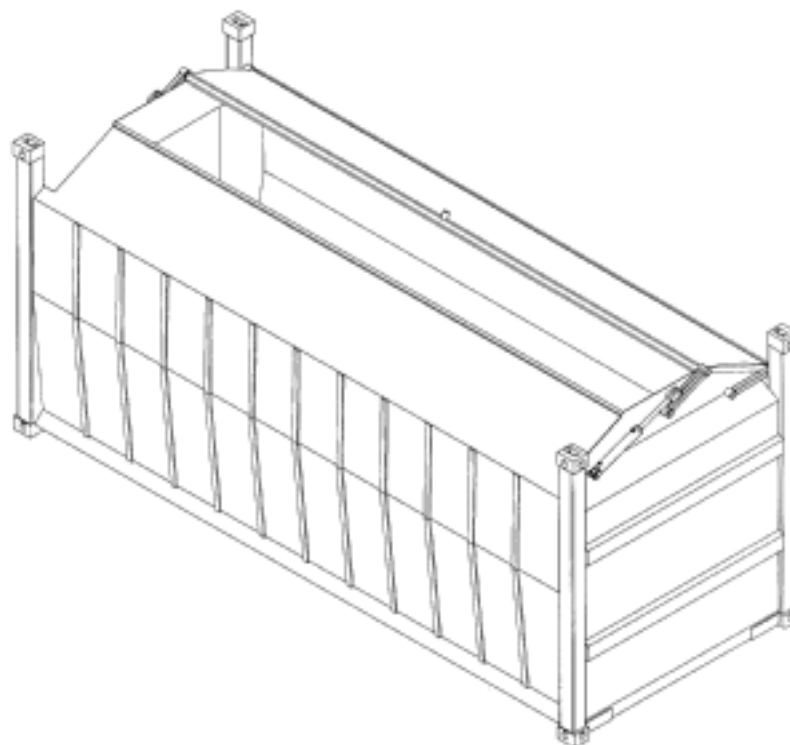
- (21) Design Number: **15545/2012**
(22) Date of Filing Application: **07 November 2012**
(24) Date from which industrial property rights may have effect: **07 November 2012**
(54) Product in respect of which the design is registered: **Office chair**
(51) International Design Classification: **06-01F**
(74) Name(s) of Attorney(s): **Davies Collison Cave**
(71) Name(s) and Address(s) of Applicant(s):
Haworth, Inc.
One Haworth Center 1400 Highway M-40 Holland MI 49423 United States of America
(72) Name(s) of Designer(s): **Rebecca Darrow and James D. Harris and John Colasanti and Mark Wiese and Michael Walter Welsh and Peter T. Laduke and Steve J. Nemeth, Jr and Wilfried Vorlop and Wilhelm Schultz and Kermit Anderson and Jesse Pentecost and Lauren Johnson and Robert Meloche**
(45) Registration Date: **24 January 2013**
(30) Convention priority data:
(31) Number (32) Date (33) Country
29/422080 16 May 2012 UNITED STATES OF AMERICA
(56) Related Art Documents: **Not Applicable**
(57) Statement of Newness and Distinctiveness: **Newness and distinctiveness is claimed in the visual features shown in solid lines in the representations.**



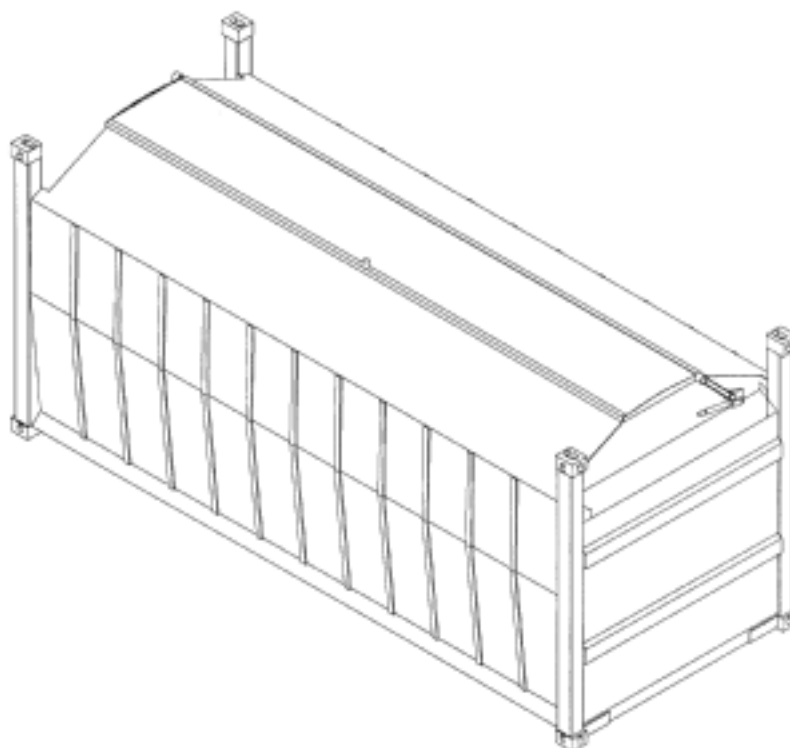
- (21) Design Number: **15787/2012**
(22) Date of Filing Application: **16 November 2012**
(24) Date from which industrial property rights may have effect: **09 March 2012**
(54) Product in respect of which the design is registered: **Article of clothing**
(51) International Design Classification: **02-02NES**
(74) Name(s) of Attorney(s): **Allens Patent & Trade Mark Attorneys**
(71) Name(s) and Address(s) of Applicant(s):
Forever New Clothing Pty Ltd
714-716 High St Kew East Victoria 3102 Australia
(72) Name(s) of Designer(s): **Alice Burrow**
(45) Registration Date: **24 January 2013**
(62) Divisional of: **345695**
(56) Related Art Documents: **Not Applicable**
(57) Statement of Newness and Distinctiveness: **Newness and distinctiveness resides in the visual features of shape, configuration, pattern and/or ornamentation of an article of clothing as shown in the accompanying representations.**



- (21) Design Number: **16406/2012**
(22) Date of Filing Application: **17 December 2012**
(24) Date from which industrial property rights may have effect: **17 December 2012**
(54) Product in respect of which the design is registered: **Transport container**
(51) International Design Classification: **09-03K**
(74) Name(s) of Attorney(s): **PHILLIPS ORMONDE FITZPATRICK**
(71) Name(s) and Address(s) of Applicant(s):
Dimitrios Trambas
555 Sandy Bay Rd Hobart TAS 7000 Australia
(72) Name(s) of Designer(s): **Dimitrios Trambas**
(45) Registration Date: **24 January 2013**
(56) Related Art Documents: **Not Applicable**
(57) Statement of Newness and Distinctiveness: **Those features of the transport container depicted in the representations that are new and distinctive are the shape and/or configuration.**



- (21) Design Number: **16407/2012**
(22) Date of Filing Application: **17 December 2012**
(24) Date from which industrial property rights may have effect: **17 December 2012**
(54) Product in respect of which the design is registered: **Transport container**
(51) International Design Classification: **09-03K**
(74) Name(s) of Attorney(s): **PHILLIPS ORMONDE FITZPATRICK**
(71) Name(s) and Address(s) of Applicant(s):
Dimitrios Trambas
555 Sandy Bay Rd Hobart TAS 7000 Australia
(72) Name(s) of Designer(s): **Dimitrios Trambas**
(45) Registration Date: **24 January 2013**
(56) Related Art Documents: **Not Applicable**
(57) Statement of Newness and Distinctiveness: **Those features of the transport container depicted in the representations that are new and distinctive are the shape and/or configuration.**



(21) Design Number: **16304/2012**
(22) Date of Filing Application: **13 December 2012**
(24) Date from which industrial property rights may have effect: **13 December 2012**
(54) Product in respect of which the design is registered: **A container**
(51) International Design Classification: **07-01NES, 09-01K**
(74) Name(s) of Attorney(s): **Baldwins Intellectual Property**
(71) Name(s) and Address(s) of Applicant(s):

RML Engineering Limited
66 Norris Avenue Te Rapa Hamilton 3200 New Zealand

(72) Name(s) of Designer(s): **Daniel Vernon Spencer**

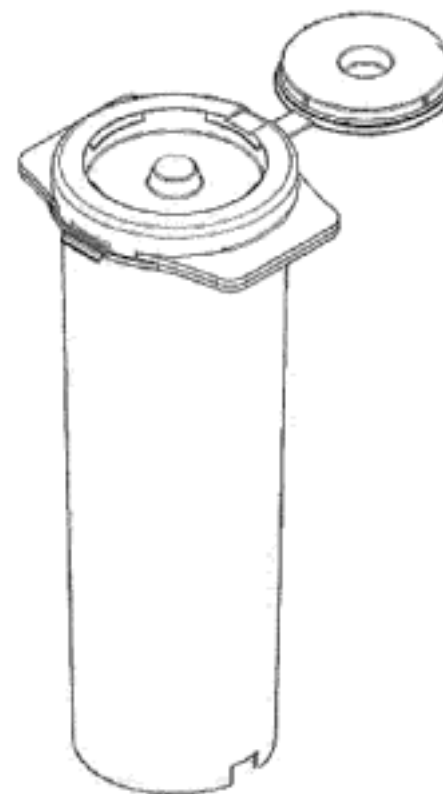
(45) Registration Date: **24 January 2013**

(30) Convention priority data:

(31) Number	(32) Date	(33) Country
416375	15 Jun 2012	NEW ZEALAND

(56) Related Art Documents: **Not Applicable**

(57) Statement of Newness and Distinctiveness: **Nil**



(21) Design Number: **16307/2012**
(22) Date of Filing Application: **13 December 2012**
(24) Date from which industrial property rights may have effect: **13 December 2012**
(54) Product in respect of which the design is registered: **Stand up paddle boards and kayaks**
(51) International Design Classification: **21-02D, 12-02**
(74) Name(s) of Attorney(s):
(71) Name(s) and Address(s) of Applicant(s):

Stephen John Scott
PO BOX 121 Anna Bay NSW 2316 Australia

(72) Name(s) of Designer(s): **Stephen John Scott**

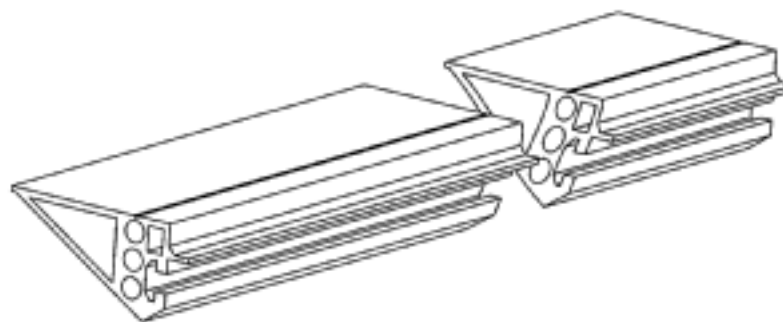
(45) Registration Date: **24 January 2013**

(56) Related Art Documents: **Not Applicable**

(57) Statement of Newness and Distinctiveness: **The HiRoller SUP Trolley is unique as it uses two flexible vertical arms that clamp to the side of the SUP or kayak thus enabling the user to wheel the SUP or kayak while holding it on the side in a vertical position.**



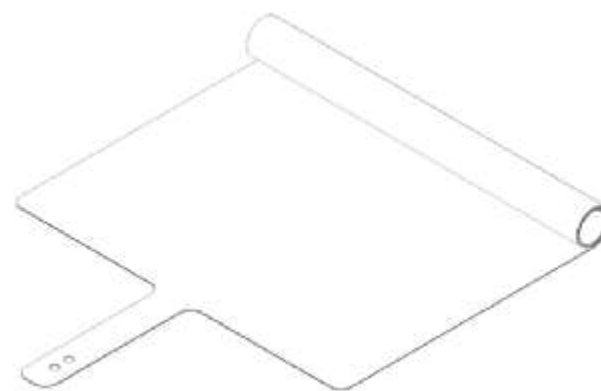
- (21) Design Number: **16308/2012**
(22) Date of Filing Application: **13 December 2012**
(24) Date from which industrial property rights may have effect: **13 December 2012**
(54) Product in respect of which the design is registered: **An extrusion**
(51) International Design Classification: **25-01K**
(74) Name(s) of Attorney(s): **FB Rice**
(71) Name(s) and Address(s) of Applicant(s):
King Furniture (Australia) Pty Ltd
123 Turrella St Turrella NSW 2205 Australia
(72) Name(s) of Designer(s): **David King and John Levey and Ryan Lawson and Tanya Rechberger**
(45) Registration Date: **24 January 2013**
(56) Related Art Documents: **Not Applicable**
(57) Statement of Newness and Distinctiveness: **Newness and distinctiveness reside in the features of the design as shown in the representations, the break in the perspective view indicating that the extrusion is of indefinite length.**



- (21) Design Number: **16309/2012**
(22) Date of Filing Application: **13 December 2012**
(24) Date from which industrial property rights may have effect: **13 December 2012**
(54) Product in respect of which the design is registered: **Vehicle roof track**
(51) International Design Classification: **12-16K**
(74) Name(s) of Attorney(s): **HODGKINSON McINNES PATENTS**
(71) Name(s) and Address(s) of Applicant(s):
Rhino Rack Australia Pty Limited
3 Pike St Rydalmere NSW 2116 Australia
(72) Name(s) of Designer(s): **Andy Wana**
(45) Registration Date: **24 January 2013**
(56) Related Art Documents: **Not Applicable**
(57) Statement of Newness and Distinctiveness: **Newness and distinctiveness is claimed in the shape and configuration of a vehicle roof track as shown in the representations.**



(21) Design Number: **16311/2012**
(22) Date of Filing Application: **13 December 2012**
(24) Date from which industrial property rights may have effect: **13 December 2012**
(54) Product in respect of which the design is registered: **Baking Mat**
(51) International Design Classification: **07-02NES, 07-99NES**
(74) Name(s) of Attorney(s): **Trademark Works**
(71) Name(s) and Address(s) of Applicant(s):
Joseph Joseph Ltd
The Grove 30 Great Guildford Street SE1 OHS London United Kingdom
(72) Name(s) of Designer(s): **Antony Joseph**
(45) Registration Date: **24 January 2013**
(30) Convention priority data:
(31) Number (32) Date (33) Country
002140095-0001 21 Nov 2012 EUROPEAN COMMUNITY
(56) Related Art Documents: **Not Applicable**
(57) Statement of Newness and Distinctiveness: **The newness and distinctiveness of the design resides in the shape of the baking mat which has an integrated sealing band that keeps the mat rolled for compact storage as shown in the accompanying representations.**



(21) Design Number: **16313/2012**
(22) Date of Filing Application: **13 December 2012**
(24) Date from which industrial property rights may have effect: **13 December 2012**
(54) Product in respect of which the design is registered: **Front bumper cover of car**
(51) International Design Classification: **12-16C**
(74) Name(s) of Attorney(s): **Baxter IP**
(71) Name(s) and Address(s) of Applicant(s):
GM Global Technology Operations, LLC
300 Renaissance Center Detroit Michigan 48265-3000 United States of America
(72) Name(s) of Designer(s): **Han-Young Lim**
(45) Registration Date: **24 January 2013**
(30) Convention priority data:
(31) Number (32) Date (33) Country
30-2012-0036387 26 Jul 2012 REPUBLIC OF KOREA
(56) Related Art Documents: **Not Applicable**
(57) Statement of Newness and Distinctiveness: **Newness and distinctiveness is claimed in the features of shape and/or configuration of a front bumper cover of car as shown in the accompanying representations.**



(21) Design Number: **16314/2012**

(22) Date of Filing Application: **13 December 2012**

(24) Date from which industrial property rights may have effect: **13 December 2012**

(54) Product in respect of which the design is registered: **Head lamp of car**

(51) International Design Classification: **26-06**

(74) Name(s) of Attorney(s): **Baxter IP**

(71) Name(s) and Address(s) of Applicant(s):

GM Global Technology Operations, LLC
300 Renaissance Center Detroit Michigan 48265-3000 United States of America

(72) Name(s) of Designer(s): **Jin-chun Choi**

(45) Registration Date: **24 January 2013**

(30) Convention priority data:

(31) Number	(32) Date	(33) Country
30-2012-0029654	18 Jun 2012	REPUBLIC OF KOREA

(56) Related Art Documents: **Not Applicable**

(57) Statement of Newness and Distinctiveness: **Newness and distinctiveness is claimed in the features of shape and/or configuration of a head lamp of car as shown in the accompanying representations.**



(21) Design Number: **16315/2012**

(22) Date of Filing Application: **13 December 2012**

(24) Date from which industrial property rights may have effect: **13 December 2012**

(54) Product in respect of which the design is registered: **Salt cellars**

(51) International Design Classification: **07-06C**

(74) Name(s) of Attorney(s): **Trademark Works**

(71) Name(s) and Address(s) of Applicant(s):

Joseph Joseph Ltd
The Grove 30 Great Guildford Street SE1 OHS London United Kingdom

(72) Name(s) of Designer(s): **Mikaela Dorfel**

(45) Registration Date: **24 January 2013**

(30) Convention priority data:

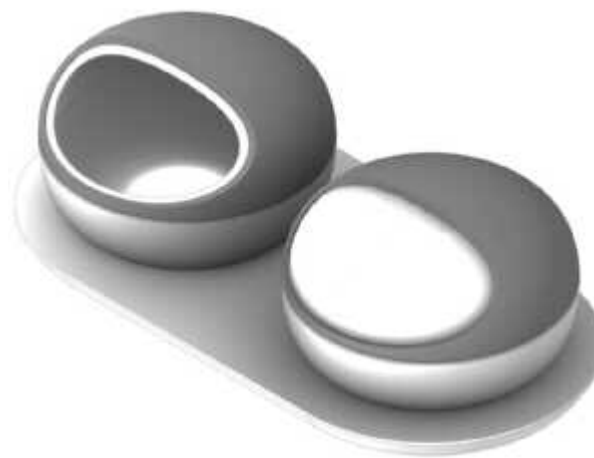
(31) Number	(32) Date	(33) Country
002107078-0002	21 Sep 2012	EUROPEAN PATENT OFFICE (EPO)

(56) Related Art Documents: **Not Applicable**

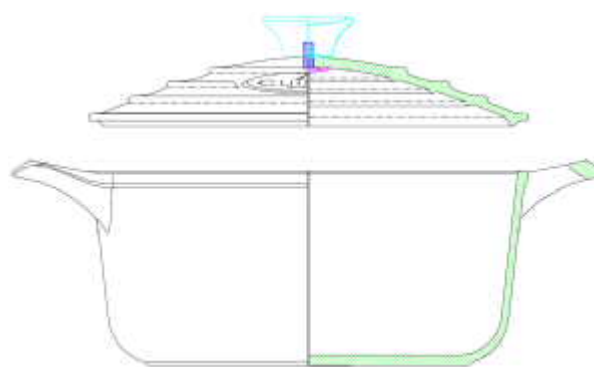
(57) Statement of Newness and Distinctiveness: **The newness and distinctiveness of the design resides in the shape of the salt cellar which has a lid that rotates to close the pot and has a non slip foot as shown in the accompanying representations.**



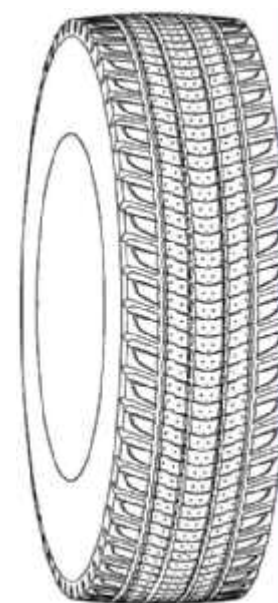
(21) Design Number: **16316/2012**
(22) Date of Filing Application: **13 December 2012**
(24) Date from which industrial property rights may have effect: **13 December 2012**
(54) Product in respect of which the design is registered: **Salt and pepper set**
(51) International Design Classification: **07-06C**
(74) Name(s) of Attorney(s): **Trademark Works**
(71) Name(s) and Address(s) of Applicant(s):
Joseph Joseph Ltd
The Grove 30 Great Guildford Street SE1 OHS London United Kingdom
(72) Name(s) of Designer(s): **Mikaela Dorfel**
(45) Registration Date: **24 January 2013**
(30) Convention priority data:
(31) Number (32) Date (33) Country
002107078-0003 21 Sep 2012 EUROPEAN COMMUNITY
(56) Related Art Documents: **Not Applicable**
(57) Statement of Newness and Distinctiveness: **The newness and distinctiveness of the design resides in the shape of the lids which rotate to close the pots together with a coaster for carrying the pots as shown in the accompanying representations.**



(21) Design Number: **16317/2012**
(22) Date of Filing Application: **14 December 2012**
(24) Date from which industrial property rights may have effect: **14 December 2012**
(54) Product in respect of which the design is registered: **Cast iron casserole**
(51) International Design Classification: **07-02N**
(74) Name(s) of Attorney(s):
(71) Name(s) and Address(s) of Applicant(s):
Gallagher & Hayes Ltd T/a La Cuisine
55 Womerah Ave Darlinghurst NSW 2010 Australia
Gallagher & Hayes Ltd T/a La Cuisine
Unit 3 Ballykeeran Kilmacrennan Donegal Ireland
(72) Name(s) of Designer(s): **Marcus Notley**
(45) Registration Date: **24 January 2013**
(56) Related Art Documents: **Not Applicable**
(57) Statement of Newness and Distinctiveness: **The principle design features of Work is the distinctive and curvaceous handle profile and shape. Underside of the handles is a unique wide angle wedge profile that provides a much more comfortable grip. The grip section of the handle design is positioned at a reasonable distance from the perimeter of the container section. This creates a wider cutout opening for fingers to wrap around the handles giving a more secure grip.**



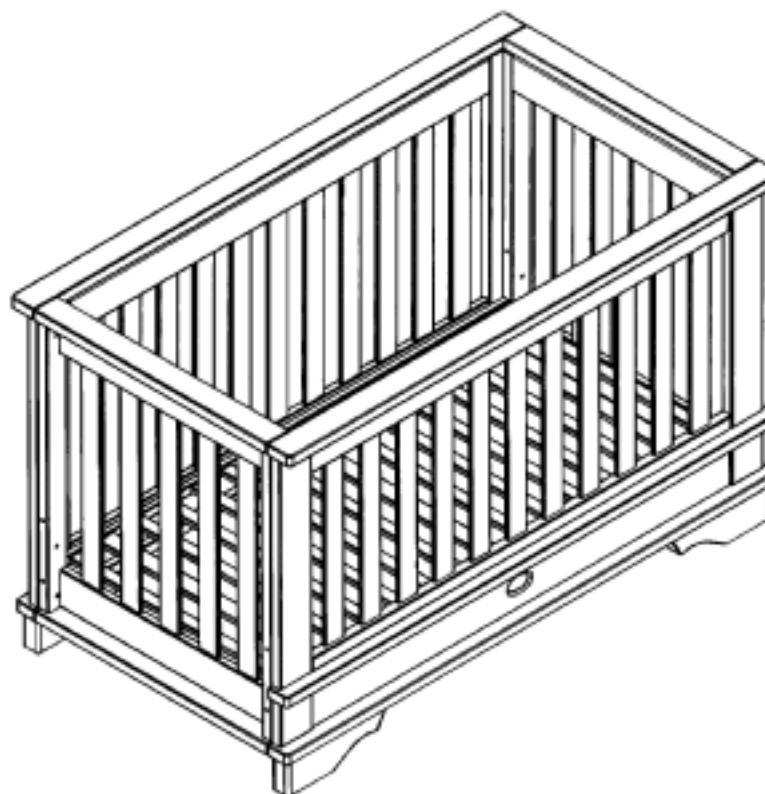
- (21) Design Number: **16323/2012**
(22) Date of Filing Application: **14 December 2012**
(24) Date from which industrial property rights may have effect: **14 December 2012**
(54) Product in respect of which the design is registered: **A tyre**
(51) International Design Classification: **12-15B**
(74) Name(s) of Attorney(s): **WATERMARK PATENT AND TRADE MARKS ATTORNEYS**
(71) Name(s) and Address(s) of Applicant(s):
Compagnie Generale Des Etablissements Michelin
12 cours Sablon Clermont-Ferrand F- 63000 France
Michelin Recherche et Technique S.A.
Route Louis Braille 10 Granges-Paccot CH- 1763 Switzerland
(72) Name(s) of Designer(s): **Thomas Felder and Mathieu Vandaele**
(45) Registration Date: **24 January 2013**
(56) Related Art Documents: **Not Applicable**
(57) Statement of Newness and Distinctiveness: **Newness and distinctiveness resides in the appearance of the tread region of the tyre, the remainder of the tyre should be disregarded when considering the monopoly in the design.**



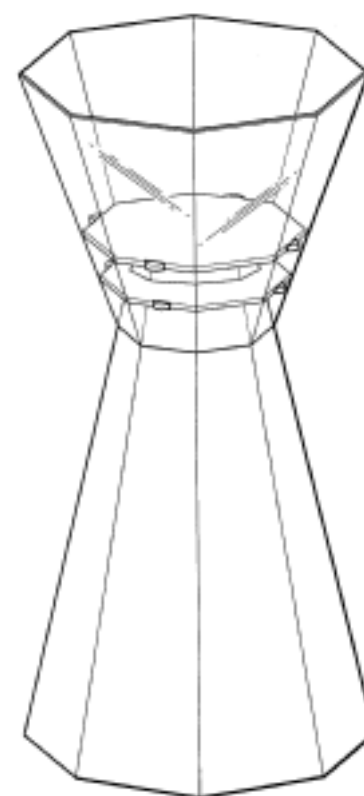
- (21) Design Number: **16365/2012**
(22) Date of Filing Application: **17 December 2012**
(24) Date from which industrial property rights may have effect: **17 December 2012**
(54) Product in respect of which the design is registered: **Washing tubs**
(51) International Design Classification: **07-05B**
(74) Name(s) of Attorney(s): **Trademark Works**
(71) Name(s) and Address(s) of Applicant(s):
Joseph Joseph Ltd
The Grove 30 Great Guildford Street SE1 OHS London United Kingdom
(72) Name(s) of Designer(s): **Bill Holding and Ben Cox**
(45) Registration Date: **24 January 2013**
(30) Convention priority data:
(31) Number (32) Date (33) Country
002102343-0002 13 Sep 2012 EUROPEAN PATENT OFFICE (EPO)
(56) Related Art Documents: **Not Applicable**
(57) Statement of Newness and Distinctiveness: **The newness and distinctiveness of the design resides in the accompanying representations.**



- (21) Design Number: **15410/2012**
(22) Date of Filing Application: **31 October 2012**
(24) Date from which industrial property rights may have effect: **31 October 2012**
(54) Product in respect of which the design is registered: **Reconfigurable furniture**
(51) International Design Classification: **06-02**
(74) Name(s) of Attorney(s): **WATERMARK PATENT AND TRADE MARKS ATTORNEYS**
(71) Name(s) and Address(s) of Applicant(s):
Boori International Pty Ltd
18-20 Charles St St Marys NSW 2760 Australia
(72) Name(s) of Designer(s): **Justin Chui**
(45) Registration Date: **24 January 2013**
(56) Related Art Documents: **Not Applicable**
(57) Statement of Newness and Distinctiveness: **Newness and distinctiveness of the design is claimed in the features of shape and/or configuration of an item of furniture. The design is adapted to be reconfigured into different forms, as depicted in the accompanying representations.**



- (21) Design Number: **16333/2012**
(22) Date of Filing Application: **14 December 2012**
(24) Date from which industrial property rights may have effect: **14 December 2012**
(54) Product in respect of which the design is registered: **Point of sale display stand**
(51) International Design Classification: **20-02E, 20-02NES**
(74) Name(s) of Attorney(s): **FB Rice**
(71) Name(s) and Address(s) of Applicant(s):
A. Fox Pty Ltd
1 Chestnut Ct Redwood Garden Est Dingley VIC 3172 Australia
(72) Name(s) of Designer(s): **Andrew Fox**
(45) Registration Date: **24 January 2013**
(56) Related Art Documents: **Not Applicable**
(57) Statement of Newness and Distinctiveness: **Newness and distinctiveness reside in the features of the design as shown in the representations.**



(21) Design Number: **12719/2012**

(22) Date of Filing Application: **07 June 2012**

(24) Date from which industrial property rights may have effect: **07 June 2012**

(54) Product in respect of which the design is registered: **Garden hose**

(51) International Design Classification: **23-01C**

(74) Name(s) of Attorney(s): **SPRUSON & FERGUSON**

(71) Name(s) and Address(s) of Applicant(s):

**GARDENA Manufacturing GmbH
Hans Lorenser Strasse 40 D-89079 ULM Germany**

(72) Name(s) of Designer(s): **Aleksandar Tatic**

(45) Registration Date: **25 January 2013**

(30) Convention priority data:

(31) Number	(32) Date	(33) Country
002046037	23 May 2012	EUROPEAN COMMUNITY

(56) Related Art Documents: **Not Applicable**

(57) Statement of Newness and Distinctiveness: **Newness and distinctiveness is claimed in the features of pattern and/or ornamentation (including colour scheme) and shape and/or configuration of a garden hose as illustrated in the accompanying representations, apart from the length of the garden hose.**



(21) Design Number: **16329/2012**

(22) Date of Filing Application: **14 December 2012**

(24) Date from which industrial property rights may have effect: **14 December 2012**

(54) Product in respect of which the design is registered: **Shelving system**

(51) International Design Classification: **06-04NES**

(74) Name(s) of Attorney(s):

(71) Name(s) and Address(s) of Applicant(s):

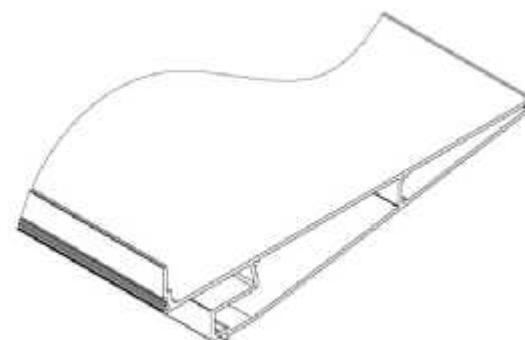
**Aluminium Industries of Australia Pty Ltd
160 Ordish Rd Dandenong South VIC 3175 Australia**

(72) Name(s) of Designer(s): **Matthew Keen**

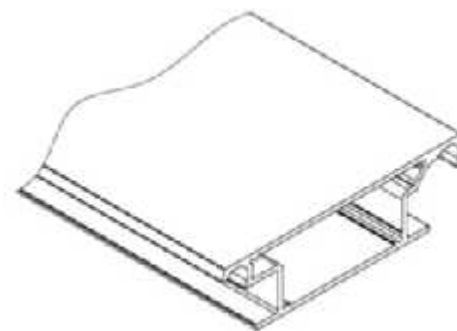
(45) Registration Date: **25 January 2013**

(56) Related Art Documents: **Not Applicable**

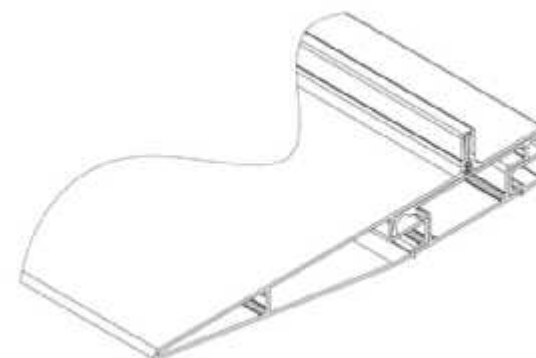
(57) Statement of Newness and Distinctiveness: **Monopoly is claimed in the shape and/or configuration of the Shelving Wing Extrusion which is of indefinite length as illustrated in the representations accompanying this application. Newness is claimed in the following: - The upper rear joining fin of the Shelving Wing Extrusion - The interlocking recessed area of the lower rear of the Shelving Wing Extrusion - The internal screw flutes of the Shelving Wing Extrusion - The drip spike on the rear base of the Shelving Wing Extrusion.**



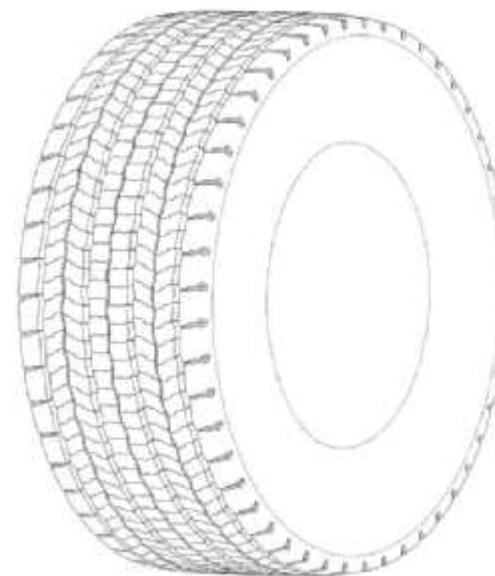
- (21) Design Number: **16330/2012**
(22) Date of Filing Application: **14 December 2012**
(24) Date from which industrial property rights may have effect: **14 December 2012**
(54) Product in respect of which the design is registered: **Shelving system**
(51) International Design Classification: **06-04NES**
(74) Name(s) of Attorney(s):
(71) Name(s) and Address(s) of Applicant(s):
Aluminium Industries of Australia Pty Ltd
160 Ordish Rd Dandenong South VIC 3175 Australia
(72) Name(s) of Designer(s): **Matthew Keen**
(45) Registration Date: **25 January 2013**
(56) Related Art Documents: **Not Applicable**
(57) Statement of Newness and Distinctiveness: **Monopoly is claimed in the shape and/or configuration of the Shelving Spine Extrusion which is of indefinite length as illustrated in the representations accompanying this application. Newness is claimed in the following: - The two outer recesses of the Shelving Spine Extrusion - The internal screw flutes of the Shelving Spine Extrusion. - The circular angled recesses on the Shelving Spine Extrusion.**



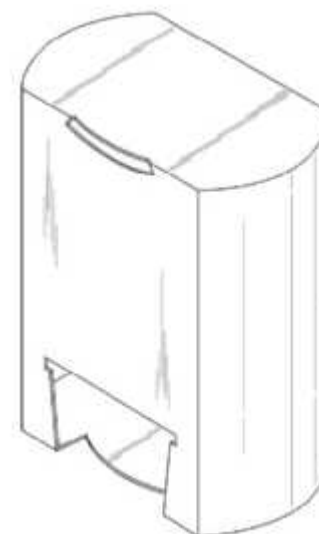
- (21) Design Number: **16331/2012**
(22) Date of Filing Application: **14 December 2012**
(24) Date from which industrial property rights may have effect: **14 December 2012**
(54) Product in respect of which the design is registered: **Shelving system**
(51) International Design Classification: **06-04NES**
(74) Name(s) of Attorney(s):
(71) Name(s) and Address(s) of Applicant(s):
Aluminium Industries of Australia Pty Ltd
160 Ordish Rd Dandenong South VIC 3175 Australia
(72) Name(s) of Designer(s): **Matthew Keen**
(45) Registration Date: **25 January 2013**
(56) Related Art Documents: **Not Applicable**
(57) Statement of Newness and Distinctiveness: **Monopoly is claimed in the shape and/or configuration of the Shelving System Assembly as illustrated in the representations and which is of indefinite length. Newness is claimed in the following: - The interlocking areas of the mating extrusions. - The upper joining fins - The lower drip spikes - The internal screw flutes.**



- (21) Design Number: **16380/2012**
(22) Date of Filing Application: **18 December 2012**
(24) Date from which industrial property rights may have effect: **18 December 2012**
(54) Product in respect of which the design is registered: **A tyre**
(51) International Design Classification: **12-15B**
(74) Name(s) of Attorney(s): **WATERMARK PATENT AND TRADE MARKS ATTORNEYS**
(71) Name(s) and Address(s) of Applicant(s):
Compagnie Generale Des Etablissements Michelin
12 cours Sablon Clermont-Ferrand F- 63000 France
Michelin Recherche et Technique S.A.
Route Louis-Braille 10 Granges-Paccot CH-1763 Switzerland
(72) Name(s) of Designer(s): **Maxime Rolland and William R. Hudek and John Anthony Hutz**
(45) Registration Date: **25 January 2013**
(30) Convention priority data:
(31) Number (32) Date (33) Country
29/426,077 29 Jun 2012 UNITED STATES OF AMERICA
(56) Related Art Documents: **Not Applicable**
(57) Statement of Newness and Distinctiveness: **Newness and distinctiveness resides in the appearance of the tread region of the tyre, the remainder of the tyre should be disregarded when considering the monopoly in the design.**



- (21) Design Number: **16082/2012**
(22) Date of Filing Application: **06 December 2012**
(24) Date from which industrial property rights may have effect: **06 December 2012**
(54) Product in respect of which the design is registered: **Box**
(51) International Design Classification: **09-03M**
(74) Name(s) of Attorney(s): **Davies Collison Cave**
(71) Name(s) and Address(s) of Applicant(s):
Unilever PLC
Unilever House 100 Victoria Embankment London EC4Y 0DY United Kingdom
(72) Name(s) of Designer(s): **James Garfield Pryor**
(45) Registration Date: **25 January 2013**
(30) Convention priority data:
(31) Number (32) Date (33) Country
002061887-0001 22 Jun 2012 EUROPEAN COMMUNITY
(56) Related Art Documents: **Not Applicable**
(57) Statement of Newness and Distinctiveness: **Newness and distinctiveness is claimed in the visual features shown in solid lines in the representations.**



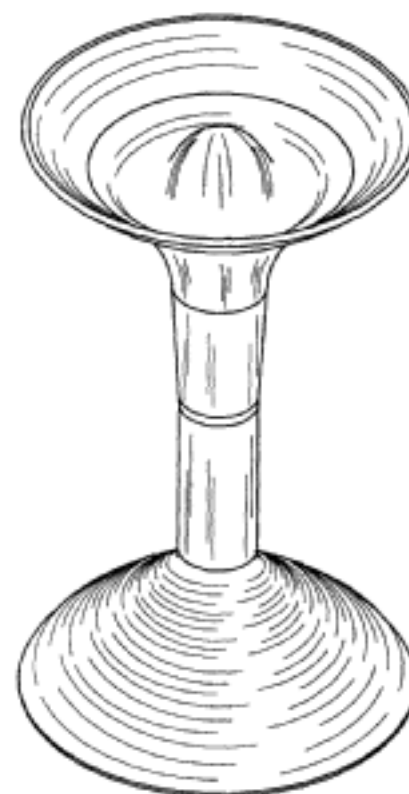
(21) Design Number: **16310/2012**
(22) Date of Filing Application: **13 December 2012**
(24) Date from which industrial property rights may have effect: **13 December 2012**
(54) Product in respect of which the design is registered: **Assembled pot**
(51) International Design Classification: **11-02B**
(74) Name(s) of Attorney(s): **Marks & Clerk Australia**
(71) Name(s) and Address(s) of Applicant(s):
Fiddes Payne Ltd
Unit 3a Thorpe Park Thorpe Way Banbury Oxfordshire OX16 4SP United Kingdom
(72) Name(s) of Designer(s): **Christopher John Vincent White**
(45) Registration Date: **25 January 2013**
(30) Convention priority data:
(31) Number (32) Date (33) Country
002060301-0005 19 Jun 2012 EUROPEAN PATENT OFFICE (EPO)
(56) Related Art Documents: **Not Applicable**
(57) Statement of Newness and Distinctiveness: **Nil**



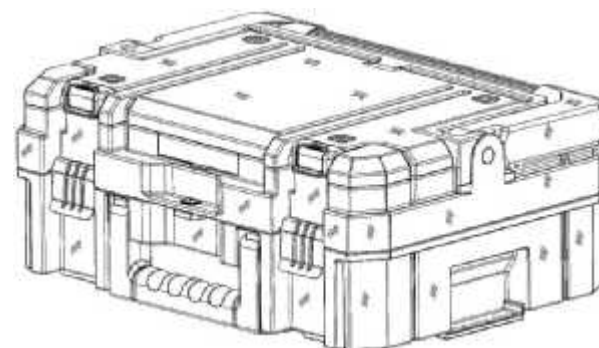
(21) Design Number: **16312/2012**
(22) Date of Filing Application: **13 December 2012**
(24) Date from which industrial property rights may have effect: **13 December 2012**
(54) Product in respect of which the design is registered: **Front bumper of car**
(51) International Design Classification: **12-16C**
(74) Name(s) of Attorney(s): **Baxter IP**
(71) Name(s) and Address(s) of Applicant(s):
GM Global Technology Operations, LLC
300 Renaissance Center Detroit Michigan 48265-3000 United States of America
(72) Name(s) of Designer(s): **Eun-suk Yang**
(45) Registration Date: **25 January 2013**
(30) Convention priority data:
(31) Number (32) Date (33) Country
30-2012-0029630 18 Jun 2012 REPUBLIC OF KOREA
(56) Related Art Documents: **Not Applicable**
(57) Statement of Newness and Distinctiveness: **Newness and distinctiveness is claimed in the features of shape and/or configuration of a front bumper of car as shown in the accompanying representations.**



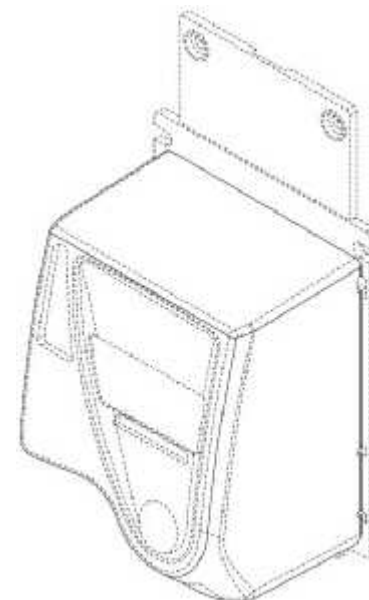
(21) Design Number: **15253/2012**
(22) Date of Filing Application: **23 October 2012**
(24) Date from which industrial property rights may have effect: **23 October 2012**
(54) Product in respect of which the design is registered: **Anal plug**
(51) International Design Classification: **24-02**
(74) Name(s) of Attorney(s): **PHILLIPS ORMONDE FITZPATRICK**
(71) Name(s) and Address(s) of Applicant(s):
Renew Medical Inc.
532 Emerson Street Palo Alto California 94301 United States of America
(72) Name(s) of Designer(s): **Tidhar Shalon and Guy Kotlizky**
(45) Registration Date: **25 January 2013**
(30) Convention priority data:
(31) Number (32) Date (33) Country
29/423,622 03 Jun 2012 UNITED STATES OF AMERICA
(56) Related Art Documents: **Not Applicable**
(57) Statement of Newness and Distinctiveness: **Those features of the anal plug applicator depicted in the representations that are new and distinctive are the shape and/or configuration.**



(21) Design Number: **16077/2012**
(22) Date of Filing Application: **06 December 2012**
(24) Date from which industrial property rights may have effect: **06 December 2012**
(54) Product in respect of which the design is registered: **Tool box**
(51) International Design Classification: **03-01D**
(74) Name(s) of Attorney(s): **Davies Collison Cave**
(71) Name(s) and Address(s) of Applicant(s):
The Stanley Works Israel Ltd.
19 Ha'Melacha Street Rosh Ha'Ayin 48091 Israel
(72) Name(s) of Designer(s): **Yosi Sabbag and Elad Shitrit**
(45) Registration Date: **25 January 2013**
(30) Convention priority data:
(31) Number (32) Date (33) Country
001329619 07 Jun 2012 EUROPEAN COMMUNITY
(56) Related Art Documents: **Not Applicable**
(57) Statement of Newness and Distinctiveness: **Nil**



- (21) Design Number: **15558/2012**
(22) Date of Filing Application: **09 November 2012**
(24) Date from which industrial property rights may have effect: **09 November 2012**
(54) Product in respect of which the design is registered: **Vending machine bezel**
(51) International Design Classification: **20-01**
(74) Name(s) of Attorney(s): **WATERMARK PATENT AND TRADE MARKS ATTORNEYS**
(71) Name(s) and Address(s) of Applicant(s):
MEI, Inc.
1301 Wilson Drive West Chester PA 19380 United States of America
(72) Name(s) of Designer(s): **Paul Theobald**
(45) Registration Date: **25 January 2013**
(30) Convention priority data:
(31) Number (32) Date (33) Country
29/420,470 09 May 2012 UNITED STATES OF AMERICA
(56) Related Art Documents: **Not Applicable**
(57) Statement of Newness and Distinctiveness: **Newness and distinctiveness is claimed in the visual features of shape and/or configuration of the vending machine bezel shown in solid lines in the accompanying representations. Features shown in broken lines are for reference only and are to be excluded in considering the scope of the design.**



- (21) Design Number: **12705/2012**
(22) Date of Filing Application: **07 June 2012**
(24) Date from which industrial property rights may have effect: **07 June 2012**
(54) Product in respect of which the design is registered: **Garden hose**
(51) International Design Classification: **23-01C**
(74) Name(s) of Attorney(s): **SPRUSON & FERGUSON**
(71) Name(s) and Address(s) of Applicant(s):
GARDENA Manufacturing GmbH
Hans Lorenser Strasse 40 D-89079 ULM Germany
(72) Name(s) of Designer(s): **Aleksandar Tatic**
(45) Registration Date: **29 January 2013**
(30) Convention priority data:
(31) Number (32) Date (33) Country
002046037 23 May 2012 EUROPEAN COMMUNITY
(56) Related Art Documents: **Not Applicable**
(57) Statement of Newness and Distinctiveness: **Newness and distinctiveness is claimed in the features of pattern and/or ornamentation (including colour scheme) and shape and/or configuration of a garden hose as illustrated in the accompanying representations, apart from the length of the garden hose.**



(21) Design Number: **12709/2012**
(22) Date of Filing Application: **07 June 2012**
(24) Date from which industrial property rights may have effect: **07 June 2012**
(54) Product in respect of which the design is registered: **Garden hose**
(51) International Design Classification: **23-01C**
(74) Name(s) of Attorney(s): **SPRUSON & FERGUSON**
(71) Name(s) and Address(s) of Applicant(s):
GARDENA Manufacturing GmbH
Hans Lorenser Strasse 40 D-89079 ULM Germany
(72) Name(s) of Designer(s): **Aleksandar Tatic**
(45) Registration Date: **29 January 2013**
(30) Convention priority data:
(31) Number (32) Date (33) Country
002046037 23 May 2012 EUROPEAN COMMUNITY
(56) Related Art Documents: **Not Applicable**
(57) Statement of Newness and Distinctiveness: **Newness and distinctiveness is claimed in the features of pattern and/or ornamentation (including colour scheme) and shape and/or configuration of a garden hose as illustrated in the accompanying representations, apart from the length of the garden hose.**



(21) Design Number: **12711/2012**
(22) Date of Filing Application: **07 June 2012**
(24) Date from which industrial property rights may have effect: **07 June 2012**
(54) Product in respect of which the design is registered: **Garden hose**
(51) International Design Classification: **23-01C**
(74) Name(s) of Attorney(s): **SPRUSON & FERGUSON**
(71) Name(s) and Address(s) of Applicant(s):
GARDENA Manufacturing GmbH
Hans Lorenser Strasse 40 D-89079 ULM Germany
(72) Name(s) of Designer(s): **Aleksandar Tatic**
(45) Registration Date: **29 January 2013**
(30) Convention priority data:
(31) Number (32) Date (33) Country
002046037 23 May 2012 EUROPEAN COMMUNITY
(56) Related Art Documents: **Not Applicable**
(57) Statement of Newness and Distinctiveness: **Newness and distinctiveness is claimed in the features of pattern and/or ornamentation (including colour scheme) and shape and/or configuration of a garden hose as illustrated in the accompanying representations, apart from the length of the garden hose.**



(21) Design Number: **12713/2012**

(22) Date of Filing Application: **07 June 2012**

(24) Date from which industrial property rights may have effect: **07 June 2012**

(54) Product in respect of which the design is registered: **Garden hose**

(51) International Design Classification: **23-01C**

(74) Name(s) of Attorney(s): **SPRUSON & FERGUSON**

(71) Name(s) and Address(s) of Applicant(s):

**GARDENA Manufacturing GmbH
Hans Lorenser Strasse 40 D-89079 ULM Germany**

(72) Name(s) of Designer(s): **Aleksandar Tatic**

(45) Registration Date: **29 January 2013**

(30) Convention priority data:

(31) Number	(32) Date	(33) Country
002046037	23 May 2012	EUROPEAN COMMUNITY

(56) Related Art Documents: **Not Applicable**

(57) Statement of Newness and Distinctiveness: **Newness and distinctiveness is claimed in the features of pattern and/or ornamentation (including colour scheme) and shape and/or configuration of a garden hose as illustrated in the accompanying representations, apart from the length of the garden hose.**



(21) Design Number: **12714/2012**

(22) Date of Filing Application: **07 June 2012**

(24) Date from which industrial property rights may have effect: **07 June 2012**

(54) Product in respect of which the design is registered: **Garden hose**

(51) International Design Classification: **23-01C**

(74) Name(s) of Attorney(s): **SPRUSON & FERGUSON**

(71) Name(s) and Address(s) of Applicant(s):

**GARDENA Manufacturing GmbH
Hans Lorenser Strasse 40 D-89079 ULM Germany**

(72) Name(s) of Designer(s): **Aleksandar Tatic**

(45) Registration Date: **29 January 2013**

(30) Convention priority data:

(31) Number	(32) Date	(33) Country
002046037	23 May 2012	EUROPEAN COMMUNITY

(56) Related Art Documents: **Not Applicable**

(57) Statement of Newness and Distinctiveness: **Newness and distinctiveness is claimed in the features of pattern and/or ornamentation (including colour scheme) and shape and/or configuration of a garden hose as illustrated in the accompanying representations, apart from the length of the garden hose.**



- (21) Design Number: **13140/2012**
(22) Date of Filing Application: **05 July 2012**
(24) Date from which industrial property rights may have effect: **05 July 2012**
(54) Product in respect of which the design is registered: **A bottle**
(51) International Design Classification: **09-01H, 09-01NES**
(74) Name(s) of Attorney(s): **Halfords IP**
(71) Name(s) and Address(s) of Applicant(s):
Cospak Pty Ltd
1 Culverston Road Minto New South Wales 2566 Australia
(72) Name(s) of Designer(s): **Bruce Mutch**
(45) Registration Date: **29 January 2013**
(56) Related Art Documents: **Not Applicable**
(57) Statement of Newness and Distinctiveness: **Newness and distinctiveness resides in those features of shape and or configuration of a Bottle as depicted in the accompanying representations.**



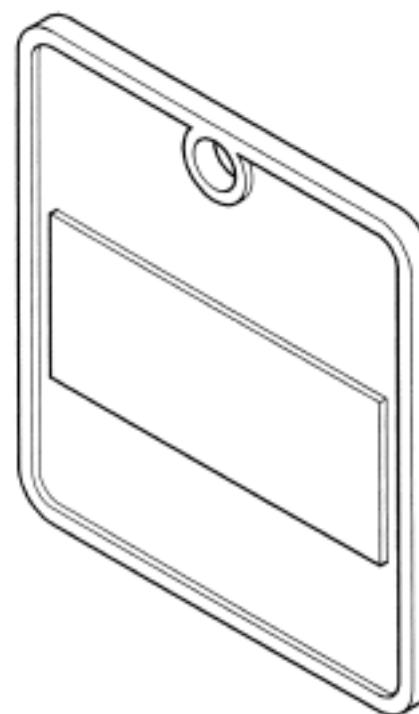
- (21) Design Number: **13868/2012**
(22) Date of Filing Application: **27 July 2012**
(24) Date from which industrial property rights may have effect: **27 July 2012**
(54) Product in respect of which the design is registered: **Jewellery**
(51) International Design Classification: **11-01K**
(74) Name(s) of Attorney(s):
(71) Name(s) and Address(s) of Applicant(s):
Luke John Roo Edwards
6/30 Seymour Road Hamilton Queensland 4007 Australia
(72) Name(s) of Designer(s): **Anna Hancock**
(45) Registration Date: **29 January 2013**
(56) Related Art Documents: **Not Applicable**
(57) Statement of Newness and Distinctiveness: **Nil**



- (21) Design Number: **14823/2012**
(22) Date of Filing Application: **25 September 2012**
(24) Date from which industrial property rights may have effect: **25 September 2012**
(54) Product in respect of which the design is registered: **Sexy underwear - with tassel and zip that opens from front to back (invisible zip)**
(51) International Design Classification: **02-01B**
(74) Name(s) of Attorney(s):
(71) Name(s) and Address(s) of Applicant(s):
Rosa Mazzucca
72 Yellow Brick Rd Old Beach TAS 7017 Australia
Liliana Venafro
36 Homer Ave West Moonah TAS 7009 Australia
(72) Name(s) of Designer(s): **Rosa Mazzucca and Liliana Venafro**
(45) Registration Date: **29 January 2013**
(56) Related Art Documents: **Not Applicable**
(57) Statement of Newness and Distinctiveness: **Invisible zip - underwear, with tassel & bows. Fabric, design, sizes may varie.**



- (21) Design Number: **15090/2012**
(22) Date of Filing Application: **10 October 2012**
(24) Date from which industrial property rights may have effect: **10 October 2012**
(54) Product in respect of which the design is registered: **Medal**
(51) International Design Classification: **11-03**
(74) Name(s) of Attorney(s):
(71) Name(s) and Address(s) of Applicant(s):
My Sporting Times Limited
The Studio Butlers Lands Farm Mortimer Reading RG7 2AG Untied Kingdom
(72) Name(s) of Designer(s): **Ceri Philpott**
(45) Registration Date: **29 January 2013**



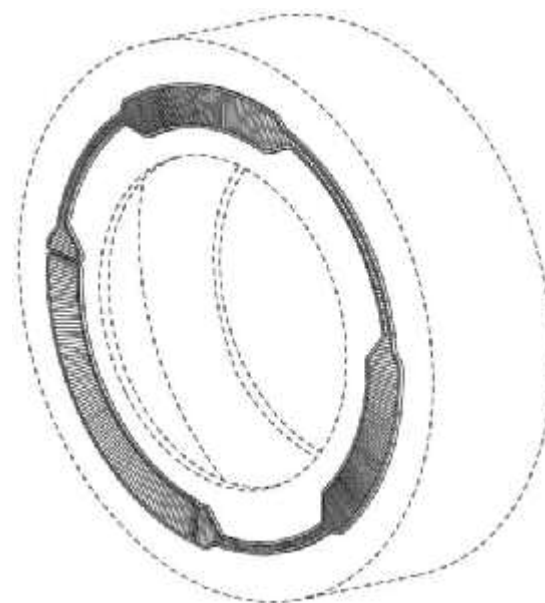
(21) Design Number: **15543/2012**
(22) Date of Filing Application: **06 November 2012**
(24) Date from which industrial property rights may have effect: **06 November 2012**
(54) Product in respect of which the design is registered: **Steel storage rack end protection with internal fixings**
(51) International Design Classification: **06-04NES, 08-08N**
(74) Name(s) of Attorney(s):
(71) Name(s) and Address(s) of Applicant(s):
Mark Holding
L8 350 Collins St Melbourne VIC 3000 Australia
(72) Name(s) of Designer(s): **Jonathan Xie**
(45) Registration Date: **29 January 2013**
(56) Related Art Documents: **Not Applicable**
(57) Statement of Newness and Distinctiveness: **Nil**



(21) Design Number: **16092/2012**
(22) Date of Filing Application: **06 December 2012**
(24) Date from which industrial property rights may have effect: **06 December 2012**
(54) Product in respect of which the design is registered: **Ladder rack for vehicle**
(51) International Design Classification: **12-16K**
(74) Name(s) of Attorney(s):
(71) Name(s) and Address(s) of Applicant(s):
COSCO (J.M.) ALUMINUM DEVELOPMENTS CO., LTD.
No. 22 Gaosha Zhong Rd Jiangmen Guangdong China
(72) Name(s) of Designer(s): **Huabo Huang**
(45) Registration Date: **29 January 2013**
(30) Convention priority data:
(31) Number (32) Date (33) Country
201230476036.9 08 Oct 2012 CHINA
(56) Related Art Documents: **Not Applicable**
(57) Statement of Newness and Distinctiveness: **Nil**



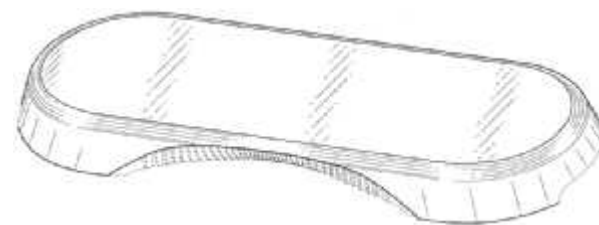
- (21) Design Number: **16151/2012**
(22) Date of Filing Application: **07 December 2012**
(24) Date from which industrial property rights may have effect: **07 December 2012**
(54) Product in respect of which the design is registered: **A tyre**
(51) International Design Classification: **12-15NES**
(74) Name(s) of Attorney(s): **WATERMARK PATENT AND TRADE MARKS ATTORNEYS**
(71) Name(s) and Address(s) of Applicant(s):
Compagnie Generale Des Etablissements Michelin
12 cours Sablon Clermont-Ferrand F- 63000 France
Michelin Recherche et Technique S.A.
Route Louis Braille 10 Granges-Paccot CH- 1763 Switzerland
(72) Name(s) of Designer(s): **Mathieu Vandaele**
(45) Registration Date: **29 January 2013**
(56) Related Art Documents: **Not Applicable**
(57) Statement of Newness and Distinctiveness: **Newness and distinctiveness resides in the design applied to one side wall of the tyre, the remainder of the tyre should be disregarded when considering the scope of the design.**



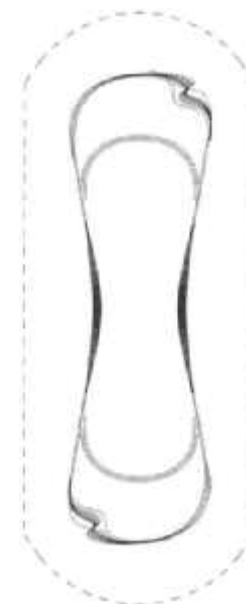
- (21) Design Number: **16152/2012**
(22) Date of Filing Application: **07 December 2012**
(24) Date from which industrial property rights may have effect: **07 December 2012**
(54) Product in respect of which the design is registered: **A riser for an exercise platform**
(51) International Design Classification: **21-02F**
(74) Name(s) of Attorney(s): **A J Park**
(71) Name(s) and Address(s) of Applicant(s):
Les Mills International Limited
22 Centre Street Auckland 1010 New Zealand
(72) Name(s) of Designer(s): **David Neil Lovegrove and Darryl John Best and Ross Hughan Dawson**
(45) Registration Date: **29 January 2013**
(56) Related Art Documents: **Not Applicable**
(57) Statement of Newness and Distinctiveness: **Newness and distinctiveness resides in the features of shape and/or configuration of the riser for an exercise platform, as shown in the representations. Newness and distinctiveness are not claimed in relation to the features shown in broken lines in the representations, which features are shown for illustrative purposes only.**



- (21) Design Number: **16153/2012**
(22) Date of Filing Application: **07 December 2012**
(24) Date from which industrial property rights may have effect: **07 December 2012**
(54) Product in respect of which the design is registered: **An exercise platform**
(51) International Design Classification: **21-02F**
(74) Name(s) of Attorney(s): **A J Park**
(71) Name(s) and Address(s) of Applicant(s):
Les Mills International Limited
22 Centre Street Auckland 1010 New Zealand
(72) Name(s) of Designer(s): **David Neil Lovegrove and Darryl John Best and Ross Hughan Dawson**
(45) Registration Date: **29 January 2013**
(56) Related Art Documents: **Not Applicable**
(57) Statement of Newness and Distinctiveness: **Newness and distinctiveness resides in the features of shape and/or configuration of the exercise platform, as shown in the representations. Newness and distinctiveness are not claimed in relation to the features shown in broken lines in the representations, which features are shown for illustrative purposes only.**



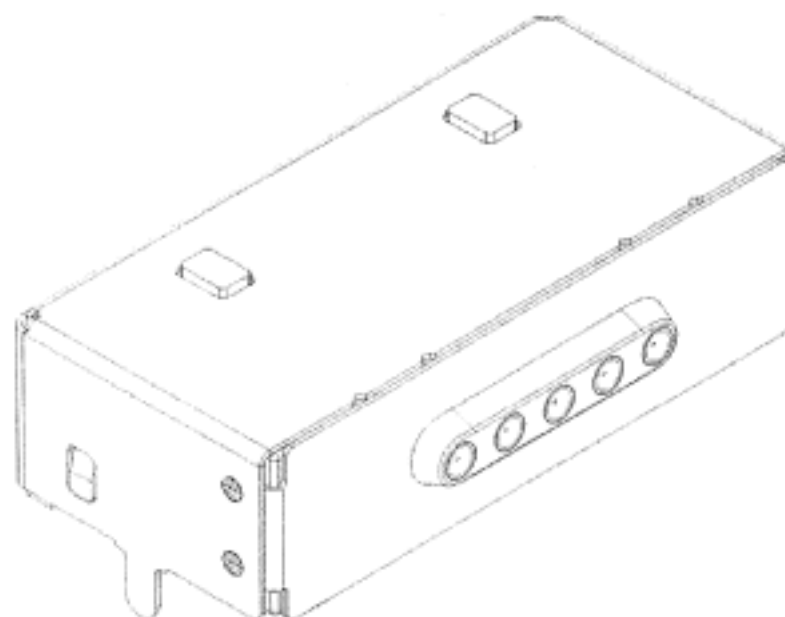
- (21) Design Number: **16155/2012**
(22) Date of Filing Application: **07 December 2012**
(24) Date from which industrial property rights may have effect: **07 December 2012**
(54) Product in respect of which the design is registered: **Sanitary towel**
(51) International Design Classification: **24-04**
(74) Name(s) of Attorney(s): **WATERMARK PATENT AND TRADE MARKS ATTORNEYS**
(71) Name(s) and Address(s) of Applicant(s):
SCA Hygiene Products AB
S-405 03 Goteborg Sweden
(72) Name(s) of Designer(s): **Anita Haraldsson Hedbratt and Sigun Bergstedt**
(45) Registration Date: **29 January 2013**
(30) Convention priority data:
(31) Number (32) Date (33) Country
001330567 11 Jun 2012 EUROPEAN COMMUNITY
(56) Related Art Documents: **Not Applicable**
(57) Statement of Newness and Distinctiveness: **Newness and distinctiveness resides in the pattern and ornamentation embossed and/or marked on the surface of the towel. No regard is to be had to the external profile of the towel.**



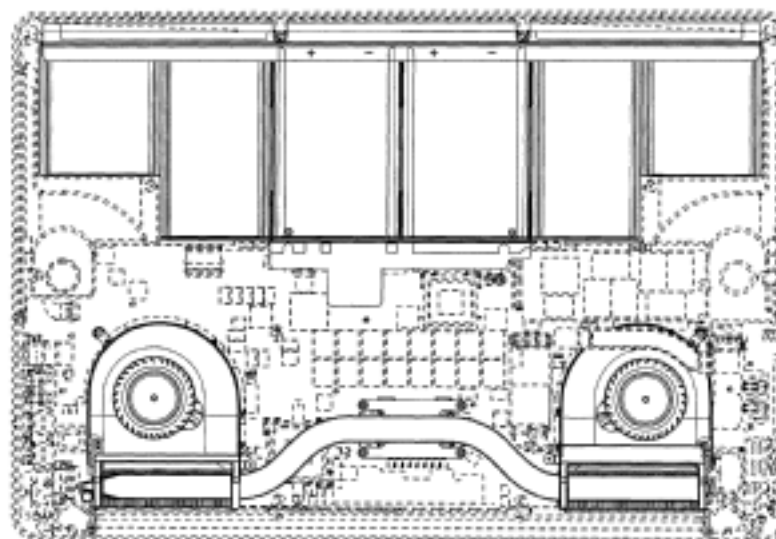
- (21) Design Number: **16156/2012**
(22) Date of Filing Application: **07 December 2012**
(24) Date from which industrial property rights may have effect: **07 December 2012**
(54) Product in respect of which the design is registered: **Sanitary towel**
(51) International Design Classification: **24-04**
(74) Name(s) of Attorney(s): **WATERMARK PATENT AND TRADE MARKS ATTORNEYS**
(71) Name(s) and Address(s) of Applicant(s):
SCA Hygiene Products AB
S-405 03 Goteborg Sweden
(72) Name(s) of Designer(s): **Anita Haraldsson Hedbratt and Sigun Bergstedt**
(45) Registration Date: **29 January 2013**
(30) Convention priority data:
(31) Number (32) Date (33) Country
001330567 11 Jun 2012 EUROPEAN COMMUNITY
(56) Related Art Documents: **Not Applicable**
(57) Statement of Newness and Distinctiveness: **Newness and distinctiveness resides in the shape and configuration of the keyhole shaped countersink in the centre portion of the stippled markings on the representations of the towel. No regard is to be had to the stippled markings on the towel.**



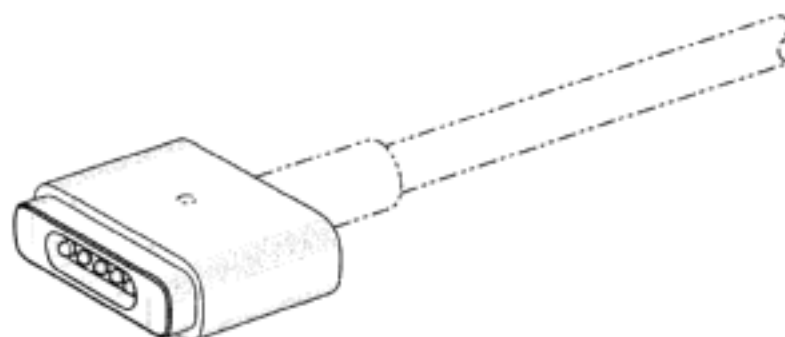
- (21) Design Number: **16175/2012**
(22) Date of Filing Application: **06 December 2012**
(24) Date from which industrial property rights may have effect: **06 December 2012**
(54) Product in respect of which the design is registered: **Electronic device**
(51) International Design Classification: **14-02**
(74) Name(s) of Attorney(s): **Freehills Patent Attorneys**
(71) Name(s) and Address(s) of Applicant(s):
Apple Inc.
1 Infinite Loop Cupertino California 95014 United States of America
(72) Name(s) of Designer(s): **William Francis Leggett and Cheryl Partido Espirtu and Gavin John Reid and Bradley Joseph Hamel and Zheng Gao and Paul Joseph Hack and Timothy Roger Milberger**
(45) Registration Date: **29 January 2013**
(30) Convention priority data:
(31) Number (32) Date (33) Country
29/424272 10 Jun 2012 UNITED STATES OF AMERICA
(56) Related Art Documents: **Not Applicable**
(57) Statement of Newness and Distinctiveness: **Newness and distinctiveness reside in the shape and configuration of the electronic device as shown in the accompanying representations.**



- (21) Design Number: **16176/2012**
(22) Date of Filing Application: **06 December 2012**
(24) Date from which industrial property rights may have effect: **06 December 2012**
(54) Product in respect of which the design is registered: **Electronic device**
(51) International Design Classification: **14-02**
(74) Name(s) of Attorney(s): **Freehills Patent Attorneys**
(71) Name(s) and Address(s) of Applicant(s):
Apple Inc.
1 Infinite Loop Cupertino California 95014 United States of America
(72) Name(s) of Designer(s): **Bartley K. Andre and Brett Degner and Charles Schwalbach and Mikael Silvano**
(45) Registration Date: **29 January 2013**
(30) Convention priority data:
(31) Number (32) Date (33) Country
29/424268 09 Jun 2012 UNITED STATES OF AMERICA
(56) Related Art Documents: **Not Applicable**
(57) Statement of Newness and Distinctiveness: **Newness and distinctiveness of the design reside in the appearance of the arrangement of those components of the electronic device shown in solid lines when seen in plan view as illustrated in the accompanying representations.**



- (21) Design Number: **16177/2012**
(22) Date of Filing Application: **06 December 2012**
(24) Date from which industrial property rights may have effect: **06 December 2012**
(54) Product in respect of which the design is registered: **Connector**
(51) International Design Classification: **14-02, 13-03B**
(74) Name(s) of Attorney(s): **Freehills Patent Attorneys**
(71) Name(s) and Address(s) of Applicant(s):
Apple Inc.
1 Infinite Loop Cupertino California 95014 United States of America
(72) Name(s) of Designer(s): **Jody Akana and Bartley K. Andre and Jeremy Bataillou and Daniel J. Coster and Daniele De Iullis and Evans Hankey and Julian Hoenig and Richard P. Howarth and Jonathan P. Ive and Duncan Robert Kerr and Matthew Dean Rohrbach and Peter Russell-Clarke and Mikael Silvano and Christopher J. Stringer and Eugene Antony Whang and Rico Zorkendorfer**
(45) Registration Date: **29 January 2013**
(30) Convention priority data:
(31) Number (32) Date (33) Country
29/424257 08 Jun 2012 UNITED STATES OF AMERICA
(56) Related Art Documents: **Not Applicable**
(57) Statement of Newness and Distinctiveness: **Newness and distinctiveness of the design reside in the features of shape and configuration of the connector shown in solid lines in the accompanying representations.**



- (21) Design Number: **16178/2012**
(22) Date of Filing Application: **06 December 2012**
(24) Date from which industrial property rights may have effect: **06 December 2012**
(54) Product in respect of which the design is registered: **Connector having a body of metallic appearance**
(51) International Design Classification: **14-02, 13-03B**
(74) Name(s) of Attorney(s): **Freehills Patent Attorneys**
(71) Name(s) and Address(s) of Applicant(s):

Apple Inc.

1 Infinite Loop Cupertino California 95014 United States of America

- (72) Name(s) of Designer(s): **Jody Akana and Bartley K. Andre and Jeremy Bataillou and Daniel J. Coster and Daniele De Iuliis and Evans Hankey and Julian Hoenig and Richard P. Howarth and Jonathan P. Ive and Duncan Robert Kerr and Matthew Dean Rohrbach and Peter Russell-Clarke and Mikael Silvano and Christopher J. Stringer and Eugene Antony Whang and Rico Zorkendorfer**

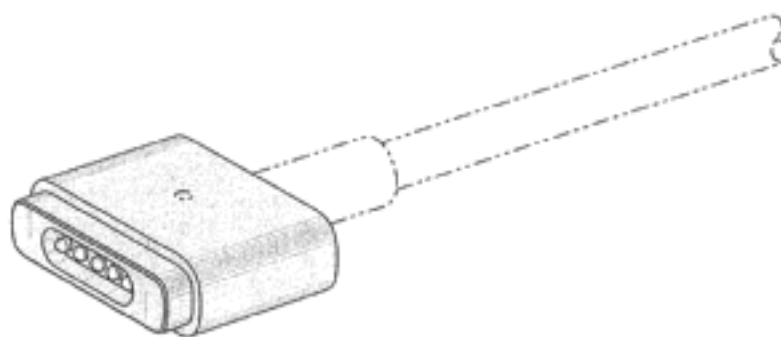
- (45) Registration Date: **29 January 2013**

- (30) Convention priority data:

(31) Number	(32) Date	(33) Country
29/424257	08 Jun 2012	UNITED STATES OF AMERICA

- (56) Related Art Documents: **Not Applicable**

- (57) Statement of Newness and Distinctiveness: **Newness and distinctiveness of the design reside in the features of shape and configuration of the connector shown in solid lines in the accompanying representations in combination with the metallic appearance of the body, which is shaded grey in the accompanying representations.**



- (21) Design Number: **14371/2012**
(22) Date of Filing Application: **03 September 2012**
(24) Date from which industrial property rights may have effect: **03 September 2012**
(54) Product in respect of which the design is registered: **A multi-tip bin tipper**
(51) International Design Classification: **09-09**
(74) Name(s) of Attorney(s):
(71) Name(s) and Address(s) of Applicant(s):

Stephen Leslie Simmons

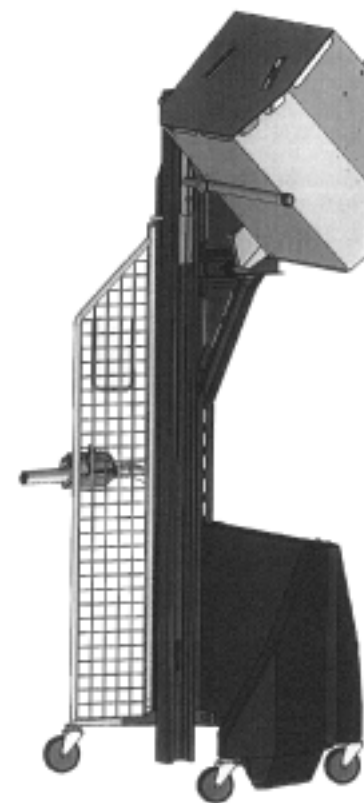
PO BOX 13679 Onehunga Auckland New Zealand 1061

- (72) Name(s) of Designer(s): **Stephen Leslie Simmons**

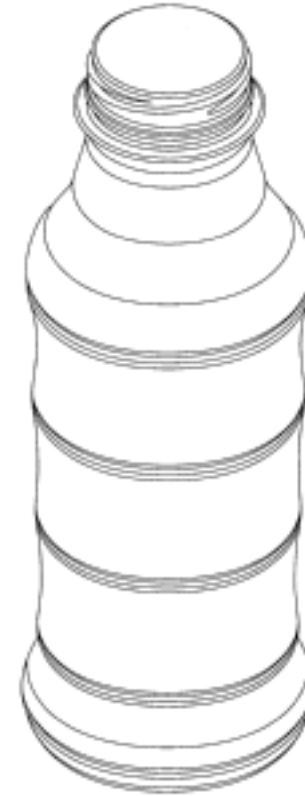
- (45) Registration Date: **30 January 2013**

- (56) Related Art Documents: **Not Applicable**

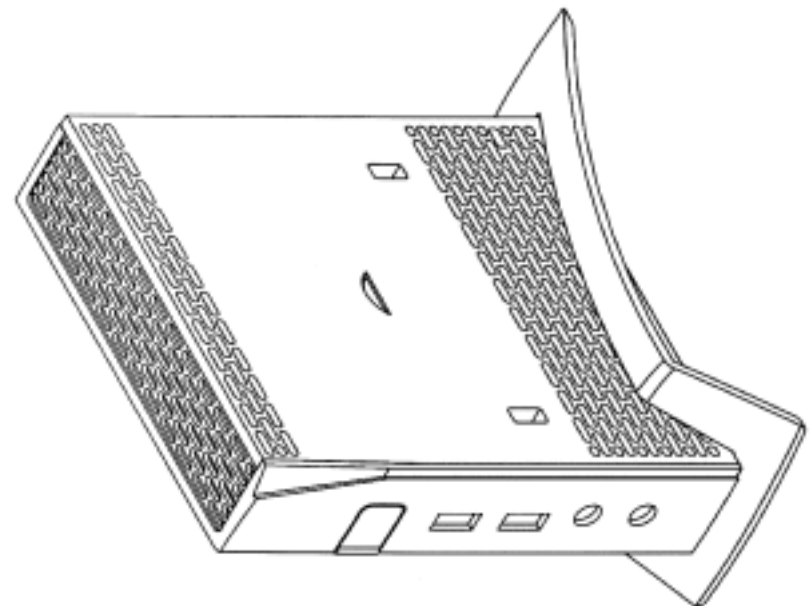
- (57) Statement of Newness and Distinctiveness: **Newness and distinctiveness resides in the features of the shape and configuration of the bin tipper as are shown in the representations.**



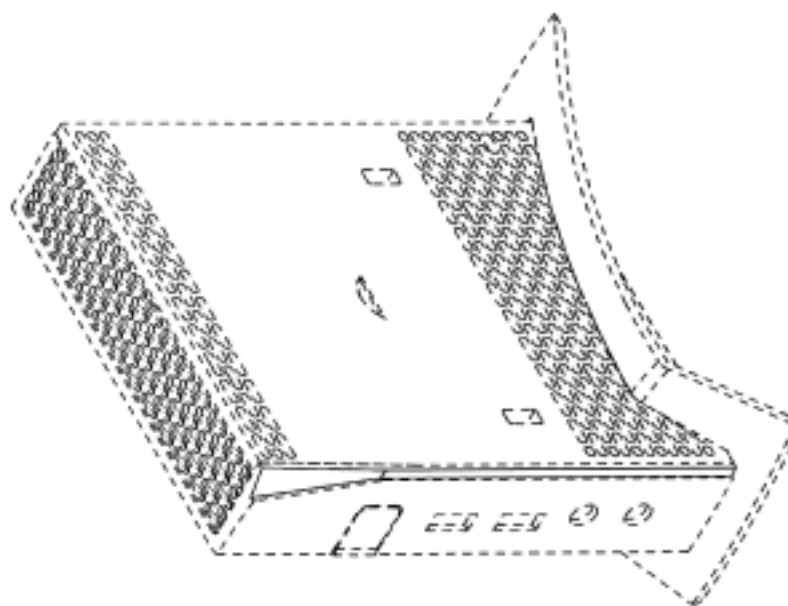
(21) Design Number: **15381/2012**
(22) Date of Filing Application: **26 October 2012**
(24) Date from which industrial property rights may have effect: **26 October 2012**
(54) Product in respect of which the design is registered: **Bottle**
(51) International Design Classification: **09-01H**
(74) Name(s) of Attorney(s): **PHILLIPS ORMONDE FITZPATRICK**
(71) Name(s) and Address(s) of Applicant(s):
The Coca-Cola Company
One Coca-Cola Plaza N.W. Atlanta Georgia 30313 United States of America
(72) Name(s) of Designer(s): **Stephane Egret**
(45) Registration Date: **30 January 2013**
(30) Convention priority data:
(31) Number (32) Date (33) Country
002034553 27 Apr 2012 EUROPEAN COMMUNITY
(56) Related Art Documents: **Not Applicable**
(57) Statement of Newness and Distinctiveness: **Nil**



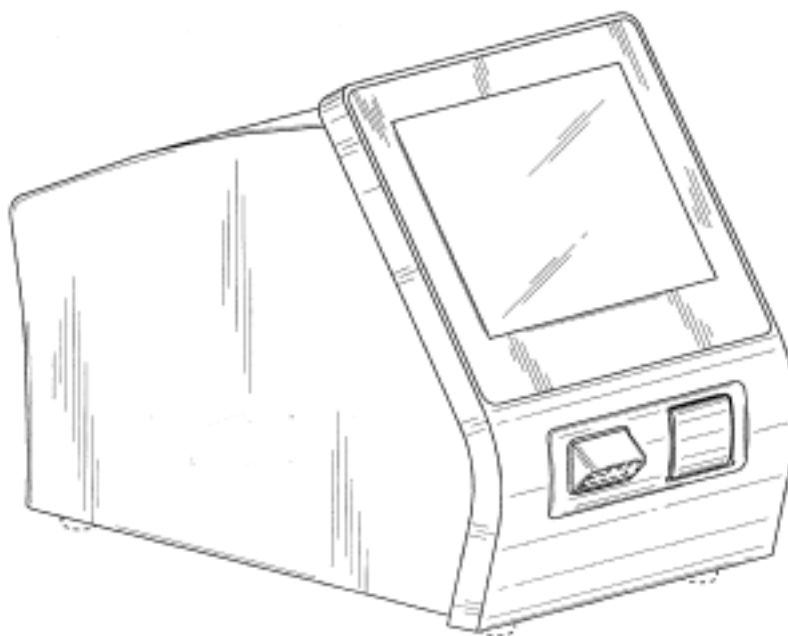
(21) Design Number: **15529/2012**
(22) Date of Filing Application: **06 November 2012**
(24) Date from which industrial property rights may have effect: **06 November 2012**
(54) Product in respect of which the design is registered: **Arithmetic and control unit for computer system**
(51) International Design Classification: **14-02**
(74) Name(s) of Attorney(s): **SPRUSON & FERGUSON**
(71) Name(s) and Address(s) of Applicant(s):
Fujitsu Limited
1-1 Kamiodanaka 4-Chome Nakahara-Ku Kawasaki-Shi Kanagawa-Ken Japan
(72) Name(s) of Designer(s): **Hiroyuki Fujita and Nobuharu Tsusaka and Eiji Nagao and Hisao Morooka and Toni Koberling and Mark Friesen**
(45) Registration Date: **30 January 2013**
(56) Related Art Documents: **Not Applicable**
(57) Statement of Newness and Distinctiveness: **Newness and distinctiveness is claimed in the features of shape and/or configuration of an arithmetic and control unit as illustrated in the accompanying representations.**



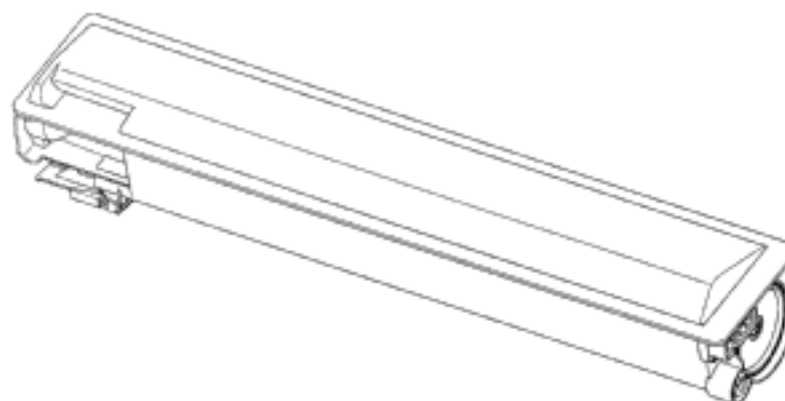
- (21) Design Number: **15530/2012**
(22) Date of Filing Application: **06 November 2012**
(24) Date from which industrial property rights may have effect: **06 November 2012**
(54) Product in respect of which the design is registered: **Arithmetic and control unit for computer system**
(51) International Design Classification: **14-02**
(74) Name(s) of Attorney(s): **SPRUSON & FERGUSON**
(71) Name(s) and Address(s) of Applicant(s):
Fujitsu Limited
1-1 Kamikodanaka 4-chome Nakahara-Ku Kawasaki-shi Kanagawa
211-8588 Japan
(72) Name(s) of Designer(s): **Hiroyuki Fujita and Nobuharu Tsusaka and Eiji Nagao and Hisao Morooka and Toni Koberling and Mark Friesen**
(45) Registration Date: **30 January 2013**
(56) Related Art Documents: **Not Applicable**
(57) Statement of Newness and Distinctiveness: **Newness and distinctiveness is claimed in the features of shape and/or configuration of an arithmetic and control unit as illustrated in continuous lines in the accompanying representations.**



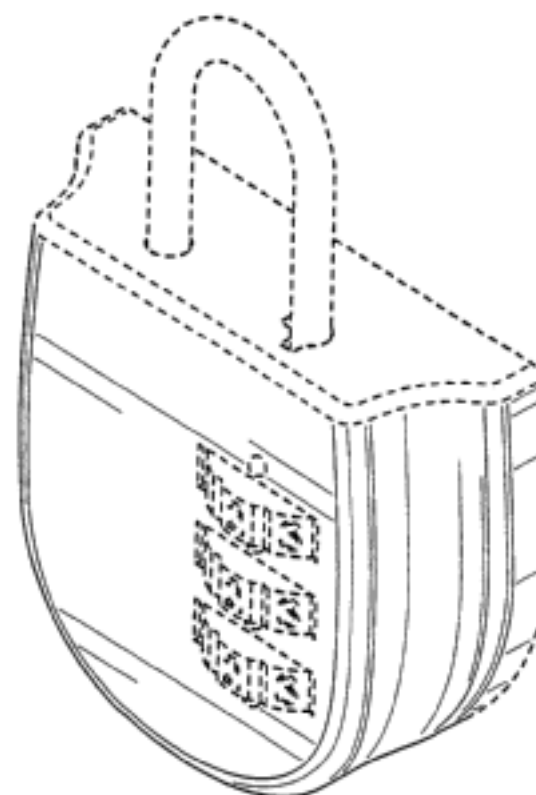
- (21) Design Number: **15541/2012**
(22) Date of Filing Application: **07 November 2012**
(24) Date from which industrial property rights may have effect: **07 November 2012**
(54) Product in respect of which the design is registered: **Medical diagnostic instrument with a display screen**
(51) International Design Classification: **24-01**
(74) Name(s) of Attorney(s): **Griffith Hack**
(71) Name(s) and Address(s) of Applicant(s):
Wellstat Diagnostics, LLC
903 Clopper Road Gaithersburg MD 20878 United States of America
(72) Name(s) of Designer(s): **Richard Cook and Michael D. Nelson and Nadine Wohlstadter**
(45) Registration Date: **30 January 2013**
(30) Convention priority data:
(31) Number (32) Date (33) Country
29/420,956 15 May 2012 UNITED STATES OF AMERICA
(56) Related Art Documents: **Not Applicable**
(57) Statement of Newness and Distinctiveness: **Newness and distinctiveness resides in the visual features, including shape, configuration and ornamentation, of the PRODUCT as shown by means of solid lines in the accompanying representations. Those parts shown by means of dashed lines do not form part of the design and have been included for illustrative purposes only.**



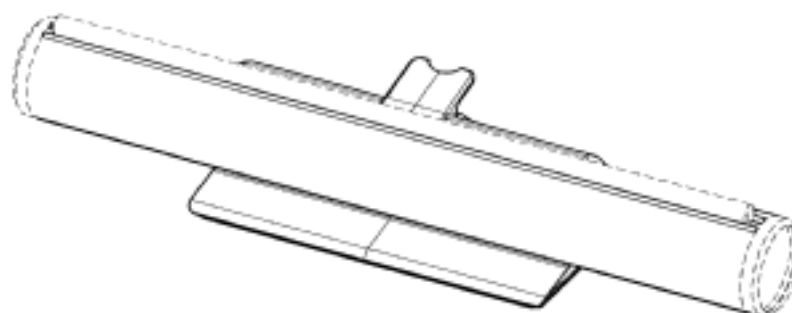
- (21) Design Number: **15576/2012**
(22) Date of Filing Application: **08 November 2012**
(24) Date from which industrial property rights may have effect: **08 November 2012**
(54) Product in respect of which the design is registered: **Toner cartridge for an office copier**
(51) International Design Classification: **16-03**
(74) Name(s) of Attorney(s): **Griffith Hack**
(71) Name(s) and Address(s) of Applicant(s):
Toshiba Tec Kabushiki Kaisha
1-11-1 Osaki Shinagawa-ku Tokyo 141-0032 Japan
(72) Name(s) of Designer(s): **Tsutomu Sato**
(45) Registration Date: **30 January 2013**
(30) Convention priority data:
(31) Number (32) Date (33) Country
2012-11451 16 May 2012 JAPAN
(56) Related Art Documents: **Not Applicable**
(57) Statement of Newness and Distinctiveness: **Newness and distinctiveness resides in the visual features, including shape and configuration of the product as shown in the accompanying drawings.**



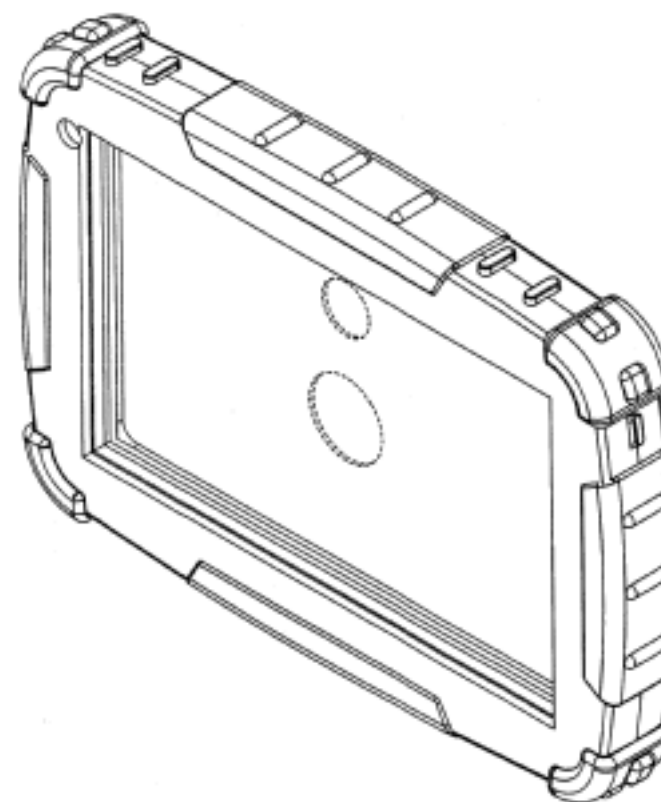
- (21) Design Number: **15808/2012**
(22) Date of Filing Application: **20 November 2012**
(24) Date from which industrial property rights may have effect: **20 November 2012**
(54) Product in respect of which the design is registered: **Lock**
(51) International Design Classification: **08-07**
(74) Name(s) of Attorney(s): **Callinans**
(71) Name(s) and Address(s) of Applicant(s):
Sinox Company Limited
3F No.2 Lane 93 Chien-I-Rd Chung-Ho Dist New Taipei City 23585
Taiwan (R.O.C.)
(72) Name(s) of Designer(s): **Chia-Hung Wang**
(45) Registration Date: **30 January 2013**
(30) Convention priority data:
(31) Number (32) Date (33) Country
29/422,553 22 May 2012 UNITED STATES OF AMERICA
(56) Related Art Documents: **Not Applicable**
(57) Statement of Newness and Distinctiveness: **Newness and distinctiveness are provided by the shape and/or configuration of the design shown in the representations. The features shown in broken lines in the representations are for illustrative purposes only and should not be considered when construing visual features of the design.**



- (21) Design Number: **15848/2012**
(22) Date of Filing Application: **21 November 2012**
(24) Date from which industrial property rights may have effect: **21 November 2012**
(54) Product in respect of which the design is registered: **Banner display device**
(51) International Design Classification: **20-03NES**
(74) Name(s) of Attorney(s): **FB Rice**
(71) Name(s) and Address(s) of Applicant(s):
Creative Visuals Pty Ltd
U1 1 Rocklea Dr Port Melbourne VIC 3207 Australia
(72) Name(s) of Designer(s): **Mitchell Hodge**
(45) Registration Date: **30 January 2013**
(56) Related Art Documents: **Not Applicable**
(57) Statement of Newness and Distinctiveness: **Each feature of shape and configuration of the Banner display device comprising in combination, a body, a support base for the body, a foot for the base; but excluding the optional tube assembly shown in phantom and the end caps shown in phantom.**



- (21) Design Number: **15895/2012**
(22) Date of Filing Application: **23 November 2012**
(24) Date from which industrial property rights may have effect: **23 November 2012**
(54) Product in respect of which the design is registered: **Tablet case**
(51) International Design Classification: **03-01NES**
(74) Name(s) of Attorney(s): **Griffith Hack**
(71) Name(s) and Address(s) of Applicant(s):
Dundee Precious Metals Inc.
Dundee Place 1 Adelaide Street East Suite 500 PO Box 195 Toronto ON
M5C 2V9 Canada
(72) Name(s) of Designer(s): **Mark Gelsomini and Richard Coulson**
(45) Registration Date: **30 January 2013**
(30) Convention priority data:
(31) Number (32) Date (33) Country
145744 23 May 2012 CANADA
(56) Related Art Documents: **Not Applicable**
(57) Statement of Newness and Distinctiveness: **The design consists of the features of shape, ornament, pattern and configuration of a Tablet Case shown in solid lines in the drawings. The broken lines in the drawings are for illustrative purposes only and form no part of the design.**



(21) Design Number: **15896/2012**
(22) Date of Filing Application: **23 November 2012**
(24) Date from which industrial property rights may have effect: **23 November 2012**
(54) Product in respect of which the design is registered: **Tablet case**
(51) International Design Classification: **03-01NES**
(74) Name(s) of Attorney(s): **Griffith Hack**
(71) Name(s) and Address(s) of Applicant(s):
Dundee Precious Metals Inc.
Dundee Place 1 Adelaide Street East Suite 500 PO Box 195 Toronto ON
M5C 2V9 Canada

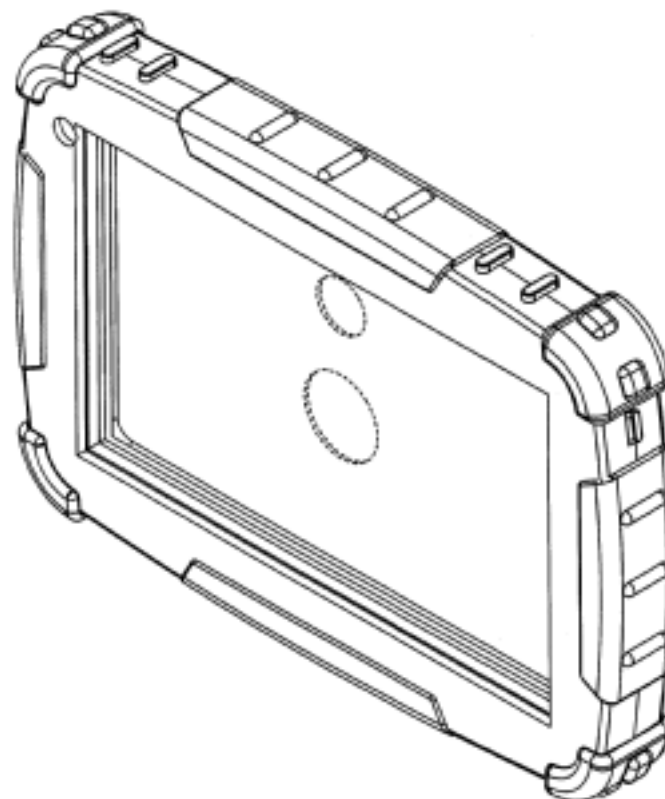
(72) Name(s) of Designer(s): **Mark Gelsomini and Richard Coulson**
(45) Registration Date: **30 January 2013**

(30) Convention priority data:

(31) Number	(32) Date	(33) Country
145744	23 May 2012	CANADA

(56) Related Art Documents: **Not Applicable**

(57) Statement of Newness and Distinctiveness: **The design consists of the features of shape, ornament, pattern and configuration of a Tablet Case shown in solid lines in the drawings. The broken lines in the drawings are for illustrative purposes only and form no part of the design.**



(21) Design Number: **15897/2012**
(22) Date of Filing Application: **23 November 2012**
(24) Date from which industrial property rights may have effect: **23 November 2012**
(54) Product in respect of which the design is registered: **Tablet case**
(51) International Design Classification: **03-01NES**
(74) Name(s) of Attorney(s): **Griffith Hack**
(71) Name(s) and Address(s) of Applicant(s):
Dundee Precious Metals Inc.
Dundee Place 1 Adelaide Street East Suite 500 PO Box 195 Toronto ON
M5C 2V9 Canada

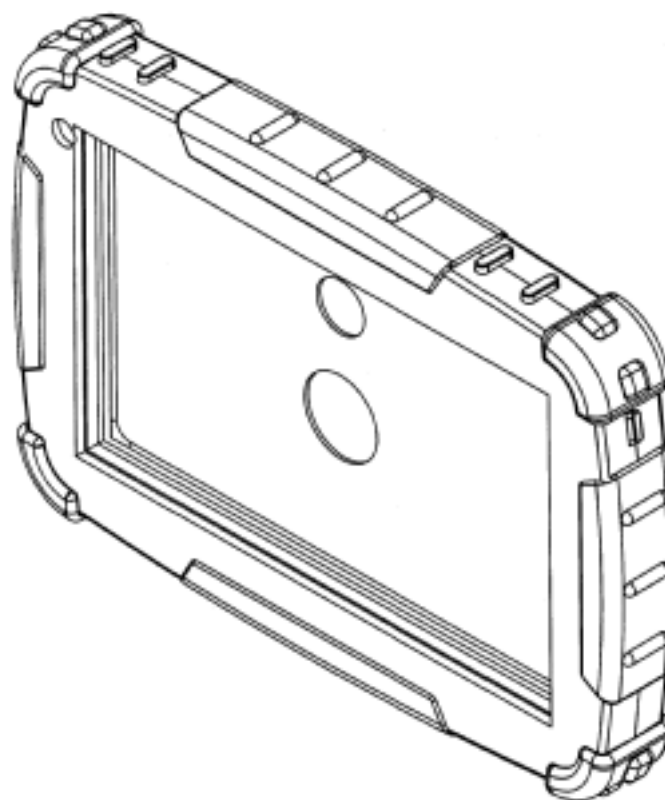
(72) Name(s) of Designer(s): **Mark Gelsomini and Richard Coulson**
(45) Registration Date: **30 January 2013**

(30) Convention priority data:

(31) Number	(32) Date	(33) Country
145744	23 May 2012	CANADA

(56) Related Art Documents: **Not Applicable**

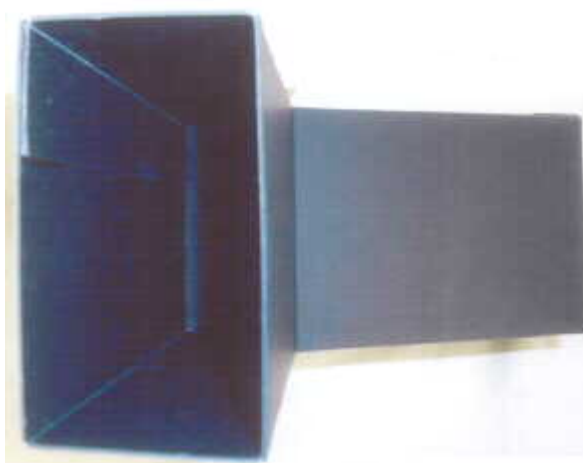
(57) Statement of Newness and Distinctiveness: **The design consists of the features of shape, ornament, pattern and configuration of a Tablet Case shown in solid lines in the drawings. The broken lines in the drawings are for illustrative purposes only and form no part of the design.**



- (21) Design Number: **15910/2012**
(22) Date of Filing Application: **26 November 2012**
(24) Date from which industrial property rights may have effect: **26 November 2012**
(54) Product in respect of which the design is registered: **Air conditioner**
(51) International Design Classification: **23-04**
(74) Name(s) of Attorney(s): **Shelston IP**
(71) Name(s) and Address(s) of Applicant(s):
Hisense Kelon Electrical Holdings Co., Ltd.
No.8 Ronggang Road Ronggui Shunde Foshan Guangdong People's
Republic of China
GuangDong Kelon Air Conditioner Co., Ltd.
No.2 Qiaodong Road Ronggui Shunde Foshan Guangdong People's
Republic of China
(72) Name(s) of Designer(s): **Peiran Qin and Haoping Wang and Lei Wang and**
Shenghui Li and Ye He
(45) Registration Date: **30 January 2013**
(30) Convention priority data:
(31) Number (32) Date (33) Country
201230198197.6 25 May 2012 CHINA
(56) Related Art Documents: **Not Applicable**
(57) Statement of Newness and Distinctiveness: **Newness and distinctiveness**
reside in the shape and configuration of the design for the Air
Conditioner as shown in the figures. The colour and/or shading of the Air
Conditioner shown in the figures is illustrative only and not considered
part of the design.



- (21) Design Number: **15965/2012**
(22) Date of Filing Application: **28 November 2012**
(24) Date from which industrial property rights may have effect: **28 November 2012**
(54) Product in respect of which the design is registered: **Downpipe**
(51) International Design Classification: **23-01A**
(74) Name(s) of Attorney(s):
(71) Name(s) and Address(s) of Applicant(s):
Lee Kenneth Middleton
14 Omaru Cres Bradbury NSW 2560 Australia
(72) Name(s) of Designer(s): **Lee Kenneth Middleton**
(45) Registration Date: **30 January 2013**
(56) Related Art Documents: **Not Applicable**
(57) Statement of Newness and Distinctiveness: **Folds flat. Slides over length**
of downpipe mark angles on downpipe, cut and install.



- (21) Design Number: **15483/2012**
(22) Date of Filing Application: **05 November 2012**
(24) Date from which industrial property rights may have effect: **05 November 2012**
(54) Product in respect of which the design is registered: **Pivotal traffic signal support**
(51) International Design Classification: **10-06**
(74) Name(s) of Attorney(s): **Davies Collison Cave**
(71) Name(s) and Address(s) of Applicant(s):
Roads Corporation
60 Denmark St Kew Victoria 3101 Australia
(72) Name(s) of Designer(s): **Zoltan Szasz**
(45) Registration Date: **30 January 2013**
(56) Related Art Documents: **Not Applicable**
(57) Statement of Newness and Distinctiveness: **Newness and distinctiveness is claimed in the shape and configuration of a pivotal traffic signal support with pivotal arm having a portion as shown in solid lines in the representations, but not in the visual features of the bolts labelled "A" or in the cross-sectional shape of the pole or arm. The traffic signal support may extend in directions B, C and D shown in Figure 1 with indefinite length.**



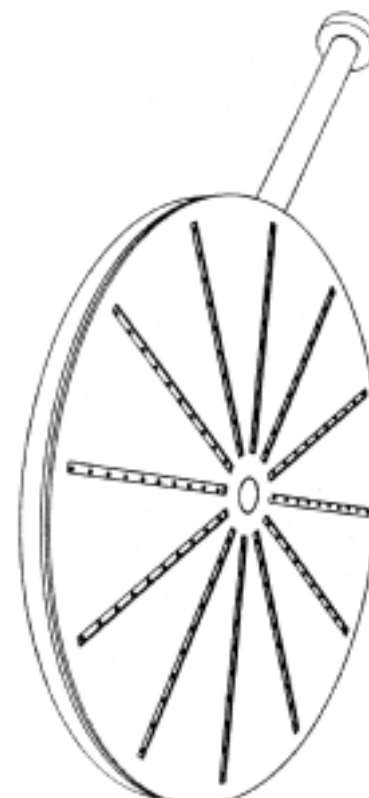
- (21) Design Number: **15547/2012**
(22) Date of Filing Application: **09 November 2012**
(24) Date from which industrial property rights may have effect: **09 November 2012**
(54) Product in respect of which the design is registered: **Shower head**
(51) International Design Classification: **23-02B**
(74) Name(s) of Attorney(s): **Simpsons Solicitors**
(71) Name(s) and Address(s) of Applicant(s):
Vola A/S
Lunavej 2 Horsens 8700 Denmark
(72) Name(s) of Designer(s): **Members of the design team of Aarhus Arkitekterne A/S**
(45) Registration Date: **30 January 2013**
(30) Convention priority data:
(31) Number (32) Date (33) Country
002039693-0001 10 May 2012 EUROPEAN COMMUNITY
(56) Related Art Documents: **Not Applicable**
(57) Statement of Newness and Distinctiveness: **Nil**



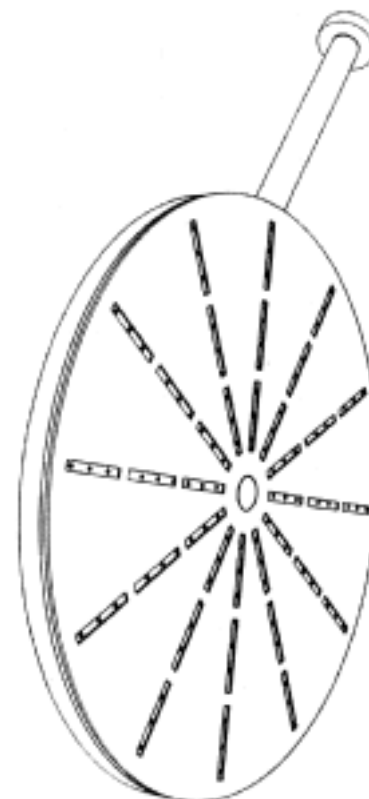
(21) Design Number: **15549/2012**
(22) Date of Filing Application: **09 November 2012**
(24) Date from which industrial property rights may have effect: **09 November 2012**
(54) Product in respect of which the design is registered: **Shower head**
(51) International Design Classification: **23-02B**
(74) Name(s) of Attorney(s): **Simpsons Solicitors**
(71) Name(s) and Address(s) of Applicant(s):
Vola A/S
Lunavej 2 Horsens 8700 Denmark
(72) Name(s) of Designer(s): **Members of the design team of Aarhus**
Arkitekterne A/S
(45) Registration Date: **30 January 2013**
(30) Convention priority data:
(31) Number (32) Date (33) Country
002039693-0002 10 May 2012 EUROPEAN COMMUNITY
(56) Related Art Documents: **Not Applicable**
(57) Statement of Newness and Distinctiveness: **Nil**



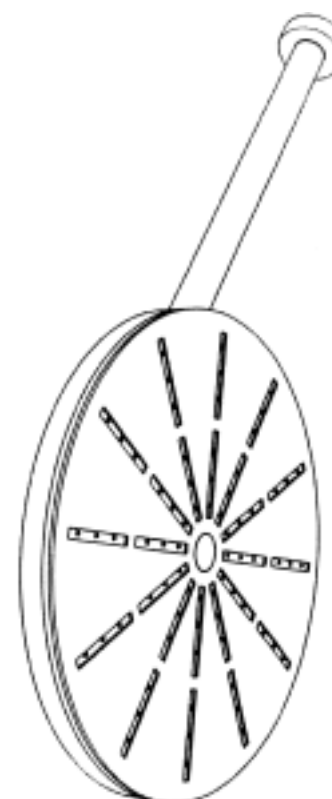
(21) Design Number: **15550/2012**
(22) Date of Filing Application: **09 November 2012**
(24) Date from which industrial property rights may have effect: **09 November 2012**
(54) Product in respect of which the design is registered: **Shower head**
(51) International Design Classification: **23-02B**
(74) Name(s) of Attorney(s): **Simpsons Solicitors**
(71) Name(s) and Address(s) of Applicant(s):
Vola A/S
Lunavej 2 Horsens 8700 Denmark
(72) Name(s) of Designer(s): **Members of the design team of Aarhus**
Arkitekterne A/S
(45) Registration Date: **30 January 2013**
(30) Convention priority data:
(31) Number (32) Date (33) Country
002039693-0003 10 May 2012 EUROPEAN COMMUNITY
(56) Related Art Documents: **Not Applicable**
(57) Statement of Newness and Distinctiveness: **Nil**



(21) Design Number: **15551/2012**
(22) Date of Filing Application: **09 November 2012**
(24) Date from which industrial property rights may have effect: **09 November 2012**
(54) Product in respect of which the design is registered: **Shower head**
(51) International Design Classification: **23-02B**
(74) Name(s) of Attorney(s): **Simpsons Solicitors**
(71) Name(s) and Address(s) of Applicant(s):
Vola A/S
Lunavej 2 Horsens 8700 Denmark
(72) Name(s) of Designer(s): **Members of the design team of Aarhus**
Arkitekterne A/S
(45) Registration Date: **30 January 2013**
(30) Convention priority data:
(31) Number (32) Date (33) Country
002039693-0004 10 May 2012 EUROPEAN COMMUNITY
(56) Related Art Documents: **Not Applicable**
(57) Statement of Newness and Distinctiveness: **Nil**



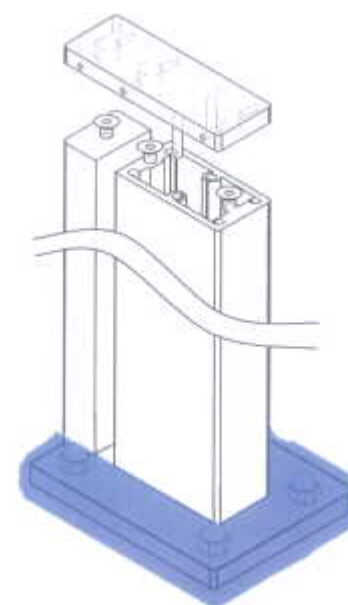
(21) Design Number: **15553/2012**
(22) Date of Filing Application: **09 November 2012**
(24) Date from which industrial property rights may have effect: **09 November 2012**
(54) Product in respect of which the design is registered: **Shower head**
(51) International Design Classification: **23-02B**
(74) Name(s) of Attorney(s): **Simpsons Solicitors**
(71) Name(s) and Address(s) of Applicant(s):
Vola A/S
Lunavej 2 Horsens 8700 Denmark
(72) Name(s) of Designer(s): **Members of the design team of Aarhus**
Arkitekterne A/S
(45) Registration Date: **30 January 2013**
(30) Convention priority data:
(31) Number (32) Date (33) Country
002039693-0005 10 May 2012 EUROPEAN COMMUNITY
(56) Related Art Documents: **Not Applicable**
(57) Statement of Newness and Distinctiveness: **Nil**



- (21) Design Number: **15645/2012**
(22) Date of Filing Application: **14 November 2012**
(24) Date from which industrial property rights may have effect: **14 November 2012**
(54) Product in respect of which the design is registered: **Container**
(51) International Design Classification: **09-03L**
(74) Name(s) of Attorney(s): **Actuate IP**
(71) Name(s) and Address(s) of Applicant(s):
Fit Laboratories Pty Ltd
211 Flemington Rd North Melbourne VIC 3051 Australia
(72) Name(s) of Designer(s): **John Ring and William Mark Ring**
(45) Registration Date: **30 January 2013**
(56) Related Art Documents: **Not Applicable**
(57) Statement of Newness and Distinctiveness: **Newness and distinctiveness is claimed in the shape and configuration and the different coloured segments of the CONTAINER as illustrated in the accompanying representations. The segments can be any combination of colours.**



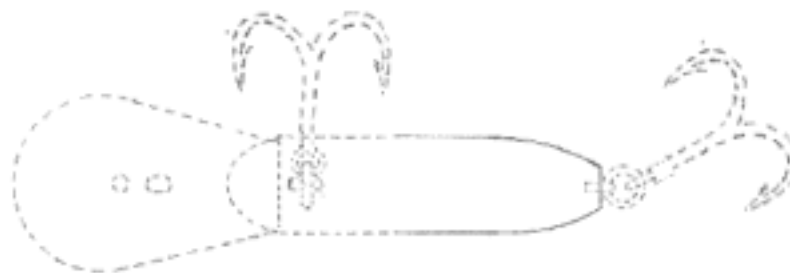
- (21) Design Number: **15906/2012**
(22) Date of Filing Application: **28 November 2012**
(24) Date from which industrial property rights may have effect: **28 November 2012**
(54) Product in respect of which the design is registered: **Balustrade top**
(51) International Design Classification: **25-02A**
(74) Name(s) of Attorney(s): **James & Wells**
(71) Name(s) and Address(s) of Applicant(s):
Opus Manufacturing Limited
11 Grasslands Place Hamilton 3204 New Zealand
(72) Name(s) of Designer(s): **William Lewis Mackrell**
(45) Registration Date: **30 January 2013**
(30) Convention priority data:
(31) Number (32) Date (33) Country
416723 18 Sep 2012 NEW ZEALAND
(56) Related Art Documents: **Not Applicable**
(57) Statement of Newness and Distinctiveness: **This design is to be applied to a Balustrade Top and the novelty resides in features of shape and configuration, all as shown in the accompanying representations. The article is of indefinite length. The shape and configuration of the Blue-washed items are not part of the design in which novelty is claimed.**



- (21) Design Number: **15999/2012**
(22) Date of Filing Application: **03 December 2012**
(24) Date from which industrial property rights may have effect: **03 December 2012**
(54) Product in respect of which the design is registered: **Fishing lure**
(51) International Design Classification: **22-05**
(74) Name(s) of Attorney(s): **PIZZEYS**
(71) Name(s) and Address(s) of Applicant(s):
Cush Family Holdings Pty Ltd
6 Topsails PI Noosaville QLD 4566 Australia
(72) Name(s) of Designer(s): **Tony John Cush**
(45) Registration Date: **30 January 2013**
(56) Related Art Documents: **Not Applicable**
(57) Statement of Newness and Distinctiveness: **The newness and distinctiveness of the design resides in the tail portion of the Fishing Lure shown in unbroken lines in the accompanying representations.**



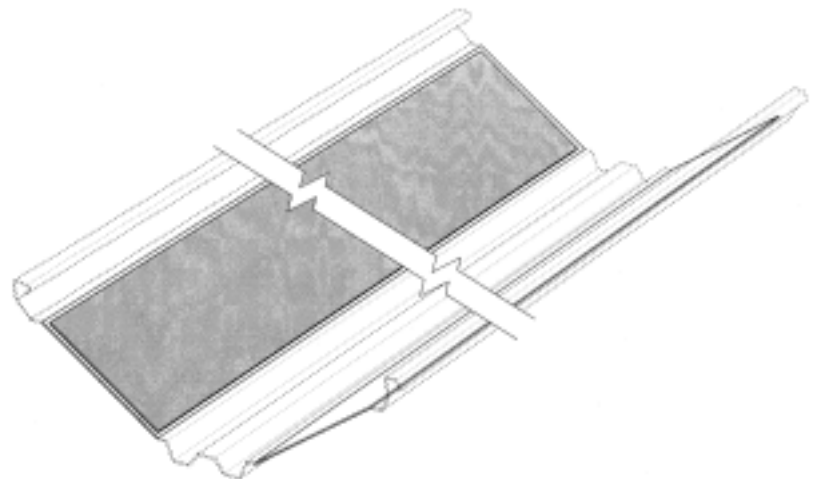
- (21) Design Number: **16000/2012**
(22) Date of Filing Application: **03 December 2012**
(24) Date from which industrial property rights may have effect: **03 December 2012**
(54) Product in respect of which the design is registered: **Fishing lure**
(51) International Design Classification: **22-05**
(74) Name(s) of Attorney(s): **PIZZEYS**
(71) Name(s) and Address(s) of Applicant(s):
Cush Family Holdings Pty Ltd
6 Topsails PI Noosaville QLD 4566 Australia
(72) Name(s) of Designer(s): **Tony John Cush**
(45) Registration Date: **30 January 2013**
(56) Related Art Documents: **Not Applicable**
(57) Statement of Newness and Distinctiveness: **The newness and distinctiveness of the design resides in the tail portion of the Fishing Lure shown in unbroken lines in the accompanying representations.**



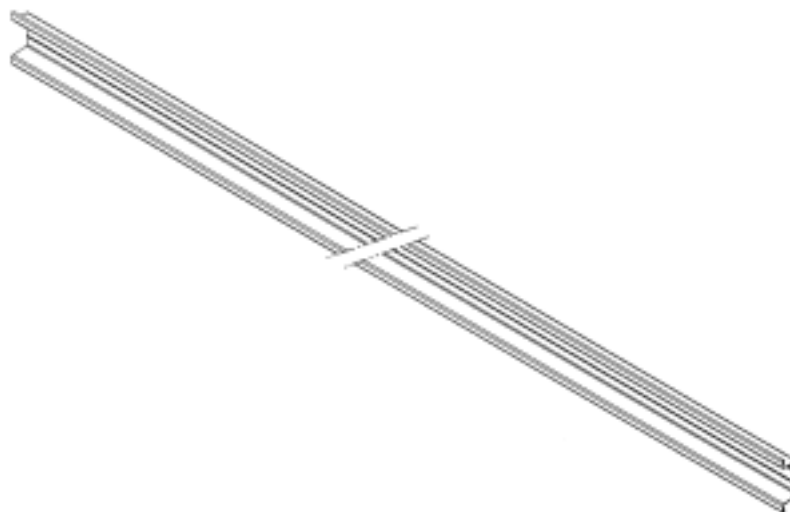
- (21) Design Number: **16001/2012**
(22) Date of Filing Application: **03 December 2012**
(24) Date from which industrial property rights may have effect: **03 December 2012**
(54) Product in respect of which the design is registered: **Fishing lure**
(51) International Design Classification: **22-05**
(74) Name(s) of Attorney(s): **PIZZEYS**
(71) Name(s) and Address(s) of Applicant(s):
Cush Family Holdings Pty Ltd
6 Topsails PI Noosaville QLD 4566 Australia
(72) Name(s) of Designer(s): **Tony John Cush**
(45) Registration Date: **30 January 2013**
(56) Related Art Documents: **Not Applicable**
(57) Statement of Newness and Distinctiveness: **The newness and distinctiveness of the design resides in the tail portion of the Fishing Lure shown in unbroken lines in the accompanying representations.**



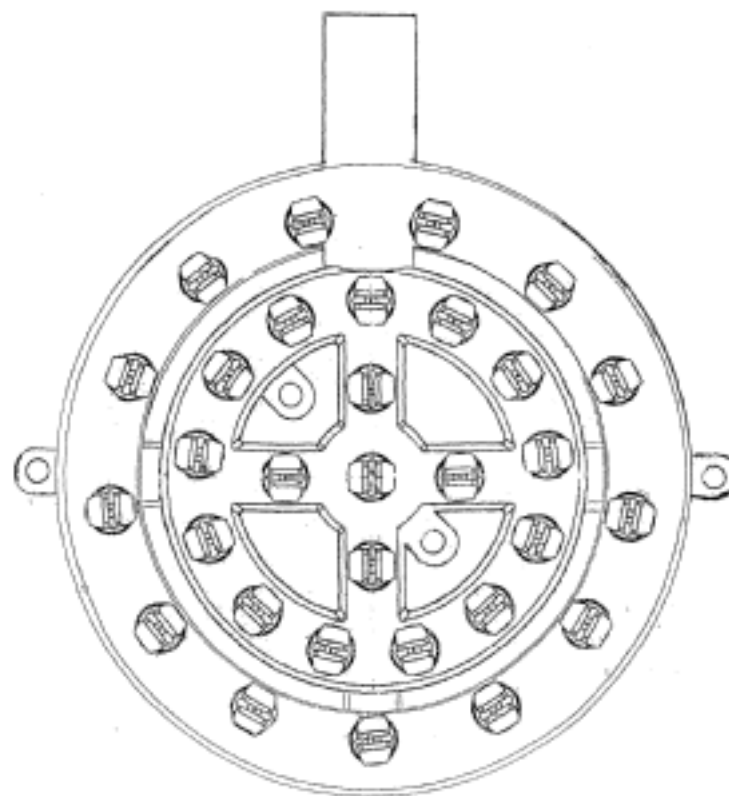
- (21) Design Number: **13382/2012**
(22) Date of Filing Application: **18 July 2012**
(24) Date from which industrial property rights may have effect: **18 July 2012**
(54) Product in respect of which the design is registered: **Solar roof sheeting**
(51) International Design Classification: **25-02NES, 23-03D**
(74) Name(s) of Attorney(s): **Madderns**
(71) Name(s) and Address(s) of Applicant(s):
Fielders Australia Pty Ltd
15 Railway Terrace Mile End South Australia 5031 Australia
(72) Name(s) of Designer(s): **Matthew James Lloyde and David Christian**
(45) Registration Date: **31 January 2013**
(56) Related Art Documents: **Not Applicable**
(57) Statement of Newness and Distinctiveness: **Emphasis is placed on the thin photovoltaic film adhered to the v-rib of the profile as shown in the accompanying representations. In considering the scope of the design, no regard should be had to the features shown in the dotted lines.**



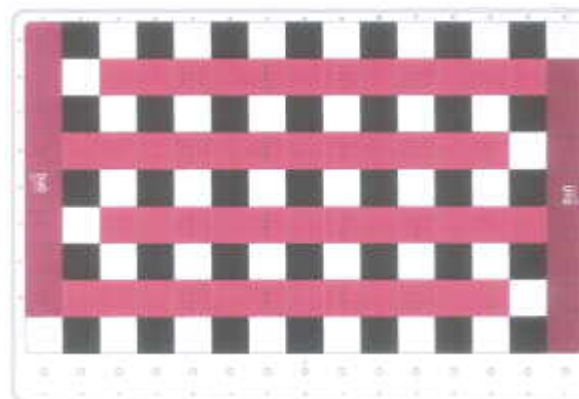
- (21) Design Number: **14097/2012**
(22) Date of Filing Application: **20 August 2012**
(24) Date from which industrial property rights may have effect: **20 August 2012**
(54) Product in respect of which the design is registered: **Elongate beam**
(51) International Design Classification: **25-01C**
(74) Name(s) of Attorney(s): **PHILLIPS ORMONDE FITZPATRICK**
(71) Name(s) and Address(s) of Applicant(s):
R J Innovations Pty Ltd
3 Linmax Ct Point Cook VIC 3030 Australia
K J Innovations Pty Ltd
3 Linmax Ct Point Cook VIC 3030 Australia
(72) Name(s) of Designer(s): **Tim Worcestor**
(45) Registration Date: **31 January 2013**
(56) Related Art Documents: **Not Applicable**
(57) Statement of Newness and Distinctiveness: **Those features of the elongate beam depicted in the representations that are new and distinctive are the shape and/or configurations. The elongate beam is of indefinite length.**



- (21) Design Number: **15779/2012**
(22) Date of Filing Application: **14 November 2012**
(24) Date from which industrial property rights may have effect: **14 November 2012**
(54) Product in respect of which the design is registered: **Burner for wok-cooking table**
(51) International Design Classification: **23-03F**
(74) Name(s) of Attorney(s): **John L Davies & Co**
(71) Name(s) and Address(s) of Applicant(s):
888 Importing Pty Ltd
55 Tarnard Dr Braeside VIC 3195 Australia
(72) Name(s) of Designer(s): **Peter Gianuzzi and Ruben Diaz**
(45) Registration Date: **31 January 2013**
(56) Related Art Documents: **Not Applicable**
(57) Statement of Newness and Distinctiveness: **Nil**



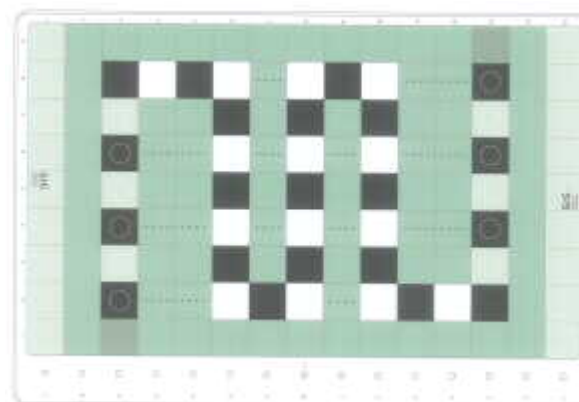
- (21) Design Number: **16223/2012**
(22) Date of Filing Application: **07 December 2012**
(24) Date from which industrial property rights may have effect: **07 December 2012**
(54) Product in respect of which the design is registered: **Gameboard**
(51) International Design Classification: **21-01L**
(74) Name(s) of Attorney(s): **SPRUSON & FERGUSON**
(71) Name(s) and Address(s) of Applicant(s):
Gravity Board Games ApS
Starupvej 15 Ostre Hojby 4573 Hojby Denmark
(72) Name(s) of Designer(s): **Lene Rose and Mick Rose**
(45) Registration Date: **31 January 2013**
(30) Convention priority data:
(31) Number (32) Date (33) Country
002053991 07 Jun 2012 EUROPEAN COMMUNITY
(56) Related Art Documents: **Not Applicable**
(57) Statement of Newness and Distinctiveness: **Newness and distinctiveness is claimed in the features of pattern and/or ornamentation of a gameboard as illustrated in the accompanying representations.**



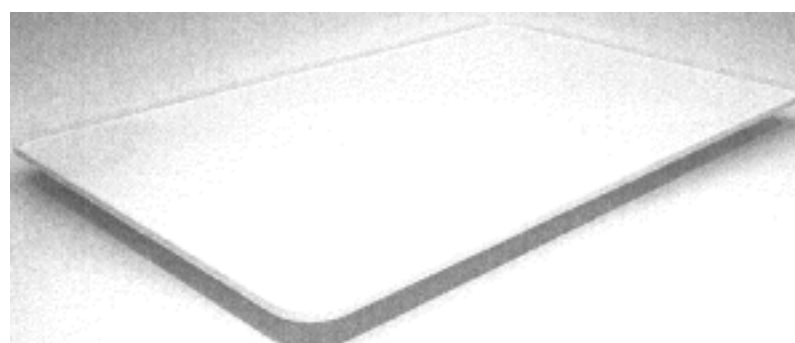
- (21) Design Number: **16224/2012**
(22) Date of Filing Application: **07 December 2012**
(24) Date from which industrial property rights may have effect: **07 December 2012**
(54) Product in respect of which the design is registered: **Tool box**
(51) International Design Classification: **03-01D**
(74) Name(s) of Attorney(s): **SPRUSON & FERGUSON**
(71) Name(s) and Address(s) of Applicant(s):
Joh. Friedrich Behrens AG
Bogenstrasse 43-45 22926 Ahrensburg Germany
(72) Name(s) of Designer(s): **Suzanne Fischer-Zernin and Martin Hannig**
(45) Registration Date: **31 January 2013**
(30) Convention priority data:
(31) Number (32) Date (33) Country
002054387-0002 08 Jun 2012 EUROPEAN COMMUNITY
(56) Related Art Documents: **Not Applicable**
(57) Statement of Newness and Distinctiveness: **Newness and distinctiveness is claimed in the features of the elevated asymmetric design on the front panel, the recessed asymmetric design on the rear panel and the integrated handle of a tool box as illustrated in the accompanying representations.**



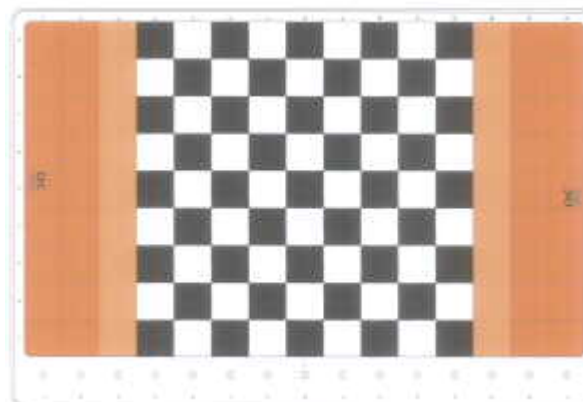
(21) Design Number: **16217/2012**
(22) Date of Filing Application: **07 December 2012**
(24) Date from which industrial property rights may have effect: **07 December 2012**
(54) Product in respect of which the design is registered: **Gameboard**
(51) International Design Classification: **21-01L**
(74) Name(s) of Attorney(s): **SPRUSON & FERGUSON**
(71) Name(s) and Address(s) of Applicant(s):
Gravity Board Games ApS
Starupvej 15 Ostre Hojby 4573 Hojby Denmark
(72) Name(s) of Designer(s): **Lene Rose and Mick Rose**
(45) Registration Date: **31 January 2013**
(30) Convention priority data:
(31) Number (32) Date (33) Country
002053991 07 Jun 2012 EUROPEAN COMMUNITY
(56) Related Art Documents: **Not Applicable**
(57) Statement of Newness and Distinctiveness: **Newness and distinctiveness is claimed in the features of pattern and/or ornamentation of a gameboard as illustrated in the accompanying representations.**



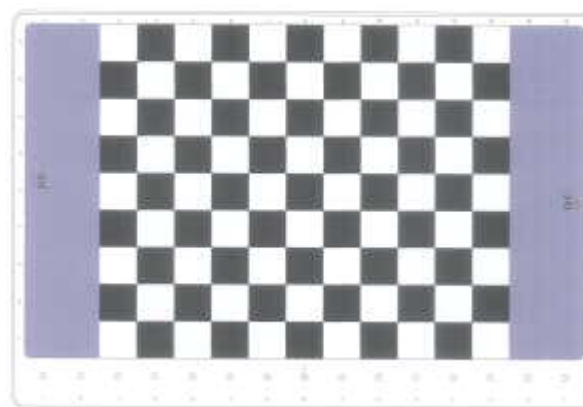
(21) Design Number: **16218/2012**
(22) Date of Filing Application: **07 December 2012**
(24) Date from which industrial property rights may have effect: **07 December 2012**
(54) Product in respect of which the design is registered: **Stand for gameboards**
(51) International Design Classification: **21-01L**
(74) Name(s) of Attorney(s): **SPRUSON & FERGUSON**
(71) Name(s) and Address(s) of Applicant(s):
Gravity Board Games ApS
Starupvej 15 Ostre Hojby 4573 Hojby Denmark
(72) Name(s) of Designer(s): **Lene Rose and Mick Rose**
(45) Registration Date: **31 January 2013**
(30) Convention priority data:
(31) Number (32) Date (33) Country
002053991 07 Jun 2012 EUROPEAN COMMUNITY
(56) Related Art Documents: **Not Applicable**
(57) Statement of Newness and Distinctiveness: **Newness and distinctiveness is claimed in the features of shape and/or configuration of a stand for gameboards as illustrated in the accompanying representations.**



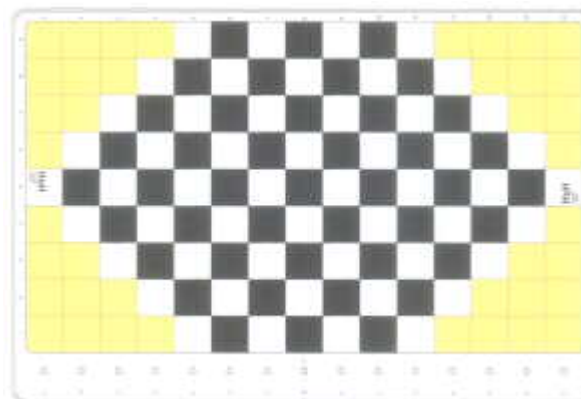
(21) Design Number: **16219/2012**
(22) Date of Filing Application: **07 December 2012**
(24) Date from which industrial property rights may have effect: **07 December 2012**
(54) Product in respect of which the design is registered: **Gameboard**
(51) International Design Classification: **21-01L**
(74) Name(s) of Attorney(s): **SPRUSON & FERGUSON**
(71) Name(s) and Address(s) of Applicant(s):
Gravity Board Games ApS
Starupvej 15 Ostre Hojby 4573 Hojby Denmark
(72) Name(s) of Designer(s): **Lene Rose and Mick Rose**
(45) Registration Date: **31 January 2013**
(30) Convention priority data:
(31) Number (32) Date (33) Country
002053991 07 Jun 2012 EUROPEAN COMMUNITY
(56) Related Art Documents: **Not Applicable**
(57) Statement of Newness and Distinctiveness: **Newness and distinctiveness is claimed in the features of pattern and/or ornamentation of a gameboard as illustrated in the accompanying representations.**



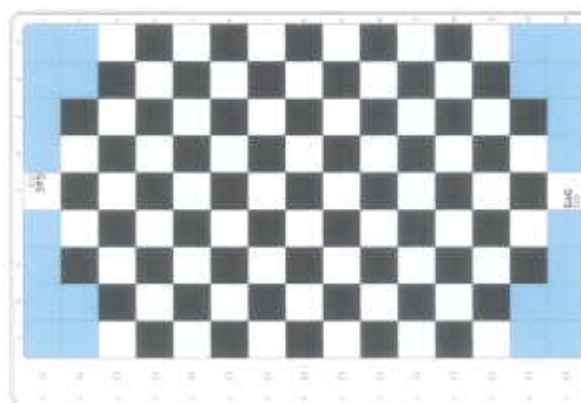
(21) Design Number: **16220/2012**
(22) Date of Filing Application: **07 December 2012**
(24) Date from which industrial property rights may have effect: **07 December 2012**
(54) Product in respect of which the design is registered: **Gameboard**
(51) International Design Classification: **21-01L**
(74) Name(s) of Attorney(s): **SPRUSON & FERGUSON**
(71) Name(s) and Address(s) of Applicant(s):
Gravity Board Games ApS
Starupvej 15 Ostre Hojby 4573 Hojby Denmark
(72) Name(s) of Designer(s): **Lene Rose and Mick Rose**
(45) Registration Date: **31 January 2013**
(30) Convention priority data:
(31) Number (32) Date (33) Country
002053991 07 Jun 2012 EUROPEAN COMMUNITY
(56) Related Art Documents: **Not Applicable**
(57) Statement of Newness and Distinctiveness: **Newness and distinctiveness is claimed in the features of pattern and/or ornamentation of a gameboard as illustrated in the accompanying representations.**



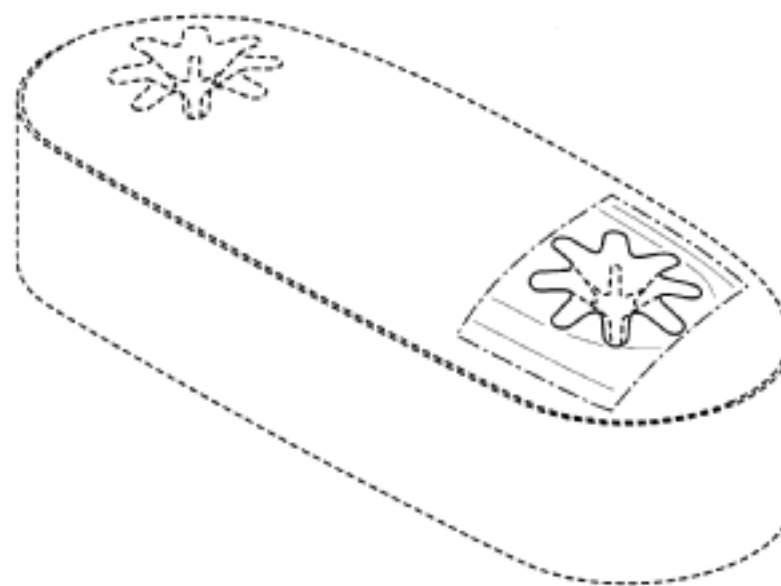
- (21) Design Number: **16221/2012**
(22) Date of Filing Application: **07 December 2012**
(24) Date from which industrial property rights may have effect: **07 December 2012**
(54) Product in respect of which the design is registered: **Gameboard**
(51) International Design Classification: **21-01L**
(74) Name(s) of Attorney(s): **SPRUSON & FERGUSON**
(71) Name(s) and Address(s) of Applicant(s):
Gravity Board Games ApS
Starupvej 15 Ostre Hojby 4573 Hojby Denmark
(72) Name(s) of Designer(s): **Lene Rose and Mick Rose**
(45) Registration Date: **31 January 2013**
(30) Convention priority data:
(31) Number (32) Date (33) Country
002053991 07 Jun 2012 EUROPEAN COMMUNITY
(56) Related Art Documents: **Not Applicable**
(57) Statement of Newness and Distinctiveness: **Newness and distinctiveness is claimed in the features of pattern and/or ornamentation of a gameboard as illustrated in the accompanying representations.**



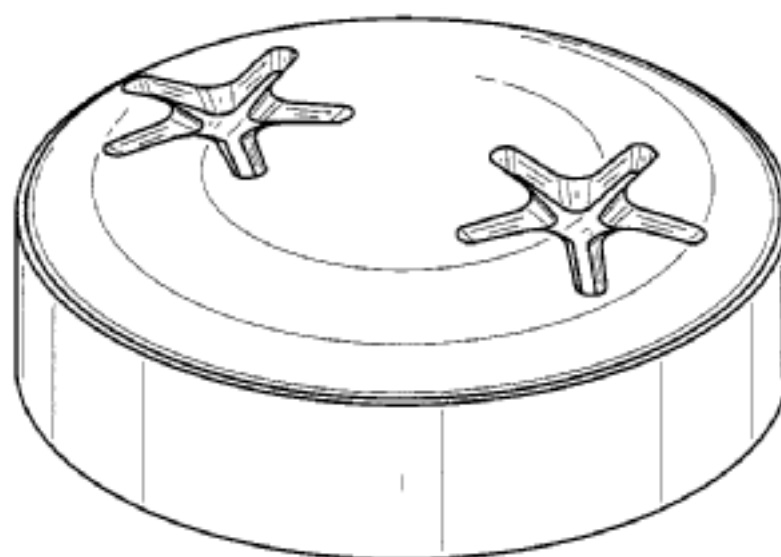
- (21) Design Number: **16222/2012**
(22) Date of Filing Application: **07 December 2012**
(24) Date from which industrial property rights may have effect: **07 December 2012**
(54) Product in respect of which the design is registered: **Gameboard**
(51) International Design Classification: **21-01L**
(74) Name(s) of Attorney(s): **SPRUSON & FERGUSON**
(71) Name(s) and Address(s) of Applicant(s):
Gravity Board Games ApS
Starupvej 15 Ostre Hojby 4573 Hojby Denmark
(72) Name(s) of Designer(s): **Lene Rose and Mick Rose**
(45) Registration Date: **31 January 2013**
(30) Convention priority data:
(31) Number (32) Date (33) Country
002053991 07 Jun 2012 EUROPEAN COMMUNITY
(56) Related Art Documents: **Not Applicable**
(57) Statement of Newness and Distinctiveness: **Newness and distinctiveness is claimed in the features of pattern and/or ornamentation of a gameboard as illustrated in the accompanying representations.**



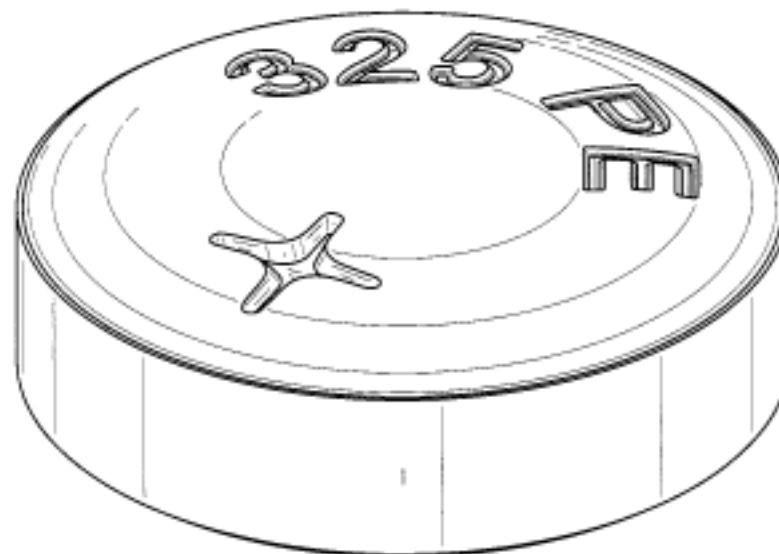
- (21) Design Number: **16270/2012**
(22) Date of Filing Application: **10 December 2012**
(24) Date from which industrial property rights may have effect: **27 July 2012**
(54) Product in respect of which the design is registered: **Tablet**
(51) International Design Classification: **28-01**
(74) Name(s) of Attorney(s): **Shelston IP**
(71) Name(s) and Address(s) of Applicant(s):
McNeil-PPC, Inc.
199 Grandview Road Skillman New Jersey 08558 United States of America
Johnson & Johnson Industrial Ltda
Righway Presidente Dutra KM 154 Sao Jose Dos Campos Sao Paulo Brazil
- (72) Name(s) of Designer(s): **Joel Waldman and Anthony Bean and Fernanda Franzoi**
(45) Registration Date: **31 January 2013**
(30) Convention priority data:
(31) Number (32) Date (33) Country
29/412543 03 Feb 2012 UNITED STATES OF AMERICA
- (62) Divisional of: **346049**
(56) Related Art Documents: **Not Applicable**
(57) Statement of Newness and Distinctiveness: **Newness and distinctiveness reside in the star shape formed on the curved upper surface of the tablet and its relative position thereon as illustrated in solid lines. The features shown in broken lines are shown for illustrative purpose only and do not form part of the design.**



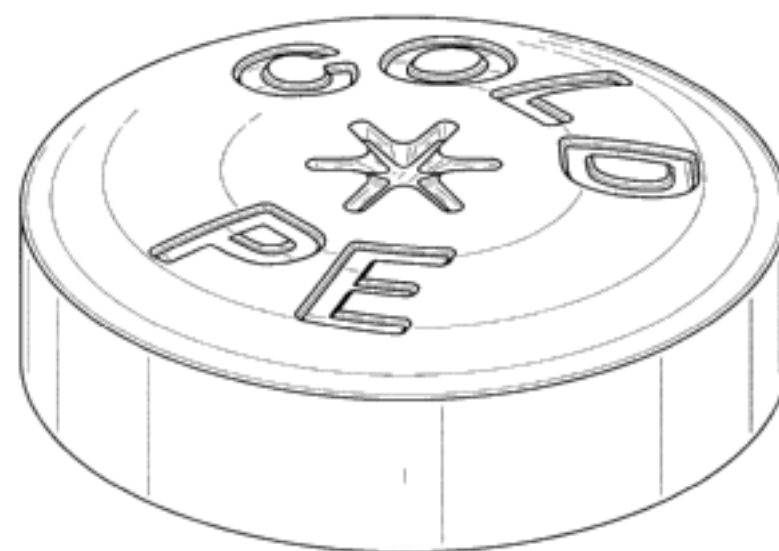
- (21) Design Number: **16273/2012**
(22) Date of Filing Application: **10 December 2012**
(24) Date from which industrial property rights may have effect: **27 July 2012**
(54) Product in respect of which the design is registered: **Tablet**
(51) International Design Classification: **28-01**
(74) Name(s) of Attorney(s): **Shelston IP**
(71) Name(s) and Address(s) of Applicant(s):
McNeil-PPC, Inc.
199 Grandview Road Skillman New Jersey 08558 United States of America
Johnson & Johnson Industrial Ltda
Righway Presidente Dutra KM 154 Sao Jose Dos Campos Sao Paulo Brazil
- (72) Name(s) of Designer(s): **Joel Waldman and Fernanda Franzoi**
(45) Registration Date: **31 January 2013**
(30) Convention priority data:
(31) Number (32) Date (33) Country
29/412544 03 Feb 2012 UNITED STATES OF AMERICA
- (62) Divisional of: **346048**
(56) Related Art Documents: **Not Applicable**
(57) Statement of Newness and Distinctiveness: **Newness and distinctiveness reside in the star shapes formed in the upper curved surface of a TABLET.**



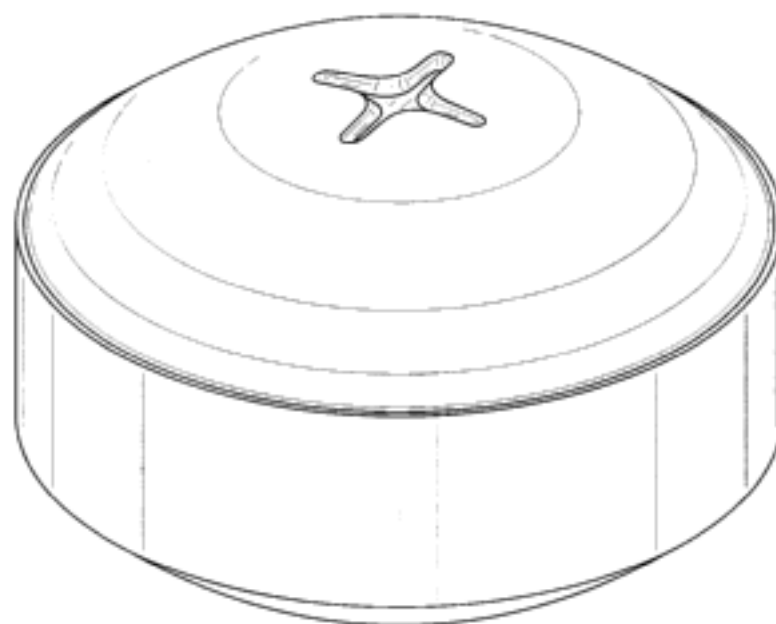
- (21) Design Number: **16276/2012**
(22) Date of Filing Application: **10 December 2012**
(24) Date from which industrial property rights may have effect: **27 July 2012**
(54) Product in respect of which the design is registered: **Tablet**
(51) International Design Classification: **28-01**
(74) Name(s) of Attorney(s): **Shelston IP**
(71) Name(s) and Address(s) of Applicant(s):
McNeil-PPC, Inc.
199 Grandview Road Skillman New Jersey 08558 United States of America
Johnson & Johnson Industrial Ltda
Ri highway Presidente Dutra KM 154 Sao Jose Dos Campos Sao Paulo Brazil
(72) Name(s) of Designer(s): **Joel Waldman and Fernanda Franzoi**
(45) Registration Date: **31 January 2013**
(30) Convention priority data:
(31) Number (32) Date (33) Country
29/412544 03 Feb 2012 UNITED STATES OF AMERICA
(62) Divisional of: **346048**
(56) Related Art Documents: **Not Applicable**
(57) Statement of Newness and Distinctiveness: **Newness and distinctiveness reside in the star shape and provision of text formed in the upper curved surface of a TABLET. The actual text may vary.**



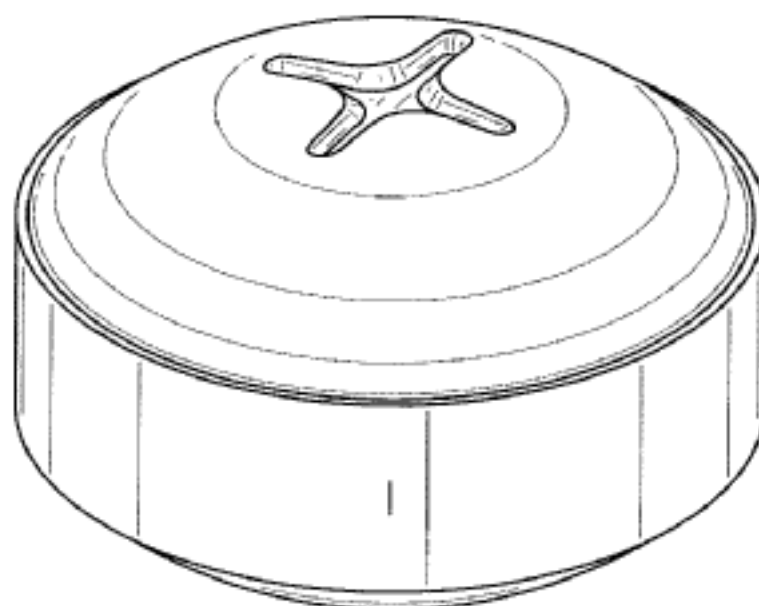
- (21) Design Number: **16277/2012**
(22) Date of Filing Application: **10 December 2012**
(24) Date from which industrial property rights may have effect: **27 July 2012**
(54) Product in respect of which the design is registered: **Tablet**
(51) International Design Classification: **28-01**
(74) Name(s) of Attorney(s): **Shelston IP**
(71) Name(s) and Address(s) of Applicant(s):
McNeil-PPC, Inc.
199 Grandview Road Skillman New Jersey 08558 United States of America
Johnson & Johnson Industrial Ltda
Ri highway Presidente Dutra KM 154 Sao Jose Dos Campos Sao Paulo Brazil
(72) Name(s) of Designer(s): **Joel Waldman and Fernanda Franzoi**
(45) Registration Date: **31 January 2013**
(30) Convention priority data:
(31) Number (32) Date (33) Country
29/412544 03 Feb 2012 UNITED STATES OF AMERICA
(62) Divisional of: **346048**
(56) Related Art Documents: **Not Applicable**
(57) Statement of Newness and Distinctiveness: **Newness and distinctiveness reside in the star shape and provision of text on the upper curved surface of a TABLET. The actual text may vary.**



- (21) Design Number: **16279/2012**
(22) Date of Filing Application: **10 December 2012**
(24) Date from which industrial property rights may have effect: **27 July 2012**
(54) Product in respect of which the design is registered: **Tablet**
(51) International Design Classification: **28-01**
(74) Name(s) of Attorney(s): **Shelston IP**
(71) Name(s) and Address(s) of Applicant(s):
McNeil-PPC, Inc.
199 Grandview Road Skillman New Jersey 08858 United States of America
Johnson & Johnson Industrial Ltda
Righway Presidente Dutra KM 154 Sao Jose Dos Campos Sao Paulo Brazil
(72) Name(s) of Designer(s): **Joel Waldman and Fernanda Franzoi**
(45) Registration Date: **31 January 2013**
(30) Convention priority data:
(31) Number (32) Date (33) Country
29/412548 03 Feb 2012 UNITED STATES OF AMERICA
(62) Divisional of: **346203**
(56) Related Art Documents: **Not Applicable**
(57) Statement of Newness and Distinctiveness: **Newness and distinctiveness reside in the star shape formed on the upper curved surface of a TABLET.**



- (21) Design Number: **16280/2012**
(22) Date of Filing Application: **10 December 2012**
(24) Date from which industrial property rights may have effect: **27 July 2012**
(54) Product in respect of which the design is registered: **Tablet**
(51) International Design Classification: **28-01**
(74) Name(s) of Attorney(s): **Shelston IP**
(71) Name(s) and Address(s) of Applicant(s):
McNeil-PPC, Inc.
199 Grandview Road Skillman New Jersey 08558 United States of America
Johnson & Johnson Industrial Ltda
Righway Presidente Dutra KM 154 Sao Jose Dos Campos Sao Paulo Brazil
(72) Name(s) of Designer(s): **Joel Waldman and Fernanda Franzoi**
(45) Registration Date: **31 January 2013**
(30) Convention priority data:
(31) Number (32) Date (33) Country
29/412548 03 Feb 2012 UNITED STATES OF AMERICA
(62) Divisional of: **346203**
(56) Related Art Documents: **Not Applicable**
(57) Statement of Newness and Distinctiveness: **Newness and distinctiveness reside in the star shape formed on the upper curved surface of a TABLET.**



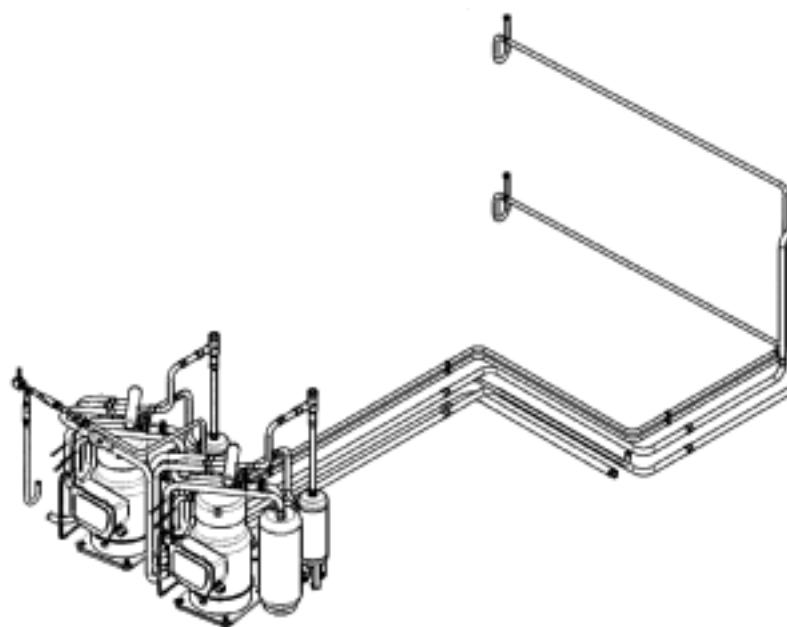
- (21) Design Number: **15560/2012**
(22) Date of Filing Application: **09 November 2012**
(24) Date from which industrial property rights may have effect: **09 November 2012**
(54) Product in respect of which the design is registered: **Container**
(51) International Design Classification: **09-03M**
(74) Name(s) of Attorney(s): **Davies Collison Cave**
(71) Name(s) and Address(s) of Applicant(s):
Danone Murray Goulburn Pty Ltd.
Level 4 369 Royal Parade Parkville Victoria 3052 Australia
(72) Name(s) of Designer(s): **Troy Christiaan Nyssen and Bryan Shane Terry and Michael Joseph Grima**
(45) Registration Date: **31 January 2013**
(56) Related Art Documents: **Not Applicable**
(57) Statement of Newness and Distinctiveness: **Newness and distinctiveness is claimed in the shape and configuration of the container.**



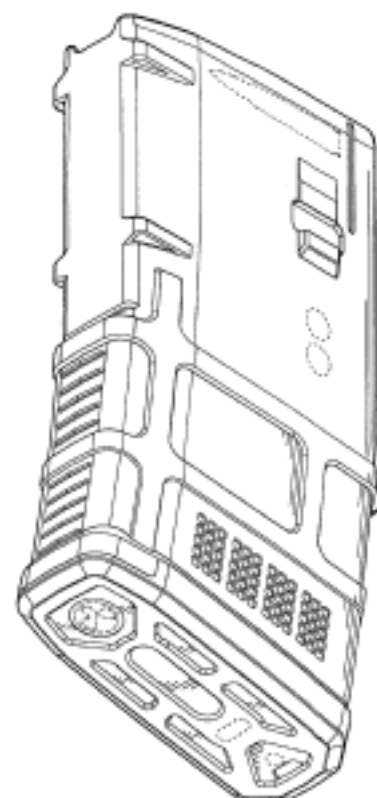
- (21) Design Number: **16332/2012**
(22) Date of Filing Application: **14 December 2012**
(24) Date from which industrial property rights may have effect: **14 December 2012**
(54) Product in respect of which the design is registered: **Container lid**
(51) International Design Classification: **09-07NES, 24-01**
(74) Name(s) of Attorney(s):
(71) Name(s) and Address(s) of Applicant(s):
Shane Jay Nicholson
PO BOX 3085 West Ipswich QLD 4305 Australia
(72) Name(s) of Designer(s): **Shane Jay Nicholson**
(45) Registration Date: **31 January 2013**
(56) Related Art Documents: **Not Applicable**
(57) Statement of Newness and Distinctiveness: **Newness and distinctiveness resides in the visual features of shape and/or configuration of a container lid as illustrated in the accompanying representations.**



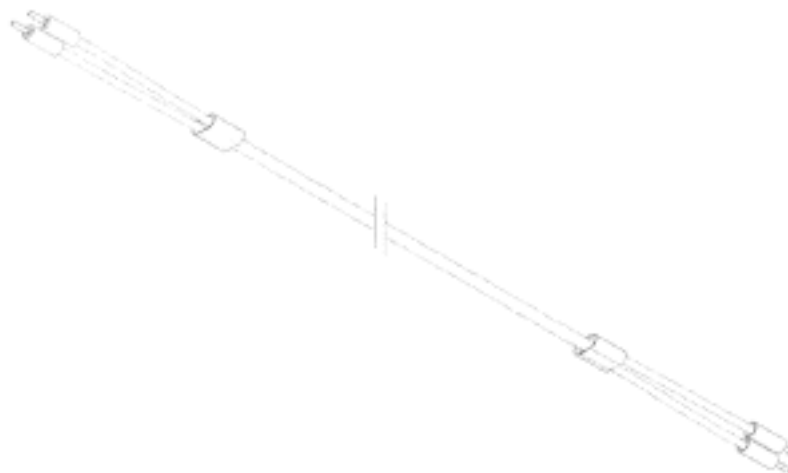
- (21) Design Number: **15672/2012**
(22) Date of Filing Application: **14 November 2012**
(24) Date from which industrial property rights may have effect: **14 November 2012**
(54) Product in respect of which the design is registered: **Pipe layout in a roof top air conditioner**
(51) International Design Classification: **23-04, 23-01B**
(74) Name(s) of Attorney(s): **Davies Collison Cave**
(71) Name(s) and Address(s) of Applicant(s):
Actron Engineering Pty Limited
5 Irvine PI Bella Vista NSW 2153 Australia
(72) Name(s) of Designer(s): **Garry Clifford Mundy and Kevin Brian Mundy and Subhash Singheshwar Jha and Martin Wu**
(45) Registration Date: **01 February 2013**
(56) Related Art Documents: **Not Applicable**
(57) Statement of Newness and Distinctiveness: **Newness and distinctiveness is claimed in the pipe layout shown in the representations.**



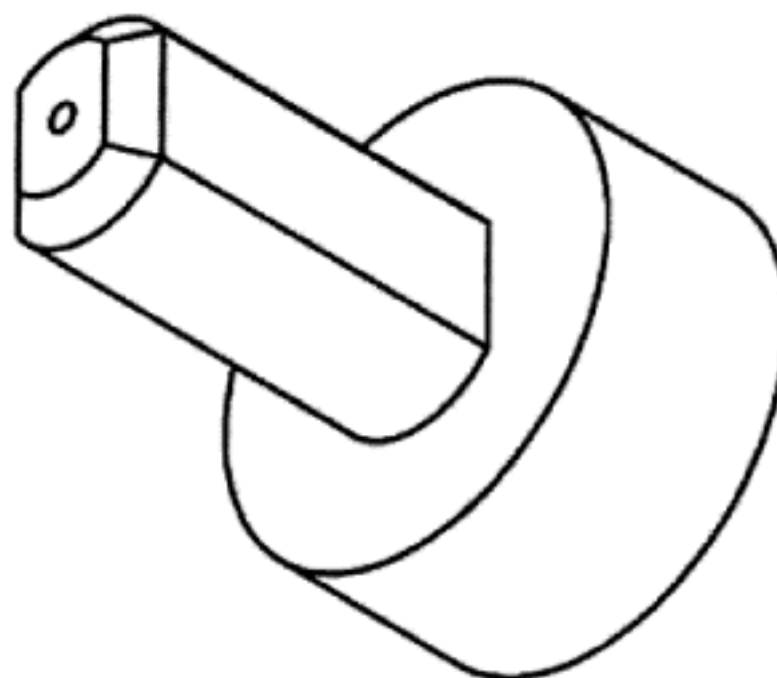
- (21) Design Number: **15677/2012**
(22) Date of Filing Application: **14 November 2012**
(24) Date from which industrial property rights may have effect: **14 November 2012**
(54) Product in respect of which the design is registered: **Magazine**
(51) International Design Classification: **22-01**
(74) Name(s) of Attorney(s): **Davies Collison Cave**
(71) Name(s) and Address(s) of Applicant(s):
Magpul Industries Corporation
400 Young Court Unit 1 Erie Colorado 80516 United States of America
(72) Name(s) of Designer(s): **Brad Bennett and Richard Fitzpatrick and Michael T. Mayberry and Brian Nakayama and Nick Kielsmeir and Chad McKonly**
(45) Registration Date: **01 February 2013**
(30) Convention priority data:
(31) Number (32) Date (33) Country
29/423117 29 May 2012 UNITED STATES OF AMERICA
(56) Related Art Documents: **Not Applicable**
(57) Statement of Newness and Distinctiveness: **Newness and distinctiveness is claimed in the visual features shown in solid lines in the representations.**



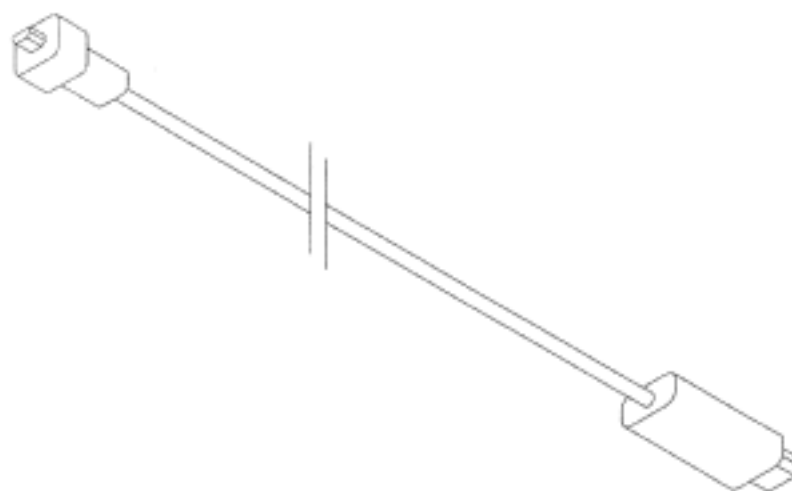
(21) Design Number: **15852/2012**
(22) Date of Filing Application: **22 November 2012**
(24) Date from which industrial property rights may have effect: **22 November 2012**
(54) Product in respect of which the design is registered: **Audio cable**
(51) International Design Classification: **14-01**
(74) Name(s) of Attorney(s): **Shelston IP**
(71) Name(s) and Address(s) of Applicant(s):
Google Inc.
2400 Bayshore Parkway Mountain View California 94043 United States of America
(72) Name(s) of Designer(s): **Maaike Louise Evers and Joe Freeman Britt Jr and Michael Simonian and Davide Valerio**
(45) Registration Date: **01 February 2013**
(30) Convention priority data:
(31) Number (32) Date (33) Country
29/425737 26 Jun 2012 UNITED STATES OF AMERICA
(56) Related Art Documents: **Not Applicable**
(57) Statement of Newness and Distinctiveness: **Newness and distinctiveness reside in the features of shape and/or configuration of the audio cable shown in the accompanying representations.**



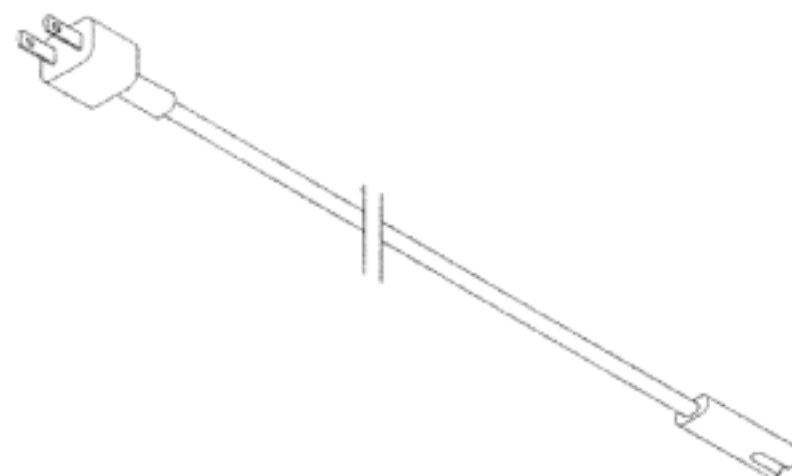
(21) Design Number: **15853/2012**
(22) Date of Filing Application: **22 November 2012**
(24) Date from which industrial property rights may have effect: **22 November 2012**
(54) Product in respect of which the design is registered: **Electrical connector**
(51) International Design Classification: **13-03E**
(74) Name(s) of Attorney(s): **Shelston IP**
(71) Name(s) and Address(s) of Applicant(s):
Google Inc.
2400 Bayshore Parkway Mountain View California 94043 United States of America
(72) Name(s) of Designer(s): **Maaike Louise Evers and Michael Simonian and Joe Freeman Britt Jr**
(45) Registration Date: **01 February 2013**
(30) Convention priority data:
(31) Number (32) Date (33) Country
29/425738 26 Jun 2012 UNITED STATES OF AMERICA
(56) Related Art Documents: **Not Applicable**
(57) Statement of Newness and Distinctiveness: **Newness and distinctiveness reside in the features of shape and/or configuration of the electrical connector shown in the accompanying representations.**



(21) Design Number: **15854/2012**
(22) Date of Filing Application: **22 November 2012**
(24) Date from which industrial property rights may have effect: **22 November 2012**
(54) Product in respect of which the design is registered: **Media cable**
(51) International Design Classification: **14-01**
(74) Name(s) of Attorney(s): **Shelston IP**
(71) Name(s) and Address(s) of Applicant(s):
Google Inc.
2400 Bayshore Parkway Mountain View California 94043 United States of America
(72) Name(s) of Designer(s): **Maaike Louise Evers and Michael Simonian and Carson Lau and Joe Freeman Britt Jr**
(45) Registration Date: **01 February 2013**
(30) Convention priority data:
(31) Number (32) Date (33) Country
29/425736 26 Jun 2012 UNITED STATES OF AMERICA
(56) Related Art Documents: **Not Applicable**
(57) Statement of Newness and Distinctiveness: **Newness and distinctiveness reside in the features of shape and/or configuration of the media cable shown in the accompanying representations.**



(21) Design Number: **15855/2012**
(22) Date of Filing Application: **22 November 2012**
(24) Date from which industrial property rights may have effect: **22 November 2012**
(54) Product in respect of which the design is registered: **Power cable**
(51) International Design Classification: **14-02**
(74) Name(s) of Attorney(s): **Shelston IP**
(71) Name(s) and Address(s) of Applicant(s):
Google Inc.
2400 Bayshore Parkway Mountain View California 94043 United States of America
(72) Name(s) of Designer(s): **Maaike Louise Evers and Michael Simonian and Joe Freeman Britt Jr**
(45) Registration Date: **01 February 2013**
(30) Convention priority data:
(31) Number (32) Date (33) Country
29/425739 26 Jun 2012 UNITED STATES OF AMERICA
(56) Related Art Documents: **Not Applicable**
(57) Statement of Newness and Distinctiveness: **Newness and distinctiveness reside in the features of shape and/or configuration of the power cable shown in the accompanying representations.**



- (21) Design Number: **16237/2012**
(22) Date of Filing Application: **07 December 2012**
(24) Date from which industrial property rights may have effect: **07 December 2012**
(54) Product in respect of which the design is registered: **A sofa**
(51) International Design Classification: **06-01G**
(74) Name(s) of Attorney(s): **FB Rice**
(71) Name(s) and Address(s) of Applicant(s):
King Furniture (Australia) Pty Ltd
123 Turrella St Turrella NSW 2205 Australia
(72) Name(s) of Designer(s): **David King and John Levey and Ryan Lawson and Tanya Rechberger**
(45) Registration Date: **01 February 2013**
(56) Related Art Documents: **Not Applicable**
(57) Statement of Newness and Distinctiveness: **Newness and distinctiveness reside in the features of the design as shown in the representations, with more weight to be given to the shape and configuration of the base and less weight to be given to the shape, dimensions and number of any components carried by the base, it also being understood that each backrest and each armrest are individually adjustably arranged on the base and the armrests are shown in a partially reclined position relative to the base.**



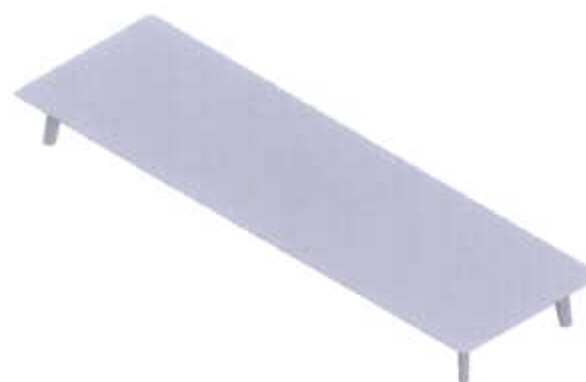
- (21) Design Number: **16238/2012**
(22) Date of Filing Application: **07 December 2012**
(24) Date from which industrial property rights may have effect: **07 December 2012**
(54) Product in respect of which the design is registered: **A chair**
(51) International Design Classification: **06-01G**
(74) Name(s) of Attorney(s): **FB Rice**
(71) Name(s) and Address(s) of Applicant(s):
King Furniture (Australia) Pty Ltd
123 Turrella St Turrella NSW 2205 Australia
(72) Name(s) of Designer(s): **David King and John Levey and Ryan Lawson and Tanya Rechberger**
(45) Registration Date: **01 February 2013**
(56) Related Art Documents: **Not Applicable**
(57) Statement of Newness and Distinctiveness: **Newness and distinctiveness reside in the features of the design as shown in the representations, with more weight to be given to the shape and configuration of the base and less weight to be given to the shape, dimensions and number of any components carried by the base, it also being understood that each backrest and each armrest are individually adjustably arranged on the base and the armrests are shown in a partially reclined position relative to the base.**



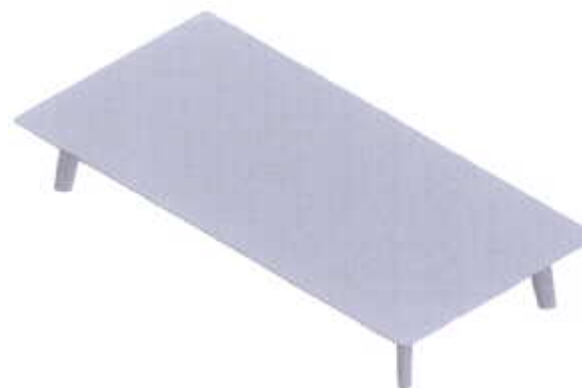
- (21) Design Number: **16239/2012**
(22) Date of Filing Application: **07 December 2012**
(24) Date from which industrial property rights may have effect: **07 December 2012**
(54) Product in respect of which the design is registered: **An ottoman**
(51) International Design Classification: **06-01E**
(74) Name(s) of Attorney(s): **FB Rice**
(71) Name(s) and Address(s) of Applicant(s):
King Furniture (Australia) Pty Ltd
123 Turrella St Turrella NSW 2205 Australia
(72) Name(s) of Designer(s): **David King and John Levey and Ryan Lawson and Tanya Rechberger**
(45) Registration Date: **01 February 2013**
(56) Related Art Documents: **Not Applicable**
(57) Statement of Newness and Distinctiveness: **Newness and distinctiveness reside in the features of the design as shown in the representations, with more weight to be given to the shape and configuration of the base and less weight to be given to the shape, dimensions and number of any components carried by the base.**



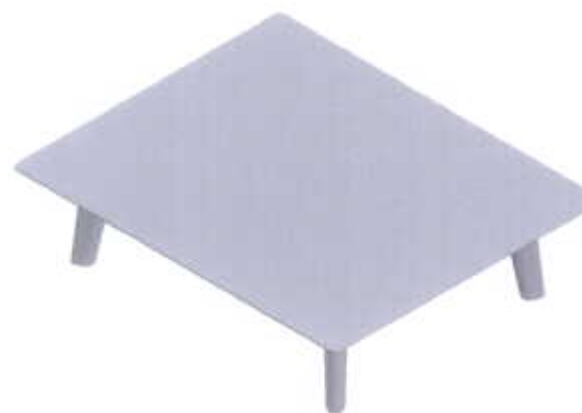
- (21) Design Number: **16240/2012**
(22) Date of Filing Application: **07 December 2012**
(24) Date from which industrial property rights may have effect: **07 December 2012**
(54) Product in respect of which the design is registered: **A base for an article of furniture**
(51) International Design Classification: **06-06G**
(74) Name(s) of Attorney(s): **FB Rice**
(71) Name(s) and Address(s) of Applicant(s):
King Furniture (Australia) Pty Ltd
123 Turrella St Turrella NSW 2205 Australia
(72) Name(s) of Designer(s): **David King and John Levey and Ryan Lawson and Tanya Rechberger**
(45) Registration Date: **01 February 2013**
(56) Related Art Documents: **Not Applicable**
(57) Statement of Newness and Distinctiveness: **Newness and distinctiveness reside in the features of the design as shown in the representations.**



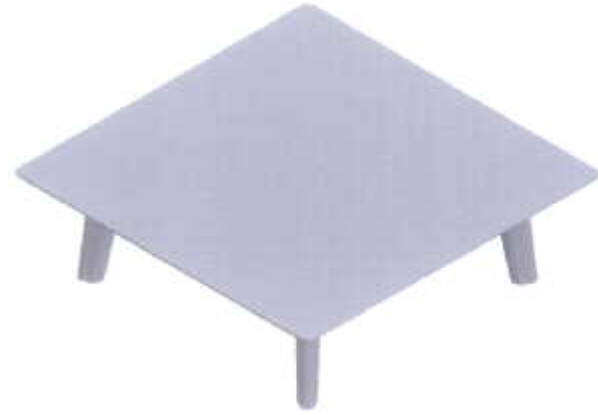
- (21) Design Number: **16241/2012**
(22) Date of Filing Application: **07 December 2012**
(24) Date from which industrial property rights may have effect: **07 December 2012**
(54) Product in respect of which the design is registered: **A base for an article of furniture**
(51) International Design Classification: **06-06G**
(74) Name(s) of Attorney(s): **FB Rice**
(71) Name(s) and Address(s) of Applicant(s):
King Furniture (Australia) Pty Ltd
123 Turrella St Turrella NSW 2205 Australia
(72) Name(s) of Designer(s): **David King and John Levey and Ryan Lawson and Tanya Rechberger**
(45) Registration Date: **01 February 2013**
(56) Related Art Documents: **Not Applicable**
(57) Statement of Newness and Distinctiveness: **Newness and distinctiveness reside in the features of the design as shown in the representations.**



- (21) Design Number: **16242/2012**
(22) Date of Filing Application: **07 December 2012**
(24) Date from which industrial property rights may have effect: **07 December 2012**
(54) Product in respect of which the design is registered: **A base for an article of furniture**
(51) International Design Classification: **06-06H**
(74) Name(s) of Attorney(s): **FB Rice**
(71) Name(s) and Address(s) of Applicant(s):
King Furniture (Australia) Pty Ltd
123 Turrella St Turrella NSW 2205 Australia
(72) Name(s) of Designer(s): **David King and John Levey and Ryan Lawson and Tanya Rechberger**
(45) Registration Date: **01 February 2013**
(56) Related Art Documents: **Not Applicable**
(57) Statement of Newness and Distinctiveness: **Newness and distinctiveness reside in the features of the design as shown in the representations.**



- (21) Design Number: **16243/2012**
(22) Date of Filing Application: **07 December 2012**
(24) Date from which industrial property rights may have effect: **07 December 2012**
(54) Product in respect of which the design is registered: **A base for an article of furniture**
(51) International Design Classification: **06-06H**
(74) Name(s) of Attorney(s): **FB Rice**
(71) Name(s) and Address(s) of Applicant(s):
King Furniture (Australia) Pty Ltd
123 Turrella St Turrella NSW 2205 Australia
(72) Name(s) of Designer(s): **David King and John Levey and Ryan Lawson and Tanya Rechberger**
(45) Registration Date: **01 February 2013**
(56) Related Art Documents: **Not Applicable**
(57) Statement of Newness and Distinctiveness: **Newness and distinctiveness reside in the features of the design as shown in the representations.**



- (21) Design Number: **16244/2012**
(22) Date of Filing Application: **07 December 2012**
(24) Date from which industrial property rights may have effect: **07 December 2012**
(54) Product in respect of which the design is registered: **An ottoman**
(51) International Design Classification: **06-01G**
(74) Name(s) of Attorney(s): **FB Rice**
(71) Name(s) and Address(s) of Applicant(s):
King Furniture (Australia) Pty Ltd
123 Turrella St Turrella NSW 2205 Australia
(72) Name(s) of Designer(s): **David King and John Levey and Ryan Lawson and Tanya Rechberger**
(45) Registration Date: **01 February 2013**
(56) Related Art Documents: **Not Applicable**
(57) Statement of Newness and Distinctiveness: **Newness and distinctiveness reside in the features of the design as shown in the representations, with more weight to be given to the shape and configuration of the base and less weight to be given to the shape, dimensions and number of any component carried by the base.**



- (21) Design Number: **16245/2012**
(22) Date of Filing Application: **07 December 2012**
(24) Date from which industrial property rights may have effect: **07 December 2012**
(54) Product in respect of which the design is registered: **A sofa**
(51) International Design Classification: **06-01G**
(74) Name(s) of Attorney(s): **FB Rice**
(71) Name(s) and Address(s) of Applicant(s):
King Furniture (Australia) Pty Ltd
123 Turrella St Turrella NSW 2205 Australia
(72) Name(s) of Designer(s): **David King and John Levey and Ryan Lawson and Tanya Rechberger**
(45) Registration Date: **01 February 2013**
(56) Related Art Documents: **Not Applicable**
(57) Statement of Newness and Distinctiveness: **Newness and distinctiveness reside in the features of the design as shown in the representations, with more weight to be given to the shape and configuration of the base and less weight to be given to the shape, dimensions and number of any components carried by the base, it also being understood that each backrest is individually adjustably arranged on the base.**



- (21) Design Number: **16246/2012**
(22) Date of Filing Application: **07 December 2012**
(24) Date from which industrial property rights may have effect: **07 December 2012**
(54) Product in respect of which the design is registered: **A sofa**
(51) International Design Classification: **06-01G**
(74) Name(s) of Attorney(s): **FB Rice**
(71) Name(s) and Address(s) of Applicant(s):
King Furniture (Australia) Pty Ltd
123 Turrella St Turrella NSW 2205 Australia
(72) Name(s) of Designer(s): **David King and John Levey and Ryan Lawson and Tanya Rechberger**
(45) Registration Date: **01 February 2013**
(56) Related Art Documents: **Not Applicable**
(57) Statement of Newness and Distinctiveness: **Newness and distinctiveness reside in the features of the design as shown in the representations, with more weight to be given to the shape and configuration of the base and less weight to be given to the shape, dimensions and number of any components carried by the base, it also being understood that each backrest is individually adjustably arranged on the base.**



- (21) Design Number: **16247/2012**
(22) Date of Filing Application: **07 December 2012**
(24) Date from which industrial property rights may have effect: **07 December 2012**
(54) Product in respect of which the design is registered: **A chair**
(51) International Design Classification: **06-01G**
(74) Name(s) of Attorney(s): **FB Rice**
(71) Name(s) and Address(s) of Applicant(s):
King Furniture (Australia) Pty Ltd
123 Turrella St Turrella NSW 2205 Australia
(72) Name(s) of Designer(s): **David King and John Levey and Ryan Lawson and Tanya Rechberger**
(45) Registration Date: **01 February 2013**
(56) Related Art Documents: **Not Applicable**
(57) Statement of Newness and Distinctiveness: **Newness and distinctiveness reside in the features of the design as shown in the representations, with more weight to be given to the shape and configuration of the base and less weight to be given to the shape, dimensions and number of any components carried by the base, it also being understood that the backrest is individually adjustably arranged on the base.**



- (21) Design Number: **16248/2012**
(22) Date of Filing Application: **07 December 2012**
(24) Date from which industrial property rights may have effect: **07 December 2012**
(54) Product in respect of which the design is registered: **A sofa**
(51) International Design Classification: **06-01G**
(74) Name(s) of Attorney(s): **FB Rice**
(71) Name(s) and Address(s) of Applicant(s):
King Furniture (Australia) Pty Ltd
123 Turrella St Turrella NSW 2205 Australia
(72) Name(s) of Designer(s): **David King and John Levey and Ryan Lawson and Tanya Rechberger**
(45) Registration Date: **01 February 2013**
(56) Related Art Documents: **Not Applicable**
(57) Statement of Newness and Distinctiveness: **Newness and distinctiveness reside in the features of the design as shown in the representations, with more weight to be given to the shape and configuration of the base and less weight to be given to the shape, dimensions and number of any components carried by the base, it also being understood that each backrest and the armrest are individually adjustably arranged on the base and the armrest is shown in a partially reclined position relative to the base. It will be further understood that the armrest could be provided at either end of the base and the scope of the design is to be so interpreted.**



- (21) Design Number: **16249/2012**
(22) Date of Filing Application: **07 December 2012**
(24) Date from which industrial property rights may have effect: **07 December 2012**
(54) Product in respect of which the design is registered: **A sofa**
(51) International Design Classification: **06-01G**
(74) Name(s) of Attorney(s): **FB Rice**
(71) Name(s) and Address(s) of Applicant(s):
King Furniture (Australia) Pty Ltd
123 Turrella St Turrella NSW 2205 Australia
(72) Name(s) of Designer(s): **David King and John Levey and Ryan Lawson and Tanya Rechberger**
(45) Registration Date: **01 February 2013**
(56) Related Art Documents: **Not Applicable**
(57) Statement of Newness and Distinctiveness: **Newness and distinctiveness reside in the features of the design as shown in the representations, with more weight to be given to the shape and configuration of the base and less weight to be given to the shape, dimensions and number of any components carried by the base, it also being understood that each backrest and the armrest are individually adjustably arranged on the base and the armrest is shown in a partially reclined position relative to the base. It will be further understood that the armrest could be provided at either end of the base and the scope of the design is to be so interpreted.**



- (21) Design Number: **16254/2012**
(22) Date of Filing Application: **07 December 2012**
(24) Date from which industrial property rights may have effect: **07 December 2012**
(54) Product in respect of which the design is registered: **A sofa**
(51) International Design Classification: **06-01G**
(74) Name(s) of Attorney(s): **FB Rice**
(71) Name(s) and Address(s) of Applicant(s):
King Furniture (Australia) Pty Ltd
123 Turrella St Turrella NSW 2205 Australia
(72) Name(s) of Designer(s): **David King and John Levey and Ryan Lawson and Tanya Rechberger**
(45) Registration Date: **01 February 2013**
(56) Related Art Documents: **Not Applicable**
(57) Statement of Newness and Distinctiveness: **Newness and distinctiveness reside in the features of the design as shown in the representations, with more weight to be given to the shape and configuration of the base and less weight to be given to the shape, dimensions and number of any components carried by the base, it also being understood that each backrest and each armrest are individually adjustably arranged on the base and the armrests are shown in a partially reclined position relative to the base.**



- (21) Design Number: **16255/2012**
(22) Date of Filing Application: **07 December 2012**
(24) Date from which industrial property rights may have effect: **07 December 2012**
(54) Product in respect of which the design is registered: **A sofa**
(51) International Design Classification: **06-01G**
(74) Name(s) of Attorney(s): **FB Rice**
(71) Name(s) and Address(s) of Applicant(s):
King Furniture (Australia) Pty Ltd
123 Turrella St Turrella NSW 2205 Australia
(72) Name(s) of Designer(s): **David King and John Levey and Ryan Lawson and Tanya Rechberger**
(45) Registration Date: **01 February 2013**
(56) Related Art Documents: **Not Applicable**
(57) Statement of Newness and Distinctiveness: **Newness and distinctiveness reside in the features of the design as shown in the representations, with more weight to be given to the shape and configuration of the base and less weight to be given to the shape, dimensions and number of any components carried by the base, it also being understood that each backrest is individually adjustably arranged on the base.**



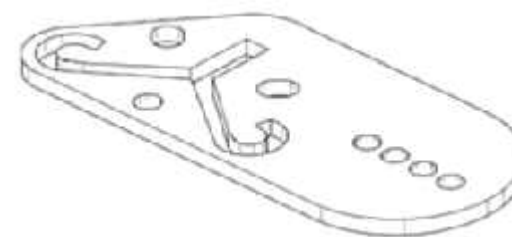
- (21) Design Number: **16256/2012**
(22) Date of Filing Application: **07 December 2012**
(24) Date from which industrial property rights may have effect: **07 December 2012**
(54) Product in respect of which the design is registered: **A chaise**
(51) International Design Classification: **06-01G**
(74) Name(s) of Attorney(s): **FB Rice**
(71) Name(s) and Address(s) of Applicant(s):
King Furniture (Australia) Pty Ltd
123 Turrella St Turrella NSW 2205 Australia
(72) Name(s) of Designer(s): **David King and John Levey and Ryan Lawson and Tanya Rechberger**
(45) Registration Date: **01 February 2013**
(56) Related Art Documents: **Not Applicable**
(57) Statement of Newness and Distinctiveness: **Newness and distinctiveness reside in the features of the design as shown in the representations, with more weight to be given to the shape and configuration of the base and less weight to be given to the shape, dimensions and number of any components carried by the base, it also being understood that the backrest and the armrest are individually adjustably arranged on the base and the armrest is shown in a partially reclined position relative to the base. It will be further understood that the armrest could be provided at either side of the base and the scope of the design is to be so interpreted.**



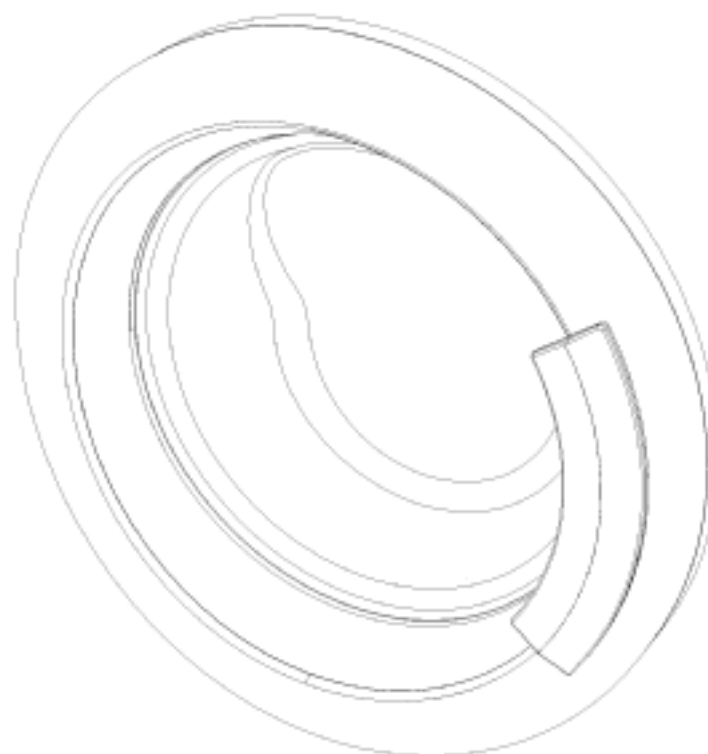
- (21) Design Number: **16257/2012**
(22) Date of Filing Application: **07 December 2012**
(24) Date from which industrial property rights may have effect: **07 December 2012**
(54) Product in respect of which the design is registered: **A chaise**
(51) International Design Classification: **06-01G**
(74) Name(s) of Attorney(s): **FB Rice**
(71) Name(s) and Address(s) of Applicant(s):
King Furniture (Australia) Pty Ltd
123 Turrella St Turrella NSW 2205 Australia
(72) Name(s) of Designer(s): **David King and John Levey and Ryan Lawson and Tanya Rechberger**
(45) Registration Date: **01 February 2013**
(56) Related Art Documents: **Not Applicable**
(57) Statement of Newness and Distinctiveness: **Newness and distinctiveness reside in the features of the design as shown in the representations, with more weight to be given to the shape and configuration of the base and less weight to be given to the shape, dimensions and number of any components carried by the base, it also being understood that the backrest and the armrest are individually adjustably arranged on the base and the armrest is shown in a partially reclined position relative to the base. It will be further understood that the armrest could be provided at either side of the base and the scope of the design is to be so interpreted.**



- (21) Design Number: **16190/2012**
(22) Date of Filing Application: **10 December 2012**
(24) Date from which industrial property rights may have effect: **10 December 2012**
(54) Product in respect of which the design is registered: **A device for supporting a gate**
(51) International Design Classification: **08-08K**
(74) Name(s) of Attorney(s): **Knightsbridge Patent Attorneys**
(71) Name(s) and Address(s) of Applicant(s):
Steel-Tuff Rural Fencing Solutions Pty. Ltd.
9-11 Turbo Dr Bayswater VIC 3153 Australia
(72) Name(s) of Designer(s): **Neil Henry French**
(45) Registration Date: **04 February 2013**
(56) Related Art Documents: **Not Applicable**
(57) Statement of Newness and Distinctiveness: **The applicant claims that newness and distinctiveness reside in the features of shape and configuration of a device for supporting a gate, as depicted in the accompanying representations.**



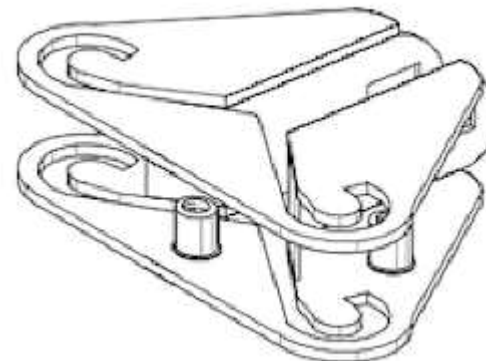
- (21) Design Number: **16191/2012**
(22) Date of Filing Application: **10 December 2012**
(24) Date from which industrial property rights may have effect: **10 December 2012**
(54) Product in respect of which the design is registered: **Door assembly**
(51) International Design Classification: **07-05NES, 15-05**
(74) Name(s) of Attorney(s): **Halfords IP**
(71) Name(s) and Address(s) of Applicant(s):
Electrolux Sea Pte Ltd
11 Lorong 3 Toa Payoh Block B #01-13/14/15 Jackson Square 319579
Singapore
(72) Name(s) of Designer(s): **Swaminathan Iyer and Pernilla Johansson**
(45) Registration Date: **04 February 2013**
(30) Convention priority data:
(31) Number (32) Date (33) Country
201230251806.X 12 Jun 2012 CHINA
(56) Related Art Documents: **Not Applicable**
(57) Statement of Newness and Distinctiveness: **Newness and Distinctiveness resides in the shape and or configuration of a door assembly, such as for a fabric washing and or drying machine as depicted in the accompanying representations.**



- (21) Design Number: **16192/2012**
(22) Date of Filing Application: **10 December 2012**
(24) Date from which industrial property rights may have effect: **10 December 2012**
(54) Product in respect of which the design is registered: **An activity based work station**
(51) International Design Classification: **06-03C, 06-05**
(74) Name(s) of Attorney(s): **A J Park**
(71) Name(s) and Address(s) of Applicant(s):
Richard Paul Simmons
7 Huxley Street Gleniti Timaru 7910 New Zealand
(72) Name(s) of Designer(s): **Richard Paul Simmons**
(45) Registration Date: **04 February 2013**
(56) Related Art Documents: **Not Applicable**
(57) Statement of Newness and Distinctiveness: **Novelty is claimed for the design of an activity based work station comprising a table adjustable between sitting and standing heights, a partition defining a work space around the table, and at least one seat base adjustable between a sitting position and a standing position, in which the seat is folded up, as shown in the representations.**



- (21) Design Number: **16199/2012**
(22) Date of Filing Application: **10 December 2012**
(24) Date from which industrial property rights may have effect: **10 December 2012**
(54) Product in respect of which the design is registered: **A support assembly for a gate**
(51) International Design Classification: **08-08K**
(74) Name(s) of Attorney(s): **Knightsbridge Patent Attorneys**
(71) Name(s) and Address(s) of Applicant(s):
Steel-Tuff Rural Fencing Solutions Pty. Ltd.
9-11 Turbo Dr Bayswater VIC 3153 Australia
(72) Name(s) of Designer(s): **Neil Henry French**
(45) Registration Date: **04 February 2013**
(56) Related Art Documents: **Not Applicable**
(57) Statement of Newness and Distinctiveness: **The applicant claims that newness and distinctiveness reside in the features of shape and configuration of a support assembly for a gate, as depicted in the accompanying representations.**



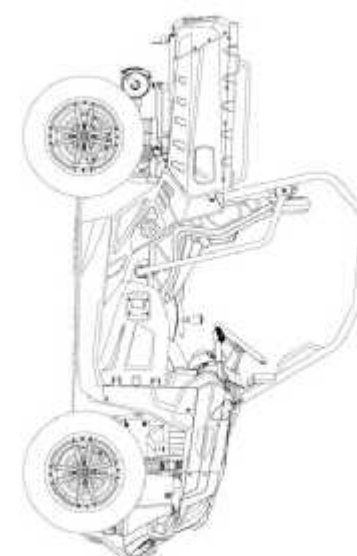
- (21) Design Number: **16387/2012**
(22) Date of Filing Application: **18 December 2012**
(24) Date from which industrial property rights may have effect: **18 December 2012**
(54) Product in respect of which the design is registered: **Mining screen sidebar with wear marker**
(51) International Design Classification: **15-99**
(74) Name(s) of Attorney(s): **FB Rice**
(71) Name(s) and Address(s) of Applicant(s):
Locker Group Pty Ltd
2 Cojo Pl Dandenong South VIC 3175 Australia
(72) Name(s) of Designer(s): **Jeff Zubovich and Ron Domitrovic**
(45) Registration Date: **04 February 2013**
(56) Related Art Documents: **Not Applicable**
(57) Statement of Newness and Distinctiveness: **Newness and distinctiveness resides in each feature of the shape, configuration and colour of the sidebar comprising a backface and a stepped front wearface wherein the backface and the wearface are different solid colours.**



- (21) Design Number: **16388/2012**
(22) Date of Filing Application: **18 December 2012**
(24) Date from which industrial property rights may have effect: **18 December 2012**
(54) Product in respect of which the design is registered: **Exercise bike**
(51) International Design Classification: **21-02F**
(74) Name(s) of Attorney(s): **PIPERS**
(71) Name(s) and Address(s) of Applicant(s):
Dezign Imagineering Limited
C/- Pinecone NZ Ltd 10 Benmore Crescent Manor Park Lower Hutt 5019
New Zealand
(72) Name(s) of Designer(s): **Clement Stephen Victor Thom**
(45) Registration Date: **04 February 2013**
(30) Convention priority data:
(31) Number (32) Date (33) Country
416437 26 Jun 2012 NEW ZEALAND
(56) Related Art Documents: **Not Applicable**
(57) Statement of Newness and Distinctiveness: **The newness and distinctiveness of the design resides in the shape of the Exercise Bike as shown in the continuous lines in the accompanying representations.**



- (21) Design Number: **16400/2012**
(22) Date of Filing Application: **18 December 2012**
(24) Date from which industrial property rights may have effect: **18 December 2012**
(54) Product in respect of which the design is registered: **All-terrain vehicle**
(51) International Design Classification: **12-08**
(74) Name(s) of Attorney(s): **Griffith Hack**
(71) Name(s) and Address(s) of Applicant(s):
Zhejiang CFMOTO Power Co., Ltd
No.116 Wuzhou Road Yuhang Economic Development Zone Hangzhou
Zhejiang 311100 China
(72) Name(s) of Designer(s): **Guogui Lai and Zhangping Yuan and Yonggang Cui and Meilin Feng and Tangcheng Zhang and Minqiang Xiong and Ronghua Wang and Zhenxiang Kuang and Chaohui Kang**
(45) Registration Date: **04 February 2013**
(30) Convention priority data:
(31) Number (32) Date (33) Country
201230385968.2 15 Aug 2012 CHINA
(56) Related Art Documents: **Not Applicable**
(57) Statement of Newness and Distinctiveness: **Newness and distinctiveness resides in the visual features, including shape, configuration and ornamentation of the product as shown in the accompanying representation. The text and symbols appearing in the representations have been included for illustrative purposes and do not form a limitation of the design.**



(21) Design Number: **16403/2012**

(22) Date of Filing Application: **18 December 2012**

(24) Date from which industrial property rights may have effect: **18 December 2012**

(54) Product in respect of which the design is registered: **Household containers**

(51) International Design Classification: **07-05D**

(74) Name(s) of Attorney(s): **Trademark Works**

(71) Name(s) and Address(s) of Applicant(s):

Joseph Joseph Ltd

The Grove 30 Great Guildford Street SE1 0HS London United Kingdom

(72) Name(s) of Designer(s): **David Evans and Ashley May**

(45) Registration Date: **04 February 2013**

(30) Convention priority data:

(31) Number

(32) Date

(33) Country

002102343-0005

13 Sep 2012

EUROPEAN COMMUNITY

(56) Related Art Documents: **Not Applicable**

(57) Statement of Newness and Distinctiveness: **The newness and distinctiveness of the design resides in the shape of the household container as shown in the accompanying representations.**



(21) Design Number: **16409/2012**

(22) Date of Filing Application: **19 December 2012**

(24) Date from which industrial property rights may have effect: **19 December 2012**

(54) Product in respect of which the design is registered: **Case for electronic devices**

(51) International Design Classification: **03-01NES**

(74) Name(s) of Attorney(s):

(71) Name(s) and Address(s) of Applicant(s):

Phonewoa Pty Ltd

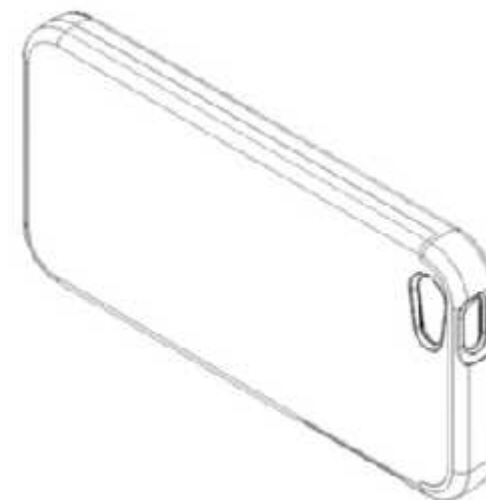
U6 13 Berry St Granville NSW 2142 Australia

(72) Name(s) of Designer(s): **Yong Shen**

(45) Registration Date: **04 February 2013**

(56) Related Art Documents: **Not Applicable**

(57) Statement of Newness and Distinctiveness: **The product is formed up of two pieces of cases with well designed structure. It is also specially designed for anti-skidding and easy assembling.**



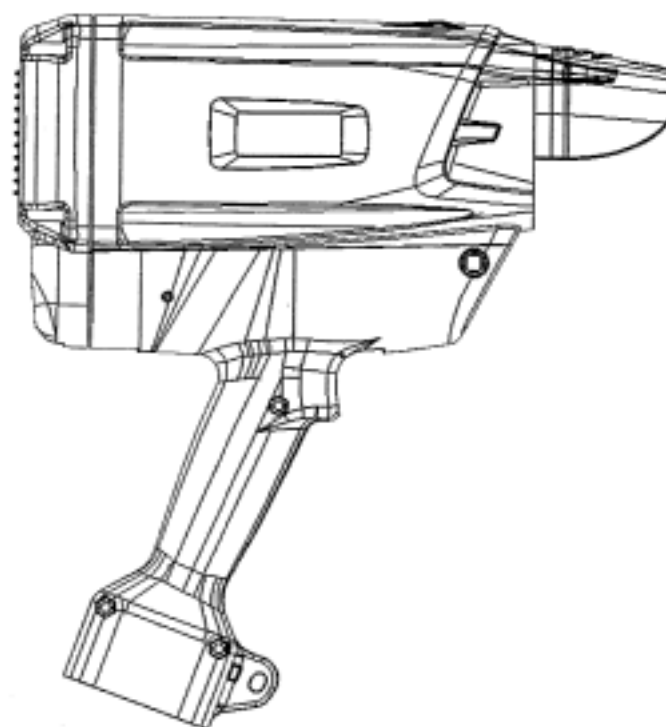
- (21) Design Number: **16414/2012**
(22) Date of Filing Application: **19 December 2012**
(24) Date from which industrial property rights may have effect: **19 December 2012**
(54) Product in respect of which the design is registered: **Front bumper for automobile**
(51) International Design Classification: **12-16C**
(74) Name(s) of Attorney(s): **Griffith Hack**
(71) Name(s) and Address(s) of Applicant(s):
Nissan Jidosha Kabushiki Kaisha
No. 2 Takaracho Kanagawa-ku Yokohama-shi Kanagawa-Ken 220-0123
Japan
(72) Name(s) of Designer(s): **Kenji Kawasaki**
(45) Registration Date: **04 February 2013**
(30) Convention priority data:
(31) Number (32) Date (33) Country
2012-015038 26 Jun 2012 JAPAN
(56) Related Art Documents: **Not Applicable**
(57) Statement of Newness and Distinctiveness: **Newness and distinctiveness resides in the shape and configuration of the article as shown in the representations.**



- (21) Design Number: **16415/2012**
(22) Date of Filing Application: **19 December 2012**
(24) Date from which industrial property rights may have effect: **19 December 2012**
(54) Product in respect of which the design is registered: **Front bumper for automobile**
(51) International Design Classification: **12-16C**
(74) Name(s) of Attorney(s): **Griffith Hack**
(71) Name(s) and Address(s) of Applicant(s):
Nissan Jidosha Kabushiki Kaisha
No. 2 Takaracho Kanagawa-ku Yokohama-shi Kanagawa-Ken 221-0023
Japan
(72) Name(s) of Designer(s): **Kenji Kawasaki**
(45) Registration Date: **04 February 2013**
(30) Convention priority data:
(31) Number (32) Date (33) Country
2012-015039 26 Jun 2012 JAPAN
(56) Related Art Documents: **Not Applicable**
(57) Statement of Newness and Distinctiveness: **Newness and distinctiveness resides in the shape and configuration of the article as shown in the representations.**



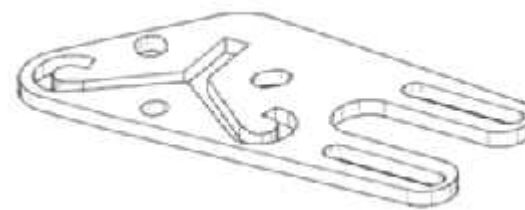
(21) Design Number: **16480/2012**
(22) Date of Filing Application: **18 December 2012**
(24) Date from which industrial property rights may have effect: **18 December 2012**
(54) Product in respect of which the design is registered: **Gas nailer**
(51) International Design Classification: **15-99**
(74) Name(s) of Attorney(s): **SPRUSON & FERGUSON**
(71) Name(s) and Address(s) of Applicant(s):
Joh. Friedrich Behrens AG
Bogenstrasse 43-45 22926 Ahrensburg Germany
(72) Name(s) of Designer(s): **Suzanne Fischer-Zernin and Martin Hannig**
(45) Registration Date: **04 February 2013**
(30) Convention priority data:
(31) Number (32) Date (33) Country
002059584-0001 19 Jun 2012 EUROPEAN COMMUNITY
(56) Related Art Documents: **Not Applicable**
(57) Statement of Newness and Distinctiveness: **Newness and distinctiveness is claimed in the features of shape and/or configuration of a gas nailer as illustrated in the accompanying representations.**



(21) Design Number: **16382/2012**
(22) Date of Filing Application: **18 December 2012**
(24) Date from which industrial property rights may have effect: **18 December 2012**
(54) Product in respect of which the design is registered: **A tyre**
(51) International Design Classification: **12-15B**
(74) Name(s) of Attorney(s): **WATERMARK PATENT AND TRADE MARKS ATTORNEYS**
(71) Name(s) and Address(s) of Applicant(s):
COMPAGNIE GENERALE DES ETABLISSEMENTS MICHELIN
12 cours Sablon Clermont-Ferrand F- 63000 France
Michelin Recherche et Technique S.A.
Route Louis-Braille 10 Granges-Paccot CH-1763 Switzerland
(72) Name(s) of Designer(s): **Maxime Rolland and William R. Hudek and John Anthony Hutz**
(45) Registration Date: **04 February 2013**
(30) Convention priority data:
(31) Number (32) Date (33) Country
29/426,084 29 Jun 2012 UNITED STATES OF AMERICA
(56) Related Art Documents: **Not Applicable**
(57) Statement of Newness and Distinctiveness: **Newness and distinctiveness resides in the appearance of the tread region of the tyre, the remainder of the tyre should be disregarded when considering the monopoly in the design.**



- (21) Design Number: **16184/2012**
(22) Date of Filing Application: **10 December 2012**
(24) Date from which industrial property rights may have effect: **10 December 2012**
(54) Product in respect of which the design is registered: **Device for supporting a gate**
(51) International Design Classification: **08-08K**
(74) Name(s) of Attorney(s): **Knightsbridge Patent Attorneys**
(71) Name(s) and Address(s) of Applicant(s):
Steel-Tuff Rural Fencing Solutions Pty. Ltd.
9-11 Turbo Dr Bayswater VIC 3153 Australia
(72) Name(s) of Designer(s): **Neil Henry French**
(45) Registration Date: **04 February 2013**
(56) Related Art Documents: **Not Applicable**
(57) Statement of Newness and Distinctiveness: **The applicant claims that newness and distinctiveness reside in the features of shape and configuration of a device for supporting a gate, as depicted in the accompanying representations.**



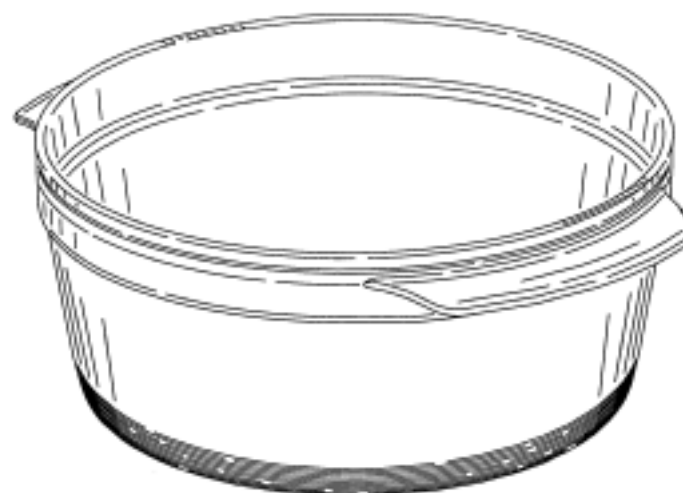
- (21) Design Number: **16485/2012**
(22) Date of Filing Application: **18 December 2012**
(24) Date from which industrial property rights may have effect: **18 December 2012**
(54) Product in respect of which the design is registered: **Microwave container with cover**
(51) International Design Classification: **07-02NES**
(74) Name(s) of Attorney(s): **PHILLIPS ORMONDE FITZPATRICK**
(71) Name(s) and Address(s) of Applicant(s):
Dart Industries Inc.
14901 S. Orange Blossom Trail Orlando Florida 32837 United States of America
(72) Name(s) of Designer(s): **Jakob Heiberg and Vincent Jalet**
(45) Registration Date: **04 February 2013**
(30) Convention priority data:
(31) Number (32) Date (33) Country
29/421,426 25 Jul 2012 UNITED STATES OF AMERICA
(56) Related Art Documents: **Not Applicable**
(57) Statement of Newness and Distinctiveness: **Those features of the microwave container with cover depicted in the representations that are new and distinctive are the shape and/or configuration.**



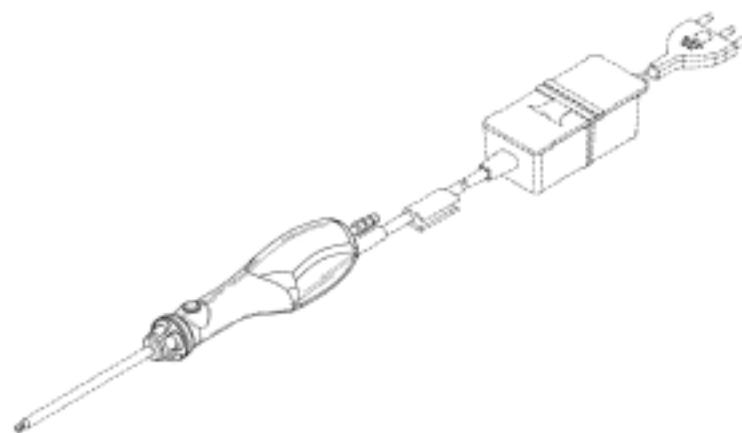
(21) Design Number: **16487/2012**
(22) Date of Filing Application: **18 December 2012**
(24) Date from which industrial property rights may have effect: **18 December 2012**
(54) Product in respect of which the design is registered: **Cover for a microwave container**
(51) International Design Classification: **07-02NES**
(74) Name(s) of Attorney(s): **PHILLIPS ORMONDE FITZPATRICK**
(71) Name(s) and Address(s) of Applicant(s):
Dart Industries Inc.
14901 S. Orange Blossom Trail Orlando Florida 32837 United States of America
(72) Name(s) of Designer(s): **Jakob Heiberg and Vincent Jalet**
(45) Registration Date: **04 February 2013**
(30) Convention priority data:
(31) Number (32) Date (33) Country
29/421,425 25 Jul 2012 UNITED STATES OF AMERICA
(56) Related Art Documents: **Not Applicable**
(57) Statement of Newness and Distinctiveness: **Those features of the cover for a microwave container depicted in the representations that are new and distinctive are the shape and/or configuration.**



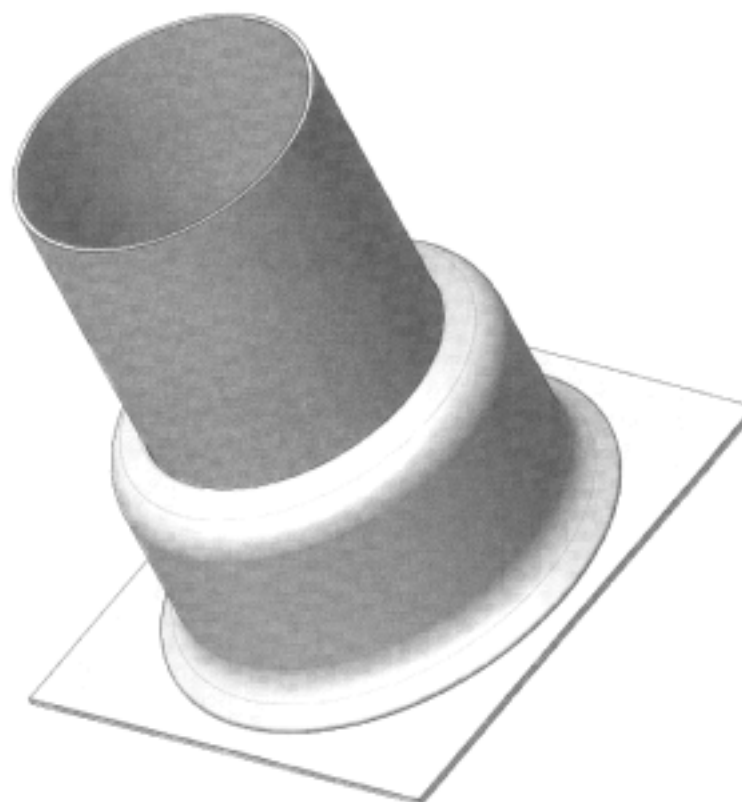
(21) Design Number: **16489/2012**
(22) Date of Filing Application: **18 December 2012**
(24) Date from which industrial property rights may have effect: **18 December 2012**
(54) Product in respect of which the design is registered: **Microwave container**
(51) International Design Classification: **07-02NES**
(74) Name(s) of Attorney(s): **PHILLIPS ORMONDE FITZPATRICK**
(71) Name(s) and Address(s) of Applicant(s):
Dart Industries Inc.
14901 S. Orange Blossom Trail Orlando Florida 32837 United States of America
(72) Name(s) of Designer(s): **Jakob Heiberg and Vincent Jalet**
(45) Registration Date: **04 February 2013**
(30) Convention priority data:
(31) Number (32) Date (33) Country
29/421,427 25 Jul 2012 UNITED STATES OF AMERICA
(56) Related Art Documents: **Not Applicable**
(57) Statement of Newness and Distinctiveness: **Those features of the microwave container depicted in the representations that are new and distinctive are the shape and/or configuration.**



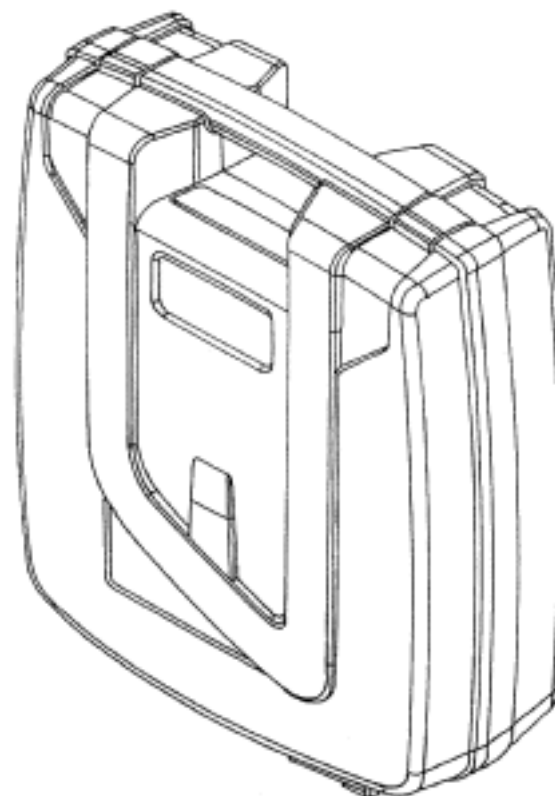
- (21) Design Number: **16494/2012**
(22) Date of Filing Application: **18 December 2012**
(24) Date from which industrial property rights may have effect: **18 December 2012**
(54) Product in respect of which the design is registered: **Microdebrider**
(51) International Design Classification: **24-02**
(74) Name(s) of Attorney(s): **Freehills Patent Attorneys**
(71) Name(s) and Address(s) of Applicant(s):
Gyrus ACMI, Inc.
d/b/a Olympus Surgical Technologies America 136 Turnpike Road
Southborough Massachusetts 01772 USA
(72) Name(s) of Designer(s): **Phillip A. Ryan and Michael J. Bennett and Paul**
E. Yarbrough
(45) Registration Date: **04 February 2013**
(30) Convention priority data:
(31) Number (32) Date (33) Country
29/430269 23 Aug 2012 UNITED STATES OF AMERICA
(56) Related Art Documents: **Not Applicable**
(57) Statement of Newness and Distinctiveness: **Newness and distinctiveness**
of the design resides in the shape and configuration of the handpiece
of the microdebrider as shown in solid lines in the accompanying
representations.



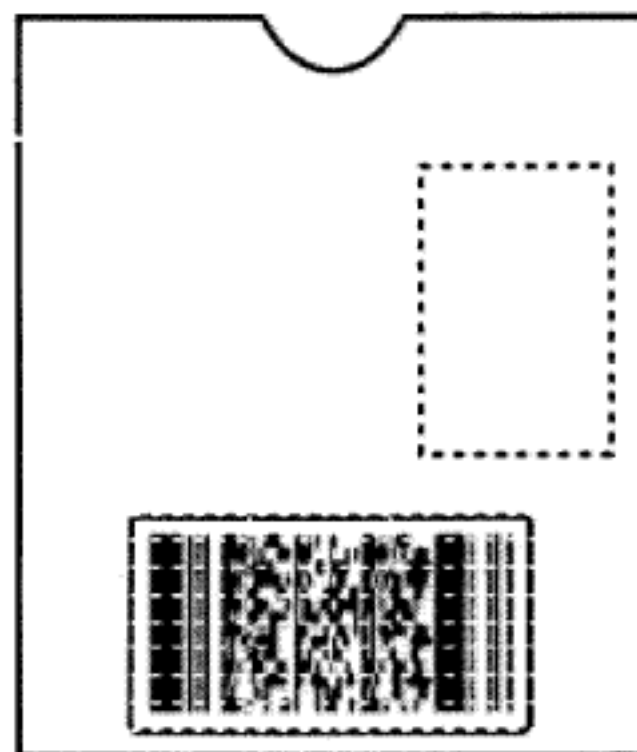
- (21) Design Number: **14955/2012**
(22) Date of Filing Application: **01 October 2012**
(24) Date from which industrial property rights may have effect: **01 October 2012**
(54) Product in respect of which the design is registered: **Hygienic junction for**
electrical cabling
(51) International Design Classification: **23-01A, 13-03C**
(74) Name(s) of Attorney(s):
(71) Name(s) and Address(s) of Applicant(s):
Howard Oates
1 Hoysted PI Wodonga VIC 3690 Australia
Ironbox Pty Ltd
128 Howlong Road Chiltern Victoria 3683 Australia
(72) Name(s) of Designer(s): **Bart Oates and Luke Oates and Andrea Oates and**
Howard Oates
(45) Registration Date: **04 February 2013**
(56) Related Art Documents: **Not Applicable**
(57) Statement of Newness and Distinctiveness: **The design provides a quick**
assembly hygienic easy-to-clean sealed junction between electrical
conduit and cabinets or other conduit without corners that can allow the
build up of particles which encourage growth of organisms.



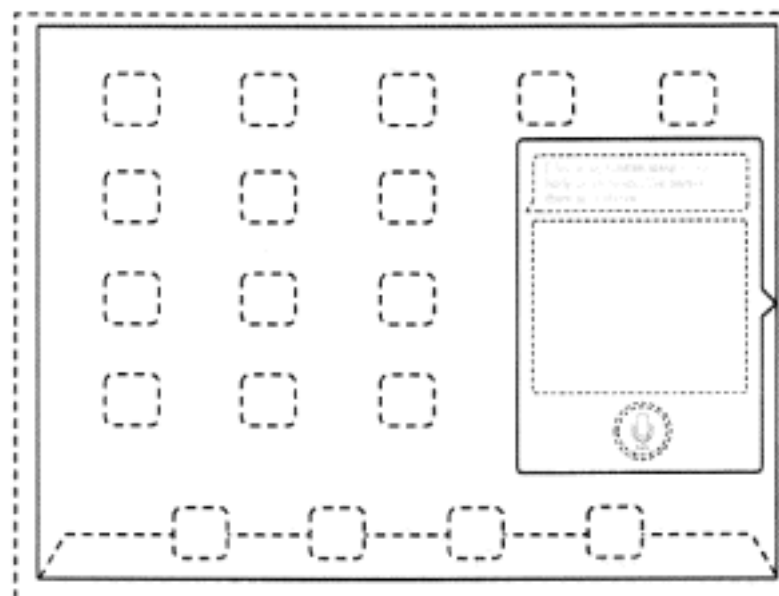
(21) Design Number: **16225/2012**
(22) Date of Filing Application: **07 December 2012**
(24) Date from which industrial property rights may have effect: **07 December 2012**
(54) Product in respect of which the design is registered: **Tool box**
(51) International Design Classification: **03-01D**
(74) Name(s) of Attorney(s): **SPRUSON & FERGUSON**
(71) Name(s) and Address(s) of Applicant(s):
Joh. Friedrich Behrens AG
Bogenstrasse 43-45 22926 Ahrensburg Germany
(72) Name(s) of Designer(s): **Suzanne Fischer-Zernin and Martin Hannig**
(45) Registration Date: **04 February 2013**
(30) Convention priority data:
(31) Number (32) Date (33) Country
002054387-0001 08 Jun 2012 EUROPEAN COMMUNITY
(56) Related Art Documents: **Not Applicable**
(57) Statement of Newness and Distinctiveness: **Newness and distinctiveness is claimed in the features of the elevated asymmetric design on the front panel, the recessed asymmetric design on the rear panel and the integrated handle of a tool box as illustrated in the accompanying representations.**



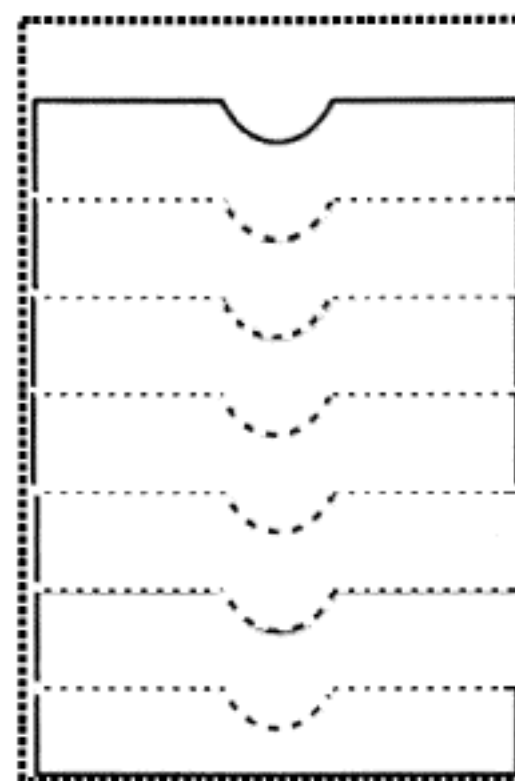
(21) Design Number: **16227/2012**
(22) Date of Filing Application: **07 December 2012**
(24) Date from which industrial property rights may have effect: **07 December 2012**
(54) Product in respect of which the design is registered: **Display screen for an electronic device**
(51) International Design Classification: **14-01**
(74) Name(s) of Attorney(s): **Freehills Patent Attorneys**
(71) Name(s) and Address(s) of Applicant(s):
Chanaka Karunamuni
c/o Apple Inc. 1 Infinite Loop MS 302-HI Cupertino California 95014
United States of America
Stephen O. Lemay
c/o Apple Inc. 1 Infinite Loop MS 302-HI Cupertino California 95014
United States of America
Marcel Van Os
c/o Apple Inc 1 Infinite Loop MS 302-HI Cupertino California 95014
United States of America
(72) Name(s) of Designer(s): **Chanaka Karunamuni and Stephen O. Lemay and Marcel Van Os**
(45) Registration Date: **04 February 2013**
(30) Convention priority data:
(31) Number (32) Date (33) Country
29/424281 10 Jun 2012 UNITED STATES OF AMERICA
(56) Related Art Documents: **Not Applicable**
(57) Statement of Newness and Distinctiveness: **Newness and distinctiveness is claimed in the features of pattern and/or ornamentation of a display screen for an electronic device as shown in solid outline in the accompanying representation.**



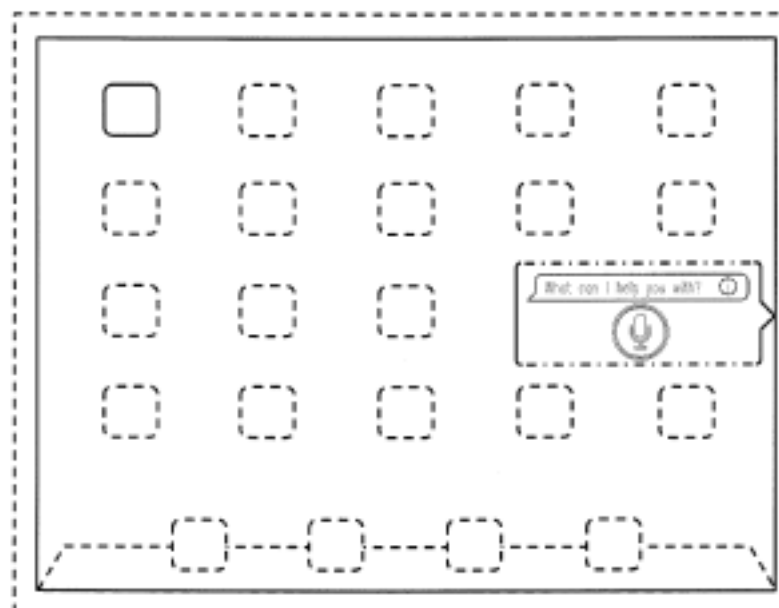
- (21) Design Number: **16228/2012**
(22) Date of Filing Application: **07 December 2012**
(24) Date from which industrial property rights may have effect: **07 December 2012**
(54) Product in respect of which the design is registered: **Display screen for an electronic device**
(51) International Design Classification: **14-01**
(74) Name(s) of Attorney(s): **Freehills Patent Attorneys**
(71) Name(s) and Address(s) of Applicant(s):
Freddy Anzures
c/o Apple Inc. 1 Infinite Loop MS 302-HI Cupertino California 95014
United States of America
Alessandro Francesco Sabatelli
c/o Apple Inc. 1 Infinite Loop MS 302-HI Cupertino California 95014
United States of America
(72) Name(s) of Designer(s): **Freddy Anzures and Alessandro Francesco Sabatelli**
(45) Registration Date: **04 February 2013**
(30) Convention priority data:
(31) Number (32) Date (33) Country
29/424372 11 Jun 2012 UNITED STATES OF AMERICA
(56) Related Art Documents: **Not Applicable**
(57) Statement of Newness and Distinctiveness: **Newness and distinctiveness is claimed in the features of pattern and/or ornamentation of a display screen for an electronic device as shown in solid outline in the accompanying representations.**



- (21) Design Number: **16229/2012**
(22) Date of Filing Application: **07 December 2012**
(24) Date from which industrial property rights may have effect: **07 December 2012**
(54) Product in respect of which the design is registered: **Display screen for an electronic device**
(51) International Design Classification: **14-01**
(74) Name(s) of Attorney(s): **Freehills Patent Attorneys**
(71) Name(s) and Address(s) of Applicant(s):
Chanaka Karunamuni
c/o Apple Inc. 1 Infinite Loop MS 302-HI Cupertino California 95014
United States of America
Stephen O. Lemay
c/o Apple Inc. 1 Infinite Loop MS 302-HI Cupertino California 95014
United States of America
Marcel Van Os
c/o Apple Inc 1 Infinite Loop MS 302-HI Cupertino California 95014
United States of America
(72) Name(s) of Designer(s): **Chanaka Karunamuni and Stephen O. Lemay and Marcel Van Os**
(45) Registration Date: **04 February 2013**
(30) Convention priority data:
(31) Number (32) Date (33) Country
29/424281 10 Jun 2012 UNITED STATES OF AMERICA
(56) Related Art Documents: **Not Applicable**
(57) Statement of Newness and Distinctiveness: **Newness and distinctiveness is claimed in the features of pattern and/or ornamentation of a display screen for an electronic device as shown in solid outline in the accompanying representation.**



- (21) Design Number: **16230/2012**
(22) Date of Filing Application: **07 December 2012**
(24) Date from which industrial property rights may have effect: **07 December 2012**
(54) Product in respect of which the design is registered: **Display screen for an electronic device**
(51) International Design Classification: **14-01**
(74) Name(s) of Attorney(s): **Freehills Patent Attorneys**
(71) Name(s) and Address(s) of Applicant(s):
Freddy Anzures
c/o Apple Inc. 1 Infinite Loop MS 302-HI Cupertino California 95014
United States of America
Alessandro Francesco Sabatelli
c/o Apple Inc. 1 Infinite Loop MS 302-HI Cupertino California 95014
United States of America
(72) Name(s) of Designer(s): **Freddy Anzures and Alessandro Francesco Sabatelli**
(45) Registration Date: **04 February 2013**
(30) Convention priority data:
(31) Number (32) Date (33) Country
29/424280 10 Jun 2012 UNITED STATES OF AMERICA
(56) Related Art Documents: **Not Applicable**
(57) Statement of Newness and Distinctiveness: **Newness and distinctiveness is claimed in the features of pattern and/or ornamentation of a display screen for an electronic device as shown in solid outline in the accompanying representation.**



- (21) Design Number: **16231/2012**
(22) Date of Filing Application: **07 December 2012**
(24) Date from which industrial property rights may have effect: **07 December 2012**
(54) Product in respect of which the design is registered: **Display screen for an electronic device**
(51) International Design Classification: **14-01**
(74) Name(s) of Attorney(s): **Freehills Patent Attorneys**
(71) Name(s) and Address(s) of Applicant(s):
Chun Kin Minor Wong
c/o Apple Inc. 1 Infinite Loop MS 302-HI Cupertino California 95014
United States of America
(72) Name(s) of Designer(s): **Chun Kin Minor Wong**
(45) Registration Date: **04 February 2013**
(30) Convention priority data:
(31) Number (32) Date (33) Country
29/424274 10 Jun 2012 UNITED STATES OF AMERICA
(56) Related Art Documents: **Not Applicable**
(57) Statement of Newness and Distinctiveness: **Newness and distinctiveness is claimed in the features of pattern and/or ornamentation of a display screen for an electronic device as shown in solid outline in the accompanying representation.**



- (21) Design Number: **16232/2012**
(22) Date of Filing Application: **07 December 2012**
(24) Date from which industrial property rights may have effect: **07 December 2012**
(54) Product in respect of which the design is registered: **Display screen for an electronic device**
(51) International Design Classification: **14-01**
(74) Name(s) of Attorney(s): **Freehills Patent Attorneys**
(71) Name(s) and Address(s) of Applicant(s):
Freddy Anzures
c/o Apple Inc. 1 Infinite Loop MS 302-HI Cupertino California 95014
United States of America
Alessandro Francesco Sabatelli
c/o Apple Inc. 1 Infinite Loop MS 302-HI Cupertino California 95014
United States of America
(72) Name(s) of Designer(s): **Freddy Anzures and Alessandro Francesco Sabatelli**
(45) Registration Date: **04 February 2013**
(30) Convention priority data:
(31) Number (32) Date (33) Country
29/424280 10 Jun 2012 UNITED STATES OF AMERICA
(56) Related Art Documents: **Not Applicable**
(57) Statement of Newness and Distinctiveness: **Newness and distinctiveness is claimed in the features of pattern and/or ornamentation of a display screen for an electronic device as shown in solid outline in the accompanying representation.**



- (21) Design Number: **16233/2012**
(22) Date of Filing Application: **07 December 2012**
(24) Date from which industrial property rights may have effect: **07 December 2012**
(54) Product in respect of which the design is registered: **Display screen for an electronic device**
(51) International Design Classification: **14-01**
(74) Name(s) of Attorney(s): **Freehills Patent Attorneys**
(71) Name(s) and Address(s) of Applicant(s):
Chanaka Karunamuni
c/o Apple Inc. 1 Infinite Loop MS 302-HI Cupertino California 95014
United States of America
Stephen O. Lemay
c/o Apple Inc. 1 Infinite Loop MS 302-HI Cupertino California 95014
United States of America
(72) Name(s) of Designer(s): **Chanaka Karunamuni and Stephen O. Lemay**
(45) Registration Date: **04 February 2013**
(30) Convention priority data:
(31) Number (32) Date (33) Country
29/424259 08 Jun 2012 UNITED STATES OF AMERICA
(56) Related Art Documents: **Not Applicable**
(57) Statement of Newness and Distinctiveness: **Newness and distinctiveness is claimed in the features of pattern and/or ornamentation of a display screen for an electronic device as shown in solid outline in the accompanying representation.**



- (21) Design Number: **16236/2012**
(22) Date of Filing Application: **07 December 2012**
(24) Date from which industrial property rights may have effect: **07 December 2012**
(54) Product in respect of which the design is registered: **A sofa**
(51) International Design Classification: **06-01G**
(74) Name(s) of Attorney(s): **FB Rice**
(71) Name(s) and Address(s) of Applicant(s):
King Furniture (Australia) Pty Ltd
123 Turrella St Turrella NSW 2205 Australia
(72) Name(s) of Designer(s): **David King and John Levey and Ryan Lawson and Tanya Rechberger**
(45) Registration Date: **04 February 2013**
(56) Related Art Documents: **Not Applicable**
(57) Statement of Newness and Distinctiveness: **Newness and distinctiveness reside in the features of the design as shown in the representations, with more weight to be given to the shape and configuration of the base and less weight to be given to the shape, dimensions and number of any components carried by the base, it also being understood that each backrest and each armrest are individually adjustably arranged on the base and the armrests are shown in a partially reclined position relative to the base.**



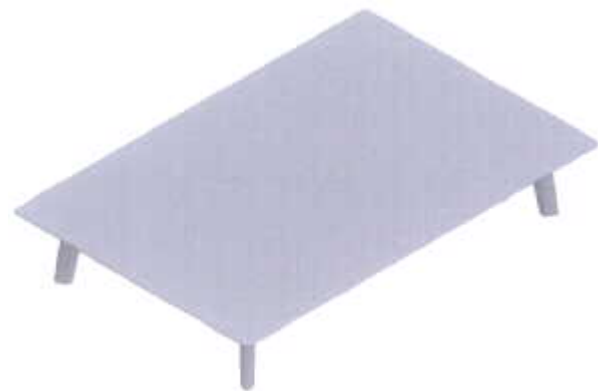
- (21) Design Number: **16250/2012**
(22) Date of Filing Application: **07 December 2012**
(24) Date from which industrial property rights may have effect: **07 December 2012**
(54) Product in respect of which the design is registered: **A chair**
(51) International Design Classification: **06-01G**
(74) Name(s) of Attorney(s): **FB Rice**
(71) Name(s) and Address(s) of Applicant(s):
King Furniture (Australia) Pty Ltd
123 Turrella St Turrella NSW 2205 Australia
(72) Name(s) of Designer(s): **David King and John Levey and Ryan Lawson and Tanya Rechberger**
(45) Registration Date: **04 February 2013**
(56) Related Art Documents: **Not Applicable**
(57) Statement of Newness and Distinctiveness: **Newness and distinctiveness reside in the features of the design as shown in the representations, with more weight to be given to the shape and configuration of the base and less weight to be given to the shape, dimensions and number of any components carried by the base, it also being understood that the backrest and the armrest are individually adjustably arranged on the base and the armrest is shown in a partially reclined position relative to the base. It will be further understood that the armrest could be provided at either end of the base and the scope of the design is to be so interpreted.**



- (21) Design Number: **16251/2012**
(22) Date of Filing Application: **07 December 2012**
(24) Date from which industrial property rights may have effect: **07 December 2012**
(54) Product in respect of which the design is registered: **A base for an article of furniture**
(51) International Design Classification: **06-06NES, 06-06G**
(74) Name(s) of Attorney(s): **FB Rice**
(71) Name(s) and Address(s) of Applicant(s):
King Furniture (Australia) Pty Ltd
123 Turrella St Turrella NSW 2205 Australia
(72) Name(s) of Designer(s): **David King and John Levey and Ryan Lawson and Tanya Rechberger**
(45) Registration Date: **04 February 2013**
(56) Related Art Documents: **Not Applicable**
(57) Statement of Newness and Distinctiveness: **Newness and distinctiveness reside in the features of the design as shown in the representations.**



- (21) Design Number: **16252/2012**
(22) Date of Filing Application: **07 December 2012**
(24) Date from which industrial property rights may have effect: **07 December 2012**
(54) Product in respect of which the design is registered: **A base for an article of furniture**
(51) International Design Classification: **06-06H**
(74) Name(s) of Attorney(s): **FB Rice**
(71) Name(s) and Address(s) of Applicant(s):
King Furniture (Australia) Pty Ltd
123 Turrella St Turrella NSW 2205 Australia
(72) Name(s) of Designer(s): **David King and John Levey and Ryan Lawson and Tanya Rechberger**
(45) Registration Date: **04 February 2013**
(56) Related Art Documents: **Not Applicable**
(57) Statement of Newness and Distinctiveness: **Newness and distinctiveness reside in the features of the design as shown in the representations.**



(21) Design Number: **16253/2012**

(22) Date of Filing Application: **07 December 2012**

(24) Date from which industrial property rights may have effect: **07 December 2012**

(54) Product in respect of which the design is registered: **A sofa**

(51) International Design Classification: **06-01G**

(74) Name(s) of Attorney(s): **FB Rice**

(71) Name(s) and Address(s) of Applicant(s):

**King Furniture (Australia) Pty Ltd
123 Turrella St Turrella NSW 2205 Australia**

(72) Name(s) of Designer(s): **David King and John Levey and Ryan Lawson and Tanya Rechberger**

(45) Registration Date: **04 February 2013**

(56) Related Art Documents: **Not Applicable**

(57) Statement of Newness and Distinctiveness: **Newness and distinctiveness reside in the features of the design as shown in the representations, with more weight to be given to the shape and configuration of the base and less weight to be given to the shape, dimensions and number of any components carried by the base, it also being understood that each backrest and the armrest are individually adjustably arranged on the base and the armrest is shown in a partially reclined position relative to the base. It will be further understood that the armrest could be provided at either end of the base and the scope of the design is to be so interpreted.**

