



Australian Government

IP Australia

AUSTRALIAN OFFICIAL JOURNAL

OF

DESIGNS

Did you know a searchable version of this journal is now available online?

It's FREE and EASY to SEARCH.

Find it on our website (www.ipaustralia.gov.au)

by using the "Journals" link on the home page.

This Page Left Intentionally Blank

Contents

General Information & Notices

**Proceedings Under the Designs Act 1906 preserved as a result of the provisions of Chapter 12
Part 2 of the Designs Act 2003**

Extension of Period of Registration of Designs	430
Registrations Ceased	430
Subsequent Owners Registered	430

Proceedings Under the Designs Act 2003

Applications Assigned	454
Applications Lapsed	452
Applications Lodged	434
Applications Withdrawn	452
Certificate of Examination	456
Extension of Period of Registration of Design	454
Extension of Time Granted Under Section 137	454
Names Registered - Alterations and Amendments	455
Publication and Registration Proceedings	
Designs Registered 346725 to 347016.....	457
Registrations Ceased	454
Subsequent Owners Registered	455

This Page Left Intentionally Blank

For information on the following please see our website www.ipaustralia.gov.au or contact our Customer Service Network on 1300651010

[Editorial enquiries](#)

[Contact information](#)

[Freedom of Information ACT](#)

[Professional Standards Board](#)

[Sales](#)

[Requests for Information under Section 194 \(c\)](#)

[Country Codes](#)

[Trade Mark and Designs Hearing Sessions](#)

[INID \(Internationally agreed Numbers for the Identification of Data\)](#)

“INID” NUMBERS in use on Australian Design Documents

“INID” is an acronym for “Internationally agreed Numbers for the Identification of Data”.

(10) Data concerning the registration/renewal

- (11) Serial number of the registration and/or number of the design document
- (12) Plain language designation of the kind of published document
- (19) Identification, using the two-letter code according to WIPO Standard ST.3, of the authority publishing or registering the industrial design

(20) Data concerning the application

- (21) Serial number of the application
- (22) Date of filing of the application
- (24) Date from which the industrial design right has effect

(30) Data relating to priority under the Paris Convention

- (31) Serial number assigned to the priority application
- (32) Date of filing of the priority application
- (33) Two-letter code, according to WIPO Standard ST.3, identifying the authority with which the priority application was made

(40) Date(s) of making information available to the public

- (45) Date of publication of the registered industrial design by printing or similar process, or making it available to the public by any other means

(50) Miscellaneous Information

- (51) International Classification for Industrial Designs (class and subclass of the Locarno Classification)
- (54) Designation of article(s) or product(s) covered by the industrial design or title of the industrial design
- (55) Reproduction of the industrial design (e.g., drawing, photograph) and explanations relating to the reproduction
- (56) List of prior art documents, if separate from descriptive text
- (57) Description of characteristic features of the industrial design including indication of colours

(60) References to other legally related application(s) and registration(s)

- (62) Serial number(s) and, if available, filing date(s) of application(s), registration(s) or document(s) related by division
- (66) Serial number(s) of the application, or the registration, of the design(s) which is (are) a variant(s) of the present one

(70) Identification of parties concerned with the application or registration

- (71) Name(s) and address(es) of the applicant(s)
- (72) Name(s) of the creator(s) if known to be such
- (74) Name(s) and address(es) of the representative(s)

This Page Left Intentionally Blank

OFFICIAL NOTICE**IP Reform – Multiple Software System Changes (March 2nd)**

On March 2nd 2013 IP Australia will be making changes to the existing software systems used by our customers. These preparatory changes are being made to assist with the introduction of the IP Law Amendment (*Raising the Bar*) Act 2012. The Act comes into full effect on April 15th 2013.

The integrated nature of our software systems has meant that we will make two legislative changes visible from the March 2nd. The terminology applied to Patents will change from ‘sealed’ to ‘granted’ in AusPat, and the ‘Statement of Entitlement’ requirements in B2B and eServices will be changed.

The changes being made on March 2nd affect Patents only:

AusPat: All ‘sealed’ records in AusPat will show in searches as ‘granted’. Any new publication will refer to ‘granting’ rather than ‘sealing’ after March 2nd.

B2B and eServices: A statement of entitlement to grant and to claim priority is now required to be provided with examination requests for standard patent applications (rather than at filing) and constitutes the approved form for filing exam requests by those means. Please note that while these changes are being deployed in the eServices and B2B systems the changes do not have an effect on examination requests filed by other means until 15th April 2013.

Contact: IP Australia
Phone: 1300 651 010
Fax: +61 2 6283 7999
E-mail: assist@ipaustrialia.gov.au
Web: www.ipaustrialia.gov.au

Proceedings under the Designs Act 1906 preserved as a result of the provisions of Chapter 12 Part 2 of the Designs Act 2003.

This Page Left Intentionally Blank

Applications Lapsed

There were no Applications Lapsed under this section

Extension of Period of Registration of Designs

1st Period (Section 27A(8))

2nd Period (Section 27A(12))

3rd Period (Section 27A(13))

146589	148189	148333
148390	148421	148422
148423	148424	148503
148504	149116	149148
149175	149298	149480
150877	151019	152339

Registrations Ceased

Note: Some of the following Registrations may have been previously advertised as ceased. In this instance, the previous advertisement still prevails.

129591	129592	129623
130845	131024	131029
131030	131031	131032
131033	131034	131055
131133	131134	131201
131206	131210	131211
131214	131215	131216
131218	131225	131259
131298	131432	131621
131622	131719	131763
131791	132141	132147
132236	132398	132506
132640	133110	133163
133531	133610	133983
134387	144900	144901
144902	144903	144904
144905	144906	145277
145345	146168	146220
146221	146223	146224
146225	146226	146227
146228	146248	146249
146303	146308	146350
146354	146412	146524
146576	146577	146578
146628	146630	146714
146739	146780	147027
147098	147099	147180
147181	147202	147420
147470	147471	147472
147473	147517	147580
147581	147583	147600
147601	147602	147667

147668	147669	147670
147701	147780	149371
149512	149815	150105
150510	151033	151133
151325	153177	154719

Subsequent Owners Registered

(The name in parentheses is that of the subsequent owner)

142224	(Kraft Foods Group Brands LLC) KRAFT FOODS R&D, INC.
156067	(Agio International Co Limited) Agio Shian International (Aust) Pty Ltd
156068	(Agio International Co Limited) Agio Shian International (Aust) Pty Ltd
156437	(Agio International Co Limited) Agio Shian International (Aust) Pty Ltd
156438	(Agio International Co Limited) Agio Shian International (Aust) Pty Ltd

This Page Left Intentionally Blank

Proceedings under the Designs Act 2003.

This Page Left Intentionally Blank

Applications Lodged

Lodgement information is in the following order: **Applicant's Name**; International Classification, Name of Product, Lodgement Date and **Design Number**. If the applicant claims an earlier priority date under an International Convention, the Convention Country and the associated filing date are shown in parentheses before the Lodgement Date. Divisional information will also appear in parentheses before the Lodgement Date.

A Bit of Glamour; 24-04, Breast pad, 07 Feb 2013	10606/2013	Alfred Karcher GmbH & Co. KG; 07-05E, Window cleaning appliance, (WO, 28 Aug 2012) 13 Feb 2013	10686/2013
Ainsworth, Melvyn; 11-03, Badge, t-shirt, vest, 05 Feb 2013	10552/2013	Alfred Karcher GmbH & Co. KG; 07-05E, Window cleaning appliance, (WO, 28 Aug 2012) 13 Feb 2013	10684/2013
Akana, Jody;Andre, Bartley K.;Bataillou, Jeremy;Coster, Daniel J.;De luliis, Daniele;Hankey, M. Evans;Hoenig, Julian;Howarth, Richard P.;Ive, Jonathan P.;Kerr, Duncan Robert;Nishibori, Shin;Rohrbach, Matthew Dean;Russell- Clarke, Peter;Stringer, Christopher J.;Whang, Eugene Antony;Zorkendorfer, Rico;Apple Inc.; 14-02, Adapter, (US, 07 Sep 2012) 30 Jan 2013	10482/2013	Alto Packaging Limited; 11-02B, A tray, 14 Feb 2013	10722/2013
Akana, Jody;Andre, Bartley K.;Bataillou, Jeremy;Coster, Daniel J.;De luliis, Daniele;Hankey, M. Evans;Hoenig, Julian;Howarth, Richard P.;Ive, Jonathan P.;Kerr, Duncan Robert;Nishibori, Shin;Rohrbach, Matthew Dean;Russell- Clarke, Peter;Stringer, Christopher J.;Whang, Eugene Antony;Zorkendorfer, Rico;Apple Inc.; 14-02, Adapter, (US, 07 Sep 2012) 30 Jan 2013	10484/2013	Anchor Foods Pty Ltd; 09-03F, Transparent food container tall, 31 Jan 2013	10477/2013
Akana, Jody;Andre, Bartley K.;Bataillou, Jeremy;Coster, Daniel J.;De luliis, Daniele;Hankey, M. Evans;Hoenig, Julian;Howarth, Richard P.;Ive, Jonathan P.;Kerr, Duncan Robert;Nishibori, Shin;Rohrbach, Matthew Dean;Russell- Clarke, Peter;Stringer, Christopher J.;Whang, Eugene Antony;Zorkendorfer, Rico;Apple Inc.; 14-02, Adapter, (US, 07 Sep 2012) 30 Jan 2013	10483/2013	Anchor Foods Pty Ltd; 09-03F, Transparent food container small, 31 Jan 2013	10476/2013
Akana, Jody;Andre, Bartley K.;Bataillou, Jeremy;Coster, Daniel J.;De luliis, Daniele;Hankey, M. Evans;Hoenig, Julian;Howarth, Richard P.;Ive, Jonathan P.;Kerr, Duncan Robert;Nishibori, Shin;Rohrbach, Matthew Dean;Russell- Clarke, Peter;Stringer, Christopher J.;Whang, Eugene Antony;Zorkendorfer, Rico;Apple Inc.; 14-02, Adapter, (US, 07 Sep 2012) 30 Jan 2013	10481/2013	Andre, Bartley K.;Akana, Jody;Bataillou, Jeremy;Coster, Daniel J.;De luliis, Daniele;Hankey, M. Evans;Hoenig, Julian;Howarth, Richard P.;Ive, Jonathan P.;Kerr, Duncan Robert;Nishibori, Shin;Rohrbach, Matthew Dean;Russell- Clarke, Peter;Stringer, Christopher J.;Whang, Eugene Antony;Zorkendorfer, Rico;Apple Inc.; 14-02, Adapter, (US, 07 Sep 2012) 30 Jan 2013	10481/2013
Akana, Jody;Andre, Bartley K.;Bataillou, Jeremy;Coster, Daniel J.;De luliis, Daniele;Hankey, M. Evans;Hoenig, Julian;Howarth, Richard P.;Ive, Jonathan P.;Kerr, Duncan Robert;Nishibori, Shin;Rohrbach, Matthew Dean;Russell- Clarke, Peter;Stringer, Christopher J.;Whang, Eugene Antony;Zorkendorfer, Rico;Apple Inc.; 14-02, Adapter, (US, 07 Sep 2012) 30 Jan 2013	10482/2013	Andre, Bartley K.;Akana, Jody;Bataillou, Jeremy;Coster, Daniel J.;De luliis, Daniele;Hankey, M. Evans;Hoenig, Julian;Howarth, Richard P.;Ive, Jonathan P.;Kerr, Duncan Robert;Nishibori, Shin;Rohrbach, Matthew Dean;Russell- Clarke, Peter;Stringer, Christopher J.;Whang, Eugene Antony;Zorkendorfer, Rico;Apple Inc.; 14-02, Adapter, (US, 07 Sep 2012) 30 Jan 2013	10482/2013
Akana, Jody;Andre, Bartley K.;Bataillou, Jeremy;Coster, Daniel J.;De luliis, Daniele;Hankey, M. Evans;Hoenig, Julian;Howarth, Richard P.;Ive, Jonathan P.;Kerr, Duncan Robert;Nishibori, Shin;Rohrbach, Matthew Dean;Russell- Clarke, Peter;Stringer, Christopher J.;Whang, Eugene Antony;Zorkendorfer, Rico;Apple Inc.; 14-02, Adapter, (US, 07 Sep 2012) 30 Jan 2013	10481/2013	Andre, Bartley K.;Akana, Jody;Bataillou, Jeremy;Coster, Daniel J.;De luliis, Daniele;Hankey, M. Evans;Hoenig, Julian;Howarth, Richard P.;Ive, Jonathan P.;Kerr, Duncan Robert;Nishibori, Shin;Rohrbach, Matthew Dean;Russell- Clarke, Peter;Stringer, Christopher J.;Whang, Eugene Antony;Zorkendorfer, Rico;Apple Inc.; 14-02, Adapter, (US, 07 Sep 2012) 30 Jan 2013	10484/2013
Aktiebolaget Electrolux; 07-05A, Iron, (EM, 16 Aug 2012) 14 Feb 2013	10720/2013		
Alfred Karcher GmbH & Co. KG; 07-05E, Window cleaning appliance, (WO, 28 Aug 2012) 13 Feb 2013	10685/2013		

<p>Andre, Bartley K.;Akana, Jody;Bataillou, Jeremy;Coster, Daniel J.;De Iuliis, Daniele;Hankey, M. Evans;Hoenig, Julian;Howarth, Richard P.;Ive, Jonathan P.;Kerr, Duncan Robert;Nishibori, Shin;Rohrbach, Matthew Dean;Russell-Clarke, Peter;Stringer, Christopher J.;Whang, Eugene Antony;Zorkendorfer, Rico;Apple Inc.; 14-02, Adapter, (US, 07 Sep 2012) 30 Jan 2013</p>	<p>10483/2013</p>	<p>Assa Abloy AB; 13-03NES, Access control reader, (US, 13 Aug 2012) 13 Feb 2013</p>	<p>10707/2013</p>
<p>AnwigemA B.V.; 12-06A, Boat hull, (EM, 15 Aug 2012) 11 Feb 2013</p>	<p>10662/2013</p>	<p>Aussi Rossrock Import Pty. Ltd.; 25-02C, Modular fence system that uses EPS wall panels, 13 Feb 2013</p>	<p>10714/2013</p>
<p>Apple Inc.;Akana, Jody;Andre, Bartley K.;Bataillou, Jeremy;Coster, Daniel J.;De Iuliis, Daniele;Hankey, M. Evans;Hoenig, Julian;Howarth, Richard P.;Ive, Jonathan P.;Kerr, Duncan Robert;Nishibori, Shin;Rohrbach, Matthew Dean;Russell-Clarke, Peter;Stringer, Christopher J.;Whang, Eugene Antony;Zorkendorfer, Rico; 14-02, Adapter, (US, 07 Sep 2012) 30 Jan 2013</p>	<p>10482/2013</p>	<p>Aussi Rossrock Import Pty. Ltd.; 25-02C, Modular fence system that uses EPS wall panels, 13 Feb 2013</p>	<p>10713/2013</p>
<p>Apple Inc.;Akana, Jody;Andre, Bartley K.;Bataillou, Jeremy;Coster, Daniel J.;De Iuliis, Daniele;Hankey, M. Evans;Hoenig, Julian;Howarth, Richard P.;Ive, Jonathan P.;Kerr, Duncan Robert;Nishibori, Shin;Rohrbach, Matthew Dean;Russell-Clarke, Peter;Stringer, Christopher J.;Whang, Eugene Antony;Zorkendorfer, Rico; 14-02, Adapter, (US, 07 Sep 2012) 30 Jan 2013</p>	<p>10483/2013</p>	<p>Australia United Pty Limited; 05-99, Artwork used for souvenir products, 31 Jan 2013</p>	<p>10471/2013</p>
<p>Apple Inc.;Akana, Jody;Andre, Bartley K.;Bataillou, Jeremy;Coster, Daniel J.;De Iuliis, Daniele;Hankey, M. Evans;Hoenig, Julian;Howarth, Richard P.;Ive, Jonathan P.;Kerr, Duncan Robert;Nishibori, Shin;Rohrbach, Matthew Dean;Russell-Clarke, Peter;Stringer, Christopher J.;Whang, Eugene Antony;Zorkendorfer, Rico; 14-02, Adapter, (US, 07 Sep 2012) 30 Jan 2013</p>	<p>10481/2013</p>	<p>AFI (WA) Pty Ltd; 06-03NES, 06-06D, A bed side table and tall boy, 09 Oct 2012</p>	<p>16749/2012</p>
<p>Apple Inc.;Akana, Jody;Andre, Bartley K.;Bataillou, Jeremy;Coster, Daniel J.;De Iuliis, Daniele;Hankey, M. Evans;Hoenig, Julian;Howarth, Richard P.;Ive, Jonathan P.;Kerr, Duncan Robert;Nishibori, Shin;Rohrbach, Matthew Dean;Russell-Clarke, Peter;Stringer, Christopher J.;Whang, Eugene Antony;Zorkendorfer, Rico; 14-02, Adapter, (US, 07 Sep 2012) 30 Jan 2013</p>	<p>10484/2013</p>	<p>AG (Syd) Fashion Pty Ltd; 02-02C, Dress, (Divisional of 14602/2012) 05 Feb 2013</p>	<p>10544/2013</p>
<p>AptarGroup, Inc.; 07-01NES, Closure, (US, 20 Nov 2012) 11 Feb 2013</p>	<p>10687/2013</p>	<p>ASSA ABLOY New Zealand Limited; 08-09, Holdback door stop, (NZ, 22 Aug 2012) 12 Feb 2013</p>	<p>10678/2013</p>
		<p>ASSA ABLOY New Zealand Limited; 08-09, Holdback door stop, (NZ, 22 Aug 2012) 12 Feb 2013</p>	<p>10682/2013</p>
		<p>Basman Plastics CC; 01-01, Lollipop stick, (ZA, 31 Jul 2012) 31 Jan 2013</p>	<p>10513/2013</p>
		<p>Bataillou, Jeremy;Akana, Jody;Andre, Bartley K.;Coster, Daniel J.;De Iuliis, Daniele;Hankey, M. Evans;Hoenig, Julian;Howarth, Richard P.;Ive, Jonathan P.;Kerr, Duncan Robert;Nishibori, Shin;Rohrbach, Matthew Dean;Russell-Clarke, Peter;Stringer, Christopher J.;Whang, Eugene Antony;Zorkendorfer, Rico;Apple Inc.; 14-02, Adapter, (US, 07 Sep 2012) 30 Jan 2013</p>	<p>10482/2013</p>
		<p>Bataillou, Jeremy;Akana, Jody;Andre, Bartley K.;Coster, Daniel J.;De Iuliis, Daniele;Hankey, M. Evans;Hoenig, Julian;Howarth, Richard P.;Ive, Jonathan P.;Kerr, Duncan Robert;Nishibori, Shin;Rohrbach, Matthew Dean;Russell-Clarke, Peter;Stringer, Christopher J.;Whang, Eugene Antony;Zorkendorfer, Rico;Apple Inc.; 14-02, Adapter, (US, 07 Sep 2012) 30 Jan 2013</p>	<p>10483/2013</p>
		<p>Bataillou, Jeremy;Akana, Jody;Andre, Bartley K.;Coster, Daniel J.;De Iuliis, Daniele;Hankey, M. Evans;Hoenig, Julian;Howarth, Richard P.;Ive, Jonathan P.;Kerr, Duncan Robert;Nishibori, Shin;Rohrbach, Matthew Dean;Russell-Clarke, Peter;Stringer, Christopher J.;Whang, Eugene Antony;Zorkendorfer, Rico;Apple Inc.; 14-02, Adapter, (US, 07 Sep 2012) 30 Jan 2013</p>	<p>10484/2013</p>
		<p>Bataillou, Jeremy;Akana, Jody;Andre, Bartley K.;Coster, Daniel J.;De Iuliis, Daniele;Hankey, M. Evans;Hoenig, Julian;Howarth, Richard P.;Ive, Jonathan P.;Kerr, Duncan Robert;Nishibori, Shin;Rohrbach, Matthew Dean;Russell-Clarke, Peter;Stringer, Christopher J.;Whang, Eugene Antony;Zorkendorfer, Rico;Apple Inc.; 14-02, Adapter, (US, 07 Sep 2012) 30 Jan 2013</p>	<p>10484/2013</p>

Bataillou, Jeremy;Akana, Jody;Andre, Bartley K.;Coster, Daniel J.;De Iuliis, Daniele;Hankey, M. Evans;Hoenig, Julian;Howarth, Richard P.;Ive, Jonathan P.;Kerr, Duncan Robert;Nishibori, Shin;Rohrbach, Matthew Dean;Russell-Clarke, Peter;Stringer, Christopher J.;Whang, Eugene Antony;Zorkendorfer, Rico;Apple Inc.; 14-02, Adapter, (US, 07 Sep 2012) 30 Jan 2013	10481/2013	Cook, Belinda Joan;Landmark Engineering & Design Pty Ltd; 25-03, Toilet building, 12 Feb 2013	10681/2013
Battistella, Carla; 22-05, Duck decoy, 04 Feb 2013	10526/2013	Cook, Belinda Joan;Landmark Engineering & Design Pty Ltd; 25-03, Toilet building, 12 Feb 2013	10680/2013
Beba Enterprises Pty Ltd; 02-02NES, Top, 08 Aug 2012	16754/2012	Cook, Belinda Joan;Landmark Engineering & Design Pty Ltd; 25-03, Shelter, 05 Feb 2013	10559/2013
Beba Enterprises Pty Ltd; 02-02C, Dress, 08 Aug 2012	16752/2012	Coster, Daniel J.;Akana, Jody;Andre, Bartley K.;Bataillou, Jeremy;De Iuliis, Daniele;Hankey, M. Evans;Hoenig, Julian;Howarth, Richard P.;Ive, Jonathan P.;Kerr, Duncan Robert;Nishibori, Shin;Rohrbach, Matthew Dean;Russell-Clarke, Peter;Stringer, Christopher J.;Whang, Eugene Antony;Zorkendorfer, Rico;Apple Inc.; 14-02, Adapter, (US, 07 Sep 2012) 30 Jan 2013	10481/2013
Beba Enterprises Pty Ltd; 02-02NES, Top, 08 Aug 2012	16753/2012	Coster, Daniel J.;Akana, Jody;Andre, Bartley K.;Bataillou, Jeremy;De Iuliis, Daniele;Hankey, M. Evans;Hoenig, Julian;Howarth, Richard P.;Ive, Jonathan P.;Kerr, Duncan Robert;Nishibori, Shin;Rohrbach, Matthew Dean;Russell-Clarke, Peter;Stringer, Christopher J.;Whang, Eugene Antony;Zorkendorfer, Rico;Apple Inc.; 14-02, Adapter, (US, 07 Sep 2012) 30 Jan 2013	10482/2013
Beba Enterprises Pty Ltd; 02-02C, Dress, 08 Aug 2012	16750/2012	Coster, Daniel J.;Akana, Jody;Andre, Bartley K.;Bataillou, Jeremy;De Iuliis, Daniele;Hankey, M. Evans;Hoenig, Julian;Howarth, Richard P.;Ive, Jonathan P.;Kerr, Duncan Robert;Nishibori, Shin;Rohrbach, Matthew Dean;Russell-Clarke, Peter;Stringer, Christopher J.;Whang, Eugene Antony;Zorkendorfer, Rico;Apple Inc.; 14-02, Adapter, (US, 07 Sep 2012) 30 Jan 2013	10484/2013
Beba Enterprises Pty Ltd; 02-02NES, Top, 08 Aug 2012	16751/2012	Coster, Daniel J.;Akana, Jody;Andre, Bartley K.;Bataillou, Jeremy;De Iuliis, Daniele;Hankey, M. Evans;Hoenig, Julian;Howarth, Richard P.;Ive, Jonathan P.;Kerr, Duncan Robert;Nishibori, Shin;Rohrbach, Matthew Dean;Russell-Clarke, Peter;Stringer, Christopher J.;Whang, Eugene Antony;Zorkendorfer, Rico;Apple Inc.; 14-02, Adapter, (US, 07 Sep 2012) 30 Jan 2013	10483/2013
Bekina NV; 02-04NES, Boot, (EM, 13 Aug 2012) 07 Feb 2013	10655/2013	CEC Imports Pty Ltd; 21-01F, Coin operated children's ride, 11 Feb 2013	10666/2013
Bevis, Anne-Marie; 06-02, Single Australian pirate boat themed bed, 11 Feb 2013	10660/2013	CHIA AUSTRALIA PTY LTD; 09-07B, 07-03, Lid and spoon, 14 Feb 2013	10718/2013
Blaxland, John Charles; 11-05, Australian flag design, 04 Feb 2013	10521/2013		
Bose Corporation; 14-01, Audio system, (US, 29 Aug 2012) 07 Feb 2013	10656/2013		
Bracken, Glen; 08-09, 25-01K, Captive glazing wedge for use with aluminium window frames, 06 Feb 2013	10624/2013		
Bubba Blue Pty Ltd; 06-13B, Waterproof sheet protector, 07 Feb 2013	10625/2013		
Buddi Bandz Holdings Pty. Ltd.; 11-01C, 14-02, Electronic radio frequency identification wristband, 11 Feb 2013	10667/2013		
Caroma Industries Limited; 23-01H, A mixer tap, 11 Feb 2013	10691/2013		
Caroma Industries Limited; 23-01H, A mixer tap, 11 Feb 2013	10690/2013		
Caroma Industries Limited; 23-02A, A toilet roll holder, 11 Feb 2013	10689/2013		
Collins, Damien Charles; 07-01F, Plastic container specifically for protein powder, 12 Feb 2013	10674/2013		
Cook, Belinda Joan; 25-03, Shelter, 12 Feb 2013	10679/2013		

COMPAGNIE GENERALE DES ETABLISSEMENTS MICHELIN; Michelin Recherche et Technique S.A.; 12-15A, A tyre, (US, 16 Aug 2012) 06 Feb 2013	10601/2013	Dart Industries Inc.; 07-01NES, Covered container, (US, 16 Aug 2012) 05 Feb 2013	10614/2013
COMPAGNIE GENERALE DES ETABLISSEMENTS MICHELIN; Michelin Recherche et Technique S.A.; 12-15A, A tyre, (US, 16 Aug 2012) 06 Feb 2013	10602/2013	Dart Industries Inc.; 07-01NES, Cover for a container, (US, 16 Aug 2012) 05 Feb 2013	10613/2013
CQMS Pty Ltd; 15-04, An excavator lip, 12 Feb 2013	10716/2013	Dart Industries Inc.; 07-01NES, Container with lid, (US, 16 Aug 2012) 05 Feb 2013	10612/2013
CQMS Pty Ltd; 15-04, An excavator wear member, 12 Feb 2013	10717/2013	Dart Industries Inc.; 07-01NES, Container with lid, (US, 16 Aug 2012) 05 Feb 2013	10611/2013
Daelim Motor Co., Ltd.; 12-11, Motorcycle, 11 Feb 2013	10659/2013	Dart Industries Inc.; 07-01NES, Covered container, (US, 16 Aug 2012) 05 Feb 2013	10607/2013
Dann, Anthony; 20-02C, Shelving/display module, 01 Feb 2013	10497/2013	Dart Industries Inc.; 07-01NES, Cover with vent, (US, 16 Aug 2012) 05 Feb 2013	10609/2013
Dart Industries Inc.; 07-01NES, 09-03NES, Container, (US, 16 Aug 2012) 05 Feb 2013	10620/2013	Dart Industries Inc.; 07-01NES, Container with lid, (US, 16 Aug 2012) 05 Feb 2013	10610/2013
Dart Industries Inc.; 31-00, Food shaker and blender, (US, 28 Aug 2012) 06 Feb 2013	10636/2013	Dart Industries Inc.; 07-01NES, Container, (US, 16 Aug 2012) 05 Feb 2013	10608/2013
Dart Industries Inc.; 07-01NES, 09-03NES, Container, 06 Feb 2013	10633/2013	Davmik Pty Ltd; 21-02NES, Kicking tee, 05 Feb 2013	10558/2013
Dart Industries Inc.; 07-01NES, 09-03NES, Container, (US, 16 Aug 2012) 05 Feb 2013	10621/2013	De Iuliis, Daniele; Akana, Jody; Andre, Bartley K.; Bataillou, Jeremy; Coster, Daniel J.; Hankey, M. Evans; Hoenig, Julian; Howarth, Richard P.; Ive, Jonathan P.; Kerr, Duncan Robert; Nishibori, Shin; Rohrbach, Matthew Dean; Russell- Clarke, Peter; Stringer, Christopher J.; Whang, Eugene Antony; Zorkendorfer, Rico; Apple Inc.; 14-02, Adapter, (US, 07 Sep 2012) 30 Jan 2013	10481/2013
Dart Industries Inc.; 07-01NES, 09-03NES, Container, (US, 16 Aug 2012) 06 Feb 2013	10634/2013	De Iuliis, Daniele; Akana, Jody; Andre, Bartley K.; Bataillou, Jeremy; Coster, Daniel J.; Hankey, M. Evans; Hoenig, Julian; Howarth, Richard P.; Ive, Jonathan P.; Kerr, Duncan Robert; Nishibori, Shin; Rohrbach, Matthew Dean; Russell- Clarke, Peter; Stringer, Christopher J.; Whang, Eugene Antony; Zorkendorfer, Rico; Apple Inc.; 14-02, Adapter, (US, 07 Sep 2012) 30 Jan 2013	10482/2013
Dart Industries Inc.; 07-01C, Cup with attached cover, (US, 28 Aug 2012) 06 Feb 2013	10635/2013	De Iuliis, Daniele; Akana, Jody; Andre, Bartley K.; Bataillou, Jeremy; Coster, Daniel J.; Hankey, M. Evans; Hoenig, Julian; Howarth, Richard P.; Ive, Jonathan P.; Kerr, Duncan Robert; Nishibori, Shin; Rohrbach, Matthew Dean; Russell- Clarke, Peter; Stringer, Christopher J.; Whang, Eugene Antony; Zorkendorfer, Rico; Apple Inc.; 14-02, Adapter, (US, 07 Sep 2012) 30 Jan 2013	10484/2013
Dart Industries Inc.; 07-01NES, 09-03NES, Covered container, (US, 16 Aug 2012) 05 Feb 2013	10622/2013		
Dart Industries Inc.; 07-01NES, Covered container, (US, 16 Aug 2012) 05 Feb 2013	10616/2013		
Dart Industries Inc.; 07-01NES, Container, (US, 16 Aug 2012) 05 Feb 2013	10618/2013		
Dart Industries Inc.; 07-01NES, Container, (US, 16 Aug 2012) 05 Feb 2013	10617/2013		
Dart Industries Inc.; 07-01NES, 09-03NES, Container, (US, 16 Aug 2012) 05 Feb 2013	10619/2013		
Dart Industries Inc.; 07-01NES, Covered container, (US, 16 Aug 2012) 05 Feb 2013	10615/2013		

De Iuliis, Daniele;Akana, Jody;Andre, Bartley K.;Bataillou, Jeremy;Coster, Daniel J.;Hankey, M. Evans;Hoenig, Julian;Howarth, Richard P.;Ive, Jonathan P.;Kerr, Duncan Robert;Nishibori, Shin;Rohrbach, Matthew Dean;Russell-Clarke, Peter;Stringer, Christopher J.;Whang, Eugene Antony;Zorkendorfer, Rico;Apple Inc.; 14-02, Adapter, (US, 07 Sep 2012) 30 Jan 2013	10483/2013	Fiskars Brands, Inc.; 08-03, Scissor handles, (US, 07 Aug 2012) 04 Feb 2013	10577/2013
DiMauro, Ronald F.; 08-05N, 21-02D, Surfboard wax scraper, 05 Feb 2013	10560/2013	Florenca, Isaias; 11-01A, Ring, 05 Feb 2013	10554/2013
Dometic GmbH; 23-02C, Toilets/toilets units, (EM, 23 Aug 2012) 08 Feb 2013	10671/2013	Florenca, Isaias; 11-01A, Ring, 05 Feb 2013	10555/2013
Elms, David Robert;Major, Gilbert John; 08-08A, Metallic clip, 31 Jan 2013	10472/2013	Florenca, Isaias; 11-01A, Ring, 05 Feb 2013	10556/2013
Elton, Kate; 06-03A, Article of furniture, 13 Feb 2013	10706/2013	Flow Control LLC.; 15-02, Diaphragm pump, (US, 07 Aug 2012) 01 Feb 2013	10549/2013
ELC Management LLC; 09-07C, Cap for a cosmetic container, (US, 02 Aug 2012) 01 Feb 2013	10545/2013	Forever New Clothing Pty Ltd; 02-02C, Article of clothing, (Divisional of 12414/2012) 01 Feb 2013	16722/2012
ELC Management LLC; 09-01G, Cosmetic container, (US, 02 Aug 2012) 01 Feb 2013	10546/2013	Forever New Clothing Pty Ltd; 02-02NES, Article of clothing, (Divisional of 12866/2012) 01 Feb 2013	16712/2012
Farnen, Thomas Scott; 09-03NES, Box, 08 Feb 2013	10648/2013	Forever New Clothing Pty Ltd; 02-04NES, Accessory item, (Divisional of 12866/2012) 01 Feb 2013	16718/2012
Fisher, Timothy Erle; 29-02, 99-00, A demarcation cap, 01 Feb 2013	10496/2013	Forever New Clothing Pty Ltd; 02-05, Accessory item, (Divisional of 12866/2012) 01 Feb 2013	16715/2012
Fisher & Paykel Healthcare Limited; 24-01, Breathing assistance apparatus, (US, 08 Aug 2012) 08 Feb 2013	10640/2013	Forever New Clothing Pty Ltd; 03-01B, Handbag, (Divisional of 12866/2012) 01 Feb 2013	16714/2012
Fiskars Brands, Inc.; 08-03, Scissor handles, (US, 07 Aug 2012) 04 Feb 2013	10572/2013	Forever New Clothing Pty Ltd; 03-01B, Handbag, (Divisional of 12866/2012) 01 Feb 2013	16713/2012
Fiskars Brands, Inc.; 08-03, Scissor handles, (US, 07 Aug 2012) 04 Feb 2013	10569/2013	Forever New Clothing Pty Ltd; 02-07A, Accessory item, (Divisional of 12866/2012) 01 Feb 2013	16716/2012
Fiskars Brands, Inc.; 08-03, Scissor handles, (US, 07 Aug 2012) 04 Feb 2013	10573/2013	Forever New Clothing Pty Ltd; 02-04NES, Accessory item, (Divisional of 12866/2012) 01 Feb 2013	16717/2012
Fiskars Brands, Inc.; 08-03, Scissor handles, (US, 07 Aug 2012) 04 Feb 2013	10575/2013	Forever New Clothing Pty Ltd; 02-02NES, Article of clothing, (Divisional of 12866/2012) 01 Feb 2013	16710/2012
Fiskars Brands, Inc.; 08-03, Scissor handles, (US, 07 Aug 2012) 04 Feb 2013	10570/2013	Forever New Clothing Pty Ltd; 02-02C, Article of clothing, (Divisional of 12866/2012) 01 Feb 2013	16711/2012
Fiskars Brands, Inc.; 08-03, Scissor handles, (US, 07 Aug 2012) 04 Feb 2013	10571/2013	Forever New Clothing Pty Ltd; 02-02NES, Article of clothing, (Divisional of 12414/2012) 01 Feb 2013	16732/2012
Fiskars Brands, Inc.; 08-03, Scissor handles, (US, 07 Aug 2012) 04 Feb 2013	10576/2013	Forever New Clothing Pty Ltd; 02-02C, Article of clothing, (Divisional of 12866/2012) 01 Feb 2013	16692/2012
Fiskars Brands, Inc.; 08-03, Scissor handles, (US, 07 Aug 2012) 04 Feb 2013		Forever New Clothing Pty Ltd; 02-02NES, Article of clothing, (Divisional of 12866/2012) 01 Feb 2013	16708/2012
Fiskars Brands, Inc.; 08-03, Scissor handles, (US, 07 Aug 2012) 04 Feb 2013		Forever New Clothing Pty Ltd; 02-02C, Article of clothing, (Divisional of 12866/2012) 01 Feb 2013	16697/2012

Forever New Clothing Pty Ltd; 02-02NES, Article of clothing, (Divisional of 12414/2012) 01 Feb 2013	16733/2012	Geberit International AG; 23-02C, Control panels for toilets and/or urinals, (WO, 17 Sep 2012) 13 Feb 2013	10710/2013
Forever New Clothing Pty Ltd; 02-02NES, Article of clothing, (Divisional of 12414/2012) 01 Feb 2013	16728/2012	Gojo Industries, Inc.; 23-02A, Wipes dispenser, (US, 01 Aug 2012) 01 Feb 2013	10495/2013
Forever New Clothing Pty Ltd; 02-02NES, Article of clothing, (Divisional of 12414/2012) 01 Feb 2013	16729/2012	GOJO Industries, Inc.; 20-02E, Display stand with shelves and pull-out bin, (US, 10 Aug 2012) 08 Feb 2013	10639/2013
Forever New Clothing Pty Ltd; 02-02NES, Article of clothing, (Divisional of 12414/2012) 01 Feb 2013	16726/2012	Hammersmith Nominees Pty Ltd; 30-04, Saddle girth, 11 Feb 2013	10661/2013
Forever New Clothing Pty Ltd; 02-02NES, Article of clothing, (Divisional of 12414/2012) 01 Feb 2013	16727/2012	Hankey, M. Evans;Akana, Jody;Andre, Bartley K.;Bataillou, Jeremy;Coster, Daniel J.;De luliis, Daniele;Hoenig, Julian;Howarth, Richard P.;Ive, Jonathan P.;Kerr, Duncan Robert;Nishibori, Shin;Rohrbach, Matthew Dean;Russell-Clarke, Peter;Stringer, Christopher J.;Whang, Eugene Antony;Zorkendorfer, Rico;Apple Inc.; 14-02, Adapter, (US, 07 Sep 2012) 30 Jan 2013	10482/2013
Forever New Clothing Pty Ltd; 02-02C, Article of clothing, (Divisional of 12414/2012) 01 Feb 2013	16723/2012		
Forever New Clothing Pty Ltd; 02-02C, Article of clothing, (Divisional of 12414/2012) 01 Feb 2013	16720/2012		
Forever New Clothing Pty Ltd; 02-02NES, Article of clothing, (Divisional of 12414/2012) 01 Feb 2013	16730/2012	Hankey, M. Evans;Akana, Jody;Andre, Bartley K.;Bataillou, Jeremy;Coster, Daniel J.;De luliis, Daniele;Hoenig, Julian;Howarth, Richard P.;Ive, Jonathan P.;Kerr, Duncan Robert;Nishibori, Shin;Rohrbach, Matthew Dean;Russell-Clarke, Peter;Stringer, Christopher J.;Whang, Eugene Antony;Zorkendorfer, Rico;Apple Inc.; 14-02, Adapter, (US, 07 Sep 2012) 30 Jan 2013	10484/2013
Forever New Clothing Pty Ltd; 02-02NES, Article of clothing, (Divisional of 12414/2012) 21 May 2012	16731/2012		
Forever New Clothing Pty Ltd; 02-02NES, Article of clothing, (Divisional of 12414/2012) 01 Feb 2013	16724/2012		
Forever New Clothing Pty Ltd; 02-02NES, Article of clothing, (Divisional of 12414/2012) 01 Feb 2013	16725/2012	Hankey, M. Evans;Akana, Jody;Andre, Bartley K.;Bataillou, Jeremy;Coster, Daniel J.;De luliis, Daniele;Hoenig, Julian;Howarth, Richard P.;Ive, Jonathan P.;Kerr, Duncan Robert;Nishibori, Shin;Rohrbach, Matthew Dean;Russell-Clarke, Peter;Stringer, Christopher J.;Whang, Eugene Antony;Zorkendorfer, Rico;Apple Inc.; 14-02, Adapter, (US, 07 Sep 2012) 30 Jan 2013	10483/2013
Forever New Clothing Pty Ltd; 02-02C, Article of clothing, (Divisional of 12414/2012) 01 Feb 2013	16721/2012		
Forever New Clothing Pty Ltd; 02-02C, Article of clothing, (Divisional of 12414/2012) 01 Feb 2013	16719/2012		
Forever New Clothing Pty Ltd; 02-02C, 02-02NES, Article of clothing, 30 Jan 2013	10493/2013		
Forever New Clothing Pty Ltd; 02-07NES, Accessory item, 30 Jan 2013	10494/2013	Hankey, M. Evans;Akana, Jody;Andre, Bartley K.;Bataillou, Jeremy;Coster, Daniel J.;De luliis, Daniele;Hoenig, Julian;Howarth, Richard P.;Ive, Jonathan P.;Kerr, Duncan Robert;Nishibori, Shin;Rohrbach, Matthew Dean;Russell-Clarke, Peter;Stringer, Christopher J.;Whang, Eugene Antony;Zorkendorfer, Rico;Apple Inc.; 14-02, Adapter, (US, 07 Sep 2012) 30 Jan 2013	10481/2013
Freedman Electronics Pty. Ltd.; 14-01, Microphone, (US, 03 Aug 2012) 01 Feb 2013	10501/2013		
Fujitsu General Limited; 23-04, Outdoor unit for air conditioner, (JP, 31 Oct 2012) 08 Feb 2013	10668/2013		
Gallagher Group Limited; 08-05F, A line clamp, (NZ, 30 Jul 2012) 30 Jan 2013	10486/2013	Harland, Tammy; 02-02B, Kids HiViz work shirts, 14 Feb 2013	10721/2013
Geberit International AG; 23-02C, Control panels for toilets and/or urinals, (WO, 17 Sep 2012) 13 Feb 2013	10709/2013		

Heaney, Stephen;Roseham Pty;Heaney, David;Heaney, Marjorie;Heaney, Suzanne;Heaney, Paul;Heaney, Marcella;Heaney, Mark;Heaney, Katrina; 25-01K, Extrusion, 11 Feb 2013	10694/2013	Heaney, Mark;Roseham Pty;Heaney, David;Heaney, Marjorie;Heaney, Stephen;Heaney, Suzanne;Heaney, Paul;Heaney, Marcella;Heaney, Katrina; 25-01K, Extrusion, 11 Feb 2013	10695/2013
Heaney, David;Roseham Pty;Heaney, Marjorie;Heaney, Stephen;Heaney, Suzanne;Heaney, Paul;Heaney, Marcella;Heaney, Mark;Heaney, Katrina; 25-01K, Extrusion, 11 Feb 2013	10694/2013	Heaney, Katrina;Roseham Pty;Heaney, David;Heaney, Marjorie;Heaney, Stephen;Heaney, Suzanne;Heaney, Paul;Heaney, Marcella;Heaney, Mark; 25-01K, Extrusion, 11 Feb 2013	10695/2013
Heaney, Katrina;Roseham Pty;Heaney, David;Heaney, Marjorie;Heaney, Stephen;Heaney, Suzanne;Heaney, Paul;Heaney, Marcella;Heaney, Mark; 25-01K, Extrusion, 11 Feb 2013	10694/2013	Heaney, Paul;Roseham Pty;Heaney, David;Heaney, Marjorie;Heaney, Stephen;Heaney, Suzanne;Heaney, Marcella;Heaney, Mark;Heaney, Katrina; 25-01K, Extrusion, 11 Feb 2013	10693/2013
Heaney, Mark;Roseham Pty;Heaney, David;Heaney, Marjorie;Heaney, Stephen;Heaney, Suzanne;Heaney, Paul;Heaney, Marcella;Heaney, Katrina; 25-01K, Extrusion, 11 Feb 2013	10693/2013	Heaney, Stephen;Roseham Pty;Heaney, David;Heaney, Marjorie;Heaney, Suzanne;Heaney, Paul;Heaney, Marcella;Heaney, Mark;Heaney, Katrina; 25-01K, Extrusion, 11 Feb 2013	10695/2013
Heaney, David;Roseham Pty;Heaney, Marjorie;Heaney, Stephen;Heaney, Suzanne;Heaney, Paul;Heaney, Marcella;Heaney, Mark;Heaney, Katrina; 25-01K, Extrusion, 11 Feb 2013	10695/2013	Heaney, Suzanne;Roseham Pty;Heaney, David;Heaney, Marjorie;Heaney, Stephen;Heaney, Paul;Heaney, Marcella;Heaney, Mark;Heaney, Katrina; 25-01K, Extrusion, 11 Feb 2013	10695/2013
Heaney, Marjorie;Roseham Pty;Heaney, David;Heaney, Stephen;Heaney, Suzanne;Heaney, Paul;Heaney, Marcella;Heaney, Mark;Heaney, Katrina; 25-01K, Extrusion, 11 Feb 2013	10695/2013	Heaney, Marcella;Roseham Pty;Heaney, David;Heaney, Marjorie;Heaney, Stephen;Heaney, Suzanne;Heaney, Paul;Heaney, Mark;Heaney, Katrina; 25-01K, Extrusion, 11 Feb 2013	10693/2013
Heaney, Katrina;Roseham Pty;Heaney, David;Heaney, Marjorie;Heaney, Stephen;Heaney, Suzanne;Heaney, Paul;Heaney, Marcella;Heaney, Mark; 25-01K, Extrusion, 11 Feb 2013	10693/2013	Heaney, Marjorie;Roseham Pty;Heaney, David;Heaney, Stephen;Heaney, Suzanne;Heaney, Paul;Heaney, Marcella;Heaney, Mark;Heaney, Katrina; 25-01K, Extrusion, 11 Feb 2013	10693/2013
Heaney, Stephen;Roseham Pty;Heaney, David;Heaney, Marjorie;Heaney, Suzanne;Heaney, Paul;Heaney, Marcella;Heaney, Mark;Heaney, Katrina; 25-01K, Extrusion, 11 Feb 2013	10693/2013	Heinemann Electric Pty Ltd; 14-03A, Top cover for a switchboard, 07 Feb 2013	10657/2013
Heaney, Paul;Roseham Pty;Heaney, David;Heaney, Marjorie;Heaney, Stephen;Heaney, Suzanne;Heaney, Marcella;Heaney, Mark;Heaney, Katrina; 25-01K, Extrusion, 11 Feb 2013	10695/2013	Hermes Sellier (Societe Par Actions Simplifiee); 11-01NES, Article of jewellery, (WO, 08 Aug 2012) 04 Feb 2013	10527/2013
Heaney, Marcella;Roseham Pty;Heaney, David;Heaney, Marjorie;Heaney, Stephen;Heaney, Suzanne;Heaney, Paul;Heaney, Mark;Heaney, Katrina; 25-01K, Extrusion, 11 Feb 2013	10695/2013	Hill, Tui Marie; 21-01B, Doll, 01 Nov 2012	16755/2012
Heaney, Suzanne;Roseham Pty;Heaney, David;Heaney, Marjorie;Heaney, Stephen;Heaney, Paul;Heaney, Marcella;Heaney, Mark;Heaney, Katrina; 25-01K, Extrusion, 11 Feb 2013	10693/2013	Hill, Tui Marie; 21-01B, Doll, 01 Nov 2012	16756/2012
Heaney, David;Roseham Pty;Heaney, Marjorie;Heaney, Stephen;Heaney, Suzanne;Heaney, Paul;Heaney, Marcella;Heaney, Mark;Heaney, Katrina; 25-01K, Extrusion, 11 Feb 2013	10693/2013	Hoenig, Julian;Akana, Jody;Andre, Bartley K.;Bataillou, Jeremy;Coster, Daniel J.;De Iuliis, Daniele;Hankey, M. Evans;Howarth, Richard P.;Ive, Jonathan P.;Kerr, Duncan Robert;Nishibori, Shin;Rohrbach, Matthew Dean;Russell-Clarke, Peter;Stringer, Christopher J.;Whang, Eugene Antony;Zorkendorfer, Rico;Apple Inc.; 14-02, Adapter, (US, 07 Sep 2012) 30 Jan 2013	10482/2013

<p>Hoenig, Julian;Akana, Jody;Andre, Bartley K.;Bataillou, Jeremy;Coster, Daniel J.;De Iuliis, Daniele;Hankey, M. Evans;Howarth, Richard P.;Ive, Jonathan P.;Kerr, Duncan Robert;Nishibori, Shin;Rohrbach, Matthew Dean;Russell-Clarke, Peter;Stringer, Christopher J.;Whang, Eugene Antony;Zorkendorfer, Rico;Apple Inc.; 14-02, Adapter, (US, 07 Sep 2012) 30 Jan 2013</p>	<p>10484/2013</p>	<p>Howarth, Richard P.;Akana, Jody;Andre, Bartley K.;Bataillou, Jeremy;Coster, Daniel J.;De Iuliis, Daniele;Hankey, M. Evans;Hoenig, Julian;Ive, Jonathan P.;Kerr, Duncan Robert;Nishibori, Shin;Rohrbach, Matthew Dean;Russell-Clarke, Peter;Stringer, Christopher J.;Whang, Eugene Antony;Zorkendorfer, Rico;Apple Inc.; 14-02, Adapter, (US, 07 Sep 2012) 30 Jan 2013</p>	<p>10481/2013</p>
<p>Hoenig, Julian;Akana, Jody;Andre, Bartley K.;Bataillou, Jeremy;Coster, Daniel J.;De Iuliis, Daniele;Hankey, M. Evans;Howarth, Richard P.;Ive, Jonathan P.;Kerr, Duncan Robert;Nishibori, Shin;Rohrbach, Matthew Dean;Russell-Clarke, Peter;Stringer, Christopher J.;Whang, Eugene Antony;Zorkendorfer, Rico;Apple Inc.; 14-02, Adapter, (US, 07 Sep 2012) 30 Jan 2013</p>	<p>10483/2013</p>	<p>Howarth, Richard P.;Akana, Jody;Andre, Bartley K.;Bataillou, Jeremy;Coster, Daniel J.;De Iuliis, Daniele;Hankey, M. Evans;Hoenig, Julian;Ive, Jonathan P.;Kerr, Duncan Robert;Nishibori, Shin;Rohrbach, Matthew Dean;Russell-Clarke, Peter;Stringer, Christopher J.;Whang, Eugene Antony;Zorkendorfer, Rico;Apple Inc.; 14-02, Adapter, (US, 07 Sep 2012) 30 Jan 2013</p>	<p>10482/2013</p>
<p>Hoenig, Julian;Akana, Jody;Andre, Bartley K.;Bataillou, Jeremy;Coster, Daniel J.;De Iuliis, Daniele;Hankey, M. Evans;Howarth, Richard P.;Ive, Jonathan P.;Kerr, Duncan Robert;Nishibori, Shin;Rohrbach, Matthew Dean;Russell-Clarke, Peter;Stringer, Christopher J.;Whang, Eugene Antony;Zorkendorfer, Rico;Apple Inc.; 14-02, Adapter, (US, 07 Sep 2012) 30 Jan 2013</p>	<p>10481/2013</p>	<p>Howarth, Richard P.;Akana, Jody;Andre, Bartley K.;Bataillou, Jeremy;Coster, Daniel J.;De Iuliis, Daniele;Hankey, M. Evans;Hoenig, Julian;Ive, Jonathan P.;Kerr, Duncan Robert;Nishibori, Shin;Rohrbach, Matthew Dean;Russell-Clarke, Peter;Stringer, Christopher J.;Whang, Eugene Antony;Zorkendorfer, Rico;Apple Inc.; 14-02, Adapter, (US, 07 Sep 2012) 30 Jan 2013</p>	<p>10484/2013</p>
<p>Honda Motor Co., Ltd.; 12-11, Motor scooter, (JP, 09 Aug 2012) 08 Feb 2013</p>	<p>10632/2013</p>	<p>Howarth, Richard P.;Akana, Jody;Andre, Bartley K.;Bataillou, Jeremy;Coster, Daniel J.;De Iuliis, Daniele;Hankey, M. Evans;Hoenig, Julian;Ive, Jonathan P.;Kerr, Duncan Robert;Nishibori, Shin;Rohrbach, Matthew Dean;Russell-Clarke, Peter;Stringer, Christopher J.;Whang, Eugene Antony;Zorkendorfer, Rico;Apple Inc.; 14-02, Adapter, (US, 07 Sep 2012) 30 Jan 2013</p>	<p>10483/2013</p>
<p>Honda Motor Co., Ltd.; 26-06, Rear combination lamp for motor scooters, (JP, 09 Aug 2012) 08 Feb 2013</p>	<p>10630/2013</p>	<p>Investigacion De Tecnologia Avanzada, S.A. de C.V.; 01-01, Snack product, (US, 03 Jan 2013) 14 Feb 2013</p>	<p>10715/2013</p>
<p>Honda Motor Co., Ltd.; 26-06, Front indicator for motor scooter, (JP, 09 Aug 2012) 08 Feb 2013</p>	<p>10631/2013</p>	<p>Ive, Jonathan P.;Akana, Jody;Andre, Bartley K.;Bataillou, Jeremy;Coster, Daniel J.;De Iuliis, Daniele;Hankey, M. Evans;Hoenig, Julian;Howarth, Richard P.;Kerr, Duncan Robert;Nishibori, Shin;Rohrbach, Matthew Dean;Russell-Clarke, Peter;Stringer, Christopher J.;Whang, Eugene Antony;Zorkendorfer, Rico;Apple Inc.; 14-02, Adapter, (US, 07 Sep 2012) 30 Jan 2013</p>	<p>10482/2013</p>
<p>Honda Motor Co., Ltd.; 12-11, A motorcycle, (JP, 07 Aug 2012) 04 Feb 2013</p>	<p>10562/2013</p>		
<p>Honda Motor Co., Ltd.; 12-11, A motorcycle, (JP, 07 Aug 2012) 04 Feb 2013</p>	<p>10564/2013</p>		
<p>Honda Motor Co., Ltd.; 12-11, A front cowl for a motorcycle, (JP, 07 Aug 2012) 04 Feb 2013</p>	<p>10563/2013</p>		
<p>Horsfall, Russell Alexander; 06-06F, Cot bumper, 05 Feb 2013</p>	<p>10553/2013</p>		

Ive, Jonathan P.;Akana, Jody;Andre, Bartley K.;Bataillou, Jeremy;Coster, Daniel J.;De Iuliis, Daniele;Hankey, M. Evans;Hoenig, Julian;Howarth, Richard P.;Kerr, Duncan Robert;Nishibori, Shin;Rohrbach, Matthew Dean;Russell-Clarke, Peter;Stringer, Christopher J.;Whang, Eugene Antony;Zorkendorfer, Rico;Apple Inc.;	10484/2013	Kerr, Duncan Robert;Akana, Jody;Andre, Bartley K.;Bataillou, Jeremy;Coster, Daniel J.;De Iuliis, Daniele;Hankey, M. Evans;Hoenig, Julian;Howarth, Richard P.;Ive, Jonathan P.;Nishibori, Shin;Rohrbach, Matthew Dean;Russell-Clarke, Peter;Stringer, Christopher J.;Whang, Eugene Antony;Zorkendorfer, Rico;Apple Inc.;	10484/2013
14-02, Adapter, (US, 07 Sep 2012) 30 Jan 2013		14-02, Adapter, (US, 07 Sep 2012) 30 Jan 2013	
Ive, Jonathan P.;Akana, Jody;Andre, Bartley K.;Bataillou, Jeremy;Coster, Daniel J.;De Iuliis, Daniele;Hankey, M. Evans;Hoenig, Julian;Howarth, Richard P.;Kerr, Duncan Robert;Nishibori, Shin;Rohrbach, Matthew Dean;Russell-Clarke, Peter;Stringer, Christopher J.;Whang, Eugene Antony;Zorkendorfer, Rico;Apple Inc.;	10483/2013	Kerr, Duncan Robert;Akana, Jody;Andre, Bartley K.;Bataillou, Jeremy;Coster, Daniel J.;De Iuliis, Daniele;Hankey, M. Evans;Hoenig, Julian;Howarth, Richard P.;Ive, Jonathan P.;Nishibori, Shin;Rohrbach, Matthew Dean;Russell-Clarke, Peter;Stringer, Christopher J.;Whang, Eugene Antony;Zorkendorfer, Rico;Apple Inc.;	10482/2013
14-02, Adapter, (US, 07 Sep 2012) 30 Jan 2013		14-02, Adapter, (US, 07 Sep 2012) 30 Jan 2013	
Ive, Jonathan P.;Akana, Jody;Andre, Bartley K.;Bataillou, Jeremy;Coster, Daniel J.;De Iuliis, Daniele;Hankey, M. Evans;Hoenig, Julian;Howarth, Richard P.;Kerr, Duncan Robert;Nishibori, Shin;Rohrbach, Matthew Dean;Russell-Clarke, Peter;Stringer, Christopher J.;Whang, Eugene Antony;Zorkendorfer, Rico;Apple Inc.;	10481/2013	Kerr, Duncan Robert;Akana, Jody;Andre, Bartley K.;Bataillou, Jeremy;Coster, Daniel J.;De Iuliis, Daniele;Hankey, M. Evans;Hoenig, Julian;Howarth, Richard P.;Ive, Jonathan P.;Nishibori, Shin;Rohrbach, Matthew Dean;Russell-Clarke, Peter;Stringer, Christopher J.;Whang, Eugene Antony;Zorkendorfer, Rico;Apple Inc.;	10483/2013
14-02, Adapter, (US, 07 Sep 2012) 30 Jan 2013		14-02, Adapter, (US, 07 Sep 2012) 30 Jan 2013	
J D Productions Pty Ltd;	10518/2013	King Furniture (Australia) Pty Ltd;	10529/2013
08-08L, A bracket, 31 Jan 2013		06-01G, A chair, 04 Feb 2013	
Jardin Netherlands B.V.;	10548/2013	King Furniture (Australia) Pty Ltd;	10538/2013
06-01G, Chair, (EM, 23 Jul 2012) 01 Feb 2013		06-01G, A chair, 04 Feb 2013	
Jorgenson-Watts Pty Ltd;	10473/2013	King Furniture (Australia) Pty Ltd;	10581/2013
25-02B, Doors, security doors, French doors, screens, 31 Jan 2013		06-02, A bed, 06 Feb 2013	
Karsten Manufacturing Corporation;	10475/2013	King Furniture (Australia) Pty Ltd;	10582/2013
21-02NES, A collar clamp for sports equipment, (US, 08 Oct 2012) 31 Jan 2013		06-02, A bed, 06 Feb 2013	
Kenzo, (a Societe Anonyme);	10519/2013	King Furniture (Australia) Pty Ltd;	10579/2013
09-01G, Perfume bottle, (EM, 09 Jul 2012) 31 Jan 2013		06-02, A bed, 06 Feb 2013	
Kerr, Duncan Robert;Akana, Jody;Andre, Bartley K.;Bataillou, Jeremy;Coster, Daniel J.;De Iuliis, Daniele;Hankey, M. Evans;Hoenig, Julian;Howarth, Richard P.;Ive, Jonathan P.;Nishibori, Shin;Rohrbach, Matthew Dean;Russell-Clarke, Peter;Stringer, Christopher J.;Whang, Eugene Antony;Zorkendorfer, Rico;Apple Inc.;	10481/2013	King Furniture (Australia) Pty Ltd;	10580/2013
14-02, Adapter, (US, 07 Sep 2012) 30 Jan 2013		06-02, A bed, 06 Feb 2013	
		King Furniture (Australia) Pty Ltd;	10550/2013
		06-01G, A chair, 05 Feb 2013	
		King Furniture (Australia) Pty Ltd;	10578/2013
		06-01G, A sofa, 06 Feb 2013	
		King Furniture (Australia) Pty Ltd;	10534/2013
		06-01G, A chair, 04 Feb 2013	
		King Furniture (Australia) Pty Ltd;	10583/2013
		06-01G, A chaise, 06 Feb 2013	
		King Furniture (Australia) Pty Ltd;	10584/2013
		06-01G, A chaise, 06 Feb 2013	
		King Furniture (Australia) Pty Ltd;	10532/2013
		06-01G, A chair, 04 Feb 2013	

King Furniture (Australia) Pty Ltd; 06-01E, An ottoman, 06 Feb 2013	10585/2013	Kito Corporation; 12-05, Chain hoist, (JP, 09 Aug 2012) 08 Feb 2013	10641/2013
King Furniture (Australia) Pty Ltd; 06-01G, A chaise, 06 Feb 2013	10586/2013	Kito Corporation; 12-05, Chain hoist, (JP, 09 Aug 2012) 08 Feb 2013	10642/2013
King Furniture (Australia) Pty Ltd; 06-01G, A chair, 04 Feb 2013	10533/2013	Kraft Foods Group Brands LLC; 09-01NES, Container, (US, 13 Aug 2012) 12 Feb 2013	10677/2013
King Furniture (Australia) Pty Ltd; 06-01G, A chair, 04 Feb 2013	10531/2013	Kraft Foods Group Brands LLC; 09-01NES, Container, (US, 13 Aug 2012) 12 Feb 2013	10676/2013
King Furniture (Australia) Pty Ltd; 06-01G, A chaise, 06 Feb 2013	10599/2013	KMS (QLD) Pty; 08-08K, Fence bracket, 04 Feb 2013	10523/2013
King Furniture (Australia) Pty Ltd; 06-01G, A chaise, 06 Feb 2013	10600/2013	Lamb's Care Pty Ltd; 02-04NES, Boots, 01 Feb 2013	10512/2013
King Furniture (Australia) Pty Ltd; 06-01G, A chair, 04 Feb 2013	10524/2013	Landmark Engineering & Design Pty Ltd;Cook, Belinda Joan; 25-03, Toilet building, 12 Feb 2013	10680/2013
King Furniture (Australia) Pty Ltd; 06-01G, 06-02, A bed, 06 Feb 2013	10591/2013	Landmark Engineering & Design Pty Ltd;Cook, Belinda Joan; 25-03, Toilet building, 12 Feb 2013	10681/2013
King Furniture (Australia) Pty Ltd; 06-01G, A sofa, 06 Feb 2013	10597/2013	Landmark Engineering & Design Pty Ltd;Cook, Belinda Joan; 25-03, Shelter, 05 Feb 2013	10559/2013
King Furniture (Australia) Pty Ltd; 06-01G, 06-02, A bed, 06 Feb 2013	10594/2013	Leatherman Tool Group, Inc.; 08-03, Multipurpose cutting tool, (US, 03 Aug 2012) 31 Jan 2013	10480/2013
King Furniture (Australia) Pty Ltd; 06-01G, A sofa, 06 Feb 2013	10592/2013	Lee, Rowland John; 07-01B, Serving tray, 07 Feb 2013	10629/2013
King Furniture (Australia) Pty Ltd; 06-01G, A sofa, 06 Feb 2013	10574/2013	Lee, Yoyo; 08-08NES, A fastener, (CN, 17 Aug 2012) 07 Feb 2013	10626/2013
King Furniture (Australia) Pty Ltd; 06-01G, A sofa, 06 Feb 2013	10566/2013	Legendre, Alice Marie Anne; 11-02F, 21-01L, The design relates to a boardgame and a decoration, 07 Feb 2013	10628/2013
King Furniture (Australia) Pty Ltd; 06-01G, A sofa, 06 Feb 2013	10567/2013	Lifi Labs Inc; 26-05E, LED light bulb, 14 Feb 2013	10730/2013
King Furniture (Australia) Pty Ltd; 06-01G, A chaise, 06 Feb 2013	10587/2013	Lyngsoe Systems Limited; 14-03NES, Antenna, (CA, 03 Aug 2012) 01 Feb 2013	10504/2013
King Furniture (Australia) Pty Ltd; 06-01E, An ottoman, 06 Feb 2013	10598/2013	Lyngsoe Systems Limited; 14-03NES, Antenna, (CA, 03 Aug 2012) 01 Feb 2013	10500/2013
King Furniture (Australia) Pty Ltd; 06-01G, A sofa, 06 Feb 2013	10596/2013	LM Australasia Pty Ltd; 02-02C, Pair of leggings, 06 Feb 2013	10604/2013
King Furniture (Australia) Pty Ltd; 06-01G, 06-02, A bed, 06 Feb 2013	10595/2013	Major, Gilbert John;Elms, David Robert; 08-08A, Metallic clip, 31 Jan 2013	10472/2013
King Furniture (Australia) Pty Ltd; 06-01G, A sofa, 06 Feb 2013	10593/2013	MakeWay Enterprises Pty Ltd;Van Jour, Wendell; 30-04, Pet collar, 31 Jan 2013	10479/2013
King Furniture (Australia) Pty Ltd; 06-01G, A sofa, 06 Feb 2013	10568/2013	MakeWay Enterprises Pty Ltd;Van Jour, Wendell; 30-04, Pet collar, 31 Jan 2013	10478/2013
King Furniture (Australia) Pty Ltd; 06-01G, A sofa, 06 Feb 2013	10565/2013		
King Furniture (Australia) Pty Ltd; 06-01G, A sofa, 06 Feb 2013	10588/2013		
King Furniture (Australia) Pty Ltd; 06-01G, A sofa, 06 Feb 2013	10589/2013		
King Furniture (Australia) Pty Ltd; 06-02, A bed, 06 Feb 2013	10590/2013		
King Furniture (Australia) Pty Ltd; 06-01E, An ottoman, 06 Feb 2013	10561/2013		

Martin Engineering Company; 12-05, Conveyor scraper blade tip, (US, 09 Aug 2012) 08 Feb 2013	10670/2013	Microsoft Corporation; 14-01, Display screen with graphical user interface, (US, 03 Aug 2012) 30 Jan 2013	10491/2013
Martin Engineering Company; 12-05, Conveyor scraper blade tip, (US, 09 Aug 2012) 08 Feb 2013	10669/2013	Microsoft Corporation; 14-01, Display screen with graphical user interface, (US, 03 Aug 2012) 30 Jan 2013	10489/2013
Maslen Technology Australia Pty Ltd; 08-06, Door hinge nut, 14 Feb 2013	10727/2013	Mitsubishi Electric Corporation; Mitsubishi Electric Home Appliance Co Ltd; 15-05, Main body of a vacuum cleaner, (JP, 03 Aug 2012) 01 Feb 2013	10498/2013
Maslen Technology Australia Pty Ltd; 08-06, Door hinge pin, 14 Feb 2013	10726/2013	Mitsubishi Electric Home Appliance Co Ltd; Mitsubishi Electric Corporation; 15-05, Main body of a vacuum cleaner, (JP, 03 Aug 2012) 01 Feb 2013	10498/2013
Master Lock Company LLC; 09-06, Tie down strap, (US, 15 Jun 2012) 14 Feb 2013	10725/2013	Nieuwenhuys, Marc; 07-06A, Cup holder, 05 Feb 2013	10551/2013
Master Lock Company LLC; 08-07, Lock and key, (US, 23 May 2012) (Divisional of 15649/2012) 01 Feb 2013	10509/2013	Nishibori, Shin; Akana, Jody; Andre, Bartley K.; Bataillou, Jeremy; Coster, Daniel J.; De Iuliis, Daniele; Hankey, M. Evans; Hoenig, Julian; Howarth, Richard P.; Ive, Jonathan P.; Kerr, Duncan Robert; Rohrbach, Matthew Dean; Russell-Clarke, Peter; Stringer, Christopher J.; Whang, Eugene Antony; Zorkendorfer, Rico; Apple Inc.; 14-02, Adapter, (US, 07 Sep 2012) 30 Jan 2013	10484/2013
Master Lock Company LLC; 08-07, Lock and key, (US, 23 May 2012) (Divisional of 15648/2012) 01 Feb 2013	10506/2013	Nishibori, Shin; Akana, Jody; Andre, Bartley K.; Bataillou, Jeremy; Coster, Daniel J.; De Iuliis, Daniele; Hankey, M. Evans; Hoenig, Julian; Howarth, Richard P.; Ive, Jonathan P.; Kerr, Duncan Robert; Rohrbach, Matthew Dean; Russell-Clarke, Peter; Stringer, Christopher J.; Whang, Eugene Antony; Zorkendorfer, Rico; Apple Inc.; 14-02, Adapter, (US, 07 Sep 2012) 30 Jan 2013	10482/2013
Master Lock Company LLC; 08-07, Lock and key, (US, 23 May 2012) (Divisional of 15649/2012) 01 Feb 2013	10508/2013	Nishibori, Shin; Akana, Jody; Andre, Bartley K.; Bataillou, Jeremy; Coster, Daniel J.; De Iuliis, Daniele; Hankey, M. Evans; Hoenig, Julian; Howarth, Richard P.; Ive, Jonathan P.; Kerr, Duncan Robert; Rohrbach, Matthew Dean; Russell-Clarke, Peter; Stringer, Christopher J.; Whang, Eugene Antony; Zorkendorfer, Rico; Apple Inc.; 14-02, Adapter, (US, 07 Sep 2012) 30 Jan 2013	10483/2013
Master Lock Company LLC; 08-07, Lock and key, (US, 23 May 2012) (Divisional of 15648/2012) 01 Feb 2013	10499/2013	Nishibori, Shin; Akana, Jody; Andre, Bartley K.; Bataillou, Jeremy; Coster, Daniel J.; De Iuliis, Daniele; Hankey, M. Evans; Hoenig, Julian; Howarth, Richard P.; Ive, Jonathan P.; Kerr, Duncan Robert; Rohrbach, Matthew Dean; Russell-Clarke, Peter; Stringer, Christopher J.; Whang, Eugene Antony; Zorkendorfer, Rico; Apple Inc.; 14-02, Adapter, (US, 07 Sep 2012) 30 Jan 2013	10481/2013
Matusik, Matthew; 10-04, Gas flow indicator, (US, 12 Aug 2012) 08 Feb 2013	10651/2013		
Matusik, Matthew; 10-04, Gas flow indicator, (US, 12 Aug 2012) 08 Feb 2013	10652/2013		
Matusik, Matthew; 10-04, Housing for gas flow indicator, (US, 12 Aug 2012) 08 Feb 2013	10649/2013		
Matusik, Matthew; 10-04, Housing for gas flow indicator, (US, 12 Aug 2012) 08 Feb 2013	10650/2013		
Meynecke, Jan-Olaf; 14-02, RFID system, 12 Feb 2013	10683/2013		
Michelin Recherche et Technique S.A.; COMPAGNIE GENERALE DES ETABLISSEMENTS MICHELIN; 12-15A, A tyre, (US, 16 Aug 2012) 06 Feb 2013	10601/2013		
Michelin Recherche et Technique S.A.; COMPAGNIE GENERALE DES ETABLISSEMENTS MICHELIN; 12-15A, A tyre, (US, 16 Aug 2012) 06 Feb 2013	10602/2013		
Microsoft Corporation; 14-01, Display screen with graphical user interface, (US, 03 Aug 2012) 30 Jan 2013	10492/2013		
Microsoft Corporation; 14-01, Display screen with graphical user interface, (US, 03 Aug 2012) 30 Jan 2013	10490/2013		

Roseham Pty;Heaney, David;Heaney, Marjorie;Heaney, Stephen;Heaney, Suzanne;Heaney, Paul;Heaney, Marcella;Heaney, Mark;Heaney, Katrina; 25-01K, Extrusion, 11 Feb 2013	10693/2013	Saade, Dori; 07-02E, BBQ - Adjustable hot grill plate BBQ, 11 Feb 2013	10664/2013
Russell-Clarke, Peter;Akana, Jody;Andre, Bartley K.;Bataillou, Jeremy;Coster, Daniel J.;De Iuliis, Daniele;Hankey, M. Evans;Hoenig, Julian;Howarth, Richard P.;Ive, Jonathan P.;Kerr, Duncan Robert;Nishibori, Shin;Rohrbach, Matthew Dean;Stringer, Christopher J.;Whang, Eugene Antony;Zorkendorfer, Rico;Apple Inc.; 14-02, Adapter, (US, 07 Sep 2012) 30 Jan 2013	10484/2013	Saade, Dori; 07-02E, BBQ- Adjustable hot grill/plate BBQ, 11 Feb 2013	10663/2013
Russell-Clarke, Peter;Akana, Jody;Andre, Bartley K.;Bataillou, Jeremy;Coster, Daniel J.;De Iuliis, Daniele;Hankey, M. Evans;Hoenig, Julian;Howarth, Richard P.;Ive, Jonathan P.;Kerr, Duncan Robert;Nishibori, Shin;Rohrbach, Matthew Dean;Stringer, Christopher J.;Whang, Eugene Antony;Zorkendorfer, Rico;Apple Inc.; 14-02, Adapter, (US, 07 Sep 2012) 30 Jan 2013	10481/2013	Samsung Electronics Co., Ltd; 15-07, Refrigerator, (KR, 10 Oct 2012) 05 Feb 2013	10557/2013
Russell-Clarke, Peter;Akana, Jody;Andre, Bartley K.;Bataillou, Jeremy;Coster, Daniel J.;De Iuliis, Daniele;Hankey, M. Evans;Hoenig, Julian;Howarth, Richard P.;Ive, Jonathan P.;Kerr, Duncan Robert;Nishibori, Shin;Rohrbach, Matthew Dean;Stringer, Christopher J.;Whang, Eugene Antony;Zorkendorfer, Rico;Apple Inc.; 14-02, Adapter, (US, 07 Sep 2012) 30 Jan 2013	10482/2013	Samsung Electronics Co., Ltd; 14-01, Display screen for an electronic device, (KR, 18 Oct 2012) 14 Feb 2013	10729/2013
Russell-Clarke, Peter;Akana, Jody;Andre, Bartley K.;Bataillou, Jeremy;Coster, Daniel J.;De Iuliis, Daniele;Hankey, M. Evans;Hoenig, Julian;Howarth, Richard P.;Ive, Jonathan P.;Kerr, Duncan Robert;Nishibori, Shin;Rohrbach, Matthew Dean;Stringer, Christopher J.;Whang, Eugene Antony;Zorkendorfer, Rico;Apple Inc.; 14-02, Adapter, (US, 07 Sep 2012) 30 Jan 2013	10483/2013	Samsung Electronics Co., Ltd; 14-01, Display screen for an electronic device, (KR, 18 Oct 2012) 14 Feb 2013	10728/2013
Russell-Clarke, Peter;Akana, Jody;Andre, Bartley K.;Bataillou, Jeremy;Coster, Daniel J.;De Iuliis, Daniele;Hankey, M. Evans;Hoenig, Julian;Howarth, Richard P.;Ive, Jonathan P.;Kerr, Duncan Robert;Nishibori, Shin;Rohrbach, Matthew Dean;Stringer, Christopher J.;Whang, Eugene Antony;Zorkendorfer, Rico;Apple Inc.; 14-02, Adapter, (US, 07 Sep 2012) 30 Jan 2013	10482/2013	Samsung Electronics Co., Ltd; 21-01N, Stylus pen for a portable electronic device, (KR, 28 Aug 2012) 04 Feb 2013	10543/2013
Russell-Clarke, Peter;Akana, Jody;Andre, Bartley K.;Bataillou, Jeremy;Coster, Daniel J.;De Iuliis, Daniele;Hankey, M. Evans;Hoenig, Julian;Howarth, Richard P.;Ive, Jonathan P.;Kerr, Duncan Robert;Nishibori, Shin;Rohrbach, Matthew Dean;Stringer, Christopher J.;Whang, Eugene Antony;Zorkendorfer, Rico;Apple Inc.; 14-02, Adapter, (US, 07 Sep 2012) 30 Jan 2013	10483/2013	Samsung Electronics Co., Ltd; 21-01N, Stylus pen for a portable electronic device, (KR, 28 Aug 2012) 04 Feb 2013	10541/2013
Russell-Clarke, Peter;Akana, Jody;Andre, Bartley K.;Bataillou, Jeremy;Coster, Daniel J.;De Iuliis, Daniele;Hankey, M. Evans;Hoenig, Julian;Howarth, Richard P.;Ive, Jonathan P.;Kerr, Duncan Robert;Nishibori, Shin;Rohrbach, Matthew Dean;Stringer, Christopher J.;Whang, Eugene Antony;Zorkendorfer, Rico;Apple Inc.; 14-02, Adapter, (US, 07 Sep 2012) 30 Jan 2013	10483/2013	Samsung Electronics Co., Ltd; 21-01N, Stylus pen for a portable electronic device, (KR, 28 Aug 2012) 04 Feb 2013	10542/2013
Russell-Clarke, Peter;Akana, Jody;Andre, Bartley K.;Bataillou, Jeremy;Coster, Daniel J.;De Iuliis, Daniele;Hankey, M. Evans;Hoenig, Julian;Howarth, Richard P.;Ive, Jonathan P.;Kerr, Duncan Robert;Nishibori, Shin;Rohrbach, Matthew Dean;Stringer, Christopher J.;Whang, Eugene Antony;Zorkendorfer, Rico;Apple Inc.; 14-02, Adapter, (US, 07 Sep 2012) 30 Jan 2013	10482/2013	Samsung Electronics Co., Ltd; 14-02, Portable electronic device, (KR, 28 Aug 2012) 04 Feb 2013	10539/2013
Russell-Clarke, Peter;Akana, Jody;Andre, Bartley K.;Bataillou, Jeremy;Coster, Daniel J.;De Iuliis, Daniele;Hankey, M. Evans;Hoenig, Julian;Howarth, Richard P.;Ive, Jonathan P.;Kerr, Duncan Robert;Nishibori, Shin;Rohrbach, Matthew Dean;Stringer, Christopher J.;Whang, Eugene Antony;Zorkendorfer, Rico;Apple Inc.; 14-02, Adapter, (US, 07 Sep 2012) 30 Jan 2013	10483/2013	Samsung Electronics Co., Ltd; 14-02, Portable electronic device, (KR, 28 Aug 2012) 04 Feb 2013	10540/2013
S. C. Johnson & Son, Inc.; 09-07C, Bottle cap, (US, 31 Jul 2012) 31 Jan 2013	10515/2013	Scancom International A/S; 06-01C, Garden furniture, (EM, 23 Jan 2013) 31 Jan 2013	10517/2013
S. C. Johnson & Son, Inc.; 09-01NES, Bottle, (US, 31 Jul 2012) 31 Jan 2013	10514/2013	Scancom International A/S; 06-01F, Chair, (EM, 06 Feb 2013) 11 Feb 2013	10688/2013
S.C. Johnson & Son Inc.; 09-01A, Volatile material dispenser, (US, 31 Jul 2012) 31 Jan 2013	10516/2013	Scarlett, Rouand James Mortimer; 06-09, A cushion, 04 Feb 2013	10522/2013
S.P.M. Flow Conrol, Inc.; 23-01A, Seal side segment, (US, 16 Aug 2012) 13 Feb 2013	10708/2013	Sheldon and Hammond Pty Ltd; 08-05H, A sharpener, 05 Feb 2013	10623/2013
		Shin-Etsu Chemical Co., Ltd.; 22-06, Insect pest control delivery device, (JP, 20 Aug 2012) 08 Feb 2013	10647/2013
		Shin-Etsu Chemical Co., Ltd.; 22-06, Insect pest control delivery device, (JP, 20 Aug 2012) 08 Feb 2013	10645/2013
		Shin-Etsu Chemical Co., Ltd.; 22-06, Insect pest control delivery device, (JP, 20 Aug 2012) 08 Feb 2013	10646/2013
		Shop Vac Corporation; 15-05, Handheld vacuum cleaner and mount, (US, 25 Sep 2012) 12 Feb 2013	10675/2013
		Southern Cross Mining Services Pty Ltd; 13-99, 26-99, Lighting tower, 30 Jan 2013	10488/2013

Southern Cross Mining Services Pty Ltd; 15-04, Skid, 05 Feb 2013	10605/2013	Take Two Marketing and Events Pty Ltd; 07-06D, An opener, 06 Feb 2013	10638/2013
Southern Cross Mining Services Pty Ltd; 13-99, 26-99, Lighting tower, 30 Jan 2013	10487/2013	Tan, Wesley Yoke Hun; 26-05D, Lamp shade, 04 Feb 2013	10528/2013
Steelfinne Fabrications Pty. Ltd.; 06-99, Cell and cell furniture, 31 Jan 2013	10520/2013	Tenacious Holdings, Inc.; 02-03, Brim and neck shade, (US, 19 Sep 2012) 06 Feb 2013	10637/2013
Stringer, Christopher J.;Akana, Jody;Andre, Bartley K.;Bataillou, Jeremy;Coster, Daniel J.;De luliis, Daniele;Hankey, M. Evans;Hoenig, Julian;Howarth, Richard P.;Ive, Jonathan P.;Kerr, Duncan Robert;Nishibori, Shin;Rohrbach, Matthew Dean;Russell-Clarke, Peter;Whang, Eugene Antony;Zorkendorfer, Rico;Apple Inc.; 14-02, Adapter, (US, 07 Sep 2012) 30 Jan 2013	10484/2013	The Coca-Cola Company; 09-07C, Bottle closure, (US, 01 Aug 2012) 01 Feb 2013	10547/2013
Stringer, Christopher J.;Akana, Jody;Andre, Bartley K.;Bataillou, Jeremy;Coster, Daniel J.;De luliis, Daniele;Hankey, M. Evans;Hoenig, Julian;Howarth, Richard P.;Ive, Jonathan P.;Kerr, Duncan Robert;Nishibori, Shin;Rohrbach, Matthew Dean;Russell-Clarke, Peter;Whang, Eugene Antony;Zorkendorfer, Rico;Apple Inc.; 14-02, Adapter, (US, 07 Sep 2012) 30 Jan 2013	10482/2013	The Stanley Works Israel Ltd.; 03-01D, Tool box, (EM, 07 Aug 2012) 01 Feb 2013	10505/2013
Stringer, Christopher J.;Akana, Jody;Andre, Bartley K.;Bataillou, Jeremy;Coster, Daniel J.;De luliis, Daniele;Hankey, M. Evans;Hoenig, Julian;Howarth, Richard P.;Ive, Jonathan P.;Kerr, Duncan Robert;Nishibori, Shin;Rohrbach, Matthew Dean;Russell-Clarke, Peter;Whang, Eugene Antony;Zorkendorfer, Rico;Apple Inc.; 14-02, Adapter, (US, 07 Sep 2012) 30 Jan 2013	10483/2013	The Stanley Works Israel Ltd.; 03-01D, 08-06, Tool box handle, (EM, 07 Aug 2012) 01 Feb 2013	10503/2013
Stringer, Christopher J.;Akana, Jody;Andre, Bartley K.;Bataillou, Jeremy;Coster, Daniel J.;De luliis, Daniele;Hankey, M. Evans;Hoenig, Julian;Howarth, Richard P.;Ive, Jonathan P.;Kerr, Duncan Robert;Nishibori, Shin;Rohrbach, Matthew Dean;Russell-Clarke, Peter;Whang, Eugene Antony;Zorkendorfer, Rico;Apple Inc.; 14-02, Adapter, (US, 07 Sep 2012) 30 Jan 2013	10481/2013	The Trustee for TKH Group Trust; 99-00, Business cultural audit and reporting process, 08 Feb 2013	10644/2013
Stringer, Christopher J.;Akana, Jody;Andre, Bartley K.;Bataillou, Jeremy;Coster, Daniel J.;De luliis, Daniele;Hankey, M. Evans;Hoenig, Julian;Howarth, Richard P.;Ive, Jonathan P.;Kerr, Duncan Robert;Nishibori, Shin;Rohrbach, Matthew Dean;Russell-Clarke, Peter;Whang, Eugene Antony;Zorkendorfer, Rico;Apple Inc.; 14-02, Adapter, (US, 07 Sep 2012) 30 Jan 2013	10483/2013	UCL Business plc; 24-02, Rack with clips, (EM, 13 Aug 2012) 13 Feb 2013	10704/2013
Stringer, Christopher J.;Akana, Jody;Andre, Bartley K.;Bataillou, Jeremy;Coster, Daniel J.;De luliis, Daniele;Hankey, M. Evans;Hoenig, Julian;Howarth, Richard P.;Ive, Jonathan P.;Kerr, Duncan Robert;Nishibori, Shin;Rohrbach, Matthew Dean;Russell-Clarke, Peter;Whang, Eugene Antony;Zorkendorfer, Rico;Apple Inc.; 14-02, Adapter, (US, 07 Sep 2012) 30 Jan 2013	10481/2013	UCL Business plc; 08-08C, 24-02, Clip, (EM, 13 Aug 2012) 13 Feb 2013	10705/2013
Stringer, Christopher J.;Akana, Jody;Andre, Bartley K.;Bataillou, Jeremy;Coster, Daniel J.;De luliis, Daniele;Hankey, M. Evans;Hoenig, Julian;Howarth, Richard P.;Ive, Jonathan P.;Kerr, Duncan Robert;Nishibori, Shin;Rohrbach, Matthew Dean;Russell-Clarke, Peter;Whang, Eugene Antony;Zorkendorfer, Rico;Apple Inc.; 14-02, Adapter, (US, 07 Sep 2012) 30 Jan 2013	10481/2013	UCL Business plc; 24-02, Applicator, (EM, 13 Aug 2012) 13 Feb 2013	10692/2013
Summers, Bruce Jeffery; 20-03NES, Flexible substrate hanging device, 01 Feb 2013	10511/2013	Van Jour, Wendell;MakeWay Enterprises Pty Ltd; 30-04, Pet collar, 31 Jan 2013	10479/2013
SwitchEasy Limited; 03-01NES, Protective casing for handheld electronic device, (HK, 12 Oct 2012) 31 Jan 2013	10474/2013	Van Jour, Wendell;MakeWay Enterprises Pty Ltd; 30-04, Pet collar, 31 Jan 2013	10478/2013
SHOP VAC CORPORATION; 15-05, Vacuum cleaner head, (US, 16 Nov 2012) 14 Feb 2013	10719/2013	Veta Sa; 09-01D, Plastic bottles 330-750ml suitable for beverages, (US, 13 Oct 2012) 09 Feb 2013	10653/2013
		Veta Sa; 09-01D, Plastic bottles 330-750ml suitable for beverages, (US, 13 Oct 2012) 09 Feb 2013	10654/2013
		Visy R & D Pty Ltd; 09-07B, 09-07C, Screw cap for a container, 13 Feb 2013	10712/2013
		Visy R & D Pty Ltd; 09-01K, Container, 13 Feb 2013	10711/2013
		Vuly Property Pty Ltd; 21-02F, Trampoline, 04 Feb 2013	10525/2013

<p>Whang, Eugene Antony;Akana, Jody;Andre, Bartley K.;Bataillou, Jeremy;Coster, Daniel J.;De Iuliis, Daniele;Hankey, M. Evans;Hoenig, Julian;Howarth, Richard P.;Ive, Jonathan P.;Kerr, Duncan Robert;Nishibori, Shin;Rohrbach, Matthew Dean;Russell-Clarke, Peter;Stringer, Christopher J.;Zorkendorfer, Rico;Apple Inc.; 14-02, Adapter, (US, 07 Sep 2012) 30 Jan 2013</p>	<p>10484/2013</p>	<p>Zhejiang CFMOTO Power Co., Ltd; 12-08, All-terrain vehicle, (CN, 26 Dec 2012) 06 Feb 2013</p>	<p>10603/2013</p>
<p>Whang, Eugene Antony;Akana, Jody;Andre, Bartley K.;Bataillou, Jeremy;Coster, Daniel J.;De Iuliis, Daniele;Hankey, M. Evans;Hoenig, Julian;Howarth, Richard P.;Ive, Jonathan P.;Kerr, Duncan Robert;Nishibori, Shin;Rohrbach, Matthew Dean;Russell-Clarke, Peter;Stringer, Christopher J.;Zorkendorfer, Rico;Apple Inc.; 14-02, Adapter, (US, 07 Sep 2012) 30 Jan 2013</p>	<p>10482/2013</p>	<p>Zippy Skirts Pty Ltd; 02-02C, 02-02NES, Garment, 01 Feb 2013</p>	<p>10510/2013</p>
<p>Whang, Eugene Antony;Akana, Jody;Andre, Bartley K.;Bataillou, Jeremy;Coster, Daniel J.;De Iuliis, Daniele;Hankey, M. Evans;Hoenig, Julian;Howarth, Richard P.;Ive, Jonathan P.;Kerr, Duncan Robert;Nishibori, Shin;Rohrbach, Matthew Dean;Russell-Clarke, Peter;Stringer, Christopher J.;Zorkendorfer, Rico;Apple Inc.; 14-02, Adapter, (US, 07 Sep 2012) 30 Jan 2013</p>	<p>10483/2013</p>	<p>Zorkendorfer, Rico;Akana, Jody;Andre, Bartley K.;Bataillou, Jeremy;Coster, Daniel J.;De Iuliis, Daniele;Hankey, M. Evans;Hoenig, Julian;Howarth, Richard P.;Ive, Jonathan P.;Kerr, Duncan Robert;Nishibori, Shin;Rohrbach, Matthew Dean;Russell-Clarke, Peter;Stringer, Christopher J.;Whang, Eugene Antony;Apple Inc.; 14-02, Adapter, (US, 07 Sep 2012) 30 Jan 2013</p>	<p>10481/2013</p>
<p>Whang, Eugene Antony;Akana, Jody;Andre, Bartley K.;Bataillou, Jeremy;Coster, Daniel J.;De Iuliis, Daniele;Hankey, M. Evans;Hoenig, Julian;Howarth, Richard P.;Ive, Jonathan P.;Kerr, Duncan Robert;Nishibori, Shin;Rohrbach, Matthew Dean;Russell-Clarke, Peter;Stringer, Christopher J.;Zorkendorfer, Rico;Apple Inc.; 14-02, Adapter, (US, 07 Sep 2012) 30 Jan 2013</p>	<p>10481/2013</p>	<p>Zorkendorfer, Rico;Akana, Jody;Andre, Bartley K.;Bataillou, Jeremy;Coster, Daniel J.;De Iuliis, Daniele;Hankey, M. Evans;Hoenig, Julian;Howarth, Richard P.;Ive, Jonathan P.;Kerr, Duncan Robert;Nishibori, Shin;Rohrbach, Matthew Dean;Russell-Clarke, Peter;Stringer, Christopher J.;Whang, Eugene Antony;Apple Inc.; 14-02, Adapter, (US, 07 Sep 2012) 30 Jan 2013</p>	<p>10484/2013</p>
<p>Whang, Eugene Antony;Akana, Jody;Andre, Bartley K.;Bataillou, Jeremy;Coster, Daniel J.;De Iuliis, Daniele;Hankey, M. Evans;Hoenig, Julian;Howarth, Richard P.;Ive, Jonathan P.;Kerr, Duncan Robert;Nishibori, Shin;Rohrbach, Matthew Dean;Russell-Clarke, Peter;Stringer, Christopher J.;Zorkendorfer, Rico;Apple Inc.; 14-02, Adapter, (US, 07 Sep 2012) 30 Jan 2013</p>	<p>10481/2013</p>	<p>Zorkendorfer, Rico;Akana, Jody;Andre, Bartley K.;Bataillou, Jeremy;Coster, Daniel J.;De Iuliis, Daniele;Hankey, M. Evans;Hoenig, Julian;Howarth, Richard P.;Ive, Jonathan P.;Kerr, Duncan Robert;Nishibori, Shin;Rohrbach, Matthew Dean;Russell-Clarke, Peter;Stringer, Christopher J.;Whang, Eugene Antony;Apple Inc.; 14-02, Adapter, (US, 07 Sep 2012) 30 Jan 2013</p>	<p>10482/2013</p>
<p>Woodward, John Neil; 25-02B, Internal standard size doors, 11 Feb 2013</p>	<p>10665/2013</p>	<p>Zorkendorfer, Rico;Akana, Jody;Andre, Bartley K.;Bataillou, Jeremy;Coster, Daniel J.;De Iuliis, Daniele;Hankey, M. Evans;Hoenig, Julian;Howarth, Richard P.;Ive, Jonathan P.;Kerr, Duncan Robert;Nishibori, Shin;Rohrbach, Matthew Dean;Russell-Clarke, Peter;Stringer, Christopher J.;Whang, Eugene Antony;Apple Inc.; 14-02, Adapter, (US, 07 Sep 2012) 30 Jan 2013</p>	<p>10483/2013</p>

Applications Withdrawn

10432 / 2013 (21-01H)

Applications Lapsed

14576 / 2012 (21-02F)

15425 / 2012 (09-05)	15373 / 2012 (12-16NES)
15584 / 2012 (13-99)	15516 / 2012 (23-01NES)
15681 / 2012 (30-99)	15658 / 2012 (14-99)
15713 / 2012 (08-08NES)	15684 / 2012 (02-03)
15944 / 2012 (13-03D)	15849 / 2012 (12-16NES)

Extension of Period of Registration of Designs

318262	318263	318264
318265	318266	318787
318788	318910	319434
319447	319498	319499
319535	319571	319579
319584	319628	319633
319650	319666	319667
319668	319669	319670
319671	319673	319681
319682	319684	319685
319686	319687	319690
319749	319750	319752
319754	319787	319791
319792	319794	319799
319840	319857	319888
319891	319892	319893
319917	319934	319956
319998	319999	320000
320017	320071	320072
320082	320083	320090
320091	320092	320093
320094	320095	320100
320104	320145	320157
320159	320160	320164
320181	320182	320183
320184	320185	320186
320214	320237	320238
320239	320240	320243
320244	320245	320246
320247	320248	320249
320250	320251	320252
320253	320254	320255
320256	320264	320340
320341	320342	320343
320422	320423	320441
320442	320456	320463
320541	320542	320604
320692	320693	320694
320695	320875	320876
320877	320931	321031
321032	321033	321034
321247	321250	321331
321333	321353	321633
321634	322021	322170
322644	322645	322646
322647	323380	323929

Registrations Ceased

315431	315432	315433
--------	--------	--------

315436	315437	315601
315648	315649	316317
316337	316339	316341
316349	316350	316351
316353	316428	316430
316432	316433	316434
316440	316441	316444
316445	316446	316452
316453	316454	316471
316497	316500	316512
316513	316519	316520
316521	316522	316523
316524	316534	316535
316539	316540	316541
316542	316543	316555
316569	316570	316571
316572	316576	316602
316619	316638	316847
316944	317054	317055
317056	317057	317085
317184	317272	317330
317332	317362	317384
317385	317386	317387
317388	317651	319180
319181		

Extensions of time granted under Section 137

Applications lodged under section 137 for extension of time have been granted.

346965 **Vuly Pty Ltd**

346949 **PepsiCo, Inc.**

15206/2012 **Betul Madakbas**

346983 **Jorge Miguel Pereira**

346833 **Aichi Co., Ltd**

346973 **Vladislav Shyutten**

346946 **Google Inc.**

15437/2012 **Tui Marie Hill**

15626/2012 **Bruce Grahame Stubbs**

16755/2012 **Tui Marie Hill**

16756/2012 **Tui Marie Hill**

Applications Assigned

(The name in parentheses is that of the subsequent applicant)

15899/2012	(Zipz, Inc.)	J. Henry Scott
15900/2012	(Zipz, Inc.)	J. Henry Scott
15901/2012	(Zipz, Inc.)	J. Henry Scott
15902/2012	(Zipz, Inc.)	J. Henry Scott

Subsequent Owners Registered

(The name in parentheses is that of the subsequent owner)

- 344543 (**Minnovare Pty Ltd**) DHS (Aust) Pty Ltd
- 345650 (**Illinois Tool Works Inc.**) Underwood Companies Holdings Pty Ltd
- 345651 (**Illinois Tool Works Inc.**) Underwood Companies Holdings Pty Ltd
- 345652 (**Illinois Tool Works Inc.**) Underwood Companies Holdings Pty Ltd
- 319628 (**CTCI Pty Limited**) Agabow Pty Ltd Trading as Central Tablelands Commercial Industries
- 332041 (**CTCI Pty Limited**) Agabow Pty Ltd Trading as Central Tablelands Commercial Industries
- 332042 (**CTCI Pty Limited**) Agabow Pty Ltd Trading as Central Tablelands Commercial Industries

Names Registered - Alterations and Amendments

(The name in parentheses is that of the subsequent applicant)

- 324698 (**FKA Distributing Co., LLC**) FKA Distributing Co. doing business as HoMedics, Inc.
- 326488 (**FKA Distributing Co., LLC**) FKA Distributing Co. doing business as HoMedics, Inc.
- 328564 (**FKA Distributing Co., LLC**) FKA Distributing Co. doing business as HoMedics, Inc.
- 328565 (**FKA Distributing Co., LLC**) FKA Distributing Co. doing business as HoMedics, Inc.
- 329378 (**FKA Distributing Co., LLC**) FKA Distributing Co. doing business as HoMedics, Inc.
- 329379 (**FKA Distributing Co., LLC**) FKA Distributing Co. doing business as HoMedics, Inc.
- 328677 (**IWS GLOBAL PTY LTD**) PC Locs Pty Ltd
- 346354 (**IWS GLOBAL PTY LTD**) PC Locs Pty Ltd

Certificate(s) of Examination

Examination of the following Design Registration(s) has been completed. Infringement proceedings may now be commenced.

341452	06-01H	06/02/2013
341453	06-01H	13/02/2013
341639	19-08	06/02/2013
342392	06-03NES	11/02/2013
343421	12-11	04/02/2013
344677	08-03	08/02/2013
344912	06-01F	18/02/2013
345086	07-02G	12/02/2013
345280	12-15D	15/02/2013
345449	14-02	06/02/2013
345483	06-03B	15/02/2013
345489	06-01F	07/02/2013
345594	08-05H	13/02/2013
345633	14-02	08/02/2013
345778	25-01E	04/02/2013
345791	22-06	14/02/2013
345890	26-05E	06/02/2013
345891	26-05E	06/02/2013
345892	26-05E	06/02/2013
345962	24-02	08/02/2013
345973	27-99	07/02/2013
346020	09-07A	05/02/2013
346064	09-07A	05/02/2013
346065	09-07A	05/02/2013
346094	10-04	07/02/2013
346391	09-07A	05/02/2013

Publication and Registration Proceedings

Designs Registered

This section provides a concordance between design number and registration number of Designs covered in this journal. It also shows the main class and registration date.

This section covers Registration numbers 346725 to 347016 .

The registration number shown below should be used in all future correspondence.

Design Number	Registration Number	International Classification Code (IDC)	Registration Date	Design Number	Registration Number	International Classification Code (IDC)	Registration Date
12414/2012	346982	02-02NES	15/02/2013	15901/2012	346836	09-01D	08/02/2013
12486/2012	346802	26-02	08/02/2013	15902/2012	346837	09-01D	08/02/2013
12716/2012	346742	23-01C	05/02/2013	15920/2012	346755	11-01NES	06/02/2013
12866/2012	346924	02-02C	13/02/2013	15921/2012	346756	11-01NES	06/02/2013
13025/2012	346761	12-16NES	06/02/2013	16013/2012	346795	13-03D	07/02/2013
13124/2012	346948	02-02C	14/02/2013	16014/2012	346796	13-03D	07/02/2013
13330/2012	346960	12-10	14/02/2013	16015/2012	346797	13-03D	07/02/2013
13331/2012	346961	12-10	14/02/2013	16017/2012	346798	13-03D	07/02/2013
13332/2012	346962	12-10	14/02/2013	16036/2012	346757	06-04NES	06/02/2013
13333/2012	346963	12-10	14/02/2013	16038/2012	346951	08-08NES	14/02/2013
13334/2012	346964	12-10	14/02/2013	16069/2012	346730	06-01F	04/02/2013
13638/2012	346803	02-02A	08/02/2013	16070/2012	346731	06-01F	04/02/2013
14375/2012	346925	07-02G	13/02/2013	16088/2012	346861	08-08L	11/02/2013
14576/2012	346965	21-02F	14/02/2013	16089/2012	346799	08-08NES	07/02/2013
14939/2012	346949	31-00	14/02/2013	16090/2012	346800	08-08NES	07/02/2013
15170/2012	346753	06-04NES	06/02/2013	16091/2012	346933	09-01A	13/02/2013
15226/2012	346983	29-02	15/02/2013	16161/2012	346732	15-05	04/02/2013
15229/2012	346967	02-04NES	14/02/2013	16163/2012	346733	08-99	04/02/2013
15279/2012	346833	06-01F	08/02/2013	16164/2012	346734	08-08NES	04/02/2013
15341/2012	346950	14-01	14/02/2013	16165/2012	346735	20-03C	04/02/2013
15416/2012	346973	21-03	15/02/2013	16168/2012	346736	25-02NES	04/02/2013
15425/2012	346946	09-05	14/02/2013	16169/2012	346737	25-02NES	04/02/2013
15429/2012	346762	09-01D	06/02/2013	16170/2012	346760	25-01NES	06/02/2013
15571/2012	346763	14-02	06/02/2013	16174/2012	346738	12-16M	04/02/2013
15572/2012	346764	14-02	06/02/2013	16186/2012	346739	08-08K	04/02/2013
15573/2012	346765	14-02	06/02/2013	16187/2012	346740	08-08K	04/02/2013
15574/2012	346766	14-02	06/02/2013	16188/2012	346741	23-01NES	04/02/2013
15577/2012	346947	24-02	14/02/2013	16213/2012	346862	25-01K	11/02/2013
15585/2012	346729	31-00	04/02/2013	16235/2012	346838	13-03NES	08/02/2013
15648/2012	346804	08-07	08/02/2013	16258/2012	346863	12-15A	11/02/2013
15649/2012	346805	08-07	08/02/2013	16268/2012	346786	28-01	07/02/2013
15715/2012	346754	09-02NES	06/02/2013	16269/2012	346787	28-01	07/02/2013
15716/2012	346779	14-02	07/02/2013	16271/2012	346788	28-01	07/02/2013
15718/2012	346780	14-02	07/02/2013	16274/2012	346789	28-01	07/02/2013
15719/2012	346781	14-02	07/02/2013	16275/2012	346790	28-01	07/02/2013
15722/2012	346782	14-02	07/02/2013	16294/2012	346903	15-07	13/02/2013
15723/2012	346783	14-02	07/02/2013	16295/2012	346974	15-07	15/02/2013
15724/2012	346784	14-02	07/02/2013	16339/2012	346864	13-02	11/02/2013
15726/2012	346806	14-02	08/02/2013	16353/2012	346758	24-01	06/02/2013
15727/2012	346785	14-02	07/02/2013	16355/2012	346759	24-01	06/02/2013
15781/2012	346984	02-02C	15/02/2013	16356/2012	346865	23-01H	11/02/2013
15803/2012	346968	26-06	14/02/2013	16357/2012	346866	23-01H	11/02/2013
15804/2012	346969	12-16B	14/02/2013	16390/2012	346769	08-99	06/02/2013
15805/2012	346985	12-16NES	15/02/2013	16391/2012	346770	08-99	06/02/2013
15806/2012	346970	26-06	14/02/2013	16392/2012	346771	08-99	06/02/2013
15847/2012	346902	26-06	13/02/2013	16404/2012	346801	07-05D	07/02/2013
15861/2012	346971	20-01	14/02/2013	16408/2012	346966	09-03K	14/02/2013
15879/2012	346972	08-07	14/02/2013	16418/2012	346772	03-01NES	06/02/2013
15899/2012	346834	09-01D	08/02/2013	16420/2012	346773	23-02B	06/02/2013
15900/2012	346835	09-01D	08/02/2013	16421/2012	346774	23-02B	06/02/2013

Publication and Registration Proceedings - Designs Registered cont'd

Design Number	Registration Number	International Classification Code (IDC)	Registration Date	Design Number	Registration Number	International Classification Code (IDC)	Registration Date
16425/2012	346807	02-02A	08/02/2013	16540/2012	346841	01-06	11/02/2013
16426/2012	346808	02-02A	08/02/2013	16541/2012	346842	01-06	11/02/2013
16427/2012	346809	02-02A	08/02/2013	16542/2012	346843	01-06	11/02/2013
16428/2012	346810	02-02A	08/02/2013	16543/2012	346844	07-02L	11/02/2013
16429/2012	346811	02-02A	08/02/2013	16544/2012	346845	07-02L	11/02/2013
16430/2012	346812	02-02A	08/02/2013	16547/2012	346846	06-02	11/02/2013
16431/2012	346813	02-02A	08/02/2013	16548/2012	346847	06-04F	11/02/2013
16432/2012	346814	02-02A	08/02/2013	16551/2012	346848	08-08L	11/02/2013
16433/2012	346815	02-02A	08/02/2013	16553/2012	346849	08-08NES	11/02/2013
16434/2012	346816	02-02A	08/02/2013	16554/2012	346850	08-08NES	11/02/2013
16435/2012	346817	02-02A	08/02/2013	16557/2012	346889	14-01	12/02/2013
16436/2012	346818	02-02A	08/02/2013	16558/2012	346890	14-01	12/02/2013
16437/2012	346819	02-02A	08/02/2013	16559/2012	346891	14-01	12/02/2013
16438/2012	346820	02-02A	08/02/2013	16560/2012	346892	14-01	12/02/2013
16439/2012	346821	02-02A	08/02/2013	16561/2012	346893	14-01	12/02/2013
16440/2012	346822	02-02A	08/02/2013	16562/2012	346894	14-01	12/02/2013
16441/2012	346775	07-02P	06/02/2013	16563/2012	346895	14-01	12/02/2013
16442/2012	346776	07-02P	06/02/2013	16564/2012	346905	20-01	13/02/2013
16443/2012	346777	07-02P	06/02/2013	16566/2012	346926	22-05	13/02/2013
16444/2012	346778	07-02P	06/02/2013	16567/2012	346927	22-05	13/02/2013
16446/2012	346823	08-07	08/02/2013	16569/2012	346851	23-01C	11/02/2013
16447/2012	346824	08-07	08/02/2013	16570/2012	346896	23-01C	12/02/2013
16450/2012	346825	26-05A	08/02/2013	16571/2012	346897	23-01C	12/02/2013
16451/2012	346826	26-05A	08/02/2013	16572/2012	346852	23-01C	11/02/2013
16452/2012	346827	26-05A	08/02/2013	16574/2012	346898	23-01C	12/02/2013
16453/2012	346828	26-05A	08/02/2013	16575/2012	346899	23-01C	12/02/2013
16458/2012	346904	09-01D	13/02/2013	16576/2012	346900	23-01C	12/02/2013
16459/2012	346867	23-01G	11/02/2013	16577/2012	346901	23-01K	12/02/2013
16460/2012	346868	08-08K	11/02/2013	16582/2012	346928	24-04	13/02/2013
16461/2012	346869	10-05	11/02/2013	16588/2012	346929	12-08	13/02/2013
16462/2012	346870	10-05	11/02/2013	16589/2012	346930	12-08	13/02/2013
16463/2012	346871	10-05	11/02/2013	16590/2012	346931	12-08	13/02/2013
16464/2012	346872	07-99NES	11/02/2013	16591/2012	346932	06-01G	13/02/2013
16469/2012	346743	09-07A	05/02/2013	16592/2012	346906	06-01G	13/02/2013
16470/2012	346744	24-01	05/02/2013	16593/2012	346907	06-01G	13/02/2013
16471/2012	346745	24-01	05/02/2013	16594/2012	346908	06-01G	13/02/2013
16472/2012	346746	24-01	05/02/2013	16595/2012	346909	06-01G	13/02/2013
16473/2012	346747	23-02F	05/02/2013	16596/2012	346910	06-01G	13/02/2013
16474/2012	346748	24-01	05/02/2013	16597/2012	346911	06-01G	13/02/2013
16475/2012	346749	24-01	05/02/2013	16598/2012	346912	06-01G	13/02/2013
16476/2012	346750	24-01	05/02/2013	16599/2012	346913	06-01G	13/02/2013
16477/2012	346751	24-01	05/02/2013	16600/2012	346914	06-01G	13/02/2013
16478/2012	346752	24-01	05/02/2013	16601/2012	346915	06-01G	13/02/2013
16479/2012	346791	15-99	07/02/2013	16602/2012	346916	06-01G	13/02/2013
16484/2012	346792	07-02NES	07/02/2013	16603/2012	346873	08-01	12/02/2013
16486/2012	346793	07-02NES	07/02/2013	16604/2012	346874	06-01E	12/02/2013
16488/2012	346794	07-02NES	07/02/2013	16605/2012	346875	06-01G	12/02/2013
16495/2012	346829	23-03E	08/02/2013	16606/2012	346876	06-01G	12/02/2013
16496/2012	346830	23-03E	08/02/2013	16607/2012	346877	08-01	12/02/2013
16497/2012	346839	03-01D	11/02/2013	16609/2012	346878	04-02	12/02/2013
16514/2012	346989	08-08B	15/02/2013	16613/2012	346879	31-00	12/02/2013
16536/2012	346831	15-04	08/02/2013	16614/2012	346880	07-99B	12/02/2013
16537/2012	346832	15-04	08/02/2013	16615/2012	346853	25-01D	11/02/2013
16538/2012	346888	09-01G	12/02/2013	16616/2012	346854	25-01D	11/02/2013
16539/2012	346840	01-06	11/02/2013	16620/2012	346855	12-11	11/02/2013

Publication and Registration Proceedings - Designs Registered cont'd

Design Number	Registration Number	International Classification Code (IDC)	Registration Date	Design Number	Registration Number	International Classification Code (IDC)	Registration Date
16621/2012	346856	12-11	11/02/2013	10015/2013	346977	12-15B	15/02/2013
16622/2012	346857	12-11	11/02/2013	10016/2013	346978	12-15B	15/02/2013
16623/2012	346858	12-11	11/02/2013	10026/2013	346990	07-04	15/02/2013
16624/2012	346859	12-11	11/02/2013	10027/2013	346979	15-05	15/02/2013
16625/2012	346860	02-04NES	11/02/2013	10028/2013	346980	08-05N	15/02/2013
16626/2012	346952	02-04NES	14/02/2013	10057/2013	346922	02-04NES	13/02/2013
16631/2012	346953	23-01H	14/02/2013	10058/2013	346921	02-04B	13/02/2013
16637/2012	346954	23-04	14/02/2013	10153/2013	346991	03-01B	18/02/2013
16638/2012	346955	23-04	14/02/2013	10154/2013	346992	13-03D	18/02/2013
16639/2012	346881	23-04	12/02/2013	10155/2013	346993	13-03D	18/02/2013
16641/2012	346882	24-01	12/02/2013	10163/2013	346725	06-06E	04/02/2013
16652/2012	346917	20-01	13/02/2013	10179/2013	346726	09-05	04/02/2013
16653/2012	346918	20-01	13/02/2013	10180/2013	346994	12-16K	18/02/2013
16657/2012	346883	02-04NES	12/02/2013	10181/2013	346995	12-16K	18/02/2013
16658/2012	346884	02-04NES	12/02/2013	10186/2013	346727	09-05	04/02/2013
16660/2012	346986	29-02	15/02/2013	10187/2013	346728	09-05	04/02/2013
16661/2012	346987	29-02	15/02/2013	10188/2013	346996	08-08NES	18/02/2013
16662/2012	346988	29-02	15/02/2013	10192/2013	346997	14-02	18/02/2013
16667/2012	346956	02-02NES	14/02/2013	10193/2013	346998	14-02	18/02/2013
16668/2012	346957	02-02C	14/02/2013	10194/2013	346999	14-02	18/02/2013
16669/2012	346958	02-02C	14/02/2013	10195/2013	347000	14-02	18/02/2013
16670/2012	346959	02-02C	14/02/2013	10196/2013	347001	14-02	18/02/2013
16671/2012	346934	02-02C	13/02/2013	10197/2013	347002	14-02	18/02/2013
16672/2012	346935	02-02C	13/02/2013	10198/2013	347003	26-03	18/02/2013
16673/2012	346936	02-02C	13/02/2013	10203/2013	347004	23-03B	18/02/2013
16674/2012	346937	02-02C	13/02/2013	10205/2013	347005	20-03C	18/02/2013
16675/2012	346938	02-02NES	13/02/2013	10206/2013	347006	09-03K	18/02/2013
16676/2012	346939	02-02C	13/02/2013	10207/2013	346923	21-01F	13/02/2013
16677/2012	346940	02-02NES	13/02/2013	10214/2013	347007	08-08L	18/02/2013
16678/2012	346941	02-02B	13/02/2013	10215/2013	347008	23-01H	18/02/2013
16679/2012	346942	02-02C	13/02/2013	10216/2013	347009	23-01H	18/02/2013
16680/2012	346943	02-02NES	13/02/2013	10217/2013	347010	23-01H	18/02/2013
16681/2012	346944	02-02C	13/02/2013	10218/2013	347011	23-01H	18/02/2013
16682/2012	346767	09-01D	06/02/2013	10219/2013	347012	08-06	18/02/2013
16683/2012	346768	09-01D	06/02/2013	10235/2013	347013	06-01F	18/02/2013
10002/2013	346885	06-07	12/02/2013	10240/2013	346945	06-06D	13/02/2013
10003/2013	346886	06-07	12/02/2013	10258/2013	347014	14-02	18/02/2013
10004/2013	346887	06-07	12/02/2013	10259/2013	347015	12-12	18/02/2013
10006/2013	346975	31-00	15/02/2013	10260/2013	347016	12-12	18/02/2013
10010/2013	346920	24-01	13/02/2013	10289/2013	346981	08-07	15/02/2013
10012/2013	346919	24-01	13/02/2013				
10013/2013	346976	08-08NES	15/02/2013				

Publication and Registration Proceedings

Class Listing of Designs Published or Registered

The following section shows an International Classification Code listing of the Registered or Published Designs covered in this supplement.

Classification	Registration Number	Design Number	Classification	Registration Number	Design Number
01-06	346840	16539/2012	06-01F	346730	16069/2012
01-06	346841	16540/2012	06-01F	346731	16070/2012
01-06	346842	16541/2012	06-01F	346833	15279/2012
01-06	346843	16542/2012	06-01F	347013	10235/2013
02-02A	346803	13638/2012	06-01G	346875	16605/2012
02-02A	346807	16425/2012	06-01G	346876	16606/2012
02-02A	346808	16426/2012	06-01G	346906	16592/2012
02-02A	346809	16427/2012	06-01G	346907	16593/2012
02-02A	346810	16428/2012	06-01G	346908	16594/2012
02-02A	346811	16429/2012	06-01G	346909	16595/2012
02-02A	346812	16430/2012	06-01G	346910	16596/2012
02-02A	346813	16431/2012	06-01G	346911	16597/2012
02-02A	346814	16432/2012	06-01G	346912	16598/2012
02-02A	346815	16433/2012	06-01G	346913	16599/2012
02-02A	346816	16434/2012	06-01G	346914	16600/2012
02-02A	346817	16435/2012	06-01G	346915	16601/2012
02-02A	346818	16436/2012	06-01G	346916	16602/2012
02-02A	346819	16437/2012	06-01G	346932	16591/2012
02-02A	346820	16438/2012	06-02	346846	16547/2012
02-02A	346821	16439/2012	06-04F	346847	16548/2012
02-02A	346822	16440/2012	06-04NES	346753	15170/2012
02-02B	346941	16678/2012	06-04NES	346757	16036/2012
02-02C	346924	12866/2012	06-06D	346945	10240/2013
02-02C	346934	16671/2012	06-06E	346725	10163/2013
02-02C	346935	16672/2012	06-07	346885	10002/2013
02-02C	346936	16673/2012	06-07	346886	10003/2013
02-02C	346937	16674/2012	06-07	346887	10004/2013
02-02C	346939	16676/2012	07-01F	346834	15899/2012
02-02C	346942	16679/2012	07-01F	346835	15900/2012
02-02C	346944	16681/2012	07-01F	346836	15901/2012
02-02C	346948	13124/2012	07-01F	346837	15902/2012
02-02C	346957	16668/2012	07-02G	346925	14375/2012
02-02C	346958	16669/2012	07-02L	346844	16543/2012
02-02C	346959	16670/2012	07-02L	346845	16544/2012
02-02C	346984	15781/2012	07-02NES	346792	16484/2012
02-02NES	346938	16675/2012	07-02NES	346793	16486/2012
02-02NES	346940	16677/2012	07-02NES	346794	16488/2012
02-02NES	346943	16680/2012	07-02P	346775	16441/2012
02-02NES	346956	16667/2012	07-02P	346776	16442/2012
02-02NES	346982	12414/2012	07-02P	346777	16443/2012
02-03	346951	16038/2012	07-02P	346778	16444/2012
02-04B	346921	10058/2013	07-04	346990	10026/2013
02-04NES	346860	16625/2012	07-05D	346801	16404/2012
02-04NES	346883	16657/2012	07-99B	346880	16614/2012
02-04NES	346884	16658/2012	07-99NES	346872	16464/2012
02-04NES	346922	10057/2013	08-01	346873	16603/2012
02-04NES	346952	16626/2012	08-01	346877	16607/2012
02-04NES	346967	15229/2012	08-03	346967	15229/2012
03-01B	346991	10153/2013	08-05N	346980	10028/2013
03-01D	346839	16497/2012	08-06	347012	10219/2013
03-01NES	346772	16418/2012	08-07	346804	15648/2012
04-02	346878	16609/2012	08-07	346805	15649/2012
06-01E	346874	16604/2012	08-07	346823	16446/2012

Registration Proceedings - Class Listing of Designs Published or Registered cont'd

Classification	Registration Number	Design Number	Classification	Registration Number	Design Number
08-07	346824	16447/2012	12-10	346964	13334/2012
08-07	346972	15879/2012	12-11	346855	16620/2012
08-07	346981	10289/2013	12-11	346856	16621/2012
08-08B	346989	16514/2012	12-11	346857	16622/2012
08-08K	346739	16186/2012	12-11	346858	16623/2012
08-08K	346740	16187/2012	12-11	346859	16624/2012
08-08K	346868	16460/2012	12-12	347015	10259/2013
08-08L	346848	16551/2012	12-12	347016	10260/2013
08-08L	346849	16553/2012	12-15A	346863	16258/2012
08-08L	346861	16088/2012	12-15B	346977	10015/2013
08-08L	347007	10214/2013	12-15B	346978	10016/2013
08-08NES	346734	16164/2012	12-16A	346857	16622/2012
08-08NES	346760	16170/2012	12-16B	346969	15804/2012
08-08NES	346799	16089/2012	12-16K	346994	10180/2013
08-08NES	346800	16090/2012	12-16K	346995	10181/2013
08-08NES	346849	16553/2012	12-16M	346738	16174/2012
08-08NES	346850	16554/2012	12-16NES	346761	13025/2012
08-08NES	346951	16038/2012	12-16NES	346985	15805/2012
08-08NES	346976	10013/2013	13-02	346864	16339/2012
08-08NES	346996	10188/2013	13-03D	346795	16013/2012
08-99	346733	16163/2012	13-03D	346796	16014/2012
08-99	346769	16390/2012	13-03D	346797	16015/2012
08-99	346770	16391/2012	13-03D	346798	16017/2012
08-99	346771	16392/2012	13-03D	346992	10154/2013
09-01A	346933	16091/2012	13-03D	346993	10155/2013
09-01D	346762	15429/2012	13-03E	346992	10154/2013
09-01D	346767	16682/2012	13-03E	346993	10155/2013
09-01D	346768	16683/2012	13-03NES	346838	16235/2012
09-01D	346834	15899/2012	14-01	346889	16557/2012
09-01D	346835	15900/2012	14-01	346890	16558/2012
09-01D	346836	15901/2012	14-01	346891	16559/2012
09-01D	346837	15902/2012	14-01	346892	16560/2012
09-01D	346904	16458/2012	14-01	346893	16561/2012
09-01G	346888	16538/2012	14-01	346894	16562/2012
09-02NES	346754	15715/2012	14-01	346895	16563/2012
09-03K	346966	16408/2012	14-01	346950	15341/2012
09-03K	347006	10206/2013	14-02	346763	15571/2012
09-03NES	346839	16497/2012	14-02	346764	15572/2012
09-05	346726	10179/2013	14-02	346765	15573/2012
09-05	346727	10186/2013	14-02	346766	15574/2012
09-05	346728	10187/2013	14-02	346779	15716/2012
09-05	346946	15425/2012	14-02	346780	15718/2012
09-07A	346743	16469/2012	14-02	346781	15719/2012
10-05	346869	16461/2012	14-02	346782	15722/2012
10-05	346870	16462/2012	14-02	346783	15723/2012
10-05	346871	16463/2012	14-02	346784	15724/2012
11-01NES	346755	15920/2012	14-02	346785	15727/2012
11-01NES	346756	15921/2012	14-02	346795	16013/2012
12-05	346838	16235/2012	14-02	346796	16014/2012
12-08	346929	16588/2012	14-02	346797	16015/2012
12-08	346930	16589/2012	14-02	346798	16017/2012
12-08	346931	16590/2012	14-02	346806	15726/2012
12-10	346960	13330/2012	14-02	346997	10192/2013
12-10	346961	13331/2012	14-02	346998	10193/2013
12-10	346962	13332/2012	14-02	346999	10194/2013
12-10	346963	13333/2012	14-02	347000	10195/2013

Registration Proceedings - Class Listing of Designs Published or Registered cont'd

Classification	Registration Number	Design Number	Classification	Registration Number	Design Number
14-02	347001	10196/2013	23-04	346955	16638/2012
14-02	347002	10197/2013	24-01	346744	16470/2012
14-02	347014	10258/2013	24-01	346745	16471/2012
15-04	346831	16536/2012	24-01	346746	16472/2012
15-04	346832	16537/2012	24-01	346748	16474/2012
15-05	346732	16161/2012	24-01	346749	16475/2012
15-05	346979	10027/2013	24-01	346750	16476/2012
15-07	346903	16294/2012	24-01	346751	16477/2012
15-07	346974	16295/2012	24-01	346752	16478/2012
15-99	346791	16479/2012	24-01	346758	16353/2012
20-01	346905	16564/2012	24-01	346759	16355/2012
20-01	346917	16652/2012	24-01	346882	16641/2012
20-01	346918	16653/2012	24-01	346919	10012/2013
20-01	346971	15861/2012	24-01	346920	10010/2013
20-03C	346735	16165/2012	24-02	346947	15577/2012
20-03C	347005	10205/2013	24-04	346928	16582/2012
21-01F	346923	10207/2013	25-01D	346853	16615/2012
21-01H	346973	15416/2012	25-01D	346854	16616/2012
21-02F	346965	14576/2012	25-01K	346862	16213/2012
21-03	346973	15416/2012	25-01NES	346760	16170/2012
22-05	346926	16566/2012	25-02NES	346736	16168/2012
22-05	346927	16567/2012	25-02NES	346737	16169/2012
23-01A	346799	16089/2012	26-02	346802	12486/2012
23-01A	346800	16090/2012	26-03	347003	10198/2013
23-01C	346742	12716/2012	26-05A	346825	16450/2012
23-01C	346851	16569/2012	26-05A	346826	16451/2012
23-01C	346852	16572/2012	26-05A	346827	16452/2012
23-01C	346896	16570/2012	26-05A	346828	16453/2012
23-01C	346897	16571/2012	26-05A	346870	16462/2012
23-01C	346898	16574/2012	26-05A	346871	16463/2012
23-01C	346899	16575/2012	26-05NES	346869	16461/2012
23-01C	346900	16576/2012	26-06	346902	15847/2012
23-01G	346867	16459/2012	26-06	346968	15803/2012
23-01H	346865	16356/2012	26-06	346970	15806/2012
23-01H	346866	16357/2012	28-01	346786	16268/2012
23-01H	346953	16631/2012	28-01	346787	16269/2012
23-01H	347008	10215/2013	28-01	346788	16271/2012
23-01H	347009	10216/2013	28-01	346789	16274/2012
23-01H	347010	10217/2013	28-01	346790	16275/2012
23-01H	347011	10218/2013	29-02	346983	15226/2012
23-01K	346901	16577/2012	29-02	346986	16660/2012
23-01NES	346741	16188/2012	29-02	346987	16661/2012
23-02B	346773	16420/2012	29-02	346988	16662/2012
23-02B	346774	16421/2012	31-00	346729	15585/2012
23-02F	346747	16473/2012	31-00	346879	16613/2012
23-03B	347004	10203/2013	31-00	346949	14939/2012
23-03E	346829	16495/2012	31-00	346975	10006/2013
23-03E	346830	16496/2012			
23-04	346881	16639/2012			
23-04	346954	16637/2012			

(21) Design Number: **10163/2013**
(22) Date of Filing Application: **09 January 2013**
(24) Date from which industrial property rights may have effect: **09 January 2013**
(54) Product in respect of which the design is registered: **Table leg system**
(51) International Design Classification: **06-06E**
(74) Name(s) of Attorney(s): **Fisher Adams Kelly**
(71) Name(s) and Address(s) of Applicant(s):
Nowy Styl Sp. z o.o.
ul. Puzaka 49 KROSNO 38-400 Poland
(72) Name(s) of Designer(s): **Jens Korte**
(45) Registration Date: **04 February 2013**
(30) Convention priority data:
(31) Number (32) Date (33) Country
002113126-0002 03 Oct 2012 EUROPEAN COMMUNITY
(56) Related Art Documents: **Not Applicable**
(57) Statement of Newness and Distinctiveness: **The newness and distinctiveness of the design resides in the shape and/or configuration of the TABLE LEG SYSTEM shown in the representations.**



(21) Design Number: **10179/2013**
(22) Date of Filing Application: **14 January 2013**
(24) Date from which industrial property rights may have effect: **14 January 2013**
(54) Product in respect of which the design is registered: **Oral care implement package**
(51) International Design Classification: **09-05**
(74) Name(s) of Attorney(s): **FB Rice**
(71) Name(s) and Address(s) of Applicant(s):
Colgate-Palmolive Company
300 Park Avenue New York New York 10022 United States of America
(72) Name(s) of Designer(s): **David Kyung Min Lee and Stephen Nelson**
(45) Registration Date: **04 February 2013**
(30) Convention priority data:
(31) Number (32) Date (33) Country
29/427592 19 Jul 2012 UNITED STATES OF AMERICA
(56) Related Art Documents: **Not Applicable**
(57) Statement of Newness and Distinctiveness: **Newness and distinctiveness reside in the shape and configuration of the design as shown in the representations.**



(21) Design Number: **10186/2013**
(22) Date of Filing Application: **14 January 2013**
(24) Date from which industrial property rights may have effect: **14 January 2013**
(54) Product in respect of which the design is registered: **Oral care implement package**
(51) International Design Classification: **09-05**
(74) Name(s) of Attorney(s): **FB Rice**
(71) Name(s) and Address(s) of Applicant(s):
Colgate-Palmolive Company
300 Park Avenue New York New York 10022 United States of America
(72) Name(s) of Designer(s): **David Kyung Min Lee and Stephen Nelson**
(45) Registration Date: **04 February 2013**
(30) Convention priority data:
(31) Number (32) Date (33) Country
29/427593 19 Jul 2012 UNITED STATES OF AMERICA
(56) Related Art Documents: **Not Applicable**
(57) Statement of Newness and Distinctiveness: **Newness and distinctiveness reside in the shape and configuration of the design as shown in the representations.**



(21) Design Number: **10187/2013**
(22) Date of Filing Application: **14 January 2013**
(24) Date from which industrial property rights may have effect: **14 January 2013**
(54) Product in respect of which the design is registered: **Oral care implement package**
(51) International Design Classification: **09-05**
(74) Name(s) of Attorney(s): **FB Rice**
(71) Name(s) and Address(s) of Applicant(s):
Colgate-Palmolive Company
300 Park Avenue New York New York 10022 United States of America
(72) Name(s) of Designer(s): **David Kyung Min Lee and Stephen Nelson**
(45) Registration Date: **04 February 2013**
(30) Convention priority data:
(31) Number (32) Date (33) Country
29/427592 19 Jul 2012 UNITED STATES OF AMERICA
(56) Related Art Documents: **Not Applicable**
(57) Statement of Newness and Distinctiveness: **Newness and distinctiveness reside in the features of the design as shown in solid lines in the representations excluding those features shown in broken lines.**



- (21) Design Number: **15585/2012**
(22) Date of Filing Application: **12 November 2012**
(24) Date from which industrial property rights may have effect: **12 November 2012**
(54) Product in respect of which the design is registered: **Beer chiller unit**
(51) International Design Classification: **31-00**
(74) Name(s) of Attorney(s):
(71) Name(s) and Address(s) of Applicant(s):
Kegs On Tap Pty Ltd
4 Nantes St Newtown VIC 3220 Australia
(72) Name(s) of Designer(s): **Kevin James (Jamie) Baensch and Raymond Victor Oliver**
(45) Registration Date: **04 February 2013**
(56) Related Art Documents: **Not Applicable**
(57) Statement of Newness and Distinctiveness: **-Styling and the selection of materials that are integral element of the style. -Packaging of the beer-keg, gas bottle, refrigeration system, and other components into a compact, portable, beer dispensing system. -The interchangeable panel that may be printed with promotional material or used to change the aesthetic look. -The insulated enclosure that is cooled by the refrigerated chiller tank assembly to create a cool environment of approximately 10#C to extend the life of the keg-beer.**



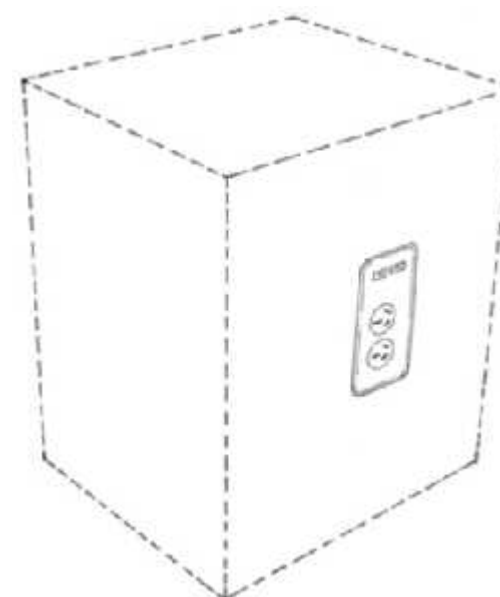
- (21) Design Number: **16069/2012**
(22) Date of Filing Application: **06 December 2012**
(24) Date from which industrial property rights may have effect: **06 December 2012**
(54) Product in respect of which the design is registered: **1. Chair without arms**
2. chair with arms
(51) International Design Classification: **06-01F**
(74) Name(s) of Attorney(s): **Davies Collison Cave**
(71) Name(s) and Address(s) of Applicant(s):
Haworth, Inc
One Haworth Center 1400 Highway M-40 Holland Michigan 49423 United States of America
(72) Name(s) of Designer(s): **Rebecca Darrow and James D. Harris and Mark Wiese and Michael Walter Welsh and Peter T. Laduke and Steve J. Nemeth, Jr and Wilfried Vorlop and Wilhelm Schultz and Kermit Anderson and Jesse Pentecost and Lauren Johnson and Robert Meloche and Werner Haertel and Jon Swingle**
(45) Registration Date: **04 February 2013**
(56) Related Art Documents: **Not Applicable**
(57) Statement of Newness and Distinctiveness: **Nil**



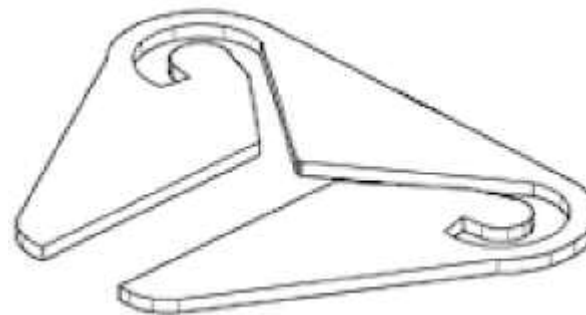
- (21) Design Number: **16070/2012**
(22) Date of Filing Application: **06 December 2012**
(24) Date from which industrial property rights may have effect: **06 December 2012**
(54) Product in respect of which the design is registered: **1. Chair without arms
2. chair with arms**
(51) International Design Classification: **06-01F**
(74) Name(s) of Attorney(s): **Davies Collison Cave**
(71) Name(s) and Address(s) of Applicant(s):
Haworth, Inc
One Haworth Center 1400 Highway M-40 Holland Michigan 49423 United States of America
(72) Name(s) of Designer(s): **Rebecca Darrow and James D. Harris and Mark Wiese and Michael Walter Welsh and Peter T. Laduke and Steve J. Nemeth, Jr and Wilfried Vorlop and Wilhelm Schultz and Kermit Anderson and Jesse Pentecost and Lauren Johnson and Robert Meloche and Werner Haertel and Jon Swingle**
(45) Registration Date: **04 February 2013**
(30) Convention priority data:
(31) Number (32) Date (33) Country
29/424233 08 Jun 2012 UNITED STATES OF AMERICA
(56) Related Art Documents: **Not Applicable**
(57) Statement of Newness and Distinctiveness: **Nil**



- (21) Design Number: **16161/2012**
(22) Date of Filing Application: **07 December 2012**
(24) Date from which industrial property rights may have effect: **07 December 2012**
(54) Product in respect of which the design is registered: **An ottoman**
(51) International Design Classification: **15-05**
(74) Name(s) of Attorney(s): **Fraser Old & Sohn**
(71) Name(s) and Address(s) of Applicant(s):
Sebel Furniture Ltd
92 Gow St Padstow NSW 2211 Australia
(72) Name(s) of Designer(s): **Gregory Brent Welsh**
(45) Registration Date: **04 February 2013**
(56) Related Art Documents: **Not Applicable**
(57) Statement of Newness and Distinctiveness: **Newness and distinctiveness is claimed in respect of the pattern and/or ornamentation of the product illustrated in the accompanying representations. In carrying out a consideration in accordance with Section 19 the shape and/or configuration of the product illustrated in the representations is not to be considered either new or distinctive and do/does not form part of the design.**



-
- (21) Design Number: **16163/2012**
(22) Date of Filing Application: **07 December 2012**
(24) Date from which industrial property rights may have effect: **07 December 2012**
(54) Product in respect of which the design is registered: **Tensioning device**
(51) International Design Classification: **08-99**
(74) Name(s) of Attorney(s): **Knightsbridge Patent Attorneys**
(71) Name(s) and Address(s) of Applicant(s):
Steel-Tuff Rural Fencing Solutions Pty. Ltd.
9-11 Turbo Dr Bayswater VIC 3153 Australia
(72) Name(s) of Designer(s): **Neil Henry French**
(45) Registration Date: **04 February 2013**
(56) Related Art Documents: **Not Applicable**
(57) Statement of Newness and Distinctiveness: **The applicant claims that newness and distinctiveness reside in the features of shape and configuration of a tensioning device as depicted in the accompanying representations.**



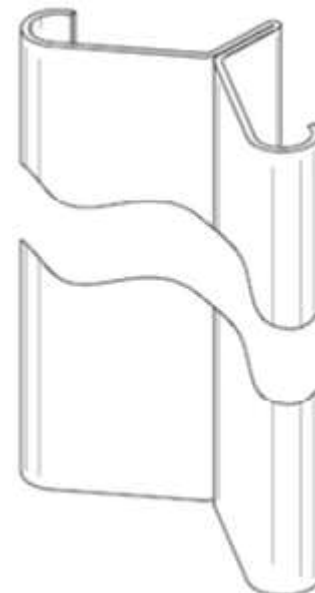
-
- (21) Design Number: **16164/2012**
(22) Date of Filing Application: **07 December 2012**
(24) Date from which industrial property rights may have effect: **07 December 2012**
(54) Product in respect of which the design is registered: **A clamp**
(51) International Design Classification: **08-08NES**
(74) Name(s) of Attorney(s): **Knightsbridge Patent Attorneys**
(71) Name(s) and Address(s) of Applicant(s):
Steel-Tuff Rural Fencing Solutions Pty. Ltd.
9-11 Turbo Dr Bayswater VIC 3153 Australia
(72) Name(s) of Designer(s): **Neil Henry French**
(45) Registration Date: **04 February 2013**
(56) Related Art Documents: **Not Applicable**
(57) Statement of Newness and Distinctiveness: **The applicant claims that newness and distinctiveness reside in the features of shape and configuration of a clamp as depicted in the accompanying representations.**



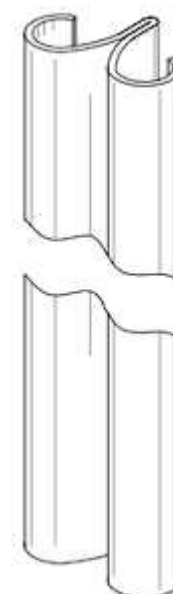
- (21) Design Number: **16165/2012**
(22) Date of Filing Application: **07 December 2012**
(24) Date from which industrial property rights may have effect: **07 December 2012**
(54) Product in respect of which the design is registered: **Signpost**
(51) International Design Classification: **20-03C**
(74) Name(s) of Attorney(s): **Ascot Martin Registered Patent & Trade Mark Attorneys**
(71) Name(s) and Address(s) of Applicant(s):
Charles Berelowitz
31/6 Trelawney St Woollahra NSW 2025 Australia
(72) Name(s) of Designer(s): **Charles Berelowitz and Gary Bortz**
(45) Registration Date: **04 February 2013**
(56) Related Art Documents: **Not Applicable**
(57) Statement of Newness and Distinctiveness: **The features of the design which are new and distinctive are the shape and configuration of the signpost as shown in the accompanying representations.**



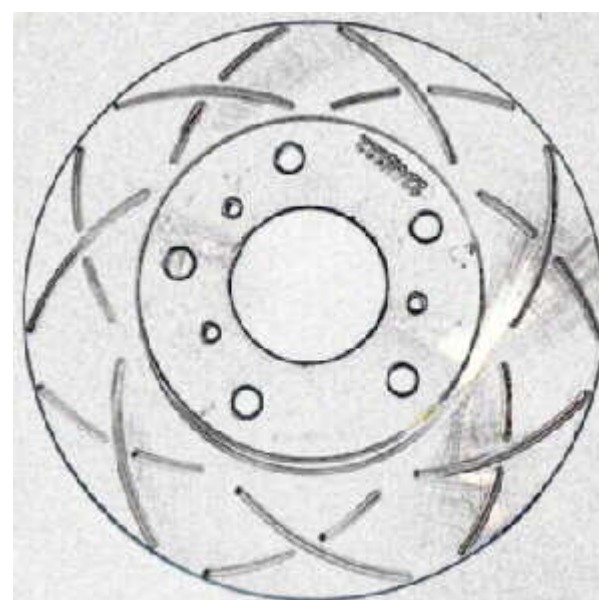
- (21) Design Number: **16168/2012**
(22) Date of Filing Application: **07 December 2012**
(24) Date from which industrial property rights may have effect: **07 December 2012**
(54) Product in respect of which the design is registered: **A section**
(51) International Design Classification: **25-02NES**
(74) Name(s) of Attorney(s): **Knightsbridge Patent Attorneys**
(71) Name(s) and Address(s) of Applicant(s):
Steel-Tuff Rural Fencing Solutions Pty. Ltd.
9-11 Turbo Dr Bayswater VIC 3153 Australia
(72) Name(s) of Designer(s): **Neil Henry French**
(45) Registration Date: **04 February 2013**
(56) Related Art Documents: **Not Applicable**
(57) Statement of Newness and Distinctiveness: **The applicant claims that newness and distinctiveness reside in the cross-sectional shape of a section as depicted in the accompanying representations. The section is of indefinite length.**



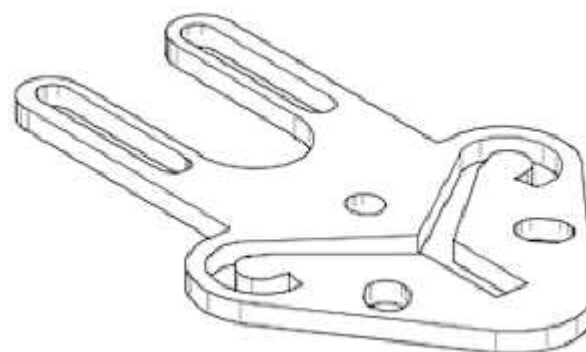
- (21) Design Number: **16169/2012**
(22) Date of Filing Application: **07 December 2012**
(24) Date from which industrial property rights may have effect: **07 December 2012**
(54) Product in respect of which the design is registered: **A section**
(51) International Design Classification: **25-02NES**
(74) Name(s) of Attorney(s): **Knightsbridge Patent Attorneys**
(71) Name(s) and Address(s) of Applicant(s):
Steel-Tuff Rural Fencing Solutions Pty. Ltd.
9-11 Turbo Dr Bayswater VIC 3153 Australia
(72) Name(s) of Designer(s): **Neil Henry French**
(45) Registration Date: **04 February 2013**
(56) Related Art Documents: **Not Applicable**
(57) Statement of Newness and Distinctiveness: **The applicant claims that newness and distinctiveness reside in the cross-sectional shape of a section as depicted in the accompanying representations. The section is of indefinite length.**



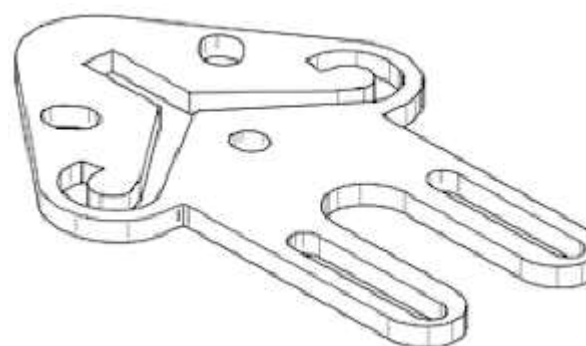
- (21) Design Number: **16174/2012**
(22) Date of Filing Application: **09 December 2012**
(24) Date from which industrial property rights may have effect: **09 December 2012**
(54) Product in respect of which the design is registered: **Brake rotor**
(51) International Design Classification: **12-16M**
(74) Name(s) of Attorney(s):
(71) Name(s) and Address(s) of Applicant(s):
Rapid Resource Solutions Pty. Ltd.
2 Shine Ct Narre Warren VIC 3805 Australia
(72) Name(s) of Designer(s): **Todd Watkins and Katerina Watkins**
(45) Registration Date: **04 February 2013**
(56) Related Art Documents: **Not Applicable**
(57) Statement of Newness and Distinctiveness: **Slotting pattern of rotor is directional (left and right patterns, mirror image of one another). 14 crossing arcs with one arc split so as not to cross cuts, set at 51.43 degrees about the center of the disk rotor. Crossing point of arcs is approximate to the center of the friction surface of brake disc.**



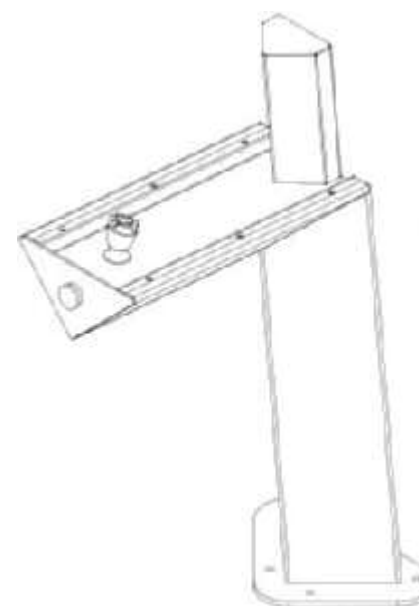
- (21) Design Number: **16186/2012**
(22) Date of Filing Application: **10 December 2012**
(24) Date from which industrial property rights may have effect: **10 December 2012**
(54) Product in respect of which the design is registered: **A device for supporting a gate**
(51) International Design Classification: **08-08K**
(74) Name(s) of Attorney(s): **Knightsbridge Patent Attorneys**
(71) Name(s) and Address(s) of Applicant(s):
Steel-Tuff Rural Fencing Solutions Pty. Ltd.
9-11 Turbo Dr Bayswater VIC 3153 Australia
(72) Name(s) of Designer(s): **Neil Henry French**
(45) Registration Date: **04 February 2013**
(56) Related Art Documents: **Not Applicable**
(57) Statement of Newness and Distinctiveness: **The applicant claims that newness and distinctiveness reside in the features of shape and configuration of a device for supporting a gate, as depicted in the accompanying representations.**



- (21) Design Number: **16187/2012**
(22) Date of Filing Application: **10 December 2012**
(24) Date from which industrial property rights may have effect: **10 December 2012**
(54) Product in respect of which the design is registered: **A device for supporting a gate**
(51) International Design Classification: **08-08K**
(74) Name(s) of Attorney(s): **Knightsbridge Patent Attorneys**
(71) Name(s) and Address(s) of Applicant(s):
Steel-Tuff Rural Fencing Solutions Pty. Ltd.
9-11 Turbo Dr Bayswater VIC 3153 Australia
(72) Name(s) of Designer(s): **Neil Henry French**
(45) Registration Date: **04 February 2013**
(56) Related Art Documents: **Not Applicable**
(57) Statement of Newness and Distinctiveness: **The applicant claims that newness and distinctiveness reside in the features of shape and configuration of a device for supporting a gate, as depicted in the accompanying representations.**



- (21) Design Number: **16188/2012**
(22) Date of Filing Application: **10 December 2012**
(24) Date from which industrial property rights may have effect: **10 December 2012**
(54) Product in respect of which the design is registered: **Water fountain**
(51) International Design Classification: **23-01NES**
(74) Name(s) of Attorney(s): **WATERMARK PATENT AND TRADE MARKS ATTORNEYS**
(71) Name(s) and Address(s) of Applicant(s):
Agwill Pty Ltd
PO BOX 6346 Silverwater NSW 1811 Australia
(72) Name(s) of Designer(s): **Adrian Wilson**
(45) Registration Date: **04 February 2013**
(56) Related Art Documents: **Not Applicable**
(57) Statement of Newness and Distinctiveness: **The shape and configuration of the water fountain as shown in the representations is claimed as new and distinctive. No claim is made in the shape or configuration of the base plate supporting the water fountain.**



- (21) Design Number: **12716/2012**
(22) Date of Filing Application: **07 June 2012**
(24) Date from which industrial property rights may have effect: **07 June 2012**
(54) Product in respect of which the design is registered: **Garden hose**
(51) International Design Classification: **23-01C**
(74) Name(s) of Attorney(s): **SPRUSON & FERGUSON**
(71) Name(s) and Address(s) of Applicant(s):
GARDENA Manufacturing GmbH
Hans Lorenser Strasse 40 D-89079 ULM Germany
(72) Name(s) of Designer(s): **Aleksandar Tatic**
(45) Registration Date: **05 February 2013**
(30) Convention priority data:
(31) Number (32) Date (33) Country
002046037 23 May 2012 EUROPEAN COMMUNITY
(56) Related Art Documents: **Not Applicable**
(57) Statement of Newness and Distinctiveness: **Newness and distinctiveness is claimed in the features of pattern and/or ornamentation and shape and/or configuration of a garden hose as illustrated in the accompanying representations, apart from the length of the garden hose.**



(21) Design Number: **16469/2012**
(22) Date of Filing Application: **19 December 2012**
(24) Date from which industrial property rights may have effect: **19 December 2012**
(54) Product in respect of which the design is registered: **Cap for a container**
(51) International Design Classification: **09-07A**
(74) Name(s) of Attorney(s): **PHILLIPS ORMONDE FITZPATRICK**
(71) Name(s) and Address(s) of Applicant(s):

Guala Pack S.p.A.
Via Carlo Mussa 266 1-15073 Castellazzo Bormida Alessandria Italy

(72) Name(s) of Designer(s): **Stefano Tamarindo**

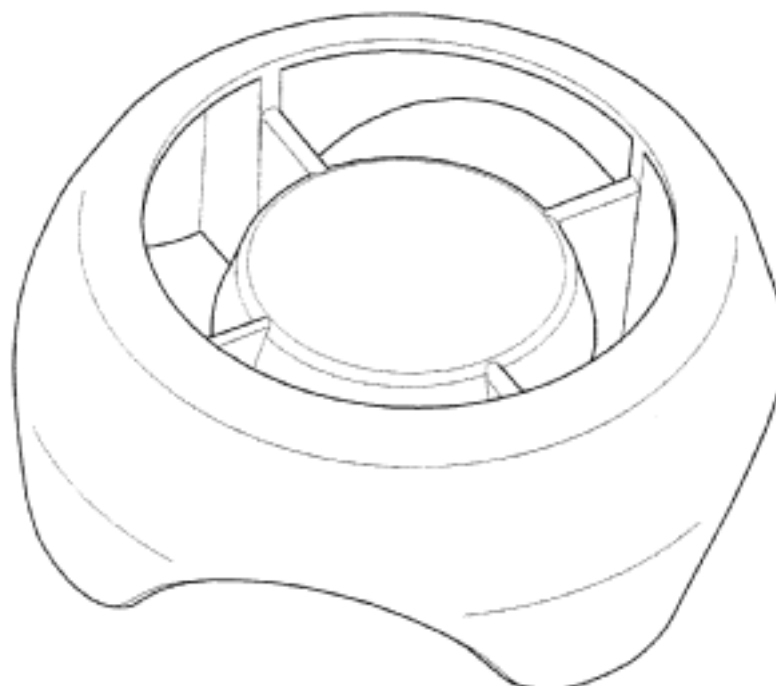
(45) Registration Date: **05 February 2013**

(30) Convention priority data:

(31) Number	(32) Date	(33) Country
BS2012O000021	18 Jul 2012	ITALY

(56) Related Art Documents: **Not Applicable**

(57) Statement of Newness and Distinctiveness: **Those features of the cap for a container depicted in the representations that are new and distinctive are the shape and/or configuration.**



(21) Design Number: **16470/2012**
(22) Date of Filing Application: **19 December 2012**
(24) Date from which industrial property rights may have effect: **19 December 2012**
(54) Product in respect of which the design is registered: **Organ or tissue cradle**
(51) International Design Classification: **24-01**
(74) Name(s) of Attorney(s): **PHILLIPS ORMONDE FITZPATRICK**
(71) Name(s) and Address(s) of Applicant(s):

Lifeline Scientific, Inc.
One Pierce Place Suite 475W Itasca Illinois 60143 United States of America

(72) Name(s) of Designer(s): **Peter Demuylder and Brian Otts and Christopher P. Steinman and Rick W. Walker and Kirk C. Palmerton and Jeffrey S. Louis and David Pettinato and Matthew Copithorne and James Guarrera**

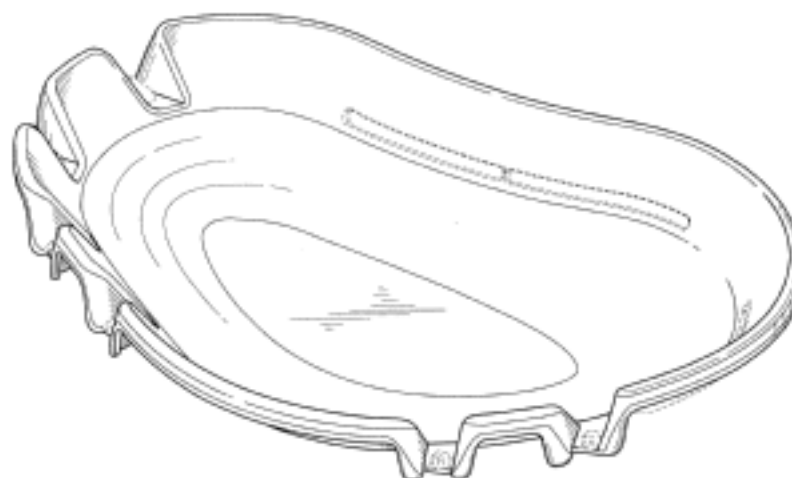
(45) Registration Date: **05 February 2013**

(30) Convention priority data:

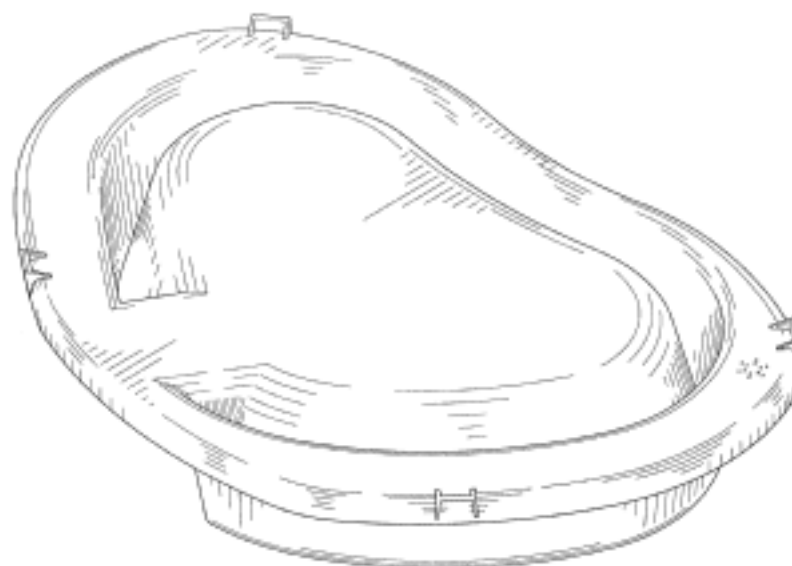
(31) Number	(32) Date	(33) Country
29/426,748	10 Jul 2012	UNITED STATES OF AMERICA

(56) Related Art Documents: **Not Applicable**

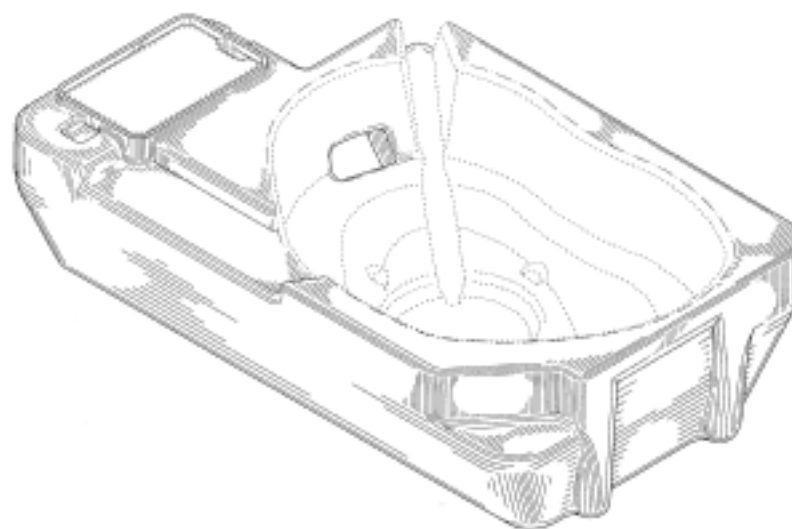
(57) Statement of Newness and Distinctiveness: **Those features of the organ or tissue cradle depicted in the representations that are new and distinctive are the shape and/or configuration. The features shown in broken lines are not part of the design and are to be disregarded when considering the overall impression of the design.**



- (21) Design Number: **16471/2012**
(22) Date of Filing Application: **19 December 2012**
(24) Date from which industrial property rights may have effect: **19 December 2012**
(54) Product in respect of which the design is registered: **Lid for organ or tissue container**
(51) International Design Classification: **24-01**
(74) Name(s) of Attorney(s): **PHILLIPS ORMONDE FITZPATRICK**
(71) Name(s) and Address(s) of Applicant(s):
Lifeline Scientific, Inc.
One Pierce Place Suite 475W Itasca Illinois 60143 United States of America
(72) Name(s) of Designer(s): **Christopher P. Steinman and Rick W. Walker and Kirk C. Palmerton and Jeffrey S. Louis and David Pettinato**
(45) Registration Date: **05 February 2013**
(30) Convention priority data:
(31) Number (32) Date (33) Country
29/426,725 10 Jul 2012 UNITED STATES OF AMERICA
(56) Related Art Documents: **Not Applicable**
(57) Statement of Newness and Distinctiveness: **Those features of the lid for organ or tissue container depicted in the representations that are new and distinctive are the shape and/or configuration. The features shown in broken lines are not part of the design and are to be disregarded when considering the overall impression of the design.**



- (21) Design Number: **16472/2012**
(22) Date of Filing Application: **19 December 2012**
(24) Date from which industrial property rights may have effect: **19 December 2012**
(54) Product in respect of which the design is registered: **Coolant container**
(51) International Design Classification: **24-01**
(74) Name(s) of Attorney(s): **PHILLIPS ORMONDE FITZPATRICK**
(71) Name(s) and Address(s) of Applicant(s):
Lifeline Scientific, Inc.
One Pierce Place Suite 475W Itasca Illinois 60143 United States of America
(72) Name(s) of Designer(s): **Brian Otts and Christopher P. Steinman and David Pettinato and Matthew Copithorne and Robert J. Allen and Frank P. Nanna and Peter Demuylder and Aaron Randall Ferber and Ross Lockwood and Rodney Hal Monson and Evan David Shapiro**
(45) Registration Date: **05 February 2013**
(30) Convention priority data:
(31) Number (32) Date (33) Country
29/426,755 10 Jul 2012 UNITED STATES OF AMERICA
(56) Related Art Documents: **Not Applicable**
(57) Statement of Newness and Distinctiveness: **Those features of the coolant container depicted in the representations that are new and distinctive are the shape and/or configuration. The features shown in broken lines are not part of the design and are to be disregarded when considering the overall impression of the design. The dot-chain lines illustrate a boundary between claimed and unclaimed surfaces and form no part of the claimed design.**



- (21) Design Number: **16473/2012**
(22) Date of Filing Application: **19 December 2012**
(24) Date from which industrial property rights may have effect: **19 December 2012**
(54) Product in respect of which the design is registered: **Basin**
(51) International Design Classification: **23-02F**
(74) Name(s) of Attorney(s): **PHILLIPS ORMONDE FITZPATRICK**
(71) Name(s) and Address(s) of Applicant(s):

Lifeline Scientific, Inc.
One Pierce Place Suite 475W Itasca Illinois 60143 United States of America

- (72) Name(s) of Designer(s): **Christopher P. Steinman and Rick W. Walker and Kirk C. Palmerton and Jeffrey S. Louis and David Pettinato**

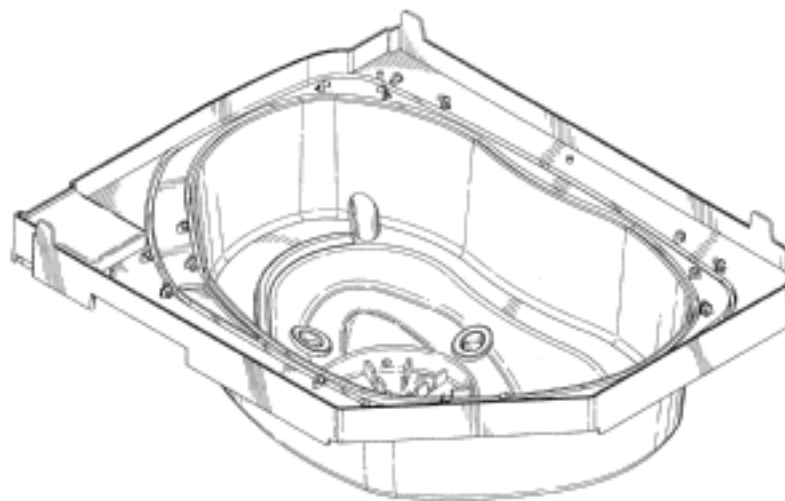
(45) Registration Date: **05 February 2013**

(30) Convention priority data:

(31) Number	(32) Date	(33) Country
29/426,729	10 Jul 2012	UNITED STATES OF AMERICA

(56) Related Art Documents: **Not Applicable**

(57) Statement of Newness and Distinctiveness: **Those features of the basin depicted in the representations that are new and distinctive are the shape and/or configuration.**



- (21) Design Number: **16474/2012**
(22) Date of Filing Application: **19 December 2012**
(24) Date from which industrial property rights may have effect: **19 December 2012**
(54) Product in respect of which the design is registered: **Coolant container**
(51) International Design Classification: **24-01**
(74) Name(s) of Attorney(s): **PHILLIPS ORMONDE FITZPATRICK**
(71) Name(s) and Address(s) of Applicant(s):

Lifeline Scientific, Inc.
One Pierce Place Suite 475W Itasca Illinois 60143 United States of America

- (72) Name(s) of Designer(s): **Aaron Randall Ferber and Ross Lockwood and Rodney Hal Monson and Evan David Shapiro and Peter Demuylder and Brian Otts and David Pettinato and Matthew Copithorne and Robert J. Allen and Frank P. Nanna and Christopher P. Steinman**

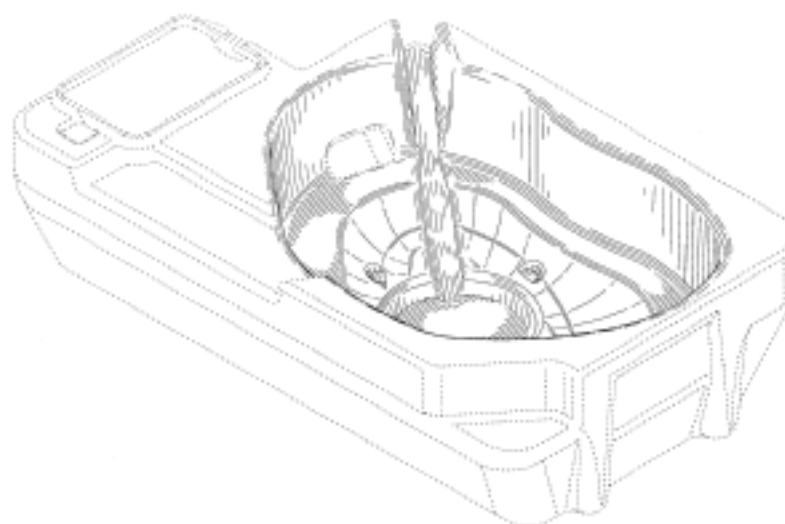
(45) Registration Date: **05 February 2013**

(30) Convention priority data:

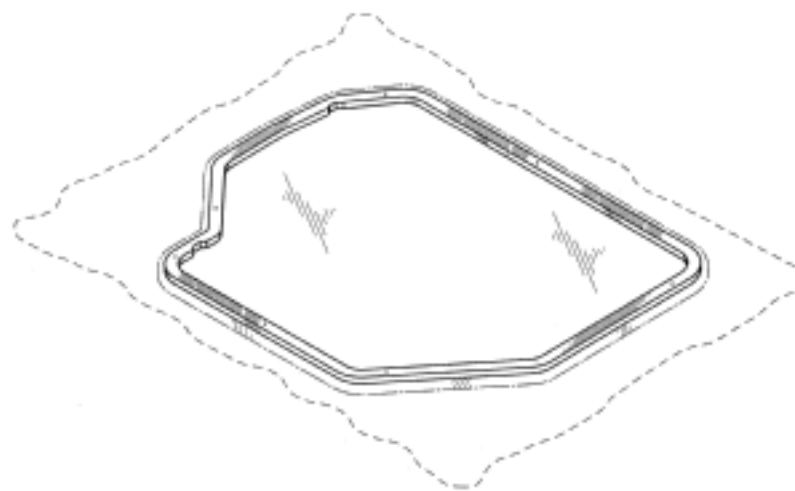
(31) Number	(32) Date	(33) Country
29/426,700	10 Jul 2012	UNITED STATES OF AMERICA

(56) Related Art Documents: **Not Applicable**

(57) Statement of Newness and Distinctiveness: **Those features of the coolant container depicted in the representations that are new and distinctive are the shape and/or configuration. The features shown in broken lines are not part of the design and are to be disregarded when considering the overall impression of the design. The dot-chain lines illustrate a boundary between claimed and unclaimed surfaces and form no part of the claimed design.**

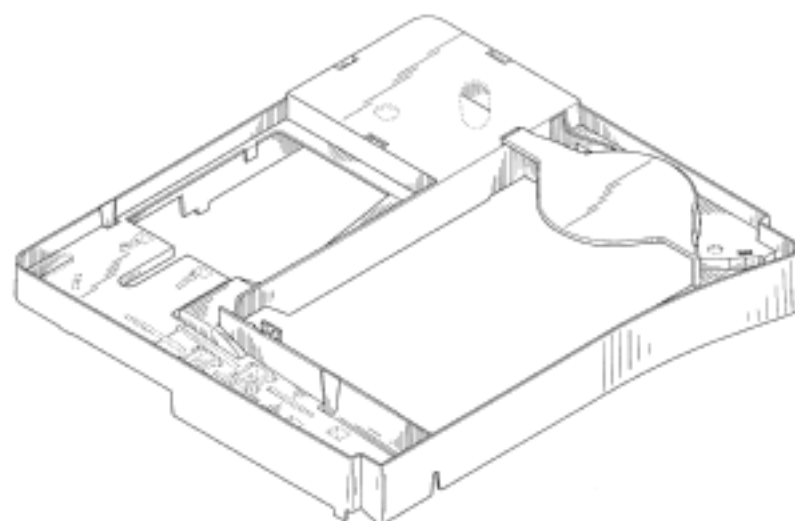


(21) Design Number: **16475/2012**
(22) Date of Filing Application: **19 December 2012**
(24) Date from which industrial property rights may have effect: **19 December 2012**
(54) Product in respect of which the design is registered: **Drape for an organ or tissue transporter**
(51) International Design Classification: **24-01**
(74) Name(s) of Attorney(s): **PHILLIPS ORMONDE FITZPATRICK**
(71) Name(s) and Address(s) of Applicant(s):
Lifeline Scientific, Inc.
One Pierce Place Suite 475W Itasca Illinois 60143 United States of America
(72) Name(s) of Designer(s): **Peter Demuylder and Brian Otts and Christopher P. Steinman and Jeffrey S. Louis and Matthew Copithorne**
(45) Registration Date: **05 February 2013**
(30) Convention priority data:
(31) Number (32) Date (33) Country
29/426,759 10 Jul 2012 UNITED STATES OF AMERICA



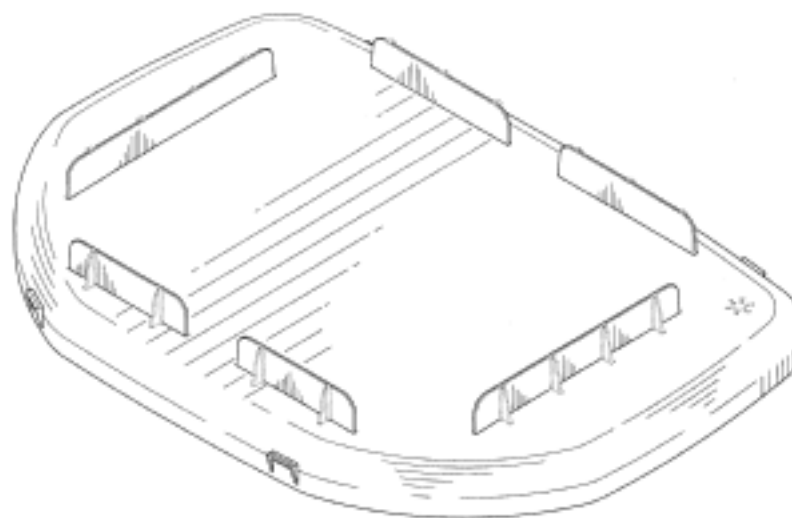
(56) Related Art Documents: **Not Applicable**
(57) Statement of Newness and Distinctiveness: **Those features of the drape for an organ or tissue transporter depicted in the representations that are new and distinctive are the shape and/or configuration. The features shown in broken lines are not part of the design and are to be disregarded when considering the overall impression of the design. The dot-chain lines illustrate an arbitrary boundary between claimed and unclaimed surfaces and form no part of the claimed design.**

(21) Design Number: **16476/2012**
(22) Date of Filing Application: **19 December 2012**
(24) Date from which industrial property rights may have effect: **19 December 2012**
(54) Product in respect of which the design is registered: **Tube frame**
(51) International Design Classification: **24-01**
(74) Name(s) of Attorney(s): **PHILLIPS ORMONDE FITZPATRICK**
(71) Name(s) and Address(s) of Applicant(s):
Lifeline Scientific, Inc.
One Pierce Place Suite 475W Itasca Illinois 60143 United States of America
(72) Name(s) of Designer(s): **Peter Demuylder and Brian Otts and Christopher P. Steinman and Jeffrey S. Louis and David Pettinato and Matthew Copithorne and James Guarrera**
(45) Registration Date: **05 February 2013**
(30) Convention priority data:
(31) Number (32) Date (33) Country
29/426,699 10 Jul 2012 UNITED STATES OF AMERICA

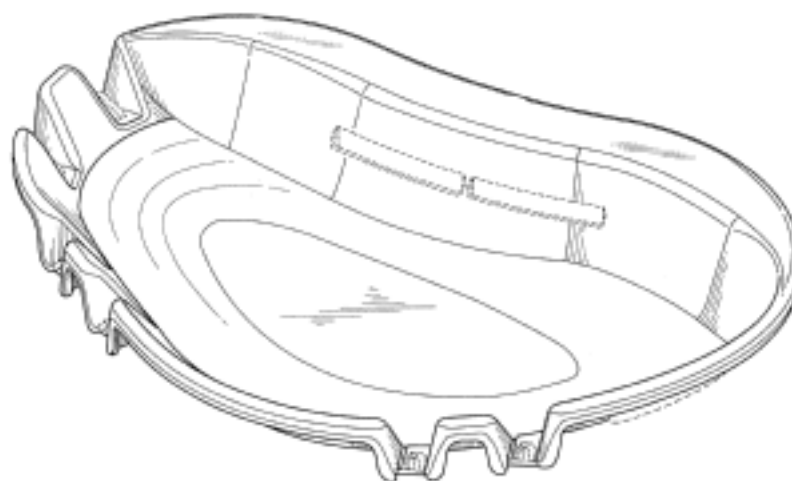


(56) Related Art Documents: **Not Applicable**
(57) Statement of Newness and Distinctiveness: **Those features of the tube frame depicted in the representations that are new and distinctive are the shape and/or configuration. The features shown in broken lines are not part of the design and are to be disregarded when considering the overall impression of the design.**

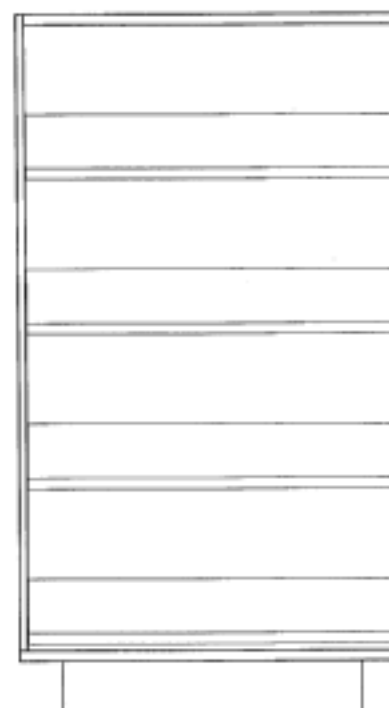
- (21) Design Number: **16477/2012**
(22) Date of Filing Application: **19 December 2012**
(24) Date from which industrial property rights may have effect: **19 December 2012**
(54) Product in respect of which the design is registered: **Lid for organ or tissue container**
(51) International Design Classification: **24-01**
(74) Name(s) of Attorney(s): **PHILLIPS ORMONDE FITZPATRICK**
(71) Name(s) and Address(s) of Applicant(s):
Lifeline Scientific, Inc.
One Pierce Place Suite 475W Itasca Illinois 60143 United States of America
(72) Name(s) of Designer(s): **Christopher P. Steinman and Rick W. Walker and Kirk C. Palmerton and Jeffrey S. Louis and David Pettinato**
(45) Registration Date: **05 February 2013**
(30) Convention priority data:
(31) Number (32) Date (33) Country
29/426,735 10 Jul 2012 UNITED STATES OF AMERICA
(56) Related Art Documents: **Not Applicable**
(57) Statement of Newness and Distinctiveness: **Those features of the lid for organ or tissue container depicted in the representations that are new and distinctive are the shape and/or configuration. The features shown in broken lines are not part of the design and are to be disregarded when considering the overall impression of the design.**



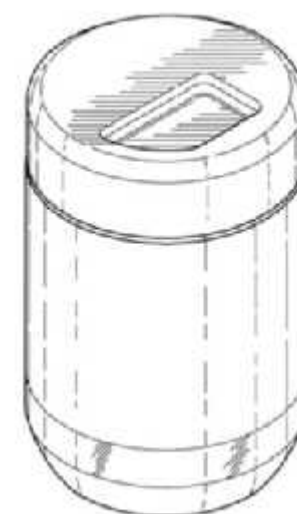
- (21) Design Number: **16478/2012**
(22) Date of Filing Application: **19 December 2012**
(24) Date from which industrial property rights may have effect: **19 December 2012**
(54) Product in respect of which the design is registered: **Organ or tissue cradle**
(51) International Design Classification: **24-01**
(74) Name(s) of Attorney(s): **PHILLIPS ORMONDE FITZPATRICK**
(71) Name(s) and Address(s) of Applicant(s):
Lifeline Scientific, Inc.
One Pierce Place Suite 475W Itasca Illinois 60143 United States of America
(72) Name(s) of Designer(s): **Peter Demuylder and Brian Otts and Christopher P. Steinman and Rick W. Walker and Kirk C. Palmerton and Jeffrey S. Louis and David Pettinato and Matthew Copithorne and James Guarrera**
(45) Registration Date: **05 February 2013**
(30) Convention priority data:
(31) Number (32) Date (33) Country
29/426,757 10 Jul 2012 UNITED STATES OF AMERICA
(56) Related Art Documents: **Not Applicable**
(57) Statement of Newness and Distinctiveness: **Those features of the Organ or Tissue Container depicted in the representations that are new and distinctive are the shape and/or configuration. The features shown in broken lines are not part of the design and are to be disregarded when considering the overall impression of the design.**



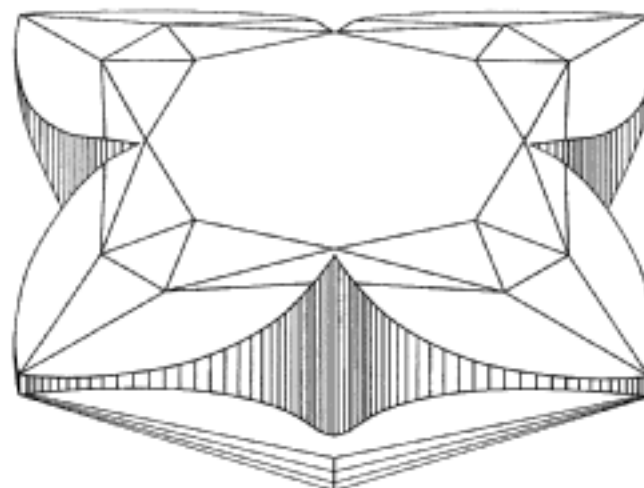
- (21) Design Number: **15170/2012**
(22) Date of Filing Application: **19 October 2012**
(24) Date from which industrial property rights may have effect: **19 October 2012**
(54) Product in respect of which the design is registered: **Sliimform library shelving**
(51) International Design Classification: **06-04NES**
(74) Name(s) of Attorney(s):
(71) Name(s) and Address(s) of Applicant(s):
Essandem Pty Ltd
215 Richmond Road Richmond South Australia 5033 Australia
(72) Name(s) of Designer(s): **Donald Scott Reed**
(45) Registration Date: **06 February 2013**
(56) Related Art Documents: **Not Applicable**
(57) Statement of Newness and Distinctiveness: **The Sliimform Library Shelving has been designed to meet the needs of the evolving Library community. Features of the Sliimform Library Shelving Ability to take multi style shelves for book display and storage. Book display on the Sloping shelves improves book visibility. Unique hole spacing allows different shelves to be utilise on Sliimform carcass. Equally spaced shelves to maximise book or multimedia collection capacity. Ability to provide either mobile or fixed base (with Plinth) Sliimform Library Shelving. Ability to move the Sliimform easily and create new spaces. Ability to create a curve or form an arch. Ability to adapt the Sliimform carcass to meet the different needs of individual libraries. Centre void on shelving allows for electrical and data cabling. Centre void on shelving allows for different styles of signage. Ability to be either single sided or double-sided sliimform Library shelving. Ability to accept varying End Panel thickness for display & signage purposes.**



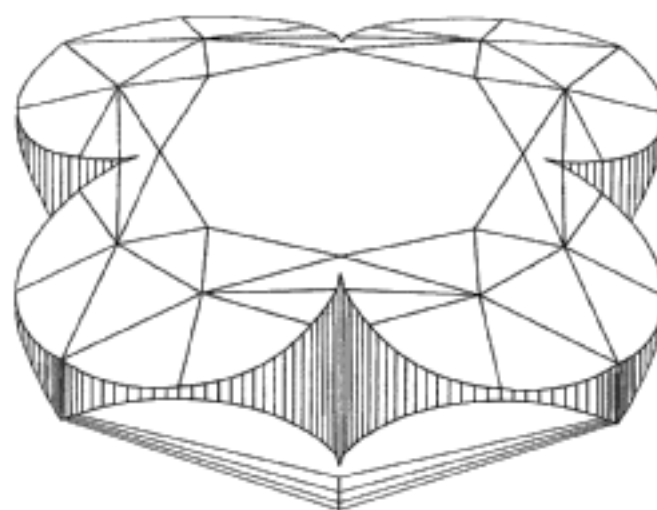
- (21) Design Number: **15715/2012**
(22) Date of Filing Application: **19 November 2012**
(24) Date from which industrial property rights may have effect: **19 November 2012**
(54) Product in respect of which the design is registered: **A canister**
(51) International Design Classification: **09-02NES**
(74) Name(s) of Attorney(s): **Smootenburg Patent & Trade Mark Attorneys**
(71) Name(s) and Address(s) of Applicant(s):
Klean Kanteen, Inc
4345 Hedstrom Way Chico CA 95973 United States of America
(72) Name(s) of Designer(s): **Casey Hopkins and James Osgood and Eckehart Zimmermann and Scott Rolfson and Ethan Jewett and Brett Renlund**
(45) Registration Date: **06 February 2013**
(30) Convention priority data:
(31) Number (32) Date (33) Country
29/423,980 06 Jun 2012 UNITED STATES OF AMERICA
(56) Related Art Documents: **Not Applicable**
(57) Statement of Newness and Distinctiveness: **Newness and distinctiveness is claimed in features of shape and/or configuration of a canister as illustrated in the accompanying representations. No regard is to be had to the dashed lines in the figures, they are for environmental purposes only and form no part of the claimed design.**



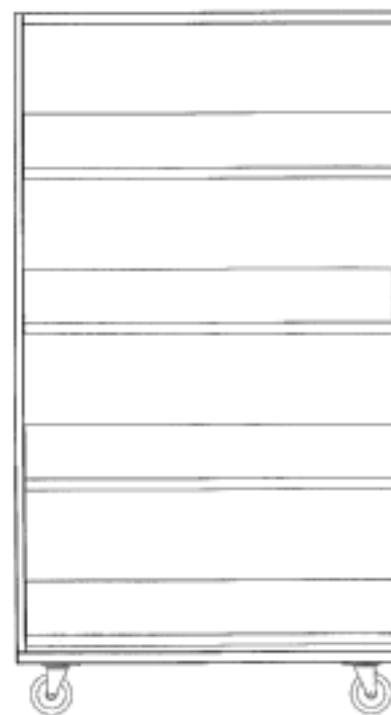
- (21) Design Number: **15920/2012**
(22) Date of Filing Application: **26 November 2012**
(24) Date from which industrial property rights may have effect: **26 November 2012**
(54) Product in respect of which the design is registered: **Cut and polished gemstone**
(51) International Design Classification: **11-01NES**
(74) Name(s) of Attorney(s): **FB Rice**
(71) Name(s) and Address(s) of Applicant(s):
Lili Diamonds
The Diamond Exchange - Maccabi Building 1 Jabotinsky Street Ramat Gan 52520 Israel
(72) Name(s) of Designer(s): **Jacob Siman-Tov and Itzhak Siman-Tov and Avraham Siman-Tov**
(45) Registration Date: **06 February 2013**
(30) Convention priority data:
(31) Number (32) Date (33) Country
53343 01 Nov 2012 ISRAEL
(56) Related Art Documents: **Not Applicable**
(57) Statement of Newness and Distinctiveness: **Newness and distinctiveness is claimed in the shape and configuration of the gemstone as shown in the representations.**



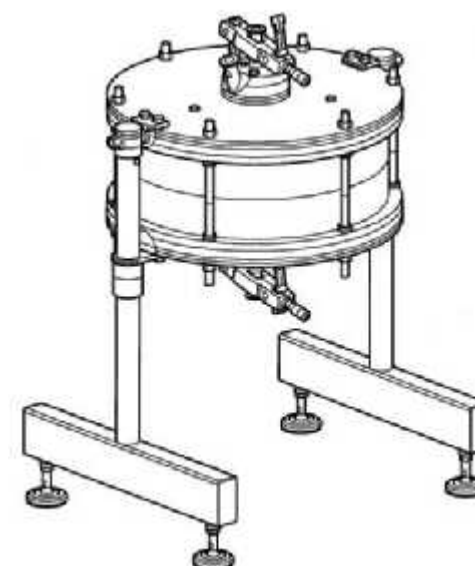
- (21) Design Number: **15921/2012**
(22) Date of Filing Application: **26 November 2012**
(24) Date from which industrial property rights may have effect: **26 November 2012**
(54) Product in respect of which the design is registered: **Cut and polished gemstone**
(51) International Design Classification: **11-01NES**
(74) Name(s) of Attorney(s): **FB Rice**
(71) Name(s) and Address(s) of Applicant(s):
Lili Diamonds
The Diamond Exchange Maccabi Building 1 Jabotinsky Street Ramat Gan 52520 Israel
(72) Name(s) of Designer(s): **Jacob Siman-Tov and Itzhak Siman-Tov and Avraham Siman-Tov**
(45) Registration Date: **06 February 2013**
(30) Convention priority data:
(31) Number (32) Date (33) Country
53344 01 Nov 2012 ISRAEL
(56) Related Art Documents: **Not Applicable**
(57) Statement of Newness and Distinctiveness: **Newness and distinctiveness is claimed in the shape and configuration of the gemstone as shown in the representations.**



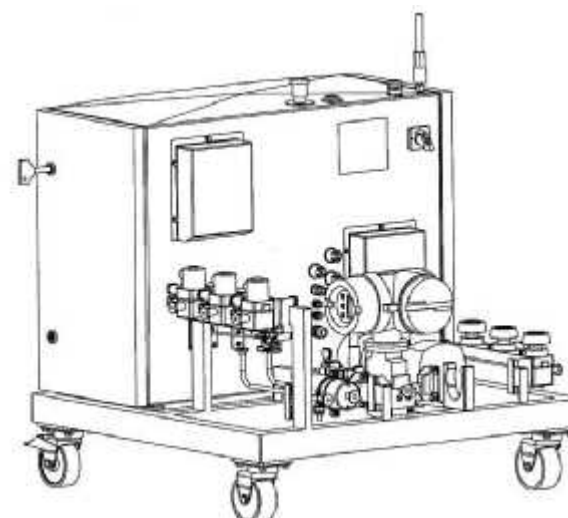
- (21) Design Number: **16036/2012**
(22) Date of Filing Application: **19 October 2012**
(24) Date from which industrial property rights may have effect: **19 October 2012**
(54) Product in respect of which the design is registered: **Sliimform library shelving**
(51) International Design Classification: **06-04NES**
(74) Name(s) of Attorney(s):
(71) Name(s) and Address(s) of Applicant(s):
Essandem Pty Ltd
215 Richmond Road Richmond South Australia 5033 Australia
(72) Name(s) of Designer(s): **Donald Scott Reed**
(45) Registration Date: **06 February 2013**
(56) Related Art Documents: **Not Applicable**
(57) Statement of Newness and Distinctiveness: **The Sliimform Library Shelving has been designed to meet the needs of the evolving Library community. Features of the Sliimform Library Shelving Ability to take multi style shelves for book display and storage. Book display on the Sloping shelves improves book visibility .Unique hole spacing allows different shelves to be utilised on Sliimform carcass. Equally spaced shelves to maximise book or multimedia collection capacity. Ability to provide either mobile or fixed base (with Plinth) Sliimform Library Shelving. Ability to move the Sliimform easily and create new spaces. Ability to create a curve or form an arch. Ability to adapt the Sliimform carcass to meet the different needs of individual libraries. Centre void on shelving allows for electrical and data cabling. Centre void on shelving allows for different styles of signage. Ability to be either single sided or double-sided sliimform Library shelving. Ability to accept varying End Panel thickness for display & signage purposes.**



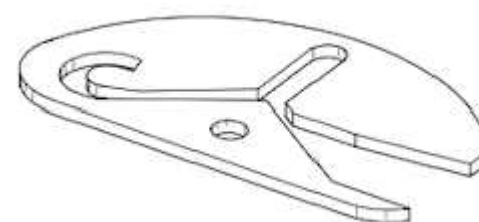
- (21) Design Number: **16353/2012**
(22) Date of Filing Application: **17 December 2012**
(24) Date from which industrial property rights may have effect: **17 December 2012**
(54) Product in respect of which the design is registered: **Chromatography column**
(51) International Design Classification: **24-01**
(74) Name(s) of Attorney(s): **Davies Collison Cave**
(71) Name(s) and Address(s) of Applicant(s):
GE Healthcare Bio-Sciences AB
Bjorkgatan 30 Uppsala SE-751 84 Sweden
(72) Name(s) of Designer(s): **Per Uselius**
(45) Registration Date: **06 February 2013**
(30) Convention priority data:
(31) Number (32) Date (33) Country
13/528973 21 Jun 2012 UNITED STATES OF AMERICA
(56) Related Art Documents: **Not Applicable**
(57) Statement of Newness and Distinctiveness: **Nil**



- (21) Design Number: **16355/2012**
(22) Date of Filing Application: **17 December 2012**
(24) Date from which industrial property rights may have effect: **17 December 2012**
(54) Product in respect of which the design is registered: **Chromatography system**
(51) International Design Classification: **24-01**
(74) Name(s) of Attorney(s): **Davies Collison Cave**
(71) Name(s) and Address(s) of Applicant(s):
GE Healthcare Bio-Sciences AB
Bjorkgatan 30 Uppsala SE-751 84 Sweden
(72) Name(s) of Designer(s): **Bjorn Haglund and Tomas Karlsson and Andreas Wiberg and Martin Kling and Tianlin Zhao and Yuyu Fang and Yongxin Li and Liu Dan**
(45) Registration Date: **06 February 2013**
(30) Convention priority data:
(31) Number (32) Date (33) Country
201230285358.5 29 Jun 2012 CHINA
(56) Related Art Documents: **Not Applicable**
(57) Statement of Newness and Distinctiveness: **Nil**



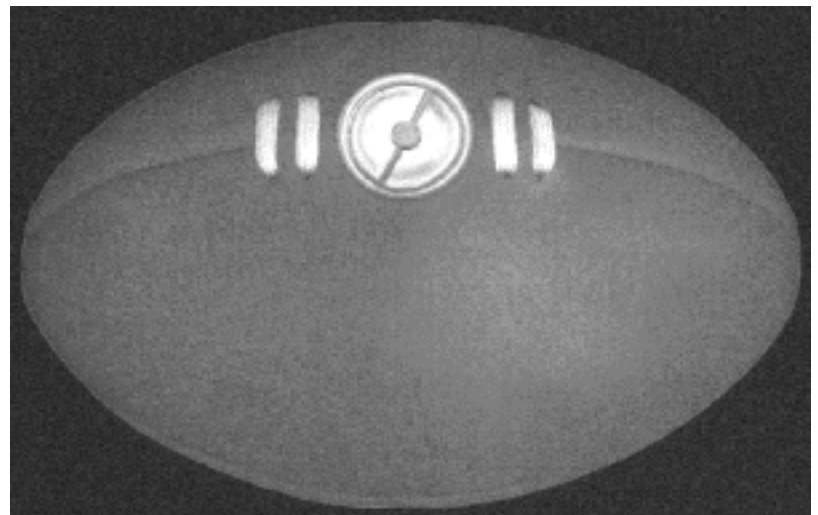
- (21) Design Number: **16170/2012**
(22) Date of Filing Application: **07 December 2012**
(24) Date from which industrial property rights may have effect: **07 December 2012**
(54) Product in respect of which the design is registered: **An apparatus for tensioning**
(51) International Design Classification: **25-01NES, 08-08NES**
(74) Name(s) of Attorney(s): **Knightsbridge Patent Attorneys**
(71) Name(s) and Address(s) of Applicant(s):
Steel-Tuff Rural Fencing Solutions Pty. Ltd.
9-11 Turbo Dr Bayswater VIC 3153 Australia
(72) Name(s) of Designer(s): **Neil Henry French**
(45) Registration Date: **06 February 2013**
(56) Related Art Documents: **Not Applicable**
(57) Statement of Newness and Distinctiveness: **The applicant claims that newness and distinctiveness reside in the features of shape and configuration of an apparatus for tensioning, as depicted in the accompanying representations.**



- (21) Design Number: **13025/2012**
(22) Date of Filing Application: **27 June 2012**
(24) Date from which industrial property rights may have effect: **27 June 2012**
(54) Product in respect of which the design is registered: **Instrument panel for an automobile**
(51) International Design Classification: **12-16NES**
(74) Name(s) of Attorney(s): **SPRUSON & FERGUSON**
(71) Name(s) and Address(s) of Applicant(s):
Toyota Jidosha Kabushiki Kaisha
1 Toyota-cho Toyota-shi Aichi-ken 471-8571 Japan
(72) Name(s) of Designer(s): **Takaaki Kato and Yoshiki Ito**
(45) Registration Date: **06 February 2013**
(56) Related Art Documents: **Not Applicable**
(57) Statement of Newness and Distinctiveness: **Newness and distinctiveness is claimed in the features of shape and/or configuration of an instrument panel for an automobile as illustrated in the accompanying representations.**



- (21) Design Number: **15429/2012**
(22) Date of Filing Application: **29 October 2012**
(24) Date from which industrial property rights may have effect: **29 October 2012**
(54) Product in respect of which the design is registered: **Drink container**
(51) International Design Classification: **09-01D**
(74) Name(s) of Attorney(s):
(71) Name(s) and Address(s) of Applicant(s):
Thirstysport Pty Ltd
238 Albert Rd South Melbourne VIC 3205 Australia
(72) Name(s) of Designer(s): **Lazaro Dorian**
(45) Registration Date: **06 February 2013**
(56) Related Art Documents: **Not Applicable**
(57) Statement of Newness and Distinctiveness: **Newness and distinctiveness resides in the visual features of the shape, pattern and visual surface texture giving an overall impression, except for size of a real Australian rules football (AFL).**



(21) Design Number: **15571/2012**
(22) Date of Filing Application: **08 November 2012**
(24) Date from which industrial property rights may have effect: **08 November 2012**
(54) Product in respect of which the design is registered: **Electronic device holder**
(51) International Design Classification: **14-02**
(74) Name(s) of Attorney(s): **Griffith Hack**
(71) Name(s) and Address(s) of Applicant(s):

S.P.M. Flow Control, Inc.
7601 Wyatt Drive Fort Worth TX 76108 United States of America

(72) Name(s) of Designer(s): **Brian Witkowski and Matthew Stephen Baca**

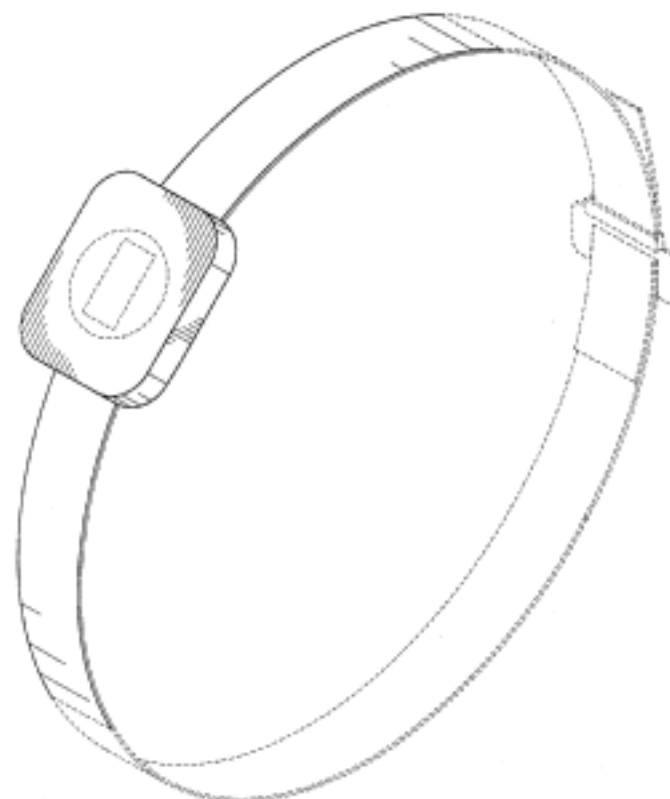
(45) Registration Date: **06 February 2013**

(30) Convention priority data:

(31) Number	(32) Date	(33) Country
29/420448	09 May 2012	UNITED STATES OF AMERICA

(56) Related Art Documents: **Not Applicable**

(57) Statement of Newness and Distinctiveness: **Newness and distinctiveness resides in the visual features, including shape, and configuration, of an ELECTRONIC DEVICE HOLDER as shown in solid outline in the accompanying drawings. When determining whether the design is substantially similar in overall impression to another design, no regard is to be had to those features shown in dotted outline in the accompanying drawings, which features are provided for illustrative purposes only. It should also be understood that the strap feature shown in the designs of Figures 9 and 18 of the drawings is of indefinite length.**



(21) Design Number: **15572/2012**
(22) Date of Filing Application: **08 November 2012**
(24) Date from which industrial property rights may have effect: **08 November 2012**
(54) Product in respect of which the design is registered: **Electronic device holder**
(51) International Design Classification: **14-02**
(74) Name(s) of Attorney(s): **Griffith Hack**
(71) Name(s) and Address(s) of Applicant(s):

S.P.M. Flow Control, Inc.
7601 Wyatt Drive Fort Worth TX 76108 United States of America

(72) Name(s) of Designer(s): **Brian Witkowski and Matthew Stephen Baca**

(45) Registration Date: **06 February 2013**

(30) Convention priority data:

(31) Number	(32) Date	(33) Country
29/420448	09 May 2012	UNITED STATES OF AMERICA

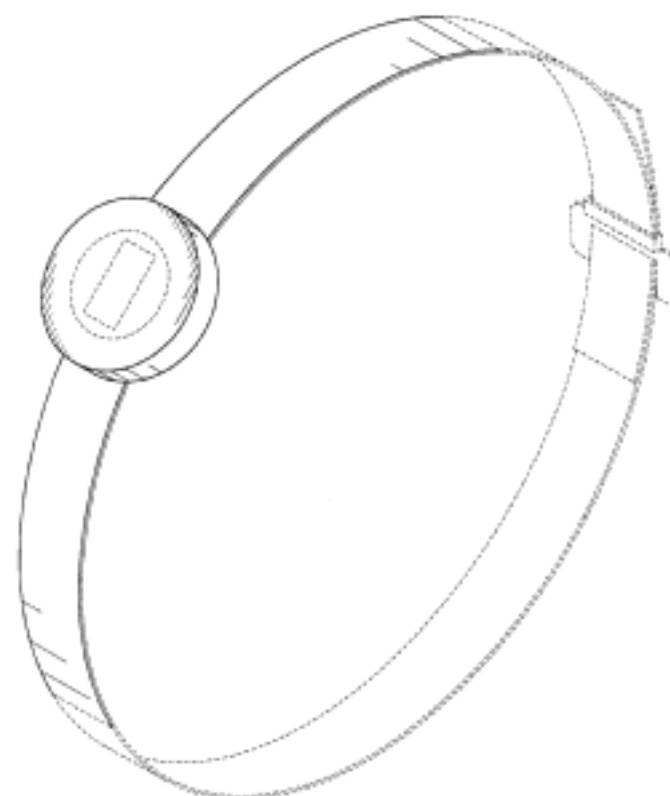
(56) Related Art Documents: **Not Applicable**

(57) Statement of Newness and Distinctiveness: **Newness and distinctiveness resides in the visual features, including shape, and configuration, of an ELECTRONIC DEVICE HOLDER as shown in solid outline in the accompanying drawings. When determining whether the design is substantially similar in overall impression to another design, no regard is to be had to those features shown in dotted outline in the accompanying drawings, which features are provided for illustrative purposes only. It should also be understood that the strap feature shown in the designs of Figures 9 and 18 of the drawings is of indefinite length.**



(21) Design Number: **15573/2012**
(22) Date of Filing Application: **08 November 2012**
(24) Date from which industrial property rights may have effect: **08 November 2012**
(54) Product in respect of which the design is registered: **Electronic device holder**
(51) International Design Classification: **14-02**
(74) Name(s) of Attorney(s): **Griffith Hack**
(71) Name(s) and Address(s) of Applicant(s):
S.P.M. Flow Control, Inc.
7601 Wyatt Drive Fort Worth TX 76108 United States of America
(72) Name(s) of Designer(s): **Brian Witkowski and Matthew Stephen Baca**
(45) Registration Date: **06 February 2013**
(30) Convention priority data:
(31) Number (32) Date (33) Country
29/420448 09 May 2012 UNITED STATES OF AMERICA

(56) Related Art Documents: **Not Applicable**
(57) Statement of Newness and Distinctiveness: **Newness and distinctiveness resides in the visual features, including shape, and configuration, of an ELECTRONIC DEVICE HOLDER as shown in solid outline in the accompanying drawings. When determining whether the design is substantially similar in overall impression to another design, no regard is to be had to those features shown in dotted outline in the accompanying drawings, which features are provided for illustrative purposes only. It should also be understood that the strap feature shown in the designs of Figures 9 and 18 of the drawings is of indefinite length.**



(21) Design Number: **15574/2012**
(22) Date of Filing Application: **08 November 2012**
(24) Date from which industrial property rights may have effect: **08 November 2012**
(54) Product in respect of which the design is registered: **Electronic device holder**
(51) International Design Classification: **14-02**
(74) Name(s) of Attorney(s): **Griffith Hack**
(71) Name(s) and Address(s) of Applicant(s):
S.P.M. Flow Control, Inc.
7601 Wyatt Drive Fort Worth TX 76108 United States of America
(72) Name(s) of Designer(s): **Brian Witkowski and Matthew Stephen Baca**
(45) Registration Date: **06 February 2013**
(30) Convention priority data:
(31) Number (32) Date (33) Country
29/420448 09 May 2012 UNITED STATES OF AMERICA

(56) Related Art Documents: **Not Applicable**
(57) Statement of Newness and Distinctiveness: **Newness and distinctiveness resides in the visual features, including shape, and configuration, of an ELECTRONIC DEVICE HOLDER as shown in solid outline in the accompanying drawings. When determining whether the design is substantially similar in overall impression to another design, no regard is to be had to those features shown in dotted outline in the accompanying drawings, which features are provided for illustrative purposes only. It should also be understood that the strap feature shown in the designs of Figures 9 and 18 of the drawings is of indefinite length.**



(21) Design Number: **16682/2012**

(22) Date of Filing Application: **29 October 2012**

(24) Date from which industrial property rights may have effect: **29 October 2012**

(54) Product in respect of which the design is registered: **Drink container**

(51) International Design Classification: **09-01D**

(74) Name(s) of Attorney(s):

(71) Name(s) and Address(s) of Applicant(s):

Thirstysport Pty Ltd

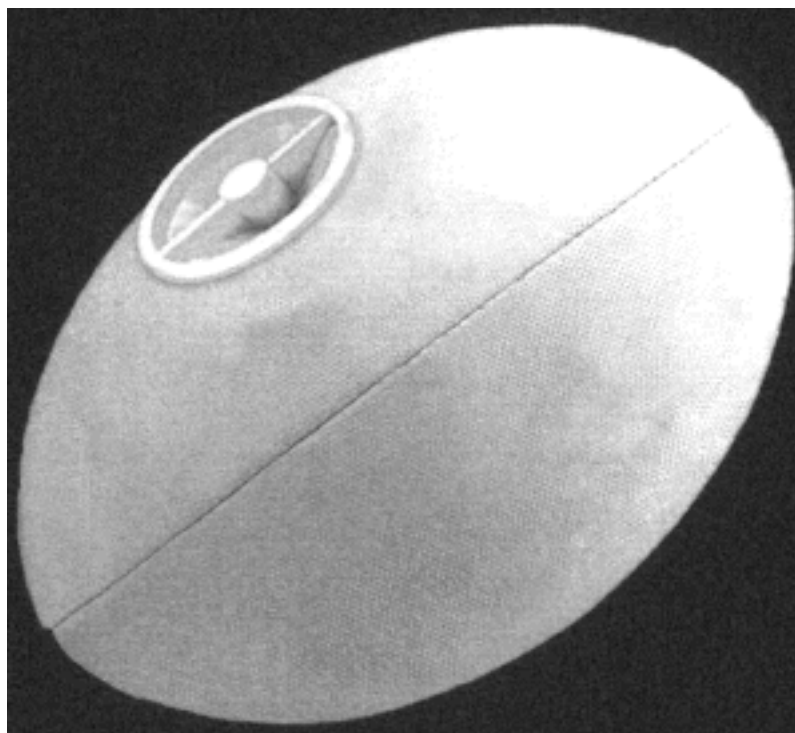
238 Albert Rd South Melbourne VIC 3205 Australia

(72) Name(s) of Designer(s): **Lazaro Dorian**

(45) Registration Date: **06 February 2013**

(56) Related Art Documents: **Not Applicable**

(57) Statement of Newness and Distinctiveness: **Newness and distinctiveness resides in the visual features of the shape, pattern and visual surface texture giving an overall impression, except for size of a real rugby league and rugby union ball.**



(21) Design Number: **16683/2012**

(22) Date of Filing Application: **29 October 2012**

(24) Date from which industrial property rights may have effect: **29 October 2012**

(54) Product in respect of which the design is registered: **Drink container**

(51) International Design Classification: **09-01D**

(74) Name(s) of Attorney(s):

(71) Name(s) and Address(s) of Applicant(s):

Thirstysport Pty Ltd

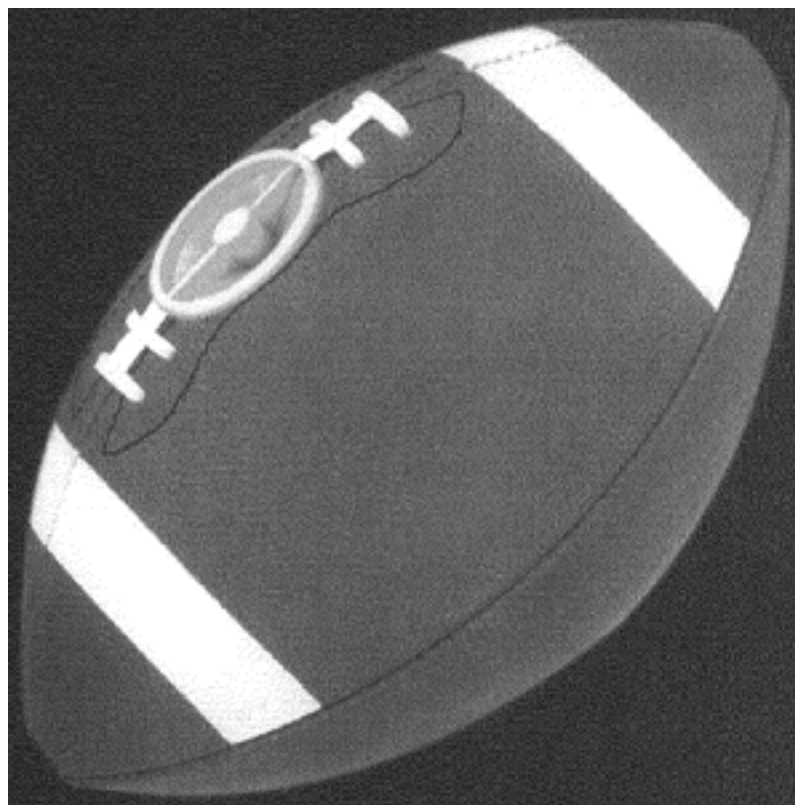
238 Albert Rd South Melbourne VIC 3205 Australia

(72) Name(s) of Designer(s): **Lazaro Dorian**

(45) Registration Date: **06 February 2013**

(56) Related Art Documents: **Not Applicable**

(57) Statement of Newness and Distinctiveness: **Newness and distinctiveness resides in the visual features of the shape, pattern and visual surface texture giving an overall impression, except for size of a real NFL/USA football.**



- (21) Design Number: **16390/2012**
(22) Date of Filing Application: **18 December 2012**
(24) Date from which industrial property rights may have effect: **18 December 2012**
(54) Product in respect of which the design is registered: **Soil slope retention device**
(51) International Design Classification: **08-99**
(74) Name(s) of Attorney(s): **A J Park**
(71) Name(s) and Address(s) of Applicant(s):
Cirtex Industries Limited
16 Queen Street Kopu New Zealand
(72) Name(s) of Designer(s): **Larry Joseph Judd**
(45) Registration Date: **06 February 2013**
(56) Related Art Documents: **Not Applicable**
(57) Statement of Newness and Distinctiveness: **Newness and distinctiveness is claimed in the features of shape and/or configuration of a slope retention device all as shown in the representations, wherein the length "L" of the stake from break line to its base end may vary, and wherein the angles # may range from 5 to 90 degrees.**



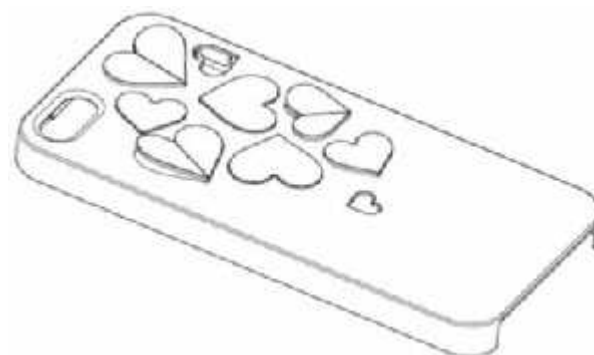
- (21) Design Number: **16391/2012**
(22) Date of Filing Application: **18 December 2012**
(24) Date from which industrial property rights may have effect: **18 December 2012**
(54) Product in respect of which the design is registered: **Soil slope retention device**
(51) International Design Classification: **08-99**
(74) Name(s) of Attorney(s): **A J Park**
(71) Name(s) and Address(s) of Applicant(s):
Cirtex Industries Limited
16 Queen Street Kopu New Zealand
(72) Name(s) of Designer(s): **Larry Joseph Judd**
(45) Registration Date: **06 February 2013**
(56) Related Art Documents: **Not Applicable**
(57) Statement of Newness and Distinctiveness: **Newness and distinctiveness is claimed in the features of shape and/or configuration of a slope retention device all as shown in the representations, wherein the length "L" of the stake from break line to its base end may vary, and wherein the angles # may range from 5 to 90 degrees.**



- (21) Design Number: **16392/2012**
(22) Date of Filing Application: **18 December 2012**
(24) Date from which industrial property rights may have effect: **18 December 2012**
(54) Product in respect of which the design is registered: **Soil slope retention device**
(51) International Design Classification: **08-99**
(74) Name(s) of Attorney(s): **A J Park**
(71) Name(s) and Address(s) of Applicant(s):
Cirtex Industries Limited
16 Queen Street Kopu New Zealand
(72) Name(s) of Designer(s): **Larry Joseph Judd**
(45) Registration Date: **06 February 2013**
(56) Related Art Documents: **Not Applicable**
(57) Statement of Newness and Distinctiveness: **Newness and distinctiveness is claimed in the features of shape and/or configuration of the soil slope retention device as shown in the representations. No novelty resides in the features shown in phantom and wherein the angles # may range from 5 to 90 degrees.**



- (21) Design Number: **16418/2012**
(22) Date of Filing Application: **19 December 2012**
(24) Date from which industrial property rights may have effect: **19 December 2012**
(54) Product in respect of which the design is registered: **Protective casing for handheld electronic device**
(51) International Design Classification: **03-01NES**
(74) Name(s) of Attorney(s): **Griffith Hack**
(71) Name(s) and Address(s) of Applicant(s):
SwitchEasy Limited
Room 314 Sing Win Factory Building 15-17 Shing Yip Street Kwun Tong
Kowloon Hong Kong
(72) Name(s) of Designer(s): **Chi Vun Steven Bau**
(45) Registration Date: **06 February 2013**
(30) Convention priority data:
(31) Number (32) Date (33) Country
1201644.0M002 21 Aug 2012 HONG KONG
(56) Related Art Documents: **Not Applicable**
(57) Statement of Newness and Distinctiveness: **Newness and distinctiveness resides in the visual features, including shape, configuration and ornamentation of the product as shown in the accompanying representations.**



(21) Design Number: **16420/2012**
(22) Date of Filing Application: **19 December 2012**
(24) Date from which industrial property rights may have effect: **19 December 2012**
(54) Product in respect of which the design is registered: **Head shower**
(51) International Design Classification: **23-02B**
(74) Name(s) of Attorney(s): **Griffith Hack**
(71) Name(s) and Address(s) of Applicant(s):
Hansgrohe SE
Austr. 5-9 Schiltach 77761 Germany
(72) Name(s) of Designer(s): **Tom Schonherr and Marco Flaig**
(45) Registration Date: **06 February 2013**
(30) Convention priority data:
(31) Number (32) Date (33) Country
001334486-0002 11 Jul 2012 EUROPEAN COMMUNITY
(56) Related Art Documents: **Not Applicable**
(57) Statement of Newness and Distinctiveness: **The shape, configuration and ornamentation of the PRODUCT is new and distinctive.**



(21) Design Number: **16421/2012**
(22) Date of Filing Application: **19 December 2012**
(24) Date from which industrial property rights may have effect: **19 December 2012**
(54) Product in respect of which the design is registered: **Hand shower**
(51) International Design Classification: **23-02B**
(74) Name(s) of Attorney(s): **Griffith Hack**
(71) Name(s) and Address(s) of Applicant(s):
Hansgrohe SE
Austr. 5-9 Schiltach 77761 Germany
(72) Name(s) of Designer(s): **Tom Schonherr and Matthias Oesterle**
(45) Registration Date: **06 February 2013**
(30) Convention priority data:
(31) Number (32) Date (33) Country
00134486-0005 11 Jul 2012 EUROPEAN COMMUNITY
(56) Related Art Documents: **Not Applicable**
(57) Statement of Newness and Distinctiveness: **The shape, configuration and ornamentation of the PRODUCT is new and distinctive.**



- (21) Design Number: **16441/2012**
(22) Date of Filing Application: **19 December 2012**
(24) Date from which industrial property rights may have effect: **19 December 2012**
(54) Product in respect of which the design is registered: **Moulds for food products**
(51) International Design Classification: **07-02P**
(74) Name(s) of Attorney(s): **TJ IP Patents, Trade Marks & Designs**
(71) Name(s) and Address(s) of Applicant(s):
Zila Kavehaz Kft
Ulloi ut 452 Budapest 1183 Hungary
(72) Name(s) of Designer(s): **Zila Laszlo**
(45) Registration Date: **06 February 2013**
(30) Convention priority data:
(31) Number (32) Date (33) Country
002067017-0001 02 Jul 2012 EUROPEAN COMMUNITY
(56) Related Art Documents: **Not Applicable**
(57) Statement of Newness and Distinctiveness: **Newness and distinctiveness reside in the shape, configuration, pattern and or ornamentation of the moulds for food products as illustrated in the representations. The writing and symbols on the mould including "Made in Hungary", various trade marks, numbers, patent number and various symbols do not form part of the design and should be disregarded. The specific colour of the mould does not form part of the design.**



- (21) Design Number: **16442/2012**
(22) Date of Filing Application: **19 December 2012**
(24) Date from which industrial property rights may have effect: **19 December 2012**
(54) Product in respect of which the design is registered: **Moulds for food products**
(51) International Design Classification: **07-02P**
(74) Name(s) of Attorney(s): **TJ IP Patents, Trade Marks & Designs**
(71) Name(s) and Address(s) of Applicant(s):
Zila Kavehaz Kft
Ulloi ut 452 Budapest 1183 Hungary
(72) Name(s) of Designer(s): **Zila Laszlo**
(45) Registration Date: **06 February 2013**
(30) Convention priority data:
(31) Number (32) Date (33) Country
002067017-0002 02 Jul 2012 EUROPEAN COMMUNITY
(56) Related Art Documents: **Not Applicable**
(57) Statement of Newness and Distinctiveness: **Newness and distinctiveness reside in the shape, configuration, pattern and or ornamentation of the moulds for food products as illustrated in the representations. The writing and symbols on the mould including "Made in Hungary", various trade marks, numbers, patent number and various symbols do not form part of the design and should be disregarded. The specific colour of the mould does not form part of the design.**



(21) Design Number: **16443/2012**
(22) Date of Filing Application: **19 December 2012**
(24) Date from which industrial property rights may have effect: **19 December 2012**
(54) Product in respect of which the design is registered: **Moulds for food products**
(51) International Design Classification: **07-02P**
(74) Name(s) of Attorney(s): **TJ IP Patents, Trade Marks & Designs**
(71) Name(s) and Address(s) of Applicant(s):
Zila Kavehaz Kft
Ulloi ut 452 Budapest 1183 Hungary
(72) Name(s) of Designer(s): **Zila Laszlo**
(45) Registration Date: **06 February 2013**
(30) Convention priority data:
(31) Number (32) Date (33) Country
002067017-0003 02 Jul 2012 EUROPEAN COMMUNITY



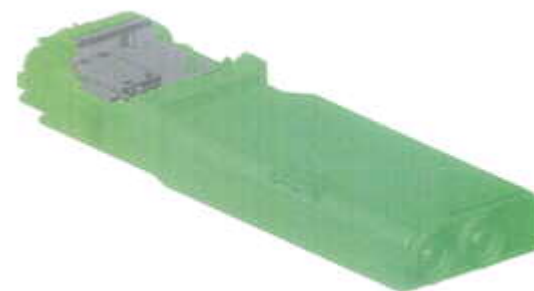
(56) Related Art Documents: **Not Applicable**
(57) Statement of Newness and Distinctiveness: **Newness and distinctiveness reside in the shape, configuration, pattern and or ornamentation of the moulds for food products as illustrated in the representations. The writing and symbols on the mould including "Made in Hungary", various trade marks, numbers, patent number and various symbols do not form part of the design and should be disregarded. The specific colour of the mould does not form part of the design.**

(21) Design Number: **16444/2012**
(22) Date of Filing Application: **19 December 2012**
(24) Date from which industrial property rights may have effect: **19 December 2012**
(54) Product in respect of which the design is registered: **Moulds for food products**
(51) International Design Classification: **07-02P**
(74) Name(s) of Attorney(s): **TJ IP Patents, Trade Marks & Designs**
(71) Name(s) and Address(s) of Applicant(s):
Zila Kavehaz Kft
Ulloi ut 452 Budapest 1183 Hungary
(72) Name(s) of Designer(s): **Zila Laszlo**
(45) Registration Date: **06 February 2013**
(30) Convention priority data:
(31) Number (32) Date (33) Country
002067017-0004 02 Jul 2012 EUROPEAN COMMUNITY



(56) Related Art Documents: **Not Applicable**
(57) Statement of Newness and Distinctiveness: **Newness and distinctiveness reside in the shape, configuration, pattern and or ornamentation of the moulds for food products as illustrated in the representations. The writing and symbols on the mould including "Made in Hungary", various trade marks, numbers, patent number and various symbols do not form part of the design and should be disregarded. The specific colour of the mould does not form part of the design.**

(21) Design Number: **15716/2012**
(22) Date of Filing Application: **16 November 2012**
(24) Date from which industrial property rights may have effect: **16 November 2012**
(54) Product in respect of which the design is registered: **Toner cartridge**
(51) International Design Classification: **14-02**
(74) Name(s) of Attorney(s): **Shelston IP**
(71) Name(s) and Address(s) of Applicant(s):



Fuji Xerox Co., Ltd.
7-3 Akasaka 9-chome Minato-ku Tokyo Japan

(72) Name(s) of Designer(s): **Takuji Matsumoto and Iori Togu**
(45) Registration Date: **07 February 2013**

(30) Convention priority data:
(31) Number (32) Date (33) Country
2012-011377 16 May 2012 JAPAN

(56) Related Art Documents: **Not Applicable**
(57) Statement of Newness and Distinctiveness: **Newness and distinctiveness reside in the features of shape and/or configuration of the toner cartridge indicated in gray scale in the accompanying representations. The features shown in green in the accompanying representations form no part of the design. The gray scale shading in each of the figures is shading which merely shows the three-dimensional surface of the toner cartridge and colour per se is not a visual feature of the design.**

(21) Design Number: **15718/2012**
(22) Date of Filing Application: **16 November 2012**
(24) Date from which industrial property rights may have effect: **16 November 2012**
(54) Product in respect of which the design is registered: **Toner cartridge**
(51) International Design Classification: **14-02**
(74) Name(s) of Attorney(s): **Shelston IP**
(71) Name(s) and Address(s) of Applicant(s):



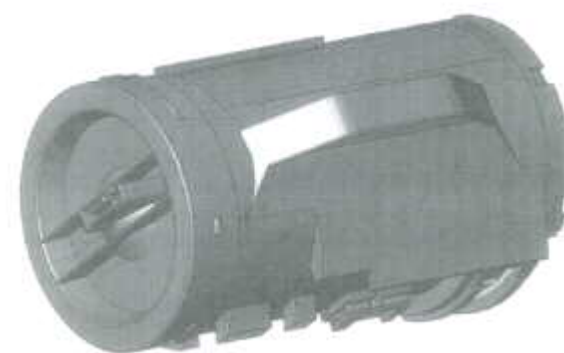
Fuji Xerox Co., Ltd.
7-3 Akasaka 9-chome Minato-ku Tokyo Japan

(72) Name(s) of Designer(s): **Toshio Takiguchi and Takuji Matsumoto and Naofumi Murayama and Shigemasa Nakaya and Iori Togu**
(45) Registration Date: **07 February 2013**

(30) Convention priority data:
(31) Number (32) Date (33) Country
2012-011375 16 May 2012 JAPAN

(56) Related Art Documents: **Not Applicable**
(57) Statement of Newness and Distinctiveness: **Newness and distinctiveness reside in the features of shape and/or configuration of the toner cartridge shown in the accompanying representations. The gray scale shading in each of the figures is shading which merely shows the three-dimensional surface of the toner cartridge and colour per se is not a visual feature of the design.**

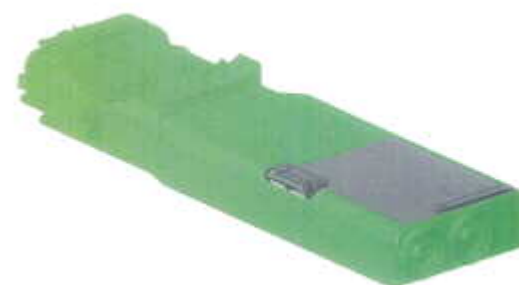
- (21) Design Number: **15719/2012**
(22) Date of Filing Application: **16 November 2012**
(24) Date from which industrial property rights may have effect: **16 November 2012**
(54) Product in respect of which the design is registered: **Toner cartridge**
(51) International Design Classification: **14-02**
(74) Name(s) of Attorney(s): **Shelston IP**
(71) Name(s) and Address(s) of Applicant(s):
Fuji Xerox Co., Ltd.
7-3 Akasaka 9-chome Minato-ku Tokyo Japan
(72) Name(s) of Designer(s): **Kazunori Koshimori and Masaya Okamoto and Kaoru Watanabe and Yuta Hoshino**
(45) Registration Date: **07 February 2013**
(30) Convention priority data:
(31) Number (32) Date (33) Country
2012-011907 22 May 2012 JAPAN
(56) Related Art Documents: **Not Applicable**
(57) Statement of Newness and Distinctiveness: **Newness and distinctiveness reside in the features of shape and/or configuration of the toner cartridge shown in the accompanying representations. The gray scale shading in each of the figures is shading which merely shows the three-dimensional surface of the toner cartridge and colour per se is not a visual feature of the design.**



- (21) Design Number: **15722/2012**
(22) Date of Filing Application: **16 November 2012**
(24) Date from which industrial property rights may have effect: **16 November 2012**
(54) Product in respect of which the design is registered: **Toner cartridge**
(51) International Design Classification: **14-02**
(74) Name(s) of Attorney(s): **Shelston IP**
(71) Name(s) and Address(s) of Applicant(s):
Fuji Xerox Co., Ltd.
7-3 Akasaka 9-chome Minato-ku Tokyo Japan
(72) Name(s) of Designer(s): **Kazunori Koshimori and Masaya Okamoto and Kaoru Watanabe and Yuta Hoshino**
(45) Registration Date: **07 February 2013**
(30) Convention priority data:
(31) Number (32) Date (33) Country
2012-011908 22 May 2012 JAPAN
(56) Related Art Documents: **Not Applicable**
(57) Statement of Newness and Distinctiveness: **Newness and distinctiveness reside in the features of shape and/or configuration of the toner cartridge shown in the accompanying representations. The gray scale shading in each of the figures is shading which merely shows the three-dimensional surface of the toner cartridge and colour per se is not a visual feature of the design.**



(21) Design Number: **15723/2012**
(22) Date of Filing Application: **16 November 2012**
(24) Date from which industrial property rights may have effect: **16 November 2012**
(54) Product in respect of which the design is registered: **Toner cartridge**
(51) International Design Classification: **14-02**
(74) Name(s) of Attorney(s): **Shelston IP**
(71) Name(s) and Address(s) of Applicant(s):



Fuji Xerox Co., Ltd.

7-3 Akasaka 9-chome Minato-ku Tokyo Japan

(72) Name(s) of Designer(s): **Takuji Matsumoto and Iori Togu**

(45) Registration Date: **07 February 2013**

(30) Convention priority data:

(31) Number	(32) Date	(33) Country
2012-011378	16 May 2012	JAPAN

(56) Related Art Documents: **Not Applicable**

(57) Statement of Newness and Distinctiveness: **Newness and distinctiveness reside in the features of shape and/or configuration of the toner cartridge indicated in gray scale in the accompanying representations. The features shown in green in the accompanying representations form no part of the design. The gray scale shading in each of the figures is shading which merely shows the three-dimensional surface of the toner cartridge and colour per se is not a visual feature of the design.**

(21) Design Number: **15724/2012**
(22) Date of Filing Application: **16 November 2012**
(24) Date from which industrial property rights may have effect: **16 November 2012**
(54) Product in respect of which the design is registered: **Toner cartridge**
(51) International Design Classification: **14-02**
(74) Name(s) of Attorney(s): **Shelston IP**
(71) Name(s) and Address(s) of Applicant(s):



Fuji Xerox Co., Ltd.

7-3 Akasaka 9-chome Minato-ku Tokyo Japan

(72) Name(s) of Designer(s): **Kazunori Koshimori and Masaya Okamoto and Kaoru Watanabe**

(45) Registration Date: **07 February 2013**

(30) Convention priority data:

(31) Number	(32) Date	(33) Country
2012-011910	22 May 2012	JAPAN

(56) Related Art Documents: **Not Applicable**

(57) Statement of Newness and Distinctiveness: **Newness and distinctiveness reside in the features of shape and/or configuration of the toner cartridge indicated in gray scale in the accompanying representations. The features shown in green in the accompanying representations form no part of the design. The gray scale shading in each of the figures is shading which merely shows the three-dimensional surface of the toner cartridge and colour per se is not a visual feature of the design.**

(21) Design Number: **15727/2012**
(22) Date of Filing Application: **16 November 2012**
(24) Date from which industrial property rights may have effect: **16 November 2012**
(54) Product in respect of which the design is registered: **Toner cartridge**
(51) International Design Classification: **14-02**
(74) Name(s) of Attorney(s): **Shelston IP**
(71) Name(s) and Address(s) of Applicant(s):

Fuji Xerox Co., Ltd.
7-3 Akasaka 9-chome Minato-ku Tokyo Japan

(72) Name(s) of Designer(s): **Kazunori Koshimori and Yuta Hoshino**

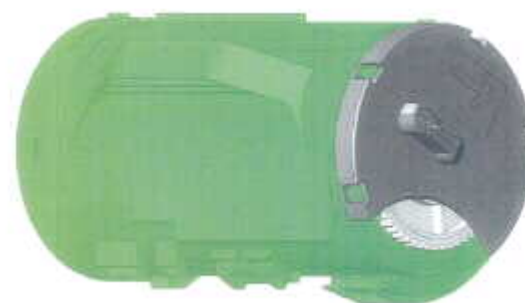
(45) Registration Date: **07 February 2013**

(30) Convention priority data:

(31) Number	(32) Date	(33) Country
2012-011909	22 May 2012	JAPAN

(56) Related Art Documents: **Not Applicable**

(57) Statement of Newness and Distinctiveness: **Newness and distinctiveness reside in the features of shape and/or configuration of the toner cartridge indicated in gray scale in the accompanying representations. The features shown in green in the accompanying representations form no part of the design. The gray scale shading in each of the figures is shading which merely shows the three-dimensional surface of the toner cartridge and colour per se is not a visual feature of the design.**



(21) Design Number: **16268/2012**
(22) Date of Filing Application: **10 December 2012**
(24) Date from which industrial property rights may have effect: **27 July 2012**
(54) Product in respect of which the design is registered: **Tablet**
(51) International Design Classification: **28-01**
(74) Name(s) of Attorney(s): **Shelston IP**
(71) Name(s) and Address(s) of Applicant(s):

McNeil-PPC, Inc.
199 Grandview Road Skillman New Jersey 08558 United States of America
Johnson & Johnson Industrial Ltda
Righway Presidente Dutra KM 154 Sao Jose Dos Campos Sao Paulo Brazil

(72) Name(s) of Designer(s): **Joel Waldman and Anthony Bean and Fernanda Franzoi**

(45) Registration Date: **07 February 2013**

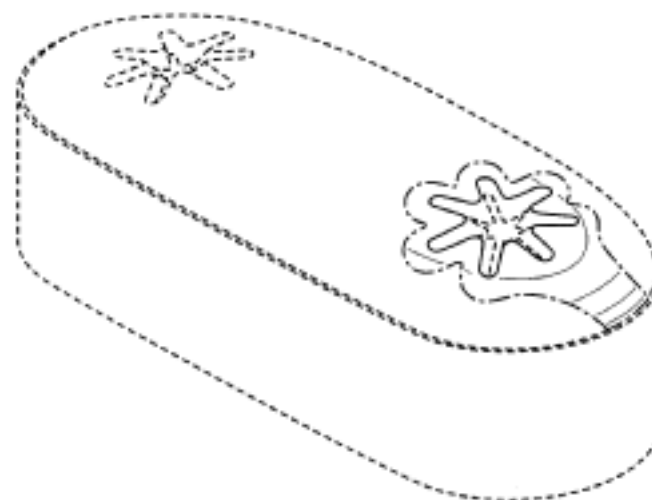
(30) Convention priority data:

(31) Number	(32) Date	(33) Country
29/412543	03 Feb 2012	UNITED STATES OF AMERICA

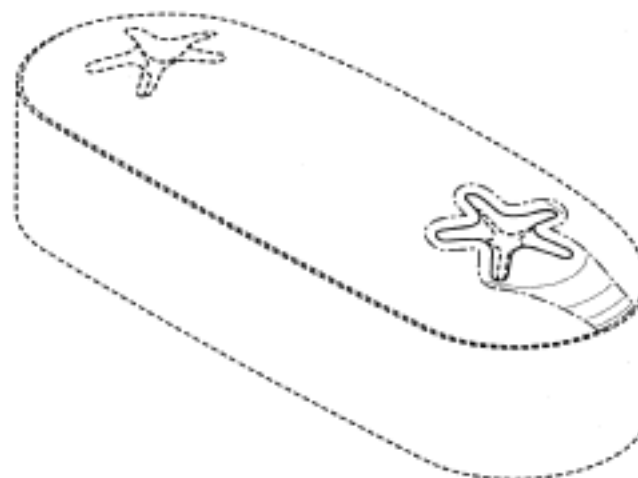
(62) Divisional of: **346049**

(56) Related Art Documents: **Not Applicable**

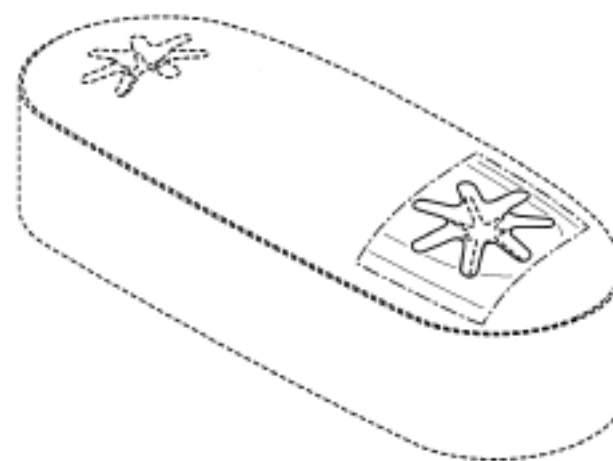
(57) Statement of Newness and Distinctiveness: **Newness and distinctiveness reside in the star shape formed on the curved upper surface of the tablet and its relative position thereon as illustrated in solid lines. The features shown in broken lines are shown for illustrative purpose only and do not form part of the design.**



- (21) Design Number: **16269/2012**
(22) Date of Filing Application: **10 December 2012**
(24) Date from which industrial property rights may have effect: **27 July 2012**
(54) Product in respect of which the design is registered: **Tablet**
(51) International Design Classification: **28-01**
(74) Name(s) of Attorney(s): **Shelston IP**
(71) Name(s) and Address(s) of Applicant(s):
McNeil-PPC, Inc.
199 Grandview Road Skillman New Jersey 08558 United States of America
Johnson & Johnson Industrial Ltda
Righway Presidente Dutra KM 154 Sao Jose Dos Campos Sao Paulo Brazil
(72) Name(s) of Designer(s): **Joel Waldman and Anthony Bean and Fernanda Franzoi**
(45) Registration Date: **07 February 2013**
(30) Convention priority data:
(31) Number (32) Date (33) Country
29/412543 03 Feb 2012 UNITED STATES OF AMERICA
(62) Divisional of: **346049**
(56) Related Art Documents: **Not Applicable**
(57) Statement of Newness and Distinctiveness: **Newness and distinctiveness reside in the star shape formed on the curved upper surface of the tablet and its relative position thereon as illustrated in solid lines. The features shown in broken lines are shown for illustrative purpose only and do not form part of the design.**



- (21) Design Number: **16271/2012**
(22) Date of Filing Application: **10 December 2012**
(24) Date from which industrial property rights may have effect: **27 July 2012**
(54) Product in respect of which the design is registered: **Tablet**
(51) International Design Classification: **28-01**
(74) Name(s) of Attorney(s): **Shelston IP**
(71) Name(s) and Address(s) of Applicant(s):
McNeil-PPC, Inc.
199 Grandview Road Skillman New Jersey 08558 United States of America
Johnson & Johnson Industrial Ltda
Righway Presidente Dutra KM 154 Sao Jose Dos Campos Sao Paulo Brazil
(72) Name(s) of Designer(s): **Joel Waldman and Anthony Bean and Fernanda Franzoi**
(45) Registration Date: **07 February 2013**
(30) Convention priority data:
(31) Number (32) Date (33) Country
29/412543 03 Feb 2012 UNITED STATES OF AMERICA
(62) Divisional of: **346049**
(56) Related Art Documents: **Not Applicable**
(57) Statement of Newness and Distinctiveness: **Newness and distinctiveness reside in the star shape formed on the curved upper surface of the tablet and its relative position thereon as illustrated in solid lines. The features shown in broken lines are shown for illustrative purpose only and do not form part of the design.**



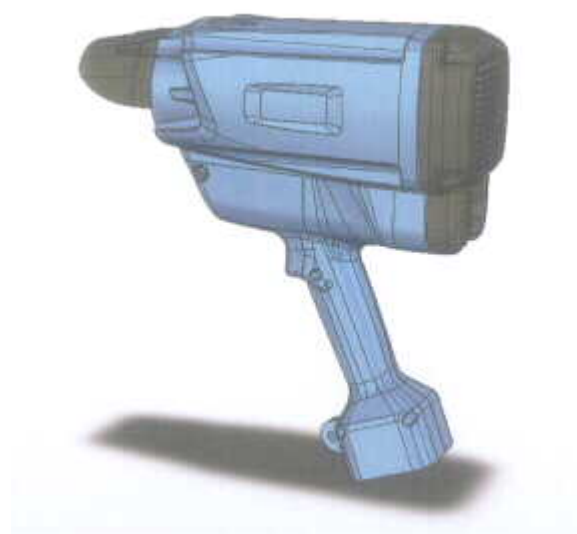
- (21) Design Number: **16274/2012**
(22) Date of Filing Application: **10 December 2012**
(24) Date from which industrial property rights may have effect: **27 July 2012**
(54) Product in respect of which the design is registered: **Tablet**
(51) International Design Classification: **28-01**
(74) Name(s) of Attorney(s): **Shelston IP**
(71) Name(s) and Address(s) of Applicant(s):
McNeil-PPC, Inc.
199 Grandview Road Skillman New Jersey 08558 United States of America
Johnson & Johnson Industrial Ltda
Righway Presidente Dutra KM 154 Sao Jose Dos Campos Sao Paulo Brazil
(72) Name(s) of Designer(s): **Joel Waldman and Fernanda Franzoi**
(45) Registration Date: **07 February 2013**
(30) Convention priority data:
(31) Number (32) Date (33) Country
29/412544 03 Feb 2012 UNITED STATES OF AMERICA
(62) Divisional of: **346048**
(56) Related Art Documents: **Not Applicable**
(57) Statement of Newness and Distinctiveness: **Newness and distinctiveness reside in the star shape and provision of text formed in the upper curved surface of a TABLET. The actual text may vary.**



- (21) Design Number: **16275/2012**
(22) Date of Filing Application: **10 December 2012**
(24) Date from which industrial property rights may have effect: **27 July 2012**
(54) Product in respect of which the design is registered: **Tablet**
(51) International Design Classification: **28-01**
(74) Name(s) of Attorney(s): **Shelston IP**
(71) Name(s) and Address(s) of Applicant(s):
McNeil-PPC, Inc.
199 Grandview Road Skillman New Jersey 08558 United States of America
Johnson & Johnson Industrial Ltda
Righway Presidente Dutra KM 154 Sao Jose Dos Campos Sao Paulo Brazil
(72) Name(s) of Designer(s): **Joel Waldman and Fernanda Franzoi**
(45) Registration Date: **07 February 2013**
(30) Convention priority data:
(31) Number (32) Date (33) Country
29/412544 03 Feb 2012 UNITED STATES OF AMERICA
(62) Divisional of: **346048**
(56) Related Art Documents: **Not Applicable**
(57) Statement of Newness and Distinctiveness: **Newness and distinctiveness reside in the star shape and provision of text formed in the upper curved surface of a TABLET. The actual text may vary.**



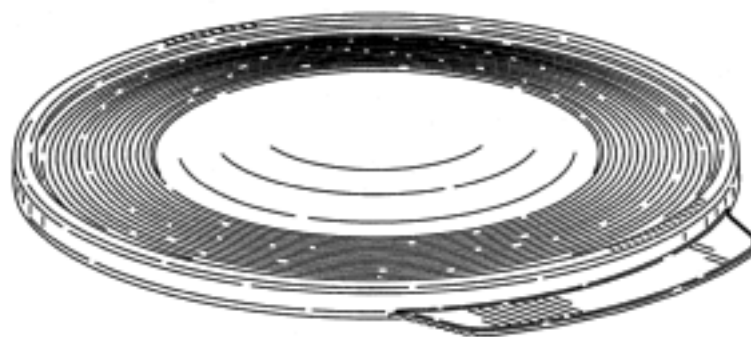
(21) Design Number: **16479/2012**
(22) Date of Filing Application: **18 December 2012**
(24) Date from which industrial property rights may have effect: **18 December 2012**
(54) Product in respect of which the design is registered: **Gas nailer**
(51) International Design Classification: **15-99**
(74) Name(s) of Attorney(s): **SPRUSON & FERGUSON**
(71) Name(s) and Address(s) of Applicant(s):
Joh. Friedrich Behrens AG
Bogenstrasse 43-45 22926 Ahrensburg Germany
(72) Name(s) of Designer(s): **Suzanne Fischer-Zernin and Martin Hannig**
(45) Registration Date: **07 February 2013**
(30) Convention priority data:
(31) Number (32) Date (33) Country
002059584-0002 19 Jun 2012 EUROPEAN COMMUNITY
(56) Related Art Documents: **Not Applicable**
(57) Statement of Newness and Distinctiveness: **Newness and distinctiveness is claimed in the features of shape and/or configuration of a gas nailer as illustrated in the accompanying representations.**



(21) Design Number: **16484/2012**
(22) Date of Filing Application: **18 December 2012**
(24) Date from which industrial property rights may have effect: **18 December 2012**
(54) Product in respect of which the design is registered: **Microwave container**
(51) International Design Classification: **07-02NES**
(74) Name(s) of Attorney(s): **PHILLIPS ORMONDE FITZPATRICK**
(71) Name(s) and Address(s) of Applicant(s):
Dart Industries Inc.
14901 S. Orange Blossom Trail Orlando Florida 32837 United States of America
(72) Name(s) of Designer(s): **Jakob Heiberg and Vincent Jalet**
(45) Registration Date: **07 February 2013**
(30) Convention priority data:
(31) Number (32) Date (33) Country
29/421,427 25 Jul 2012 UNITED STATES OF AMERICA
(56) Related Art Documents: **Not Applicable**
(57) Statement of Newness and Distinctiveness: **Those features of the microwave container depicted in the representations that are new and distinctive are the shape and/or configuration.**



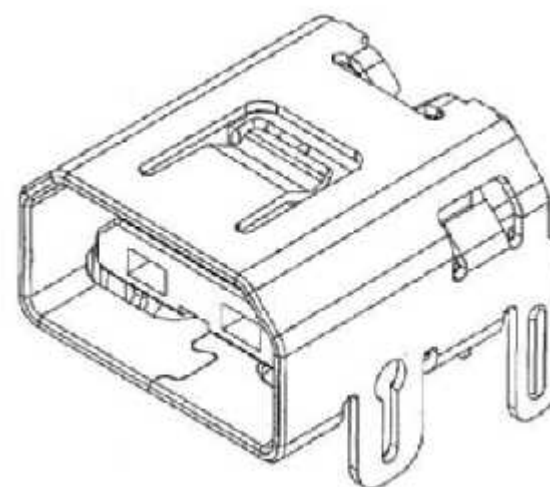
(21) Design Number: **16486/2012**
(22) Date of Filing Application: **18 December 2012**
(24) Date from which industrial property rights may have effect: **18 December 2012**
(54) Product in respect of which the design is registered: **Cover for a microwave container**
(51) International Design Classification: **07-02NES**
(74) Name(s) of Attorney(s): **PHILLIPS ORMONDE FITZPATRICK**
(71) Name(s) and Address(s) of Applicant(s):
Dart Industries Inc.
14901 S. Orange Blossom Trail Orlando Florida 32837 United States of America
(72) Name(s) of Designer(s): **Jakob Heiberg and Vincent Jalet**
(45) Registration Date: **07 February 2013**
(30) Convention priority data:
(31) Number (32) Date (33) Country
29/421,425 25 Jul 2012 UNITED STATES OF AMERICA
(56) Related Art Documents: **Not Applicable**
(57) Statement of Newness and Distinctiveness: **Those features of the cover for a microwave container depicted in the representations that are new and distinctive are the shape and/or configuration.**



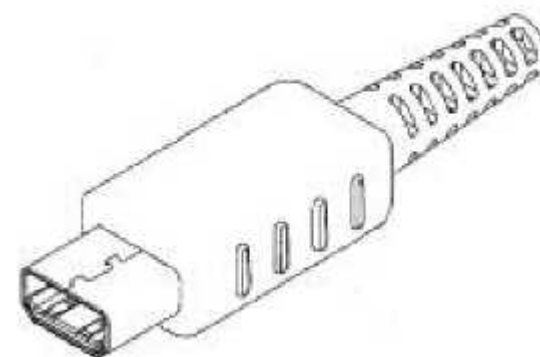
(21) Design Number: **16488/2012**
(22) Date of Filing Application: **18 December 2012**
(24) Date from which industrial property rights may have effect: **18 December 2012**
(54) Product in respect of which the design is registered: **Microwave container with cover**
(51) International Design Classification: **07-02NES**
(74) Name(s) of Attorney(s): **PHILLIPS ORMONDE FITZPATRICK**
(71) Name(s) and Address(s) of Applicant(s):
Dart Industries Inc.
14901 S. Orange Blossom Trail Orlando Florida 32837 United States of America
(72) Name(s) of Designer(s): **Jakob Heiberg and Vincent Jalet**
(45) Registration Date: **07 February 2013**
(30) Convention priority data:
(31) Number (32) Date (33) Country
29/421,426 25 Jul 2012 UNITED STATES OF AMERICA
(56) Related Art Documents: **Not Applicable**
(57) Statement of Newness and Distinctiveness: **Those features of the microwave container with cover depicted in the representations that are new and distinctive are the shape and/or configuration.**



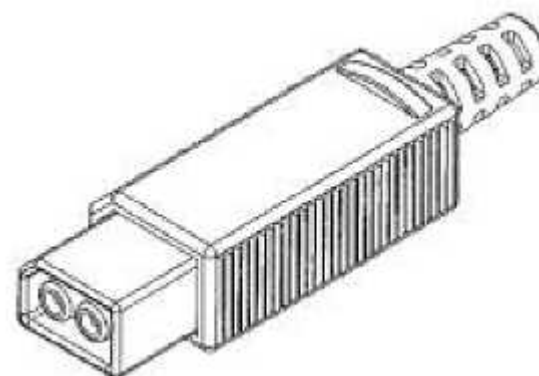
(21) Design Number: **16013/2012**
(22) Date of Filing Application: **04 December 2012**
(24) Date from which industrial property rights may have effect: **04 December 2012**
(54) Product in respect of which the design is registered: **Electric connector**
(51) International Design Classification: **13-03D, 14-02**
(74) Name(s) of Attorney(s): **Davies Collison Cave**
(71) Name(s) and Address(s) of Applicant(s):
Nintendo Co., Ltd.
11-1 Hokotate-cho Kamitoba Minami-ku Kyoto 601-8501 Japan
(72) Name(s) of Designer(s): **Junji Takamoto and Yuji Hori and Daisuke Kumazaki and Takafumi Nishida**
(45) Registration Date: **07 February 2013**
(30) Convention priority data:
(31) Number (32) Date (33) Country
2012-013254 04 Jun 2012 JAPAN
(56) Related Art Documents: **Not Applicable**
(57) Statement of Newness and Distinctiveness: **Nil**



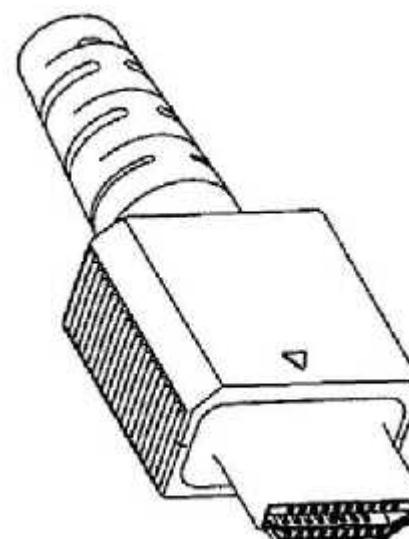
(21) Design Number: **16014/2012**
(22) Date of Filing Application: **04 December 2012**
(24) Date from which industrial property rights may have effect: **04 December 2012**
(54) Product in respect of which the design is registered: **Connector plug**
(51) International Design Classification: **13-03D, 14-02**
(74) Name(s) of Attorney(s): **Davies Collison Cave**
(71) Name(s) and Address(s) of Applicant(s):
Nintendo Co., Ltd.
11-1 Hokotate-cho Kamitoba Minami-ku Kyoto 601-8501 Japan
(72) Name(s) of Designer(s): **Junji Takamoto and Naoya Yamamoto and Hitoshi Tsuchiya and Yuji Hori and Daisuke Kumazaki and Takafumi Nishida and Kenichiro Ashida and Masato Ibuki and Shinji Yamamoto and Fumiyoshi Suetake and Akiko Suga**
(45) Registration Date: **07 February 2013**
(30) Convention priority data:
(31) Number (32) Date (33) Country
2010-013253 04 Jun 2012 JAPAN
(56) Related Art Documents: **Not Applicable**
(57) Statement of Newness and Distinctiveness: **Nil**



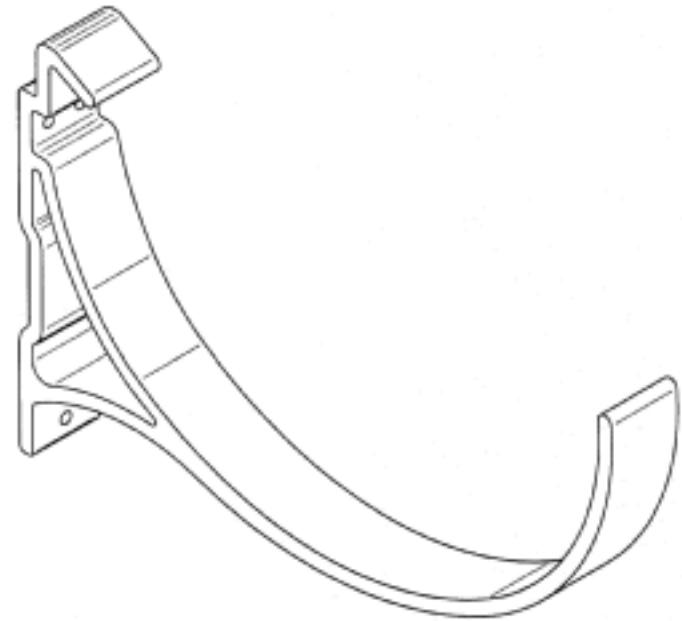
(21) Design Number: **16015/2012**
(22) Date of Filing Application: **04 December 2012**
(24) Date from which industrial property rights may have effect: **04 December 2012**
(54) Product in respect of which the design is registered: **Connector plug**
(51) International Design Classification: **13-03D, 14-02**
(74) Name(s) of Attorney(s): **Davies Collison Cave**
(71) Name(s) and Address(s) of Applicant(s):
Nintendo Co., Ltd.
11-1 Hokotate-cho Kamitoba Minami-ku Kyoto 601-8501 Japan
(72) Name(s) of Designer(s): **Junji Takamoto and Naoya Yamamoto and Hitoshi Tsuchiya and Yuji Hori and Takafumi Nishida and Kenichiro Ashida and Masato Ibuki and Shinji Yamamoto and Fumiyoshi Suetake and Akiko Suga and Hiroki Ikuta**
(45) Registration Date: **07 February 2013**
(30) Convention priority data:
(31) Number (32) Date (33) Country
2012-013255 04 Jun 2012 JAPAN
(56) Related Art Documents: **Not Applicable**
(57) Statement of Newness and Distinctiveness: **Nil**



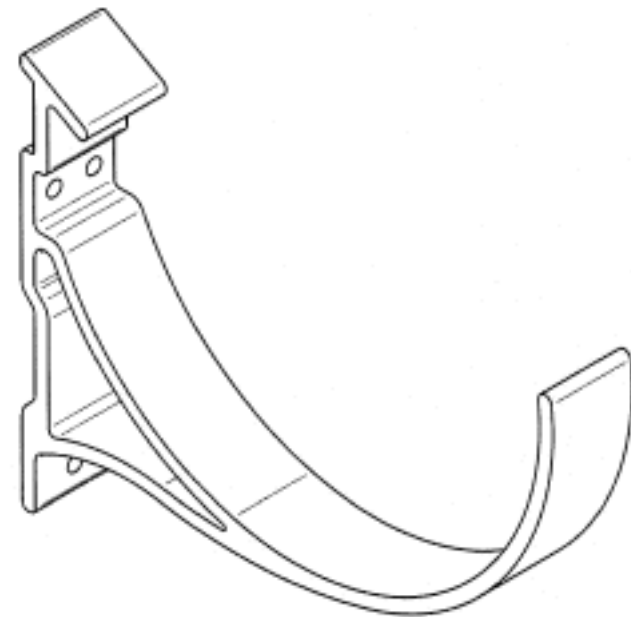
(21) Design Number: **16017/2012**
(22) Date of Filing Application: **04 December 2012**
(24) Date from which industrial property rights may have effect: **04 December 2012**
(54) Product in respect of which the design is registered: **Connector plug**
(51) International Design Classification: **13-03D, 14-02**
(74) Name(s) of Attorney(s): **Davies Collison Cave**
(71) Name(s) and Address(s) of Applicant(s):
Nintendo Co., Ltd.
11-1 Hokotate-cho Kamitoba Minami-ku Kyoto 601-8501 Japan
(72) Name(s) of Designer(s): **Junji Takamoto and Naoya Yamamoto and Hitoshi Tsuchiya and Yuji Hori and Takafumi Nishida and Kenichiro Ashida and Masato Ibuki and Shinji Yamamoto and Fumiyoshi Suetake and Akiko Suga and Hiroki Ikuta**
(45) Registration Date: **07 February 2013**
(30) Convention priority data:
(31) Number (32) Date (33) Country
2012-013376 05 Jun 2012 JAPAN
(56) Related Art Documents: **Not Applicable**
(57) Statement of Newness and Distinctiveness: **Nil**



(21) Design Number: **16089/2012**
(22) Date of Filing Application: **06 December 2012**
(24) Date from which industrial property rights may have effect: **06 December 2012**
(54) Product in respect of which the design is registered: **Bracket for a water pipe**
(51) International Design Classification: **08-08NES, 23-01A**
(74) Name(s) of Attorney(s): **Cullens Patent and Trade Mark Attorneys**
(71) Name(s) and Address(s) of Applicant(s):
Uni-Quip Australia Pty Ltd
20 Glendevon Cres Mt Warren Park QLD 4207 Australia
(72) Name(s) of Designer(s): **Michael Norman Carr**
(45) Registration Date: **07 February 2013**
(56) Related Art Documents: **Not Applicable**
(57) Statement of Newness and Distinctiveness: **Nil**



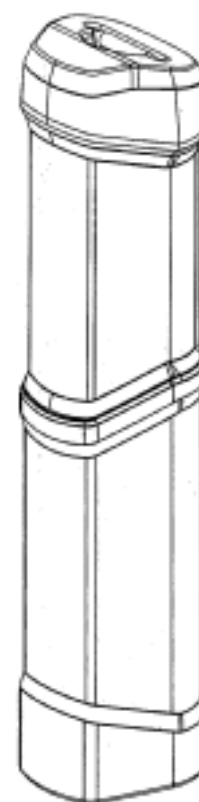
(21) Design Number: **16090/2012**
(22) Date of Filing Application: **06 December 2012**
(24) Date from which industrial property rights may have effect: **06 December 2012**
(54) Product in respect of which the design is registered: **Bracket for a water pipe**
(51) International Design Classification: **08-08NES, 23-01A**
(74) Name(s) of Attorney(s): **Cullens Patent and Trade Mark Attorneys**
(71) Name(s) and Address(s) of Applicant(s):
Uni-Quip Australia Pty Ltd
20 Glendevon Cres Mt Warren Park QLD 4207 Australia
(72) Name(s) of Designer(s): **Michael Norman Carr**
(45) Registration Date: **07 February 2013**
(56) Related Art Documents: **Not Applicable**
(57) Statement of Newness and Distinctiveness: **Nil**



(21) Design Number: **16404/2012**
(22) Date of Filing Application: **18 December 2012**
(24) Date from which industrial property rights may have effect: **18 December 2012**
(54) Product in respect of which the design is registered: **Plate drying rack**
(51) International Design Classification: **07-05D**
(74) Name(s) of Attorney(s): **Trademark Works**
(71) Name(s) and Address(s) of Applicant(s):
Joseph Joseph Ltd
The Grove 30 Great Guildford Street SE1 0HS London United Kingdom
(72) Name(s) of Designer(s): **David Evans and Ashley May**
(45) Registration Date: **07 February 2013**
(30) Convention priority data:
(31) Number (32) Date (33) Country
002102343-0006 13 Sep 2012 EUROPEAN COMMUNITY
(56) Related Art Documents: **Not Applicable**
(57) Statement of Newness and Distinctiveness: **The newness and distinctiveness of the design resides in the shape of the Plate Drying Rack as shown in the accompanying representations.**



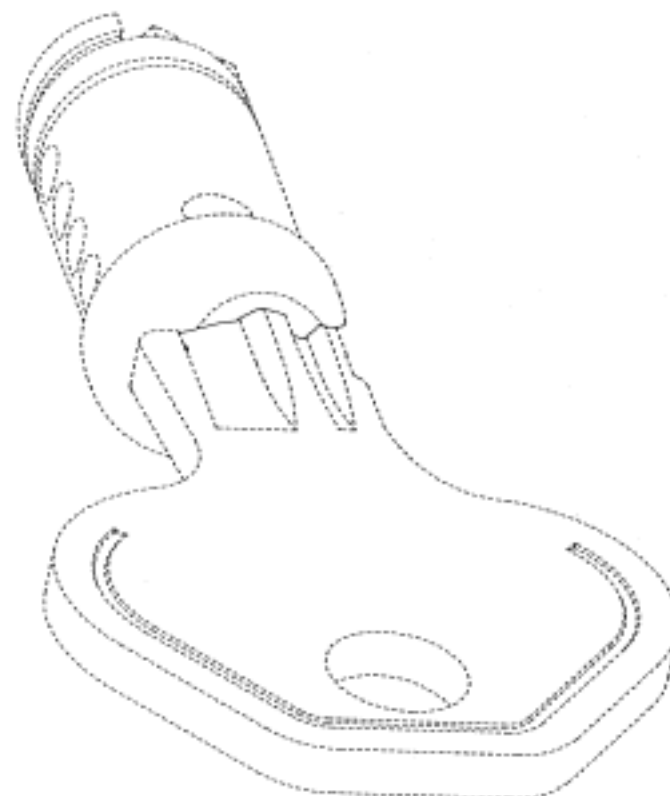
(21) Design Number: **12486/2012**
(22) Date of Filing Application: **23 May 2012**
(24) Date from which industrial property rights may have effect: **23 May 2012**
(54) Product in respect of which the design is registered: **Inspection lamp**
(51) International Design Classification: **26-02**
(74) Name(s) of Attorney(s): **PHILLIPS ORMONDE FITZPATRICK**
(71) Name(s) and Address(s) of Applicant(s):
Brown & Watson International Pty Ltd
1500 Ferntree Gully Road Knoxfield Victoria 3180 Australia
(72) Name(s) of Designer(s): **Paul Davies**
(45) Registration Date: **08 February 2013**
(56) Related Art Documents: **Not Applicable**
(57) Statement of Newness and Distinctiveness: **Those features of the inspection lamp depicted in the representations that are new and distinctive are the shape and/or configuration.**



(21) Design Number: **13638/2012**
(22) Date of Filing Application: **30 July 2012**
(24) Date from which industrial property rights may have effect: **30 July 2012**
(54) Product in respect of which the design is registered: **Swimwear**
(51) International Design Classification: **02-02A**
(74) Name(s) of Attorney(s): **K&L Gates**
(71) Name(s) and Address(s) of Applicant(s):
Seafolly Pty Ltd
247 King Street Mascot New South Wales 2020 Australia
(72) Name(s) of Designer(s): **Genelle Walkom**
(45) Registration Date: **08 February 2013**
(56) Related Art Documents: **Not Applicable**
(57) Statement of Newness and Distinctiveness: **Nil**



(21) Design Number: **15648/2012**
(22) Date of Filing Application: **13 November 2012**
(24) Date from which industrial property rights may have effect: **13 November 2012**
(54) Product in respect of which the design is registered: **Lock and key**
(51) International Design Classification: **08-07**
(74) Name(s) of Attorney(s): **Callinans**
(71) Name(s) and Address(s) of Applicant(s):
Master Lock Company LLC
137 W. Forest Hill Avenue Oak Creek Wisconsin 53154 United States of America
(72) Name(s) of Designer(s): **Zachery T. Nave**
(45) Registration Date: **08 February 2013**
(30) Convention priority data:
(31) Number (32) Date (33) Country
29/422,706 23 May 2012 UNITED STATES OF AMERICA
(56) Related Art Documents: **Not Applicable**
(57) Statement of Newness and Distinctiveness: **Newness and distinctiveness are provided by the shape and/or configuration of the design shown in the representations. The features shown in broken lines in the representations are for illustrative purposes only and should not be considered when construing visual features of the design.**



(21) Design Number: **15649/2012**
(22) Date of Filing Application: **13 November 2012**
(24) Date from which industrial property rights may have effect: **13 November 2012**
(54) Product in respect of which the design is registered: **Lock and key**
(51) International Design Classification: **08-07**
(74) Name(s) of Attorney(s): **Callinans**
(71) Name(s) and Address(s) of Applicant(s):
Master Lock Company LLC
137 W. Forest Hill Avenue Oak Creek Wisconsin 53154 United States of America

(72) Name(s) of Designer(s): **Zachery T. Nave**

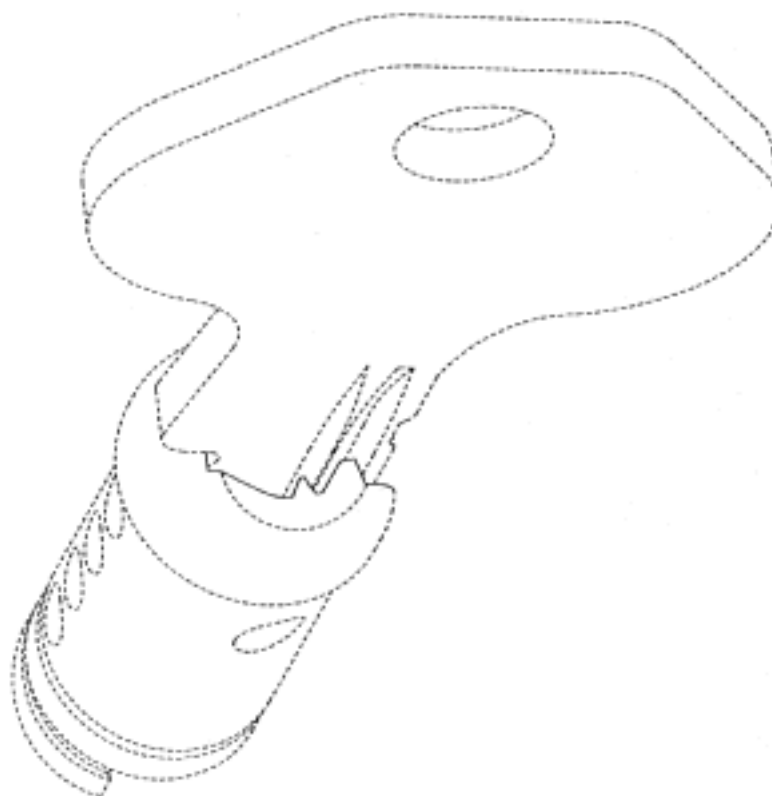
(45) Registration Date: **08 February 2013**

(30) Convention priority data:

(31) Number	(32) Date	(33) Country
29/422,706	23 May 2012	UNITED STATES OF AMERICA

(56) Related Art Documents: **Not Applicable**

(57) Statement of Newness and Distinctiveness: **Newness and distinctiveness are provided by the shape and/or configuration of the design shown in the representations. The features shown in broken lines in the representations are for illustrative purposes only and should not be considered when construing visual features of the design.**



(21) Design Number: **15726/2012**
(22) Date of Filing Application: **16 November 2012**
(24) Date from which industrial property rights may have effect: **16 November 2012**
(54) Product in respect of which the design is registered: **Toner cartridge**
(51) International Design Classification: **14-02**
(74) Name(s) of Attorney(s): **Shelston IP**
(71) Name(s) and Address(s) of Applicant(s):
Fuji Xerox Co., Ltd.
7-3 Akasaka 9-chome Minato-ku Tokyo Japan

(72) Name(s) of Designer(s): **Kazunori Koshimori and Yuta Hoshino**

(45) Registration Date: **08 February 2013**

(30) Convention priority data:

(31) Number	(32) Date	(33) Country
2012-011912	22 May 2012	JAPAN

(56) Related Art Documents: **Not Applicable**

(57) Statement of Newness and Distinctiveness: **Newness and distinctiveness reside in the features of shape and/or configuration of the toner cartridge indicated in grey scale in the accompanying representations. The features shown in green in the accompanying representations form no part of the design. The gray scale shading in each of the figures is shading which merely shows the three-dimensional surface of the toner cartridge and colour per se not a visual feature of the design.**



(21) Design Number: **16425/2012**
(22) Date of Filing Application: **30 July 2012**
(24) Date from which industrial property rights may have effect: **30 July 2012**
(54) Product in respect of which the design is registered: **Swimwear**
(51) International Design Classification: **02-02A**
(74) Name(s) of Attorney(s): **K&L Gates**
(71) Name(s) and Address(s) of Applicant(s):
Seafolly Pty Ltd
247 King Street Mascot New South Wales 2020 Australia
(72) Name(s) of Designer(s): **Genelle Walkom**
(45) Registration Date: **08 February 2013**
(56) Related Art Documents: **Not Applicable**
(57) Statement of Newness and Distinctiveness: **Nil**



(21) Design Number: **16426/2012**
(22) Date of Filing Application: **30 July 2012**
(24) Date from which industrial property rights may have effect: **30 July 2012**
(54) Product in respect of which the design is registered: **Swimwear**
(51) International Design Classification: **02-02A**
(74) Name(s) of Attorney(s): **K&L Gates**
(71) Name(s) and Address(s) of Applicant(s):
Seafolly Pty Ltd
247 King Street Mascot New South Wales 2020 Australia
(72) Name(s) of Designer(s): **Genelle Walkom**
(45) Registration Date: **08 February 2013**
(56) Related Art Documents: **Not Applicable**
(57) Statement of Newness and Distinctiveness: **Nil**



(21) Design Number: **16427/2012**
(22) Date of Filing Application: **30 July 2012**
(24) Date from which industrial property rights may have effect: **30 July 2012**
(54) Product in respect of which the design is registered: **Swimwear**
(51) International Design Classification: **02-02A**
(74) Name(s) of Attorney(s): **K&L Gates**
(71) Name(s) and Address(s) of Applicant(s):
Seafolly Pty Ltd
247 King Street Mascot New South Wales 2020 Australia
(72) Name(s) of Designer(s): **Genelle Walkom**
(45) Registration Date: **08 February 2013**
(56) Related Art Documents: **Not Applicable**
(57) Statement of Newness and Distinctiveness: **Nil**



(21) Design Number: **16428/2012**
(22) Date of Filing Application: **30 July 2012**
(24) Date from which industrial property rights may have effect: **30 July 2012**
(54) Product in respect of which the design is registered: **Swimwear**
(51) International Design Classification: **02-02A**
(74) Name(s) of Attorney(s): **K&L Gates**
(71) Name(s) and Address(s) of Applicant(s):
Seafolly Pty Ltd
247 King Street Mascot New South Wales 2020 Australia
(72) Name(s) of Designer(s): **Genelle Walkom**
(45) Registration Date: **08 February 2013**
(56) Related Art Documents: **Not Applicable**
(57) Statement of Newness and Distinctiveness: **Nil**



(21) Design Number: **16429/2012**
(22) Date of Filing Application: **30 July 2012**
(24) Date from which industrial property rights may have effect: **30 July 2012**
(54) Product in respect of which the design is registered: **Swimwear**
(51) International Design Classification: **02-02A**
(74) Name(s) of Attorney(s): **K&L Gates**
(71) Name(s) and Address(s) of Applicant(s):
Seafolly Pty Ltd
247 King Street Mascot New South Wales 2020 Australia
(72) Name(s) of Designer(s): **Genelle Walkom**
(45) Registration Date: **08 February 2013**
(56) Related Art Documents: **Not Applicable**
(57) Statement of Newness and Distinctiveness: **Nil**



(21) Design Number: **16430/2012**
(22) Date of Filing Application: **30 July 2012**
(24) Date from which industrial property rights may have effect: **30 July 2012**
(54) Product in respect of which the design is registered: **Swimwear**
(51) International Design Classification: **02-02A**
(74) Name(s) of Attorney(s): **K&L Gates**
(71) Name(s) and Address(s) of Applicant(s):
Seafolly Pty Ltd
247 King Street Mascot New South Wales 2020 Australia
(72) Name(s) of Designer(s): **Genelle Walkom**
(45) Registration Date: **08 February 2013**
(56) Related Art Documents: **Not Applicable**
(57) Statement of Newness and Distinctiveness: **Nil**



(21) Design Number: **16431/2012**
(22) Date of Filing Application: **30 July 2012**
(24) Date from which industrial property rights may have effect: **30 July 2012**
(54) Product in respect of which the design is registered: **Swimwear**
(51) International Design Classification: **02-02A**
(74) Name(s) of Attorney(s): **K&L Gates**
(71) Name(s) and Address(s) of Applicant(s):
Seafolly Pty Ltd
247 King Street Mascot New South Wales 2020 Australia
(72) Name(s) of Designer(s): **Genelle Walkom**
(45) Registration Date: **08 February 2013**
(56) Related Art Documents: **Not Applicable**
(57) Statement of Newness and Distinctiveness: **Nil**



(21) Design Number: **16432/2012**
(22) Date of Filing Application: **30 July 2012**
(24) Date from which industrial property rights may have effect: **30 July 2012**
(54) Product in respect of which the design is registered: **Swimwear**
(51) International Design Classification: **02-02A**
(74) Name(s) of Attorney(s): **K&L Gates**
(71) Name(s) and Address(s) of Applicant(s):
Seafolly Pty Ltd
247 King Street Mascot New South Wales 2020 Australia
(72) Name(s) of Designer(s): **Genelle Walkom**
(45) Registration Date: **08 February 2013**
(56) Related Art Documents: **Not Applicable**
(57) Statement of Newness and Distinctiveness: **Nil**



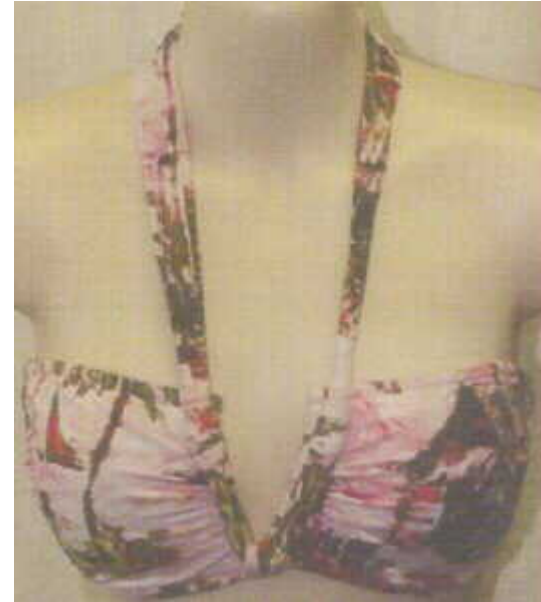
(21) Design Number: **16433/2012**
(22) Date of Filing Application: **30 July 2012**
(24) Date from which industrial property rights may have effect: **30 July 2012**
(54) Product in respect of which the design is registered: **Swimwear**
(51) International Design Classification: **02-02A**
(74) Name(s) of Attorney(s): **K&L Gates**
(71) Name(s) and Address(s) of Applicant(s):
Seafolly Pty Ltd
247 King Street Mascot New South Wales 2020 Australia
(72) Name(s) of Designer(s): **Genelle Walkom**
(45) Registration Date: **08 February 2013**
(56) Related Art Documents: **Not Applicable**
(57) Statement of Newness and Distinctiveness: **Nil**



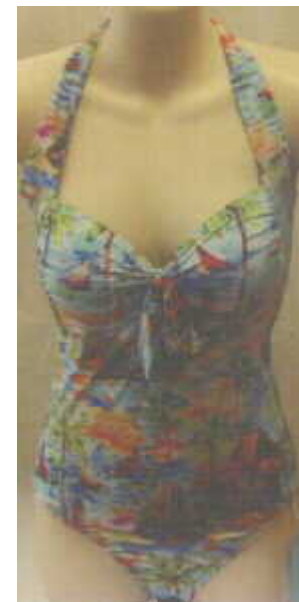
(21) Design Number: **16434/2012**
(22) Date of Filing Application: **30 July 2012**
(24) Date from which industrial property rights may have effect: **30 July 2012**
(54) Product in respect of which the design is registered: **Swimwear**
(51) International Design Classification: **02-02A**
(74) Name(s) of Attorney(s): **K&L Gates**
(71) Name(s) and Address(s) of Applicant(s):
Seafolly Pty Ltd
247 King Street Mascot New South Wales 2020 Australia
(72) Name(s) of Designer(s): **Genelle Walkom**
(45) Registration Date: **08 February 2013**
(56) Related Art Documents: **Not Applicable**
(57) Statement of Newness and Distinctiveness: **Nil**



(21) Design Number: **16435/2012**
(22) Date of Filing Application: **30 July 2012**
(24) Date from which industrial property rights may have effect: **30 July 2012**
(54) Product in respect of which the design is registered: **Swimwear**
(51) International Design Classification: **02-02A**
(74) Name(s) of Attorney(s): **K&L Gates**
(71) Name(s) and Address(s) of Applicant(s):
Seafolly Pty Ltd
247 King Street Mascot New South Wales 2020 Australia
(72) Name(s) of Designer(s): **Genelle Walkom**
(45) Registration Date: **08 February 2013**
(56) Related Art Documents: **Not Applicable**
(57) Statement of Newness and Distinctiveness: **Nil**



(21) Design Number: **16436/2012**
(22) Date of Filing Application: **30 July 2012**
(24) Date from which industrial property rights may have effect: **30 July 2012**
(54) Product in respect of which the design is registered: **Swimwear**
(51) International Design Classification: **02-02A**
(74) Name(s) of Attorney(s): **K&L Gates**
(71) Name(s) and Address(s) of Applicant(s):
Seafolly Pty Ltd
247 King Street Mascot New South Wales 2020 Australia
(72) Name(s) of Designer(s): **Genelle Walkom**
(45) Registration Date: **08 February 2013**
(56) Related Art Documents: **Not Applicable**
(57) Statement of Newness and Distinctiveness: **Nil**



- (21) Design Number: **16437/2012**
(22) Date of Filing Application: **30 July 2012**
(24) Date from which industrial property rights may have effect: **30 July 2012**
(54) Product in respect of which the design is registered: **Swimwear**
(51) International Design Classification: **02-02A**
(74) Name(s) of Attorney(s): **K&L Gates**
(71) Name(s) and Address(s) of Applicant(s):
Seafolly Pty Ltd
247 King Street Mascot New South Wales 2020 Australia
(72) Name(s) of Designer(s): **Genelle Walkom**
(45) Registration Date: **08 February 2013**
(56) Related Art Documents: **Not Applicable**
(57) Statement of Newness and Distinctiveness: **Nil**



- (21) Design Number: **16438/2012**
(22) Date of Filing Application: **30 July 2012**
(24) Date from which industrial property rights may have effect: **30 July 2012**
(54) Product in respect of which the design is registered: **Swimwear**
(51) International Design Classification: **02-02A**
(74) Name(s) of Attorney(s): **K&L Gates**
(71) Name(s) and Address(s) of Applicant(s):
Seafolly Pty Ltd
247 King Street Mascot New South Wales 2020 Australia
(72) Name(s) of Designer(s): **Genelle Walkom**
(45) Registration Date: **08 February 2013**
(56) Related Art Documents: **Not Applicable**
(57) Statement of Newness and Distinctiveness: **Nil**



(21) Design Number: **16439/2012**
(22) Date of Filing Application: **30 July 2012**
(24) Date from which industrial property rights may have effect: **30 July 2012**
(54) Product in respect of which the design is registered: **Swimwear**
(51) International Design Classification: **02-02A**
(74) Name(s) of Attorney(s): **K&L Gates**
(71) Name(s) and Address(s) of Applicant(s):
Seafolly Pty Ltd
247 King Street Mascot New South Wales 2020 Australia
(72) Name(s) of Designer(s): **Genelle Walkom**
(45) Registration Date: **08 February 2013**
(56) Related Art Documents: **Not Applicable**
(57) Statement of Newness and Distinctiveness: **Nil**



(21) Design Number: **16440/2012**
(22) Date of Filing Application: **30 July 2012**
(24) Date from which industrial property rights may have effect: **30 July 2012**
(54) Product in respect of which the design is registered: **Swimwear**
(51) International Design Classification: **02-02A**
(74) Name(s) of Attorney(s): **K&L Gates**
(71) Name(s) and Address(s) of Applicant(s):
Seafolly Pty Ltd
247 King Street Mascot New South Wales 2020 Australia
(72) Name(s) of Designer(s): **Genelle Walkom**
(45) Registration Date: **08 February 2013**
(56) Related Art Documents: **Not Applicable**
(57) Statement of Newness and Distinctiveness: **Nil**



(21) Design Number: **16446/2012**
(22) Date of Filing Application: **19 December 2012**
(24) Date from which industrial property rights may have effect: **23 October 2012**
(54) Product in respect of which the design is registered: **Lock**
(51) International Design Classification: **08-07**
(74) Name(s) of Attorney(s): **Callinans**
(71) Name(s) and Address(s) of Applicant(s):
Master Lock Company LLC
137 W. Forest Hill Avenue Oak Creek Wisconsin 53154 United States of America
(72) Name(s) of Designer(s): **Scott B. Stevens and Justin Matuszek**
(45) Registration Date: **08 February 2013**
(30) Convention priority data:
(31) Number (32) Date (33) Country
29/423,247 30 May 2012 UNITED STATES OF AMERICA
(62) Divisional of: **346282**
(56) Related Art Documents: **Not Applicable**
(57) Statement of Newness and Distinctiveness: **Newness and distinctiveness resides in the features of shape and/or configuration of the design shown in the representations. The features shown in broken lines in the representations are for illustrative purposes only and should not be considered when construing visual features of the design.**



(21) Design Number: **16447/2012**
(22) Date of Filing Application: **19 December 2012**
(24) Date from which industrial property rights may have effect: **23 October 2012**
(54) Product in respect of which the design is registered: **Lock**
(51) International Design Classification: **08-07**
(74) Name(s) of Attorney(s): **Callinans**
(71) Name(s) and Address(s) of Applicant(s):
Master Lock Company LLC
137 W. Forest Hill Avenue Oak Creek Wisconsin 53154 United States of America
(72) Name(s) of Designer(s): **Scott B. Stevens and Justin Matuszek**
(45) Registration Date: **08 February 2013**
(30) Convention priority data:
(31) Number (32) Date (33) Country
29/423,247 30 May 2012 UNITED STATES OF AMERICA
(62) Divisional of: **346282**
(56) Related Art Documents: **Not Applicable**
(57) Statement of Newness and Distinctiveness: **Newness and distinctiveness resides in the features of shape and/or configuration of the design shown in the representations. The features shown in broken lines in the representations are for illustrative purposes only and should not be considered when construing visual features of the design.**



(21) Design Number: **16450/2012**
(22) Date of Filing Application: **20 December 2012**
(24) Date from which industrial property rights may have effect: **20 December 2012**
(54) Product in respect of which the design is registered: **A lamp**
(51) International Design Classification: **26-05A**
(74) Name(s) of Attorney(s): **WATERMARK PATENT AND TRADE MARKS ATTORNEYS**
(71) Name(s) and Address(s) of Applicant(s):
Herbert Waldmann GmbH & Co. KG
Peter-Henlein-Strasse 5 Villingen-Schwenningen 78056 Germany
(72) Name(s) of Designer(s): **Gerhard Waldmann**
(45) Registration Date: **08 February 2013**
(30) Convention priority data:
(31) Number (32) Date (33) Country
DM/079 031 13 Aug 2012 WORLD INTELLECTUAL PROPERTY ORGANIZATION (WIPO)
(56) Related Art Documents: **Not Applicable**
(57) Statement of Newness and Distinctiveness: **Nil**



(21) Design Number: **16451/2012**
(22) Date of Filing Application: **20 December 2012**
(24) Date from which industrial property rights may have effect: **20 December 2012**
(54) Product in respect of which the design is registered: **A lamp**
(51) International Design Classification: **26-05A**
(74) Name(s) of Attorney(s): **WATERMARK PATENT AND TRADE MARKS ATTORNEYS**
(71) Name(s) and Address(s) of Applicant(s):
Herbert Waldmann GmbH & Co. KG
Peter-Henlein-Strasse 5 Villingen-Schwenningen 78056 Germany
(72) Name(s) of Designer(s): **Gerhard Waldmann**
(45) Registration Date: **08 February 2013**
(30) Convention priority data:
(31) Number (32) Date (33) Country
DM/079 031 13 Aug 2012 WORLD INTELLECTUAL PROPERTY ORGANIZATION (WIPO)
(56) Related Art Documents: **Not Applicable**
(57) Statement of Newness and Distinctiveness: **Nil**



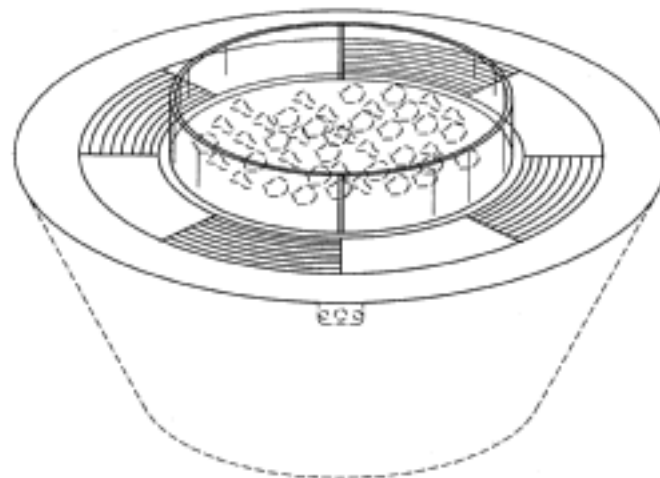
(21) Design Number: **16452/2012**
(22) Date of Filing Application: **20 December 2012**
(24) Date from which industrial property rights may have effect: **20 December 2012**
(54) Product in respect of which the design is registered: **A lamp**
(51) International Design Classification: **26-05A**
(74) Name(s) of Attorney(s): **WATERMARK PATENT AND TRADE MARKS ATTORNEYS**
(71) Name(s) and Address(s) of Applicant(s):
Herbert Waldmann GmbH & Co. KG
Peter-Henlein-Strasse 5 Villingen-Schwenningen 78056 Germany
(72) Name(s) of Designer(s): **Gerhard Waldmann**
(45) Registration Date: **08 February 2013**
(30) Convention priority data:
(31) Number (32) Date (33) Country
DM/079 031 13 Aug 2012 WORLD INTELLECTUAL PROPERTY ORGANIZATION (WIPO)
(56) Related Art Documents: **Not Applicable**
(57) Statement of Newness and Distinctiveness: **Nil**



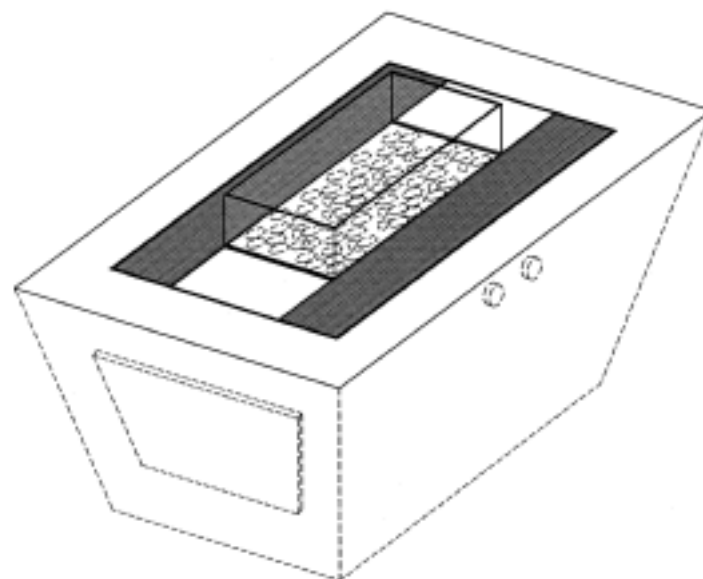
(21) Design Number: **16453/2012**
(22) Date of Filing Application: **20 December 2012**
(24) Date from which industrial property rights may have effect: **20 December 2012**
(54) Product in respect of which the design is registered: **A lamp**
(51) International Design Classification: **26-05A**
(74) Name(s) of Attorney(s): **WATERMARK PATENT AND TRADE MARKS ATTORNEYS**
(71) Name(s) and Address(s) of Applicant(s):
Herbert Waldmann GmbH & Co. KG
Peter-Henlein-Strasse 5 Villingen-Schwenningen 78056 Germany
(72) Name(s) of Designer(s): **Gerhard Waldmann**
(45) Registration Date: **08 February 2013**
(30) Convention priority data:
(31) Number (32) Date (33) Country
DM/079 31 13 Aug 2012 INTERNATIONAL BUREAU (WIPO)
(56) Related Art Documents: **Not Applicable**
(57) Statement of Newness and Distinctiveness: **Nil**



- (21) Design Number: **16495/2012**
(22) Date of Filing Application: **19 December 2012**
(24) Date from which industrial property rights may have effect: **19 December 2012**
(54) Product in respect of which the design is registered: **Fire apparatus**
(51) International Design Classification: **23-03E**
(74) Name(s) of Attorney(s): **Shelston IP**
(71) Name(s) and Address(s) of Applicant(s):
Michael Yuen
1 Bilmark PI Brighton-Le-Sands NSW 2216 Australia
(72) Name(s) of Designer(s): **Michael Yuen**
(45) Registration Date: **08 February 2013**
(56) Related Art Documents: **Not Applicable**
(57) Statement of Newness and Distinctiveness: **Newness and distinctiveness resides in the features of shape and configuration of the upper region of the fire apparatus shown in solid lines in the accompanying representations. The fire apparatus support structure features shown in broken line do not form part of the design and can be varied.**



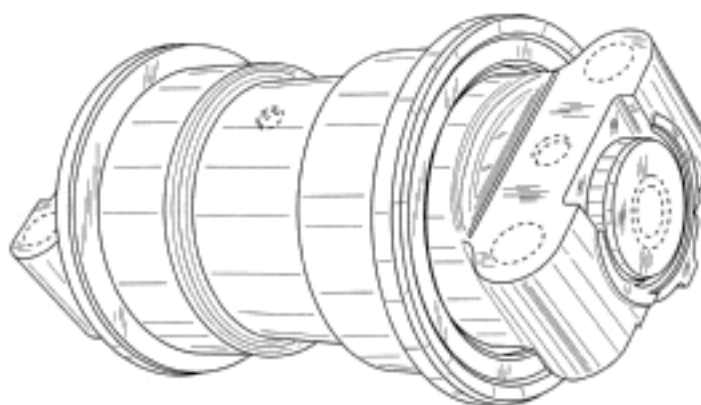
- (21) Design Number: **16496/2012**
(22) Date of Filing Application: **19 December 2012**
(24) Date from which industrial property rights may have effect: **19 December 2012**
(54) Product in respect of which the design is registered: **Fire apparatus**
(51) International Design Classification: **23-03E**
(74) Name(s) of Attorney(s): **Shelston IP**
(71) Name(s) and Address(s) of Applicant(s):
Michael Yuen
1 Bilmark PI Brighton-Le-Sands NSW 2216 Australia
(72) Name(s) of Designer(s): **Michael Yuen**
(45) Registration Date: **08 February 2013**
(56) Related Art Documents: **Not Applicable**
(57) Statement of Newness and Distinctiveness: **Newness and distinctiveness resides in the features of shape and configuration of the upper region of the fire apparatus shown in solid lines in the accompanying representations. The fire apparatus support structure features shown in broken line do not form part of the design and can be varied.**



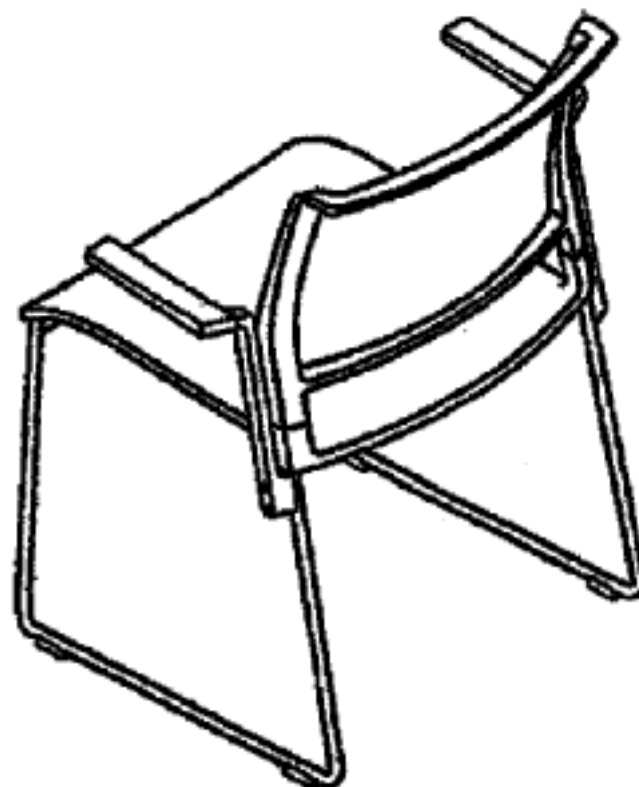
- (21) Design Number: **16536/2012**
(22) Date of Filing Application: **19 December 2012**
(24) Date from which industrial property rights may have effect: **19 December 2012**
(54) Product in respect of which the design is registered: **Undercarriage track roller for mobile earthmoving machine**
(51) International Design Classification: **15-04**
(74) Name(s) of Attorney(s): **Freehills Patent Attorneys**
(71) Name(s) and Address(s) of Applicant(s):
Caterpillar Inc.
100 N.E. Adams Street Peoria Illinois 61629 United States of America
(72) Name(s) of Designer(s): **Robert L Meyer and Gregory Kaufmann and Mark Steven Diekevers and Timothy A. Thorson**
(45) Registration Date: **08 February 2013**
(30) Convention priority data:
(31) Number (32) Date (33) Country
29/426069 29 Jun 2012 UNITED STATES OF AMERICA
(56) Related Art Documents: **Not Applicable**
(57) Statement of Newness and Distinctiveness: **Newness and distinctiveness lies in the features of shape and configuration of the undercarriage track roller for mobile earthmoving machine shown in solid lines in the accompanying representations. The relatively light shade lines on the surface portions indicate contour and not surface decoration.**



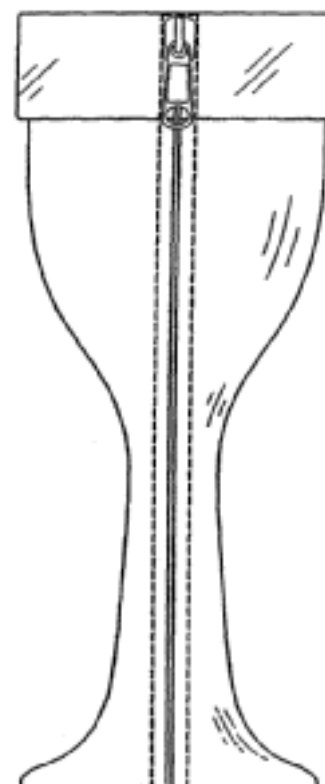
- (21) Design Number: **16537/2012**
(22) Date of Filing Application: **19 December 2012**
(24) Date from which industrial property rights may have effect: **19 December 2012**
(54) Product in respect of which the design is registered: **Undercarriage track roller for mobile earthmoving machine**
(51) International Design Classification: **15-04**
(74) Name(s) of Attorney(s): **Freehills Patent Attorneys**
(71) Name(s) and Address(s) of Applicant(s):
Caterpillar Inc.
100 N.E. Adams Street Peoria Illinois 61629 United States of America
(72) Name(s) of Designer(s): **Robert L Meyer and Gregory Kaufmann and Mark Steven Diekevers and Timothy A. Thorson**
(45) Registration Date: **08 February 2013**
(30) Convention priority data:
(31) Number (32) Date (33) Country
29/426069 29 Jun 2012 UNITED STATES OF AMERICA
(56) Related Art Documents: **Not Applicable**
(57) Statement of Newness and Distinctiveness: **Newness and distinctiveness lies in the features of shape and configuration of the undercarriage track roller for mobile earthmoving machine shown in solid lines in the accompanying representations. The relatively light shade lines on the surface portions indicate contour and not surface decoration.**



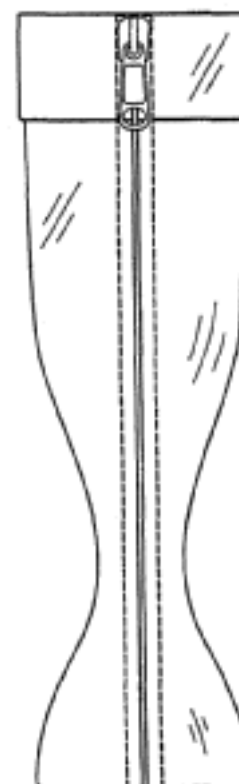
- (21) Design Number: **15279/2012**
(22) Date of Filing Application: **22 October 2012**
(24) Date from which industrial property rights may have effect: **22 October 2012**
(54) Product in respect of which the design is registered: **Chair**
(51) International Design Classification: **06-01F**
(74) Name(s) of Attorney(s):
(71) Name(s) and Address(s) of Applicant(s):
 Aichi Co., Ltd
 27-25 Tsutsui 3-Chome Higashi-ku Aichi-ken 461-0003 Japan
(72) Name(s) of Designer(s): **Taku Kumazawa**
(45) Registration Date: **08 February 2013**
(56) Related Art Documents: **Not Applicable**
(57) Statement of Newness and Distinctiveness: **In considering the newness or distinctiveness of the design, regard is to be given to the overall shape and/or configuration of the chair as shown in the representations.**



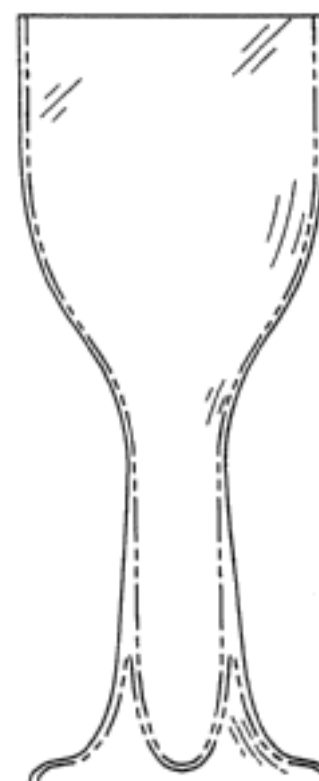
- (21) Design Number: **15899/2012**
(22) Date of Filing Application: **23 November 2012**
(24) Date from which industrial property rights may have effect: **23 November 2012**
(54) Product in respect of which the design is registered: **Beverage container**
(51) International Design Classification: **09-01D, 07-01F**
(74) Name(s) of Attorney(s): **Madderns**
(71) Name(s) and Address(s) of Applicant(s):
 Zipz, Inc.
 403 King George Road Suite 205 Basking Ridge New Jersey 07920
 United States of America
(72) Name(s) of Designer(s): **J. Henry Scott**
(45) Registration Date: **08 February 2013**
(30) Convention priority data:
 (31) Number (32) Date (33) Country
 29/422969 25 May 2012 UNITED STATES OF AMERICA
(56) Related Art Documents: **Not Applicable**
(57) Statement of Newness and Distinctiveness: **Nil**



(21) Design Number: **15900/2012**
(22) Date of Filing Application: **23 November 2012**
(24) Date from which industrial property rights may have effect: **23 November 2012**
(54) Product in respect of which the design is registered: **Beverage container**
(51) International Design Classification: **09-01D, 07-01F**
(74) Name(s) of Attorney(s): **Madderns**
(71) Name(s) and Address(s) of Applicant(s):
Zipz, Inc.
403 King George Road Suite 205 Basking Ridge New Jersey 07920
United States of America
(72) Name(s) of Designer(s): **J. Henry Scott**
(45) Registration Date: **08 February 2013**
(30) Convention priority data:
(31) Number (32) Date (33) Country
29/422969 25 May 2012 UNITED STATES OF AMERICA
(56) Related Art Documents: **Not Applicable**
(57) Statement of Newness and Distinctiveness: **Nil**



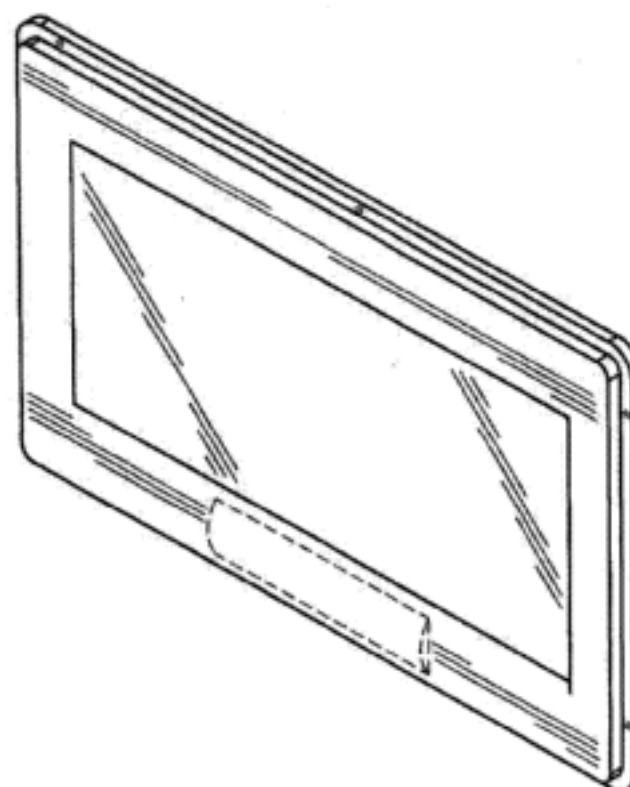
(21) Design Number: **15901/2012**
(22) Date of Filing Application: **23 November 2012**
(24) Date from which industrial property rights may have effect: **23 November 2012**
(54) Product in respect of which the design is registered: **Beverage container**
(51) International Design Classification: **09-01D, 07-01F**
(74) Name(s) of Attorney(s): **Madderns**
(71) Name(s) and Address(s) of Applicant(s):
Zipz, Inc.
403 King George Road Suite 205 Basking Ridge New Jersey 07920
United States of America
(72) Name(s) of Designer(s): **J. Henry Scott**
(45) Registration Date: **08 February 2013**
(30) Convention priority data:
(31) Number (32) Date (33) Country
29/422969 25 May 2012 UNITED STATES OF AMERICA
(56) Related Art Documents: **Not Applicable**
(57) Statement of Newness and Distinctiveness: **Nil**



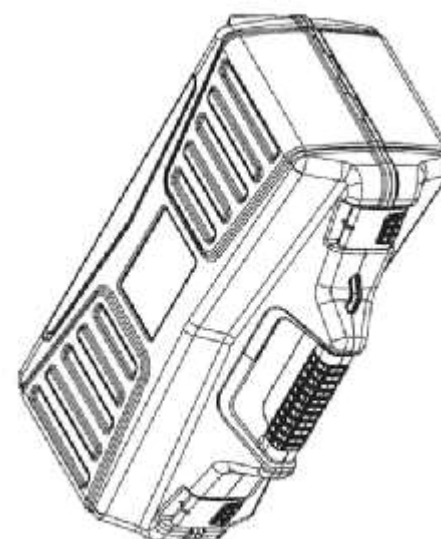
(21) Design Number: **15902/2012**
(22) Date of Filing Application: **23 November 2012**
(24) Date from which industrial property rights may have effect: **23 November 2012**
(54) Product in respect of which the design is registered: **Beverage container**
(51) International Design Classification: **09-01D, 07-01F**
(74) Name(s) of Attorney(s): **Madderns**
(71) Name(s) and Address(s) of Applicant(s):
Zipz, Inc.
403 King George Road Suite 205 Basking Ridge New Jersey 07920
United States of America
(72) Name(s) of Designer(s): **J. Henry Scott**
(45) Registration Date: **08 February 2013**
(30) Convention priority data:
(31) Number (32) Date (33) Country
29/422969 25 May 2012 UNITED STATES OF AMERICA
(56) Related Art Documents: **Not Applicable**
(57) Statement of Newness and Distinctiveness: **Nil**



(21) Design Number: **16235/2012**
(22) Date of Filing Application: **07 December 2012**
(24) Date from which industrial property rights may have effect: **07 December 2012**
(54) Product in respect of which the design is registered: **Elevator fixture**
(51) International Design Classification: **13-03NES, 12-05**
(74) Name(s) of Attorney(s): **Shelston IP**
(71) Name(s) and Address(s) of Applicant(s):
Otis Elevator Company
10 Farm Springs Road Farmington Connecticut 06032 United States of
America
(72) Name(s) of Designer(s): **Matthew Joyce Jr.**
(45) Registration Date: **08 February 2013**
(30) Convention priority data:
(31) Number (32) Date (33) Country
29/417615 05 Apr 2012 UNITED STATES OF AMERICA
(56) Related Art Documents: **Not Applicable**
(57) Statement of Newness and Distinctiveness: **Newness and distinctiveness resides in the features of shape and/or configuration of the elevator fixture shown in the accompanying representations. The features shown in broken lines in the representations are for the purpose of illustration only, and form no part of the design.**



(21) Design Number: **16497/2012**
(22) Date of Filing Application: **21 December 2012**
(24) Date from which industrial property rights may have effect: **21 December 2012**
(54) Product in respect of which the design is registered: **Container**
(51) International Design Classification: **03-01D, 09-03NES**
(74) Name(s) of Attorney(s): **A J Park**
(71) Name(s) and Address(s) of Applicant(s):
The BSS Group Limited
Lodge Way House Lodge Way Harlestone Road Northampton NN5 7UG
United Kingdom
(72) Name(s) of Designer(s): **Philip Forrest Smith and Paul Nieduszynski**
(45) Registration Date: **11 February 2013**
(30) Convention priority data:
(31) Number (32) Date (33) Country
2062430 22 Jun 2012 EUROPEAN COMMUNITY
(56) Related Art Documents: **Not Applicable**
(57) Statement of Newness and Distinctiveness: **Newness and distinctiveness reside in the features of shape and/or configuration of the Container as shown in the representations.**



(21) Design Number: **16539/2012**
(22) Date of Filing Application: **21 December 2012**
(24) Date from which industrial property rights may have effect: **21 December 2012**
(54) Product in respect of which the design is registered: **Pet chew**
(51) International Design Classification: **01-06**
(74) Name(s) of Attorney(s): **Baker & McKenzie**
(71) Name(s) and Address(s) of Applicant(s):
Mars, Incorporated
6885 Elm Street McLean Virginia 22101-3883 United States of America
(72) Name(s) of Designer(s): **Peter Sebastian Slusarczyk and Vinod Gumudavelli and Justin Tan Nguyen and Jonathan Christopher Smith**
(45) Registration Date: **11 February 2013**
(30) Convention priority data:
(31) Number (32) Date (33) Country
29425471 22 Jun 2012 UNITED STATES OF AMERICA
(56) Related Art Documents: **Not Applicable**
(57) Statement of Newness and Distinctiveness: **The newness and distinctiveness of the design lies in the features of shape and/or configuration depicted in the attached representations, including the following: a flower-shaped cross-section comprising four "petals", each petal containing a seed-shaped hole and extending from the back to the front of the product as a twist along the product's length. The product is of indeterminate length.**

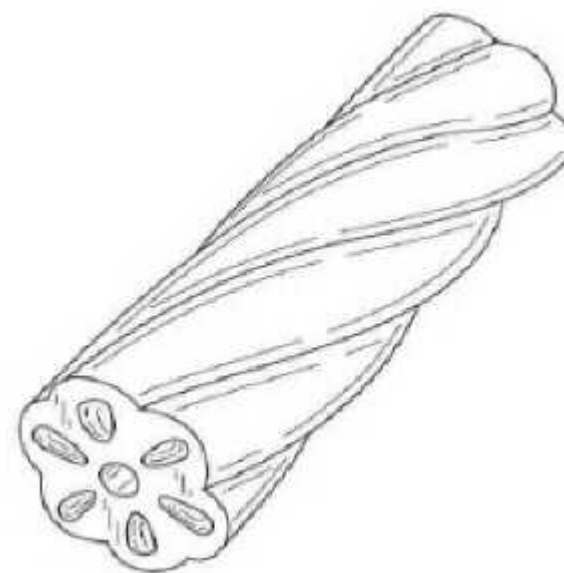


(21) Design Number: **16540/2012**
(22) Date of Filing Application: **21 December 2012**
(24) Date from which industrial property rights may have effect: **21 December 2012**
(54) Product in respect of which the design is registered: **Pet chew**
(51) International Design Classification: **01-06**
(74) Name(s) of Attorney(s): **Baker & McKenzie**
(71) Name(s) and Address(s) of Applicant(s):
Mars, Incorporated
6885 Elm Street McLean Virginia 22101-3883 United States of America
(72) Name(s) of Designer(s): **Peter Sebastian Slusarczyk and Jonathon Christopher Smith and Vinod Gumudavelli and Justin Tan Nguyen**
(45) Registration Date: **11 February 2013**
(30) Convention priority data:
(31) Number (32) Date (33) Country
29425471 22 Jun 2012 UNITED STATES OF AMERICA



(56) Related Art Documents: **Not Applicable**
(57) Statement of Newness and Distinctiveness: **The newness and distinctiveness of the design lies in the features of shape and/or configuration depicted in the attached representations, including the following: a flower-shaped cross-section comprising seven flower-shaped "petals" arranged radially around a central hole, each petal containing a seed-shaped hole and extending from the back to the front of the product as a twist along the product's length. The product is of indeterminate length.**

(21) Design Number: **16541/2012**
(22) Date of Filing Application: **21 December 2012**
(24) Date from which industrial property rights may have effect: **21 December 2012**
(54) Product in respect of which the design is registered: **Pet chew**
(51) International Design Classification: **01-06**
(74) Name(s) of Attorney(s): **Baker & McKenzie**
(71) Name(s) and Address(s) of Applicant(s):
Mars, Incorporated
6885 Elm Street McLean Virginia 22101-3883 United States of America
(72) Name(s) of Designer(s): **Peter Sebastian Slusarczyk and Vinod Gumudavelli and Justin Tan Nguyen and Jonathan Christopher Smith**
(45) Registration Date: **11 February 2013**
(30) Convention priority data:
(31) Number (32) Date (33) Country
29425471 22 Jun 2012 UNITED STATES OF AMERICA



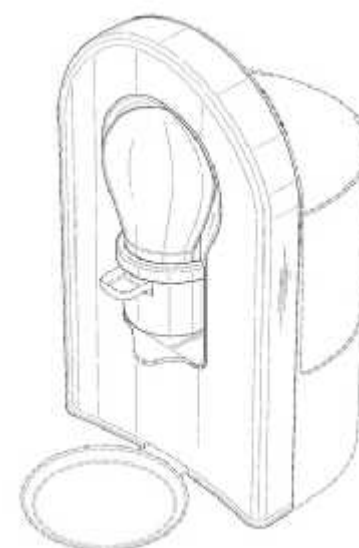
(56) Related Art Documents: **Not Applicable**
(57) Statement of Newness and Distinctiveness: **The newness and distinctiveness of the design lies in the features of shape and/or configuration depicted in the attached representations, including the following: a flower-shaped cross-section comprising six flower-shaped "petals" arranged radially around a central hole, each petal containing a seed-shaped hole and extending from the back to the front of the product as a twist along the product's length. The product is of indeterminate length.**

(21) Design Number: **16542/2012**
(22) Date of Filing Application: **21 December 2012**
(24) Date from which industrial property rights may have effect: **21 December 2012**
(54) Product in respect of which the design is registered: **Pet chew**
(51) International Design Classification: **01-06**
(74) Name(s) of Attorney(s): **Baker & McKenzie**
(71) Name(s) and Address(s) of Applicant(s):
Mars, Incorporated
6885 Elm Street McLean Virginia 22101-3883 United States of America
(72) Name(s) of Designer(s): **Peter Sebastian Slusarczyk and Vinod Gumudavelli and Justin Tan Nguyen and Jonathan Christopher Smith**
(45) Registration Date: **11 February 2013**
(30) Convention priority data:
(31) Number (32) Date (33) Country
29425471 22 Jun 2012 UNITED STATES OF AMERICA



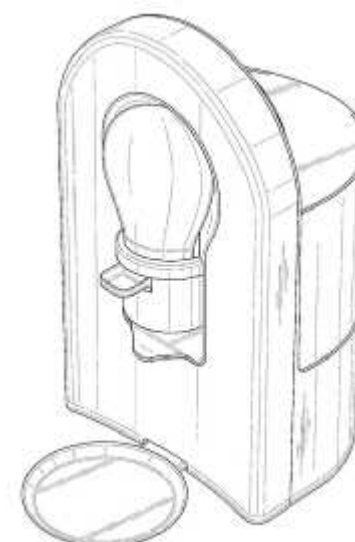
(56) Related Art Documents: **Not Applicable**
(57) Statement of Newness and Distinctiveness: **The newness and distinctiveness of the design lies in the features of shape and/or configuration depicted in the attached representations, including the following: a flower-shaped cross-section comprising five flower-shaped "petals" arranged radially around a central hole, each petal containing a seed-shaped hole and extending from the back to the front of the product as a twist along the product's length. The product is of indeterminate length.**

(21) Design Number: **16543/2012**
(22) Date of Filing Application: **21 December 2012**
(24) Date from which industrial property rights may have effect: **21 December 2012**
(54) Product in respect of which the design is registered: **Beverage brewing device**
(51) International Design Classification: **07-02L**
(74) Name(s) of Attorney(s): **Davies Collison Cave**
(71) Name(s) and Address(s) of Applicant(s):
Unilever PLC
Unilever House 100 Victoria Embankment London EC4Y 0DY United Kingdom
(72) Name(s) of Designer(s): **Jean Sebastien Blanc**
(45) Registration Date: **11 February 2013**
(30) Convention priority data:
(31) Number (32) Date (33) Country
002069815-0002 06 Jul 2012 EUROPEAN COMMUNITY



(56) Related Art Documents: **Not Applicable**
(57) Statement of Newness and Distinctiveness: **Newness and distinctiveness is claimed in the visual features shown in solid lines in the representations. In considering the extent of the design rights, the broken lines shown in the representations are for illustrative purposes only and do not form part of the design.**

- (21) Design Number: **16544/2012**
(22) Date of Filing Application: **21 December 2012**
(24) Date from which industrial property rights may have effect: **21 December 2012**
(54) Product in respect of which the design is registered: **Beverage brewing device**
(51) International Design Classification: **07-02L**
(74) Name(s) of Attorney(s): **Davies Collison Cave**
(71) Name(s) and Address(s) of Applicant(s):
Unilever PLC
Unilever House 100 Victoria Embankment London EC4Y 0DY United Kingdom
(72) Name(s) of Designer(s): **Jean Sebastien Blanc**
(45) Registration Date: **11 February 2013**
(30) Convention priority data:
(31) Number (32) Date (33) Country
002069815-0001 06 Jul 2012 EUROPEAN COMMUNITY
(56) Related Art Documents: **Not Applicable**
(57) Statement of Newness and Distinctiveness: **Newness and distinctiveness is claimed in the visual features shown in solid lines in the representations.**



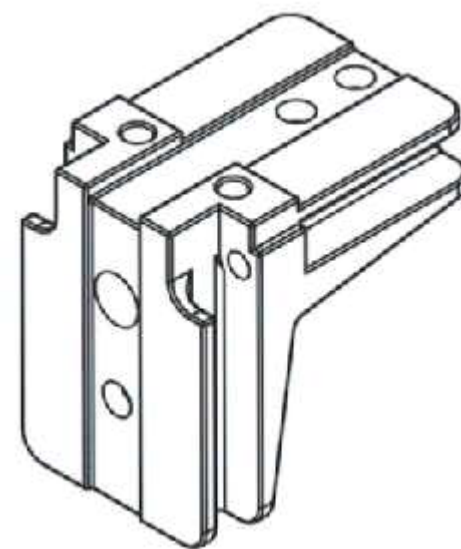
- (21) Design Number: **16547/2012**
(22) Date of Filing Application: **21 December 2012**
(24) Date from which industrial property rights may have effect: **21 December 2012**
(54) Product in respect of which the design is registered: **Bed**
(51) International Design Classification: **06-02**
(74) Name(s) of Attorney(s): **WATERMARK PATENT AND TRADE MARKS ATTORNEYS**
(71) Name(s) and Address(s) of Applicant(s):
Hong Gay Khim
Lot 102 & 103 Jalan Perusahaan Lima Taman Perindustrian Mahkota 43700 Beranang Selangor Malaysia
(72) Name(s) of Designer(s): **Hong Gay Khim**
(45) Registration Date: **11 February 2013**
(56) Related Art Documents: **Not Applicable**
(57) Statement of Newness and Distinctiveness: **Nil**



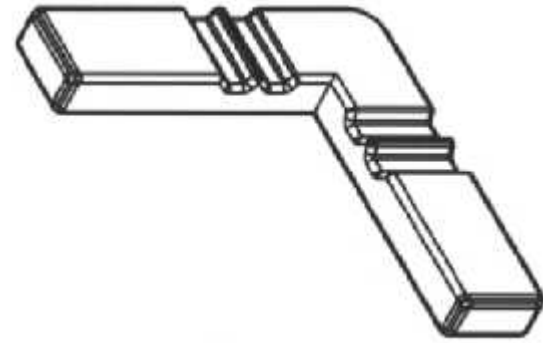
- (21) Design Number: **16548/2012**
(22) Date of Filing Application: **21 December 2012**
(24) Date from which industrial property rights may have effect: **21 December 2012**
(54) Product in respect of which the design is registered: **Chest**
(51) International Design Classification: **06-04F**
(74) Name(s) of Attorney(s): **WATERMARK PATENT AND TRADE MARKS ATTORNEYS**
(71) Name(s) and Address(s) of Applicant(s):
Hong Gay Khim
Lot 102 & 103 Jalan Perusahaan Lima Taman Perindustrian Mahkota
43700 Beranang Selangor Malaysia
(72) Name(s) of Designer(s): **Hong Gay Khim**
(45) Registration Date: **11 February 2013**
(56) Related Art Documents: **Not Applicable**
(57) Statement of Newness and Distinctiveness: **Nil**



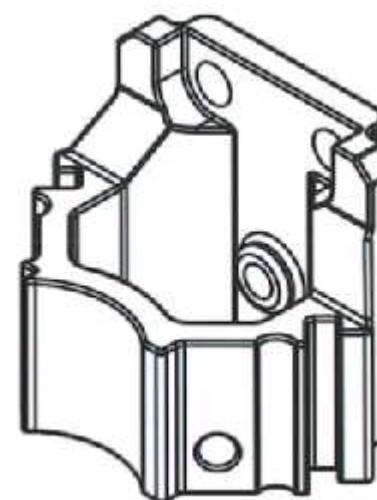
- (21) Design Number: **16551/2012**
(22) Date of Filing Application: **21 December 2012**
(24) Date from which industrial property rights may have effect: **21 December 2012**
(54) Product in respect of which the design is registered: **Bracket**
(51) International Design Classification: **08-08L**
(74) Name(s) of Attorney(s): **Actuate IP**
(71) Name(s) and Address(s) of Applicant(s):
Zenith Interiors Pty Ltd
101 Tulip St Sandringham VIC 3191 Australia
(72) Name(s) of Designer(s): **Ian Harker**
(45) Registration Date: **11 February 2013**
(56) Related Art Documents: **Not Applicable**
(57) Statement of Newness and Distinctiveness: **Newness and distinctiveness is claimed in the features of shape and/or configuration of the bracket as illustrated in the accompanying representations.**



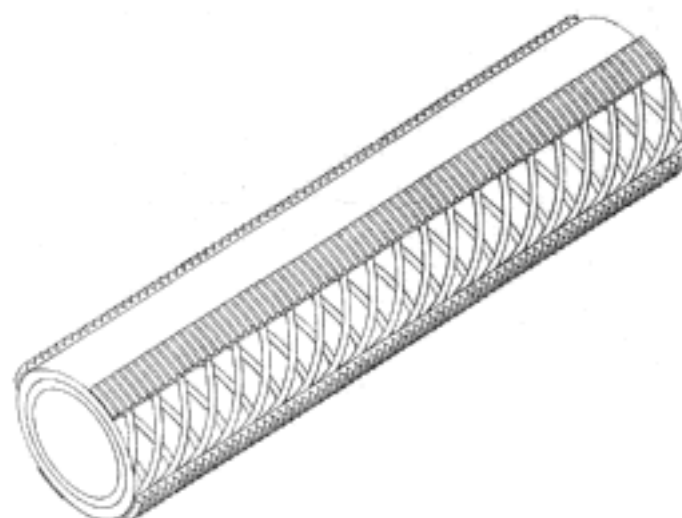
- (21) Design Number: **16553/2012**
(22) Date of Filing Application: **21 December 2012**
(24) Date from which industrial property rights may have effect: **21 December 2012**
(54) Product in respect of which the design is registered: **Rail joiner**
(51) International Design Classification: **08-08NES, 08-08L**
(74) Name(s) of Attorney(s): **Actuate IP**
(71) Name(s) and Address(s) of Applicant(s):
Zenith Interiors Pty Ltd
101 Tulip St Sandringham VIC 3191 Australia
(72) Name(s) of Designer(s): **Ian Harker**
(45) Registration Date: **11 February 2013**
(56) Related Art Documents: **Not Applicable**
(57) Statement of Newness and Distinctiveness: **Newness and distinctiveness is claimed in the features of shape and/or configuration of the rail joiner as illustrated in the accompanying representations.**



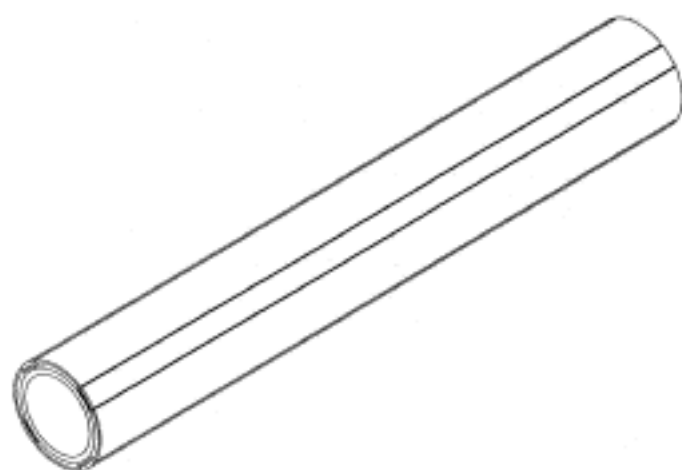
- (21) Design Number: **16554/2012**
(22) Date of Filing Application: **21 December 2012**
(24) Date from which industrial property rights may have effect: **21 December 2012**
(54) Product in respect of which the design is registered: **Module joiner**
(51) International Design Classification: **08-08NES**
(74) Name(s) of Attorney(s): **Actuate IP**
(71) Name(s) and Address(s) of Applicant(s):
Zenith Interiors Pty Ltd
101 Tulip St Sandringham VIC 3191 Australia
(72) Name(s) of Designer(s): **Ian Harker**
(45) Registration Date: **11 February 2013**
(56) Related Art Documents: **Not Applicable**
(57) Statement of Newness and Distinctiveness: **Newness and distinctiveness is claimed in the features of shape and/or configuration of the module joiner as illustrated in the accompanying representations.**



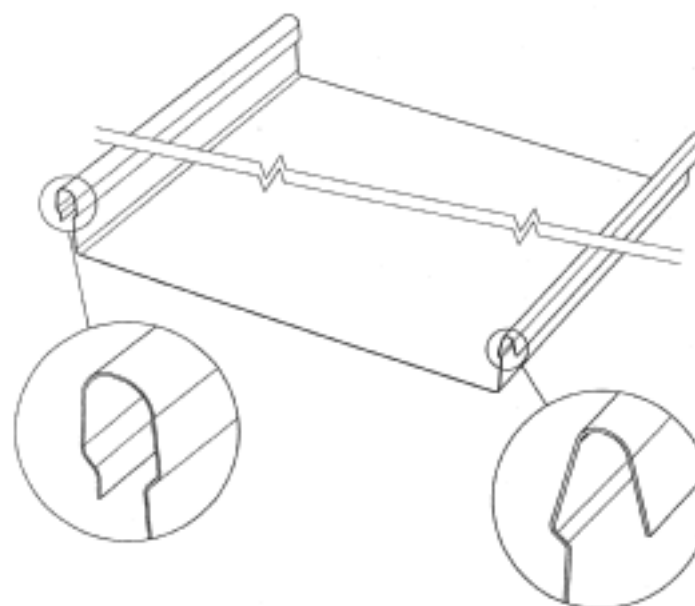
- (21) Design Number: **16569/2012**
(22) Date of Filing Application: **20 December 2012**
(24) Date from which industrial property rights may have effect: **20 December 2012**
(54) Product in respect of which the design is registered: **Garden hose**
(51) International Design Classification: **23-01C**
(74) Name(s) of Attorney(s): **SPRUSON & FERGUSON**
(71) Name(s) and Address(s) of Applicant(s):
GARDENA Manufacturing GmbH
Hans Lorenser Strasse 40 D-89079 ULM Germany
(72) Name(s) of Designer(s): **Aleksandar Tatic**
(45) Registration Date: **11 February 2013**
(56) Related Art Documents: **Not Applicable**
(57) Statement of Newness and Distinctiveness: **Newness and distinctiveness is claimed in the features of the exterior side wall of a garden hose as illustrated in the accompanying representations, apart from the length of the garden hose.**



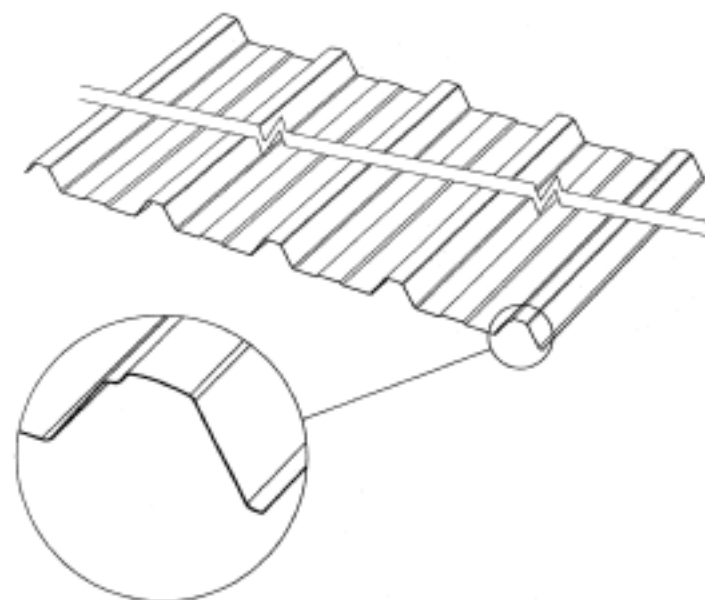
- (21) Design Number: **16572/2012**
(22) Date of Filing Application: **20 December 2012**
(24) Date from which industrial property rights may have effect: **20 December 2012**
(54) Product in respect of which the design is registered: **Garden hose**
(51) International Design Classification: **23-01C**
(74) Name(s) of Attorney(s): **SPRUSON & FERGUSON**
(71) Name(s) and Address(s) of Applicant(s):
GARDENA Manufacturing GmbH
Hans Lorenser Strasse 40 D-89079 ULM Germany
(72) Name(s) of Designer(s): **Aleksandar Tatic**
(45) Registration Date: **11 February 2013**
(56) Related Art Documents: **Not Applicable**
(57) Statement of Newness and Distinctiveness: **Newness and distinctiveness is claimed in the features of the exterior side wall of a garden hose as illustrated in the accompanying representations apart from the length of the garden hose.**



- (21) Design Number: **16615/2012**
(22) Date of Filing Application: **21 December 2012**
(24) Date from which industrial property rights may have effect: **21 December 2012**
(54) Product in respect of which the design is registered: **Wide profile building panel**
(51) International Design Classification: **25-01D**
(74) Name(s) of Attorney(s): **PHILLIPS ORMONDE FITZPATRICK**
(71) Name(s) and Address(s) of Applicant(s):
Revroof Pty Ltd
55 Scotland Rd Mile End South SA 5031 Australia
(72) Name(s) of Designer(s): **John Alastair Easling**
(45) Registration Date: **11 February 2013**
(56) Related Art Documents: **Not Applicable**
(57) Statement of Newness and Distinctiveness: **Newness and Distinctiveness is claimed in the features of shape and configuration of a wide profile building panel of indefinite length as shown in the accompanying representations.**



- (21) Design Number: **16616/2012**
(22) Date of Filing Application: **21 December 2012**
(24) Date from which industrial property rights may have effect: **21 December 2012**
(54) Product in respect of which the design is registered: **Building panel**
(51) International Design Classification: **25-01D**
(74) Name(s) of Attorney(s): **PHILLIPS ORMONDE FITZPATRICK**
(71) Name(s) and Address(s) of Applicant(s):
Revroof Pty Ltd
55 Scotland Rd Mile End South SA 5031 Australia
(72) Name(s) of Designer(s): **John Alastair Easling**
(45) Registration Date: **11 February 2013**
(56) Related Art Documents: **Not Applicable**
(57) Statement of Newness and Distinctiveness: **Newness and Distinctiveness is claimed in the features of shape and configuration of a building panel of indefinite length as shown in the accompanying representations.**



(21) Design Number: **16620/2012**
(22) Date of Filing Application: **21 December 2012**
(24) Date from which industrial property rights may have effect: **21 December 2012**
(54) Product in respect of which the design is registered: **Three wheeled vehicle**
(51) International Design Classification: **12-11**
(74) Name(s) of Attorney(s): **SPRUSON & FERGUSON**
(71) Name(s) and Address(s) of Applicant(s):

Huffy Corporation
6551 Centerville Business Parkway Centerville Ohio 45459 United States of America

(72) Name(s) of Designer(s): **Gregory Jerome Doherty and Frederick Joseph Thoman**

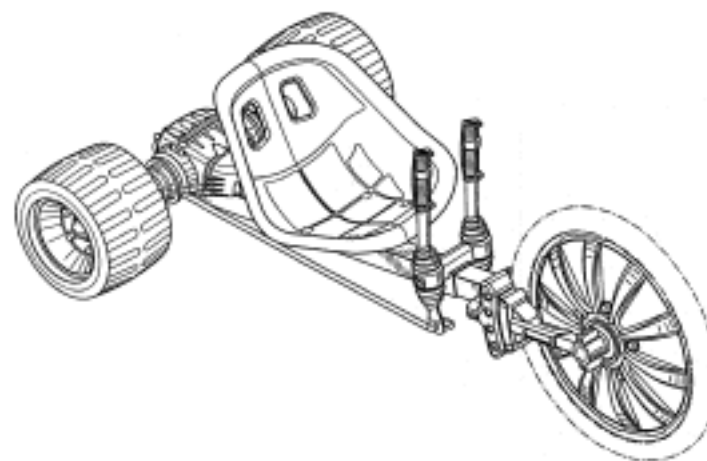
(45) Registration Date: **11 February 2013**

(30) Convention priority data:

(31) Number	(32) Date	(33) Country
29/426560	06 Jul 2012	UNITED STATES OF AMERICA

(56) Related Art Documents: **Not Applicable**

(57) Statement of Newness and Distinctiveness: **Newness and distinctiveness is claimed in those features of shape and/or configuration of a three wheeled vehicle illustrated in continuous lines in the accompanying representations.**



(21) Design Number: **16621/2012**
(22) Date of Filing Application: **21 December 2012**
(24) Date from which industrial property rights may have effect: **21 December 2012**
(54) Product in respect of which the design is registered: **Three wheeled vehicle**
(51) International Design Classification: **12-11**
(74) Name(s) of Attorney(s): **SPRUSON & FERGUSON**
(71) Name(s) and Address(s) of Applicant(s):

Huffy Corporation
6551 Centerville Business Parkway Centerville Ohio 45459 United States of America

(72) Name(s) of Designer(s): **Gregory Jerome Doherty and Frederick Joseph Thoman**

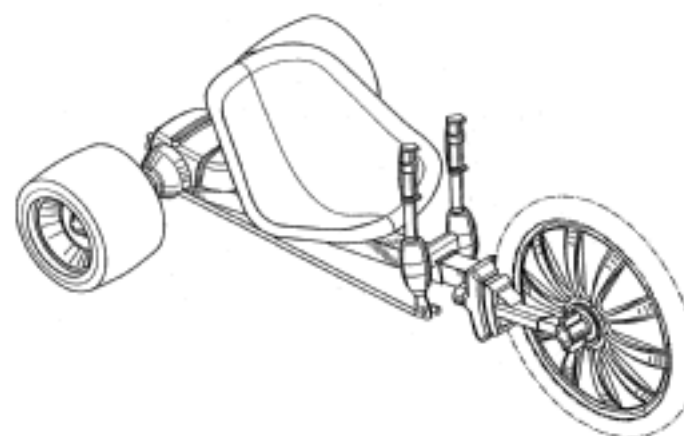
(45) Registration Date: **11 February 2013**

(30) Convention priority data:

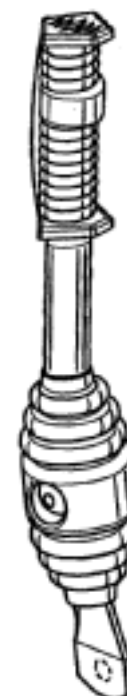
(31) Number	(32) Date	(33) Country
29/426560	06 Jul 2012	UNITED STATES OF AMERICA

(56) Related Art Documents: **Not Applicable**

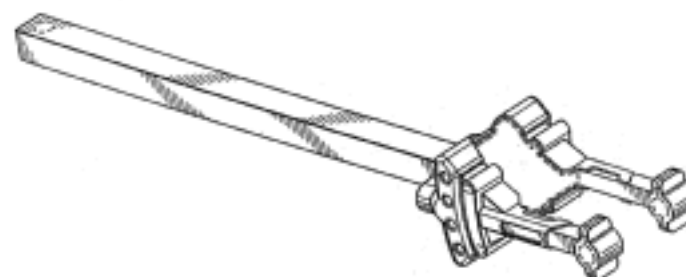
(57) Statement of Newness and Distinctiveness: **Newness and distinctiveness is claimed in those features of shape and/or configuration of a three wheeled vehicle illustrated in continuous lines in the accompanying representations.**



(21) Design Number: **16622/2012**
(22) Date of Filing Application: **21 December 2012**
(24) Date from which industrial property rights may have effect: **21 December 2012**
(54) Product in respect of which the design is registered: **Steering lever for a three wheeled vehicle**
(51) International Design Classification: **12-11, 12-16A**
(74) Name(s) of Attorney(s): **SPRUSON & FERGUSON**
(71) Name(s) and Address(s) of Applicant(s):
Huffy Corporation
6551 Centerville Business Parkway Centerville Ohio 45459 United States of America
(72) Name(s) of Designer(s): **Gregory Jerome Doherty and Frederick Joseph Thoman**
(45) Registration Date: **11 February 2013**
(30) Convention priority data:
(31) Number (32) Date (33) Country
29/426560 06 Jul 2012 UNITED STATES OF AMERICA
(56) Related Art Documents: **Not Applicable**
(57) Statement of Newness and Distinctiveness: **Newness and distinctiveness is claimed in those features of shape and/or configuration of a steering lever for a three wheeled vehicle illustrated in continuous lines in the accompanying representations.**



(21) Design Number: **16623/2012**
(22) Date of Filing Application: **21 December 2012**
(24) Date from which industrial property rights may have effect: **21 December 2012**
(54) Product in respect of which the design is registered: **Frame member for a three wheeled vehicle**
(51) International Design Classification: **12-11**
(74) Name(s) of Attorney(s): **SPRUSON & FERGUSON**
(71) Name(s) and Address(s) of Applicant(s):
Huffy Corporation
6551 Centerville Business Parkway Centerville Ohio 45459 United States of America
(72) Name(s) of Designer(s): **Gregory Jerome Doherty and Frederick Joseph Thoman**
(45) Registration Date: **11 February 2013**
(30) Convention priority data:
(31) Number (32) Date (33) Country
29/426560 06 Jul 2012 UNITED STATES OF AMERICA
(56) Related Art Documents: **Not Applicable**
(57) Statement of Newness and Distinctiveness: **Newness and distinctiveness is claimed in those features of shape and/or configuration of a frame member for a three wheeled vehicle illustrated in continuous lines in the accompanying representations.**



- (21) Design Number: **16624/2012**
(22) Date of Filing Application: **21 December 2012**
(24) Date from which industrial property rights may have effect: **21 December 2012**
(54) Product in respect of which the design is registered: **Frame member for a three wheeled vehicle**
(51) International Design Classification: **12-11**
(74) Name(s) of Attorney(s): **SPRUSON & FERGUSON**
(71) Name(s) and Address(s) of Applicant(s):

Huffy Corporation
6551 Centerville Business Parkway Centerville Ohio 45459 United States of America

- (72) Name(s) of Designer(s): **Gregory Jerome Doherty and Frederick Joseph Thoman**

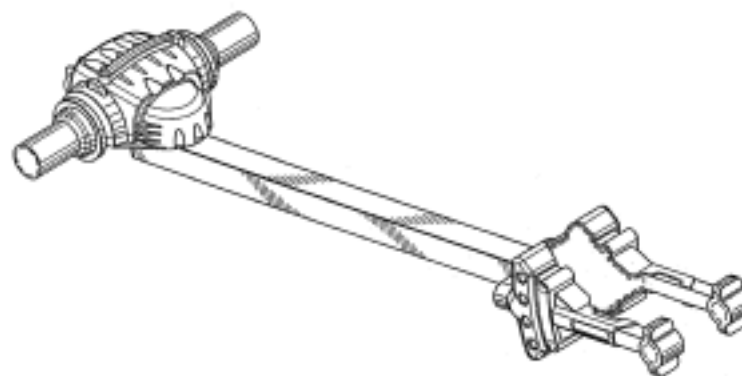
(45) Registration Date: **11 February 2013**

(30) Convention priority data:

(31) Number	(32) Date	(33) Country
29/426560	06 Jul 2012	UNITED STATES OF AMERICA

(56) Related Art Documents: **Not Applicable**

- (57) Statement of Newness and Distinctiveness: **Newness and distinctiveness is claimed in those features of shape and/or configuration of a frame member for a three wheeled vehicle illustrated in continuous lines in the accompanying representations.**



- (21) Design Number: **16625/2012**
(22) Date of Filing Application: **21 December 2012**
(24) Date from which industrial property rights may have effect: **21 December 2012**
(54) Product in respect of which the design is registered: **Shoe**
(51) International Design Classification: **02-04NES**
(74) Name(s) of Attorney(s): **SPRUSON & FERGUSON**
(71) Name(s) and Address(s) of Applicant(s):

Wilson Sporting Goods Co.
Triangle Plaza 8750 W. Bryn Mawr Ave. Chicago Illinois 60631 United States of America

- (72) Name(s) of Designer(s): **Guillaume Amphyon**

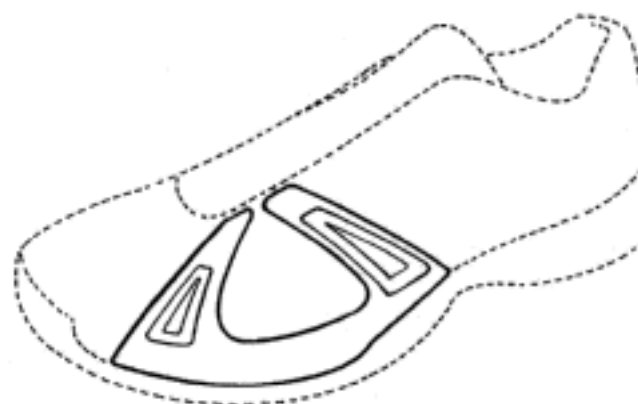
(45) Registration Date: **11 February 2013**

(30) Convention priority data:

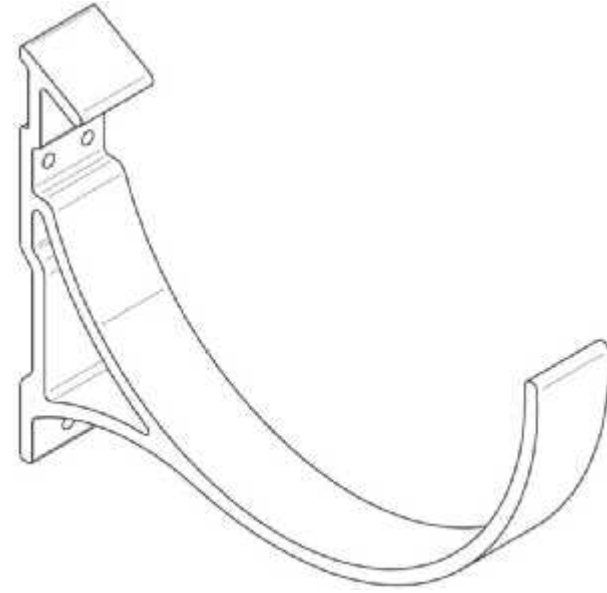
(31) Number	(32) Date	(33) Country
DM/078644	06 Jul 2012	FRANCE

(56) Related Art Documents: **Not Applicable**

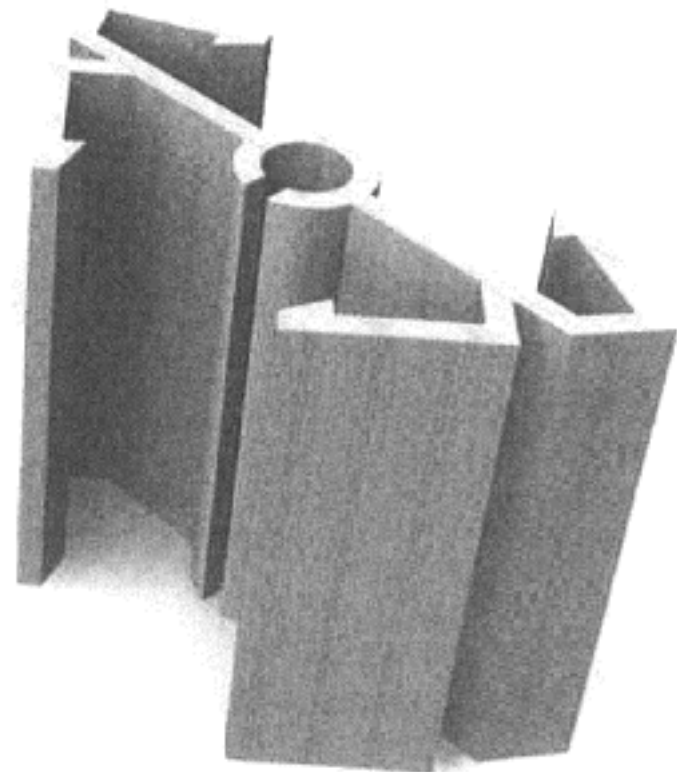
- (57) Statement of Newness and Distinctiveness: **Newness and distinctiveness is claimed in the features of a shoe as illustrated in continuous lines in the accompanying representations.**



(21) Design Number: **16088/2012**
(22) Date of Filing Application: **06 December 2012**
(24) Date from which industrial property rights may have effect: **06 December 2012**
(54) Product in respect of which the design is registered: **Bracket**
(51) International Design Classification: **08-08L**
(74) Name(s) of Attorney(s): **Cullens Patent and Trade Mark Attorneys**
(71) Name(s) and Address(s) of Applicant(s):
Uni-Quip Australia Pty Ltd
20 Glendevon Cres Mt Warren Park QLD 4207 Australia
(72) Name(s) of Designer(s): **Michael Norman Carr**
(45) Registration Date: **11 February 2013**
(56) Related Art Documents: **Not Applicable**
(57) Statement of Newness and Distinctiveness: **Nil**



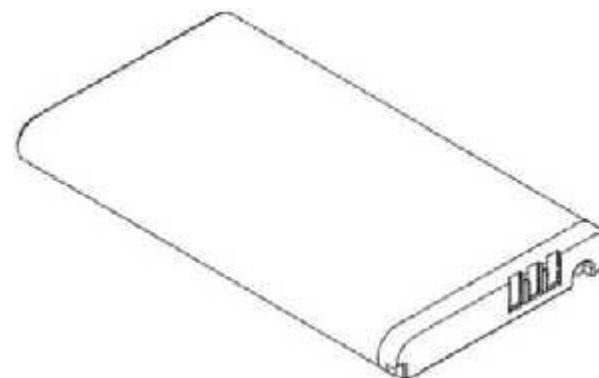
(21) Design Number: **16213/2012**
(22) Date of Filing Application: **10 December 2012**
(24) Date from which industrial property rights may have effect: **10 December 2012**
(54) Product in respect of which the design is registered: **An extrusion**
(51) International Design Classification: **25-01K**
(74) Name(s) of Attorney(s): **Cullens Patent and Trade Mark Attorneys**
(71) Name(s) and Address(s) of Applicant(s):
Scholtes Family Holdings Pty Ltd
12 Activity Street Acacia Ridge Queensland 4110 Australia
(72) Name(s) of Designer(s): **Paul Helvig**
(45) Registration Date: **11 February 2013**
(56) Related Art Documents: **Not Applicable**
(57) Statement of Newness and Distinctiveness: **Nil**



- (21) Design Number: **16258/2012**
(22) Date of Filing Application: **11 December 2012**
(24) Date from which industrial property rights may have effect: **11 December 2012**
(54) Product in respect of which the design is registered: **A tyre**
(51) International Design Classification: **12-15A**
(74) Name(s) of Attorney(s): **Fraser Old & Sohn**
(71) Name(s) and Address(s) of Applicant(s):
Shandong Jinyu Tire Co., Ltd.
No. 260 Qingken Road Dawang Guangrao Dongying Shandong 257300
China
(72) Name(s) of Designer(s): **Yejing Wang and Chunling Zhu and Xianxu Chang**
and Xiaoyu Wang
(45) Registration Date: **11 February 2013**
(56) Related Art Documents: **Not Applicable**
(57) Statement of Newness and Distinctiveness: **Newness and distinctiveness is claimed in respect of the pattern of the tyre tread of the tyre illustrated in the accompanying representations. In carrying out a consideration in accordance with Section 19 the shape and/or configuration of the side walls of the tyre and the wheel illustrated in the representations is/are not to be considered either new or distinctive and do/does not form part of the design.**



- (21) Design Number: **16339/2012**
(22) Date of Filing Application: **14 December 2012**
(24) Date from which industrial property rights may have effect: **14 December 2012**
(54) Product in respect of which the design is registered: **Battery**
(51) International Design Classification: **13-02**
(74) Name(s) of Attorney(s): **Davies Collison Cave**
(71) Name(s) and Address(s) of Applicant(s):
Nintendo Co., Ltd.
11-1 Hokotate-cho Kamitoba Minami-ku Kyoto 601-8501 Japan
(72) Name(s) of Designer(s): **Kazuumi Otani and Junichi Saito and Takumi**
Nakahira
(45) Registration Date: **11 February 2013**
(30) Convention priority data:
(31) Number (32) Date (33) Country
2012-014494 18 Jun 2012 JAPAN
(56) Related Art Documents: **Not Applicable**
(57) Statement of Newness and Distinctiveness: **Nil**



(21) Design Number: **16356/2012**
(22) Date of Filing Application: **17 December 2012**
(24) Date from which industrial property rights may have effect: **17 December 2012**
(54) Product in respect of which the design is registered: **Tap**
(51) International Design Classification: **23-01H**
(74) Name(s) of Attorney(s): **Davies Collison Cave**
(71) Name(s) and Address(s) of Applicant(s):
Hansa Metallwerke AG
Sigmaringer Strasse 107 Stuttgart 70567 Germany
(72) Name(s) of Designer(s): **Michael Lammel and Michael Zeisel**
(45) Registration Date: **11 February 2013**
(30) Convention priority data:
(31) Number (32) Date (33) Country
002066332-0006 29 Jun 2012 EUROPEAN COMMUNITY
(56) Related Art Documents: **Not Applicable**
(57) Statement of Newness and Distinctiveness: **Nil**



(21) Design Number: **16357/2012**
(22) Date of Filing Application: **17 December 2012**
(24) Date from which industrial property rights may have effect: **17 December 2012**
(54) Product in respect of which the design is registered: **Tap**
(51) International Design Classification: **23-01H**
(74) Name(s) of Attorney(s): **Davies Collison Cave**
(71) Name(s) and Address(s) of Applicant(s):
Hansa Metallwerke AG
Sigmaringer Strasse 107 Stuttgart 70567 Germany
(72) Name(s) of Designer(s): **Michael Lammel and Michael Zeisel**
(45) Registration Date: **11 February 2013**
(30) Convention priority data:
(31) Number (32) Date (33) Country
002066332-0001 29 Jun 2012 EUROPEAN COMMUNITY
(56) Related Art Documents: **Not Applicable**
(57) Statement of Newness and Distinctiveness: **Nil**



- (21) Design Number: **16459/2012**
(22) Date of Filing Application: **20 December 2012**
(24) Date from which industrial property rights may have effect: **20 December 2012**
(54) Product in respect of which the design is registered: **Water filter**
(51) International Design Classification: **23-01G**
(74) Name(s) of Attorney(s): **Corrs Chambers Westgarth**
(71) Name(s) and Address(s) of Applicant(s):
Wispac Industry Sdn Bhd
No.6 Jalan BK 1/13 Kinrara Industrial Park Bandar Kinrara 47100
Puchong Selangor Malaysia
(72) Name(s) of Designer(s): **Soh Tiam Ee**
(45) Registration Date: **11 February 2013**
(56) Related Art Documents: **Not Applicable**
(57) Statement of Newness and Distinctiveness: **The features of the design for which novelty is claimed are the shape and configuration of the article as shown in the representations.**



- (21) Design Number: **16460/2012**
(22) Date of Filing Application: **20 December 2012**
(24) Date from which industrial property rights may have effect: **20 December 2012**
(54) Product in respect of which the design is registered: **Protection device for handrail of a net cage**
(51) International Design Classification: **08-08K**
(74) Name(s) of Attorney(s): **Collison & Co**
(71) Name(s) and Address(s) of Applicant(s):
Hallgeir Solberg
Brenna NO-7178 Stokkoy Norway
(72) Name(s) of Designer(s): **Hallgeir Solberg**
(45) Registration Date: **11 February 2013**
(30) Convention priority data:

(31) Number	(32) Date	(33) Country
20120597	25 Jun 2012	NORWAY

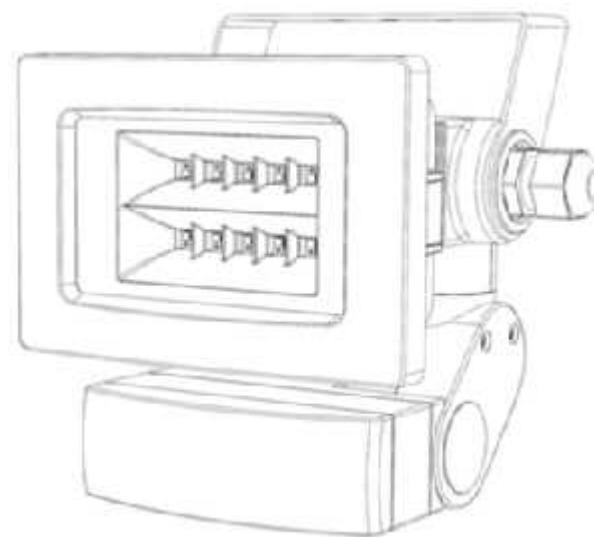
(56) Related Art Documents: **Not Applicable**
(57) Statement of Newness and Distinctiveness: **Newness and distinctiveness is claimed in respect of the shape and configuration of the protection device to be used on the handrail of a net cage as shown in the accompanying representations.**



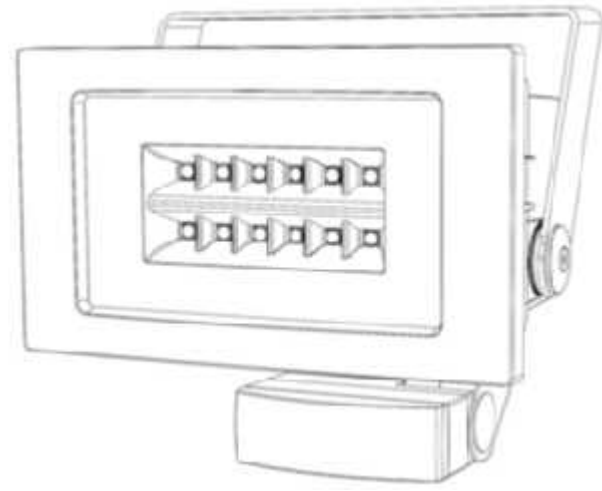
- (21) Design Number: **16461/2012**
(22) Date of Filing Application: **20 December 2012**
(24) Date from which industrial property rights may have effect: **20 December 2012**
(54) Product in respect of which the design is registered: **PIR sensor**
(51) International Design Classification: **10-05, 26-05NES**
(74) Name(s) of Attorney(s): **LESICAR MURRAY TRENTO**
(71) Name(s) and Address(s) of Applicant(s):
Gerard Lighting Pty Ltd
PO BOX 2369 Kent Town Dc SA 5071 Australia
(72) Name(s) of Designer(s): **Anthony Kearney and Maxwell Dickison and Jason Gerard**
(45) Registration Date: **11 February 2013**
(56) Related Art Documents: **Not Applicable**
(57) Statement of Newness and Distinctiveness: **Newness and distinctiveness reside in the shape and/or configuration of the PIR sensor as shown in the accompanying drawings. The arcuate front face of the PIR sensor is shown blank and may include features not being part of the design.**



- (21) Design Number: **16462/2012**
(22) Date of Filing Application: **20 December 2012**
(24) Date from which industrial property rights may have effect: **20 December 2012**
(54) Product in respect of which the design is registered: **Light with PIR sensor**
(51) International Design Classification: **10-05, 26-05A**
(74) Name(s) of Attorney(s): **LESICAR MURRAY TRENTO**
(71) Name(s) and Address(s) of Applicant(s):
Gerard Lighting Pty Ltd
PO BOX 2369 Kent Town Dc SA 5071 Australia
(72) Name(s) of Designer(s): **Anthony Kearney and Maxwell Dickison and Jason Gerard**
(45) Registration Date: **11 February 2013**
(56) Related Art Documents: **Not Applicable**
(57) Statement of Newness and Distinctiveness: **Newness and distinctiveness reside in the shape and/or configuration of the Light with PIR sensor as shown in the accompanying drawings. The arcuate front face of the PIR sensor is shown blank and may include features not being part of the design.**



- (21) Design Number: **16463/2012**
(22) Date of Filing Application: **20 December 2012**
(24) Date from which industrial property rights may have effect: **20 December 2012**
(54) Product in respect of which the design is registered: **Light with PIR sensor**
(51) International Design Classification: **10-05, 26-05A**
(74) Name(s) of Attorney(s): **LESICAR MURRAY TRENTO**
(71) Name(s) and Address(s) of Applicant(s):
Gerard Lighting Pty Ltd
PO BOX 2369 Kent Town Dc SA 5071 Australia
(72) Name(s) of Designer(s): **Anthony Kearney and Maxwell Dickison and Jason Gerard**
(45) Registration Date: **11 February 2013**
(56) Related Art Documents: **Not Applicable**
(57) Statement of Newness and Distinctiveness: **Newness and distinctiveness reside in the shape and/or configuration of the Light with PIR sensor as shown in the accompanying drawings. The arcuate front face of the PIR sensor is shown blank and may include features not being part of the design.**



- (21) Design Number: **16464/2012**
(22) Date of Filing Application: **20 December 2012**
(24) Date from which industrial property rights may have effect: **20 December 2012**
(54) Product in respect of which the design is registered: **Trays**
(51) International Design Classification: **07-99NES**
(74) Name(s) of Attorney(s): **Trademark Works**
(71) Name(s) and Address(s) of Applicant(s):
Joseph Joseph Ltd
The Grove 30 Great Guildford Street SE1 0HS London United Kingdom
(72) Name(s) of Designer(s): **David Evans and Ashley May**
(45) Registration Date: **11 February 2013**
(30) Convention priority data:
(31) Number (32) Date (33) Country
002102343-0007 13 Sep 2012 EUROPEAN COMMUNITY
(56) Related Art Documents: **Not Applicable**
(57) Statement of Newness and Distinctiveness: **The newness and distinctiveness of the design resides in the shape of the tray as shown in the accompanying representations.**



(21) Design Number: **16603/2012**

(22) Date of Filing Application: **24 December 2012**

(24) Date from which industrial property rights may have effect: **24 December 2012**

(54) Product in respect of which the design is registered: **Twist drill**

(51) International Design Classification: **08-01**

(74) Name(s) of Attorney(s): **Shelston IP**

(71) Name(s) and Address(s) of Applicant(s):

Chung-Hung Liao

**1F No 359 Sec 2 Yuanhuan North Road FengYuan Dist Taichung City 420
Taiwan**

Chung-Liang Liao

**1F No 359 Sec 2 Yuanhuan North Road FengYuan Dist Taichung City 420
Taiwan**

Jen-Sheng Liao

**1F No 359 Sec 2 Yuanhuan North Road FengYuan Dist Taichung City 420
Taiwan**

(72) Name(s) of Designer(s): **Chung-Hung Liao and Chung-Liang Liao and Jen-Sheng Liao**

(45) Registration Date: **12 February 2013**

(56) Related Art Documents: **Not Applicable**

(57) Statement of Newness and Distinctiveness: **Newness and distinctiveness reside in the features of shape and/or configuration of a TWIST DRILL as illustrated in solid lines in the accompanying representations. Those features shown in broken lines are illustrative only and do not form part of the design.**



(21) Design Number: **16604/2012**

(22) Date of Filing Application: **24 December 2012**

(24) Date from which industrial property rights may have effect: **24 December 2012**

(54) Product in respect of which the design is registered: **An ottoman**

(51) International Design Classification: **06-01E**

(74) Name(s) of Attorney(s): **FB Rice**

(71) Name(s) and Address(s) of Applicant(s):

King Furniture (Australia) Pty Ltd

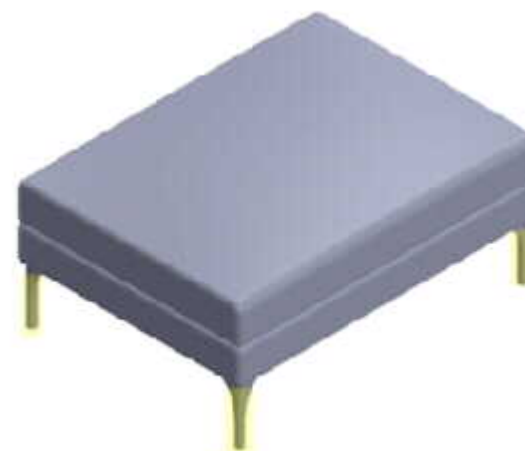
123 Turrella St Turrella NSW 2205 Australia

(72) Name(s) of Designer(s): **David King**

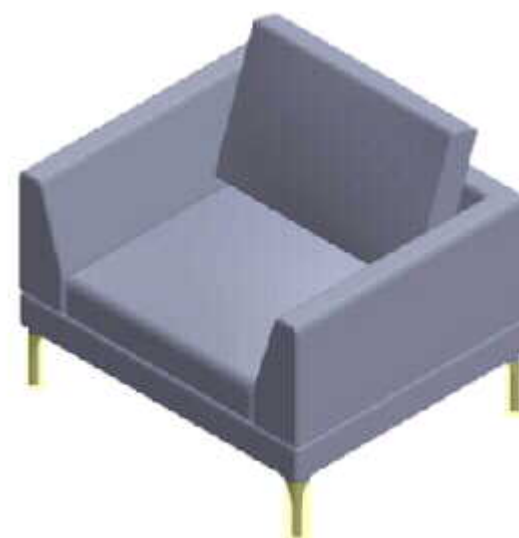
(45) Registration Date: **12 February 2013**

(56) Related Art Documents: **Not Applicable**

(57) Statement of Newness and Distinctiveness: **Newness and distinctiveness reside in those features of shape and/or configuration of the ottoman that are not highlighted in yellow in the representations.**



- (21) Design Number: **16605/2012**
(22) Date of Filing Application: **24 December 2012**
(24) Date from which industrial property rights may have effect: **24 December 2012**
(54) Product in respect of which the design is registered: **A chair**
(51) International Design Classification: **06-01G**
(74) Name(s) of Attorney(s): **FB Rice**
(71) Name(s) and Address(s) of Applicant(s):
King Furniture (Australia) Pty Ltd
123 Turrella St Turrella NSW 2205 Australia
(72) Name(s) of Designer(s): **David King**
(45) Registration Date: **12 February 2013**
(56) Related Art Documents: **Not Applicable**
(57) Statement of Newness and Distinctiveness: **Newness and distinctiveness reside in those features of shape and/or configuration of the chair that are not highlighted in yellow in the representations.**



- (21) Design Number: **16606/2012**
(22) Date of Filing Application: **24 December 2012**
(24) Date from which industrial property rights may have effect: **24 December 2012**
(54) Product in respect of which the design is registered: **An article of furniture**
(51) International Design Classification: **06-01G**
(74) Name(s) of Attorney(s): **FB Rice**
(71) Name(s) and Address(s) of Applicant(s):
King Furniture (Australia) Pty Ltd
123 Turrella St Turrella NSW 2205 Australia
(72) Name(s) of Designer(s): **David King**
(45) Registration Date: **12 February 2013**
(56) Related Art Documents: **Not Applicable**
(57) Statement of Newness and Distinctiveness: **Newness and distinctiveness reside in those features of shape and/or configuration of the article of furniture that are not highlighted in yellow in the representations, wherein it is to be understood that the arm of the article of furniture may be on the opposite side to that shown in the representations.**



- (21) Design Number: **16607/2012**
(22) Date of Filing Application: **24 December 2012**
(24) Date from which industrial property rights may have effect: **24 December 2012**
(54) Product in respect of which the design is registered: **Twist drill**
(51) International Design Classification: **08-01**
(74) Name(s) of Attorney(s): **Shelston IP**
(71) Name(s) and Address(s) of Applicant(s):

Chung-Hung Liao
1F No 359 Sec 2 Yuanhuan North Road FengYuan Dist Taichung City 420
Taiwan

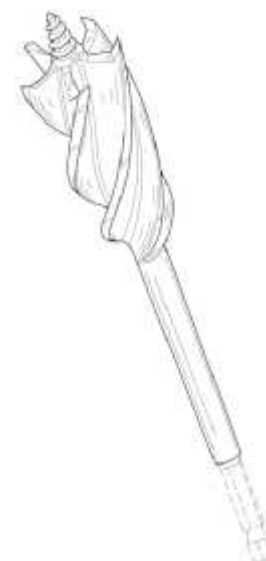
Chung-Liang Liao
1F No 359 Sec 2 Yuanhuan North Road FengYuan Dist Taichung City 420
Taiwan

Jen-Sheng Liao
1F No 359 Sec 2 Yuanhuan North Road FengYuan Dist Taichung City 420
Taiwan

- (72) Name(s) of Designer(s): **Chung-Hung Liao and Chung-Liang Liao and Jen-Sheng Liao**

- (45) Registration Date: **12 February 2013**
(56) Related Art Documents: **Not Applicable**

- (57) Statement of Newness and Distinctiveness: **Newness and distinctiveness reside in the features of shape and/or configuration of a TWIST DRILL as illustrated in solid lines in the accompanying representations. Those features shown in broken lines are illustrative only and do not form part of the design.**



- (21) Design Number: **16609/2012**
(22) Date of Filing Application: **24 December 2012**
(24) Date from which industrial property rights may have effect: **24 December 2012**
(54) Product in respect of which the design is registered: **Combination infant teething ring and toothbrush**
(51) International Design Classification: **04-02**
(74) Name(s) of Attorney(s):
(71) Name(s) and Address(s) of Applicant(s):

Theo Gotjamanos
16 Yanagin Cres City Beach WA 6015 Australia

- (72) Name(s) of Designer(s): **Theo Gotjamanos**

- (45) Registration Date: **12 February 2013**
(56) Related Art Documents: **Not Applicable**

- (57) Statement of Newness and Distinctiveness: **Nil**



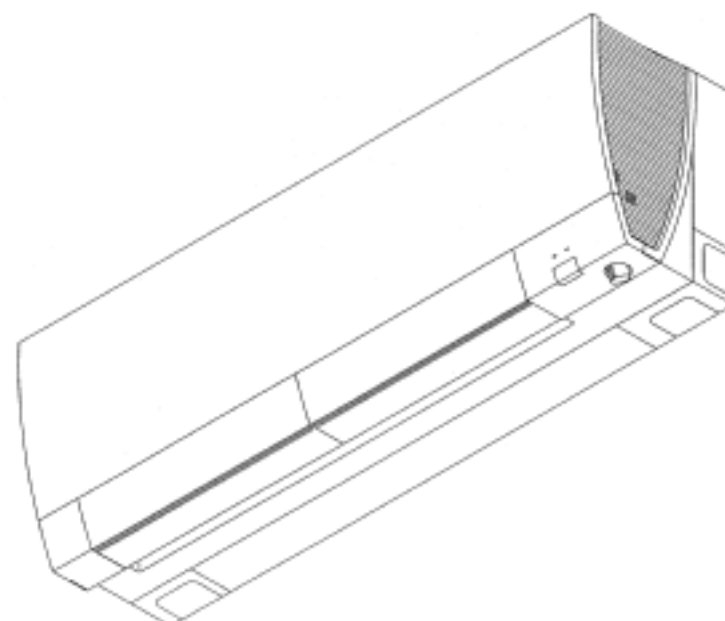
(21) Design Number: **16613/2012**
(22) Date of Filing Application: **28 December 2012**
(24) Date from which industrial property rights may have effect: **28 December 2012**
(54) Product in respect of which the design is registered: **Blender**
(51) International Design Classification: **31-00**
(74) Name(s) of Attorney(s): **FB Rice**
(71) Name(s) and Address(s) of Applicant(s):
Koninklijke Philips Electronics N.V.
Groenewoudseweg 1 BA Eindhoven 5621 The Netherlands
(72) Name(s) of Designer(s): **Stefan Andreesen and Ted Chun Pong Yuan**
(45) Registration Date: **12 February 2013**
(30) Convention priority data:
(31) Number (32) Date (33) Country
002065359-0002 28 Jun 2012 EUROPEAN COMMUNITY
(56) Related Art Documents: **Not Applicable**
(57) Statement of Newness and Distinctiveness: **Newness and distinctiveness reside in the features of shape and configuration of the design as shown in the representations.**



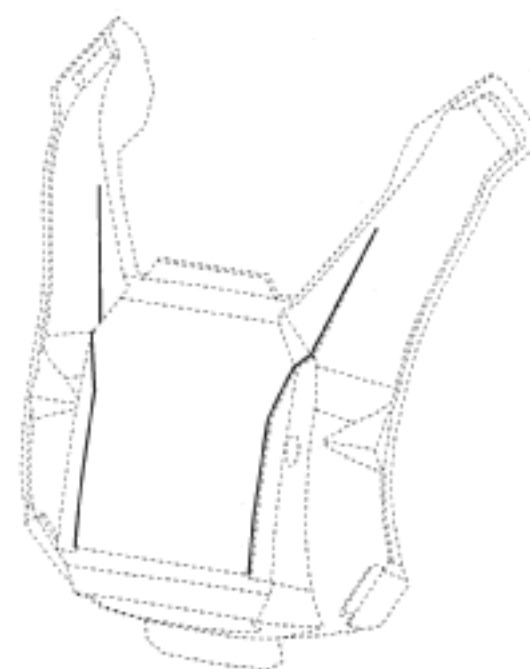
(21) Design Number: **16614/2012**
(22) Date of Filing Application: **31 December 2012**
(24) Date from which industrial property rights may have effect: **31 December 2012**
(54) Product in respect of which the design is registered: **Hot water bottle**
(51) International Design Classification: **07-99B**
(74) Name(s) of Attorney(s):
(71) Name(s) and Address(s) of Applicant(s):
Richard Yu
Flat 13 Glen Rose House 2 Benhill Wood Road Sutton Surrey SM1 4HT
United Kingdom
(72) Name(s) of Designer(s): **Richard Yu**
(45) Registration Date: **12 February 2013**
(56) Related Art Documents: **Not Applicable**
(57) Statement of Newness and Distinctiveness: **The newness and distinctiveness of the design relates to the shape and dimensions of the hot water bottle container which is long and thin.**



(21) Design Number: **16639/2012**
(22) Date of Filing Application: **21 December 2012**
(24) Date from which industrial property rights may have effect: **21 December 2012**
(54) Product in respect of which the design is registered: **Air conditioner**
(51) International Design Classification: **23-04**
(74) Name(s) of Attorney(s): **Griffith Hack**
(71) Name(s) and Address(s) of Applicant(s):
Mitsubishi Electric Corporation
7-3 Marunouchi 2-chome Chiyoda-ku Tokyo 100-8310 Japan
(72) Name(s) of Designer(s): **Hiroyuki Kato and Shinji Yamana**
(45) Registration Date: **12 February 2013**
(30) Convention priority data:
(31) Number (32) Date (33) Country
2012-015684 03 Jul 2012 JAPAN
(56) Related Art Documents: **Not Applicable**
(57) Statement of Newness and Distinctiveness: **The newness and distinctiveness resides in the visual features, including shape and configuration, of an air conditioner as shown in the accompanying representations.**



(21) Design Number: **16641/2012**
(22) Date of Filing Application: **21 December 2012**
(24) Date from which industrial property rights may have effect: **21 December 2012**
(54) Product in respect of which the design is registered: **Respirator support structure**
(51) International Design Classification: **24-01**
(74) Name(s) of Attorney(s): **Freehills Patent Attorneys**
(71) Name(s) and Address(s) of Applicant(s):
3M Innovative Properties Company
3M Center Post Office Box 33427 Saint Paul Minnesota 55133-3427
United States of America
(72) Name(s) of Designer(s): **William Arthur Mittelstadt and Nathan Arlan Abel**
(45) Registration Date: **12 February 2013**
(30) Convention priority data:
(31) Number (32) Date (33) Country
29/426194 02 Jul 2012 UNITED STATES OF AMERICA
(56) Related Art Documents: **Not Applicable**
(57) Statement of Newness and Distinctiveness: **Newness and distinctiveness of the design resides in the shape and configuration of the respirator support structure as shown in solid lines in the accompanying drawings.**



- (21) Design Number: **16657/2012**
(22) Date of Filing Application: **24 December 2012**
(24) Date from which industrial property rights may have effect: **24 December 2012**
(54) Product in respect of which the design is registered: **Football boot**
(51) International Design Classification: **02-04NES**
(74) Name(s) of Attorney(s): **Freehills Patent Attorneys**
(71) Name(s) and Address(s) of Applicant(s):
Concave Global Pty Ltd
Suite 410 Level 4 91 Murphy Street Richmond VIC 3121 Australia
(72) Name(s) of Designer(s): **Michael Petersen**
(45) Registration Date: **12 February 2013**
(56) Related Art Documents: **Not Applicable**
(57) Statement of Newness and Distinctiveness: **Newness and distinctiveness resides in the shape and configuration of the top surface and lacing region of the upper of the football boot as illustrated in the representations.**



- (21) Design Number: **16658/2012**
(22) Date of Filing Application: **24 December 2012**
(24) Date from which industrial property rights may have effect: **24 December 2012**
(54) Product in respect of which the design is registered: **Football boot**
(51) International Design Classification: **02-04NES**
(74) Name(s) of Attorney(s): **Freehills Patent Attorneys**
(71) Name(s) and Address(s) of Applicant(s):
Concave Global Pty Ltd
Suite 410 Level 4 91 Murphy Street Richmond VIC 3121 Australia
(72) Name(s) of Designer(s): **Michael Petersen**
(45) Registration Date: **12 February 2013**
(56) Related Art Documents: **Not Applicable**
(57) Statement of Newness and Distinctiveness: **Newness and distinctiveness resides in the pattern and ornamentation of the top surface and lacing region of the upper of the football boot as illustrated in the representations.**



- (21) Design Number: **10002/2013**
(22) Date of Filing Application: **01 January 2013**
(24) Date from which industrial property rights may have effect: **01 January 2013**
(54) Product in respect of which the design is registered: **Photo frame**
(51) International Design Classification: **06-07**
(74) Name(s) of Attorney(s):
(71) Name(s) and Address(s) of Applicant(s):
 A & J Waller Pty Ltd
 45-49 Andall Rd Park Ridge South QLD 4125 Australia
(72) Name(s) of Designer(s): **Anthony Waller and Jackie Waller**
(45) Registration Date: **12 February 2013**
(56) Related Art Documents: **Not Applicable**
(57) Statement of Newness and Distinctiveness: **This photo frame is unique in as much as it allows photos to be added or removed from the photo frame by opening the front door panel which is part of the photo frame. Photos are aligned into the correct position for display, by alignment marks on the backboard of the photo frame, and fixed to the backboard using double sided adhesive tape. The photo frame is distinct in its overall appearance and is designed to resemble an old style window frame.**



- (21) Design Number: **10003/2013**
(22) Date of Filing Application: **01 January 2013**
(24) Date from which industrial property rights may have effect: **01 January 2013**
(54) Product in respect of which the design is registered: **Photo frame**
(51) International Design Classification: **06-07**
(74) Name(s) of Attorney(s):
(71) Name(s) and Address(s) of Applicant(s):
 A & J Waller Pty Ltd
 45-49 Andall Rd Park Ridge South QLD 4125 Australia
(72) Name(s) of Designer(s): **Anthony Waller and Jackie Waller**
(45) Registration Date: **12 February 2013**
(56) Related Art Documents: **Not Applicable**
(57) Statement of Newness and Distinctiveness: **This photo frame is unique in as much as it allows photos to be added or removed from the photo frame by opening the front door panel which is part of the photo frame. Photos are aligned into the correct position for display, by alignment marks on the backboard of the photo frame, and fixed to the backboard using double sided adhesive tape. The photo frame is distinct in its overall appearance and is designed to resemble an old style window frame.**



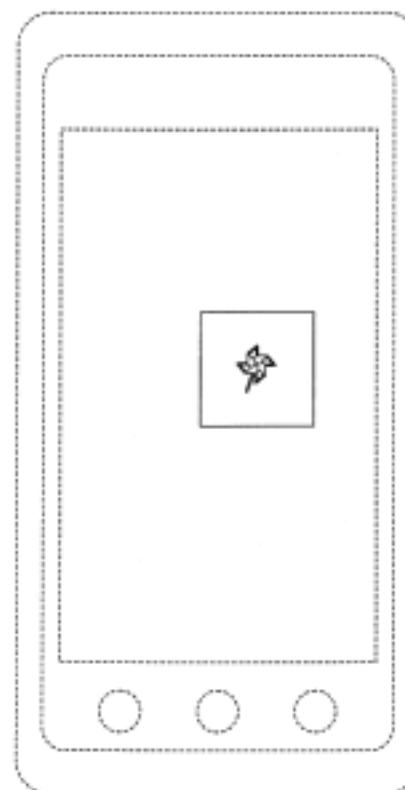
- (21) Design Number: **10004/2013**
(22) Date of Filing Application: **01 January 2013**
(24) Date from which industrial property rights may have effect: **01 January 2013**
(54) Product in respect of which the design is registered: **Photo frame**
(51) International Design Classification: **06-07**
(74) Name(s) of Attorney(s):
(71) Name(s) and Address(s) of Applicant(s):
A & J Waller Pty Ltd
45-49 Andall Rd Park Ridge South QLD 4125 Australia
(72) Name(s) of Designer(s): **Anthony Waller and Jackie Waller**
(45) Registration Date: **12 February 2013**
(56) Related Art Documents: **Not Applicable**
(57) Statement of Newness and Distinctiveness: **This photo frame is unique in as much as it allows photos to be added or removed from the photo frame by opening the front door panel which is part of the photo frame. Photos are aligned into the correct position for display, by alignment marks on the backboard of the photo frame, and fixed to the backboard using double sided adhesive tape. The photo frame is distinct in its overall appearance and is designed to resemble an old style window frame.**



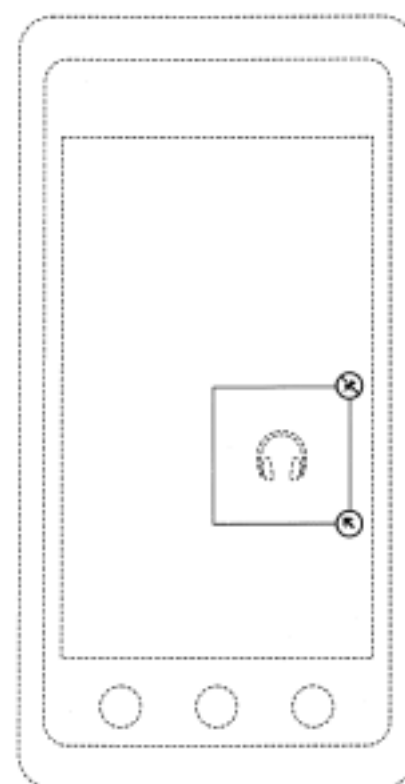
- (21) Design Number: **16538/2012**
(22) Date of Filing Application: **21 December 2012**
(24) Date from which industrial property rights may have effect: **21 December 2012**
(54) Product in respect of which the design is registered: **Perfume bottle**
(51) International Design Classification: **09-01G**
(74) Name(s) of Attorney(s): **Griffith Hack**
(71) Name(s) and Address(s) of Applicant(s):
KENZO (a Societe Anonyme)
18 rue Vivienne Paris 75002 France
(72) Name(s) of Designer(s): **Serge Mansau**
(45) Registration Date: **12 February 2013**
(30) Convention priority data:
(31) Number (32) Date (33) Country
0020628869-0001 25 Jun 2012 EUROPEAN COMMUNITY
(56) Related Art Documents: **Not Applicable**
(57) Statement of Newness and Distinctiveness: **Newness and distinctiveness resides in the visual features, including shape, configuration and ornamentation of the product as shown in the accompanying representation.**



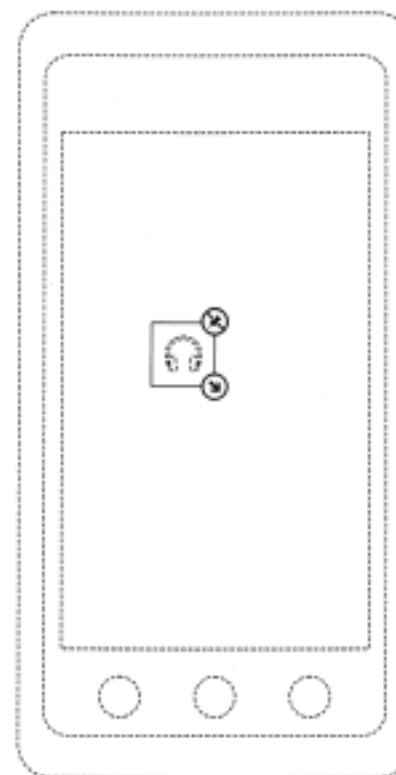
- (21) Design Number: **16557/2012**
(22) Date of Filing Application: **20 December 2012**
(24) Date from which industrial property rights may have effect: **20 December 2012**
(54) Product in respect of which the design is registered: **Display screen with icon**
(51) International Design Classification: **14-01**
(74) Name(s) of Attorney(s): **Shelston IP**
(71) Name(s) and Address(s) of Applicant(s):
Microsoft Corporation
One Microsoft Way Redmond Washington 98052 United States of America
(72) Name(s) of Designer(s): **Cara Lyn Tyler and Theodore Aaron Haberman and Chad Michael Roberts and Andrea Michelle Simons and Joseph Spencer King**
(45) Registration Date: **12 February 2013**
(30) Convention priority data:
(31) Number (32) Date (33) Country
29/425216 20 Jun 2012 UNITED STATES OF AMERICA
(56) Related Art Documents: **Not Applicable**
(57) Statement of Newness and Distinctiveness: **Newness and distinctiveness reside in the pattern and/or ornamentation of a display screen with icon as illustrated by solid lines in the accompanying representation. The features shown in broken outline are for contextual purposes only and do not form part of the design.**



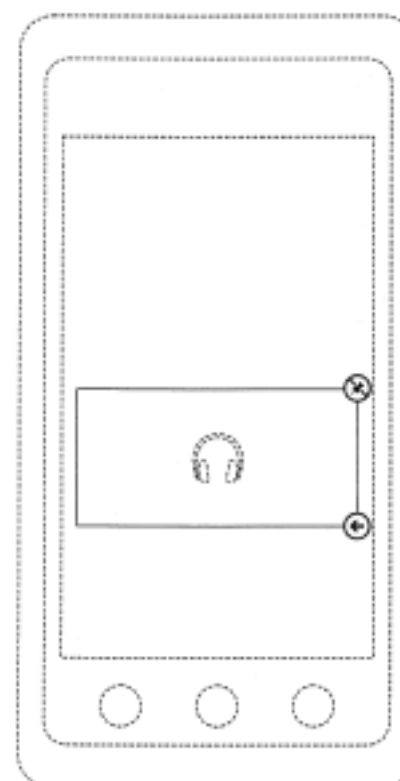
- (21) Design Number: **16558/2012**
(22) Date of Filing Application: **20 December 2012**
(24) Date from which industrial property rights may have effect: **20 December 2012**
(54) Product in respect of which the design is registered: **Display screen with interface**
(51) International Design Classification: **14-01**
(74) Name(s) of Attorney(s): **Shelston IP**
(71) Name(s) and Address(s) of Applicant(s):
Microsoft Corporation
One Microsoft Way Redmond Washington 98052 United States of America
(72) Name(s) of Designer(s): **Chad Michael Roberts and Josh Phillips and Jeremy Monroe Bowen and Dawn Wilson and Joyce S. Chou**
(45) Registration Date: **12 February 2013**
(30) Convention priority data:
(31) Number (32) Date (33) Country
29/425173 20 Jun 2012 UNITED STATES OF AMERICA
(56) Related Art Documents: **Not Applicable**
(57) Statement of Newness and Distinctiveness: **Newness and distinctiveness reside in the pattern and/or ornamentation of a display screen with user interface as illustrated by solid lines in the accompanying representation. The features shown in broken outline are for contextual purposes only and do not form part of the design.**



- (21) Design Number: **16559/2012**
(22) Date of Filing Application: **20 December 2012**
(24) Date from which industrial property rights may have effect: **20 December 2012**
(54) Product in respect of which the design is registered: **Display screen with user interface**
(51) International Design Classification: **14-01**
(74) Name(s) of Attorney(s): **Shelston IP**
(71) Name(s) and Address(s) of Applicant(s):
Microsoft Corporation
One Microsoft Way Redmond Washington 98052 United States of America
(72) Name(s) of Designer(s): **Chad Michael Roberts and Josh Phillips and Jeremy Monroe Bowen and Dawn Wilson and Joyce S. Chou**
(45) Registration Date: **12 February 2013**
(30) Convention priority data:
(31) Number (32) Date (33) Country
29/425171 20 Jun 2012 UNITED STATES OF AMERICA
(56) Related Art Documents: **Not Applicable**
(57) Statement of Newness and Distinctiveness: **Newness and distinctiveness reside in the pattern and/or ornamentation of a display screen with user interface as illustrated by solid lines in the accompanying representation. The features shown in broken outline are for contextual purposes only and do not form part of the design.**



- (21) Design Number: **16560/2012**
(22) Date of Filing Application: **20 December 2012**
(24) Date from which industrial property rights may have effect: **20 December 2012**
(54) Product in respect of which the design is registered: **Display screen with user interface**
(51) International Design Classification: **14-01**
(74) Name(s) of Attorney(s): **Shelston IP**
(71) Name(s) and Address(s) of Applicant(s):
Microsoft Corporation
One Microsoft Way Redmond Washington 98052 United States of America
(72) Name(s) of Designer(s): **Jeffery G. Arnold and Megan Donahue and Chad Michael Roberts and Josh Phillips and Dawn Wilson and Jeremy Monroe Bowen and Joyce S. Chou**
(45) Registration Date: **12 February 2013**
(30) Convention priority data:
(31) Number (32) Date (33) Country
29/425176 20 Jun 2012 UNITED STATES OF AMERICA
(56) Related Art Documents: **Not Applicable**
(57) Statement of Newness and Distinctiveness: **Newness and distinctiveness reside in the pattern and/or ornamentation of a display screen with user interface as illustrated by solid lines in the accompanying representation. The features shown in broken outline are for contextual purposes only and do not form part of the design.**



- (21) Design Number: **16561/2012**
(22) Date of Filing Application: **20 December 2012**
(24) Date from which industrial property rights may have effect: **20 December 2012**
(54) Product in respect of which the design is registered: **Display screen with icon**
(51) International Design Classification: **14-01**
(74) Name(s) of Attorney(s): **Shelston IP**
(71) Name(s) and Address(s) of Applicant(s):

Microsoft Corporation
One Microsoft Way Redmond Washington 98052 United States of America

- (72) Name(s) of Designer(s): **Cara Lyn Tyler and Theodore Aaron Haberman and Sogol Malekzadeh and Jae Park and Kristina Voros and Jonathan Aroner**

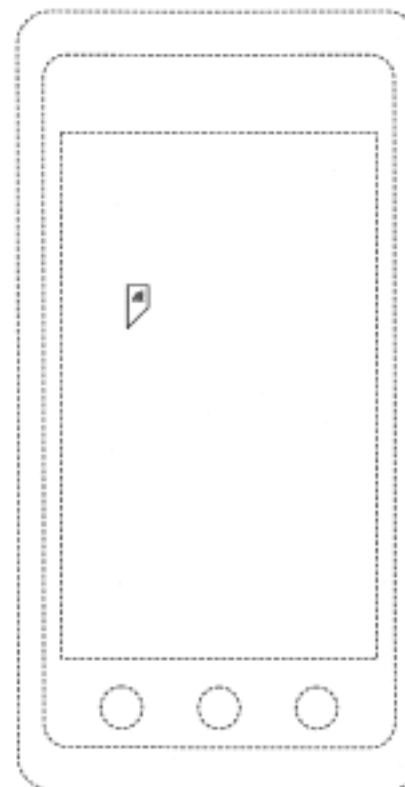
- (45) Registration Date: **12 February 2013**

- (30) Convention priority data:

(31) Number	(32) Date	(33) Country
29/425189	20 Jun 2012	UNITED STATES OF AMERICA

- (56) Related Art Documents: **Not Applicable**

- (57) Statement of Newness and Distinctiveness: **Newness and distinctiveness reside in the pattern and/or ornamentation of a display screen with icon as illustrated by solid lines in the accompanying representation. The features shown in broken outline are for contextual purposes only and do not form part of the design.**



- (21) Design Number: **16562/2012**
(22) Date of Filing Application: **20 December 2012**
(24) Date from which industrial property rights may have effect: **20 December 2012**
(54) Product in respect of which the design is registered: **Display screen with icon**
(51) International Design Classification: **14-01**
(74) Name(s) of Attorney(s): **Shelston IP**
(71) Name(s) and Address(s) of Applicant(s):

Microsoft Corporation
One Microsoft Way Redmond Washington 98052 United States of America

- (72) Name(s) of Designer(s): **Cara Lyn Tyler and Theodore Aaron Haberman and Jeremy Monroe Bowen and Lori Beth Kratzer and Chad Michael Roberts**

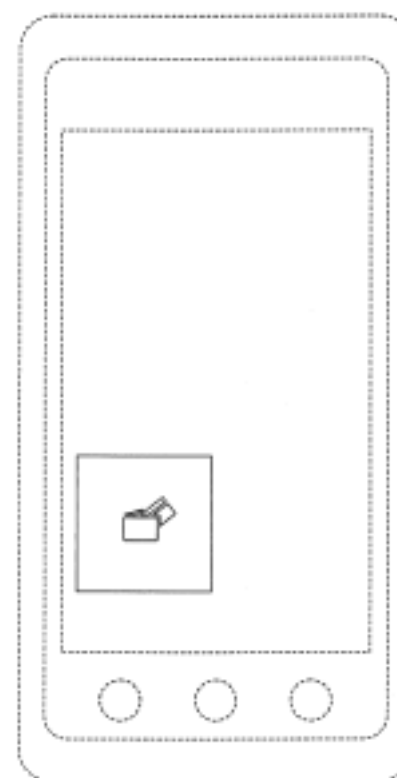
- (45) Registration Date: **12 February 2013**

- (30) Convention priority data:

(31) Number	(32) Date	(33) Country
29/425220	20 Jun 2012	UNITED STATES OF AMERICA

- (56) Related Art Documents: **Not Applicable**

- (57) Statement of Newness and Distinctiveness: **Newness and distinctiveness reside in the pattern and/or ornamentation of a display screen with icon as illustrated by solid lines in the accompanying representation. The features shown in broken outline are for contextual purposes only and do not form part of the design.**



- (21) Design Number: **16563/2012**
(22) Date of Filing Application: **20 December 2012**
(24) Date from which industrial property rights may have effect: **20 December 2012**
(54) Product in respect of which the design is registered: **Display screen with icon**
(51) International Design Classification: **14-01**
(74) Name(s) of Attorney(s): **Shelston IP**
(71) Name(s) and Address(s) of Applicant(s):

Microsoft Corporation
One Microsoft Way Redmond Washington 98052 United States of America

- (72) Name(s) of Designer(s): **Cara Lyn Tyler and Theodore Aaron Haberman and Jeremy Monroe Bowen and Lori Beth Kratzer and Chad Michael Roberts**

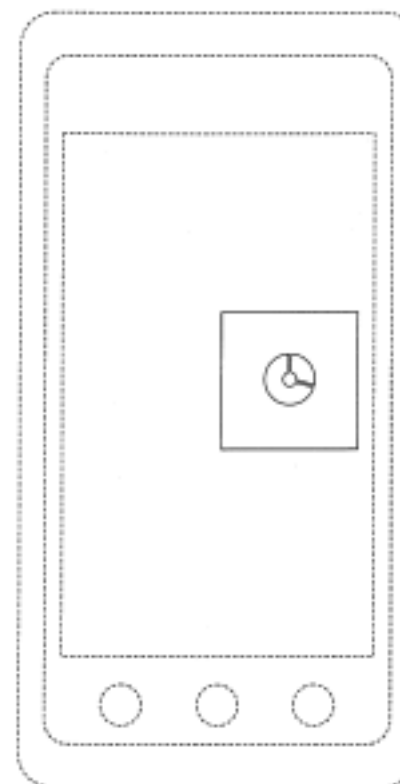
- (45) Registration Date: **12 February 2013**

- (30) Convention priority data:

(31) Number	(32) Date	(33) Country
29/425215	20 Jun 2012	UNITED STATES OF AMERICA

- (56) Related Art Documents: **Not Applicable**

- (57) Statement of Newness and Distinctiveness: **Newness and distinctiveness reside in the pattern and/or ornamentation of a display screen with icon as illustrated by solid lines in the accompanying representation. The features shown in broken outline are for contextual purposes only and do not form part of the design.**



- (21) Design Number: **16570/2012**
(22) Date of Filing Application: **20 December 2012**
(24) Date from which industrial property rights may have effect: **20 December 2012**
(54) Product in respect of which the design is registered: **Garden hose**
(51) International Design Classification: **23-01C**
(74) Name(s) of Attorney(s): **SPRUSON & FERGUSON**
(71) Name(s) and Address(s) of Applicant(s):

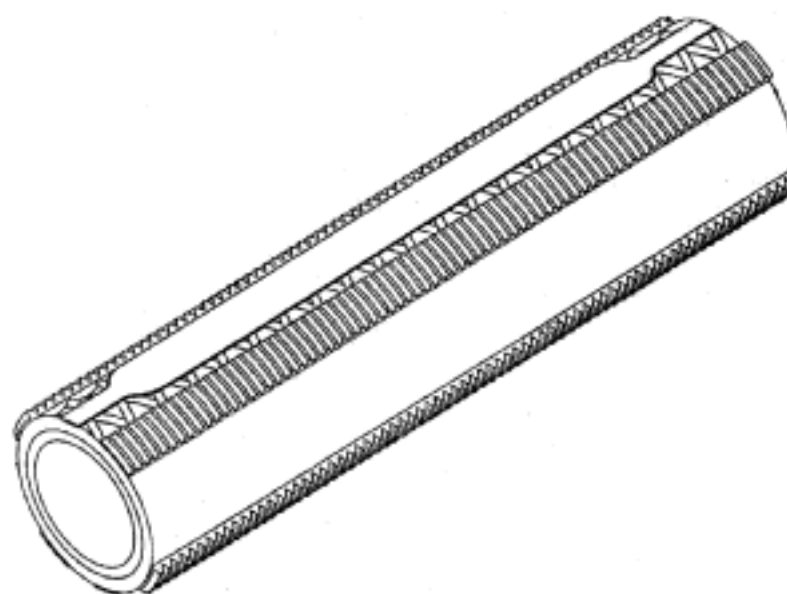
GARDENA Manufacturing GmbH
Hans Lorenser Strasse 40 D-89079 ULM Germany

- (72) Name(s) of Designer(s): **Aleksandar Tatic**

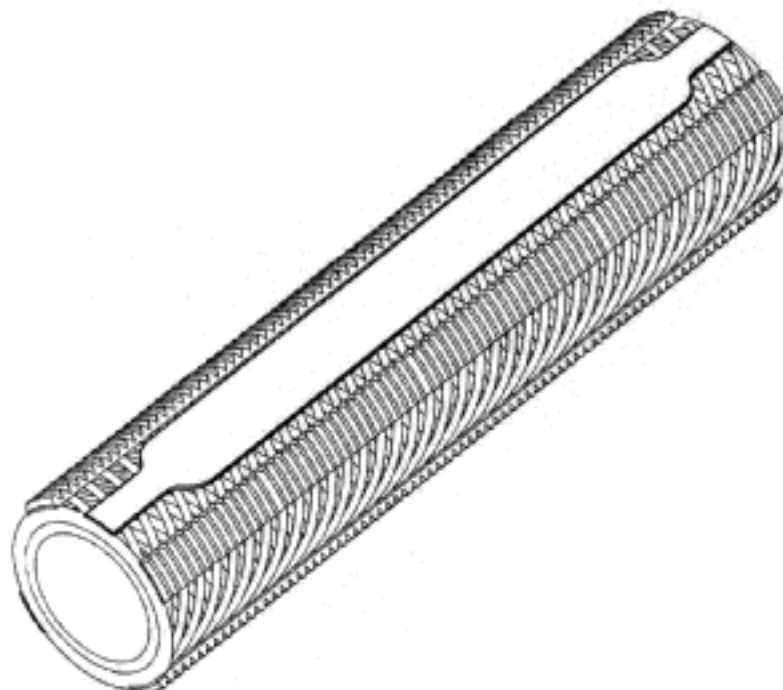
- (45) Registration Date: **12 February 2013**

- (56) Related Art Documents: **Not Applicable**

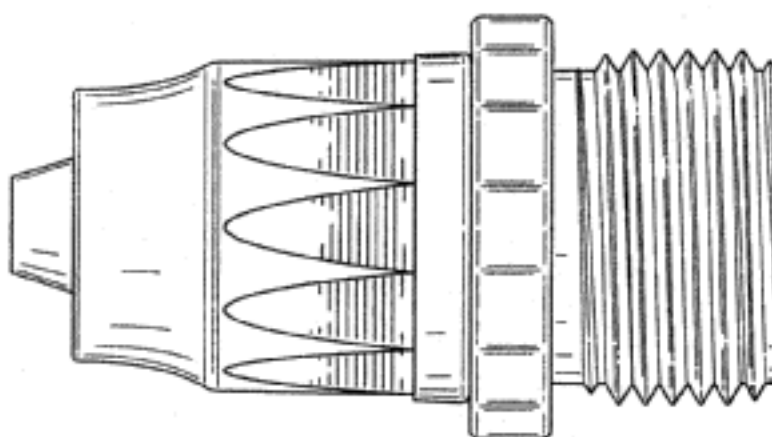
- (57) Statement of Newness and Distinctiveness: **Newness and distinctiveness is claimed in the features of the exterior side wall of a garden hose as illustrated in the accompanying representations, apart from the length of the garden hose.**



- (21) Design Number: **16571/2012**
(22) Date of Filing Application: **20 December 2012**
(24) Date from which industrial property rights may have effect: **20 December 2012**
(54) Product in respect of which the design is registered: **Garden hose**
(51) International Design Classification: **23-01C**
(74) Name(s) of Attorney(s): **SPRUSON & FERGUSON**
(71) Name(s) and Address(s) of Applicant(s):
GARDENA Manufacturing GmbH
Hans Lorenser Strasse 40 D-89079 ULM Germany
(72) Name(s) of Designer(s): **Aleksandar Tatic**
(45) Registration Date: **12 February 2013**
(56) Related Art Documents: **Not Applicable**
(57) Statement of Newness and Distinctiveness: **Newness and distinctiveness is claimed in the features of the exterior side wall of a garden hose as illustrated in the accompanying representations, apart from the length of the garden hose.**



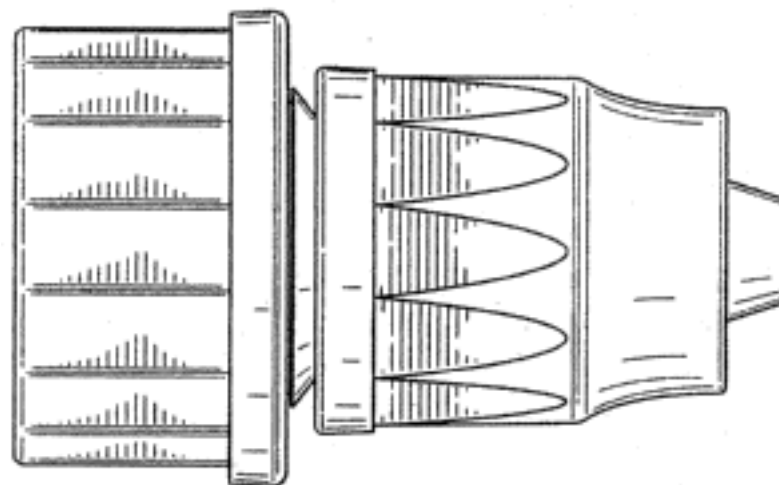
- (21) Design Number: **16574/2012**
(22) Date of Filing Application: **20 December 2012**
(24) Date from which industrial property rights may have effect: **20 December 2012**
(54) Product in respect of which the design is registered: **Hose connector**
(51) International Design Classification: **23-01C**
(74) Name(s) of Attorney(s): **Griffith Hack**
(71) Name(s) and Address(s) of Applicant(s):
Telebrands Corp.
77 Two Bridges Road Fairfield New Jersey 07004 United States of America
(72) Name(s) of Designer(s): **Jun Yang**
(45) Registration Date: **12 February 2013**
(30) Convention priority data:
(31) Number (32) Date (33) Country
29/421,858 03 Oct 2012 UNITED STATES OF AMERICA
(56) Related Art Documents: **Not Applicable**
(57) Statement of Newness and Distinctiveness: **Nil**



(21) Design Number: **16575/2012**
(22) Date of Filing Application: **20 December 2012**
(24) Date from which industrial property rights may have effect: **20 December 2012**
(54) Product in respect of which the design is registered: **Hose of indefinite length and connectors therefor**
(51) International Design Classification: **23-01C**
(74) Name(s) of Attorney(s): **Griffith Hack**
(71) Name(s) and Address(s) of Applicant(s):
Telebrands Corp.
77 Two Bridges Road Fairfield New Jersey 07004 United States of America
(72) Name(s) of Designer(s): **Jun Yang**
(45) Registration Date: **12 February 2013**
(30) Convention priority data:
(31) Number (32) Date (33) Country
29/421,855 03 Oct 2012 UNITED STATES OF AMERICA
(56) Related Art Documents: **Not Applicable**
(57) Statement of Newness and Distinctiveness: **Nil**



(21) Design Number: **16576/2012**
(22) Date of Filing Application: **20 December 2012**
(24) Date from which industrial property rights may have effect: **20 December 2012**
(54) Product in respect of which the design is registered: **Hose connector**
(51) International Design Classification: **23-01C**
(74) Name(s) of Attorney(s): **Griffith Hack**
(71) Name(s) and Address(s) of Applicant(s):
Telebrands Corp.
77 Two Bridges Road Fairfield New Jersey 07004 United States of America
(72) Name(s) of Designer(s): **Jun Yang**
(45) Registration Date: **12 February 2013**
(30) Convention priority data:
(31) Number (32) Date (33) Country
29/421,857 03 Oct 2012 UNITED STATES OF AMERICA
(56) Related Art Documents: **Not Applicable**
(57) Statement of Newness and Distinctiveness: **Nil**



(21) Design Number: **16577/2012**
(22) Date of Filing Application: **20 December 2012**
(24) Date from which industrial property rights may have effect: **20 December 2012**
(54) Product in respect of which the design is registered: **Valve**
(51) International Design Classification: **23-01K**
(74) Name(s) of Attorney(s): **Griffith Hack**
(71) Name(s) and Address(s) of Applicant(s):

Telebrands Corp.
77 Two Bridges Road Fairfield New Jersey 07004 United States of America

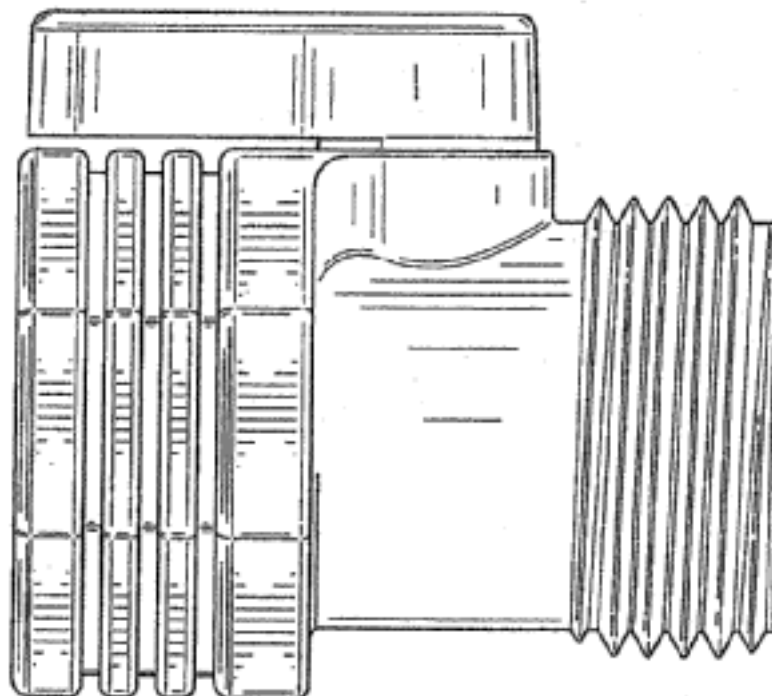
(72) Name(s) of Designer(s): **Jun Yang**
(45) Registration Date: **12 February 2013**

(30) Convention priority data:

(31) Number	(32) Date	(33) Country
29/421,856	03 Oct 2012	UNITED STATES OF AMERICA

(56) Related Art Documents: **Not Applicable**

(57) Statement of Newness and Distinctiveness: **Nil**



(21) Design Number: **15847/2012**
(22) Date of Filing Application: **21 November 2012**
(24) Date from which industrial property rights may have effect: **21 November 2012**
(54) Product in respect of which the design is registered: **Headlight**
(51) International Design Classification: **26-06**
(74) Name(s) of Attorney(s): **Davies Collison Cave**
(71) Name(s) and Address(s) of Applicant(s):

Scania CV AB
Sodertalje SE-151 87 Sweden

(72) Name(s) of Designer(s): **Kristofer Hansen and Xavier Carreras-Castro and Estanislau Mateu and Peter Kjellman**

(45) Registration Date: **13 February 2013**

(30) Convention priority data:

(31) Number	(32) Date	(33) Country
2012/0260	11 Jun 2012	SWEDEN

(56) Related Art Documents: **Not Applicable**

(57) Statement of Newness and Distinctiveness: **Nil**



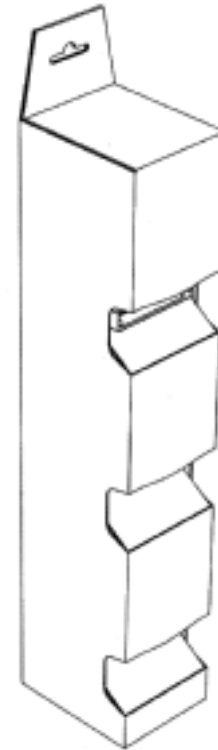
(21) Design Number: **16294/2012**
(22) Date of Filing Application: **12 December 2012**
(24) Date from which industrial property rights may have effect: **12 December 2012**
(54) Product in respect of which the design is registered: **Refrigerator**
(51) International Design Classification: **15-07**
(74) Name(s) of Attorney(s): **Davies Collison Cave**
(71) Name(s) and Address(s) of Applicant(s):
Red Bull GmbH
Am Brunnen 1 Fuschl am See 5330 Austria
(72) Name(s) of Designer(s): **Juergen Brenneis and Mario Groth and David Kehoe and Matthias Rinderer**
(45) Registration Date: **13 February 2013**
(30) Convention priority data:
(31) Number (32) Date (33) Country
002060913-0006 20 Jun 2012 EUROPEAN PATENT OFFICE (EPO)
(56) Related Art Documents: **Not Applicable**
(57) Statement of Newness and Distinctiveness: **Nil**



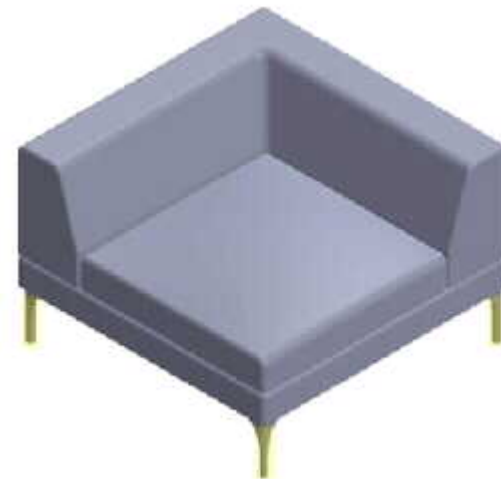
(21) Design Number: **16458/2012**
(22) Date of Filing Application: **20 December 2012**
(24) Date from which industrial property rights may have effect: **20 December 2012**
(54) Product in respect of which the design is registered: **Bottle**
(51) International Design Classification: **09-01D**
(74) Name(s) of Attorney(s): **Corrs Chambers Westgarth**
(71) Name(s) and Address(s) of Applicant(s):
Wispac Industry Sdn Bhd
No.6 Jalan BK 1/13 Kinrara Industrial Park Bandar Kinrara 47100
Puchong Selangor Malaysia
(72) Name(s) of Designer(s): **Soh Tiam Ee**
(45) Registration Date: **13 February 2013**
(56) Related Art Documents: **Not Applicable**
(57) Statement of Newness and Distinctiveness: **The features of the design for which novelty is claimed are the shape and configuration of the article as shown in the representations.**



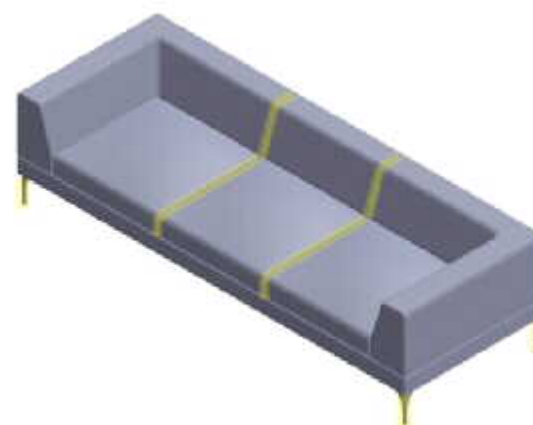
- (21) Design Number: **16564/2012**
(22) Date of Filing Application: **20 December 2012**
(24) Date from which industrial property rights may have effect: **20 December 2012**
(54) Product in respect of which the design is registered: **Vending machine**
(51) International Design Classification: **20-01**
(74) Name(s) of Attorney(s):
(71) Name(s) and Address(s) of Applicant(s):
Logue and Co. Pty Ltd
199 Kiora Rd Yowie Bay NSW 2228 Australia
(72) Name(s) of Designer(s): **Anthony Thomas Logue**
(45) Registration Date: **13 February 2013**
(56) Related Art Documents: **Not Applicable**
(57) Statement of Newness and Distinctiveness: **Newness and distinctiveness is claimed in the features of shape and/or configuration of a vending machine as depicted in the accompanying drawing.**



- (21) Design Number: **16592/2012**
(22) Date of Filing Application: **24 December 2012**
(24) Date from which industrial property rights may have effect: **24 December 2012**
(54) Product in respect of which the design is registered: **A chair**
(51) International Design Classification: **06-01G**
(74) Name(s) of Attorney(s): **FB Rice**
(71) Name(s) and Address(s) of Applicant(s):
King Furniture (Australia) Pty Ltd
123 Turrella St Turrella NSW 2205 Australia
(72) Name(s) of Designer(s): **David King**
(45) Registration Date: **13 February 2013**
(56) Related Art Documents: **Not Applicable**
(57) Statement of Newness and Distinctiveness: **Newness and distinctiveness reside in those features of shape and/or configuration of the chair that are not highlighted in yellow in the representations.**



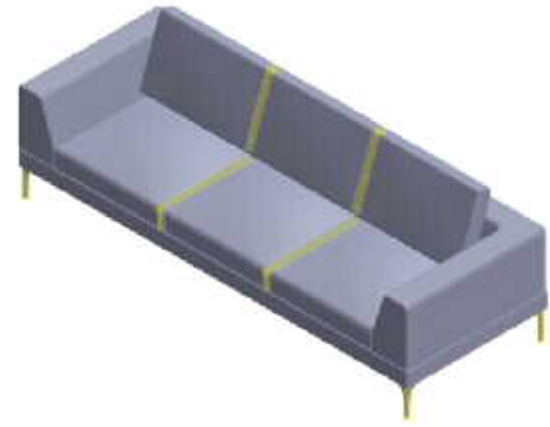
- (21) Design Number: **16593/2012**
(22) Date of Filing Application: **24 December 2012**
(24) Date from which industrial property rights may have effect: **24 December 2012**
(54) Product in respect of which the design is registered: **A sofa**
(51) International Design Classification: **06-01G**
(74) Name(s) of Attorney(s): **FB Rice**
(71) Name(s) and Address(s) of Applicant(s):
King Furniture (Australia) Pty Ltd
123 Turrella St Turrella NSW 2205 Australia
(72) Name(s) of Designer(s): **David King**
(45) Registration Date: **13 February 2013**
(56) Related Art Documents: **Not Applicable**
(57) Statement of Newness and Distinctiveness: **Newness and distinctiveness reside in those features of shape and/or configuration of a sofa that are not highlighted in yellow in the representations.**



- (21) Design Number: **16594/2012**
(22) Date of Filing Application: **24 December 2012**
(24) Date from which industrial property rights may have effect: **24 December 2012**
(54) Product in respect of which the design is registered: **A chair**
(51) International Design Classification: **06-01G**
(74) Name(s) of Attorney(s): **FB Rice**
(71) Name(s) and Address(s) of Applicant(s):
King Furniture (Australia) Pty Ltd
123 Turrella St Turrella NSW 2205 Australia
(72) Name(s) of Designer(s): **David King**
(45) Registration Date: **13 February 2013**
(56) Related Art Documents: **Not Applicable**
(57) Statement of Newness and Distinctiveness: **Newness and distinctiveness reside in those features of shape and/or configuration of the chair that are not highlighted in yellow in the representations.**



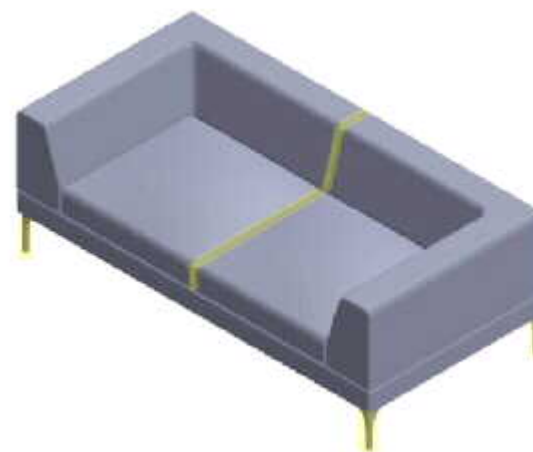
- (21) Design Number: **16595/2012**
(22) Date of Filing Application: **24 December 2012**
(24) Date from which industrial property rights may have effect: **24 December 2012**
(54) Product in respect of which the design is registered: **A sofa**
(51) International Design Classification: **06-01G**
(74) Name(s) of Attorney(s): **FB Rice**
(71) Name(s) and Address(s) of Applicant(s):
King Furniture (Australia) Pty Ltd
123 Turrella St Turrella NSW 2205 Australia
(72) Name(s) of Designer(s): **David King**
(45) Registration Date: **13 February 2013**
(56) Related Art Documents: **Not Applicable**
(57) Statement of Newness and Distinctiveness: **Newness and distinctiveness reside in those features of shape and/or configuration of the sofa that are not highlighted in yellow in the representations.**



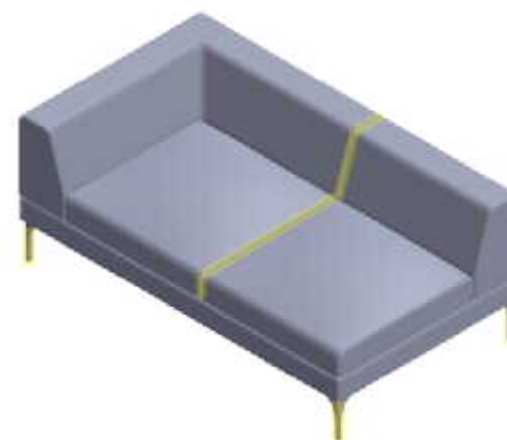
- (21) Design Number: **16596/2012**
(22) Date of Filing Application: **24 December 2012**
(24) Date from which industrial property rights may have effect: **24 December 2012**
(54) Product in respect of which the design is registered: **A chair**
(51) International Design Classification: **06-01G**
(74) Name(s) of Attorney(s): **FB Rice**
(71) Name(s) and Address(s) of Applicant(s):
King Furniture (Australia) Pty Ltd
123 Turrella St Turrella NSW 2205 Australia
(72) Name(s) of Designer(s): **David King**
(45) Registration Date: **13 February 2013**
(56) Related Art Documents: **Not Applicable**
(57) Statement of Newness and Distinctiveness: **Newness and distinctiveness reside in those features of shape and/or configuration of the chair that are not highlighted in yellow in the representations.**



- (21) Design Number: **16597/2012**
(22) Date of Filing Application: **24 December 2012**
(24) Date from which industrial property rights may have effect: **24 December 2012**
(54) Product in respect of which the design is registered: **A sofa**
(51) International Design Classification: **06-01G**
(74) Name(s) of Attorney(s): **FB Rice**
(71) Name(s) and Address(s) of Applicant(s):
King Furniture (Australia) Pty Ltd
123 Turrella St Turrella NSW 2205 Australia
(72) Name(s) of Designer(s): **David King**
(45) Registration Date: **13 February 2013**
(56) Related Art Documents: **Not Applicable**
(57) Statement of Newness and Distinctiveness: **Newness and distinctiveness reside in those features of shape and/or configuration of the sofa that are not highlighted in yellow in the representations.**



- (21) Design Number: **16598/2012**
(22) Date of Filing Application: **24 December 2012**
(24) Date from which industrial property rights may have effect: **24 December 2012**
(54) Product in respect of which the design is registered: **An article of furniture**
(51) International Design Classification: **06-01G**
(74) Name(s) of Attorney(s): **FB Rice**
(71) Name(s) and Address(s) of Applicant(s):
King Furniture (Australia) Pty Ltd
123 Turrella St Turrella NSW 2205 Australia
(72) Name(s) of Designer(s): **David King**
(45) Registration Date: **13 February 2013**
(56) Related Art Documents: **Not Applicable**
(57) Statement of Newness and Distinctiveness: **Newness and distinctiveness reside in those features of shape and/or configuration of the article of furniture that are not highlighted in yellow in the representations, wherein it is to be understood that the arm of the article of furniture may be on the opposite side to that shown in the representations.**



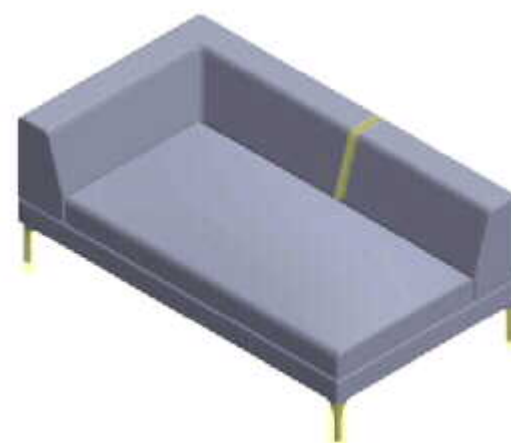
- (21) Design Number: **16599/2012**
(22) Date of Filing Application: **24 December 2012**
(24) Date from which industrial property rights may have effect: **24 December 2012**
(54) Product in respect of which the design is registered: **A chair**
(51) International Design Classification: **06-01G**
(74) Name(s) of Attorney(s): **FB Rice**
(71) Name(s) and Address(s) of Applicant(s):
King Furniture (Australia) Pty Ltd
123 Turrella St Turrella NSW 2205 Australia
(72) Name(s) of Designer(s): **David King**
(45) Registration Date: **13 February 2013**
(56) Related Art Documents: **Not Applicable**
(57) Statement of Newness and Distinctiveness: **Newness and distinctiveness reside in those features of shape and/or configuration of the chair that are not highlighted in yellow in the representations, wherein it is to be understood that the position of the back cushion may vary from the position shown in the representations.**



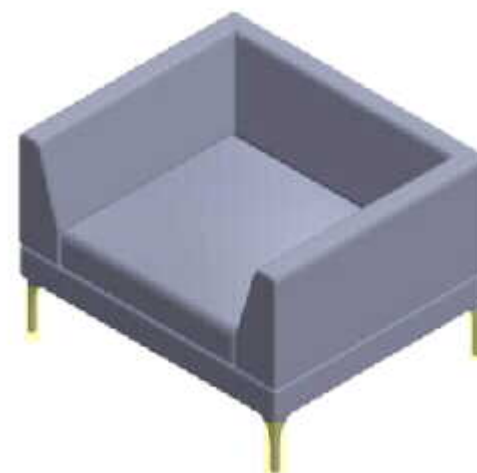
- (21) Design Number: **16600/2012**
(22) Date of Filing Application: **24 December 2012**
(24) Date from which industrial property rights may have effect: **24 December 2012**
(54) Product in respect of which the design is registered: **An article of furniture**
(51) International Design Classification: **06-01G**
(74) Name(s) of Attorney(s): **FB Rice**
(71) Name(s) and Address(s) of Applicant(s):
King Furniture (Australia) Pty Ltd
123 Turrella St Turrella NSW 2205 Australia
(72) Name(s) of Designer(s): **David King**
(45) Registration Date: **13 February 2013**
(56) Related Art Documents: **Not Applicable**
(57) Statement of Newness and Distinctiveness: **Newness and distinctiveness reside in those features of shape and/or configuration of the article of furniture that are not highlighted in yellow in the representations, wherein it is to be understood that the arm of the article of furniture may be on the opposite side to that shown in the representations and wherein it is to be understood that the position of the back cushion may vary from the position shown in the representations.**



- (21) Design Number: **16601/2012**
(22) Date of Filing Application: **24 December 2012**
(24) Date from which industrial property rights may have effect: **24 December 2012**
(54) Product in respect of which the design is registered: **An article of furniture**
(51) International Design Classification: **06-01G**
(74) Name(s) of Attorney(s): **FB Rice**
(71) Name(s) and Address(s) of Applicant(s):
King Furniture (Australia) Pty Ltd
123 Turrella St Turrella NSW 2205 Australia
(72) Name(s) of Designer(s): **David King**
(45) Registration Date: **13 February 2013**
(56) Related Art Documents: **Not Applicable**
(57) Statement of Newness and Distinctiveness: **Newness and distinctiveness reside in those features of shape and/or configuration of the article of furniture that are not highlighted in yellow in the representations wherein it is to be understood that the arm of the article of furniture may be on the opposite side to that shown in the representations.**



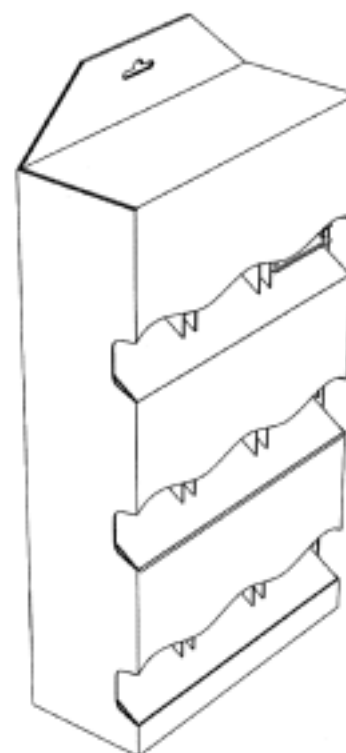
- (21) Design Number: **16602/2012**
(22) Date of Filing Application: **24 December 2012**
(24) Date from which industrial property rights may have effect: **24 December 2012**
(54) Product in respect of which the design is registered: **A chair**
(51) International Design Classification: **06-01G**
(74) Name(s) of Attorney(s): **FB Rice**
(71) Name(s) and Address(s) of Applicant(s):
King Furniture (Australia) Pty Ltd
123 Turrella St Turrella NSW 2205 Australia
(72) Name(s) of Designer(s): **David King**
(45) Registration Date: **13 February 2013**
(56) Related Art Documents: **Not Applicable**
(57) Statement of Newness and Distinctiveness: **Newness and distinctiveness reside in those features of shape and/or configuration of the chair that are not highlighted in yellow in the representations.**



- (21) Design Number: **16652/2012**
(22) Date of Filing Application: **21 December 2012**
(24) Date from which industrial property rights may have effect: **21 December 2012**
(54) Product in respect of which the design is registered: **Vending machine**
(51) International Design Classification: **20-01**
(74) Name(s) of Attorney(s):
(71) Name(s) and Address(s) of Applicant(s):
Logue and Co. Pty Ltd
199 Kiora Rd Yowie Bay NSW 2228 Australia
(72) Name(s) of Designer(s): **Anthony Thomas Logue**
(45) Registration Date: **13 February 2013**
(56) Related Art Documents: **Not Applicable**
(57) Statement of Newness and Distinctiveness: **Newness and distinctiveness is claimed in the features of shape and/or configuration of a vending machine as depicted in the accompanying drawing.**



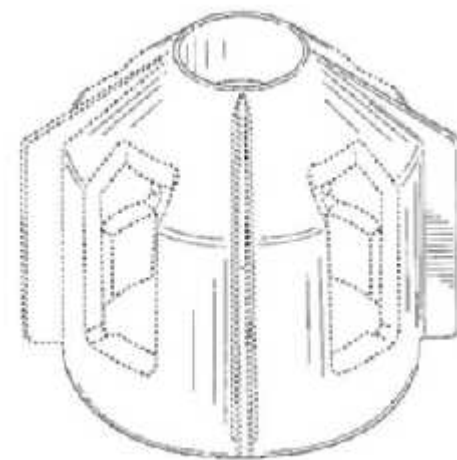
- (21) Design Number: **16653/2012**
(22) Date of Filing Application: **21 December 2012**
(24) Date from which industrial property rights may have effect: **21 December 2012**
(54) Product in respect of which the design is registered: **Vending machine**
(51) International Design Classification: **20-01**
(74) Name(s) of Attorney(s):
(71) Name(s) and Address(s) of Applicant(s):
Logue and Co. Pty Ltd
199 Kiora Rd Yowie Bay NSW 2228 Australia
(72) Name(s) of Designer(s): **Anthony Thomas Logue**
(45) Registration Date: **13 February 2013**
(56) Related Art Documents: **Not Applicable**
(57) Statement of Newness and Distinctiveness: **Newness and distinctiveness is claimed in the features of shape and/or configuration of a vending machine as depicted in the accompanying drawing.**



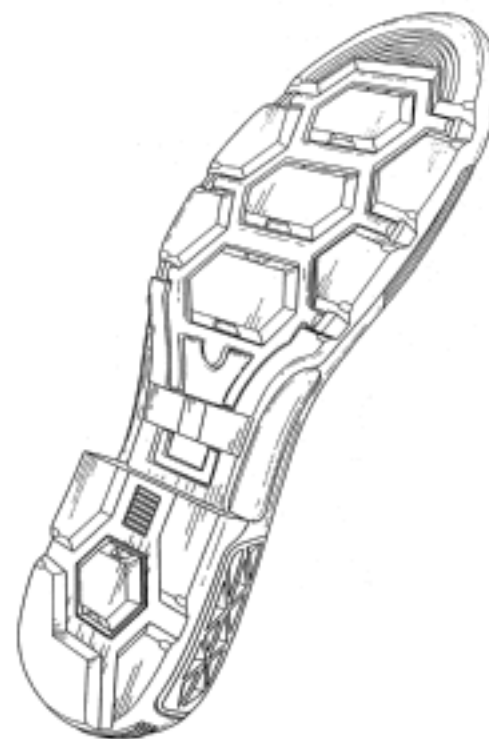
- (21) Design Number: **10012/2013**
(22) Date of Filing Application: **02 January 2013**
(24) Date from which industrial property rights may have effect: **12 October 2012**
(54) Product in respect of which the design is registered: **A vial assembly**
(51) International Design Classification: **24-01**
(74) Name(s) of Attorney(s): **Davies Collison Cave**
(71) Name(s) and Address(s) of Applicant(s):
Becton Dickinson and Company
1 Becton Drive Franklin Lakes New Jersey 07417-1880 United States of America
(72) Name(s) of Designer(s): **Adam C. Curry and Jeffrey S. Krause and Melody M.H. Kuroda and Dwight Livingston and Michael Justin Lizzi and Artis Lockhart and Ernie Ritchey and Michael L. Marshall and M.Scott Ullrich**
(45) Registration Date: **13 February 2013**
(62) Divisional of: **346342**
(56) Related Art Documents: **Not Applicable**
(57) Statement of Newness and Distinctiveness: **Nil**



- (21) Design Number: **10010/2013**
(22) Date of Filing Application: **02 January 2013**
(24) Date from which industrial property rights may have effect: **12 October 2012**
(54) Product in respect of which the design is registered: **A cap**
(51) International Design Classification: **24-01**
(74) Name(s) of Attorney(s): **Davies Collison Cave**
(71) Name(s) and Address(s) of Applicant(s):
Becton Dickinson and Company
1 Becton Drive Franklin Lakes New Jersey 07417-1880 United States of America
(72) Name(s) of Designer(s): **Adam C. Curry and Jeffrey S. Krause and Melody M.H. Kuroda and Dwight Livingston and Michael Justin Lizzi and Artis Lockhart and Ernie Ritchey and Michael L. Marshall and M.Scott Ullrich**
(45) Registration Date: **13 February 2013**
(62) Divisional of: **346342**
(56) Related Art Documents: **Not Applicable**
(57) Statement of Newness and Distinctiveness: **Newness and distinctiveness is claimed in the visual features shown in solid lines in the representations.**



(21) Design Number: **10058/2013**
(22) Date of Filing Application: **03 January 2013**
(24) Date from which industrial property rights may have effect: **03 January 2013**
(54) Product in respect of which the design is registered: **Footwear outsole**
(51) International Design Classification: **02-04B**
(74) Name(s) of Attorney(s): **SPRUSON & FERGUSON**
(71) Name(s) and Address(s) of Applicant(s):
Ariat International, Inc.
3242 Whipple Road Union City California 94587 United States of America
(72) Name(s) of Designer(s): **Guy A. Marshall**
(45) Registration Date: **13 February 2013**
(30) Convention priority data:
(31) Number (32) Date (33) Country
29/426506 06 Jul 2012 UNITED STATES OF AMERICA
(56) Related Art Documents: **Not Applicable**
(57) Statement of Newness and Distinctiveness: **Newness and distinctiveness is claimed in the features of shape and/or configuration of a footwear outsole as illustrated in the accompanying representations.**



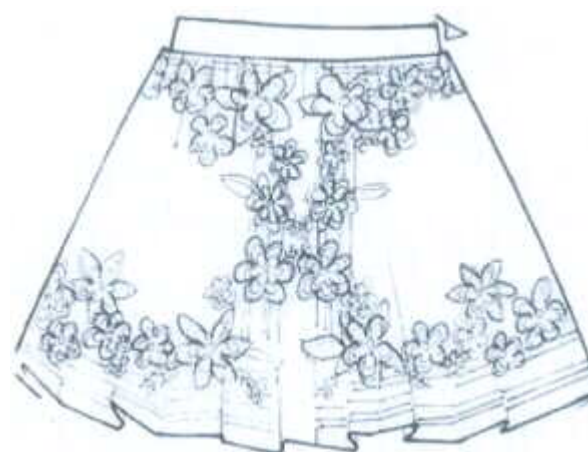
(21) Design Number: **10057/2013**
(22) Date of Filing Application: **03 January 2013**
(24) Date from which industrial property rights may have effect: **03 January 2013**
(54) Product in respect of which the design is registered: **Footwear upper**
(51) International Design Classification: **02-04NES**
(74) Name(s) of Attorney(s): **SPRUSON & FERGUSON**
(71) Name(s) and Address(s) of Applicant(s):
Ariat International, Inc.
3242 Whipple Road Union City California 94587 United States of America
(72) Name(s) of Designer(s): **Guy A. Marshall**
(45) Registration Date: **13 February 2013**
(30) Convention priority data:
(31) Number (32) Date (33) Country
29/426505 06 Jul 2012 UNITED STATES OF AMERICA
(56) Related Art Documents: **Not Applicable**
(57) Statement of Newness and Distinctiveness: **Newness and distinctiveness is claimed in the features of shape and/or configuration of a footwear upper as illustrated in continues lines in the accompanying representations.**



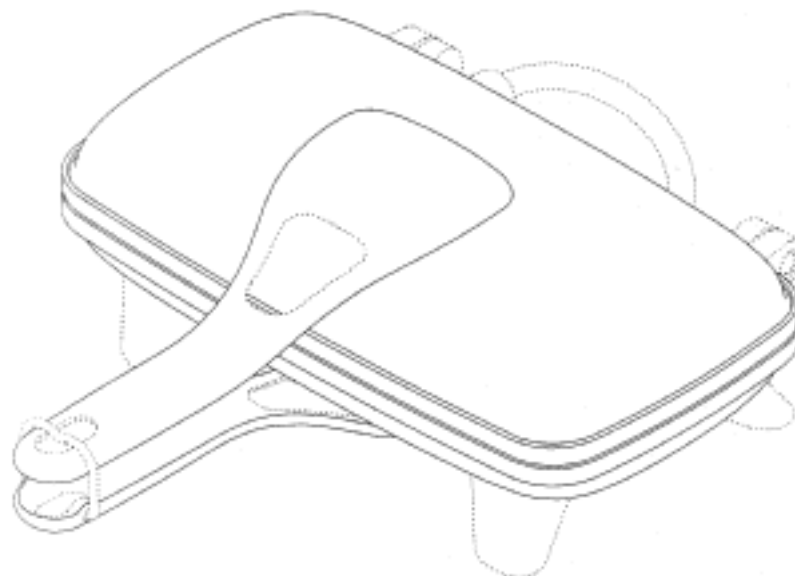
- (21) Design Number: **10207/2013**
(22) Date of Filing Application: **15 January 2013**
(24) Date from which industrial property rights may have effect: **15 January 2013**
(54) Product in respect of which the design is registered: **Ride on toy**
(51) International Design Classification: **21-01F**
(74) Name(s) of Attorney(s):
(71) Name(s) and Address(s) of Applicant(s):
Wildchild Design Pty. Ltd.
PO BOX 373 Kuranda QLD 4881 Australia
(72) Name(s) of Designer(s): **Christiane Child**
(45) Registration Date: **13 February 2013**
(56) Related Art Documents: **Not Applicable**
(57) Statement of Newness and Distinctiveness: **The newness and distinctiveness of the design resides in the shape of the toy as shown in the accompanying representations.**



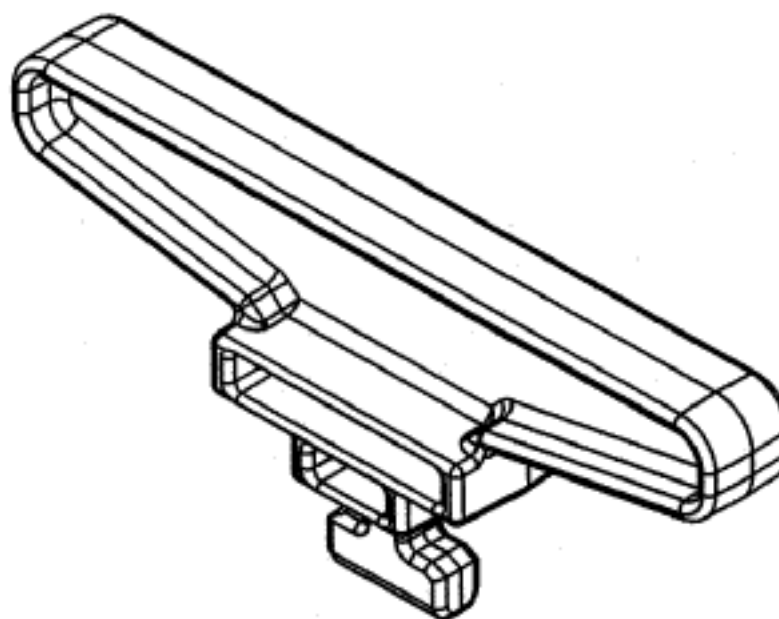
- (21) Design Number: **12866/2012**
(22) Date of Filing Application: **19 June 2012**
(24) Date from which industrial property rights may have effect: **19 June 2012**
(54) Product in respect of which the design is registered: **Article of clothing**
(51) International Design Classification: **02-02C**
(74) Name(s) of Attorney(s): **Allens Patent & Trade Mark Attorneys**
(71) Name(s) and Address(s) of Applicant(s):
Forever New Clothing Pty Ltd
Ground Floor 714-716 High Street Kew Victoria 3101 Australia
(72) Name(s) of Designer(s): **Mary McCarthy**
(45) Registration Date: **13 February 2013**
(56) Related Art Documents: **Not Applicable**
(57) Statement of Newness and Distinctiveness: **Newness and distinctiveness resides in the visual features of shape, configuration, pattern and/or ornamentation of an article of clothing as shown in the accompanying representations.**



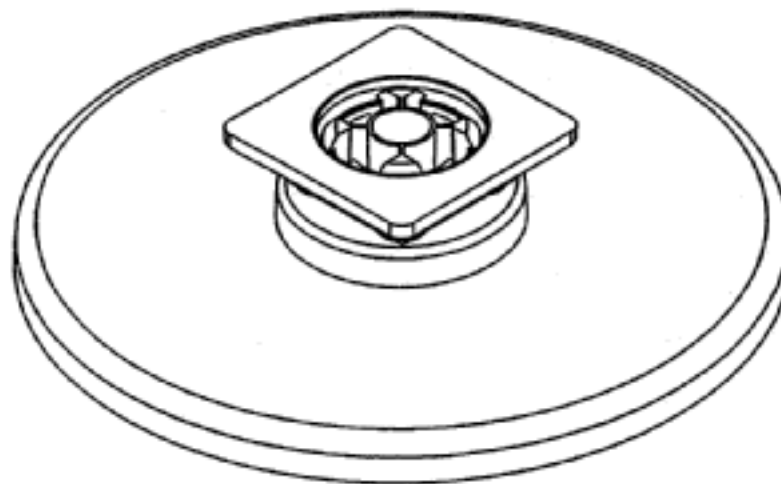
- (21) Design Number: **14375/2012**
(22) Date of Filing Application: **04 September 2012**
(24) Date from which industrial property rights may have effect: **04 September 2012**
(54) Product in respect of which the design is registered: **Sandwich grill**
(51) International Design Classification: **07-02G**
(74) Name(s) of Attorney(s): **Molins & Co**
(71) Name(s) and Address(s) of Applicant(s):
Breville Pty Limited
Building 2 Port Air Ind Est 1A Hale St Botany NSW 2019 Australia
(72) Name(s) of Designer(s): **Pierce Barnard**
(45) Registration Date: **13 February 2013**
(56) Related Art Documents: **Not Applicable**
(57) Statement of Newness and Distinctiveness: **Newness is claimed in the features of shape and configuration of the Sandwich Grill as shown in the accompanying representations. Elements shown in dashed lines form no part of the design.**



- (21) Design Number: **16566/2012**
(22) Date of Filing Application: **20 December 2012**
(24) Date from which industrial property rights may have effect: **20 December 2012**
(54) Product in respect of which the design is registered: **Connector for an oyster farming tray**
(51) International Design Classification: **22-05**
(74) Name(s) of Attorney(s): **SPRUSON & FERGUSON**
(71) Name(s) and Address(s) of Applicant(s):
Andrew Howard Purnell
145 Greenwich Rd Greenwich NSW 2065 Australia
Nicholas John Williams
311 Catherine St Lilyfield NSW 2040 Australia
(72) Name(s) of Designer(s): **Andrew Howard Purnell and Nicholas John Williams**
(45) Registration Date: **13 February 2013**
(56) Related Art Documents: **Not Applicable**
(57) Statement of Newness and Distinctiveness: **Newness and distinctiveness is claimed in the features of shape and/or configuration of a connector for an oyster farming tray as illustrated in the accompanying representations.**



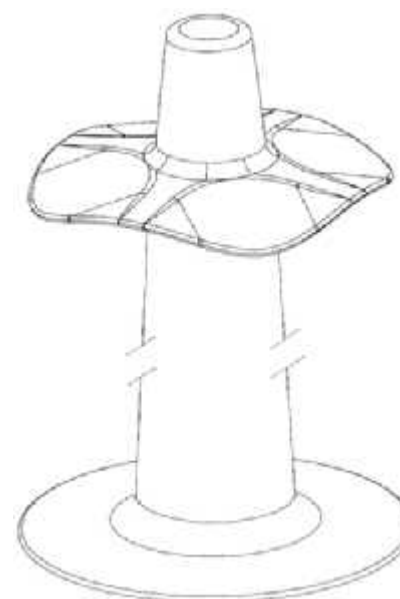
- (21) Design Number: **16567/2012**
(22) Date of Filing Application: **20 December 2012**
(24) Date from which industrial property rights may have effect: **20 December 2012**
(54) Product in respect of which the design is registered: **Connector for an oyster farming tray**
(51) International Design Classification: **22-05**
(74) Name(s) of Attorney(s): **SPRUSON & FERGUSON**
(71) Name(s) and Address(s) of Applicant(s):
Andrew Howard Purnell
145 Greenwich Rd Greenwich NSW 2065 Australia
Nicholas John Williams
311 Catherine St Lilyfield NSW 2040 Australia
(72) Name(s) of Designer(s): **Andrew Howard Purnell and Nicholas John Williams**
(45) Registration Date: **13 February 2013**
(56) Related Art Documents: **Not Applicable**
(57) Statement of Newness and Distinctiveness: **Newness and distinctiveness is claimed in the features of shape and/or configuration of a connector for an oyster farming tray as illustrated in the accompanying representations.**



- (21) Design Number: **16582/2012**
(22) Date of Filing Application: **24 December 2012**
(24) Date from which industrial property rights may have effect: **24 December 2012**
(54) Product in respect of which the design is registered: **Anal plug**
(51) International Design Classification: **24-04**
(74) Name(s) of Attorney(s): **A J Park**
(71) Name(s) and Address(s) of Applicant(s):
Adept Limited
2 McDonald Street Morningside Auckland 1025 New Zealand
(72) Name(s) of Designer(s): **Murray Edward Fenton**
(45) Registration Date: **13 February 2013**
(30) Convention priority data:

(31) Number	(32) Date	(33) Country
416504	13 Jul 2012	NEW ZEALAND

(56) Related Art Documents: **Not Applicable**
(57) Statement of Newness and Distinctiveness: **Newness and distinctiveness is claimed in the features of shape and configuration of the anal plug, as shown in the representations, the length of the body is variable.**



- (21) Design Number: **16588/2012**
(22) Date of Filing Application: **24 December 2012**
(24) Date from which industrial property rights may have effect: **24 December 2012**
(54) Product in respect of which the design is registered: **Automobile**
(51) International Design Classification: **12-08**
(74) Name(s) of Attorney(s): **FB Rice**
(71) Name(s) and Address(s) of Applicant(s):
BYD Company Limited
No. 3009 BYD Road Pingshan Shenzhen Guangdong 518118 China
(72) Name(s) of Designer(s): **Zhiqiang Wang and Wang Peng and Shibin Xie and Yubo Lian**
(45) Registration Date: **13 February 2013**
(30) Convention priority data:
(31) Number (32) Date (33) Country
201230278012.2 27 Jun 2012 CHINA
(56) Related Art Documents: **Not Applicable**
(57) Statement of Newness and Distinctiveness: **Newness and distinctiveness reside in the shape and configuration of the design as shown in the representations.**



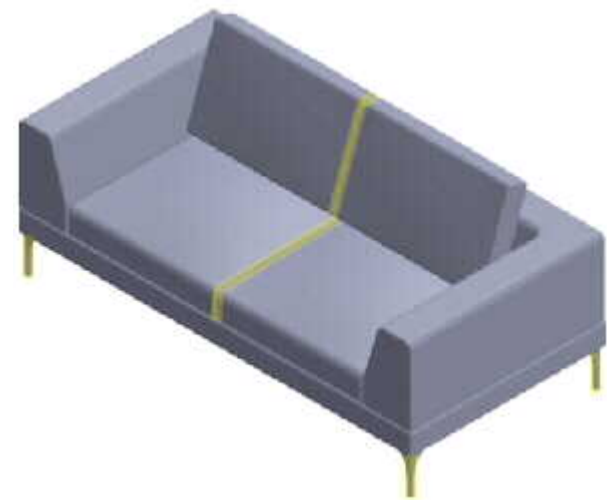
- (21) Design Number: **16589/2012**
(22) Date of Filing Application: **24 December 2012**
(24) Date from which industrial property rights may have effect: **24 December 2012**
(54) Product in respect of which the design is registered: **Automobile**
(51) International Design Classification: **12-08**
(74) Name(s) of Attorney(s): **FB Rice**
(71) Name(s) and Address(s) of Applicant(s):
BYD Company Limited
No. 3009 BYD Road Pingshan Shenzhen Guangdong 518118 China
(72) Name(s) of Designer(s): **Zhiqiang Wang and Wang Peng and Shibin Xie and Yubo Lian**
(45) Registration Date: **13 February 2013**
(30) Convention priority data:
(31) Number (32) Date (33) Country
201230278012.2 27 Jun 2012 CHINA
(56) Related Art Documents: **Not Applicable**
(57) Statement of Newness and Distinctiveness: **Newness and distinctiveness reside in the shape and configuration of the design as shown in the representations.**



- (21) Design Number: **16590/2012**
(22) Date of Filing Application: **24 December 2012**
(24) Date from which industrial property rights may have effect: **24 December 2012**
(54) Product in respect of which the design is registered: **Automobile**
(51) International Design Classification: **12-08**
(74) Name(s) of Attorney(s): **FB Rice**
(71) Name(s) and Address(s) of Applicant(s):
BYD Company Limited
No. 3009 BYD Road Pingshan Shenzhen Guangdong 518118 China
(72) Name(s) of Designer(s): **Zhiqiang Wang and Wang Peng and Shibin Xie and Yubo Lian**
(45) Registration Date: **13 February 2013**
(30) Convention priority data:
(31) Number (32) Date (33) Country
201230278004.8 27 Jun 2012 CHINA
(56) Related Art Documents: **Not Applicable**
(57) Statement of Newness and Distinctiveness: **Newness and distinctiveness reside in the shape and configuration of the design as shown in the representations.**



- (21) Design Number: **16591/2012**
(22) Date of Filing Application: **24 December 2012**
(24) Date from which industrial property rights may have effect: **24 December 2012**
(54) Product in respect of which the design is registered: **A sofa**
(51) International Design Classification: **06-01G**
(74) Name(s) of Attorney(s): **FB Rice**
(71) Name(s) and Address(s) of Applicant(s):
King Furniture (Australia) Pty Ltd
123 Turrella St Turrella NSW 2205 Australia
(72) Name(s) of Designer(s): **David King**
(45) Registration Date: **13 February 2013**
(56) Related Art Documents: **Not Applicable**
(57) Statement of Newness and Distinctiveness: **Newness and distinctiveness reside in those features of shape and/or configuration of the sofa that are not highlighted in yellow in the representations.**



- (21) Design Number: **16091/2012**
(22) Date of Filing Application: **06 December 2012**
(24) Date from which industrial property rights may have effect: **06 December 2012**
(54) Product in respect of which the design is registered: **Rechargeable pepper spray canister**
(51) International Design Classification: **09-01A**
(74) Name(s) of Attorney(s):
(71) Name(s) and Address(s) of Applicant(s):
Reginald Leigh Faulkner
2035 Albany Hwy Maddington WA 6109 Australia
(72) Name(s) of Designer(s): **Reginald Leigh Faulkner**
(45) Registration Date: **13 February 2013**
(56) Related Art Documents: **Not Applicable**
(57) Statement of Newness and Distinctiveness: **The monopoly and novelty claimed for the design, resides in the shape and configuration of the rechargeable pepper spray.**



- (21) Design Number: **16671/2012**
(22) Date of Filing Application: **04 July 2012**
(24) Date from which industrial property rights may have effect: **04 July 2012**
(54) Product in respect of which the design is registered: **Jumpsuit**
(51) International Design Classification: **02-02C**
(74) Name(s) of Attorney(s): **K&L Gates**
(71) Name(s) and Address(s) of Applicant(s):
Beba Enterprises Pty Ltd
34 Garden Street South Yarra Victoria 3141 Australia
(72) Name(s) of Designer(s): **Arthur Soetedja**
(45) Registration Date: **13 February 2013**
(56) Related Art Documents: **Not Applicable**
(57) Statement of Newness and Distinctiveness: **Nil**



(21) Design Number: **16672/2012**
(22) Date of Filing Application: **04 July 2012**
(24) Date from which industrial property rights may have effect: **04 July 2012**
(54) Product in respect of which the design is registered: **Shorts**
(51) International Design Classification: **02-02C**
(74) Name(s) of Attorney(s): **K&L Gates**
(71) Name(s) and Address(s) of Applicant(s):
Beba Enterprises Pty Ltd
34 Garden Street South Yarra Victoria 3141 Australia
(72) Name(s) of Designer(s): **Arthur Soetedja**
(45) Registration Date: **13 February 2013**
(56) Related Art Documents: **Not Applicable**
(57) Statement of Newness and Distinctiveness: **Nil**



(21) Design Number: **16673/2012**
(22) Date of Filing Application: **04 July 2012**
(24) Date from which industrial property rights may have effect: **04 July 2012**
(54) Product in respect of which the design is registered: **Dress**
(51) International Design Classification: **02-02C**
(74) Name(s) of Attorney(s): **K&L Gates**
(71) Name(s) and Address(s) of Applicant(s):
Beba Enterprises Pty Ltd
34 Garden Street South Yarra Victoria 3141 Australia
(72) Name(s) of Designer(s): **Arthur Soetedja**
(45) Registration Date: **13 February 2013**
(56) Related Art Documents: **Not Applicable**
(57) Statement of Newness and Distinctiveness: **Nil**



(21) Design Number: **16674/2012**
(22) Date of Filing Application: **04 July 2012**
(24) Date from which industrial property rights may have effect: **04 July 2012**
(54) Product in respect of which the design is registered: **Dress**
(51) International Design Classification: **02-02C**
(74) Name(s) of Attorney(s): **K&L Gates**
(71) Name(s) and Address(s) of Applicant(s):
Beba Enterprises Pty Ltd
34 Garden Street South Yarra Victoria 3141 Australia
(72) Name(s) of Designer(s): **Arthur Soetedja**
(45) Registration Date: **13 February 2013**
(56) Related Art Documents: **Not Applicable**
(57) Statement of Newness and Distinctiveness: **Nil**



(21) Design Number: **16675/2012**
(22) Date of Filing Application: **04 July 2012**
(24) Date from which industrial property rights may have effect: **04 July 2012**
(54) Product in respect of which the design is registered: **Top**
(51) International Design Classification: **02-02NES**
(74) Name(s) of Attorney(s): **K&L Gates**
(71) Name(s) and Address(s) of Applicant(s):
Beba Enterprises Pty Ltd
34 Garden Street South Yarra Victoria 3141 Australia
(72) Name(s) of Designer(s): **Arthur Soetedja**
(45) Registration Date: **13 February 2013**
(56) Related Art Documents: **Not Applicable**
(57) Statement of Newness and Distinctiveness: **Nil**



(21) Design Number: **16676/2012**
(22) Date of Filing Application: **04 July 2012**
(24) Date from which industrial property rights may have effect: **04 July 2012**
(54) Product in respect of which the design is registered: **Dress**
(51) International Design Classification: **02-02C**
(74) Name(s) of Attorney(s): **K&L Gates**
(71) Name(s) and Address(s) of Applicant(s):
Beba Enterprises Pty Ltd
34 Garden Street South Yarra Victoria 3141 Australia
(72) Name(s) of Designer(s): **Arthur Soetedja**
(45) Registration Date: **13 February 2013**
(56) Related Art Documents: **Not Applicable**
(57) Statement of Newness and Distinctiveness: **Nil**



(21) Design Number: **16677/2012**
(22) Date of Filing Application: **04 July 2012**
(24) Date from which industrial property rights may have effect: **04 July 2012**
(54) Product in respect of which the design is registered: **Top**
(51) International Design Classification: **02-02NES**
(74) Name(s) of Attorney(s): **K&L Gates**
(71) Name(s) and Address(s) of Applicant(s):
Beba Enterprises Pty Ltd
34 Garden Street South Yarra Victoria 3141 Australia
(72) Name(s) of Designer(s): **Arthur Soetedja**
(45) Registration Date: **13 February 2013**
(56) Related Art Documents: **Not Applicable**
(57) Statement of Newness and Distinctiveness: **Nil**



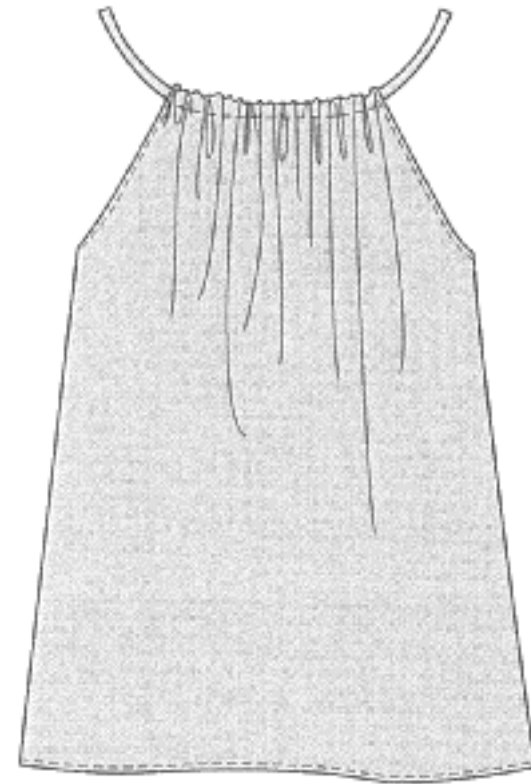
(21) Design Number: **16678/2012**
(22) Date of Filing Application: **04 July 2012**
(24) Date from which industrial property rights may have effect: **04 July 2012**
(54) Product in respect of which the design is registered: **Vest**
(51) International Design Classification: **02-02B**
(74) Name(s) of Attorney(s): **K&L Gates**
(71) Name(s) and Address(s) of Applicant(s):
Beba Enterprises Pty Ltd
34 Garden Street South Yarra Victoria 3141 Australia
(72) Name(s) of Designer(s): **Arthur Soetedja**
(45) Registration Date: **13 February 2013**
(56) Related Art Documents: **Not Applicable**
(57) Statement of Newness and Distinctiveness: **Nil**



(21) Design Number: **16679/2012**
(22) Date of Filing Application: **04 July 2012**
(24) Date from which industrial property rights may have effect: **04 July 2012**
(54) Product in respect of which the design is registered: **Jeans**
(51) International Design Classification: **02-02C**
(74) Name(s) of Attorney(s): **K&L Gates**
(71) Name(s) and Address(s) of Applicant(s):
Beba Enterprises Pty Ltd
34 Garden Street South Yarra Victoria 3141 Australia
(72) Name(s) of Designer(s): **Arthur Soetedja**
(45) Registration Date: **13 February 2013**
(56) Related Art Documents: **Not Applicable**
(57) Statement of Newness and Distinctiveness: **Nil**



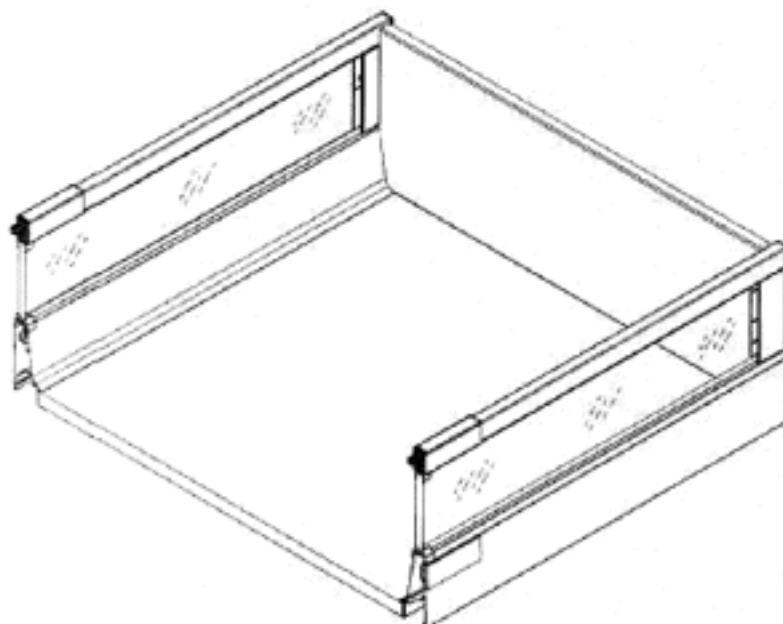
(21) Design Number: **16680/2012**
(22) Date of Filing Application: **04 July 2012**
(24) Date from which industrial property rights may have effect: **04 July 2012**
(54) Product in respect of which the design is registered: **Top**
(51) International Design Classification: **02-02NES**
(74) Name(s) of Attorney(s): **K&L Gates**
(71) Name(s) and Address(s) of Applicant(s):
Beba Enterprises Pty Ltd
34 Garden Street South Yarra Victoria 3141 Australia
(72) Name(s) of Designer(s): **Arthur Soetedja**
(45) Registration Date: **13 February 2013**
(56) Related Art Documents: **Not Applicable**
(57) Statement of Newness and Distinctiveness: **Nil**



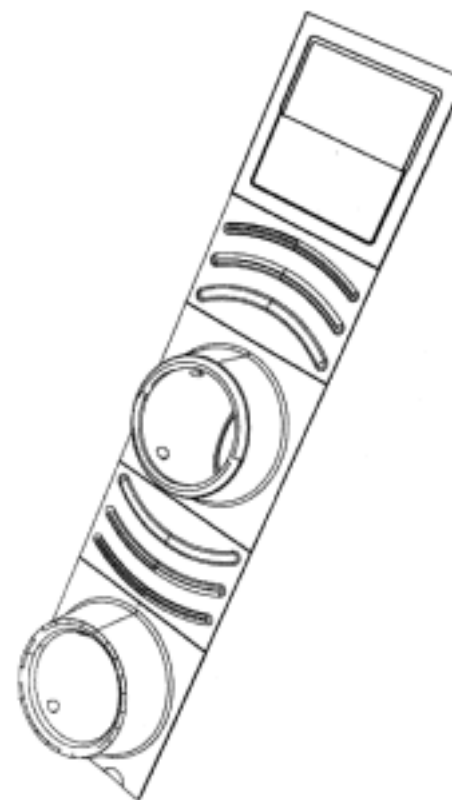
(21) Design Number: **16681/2012**
(22) Date of Filing Application: **04 July 2012**
(24) Date from which industrial property rights may have effect: **04 July 2012**
(54) Product in respect of which the design is registered: **Skirt**
(51) International Design Classification: **02-02C**
(74) Name(s) of Attorney(s): **K&L Gates**
(71) Name(s) and Address(s) of Applicant(s):
Beba Enterprises Pty Ltd
34 Garden Street South Yarra Victoria 3141 Australia
(72) Name(s) of Designer(s): **Arthur Soetedja**
(45) Registration Date: **13 February 2013**
(56) Related Art Documents: **Not Applicable**
(57) Statement of Newness and Distinctiveness: **Nil**



(21) Design Number: **10240/2013**
(22) Date of Filing Application: **15 January 2013**
(24) Date from which industrial property rights may have effect: **15 January 2013**
(54) Product in respect of which the design is registered: **Drawer (without front panel)**
(51) International Design Classification: **06-06D**
(74) Name(s) of Attorney(s): **Callinans**
(71) Name(s) and Address(s) of Applicant(s):
Julius Blum GmbH
Industriestrasse 1 6973 Hochst Austria
(72) Name(s) of Designer(s): **Markus Kampl**
(45) Registration Date: **13 February 2013**
(30) Convention priority data:
(31) Number (32) Date (33) Country
2038539-0007 08 May 2012 EUROPEAN COMMUNITY
(56) Related Art Documents: **Not Applicable**
(57) Statement of Newness and Distinctiveness: **Nil**



(21) Design Number: **15425/2012**
(22) Date of Filing Application: **30 October 2012**
(24) Date from which industrial property rights may have effect: **30 October 2012**
(54) Product in respect of which the design is registered: **Packaging container**
(51) International Design Classification: **09-05**
(74) Name(s) of Attorney(s): **Shelston IP**
(71) Name(s) and Address(s) of Applicant(s):
Google Inc.
2400 Bayshore Parkway Mountain View California 94043 United States of America
(72) Name(s) of Designer(s): **Christopher Jones**
(45) Registration Date: **14 February 2013**
(30) Convention priority data:
(31) Number (32) Date (33) Country
29/425653 26 Jun 2012 UNITED STATES OF AMERICA
(56) Related Art Documents: **Not Applicable**
(57) Statement of Newness and Distinctiveness: **Newness and distinctiveness resides in features of shape and configuration of a packaging container as illustrated in the accompanying representations.**



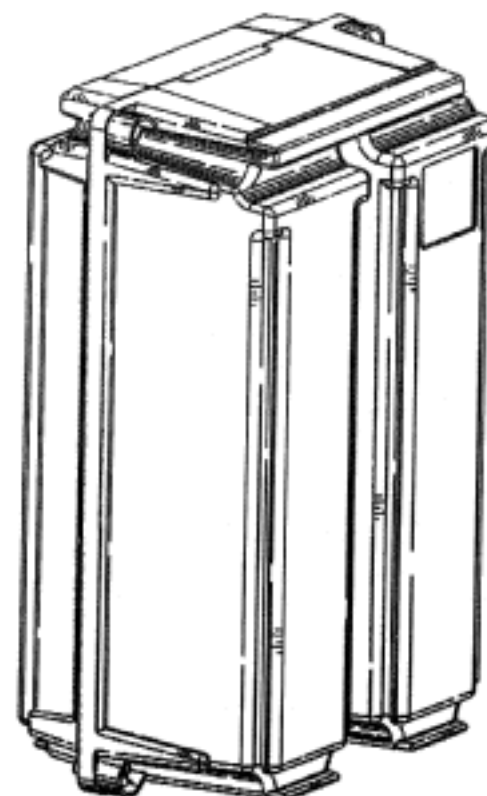
(21) Design Number: **15577/2012**
(22) Date of Filing Application: **08 November 2012**
(24) Date from which industrial property rights may have effect: **08 November 2012**
(54) Product in respect of which the design is registered: **Sample cassette for a diagnostic instrument**
(51) International Design Classification: **24-02**
(74) Name(s) of Attorney(s): **Griffith Hack**
(71) Name(s) and Address(s) of Applicant(s):
Wellstat Diagnostics, LLC
903 Clopper Road Gaithersburg MD 20878 United States of America
(72) Name(s) of Designer(s): **Charles Quentin Davis and Michael D. Nelson and Joseph N.K. Ullman and Nadine Wohlstadter**
(45) Registration Date: **14 February 2013**
(30) Convention priority data:
(31) Number (32) Date (33) Country
29/420,967 15 May 2012 UNITED STATES OF AMERICA
(56) Related Art Documents: **Not Applicable**
(57) Statement of Newness and Distinctiveness: **Newness and distinctiveness resides in the visual features, including shape and configuration of the PRODUCT as shown in the accompanying representations.**



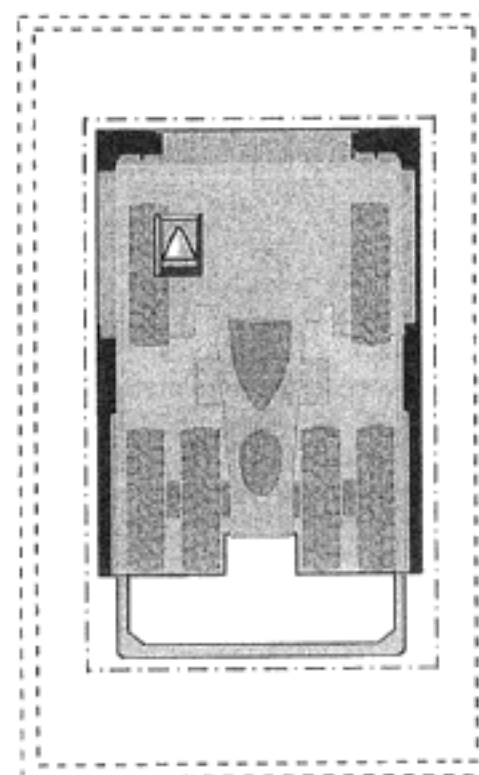
(21) Design Number: **13124/2012**
(22) Date of Filing Application: **04 July 2012**
(24) Date from which industrial property rights may have effect: **04 July 2012**
(54) Product in respect of which the design is registered: **Articles of clothing**
(51) International Design Classification: **02-02C**
(74) Name(s) of Attorney(s): **K&L Gates**
(71) Name(s) and Address(s) of Applicant(s):
Beba Enterprises Pty Ltd
34 Garden Street South Yarra Victoria 3141 Australia
(72) Name(s) of Designer(s): **Arthur Soetedja**
(45) Registration Date: **14 February 2013**
(56) Related Art Documents: **Not Applicable**
(57) Statement of Newness and Distinctiveness: **Nil**



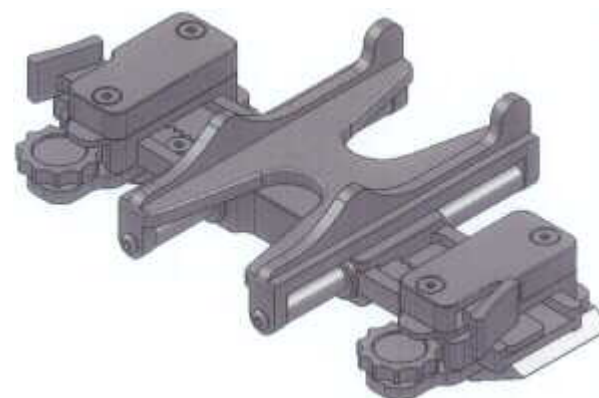
(21) Design Number: **14939/2012**
(22) Date of Filing Application: **03 October 2012**
(24) Date from which industrial property rights may have effect: **03 October 2012**
(54) Product in respect of which the design is registered: **Cartridge for beverage dispenser**
(51) International Design Classification: **31-00**
(74) Name(s) of Attorney(s): **SPRUSON & FERGUSON**
(71) Name(s) and Address(s) of Applicant(s):
PepsiCo, Inc.
700 Anderson Hill Road Purchase New York 10577 United States of America
(72) Name(s) of Designer(s): **Joseph H. Boggs and Paul J. Donnelly and Arthur Forkos and Ronald Beilstein and Andrew T. Butkus and Edward P. Butler III and Hilary Farnsworth and Brian C. Jones**
(45) Registration Date: **14 February 2013**
(30) Convention priority data:
(31) Number (32) Date (33) Country
29/417437 03 Apr 2012 UNITED STATES OF AMERICA
(56) Related Art Documents: **Not Applicable**
(57) Statement of Newness and Distinctiveness: **Newness and distinctiveness is claimed in the features of shape and/or configuration of a cartridge for beverage dispenser as illustrated in the accompanying representations.**



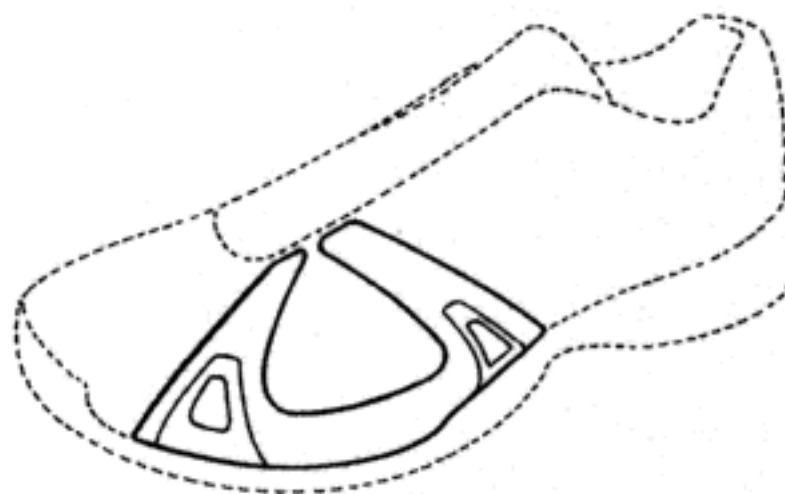
(21) Design Number: **15341/2012**
(22) Date of Filing Application: **25 October 2012**
(24) Date from which industrial property rights may have effect: **25 October 2012**
(54) Product in respect of which the design is registered: **Display screen**
(51) International Design Classification: **14-01**
(74) Name(s) of Attorney(s): **Davies Collison Cave**
(71) Name(s) and Address(s) of Applicant(s):
Hitachi Construction Machinery Co., Ltd.
5-1 Koraku 2-chome Bunkyo-ku Tokyo Japan
(72) Name(s) of Designer(s): **Hidefumi Ishimoto and Yoshihiro Inanobe and Yoichi Kowatari and Eitaro Ito and Kenta Tsukijishin and Takaaki Ishii**
(45) Registration Date: **14 February 2013**
(30) Convention priority data:
(31) Number (32) Date (33) Country
2012-009905 26 Apr 2012 JAPAN
(56) Related Art Documents: **Not Applicable**
(57) Statement of Newness and Distinctiveness: **Newness and distinctiveness is claimed in the visual features shown the solid lines in the representations and representing a graphical user interface displayed on the display screen.**



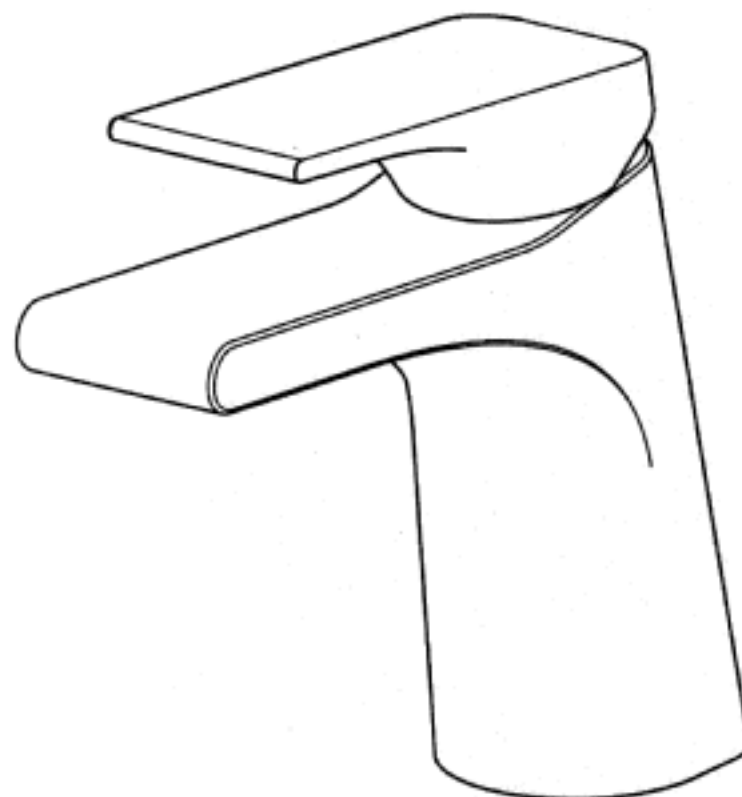
- (21) Design Number: **16038/2012**
(22) Date of Filing Application: **28 November 2012**
(24) Date from which industrial property rights may have effect: **28 November 2012**
(54) Product in respect of which the design is registered: **Helmet mounting device**
(51) International Design Classification: **08-08NES, 02-03**
(74) Name(s) of Attorney(s): **Actuate IP**
(71) Name(s) and Address(s) of Applicant(s):
Benjamin Paul Andrew
5/2A Doodson Ct Eltham VIC 3095 Australia
(72) Name(s) of Designer(s): **Benjamin Paul Andrew**
(45) Registration Date: **14 February 2013**
(56) Related Art Documents: **Not Applicable**
(57) Statement of Newness and Distinctiveness: **Newness and distinctiveness is claimed in the features of shape and/or configuration of the Mounting device as illustrated in the accompanying representations.**



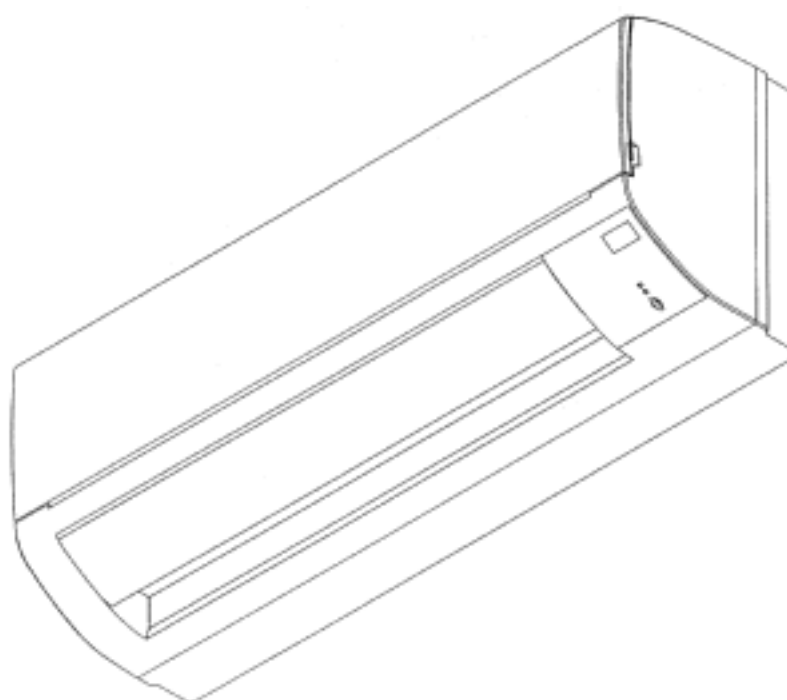
- (21) Design Number: **16626/2012**
(22) Date of Filing Application: **21 December 2012**
(24) Date from which industrial property rights may have effect: **21 December 2012**
(54) Product in respect of which the design is registered: **Shoe**
(51) International Design Classification: **02-04NES**
(74) Name(s) of Attorney(s): **SPRUSON & FERGUSON**
(71) Name(s) and Address(s) of Applicant(s):
Wilson Sporting Goods Co.
Triangle Plaza 8750 W. Bryn Mawr Ave Chicago Illinois 60631 United States of America
(72) Name(s) of Designer(s): **Guillaume Amphyon**
(45) Registration Date: **14 February 2013**
(30) Convention priority data:
(31) Number (32) Date (33) Country
INTDEPDM/0786406 Jul 2012 FRANCE
(56) Related Art Documents: **Not Applicable**
(57) Statement of Newness and Distinctiveness: **Newness and distinctiveness is claimed in the features of a shoe as illustrated in continuous lines in the accompanying representations.**



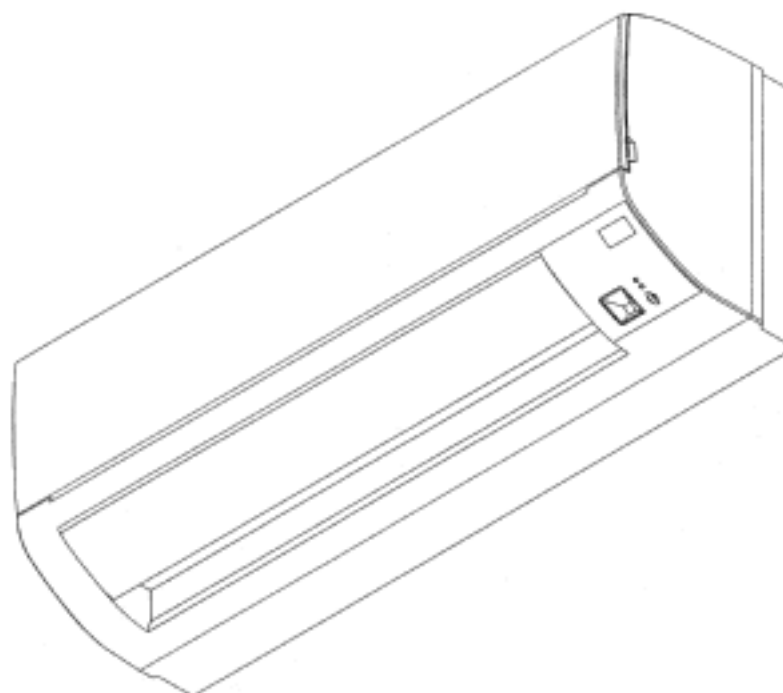
(21) Design Number: **16631/2012**
(22) Date of Filing Application: **21 December 2012**
(24) Date from which industrial property rights may have effect: **21 December 2012**
(54) Product in respect of which the design is registered: **Faucet**
(51) International Design Classification: **23-01H**
(74) Name(s) of Attorney(s): **SPRUSON & FERGUSON**
(71) Name(s) and Address(s) of Applicant(s):
Gessi S.P.A.
Parco Gessi Frazione Vintebbio 13037 Serravalle Sesia Vercelli Italy
(72) Name(s) of Designer(s): **Gian Luca Gessi**
(45) Registration Date: **14 February 2013**
(30) Convention priority data:
(31) Number (32) Date (33) Country
MI2012O000095 03 Jul 2012 ITALY
(56) Related Art Documents: **Not Applicable**
(57) Statement of Newness and Distinctiveness: **Newness and distinctiveness is claimed in the features of shape and/or configuration of a faucet as illustrated in the accompanying representations.**



(21) Design Number: **16637/2012**
(22) Date of Filing Application: **21 December 2012**
(24) Date from which industrial property rights may have effect: **21 December 2012**
(54) Product in respect of which the design is registered: **Air conditioner**
(51) International Design Classification: **23-04**
(74) Name(s) of Attorney(s): **Griffith Hack**
(71) Name(s) and Address(s) of Applicant(s):
Mitsubishi Electric Corporation
7-3 Marunouchi 2-chome Chiyoda-ku Tokyo 100-8310 Japan
(72) Name(s) of Designer(s): **Takayuki Nishiguchi**
(45) Registration Date: **14 February 2013**
(30) Convention priority data:
(31) Number (32) Date (33) Country
2012/015412 29 Jun 2012 JAPAN
(56) Related Art Documents: **Not Applicable**
(57) Statement of Newness and Distinctiveness: **The newness and distinctiveness resides in the visual features, including shape and configuration, of an air conditioner as shown in the accompanying representations.**



(21) Design Number: **16638/2012**
(22) Date of Filing Application: **21 December 2012**
(24) Date from which industrial property rights may have effect: **21 December 2012**
(54) Product in respect of which the design is registered: **Air conditioner**
(51) International Design Classification: **23-04**
(74) Name(s) of Attorney(s): **Griffith Hack**
(71) Name(s) and Address(s) of Applicant(s):
Mitsubishi Electric Corporation
7-3 Marunouchi 2-chome Chiyoda-ku Tokyo 100-8310 Japan
(72) Name(s) of Designer(s): **Takayuki Nishiguchi**
(45) Registration Date: **14 February 2013**
(30) Convention priority data:
(31) Number (32) Date (33) Country
2012-015411 29 Jun 2012 JAPAN
(56) Related Art Documents: **Not Applicable**
(57) Statement of Newness and Distinctiveness: **The newness and distinctiveness resides in the visual features, including shape and configuration, of an air conditioner as shown in the accompanying representations.**



(21) Design Number: **16667/2012**
(22) Date of Filing Application: **04 July 2012**
(24) Date from which industrial property rights may have effect: **04 July 2012**
(54) Product in respect of which the design is registered: **Jacket**
(51) International Design Classification: **02-02NES**
(74) Name(s) of Attorney(s): **K&L Gates**
(71) Name(s) and Address(s) of Applicant(s):
Beba Enterprises Pty Ltd
34 Garden Street South Yarra Victoria 3141 Australia
(72) Name(s) of Designer(s): **Arthur Soetedja**
(45) Registration Date: **14 February 2013**
(56) Related Art Documents: **Not Applicable**
(57) Statement of Newness and Distinctiveness: **Nil**



(21) Design Number: **16668/2012**
(22) Date of Filing Application: **04 July 2012**
(24) Date from which industrial property rights may have effect: **04 July 2012**
(54) Product in respect of which the design is registered: **Dress**
(51) International Design Classification: **02-02C**
(74) Name(s) of Attorney(s): **K&L Gates**
(71) Name(s) and Address(s) of Applicant(s):
Beba Enterprises Pty Ltd
34 Garden Street South Yarra Victoria 3141 Australia
(72) Name(s) of Designer(s): **Arthur Soetedja**
(45) Registration Date: **14 February 2013**
(56) Related Art Documents: **Not Applicable**
(57) Statement of Newness and Distinctiveness: **Nil**



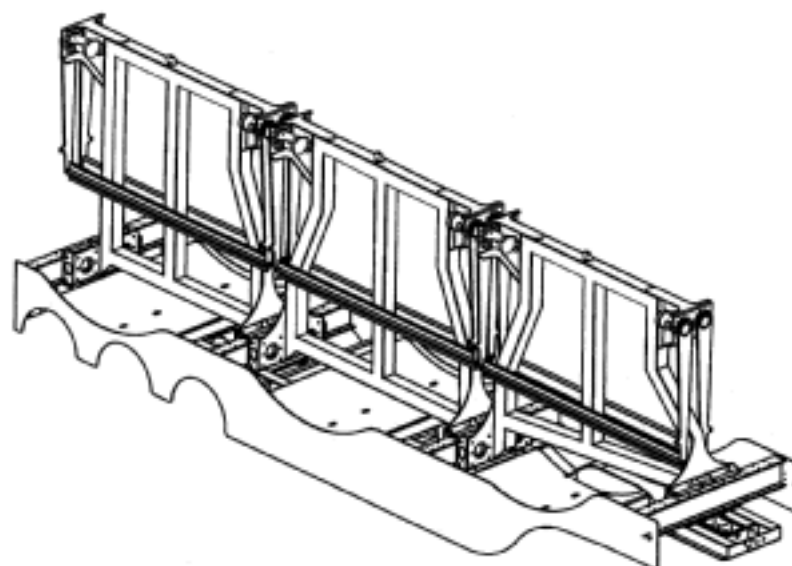
(21) Design Number: **16669/2012**
(22) Date of Filing Application: **04 July 2012**
(24) Date from which industrial property rights may have effect: **04 July 2012**
(54) Product in respect of which the design is registered: **Dress**
(51) International Design Classification: **02-02C**
(74) Name(s) of Attorney(s): **K&L Gates**
(71) Name(s) and Address(s) of Applicant(s):
Beba Enterprises Pty Ltd
34 Garden Street South Yarra Victoria 3141 Australia
(72) Name(s) of Designer(s): **Arthur Soetedja**
(45) Registration Date: **14 February 2013**
(56) Related Art Documents: **Not Applicable**
(57) Statement of Newness and Distinctiveness: **Nil**



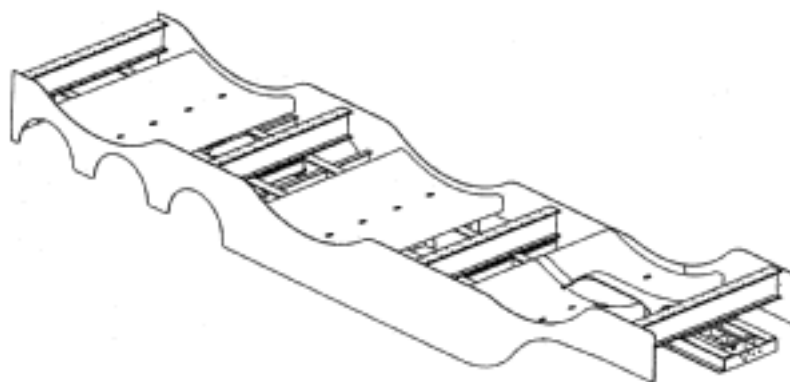
- (21) Design Number: **16670/2012**
(22) Date of Filing Application: **04 July 2012**
(24) Date from which industrial property rights may have effect: **04 July 2012**
(54) Product in respect of which the design is registered: **Dress**
(51) International Design Classification: **02-02C**
(74) Name(s) of Attorney(s): **K&L Gates**
(71) Name(s) and Address(s) of Applicant(s):
Beba Enterprises Pty Ltd
34 Garden Street South Yarra Victoria 3141 Australia
(72) Name(s) of Designer(s): **Arthur Soetedja**
(45) Registration Date: **14 February 2013**
(56) Related Art Documents: **Not Applicable**
(57) Statement of Newness and Distinctiveness: **Nil**



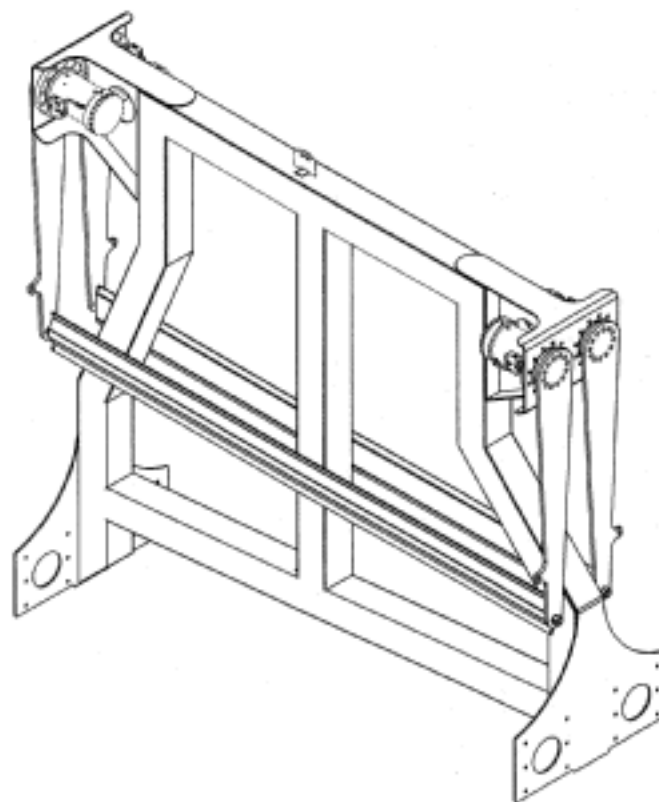
- (21) Design Number: **13330/2012**
(22) Date of Filing Application: **13 July 2012**
(24) Date from which industrial property rights may have effect: **13 July 2012**
(54) Product in respect of which the design is registered: **Tyre transporter trailer**
(51) International Design Classification: **12-10**
(74) Name(s) of Attorney(s): **Golja Haines & Friend**
(71) Name(s) and Address(s) of Applicant(s):
Roadwest Transport Equipment & Sales Pty Ltd
100 Beechboro Road Bayswater Western Australia 6053 Australia
(72) Name(s) of Designer(s): **Peter Frank Lombardi and Paul Lavall and Joedy Vincent**
(45) Registration Date: **14 February 2013**
(56) Related Art Documents: **Not Applicable**
(57) Statement of Newness and Distinctiveness: **Newness and distinctiveness is claimed in the shape and configuration of a tyre transporter trailer as illustrated in the drawings. The tyre restraining cradles are transversely moveable as illustrated in two of the representations.**



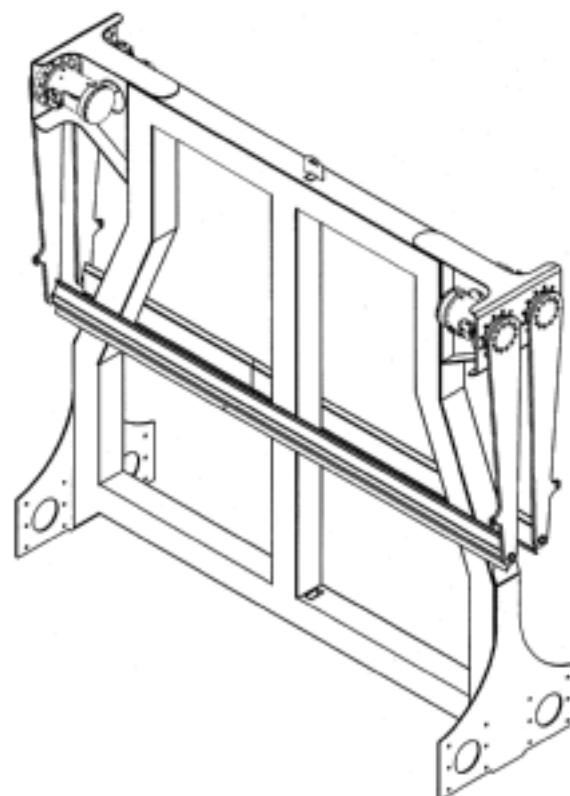
- (21) Design Number: **13331/2012**
(22) Date of Filing Application: **13 July 2012**
(24) Date from which industrial property rights may have effect: **13 July 2012**
(54) Product in respect of which the design is registered: **Tyre transporter trailer body and chassis**
(51) International Design Classification: **12-10**
(74) Name(s) of Attorney(s): **Golja Haines & Friend**
(71) Name(s) and Address(s) of Applicant(s):
Roadwest Transport Equipment & Sales Pty Ltd
100 Beechboro Road Bayswater Western Australia 6053 Australia
(72) Name(s) of Designer(s): **Peter Frank Lombardi and Paul Lavall and Joedy Vincent**
(45) Registration Date: **14 February 2013**
(56) Related Art Documents: **Not Applicable**
(57) Statement of Newness and Distinctiveness: **Newness and distinctiveness is claimed in the shape and configuration of a tyre transporter trailer body and chassis as illustrated in the drawings.**



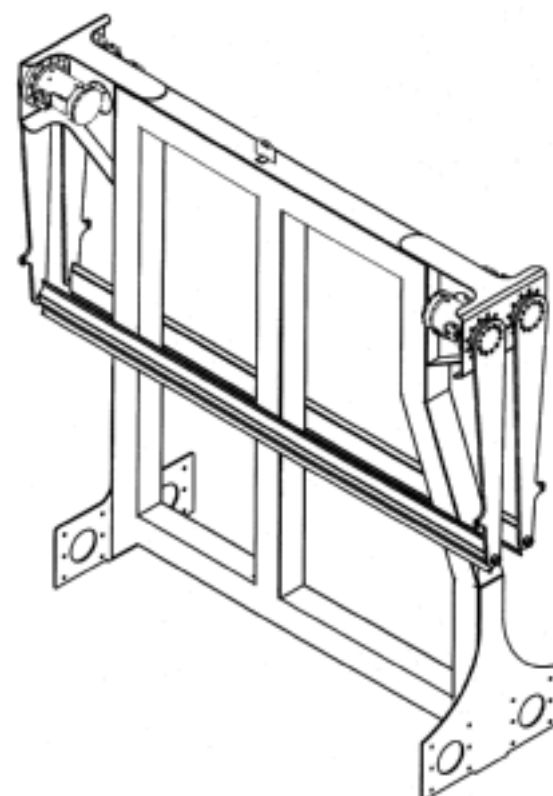
- (21) Design Number: **13332/2012**
(22) Date of Filing Application: **13 July 2012**
(24) Date from which industrial property rights may have effect: **13 July 2012**
(54) Product in respect of which the design is registered: **Tyre restraining cradle for a tyre transporter trailer**
(51) International Design Classification: **12-10**
(74) Name(s) of Attorney(s): **Golja Haines & Friend**
(71) Name(s) and Address(s) of Applicant(s):
Roadwest Transport Equipment & Sales Pty Ltd
100 Beechboro Road Bayswater Western Australia 6053 Australia
(72) Name(s) of Designer(s): **Peter Frank Lombardi and Paul Lavall and Joedy Vincent**
(45) Registration Date: **14 February 2013**
(56) Related Art Documents: **Not Applicable**
(57) Statement of Newness and Distinctiveness: **Newness and distinctiveness is claimed in the shape and configuration of a tyre restraining cradle for a tyre transporter trailer as illustrated in the drawings. The tyre restraining cradle for a tyre transporter trailer has moveable arms moveable through extents as illustrated in one of the representations.**



- (21) Design Number: **13333/2012**
(22) Date of Filing Application: **13 July 2012**
(24) Date from which industrial property rights may have effect: **13 July 2012**
(54) Product in respect of which the design is registered: **Tyre restraining cradle for a tyre transporter trailer**
(51) International Design Classification: **12-10**
(74) Name(s) of Attorney(s): **Golja Haines & Friend**
(71) Name(s) and Address(s) of Applicant(s):
Roadwest Transport Equipment & Sales Pty Ltd
100 Beechboro Road Bayswater Western Australia 6053 Australia
(72) Name(s) of Designer(s): **Peter Frank Lombardi and Paul Lavall and Joedy Vincent**
(45) Registration Date: **14 February 2013**
(56) Related Art Documents: **Not Applicable**
(57) Statement of Newness and Distinctiveness: **Newness and distinctiveness is claimed in the shape and configuration of a tyre restraining cradle for a tyre transporter trailer as illustrated in the drawings. The tyre restraining cradle for a tyre transporter trailer has moveable arms moveable through extents as illustrated in one of the representations.**



- (21) Design Number: **13334/2012**
(22) Date of Filing Application: **13 July 2012**
(24) Date from which industrial property rights may have effect: **13 July 2012**
(54) Product in respect of which the design is registered: **Tyre restraining cradle for a tyre transporter trailer**
(51) International Design Classification: **12-10**
(74) Name(s) of Attorney(s): **Golja Haines & Friend**
(71) Name(s) and Address(s) of Applicant(s):
Roadwest Transport Equipment & Sales Pty Ltd
100 Beechboro Road Bayswater Western Australia 6053 Australia
(72) Name(s) of Designer(s): **Peter Frank Lombardi and Paul Lavall and Joedy Vincent**
(45) Registration Date: **14 February 2013**
(56) Related Art Documents: **Not Applicable**
(57) Statement of Newness and Distinctiveness: **Newness and distinctiveness is claimed in the shape and configuration of a tyre restraining cradle for a tyre transporter trailer as illustrated in the drawings. The tyre restraining cradle for a tyre transporter trailer has moveable arms moveable through extents as illustrated in one of the representations.**



(21) Design Number: **14576/2012**
(22) Date of Filing Application: **12 September 2012**
(24) Date from which industrial property rights may have effect: **12 September 2012**
(54) Product in respect of which the design is registered: **Trampoline**
(51) International Design Classification: **21-02F**
(74) Name(s) of Attorney(s): **Ahearn Fox**
(71) Name(s) and Address(s) of Applicant(s):

Vuly Pty Ltd
1/95 Ingleston Rd Wakerley QLD 4154 Australia

(72) Name(s) of Designer(s): **Joe Andon and Wei Yang and Michael Connolly**

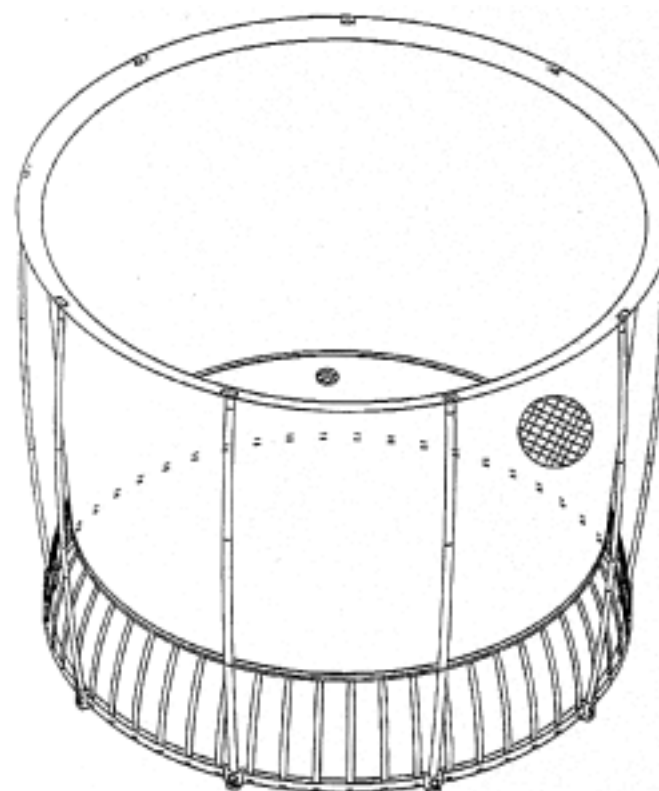
(45) Registration Date: **14 February 2013**

(30) Convention priority data:

(31) Number	(32) Date	(33) Country
416014	16 Mar 2012	NEW ZEALAND

(56) Related Art Documents: **Not Applicable**

(57) Statement of Newness and Distinctiveness: **Newness and distinctiveness resides in the shape and configuration of the trampoline depicted in the accompanying drawings wherein: Fig. 1 is a view of the trampoline from the front with the springs exposed (view from the rear is a mirror image); Fig. 2 is a view of the trampoline from the front and above with the springs exposed (view from the rear is a mirror image); Fig. 3 is a view of the trampoline from the front and below with the springs exposed (view from the rear and below is mirror image); Fig. 4 is a view of the trampoline from the front with a skirt covering the springs (view from the rear is a mirror image); Fig. 5 is a view of the trampoline from the front and above with a skirt covering the springs (view from the rear and below is a mirror image); and Fig. 6 is a view of the trampoline from the front and below with a skirt covering the springs (view from the rear and below is a mirror image).**



(21) Design Number: **16408/2012**
(22) Date of Filing Application: **17 December 2012**
(24) Date from which industrial property rights may have effect: **17 December 2012**
(54) Product in respect of which the design is registered: **Transport container**
(51) International Design Classification: **09-03K**
(74) Name(s) of Attorney(s): **PHILLIPS ORMONDE FITZPATRICK**
(71) Name(s) and Address(s) of Applicant(s):

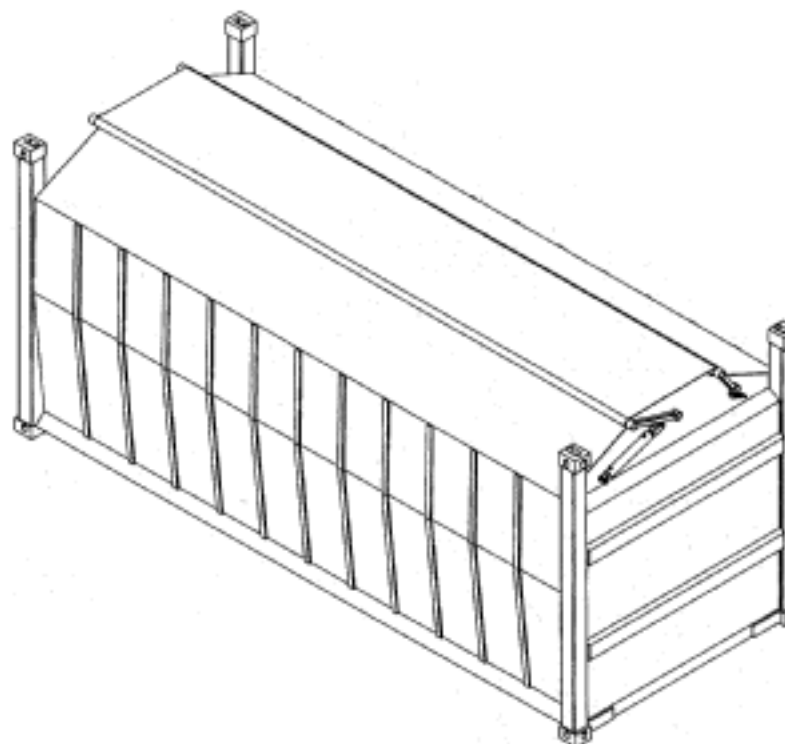
Dimitrios Trambas
555 Sandy Bay Rd Hobart TAS 7000 Australia

(72) Name(s) of Designer(s): **Dimitrios Trambas**

(45) Registration Date: **14 February 2013**

(56) Related Art Documents: **Not Applicable**

(57) Statement of Newness and Distinctiveness: **Those features of the transport container depicted in the representations that are new and distinctive are the shape and/or configuration.**



- (21) Design Number: **15229/2012**
(22) Date of Filing Application: **19 October 2012**
(24) Date from which industrial property rights may have effect: **19 October 2012**
(54) Product in respect of which the design is registered: **Foot weed-roots cutter implement**
(51) International Design Classification: **02-04NES, 08-03**
(74) Name(s) of Attorney(s):
(71) Name(s) and Address(s) of Applicant(s):
Jean-Pierre F Mercader
802 Faraday Rd Sutton Grange VIC 3448 Australia
(72) Name(s) of Designer(s): **Jean-Pierre Mercader**
(45) Registration Date: **14 February 2013**
(56) Related Art Documents: **Not Applicable**
(57) Statement of Newness and Distinctiveness: **One cavity piece fitting human foot, the cavity's bottom plate extends out to the front of the foot cavity to become a short blade to cut weeds' roots.**



- (21) Design Number: **15803/2012**
(22) Date of Filing Application: **20 November 2012**
(24) Date from which industrial property rights may have effect: **20 November 2012**
(54) Product in respect of which the design is registered: **A front combination lamp for an automobile**
(51) International Design Classification: **26-06**
(74) Name(s) of Attorney(s): **SPRUSON & FERGUSON**
(71) Name(s) and Address(s) of Applicant(s):
Honda Motor Co., Ltd.
1-1 Minami-Aoyama 2-Chome Minato-ku Tokyo Japan
(72) Name(s) of Designer(s): **Riku Wada**
(45) Registration Date: **14 February 2013**
(30) Convention priority data:
(31) Number (32) Date (33) Country
2012-012383 25 May 2012 JAPAN
(56) Related Art Documents: **Not Applicable**
(57) Statement of Newness and Distinctiveness: **Newness and distinctiveness is claimed in the features of shape and/or configuration of a front combination lamp for an automobile as illustrated in the accompanying representations.**



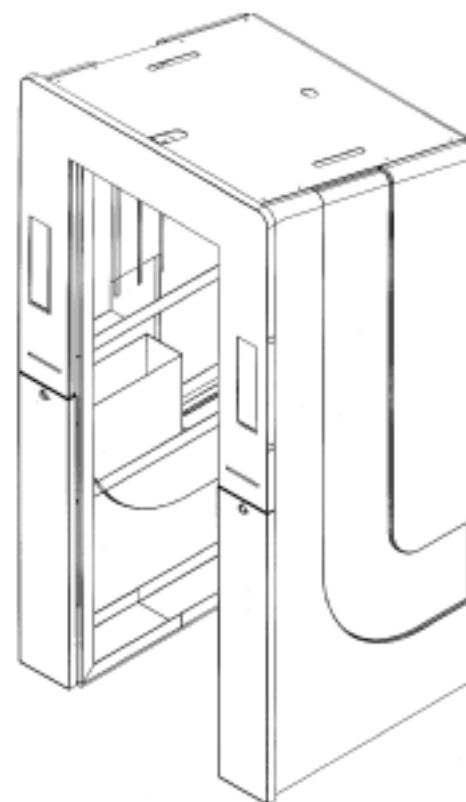
- (21) Design Number: **15804/2012**
(22) Date of Filing Application: **20 November 2012**
(24) Date from which industrial property rights may have effect: **20 November 2012**
(54) Product in respect of which the design is registered: **A grill for an automobile**
(51) International Design Classification: **12-16B**
(74) Name(s) of Attorney(s): **SPRUSON & FERGUSON**
(71) Name(s) and Address(s) of Applicant(s):
Honda Motor Co., Ltd.
1-1 Minami-Aoyama 2-Chome Minato-ku Tokyo Japan
(72) Name(s) of Designer(s): **Daisuke Akejima**
(45) Registration Date: **14 February 2013**
(30) Convention priority data:
(31) Number (32) Date (33) Country
2012-012392 25 May 2012 JAPAN
(56) Related Art Documents: **Not Applicable**
(57) Statement of Newness and Distinctiveness: **Newness and distinctiveness is claimed in the features of shape and/or configuration of a grill for an automobile as illustrated in the accompanying representations.**



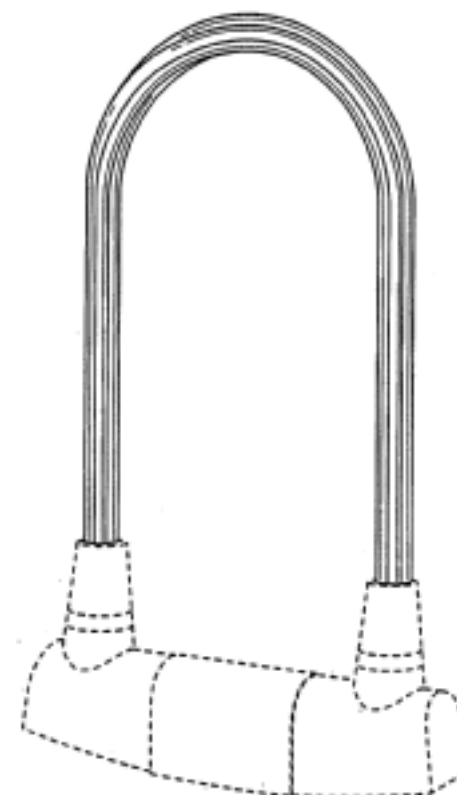
- (21) Design Number: **15806/2012**
(22) Date of Filing Application: **20 November 2012**
(24) Date from which industrial property rights may have effect: **20 November 2012**
(54) Product in respect of which the design is registered: **A rear combination lamp for an automobile**
(51) International Design Classification: **26-06**
(74) Name(s) of Attorney(s): **SPRUSON & FERGUSON**
(71) Name(s) and Address(s) of Applicant(s):
Honda Motor Co., Ltd.
1-1 Minami-Aoyama 2-Chome Minato-ku Tokyo Japan
(72) Name(s) of Designer(s): **Toshiyuki Okumoto**
(45) Registration Date: **14 February 2013**
(30) Convention priority data:
(31) Number (32) Date (33) Country
2012-012385 25 May 2012 JAPAN
(56) Related Art Documents: **Not Applicable**
(57) Statement of Newness and Distinctiveness: **Newness and distinctiveness is claimed in the features of shape and/or configuration of a rear combination lamp for an automobile as illustrated in the accompanying representations.**



(21) Design Number: **15861/2012**
(22) Date of Filing Application: **22 November 2012**
(24) Date from which industrial property rights may have effect: **22 November 2012**
(54) Product in respect of which the design is registered: **ATM Surround**
(51) International Design Classification: **20-01**
(74) Name(s) of Attorney(s):
(71) Name(s) and Address(s) of Applicant(s):
Pragma Products Pty Ltd
1/3 Dunlop Road Mulgrave Victoria 3170 Australia
(72) Name(s) of Designer(s): **Angelo Alateras and Simon Hedt and Nathan Hollins**
(45) Registration Date: **14 February 2013**
(56) Related Art Documents: **Not Applicable**
(57) Statement of Newness and Distinctiveness: **Newness and Distinctiveness is claimed in the unique styling, aesthetics, functionality and locality of design aspects.**



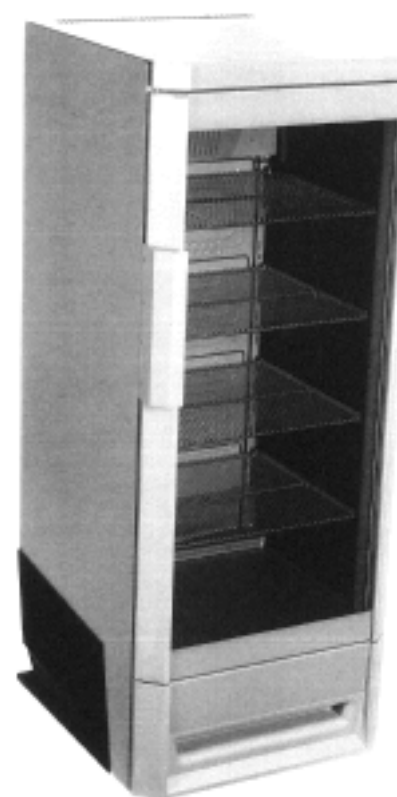
(21) Design Number: **15879/2012**
(22) Date of Filing Application: **21 November 2012**
(24) Date from which industrial property rights may have effect: **10 October 2012**
(54) Product in respect of which the design is registered: **Lock**
(51) International Design Classification: **08-07**
(74) Name(s) of Attorney(s): **Callinans**
(71) Name(s) and Address(s) of Applicant(s):
Master Lock Company LLC
137 W. Forest Hill Avenue PO Box 927 Oak Creek Wisconsin 53154
United States of America
(72) Name(s) of Designer(s): **Laurent Ferragu**
(45) Registration Date: **14 February 2013**
(30) Convention priority data:
(31) Number (32) Date (33) Country
29/418,163 12 Apr 2012 UNITED STATES OF AMERICA
(62) Divisional of: **345813**
(56) Related Art Documents: **Not Applicable**
(57) Statement of Newness and Distinctiveness: **Newness and distinctiveness are provided by the shape and/or configuration of the design shown in the representations. The features shown in broken lines in the representations are for illustrative purposes only and should not be considered when construing visual features of the design.**



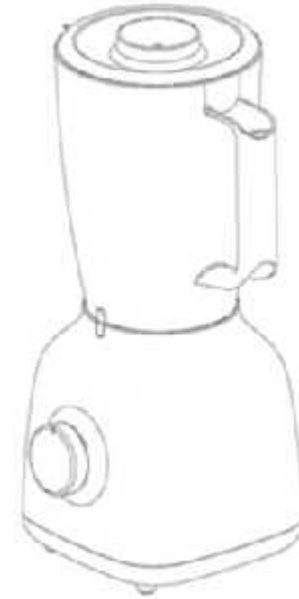
(21) Design Number: **15416/2012**
(22) Date of Filing Application: **31 October 2012**
(24) Date from which industrial property rights may have effect: **31 October 2012**
(54) Product in respect of which the design is registered: **An amusement projectile toy**
(51) International Design Classification: **21-03, 21-01H**
(74) Name(s) of Attorney(s):
(71) Name(s) and Address(s) of Applicant(s):
Vladislav Shyutten
212A/96 High St Southport QLD 4215 Australia
Xin Yu
PO BOX 890 Southport BC QLD 4215 Australia
(72) Name(s) of Designer(s): **Vladislav Shyutten and Xin Yu**
(45) Registration Date: **15 February 2013**
(56) Related Art Documents: **Not Applicable**
(57) Statement of Newness and Distinctiveness: **Nil**



(21) Design Number: **16295/2012**
(22) Date of Filing Application: **12 December 2012**
(24) Date from which industrial property rights may have effect: **12 December 2012**
(54) Product in respect of which the design is registered: **Refrigerator**
(51) International Design Classification: **15-07**
(74) Name(s) of Attorney(s): **Davies Collison Cave**
(71) Name(s) and Address(s) of Applicant(s):
Red Bull GmbH
Am Brunnen 1 Fuschl am See 5330 Austria
(72) Name(s) of Designer(s): **Juergen Brenneis and Mario Groth and David Kehoe and Matthias Rinderer**
(45) Registration Date: **15 February 2013**
(30) Convention priority data:
(31) Number (32) Date (33) Country
002060913-0001 20 Jun 2012 EUROPEAN COMMUNITY
(56) Related Art Documents: **Not Applicable**
(57) Statement of Newness and Distinctiveness: **Nil**



(21) Design Number: **10006/2013**
(22) Date of Filing Application: **02 January 2013**
(24) Date from which industrial property rights may have effect: **02 January 2013**
(54) Product in respect of which the design is registered: **Blender**
(51) International Design Classification: **31-00**
(74) Name(s) of Attorney(s): **FB Rice**
(71) Name(s) and Address(s) of Applicant(s):
Koninklijke Philips Electronics N.V.
Groenewoudseweg 1 BA Eindhoven 5621 The Netherlands
(72) Name(s) of Designer(s): **Edouard Robert Marcus Gebski**
(45) Registration Date: **15 February 2013**
(30) Convention priority data:
(31) Number (32) Date (33) Country
**002066878-0003 02 Jul 2012 WORLD INTELLECTUAL
PROPERTY ORGANIZATION
(WIPO)**



(56) Related Art Documents: **Not Applicable**
(57) Statement of Newness and Distinctiveness: **Newness and distinctiveness reside in the features of shape and configuration of the design as shown in the representations.**

(21) Design Number: **10013/2013**
(22) Date of Filing Application: **02 January 2013**
(24) Date from which industrial property rights may have effect: **02 January 2013**
(54) Product in respect of which the design is registered: **Clip member**
(51) International Design Classification: **08-08NES**
(74) Name(s) of Attorney(s): **Callinans**
(71) Name(s) and Address(s) of Applicant(s):
Abey Australia Pty. Ltd.
57-81 Abey Rd Melton VIC 3337 Australia
(72) Name(s) of Designer(s): **Mathew Peart**
(45) Registration Date: **15 February 2013**
(56) Related Art Documents: **Not Applicable**
(57) Statement of Newness and Distinctiveness: **The design resides in the application of the features of shape and configuration to a clip member as illustrated. The design may be applied in any suitable manner and using any suitable means.**



- (21) Design Number: **10015/2013**
(22) Date of Filing Application: **03 January 2013**
(24) Date from which industrial property rights may have effect: **03 January 2013**
(54) Product in respect of which the design is registered: **Automobile tyre**
(51) International Design Classification: **12-15B**
(74) Name(s) of Attorney(s): **Griffith Hack**
(71) Name(s) and Address(s) of Applicant(s):
Bridgestone Corporation
10-1 Kyobashi 1-chrome Chuo-ku Tokyo 104-8340 Japan
(72) Name(s) of Designer(s): **Takayosi Hironaka and Tomoo Hasegawa**
(45) Registration Date: **15 February 2013**
(30) Convention priority data:
(31) Number (32) Date (33) Country
JP2012-015846 04 Jul 2012 JAPAN
(56) Related Art Documents: **Not Applicable**
(57) Statement of Newness and Distinctiveness: **The shape, configuration and ornamentation of the threaded portion of the tyre is new and distinctive.**



- (21) Design Number: **10016/2013**
(22) Date of Filing Application: **03 January 2013**
(24) Date from which industrial property rights may have effect: **03 January 2013**
(54) Product in respect of which the design is registered: **Automobile tyre**
(51) International Design Classification: **12-15B**
(74) Name(s) of Attorney(s): **Griffith Hack**
(71) Name(s) and Address(s) of Applicant(s):
Bridgestone Corporation
10-1 Kyobashi 1-chrome Chuo-ku Tokyo 104-8340 Japan
(72) Name(s) of Designer(s): **Takayosi Hironaka and Tomoo Hasegawa**
(45) Registration Date: **15 February 2013**
(30) Convention priority data:
(31) Number (32) Date (33) Country
2012-015847 04 Jul 2012 JAPAN
(56) Related Art Documents: **Not Applicable**
(57) Statement of Newness and Distinctiveness: **The shape, configuration and ornamentation of the threaded portion of the tyre is new and distinctive.**



(21) Design Number: **10027/2013**
(22) Date of Filing Application: **04 January 2013**
(24) Date from which industrial property rights may have effect: **04 January 2013**
(54) Product in respect of which the design is registered: **Part of a vacuum cleaner**
(51) International Design Classification: **15-05**
(74) Name(s) of Attorney(s): **Shelston IP**
(71) Name(s) and Address(s) of Applicant(s):

Dyson Technology Limited
Tetbury Hill Malmesbury Wiltshire SN16 0RP United Kingdom

(72) Name(s) of Designer(s): **James Dyson and Peter David Gammack and Paul Dawson and James Jonathon Dearing and Samuel James Czerpak and Jonathon George Marsh**

(45) Registration Date: **15 February 2013**

(30) Convention priority data:

(31) Number	(32) Date	(33) Country
001335681-0002	19 Jul 2012	EUROPEAN COMMUNITY

(56) Related Art Documents: **Not Applicable**

(57) Statement of Newness and Distinctiveness: **Newness and distinctiveness reside in the features of shape and/or configuration of a PART OF A VACUUM CLEANER as illustrated in solid lines in the accompanying representations. The features shown in broken lines are illustrative only and do not form part of the design.**



(21) Design Number: **10028/2013**
(22) Date of Filing Application: **04 January 2013**
(24) Date from which industrial property rights may have effect: **04 January 2013**
(54) Product in respect of which the design is registered: **Disc for sanding machines**
(51) International Design Classification: **08-05N**
(74) Name(s) of Attorney(s): **Callinans**
(71) Name(s) and Address(s) of Applicant(s):

Robert Bosch GMBH
Postfach 30 02 20 Stuttgart 70442 Germany

(72) Name(s) of Designer(s): **Stephan Fritsch and Josef Breitenmoser**

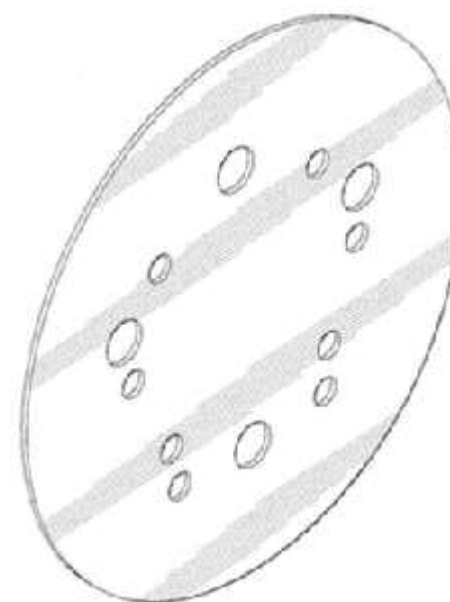
(45) Registration Date: **15 February 2013**

(30) Convention priority data:

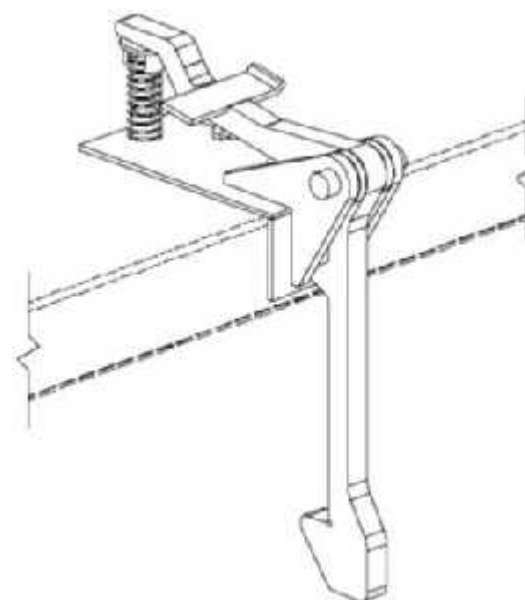
(31) Number	(32) Date	(33) Country
002077180	20 Jul 2012	EUROPEAN COMMUNITY

(56) Related Art Documents: **Not Applicable**

(57) Statement of Newness and Distinctiveness: **Nil**



- (21) Design Number: **10289/2013**
(22) Date of Filing Application: **21 January 2013**
(24) Date from which industrial property rights may have effect: **21 January 2013**
(54) Product in respect of which the design is registered: **A locking device for securing a lid to a container**
(51) International Design Classification: **08-07**
(74) Name(s) of Attorney(s): **Australian Patent and TradeMark Services**
(71) Name(s) and Address(s) of Applicant(s):
Australian Mobile Mining Equipment Systems and Accessories Pty. Limited
18 Sleigh Pl Wetherill Park NSW 2164 Australia
(72) Name(s) of Designer(s): **Murray Robert Bridle**
(45) Registration Date: **15 February 2013**
(56) Related Art Documents: **Not Applicable**
(57) Statement of Newness and Distinctiveness: **Newness and distinctiveness is claimed in the shape and/or configuration of a locking device for securing a lid to a container, as illustrated in continuous (unbroken) lines in the accompanying representations. The features shown in broken lines are not part of the design and are to be disregarded.**



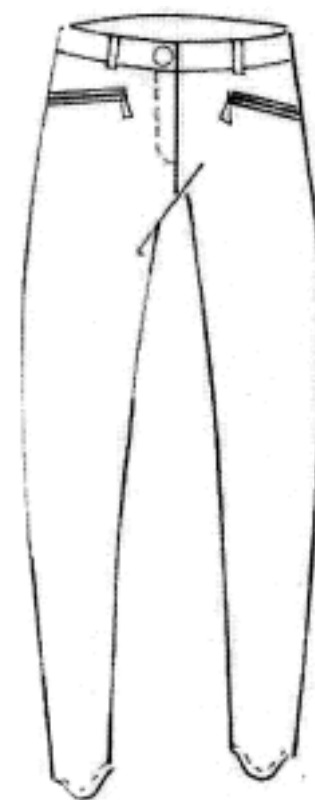
- (21) Design Number: **12414/2012**
(22) Date of Filing Application: **21 May 2012**
(24) Date from which industrial property rights may have effect: **21 May 2012**
(54) Product in respect of which the design is registered: **Article of clothing**
(51) International Design Classification: **02-02NES**
(74) Name(s) of Attorney(s): **Allens Patent & Trade Mark Attorneys**
(71) Name(s) and Address(s) of Applicant(s):
Forever New Clothing Pty Ltd
Ground Floor 714-716 High Street Kew Victoria 3101 Australia
(72) Name(s) of Designer(s): **Laura Mitchell**
(45) Registration Date: **15 February 2013**
(56) Related Art Documents: **Not Applicable**
(57) Statement of Newness and Distinctiveness: **Newness and distinctiveness resides in the visual features of shape, configuration, pattern and/or ornamentation of an article of clothing as shown in the representations**



- (21) Design Number: **15226/2012**
(22) Date of Filing Application: **22 October 2012**
(24) Date from which industrial property rights may have effect: **22 October 2012**
(54) Product in respect of which the design is registered: **Protective eyewear with ear muffs**
(51) International Design Classification: **29-02**
(74) Name(s) of Attorney(s): **HODGKINSON McINNES PATENTS**
(71) Name(s) and Address(s) of Applicant(s):
Jorge Miguel Pereira
8 Augustus CI Palmerston ACT 2914 Australia
(72) Name(s) of Designer(s): **Jorge Miguel Pereira**
(45) Registration Date: **15 February 2013**
(56) Related Art Documents: **Not Applicable**
(57) Statement of Newness and Distinctiveness: **Newness and distinctiveness is claimed in the shape and configuration of the safety equipment as shown in the representations.**



- (21) Design Number: **15781/2012**
(22) Date of Filing Application: **16 November 2012**
(24) Date from which industrial property rights may have effect: **09 March 2012**
(54) Product in respect of which the design is registered: **Article of clothing**
(51) International Design Classification: **02-02C**
(74) Name(s) of Attorney(s): **Allens Patent & Trade Mark Attorneys**
(71) Name(s) and Address(s) of Applicant(s):
Forever New Clothing Pty Ltd
714-716 High St Kew East Victoria 3102 Australia
(72) Name(s) of Designer(s): **Mary McCarthy**
(45) Registration Date: **15 February 2013**
(62) Divisional of: **345695**
(56) Related Art Documents: **Not Applicable**
(57) Statement of Newness and Distinctiveness: **Newness and distinctiveness resides in the visual features of shape, configuration, pattern and/or ornamentation of an article of clothing as shown in the accompanying representations.**



- (21) Design Number: **15805/2012**
(22) Date of Filing Application: **20 November 2012**
(24) Date from which industrial property rights may have effect: **20 November 2012**
(54) Product in respect of which the design is registered: **An instrument panel for an automobile**
(51) International Design Classification: **12-16NES**
(74) Name(s) of Attorney(s): **SPRUSON & FERGUSON**
(71) Name(s) and Address(s) of Applicant(s):
Honda Motor Co., Ltd.
1-1 Minami-Aoyama 2-Chome Minato-ku Tokyo Japan
(72) Name(s) of Designer(s): **Shoji Nakauchi**
(45) Registration Date: **15 February 2013**
(30) Convention priority data:
(31) Number (32) Date (33) Country
2012-012400 25 May 2012 JAPAN
(56) Related Art Documents: **Not Applicable**
(57) Statement of Newness and Distinctiveness: **Newness and distinctiveness is claimed in the features of shape and/or configuration of an instrument panel for an automobile as illustrated in the accompanying representations.**



- (21) Design Number: **16660/2012**
(22) Date of Filing Application: **22 October 2012**
(24) Date from which industrial property rights may have effect: **22 October 2012**
(54) Product in respect of which the design is registered: **Protective eyewear with respiratory mask and ear muffs**
(51) International Design Classification: **29-02**
(74) Name(s) of Attorney(s): **HODGKINSON McINNES PATENTS**
(71) Name(s) and Address(s) of Applicant(s):
Jorge Miguel Pereira
8 Augustus CI Palmerston ACT 2914 Australia
(72) Name(s) of Designer(s): **Jorge Miguel Pereira**
(45) Registration Date: **15 February 2013**
(56) Related Art Documents: **Not Applicable**
(57) Statement of Newness and Distinctiveness: **Newness and distinctiveness is claimed in the shape and configuration of the safety equipment as shown in the representations.**



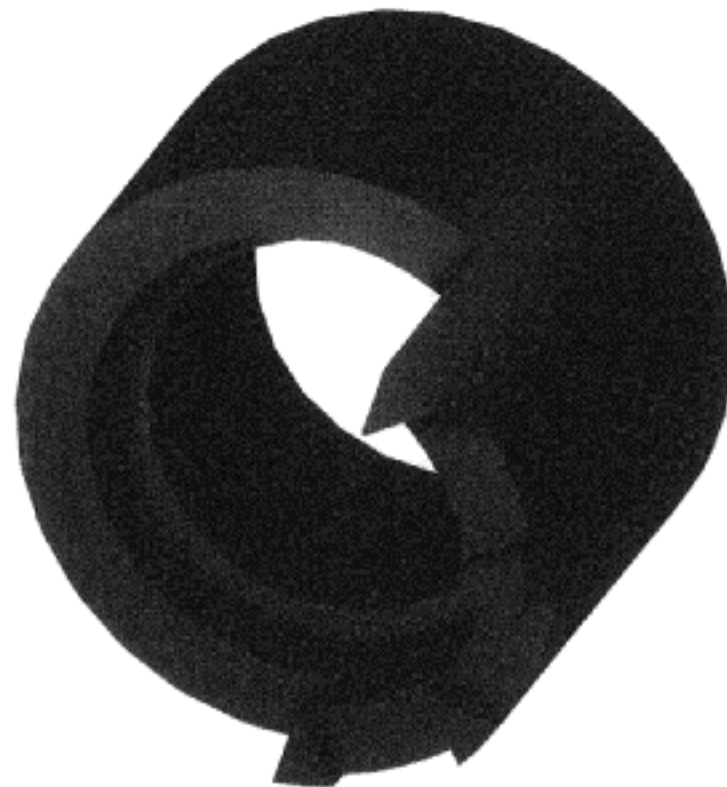
- (21) Design Number: **16661/2012**
(22) Date of Filing Application: **22 October 2012**
(24) Date from which industrial property rights may have effect: **22 October 2012**
(54) Product in respect of which the design is registered: **Protective eyewear with respiratory filter and ear muffs**
(51) International Design Classification: **29-02**
(74) Name(s) of Attorney(s): **HODGKINSON McINNES PATENTS**
(71) Name(s) and Address(s) of Applicant(s):
Jorge Miguel Pereira
8 Augustus CI Palmerston ACT 2914 Australia
(72) Name(s) of Designer(s): **Jorge Miguel Pereira**
(45) Registration Date: **15 February 2013**
(56) Related Art Documents: **Not Applicable**
(57) Statement of Newness and Distinctiveness: **Newness and distinctiveness is claimed in the shape and configuration of the safety equipment as shown in the representations.**



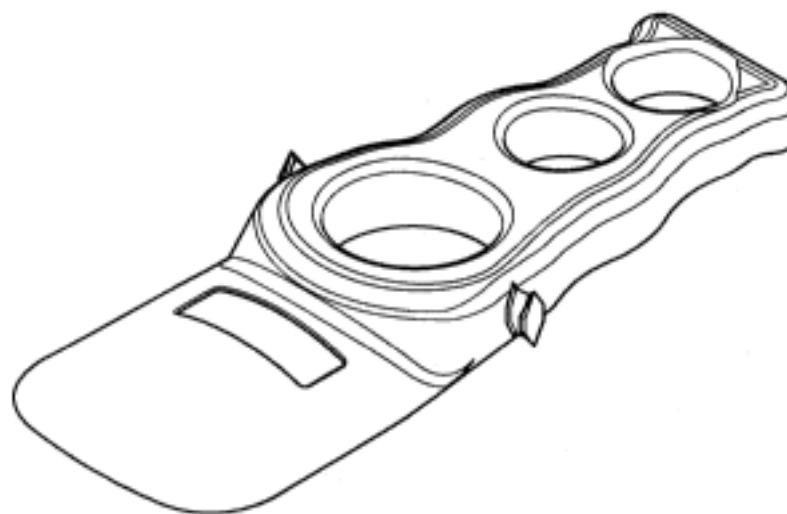
- (21) Design Number: **16662/2012**
(22) Date of Filing Application: **22 October 2012**
(24) Date from which industrial property rights may have effect: **22 October 2012**
(54) Product in respect of which the design is registered: **Protective eyewear with ear muffs and integral headphone connection**
(51) International Design Classification: **29-02**
(74) Name(s) of Attorney(s): **HODGKINSON McINNES PATENTS**
(71) Name(s) and Address(s) of Applicant(s):
Jorge Miguel Pereira
8 Augustus CI Palmerston ACT 2914 Australia
(72) Name(s) of Designer(s): **Jorge Miguel Pereira**
(45) Registration Date: **15 February 2013**
(56) Related Art Documents: **Not Applicable**
(57) Statement of Newness and Distinctiveness: **Newness and distinctiveness is claimed in the shape and configuration of the safety equipment as shown in the representations.**



- (21) Design Number: **16514/2012**
(22) Date of Filing Application: **19 December 2012**
(24) Date from which industrial property rights may have effect: **19 December 2012**
(54) Product in respect of which the design is registered: **Coupling nut**
(51) International Design Classification: **08-08B**
(74) Name(s) of Attorney(s): **Macpherson + Kelley**
(71) Name(s) and Address(s) of Applicant(s):
Trimas Corporation (NZ) Pty Limited
49 Pacific Dr Keysborough VIC 3173 Australia
(72) Name(s) of Designer(s): **Paul Davenport**
(45) Registration Date: **15 February 2013**
(56) Related Art Documents: **Not Applicable**
(57) Statement of Newness and Distinctiveness: **The particular visual features of the design which the Applicant hereby identifies as new and distinctive are as follows: "Coupling Nut", as illustrated in the accompanying representations.**



- (21) Design Number: **10026/2013**
(22) Date of Filing Application: **02 January 2013**
(24) Date from which industrial property rights may have effect: **02 January 2013**
(54) Product in respect of which the design is registered: **Orange knife**
(51) International Design Classification: **07-04**
(74) Name(s) of Attorney(s): **Fisher Adams Kelly**
(71) Name(s) and Address(s) of Applicant(s):
Young Dae Seo
107-304 Dongwon Benest Apt. 354 Jihaeng-dong Dongducheon-si
GYONGGI-DO Republic of Korea
(72) Name(s) of Designer(s): **Young Dae Seo**
(45) Registration Date: **15 February 2013**
(30) Convention priority data:
(31) Number (32) Date (33) Country
30-2012-0031169 26 Jun 2012 REPUBLIC OF KOREA
(56) Related Art Documents: **Not Applicable**
(57) Statement of Newness and Distinctiveness: **The newness and distinctiveness of the design resides in the shape and/or configuration of the ORANGE KNIFE shown in the representations.**

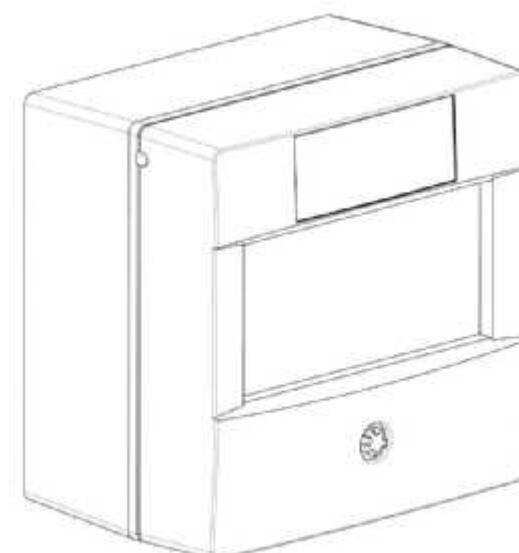


(21) Design Number: **10153/2013**
(22) Date of Filing Application: **10 January 2013**
(24) Date from which industrial property rights may have effect: **10 January 2013**
(54) Product in respect of which the design is registered: **Wallet case**
(51) International Design Classification: **03-01B**
(74) Name(s) of Attorney(s): **Griffith Hack**
(71) Name(s) and Address(s) of Applicant(s):
Telebrands Corp
77 Two Bridges Rd Fairfield NJ 07004-1029 United States of America
(72) Name(s) of Designer(s): **Poonam Khubani**
(45) Registration Date: **18 February 2013**
(30) Convention priority data:
(31) Number (32) Date (33) Country
29/441,172 02 Jan 2013 UNITED STATES OF AMERICA



(56) Related Art Documents: **Not Applicable**
(57) Statement of Newness and Distinctiveness: **Newness and distinctiveness resides in the visual features, including shape and configuration, of a WALLET CASE as shown in the accompanying representations. When determining whether the design is substantially similar in overall impression to another design, no regard is to be had to the wording or arrows on the WALLET CASE as shown in the accompanying representations, which features are provided for illustrative purposes only.**

(21) Design Number: **10154/2013**
(22) Date of Filing Application: **10 January 2013**
(24) Date from which industrial property rights may have effect: **10 January 2013**
(54) Product in respect of which the design is registered: **Switchboxes**
(51) International Design Classification: **13-03D, 13-03E**
(74) Name(s) of Attorney(s): **Marks & Clerk Australia**
(71) Name(s) and Address(s) of Applicant(s):
Apollo Fire Detectors Limited
36 Brookside Road Havant Hampshire PO9 1JR United Kingdom
(72) Name(s) of Designer(s): **Greg Cruse and Leikai Yan and Jinyuan li**
(45) Registration Date: **18 February 2013**
(30) Convention priority data:
(31) Number (32) Date (33) Country
002076943 20 Jul 2012 EUROPEAN PATENT OFFICE (EPO)



(56) Related Art Documents: **Not Applicable**
(57) Statement of Newness and Distinctiveness: **Nil**

(21) Design Number: **10155/2013**
(22) Date of Filing Application: **10 January 2013**
(24) Date from which industrial property rights may have effect: **10 January 2013**
(54) Product in respect of which the design is registered: **Switchboxes**
(51) International Design Classification: **13-03D, 13-03E**
(74) Name(s) of Attorney(s): **Marks & Clerk Australia**
(71) Name(s) and Address(s) of Applicant(s):
Apollo Fire Detectors Limited
36 Brookside Road Havant Hampshire PO9 1JR United Kingdom
(72) Name(s) of Designer(s): **Greg Cruse and Leikai Yan and Jinyuan li**
(45) Registration Date: **18 February 2013**
(30) Convention priority data:
(31) Number (32) Date (33) Country
002076943 20 Jul 2012 EUROPEAN PATENT OFFICE (EPO)
(56) Related Art Documents: **Not Applicable**
(57) Statement of Newness and Distinctiveness: **Nil**



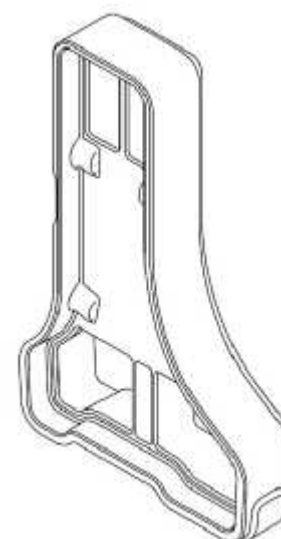
(21) Design Number: **10180/2013**
(22) Date of Filing Application: **14 January 2013**
(24) Date from which industrial property rights may have effect: **14 January 2013**
(54) Product in respect of which the design is registered: **A cargo box**
(51) International Design Classification: **12-16K**
(74) Name(s) of Attorney(s):
(71) Name(s) and Address(s) of Applicant(s):
Hubco Automotive Limited
C/- DLA Phillips Fox 209 Queen Street Auckland 1010 New Zealand
(72) Name(s) of Designer(s): **Jason Sagen**
(45) Registration Date: **18 February 2013**
(30) Convention priority data:
(31) Number (32) Date (33) Country
29/431,858 11 Sep 2012 UNITED STATES OF AMERICA
(56) Related Art Documents: **Not Applicable**
(57) Statement of Newness and Distinctiveness: **The design is to be applied to a cargo box, and the novelty resides in the features of shape and configuration as shown in the accompanying representations.**



(21) Design Number: **10181/2013**
(22) Date of Filing Application: **14 January 2013**
(24) Date from which industrial property rights may have effect: **14 January 2013**
(54) Product in respect of which the design is registered: **A cargo box**
(51) International Design Classification: **12-16K**
(74) Name(s) of Attorney(s):
(71) Name(s) and Address(s) of Applicant(s):
Hubco Automotive Limited
C/- DLA Phillips Fox 209 Queen Street Auckland 1010 New Zealand
(72) Name(s) of Designer(s): **Jason Sagen**
(45) Registration Date: **18 February 2013**
(30) Convention priority data:
(31) Number (32) Date (33) Country
29/431,857 11 Sep 2012 UNITED STATES OF AMERICA
(56) Related Art Documents: **Not Applicable**
(57) Statement of Newness and Distinctiveness: **The design is to be applied to a cargo box, and the novelty resides in the features of shape and configuration as shown in the accompanying representations.**



(21) Design Number: **10188/2013**
(22) Date of Filing Application: **14 January 2013**
(24) Date from which industrial property rights may have effect: **14 January 2013**
(54) Product in respect of which the design is registered: **Gas bottle support leg**
(51) International Design Classification: **08-08NES**
(74) Name(s) of Attorney(s): **HODGKINSON McINNES PATENTS**
(71) Name(s) and Address(s) of Applicant(s):
Greenline Industries Pty Ltd
Lot 5 Harry Davies Dr Lockhart NSW 2656 AUSTRALIA
(72) Name(s) of Designer(s): **Lee Liston**
(45) Registration Date: **18 February 2013**
(56) Related Art Documents: **Not Applicable**
(57) Statement of Newness and Distinctiveness: **Newness and distinctiveness is claimed in the shape and configuration of a gas bottle support leg as shown in the representations. The gas bottle and straps shown in ghost lines do not form part of the design.**



- (21) Design Number: **10192/2013**
(22) Date of Filing Application: **11 January 2013**
(24) Date from which industrial property rights may have effect: **11 January 2013**
(54) Product in respect of which the design is registered: **Electronic device**
(51) International Design Classification: **14-02**
(74) Name(s) of Attorney(s): **Freehills Patent Attorneys**
(71) Name(s) and Address(s) of Applicant(s):
Apple Inc.
1 Infinite Loop Cupertino California 95014 United States of America
(72) Name(s) of Designer(s): **Jody Akana and Bartley K Andre and Jeremy Bataillou and Daniel J Coster and Daniele De Iuliis and M Evans Hankey and Julian Hoenig and Richard P Howarth and Jonathan P Ive and Duncan Robert Kerr and Shin Nishibori and Matthew Dean Rohrbach and Peter Russell-Clarke and Mikael Silvanto and Christopher J Stringer and Eugene Antony Whang and Rico Zorkendorfer**
(45) Registration Date: **18 February 2013**
(30) Convention priority data:
(31) Number (32) Date (33) Country
29/429478 11 Aug 2012 UNITED STATES OF AMERICA
(56) Related Art Documents: **Not Applicable**
(57) Statement of Newness and Distinctiveness: **Nil**



- (21) Design Number: **10193/2013**
(22) Date of Filing Application: **11 January 2013**
(24) Date from which industrial property rights may have effect: **11 January 2013**
(54) Product in respect of which the design is registered: **Electronic device**
(51) International Design Classification: **14-02**
(74) Name(s) of Attorney(s): **Freehills Patent Attorneys**
(71) Name(s) and Address(s) of Applicant(s):
Apple Inc.
1 Infinite Loop Cupertino California 95014 United States of America
(72) Name(s) of Designer(s): **Jody Akana and Bartley K Andre and Jeremy Bataillou and Daniel J Coster and Daniele De Iuliis and M Evans Hankey and Julian Hoenig and Richard P Howarth and Jonathan Ive and Duncan Robert Kerr and Shin Nishibori and Matthew Dean Rohrbach and Peter Russell-Clarke and Mikael Silvanto and Christopher J Stringer and Eugene Antony Whang and Rico Zorkendorfer**
(45) Registration Date: **18 February 2013**
(30) Convention priority data:
(31) Number (32) Date (33) Country
29/429478 11 Aug 2012 UNITED STATES OF AMERICA
(56) Related Art Documents: **Not Applicable**
(57) Statement of Newness and Distinctiveness: **Newness and distinctiveness resides in the features shown in solid lines in the accompanying representations.**



- (21) Design Number: **10194/2013**
(22) Date of Filing Application: **11 January 2013**
(24) Date from which industrial property rights may have effect: **11 January 2013**
(54) Product in respect of which the design is registered: **Electronic device**
(51) International Design Classification: **14-02**
(74) Name(s) of Attorney(s): **Freehills Patent Attorneys**
(71) Name(s) and Address(s) of Applicant(s):
Apple Inc.
1 Infinite Loop Cupertino California 95014 United States of America
(72) Name(s) of Designer(s): **Jody Akana and Bartley K Andre and Jeremy Bataillou and Daniel J Coster and Daniele De Iuliis and M Evans Hankey and Julian Hoenig and Richard P Howarth and Jonathan P Ive and Duncan Robert Kerr and Shin Nishibori and Matthew Dean Rohrbach and Peter Russell-Clarke and Mikael Silvanto and Christopher J Stringer and Eugene Antony Whang and Rico Zorkendorfer**
(45) Registration Date: **18 February 2013**
(30) Convention priority data:
(31) Number (32) Date (33) Country
29/429478 11 Aug 2012 UNITED STATES OF AMERICA
(56) Related Art Documents: **Not Applicable**
(57) Statement of Newness and Distinctiveness: **Newness and distinctiveness resides in the features of shape shown in solid lines in the accompanying representations.**



- (21) Design Number: **10195/2013**
(22) Date of Filing Application: **11 January 2013**
(24) Date from which industrial property rights may have effect: **11 January 2013**
(54) Product in respect of which the design is registered: **Electronic device**
(51) International Design Classification: **14-02**
(74) Name(s) of Attorney(s): **Freehills Patent Attorneys**
(71) Name(s) and Address(s) of Applicant(s):
Apple Inc.
1 Infinite Loop Cupertino California 95014 United States of America
(72) Name(s) of Designer(s): **Jody Akana and Bartley K Andre and Jeremy Bataillou and Daniel J Coster and Daniele De Iuliis and M Evans Hankey and Julian Hoenig and Richard P Howarth and Jonathan P Ive and Duncan Robert Kerr and Shin Nishibori and Matthew Dean Rohrbach and Peter Russell-Clarke and Mikael Silvanto and Christopher J Stringer and Eugene Antony Whang and Rico Zorkendorfer**
(45) Registration Date: **18 February 2013**
(30) Convention priority data:
(31) Number (32) Date (33) Country
29/429478 11 Aug 2012 UNITED STATES OF AMERICA
(56) Related Art Documents: **Not Applicable**
(57) Statement of Newness and Distinctiveness: **Newness and distinctiveness resides in the features shown in solid lines in the accompanying representations.**



- (21) Design Number: **10196/2013**
(22) Date of Filing Application: **11 January 2013**
(24) Date from which industrial property rights may have effect: **11 January 2013**
(54) Product in respect of which the design is registered: **Electronic device**
(51) International Design Classification: **14-02**
(74) Name(s) of Attorney(s): **Freehills Patent Attorneys**
(71) Name(s) and Address(s) of Applicant(s):

Apple Inc.

1 Infinite Loop Cupertino California 95014 United States of America

- (72) Name(s) of Designer(s): **Jody Akana and Bartley K Andre and Jeremy Bataillou and Daniel J Coster and Daniele De Iuliis and M Evans Hankey and Julian Hoenig and Richard P Howarth and Jonathan P Ive and Duncan Robert Kerr and Shin Nishibori and Matthew Dean Rohrbach and Peter Russell-Clarke and Mikael Silvanto and Christopher J Stringer and Eugene Antony Whang and Rico Zorkendorfer**

- (45) Registration Date: **18 February 2013**

- (30) Convention priority data:

(31) Number	(32) Date	(33) Country
29/429478	11 Aug 2012	UNITED STATES OF AMERICA

- (57) Statement of Newness and Distinctiveness: **Newness and distinctiveness resides in the features of shape shown in solid lines in the accompanying representations and in the features of contrast shown by different grey shades in the accompanying representations, wherein the rear housing is one appearance and the portion between the rear housing and the front face is a different appearance.**



- (21) Design Number: **10197/2013**
(22) Date of Filing Application: **11 January 2013**
(24) Date from which industrial property rights may have effect: **11 January 2013**
(54) Product in respect of which the design is registered: **Electronic device**
(51) International Design Classification: **14-02**
(74) Name(s) of Attorney(s): **Freehills Patent Attorneys**
(71) Name(s) and Address(s) of Applicant(s):

Apple Inc.

1 Infinite Loop Cupertino California 95014 United States of America

- (72) Name(s) of Designer(s): **Jody Akana and Bartley K Andre and Jeremy Bataillou and Daniel J Coster and Daniele De Iuliis and M Evans Hankey and Julian Hoenig and Richard P Howarth and Jonathan P Ive and Duncan Robert Kerr and Shin Nishibori and Matthew Dean Rohrbach and Peter Russell-Clarke and Mikael Silvanto and Christopher J Stringer and Eugene Antony Whang and Rico Zorkendorfer**

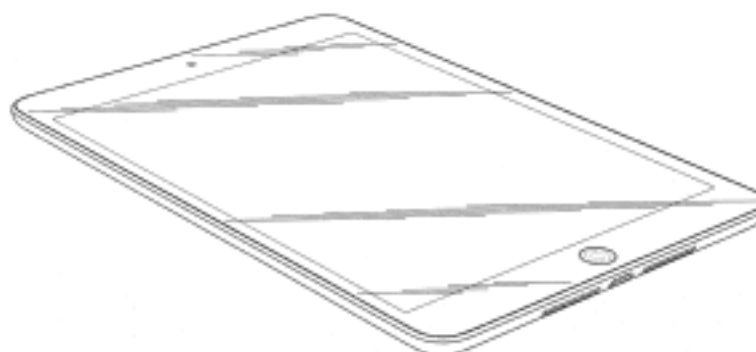
- (45) Registration Date: **18 February 2013**

- (30) Convention priority data:

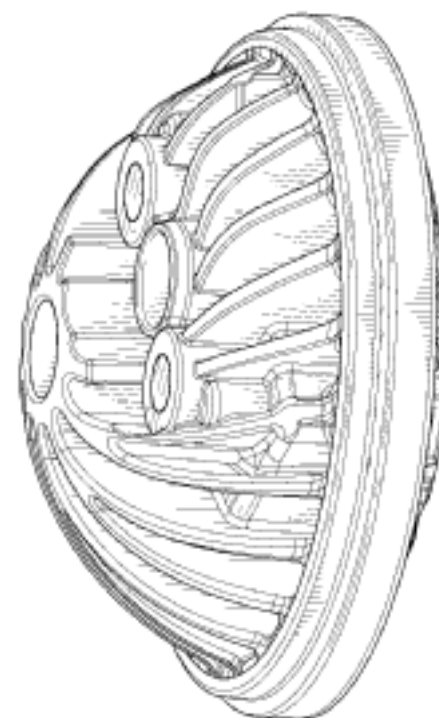
(31) Number	(32) Date	(33) Country
29/429478	11 Aug 2012	UNITED STATES OF AMERICA

- (56) Related Art Documents: **Not Applicable**

- (57) Statement of Newness and Distinctiveness: **Nil**



(21) Design Number: **10198/2013**
(22) Date of Filing Application: **15 January 2013**
(24) Date from which industrial property rights may have effect: **15 January 2013**
(54) Product in respect of which the design is registered: **Landing light**
(51) International Design Classification: **26-03**
(74) Name(s) of Attorney(s): **Adams Pluck**
(71) Name(s) and Address(s) of Applicant(s):
Stephen P Adams
c/o Venable Campillo Logan & Meaney 1938 East Osborne Rd Phoenix
Arizona 85016 United States of America
(72) Name(s) of Designer(s): **Stephen P Adams**
(45) Registration Date: **18 February 2013**
(30) Convention priority data:
(31) Number (32) Date (33) Country
29427237 16 Jul 2012 UNITED STATES OF AMERICA
(56) Related Art Documents: **Not Applicable**
(57) Statement of Newness and Distinctiveness: **Nil**



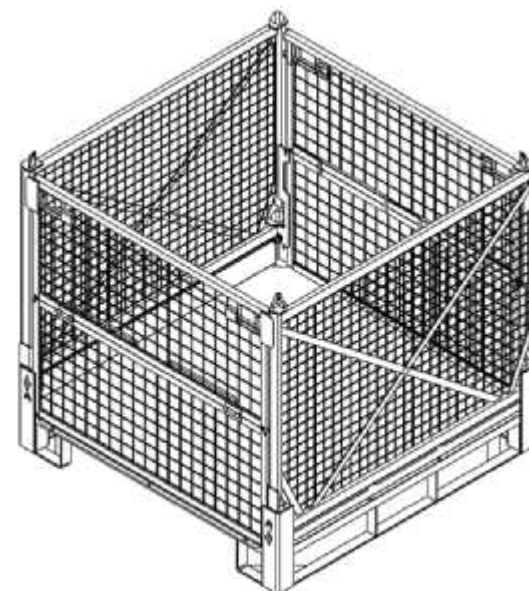
(21) Design Number: **10203/2013**
(22) Date of Filing Application: **15 January 2013**
(24) Date from which industrial property rights may have effect: **15 January 2013**
(54) Product in respect of which the design is registered: **Heater**
(51) International Design Classification: **23-03B**
(74) Name(s) of Attorney(s): **Griffith Hack**
(71) Name(s) and Address(s) of Applicant(s):
Hi-Seasons Products (Changzhou) Co., Ltd.
No.72 Chunqiu Road Lujiexiang Village Niutang Town Wujin Dis
Changzhou Jiangsu 213168 China
(72) Name(s) of Designer(s): **Zhenyan Yu**
(45) Registration Date: **18 February 2013**
(56) Related Art Documents: **Not Applicable**
(57) Statement of Newness and Distinctiveness: **Newness and distinctiveness resides in the visual features, including shape and configuration, of a heater as shown in the accompanying drawings.**



- (21) Design Number: **10205/2013**
(22) Date of Filing Application: **15 January 2013**
(24) Date from which industrial property rights may have effect: **15 January 2013**
(54) Product in respect of which the design is registered: **Signpost**
(51) International Design Classification: **20-03C**
(74) Name(s) of Attorney(s): **Ascot Martin Registered Patent & Trade Mark Attorneys**
(71) Name(s) and Address(s) of Applicant(s):
Charles Berelowitz
31/6 Trelawney St Woollahra NSW 2025 Australia
(72) Name(s) of Designer(s): **Charles Berelowitz and Gary Bortz**
(45) Registration Date: **18 February 2013**
(56) Related Art Documents: **Not Applicable**
(57) Statement of Newness and Distinctiveness: **The features of the design which are new and distinctive are the shape and configuration of the signpost as shown in the accompanying representations.**



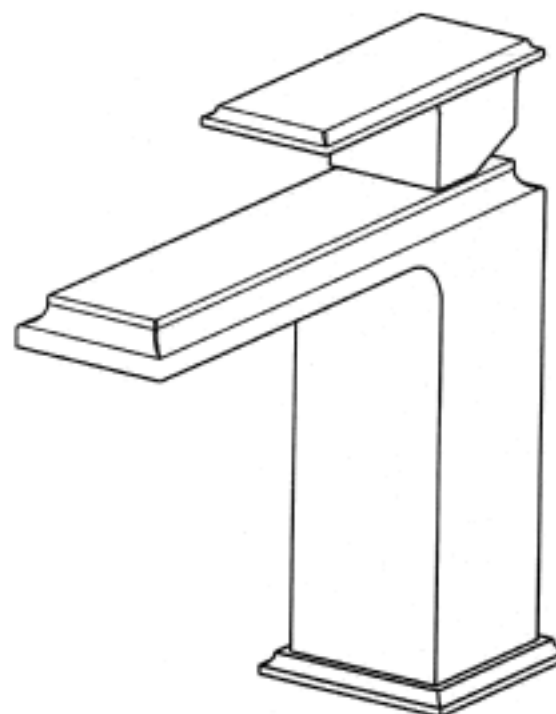
- (21) Design Number: **10206/2013**
(22) Date of Filing Application: **15 January 2013**
(24) Date from which industrial property rights may have effect: **15 January 2013**
(54) Product in respect of which the design is registered: **Materials handling container**
(51) International Design Classification: **09-03K**
(74) Name(s) of Attorney(s): **HODGKINSON McINNES PATENTS**
(71) Name(s) and Address(s) of Applicant(s):
Agressor Corporation Pty Ltd
28-32 Buckley St Marrickville NSW 2204 Australia
(72) Name(s) of Designer(s): **Jerry Que**
(45) Registration Date: **18 February 2013**
(56) Related Art Documents: **Not Applicable**
(57) Statement of Newness and Distinctiveness: **Newness and distinctiveness is claimed in the shape and configuration of a materials handling container as shown in the representations. The ghost lines shown in the representations do not form part of the design.**



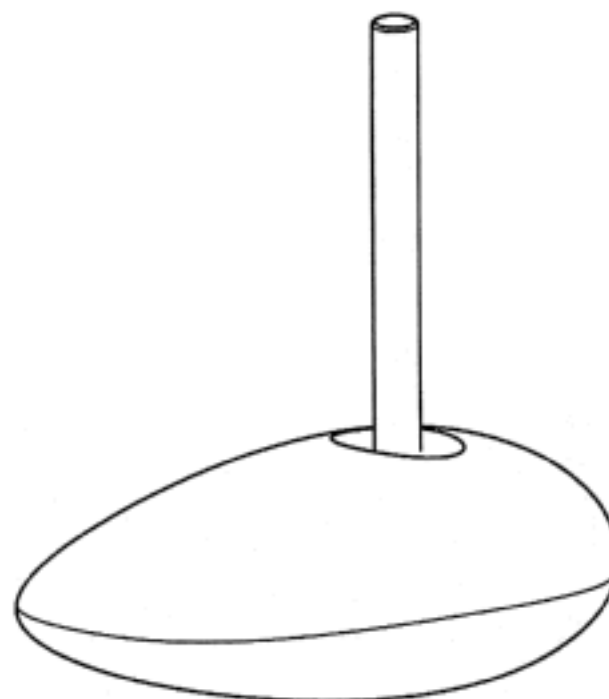
(21) Design Number: **10214/2013**
(22) Date of Filing Application: **14 January 2013**
(24) Date from which industrial property rights may have effect: **14 January 2013**
(54) Product in respect of which the design is registered: **A bracket**
(51) International Design Classification: **08-08L**
(74) Name(s) of Attorney(s): **SPRUSON & FERGUSON**
(71) Name(s) and Address(s) of Applicant(s):
Stephen Strange
30 Dunlop Dr Boambee NSW 2452 Australia
(72) Name(s) of Designer(s): **Stephen Strange**
(45) Registration Date: **18 February 2013**
(56) Related Art Documents: **Not Applicable**
(57) Statement of Newness and Distinctiveness: **Newness and distinctiveness is claimed in the features of shape and/or configuration of a bracket as illustrated in the accompanying representations.**



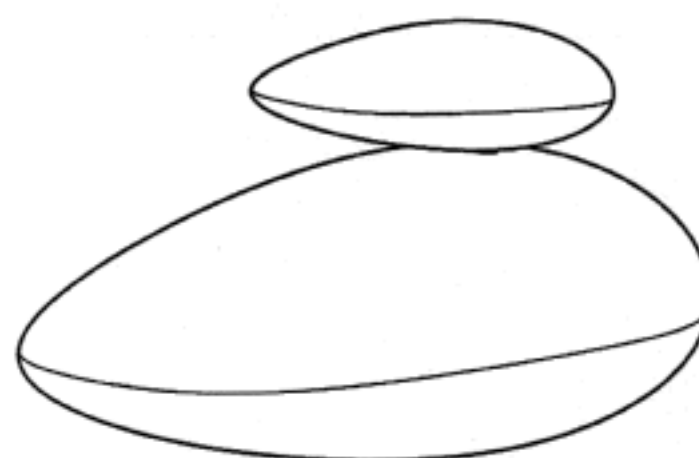
(21) Design Number: **10215/2013**
(22) Date of Filing Application: **14 January 2013**
(24) Date from which industrial property rights may have effect: **14 January 2013**
(54) Product in respect of which the design is registered: **Faucet**
(51) International Design Classification: **23-01H**
(74) Name(s) of Attorney(s): **SPRUSON & FERGUSON**
(71) Name(s) and Address(s) of Applicant(s):
Gessi S.P.A.
Parco Gessi Frazione Vintebbio 13037 Serravalle Sesia Vercelli Italy
(72) Name(s) of Designer(s): **Gian Luca Gessi**
(45) Registration Date: **18 February 2013**
(30) Convention priority data:
(31) Number (32) Date (33) Country
M12012O000117 06 Aug 2012 ITALY
(56) Related Art Documents: **Not Applicable**
(57) Statement of Newness and Distinctiveness: **Newness and distinctiveness is claimed in the features of shape and/or configuration of a faucet as illustrated in the accompanying representations.**



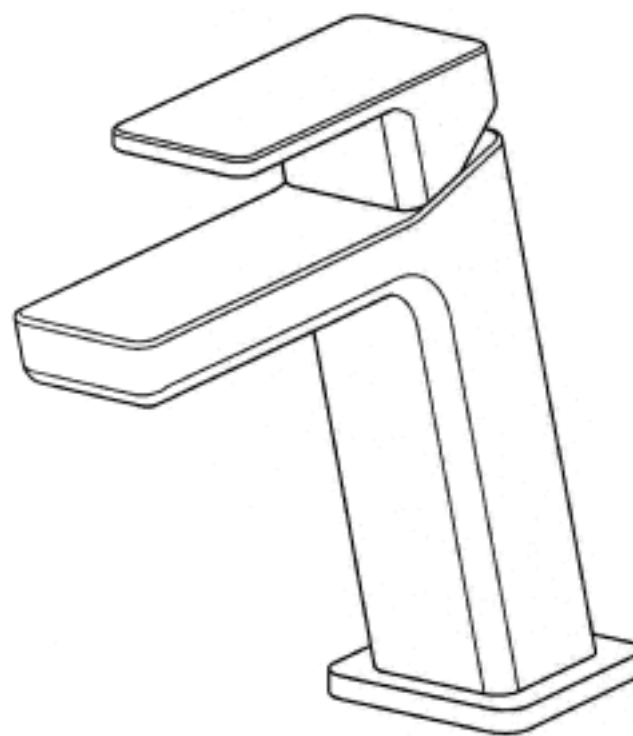
(21) Design Number: **10216/2013**
(22) Date of Filing Application: **14 January 2013**
(24) Date from which industrial property rights may have effect: **14 January 2013**
(54) Product in respect of which the design is registered: **Faucet**
(51) International Design Classification: **23-01H**
(74) Name(s) of Attorney(s): **SPRUSON & FERGUSON**
(71) Name(s) and Address(s) of Applicant(s):
Gessi S.P.A.
Parco Gessi Frazione Vintebbio 13037 Serravalle Sesia Vercelli Italy
(72) Name(s) of Designer(s): **Gian Luca Gessi**
(45) Registration Date: **18 February 2013**
(30) Convention priority data:
(31) Number (32) Date (33) Country
MI2012O000117 06 Aug 2012 ITALY
(56) Related Art Documents: **Not Applicable**
(57) Statement of Newness and Distinctiveness: **Newness and distinctiveness is claimed in the features of shape and/or configuration of a faucet as illustrated in the accompanying representations.**



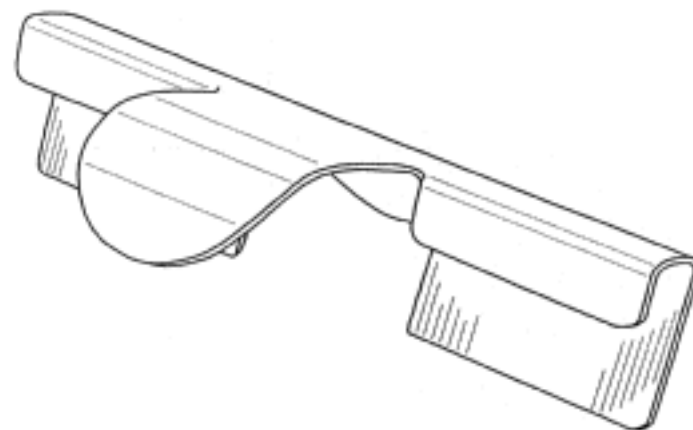
(21) Design Number: **10217/2013**
(22) Date of Filing Application: **14 January 2013**
(24) Date from which industrial property rights may have effect: **14 January 2013**
(54) Product in respect of which the design is registered: **Faucet**
(51) International Design Classification: **23-01H**
(74) Name(s) of Attorney(s): **SPRUSON & FERGUSON**
(71) Name(s) and Address(s) of Applicant(s):
Gessi S.P.A.
Parco Gessi Frazione Vintebbio 13037 Serravalle Sesia Vercelli Italy
(72) Name(s) of Designer(s): **Gian Luca Gessi**
(45) Registration Date: **18 February 2013**
(30) Convention priority data:
(31) Number (32) Date (33) Country
MI2012O000117 06 Aug 2012 ITALY
(56) Related Art Documents: **Not Applicable**
(57) Statement of Newness and Distinctiveness: **Newness and distinctiveness is claimed in the features of shape and/or configuration of a faucet as illustrated in the accompanying representations.**



(21) Design Number: **10218/2013**
(22) Date of Filing Application: **14 January 2013**
(24) Date from which industrial property rights may have effect: **14 January 2013**
(54) Product in respect of which the design is registered: **Faucet**
(51) International Design Classification: **23-01H**
(74) Name(s) of Attorney(s): **SPRUSON & FERGUSON**
(71) Name(s) and Address(s) of Applicant(s):
Gessi S.P.A.
Parco Gessi Frazione Vintebbio 13037 Serravalle Sesia Vercelli Italy
(72) Name(s) of Designer(s): **Gian Luca Gessi**
(45) Registration Date: **18 February 2013**
(30) Convention priority data:
(31) Number (32) Date (33) Country
MI2012O000117 06 Aug 2012 ITALY
(56) Related Art Documents: **Not Applicable**
(57) Statement of Newness and Distinctiveness: **Newness and distinctiveness is claimed in the features of shape and/or configuration of a faucet as illustrated in the accompanying representations.**



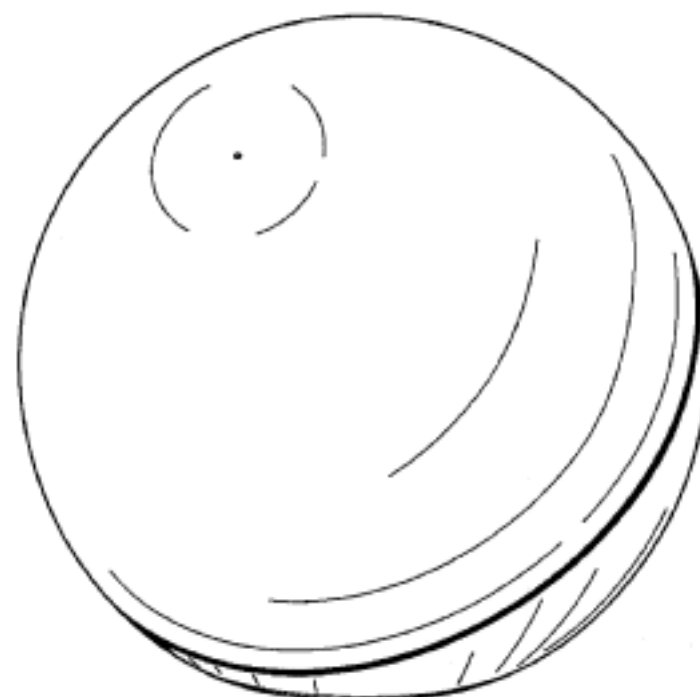
(21) Design Number: **10219/2013**
(22) Date of Filing Application: **14 January 2013**
(24) Date from which industrial property rights may have effect: **14 January 2013**
(54) Product in respect of which the design is registered: **Handle assembly**
(51) International Design Classification: **08-06**
(74) Name(s) of Attorney(s): **SPRUSON & FERGUSON**
(71) Name(s) and Address(s) of Applicant(s):
Avery Dennison Corporation
150 N. Orange Grove Blvd Pasadena California 91103-3596 United States of America
(72) Name(s) of Designer(s): **David A. Coffin and Douglas W. Wilson and Megan M. Lee**
(45) Registration Date: **18 February 2013**
(30) Convention priority data:
(31) Number (32) Date (33) Country
29/428753 02 Aug 2012 UNITED STATES OF AMERICA
(56) Related Art Documents: **Not Applicable**
(57) Statement of Newness and Distinctiveness: **Newness and distinctiveness is claimed in the features of shape and/or configuration of a handle assembly as illustrated in the accompanying representations.**



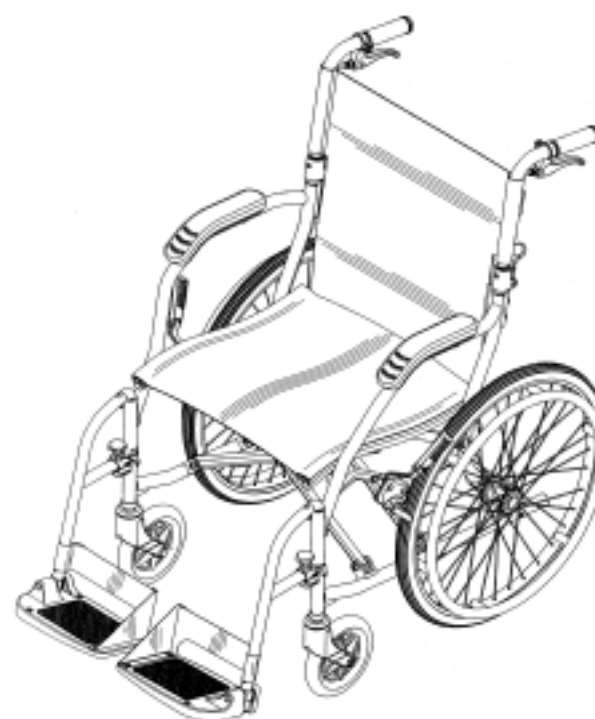
- (21) Design Number: **10235/2013**
(22) Date of Filing Application: **16 January 2013**
(24) Date from which industrial property rights may have effect: **07 November 2012**
(54) Product in respect of which the design is registered: **Office chair**
(51) International Design Classification: **06-01F**
(74) Name(s) of Attorney(s): **Davies Collison Cave**
(71) Name(s) and Address(s) of Applicant(s):
Haworth, Inc.
1 Haworth Ctr Holland MI 49423-9570 United States of America
(72) Name(s) of Designer(s): **Rebecca Darrow and James D. Harris and John Colasanti and Mark Wiese and Michael Walter Welsh and Peter T. LaDuke and Steve J. Nemeth, Jr and Wilfried Vorlop and Wilhelm Schultz and Kermit Anderson and Jesse Pentecost and Lauren Johnson and Robert Meloche**
(45) Registration Date: **18 February 2013**
(62) Divisional of: **346578**
(56) Related Art Documents: **Not Applicable**
(57) Statement of Newness and Distinctiveness: **Newness and distinctiveness is claimed in the visual features shown in solid lines in the representations.**



- (21) Design Number: **10258/2013**
(22) Date of Filing Application: **16 January 2013**
(24) Date from which industrial property rights may have effect: **30 October 2012**
(54) Product in respect of which the design is registered: **Electronic device**
(51) International Design Classification: **14-02**
(74) Name(s) of Attorney(s): **Shelston IP**
(71) Name(s) and Address(s) of Applicant(s):
Google Inc.
2400 Bayshore Parkway Mountain View California 94043 United States of America
(72) Name(s) of Designer(s): **Joe Freeman Britt Jr and Maaik Evers and Michael Simonian**
(45) Registration Date: **18 February 2013**
(30) Convention priority data:
(31) Number (32) Date (33) Country
29/423355 31 May 2012 UNITED STATES OF AMERICA
(62) Divisional of: **346542**
(56) Related Art Documents: **Not Applicable**
(57) Statement of Newness and Distinctiveness: **Newness and distinctiveness reside in the features of shape and/or configuration of an electronic device as illustrated in the accompanying representations.**



- (21) Design Number: **10259/2013**
(22) Date of Filing Application: **16 January 2013**
(24) Date from which industrial property rights may have effect: **16 January 2013**
(54) Product in respect of which the design is registered: **Wheelchair**
(51) International Design Classification: **12-12**
(74) Name(s) of Attorney(s): **Fisher Adams Kelly**
(71) Name(s) and Address(s) of Applicant(s):
Karma Medical Products Co., Ltd.
No. 2363 Sec. 2 Da Xue Road Min Xiong Shiang Chiayi Hsien Taiwan
(72) Name(s) of Designer(s): **Chin-Chuan Yang**
(45) Registration Date: **18 February 2013**
(56) Related Art Documents: **Not Applicable**
(57) Statement of Newness and Distinctiveness: **The newness and distinctiveness of the design resides in the shape and/or configuration of the WHEELCHAIR shown in the representations.**



- (21) Design Number: **10260/2013**
(22) Date of Filing Application: **16 January 2013**
(24) Date from which industrial property rights may have effect: **16 January 2013**
(54) Product in respect of which the design is registered: **Wheelchair frame**
(51) International Design Classification: **12-12**
(74) Name(s) of Attorney(s): **Fisher Adams Kelly**
(71) Name(s) and Address(s) of Applicant(s):
Karma Medical Products Co., Ltd.
No. 2363 Sec. 2 Da Xue Road Min Xiong Shiang Chiayi Hsien Taiwan
(72) Name(s) of Designer(s): **Chin-Chuan Yang**
(45) Registration Date: **18 February 2013**
(56) Related Art Documents: **Not Applicable**
(57) Statement of Newness and Distinctiveness: **The newness and distinctiveness of the design resides in the shape and/or configuration of the WHEELCHAIR FRAME shown in the representations.**

