



Australian Government

IP Australia

AUSTRALIAN OFFICIAL JOURNAL

OF

DESIGNS

Did you know a searchable version of this journal is now available online?

It's FREE and EASY to SEARCH.

Find it on our website (www.ipaustralia.gov.au)

by using the "Journals" link on the home page.

This Page Left Intentionally Blank

Contents

General Information & Notices

**Proceedings Under the Designs Act 1906 preserved as a result of the provisions of Chapter 12
Part 2 of the Designs Act 2003**

| | |
|---|------------|
| Extension of Period of Registration of Designs | 834 |
| Names Registered - Alterations and Amendments | 834 |
| Registrations Ceased | 834 |
| Subsequent Owners Registered | 834 |

Proceedings Under the Designs Act 2003

| | |
|---|------------|
| Applications for Extension of Time Under Section 137 | 853 |
| Applications Lapsed | 852 |
| Applications Lodged | 838 |
| Certificate of Examination | 856 |
| Corrigenda | 855 |
| Extension of Period of Registration of Design | 853 |
| Extension of Time Granted Under Section 137 | 853 |
| Publication and Registration Proceedings | |
| Designs Registered 347409 to 347563..... | 857 |
| Registrations Ceased | 853 |
| Subsequent Owners Registered | 854 |

This Page Left Intentionally Blank

For information on the following please see our website www.ipaustralia.gov.au or contact our Customer Service Network on 1300651010

[Editorial enquiries](#)

[Contact information](#)

[Freedom of Information ACT](#)

[Professional Standards Board](#)

[Sales](#)

[Requests for Information under Section 194 \(c\)](#)

[Country Codes](#)

[Trade Mark and Designs Hearing Sessions](#)

[INID \(Internationally agreed Numbers for the Identification of Data\)](#)

“INID” NUMBERS in use on Australian Design Documents

“INID” is an acronym for “Internationally agreed Numbers for the Identification of Data”.

(10) Data concerning the registration/renewal

- (11) Serial number of the registration and/or number of the design document
- (12) Plain language designation of the kind of published document
- (19) Identification, using the two-letter code according to WIPO Standard ST.3, of the authority publishing or registering the industrial design

(20) Data concerning the application

- (21) Serial number of the application
- (22) Date of filing of the application
- (24) Date from which the industrial design right has effect

(30) Data relating to priority under the Paris Convention

- (31) Serial number assigned to the priority application
- (32) Date of filing of the priority application
- (33) Two-letter code, according to WIPO Standard ST.3, identifying the authority with which the priority application was made

(40) Date(s) of making information available to the public

- (45) Date of publication of the registered industrial design by printing or similar process, or making it available to the public by any other means

(50) Miscellaneous Information

- (51) International Classification for Industrial Designs (class and subclass of the Locarno Classification)
- (54) Designation of article(s) or product(s) covered by the industrial design or title of the industrial design
- (55) Reproduction of the industrial design (e.g., drawing, photograph) and explanations relating to the reproduction
- (56) List of prior art documents, if separate from descriptive text
- (57) Description of characteristic features of the industrial design including indication of colours

(60) References to other legally related application(s) and registration(s)

- (62) Serial number(s) and, if available, filing date(s) of application(s), registration(s) or document(s) related by division
- (66) Serial number(s) of the application, or the registration, of the design(s) which is (are) a variant(s) of the present one

(70) Identification of parties concerned with the application or registration

- (71) Name(s) and address(es) of the applicant(s)
- (72) Name(s) of the creator(s) if known to be such
- (74) Name(s) and address(es) of the representative(s)

This Page Left Intentionally Blank

Nil notices for this journal issue.

Proceedings under the Designs Act 1906 preserved as a result of the provisions of Chapter 12 Part 2 of the Designs Act 2003.

This Page Left Intentionally Blank

Applications Lapsed

There were no Applications Lapsed under this section

Extension of Period of Registration of Designs

1st Period (Section 27A(8))

2nd Period (Section 27A(12))

3rd Period (Section 27A(13))

| | | |
|--------|--------|--------|
| 147873 | 148290 | 148336 |
| 148369 | 148370 | 148397 |
| 148418 | 148425 | 148445 |
| 148526 | 148650 | 148692 |
| 148693 | 148731 | 148732 |
| 148733 | 148897 | 148997 |
| 149078 | 149085 | 149103 |
| 149386 | 149506 | 149617 |
| 149620 | 149621 | 149622 |
| 150318 | 150938 | 151138 |
| 151278 | 151399 | 151530 |
| 151627 | 152669 | 152751 |

Registrations Ceased

Note: Some of the following Registrations may have been previously advertised as ceased. In this instance, the previous advertisement still prevails.

| | | |
|--------|--------|--------|
| 130734 | 131273 | 131275 |
| 131303 | 131304 | 131305 |
| 131373 | 131374 | 131379 |
| 131380 | 131383 | 131514 |
| 131623 | 131809 | 131810 |
| 131811 | 131860 | 131863 |
| 132085 | 132091 | 132412 |
| 132413 | 132669 | 133090 |
| 133091 | 133261 | 133262 |
| 133263 | 133264 | 133541 |
| 133542 | 133648 | 133714 |
| 134140 | 134214 | 134651 |
| 134652 | 135442 | 135443 |
| 135444 | 135445 | 135446 |
| 135447 | 136417 | 136557 |
| 145397 | 145539 | 145808 |
| 146365 | 146366 | 146422 |
| 146425 | 146530 | 146531 |
| 146532 | 146533 | 146534 |
| 146535 | 146582 | 146632 |
| 146784 | 146844 | 147037 |
| 147334 | 147751 | 148129 |
| 148570 | 148758 | 148759 |
| 150085 | 150217 | 150360 |
| 150630 | 151112 | 151113 |
| 151131 | | |

Subsequent Owners Registered

(The name in parentheses is that of the subsequent owner)

| | |
|--------|--|
| 135713 | (Integrated Plastics Pty Limited) B & R Industries Pty Limited |
| 135853 | (Integrated Plastics Pty Limited) B & R Industries Pty Limited |
| 137859 | (Integrated Plastics Pty Limited) B & R Industries Pty Limited |
| 139668 | (Integrated Plastics Pty Limited) B & R Industries Pty Limited |

Names Registered - Alterations and Amendments

(The name in parentheses is the new name of the proprietor)

| | |
|--------|---|
| 136123 | (Site Safe (Vic) Pty Ltd) H & CT Gerstner-Stevens Pty Ltd |
|--------|---|

This Page Left Intentionally Blank

Proceedings under the Designs Act 2003.

This Page Left Intentionally Blank

Applications Lodged

Lodgement information is in the following order: **Applicant's Name**; International Classification, Name of Product, Lodgement Date and **Design Number**. If the applicant claims an earlier priority date under an International Convention, the Convention Country and the associated filing date are shown in parentheses before the Lodgement Date. Divisional information will also appear in parentheses before the Lodgement Date.

| | | | |
|--|-------------------|--|-------------------|
| Abergel, Asher; 06-01E, Seat, 04 Mar 2013 | 11034/2013 | Aktiebolaget Electrolux; 15-05, Vacuum cleaner and vacuum cleaner components, (EM, 18 Sep 2012) 11 Mar 2013 | 11151/2013 |
| Abergel, Asher; 06-01E, Seat, 04 Mar 2013 | 11035/2013 | | |
| Abergel, Asher; 06-01E, Seat, 03 Mar 2013 | 11001/2013 | Andre, Bartley K.;Akana, Jody;Aoyagi, Shota;Bataillou, Jeremy;Coster, Daniel J.;De luliis, Daniele;Hankey, M. Evans;Hoenig, Julian;Howarth, Richard P.;Ive, Jonathan P.;Kerr, Duncan Robert;Rohrbach, Matthew Dean;Russell-Clarke, Peter;Silvanto, Mikael;Stringer, Christopher J.;Whang, Eugene Antony;Zorkendorfer, Rico;Apple Inc.; 09-05, 14-99, Packaging with accessory, (US, 11 Sep 2012) 06 Mar 2013 | 11086/2013 |
| Akana, Jody;Andre, Bartley K.;Aoyagi, Shota;Bataillou, Jeremy;Coster, Daniel J.;De luliis, Daniele;Hankey, M. Evans;Hoenig, Julian;Howarth, Richard P.;Ive, Jonathan P.;Kerr, Duncan Robert;Rohrbach, Matthew Dean;Russell-Clarke, Peter;Silvanto, Mikael;Stringer, Christopher J.;Whang, Eugene Antony;Zorkendorfer, Rico;Apple Inc.; 09-05, 14-99, Packaging with accessory, (US, 11 Sep 2012) 06 Mar 2013 | 11085/2013 | Andre, Bartley K.;Akana, Jody;Aoyagi, Shota;Bataillou, Jeremy;Coster, Daniel J.;De luliis, Daniele;Hankey, M. Evans;Hoenig, Julian;Howarth, Richard P.;Ive, Jonathan P.;Kerr, Duncan Robert;Rohrbach, Matthew Dean;Russell-Clarke, Peter;Silvanto, Mikael;Stringer, Christopher J.;Whang, Eugene Antony;Bataillou, Jeremy; 13-03D, Power module, (US, 11 Sep 2012) 11 Mar 2013 | 11202/2013 |
| Akana, Jody;Andre, Bartley K.;Bataillou, Jeremy;Coster, Daniel J.;De luliis, Daniele;Hankey, M. Evans;Hoenig, Julian;Howarth, Richard P.;Ive, Jonathan P.;Kerr, Duncan Robert;Rohrbach, Matthew Dean;Russell-Clarke, Peter;Silvanto, Mikael;Stringer, Christopher J.;Whang, Eugene Antony;Bataillou, Jeremy; 13-03D, Power module, (US, 11 Sep 2012) 11 Mar 2013 | 11201/2013 | Andre, Bartley K.;Akana, Jody;Bataillou, Jeremy;Coster, Daniel J.;De luliis, Daniele;Hankey, M. Evans;Hoenig, Julian;Howarth, Richard P.;Ive, Jonathan P.;Kerr, Duncan Robert;Rohrbach, Matthew Dean;Russell-Clarke, Peter;Silvanto, Mikael;Stringer, Christopher J.;Whang, Eugene Antony;Bataillou, Jeremy; 13-03D, Power module, (US, 11 Sep 2012) 11 Mar 2013 | 11201/2013 |
| Akana, Jody;Andre, Bartley K.;Aoyagi, Shota;Bataillou, Jeremy;Coster, Daniel J.;De luliis, Daniele;Hankey, M. Evans;Hoenig, Julian;Howarth, Richard P.;Ive, Jonathan P.;Kerr, Duncan Robert;Rohrbach, Matthew Dean;Russell-Clarke, Peter;Silvanto, Mikael;Stringer, Christopher J.;Whang, Eugene Antony;Bataillou, Jeremy; 13-03D, Power module, (US, 11 Sep 2012) 11 Mar 2013 | 11202/2013 | Andre, Bartley K.;Akana, Jody;Aoyagi, Shota;Bataillou, Jeremy;Coster, Daniel J.;De luliis, Daniele;Hankey, M. Evans;Hoenig, Julian;Howarth, Richard P.;Ive, Jonathan P.;Kerr, Duncan Robert;Rohrbach, Matthew Dean;Russell-Clarke, Peter;Silvanto, Mikael;Stringer, Christopher J.;Whang, Eugene Antony;Bataillou, Jeremy; 09-05, 14-99, Packaging with accessory, (US, 11 Sep 2012) 06 Mar 2013 | 11085/2013 |
| Akana, Jody;Andre, Bartley K.;Aoyagi, Shota;Bataillou, Jeremy;Coster, Daniel J.;De luliis, Daniele;Hankey, M. Evans;Hoenig, Julian;Howarth, Richard P.;Ive, Jonathan P.;Kerr, Duncan Robert;Rohrbach, Matthew Dean;Russell-Clarke, Peter;Silvanto, Mikael;Stringer, Christopher J.;Whang, Eugene Antony;Zorkendorfer, Rico;Apple Inc.; 09-05, 14-99, Packaging with accessory, (US, 11 Sep 2012) 06 Mar 2013 | 11086/2013 | | |

| | | | |
|--|--------------------------|--|--------------------------|
| <p>Aoyagi, Shota;Akana, Jody;Andre, Bartley K.;Bataillou, Jeremy;Coster, Daniel J.;De Iuliis, Daniele;Hankey, M. Evans;Hoenig, Julian;Howarth, Richard P.;Ive, Jonathan P.;Kerr, Duncan Robert;Rohrbach, Matthew Dean;Russell-Clarke, Peter;Silvanto, Mikael;Stringer, Christopher J.;Whang, Eugene Antony;Zorkendorfer, Rico;Apple Inc.; 09-05, 14-99, Packaging with accessory, (US, 11 Sep 2012) 06 Mar 2013</p> | <p>11085/2013</p> | <p>Apple Inc.; 14-01, Electronic device, (US, 11 Sep 2012) 11 Mar 2013</p> | <p>11206/2013</p> |
| <p>Aoyagi, Shota;Akana, Jody;Andre, Bartley K.;Bataillou, Jeremy;Coster, Daniel J.;De Iuliis, Daniele;Hankey, M. Evans;Hoenig, Julian;Howarth, Richard P.;Ive, Jonathan P.;Kerr, Duncan Robert;Rohrbach, Matthew Dean;Russell-Clarke, Peter;Silvanto, Mikael;Stringer, Christopher J.;Whang, Eugene Antony;Bataillou, Jeremy; 13-03D, Power module, (US, 11 Sep 2012) 11 Mar 2013</p> | <p>11202/2013</p> | <p>Apple Inc.; 14-01, Electronic device, (US, 11 Sep 2012) 11 Mar 2013</p> | <p>11207/2013</p> |
| <p>Aoyagi, Shota;Akana, Jody;Andre, Bartley K.;Bataillou, Jeremy;Coster, Daniel J.;De Iuliis, Daniele;Hankey, M. Evans;Hoenig, Julian;Howarth, Richard P.;Ive, Jonathan P.;Kerr, Duncan Robert;Rohrbach, Matthew Dean;Russell-Clarke, Peter;Silvanto, Mikael;Stringer, Christopher J.;Whang, Eugene Antony;Zorkendorfer, Rico;Apple Inc.; 09-05, 14-99, Packaging with accessory, (US, 11 Sep 2012) 06 Mar 2013</p> | <p>11086/2013</p> | <p>Apple Inc.; 14-01, Display screen, (US, 07 Sep 2012) 07 Mar 2013</p> | <p>11203/2013</p> |
| <p>Apple Inc.; 14-01, Electronic device, (US, 09 Sep 2012) 05 Mar 2013</p> | <p>11080/2013</p> | <p>Apple Inc.; 14-01, Electronic device, (US, 09 Sep 2012) 05 Mar 2013</p> | <p>11208/2013</p> |
| <p>Apple Inc.; 14-01, Display screen, (US, 07 Sep 2012) 07 Mar 2013</p> | <p>11182/2013</p> | <p>Apple Inc.; 14-01, Electronic device, (US, 09 Sep 2012) 05 Mar 2013</p> | <p>11209/2013</p> |
| <p>Apple Inc.;Akana, Jody;Andre, Bartley K.;Aoyagi, Shota;Bataillou, Jeremy;Coster, Daniel J.;De Iuliis, Daniele;Hankey, M. Evans;Hoenig, Julian;Howarth, Richard P.;Ive, Jonathan P.;Kerr, Duncan Robert;Rohrbach, Matthew Dean;Russell-Clarke, Peter;Silvanto, Mikael;Stringer, Christopher J.;Whang, Eugene Antony;Zorkendorfer, Rico; 09-05, 14-99, Packaging with accessory, (US, 11 Sep 2012) 06 Mar 2013</p> | <p>11085/2013</p> | <p>Apple Inc.;Akana, Jody;Andre, Bartley K.;Aoyagi, Shota;Bataillou, Jeremy;Coster, Daniel J.;De Iuliis, Daniele;Hankey, M. Evans;Hoenig, Julian;Howarth, Richard P.;Ive, Jonathan P.;Kerr, Duncan Robert;Rohrbach, Matthew Dean;Russell-Clarke, Peter;Silvanto, Mikael;Stringer, Christopher J.;Whang, Eugene Antony;Zorkendorfer, Rico; 09-05, 14-99, Packaging with accessory, (US, 11 Sep 2012) 06 Mar 2013</p> | <p>11086/2013</p> |
| <p>Apple Inc.; 14-01, Electronic device, (US, 11 Sep 2012) 11 Mar 2013</p> | <p>11205/2013</p> | <p>Apple Inc.; 14-01, Electronic device, (US, 09 Sep 2012) 05 Mar 2013</p> | <p>11181/2013</p> |
| <p>Apple Inc.; 14-01, 14-03NES, Input mechanism, (US, 08 Sep 2012) 08 Mar 2013</p> | <p>11215/2013</p> | <p>Apple Inc.; 14-01, Earpiece of an earphone, (US, 08 Sep 2012) 01 Mar 2013</p> | <p>11079/2013</p> |
| <p>Apple Inc.; 14-01, Electronic device, (US, 11 Sep 2012) 11 Mar 2013</p> | <p>11204/2013</p> | <p>Apple Inc.; 14-01, Earpiece of an earphone, (US, 08 Sep 2012) 01 Mar 2013</p> | <p>11077/2013</p> |
| | | <p>Apple Inc.; 14-01, Earphones, (US, 08 Sep 2012) 01 Mar 2013</p> | <p>11078/2013</p> |
| | | <p>Apple Inc.; 14-01, Earpiece of an earphone, (US, 08 Sep 2012) 01 Mar 2013</p> | <p>11046/2013</p> |
| | | <p>Apple Inc.; 14-01, Earpiece of an earphone, (US, 08 Sep 2012) 01 Mar 2013</p> | <p>11075/2013</p> |
| | | <p>Apple Inc.; 14-01, Electronic device, (US, 09 Sep 2012) 05 Mar 2013</p> | <p>11076/2013</p> |
| | | <p>Apple Inc.; 14-01, Electronic device, (US, 09 Sep 2012) 05 Mar 2013</p> | <p>11076/2013</p> |
| | | <p>Apple Inc.; 14-01, Earpiece of an earphone, (US, 08 Sep 2012) 01 Mar 2013</p> | <p>11047/2013</p> |
| | | <p>Apple Inc.; 14-01, Earpiece of an earphone, (US, 08 Sep 2012) 01 Mar 2013</p> | <p>11048/2013</p> |
| | | <p>Apple Inc.; 14-01, Earpiece of an earphone, (US, 08 Sep 2012) 01 Mar 2013</p> | <p>11045/2013</p> |

| | | | |
|--|-------------------|--|-------------------|
| Apple Inc.; 14-01, Earpiece of an earphone, (US, 08 Sep 2012) 01 Mar 2013 | 11044/2013 | Bataillou, Jeremy;Akana, Jody;Andre, Bartley K.;Aoyagi, Shota;Coster, Daniel J.;De Iuliis, Daniele;Hankey, M. Evans;Hoenig, Julian;Howarth, Richard P.;Ive, Jonathan P.;Kerr, Duncan Robert;Rohrbach, Matthew Dean;Russell-Clarke, Peter;Silvanto, Mikael;Stringer, Christopher J.;Whang, Eugene Antony;Bataillou, Jeremy; 13-03D, Power module, (US, 11 Sep 2012) 11 Mar 2013 | 11202/2013 |
| Apple Inc.; 09-03K, 09-03M, 13-03D, 14-01, Packaging with accessories, (US, 12 Sep 2012) 01 Mar 2013 | 11043/2013 | Bataillou, Jeremy;Akana, Jody;Andre, Bartley K.;Aoyagi, Shota;Bataillou, Jeremy;Coster, Daniel J.;De Iuliis, Daniele;Hankey, M. Evans;Hoenig, Julian;Howarth, Richard P.;Ive, Jonathan P.;Kerr, Duncan Robert;Rohrbach, Matthew Dean;Russell-Clarke, Peter;Silvanto, Mikael;Stringer, Christopher J.;Whang, Eugene Antony; 13-03D, Power module, (US, 11 Sep 2012) 11 Mar 2013 | 11202/2013 |
| Apple Inc.; 14-02, Electronic device, (US, 07 Sep 2012) 28 Feb 2013 | 11040/2013 | Bataillou, Jeremy;Akana, Jody;Andre, Bartley K.;Aoyagi, Shota;Bataillou, Jeremy;Coster, Daniel J.;De Iuliis, Daniele;Hankey, M. Evans;Hoenig, Julian;Howarth, Richard P.;Ive, Jonathan P.;Kerr, Duncan Robert;Rohrbach, Matthew Dean;Russell-Clarke, Peter;Silvanto, Mikael;Stringer, Christopher J.;Whang, Eugene Antony; 13-03D, Power module, (US, 11 Sep 2012) 11 Mar 2013 | 11201/2013 |
| Apple Inc.; 14-02, Electronic device, (US, 07 Sep 2012) 28 Feb 2013 | 11041/2013 | Bataillou, Jeremy;Akana, Jody;Andre, Bartley K.;Aoyagi, Shota;Bataillou, Jeremy;Coster, Daniel J.;De Iuliis, Daniele;Hankey, M. Evans;Hoenig, Julian;Howarth, Richard P.;Ive, Jonathan P.;Kerr, Duncan Robert;Rohrbach, Matthew Dean;Russell-Clarke, Peter;Silvanto, Mikael;Stringer, Christopher J.;Whang, Eugene Antony; 13-03D, Power module, (US, 11 Sep 2012) 11 Mar 2013 | 11201/2013 |
| Apple Inc.; 14-02, Cover, (US, 07 Sep 2012) 28 Feb 2013 | 11006/2013 | Bataillou, Jeremy;Akana, Jody;Andre, Bartley K.;Bataillou, Jeremy;Coster, Daniel J.;De Iuliis, Daniele;Hankey, M. Evans;Hoenig, Julian;Howarth, Richard P.;Ive, Jonathan P.;Kerr, Duncan Robert;Rohrbach, Matthew Dean;Russell-Clarke, Peter;Silvanto, Mikael;Stringer, Christopher J.;Whang, Eugene Antony; 13-03D, Power module, (US, 11 Sep 2012) 11 Mar 2013 | 11201/2013 |
| Apple Inc.; 14-02, Cover, (US, 07 Sep 2012) 28 Feb 2013 | 11007/2013 | Bataillou, Jeremy;Akana, Jody;Andre, Bartley K.;Bataillou, Jeremy;Coster, Daniel J.;De Iuliis, Daniele;Hankey, M. Evans;Hoenig, Julian;Howarth, Richard P.;Ive, Jonathan P.;Kerr, Duncan Robert;Rohrbach, Matthew Dean;Russell-Clarke, Peter;Silvanto, Mikael;Stringer, Christopher J.;Whang, Eugene Antony; 13-03D, Power module, (US, 11 Sep 2012) 11 Mar 2013 | 11201/2013 |
| Apple Inc.; 14-02, Cover, (US, 07 Sep 2012) 28 Feb 2013 | 11005/2013 | Bataillou, Jeremy;Akana, Jody;Andre, Bartley K.;Bataillou, Jeremy;Coster, Daniel J.;De Iuliis, Daniele;Hankey, M. Evans;Hoenig, Julian;Howarth, Richard P.;Ive, Jonathan P.;Kerr, Duncan Robert;Rohrbach, Matthew Dean;Russell-Clarke, Peter;Silvanto, Mikael;Stringer, Christopher J.;Whang, Eugene Antony; 13-03D, Power module, (US, 11 Sep 2012) 11 Mar 2013 | 11201/2013 |
| Apple Inc.; 14-02, Cover, (US, 07 Sep 2012) 28 Feb 2013 | 11008/2013 | Bataillou, Jeremy;Akana, Jody;Andre, Bartley K.;Coster, Daniel J.;De Iuliis, Daniele;Hankey, M. Evans;Hoenig, Julian;Howarth, Richard P.;Ive, Jonathan P.;Kerr, Duncan Robert;Rohrbach, Matthew Dean;Russell-Clarke, Peter;Silvanto, Mikael;Stringer, Christopher J.;Whang, Eugene Antony; 13-03D, Power module, (US, 11 Sep 2012) 11 Mar 2013 | 11201/2013 |
| Australian Performance Development Pty Ltd; 12-16NES, Air intake snorkel for a vehicle, 04 Mar 2013 | 11019/2013 | Bataillou, Jeremy;Akana, Jody;Andre, Bartley K.;Coster, Daniel J.;De Iuliis, Daniele;Hankey, M. Evans;Hoenig, Julian;Howarth, Richard P.;Ive, Jonathan P.;Kerr, Duncan Robert;Rohrbach, Matthew Dean;Russell-Clarke, Peter;Silvanto, Mikael;Stringer, Christopher J.;Whang, Eugene Antony; 13-03D, Power module, (US, 11 Sep 2012) 11 Mar 2013 | 11086/2013 |
| Avery Dennison Corporation; 19-01, Place card, (US, 04 Jun 2012) (Divisional of 16035/2012) 06 Mar 2013 | 11104/2013 | Bataillou, Jeremy;Akana, Jody;Andre, Bartley K.;Coster, Daniel J.;De Iuliis, Daniele;Hankey, M. Evans;Hoenig, Julian;Howarth, Richard P.;Ive, Jonathan P.;Kerr, Duncan Robert;Rohrbach, Matthew Dean;Russell-Clarke, Peter;Silvanto, Mikael;Stringer, Christopher J.;Whang, Eugene Antony; 13-03D, Power module, (US, 11 Sep 2012) 11 Mar 2013 | 11145/2013 |
| Avery Dennison Corporation; 19-01, Place card assembly, (US, 04 Jun 2012) (Divisional of 16035/2012) 06 Mar 2013 | 11102/2013 | Bataillou, Jeremy;Akana, Jody;Andre, Bartley K.;Aoyagi, Shota;Coster, Daniel J.;De Iuliis, Daniele;Hankey, M. Evans;Hoenig, Julian;Howarth, Richard P.;Ive, Jonathan P.;Kerr, Duncan Robert;Rohrbach, Matthew Dean;Russell-Clarke, Peter;Silvanto, Mikael;Stringer, Christopher J.;Whang, Eugene Antony;Zorkendorfer, Rico;Apple Inc.; 09-05, 14-99, Packaging with accessory, (US, 11 Sep 2012) 06 Mar 2013 | 11145/2013 |
| Avery Dennison Corporation; 19-01, Place card, (US, 04 Jun 2012) (Divisional of 16035/2012) 06 Mar 2013 | 11103/2013 | Becton, Dickinson and Company; 09-07NES, Soft cap for a connector, (US, 11 Sep 2012) 09 Mar 2013 | 11145/2013 |
| AEL Mining Services Limited; 15-02, A pump housing, (ZA, 07 Sep 2012) 05 Mar 2013 | 11053/2013 | Becton, Dickinson and Company; 09-07NES, Soft cap for a container, (US, 11 Sep 2012) 09 Mar 2013 | 11146/2013 |
| Bataillou, Jeremy;Akana, Jody;Andre, Bartley K.;Aoyagi, Shota;Coster, Daniel J.;De Iuliis, Daniele;Hankey, M. Evans;Hoenig, Julian;Howarth, Richard P.;Ive, Jonathan P.;Kerr, Duncan Robert;Rohrbach, Matthew Dean;Russell-Clarke, Peter;Silvanto, Mikael;Stringer, Christopher J.;Whang, Eugene Antony;Zorkendorfer, Rico;Apple Inc.; 09-05, 14-99, Packaging with accessory, (US, 11 Sep 2012) 06 Mar 2013 | 11085/2013 | | |

| | | | |
|---|-------------------|---|-------------------|
| Bilba Holdings Pty Ltd; 23-01F, Water storage unit, 14 Mar 2013 | 11280/2013 | Burden, Ian James; 06-01F, A chair, 08 Mar 2013 | 11159/2013 |
| Black & Decker Inc; 15-05, 07-05NES, Steam cleaning squeegee, (EM, 24 Aug 2012) 06 Mar 2013 | 11071/2013 | Burden, Ian James; 06-04F, A chest of drawers, 08 Mar 2013 | 11167/2013 |
| Bluescope Steel Limited; 08-08C, A clip, 04 Mar 2013 | 11015/2013 | Burden, Ian James; 06-03A, A table, 08 Mar 2013 | 11155/2013 |
| Board & Batten International Inc; 21-02F, Trampoline, (NZ, 18 Sep 2012) 14 Mar 2013 | 11277/2013 | Burden, Ian James; 06-04F, A chest of drawers, 08 Mar 2013 | 11170/2013 |
| Brewer, Josepine Ann; 23-02F, Hand basin, 09 Mar 2013 | 11138/2013 | Burden, Ian James; 06-04NES, A shelf unit, 08 Mar 2013 | 11157/2013 |
| Brewer, Josepine Ann; 23-02F, Hand basin, 09 Mar 2013 | 11141/2013 | Burden, Ian James; 06-04F, A chest of drawers, 08 Mar 2013 | 11168/2013 |
| Brewer, Josepine Ann; 23-02B, Bath, 09 Mar 2013 | 11143/2013 | Burden, Ian James; 06-01F, A chair, 08 Mar 2013 | 11169/2013 |
| Brewer, Josepine Ann; 23-02B, Bath, 09 Mar 2013 | 11144/2013 | Burden, Ian James; 06-04NES, A shelf unit, 08 Mar 2013 | 11158/2013 |
| Brewer, Josepine Ann; 23-02F, Hand basin, 09 Mar 2013 | 11142/2013 | Burden, Ian James; 06-04NES, A shelf unit, 08 Mar 2013 | 11156/2013 |
| Brewer, Josepine Ann; 23-02F, Hand basin, 09 Mar 2013 | 11139/2013 | Burrows, Bruce D.; 07-02L, Coffee brewer, (US, 12 Sep 2012) 12 Mar 2013 | 11197/2013 |
| Brewer, Josepine Ann; 23-02F, Hand basin, 09 Mar 2013 | 11140/2013 | Burrows, Bruce D.; 07-02L, Coffee brewer head, (US, 12 Sep 2012) 12 Mar 2013 | 11198/2013 |
| Brosnan Golf Pty Ltd; 21-02C, Golf tee, 08 Mar 2013 | 11211/2013 | Canada Pipeline Accessories, Co. Ltd.; 23-04, Flow conditioner, (US, 13 Sep 2012) 11 Mar 2013 | 11152/2013 |
| Brosnan Golf Pty Ltd; 21-02C, Golf tee, 08 Mar 2013 | 11210/2013 | Cepheid; 24-01, Data door for an analysis system, (US, 05 Sep 2012) 04 Mar 2013 | 11017/2013 |
| Browne, Robert Hablot; 12-11, 12-16C, Motor scooter crashbar, 03 Mar 2013 | 11002/2013 | Clarkson, Ryan James;Cutler, Anthony; 18-01, Snatch and grab cash cover insert, 07 Mar 2013 | 11105/2013 |
| Burden, Ian James; 06-03A, A table, 08 Mar 2013 | 11163/2013 | Cloud B, Inc.; 26-05B, UFO nightlight, (US, 22 Feb 2013) 08 Mar 2013 | 11117/2013 |
| Burden, Ian James; 06-03A, A table, 08 Mar 2013 | 11172/2013 | Cloud B, Inc.; 26-05NES, Octopus nightlight, (US, 14 Dec 2012) 08 Mar 2013 | 11124/2013 |
| Burden, Ian James; 06-01C, A bench seat, 08 Mar 2013 | 11173/2013 | Cloud B, Inc.; 21-01A, Bear plush toy, (US, 04 Feb 2013) 08 Mar 2013 | 11120/2013 |
| Burden, Ian James; 06-03A, A table, 08 Mar 2013 | 11171/2013 | Cloud B, Inc.; 21-01A, Monkey plush toy, (US, 04 Feb 2013) 08 Mar 2013 | 11128/2013 |
| Burden, Ian James; 06-04F, A chest of drawers, 08 Mar 2013 | 11164/2013 | Cloud B, Inc.; 26-05NES, Crab nightlight, (US, 23 Jan 2013) 08 Mar 2013 | 11122/2013 |
| Burden, Ian James; 06-03A, A table, 08 Mar 2013 | 11162/2013 | Cloud B, Inc.; 26-05NES, Starfish nightlight, (US, 14 Dec 2012) 08 Mar 2013 | 11126/2013 |
| Burden, Ian James; 06-02, A bed frame, 08 Mar 2013 | 11165/2013 | Cloud B, Inc.; 26-05NES, Starfish nightlight, (US, 14 Dec 2012) 08 Mar 2013 | 11127/2013 |
| Burden, Ian James; 06-02, A bed frame, 08 Mar 2013 | 11166/2013 | | |
| Burden, Ian James; 06-03A, A table, 08 Mar 2013 | 11160/2013 | | |
| Burden, Ian James; 06-04D, A cabinet, 08 Mar 2013 | 11161/2013 | | |

| | | | |
|--|-------------------|--|-------------------|
| Cloud B, Inc.; 26-05NES, Car nightlight, (US, 23 Jan 2013) 08 Mar 2013 | 11121/2013 | Coster, Daniel J.;Akana, Jody;Andre, Bartley K.;Aoyagi, Shota;Bataillou, Jeremy;De Iuliis, Daniele;Hankey, M. Evans;Hoenig, Julian;Howarth, Richard P.;Ive, Jonathan P.;Kerr, Duncan Robert;Rohrbach, Matthew Dean;Russell-Clarke, Peter;Silvanto, Mikael;Stringer, Christopher J.;Whang, Eugene Antony;Zorkendorfer, Rico;Apple Inc.; 09-05, 14-99, Packaging with accessory, (US, 11 Sep 2012) 06 Mar 2013 | 11085/2013 |
| Cloud B, Inc.; 26-05B, UFO nightlight, (US, 22 Feb 2013) 08 Mar 2013 | 11118/2013 | | |
| Cloud B, Inc.; 21-01A, Bunny plush toy, (US, 04 Feb 2013) 08 Mar 2013 | 11125/2013 | | |
| Cloud B, Inc.; 26-05NES, Octopus nightlight, (US, 14 Dec 2012) 08 Mar 2013 | 11123/2013 | | |
| Cloud B, Inc.; 26-05NES, Car nightlight, (US, 14 Dec 2012) 08 Mar 2013 | 11119/2013 | | |
| Colonial Castings Pty. Ltd.; 25-01D, A panel, 08 Mar 2013 | 11116/2013 | | |
| Continental Reifen Deutschland GmbH; 12-15B, Tyre, (EM, 19 Oct 2012) 14 Mar 2013 | 11279/2013 | | |
| Cornell Pty Ltd; 15-03NES, Bale holder, 13 Mar 2013 | 11252/2013 | | |
| Coster, Daniel J.;Akana, Jody;Andre, Bartley K.;Bataillou, Jeremy;De Iuliis, Daniele;Hankey, M. Evans;Hoenig, Julian;Howarth, Richard P.;Ive, Jonathan P.;Kerr, Duncan Robert;Rohrbach, Matthew Dean;Russell-Clarke, Peter;Silvanto, Mikael;Stringer, Christopher J.;Whang, Eugene Antony;Bataillou, Jeremy; 13-03D, Power module, (US, 11 Sep 2012) 11 Mar 2013 | 11201/2013 | | |
| Coster, Daniel J.;Akana, Jody;Andre, Bartley K.;Aoyagi, Shota;Bataillou, Jeremy;De Iuliis, Daniele;Hankey, M. Evans;Hoenig, Julian;Howarth, Richard P.;Ive, Jonathan P.;Kerr, Duncan Robert;Rohrbach, Matthew Dean;Russell-Clarke, Peter;Silvanto, Mikael;Stringer, Christopher J.;Whang, Eugene Antony;Bataillou, Jeremy; 13-03D, Power module, (US, 11 Sep 2012) 11 Mar 2013 | 11202/2013 | | |
| Coster, Daniel J.;Akana, Jody;Andre, Bartley K.;Aoyagi, Shota;Bataillou, Jeremy;De Iuliis, Daniele;Hankey, M. Evans;Hoenig, Julian;Howarth, Richard P.;Ive, Jonathan P.;Kerr, Duncan Robert;Rohrbach, Matthew Dean;Russell-Clarke, Peter;Silvanto, Mikael;Stringer, Christopher J.;Whang, Eugene Antony;Zorkendorfer, Rico;Apple Inc.; 09-05, 14-99, Packaging with accessory, (US, 11 Sep 2012) 06 Mar 2013 | 11086/2013 | | |
| | | Costruzioni Elettroniche Industriali Automatismi S.P.A. C.E.I.A S.P.A.; 10-05, Portable metal detector, (EM, 06 Sep 2012) 06 Mar 2013 | 11109/2013 |
| | | Costruzioni Elettroniche Industriali Automatismi S.P.A. C.E.I.A S.P.A.; 13-02, Apparatus for recharging batteries, (EM, 06 Sep 2012) 06 Mar 2013 | 11108/2013 |
| | | Costruzioni Elettroniche Industriali Automatismi S.P.A. C.E.I.A S.P.A.; 10-05, Portable metal detector, (EM, 06 Sep 2012) 06 Mar 2013 | 11110/2013 |
| | | Creative Nail Design, Inc.; 26-05NES, Nail curing lamp, (US, 14 Jun 2012) (Divisional of 16291/2012) 13 Mar 2013 | 11241/2013 |
| | | Croucher, David John; 06-10, 08-08H, Pelmet board for a curtain track, 05 Mar 2013 | 11057/2013 |
| | | Cutler, Anthony;Clarkson, Ryan James; 18-01, Snatch and grab cash cover insert, 07 Mar 2013 | 11105/2013 |
| | | D&K Home Security Pty Ltd; 08-09, 25-02B, Metal sliding door pocket, 28 Feb 2013 | 10979/2013 |
| | | Daikin Industries Ltd.; 23-04, Air conditioner, 27 Feb 2013 | 10980/2013 |
| | | Daikin Industries Ltd.; 23-04, Air conditioner, 27 Feb 2013 | 10981/2013 |
| | | Daikin Industries Ltd.; 23-04, Air conditioner, 27 Feb 2013 | 10982/2013 |
| | | De Iuliis, Daniele;Akana, Jody;Andre, Bartley K.;Aoyagi, Shota;Bataillou, Jeremy;Coster, Daniel J.;Hankey, M. Evans;Hoenig, Julian;Howarth, Richard P.;Ive, Jonathan P.;Kerr, Duncan Robert;Rohrbach, Matthew Dean;Russell-Clarke, Peter;Silvanto, Mikael;Stringer, Christopher J.;Whang, Eugene Antony;Zorkendorfer, Rico;Apple Inc.; 09-05, 14-99, Packaging with accessory, (US, 11 Sep 2012) 06 Mar 2013 | 11086/2013 |

| | | | |
|--|-------------------|---|-------------------|
| De Iuliis, Daniele;Akana, Jody;Andre, Bartley K.;Aoyagi, Shota;Bataillou, Jeremy;Coster, Daniel J.;Hankey, M. Evans;Hoenig, Julian;Howarth, Richard P.;Ive, Jonathan P.;Kerr, Duncan Robert;Rohrbach, Matthew Dean;Russell-Clarke, Peter;Silvanto, Mikael;Stringer, Christopher J.;Whang, Eugene Antony;Zorkendorfer, Rico;Apple Inc.; 09-05, 14-99, Packaging with accessory, (US, 11 Sep 2012) 06 Mar 2013 | 11085/2013 | Fast & Save Pty Ltd; 06-09, Deluxe latex pillow top spring mattress 37cm thick, 08 Mar 2013 | 11133/2013 |
| De Iuliis, Daniele;Akana, Jody;Andre, Bartley K.;Bataillou, Jeremy;Coster, Daniel J.;Hankey, M. Evans;Hoenig, Julian;Howarth, Richard P.;Ive, Jonathan P.;Kerr, Duncan Robert;Rohrbach, Matthew Dean;Russell-Clarke, Peter;Silvanto, Mikael;Stringer, Christopher J.;Whang, Eugene Antony;Bataillou, Jeremy; 13-03D, Power module, (US, 11 Sep 2012) 11 Mar 2013 | 11201/2013 | Fast & Save Pty Ltd; 06-09, Premium pillow top spring mattress 35cm thick, 08 Mar 2013 | 11131/2013 |
| De Iuliis, Daniele;Akana, Jody;Andre, Bartley K.;Aoyagi, Shota;Bataillou, Jeremy;Coster, Daniel J.;Hankey, M. Evans;Hoenig, Julian;Howarth, Richard P.;Ive, Jonathan P.;Kerr, Duncan Robert;Rohrbach, Matthew Dean;Russell-Clarke, Peter;Silvanto, Mikael;Stringer, Christopher J.;Whang, Eugene Antony;Bataillou, Jeremy; 13-03D, Power module, (US, 11 Sep 2012) 11 Mar 2013 | 11202/2013 | Fast & Save Pty Ltd; 06-02, Genuine leather bed Nevada, 08 Mar 2013 | 11137/2013 |
| De Iuliis, Daniele;Akana, Jody;Andre, Bartley K.;Aoyagi, Shota;Bataillou, Jeremy;Coster, Daniel J.;Hankey, M. Evans;Hoenig, Julian;Howarth, Richard P.;Ive, Jonathan P.;Kerr, Duncan Robert;Rohrbach, Matthew Dean;Russell-Clarke, Peter;Silvanto, Mikael;Stringer, Christopher J.;Whang, Eugene Antony;Bataillou, Jeremy; 13-03D, Power module, (US, 11 Sep 2012) 11 Mar 2013 | 11202/2013 | Fast & Save Pty Ltd; 06-09, Premium pillow top spring mattress 35cm thick, 08 Mar 2013 | 11130/2013 |
| Dri-Eaz Products, Inc.; 15-05, Extractor port housing, (US, 04 Sep 2012) 04 Mar 2013 | 11009/2013 | Fast & Save Pty Ltd; 06-02, Mantra leather bed, 08 Mar 2013 | 11135/2013 |
| Dyson Technology Limited; 15-05, A vacuum cleaner, (EM, 24 Sep 2012) 01 Mar 2013 | 10989/2013 | Fast & Save Pty Ltd; 06-02, Genuine leather bed, 08 Mar 2013 | 11136/2013 |
| Dyson Technology Limited; 15-05, A vacuum cleaner, (EM, 24 Sep 2012) 01 Mar 2013 | 10990/2013 | Fast & Save Pty Ltd; 06-02, 06-04F, 06-05, Genuine leather bed, bedside table, 08 Mar 2013 | 11134/2013 |
| Dyson Technology Limited; 15-05, A vacuum cleaner, (EM, 24 Sep 2012) 01 Mar 2013 | 10988/2013 | Felton Industries Limited; 23-01H, 23-01NES, A water flow aerator, (NZ, 10 Sep 2012) 08 Mar 2013 | 11107/2013 |
| E.D. Oates Pty Ltd; 08-08NES, 08-08F, Tool attachment, 01 Mar 2013 | 10986/2013 | Forever New Clothing Pty Ltd; 02-02NES, Article of clothing, (GB, 30 Aug 2012) (Divisional of 15083/2012) 07 Mar 2013 | 11193/2013 |
| Eco.Logic Brands Inc.; 09-03L, Containers for holding materials, (US, 06 Sep 2012) 06 Mar 2013 | 11069/2013 | Forever New Clothing Pty Ltd; 02-02C, Article of clothing, (GB, 30 Aug 2012) (Divisional of 15083/2012) 07 Mar 2013 | 11192/2013 |
| Eveready Battery Company, Inc.; 13-02, A charger, (US, 02 Oct 2012) 14 Mar 2013 | 11281/2013 | Forever New Clothing Pty Ltd; 03-01B, 11-01E, 02-06, 03-03, 02-03, Accessory item, 04 Mar 2013 | 11065/2013 |
| Fast & Save Pty Ltd; 06-09, Deluxe latex pillow top spring mattress, 08 Mar 2013 | 11132/2013 | Forever New Clothing Pty Ltd; 02-02C, 02-02NES, 02-04NES, 02-02B, Article of clothing, 04 Mar 2013 | 11064/2013 |
| | | Geberit International AG; 23-02C, Control panels for toilets and/or urinals, (WO, 17 Sep 2012) 13 Mar 2013 | 11257/2013 |
| | | Gini and a bottle; 07-06A, Balancing bottle holder, 05 Mar 2013 | 11059/2013 |
| | | Gini and a bottle; 07-06A, Balancing bottle holder, 05 Mar 2013 | 11060/2013 |
| | | Gini and a bottle; 07-06A, Balancing bottle holder, 05 Mar 2013 | 11058/2013 |
| | | Glatz AG; 03-03, Part of a standing umbrella, (EM, 11 Feb 2013) 11 Mar 2013 | 11148/2013 |
| | | Glatz AG; 03-03, Part of a standing umbrella, (EM, 11 Feb 2013) 11 Mar 2013 | 11149/2013 |

| | | | |
|--|-------------------|--|-------------------|
| Gort-Barten, Alex; 07-02F, Toaster, (EM, 23 May 2012) 23 Nov 2012 | 11074/2013 | GM Global Technology Operations LLC; 12-16B, Vehicle tonneau cover, 13 Mar 2013 | 11243/2013 |
| Grace, Alan Ronald; 12-16C, Cargo barriers, antivapor partitions, 07 Mar 2013 | 11174/2013 | GM Global Technology Operations LLC; 12-16B, Vehicle sailplane centre section, 13 Mar 2013 | 11242/2013 |
| Greenline Industries Pty Ltd; 08-03, Knife for piercing chemical containers, 07 Mar 2013 | 11083/2013 | GM Global Technology Operations LLC; 12-16B, Vehicle sideskirt, 13 Mar 2013 | 11255/2013 |
| GM Global Technology Operations LLC; 12-16B, Vehicle outer grille, 13 Mar 2013 | 11239/2013 | GM Global Technology Operations LLC; 12-16B, Vehicle rear fascia, 13 Mar 2013 | 11246/2013 |
| GM Global Technology Operations LLC; 12-16B, Vehicle rear fascia insert, 13 Mar 2013 | 11259/2013 | GSA Industries (Aust.) Pty Ltd; 08-05NES, A tool, 27 Feb 2013 | 10977/2013 |
| GM Global Technology Operations LLC; 12-16B, Vehicle sideskirt mesh, 13 Mar 2013 | 11256/2013 | GSA Industries (Aust.) Pty Ltd; 08-05NES, A tool, 27 Feb 2013 | 10978/2013 |
| GM Global Technology Operations LLC; 12-16B, Vehicle rear fascia, 13 Mar 2013 | 11258/2013 | GSA Industries (Aust) Pty Ltd; 23-01K, 10-04, Insert for a temperature regulating valve, 12 Mar 2013 | 11188/2013 |
| GM Global Technology Operations LLC; 12-16B, Vehicle lower grille, 13 Mar 2013 | 11237/2013 | Halo Product Design Limited; 07-02E, Barbecue, (EM, 14 Sep 2012) 01 Mar 2013 | 10987/2013 |
| GM Global Technology Operations LLC; 12-16B, Vehicle front fascia, 13 Mar 2013 | 11261/2013 | Hankey, M. Evans;Akana, Jody;Andre, Bartley K.;Aoyagi, Shota;Bataillou, Jeremy;Coster, Daniel J.;De Iuliis, Daniele;Hoenig, Julian;Howarth, Richard P.;Ive, Jonathan P.;Kerr, Duncan Robert;Rohrbach, Matthew Dean;Russell-Clarke, Peter;Silvanto, Mikael;Stringer, Christopher J.;Whang, Eugene Antony;Zorkendorfer, Rico;Apple Inc.; 09-05, 14-99, Packaging with accessory, (US, 11 Sep 2012) 06 Mar 2013 | 11085/2013 |
| GM Global Technology Operations LLC; 12-16B, Vehicle grille, 13 Mar 2013 | 11262/2013 | Hankey, M. Evans;Akana, Jody;Andre, Bartley K.;Aoyagi, Shota;Bataillou, Jeremy;Coster, Daniel J.;De Iuliis, Daniele;Hoenig, Julian;Howarth, Richard P.;Ive, Jonathan P.;Kerr, Duncan Robert;Rohrbach, Matthew Dean;Russell-Clarke, Peter;Silvanto, Mikael;Stringer, Christopher J.;Whang, Eugene Antony;Zorkendorfer, Rico;Apple Inc.; 09-05, 14-99, Packaging with accessory, (US, 11 Sep 2012) 06 Mar 2013 | 11086/2013 |
| GM Global Technology Operations LLC; 12-16B, Vehicle front fascia, 13 Mar 2013 | 11235/2013 | Hankey, M. Evans;Akana, Jody;Andre, Bartley K.;Bataillou, Jeremy;Coster, Daniel J.;De Iuliis, Daniele;Hoenig, Julian;Howarth, Richard P.;Ive, Jonathan P.;Kerr, Duncan Robert;Rohrbach, Matthew Dean;Russell-Clarke, Peter;Silvanto, Mikael;Stringer, Christopher J.;Whang, Eugene Antony;Zorkendorfer, Rico;Apple Inc.; 09-05, 14-99, Packaging with accessory, (US, 11 Sep 2012) 06 Mar 2013 | 11201/2013 |
| GM Global Technology Operations LLC; 12-16B, Vehicle grille surround, 13 Mar 2013 | 11263/2013 | | |
| GM Global Technology Operations LLC; 12-16A, Vehicle wheel, 13 Mar 2013 | 11269/2013 | | |
| GM Global Technology Operations LLC; 12-16B, Vehicle spoiler, 13 Mar 2013 | 11264/2013 | | |
| GM Global Technology Operations LLC; 12-16N, Vehicle exhaust finisher, 13 Mar 2013 | 11233/2013 | | |
| GM Global Technology Operations LLC; 12-16E, Vehicle tail lamp decklid, 13 Mar 2013 | 11265/2013 | | |
| GM Global Technology Operations LLC; 12-16A, Vehicle wheel, 13 Mar 2013 | 11267/2013 | | |
| GM Global Technology Operations LLC; 12-16A, Vehicle wheel, 13 Mar 2013 | 11268/2013 | | |
| GM Global Technology Operations LLC; 26-06, Vehicle tail lamp, 13 Mar 2013 | 11266/2013 | | |
| GM Global Technology Operations LLC; 12-16B, Vehicle lower grille, 13 Mar 2013 | 11231/2013 | | |
| GM Global Technology Operations LLC; 12-16B, Vehicle front fascia, 13 Mar 2013 | 11229/2013 | | |
| GM Global Technology Operations LLC; 12-16B, Vehicle sailplane, 13 Mar 2013 | 11253/2013 | | |
| GM Global Technology Operations LLC; 12-16B, Vehicle rear fascia insert, 13 Mar 2013 | 11248/2013 | | |

| | | | |
|--|--------------------------|--|--------------------------|
| <p>Hankey, M. Evans;Akana, Jody;Andre, Bartley K.;Aoyagi, Shota;Bataillou, Jeremy;Coster, Daniel J.;De Iuliis, Daniele;Hoenig, Julian;Howarth, Richard P.;Ive, Jonathan P.;Kerr, Duncan Robert;Rohrbach, Matthew Dean;Russell-Clarke, Peter;Silvanto, Mikael;Stringer, Christopher J.;Whang, Eugene Antony;Bataillou, Jeremy; 13-03D, Power module, (US, 11 Sep 2012) 11 Mar 2013</p> | <p>11202/2013</p> | <p>Howarth, Richard P.;Akana, Jody;Andre, Bartley K.;Aoyagi, Shota;Bataillou, Jeremy;Coster, Daniel J.;De Iuliis, Daniele;Hankey, M. Evans;Hoenig, Julian;Ive, Jonathan P.;Kerr, Duncan Robert;Rohrbach, Matthew Dean;Russell-Clarke, Peter;Silvanto, Mikael;Stringer, Christopher J.;Whang, Eugene Antony;Zorkendorfer, Rico;Apple Inc.; 09-05, 14-99, Packaging with accessory, (US, 11 Sep 2012) 06 Mar 2013</p> | <p>11085/2013</p> |
| <p>Hoenig, Julian;Akana, Jody;Andre, Bartley K.;Bataillou, Jeremy;Coster, Daniel J.;De Iuliis, Daniele;Hankey, M. Evans;Howarth, Richard P.;Ive, Jonathan P.;Kerr, Duncan Robert;Rohrbach, Matthew Dean;Russell-Clarke, Peter;Silvanto, Mikael;Stringer, Christopher J.;Whang, Eugene Antony;Bataillou, Jeremy; 13-03D, Power module, (US, 11 Sep 2012) 11 Mar 2013</p> | <p>11201/2013</p> | <p>Howarth, Richard P.;Akana, Jody;Andre, Bartley K.;Aoyagi, Shota;Bataillou, Jeremy;Coster, Daniel J.;De Iuliis, Daniele;Hankey, M. Evans;Hoenig, Julian;Ive, Jonathan P.;Kerr, Duncan Robert;Rohrbach, Matthew Dean;Russell-Clarke, Peter;Silvanto, Mikael;Stringer, Christopher J.;Whang, Eugene Antony;Zorkendorfer, Rico;Apple Inc.; 09-05, 14-99, Packaging with accessory, (US, 11 Sep 2012) 06 Mar 2013</p> | <p>11086/2013</p> |
| <p>Hoenig, Julian;Akana, Jody;Andre, Bartley K.;Aoyagi, Shota;Bataillou, Jeremy;Coster, Daniel J.;De Iuliis, Daniele;Hankey, M. Evans;Howarth, Richard P.;Ive, Jonathan P.;Kerr, Duncan Robert;Rohrbach, Matthew Dean;Russell-Clarke, Peter;Silvanto, Mikael;Stringer, Christopher J.;Whang, Eugene Antony;Bataillou, Jeremy; 13-03D, Power module, (US, 11 Sep 2012) 11 Mar 2013</p> | <p>11202/2013</p> | <p>Howarth, Richard P.;Akana, Jody;Andre, Bartley K.;Aoyagi, Shota;Bataillou, Jeremy;Coster, Daniel J.;De Iuliis, Daniele;Hankey, M. Evans;Hoenig, Julian;Ive, Jonathan P.;Kerr, Duncan Robert;Rohrbach, Matthew Dean;Russell-Clarke, Peter;Silvanto, Mikael;Stringer, Christopher J.;Whang, Eugene Antony;Bataillou, Jeremy; 13-03D, Power module, (US, 11 Sep 2012) 11 Mar 2013</p> | <p>11202/2013</p> |
| <p>Hoenig, Julian;Akana, Jody;Andre, Bartley K.;Aoyagi, Shota;Bataillou, Jeremy;Coster, Daniel J.;De Iuliis, Daniele;Hankey, M. Evans;Howarth, Richard P.;Ive, Jonathan P.;Kerr, Duncan Robert;Rohrbach, Matthew Dean;Russell-Clarke, Peter;Silvanto, Mikael;Stringer, Christopher J.;Whang, Eugene Antony;Zorkendorfer, Rico;Apple Inc.; 09-05, 14-99, Packaging with accessory, (US, 11 Sep 2012) 06 Mar 2013</p> | <p>11086/2013</p> | <p>Howarth, Richard P.;Akana, Jody;Andre, Bartley K.;Bataillou, Jeremy;Coster, Daniel J.;De Iuliis, Daniele;Hankey, M. Evans;Hoenig, Julian;Ive, Jonathan P.;Kerr, Duncan Robert;Rohrbach, Matthew Dean;Russell-Clarke, Peter;Silvanto, Mikael;Stringer, Christopher J.;Whang, Eugene Antony;Bataillou, Jeremy; 13-03D, Power module, (US, 11 Sep 2012) 11 Mar 2013</p> | <p>11201/2013</p> |
| <p>Hoenig, Julian;Akana, Jody;Andre, Bartley K.;Aoyagi, Shota;Bataillou, Jeremy;Coster, Daniel J.;De Iuliis, Daniele;Hankey, M. Evans;Howarth, Richard P.;Ive, Jonathan P.;Kerr, Duncan Robert;Rohrbach, Matthew Dean;Russell-Clarke, Peter;Silvanto, Mikael;Stringer, Christopher J.;Whang, Eugene Antony;Zorkendorfer, Rico;Apple Inc.; 09-05, 14-99, Packaging with accessory, (US, 11 Sep 2012) 06 Mar 2013</p> | <p>11085/2013</p> | <p>Ieraci, Angelo; 23-01NES, Plumbing component for a cleanout, 13 Mar 2013</p> | <p>11250/2013</p> |
| <p>Hologramer Pty Ltd; 07-01G, Coffee capsule/pod holder, 06 Mar 2013</p> | <p>11073/2013</p> | <p>Ieraci, Angelo; 23-01NES, Plumbing component for a cleanout, 13 Mar 2013</p> | <p>11244/2013</p> |
| <p>Honda Motor Co., Ltd.; 12-11, Motorcycle, (JP, 28 Sep 2012) 05 Mar 2013</p> | <p>11054/2013</p> | <p>Innovation First, Inc.; 21-01NES, Toy, (US, 20 Sep 2012) 12 Mar 2013</p> | <p>11196/2013</p> |
| | | <p>Innovation First, Inc.; 21-01NES, Toy, (US, 20 Sep 2012) 12 Mar 2013</p> | <p>11195/2013</p> |
| | | <p>Innovation First, Inc.; 21-01NES, Toy, (US, 20 Sep 2012) 12 Mar 2013</p> | <p>11191/2013</p> |

| | | | |
|--|-------------------|--|-------------------|
| Innovation First, Inc.; 21-01NES, Toy, (US, 20 Sep 2012) 12 Mar 2013 | 11190/2013 | IQ Kids & Furniture Pty Ltd; 06-02, High speed car bed with led light and sound, 05 Mar 2013 | 11178/2013 |
| Intellectual Property Group Inc.; 07-02K, Kettle with power base, (RU, 11 Feb 2013) 13 Mar 2013 | 11232/2013 | IQ Kids & Furniture Pty Ltd; 06-02, Super fast car bed with led light and sound, 05 Mar 2013 | 11175/2013 |
| Investigacion De Tecnologia Avanzada, S.A. de C.V.; 01-01, Snack product, (US, 31 Jan 2013) 06 Mar 2013 | 11067/2013 | Juides, Troy; 06-06A, Pot plant stand, 14 Mar 2013 | 11278/2013 |
| Ive, Jonathan P.;Akana, Jody;Andre, Bartley K.;Aoyagi, Shota;Bataillou, Jeremy;Coster, Daniel J.;De Iuliis, Daniele;Hankey, M. Evans;Hoenig, Julian;Howarth, Richard P.;Kerr, Duncan Robert;Rohrbach, Matthew Dean;Russell-Clarke, Peter;Silvanto, Mikael;Stringer, Christopher J.;Whang, Eugene Antony;Zorkendorfer, Rico;Apple Inc.; 09-05, 14-99, Packaging with accessory, (US, 11 Sep 2012) 06 Mar 2013 | 11085/2013 | JETS Swimwear Pty Limited; 02-02A, Swimwear garment, 04 Mar 2013 | 11026/2013 |
| | | JETS Swimwear Pty Limited; 02-02A, Swimwear garment, 04 Mar 2013 | 11024/2013 |
| | | JETS Swimwear Pty Limited; 02-02A, Swimwear garment, 04 Mar 2013 | 11025/2013 |
| | | JETS Swimwear Pty Limited; 02-02A, Swimwear garment, 04 Mar 2013 | 11022/2013 |
| | | JETS Swimwear Pty Limited; 02-02A, Swimwear garment, 04 Mar 2013 | 11033/2013 |
| | | JETS Swimwear Pty Limited; 02-02A, Swimwear garment, 04 Mar 2013 | 11020/2013 |
| | | JETS Swimwear Pty Limited; 02-02A, Swimwear garment, 04 Mar 2013 | 11031/2013 |
| | | JETS Swimwear Pty Limited; 02-02A, Swimwear garment, 04 Mar 2013 | 11032/2013 |
| | | JETS Swimwear Pty Limited; 02-02A, Swimwear garment, 04 Mar 2013 | 11029/2013 |
| | | JETS Swimwear Pty Limited; 02-02A, Swimwear garment, 04 Mar 2013 | 11030/2013 |
| | | JETS Swimwear Pty Limited; 02-02A, Swimwear garment, 04 Mar 2013 | 11027/2013 |
| | | JETS Swimwear Pty Limited; 02-02A, Swimwear garment, 04 Mar 2013 | 11028/2013 |
| Ive, Jonathan P.;Akana, Jody;Andre, Bartley K.;Aoyagi, Shota;Bataillou, Jeremy;Coster, Daniel J.;De Iuliis, Daniele;Hankey, M. Evans;Hoenig, Julian;Howarth, Richard P.;Kerr, Duncan Robert;Rohrbach, Matthew Dean;Russell-Clarke, Peter;Silvanto, Mikael;Stringer, Christopher J.;Whang, Eugene Antony;Zorkendorfer, Rico;Apple Inc.; 09-05, 14-99, Packaging with accessory, (US, 11 Sep 2012) 06 Mar 2013 | 11086/2013 | Kabushiki Kaisha Toshiba; 14-02, Recording medium, (JP, 18 Jan 2013) 07 Mar 2013 | 11087/2013 |
| | | Kabushiki Kaisha Toshiba; 14-02, Recording medium, (JP, 27 Nov 2012) 07 Mar 2013 | 11088/2013 |
| Ive, Jonathan P.;Akana, Jody;Andre, Bartley K.;Aoyagi, Shota;Bataillou, Jeremy;Coster, Daniel J.;De Iuliis, Daniele;Hankey, M. Evans;Hoenig, Julian;Howarth, Richard P.;Kerr, Duncan Robert;Rohrbach, Matthew Dean;Russell-Clarke, Peter;Silvanto, Mikael;Stringer, Christopher J.;Whang, Eugene Antony;Bataillou, Jeremy; 13-03D, Power module, (US, 11 Sep 2012) 11 Mar 2013 | 11202/2013 | Kanai Co., Ltd.;Sumitomo Forestry Co., Ltd.; 08-08B, A nut, (JP, 25 Sep 2012) 06 Mar 2013 | 11070/2013 |
| | | Karsten Manufacturing Corporation; 21-02C, Golf club head, (US, 19 Dec 2012) 12 Mar 2013 | 11187/2013 |
| Ive, Jonathan P.;Akana, Jody;Andre, Bartley K.;Bataillou, Jeremy;Coster, Daniel J.;De Iuliis, Daniele;Hankey, M. Evans;Hoenig, Julian;Howarth, Richard P.;Kerr, Duncan Robert;Rohrbach, Matthew Dean;Russell-Clarke, Peter;Silvanto, Mikael;Stringer, Christopher J.;Whang, Eugene Antony;Bataillou, Jeremy; 13-03D, Power module, (US, 11 Sep 2012) 11 Mar 2013 | 11201/2013 | Karsten Manufacturing Corporation; 21-02C, Golf club head, (US, 19 Dec 2012) 13 Mar 2013 | 11260/2013 |
| IQ Kids & Furniture Pty Ltd; 06-02, Brap brap car bed, 05 Mar 2013 | 11176/2013 | Karsten Manufacturing Corporation; 21-02C, Golf club head, (US, 19 Nov 2012) 12 Mar 2013 | 11186/2013 |
| IQ Kids & Furniture Pty Ltd; 06-02, Flower car bed, 05 Mar 2013 | 11177/2013 | Keight, Jeremy D.; 03-01NES, 13-02, Mobile phone cover with charger unit, 11 Mar 2013 | 11153/2013 |

| | | | |
|--|-------------------|--|-------------------|
| Keight, Jeremy D.; 03-01NES, 13-02, Mobile phone cover with charger unit, 11 Mar 2013 | 11154/2013 | King Furniture Australia Pty Ltd; 06-01L, A chair, 13 Mar 2013 | 11245/2013 |
| Kerr, Duncan Robert;Akana, Jody;Andre, Bartley K.;Bataillou, Jeremy;Coster, Daniel J.;De Iuliis, Daniele;Hankey, M. Evans;Hoenig, Julian;Howarth, Richard P.;Ive, Jonathan P.;Rohrbach, Matthew Dean;Russell-Clarke, Peter;Silvanto, Mikael;Stringer, Christopher J.;Whang, Eugene Antony;Bataillou, Jeremy; 13-03D, Power module, (US, 11 Sep 2012) 11 Mar 2013 | 11201/2013 | Koninklijke Philips Electronics N.V.; 26-05E, LED light, (EM, 04 Sep 2012) 04 Mar 2013 | 11014/2013 |
| Kerr, Duncan Robert;Akana, Jody;Andre, Bartley K.;Aoyagi, Shota;Bataillou, Jeremy;Coster, Daniel J.;De Iuliis, Daniele;Hankey, M. Evans;Hoenig, Julian;Howarth, Richard P.;Ive, Jonathan P.;Rohrbach, Matthew Dean;Russell- Clarke, Peter;Silvanto, Mikael;Stringer, Christopher J.;Whang, Eugene Antony;Bataillou, Jeremy; 13-03D, Power module, (US, 11 Sep 2012) 11 Mar 2013 | 11202/2013 | Koninklijke Philips Electronics N.V.; 26-02, Portable lamp, (EM, 04 Sep 2012) 04 Mar 2013 | 11016/2013 |
| Kerr, Duncan Robert;Akana, Jody;Andre, Bartley K.;Aoyagi, Shota;Bataillou, Jeremy;Coster, Daniel J.;De Iuliis, Daniele;Hankey, M. Evans;Hoenig, Julian;Howarth, Richard P.;Ive, Jonathan P.;Rohrbach, Matthew Dean;Russell- Clarke, Peter;Silvanto, Mikael;Stringer, Christopher J.;Whang, Eugene Antony;Bataillou, Jeremy; 13-03D, Power module, (US, 11 Sep 2012) 11 Mar 2013 | 11085/2013 | Kumho Tire Co., Inc.; 12-15A, Tire for a car, (KR, 30 Oct 2012) 08 Mar 2013 | 11114/2013 |
| Kerr, Duncan Robert;Akana, Jody;Andre, Bartley K.;Aoyagi, Shota;Bataillou, Jeremy;Coster, Daniel J.;De Iuliis, Daniele;Hankey, M. Evans;Hoenig, Julian;Howarth, Richard P.;Ive, Jonathan P.;Rohrbach, Matthew Dean;Russell- Clarke, Peter;Silvanto, Mikael;Stringer, Christopher J.;Whang, Eugene Antony;Bataillou, Jeremy; 13-03D, Power module, (US, 11 Sep 2012) 11 Mar 2013 | 11086/2013 | Lal, Jain;Suttie, Gerard; 13-03D, Switch box, 06 Mar 2013 | 11106/2013 |
| Kerr, Duncan Robert;Akana, Jody;Andre, Bartley K.;Aoyagi, Shota;Bataillou, Jeremy;Coster, Daniel J.;De Iuliis, Daniele;Hankey, M. Evans;Hoenig, Julian;Howarth, Richard P.;Ive, Jonathan P.;Rohrbach, Matthew Dean;Russell- Clarke, Peter;Silvanto, Mikael;Stringer, Christopher J.;Whang, Eugene Antony;Zorkendorfer, Rico;Apple Inc.; 09-05, 14-99, Packaging with accessory, (US, 11 Sep 2012) 06 Mar 2013 | 11085/2013 | Layfield, Stephen; 07-01C, 09-01K, Lid and container, 08 Mar 2013 | 11115/2013 |
| Kerr, Duncan Robert;Akana, Jody;Andre, Bartley K.;Aoyagi, Shota;Bataillou, Jeremy;Coster, Daniel J.;De Iuliis, Daniele;Hankey, M. Evans;Hoenig, Julian;Howarth, Richard P.;Ive, Jonathan P.;Rohrbach, Matthew Dean;Russell- Clarke, Peter;Silvanto, Mikael;Stringer, Christopher J.;Whang, Eugene Antony;Zorkendorfer, Rico;Apple Inc.; 09-05, 14-99, Packaging with accessory, (US, 11 Sep 2012) 06 Mar 2013 | 11086/2013 | Layfield, Stephen; 09-01K, 07-01C, Container, 08 Mar 2013 | 11113/2013 |
| Kimberly-Clark Worldwide, Inc.; 09-03NES, 23-02NES, Hygiene products tray, (US, 08 Oct 2012) 01 Mar 2013 | 11042/2013 | Layfield, Stephen; 09-07B, Lid, 08 Mar 2013 | 11111/2013 |
| King Furniture Australia Pty Ltd; 06-01L, A chair, 13 Mar 2013 | 11251/2013 | Lee, Wen-Hsien; 21-01A, Solar-powered toy penguin, 04 Mar 2013 | 11021/2013 |
| King Furniture Australia Pty Ltd; 06-01E, An ottoman, 13 Mar 2013 | 11234/2013 | Lee, Wen-Hsien; 21-01C, Solar-powered toy car, 04 Mar 2013 | 11023/2013 |
| King Furniture Australia Pty Ltd; 06-01F, A chair, 13 Mar 2013 | 11240/2013 | Lemmen, Matthew; 11-99, Coin, 06 Mar 2013 | 11072/2013 |
| King Furniture Australia Pty Ltd; 06-01E, An ottoman, 13 Mar 2013 | 11236/2013 | Libman Company, The; 09-01NES, Bottle and cap assembly, (US, 14 Sep 2012) 14 Mar 2013 | 11276/2013 |
| King Furniture Australia Pty Ltd; 06-01L, A chair, 13 Mar 2013 | 11247/2013 | Lin, Chang-Chen; 06-06G, Chair base, (TW, 17 Jan 2013) 14 Mar 2013 | 11282/2013 |
| | | Linierre, Dax Germain; 02-05, Neck tie (clothing/fashion item), 05 Mar 2013 | 11051/2013 |
| | | Littlebigsound Pte Ltd; 14-01, Speaker, 14 Mar 2013 | 11285/2013 |
| | | Mapson, Ian; 08-08L, Wheelie bin mounting bracket, 07 Mar 2013 | 11093/2013 |
| | | Martor KG; 08-03, Cutter, (EM, 30 Aug 2012) 28 Feb 2013 | 11003/2013 |
| | | Masonite Corporation; 25-02B, A door facing, (US, 06 Sep 2012) 06 Mar 2013 | 11068/2013 |
| | | Mclean, Daniel; 13-03E, 14-03A, Phone dock, 13 Mar 2013 | 11270/2013 |

| | | | |
|--|-------------------|--|-------------------|
| McDonnell, Kevin Micheal; 11-05, Jacket, sports coat, windcheater, jumper, singlet, skivvy, cardigan, polo shirt, business shirt, tie, over coat, dress,, skirt, hat, tea towel, motor vehicle wind screen shade, motor vehicle wing mirror cover, shorts, trousers, belt,, badge, shoes, socks, cape, quilt cover, luggage tag, 12 Mar 2013 | 11271/2013 | Rice, Michael; 12-03, Rail trolley, 11 Mar 2013 | 11150/2013 |
| Medical Pet Shirts Europe B.V.; 30-01, Foreleg sleeve for pets, (US, 13 Sep 2012) 05 Mar 2013 | 11055/2013 | Rohrbach, Matthew Dean;Akana, Jody;Andre, Bartley K.;Bataillou, Jeremy;Coster, Daniel J.;De luliis, Daniele;Hankey, M. Evans;Hoenig, Julian;Howarth, Richard P.;Ive, Jonathan P.;Kerr, Duncan Robert;Russell-Clarke, Peter;Silvanto, Mikael;Stringer, Christopher J.;Whang, Eugene Antony;Bataillou, Jeremy; 13-03D, Power module, (US, 11 Sep 2012) 11 Mar 2013 | 11201/2013 |
| Medical Pet Shirts Europe B.V.; 30-01, Medical pet shirt, (US, 13 Sep 2012) 05 Mar 2013 | 11056/2013 | Rohrbach, Matthew Dean;Akana, Jody;Andre, Bartley K.;Aoyagi, Shota;Bataillou, Jeremy;Coster, Daniel J.;De luliis, Daniele;Hankey, M. Evans;Hoenig, Julian;Howarth, Richard P.;Ive, Jonathan P.;Kerr, Duncan Robert;Russell-Clarke, Peter;Silvanto, Mikael;Stringer, Christopher J.;Whang, Eugene Antony;Bataillou, Jeremy; 13-03D, Power module, (US, 11 Sep 2012) 11 Mar 2013 | 11202/2013 |
| Meyer Intellectual Properties Limited; 07-02R, Cookware side handle, (US, 06 Sep 2012) 06 Mar 2013 | 11098/2013 | Rohrbach, Matthew Dean;Akana, Jody;Andre, Bartley K.;Aoyagi, Shota;Bataillou, Jeremy;Coster, Daniel J.;De luliis, Daniele;Hankey, M. Evans;Hoenig, Julian;Howarth, Richard P.;Ive, Jonathan P.;Kerr, Duncan Robert;Russell-Clarke, Peter;Silvanto, Mikael;Stringer, Christopher J.;Whang, Eugene Antony;Bataillou, Jeremy; 13-03D, Power module, (US, 11 Sep 2012) 11 Mar 2013 | 11086/2013 |
| Meyer Intellectual Properties Limited; 07-02R, Cookware elongated side handle, (US, 06 Sep 2012) 06 Mar 2013 | 11096/2013 | Rohrbach, Matthew Dean;Akana, Jody;Andre, Bartley K.;Aoyagi, Shota;Bataillou, Jeremy;Coster, Daniel J.;De luliis, Daniele;Hankey, M. Evans;Hoenig, Julian;Howarth, Richard P.;Ive, Jonathan P.;Kerr, Duncan Robert;Russell-Clarke, Peter;Silvanto, Mikael;Stringer, Christopher J.;Whang, Eugene Antony;Zorkendorfer, Rico;Apple Inc.; 09-05, 14-99, Packaging with accessory, (US, 11 Sep 2012) 06 Mar 2013 | 11085/2013 |
| Meyer Intellectual Properties Limited; 07-02R, Cookware elongated side handle, (US, 06 Sep 2012) 06 Mar 2013 | 11095/2013 | Rohrbach, Matthew Dean;Akana, Jody;Andre, Bartley K.;Aoyagi, Shota;Bataillou, Jeremy;Coster, Daniel J.;De luliis, Daniele;Hankey, M. Evans;Hoenig, Julian;Howarth, Richard P.;Ive, Jonathan P.;Kerr, Duncan Robert;Russell-Clarke, Peter;Silvanto, Mikael;Stringer, Christopher J.;Whang, Eugene Antony;Zorkendorfer, Rico;Apple Inc.; 09-05, 14-99, Packaging with accessory, (US, 11 Sep 2012) 06 Mar 2013 | 11085/2013 |
| Meyer Intellectual Properties Limited; 07-02R, Cookware side handle, (US, 06 Sep 2012) 06 Mar 2013 | 11097/2013 | Ronald E Graham (Holdings) Pty Limited; 25-02NES, A lintel, 13 Mar 2013 | 11230/2013 |
| Meyer Intellectual Properties Limited; 07-02R, Cookware elongated side handle, (US, 06 Sep 2012) 06 Mar 2013 | 11094/2013 | Ronald E Graham (Holdings) Pty Limited; 25-02NES, A lintel, 13 Mar 2013 | 11228/2013 |
| MARCOPOLO S.A.; 12-08, Design applied to a body of a bus, (BR, 12 Sep 2012) 12 Mar 2013 | 11179/2013 | Ronald E Graham (Holdings) Pty Limited; 25-02NES, A lintel, 13 Mar 2013 | 11226/2013 |
| Neonode Inc.; 14-02, Tablet computer, (US, 22 Sep 2012) 04 Mar 2013 | 11012/2013 | Ronald E Graham (Holdings) Pty Limited; 25-02NES, A lintel, 13 Mar 2013 | 11227/2013 |
| Okamura Corporation; 06-03C, Table, (JP, 10 Sep 2012) 07 Mar 2013 | 11081/2013 | Rumm, Justin Paul; 17-03, Hair for bows for stringed instruments, 04 Mar 2013 | 11037/2013 |
| Onesteel Wire Pty Limited; 08-08C, Clip, 05 Mar 2013 | 11061/2013 | | |
| Onesteel Wire Pty Limited; 08-08C, Clip, 05 Mar 2013 | 11063/2013 | | |
| Onesteel Wire Pty Limited; 08-08C, Clip, 05 Mar 2013 | 11062/2013 | | |
| OPI Products, Inc.; 26-05NES, 28-03NES, Nail lamp, (US, 11 Oct 2012) 28 Feb 2013 | 11004/2013 | | |
| Pacvac Pty Ltd; 15-05, Vacuum cleaner, 01 Mar 2013 | 10985/2013 | | |
| Peace, Alyson; 02-02B, Round shoulder cape, 06 Mar 2013 | 11066/2013 | | |
| Reckitt & Colman (Overseas) Limited; 28-99, Air freshener refill, (EM, 05 Sep 2012) 04 Mar 2013 | 11010/2013 | | |
| Reinbold, David; 25-04, Truss for a building, 13 Mar 2013 | 11238/2013 | | |

| | | | |
|---|-------------------|---|-------------------|
| Rumm, Justin Paul; 17-03, Hair for bows for stringed instruments, 04 Mar 2013 | 11038/2013 | SafeLights Pty Ltd; 26-03, Outdoor lighting assembly, 05 Mar 2013 | 11050/2013 |
| Rumm, Justin Paul; 17-03, Hair for bows for stringed instruments, 04 Mar 2013 | 11036/2013 | Sandcow Pty Ltd; 23-03E, Stove, (NZ, 10 Sep 2012) 04 Mar 2013 | 11018/2013 |
| Russell-Clarke, Peter;Akana, Jody;Andre, Bartley K.;Aoyagi, Shota;Bataillou, Jeremy;Coster, Daniel J.;De Iuliis, Daniele;Hankey, M. Evans;Hoenig, Julian;Howarth, Richard P.;Ive, Jonathan P.;Kerr, Duncan Robert;Rohrbach, Matthew Dean;Silvanto, Mikael;Stringer, Christopher J.;Whang, Eugene Antony;Bataillou, Jeremy; 13-03D, Power module, (US, 11 Sep 2012) 11 Mar 2013 | 11202/2013 | Scott, William Mitchell; 09-03M, Box, (US, 07 Sep 2012) 07 Mar 2013 | 11089/2013 |
| Russell-Clarke, Peter;Akana, Jody;Andre, Bartley K.;Bataillou, Jeremy;Coster, Daniel J.;De Iuliis, Daniele;Hankey, M. Evans;Hoenig, Julian;Howarth, Richard P.;Ive, Jonathan P.;Kerr, Duncan Robert;Rohrbach, Matthew Dean;Silvanto, Mikael;Stringer, Christopher J.;Whang, Eugene Antony;Bataillou, Jeremy; 13-03D, Power module, (US, 11 Sep 2012) 11 Mar 2013 | 11201/2013 | Scott, Cheryl Theresa; 23-02A, Shower canddy/storage organiser, 07 Mar 2013 | 11092/2013 |
| Russell-Clarke, Peter;Akana, Jody;Andre, Bartley K.;Aoyagi, Shota;Bataillou, Jeremy;Coster, Daniel J.;De Iuliis, Daniele;Hankey, M. Evans;Hoenig, Julian;Howarth, Richard P.;Ive, Jonathan P.;Kerr, Duncan Robert;Rohrbach, Matthew Dean;Silvanto, Mikael;Stringer, Christopher J.;Whang, Eugene Antony;Zorkendorfer, Rico;Apple Inc.; 09-05, 14-99, Packaging with accessory, (US, 11 Sep 2012) 06 Mar 2013 | 11085/2013 | Scott, William Mitchell; 09-03M, Box, (US, 07 Sep 2012) 07 Mar 2013 | 11091/2013 |
| Russell-Clarke, Peter;Akana, Jody;Andre, Bartley K.;Aoyagi, Shota;Bataillou, Jeremy;Coster, Daniel J.;De Iuliis, Daniele;Hankey, M. Evans;Hoenig, Julian;Howarth, Richard P.;Ive, Jonathan P.;Kerr, Duncan Robert;Rohrbach, Matthew Dean;Silvanto, Mikael;Stringer, Christopher J.;Whang, Eugene Antony;Zorkendorfer, Rico;Apple Inc.; 09-05, 14-99, Packaging with accessory, (US, 11 Sep 2012) 06 Mar 2013 | 11086/2013 | Seafolly Pty Ltd; 02-02A, Swimwear, 07 Mar 2013 | 11180/2013 |
| RA Brands, L.L.C.; 22-01, Firearm, (US, 13 Sep 2012) 12 Mar 2013 | 11273/2013 | Shark Mitigation Systems Pty Ltd; 02-02B, Wetsuit, 01 Mar 2013 | 10991/2013 |
| RA Brands, L.L.C.; 22-01, Firearm, (US, 13 Sep 2012) 12 Mar 2013 | 11275/2013 | Shark Mitigation Systems Pty Ltd; 19-08, Sticker, 01 Mar 2013 | 10999/2013 |
| RA Brands, L.L.C.; 22-99, Firearm stock, (US, 13 Sep 2012) 12 Mar 2013 | 11274/2013 | Shark Mitigation Systems Pty Ltd; 02-02B, Wetsuit, 01 Mar 2013 | 10995/2013 |
| RA Brands, L.L.C.; 22-99, Buttstock, (US, 19 Sep 2012) 12 Mar 2013 | 11272/2013 | Shark Mitigation Systems Pty Ltd; 05-05NES, Material, 01 Mar 2013 | 10996/2013 |
| | | Shark Mitigation Systems Pty Ltd; 02-02B, Wetsuit, 01 Mar 2013 | 10993/2013 |
| | | Shark Mitigation Systems Pty Ltd; 05-05D, Material, 01 Mar 2013 | 10997/2013 |
| | | Shark Mitigation Systems Pty Ltd; 05-05NES, Material, 01 Mar 2013 | 10998/2013 |
| | | Shark Mitigation Systems Pty Ltd; 02-02B, Wetsuit, 01 Mar 2013 | 10994/2013 |
| | | Shark Mitigation Systems Pty Ltd; 02-02B, Wetsuit, 01 Mar 2013 | 10992/2013 |
| | | Shop Vac Corporation; 15-05, Blower, (US, 14 Sep 2012) 05 Mar 2013 | 11049/2013 |
| | | Silvanto, Mikael;Akana, Jody;Andre, Bartley K.;Aoyagi, Shota;Bataillou, Jeremy;Coster, Daniel J.;De Iuliis, Daniele;Hankey, M. Evans;Hoenig, Julian;Howarth, Richard P.;Ive, Jonathan P.;Kerr, Duncan Robert;Rohrbach, Matthew Dean;Russell-Clarke, Peter;Stringer, Christopher J.;Whang, Eugene Antony;Zorkendorfer, Rico;Apple Inc.; 09-05, 14-99, Packaging with accessory, (US, 11 Sep 2012) 06 Mar 2013 | 11086/2013 |

| | | | |
|--|-------------------|--|-------------------|
| Silvanto, Mikael;Akana, Jody;Andre, Bartley K.;Aoyagi, Shota;Bataillou, Jeremy;Coster, Daniel J.;De Iuliis, Daniele;Hankey, M. Evans;Hoenig, Julian;Howarth, Richard P.;Ive, Jonathan P.;Kerr, Duncan Robert;Rohrbach, Matthew Dean;Russell-Clarke, Peter;Stringer, Christopher J.;Whang, Eugene Antony;Bataillou, Jeremy; 13-03D, Power module, (US, 11 Sep 2012) 11 Mar 2013 | 11202/2013 | Stringer, Christopher J.;Akana, Jody;Andre, Bartley K.;Bataillou, Jeremy;Coster, Daniel J.;De Iuliis, Daniele;Hankey, M. Evans;Hoenig, Julian;Howarth, Richard P.;Ive, Jonathan P.;Kerr, Duncan Robert;Rohrbach, Matthew Dean;Russell-Clarke, Peter;Silvanto, Mikael;Whang, Eugene Antony;Bataillou, Jeremy; 13-03D, Power module, (US, 11 Sep 2012) 11 Mar 2013 | 11201/2013 |
| Silvanto, Mikael;Akana, Jody;Andre, Bartley K.;Bataillou, Jeremy;Coster, Daniel J.;De Iuliis, Daniele;Hankey, M. Evans;Hoenig, Julian;Howarth, Richard P.;Ive, Jonathan P.;Kerr, Duncan Robert;Rohrbach, Matthew Dean;Russell-Clarke, Peter;Stringer, Christopher J.;Whang, Eugene Antony;Bataillou, Jeremy; 13-03D, Power module, (US, 11 Sep 2012) 11 Mar 2013 | 11201/2013 | Stringer, Christopher J.;Akana, Jody;Andre, Bartley K.;Aoyagi, Shota;Bataillou, Jeremy;Coster, Daniel J.;De Iuliis, Daniele;Hankey, M. Evans;Hoenig, Julian;Howarth, Richard P.;Ive, Jonathan P.;Kerr, Duncan Robert;Rohrbach, Matthew Dean;Russell-Clarke, Peter;Silvanto, Mikael;Whang, Eugene Antony;Zorkendorfer, Rico;Apple Inc.; 09-05, 14-99, Packaging with accessory, (US, 11 Sep 2012) 06 Mar 2013 | 11086/2013 |
| Silvanto, Mikael;Akana, Jody;Andre, Bartley K.;Aoyagi, Shota;Bataillou, Jeremy;Coster, Daniel J.;De Iuliis, Daniele;Hankey, M. Evans;Hoenig, Julian;Howarth, Richard P.;Ive, Jonathan P.;Kerr, Duncan Robert;Rohrbach, Matthew Dean;Russell-Clarke, Peter;Stringer, Christopher J.;Whang, Eugene Antony;Zorkendorfer, Rico;Apple Inc.; 09-05, 14-99, Packaging with accessory, (US, 11 Sep 2012) 06 Mar 2013 | 11085/2013 | Stringer, Christopher J.;Akana, Jody;Andre, Bartley K.;Aoyagi, Shota;Bataillou, Jeremy;Coster, Daniel J.;De Iuliis, Daniele;Hankey, M. Evans;Hoenig, Julian;Howarth, Richard P.;Ive, Jonathan P.;Kerr, Duncan Robert;Rohrbach, Matthew Dean;Russell-Clarke, Peter;Silvanto, Mikael;Whang, Eugene Antony;Zorkendorfer, Rico;Apple Inc.; 09-05, 14-99, Packaging with accessory, (US, 11 Sep 2012) 06 Mar 2013 | 11085/2013 |
| Site Safe (Vic) Pty Ltd; 06-04B, Storage unit, 07 Mar 2013 | 11082/2013 | Sumitomo Forestry Co., Ltd.;Kanai Co., Ltd.; 08-08B, A nut, (JP, 25 Sep 2012) 06 Mar 2013 | 11070/2013 |
| Sony Computer Entertainment Inc.; 14-02, 14-99, Stand for electronic device, (JP, 12 Sep 2012) 27 Feb 2013 | 10983/2013 | Sundesha, LLC; 09-07C, Bottle lid, (US, 07 Sep 2012) 04 Mar 2013 | 11013/2013 |
| Sperling Enterprises Pty Ltd; 06-13NES, Car seat cover, 13 Mar 2013 | 11212/2013 | Suttie, Gerard;Lal, Jain; 13-03D, Switch box, 06 Mar 2013 | 11106/2013 |
| Sprintquip Pty Ltd; 08-08NES, Mounting bracket, 12 Mar 2013 | 11189/2013 | Swissmex-Rapid, S.A. de C.V.; 08-05A, 23-01D, Sprayer tank, 28 Feb 2013 | 11039/2013 |
| Steelcase, Inc.; 06-01F, Chair without arms, 13 Mar 2013 | 11199/2013 | S3 Performance Pty Ltd; 26-06, Vehicle light, 07 Mar 2013 | 11084/2013 |
| Stringer, Christopher J.;Akana, Jody;Andre, Bartley K.;Aoyagi, Shota;Bataillou, Jeremy;Coster, Daniel J.;De Iuliis, Daniele;Hankey, M. Evans;Hoenig, Julian;Howarth, Richard P.;Ive, Jonathan P.;Kerr, Duncan Robert;Rohrbach, Matthew Dean;Russell-Clarke, Peter;Silvanto, Mikael;Whang, Eugene Antony;Bataillou, Jeremy; 13-03D, Power module, (US, 11 Sep 2012) 11 Mar 2013 | 11202/2013 | Take Two Marketing and Events Pty Ltd; 07-04, A knife guide, 01 Mar 2013 | 10984/2013 |
| | | Tan, Julienne; 02-02NES, Gown, 26 Feb 2013 | 10976/2013 |
| | | Telebrands Corp; 07-02N, Cookware lid, (US, 03 Jan 2013) 13 Mar 2013 | 11217/2013 |
| | | The Eastern Company; 08-07, Latch assembly, (US, 26 Nov 2012) 09 Mar 2013 | 11147/2013 |

| | | | |
|--|-------------------|--|-------------------|
| The Glad Products Company; 09-05, Trash bag, (US, 14 Sep 2012) 07 Mar 2013 | 11090/2013 | Valledoro S.P.A.; 01-01, Breadstick partially covered with chocolate, (WO, 13 Feb 2013) 08 Mar 2013 | 11112/2013 |
| Toyota Jidosha Kabushiki Kaisha; 12-08, Automobile, 13 Mar 2013 | 11223/2013 | Vertu Corporation Limited; 14-03A, Handsets; portable telephones, (US, 04 Oct 2012) 14 Mar 2013 | 11283/2013 |
| Toyota Jidosha Kabushiki Kaisha; 26-06, Rear combination lamp for an automobile, 13 Mar 2013 | 11220/2013 | Vuly Pty Ltd; 05-05D, 21-02F, Netting, 14 Mar 2013 | 11284/2013 |
| Toyota Jidosha Kabushiki Kaisha; 12-16A, Steering wheel for an automobile, 13 Mar 2013 | 11225/2013 | W.C. Bradley Co.; 07-02E, Cooking grill, (US, 18 Sep 2012) 04 Mar 2013 | 11011/2013 |
| Toyota Jidosha Kabushiki Kaisha; 12-16C, Rear bumper for an automobile, 13 Mar 2013 | 11219/2013 | Waltrip, Mark A.; 09-03E, Bottle carrier, (US, 07 Sep 2012) 05 Mar 2013 | 11052/2013 |
| Toyota Jidosha Kabushiki Kaisha; 12-16B, Front grille for an automobile, 13 Mar 2013 | 11216/2013 | Whang, Eugene Antony;Akana, Jody;Andre, Bartley K.;Aoyagi, Shota;Bataillou, Jeremy;Coster, Daniel J.;De luliis, Daniele;Hankey, M. Evans;Hoenig, Julian;Howarth, Richard P.;Ive, Jonathan P.;Kerr, Duncan Robert;Rohrbach, Matthew Dean;Russell-Clarke, Peter;Silvanto, Mikael;Stringer, Christopher J.;Bataillou, Jeremy; 13-03D, Power module, (US, 11 Sep 2012) 11 Mar 2013 | 11202/2013 |
| Toyota Jidosha Kabushiki Kaisha; 12-08, Automobile, 13 Mar 2013 | 11214/2013 | Whang, Eugene Antony;Akana, Jody;Andre, Bartley K.;Bataillou, Jeremy;Coster, Daniel J.;De luliis, Daniele;Hankey, M. Evans;Hoenig, Julian;Howarth, Richard P.;Ive, Jonathan P.;Kerr, Duncan Robert;Rohrbach, Matthew Dean;Russell-Clarke, Peter;Silvanto, Mikael;Stringer, Christopher J.;Bataillou, Jeremy; 13-03D, Power module, (US, 11 Sep 2012) 11 Mar 2013 | 11201/2013 |
| Toyota Jidosha Kabushiki Kaisha; 12-08, Automobile, 13 Mar 2013 | 11224/2013 | | |
| Toyota Jidosha Kabushiki Kaisha; 12-16NES, Instrument panel for an automobile, 13 Mar 2013 | 11221/2013 | | |
| Toyota Jidosha Kabushiki Kaisha; 26-06, Front combination lamp for an automobile, 13 Mar 2013 | 11222/2013 | | |
| Toyota Jidosha Kabushiki Kaisha; 12-16C, Front bumper for an automobile, 13 Mar 2013 | 11218/2013 | | |
| Toyota Jidosha Kabushiki Kaisha; 12-16NES, 14-03NES, Antenna for an automobile, 13 Mar 2013 | 11213/2013 | | |
| TreeFrog Developments, Inc.; 03-01NES, Case for an electronic device, (US, 13 Sep 2012) 13 Mar 2013 | 11249/2013 | Whang, Eugene Antony;Akana, Jody;Andre, Bartley K.;Aoyagi, Shota;Bataillou, Jeremy;Coster, Daniel J.;De luliis, Daniele;Hankey, M. Evans;Hoenig, Julian;Howarth, Richard P.;Ive, Jonathan P.;Kerr, Duncan Robert;Rohrbach, Matthew Dean;Russell-Clarke, Peter;Silvanto, Mikael;Stringer, Christopher J.;Zorkendorfer, Rico;Apple Inc.; 09-05, 14-99, Packaging with accessory, (US, 11 Sep 2012) 06 Mar 2013 | 11085/2013 |
| TreeFrog Developments, Inc.; 03-01NES, Case for an electronic device, (US, 13 Sep 2012) 13 Mar 2013 | 11254/2013 | | |
| TreeFrog Developments, Inc.; 03-01NES, Case for an electronic device, (US, 13 Sep 2012) 13 Mar 2013 | 11200/2013 | | |
| UCB Pharma SA; 24-02, Cassette device for administering medication, (GB, 30 Jul 2012) (Divisional of 16099/2012) 06 Mar 2013 | 11099/2013 | Whang, Eugene Antony;Akana, Jody;Andre, Bartley K.;Aoyagi, Shota;Bataillou, Jeremy;Coster, Daniel J.;De luliis, Daniele;Hankey, M. Evans;Hoenig, Julian;Howarth, Richard P.;Ive, Jonathan P.;Kerr, Duncan Robert;Rohrbach, Matthew Dean;Russell-Clarke, Peter;Silvanto, Mikael;Stringer, Christopher J.;Zorkendorfer, Rico;Apple Inc.; 09-05, 14-99, Packaging with accessory, (US, 11 Sep 2012) 06 Mar 2013 | 11086/2013 |
| UCB Pharma SA; 24-02, End piece for a cassette device for administering medication, (GB, 30 Jul 2012) (Divisional of 16099/2012) 06 Mar 2013 | 11101/2013 | | |
| UCB Pharma SA; 24-02, Cassette device for administering medication, (GB, 30 Jul 2012) (Divisional of 16099/2012) 06 Mar 2013 | 11100/2013 | | |

Zorkendorfer, Rico;Akana, Jody;Andre, Bartley K.;Aoyagi, Shota;Bataillou, Jeremy;Coster, Daniel J.;De Iuliis, Daniele;Hankey, M. Evans;Hoenig, Julian;Howarth, Richard P.;Ive, Jonathan P.;Kerr, Duncan Robert;Rohrbach, Matthew Dean;Russell-Clarke, Peter;Silvanto, Mikael;Stringer, Christopher J.;Whang, Eugene Antony;Apple Inc.;
 11085/2013
 09-05, 14-99, Packaging with accessory, (US, 11 Sep 2012) 06 Mar 2013

Zorkendorfer, Rico;Akana, Jody;Andre, Bartley K.;Aoyagi, Shota;Bataillou, Jeremy;Coster, Daniel J.;De Iuliis, Daniele;Hankey, M. Evans;Hoenig, Julian;Howarth, Richard P.;Ive, Jonathan P.;Kerr, Duncan Robert;Rohrbach, Matthew Dean;Russell-Clarke, Peter;Silvanto, Mikael;Stringer, Christopher J.;Whang, Eugene Antony;Apple Inc.;
 11086/2013
 09-05, 14-99, Packaging with accessory, (US, 11 Sep 2012) 06 Mar 2013

3M Innovative Properties Company;
 11183/2013
 19-99, Tape dispenser, (US, 07 Sep 2012) 07 Mar 2013

3M Innovative Properties Company;
 11184/2013
 19-99, Tape dispenser, (US, 07 Sep 2012) 07 Mar 2013

3M Innovative Properties Company;
 11185/2013
 19-02, Note dipsenser, (US, 07 Sep 2012) 07 Mar 2013

Applications Lapsed

- | | |
|-------------------------|-------------------------|
| 10244 / 2012 (23-01F) | 13094 / 2012 (24-01) |
| 14830 / 2012 (12-16NES) | 15975 / 2012 (09-99) |
| 15976 / 2012 (02-02NES) | 16002 / 2012 (25-03) |
| 16025 / 2012 (23-01L) | 16324 / 2012 (06-03A) |
| 16325 / 2012 (06-04D) | 16326 / 2012 (06-03NES) |
| 16327 / 2012 (06-03A) | 10541 / 2013 (21-01N) |
| 11068 / 2013 (25-02B) | |

Extension of Period of Registration of Designs

| | | |
|--------|--------|--------|
| 314731 | 318901 | 318902 |
| 318903 | 318904 | 318905 |
| 318906 | 319004 | 319009 |
| 319069 | 319070 | 319071 |
| 319559 | 319600 | 319753 |
| 319800 | 319801 | 319802 |
| 319803 | 319804 | 319805 |
| 319855 | 320049 | 320050 |
| 320101 | 320102 | 320103 |
| 320106 | 320146 | 320155 |
| 320156 | 320227 | 320228 |
| 320229 | 320231 | 320232 |
| 320233 | 320299 | 320304 |
| 320305 | 320353 | 320369 |
| 320391 | 320400 | 320408 |
| 320409 | 320421 | 320431 |
| 320432 | 320433 | 320443 |
| 320446 | 320447 | 320450 |
| 320451 | 320452 | 320469 |
| 320470 | 320472 | 320474 |
| 320475 | 320476 | 320487 |
| 320488 | 320504 | 320510 |
| 320512 | 320524 | 320527 |
| 320539 | 320596 | 320597 |
| 320598 | 320599 | 320600 |
| 320664 | 320665 | 320669 |
| 320675 | 320676 | 320677 |
| 320678 | 320679 | 320708 |
| 320754 | 320762 | 320772 |
| 320836 | 320895 | 320919 |
| 320975 | 321128 | 321129 |
| 321130 | 321237 | 321265 |
| 321355 | 321415 | 321562 |
| 321563 | 321763 | 321764 |
| 321765 | 322150 | 322569 |
| 322570 | 323058 | 323119 |

Registrations Ceased

| | | |
|--------|--------|--------|
| 316075 | 316100 | 316101 |
| 316536 | 316777 | 316953 |
| 316954 | 316955 | 316956 |
| 316957 | 316961 | 316962 |
| 316970 | 316973 | 316974 |
| 316976 | 316981 | 316992 |
| 316993 | 316994 | 316995 |
| 316996 | 316997 | 316998 |
| 316999 | 317000 | 317004 |
| 317006 | 317007 | 317026 |
| 317027 | 317028 | 317029 |

| | | |
|--------|--------|--------|
| 317030 | 317031 | 317034 |
| 317036 | 317037 | 317044 |
| 317045 | 317048 | 317050 |
| 317061 | 317063 | 317064 |
| 317065 | 317067 | 317068 |
| 317069 | 317070 | 317072 |
| 317087 | 317088 | 317089 |
| 317090 | 317096 | 317097 |
| 317098 | 317100 | 317101 |
| 317102 | 317103 | 317104 |
| 317105 | 317107 | 317109 |
| 317110 | 317111 | 317112 |
| 317121 | 317122 | 317127 |
| 317151 | 317166 | 317167 |
| 317168 | 317169 | 317170 |
| 317176 | 317177 | 317178 |
| 317179 | 317180 | 317181 |
| 317185 | 317220 | 317221 |
| 317222 | 317223 | 317224 |
| 317225 | 317226 | 317227 |
| 317335 | 317407 | 317459 |
| 317460 | 317461 | 317462 |
| 317463 | 317537 | 317614 |
| 317652 | 317653 | 317654 |
| 317742 | 317752 | 317770 |
| 317771 | 317772 | 317773 |
| 317774 | 317788 | 317885 |
| 318664 | 318665 | 318666 |
| 318667 | 318668 | 318669 |
| 318670 | 318672 | 320136 |
| 320170 | 332646 | 336189 |
| 336190 | 336191 | |

Applications for Extension of time under Section 137

Applications under section 137 for extension of time have been lodged. Objections must be lodged within 1 month from the date of this journal.

314387 **Agabow Pty Ltd Trading as Central Tablelands Commercial Industries** Address for Service: Baker & McKenzie 27th Floor AMP Centre 50 Bridge Street SYDNEY NSW 2000

10244/2012 **Nigel Trevor Warin** Address for Service: N.T. Warin PO Box 1548 MIDLAND WA 6936

Extensions of time granted under Section 137

Applications lodged under section 137 for extension of time have been granted.

314731 **Sun Chan**

10244/2012 **Nigel Trevor Warin**

14672/2012 **Anthony John Sievers**

15207/2012 **Asher Abergel**

347484 Christopher Leigh Finnin

347485 Christopher Leigh Finnin

16324/2012 Global Home

16325/2012 Global Home

16326/2012 Global Home

16327/2012 Global Home

Subsequent Owners Registered

(The name in parentheses is that of the subsequent owner)

345749 (Aussie Traveller Pty Ltd) Peter John Lacey
 345748 (Aussie Traveller Pty Ltd) Peter John Lacey
 338160 (Tycoon Cut Pty Limited) Tycoon Jewelry, Inc.
 340325 (Tycoon Cut Pty Limited) Tycoon Jewelry, Inc.
 329469 (Aussie Traveller Pty Ltd) Peter Lacey
 340606 (Aussie Traveller Pty Ltd) Peter John Lacey
 342086 (Aussie Traveller Pty Ltd) Peter John Lacey
 335016 (Pfanner Schutzbekleidung GmbH) Anton Pfanner
 343671 (Pfanner Schutzbekleidung GmbH) Anton Pfanner
 343672 (Pfanner Schutzbekleidung GmbH) Anton Pfanner
 336036 (Vinturi, Inc.) Area 55, Inc.

Corrigenda

Number 347448

In Vol 27 , No 4 , page 450 under the heading **Applications Lodged**; Duplicate application - this entry is deleted.

Certificate(s) of Examination

Examination of the following Design Registration(s) has been completed. Infringement proceedings may now be commenced.

| | | |
|--------|----------|------------|
| 332284 | 09-03M | 14/03/2013 |
| 337789 | 21-01N | 06/03/2013 |
| 337790 | 21-01N | 07/03/2013 |
| 337792 | 21-01N | 07/03/2013 |
| 337793 | 21-01N | 07/03/2013 |
| 339633 | 09-03K | 04/03/2013 |
| 342328 | 12-05 | 06/03/2013 |
| 343258 | 24-02 | 13/03/2013 |
| 343515 | 04-02 | 12/03/2013 |
| 344443 | 09-07NES | 15/03/2013 |
| 344549 | 26-01 | 06/03/2013 |
| 344550 | 26-03 | 07/03/2013 |
| 344551 | 26-05C | 08/03/2013 |
| 345232 | 20-02E | 14/03/2013 |
| 346296 | 23-01NES | 13/03/2013 |
| 346339 | 25-03 | 14/03/2013 |
| 346536 | 15-09 | 13/03/2013 |
| 347205 | 02-02NES | 06/03/2013 |

Publication and Registration Proceedings

Designs Registered

This section provides a concordance between design number and registration number of Designs covered in this journal. It also shows the main class and registration date.

This section covers Registration numbers 347409 to 347563 .

The registration number shown below should be used in all future correspondence.

| Design Number | Registration Number | International Classification Code (IDC) | Registration Date | Design Number | Registration Number | International Classification Code (IDC) | Registration Date |
|----------------------|----------------------------|--|--------------------------|----------------------|----------------------------|--|--------------------------|
| 13015/2012 | 347536 | 07-05E | 13/03/2013 | 16396/2012 | 347503 | 14-02 | 12/03/2013 |
| 13016/2012 | 347537 | 07-05E | 13/03/2013 | 16405/2012 | 347436 | 25-04 | 05/03/2013 |
| 13633/2012 | 347560 | 09-01D | 15/03/2013 | 16416/2012 | 347425 | 08-05L | 05/03/2013 |
| 13729/2012 | 347516 | 06-04NES | 13/03/2013 | 16417/2012 | 347437 | 08-05L | 05/03/2013 |
| 13730/2012 | 347517 | 06-04NES | 13/03/2013 | 16419/2012 | 347439 | 21-01NES | 05/03/2013 |
| 13845/2012 | 347495 | 02-02C | 12/03/2013 | 16422/2012 | 347438 | 21-01NES | 05/03/2013 |
| 13873/2012 | 347461 | 12-08 | 06/03/2013 | 16445/2012 | 347426 | 07-02C | 05/03/2013 |
| 13874/2012 | 347460 | 12-16H | 06/03/2013 | 16465/2012 | 347427 | 07-03 | 05/03/2013 |
| 13875/2012 | 347465 | 12-16C | 06/03/2013 | 16490/2012 | 347487 | 14-03NES | 07/03/2013 |
| 13876/2012 | 347467 | 12-16NES | 06/03/2013 | 16491/2012 | 347525 | 14-03NES | 13/03/2013 |
| 13877/2012 | 347463 | 26-06 | 06/03/2013 | 16584/2012 | 347553 | 24-01 | 14/03/2013 |
| 13878/2012 | 347462 | 12-16C | 06/03/2013 | 16585/2012 | 347554 | 09-07B | 14/03/2013 |
| 13879/2012 | 347491 | 26-06 | 07/03/2013 | 16587/2012 | 347555 | 24-01 | 14/03/2013 |
| 13881/2012 | 347464 | 12-08 | 06/03/2013 | 16663/2012 | 347529 | 07-02N | 13/03/2013 |
| 14163/2012 | 347466 | 12-16A | 06/03/2013 | 16692/2012 | 347413 | 02-02C | 04/03/2013 |
| 14184/2012 | 347469 | 13-99 | 06/03/2013 | 16696/2012 | 347414 | 02-02NES | 04/03/2013 |
| 14185/2012 | 347468 | 25-01G | 06/03/2013 | 16706/2012 | 347547 | 02-02NES | 14/03/2013 |
| 14602/2012 | 347501 | 02-02C | 12/03/2013 | 16717/2012 | 347548 | 02-04NES | 14/03/2013 |
| 14932/2012 | 347518 | 07-01NES | 13/03/2013 | 16718/2012 | 347549 | 02-04NES | 14/03/2013 |
| 15089/2012 | 347415 | 28-03NES | 04/03/2013 | 16735/2012 | 347550 | 02-02NES | 14/03/2013 |
| 15131/2012 | 347532 | 05-05B | 13/03/2013 | 16745/2012 | 347411 | 02-02NES | 04/03/2013 |
| 15132/2012 | 347533 | 05-05D | 13/03/2013 | 16746/2012 | 347551 | 02-02NES | 14/03/2013 |
| 15274/2012 | 347561 | 09-03NES | 15/03/2013 | 16747/2012 | 347412 | 02-02NES | 04/03/2013 |
| 15373/2012 | 347484 | 12-16NES | 07/03/2013 | 16750/2012 | 347496 | 02-02C | 12/03/2013 |
| 15540/2012 | 347538 | 26-05E | 13/03/2013 | 16751/2012 | 347497 | 02-02NES | 12/03/2013 |
| 15623/2012 | 347546 | 19-06 | 14/03/2013 | 16752/2012 | 347498 | 02-02C | 12/03/2013 |
| 15683/2012 | 347502 | 12-16NES | 12/03/2013 | 16753/2012 | 347499 | 02-02NES | 12/03/2013 |
| 15798/2012 | 347418 | 12-16C | 04/03/2013 | 16754/2012 | 347500 | 02-02NES | 12/03/2013 |
| 15799/2012 | 347419 | 12-08 | 04/03/2013 | 10018/2013 | 347540 | 04-02 | 14/03/2013 |
| 15800/2012 | 347420 | 26-06 | 04/03/2013 | 10022/2013 | 347526 | 23-04 | 13/03/2013 |
| 15801/2012 | 347421 | 12-16C | 04/03/2013 | 10023/2013 | 347527 | 23-04 | 13/03/2013 |
| 15802/2012 | 347422 | 12-16A | 04/03/2013 | 10087/2013 | 347410 | 12-08 | 04/03/2013 |
| 15823/2012 | 347562 | 09-07A | 15/03/2013 | 10105/2013 | 347563 | 12-08 | 16/03/2013 |
| 15849/2012 | 347485 | 12-16NES | 07/03/2013 | 10106/2013 | 347556 | 12-08 | 15/03/2013 |
| 15851/2012 | 347431 | 13-99 | 05/03/2013 | 10109/2013 | 347509 | 02-02B | 12/03/2013 |
| 15880/2012 | 347519 | 07-07A | 13/03/2013 | 10112/2013 | 347541 | 23-02C | 14/03/2013 |
| 15882/2012 | 347520 | 07-02F | 13/03/2013 | 10147/2013 | 347416 | 21-01C | 04/03/2013 |
| 15919/2012 | 347534 | 14-03E | 13/03/2013 | 10199/2013 | 347440 | 26-05B | 05/03/2013 |
| 15979/2012 | 347470 | 14-03A | 07/03/2013 | 10223/2013 | 347441 | 16-06 | 05/03/2013 |
| 16005/2012 | 347535 | 11-01C | 13/03/2013 | 10241/2013 | 347442 | 08-08L | 05/03/2013 |
| 16079/2012 | 347521 | 09-07C | 13/03/2013 | 10269/2013 | 347443 | 09-07A | 05/03/2013 |
| 16093/2012 | 347539 | 09-01NES | 13/03/2013 | 10312/2013 | 347530 | 08-03 | 13/03/2013 |
| 16160/2012 | 347423 | 12-15B | 05/03/2013 | 10325/2013 | 347435 | 14-02 | 05/03/2013 |
| 16162/2012 | 347486 | 09-01NES | 07/03/2013 | 10330/2013 | 347434 | 28-03A | 05/03/2013 |
| 16181/2012 | 347409 | 08-08L | 04/03/2013 | 10331/2013 | 347433 | 15-05 | 05/03/2013 |
| 16210/2012 | 347522 | 13-03D | 13/03/2013 | 10348/2013 | 347454 | 13-02 | 06/03/2013 |
| 16296/2012 | 347424 | 15-07 | 05/03/2013 | 10355/2013 | 347417 | 07-05D | 04/03/2013 |
| 16321/2012 | 347523 | 08-06 | 13/03/2013 | 10427/2013 | 347430 | 24-02 | 05/03/2013 |
| 16334/2012 | 347524 | 20-02NES | 13/03/2013 | 10430/2013 | 347444 | 24-02 | 05/03/2013 |
| 16352/2012 | 347552 | 03-01D | 14/03/2013 | 10431/2013 | 347445 | 24-02 | 05/03/2013 |

Publication and Registration Proceedings - Designs Registered cont'd

| Design Number | Registration Number | International Classification Code (IDC) | Registration Date | Design Number | Registration Number | International Classification Code (IDC) | Registration Date |
|---------------|---------------------|---|-------------------|---------------|---------------------|---|-------------------|
| 10436/2013 | 347531 | 21-01B | 13/03/2013 | 10631/2013 | 347447 | 26-06 | 05/03/2013 |
| 10444/2013 | 347504 | 23-02NES | 12/03/2013 | 10632/2013 | 347505 | 12-11 | 12/03/2013 |
| 10478/2013 | 347429 | 30-04 | 05/03/2013 | 10636/2013 | 347482 | 07-01F | 07/03/2013 |
| 10479/2013 | 347428 | 30-04 | 05/03/2013 | 10639/2013 | 347506 | 20-02E | 12/03/2013 |
| 10496/2013 | 347432 | 29-02 | 05/03/2013 | 10640/2013 | 347507 | 24-01 | 12/03/2013 |
| 10540/2013 | 347488 | 14-02 | 07/03/2013 | 10645/2013 | 347508 | 22-06 | 12/03/2013 |
| 10551/2013 | 347557 | 07-06A | 15/03/2013 | 10647/2013 | 347483 | 22-06 | 07/03/2013 |
| 10557/2013 | 347514 | 15-07 | 12/03/2013 | 10651/2013 | 347449 | 10-04 | 05/03/2013 |
| 10560/2013 | 347513 | 08-05N | 12/03/2013 | 10652/2013 | 347450 | 10-04 | 05/03/2013 |
| 10590/2013 | 347471 | 06-02 | 07/03/2013 | 10655/2013 | 347456 | 02-04NES | 06/03/2013 |
| 10591/2013 | 347472 | 06-01G | 07/03/2013 | 10657/2013 | 347457 | 13-03NES | 06/03/2013 |
| 10592/2013 | 347473 | 06-01G | 07/03/2013 | 10659/2013 | 347455 | 12-11 | 06/03/2013 |
| 10593/2013 | 347474 | 06-01G | 07/03/2013 | 10668/2013 | 347452 | 23-04 | 05/03/2013 |
| 10594/2013 | 347475 | 06-01G | 07/03/2013 | 10669/2013 | 347542 | 12-05 | 14/03/2013 |
| 10595/2013 | 347476 | 06-01G | 07/03/2013 | 10670/2013 | 347543 | 12-05 | 14/03/2013 |
| 10596/2013 | 347477 | 06-01G | 07/03/2013 | 10675/2013 | 347492 | 15-05 | 12/03/2013 |
| 10597/2013 | 347478 | 06-01G | 07/03/2013 | 10687/2013 | 347453 | 09-07B | 05/03/2013 |
| 10598/2013 | 347479 | 06-01E | 07/03/2013 | 10709/2013 | 347493 | 23-02C | 12/03/2013 |
| 10599/2013 | 347480 | 06-01G | 07/03/2013 | 10710/2013 | 347494 | 23-02C | 12/03/2013 |
| 10600/2013 | 347481 | 06-01G | 07/03/2013 | 10725/2013 | 347559 | 09-06 | 15/03/2013 |
| 10601/2013 | 347512 | 12-15A | 12/03/2013 | 10753/2013 | 347489 | 10-05 | 07/03/2013 |
| 10602/2013 | 347511 | 12-15A | 12/03/2013 | 10754/2013 | 347490 | 10-05 | 07/03/2013 |
| 10603/2013 | 347510 | 12-08 | 12/03/2013 | 10781/2013 | 347544 | 28-03A | 14/03/2013 |
| 10605/2013 | 347459 | 12-14 | 06/03/2013 | 10783/2013 | 347545 | 12-15C | 14/03/2013 |
| 10607/2013 | 347458 | 07-01NES | 06/03/2013 | 10826/2013 | 347515 | 26-06 | 12/03/2013 |
| 10623/2013 | 347451 | 08-05H | 05/03/2013 | 11074/2013 | 347528 | 07-02F | 13/03/2013 |
| 10626/2013 | 347558 | 08-08NES | 15/03/2013 | | | | |
| 10630/2013 | 347446 | 26-06 | 05/03/2013 | | | | |

Publication and Registration Proceedings

Class Listing of Designs Published or Registered

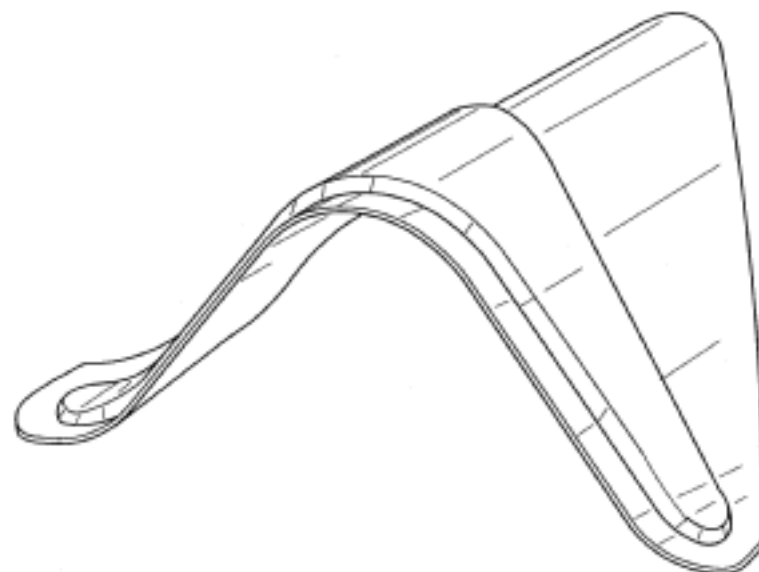
The following section shows an International Classification Code listing of the Registered or Published Designs covered in this supplement.

| Classification | Registration Number | Design Number | Classification | Registration Number | Design Number |
|-----------------------|----------------------------|----------------------|-----------------------|----------------------------|----------------------|
| 02-02B | 347509 | 10109/2013 | 07-06A | 347557 | 10551/2013 |
| 02-02C | 347413 | 16692/2012 | 07-07A | 347519 | 15880/2012 |
| 02-02C | 347495 | 13845/2012 | 08-03 | 347530 | 10312/2013 |
| 02-02C | 347496 | 16750/2012 | 08-05H | 347451 | 10623/2013 |
| 02-02C | 347498 | 16752/2012 | 08-05L | 347425 | 16416/2012 |
| 02-02C | 347501 | 14602/2012 | 08-05L | 347437 | 16417/2012 |
| 02-02NES | 347411 | 16745/2012 | 08-05N | 347513 | 10560/2013 |
| 02-02NES | 347412 | 16747/2012 | 08-05N | 347530 | 10312/2013 |
| 02-02NES | 347414 | 16696/2012 | 08-06 | 347523 | 16321/2012 |
| 02-02NES | 347497 | 16751/2012 | 08-08K | 347523 | 16321/2012 |
| 02-02NES | 347499 | 16753/2012 | 08-08L | 347409 | 16181/2012 |
| 02-02NES | 347500 | 16754/2012 | 08-08L | 347442 | 10241/2013 |
| 02-02NES | 347547 | 16706/2012 | 08-08NES | 347558 | 10626/2013 |
| 02-02NES | 347550 | 16735/2012 | 09-01D | 347560 | 13633/2012 |
| 02-02NES | 347551 | 16746/2012 | 09-01NES | 347486 | 16162/2012 |
| 02-04NES | 347456 | 10655/2013 | 09-01NES | 347539 | 16093/2012 |
| 02-04NES | 347548 | 16717/2012 | 09-03NES | 347458 | 10607/2013 |
| 02-04NES | 347549 | 16718/2012 | 09-03NES | 347561 | 15274/2012 |
| 03-01D | 347552 | 16352/2012 | 09-06 | 347559 | 10725/2013 |
| 04-02 | 347540 | 10018/2013 | 09-07A | 347443 | 10269/2013 |
| 05-05B | 347532 | 15131/2012 | 09-07A | 347562 | 15823/2012 |
| 05-05D | 347533 | 15132/2012 | 09-07B | 347453 | 10687/2013 |
| 05-06NES | 347532 | 15131/2012 | 09-07B | 347554 | 16585/2012 |
| 05-06NES | 347533 | 15132/2012 | 09-07C | 347521 | 16079/2012 |
| 06-01E | 347479 | 10598/2013 | 10-04 | 347449 | 10651/2013 |
| 06-01G | 347471 | 10590/2013 | 10-04 | 347450 | 10652/2013 |
| 06-01G | 347472 | 10591/2013 | 10-05 | 347489 | 10753/2013 |
| 06-01G | 347473 | 10592/2013 | 10-05 | 347490 | 10754/2013 |
| 06-01G | 347474 | 10593/2013 | 11-01C | 347535 | 16005/2012 |
| 06-01G | 347475 | 10594/2013 | 12-05 | 347542 | 10669/2013 |
| 06-01G | 347476 | 10595/2013 | 12-05 | 347543 | 10670/2013 |
| 06-01G | 347477 | 10596/2013 | 12-08 | 347410 | 10087/2013 |
| 06-01G | 347478 | 10597/2013 | 12-08 | 347419 | 15799/2012 |
| 06-01G | 347480 | 10599/2013 | 12-08 | 347461 | 13873/2012 |
| 06-01G | 347481 | 10600/2013 | 12-08 | 347464 | 13881/2012 |
| 06-02 | 347471 | 10590/2013 | 12-08 | 347510 | 10603/2013 |
| 06-02 | 347472 | 10591/2013 | 12-08 | 347556 | 10106/2013 |
| 06-02 | 347475 | 10594/2013 | 12-08 | 347563 | 10105/2013 |
| 06-02 | 347476 | 10595/2013 | 12-10 | 347431 | 15851/2012 |
| 06-04NES | 347516 | 13729/2012 | 12-11 | 347455 | 10659/2013 |
| 06-04NES | 347517 | 13730/2012 | 12-11 | 347505 | 10632/2013 |
| 07-01F | 347482 | 10636/2013 | 12-14 | 347459 | 10605/2013 |
| 07-01F | 347486 | 16162/2012 | 12-15A | 347511 | 10602/2013 |
| 07-01NES | 347458 | 10607/2013 | 12-15A | 347512 | 10601/2013 |
| 07-01NES | 347518 | 14932/2012 | 12-15B | 347423 | 16160/2012 |
| 07-02C | 347426 | 16445/2012 | 12-15C | 347545 | 10783/2013 |
| 07-02F | 347520 | 15882/2012 | 12-16A | 347422 | 15802/2012 |
| 07-02F | 347528 | 11074/2013 | 12-16A | 347466 | 14163/2012 |
| 07-02N | 347529 | 16663/2012 | 12-16C | 347418 | 15798/2012 |
| 07-03 | 347427 | 16465/2012 | 12-16C | 347421 | 15801/2012 |
| 07-05D | 347417 | 10355/2013 | 12-16C | 347462 | 13878/2012 |
| 07-05E | 347536 | 13015/2012 | 12-16C | 347465 | 13875/2012 |
| 07-05E | 347537 | 13016/2012 | 12-16H | 347460 | 13874/2012 |

Registration Proceedings - Class Listing of Designs Published or Registered cont'd

| Classification | Registration Number | Design Number | Classification | Registration Number | Design Number |
|----------------|---------------------|---------------|----------------|---------------------|---------------|
| 12-16NES | 347467 | 13876/2012 | 23-02NES | 347504 | 10444/2013 |
| 12-16NES | 347484 | 15373/2012 | 23-04 | 347452 | 10668/2013 |
| 12-16NES | 347485 | 15849/2012 | 23-04 | 347487 | 16490/2012 |
| 12-16NES | 347502 | 15683/2012 | 23-04 | 347525 | 16491/2012 |
| 13-02 | 347454 | 10348/2013 | 23-04 | 347526 | 10022/2013 |
| 13-03D | 347522 | 16210/2012 | 23-04 | 347527 | 10023/2013 |
| 13-03NES | 347457 | 10657/2013 | 24-01 | 347507 | 10640/2013 |
| 13-99 | 347431 | 15851/2012 | 24-01 | 347534 | 15919/2012 |
| 13-99 | 347469 | 14184/2012 | 24-01 | 347553 | 16584/2012 |
| 14-02 | 347435 | 10325/2013 | 24-01 | 347555 | 16587/2012 |
| 14-02 | 347488 | 10540/2013 | 24-02 | 347430 | 10427/2013 |
| 14-02 | 347503 | 16396/2012 | 24-02 | 347444 | 10430/2013 |
| 14-03A | 347470 | 15979/2012 | 24-02 | 347445 | 10431/2013 |
| 14-03E | 347534 | 15919/2012 | 25-01G | 347468 | 14185/2012 |
| 14-03NES | 347487 | 16490/2012 | 25-01G | 347469 | 14184/2012 |
| 14-03NES | 347525 | 16491/2012 | 25-04 | 347436 | 16405/2012 |
| 15-05 | 347433 | 10331/2013 | 26-05B | 347440 | 10199/2013 |
| 15-05 | 347492 | 10675/2013 | 26-05E | 347538 | 15540/2012 |
| 15-07 | 347424 | 16296/2012 | 26-06 | 347420 | 15800/2012 |
| 15-07 | 347514 | 10557/2013 | 26-06 | 347446 | 10630/2013 |
| 16-06 | 347441 | 10223/2013 | 26-06 | 347447 | 10631/2013 |
| 19-06 | 347546 | 15623/2012 | 26-06 | 347463 | 13877/2012 |
| 20-02E | 347506 | 10639/2013 | 26-06 | 347491 | 13879/2012 |
| 20-02NES | 347524 | 16334/2012 | 26-06 | 347515 | 10826/2013 |
| 21-01B | 347531 | 10436/2013 | 28-03A | 347434 | 10330/2013 |
| 21-01C | 347416 | 10147/2013 | 28-03A | 347544 | 10781/2013 |
| 21-01NES | 347438 | 16422/2012 | 28-03NES | 347415 | 15089/2012 |
| 21-01NES | 347439 | 16419/2012 | 29-02 | 347432 | 10496/2013 |
| 21-02D | 347513 | 10560/2013 | 30-04 | 347428 | 10479/2013 |
| 22-06 | 347483 | 10647/2013 | 30-04 | 347429 | 10478/2013 |
| 22-06 | 347508 | 10645/2013 | 99-00 | 347432 | 10496/2013 |
| 23-02C | 347493 | 10709/2013 | | | |
| 23-02C | 347494 | 10710/2013 | | | |
| 23-02C | 347541 | 10112/2013 | | | |

- (21) Design Number: **16181/2012**
(22) Date of Filing Application: **06 December 2012**
(24) Date from which industrial property rights may have effect: **06 December 2012**
(54) Product in respect of which the design is registered: **Saddle clip**
(51) International Design Classification: **08-08L**
(74) Name(s) of Attorney(s): **Shelston IP**
(71) Name(s) and Address(s) of Applicant(s):
A & E John Property Pty. Ltd.
U4 11-13 Precision PI Mulgrave NSW 2756 Australia
(72) Name(s) of Designer(s): **Alex Bernardo**
(45) Registration Date: **04 March 2013**
(56) Related Art Documents: **Not Applicable**
(57) Statement of Newness and Distinctiveness: **Newness and distinctiveness resides in the features of shape and configuration of the saddle clip shown in the accompanying representations.**



- (21) Design Number: **10087/2013**
(22) Date of Filing Application: **03 January 2013**
(24) Date from which industrial property rights may have effect: **03 January 2013**
(54) Product in respect of which the design is registered: **Driver's cabin for a vehicle**
(51) International Design Classification: **12-08**
(74) Name(s) of Attorney(s): **SPRUSON & FERGUSON**
(71) Name(s) and Address(s) of Applicant(s):
MAN Truck & Bus AG
Dachhauer Str. 667 80995 Munchen Germany
(72) Name(s) of Designer(s): **Holger Koos and Ingo von Bargaen and Marc Schippling and Dieter Blum and Roger Mohr and Rudolf Kupitza and Thomas Ochs and Michael Wust**
(45) Registration Date: **04 March 2013**
(30) Convention priority data:
(31) Number (32) Date (33) Country
**001335236 04 Jul 2012 OFFICE FOR HARMONISATION IN
THE INTERNAL MARKET (OHIM)**
(56) Related Art Documents: **Not Applicable**
(57) Statement of Newness and Distinctiveness: **Newness and distinctiveness is claimed in the features of shape and/or configuration of a Driver's cabin for a vehicle as illustrated in the accompanying representations.**



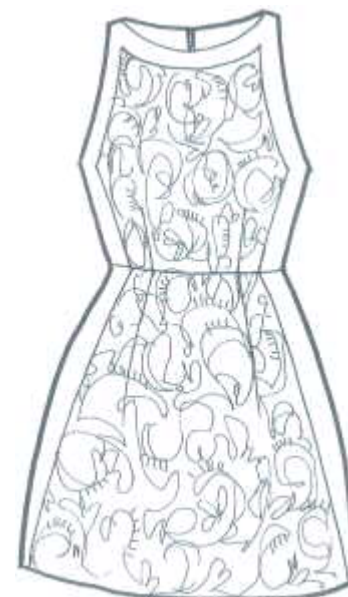
- (21) Design Number: **16745/2012**
(22) Date of Filing Application: **01 February 2013**
(24) Date from which industrial property rights may have effect: **21 May 2012**
(54) Product in respect of which the design is registered: **Article of clothing**
(51) International Design Classification: **02-02NES**
(74) Name(s) of Attorney(s): **Allens Patent & Trade Mark Attorneys**
(71) Name(s) and Address(s) of Applicant(s):
Forever New Clothing Pty Ltd
714-716 High St Kew East VIC 3102 Australia
(72) Name(s) of Designer(s): **Gemma Henderson**
(45) Registration Date: **04 March 2013**
(62) Divisional of: **346982**
(56) Related Art Documents: **Not Applicable**
(57) Statement of Newness and Distinctiveness: **Newness and distinctiveness resides in the visual features of shape, configuration, pattern and/or ornamentation of an article of clothing as shown in the accompanying representations.**



- (21) Design Number: **16747/2012**
(22) Date of Filing Application: **01 February 2013**
(24) Date from which industrial property rights may have effect: **21 May 2012**
(54) Product in respect of which the design is registered: **Article of clothing**
(51) International Design Classification: **02-02NES**
(74) Name(s) of Attorney(s): **Allens Patent & Trade Mark Attorneys**
(71) Name(s) and Address(s) of Applicant(s):
Forever New Clothing Pty Ltd
714-716 High St Kew East VIC 3102 Australia
(72) Name(s) of Designer(s): **Gemma Henderson**
(45) Registration Date: **04 March 2013**
(62) Divisional of: **346982**
(56) Related Art Documents: **Not Applicable**
(57) Statement of Newness and Distinctiveness: **Newness and distinctiveness resides in the visual features of shape, configuration, pattern and/or ornamentation of an article of clothing as shown in the accompanying representations.**



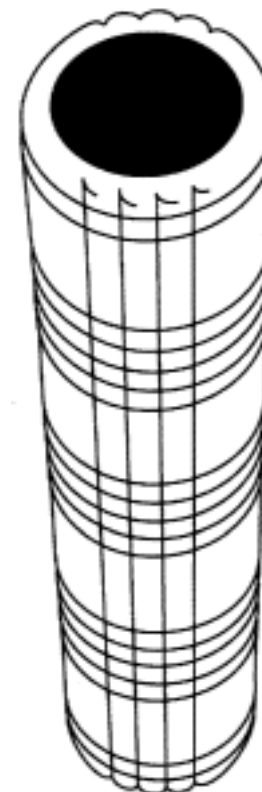
- (21) Design Number: **16692/2012**
(22) Date of Filing Application: **01 February 2013**
(24) Date from which industrial property rights may have effect: **19 June 2012**
(54) Product in respect of which the design is registered: **Article of clothing**
(51) International Design Classification: **02-02C**
(74) Name(s) of Attorney(s): **Allens Patent & Trade Mark Attorneys**
(71) Name(s) and Address(s) of Applicant(s):
Forever New Clothing Pty Ltd
714-716 High St Kew East VIC 3102 Australia
(72) Name(s) of Designer(s): **Octavia Miller**
(45) Registration Date: **04 March 2013**
(62) Divisional of: **346924**
(56) Related Art Documents: **Not Applicable**
(57) Statement of Newness and Distinctiveness: **Newness and distinctiveness resides in the visual features of shape, configuration, pattern and/or ornamentation of an article of clothing as shown in the accompanying representations.**



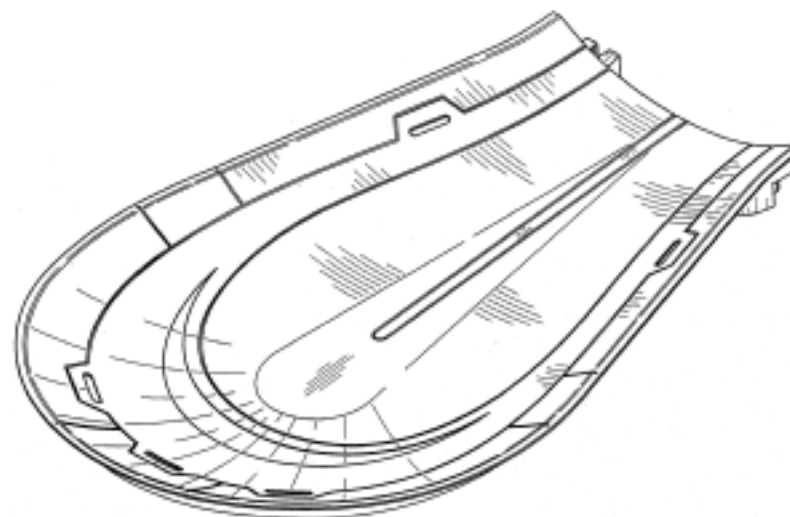
- (21) Design Number: **16696/2012**
(22) Date of Filing Application: **01 February 2013**
(24) Date from which industrial property rights may have effect: **19 June 2012**
(54) Product in respect of which the design is registered: **Article of clothing**
(51) International Design Classification: **02-02NES**
(74) Name(s) of Attorney(s): **Allens Patent & Trade Mark Attorneys**
(71) Name(s) and Address(s) of Applicant(s):
Forever New Clothing Pty Ltd
714-716 High St Kew East VIC 3102 Australia
(72) Name(s) of Designer(s): **Gemma Henderson**
(45) Registration Date: **04 March 2013**
(62) Divisional of: **346924**
(56) Related Art Documents: **Not Applicable**
(57) Statement of Newness and Distinctiveness: **Newness and distinctiveness resides in the visual features of shape, configuration, pattern and/or ornamentation of an article of clothing as shown in the accompanying representations.**



(21) Design Number: **15089/2012**
(22) Date of Filing Application: **12 October 2012**
(24) Date from which industrial property rights may have effect: **12 October 2012**
(54) Product in respect of which the design is registered: **Roller for use in fitness training or massage**
(51) International Design Classification: **28-03NES**
(74) Name(s) of Attorney(s): **Knightsbridge Patent Attorneys**
(71) Name(s) and Address(s) of Applicant(s):
Trigger Point Technologies, LLC
5321 Industrial Oaks Blvd Suite 110 Austin TX 78735 United States of America
(72) Name(s) of Designer(s): **Peter Cassidy Phillips**
(45) Registration Date: **04 March 2013**
(30) Convention priority data:
(31) Number (32) Date (33) Country
61/623,149 12 Apr 2012 UNITED STATES OF AMERICA
(56) Related Art Documents: **Not Applicable**
(57) Statement of Newness and Distinctiveness: **Newness and distinctiveness are claimed in the features of shape and configuration for a roller for use in fitness training or massage, as depicted in the accompanying drawings.**



(21) Design Number: **10147/2013**
(22) Date of Filing Application: **08 January 2013**
(24) Date from which industrial property rights may have effect: **08 January 2013**
(54) Product in respect of which the design is registered: **Toy track component**
(51) International Design Classification: **21-01C**
(74) Name(s) of Attorney(s): **SPRUSON & FERGUSON**
(71) Name(s) and Address(s) of Applicant(s):
Innovation First, Inc.
1519 Interstate 30 West Greenville Texas 75402 United States of America
(72) Name(s) of Designer(s): **Robert H. Mimlitch III and David A. Norman and Douglas Michael Galletti and Gregory Needel and Jeffrey Russell Waegelin and Raul Olivera**
(45) Registration Date: **04 March 2013**
(30) Convention priority data:
(31) Number (32) Date (33) Country
29/426721 10 Jul 2012 UNITED STATES OF AMERICA
(56) Related Art Documents: **Not Applicable**
(57) Statement of Newness and Distinctiveness: **Newness and distinctiveness is claimed in the features of shape and/or configuration of a toy track component as illustrated in the accompanying representations.**



(21) Design Number: **10355/2013**

(22) Date of Filing Application: **23 January 2013**

(24) Date from which industrial property rights may have effect: **23 January 2013**

(54) Product in respect of which the design is registered: **A towel rail**

(51) International Design Classification: **07-05D**

(74) Name(s) of Attorney(s): **SPRUSON & FERGUSON**

(71) Name(s) and Address(s) of Applicant(s):

Caroma Industries Limited

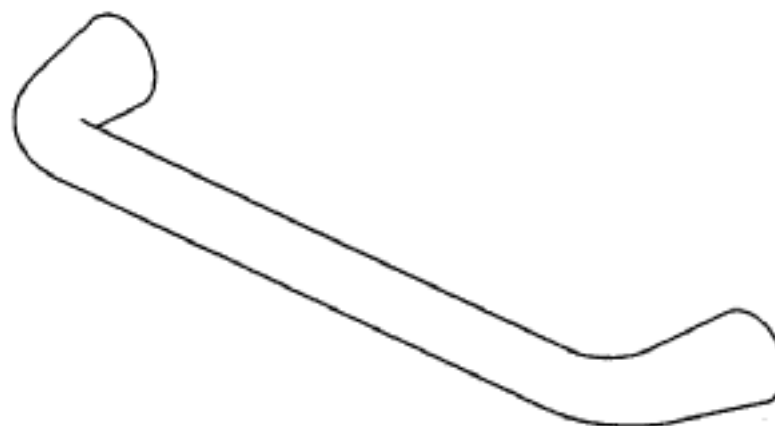
L2 HQ South Tower 520 Wickham St Fortitude Valley QLD 4006 Australia

(72) Name(s) of Designer(s): **Marc Andrew Newson**

(45) Registration Date: **04 March 2013**

(56) Related Art Documents: **Not Applicable**

(57) Statement of Newness and Distinctiveness: **Newness and distinctiveness is claimed in the features of shape and/or configuration of a towel rail as illustrated in the accompanying representations.**



(21) Design Number: **15798/2012**

(22) Date of Filing Application: **20 November 2012**

(24) Date from which industrial property rights may have effect: **20 November 2012**

(54) Product in respect of which the design is registered: **A rear bumper for an automobile**

(51) International Design Classification: **12-16C**

(74) Name(s) of Attorney(s): **SPRUSON & FERGUSON**

(71) Name(s) and Address(s) of Applicant(s):

Honda Motor Co., Ltd.

1-1 Minami-Aoyama 2-Chome Minato-ku Tokyo Japan

(72) Name(s) of Designer(s): **Toshiyuki Okumoto**

(45) Registration Date: **04 March 2013**

(30) Convention priority data:

| (31) Number | (32) Date | (33) Country |
|--------------------|--------------------|--------------|
| 2012-012389 | 25 May 2012 | JAPAN |

(56) Related Art Documents: **Not Applicable**

(57) Statement of Newness and Distinctiveness: **Newness and distinctiveness is claimed in the features of shape and/or configuration of a rear bumper for an automobile as illustrated in the accompanying representations.**



(21) Design Number: **15799/2012**
(22) Date of Filing Application: **20 November 2012**
(24) Date from which industrial property rights may have effect: **20 November 2012**
(54) Product in respect of which the design is registered: **An automobile**
(51) International Design Classification: **12-08**
(74) Name(s) of Attorney(s): **SPRUSON & FERGUSON**
(71) Name(s) and Address(s) of Applicant(s):
Honda Motor Co., Ltd.
1-1 Minami-Aoyama 2-Chome Minato-ku Tokyo Japan
(72) Name(s) of Designer(s): **Riku Wada and Daisuke Toriyama**
(45) Registration Date: **04 March 2013**
(30) Convention priority data:
(31) Number (32) Date (33) Country
2012-012380 25 May 2012 JAPAN
(56) Related Art Documents: **Not Applicable**
(57) Statement of Newness and Distinctiveness: **Newness and distinctiveness is claimed in the features of shape and/or configuration of an automobile as illustrated in the accompanying representations.**



(21) Design Number: **15800/2012**
(22) Date of Filing Application: **20 November 2012**
(24) Date from which industrial property rights may have effect: **20 November 2012**
(54) Product in respect of which the design is registered: **A front combination lamp for an automobile**
(51) International Design Classification: **26-06**
(74) Name(s) of Attorney(s): **SPRUSON & FERGUSON**
(71) Name(s) and Address(s) of Applicant(s):
Honda Motor Co., Ltd.
1-1 Minami-Aoyama 2-Chome Minato-ku Tokyo Japan
(72) Name(s) of Designer(s): **Riku Wada**
(45) Registration Date: **04 March 2013**
(30) Convention priority data:
(31) Number (32) Date (33) Country
2012-012384 25 May 2012 JAPAN
(56) Related Art Documents: **Not Applicable**
(57) Statement of Newness and Distinctiveness: **Newness and distinctiveness is claimed in the features of shape and/or configuration of a front combination lamp for an automobile as illustrated in the accompanying representations.**



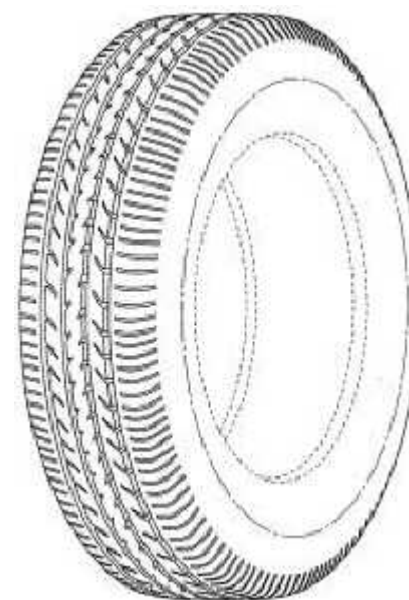
(21) Design Number: **15801/2012**
(22) Date of Filing Application: **20 November 2012**
(24) Date from which industrial property rights may have effect: **20 November 2012**
(54) Product in respect of which the design is registered: **A front bumper for an automobile**
(51) International Design Classification: **12-16C**
(74) Name(s) of Attorney(s): **SPRUSON & FERGUSON**
(71) Name(s) and Address(s) of Applicant(s):
Honda Motor Co., Ltd.
1-1 Minami-Aoyama 2-Chome Minato-ku Tokyo Japan
(72) Name(s) of Designer(s): **Toshiyuki Okumoto**
(45) Registration Date: **04 March 2013**
(30) Convention priority data:
(31) Number (32) Date (33) Country
2012-012386 25 May 2012 JAPAN
(56) Related Art Documents: **Not Applicable**
(57) Statement of Newness and Distinctiveness: **Newness and distinctiveness is claimed in the features of shape and/or configuration of a front bumper for an automobile as illustrated in the accompanying representations.**



(21) Design Number: **15802/2012**
(22) Date of Filing Application: **20 November 2012**
(24) Date from which industrial property rights may have effect: **20 November 2012**
(54) Product in respect of which the design is registered: **A steering wheel for an automobile**
(51) International Design Classification: **12-16A**
(74) Name(s) of Attorney(s): **SPRUSON & FERGUSON**
(71) Name(s) and Address(s) of Applicant(s):
Honda Motor Co., Ltd.
1-1 Minami-Aoyama 2-Chome Minato-ku Tokyo Japan
(72) Name(s) of Designer(s): **Takao Kanki**
(45) Registration Date: **04 March 2013**
(30) Convention priority data:
(31) Number (32) Date (33) Country
2012-012401 25 May 2012 JAPAN
(56) Related Art Documents: **Not Applicable**
(57) Statement of Newness and Distinctiveness: **Newness and distinctiveness is claimed in the features of shape and/or configuration of a steering wheel for an automobile as illustrated in the accompanying representations.**



(21) Design Number: **16160/2012**
(22) Date of Filing Application: **07 December 2012**
(24) Date from which industrial property rights may have effect: **07 December 2012**
(54) Product in respect of which the design is registered: **A tyre**
(51) International Design Classification: **12-15B**
(74) Name(s) of Attorney(s): **Davies Collison Cave**
(71) Name(s) and Address(s) of Applicant(s):
The Yokohama Rubber Co., Ltd.
36-11 Shimbashi 5 chome Minato-ku Tokyo 105-8685 Japan
(72) Name(s) of Designer(s): **Tsuyoto Shimizu and Tatsuya Higuchi**
(45) Registration Date: **05 March 2013**
(30) Convention priority data:
(31) Number (32) Date (33) Country
2012-013626 08 Jun 2012 JAPAN
(56) Related Art Documents: **Not Applicable**
(57) Statement of Newness and Distinctiveness: **Nil**



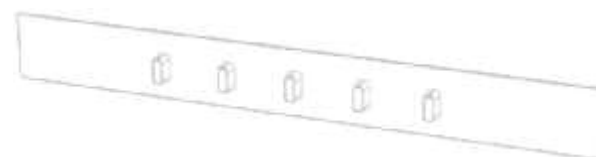
(21) Design Number: **16296/2012**
(22) Date of Filing Application: **12 December 2012**
(24) Date from which industrial property rights may have effect: **12 December 2012**
(54) Product in respect of which the design is registered: **Refrigerator**
(51) International Design Classification: **15-07**
(74) Name(s) of Attorney(s): **Davies Collison Cave**
(71) Name(s) and Address(s) of Applicant(s):
Red Bull GmbH
Am Brunnen 1 Fuschl am See 5330 Austria
(72) Name(s) of Designer(s): **Juergen Brenneis and Mario Groth and David Kehoe and Matthias Rinderer**
(45) Registration Date: **05 March 2013**
(30) Convention priority data:
(31) Number (32) Date (33) Country
002060913-0003 20 Jun 2012 OFFICE FOR HARMONISATION IN THE INTERNAL MARKET (OHIM)
(56) Related Art Documents: **Not Applicable**
(57) Statement of Newness and Distinctiveness: **Nil**



(21) Design Number: **16416/2012**
(22) Date of Filing Application: **19 December 2012**
(24) Date from which industrial property rights may have effect: **19 December 2012**
(54) Product in respect of which the design is registered: **Paint applicator tool**
(51) International Design Classification: **08-05L**
(74) Name(s) of Attorney(s): **Davies Collison Cave**
(71) Name(s) and Address(s) of Applicant(s):
Black & Decker Inc.
1207 Drummond Plaza Newark Delaware 19711 United States of America
(72) Name(s) of Designer(s): **Mark Stratford**
(45) Registration Date: **05 March 2013**
(30) Convention priority data:
(31) Number (32) Date (33) Country
**001333413 03 Jul 2012 OFFICE FOR HARMONISATION IN
THE INTERNAL MARKET (OHIM)**
(56) Related Art Documents: **Not Applicable**
(57) Statement of Newness and Distinctiveness: **Nil**



(21) Design Number: **16445/2012**
(22) Date of Filing Application: **19 December 2012**
(24) Date from which industrial property rights may have effect: **11 October 2012**
(54) Product in respect of which the design is registered: **Control Panel**
(51) International Design Classification: **07-02C**
(74) Name(s) of Attorney(s): **Halfords IP**
(71) Name(s) and Address(s) of Applicant(s):
Electrolux Professional S.p.A.
Viale Treviso 15 Pordenone PN 33170 Italy
(72) Name(s) of Designer(s): **Joachim Nordwall**
(45) Registration Date: **05 March 2013**
(30) Convention priority data:
(31) Number (32) Date (33) Country
**002025221 13 Apr 2012 OFFICE FOR HARMONISATION IN
THE INTERNAL MARKET (OHIM)**
(62) Divisional of: **346204**
(56) Related Art Documents: **Not Applicable**
(57) Statement of Newness and Distinctiveness: **Newness and distinctiveness
is claimed in those features of shape and or configuration of a Control
Panel as depicted in the representations.**



(21) Design Number: **16465/2012**

(22) Date of Filing Application: **20 December 2012**

(24) Date from which industrial property rights may have effect: **20 December 2012**

(54) Product in respect of which the design is registered: **Cheese knife**

(51) International Design Classification: **07-03**

(74) Name(s) of Attorney(s): **Trademark Works**

(71) Name(s) and Address(s) of Applicant(s):

Joseph Joseph Ltd

The Grove 30 Great Guildford Street SE1 0HS London United Kingdom

(72) Name(s) of Designer(s): **David Evans and Ashley May**

(45) Registration Date: **05 March 2013**

(30) Convention priority data:

(31) Number

(32) Date

(33) Country

002102343-0004 13 Sep 2012

**OFFICE FOR HARMONISATION IN
THE INTERNAL MARKET (OHIM)**

(56) Related Art Documents: **Not Applicable**

(57) Statement of Newness and Distinctiveness: **The newness and distinctiveness of the design resides in the shape of the cheese knife as shown in the accompanying representations.**



(21) Design Number: **10479/2013**

(22) Date of Filing Application: **31 January 2013**

(24) Date from which industrial property rights may have effect: **31 January 2013**

(54) Product in respect of which the design is registered: **Pet collar**

(51) International Design Classification: **30-04**

(74) Name(s) of Attorney(s):

(71) Name(s) and Address(s) of Applicant(s):

MakeWay Enterprises Pty Ltd

PO BOX 6014 Minto Distribution Centre Minto NSW 2566 Australia

Wendell Van Jour

PO BOX 6014 Minto Distribution Centre Minto NSW 2566 Australia

(72) Name(s) of Designer(s): **Wendell Van Jour**

(45) Registration Date: **05 March 2013**

(56) Related Art Documents: **Not Applicable**

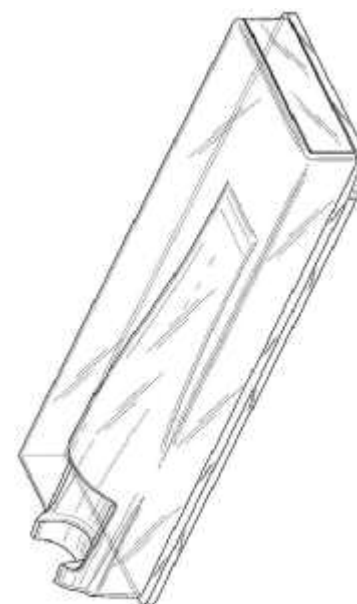
(57) Statement of Newness and Distinctiveness: **Our statement of newness and distinctiveness is summarised by the following design elements of our collar design: 1- The actual selection of colour of the leather used eg lime green, orange, red, blue, natural, plum 2- The collar is padded using soft white leather on the inside of the collar 3- The way the triple row swarovski stones arrangements are set into the leather collar band. 4- Engraved rectangle buckle used with other colour elements combines to make this product truly unique.**



- (21) Design Number: **10478/2013**
(22) Date of Filing Application: **31 January 2013**
(24) Date from which industrial property rights may have effect: **31 January 2013**
(54) Product in respect of which the design is registered: **Pet collar**
(51) International Design Classification: **30-04**
(74) Name(s) of Attorney(s):
(71) Name(s) and Address(s) of Applicant(s):
MakeWay Enterprises Pty Ltd
PO BOX 6014 Minto Distribution Centre Minto NSW 2566 Australia
Wendell Van Jour
PO BOX 6014 Minto Distribution Centre Minto NSW 2566 Australia
(72) Name(s) of Designer(s): **Wendell Van Jour**
(45) Registration Date: **05 March 2013**
(56) Related Art Documents: **Not Applicable**
(57) Statement of Newness and Distinctiveness: **It is distinctive due to the following combined design elements": 1. White leather and padding on internal of collar 2. Double needle roller buckets 3. Diamond cut steel spikes 4. Diamond cut steel cones and arrangement of spikes and cones on the top of the collar.**



- (21) Design Number: **10427/2013**
(22) Date of Filing Application: **29 January 2013**
(24) Date from which industrial property rights may have effect: **08 November 2012**
(54) Product in respect of which the design is registered: **Sample cassette for a diagnostic instrument**
(51) International Design Classification: **24-02**
(74) Name(s) of Attorney(s): **Griffith Hack**
(71) Name(s) and Address(s) of Applicant(s):
Wellstat Diagnostics, LLC
903 Clopper Road Gaithersburg MD 20878 United States of America
(72) Name(s) of Designer(s): **Charles Quentin Davis and Michael D. Nelson and Joseph N.K. Ullman and Nadine Wohlstadter**
(45) Registration Date: **05 March 2013**
(62) Divisional of: **347568**
(56) Related Art Documents: **Not Applicable**
(57) Statement of Newness and Distinctiveness: **Newness and distinctiveness resides in the visual features, including shape and configuration of the PRODUCT as shown in the accompanying representations. Top and bottom portions of the PRODUCT are transparent.**



- (21) Design Number: **15851/2012**
(22) Date of Filing Application: **26 November 2012**
(24) Date from which industrial property rights may have effect: **26 November 2012**
(54) Product in respect of which the design is registered: **Solar mast trailer**
(51) International Design Classification: **13-99, 12-10**
(74) Name(s) of Attorney(s):
(71) Name(s) and Address(s) of Applicant(s):

Bullant Industries Pty Ltd
7 Cummins Drive Somerton Victoria 3062 Australia

(72) Name(s) of Designer(s): **Garry Constable**

(45) Registration Date: **05 March 2013**

(56) Related Art Documents: **Not Applicable**

(57) Statement of Newness and Distinctiveness: **The newness and distinctiveness of the design resides in particular safety features including, but not limited to the fold down stair and landing, handrail and kicker, bump rails, enclosure and solar panels configuration. The panel angle is a variation depending upon location of the enclosure in relation the earths latitude, determined by location of intended use. The extendable mast is designed to take various equipment (equipment and mounting brackets is a variable and not shown).**



- (21) Design Number: **10496/2013**
(22) Date of Filing Application: **01 February 2013**
(24) Date from which industrial property rights may have effect: **01 February 2013**
(54) Product in respect of which the design is registered: **A demarcation cap**
(51) International Design Classification: **29-02, 99-00**
(74) Name(s) of Attorney(s): **WATERMARK PATENT AND TRADE MARKS ATTORNEYS**
(71) Name(s) and Address(s) of Applicant(s):

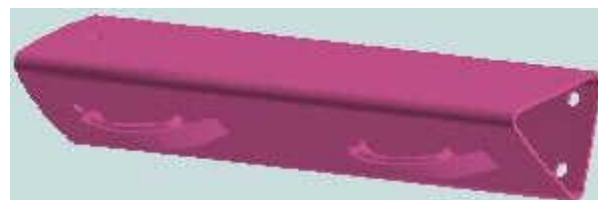
Timothy Erle Fisher
192 Penguin Rd Safety Bay WA 6169 Australia

(72) Name(s) of Designer(s): **Timothy Erle Fisher**

(45) Registration Date: **05 March 2013**

(56) Related Art Documents: **Not Applicable**

(57) Statement of Newness and Distinctiveness: **Nil**



(21) Design Number: **10331/2013**
(22) Date of Filing Application: **24 January 2013**
(24) Date from which industrial property rights may have effect: **24 January 2013**
(54) Product in respect of which the design is registered: **Vacuum cleaner**
(51) International Design Classification: **15-05**
(74) Name(s) of Attorney(s): **FB Rice**
(71) Name(s) and Address(s) of Applicant(s):
Koninklijke Philips Electronics N.V.
Groenewoudseweg 1 BA Eindhoven 5621 The Netherlands
(72) Name(s) of Designer(s): **Donald Thackray**
(45) Registration Date: **05 March 2013**
(30) Convention priority data:
(31) Number (32) Date (33) Country
002080010-0001 26 Jul 2012 OFFICE FOR HARMONISATION IN
THE INTERNAL MARKET (OHIM)
(56) Related Art Documents: **Not Applicable**
(57) Statement of Newness and Distinctiveness: **Newness and distinctiveness**
reside in the features of shape and configuration of the design as shown
in the representations.



(21) Design Number: **10330/2013**
(22) Date of Filing Application: **24 January 2013**
(24) Date from which industrial property rights may have effect: **24 January 2013**
(54) Product in respect of which the design is registered: **Total body shaver**
(51) International Design Classification: **28-03A**
(74) Name(s) of Attorney(s): **FB Rice**
(71) Name(s) and Address(s) of Applicant(s):
Koninklijke Philips Electronics N.V.
Groenewoudseweg 1 BA Eindhoven 5621 The Netherlands
(72) Name(s) of Designer(s): **Florian Jeremy Fabrice Boulanger**
(45) Registration Date: **05 March 2013**
(30) Convention priority data:
(31) Number (32) Date (33) Country
002080028-0001 26 Jul 2012 OFFICE FOR HARMONISATION IN
THE INTERNAL MARKET (OHIM)
(56) Related Art Documents: **Not Applicable**
(57) Statement of Newness and Distinctiveness: **Newness and distinctiveness**
reside in the features of shape and configuration of the design as shown
in the representations.



(21) Design Number: **10325/2013**
(22) Date of Filing Application: **23 January 2013**
(24) Date from which industrial property rights may have effect: **23 January 2013**
(54) Product in respect of which the design is registered: **Portable data storage device**
(51) International Design Classification: **14-02**
(74) Name(s) of Attorney(s): **Marks & Clerk Australia**
(71) Name(s) and Address(s) of Applicant(s):
Trek Technology (Singapore) Pte Ltd
30 Loyang Way #07-13/14/15 Loyang Industrial Estate 508769 Singapore
(72) Name(s) of Designer(s): **Chun Liang Nick Tan**
(45) Registration Date: **05 March 2013**
(30) Convention priority data:
(31) Number (32) Date (33) Country
D2012/1224/Z 17 Oct 2012 SINGAPORE
(56) Related Art Documents: **Not Applicable**
(57) Statement of Newness and Distinctiveness: **Nil**



(21) Design Number: **16405/2012**
(22) Date of Filing Application: **19 December 2012**
(24) Date from which industrial property rights may have effect: **19 December 2012**
(54) Product in respect of which the design is registered: **Ladder support**
(51) International Design Classification: **25-04**
(74) Name(s) of Attorney(s): **Macpherson + Kelley**
(71) Name(s) and Address(s) of Applicant(s):
Tieco International Pty Ltd
4 Tampe Rd Rowville VIC 3178 Australia
(72) Name(s) of Designer(s): **Trevor Smith**
(45) Registration Date: **05 March 2013**
(56) Related Art Documents: **Not Applicable**
(57) Statement of Newness and Distinctiveness: **The design is to be applied to an aluminium extrusion used to safely secure ladders and the novelty resides in the features of shape and configuration as shown in the accompanying representations. The holes are included in the design application but the number and the relative position of the holes are disclaimed.**



(21) Design Number: **16417/2012**

(22) Date of Filing Application: **19 December 2012**

(24) Date from which industrial property rights may have effect: **19 December 2012**

(54) Product in respect of which the design is registered: **Paint cartridge cover**

(51) International Design Classification: **08-05L**

(74) Name(s) of Attorney(s): **Davies Collison Cave**

(71) Name(s) and Address(s) of Applicant(s):

Black & Decker Inc.

1207 Drummond Plaza Newark Delaware 19711 United States of America

(72) Name(s) of Designer(s): **Mark Stratford**

(45) Registration Date: **05 March 2013**

(30) Convention priority data:

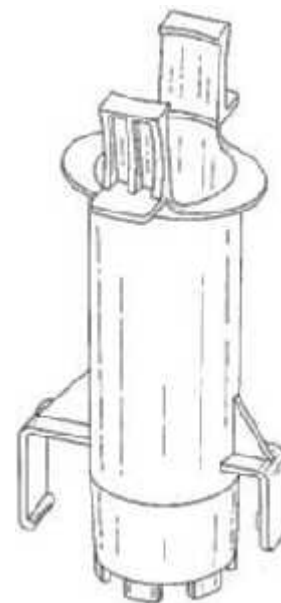
(31) Number
001333413

(32) Date
03 Jul 2012

(33) Country
**OFFICE FOR HARMONISATION IN
THE INTERNAL MARKET (OHIM)**

(56) Related Art Documents: **Not Applicable**

(57) Statement of Newness and Distinctiveness: **Nil**



(21) Design Number: **16422/2012**

(22) Date of Filing Application: **19 December 2012**

(24) Date from which industrial property rights may have effect: **19 December 2012**

(54) Product in respect of which the design is registered: **A handle for a plaything**

(51) International Design Classification: **21-01NES**

(74) Name(s) of Attorney(s): **Davies Collison Cave**

(71) Name(s) and Address(s) of Applicant(s):

Fiskars Brands Finland Oy Ab
F1-10330 Billnas Finland

(72) Name(s) of Designer(s): **Petteri Masalin and Vesa Korjus and Jouni Salojarvi and Egon Missik and Pirkka Haimi**

(45) Registration Date: **05 March 2013**

(30) Convention priority data:

(31) Number
002066605-0012

(32) Date
02 Jul 2012

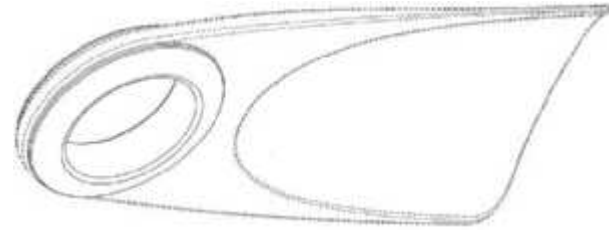
(33) Country
FINLAND

(56) Related Art Documents: **Not Applicable**

(57) Statement of Newness and Distinctiveness: **Newness and distinctiveness is claimed in the visual features shown in solid lines in the representations.**



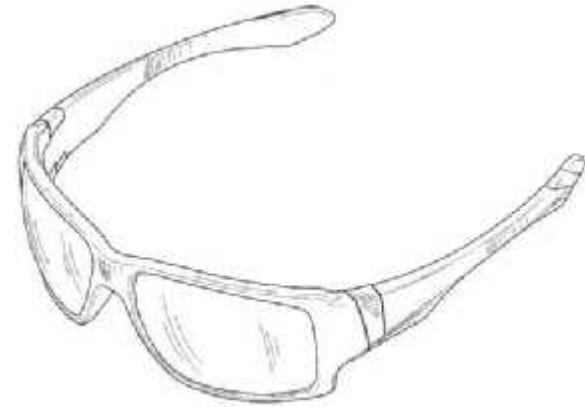
(21) Design Number: **16419/2012**
(22) Date of Filing Application: **19 December 2012**
(24) Date from which industrial property rights may have effect: **19 December 2012**
(54) Product in respect of which the design is registered: **A handle for a plaything**
(51) International Design Classification: **21-01NES**
(74) Name(s) of Attorney(s): **Davies Collison Cave**
(71) Name(s) and Address(s) of Applicant(s):
Fiskars Brands Finland Oy Ab
F1-10330 Billnas Finland
(72) Name(s) of Designer(s): **Petteri Masalin and Vesa Korjus and Jouni Salojarvi and Egon Missik and Pirkka Haimi**
(45) Registration Date: **05 March 2013**
(30) Convention priority data:
(31) Number (32) Date (33) Country
002066605-0010 02 Jul 2012 FINLAND
(56) Related Art Documents: **Not Applicable**
(57) Statement of Newness and Distinctiveness: **Newness and distinctiveness is claimed in the visual features shown in solid lines in the representations.**



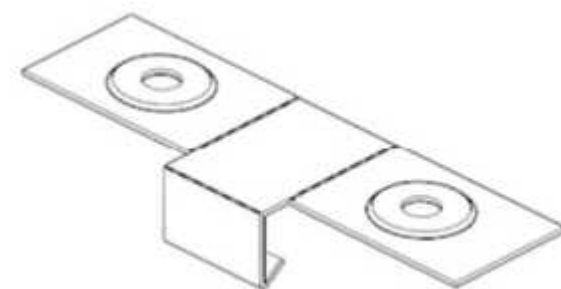
(21) Design Number: **10199/2013**
(22) Date of Filing Application: **15 January 2013**
(24) Date from which industrial property rights may have effect: **15 January 2013**
(54) Product in respect of which the design is registered: **Floor lamp**
(51) International Design Classification: **26-05B**
(74) Name(s) of Attorney(s):
(71) Name(s) and Address(s) of Applicant(s):
Maxie Navius
1/17 Magdala St Ascot QLD 4007 Australia
(72) Name(s) of Designer(s): **Maxie Navius**
(45) Registration Date: **05 March 2013**
(56) Related Art Documents: **Not Applicable**
(57) Statement of Newness and Distinctiveness: **Angled shape floor lamp - Angled shape support for the lamp - bronze/brass details.**



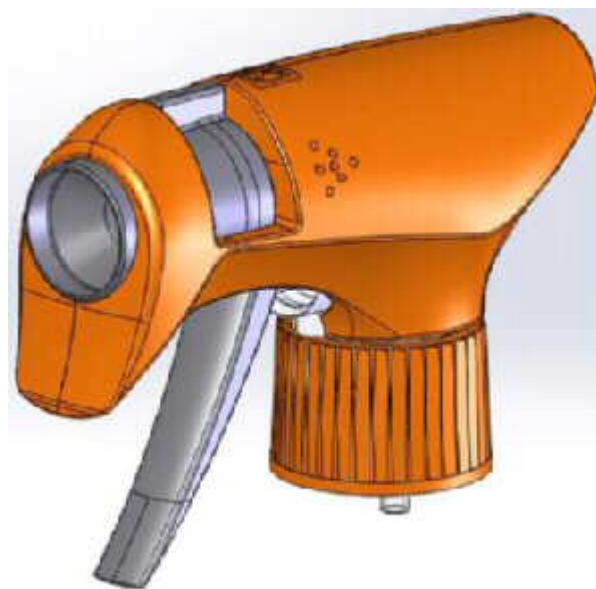
(21) Design Number: **10223/2013**
(22) Date of Filing Application: **16 January 2013**
(24) Date from which industrial property rights may have effect: **16 January 2013**
(54) Product in respect of which the design is registered: **Eyeglasses**
(51) International Design Classification: **16-06**
(74) Name(s) of Attorney(s): **Davies Collison Cave**
(71) Name(s) and Address(s) of Applicant(s):
Oakley, Inc.
One Icon Foothill Ranch California 92610 United States of America
(72) Name(s) of Designer(s): **George Yoo**
(45) Registration Date: **05 March 2013**
(30) Convention priority data:
(31) Number (32) Date (33) Country
29/427258 16 Jul 2012 UNITED STATES OF AMERICA
(56) Related Art Documents: **Not Applicable**
(57) Statement of Newness and Distinctiveness: **Nil**



(21) Design Number: **10241/2013**
(22) Date of Filing Application: **17 January 2013**
(24) Date from which industrial property rights may have effect: **17 January 2013**
(54) Product in respect of which the design is registered: **Support clip**
(51) International Design Classification: **08-08L**
(74) Name(s) of Attorney(s): **Davies Collison Cave**
(71) Name(s) and Address(s) of Applicant(s):
Aus Steel Pty Ltd
17 Rogilla CI Wallsend NSW 2287 Australia
(72) Name(s) of Designer(s): **Simon Love**
(45) Registration Date: **05 March 2013**
(56) Related Art Documents: **Not Applicable**
(57) Statement of Newness and Distinctiveness: **Newness and distinctiveness is claimed in the visual features shown in solid lines in the representations.**



(21) Design Number: **10269/2013**
(22) Date of Filing Application: **18 January 2013**
(24) Date from which industrial property rights may have effect: **18 January 2013**
(54) Product in respect of which the design is registered: **Trigger spray**
(51) International Design Classification: **09-07A**
(74) Name(s) of Attorney(s): **Davies Collison Cave**
(71) Name(s) and Address(s) of Applicant(s):
Syngenta Crop Protection, LLC
410 Swing Road Greensboro North Carolina 27409 United States of America
(72) Name(s) of Designer(s): **Ed Mitchell and Nicola Lelli and Neil Ryan and Richard Dumont and Sarah Hopper**
(45) Registration Date: **05 March 2013**
(30) Convention priority data:
(31) Number (32) Date (33) Country
29/427629 20 Jul 2012 UNITED STATES OF AMERICA
(56) Related Art Documents: **Not Applicable**
(57) Statement of Newness and Distinctiveness: **Nil**



(21) Design Number: **10430/2013**
(22) Date of Filing Application: **29 January 2013**
(24) Date from which industrial property rights may have effect: **08 November 2012**
(54) Product in respect of which the design is registered: **Sample cassette for a diagnostic instrument**
(51) International Design Classification: **24-02**
(74) Name(s) of Attorney(s): **Griffith Hack**
(71) Name(s) and Address(s) of Applicant(s):
Wellstat Diagnostics, LLC
903 Clopper Road Gaithersburg MD 20878 United States of America
(72) Name(s) of Designer(s): **Charles Quentin Davis and Michael D. Nelson and Joseph N.K. Ullman and Nadine Wohlstadter**
(45) Registration Date: **05 March 2013**
(62) Divisional of: **346947**
(56) Related Art Documents: **Not Applicable**
(57) Statement of Newness and Distinctiveness: **Newness and distinctiveness resides in the visual features, including shape and configuration, of the PRODUCT as shown in the accompanying representations.**



- (21) Design Number: **10431/2013**
(22) Date of Filing Application: **29 January 2013**
(24) Date from which industrial property rights may have effect: **08 November 2012**
(54) Product in respect of which the design is registered: **Sample cassette for a diagnostic instrument**
(51) International Design Classification: **24-02**
(74) Name(s) of Attorney(s): **Griffith Hack**
(71) Name(s) and Address(s) of Applicant(s):
Wellstat Diagnostics, LLC
903 Clopper Road Gaithersburg MD 20878 United States of America
(72) Name(s) of Designer(s): **Charles Quentin Davis and Michael D. Nelson and Joseph N.K. Ullman and Nadine Wohlstadter**
(45) Registration Date: **05 March 2013**
(62) Divisional of: **346947**
(56) Related Art Documents: **Not Applicable**
(57) Statement of Newness and Distinctiveness: **Newness and distinctiveness resides in the visual features, including shape and configuration, of the PRODUCT as shown in the accompanying representations.**



- (21) Design Number: **10630/2013**
(22) Date of Filing Application: **08 February 2013**
(24) Date from which industrial property rights may have effect: **08 February 2013**
(54) Product in respect of which the design is registered: **Rear combination lamp for motor scooters**
(51) International Design Classification: **26-06**
(74) Name(s) of Attorney(s): **Griffith Hack**
(71) Name(s) and Address(s) of Applicant(s):
Honda Motor Co., Ltd.
1-1 Minami-Aoyama 2-chome Minato-ku Tokyo 107-8556 Japan
(72) Name(s) of Designer(s): **Tetsuo Kojima and Kenji Shimizu**
(45) Registration Date: **05 March 2013**
(30) Convention priority data:
(31) Number (32) Date (33) Country
2012-019275 09 Aug 2012 JAPAN
(56) Related Art Documents: **Not Applicable**
(57) Statement of Newness and Distinctiveness: **Newness and distinctiveness resides in the visual features, including shape, configuration and ornamentation of the product as shown in the accompanying figures.**



(21) Design Number: **10631/2013**
(22) Date of Filing Application: **08 February 2013**
(24) Date from which industrial property rights may have effect: **08 February 2013**
(54) Product in respect of which the design is registered: **Front indicator for motor scooter**
(51) International Design Classification: **26-06**
(74) Name(s) of Attorney(s): **Griffith Hack**
(71) Name(s) and Address(s) of Applicant(s):
Honda Motor Co., Ltd.
1-1 Minami-Aoyama 2-chome Minato-ku Tokyo 107-8556 Japan
(72) Name(s) of Designer(s): **Daisuke Kuriki and Tomotake Shimoji**
(45) Registration Date: **05 March 2013**
(30) Convention priority data:
(31) Number (32) Date (33) Country
2012-019274 09 Aug 2012 JAPAN
(56) Related Art Documents: **Not Applicable**
(57) Statement of Newness and Distinctiveness: **Newness and distinctiveness resides in the visual features, including shape, configuration and ornamentation of the product as shown in the accompanying figures.**



(21) Design Number: **10651/2013**
(22) Date of Filing Application: **08 February 2013**
(24) Date from which industrial property rights may have effect: **08 February 2013**
(54) Product in respect of which the design is registered: **Gas flow indicator**
(51) International Design Classification: **10-04**
(74) Name(s) of Attorney(s): **Callinans**
(71) Name(s) and Address(s) of Applicant(s):
Matthew Matusik
98 Manning Rd Malvern East VIC 3145 Australia
(72) Name(s) of Designer(s): **Matthew Matusik**
(45) Registration Date: **05 March 2013**
(30) Convention priority data:
(31) Number (32) Date (33) Country
29/429,485 12 Aug 2012 UNITED STATES OF AMERICA
(56) Related Art Documents: **Not Applicable**
(57) Statement of Newness and Distinctiveness: **Newness and distinctiveness are provided by the shape and/or configuration of the design shown in the representations. The features shown in broken lines in the representations are for illustrative purposes only and should not be considered when construing visual features of the design.**



(21) Design Number: **10652/2013**
(22) Date of Filing Application: **08 February 2013**
(24) Date from which industrial property rights may have effect: **08 February 2013**
(54) Product in respect of which the design is registered: **Gas flow indicator**
(51) International Design Classification: **10-04**
(74) Name(s) of Attorney(s): **Callinans**
(71) Name(s) and Address(s) of Applicant(s):

Matthew Matusik
98 Manning Rd Malvern East VIC 3145 Australia

(72) Name(s) of Designer(s): **Matthew Matusik**

(45) Registration Date: **05 March 2013**

(30) Convention priority data:

| (31) Number | (32) Date | (33) Country |
|-------------------|--------------------|---------------------------------|
| 29/429,486 | 12 Aug 2012 | UNITED STATES OF AMERICA |

(56) Related Art Documents: **Not Applicable**

(57) Statement of Newness and Distinctiveness: **Newness and distinctiveness are provided by the shape and/or configuration of the design shown in the representations. The features shown in broken lines in the representations are for illustrative purposes only and should not be considered when construing visual features of the design.**



(21) Design Number: **10623/2013**
(22) Date of Filing Application: **05 February 2013**
(24) Date from which industrial property rights may have effect: **05 February 2013**
(54) Product in respect of which the design is registered: **A sharpener**
(51) International Design Classification: **08-05H**
(74) Name(s) of Attorney(s): **SPRUSON & FERGUSON**
(71) Name(s) and Address(s) of Applicant(s):

Sheldon and Hammond Pty Ltd
24 Salisbury Rd Asquith NSW 2077 Australia

(72) Name(s) of Designer(s): **Mike Ellams**

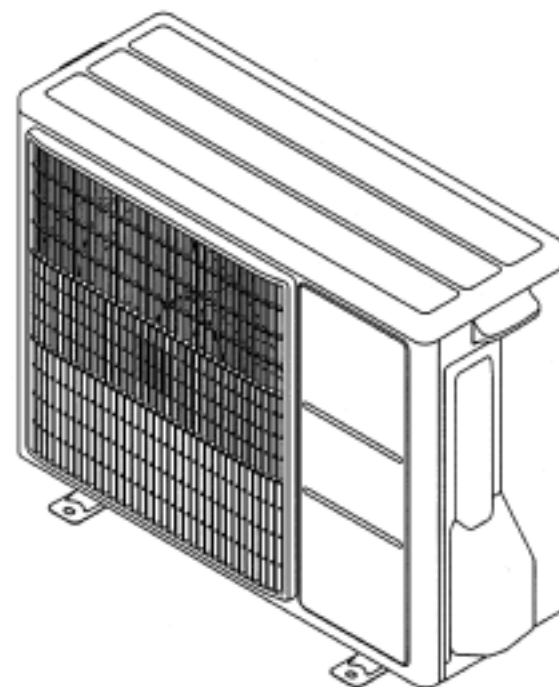
(45) Registration Date: **05 March 2013**

(56) Related Art Documents: **Not Applicable**

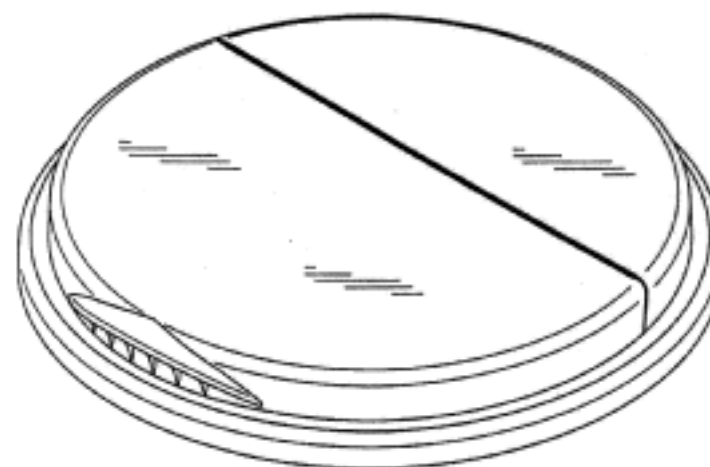
(57) Statement of Newness and Distinctiveness: **Newness and distinctiveness is claimed in the features of shape and/or configuration of a sharpener as illustrated in the accompanying representations.**



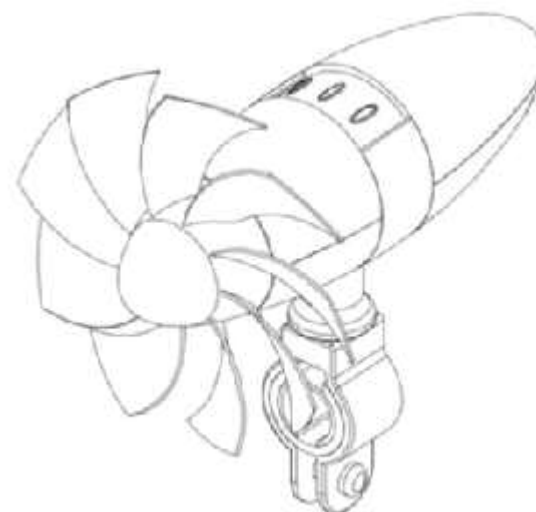
- (21) Design Number: **10668/2013**
(22) Date of Filing Application: **08 February 2013**
(24) Date from which industrial property rights may have effect: **08 February 2013**
(54) Product in respect of which the design is registered: **Outdoor unit for air conditioner**
(51) International Design Classification: **23-04**
(74) Name(s) of Attorney(s): **SPRUSON & FERGUSON**
(71) Name(s) and Address(s) of Applicant(s):
Fujitsu General Limited
1116 Suenaga Takatsu-ku Kawasaki-shi Kanagawa 213-8502 Japan
(72) Name(s) of Designer(s): **Hiroshi Kobayashi and Yoshihiro Shiota**
(45) Registration Date: **05 March 2013**
(30) Convention priority data:
(31) Number (32) Date (33) Country
2012-026533 31 Oct 2012 JAPAN
(56) Related Art Documents: **Not Applicable**
(57) Statement of Newness and Distinctiveness: **Newness and distinctiveness is claimed in the features of shape and/or configuration of an outdoor unit for air conditioner as illustrated in the accompanying representations.**



- (21) Design Number: **10687/2013**
(22) Date of Filing Application: **11 February 2013**
(24) Date from which industrial property rights may have effect: **11 February 2013**
(54) Product in respect of which the design is registered: **Closure**
(51) International Design Classification: **09-07B**
(74) Name(s) of Attorney(s): **SPRUSON & FERGUSON**
(71) Name(s) and Address(s) of Applicant(s):
AptarGroup, Inc.
475 West Terra Cotta Avenue Crystal Lake Illinois 60014-9695 United States of America
(72) Name(s) of Designer(s): **Andrew J. Brunner**
(45) Registration Date: **05 March 2013**
(30) Convention priority data:
(31) Number (32) Date (33) Country
29/437725 20 Nov 2012 UNITED STATES OF AMERICA
(56) Related Art Documents: **Not Applicable**
(57) Statement of Newness and Distinctiveness: **Newness and distinctiveness is claimed in the features of shape and/or configuration of a closure illustrated in the accompanying representations, the features including: a finger or thumb lift that: is located at the front of the closure, has a forwardly extending portion that has an arcuate configuration as viewed in front elevation and as viewed in the top plan view, and has a plurality of vertically oriented, spaced-apart ribs below the radially extending portion.**



- (21) Design Number: **10348/2013**
(22) Date of Filing Application: **24 January 2013**
(24) Date from which industrial property rights may have effect: **24 January 2013**
(54) Product in respect of which the design is registered: **Device for charging a portable-electronic-device**
(51) International Design Classification: **13-02**
(74) Name(s) of Attorney(s): **Roger Syn & Co. Patent & Trade Mark Attorneys**
(71) Name(s) and Address(s) of Applicant(s):
Force Of Nature Energy Pty Ltd
U1 79 Oakley Rd North Bondi NSW 2026 Australia
(72) Name(s) of Designer(s): **Sean Edward Dewling**
(45) Registration Date: **06 March 2013**
(56) Related Art Documents: **Not Applicable**
(57) Statement of Newness and Distinctiveness: **This design is to be applied to a Charging-device for attachment to a motorcycle for charging a portable-electronic-device, and the newness and distinctiveness resides in the features of shape and configuration of the article shown in the accompanying representations.**



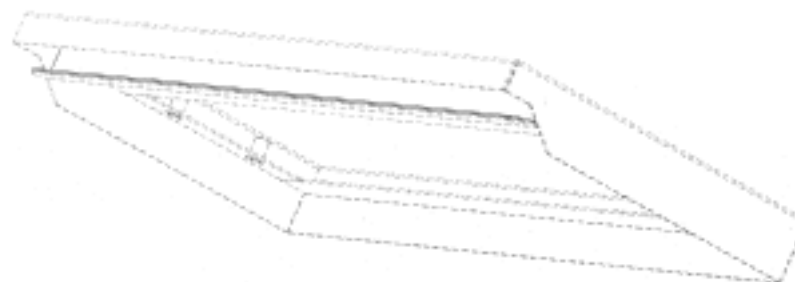
- (21) Design Number: **10659/2013**
(22) Date of Filing Application: **11 February 2013**
(24) Date from which industrial property rights may have effect: **11 February 2013**
(54) Product in respect of which the design is registered: **Motorcycle**
(51) International Design Classification: **12-11**
(74) Name(s) of Attorney(s): **FB Rice**
(71) Name(s) and Address(s) of Applicant(s):
Daelim Motor Co., Ltd.
58 Seongsan-dong Changwon-si Gyeongsangnam-do 641-315 Republic of Korea
(72) Name(s) of Designer(s): **Ki Joon Yu**
(45) Registration Date: **06 March 2013**
(56) Related Art Documents: **Not Applicable**
(57) Statement of Newness and Distinctiveness: **Newness and distinctiveness reside in the visual features of the design as shown in the representations.**



(21) Design Number: **10655/2013**
(22) Date of Filing Application: **07 February 2013**
(24) Date from which industrial property rights may have effect: **07 February 2013**
(54) Product in respect of which the design is registered: **Boot**
(51) International Design Classification: **02-04NES**
(74) Name(s) of Attorney(s): **SPRUSON & FERGUSON**
(71) Name(s) and Address(s) of Applicant(s):
Bekina NV
Berchemstraat 124-126 B-9690 Kluisbergen Belgium
(72) Name(s) of Designer(s): **Rudy Scherf**
(45) Registration Date: **06 March 2013**
(30) Convention priority data:
(31) Number (32) Date (33) Country
**002086892-0001 13 Aug 2012 OFFICE FOR HARMONISATION IN
THE INTERNAL MARKET (OHIM)**
(56) Related Art Documents: **Not Applicable**
(57) Statement of Newness and Distinctiveness: **Newness and distinctiveness
is claimed in the features of shape and/or configuration of the
ridges of a boot as illustrated and labelled "A" in the accompanying
representations.**



(21) Design Number: **10657/2013**
(22) Date of Filing Application: **07 February 2013**
(24) Date from which industrial property rights may have effect: **07 February 2013**
(54) Product in respect of which the design is registered: **Top cover for a
switchboard**
(51) International Design Classification: **13-03NES**
(74) Name(s) of Attorney(s): **Freehills Patent Attorneys**
(71) Name(s) and Address(s) of Applicant(s):
Heinemann Electric Pty Ltd
90 Fairbank Rd Clayton South VIC 3169 Australia
(72) Name(s) of Designer(s): **Ajith Koongalage and Dharshana Abeyesundara
and Iain Hamilton**
(45) Registration Date: **06 March 2013**
(56) Related Art Documents: **Not Applicable**
(57) Statement of Newness and Distinctiveness: **Newness and distinctiveness
reside in the shape and configuration of the part of the design indicated
in solid lines.**



(21) Design Number: **10607/2013**
(22) Date of Filing Application: **05 February 2013**
(24) Date from which industrial property rights may have effect: **05 February 2013**
(54) Product in respect of which the design is registered: **Covered container**
(51) International Design Classification: **07-01NES, 09-03NES**
(74) Name(s) of Attorney(s): **PHILLIPS ORMONDE FITZPATRICK**
(71) Name(s) and Address(s) of Applicant(s):
Dart Industries Inc.
14901 S. Orange Blossom Trail Orlando Florida 32837 United States of America

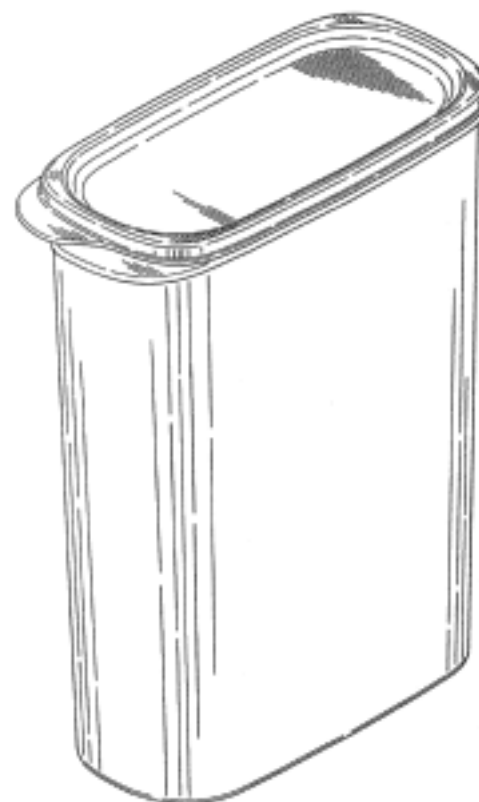
(72) Name(s) of Designer(s): **Jan-Hendrik De Groot and Julie L Yessin**
(45) Registration Date: **06 March 2013**

(30) Convention priority data:

| (31) Number | (32) Date | (33) Country |
|-------------------|--------------------|---------------------------------|
| 29/421,570 | 16 Aug 2012 | UNITED STATES OF AMERICA |

(56) Related Art Documents: **Not Applicable**

(57) Statement of Newness and Distinctiveness: **Those features of the covered container depicted in the representations that are new and distinctive are the shape and/or configuration.**



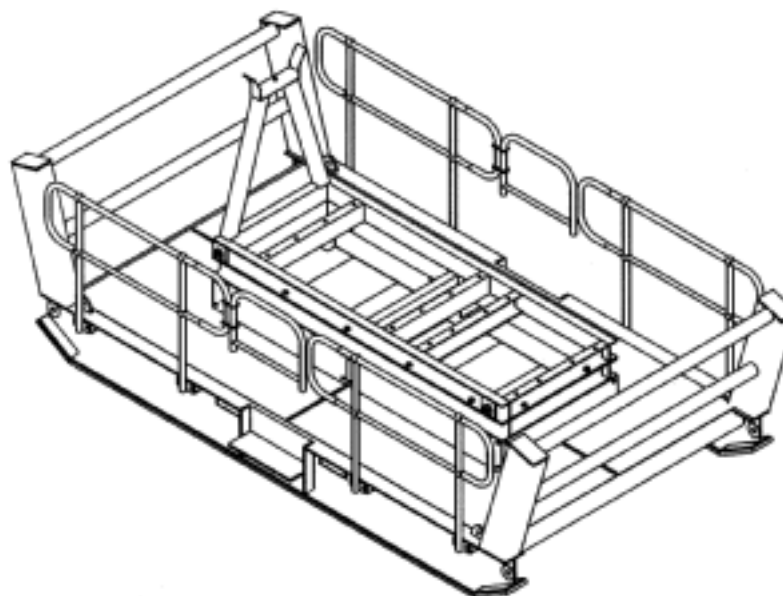
(21) Design Number: **10605/2013**
(22) Date of Filing Application: **05 February 2013**
(24) Date from which industrial property rights may have effect: **05 February 2013**
(54) Product in respect of which the design is registered: **Skid**
(51) International Design Classification: **12-14**
(74) Name(s) of Attorney(s): **Fisher Adams Kelly**
(71) Name(s) and Address(s) of Applicant(s):
Southern Cross Mining Services Pty Ltd
24-32 Interlink Ct Paget QLD 4740 Australia

(72) Name(s) of Designer(s): **Sean Worsley**

(45) Registration Date: **06 March 2013**

(56) Related Art Documents: **Not Applicable**

(57) Statement of Newness and Distinctiveness: **Newness and distinctiveness of the design resides in the shape and/or configuration of a SKID as depicted in the representations.**



(21) Design Number: **13874/2012**
(22) Date of Filing Application: **09 August 2012**
(24) Date from which industrial property rights may have effect: **09 August 2012**
(54) Product in respect of which the design is registered: **Side mirror for an automobile**
(51) International Design Classification: **12-16H**
(74) Name(s) of Attorney(s): **SPRUSON & FERGUSON**
(71) Name(s) and Address(s) of Applicant(s):
Toyota Jidosha Kabushiki Kaisha
1 Toyota-cho Toyota-shi Aichi-ken 471-8571 Japan
(72) Name(s) of Designer(s): **Hiroaki Hakamata**
(45) Registration Date: **06 March 2013**
(56) Related Art Documents: **Not Applicable**
(57) Statement of Newness and Distinctiveness: **Newness and distinctiveness is claimed in the features of shape and/or configuration of a side mirror for an automobile as illustrated in the accompanying representations.**



(21) Design Number: **13873/2012**
(22) Date of Filing Application: **09 August 2012**
(24) Date from which industrial property rights may have effect: **09 August 2012**
(54) Product in respect of which the design is registered: **Automobile**
(51) International Design Classification: **12-08**
(74) Name(s) of Attorney(s): **SPRUSON & FERGUSON**
(71) Name(s) and Address(s) of Applicant(s):
Toyota Jidosha Kabushiki Kaisha
1 Toyota-cho Toyota-shi Aichi-ken 471-8571 Japan
(72) Name(s) of Designer(s): **Akira Kubota and Takuya Watabe**
(45) Registration Date: **06 March 2013**
(56) Related Art Documents: **Not Applicable**
(57) Statement of Newness and Distinctiveness: **Newness and distinctiveness is claimed in those features of shape and/or configuration of an automobile that an illustrated in darker shades in the additional views of the accompanying representations, apart from Toyota emblem.**



- (21) Design Number: **13878/2012**
(22) Date of Filing Application: **09 August 2012**
(24) Date from which industrial property rights may have effect: **09 August 2012**
(54) Product in respect of which the design is registered: **Front bumper for an automobile**
(51) International Design Classification: **12-16C**
(74) Name(s) of Attorney(s): **SPRUSON & FERGUSON**
(71) Name(s) and Address(s) of Applicant(s):
Toyota Jidosha Kabushiki Kaisha
1 Toyota-cho Toyota-shi Aichi-ken 471-8571 Japan
(72) Name(s) of Designer(s): **Akira Kubota and Hideki Hayashi**
(45) Registration Date: **06 March 2013**
(56) Related Art Documents: **Not Applicable**
(57) Statement of Newness and Distinctiveness: **Newness and distinctiveness is claimed in the features of shape and/or configuration of a front bumper for an automobile as illustrated in the accompanying representations.**



- (21) Design Number: **13877/2012**
(22) Date of Filing Application: **09 August 2012**
(24) Date from which industrial property rights may have effect: **09 August 2012**
(54) Product in respect of which the design is registered: **Front combination lamp for an automobile**
(51) International Design Classification: **26-06**
(74) Name(s) of Attorney(s): **SPRUSON & FERGUSON**
(71) Name(s) and Address(s) of Applicant(s):
Toyota Jidosha Kabushiki Kaisha
1 Toyota-cho Toyota-shi Aichi-ken 471-8571 Japan
(72) Name(s) of Designer(s): **Hideki Hayashi**
(45) Registration Date: **06 March 2013**
(56) Related Art Documents: **Not Applicable**
(57) Statement of Newness and Distinctiveness: **Newness and distinctiveness is claimed in the features of shape and/or configuration of a front combination lamp for an automobile as illustrated in the accompanying representations.**



- (21) Design Number: **13881/2012**
(22) Date of Filing Application: **09 August 2012**
(24) Date from which industrial property rights may have effect: **09 August 2012**
(54) Product in respect of which the design is registered: **Automobile**
(51) International Design Classification: **12-08**
(74) Name(s) of Attorney(s): **SPRUSON & FERGUSON**
(71) Name(s) and Address(s) of Applicant(s):
Toyota Jidosha Kabushiki Kaisha
1 Toyota-cho Toyota-shi Aichi-Ken 471-8571 Japan
(72) Name(s) of Designer(s): **Masaki Okue and Akira Kubota and Hideki Hayashi and Takuya Watabe**
(45) Registration Date: **06 March 2013**
(56) Related Art Documents: **Not Applicable**
(57) Statement of Newness and Distinctiveness: **Newness and distinctiveness is claimed in the features of shape and/or configuration of an automobile as illustrated in the accompanying representations, apart from Toyota emblems.**



- (21) Design Number: **13875/2012**
(22) Date of Filing Application: **09 August 2012**
(24) Date from which industrial property rights may have effect: **09 August 2012**
(54) Product in respect of which the design is registered: **Rear bumper for an automobile**
(51) International Design Classification: **12-16C**
(74) Name(s) of Attorney(s): **SPRUSON & FERGUSON**
(71) Name(s) and Address(s) of Applicant(s):
Toyota Jidosha Kabushiki Kaisha
1 Toyota-cho Toyota-shi Aichi-ken 471-8571 Japan
(72) Name(s) of Designer(s): **Takuya Watabe**
(45) Registration Date: **06 March 2013**
(56) Related Art Documents: **Not Applicable**
(57) Statement of Newness and Distinctiveness: **Newness and distinctiveness is claimed in the features of shape and/or configuration of a rear bumper for an automobile as illustrated in the accompanying representations.**



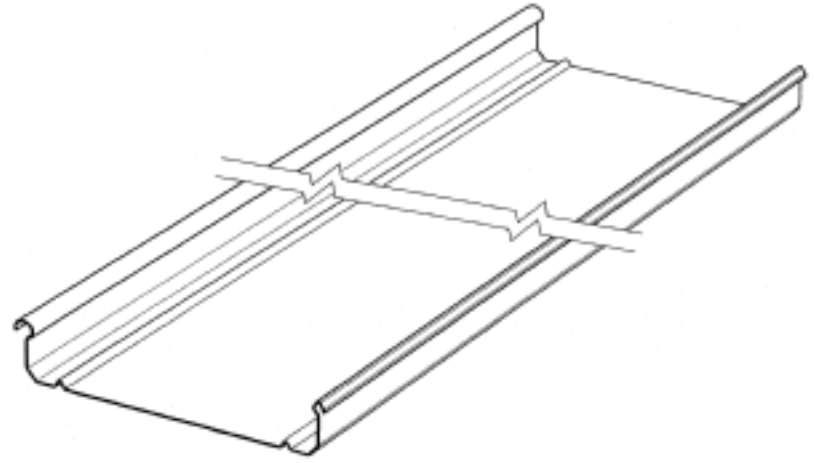
(21) Design Number: **14163/2012**
(22) Date of Filing Application: **22 August 2012**
(24) Date from which industrial property rights may have effect: **22 August 2012**
(54) Product in respect of which the design is registered: **Vehicle wheel**
(51) International Design Classification: **12-16A**
(74) Name(s) of Attorney(s): **K&L Gates**
(71) Name(s) and Address(s) of Applicant(s):
GM Global Technology Operations, LLC
300 Renaissance Centre City of Detroit State of Michigan 48265-3000
United States of America
(72) Name(s) of Designer(s): **Julian Mark Quincey**
(45) Registration Date: **06 March 2013**
(56) Related Art Documents: **Not Applicable**
(57) Statement of Newness and Distinctiveness: **Nil**



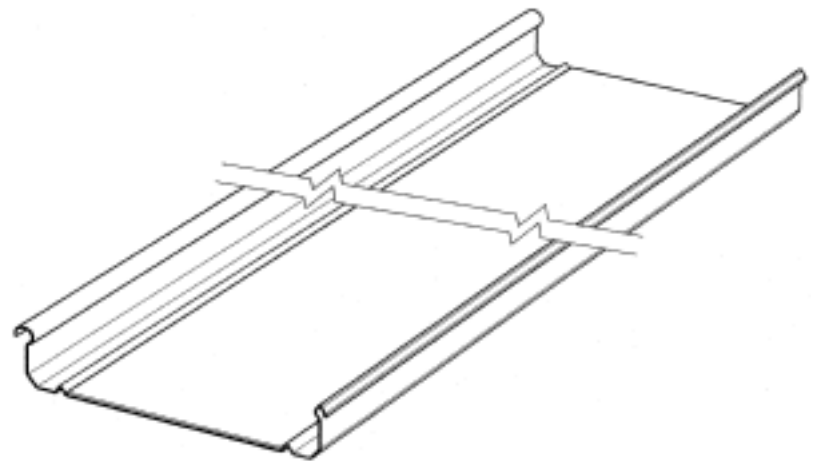
(21) Design Number: **13876/2012**
(22) Date of Filing Application: **09 August 2012**
(24) Date from which industrial property rights may have effect: **09 August 2012**
(54) Product in respect of which the design is registered: **Instrument panel for an automobile**
(51) International Design Classification: **12-16NES**
(74) Name(s) of Attorney(s): **SPRUSON & FERGUSON**
(71) Name(s) and Address(s) of Applicant(s):
Toyota Jidosha Kabushiki Kaisha
1 Toyota-cho Toyota-shi Aichi-ken 471-8571 Japan
(72) Name(s) of Designer(s): **Kaoru Ishikawa and Takashi Ueshin and Ben Uk Chang**
(45) Registration Date: **06 March 2013**
(56) Related Art Documents: **Not Applicable**
(57) Statement of Newness and Distinctiveness: **Newness and distinctiveness is claimed in the features of shape and/or configuration of an instrumental panel for an automobile as illustrated in the accompanying representations.**



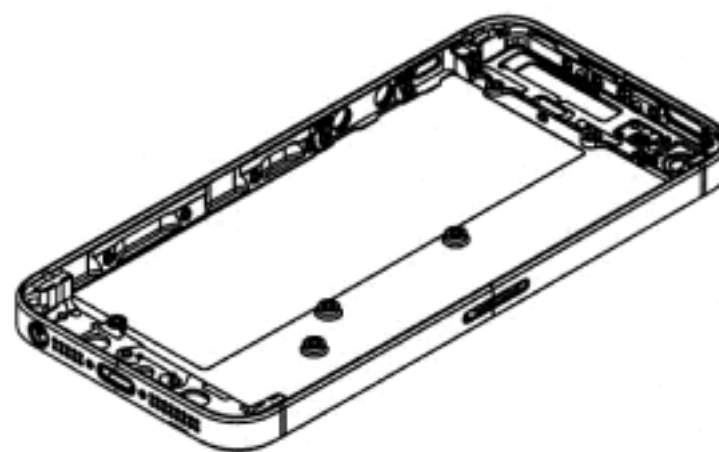
(21) Design Number: **14185/2012**
(22) Date of Filing Application: **24 August 2012**
(24) Date from which industrial property rights may have effect: **24 August 2012**
(54) Product in respect of which the design is registered: **Roof sheeting**
(51) International Design Classification: **25-01G**
(74) Name(s) of Attorney(s): **Madderns**
(71) Name(s) and Address(s) of Applicant(s):
Fielders Australia Pty Ltd
15 Railway Terrace Mile End South Australia 5031 Australia
(72) Name(s) of Designer(s): **Matthew James Lloyd and Rick Spangler and David Christian**
(45) Registration Date: **06 March 2013**
(56) Related Art Documents: **Not Applicable**
(57) Statement of Newness and Distinctiveness: **Nil**



(21) Design Number: **14184/2012**
(22) Date of Filing Application: **24 August 2012**
(24) Date from which industrial property rights may have effect: **24 August 2012**
(54) Product in respect of which the design is registered: **Solar roof sheeting**
(51) International Design Classification: **13-99, 25-01G**
(74) Name(s) of Attorney(s): **Madderns**
(71) Name(s) and Address(s) of Applicant(s):
Fielders Australia Pty Ltd
15 Railway Terrace Mile End South Australia 5031 Australia
(72) Name(s) of Designer(s): **Matthew James Lloyd and Rick Spangler and David Christian**
(45) Registration Date: **06 March 2013**
(56) Related Art Documents: **Not Applicable**
(57) Statement of Newness and Distinctiveness: **Nil**



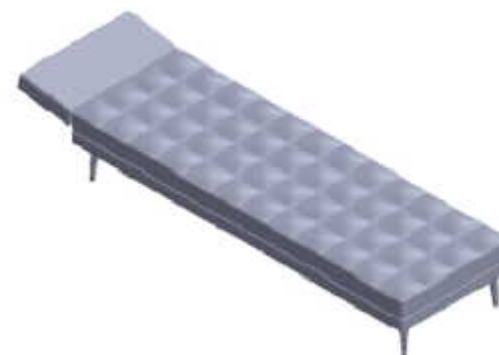
- (21) Design Number: **15979/2012**
(22) Date of Filing Application: **29 November 2012**
(24) Date from which industrial property rights may have effect: **29 November 2012**
(54) Product in respect of which the design is registered: **Component for an electronic device**
(51) International Design Classification: **14-03A**
(74) Name(s) of Attorney(s): **Freehills Patent Attorneys**
(71) Name(s) and Address(s) of Applicant(s):
Apple Inc.
One Infinite Loop Cupertino California 95014 United States of America
(72) Name(s) of Designer(s): **Jody Akana and Bartley K. Andre and Jeremy Bataillou and Sawyer Isaac Cohen and Daniel J. Coster and Daniele De Iuliis and M. Evans Hankey and Julian Hoenig and Richard P. Howarth and Jonathan P. Ive and Duncan Robert Kerr and Shin Nishibori and David A. Pakula and Matthew Dean Rohrbach and Peter Russell-Clarke and Ashutosh Y. Shukla and Christopher J. Stringer and Tang Yew Tan and Eugene Antony Whang and Michael Benjamin Wittenberg and Charles B. Woodhull and Rico Zorkendorfer**
(45) Registration Date: **07 March 2013**
(30) Convention priority data:
(31) Number (32) Date (33) Country
29/423181 29 May 2012 UNITED STATES OF AMERICA
(56) Related Art Documents: **Not Applicable**
(57) Statement of Newness and Distinctiveness: **Newness and distinctiveness is claimed in the features of shape of the component for an electronic device shown in the accompanying representations, wherein the lines which bisect the centre of the side surfaces in all the representations are shade lines to show features of shape (not boundary lines or surface ornamentation).**



- (21) Design Number: **10590/2013**
(22) Date of Filing Application: **06 February 2013**
(24) Date from which industrial property rights may have effect: **06 February 2013**
(54) Product in respect of which the design is registered: **A bed**
(51) International Design Classification: **06-02, 06-01G**
(74) Name(s) of Attorney(s): **FB Rice**
(71) Name(s) and Address(s) of Applicant(s):
King Furniture (Australia) Pty Ltd
123 Turrella St Turrella NSW 2205 Australia
(72) Name(s) of Designer(s): **David King and Tanya Rechberger and John Levey and Ryan Lawson**
(45) Registration Date: **07 March 2013**
(56) Related Art Documents: **Not Applicable**
(57) Statement of Newness and Distinctiveness: **Newness and distinctiveness reside in the features of shape and configuration of the product as shown in the representations with less weight to be accorded to the number and position of loose cushions on the bed and less weight to be accorded to the quilting on the loose cushion, it being understood that the loose cushion could be unquilted.**



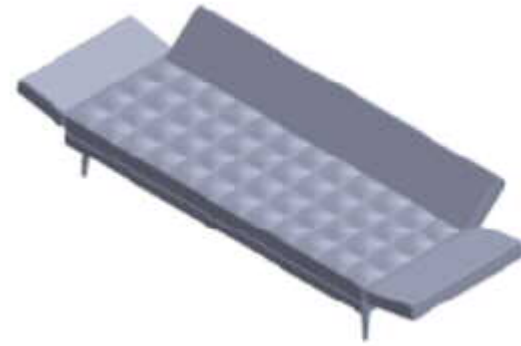
- (21) Design Number: **10591/2013**
(22) Date of Filing Application: **06 February 2013**
(24) Date from which industrial property rights may have effect: **06 February 2013**
(54) Product in respect of which the design is registered: **A bed**
(51) International Design Classification: **06-01G, 06-02**
(74) Name(s) of Attorney(s): **FB Rice**
(71) Name(s) and Address(s) of Applicant(s):
King Furniture (Australia) Pty Ltd
123 Turrella St Turrella NSW 2205 Australia
(72) Name(s) of Designer(s): **David King and Tanya Rechberger and John Levey and Ryan Lawson**
(45) Registration Date: **07 March 2013**
(56) Related Art Documents: **Not Applicable**
(57) Statement of Newness and Distinctiveness: **Newness and distinctiveness reside in the features of shape and configuration of the product as shown in the representations.**



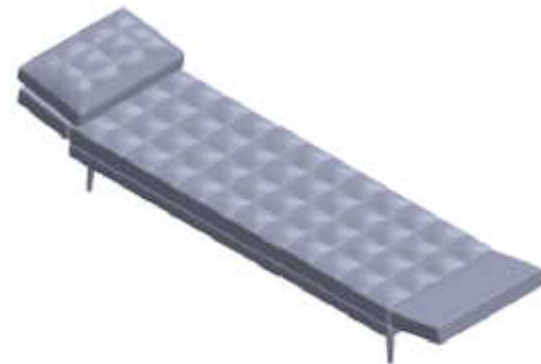
- (21) Design Number: **10592/2013**
(22) Date of Filing Application: **06 February 2013**
(24) Date from which industrial property rights may have effect: **06 February 2013**
(54) Product in respect of which the design is registered: **A sofa**
(51) International Design Classification: **06-01G**
(74) Name(s) of Attorney(s): **FB Rice**
(71) Name(s) and Address(s) of Applicant(s):
King Furniture (Australia) Pty Ltd
123 Turrella St Turrella NSW 2205 Australia
(72) Name(s) of Designer(s): **David King and Tanya Rechberger and John Levey and Ryan Lawson**
(45) Registration Date: **07 March 2013**
(56) Related Art Documents: **Not Applicable**
(57) Statement of Newness and Distinctiveness: **Newness and distinctiveness reside in the features of shape and configuration of the product as shown in the representations with less weight to be accorded to the number and position of loose cushions on the sofa and less weight to be accorded to the quilting on the loose cushions, it being understood that the loose cushions could be unquilted.**



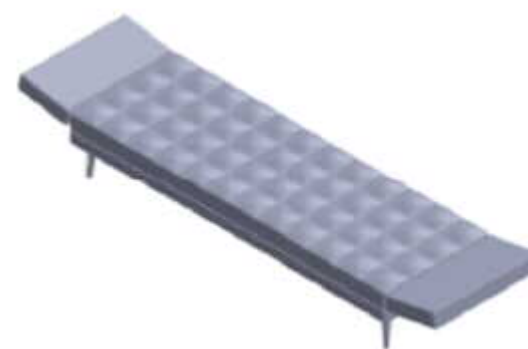
- (21) Design Number: **10593/2013**
(22) Date of Filing Application: **06 February 2013**
(24) Date from which industrial property rights may have effect: **06 February 2013**
(54) Product in respect of which the design is registered: **A sofa**
(51) International Design Classification: **06-01G**
(74) Name(s) of Attorney(s): **FB Rice**
(71) Name(s) and Address(s) of Applicant(s):
King Furniture (Australia) Pty Ltd
123 Turrella St Turrella NSW 2205 Australia
(72) Name(s) of Designer(s): **David King and Tanya Rechberger and John Levey and Ryan Lawson**
(45) Registration Date: **07 March 2013**
(56) Related Art Documents: **Not Applicable**
(57) Statement of Newness and Distinctiveness: **Newness and distinctiveness reside in the features of shape and configuration of the product as shown in the representations.**



- (21) Design Number: **10594/2013**
(22) Date of Filing Application: **06 February 2013**
(24) Date from which industrial property rights may have effect: **06 February 2013**
(54) Product in respect of which the design is registered: **A bed**
(51) International Design Classification: **06-01G, 06-02**
(74) Name(s) of Attorney(s): **FB Rice**
(71) Name(s) and Address(s) of Applicant(s):
King Furniture (Australia) Pty Ltd
123 Turrella St Turrella NSW 2205 Australia
(72) Name(s) of Designer(s): **David King and Tanya Rechberger and John Levey and Ryan Lawson**
(45) Registration Date: **07 March 2013**
(56) Related Art Documents: **Not Applicable**
(57) Statement of Newness and Distinctiveness: **Newness and distinctiveness reside in the features of shape and configuration of the product as shown in the representations with less weight to be accorded to the number and position of loose cushions on the bed and less weight to be accorded to the quilting on the loose cushion, it being understood that the loose cushion could be unquilted.**



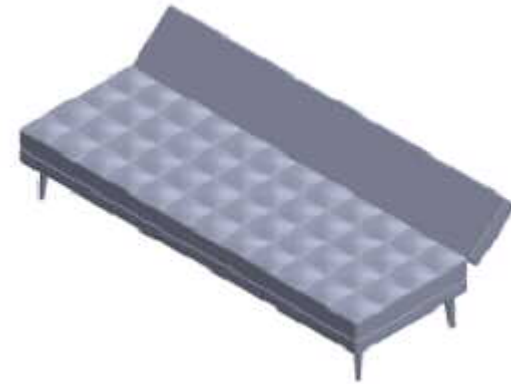
- (21) Design Number: **10595/2013**
(22) Date of Filing Application: **06 February 2013**
(24) Date from which industrial property rights may have effect: **06 February 2013**
(54) Product in respect of which the design is registered: **A bed**
(51) International Design Classification: **06-01G, 06-02**
(74) Name(s) of Attorney(s): **FB Rice**
(71) Name(s) and Address(s) of Applicant(s):
King Furniture (Australia) Pty Ltd
123 Turrella St Turrella NSW 2205 Australia
(72) Name(s) of Designer(s): **David King and Tanya Rechberger and John Levey and Ryan Lawson**
(45) Registration Date: **07 March 2013**
(56) Related Art Documents: **Not Applicable**
(57) Statement of Newness and Distinctiveness: **Newness and distinctiveness reside in the features of shape and configuration of the product as shown in the representations.**



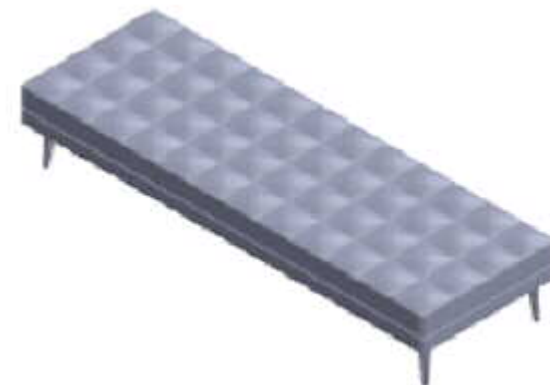
- (21) Design Number: **10596/2013**
(22) Date of Filing Application: **06 February 2013**
(24) Date from which industrial property rights may have effect: **06 February 2013**
(54) Product in respect of which the design is registered: **A sofa**
(51) International Design Classification: **06-01G**
(74) Name(s) of Attorney(s): **FB Rice**
(71) Name(s) and Address(s) of Applicant(s):
King Furniture (Australia) Pty Ltd
123 Turrella St Turrella NSW 2205 Australia
(72) Name(s) of Designer(s): **David King and Tanya Rechberger and John Levey and Ryan Lawson**
(45) Registration Date: **07 March 2013**
(56) Related Art Documents: **Not Applicable**
(57) Statement of Newness and Distinctiveness: **Newness and distinctiveness reside in the features of shape and configuration of the product as shown in the representations with less weight to be accorded to the number and position of loose cushions on the sofa and less weight to be accorded to the quilting on the loose cushions, it being understood that the loose cushions could be unquilted.**



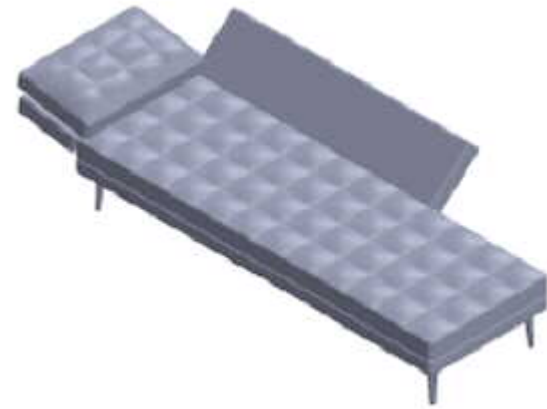
- (21) Design Number: **10597/2013**
(22) Date of Filing Application: **06 February 2013**
(24) Date from which industrial property rights may have effect: **06 February 2013**
(54) Product in respect of which the design is registered: **A sofa**
(51) International Design Classification: **06-01G**
(74) Name(s) of Attorney(s): **FB Rice**
(71) Name(s) and Address(s) of Applicant(s):
King Furniture (Australia) Pty Ltd
123 Turrella St Turrella NSW 2205 Australia
(72) Name(s) of Designer(s): **David King and Tanya Rechberger and John Levey and Ryan Lawson**
(45) Registration Date: **07 March 2013**
(56) Related Art Documents: **Not Applicable**
(57) Statement of Newness and Distinctiveness: **Newness and distinctiveness reside in the features of shape and configuration of the product as shown in the representations.**



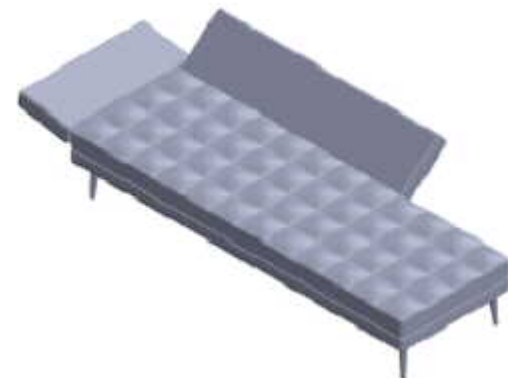
- (21) Design Number: **10598/2013**
(22) Date of Filing Application: **06 February 2013**
(24) Date from which industrial property rights may have effect: **06 February 2013**
(54) Product in respect of which the design is registered: **An ottoman**
(51) International Design Classification: **06-01E**
(74) Name(s) of Attorney(s): **FB Rice**
(71) Name(s) and Address(s) of Applicant(s):
King Furniture (Australia) Pty Ltd
123 Turrella St Turrella NSW 2205 Australia
(72) Name(s) of Designer(s): **David King and Tanya Rechberger and John Levey and Ryan Lawson**
(45) Registration Date: **07 March 2013**
(56) Related Art Documents: **Not Applicable**
(57) Statement of Newness and Distinctiveness: **Newness and distinctiveness reside in the features of shape and configuration of the product as shown in the representations.**



- (21) Design Number: **10599/2013**
(22) Date of Filing Application: **06 February 2013**
(24) Date from which industrial property rights may have effect: **06 February 2013**
(54) Product in respect of which the design is registered: **A chaise**
(51) International Design Classification: **06-01G**
(74) Name(s) of Attorney(s): **FB Rice**
(71) Name(s) and Address(s) of Applicant(s):
King Furniture (Australia) Pty Ltd
123 Turrella St Turrella NSW 2205 Australia
(72) Name(s) of Designer(s): **David King and Tanya Rechberger and John Levey and Ryan Lawson**
(45) Registration Date: **07 March 2013**
(56) Related Art Documents: **Not Applicable**
(57) Statement of Newness and Distinctiveness: **Newness and distinctiveness reside in the features of shape and configuration of the product as shown in the representations with less weight to be accorded to the number and position of loose cushions on the chaise and less weight to be accorded to the quilting on the loose cushion, it being understood that the loose cushion could be unquilted, and with less weight also to be accorded to the side of the base on which the armrest is mounted.**



- (21) Design Number: **10600/2013**
(22) Date of Filing Application: **06 February 2013**
(24) Date from which industrial property rights may have effect: **06 February 2013**
(54) Product in respect of which the design is registered: **A chaise**
(51) International Design Classification: **06-01G**
(74) Name(s) of Attorney(s): **FB Rice**
(71) Name(s) and Address(s) of Applicant(s):
King Furniture (Australia) Pty Ltd
123 Turrella St Turrella NSW 2205 Australia
(72) Name(s) of Designer(s): **David King and Tanya Rechberger and John Levey and Ryan Lawson**
(45) Registration Date: **07 March 2013**
(56) Related Art Documents: **Not Applicable**
(57) Statement of Newness and Distinctiveness: **Newness and distinctiveness reside in the features of shape and configuration of the product as shown in the representations, with less weight to be accorded to the side of the base on which the armrest is mounted.**



(21) Design Number: **10636/2013**
(22) Date of Filing Application: **06 February 2013**
(24) Date from which industrial property rights may have effect: **06 February 2013**
(54) Product in respect of which the design is registered: **Food shaker and blender**
(51) International Design Classification: **07-01F**
(74) Name(s) of Attorney(s): **PHILLIPS ORMONDE FITZPATRICK**
(71) Name(s) and Address(s) of Applicant(s):
Dart Industries Inc.
14901 S. Orange Blossom Trail Orlando Florida 32837 United States of America

(72) Name(s) of Designer(s): **Anthony M. De Leo**

(45) Registration Date: **07 March 2013**

(30) Convention priority data:

| (31) Number | (32) Date | (33) Country |
|-------------------|--------------------|---------------------------------|
| 29/421,661 | 28 Aug 2012 | UNITED STATES OF AMERICA |

(56) Related Art Documents: **Not Applicable**

(57) Statement of Newness and Distinctiveness: **Those features of the food shaker and blender depicted in the representations that are new and distinctive are the shape and/or configuration.**



(21) Design Number: **10647/2013**
(22) Date of Filing Application: **08 February 2013**
(24) Date from which industrial property rights may have effect: **08 February 2013**
(54) Product in respect of which the design is registered: **Insect pest control delivery device**
(51) International Design Classification: **22-06**
(74) Name(s) of Attorney(s): **Wrays**
(71) Name(s) and Address(s) of Applicant(s):
Shin-Etsu Chemical Co., Ltd.
6-1 Otemachi 2-chome Chiyoda-ku Tokyo 100-0014 Japan

(72) Name(s) of Designer(s): **Naoki Ishibashi and Ryuichi Saguchi and Takehiko Fukumoto and Satoshi Ogitani**

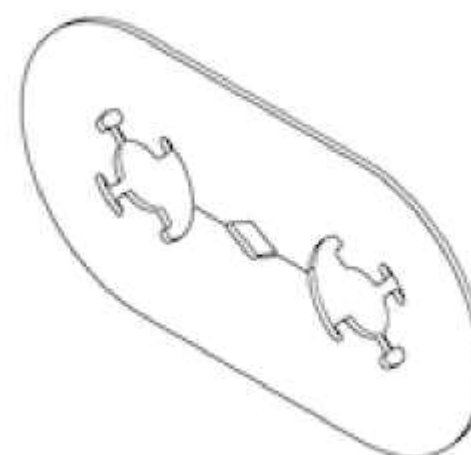
(45) Registration Date: **07 March 2013**

(30) Convention priority data:

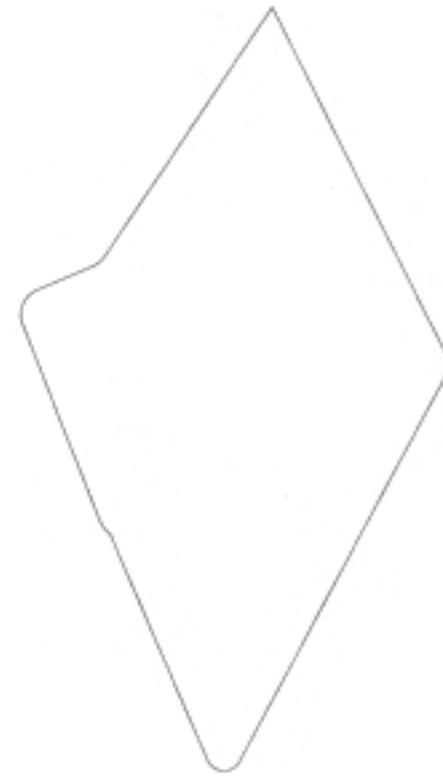
| (31) Number | (32) Date | (33) Country |
|--------------------|--------------------|--------------|
| 2012-019837 | 20 Aug 2012 | JAPAN |

(56) Related Art Documents: **Not Applicable**

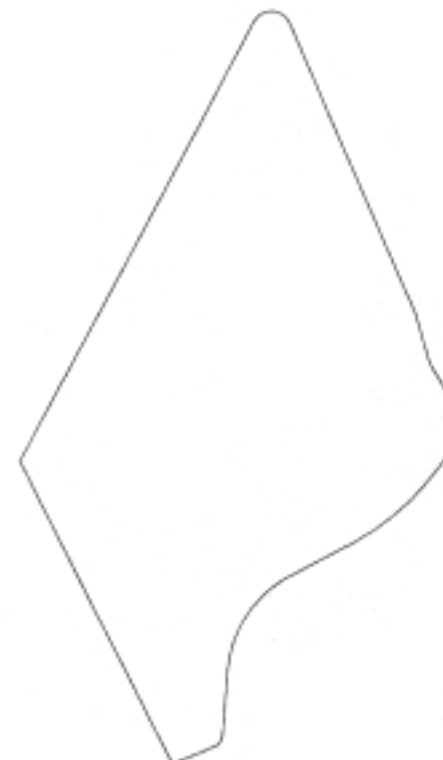
(57) Statement of Newness and Distinctiveness: **Newness and distinctiveness is claimed in the features of shape and/or configuration of the Insect Pest Control Delivery Device depicted in the accompanying representations.**



- (21) Design Number: **15373/2012**
(22) Date of Filing Application: **30 October 2012**
(24) Date from which industrial property rights may have effect: **30 October 2012**
(54) Product in respect of which the design is registered: **Air intake system**
(51) International Design Classification: **12-16NES**
(74) Name(s) of Attorney(s):
(71) Name(s) and Address(s) of Applicant(s):
Christopher Leigh Finnin
47a Cooper St Campbellfield VIC 3061 Australia
(72) Name(s) of Designer(s): **Christopher Leigh Finnin**
(45) Registration Date: **07 March 2013**
(56) Related Art Documents: **Not Applicable**
(57) Statement of Newness and Distinctiveness: **Modular Air intake system to suit current model vehicles that promotes strong laminar flow without utilising an over the radiator pipe and an unshrouded enclosed pod filter.**



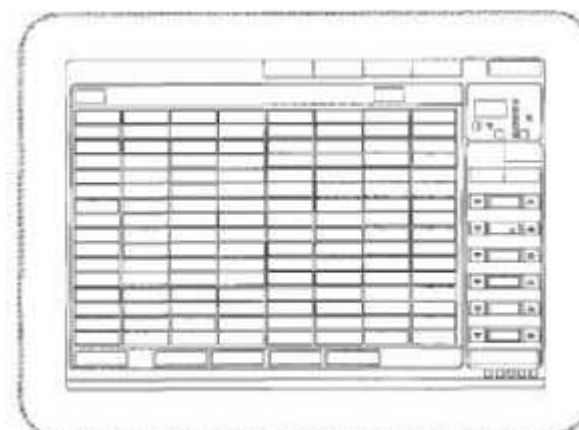
- (21) Design Number: **15849/2012**
(22) Date of Filing Application: **30 October 2012**
(24) Date from which industrial property rights may have effect: **30 October 2012**
(54) Product in respect of which the design is registered: **Air intake system**
(51) International Design Classification: **12-16NES**
(74) Name(s) of Attorney(s):
(71) Name(s) and Address(s) of Applicant(s):
Christopher Leigh Finnin
47a Cooper St Campbellfield VIC 3061 Australia
(72) Name(s) of Designer(s): **Christopher Leigh Finnin**
(45) Registration Date: **07 March 2013**
(56) Related Art Documents: **Not Applicable**
(57) Statement of Newness and Distinctiveness: **Modular Air intake system to suit current model vehicles that promotes strong laminar flow without utilising an over the radiator pipe and an unshrouded enclosed pod filter.**



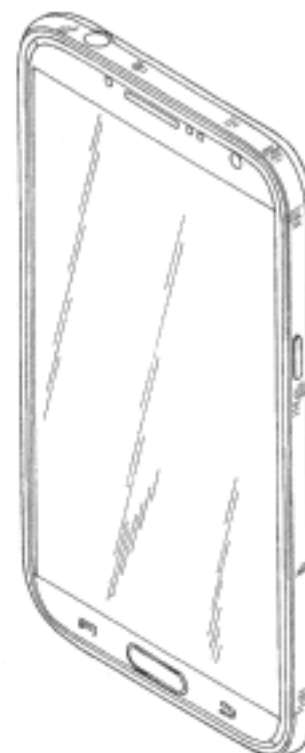
- (21) Design Number: **16162/2012**
(22) Date of Filing Application: **07 December 2012**
(24) Date from which industrial property rights may have effect: **07 December 2012**
(54) Product in respect of which the design is registered: **Eco grip glass bottle**
(51) International Design Classification: **09-01NES, 07-01F**
(74) Name(s) of Attorney(s): **Griffith Hack**
(71) Name(s) and Address(s) of Applicant(s):
World Kitchen (Asia Pacific) Pte Ltd
3 Clementi Loop Singapore 129815 Singapore
(72) Name(s) of Designer(s): **Lee Eng Leong and Lin Shini and Jeanna Goh Shu Fern**
(45) Registration Date: **07 March 2013**
(30) Convention priority data:
(31) Number (32) Date (33) Country
D2012/1386/Z 04 Dec 2012 SINGAPORE
(56) Related Art Documents: **Not Applicable**
(57) Statement of Newness and Distinctiveness: **Newness and distinctiveness of the design resides in the shape and configuration of the product as shown in the representations.**



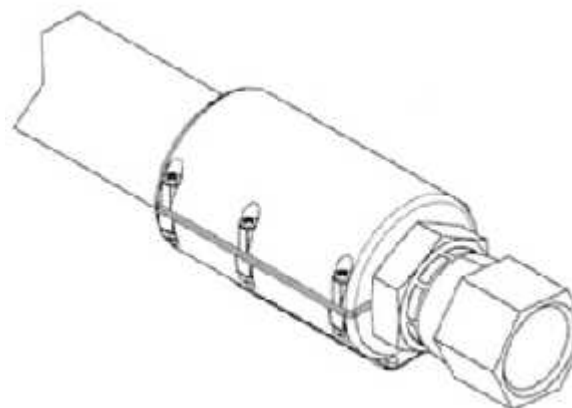
- (21) Design Number: **16490/2012**
(22) Date of Filing Application: **21 December 2012**
(24) Date from which industrial property rights may have effect: **21 December 2012**
(54) Product in respect of which the design is registered: **A controller for managing air conditioning systems**
(51) International Design Classification: **14-03NES, 23-04**
(74) Name(s) of Attorney(s): **Davies Collison Cave**
(71) Name(s) and Address(s) of Applicant(s):
Hitachi Appliances, Inc.
16-1 Kaigan 1-chome Minato-ku Tokyo 108-0073 Japan
(72) Name(s) of Designer(s): **Takashi Yoshimaru and Koichiro Sakurai and Yoichi Ohira**
(45) Registration Date: **07 March 2013**
(30) Convention priority data:
(31) Number (32) Date (33) Country
2012-017005 18 Jul 2012 JAPAN
(56) Related Art Documents: **Not Applicable**
(57) Statement of Newness and Distinctiveness: **Newness and distinctiveness is claimed in the features shown in solid lines in the representations.**



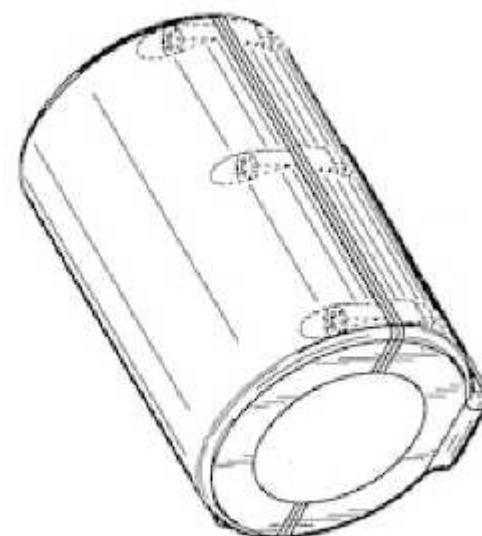
(21) Design Number: **10540/2013**
(22) Date of Filing Application: **04 February 2013**
(24) Date from which industrial property rights may have effect: **04 February 2013**
(54) Product in respect of which the design is registered: **Portable electronic device**
(51) International Design Classification: **14-02**
(74) Name(s) of Attorney(s): **IP Gateway Patent & Trademark Attorneys**
(71) Name(s) and Address(s) of Applicant(s):
Samsung Electronics Co., Ltd
129 Samsung-ro Yeongtong-gu Suwon-si Gyeonggi-do 443-742 Republic of Korea
(72) Name(s) of Designer(s): **Chung JaeWoong**
(45) Registration Date: **07 March 2013**
(30) Convention priority data:
(31) Number (32) Date (33) Country
30-2012-0041300 28 Aug 2012 REPUBLIC OF KOREA
(56) Related Art Documents: **Not Applicable**
(57) Statement of Newness and Distinctiveness: **The newness and distinctiveness of the design resides in the visual features of shape and/or configuration of a portable electronic device as shown in the accompanying representations.**



(21) Design Number: **10753/2013**
(22) Date of Filing Application: **18 February 2013**
(24) Date from which industrial property rights may have effect: **18 February 2013**
(54) Product in respect of which the design is registered: **Sensor housing assembly for hydraulic hose**
(51) International Design Classification: **10-05**
(74) Name(s) of Attorney(s): **FB Rice**
(71) Name(s) and Address(s) of Applicant(s):
Eaton Corporation
Eaton Center 1111 Superior Avenue Cleveland Ohio 44114-2584 United States of America
(72) Name(s) of Designer(s): **James Dean Betsinger**
(45) Registration Date: **07 March 2013**
(30) Convention priority data:
(31) Number (32) Date (33) Country
29/430183 22 Aug 2012 UNITED STATES OF AMERICA
(56) Related Art Documents: **Not Applicable**
(57) Statement of Newness and Distinctiveness: **Newness and distinctiveness reside in the visual features of the design as shown in the representations, the break line at the end of the hose signifying that the hose is of indefinite length.**



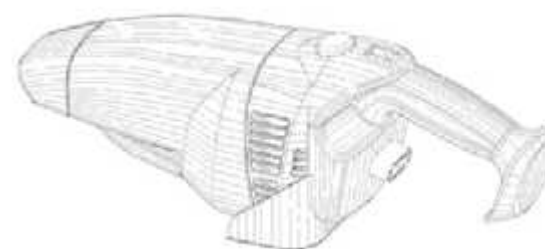
- (21) Design Number: **10754/2013**
(22) Date of Filing Application: **18 February 2013**
(24) Date from which industrial property rights may have effect: **18 February 2013**
(54) Product in respect of which the design is registered: **Sensor housing assembly for hydraulic hose**
(51) International Design Classification: **10-05**
(74) Name(s) of Attorney(s): **FB Rice**
(71) Name(s) and Address(s) of Applicant(s):
Eaton Corporation
Eaton Center 1111 Superior Avenue Cleveland Ohio 44114-2584 United States of America
(72) Name(s) of Designer(s): **James Dean Betsinger**
(45) Registration Date: **07 March 2013**
(30) Convention priority data:
(31) Number (32) Date (33) Country
29/430183 22 Aug 2012 UNITED STATES OF AMERICA
(56) Related Art Documents: **Not Applicable**
(57) Statement of Newness and Distinctiveness: **Newness and distinctiveness reside in the visual features of the design as shown in solid lines in the representations excluding those shown in broken lines.**



- (21) Design Number: **13879/2012**
(22) Date of Filing Application: **09 August 2012**
(24) Date from which industrial property rights may have effect: **09 August 2012**
(54) Product in respect of which the design is registered: **Rear combination lamp for an automobile**
(51) International Design Classification: **26-06**
(74) Name(s) of Attorney(s): **SPRUSON & FERGUSON**
(71) Name(s) and Address(s) of Applicant(s):
Toyota Jidosha Kabushiki Kaisha
1 Toyota-cho Toyota-shi Aichi-ken 471-8571 Japan
(72) Name(s) of Designer(s): **Takuya Watabe**
(45) Registration Date: **07 March 2013**
(56) Related Art Documents: **Not Applicable**
(57) Statement of Newness and Distinctiveness: **Newness and distinctiveness is claimed in the features of shape and/or configuration of a rear combination lamp for an automobile as illustrated in the accompanying representations.**



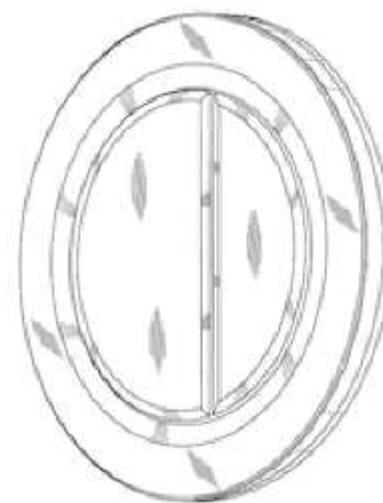
(21) Design Number: **10675/2013**
(22) Date of Filing Application: **12 February 2013**
(24) Date from which industrial property rights may have effect: **12 February 2013**
(54) Product in respect of which the design is registered: **Handheld vacuum cleaner and mount**
(51) International Design Classification: **15-05**
(74) Name(s) of Attorney(s): **Griffith Hack**
(71) Name(s) and Address(s) of Applicant(s):
Shop Vac Corporation
2323 Reach Road Williamsport Pennsylvania 17701 United States of America
(72) Name(s) of Designer(s): **John Griffin and Melvin E. Wolfe Jr**
(45) Registration Date: **12 March 2013**
(30) Convention priority data:
(31) Number (32) Date (33) Country
29/433042 25 Sep 2012 UNITED STATES OF AMERICA
(56) Related Art Documents: **Not Applicable**
(57) Statement of Newness and Distinctiveness: **Newness and distinctiveness resides in the visual features, including shape and configuration, of a Handheld Vacuum Cleaner and Mount as shown in solid outline in the accompanying drawings. When determining whether the design is substantially similar in overall impression to another design, no regard is to be had to those features shown in dotted outline in the accompanying drawings, which features are provided for illustrative purposes only.**



(21) Design Number: **10709/2013**
(22) Date of Filing Application: **13 February 2013**
(24) Date from which industrial property rights may have effect: **13 February 2013**
(54) Product in respect of which the design is registered: **Control panels for toilets and/or urinals**
(51) International Design Classification: **23-02C**
(74) Name(s) of Attorney(s): **Fisher Adams Kelly**
(71) Name(s) and Address(s) of Applicant(s):
Geberit International AG
Schachenstrasse 77 JONA 8645 Switzerland
(72) Name(s) of Designer(s): **Christoph Behling**
(45) Registration Date: **12 March 2013**
(30) Convention priority data:
(31) Number (32) Date (33) Country
DM/079095 17 Sep 2012 WORLD INTELLECTUAL PROPERTY ORGANIZATION (WIPO)
(56) Related Art Documents: **Not Applicable**
(57) Statement of Newness and Distinctiveness: **The newness and distinctiveness of the design resides in the shape and/or configuration of the control panel for toilets and/or urinals shown in the representations.**



(21) Design Number: **10710/2013**
(22) Date of Filing Application: **13 February 2013**
(24) Date from which industrial property rights may have effect: **13 February 2013**
(54) Product in respect of which the design is registered: **Control panels for toilets and/or urinals**
(51) International Design Classification: **23-02C**
(74) Name(s) of Attorney(s): **Fisher Adams Kelly**
(71) Name(s) and Address(s) of Applicant(s):
Geberit International AG
Schachenstrasse 77 JONA 8645 Switzerland
(72) Name(s) of Designer(s): **Christoph Behling**
(45) Registration Date: **12 March 2013**
(30) Convention priority data:
(31) Number (32) Date (33) Country
DM/079095 17 Sep 2012 WORLD INTELLECTUAL
PROPERTY ORGANIZATION
(WIPO)



(56) Related Art Documents: **Not Applicable**
(57) Statement of Newness and Distinctiveness: **The newness and distinctiveness of the design resides in the shape and/or configuration of the control panel for toilets and/or urinals shown in the representations.**

(21) Design Number: **13845/2012**
(22) Date of Filing Application: **08 August 2012**
(24) Date from which industrial property rights may have effect: **08 August 2012**
(54) Product in respect of which the design is registered: **Articles of clothing**
(51) International Design Classification: **02-02C**
(74) Name(s) of Attorney(s): **K&L Gates**
(71) Name(s) and Address(s) of Applicant(s):
Beba Enterprises Pty Ltd
34 Garden Street South Yarra Victoria 3141 Australia
(72) Name(s) of Designer(s): **Arthur Soetedja**
(45) Registration Date: **12 March 2013**
(56) Related Art Documents: **Not Applicable**
(57) Statement of Newness and Distinctiveness: **Nil**



(21) Design Number: **16750/2012**
(22) Date of Filing Application: **08 August 2012**
(24) Date from which industrial property rights may have effect: **08 August 2012**
(54) Product in respect of which the design is registered: **Dress**
(51) International Design Classification: **02-02C**
(74) Name(s) of Attorney(s): **K&L Gates**
(71) Name(s) and Address(s) of Applicant(s):
Beba Enterprises Pty Ltd
34 Garden Street South Yarra Victoria 3141 Australia
(72) Name(s) of Designer(s): **Arthur Soetedja**
(45) Registration Date: **12 March 2013**
(56) Related Art Documents: **Not Applicable**
(57) Statement of Newness and Distinctiveness: **Nil**



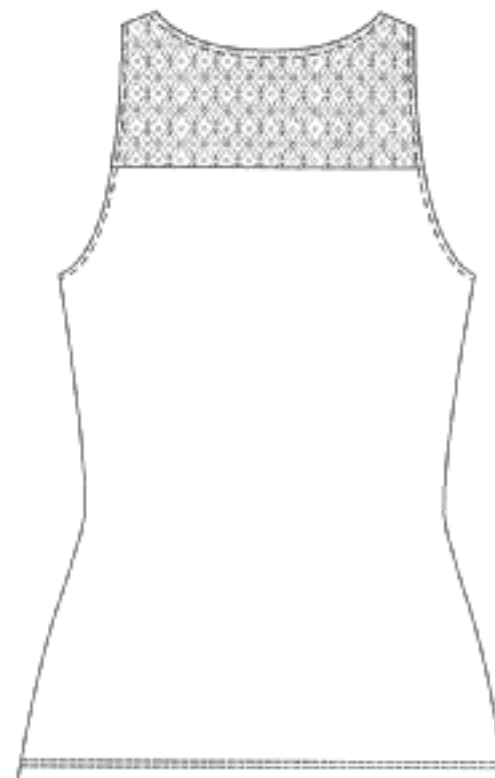
(21) Design Number: **16751/2012**
(22) Date of Filing Application: **08 August 2012**
(24) Date from which industrial property rights may have effect: **08 August 2012**
(54) Product in respect of which the design is registered: **Top**
(51) International Design Classification: **02-02NES**
(74) Name(s) of Attorney(s): **K&L Gates**
(71) Name(s) and Address(s) of Applicant(s):
Beba Enterprises Pty Ltd
34 Garden Street South Yarra Victoria 3141 Australia
(72) Name(s) of Designer(s): **Arthur Soetedja**
(45) Registration Date: **12 March 2013**
(56) Related Art Documents: **Not Applicable**
(57) Statement of Newness and Distinctiveness: **Nil**



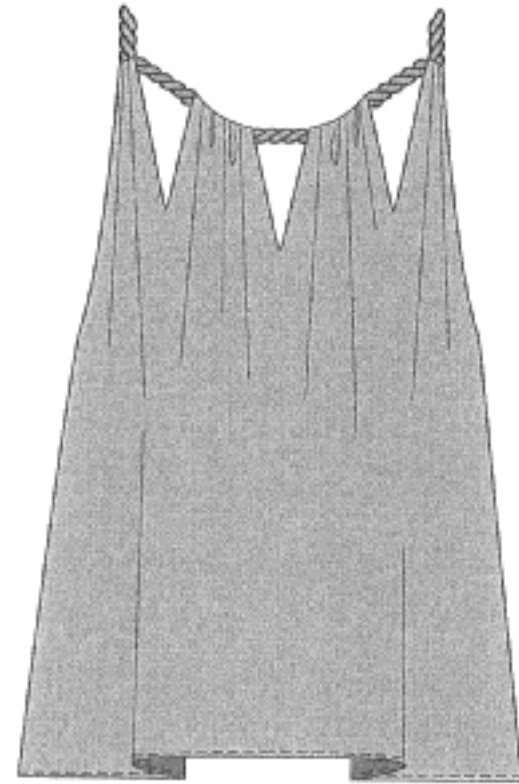
(21) Design Number: **16752/2012**
(22) Date of Filing Application: **08 August 2012**
(24) Date from which industrial property rights may have effect: **08 August 2012**
(54) Product in respect of which the design is registered: **Dress**
(51) International Design Classification: **02-02C**
(74) Name(s) of Attorney(s): **K&L Gates**
(71) Name(s) and Address(s) of Applicant(s):
Beba Enterprises Pty Ltd
34 Garden Street South Yarra Victoria 3141 Australia
(72) Name(s) of Designer(s): **Arthur Soetedja**
(45) Registration Date: **12 March 2013**
(56) Related Art Documents: **Not Applicable**
(57) Statement of Newness and Distinctiveness: **Nil**



(21) Design Number: **16753/2012**
(22) Date of Filing Application: **08 August 2012**
(24) Date from which industrial property rights may have effect: **08 August 2012**
(54) Product in respect of which the design is registered: **Top**
(51) International Design Classification: **02-02NES**
(74) Name(s) of Attorney(s): **K&L Gates**
(71) Name(s) and Address(s) of Applicant(s):
Beba Enterprises Pty Ltd
34 Garden Street South Yarra Victoria 3141 Australia
(72) Name(s) of Designer(s): **Arthur Soetedja**
(45) Registration Date: **12 March 2013**
(56) Related Art Documents: **Not Applicable**
(57) Statement of Newness and Distinctiveness: **Nil**



- (21) Design Number: **16754/2012**
(22) Date of Filing Application: **08 August 2012**
(24) Date from which industrial property rights may have effect: **08 August 2012**
(54) Product in respect of which the design is registered: **Top**
(51) International Design Classification: **02-02NES**
(74) Name(s) of Attorney(s): **K&L Gates**
(71) Name(s) and Address(s) of Applicant(s):
Beba Enterprises Pty Ltd
34 Garden Street South Yarra Victoria 3141 Australia
(72) Name(s) of Designer(s): **Arthur Soetedja**
(45) Registration Date: **12 March 2013**
(56) Related Art Documents: **Not Applicable**
(57) Statement of Newness and Distinctiveness: **Nil**



- (21) Design Number: **14602/2012**
(22) Date of Filing Application: **14 September 2012**
(24) Date from which industrial property rights may have effect: **14 September 2012**
(54) Product in respect of which the design is registered: **Dress**
(51) International Design Classification: **02-02C**
(74) Name(s) of Attorney(s): **Davies Collison Cave**
(71) Name(s) and Address(s) of Applicant(s):
AG (Syd) Fashion Pty Ltd
125-135 Langridge St Collingwood VIC 3066 Australia
(72) Name(s) of Designer(s): **Sloane Roccisano and Vanessa Kortlang**
(45) Registration Date: **12 March 2013**
(56) Related Art Documents: **Not Applicable**
(57) Statement of Newness and Distinctiveness: **Newness and distinctiveness is claimed in the visual features, excluding colouring, of the dress shown in the representations.**



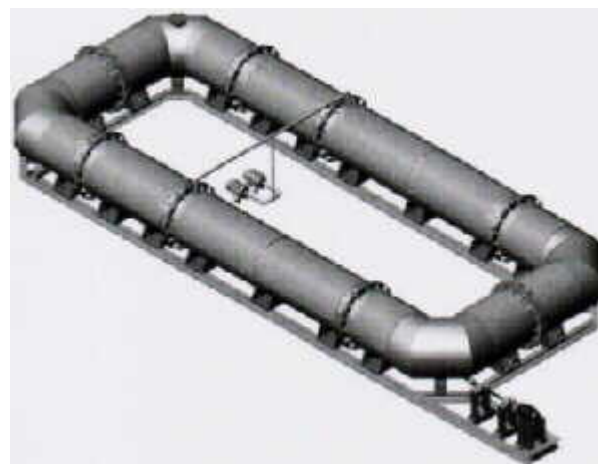
(21) Design Number: **15683/2012**
(22) Date of Filing Application: **16 November 2012**
(24) Date from which industrial property rights may have effect: **16 November 2012**
(54) Product in respect of which the design is registered: **Air intake snorkel for a vehicle**
(51) International Design Classification: **12-16NES**
(74) Name(s) of Attorney(s): **HODGKINSON McINNES PATENTS**
(71) Name(s) and Address(s) of Applicant(s):
Australian Performance Development Pty Ltd
73 Merrindale Dr South Croydon VIC 3136 Australia
(72) Name(s) of Designer(s): **Andrew Berry**
(45) Registration Date: **12 March 2013**
(56) Related Art Documents: **Not Applicable**
(57) Statement of Newness and Distinctiveness: **Newness and distinctiveness is claimed in the shape and configuration of an air intake snorkel for a vehicle as shown in the representations.**



(21) Design Number: **16396/2012**
(22) Date of Filing Application: **18 December 2012**
(24) Date from which industrial property rights may have effect: **18 December 2012**
(54) Product in respect of which the design is registered: **A portable electronic computer**
(51) International Design Classification: **14-02**
(74) Name(s) of Attorney(s): **Davies Collison Cave**
(71) Name(s) and Address(s) of Applicant(s):
Nintendo Co., Ltd
11-1 Hokotate-cho Kamitoba Minami-ku Kyoto 601-8501 Japan
(72) Name(s) of Designer(s): **Kenichi Sugino and Yui Ehara and Takaki Fujino and Junichiro Miyatake and Yuko Zenri and Takayoshi Matsui and Tetsuya Akama and Hironori Akai and Munetaka Nishikawa and Hiroki Goto and Kochi Kawai and Kumpei Fujita**
(45) Registration Date: **12 March 2013**
(30) Convention priority data:
(31) Number (32) Date (33) Country
2012-014495 18 Jun 2012 JAPAN
(56) Related Art Documents: **Not Applicable**
(57) Statement of Newness and Distinctiveness: **Nil**



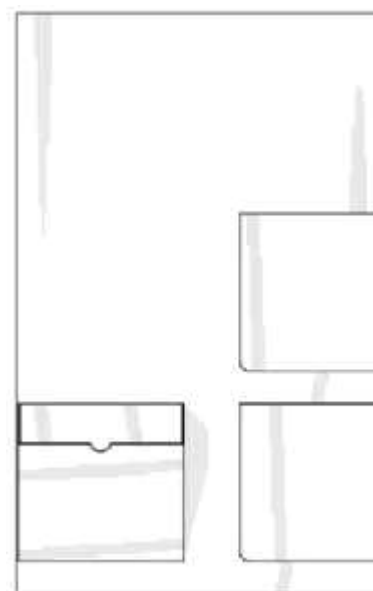
- (21) Design Number: **10444/2013**
(22) Date of Filing Application: **30 January 2013**
(24) Date from which industrial property rights may have effect: **30 January 2013**
(54) Product in respect of which the design is registered: **Bioreactor**
(51) International Design Classification: **23-02NES**
(74) Name(s) of Attorney(s): **FB Rice**
(71) Name(s) and Address(s) of Applicant(s):
PT. Barat Jaya Sentosa Perkasa
Kompleks Ruko Intercon Megah Jl. Joglo Raya W4 No. 25 Srengseng-
Jakarta 11630 Indonesia
(72) Name(s) of Designer(s): **Rudyanto Gunawan**
(45) Registration Date: **12 March 2013**
(56) Related Art Documents: **Not Applicable**
(57) Statement of Newness and Distinctiveness: **Newness and distinctiveness**
reside in the features of the design as shown in the representations.



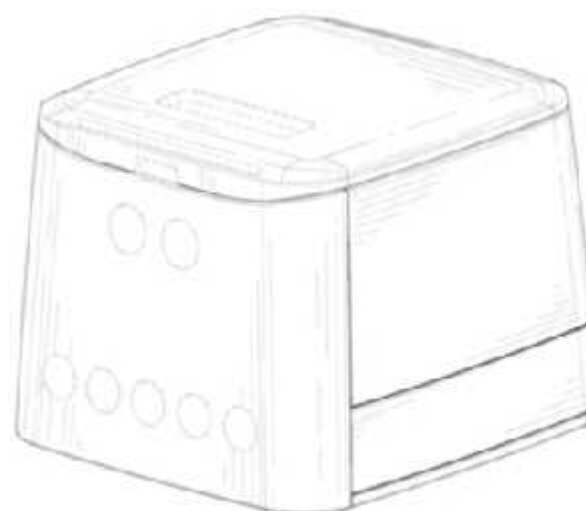
- (21) Design Number: **10632/2013**
(22) Date of Filing Application: **08 February 2013**
(24) Date from which industrial property rights may have effect: **08 February 2013**
(54) Product in respect of which the design is registered: **Motor scooter**
(51) International Design Classification: **12-11**
(74) Name(s) of Attorney(s): **Griffith Hack**
(71) Name(s) and Address(s) of Applicant(s):
Honda Motor Co., Ltd.
1-1 Minami-Aoyama 2-chome Minato-ku Tokyo 107-8556 Japan
(72) Name(s) of Designer(s): **Kiyoharu Okubo and Tomotake Shimoji**
(45) Registration Date: **12 March 2013**
(30) Convention priority data:
(31) Number (32) Date (33) Country
2012-019273 09 Aug 2012 JAPAN
(56) Related Art Documents: **Not Applicable**
(57) Statement of Newness and Distinctiveness: **Newness and distinctiveness**
resides in the visual features, including shape, configuration and
ornamentation of the product as shown in the accompanying figures.



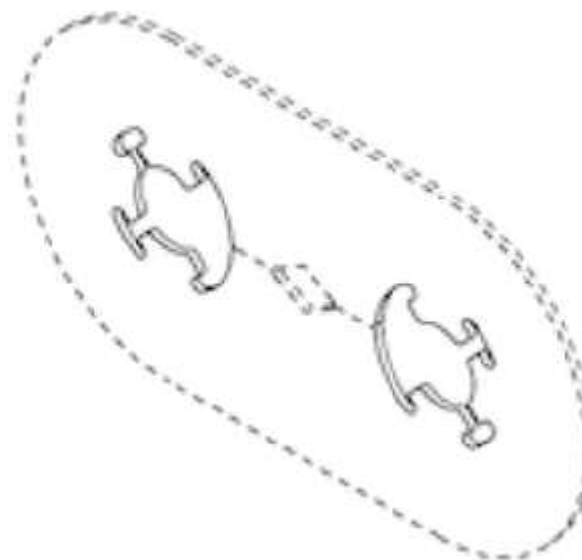
(21) Design Number: **10639/2013**
(22) Date of Filing Application: **08 February 2013**
(24) Date from which industrial property rights may have effect: **08 February 2013**
(54) Product in respect of which the design is registered: **Display stand with shelves and pull-out bin**
(51) International Design Classification: **20-02E**
(74) Name(s) of Attorney(s): **Collison & Co**
(71) Name(s) and Address(s) of Applicant(s):
GOJO Industries, Inc.
One GOJO Plaza Suite 500 Akron Ohio 44311 United States of America
(72) Name(s) of Designer(s): **Todd Ulrich**
(45) Registration Date: **12 March 2013**
(30) Convention priority data:
(31) Number (32) Date (33) Country
29/429,380 10 Aug 2012 UNITED STATES OF AMERICA
(56) Related Art Documents: **Not Applicable**
(57) Statement of Newness and Distinctiveness: **Nil**



(21) Design Number: **10640/2013**
(22) Date of Filing Application: **08 February 2013**
(24) Date from which industrial property rights may have effect: **08 February 2013**
(54) Product in respect of which the design is registered: **Breathing assistance apparatus**
(51) International Design Classification: **24-01**
(74) Name(s) of Attorney(s): **AJ Park**
(71) Name(s) and Address(s) of Applicant(s):
Fisher & Paykel Healthcare Limited
15 Maurice Paykel Place East Tamaki Auckland New Zealand
(72) Name(s) of Designer(s): **Andrew Paul Maxwell Salmon and Douglas Richard Wright and Yi-Cheng Sun and Peter Lawrence Grylls and Paul Fleming Buckley**
(45) Registration Date: **12 March 2013**
(30) Convention priority data:
(31) Number (32) Date (33) Country
29/429285 08 Aug 2012 UNITED STATES OF AMERICA
(56) Related Art Documents: **Not Applicable**
(57) Statement of Newness and Distinctiveness: **The newness and distinctiveness of the design resides in the shape of the breathing assistance apparatus as shown in the continuous lines in the accompanying representations. The broken lines are not part of the design and are to be disregarded when considering the overall impression of the design.**



- (21) Design Number: **10645/2013**
(22) Date of Filing Application: **08 February 2013**
(24) Date from which industrial property rights may have effect: **08 February 2013**
(54) Product in respect of which the design is registered: **Insect pest control delivery device**
(51) International Design Classification: **22-06**
(74) Name(s) of Attorney(s): **Wrays**
(71) Name(s) and Address(s) of Applicant(s):
Shin-Etsu Chemical Co., Ltd.
6-1 Otemachi 2-chome Chiyoda-ku Tokyo 100-0014 Japan
(72) Name(s) of Designer(s): **Naoki Ishibashi and Ryuichi Saguchi and Takehiko Fukumoto and Satoshi Ogitani**
(45) Registration Date: **12 March 2013**
(30) Convention priority data:
(31) Number (32) Date (33) Country
2012-019838 20 Aug 2012 JAPAN
(56) Related Art Documents: **Not Applicable**
(57) Statement of Newness and Distinctiveness: **Newness and distinctiveness is claimed in the features of shape and/or configuration of the Insect Pest Control Delivery Device depicted in the accompanying representations. The features shown in broken lines are for illustrative purposes only and do not form part of the claimed design.**



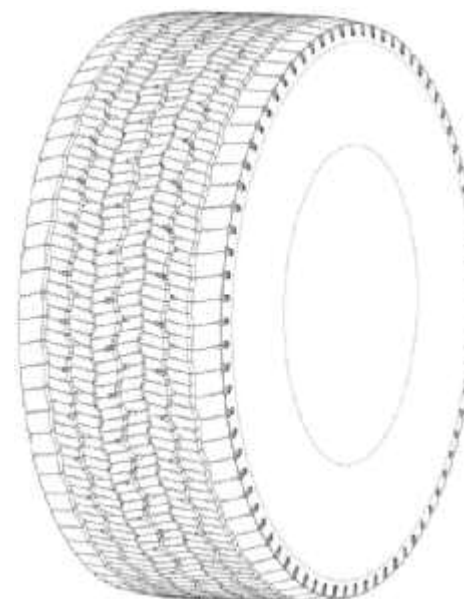
- (21) Design Number: **10109/2013**
(22) Date of Filing Application: **07 January 2013**
(24) Date from which industrial property rights may have effect: **07 January 2013**
(54) Product in respect of which the design is registered: **BBQ apron**
(51) International Design Classification: **02-02B**
(74) Name(s) of Attorney(s):
(71) Name(s) and Address(s) of Applicant(s):
Greg Brereton
9 Firestone Drive Banora Point New South Wales 2486 Australia
(72) Name(s) of Designer(s): **Gregory Brereton**
(45) Registration Date: **12 March 2013**
(56) Related Art Documents: **Not Applicable**
(57) Statement of Newness and Distinctiveness: **I believe this design of a combined jersey and shorts is new a new unique and distinctive design that when it is put on it looks like the person is wearing football jersey and shorts.**



(21) Design Number: **10603/2013**
(22) Date of Filing Application: **06 February 2013**
(24) Date from which industrial property rights may have effect: **06 February 2013**
(54) Product in respect of which the design is registered: **All-terrain vehicle**
(51) International Design Classification: **12-08**
(74) Name(s) of Attorney(s): **WATERMARK PATENT AND TRADE MARKS ATTORNEYS**
(71) Name(s) and Address(s) of Applicant(s):
Zhejiang CFMOTO Power Co., Ltd
No. 116 Wuzhou Road Yuhang Economic Development Zone Hangzhou
Zhejiang 311100 China
(72) Name(s) of Designer(s): **Guogui Lai and Zhangping Yuan and Jinpin Zheng and Mingtang Chen and Yongbo Long**
(45) Registration Date: **12 March 2013**
(30) Convention priority data:
(31) Number (32) Date (33) Country
201230654301.8 26 Dec 2012 CHINA
(56) Related Art Documents: **Not Applicable**
(57) Statement of Newness and Distinctiveness: **Nil**



(21) Design Number: **10602/2013**
(22) Date of Filing Application: **06 February 2013**
(24) Date from which industrial property rights may have effect: **06 February 2013**
(54) Product in respect of which the design is registered: **A tyre**
(51) International Design Classification: **12-15A**
(74) Name(s) of Attorney(s): **WATERMARK PATENT AND TRADE MARKS ATTORNEYS**
(71) Name(s) and Address(s) of Applicant(s):
COMPAGNIE GENERALE DES ETABLISSEMENTS MICHELIN
12 cours Sablon Clermont-Ferrand F- 63000 France
Michelin Recherche et Technique S.A.
Route Louis Braille 10 Granges-Paccot CH- 1763 Switzerland
(72) Name(s) of Designer(s): **Maxime Andre Victor Rolland and Joseph Stain**
(45) Registration Date: **12 March 2013**
(30) Convention priority data:
(31) Number (32) Date (33) Country
29/429,796 16 Aug 2012 UNITED STATES OF AMERICA
(56) Related Art Documents: **Not Applicable**
(57) Statement of Newness and Distinctiveness: **Newness and distinctiveness resides in the shape and configuration of the tread region of the tyre, the remainder of the tyre does not form part of the design.**



(21) Design Number: **10601/2013**
(22) Date of Filing Application: **06 February 2013**
(24) Date from which industrial property rights may have effect: **06 February 2013**
(54) Product in respect of which the design is registered: **A tyre**
(51) International Design Classification: **12-15A**
(74) Name(s) of Attorney(s): **WATERMARK PATENT AND TRADE MARKS ATTORNEYS**
(71) Name(s) and Address(s) of Applicant(s):
COMPAGNIE GENERALE DES ETABLISSEMENTS MICHELIN
12 cours Sablon Clermont-Ferrand F- 63000 France
Michelin Recherche et Technique S.A.
Route Louis Braille 10 Granges-Paccot CH- 1763 Switzerland
(72) Name(s) of Designer(s): **Maxime Andre Victor Rolland and Joseph Stain**
(45) Registration Date: **12 March 2013**
(30) Convention priority data:
(31) Number (32) Date (33) Country
29/429,795 16 Aug 2012 UNITED STATES OF AMERICA
(56) Related Art Documents: **Not Applicable**
(57) Statement of Newness and Distinctiveness: **Newness and distinctiveness resides in the shape and configuration of the tread region of the tyre, the remainder of the tyre does not form part of the design.**



(21) Design Number: **10560/2013**
(22) Date of Filing Application: **05 February 2013**
(24) Date from which industrial property rights may have effect: **05 February 2013**
(54) Product in respect of which the design is registered: **Surfboard wax scraper**
(51) International Design Classification: **08-05N, 21-02D**
(74) Name(s) of Attorney(s): **PIZZEYS**
(71) Name(s) and Address(s) of Applicant(s):
Ronald F. DiMauro
11 Howland Avenue Jamestown RI 02835 United States of America
(72) Name(s) of Designer(s): **Ronald F. DiMauro**
(45) Registration Date: **12 March 2013**
(56) Related Art Documents: **Not Applicable**
(57) Statement of Newness and Distinctiveness: **Nil**



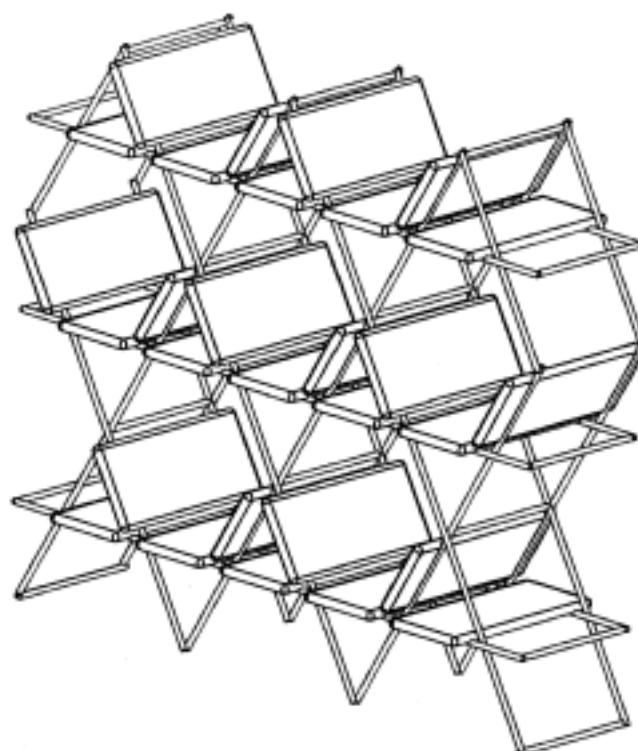
- (21) Design Number: **10557/2013**
(22) Date of Filing Application: **05 February 2013**
(24) Date from which industrial property rights may have effect: **05 February 2013**
(54) Product in respect of which the design is registered: **Refrigerator**
(51) International Design Classification: **15-07**
(74) Name(s) of Attorney(s): **Griffith Hack**
(71) Name(s) and Address(s) of Applicant(s):
Samsung Electronics Co., Ltd
129 Samsung-ro Yeongtong-gu Suwon-si Gyeonggi-do 443-742 Republic of Korea
(72) Name(s) of Designer(s): **Sun-Min Lee and Jang-Won Kim and Yoon-Jung Choi and Young-Min Park and Ae-Ryun Kim**
(45) Registration Date: **12 March 2013**
(30) Convention priority data:
(31) Number (32) Date (33) Country
30-2012-0048183 10 Oct 2012 REPUBLIC OF KOREA
(56) Related Art Documents: **Not Applicable**
(57) Statement of Newness and Distinctiveness: **Newness and distinctiveness resides in the visual features, including shape, configuration and ornamentation of a handle portion of the PRODUCT shown in solid lines. Those parts of the PRODUCT shown in dashed lines have been included for illustrative purposes only.**



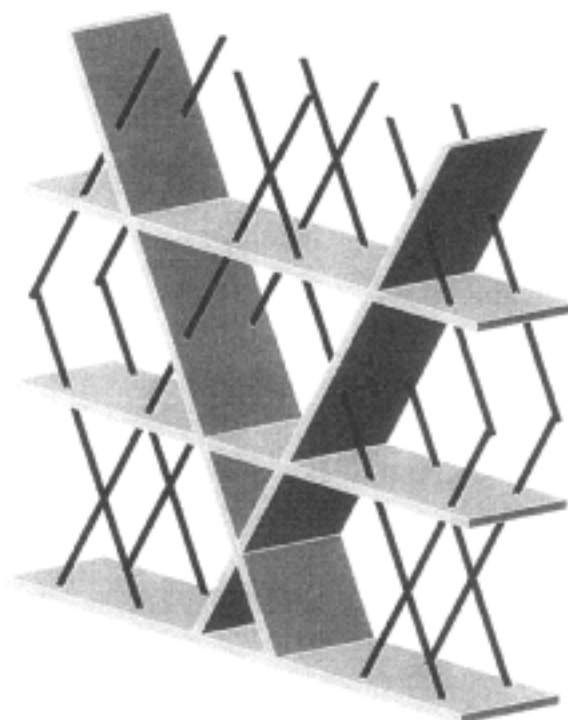
- (21) Design Number: **10826/2013**
(22) Date of Filing Application: **21 February 2013**
(24) Date from which industrial property rights may have effect: **21 February 2013**
(54) Product in respect of which the design is registered: **Box trailer tail light**
(51) International Design Classification: **26-06**
(74) Name(s) of Attorney(s):
(71) Name(s) and Address(s) of Applicant(s):
Jagsingh Australia Pty Ltd
24 Fullarton Dr Epping VIC 3076 Australia
(72) Name(s) of Designer(s): **Bhalinder Gurm**
(45) Registration Date: **12 March 2013**
(56) Related Art Documents: **Not Applicable**
(57) Statement of Newness and Distinctiveness: **The lens covering the entire light has diamond and circle pattern and grooves in it which gives it a distinctive appearance to other lights. When turned on it also gives a distinctive appearance to other lights.**



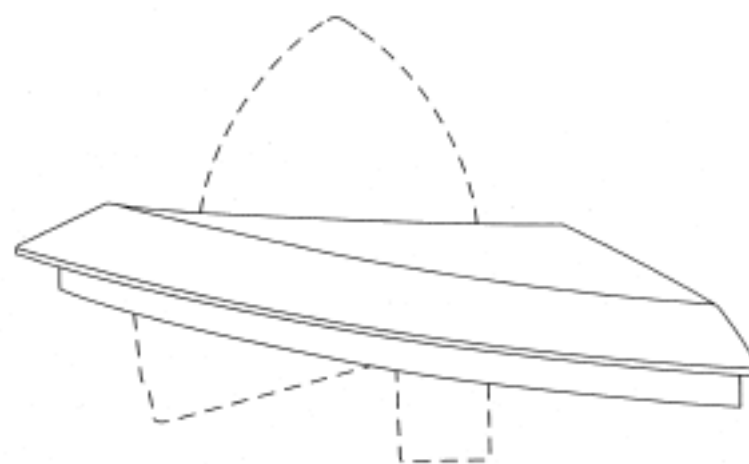
- (21) Design Number: **13729/2012**
(22) Date of Filing Application: **03 August 2012**
(24) Date from which industrial property rights may have effect: **03 August 2012**
(54) Product in respect of which the design is registered: **Wine rack**
(51) International Design Classification: **06-04NES**
(74) Name(s) of Attorney(s):
(71) Name(s) and Address(s) of Applicant(s):
Isovin Systems Pty Ltd
PO Box U92 University of Wollongong New South Wales 2500 Australia
(72) Name(s) of Designer(s): **Gavin Dixon**
(45) Registration Date: **13 March 2013**
(56) Related Art Documents: **Not Applicable**
(57) Statement of Newness and Distinctiveness: **Monopoly is claimed in the features of shape and configuration of a wine rack as illustrated in the accompanying representations.**



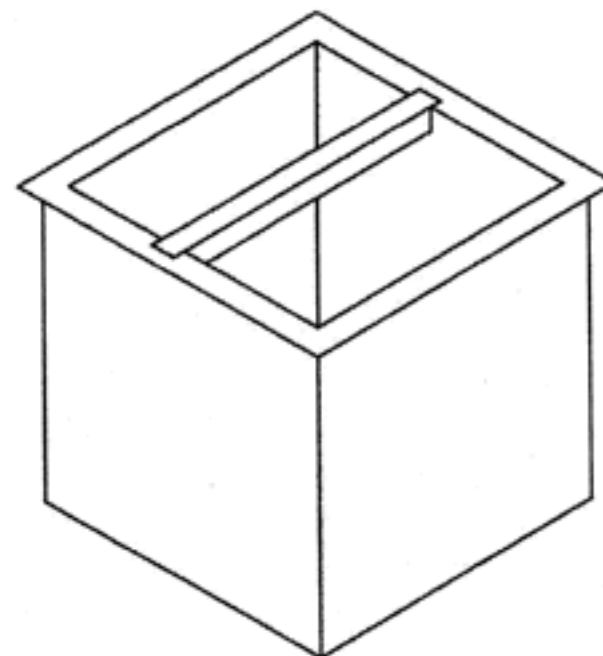
- (21) Design Number: **13730/2012**
(22) Date of Filing Application: **03 August 2012**
(24) Date from which industrial property rights may have effect: **03 August 2012**
(54) Product in respect of which the design is registered: **Wine rack**
(51) International Design Classification: **06-04NES**
(74) Name(s) of Attorney(s):
(71) Name(s) and Address(s) of Applicant(s):
Isovin Systems Pty Ltd
PO Box U92 University of Wollongong New South Wales 2500 Australia
(72) Name(s) of Designer(s): **Gavin Dixon**
(45) Registration Date: **13 March 2013**
(56) Related Art Documents: **Not Applicable**
(57) Statement of Newness and Distinctiveness: **Monopoly is claimed in the features of shape and configuration of a wine rack as illustrated in the accompanying representations.**



- (21) Design Number: **14932/2012**
(22) Date of Filing Application: **02 October 2012**
(24) Date from which industrial property rights may have effect: **02 October 2012**
(54) Product in respect of which the design is registered: **Lid for a dessert maker**
(51) International Design Classification: **07-01NES**
(74) Name(s) of Attorney(s): **Molins & Co**
(71) Name(s) and Address(s) of Applicant(s):
Breville Pty Limited
Building 2 Port Air Ind Est 1A Hale St Botany NSW 2019 Australia
(72) Name(s) of Designer(s): **Samuel Adeloju**
(45) Registration Date: **13 March 2013**
(56) Related Art Documents: **Not Applicable**
(57) Statement of Newness and Distinctiveness: **Newness is claimed in the features of shape and configuration of the Lid for a Dessert Maker as shown in the accompanying representations. Elements shown in dashed lines form no part of the design.**



- (21) Design Number: **15880/2012**
(22) Date of Filing Application: **22 November 2012**
(24) Date from which industrial property rights may have effect: **22 November 2012**
(54) Product in respect of which the design is registered: **Mobile modular bar**
(51) International Design Classification: **07-07A**
(74) Name(s) of Attorney(s): **Jirsch Sutherland IP**
(71) Name(s) and Address(s) of Applicant(s):
John Toubia
1 Temperance Lane Sydney NSW 2000 Australia
(72) Name(s) of Designer(s): **John Toubia**
(45) Registration Date: **13 March 2013**
(56) Related Art Documents: **Not Applicable**
(57) Statement of Newness and Distinctiveness: **Newness and distinctiveness is claimed in the features of the shape and/or configuration of the mobile modular bar as shown in the accompanying representation. The mobile modular bar consists of a stainless steel hollow box which fits inside a standard-sized milk crate and includes a stainless steel rod running along the open top of the box, together with a stainless steel square "lid" which fits on top of a standard-sized milk crate.**



(21) Design Number: **15882/2012**
(22) Date of Filing Application: **23 November 2012**
(24) Date from which industrial property rights may have effect: **23 November 2012**
(54) Product in respect of which the design is registered: **Toaster**
(51) International Design Classification: **07-02F**
(74) Name(s) of Attorney(s): **Fisher Adams Kelly**
(71) Name(s) and Address(s) of Applicant(s):

Alex Gort-Barten
County Oak Way Crawley West Sussex RH11 7ST United Kingdom

(72) Name(s) of Designer(s): **Alex Gort-Barten**

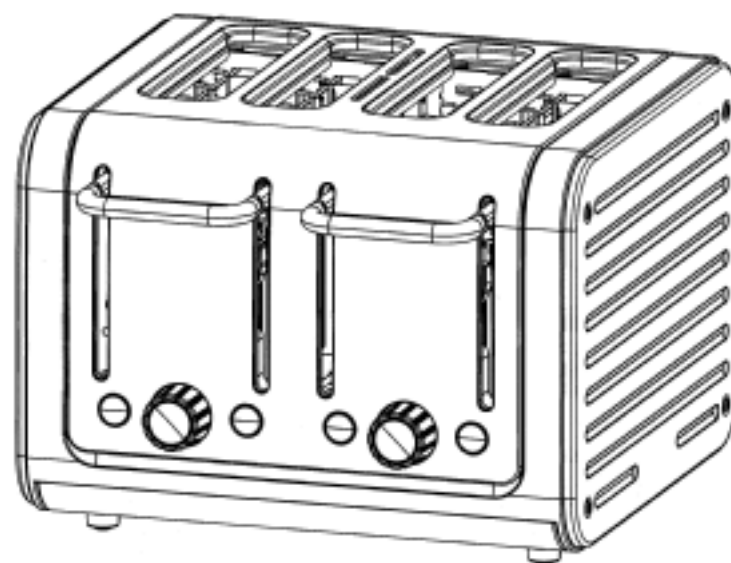
(45) Registration Date: **13 March 2013**

(30) Convention priority data:

| | | |
|------------------|--------------------|---|
| (31) Number | (32) Date | (33) Country |
| 002046219 | 23 May 2012 | OFFICE FOR HARMONISATION IN THE INTERNAL MARKET (OHIM) |

(56) Related Art Documents: **Not Applicable**

(57) Statement of Newness and Distinctiveness: **The newness and distinctiveness of the design resides in the shape and/or configuration of the toaster shown in the representations.**



(21) Design Number: **16079/2012**
(22) Date of Filing Application: **06 December 2012**
(24) Date from which industrial property rights may have effect: **06 December 2012**
(54) Product in respect of which the design is registered: **Bottle cap**
(51) International Design Classification: **09-07C**
(74) Name(s) of Attorney(s): **Davies Collison Cave**
(71) Name(s) and Address(s) of Applicant(s):

Unilever PLC
Unilever House 100 Victoria Embankment London EC4Y 0DY United Kingdom

(72) Name(s) of Designer(s): **Marije Karen R Lujendijk**

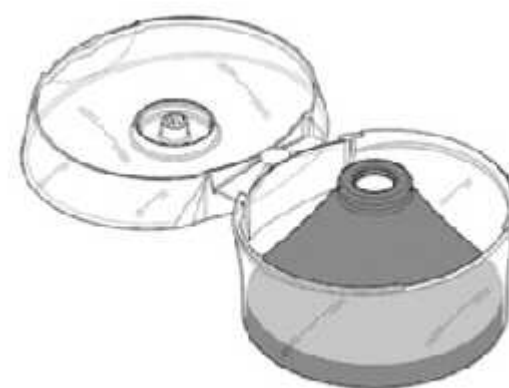
(45) Registration Date: **13 March 2013**

(30) Convention priority data:

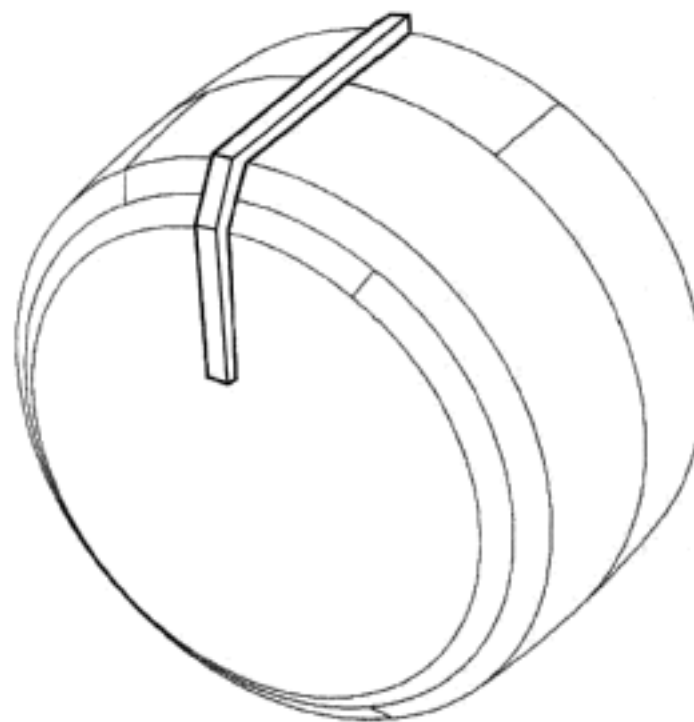
| | | |
|-----------------------|--------------------|---|
| (31) Number | (32) Date | (33) Country |
| 001331276-0007 | 18 Jun 2012 | OFFICE FOR HARMONISATION IN THE INTERNAL MARKET (OHIM) |

(56) Related Art Documents: **Not Applicable**

(57) Statement of Newness and Distinctiveness: **Newness and distinctiveness is claimed in the visual features shown in solid lines in the representations.**



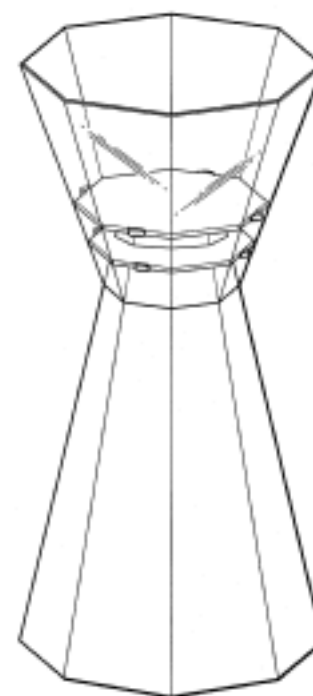
(21) Design Number: **16210/2012**
(22) Date of Filing Application: **10 December 2012**
(24) Date from which industrial property rights may have effect: **10 December 2012**
(54) Product in respect of which the design is registered: **Knob for appliance**
(51) International Design Classification: **13-03D**
(74) Name(s) of Attorney(s): **Halfords IP**
(71) Name(s) and Address(s) of Applicant(s):
Electrolux Sea Pte Ltd
11 Lorong 3 Toa Payoh Jackson Square Block B # 01 13 14 15 Singapore
319579 Singapore
(72) Name(s) of Designer(s): **Swaminathan Iyer and Pernilla Johansson**
(45) Registration Date: **13 March 2013**
(30) Convention priority data:
(31) Number (32) Date (33) Country
201230251755.0 12 Jun 2012 CHINA
(56) Related Art Documents: **Not Applicable**
(57) Statement of Newness and Distinctiveness: **Newness and Distinctiveness resides in the shape and or configuration of a knob as depicted in the accompanying representations.**



(21) Design Number: **16321/2012**
(22) Date of Filing Application: **12 December 2012**
(24) Date from which industrial property rights may have effect: **12 December 2012**
(54) Product in respect of which the design is registered: **A connector and/or an electric fence handle**
(51) International Design Classification: **08-06, 08-08K**
(74) Name(s) of Attorney(s): **James & Wells Intellectual Property**
(71) Name(s) and Address(s) of Applicant(s):
Grant Pearce
1986 Troutbeck Road RD 1 Murupara 3079 New Zealand
(72) Name(s) of Designer(s): **Grant Pearce**
(45) Registration Date: **13 March 2013**
(30) Convention priority data:
(31) Number (32) Date (33) Country
416367 13 Jun 2012 NEW ZEALAND
(56) Related Art Documents: **Not Applicable**
(57) Statement of Newness and Distinctiveness: **Nil**



- (21) Design Number: **16334/2012**
(22) Date of Filing Application: **14 December 2012**
(24) Date from which industrial property rights may have effect: **14 December 2012**
(54) Product in respect of which the design is registered: **Point of sale display stand (II)**
(51) International Design Classification: **20-02NES**
(74) Name(s) of Attorney(s): **FB Rice**
(71) Name(s) and Address(s) of Applicant(s):
A. Fox Pty Ltd
1 Chestnut Ct Redwood Garden Est Dingley VIC 3172 Australia
(72) Name(s) of Designer(s): **Andrew Fox**
(45) Registration Date: **13 March 2013**
(56) Related Art Documents: **Not Applicable**
(57) Statement of Newness and Distinctiveness: **Newness and distinctiveness reside in the features of the design as shown in the representations.**



- (21) Design Number: **16491/2012**
(22) Date of Filing Application: **21 December 2012**
(24) Date from which industrial property rights may have effect: **21 December 2012**
(54) Product in respect of which the design is registered: **A controller for managing air conditioning systems**
(51) International Design Classification: **14-03NES, 23-04**
(74) Name(s) of Attorney(s): **Davies Collison Cave**
(71) Name(s) and Address(s) of Applicant(s):
Hitachi Appliances, Inc.
16-1 Kaigan 1-chome Minato-ku Tokyo 108-0073 Japan
(72) Name(s) of Designer(s): **Takashi Yoshimaru and Koichiro Sakurai and Yoichi Ohira**
(45) Registration Date: **13 March 2013**
(30) Convention priority data:
(31) Number (32) Date (33) Country
2012-017003 18 Jul 2012 JAPAN
(56) Related Art Documents: **Not Applicable**
(57) Statement of Newness and Distinctiveness: **Newness and distinctiveness is claimed in the visual features shown in solid lines in the representations.**



(21) Design Number: **10022/2013**

(22) Date of Filing Application: **02 January 2013**

(24) Date from which industrial property rights may have effect: **02 January 2013**

(54) Product in respect of which the design is registered: **Extractor fan**

(51) International Design Classification: **23-04**

(74) Name(s) of Attorney(s): **Freehills Patent Attorneys**

(71) Name(s) and Address(s) of Applicant(s):

Vent-Axia Group Limited
Fleming Way Crawley West Sussex RH10 9YX United Kingdom

(72) Name(s) of Designer(s): **Samuel John Gregson**

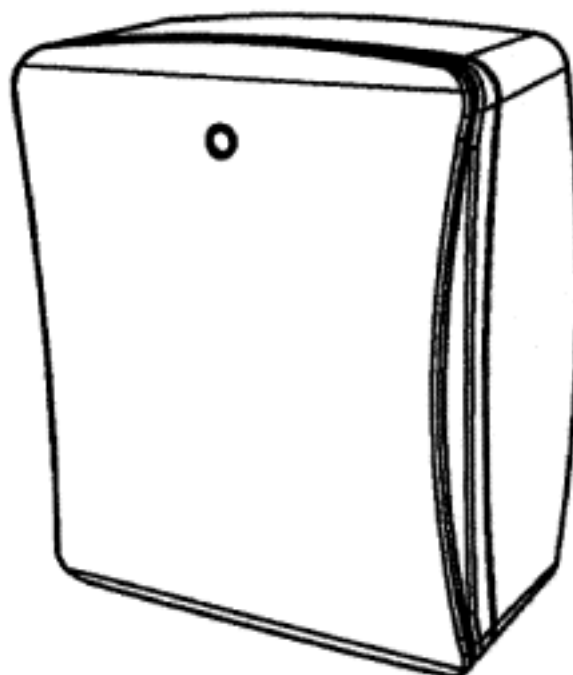
(45) Registration Date: **13 March 2013**

(30) Convention priority data:

| | | |
|-----------------------|--------------------|---|
| (31) Number | (32) Date | (33) Country |
| 001332977-0001 | 29 Jun 2012 | OFFICE FOR HARMONISATION IN THE INTERNAL MARKET (OHIM) |

(56) Related Art Documents: **Not Applicable**

(57) Statement of Newness and Distinctiveness: **Newness and distinctiveness of the design resides in the shape and configuration of the extractor fan illustrated in the accompanying representations.**



(21) Design Number: **10023/2013**

(22) Date of Filing Application: **02 January 2013**

(24) Date from which industrial property rights may have effect: **02 January 2013**

(54) Product in respect of which the design is registered: **Extractor fan**

(51) International Design Classification: **23-04**

(74) Name(s) of Attorney(s): **Freehills Patent Attorneys**

(71) Name(s) and Address(s) of Applicant(s):

Vent-Axia Group Limited
Fleming Way Crawley West Sussex RH10 9YX United Kingdom

(72) Name(s) of Designer(s): **Samuel John Gregson**

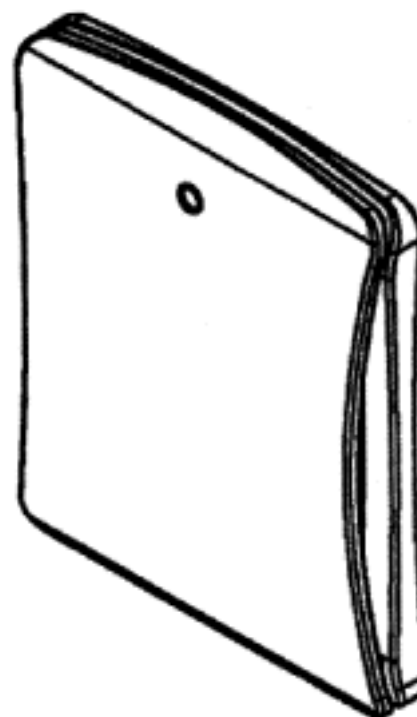
(45) Registration Date: **13 March 2013**

(30) Convention priority data:

| | | |
|-----------------------|--------------------|---|
| (31) Number | (32) Date | (33) Country |
| 001332977-0001 | 29 Jun 2012 | OFFICE FOR HARMONISATION IN THE INTERNAL MARKET (OHIM) |

(56) Related Art Documents: **Not Applicable**

(57) Statement of Newness and Distinctiveness: **Newness and distinctiveness of the design resides in the shape and configuration of the extractor fan illustrated in the accompanying representations.**



(21) Design Number: **11074/2013**
(22) Date of Filing Application: **23 November 2012**
(24) Date from which industrial property rights may have effect: **23 November 2012**
(54) Product in respect of which the design is registered: **Toaster**
(51) International Design Classification: **07-02F**
(74) Name(s) of Attorney(s): **Fisher Adams Kelly**
(71) Name(s) and Address(s) of Applicant(s):

Alex Gort-Barten
County Oak Way Crawley West Sussex RH11 7ST United Kingdom

(72) Name(s) of Designer(s): **Alex Gort-Barten**

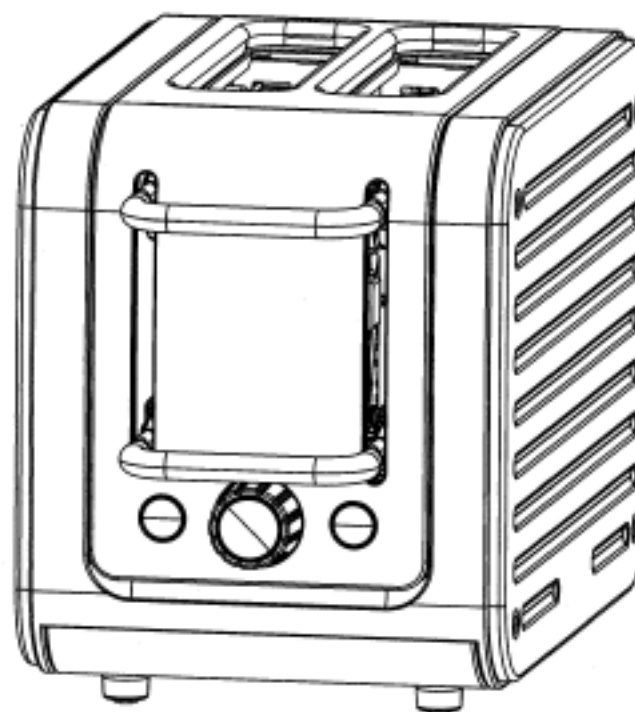
(45) Registration Date: **13 March 2013**

(30) Convention priority data:

| (31) Number | (32) Date | (33) Country |
|------------------|--------------------|---|
| 002046219 | 23 May 2012 | OFFICE FOR HARMONISATION IN THE INTERNAL MARKET (OHIM) |

(56) Related Art Documents: **Not Applicable**

(57) Statement of Newness and Distinctiveness: **The newness and distinctiveness of the design resides in the shape and/or configuration of the toaster shown in the representations.**



(21) Design Number: **16663/2012**
(22) Date of Filing Application: **24 December 2012**
(24) Date from which industrial property rights may have effect: **24 December 2012**
(54) Product in respect of which the design is registered: **Food pan**
(51) International Design Classification: **07-02N**
(74) Name(s) of Attorney(s):
(71) Name(s) and Address(s) of Applicant(s):

Duke Manufacturing Co.
2305 North Broadway St. Louis Missouri 63102 United States of America

(72) Name(s) of Designer(s): **Christopher Seay Green and Robert J. Reese and Ralph Lee Macy**

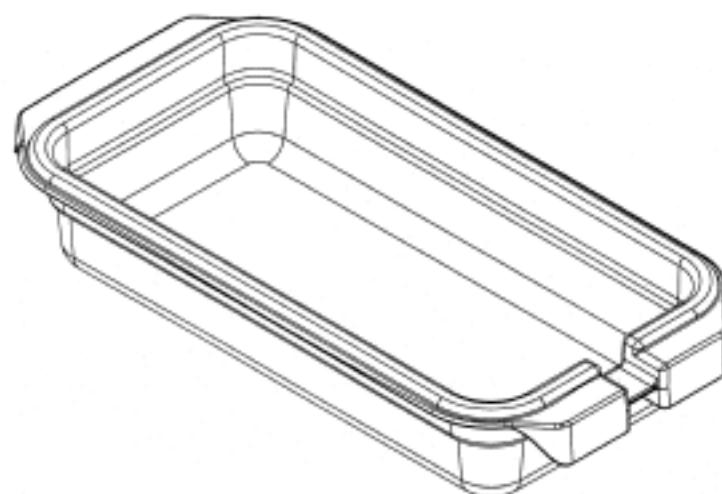
(45) Registration Date: **13 March 2013**

(30) Convention priority data:

| (31) Number | (32) Date | (33) Country |
|-------------------|--------------------|---------------------------------|
| 29/425,706 | 26 Jun 2012 | UNITED STATES OF AMERICA |

(56) Related Art Documents: **Not Applicable**

(57) Statement of Newness and Distinctiveness: **Nil**



(21) Design Number: **10312/2013**
(22) Date of Filing Application: **22 January 2013**
(24) Date from which industrial property rights may have effect: **22 January 2013**
(54) Product in respect of which the design is registered: **Multifunction tool**
(51) International Design Classification: **08-03, 08-05N**
(74) Name(s) of Attorney(s): **Callinans**
(71) Name(s) and Address(s) of Applicant(s):
Robert Bosch GmbH
Postfach 30 02 20 Stuttgart 70442 Germany
(72) Name(s) of Designer(s): **Jason LePinske and Hans-Peter Aglassinger and Vincent Hasenmayer**
(45) Registration Date: **13 March 2013**
(30) Convention priority data:
(31) Number (32) Date (33) Country
002117820 12 Oct 2012 OFFICE FOR HARMONISATION IN THE INTERNAL MARKET (OHIM)
(56) Related Art Documents: **Not Applicable**
(57) Statement of Newness and Distinctiveness: **Nil**



(21) Design Number: **10436/2013**
(22) Date of Filing Application: **30 January 2013**
(24) Date from which industrial property rights may have effect: **30 January 2013**
(54) Product in respect of which the design is registered: **Dancing toy robot**
(51) International Design Classification: **21-01B**
(74) Name(s) of Attorney(s): **Simpsons Solicitors**
(71) Name(s) and Address(s) of Applicant(s):
Tosy Robotics Joint Stock Company
No 7 538 Lane Lang Road Lang Ha Ward Dong Da District Hanoi City Vietnam
Ho Vinh Hoang
Mo Lao Hanoi City Ha Dong District Vietnam
(72) Name(s) of Designer(s): **Ho Vinh Hoang**
(45) Registration Date: **13 March 2013**
(30) Convention priority data:
(31) Number (32) Date (33) Country
3-2012-01199 29 Aug 2012 VIET NAM
(56) Related Art Documents: **Not Applicable**
(57) Statement of Newness and Distinctiveness: **Newness and distinctiveness is claimed in the features of shape and/or configuration of a robotic toy illustrated in the accompanying representations and described in the Annexure.**



- (21) Design Number: **15131/2012**
(22) Date of Filing Application: **18 October 2012**
(24) Date from which industrial property rights may have effect: **18 October 2012**
(54) Product in respect of which the design is registered: **Spiral Textile**
(51) International Design Classification: **05-05B, 05-06NES**
(74) Name(s) of Attorney(s):
(71) Name(s) and Address(s) of Applicant(s):
Teresa Papadopoulos
7 Carroll St Beverley Park NSW 2217 Australia
(72) Name(s) of Designer(s): **Teresa Papadopoulos**
(45) Registration Date: **13 March 2013**
(56) Related Art Documents: **Not Applicable**
(57) Statement of Newness and Distinctiveness: **Please refer to photo, Pretty intricate woven circles, made from recycled plastic bags, colour will depend on what's available at the time.**



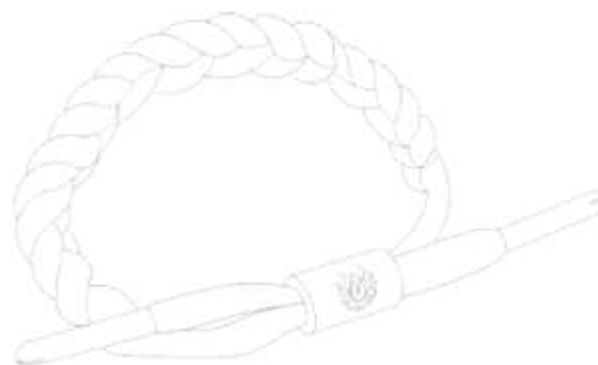
- (21) Design Number: **15132/2012**
(22) Date of Filing Application: **18 October 2012**
(24) Date from which industrial property rights may have effect: **18 October 2012**
(54) Product in respect of which the design is registered: **Woven textile**
(51) International Design Classification: **05-05D, 05-06NES**
(74) Name(s) of Attorney(s):
(71) Name(s) and Address(s) of Applicant(s):
Teresa Papadopoulos
7 Carroll St Beverley Park NSW 2217 Australia
(72) Name(s) of Designer(s): **Teresa Papadopoulos**
(45) Registration Date: **13 March 2013**
(56) Related Art Documents: **Not Applicable**
(57) Statement of Newness and Distinctiveness: **Please refer to photo, Plaited plastic bags made from recycled plastic bags, colour will depend on what's available at the time.**



- (21) Design Number: **15919/2012**
(22) Date of Filing Application: **26 November 2012**
(24) Date from which industrial property rights may have effect: **26 November 2012**
(54) Product in respect of which the design is registered: **Health information communications device**
(51) International Design Classification: **14-03E, 24-01**
(74) Name(s) of Attorney(s): **Griffith Hack**
(71) Name(s) and Address(s) of Applicant(s):
C. Rafin & Co. Pty Ltd
11 West Street Wollongong NSW 2500 Australia
(72) Name(s) of Designer(s): **Victor Stawski and Massimo Feliciano Celima and Joshua Rafin and Anne Marie Cooper and Claudio Giuseppe Rafin**
(45) Registration Date: **13 March 2013**
(56) Related Art Documents: **Not Applicable**
(57) Statement of Newness and Distinctiveness: **Newness and distinctiveness resides in the visual features, including shape and configuration, of a Health Information Communications Device as shown in the accompanying representations. When determining whether the design is substantially similar in overall impression to another design, no regard is to be had to the alpha and/or numeric characters or keypad configuration, as shown in the accompanying representations, which features are provided for illustrative purposes only.**



- (21) Design Number: **16005/2012**
(22) Date of Filing Application: **03 December 2012**
(24) Date from which industrial property rights may have effect: **03 December 2012**
(54) Product in respect of which the design is registered: **Bracelet**
(51) International Design Classification: **11-01C**
(74) Name(s) of Attorney(s): **Alder IP PtyLtd**
(71) Name(s) and Address(s) of Applicant(s):
Rastclat LLC
4671 East 4th Street Long Beach California 90814 United States of America
(72) Name(s) of Designer(s): **Daniel Kasidi Nyaggah**
(45) Registration Date: **13 March 2013**
(30) Convention priority data:
(31) Number (32) Date (33) Country
29/425300 21 Jun 2012 UNITED STATES OF AMERICA
(56) Related Art Documents: **Not Applicable**
(57) Statement of Newness and Distinctiveness: **Nil**



(21) Design Number: **13015/2012**

(22) Date of Filing Application: **27 June 2012**

(24) Date from which industrial property rights may have effect: **27 June 2012**

(54) Product in respect of which the design is registered: **Cleaning implement**

(51) International Design Classification: **07-05E**

(74) Name(s) of Attorney(s):

(71) Name(s) and Address(s) of Applicant(s):

E.D. Oates Pty Ltd

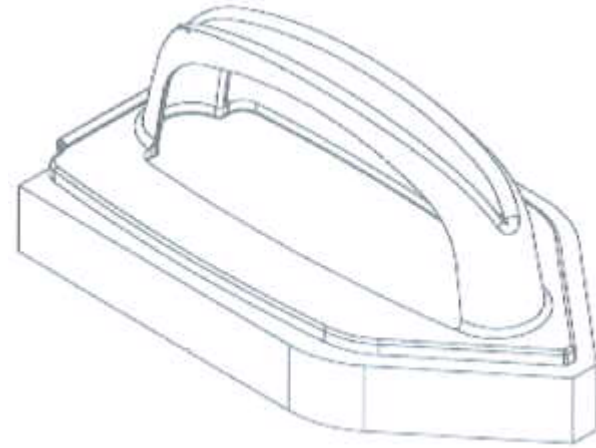
Maygar Boulevard Broadmeadows Victoria 3047 Australia

(72) Name(s) of Designer(s): **Frankie Ngan**

(45) Registration Date: **13 March 2013**

(56) Related Art Documents: **Not Applicable**

(57) Statement of Newness and Distinctiveness: **Newness and distinctiveness resides in the visual features of shape and/or configuration of a cleaning implement as illustrated in the accompanying representations.**



(21) Design Number: **13016/2012**

(22) Date of Filing Application: **27 June 2012**

(24) Date from which industrial property rights may have effect: **27 June 2012**

(54) Product in respect of which the design is registered: **Cleaning implement**

(51) International Design Classification: **07-05E**

(74) Name(s) of Attorney(s):

(71) Name(s) and Address(s) of Applicant(s):

E.D. Oates Pty Ltd

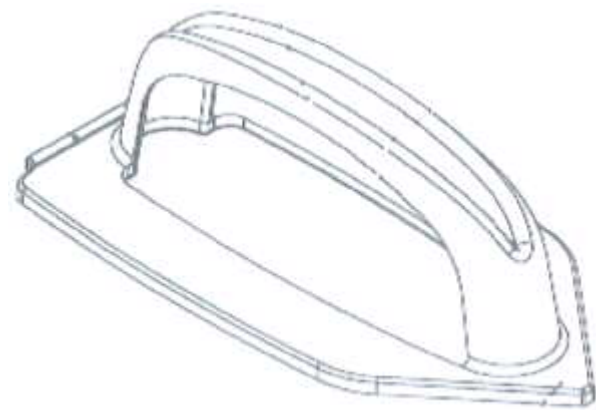
Maygar Boulevard Broadmeadows Victoria 3047 Australia

(72) Name(s) of Designer(s): **Frankie Ngan**

(45) Registration Date: **13 March 2013**

(56) Related Art Documents: **Not Applicable**

(57) Statement of Newness and Distinctiveness: **Newness and distinctiveness resides in the visual features of shape and/or configuration of a cleaning implement as illustrated in the accompanying representations.**



(21) Design Number: **15540/2012**
(22) Date of Filing Application: **07 November 2012**
(24) Date from which industrial property rights may have effect: **07 November 2012**
(54) Product in respect of which the design is registered: **LED lens**
(51) International Design Classification: **26-05E**
(74) Name(s) of Attorney(s): **SPRUSON & FERGUSON**
(71) Name(s) and Address(s) of Applicant(s):

Ruud Lighting, Inc.
9201 Washington Avenue Racine Wisconsin 53406 United States of America

(72) Name(s) of Designer(s): **Mario Alberto Castillo**

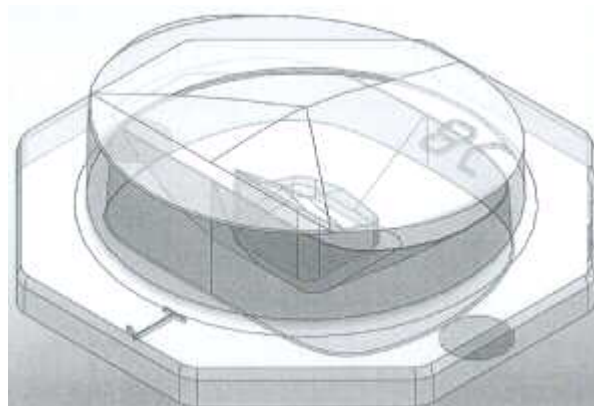
(45) Registration Date: **13 March 2013**

(30) Convention priority data:

| (31) Number | (32) Date | (33) Country |
|------------------|--------------------|---------------------------------|
| 29/420272 | 07 May 2012 | UNITED STATES OF AMERICA |

(56) Related Art Documents: **Not Applicable**

(57) Statement of Newness and Distinctiveness: **Newness and distinctiveness is claimed in the features of shape and/or configuration and pattern and/or ornamentation (excluding alphanumeric characters) of an LED lens as illustrated in the accompanying representations.**



(21) Design Number: **16093/2012**
(22) Date of Filing Application: **05 December 2012**
(24) Date from which industrial property rights may have effect: **05 December 2012**
(54) Product in respect of which the design is registered: **Bottle**
(51) International Design Classification: **09-01NES**
(74) Name(s) of Attorney(s): **SPRUSON & FERGUSON**
(71) Name(s) and Address(s) of Applicant(s):

Tropicana Products, Inc.
1001 13th Avenue E. Bradenton Florida 34208 United States of America

(72) Name(s) of Designer(s): **Rajarshi Das and Neil Enciso and Marc T. Wiscinski**

(45) Registration Date: **13 March 2013**

(30) Convention priority data:

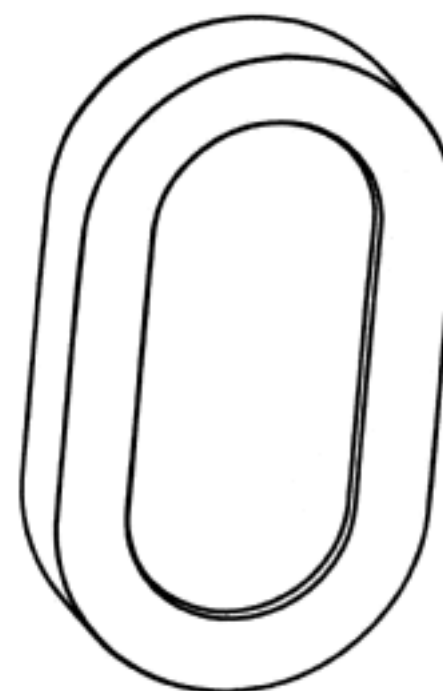
| (31) Number | (32) Date | (33) Country |
|------------------|--------------------|---------------------------------|
| 29/423842 | 05 Jun 2012 | UNITED STATES OF AMERICA |

(56) Related Art Documents: **Not Applicable**

(57) Statement of Newness and Distinctiveness: **Newness and distinctiveness is claimed in the features of shape and/or configuration of a bottle as illustrated in continuous lines in the accompanying representations.**



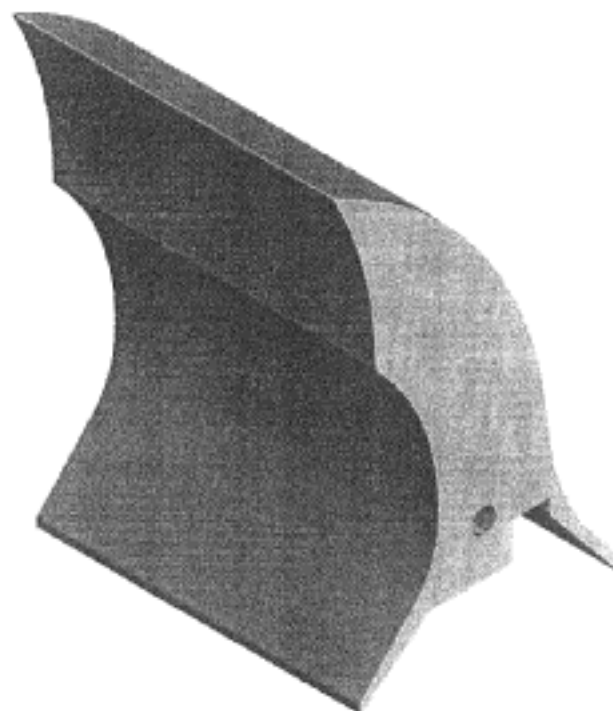
(21) Design Number: **10018/2013**
(22) Date of Filing Application: **02 January 2013**
(24) Date from which industrial property rights may have effect: **02 January 2013**
(54) Product in respect of which the design is registered: **External display device for toothbrush**
(51) International Design Classification: **04-02**
(74) Name(s) of Attorney(s): **PHILLIPS ORMONDE FITZPATRICK**
(71) Name(s) and Address(s) of Applicant(s):
Braun GmbH
Frankfurter Strasse 145 61476 Kronberg am Taunus Germany
(72) Name(s) of Designer(s): **Rory McGarry and Wolfgang Stegmann and Alexander Thalheim-Martin and Phong Duy Vu**
(45) Registration Date: **14 March 2013**
(30) Convention priority data:
(31) Number (32) Date (33) Country
**679121401 05 Jul 2012 WORLD INTELLECTUAL
PROPERTY ORGANIZATION
(WIPO)**
(56) Related Art Documents: **Not Applicable**
(57) Statement of Newness and Distinctiveness: **Those features of the external display device for toothbrush depicted in the representations that are new and distinctive are the shape and/or configuration.**



(21) Design Number: **10112/2013**
(22) Date of Filing Application: **07 January 2013**
(24) Date from which industrial property rights may have effect: **07 January 2013**
(54) Product in respect of which the design is registered: **Toilet**
(51) International Design Classification: **23-02C**
(74) Name(s) of Attorney(s): **Davies Collison Cave**
(71) Name(s) and Address(s) of Applicant(s):
Ceramicas Gala, S.A.
Ctra. de Madrid-Irun Km. 224 Burgos 09080 Spain
(72) Name(s) of Designer(s): **Peter Cesar Rusco**
(45) Registration Date: **14 March 2013**
(30) Convention priority data:
(31) Number (32) Date (33) Country
**002157917 21 Dec 2012 OFFICE FOR HARMONISATION IN
THE INTERNAL MARKET (OHIM)**
(56) Related Art Documents: **Not Applicable**



(21) Design Number: **10669/2013**
(22) Date of Filing Application: **08 February 2013**
(24) Date from which industrial property rights may have effect: **08 February 2013**
(54) Product in respect of which the design is registered: **Conveyor scraper blade tip**
(51) International Design Classification: **12-05**
(74) Name(s) of Attorney(s): **SPRUSON & FERGUSON**
(71) Name(s) and Address(s) of Applicant(s):
Martin Engineering Company
One Martin Place Neponset Illinois 61345 United States of America
(72) Name(s) of Designer(s): **Adam F. Childs and Andrew C. Timmerman**
(45) Registration Date: **14 March 2013**
(30) Convention priority data:
(31) Number (32) Date (33) Country
29/429329 09 Aug 2012 UNITED STATES OF AMERICA
(56) Related Art Documents: **Not Applicable**
(57) Statement of Newness and Distinctiveness: **Newness and distinctiveness is claimed in the features of shape and/or configuration of a conveyor scraper blade tip as illustrated in the accompanying representations.**



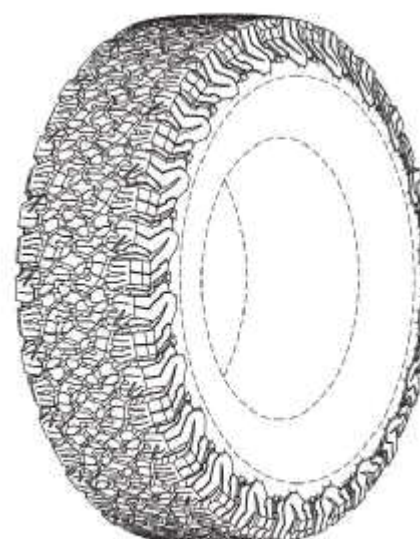
(21) Design Number: **10670/2013**
(22) Date of Filing Application: **08 February 2013**
(24) Date from which industrial property rights may have effect: **08 February 2013**
(54) Product in respect of which the design is registered: **Conveyor scraper blade tip**
(51) International Design Classification: **12-05**
(74) Name(s) of Attorney(s): **SPRUSON & FERGUSON**
(71) Name(s) and Address(s) of Applicant(s):
Martin Engineering Company
One Martin Place Neponset Illinois 61345 United States of America
(72) Name(s) of Designer(s): **Adam F. Childs and Andrew C. Timmerman**
(45) Registration Date: **14 March 2013**
(30) Convention priority data:
(31) Number (32) Date (33) Country
29/429331 09 Aug 2012 UNITED STATES OF AMERICA
(56) Related Art Documents: **Not Applicable**
(57) Statement of Newness and Distinctiveness: **Newness and distinctiveness is claimed in the features of shape and/or configuration of a conveyor scraper blade tip as illustrated in the accompanying representations.**



(21) Design Number: **10781/2013**
(22) Date of Filing Application: **19 February 2013**
(24) Date from which industrial property rights may have effect: **19 February 2013**
(54) Product in respect of which the design is registered: **Safety razor**
(51) International Design Classification: **28-03A**
(74) Name(s) of Attorney(s): **Halfords IP**
(71) Name(s) and Address(s) of Applicant(s):
Eveready Battery Company, Inc.
533 Maryville University Drive St Louis Missouri 63141 United States of America
(72) Name(s) of Designer(s): **Gregg Micinilio**
(45) Registration Date: **14 March 2013**
(30) Convention priority data:
(31) Number (32) Date (33) Country
29/430835 30 Aug 2012 UNITED STATES OF AMERICA
(56) Related Art Documents: **Not Applicable**
(57) Statement of Newness and Distinctiveness: **Newness and Distinctiveness is claimed in those features of shape and or configuration of a safety razor as depicted in the representations.**



(21) Design Number: **10783/2013**
(22) Date of Filing Application: **19 February 2013**
(24) Date from which industrial property rights may have effect: **19 February 2013**
(54) Product in respect of which the design is registered: **A tyre**
(51) International Design Classification: **12-15C**
(74) Name(s) of Attorney(s): **WATERMARK PATENT AND TRADE MARKS ATTORNEYS**
(71) Name(s) and Address(s) of Applicant(s):
COMPAGNIE GENERALE DES ETABLISSEMENTS MICHELIN
12 cours Sablon 63000 Clermont-Ferrande France
Michelin Recherche et Technique S.A.
Route Louis-Braille 10 Granges-Paccot CH-1763 Switzerland
(72) Name(s) of Designer(s): **Kevin Ray Reim and Fang Zhu**
(45) Registration Date: **14 March 2013**
(30) Convention priority data:
(31) Number (32) Date (33) Country
29/438,751 03 Dec 2012 UNITED STATES OF AMERICA
(56) Related Art Documents: **Not Applicable**
(57) Statement of Newness and Distinctiveness: **Newness and distinctiveness resides in the appearance of the tread region of the tyre, the remainder of the tyre not forming part of the design.**



(21) Design Number: **15623/2012**

(22) Date of Filing Application: **09 November 2012**

(24) Date from which industrial property rights may have effect: **09 November 2012**

(54) Product in respect of which the design is registered: **A pyramid shaped whiteboard**

(51) International Design Classification: **19-06**

(74) Name(s) of Attorney(s):

(71) Name(s) and Address(s) of Applicant(s):

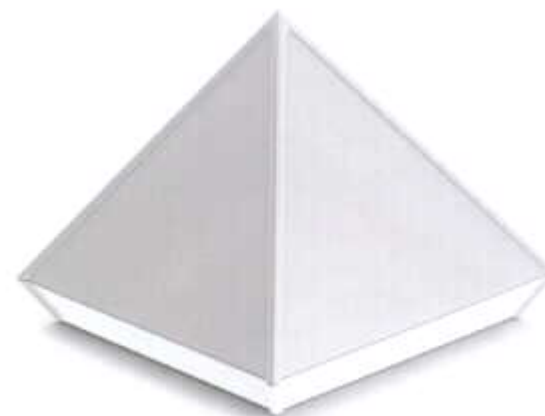
Stephen Allan Chapman
2 Hibbert Crescent Failsworth Manchester England M35 0RQ United Kingdom

(72) Name(s) of Designer(s): **Stephen Allan Chapman**

(45) Registration Date: **14 March 2013**

(56) Related Art Documents: **Not Applicable**

(57) Statement of Newness and Distinctiveness: **Description: The product is a small pyramid shaped whiteboard that is composed of 2 separate pieces, an upper 4 sided pyramid shaped writing surface and a square base for this to rest on. The pyramid is hollow and so also acts as a desk tidy to allow for storage of other small stationery items. The product is aimed primarily at reducing the need for paper when writing small temporary messages, information or doodles that once used are then thrown away. This product therefore hopes to significantly reduce the high and needless paper waste currently generated by this practice. It also saves money and helps reduce risk on sensitive information used temporarily. New and Distinctive: The product is unique in that most small whiteboards available today have only 2 sides or less and are generally 2 dimensional and rectangular in shape. They also take up too much space on a normal desk as they tend to be merely scaled down versions of large whiteboards and not really designed for use at a desk user level. PyraMID Whiteboard brings an extra (third) dimension to this concept which allows the product to achieve 50% writing surface of a current A4 whiteboard, whilst using only 20% of the same desk space and therefore offers greater efficiency. The pyramid writing surface can also be held by hand like a puppet for easy of use if desired. It also has an internal storage area for other small utensils which standard rectangular whiteboards do not. A rubber grip on the underside of the base also prevents the unit slipping on the desk whilst being used. To add to its innovation and uniqueness, some coloured versions are also being considered as most whiteboards today are white. We believe coloured versions will add to the attractiveness of the product, add a fun aspect to it and help to brighten up any office.**



- (21) Design Number: **16706/2012**
(22) Date of Filing Application: **01 February 2013**
(24) Date from which industrial property rights may have effect: **19 June 2012**
(54) Product in respect of which the design is registered: **Article of clothing**
(51) International Design Classification: **02-02NES**
(74) Name(s) of Attorney(s): **Allens Patent & Trade Mark Attorneys**
(71) Name(s) and Address(s) of Applicant(s):
Forever New Clothing Pty Ltd
714-716 High St Kew East VIC 3102 Australia
(72) Name(s) of Designer(s): **Gemma Henderson**
(45) Registration Date: **14 March 2013**
(62) Divisional of: **346924**
(56) Related Art Documents: **Not Applicable**
(57) Statement of Newness and Distinctiveness: **Newness and distinctiveness resides in the visual features of shape, configuration, pattern and/or ornamentation of an article of clothing as shown in the accompanying representations.**



- (21) Design Number: **16717/2012**
(22) Date of Filing Application: **01 February 2013**
(24) Date from which industrial property rights may have effect: **19 June 2012**
(54) Product in respect of which the design is registered: **Footwear**
(51) International Design Classification: **02-04NES**
(74) Name(s) of Attorney(s): **Allens Patent & Trade Mark Attorneys**
(71) Name(s) and Address(s) of Applicant(s):
Forever New Clothing Pty Ltd
714-716 High St Kew East VIC 3102 Australia
(72) Name(s) of Designer(s): **Sarah Saxty**
(45) Registration Date: **14 March 2013**
(62) Divisional of: **346924**
(56) Related Art Documents: **Not Applicable**
(57) Statement of Newness and Distinctiveness: **Newness and distinctiveness resides in the visual features of shape, configuration, pattern and/or ornamentation of an article of footwear as shown in the accompanying representations.**



- (21) Design Number: **16718/2012**
(22) Date of Filing Application: **01 February 2013**
(24) Date from which industrial property rights may have effect: **19 June 2012**
(54) Product in respect of which the design is registered: **Footwear**
(51) International Design Classification: **02-04NES**
(74) Name(s) of Attorney(s): **Allens Patent & Trade Mark Attorneys**
(71) Name(s) and Address(s) of Applicant(s):
Forever New Clothing Pty Ltd
714-716 High St Kew East VIC 3102 Australia
(72) Name(s) of Designer(s): **Sarah Saxty**
(45) Registration Date: **14 March 2013**
(62) Divisional of: **346924**
(56) Related Art Documents: **Not Applicable**
(57) Statement of Newness and Distinctiveness: **Newness and distinctiveness resides in the visual features of shape, configuration, pattern and/or ornamentation of an article of footwear as shown in the accompanying representations.**



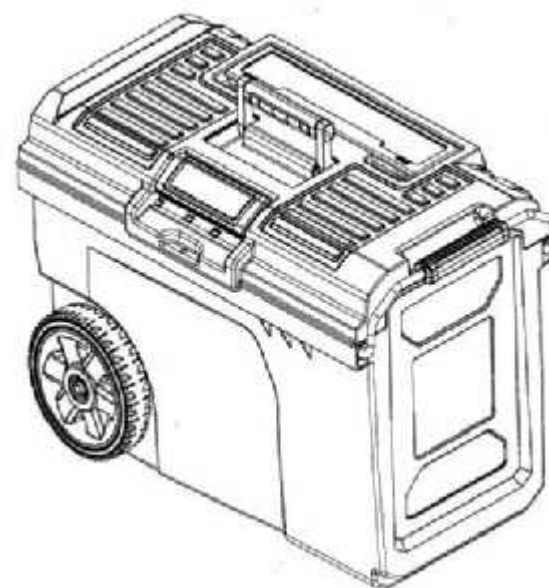
- (21) Design Number: **16735/2012**
(22) Date of Filing Application: **01 February 2013**
(24) Date from which industrial property rights may have effect: **21 May 2012**
(54) Product in respect of which the design is registered: **Article of clothing**
(51) International Design Classification: **02-02NES**
(74) Name(s) of Attorney(s): **Allens Patent & Trade Mark Attorneys**
(71) Name(s) and Address(s) of Applicant(s):
Forever New Clothing Pty Ltd
714-716 High St Kew East VIC 3102 Australia
(72) Name(s) of Designer(s): **Gemma Henderson**
(45) Registration Date: **14 March 2013**
(62) Divisional of: **346982**
(56) Related Art Documents: **Not Applicable**
(57) Statement of Newness and Distinctiveness: **Newness and distinctiveness resides in the visual features of shape, configuration, pattern and/or ornamentation of an article of clothing as shown in the accompanying representations.**



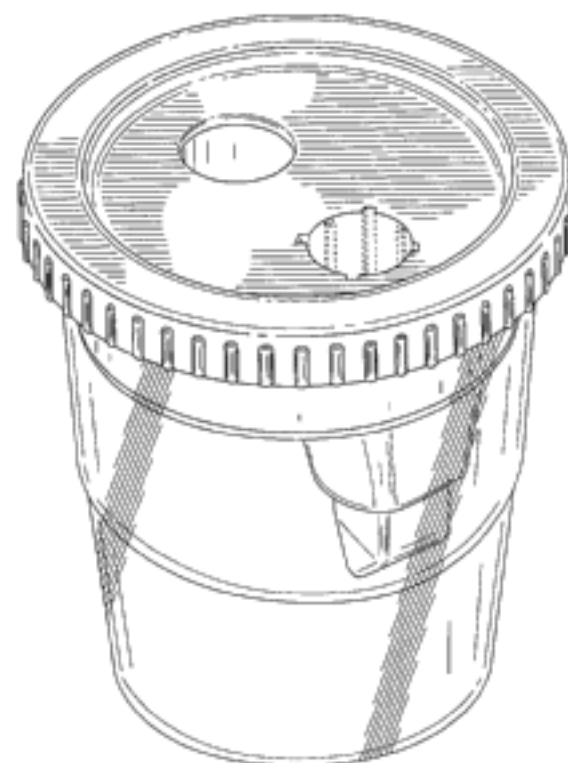
- (21) Design Number: **16746/2012**
(22) Date of Filing Application: **01 February 2013**
(24) Date from which industrial property rights may have effect: **21 May 2012**
(54) Product in respect of which the design is registered: **Article of clothing**
(51) International Design Classification: **02-02NES**
(74) Name(s) of Attorney(s): **Allens Patent & Trade Mark Attorneys**
(71) Name(s) and Address(s) of Applicant(s):
Forever New Clothing Pty Ltd
714-716 High St Kew East VIC 3102 Australia
(72) Name(s) of Designer(s): **Gemma Henderson**
(45) Registration Date: **14 March 2013**
(62) Divisional of: **346982**
(56) Related Art Documents: **Not Applicable**
(57) Statement of Newness and Distinctiveness: **Newness and distinctiveness resides in the visual features of shape, configuration, pattern and/or ornamentation of an article of clothing as shown in the accompanying representations.**



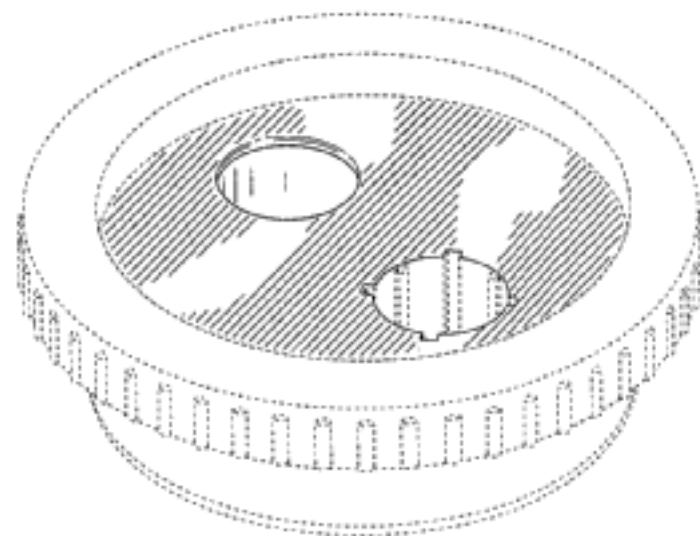
- (21) Design Number: **16352/2012**
(22) Date of Filing Application: **17 December 2012**
(24) Date from which industrial property rights may have effect: **17 December 2012**
(54) Product in respect of which the design is registered: **Tool box**
(51) International Design Classification: **03-01D**
(74) Name(s) of Attorney(s): **Davies Collison Cave**
(71) Name(s) and Address(s) of Applicant(s):
The Stanley Works Israel, Ltd.
19 Ha'Melacha Street Rosh Ha'Ayin 48091 Israel
(72) Name(s) of Designer(s): **Elad Hay Shitrit**
(45) Registration Date: **14 March 2013**
(30) Convention priority data:
(31) Number (32) Date (33) Country
**001332191 26 Jun 2012 OFFICE FOR HARMONISATION IN
THE INTERNAL MARKET (OHIM)**
(56) Related Art Documents: **Not Applicable**
(57) Statement of Newness and Distinctiveness: **Nil**



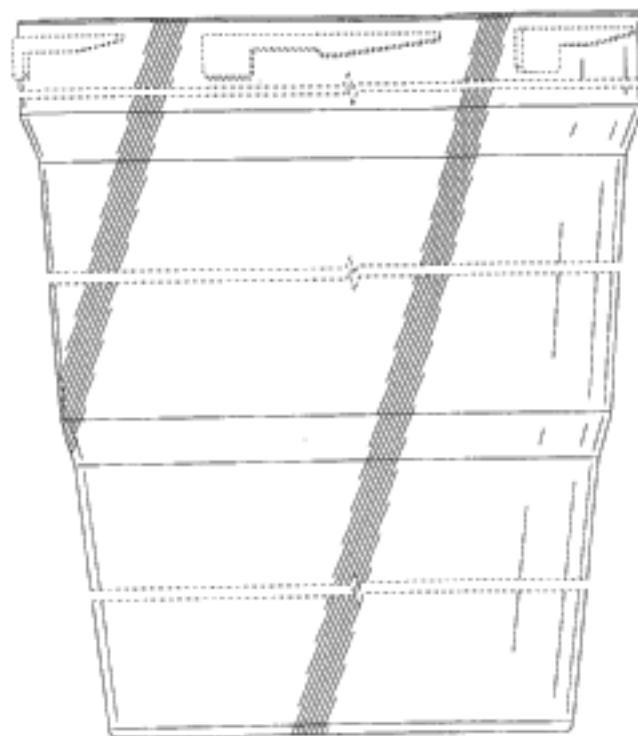
- (21) Design Number: **16584/2012**
(22) Date of Filing Application: **24 December 2012**
(24) Date from which industrial property rights may have effect: **12 October 2012**
(54) Product in respect of which the design is registered: **Vessel assembly**
(51) International Design Classification: **24-01**
(74) Name(s) of Attorney(s): **Davies Collison Cave**
(71) Name(s) and Address(s) of Applicant(s):
Becton Dickinson and Company
One Becton Drive Franklin Lakes New Jersey 07417-1880 United States of America
(72) Name(s) of Designer(s): **Melody M.H. Kuroda and Dwight Livingstone and Michael Justin Lizzi and Scott N. Danhof and Gregory S. Kramer and Thomas D. Haubert and Michael L. Marshall and James A. Prescott and Randy J. Somerville and M. Scott Ulrich and Dwight Livingston**
(45) Registration Date: **14 March 2013**
(62) Divisional of: **346418**
(56) Related Art Documents: **Not Applicable**
(57) Statement of Newness and Distinctiveness: **Newness and distinctiveness is claimed in the features shown in solid lines in the representations.**



- (21) Design Number: **16585/2012**
(22) Date of Filing Application: **24 December 2012**
(24) Date from which industrial property rights may have effect: **12 October 2012**
(54) Product in respect of which the design is registered: **A cap**
(51) International Design Classification: **09-07B**
(74) Name(s) of Attorney(s): **Davies Collison Cave**
(71) Name(s) and Address(s) of Applicant(s):
Becton Dickinson and Company
One Becton Drive Franklin Lakes New Jersey 07417-1880 United States of America
(72) Name(s) of Designer(s): **Melody M.H. Kuroda and Dwight Livingstone and Michael Justin Lizzi and Scott N. Danhof and Gregory S. Kramer and Thomas D. Haubert and Michael L. Marshall and James A. Prescott and Randy J. Somerville and M. Scott Ulrich and Dwight Livingston**
(45) Registration Date: **14 March 2013**
(62) Divisional of: **346418**
(56) Related Art Documents: **Not Applicable**
(57) Statement of Newness and Distinctiveness: **Newness and distinctiveness is claimed in the features shown in solid lines in the representations.**



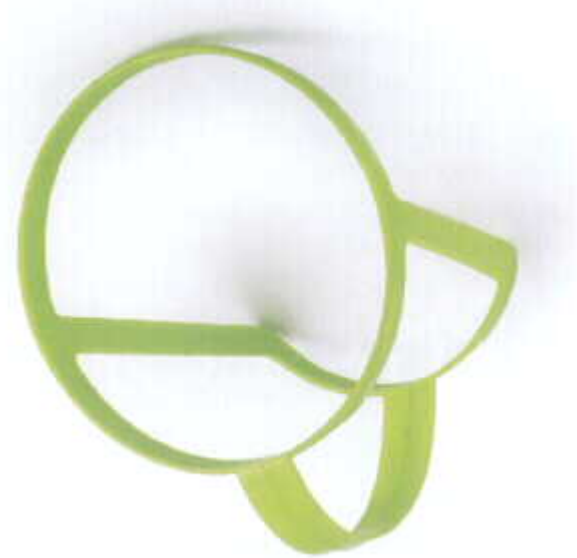
- (21) Design Number: **16587/2012**
(22) Date of Filing Application: **24 December 2012**
(24) Date from which industrial property rights may have effect: **12 October 2012**
(54) Product in respect of which the design is registered: **Vessel**
(51) International Design Classification: **24-01**
(74) Name(s) of Attorney(s): **Davies Collison Cave**
(71) Name(s) and Address(s) of Applicant(s):
Becton Dickinson and Company
One Becton Drive Franklin Lakes New Jersey 07417-1880 United States of America
(72) Name(s) of Designer(s): **Melody M.H. Kuroda and Dwight Livingstone and Michael Justin Lizzi and Scott N. Danhof and Gregory S. Kramer and Thomas D. Haubert and Michael L. Marshall and James A. Prescott and Randy J. Somerville and M. Scott Ulrich and Dwight Livingstone**
(45) Registration Date: **14 March 2013**
(62) Divisional of: **346418**
(56) Related Art Documents: **Not Applicable**
(57) Statement of Newness and Distinctiveness: **Newness and distinctiveness is claimed in the features shown in solid lines in the representations. The product is of indefinite height as marked in the representations.**



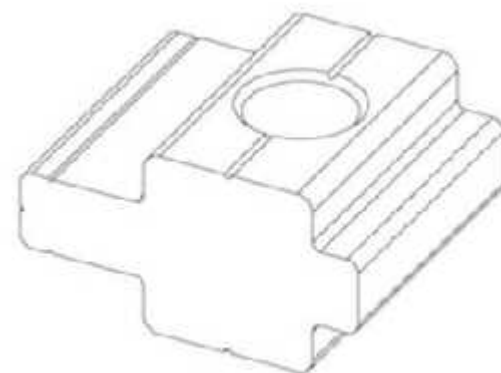
- (21) Design Number: **10106/2013**
(22) Date of Filing Application: **03 January 2013**
(24) Date from which industrial property rights may have effect: **03 January 2013**
(54) Product in respect of which the design is registered: **Driver's cabin for a vehicle**
(51) International Design Classification: **12-08**
(74) Name(s) of Attorney(s): **SPRUSON & FERGUSON**
(71) Name(s) and Address(s) of Applicant(s):
MAN Truck & Bus AG
Dachhauer Str. 667 80995 Munchen Germany
(72) Name(s) of Designer(s): **Holger Koos and Ingo von Bargaen and Marc Schippling and Dieter Blum and Roger Mohr and Rudolf Kupitza and Thomas Ochs and Michael Wust**
(45) Registration Date: **15 March 2013**
(30) Convention priority data:
(31) Number (32) Date (33) Country
001335236 04 Jul 2012 OFFICE FOR HARMONISATION IN THE INTERNAL MARKET (OHIM)
(56) Related Art Documents: **Not Applicable**
(57) Statement of Newness and Distinctiveness: **Newness and distinctiveness is claimed in the features of shape and/or configuration of a driver's cabin for a vehicle as illustrated in the accompanying representations.**



- (21) Design Number: **10551/2013**
(22) Date of Filing Application: **05 February 2013**
(24) Date from which industrial property rights may have effect: **05 February 2013**
(54) Product in respect of which the design is registered: **Cup holder**
(51) International Design Classification: **07-06A**
(74) Name(s) of Attorney(s):
(71) Name(s) and Address(s) of Applicant(s):
Marc Nieuwenhuys
PO BOX 7202 Kaleen ACT 2617 Australia
(72) Name(s) of Designer(s): **Marc Nieuwenhuys**
(45) Registration Date: **15 March 2013**
(56) Related Art Documents: **Not Applicable**
(57) Statement of Newness and Distinctiveness: **The newness and distinctiveness of this design is in the 3/4 shape and structure. This unique design uses minimal material allowing maximum exposure of branding on the take away cup. Also unique is the positioning of the handle creating the perfect fit for the hand to hold take away beverages.**



- (21) Design Number: **10626/2013**
(22) Date of Filing Application: **07 February 2013**
(24) Date from which industrial property rights may have effect: **07 February 2013**
(54) Product in respect of which the design is registered: **A fastener**
(51) International Design Classification: **08-08NES**
(74) Name(s) of Attorney(s):
(71) Name(s) and Address(s) of Applicant(s):
Yoyo Lee
Room 3A 202 Xinda Building No. 13 Xinglong Road Huli District Xiamen
City Fujian 361000 China
(72) Name(s) of Designer(s): **Yoyo Lee**
(45) Registration Date: **15 March 2013**
(30) Convention priority data:
(31) Number (32) Date (33) Country
201230392269.0 17 Aug 2012 CHINA
(56) Related Art Documents: **Not Applicable**
(57) Statement of Newness and Distinctiveness: **Novelty is claimed in the shape and configuration of a fastener as shown in the accompanying representations.**



(21) Design Number: **10725/2013**
(22) Date of Filing Application: **14 February 2013**
(24) Date from which industrial property rights may have effect: **12 December 2012**
(54) Product in respect of which the design is registered: **Tie down strap**
(51) International Design Classification: **09-06**
(74) Name(s) of Attorney(s): **Callinans**
(71) Name(s) and Address(s) of Applicant(s):
Master Lock Company LLC
137 W. Forest Hill Avenue Oak Creek Wisconsin 35154 United States of America

(72) Name(s) of Designer(s): **Jason Qin**

(45) Registration Date: **15 March 2013**

(30) Convention priority data:

| | | |
|-------------------|--------------------|---------------------------------|
| (31) Number | (32) Date | (33) Country |
| 29,424,796 | 15 Jun 2012 | UNITED STATES OF AMERICA |

(62) Divisional of: **347087**

(56) Related Art Documents: **Not Applicable**

(57) Statement of Newness and Distinctiveness: **Newness and distinctiveness are provided by the shape and/or configuration of the design shown in the representations. The features shown in broken lines in the representations are for illustrative purposes only and should not be considered when construing visual features of the design.**



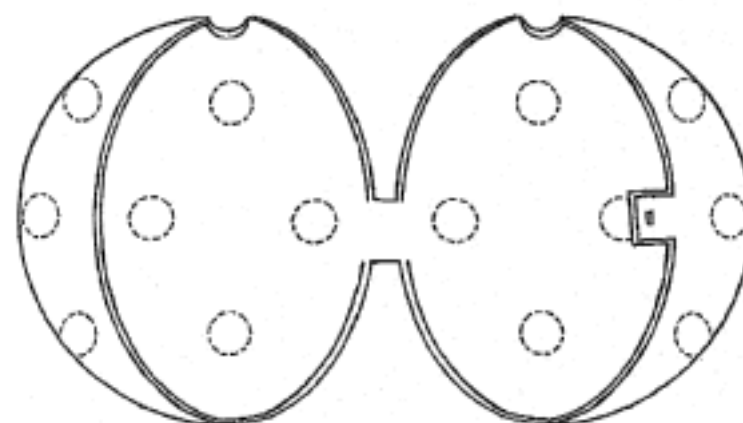
(21) Design Number: **13633/2012**
(22) Date of Filing Application: **30 July 2012**
(24) Date from which industrial property rights may have effect: **30 July 2012**
(54) Product in respect of which the design is registered: **A fruit protecting container**
(51) International Design Classification: **09-01D**
(74) Name(s) of Attorney(s): **Houlihan2**
(71) Name(s) and Address(s) of Applicant(s):
Milan Zovic
64 Sevenoaks Avenue Croydon Victoria 3136 Australia

(72) Name(s) of Designer(s): **Milan Zovic**

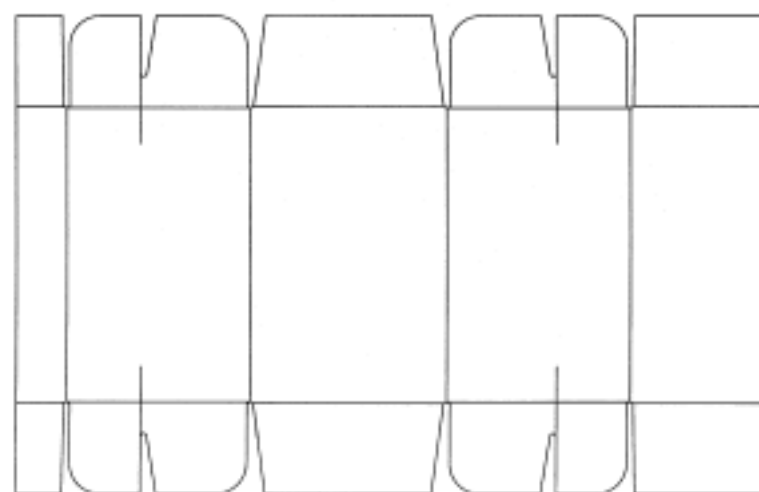
(45) Registration Date: **15 March 2013**

(56) Related Art Documents: **Not Applicable**

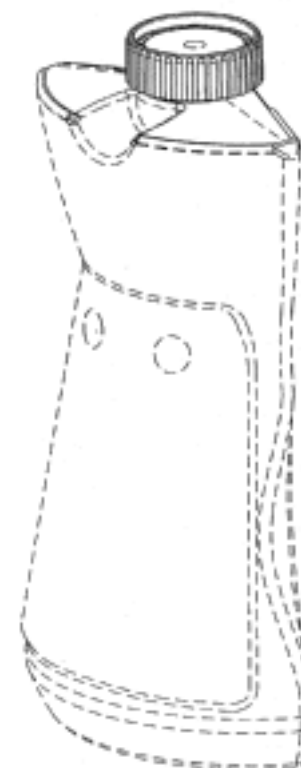
(57) Statement of Newness and Distinctiveness: **Newness and distinctiveness reside in the shape and/or configuration of a fruit protector illustrated by solid lines in the accompanying representations. The features shown in discontinuous lines or in broken outline are for illustrative purposes only and form no part of the design.**



- (21) Design Number: **15274/2012**
(22) Date of Filing Application: **22 October 2012**
(24) Date from which industrial property rights may have effect: **22 October 2012**
(54) Product in respect of which the design is registered: **Blank for forming a container therefrom**
(51) International Design Classification: **09-03NES**
(74) Name(s) of Attorney(s): **Davies Collison Cave**
(71) Name(s) and Address(s) of Applicant(s):
Visy R & D Pty Ltd
L11 2 Southbank Bvd Southbank VIC 3006 Australia
(72) Name(s) of Designer(s): **Gregory Johnson**
(45) Registration Date: **15 March 2013**
(56) Related Art Documents: **Not Applicable**
(57) Statement of Newness and Distinctiveness: **The features of shape and configuration of the blank shown in the accompanying representations are considered to be new and distinctive, wherein the lines within the boundary of the blank are lines of deformation that facilitate folding of the blank.**



- (21) Design Number: **15823/2012**
(22) Date of Filing Application: **21 November 2012**
(24) Date from which industrial property rights may have effect: **21 November 2012**
(54) Product in respect of which the design is registered: **Container for a fluid dispensing device**
(51) International Design Classification: **09-07A**
(74) Name(s) of Attorney(s): **SPRUSON & FERGUSON**
(71) Name(s) and Address(s) of Applicant(s):
S. C. Johnson & Son, Inc.
1525 Howe Street Racine Wisconsin 53403-2236 United States of America
(72) Name(s) of Designer(s): **Cory J. Nelson and Jose M. Arevalo and James C. Stango and Aaron B. Eiger and Scott J. Rote**
(45) Registration Date: **15 March 2013**
(30) Convention priority data:
(31) Number (32) Date (33) Country
29/422577 22 May 2012 UNITED STATES OF AMERICA
(56) Related Art Documents: **Not Applicable**
(57) Statement of Newness and Distinctiveness: **Newness and distinctiveness is claimed in the features of shape and/or configuration of a container as illustrated in continuous lines in the accompanying representations.**



(19) AU

(21) Design Number: **10105/2013**

(22) Date of Filing Application: **03 January 2013**

(24) Date from which industrial property rights may have effect: **03 January 2013**

(54) Product in respect of which the design is registered: **Driver's cabin for a vehicle**

(51) International Design Classification: **12-08**

(74) Name(s) of Attorney(s): **SPRUSON & FERGUSON**

(71) Name(s) and Address(s) of Applicant(s):

MAN Truck & Bus AG

Dachhauer Str. 667 80995 Munchen Germany

(72) Name(s) of Designer(s): **Holger Koos and Ingo von Bargaen and Marc Schippling and Dieter Blum and Roger Mohr and Rudolf Kupitza and Thomas Ochs and Michael Wust**

(45) Registration Date: **16 March 2013**

(30) Convention priority data:

(31) Number

001335236

(32) Date

04 Jul 2012

(33) Country

**OFFICE FOR HARMONISATION IN
THE INTERNAL MARKET (OHIM)**

(56) Related Art Documents: **Not Applicable**

(57) Statement of Newness and Distinctiveness: **Newness and distinctiveness is claimed in the features of shape and/or configuration of a driver's cabin for a vehicle as illustrated in the accompanying representations.**

