



Australian Government

IP Australia

AUSTRALIAN OFFICIAL JOURNAL

OF

DESIGNS

Did you know a searchable version of this journal is now available online?

It's FREE and EASY to SEARCH.

Find it on our website (www.ipaustralia.gov.au)

by using the "Journals" link on the home page.

This Page Left Intentionally Blank

Contents

General Information & Notices

**Proceedings Under the Designs Act 1906 preserved as a result of the provisions of Chapter 12
Part 2 of the Designs Act 2003**

Applications for Extension of Time	940
Extension of Period of Registration of Designs	940
Names Registered - Alterations and Amendments	940
Registrations Ceased	940
Subsequent Owners Registered	940

Proceedings Under the Designs Act 2003

Applications for Extension of Time Under Section 137	952
Applications Lapsed	950
Applications Lodged	944
Applications Withdrawn	950
Certificate of Examination	954
Extension of Period of Registration of Design	952
Extension of Time Granted Under Section 137	952
Names Registered - Alterations and Amendments	953
Publication and Registration Proceedings	
Designs Registered 347564 to 347833.....	955
Registrations Ceased	952
Subsequent Owners Registered	953

This Page Left Intentionally Blank

For information on the following please see our website www.ipaustralia.gov.au or contact our Customer Service Network on 1300651010

[Editorial enquiries](#)

[Contact information](#)

[Freedom of Information ACT](#)

[Professional Standards Board](#)

[Sales](#)

[Requests for Information under Section 194 \(c\)](#)

[Country Codes](#)

[Trade Mark and Designs Hearing Sessions](#)

[INID \(Internationally agreed Numbers for the Identification of Data\)](#)

“INID” NUMBERS in use on Australian Design Documents

“INID” is an acronym for “Internationally agreed Numbers for the Identification of Data”.

(10) Data concerning the registration/renewal

- (11) Serial number of the registration and/or number of the design document
- (12) Plain language designation of the kind of published document
- (19) Identification, using the two-letter code according to WIPO Standard ST.3, of the authority publishing or registering the industrial design

(20) Data concerning the application

- (21) Serial number of the application
- (22) Date of filing of the application
- (24) Date from which the industrial design right has effect

(30) Data relating to priority under the Paris Convention

- (31) Serial number assigned to the priority application
- (32) Date of filing of the priority application
- (33) Two-letter code, according to WIPO Standard ST.3, identifying the authority with which the priority application was made

(40) Date(s) of making information available to the public

- (45) Date of publication of the registered industrial design by printing or similar process, or making it available to the public by any other means

(50) Miscellaneous Information

- (51) International Classification for Industrial Designs (class and subclass of the Locarno Classification)
- (54) Designation of article(s) or product(s) covered by the industrial design or title of the industrial design
- (55) Reproduction of the industrial design (e.g., drawing, photograph) and explanations relating to the reproduction
- (56) List of prior art documents, if separate from descriptive text
- (57) Description of characteristic features of the industrial design including indication of colours

(60) References to other legally related application(s) and registration(s)

- (62) Serial number(s) and, if available, filing date(s) of application(s), registration(s) or document(s) related by division
- (66) Serial number(s) of the application, or the registration, of the design(s) which is (are) a variant(s) of the present one

(70) Identification of parties concerned with the application or registration

- (71) Name(s) and address(es) of the applicant(s)
- (72) Name(s) of the creator(s) if known to be such
- (74) Name(s) and address(es) of the representative(s)

This Page Left Intentionally Blank

OFFICIAL NOTICE**Raising the Bar – Regulations reach the final stage**

Abstract: The *Intellectual Property Legislation Amendment (Raising the Bar) Regulation 2013(No.1)* has been approved by the Federal Executive Council and the authoritative version can be viewed on the ComLaw website.

Body:

On 14 March 2013, the Governor-General in Council approved the *Intellectual Property Legislation Amendment (Raising the Bar) Regulation 2013 (No. 1)* which provides important detail to the *Intellectual Property Laws Amendment (Raising the Bar) Act 2012*.

Although the Regulation is approved, it will not officially come into effect until 15 April 2013.

You can view the authoritative version of the Regulation and the accompanying Explanatory Statement on the [ComLaw](#) website.

Contact: IP Australia
Phone: 1300 651 010
Fax: +61 2 6283 7999
E-mail: assist@ipaustrialia.gov.au
Web: www.ipaustrialia.gov.au

Proceedings under the Designs Act 1906 preserved as a result of the provisions of Chapter 12 Part 2 of the Designs Act 2003.

This Page Left Intentionally Blank

Applications Lapsed

There were no Applications Lapsed under this section

Extension of Period of Registration of Designs

1st Period (Section 27A(8))

2nd Period (Section 27A(12))

3rd Period (Section 27A(13))

148214	148396	148479
148612	148656	148697
148743	148843	148902
149057	149058	149059
149104	149151	149444
149542	149641	149673
149713	149714	149727
149728	149744	150047
150181	150182	150270
150275	150414	150415
150634	150710	150879
150880	150881	151054
151167	151174	151184
151815	151820	151821
151823	151837	151838
151839	151840	151841
151921	152189	152356
152546	152587	152607
152860	153361	153645
154404	155190	156205

Registrations Ceased

Note: Some of the following Registrations may have been previously advertised as ceased. In this instance, the previous advertisement still prevails.

129564	130338	131387
131388	131391	131395
131396	131397	131398
131405	131406	131407
131408	131409	131410
131411	131412	131413
131437	131443	131444
131445	131446	131447
131448	131450	131452
131456	131631	131632
131634	131639	131792
132119	132388	132518
132519	133270	133271
133273	134209	134250
135086	135496	136041
136065	145367	145913
145914	146426	146587
146676	147036	147102

147185	147218	147339
147396	147422	147423
147475	147476	148623
148624	150214	150709
154739		

Applications for Extension of time

Applications for extension of time have been lodged. Objections must be lodged within 1 month from the date of this journal.

146504 **Donaldson Company Inc.** Extension of time to extend a registration. Address for Service: Freehills Patent Attorneys Level 43 101 Collins Street MELBOURNE VIC 3000

Subsequent Owners Registered

(The name in parentheses is that of the subsequent owner)

143433	(Dyson Technology Limited)	Dyson Limited
146419	(Dyson Technology Limited)	Dyson Limited
149483	(Dyson Technology Limited)	Dyson Limited
151185	(Dyson Technology Limited)	Dyson Limited
154579	(Dyson Technology Limited)	Dyson Limited
154578	(Dyson Technology Limited)	Dyson Limited
155597	(Dyson Technology Limited)	Dyson Limited
155663	(Dyson Technology Limited)	Dyson Limited
157304	(Dyson Technology Limited)	Dyson Limited
137238	(Dyson Technology Limited)	Dyson Limited
135773	(Dyson Technology Limited)	Dyson Limited
138758	(Dyson Technology Limited)	Dyson Limited
138108	(Dyson Technology Limited)	Dyson Limited
138861	(Dyson Technology Limited)	Dyson Limited

Names Registered - Alterations and Amendments

(The name in parentheses is the new name of the proprietor)

148016	(BRAIFORM GROUP PTY LTD)	Spotless Plastics Pty Ltd
147184	(BRAIFORM GROUP PTY LTD)	Spotless Plastics Pty Ltd
147183	(BRAIFORM GROUP PTY LTD)	Spotless Plastics Pty Ltd
132273	(BRAIFORM GROUP PTY LTD)	Spotless Plastics Pty Ltd
147183	(BRAIFORM GROUP PTY LTD)	Spotless Plastics Pty Ltd.
147184	(BRAIFORM GROUP PTY LTD)	Spotless Plastics Pty Ltd.

This Page Left Intentionally Blank

Proceedings under the Designs Act 2003.

This Page Left Intentionally Blank

Applications Lodged

Lodgement information is in the following order: **Applicant's Name**; International Classification, Name of Product, Lodgement Date and **Design Number**. If the applicant claims an earlier priority date under an International Convention, the Convention Country and the associated filing date are shown in parentheses before the Lodgement Date. Divisional information will also appear in parentheses before the Lodgement Date.

Abey Australia Pty Ltd; 23-01A, Bracket for a pipe clip, 20 Mar 2013	11419/2013	Beba Enterprises Pty Ltd; 02-02C, Articles of clothing, 14 Mar 2013	11379/2013
Activlife Technologies Pty Ltd; 24-02, Personal medical device for electrical stimulation, 26 Mar 2013	11501/2013	Bevis, Anne-Marie; 06-02, 06-05, A loft bed, 25 Mar 2013	11480/2013
Apple Inc.; 13-02, Battery, (US, 09 Jun 2012) 06 Dec 2012	16758/2012	Bitzer Kuehlmaschinenbau GmbH; 15-02, Compressor, (EM, 20 Dec 2012) 15 Mar 2013	11382/2013
Apple Inc.; 20-03NES, 20-02C, Display structure, (US, 19 Sep 2012) 19 Mar 2013	11424/2013	Bitzer Kuehlmaschinenbau GmbH; 15-02, Compressor, (EM, 20 Dec 2012) 15 Mar 2013	11383/2013
Apple Inc.; 20-02C, Display structure, (US, 19 Sep 2012) 18 Mar 2013	11409/2013	Bitzer Kuehlmaschinenbau GmbH; 15-02, Compressor, (EM, 27 Nov 2012) 15 Mar 2013	11381/2013
Apple Inc.; 20-03NES, 20-02C, Display structure, (US, 19 Sep 2012) 19 Mar 2013	11427/2013	Bitzer Kuehlmaschinenbau GmbH; 15-02, Compressor, (EM, 27 Nov 2012) 15 Mar 2013	11293/2013
Apple Inc.; 20-03NES, 20-02C, Display structure, (US, 19 Sep 2012) 19 Mar 2013	11428/2013	Bitzer Kuehlmaschinenbau GmbH; 15-02, Compressor, (EM, 20 Dec 2012) 15 Mar 2013	11300/2013
Apple Inc.; 20-03NES, Sign holder, (US, 19 Sep 2012) 18 Mar 2013	11411/2013	Bitzer Kuehlmaschinenbau GmbH; 15-02, Compressor, (EM, 20 Dec 2012) 15 Mar 2013	11294/2013
Apple Inc.; 20-03NES, 20-02C, Display structure, (US, 19 Sep 2012) 19 Mar 2013	11429/2013	British American Tobacco (Investments) Limited; 27-06, Packaging, (WO, 28 Sep 2012) 26 Mar 2013	11511/2013
Apple Inc.; 20-03NES, Sign holder, (US, 19 Sep 2012) 18 Mar 2013	11410/2013	British American Tobacco (Investments) Limited; 09-03NES, Packaging, (WO, 28 Sep 2012) 26 Mar 2013	11515/2013
Apple Inc.; 20-02C, Display structure, (US, 19 Sep 2012) 18 Mar 2013	11408/2013	British American Tobacco (Investments) Limited; 09-03L, Packaging, (WO, 28 Sep 2012) 26 Mar 2013	11510/2013
Apple Inc.; 20-03NES, 20-02C, Display structure, (US, 19 Sep 2012) 19 Mar 2013	11425/2013	Brother Industries, Ltd.; 14-02, Toner cartridge, (JP, 20 Nov 2012) 25 Mar 2013	11469/2013
Apple Inc.; 20-03NES, 20-02C, Display structure, (US, 19 Sep 2012) 19 Mar 2013	11426/2013	Brother Industries, Ltd.; 14-02, Toner cartridge, (JP, 16 Oct 2012) 25 Mar 2013	11468/2013
AptarGroup, Inc.; 09-07B, Dispensing closure, (US, 27 Sep 2012) 26 Mar 2013	11499/2013	Calderwood, John Morton; 22-05, Fishing lure, 22 Mar 2013	11450/2013
AptarGroup, Inc.; 09-07B, Dispensing closure, (US, 27 Sep 2012) 26 Mar 2013	11503/2013	Caterpillar Global Mining Equipment LLC; 14-01, Display screen, (US, 21 Sep 2012) 20 Mar 2013	11444/2013
AMA Group Limited; 12-10, Trailer plug, 21 Mar 2013	11466/2013	Caterpillar Global Mining Equipment LLC; 14-01, Display screen, (US, 21 Sep 2012) 20 Mar 2013	11445/2013
AMA Group Limited; 12-16L, 13-03E, Trailer plug, 21 Mar 2013	11465/2013		
Baker, Kevin; 23-04, A ventilator, 27 Mar 2013	11526/2013		

Caterpillar Global Mining Equipment LLC; 14-01, Display screen, (US, 21 Sep 2012) 20 Mar 2013	11446/2013	Cospak Pty Ltd; 09-01H, A bottle, (Divisional of 13470/2012) 18 Mar 2013	11359/2013
Checkers Industrial Products, LLC; 12-16NES, Warning whip base and connector, (US, 24 Sep 2012) 25 Mar 2013	11477/2013	Country Electronics Pty Ltd; 13-03A, Electric fence steel Y post insulator, 25 Mar 2013	11476/2013
Checkers Industrial Products, LLC; 26-05E, LED whip light, (US, 24 Sep 2012) 25 Mar 2013	11478/2013	Crown Packaging Technology, Inc.; 07-01NES, 09-01C, Jar, (EM, 24 Sep 2012) 22 Mar 2013	11453/2013
Christian Dior Couture; 03-01B, Hand bag, (CH, 23 Nov 2012) 26 Mar 2013	11505/2013	Crown Packaging Technology, Inc.; 07-01NES, 09-01C, Jar, (EM, 24 Sep 2012) 22 Mar 2013	11452/2013
Clisby, Stephen Paul; 14-02, USB flash drive package, 15 Mar 2013	11297/2013	COMPAGNIE GENERALE DES ETABLISSEMENTS MICHELIN; Michelin Recherche et Technique S.A.; 12-15B, A tyre, (FR, 08 Oct 2012) 19 Mar 2013	11396/2013
Colgate-Palmolive Company; 04-02, Oral care implement, (US, 28 Sep 2012) 16 Mar 2013	11316/2013	Design Ideas, Ltd.; 11-02E, Model, (US, 26 Sep 2012) 21 Mar 2013	11461/2013
Colgate-Palmolive Company; 04-02, Oral care implement, (US, 28 Sep 2012) 19 Mar 2013	11392/2013	Design Ideas, Ltd.; 11-02E, Model, (US, 26 Sep 2012) 21 Mar 2013	11462/2013
Colgate-Palmolive Company; 04-02, Oral care implement, (US, 28 Sep 2012) 19 Mar 2013	11386/2013	Designer Doorware Pty Ltd; 08-06, A multifaceted door lever, 26 Mar 2013	11512/2013
Colgate-Palmolive Company; 04-02, Oral care implement, (US, 28 Sep 2012) 19 Mar 2013	11384/2013	Dioguardi, Jimmy; 19-08, Business card, 17 Mar 2013	11331/2013
Continental Reifen Deutschland GmbH; 12-15B, Tyre, (EM, 19 Oct 2012) 25 Mar 2013	11470/2013	Dullaway, Terry Owen; 21-03, Playground, 20 Mar 2013	11406/2013
Cospak Pty Ltd; 09-01H, A bottle, (Divisional of 13470/2012) 18 Mar 2013	11356/2013	Dullaway, Terry Owen; 21-03, Playground equipment, 20 Mar 2013	11405/2013
Cospak Pty Ltd; 09-01H, A bottle, (Divisional of 13470/2012) 18 Mar 2013	11357/2013	Electrolux Sea Pte Ltd; 15-05, Washing machine, (CN, 12 Jun 2012) (Divisional of 16265/2012) 20 Mar 2013	11413/2013
Cospak Pty Ltd; 09-01H, A bottle, (Divisional of 13470/2012) 18 Mar 2013	11353/2013	Electrolux Sea Pte Ltd; 15-05, Washing machine, (CN, 12 Jun 2012) (Divisional of 16265/2012) 20 Mar 2013	11414/2013
Cospak Pty Ltd; 09-01H, A bottle, (Divisional of 13470/2012) 19 Mar 2013	11380/2013	Electrolux Sea Pte Ltd; 15-05, Washing machine, (CN, 12 Jun 2012) (Divisional of 16265/2012) 20 Mar 2013	11415/2013
Cospak Pty Ltd; 09-01H, A bottle, (Divisional of 13470/2012) 18 Mar 2013	11352/2013	Eveready Battery Company, Inc.; 13-02, A charger, (US, 26 Sep 2012) 20 Mar 2013	11420/2013
Cospak Pty Ltd; 09-01H, A bottle, (Divisional of 13470/2012) 18 Mar 2013	11360/2013	EUROTIRE, INC.; 12-15C, Tire tread, (US, 21 Sep 2012) 19 Mar 2013	11404/2013
Cospak Pty Ltd; 09-01K, A bottle, (Divisional of 13470/2012) 18 Mar 2013	11363/2013	Figuroa, Luis Orlando; 06-01NES, Oak wine barrel furniture outdoor lounge, 22 Mar 2013	11458/2013
Cospak Pty Ltd; 09-01H, A bottle, (Divisional of 13470/2012) 18 Mar 2013	11358/2013	Forever New Clothing Pty Ltd; 02-02C, 02-02NES, Article of clothing, (Divisional of 15454/2012) 18 Mar 2013	11430/2013
		Fujikura Ltd.; 14-02, Optical connector cleaner, (JP, 17 Oct 2012) 19 Mar 2013	11397/2013

FSP Holdings Pty Ltd; 15-99, Hole saver, 21 Mar 2013	11434/2013	H.A.G. Import Corporation (Australia) Pty Ltd; 07-01D, Saucer, 18 Mar 2013	11366/2013
General Cable Technologies Corporation; 13-03E, Electrical connector, (US, 21 Sep 2012) 15 Mar 2013	11309/2013	H.A.G. Import Corporation (Australia) Pty Ltd; 07-01D, Mug, 18 Mar 2013	11373/2013
General Cable Technologies Corporation; 13-03E, Electrical connector, (US, 21 Sep 2012) 15 Mar 2013	11311/2013	H.A.G. Import Corporation (Australia) Pty Ltd; 07-01B, Soup bowl, 18 Mar 2013	11371/2013
General Cable Technologies Corporation; 13-03E, Electrical connector, (US, 21 Sep 2012) 15 Mar 2013	11312/2013	H.A.G. Import Corporation (Australia) Pty Ltd; 07-01B, Bowl, 18 Mar 2013	11368/2013
General Cable Technologies Corporation; 13-03E, Electrical connector, (US, 21 Sep 2012) 15 Mar 2013	11310/2013	Hamm AG; 15-04, Chisel and tool holder, (EM, 23 Nov 2012) 22 Mar 2013	11493/2013
Gerard Lighting Pty Ltd; 26-03, Floodlight, 19 Mar 2013	11398/2013	Hamm AG; 15-04, Compacting and crushing drum, (EM, 23 Nov 2012) 22 Mar 2013	11495/2013
Glaxo Group Limited; 24-04, Teether device, (GB, 27 Sep 2012) 25 Mar 2013	11479/2013	Hamm AG; 15-04, Chisel and tool holder, (EM, 23 Nov 2012) 22 Mar 2013	11494/2013
Global Tech China Limited; 26-03, Flood light, 27 Mar 2013	11527/2013	Hamm AG; 15-04, Compactor tool and tool holder, (EM, 23 Nov 2012) 22 Mar 2013	11489/2013
Gridweld Limited; 08-05M, A mobile pipe welding device, 16 Mar 2013	11315/2013	Hamm AG; 15-04, Compactor tool and tool holder, (EM, 23 Nov 2012) 22 Mar 2013	11490/2013
Grigor, Andrew John; 26-05D, Glide is a light which contains a shade, 25 Mar 2013	11481/2013	Hamm AG; 15-04, Compactor tool and tool holder, (EM, 23 Nov 2012) 22 Mar 2013	11487/2013
Guangdong Xinbao Electrical Appliances Holdings Co., Ltd; 31-00, Mixer, (CN, 07 Oct 2012) 22 Mar 2013	11454/2013	Hamm AG; 15-04, Tool holder, (EM, 23 Nov 2012) 22 Mar 2013	11491/2013
H.A.G. Import Corporation (Australia) Pty Ltd; 07-01G, Teapot, 18 Mar 2013	11376/2013	Hamm AG; 15-04, Compactor tool and tool holder, (EM, 23 Nov 2012) 22 Mar 2013	11492/2013
H.A.G. Import Corporation (Australia) Pty Ltd; 07-01F, Gravy boat, 18 Mar 2013	11378/2013	Hamm AG; 15-04, Chisel and tool holder, (EM, 23 Nov 2012) 22 Mar 2013	11488/2013
H.A.G. Import Corporation (Australia) Pty Ltd; 07-01D, Gravy boat saucer, 18 Mar 2013	11377/2013	Hamm AG; 15-04, Compactor tool and tool holder, (EM, 23 Nov 2012) 22 Mar 2013	11485/2013
H.A.G. Import Corporation (Australia) Pty Ltd; 07-01F, Creamer, 18 Mar 2013	11374/2013	Hamm AG; 15-04, Compactor tool, (EM, 23 Nov 2012) 22 Mar 2013	11486/2013
H.A.G. Import Corporation (Australia) Pty Ltd; 07-01B, Square platter, 18 Mar 2013	11364/2013	Hamm AG; 15-04, Compactor tool, (EM, 23 Nov 2012) 22 Mar 2013	11483/2013
H.A.G. Import Corporation (Australia) Pty Ltd; 07-01B, Rectangular platter, 18 Mar 2013	11365/2013	Hamm AG; 15-04, Compactor tool, (EM, 23 Nov 2012) 22 Mar 2013	11484/2013
H.A.G. Import Corporation (Australia) Pty Ltd; 07-06C, 07-01NES, Sugar pot, 18 Mar 2013	11375/2013	Happy Soldier Group Pty Ltd; 14-01, Headphones, 25 Mar 2013	11472/2013
H.A.G. Import Corporation (Australia) Pty Ltd; 07-01D, Cup, 18 Mar 2013	11372/2013		

Herculift Access Technology (Australia) Pty Ltd; 12-05, An automatic roller door opener, 16 Mar 2013	11330/2013	Lolworth Investments Pty Ltd; 25-01C, Structural arch member for a building, 20 Mar 2013	11421/2013
Hiram (WA) Pty Ltd; 25-04, Laddertube for underground raises, 18 Mar 2013	11407/2013	LG Electronics Inc.; 14-03NES, Audio apparatus, (KR, 25 Sep 2012) 25 Mar 2013	11474/2013
Hologramer Pty Ltd; 07-01G, Coffee capsule/pod holder, 19 Mar 2013	11402/2013	LG Electronics, Inc.; 14-01, Audio apparatus, (KR, 26 Sep 2012) 25 Mar 2013	11475/2013
Holt, Kathie; 02-03, Hat, 21 Mar 2013	11443/2013	Manleys Limited; 12-10, Trailblazer and beach runner, (EM, 28 Sep 2012) 27 Mar 2013	11525/2013
Honda Motor Co., Ltd.; 15-03B, A riding lawn mower, (JP, 18 Sep 2012) 15 Mar 2013	11298/2013	Map of the Heart Pty Ltd; 09-01G, Perfume bottle, 22 Mar 2013	11449/2013
Honda Motor Co., Ltd.; 15-01, An internal-combustion engine, (JP, 27 Sep 2012) 15 Mar 2013	11296/2013	Mars, Incorporated; 01-01, Confectionery, (EM, 20 Sep 2012) 19 Mar 2013	11391/2013
Househam Sprayers Limited; 15-03A, A crop spraying machine, (EM, 13 Dec 2012) 21 Mar 2013	11437/2013	Matheny ENTERprises, LLC; 14-02, In vivo tubular support device, (US, 17 Sep 2012) 15 Mar 2013	11305/2013
Isola Swim Pty Ltd; 02-02A, Swimwear, 14 Mar 2013	11346/2013	McGinnes, Joseph John; 12-16L, A towing link assembly, 19 Mar 2013	11389/2013
Jaydee Quantum Pty Ltd; 12-08, Open sports car, 16 Mar 2013	11329/2013	McNeil-PPC, Inc.;Johnson & Johnson Industrial Ltda; 28-01, Tablet, (US, 03 Feb 2012) 27 Mar 2013	11516/2013
Johnson & Johnson Industrial Ltda;McNeil-PPC, Inc.; 28-01, Tablet, (US, 03 Feb 2012) 27 Mar 2013	11516/2013	Michelin Recherche et Technique S.A.;COMPAGNIE GENERALE DES ETABLISSEMENTS MICHELIN; 12-15B, A tyre, (FR, 08 Oct 2012) 19 Mar 2013	11396/2013
JPD Media & Design Pty Limited; 99-00, Vertical garden, 25 Mar 2013	11473/2013	Mutebutton Ltd; 04-99, Intra oral device, (EM, 21 Sep 2012) 21 Mar 2013	11431/2013
K.M.W. Inc.; 02-03, Safety helmet, (KR, 28 Sep 2012) 19 Mar 2013	11385/2013	MSD Consumer Care, Inc.; 09-01K, 07-05E, Container for liquid product with applicator, (US, 18 Sep 2012) 15 Mar 2013	11302/2013
Konami Gaming, Inc.; 21-03, Game machine, (US, 14 Mar 2013) 21 Mar 2013	11464/2013	MSD Consumer Care, Inc.; 08-05A, Spray applicator, (US, 18 Sep 2012) 15 Mar 2013	11304/2013
Koninklijke Philips Electronics N.V.; 26-03, Floodlight luminaire, (EM, 19 Sep 2012) 19 Mar 2013	11393/2013	MSD Consumer Care, Inc.; 08-05A, Spray head for spray applicator, (US, 18 Sep 2012) 15 Mar 2013	11303/2013
Koninklijke Philips Electronics N.V.; 26-04, Solid state lighting spot, (EM, 24 Sep 2012) 22 Mar 2013	11457/2013	Nation, Anthony Bernard; 09-09, A swarf collector, 20 Mar 2013	11422/2013
Koninklijke Philips Electronics N.V.; 07-05NES, Garment steamer, (EM, 24 Sep 2012) 22 Mar 2013	11456/2013	Nguyen, Jonathan Duy Khac; 14-01, Intergrated CCTV camera and recording system, 24 Mar 2013	11459/2013
Legin, Viktor; 26-05D, Lighting design, 20 Mar 2013	11412/2013	Oregon Precision Industries, Inc.; 09-03E, Two-ring bottle carrier, (US, 14 Mar 2013) 26 Mar 2013	11506/2013
Lilly Brush Co., LLC; 03-01NES, A case, (US, 20 Sep 2012) 19 Mar 2013	11417/2013	Oregon Precision Industries, Inc.; 09-03E, Four-ring bottle carrier, (US, 14 Mar 2013) 26 Mar 2013	11509/2013
Lilly Brush Co., LLC; 07-05E, 03-01NES, Fabric care brush and case, (US, 20 Sep 2012) 19 Mar 2013	11418/2013		

Orica International Pte Ltd; 14-03NES, Rear housing for a controller, 20 Mar 2013	11416/2013	Roehrs, Sven; 02-02C, 02-02NES, 19-08, 12-99, 19-04, Advertising; books; fabric; clothing; vehicle; planes, 21 Dec 2012	16759/2012
Orica International Pte Ltd; 08-08NES, Mounting plate, 19 Mar 2013	11395/2013	Sancourt Pty Ltd; Viva Holdings; 25-02H, Security window screen, 15 Mar 2013	11308/2013
Orica International Pte Ltd; 14-03NES, 21-01N, Front housing for a controller, 19 Mar 2013	11394/2013	Scania CV AB; 16-06, Upper part of a sun visor, (SE, 04 Oct 2012) 27 Mar 2013	11518/2013
Orica International Pte Ltd; 14-03NES, 21-01N, Protective front cover for a controller, 19 Mar 2013	11390/2013	Scania CV AB; 16-06, Upper part of a sun visor, (SE, 04 Oct 2012) 27 Mar 2013	11519/2013
Orica International Pte Ltd; 14-99, Protective hood for a controller, 19 Mar 2013	11403/2013	Scania CV AB; 12-16B, Sun visor, (SE, 04 Oct 2012) 27 Mar 2013	11523/2013
Orica International Pte Ltd; 14-03NES, Front housing for a controller, 18 Mar 2013	11370/2013	Scania CV AB; 12-16B, Upper part of a sun visor, (SE, 04 Oct 2012) 27 Mar 2013	11524/2013
Orica International Pte Ltd; 14-03NES, Controller with stem mount, 18 Mar 2013	11367/2013	Scania CV AB; 12-16B, Lower part of a sun visor, (SE, 04 Oct 2012) 27 Mar 2013	11520/2013
PepsiCo, Inc.; 20-01, Dispenser, 15 Mar 2013	11299/2013	Scania CV AB; 12-16B, Sun visor, (SE, 04 Oct 2012) 27 Mar 2013	11521/2013
PepsiCo, Inc.; 14-01, Display screen with user interface, 15 Mar 2013	11301/2013	Scania CV AB; 12-16B, Sun visor, (SE, 04 Oct 2012) 27 Mar 2013	11522/2013
Primus Australia Pty Ltd; 07-07NES, Laundry basket, 19 Mar 2013	11387/2013	Sebel Furniture Ltd; 06-01F, A chair having coalesced ischial concavities, 14 Mar 2013	11337/2013
Primus Australia Pty Ltd; 07-07NES, Laundry basket, 19 Mar 2013	11388/2013	Sebel Furniture Ltd; 06-01F, A seat with a pair of ischial concavities An armchair having a seat with a pair of ischial concavities, 14 Mar 2013	11345/2013
Primus Australia Pty. Ltd.; 21-04, Tent frame, 19 Mar 2013	11400/2013	Sebel Furniture Ltd; 06-01F, A chair having a pair of ischial concavities, 14 Mar 2013	11339/2013
Prooff Collection B.V.; 06-01F, Sideseat, (EM, 13 Sep 2012) 20 Mar 2013	11448/2013	Sebel Furniture Ltd; 06-06G, A seat of a chair, the seat having a pair of ischial concavities, 14 Mar 2013	11340/2013
Prooff Collection B.V.; 06-01C, 06-01NES, Sittable 2, (EM, 13 Sep 2012) 20 Mar 2013	11447/2013	Sebel Furniture Ltd; 06-06G, A seat of a chair, the seat having a pair of ischial concavities, 14 Mar 2013	11338/2013
Purple Line Pty Ltd; 12-10, Camper trailer, 18 Mar 2013	11347/2013	Sebel Furniture Ltd; 06-06G, A seat of a chair, the seat having a pair of ischial concavities, 14 Mar 2013	11333/2013
Quizcamp-Fabrico E Comercio De Produtos Alimentares, S.A.; 11-02B, Flower pot - container, (EM, 17 Sep 2012) 18 Mar 2013	11348/2013	Sebel Furniture Ltd; 06-01D, 06-01NES, A pivotal seat with coalesced ischial concavities A stadium seat having a backrest and a pivotable seat with, coalesced ischial concavities, 14 Mar 2013	11343/2013
Radial Flux Laboratories Pty Ltd; 15-01, Electrical machine rotor lamination segment, 22 Mar 2013	11455/2013	Sebel Furniture Ltd; 06-01F, A seat with coalesced ischial concavities An armchair having a seat with coalesced ischial concavities, 14 Mar 2013	11344/2013
Reduxr Pty Ltd; 26-05D, Light, 15 Mar 2013	11295/2013		
Rees Operations Pty Ltd; 09-03K, A materials handling container, 15 Mar 2013	11306/2013		
Rees Operations Pty Ltd; 09-03K, A materials handling container, 15 Mar 2013	11307/2013		

Sebel Furniture Ltd; 06-06G, A seat of a chair, the seat having coalesced ischial concavities, 14 Mar 2013	11334/2013	Steelcase Inc.; 06-01F, Chair, (US, 20 Sep 2012) 16 Mar 2013	11325/2013
Sebel Furniture Ltd; 06-06G, A seat of a chair, the seat having coalesced ischial concavities, 14 Mar 2013	11332/2013	Steelcase Inc.; 06-01F, Chair, (US, 20 Sep 2012) 16 Mar 2013	11318/2013
Sebel Furniture Ltd; 06-01F, A chair having coalesced ischial concavities, 14 Mar 2013	11335/2013	Steelcase Inc.; 06-01F, Chair, (US, 20 Sep 2012) 16 Mar 2013	11319/2013
Sebel Furniture Ltd; 06-01F, A chair having a pair of ischial concavities, 14 Mar 2013	11341/2013	Steelcase Inc.; 06-01F, Chair, (US, 20 Sep 2012) 16 Mar 2013	11320/2013
Sebel Furniture Ltd; 06-01D, 06-01NES, A pivotable seat with a pair of ischial concavities A stadium seat having a backrest and a pivotable seat with a, pair of ischial concavities, 14 Mar 2013	11342/2013	Steelcase Inc.; 06-01F, Chair, (US, 20 Sep 2012) 16 Mar 2013	11321/2013
Sebel Furniture Ltd; 06-06G, A seat of a chair, the seat having coalesced ischial concavities, 14 Mar 2013	11336/2013	Steelcase Inc.; 06-01F, Chair, (US, 20 Sep 2012) 16 Mar 2013	11322/2013
Sentry Medical Pty Ltd; 03-01D, Tray, 27 Mar 2013	11528/2013	Steelcase, Inc.; 06-01F, A chair, (EM, 15 Jan 2013) 15 Mar 2013	11292/2013
Siemens Enterprise Communications GMBH & Co. KG; 14-03A, Telephone, (DE, 28 Sep 2012) 26 Mar 2013	11502/2013	Steelcase, Inc.; 06-01F, A chair, (EM, 15 Jan 2013) 15 Mar 2013	11291/2013
Siemens Enterprise Communications GMBH & Co. KG; 14-03A, Telephone, (DE, 05 Oct 2012) 26 Mar 2013	11504/2013	Steelmore Holdings Pty Ltd; 25-02C, Hand rail, 13 Mar 2013	11290/2013
Spadaro, Giovanni; 25-01K, "Extrusion for an external corner alignment tool", 22 Mar 2013	11497/2013	Stockbrands Co. Pty Ltd; 09-03NES, Valve box, 20 Mar 2013	11423/2013
Spadaro, Giovanni; 25-01K, Extrusion for an internal corner alignment tool, 22 Mar 2013	11496/2013	Sureguard Safety Australia Pty Ltd; 25-01B, 25-01E, Steel star picket posts/reinforcing bar safety cap, 15 Mar 2013	11313/2013
Steelcase Inc.; 06-01F, Chair, (US, 20 Sep 2012) 16 Mar 2013	11326/2013	Sureguard Safety Australia Pty Ltd; 25-01B, 25-01E, Plastic safety cap for star posts/reinforcing bar, 15 Mar 2013	11314/2013
Steelcase Inc.; 06-01F, Chair, (US, 20 Sep 2012) 16 Mar 2013	11328/2013	SEW-EURODRIVE GmbH & Co. KG; 12-16NES, 13-01, 15-99, Gearboxes for electric motors and generators, (DE, 25 Sep 2012) 25 Mar 2013	11460/2013
Steelcase Inc.; 06-01F, Chair, (US, 20 Sep 2012) 16 Mar 2013	11323/2013	SEW-EURODRIVE GmbH & Co. KG; 12-16NES, 13-01, 15-99, Gearboxes for electric motors and generators, (DE, 25 Sep 2012) 25 Mar 2013	11463/2013
Steelcase Inc.; 06-01F, Chair, (US, 20 Sep 2012) 16 Mar 2013	11317/2013	SHC Technology Co., Ltd; 06-01F, Chair, 18 Mar 2013	11355/2013
Steelcase Inc.; 06-01F, Chair, (US, 20 Sep 2012) 16 Mar 2013	11327/2013	STP Used Battery Recyclers Pty Ltd; 09-09, Container, 26 Mar 2013	11507/2013
Steelcase Inc.; 06-01F, Chair, (US, 20 Sep 2012) 16 Mar 2013	11324/2013	STP Used Battery Recyclers Pty Ltd; 09-09, Container, 26 Mar 2013	11508/2013
		Take Two Marketing and Events Pty Ltd; 07-04, A knife guide, 21 Mar 2013	11436/2013
		Tecpak Industries Ltd; 07-01NES, Container, 22 Mar 2013	11451/2013
		The Trustee for NBO UNIT TRUST; 29-02, Height safety equipment, 21 Mar 2013	11438/2013

The Trustee for NBO UNIT TRUST; 19-02, Folder holder, 26 Mar 2013	11482/2013	Visy R & D Pty Ltd; 09-03NES, Blank for forming a container, 26 Mar 2013	11498/2013
The Trustee for THE EYDLISH FAMILY TRUST; 09-07A, Sprinkle cap with mesh fitment, 21 Mar 2013	11435/2013	Vitronic Dr.-Ing. Stein Bildverarbeitungssysteme GmbH; 10-07, Casing for checking and measuring instruments, (DE, 19 Dec 2012) 13 Mar 2013	11288/2013
TheSRF Pty. Ltd.; 11-01NES, Silver metal lapel pin, 26 Mar 2013	11500/2013	Vitronic Dr.-Ing. Stein Bildverarbeitungssysteme GmbH; 10-07, Casing for checking and measuring instruments, (DE, 19 Dec 2012) 13 Mar 2013	11287/2013
Thompson, Peter James; 12-12, A wheelchair, (NZ, 18 Sep 2012) 15 Mar 2013	11286/2013	Viva Holdings;Sancourt Pty Ltd; 25-02H, Security window screen, 15 Mar 2013	11308/2013
Thompson, Peter James; 12-12, A wheelchair, (NZ, 01 Feb 2013) 15 Mar 2013	11289/2013	Vuly Pty Ltd; 05-05D, 21-02F, Netting, 19 Mar 2013	11401/2013
Thule Sweden AB; 12-16K, A roof rack for cars, (CN, 26 Sep 2012) 21 Mar 2013	11433/2013	Wang, Yi Zhong; 21-01N, Gun-shaped game controller, 18 Mar 2013	11369/2013
Thule Sweden AB; 12-16K, A roof rack for cars, (CN, 26 Sep 2012) 21 Mar 2013	11432/2013	West, Kylie; 20-03A, Reward/organisational/behavioural chart, 27 Mar 2013	11529/2013
Victaulic Company; 23-01A, Pipe coupling segment, (US, 01 Oct 2012) 28 Mar 2013	11534/2013	Whites Group Pty Ltd; 11-02C, Frame for supporting plants, 19 Mar 2013	11399/2013
Victaulic Company; 23-01A, Pipe coupling segment, (US, 01 Oct 2012) 28 Mar 2013	11533/2013	Wynn, Steven; 08-07, Key, 21 Mar 2013	11441/2013
Victaulic Company; 08-08D, 23-01A, Pipe coupling segment, (US, 01 Oct 2012) 28 Mar 2013	11531/2013	Wynn, Steven; 08-07, Key, 21 Mar 2013	11442/2013
Victaulic Company; 23-01A, Pipe coupling segment, (US, 01 Oct 2012) 28 Mar 2013	11535/2013	Wynn, Steven; 08-07, Key, 21 Mar 2013	11440/2013
Victaulic Company; 08-08D, 23-01A, Pipe coupling segment, (US, 01 Oct 2012) 28 Mar 2013	11530/2013	Wynn, Steven; 08-07, Key, 21 Mar 2013	11439/2013
Victaulic Company; 23-01A, Pipe coupling segment, (US, 01 Oct 2012) 28 Mar 2013	11532/2013	3M Innovative Properties Company; 24-02, Microneedle applicator, (US, 26 Oct 2012) 26 Mar 2013	11513/2013
Victoria & Albert Baths Ltd; 23-02B, Bath tub, (EM, 14 Nov 2012) 27 Mar 2013	11517/2013	3M Innovative Properties Company; 24-02, Microneedle applicator, (US, 26 Oct 2012) 26 Mar 2013	11514/2013

Applications Withdrawn

11071 / 2013 (15-05)

Applications Lapsed

14007 / 2012 (24-01)

14168 / 2012 (11-02E)	14130 / 2012 (02-02C)
14299 / 2012 (25-03)	14215 / 2012 (21-02A)
14656 / 2012 (09-01H)	14506 / 2012 (21-01B)
15209 / 2012 (08-08L)	14657 / 2012 (09-01H)
15439 / 2012 (09-03C)	15430 / 2012 (06-01F)
16027 / 2012 (14-03NES)	15546 / 2012 (09-01NES)
16056 / 2012 (06-13B)	16054 / 2012 (25-01C)

Extension of Period of Registration of Designs

317719	318105	318106
318912	319084	319085
319086	319087	319644
319785	319813	319865
320215	320224	320225
320226	320282	320315
320361	320362	320363
320365	320403	320415
320416	320417	320418
320454	320455	320467
320471	320485	320505
320528	320540	320591
320625	320626	320646
320650	320651	320652
320653	320654	320698
320700	320707	320710
320711	320715	320717
320718	320719	320720
320721	320722	320724
320725	320726	320737
320738	320739	320740
320757	320801	320802
320806	320809	320810
320963	321037	321038
321039	321040	321052
321162	321163	321215
321239	321269	321288
321294	321304	321305
321306	321335	321344
321390	321392	321410
321559	321560	321561
321565	321581	321582
321683	321741	321774
321775	321780	321781
321782	321783	321784
321785	321786	321864
321868	321908	321961
322012	322013	322014
322015	322303	322304
322305	322306	322307
322458	322557	322605
322985	323059	323120
323172	323177	323638
323639	323640	323641
323642	323643	323712
323713	323808	323874
323875	323876	324072
324074	324076	324481
324482	324780	324781

Registrations Ceased

316658	316783	316784
316963	317025	317059
317060	317071	317128
317129	317189	317190
317195	317209	317210
317211	317215	317216
317218	317219	317255
317261	317262	317263
317264	317278	317279
317280	317281	317284
317285	317286	317288
317311	317314	317320
317321	317322	317337
317339	317342	317343
317344	317345	317346
317347	317349	317352
317353	317354	317372
317381	317441	317442
317443	317444	317445
317464	317465	317540
317603	317612	317754
317779	317780	317781
317793	318037	318195
318196	318197	318198
318199	318210	318305
318306	318307	318351
318352	318353	318503
318521	319863	321854
336542	339591	343097
343460	343461	

Applications for Extension of time under Section 137

Applications under section 137 for extension of time have been lodged. Objections must be lodged within 1 month from the date of this journal.

12471/2012 **Daniel Malone** Address for Service: Griffith Hack GPO Box 1285 MELBOURNE VIC 3001

Extensions of time granted under Section 137

Applications lodged under section 137 for extension of time have been granted.

15516/2012 **Howard Ferry**

347823 **Alexei Ivakhnenko**

16025/2012 **Acamba Pty Ltd**

16027/2012 **4 x 4 Equip Pty Ltd**

16143/2012 **Apple Inc.**

16144/2012 **Apple Inc.**

16145/2012 **Apple Inc.**
 16146/2012 **Apple Inc.**
 16147/2012 **Apple Inc.**
 16266/2012 **Apple Inc.**
 16267/2012 **Apple Inc.**
 16305/2012 **Apple Inc.**
 16306/2012 **Apple Inc.**

11068/2013 **Masonite Corporation**

Subsequent Owners Registered

(The name in parentheses is that of the subsequent owner)

338529 (**Gwenda Redpath**) James Edward Redpath
 335719 (**Louise Cherilyn Edwards**) Louise Cherilyn Edwards;Renata Cetinich
 301268 (**Dyson Technology Limited**) Dyson Limited
 300664 (**Dyson Technology Limited**) Dyson Limited
 301392 (**Dyson Technology Limited**) Dyson Limited
 301393 (**Dyson Technology Limited**) Dyson Limited
 301394 (**Dyson Technology Limited**) Dyson Limited
 301395 (**Dyson Technology Limited**) Dyson Limited
 301396 (**Dyson Technology Limited**) Dyson Limited
 302153 (**Dyson Technology Limited**) Dyson Limited
 302154 (**Dyson Technology Limited**) Dyson Limited
 305107 (**Dyson Technology Limited**) Dyson Limited
 305108 (**Dyson Technology Limited**) Dyson Limited
 305109 (**Dyson Technology Limited**) Dyson Limited
 305340 (**Dyson Technology Limited**) Dyson Limited
 305454 (**Dyson Technology Limited**) Dyson Limited
 305455 (**Dyson Technology Limited**) Dyson Limited
 305456 (**Dyson Technology Limited**) Dyson Limited
 309345 (**Dyson Technology Limited**) Dyson Limited
 313229 (**Dyson Technology Limited**) Dyson Limited
 313284 (**Dyson Technology Limited**) Dyson Limited
 313280 (**Dyson Technology Limited**) Dyson Limited
 313283 (**Dyson Technology Limited**) Dyson Limited
 313282 (**Dyson Technology Limited**) Dyson Limited
 313281 (**Dyson Technology Limited**) Dyson Limited
 313848 (**Dyson Technology Limited**) Dyson Limited
 313851 (**Dyson Technology Limited**) Dyson Limited
 313850 (**Dyson Technology Limited**) Dyson Limited
 314033 (**Dyson Technology Limited**) Dyson Limited
 314721 (**Dyson Technology Limited**) Dyson Limited
 314970 (**Dyson Technology Limited**) Dyson Limited
 314137 (**Dyson Technology Limited**) Dyson Limited
 314889 (**Dyson Technology Limited**) Dyson Limited
 315655 (**Dyson Technology Limited**) Dyson Limited
 315656 (**Dyson Technology Limited**) Dyson Limited
 315654 (**Dyson Technology Limited**) Dyson Limited
 320074 (**Dyson Technology Limited**) Dyson Limited
 320073 (**Dyson Technology Limited**) Dyson Limited
 325225 (**Dyson Technology Limited**) Dyson Limited
 325226 (**Dyson Technology Limited**) Dyson Limited
 325552 (**Dyson Technology Limited**) Dyson Limited
 325551 (**Dyson Technology Limited**) Dyson Limited
 326718 (**Dyson Technology Limited**) Dyson Limited
 329031 (**Dyson Technology Limited**) Dyson Limited
 331203 (**Dyson Technology Limited**) Dyson Limited
 333269 (**Dyson Technology Limited**) Dyson Limited
 335951 (**Dyson Technology Limited**) Dyson Limited
 335953 (**Dyson Technology Limited**) Dyson Limited

335365 (**Dyson Technology Limited**) Dyson Limited
 335950 (**Dyson Technology Limited**) Dyson Limited
 335952 (**Dyson Technology Limited**) Dyson Limited
 336380 (**Dyson Technology Limited**) Dyson Limited
 336379 (**Dyson Technology Limited**) Dyson Limited
 336843 (**Dyson Technology Limited**) Dyson Limited
 336841 (**Dyson Technology Limited**) Dyson Limited
 336844 (**Dyson Technology Limited**) Dyson Limited
 336709 (**Dyson Technology Limited**) Dyson Limited
 336840 (**Dyson Technology Limited**) Dyson Limited
 336842 (**Dyson Technology Limited**) Dyson Limited
 336708 (**Dyson Technology Limited**) Dyson Limited
 336707 (**Dyson Technology Limited**) Dyson Limited
 337424 (**Dyson Technology Limited**) Dyson Limited
 338095 (**Dyson Technology Limited**) Dyson Limited
 338094 (**Dyson Technology Limited**) Dyson Limited
 338298 (**Dyson Technology Limited**) Dyson Limited
 339004 (**Dyson Technology Limited**) Dyson Limited
 339006 (**Dyson Technology Limited**) Dyson Limited
 339007 (**Dyson Technology Limited**) Dyson Limited
 339008 (**Dyson Technology Limited**) Dyson Limited
 339005 (**Dyson Technology Limited**) Dyson Limited
 340392 (**Dyson Technology Limited**) Dyson Limited
 340391 (**Dyson Technology Limited**) Dyson Limited
 340535 (**Dyson Technology Limited**) Dyson Limited
 340393 (**Dyson Technology Limited**) Dyson Limited
 340537 (**Dyson Technology Limited**) Dyson Limited
 340281 (**Dyson Technology Limited**) Dyson Limited
 340536 (**Dyson Technology Limited**) Dyson Limited
 340499 (**Dyson Technology Limited**) Dyson Limited
 340498 (**Dyson Technology Limited**) Dyson Limited
 310186 (**Swelling Solutions, Inc.**) CONVATEC TECHNOLOGIES INC.
 332371 (**Swelling Solutions, Inc.**) ConvaTec Technologies Inc.

Names Registered - Alterations and Amendments

(The name in parentheses is that of the subsequent applicant)

324974 (**BRAIFORM GROUP PTY LTD**) Spotless Plastics Pty Ltd
 300407 (**BRAIFORM GROUP PTY LTD**) Spotless Plastics Pty Ltd.
 326162 (**BRAIFORM GROUP PTY LTD**) Spotless Plastics Pty Ltd.

Certificate(s) of Examination

Examination of the following Design Registration(s) has been completed. Infringement proceedings may now be commenced.

329799	21-01F	27/03/2013
329799	21-01F	27/03/2013
329799	21-01F	27/03/2013
338722	12-02	27/03/2013
340006	22-02	27/03/2013
340418	12-05	27/03/2013
341527	23-02B	19/03/2013
341553	23-01H	19/03/2013
342248	24-03	21/03/2013
342772	09-01H	21/03/2013
343669	09-03L	28/03/2013
343882	12-15E	25/03/2013
343889	25-01D	26/03/2013
344027	02-07B	18/03/2013
344891	26-02	19/03/2013
344892	26-02	19/03/2013
344990	07-01NES	29/03/2013
345755	24-01	27/03/2013
345824	23-04	27/03/2013
345860	15-07	21/03/2013
345998	12-15NES	21/03/2013
346099	07-01E	26/03/2013
346120	14-03E	18/03/2013
346121	14-03E	18/03/2013
346122	14-03E	18/03/2013
346123	14-03E	18/03/2013
346124	14-03NES	19/03/2013
346125	14-03E	19/03/2013
346126	14-03E	19/03/2013
346127	14-03E	19/03/2013
346128	14-02	29/03/2013
346129	14-02	29/03/2013
346130	14-02	29/03/2013
346233	11-01NES	25/03/2013
346248	15-99	26/03/2013
346251	15-99	26/03/2013
346256	23-02A	19/03/2013
346257	09-01G	19/03/2013
346454	09-01G	21/03/2013
346455	09-01G	21/03/2013
346456	09-01G	21/03/2013
346463	26-05C	25/03/2013
346595	20-02E	26/03/2013
346672	14-01	26/03/2013
346673	13-03E	28/03/2013
346674	14-01	26/03/2013
346675	14-02	26/03/2013
346726	09-05	26/03/2013
346727	09-05	26/03/2013
346728	09-05	26/03/2013
346863	12-15A	28/03/2013
346869	10-05	28/03/2013
346870	10-05	28/03/2013
346871	10-05	28/03/2013
346898	23-01C	25/03/2013
346899	23-01C	25/03/2013
346900	23-01C	25/03/2013
346923	21-01F	26/03/2013
346981	08-07	28/03/2013

Publication and Registration Proceedings

Designs Registered

This section provides a concordance between design number and registration number of Designs covered in this journal. It also shows the main class and registration date.

This section covers Registration numbers 347564 to 347833 .

The registration number shown below should be used in all future correspondence.

Design Number	Registration Number	International Classification Code (IDC)	Registration Date	Design Number	Registration Number	International Classification Code (IDC)	Registration Date
13880/2012	347674	12-08	21/03/2013	14886/2012	347776	12-16B	26/03/2013
14120/2012	347611	26-04	20/03/2013	14887/2012	347777	12-16B	26/03/2013
14121/2012	347675	26-04	21/03/2013	14888/2012	347783	12-16B	26/03/2013
14122/2012	347716	26-04	22/03/2013	14889/2012	347784	12-16B	26/03/2013
14123/2012	347717	26-04	22/03/2013	14890/2012	347778	12-16B	26/03/2013
14317/2012	347718	22-06	22/03/2013	14891/2012	347779	12-16B	26/03/2013
14408/2012	347567	13-03B	18/03/2013	14892/2012	347780	12-16B	26/03/2013
14706/2012	347719	08-07	22/03/2013	14893/2012	347781	12-16B	26/03/2013
14719/2012	347763	02-02C	26/03/2013	14894/2012	347782	12-16B	26/03/2013
14843/2012	347657	12-16B	21/03/2013	15063/2012	347785	07-02B	26/03/2013
14844/2012	347656	12-16B	21/03/2013	15271/2012	347612	08-03	20/03/2013
14845/2012	347655	12-16B	21/03/2013	15575/2012	347568	24-02	18/03/2013
14846/2012	347654	12-16B	21/03/2013	15680/2012	347821	12-16L	28/03/2013
14847/2012	347673	12-16B	21/03/2013	15687/2012	347791	09-01NES	27/03/2013
14848/2012	347672	12-16B	21/03/2013	15688/2012	347792	09-01NES	27/03/2013
14849/2012	347671	12-16B	21/03/2013	15689/2012	347793	09-01NES	27/03/2013
14850/2012	347670	12-16B	21/03/2013	15690/2012	347794	07-01NES	27/03/2013
14851/2012	347669	12-16B	21/03/2013	15691/2012	347795	09-01NES	27/03/2013
14852/2012	347668	12-16B	21/03/2013	15696/2012	347796	09-07A	27/03/2013
14853/2012	347667	12-16B	21/03/2013	15697/2012	347797	09-01NES	27/03/2013
14854/2012	347666	12-16B	21/03/2013	15704/2012	347746	15-03NES	26/03/2013
14855/2012	347665	12-16A	21/03/2013	15706/2012	347798	24-99	27/03/2013
14856/2012	347664	12-16A	21/03/2013	15707/2012	347799	24-04	27/03/2013
14857/2012	347660	12-16A	21/03/2013	15708/2012	347800	24-01	27/03/2013
14858/2012	347659	12-16A	21/03/2013	15710/2012	347822	23-01L	28/03/2013
14859/2012	347653	12-16A	21/03/2013	15933/2012	347807	14-03NES	27/03/2013
14860/2012	347652	12-16A	21/03/2013	15935/2012	347644	09-05	20/03/2013
14861/2012	347651	12-16A	21/03/2013	15936/2012	347643	12-08	20/03/2013
14862/2012	347698	12-16B	21/03/2013	15937/2012	347642	12-16C	20/03/2013
14864/2012	347699	12-16B	21/03/2013	15938/2012	347641	12-16C	20/03/2013
14865/2012	347700	12-16B	21/03/2013	15939/2012	347569	12-16E	18/03/2013
14866/2012	347701	12-16B	21/03/2013	15975/2012	347823	09-99	28/03/2013
14867/2012	347658	12-16B	21/03/2013	16035/2012	347720	19-08	22/03/2013
14868/2012	347702	12-16C	21/03/2013	16050/2012	347613	28-99	20/03/2013
14869/2012	347703	12-16B	21/03/2013	16060/2012	347614	14-02	20/03/2013
14870/2012	347663	12-16C	21/03/2013	16099/2012	347721	24-02	22/03/2013
14871/2012	347662	12-16C	21/03/2013	16157/2012	347824	09-03NES	28/03/2013
14872/2012	347661	12-16B	21/03/2013	16212/2012	347570	08-08B	18/03/2013
14873/2012	347764	12-16E	26/03/2013	16214/2012	347571	08-08B	18/03/2013
14874/2012	347765	12-16B	26/03/2013	16291/2012	347704	28-03NES	22/03/2013
14875/2012	347766	12-16B	26/03/2013	16346/2012	347572	08-03	18/03/2013
14876/2012	347767	12-16E	26/03/2013	16347/2012	347573	08-03	18/03/2013
14877/2012	347768	12-16B	26/03/2013	16517/2012	347808	11-01K	27/03/2013
14879/2012	347769	12-16B	26/03/2013	16518/2012	347809	11-01K	27/03/2013
14880/2012	347770	12-16B	26/03/2013	16519/2012	347810	11-01K	27/03/2013
14881/2012	347771	12-16E	26/03/2013	16608/2012	347722	04-02	25/03/2013
14882/2012	347772	12-16B	26/03/2013	16645/2012	347724	26-05A	25/03/2013
14883/2012	347773	12-16NES	26/03/2013	16646/2012	347801	26-05A	27/03/2013
14884/2012	347774	12-16E	26/03/2013	16647/2012	347725	26-05A	25/03/2013
14885/2012	347775	12-16E	26/03/2013	16664/2012	347802	28-01	27/03/2013

Publication and Registration Proceedings - Designs Registered cont'd

Design Number	Registration Number	International Classification Code (IDC)	Registration Date	Design Number	Registration Number	International Classification Code (IDC)	Registration Date
10005/2013	347723	04-02	25/03/2013	10091/2013	347732	12-08	25/03/2013
10024/2013	347639	23-04	20/03/2013	10092/2013	347733	12-08	25/03/2013
10032/2013	347650	12-16B	20/03/2013	10093/2013	347734	12-08	25/03/2013
10033/2013	347747	12-16B	26/03/2013	10094/2013	347676	12-08	21/03/2013
10034/2013	347645	12-16B	20/03/2013	10095/2013	347677	12-08	21/03/2013
10035/2013	347726	12-16B	25/03/2013	10096/2013	347678	12-08	21/03/2013
10036/2013	347615	12-16B	20/03/2013	10097/2013	347679	12-08	21/03/2013
10037/2013	347616	12-08	20/03/2013	10098/2013	347680	12-08	21/03/2013
10038/2013	347617	12-16B	20/03/2013	10099/2013	347681	12-08	21/03/2013
10039/2013	347748	12-16B	26/03/2013	10100/2013	347682	12-08	21/03/2013
10040/2013	347605	12-16B	19/03/2013	10101/2013	347683	12-08	21/03/2013
10041/2013	347811	12-16B	27/03/2013	10102/2013	347684	12-08	21/03/2013
10042/2013	347649	12-16B	20/03/2013	10103/2013	347685	12-08	21/03/2013
10043/2013	347606	12-16B	19/03/2013	10104/2013	347686	12-08	21/03/2013
10044/2013	347607	12-16B	19/03/2013	10151/2013	347812	26-05E	27/03/2013
10045/2013	347646	12-16B	20/03/2013	10156/2013	347689	26-02	21/03/2013
10046/2013	347647	12-08	20/03/2013	10169/2013	347690	21-01E	21/03/2013
10047/2013	347608	12-16B	19/03/2013	10177/2013	347687	25-03	21/03/2013
10048/2013	347609	12-16B	19/03/2013	10178/2013	347727	25-03	25/03/2013
10049/2013	347749	12-16B	26/03/2013	10201/2013	347752	11-02E	26/03/2013
10050/2013	347610	12-16B	19/03/2013	10222/2013	347691	08-05NES	21/03/2013
10051/2013	347750	12-16B	26/03/2013	10228/2013	347692	12-16NES	21/03/2013
10052/2013	347648	12-16B	20/03/2013	10236/2013	347579	12-08	18/03/2013
10055/2013	347751	12-08	26/03/2013	10285/2013	347580	10-04	18/03/2013
10059/2013	347735	12-08	25/03/2013	10314/2013	347693	09-03M	21/03/2013
10060/2013	347618	12-16B	20/03/2013	10315/2013	347694	09-03M	21/03/2013
10061/2013	347619	12-08	20/03/2013	10316/2013	347695	09-03M	21/03/2013
10062/2013	347620	12-08	20/03/2013	10317/2013	347753	12-16K	26/03/2013
10063/2013	347621	12-08	20/03/2013	10326/2013	347574	16-06	18/03/2013
10064/2013	347736	12-08	25/03/2013	10335/2013	347754	08-05H	26/03/2013
10065/2013	347737	12-08	25/03/2013	10336/2013	347688	28-03B	21/03/2013
10066/2013	347738	12-08	25/03/2013	10346/2013	347696	09-01F	21/03/2013
10067/2013	347739	12-08	25/03/2013	10347/2013	347697	09-07A	21/03/2013
10068/2013	347740	12-08	25/03/2013	10357/2013	347755	08-05L	26/03/2013
10069/2013	347741	12-08	25/03/2013	10409/2013	347825	14-01	28/03/2013
10070/2013	347742	12-08	25/03/2013	10410/2013	347564	14-01	18/03/2013
10071/2013	347622	12-08	20/03/2013	10411/2013	347756	09-03NES	26/03/2013
10072/2013	347623	12-08	20/03/2013	10412/2013	347826	14-01	28/03/2013
10073/2013	347624	12-08	20/03/2013	10416/2013	347575	14-01	18/03/2013
10074/2013	347625	12-08	20/03/2013	10418/2013	347827	14-01	28/03/2013
10075/2013	347626	12-08	20/03/2013	10420/2013	347565	14-01	18/03/2013
10076/2013	347743	12-08	25/03/2013	10438/2013	347757	31-00	26/03/2013
10077/2013	347744	12-08	25/03/2013	10439/2013	347758	12-15B	26/03/2013
10078/2013	347627	12-08	20/03/2013	10440/2013	347581	19-07	18/03/2013
10079/2013	347745	12-08	25/03/2013	10441/2013	347582	19-07	18/03/2013
10080/2013	347728	12-08	25/03/2013	10442/2013	347583	19-07	18/03/2013
10081/2013	347729	12-08	25/03/2013	10486/2013	347759	13-02	26/03/2013
10082/2013	347628	12-08	20/03/2013	10503/2013	347634	03-01D	20/03/2013
10083/2013	347629	12-08	20/03/2013	10505/2013	347635	03-01D	20/03/2013
10084/2013	347630	12-08	20/03/2013	10506/2013	347786	08-07	26/03/2013
10085/2013	347730	12-08	25/03/2013	10508/2013	347787	08-07	26/03/2013
10086/2013	347731	12-08	25/03/2013	10509/2013	347788	08-07	26/03/2013
10088/2013	347631	12-08	20/03/2013	10511/2013	347584	20-03NES	18/03/2013
10089/2013	347632	12-08	20/03/2013	10527/2013	347566	11-01NES	18/03/2013
10090/2013	347633	12-08	20/03/2013	10528/2013	347828	26-05D	28/03/2013

Publication and Registration Proceedings - Designs Registered cont'd

Design Number	Registration Number	International Classification Code (IDC)	Registration Date	Design Number	Registration Number	International Classification Code (IDC)	Registration Date
10536/2013	347705	08-08A	22/03/2013	10665/2013	347577	25-02B	18/03/2013
10537/2013	347706	08-08A	22/03/2013	10666/2013	347578	21-01F	18/03/2013
10545/2013	347638	09-07C	20/03/2013	10676/2013	347813	09-01K	28/03/2013
10546/2013	347636	09-01G	20/03/2013	10677/2013	347814	09-01K	28/03/2013
10548/2013	347637	06-01G	20/03/2013	10678/2013	347815	08-09	28/03/2013
10549/2013	347707	15-02	22/03/2013	10682/2013	347816	08-09	28/03/2013
10562/2013	347708	12-11	22/03/2013	10684/2013	347817	07-05E	28/03/2013
10563/2013	347709	12-11	22/03/2013	10685/2013	347818	07-05E	28/03/2013
10564/2013	347710	12-11	22/03/2013	10686/2013	347819	07-05E	28/03/2013
10574/2013	347711	06-01G	22/03/2013	10688/2013	347640	06-01H	20/03/2013
10579/2013	347588	06-02	18/03/2013	10719/2013	347586	15-05	18/03/2013
10580/2013	347589	06-02	18/03/2013	10720/2013	347587	07-05A	18/03/2013
10581/2013	347590	06-02	18/03/2013	10722/2013	347585	11-02B	18/03/2013
10582/2013	347591	06-02	18/03/2013	10758/2013	347806	03-01NES	27/03/2013
10583/2013	347592	06-01G	18/03/2013	10782/2013	347760	28-03A	26/03/2013
10584/2013	347593	06-01G	18/03/2013	10785/2013	347714	10-02	22/03/2013
10585/2013	347594	06-01E	18/03/2013	10786/2013	347599	10-02	18/03/2013
10586/2013	347595	06-01G	18/03/2013	10787/2013	347600	10-02	18/03/2013
10587/2013	347596	06-01G	18/03/2013	10788/2013	347761	25-04	26/03/2013
10588/2013	347597	06-01G	18/03/2013	10789/2013	347601	06-06E	18/03/2013
10589/2013	347598	06-01G	18/03/2013	10790/2013	347820	06-04D	28/03/2013
10606/2013	347803	24-04	27/03/2013	10791/2013	347602	09-01NES	18/03/2013
10627/2013	347804	02-04C	27/03/2013	10792/2013	347603	09-01NES	18/03/2013
10628/2013	347712	21-01L	22/03/2013	10795/2013	347604	15-05	18/03/2013
10641/2013	347789	12-05	26/03/2013	10939/2013	347829	15-99	28/03/2013
10642/2013	347790	12-05	26/03/2013	10940/2013	347830	15-99	28/03/2013
10649/2013	347833	10-04	28/03/2013	10941/2013	347831	15-99	28/03/2013
10650/2013	347832	10-04	28/03/2013	10976/2013	347715	02-02NES	22/03/2013
10658/2013	347713	26-04	22/03/2013	11002/2013	347762	12-11	26/03/2013
10660/2013	347805	06-02	27/03/2013				
10662/2013	347576	12-06A	18/03/2013				

Publication and Registration Proceedings

Class Listing of Designs Published or Registered

The following section shows an International Classification Code listing of the Registered or Published Designs covered in this supplement.

Classification	Registration Number	Design Number	Classification	Registration Number	Design Number
02-02C	347763	14719/2012	08-09	347816	10682/2013
02-02NES	347715	10976/2013	09-01F	347696	10346/2013
02-04C	347804	10627/2013	09-01G	347636	10546/2013
03-01D	347634	10503/2013	09-01K	347813	10676/2013
03-01D	347635	10505/2013	09-01K	347814	10677/2013
03-01NES	347806	10758/2013	09-01NES	347602	10791/2013
04-02	347722	16608/2012	09-01NES	347603	10792/2013
04-02	347723	10005/2013	09-01NES	347791	15687/2012
06-01E	347594	10585/2013	09-01NES	347792	15688/2012
06-01G	347588	10579/2013	09-01NES	347793	15689/2012
06-01G	347589	10580/2013	09-01NES	347795	15691/2012
06-01G	347590	10581/2013	09-01NES	347797	15697/2012
06-01G	347591	10582/2013	09-03M	347693	10314/2013
06-01G	347592	10583/2013	09-03M	347694	10315/2013
06-01G	347593	10584/2013	09-03M	347695	10316/2013
06-01G	347595	10586/2013	09-03M	347824	16157/2012
06-01G	347596	10587/2013	09-03NES	347756	10411/2013
06-01G	347597	10588/2013	09-03NES	347824	16157/2012
06-01G	347598	10589/2013	09-05	347644	15935/2012
06-01G	347637	10548/2013	09-07A	347697	10347/2013
06-01G	347711	10574/2013	09-07A	347796	15696/2012
06-01H	347640	10688/2013	09-07C	347638	10545/2013
06-02	347588	10579/2013	09-99	347823	15975/2012
06-02	347589	10580/2013	10-02	347599	10786/2013
06-02	347590	10581/2013	10-02	347600	10787/2013
06-02	347591	10582/2013	10-02	347714	10785/2013
06-02	347805	10660/2013	10-04	347580	10285/2013
06-04D	347820	10790/2013	10-04	347832	10650/2013
06-06E	347601	10789/2013	10-04	347833	10649/2013
07-01NES	347794	15690/2012	11-01K	347808	16517/2012
07-01NES	347824	16157/2012	11-01K	347809	16518/2012
07-02B	347785	15063/2012	11-01K	347810	16519/2012
07-05A	347587	10720/2013	11-01NES	347566	10527/2013
07-05E	347817	10684/2013	11-02B	347585	10722/2013
07-05E	347818	10685/2013	11-02E	347752	10201/2013
07-05E	347819	10686/2013	12-05	347789	10641/2013
07-99NES	347785	15063/2012	12-05	347790	10642/2013
08-03	347572	16346/2012	12-06A	347576	10662/2013
08-03	347573	16347/2012	12-08	347579	10236/2013
08-03	347612	15271/2012	12-08	347616	10037/2013
08-05H	347754	10335/2013	12-08	347619	10061/2013
08-05L	347755	10357/2013	12-08	347620	10062/2013
08-05NES	347691	10222/2013	12-08	347621	10063/2013
08-06	347634	10503/2013	12-08	347622	10071/2013
08-07	347719	14706/2012	12-08	347623	10072/2013
08-07	347786	10506/2013	12-08	347624	10073/2013
08-07	347787	10508/2013	12-08	347625	10074/2013
08-07	347788	10509/2013	12-08	347626	10075/2013
08-08A	347705	10536/2013	12-08	347627	10078/2013
08-08A	347706	10537/2013	12-08	347628	10082/2013
08-08B	347570	16212/2012	12-08	347629	10083/2013
08-08B	347571	16214/2012	12-08	347630	10084/2013
08-09	347815	10678/2013	12-08	347631	10088/2013

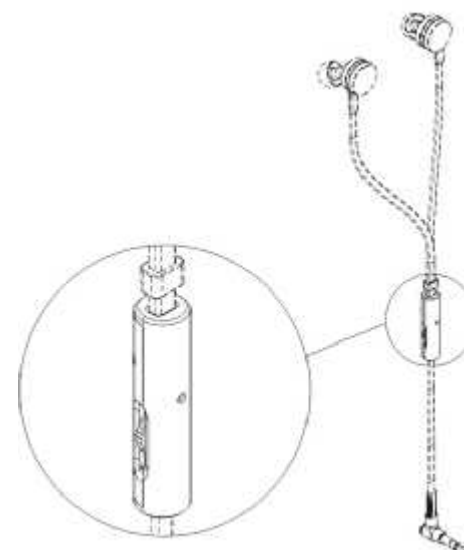
Registration Proceedings - Class Listing of Designs Published or Registered cont'd

Classification	Registration Number	Design Number	Classification	Registration Number	Design Number
12-08	347632	10089/2013	12-16B	347645	10034/2013
12-08	347633	10090/2013	12-16B	347646	10045/2013
12-08	347643	15936/2012	12-16B	347648	10052/2013
12-08	347647	10046/2013	12-16B	347649	10042/2013
12-08	347674	13880/2012	12-16B	347650	10032/2013
12-08	347676	10094/2013	12-16B	347654	14846/2012
12-08	347677	10095/2013	12-16B	347655	14845/2012
12-08	347678	10096/2013	12-16B	347656	14844/2012
12-08	347679	10097/2013	12-16B	347657	14843/2012
12-08	347680	10098/2013	12-16B	347658	14867/2012
12-08	347681	10099/2013	12-16B	347661	14872/2012
12-08	347682	10100/2013	12-16B	347666	14854/2012
12-08	347683	10101/2013	12-16B	347667	14853/2012
12-08	347684	10102/2013	12-16B	347668	14852/2012
12-08	347685	10103/2013	12-16B	347669	14851/2012
12-08	347686	10104/2013	12-16B	347670	14850/2012
12-08	347728	10080/2013	12-16B	347671	14849/2012
12-08	347729	10081/2013	12-16B	347672	14848/2012
12-08	347730	10085/2013	12-16B	347673	14847/2012
12-08	347731	10086/2013	12-16B	347698	14862/2012
12-08	347732	10091/2013	12-16B	347699	14864/2012
12-08	347733	10092/2013	12-16B	347700	14865/2012
12-08	347734	10093/2013	12-16B	347701	14866/2012
12-08	347735	10059/2013	12-16B	347703	14869/2012
12-08	347736	10064/2013	12-16B	347726	10035/2013
12-08	347737	10065/2013	12-16B	347747	10033/2013
12-08	347738	10066/2013	12-16B	347748	10039/2013
12-08	347739	10067/2013	12-16B	347749	10049/2013
12-08	347740	10068/2013	12-16B	347750	10051/2013
12-08	347741	10069/2013	12-16B	347765	14874/2012
12-08	347742	10070/2013	12-16B	347766	14875/2012
12-08	347743	10076/2013	12-16B	347768	14877/2012
12-08	347744	10077/2013	12-16B	347769	14879/2012
12-08	347745	10079/2013	12-16B	347770	14880/2012
12-08	347751	10055/2013	12-16B	347772	14882/2012
12-11	347708	10562/2013	12-16B	347776	14886/2012
12-11	347709	10563/2013	12-16B	347777	14887/2012
12-11	347710	10564/2013	12-16B	347778	14890/2012
12-11	347762	11002/2013	12-16B	347779	14891/2012
12-15B	347758	10439/2013	12-16B	347780	14892/2012
12-16A	347651	14861/2012	12-16B	347781	14893/2012
12-16A	347652	14860/2012	12-16B	347782	14894/2012
12-16A	347653	14859/2012	12-16B	347783	14888/2012
12-16A	347659	14858/2012	12-16B	347784	14889/2012
12-16A	347660	14857/2012	12-16B	347811	10041/2013
12-16A	347664	14856/2012	12-16C	347641	15938/2012
12-16A	347665	14855/2012	12-16C	347642	15937/2012
12-16B	347605	10040/2013	12-16C	347662	14871/2012
12-16B	347606	10043/2013	12-16C	347663	14870/2012
12-16B	347607	10044/2013	12-16C	347702	14868/2012
12-16B	347608	10047/2013	12-16C	347762	11002/2013
12-16B	347609	10048/2013	12-16E	347569	15939/2012
12-16B	347610	10050/2013	12-16E	347764	14873/2012
12-16B	347615	10036/2013	12-16E	347767	14876/2012
12-16B	347617	10038/2013	12-16E	347771	14881/2012
12-16B	347618	10060/2013	12-16E	347774	14884/2012

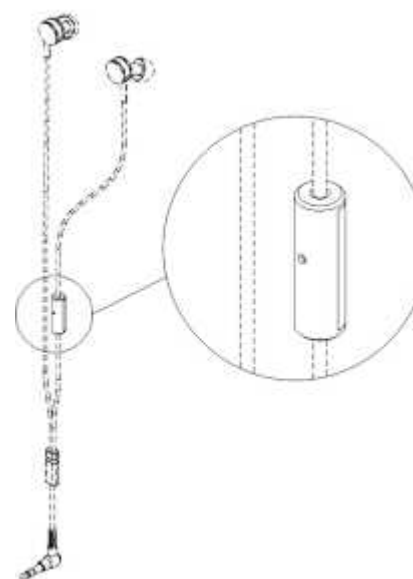
Registration Proceedings - Class Listing of Designs Published or Registered cont'd

Classification	Registration Number	Design Number	Classification	Registration Number	Design Number
12-16E	347775	14885/2012	23-01L	347822	15710/2012
12-16K	347753	10317/2013	23-04	347639	10024/2013
12-16L	347821	15680/2012	24-01	347800	15708/2012
12-16NES	347692	10228/2013	24-02	347568	15575/2012
12-16NES	347773	14883/2012	24-02	347721	16099/2012
13-02	347759	10486/2013	24-02	347800	15708/2012
13-03B	347567	14408/2012	24-04	347799	15707/2012
14-01	347564	10410/2013	24-04	347803	10606/2013
14-01	347565	10420/2013	24-99	347798	15706/2012
14-01	347575	10416/2013	25-02B	347577	10665/2013
14-01	347825	10409/2013	25-02C	347718	14317/2012
14-01	347826	10412/2013	25-03	347687	10177/2013
14-01	347827	10418/2013	25-03	347727	10178/2013
14-02	347614	16060/2012	25-04	347761	10788/2013
14-02	347806	10758/2013	26-02	347689	10156/2013
14-03NES	347807	15933/2012	26-04	347611	14120/2012
15-02	347707	10549/2013	26-04	347675	14121/2012
15-03NES	347746	15704/2012	26-04	347713	10658/2013
15-05	347586	10719/2013	26-04	347716	14122/2012
15-05	347604	10795/2013	26-04	347717	14123/2012
15-99	347829	10939/2013	26-05A	347724	16645/2012
15-99	347830	10940/2013	26-05A	347725	16647/2012
15-99	347831	10941/2013	26-05A	347801	16646/2012
16-06	347574	10326/2013	26-05D	347828	10528/2013
19-07	347581	10440/2013	26-05E	347812	10151/2013
19-07	347582	10441/2013	28-01	347802	16664/2012
19-07	347583	10442/2013	28-03A	347760	10782/2013
19-08	347720	16035/2012	28-03B	347688	10336/2013
20-03NES	347584	10511/2013	28-03NES	347704	16291/2012
21-01E	347690	10169/2013	28-99	347613	16050/2012
21-01F	347578	10666/2013	31-00	347757	10438/2013
21-01L	347712	10628/2013			
22-06	347718	14317/2012			

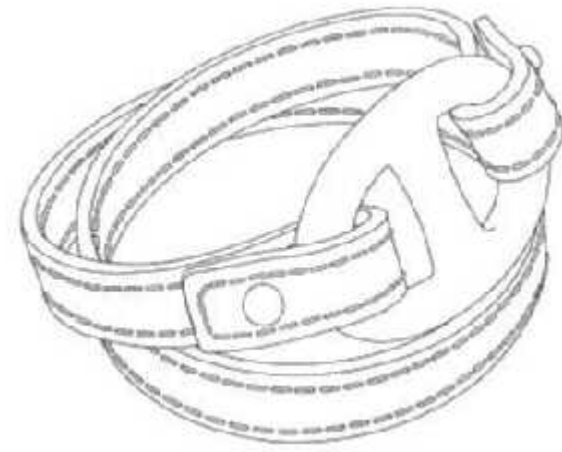
- (21) Design Number: **10410/2013**
(22) Date of Filing Application: **29 January 2013**
(24) Date from which industrial property rights may have effect: **29 January 2013**
(54) Product in respect of which the design is registered: **Headphones**
(51) International Design Classification: **14-01**
(74) Name(s) of Attorney(s): **Davies Collison Cave**
(71) Name(s) and Address(s) of Applicant(s):
Nathah Orbach
L16 400 St Kilda Rd Melbourne VIC 3104 Australia
(72) Name(s) of Designer(s): **Nathah Orbach**
(45) Registration Date: **18 March 2013**
(56) Related Art Documents: **Not Applicable**
(57) Statement of Newness and Distinctiveness: **Newness and distinctiveness is claimed in the features of shape and configuration of the headphones as illustrated in unbroken lines in the accompanying representations. Features of the headphones shown in broken lines in the accompanying representations are disclaimed.**



- (21) Design Number: **10420/2013**
(22) Date of Filing Application: **29 January 2013**
(24) Date from which industrial property rights may have effect: **29 January 2013**
(54) Product in respect of which the design is registered: **Headphones**
(51) International Design Classification: **14-01**
(74) Name(s) of Attorney(s): **Davies Collison Cave**
(71) Name(s) and Address(s) of Applicant(s):
Nathah Orbach
L16 400 St Kilda Rd Melbourne VIC 3104 Australia
(72) Name(s) of Designer(s): **Nathah Orbach**
(45) Registration Date: **18 March 2013**
(56) Related Art Documents: **Not Applicable**
(57) Statement of Newness and Distinctiveness: **Newness and distinctiveness is claimed in the features of shape and configuration of the headphones as illustrated in unbroken lines in the accompanying representations. Features of the headphones shown in the broken lines in the accompanying representations are disclaimed.**

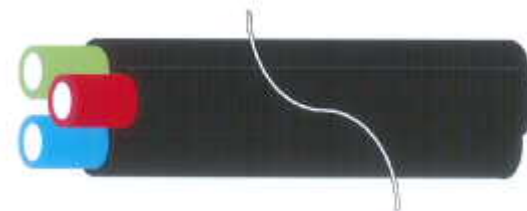


(21) Design Number: **10527/2013**
(22) Date of Filing Application: **04 February 2013**
(24) Date from which industrial property rights may have effect: **04 February 2013**
(54) Product in respect of which the design is registered: **Article of jewellery**
(51) International Design Classification: **11-01NES**
(74) Name(s) of Attorney(s): **Davies Collison Cave**
(71) Name(s) and Address(s) of Applicant(s):
Hermes Sellier (Societe Par Actions Simpliffee)
24 rue du Faubourg Saint Honore Paris 75008 France
(72) Name(s) of Designer(s): **Philippe Mouquet**
(45) Registration Date: **18 March 2013**
(30) Convention priority data:
(31) Number (32) Date (33) Country
DM/078873 08 Aug 2012 WORLD INTELLECTUAL
PROPERTY ORGANIZATION
(WIPO)

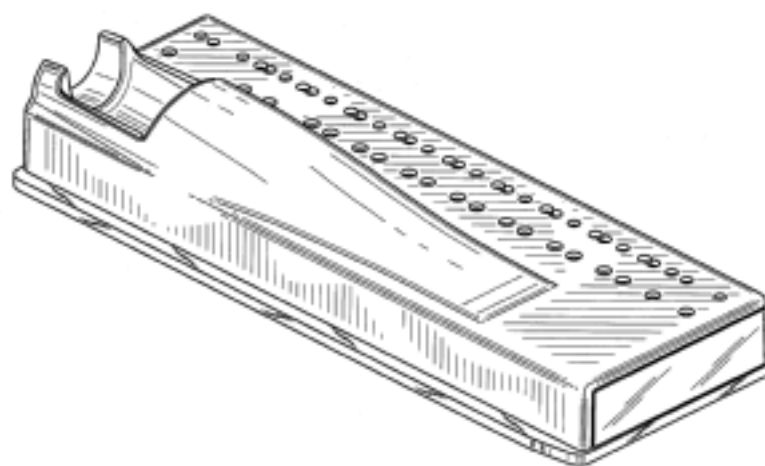


(56) Related Art Documents: **Not Applicable**
(57) Statement of Newness and Distinctiveness: **Nil**

(21) Design Number: **14408/2012**
(22) Date of Filing Application: **07 September 2012**
(24) Date from which industrial property rights may have effect: **07 September 2012**
(54) Product in respect of which the design is registered: **Triple SDI cable**
(51) International Design Classification: **13-03B**
(74) Name(s) of Attorney(s):
(71) Name(s) and Address(s) of Applicant(s):
Spectracraft Pty Ltd
C/- See Well Law Shop 8/ 63 St Andrews Dr Tewantin QLD 4565 Australia
(72) Name(s) of Designer(s): **John Howard**
(45) Registration Date: **18 March 2013**
(56) Related Art Documents: **Not Applicable**
(57) Statement of Newness and Distinctiveness: **Nil**



- (21) Design Number: **15575/2012**
(22) Date of Filing Application: **08 November 2012**
(24) Date from which industrial property rights may have effect: **08 November 2012**
(54) Product in respect of which the design is registered: **Sample cassette for a diagnostic instrument**
(51) International Design Classification: **24-02**
(74) Name(s) of Attorney(s): **Griffith Hack**
(71) Name(s) and Address(s) of Applicant(s):
Wellstat Diagnostics, LLC
903 Clopper Road Gaithersburg MD 20878 United States of America
(72) Name(s) of Designer(s): **Charles Quentin Davis and Michael D. Nelson and Joseph N.K. Ullman and Nadine Wohlstadter**
(45) Registration Date: **18 March 2013**
(30) Convention priority data:
(31) Number (32) Date (33) Country
29/420,961 15 May 2012 UNITED STATES OF AMERICA
(56) Related Art Documents: **Not Applicable**
(57) Statement of Newness and Distinctiveness: **Newness and distinctiveness resides in the visual features, including shape and configuration of the PRODUCT as shown in the accompanying representations. A top portion of the PRODUCT is opaque and a bottom portion is transparent.**



- (21) Design Number: **15939/2012**
(22) Date of Filing Application: **27 November 2012**
(24) Date from which industrial property rights may have effect: **27 November 2012**
(54) Product in respect of which the design is registered: **Rear combination lamp for automobiles**
(51) International Design Classification: **12-16E**
(74) Name(s) of Attorney(s): **Griffith Hack**
(71) Name(s) and Address(s) of Applicant(s):
Honda Motor Co., Ltd.
1-1 Minami-Aoyama 2-chome Minato-ku Tokyo 107-8556 Japan
(72) Name(s) of Designer(s): **Hisakazu Hanaoka**
(45) Registration Date: **18 March 2013**
(30) Convention priority data:
(31) Number (32) Date (33) Country
2012-012932 31 May 2012 JAPAN
(56) Related Art Documents: **Not Applicable**
(57) Statement of Newness and Distinctiveness: **Newness and distinctiveness resides in the visual features including shape, configuration and ornamentation of the product as shown in the accompanying representations.**



- (21) Design Number: **16212/2012**
(22) Date of Filing Application: **10 December 2012**
(24) Date from which industrial property rights may have effect: **10 December 2012**
(54) Product in respect of which the design is registered: **Turnbuckle bolt**
(51) International Design Classification: **08-08B**
(74) Name(s) of Attorney(s): **Knightsbridge Patent Attorneys**
(71) Name(s) and Address(s) of Applicant(s):
Steel-Tuff Rural Fencing Solutions Pty. Ltd.
9-11 Turbo Dr Bayswater VIC 3153 Australia
(72) Name(s) of Designer(s): **Neil Henry French**
(45) Registration Date: **18 March 2013**
(56) Related Art Documents: **Not Applicable**
(57) Statement of Newness and Distinctiveness: **The applicant claims that newness and distinctiveness reside in the features of shape and configuration of a component of a tensioning apparatus, as depicted in the accompanying representations.**



- (21) Design Number: **16214/2012**
(22) Date of Filing Application: **10 December 2012**
(24) Date from which industrial property rights may have effect: **10 December 2012**
(54) Product in respect of which the design is registered: **Turnbuckle**
(51) International Design Classification: **08-08B**
(74) Name(s) of Attorney(s): **Knightsbridge Patent Attorneys**
(71) Name(s) and Address(s) of Applicant(s):
Steel-Tuff Rural Fencing Solutions Pty. Ltd.
9-11 Turbo Dr Bayswater VIC 3153 Australia
(72) Name(s) of Designer(s): **Neil Henry French**
(45) Registration Date: **18 March 2013**
(56) Related Art Documents: **Not Applicable**
(57) Statement of Newness and Distinctiveness: **The applicant claims that newness and distinctiveness reside in the features of shape and configuration of a tensioning apparatus, as depicted in the accompanying representations.**



- (21) Design Number: **16346/2012**
(22) Date of Filing Application: **17 December 2012**
(24) Date from which industrial property rights may have effect: **17 December 2012**
(54) Product in respect of which the design is registered: **Interface for connecting to power tools**
(51) International Design Classification: **08-03**
(74) Name(s) of Attorney(s): **Griffith Hack**
(71) Name(s) and Address(s) of Applicant(s):
Techtronic Power Tools Technology Limited
Trident Chambers PO Box 146 Road Town Tortola Virgin Islands
(British)
(72) Name(s) of Designer(s): **Richard Davidian and James Keith**
(45) Registration Date: **18 March 2013**
(30) Convention priority data:
(31) Number (32) Date (33) Country
29/425,613 25 Jun 2012 UNITED STATES OF AMERICA
(56) Related Art Documents: **Not Applicable**
(57) Statement of Newness and Distinctiveness: **Newness and distinctiveness of the design resides in the visual features, including shape, configuration or shape and configuration of the universal interface for accessory blades as illustrated by means of the solid lines in the accompanying representations. The parts illustrated by means of dashed lines have been included for illustrative purposes only and do not form part of the design.**



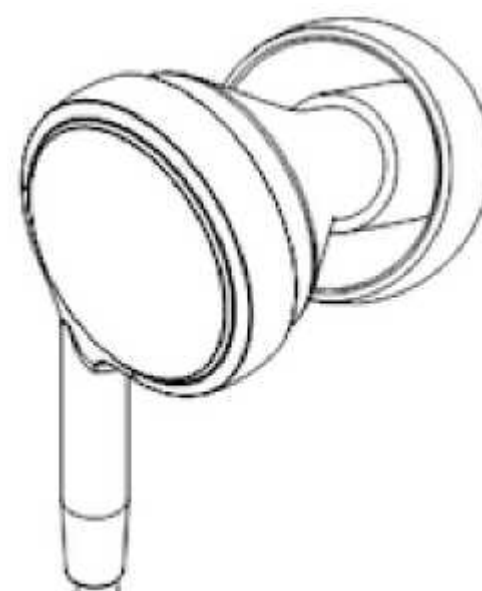
- (21) Design Number: **16347/2012**
(22) Date of Filing Application: **17 December 2012**
(24) Date from which industrial property rights may have effect: **17 December 2012**
(54) Product in respect of which the design is registered: **Interface for connecting to power tools**
(51) International Design Classification: **08-03**
(74) Name(s) of Attorney(s): **Griffith Hack**
(71) Name(s) and Address(s) of Applicant(s):
Techtronic Power Tools Technology Limited
Trident Chambers PO Box 146 Road Town Tortola Virgin Islands
(British)
(72) Name(s) of Designer(s): **Richard Davidian and James Keith**
(45) Registration Date: **18 March 2013**
(30) Convention priority data:
(31) Number (32) Date (33) Country
29/425,615 25 Jun 2012 UNITED STATES OF AMERICA
(56) Related Art Documents: **Not Applicable**
(57) Statement of Newness and Distinctiveness: **Newness and distinctiveness of the design resides in the visual features, including shape, configuration or shape and configuration of the universal interface for accessory blades as illustrated by means of the solid lines in the accompanying representations. The parts illustrated by means of dashed lines have been included for illustrative purposes only and do not form part of the design.**



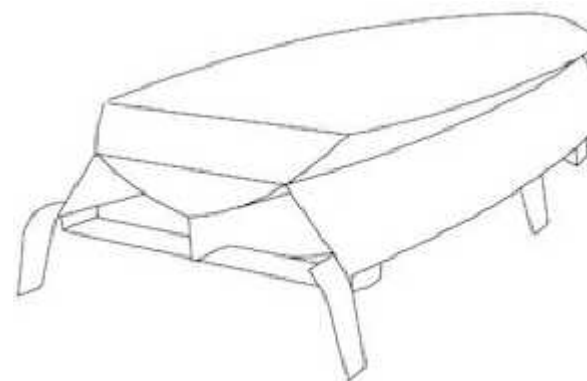
- (21) Design Number: **10326/2013**
(22) Date of Filing Application: **23 January 2013**
(24) Date from which industrial property rights may have effect: **23 January 2013**
(54) Product in respect of which the design is registered: **Eyeglasses and eyeglass components**
(51) International Design Classification: **16-06**
(74) Name(s) of Attorney(s): **Davies Collison Cave**
(71) Name(s) and Address(s) of Applicant(s):
Oakley, Inc.
One Icon Foothill Ranch California 92610 United States of America
(72) Name(s) of Designer(s): **Jae Shin**
(45) Registration Date: **18 March 2013**
(30) Convention priority data:
(31) Number (32) Date (33) Country
29/427769 23 Jul 2012 UNITED STATES OF AMERICA
(56) Related Art Documents: **Not Applicable**
(57) Statement of Newness and Distinctiveness: **Newness and distinctiveness is claimed in the visual features shown in solid lines in the representations.**



- (21) Design Number: **10416/2013**
(22) Date of Filing Application: **29 January 2013**
(24) Date from which industrial property rights may have effect: **29 January 2013**
(54) Product in respect of which the design is registered: **Headphones**
(51) International Design Classification: **14-01**
(74) Name(s) of Attorney(s): **Davies Collison Cave**
(71) Name(s) and Address(s) of Applicant(s):
Nathan Orbach
L16 400 St Kilda Rd Melbourne VIC 3104 Australia
(72) Name(s) of Designer(s): **Nathah Orbach**
(45) Registration Date: **18 March 2013**
(56) Related Art Documents: **Not Applicable**
(57) Statement of Newness and Distinctiveness: **Newness and distinctiveness is claimed in the features of shape and configuration of the headphones as illustrated in unbroken lines in the accompanying representations. Features of the headphones shown in broken lines in the accompanying representations are disclaimed.**



- (21) Design Number: **10662/2013**
(22) Date of Filing Application: **11 February 2013**
(24) Date from which industrial property rights may have effect: **11 February 2013**
(54) Product in respect of which the design is registered: **Triade Boat Hull**
(51) International Design Classification: **12-06A**
(74) Name(s) of Attorney(s): **Griffith Hack**
(71) Name(s) and Address(s) of Applicant(s):
AnwigemA B.V.
Laan van Europa 237 Roosendaal 4701 DB The Netherlands
(72) Name(s) of Designer(s): **Pieter Van Oossanen and Gerard Jelle Bilkert**
(45) Registration Date: **18 March 2013**
(30) Convention priority data:
(31) Number (32) Date (33) Country
**002088096-0001 15 Aug 2012 OFFICE FOR HARMONISATION IN
THE INTERNAL MARKET (OHIM)**
(56) Related Art Documents: **Not Applicable**
(57) Statement of Newness and Distinctiveness: **Newness and distinctiveness
resides in the visual features including shape and configuration of the
PRODUCT as shown in the accompanying Figures.**



- (21) Design Number: **10665/2013**
(22) Date of Filing Application: **11 February 2013**
(24) Date from which industrial property rights may have effect: **11 February 2013**
(54) Product in respect of which the design is registered: **Internal standard size
doors**
(51) International Design Classification: **25-02B**
(74) Name(s) of Attorney(s):
(71) Name(s) and Address(s) of Applicant(s):
John Neil Woodward
PO BOX 40 Mandurah WA 6210 Australia
(72) Name(s) of Designer(s): **John Neil Woodward**
(45) Registration Date: **18 March 2013**
(56) Related Art Documents: **Not Applicable**
(57) Statement of Newness and Distinctiveness: **The design is for new standard
size doors and is distinct because it has a translucent insert which filters
soft light, with 3 vertical and 8 horizontal fine wood lattice strips. The
bottom 2 horizontal strips stop short on each side and are spaced at
smaller intervals giving a unique appearance.**



- (21) Design Number: **10666/2013**
(22) Date of Filing Application: **11 February 2013**
(24) Date from which industrial property rights may have effect: **11 February 2013**
(54) Product in respect of which the design is registered: **Coin operated children's ride**
(51) International Design Classification: **21-01F**
(74) Name(s) of Attorney(s):
(71) Name(s) and Address(s) of Applicant(s):
CEC Imports Pty Ltd
1/12 Dairy Dr Coburg North VIC 3058 Australia
(72) Name(s) of Designer(s): **Nicolaos Karamouzis**
(45) Registration Date: **18 March 2013**
(56) Related Art Documents: **Not Applicable**
(57) Statement of Newness and Distinctiveness: **The newness and distinctiveness of the design resides in the shape, proportions and configuration of the vehicle as shown in the accompanying representations. The representations show the said vehicle in gray.**



- (21) Design Number: **10236/2013**
(22) Date of Filing Application: **16 January 2013**
(24) Date from which industrial property rights may have effect: **16 January 2013**
(54) Product in respect of which the design is registered: **Automobile**
(51) International Design Classification: **12-08**
(74) Name(s) of Attorney(s): **Wrays**
(71) Name(s) and Address(s) of Applicant(s):
Suzuki Motor Corporation
300 Takatsuka-cho Minami-ku Hamamatsu-shi Shizuoka-ken 432-8611
Japan
(72) Name(s) of Designer(s): **Makoto Kamahara and Kikako Motohashi and Kazuhisa Takayangi and Toshiyuki Koike**
(45) Registration Date: **18 March 2013**
(56) Related Art Documents: **Not Applicable**
(57) Statement of Newness and Distinctiveness: **Newness and distinctiveness is claimed in the features of shape and/or configuration of the Automobile depicted in the accompanying representations.**



(21) Design Number: **10285/2013**
(22) Date of Filing Application: **21 January 2013**
(24) Date from which industrial property rights may have effect: **21 January 2013**
(54) Product in respect of which the design is registered: **Measuring instrument**
(51) International Design Classification: **10-04**
(74) Name(s) of Attorney(s): **Davies Collison Cave**
(71) Name(s) and Address(s) of Applicant(s):

Proceq AG
Ringstrasse 2 Schwerzenbach 8603 Switzerland

(72) Name(s) of Designer(s): **Marco Brandestini**

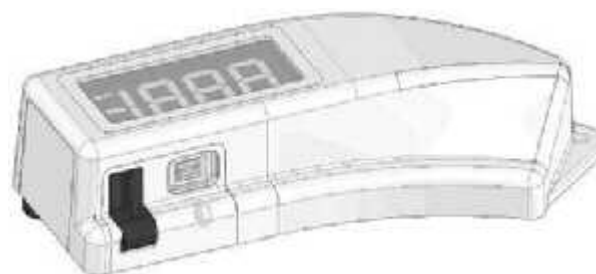
(45) Registration Date: **18 March 2013**

(30) Convention priority data:

(31) Number	(32) Date	(33) Country
139.307	10 Oct 2012	SWITZERLAND

(56) Related Art Documents: **Not Applicable**

(57) Statement of Newness and Distinctiveness: **Nil**



(21) Design Number: **10440/2013**
(22) Date of Filing Application: **30 January 2013**
(24) Date from which industrial property rights may have effect: **30 January 2013**
(54) Product in respect of which the design is registered: **A template for making a megaphone, peak cap, fan, mouse pad and an insulating cover device**
(51) International Design Classification: **19-07**
(74) Name(s) of Attorney(s):
(71) Name(s) and Address(s) of Applicant(s):

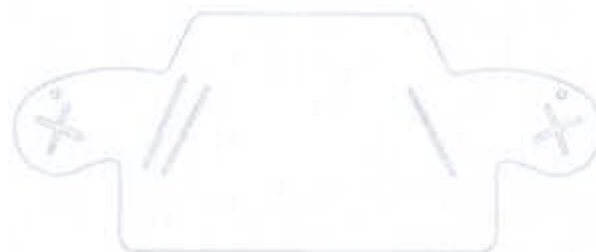
Steven James Henry Amor
PO BOX 607 Nerang QLD 4211 Australia

(72) Name(s) of Designer(s): **Steven James Henry Amor**

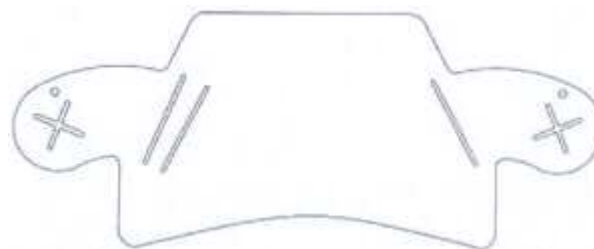
(45) Registration Date: **18 March 2013**

(56) Related Art Documents: **Not Applicable**

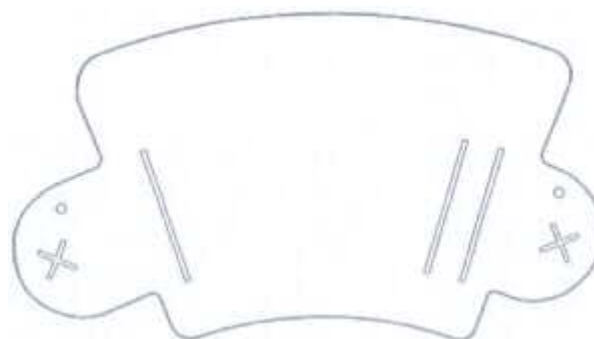
(57) Statement of Newness and Distinctiveness: **The design incorporates new and a distinctive collection of tabs, slots, cuts, holes, radii and curves positioned within a new and distinctive shape.**



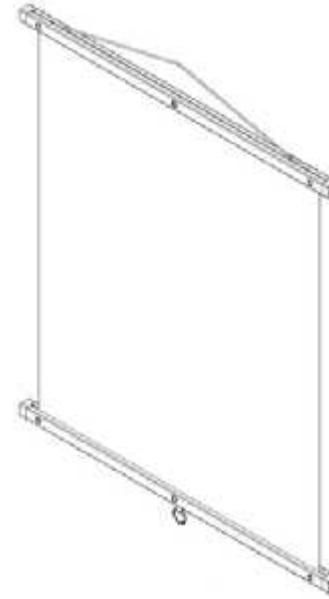
- (21) Design Number: **10441/2013**
(22) Date of Filing Application: **30 January 2013**
(24) Date from which industrial property rights may have effect: **30 January 2013**
(54) Product in respect of which the design is registered: **A template for making a megaphone, peak cap, fan, mouse pad and an insulating cover device**
(51) International Design Classification: **19-07**
(74) Name(s) of Attorney(s):
(71) Name(s) and Address(s) of Applicant(s):
Steven James Henry Amor
PO BOX 607 Nerang QLD 4211 Australia
(72) Name(s) of Designer(s): **Steven James Henry Amor**
(45) Registration Date: **18 March 2013**
(56) Related Art Documents: **Not Applicable**
(57) Statement of Newness and Distinctiveness: **The design incorporates new and a distinctive collection of tabs, slots, cuts, holes, radii and curves positioned within a new and distinctive shape.**



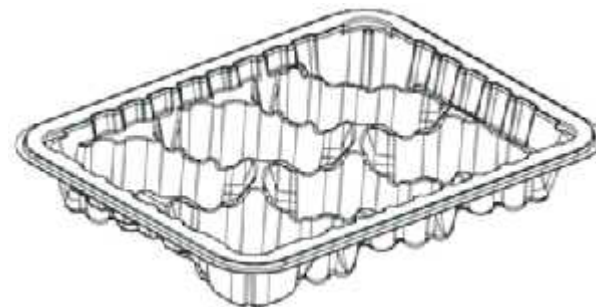
- (21) Design Number: **10442/2013**
(22) Date of Filing Application: **30 January 2013**
(24) Date from which industrial property rights may have effect: **30 January 2013**
(54) Product in respect of which the design is registered: **A template for making a megaphone, peak cap, fan, mouse pad and an insulating cover device**
(51) International Design Classification: **19-07**
(74) Name(s) of Attorney(s):
(71) Name(s) and Address(s) of Applicant(s):
Steven James Henry Amor
PO BOX 607 Nerang QLD 4211 Australia
(72) Name(s) of Designer(s): **Steven James Henry Amor**
(45) Registration Date: **18 March 2013**
(56) Related Art Documents: **Not Applicable**
(57) Statement of Newness and Distinctiveness: **The design incorporates new and a distinctive collection of tabs, slots, cuts, holes, radii and curves positioned within a new and distinctive shape.**



- (21) Design Number: **10511/2013**
(22) Date of Filing Application: **01 February 2013**
(24) Date from which industrial property rights may have effect: **01 February 2013**
(54) Product in respect of which the design is registered: **Flexible substrate hanging device**
(51) International Design Classification: **20-03NES**
(74) Name(s) of Attorney(s):
(71) Name(s) and Address(s) of Applicant(s):
Bruce Jeffery Summers
37 Rupert St Collingwood VIC 3066 Australia
(72) Name(s) of Designer(s): **Bruce Jeffery Summers**
(45) Registration Date: **18 March 2013**
(56) Related Art Documents: **Not Applicable**
(57) Statement of Newness and Distinctiveness: **The newness and distinctiveness of the design is in its ability to allow a flexible substrate such as plastic, paper, canvas or another flexible material that has been decorated by printing photographs or artwork on its surface or finished to be used as a chalk-board or white-board - to be mounted in a manner that allows it to be easily hung for display and use and also rolled for postage or storage.**



- (21) Design Number: **10722/2013**
(22) Date of Filing Application: **14 February 2013**
(24) Date from which industrial property rights may have effect: **14 February 2013**
(54) Product in respect of which the design is registered: **A tray**
(51) International Design Classification: **11-02B**
(74) Name(s) of Attorney(s): **AJ Park**
(71) Name(s) and Address(s) of Applicant(s):
Alto Packaging Limited
Level 6 57 Symonds Street Grafton Auckland 1010 New Zealand
(72) Name(s) of Designer(s): **Christopher James Cowan**
(45) Registration Date: **18 March 2013**
(56) Related Art Documents: **Not Applicable**
(57) Statement of Newness and Distinctiveness: **Nil**



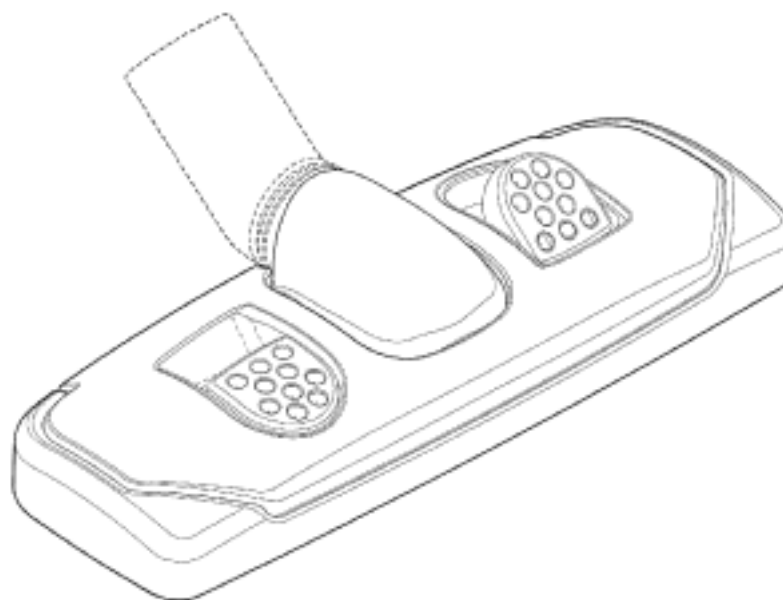
(21) Design Number: **10719/2013**
(22) Date of Filing Application: **14 February 2013**
(24) Date from which industrial property rights may have effect: **14 February 2013**
(54) Product in respect of which the design is registered: **Vacuum cleaner head**
(51) International Design Classification: **15-05**
(74) Name(s) of Attorney(s): **Griffith Hack**
(71) Name(s) and Address(s) of Applicant(s):
SHOP VAC CORPORATION
2323 Reach Road Williamsport Pennsylvania 17701 United States of America

(72) Name(s) of Designer(s): **John Griffin and Melvin E. Wolfe Jr**
(45) Registration Date: **18 March 2013**

(30) Convention priority data:
(31) Number (32) Date (33) Country
29/437477 16 Nov 2012 UNITED STATES OF AMERICA

(56) Related Art Documents: **Not Applicable**

(57) Statement of Newness and Distinctiveness: **Newness and distinctiveness resides in the visual features, including shape and configuration, of a vacuum cleaner head as shown in solid outline in the accompanying drawings. When determining whether the design is substantially similar in overall impression to another design, no regard is to be had to those features shown in dotted outline in the accompanying drawings, which features are provided for illustrative purposes only.**



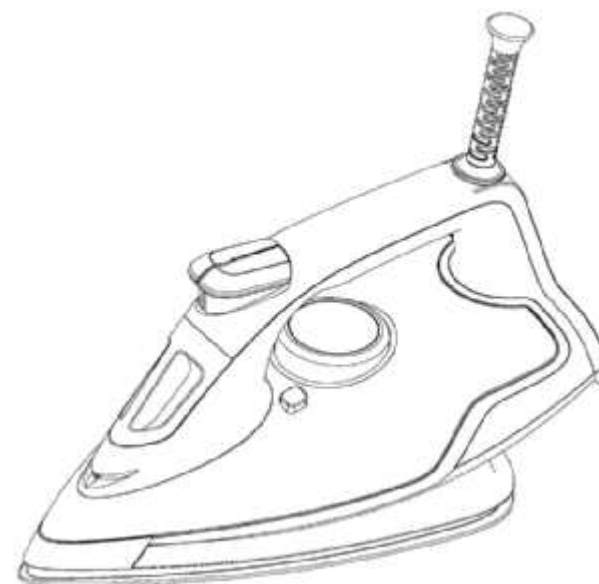
(21) Design Number: **10720/2013**
(22) Date of Filing Application: **14 February 2013**
(24) Date from which industrial property rights may have effect: **14 February 2013**
(54) Product in respect of which the design is registered: **Iron**
(51) International Design Classification: **07-05A**
(74) Name(s) of Attorney(s): **Halfords IP**
(71) Name(s) and Address(s) of Applicant(s):
Aktiebolaget Electrolux
St Goransgatan 143 Stockholm 105 45 Sweden

(72) Name(s) of Designer(s): **Jerome Esteve**
(45) Registration Date: **18 March 2013**

(30) Convention priority data:
(31) Number (32) Date (33) Country
002088575 16 Aug 2012 OFFICE FOR HARMONISATION IN THE INTERNAL MARKET (OHIM)

(56) Related Art Documents: **Not Applicable**

(57) Statement of Newness and Distinctiveness: **Newness and Distinctiveness is claimed in those features of shape and or configuration of an Iron as depicted in the representations.**



- (21) Design Number: **10579/2013**
(22) Date of Filing Application: **06 February 2013**
(24) Date from which industrial property rights may have effect: **06 February 2013**
(54) Product in respect of which the design is registered: **A bed**
(51) International Design Classification: **06-02, 06-01G**
(74) Name(s) of Attorney(s): **FB Rice**
(71) Name(s) and Address(s) of Applicant(s):
King Furniture (Australia) Pty Ltd
123 Turrella St Turrella NSW 2205 Australia
(72) Name(s) of Designer(s): **David King and Tanya Rechberger and John Levey and Ryan Lawson**
(45) Registration Date: **18 March 2013**
(56) Related Art Documents: **Not Applicable**
(57) Statement of Newness and Distinctiveness: **Newness and distinctiveness reside in the features of shape and configuration of the product as shown in the representations.**



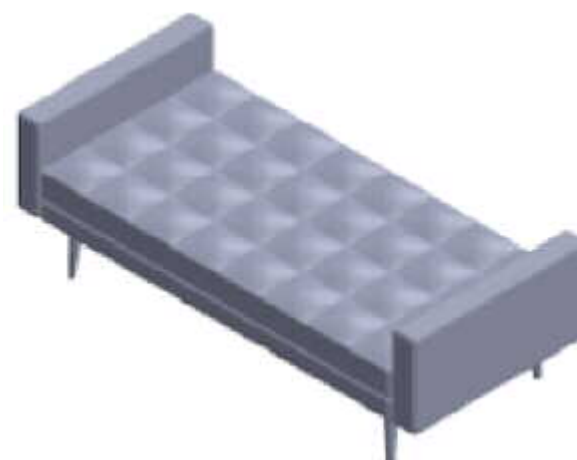
- (21) Design Number: **10580/2013**
(22) Date of Filing Application: **06 February 2013**
(24) Date from which industrial property rights may have effect: **06 February 2013**
(54) Product in respect of which the design is registered: **A bed**
(51) International Design Classification: **06-02, 06-01G**
(74) Name(s) of Attorney(s): **FB Rice**
(71) Name(s) and Address(s) of Applicant(s):
King Furniture (Australia) Pty Ltd
123 Turrella St Turrella NSW 2205 Australia
(72) Name(s) of Designer(s): **David King and Tanya Rechberger and John Levey and Ryan Lawson**
(45) Registration Date: **18 March 2013**
(56) Related Art Documents: **Not Applicable**
(57) Statement of Newness and Distinctiveness: **Newness and distinctiveness reside in the features of shape and configuration of the product as shown in the representations with less weight to be accorded to the number and position of loose cushions on the bed and less weight to be accorded to the quilting on the loose cushion, it being understood that the loose cushion could be unquilted.**



- (21) Design Number: **10581/2013**
(22) Date of Filing Application: **06 February 2013**
(24) Date from which industrial property rights may have effect: **06 February 2013**
(54) Product in respect of which the design is registered: **A bed**
(51) International Design Classification: **06-02, 06-01G**
(74) Name(s) of Attorney(s): **FB Rice**
(71) Name(s) and Address(s) of Applicant(s):
King Furniture (Australia) Pty Ltd
123 Turrella St Turrella NSW 2205 Australia
(72) Name(s) of Designer(s): **David King and Tanya Rechberger and John Levey and Ryan Lawson**
(45) Registration Date: **18 March 2013**
(56) Related Art Documents: **Not Applicable**
(57) Statement of Newness and Distinctiveness: **Newness and distinctiveness reside in the features of shape and configuration of the product as shown in the representations with less weight to be accorded to the number and position of loose cushions on the bed and less weight to be accorded to the quilting on the loose cushions, it being understood that the loose cushions could be unquilted.**



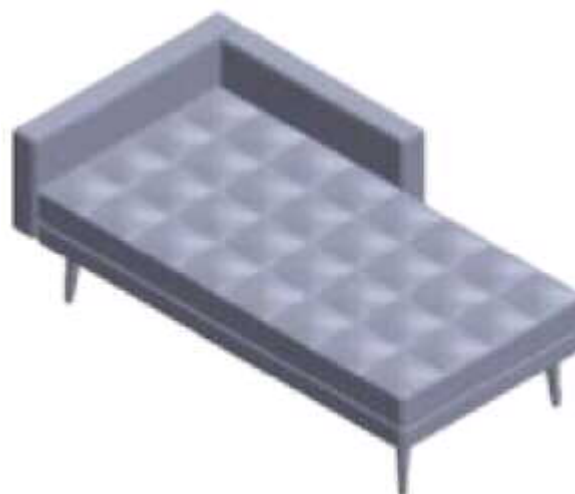
- (21) Design Number: **10582/2013**
(22) Date of Filing Application: **06 February 2013**
(24) Date from which industrial property rights may have effect: **06 February 2013**
(54) Product in respect of which the design is registered: **A bed**
(51) International Design Classification: **06-02, 06-01G**
(74) Name(s) of Attorney(s): **FB Rice**
(71) Name(s) and Address(s) of Applicant(s):
King Furniture (Australia) Pty Ltd
123 Turrella St Turrella NSW 2205 Australia
(72) Name(s) of Designer(s): **David King and Tanya Rechberger and John Levey and Ryan Lawson**
(45) Registration Date: **18 March 2013**
(56) Related Art Documents: **Not Applicable**
(57) Statement of Newness and Distinctiveness: **Newness and distinctiveness reside in the features of shape and configuration of the product as shown in the representations.**



- (21) Design Number: **10583/2013**
(22) Date of Filing Application: **06 February 2013**
(24) Date from which industrial property rights may have effect: **06 February 2013**
(54) Product in respect of which the design is registered: **A chaise**
(51) International Design Classification: **06-01G**
(74) Name(s) of Attorney(s): **FB Rice**
(71) Name(s) and Address(s) of Applicant(s):
King Furniture (Australia) Pty Ltd
123 Turrella St Turrella NSW 2205 Australia
(72) Name(s) of Designer(s): **David King and Tanya Rechberger and John Levey and Ryan Lawson**
(45) Registration Date: **18 March 2013**
(56) Related Art Documents: **Not Applicable**
(57) Statement of Newness and Distinctiveness: **Newness and distinctiveness reside in the features of shape and configuration of the product as shown in the representations with less weight to be accorded to the number and position of loose cushions on the chaise and less weight to be accorded to the quilting on the loose cushion, it being understood that the loose cushion could be unquilted, and with less weight also to be accorded to the side of the base on which the armrest is mounted.**



- (21) Design Number: **10584/2013**
(22) Date of Filing Application: **06 February 2013**
(24) Date from which industrial property rights may have effect: **06 February 2013**
(54) Product in respect of which the design is registered: **A chaise**
(51) International Design Classification: **06-01G**
(74) Name(s) of Attorney(s): **FB Rice**
(71) Name(s) and Address(s) of Applicant(s):
King Furniture (Australia) Pty Ltd
123 Turrella St Turrella NSW 2205 Australia
(72) Name(s) of Designer(s): **David King and Tanya Rechberger and John Levey and Ryan Lawson**
(45) Registration Date: **18 March 2013**
(56) Related Art Documents: **Not Applicable**
(57) Statement of Newness and Distinctiveness: **Newness and distinctiveness reside in the features of shape and configuration of the product as shown in the representations, with less weight to be accorded to the side of the base on which the armrest is mounted.**



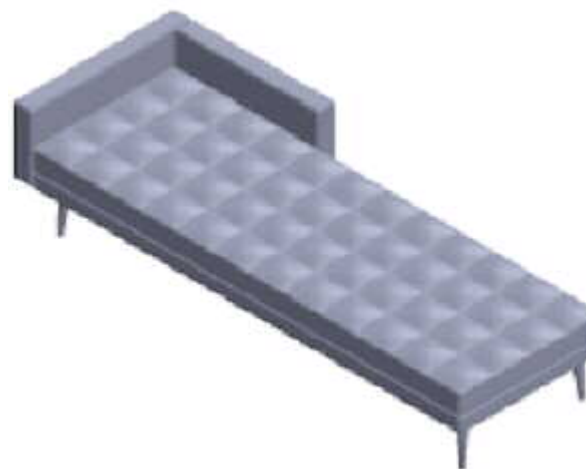
- (21) Design Number: **10585/2013**
(22) Date of Filing Application: **06 February 2013**
(24) Date from which industrial property rights may have effect: **06 February 2013**
(54) Product in respect of which the design is registered: **An ottoman**
(51) International Design Classification: **06-01E**
(74) Name(s) of Attorney(s): **FB Rice**
(71) Name(s) and Address(s) of Applicant(s):
King Furniture (Australia) Pty Ltd
123 Turrella St Turrella NSW 2205 Australia
(72) Name(s) of Designer(s): **David King and Tanya Rechberger and John Levey and Ryan Lawson**
(45) Registration Date: **18 March 2013**
(56) Related Art Documents: **Not Applicable**
(57) Statement of Newness and Distinctiveness: **Newness and distinctiveness reside in the features of shape and configuration of the product as shown in the representations.**



- (21) Design Number: **10586/2013**
(22) Date of Filing Application: **06 February 2013**
(24) Date from which industrial property rights may have effect: **06 February 2013**
(54) Product in respect of which the design is registered: **A chaise**
(51) International Design Classification: **06-01G**
(74) Name(s) of Attorney(s): **FB Rice**
(71) Name(s) and Address(s) of Applicant(s):
King Furniture (Australia) Pty Ltd
123 Turrella St Turrella NSW 2205 Australia
(72) Name(s) of Designer(s): **David King and Tanya Rechberger and John Levey and Ryan Lawson**
(45) Registration Date: **18 March 2013**
(56) Related Art Documents: **Not Applicable**
(57) Statement of Newness and Distinctiveness: **Newness and distinctiveness reside in the features of shape and configuration of the product as shown in the representations with less weight to be accorded to the number and position of loose cushions on the chaise and less weight to be accorded to the quilting on the loose cushion, it being understood that the loose cushion could be unquilted, and with less weight also to be accorded to the side of the base on which the armrest is mounted.**



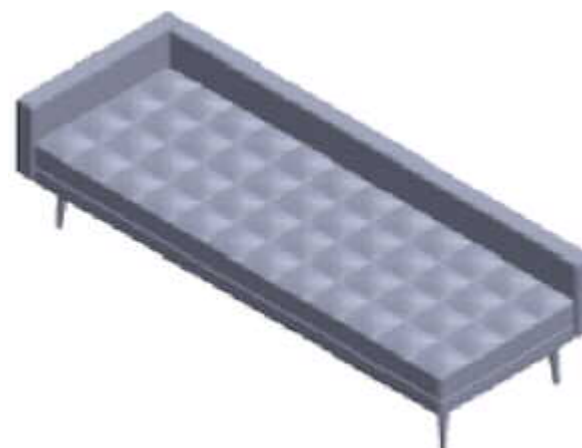
- (21) Design Number: **10587/2013**
(22) Date of Filing Application: **06 February 2013**
(24) Date from which industrial property rights may have effect: **06 February 2013**
(54) Product in respect of which the design is registered: **A chaise**
(51) International Design Classification: **06-01G**
(74) Name(s) of Attorney(s): **FB Rice**
(71) Name(s) and Address(s) of Applicant(s):
King Furniture (Australia) Pty Ltd
123 Turrella St Turrella NSW 2205 Australia
(72) Name(s) of Designer(s): **David King and Tanya Rechberger and John Levey and Ryan Lawson**
(45) Registration Date: **18 March 2013**
(56) Related Art Documents: **Not Applicable**
(57) Statement of Newness and Distinctiveness: **Newness and distinctiveness reside in the features of shape and configuration of the product as shown in the representations, with less weight to be accorded to the side of the base on which the armrest is mounted.**



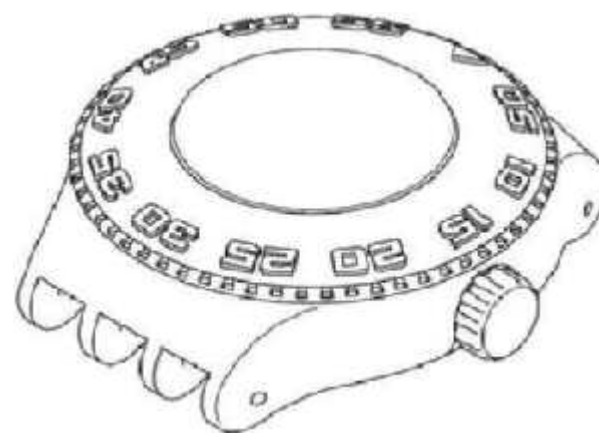
- (21) Design Number: **10588/2013**
(22) Date of Filing Application: **06 February 2013**
(24) Date from which industrial property rights may have effect: **06 February 2013**
(54) Product in respect of which the design is registered: **A sofa**
(51) International Design Classification: **06-01G**
(74) Name(s) of Attorney(s): **FB Rice**
(71) Name(s) and Address(s) of Applicant(s):
King Furniture (Australia) Pty Ltd
123 Turrella St Turrella NSW 2205 Australia
(72) Name(s) of Designer(s): **David King and Tanya Rechberger and John Levey and Ryan Lawson**
(45) Registration Date: **18 March 2013**
(56) Related Art Documents: **Not Applicable**
(57) Statement of Newness and Distinctiveness: **Newness and distinctiveness reside in the features of shape and configuration of the product as shown in the representations with less weight to be accorded to the number and position of loose cushions on the sofa and less weight to be accorded to the quilting on the loose cushions, it being understood that the loose cushions could be unquilted, and with less weight also to be accorded to the side of the base on which the armrest is mounted.**



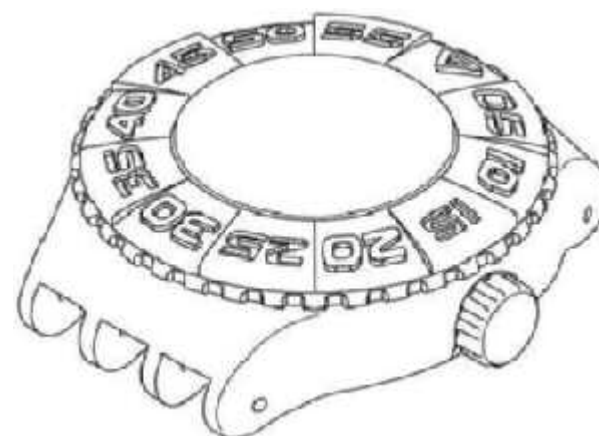
(21) Design Number: **10589/2013**
(22) Date of Filing Application: **06 February 2013**
(24) Date from which industrial property rights may have effect: **06 February 2013**
(54) Product in respect of which the design is registered: **A sofa**
(51) International Design Classification: **06-01G**
(74) Name(s) of Attorney(s): **FB Rice**
(71) Name(s) and Address(s) of Applicant(s):
King Furniture (Australia) Pty Ltd
123 Turrella St Turrella NSW 2205 Australia
(72) Name(s) of Designer(s): **David King and Tanya Rechberger and John Levey and Ryan Lawson**
(45) Registration Date: **18 March 2013**
(56) Related Art Documents: **Not Applicable**
(57) Statement of Newness and Distinctiveness: **Newness and distinctiveness reside in the features of shape and configuration of the product as shown in the representations, with less weight to be accorded to the side of the base on which the armrest is mounted.**



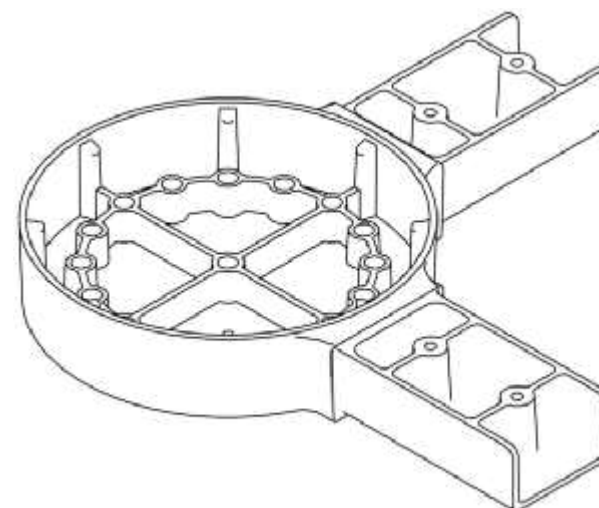
(21) Design Number: **10786/2013**
(22) Date of Filing Application: **19 February 2013**
(24) Date from which industrial property rights may have effect: **19 February 2013**
(54) Product in respect of which the design is registered: **A watch**
(51) International Design Classification: **10-02**
(74) Name(s) of Attorney(s): **WATERMARK PATENT AND TRADE MARKS ATTORNEYS**
(71) Name(s) and Address(s) of Applicant(s):
Swatch AG (Swatch SA) (Swatch Ltd)
94 rue Jakob Stampfli Bienne CH-2502 Switzerland
(72) Name(s) of Designer(s): **Damien Goyet**
(45) Registration Date: **18 March 2013**
(30) Convention priority data:
(31) Number (32) Date (33) Country
**DM/079 655 28 Nov 2012 WORLD INTELLECTUAL
PROPERTY ORGANIZATION
(WIPO)**
(56) Related Art Documents: **Not Applicable**
(57) Statement of Newness and Distinctiveness: **Nil**



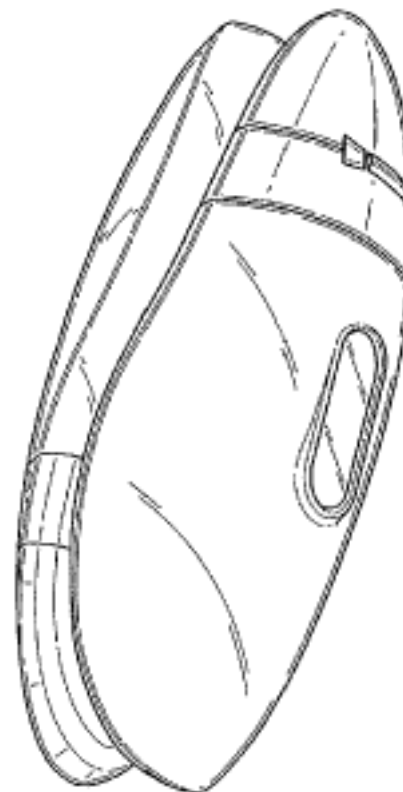
(21) Design Number: **10787/2013**
(22) Date of Filing Application: **19 February 2013**
(24) Date from which industrial property rights may have effect: **19 February 2013**
(54) Product in respect of which the design is registered: **A watch**
(51) International Design Classification: **10-02**
(74) Name(s) of Attorney(s): **WATERMARK PATENT AND TRADE MARKS ATTORNEYS**
(71) Name(s) and Address(s) of Applicant(s):
Swatch AG (Swatch SA) (Swatch Ltd)
94 rue Jakob Stampfli Bienne CH-2502 Switzerland
(72) Name(s) of Designer(s): **Damien Goyet**
(45) Registration Date: **18 March 2013**
(30) Convention priority data:
(31) Number (32) Date (33) Country
DM/079 655 28 Nov 2012 WORLD INTELLECTUAL PROPERTY ORGANIZATION (WIPO)
(56) Related Art Documents: **Not Applicable**
(57) Statement of Newness and Distinctiveness: **Nil**



(21) Design Number: **10789/2013**
(22) Date of Filing Application: **19 February 2013**
(24) Date from which industrial property rights may have effect: **19 February 2013**
(54) Product in respect of which the design is registered: **Furniture frame joint for a table**
(51) International Design Classification: **06-06E**
(74) Name(s) of Attorney(s): **HODGKINSON McINNES PATENTS**
(71) Name(s) and Address(s) of Applicant(s):
Thinking Ergonomix Pty Limited
6A Childs Rd Chipping Norton NSW 2170 Australia
(72) Name(s) of Designer(s): **Seaton McKeon**
(45) Registration Date: **18 March 2013**
(56) Related Art Documents: **Not Applicable**
(57) Statement of Newness and Distinctiveness: **Newness and distinctiveness is claimed in the shape and configuration of a furniture frame joint for a table as shown in the representation.**



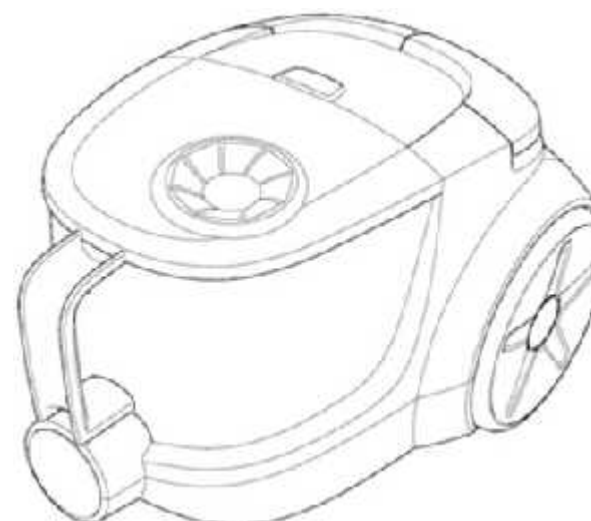
(21) Design Number: **10791/2013**
(22) Date of Filing Application: **20 February 2013**
(24) Date from which industrial property rights may have effect: **20 February 2013**
(54) Product in respect of which the design is registered: **Bottle**
(51) International Design Classification: **09-01NES**
(74) Name(s) of Attorney(s): **Madderns**
(71) Name(s) and Address(s) of Applicant(s):
LRC Products Limited
103-105 Bath Road Slough Berkshire SL1 3UH United Kingdom
(72) Name(s) of Designer(s): **Rens Hoeke and Teun Franciscus Van Wetten**
(45) Registration Date: **18 March 2013**
(30) Convention priority data:
(31) Number (32) Date (33) Country
**002089797-0002 20 Aug 2012 OFFICE FOR HARMONISATION IN
THE INTERNAL MARKET (OHIM)**
(56) Related Art Documents: **Not Applicable**
(57) Statement of Newness and Distinctiveness: **Nil**



(21) Design Number: **10792/2013**
(22) Date of Filing Application: **20 February 2013**
(24) Date from which industrial property rights may have effect: **20 February 2013**
(54) Product in respect of which the design is registered: **Bottle**
(51) International Design Classification: **09-01NES**
(74) Name(s) of Attorney(s): **Madderns**
(71) Name(s) and Address(s) of Applicant(s):
LRC Products Limited
103-105 Bath Road Slough Berkshire SL1 3UH United Kingdom
(72) Name(s) of Designer(s): **Rens Hoeke and Teun Franciscus Van Wetten**
(45) Registration Date: **18 March 2013**
(30) Convention priority data:
(31) Number (32) Date (33) Country
**002089797-0001 20 Aug 2012 OFFICE FOR HARMONISATION IN
THE INTERNAL MARKET (OHIM)**
(56) Related Art Documents: **Not Applicable**
(57) Statement of Newness and Distinctiveness: **Nil**



(21) Design Number: **10795/2013**
(22) Date of Filing Application: **21 February 2013**
(24) Date from which industrial property rights may have effect: **21 February 2013**
(54) Product in respect of which the design is registered: **Vacuum cleaner**
(51) International Design Classification: **15-05**
(74) Name(s) of Attorney(s): **FB Rice**
(71) Name(s) and Address(s) of Applicant(s):
Koninklijke Philips Electronics N.V.
High Tech Campus 5 5656 AE Eindhoven The Netherlands
(72) Name(s) of Designer(s): **Donald Thackray**
(45) Registration Date: **18 March 2013**
(30) Convention priority data:
(31) Number (32) Date (33) Country
**002091652-0001 23 Aug 2012 OFFICE FOR HARMONISATION IN
THE INTERNAL MARKET (OHIM)**
(56) Related Art Documents: **Not Applicable**
(57) Statement of Newness and Distinctiveness: **Newness and distinctiveness
reside in the shape and configuration of the design as shown in the
representations.**



(21) Design Number: **10040/2013**
(22) Date of Filing Application: **03 January 2013**
(24) Date from which industrial property rights may have effect: **03 January 2013**
(54) Product in respect of which the design is registered: **Grille for a vehicle**
(51) International Design Classification: **12-16B**
(74) Name(s) of Attorney(s): **SPRUSON & FERGUSON**
(71) Name(s) and Address(s) of Applicant(s):
MAN Truck & Bus AG
Dachhauer Str. 667 80995 Munchen Germany
(72) Name(s) of Designer(s): **Holger Koos and Ingo von Bargaen and Marc
Schippling and Dieter Blum and Roger Mohr and Rudolf Kupitza and
Thomas Ochs and Michael Wust**
(45) Registration Date: **19 March 2013**
(30) Convention priority data:
(31) Number (32) Date (33) Country
**001335210 04 Jul 2012 OFFICE FOR HARMONISATION IN
THE INTERNAL MARKET (OHIM)**
(56) Related Art Documents: **Not Applicable**
(57) Statement of Newness and Distinctiveness: **Newness and distinctiveness
is claimed in the features of shape and/or configuration of a grille for a
vehicle as illustrated in the accompanying representations.**



- (21) Design Number: **10043/2013**
(22) Date of Filing Application: **03 January 2013**
(24) Date from which industrial property rights may have effect: **03 January 2013**
(54) Product in respect of which the design is registered: **Grille for a vehicle**
(51) International Design Classification: **12-16B**
(74) Name(s) of Attorney(s): **SPRUSON & FERGUSON**
(71) Name(s) and Address(s) of Applicant(s):
MAN Truck & Bus AG
Dachhauer Str. 667 80995 Munchen Germany
(72) Name(s) of Designer(s): **Holger Koos and Ingo von Bargaen and Marc Schippling and Dieter Blum and Roger Mohr and Rudolf Kupitza and Thomas Ochs and Michael Wust**
(45) Registration Date: **19 March 2013**
(30) Convention priority data:
(31) Number (32) Date (33) Country
001335210 04 Jul 2012 OFFICE FOR HARMONISATION IN THE INTERNAL MARKET (OHIM)
(56) Related Art Documents: **Not Applicable**
(57) Statement of Newness and Distinctiveness: **Newness and distinctiveness is claimed in the features of shape and/or configuration of a grille for a vehicle as illustrated in the accompanying representations.**



- (21) Design Number: **10044/2013**
(22) Date of Filing Application: **03 January 2013**
(24) Date from which industrial property rights may have effect: **03 January 2013**
(54) Product in respect of which the design is registered: **Grille for a vehicle**
(51) International Design Classification: **12-16B**
(74) Name(s) of Attorney(s): **SPRUSON & FERGUSON**
(71) Name(s) and Address(s) of Applicant(s):
MAN Truck & Bus AG
Dachhauer Str. 667 80995 Munchen Germany
(72) Name(s) of Designer(s): **Holger Koos and Ingo von Bargaen and Marc Schippling and Dieter Blum and Roger Mohr and Rudolf Kupitza and Thomas Ochs and Michael Wust**
(45) Registration Date: **19 March 2013**
(30) Convention priority data:
(31) Number (32) Date (33) Country
001335210 04 Jul 2012 OFFICE FOR HARMONISATION IN THE INTERNAL MARKET (OHIM)
(56) Related Art Documents: **Not Applicable**
(57) Statement of Newness and Distinctiveness: **Newness and distinctiveness is claimed in the features of shape and/or configuration of a grille for a vehicle as illustrated in the accompanying representations.**



- (21) Design Number: **10047/2013**
(22) Date of Filing Application: **03 January 2013**
(24) Date from which industrial property rights may have effect: **03 January 2013**
(54) Product in respect of which the design is registered: **Grille for a vehicle**
(51) International Design Classification: **12-16B**
(74) Name(s) of Attorney(s): **SPRUSON & FERGUSON**
(71) Name(s) and Address(s) of Applicant(s):
MAN Truck & Bus AG
Dachhauer Str. 667 80995 Munchen Germany
(72) Name(s) of Designer(s): **Holger Koos and Ingo von Bargaen and Marc Schippling and Dieter Blum and Roger Mohr and Rudolf Kupitza and Thomas Ochs and Michael Wust**
(45) Registration Date: **19 March 2013**
(30) Convention priority data:
(31) Number (32) Date (33) Country
001335210 04 Jul 2012 OFFICE FOR HARMONISATION IN THE INTERNAL MARKET (OHIM)
(56) Related Art Documents: **Not Applicable**
(57) Statement of Newness and Distinctiveness: **Newness and distinctiveness is claimed in the features of shape and/or configuration of a grille for a vehicle as illustrated with darker shading in the accompanying representations.**



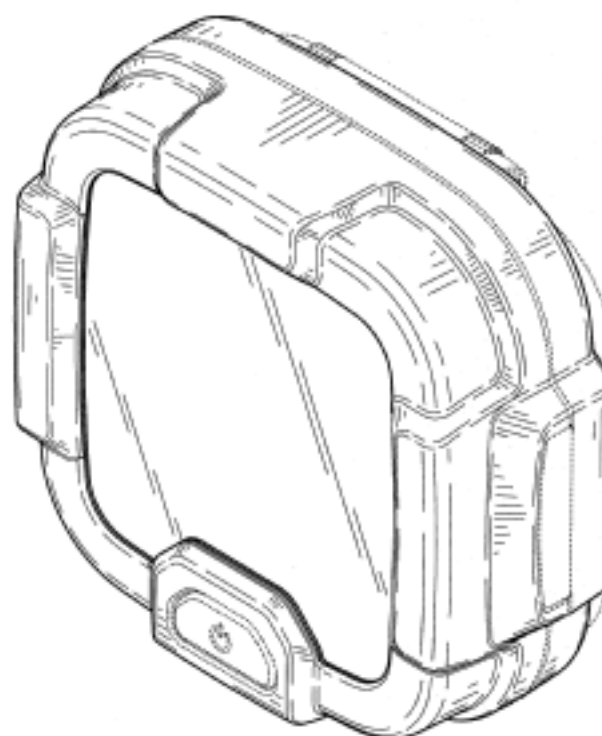
- (21) Design Number: **10048/2013**
(22) Date of Filing Application: **03 January 2013**
(24) Date from which industrial property rights may have effect: **03 January 2013**
(54) Product in respect of which the design is registered: **Grille for a vehicle**
(51) International Design Classification: **12-16B**
(74) Name(s) of Attorney(s): **SPRUSON & FERGUSON**
(71) Name(s) and Address(s) of Applicant(s):
MAN Truck & Bus AG
Dachhauer Str. 667 80995 Munchen Germany
(72) Name(s) of Designer(s): **Holger Koos and Ingo von Bargaen and Marc Schippling and Dieter Blum and Roger Mohr and Rudolf Kupitza and Thomas Ochs and Michael Wust**
(45) Registration Date: **19 March 2013**
(30) Convention priority data:
(31) Number (32) Date (33) Country
001335210 04 Jul 2012 OFFICE FOR HARMONISATION IN THE INTERNAL MARKET (OHIM)
(56) Related Art Documents: **Not Applicable**
(57) Statement of Newness and Distinctiveness: **Newness and distinctiveness is claimed in the features of shape and/or configuration of a grille for a vehicle as illustrated in the accompanying representations.**



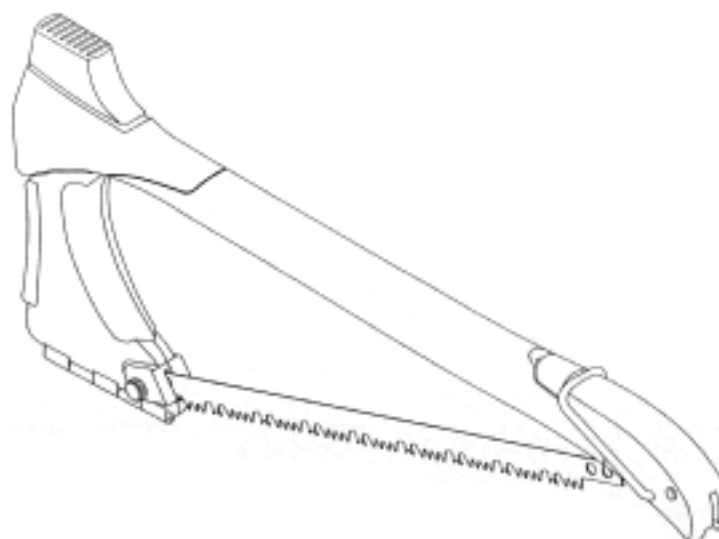
- (21) Design Number: **10050/2013**
(22) Date of Filing Application: **03 January 2013**
(24) Date from which industrial property rights may have effect: **03 January 2013**
(54) Product in respect of which the design is registered: **Grille for a vehicle**
(51) International Design Classification: **12-16B**
(74) Name(s) of Attorney(s): **SPRUSON & FERGUSON**
(71) Name(s) and Address(s) of Applicant(s):
MAN Truck & Bus AG
Dachhauer Str. 667 80995 Munchen Germany
(72) Name(s) of Designer(s): **Holger Koos and Ingo von Bargaen and Marc Schippling and Dieter Blum and Roger Mohr and Rudolf Kupitza and Thomas Ochs and Michael Wust**
(45) Registration Date: **19 March 2013**
(30) Convention priority data:
(31) Number (32) Date (33) Country
001335210 04 Jul 2012 OFFICE FOR HARMONISATION IN THE INTERNAL MARKET (OHIM)
(56) Related Art Documents: **Not Applicable**
(57) Statement of Newness and Distinctiveness: **Newness and distinctiveness is claimed in the features of shape and/or configuration of a grille for a vehicle as illustrated in the accompanying representations.**



- (21) Design Number: **14120/2012**
(22) Date of Filing Application: **21 August 2012**
(24) Date from which industrial property rights may have effect: **21 August 2012**
(54) Product in respect of which the design is registered: **Lighting device**
(51) International Design Classification: **26-04**
(74) Name(s) of Attorney(s): **Halfords IP**
(71) Name(s) and Address(s) of Applicant(s):
Eveready Battery Company, Inc.
533 Maryville University Drive St Louis Missouri 63141 United States of America
(72) Name(s) of Designer(s): **Angelo Kotsis**
(45) Registration Date: **20 March 2013**
(56) Related Art Documents: **Not Applicable**
(57) Statement of Newness and Distinctiveness: **Newness and distinctiveness is claimed in those features of shape and or configuration of a Lighting Device as depicted in the representations accompanying representations. Features shown in broken lines do not form part of the design.**



(21) Design Number: **15271/2012**
(22) Date of Filing Application: **22 October 2012**
(24) Date from which industrial property rights may have effect: **22 October 2012**
(54) Product in respect of which the design is registered: **Combined axe, saw, mallet**
(51) International Design Classification: **08-03**
(74) Name(s) of Attorney(s): **K&L Gates**
(71) Name(s) and Address(s) of Applicant(s):
Zippo Manufacturing Company
33 Barbour Street Bradford Pennsylvania 16701 United States of America
(72) Name(s) of Designer(s): **James M. McDonough and Howard Tripp and Neal Barnes and Brian J Barber**
(45) Registration Date: **20 March 2013**
(30) Convention priority data:
(31) Number (32) Date (33) Country
29/422,433 21 May 2012 UNITED STATES OF AMERICA
(56) Related Art Documents: **Not Applicable**
(57) Statement of Newness and Distinctiveness: **Nil**



(21) Design Number: **16050/2012**
(22) Date of Filing Application: **05 December 2012**
(24) Date from which industrial property rights may have effect: **05 December 2012**
(54) Product in respect of which the design is registered: **Fragrance dispenser**
(51) International Design Classification: **28-99**
(74) Name(s) of Attorney(s): **Davies Collison Cave**
(71) Name(s) and Address(s) of Applicant(s):
Tomil s.r.o.
Gen. Svatone 149/IV Vysoke Myto CZ-566 01 Czech Republic
(72) Name(s) of Designer(s): **Tomas Muller**
(45) Registration Date: **20 March 2013**
(30) Convention priority data:
(31) Number (32) Date (33) Country
002054668-0002 08 Jun 2012 OFFICE FOR HARMONISATION IN THE INTERNAL MARKET (OHIM)
(56) Related Art Documents: **Not Applicable**
(57) Statement of Newness and Distinctiveness: **Nil**



(21) Design Number: **16060/2012**
(22) Date of Filing Application: **04 December 2012**
(24) Date from which industrial property rights may have effect: **04 December 2012**
(54) Product in respect of which the design is registered: **Display screen with icon**
(51) International Design Classification: **14-02**
(74) Name(s) of Attorney(s): **Shelston IP**
(71) Name(s) and Address(s) of Applicant(s):

Microsoft Corporation
One Microsoft Way Redmond Washington 98052 United States of America

(72) Name(s) of Designer(s): **David Gardner and Neil Cueto**

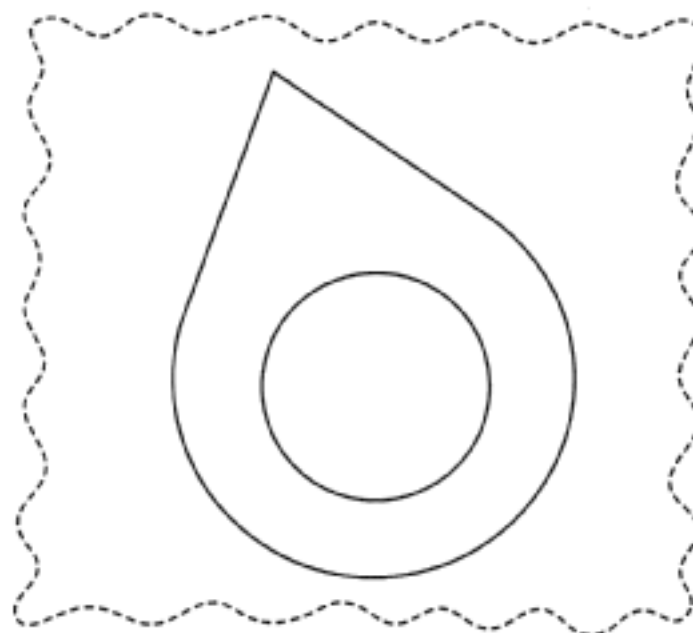
(45) Registration Date: **20 March 2013**

(30) Convention priority data:

(31) Number	(32) Date	(33) Country
29/423657	04 Jun 2012	UNITED STATES OF AMERICA

(56) Related Art Documents: **Not Applicable**

(57) Statement of Newness and Distinctiveness: **Newness and distinctiveness reside in the pattern and/or ornamentation of a display screen with icon as illustrated by solid lines in the accompanying representation. The features shown in broken outline are for contextual purposes only and do not form part of the design.**



(21) Design Number: **10036/2013**
(22) Date of Filing Application: **03 January 2013**
(24) Date from which industrial property rights may have effect: **03 January 2013**
(54) Product in respect of which the design is registered: **Grille for a vehicle**
(51) International Design Classification: **12-16B**
(74) Name(s) of Attorney(s): **SPRUSON & FERGUSON**
(71) Name(s) and Address(s) of Applicant(s):

MAN Truck & Bus AG
Dachhauer Str. 667 80995 Munchen Germany

(72) Name(s) of Designer(s): **Holger Koos and Ingo von Bargaen and Marc Schippling and Dieter Blum and Roger Mohr and Rudolf Kupitza and Thomas Ochs and Michael Wust**

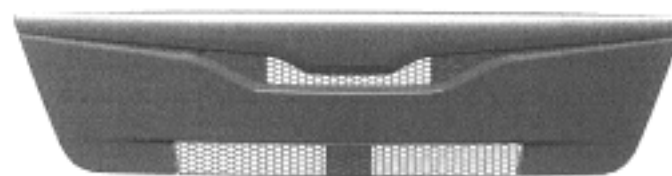
(45) Registration Date: **20 March 2013**

(30) Convention priority data:

(31) Number	(32) Date	(33) Country
001335210	04 Jul 2012	OFFICE FOR HARMONISATION IN THE INTERNAL MARKET (OHIM)

(56) Related Art Documents: **Not Applicable**

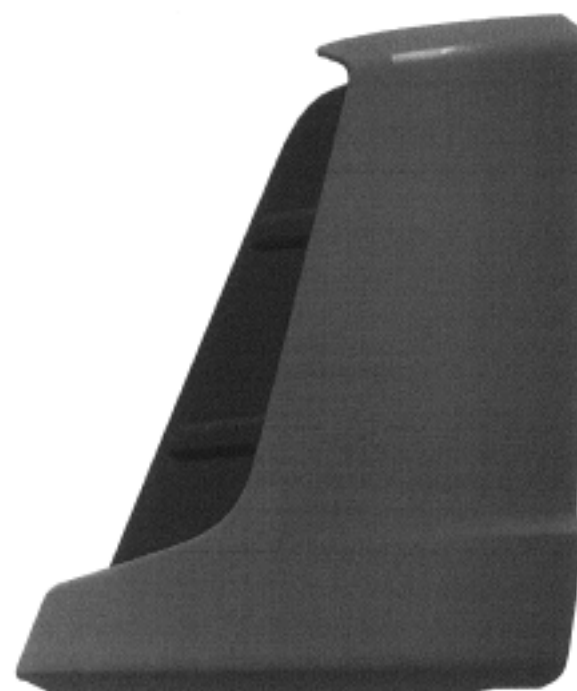
(57) Statement of Newness and Distinctiveness: **Newness and distinctiveness is claimed in the features of shape and/or configuration of a grille for a vehicle as illustrated in the accompanying representations.**



- (21) Design Number: **10037/2013**
(22) Date of Filing Application: **03 January 2013**
(24) Date from which industrial property rights may have effect: **03 January 2013**
(54) Product in respect of which the design is registered: **Driver's cabin for a vehicle**
(51) International Design Classification: **12-08**
(74) Name(s) of Attorney(s): **SPRUSON & FERGUSON**
(71) Name(s) and Address(s) of Applicant(s):
MAN Truck & Bus AG
Dachhauer Str. 667 80995 Munchen Germany
(72) Name(s) of Designer(s): **Holger Koos and Ingo von Bargaen and Marc Schippling and Dieter Blum and Roger Mohr and Rudolf Kupitza and Thomas Ochs and Michael Wust**
(45) Registration Date: **20 March 2013**
(30) Convention priority data:
(31) Number (32) Date (33) Country
001335210 04 Jul 2012 OFFICE FOR HARMONISATION IN THE INTERNAL MARKET (OHIM)
(56) Related Art Documents: **Not Applicable**
(57) Statement of Newness and Distinctiveness: **Newness and distinctiveness is claimed in the features of shape and/or configuration of a driver's cabin as illustrated with darker shading in the accompanying representations.**



- (21) Design Number: **10038/2013**
(22) Date of Filing Application: **03 January 2013**
(24) Date from which industrial property rights may have effect: **03 January 2013**
(54) Product in respect of which the design is registered: **Corner panel for a vehicle**
(51) International Design Classification: **12-16B**
(74) Name(s) of Attorney(s): **SPRUSON & FERGUSON**
(71) Name(s) and Address(s) of Applicant(s):
MAN Truck & Bus AG
Dachhauer Str. 667 80995 Munchen Germany
(72) Name(s) of Designer(s): **Holger Koos and Ingo von Bargaen and Marc Schippling and Dieter Blum and Roger Mohr and Rudolf Kupitza and Thomas Ochs and Michael Wust**
(45) Registration Date: **20 March 2013**
(30) Convention priority data:
(31) Number (32) Date (33) Country
001335210 04 Jul 2012 OFFICE FOR HARMONISATION IN THE INTERNAL MARKET (OHIM)
(56) Related Art Documents: **Not Applicable**
(57) Statement of Newness and Distinctiveness: **Newness and distinctiveness is claimed in the features of shape and/or configuration of a corner panel as illustrated with darker shading in the accompanying representations.**



- (21) Design Number: **10060/2013**
(22) Date of Filing Application: **03 January 2013**
(24) Date from which industrial property rights may have effect: **03 January 2013**
(54) Product in respect of which the design is registered: **Grille for a vehicle**
(51) International Design Classification: **12-16B**
(74) Name(s) of Attorney(s): **SPRUSON & FERGUSON**
(71) Name(s) and Address(s) of Applicant(s):
MAN Truck & Bus AG
Dachhauer Str. 667 80995 Munchen Germany
(72) Name(s) of Designer(s): **Holger Koos and Ingo von Bargaen and Marc Schippling and Dieter Blum and Roger Mohr and Rudolf Kupitza and Thomas Ochs and Michael Wust**
(45) Registration Date: **20 March 2013**
(30) Convention priority data:
(31) Number (32) Date (33) Country
001335210 04 Jul 2012 OFFICE FOR HARMONISATION IN THE INTERNAL MARKET (OHIM)
(56) Related Art Documents: **Not Applicable**
(57) Statement of Newness and Distinctiveness: **Newness and distinctiveness is claimed in the features of shape and/or configuration of a grille for a vehicle as illustrated in the accompanying representations.**



- (21) Design Number: **10061/2013**
(22) Date of Filing Application: **03 January 2013**
(24) Date from which industrial property rights may have effect: **03 January 2013**
(54) Product in respect of which the design is registered: **Driver's cabin for a vehicle**
(51) International Design Classification: **12-08**
(74) Name(s) of Attorney(s): **SPRUSON & FERGUSON**
(71) Name(s) and Address(s) of Applicant(s):
MAN Truck & Bus AG
Dachhauer Str. 667 80995 Munchen Germany
(72) Name(s) of Designer(s): **Holger Koos and Ingo von Bargaen and Marc Schippling and Dieter Blum and Roger Mohr and Rudolf Kupitza and Thomas Ochs and Michael Wust**
(45) Registration Date: **20 March 2013**
(30) Convention priority data:
(31) Number (32) Date (33) Country
001335236 04 Jul 2012 OFFICE FOR HARMONISATION IN THE INTERNAL MARKET (OHIM)
(56) Related Art Documents: **Not Applicable**
(57) Statement of Newness and Distinctiveness: **Newness and distinctiveness is claimed in the features of shape and/or configuration of a driver's cabin for a vehicle as illustrated in the accompanying representations.**



- (21) Design Number: **10062/2013**
(22) Date of Filing Application: **03 January 2013**
(24) Date from which industrial property rights may have effect: **03 January 2013**
(54) Product in respect of which the design is registered: **Driver's cabin for a vehicle**
(51) International Design Classification: **12-08**
(74) Name(s) of Attorney(s): **SPRUSON & FERGUSON**
(71) Name(s) and Address(s) of Applicant(s):
MAN Truck & Bus AG
Dachhauer Str. 667 80995 Munchen Germany
(72) Name(s) of Designer(s): **Holger Koos and Ingo von Bargaen and Marc Schippling and Dieter Blum and Roger Mohr and Rudolf Kupitza and Thomas Ochs and Michael Wust**
(45) Registration Date: **20 March 2013**
(30) Convention priority data:
(31) Number (32) Date (33) Country
001335236 04 Jul 2012 OFFICE FOR HARMONISATION IN THE INTERNAL MARKET (OHIM)
(56) Related Art Documents: **Not Applicable**
(57) Statement of Newness and Distinctiveness: **Newness and distinctiveness is claimed in the features of shape and/or configuration of a driver's cabin for a vehicle as illustrated in the accompanying representations.**



- (21) Design Number: **10063/2013**
(22) Date of Filing Application: **03 January 2013**
(24) Date from which industrial property rights may have effect: **03 January 2013**
(54) Product in respect of which the design is registered: **Driver's cabin for a vehicle**
(51) International Design Classification: **12-08**
(74) Name(s) of Attorney(s): **SPRUSON & FERGUSON**
(71) Name(s) and Address(s) of Applicant(s):
MAN Truck & Bus AG
Dachhauer Str. 667 80995 Munchen Germany
(72) Name(s) of Designer(s): **Holger Koos and Ingo von Bargaen and Marc Schippling and Dieter Blum and Roger Mohr and Rudolf Kupitza and Thomas Ochs and Michael Wust**
(45) Registration Date: **20 March 2013**
(30) Convention priority data:
(31) Number (32) Date (33) Country
001335236 04 Jul 2012 OFFICE FOR HARMONISATION IN THE INTERNAL MARKET (OHIM)
(56) Related Art Documents: **Not Applicable**
(57) Statement of Newness and Distinctiveness: **Newness and distinctiveness is claimed in the features of shape and/or configuration of a driver's cabin for a vehicle as illustrated in the accompanying representations.**



- (21) Design Number: **10071/2013**
(22) Date of Filing Application: **03 January 2013**
(24) Date from which industrial property rights may have effect: **03 January 2013**
(54) Product in respect of which the design is registered: **Driver's cabin for a vehicle**
(51) International Design Classification: **12-08**
(74) Name(s) of Attorney(s): **SPRUSON & FERGUSON**
(71) Name(s) and Address(s) of Applicant(s):
MAN Truck & Bus AG
Dachhauer Str. 667 80995 Munchen Germany
(72) Name(s) of Designer(s): **Holger Koos and Ingo von Bargaen and Marc Schippling and Dieter Blum and Roger Mohr and Rudolf Kupitza and Thomas Ochs and Michael Wust**
(45) Registration Date: **20 March 2013**
(30) Convention priority data:
(31) Number (32) Date (33) Country
001335236 04 Jul 2012 OFFICE FOR HARMONISATION IN THE INTERNAL MARKET (OHIM)
(56) Related Art Documents: **Not Applicable**
(57) Statement of Newness and Distinctiveness: **Newness and distinctiveness is claimed in the features of shape and/or configuration of a driver's cabin for a vehicle as illustrated in the accompanying representations.**



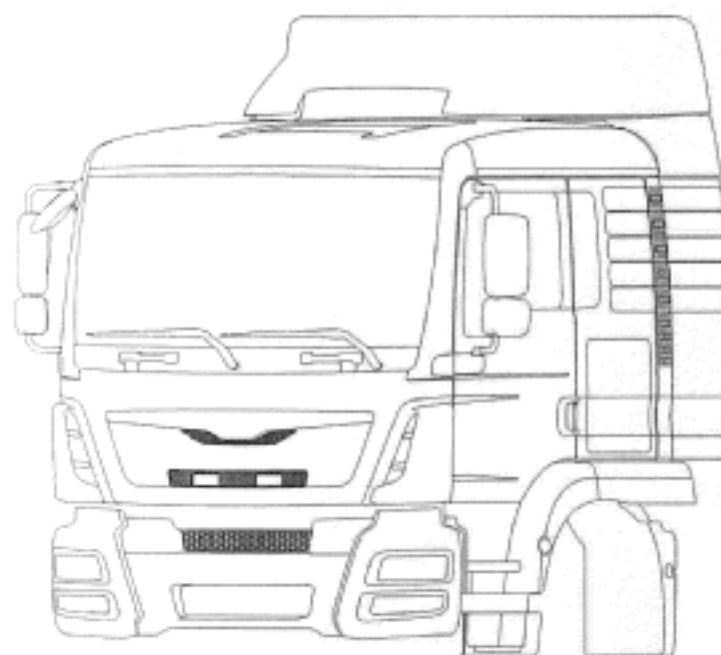
- (21) Design Number: **10072/2013**
(22) Date of Filing Application: **03 January 2013**
(24) Date from which industrial property rights may have effect: **03 January 2013**
(54) Product in respect of which the design is registered: **Driver's cabin for a vehicle**
(51) International Design Classification: **12-08**
(74) Name(s) of Attorney(s): **SPRUSON & FERGUSON**
(71) Name(s) and Address(s) of Applicant(s):
MAN Truck & Bus AG
Dachhauer Str. 667 80995 Munchen Germany
(72) Name(s) of Designer(s): **Holger Koos and Ingo von Bargaen and Marc Schippling and Dieter Blum and Roger Mohr and Rudolf Kupitza and Thomas Ochs and Michael Wust**
(45) Registration Date: **20 March 2013**
(30) Convention priority data:
(31) Number (32) Date (33) Country
001335236 04 Jul 2012 OFFICE FOR HARMONISATION IN THE INTERNAL MARKET (OHIM)
(56) Related Art Documents: **Not Applicable**
(57) Statement of Newness and Distinctiveness: **Newness and distinctiveness is claimed in the features of shape and/or configuration of a driver's cabin for a vehicle as illustrated in the accompanying representations.**



- (21) Design Number: **10073/2013**
(22) Date of Filing Application: **03 January 2013**
(24) Date from which industrial property rights may have effect: **03 January 2013**
(54) Product in respect of which the design is registered: **Driver's cabin for a vehicle**
(51) International Design Classification: **12-08**
(74) Name(s) of Attorney(s): **SPRUSON & FERGUSON**
(71) Name(s) and Address(s) of Applicant(s):
MAN Truck & Bus AG
Dachhauer Str. 667 80995 Munchen Germany
(72) Name(s) of Designer(s): **Holger Koos and Ingo von Bargaen and Marc Schippling and Dieter Blum and Roger Mohr and Rudolf Kupitza and Thomas Ochs and Michael Wust**
(45) Registration Date: **20 March 2013**
(30) Convention priority data:
(31) Number (32) Date (33) Country
001335236 04 Jul 2012 OFFICE FOR HARMONISATION IN THE INTERNAL MARKET (OHIM)
(56) Related Art Documents: **Not Applicable**
(57) Statement of Newness and Distinctiveness: **Newness and distinctiveness is claimed in the features of shape and/or configuration of a driver's cabin for a vehicle as illustrated in the accompanying representations.**



- (21) Design Number: **10074/2013**
(22) Date of Filing Application: **03 January 2013**
(24) Date from which industrial property rights may have effect: **03 January 2013**
(54) Product in respect of which the design is registered: **Driver's cabin for a vehicle**
(51) International Design Classification: **12-08**
(74) Name(s) of Attorney(s): **SPRUSON & FERGUSON**
(71) Name(s) and Address(s) of Applicant(s):
MAN Truck & Bus AG
Dachhauer Str. 667 80995 Munchen Germany
(72) Name(s) of Designer(s): **Holger Koos and Ingo von Bargaen and Marc Schippling and Dieter Blum and Roger Mohr and Rudolf Kupitza and Thomas Ochs and Michael Wust**
(45) Registration Date: **20 March 2013**
(30) Convention priority data:
(31) Number (32) Date (33) Country
001335236 04 Jul 2012 OFFICE FOR HARMONISATION IN THE INTERNAL MARKET (OHIM)
(56) Related Art Documents: **Not Applicable**
(57) Statement of Newness and Distinctiveness: **Newness and distinctiveness is claimed in the features of shape and/or configuration of a driver's cabin for a vehicle as illustrated in the accompanying representations.**



- (21) Design Number: **10075/2013**
(22) Date of Filing Application: **03 January 2013**
(24) Date from which industrial property rights may have effect: **03 January 2013**
(54) Product in respect of which the design is registered: **Driver's cabin for a vehicle**
(51) International Design Classification: **12-08**
(74) Name(s) of Attorney(s): **SPRUSON & FERGUSON**
(71) Name(s) and Address(s) of Applicant(s):
MAN Truck & Bus AG
Dachhauer Str. 667 80995 Munchen Germany
(72) Name(s) of Designer(s): **Holger Koos and Ingo von Bargaen and Marc Schippling and Dieter Blum and Roger Mohr and Rudolf Kupitza and Thomas Ochs and Michael Wust**
(45) Registration Date: **20 March 2013**
(30) Convention priority data:
(31) Number (32) Date (33) Country
001335236 04 Jul 2012 OFFICE FOR HARMONISATION IN THE INTERNAL MARKET (OHIM)
(56) Related Art Documents: **Not Applicable**
(57) Statement of Newness and Distinctiveness: **Newness and distinctiveness is claimed in the features of shape and/or configuration of a driver's cabin for a vehicle as illustrated in the accompanying representations.**



- (21) Design Number: **10078/2013**
(22) Date of Filing Application: **03 January 2013**
(24) Date from which industrial property rights may have effect: **03 January 2013**
(54) Product in respect of which the design is registered: **Driver's cabin for a vehicle**
(51) International Design Classification: **12-08**
(74) Name(s) of Attorney(s): **SPRUSON & FERGUSON**
(71) Name(s) and Address(s) of Applicant(s):
MAN Truck & Bus AG
Dachhauer Str. 667 80995 Munchen Germany
(72) Name(s) of Designer(s): **Holger Koos and Ingo von Bargaen and Marc Schippling and Dieter Blum and Roger Mohr and Rudolf Kupitza and Thomas Ochs and Michael Wust**
(45) Registration Date: **20 March 2013**
(30) Convention priority data:
(31) Number (32) Date (33) Country
001335236 04 Jul 2012 OFFICE FOR HARMONISATION IN THE INTERNAL MARKET (OHIM)
(56) Related Art Documents: **Not Applicable**
(57) Statement of Newness and Distinctiveness: **Newness and distinctiveness is claimed in the features of shape and/or configuration of a driver's cabin for a vehicle as illustrated in the accompanying representations.**



- (21) Design Number: **10082/2013**
(22) Date of Filing Application: **03 January 2013**
(24) Date from which industrial property rights may have effect: **03 January 2013**
(54) Product in respect of which the design is registered: **Driver's cabin for a vehicle**
(51) International Design Classification: **12-08**
(74) Name(s) of Attorney(s): **SPRUSON & FERGUSON**
(71) Name(s) and Address(s) of Applicant(s):
MAN Truck & Bus AG
Dachhauer Str. 667 80995 Munchen Germany
(72) Name(s) of Designer(s): **Holger Koos and Ingo von Bargaen and Marc Schippling and Dieter Blum and Roger Mohr and Rudolf Kupitza and Thomas Ochs and Michael Wust**
(45) Registration Date: **20 March 2013**
(30) Convention priority data:
(31) Number (32) Date (33) Country
001335236 04 Jul 2012 OFFICE FOR HARMONISATION IN THE INTERNAL MARKET (OHIM)
(56) Related Art Documents: **Not Applicable**
(57) Statement of Newness and Distinctiveness: **Newness and distinctiveness is claimed in the features of shape and/or configuration of a Driver's cabin for a vehicle as illustrated in the accompanying representations.**



- (21) Design Number: **10083/2013**
(22) Date of Filing Application: **03 January 2013**
(24) Date from which industrial property rights may have effect: **03 January 2013**
(54) Product in respect of which the design is registered: **Driver's cabin for a vehicle**
(51) International Design Classification: **12-08**
(74) Name(s) of Attorney(s): **SPRUSON & FERGUSON**
(71) Name(s) and Address(s) of Applicant(s):
MAN Truck & Bus AG
Dachhauer Str. 667 80995 Munchen Germany
(72) Name(s) of Designer(s): **Holger Koos and Ingo von Bargaen and Marc Schippling and Dieter Blum and Roger Mohr and Rudolf Kupitza and Thomas Ochs and Michael Wust**
(45) Registration Date: **20 March 2013**
(30) Convention priority data:
(31) Number (32) Date (33) Country
001335236 04 Jul 2012 OFFICE FOR HARMONISATION IN THE INTERNAL MARKET (OHIM)
(56) Related Art Documents: **Not Applicable**
(57) Statement of Newness and Distinctiveness: **Newness and distinctiveness is claimed in the features of shape and/or configuration of a Driver's cabin for a vehicle as illustrated in the accompanying representations.**



- (21) Design Number: **10084/2013**
(22) Date of Filing Application: **03 January 2013**
(24) Date from which industrial property rights may have effect: **03 January 2013**
(54) Product in respect of which the design is registered: **Driver's cabin for a vehicle**
(51) International Design Classification: **12-08**
(74) Name(s) of Attorney(s): **SPRUSON & FERGUSON**
(71) Name(s) and Address(s) of Applicant(s):
MAN Truck & Bus AG
Dachhauer Str. 667 80995 Munchen Germany
(72) Name(s) of Designer(s): **Holger Koos and Ingo von Bargaen and Marc Schippling and Dieter Blum and Roger Mohr and Rudolf Kupitza and Thomas Ochs and Michael Wust**
(45) Registration Date: **20 March 2013**
(30) Convention priority data:
(31) Number (32) Date (33) Country
001335236 04 Jul 2012 OFFICE FOR HARMONISATION IN THE INTERNAL MARKET (OHIM)
(56) Related Art Documents: **Not Applicable**
(57) Statement of Newness and Distinctiveness: **Newness and distinctiveness is claimed in the features of shape and/or configuration of a Driver's cabin for a vehicle as illustrated in the accompanying representations.**



- (21) Design Number: **10088/2013**
(22) Date of Filing Application: **03 January 2013**
(24) Date from which industrial property rights may have effect: **03 January 2013**
(54) Product in respect of which the design is registered: **Driver's cabin for a vehicle**
(51) International Design Classification: **12-08**
(74) Name(s) of Attorney(s): **SPRUSON & FERGUSON**
(71) Name(s) and Address(s) of Applicant(s):
MAN Truck & Bus AG
Dachhauer Str. 667 80995 Munchen Germany
(72) Name(s) of Designer(s): **Holger Koos and Ingo von Bargaen and Marc Schippling and Dieter Blum and Roger Mohr and Rudolf Kupitza and Thomas Ochs and Michael Wust**
(45) Registration Date: **20 March 2013**
(30) Convention priority data:
(31) Number (32) Date (33) Country
001335236 04 Jul 2012 OFFICE FOR HARMONISATION IN THE INTERNAL MARKET (OHIM)
(56) Related Art Documents: **Not Applicable**
(57) Statement of Newness and Distinctiveness: **Newness and distinctiveness is claimed in the features of shape and/or configuration of a Driver's cabin for a vehicle as illustrated in the accompanying representations.**



- (21) Design Number: **10089/2013**
(22) Date of Filing Application: **03 January 2013**
(24) Date from which industrial property rights may have effect: **03 January 2013**
(54) Product in respect of which the design is registered: **Driver's cabin for a vehicle**
(51) International Design Classification: **12-08**
(74) Name(s) of Attorney(s): **SPRUSON & FERGUSON**
(71) Name(s) and Address(s) of Applicant(s):
MAN Truck & Bus AG
Dachhauer Str. 667 80995 Munchen Germany
(72) Name(s) of Designer(s): **Holger Koos and Ingo von Bargaen and Marc Schippling and Dieter Blum and Roger Mohr and Rudolf Kupitza and Thomas Ochs and Michael Wust**
(45) Registration Date: **20 March 2013**
(30) Convention priority data:
(31) Number (32) Date (33) Country
001335236 04 Jul 2012 OFFICE FOR HARMONISATION IN THE INTERNAL MARKET (OHIM)
(56) Related Art Documents: **Not Applicable**
(57) Statement of Newness and Distinctiveness: **Newness and distinctiveness is claimed in the features of shape and/or configuration of a Driver's cabin for a vehicle as illustrated in the accompanying representations.**



- (21) Design Number: **10090/2013**
(22) Date of Filing Application: **03 January 2013**
(24) Date from which industrial property rights may have effect: **03 January 2013**
(54) Product in respect of which the design is registered: **Driver's cabin for a vehicle**
(51) International Design Classification: **12-08**
(74) Name(s) of Attorney(s): **SPRUSON & FERGUSON**
(71) Name(s) and Address(s) of Applicant(s):
MAN Truck & Bus AG
Dachhauer Str. 667 80995 Munchen Germany
(72) Name(s) of Designer(s): **Holger Koos and Ingo von Bargaen and Marc Schippling and Dieter Blum and Roger Mohr and Rudolf Kupitza and Thomas Ochs and Michael Wust**
(45) Registration Date: **20 March 2013**
(30) Convention priority data:
(31) Number (32) Date (33) Country
001335236 04 Jul 2012 OFFICE FOR HARMONISATION IN THE INTERNAL MARKET (OHIM)
(56) Related Art Documents: **Not Applicable**
(57) Statement of Newness and Distinctiveness: **Newness and distinctiveness is claimed in the features of shape and/or configuration of a Driver's cabin for a vehicle as illustrated in the accompanying representations.**



(21) Design Number: **10503/2013**
(22) Date of Filing Application: **01 February 2013**
(24) Date from which industrial property rights may have effect: **01 February 2013**
(54) Product in respect of which the design is registered: **Tool box handle**
(51) International Design Classification: **03-01D, 08-06**
(74) Name(s) of Attorney(s): **Davies Collison Cave**
(71) Name(s) and Address(s) of Applicant(s):

The Stanley Works Israel Ltd.
19 Ha'Melacha Street Rosh Ha'Ayin 48091 Israel

(72) Name(s) of Designer(s): **Nadin Daniel Horowitz**

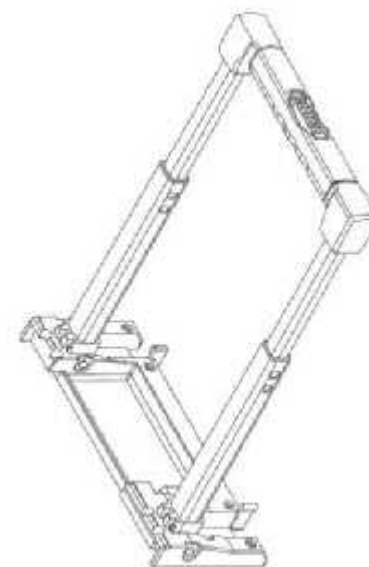
(45) Registration Date: **20 March 2013**

(30) Convention priority data:

(31) Number	(32) Date	(33) Country
001338453	07 Aug 2012	OFFICE FOR HARMONISATION IN THE INTERNAL MARKET (OHIM)

(56) Related Art Documents: **Not Applicable**

(57) Statement of Newness and Distinctiveness: **Nil**



(21) Design Number: **10505/2013**
(22) Date of Filing Application: **01 February 2013**
(24) Date from which industrial property rights may have effect: **01 February 2013**
(54) Product in respect of which the design is registered: **Tool box**
(51) International Design Classification: **03-01D**
(74) Name(s) of Attorney(s): **Davies Collison Cave**
(71) Name(s) and Address(s) of Applicant(s):

The Stanley Works Israel Ltd.
19 Ha'Melacha Street Rosh Ha'Ayin 48091 Israel

(72) Name(s) of Designer(s): **Nadin Daniel Horowitz and Zvika Fraiman and Gil Vikomirski**

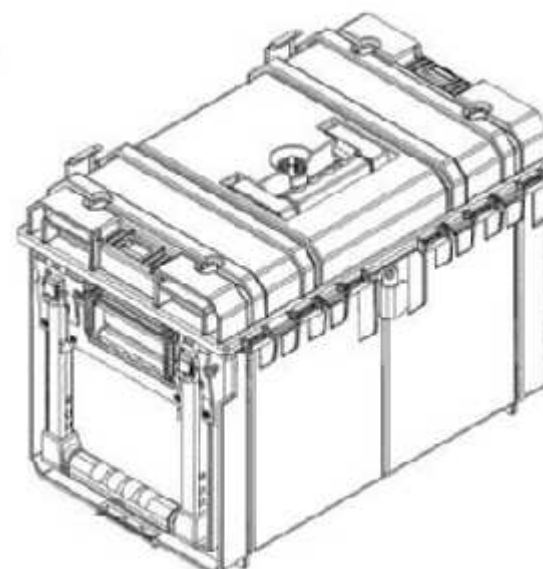
(45) Registration Date: **20 March 2013**

(30) Convention priority data:

(31) Number	(32) Date	(33) Country
001338446	07 Aug 2012	OFFICE FOR HARMONISATION IN THE INTERNAL MARKET (OHIM)

(56) Related Art Documents: **Not Applicable**

(57) Statement of Newness and Distinctiveness: **Nil**



(21) Design Number: **10546/2013**
(22) Date of Filing Application: **01 February 2013**
(24) Date from which industrial property rights may have effect: **01 February 2013**
(54) Product in respect of which the design is registered: **Cosmetic container**
(51) International Design Classification: **09-01G**
(74) Name(s) of Attorney(s): **PHILLIPS ORMONDE FITZPATRICK**
(71) Name(s) and Address(s) of Applicant(s):

ELC Management LLC
155 Pinelawn Road Suite 345 South Melville New York 11747 United States of America

(72) Name(s) of Designer(s): **Jesse Chertoff and Sarah Kloman**

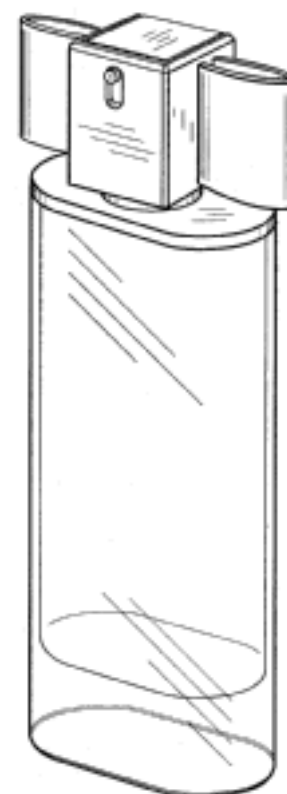
(45) Registration Date: **20 March 2013**

(30) Convention priority data:

(31) Number	(32) Date	(33) Country
29/428,671	02 Aug 2012	UNITED STATES OF AMERICA

(56) Related Art Documents: **Not Applicable**

(57) Statement of Newness and Distinctiveness: **The features of the cosmetic container depicted in the representations that are new and distinctive are the shape and/or configuration. Any features shown in a dashed line format are not part of the design and are to be disregarded when considering the overall impression of the design.**



(21) Design Number: **10548/2013**
(22) Date of Filing Application: **01 February 2013**
(24) Date from which industrial property rights may have effect: **01 February 2013**
(54) Product in respect of which the design is registered: **Chair**
(51) International Design Classification: **06-01G**
(74) Name(s) of Attorney(s): **Griffith Hack**
(71) Name(s) and Address(s) of Applicant(s):

Jardin Netherlands B.V.
Ericssonstraat 17 Rijen 5121MK Netherlands

(72) Name(s) of Designer(s): **Martin Staps and Daniel Rasenberg**

(45) Registration Date: **20 March 2013**

(30) Convention priority data:

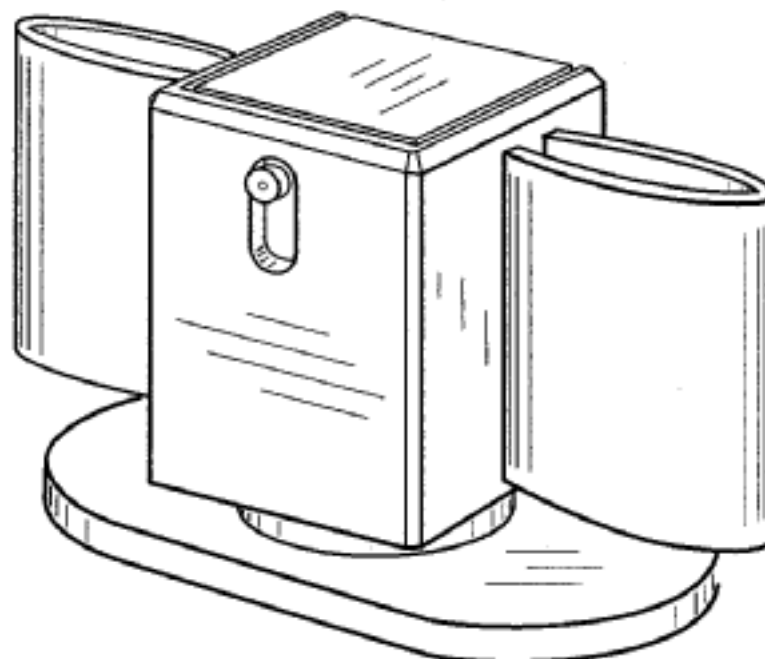
(31) Number	(32) Date	(33) Country
2077776	23 Jul 2012	OFFICE FOR HARMONISATION IN THE INTERNAL MARKET (OHIM)

(56) Related Art Documents: **Not Applicable**

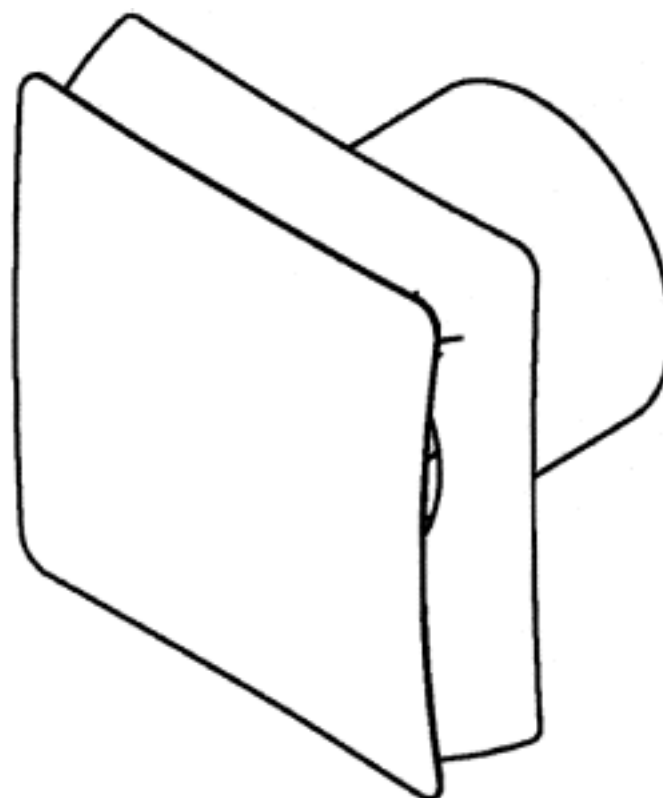
(57) Statement of Newness and Distinctiveness: **Newness and distinctiveness resides in the visual features of the shape and configuration of the PRODUCT. The rattan pattern of the PRODUCT is not limiting and has been included for exemplification purposes only.**



(21) Design Number: **10545/2013**
(22) Date of Filing Application: **01 February 2013**
(24) Date from which industrial property rights may have effect: **01 February 2013**
(54) Product in respect of which the design is registered: **Cap for a cosmetic container**
(51) International Design Classification: **09-07C**
(74) Name(s) of Attorney(s): **PHILLIPS ORMONDE FITZPATRICK**
(71) Name(s) and Address(s) of Applicant(s):
ELC Management LLC
155 Pinelawn Road Suite 345 South Melville New York 11747 United States of America
(72) Name(s) of Designer(s): **Jesse Chertoff and Sarah Kloman**
(45) Registration Date: **20 March 2013**
(30) Convention priority data:
(31) Number (32) Date (33) Country
29/428,673 02 Aug 2012 UNITED STATES OF AMERICA
(56) Related Art Documents: **Not Applicable**
(57) Statement of Newness and Distinctiveness: **The features of the cap for a cosmetic container depicted in the representations that are new and distinctive are the shape and/or configuration. Any features shown in a dashed line format are not part of the design and are to be disregarded when considering the overall impression of the design.**



(21) Design Number: **10024/2013**
(22) Date of Filing Application: **02 January 2013**
(24) Date from which industrial property rights may have effect: **02 January 2013**
(54) Product in respect of which the design is registered: **Extractor fan**
(51) International Design Classification: **23-04**
(74) Name(s) of Attorney(s): **Freehills Patent Attorneys**
(71) Name(s) and Address(s) of Applicant(s):
Vent-Axia Group Limited
Fleming Way Crawley West Sussex RH10 9YX United Kingdom
(72) Name(s) of Designer(s): **Samuel John Gregson**
(45) Registration Date: **20 March 2013**
(30) Convention priority data:
(31) Number (32) Date (33) Country
001332969-0001 29 Jun 2012 OFFICE FOR HARMONISATION IN THE INTERNAL MARKET (OHIM)
(56) Related Art Documents: **Not Applicable**
(57) Statement of Newness and Distinctiveness: **Newness and distinctiveness of the design resides in the shape and configuration of the extractor fan illustrated in the accompanying representations.**



(21) Design Number: **10688/2013**
(22) Date of Filing Application: **11 February 2013**
(24) Date from which industrial property rights may have effect: **11 February 2013**
(54) Product in respect of which the design is registered: **Chair**
(51) International Design Classification: **06-01H**
(74) Name(s) of Attorney(s): **SPRUSON & FERGUSON**
(71) Name(s) and Address(s) of Applicant(s):
Scancom International A/S
Gl. Banegardsplads 10 DK-4220 Korsor Denmark
(72) Name(s) of Designer(s): **Boje Bendtzen**
(45) Registration Date: **20 March 2013**
(30) Convention priority data:
(31) Number (32) Date (33) Country
002179051 06 Feb 2013 OFFICE FOR HARMONISATION IN
THE INTERNAL MARKET (OHIM)
(56) Related Art Documents: **Not Applicable**
(57) Statement of Newness and Distinctiveness: **Newness and distinctiveness**
is claimed in the features of shape and/or configuration of a chair as
illustrated in the accompanying representations.



(21) Design Number: **15938/2012**
(22) Date of Filing Application: **27 November 2012**
(24) Date from which industrial property rights may have effect: **27 November 2012**
(54) Product in respect of which the design is registered: **Rear bumper for**
automobile
(51) International Design Classification: **12-16C**
(74) Name(s) of Attorney(s): **Griffith Hack**
(71) Name(s) and Address(s) of Applicant(s):
Honda Motor Co., Ltd.
1-1 Minami-Aoyama 2-chome Minato-ku Tokyo 107-8556 Japan
(72) Name(s) of Designer(s): **Takuya Miyazawa**
(45) Registration Date: **20 March 2013**
(30) Convention priority data:
(31) Number (32) Date (33) Country
2012-012934 31 May 2012 JAPAN
(56) Related Art Documents: **Not Applicable**
(57) Statement of Newness and Distinctiveness: **Newness and distinctiveness**
resides in the visual features including shape, configuration and
ornamentation of the product as shown in the accompanying
representations.



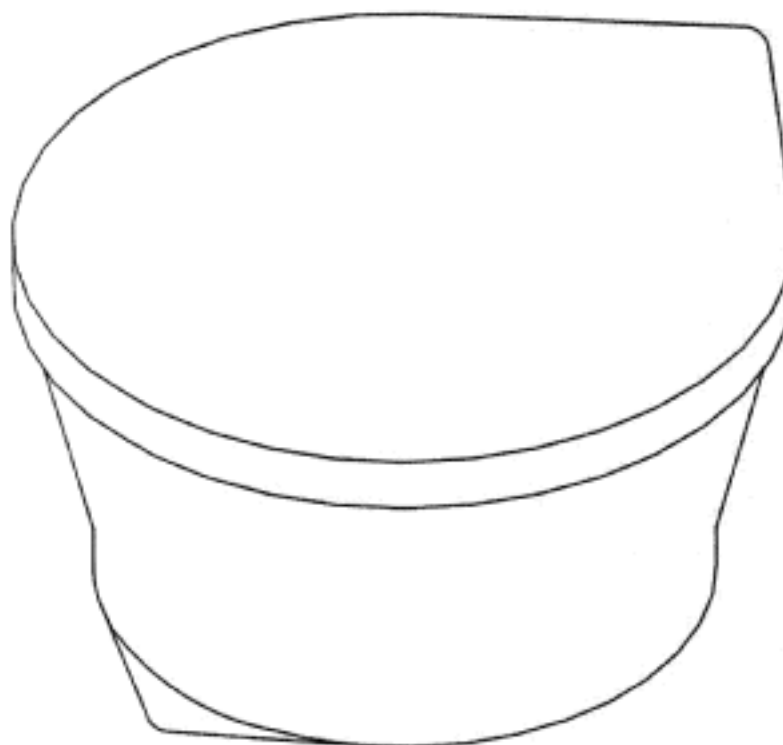
(21) Design Number: **15937/2012**
(22) Date of Filing Application: **27 November 2012**
(24) Date from which industrial property rights may have effect: **27 November 2012**
(54) Product in respect of which the design is registered: **Front bumper for automobiles**
(51) International Design Classification: **12-16C**
(74) Name(s) of Attorney(s): **Griffith Hack**
(71) Name(s) and Address(s) of Applicant(s):
Honda Motor Co., Ltd.
1-1 Minami-Aoyama 2-chome Minato-ku Tokyo 107-8556 Japan
(72) Name(s) of Designer(s): **Hisakazu Hanaoka**
(45) Registration Date: **20 March 2013**
(30) Convention priority data:
(31) Number (32) Date (33) Country
2012-012933 31 May 2012 JAPAN
(56) Related Art Documents: **Not Applicable**
(57) Statement of Newness and Distinctiveness: **Newness and distinctiveness resides in the visual features including shape, configuration and ornamentation of the product as shown in the accompanying representations.**



(21) Design Number: **15936/2012**
(22) Date of Filing Application: **27 November 2012**
(24) Date from which industrial property rights may have effect: **27 November 2012**
(54) Product in respect of which the design is registered: **Automobile**
(51) International Design Classification: **12-08**
(74) Name(s) of Attorney(s): **Griffith Hack**
(71) Name(s) and Address(s) of Applicant(s):
Honda Motor Co., Ltd.
1-1 Minami-Aoyama 2-chome Minato-ku Tokyo 107-8556 Japan
(72) Name(s) of Designer(s): **Takuya Miyazawa**
(45) Registration Date: **20 March 2013**
(30) Convention priority data:
(31) Number (32) Date (33) Country
2012-012931 31 May 2012 JAPAN
(56) Related Art Documents: **Not Applicable**
(57) Statement of Newness and Distinctiveness: **Newness and distinctiveness resides in the visual features including shape, configuration and ornamentation of the product as shown in the accompanying representations.**



(21) Design Number: **15935/2012**
(22) Date of Filing Application: **27 November 2012**
(24) Date from which industrial property rights may have effect: **27 November 2012**
(54) Product in respect of which the design is registered: **Coffee capsule**
(51) International Design Classification: **09-05**
(74) Name(s) of Attorney(s): **Griffith Hack**
(71) Name(s) and Address(s) of Applicant(s):
Hausbrandt Trieste 1892 S.p.A.
Via Foscarini 52 Nervesa della Battaglia (Treviso) 31040 Italy
(72) Name(s) of Designer(s): **Fabrizio Zanetti**
(45) Registration Date: **20 March 2013**
(30) Convention priority data:
(31) Number (32) Date (33) Country
**002048819 29 May 2012 OFFICE FOR HARMONISATION IN
THE INTERNAL MARKET (OHIM)**
(56) Related Art Documents: **Not Applicable**
(57) Statement of Newness and Distinctiveness: **Newness and distinctiveness
resides in the visual features including shape and configuration of the
product as shown in the accompanying representation.**



(21) Design Number: **10034/2013**
(22) Date of Filing Application: **03 January 2013**
(24) Date from which industrial property rights may have effect: **03 January 2013**
(54) Product in respect of which the design is registered: **Corner panel for a
vehicle**
(51) International Design Classification: **12-16B**
(74) Name(s) of Attorney(s): **SPRUSON & FERGUSON**
(71) Name(s) and Address(s) of Applicant(s):
MAN Truck & Bus AG
Dachhauer Str. 667 80995 Munchen Germany
(72) Name(s) of Designer(s): **Holger Koos and Ingo von Bargaen and Marc
Schippling and Dieter Blum and Roger Mohr and Rudolf Kupitza and
Thomas Ochs and Michael Wust**
(45) Registration Date: **20 March 2013**
(30) Convention priority data:
(31) Number (32) Date (33) Country
**001335210 04 Jul 2012 OFFICE FOR HARMONISATION IN
THE INTERNAL MARKET (OHIM)**
(56) Related Art Documents: **Not Applicable**
(57) Statement of Newness and Distinctiveness: **Newness and distinctiveness
is claimed in the features of shape and/or configuration of a corner panel
for a vehicle as illustrated in the accompanying representations.**



- (21) Design Number: **10045/2013**
(22) Date of Filing Application: **03 January 2013**
(24) Date from which industrial property rights may have effect: **03 January 2013**
(54) Product in respect of which the design is registered: **Grille for a vehicle**
(51) International Design Classification: **12-16B**
(74) Name(s) of Attorney(s): **SPRUSON & FERGUSON**
(71) Name(s) and Address(s) of Applicant(s):
MAN Truck & Bus AG
Dachhauer Str. 667 80995 Munchen Germany
(72) Name(s) of Designer(s): **Holger Koos and Ingo von Bargaen and Marc Schippling and Dieter Blum and Roger Mohr and Rudolf Kupitza and Thomas Ochs and Michael Wust**
(45) Registration Date: **20 March 2013**
(30) Convention priority data:
(31) Number (32) Date (33) Country
001335210 04 Jul 2012 OFFICE FOR HARMONISATION IN THE INTERNAL MARKET (OHIM)
(56) Related Art Documents: **Not Applicable**
(57) Statement of Newness and Distinctiveness: **Newness and distinctiveness is claimed in the features of shape and/or configuration of a grille for a vehicle as illustrated in the accompanying representations.**



- (21) Design Number: **10046/2013**
(22) Date of Filing Application: **03 January 2013**
(24) Date from which industrial property rights may have effect: **03 January 2013**
(54) Product in respect of which the design is registered: **Driver's cabin for a vehicle**
(51) International Design Classification: **12-08**
(74) Name(s) of Attorney(s): **SPRUSON & FERGUSON**
(71) Name(s) and Address(s) of Applicant(s):
MAN Truck & Bus AG
Dachhauer Str. 667 80995 Munchen Germany
(72) Name(s) of Designer(s): **Holger Koos and Ingo von Bargaen and Marc Schippling and Dieter Blum and Roger Mohr and Rudolf Kupitza and Thomas Ochs and Michael Wust**
(45) Registration Date: **20 March 2013**
(30) Convention priority data:
(31) Number (32) Date (33) Country
001335210 04 Jul 2012 OFFICE FOR HARMONISATION IN THE INTERNAL MARKET (OHIM)
(56) Related Art Documents: **Not Applicable**
(57) Statement of Newness and Distinctiveness: **Newness and distinctiveness is claimed in the features of shape and/or configuration of a driver's cabin for a vehicle as illustrated with darker shading in the accompanying representations.**



- (21) Design Number: **10052/2013**
(22) Date of Filing Application: **03 January 2013**
(24) Date from which industrial property rights may have effect: **03 January 2013**
(54) Product in respect of which the design is registered: **Grille for a vehicle**
(51) International Design Classification: **12-16B**
(74) Name(s) of Attorney(s): **SPRUSON & FERGUSON**
(71) Name(s) and Address(s) of Applicant(s):
MAN Truck & Bus AG
Dachhauer Str. 667 80995 Munchen Germany
(72) Name(s) of Designer(s): **Holger Koos and Ingo von Bargaen and Marc Schippling and Dieter Blum and Roger Mohr and Rudolf Kupitza and Thomas Ochs and Michael Wust**
(45) Registration Date: **20 March 2013**
(30) Convention priority data:
(31) Number (32) Date (33) Country
001335210 04 Jul 2012 OFFICE FOR HARMONISATION IN THE INTERNAL MARKET (OHIM)
(56) Related Art Documents: **Not Applicable**
(57) Statement of Newness and Distinctiveness: **Newness and distinctiveness is claimed in the features of shape and/or configuration of a grille for a vehicle as illustrated in the accompanying representations.**



- (21) Design Number: **10042/2013**
(22) Date of Filing Application: **03 January 2013**
(24) Date from which industrial property rights may have effect: **03 January 2013**
(54) Product in respect of which the design is registered: **Grille for a vehicle**
(51) International Design Classification: **12-16B**
(74) Name(s) of Attorney(s): **SPRUSON & FERGUSON**
(71) Name(s) and Address(s) of Applicant(s):
MAN Truck & Bus AG
Dachhauer Str. 667 80995 Munchen Germany
(72) Name(s) of Designer(s): **Holger Koos and Ingo von Bargaen and Marc Schippling and Dieter Blum and Roger Mohr and Rudolf Kupitza and Thomas Ochs and Michael Wust**
(45) Registration Date: **20 March 2013**
(30) Convention priority data:
(31) Number (32) Date (33) Country
001335210 04 Jul 2012 OFFICE FOR HARMONISATION IN THE INTERNAL MARKET (OHIM)
(56) Related Art Documents: **Not Applicable**
(57) Statement of Newness and Distinctiveness: **Newness and distinctiveness is claimed in the features of shape and/or configuration of a grille for a vehicle as illustrated in the accompanying representations.**



(21) Design Number: **10032/2013**

(22) Date of Filing Application: **03 January 2013**

(24) Date from which industrial property rights may have effect: **03 January 2013**

(54) Product in respect of which the design is registered: **Grille for a vehicle**

(51) International Design Classification: **12-16B**

(74) Name(s) of Attorney(s): **SPRUSON & FERGUSON**

(71) Name(s) and Address(s) of Applicant(s):

MAN Truck & Bus AG

Dachhauer Str. 667 80995 Munchen Germany

(72) Name(s) of Designer(s): **Holger Koos and Ingo von Bargaen and Marc Schippling and Dieter Blum and Roger Mohr and Rudolf Kupitza and Thomas Ochs and Michael Wust**

(45) Registration Date: **20 March 2013**

(30) Convention priority data:

(31) Number
001335210

(32) Date
04 Jul 2012

(33) Country
**OFFICE FOR HARMONISATION IN
THE INTERNAL MARKET (OHIM)**

(56) Related Art Documents: **Not Applicable**

(57) Statement of Newness and Distinctiveness: **Newness and distinctiveness is claimed in the features of shape and/or configuration of a grille for a vehicle as illustrated in the accompanying representations.**



(21) Design Number: **14861/2012**

(22) Date of Filing Application: **27 September 2012**

(24) Date from which industrial property rights may have effect: **27 September 2012**

(54) Product in respect of which the design is registered: **Vehicle wheel**

(51) International Design Classification: **12-16A**

(74) Name(s) of Attorney(s): **K&L Gates**

(71) Name(s) and Address(s) of Applicant(s):

GM Global Technology Operations LLC

**300 Renaissance Centre City of Detroit State of Michigan 48265-3000
United States of America**

(72) Name(s) of Designer(s): **Peter Hughes**

(45) Registration Date: **21 March 2013**

(56) Related Art Documents: **Not Applicable**

(57) Statement of Newness and Distinctiveness: **Nil**



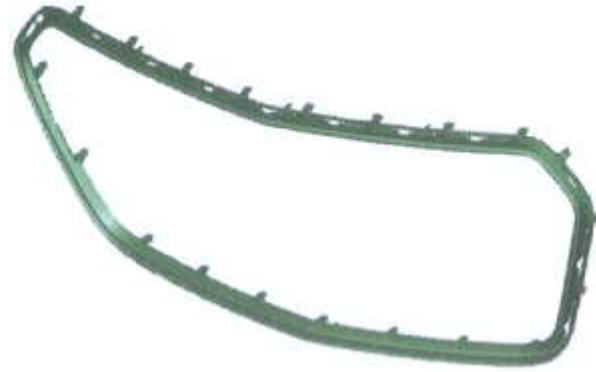
(21) Design Number: **14860/2012**
(22) Date of Filing Application: **27 September 2012**
(24) Date from which industrial property rights may have effect: **27 September 2012**
(54) Product in respect of which the design is registered: **Vehicle wheel**
(51) International Design Classification: **12-16A**
(74) Name(s) of Attorney(s): **K&L Gates**
(71) Name(s) and Address(s) of Applicant(s):
GM Global Technology Operations LLC
300 Renaissance Centre City of Detroit State of Michigan 48265-3000
United States of America
(72) Name(s) of Designer(s): **Peter Hughes**
(45) Registration Date: **21 March 2013**
(56) Related Art Documents: **Not Applicable**
(57) Statement of Newness and Distinctiveness: **Nil**



(21) Design Number: **14859/2012**
(22) Date of Filing Application: **27 September 2012**
(24) Date from which industrial property rights may have effect: **27 September 2012**
(54) Product in respect of which the design is registered: **Vehicle wheel**
(51) International Design Classification: **12-16A**
(74) Name(s) of Attorney(s): **K&L Gates**
(71) Name(s) and Address(s) of Applicant(s):
GM Global Technology Operations LLC
300 Renaissance Centre City of Detroit State of Michigan 48265-3000
United States of America
(72) Name(s) of Designer(s): **Peter Hughes**
(45) Registration Date: **21 March 2013**
(56) Related Art Documents: **Not Applicable**
(57) Statement of Newness and Distinctiveness: **Nil**



(21) Design Number: **14846/2012**
(22) Date of Filing Application: **27 September 2012**
(24) Date from which industrial property rights may have effect: **27 September 2012**
(54) Product in respect of which the design is registered: **Vehicle lower grille surround**
(51) International Design Classification: **12-16B**
(74) Name(s) of Attorney(s): **K&L Gates**
(71) Name(s) and Address(s) of Applicant(s):
GM Global Technology Operations LLC
300 Renaissance Centre City of Detroit State of Michigan 48265-3000
United States of America
(72) Name(s) of Designer(s): **Justin Thompson**
(45) Registration Date: **21 March 2013**
(56) Related Art Documents: **Not Applicable**
(57) Statement of Newness and Distinctiveness: **Nil**



(21) Design Number: **14845/2012**
(22) Date of Filing Application: **27 September 2012**
(24) Date from which industrial property rights may have effect: **27 September 2012**
(54) Product in respect of which the design is registered: **Left-side and right-side vehicle daylight running lamp surround**
(51) International Design Classification: **12-16B**
(74) Name(s) of Attorney(s): **K&L Gates**
(71) Name(s) and Address(s) of Applicant(s):
GM Global Technology Operations LLC
300 Renaissance Centre City of Detroit State of Michigan 48265-3000
United States of America
(72) Name(s) of Designer(s): **Andrew Harrison**
(45) Registration Date: **21 March 2013**
(56) Related Art Documents: **Not Applicable**
(57) Statement of Newness and Distinctiveness: **Nil**



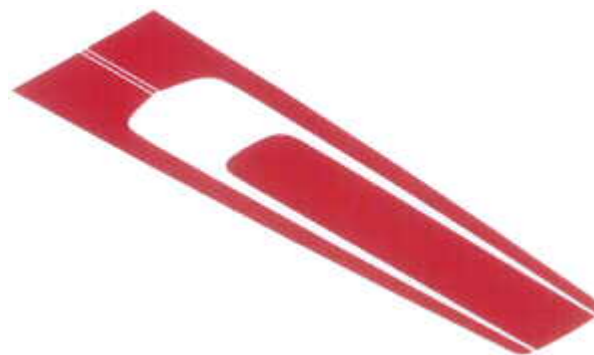
(21) Design Number: **14844/2012**
(22) Date of Filing Application: **27 September 2012**
(24) Date from which industrial property rights may have effect: **27 September 2012**
(54) Product in respect of which the design is registered: **Vehicle lower grille**
(51) International Design Classification: **12-16B**
(74) Name(s) of Attorney(s): **K&L Gates**
(71) Name(s) and Address(s) of Applicant(s):
GM Global Technology Operations LLC
300 Renaissance Centre City of Detroit State of Michigan 48265-3000
United States of America
(72) Name(s) of Designer(s): **Justin Thompson**
(45) Registration Date: **21 March 2013**
(56) Related Art Documents: **Not Applicable**
(57) Statement of Newness and Distinctiveness: **Nil**



(21) Design Number: **14843/2012**
(22) Date of Filing Application: **27 September 2012**
(24) Date from which industrial property rights may have effect: **27 September 2012**
(54) Product in respect of which the design is registered: **Vehicle rear facia**
(51) International Design Classification: **12-16B**
(74) Name(s) of Attorney(s): **K&L Gates**
(71) Name(s) and Address(s) of Applicant(s):
GM Global Technology Operations LLC
300 Renaissance Centre City of Detroit State of Michigan 48265-3000
United States of America
(72) Name(s) of Designer(s): **Justin Thompson**
(45) Registration Date: **21 March 2013**
(56) Related Art Documents: **Not Applicable**
(57) Statement of Newness and Distinctiveness: **Nil**



(21) Design Number: **14867/2012**
(22) Date of Filing Application: **27 September 2012**
(24) Date from which industrial property rights may have effect: **27 September 2012**
(54) Product in respect of which the design is registered: **Vehicle tonneau decal**
(51) International Design Classification: **12-16B**
(74) Name(s) of Attorney(s): **K&L Gates**
(71) Name(s) and Address(s) of Applicant(s):
GM Global Technology Operations LLC
300 Renaissance Centre City of Detroit State of Michigan 48265-3000
United States of America
(72) Name(s) of Designer(s): **Peter Hughes**
(45) Registration Date: **21 March 2013**
(56) Related Art Documents: **Not Applicable**
(57) Statement of Newness and Distinctiveness: **Nil**



(21) Design Number: **14858/2012**
(22) Date of Filing Application: **27 September 2012**
(24) Date from which industrial property rights may have effect: **27 September 2012**
(54) Product in respect of which the design is registered: **Vehicle wheel**
(51) International Design Classification: **12-16A**
(74) Name(s) of Attorney(s): **K&L Gates**
(71) Name(s) and Address(s) of Applicant(s):
GM Global Technology Operations LLC
300 Renaissance Centre City of Detroit State of Michigan 48265-3000
United States of America
(72) Name(s) of Designer(s): **Peter Hughes**
(45) Registration Date: **21 March 2013**
(56) Related Art Documents: **Not Applicable**
(57) Statement of Newness and Distinctiveness: **Nil**



(21) Design Number: **14857/2012**
(22) Date of Filing Application: **27 September 2012**
(24) Date from which industrial property rights may have effect: **27 September 2012**
(54) Product in respect of which the design is registered: **Vehicle wheel**
(51) International Design Classification: **12-16A**
(74) Name(s) of Attorney(s): **K&L Gates**
(71) Name(s) and Address(s) of Applicant(s):
GM Global Technology Operations LLC
300 Renaissance Centre City of Detroit State of Michigan 48265-3000
United States of America
(72) Name(s) of Designer(s): **Peter Hughes**
(45) Registration Date: **21 March 2013**
(56) Related Art Documents: **Not Applicable**
(57) Statement of Newness and Distinctiveness: **Nil**



(21) Design Number: **14872/2012**
(22) Date of Filing Application: **27 September 2012**
(24) Date from which industrial property rights may have effect: **27 September 2012**
(54) Product in respect of which the design is registered: **Vehicle tonneau cover**
(51) International Design Classification: **12-16B**
(74) Name(s) of Attorney(s): **K&L Gates**
(71) Name(s) and Address(s) of Applicant(s):
GM Global Technology Operations LLC
300 Renaissance Centre City of Detroit State of Michigan 48265-3000
United States of America
(72) Name(s) of Designer(s): **Martin Love**
(45) Registration Date: **21 March 2013**
(56) Related Art Documents: **Not Applicable**
(57) Statement of Newness and Distinctiveness: **Nil**



(21) Design Number: **14871/2012**
(22) Date of Filing Application: **27 September 2012**
(24) Date from which industrial property rights may have effect: **27 September 2012**
(54) Product in respect of which the design is registered: **Vehicle bull bar**
(51) International Design Classification: **12-16C**
(74) Name(s) of Attorney(s): **K&L Gates**
(71) Name(s) and Address(s) of Applicant(s):
GM Global Technology Operations LLC
300 Renaissance Centre City of Detroit State of Michigan 48265-3000
United States of America
(72) Name(s) of Designer(s): **Martin Love**
(45) Registration Date: **21 March 2013**
(56) Related Art Documents: **Not Applicable**
(57) Statement of Newness and Distinctiveness: **Nil**



(21) Design Number: **14870/2012**
(22) Date of Filing Application: **27 September 2012**
(24) Date from which industrial property rights may have effect: **27 September 2012**
(54) Product in respect of which the design is registered: **Vehicle bull bar**
(51) International Design Classification: **12-16C**
(74) Name(s) of Attorney(s): **K&L Gates**
(71) Name(s) and Address(s) of Applicant(s):
GM Global Technology Operations LLC
300 Renaissance Centre City of Detroit State of Michigan 48265-3000
United States of America
(72) Name(s) of Designer(s): **Martin Love**
(45) Registration Date: **21 March 2013**
(56) Related Art Documents: **Not Applicable**
(57) Statement of Newness and Distinctiveness: **Nil**



(21) Design Number: **14856/2012**
(22) Date of Filing Application: **27 September 2012**
(24) Date from which industrial property rights may have effect: **27 September 2012**
(54) Product in respect of which the design is registered: **vehicle wheel**
(51) International Design Classification: **12-16A**
(74) Name(s) of Attorney(s): **K&L Gates**
(71) Name(s) and Address(s) of Applicant(s):
GM Global Technology Operations LLC
300 Renaissance Centre City of Detroit State of Michigan 48265-3000
United States of America
(72) Name(s) of Designer(s): **Peter Hughes**
(45) Registration Date: **21 March 2013**
(56) Related Art Documents: **Not Applicable**
(57) Statement of Newness and Distinctiveness: **Nil**



(21) Design Number: **14855/2012**
(22) Date of Filing Application: **27 September 2012**
(24) Date from which industrial property rights may have effect: **27 September 2012**
(54) Product in respect of which the design is registered: **Vehicle wheel**
(51) International Design Classification: **12-16A**
(74) Name(s) of Attorney(s): **K&L Gates**
(71) Name(s) and Address(s) of Applicant(s):
GM Global Technology Operations LLC
300 Renaissance Centre City of Detroit State of Michigan 48265-3000
United States of America
(72) Name(s) of Designer(s): **Peter Hughes**
(45) Registration Date: **21 March 2013**
(56) Related Art Documents: **Not Applicable**
(57) Statement of Newness and Distinctiveness: **Nil**



(21) Design Number: **14854/2012**
(22) Date of Filing Application: **27 September 2012**
(24) Date from which industrial property rights may have effect: **27 September 2012**
(54) Product in respect of which the design is registered: **Vehicle rear valence**
(51) International Design Classification: **12-16B**
(74) Name(s) of Attorney(s): **K&L Gates**
(71) Name(s) and Address(s) of Applicant(s):
GM Global Technology Operations LLC
300 Renaissance Centre City of Detroit State of Michigan 48265-3000
United States of America
(72) Name(s) of Designer(s): **Peter Hughes**
(45) Registration Date: **21 March 2013**
(56) Related Art Documents: **Not Applicable**
(57) Statement of Newness and Distinctiveness: **Nil**



(21) Design Number: **14853/2012**
(22) Date of Filing Application: **27 September 2012**
(24) Date from which industrial property rights may have effect: **27 September 2012**
(54) Product in respect of which the design is registered: **Vehicle rear valence**
(51) International Design Classification: **12-16B**
(74) Name(s) of Attorney(s): **K&L Gates**
(71) Name(s) and Address(s) of Applicant(s):
GM Global Technology Operations LLC
300 Renaissance Centre City of Detroit State of Michigan 48265-3000
United States of America
(72) Name(s) of Designer(s): **Peter Hughes**
(45) Registration Date: **21 March 2013**
(56) Related Art Documents: **Not Applicable**
(57) Statement of Newness and Distinctiveness: **Nil**



(21) Design Number: **14852/2012**
(22) Date of Filing Application: **27 September 2012**
(24) Date from which industrial property rights may have effect: **27 September 2012**
(54) Product in respect of which the design is registered: **Vehicle rear valence**
(51) International Design Classification: **12-16B**
(74) Name(s) of Attorney(s): **K&L Gates**
(71) Name(s) and Address(s) of Applicant(s):
GM Global Technology Operations LLC
300 Renaissance Centre City of Detroit State of Michigan 48265-3000
United States of America
(72) Name(s) of Designer(s): **Peter Hughes**
(45) Registration Date: **21 March 2013**
(56) Related Art Documents: **Not Applicable**
(57) Statement of Newness and Distinctiveness: **Nil**



(21) Design Number: **14851/2012**
(22) Date of Filing Application: **27 September 2012**
(24) Date from which industrial property rights may have effect: **27 September 2012**
(54) Product in respect of which the design is registered: **Vehicle rear valence**
(51) International Design Classification: **12-16B**
(74) Name(s) of Attorney(s): **K&L Gates**
(71) Name(s) and Address(s) of Applicant(s):
GM Global Technology Operations LLC
300 Renaissance Centre City of Detroit State of Michigan 48265-3000
United States of America
(72) Name(s) of Designer(s): **Peter Hughes**
(45) Registration Date: **21 March 2013**
(56) Related Art Documents: **Not Applicable**
(57) Statement of Newness and Distinctiveness: **Nil**



(21) Design Number: **14850/2012**
(22) Date of Filing Application: **27 September 2012**
(24) Date from which industrial property rights may have effect: **27 September 2012**
(54) Product in respect of which the design is registered: **Vehicle rear fascia**
(51) International Design Classification: **12-16B**
(74) Name(s) of Attorney(s): **K&L Gates**
(71) Name(s) and Address(s) of Applicant(s):
GM Global Technology Operations LLC
300 Renaissance Centre City of Detroit State of Michigan 48265-3000
United States of America
(72) Name(s) of Designer(s): **Andrew Harrison**
(45) Registration Date: **21 March 2013**
(56) Related Art Documents: **Not Applicable**
(57) Statement of Newness and Distinctiveness: **Nil**



(21) Design Number: **14849/2012**
(22) Date of Filing Application: **27 September 2012**
(24) Date from which industrial property rights may have effect: **27 September 2012**
(54) Product in respect of which the design is registered: **Vehicle rear valence**
(51) International Design Classification: **12-16B**
(74) Name(s) of Attorney(s): **K&L Gates**
(71) Name(s) and Address(s) of Applicant(s):
GM Global Technology Operations LLC
300 Renaissance Centre City of Detroit State of Michigan 48265-3000
United States of America
(72) Name(s) of Designer(s): **Justin Thompson**
(45) Registration Date: **21 March 2013**
(56) Related Art Documents: **Not Applicable**
(57) Statement of Newness and Distinctiveness: **Nil**



(21) Design Number: **14848/2012**
(22) Date of Filing Application: **27 September 2012**
(24) Date from which industrial property rights may have effect: **27 September 2012**
(54) Product in respect of which the design is registered: **Vehicle upper grille**
(51) International Design Classification: **12-16B**
(74) Name(s) of Attorney(s): **K&L Gates**
(71) Name(s) and Address(s) of Applicant(s):
GM Global Technology Operations LLC
300 Renaissance Centre City of Detroit State of Michigan 48265-3000
United States of America
(72) Name(s) of Designer(s): **Justin Thompson**
(45) Registration Date: **21 March 2013**
(56) Related Art Documents: **Not Applicable**
(57) Statement of Newness and Distinctiveness: **Nil**



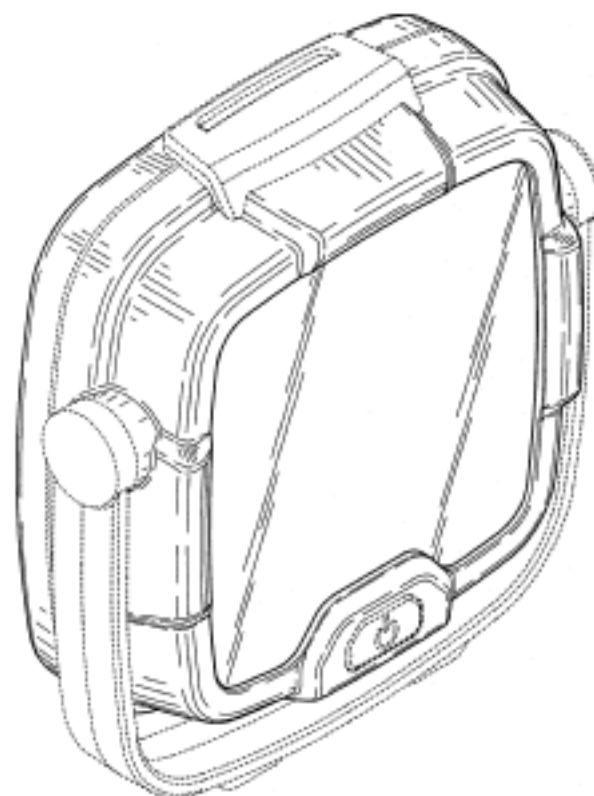
(21) Design Number: **14847/2012**
(22) Date of Filing Application: **27 September 2012**
(24) Date from which industrial property rights may have effect: **27 September 2012**
(54) Product in respect of which the design is registered: **Vehicle upper grille surround**
(51) International Design Classification: **12-16B**
(74) Name(s) of Attorney(s): **K&L Gates**
(71) Name(s) and Address(s) of Applicant(s):
GM Global Technology Operations LLC
300 Renaissance Centre City of Detroit State of Michigan 48265-3000
United States of America
(72) Name(s) of Designer(s): **Justin Thompson**
(45) Registration Date: **21 March 2013**
(56) Related Art Documents: **Not Applicable**
(57) Statement of Newness and Distinctiveness: **Nil**



- (21) Design Number: **13880/2012**
(22) Date of Filing Application: **09 August 2012**
(24) Date from which industrial property rights may have effect: **09 August 2012**
(54) Product in respect of which the design is registered: **Automobile**
(51) International Design Classification: **12-08**
(74) Name(s) of Attorney(s): **SPRUSON & FERGUSON**
(71) Name(s) and Address(s) of Applicant(s):
Toyota Jidosha Kabushiki Kaisha
1 Toyota-cho Toyota-shi Aichi-ken 471-8571 Japan
(72) Name(s) of Designer(s): **Akira Kubota and Hideki Hayashi**
(45) Registration Date: **21 March 2013**
(56) Related Art Documents: **Not Applicable**
(57) Statement of Newness and Distinctiveness: **Newness and distinctiveness is claimed in those features of shape and/or configuration of an automobile that are illustrated in darker shades in the additional views of the accompanying representations, apart from Toyota emblem.**



- (21) Design Number: **14121/2012**
(22) Date of Filing Application: **21 August 2012**
(24) Date from which industrial property rights may have effect: **21 August 2012**
(54) Product in respect of which the design is registered: **Lighting device**
(51) International Design Classification: **26-04**
(74) Name(s) of Attorney(s): **Halfords IP**
(71) Name(s) and Address(s) of Applicant(s):
Eveready Battery Company, Inc.
533 Maryville University Drive St Louis Missouri 63141 United States of America
(72) Name(s) of Designer(s): **Angelo Kotsis**
(45) Registration Date: **21 March 2013**
(56) Related Art Documents: **Not Applicable**
(57) Statement of Newness and Distinctiveness: **Newness and distinctiveness is claimed in those features of shape and or configuration of a Lighting Device as depicted in the representations accompanying representations. Features shown in broken lines do not from part of the design.**



- (21) Design Number: **10094/2013**
(22) Date of Filing Application: **03 January 2013**
(24) Date from which industrial property rights may have effect: **03 January 2013**
(54) Product in respect of which the design is registered: **Driver's cabin for a vehicle**
(51) International Design Classification: **12-08**
(74) Name(s) of Attorney(s): **SPRUSON & FERGUSON**
(71) Name(s) and Address(s) of Applicant(s):
MAN Truck & Bus AG
Dachhauer Str. 667 80995 Munchen Germany
(72) Name(s) of Designer(s): **Holger Koos and Ingo von Bargaen and Marc Schippling and Dieter Blum and Roger Mohr and Rudolf Kupitza and Thomas Ochs and Michael Wust**
(45) Registration Date: **21 March 2013**
(30) Convention priority data:
(31) Number (32) Date (33) Country
001335236 04 Jul 2012 OFFICE FOR HARMONISATION IN THE INTERNAL MARKET (OHIM)
(56) Related Art Documents: **Not Applicable**
(57) Statement of Newness and Distinctiveness: **Newness and distinctiveness is claimed in the features of shape and/or configuration of a driver's cabin for a vehicle as illustrated in the accompanying representations.**



- (21) Design Number: **10095/2013**
(22) Date of Filing Application: **03 January 2013**
(24) Date from which industrial property rights may have effect: **03 January 2013**
(54) Product in respect of which the design is registered: **Driver's cabin for a vehicle**
(51) International Design Classification: **12-08**
(74) Name(s) of Attorney(s): **SPRUSON & FERGUSON**
(71) Name(s) and Address(s) of Applicant(s):
MAN Truck & Bus AG
Dachhauer Str. 667 80995 Munchen Germany
(72) Name(s) of Designer(s): **Holger Koos and Ingo von Bargaen and Marc Schippling and Dieter Blum and Roger Mohr and Rudolf Kupitza and Thomas Ochs and Michael Wust**
(45) Registration Date: **21 March 2013**
(30) Convention priority data:
(31) Number (32) Date (33) Country
001335236 04 Jul 2012 OFFICE FOR HARMONISATION IN THE INTERNAL MARKET (OHIM)
(56) Related Art Documents: **Not Applicable**
(57) Statement of Newness and Distinctiveness: **Newness and distinctiveness is claimed in the features of shape and/or configuration of a driver's cabin for a vehicle as illustrated in the accompanying representations.**



- (21) Design Number: **10096/2013**
(22) Date of Filing Application: **03 January 2013**
(24) Date from which industrial property rights may have effect: **03 January 2013**
(54) Product in respect of which the design is registered: **Driver's cabin for a vehicle**
(51) International Design Classification: **12-08**
(74) Name(s) of Attorney(s): **SPRUSON & FERGUSON**
(71) Name(s) and Address(s) of Applicant(s):
MAN Truck & Bus AG
Dachhauer Str. 667 80995 Munchen Germany
(72) Name(s) of Designer(s): **Holger Koos and Ingo von Bargaen and Marc Schippling and Dieter Blum and Roger Mohr and Rudolf Kupitza and Thomas Ochs and Michael Wust**
(45) Registration Date: **21 March 2013**
(30) Convention priority data:
(31) Number (32) Date (33) Country
001335236 04 Jul 2012 OFFICE FOR HARMONISATION IN THE INTERNAL MARKET (OHIM)
(56) Related Art Documents: **Not Applicable**
(57) Statement of Newness and Distinctiveness: **Newness and distinctiveness is claimed in the features of shape and/or configuration of a driver's cabin for a vehicle as illustrated in the accompanying representations.**



- (21) Design Number: **10097/2013**
(22) Date of Filing Application: **03 January 2013**
(24) Date from which industrial property rights may have effect: **03 January 2013**
(54) Product in respect of which the design is registered: **Driver's cabin for a vehicle**
(51) International Design Classification: **12-08**
(74) Name(s) of Attorney(s): **SPRUSON & FERGUSON**
(71) Name(s) and Address(s) of Applicant(s):
MAN Truck & Bus AG
Dachhauer Str. 667 80995 Munchen Germany
(72) Name(s) of Designer(s): **Holger Koos and Ingo von Bargaen and Marc Schippling and Dieter Blum and Roger Mohr and Rudolf Kupitza and Thomas Ochs and Michael Wust**
(45) Registration Date: **21 March 2013**
(30) Convention priority data:
(31) Number (32) Date (33) Country
001335236 04 Jul 2012 OFFICE FOR HARMONISATION IN THE INTERNAL MARKET (OHIM)
(56) Related Art Documents: **Not Applicable**
(57) Statement of Newness and Distinctiveness: **Newness and distinctiveness is claimed in the features of shape and/or configuration of a driver's cabin for a vehicle as illustrated in the accompanying representations.**



- (21) Design Number: **10098/2013**
(22) Date of Filing Application: **03 January 2013**
(24) Date from which industrial property rights may have effect: **03 January 2013**
(54) Product in respect of which the design is registered: **Driver's cabin for a vehicle**
(51) International Design Classification: **12-08**
(74) Name(s) of Attorney(s): **SPRUSON & FERGUSON**
(71) Name(s) and Address(s) of Applicant(s):
MAN Truck & Bus AG
Dachhauer Str. 667 80995 Munchen Germany
(72) Name(s) of Designer(s): **Holger Koos and Ingo von Bargaen and Marc Schippling and Dieter Blum and Roger Mohr and Rudolf Kupitza and Thomas Ochs and Michael Wust**
(45) Registration Date: **21 March 2013**
(30) Convention priority data:
(31) Number (32) Date (33) Country
001335236 04 Jul 2012 OFFICE FOR HARMONISATION IN THE INTERNAL MARKET (OHIM)
(56) Related Art Documents: **Not Applicable**
(57) Statement of Newness and Distinctiveness: **Newness and distinctiveness is claimed in the features of shape and/or configuration of a driver's cabin for a vehicle as illustrated in the accompanying representations.**



- (21) Design Number: **10099/2013**
(22) Date of Filing Application: **03 January 2013**
(24) Date from which industrial property rights may have effect: **03 January 2013**
(54) Product in respect of which the design is registered: **Driver's cabin for a vehicle**
(51) International Design Classification: **12-08**
(74) Name(s) of Attorney(s): **SPRUSON & FERGUSON**
(71) Name(s) and Address(s) of Applicant(s):
MAN Truck & Bus AG
Dachhauer Str. 667 80995 Munchen Germany
(72) Name(s) of Designer(s): **Holger Koos and Ingo von Bargaen and Marc Schippling and Dieter Blum and Roger Mohr and Rudolf Kupitza and Thomas Ochs and Michael Wust**
(45) Registration Date: **21 March 2013**
(30) Convention priority data:
(31) Number (32) Date (33) Country
001335236 04 Jul 2012 OFFICE FOR HARMONISATION IN THE INTERNAL MARKET (OHIM)
(56) Related Art Documents: **Not Applicable**
(57) Statement of Newness and Distinctiveness: **Newness and distinctiveness is claimed in the features of shape and/or configuration of a driver's cabin for a vehicle as illustrated in the accompanying representations.**



- (21) Design Number: **10100/2013**
(22) Date of Filing Application: **03 January 2013**
(24) Date from which industrial property rights may have effect: **03 January 2013**
(54) Product in respect of which the design is registered: **Driver's cabin for a vehicle**
(51) International Design Classification: **12-08**
(74) Name(s) of Attorney(s): **SPRUSON & FERGUSON**
(71) Name(s) and Address(s) of Applicant(s):
MAN Truck & Bus AG
Dachhauer Str. 667 80995 Munchen Germany
(72) Name(s) of Designer(s): **Holger Koos and Ingo von Bargaen and Marc Schippling and Dieter Blum and Roger Mohr and Rudolf Kupitza and Thomas Ochs and Michael Wust**
(45) Registration Date: **21 March 2013**
(30) Convention priority data:
(31) Number (32) Date (33) Country
**001335236 04 Jul 2012 OFFICE FOR HARMONISATION IN
THE INTERNAL MARKET (OHIM)**
(56) Related Art Documents: **Not Applicable**
(57) Statement of Newness and Distinctiveness: **Newness and distinctiveness is claimed in the features of shape and/or configuration of a driver's cabin for a vehicle as illustrated in the accompanying representations.**



- (21) Design Number: **10101/2013**
(22) Date of Filing Application: **03 January 2013**
(24) Date from which industrial property rights may have effect: **03 January 2013**
(54) Product in respect of which the design is registered: **Driver's cabin for a vehicle**
(51) International Design Classification: **12-08**
(74) Name(s) of Attorney(s): **SPRUSON & FERGUSON**
(71) Name(s) and Address(s) of Applicant(s):
MAN Truck & Bus AG
Dachhauer Str. 667 80995 Munchen Germany
(72) Name(s) of Designer(s): **Holger Koos and Ingo von Bargaen and Marc Schippling and Dieter Blum and Roger Mohr and Rudolf Kupitza and Thomas Ochs and Michael Wust**
(45) Registration Date: **21 March 2013**
(30) Convention priority data:
(31) Number (32) Date (33) Country
**001335236 04 Jul 2012 OFFICE FOR HARMONISATION IN
THE INTERNAL MARKET (OHIM)**
(56) Related Art Documents: **Not Applicable**
(57) Statement of Newness and Distinctiveness: **Newness and distinctiveness is claimed in the features of shape and/or configuration of a driver's cabin for a vehicle as illustrated in the accompanying representations.**



(21) Design Number: **10102/2013**
(22) Date of Filing Application: **03 January 2013**
(24) Date from which industrial property rights may have effect: **03 January 2013**
(54) Product in respect of which the design is registered: **Driver's cabin for a vehicle**
(51) International Design Classification: **12-08**
(74) Name(s) of Attorney(s): **SPRUSON & FERGUSON**
(71) Name(s) and Address(s) of Applicant(s):
MAN Truck & Bus AG
Dachhauer Str. 667 80995 Munchen Germany
(72) Name(s) of Designer(s): **Holger Koos and Ingo von Bargaen and Marc Schippling and Dieter Blum and Roger Mohr and Rudolf Kupitza and Thomas Ochs and Michael Wust**
(45) Registration Date: **21 March 2013**
(30) Convention priority data:
(31) Number (32) Date (33) Country
001335236 04 Jul 2012 OFFICE FOR HARMONISATION IN THE INTERNAL MARKET (OHIM)
(56) Related Art Documents: **Not Applicable**
(57) Statement of Newness and Distinctiveness: **Newness and distinctiveness is claimed in the features of shape and/or configuration of a driver's cabin for a vehicle as illustrated in the accompanying representations.**



(21) Design Number: **10103/2013**
(22) Date of Filing Application: **03 January 2013**
(24) Date from which industrial property rights may have effect: **03 January 2013**
(54) Product in respect of which the design is registered: **Driver's cabin for a vehicle**
(51) International Design Classification: **12-08**
(74) Name(s) of Attorney(s): **SPRUSON & FERGUSON**
(71) Name(s) and Address(s) of Applicant(s):
MAN Truck & Bus AG
Dachhauer Str. 667 80995 Munchen Germany
(72) Name(s) of Designer(s): **Holger Koos and Ingo von Bargaen and Marc Schippling and Dieter Blum and Roger Mohr and Rudolf Kupitza and Thomas Ochs and Michael Wust**
(45) Registration Date: **21 March 2013**
(30) Convention priority data:
(31) Number (32) Date (33) Country
001335236 04 Jul 2012 OFFICE FOR HARMONISATION IN THE INTERNAL MARKET (OHIM)
(56) Related Art Documents: **Not Applicable**
(57) Statement of Newness and Distinctiveness: **Newness and distinctiveness is claimed in the features of shape and/or configuration of a driver's cabin for a vehicle as illustrated in the accompanying representations.**



- (21) Design Number: **10104/2013**
(22) Date of Filing Application: **03 January 2013**
(24) Date from which industrial property rights may have effect: **03 January 2013**
(54) Product in respect of which the design is registered: **Driver's cabin for a vehicle**
(51) International Design Classification: **12-08**
(74) Name(s) of Attorney(s): **SPRUSON & FERGUSON**
(71) Name(s) and Address(s) of Applicant(s):
MAN Truck & Bus AG
Dachhauer Str. 667 80995 Munchen Germany
(72) Name(s) of Designer(s): **Holger Koos and Ingo von Bargaen and Marc Schippling and Dieter Blum and Roger Mohr and Rudolf Kupitza and Thomas Ochs and Michael Wust**
(45) Registration Date: **21 March 2013**
(30) Convention priority data:
(31) Number (32) Date (33) Country
001335236 04 Jul 2012 OFFICE FOR HARMONISATION IN THE INTERNAL MARKET (OHIM)
(56) Related Art Documents: **Not Applicable**
(57) Statement of Newness and Distinctiveness: **Newness and distinctiveness is claimed in the features of shape and/or configuration of a driver's cabin for a vehicle as illustrated in the accompanying representations.**



- (21) Design Number: **10177/2013**
(22) Date of Filing Application: **11 January 2013**
(24) Date from which industrial property rights may have effect: **11 January 2013**
(54) Product in respect of which the design is registered: **Letterbox**
(51) International Design Classification: **25-03**
(74) Name(s) of Attorney(s):
(71) Name(s) and Address(s) of Applicant(s):
Elegant Garden World Pty Ltd
40 Lisbon St Fairfield East NSW 2165 Australia
(72) Name(s) of Designer(s): **Zhi Qiang Wu**
(45) Registration Date: **21 March 2013**
(56) Related Art Documents: **Not Applicable**
(57) Statement of Newness and Distinctiveness: **Nil**



(21) Design Number: **10336/2013**
(22) Date of Filing Application: **22 January 2013**
(24) Date from which industrial property rights may have effect: **22 January 2013**
(54) Product in respect of which the design is registered: **A diffuser for a hairdryer**
(51) International Design Classification: **28-03B**
(74) Name(s) of Attorney(s): **PHILLIPS ORMONDE FITZPATRICK**
(71) Name(s) and Address(s) of Applicant(s):

Jemella Group Limited
c/o Eversheds LLP Eversheds House 70 Great Bridgewater Street
Manchester M1 5ES United Kingdom

(72) Name(s) of Designer(s): **Timothy Hone and Dani Brady**

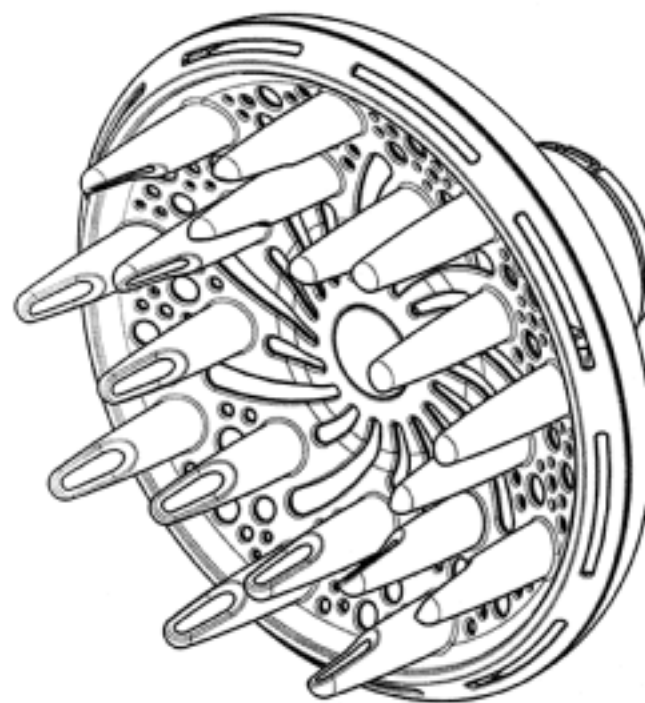
(45) Registration Date: **21 March 2013**

(30) Convention priority data:

(31) Number	(32) Date	(33) Country
002163717	09 Jan 2013	OFFICE FOR HARMONISATION IN THE INTERNAL MARKET (OHIM)

(56) Related Art Documents: **Not Applicable**

(57) Statement of Newness and Distinctiveness: **Newness and distinctiveness resides in the features of shape or configuration of the diffuser shown in the accompanying representations which, to facilitate consideration of those features, include both line drawings and rendered images.**



(21) Design Number: **10156/2013**
(22) Date of Filing Application: **10 January 2013**
(24) Date from which industrial property rights may have effect: **10 January 2013**
(54) Product in respect of which the design is registered: **Lighting device**
(51) International Design Classification: **26-02**
(74) Name(s) of Attorney(s): **Halfords IP**
(71) Name(s) and Address(s) of Applicant(s):

Eveready Battery Company, Inc.
533 Maryville University Drive St Louis Missouri 63141 United States of America

(72) Name(s) of Designer(s): **Ronald J. Kingston and Mark A. Ferguson and Matthew G. Law and Michael W. Sanders**

(45) Registration Date: **21 March 2013**

(30) Convention priority data:

(31) Number	(32) Date	(33) Country
29/427047	13 Jul 2012	UNITED STATES OF AMERICA

(56) Related Art Documents: **Not Applicable**

(57) Statement of Newness and Distinctiveness: **Newness and Distinctiveness is claimed in those features of shape and or configuration of a Lighting Device as depicted in the representations. Shading lines and features shown in broken lines do not form part of the design.**



(21) Design Number: **10169/2013**

(22) Date of Filing Application: **11 January 2013**

(24) Date from which industrial property rights may have effect: **11 January 2013**

(54) Product in respect of which the design is registered: **Building block for a construction toy set**

(51) International Design Classification: **21-01E**

(74) Name(s) of Attorney(s): **Davies Collison Cave**

(71) Name(s) and Address(s) of Applicant(s):

K'NEX Limited Partnership Group
2990 Bergey Road Hatfield Pennsylvania 19440-0700 United States of America

(72) Name(s) of Designer(s): **Michael Klitsch and Eric Hammond**

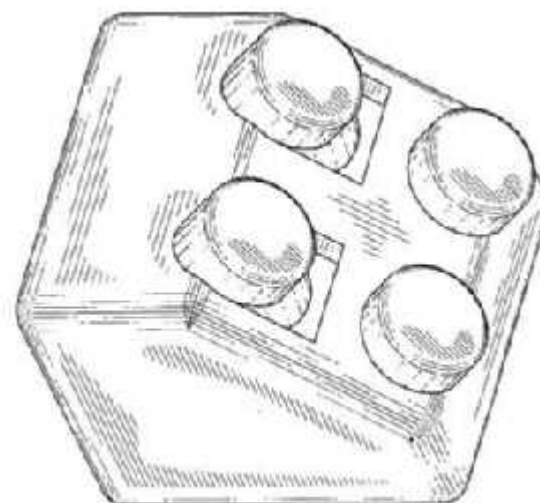
(45) Registration Date: **21 March 2013**

(30) Convention priority data:

(31) Number	(32) Date	(33) Country
29/427109	13 Jul 2012	UNITED STATES OF AMERICA

(56) Related Art Documents: **Not Applicable**

(57) Statement of Newness and Distinctiveness: **Nil**



(21) Design Number: **10222/2013**

(22) Date of Filing Application: **16 January 2013**

(24) Date from which industrial property rights may have effect: **16 January 2013**

(54) Product in respect of which the design is registered: **Cable stripper**

(51) International Design Classification: **08-05NES**

(74) Name(s) of Attorney(s): **Davies Collison Cave**

(71) Name(s) and Address(s) of Applicant(s):

Stanley Works (Europe) GmbH
Ringstrasse 14 Dubendorf 8600 Switzerland

(72) Name(s) of Designer(s): **Julian Bignon-Zillhardt**

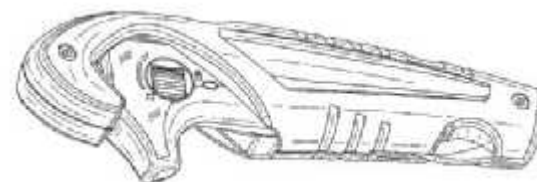
(45) Registration Date: **21 March 2013**

(30) Convention priority data:

(31) Number	(32) Date	(33) Country
001335186	17 Jul 2012	OFFICE FOR HARMONISATION IN THE INTERNAL MARKET (OHIM)

(56) Related Art Documents: **Not Applicable**

(57) Statement of Newness and Distinctiveness: **Nil**



- (21) Design Number: **10228/2013**
(22) Date of Filing Application: **16 January 2013**
(24) Date from which industrial property rights may have effect: **16 January 2013**
(54) Product in respect of which the design is registered: **Operation panel for a working vehicle**
(51) International Design Classification: **12-16NES**
(74) Name(s) of Attorney(s): **AJ Park**
(71) Name(s) and Address(s) of Applicant(s):
Iseki & Co., Ltd.
700 Umaki-cho Matsuyama-shi Ehime-ken 799-2692 Japan
(72) Name(s) of Designer(s): **Makoto Takagi and Shohei Kurokawa and Takashi Wakino**
(45) Registration Date: **21 March 2013**
(30) Convention priority data:
(31) Number (32) Date (33) Country
2012-022356 14 Sep 2012 JAPAN
(56) Related Art Documents: **Not Applicable**
(57) Statement of Newness and Distinctiveness: **Newness and distinctiveness reside in the features of shape and/or configuration of the Operation Panel for a Working Vehicle as shown in the representations.**



- (21) Design Number: **10314/2013**
(22) Date of Filing Application: **22 January 2013**
(24) Date from which industrial property rights may have effect: **22 January 2013**
(54) Product in respect of which the design is registered: **Packaging with ornamentation**
(51) International Design Classification: **09-03M**
(74) Name(s) of Attorney(s): **Banki Haddock Fiora**
(71) Name(s) and Address(s) of Applicant(s):
Societe des Produits Nestle S.A.
Vevey Canton of Vaud 1800 Switzerland
(72) Name(s) of Designer(s): **Pascal Vogel**
(45) Registration Date: **21 March 2013**
(30) Convention priority data:
(31) Number (32) Date (33) Country
139222 09 Oct 2012 SWITZERLAND
(56) Related Art Documents: **Not Applicable**
(57) Statement of Newness and Distinctiveness: **The visual features of the packaging depicted in the representations that are new and distinctive are the pattern and/or ornamentation. The pattern and/or ornamentation can be in colour, but is not restricted to a particular colour or colours. The shape and configuration of the packaging shown in broken outline are not part of the design and the position and relative size of the features of the pattern and ornamentation in relation to the packaging are illustrative only.**



(21) Design Number: **10315/2013**
(22) Date of Filing Application: **22 January 2013**
(24) Date from which industrial property rights may have effect: **22 January 2013**
(54) Product in respect of which the design is registered: **Packaging with ornamentation**
(51) International Design Classification: **09-03M**
(74) Name(s) of Attorney(s): **Banki Haddock Fiora**
(71) Name(s) and Address(s) of Applicant(s):
Societe des Produits Nestle S.A.
Vevey Canton of Vaud 1800 Switzerland
(72) Name(s) of Designer(s): **Pascal Vogel**
(45) Registration Date: **21 March 2013**
(30) Convention priority data:
(31) Number (32) Date (33) Country
139222 09 Oct 2012 SWITZERLAND

(56) Related Art Documents: **Not Applicable**
(57) Statement of Newness and Distinctiveness: **The visual features of the packaging depicted in the representation that are new and distinctive are the pattern and/or ornamentation. The pattern and/or ornamentation can be in colour, but is not restricted to a particular colour or colours. The shape and configuration of the packaging shown in broken outline are not part of the design and the position and relative size of the features of pattern and ornamentation in relation to the packaging are illustrative only.**



(21) Design Number: **10316/2013**
(22) Date of Filing Application: **22 January 2013**
(24) Date from which industrial property rights may have effect: **22 January 2013**
(54) Product in respect of which the design is registered: **Packaging with ornamentation**
(51) International Design Classification: **09-03M**
(74) Name(s) of Attorney(s): **Banki Haddock Fiora**
(71) Name(s) and Address(s) of Applicant(s):
Societe des Produits Nestle S.A.
Vevey Canton of Vaud 1800 Switzerland
(72) Name(s) of Designer(s): **Pascal Vogel**
(45) Registration Date: **21 March 2013**
(30) Convention priority data:
(31) Number (32) Date (33) Country
139222 09 Oct 2012 SWITZERLAND

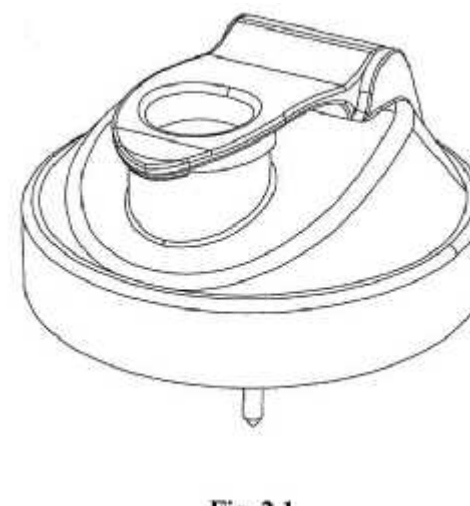
(56) Related Art Documents: **Not Applicable**
(57) Statement of Newness and Distinctiveness: **The visual features of the packaging depicted in the representation that are new and distinctive are the pattern and/or ornamentation. The pattern and/or ornamentation can be in colour, but is not restricted to a particular colour or colours. The shape and configuration of the packaging shown in broken outline are not part of the design and the position and relative size of the features of pattern and ornamentation in relation to the packaging are illustrative only.**



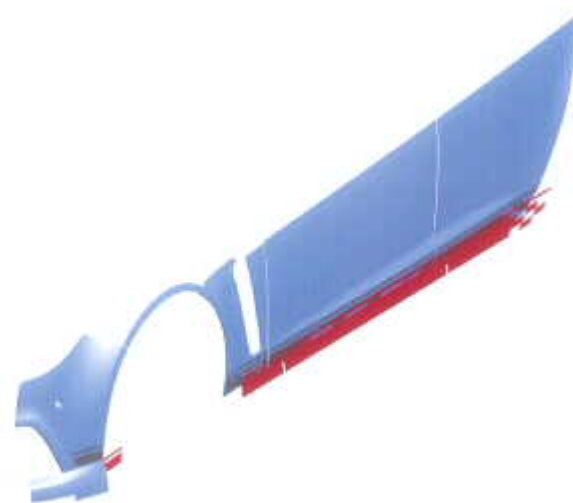
- (21) Design Number: **10346/2013**
(22) Date of Filing Application: **24 January 2013**
(24) Date from which industrial property rights may have effect: **24 January 2013**
(54) Product in respect of which the design is registered: **Shaker and cap**
(51) International Design Classification: **09-01F**
(74) Name(s) of Attorney(s): **Ahearn Fox**
(71) Name(s) and Address(s) of Applicant(s):
Mikael Nilsson
c/- Smart Group AB Skrapan 1890 SW- 722 10 Sweden
(72) Name(s) of Designer(s): **Mikael Nilsson**
(45) Registration Date: **21 March 2013**
(56) Related Art Documents: **Not Applicable**
(57) Statement of Newness and Distinctiveness: **Newness and distinctiveness resides in the features of shape and configuration of the shaker and cap as shown in the accompanying drawings.**



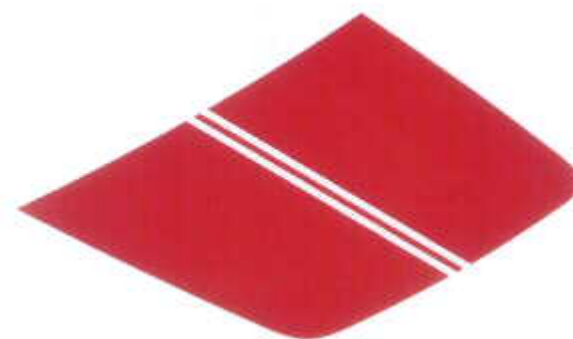
- (21) Design Number: **10347/2013**
(22) Date of Filing Application: **24 January 2013**
(24) Date from which industrial property rights may have effect: **24 January 2013**
(54) Product in respect of which the design is registered: **Shaker cap**
(51) International Design Classification: **09-07A**
(74) Name(s) of Attorney(s): **Ahearn Fox**
(71) Name(s) and Address(s) of Applicant(s):
Mikael Nilsson
c/- Smart Group AB Skrapan 1890 SW- 722 10 Sweden
(72) Name(s) of Designer(s): **Mikael Nilsson**
(45) Registration Date: **21 March 2013**
(56) Related Art Documents: **Not Applicable**
(57) Statement of Newness and Distinctiveness: **Newness and distinctiveness resides in the features of shape and configuration of the shaker cap as shown in the accompanying drawings.**



(21) Design Number: **14862/2012**
(22) Date of Filing Application: **27 September 2012**
(24) Date from which industrial property rights may have effect: **27 September 2012**
(54) Product in respect of which the design is registered: **Left-side and right-side vehicle side decal**
(51) International Design Classification: **12-16B**
(74) Name(s) of Attorney(s): **K&L Gates**
(71) Name(s) and Address(s) of Applicant(s):
GM Global Technology Operations LLC
300 Renaissance Centre City of Detroit State of Michigan 48265-3000
United States of America
(72) Name(s) of Designer(s): **Peter Hughes**
(45) Registration Date: **21 March 2013**
(56) Related Art Documents: **Not Applicable**
(57) Statement of Newness and Distinctiveness: **Nil**



(21) Design Number: **14864/2012**
(22) Date of Filing Application: **27 September 2012**
(24) Date from which industrial property rights may have effect: **27 September 2012**
(54) Product in respect of which the design is registered: **Vehicle decklid decal**
(51) International Design Classification: **12-16B**
(74) Name(s) of Attorney(s): **K&L Gates**
(71) Name(s) and Address(s) of Applicant(s):
GM Global Technology Operations LLC
300 Renaissance Centre City of Detroit State of Michigan 48265-3000
United States of America
(72) Name(s) of Designer(s): **Peter Hughes**
(45) Registration Date: **21 March 2013**
(56) Related Art Documents: **Not Applicable**
(57) Statement of Newness and Distinctiveness: **Nil**



(21) Design Number: **14865/2012**
(22) Date of Filing Application: **27 September 2012**
(24) Date from which industrial property rights may have effect: **27 September 2012**
(54) Product in respect of which the design is registered: **Vehicle hood decal**
(51) International Design Classification: **12-16B**
(74) Name(s) of Attorney(s): **K&L Gates**
(71) Name(s) and Address(s) of Applicant(s):
GM Global Technology Operations LLC
300 Renaissance Centre City of Detroit State of Michigan 48265-3000
United States of America
(72) Name(s) of Designer(s): **Peter Hughes**
(45) Registration Date: **21 March 2013**
(56) Related Art Documents: **Not Applicable**
(57) Statement of Newness and Distinctiveness: **Nil**



(21) Design Number: **14866/2012**
(22) Date of Filing Application: **27 September 2012**
(24) Date from which industrial property rights may have effect: **27 September 2012**
(54) Product in respect of which the design is registered: **Vehicle wing spoiler decal**
(51) International Design Classification: **12-16B**
(74) Name(s) of Attorney(s): **K&L Gates**
(71) Name(s) and Address(s) of Applicant(s):
GM Global Technology Operations LLC
300 Renaissance Centre City of Detroit State of Michigan 48265-3000
United States of America
(72) Name(s) of Designer(s): **Peter Hughes**
(45) Registration Date: **21 March 2013**
(56) Related Art Documents: **Not Applicable**
(57) Statement of Newness and Distinctiveness: **Nil**



(21) Design Number: **14868/2012**
(22) Date of Filing Application: **27 September 2012**
(24) Date from which industrial property rights may have effect: **27 September 2012**
(54) Product in respect of which the design is registered: **Vehicle bull bar**
(51) International Design Classification: **12-16C**
(74) Name(s) of Attorney(s): **K&L Gates**
(71) Name(s) and Address(s) of Applicant(s):
GM Global Technology Operations LLC
300 Renaissance Centre City of Detroit State of Michigan 48265-3000
United States of America
(72) Name(s) of Designer(s): **Martin Love**
(45) Registration Date: **21 March 2013**
(56) Related Art Documents: **Not Applicable**
(57) Statement of Newness and Distinctiveness: **Nil**



(21) Design Number: **14869/2012**
(22) Date of Filing Application: **27 September 2012**
(24) Date from which industrial property rights may have effect: **27 September 2012**
(54) Product in respect of which the design is registered: **Vehicle tonneau cover**
(51) International Design Classification: **12-16B**
(74) Name(s) of Attorney(s): **K&L Gates**
(71) Name(s) and Address(s) of Applicant(s):
GM Global Technology Operations LLC
300 Renaissance Centre City of Detroit State of Michigan 48265-3000
United States of America
(72) Name(s) of Designer(s): **Martin Love**
(45) Registration Date: **21 March 2013**
(56) Related Art Documents: **Not Applicable**
(57) Statement of Newness and Distinctiveness: **Nil**



- (21) Design Number: **16291/2012**
(22) Date of Filing Application: **12 December 2012**
(24) Date from which industrial property rights may have effect: **12 December 2012**
(54) Product in respect of which the design is registered: **Nail curing lamp**
(51) International Design Classification: **28-03NES**
(74) Name(s) of Attorney(s): **Shelston IP**
(71) Name(s) and Address(s) of Applicant(s):

Creative Nail Design, Inc.
1125 Joshua Way Vista California 92081 United States of America

- (72) Name(s) of Designer(s): **David Valia and Daniel Moore and Thong Vu and Diane Larsen and Guido Charosky and Ignacio Rocchetti**

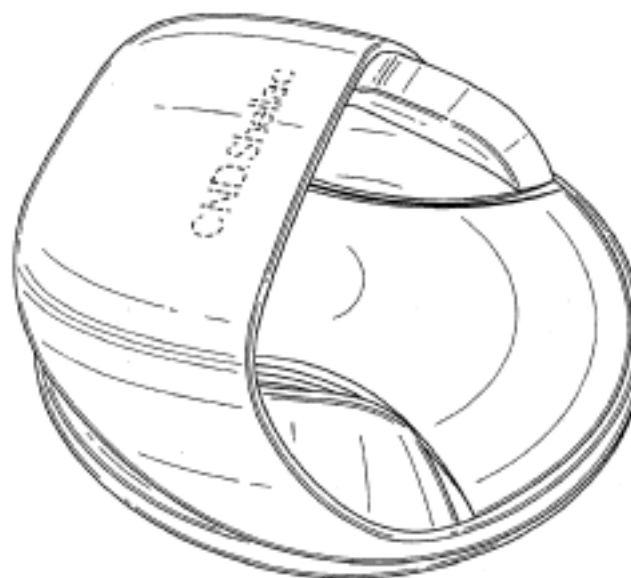
- (45) Registration Date: **22 March 2013**

- (30) Convention priority data:

(31) Number	(32) Date	(33) Country
29/424673	14 Jun 2012	UNITED STATES OF AMERICA

- (56) Related Art Documents: **Not Applicable**

- (57) Statement of Newness and Distinctiveness: **Newness and distinctiveness reside in the features of shape and/or configuration of a NAIL CURING LAMP as illustrated in solid lines in the accompanying representations. The features illustrated in broken lines do not form part of the design.**



- (21) Design Number: **10536/2013**
(22) Date of Filing Application: **04 February 2013**
(24) Date from which industrial property rights may have effect: **04 February 2013**
(54) Product in respect of which the design is registered: **Base member for a fastening device**
(51) International Design Classification: **08-08A**
(74) Name(s) of Attorney(s): **Davies Collison Cave**
(71) Name(s) and Address(s) of Applicant(s):

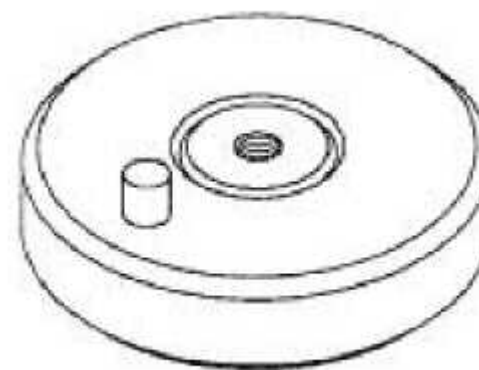
Ooparts, Inc.
1643-28 Shuku Soja-shi Okayama 719-1161 Japan

- (72) Name(s) of Designer(s): **Masato Komura and Ichiro Awashima**

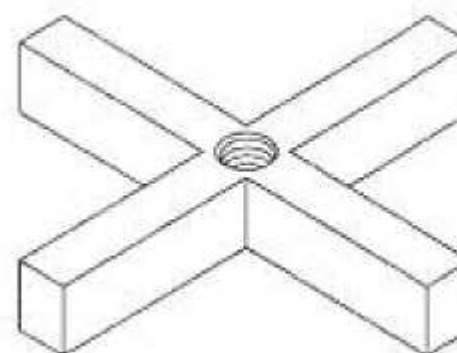
- (45) Registration Date: **22 March 2013**

- (56) Related Art Documents: **Not Applicable**

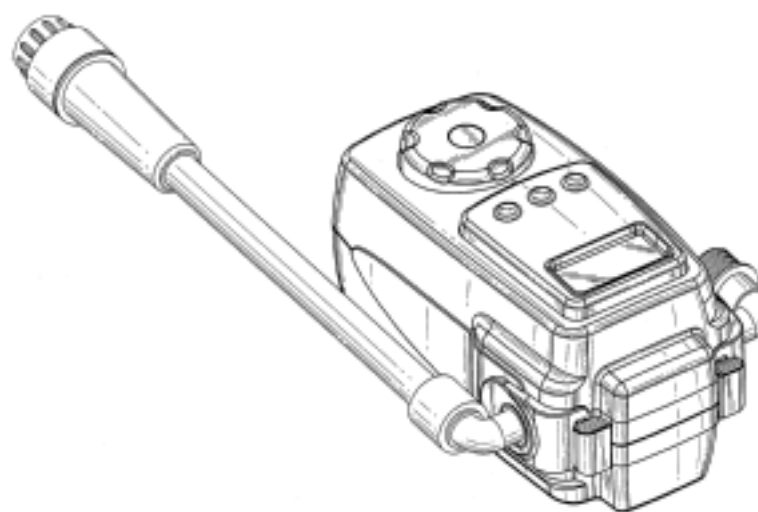
- (57) Statement of Newness and Distinctiveness: **Nil**



(21) Design Number: **10537/2013**
(22) Date of Filing Application: **04 February 2013**
(24) Date from which industrial property rights may have effect: **04 February 2013**
(54) Product in respect of which the design is registered: **Base member for a fastening device**
(51) International Design Classification: **08-08A**
(74) Name(s) of Attorney(s): **Davies Collison Cave**
(71) Name(s) and Address(s) of Applicant(s):
Ooparts, Inc.
1643-28 Shuku Soja-shi Okayama 719-1161 Japan
(72) Name(s) of Designer(s): **Masato Komura and Ichiro Awashima**
(45) Registration Date: **22 March 2013**
(30) Convention priority data:
(31) Number (32) Date (33) Country
2012-030422 12 Dec 2012 JAPAN
(56) Related Art Documents: **Not Applicable**
(57) Statement of Newness and Distinctiveness: **Nil**



(21) Design Number: **10549/2013**
(22) Date of Filing Application: **01 February 2013**
(24) Date from which industrial property rights may have effect: **01 February 2013**
(54) Product in respect of which the design is registered: **Diaphragm pump**
(51) International Design Classification: **15-02**
(74) Name(s) of Attorney(s): **Shelston IP**
(71) Name(s) and Address(s) of Applicant(s):
Flow Control LLC.,
1 Kondelin Road Gloucester Massachusetts 01930 United States of America
(72) Name(s) of Designer(s): **Daniel J. DeOreo and Joel A. Kenney**
(45) Registration Date: **22 March 2013**
(30) Convention priority data:
(31) Number (32) Date (33) Country
29/429114 07 Aug 2012 UNITED STATES OF AMERICA
(56) Related Art Documents: **Not Applicable**
(57) Statement of Newness and Distinctiveness: **Newness and distinctiveness reside in the features of shape and/or configuration of the diaphragm pump as illustrated by solid lines in the accompanying representations. The features shown by dashed lines do not form part of the design.**



- (21) Design Number: **10562/2013**
(22) Date of Filing Application: **04 February 2013**
(24) Date from which industrial property rights may have effect: **04 February 2013**
(54) Product in respect of which the design is registered: **A motorcycle**
(51) International Design Classification: **12-11**
(74) Name(s) of Attorney(s): **SPRUSON & FERGUSON**
(71) Name(s) and Address(s) of Applicant(s):
Honda Motor Co., Ltd.
1-1 Minami-Aoyama 2-Chome Minato-ku Tokyo Japan
(72) Name(s) of Designer(s): **Hiroaki Tsukui and Takatsugu Kido**
(45) Registration Date: **22 March 2013**
(30) Convention priority data:
(31) Number (32) Date (33) Country
2012-018876 07 Aug 2012 JAPAN
(56) Related Art Documents: **Not Applicable**
(57) Statement of Newness and Distinctiveness: **Newness and distinctiveness is claimed in the features of shape and/or configuration of a motorcycle as illustrated in the accompanying representations.**



- (21) Design Number: **10563/2013**
(22) Date of Filing Application: **04 February 2013**
(24) Date from which industrial property rights may have effect: **04 February 2013**
(54) Product in respect of which the design is registered: **A front cowl for a motorcycle**
(51) International Design Classification: **12-11**
(74) Name(s) of Attorney(s): **SPRUSON & FERGUSON**
(71) Name(s) and Address(s) of Applicant(s):
Honda Motor Co., Ltd.
1-1 Minami-Aoyama 2-Chome Minato-ku Tokyo Japan
(72) Name(s) of Designer(s): **Hiroaki Tsukui and Takatsugu Kido**
(45) Registration Date: **22 March 2013**
(30) Convention priority data:
(31) Number (32) Date (33) Country
2012-018877 07 Aug 2012 JAPAN
(56) Related Art Documents: **Not Applicable**
(57) Statement of Newness and Distinctiveness: **Newness and distinctiveness is claimed in the features of shape and/or configuration of a front cowl for a motorcycle as illustrated in the accompanying representations.**



- (21) Design Number: **10564/2013**
(22) Date of Filing Application: **04 February 2013**
(24) Date from which industrial property rights may have effect: **04 February 2013**
(54) Product in respect of which the design is registered: **A motorcycle**
(51) International Design Classification: **12-11**
(74) Name(s) of Attorney(s): **SPRUSON & FERGUSON**
(71) Name(s) and Address(s) of Applicant(s):
Honda Motor Co., Ltd.
1-1 Minami-Aoyama 2-Chome Minato-ku Tokyo Japan
(72) Name(s) of Designer(s): **Hiroaki Tsukui and Takatsugu Kido and Kenji Tako**
(45) Registration Date: **22 March 2013**
(30) Convention priority data:
(31) Number (32) Date (33) Country
2012-018875 07 Aug 2012 JAPAN
(56) Related Art Documents: **Not Applicable**
(57) Statement of Newness and Distinctiveness: **Newness and distinctiveness is claimed in the features of shape and/or configuration of a motorcycle as illustrated in the accompanying representations.**



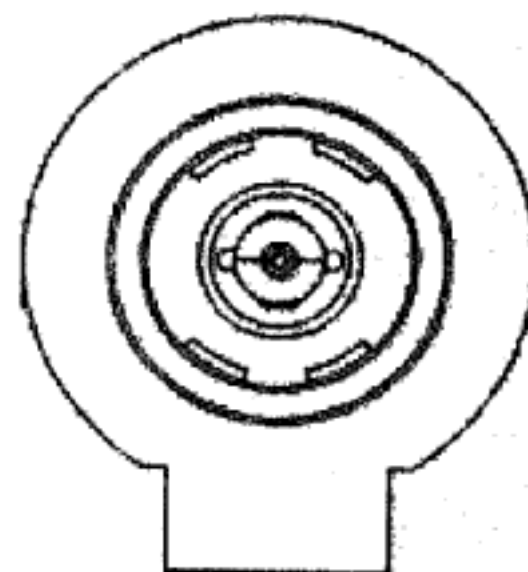
- (21) Design Number: **10574/2013**
(22) Date of Filing Application: **06 February 2013**
(24) Date from which industrial property rights may have effect: **06 February 2013**
(54) Product in respect of which the design is registered: **A sofa**
(51) International Design Classification: **06-01G**
(74) Name(s) of Attorney(s): **FB Rice**
(71) Name(s) and Address(s) of Applicant(s):
King Furniture (Australia) Pty Ltd
123 Turrella St Turrella NSW 2205 Australia
(72) Name(s) of Designer(s): **David King and Tanya Rechberger and John Levey and Ryan Lawson**
(45) Registration Date: **22 March 2013**
(56) Related Art Documents: **Not Applicable**
(57) Statement of Newness and Distinctiveness: **Newness and distinctiveness reside in the features of shape and configuration of the product as shown in the representations with less weight to be accorded to the number and position of loose cushions on the sofa, and less weight to be accorded to the quilting on the loose cushions, it being understood that the loose cushions could be unquilted.**



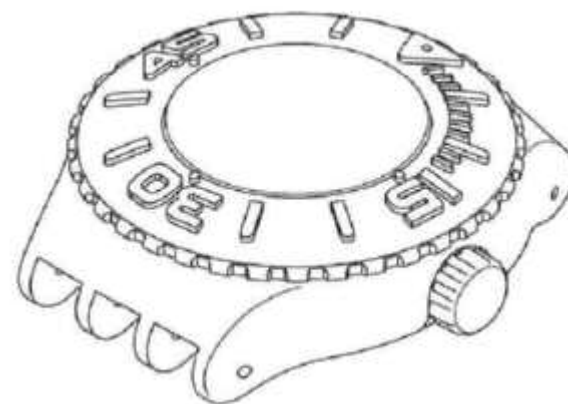
- (21) Design Number: **10628/2013**
(22) Date of Filing Application: **07 February 2013**
(24) Date from which industrial property rights may have effect: **07 February 2013**
(54) Product in respect of which the design is registered: **A gameboard**
(51) International Design Classification: **21-01L**
(74) Name(s) of Attorney(s):
(71) Name(s) and Address(s) of Applicant(s):
Alice Marie Anne Legendre
2/36 Prospect Hill Rd Camberwell VIC 3124 Australia
(72) Name(s) of Designer(s): **Alice Marie Anne Legendre**
(45) Registration Date: **22 March 2013**
(56) Related Art Documents: **Not Applicable**
(57) Statement of Newness and Distinctiveness: **The newness and distinctiveness of the design reside in the steps and rules the player follow on the game, the style of the drawing and the fact that the board game is printed on fabric or timber that you hang on a wall as decoration.**



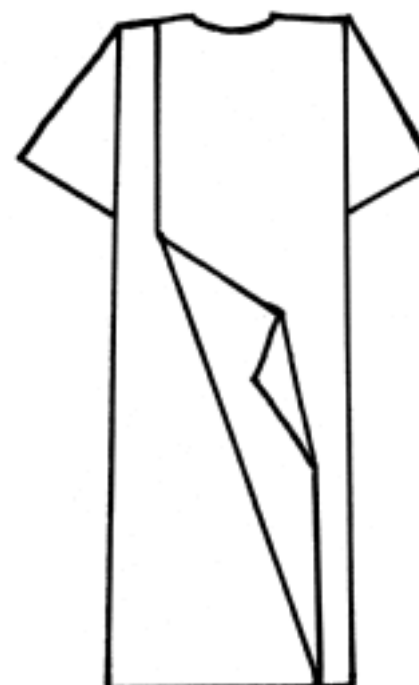
- (21) Design Number: **10658/2013**
(22) Date of Filing Application: **11 February 2013**
(24) Date from which industrial property rights may have effect: **11 February 2013**
(54) Product in respect of which the design is registered: **A removable locking lug head for spotlight bulbs**
(51) International Design Classification: **26-04**
(74) Name(s) of Attorney(s):
(71) Name(s) and Address(s) of Applicant(s):
Pro-Tactical Pty Ltd
PO BOX 1223 Coorparoo DC QLD 4151 Australia
(72) Name(s) of Designer(s): **David Robert Auger**
(45) Registration Date: **22 March 2013**
(56) Related Art Documents: **Not Applicable**
(57) Statement of Newness and Distinctiveness: **The novelty of this design lies in the shroud of the spot light being the only the structure whereas the internal light source can be quickly changed from HID, LED or halogen. This design seeks to address the problem of different spotlight bulbs and the resulting different light frequencies/intensity.**



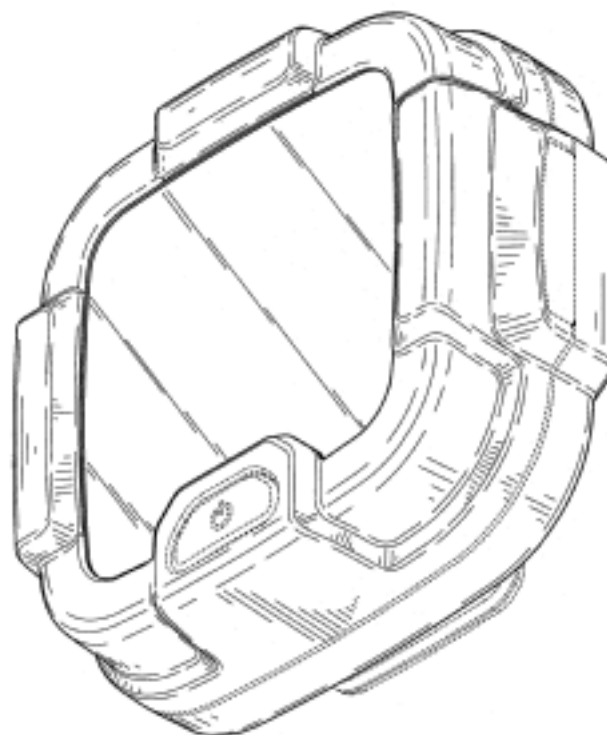
(21) Design Number: **10785/2013**
(22) Date of Filing Application: **19 February 2013**
(24) Date from which industrial property rights may have effect: **19 February 2013**
(54) Product in respect of which the design is registered: **A watch**
(51) International Design Classification: **10-02**
(74) Name(s) of Attorney(s): **WATERMARK PATENT AND TRADE MARKS ATTORNEYS**
(71) Name(s) and Address(s) of Applicant(s):
Swatch AG (Swatch SA) (Swatch Ltd)
94 rue Jakob Stampfli Bienne CH-2502 Switzerland
(72) Name(s) of Designer(s): **Damien Goyet**
(45) Registration Date: **22 March 2013**
(30) Convention priority data:
(31) Number (32) Date (33) Country
DM/079 655 28 Nov 2012 WORLD INTELLECTUAL PROPERTY ORGANIZATION (WIPO)
(56) Related Art Documents: **Not Applicable**
(57) Statement of Newness and Distinctiveness: **Nil**



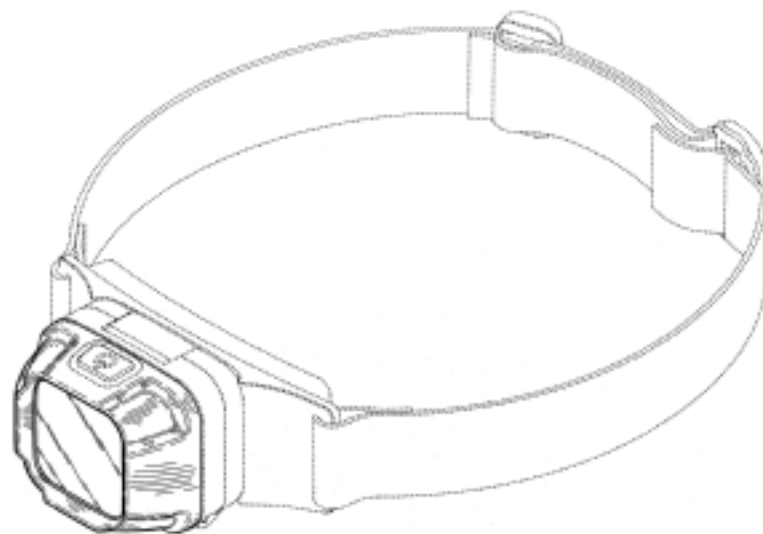
(21) Design Number: **10976/2013**
(22) Date of Filing Application: **26 February 2013**
(24) Date from which industrial property rights may have effect: **26 February 2013**
(54) Product in respect of which the design is registered: **Gown**
(51) International Design Classification: **02-02NES**
(74) Name(s) of Attorney(s):
(71) Name(s) and Address(s) of Applicant(s):
Julienne Tan
Shop 12 Station Rd Cheltenham VIC 3192 Australia
(72) Name(s) of Designer(s): **Julienne Tan**
(45) Registration Date: **22 March 2013**
(56) Related Art Documents: **Not Applicable**
(57) Statement of Newness and Distinctiveness: **The product which is best described as a "Gown" is a new and distinctive design which is comprised of 'FRONT-BODICE' and a 'BACK-BODICE' and a pair of sleeves. The front-bodice is made up of 2 identical bodices, with the outermost section of the front-bodice overlapping/covering the under section of the front-bodice. The back-bodice is made up of 2 identical bodices, with the outermost section of the back-bodice overlapping/covering the under section of the back-bodice.**



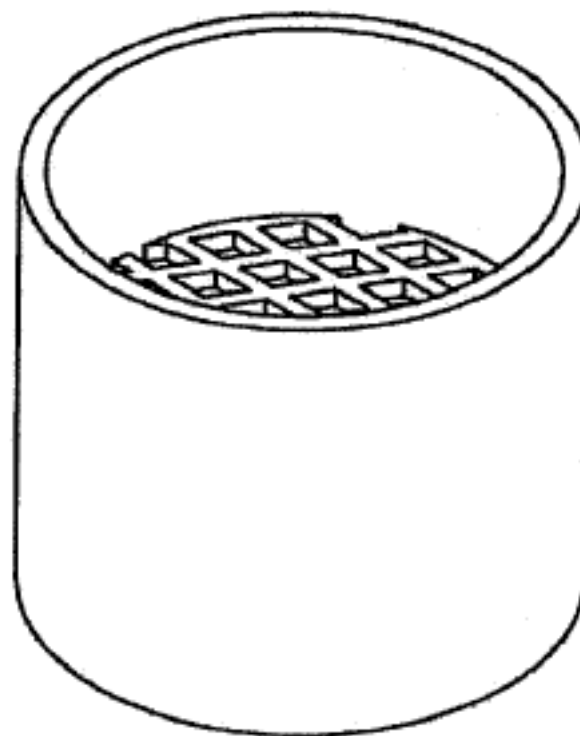
- (21) Design Number: **14122/2012**
(22) Date of Filing Application: **21 August 2012**
(24) Date from which industrial property rights may have effect: **21 August 2012**
(54) Product in respect of which the design is registered: **Lighting device**
(51) International Design Classification: **26-04**
(74) Name(s) of Attorney(s): **Halfords IP**
(71) Name(s) and Address(s) of Applicant(s):
Eveready Battery Company, Inc.
533 Maryville University Drive St Louis Missouri 63141 United States of America
(72) Name(s) of Designer(s): **Angelo Kotsis**
(45) Registration Date: **22 March 2013**
(56) Related Art Documents: **Not Applicable**
(57) Statement of Newness and Distinctiveness: **Newness and distinctiveness is claimed in those features of shape and or configuration of a Lighting Device as depicted in the representations accompanying representations. Features shown in broken lines do not from part of the design.**



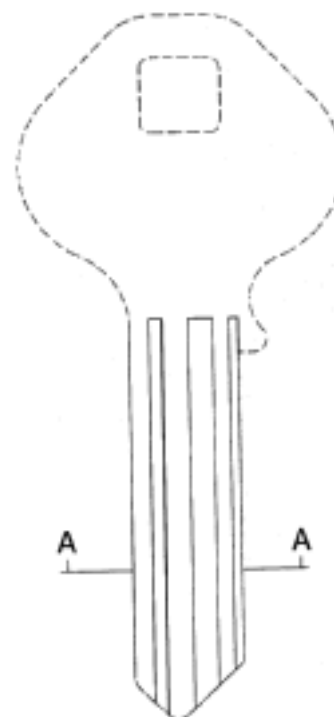
- (21) Design Number: **14123/2012**
(22) Date of Filing Application: **21 August 2012**
(24) Date from which industrial property rights may have effect: **21 August 2012**
(54) Product in respect of which the design is registered: **Lighting device**
(51) International Design Classification: **26-04**
(74) Name(s) of Attorney(s): **Halfords IP**
(71) Name(s) and Address(s) of Applicant(s):
Eveready Battery Company, Inc.
533 Maryville University Drive St Louis Missouri 63141 United States of America
(72) Name(s) of Designer(s): **Angelo Kotsis and Timothy J. Rugendyke**
(45) Registration Date: **22 March 2013**
(56) Related Art Documents: **Not Applicable**
(57) Statement of Newness and Distinctiveness: **Newness and distinctiveness is claimed in those features of shape and or configuration of a Lighting Device as depicted in the representations accompanying representations. Features shown in broken lines do not from part of the design.**



- (21) Design Number: **14317/2012**
(22) Date of Filing Application: **03 September 2012**
(24) Date from which industrial property rights may have effect: **03 September 2012**
(54) Product in respect of which the design is registered: **Cistern frog barrier**
(51) International Design Classification: **22-06, 25-02C**
(74) Name(s) of Attorney(s): **Wynnes Patent & Trade Mark Attorneys**
(71) Name(s) and Address(s) of Applicant(s):
I & S Larard Pty Ltd
107 Desert Creek Rd Yelarbon QLD 4388 Australia
(72) Name(s) of Designer(s): **Ian Larard**
(45) Registration Date: **22 March 2013**
(56) Related Art Documents: **Not Applicable**
(57) Statement of Newness and Distinctiveness: **Newness and distinctiveness resides in the features of the shape and configuration of a barrier as illustrated in the accompanying representations.**



- (21) Design Number: **14706/2012**
(22) Date of Filing Application: **21 September 2012**
(24) Date from which industrial property rights may have effect: **21 September 2012**
(54) Product in respect of which the design is registered: **Key blank**
(51) International Design Classification: **08-07**
(74) Name(s) of Attorney(s):
(71) Name(s) and Address(s) of Applicant(s):
SAS Locksmiths (WA) Pty Ltd
U17/663 Newcastle St Leederville WA 6007 Australia
(72) Name(s) of Designer(s): **Stephen Arias**
(45) Registration Date: **22 March 2013**
(56) Related Art Documents: **Not Applicable**
(57) Statement of Newness and Distinctiveness: **The particular visual features of the design which are new and distinctive are. shape OR configuration of the blade of the key blank as depicted in the accompanying representations, particular attention is to be paid to the cross-sectional profile of the blade, the shape or configuration of the head portion of the key blank, as shown in broken lines, is to be disregarded.**



(21) Design Number: **16035/2012**
(22) Date of Filing Application: **03 December 2012**
(24) Date from which industrial property rights may have effect: **03 December 2012**
(54) Product in respect of which the design is registered: **Place card assembly**
(51) International Design Classification: **19-08**
(74) Name(s) of Attorney(s): **Shelston IP**
(71) Name(s) and Address(s) of Applicant(s):

Avery Dennison Corporation
150 North Orange Grove Blvd Pasadena California 91103-3596 United States of America

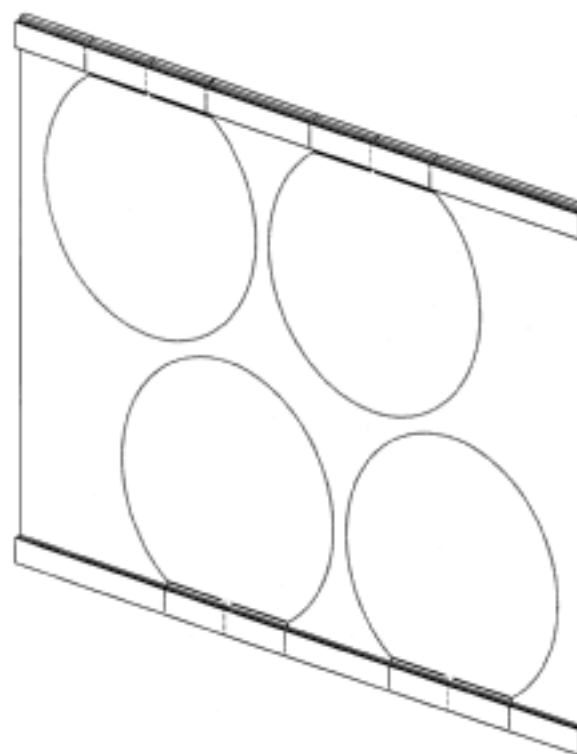
(72) Name(s) of Designer(s): **Jay K. Sato and Alejandro G. Veyna Hernandez**
(45) Registration Date: **22 March 2013**

(30) Convention priority data:

(31) Number	(32) Date	(33) Country
29/423731	04 Jun 2012	UNITED STATES OF AMERICA

(56) Related Art Documents: **Not Applicable**

(57) Statement of Newness and Distinctiveness: **Newness and distinctiveness reside in the shape and configuration of design for a place card assembly having four place card constructions, as shown in solid line. The circular shape of the place card panels of each card construction (shown in dotted line) is indicative only and the panel may assume other shapes.**



(21) Design Number: **16099/2012**
(22) Date of Filing Application: **05 December 2012**
(24) Date from which industrial property rights may have effect: **05 December 2012**
(54) Product in respect of which the design is registered: **Cassette device for administering medication**
(51) International Design Classification: **24-02**
(74) Name(s) of Attorney(s): **Shelston IP**
(71) Name(s) and Address(s) of Applicant(s):

UCB Pharma SA
Allee de la Recherche 60 B-1070 Brussels Belgium

(72) Name(s) of Designer(s): **Martin McLoughlin and Michael Heald**
(45) Registration Date: **22 March 2013**

(30) Convention priority data:

(31) Number	(32) Date	(33) Country
1213498.7	30 Jul 2012	UNITED KINGDOM

(56) Related Art Documents: **Not Applicable**

(57) Statement of Newness and Distinctiveness: **Nil**



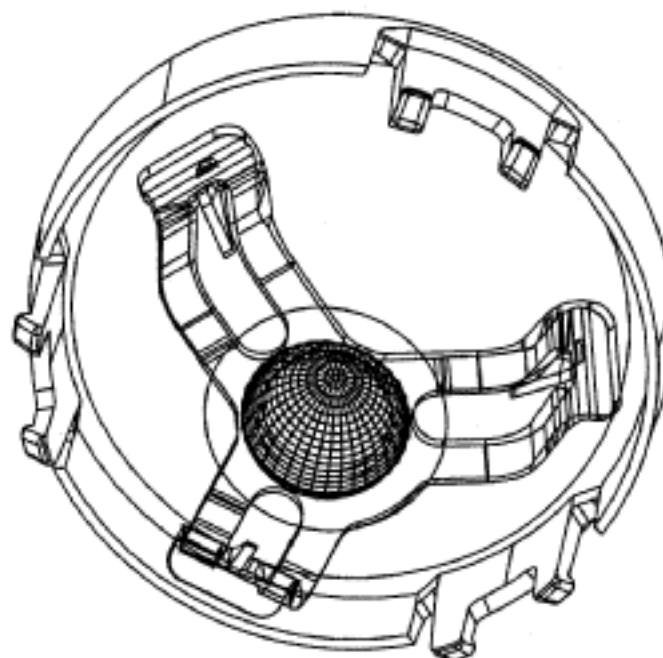
- (21) Design Number: **16608/2012**
(22) Date of Filing Application: **24 December 2012**
(24) Date from which industrial property rights may have effect: **24 December 2012**
(54) Product in respect of which the design is registered: **Toothbrush**
(51) International Design Classification: **04-02**
(74) Name(s) of Attorney(s):
(71) Name(s) and Address(s) of Applicant(s):
Theo Gotjamanos
16 Yanagin Cres City Beach WA 6015 Australia
(72) Name(s) of Designer(s): **Theo Gotjamanos**
(45) Registration Date: **25 March 2013**
(56) Related Art Documents: **Not Applicable**
(57) Statement of Newness and Distinctiveness: **Nil**



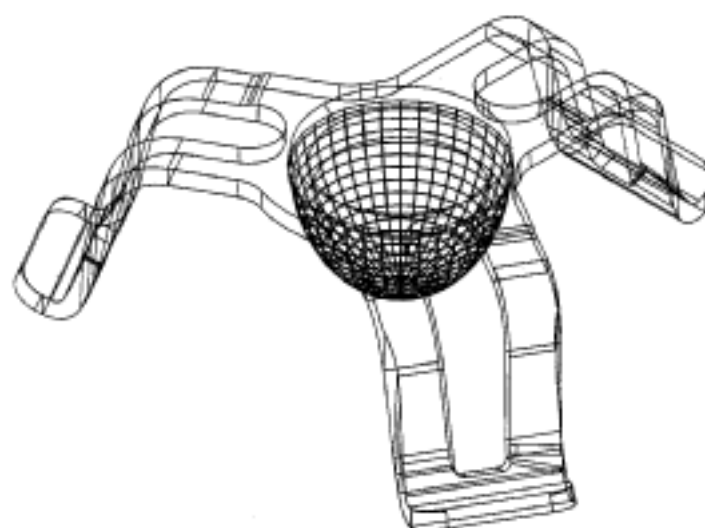
- (21) Design Number: **10005/2013**
(22) Date of Filing Application: **01 January 2013**
(24) Date from which industrial property rights may have effect: **01 January 2013**
(54) Product in respect of which the design is registered: **Electronic lice comb**
(51) International Design Classification: **04-02**
(74) Name(s) of Attorney(s):
(71) Name(s) and Address(s) of Applicant(s):
Liceexpulsion Pty Ltd
3 Kalara PI Vermont South VIC 3133 Australia
(72) Name(s) of Designer(s): **Dorothea Catrina Stack**
(45) Registration Date: **25 March 2013**
(56) Related Art Documents: **Not Applicable**
(57) Statement of Newness and Distinctiveness: **The electronic lice comb is designed with a new and distinctive overall shape that makes it comfortable to hold while combing the hair in a rake-like action. There are two distinctive and optional knobs that can be attached and decorated for cosmetic purposes.**



- (21) Design Number: **16645/2012**
(22) Date of Filing Application: **21 December 2012**
(24) Date from which industrial property rights may have effect: **21 December 2012**
(54) Product in respect of which the design is registered: **Reflector lens assembly**
(51) International Design Classification: **26-05A**
(74) Name(s) of Attorney(s): **Madderns**
(71) Name(s) and Address(s) of Applicant(s):
Gerard Lighting Pty Ltd
142-144 Fullarton Rd Rose Park SA 5067 Australia
(72) Name(s) of Designer(s): **Jason Andrew Gerard and Simon Belcher and Jacob Messenger and Tom Willis and Maarten Schuurmans**
(45) Registration Date: **25 March 2013**
(56) Related Art Documents: **Not Applicable**
(57) Statement of Newness and Distinctiveness: **Newness and distinctiveness resides in the shape and configuration of a reflector lens assembly as shown in the attached drawings.**



- (21) Design Number: **16647/2012**
(22) Date of Filing Application: **21 December 2012**
(24) Date from which industrial property rights may have effect: **21 December 2012**
(54) Product in respect of which the design is registered: **Optical lens**
(51) International Design Classification: **26-05A**
(74) Name(s) of Attorney(s): **Madderns**
(71) Name(s) and Address(s) of Applicant(s):
Gerard Lighting Pty Ltd
142-144 Fullarton Rd Rose Park SA 5067 Australia
(72) Name(s) of Designer(s): **Jason Andrew Gerard and Simon Belcher and Jacob Messenger and Tom Willis and Maarten Schuurmans**
(45) Registration Date: **25 March 2013**
(56) Related Art Documents: **Not Applicable**
(57) Statement of Newness and Distinctiveness: **Newness and distinctiveness resides in the shape and configuration of an optical lens as shown in the attached drawings.**



- (21) Design Number: **10035/2013**
(22) Date of Filing Application: **03 January 2013**
(24) Date from which industrial property rights may have effect: **03 January 2013**
(54) Product in respect of which the design is registered: **Grille for a vehicle**
(51) International Design Classification: **12-16B**
(74) Name(s) of Attorney(s): **SPRUSON & FERGUSON**
(71) Name(s) and Address(s) of Applicant(s):
MAN Truck & Bus AG
Dachhauer Str. 667 80995 Munchen Germany
(72) Name(s) of Designer(s): **Holger Koos and Ingo von Bargaen and Marc Schippling and Dieter Blum and Roger Mohr and Rudolf Kupitza and Thomas Ochs and Michael Wust**
(45) Registration Date: **25 March 2013**
(30) Convention priority data:
(31) Number (32) Date (33) Country
001335210 04 Jul 2012 OFFICE FOR HARMONISATION IN THE INTERNAL MARKET (OHIM)
(56) Related Art Documents: **Not Applicable**
(57) Statement of Newness and Distinctiveness: **Newness and distinctiveness is claimed in the features of shape and/or configuration of a grille for a vehicle as illustrated in the accompanying representations.**



- (21) Design Number: **10178/2013**
(22) Date of Filing Application: **11 January 2013**
(24) Date from which industrial property rights may have effect: **11 January 2013**
(54) Product in respect of which the design is registered: **Letterbox**
(51) International Design Classification: **25-03**
(74) Name(s) of Attorney(s):
(71) Name(s) and Address(s) of Applicant(s):
Elegant Garden World Pty Ltd
40 Lisbon St Fairfield East NSW 2165 Australia
(72) Name(s) of Designer(s): **Zhi Qiang Wu**
(45) Registration Date: **25 March 2013**
(56) Related Art Documents: **Not Applicable**
(57) Statement of Newness and Distinctiveness: **Nil**



- (21) Design Number: **10080/2013**
(22) Date of Filing Application: **03 January 2013**
(24) Date from which industrial property rights may have effect: **03 January 2013**
(54) Product in respect of which the design is registered: **Driver's cabin for a vehicle**
(51) International Design Classification: **12-08**
(74) Name(s) of Attorney(s): **SPRUSON & FERGUSON**
(71) Name(s) and Address(s) of Applicant(s):
MAN Truck & Bus AG
Dachhauer Str. 667 80995 Munchen Germany
(72) Name(s) of Designer(s): **Holger Koos and Ingo von Bargaen and Marc Schippling and Dieter Blum and Roger Mohr and Rudolf Kupitza and Thomas Ochs and Michael Wust**
(45) Registration Date: **25 March 2013**
(30) Convention priority data:
(31) Number (32) Date (33) Country
001335236 04 Jul 2012 OFFICE FOR HARMONISATION IN THE INTERNAL MARKET (OHIM)
(56) Related Art Documents: **Not Applicable**
(57) Statement of Newness and Distinctiveness: **Newness and distinctiveness is claimed in the features of shape and/or configuration of a Driver's cabin for a vehicle as illustrated in the accompanying representations.**



- (21) Design Number: **10081/2013**
(22) Date of Filing Application: **03 January 2013**
(24) Date from which industrial property rights may have effect: **03 January 2013**
(54) Product in respect of which the design is registered: **Driver's cabin for a vehicle**
(51) International Design Classification: **12-08**
(74) Name(s) of Attorney(s): **SPRUSON & FERGUSON**
(71) Name(s) and Address(s) of Applicant(s):
MAN Truck & Bus AG
Dachhauer Str. 667 80995 Munchen Germany
(72) Name(s) of Designer(s): **Holger Koos and Ingo von Bargaen and Marc Schippling and Dieter Blum and Roger Mohr and Rudolf Kupitza and Thomas Ochs and Michael Wust**
(45) Registration Date: **25 March 2013**
(30) Convention priority data:
(31) Number (32) Date (33) Country
001335236 04 Jul 2012 OFFICE FOR HARMONISATION IN THE INTERNAL MARKET (OHIM)
(56) Related Art Documents: **Not Applicable**
(57) Statement of Newness and Distinctiveness: **Newness and distinctiveness is claimed in the features of shape and/or configuration of a Driver's cabin for a vehicle as illustrated in the accompanying representations.**



- (21) Design Number: **10085/2013**
(22) Date of Filing Application: **03 January 2013**
(24) Date from which industrial property rights may have effect: **03 January 2013**
(54) Product in respect of which the design is registered: **Driver's cabin for a vehicle**
(51) International Design Classification: **12-08**
(74) Name(s) of Attorney(s): **SPRUSON & FERGUSON**
(71) Name(s) and Address(s) of Applicant(s):
MAN Truck & Bus AG
Dachhauer Str. 667 80995 Munchen Germany
(72) Name(s) of Designer(s): **Holger Koos and Ingo von Bargaen and Marc Schippling and Dieter Blum and Roger Mohr and Rudolf Kupitza and Thomas Ochs and Michael Wust**
(45) Registration Date: **25 March 2013**
(30) Convention priority data:
(31) Number (32) Date (33) Country
001335236 04 Jul 2012 OFFICE FOR HARMONISATION IN THE INTERNAL MARKET (OHIM)
(56) Related Art Documents: **Not Applicable**
(57) Statement of Newness and Distinctiveness: **Newness and distinctiveness is claimed in the features of shape and/or configuration of a Driver's cabin for a vehicle as illustrated in the accompanying representations.**



- (21) Design Number: **10086/2013**
(22) Date of Filing Application: **03 January 2013**
(24) Date from which industrial property rights may have effect: **03 January 2013**
(54) Product in respect of which the design is registered: **Driver's cabin for a vehicle**
(51) International Design Classification: **12-08**
(74) Name(s) of Attorney(s): **SPRUSON & FERGUSON**
(71) Name(s) and Address(s) of Applicant(s):
MAN Truck & Bus AG
Dachhauer Str. 667 80995 Munchen Germany
(72) Name(s) of Designer(s): **Holger Koos and Ingo von Bargaen and Marc Schippling and Dieter Blum and Roger Mohr and Rudolf Kupitza and Thomas Ochs and Michael Wust**
(45) Registration Date: **25 March 2013**
(30) Convention priority data:
(31) Number (32) Date (33) Country
001335236 04 Jul 2012 OFFICE FOR HARMONISATION IN THE INTERNAL MARKET (OHIM)
(56) Related Art Documents: **Not Applicable**
(57) Statement of Newness and Distinctiveness: **Newness and distinctiveness is claimed in the features of shape and/or configuration of a Driver's cabin for a vehicle as illustrated in the accompanying representations.**



- (21) Design Number: **10091/2013**
(22) Date of Filing Application: **03 January 2013**
(24) Date from which industrial property rights may have effect: **03 January 2013**
(54) Product in respect of which the design is registered: **Driver's cabin for a vehicle**
(51) International Design Classification: **12-08**
(74) Name(s) of Attorney(s): **SPRUSON & FERGUSON**
(71) Name(s) and Address(s) of Applicant(s):
MAN Truck & Bus AG
Dachhauer Str. 667 80995 Munchen Germany
(72) Name(s) of Designer(s): **Holger Koos and Ingo von Bargaen and Marc Schippling and Dieter Blum and Roger Mohr and Rudolf Kupitza and Thomas Ochs and Michael Wust**
(45) Registration Date: **25 March 2013**
(30) Convention priority data:
(31) Number (32) Date (33) Country
001335236 04 Jul 2012 OFFICE FOR HARMONISATION IN THE INTERNAL MARKET (OHIM)
(56) Related Art Documents: **Not Applicable**
(57) Statement of Newness and Distinctiveness: **Newness and distinctiveness is claimed in the features of shape and/or configuration of a Driver's cabin for a vehicle as illustrated in the accompanying representations.**



- (21) Design Number: **10092/2013**
(22) Date of Filing Application: **03 January 2013**
(24) Date from which industrial property rights may have effect: **03 January 2013**
(54) Product in respect of which the design is registered: **Driver's cabin for a vehicle**
(51) International Design Classification: **12-08**
(74) Name(s) of Attorney(s): **SPRUSON & FERGUSON**
(71) Name(s) and Address(s) of Applicant(s):
MAN Truck & Bus AG
Dachhauer Str. 667 80995 Munchen Germany
(72) Name(s) of Designer(s): **Holger Koos and Ingo von Bargaen and Marc Schippling and Dieter Blum and Roger Mohr and Rudolf Kupitza and Thomas Ochs and Michael Wust**
(45) Registration Date: **25 March 2013**
(30) Convention priority data:
(31) Number (32) Date (33) Country
001335236 04 Jul 2012 OFFICE FOR HARMONISATION IN THE INTERNAL MARKET (OHIM)
(56) Related Art Documents: **Not Applicable**
(57) Statement of Newness and Distinctiveness: **Newness and distinctiveness is claimed in the features of shape and/or configuration of a Driver's cabin for a vehicle as illustrated in the accompanying representations.**



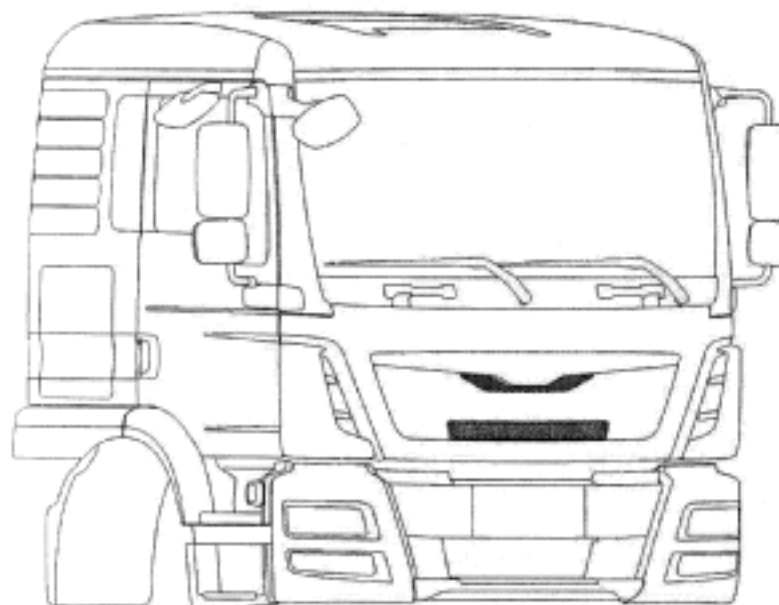
- (21) Design Number: **10093/2013**
(22) Date of Filing Application: **03 January 2013**
(24) Date from which industrial property rights may have effect: **03 January 2013**
(54) Product in respect of which the design is registered: **Driver's cabin for a vehicle**
(51) International Design Classification: **12-08**
(74) Name(s) of Attorney(s): **SPRUSON & FERGUSON**
(71) Name(s) and Address(s) of Applicant(s):
MAN Truck & Bus AG
Dachhauer Str. 667 80995 Munchen Germany
(72) Name(s) of Designer(s): **Holger Koos and Ingo von Bargaen and Marc Schippling and Dieter Blum and Roger Mohr and Rudolf Kupitza and Thomas Ochs and Michael Wust**
(45) Registration Date: **25 March 2013**
(30) Convention priority data:
(31) Number (32) Date (33) Country
001335236 04 Jul 2012 OFFICE FOR HARMONISATION IN THE INTERNAL MARKET (OHIM)
(56) Related Art Documents: **Not Applicable**
(57) Statement of Newness and Distinctiveness: **Newness and distinctiveness is claimed in the features of shape and/or configuration of a Driver's cabin for a vehicle as illustrated in the accompanying representations.**



- (21) Design Number: **10059/2013**
(22) Date of Filing Application: **03 January 2013**
(24) Date from which industrial property rights may have effect: **03 January 2013**
(54) Product in respect of which the design is registered: **Driver's cabin for a vehicle**
(51) International Design Classification: **12-08**
(74) Name(s) of Attorney(s): **SPRUSON & FERGUSON**
(71) Name(s) and Address(s) of Applicant(s):
MAN Truck & Bus AG
Dachhauer Str. 667 80995 Munchen Germany
(72) Name(s) of Designer(s): **Holger Koos and Ingo von Bargaen and Marc Schippling and Dieter Blum and Roger Mohr and Rudolf Kupitza and Thomas Ochs and Michael Wust**
(45) Registration Date: **25 March 2013**
(30) Convention priority data:
(31) Number (32) Date (33) Country
001335236 04 Jul 2012 OFFICE FOR HARMONISATION IN THE INTERNAL MARKET (OHIM)
(56) Related Art Documents: **Not Applicable**
(57) Statement of Newness and Distinctiveness: **Newness and distinctiveness is claimed in the features of shape and/or configuration of a driver's cabin for a vehicle as illustrated in the accompanying representations.**



- (21) Design Number: **10064/2013**
(22) Date of Filing Application: **03 January 2013**
(24) Date from which industrial property rights may have effect: **03 January 2013**
(54) Product in respect of which the design is registered: **Driver's cabin for a vehicle**
(51) International Design Classification: **12-08**
(74) Name(s) of Attorney(s): **SPRUSON & FERGUSON**
(71) Name(s) and Address(s) of Applicant(s):
MAN Truck & Bus AG
Dachhauer Str. 667 80995 Munchen Germany
(72) Name(s) of Designer(s): **Holger Koos and Ingo von Bargaen and Marc Schippling and Dieter Blum and Roger Mohr and Rudolf Kupitza and Thomas Ochs and Michael Wust**
(45) Registration Date: **25 March 2013**
(30) Convention priority data:
(31) Number (32) Date (33) Country
001335236 04 Jul 2012 OFFICE FOR HARMONISATION IN THE INTERNAL MARKET (OHIM)
(56) Related Art Documents: **Not Applicable**
(57) Statement of Newness and Distinctiveness: **Newness and distinctiveness is claimed in the features of shape and/or configuration of a driver's cabin for a vehicle as illustrated in the accompanying representations.**



- (21) Design Number: **10065/2013**
(22) Date of Filing Application: **03 January 2013**
(24) Date from which industrial property rights may have effect: **03 January 2013**
(54) Product in respect of which the design is registered: **Driver's cabin for a vehicle**
(51) International Design Classification: **12-08**
(74) Name(s) of Attorney(s): **SPRUSON & FERGUSON**
(71) Name(s) and Address(s) of Applicant(s):
MAN Truck & Bus AG
Dachhauer Str. 667 80995 Munchen Germany
(72) Name(s) of Designer(s): **Holger Koos and Ingo von Bargaen and Marc Schippling and Dieter Blum and Roger Mohr and Rudolf Kupitza and Thomas Ochs and Michael Wust**
(45) Registration Date: **25 March 2013**
(30) Convention priority data:
(31) Number (32) Date (33) Country
001335236 04 Jul 2012 OFFICE FOR HARMONISATION IN THE INTERNAL MARKET (OHIM)
(56) Related Art Documents: **Not Applicable**
(57) Statement of Newness and Distinctiveness: **Newness and distinctiveness is claimed in the features of shape and/or configuration of a driver's cabin for a vehicle as illustrated in the accompanying representations.**



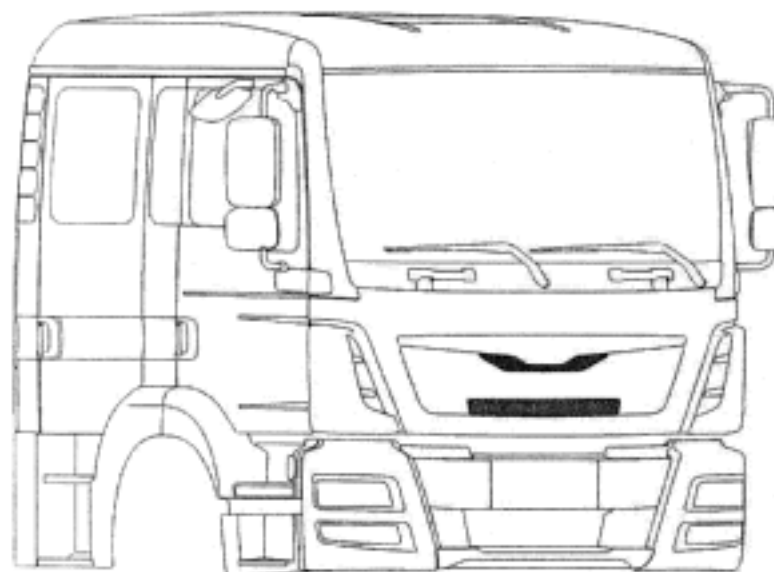
- (21) Design Number: **10066/2013**
(22) Date of Filing Application: **03 January 2013**
(24) Date from which industrial property rights may have effect: **03 January 2013**
(54) Product in respect of which the design is registered: **Driver's cabin for a vehicle**
(51) International Design Classification: **12-08**
(74) Name(s) of Attorney(s): **SPRUSON & FERGUSON**
(71) Name(s) and Address(s) of Applicant(s):
MAN Truck & Bus AG
Dachhauer Str. 667 80995 Munchen Germany
(72) Name(s) of Designer(s): **Holger Koos and Ingo von Bargaen and Marc Schippling and Dieter Blum and Roger Mohr and Rudolf Kupitza and Thomas Ochs and Michael Wust**
(45) Registration Date: **25 March 2013**
(30) Convention priority data:
(31) Number (32) Date (33) Country
001335236 04 Jul 2012 OFFICE FOR HARMONISATION IN THE INTERNAL MARKET (OHIM)
(56) Related Art Documents: **Not Applicable**
(57) Statement of Newness and Distinctiveness: **Newness and distinctiveness is claimed in the features of shape and/or configuration of a driver's cabin for a vehicle as illustrated in the accompanying representations.**



- (21) Design Number: **10067/2013**
(22) Date of Filing Application: **03 January 2013**
(24) Date from which industrial property rights may have effect: **03 January 2013**
(54) Product in respect of which the design is registered: **Driver's cabin for a vehicle**
(51) International Design Classification: **12-08**
(74) Name(s) of Attorney(s): **SPRUSON & FERGUSON**
(71) Name(s) and Address(s) of Applicant(s):
MAN Truck & Bus AG
Dachhauer Str. 667 80995 Munchen Germany
(72) Name(s) of Designer(s): **Holger Koos and Ingo von Bargaen and Marc Schippling and Dieter Blum and Roger Mohr and Rudolf Kupitza and Thomas Ochs and Michael Wust**
(45) Registration Date: **25 March 2013**
(30) Convention priority data:
(31) Number (32) Date (33) Country
001335236 04 Jul 2012 OFFICE FOR HARMONISATION IN THE INTERNAL MARKET (OHIM)
(56) Related Art Documents: **Not Applicable**
(57) Statement of Newness and Distinctiveness: **Newness and distinctiveness is claimed in the features of shape and/or configuration of a driver's cabin for a vehicle as illustrated in the accompanying representations.**



- (21) Design Number: **10068/2013**
(22) Date of Filing Application: **03 January 2013**
(24) Date from which industrial property rights may have effect: **03 January 2013**
(54) Product in respect of which the design is registered: **Driver's cabin for a vehicle**
(51) International Design Classification: **12-08**
(74) Name(s) of Attorney(s): **SPRUSON & FERGUSON**
(71) Name(s) and Address(s) of Applicant(s):
MAN Truck & Bus AG
Dachhauer Str. 667 80995 Munchen Germany
(72) Name(s) of Designer(s): **Holger Koos and Ingo von Bargaen and Marc Schippling and Dieter Blum and Roger Mohr and Rudolf Kupitza and Thomas Ochs and Michael Wust**
(45) Registration Date: **25 March 2013**
(30) Convention priority data:
(31) Number (32) Date (33) Country
001335236 04 Jul 2012 OFFICE FOR HARMONISATION IN THE INTERNAL MARKET (OHIM)
(56) Related Art Documents: **Not Applicable**
(57) Statement of Newness and Distinctiveness: **Newness and distinctiveness is claimed in the features of shape and/or configuration of a driver's cabin for a vehicle as illustrated in the accompanying representations.**



- (21) Design Number: **10069/2013**
(22) Date of Filing Application: **03 January 2013**
(24) Date from which industrial property rights may have effect: **03 January 2013**
(54) Product in respect of which the design is registered: **Driver's cabin for a vehicle**
(51) International Design Classification: **12-08**
(74) Name(s) of Attorney(s): **SPRUSON & FERGUSON**
(71) Name(s) and Address(s) of Applicant(s):
MAN Truck & Bus AG
Dachhauer Str. 667 80995 Munchen Germany
(72) Name(s) of Designer(s): **Holger Koos and Ingo von Bargaen and Marc Schippling and Dieter Blum and Roger Mohr and Rudolf Kupitza and Thomas Ochs and Michael Wust**
(45) Registration Date: **25 March 2013**
(30) Convention priority data:
(31) Number (32) Date (33) Country
001335236 04 Jul 2012 OFFICE FOR HARMONISATION IN THE INTERNAL MARKET (OHIM)
(56) Related Art Documents: **Not Applicable**
(57) Statement of Newness and Distinctiveness: **Newness and distinctiveness is claimed in the features of shape and/or configuration of a driver's cabin for a vehicle as illustrated in the accompanying representations.**



- (21) Design Number: **10070/2013**
(22) Date of Filing Application: **03 January 2013**
(24) Date from which industrial property rights may have effect: **03 January 2013**
(54) Product in respect of which the design is registered: **Driver's cabin for a vehicle**
(51) International Design Classification: **12-08**
(74) Name(s) of Attorney(s): **SPRUSON & FERGUSON**
(71) Name(s) and Address(s) of Applicant(s):
MAN Truck & Bus AG
Dachhauer Str. 667 80995 Munchen Germany
(72) Name(s) of Designer(s): **Holger Koos and Ingo von Bargaen and Marc Schippling and Dieter Blum and Roger Mohr and Rudolf Kupitza and Thomas Ochs and Michael Wust**
(45) Registration Date: **25 March 2013**
(30) Convention priority data:
(31) Number (32) Date (33) Country
001335236 04 Jul 2012 OFFICE FOR HARMONISATION IN THE INTERNAL MARKET (OHIM)
(56) Related Art Documents: **Not Applicable**
(57) Statement of Newness and Distinctiveness: **Newness and distinctiveness is claimed in the features of shape and/or configuration of a driver's cabin for a vehicle as illustrated in the accompanying representations.**



- (21) Design Number: **10076/2013**
(22) Date of Filing Application: **03 January 2013**
(24) Date from which industrial property rights may have effect: **03 January 2013**
(54) Product in respect of which the design is registered: **Driver's cabin for a vehicle**
(51) International Design Classification: **12-08**
(74) Name(s) of Attorney(s): **SPRUSON & FERGUSON**
(71) Name(s) and Address(s) of Applicant(s):
MAN Truck & Bus AG
Dachhauer Str. 667 80995 Munchen Germany
(72) Name(s) of Designer(s): **Holger Koos and Ingo von Bargaen and Marc Schippling and Dieter Blum and Roger Mohr and Rudolf Kupitza and Thomas Ochs and Michael Wust**
(45) Registration Date: **25 March 2013**
(30) Convention priority data:
(31) Number (32) Date (33) Country
001335236 04 Jul 2012 OFFICE FOR HARMONISATION IN THE INTERNAL MARKET (OHIM)
(56) Related Art Documents: **Not Applicable**
(57) Statement of Newness and Distinctiveness: **Newness and distinctiveness is claimed in the features of shape and/or configuration of a driver's cabin for a vehicle as illustrated in the accompanying representations.**



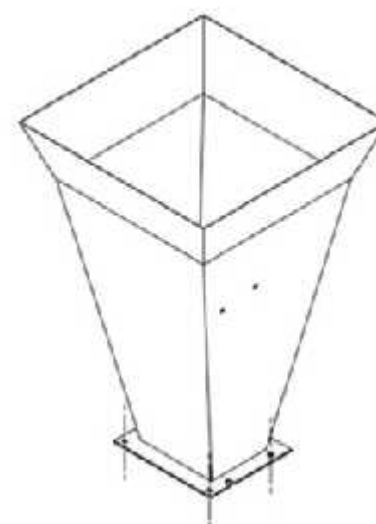
- (21) Design Number: **10077/2013**
(22) Date of Filing Application: **03 January 2013**
(24) Date from which industrial property rights may have effect: **03 January 2013**
(54) Product in respect of which the design is registered: **Driver's cabin for a vehicle**
(51) International Design Classification: **12-08**
(74) Name(s) of Attorney(s): **SPRUSON & FERGUSON**
(71) Name(s) and Address(s) of Applicant(s):
MAN Truck & Bus AG
Dachhauer Str. 667 80995 Munchen Germany
(72) Name(s) of Designer(s): **Holger Koos and Ingo von Bargaen and Marc Schippling and Dieter Blum and Roger Mohr and Rudolf Kupitza and Thomas Ochs and Michael Wust**
(45) Registration Date: **25 March 2013**
(30) Convention priority data:
(31) Number (32) Date (33) Country
001335236 04 Jul 2012 OFFICE FOR HARMONISATION IN THE INTERNAL MARKET (OHIM)
(56) Related Art Documents: **Not Applicable**
(57) Statement of Newness and Distinctiveness: **Newness and distinctiveness is claimed in the features of shape and/or configuration of a driver's cabin for a vehicle as illustrated in the accompanying representations.**



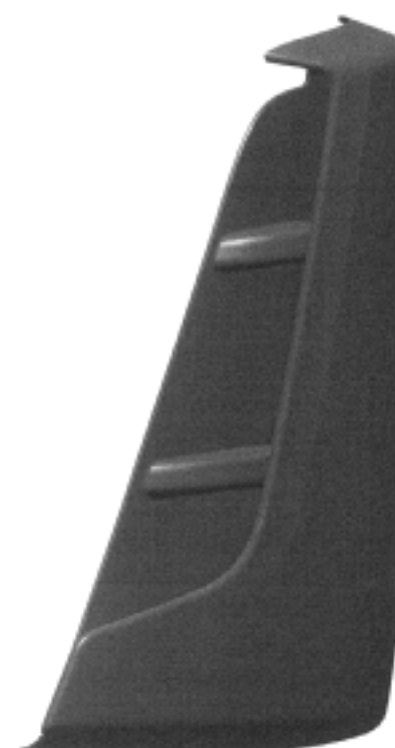
- (21) Design Number: **10079/2013**
(22) Date of Filing Application: **03 January 2013**
(24) Date from which industrial property rights may have effect: **03 January 2013**
(54) Product in respect of which the design is registered: **Driver's cabin for a vehicle**
(51) International Design Classification: **12-08**
(74) Name(s) of Attorney(s): **SPRUSON & FERGUSON**
(71) Name(s) and Address(s) of Applicant(s):
MAN Truck & Bus AG
Dachhauer Str. 667 80995 Munchen Germany
(72) Name(s) of Designer(s): **Holger Koos and Ingo von Bargaen and Marc Schippling and Dieter Blum and Roger Mohr and Rudolf Kupitza and Thomas Ochs and Michael Wust**
(45) Registration Date: **25 March 2013**
(30) Convention priority data:
(31) Number (32) Date (33) Country
001335236 04 Jul 2012 OFFICE FOR HARMONISATION IN THE INTERNAL MARKET (OHIM)
(56) Related Art Documents: **Not Applicable**
(57) Statement of Newness and Distinctiveness: **Newness and distinctiveness is claimed in the features of shape and/or configuration of a Driver's cabin for a vehicle as illustrated in the accompanying representations.**



- (21) Design Number: **15704/2012**
(22) Date of Filing Application: **19 November 2012**
(24) Date from which industrial property rights may have effect: **19 November 2012**
(54) Product in respect of which the design is registered: **Garden mulcher, wood chipper**
(51) International Design Classification: **15-03NES**
(74) Name(s) of Attorney(s):
(71) Name(s) and Address(s) of Applicant(s):
bigger boyz toyz australia Pty limited
PO BOX 3291 Robertson NSW 2577 Australia
(72) Name(s) of Designer(s): **Matt Wilson**
(45) Registration Date: **26 March 2013**
(56) Related Art Documents: **Not Applicable**
(57) Statement of Newness and Distinctiveness: **The newness and distinctiveness of the design resides in the shape of the mulching chute of the mulcher as shown in the distinct shape in the accompanying representations. The broken lines are not part of the design and are to be disregarded when considering the overall impression of the design.**



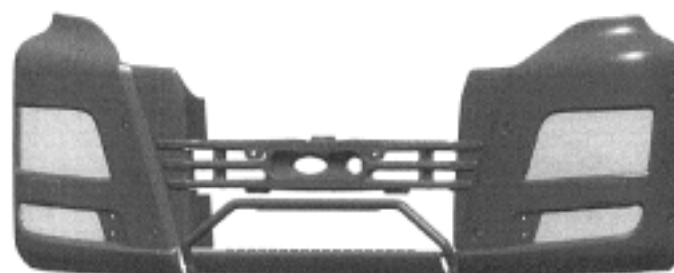
- (21) Design Number: **10033/2013**
(22) Date of Filing Application: **03 January 2013**
(24) Date from which industrial property rights may have effect: **03 January 2013**
(54) Product in respect of which the design is registered: **Corner panel for a vehicle**
(51) International Design Classification: **12-16B**
(74) Name(s) of Attorney(s): **SPRUSON & FERGUSON**
(71) Name(s) and Address(s) of Applicant(s):
MAN Truck & Bus AG
Dachhauer Str. 667 80995 Munchen Germany
(72) Name(s) of Designer(s): **Holger Koos and Ingo von Bargaen and Marc Schippling and Dieter Blum and Roger Mohr and Rudolf Kupitza and Thomas Ochs and Michael Wust**
(45) Registration Date: **26 March 2013**
(30) Convention priority data:
(31) Number (32) Date (33) Country
**001335210 04 Jul 2012 OFFICE FOR HARMONISATION IN
THE INTERNAL MARKET (OHIM)**
(56) Related Art Documents: **Not Applicable**
(57) Statement of Newness and Distinctiveness: **Newness and distinctiveness is claimed in the features of shape and/or configuration of a corner panel for a vehicle as illustrated in the accompanying representations.**



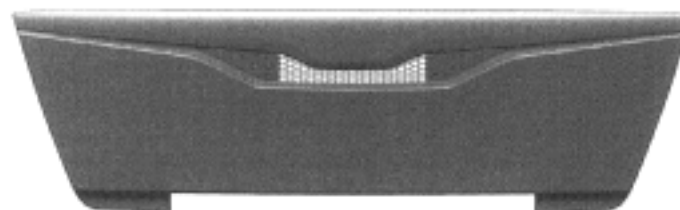
- (21) Design Number: **10039/2013**
(22) Date of Filing Application: **03 January 2013**
(24) Date from which industrial property rights may have effect: **03 January 2013**
(54) Product in respect of which the design is registered: **Corner panel for a vehicle**
(51) International Design Classification: **12-16B**
(74) Name(s) of Attorney(s): **SPRUSON & FERGUSON**
(71) Name(s) and Address(s) of Applicant(s):
MAN Truck & Bus AG
Dachhauer Str. 667 80995 Munchen Germany
(72) Name(s) of Designer(s): **Holger Koos and Ingo von Bargaen and Marc Schippling and Dieter Blum and Roger Mohr and Rudolf Kupitza and Thomas Ochs and Michael Wust**
(45) Registration Date: **26 March 2013**
(30) Convention priority data:
(31) Number (32) Date (33) Country
001335210 04 Jul 2012 OFFICE FOR HARMONISATION IN THE INTERNAL MARKET (OHIM)
(56) Related Art Documents: **Not Applicable**
(57) Statement of Newness and Distinctiveness: **Newness and distinctiveness is claimed in the features of shape and/or configuration of a corner panel as illustrated with darker shading in the accompanying representations.**



- (21) Design Number: **10049/2013**
(22) Date of Filing Application: **03 January 2013**
(24) Date from which industrial property rights may have effect: **03 January 2013**
(54) Product in respect of which the design is registered: **Grille for a vehicle**
(51) International Design Classification: **12-16B**
(74) Name(s) of Attorney(s): **SPRUSON & FERGUSON**
(71) Name(s) and Address(s) of Applicant(s):
MAN Truck & Bus AG
Dachhauer Str. 667 80995 Munchen Germany
(72) Name(s) of Designer(s): **Holger Koos and Ingo von Bargaen and Marc Schippling and Dieter Blum and Roger Mohr and Rudolf Kupitza and Thomas Ochs and Michael Wust**
(45) Registration Date: **26 March 2013**
(30) Convention priority data:
(31) Number (32) Date (33) Country
001335210 04 Jul 2012 OFFICE FOR HARMONISATION IN THE INTERNAL MARKET (OHIM)
(56) Related Art Documents: **Not Applicable**
(57) Statement of Newness and Distinctiveness: **Newness and distinctiveness is claimed in the features of shape and/or configuration of a grille for a vehicle as illustrated in the accompanying representations.**



(21) Design Number: **10051/2013**
(22) Date of Filing Application: **03 January 2013**
(24) Date from which industrial property rights may have effect: **03 January 2013**
(54) Product in respect of which the design is registered: **Grille for a vehicle**
(51) International Design Classification: **12-16B**
(74) Name(s) of Attorney(s): **SPRUSON & FERGUSON**
(71) Name(s) and Address(s) of Applicant(s):
MAN Truck & Bus AG
Dachhauer Str. 667 80995 Munchen Germany
(72) Name(s) of Designer(s): **Holger Koos and Ingo von Bargaen and Marc Schippling and Dieter Blum and Roger Mohr and Rudolf Kupitza and Thomas Ochs and Michael Wust**
(45) Registration Date: **26 March 2013**
(30) Convention priority data:
(31) Number (32) Date (33) Country
001335210 04 Jul 2012 OFFICE FOR HARMONISATION IN THE INTERNAL MARKET (OHIM)
(56) Related Art Documents: **Not Applicable**
(57) Statement of Newness and Distinctiveness: **Newness and distinctiveness is claimed in the features of shape and/or configuration of a grille for a vehicle as illustrated in the accompanying representations.**



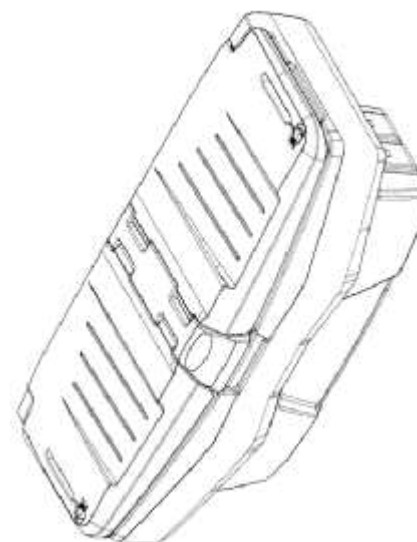
(21) Design Number: **10055/2013**
(22) Date of Filing Application: **03 January 2013**
(24) Date from which industrial property rights may have effect: **03 January 2013**
(54) Product in respect of which the design is registered: **Driver's cabin for a vehicle**
(51) International Design Classification: **12-08**
(74) Name(s) of Attorney(s): **SPRUSON & FERGUSON**
(71) Name(s) and Address(s) of Applicant(s):
MAN Truck & Bus AG
Dachhauer Str. 667 80995 Munchen Germany
(72) Name(s) of Designer(s): **Holger Koos and Ingo von Bargaen and Marc Schippling and Dieter Blum and Roger Mohr and Rudolf Kupitza and Thomas Ochs and Michael Wust**
(45) Registration Date: **26 March 2013**
(30) Convention priority data:
(31) Number (32) Date (33) Country
001335236 04 Jul 2012 OFFICE FOR HARMONISATION IN THE INTERNAL MARKET (OHIM)
(56) Related Art Documents: **Not Applicable**
(57) Statement of Newness and Distinctiveness: **Newness and distinctiveness is claimed in the features of shape and/or configuration of a driver's cabin for a vehicle as illustrated in the accompanying representations.**



- (21) Design Number: **10201/2013**
(22) Date of Filing Application: **15 January 2013**
(24) Date from which industrial property rights may have effect: **15 January 2013**
(54) Product in respect of which the design is registered: **Koala fridge magnet with bottle opener**
(51) International Design Classification: **11-02E**
(74) Name(s) of Attorney(s):
(71) Name(s) and Address(s) of Applicant(s):
Australia United Pty Ltd
106 Redfern St Wetherill Park NSW 2164 Australia
(72) Name(s) of Designer(s): **Frank Mao**
(45) Registration Date: **26 March 2013**
(56) Related Art Documents: **Not Applicable**
(57) Statement of Newness and Distinctiveness: **It is a Koala Fridge Magnet with the hollow Koala face being a bottle opener.**



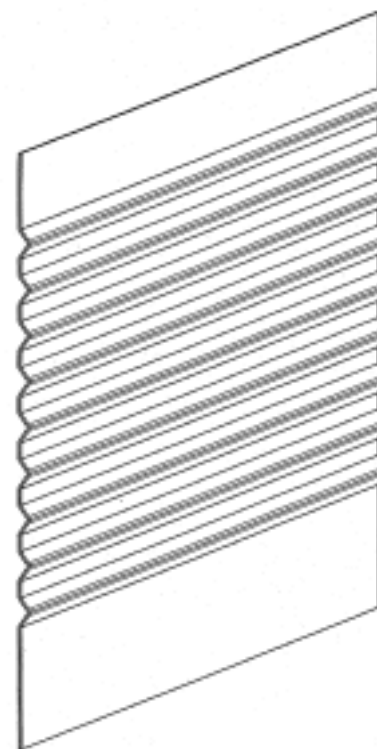
- (21) Design Number: **10317/2013**
(22) Date of Filing Application: **22 January 2013**
(24) Date from which industrial property rights may have effect: **22 January 2013**
(54) Product in respect of which the design is registered: **Vehicle utility box**
(51) International Design Classification: **12-16K**
(74) Name(s) of Attorney(s): **Wrays**
(71) Name(s) and Address(s) of Applicant(s):
Aeroklas Company Limited
111/1 111/10 Moo 2 Tambol Makham-Khoo Amphoe Nikompattana
Rayong 21180 Thailand
(72) Name(s) of Designer(s): **Ekawat Vitoorapakorn and Supawadee Vitoorapakorn**
(45) Registration Date: **26 March 2013**
(30) Convention priority data:
(31) Number (32) Date (33) Country
1202002024 01 Aug 2012 THAILAND
(56) Related Art Documents: **Not Applicable**
(57) Statement of Newness and Distinctiveness: **Newness and distinctiveness is claimed in the features of shape and/or configuration of the vehicle utility box depicted in the accompanying representations.**



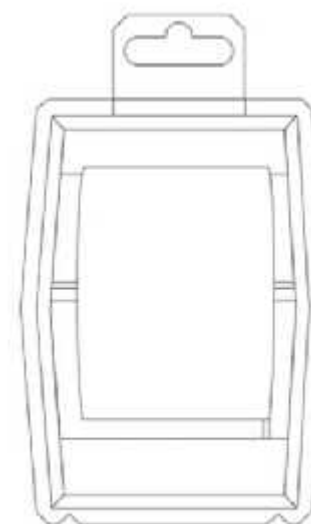
- (21) Design Number: **10335/2013**
(22) Date of Filing Application: **22 January 2013**
(24) Date from which industrial property rights may have effect: **22 January 2013**
(54) Product in respect of which the design is registered: **A knife sharpener**
(51) International Design Classification: **08-05H**
(74) Name(s) of Attorney(s): **SPRUSON & FERGUSON**
(71) Name(s) and Address(s) of Applicant(s):
Take Two Marketing and Events Pty Ltd
SE301 L3 209 Oxford St Bondi Junction NSW 2022 Australia
(72) Name(s) of Designer(s): **Shyh Biau Wu**
(45) Registration Date: **26 March 2013**
(56) Related Art Documents: **Not Applicable**
(57) Statement of Newness and Distinctiveness: **Newness and distinctiveness is claimed in the features of shape and/or configuration of a knife sharpener as illustrated in the accompanying representations, with particular regard given to the deburring plate located on the top surface.**



- (21) Design Number: **10357/2013**
(22) Date of Filing Application: **23 January 2013**
(24) Date from which industrial property rights may have effect: **23 January 2013**
(54) Product in respect of which the design is registered: **Paint roller ramp**
(51) International Design Classification: **08-05L**
(74) Name(s) of Attorney(s): **Sandercock & Cowie**
(71) Name(s) and Address(s) of Applicant(s):
Naser Abd Al Hamid Farrag
180B Sladen St Cranbourne VIC 3977 Australia
Sarah Naser Abd Alhamid Farrag
180B Sladen St Cranbourne VIC 3977 Australia
(72) Name(s) of Designer(s): **Naser Abd Al Hamid Farrag**
(45) Registration Date: **26 March 2013**
(56) Related Art Documents: **Not Applicable**
(57) Statement of Newness and Distinctiveness: **Newness and distinctiveness reside in the features of shape and configuration of the paint roller ramp as shown in the accompanying representations.**



(21) Design Number: **10411/2013**
(22) Date of Filing Application: **29 January 2013**
(24) Date from which industrial property rights may have effect: **29 January 2013**
(54) Product in respect of which the design is registered: **A box**
(51) International Design Classification: **09-03NES**
(74) Name(s) of Attorney(s): **Collison & Co**
(71) Name(s) and Address(s) of Applicant(s):
Thomas Scott Farnen
Unit 9-10 15/F Tower One Ever Gain Plaza No. 88 Container Port Road
Kwai Chung New Territories Hong Kong
(72) Name(s) of Designer(s): **Thomas Scott Farnen**
(45) Registration Date: **26 March 2013**
(56) Related Art Documents: **Not Applicable**
(57) Statement of Newness and Distinctiveness: **Nil**



(21) Design Number: **10438/2013**
(22) Date of Filing Application: **30 January 2013**
(24) Date from which industrial property rights may have effect: **30 January 2013**
(54) Product in respect of which the design is registered: **Bread maker**
(51) International Design Classification: **31-00**
(74) Name(s) of Attorney(s): **Griffith Hack**
(71) Name(s) and Address(s) of Applicant(s):
Guangdong Xinbao Electrical Appliances Holdings Co., Ltd
Zhenghenan Road Leliu Town Shunde District Foshan City Guangdong
Province 528322 China
(72) Name(s) of Designer(s): **Jiangang Guo and Shengxia Chen and Longhui Chen**
(45) Registration Date: **26 March 2013**
(30) Convention priority data:
(31) Number (32) Date (33) Country
201230442941.2 17 Sep 2012 CHINA
(56) Related Art Documents: **Not Applicable**
(57) Statement of Newness and Distinctiveness: **Newness and distinctiveness resides in the visual features, including shape and configuration, of a BREAD MAKER as shown in the accompanying representations. When determining whether the design is substantially similar in overall impression to another design, no regard is to be had to the alpha-numeric characters as shown on the BREAD MAKER in the accompanying representations, which alpha-numeric characters are provided for illustrative purposes only.**



(21) Design Number: **10439/2013**

(22) Date of Filing Application: **30 January 2013**

(24) Date from which industrial property rights may have effect: **30 January 2013**

(54) Product in respect of which the design is registered: **Tyre**

(51) International Design Classification: **12-15B**

(74) Name(s) of Attorney(s): **Griffith Hack**

(71) Name(s) and Address(s) of Applicant(s):

**Continental Reifen Deutschland GmbH
Vahrenwalderstrasse 9 Hannover 30165 Germany**

(72) Name(s) of Designer(s): **Thomas Buchinger-Barnstorf and Florian Kristen**

(45) Registration Date: **26 March 2013**

(30) Convention priority data:

(31) Number	(32) Date	(33) Country
002103895-0001	17 Sep 2012	EUROPEAN PATENT OFFICE (EPO)

(56) Related Art Documents: **Not Applicable**

(57) Statement of Newness and Distinctiveness: **Newness and distinctiveness resides in the visual features, including shape, configuration and pattern, of a tread for a TYRE as shown in the accompanying representations.**



(21) Design Number: **10486/2013**

(22) Date of Filing Application: **30 January 2013**

(24) Date from which industrial property rights may have effect: **30 January 2013**

(54) Product in respect of which the design is registered: **A line clamp**

(51) International Design Classification: **13-02**

(74) Name(s) of Attorney(s): **Halfords IP**

(71) Name(s) and Address(s) of Applicant(s):

**Gallagher Group Limited
181 Kahikatea Drive Melville Hamilton 3206 New Zealand**

(72) Name(s) of Designer(s): **Michael Bryan WILLIAMS**

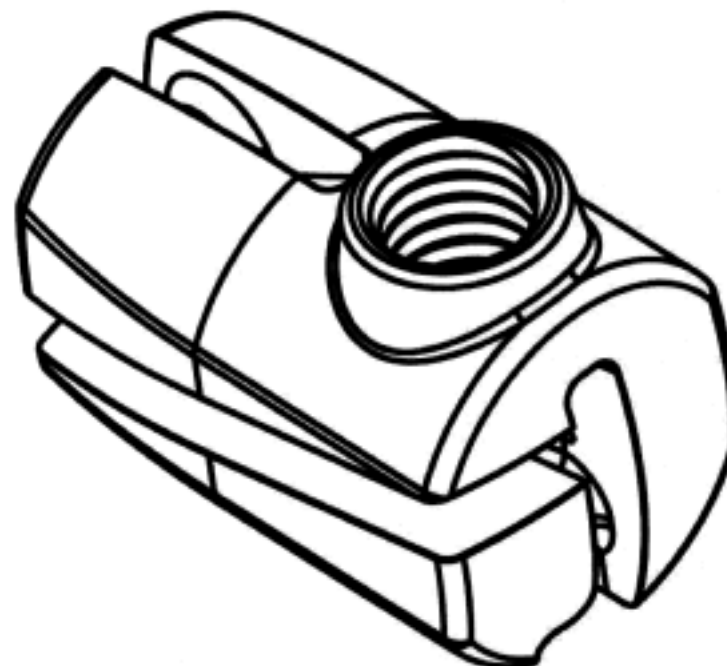
(45) Registration Date: **26 March 2013**

(30) Convention priority data:

(31) Number	(32) Date	(33) Country
416548	30 Jul 2012	NEW ZEALAND

(56) Related Art Documents: **Not Applicable**

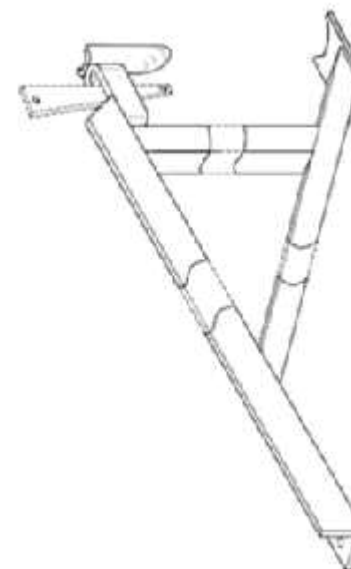
(57) Statement of Newness and Distinctiveness: **Newness and Distinctiveness is claimed in those features of shape and or configuration of a Line Clamp as depicted in the accompanying representations.**



- (21) Design Number: **10782/2013**
(22) Date of Filing Application: **19 February 2013**
(24) Date from which industrial property rights may have effect: **19 February 2013**
(54) Product in respect of which the design is registered: **Safety razor**
(51) International Design Classification: **28-03A**
(74) Name(s) of Attorney(s): **Halfords IP**
(71) Name(s) and Address(s) of Applicant(s):
Eveready Battery Company, Inc.
533 Maryville University Drive St Louis Missouri 63141 United States of America
(72) Name(s) of Designer(s): **Sean Lukan**
(45) Registration Date: **26 March 2013**
(30) Convention priority data:
(31) Number (32) Date (33) Country
29/430898 31 Aug 2012 UNITED STATES OF AMERICA
(56) Related Art Documents: **Not Applicable**
(57) Statement of Newness and Distinctiveness: **Newness and Distinctiveness is claimed in those features of shape and or configuration of a safety razor as depicted in the representations.**



- (21) Design Number: **10788/2013**
(22) Date of Filing Application: **19 February 2013**
(24) Date from which industrial property rights may have effect: **19 February 2013**
(54) Product in respect of which the design is registered: **A set of scaffold support brackets**
(51) International Design Classification: **25-04**
(74) Name(s) of Attorney(s): **Shelston IP**
(71) Name(s) and Address(s) of Applicant(s):
4 Ken Pty Ltd
24 Byrne St Auburn NSW 2144 Australia
(72) Name(s) of Designer(s): **Kenneth Alan Cox**
(45) Registration Date: **26 March 2013**
(56) Related Art Documents: **Not Applicable**
(57) Statement of Newness and Distinctiveness: **Newness and distinctiveness reside in the features of shape and/or configuration of a matching set of scaffold support brackets of substantially indefinite length, as illustrated by solid lines in the accompanying representations. The features shown in broken outline are for contextual purposes only and do not form part of the design.**



(21) Design Number: **11002/2013**

(22) Date of Filing Application: **03 March 2013**

(24) Date from which industrial property rights may have effect: **03 March 2013**

(54) Product in respect of which the design is registered: **Motor scooter crashbar**

(51) International Design Classification: **12-11, 12-16C**

(74) Name(s) of Attorney(s):

(71) Name(s) and Address(s) of Applicant(s):

Robert Hablot Browne

27 Boolagi Drive Wurtulla QLD 4575 Australia

(72) Name(s) of Designer(s): **Robert Hablot Browne**

(45) Registration Date: **26 March 2013**

(56) Related Art Documents: **Not Applicable**

(57) Statement of Newness and Distinctiveness: **New horizontally mounted circular shaped crashbar is 200mm (8") wider 150mm (6") longer than the scooter. It is designed to stop the scooter from falling to the road trapping your leg. It wraps around the rear wheel horizontally. It is fastened to the chassis strong points the crashbar is made of 25mm (1") 1.6 gauge s/steel tube. It doesn't interfere with the visibility of the number plate, stop & tail lights or blinkers. It is 31.5" (.8) mtr a & meets all the requirements of the Dept. of Transport.**



(21) Design Number: **14719/2012**

(22) Date of Filing Application: **21 September 2012**

(24) Date from which industrial property rights may have effect: **21 September 2012**

(54) Product in respect of which the design is registered: **Articles of clothing**

(51) International Design Classification: **02-02C**

(74) Name(s) of Attorney(s): **K&L Gates**

(71) Name(s) and Address(s) of Applicant(s):

Beba Enterprises Pty Ltd

34 Garden Street South Yarra Victoria 3141 Australia

(72) Name(s) of Designer(s): **Arthur Soetedja**

(45) Registration Date: **26 March 2013**

(56) Related Art Documents: **Not Applicable**

(57) Statement of Newness and Distinctiveness: **Nil**



(21) Design Number: **14873/2012**

(22) Date of Filing Application: **27 September 2012**

(24) Date from which industrial property rights may have effect: **27 September 2012**

(54) Product in respect of which the design is registered: **Left-side and right-side vehicle head lamp bezel**

(51) International Design Classification: **12-16E**

(74) Name(s) of Attorney(s): **K&L Gates**

(71) Name(s) and Address(s) of Applicant(s):

**GM Global Technology Operations LLC
300 Renaissance Centre City of Detroit State of Michigan 48265-3000
United States of America**

(72) Name(s) of Designer(s): **Justin Thompson**

(45) Registration Date: **26 March 2013**



(21) Design Number: **14874/2012**

(22) Date of Filing Application: **27 September 2012**

(24) Date from which industrial property rights may have effect: **27 September 2012**

(54) Product in respect of which the design is registered: **Vehicle front fascia**

(51) International Design Classification: **12-16B**

(74) Name(s) of Attorney(s): **K&L Gates**

(71) Name(s) and Address(s) of Applicant(s):

**GM Global Technology Operations LLC
300 Renaissance Centre City of Detroit State of Michigan 48265-3000
United States of America**

(72) Name(s) of Designer(s): **Andrew Harrison**

(45) Registration Date: **26 March 2013**

(56) Related Art Documents: **Not Applicable**

(57) Statement of Newness and Distinctiveness: **Nil**



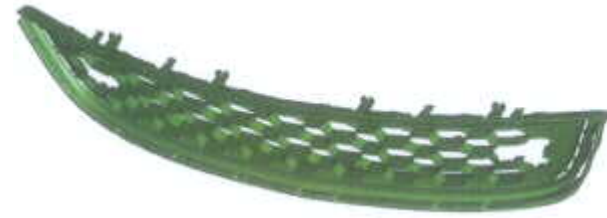
(21) Design Number: **14875/2012**
(22) Date of Filing Application: **27 September 2012**
(24) Date from which industrial property rights may have effect: **27 September 2012**
(54) Product in respect of which the design is registered: **Vehicle rear fascia**
(51) International Design Classification: **12-16B**
(74) Name(s) of Attorney(s): **K&L Gates**
(71) Name(s) and Address(s) of Applicant(s):
GM Global Technology Operations LLC
300 Renaissance Centre City of Detroit State of Michigan 48265-3000
United States of America
(72) Name(s) of Designer(s): **Andrew Harrison**
(45) Registration Date: **26 March 2013**
(56) Related Art Documents: **Not Applicable**
(57) Statement of Newness and Distinctiveness: **Nil**



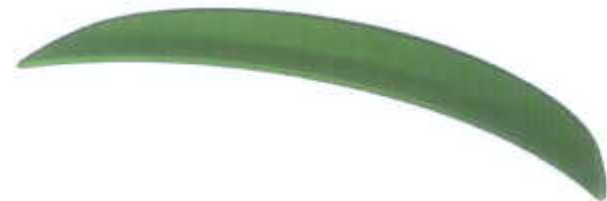
(21) Design Number: **14876/2012**
(22) Date of Filing Application: **27 September 2012**
(24) Date from which industrial property rights may have effect: **27 September 2012**
(54) Product in respect of which the design is registered: **Left-side and right-side vehicle head lamp outer lens**
(51) International Design Classification: **12-16E**
(74) Name(s) of Attorney(s): **K&L Gates**
(71) Name(s) and Address(s) of Applicant(s):
GM Global Technology Operations LLC
300 Renaissance Centre City of Detroit State of Michigan 48265-3000
United States of America
(72) Name(s) of Designer(s): **Justin Thompson**
(45) Registration Date: **26 March 2013**
(56) Related Art Documents: **Not Applicable**
(57) Statement of Newness and Distinctiveness: **Nil**



(21) Design Number: **14877/2012**
(22) Date of Filing Application: **27 September 2012**
(24) Date from which industrial property rights may have effect: **27 September 2012**
(54) Product in respect of which the design is registered: **Vehicle lower grille**
(51) International Design Classification: **12-16B**
(74) Name(s) of Attorney(s): **K&L Gates**
(71) Name(s) and Address(s) of Applicant(s):
GM Global Technology Operations LLC
300 Renaissance Centre City of Detroit State of Michigan 48265-3000
United States of America
(72) Name(s) of Designer(s): **Andrew Harrison**
(45) Registration Date: **26 March 2013**
(56) Related Art Documents: **Not Applicable**
(57) Statement of Newness and Distinctiveness: **Nil**



(21) Design Number: **14879/2012**
(22) Date of Filing Application: **27 September 2012**
(24) Date from which industrial property rights may have effect: **27 September 2012**
(54) Product in respect of which the design is registered: **Vehicle decklid lip spoiler**
(51) International Design Classification: **12-16B**
(74) Name(s) of Attorney(s): **K&L Gates**
(71) Name(s) and Address(s) of Applicant(s):
GM Global Technology Operations LLC
300 Renaissance Centre City of Detroit State of Michigan 48265-3000
United States of America
(72) Name(s) of Designer(s): **Peter Hughes**
(45) Registration Date: **26 March 2013**
(56) Related Art Documents: **Not Applicable**
(57) Statement of Newness and Distinctiveness: **Nil**



(21) Design Number: **14880/2012**
(22) Date of Filing Application: **27 September 2012**
(24) Date from which industrial property rights may have effect: **27 September 2012**
(54) Product in respect of which the design is registered: **Vehicle decklid wing spoiler**
(51) International Design Classification: **12-16B**
(74) Name(s) of Attorney(s): **K&L Gates**
(71) Name(s) and Address(s) of Applicant(s):
GM Global Technology Operations LLC
300 Renaissance Centre City of Detroit State of Michigan 48265-3000
United States of America
(72) Name(s) of Designer(s): **Peter Hughes**
(45) Registration Date: **26 March 2013**
(56) Related Art Documents: **Not Applicable**
(57) Statement of Newness and Distinctiveness: **Nil**



(21) Design Number: **14881/2012**
(22) Date of Filing Application: **27 September 2012**
(24) Date from which industrial property rights may have effect: **27 September 2012**
(54) Product in respect of which the design is registered: **Left-side and right-side vehicle DRL cover**
(51) International Design Classification: **12-16E**
(74) Name(s) of Attorney(s): **K&L Gates**
(71) Name(s) and Address(s) of Applicant(s):
GM Global Technology Operations LLC
300 Renaissance Centre City of Detroit State of Michigan 48265-3000
United States of America
(72) Name(s) of Designer(s): **Andrew Harrison**
(45) Registration Date: **26 March 2013**
(56) Related Art Documents: **Not Applicable**
(57) Statement of Newness and Distinctiveness: **Nil**



- (21) Design Number: **14882/2012**
(22) Date of Filing Application: **27 September 2012**
(24) Date from which industrial property rights may have effect: **27 September 2012**
(54) Product in respect of which the design is registered: **Left-side and right-side vehicle fender vent surround**
(51) International Design Classification: **12-16B**
(74) Name(s) of Attorney(s): **K&L Gates**
(71) Name(s) and Address(s) of Applicant(s):
GM Global Technology Operations LLC
300 Renaissance Centre City of Detroit State of Michigan 48265-3000
United States of America
(72) Name(s) of Designer(s): **Andrew Harrison**
(45) Registration Date: **26 March 2013**
(56) Related Art Documents: **Not Applicable**
(57) Statement of Newness and Distinctiveness: **Nil**



- (21) Design Number: **14883/2012**
(22) Date of Filing Application: **27 September 2012**
(24) Date from which industrial property rights may have effect: **27 September 2012**
(54) Product in respect of which the design is registered: **Vehicle upper grille surround**
(51) International Design Classification: **12-16NES**
(74) Name(s) of Attorney(s): **K&L Gates**
(71) Name(s) and Address(s) of Applicant(s):
GM Global Technology Operations LLC
300 Renaissance Centre City of Detroit State of Michigan 48265-3000
United States of America
(72) Name(s) of Designer(s): **Andrew Harrison**
(45) Registration Date: **26 March 2013**
(56) Related Art Documents: **Not Applicable**
(57) Statement of Newness and Distinctiveness: **Nil**



-
- (21) Design Number: **14884/2012**
(22) Date of Filing Application: **27 September 2012**
(24) Date from which industrial property rights may have effect: **27 September 2012**
(54) Product in respect of which the design is registered: **Left-side and right-side vehicle decklid tail lamp**
(51) International Design Classification: **12-16E**
(74) Name(s) of Attorney(s): **K&L Gates**
(71) Name(s) and Address(s) of Applicant(s):
GM Global Technology Operations LLC
300 Renaissance Centre City of Detroit State of Michigan 48265-3000
United States of America
(72) Name(s) of Designer(s): **Justin Thompson**
(45) Registration Date: **26 March 2013**
(56) Related Art Documents: **Not Applicable**
(57) Statement of Newness and Distinctiveness: **Nil**



-
- (21) Design Number: **14885/2012**
(22) Date of Filing Application: **27 September 2012**
(24) Date from which industrial property rights may have effect: **27 September 2012**
(54) Product in respect of which the design is registered: **Left-side and right-side vehicle rear tail lamp**
(51) International Design Classification: **12-16E**
(74) Name(s) of Attorney(s): **K&L Gates**
(71) Name(s) and Address(s) of Applicant(s):
GM Global Technology Operations LLC
300 Renaissance Centre City of Detroit State of Michigan 48265-3000
United States of America
(72) Name(s) of Designer(s): **Justin Thompson**
(45) Registration Date: **26 March 2013**
(56) Related Art Documents: **Not Applicable**
(57) Statement of Newness and Distinctiveness: **Nil**



(21) Design Number: **14886/2012**
(22) Date of Filing Application: **27 September 2012**
(24) Date from which industrial property rights may have effect: **27 September 2012**
(54) Product in respect of which the design is registered: **Vehicle upper grille**
(51) International Design Classification: **12-16B**
(74) Name(s) of Attorney(s): **K&L Gates**
(71) Name(s) and Address(s) of Applicant(s):
GM Global Technology Operations LLC
300 Renaissance Centre City of Detroit State of Michigan 48265-3000
United States of America
(72) Name(s) of Designer(s): **Andrew Harrison**
(45) Registration Date: **26 March 2013**
(56) Related Art Documents: **Not Applicable**
(57) Statement of Newness and Distinctiveness: **Nil**



(21) Design Number: **14887/2012**
(22) Date of Filing Application: **27 September 2012**
(24) Date from which industrial property rights may have effect: **27 September 2012**
(54) Product in respect of which the design is registered: **Vehicle rear fascia valance**
(51) International Design Classification: **12-16B**
(74) Name(s) of Attorney(s): **K&L Gates**
(71) Name(s) and Address(s) of Applicant(s):
GM Global Technology Operations LLC
300 Renaissance Centre City of Detroit State of Michigan 48265-3000
United States of America
(72) Name(s) of Designer(s): **Andrew Harrison**
(45) Registration Date: **26 March 2013**
(56) Related Art Documents: **Not Applicable**
(57) Statement of Newness and Distinctiveness: **Nil**



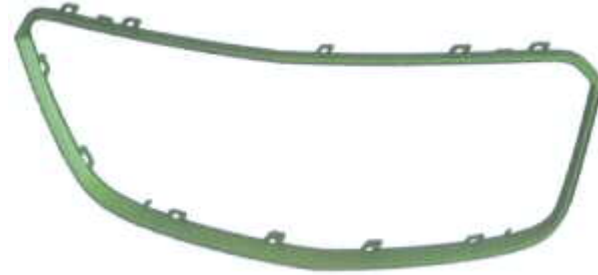
(21) Design Number: **14890/2012**
(22) Date of Filing Application: **27 September 2012**
(24) Date from which industrial property rights may have effect: **27 September 2012**
(54) Product in respect of which the design is registered: **Left-side and right-side vehicle daylight running lamp and fog lamp cover**
(51) International Design Classification: **12-16B**
(74) Name(s) of Attorney(s): **K&L Gates**
(71) Name(s) and Address(s) of Applicant(s):
GM Global Technology Operations LLC
300 Renaissance Centre City of Detroit State of Michigan 48265-3000
United States of America
(72) Name(s) of Designer(s): **Andrew Harrison**
(45) Registration Date: **26 March 2013**
(56) Related Art Documents: **Not Applicable**
(57) Statement of Newness and Distinctiveness: **Nil**



(21) Design Number: **14891/2012**
(22) Date of Filing Application: **27 September 2012**
(24) Date from which industrial property rights may have effect: **27 September 2012**
(54) Product in respect of which the design is registered: **Vehicle lower grille surround**
(51) International Design Classification: **12-16B**
(74) Name(s) of Attorney(s): **K&L Gates**
(71) Name(s) and Address(s) of Applicant(s):
GM Global Technology Operations LLC
300 Renaissance Centre City of Detroit State of Michigan 48265-3000
United States of America
(72) Name(s) of Designer(s): **Andrew Harrison**
(45) Registration Date: **26 March 2013**
(56) Related Art Documents: **Not Applicable**
(57) Statement of Newness and Distinctiveness: **Nil**



(21) Design Number: **14892/2012**
(22) Date of Filing Application: **27 September 2012**
(24) Date from which industrial property rights may have effect: **27 September 2012**
(54) Product in respect of which the design is registered: **Vehicle upper grille surround**
(51) International Design Classification: **12-16B**
(74) Name(s) of Attorney(s): **K&L Gates**
(71) Name(s) and Address(s) of Applicant(s):
GM Global Technology Operations LLC
300 Renaissance Centre City of Detroit State of Michigan 48265-3000
United States of America
(72) Name(s) of Designer(s): **Andrew Harrison**
(45) Registration Date: **26 March 2013**
(56) Related Art Documents: **Not Applicable**
(57) Statement of Newness and Distinctiveness: **Nil**



(21) Design Number: **14893/2012**
(22) Date of Filing Application: **27 September 2012**
(24) Date from which industrial property rights may have effect: **27 September 2012**
(54) Product in respect of which the design is registered: **Vehicle upper grille**
(51) International Design Classification: **12-16B**
(74) Name(s) of Attorney(s): **K&L Gates**
(71) Name(s) and Address(s) of Applicant(s):
GM Global Technology Operations LLC
300 Renaissance Centre City of Detroit State of Michigan 48265-3000
United States of America
(72) Name(s) of Designer(s): **Andrew Harrison**
(45) Registration Date: **26 March 2013**
(56) Related Art Documents: **Not Applicable**
(57) Statement of Newness and Distinctiveness: **Nil**



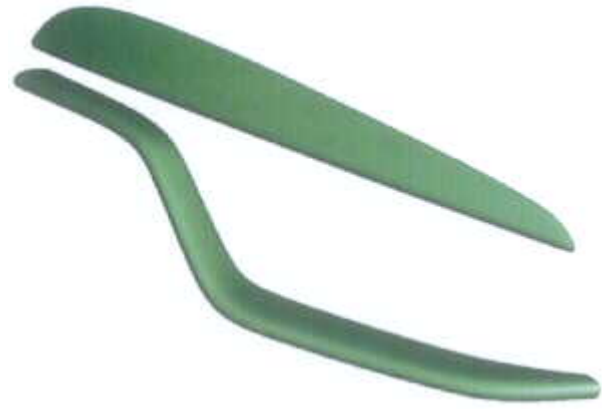
(21) Design Number: **14894/2012**
(22) Date of Filing Application: **27 September 2012**
(24) Date from which industrial property rights may have effect: **27 September 2012**
(54) Product in respect of which the design is registered: **Vehicle rear valence**
(51) International Design Classification: **12-16B**
(74) Name(s) of Attorney(s): **K&L Gates**
(71) Name(s) and Address(s) of Applicant(s):
GM Global Technology Operations LLC
300 Renaissance Centre City of Detroit State of Michigan 48265-3000
United States of America
(72) Name(s) of Designer(s): **Andrew Harrison**
(45) Registration Date: **26 March 2013**
(56) Related Art Documents: **Not Applicable**
(57) Statement of Newness and Distinctiveness: **Nil**



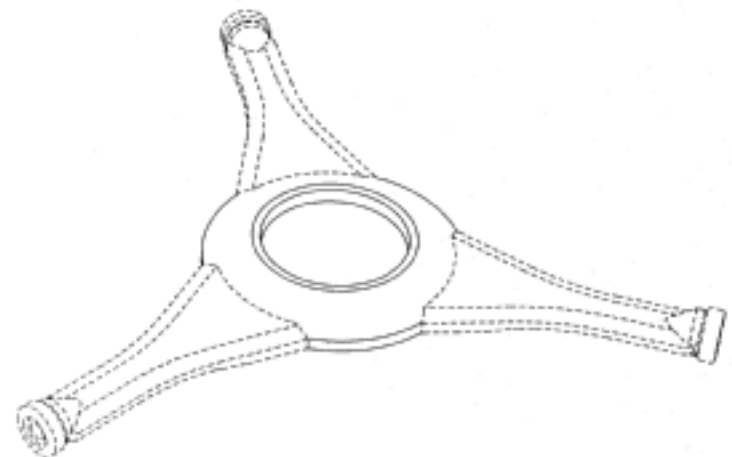
(21) Design Number: **14888/2012**
(22) Date of Filing Application: **27 September 2012**
(24) Date from which industrial property rights may have effect: **27 September 2012**
(54) Product in respect of which the design is registered: **Vehicle front fascia**
(51) International Design Classification: **12-16B**
(74) Name(s) of Attorney(s): **K&L Gates**
(71) Name(s) and Address(s) of Applicant(s):
GM Global Technology Operations LLC
300 Renaissance Centre City of Detroit State of Michigan 48265-3000
United States of America
(72) Name(s) of Designer(s): **Peter Hughes**
(45) Registration Date: **26 March 2013**
(56) Related Art Documents: **Not Applicable**
(57) Statement of Newness and Distinctiveness: **Nil**



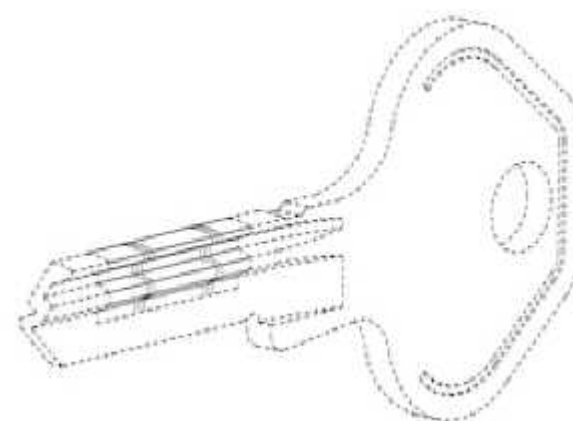
- (21) Design Number: **14889/2012**
(22) Date of Filing Application: **27 September 2012**
(24) Date from which industrial property rights may have effect: **27 September 2012**
(54) Product in respect of which the design is registered: **Left-side and right-side vehicle daylight running lamp and fog lamp insert**
(51) International Design Classification: **12-16B**
(74) Name(s) of Attorney(s): **K&L Gates**
(71) Name(s) and Address(s) of Applicant(s):
GM Global Technology Operations LLC
300 Renaissance Centre City of Detroit State of Michigan 48265-3000
United States of America
(72) Name(s) of Designer(s): **Andrew Harrison**
(45) Registration Date: **26 March 2013**
(56) Related Art Documents: **Not Applicable**
(57) Statement of Newness and Distinctiveness: **Nil**



- (21) Design Number: **15063/2012**
(22) Date of Filing Application: **12 October 2012**
(24) Date from which industrial property rights may have effect: **12 October 2012**
(54) Product in respect of which the design is registered: **Microwave oven platter support**
(51) International Design Classification: **07-02B, 07-99NES**
(74) Name(s) of Attorney(s): **Molins & Co**
(71) Name(s) and Address(s) of Applicant(s):
Breville Pty Limited
Building 2 Port Air Industrial Est 1A Hale St Botany NSW 2019 Australia
(72) Name(s) of Designer(s): **Keith James Hensel**
(45) Registration Date: **26 March 2013**
(56) Related Art Documents: **Not Applicable**
(57) Statement of Newness and Distinctiveness: **Newness is claimed in the features of shape and configuration of the microwave oven platter support as shown in the accompanying representations. Elements shown in dashed lines form no part of the design.**



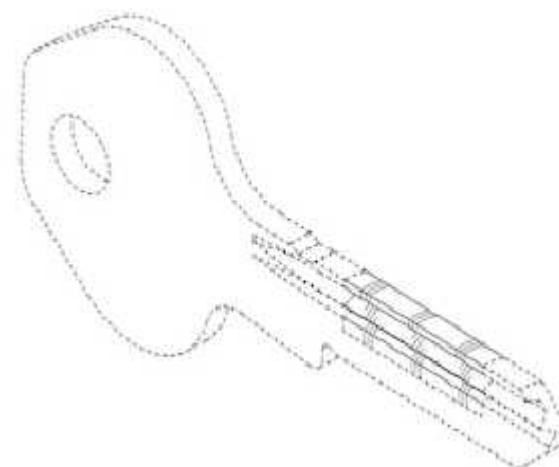
(21) Design Number: **10506/2013**
(22) Date of Filing Application: **01 February 2013**
(24) Date from which industrial property rights may have effect: **13 November 2012**
(54) Product in respect of which the design is registered: **Key**
(51) International Design Classification: **08-07**
(74) Name(s) of Attorney(s): **Callinans**
(71) Name(s) and Address(s) of Applicant(s):
Master Lock Company LLC
137 W. Forest Hill Avenue Oak Creek Wisconsin 53154 United States of America



(72) Name(s) of Designer(s): **Zachery T. Nave**
(45) Registration Date: **26 March 2013**
(30) Convention priority data:
(31) Number (32) Date (33) Country
29/422,706 23 May 2012 UNITED STATES OF AMERICA

(62) Divisional of: **346804**
(56) Related Art Documents: **Not Applicable**
(57) Statement of Newness and Distinctiveness: **Newness and distinctiveness are provided by the shape and/or configuration of the design shown in the representations. The features shown in broken lines in the representations are for illustrative purposes only and should not be considered when construing visual features of the design.**

(21) Design Number: **10508/2013**
(22) Date of Filing Application: **01 February 2013**
(24) Date from which industrial property rights may have effect: **13 November 2012**
(54) Product in respect of which the design is registered: **Key**
(51) International Design Classification: **08-07**
(74) Name(s) of Attorney(s): **Callinans**
(71) Name(s) and Address(s) of Applicant(s):
Master Lock Company LLC
137 W. Forest Hill Avenue Oak Creek Wisconsin 53154 United States of America



(72) Name(s) of Designer(s): **Zachery T. Nave**
(45) Registration Date: **26 March 2013**
(30) Convention priority data:
(31) Number (32) Date (33) Country
29/422,707 23 May 2012 UNITED STATES OF AMERICA

(62) Divisional of: **346805**
(56) Related Art Documents: **Not Applicable**
(57) Statement of Newness and Distinctiveness: **Newness and distinctiveness are provided by the shape and/or configuration of the design shown in the representations. The features shown in broken lines in the representations are for illustrative purposes only and should not be considered when construing visual features of the design.**

(21) Design Number: **10509/2013**

(22) Date of Filing Application: **01 February 2013**

(24) Date from which industrial property rights may have effect: **13 November 2012**

(54) Product in respect of which the design is registered: **Lock**

(51) International Design Classification: **08-07**

(74) Name(s) of Attorney(s): **Callinans**

(71) Name(s) and Address(s) of Applicant(s):

Master Lock Company LLC
137 W. Forest Hill Avenue Oak Creek Wisconsin 53154 United States of America

(72) Name(s) of Designer(s): **Zachery T. Nave**

(45) Registration Date: **26 March 2013**

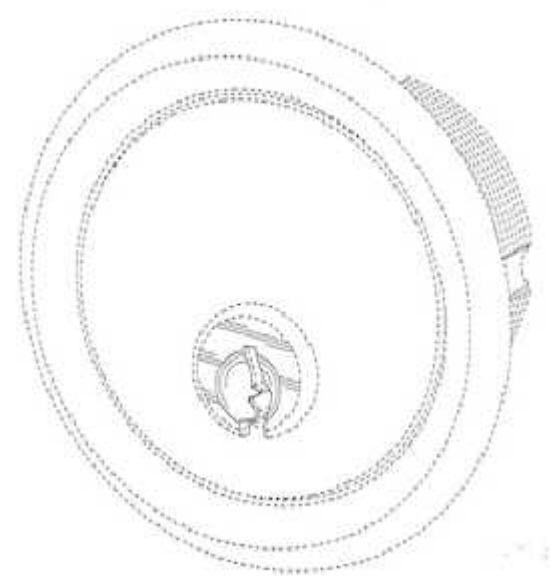
(30) Convention priority data:

(31) Number	(32) Date	(33) Country
29/422,707	23 May 2012	UNITED STATES OF AMERICA

(62) Divisional of: **346805**

(56) Related Art Documents: **Not Applicable**

(57) Statement of Newness and Distinctiveness: **Newness and distinctiveness are provided by the shape and/or configuration of the design shown in the representations. The features shown in broken lines in the representations are for illustrative purposes only and should not be considered when construing visual features of the design.**



(21) Design Number: **10641/2013**

(22) Date of Filing Application: **08 February 2013**

(24) Date from which industrial property rights may have effect: **08 February 2013**

(54) Product in respect of which the design is registered: **Chain hoist**

(51) International Design Classification: **12-05**

(74) Name(s) of Attorney(s): **Janet Stead & Associates, Patent and Trade Mark Attorneys**

(71) Name(s) and Address(s) of Applicant(s):

Kito Corporation
2000 Tsuijjarai Showa-cho Nakakoma-gun Yamanashi 409-3853 Japan

(72) Name(s) of Designer(s): **Kazumitsu Ishikawa and Hiroki Sano and Kosuke Kosuga and Shigeo Terai**

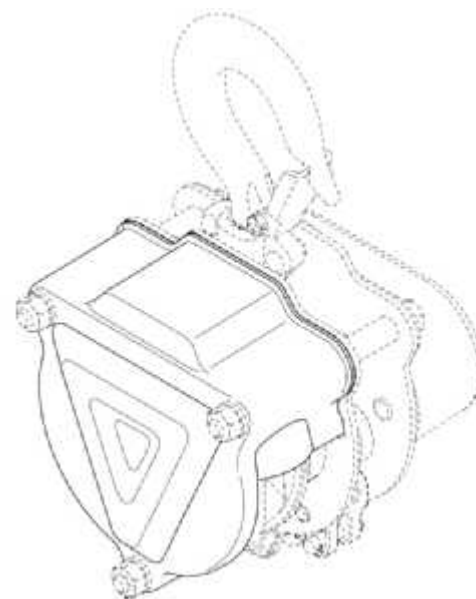
(45) Registration Date: **26 March 2013**

(30) Convention priority data:

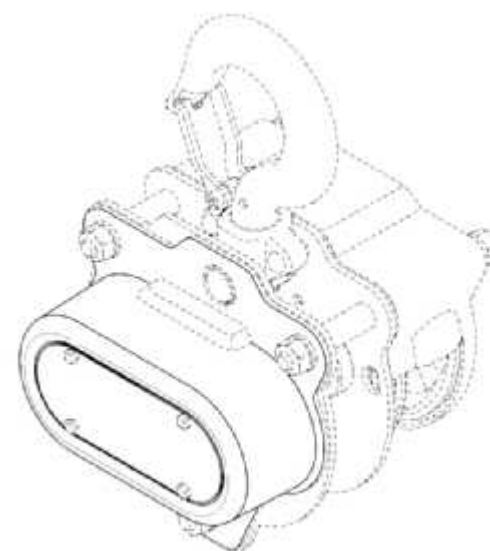
(31) Number	(32) Date	(33) Country
JPD2012-019241	09 Aug 2012	JAPAN

(56) Related Art Documents: **Not Applicable**

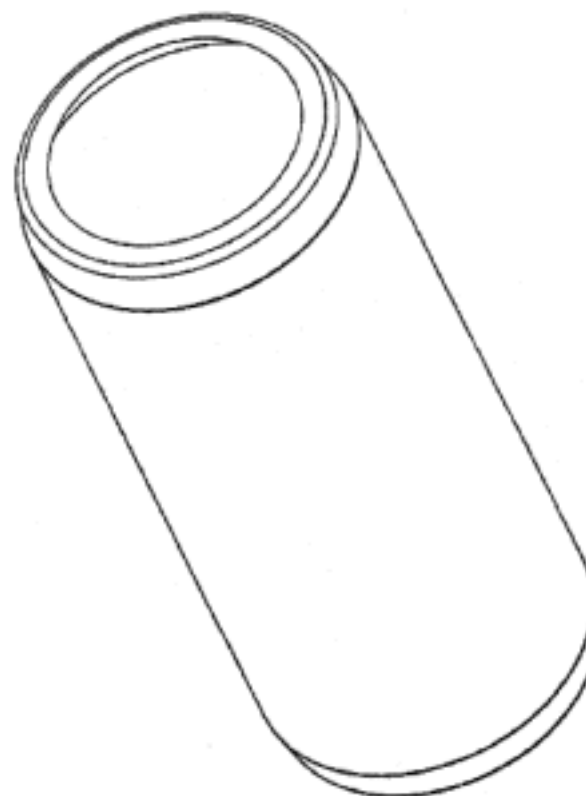
(57) Statement of Newness and Distinctiveness: **Newness and distinctiveness is claimed in the shape and/or configuration of a Chain Hoist as illustrated in the accompanying representations.**



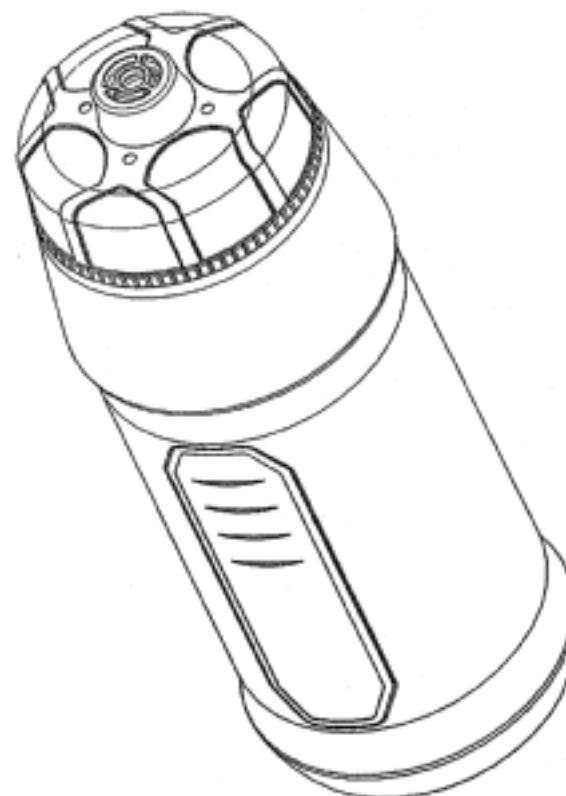
- (21) Design Number: **10642/2013**
(22) Date of Filing Application: **08 February 2013**
(24) Date from which industrial property rights may have effect: **08 February 2013**
(54) Product in respect of which the design is registered: **Chain hoist**
(51) International Design Classification: **12-05**
(74) Name(s) of Attorney(s): **Janet Stead & Associates, Patent and Trade Mark Attorneys**
(71) Name(s) and Address(s) of Applicant(s):
Kito Corporation
2000 Tsuijirai Showa-cho Nakakoma-gun Yamanashi 409-3853 Japan
(72) Name(s) of Designer(s): **Kazumitsu Ishikawa and Hiroki Sano and Kosuke Kosuga and Shigeo Terai**
(45) Registration Date: **26 March 2013**
(30) Convention priority data:
(31) Number (32) Date (33) Country
JPD2012-019242 09 Aug 2012 JAPAN
(56) Related Art Documents: **Not Applicable**
(57) Statement of Newness and Distinctiveness: **Newness and distinctiveness is claimed in the shape and/or configuration of a Chain Hoist as illustrated in the accompanying representations.**



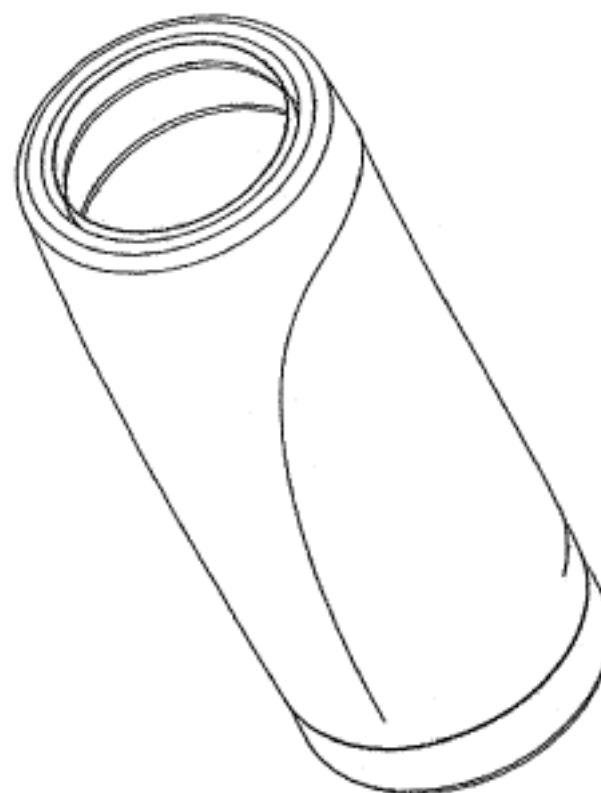
- (21) Design Number: **15687/2012**
(22) Date of Filing Application: **15 November 2012**
(24) Date from which industrial property rights may have effect: **15 November 2012**
(54) Product in respect of which the design is registered: **A drink bottle with smooth sides**
(51) International Design Classification: **09-01NES**
(74) Name(s) of Attorney(s): **SPRUSON & FERGUSON**
(71) Name(s) and Address(s) of Applicant(s):
Thermos L.L.C.
475 N. Martingale Road Suite 1100 Schaumburg Illinois 60173 United States of America
(72) Name(s) of Designer(s): **Marvin Lane**
(45) Registration Date: **27 March 2013**
(30) Convention priority data:
(31) Number (32) Date (33) Country
29/422421 21 May 2012 UNITED STATES OF AMERICA
(56) Related Art Documents: **Not Applicable**
(57) Statement of Newness and Distinctiveness: **Newness and distinctiveness is claimed in the features of shape and/or configuration of a drink bottle with smooth sides as illustrated in the accompanying representations.**



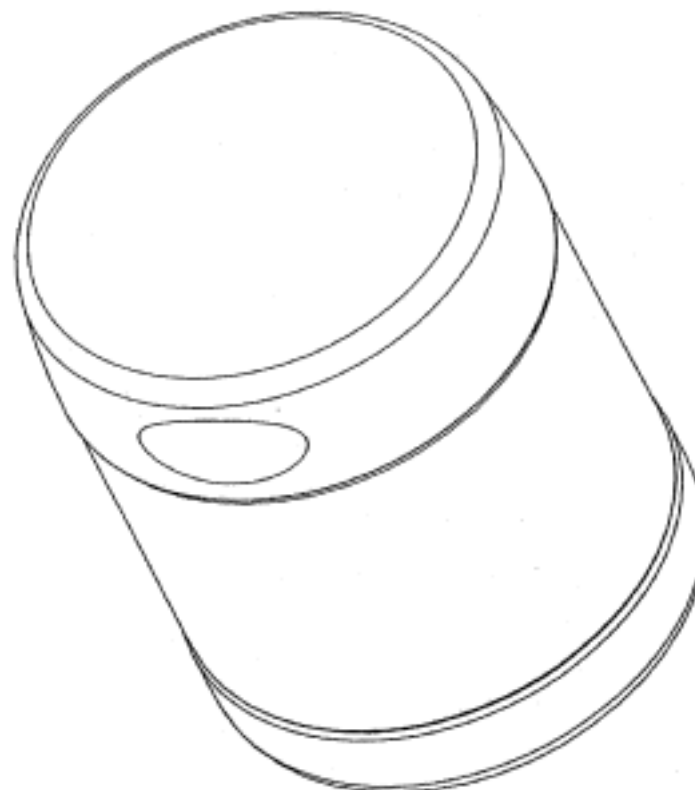
- (21) Design Number: **15688/2012**
(22) Date of Filing Application: **15 November 2012**
(24) Date from which industrial property rights may have effect: **15 November 2012**
(54) Product in respect of which the design is registered: **Drink bottle and lid with octagonal bottle grips and eight grip locations on lid**
(51) International Design Classification: **09-01NES**
(74) Name(s) of Attorney(s): **SPRUSON & FERGUSON**
(71) Name(s) and Address(s) of Applicant(s):
Thermos L.L.C.
475 N. Martingale Road Suite 1100 Schaumburg Illinois 60173 United States of America
(72) Name(s) of Designer(s): **Dwayne Boroski**
(45) Registration Date: **27 March 2013**
(30) Convention priority data:
(31) Number (32) Date (33) Country
29/422418 21 May 2012 UNITED STATES OF AMERICA
(56) Related Art Documents: **Not Applicable**
(57) Statement of Newness and Distinctiveness: **Newness and distinctiveness is claimed in the features of shape and/or configuration of a drink bottle and lid with octagonal bottle grips and eight grip locations on lid as illustrated in the accompanying representations.**



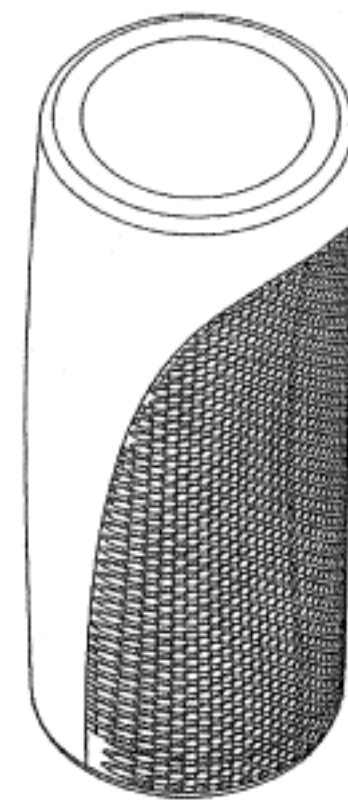
- (21) Design Number: **15689/2012**
(22) Date of Filing Application: **15 November 2012**
(24) Date from which industrial property rights may have effect: **15 November 2012**
(54) Product in respect of which the design is registered: **Drink bottle with smooth hand grip**
(51) International Design Classification: **09-01NES**
(74) Name(s) of Attorney(s): **SPRUSON & FERGUSON**
(71) Name(s) and Address(s) of Applicant(s):
Thermos L.L.C.
475 N. Martingale Road Suite 1100 Schaumburg Illinois 60173 United States of America
(72) Name(s) of Designer(s): **Marvin Lane**
(45) Registration Date: **27 March 2013**
(30) Convention priority data:
(31) Number (32) Date (33) Country
29/422413 21 May 2012 UNITED STATES OF AMERICA
(56) Related Art Documents: **Not Applicable**
(57) Statement of Newness and Distinctiveness: **Newness and distinctiveness is claimed in the features of shape and/or configuration of a drink bottle with smooth hand grip as illustrated in the accompanying representations.**



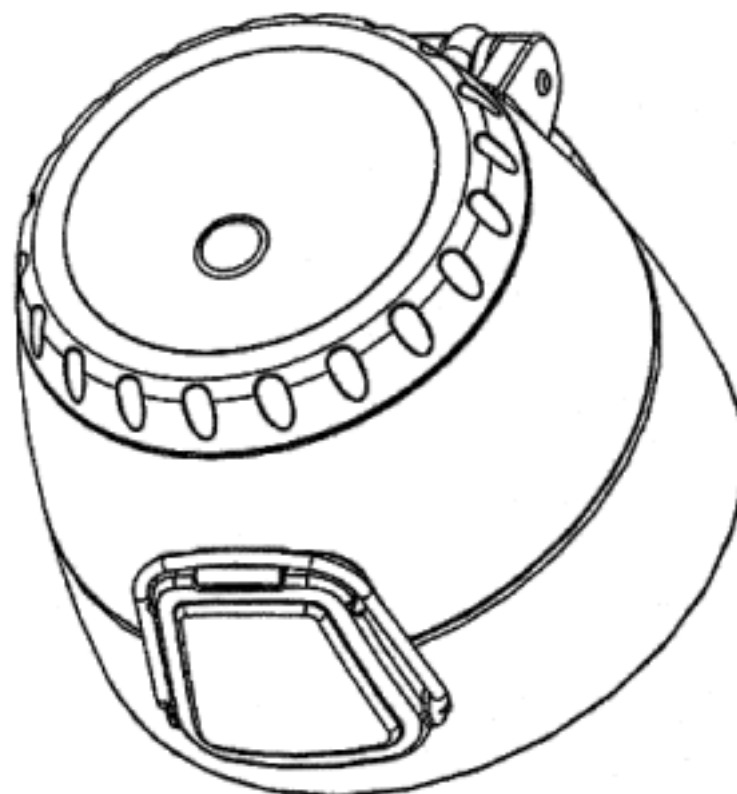
(21) Design Number: **15690/2012**
(22) Date of Filing Application: **15 November 2012**
(24) Date from which industrial property rights may have effect: **15 November 2012**
(54) Product in respect of which the design is registered: **A food jar and lid with oval grips**
(51) International Design Classification: **07-01NES**
(74) Name(s) of Attorney(s): **SPRUSON & FERGUSON**
(71) Name(s) and Address(s) of Applicant(s):
Thermos L.L.C.
475 N. Martingale Road Suite 1100 Schaumburg Illinois 60173 United States of America
(72) Name(s) of Designer(s): **Marvin Lane**
(45) Registration Date: **27 March 2013**
(30) Convention priority data:
(31) Number (32) Date (33) Country
29/422416 21 May 2012 UNITED STATES OF AMERICA
(56) Related Art Documents: **Not Applicable**
(57) Statement of Newness and Distinctiveness: **Newness and distinctiveness is claimed in the features of shape and/or configuration of a food jar and lid with oval grips as illustrated in the accompanying representations.**



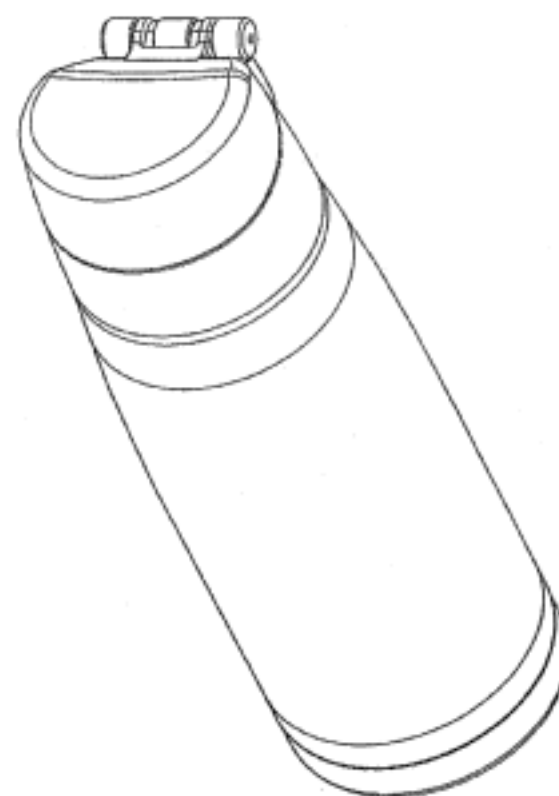
(21) Design Number: **15691/2012**
(22) Date of Filing Application: **15 November 2012**
(24) Date from which industrial property rights may have effect: **15 November 2012**
(54) Product in respect of which the design is registered: **A drink bottle with textured hand grip**
(51) International Design Classification: **09-01NES**
(74) Name(s) of Attorney(s): **SPRUSON & FERGUSON**
(71) Name(s) and Address(s) of Applicant(s):
Thermos L.L.C.
475 N. Martingale Road Suite 1100 Schaumburg Illinois 60173 United States of America
(72) Name(s) of Designer(s): **Alfredo Carreno and Marvin Lane**
(45) Registration Date: **27 March 2013**
(30) Convention priority data:
(31) Number (32) Date (33) Country
29/422440 21 May 2012 UNITED STATES OF AMERICA
(56) Related Art Documents: **Not Applicable**
(57) Statement of Newness and Distinctiveness: **Newness and distinctiveness is claimed in the features of shape and/or configuration of a drink bottle with textured hand grip as illustrated in the accompanying representations.**



(21) Design Number: **15696/2012**
(22) Date of Filing Application: **15 November 2012**
(24) Date from which industrial property rights may have effect: **15 November 2012**
(54) Product in respect of which the design is registered: **Drink bottle lid with fluted crown**
(51) International Design Classification: **09-07A**
(74) Name(s) of Attorney(s): **SPRUSON & FERGUSON**
(71) Name(s) and Address(s) of Applicant(s):
Thermos L.L.C.
475 N. Martingale Road Suite 1100 Schaumburg Illinois 60173 United States of America
(72) Name(s) of Designer(s): **Marvin Lane**
(45) Registration Date: **27 March 2013**
(30) Convention priority data:
(31) Number (32) Date (33) Country
29/422422 21 May 2012 UNITED STATES OF AMERICA
(56) Related Art Documents: **Not Applicable**
(57) Statement of Newness and Distinctiveness: **Newness and distinctiveness is claimed in the features of shape and/or configuration of a drink bottle lid with fluted crown as illustrated in the accompanying representations.**



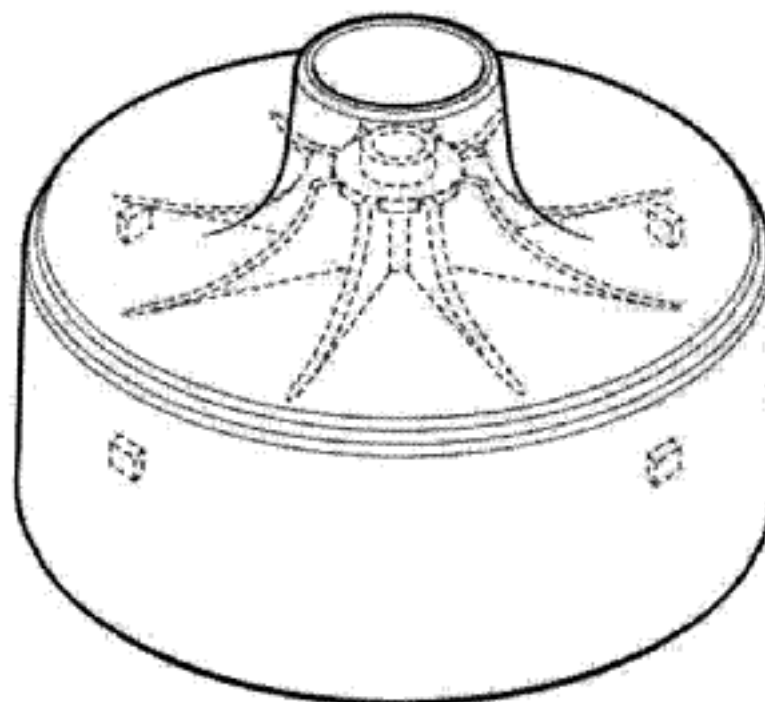
(21) Design Number: **15697/2012**
(22) Date of Filing Application: **15 November 2012**
(24) Date from which industrial property rights may have effect: **15 November 2012**
(54) Product in respect of which the design is registered: **Drink bottle and lid with lockable lid cover**
(51) International Design Classification: **09-01NES**
(74) Name(s) of Attorney(s): **SPRUSON & FERGUSON**
(71) Name(s) and Address(s) of Applicant(s):
Thermos L.L.C.
475 N. Martingale Road Suite 1100 Schaumburg Illinois 60173 United States of America
(72) Name(s) of Designer(s): **Marvin Lane**
(45) Registration Date: **27 March 2013**
(30) Convention priority data:
(31) Number (32) Date (33) Country
29/422584 22 May 2012 UNITED STATES OF AMERICA
(56) Related Art Documents: **Not Applicable**
(57) Statement of Newness and Distinctiveness: **Newness and distinctiveness is claimed in the features of shape and/or configuration of a drink bottle and lid with lockable lid cover as illustrated in the accompanying representations.**



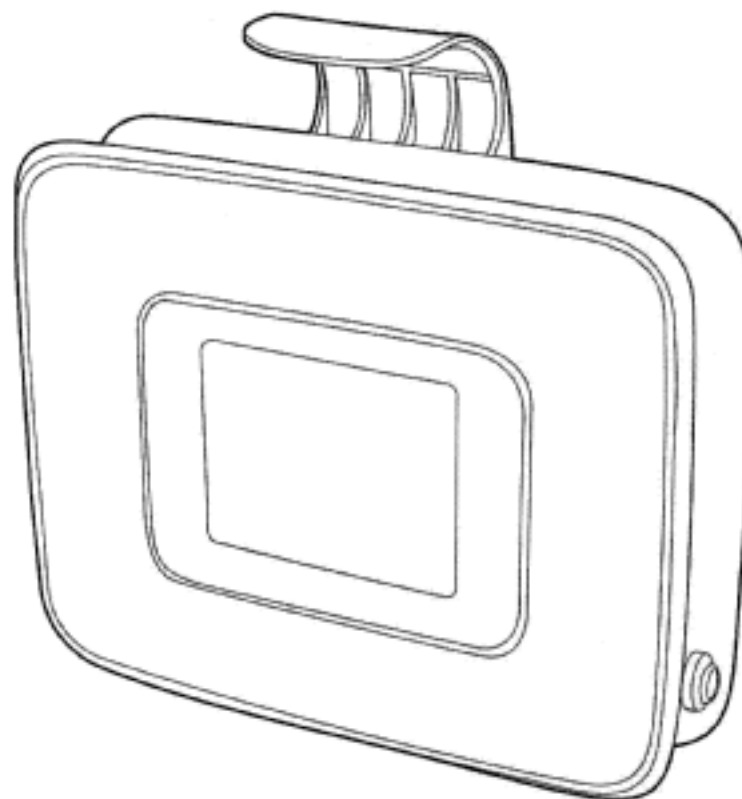
- (21) Design Number: **15706/2012**
(22) Date of Filing Application: **15 November 2012**
(24) Date from which industrial property rights may have effect: **15 November 2012**
(54) Product in respect of which the design is registered: **Handle for medical device**
(51) International Design Classification: **24-99**
(74) Name(s) of Attorney(s): **Shelston IP**
(71) Name(s) and Address(s) of Applicant(s):
Aerocrine AB
Sundbybergsvagen 9 S-171 73 Solna Sweden
(72) Name(s) of Designer(s): **Per Larsen and Hans Peter Starck-Johnson and Elisabeth Ramel-Wahrberg and Heesung Kim and David Crafoord and Kristian Eke**
(45) Registration Date: **27 March 2013**
(30) Convention priority data:
(31) Number (32) Date (33) Country
002057893 14 Jun 2012 OFFICE FOR HARMONISATION IN THE INTERNAL MARKET (OHIM)
(56) Related Art Documents: **Not Applicable**
(57) Statement of Newness and Distinctiveness: **Newness and distinctiveness resides in the features of shape and configuration of the handle for a medical device illustrated in the accompanying representations. The cap shown in broken lines does not form part of the design.**



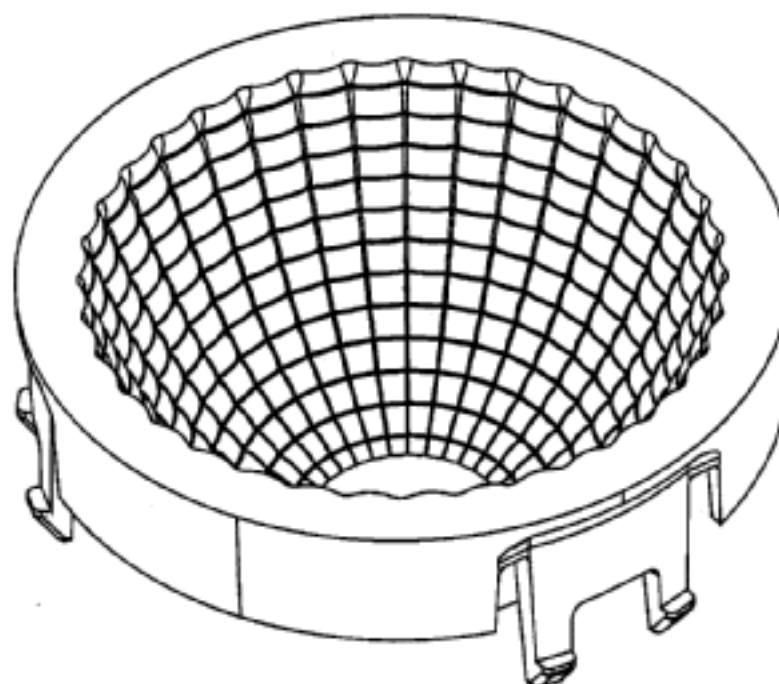
- (21) Design Number: **15707/2012**
(22) Date of Filing Application: **15 November 2012**
(24) Date from which industrial property rights may have effect: **15 November 2012**
(54) Product in respect of which the design is registered: **Mouthpiece for medical device**
(51) International Design Classification: **24-04**
(74) Name(s) of Attorney(s): **Shelston IP**
(71) Name(s) and Address(s) of Applicant(s):
Aerocrine AB
Sundbybergsvagen 9 S-171 73 Solna Sweden
(72) Name(s) of Designer(s): **Per Larsen and Hans Peter Starck-Johnson and Elisabeth Ramel-Wahrberg and Heesung Kim and David Crafoord and Kristian Eke**
(45) Registration Date: **27 March 2013**
(30) Convention priority data:
(31) Number (32) Date (33) Country
002057976 14 Jun 2012 OFFICE FOR HARMONISATION IN THE INTERNAL MARKET (OHIM)
(56) Related Art Documents: **Not Applicable**
(57) Statement of Newness and Distinctiveness: **Newness and distinctiveness resides in the features of shape and configuration of the mouthpiece for a medical device illustrated in the accompanying representations.**



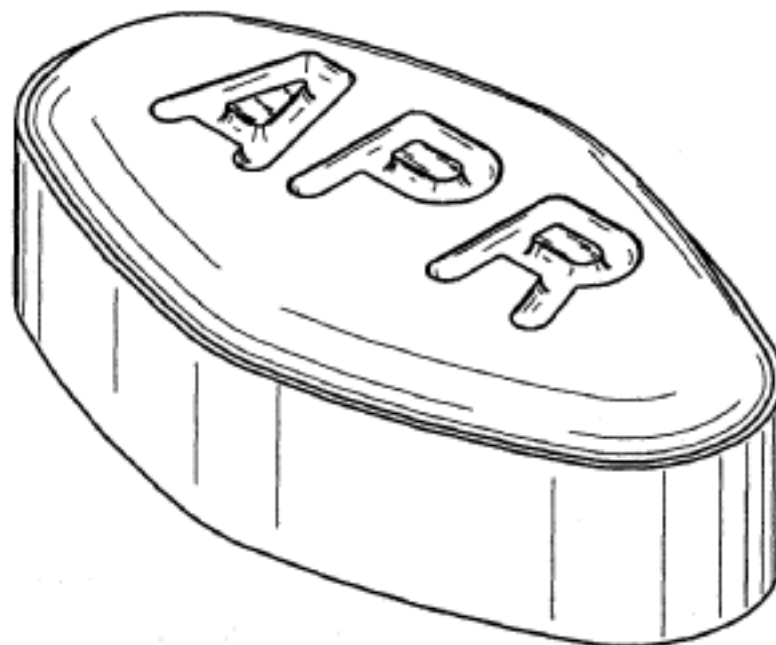
- (21) Design Number: **15708/2012**
(22) Date of Filing Application: **15 November 2012**
(24) Date from which industrial property rights may have effect: **15 November 2012**
(54) Product in respect of which the design is registered: **Medical device**
(51) International Design Classification: **24-01, 24-02**
(74) Name(s) of Attorney(s): **Shelston IP**
(71) Name(s) and Address(s) of Applicant(s):
Aerocrine AB
Sundbybergsvagen 9 S-171 73 Solna Sweden
(72) Name(s) of Designer(s): **Per Larsen and Hans Peter Starck-Johnson and Elisabeth Ramel-Wahrberg and Heesung Kim and David Crafoord and Kristian Eke**
(45) Registration Date: **27 March 2013**
(30) Convention priority data:
(31) Number (32) Date (33) Country
002057851 14 Jun 2012 OFFICE FOR HARMONISATION IN THE INTERNAL MARKET (OHIM)
(56) Related Art Documents: **Not Applicable**
(57) Statement of Newness and Distinctiveness: **Newness and distinctiveness resides in the features of shape and configuration of the medical device illustrated in the accompanying representations.**



- (21) Design Number: **16646/2012**
(22) Date of Filing Application: **21 December 2012**
(24) Date from which industrial property rights may have effect: **21 December 2012**
(54) Product in respect of which the design is registered: **Reflector**
(51) International Design Classification: **26-05A**
(74) Name(s) of Attorney(s): **Madderns**
(71) Name(s) and Address(s) of Applicant(s):
Gerard Lighting Pty Ltd
142-144 Fullarton Rd Rose Park SA 5067 Australia
(72) Name(s) of Designer(s): **Jason Andrew Gerard and Simon Belcher and Jacob Messenger and Tom Willis and Maarten Schuurmans**
(45) Registration Date: **27 March 2013**
(56) Related Art Documents: **Not Applicable**
(57) Statement of Newness and Distinctiveness: **Newness and distinctiveness resides in the shape and configuration of a reflector as shown in the attached drawings.**



(21) Design Number: **16664/2012**
(22) Date of Filing Application: **18 December 2012**
(24) Date from which industrial property rights may have effect: **18 December 2012**
(54) Product in respect of which the design is registered: **Pharmaceutical tablets**
(51) International Design Classification: **28-01**
(74) Name(s) of Attorney(s): **PHILLIPS ORMONDE FITZPATRICK**
(71) Name(s) and Address(s) of Applicant(s):
Celgene Corporation
86 Morris Avenue Summit New Jersey 07901 United States of America
(72) Name(s) of Designer(s): **Srenivas S. Bhat**
(45) Registration Date: **27 March 2013**
(30) Convention priority data:
(31) Number (32) Date (33) Country
29/425,538 25 Jun 2012 UNITED STATES OF AMERICA



(56) Related Art Documents: **Not Applicable**
(57) Statement of Newness and Distinctiveness: **Newness and distinctiveness resides in the shape and/or configuration of the pharmaceutical tablets and may include colour as illustrated in the representations by way of graphic symbols. The vertical line shading represents the colour pink; diagonal line shading represents the colour brown; and vertical line of circles shading represents the colour beige. Where the graphic symbols are present the surface areas of the pharmaceutical tablet are intended to represent the colour represented by the graphic symbol. The features that are shown in broken lines are not part of the design and are to be disregarded when considering the overall impression of the design.**

(21) Design Number: **10606/2013**
(22) Date of Filing Application: **07 February 2013**
(24) Date from which industrial property rights may have effect: **07 February 2013**
(54) Product in respect of which the design is registered: **Breast pad**
(51) International Design Classification: **24-04**
(74) Name(s) of Attorney(s): **Adams Pluck**
(71) Name(s) and Address(s) of Applicant(s):
Charlotte Swindell
PO BOX 419 Beecroft NSW 2119 Australia
(72) Name(s) of Designer(s): **Charlotte Swindell**
(45) Registration Date: **27 March 2013**
(56) Related Art Documents: **Not Applicable**
(57) Statement of Newness and Distinctiveness: **Nil**



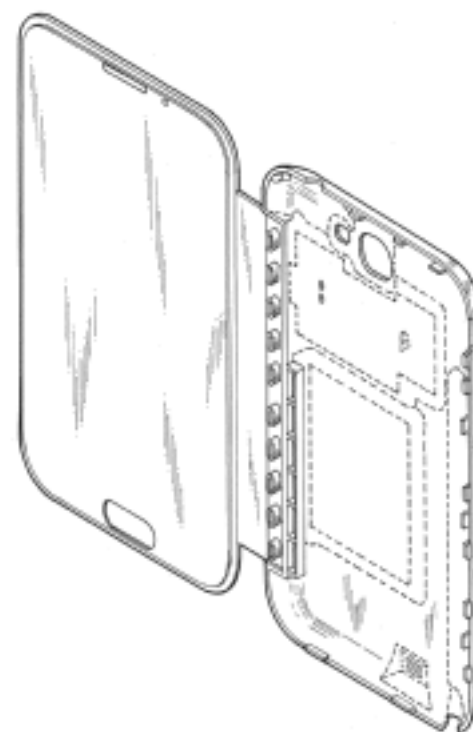
(21) Design Number: **10627/2013**
(22) Date of Filing Application: **07 February 2013**
(24) Date from which industrial property rights may have effect: **07 February 2013**
(54) Product in respect of which the design is registered: **Socks**
(51) International Design Classification: **02-04C**
(74) Name(s) of Attorney(s): **Sharon Givoni Consulting**
(71) Name(s) and Address(s) of Applicant(s):
Over the Top Socks Pty Ltd
11 Birkridge PI The Gap QLD 4061 Australia
(72) Name(s) of Designer(s): **Maryanne Butler**
(45) Registration Date: **27 March 2013**
(56) Related Art Documents: **Not Applicable**
(57) Statement of Newness and Distinctiveness: **Nil**



(21) Design Number: **10660/2013**
(22) Date of Filing Application: **11 February 2013**
(24) Date from which industrial property rights may have effect: **11 February 2013**
(54) Product in respect of which the design is registered: **Single Australian pirate boat themed bed**
(51) International Design Classification: **06-02**
(74) Name(s) of Attorney(s):
(71) Name(s) and Address(s) of Applicant(s):
Anne-Marie Bevis
PO BOX 85 Quinns Rocks WA 6030 Australia
(72) Name(s) of Designer(s): **Anne-Marie Bevis**
(45) Registration Date: **27 March 2013**
(56) Related Art Documents: **Not Applicable**
(57) Statement of Newness and Distinctiveness: **It is a bed designed to look like a pirate boat.**



- (21) Design Number: **10758/2013**
(22) Date of Filing Application: **18 February 2013**
(24) Date from which industrial property rights may have effect: **18 February 2013**
(54) Product in respect of which the design is registered: **Case for a portable electronic device**
(51) International Design Classification: **03-01NES, 14-02**
(74) Name(s) of Attorney(s): **IP Gateway Patent & Trademark Attorneys**
(71) Name(s) and Address(s) of Applicant(s):
Samsung Electronics Co., Ltd
129 Samsung-ro Yeongtong-gu Suwon-si Gyeonggi-do 443-742 Republic of Korea
(72) Name(s) of Designer(s): **Kim YoonYoung**
(45) Registration Date: **27 March 2013**
(30) Convention priority data:
(31) Number (32) Date (33) Country
30-2012-0041331 28 Aug 2012 REPUBLIC OF KOREA
(56) Related Art Documents: **Not Applicable**
(57) Statement of Newness and Distinctiveness: **The newness and distinctiveness of the design resides in the visual features of shape and/or configuration of a case for a portable electronic device as shown in solid lines in the accompanying representations.**



- (21) Design Number: **15933/2012**
(22) Date of Filing Application: **26 November 2012**
(24) Date from which industrial property rights may have effect: **26 November 2012**
(54) Product in respect of which the design is registered: **Health information communications device**
(51) International Design Classification: **14-03NES**
(74) Name(s) of Attorney(s): **Griffith Hack**
(71) Name(s) and Address(s) of Applicant(s):
C. Rafin & Co. Pty Ltd
11 West St Wollongong NSW 2500 Australia
(72) Name(s) of Designer(s): **Victor Stawski and Massimo Feliciano Celima and Joshua Rafin and Anna Marie Cooper and Claudio Giuseppe Rafin**
(45) Registration Date: **27 March 2013**
(56) Related Art Documents: **Not Applicable**
(57) Statement of Newness and Distinctiveness: **Newness and distinctiveness resides in the visual features, including shape and configuration, of a Health Information Communications Device as shown in the accompanying representations. When determining whether the design is substantially similar in overall impression to another design, no regard is to be had to those features shown in dotted outline in the accompanying representations, and no regard is to be had to the alpha and/or numeric characters or keypad configuration as shown in the accompanying representations, which features are provided for illustrative purposes only.**



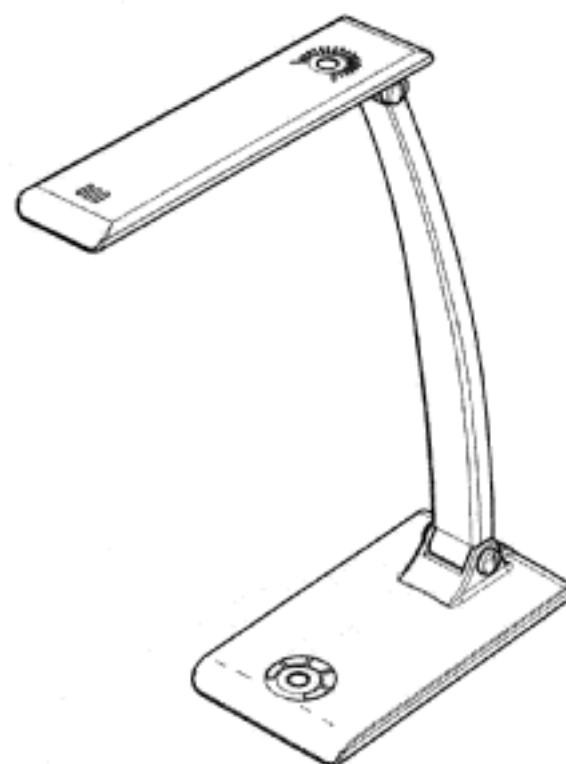
- (21) Design Number: **16517/2012**
(22) Date of Filing Application: **18 December 2012**
(24) Date from which industrial property rights may have effect: **18 December 2012**
(54) Product in respect of which the design is registered: **Pendant**
(51) International Design Classification: **11-01K**
(74) Name(s) of Attorney(s): **Fisher Adams Kelly**
(71) Name(s) and Address(s) of Applicant(s):
Clean Wrap Co., Ltd.
Naesam-ri 1111-2 Juchon-Myeon Gimhae-si Gyeongsangnam-do
Republic of Korea
(72) Name(s) of Designer(s): **Chun Ki Young**
(45) Registration Date: **27 March 2013**
(56) Related Art Documents: **Not Applicable**
(57) Statement of Newness and Distinctiveness: **The newness and distinctiveness of the design resides in the shape and/or configuration of the PENDANT shown in the representations.**



- (21) Design Number: **16518/2012**
(22) Date of Filing Application: **18 December 2012**
(24) Date from which industrial property rights may have effect: **18 December 2012**
(54) Product in respect of which the design is registered: **Pendant**
(51) International Design Classification: **11-01K**
(74) Name(s) of Attorney(s): **Fisher Adams Kelly**
(71) Name(s) and Address(s) of Applicant(s):
Clean Wrap Co., Ltd.
Naesam-ri 1111-2 Juchon-Myeon Gimhae-si Gyeongsangnam-do
Republic of Korea
(72) Name(s) of Designer(s): **Chun Ki Young**
(45) Registration Date: **27 March 2013**
(56) Related Art Documents: **Not Applicable**
(57) Statement of Newness and Distinctiveness: **The newness and distinctiveness of the design resides in the shape and/or configuration of the PENDANT shown in the representations.**



(21) Design Number: **10151/2013**
(22) Date of Filing Application: **08 January 2013**
(24) Date from which industrial property rights may have effect: **08 January 2013**
(54) Product in respect of which the design is registered: **LED desk lamp**
(51) International Design Classification: **26-05E**
(74) Name(s) of Attorney(s): **Freehills Patent Attorneys**
(71) Name(s) and Address(s) of Applicant(s):
3M Innovative Properties Company
3M Center Saint Paul Minnesota 55133-3427 United States of America
(72) Name(s) of Designer(s): **In-Hwan Lee**
(45) Registration Date: **27 March 2013**
(30) Convention priority data:
(31) Number (32) Date (33) Country
30-2012-0033343 09 Jul 2012 REPUBLIC OF KOREA
(56) Related Art Documents: **Not Applicable**
(57) Statement of Newness and Distinctiveness: **Newness and distinctiveness resides in the shape and configuration of the LED desk lamp as shown in the representations.**



(21) Design Number: **10676/2013**
(22) Date of Filing Application: **12 February 2013**
(24) Date from which industrial property rights may have effect: **12 February 2013**
(54) Product in respect of which the design is registered: **Container**
(51) International Design Classification: **09-01K**
(74) Name(s) of Attorney(s): **Griffith Hack**
(71) Name(s) and Address(s) of Applicant(s):
Kraft Foods Group Brands LLC
Three Lakes Drive Northfield Illinois 60093 United States of America
(72) Name(s) of Designer(s): **Piaras Valdis De Cleir and Carlo Businelli**
(45) Registration Date: **28 March 2013**
(30) Convention priority data:
(31) Number (32) Date (33) Country
29/429539 13 Aug 2012 UNITED STATES OF AMERICA
(56) Related Art Documents: **Not Applicable**
(57) Statement of Newness and Distinctiveness: **Newness and distinctiveness resides in the visual features, including shape and configuration, of a CONTAINER as shown in solid outline in the accompanying drawings. When determining whether the design is substantially similar in overall impression to another design, no regard is to be had to those features shown in dotted outline in the accompanying drawings, which features are provided for illustrative purposes only.**

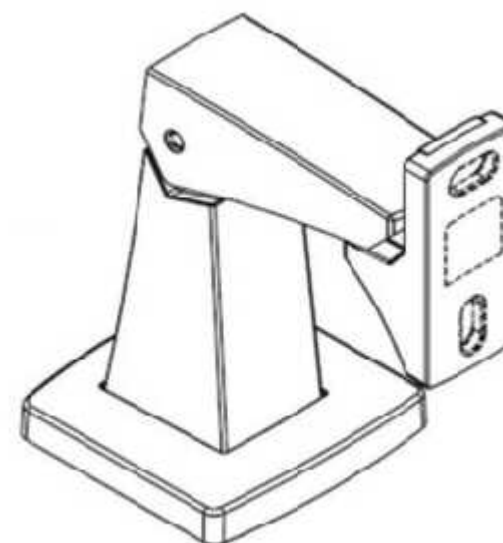


(21) Design Number: **10677/2013**
(22) Date of Filing Application: **12 February 2013**
(24) Date from which industrial property rights may have effect: **12 February 2013**
(54) Product in respect of which the design is registered: **Container**
(51) International Design Classification: **09-01K**
(74) Name(s) of Attorney(s): **Griffith Hack**
(71) Name(s) and Address(s) of Applicant(s):
Kraft Foods Group Brands LLC
Three Lakes Drive Northfield Illinois 60093 United States of America
(72) Name(s) of Designer(s): **Piaras Valdis De Cleir and Carlo Businelli**
(45) Registration Date: **28 March 2013**
(30) Convention priority data:
(31) Number (32) Date (33) Country
29/429539 13 Aug 2012 UNITED STATES OF AMERICA



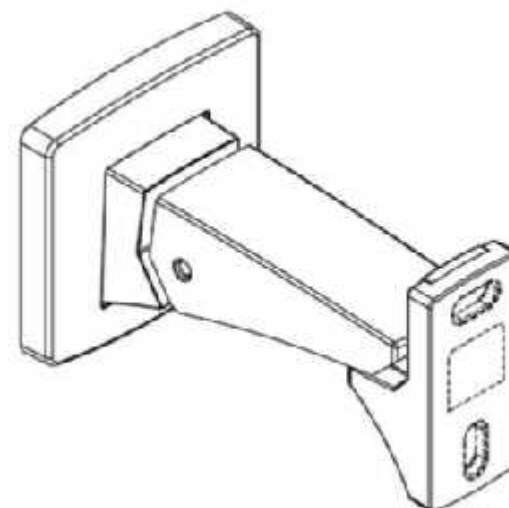
(56) Related Art Documents: **Not Applicable**
(57) Statement of Newness and Distinctiveness: **Newness and distinctiveness resides in the visual features, including shape and configuration, of a CONTAINER as shown in solid outline in the accompanying drawings. When determining whether the design is substantially similar in overall impression to another design, no regard is to be had to those features shown in dotted outline in the accompanying drawings, which features are provided for illustrative purposes only.**

(21) Design Number: **10678/2013**
(22) Date of Filing Application: **12 February 2013**
(24) Date from which industrial property rights may have effect: **12 February 2013**
(54) Product in respect of which the design is registered: **Holdback door stop**
(51) International Design Classification: **08-09**
(74) Name(s) of Attorney(s):
(71) Name(s) and Address(s) of Applicant(s):
ASSA ABLOY New Zealand Limited
6 Armstrong Road Rosedale Auckland 0632 New Zealand
(72) Name(s) of Designer(s): **Chad Tozer**
(45) Registration Date: **28 March 2013**
(30) Convention priority data:
(31) Number (32) Date (33) Country
416637 22 Aug 2012 NEW ZEALAND

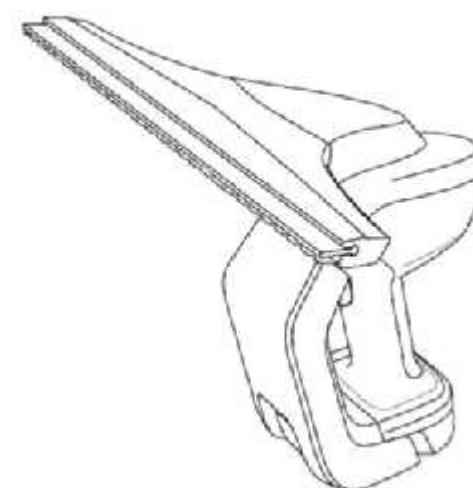


(56) Related Art Documents: **Not Applicable**
(57) Statement of Newness and Distinctiveness: **Nil**

(21) Design Number: **10682/2013**
(22) Date of Filing Application: **12 February 2013**
(24) Date from which industrial property rights may have effect: **12 February 2013**
(54) Product in respect of which the design is registered: **Holdback door stop**
(51) International Design Classification: **08-09**
(74) Name(s) of Attorney(s):
(71) Name(s) and Address(s) of Applicant(s):
ASSA ABLOY New Zealand Limited
6 Armstrong Road Rosedale Auckland 0632 New Zealand
(72) Name(s) of Designer(s): **Chad Tozer**
(45) Registration Date: **28 March 2013**
(30) Convention priority data:
(31) Number (32) Date (33) Country
416636 22 Aug 2012 NEW ZEALAND
(56) Related Art Documents: **Not Applicable**
(57) Statement of Newness and Distinctiveness: **Nil**



(21) Design Number: **10684/2013**
(22) Date of Filing Application: **13 February 2013**
(24) Date from which industrial property rights may have effect: **13 February 2013**
(54) Product in respect of which the design is registered: **Window cleaning appliance**
(51) International Design Classification: **07-05E**
(74) Name(s) of Attorney(s): **Griffith Hack**
(71) Name(s) and Address(s) of Applicant(s):
Alfred Karcher GmbH & Co. KG
Alfred-Karcher-Strasse 28-40 Winnenden 71364 Germany
(72) Name(s) of Designer(s): **Michael Meyer**
(45) Registration Date: **28 March 2013**
(30) Convention priority data:
(31) Number (32) Date (33) Country
DM/079 045 28 Aug 2012 WORLD INTELLECTUAL PROPERTY ORGANIZATION (WIPO)
(56) Related Art Documents: **Not Applicable**
(57) Statement of Newness and Distinctiveness: **Newness and distinctiveness resides in the visual features, including shape, configuration and ornamentation of the PRODUCT as shown in the accompanying representations.**



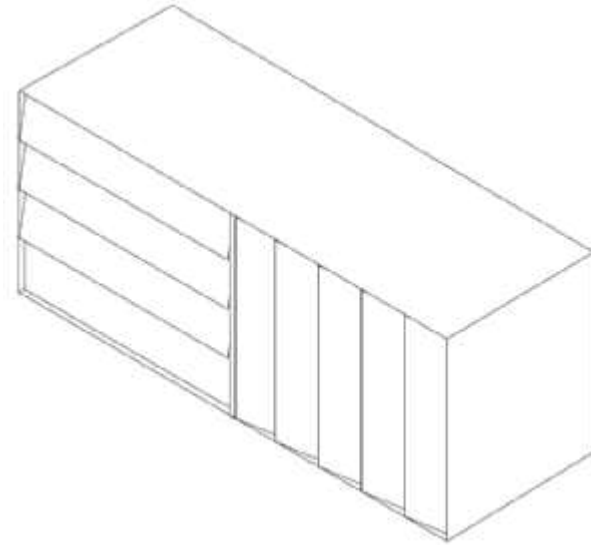
(21) Design Number: **10685/2013**
(22) Date of Filing Application: **13 February 2013**
(24) Date from which industrial property rights may have effect: **13 February 2013**
(54) Product in respect of which the design is registered: **Window cleaning appliance**
(51) International Design Classification: **07-05E**
(74) Name(s) of Attorney(s): **Griffith Hack**
(71) Name(s) and Address(s) of Applicant(s):
Alfred Karcher GmbH & Co. KG
Alfred-Karcher-Strasse 28-40 Winnenden 71364 Germany
(72) Name(s) of Designer(s): **Michael Meyer**
(45) Registration Date: **28 March 2013**
(30) Convention priority data:
(31) Number (32) Date (33) Country
DM/079 032 28 Aug 2012 WORLD INTELLECTUAL
PROPERTY ORGANIZATION
(WIPO)
(56) Related Art Documents: **Not Applicable**
(57) Statement of Newness and Distinctiveness: **Newness and distinctiveness resides in the visual features, including shape, configuration and ornamentation of the PRODUCT as shown in the accompanying representations.**



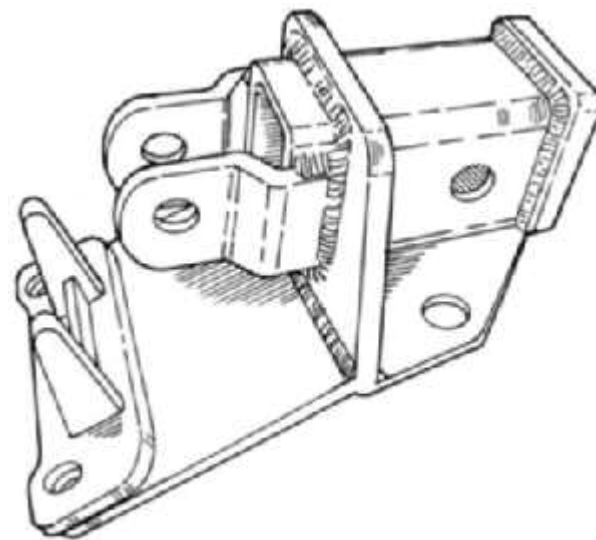
(21) Design Number: **10686/2013**
(22) Date of Filing Application: **13 February 2013**
(24) Date from which industrial property rights may have effect: **13 February 2013**
(54) Product in respect of which the design is registered: **Window cleaning appliance**
(51) International Design Classification: **07-05E**
(74) Name(s) of Attorney(s): **Griffith Hack**
(71) Name(s) and Address(s) of Applicant(s):
Alfred Karcher GmbH & Co. KG
Alfred-Karcher-Strasse 28-40 Winnenden 71364 Germany
(72) Name(s) of Designer(s): **Michael Meyer**
(45) Registration Date: **28 March 2013**
(30) Convention priority data:
(31) Number (32) Date (33) Country
DM/079032 28 Aug 2012 WORLD INTELLECTUAL
PROPERTY ORGANIZATION
(WIPO)
(56) Related Art Documents: **Not Applicable**
(57) Statement of Newness and Distinctiveness: **Newness and distinctiveness resides in the visual features, including shape, configuration and ornamentation of the PRODUCT as shown in the accompanying representations.**



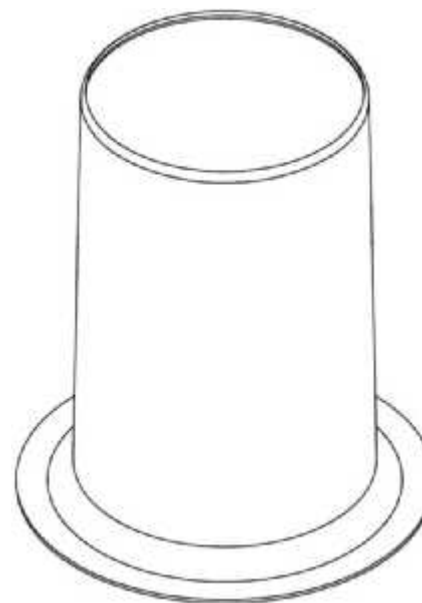
- (21) Design Number: **10790/2013**
(22) Date of Filing Application: **19 February 2013**
(24) Date from which industrial property rights may have effect: **19 February 2013**
(54) Product in respect of which the design is registered: **Credenza**
(51) International Design Classification: **06-04D**
(74) Name(s) of Attorney(s): **HODGKINSON McINNES PATENTS**
(71) Name(s) and Address(s) of Applicant(s):
Thinking Ergonomix Pty Limited
6A Childs Rd Chipping Norton NSW 2170 Australia
(72) Name(s) of Designer(s): **Seaton McKeon**
(45) Registration Date: **28 March 2013**
(56) Related Art Documents: **Not Applicable**
(57) Statement of Newness and Distinctiveness: **Newness and distinctiveness is claimed in the shape and configuration of a credenza as shown in the representation.**



- (21) Design Number: **15680/2012**
(22) Date of Filing Application: **16 November 2012**
(24) Date from which industrial property rights may have effect: **16 November 2012**
(54) Product in respect of which the design is registered: **Towbar hitch**
(51) International Design Classification: **12-16L**
(74) Name(s) of Attorney(s): **Alder IP PtyLtd**
(71) Name(s) and Address(s) of Applicant(s):
Mitchell Bros Motorsport Pty Ltd
16 Chard Rd Brookvale NSW 2100 Australia
(72) Name(s) of Designer(s): **Aaron Mitchell**
(45) Registration Date: **28 March 2013**
(56) Related Art Documents: **Not Applicable**
(57) Statement of Newness and Distinctiveness: **Nil**



- (21) Design Number: **15710/2012**
(22) Date of Filing Application: **19 November 2012**
(24) Date from which industrial property rights may have effect: **19 November 2012**
(54) Product in respect of which the design is registered: **Gutter outlet**
(51) International Design Classification: **23-01L**
(74) Name(s) of Attorney(s): **Cullens Patent and Trade Mark Attorneys**
(71) Name(s) and Address(s) of Applicant(s):
Uni-Quip Australia Pty Ltd
20 Glendevon Cres Mt Warren Park QLD 4207 Australia
(72) Name(s) of Designer(s): **Michael Norman Carr**
(45) Registration Date: **28 March 2013**
(56) Related Art Documents: **Not Applicable**
(57) Statement of Newness and Distinctiveness: **Nil**



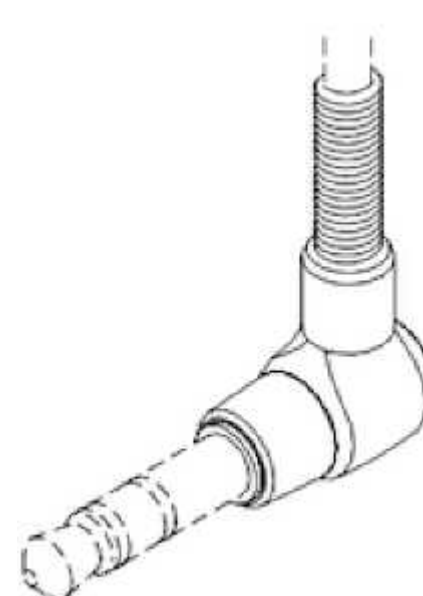
- (21) Design Number: **15975/2012**
(22) Date of Filing Application: **01 December 2012**
(24) Date from which industrial property rights may have effect: **01 December 2012**
(54) Product in respect of which the design is registered: **Fundraising box**
(51) International Design Classification: **09-99**
(74) Name(s) of Attorney(s):
(71) Name(s) and Address(s) of Applicant(s):
Alexei Ivakhnenko
7/210 Bridge Rd Glebe NSW 2037 Australia
(72) Name(s) of Designer(s): **Alexei Ivakhnenko and Sayee Ganjekar**
(45) Registration Date: **28 March 2013**
(56) Related Art Documents: **Not Applicable**
(57) Statement of Newness and Distinctiveness: **The newness and distinctiveness of the design resides in: 1) unique shape of the Confectionery Compartment, Money Compartment, exchangeable Price Panels, insert Tray & Pockets 2) new concept of assembling of the panels and compartments into the Fundraising Box with unique combination of folding lines and tab-locks 3) new and distinctive graphic logos and colour combinations of the all parts and panels of the Fundraising Box are to be considered together with the overall impression of the design.**



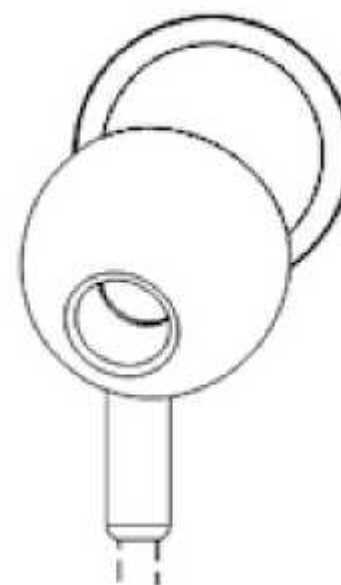
- (21) Design Number: **16157/2012**
(22) Date of Filing Application: **07 December 2012**
(24) Date from which industrial property rights may have effect: **07 December 2012**
(54) Product in respect of which the design is registered: **A margarine tub**
(51) International Design Classification: **09-03NES, 09-03M, 07-01NES**
(74) Name(s) of Attorney(s): **KLIGER PARTNERS Lawyers**
(71) Name(s) and Address(s) of Applicant(s):
Peerless Holdings Pty Ltd
21 Evans St Braybrook VIC 3019 Australia
(72) Name(s) of Designer(s): **Paul Dassun**
(45) Registration Date: **28 March 2013**
(56) Related Art Documents: **Not Applicable**
(57) Statement of Newness and Distinctiveness: **Nil**



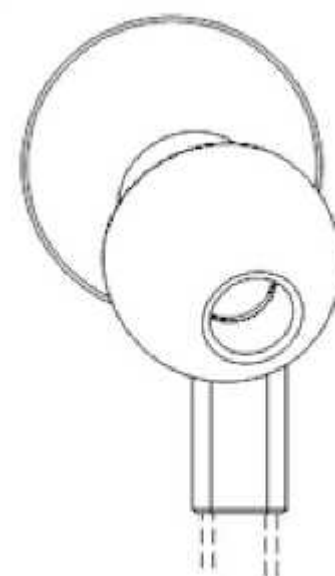
- (21) Design Number: **10409/2013**
(22) Date of Filing Application: **29 January 2013**
(24) Date from which industrial property rights may have effect: **29 January 2013**
(54) Product in respect of which the design is registered: **Headphones**
(51) International Design Classification: **14-01**
(74) Name(s) of Attorney(s): **Davies Collison Cave**
(71) Name(s) and Address(s) of Applicant(s):
Nathah Orbach
L16 400 St Kilda Rd Melbourne VIC 3104 Australia
(72) Name(s) of Designer(s): **Nathah Orbach**
(45) Registration Date: **28 March 2013**
(56) Related Art Documents: **Not Applicable**
(57) Statement of Newness and Distinctiveness: **Newness and distinctiveness is claimed in the features of shape and configuration of the headphones as illustrated in unbroken lines in the accompanying representations. Features of the headphones shown in broken lines in the accompanying representations are disclaimed.**



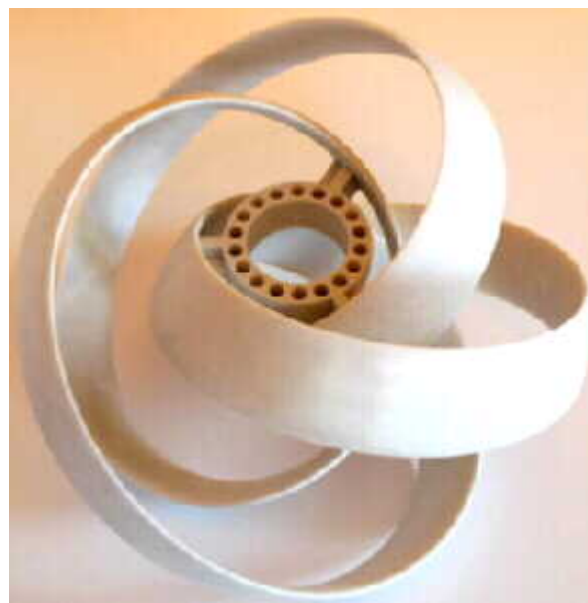
- (21) Design Number: **10412/2013**
(22) Date of Filing Application: **29 January 2013**
(24) Date from which industrial property rights may have effect: **29 January 2013**
(54) Product in respect of which the design is registered: **Headphones**
(51) International Design Classification: **14-01**
(74) Name(s) of Attorney(s): **Davies Collison Cave**
(71) Name(s) and Address(s) of Applicant(s):
Nathah Orbach
L16 400 St Kilda Rd Melbourne VIC 3104 Australia
(72) Name(s) of Designer(s): **Nathah Orbach**
(45) Registration Date: **28 March 2013**
(56) Related Art Documents: **Not Applicable**
(57) Statement of Newness and Distinctiveness: **Newness and distinctiveness is claimed in the features of shape and configuration of the headphones as illustrated in unbroken lines in the accompanying representations. Features of the headphones shown in broken lines in the accompanying representations are disclaimed.**



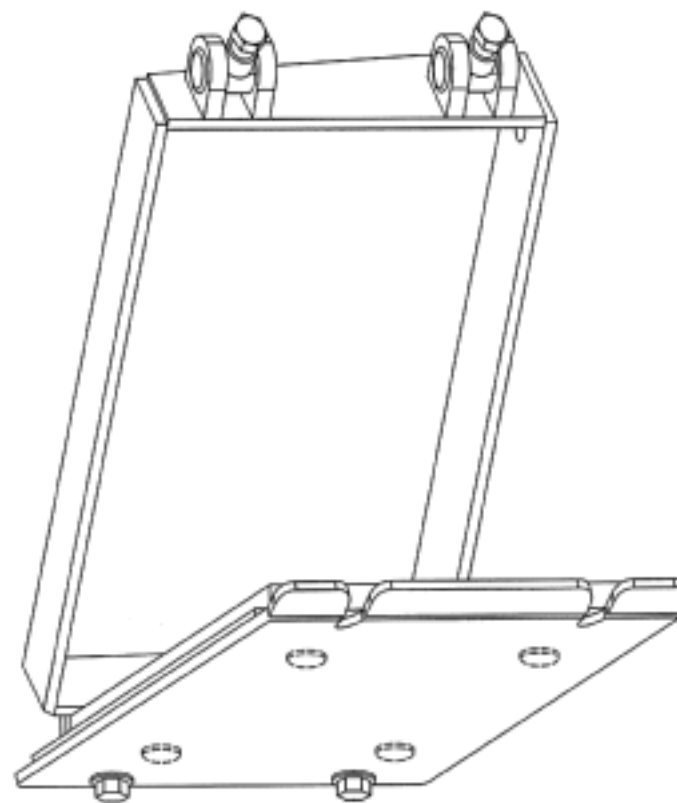
- (21) Design Number: **10418/2013**
(22) Date of Filing Application: **29 January 2013**
(24) Date from which industrial property rights may have effect: **29 January 2013**
(54) Product in respect of which the design is registered: **Headphones**
(51) International Design Classification: **14-01**
(74) Name(s) of Attorney(s): **Davies Collison Cave**
(71) Name(s) and Address(s) of Applicant(s):
Nathah Orbach
L16 400 St Kilda Rd Melbourne VIC 3104 Australia
(72) Name(s) of Designer(s): **Nathah Orbach**
(45) Registration Date: **28 March 2013**
(56) Related Art Documents: **Not Applicable**
(57) Statement of Newness and Distinctiveness: **Newness and distinctiveness is claimed in the features of shape and configuration of the headphones as illustrated in unbroken lines in the accompanying representations. Features of the headphones shown in broken lines in the accompanying representations are disclaimed.**



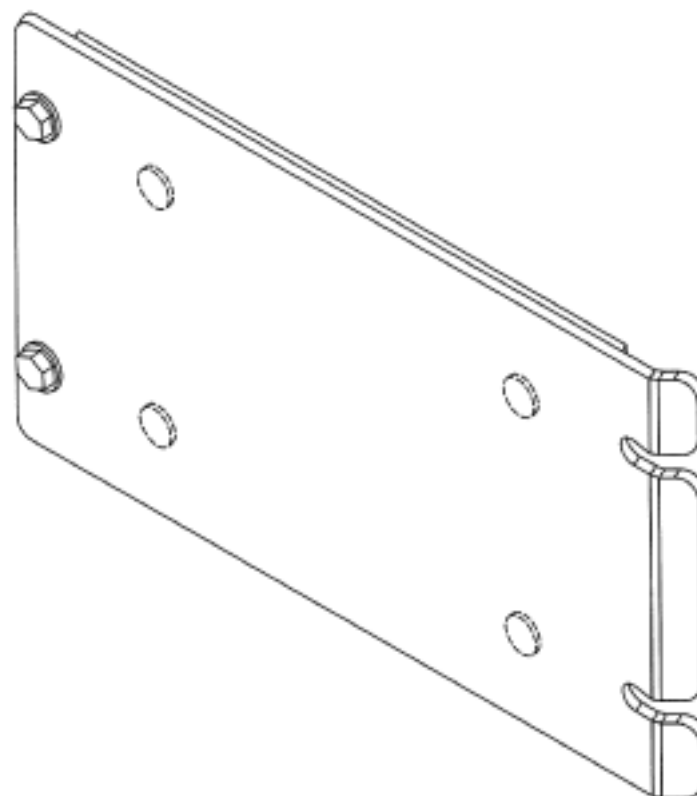
- (21) Design Number: **10528/2013**
(22) Date of Filing Application: **04 February 2013**
(24) Date from which industrial property rights may have effect: **04 February 2013**
(54) Product in respect of which the design is registered: **Lamp shade**
(51) International Design Classification: **26-05D**
(74) Name(s) of Attorney(s):
(71) Name(s) and Address(s) of Applicant(s):
Wesley Yoke Hun Tan
5 Coronation St Mount Waverley VIC 3149 Australia
(72) Name(s) of Designer(s): **Wesley Yoke Hun Tan**
(45) Registration Date: **28 March 2013**
(56) Related Art Documents: **Not Applicable**
(57) Statement of Newness and Distinctiveness: **The smooth, flowing shape of the lamp shade, along with a hidden bulb socket bracket, as shown in the representations.**



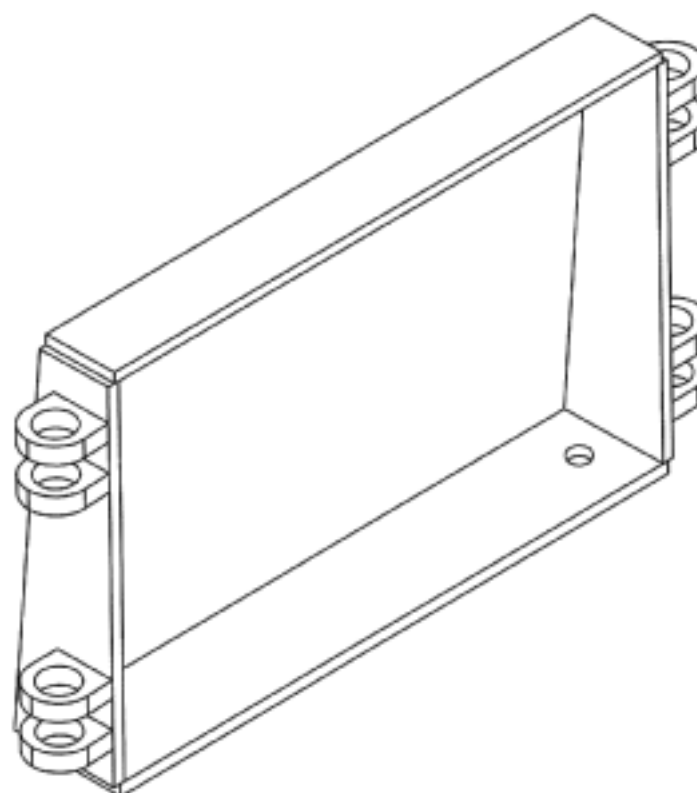
- (21) Design Number: **10939/2013**
(22) Date of Filing Application: **27 February 2013**
(24) Date from which industrial property rights may have effect: **27 February 2013**
(54) Product in respect of which the design is registered: **Crusher feed hopper hatch**
(51) International Design Classification: **15-99**
(74) Name(s) of Attorney(s): **Griffith Hack**
(71) Name(s) and Address(s) of Applicant(s):
Sandvik Intellectual Property AB
Sandviken SE-811 81 Sweden
(72) Name(s) of Designer(s): **Axel Bergman and Bengt-Arne Eriksson and Fredrik Eriksson and Mikael Larsson and Patric Malmqvist**
(45) Registration Date: **28 March 2013**
(30) Convention priority data:
(31) Number (32) Date (33) Country
001341606-0001 28 Aug 2012 OFFICE FOR HARMONISATION IN THE INTERNAL MARKET (OHIM)
(56) Related Art Documents: **Not Applicable**
(57) Statement of Newness and Distinctiveness: **Newness and distinctiveness resides in the visual features, including shape and configuration, of a Crusher Feed Hopper Hatch as shown in solid outline in the accompanying drawings. When determining whether the design is substantially similar in overall impression to another design, no regard is to be had to those features shown in dotted outline in the accompanying drawings, which features are provided for illustrative purposes only.**



- (21) Design Number: **10940/2013**
(22) Date of Filing Application: **27 February 2013**
(24) Date from which industrial property rights may have effect: **27 February 2013**
(54) Product in respect of which the design is registered: **Door part of a crusher feed hopper hatch**
(51) International Design Classification: **15-99**
(74) Name(s) of Attorney(s): **Griffith Hack**
(71) Name(s) and Address(s) of Applicant(s):
Sandvik Intellectual Property AB
Sandviken SE-811 81 Sweden
(72) Name(s) of Designer(s): **Axel Bergman and Bengt-Arne Eriksson and Fredrik Eriksson and Mikael Larsson and Patric Malmqvist**
(45) Registration Date: **28 March 2013**
(30) Convention priority data:
(31) Number (32) Date (33) Country
001341606-0002 28 Aug 2012 OFFICE FOR HARMONISATION IN THE INTERNAL MARKET (OHIM)
(56) Related Art Documents: **Not Applicable**
(57) Statement of Newness and Distinctiveness: **Newness and distinctiveness resides in the visual features, including shape and configuration, of a Door Part of a Crusher Feed Hopper Hatch as shown in solid outline in the accompanying drawings. When determining whether the design is substantially similar in overall impression to another design, no regard is to be had to those features shown in dotted outline in the accompanying drawings, which features are provided for illustrative purposes only.**



- (21) Design Number: **10941/2013**
(22) Date of Filing Application: **27 February 2013**
(24) Date from which industrial property rights may have effect: **27 February 2013**
(54) Product in respect of which the design is registered: **Frame part of a crusher feed hopper hatch**
(51) International Design Classification: **15-99**
(74) Name(s) of Attorney(s): **Griffith Hack**
(71) Name(s) and Address(s) of Applicant(s):
Sandvik Intellectual Property AB
Sandviken SE-811 81 Sweden
(72) Name(s) of Designer(s): **Axel Bergman and Bengt-Arne Eriksson and Fredrik Eriksson and Mikael Larsson and Patric Malmqvist**
(45) Registration Date: **28 March 2013**
(30) Convention priority data:
(31) Number (32) Date (33) Country
001341606-0003 28 Aug 2012 OFFICE FOR HARMONISATION IN THE INTERNAL MARKET (OHIM)
(56) Related Art Documents: **Not Applicable**
(57) Statement of Newness and Distinctiveness: **Nil**



- (21) Design Number: **10650/2013**
(22) Date of Filing Application: **08 February 2013**
(24) Date from which industrial property rights may have effect: **08 February 2013**
(54) Product in respect of which the design is registered: **Housing for gas flow indicator**
(51) International Design Classification: **10-04**
(74) Name(s) of Attorney(s): **Callinans**
(71) Name(s) and Address(s) of Applicant(s):
Matthew Matusik
98 Manning Rd Malvern East VIC 3145 Australia
(72) Name(s) of Designer(s): **Matthew Matusik**
(45) Registration Date: **28 March 2013**
(30) Convention priority data:
(31) Number (32) Date (33) Country
29/429,484 12 Aug 2012 UNITED STATES OF AMERICA
(56) Related Art Documents: **Not Applicable**
(57) Statement of Newness and Distinctiveness: **Newness and distinctiveness are provided by the shape and/or configuration of the design shown in the representations. The features shown in broken lines in the representations are for illustrative purposes only and should not be considered when construing visual features of the design.**



- (21) Design Number: **10649/2013**
(22) Date of Filing Application: **08 February 2013**
(24) Date from which industrial property rights may have effect: **08 February 2013**
(54) Product in respect of which the design is registered: **Housing for gas flow indicator**
(51) International Design Classification: **10-04**
(74) Name(s) of Attorney(s): **Callinans**
(71) Name(s) and Address(s) of Applicant(s):
Matthew Matusik
98 Manning Rd Malvern East VIC 3145 Australia
(72) Name(s) of Designer(s): **Matthew Matusik**
(45) Registration Date: **28 March 2013**
(30) Convention priority data:
(31) Number (32) Date (33) Country
29/429,483 12 Aug 2012 UNITED STATES OF AMERICA
(56) Related Art Documents: **Not Applicable**
(57) Statement of Newness and Distinctiveness: **Newness and distinctiveness are provided by the shape and/or configuration of the design shown in the representations. The features shown in broken lines in the representations are for illustrative purposes only and should not be considered when construing visual features of the design.**

