



Australian Government

IP Australia

AUSTRALIAN OFFICIAL JOURNAL

OF

DESIGNS

Did you know a searchable version of this journal is now available online?

It's FREE and EASY to SEARCH.

Find it on our website (www.ipaustralia.gov.au)

by using the "Journals" link on the home page.

This Page Left Intentionally Blank

Contents

General Information & Notices

**Proceedings Under the Designs Act 1906 preserved as a result of the provisions of Chapter 12
Part 2 of the Designs Act 2003**

Extension of Period of Registration of Designs 1098

Registrations Ceased 1098

Proceedings Under the Designs Act 2003

Applications for Extension of Time Under Section 137 1108

Applications Lapsed 1107

Applications Lodged 1102

Applications Withdrawn 1107

Certificate of Examination 1110

Extension of Period of Registration of Design 1108

Extension of Time Granted Under Section 137 1108

Licences Registered 1108

Publication and Registration Proceedings

Designs Registered 347834 to 348054. 1111

Registrations Ceased 1108

Subsequent Owners Registered 1108

This Page Left Intentionally Blank

For information on the following please see our website www.ipaustralia.gov.au or contact our Customer Service Network on 1300651010

[Editorial enquiries](#)

[Contact information](#)

[Freedom of Information ACT](#)

[Professional Standards Board](#)

[Sales](#)

[Requests for Information under Section 194 \(c\)](#)

[Country Codes](#)

[Trade Mark and Designs Hearing Sessions](#)

[INID \(Internationally agreed Numbers for the Identification of Data\)](#)

“INID” NUMBERS in use on Australian Design Documents

“INID” is an acronym for “Internationally agreed Numbers for the Identification of Data”.

(10) Data concerning the registration/renewal

- (11) Serial number of the registration and/or number of the design document
- (12) Plain language designation of the kind of published document
- (19) Identification, using the two-letter code according to WIPO Standard ST.3, of the authority publishing or registering the industrial design

(20) Data concerning the application

- (21) Serial number of the application
- (22) Date of filing of the application
- (24) Date from which the industrial design right has effect

(30) Data relating to priority under the Paris Convention

- (31) Serial number assigned to the priority application
- (32) Date of filing of the priority application
- (33) Two-letter code, according to WIPO Standard ST.3, identifying the authority with which the priority application was made

(40) Date(s) of making information available to the public

- (45) Date of publication of the registered industrial design by printing or similar process, or making it available to the public by any other means

(50) Miscellaneous Information

- (51) International Classification for Industrial Designs (class and subclass of the Locarno Classification)
- (54) Designation of article(s) or product(s) covered by the industrial design or title of the industrial design
- (55) Reproduction of the industrial design (e.g., drawing, photograph) and explanations relating to the reproduction
- (56) List of prior art documents, if separate from descriptive text
- (57) Description of characteristic features of the industrial design including indication of colours

(60) References to other legally related application(s) and registration(s)

- (62) Serial number(s) and, if available, filing date(s) of application(s), registration(s) or document(s) related by division
- (66) Serial number(s) of the application, or the registration, of the design(s) which is (are) a variant(s) of the present one

(70) Identification of parties concerned with the application or registration

- (71) Name(s) and address(es) of the applicant(s)
- (72) Name(s) of the creator(s) if known to be such
- (74) Name(s) and address(es) of the representative(s)

This Page Left Intentionally Blank

OFFICIAL NOTICE

Olympic Insignia Protection Act 1987

NOTICE OF AN APPLICATION TO EXTEND THE PROTECTION PERIOD OF OLYMPIC DESIGN

Notice is hereby given pursuant to sub-section 11(3) of the *Olympic Insignia Protection Act 1987* that the Registrar has received an Application to Extend the Period of Registration, under sub-section 11(1), of the following registration held by the Australian Olympic Committee Incorporated.

REGISTRATION NO: OD 010

Date of Registration: 05 March 1990

Date of end of protection period: 27 September 2013

Date extension applied to: 27 September 2025



Proceedings under the Designs Act 1906 preserved as a result of the provisions of Chapter 12 Part 2 of the Designs Act 2003.

This Page Left Intentionally Blank

Applications Lapsed

There were no Applications Lapsed under this section

Extension of Period of Registration of Designs

1st Period (Section 27A(8))

2nd Period (Section 27A(12))

3rd Period (Section 27A(13))

147892	148501	148505
148527	149030	149101
149102	149238	149539
150262	151175	151176
151177	152056	152124
152125	152126	152294
152441	153285	

Registrations Ceased

Note: Some of the following Registrations may have been previously advertised as ceased. In this instance, the previous advertisement still prevails.

129683	131458	131461
131488	131489	131523
131525	131528	131531
131532	131534	131535
131537	131538	131540
131542	131644	131646
131793	132102	132107
132263	132520	132594
132714	132994	132999
133000	133001	133164
134126	134179	134189
134228	134887	135393
136081	136121	136261
137401	137431	141036
141037	146427	146428
146657	146660	146664
146665	146666	146667
146691	146798	146799
146800	146826	147111
147370	147478	147674
148130	148314	148577
149372	150086	150304
150872	151503	

This Page Left Intentionally Blank

Proceedings under the Designs Act 2003.

This Page Left Intentionally Blank

Applications Lodged

Lodgement information is in the following order: **Applicant's Name**; International Classification, Name of Product, Lodgement Date and **Design Number**. If the applicant claims an earlier priority date under an International Convention, the Convention Country and the associated filing date are shown in parentheses before the Lodgement Date. Divisional information will also appear in parentheses before the Lodgement Date.

Adaluma Pty Ltd; 03-01C, 06-13NES, High visibility backpack cover (as in photo), 02 Apr 2013	11587/2013	Bonya Springs Pty Ltd; 02-02NES, An article of clothing, 02 Apr 2013	11582/2013
Advantage Feeders Pty. Ltd.; 30-03, Grain feeder, 03 Apr 2013	11612/2013	Bonya Springs Pty Ltd; 02-02NES, An article of clothing, 02 Apr 2013	11583/2013
Advantage Feeders Pty. Ltd.; 30-03, Mineral attachment, 03 Apr 2013	11611/2013	Bonya Springs Pty Ltd; 02-02NES, An article of clothing, 02 Apr 2013	11584/2013
Akers Biosciences, Inc.; 20-02NES, Comparison card, (US, 09 Oct 2012) 09 Apr 2013	11672/2013	Breville Pty Limited; 07-02L, Espresso making machine, 08 Apr 2013	11666/2013
Akers Biosciences, Inc.; 20-02NES, Two color comparison cards, (US, 09 Oct 2012) 09 Apr 2013	11673/2013	Bridgestone Corporation; 12-15B, Automobile tyre, (Divisional of 16399/2012) 03 Apr 2013	11607/2013
Akers Biosciences, Inc.; 20-02NES, Four color comparison card, (US, 09 Oct 2012) 09 Apr 2013	11671/2013	Burnett, Christopher David; 09-05, Bag, 07 Apr 2013	11641/2013
Arjo Hospital Equipment AB; 12-12, Shower stretcher, (EM, 10 Oct 2012) 10 Apr 2013	11687/2013	C.E. Niehoff & Co.; 13-01, Electric generator, (US, 11 Oct 2012) 08 Apr 2013	11652/2013
Arlec Australia Pty Ltd; 13-03E, A switch, 05 Apr 2013	11632/2013	C.E. Niehoff & Co.; 13-01, Electric generator, (US, 11 Oct 2012) 10 Apr 2013	11691/2013
Australian Mobile Mining Equipment Systems and Accessories Pty. Limited; 09-99, 12-05, Loading apparatus for use with cargo containers, 31 Mar 2013	11571/2013	C.E. Niehoff & Co.; 13-01, Electric generator, (US, 11 Oct 2012) 10 Apr 2013	11692/2013
Australian Mobile Mining Equipment Systems and Accessories Pty. Limited; 09-99, 12-05, Loading apparatus for use with cargo containers, 31 Mar 2013	11572/2013	Caterpillar Inc.; 15-04, Undercarriage track link for mobile earthmoving machine, (US, 29 Jun 2012) (Divisional of 16529/2012) 08 Apr 2013	11698/2013
Babyliss Faco SPRL; 28-03B, Hair straightener and curler, (EM, 09 Oct 2012) 08 Apr 2013	11667/2013	Caterpillar Inc.; 15-04, Undercarriage track link for mobile earthmoving machine, (US, 29 Jun 2012) (Divisional of 16527/2012) 08 Apr 2013	11696/2013
Barbeques Galore (Aust) Pty Limited; 07-02E, A barbecue, 09 Apr 2013	11674/2013	Caterpillar Inc.; 15-04, Undercarriage track link for mobile earthmoving machine, (US, 29 Jun 2012) (Divisional of 16528/2012) 08 Apr 2013	11697/2013
Bartlett Transport Improvements Pty Ltd; 08-08L, Trailer safety chain attachment bracket, 08 Apr 2013	11660/2013	Cequent Consumer Products, Inc.; 12-16L, Hitch ball mount, (US, 22 Jun 2012) 19 Dec 2012	16762/2012
Beattie, Mark Antony; 25-02H, Awning, 11 Apr 2013	11710/2013	Cequent Consumer Products, Inc.; 12-16L, Hitch ball mount, (US, 22 Jun 2012) 19 Dec 2012	16763/2012
Bitzer Kuehlmaschinenbau GmbH; 15-02, Compressor, (EM, 08 Mar 2013) 10 Apr 2013	11684/2013	Cequent Consumer Products, Inc.; 12-16L, Hitch ball mount, (US, 22 Jun 2012) 19 Dec 2012	16761/2012
Bitzer Kuehlmaschinenbau GmbH; 15-02, Compressor, (EM, 08 Mar 2013) 10 Apr 2013	11685/2013	Cequent Consumer Products, Inc.; 12-16L, Hitch ball mount, (US, 22 Jun 2012) 19 Dec 2012	16764/2012
Blazevic, Paul; 25-01D, 25-02NES, Building panel and construction method, 03 Apr 2013	11599/2013		

Cequent Consumer Products, Inc; 12-16L, Hitch ball mount, (US, 22 Jun 2012) 19 Dec 2012	16760/2012	Draeger Safetey AG & Co KGaA; 10-04, Calibrator, (EM, 25 Jun 2012) 20 Dec 2012	16776/2012
Chef'n Corporation; 07-06NES, Emulsifier, (US, 04 Oct 2012) 03 Apr 2013	11609/2013	Education Projects Pty Ltd; 21-01H, Toy catapult, 03 Apr 2013	11602/2013
Clarkson, Ryan James; 08-08H, Building eave bracket system, 10 Apr 2013	11699/2013	Electrolux Home Care Products, Inc.; 15-05, Backpack vacuum cleaner, (US, 12 Oct 2012) 11 Apr 2013	11706/2013
Clover Co. Ltd.; 23-01G, Water purifier, 08 Apr 2013	11658/2013	Fast & Save Pty Ltd; 06-02, Genuine modern design leather bed Chelsea, 08 Apr 2013	11654/2013
Compagnie Generale Des Etablissements Michelin;Michelin Recherche et Technique S.A.; 12-15B, A tyre, (US, 24 Oct 2012) 04 Apr 2013	11619/2013	Fluid Mocean Pty. Ltd.; 06-13NES, 06-13C, Car seat cover/beach towel, 04 Apr 2013	11629/2013
Compagnie Generale Des Etablissements Michelin;Michelin Recherche et Technique S.A.; 12-15B, A tyre, (US, 26 Nov 2012) 04 Apr 2013	11623/2013	Forever New Clothing Pty Ltd; 03-01B, Accessory item, 28 Mar 2013	11596/2013
Compagnie Generale Des Etablissements Michelin;Michelin Recherche et Technique S.A.; 12-15B, A tyre, (US, 26 Nov 2012) 04 Apr 2013	11621/2013	Forever New Clothing Pty Ltd; 02-02C, 02-02NES, 02-04NES, Article of clothing, 28 Mar 2013	11597/2013
Compagnie Generale Des Etablissements Michelin;Michelin Recherche et Technique S.A.; 12-15B, A tyre, (US, 24 Oct 2012) 04 Apr 2013	11620/2013	Formway Furniture Limited; 06-01F, Chair, (US, 04 Oct 2012) 03 Apr 2013	11590/2013
Cree, Inc.; 26-05E, Lighting fixture, (US, 12 Oct 2012) 11 Apr 2013	11707/2013	Formway Furniture Limited; 06-01F, Chair, (US, 04 Oct 2012) 03 Apr 2013	11589/2013
Cree, Inc.; 26-05E, Lighting fixture, (US, 12 Oct 2012) 11 Apr 2013	11708/2013	Fujitsu Limited; 14-02, Mouse, (JP, 11 Oct 2012) 11 Apr 2013	11713/2013
Cryovac Australia Pty Ltd; 09-03F, Tray, 30 Mar 2013	11567/2013	Fujitsu Limited; 14-02, Personal computer, (JP, 11 Oct 2012) 11 Apr 2013	11715/2013
Cryovac Australia Pty Ltd; 09-03F, Tray, 30 Mar 2013	11566/2013	Fujitsu Limited; 14-02, Personal computer, (JP, 11 Oct 2012) 11 Apr 2013	11714/2013
Dias, Randika; 08-06, 21-02B, A handle for a bat, 02 Apr 2013	11586/2013	Georgiou, Spyros; 23-03D, Solar water heater, 03 Apr 2013	11588/2013
Dometic GmbH; 23-02C, A toilet, (EM, 23 Aug 2012) 08 Feb 2013	11648/2013	Gooden, Benjamin Douglas;Gooden, Rebecca Grace; 08-08NES, 25-01NES, A support cell under a load bearing feature, 04 Apr 2013	11624/2013
Dometic GmbH; 23-02C, A toilet, (EM, 23 Aug 2012) 08 Feb 2013	11650/2013	Gooden, Rebecca Grace;Gooden, Benjamin Douglas; 08-08NES, 25-01NES, A support cell under a load bearing feature, 04 Apr 2013	11624/2013
Dometic GmbH; 23-02C, A toilet, (EM, 23 Aug 2012) 08 Feb 2013	11649/2013	Hall, Russell James Ogilvie;Ripple Iron Pty Ltd; 06-01H, Seat, 03 Apr 2013	11617/2013
Dometic GmbH; 23-02C, A toilet, (EM, 23 Aug 2012) 08 Feb 2013	11647/2013	HELHEL; 11-01D, Earrings, 05 Apr 2013	11638/2013
		HYB D.O.O.; 10-04, Blood pressure transducer, (WO, 12 Oct 2012) 10 Apr 2013	11688/2013
		Ieraci, Angelo; 23-01NES, Plumbing component for a cleanout, 04 Apr 2013	11627/2013

Jing, Zeng; 26-05E, 16-06, Concavo-convex lens (LED), (CN, 16 Oct 2012) 05 Apr 2013	11636/2013	Lyngsoe Systems Limited; 14-03NES, Antenna, (CA, 03 Aug 2012) (Divisional of 10504/2013) 11 Apr 2013	11702/2013
Johnson & Johnson Industrial Ltda;McNeil-PPC, Inc.; 28-01, Tablet, (US, 03 Feb 2012) (Divisional of 16278/2012) 27 Mar 2013	11574/2013	Lyngsoe Systems Limited; 14-03NES, Antenna, (CA, 03 Aug 2012) (Divisional of 10504/2013) 11 Apr 2013	11701/2013
Johnson & Johnson Industrial Ltda;McNeil-PPC Inc.; 28-01, Tablet, (US, 02 Mar 2012) (Divisional of 16282/2012) 27 Mar 2013	11575/2013	LG Electronics Inc.; 14-02, Monitor, (KR, 29 Oct 2012) 10 Apr 2013	11683/2013
Johnson & Johnson Industrial Ltda;McNeil-PPC, Inc.; 28-01, Tablet, (US, 03 Feb 2012) (Divisional of 16272/2012) 27 Mar 2013	11573/2013	LINPAC Packaging Limited; 09-03F, Tray, (EM, 28 May 2012) 28 Mar 2013	11591/2013
Kesi Pty. Ltd.; 26-04, Long wax Greek Easter candle, 05 Apr 2013	11631/2013	LINPAC Packaging Limited; 09-03F, Tray, (EM, 28 May 2012) 28 Mar 2013	11592/2013
Kidkraft, Inc.; 21-01D, Toy ramp racing set, 08 Apr 2013	11663/2013	LINPAC Packaging Limited; 09-03F, Tray, (EM, 05 Apr 2012) 28 Mar 2013	11593/2013
Kim, Eungsik; 08-08B, Bolts, 30 Mar 2013	11568/2013	LINPAC Packaging Limited; 09-03F, Tray, (EM, 05 Apr 2012) 28 Mar 2013	11594/2013
Koninklijke Philips Electronics N.V.; 24-02, Frame for a patient interface assembly, (EM, 03 Oct 2012) 03 Apr 2013	11600/2013	LINPAC Packaging Limited; 09-03F, Tray, (EM, 05 Apr 2012) 28 Mar 2013	11595/2013
Koninklijke Philips Electronics N.V.; 24-02, Headgear clip for a patient interface assembly, (EM, 03 Oct 2012) 03 Apr 2013	11604/2013	Maclaw No. 477 Pty Ltd; 09-03F, Tray with lid, 11 Apr 2013	11711/2013
Koninklijke Philips Electronics N.V.; 24-02, Patient interface assembly, (EM, 03 Oct 2012) 03 Apr 2013	11603/2013	Madakbas, Betul; 11-02A, , 02 Apr 2013	11669/2013
Koninklijke Philips Electronics N.V.; 24-02, Cushion for a patient interface assembly, (EM, 03 Oct 2012) 03 Apr 2013	11601/2013	Martor KG; 08-03, Safety cutter, (Divisional of 10263/2013) 08 Apr 2013	11661/2013
Laboratoires La Prairie SA; 28-03NES, Cosmetics container, 11 Apr 2013	11712/2013	Mazda Motor Corporation; 12-16C, Bumper for motor vehicle, 27 Mar 2013	11598/2013
Lake, Dylan;Pollet, Jonathan; 08-08O, 25-03, Postbox, 11 Apr 2013	11705/2013	Mazda Motor Corporation; 12-08, Motor vehicle, 26 Mar 2013	11579/2013
Laurence, Aaron John; 21-02F, An exercise device, 28 Mar 2013	11538/2013	Mazda Motor Corporation; 12-08, Motor vehicle, 26 Mar 2013	11580/2013
Lemmen, Matthew; 11-01NES, Jewellery coin, 11 Apr 2013	11703/2013	McAuley, Neil Alexander; 12-16NES, A ute or trailer camper, 31 Mar 2013	11569/2013
Li, Xiang Kang; 31-00, Multi-purpose grater, 10 Apr 2013	11695/2013	McNeil-PPC Inc.;Johnson & Johnson Industrial Ltda; 28-01, Tablet, (US, 02 Mar 2012) (Divisional of 16282/2012) 27 Mar 2013	11575/2013
Licht, Nicole Cherie; 07-05D, Clothesline, 05 Apr 2013	11651/2013	McNeil-PPC, Inc.;Johnson & Johnson Industrial Ltda; 28-01, Tablet, (US, 03 Feb 2012) (Divisional of 16278/2012) 27 Mar 2013	11574/2013
Lightforce U.S.A., Inc.; 08-06, 16-06, Optical scope magnification throw lever, 04 Apr 2013	11626/2013	McNeil-PPC, Inc.;Johnson & Johnson Industrial Ltda; 28-01, Tablet, (US, 03 Feb 2012) (Divisional of 16272/2012) 27 Mar 2013	11573/2013
Lyngsoe Systems Limited; 14-03NES, Antenna, (US, 03 Aug 2012) (Divisional of 10500/2013) 11 Apr 2013	11700/2013	Medela Holding AG; 07-01E, Package for a teat of a feeding bottle, (WO, 18 Oct 2012) 10 Apr 2013	11686/2013

Melro Distributors Pty Ltd; 02-02C, 02-02NES, Ladies clothing, 02 Apr 2013	11618/2013	Nissan Jidosha Kabushiki Kaisha, also trading as Nissan Motor Co., Ltd.; 12-16C, Front bumper for automobile, (JP, 28 Sep 2012) 28 Mar 2013	11551/2013
Michelin Recherche et Technique S.A.;Compagnie Generale Des Etablissements Michelin; 12-15B, A tyre, (US, 24 Oct 2012) 04 Apr 2013	11620/2013	Nissan Jidosha Kabushiki Kaisha, also trading as Nissan Motor Co., Ltd.; 12-16C, Rear bumper for automobile, (JP, 28 Sep 2012) 28 Mar 2013	11543/2013
Michelin Recherche et Technique S.A.;Compagnie Generale Des Etablissements Michelin; 12-15B, A tyre, (US, 26 Nov 2012) 04 Apr 2013	11621/2013	Nissan Jidosha Kabushiki Kaisha, also trading as Nissan Motor Co., Ltd.; 12-08, Automobile, (JP, 28 Sep 2012) 28 Mar 2013	11550/2013
Michelin Recherche et Technique S.A.;Compagnie Generale Des Etablissements Michelin; 12-15B, A tyre, (US, 26 Nov 2012) 04 Apr 2013	11623/2013	Nissan Jidosha Kabushiki Kaisha, also trading as Nissan Motor Co., Ltd.; 12-16C, Front bumper for automobile, (JP, 28 Sep 2012) 28 Mar 2013	11545/2013
Michelin Recherche et Technique S.A.;Compagnie Generale Des Etablissements Michelin; 12-15B, A tyre, (US, 24 Oct 2012) 04 Apr 2013	11619/2013	Notaras, John Arthur;Notaras, Angelo Lambrinos; 15-05, A portable blower having a carry handle, 09 Apr 2013	11709/2013
Molnlycke Health Care AB; 24-04, A dressing, (EM, 12 Oct 2012) 08 Apr 2013	11656/2013	Notaras, Angelo Lambrinos;Notaras, John Arthur; 15-05, A portable blower having a carry handle, 09 Apr 2013	11709/2013
MIKE DE BRIE (OCEANIA) LIMITED; 02-02C, Jeans with bovine leather patches, (NZ, 29 Mar 2013) 29 Mar 2013	11565/2013	Notaras, John Arthur;Notaras, Angelo Lambrinos; 08-01, A drill unit, 03 Apr 2013	11616/2013
Nissan Jidosha Kabushiki Kaisha, also trading as Nissan Motor Co., Ltd.; 12-16NES, Instrument panel for automobile, (JP, 28 Sep 2012) 28 Mar 2013	11555/2013	Notaras, Angelo Lambrinos;Notaras, John Arthur; 08-01, A drill unit, 03 Apr 2013	11616/2013
Nissan Jidosha Kabushiki Kaisha, also trading as Nissan Motor Co., Ltd.; 12-16NES, Center console for automobile, (JP, 28 Sep 2012) 28 Mar 2013	11557/2013	Paspaley Pearl Sales Pty Ltd; 11-01E, An article of adornment, 03 Apr 2013	11608/2013
Nissan Jidosha Kabushiki Kaisha, also trading as Nissan Motor Co., Ltd.; 12-16NES, Center console for automobile, (JP, 28 Sep 2012) 28 Mar 2013	11556/2013	Philip Morris Products S.A.; 13-02, Charging unit, (EM, 26 Oct 2012) 09 Apr 2013	11681/2013
Nissan Jidosha Kabushiki Kaisha, also trading as Nissan Motor Co., Ltd.; 26-06, Headlight for automobile, (JP, 28 Sep 2012) 28 Mar 2013	11553/2013	Philip Morris Products S.A.; 13-02, Charging unit, (EM, 26 Oct 2012) 10 Apr 2013	11682/2013
Nissan Jidosha Kabushiki Kaisha, also trading as Nissan Motor Co., Ltd.; 12-16B, Radiator grill for automobile, (JP, 28 Sep 2012) 28 Mar 2013	11546/2013	Philip Morris Products S.A.; 13-02, Charging unit, (EM, 23 Oct 2012) 09 Apr 2013	11678/2013
Nissan Jidosha Kabushiki Kaisha, also trading as Nissan Motor Co., Ltd.; 26-06, Rear combination lamp for automobile, (JP, 28 Sep 2012) 28 Mar 2013	11554/2013	Philip Morris Products S.A.; 13-02, Charging unit, (EM, 26 Oct 2012) 09 Apr 2013	11679/2013
Nissan Jidosha Kabushiki Kaisha, also trading as Nissan Motor Co., Ltd.; 26-06, Rear combination lamp for automobile, (JP, 28 Sep 2012) 28 Mar 2013	11552/2013	Plastec Australia Pty Ltd; 23-01A, Gully trap, 05 Apr 2013	11639/2013
		Plastec Australia Pty Ltd; 23-01A, Gully trap, 05 Apr 2013	11640/2013
		Polaris Industries Inc; 12-08, Side-by-side all terrain vehicle, (US, 11 Oct 2012) 03 Apr 2013	11610/2013
		Pollet, Jonathan;Lake, Dylan; 08-08O, 25-03, Postbox, 11 Apr 2013	11705/2013

Prodrome Designs Pty Ltd; 25-02G, A window adapter for a prefabricated wall panel, 04 Apr 2013	11628/2013	Sandvik Intellectual Property AB; 15-99, Crusher, (EM, 11 Feb 2013) 10 Apr 2013	11690/2013
Railblaza Limited; 08-08NES, Telescopic pole, (NZ, 25 Oct 2012) 02 Apr 2013	11585/2013	Scania CV AB; 23-04, 25-01K, Cab corner vane, (SE, 10 Oct 2012) 28 Mar 2013	11558/2013
Ready Industries Pty. Ltd.; 23-02C, Portable toilet waste & water tank & wash basin, 28 Mar 2013	11561/2013	Sheldon and Hammond Pty Ltd; 07-02E, 07-04, Barbeque tongs, 09 Apr 2013	11676/2013
Ready Industries Pty. Ltd.; 23-02C, Portable toilet door and vanity panels, 28 Mar 2013	11544/2013	Sheldon and Hammond Pty Ltd; 07-99NES, A knife block, 11 Apr 2013	11704/2013
Ready Industries Pty. Ltd.; 23-02C, Portable toilet roof, 28 Mar 2013	11542/2013	Sheldon and Hammond Pty Ltd; 07-02E, 07-04, A barbeque spatula, 09 Apr 2013	11677/2013
Ready Industries Pty. Ltd.; 23-02C, Portable toilet wall, 28 Mar 2013	11547/2013	Sheldon and Hammond Pty Ltd; 07-02E, 07-02NES, A barbeque scraper, 09 Apr 2013	11675/2013
Reckitt Benckiser N.V.; 09-07C, Cap, (EM, 08 Oct 2012) 05 Apr 2013	11634/2013	Shirtliff, Ian; 23-01H, Tap flange, 03 Apr 2013	11615/2013
Reckitt Benckiser N.V.; 09-01NES, Bottle with cap, (EM, 08 Oct 2012) 05 Apr 2013	11637/2013	Shirtliff, Ian; 23-01A, Plumbing pipe trim, 03 Apr 2013	11614/2013
Reckitt Benckiser N.V.; 09-07C, Cap, (EM, 08 Oct 2012) 05 Apr 2013	11633/2013	Shirtliff, Ian; 23-01H, Tap flange, 03 Apr 2013	11613/2013
Reckitt Benckiser N.V.; 09-01NES, Bottle with cap, (EM, 08 Oct 2012) 05 Apr 2013	11635/2013	Societe des Produits Nestle S.A.; 01-01, Chocolate, 28 Mar 2013	11560/2013
Remateria AB; 12-06C, 21-02D, Paddles for canoe, (EM, 28 Sep 2012) 27 Mar 2013	11576/2013	SEB; 31-00, Electric grater-mincer, (EM, 05 Oct 2012) 03 Apr 2013	11605/2013
Rinnai Corporation; 07-02E, Burner plate, (JP, 02 Oct 2012) 27 Mar 2013	11577/2013	SEB; 31-00, Electric grater-mincer body, (EM, 05 Oct 2012) 03 Apr 2013	11606/2013
Rinnai Corporation; 07-02E, Burner plate, (JP, 02 Oct 2012) 27 Mar 2013	11578/2013	Take Two Marketing and Events Pty Ltd; 08-03, A knife handle, 28 Mar 2013	11548/2013
Ripple Iron Pty Ltd;Hall, Russell James Ogilvie; 06-01H, Seat, 03 Apr 2013	11617/2013	The Gates Corporation; 10-04, Belt wear gauge, (US, 29 Oct 2012) 02 Apr 2013	11581/2013
Ruffino S.R.L.; 09-01H, Bottle, (US, 30 Nov 2012) 28 Mar 2013	11564/2013	The Stanley Works Israel Limited; 06-03C, Work bench, (EM, 10 Oct 2012) 08 Apr 2013	11659/2013
Ruffino S.R.L.; 09-01H, Bottle, (US, 30 Nov 2012) 28 Mar 2013	11562/2013	Tiller & Tiller Pty Limited; 22-05, A fishing reel, 08 Apr 2013	11653/2013
Ruffino S.R.L.; 09-01H, Bottle, (US, 30 Nov 2012) 28 Mar 2013	11563/2013	Tiller & Tiller Pty Limited; 22-05, A fishing reel, 08 Apr 2013	11655/2013
Russell, James Lee; 06-01F, Chair, 05 Apr 2013	11630/2013	Trydel Research Pty Ltd; 09-07C, Cap for a container, 28 Mar 2013	11559/2013
Sandvik Intellectual Property AB; 15-99, Crusher, (EM, 11 Feb 2013) 10 Apr 2013	11689/2013	Tye, Shae Louise; 02-99, Baby garment, 08 Apr 2013	11657/2013
		THOMAS PEACOCK & SONS PTY LTD; 06-13NES, Mattress protector, 09 Apr 2013	11680/2013
		Underwood Companies Holdings Pty Ltd; 21-02D, A kickboard, 10 Apr 2013	11693/2013
		Underwood Companies Holdings Pty Ltd; 21-02D, A kickboard, 10 Apr 2013	11694/2013

Unilever PLC; 28-02, Soap bar, (EM, 17 Oct 2012) 04 Apr 2013	11625/2013	Victaulic Company; 23-01A, Pipe coupling segment, (US, 01 Oct 2012) 28 Mar 2013	11537/2013
Vecto Trade 461 (Proprietary) Limited; 12-02, Wheelbarrow pan, (ZA, 10 Oct 2012) 08 Apr 2013	11664/2013	Victaulic Company; 08-08D, 23-01A, Pipe coupling segment, (US, 02 Oct 2012) 28 Mar 2013	11549/2013
Victaulic Company; 23-01A, Pipe coupling segment, (US, 02 Oct 2012) 28 Mar 2013	11540/2013	Vittorio Bonacina Di Mario Bonacina & C. - S.N.C.; 26-05D, Lamp, 08 Apr 2013	11668/2013
Victaulic Company; 23-01A, Pipe coupling segment, (US, 02 Oct 2012) 28 Mar 2013	11541/2013	Who-Rae Pty Ltd; 09-05, Packaging container, 08 Apr 2013	11665/2013
Victaulic Company; 23-01A, Pipe coupling segment, (US, 02 Oct 2012) 28 Mar 2013	11539/2013	Who-Rae Pty Ltd; 09-05, Packaging container, 08 Apr 2013	11662/2013
Victaulic Company; 23-01A, Pipe coupling segment, (US, 01 Oct 2012) 28 Mar 2013	11536/2013	Wilcox Industries Corp.; 16-06, Modular binocular bridge, 04 Apr 2013	11670/2013
		XX STACEY LOUISE XX PTY. LTD.; 02-02NES, 02-03, Caps, T-shirts, all company advertising material, 31 Mar 2013	11570/2013

Applications Withdrawn

11155 / 2013 (06-03A)	11156 / 2013 (06-04NES)
11157 / 2013 (06-04NES)	11158 / 2013 (06-04NES)
11159 / 2013 (06-01F)	11160 / 2013 (06-03A)
11161 / 2013 (06-04D)	11162 / 2013 (06-03A)
11163 / 2013 (06-03A)	11164 / 2013 (06-04F)
11165 / 2013 (06-02)	11166 / 2013 (06-02)
11167 / 2013 (06-04F)	11168 / 2013 (06-04F)
11169 / 2013 (06-01F)	11170 / 2013 (06-04F)
11171 / 2013 (06-03A)	11172 / 2013 (06-03A)
11173 / 2013 (06-01C)	

Applications Lapsed

14782 / 2012 (02-03)	14783 / 2012 (23-02B)
14909 / 2012 (02-02C)	14912 / 2012 (07-02P)
14969 / 2012 (02-02C)	16263 / 2012 (07-03)
16354 / 2012 (20-03NES)	10182 / 2013 (20-03NES)
10301 / 2013 (16-06)	10302 / 2013 (16-06)
10303 / 2013 (16-06)	10304 / 2013 (16-06)
10305 / 2013 (16-06)	10306 / 2013 (16-06)
10307 / 2013 (16-06)	10308 / 2013 (16-06)
10309 / 2013 (16-06)	

Extension of Period of Registration of Designs

318277	319574	319733
320113	320149	320150
320189	320192	320296
320297	320351	320360
320493	320494	320495
320496	320497	320498
320499	320500	320501
320513	320523	320579
320583	320584	320585
320593	320594	320595
320606	320608	320611
320614	320655	320656
320658	320666	320667
320668	320687	320731
320746	320748	320756
320758	320786	320787
320833	320837	320838
320839	320840	320841
320961	320962	321060
321067	321068	321069
321083	321084	321086
321088	321089	321090
321091	321103	321119
321120	321121	321122
321126	321127	321136
321214	321293	321299
321302	321310	321319
321320	321339	321340
321341	321342	321343
321388	321421	321427
321430	321431	321432
321446	321615	321695
321696	321770	321771
321863	321874	321892
322272	322285	322291
322292	322295	322296
322555	322784	322785
322786	322790	322791
322792	322793	322794
322796	322801	322803
323003	323042	323141
323142	323366	323810
324142	324143	324144
324699	324700	325397

Registrations Ceased

316326	316958	316959
317091	317131	317132
317133	317199	317200

317201	317420	317421
317422	317425	317427
317428	317430	317431
317434	317446	317447
317451	317468	317470
317471	317472	317473
317474	317475	317477
317479	317480	317481
317485	317502	317503
317513	317541	317565
317566	317568	317569
317570	317580	317581
317587	317588	317606
317607	317608	317609
317617	317618	317620
317622	317627	317636
317637	317656	317756
317757	317795	317796
317887	317909	317910
317911	317912	317913
317914	317915	317916
318200	318201	318960
319864	319980	319981
320750	343670	

Applications for Extension of time under Section 137

Applications under section 137 for extension of time have been lodged. Objections must be lodged within 1 month from the date of this journal.

344396 **Elsteel (Private) Ltd.** Address for Service: IPD Group Attn: Brian Rodricks 25 Princess Road REGENTS PARK NSW 2143

344397 **Elsteel (Private) Ltd.** Address for Service: IPD Group Attn: Brian Rodricks 25 Princess Road REGENTS PARK NSW 2143

344398 **Elsteel (Private) Ltd.** Address for Service: IPD Group Attn: Brian Rodricks 25 Princess Road REGENTS PARK NSW 2143

Extensions of time granted under Section 137

Applications lodged under section 137 for extension of time have been granted.

15903/2012 **Eco Pacific Pty Ltd**

10519/2013 **Kenzo (a Societe Anonyme)**

Licences Registered

304860	A licence has been granted to SCA Hygiene Australia Pty Ltd
306161	A licence has been granted to SCA Hygiene Australia Pty Ltd
329985	A licence has been granted to SCA Hygiene Australia Pty Ltd

Subsequent Owners Registered

(The name in parentheses is that of the subsequent owner)

- 343479 (**Ayako Nozaki**) Phonewoa Pty Ltd
- 343480 (**Ayako Nozaki**) Phonewoa Pty Ltd
- 343481 (**Ayako Nozaki**) Phonewoa Pty Ltd
- 343482 (**Ayako Nozaki**) Phonewoa Pty Ltd
- 345862 (**Ayako Nozaki**) Phonewoa Pty Ltd
- 346701 (**Ayako Nozaki**) Phonewoa Pty Ltd
- 346904 (**YKON PTY LTD**) Wispac Industry Sdn Bhd
- 346867 (**YKON PTY LTD**) Wispac Industry Sdn Bhd
- 311503 (**Vertu Corporation Limited**) Nokia Corporation
- 318972 (**Vertu Corporation Limited**) Nokia Corporation
- 318976 (**Vertu Corporation Limited**) Nokia Corporation
- 318977 (**Vertu Corporation Limited**) Nokia Corporation
- 318978 (**Vertu Corporation Limited**) Nokia Corporation
- 319062 (**Vertu Corporation Limited**) Nokia Corporation
- 341581 (**Dyson Technology Limited**) Dyson Limited
- 321957 (**Vertu Corporation Limited**) Nokia Corporation
- 321970 (**Vertu Corporation Limited**) Nokia Corporation
- 321973 (**Vertu Corporation Limited**) Nokia Corporation
- 324185 (**Vertu Corporation Limited**) Nokia Corporation
- 321863 (**Ezidek International Pty Ltd**) Ezidek International
Pty Ltd as trustee for The Ezidek Trust
- 317439 (**Shanti Leeann Russell**) Keith Arthur Russell

Certificate(s) of Examination

Examination of the following Design Registration(s) has been completed. Infringement proceedings may now be commenced.

306215	25-01C	12/04/2013
330241	25-02A	13/02/2013
334169	25-02NES	12/04/2013
342329	08-05NES	12/04/2013
344884	27-05	27/11/2012
344889	27-05	27/11/2012
345447	03-01D	28/03/2013
345603	25-02G	11/04/2013
345639	02-02NES	05/04/2013
345727	06-13A	20/02/2013
345896	12-08	03/04/2013
345903	14-02	04/04/2013
346112	26-05C	10/04/2013
346566	24-02	10/04/2013
346571	09-05	12/03/2013
346623	14-02	12/04/2013
346624	14-02	12/04/2013
346639	23-01A	08/04/2013
346901	23-01K	10/04/2013
346979	15-05	09/04/2013
347050	09-01NES	12/04/2013
347051	09-01NES	04/04/2013
347052	09-01NES	04/04/2013
347053	09-07A	02/04/2013
347054	09-07A	02/04/2013
347058	03-01D	08/04/2013
347059	24-04	05/04/2013
347071	03-01B	08/04/2013
347086	26-05E	10/04/2013
347145	12-05	12/04/2013
347146	21-01F	03/04/2013
347153	09-05	09/04/2013
347210	24-02	09/04/2013
347297	09-05	09/04/2013
347331	02-04NES	11/04/2013
347332	02-04NES	11/04/2013
347391	02-02C	09/04/2013
347501	02-02C	09/04/2013
347715	02-02NES	10/04/2013

Publication and Registration Proceedings

Designs Registered

This section provides a concordance between design number and registration number of Designs covered in this journal. It also shows the main class and registration date.

This section covers Registration numbers 347834 to 348054 .

The registration number shown below should be used in all future correspondence.

Design Number	Registration Number	International Classification Code (IDC)	Registration Date	Design Number	Registration Number	International Classification Code (IDC)	Registration Date
13341/2012	347923	25-01K	08/04/2013	16642/2012	347947	26-05D	09/04/2013
13342/2012	347924	25-01K	08/04/2013	16643/2012	347948	13-03C	09/04/2013
13922/2012	347872	12-16NES	03/04/2013	16644/2012	347949	26-05D	09/04/2013
14970/2012	347873	06-03B	03/04/2013	16648/2012	347950	26-05C	09/04/2013
15069/2012	347874	07-02B	03/04/2013	16649/2012	347951	13-03C	09/04/2013
15454/2012	347854	02-02C	02/04/2013	16650/2012	347952	26-05D	09/04/2013
15516/2012	347875	23-01NES	03/04/2013	16651/2012	347931	20-01	09/04/2013
15693/2012	347855	26-06	02/04/2013	16654/2012	347995	28-03B	11/04/2013
15694/2012	347856	12-11	02/04/2013	16757/2012	347983	24-01	10/04/2013
15695/2012	347857	12-08	02/04/2013	16758/2012	347860	13-02	02/04/2013
15729/2012	348001	12-16N	11/04/2013	10017/2013	347878	12-15B	03/04/2013
15731/2012	348002	12-16N	11/04/2013	10129/2013	347932	07-01E	09/04/2013
15732/2012	348003	12-16N	11/04/2013	10208/2013	347897	06-01F	04/04/2013
15734/2012	348004	12-16N	11/04/2013	10227/2013	348017	15-07	11/04/2013
15735/2012	348005	12-16N	11/04/2013	10230/2013	348018	15-07	11/04/2013
15736/2012	348006	12-16N	11/04/2013	10232/2013	348019	15-07	11/04/2013
15738/2012	348007	12-16N	11/04/2013	10342/2013	348020	10-06	11/04/2013
15739/2012	348008	12-16N	11/04/2013	10343/2013	348021	10-06	11/04/2013
15740/2012	348009	12-16N	11/04/2013	10437/2013	347933	25-01G	09/04/2013
15742/2012	348010	12-16N	11/04/2013	10470/2013	348026	06-13B	11/04/2013
15743/2012	348011	12-16N	11/04/2013	10523/2013	347879	08-08K	03/04/2013
15745/2012	348012	12-16N	11/04/2013	10524/2013	347899	06-01G	04/04/2013
15746/2012	348013	12-16N	11/04/2013	10531/2013	347900	06-01G	04/04/2013
15748/2012	348014	12-16N	11/04/2013	10533/2013	347898	06-01G	04/04/2013
15749/2012	348015	12-16N	11/04/2013	10535/2013	347880	08-08A	03/04/2013
15750/2012	348016	12-16N	11/04/2013	10538/2013	347901	06-01G	04/04/2013
15928/2012	347982	24-01	10/04/2013	10553/2013	347953	06-06F	09/04/2013
16025/2012	347926	23-01L	08/04/2013	10559/2013	347954	25-03	09/04/2013
16027/2012	347876	14-03NES	03/04/2013	10638/2013	347861	07-06D	02/04/2013
16143/2012	347991	14-02	11/04/2013	10656/2013	347955	14-01	09/04/2013
16144/2012	347992	14-02	11/04/2013	10667/2013	347904	11-01C	08/04/2013
16146/2012	347993	14-02	11/04/2013	10679/2013	348024	25-03	11/04/2013
16179/2012	347859	13-02	02/04/2013	10680/2013	348023	25-03	11/04/2013
16189/2012	347877	06-01H	03/04/2013	10681/2013	348022	25-03	11/04/2013
16200/2012	347927	08-06	08/04/2013	10689/2013	347990	23-02A	10/04/2013
16265/2012	347858	15-05	02/04/2013	10690/2013	347989	23-01H	10/04/2013
16272/2012	347994	28-01	11/04/2013	10691/2013	347936	23-01H	09/04/2013
16278/2012	347984	28-01	10/04/2013	10693/2013	347937	25-01K	09/04/2013
16281/2012	347946	28-01	09/04/2013	10694/2013	347938	25-01K	09/04/2013
16282/2012	347985	28-01	10/04/2013	10695/2013	347939	25-01K	09/04/2013
16328/2012	347902	23-04	05/04/2013	10696/2013	347940	25-01K	09/04/2013
16389/2012	347928	08-99	08/04/2013	10697/2013	347941	25-01K	09/04/2013
16399/2012	347988	12-15B	10/04/2013	10698/2013	347942	25-01K	09/04/2013
16466/2012	347929	09-01NES	09/04/2013	10699/2013	347943	25-01K	09/04/2013
16467/2012	347930	09-01NES	09/04/2013	10700/2013	347944	25-01K	09/04/2013
16468/2012	347925	09-01NES	08/04/2013	10701/2013	347945	25-01K	09/04/2013
16481/2012	347848	02-02NES	02/04/2013	10702/2013	347905	25-01K	08/04/2013
16482/2012	347986	02-02NES	10/04/2013	10703/2013	347906	25-01K	08/04/2013
16483/2012	347987	02-02NES	10/04/2013	10707/2013	347907	13-03NES	08/04/2013
16578/2012	348029	16-06	11/04/2013	10716/2013	347849	15-04	02/04/2013

Publication and Registration Proceedings - Designs Registered cont'd

Design Number	Registration Number	International Classification Code (IDC)	Registration Date	Design Number	Registration Number	International Classification Code (IDC)	Registration Date
10717/2013	347850	15-04	02/04/2013	10911/2013	348035	12-16A	12/04/2013
10726/2013	347956	08-06	09/04/2013	10913/2013	348036	15-01	12/04/2013
10727/2013	347957	08-06	09/04/2013	10915/2013	348037	03-01NES	12/04/2013
10728/2013	347958	14-02	09/04/2013	10916/2013	348038	15-01	12/04/2013
10729/2013	347959	14-02	09/04/2013	10921/2013	347910	04-02	08/04/2013
10730/2013	347960	26-05E	09/04/2013	10922/2013	347911	01-01	08/04/2013
10735/2013	347851	07-02E	02/04/2013	10929/2013	348039	31-00	12/04/2013
10737/2013	347963	15-99	09/04/2013	10930/2013	348040	07-02H	12/04/2013
10739/2013	347964	21-02F	09/04/2013	10932/2013	348041	31-00	12/04/2013
10740/2013	348025	09-01A	11/04/2013	10933/2013	348042	31-00	12/04/2013
10741/2013	347908	09-01A	08/04/2013	10934/2013	347912	14-03B	08/04/2013
10755/2013	347961	24-04	09/04/2013	10935/2013	348043	07-02N	12/04/2013
10756/2013	348027	21-01N	11/04/2013	10936/2013	347969	14-03B	10/04/2013
10757/2013	347903	25-03	05/04/2013	10937/2013	347970	14-03B	10/04/2013
10761/2013	348052	20-02E	12/04/2013	10938/2013	347971	14-03B	10/04/2013
10763/2013	347852	21-01F	02/04/2013	10943/2013	348044	12-08	12/04/2013
10764/2013	347996	02-02B	11/04/2013	10944/2013	348045	12-08	12/04/2013
10765/2013	347853	25-04	02/04/2013	10945/2013	348046	09-03L	12/04/2013
10766/2013	347881	25-04	03/04/2013	10946/2013	348047	09-03L	12/04/2013
10767/2013	347882	25-04	03/04/2013	10947/2013	348048	09-03L	12/04/2013
10770/2013	347965	07-02H	09/04/2013	10948/2013	348051	09-03L	12/04/2013
10771/2013	347966	09-07A	09/04/2013	10949/2013	348049	09-03L	12/04/2013
10772/2013	347967	08-08B	09/04/2013	10951/2013	348050	23-01C	12/04/2013
10773/2013	348053	09-07A	12/04/2013	11004/2013	347972	26-05NES	10/04/2013
10793/2013	347968	06-01D	10/04/2013	11009/2013	347913	15-05	08/04/2013
10796/2013	347934	20-03NES	09/04/2013	11039/2013	347973	08-05A	10/04/2013
10803/2013	347909	09-01NES	08/04/2013	11040/2013	347997	14-02	11/04/2013
10813/2013	348028	21-01M	11/04/2013	11041/2013	347998	14-02	11/04/2013
10822/2013	347883	03-01NES	03/04/2013	11066/2013	347914	02-02B	08/04/2013
10824/2013	347884	12-16K	03/04/2013	11067/2013	347999	01-01	11/04/2013
10825/2013	347885	25-02H	03/04/2013	11069/2013	347915	09-03L	08/04/2013
10836/2013	347886	06-01NES	03/04/2013	11072/2013	347916	11-99	08/04/2013
10852/2013	347887	08-06	03/04/2013	11075/2013	348054	14-01	12/04/2013
10854/2013	347890	01-01	03/04/2013	11090/2013	347917	09-05	08/04/2013
10855/2013	347891	07-02C	03/04/2013	11094/2013	348000	07-02R	11/04/2013
10856/2013	347888	07-02C	03/04/2013	11146/2013	347962	09-07NES	09/04/2013
10857/2013	347889	07-02C	03/04/2013	11148/2013	347834	03-03	02/04/2013
10867/2013	347862	13-02	03/04/2013	11149/2013	347895	03-03	03/04/2013
10869/2013	347894	25-02A	03/04/2013	11150/2013	347918	12-03	08/04/2013
10870/2013	347863	25-02A	03/04/2013	11153/2013	347974	03-01NES	10/04/2013
10874/2013	347892	07-02L	03/04/2013	11175/2013	347919	06-02	08/04/2013
10876/2013	347893	02-02NES	03/04/2013	11176/2013	347920	06-02	08/04/2013
10877/2013	347864	02-02NES	03/04/2013	11177/2013	347921	06-02	08/04/2013
10879/2013	347865	07-02L	03/04/2013	11178/2013	347922	06-02	08/04/2013
10881/2013	347866	30-02	03/04/2013	11193/2013	347871	02-02NES	03/04/2013
10883/2013	347867	25-03	03/04/2013	11226/2013	347975	25-02NES	10/04/2013
10884/2013	347935	03-01NES	09/04/2013	11227/2013	347976	25-02NES	10/04/2013
10886/2013	347868	25-01F	03/04/2013	11228/2013	347977	25-02NES	10/04/2013
10887/2013	347869	25-01F	03/04/2013	11230/2013	347978	25-02NES	10/04/2013
10892/2013	347870	14-01	03/04/2013	11309/2013	347835	13-03E	02/04/2013
10897/2013	348030	15-01	12/04/2013	11310/2013	347836	13-03E	02/04/2013
10902/2013	348031	26-05C	12/04/2013	11311/2013	347837	13-03E	02/04/2013
10904/2013	348032	26-05C	12/04/2013	11312/2013	347838	13-03E	02/04/2013
10907/2013	348033	26-05C	12/04/2013	11316/2013	347839	04-02	02/04/2013
10910/2013	348034	12-16A	12/04/2013	11329/2013	347896	12-08	04/04/2013

Publication and Registration Proceedings - Designs Registered cont'd

Design Number	Registration Number	International Classification Code (IDC)	Registration Date	Design Number	Registration Number	International Classification Code (IDC)	Registration Date
11384/2013	347840	04-02	02/04/2013	11443/2013	347847	02-03	02/04/2013
11385/2013	347841	02-03	02/04/2013	11571/2013	347979	09-99	10/04/2013
11386/2013	347842	04-02	02/04/2013	11572/2013	347980	09-99	10/04/2013
11387/2013	347843	07-07NES	02/04/2013	11581/2013	347981	10-04	10/04/2013
11388/2013	347844	07-07NES	02/04/2013				
11392/2013	347845	04-02	02/04/2013				
11437/2013	347846	15-03A	02/04/2013				

Publication and Registration Proceedings

Class Listing of Designs Published or Registered

The following section shows an International Classification Code listing of the Registered or Published Designs covered in this supplement.

Classification	Registration Number	Design Number	Classification	Registration Number	Design Number
01-01	347890	10854/2013	07-02N	348043	10935/2013
01-01	347911	10922/2013	07-02R	348000	11094/2013
01-01	347999	11067/2013	07-06D	347861	10638/2013
02-02B	347914	11066/2013	07-07NES	347843	11387/2013
02-02B	347996	10764/2013	07-07NES	347844	11388/2013
02-02C	347854	15454/2012	07-99NES	347874	15069/2012
02-02NES	347848	16481/2012	08-05A	347973	11039/2013
02-02NES	347864	10877/2013	08-06	347887	10852/2013
02-02NES	347871	11193/2013	08-06	347927	16200/2012
02-02NES	347893	10876/2013	08-06	347956	10726/2013
02-02NES	347986	16482/2012	08-06	347957	10727/2013
02-02NES	347987	16483/2012	08-08A	347880	10535/2013
02-02NES	347996	10764/2013	08-08B	347967	10772/2013
02-03	347841	11385/2013	08-08K	347879	10523/2013
02-03	347847	11443/2013	08-99	347928	16389/2012
03-01NES	347883	10822/2013	09-01A	347908	10741/2013
03-01NES	347935	10884/2013	09-01A	348025	10740/2013
03-01NES	347974	11153/2013	09-01NES	347909	10803/2013
03-01NES	348037	10915/2013	09-01NES	347925	16468/2012
03-03	347834	11148/2013	09-01NES	347929	16466/2012
03-03	347895	11149/2013	09-01NES	347930	16467/2012
04-02	347839	11316/2013	09-03L	347915	11069/2013
04-02	347840	11384/2013	09-03L	348046	10945/2013
04-02	347842	11386/2013	09-03L	348047	10946/2013
04-02	347845	11392/2013	09-03L	348048	10947/2013
04-02	347910	10921/2013	09-03L	348049	10949/2013
06-01D	347968	10793/2013	09-03L	348051	10948/2013
06-01F	347897	10208/2013	09-05	347917	11090/2013
06-01G	347898	10533/2013	09-07A	347966	10771/2013
06-01G	347899	10524/2013	09-07A	348053	10773/2013
06-01G	347900	10531/2013	09-07NES	347962	11146/2013
06-01G	347901	10538/2013	09-99	347979	11571/2013
06-01H	347877	16189/2012	09-99	347980	11572/2013
06-01NES	347886	10836/2013	10-04	347981	11581/2013
06-02	347919	11175/2013	10-06	348020	10342/2013
06-02	347920	11176/2013	10-06	348021	10343/2013
06-02	347921	11177/2013	11-01C	347904	10667/2013
06-02	347922	11178/2013	11-99	347916	11072/2013
06-03B	347873	14970/2012	12-03	347918	11150/2013
06-04F	347927	16200/2012	12-05	347979	11571/2013
06-06F	347953	10553/2013	12-05	347980	11572/2013
06-13B	348026	10470/2013	12-08	347857	15695/2012
07-01E	347932	10129/2013	12-08	347896	11329/2013
07-02B	347874	15069/2012	12-08	348044	10943/2013
07-02C	347888	10856/2013	12-08	348045	10944/2013
07-02C	347889	10857/2013	12-11	347856	15694/2012
07-02C	347891	10855/2013	12-15B	347878	10017/2013
07-02E	347851	10735/2013	12-15B	347988	16399/2012
07-02H	347965	10770/2013	12-16A	348034	10910/2013
07-02H	348040	10930/2013	12-16A	348035	10911/2013
07-02L	347865	10879/2013	12-16K	347884	10824/2013
07-02L	347892	10874/2013	12-16N	348001	15729/2012
07-02N	348040	10930/2013	12-16N	348002	15731/2012

Registration Proceedings - Class Listing of Designs Published or Registered cont'd

Classification	Registration Number	Design Number	Classification	Registration Number	Design Number
12-16N	348003	15732/2012	15-99	347963	10737/2013
12-16N	348004	15734/2012	16-06	348029	16578/2012
12-16N	348005	15735/2012	19-06	348027	10756/2013
12-16N	348006	15736/2012	20-01	347931	16651/2012
12-16N	348007	15738/2012	20-02E	348052	10761/2013
12-16N	348008	15739/2012	20-03NES	347934	10796/2013
12-16N	348009	15740/2012	21-01F	347852	10763/2013
12-16N	348010	15742/2012	21-01M	348028	10813/2013
12-16N	348011	15743/2012	21-01N	348027	10756/2013
12-16N	348012	15745/2012	21-02F	347964	10739/2013
12-16N	348013	15746/2012	23-01C	348050	10951/2013
12-16N	348014	15748/2012	23-01D	347973	11039/2013
12-16N	348015	15749/2012	23-01H	347936	10691/2013
12-16N	348016	15750/2012	23-01H	347989	10690/2013
12-16NES	347872	13922/2012	23-01L	347926	16025/2012
12-16NES	347875	15516/2012	23-01NES	347875	15516/2012
13-02	347859	16179/2012	23-02A	347990	10689/2013
13-02	347860	16758/2012	23-04	347902	16328/2012
13-02	347862	10867/2013	24-01	347982	15928/2012
13-02	347974	11153/2013	24-01	347983	16757/2012
13-03C	347948	16643/2012	24-04	347961	10755/2013
13-03C	347951	16649/2012	25-01F	347868	10886/2013
13-03E	347835	11309/2013	25-01F	347869	10887/2013
13-03E	347836	11310/2013	25-01G	347933	10437/2013
13-03E	347837	11311/2013	25-01K	347905	10702/2013
13-03E	347838	11312/2013	25-01K	347906	10703/2013
13-03NES	347907	10707/2013	25-01K	347923	13341/2012
14-01	347870	10892/2013	25-01K	347924	13342/2012
14-01	347955	10656/2013	25-01K	347937	10693/2013
14-01	348054	11075/2013	25-01K	347938	10694/2013
14-02	347904	10667/2013	25-01K	347939	10695/2013
14-02	347958	10728/2013	25-01K	347940	10696/2013
14-02	347959	10729/2013	25-01K	347941	10697/2013
14-02	347991	16143/2012	25-01K	347942	10698/2013
14-02	347992	16144/2012	25-01K	347943	10699/2013
14-02	347993	16146/2012	25-01K	347944	10700/2013
14-02	347997	11040/2013	25-01K	347945	10701/2013
14-02	347998	11041/2013	25-02A	347863	10870/2013
14-03A	347935	10884/2013	25-02A	347894	10869/2013
14-03A	348054	11075/2013	25-02C	347933	10437/2013
14-03B	347912	10934/2013	25-02H	347885	10825/2013
14-03B	347969	10936/2013	25-02NES	347975	11226/2013
14-03B	347970	10937/2013	25-02NES	347976	11227/2013
14-03B	347971	10938/2013	25-02NES	347977	11228/2013
14-03NES	347876	16027/2012	25-02NES	347978	11230/2013
15-01	348030	10897/2013	25-03	347867	10883/2013
15-01	348036	10913/2013	25-03	347903	10757/2013
15-01	348038	10916/2013	25-03	347954	10559/2013
15-03A	347846	11437/2013	25-03	348022	10681/2013
15-04	347849	10716/2013	25-03	348023	10680/2013
15-04	347850	10717/2013	25-03	348024	10679/2013
15-05	347858	16265/2012	25-04	347853	10765/2013
15-05	347913	11009/2013	25-04	347881	10766/2013
15-07	348017	10227/2013	25-04	347882	10767/2013
15-07	348018	10230/2013	26-03	347950	16648/2012
15-07	348019	10232/2013	26-05C	347950	16648/2012

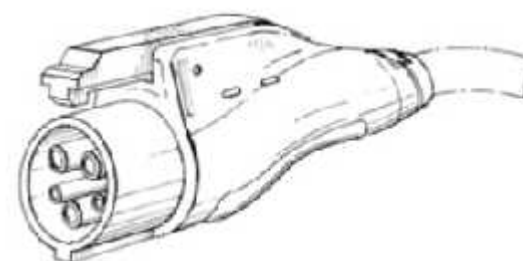
Registration Proceedings - Class Listing of Designs Published or Registered cont'd

Classification	Registration Number	Design Number	Classification	Registration Number	Design Number
26-05C	348031	10902/2013	28-01	347985	16282/2012
26-05C	348032	10904/2013	28-01	347994	16272/2012
26-05C	348033	10907/2013	28-03B	347995	16654/2012
26-05D	347947	16642/2012	28-03NES	347972	11004/2013
26-05D	347949	16644/2012	30-02	347866	10881/2013
26-05D	347950	16648/2012	31-00	347865	10879/2013
26-05D	347952	16650/2012	31-00	347892	10874/2013
26-05E	347960	10730/2013	31-00	348039	10929/2013
26-05NES	347972	11004/2013	31-00	348041	10932/2013
26-06	347855	15693/2012	31-00	348042	10933/2013
28-01	347946	16281/2012			
28-01	347984	16278/2012			

(21) Design Number: **11148/2013**
(22) Date of Filing Application: **11 March 2013**
(24) Date from which industrial property rights may have effect: **11 March 2013**
(54) Product in respect of which the design is registered: **Part of a standing umbrella**
(51) International Design Classification: **03-03**
(74) Name(s) of Attorney(s): **FB Rice**
(71) Name(s) and Address(s) of Applicant(s):
Glatz AG
Neuhofstrasse 12 Frauenfeld 8500 Switzerland
(72) Name(s) of Designer(s): **Peter K. Patzak**
(45) Registration Date: **02 April 2013**
(30) Convention priority data:
(31) Number (32) Date (33) Country
002181990 11 Feb 2013 OFFICE FOR HARMONISATION IN THE INTERNAL MARKET (OHIM)
(56) Related Art Documents: **Not Applicable**
(57) Statement of Newness and Distinctiveness: **Newness and distinctiveness reside in the shape and configuration of the product as shown in the representations.**



(21) Design Number: **11309/2013**
(22) Date of Filing Application: **15 March 2013**
(24) Date from which industrial property rights may have effect: **15 March 2013**
(54) Product in respect of which the design is registered: **Electrical connector**
(51) International Design Classification: **13-03E**
(74) Name(s) of Attorney(s): **PIZZEYS**
(71) Name(s) and Address(s) of Applicant(s):
General Cable Technologies Corporation
4 Tesseneer Dr Highland Heights Kentucky 41076-9167 United States of America
(72) Name(s) of Designer(s): **Brian D. Smith**
(45) Registration Date: **02 April 2013**
(30) Convention priority data:
(31) Number (32) Date (33) Country
29/432,863 21 Sep 2012 UNITED STATES OF AMERICA
(56) Related Art Documents: **Not Applicable**
(57) Statement of Newness and Distinctiveness: **The newness and distinctiveness of the design resides in the features of pattern and/or ornamentation OR shape and/or configuration shown in unbroken lines in the accompanying representations. (if required, see Convention document)**



(21) Design Number: **11310/2013**

(22) Date of Filing Application: **15 March 2013**

(24) Date from which industrial property rights may have effect: **15 March 2013**

(54) Product in respect of which the design is registered: **Electrical connector**

(51) International Design Classification: **13-03E**

(74) Name(s) of Attorney(s): **PIZZEYS**

(71) Name(s) and Address(s) of Applicant(s):

**General Cable Technologies Corporation
4 Tesseneer Dr Highland Heights Kentucky 41076-9167 United States of
America**

(72) Name(s) of Designer(s): **Brian D. Smith**

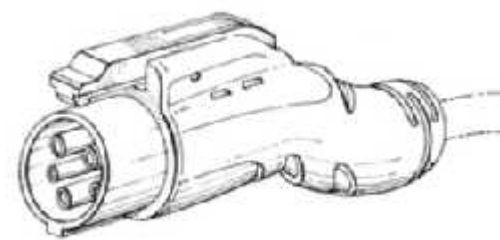
(45) Registration Date: **02 April 2013**

(30) Convention priority data:

(31) Number	(32) Date	(33) Country
29/432,863	21 Sep 2012	UNITED STATES OF AMERICA

(56) Related Art Documents: **Not Applicable**

(57) Statement of Newness and Distinctiveness: **The newness and distinctiveness of the design resides in the features of pattern and/or ornamentation OR shape and/or configuration shown in unbroken lines in the accompanying representations. (if required, see Convention document)**



(21) Design Number: **11311/2013**

(22) Date of Filing Application: **15 March 2013**

(24) Date from which industrial property rights may have effect: **15 March 2013**

(54) Product in respect of which the design is registered: **Electrical connector**

(51) International Design Classification: **13-03E**

(74) Name(s) of Attorney(s): **PIZZEYS**

(71) Name(s) and Address(s) of Applicant(s):

**General Cable Technologies Corporation
4 Tesseneer Dr Highland Heights Kentucky 41076-9167 United States of
America**

(72) Name(s) of Designer(s): **Brian D. Smith**

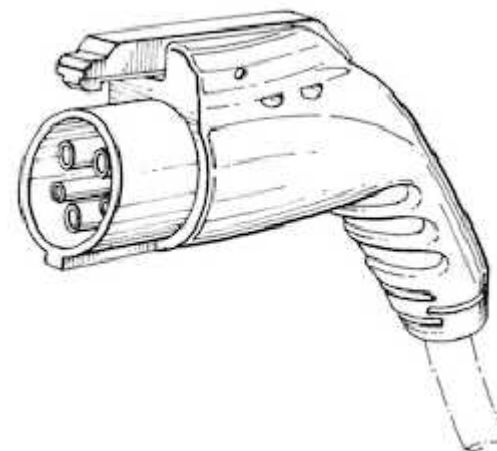
(45) Registration Date: **02 April 2013**

(30) Convention priority data:

(31) Number	(32) Date	(33) Country
29/432,863	21 Sep 2012	UNITED STATES OF AMERICA

(56) Related Art Documents: **Not Applicable**

(57) Statement of Newness and Distinctiveness: **The newness and distinctiveness of the design resides in the features of pattern and/or ornamentation OR shape and/or configuration shown in unbroken lines in the accompanying representations. (if required, see Convention document)**



(21) Design Number: **11312/2013**
(22) Date of Filing Application: **15 March 2013**
(24) Date from which industrial property rights may have effect: **15 March 2013**
(54) Product in respect of which the design is registered: **Electrical connector**
(51) International Design Classification: **13-03E**
(74) Name(s) of Attorney(s): **PIZZEYS**
(71) Name(s) and Address(s) of Applicant(s):
General Cable Technologies Corporation
4 Tesseneer Dr Highland Heights Kentucky 41076-9167 United States of America
(72) Name(s) of Designer(s): **Brian D. Smith**
(45) Registration Date: **02 April 2013**
(30) Convention priority data:
(31) Number (32) Date (33) Country
29/432,863 21 Sep 2012 UNITED STATES OF AMERICA
(56) Related Art Documents: **Not Applicable**
(57) Statement of Newness and Distinctiveness: **The newness and distinctiveness of the design resides in the features of pattern and/or ornamentation OR shape and/or configuration shown in unbroken lines in the accompanying representations. (if required, see Convention document)**



(21) Design Number: **11316/2013**
(22) Date of Filing Application: **16 March 2013**
(24) Date from which industrial property rights may have effect: **16 March 2013**
(54) Product in respect of which the design is registered: **Oral care implement**
(51) International Design Classification: **04-02**
(74) Name(s) of Attorney(s): **FB Rice**
(71) Name(s) and Address(s) of Applicant(s):
Colgate-Palmolive Company
300 Park Avenue New York New York 10022 United States of America
(72) Name(s) of Designer(s): **Wen Jin Xi and Kai Zhang and Guang Sheng Guo**
(45) Registration Date: **02 April 2013**
(30) Convention priority data:
(31) Number (32) Date (33) Country
29/433357 28 Sep 2012 UNITED STATES OF AMERICA
(56) Related Art Documents: **Not Applicable**
(57) Statement of Newness and Distinctiveness: **Newness and distinctiveness reside in the features of shape and configuration of the oral care implement in combination with the features of pattern and ornamentation applied to the handle of the oral care implement.**



(21) Design Number: **11384/2013**
(22) Date of Filing Application: **19 March 2013**
(24) Date from which industrial property rights may have effect: **19 March 2013**
(54) Product in respect of which the design is registered: **Oral care implement**
(51) International Design Classification: **04-02**
(74) Name(s) of Attorney(s): **FB Rice**
(71) Name(s) and Address(s) of Applicant(s):
Colgate-Palmolive Company
300 Park Avenue New York New York 10022 United States of America
(72) Name(s) of Designer(s): **Wen Jin Xi and Kai Zhang and Guang Sheng Guo**
(45) Registration Date: **02 April 2013**
(30) Convention priority data:
(31) Number (32) Date (33) Country
29/433358 28 Sep 2012 UNITED STATES OF AMERICA
(56) Related Art Documents: **Not Applicable**
(57) Statement of Newness and Distinctiveness: **Newness and distinctiveness reside in the features of shape and configuration of the oral care implement. When determining whether the design is substantially similar in overall impression to another design, no regard is to be had to those features shown in the designs with dashed outline, which features are provided for illustrative purposes only.**



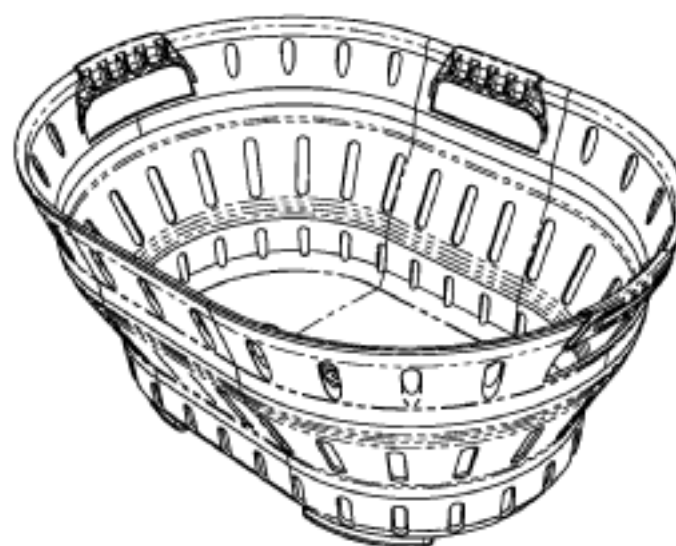
(21) Design Number: **11385/2013**
(22) Date of Filing Application: **19 March 2013**
(24) Date from which industrial property rights may have effect: **19 March 2013**
(54) Product in respect of which the design is registered: **Safety helmet**
(51) International Design Classification: **02-03**
(74) Name(s) of Attorney(s): **PIZZEYS**
(71) Name(s) and Address(s) of Applicant(s):
K.M.W. Inc.
65 Yongchun-ri Dongtan-myun Hwasung-si Gyeonggi-do Republic of Korea
(72) Name(s) of Designer(s): **Jae Won Lee and Yong Su Park and Min Soo Kim**
(45) Registration Date: **02 April 2013**
(30) Convention priority data:
(31) Number (32) Date (33) Country
30-2012-0046981 28 Sep 2012 REPUBLIC OF KOREA
(56) Related Art Documents: **Not Applicable**
(57) Statement of Newness and Distinctiveness: **Nil**



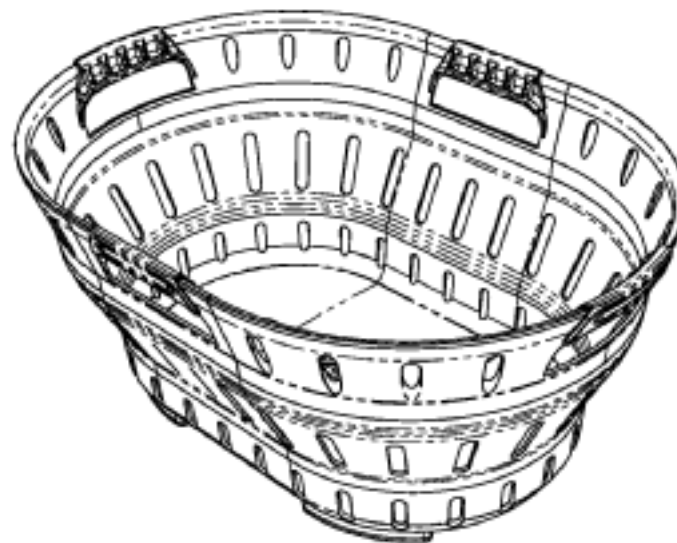
(21) Design Number: **11386/2013**
(22) Date of Filing Application: **19 March 2013**
(24) Date from which industrial property rights may have effect: **19 March 2013**
(54) Product in respect of which the design is registered: **Oral care implement**
(51) International Design Classification: **04-02**
(74) Name(s) of Attorney(s): **FB Rice**
(71) Name(s) and Address(s) of Applicant(s):
Colgate-Palmolive Company
300 Park Avenue New York New York 10022 United States of America
(72) Name(s) of Designer(s): **Wen Jin Xi and Kai Zhang and Guang Sheng Guo**
(45) Registration Date: **02 April 2013**
(30) Convention priority data:
(31) Number (32) Date (33) Country
29/433361 28 Sep 2012 UNITED STATES OF AMERICA
(56) Related Art Documents: **Not Applicable**
(57) Statement of Newness and Distinctiveness: **Newness and distinctiveness reside in the features of shape and configuration of the oral care implement. When determining whether the design is substantially similar in overall impression to another design, no regard is to be had to those features shown in the designs with dashed outline, which features are provided for illustrative purposes only.**



(21) Design Number: **11387/2013**
(22) Date of Filing Application: **19 March 2013**
(24) Date from which industrial property rights may have effect: **19 March 2013**
(54) Product in respect of which the design is registered: **Laundry basket**
(51) International Design Classification: **07-07NES**
(74) Name(s) of Attorney(s):
(71) Name(s) and Address(s) of Applicant(s):
Primus Australia Pty. Ltd.
L3 20 Enterprise Dr Bundoora VIC 3083 Australia
(72) Name(s) of Designer(s): **Joel Noble**
(45) Registration Date: **02 April 2013**
(56) Related Art Documents: **Not Applicable**
(57) Statement of Newness and Distinctiveness: **This design provides a compact and collapsible functionality to the common laundry or wash basket. This is the 3 handle design of our existing registration for the 2 handled version, design reg no. 345898.**



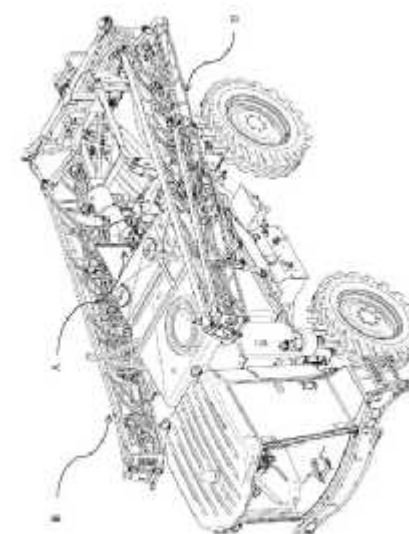
- (21) Design Number: **11388/2013**
(22) Date of Filing Application: **19 March 2013**
(24) Date from which industrial property rights may have effect: **19 March 2013**
(54) Product in respect of which the design is registered: **Laundry basket**
(51) International Design Classification: **07-07NES**
(74) Name(s) of Attorney(s):
(71) Name(s) and Address(s) of Applicant(s):
Primus Australia Pty. Ltd.
L3 20 Enterprise Dr Bundoora VIC 3083 Australia
(72) Name(s) of Designer(s): **Joel Noble**
(45) Registration Date: **02 April 2013**
(56) Related Art Documents: **Not Applicable**
(57) Statement of Newness and Distinctiveness: **This design provides a compact and collapsible functionality to the common laundry or wash basket. This is the 4 handle design of our existing registration for the 2 handled version, design reg no. 345898.**



- (21) Design Number: **11392/2013**
(22) Date of Filing Application: **19 March 2013**
(24) Date from which industrial property rights may have effect: **19 March 2013**
(54) Product in respect of which the design is registered: **Oral care implement**
(51) International Design Classification: **04-02**
(74) Name(s) of Attorney(s): **FB Rice**
(71) Name(s) and Address(s) of Applicant(s):
Colgate-Palmolive Company
300 Park Avenue New York New York 10022 United States of America
(72) Name(s) of Designer(s): **Wen Jin Xi and Kai Zhang and Guang Sheng Guo**
(45) Registration Date: **02 April 2013**
(30) Convention priority data:
(31) Number (32) Date (33) Country
29/433360 28 Sep 2012 UNITED STATES OF AMERICA
(56) Related Art Documents: **Not Applicable**
(57) Statement of Newness and Distinctiveness: **Newness and distinctiveness reside in the features of shape and configuration of the oral care implement in combination with the features of pattern and ornamentation applied to the handle of the oral care implement.**



(21) Design Number: **11437/2013**
(22) Date of Filing Application: **21 March 2013**
(24) Date from which industrial property rights may have effect: **21 March 2013**
(54) Product in respect of which the design is registered: **A crop spraying machine**
(51) International Design Classification: **15-03A**
(74) Name(s) of Attorney(s): **PATENT ATTORNEY SERVICES**
(71) Name(s) and Address(s) of Applicant(s):
Househam Sprayers Limited
The New Forge Leadenham Lincoln LN5 0PE United Kingdom
(72) Name(s) of Designer(s): **Martin Cotton**
(45) Registration Date: **02 April 2013**
(30) Convention priority data:
(31) Number (32) Date (33) Country
002152595-0001 13 Dec 2012 OFFICE FOR HARMONISATION IN
THE INTERNAL MARKET (OHIM)

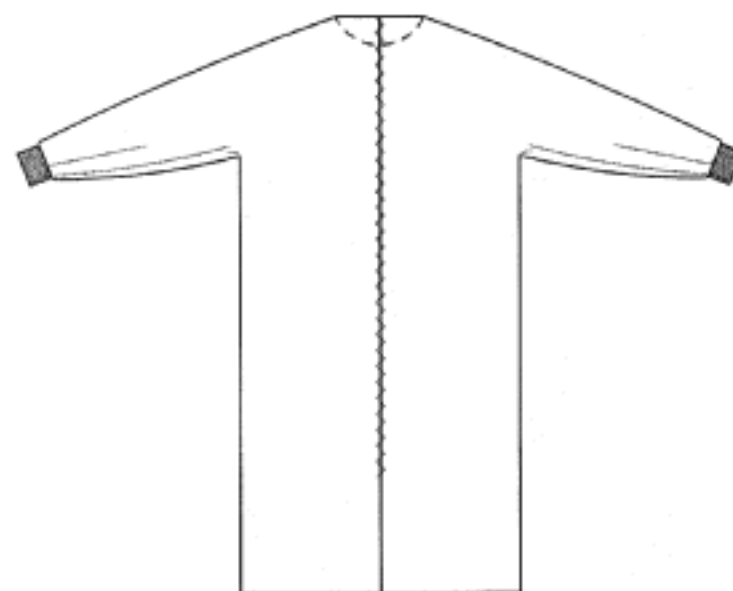


(56) Related Art Documents: **Not Applicable**
(57) Statement of Newness and Distinctiveness: **The design features which are new and distinctive are (1) the location of the engine "A" of the crop spraying machine at the rear of the vehicle and the fact that it is uncovered, and (2) the boom arms "B" which are located at the sides of the vehicle are positioned away from the body of the vehicle. There is no newness and distinctiveness in the shape and configuration of the driver's cab, the wheels, and mirrors.**

(21) Design Number: **11443/2013**
(22) Date of Filing Application: **21 March 2013**
(24) Date from which industrial property rights may have effect: **21 March 2013**
(54) Product in respect of which the design is registered: **Hat**
(51) International Design Classification: **02-03**
(74) Name(s) of Attorney(s): **Cotters Patent & Trade Mark Attorneys**
(71) Name(s) and Address(s) of Applicant(s):
Kathie Holt
39 Thurligona Rd Engadine NSW 2233 Australia
(72) Name(s) of Designer(s): **Kathie Holt**
(45) Registration Date: **02 April 2013**
(56) Related Art Documents: **Not Applicable**
(57) Statement of Newness and Distinctiveness: **Newness and distinctiveness is claimed in the features of shape and/or configuration of a hat as depicted in the accompanying drawings.**

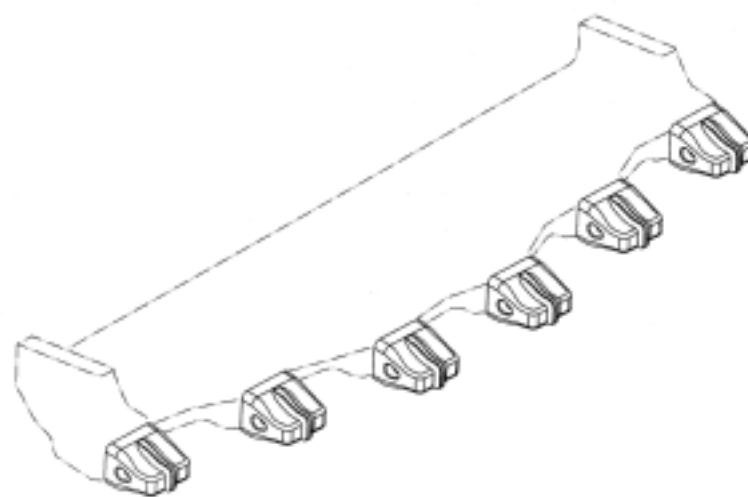


(21) Design Number: **16481/2012**
(22) Date of Filing Application: **18 December 2012**
(24) Date from which industrial property rights may have effect: **18 December 2012**
(54) Product in respect of which the design is registered: **Garment**
(51) International Design Classification: **02-02NES**
(74) Name(s) of Attorney(s): **PHILLIPS ORMONDE FITZPATRICK**
(71) Name(s) and Address(s) of Applicant(s):
Scaldis Saint-Martin, societe anoyne
Parc Industriel Rue de la Hurtrie 36 7600 Peruwelz Belgium
(72) Name(s) of Designer(s): **Vincent Vanneste**
(45) Registration Date: **02 April 2013**
(30) Convention priority data:
(31) Number (32) Date (33) Country
DM/079523 19 Jun 2012 WORLD INTELLECTUAL
PROPERTY ORGANIZATION
(WIPO)

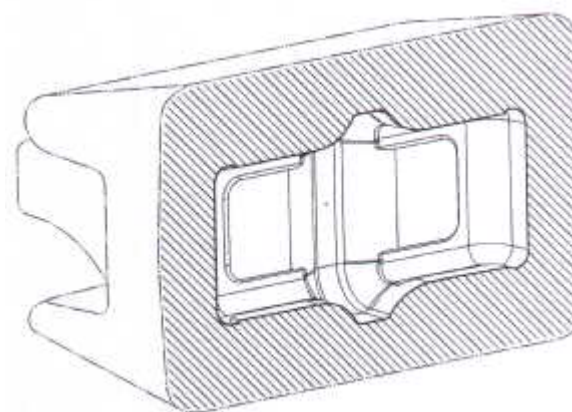


(56) Related Art Documents: **Not Applicable**
(57) Statement of Newness and Distinctiveness: **Those features of the garment depicted in the representations that are new and distinctive are the shape and/or configuration. The view shown in Fig. 3 shows the garment upside down and in a folded state as seen by a customer upon opening a package containing the garment.**

(21) Design Number: **10716/2013**
(22) Date of Filing Application: **12 February 2013**
(24) Date from which industrial property rights may have effect: **12 February 2013**
(54) Product in respect of which the design is registered: **An excavator lip**
(51) International Design Classification: **15-04**
(74) Name(s) of Attorney(s): **Fisher Adams Kelly**
(71) Name(s) and Address(s) of Applicant(s):
CQMS Pty Ltd
36 Enterprise St Mackay QLD 4740 Australia
(72) Name(s) of Designer(s): **David Haslett and Douglas Wallis and Benjamin Charles Plant and Luke Wilkie**
(45) Registration Date: **02 April 2013**
(56) Related Art Documents: **Not Applicable**
(57) Statement of Newness and Distinctiveness: **The newness and distinctiveness of the design resides in the shape and/or configuration of the an excavator lip shown in the representations. The portion of the product shown in phantom in the representations should be disregarded when assessing newness and distinctiveness.**



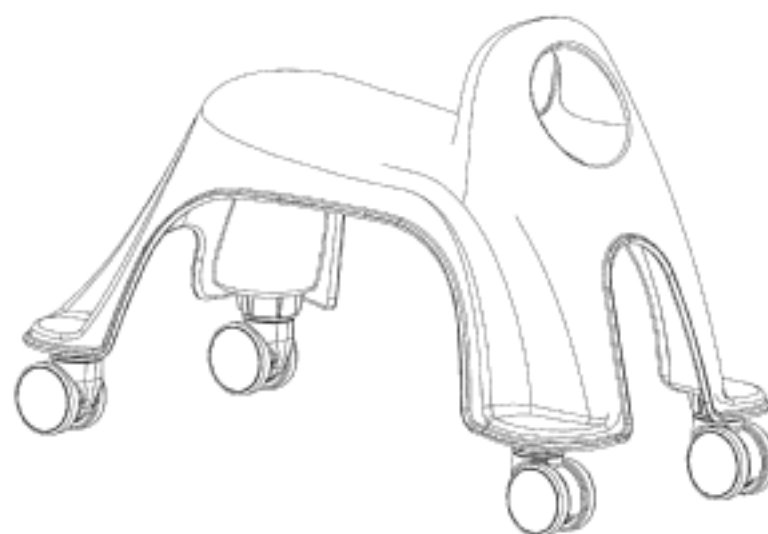
- (21) Design Number: **10717/2013**
(22) Date of Filing Application: **12 February 2013**
(24) Date from which industrial property rights may have effect: **12 February 2013**
(54) Product in respect of which the design is registered: **An excavator wear member**
(51) International Design Classification: **15-04**
(74) Name(s) of Attorney(s): **Fisher Adams Kelly**
(71) Name(s) and Address(s) of Applicant(s):
CQMS Pty Ltd
36 Enterprise St Mackay QLD 4740 Australia
(72) Name(s) of Designer(s): **David Haslett and Douglas Wallis and Benjamin Charles Plant and Luke Wilkie**
(45) Registration Date: **02 April 2013**
(56) Related Art Documents: **Not Applicable**
(57) Statement of Newness and Distinctiveness: **The newness and distinctiveness of the design resides in the shape and/or configuration of the an excavator wear member shown in the representations. The portion of the product shown in phantom in the representations should be disregarded when assessing newness and distinctiveness.**



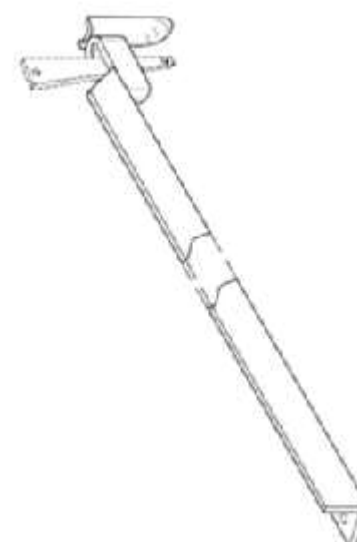
- (21) Design Number: **10735/2013**
(22) Date of Filing Application: **15 February 2013**
(24) Date from which industrial property rights may have effect: **15 February 2013**
(54) Product in respect of which the design is registered: **Griddle for a barbeque**
(51) International Design Classification: **07-02E**
(74) Name(s) of Attorney(s): **Freehills Patent Attorneys**
(71) Name(s) and Address(s) of Applicant(s):
Kenneth Colin Rogers
41 Meehan Tce Harrington Park NSW 2567 Australia
(72) Name(s) of Designer(s): **Kenneth Colin Rogers**
(45) Registration Date: **02 April 2013**
(56) Related Art Documents: **Not Applicable**
(57) Statement of Newness and Distinctiveness: **Newness and distinctiveness of the design resides in the shape and configuration of the griddle for a barbeque as shown in solid outlines in the accompanying representations.**



(21) Design Number: **10763/2013**
(22) Date of Filing Application: **18 February 2013**
(24) Date from which industrial property rights may have effect: **18 February 2013**
(54) Product in respect of which the design is registered: **Ride on toys**
(51) International Design Classification: **21-01F**
(74) Name(s) of Attorney(s): **Madderns**
(71) Name(s) and Address(s) of Applicant(s):
Toymonster International Limited
4/F No 16 Lane 658 Jinzhong Road Shanghai 200335 China
(72) Name(s) of Designer(s): **Ariel Chaim Badanjo**
(45) Registration Date: **02 April 2013**
(56) Related Art Documents: **Not Applicable**
(57) Statement of Newness and Distinctiveness: **Nil**



(21) Design Number: **10765/2013**
(22) Date of Filing Application: **18 February 2013**
(24) Date from which industrial property rights may have effect: **18 February 2013**
(54) Product in respect of which the design is registered: **A set of scaffold support brackets**
(51) International Design Classification: **25-04**
(74) Name(s) of Attorney(s): **Shelston IP**
(71) Name(s) and Address(s) of Applicant(s):
4 Ken Pty Ltd
24 Byrne St Auburn NSW 2144 Australia
(72) Name(s) of Designer(s): **Kenneth Alan Cox**
(45) Registration Date: **02 April 2013**
(56) Related Art Documents: **Not Applicable**
(57) Statement of Newness and Distinctiveness: **Newness and distinctiveness reside in the features of shape and/or configuration of a matching set of scaffold support brackets of substantially indefinite length, as illustrated by solid lines in the accompanying representations. The features shown in broken outline are for contextual purposes only and do not form part of the design.**



(21) Design Number: **15454/2012**
(22) Date of Filing Application: **30 October 2012**
(24) Date from which industrial property rights may have effect: **30 October 2012**
(54) Product in respect of which the design is registered: **Playsuit**
(51) International Design Classification: **02-02C**
(74) Name(s) of Attorney(s): **Allens Patent & Trade Mark Attorneys**
(71) Name(s) and Address(s) of Applicant(s):
Forever New Clothing Pty Ltd
714-716 High St Kew East VIC 3102 Australia
(72) Name(s) of Designer(s): **Mantra Ahrendt**
(45) Registration Date: **02 April 2013**
(56) Related Art Documents: **Not Applicable**
(57) Statement of Newness and Distinctiveness: **Newness and distinctiveness resides in the features of shape, configuration, pattern and/or ornamentation of an playsuit as shown in the accompanying representations.**



(21) Design Number: **15693/2012**
(22) Date of Filing Application: **15 November 2012**
(24) Date from which industrial property rights may have effect: **15 November 2012**
(54) Product in respect of which the design is registered: **Headlight for motorcycle**
(51) International Design Classification: **26-06**
(74) Name(s) of Attorney(s): **SPRUSON & FERGUSON**
(71) Name(s) and Address(s) of Applicant(s):
Honda Motor Co., Ltd.
1-1 Minamiaoyama 2-chome Minato-ku Tokyo Japan
(72) Name(s) of Designer(s): **Takeshi Futamata and Arihide Tsujimoto**
(45) Registration Date: **02 April 2013**
(30) Convention priority data:
(31) Number (32) Date (33) Country
2012-011515 17 May 2012 JAPAN
(56) Related Art Documents: **Not Applicable**
(57) Statement of Newness and Distinctiveness: **Newness and distinctiveness is claimed in the features of shape and/or configuration of a headlight for motorcycle as illustrated in the accompanying representations.**



(21) Design Number: **15694/2012**
(22) Date of Filing Application: **15 November 2012**
(24) Date from which industrial property rights may have effect: **15 November 2012**
(54) Product in respect of which the design is registered: **Front side cowl for motorcycle**
(51) International Design Classification: **12-11**
(74) Name(s) of Attorney(s): **SPRUSON & FERGUSON**
(71) Name(s) and Address(s) of Applicant(s):
Honda Motor Co., Ltd.
1-1 Minamiaoyama 2-chome Minato-ku Tokyo Japan
(72) Name(s) of Designer(s): **Takeshi Futamata and Arihide Tsujimoto**
(45) Registration Date: **02 April 2013**
(30) Convention priority data:
(31) Number (32) Date (33) Country
2012-011516 17 May 2012 JAPAN
(56) Related Art Documents: **Not Applicable**
(57) Statement of Newness and Distinctiveness: **Newness and distinctiveness is claimed in the features of shape and/or configuration of a front side cowl for motorcycle as illustrated in the accompanying representations.**



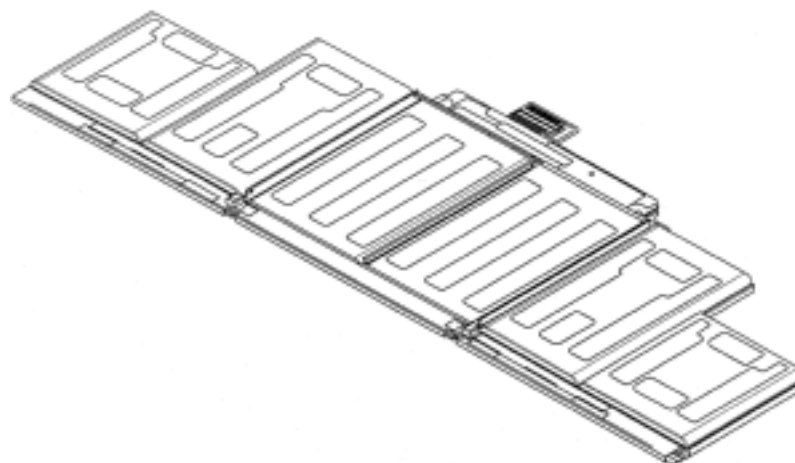
(21) Design Number: **15695/2012**
(22) Date of Filing Application: **15 November 2012**
(24) Date from which industrial property rights may have effect: **15 November 2012**
(54) Product in respect of which the design is registered: **Automobile**
(51) International Design Classification: **12-08**
(74) Name(s) of Attorney(s): **SPRUSON & FERGUSON**
(71) Name(s) and Address(s) of Applicant(s):
Honda Motor Co., Ltd.
1-1 Minamiaoyama 2-chome Minato-ku Tokyo Japan
(72) Name(s) of Designer(s): **Keisuke Asai and Akihiko Ohhashi**
(45) Registration Date: **02 April 2013**
(30) Convention priority data:
(31) Number (32) Date (33) Country
2012-012355 25 May 2012 JAPAN
(56) Related Art Documents: **Not Applicable**
(57) Statement of Newness and Distinctiveness: **Newness and distinctiveness is claimed in the features of shape and/or configuration of an automobile as illustrated in the accompanying representations.**



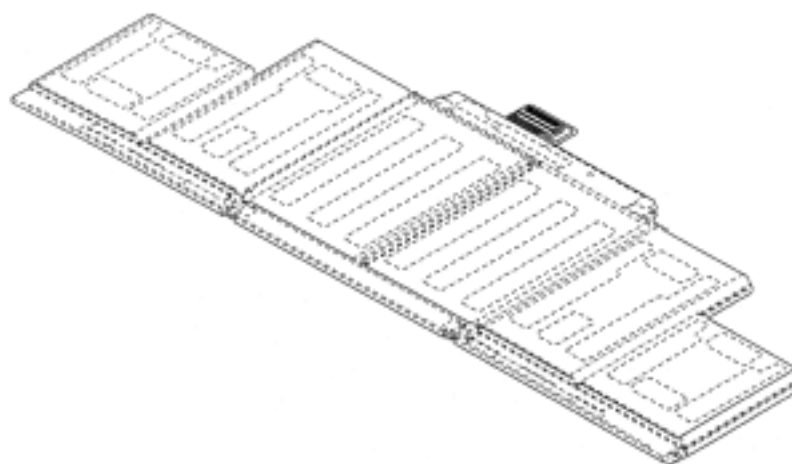
(21) Design Number: **16265/2012**
(22) Date of Filing Application: **10 December 2012**
(24) Date from which industrial property rights may have effect: **10 December 2012**
(54) Product in respect of which the design is registered: **Washing machine**
(51) International Design Classification: **15-05**
(74) Name(s) of Attorney(s): **Halfords IP**
(71) Name(s) and Address(s) of Applicant(s):
Electrolux Sea Pte Ltd
11 Lorong 3 Toa Payoh Block B #01-13/14/15 Jackson Square 319579
Singapore
(72) Name(s) of Designer(s): **Swaminathan Iyer and Pernilla Johansson**
(45) Registration Date: **02 April 2013**
(30) Convention priority data:
(31) Number (32) Date (33) Country
201230251802.1 12 Jun 2012 CHINA
(56) Related Art Documents: **Not Applicable**
(57) Statement of Newness and Distinctiveness: **Newness and Distinctiveness resides in the shape and or configuration of a washing machine as depicted in the accompanying representations.**



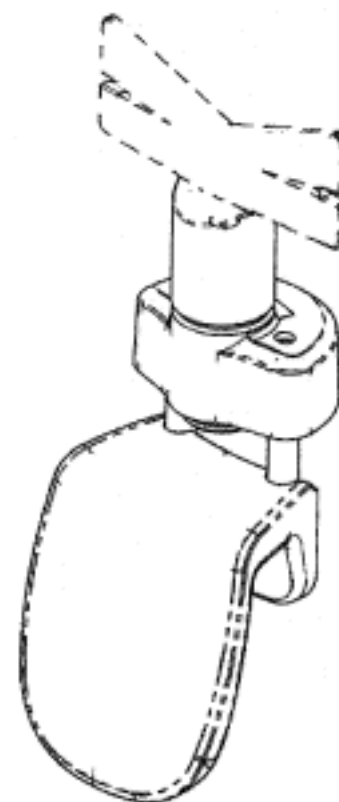
(21) Design Number: **16179/2012**
(22) Date of Filing Application: **06 December 2012**
(24) Date from which industrial property rights may have effect: **06 December 2012**
(54) Product in respect of which the design is registered: **Battery**
(51) International Design Classification: **13-02**
(74) Name(s) of Attorney(s): **Freehills Patent Attorneys**
(71) Name(s) and Address(s) of Applicant(s):
Apple Inc.
1 Infinite Loop Cupertino California 95014 United States of America
(72) Name(s) of Designer(s): **Matthew Phillip Casebolt and Brett Degner and Ron Alan Hopkinson and Robert Sean Murphy and Chris Ligtenberg and Mikael Silvano and Bartley K. Andre**
(45) Registration Date: **02 April 2013**
(30) Convention priority data:
(31) Number (32) Date (33) Country
29/424264 09 Jun 2012 UNITED STATES OF AMERICA
(56) Related Art Documents: **Not Applicable**
(57) Statement of Newness and Distinctiveness: **Nil**



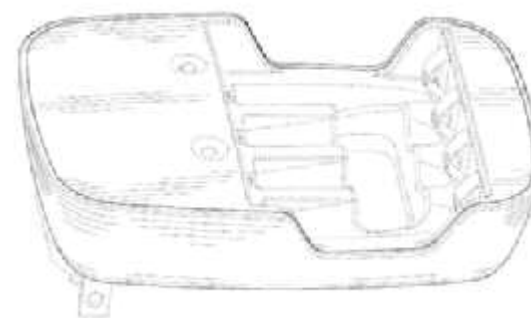
- (21) Design Number: **16758/2012**
(22) Date of Filing Application: **06 December 2012**
(24) Date from which industrial property rights may have effect: **06 December 2012**
(54) Product in respect of which the design is registered: **Battery**
(51) International Design Classification: **13-02**
(74) Name(s) of Attorney(s): **Freehills Patent Attorneys**
(71) Name(s) and Address(s) of Applicant(s):
Apple Inc.
1 Infinite Loop Cupertino California 95014 United States of America
(72) Name(s) of Designer(s): **Matthew Phillip Casebolt and Robert Sean Murphy and Brett Degner and Ron Alan Hopkinson and Chris Ligtenberg and Mikael Silvano and Bartley K. Andre**
(45) Registration Date: **02 April 2013**
(30) Convention priority data:
(31) Number (32) Date (33) Country
29/424264 09 Jun 2012 UNITED STATES OF AMERICA
(56) Related Art Documents: **Not Applicable**
(57) Statement of Newness and Distinctiveness: **Newness and distinctiveness of the design reside in the features of shape and configuration shown in solid lines in the accompanying representations.**



- (21) Design Number: **10638/2013**
(22) Date of Filing Application: **06 February 2013**
(24) Date from which industrial property rights may have effect: **06 February 2013**
(54) Product in respect of which the design is registered: **Multi-purpose container opener**
(51) International Design Classification: **07-06D**
(74) Name(s) of Attorney(s): **SPRUSON & FERGUSON**
(71) Name(s) and Address(s) of Applicant(s):
Take Two Marketing and Events Pty Ltd
SE301 L3 209 Oxford St Bondi Junction NSW 2022 Australia
(72) Name(s) of Designer(s): **James Cheney**
(45) Registration Date: **02 April 2013**
(56) Related Art Documents: **Not Applicable**
(57) Statement of Newness and Distinctiveness: **Newness and distinctiveness is claimed in those features of shape and/or configuration of a multi-purpose container opener as illustrated in continuous lines in the accompanying representations.**



(21) Design Number: **10867/2013**
(22) Date of Filing Application: **25 February 2013**
(24) Date from which industrial property rights may have effect: **25 February 2013**
(54) Product in respect of which the design is registered: **Charger**
(51) International Design Classification: **13-02**
(74) Name(s) of Attorney(s): **Halfords IP**
(71) Name(s) and Address(s) of Applicant(s):



Eveready Battery Company, Inc.
533 Maryville University St Louis Missouri 63141 United States of America

(72) Name(s) of Designer(s): **Jason R. Bennett and Thomas G. Ryan**

(45) Registration Date: **03 April 2013**

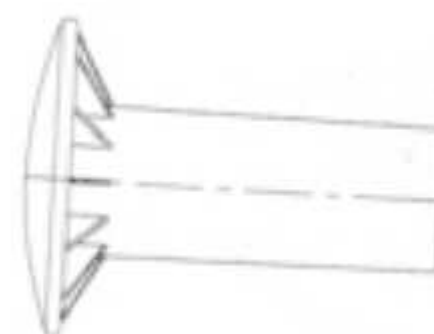
(30) Convention priority data:

(31) Number	(32) Date	(33) Country
29/430681	29 Aug 2012	UNITED STATES OF AMERICA

(56) Related Art Documents: **Not Applicable**

(57) Statement of Newness and Distinctiveness: **Newness and distinctiveness is claimed in those features of shape and or configuration of a charger as depicted in the representations. Features shown in broken lines do not form part of the design.**

(21) Design Number: **10870/2013**
(22) Date of Filing Application: **25 February 2013**
(24) Date from which industrial property rights may have effect: **25 February 2013**
(54) Product in respect of which the design is registered: **Plastic bar cap used to fit over reinforced steel**
(51) International Design Classification: **25-02A**
(74) Name(s) of Attorney(s):
(71) Name(s) and Address(s) of Applicant(s):



Lee Ann Gallagher
6 Pelican PI Woronora Heights NSW 2233 Australia

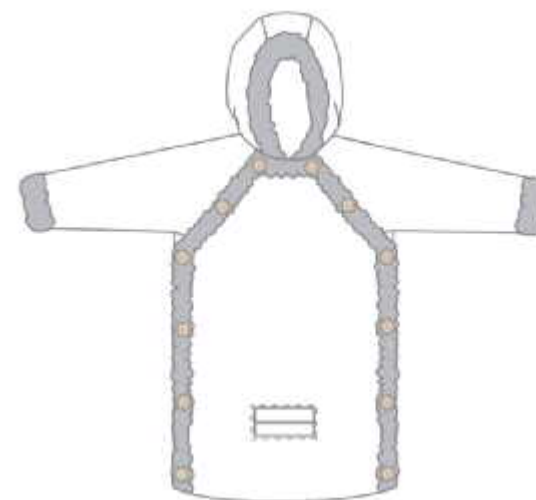
(72) Name(s) of Designer(s): **Martin Gallagher**

(45) Registration Date: **03 April 2013**

(56) Related Art Documents: **Not Applicable**

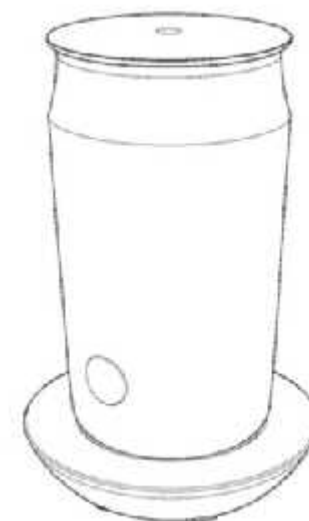
(57) Statement of Newness and Distinctiveness: **Plastic bar cap is longer in the sleeve than other designs which makes it fit more securely over reinforced steel starter bars which stops it coming off all the time.**

(21) Design Number: **10877/2013**
(22) Date of Filing Application: **25 February 2013**
(24) Date from which industrial property rights may have effect: **25 February 2013**
(54) Product in respect of which the design is registered: **Infant garment**
(51) International Design Classification: **02-02NES**
(74) Name(s) of Attorney(s): **HODGKINSON McINNES PATENTS**
(71) Name(s) and Address(s) of Applicant(s):



Stylevue Pty Ltd
C/- Hodgkinson McInnes Patents L21 201 Elizabeth St Sydney NSW 2000
Australia
(72) Name(s) of Designer(s): **Lynette Stella Liu**
(45) Registration Date: **03 April 2013**
(56) Related Art Documents: **Not Applicable**
(57) Statement of Newness and Distinctiveness: **Newness and distinctiveness is claimed in the shape and configuration of an infant garment as shown in the representations.**

(21) Design Number: **10879/2013**
(22) Date of Filing Application: **25 February 2013**
(24) Date from which industrial property rights may have effect: **25 February 2013**
(54) Product in respect of which the design is registered: **Milk frother**
(51) International Design Classification: **07-02L, 31-00**
(74) Name(s) of Attorney(s): **FB Rice**
(71) Name(s) and Address(s) of Applicant(s):



Koninklijke Philips Electronics N.V.
High Tech Campus 5 5656 AE Eindhoven The Netherlands
(72) Name(s) of Designer(s): **Graeme Antony Warburton**
(45) Registration Date: **03 April 2013**
(30) Convention priority data:
(31) Number (32) Date (33) Country
002094078-0001 29 Aug 2012 OFFICE FOR HARMONISATION IN
THE INTERNAL MARKET (OHIM)
(56) Related Art Documents: **Not Applicable**
(57) Statement of Newness and Distinctiveness: **Newness and distinctiveness reside in the features of shape and configuration of the design as shown in the representations.**

- (21) Design Number: **10881/2013**
(22) Date of Filing Application: **25 February 2013**
(24) Date from which industrial property rights may have effect: **25 February 2013**
(54) Product in respect of which the design is registered: **Dog kennel**
(51) International Design Classification: **30-02**
(74) Name(s) of Attorney(s): **Baxter IP**
(71) Name(s) and Address(s) of Applicant(s):
Fady Azar
U14/83 Cox Ave Kingswood NSW 2747 Australia
Abraham Bruno Azar
U14/83 Cox Ave Kingswood NSW 2747 Australia
(72) Name(s) of Designer(s): **Fady Azar and Abraham Bruno Azar**
(45) Registration Date: **03 April 2013**
(56) Related Art Documents: **Not Applicable**
(57) Statement of Newness and Distinctiveness: **Newness and distinctiveness is claimed in the features of shape and/or configuration of a dog kennel as shown in the accompanying representations.**



- (21) Design Number: **10883/2013**
(22) Date of Filing Application: **25 February 2013**
(24) Date from which industrial property rights may have effect: **25 February 2013**
(54) Product in respect of which the design is registered: **Cubby house**
(51) International Design Classification: **25-03**
(74) Name(s) of Attorney(s): **Baxter IP**
(71) Name(s) and Address(s) of Applicant(s):
Fady Azar
U14/83 Cox Ave Kingswood NSW 2747 Australia
Abraham Bruno Azar
U14/83 Cox Ave Kingswood NSW 2747 Australia
(72) Name(s) of Designer(s): **Fady Azar and Abraham Bruno Azar**
(45) Registration Date: **03 April 2013**
(56) Related Art Documents: **Not Applicable**
(57) Statement of Newness and Distinctiveness: **Newness and distinctiveness is claimed in the features of shape and/or configuration of a cubby house as shown in the accompanying representations.**



- (21) Design Number: **10886/2013**
(22) Date of Filing Application: **26 February 2013**
(24) Date from which industrial property rights may have effect: **26 February 2013**
(54) Product in respect of which the design is registered: **A tesserae**
(51) International Design Classification: **25-01F**
(74) Name(s) of Attorney(s): **Allens Patent & Trade Mark Attorneys**
(71) Name(s) and Address(s) of Applicant(s):
Everstone International Pty Ltd
20 Princes Rd E Auburn NSW 2144 Australia
(72) Name(s) of Designer(s): **John Zeng**
(45) Registration Date: **03 April 2013**
(56) Related Art Documents: **Not Applicable**
(57) Statement of Newness and Distinctiveness: **Newness and distinctiveness is claimed in the shape and configuration of the tesserae shown in the attached representations. The tesserae shown is a single repeating unit and other repeating units may extend laterally and longitudinally from the single repeating unit shown.**



- (21) Design Number: **10887/2013**
(22) Date of Filing Application: **26 February 2013**
(24) Date from which industrial property rights may have effect: **26 February 2013**
(54) Product in respect of which the design is registered: **A tesserae**
(51) International Design Classification: **25-01F**
(74) Name(s) of Attorney(s): **Allens Patent & Trade Mark Attorneys**
(71) Name(s) and Address(s) of Applicant(s):
Everstone International Pty Ltd
20 Princes Rd E Auburn NSW 2144 Australia
(72) Name(s) of Designer(s): **John Zeng**
(45) Registration Date: **03 April 2013**
(56) Related Art Documents: **Not Applicable**
(57) Statement of Newness and Distinctiveness: **Newness and distinctiveness is claimed in the shape and configuration of the tesserae shown in the attached representations. The tesserae shown is a single unit which may repeat laterally and longitudinally from the single unit.**



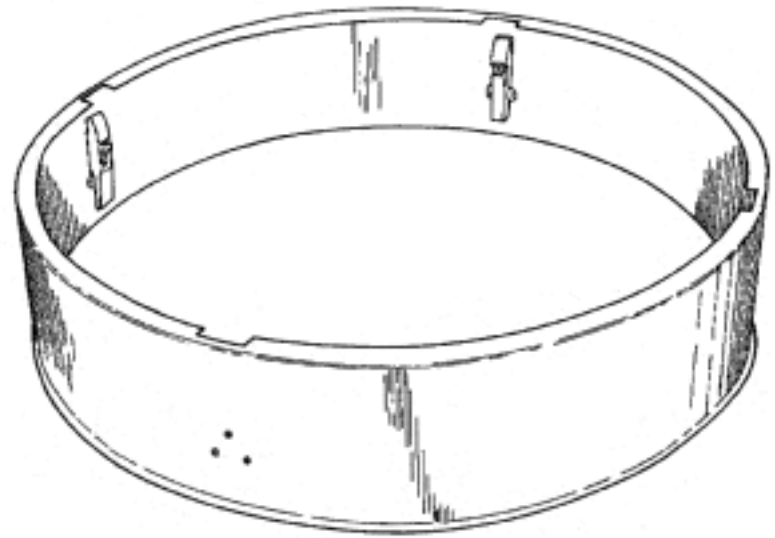
(21) Design Number: **10892/2013**
(22) Date of Filing Application: **26 February 2013**
(24) Date from which industrial property rights may have effect: **26 February 2013**
(54) Product in respect of which the design is registered: **Microphone**
(51) International Design Classification: **14-01**
(74) Name(s) of Attorney(s): **FB Rice**
(71) Name(s) and Address(s) of Applicant(s):
Koninklijke Philips Electronics N.V.
High Tech Campus 5 5656 AE Eindhoven The Netherlands
(72) Name(s) of Designer(s): **Peter Adam Boeckel**
(45) Registration Date: **03 April 2013**
(30) Convention priority data:
(31) Number (32) Date (33) Country
**002093021-0002 27 Aug 2012 OFFICE FOR HARMONISATION IN
THE INTERNAL MARKET (OHIM)**
(56) Related Art Documents: **Not Applicable**
(57) Statement of Newness and Distinctiveness: **Newness and distinctiveness
reside in the features of shape and configuration of the design as shown
in the representations.**



(21) Design Number: **11193/2013**
(22) Date of Filing Application: **07 March 2013**
(24) Date from which industrial property rights may have effect: **12 October 2012**
(54) Product in respect of which the design is registered: **Article of clothing**
(51) International Design Classification: **02-02NES**
(74) Name(s) of Attorney(s): **Allens Patent & Trade Mark Attorneys**
(71) Name(s) and Address(s) of Applicant(s):
Forever New Clothing Pty Ltd
714-716 High St Kew East VIC 3102 Australia
(72) Name(s) of Designer(s): **Gemma Henderson**
(45) Registration Date: **03 April 2013**
(30) Convention priority data:
(31) Number (32) Date (33) Country
4026134 30 Aug 2012 UNITED KINGDOM
(62) Divisional of: **15083/2012**
(56) Related Art Documents: **Not Applicable**
(57) Statement of Newness and Distinctiveness: **Newness and distinctiveness
resides in the visual features of shape and/or configuration of an article
of clothing as shown in the accompanying representations.**



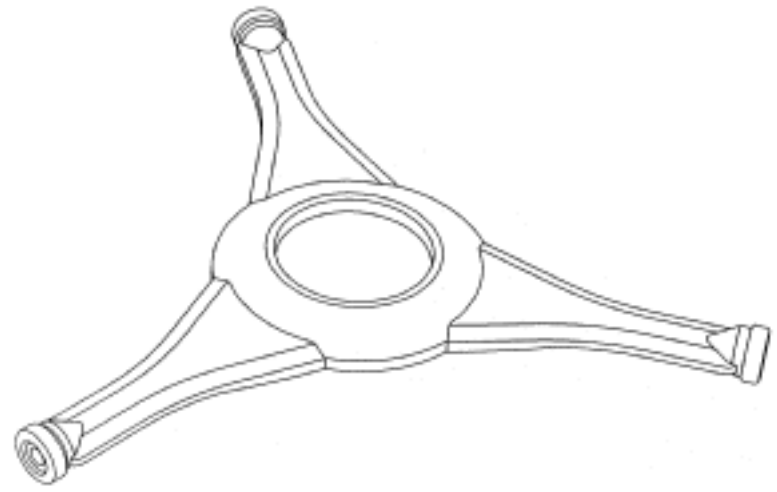
(21) Design Number: **13922/2012**
(22) Date of Filing Application: **10 August 2012**
(24) Date from which industrial property rights may have effect: **10 August 2012**
(54) Product in respect of which the design is registered: **Wheel cover mounting ring**
(51) International Design Classification: **12-16NES**
(74) Name(s) of Attorney(s): **Intellepro Patent & Trade Mark Attorneys**
(71) Name(s) and Address(s) of Applicant(s):
D.V. Logic Pty Ltd
9A Jackson Street Eastern Heights Queensland 4305 Australia
(72) Name(s) of Designer(s): **Darcy Saville**
(45) Registration Date: **03 April 2013**
(56) Related Art Documents: **Not Applicable**
(57) Statement of Newness and Distinctiveness: **Nil**



(21) Design Number: **14970/2012**
(22) Date of Filing Application: **02 October 2012**
(24) Date from which industrial property rights may have effect: **02 October 2012**
(54) Product in respect of which the design is registered: **"Tree" coffee table**
(51) International Design Classification: **06-03B**
(74) Name(s) of Attorney(s):
(71) Name(s) and Address(s) of Applicant(s):
Robert Kevin Shea
31 Reed St Albert Park VIC 3206 Australia
(72) Name(s) of Designer(s): **Robert Kevin Shea**
(45) Registration Date: **03 April 2013**
(56) Related Art Documents: **Not Applicable**
(57) Statement of Newness and Distinctiveness: **Flat Packable. Consumer assembled. Unique custom hardware. Tool included and integrated in table. Several alternating shapes with spacers creating cantilever mechanism. Each shape resembling a branch resulting in overall representation of a tree. Glass top.**



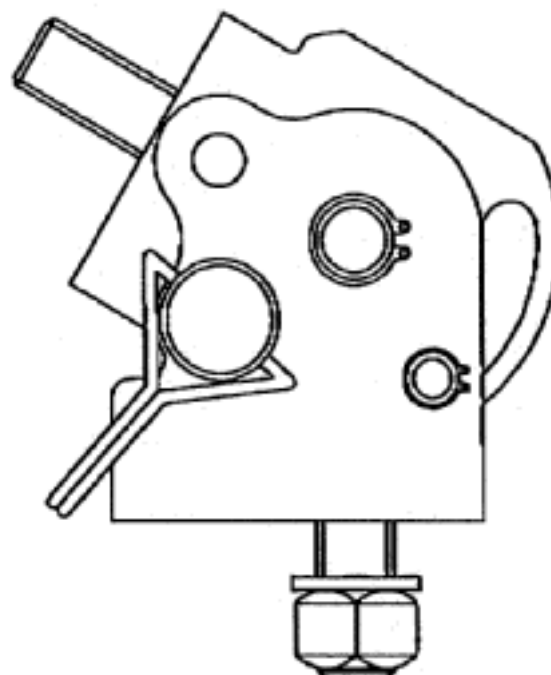
- (21) Design Number: **15069/2012**
(22) Date of Filing Application: **12 October 2012**
(24) Date from which industrial property rights may have effect: **12 October 2012**
(54) Product in respect of which the design is registered: **Microwave oven support for platter**
(51) International Design Classification: **07-02B, 07-99NES**
(74) Name(s) of Attorney(s): **Molins & Co**
(71) Name(s) and Address(s) of Applicant(s):
Breville Pty Limited
Building 2 Port Air Industrial Est 1A Hale St Botany NSW 2019 Australia
(72) Name(s) of Designer(s): **Keith James Hensel**
(45) Registration Date: **03 April 2013**
(56) Related Art Documents: **Not Applicable**
(57) Statement of Newness and Distinctiveness: **Newness is claimed in the features of shape and configuration of the microwave oven support for platter as shown in the accompanying representations. Elements shown in dashed lines form no part of the design.**



- (21) Design Number: **15516/2012**
(22) Date of Filing Application: **05 November 2012**
(24) Date from which industrial property rights may have effect: **05 November 2012**
(54) Product in respect of which the design is registered: **Tank baffle for liquid transportation**
(51) International Design Classification: **23-01NES, 12-16NES**
(74) Name(s) of Attorney(s):
(71) Name(s) and Address(s) of Applicant(s):
Howard Ferry
774 Koorlong Ave Irymple VIC 3498 Australia
(72) Name(s) of Designer(s): **Howard Ferry and Lester Ferry**
(45) Registration Date: **03 April 2013**
(56) Related Art Documents: **Not Applicable**
(57) Statement of Newness and Distinctiveness: **The design has new and distinctive features including, but not limited to, single skin construction, high strength organic form, and drains at any orientation.**



- (21) Design Number: **16027/2012**
(22) Date of Filing Application: **30 November 2012**
(24) Date from which industrial property rights may have effect: **30 November 2012**
(54) Product in respect of which the design is registered: **Adjustable spring base**
(51) International Design Classification: **14-03NES**
(74) Name(s) of Attorney(s):
(71) Name(s) and Address(s) of Applicant(s):
4 x 4 Equip Pty Ltd
5/15 Nicole CI Bayswater VIC 3153 Australia
(72) Name(s) of Designer(s): **Ian David Hastie**
(45) Registration Date: **03 April 2013**
(56) Related Art Documents: **Not Applicable**
(57) Statement of Newness and Distinctiveness: **Stainless Steel construction. Able to lock vertical. One direction spring return. Able to be locked at an angle.**



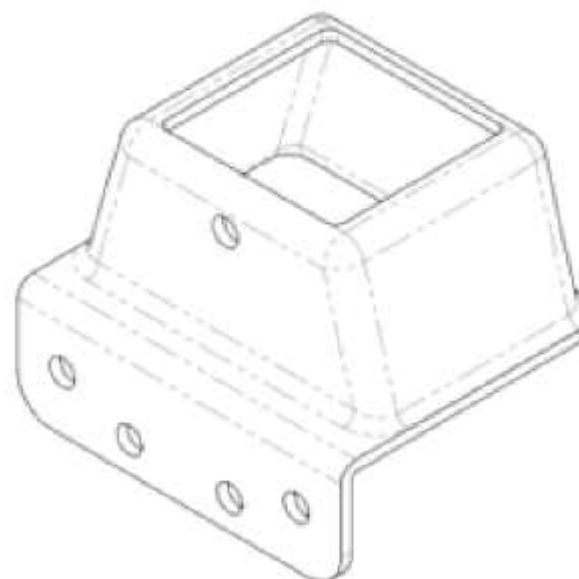
- (21) Design Number: **16189/2012**
(22) Date of Filing Application: **10 December 2012**
(24) Date from which industrial property rights may have effect: **10 December 2012**
(54) Product in respect of which the design is registered: **Outdoor furniture, chairs**
(51) International Design Classification: **06-01H**
(74) Name(s) of Attorney(s):
(71) Name(s) and Address(s) of Applicant(s):
Christopher John Knight
88 Johnston Bvd Urraween QLD 4655 Australia
(72) Name(s) of Designer(s): **Christopher John Knight**
(45) Registration Date: **03 April 2013**
(56) Related Art Documents: **Not Applicable**
(57) Statement of Newness and Distinctiveness: **The chairs' design qualifies as both new and distinctive due to the curved base and the corresponding angle of the back rest. The sides of the chairs are contoured at the top for comfort, while the bottom of the sides are curved away at the front and rear of the chairs to enable forward and backward rocking, without being unstable. The base works in conjunction with the angle of the back rest, creating an axis point that distributes the weight of the user and assists them to rock the chair.**



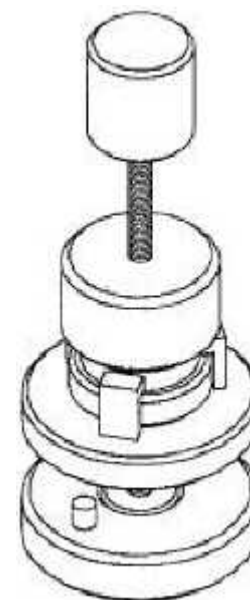
- (21) Design Number: **10017/2013**
(22) Date of Filing Application: **03 January 2013**
(24) Date from which industrial property rights may have effect: **03 January 2013**
(54) Product in respect of which the design is registered: **Automobile tyre**
(51) International Design Classification: **12-15B**
(74) Name(s) of Attorney(s): **Griffith Hack**
(71) Name(s) and Address(s) of Applicant(s):
Bridgestone Corporation
10-1 Kyobashi 1-chrome Chuo-ku Tokyo 104-8340 Japan
(72) Name(s) of Designer(s): **Takayosi Hironaka and Tomoo Hasegawa**
(45) Registration Date: **03 April 2013**
(30) Convention priority data:
(31) Number (32) Date (33) Country
JP2012-015845 04 Jul 2012 JAPAN
(56) Related Art Documents: **Not Applicable**
(57) Statement of Newness and Distinctiveness: **The shape, configuration and ornamentation of the threaded portion of the tyre is new and distinctive.**



- (21) Design Number: **10523/2013**
(22) Date of Filing Application: **04 February 2013**
(24) Date from which industrial property rights may have effect: **04 February 2013**
(54) Product in respect of which the design is registered: **Fence bracket**
(51) International Design Classification: **08-08K**
(74) Name(s) of Attorney(s):
(71) Name(s) and Address(s) of Applicant(s):
KMS (QLD) Pty
720 Greenwattle St Harristown QLD 4350 Australia
(72) Name(s) of Designer(s): **Paul Thrush**
(45) Registration Date: **03 April 2013**
(56) Related Art Documents: **Not Applicable**
(57) Statement of Newness and Distinctiveness: **Newness and distinctiveness is claimed in the features of shape and configuration of a fence bracket as illustrated in the accompanying representations, particularly the features of seamlessness and radiused edges and corners.**



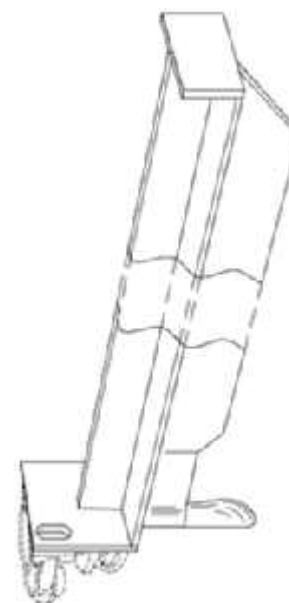
- (21) Design Number: **10535/2013**
(22) Date of Filing Application: **04 February 2013**
(24) Date from which industrial property rights may have effect: **04 February 2013**
(54) Product in respect of which the design is registered: **Fastening device**
(51) International Design Classification: **08-08A**
(74) Name(s) of Attorney(s): **Davies Collison Cave**
(71) Name(s) and Address(s) of Applicant(s):
Ooparts, Inc.
1643-28 Shuku Soja-shi Okayama 719-1161 Japan
(72) Name(s) of Designer(s): **Masato Komura and Ichiro Awashima**
(45) Registration Date: **03 April 2013**
(56) Related Art Documents: **Not Applicable**
(57) Statement of Newness and Distinctiveness: **Nil**



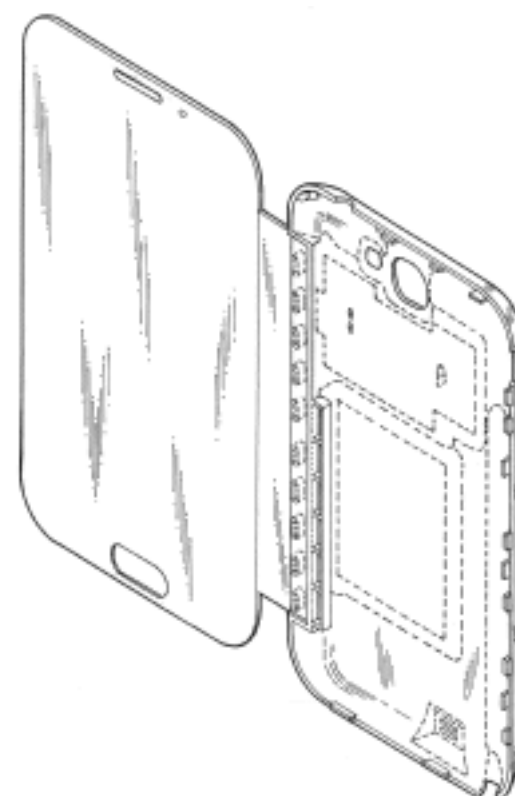
- (21) Design Number: **10766/2013**
(22) Date of Filing Application: **18 February 2013**
(24) Date from which industrial property rights may have effect: **18 February 2013**
(54) Product in respect of which the design is registered: **A scaffold ledger**
(51) International Design Classification: **25-04**
(74) Name(s) of Attorney(s): **Shelston IP**
(71) Name(s) and Address(s) of Applicant(s):
4 Ken Pty Ltd
24 Byrne St Auburn NSW 2144 Australia
(72) Name(s) of Designer(s): **Kenneth Alan Cox**
(45) Registration Date: **03 April 2013**
(56) Related Art Documents: **Not Applicable**
(57) Statement of Newness and Distinctiveness: **Newness and distinctiveness reside in the features of shape and/or configuration of a scaffold ledger of substantially indefinite length, as illustrated by solid lines in the accompanying representations. The features shown in broken outline are for contextual purposes only and do not form part of the design.**



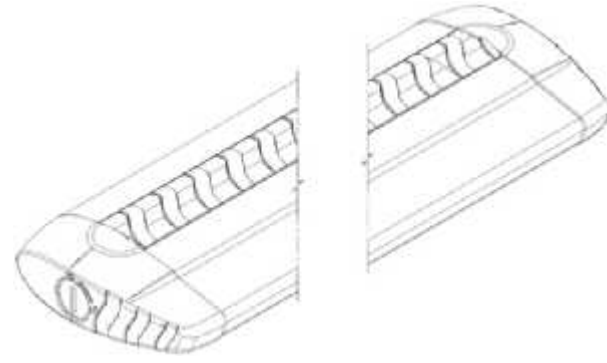
- (21) Design Number: **10767/2013**
(22) Date of Filing Application: **18 February 2013**
(24) Date from which industrial property rights may have effect: **18 February 2013**
(54) Product in respect of which the design is registered: **A scaffold bracket**
(51) International Design Classification: **25-04**
(74) Name(s) of Attorney(s): **Shelston IP**
(71) Name(s) and Address(s) of Applicant(s):
4 Ken Pty Ltd
24 Byrne St Auburn NSW 2144 Australia
(72) Name(s) of Designer(s): **Kenneth Alan Cox**
(45) Registration Date: **03 April 2013**
(56) Related Art Documents: **Not Applicable**
(57) Statement of Newness and Distinctiveness: **Newness and distinctiveness reside in the features of shape and/or configuration of a scaffold bracket of substantially indefinite length, as illustrated by solid lines in the accompanying representations. The features shown in broken outline are for contextual purposes only and do not form part of the design.**



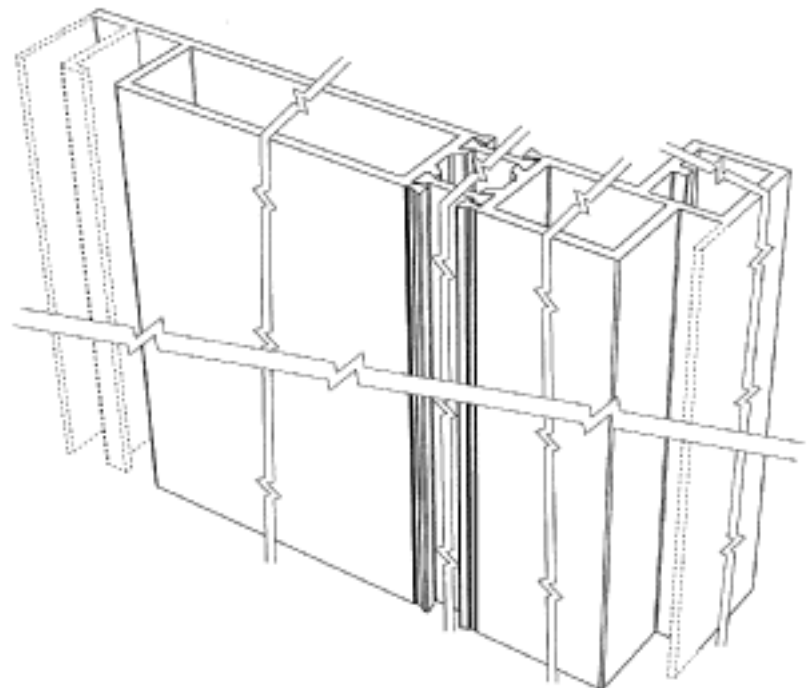
- (21) Design Number: **10822/2013**
(22) Date of Filing Application: **21 February 2013**
(24) Date from which industrial property rights may have effect: **21 February 2013**
(54) Product in respect of which the design is registered: **Case for a portable electronic device**
(51) International Design Classification: **03-01NES**
(74) Name(s) of Attorney(s): **IP Gateway Patent & Trademark Attorneys**
(71) Name(s) and Address(s) of Applicant(s):
Samsung Electronics Co., Ltd
129 Samsung-ro Yeongtong-gu Suwon-si Gyeonggi-do 443-742 Republic of Korea
(72) Name(s) of Designer(s): **Kim YoonYoung**
(45) Registration Date: **03 April 2013**
(30) Convention priority data:
(31) Number (32) Date (33) Country
30-2012-0041332 28 Aug 2012 REPUBLIC OF KOREA
(56) Related Art Documents: **Not Applicable**
(57) Statement of Newness and Distinctiveness: **The newness and distinctiveness of the design resides in the visual features of shape and/or configuration of a case for a portable electronic device as shown in solid lines in the accompanying representations.**



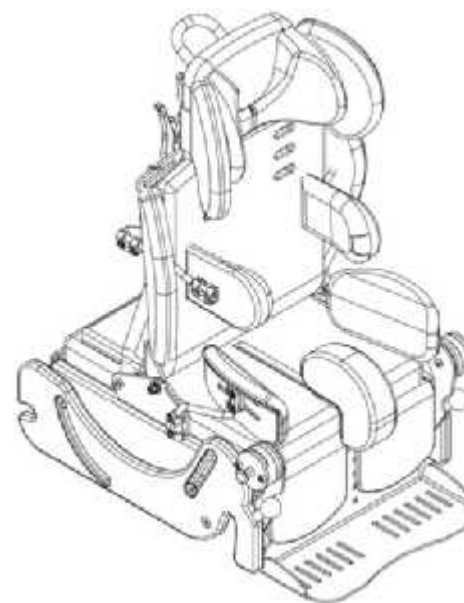
- (21) Design Number: **10824/2013**
(22) Date of Filing Application: **21 February 2013**
(24) Date from which industrial property rights may have effect: **21 February 2013**
(54) Product in respect of which the design is registered: **Vehicle roof rack assembly**
(51) International Design Classification: **12-16K**
(74) Name(s) of Attorney(s): **HODGKINSON McINNES PATENTS**
(71) Name(s) and Address(s) of Applicant(s):
Rhino Rack Australia Pty Limited
3 Pike St Rydalmere NSW 2116 Australia
(72) Name(s) of Designer(s): **Richard Oswald Copley and Christopher Murty and Michael John Laybourne Hort**
(45) Registration Date: **03 April 2013**
(56) Related Art Documents: **Not Applicable**
(57) Statement of Newness and Distinctiveness: **Newness and distinctiveness is claimed in the shape and configuration of a vehicle roof rack assembly as shown in the representations.**



- (21) Design Number: **10825/2013**
(22) Date of Filing Application: **21 February 2013**
(24) Date from which industrial property rights may have effect: **21 February 2013**
(54) Product in respect of which the design is registered: **A window adapter for a prefabricated wall panel**
(51) International Design Classification: **25-02H**
(74) Name(s) of Attorney(s): **Madderns**
(71) Name(s) and Address(s) of Applicant(s):
Prodrome Designs Pty Ltd
468 Stuart Hwy Winnellie NT 0820 Australia
(72) Name(s) of Designer(s): **John Koukouvas**
(45) Registration Date: **03 April 2013**
(56) Related Art Documents: **Not Applicable**
(57) Statement of Newness and Distinctiveness: **Newness and distinctiveness resides in the visual features of shape and/or configuration of a window adapter for a prefabricated wall panel as illustrated in solid (as opposed to dashed) lines.**



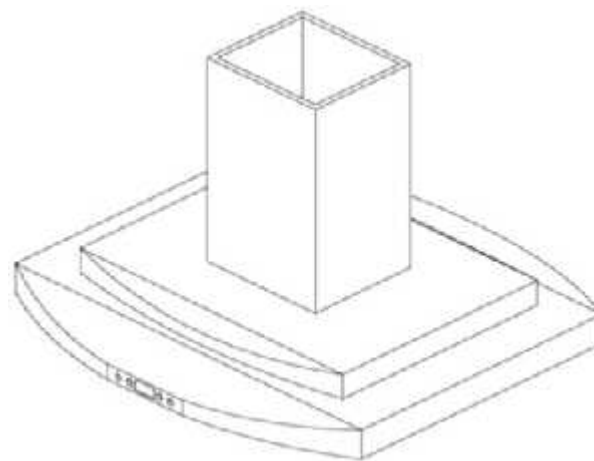
(21) Design Number: **10836/2013**
(22) Date of Filing Application: **22 February 2013**
(24) Date from which industrial property rights may have effect: **22 February 2013**
(54) Product in respect of which the design is registered: **A seat**
(51) International Design Classification: **06-01NES**
(74) Name(s) of Attorney(s):
(71) Name(s) and Address(s) of Applicant(s):
Roger Thomas Mascull
11 Mason Place Ashburton New Zealand
Elizabeth Jocelyn Mascull
11 Mason Place Ashburton New Zealand
(72) Name(s) of Designer(s): **Anil Patel**
(45) Registration Date: **03 April 2013**
(30) Convention priority data:
(31) Number (32) Date (33) Country
416648 27 Aug 2012 NEW ZEALAND
(56) Related Art Documents: **Not Applicable**
(57) Statement of Newness and Distinctiveness: **The novelty of the design resides in the features of shape and configuration of a seat as shown in the accompanying representations.**



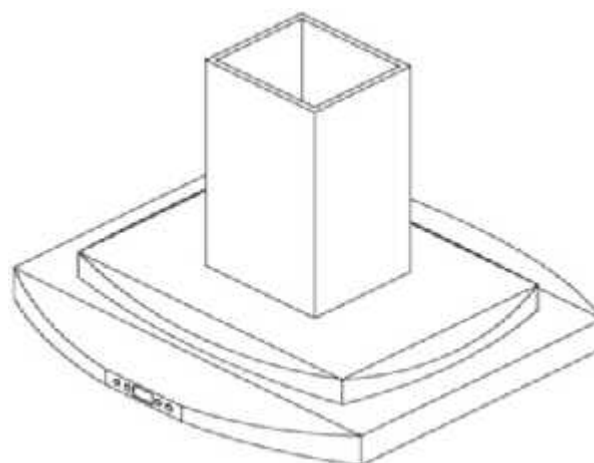
(21) Design Number: **10852/2013**
(22) Date of Filing Application: **22 February 2013**
(24) Date from which industrial property rights may have effect: **22 February 2013**
(54) Product in respect of which the design is registered: **Hinge pin**
(51) International Design Classification: **08-06**
(74) Name(s) of Attorney(s): **Griffith Hack**
(71) Name(s) and Address(s) of Applicant(s):
Nova Hardware Pty Ltd
U4/5 Becon Ct Hallam VIC 3803 Australia
(72) Name(s) of Designer(s): **Ming Yu**
(45) Registration Date: **03 April 2013**
(56) Related Art Documents: **Not Applicable**
(57) Statement of Newness and Distinctiveness: **Newness and distinctiveness resides in the visual features, including shape, configuration and ornamentation of the product as shown by means of solid lines in the accompanying representations. Those parts shown by means of dashed lines have been included for illustrative purposes and do not form part of the design.**



- (21) Design Number: **10856/2013**
(22) Date of Filing Application: **24 February 2013**
(24) Date from which industrial property rights may have effect: **24 February 2013**
(54) Product in respect of which the design is registered: **A range hood/canopy hood**
(51) International Design Classification: **07-02C**
(74) Name(s) of Attorney(s):
(71) Name(s) and Address(s) of Applicant(s):
Hon Shen Pty Ltd
337 Liverpool Rd Enfield NSW 2136 Australia
(72) Name(s) of Designer(s): **Chin Lai**
(45) Registration Date: **03 April 2013**
(56) Related Art Documents: **Not Applicable**
(57) Statement of Newness and Distinctiveness: **The newness and distinctiveness of the design resides in the shape of the canopy hood.**



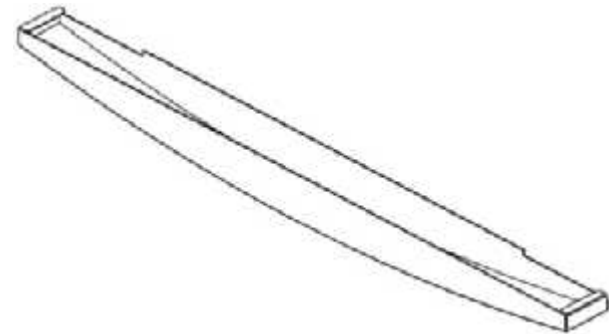
- (21) Design Number: **10857/2013**
(22) Date of Filing Application: **24 February 2013**
(24) Date from which industrial property rights may have effect: **24 February 2013**
(54) Product in respect of which the design is registered: **A range hood/canopy hood**
(51) International Design Classification: **07-02C**
(74) Name(s) of Attorney(s):
(71) Name(s) and Address(s) of Applicant(s):
Hon Shen Pty Ltd
337 Liverpool Rd Enfield NSW 2136 Australia
(72) Name(s) of Designer(s): **Chin Lai**
(45) Registration Date: **03 April 2013**
(56) Related Art Documents: **Not Applicable**
(57) Statement of Newness and Distinctiveness: **Nil**



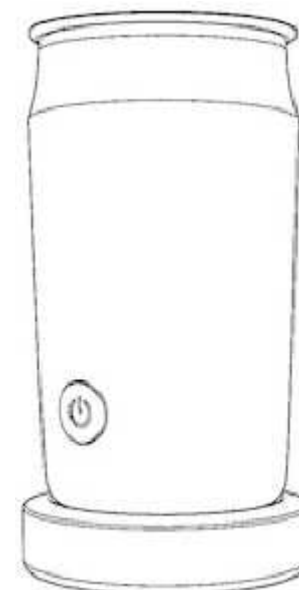
- (21) Design Number: **10854/2013**
(22) Date of Filing Application: **23 February 2013**
(24) Date from which industrial property rights may have effect: **23 February 2013**
(54) Product in respect of which the design is registered: **Chocolate coated strawberries**
(51) International Design Classification: **01-01**
(74) Name(s) of Attorney(s):
(71) Name(s) and Address(s) of Applicant(s):
Wicked Berries Pty Ltd
Shop 2 Park Beach Rd Northside Shopping Centre Coffs Harbour NSW
2450 Australia
(72) Name(s) of Designer(s): **Kerry Sullivan**
(45) Registration Date: **03 April 2013**
(56) Related Art Documents: **Not Applicable**
(57) Statement of Newness and Distinctiveness: **I designed the chocolate coated strawberry with horns in 2003. It is the symbol for all of our products and is prominently displayed on our shopfront wall. The choc strawberry with horns represents the wickedness of our product in looks and taste and our customers recognise us for this design. The design also forms part of our logo and all of our gift boxes and website design.**



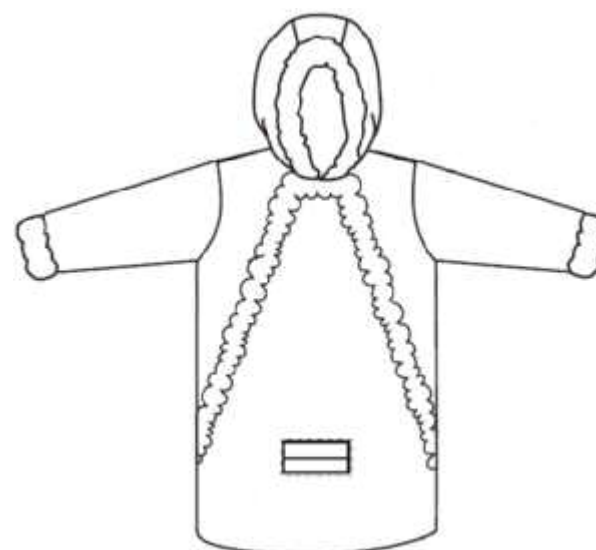
- (21) Design Number: **10855/2013**
(22) Date of Filing Application: **24 February 2013**
(24) Date from which industrial property rights may have effect: **24 February 2013**
(54) Product in respect of which the design is registered: **Oil collecting container for range/canopy hood**
(51) International Design Classification: **07-02C**
(74) Name(s) of Attorney(s):
(71) Name(s) and Address(s) of Applicant(s):
Hon Shen Pty Ltd
337 Liverpool Rd Enfield NSW 2136 Australia
(72) Name(s) of Designer(s): **Chin Chou Lai**
(45) Registration Date: **03 April 2013**
(56) Related Art Documents: **Not Applicable**
(57) Statement of Newness and Distinctiveness: **Nil**



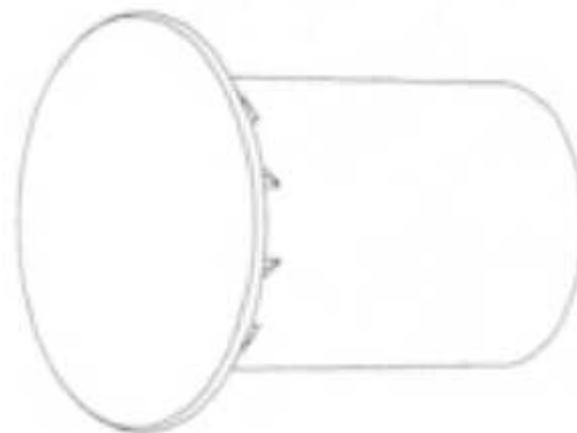
- (21) Design Number: **10874/2013**
(22) Date of Filing Application: **25 February 2013**
(24) Date from which industrial property rights may have effect: **25 February 2013**
(54) Product in respect of which the design is registered: **Milk frother**
(51) International Design Classification: **07-02L, 31-00**
(74) Name(s) of Attorney(s): **FB Rice**
(71) Name(s) and Address(s) of Applicant(s):
Koninklijke Philips Electronics N.V.
High Tech Campus 5 5656 AE Eindhoven The Netherlands
(72) Name(s) of Designer(s): **Graeme Antony Warburton**
(45) Registration Date: **03 April 2013**
(30) Convention priority data:
(31) Number (32) Date (33) Country
002094078-0002 29 Aug 2012 OFFICE FOR HARMONISATION IN
THE INTERNAL MARKET (OHIM)
(56) Related Art Documents: **Not Applicable**
(57) Statement of Newness and Distinctiveness: **Newness and distinctiveness**
reside in the features of shape and configuration of the design as shown
in the representations.



- (21) Design Number: **10876/2013**
(22) Date of Filing Application: **25 February 2013**
(24) Date from which industrial property rights may have effect: **25 February 2013**
(54) Product in respect of which the design is registered: **Infant garment**
(51) International Design Classification: **02-02NES**
(74) Name(s) of Attorney(s): **HODGKINSON McINNES PATENTS**
(71) Name(s) and Address(s) of Applicant(s):
Stylevue Pty Ltd
C/- Hodgkinson McInnes Patents L21 201 Elizabeth St Sydney NSW 2000
Australia
(72) Name(s) of Designer(s): **Lynette Stella Liu**
(45) Registration Date: **03 April 2013**
(56) Related Art Documents: **Not Applicable**
(57) Statement of Newness and Distinctiveness: **Newness and distinctiveness**
is claimed in the shape and configuration of an infant garment as shown
in the representations.



- (21) Design Number: **10869/2013**
(22) Date of Filing Application: **25 February 2013**
(24) Date from which industrial property rights may have effect: **25 February 2013**
(54) Product in respect of which the design is registered: **Bar cap used to fit over reinforced steel**
(51) International Design Classification: **25-02A**
(74) Name(s) of Attorney(s):
(71) Name(s) and Address(s) of Applicant(s):
Lee Ann Gallagher
6 Pelican PI Woronora Heights NSW 2233 Australia
(72) Name(s) of Designer(s): **Martin Gallagher**
(45) Registration Date: **03 April 2013**
(56) Related Art Documents: **Not Applicable**
(57) Statement of Newness and Distinctiveness: **Bar cap is cushioned for full protection if anyone falls on it.**



- (21) Design Number: **11149/2013**
(22) Date of Filing Application: **11 March 2013**
(24) Date from which industrial property rights may have effect: **11 March 2013**
(54) Product in respect of which the design is registered: **Part of a standing umbrella**
(51) International Design Classification: **03-03**
(74) Name(s) of Attorney(s): **FB Rice**
(71) Name(s) and Address(s) of Applicant(s):
Glatz AG
Neuhofstrasse 12 Frauenfeld 8500 Switzerland
(72) Name(s) of Designer(s): **Peter K. Patzak**
(45) Registration Date: **03 April 2013**
(30) Convention priority data:
(31) Number (32) Date (33) Country
002181990 **11 Feb 2013** **OFFICE FOR HARMONISATION IN**
THE INTERNAL MARKET (OHIM)
(56) Related Art Documents: **Not Applicable**
(57) Statement of Newness and Distinctiveness: **Newness and distinctiveness reside in the shape and configuration of the product as shown in the representations excluding the bolt stem and head shown in some of the representations.**



- (21) Design Number: **11329/2013**
(22) Date of Filing Application: **16 March 2013**
(24) Date from which industrial property rights may have effect: **16 March 2013**
(54) Product in respect of which the design is registered: **Open sports car**
(51) International Design Classification: **12-08**
(74) Name(s) of Attorney(s):
(71) Name(s) and Address(s) of Applicant(s):
Jaydee Quantum Pty Ltd
PO BOX 177 Macedon VIC 3440 Australia
(72) Name(s) of Designer(s): **Jeffery David**
(45) Registration Date: **04 April 2013**
(56) Related Art Documents: **Not Applicable**
(57) Statement of Newness and Distinctiveness: **The newness and distinctiveness of the design resides in the flow of the bodywork starting with the shape of the nose and the continued flow to the rear of the car. Three unique contours set the design apart as they blend progressively to the side of the car. The contour across the top of the nose on either side of the car towards the driver/passenger seats as you move front to rear, continues over the car and across the engine cover, notably blending away. The side pod is also distinct.**



- (21) Design Number: **10208/2013**
(22) Date of Filing Application: **15 January 2013**
(24) Date from which industrial property rights may have effect: **15 January 2013**
(54) Product in respect of which the design is registered: **Chair**
(51) International Design Classification: **06-01F**
(74) Name(s) of Attorney(s):
(71) Name(s) and Address(s) of Applicant(s):
Johnathan Wu
U90 1-5 Harwood St Pyrmont NSW 2009 Australia
(72) Name(s) of Designer(s): **Johnathan Wu**
(45) Registration Date: **04 April 2013**
(56) Related Art Documents: **Not Applicable**
(57) Statement of Newness and Distinctiveness: **The office chair is the first chair in the world where you can easily customize the style - eg the back head banner which attaches to the chair via 4 buttons and velcro. It is also the first office chair which allows you to connect toys / tools to the armrest to provide the unique style and look. The armrest can be lifted up (rotatable armrest design).**



- (21) Design Number: **10533/2013**
(22) Date of Filing Application: **04 February 2013**
(24) Date from which industrial property rights may have effect: **04 February 2013**
(54) Product in respect of which the design is registered: **A chair**
(51) International Design Classification: **06-01G**
(74) Name(s) of Attorney(s): **FB Rice**
(71) Name(s) and Address(s) of Applicant(s):
King Furniture (Australia) Pty Ltd
123 Turrella St Turrella NSW 2205 Australia
(72) Name(s) of Designer(s): **David King and Tanya Rechberger and John Levey and Ryan Lawson**
(45) Registration Date: **04 April 2013**
(56) Related Art Documents: **Not Applicable**
(57) Statement of Newness and Distinctiveness: **Newness and distinctiveness reside in the features of shape and configuration of the product as shown in the representations with less weight to be accorded to the number and position of loose cushions on the chair and less weight to be accorded to the quilting on the loose cushion, it being understood that the loose cushion could be unquilted.**



- (21) Design Number: **10524/2013**
(22) Date of Filing Application: **04 February 2013**
(24) Date from which industrial property rights may have effect: **04 February 2013**
(54) Product in respect of which the design is registered: **A chair**
(51) International Design Classification: **06-01G**
(74) Name(s) of Attorney(s): **FB Rice**
(71) Name(s) and Address(s) of Applicant(s):
King Furniture (Australia) Pty Ltd
123 Turrella St Turrella NSW 2205 Australia
(72) Name(s) of Designer(s): **David King and Tanya Rechberger and John Levey and Ryan Lawson**
(45) Registration Date: **04 April 2013**
(56) Related Art Documents: **Not Applicable**
(57) Statement of Newness and Distinctiveness: **Newness and distinctiveness reside in the features of shape and configuration of the product as shown in the representations with less weight to be accorded to the number and position of loose cushions on the chair and less weight to be accorded to the quilting on the loose cushion, it being understood that the loose cushion could be unquilted, and with less weight also to be accorded to the side of the base on which the armrest is mounted.**



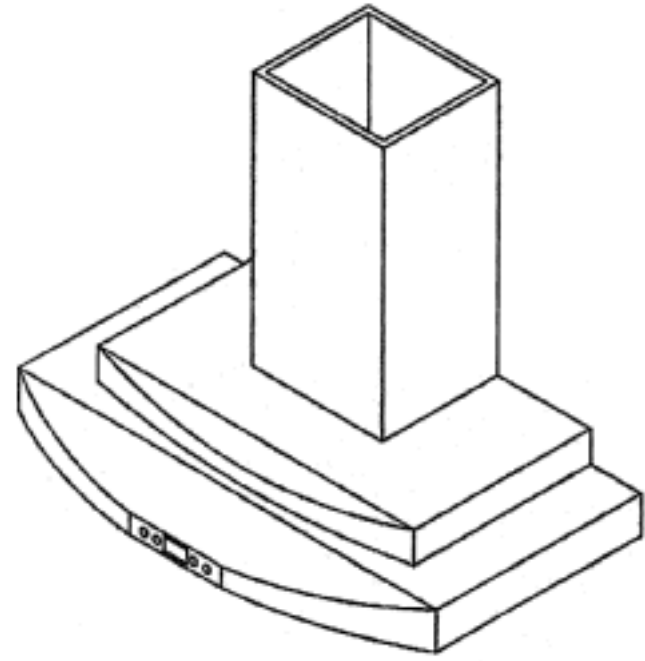
- (21) Design Number: **10531/2013**
(22) Date of Filing Application: **04 February 2013**
(24) Date from which industrial property rights may have effect: **04 February 2013**
(54) Product in respect of which the design is registered: **A chair**
(51) International Design Classification: **06-01G**
(74) Name(s) of Attorney(s): **FB Rice**
(71) Name(s) and Address(s) of Applicant(s):
King Furniture (Australia) Pty Ltd
123 Turrella St Turrella NSW 2205 Australia
(72) Name(s) of Designer(s): **David King and Tanya Rechberger and John Levey and Ryan Lawson**
(45) Registration Date: **04 April 2013**
(56) Related Art Documents: **Not Applicable**
(57) Statement of Newness and Distinctiveness: **Newness and distinctiveness reside in the features of shape and configuration of the product as shown in the representations with less weight to be accorded to the number and position of loose cushions on the chair and less weight to be accorded to the quilting on the loose cushion, it being understood that the loose cushion could be unquilted.**



- (21) Design Number: **10538/2013**
(22) Date of Filing Application: **04 February 2013**
(24) Date from which industrial property rights may have effect: **04 February 2013**
(54) Product in respect of which the design is registered: **A chair**
(51) International Design Classification: **06-01G**
(74) Name(s) of Attorney(s): **FB Rice**
(71) Name(s) and Address(s) of Applicant(s):
King Furniture (Australia) Pty Ltd
123 Turrella St Turrella NSW 2205 Australia
(72) Name(s) of Designer(s): **David King and Tanya Rechberger and John Levey and Ryan Lawson**
(45) Registration Date: **04 April 2013**
(56) Related Art Documents: **Not Applicable**
(57) Statement of Newness and Distinctiveness: **Newness and distinctiveness reside in the features of shape and configuration of the product as shown in the representations with less weight to be accorded to the number and position of loose cushions on the chair and less weight to be accorded to the quilting on the loose cushion, it being understood that the loose cushion could be unquilted.**



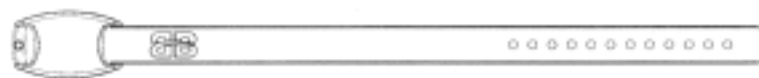
- (21) Design Number: **16328/2012**
(22) Date of Filing Application: **14 December 2012**
(24) Date from which industrial property rights may have effect: **14 December 2012**
(54) Product in respect of which the design is registered: **A range hood, or a canopy range hood**
(51) International Design Classification: **23-04**
(74) Name(s) of Attorney(s):
(71) Name(s) and Address(s) of Applicant(s):
Hon Shen Pty Ltd
337 Liverpool Rd Enfield NSW 2136 Australia
(72) Name(s) of Designer(s): **Chin Chou Lai and Szu-Chuan Chen**
(45) Registration Date: **05 April 2013**
(56) Related Art Documents: **Not Applicable**
(57) Statement of Newness and Distinctiveness: **The newness and distinctiveness of the design resides in the shape of the top layer of the range hood (of any two layers of range hood excluding the duct)**



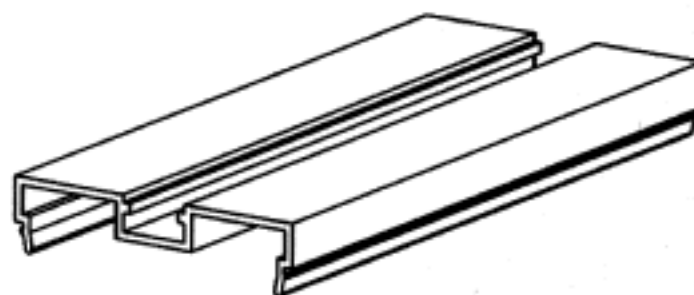
- (21) Design Number: **10757/2013**
(22) Date of Filing Application: **18 February 2013**
(24) Date from which industrial property rights may have effect: **18 February 2013**
(54) Product in respect of which the design is registered: **Multifunctional shack/ shed**
(51) International Design Classification: **25-03**
(74) Name(s) of Attorney(s):
(71) Name(s) and Address(s) of Applicant(s):
Jonathan Bingham
7 Waldron St Henley Beach South SA 5022 Australia
(72) Name(s) of Designer(s): **Jonathan Bingham**
(45) Registration Date: **05 April 2013**
(56) Related Art Documents: **Not Applicable**
(57) Statement of Newness and Distinctiveness: **Curved wooden structure using western red cedar internally and externally with double entrance glazed doors and double fly screen doors. Rear awning window with fly screen, 800mm roof overhang to the front and 300mm overhang to the rear.**



- (21) Design Number: **10667/2013**
(22) Date of Filing Application: **11 February 2013**
(24) Date from which industrial property rights may have effect: **11 February 2013**
(54) Product in respect of which the design is registered: **Electronic radio frequency identification wristband**
(51) International Design Classification: **11-01C, 14-02**
(74) Name(s) of Attorney(s):
(71) Name(s) and Address(s) of Applicant(s):
Buddi Bandz Holdings Pty. Ltd.
16 Park Pde Bondi NSW 2026 Australia
(72) Name(s) of Designer(s): **Rakesh Chandra and Arthur Alexiou**
(45) Registration Date: **08 April 2013**
(56) Related Art Documents: **Not Applicable**
(57) Statement of Newness and Distinctiveness: **Electronic apparatus and instruments; radio frequency identification (RFID) systems and their individual components, namely, RFID credentials, used for access control, internal and external payments, information based credentials which combine one or more RFID technologies with one or more technology, contact smart chip technology used in the field of security, access control and payments in the form of a wristband.**



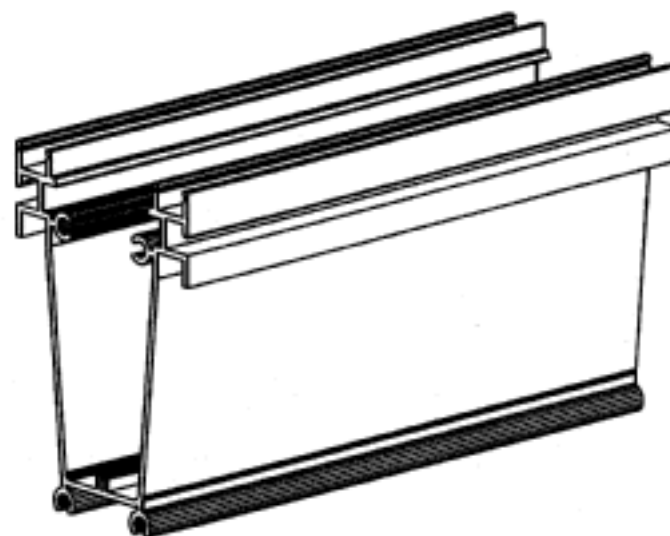
- (21) Design Number: **10702/2013**
(22) Date of Filing Application: **11 February 2013**
(24) Date from which industrial property rights may have effect: **11 February 2013**
(54) Product in respect of which the design is registered: **Extrusion**
(51) International Design Classification: **25-01K**
(74) Name(s) of Attorney(s): **Fisher Adams Kelly**
(71) Name(s) and Address(s) of Applicant(s):
Roseham Pty
53 Holbeche Rd Arndell Park NSW 2148 Australia
David Heaney
53 Holbeche Rd Arndell Park NSW 2148 Australia
Marjorie Heaney
53 Holbeche Rd Arndell Park NSW 2148 Australia
Stephen Heaney
53 Holbeche Rd Arndell Park NSW 2148 Australia
Suzanne Heaney
53 Holbeche Rd Arndell Park NSW 2148 Australia
Paul Heaney
53 Holbeche Rd Arndell Park NSW 2148 Australia
Marcella Heaney
53 Holbeche Rd Arndell Park NSW 2148 Australia
Mark Heaney
53 Holbeche Rd Arndell Park NSW 2148 Australia
Katrina Heaney
53 Holbeche Rd Arndell Park NSW 2148 Australia
(72) Name(s) of Designer(s): **Stephen Robert Heaney**
(45) Registration Date: **08 April 2013**
(56) Related Art Documents: **Not Applicable**
(57) Statement of Newness and Distinctiveness: **Newness and distinctiveness of the design resides in the shape and/or configuration of an EXTRUSION, of indefinite length, as shown in the representations.**



- (21) Design Number: **10703/2013**
(22) Date of Filing Application: **11 February 2013**
(24) Date from which industrial property rights may have effect: **11 February 2013**
(54) Product in respect of which the design is registered: **Extrusion**
(51) International Design Classification: **25-01K**
(74) Name(s) of Attorney(s): **Fisher Adams Kelly**
(71) Name(s) and Address(s) of Applicant(s):

Roseham Pty
53 Holbeche Rd Arndell Park NSW 2148 Australia
David Heaney
53 Holbeche Rd Arndell Park NSW 2148 Australia
Marjorie Heaney
53 Holbeche Rd Arndell Park NSW 2148 Australia
Stephen Heaney
53 Holbeche Rd Arndell Park NSW 2148 Australia
Suzanne Heaney
53 Holbeche Rd Arndell Park NSW 2148 Australia
Paul Heaney
53 Holbeche Rd Arndell Park NSW 2148 Australia
Marcella Heaney
53 Holbeche Rd Arndell Park NSW 2148 Australia
Mark Heaney
53 Holbeche Rd Arndell Park NSW 2148 Australia
Katrina Heaney
53 Holbeche Rd Arndell Park NSW 2148 Australia

- (72) Name(s) of Designer(s): **Stephen Robert Heaney**
(45) Registration Date: **08 April 2013**
(56) Related Art Documents: **Not Applicable**
(57) Statement of Newness and Distinctiveness: **Newness and distinctiveness of the design resides in the shape and/or configuration of an EXTRUSION, of indefinite length, as shown in the representations.**



- (21) Design Number: **10707/2013**
(22) Date of Filing Application: **13 February 2013**
(24) Date from which industrial property rights may have effect: **13 February 2013**
(54) Product in respect of which the design is registered: **Access control reader**
(51) International Design Classification: **13-03NES**
(74) Name(s) of Attorney(s): **Allens Patent & Trade Mark Attorneys**
(71) Name(s) and Address(s) of Applicant(s):

Assa Abloy AB
Klarabergsviadukten 90 PO Box 70340 Stockholm SE-107 23 Sweden

- (72) Name(s) of Designer(s): **Randall Dennis Bousfield and Toby Mark Padilla**
(45) Registration Date: **08 April 2013**
(30) Convention priority data:
(31) Number (32) Date (33) Country
US 29/429541 13 Aug 2012 UNITED STATES OF AMERICA

- (56) Related Art Documents: **Not Applicable**
(57) Statement of Newness and Distinctiveness: **Newness and distinctiveness resides in the visual features of shape and/or configuration of an access control reader as shown in the accompanying representations.**



(21) Design Number: **10741/2013**
(22) Date of Filing Application: **15 February 2013**
(24) Date from which industrial property rights may have effect: **15 February 2013**
(54) Product in respect of which the design is registered: **Dispensing container**
(51) International Design Classification: **09-01A**
(74) Name(s) of Attorney(s): **Davies Collison Cave**
(71) Name(s) and Address(s) of Applicant(s):

Bayer Consumer Care AG
Peter Merian-Str. 84 Basel 4052 Switzerland

(72) Name(s) of Designer(s): **Bruno Chazel and Sebastien Lucien Fily**

(45) Registration Date: **08 April 2013**

(30) Convention priority data:

(31) Number	(32) Date	(33) Country
002094763-0002	30 Aug 2012	OFFICE FOR HARMONISATION IN THE INTERNAL MARKET (OHIM)

(56) Related Art Documents: **Not Applicable**

(57) Statement of Newness and Distinctiveness: **Newness and distinctiveness is claimed in the visual features shown in solid lines in the representations. In considering the extent of the design rights shading/rendering/light effects/colour shown in the representations is for illustrative purposes only and does not form part of the design.**



(21) Design Number: **10803/2013**
(22) Date of Filing Application: **15 February 2013**
(24) Date from which industrial property rights may have effect: **15 February 2013**
(54) Product in respect of which the design is registered: **Bottle**
(51) International Design Classification: **09-01NES**
(74) Name(s) of Attorney(s):
(71) Name(s) and Address(s) of Applicant(s):

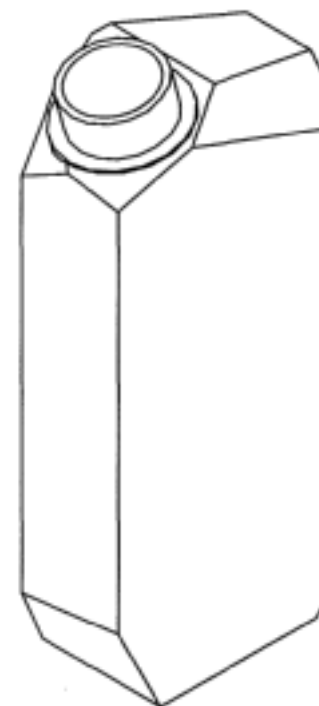
Container Pty Ltd
L3 255 Riley St Surry Hills NSW 2010 Australia

(72) Name(s) of Designer(s): **Mark Evans**

(45) Registration Date: **08 April 2013**

(56) Related Art Documents: **Not Applicable**

(57) Statement of Newness and Distinctiveness: **Angled face bottle**

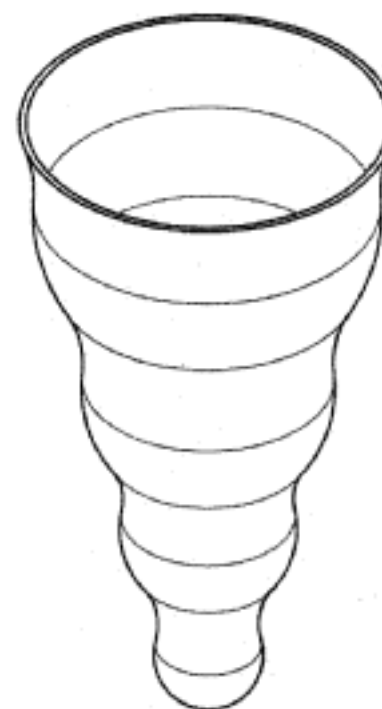


(21) Design Number: **10921/2013**
(22) Date of Filing Application: **25 February 2013**
(24) Date from which industrial property rights may have effect: **25 February 2013**
(54) Product in respect of which the design is registered: **Toothbrush**
(51) International Design Classification: **04-02**
(74) Name(s) of Attorney(s): **PHILLIPS ORMONDE FITZPATRICK**
(71) Name(s) and Address(s) of Applicant(s):
GlaxoSmithKline Consumer Healthcare GmbH & Co KG
Bussmatten 1 D-77815 Buehl (Baden) Germany
(72) Name(s) of Designer(s): **Christoph Geiberger**
(45) Registration Date: **08 April 2013**
(30) Convention priority data:
(31) Number (32) Date (33) Country
4026126 29 Aug 2012 UNITED KINGDOM

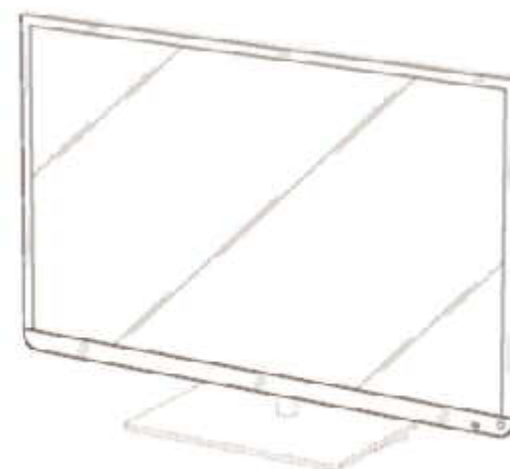
(56) Related Art Documents: **Not Applicable**
(57) Statement of Newness and Distinctiveness: **Those features of the toothbrush depicted in the representations that are new and distinctive are the shape and/or configuration of the toothbrush head. The stipple shown in the representations represents a rubber portion surrounding the head. The features shown in broken line are not part of the design and are to be disregarded when considering the overall impression of the design.**



(21) Design Number: **10922/2013**
(22) Date of Filing Application: **25 February 2013**
(24) Date from which industrial property rights may have effect: **25 February 2013**
(54) Product in respect of which the design is registered: **Cone**
(51) International Design Classification: **01-01**
(74) Name(s) of Attorney(s): **PHILLIPS ORMONDE FITZPATRICK**
(71) Name(s) and Address(s) of Applicant(s):
Anthony Kwaw Quansah
U5/229 Mansfield St Thornbury VIC 3071 Australia
(72) Name(s) of Designer(s): **Anthony Kwaw Quansah**
(45) Registration Date: **08 April 2013**
(56) Related Art Documents: **Not Applicable**
(57) Statement of Newness and Distinctiveness: **Those features of the cone depicted in the representations that are new and distinctive are the shape and/or configuration.**



- (21) Design Number: **10934/2013**
(22) Date of Filing Application: **27 February 2013**
(24) Date from which industrial property rights may have effect: **27 February 2013**
(54) Product in respect of which the design is registered: **Television receiver**
(51) International Design Classification: **14-03B**
(74) Name(s) of Attorney(s): **HODGKINSON McINNIS PATENTS**
(71) Name(s) and Address(s) of Applicant(s):
Kabushiki Kaisha Toshiba
1-1 Shibaura 1-chome Minato-ku Tokyo 105-8001 Japan
(72) Name(s) of Designer(s): **Shogo Suzuki and Takashi Asanuma and Taihei Miyaji and Hitoshi Otsuka and Takeshi Suzuki and Kentaro Ichise and Giles Mitchell and Kentaro Tanaka**
(45) Registration Date: **08 April 2013**
(30) Convention priority data:
(31) Number (32) Date (33) Country
2012-020584 28 Aug 2012 JAPAN
(56) Related Art Documents: **Not Applicable**
(57) Statement of Newness and Distinctiveness: **Newness and Distinctiveness is claimed in the features of shape and/or configuration of a television receiver as illustrated in the accompanying representations.**



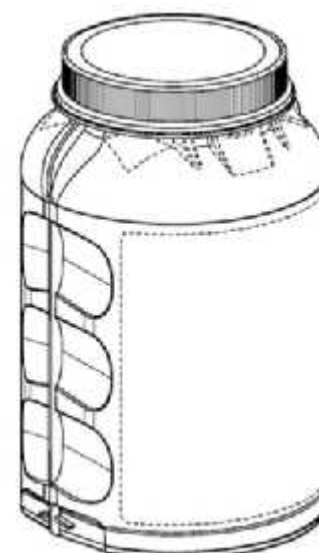
- (21) Design Number: **11009/2013**
(22) Date of Filing Application: **04 March 2013**
(24) Date from which industrial property rights may have effect: **04 March 2013**
(54) Product in respect of which the design is registered: **Extractor port housing**
(51) International Design Classification: **15-05**
(74) Name(s) of Attorney(s): **PIZZEYS**
(71) Name(s) and Address(s) of Applicant(s):
Dri-Eaz Products, Inc.
15180 Josh Wilson Road Burlington WA 98233-9656 United States of America
(72) Name(s) of Designer(s): **Brett Bartholmey and William Bruders and Bill Elmer Richardson and Scott Beaudette**
(45) Registration Date: **08 April 2013**
(30) Convention priority data:
(31) Number (32) Date (33) Country
29/431,162 04 Sep 2012 UNITED STATES OF AMERICA
(56) Related Art Documents: **Not Applicable**
(57) Statement of Newness and Distinctiveness: **The newness and distinctiveness of the design resides in the features of pattern and/or ornamentation OR shape and/or configuration shown in unbroken lines in the accompanying representations. (if required, see Convention document).**



(21) Design Number: **11066/2013**
(22) Date of Filing Application: **06 March 2013**
(24) Date from which industrial property rights may have effect: **06 March 2013**
(54) Product in respect of which the design is registered: **Round shoulder cape**
(51) International Design Classification: **02-02B**
(74) Name(s) of Attorney(s):
(71) Name(s) and Address(s) of Applicant(s):
Alyson Peace
21 San Jose Turn Merriwa WA 6030 Australia
(72) Name(s) of Designer(s): **Alyson Peace**
(45) Registration Date: **08 April 2013**
(56) Related Art Documents: **Not Applicable**
(57) Statement of Newness and Distinctiveness: **The distinctiveness is that it closes without the need for fastners or ties.**



(21) Design Number: **11069/2013**
(22) Date of Filing Application: **06 March 2013**
(24) Date from which industrial property rights may have effect: **06 March 2013**
(54) Product in respect of which the design is registered: **Containers for holding materials**
(51) International Design Classification: **09-03L**
(74) Name(s) of Attorney(s): **PIZZEYS**
(71) Name(s) and Address(s) of Applicant(s):
Eco.Logic Brands Inc.
1411 Clarendon Crescent Oakland CA 94610 United States of America
(72) Name(s) of Designer(s): **Julie Corbett and Romeo Graham and Robert Watters and Michael Sirois**
(45) Registration Date: **08 April 2013**
(30) Convention priority data:
(31) Number (32) Date (33) Country
29/431,407 06 Sep 2012 UNITED STATES OF AMERICA
(56) Related Art Documents: **Not Applicable**
(57) Statement of Newness and Distinctiveness: **The newness and distinctiveness of the design resides in the features of pattern and/or ornamentation or shape and/or configuration shown in unbroken lines in the accompanying representations. (if required, see Convention document)**



- (21) Design Number: **11072/2013**
(22) Date of Filing Application: **06 March 2013**
(24) Date from which industrial property rights may have effect: **06 March 2013**
(54) Product in respect of which the design is registered: **Coin**
(51) International Design Classification: **11-99**
(74) Name(s) of Attorney(s):
(71) Name(s) and Address(s) of Applicant(s):
Matthew Lemmen
58 The Boulevard Balwyn North VIC 3104 Australia
(72) Name(s) of Designer(s): **Matthew Lemmen**
(45) Registration Date: **08 April 2013**
(56) Related Art Documents: **Not Applicable**
(57) Statement of Newness and Distinctiveness: **Monopoly is claimed in the features of shape, configuration, pattern and ornamentation applied to a coin as shown in the accompanying representations.**



- (21) Design Number: **11090/2013**
(22) Date of Filing Application: **07 March 2013**
(24) Date from which industrial property rights may have effect: **07 March 2013**
(54) Product in respect of which the design is registered: **Trash bag**
(51) International Design Classification: **09-05**
(74) Name(s) of Attorney(s): **PIZZEYS**
(71) Name(s) and Address(s) of Applicant(s):
The Glad Products Company
1221 Broadway Oakland CA 94612 United States of America
(72) Name(s) of Designer(s): **Edward B. Tucker and David J. Hoying and Hasani Gillispie and Matthew W. Waldron and Kyle R. Wilcoxon**
(45) Registration Date: **08 April 2013**
(30) Convention priority data:
(31) Number (32) Date (33) Country
29/432,450 14 Sep 2012 UNITED STATES OF AMERICA
(56) Related Art Documents: **Not Applicable**
(57) Statement of Newness and Distinctiveness: **The design is applied to a trash bag and the novelty resides in the features of one or more of the following: shape, ornamentation, pattern, and configuration as shown in the accompanying representations.**



- (21) Design Number: **11150/2013**
(22) Date of Filing Application: **11 March 2013**
(24) Date from which industrial property rights may have effect: **11 March 2013**
(54) Product in respect of which the design is registered: **Rail trolley**
(51) International Design Classification: **12-03**
(74) Name(s) of Attorney(s):
(71) Name(s) and Address(s) of Applicant(s):
Michael Rice
PO BOX 121 Corindi Beach NSW 2456 Australia
(72) Name(s) of Designer(s): **Michael Rice**
(45) Registration Date: **08 April 2013**
(56) Related Art Documents: **Not Applicable**
(57) Statement of Newness and Distinctiveness: **Rail mounted mobile handrail enclosure that folds up.**



- (21) Design Number: **11175/2013**
(22) Date of Filing Application: **05 March 2013**
(24) Date from which industrial property rights may have effect: **05 March 2013**
(54) Product in respect of which the design is registered: **Super fast car bed with led light and sound**
(51) International Design Classification: **06-02**
(74) Name(s) of Attorney(s):
(71) Name(s) and Address(s) of Applicant(s):
IQ Kids & Furniture Pty Ltd
U4 3-7 Rhur St Dandenong South VIC 3175 Australia
(72) Name(s) of Designer(s): **Peter Huijs**
(45) Registration Date: **08 April 2013**
(56) Related Art Documents: **Not Applicable**
(57) Statement of Newness and Distinctiveness: **This car comes with LED light and sound at the front panel. Not only that on the side panels above the wheels come with soft rubber pad which made the car more sporty and 3D.**



(21) Design Number: **11176/2013**
(22) Date of Filing Application: **05 March 2013**
(24) Date from which industrial property rights may have effect: **05 March 2013**
(54) Product in respect of which the design is registered: **Brap brap car bed**
(51) International Design Classification: **06-02**
(74) Name(s) of Attorney(s):
(71) Name(s) and Address(s) of Applicant(s):
IQ Kids & Furniture Pty Ltd
U4 3-7 Rhur St Dandenong South VIC 3175 Australia
(72) Name(s) of Designer(s): **Peter Huijs**
(45) Registration Date: **08 April 2013**
(56) Related Art Documents: **Not Applicable**
(57) Statement of Newness and Distinctiveness: **Nil**



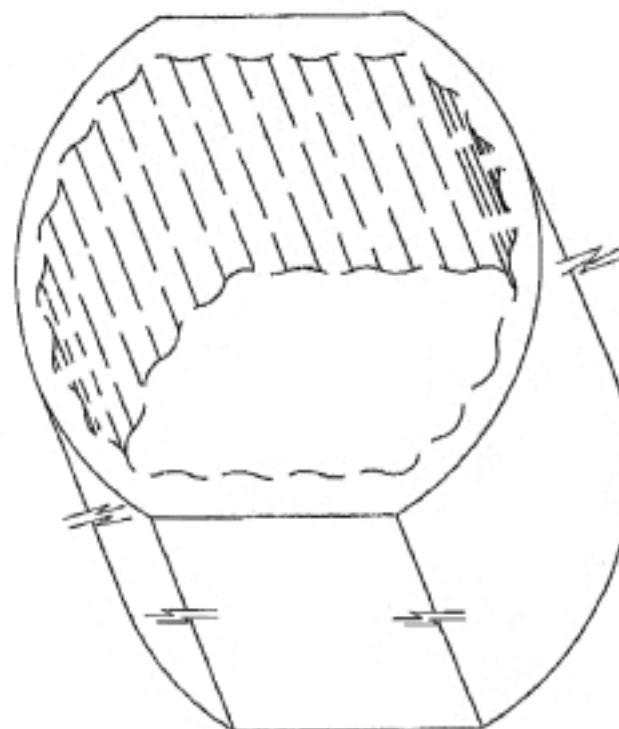
(21) Design Number: **11177/2013**
(22) Date of Filing Application: **05 March 2013**
(24) Date from which industrial property rights may have effect: **05 March 2013**
(54) Product in respect of which the design is registered: **Flower car bed**
(51) International Design Classification: **06-02**
(74) Name(s) of Attorney(s):
(71) Name(s) and Address(s) of Applicant(s):
IQ Kids & Furniture Pty Ltd
U4 3-7 Rhur St Dandenong South VIC 3175 Australia
(72) Name(s) of Designer(s): **Peter Huijs**
(45) Registration Date: **08 April 2013**
(56) Related Art Documents: **Not Applicable**
(57) Statement of Newness and Distinctiveness: **Nil**



- (21) Design Number: **11178/2013**
(22) Date of Filing Application: **05 March 2013**
(24) Date from which industrial property rights may have effect: **05 March 2013**
(54) Product in respect of which the design is registered: **High speed car bed with led light and sound**
(51) International Design Classification: **06-02**
(74) Name(s) of Attorney(s):
(71) Name(s) and Address(s) of Applicant(s):
IQ Kids & Furniture Pty Ltd
U4 3-7 Rhur St Dandenong South VIC 3175 Australia
(72) Name(s) of Designer(s): **Peter Huijs**
(45) Registration Date: **08 April 2013**
(56) Related Art Documents: **Not Applicable**
(57) Statement of Newness and Distinctiveness: **This car comes with LED light and sound at the front panel. Not only that on the side panels above the wheels come with soft rubber pad which made the car more sporty and 3D.**



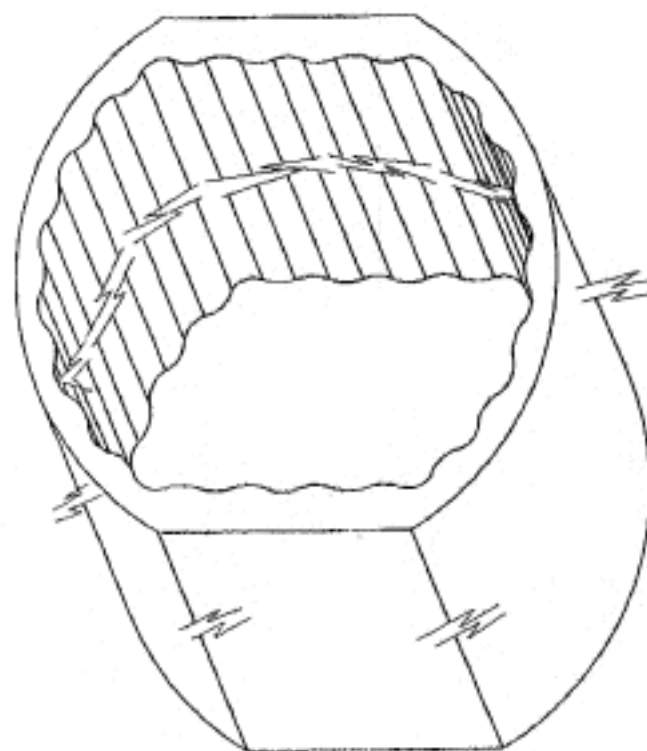
- (21) Design Number: **13341/2012**
(22) Date of Filing Application: **13 July 2012**
(24) Date from which industrial property rights may have effect: **13 July 2012**
(54) Product in respect of which the design is registered: **A baluster extrusion (2)**
(51) International Design Classification: **25-01K**
(74) Name(s) of Attorney(s): **Tatlocks Chrysiliou IP**
(71) Name(s) and Address(s) of Applicant(s):
Sferco Pty Limited
79 Tucker Street Breakwater Victoria 3219 Australia
(72) Name(s) of Designer(s): **Craig Sferco**
(45) Registration Date: **08 April 2013**
(56) Related Art Documents: **Not Applicable**
(57) Statement of Newness and Distinctiveness: **Newness and distinctiveness reside in the features of shape and/or configuration of an extrusion of indefinite length for a baluster extrusion shown in solid lines in the accompanying representations. In determining the scope of the registration, the shape and/or configuration of the internal features shown in broken lines is to be disregarded.**



- (21) Design Number: **13342/2012**
(22) Date of Filing Application: **13 July 2012**
(24) Date from which industrial property rights may have effect: **13 July 2012**
(54) Product in respect of which the design is registered: **A baluster extrusion**
(51) International Design Classification: **25-01K**
(74) Name(s) of Attorney(s): **Tatlocks Chrysiliou IP**
(71) Name(s) and Address(s) of Applicant(s):

Sferco Pty Limited
79 Tucker Street Breakwater Victoria 3219 Australia

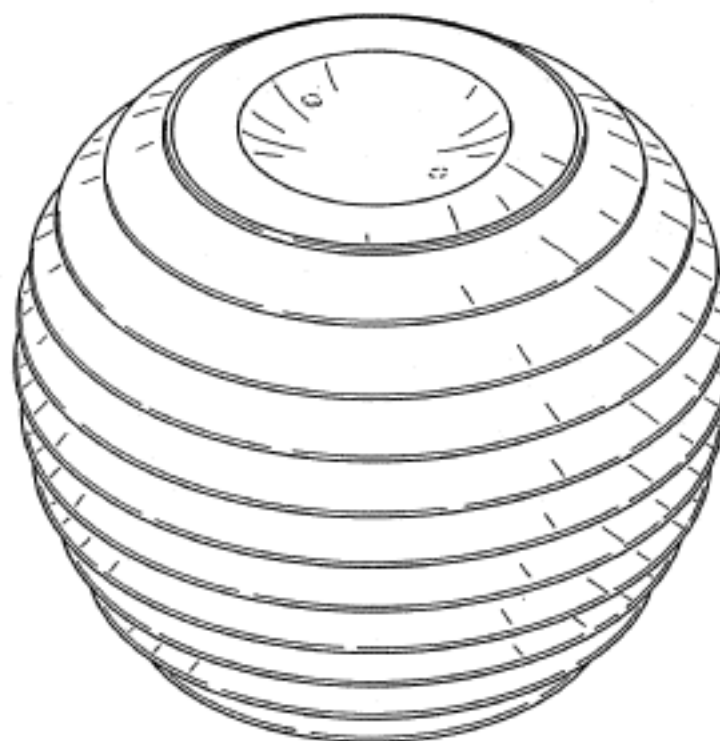
- (72) Name(s) of Designer(s): **Craig Sferco**
(45) Registration Date: **08 April 2013**
(56) Related Art Documents: **Not Applicable**
(57) Statement of Newness and Distinctiveness: **Newness and distinctiveness reside in the features of shape and/or configuration of an extrusion of indefinite length for a baluster extrusion shown in solid lines in the accompanying representations.**



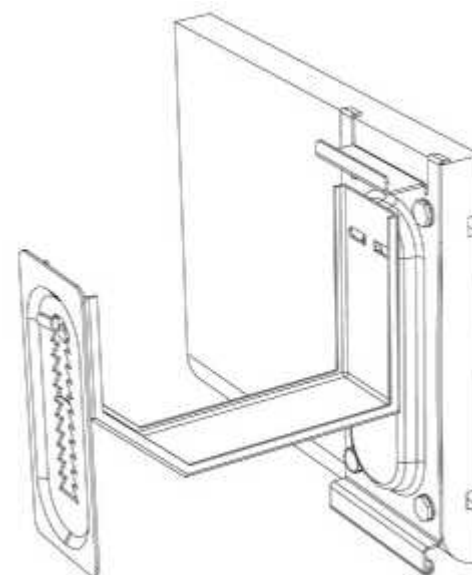
- (21) Design Number: **16468/2012**
(22) Date of Filing Application: **19 December 2012**
(24) Date from which industrial property rights may have effect: **19 December 2012**
(54) Product in respect of which the design is registered: **Volatile material dispenser housing**
(51) International Design Classification: **09-01NES**
(74) Name(s) of Attorney(s): **SPRUSON & FERGUSON**
(71) Name(s) and Address(s) of Applicant(s):

S.C. Johnson & Son, Inc.
1525 Howe Street Racine Wisconsin 53403 United States of America

- (72) Name(s) of Designer(s): **William Gordon and Johnathan Kroeger and Silas Warren**
(45) Registration Date: **08 April 2013**
(56) Related Art Documents: **Not Applicable**
(57) Statement of Newness and Distinctiveness: **Newness and distinctiveness is claimed in the features of shape and/or configuration of a volatile material dispenser housing as illustrated in continuous lines in the accompanying representations.**



- (21) Design Number: **16025/2012**
(22) Date of Filing Application: **04 December 2012**
(24) Date from which industrial property rights may have effect: **04 December 2012**
(54) Product in respect of which the design is registered: **Guttering system**
(51) International Design Classification: **23-01L**
(74) Name(s) of Attorney(s):
(71) Name(s) and Address(s) of Applicant(s):
Acamba Pty Ltd
15 Ashburton Ct Kellyville NSW 2155 Australia
(72) Name(s) of Designer(s): **Paul Axford**
(45) Registration Date: **08 April 2013**
(56) Related Art Documents: **Not Applicable**
(57) Statement of Newness and Distinctiveness: **Nil**



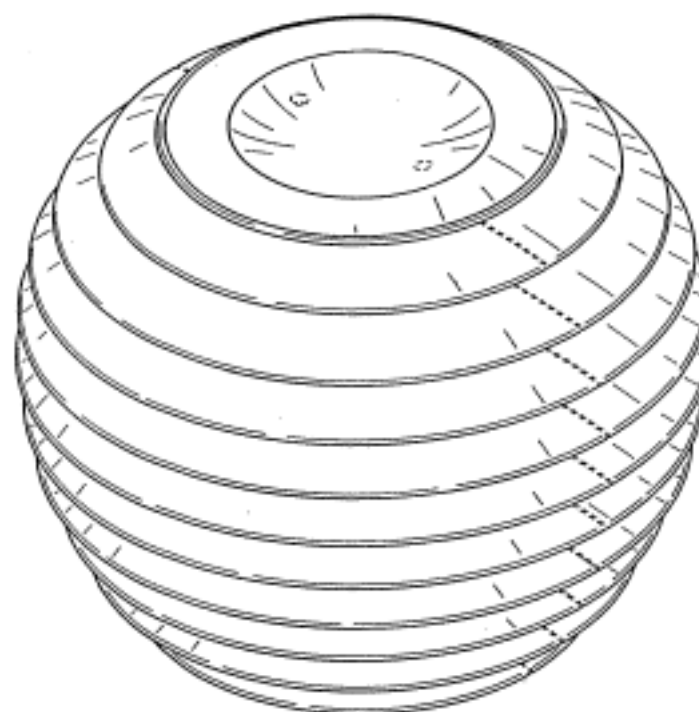
- (21) Design Number: **16200/2012**
(22) Date of Filing Application: **10 December 2012**
(24) Date from which industrial property rights may have effect: **10 December 2012**
(54) Product in respect of which the design is registered: **A cabinet handle**
(51) International Design Classification: **08-06, 06-04F**
(74) Name(s) of Attorney(s): **Actuate IP**
(71) Name(s) and Address(s) of Applicant(s):
Zhenpei Pan
No. 1 Xinlian Road Gaoli Industrial Zone Qinghutou Tangxia Town
Dongguan Guangdong Province 523027 China
(72) Name(s) of Designer(s): **Zhenpei Pan**
(45) Registration Date: **08 April 2013**
(56) Related Art Documents: **Not Applicable**
(57) Statement of Newness and Distinctiveness: **Newness and distinctiveness is claimed in the features of shape and/or configuration of the handle as illustrated in the accompanying representations.**



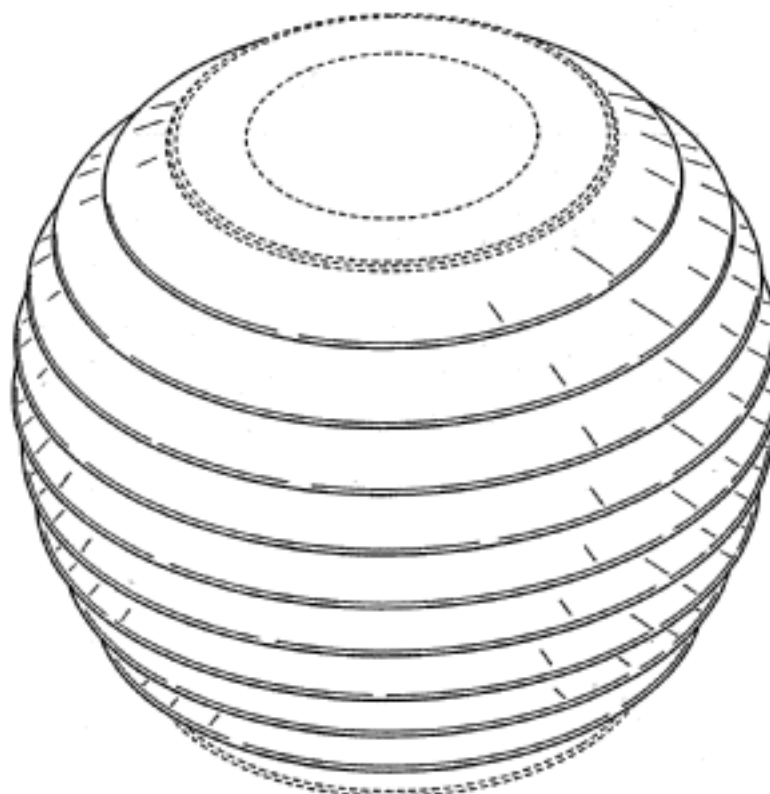
- (21) Design Number: **16389/2012**
(22) Date of Filing Application: **18 December 2012**
(24) Date from which industrial property rights may have effect: **18 December 2012**
(54) Product in respect of which the design is registered: **Soil slope retention device**
(51) International Design Classification: **08-99**
(74) Name(s) of Attorney(s): **AJ Park**
(71) Name(s) and Address(s) of Applicant(s):
Cirtex Industries Limited
16 Queen Street Kopu New Zealand
(72) Name(s) of Designer(s): **Larry Joseph Judd**
(45) Registration Date: **08 April 2013**
(56) Related Art Documents: **Not Applicable**
(57) Statement of Newness and Distinctiveness: **Newness and distinctiveness is claimed in the features of shape and/or configuration of the soil slope retention device as shown in the representations. No novelty resides in the features shown in phantom.**



- (21) Design Number: **16466/2012**
(22) Date of Filing Application: **19 December 2012**
(24) Date from which industrial property rights may have effect: **19 December 2012**
(54) Product in respect of which the design is registered: **Volatile material dispenser housing**
(51) International Design Classification: **09-01NES**
(74) Name(s) of Attorney(s): **SPRUSON & FERGUSON**
(71) Name(s) and Address(s) of Applicant(s):
S.C. Johnson & Son, Inc.
1525 Howe Street Racine Wisconsin 53403 United States of America
(72) Name(s) of Designer(s): **William Gordon and Johnathan Kroeger and Silas Warren**
(45) Registration Date: **09 April 2013**
(56) Related Art Documents: **Not Applicable**
(57) Statement of Newness and Distinctiveness: **Newness and distinctiveness is claimed in the features of shape and/or configuration of a volatile material dispenser housing as illustrated in continuous lines in the accompanying representations.**



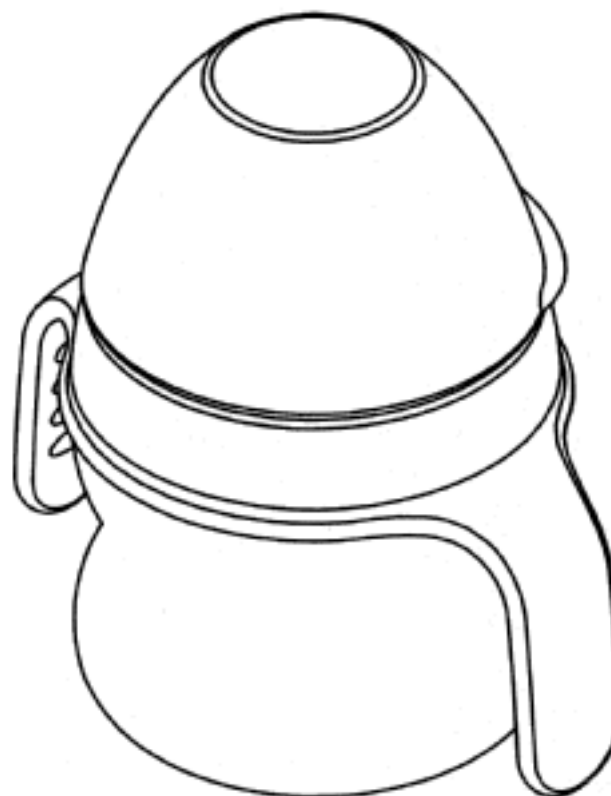
- (21) Design Number: **16467/2012**
(22) Date of Filing Application: **19 December 2012**
(24) Date from which industrial property rights may have effect: **19 December 2012**
(54) Product in respect of which the design is registered: **Volatile material dispenser housing**
(51) International Design Classification: **09-01NES**
(74) Name(s) of Attorney(s): **SPRUSON & FERGUSON**
(71) Name(s) and Address(s) of Applicant(s):
S.C. Johnson & Son, Inc.
1525 Howe Street Racine Wisconsin 53403 United States of America
(72) Name(s) of Designer(s): **William Gordon and Johnathan Kroeger and Silas Warren**
(45) Registration Date: **09 April 2013**
(56) Related Art Documents: **Not Applicable**
(57) Statement of Newness and Distinctiveness: **Newness and distinctiveness is claimed in the features of shape and/or configuration of a volatile material dispenser housing as illustrated in continuous lines in the accompanying representations.**



- (21) Design Number: **16651/2012**
(22) Date of Filing Application: **21 December 2012**
(24) Date from which industrial property rights may have effect: **21 December 2012**
(54) Product in respect of which the design is registered: **Vending machine**
(51) International Design Classification: **20-01**
(74) Name(s) of Attorney(s):
(71) Name(s) and Address(s) of Applicant(s):
Logue and Co. Pty Ltd
199 Kiora Rd Yowie Bay NSW 2228 Australia
(72) Name(s) of Designer(s): **Anthony Thomas Logue**
(45) Registration Date: **09 April 2013**
(56) Related Art Documents: **Not Applicable**
(57) Statement of Newness and Distinctiveness: **Newness and distinctiveness is claimed in the features of shape and/or configuration of a vending machine as depicted in the accompanying drawing.**



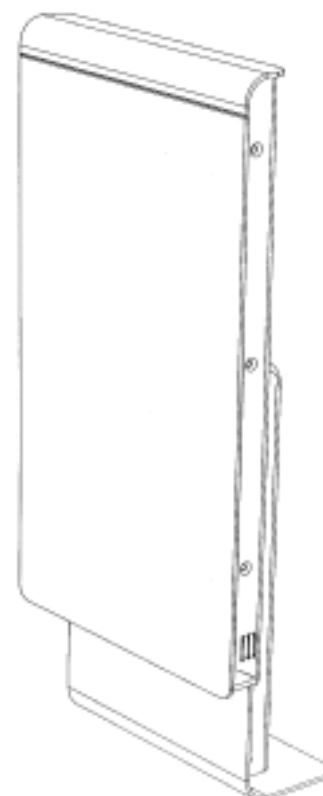
(21) Design Number: **10129/2013**
(22) Date of Filing Application: **04 January 2013**
(24) Date from which industrial property rights may have effect: **04 January 2013**
(54) Product in respect of which the design is registered: **Starter cup**
(51) International Design Classification: **07-01E**
(74) Name(s) of Attorney(s): **SPRUSON & FERGUSON**
(71) Name(s) and Address(s) of Applicant(s):
MAM Babyartikel Gesellschaft m.b.H
Lorenz-Mandl-Gasse 50 1160 Wien Austria
(72) Name(s) of Designer(s): **Peter Roehrig**
(45) Registration Date: **09 April 2013**
(30) Convention priority data:
(31) Number (32) Date (33) Country
2071522-0001 11 Jul 2012 OFFICE FOR HARMONISATION IN
THE INTERNAL MARKET (OHIM)
(56) Related Art Documents: **Not Applicable**
(57) Statement of Newness and Distinctiveness: **Newness and distinctiveness is claimed in the features of shape and/or configuration of a starter cup as illustrated in the accompanying representations.**



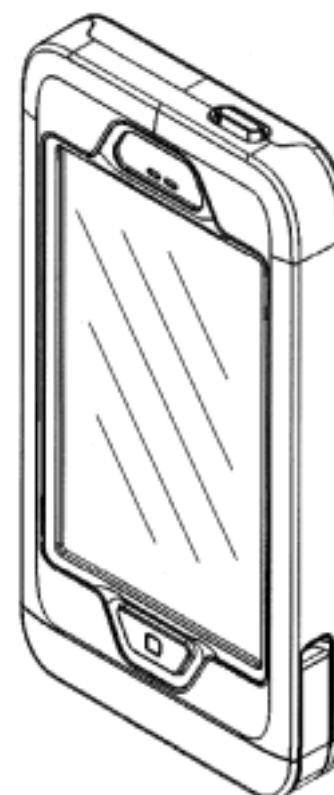
(21) Design Number: **10437/2013**
(22) Date of Filing Application: **23 January 2013**
(24) Date from which industrial property rights may have effect: **23 January 2013**
(54) Product in respect of which the design is registered: **A Building Eave**
(51) International Design Classification: **25-01G, 25-02C**
(74) Name(s) of Attorney(s):
(71) Name(s) and Address(s) of Applicant(s):
Ryan James Clarkson
PO BOX 6883 Baulkham Hills NSW 2153 Australia
(72) Name(s) of Designer(s): **Ryan James Clarkson**
(45) Registration Date: **09 April 2013**
(56) Related Art Documents: **Not Applicable**
(57) Statement of Newness and Distinctiveness: **A Building Eave made from steel with various folds, manufactured for continuous fitting methods, the fitting methods are made with various step joins to the side of the panels for fixing, with folds on the front of the panel to fit various roof fascia, and a folded over edge on one side of the panel for fixing methods.**



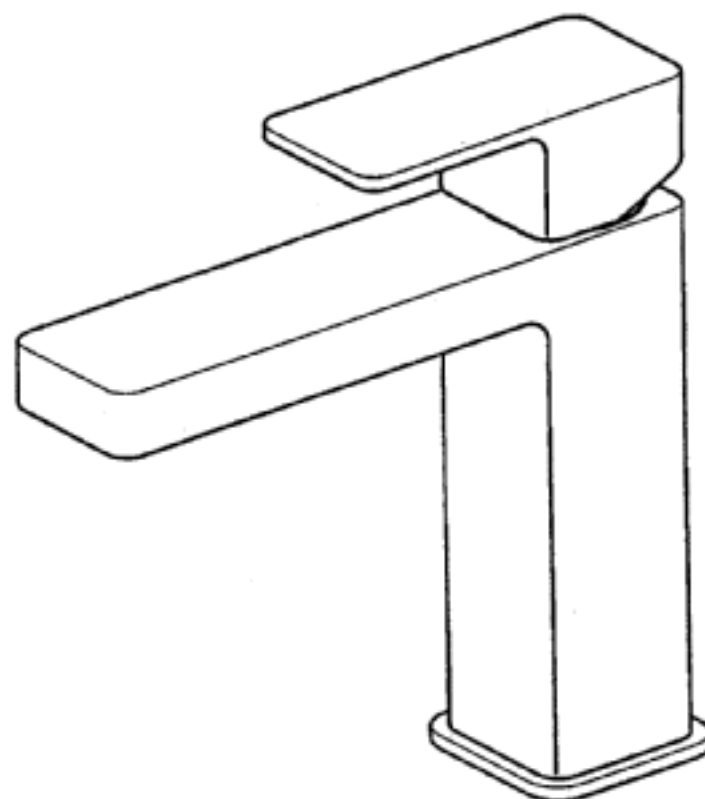
- (21) Design Number: **10796/2013**
(22) Date of Filing Application: **19 February 2013**
(24) Date from which industrial property rights may have effect: **19 February 2013**
(54) Product in respect of which the design is registered: **Digital sign**
(51) International Design Classification: **20-03NES**
(74) Name(s) of Attorney(s):
(71) Name(s) and Address(s) of Applicant(s):
Pragma Products Pty Ltd
1/3 Dunlop Road Mulgrave Victoria 3170 Australia
(72) Name(s) of Designer(s): **Angelo Alateras and Simon Hedt**
(45) Registration Date: **09 April 2013**
(56) Related Art Documents: **Not Applicable**
(57) Statement of Newness and Distinctiveness: **Newness and distinctiveness is claimed in the design, all visual features and arrangements of those features which make this product unique.**



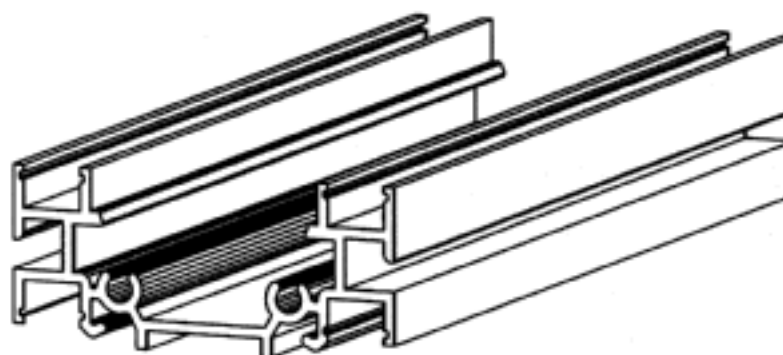
- (21) Design Number: **10884/2013**
(22) Date of Filing Application: **22 February 2013**
(24) Date from which industrial property rights may have effect: **22 February 2013**
(54) Product in respect of which the design is registered: **Mobile phone case**
(51) International Design Classification: **03-01NES, 14-03A**
(74) Name(s) of Attorney(s): **Fisher Adams Kelly**
(71) Name(s) and Address(s) of Applicant(s):
InDepth Pty Ltd
99 Spence St Cairns QLD 4870 Australia
(72) Name(s) of Designer(s): **Terry John Geddes and Brendan Hingston Lake and Daniel McLean**
(45) Registration Date: **09 April 2013**
(56) Related Art Documents: **Not Applicable**
(57) Statement of Newness and Distinctiveness: **The newness and distinctiveness of the design resides in the shape and/or configuration of the mobile phone case shown in the representations.**



- (21) Design Number: **10691/2013**
(22) Date of Filing Application: **11 February 2013**
(24) Date from which industrial property rights may have effect: **11 February 2013**
(54) Product in respect of which the design is registered: **A mixer tap**
(51) International Design Classification: **23-01H**
(74) Name(s) of Attorney(s): **SPRUSON & FERGUSON**
(71) Name(s) and Address(s) of Applicant(s):
Caroma Industries Limited
L2 HQ South Tower 520 Wickham St Fortitude Valley QLD 4006 Australia
(72) Name(s) of Designer(s): **Leonie Carolyn Brickwood**
(45) Registration Date: **09 April 2013**
(56) Related Art Documents: **Not Applicable**
(57) Statement of Newness and Distinctiveness: **Newness and distinctiveness is claimed in the features of shape and/or configuration of a mixer tap as illustrated in the accompanying representations.**



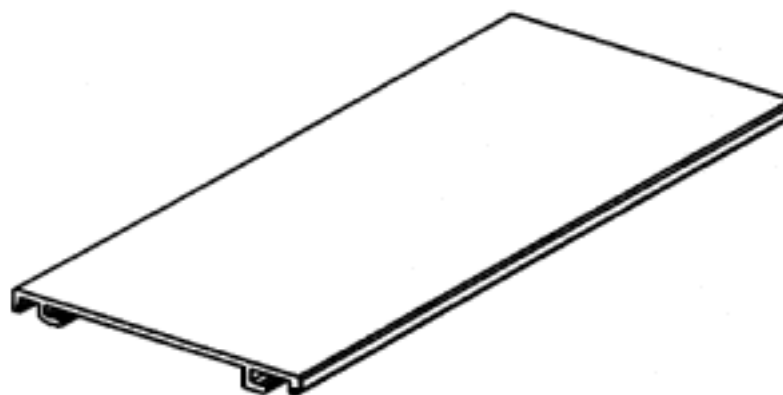
- (21) Design Number: **10693/2013**
(22) Date of Filing Application: **11 February 2013**
(24) Date from which industrial property rights may have effect: **11 February 2013**
(54) Product in respect of which the design is registered: **Extrusion**
(51) International Design Classification: **25-01K**
(74) Name(s) of Attorney(s): **Fisher Adams Kelly**
(71) Name(s) and Address(s) of Applicant(s):
Roseham Pty
53 Holbeche Rd Arndell Park NSW 2148 Australia
David Heaney
53 Holbeche Rd Arndell Park NSW 2148 Australia
Marjorie Heaney
53 Holbeche Rd Arndell Park NSW 2148 Australia
Stephen Heaney
53 Holbeche Rd Arndell Park NSW 2148 Australia
Suzanne Heaney
53 Holbeche Rd Arndell Park NSW 2148 Australia
Paul Heaney
53 Holbeche Rd Arndell Park NSW 2148 Australia
Marcella Heaney
53 Holbeche Rd Arndell Park NSW 2148 Australia
Mark Heaney
53 Holbeche Rd Arndell Park NSW 2148 Australia
Katrina Heaney
53 Holbeche Rd Arndell Park NSW 2148 Australia
(72) Name(s) of Designer(s): **Stephen Robert Heaney**
(45) Registration Date: **09 April 2013**
(56) Related Art Documents: **Not Applicable**
(57) Statement of Newness and Distinctiveness: **Newness and distinctiveness of the design resides in the shape and/or configuration of an extrusion, of indefinite length, as shown in the representations.**



- (21) Design Number: **10694/2013**
(22) Date of Filing Application: **11 February 2013**
(24) Date from which industrial property rights may have effect: **11 February 2013**
(54) Product in respect of which the design is registered: **Extrusion**
(51) International Design Classification: **25-01K**
(74) Name(s) of Attorney(s): **Fisher Adams Kelly**
(71) Name(s) and Address(s) of Applicant(s):

Roseham Pty
53 Holbeche Rd Arndell Park NSW 2148 Australia
David Heaney
53 Holbeche Rd Arndell Park NSW 2148 Australia
Marjorie Heaney
53 Holbeche Rd Arndell Park NSW 2148 Australia
Stephen Heaney
53 Holbeche Rd Arndell Park NSW 2148 Australia
Suzanne Heaney
53 Holbeche Rd Arndell Park NSW 2148 Australia
Paul Heaney
53 Holbeche Rd Arndell Park NSW 2148 Australia
Marcella Heaney
53 Holbeche Rd Arndell Park NSW 2148 Australia
Mark Heaney
53 Holbeche Rd Arndell Park NSW 2148 Australia
Katrina Heaney
53 Holbeche Rd Arndell Park NSW 2148 Australia

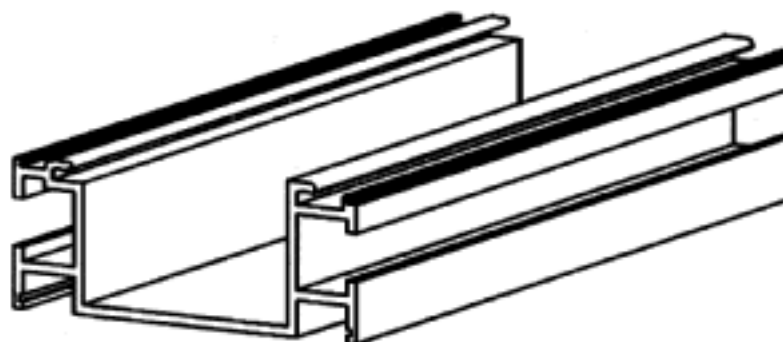
- (72) Name(s) of Designer(s): **Stephen Robert Heaney**
(45) Registration Date: **09 April 2013**
(56) Related Art Documents: **Not Applicable**
(57) Statement of Newness and Distinctiveness: **Newness and distinctiveness of the design resides in the shape and/or configuration of an extrusion, of indefinite length, as shown in the representations.**



- (21) Design Number: **10695/2013**
(22) Date of Filing Application: **11 February 2013**
(24) Date from which industrial property rights may have effect: **11 February 2013**
(54) Product in respect of which the design is registered: **Extrusion**
(51) International Design Classification: **25-01K**
(74) Name(s) of Attorney(s): **Fisher Adams Kelly**
(71) Name(s) and Address(s) of Applicant(s):

Roseham Pty
53 Holbeche Rd Arndell Park NSW 2148 Australia
David Heaney
53 Holbeche Rd Arndell Park NSW 2148 Australia
Marjorie Heaney
53 Holbeche Rd Arndell Park NSW 2148 Australia
Stephen Heaney
53 Holbeche Rd Arndell Park NSW 2148 Australia
Suzanne Heaney
53 Holbeche Rd Arndell Park NSW 2148 Australia
Paul Heaney
53 Holbeche Rd Arndell Park NSW 2148 Australia
Marcella Heaney
53 Holbeche Rd Arndell Park NSW 2148 Australia
Mark Heaney
53 Holbeche Rd Arndell Park NSW 2148 Australia
Katrina Heaney
53 Holbeche Rd Arndell Park NSW 2148 Australia

- (72) Name(s) of Designer(s): **Stephen Robert Heaney**
(45) Registration Date: **09 April 2013**
(56) Related Art Documents: **Not Applicable**
(57) Statement of Newness and Distinctiveness: **Newness and distinctiveness of the design resides in the shape and/or configuration of an extrusion, of indefinite length, as shown in the representations.**



- (21) Design Number: **10696/2013**
(22) Date of Filing Application: **11 February 2013**
(24) Date from which industrial property rights may have effect: **11 February 2013**
(54) Product in respect of which the design is registered: **Extrusion**
(51) International Design Classification: **25-01K**
(74) Name(s) of Attorney(s): **Fisher Adams Kelly**
(71) Name(s) and Address(s) of Applicant(s):

Roseham Pty
53 Holbeche Rd Arndell Park NSW 2148 Australia
David Heaney
53 Holbeche Rd Arndell Park NSW 2148 Australia
Marjorie Heaney
53 Holbeche Rd Arndell Park NSW 2148 Australia
Stephen Heaney
53 Holbeche Rd Arndell Park NSW 2148 Australia
Suzanne Heaney
53 Holbeche Rd Arndell Park NSW 2148 Australia
Paul Heaney
53 Holbeche Rd Arndell Park NSW 2148 Australia
Marcella Heaney
53 Holbeche Rd Arndell Park NSW 2148 Australia
Mark Heaney
53 Holbeche Rd Arndell Park NSW 2148 Australia
Katrina Heaney
53 Holbeche Rd Arndell Park NSW 2148 Australia

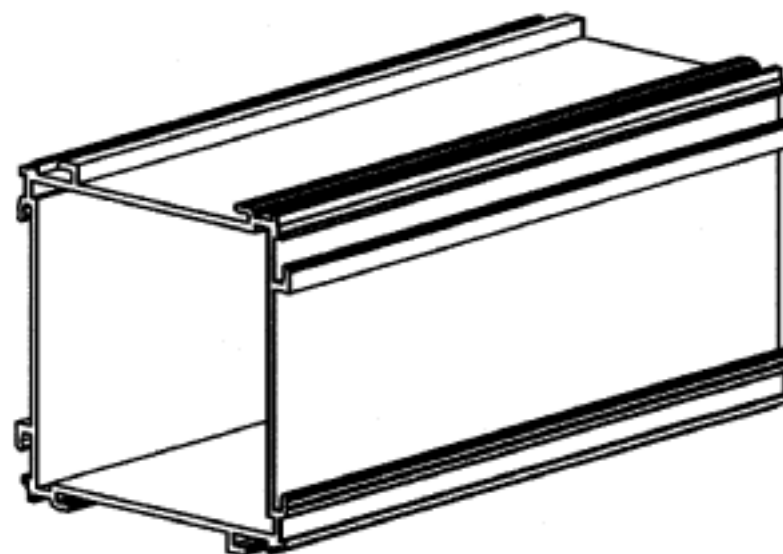
- (72) Name(s) of Designer(s): **Stephen Robert Heaney**
(45) Registration Date: **09 April 2013**
(56) Related Art Documents: **Not Applicable**
(57) Statement of Newness and Distinctiveness: **Newness and distinctiveness of the design resides in the the shape and/or configuration of an extrusion, of indefinite length, as shown in the representations.**



- (21) Design Number: **10697/2013**
(22) Date of Filing Application: **11 February 2013**
(24) Date from which industrial property rights may have effect: **11 February 2013**
(54) Product in respect of which the design is registered: **Extrusion**
(51) International Design Classification: **25-01K**
(74) Name(s) of Attorney(s): **Fisher Adams Kelly**
(71) Name(s) and Address(s) of Applicant(s):

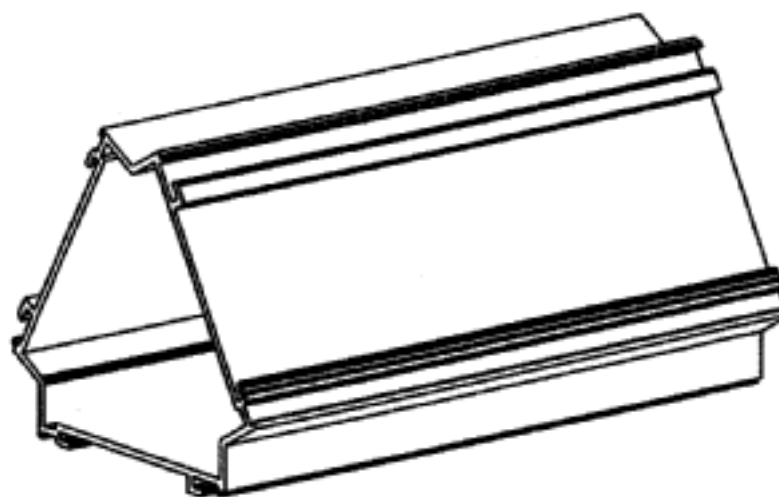
Roseham Pty
53 Holbeche Rd Arndell Park NSW 2148 Australia
David Heaney
53 Holbeche Rd Arndell Park NSW 2148 Australia
Marjorie Heaney
53 Holbeche Rd Arndell Park NSW 2148 Australia
Stephen Heaney
53 Holbeche Rd Arndell Park NSW 2148 Australia
Suzanne Heaney
53 Holbeche Rd Arndell Park NSW 2148 Australia
Paul Heaney
53 Holbeche Rd Arndell Park NSW 2148 Australia
Marcella Heaney
53 Holbeche Rd Arndell Park NSW 2148 Australia
Mark Heaney
53 Holbeche Rd Arndell Park NSW 2148 Australia
Katrina Heaney
53 Holbeche Rd Arndell Park NSW 2148 Australia

- (72) Name(s) of Designer(s): **Stephen Robert Heaney**
(45) Registration Date: **09 April 2013**
(56) Related Art Documents: **Not Applicable**
(57) Statement of Newness and Distinctiveness: **Newness and distinctiveness of the design resides in the shape and/or configuration of an EXTRUSION, of indefinite length, as shown in the representations.** 1170 -



- (21) Design Number: **10698/2013**
(22) Date of Filing Application: **11 February 2013**
(24) Date from which industrial property rights may have effect: **11 February 2013**
(54) Product in respect of which the design is registered: **Extrusion**
(51) International Design Classification: **25-01K**
(74) Name(s) of Attorney(s): **Fisher Adams Kelly**
(71) Name(s) and Address(s) of Applicant(s):

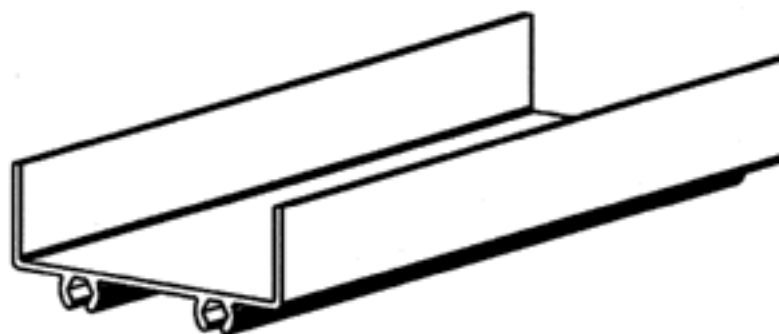
Roseham Pty
53 Holbeche Rd Arndell Park NSW 2148 Australia
David Heaney
53 Holbeche Rd Arndell Park NSW 2148 Australia
Marjorie Heaney
53 Holbeche Rd Arndell Park NSW 2148 Australia
Stephen Heaney
53 Holbeche Rd Arndell Park NSW 2148 Australia
Suzanne Heaney
53 Holbeche Rd Arndell Park NSW 2148 Australia
Paul Heaney
53 Holbeche Rd Arndell Park NSW 2148 Australia
Marcella Heaney
53 Holbeche Rd Arndell Park NSW 2148 Australia
Mark Heaney
53 Holbeche Rd Arndell Park NSW 2148 Australia
Katrina Heaney
53 Holbeche Rd Arndell Park NSW 2148 Australia



- (72) Name(s) of Designer(s): **Stephen Robert Heaney**
(45) Registration Date: **09 April 2013**
(56) Related Art Documents: **Not Applicable**
(57) Statement of Newness and Distinctiveness: **Newness and distinctiveness of the design resides in the shape and/or configuration of an EXTRUSION, of indefinite length, as shown in the representations.**

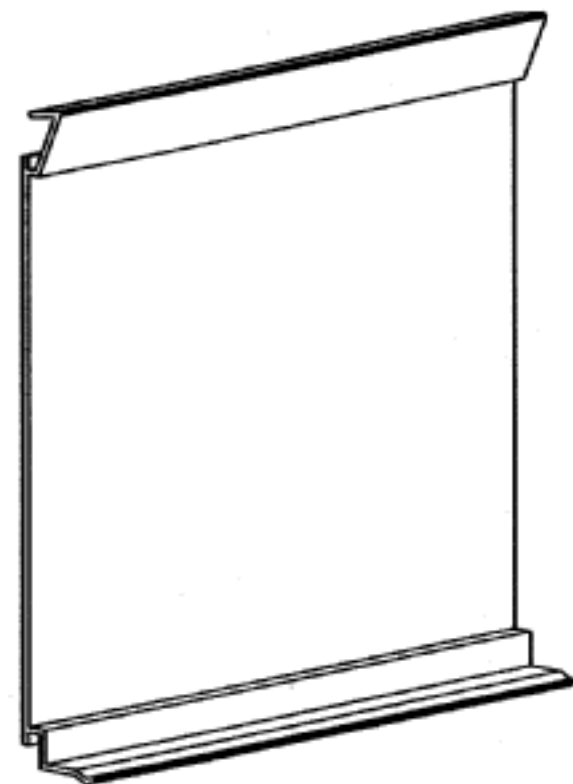
- (21) Design Number: **10699/2013**
(22) Date of Filing Application: **11 February 2013**
(24) Date from which industrial property rights may have effect: **11 February 2013**
(54) Product in respect of which the design is registered: **Extrusion**
(51) International Design Classification: **25-01K**
(74) Name(s) of Attorney(s): **Fisher Adams Kelly**
(71) Name(s) and Address(s) of Applicant(s):

Roseham Pty
53 Holbeche Rd Arndell Park NSW 2148 Australia
David Heaney
53 Holbeche Rd Arndell Park NSW 2148 Australia
Marjorie Heaney
53 Holbeche Rd Arndell Park NSW 2148 Australia
Stephen Heaney
53 Holbeche Rd Arndell Park NSW 2148 Australia
Suzanne Heaney
53 Holbeche Rd Arndell Park NSW 2148 Australia
Paul Heaney
53 Holbeche Rd Arndell Park NSW 2148 Australia
Marcella Heaney
53 Holbeche Rd Arndell Park NSW 2148 Australia
Mark Heaney
53 Holbeche Rd Arndell Park NSW 2148 Australia
Katrina Heaney
53 Holbeche Rd Arndell Park NSW 2148 Australia



- (72) Name(s) of Designer(s): **Stephen Robert Heaney**
(45) Registration Date: **09 April 2013**
(56) Related Art Documents: **Not Applicable**
(57) Statement of Newness and Distinctiveness: **Newness and distinctiveness of the design resides in the shape and/or configuration of an EXTRUSION, of indefinite length, as shown in the representations.** 1171 -

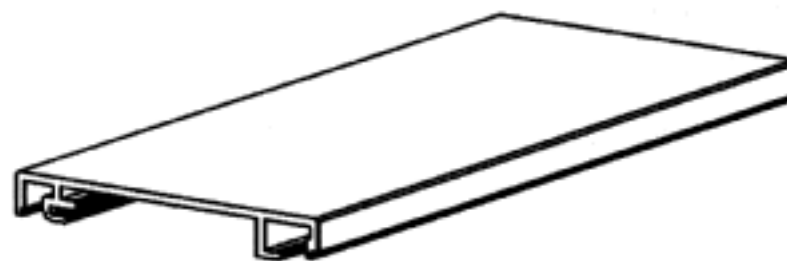
- (21) Design Number: **10700/2013**
(22) Date of Filing Application: **11 February 2013**
(24) Date from which industrial property rights may have effect: **11 February 2013**
(54) Product in respect of which the design is registered: **Extrusion**
(51) International Design Classification: **25-01K**
(74) Name(s) of Attorney(s): **Fisher Adams Kelly**
(71) Name(s) and Address(s) of Applicant(s):



Roseham Pty
53 Holbeche Rd Arndell Park NSW 2148 Australia
David Heaney
53 Holbeche Rd Arndell Park NSW 2148 Australia
Marjorie Heaney
53 Holbeche Rd Arndell Park NSW 2148 Australia
Stephen Heaney
53 Holbeche Rd Arndell Park NSW 2148 Australia
Suzanne Heaney
53 Holbeche Rd Arndell Park NSW 2148 Australia
Paul Heaney
53 Holbeche Rd Arndell Park NSW 2148 Australia
Marcella Heaney
53 Holbeche Rd Arndell Park NSW 2148 Australia
Mark Heaney
53 Holbeche Rd Arndell Park NSW 2148 Australia
Katrina Heaney
53 Holbeche Rd Arndell Park NSW 2148 Australia

- (72) Name(s) of Designer(s): **Stephen Robert Heaney**
(45) Registration Date: **09 April 2013**
(56) Related Art Documents: **Not Applicable**
(57) Statement of Newness and Distinctiveness: **Newness and distinctiveness of the design resides in the shape and/or configuration of an EXTRUSION, of indefinite length, as shown in the representations.**

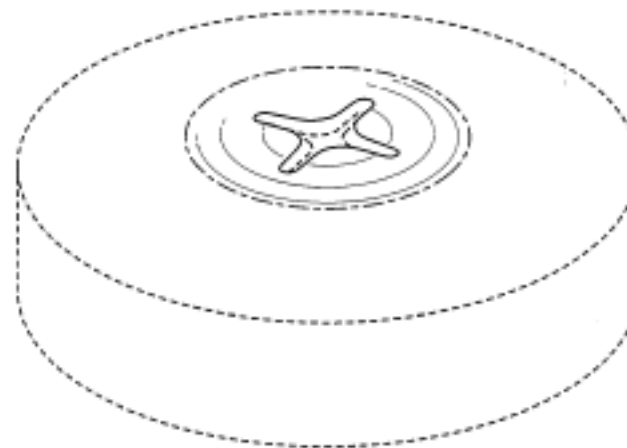
- (21) Design Number: **10701/2013**
(22) Date of Filing Application: **11 February 2013**
(24) Date from which industrial property rights may have effect: **11 February 2013**
(54) Product in respect of which the design is registered: **Extrusion**
(51) International Design Classification: **25-01K**
(74) Name(s) of Attorney(s): **Fisher Adams Kelly**
(71) Name(s) and Address(s) of Applicant(s):



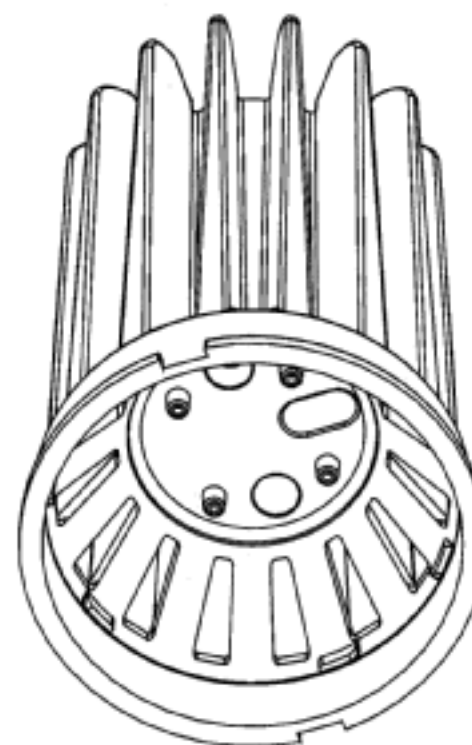
Roseham Pty
53 Holbeche Rd Arndell Park NSW 2148 Australia
David Heaney
53 Holbeche Rd Arndell Park NSW 2148 Australia
Marjorie Heaney
53 Holbeche Rd Arndell Park NSW 2148 Australia
Stephen Heaney
53 Holbeche Rd Arndell Park NSW 2148 Australia
Suzanne Heaney
53 Holbeche Rd Arndell Park NSW 2148 Australia
Paul Heaney
53 Holbeche Rd Arndell Park NSW 2148 Australia
Marcella Heaney
53 Holbeche Rd Arndell Park NSW 2148 Australia
Mark Heaney
53 Holbeche Rd Arndell Park NSW 2148 Australia
Katrina Heaney
53 Holbeche Rd Arndell Park NSW 2148 Australia

- (72) Name(s) of Designer(s): **Stephen Robert Heaney**
(45) Registration Date: **09 April 2013**
(56) Related Art Documents: **Not Applicable**
(57) Statement of Newness and Distinctiveness: **Newness and distinctiveness of the design resides in the shape and/or configuration of an EXTRUSION, of indefinite length, as shown in the representations.** 1172 -

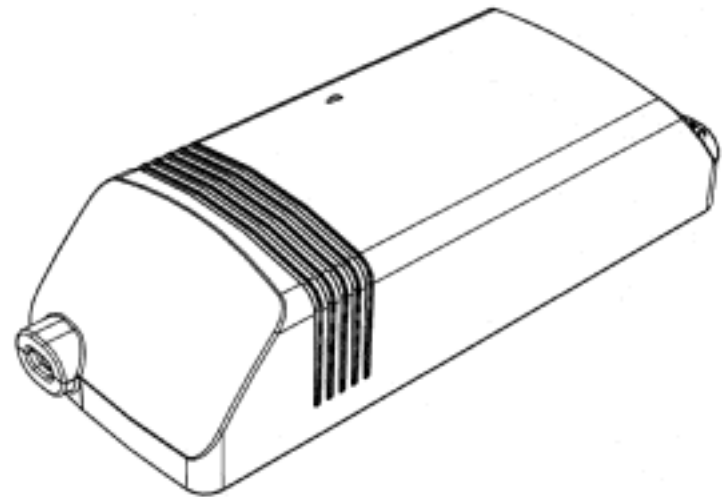
- (21) Design Number: **16281/2012**
(22) Date of Filing Application: **10 December 2012**
(24) Date from which industrial property rights may have effect: **27 July 2012**
(54) Product in respect of which the design is registered: **Tablet**
(51) International Design Classification: **28-01**
(74) Name(s) of Attorney(s): **Shelston IP**
(71) Name(s) and Address(s) of Applicant(s):
McNeil-PPC, Inc.
199 Grandview Road Skillman New Jersey 08558 United States of America
Johnson & Johnson Industrial Ltda
Ri highway Presidente Dutra KM 154 Sao Jose Dos Campos Sao Paulo Brazil
(72) Name(s) of Designer(s): **Joel Waldman and Fernanda Franzoi**
(45) Registration Date: **09 April 2013**
(30) Convention priority data:
(31) Number (32) Date (33) Country
29/412548 03 Feb 2012 UNITED STATES OF AMERICA
(62) Divisional of: **346203**
(56) Related Art Documents: **Not Applicable**
(57) Statement of Newness and Distinctiveness: **Newness and distinctiveness reside in the star shape formed in the upper curved surface of a tablet and its position thereon as illustrated in solid lines in the accompanying representations. The features illustrated in broken lines do not form part of the design.**



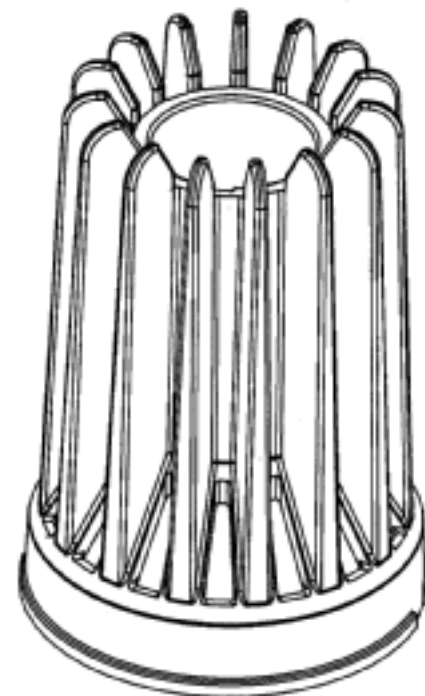
- (21) Design Number: **16642/2012**
(22) Date of Filing Application: **21 December 2012**
(24) Date from which industrial property rights may have effect: **21 December 2012**
(54) Product in respect of which the design is registered: **Downlight housing**
(51) International Design Classification: **26-05D**
(74) Name(s) of Attorney(s): **Madderns**
(71) Name(s) and Address(s) of Applicant(s):
Gerard Lighting Pty Ltd
142-144 Fullarton Rd Rose Park SA 5067 Australia
(72) Name(s) of Designer(s): **Maxwell Dickison and Jason Andrew Gerard and Ankur Shah**
(45) Registration Date: **09 April 2013**
(56) Related Art Documents: **Not Applicable**
(57) Statement of Newness and Distinctiveness: **Newness and distinctiveness resides in the shape and configuration of a downlight housing as shown in the attached drawings.**



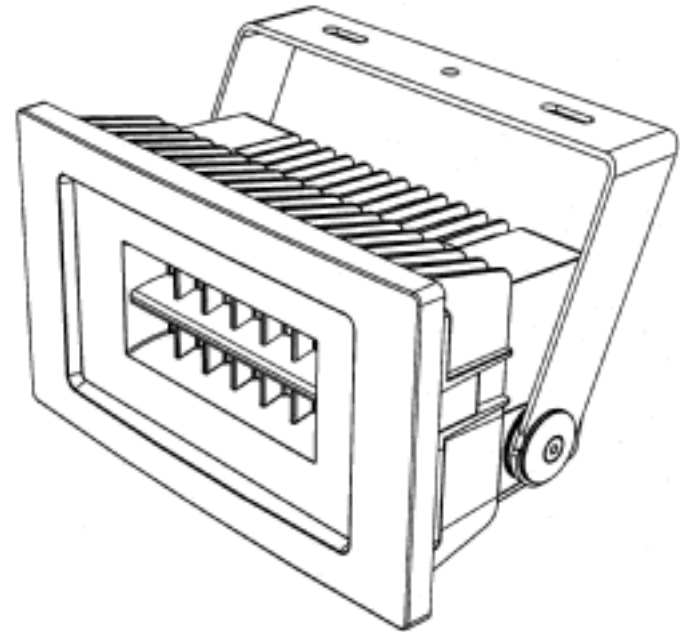
- (21) Design Number: **16643/2012**
(22) Date of Filing Application: **21 December 2012**
(24) Date from which industrial property rights may have effect: **21 December 2012**
(54) Product in respect of which the design is registered: **Electronics housing**
(51) International Design Classification: **13-03C**
(74) Name(s) of Attorney(s): **Madderns**
(71) Name(s) and Address(s) of Applicant(s):
Gerard Lighting Pty Ltd
142-144 Fullarton Rd Rose Park SA 5067 Australia
(72) Name(s) of Designer(s): **Maxwell Dickison and Jason Andrew Gerard and Zuo Jun Yang and Mark Ziegler**
(45) Registration Date: **09 April 2013**
(56) Related Art Documents: **Not Applicable**
(57) Statement of Newness and Distinctiveness: **Newness and distinctiveness resides in the shape and configuration of an electronics housing as shown in the attached drawings.**



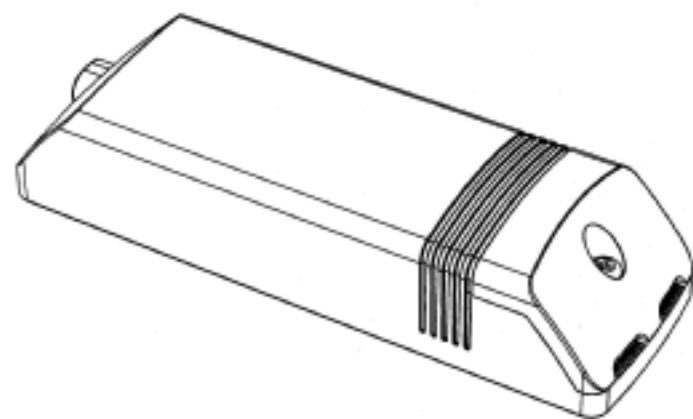
- (21) Design Number: **16644/2012**
(22) Date of Filing Application: **21 December 2012**
(24) Date from which industrial property rights may have effect: **21 December 2012**
(54) Product in respect of which the design is registered: **Downlight housing**
(51) International Design Classification: **26-05D**
(74) Name(s) of Attorney(s): **Madderns**
(71) Name(s) and Address(s) of Applicant(s):
Gerard Lighting Pty Ltd
142-144 Fullarton Rd Rose Park SA 5067 Australia
(72) Name(s) of Designer(s): **Maxwell Dickison and Jason Andrew Gerard and Ankur Shah**
(45) Registration Date: **09 April 2013**
(56) Related Art Documents: **Not Applicable**
(57) Statement of Newness and Distinctiveness: **Newness and distinctiveness resides in the shape and configuration of a downlight housing as shown in the attached drawings.**



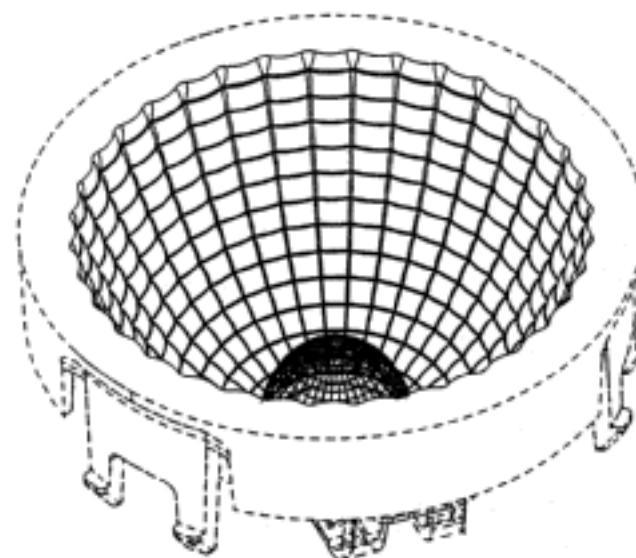
- (21) Design Number: **16648/2012**
(22) Date of Filing Application: **21 December 2012**
(24) Date from which industrial property rights may have effect: **21 December 2012**
(54) Product in respect of which the design is registered: **Light**
(51) International Design Classification: **26-05C, 26-05D, 26-03**
(74) Name(s) of Attorney(s): **Madderns**
(71) Name(s) and Address(s) of Applicant(s):
Gerard Lighting Pty Ltd
142-144 Fullarton Rd Rose Park SA 5067 Australia
(72) Name(s) of Designer(s): **Jason Andrew Gerard and Tony Kearney and Paul Wood**
(45) Registration Date: **09 April 2013**
(56) Related Art Documents: **Not Applicable**
(57) Statement of Newness and Distinctiveness: **Newness and distinctiveness resides in the shape and configuration of a light as shown in the attached drawings.**



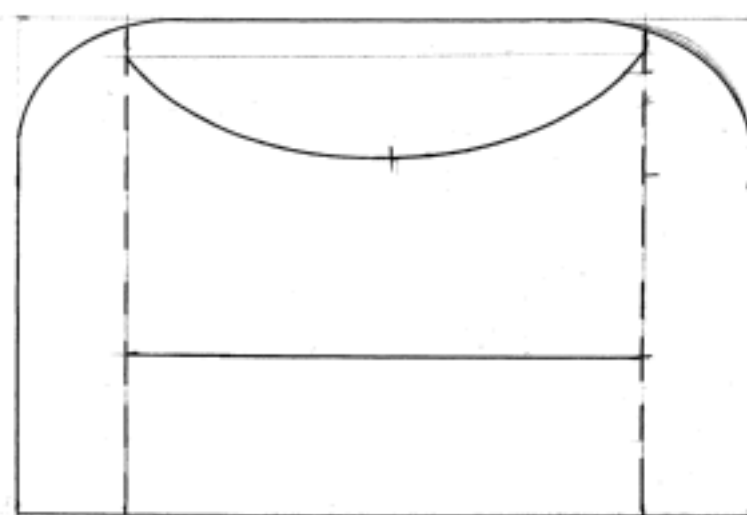
- (21) Design Number: **16649/2012**
(22) Date of Filing Application: **21 December 2012**
(24) Date from which industrial property rights may have effect: **21 December 2012**
(54) Product in respect of which the design is registered: **Electronics housing**
(51) International Design Classification: **13-03C**
(74) Name(s) of Attorney(s): **Madderns**
(71) Name(s) and Address(s) of Applicant(s):
Gerard Lighting Pty Ltd
142-144 Fullarton Rd Rose Park SA 5067 Australia
(72) Name(s) of Designer(s): **Maxwell Dickison and Jason Andrew Gerard and Zuo Jun Yang and Mark Ziegler**
(45) Registration Date: **09 April 2013**
(56) Related Art Documents: **Not Applicable**
(57) Statement of Newness and Distinctiveness: **Newness and distinctiveness resides in the shape and configuration of an electronics housing as shown in the attached drawings.**



- (21) Design Number: **16650/2012**
(22) Date of Filing Application: **21 December 2012**
(24) Date from which industrial property rights may have effect: **21 December 2012**
(54) Product in respect of which the design is registered: **Reflector/lens arrangement**
(51) International Design Classification: **26-05D**
(74) Name(s) of Attorney(s): **Madderns**
(71) Name(s) and Address(s) of Applicant(s):
Gerard Lighting Pty Ltd
142-144 Fullarton Rd Rose Park SA 5067 Australia
(72) Name(s) of Designer(s): **Jason Andrew Gerard and Simon Belcher and Jacob Messenger and Tom Willis and Maarten Schuurmans**
(45) Registration Date: **09 April 2013**
(56) Related Art Documents: **Not Applicable**
(57) Statement of Newness and Distinctiveness: **Newness and distinctiveness resides in the shape and configuration of a reflector/lens arrangement as shown in the accompanying drawings. In considering the scope of monopoly, no regard is to be had of the features indicated in dotted lines.**



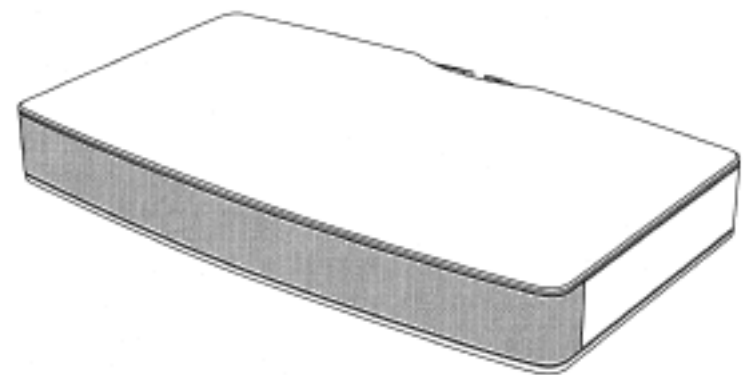
- (21) Design Number: **10553/2013**
(22) Date of Filing Application: **05 February 2013**
(24) Date from which industrial property rights may have effect: **05 February 2013**
(54) Product in respect of which the design is registered: **Cot bumper**
(51) International Design Classification: **06-06F**
(74) Name(s) of Attorney(s):
(71) Name(s) and Address(s) of Applicant(s):
Russell Alexander Horsfall
9 Bogan St Lake Cargelligo NSW 2672 Australia
(72) Name(s) of Designer(s): **Russell Alexander Horsfall**
(45) Registration Date: **09 April 2013**
(56) Related Art Documents: **Not Applicable**
(57) Statement of Newness and Distinctiveness: **This cot bumper has a pocket which holds a toy.**



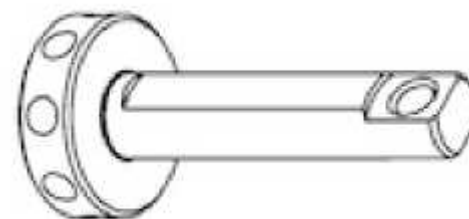
- (21) Design Number: **10559/2013**
(22) Date of Filing Application: **05 February 2013**
(24) Date from which industrial property rights may have effect: **05 February 2013**
(54) Product in respect of which the design is registered: **Shelter**
(51) International Design Classification: **25-03**
(74) Name(s) of Attorney(s):
(71) Name(s) and Address(s) of Applicant(s):
Belinda Joan Cook
26 Wildfire Rd Maddington WA 6109 Australia
Landmark Engineering & Design Pty Ltd
26 Wildfire Rd Maddington WA 6109 Australia
(72) Name(s) of Designer(s): **Gavin Mark Cook**
(45) Registration Date: **09 April 2013**
(56) Related Art Documents: **Not Applicable**
(57) Statement of Newness and Distinctiveness: **An architecturally designed structure comprising of 3 curved roofs and angled columns to provide shelter for travellers.**



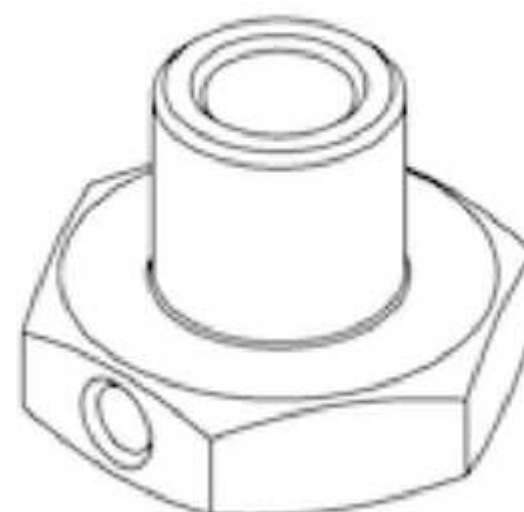
- (21) Design Number: **10656/2013**
(22) Date of Filing Application: **07 February 2013**
(24) Date from which industrial property rights may have effect: **07 February 2013**
(54) Product in respect of which the design is registered: **Audio system**
(51) International Design Classification: **14-01**
(74) Name(s) of Attorney(s): **PHILLIPS ORMONDE FITZPATRICK**
(71) Name(s) and Address(s) of Applicant(s):
Bose Corporation
The Mountain Framingham Massachusetts 01701-9168 United States of America
(72) Name(s) of Designer(s): **Seth N. Green and David H. Pitcher and Huiying Xin**
(45) Registration Date: **09 April 2013**
(30) Convention priority data:
(31) Number (32) Date (33) Country
29/430,749 29 Aug 2012 UNITED STATES OF AMERICA
(56) Related Art Documents: **Not Applicable**
(57) Statement of Newness and Distinctiveness: **Those features of the audio system depicted in the representations that are new and distinctive are the shape and/or configuration.**



- (21) Design Number: **10726/2013**
(22) Date of Filing Application: **14 February 2013**
(24) Date from which industrial property rights may have effect: **14 February 2013**
(54) Product in respect of which the design is registered: **Door hinge pin**
(51) International Design Classification: **08-06**
(74) Name(s) of Attorney(s): **Fisher Adams Kelly**
(71) Name(s) and Address(s) of Applicant(s):
Maslen Technology Australia Pty Ltd
11 Helen St Caloundra QLD 4551 Australia
(72) Name(s) of Designer(s): **John Maslen**
(45) Registration Date: **09 April 2013**
(56) Related Art Documents: **Not Applicable**
(57) Statement of Newness and Distinctiveness: **The newness and distinctiveness of the design resides in the shape and/or configuration of the DOOR HINGE PIN shown in the representations.**



- (21) Design Number: **10727/2013**
(22) Date of Filing Application: **14 February 2013**
(24) Date from which industrial property rights may have effect: **14 February 2013**
(54) Product in respect of which the design is registered: **Door hinge nut**
(51) International Design Classification: **08-06**
(74) Name(s) of Attorney(s): **Fisher Adams Kelly**
(71) Name(s) and Address(s) of Applicant(s):
Maslen Technology Australia Pty Ltd
11 Helen St Caloundra QLD 4551 Australia
(72) Name(s) of Designer(s): **John Maslen**
(45) Registration Date: **09 April 2013**
(56) Related Art Documents: **Not Applicable**
(57) Statement of Newness and Distinctiveness: **The newness and distinctiveness of the design resides in the shape and/or configuration of the DOOR HINGE NUT shown in the representations.**



- (21) Design Number: **10728/2013**
(22) Date of Filing Application: **14 February 2013**
(24) Date from which industrial property rights may have effect: **14 February 2013**
(54) Product in respect of which the design is registered: **Display screen for an electronic device**
(51) International Design Classification: **14-02**
(74) Name(s) of Attorney(s): **Wrays**
(71) Name(s) and Address(s) of Applicant(s):

Samsung Electronics Co., Ltd
129 Samsung-ro Yeongtong-gu Suwon-si Gyeonggi-do 443-742 Republic of Korea

- (72) Name(s) of Designer(s): **Joo-Sun Moon and Dae-Hyun Kim and Pill-Kyoung Moon and Chang-Soo Lee and Sung-Gook Kim and Yong-Deok Kim and Byuk-Sun Kim and Min-Jin Kim and Sang-On Choi**

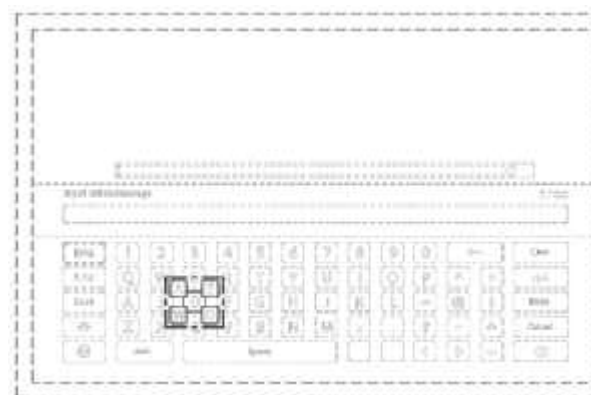
- (45) Registration Date: **09 April 2013**

- (30) Convention priority data:

(31) Number (32) Date (33) Country
30-2012-0049709 18 Oct 2012 REPUBLIC OF KOREA

- (56) Related Art Documents: **Not Applicable**

- (57) Statement of Newness and Distinctiveness: **Newness and distinctiveness is claimed in the features of pattern and/or ornamentation of the display screen for an electronic device as shown in the accompanying representations. The features shown in broken lines are for illustrative purposes only and do not form part of the claimed design.**



- (21) Design Number: **10729/2013**
(22) Date of Filing Application: **14 February 2013**
(24) Date from which industrial property rights may have effect: **14 February 2013**
(54) Product in respect of which the design is registered: **Display screen for an electronic device**
(51) International Design Classification: **14-02**
(74) Name(s) of Attorney(s): **Wrays**
(71) Name(s) and Address(s) of Applicant(s):

Samsung Electronics Co., Ltd
129 Samsung-ro Yeongtong-gu Suwon-si Gyeonggi-do 443-742 Republic of Korea

- (72) Name(s) of Designer(s): **Joo-Sun Moon and Pill-Kyoung Moon and Chang-Soo Lee and Dae-Hyun Kim**

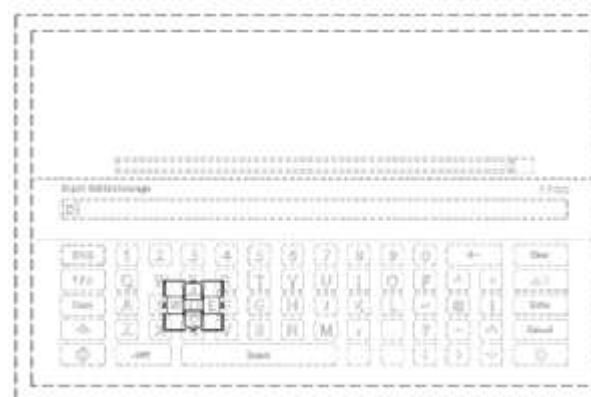
- (45) Registration Date: **09 April 2013**

- (30) Convention priority data:

(31) Number (32) Date (33) Country
30-2012-0049707 18 Oct 2012 REPUBLIC OF KOREA

- (56) Related Art Documents: **Not Applicable**

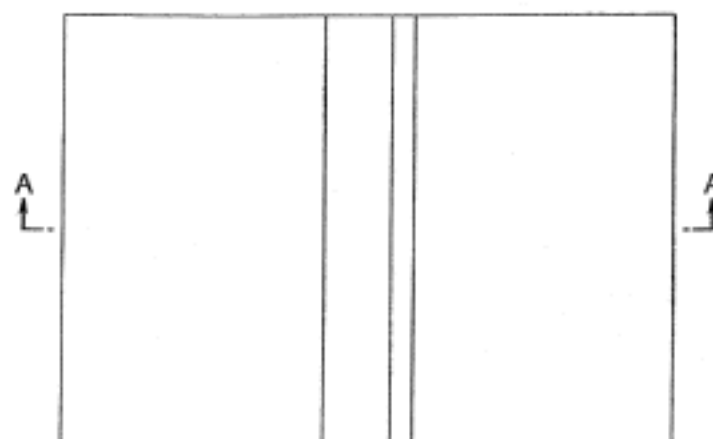
- (57) Statement of Newness and Distinctiveness: **Newness and distinctiveness is claimed in the features of pattern and/or ornamentation of the display screen for an electronic device as shown in the accompanying representations. The features shown in broken lines are for illustrative purposes only and do not form part of the claimed design.**



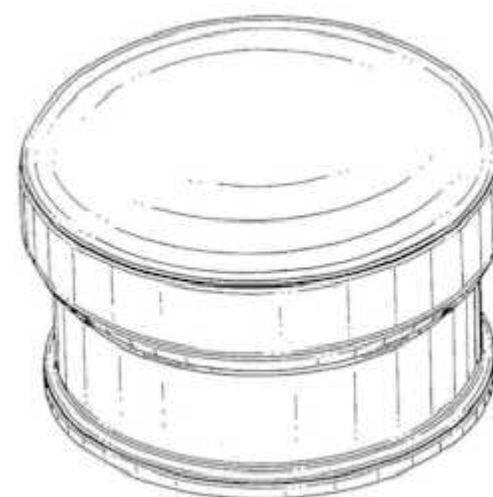
(21) Design Number: **10730/2013**
(22) Date of Filing Application: **14 February 2013**
(24) Date from which industrial property rights may have effect: **14 February 2013**
(54) Product in respect of which the design is registered: **LED light bulb**
(51) International Design Classification: **26-05E**
(74) Name(s) of Attorney(s): **Churchill Attorneys**
(71) Name(s) and Address(s) of Applicant(s):
Lifi Labs Inc
524 Union St San Francisco CA 94133-3314 United States of America
(72) Name(s) of Designer(s): **Phillip Bosua**
(45) Registration Date: **09 April 2013**
(56) Related Art Documents: **Not Applicable**
(57) Statement of Newness and Distinctiveness: **The newness and distinctiveness of the design resides in the shape of the LED light bulb as shown in the accompanying representations. The surface lines and graphics are not part of the design and are to be disregarded when considering the overall impression of the design.**



(21) Design Number: **10755/2013**
(22) Date of Filing Application: **14 February 2013**
(24) Date from which industrial property rights may have effect: **14 February 2013**
(54) Product in respect of which the design is registered: **Adhesive skin patch**
(51) International Design Classification: **24-04**
(74) Name(s) of Attorney(s): **PHILLIPS ORMONDE FITZPATRICK**
(71) Name(s) and Address(s) of Applicant(s):
Teikoku Seijaku Co., Ltd.
567 Sanbonmatsu Higashikagawa-shi Kagawa 7692695 Japan
(72) Name(s) of Designer(s): **Masanori Uematsu**
(45) Registration Date: **09 April 2013**
(30) Convention priority data:
(31) Number (32) Date (33) Country
2012-020294 24 Aug 2012 JAPAN
(56) Related Art Documents: **Not Applicable**
(57) Statement of Newness and Distinctiveness: **Newness and Distinctiveness is claimed in the shape and/or configuration of the folded edge of the first release sheet and the overlap thereof by the second release sheet of the adhesive patch.**



(21) Design Number: **11146/2013**
(22) Date of Filing Application: **09 March 2013**
(24) Date from which industrial property rights may have effect: **09 March 2013**
(54) Product in respect of which the design is registered: **Soft cap for a container**
(51) International Design Classification: **09-07NES**
(74) Name(s) of Attorney(s): **FB Rice**
(71) Name(s) and Address(s) of Applicant(s):
Becton, Dickinson and Company
1 Becton Drive Franklin Lakes New Jersey 07417 United states of America
(72) Name(s) of Designer(s): **Milan Ivosevic**
(45) Registration Date: **09 April 2013**
(30) Convention priority data:
(31) Number (32) Date (33) Country
29/431793 11 Sep 2012 UNITED STATES OF AMERICA
(56) Related Art Documents: **Not Applicable**
(57) Statement of Newness and Distinctiveness: **Newness and distinctiveness reside in the features of shape and configuration of the design as shown in the representations.**



(21) Design Number: **10737/2013**
(22) Date of Filing Application: **15 February 2013**
(24) Date from which industrial property rights may have effect: **15 February 2013**
(54) Product in respect of which the design is registered: **Adhesive melter**
(51) International Design Classification: **15-99**
(74) Name(s) of Attorney(s): **Callinans**
(71) Name(s) and Address(s) of Applicant(s):
Graco Minnesota Inc.
88 11th Avenue NE Minneapolis Minnesota 55440-1441 United States of America
(72) Name(s) of Designer(s): **Daniel P. Ross and Joseph E. Tix and Nicholas K. Studt and Matthew R. Theisen and Andrew M. Spiess and Bryce J. Gapinski and James A. Lingenfelter**
(45) Registration Date: **09 April 2013**
(30) Convention priority data:
(31) Number (32) Date (33) Country
29/435,633 26 Oct 2012 UNITED STATES OF AMERICA
(56) Related Art Documents: **Not Applicable**
(57) Statement of Newness and Distinctiveness: **Nil**

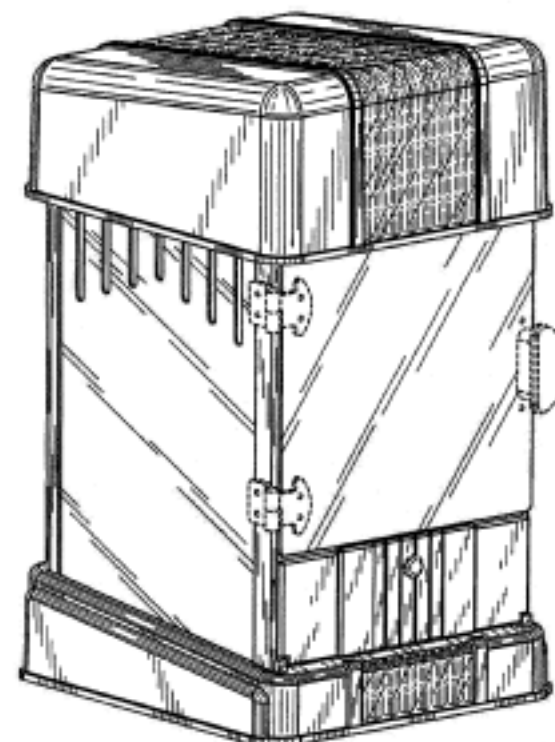


(21) Design Number: **10739/2013**
(22) Date of Filing Application: **15 February 2013**
(24) Date from which industrial property rights may have effect: **15 February 2013**
(54) Product in respect of which the design is registered: **Exerciser device**
(51) International Design Classification: **21-02F**
(74) Name(s) of Attorney(s): **Cotters Patent & Trade Mark Attorneys**
(71) Name(s) and Address(s) of Applicant(s):



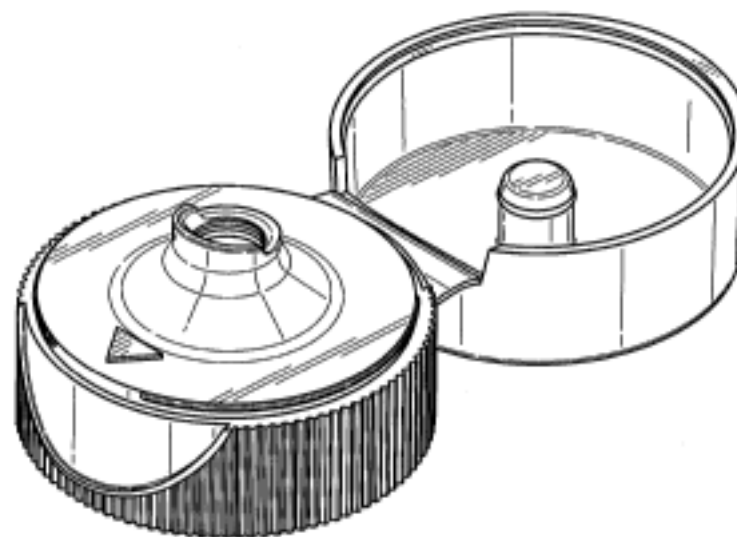
Tristar Products, Inc.
720 Centre Avenue Reading Pennsylvania 19601 United States of America
(72) Name(s) of Designer(s): **Jorge Prats and Alex Guapacha Lozano**
(45) Registration Date: **09 April 2013**
(30) Convention priority data:
(31) Number (32) Date (33) Country
29/429,872 17 Aug 2012 UNITED STATES OF AMERICA
(56) Related Art Documents: **Not Applicable**
(57) Statement of Newness and Distinctiveness: **Newness and distinctiveness is claimed in the features of shape and/or configuration of an exerciser device as depicted in the accompanying drawings.**

(21) Design Number: **10770/2013**
(22) Date of Filing Application: **15 February 2013**
(24) Date from which industrial property rights may have effect: **15 February 2013**
(54) Product in respect of which the design is registered: **Popcorn maker**
(51) International Design Classification: **07-02H**
(74) Name(s) of Attorney(s): **Freehills Patent Attorneys**
(71) Name(s) and Address(s) of Applicant(s):

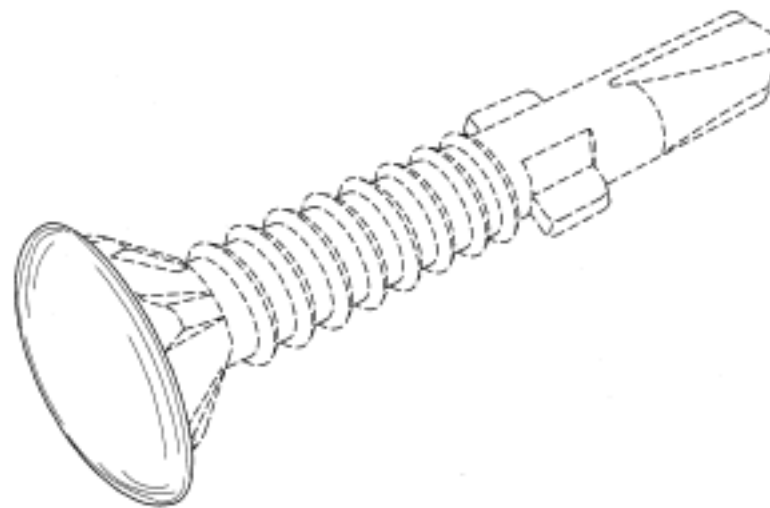


Nostalgia Products Group, LLC
1472 Partnership Drive Green Bay Wisconsin 54304 United States of America
(72) Name(s) of Designer(s): **Gregg Bond and Edward E. Boughton III**
(45) Registration Date: **09 April 2013**
(30) Convention priority data:
(31) Number (32) Date (33) Country
29/429808 16 Aug 2012 UNITED STATES OF AMERICA
(56) Related Art Documents: **Not Applicable**
(57) Statement of Newness and Distinctiveness: **Newness and distinctiveness resides in the visual features not shown in dashed lines in the accompanying representations.**

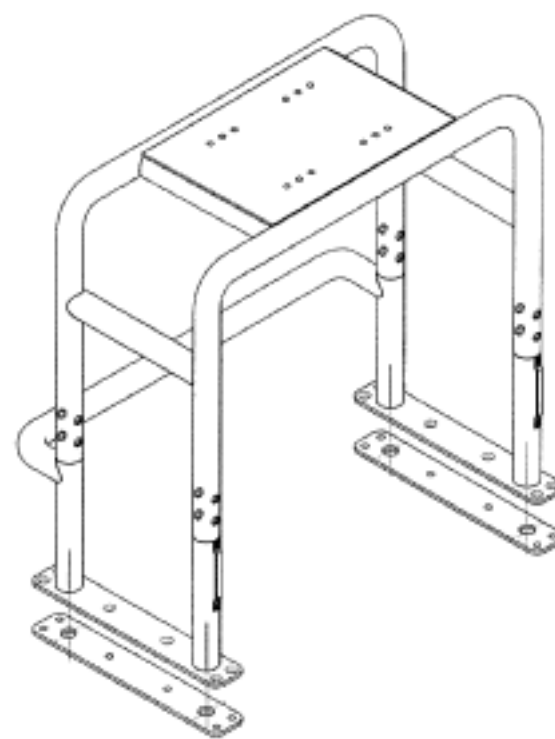
(21) Design Number: **10771/2013**
(22) Date of Filing Application: **15 February 2013**
(24) Date from which industrial property rights may have effect: **15 February 2013**
(54) Product in respect of which the design is registered: **Dispensing cap**
(51) International Design Classification: **09-07A**
(74) Name(s) of Attorney(s): **Shelston IP**
(71) Name(s) and Address(s) of Applicant(s):
Reckitt Benckiser LLC
Morris Corporate Center IV 399 Interpace Parkway Parsippany New Jersey 07054 United States of America
(72) Name(s) of Designer(s): **Jeffrey Shawn Gibb**
(45) Registration Date: **09 April 2013**
(30) Convention priority data:
(31) Number (32) Date (33) Country
29/432131 13 Sep 2012 UNITED STATES OF AMERICA
(56) Related Art Documents: **Not Applicable**
(57) Statement of Newness and Distinctiveness: **Newness and distinctiveness resides in the features of shape and configuration of the dispensing cap illustrated in the accompanying representations.**



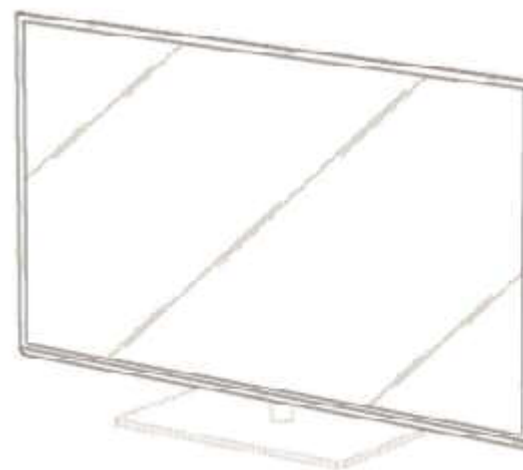
(21) Design Number: **10772/2013**
(22) Date of Filing Application: **15 February 2013**
(24) Date from which industrial property rights may have effect: **15 February 2013**
(54) Product in respect of which the design is registered: **Combined insert and screw element**
(51) International Design Classification: **08-08B**
(74) Name(s) of Attorney(s): **Shelston IP**
(71) Name(s) and Address(s) of Applicant(s):
James Hardie Technology Limited
Europa House Second Floor Harcourt Centre Harcourt Street Dublin 2 Ireland
(72) Name(s) of Designer(s): **John Cottier**
(45) Registration Date: **09 April 2013**
(56) Related Art Documents: **Not Applicable**
(57) Statement of Newness and Distinctiveness: **Newness and distinctiveness resides in the features of shape and configuration of a combined insert and screw element as shown in solid lines in the accompanying representations. The features shown in broken line do not form part of the design and could be varied.**



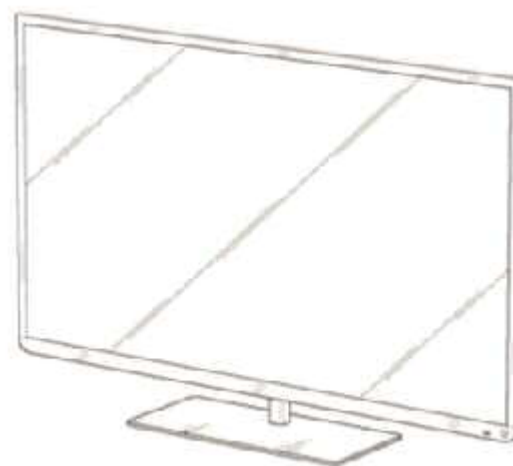
- (21) Design Number: **10793/2013**
(22) Date of Filing Application: **20 February 2013**
(24) Date from which industrial property rights may have effect: **20 February 2013**
(54) Product in respect of which the design is registered: **Boat seat base**
(51) International Design Classification: **06-01D**
(74) Name(s) of Attorney(s):
(71) Name(s) and Address(s) of Applicant(s):
Arthur Samuel Allen
385 Thynne Road Morningside Queensland 4170 Australia
(72) Name(s) of Designer(s): **David Allen**
(45) Registration Date: **10 April 2013**
(56) Related Art Documents: **Not Applicable**
(57) Statement of Newness and Distinctiveness: **The newness and distinctiveness of the design resides in the overall appearance and various points in which it is adjustable - height, footrest, multiple seat centering points.**



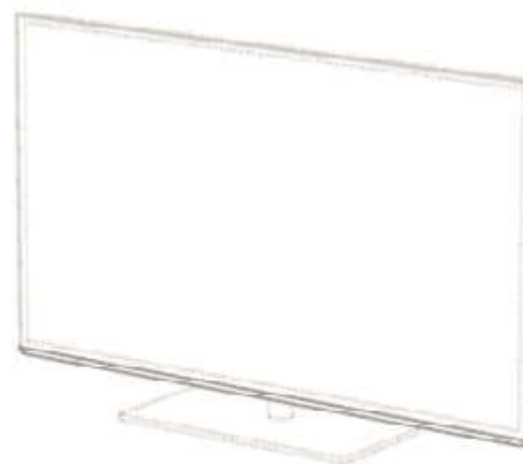
- (21) Design Number: **10936/2013**
(22) Date of Filing Application: **27 February 2013**
(24) Date from which industrial property rights may have effect: **27 February 2013**
(54) Product in respect of which the design is registered: **Television receiver**
(51) International Design Classification: **14-03B**
(74) Name(s) of Attorney(s): **HODGKINSON McINNES PATENTS**
(71) Name(s) and Address(s) of Applicant(s):
Kabushiki Kaisha Toshiba
1-1 Shibaura 1-chome Minato-ku Tokyo 105-8001 Japan
(72) Name(s) of Designer(s): **Shogo Suzuki and Takashi Asanuma and Taihei Miyaji and Hitoshi Otsuka and Takeshi Suzuki and Kentaro Ichise and Giles Mitchell and Kentaro Tanaka**
(45) Registration Date: **10 April 2013**
(30) Convention priority data:
(31) Number (32) Date (33) Country
2012-020585 28 Aug 2012 JAPAN
(56) Related Art Documents: **Not Applicable**
(57) Statement of Newness and Distinctiveness: **Newness and Distinctiveness is claimed in the features of shape and/or configuration of a television receiver as illustrated in the accompanying representations.**



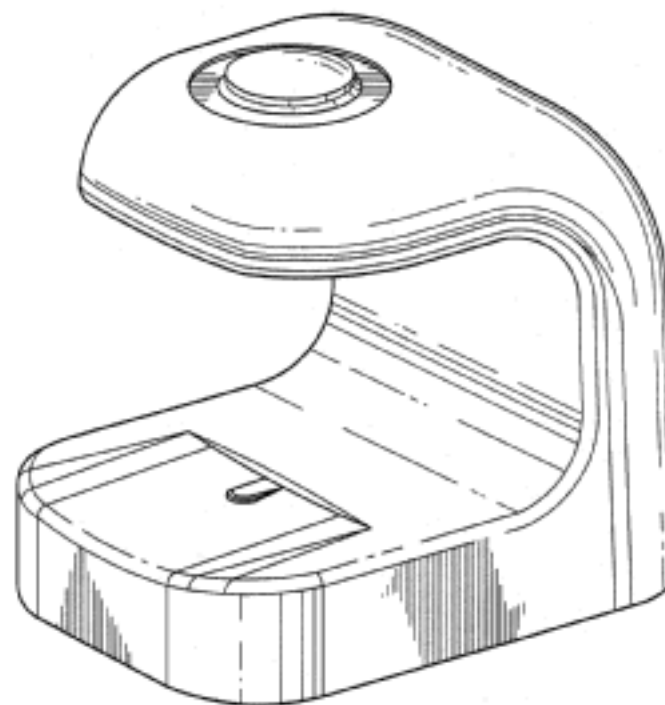
- (21) Design Number: **10937/2013**
(22) Date of Filing Application: **27 February 2013**
(24) Date from which industrial property rights may have effect: **27 February 2013**
(54) Product in respect of which the design is registered: **Television receiver**
(51) International Design Classification: **14-03B**
(74) Name(s) of Attorney(s): **HODGKINSON McINNES PATENTS**
(71) Name(s) and Address(s) of Applicant(s):
Kabushiki Kaisha Toshiba
1-1 Shibaura 1-chome Minato-ku Tokyo 105-8001 Japan
(72) Name(s) of Designer(s): **Shogo Suzuki and Hitoshi Otsuka**
(45) Registration Date: **10 April 2013**
(30) Convention priority data:
(31) Number (32) Date (33) Country
2012-020586 28 Aug 2012 JAPAN
(56) Related Art Documents: **Not Applicable**
(57) Statement of Newness and Distinctiveness: **Newness and Distinctiveness is claimed in the features of shape and/or configuration of a television receiver as illustrated in the accompanying representations.**



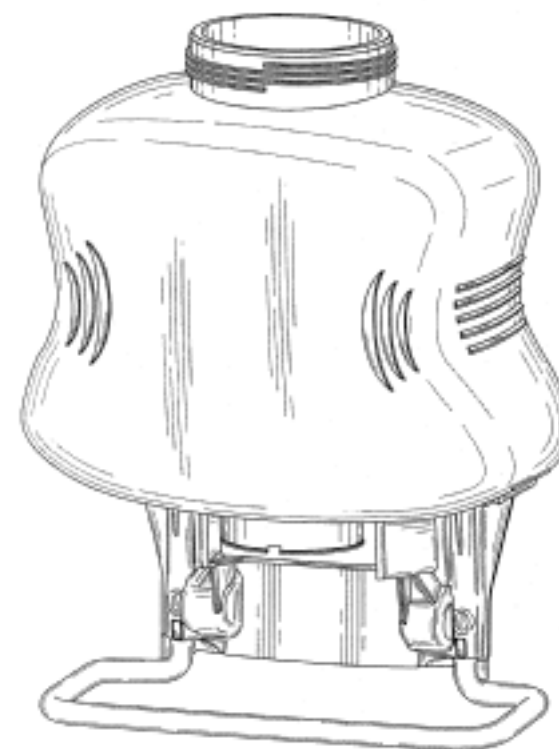
- (21) Design Number: **10938/2013**
(22) Date of Filing Application: **27 February 2013**
(24) Date from which industrial property rights may have effect: **27 February 2013**
(54) Product in respect of which the design is registered: **Television receiver**
(51) International Design Classification: **14-03B**
(74) Name(s) of Attorney(s): **HODGKINSON McINNES PATENTS**
(71) Name(s) and Address(s) of Applicant(s):
Kabushiki Kaisha Toshiba
1-1 Shibaura 1-chome Minato-ku Tokyo 105-8001 Japan
(72) Name(s) of Designer(s): **Shogo Suzuki and Takashi Asanuma and Taihei Miyaji and Hitoshi Otsuka and Takeshi Suzuki and Kentaro Ichise and Giles Mitchell and Kentaro Tanaka**
(45) Registration Date: **10 April 2013**
(30) Convention priority data:
(31) Number (32) Date (33) Country
2012-020583 28 Aug 2012 JAPAN
(56) Related Art Documents: **Not Applicable**
(57) Statement of Newness and Distinctiveness: **Newness and Distinctiveness is claimed in the features of shape and/or configuration of a television receiver as illustrated in the accompanying representations.**



- (21) Design Number: **11004/2013**
(22) Date of Filing Application: **28 February 2013**
(24) Date from which industrial property rights may have effect: **28 February 2013**
(54) Product in respect of which the design is registered: **Nail lamp**
(51) International Design Classification: **26-05NES, 28-03NES**
(74) Name(s) of Attorney(s): **Freehills Patent Attorneys**
(71) Name(s) and Address(s) of Applicant(s):
OPI Products, Inc.
13034 Saticoy Street North Hollywood California 91605 United States of America
(72) Name(s) of Designer(s): **Gavril Horvath and George W. Schaeffer**
(45) Registration Date: **10 April 2013**
(30) Convention priority data:
(31) Number (32) Date (33) Country
29/434331 11 Oct 2012 UNITED STATES OF AMERICA
(56) Related Art Documents: **Not Applicable**
(57) Statement of Newness and Distinctiveness: **Newness and distinctiveness of the design resides in the shape and configuration of the nail lamp as shown in the accompanying representations.**



- (21) Design Number: **11039/2013**
(22) Date of Filing Application: **28 February 2013**
(24) Date from which industrial property rights may have effect: **28 February 2013**
(54) Product in respect of which the design is registered: **Sprayer tank**
(51) International Design Classification: **08-05A, 23-01D**
(74) Name(s) of Attorney(s): **PHILLIPS ORMONDE FITZPATRICK**
(71) Name(s) and Address(s) of Applicant(s):
Swissmex-Rapid, S.A. de C.V.
Calle Swissmex No. 500 Col. Las Ceibas CP 47440 Lagos de Moreno Jalisco Mexico
(72) Name(s) of Designer(s): **Pedro Wirz Luchsinger**
(45) Registration Date: **10 April 2013**
(56) Related Art Documents: **Not Applicable**
(57) Statement of Newness and Distinctiveness: **Nil**



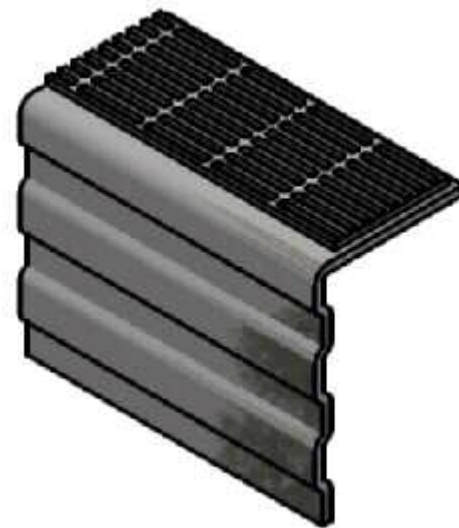
(21) Design Number: **11153/2013**
(22) Date of Filing Application: **11 March 2013**
(24) Date from which industrial property rights may have effect: **11 March 2013**
(54) Product in respect of which the design is registered: **Mobile phone cover with charger unit**
(51) International Design Classification: **03-01NES, 13-02**
(74) Name(s) of Attorney(s):
(71) Name(s) and Address(s) of Applicant(s):
Jeremy D. Keight
343 Donald's Range Rd Razorback NSW 2571 Australia
(72) Name(s) of Designer(s): **Zhu Youhua**
(45) Registration Date: **10 April 2013**
(56) Related Art Documents: **Not Applicable**
(57) Statement of Newness and Distinctiveness: **Nil**



(21) Design Number: **11226/2013**
(22) Date of Filing Application: **13 March 2013**
(24) Date from which industrial property rights may have effect: **13 March 2013**
(54) Product in respect of which the design is registered: **A lintel**
(51) International Design Classification: **25-02NES**
(74) Name(s) of Attorney(s): **FB Rice**
(71) Name(s) and Address(s) of Applicant(s):
Ronald E Graham (Holdings) Pty Limited
137-147 Rookwood Rd Yagoona NSW 2199 Australia
(72) Name(s) of Designer(s): **John Robert Morris**
(45) Registration Date: **10 April 2013**
(56) Related Art Documents: **Not Applicable**
(57) Statement of Newness and Distinctiveness: **Newness and distinctiveness reside in the features of shape and configuration of the product as shown in the representations. The product may be of indefinite length.**



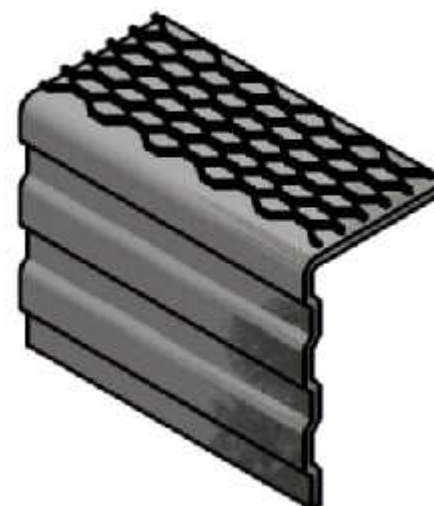
- (21) Design Number: **11227/2013**
(22) Date of Filing Application: **13 March 2013**
(24) Date from which industrial property rights may have effect: **13 March 2013**
(54) Product in respect of which the design is registered: **A lintel**
(51) International Design Classification: **25-02NES**
(74) Name(s) of Attorney(s): **FB Rice**
(71) Name(s) and Address(s) of Applicant(s):
Ronald E Graham (Holdings) Pty Limited
137-147 Rookwood Rd Yagoona NSW 2199 Australia
(72) Name(s) of Designer(s): **John Robert Morris**
(45) Registration Date: **10 April 2013**
(56) Related Art Documents: **Not Applicable**
(57) Statement of Newness and Distinctiveness: **Newness and distinctiveness reside in the features of shape and configuration of the product as shown in the representations. The product may be of indefinite length.**



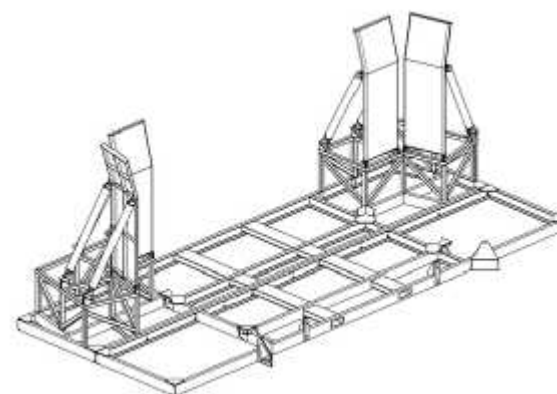
- (21) Design Number: **11228/2013**
(22) Date of Filing Application: **13 March 2013**
(24) Date from which industrial property rights may have effect: **13 March 2013**
(54) Product in respect of which the design is registered: **A lintel**
(51) International Design Classification: **25-02NES**
(74) Name(s) of Attorney(s): **FB Rice**
(71) Name(s) and Address(s) of Applicant(s):
Ronald E Graham (Holdings) Pty Limited
137-147 Rookwood Rd Yagoona NSW 2199 Australia
(72) Name(s) of Designer(s): **John Robert Morris**
(45) Registration Date: **10 April 2013**
(56) Related Art Documents: **Not Applicable**
(57) Statement of Newness and Distinctiveness: **Newness and distinctiveness reside in the features of shape and configuration of the product as shown in the representations. The product may be of indefinite length.**



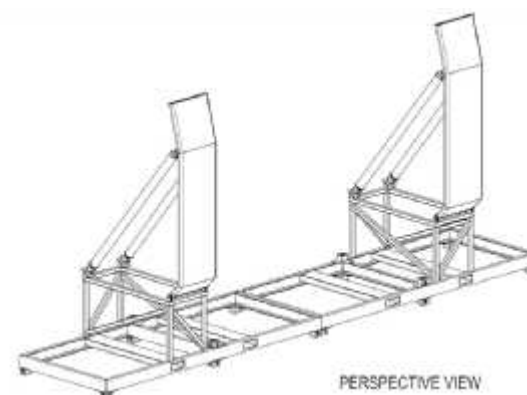
- (21) Design Number: **11230/2013**
(22) Date of Filing Application: **13 March 2013**
(24) Date from which industrial property rights may have effect: **13 March 2013**
(54) Product in respect of which the design is registered: **A lintel**
(51) International Design Classification: **25-02NES**
(74) Name(s) of Attorney(s): **FB Rice**
(71) Name(s) and Address(s) of Applicant(s):
Ronald E Graham (Holdings) Pty Limited
137-147 Rookwood Rd Yagoona NSW 2199 Australia
(72) Name(s) of Designer(s): **John Robert Morris**
(45) Registration Date: **10 April 2013**
(56) Related Art Documents: **Not Applicable**
(57) Statement of Newness and Distinctiveness: **Newness and distinctiveness reside in the features of shape and configuration of the product as shown in the representations. The product may be of indefinite length.**



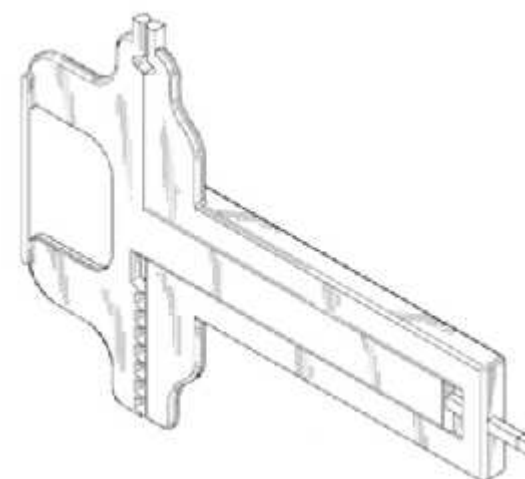
- (21) Design Number: **11571/2013**
(22) Date of Filing Application: **31 March 2013**
(24) Date from which industrial property rights may have effect: **31 March 2013**
(54) Product in respect of which the design is registered: **Loading apparatus for use with cargo containers**
(51) International Design Classification: **09-99, 12-05**
(74) Name(s) of Attorney(s): **Australian Patent and TradeMark Services**
(71) Name(s) and Address(s) of Applicant(s):
Australian Mobile Mining Equipment Systems and Accessories Pty. Limited
18 Sleight Pl Wetherill Park NSW 2164 Australia
(72) Name(s) of Designer(s): **Murray Robert Bridle**
(45) Registration Date: **10 April 2013**
(56) Related Art Documents: **Not Applicable**
(57) Statement of Newness and Distinctiveness: **Newness and distinctiveness is claimed in the shape and/or configuration of loading apparatus for use with cargo containers, as illustrated in the accompanying representations.**



- (21) Design Number: **11572/2013**
(22) Date of Filing Application: **31 March 2013**
(24) Date from which industrial property rights may have effect: **31 March 2013**
(54) Product in respect of which the design is registered: **Loading apparatus for use with cargo containers**
(51) International Design Classification: **09-99, 12-05**
(74) Name(s) of Attorney(s): **Australian Patent and TradeMark Services**
(71) Name(s) and Address(s) of Applicant(s):
Australian Mobile Mining Equipment Systems and Accessories Pty. Limited
18 Sleigh Pl Wetherill Park NSW 2164 Australia
(72) Name(s) of Designer(s): **Murray Robert Bridle**
(45) Registration Date: **10 April 2013**
(56) Related Art Documents: **Not Applicable**
(57) Statement of Newness and Distinctiveness: **Newness and distinctiveness is claimed in the shape and/or configuration of loading apparatus for use with cargo containers, as illustrated in the accompanying representations.**



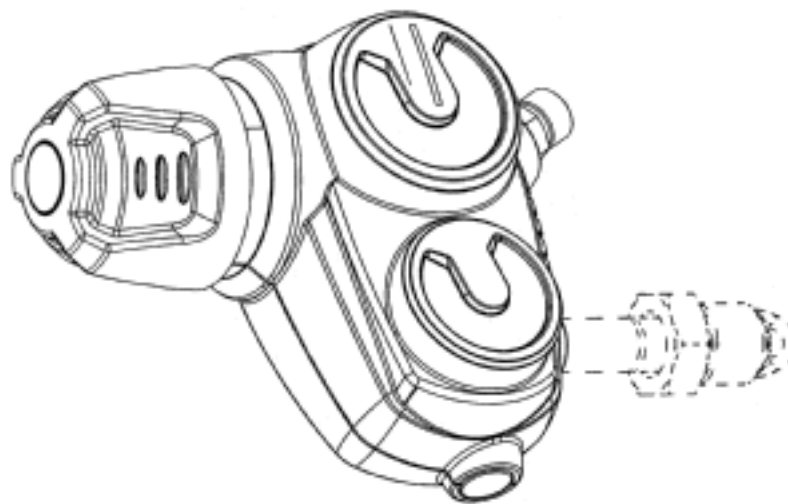
- (21) Design Number: **11581/2013**
(22) Date of Filing Application: **02 April 2013**
(24) Date from which industrial property rights may have effect: **02 April 2013**
(54) Product in respect of which the design is registered: **Belt wear gauge**
(51) International Design Classification: **10-04**
(74) Name(s) of Attorney(s): **PHILLIPS ORMONDE FITZPATRICK**
(71) Name(s) and Address(s) of Applicant(s):
The Gates Corporation
1551 Wewatta Street Denver Colorado 80202 United States of America
(72) Name(s) of Designer(s): **Patrick Wilks and Tim J. Stout and Douglas Gerring and Thomas A. Trojan and Mark Ridgeway**
(45) Registration Date: **10 April 2013**
(30) Convention priority data:
(31) Number (32) Date (33) Country
29/435,777 29 Oct 2012 UNITED STATES OF AMERICA
(56) Related Art Documents: **Not Applicable**
(57) Statement of Newness and Distinctiveness: **Nil**



- (21) Design Number: **15928/2012**
(22) Date of Filing Application: **27 November 2012**
(24) Date from which industrial property rights may have effect: **27 November 2012**
(54) Product in respect of which the design is registered: **Regulator**
(51) International Design Classification: **24-01**
(74) Name(s) of Attorney(s): **Cullens Patent and Trade Mark Attorneys**
(71) Name(s) and Address(s) of Applicant(s):

African Oxygen Limited
Afrox House 23 Webber Street Selby Johannesburg Gauteng South Africa

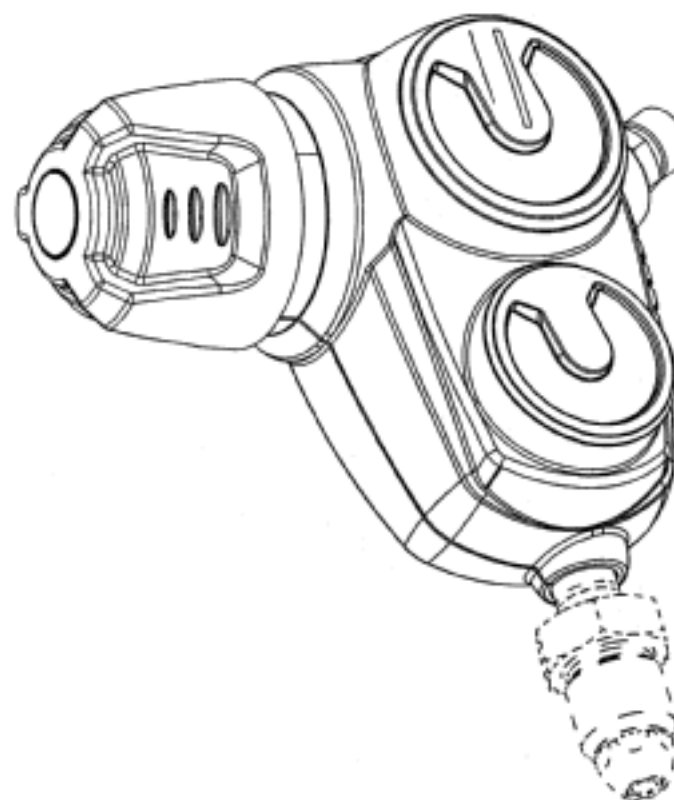
- (72) Name(s) of Designer(s): **Roberto Maria Marcello Dionisio and Radoslav Jovanovic**
(45) Registration Date: **10 April 2013**
(56) Related Art Documents: **Not Applicable**
(57) Statement of Newness and Distinctiveness: **The new and distinct features are the features of shape and configuration of the regulator as shown in the representations. The shape and configuration of the inlet stem shown in dashed outline in the representations does not form part of the new and distinctive features of the design.**



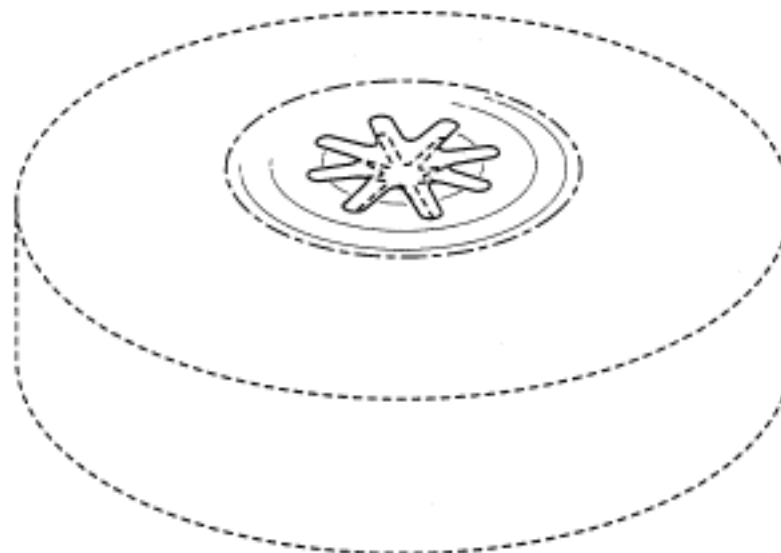
- (21) Design Number: **16757/2012**
(22) Date of Filing Application: **27 November 2012**
(24) Date from which industrial property rights may have effect: **27 November 2012**
(54) Product in respect of which the design is registered: **Regulator**
(51) International Design Classification: **24-01**
(74) Name(s) of Attorney(s): **Cullens Patent and Trade Mark Attorneys**
(71) Name(s) and Address(s) of Applicant(s):

African Oxygen Limited
Afrox House 23 Webber Street Selby Johannesburg Gauteng South Africa

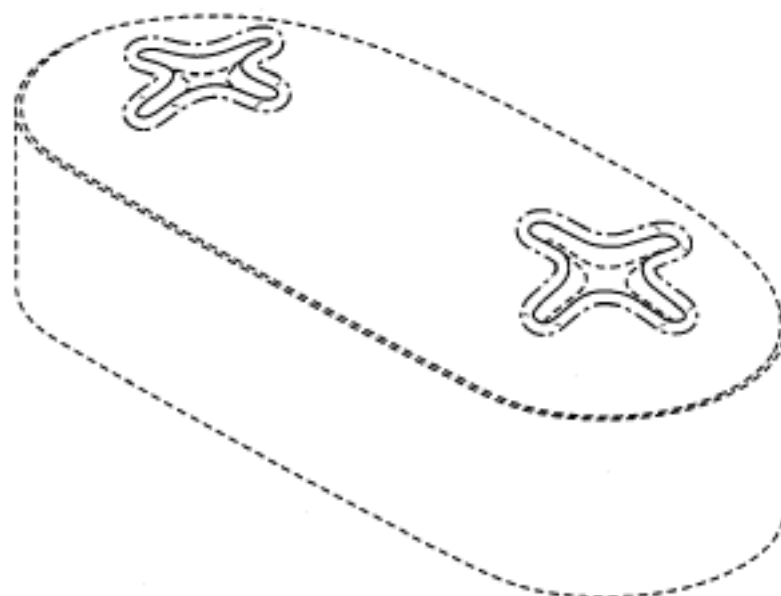
- (72) Name(s) of Designer(s): **Roberto Maria Marcello Dionisio and Radoslav Jovanovic**
(45) Registration Date: **10 April 2013**
(56) Related Art Documents: **Not Applicable**
(57) Statement of Newness and Distinctiveness: **The new and distinct features are the features of shape and configuration of the regulator as shown in the representations. The shape and configuration of the inlet stem shown in dashed outline in the representations does not form part of the new and distinctive features of the design.**



(21) Design Number: **16278/2012**
(22) Date of Filing Application: **10 December 2012**
(24) Date from which industrial property rights may have effect: **27 July 2012**
(54) Product in respect of which the design is registered: **Tablet**
(51) International Design Classification: **28-01**
(74) Name(s) of Attorney(s): **Shelston IP**
(71) Name(s) and Address(s) of Applicant(s):
McNeil-PPC, Inc.
199 Grandview Road Skillman New Jersey 08558 United States of America
Johnson & Johnson Industrial Ltda
Rhighway Presidente Dutra KM 154 Sao Jose Dos Campos Sao Paulo Brazil
(72) Name(s) of Designer(s): **Joel Waldman and Fernanda Franzoi**
(45) Registration Date: **10 April 2013**
(30) Convention priority data:
(31) Number (32) Date (33) Country
29/412544 03 Feb 2012 UNITED STATES OF AMERICA
(62) Divisional of: **346048**
(56) Related Art Documents: **Not Applicable**
(57) Statement of Newness and Distinctiveness: **Newness and distinctiveness reside in the star shape formed in the upper curved surface of a tablet and its position thereon as illustrated in solid lines in the accompanying representations. The features illustrated in broken lines do not form part of the design.**



(21) Design Number: **16282/2012**
(22) Date of Filing Application: **10 December 2012**
(24) Date from which industrial property rights may have effect: **27 July 2012**
(54) Product in respect of which the design is registered: **Tablet**
(51) International Design Classification: **28-01**
(74) Name(s) of Attorney(s): **Shelston IP**
(71) Name(s) and Address(s) of Applicant(s):
McNeil-PPC Inc.
199 Grandview Road Skillman New Jersey 08558 United States of America
Johnson & Johnson Industrial Ltda
Rhighway Presidente Dutra KM 154 Sao Jose Dos Campos Sao Paulo Brazil
(72) Name(s) of Designer(s): **Joel Waldman and Fernanda Franzoi**
(45) Registration Date: **10 April 2013**
(30) Convention priority data:
(31) Number (32) Date (33) Country
29/412547 03 Feb 2012 UNITED STATES OF AMERICA
(62) Divisional of: **346202**
(56) Related Art Documents: **Not Applicable**
(57) Statement of Newness and Distinctiveness: **Newness and distinctiveness reside in the star shapes formed on the upper curved surface of a tablet and their positions thereon as illustrated in solid lines in the accompanying representations. The features illustrated in broken lines do not form part of the design.**



(21) Design Number: **16482/2012**
(22) Date of Filing Application: **18 December 2012**
(24) Date from which industrial property rights may have effect: **18 December 2012**
(54) Product in respect of which the design is registered: **Garment**
(51) International Design Classification: **02-02NES**
(74) Name(s) of Attorney(s): **PHILLIPS ORMONDE FITZPATRICK**
(71) Name(s) and Address(s) of Applicant(s):

Scaldis Saint-Martin, societe anoyne
Parc Industriel Rue de la Hurtrie 36 7600 Peruwelz Belgium

(72) Name(s) of Designer(s): **Vincent Vanneste**

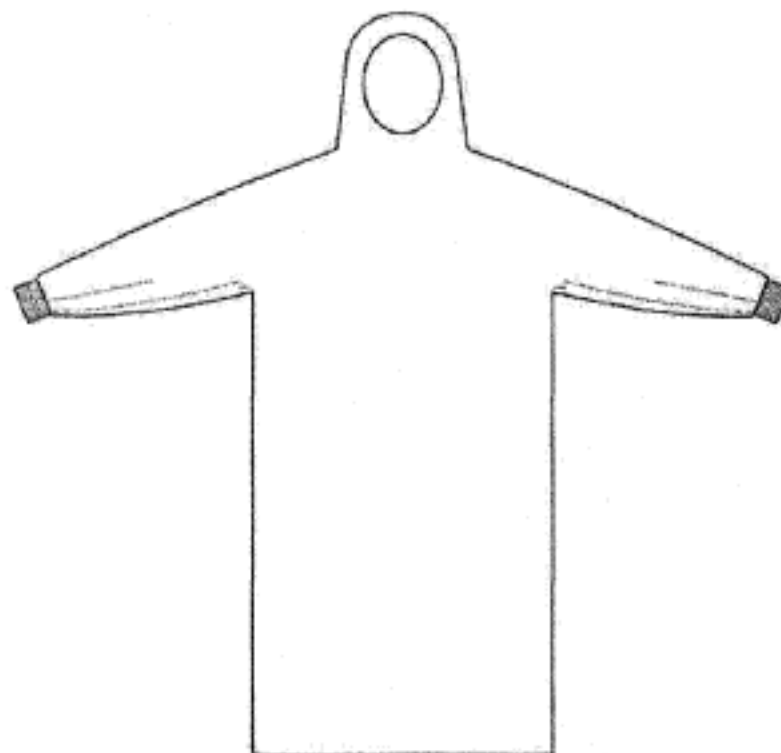
(45) Registration Date: **10 April 2013**

(30) Convention priority data:

(31) Number	(32) Date	(33) Country
DM/079523	19 Jun 2012	WORLD INTELLECTUAL PROPERTY ORGANIZATION (WIPO)

(56) Related Art Documents: **Not Applicable**

(57) Statement of Newness and Distinctiveness: **Those features of the garment depicted in the representations that are new and distinctive are the shape and/or configuration. The view shown in Fig. 3 shows the garment upside down and in a folded state as seen by a customer upon opening a package containing the garment. The letters L & R may or may not form part of the design.**



(21) Design Number: **16483/2012**
(22) Date of Filing Application: **18 December 2012**
(24) Date from which industrial property rights may have effect: **18 December 2012**
(54) Product in respect of which the design is registered: **Garment**
(51) International Design Classification: **02-02NES**
(74) Name(s) of Attorney(s): **PHILLIPS ORMONDE FITZPATRICK**
(71) Name(s) and Address(s) of Applicant(s):

Scaldis Saint-Martin, societe anoyne
Parc Industriel Rue de la Hurtrie 36 7600 Peruwelz Belgium

(72) Name(s) of Designer(s): **Vincent Vanneste**

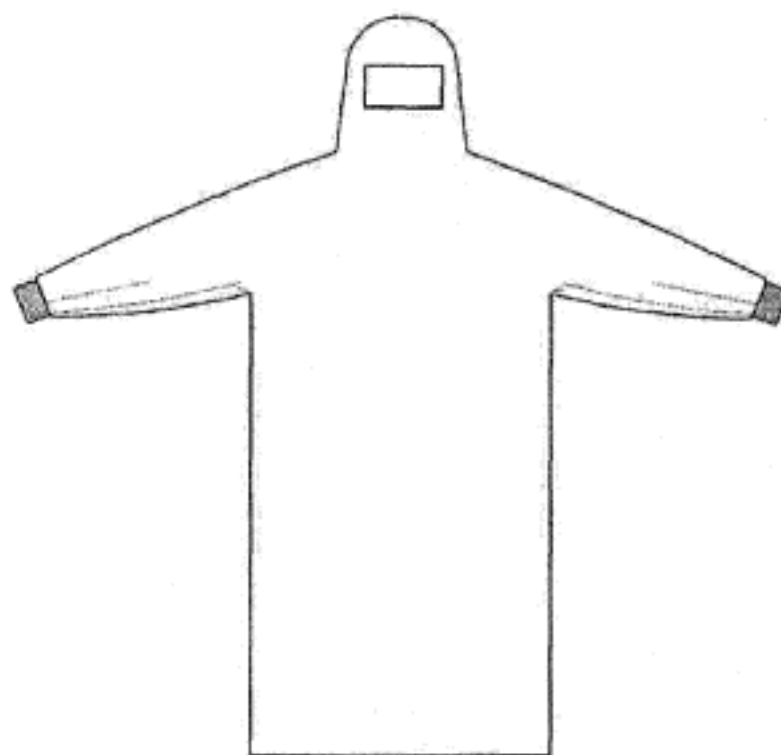
(45) Registration Date: **10 April 2013**

(30) Convention priority data:

(31) Number	(32) Date	(33) Country
DM/079523	19 Jun 2012	WORLD INTELLECTUAL PROPERTY ORGANIZATION (WIPO)

(56) Related Art Documents: **Not Applicable**

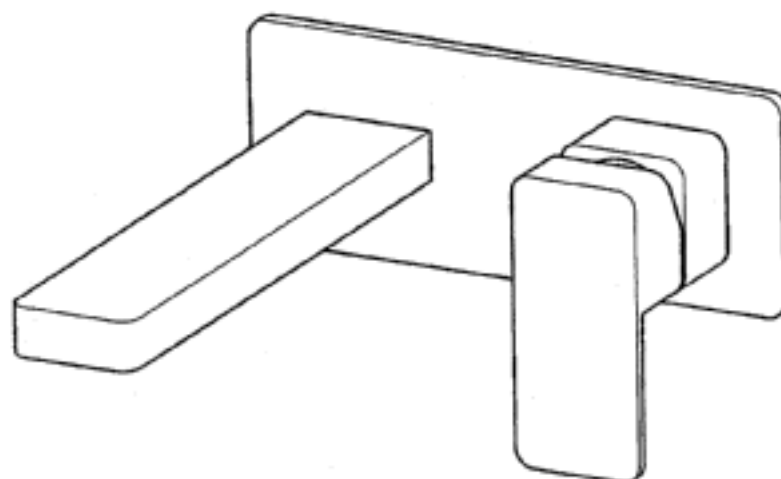
(57) Statement of Newness and Distinctiveness: **Those features of the garment depicted in the representations that are new and distinctive are the shape and/or configuration. The view shown in Fig. 3 shows the garment upside down and in a folded state as seen by a customer upon opening a package containing the garment. The hand symbols may or may not form part of the design.**



(21) Design Number: **16399/2012**
(22) Date of Filing Application: **18 December 2012**
(24) Date from which industrial property rights may have effect: **18 December 2012**
(54) Product in respect of which the design is registered: **Automobile tyre**
(51) International Design Classification: **12-15B**
(74) Name(s) of Attorney(s): **Griffith Hack**
(71) Name(s) and Address(s) of Applicant(s):
Bridgestone Corporation
10-1 Kyobashi 1-chrome Chuo-ku Tokyo 104-8340 Japan
(72) Name(s) of Designer(s): **Hiroaki Ono and Shun Ogane and Yuki Kawakami**
(45) Registration Date: **10 April 2013**
(30) Convention priority data:
(31) Number (32) Date (33) Country
JP2012-028569 21 Nov 2012 JAPAN
(56) Related Art Documents: **Not Applicable**
(57) Statement of Newness and Distinctiveness: **The shape and configuration of the tread portion of the PRODUCT is new and distinctive.**



(21) Design Number: **10690/2013**
(22) Date of Filing Application: **11 February 2013**
(24) Date from which industrial property rights may have effect: **11 February 2013**
(54) Product in respect of which the design is registered: **A mixer tap**
(51) International Design Classification: **23-01H**
(74) Name(s) of Attorney(s): **SPRUSON & FERGUSON**
(71) Name(s) and Address(s) of Applicant(s):
Caroma Industries Limited
L2 HQ South Tower 520 Wickham St Fortitude Valley QLD 4006 Australia
(72) Name(s) of Designer(s): **Leonie Carolyn Brickwood**
(45) Registration Date: **10 April 2013**
(56) Related Art Documents: **Not Applicable**
(57) Statement of Newness and Distinctiveness: **Newness and distinctiveness is claimed in the features of shape and/or configuration of a mixer tap as illustrated in the accompanying representations.**



(21) Design Number: **10689/2013**

(22) Date of Filing Application: **11 February 2013**

(24) Date from which industrial property rights may have effect: **11 February 2013**

(54) Product in respect of which the design is registered: **A toilet roll holder**

(51) International Design Classification: **23-02A**

(74) Name(s) of Attorney(s): **SPRUSON & FERGUSON**

(71) Name(s) and Address(s) of Applicant(s):

Caroma Industries Limited

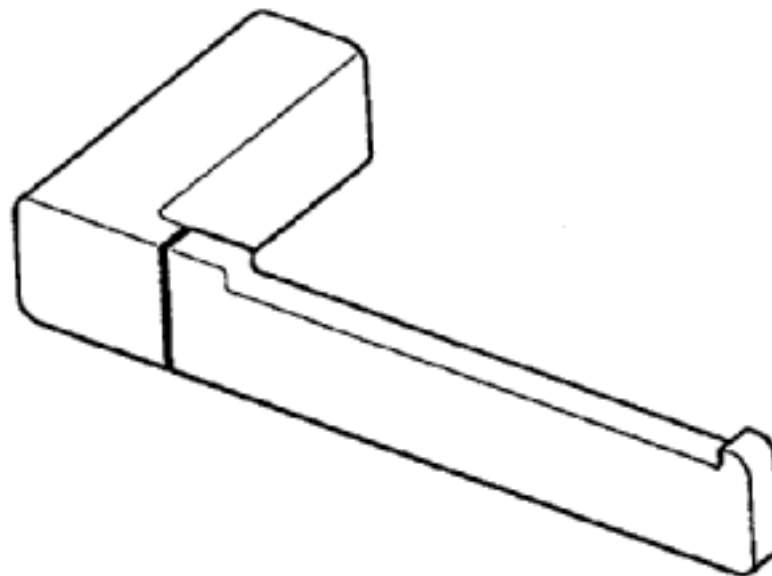
L2 HQ South Tower 520 Wickham St Fortitude Valley QLD 4006 Australia

(72) Name(s) of Designer(s): **Leonie Carolyn Brickwood**

(45) Registration Date: **10 April 2013**

(56) Related Art Documents: **Not Applicable**

(57) Statement of Newness and Distinctiveness: **Newness and distinctiveness is claimed in the features of shape and/or configuration of a toilet roll holder as illustrated in the accompanying representations.**



(21) Design Number: **16143/2012**

(22) Date of Filing Application: **05 December 2012**

(24) Date from which industrial property rights may have effect: **05 December 2012**

(54) Product in respect of which the design is registered: **Display screen with graphical user interface**

(51) International Design Classification: **14-02**

(74) Name(s) of Attorney(s): **Freehills Patent Attorneys**

(71) Name(s) and Address(s) of Applicant(s):

Apple Inc.

One Infinite Loop Cupertino California 95014 United States of America

(72) Name(s) of Designer(s): **Mikio Inose and Christopher Moore and Marcel van OS and Eleanor Cady Wachsman**

(45) Registration Date: **11 April 2013**

(30) Convention priority data:

(31) Number

(32) Date

(33) Country

29/423889

06 Jun 2012

UNITED STATES OF AMERICA

(56) Related Art Documents: **Not Applicable**

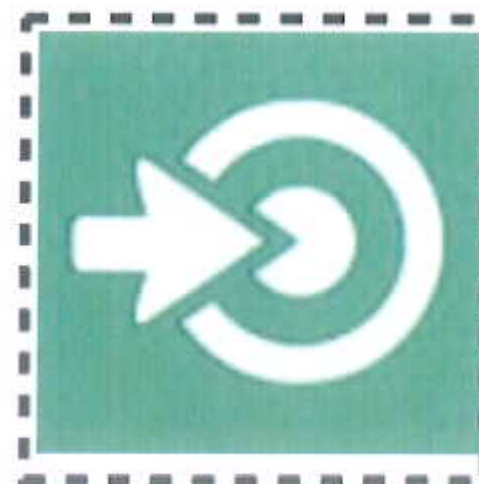
(57) Statement of Newness and Distinctiveness: **Nil**



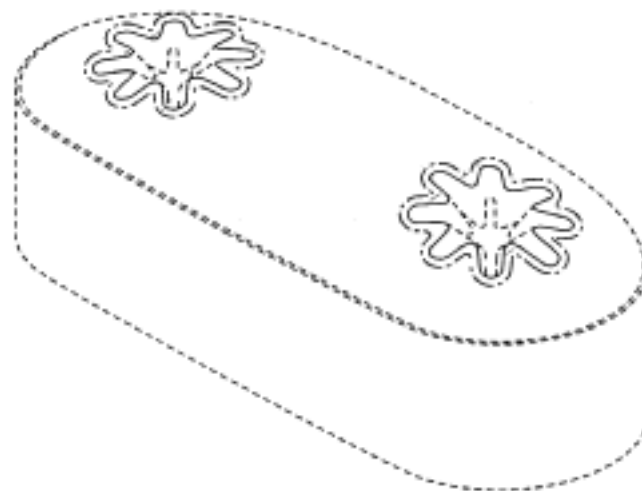
(21) Design Number: **16144/2012**
(22) Date of Filing Application: **05 December 2012**
(24) Date from which industrial property rights may have effect: **05 December 2012**
(54) Product in respect of which the design is registered: **Display screen with graphical user interface**
(51) International Design Classification: **14-02**
(74) Name(s) of Attorney(s): **Freehills Patent Attorneys**
(71) Name(s) and Address(s) of Applicant(s):
Apple Inc.
One Infinite Loop Cupertino California 95014 United States of America
(72) Name(s) of Designer(s): **Mikio Inose and Tiffany Jon and Marcel van OS and Emanuele Vulcano**
(45) Registration Date: **11 April 2013**
(30) Convention priority data:
(31) Number (32) Date (33) Country
29/423890 06 Jun 2012 UNITED STATES OF AMERICA
(56) Related Art Documents: **Not Applicable**
(57) Statement of Newness and Distinctiveness: **Nil**



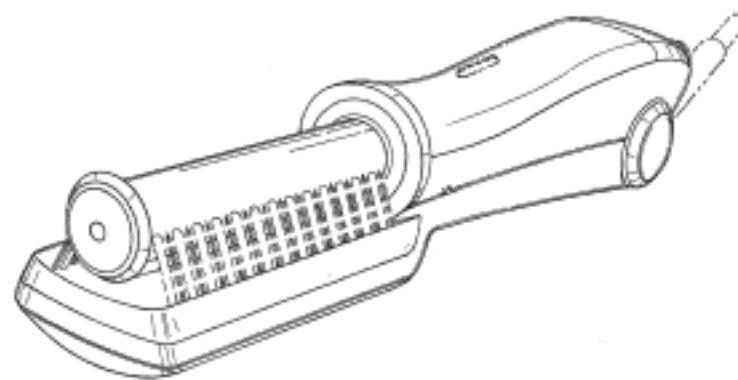
(21) Design Number: **16146/2012**
(22) Date of Filing Application: **05 December 2012**
(24) Date from which industrial property rights may have effect: **05 December 2012**
(54) Product in respect of which the design is registered: **Display screen with graphical user interface**
(51) International Design Classification: **14-02**
(74) Name(s) of Attorney(s): **Freehills Patent Attorneys**
(71) Name(s) and Address(s) of Applicant(s):
Apple Inc.
One Infinite Loop Cupertino California 95014 United States of America
(72) Name(s) of Designer(s): **Mikio Inose and Tiffany Jon and Marcel van OS and Emanuele Vulcano**
(45) Registration Date: **11 April 2013**
(30) Convention priority data:
(31) Number (32) Date (33) Country
29/423868 05 Jun 2012 UNITED STATES OF AMERICA
(56) Related Art Documents: **Not Applicable**
(57) Statement of Newness and Distinctiveness: **Nil**



- (21) Design Number: **16272/2012**
(22) Date of Filing Application: **10 December 2012**
(24) Date from which industrial property rights may have effect: **27 July 2012**
(54) Product in respect of which the design is registered: **Tablet**
(51) International Design Classification: **28-01**
(74) Name(s) of Attorney(s): **Shelston IP**
(71) Name(s) and Address(s) of Applicant(s):
McNeil-PPC, Inc.
199 Grandview Road Skillman New Jersey 08558 United States of America
Johnson & Johnson Industrial Ltda
Righway Presidente Dutra KM 154 Sao Jose Dos Campos Sao Paulo Brazil
(72) Name(s) of Designer(s): **Joel Waldman and Anthony Bean and Fernanda Franzoi**
(45) Registration Date: **11 April 2013**
(30) Convention priority data:
(31) Number (32) Date (33) Country
29/412543 03 Feb 2012 UNITED STATES OF AMERICA
(62) Divisional of: **346049**
(56) Related Art Documents: **Not Applicable**
(57) Statement of Newness and Distinctiveness: **Newness and distinctiveness reside in the star shapes formed on the upper curved surface of a tablet as their positions thereon as illustrated in solid lines on the accompanying representations. The features illustrated in broken lines do not form part of the design.**



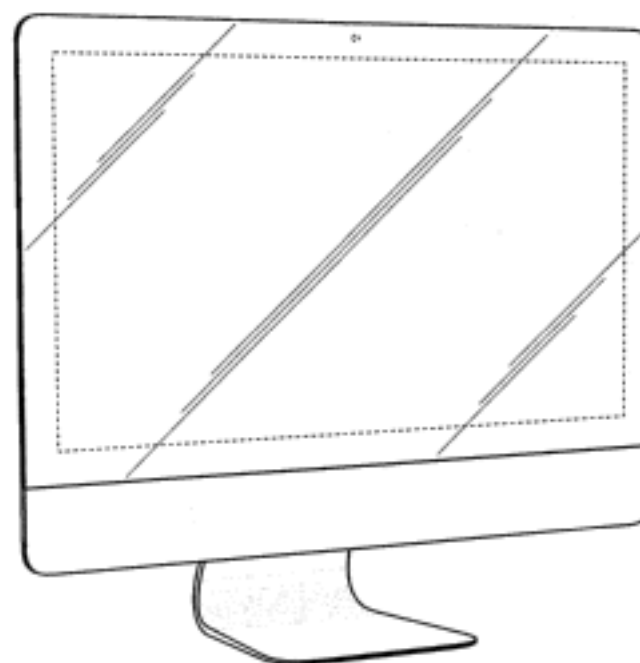
- (21) Design Number: **16654/2012**
(22) Date of Filing Application: **21 December 2012**
(24) Date from which industrial property rights may have effect: **21 December 2012**
(54) Product in respect of which the design is registered: **Hair styling apparatus with rotatable member**
(51) International Design Classification: **28-03B**
(74) Name(s) of Attorney(s): **PIZZEYS**
(71) Name(s) and Address(s) of Applicant(s):
MM&R Products, Inc.
5000 N Pkwy Calabasas Suite 308 Calabasas CA 91302 United States of America
(72) Name(s) of Designer(s): **David Richmond and Howard Richmond and Michael Ragosta and Claudio Marino and Bruno Meglio and Jeffery Scott Kunkler and Paul Robert Goetz and Luke James Ritchie and Shi Kai Tan**
(45) Registration Date: **11 April 2013**
(30) Convention priority data:
(31) Number (32) Date (33) Country
29/423,589 01 Jun 2012 UNITED STATES OF AMERICA
(56) Related Art Documents: **Not Applicable**
(57) Statement of Newness and Distinctiveness: **The newness and distinctiveness of the design resides in the features of pattern and/or ornamentation OR shape and/or configuration shown in unbroken lines in the accompanying representations. (if required, see Convention document)**



(21) Design Number: **10764/2013**
(22) Date of Filing Application: **18 February 2013**
(24) Date from which industrial property rights may have effect: **18 February 2013**
(54) Product in respect of which the design is registered: **A Collar for article of clothing**
(51) International Design Classification: **02-02B, 02-02NES**
(74) Name(s) of Attorney(s): **PIZZEYS**
(71) Name(s) and Address(s) of Applicant(s):
Canterbury Limited
8 Manchester Square London W1U 3PH United Kingdom
(72) Name(s) of Designer(s): **Craig Vartan**
(45) Registration Date: **11 April 2013**
(30) Convention priority data:
(31) Number (32) Date (33) Country
002182279 11 Feb 2013 OFFICE FOR HARMONISATION IN THE INTERNAL MARKET (OHIM)
(56) Related Art Documents: **Not Applicable**
(57) Statement of Newness and Distinctiveness: **Nil**



(21) Design Number: **11040/2013**
(22) Date of Filing Application: **28 February 2013**
(24) Date from which industrial property rights may have effect: **28 February 2013**
(54) Product in respect of which the design is registered: **Electronic device**
(51) International Design Classification: **14-02**
(74) Name(s) of Attorney(s): **Freehills Patent Attorneys**
(71) Name(s) and Address(s) of Applicant(s):
Apple Inc.
1 Infinite Loop Cupertino California 95014 United States of America
(72) Name(s) of Designer(s): **Jody Akana and Bartley K. Andre and Jeremy Bataillou and Daniel J. Coster and M. Evans Hankey and Julian Hoeng and Richard P. Howarth and Jonathan P. Ive and Duncan Robert Kerr and Shin Nishibori and Matthew Dean Rohrbach and Peter Russell-Clarke and Christopher J. Stringer and Eugene Antony Wang and Rico Zorkendorfer and Daniele De Iuliis**
(45) Registration Date: **11 April 2013**
(30) Convention priority data:
(31) Number (32) Date (33) Country
29/431443 07 Sep 2012 UNITED STATES OF AMERICA
(56) Related Art Documents: **Not Applicable**
(57) Statement of Newness and Distinctiveness: **Newness and distinctiveness resides in the features of shape and configuration of an electronic device illustrated in solid lines in the accompanying drawings.**



- (21) Design Number: **11041/2013**
(22) Date of Filing Application: **28 February 2013**
(24) Date from which industrial property rights may have effect: **28 February 2013**
(54) Product in respect of which the design is registered: **Electronic device**
(51) International Design Classification: **14-02**
(74) Name(s) of Attorney(s): **Freehills Patent Attorneys**
(71) Name(s) and Address(s) of Applicant(s):

Apple Inc.
1 Infinite Loop Cupertino California 95014 United States of America

- (72) Name(s) of Designer(s): **Jody Akana and Bartley K. Andre and Jeremy Bataillou and Daniel J. Coster and M. Evans Hankey and Julian Hoeng and Richard P. Howarth and Jonathan P. Ive and Duncan Robert Kerr and Shin Nishibori and Matthew Dean Rohrbach and Peter Russell-Clarke and Christopher J. Stringer and Eugene Antony Wang and Rico Zorkendorfer and Daniele De Iuliis**

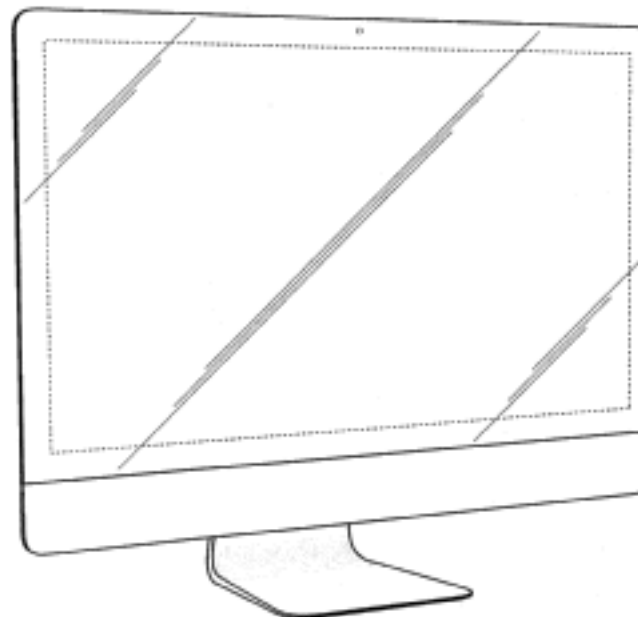
- (45) Registration Date: **11 April 2013**

- (30) Convention priority data:

(31) Number	(32) Date	(33) Country
29/431443	07 Sep 2012	UNITED STATES OF AMERICA

- (56) Related Art Documents: **Not Applicable**

- (57) Statement of Newness and Distinctiveness: **Newness and distinctiveness resides in the features of shape and configuration of an electronic device illustrated in solid lines in the accompanying drawings.**



- (21) Design Number: **11067/2013**
(22) Date of Filing Application: **06 March 2013**
(24) Date from which industrial property rights may have effect: **06 March 2013**
(54) Product in respect of which the design is registered: **Snack product**
(51) International Design Classification: **01-01**
(74) Name(s) of Attorney(s): **PIPERS**
(71) Name(s) and Address(s) of Applicant(s):

Investigacion De Tecnologia Avanzada, S.A. de C.V.
Ave Ruiz Cortines #2002 Ote Col. La Purisima Guadalupe N.L. 67110 Mexico

- (72) Name(s) of Designer(s): **Felipe A. Rubio and Arturo Garcia and Miguel A. Arce and Rodrigo Lobeira**

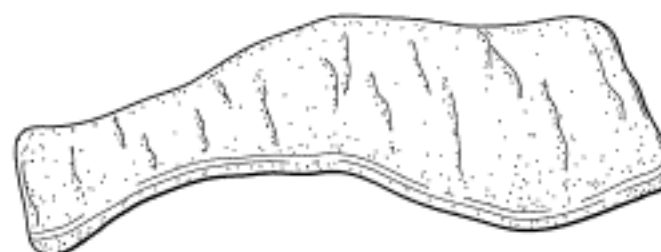
- (45) Registration Date: **11 April 2013**

- (30) Convention priority data:

(31) Number	(32) Date	(33) Country
29/444,550	31 Jan 2013	UNITED STATES OF AMERICA

- (56) Related Art Documents: **Not Applicable**

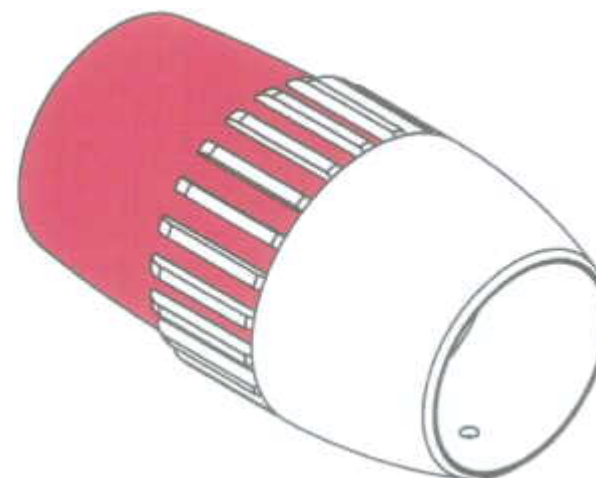
- (57) Statement of Newness and Distinctiveness: **The design is to be applied to a snack product and the novelty resides in the features of shape and configuration of the snack product as shown in the accompanying representations.**



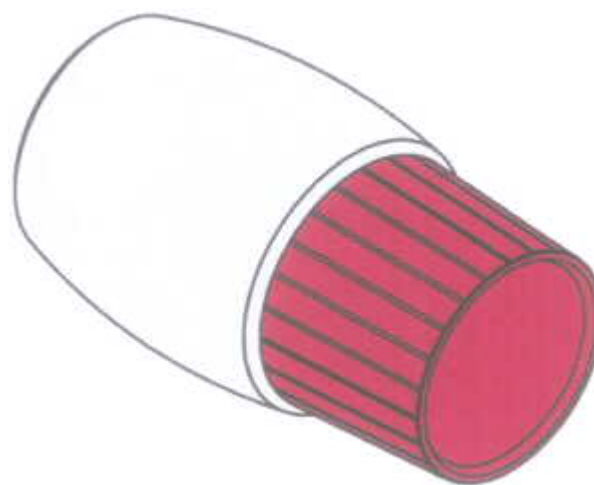
- (21) Design Number: **11094/2013**
(22) Date of Filing Application: **06 March 2013**
(24) Date from which industrial property rights may have effect: **06 March 2013**
(54) Product in respect of which the design is registered: **Cookware elongated side handle**
(51) International Design Classification: **07-02R**
(74) Name(s) of Attorney(s): **PIPERS Melbourne**
(71) Name(s) and Address(s) of Applicant(s):
Meyer Intellectual Properties Limited
382 Kwun Tong Road Hong Kong
(72) Name(s) of Designer(s): **Robert A. Rae**
(45) Registration Date: **11 April 2013**
(30) Convention priority data:
(31) Number (32) Date (33) Country
29/431,328 06 Sep 2012 UNITED STATES OF AMERICA
(56) Related Art Documents: **Not Applicable**
(57) Statement of Newness and Distinctiveness: **The design is to be applied to a cookware elongated side handle and the novelty resides in the features of shape and configuration of the article shown in the accompanying representations. No novelty is claimed for the features shown in broken lines-those are for illustrative purposes only and depict the environment of the design.**



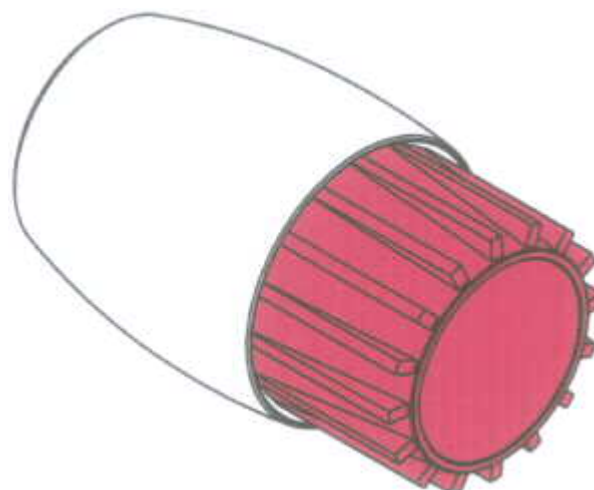
- (21) Design Number: **15729/2012**
(22) Date of Filing Application: **16 November 2012**
(24) Date from which industrial property rights may have effect: **16 November 2012**
(54) Product in respect of which the design is registered: **Exhaust tips for vehicles and motorcycle**
(51) International Design Classification: **12-16N**
(74) Name(s) of Attorney(s):
(71) Name(s) and Address(s) of Applicant(s):
Impulse Engine Technology Pty Ltd
2/64 Market St Randwick NSW 2031 Australia
(72) Name(s) of Designer(s): **Alexander Chabry**
(45) Registration Date: **11 April 2013**
(56) Related Art Documents: **Not Applicable**
(57) Statement of Newness and Distinctiveness: **The exhaust tips feature the shape of jet engines of passenger and fighter planes or the rocket engine of space ships. The exhaust tips also feature either grooves, louvers, fins or multi-colours such as red, silver and black that look like the exhaust of a jet fighter, turbo or space ship never seen before on motor vehicles. In addition the exhaust tips feature either a single-part construction with a single colour or multi-part construction with multiple colours and the parts screw together.**



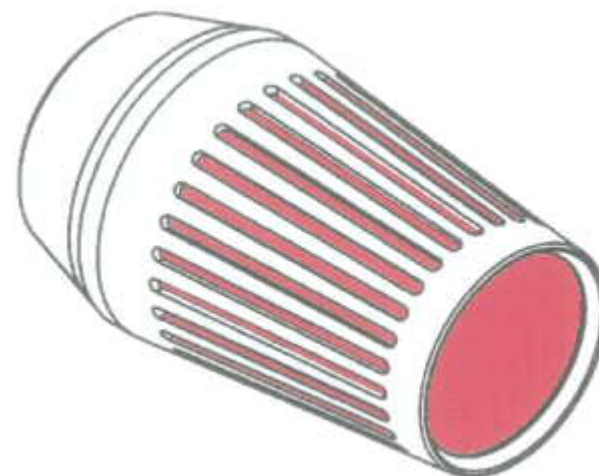
- (21) Design Number: **15731/2012**
(22) Date of Filing Application: **16 November 2012**
(24) Date from which industrial property rights may have effect: **16 November 2012**
(54) Product in respect of which the design is registered: **Exhaust tips for vehicles and motorcycles**
(51) International Design Classification: **12-16N**
(74) Name(s) of Attorney(s):
(71) Name(s) and Address(s) of Applicant(s):
Impulse Engine Technology Pty Ltd
2/64 Market St Randwick NSW 2031 Australia
(72) Name(s) of Designer(s): **Alexander Chabry**
(45) Registration Date: **11 April 2013**
(56) Related Art Documents: **Not Applicable**
(57) Statement of Newness and Distinctiveness: **The exhaust tips feature the shape of jet engines of passenger and fighter planes or the rocket engine of space ships. The exhaust tips also feature either grooves, louvers, fins or multi-colours such as red, silver and black that look like the exhaust of a jet fighter, turbo or space ship never seen before on motor vehicles. In addition the exhaust tips feature either a single-part construction with a single colour or multi-part construction with multiple colours and the parts screw together.**



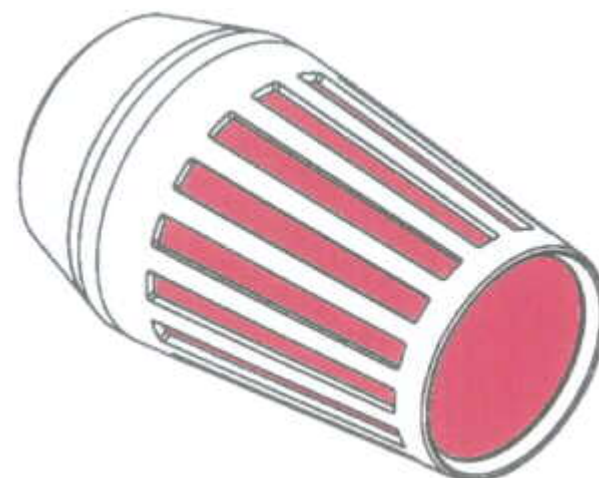
- (21) Design Number: **15732/2012**
(22) Date of Filing Application: **16 November 2012**
(24) Date from which industrial property rights may have effect: **16 November 2012**
(54) Product in respect of which the design is registered: **Exhaust tips for vehicles and motorcycle**
(51) International Design Classification: **12-16N**
(74) Name(s) of Attorney(s):
(71) Name(s) and Address(s) of Applicant(s):
Impulse Engine Technology Pty Ltd
2/64 Market St Randwick NSW 2031 Australia
(72) Name(s) of Designer(s): **Alexander Chabry**
(45) Registration Date: **11 April 2013**
(56) Related Art Documents: **Not Applicable**
(57) Statement of Newness and Distinctiveness: **The exhaust tips feature the shape of jet engines of passenger and fighter planes or the rocket engine of space ships. The exhaust tips also feature either grooves, louvers, fins or multi-colours such as red, silver and black that look like the exhaust of a jet fighter, turbo or space ship never seen before on motor vehicles. In addition the exhaust tips feature either a single-part construction with a single colour or multi-part construction with multiple colours and the parts screw together.**



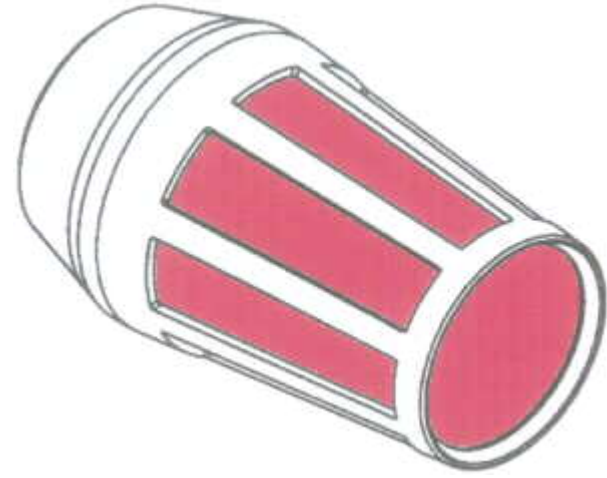
- (21) Design Number: **15734/2012**
(22) Date of Filing Application: **16 November 2012**
(24) Date from which industrial property rights may have effect: **16 November 2012**
(54) Product in respect of which the design is registered: **Exhaust tips for vehicles and motorcycle**
(51) International Design Classification: **12-16N**
(74) Name(s) of Attorney(s):
(71) Name(s) and Address(s) of Applicant(s):
Impulse Engine Technology Pty Ltd
2/64 Market St Randwick NSW 2031 Australia
(72) Name(s) of Designer(s): **Alexander Chabry**
(45) Registration Date: **11 April 2013**
(56) Related Art Documents: **Not Applicable**
(57) Statement of Newness and Distinctiveness: **The exhaust tips feature the shape of jet engines of passenger and fighter planes or the rocket engine of space ships. The exhaust tips also feature either grooves, louvers, fins or multi-colours such as red, silver and black that look like the exhaust of a jet fighter, turbo or space ship never seen before on motor vehicles. In addition the exhaust tips feature either a single-part construction with a single colour or multi-part construction with multiple colours and the parts screw together.**



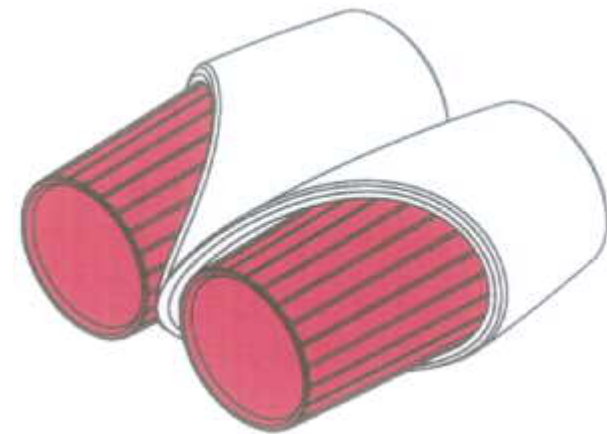
- (21) Design Number: **15735/2012**
(22) Date of Filing Application: **16 November 2012**
(24) Date from which industrial property rights may have effect: **16 November 2012**
(54) Product in respect of which the design is registered: **Exhaust tips for vehicles and motorcycle**
(51) International Design Classification: **12-16N**
(74) Name(s) of Attorney(s):
(71) Name(s) and Address(s) of Applicant(s):
Impulse Engine Technology Pty Ltd
2/64 Market St Randwick NSW 2031 Australia
(72) Name(s) of Designer(s): **Alexander Chabry**
(45) Registration Date: **11 April 2013**
(56) Related Art Documents: **Not Applicable**
(57) Statement of Newness and Distinctiveness: **The exhaust tips feature the shape of jet engines of passenger and fighter planes or the rocket engine of space ships. The exhaust tips also feature either grooves, louvers, fins or multi-colours such as red, silver and black that look like the exhaust of a jet fighter, turbo or space ship never seen before on motor vehicles. In addition the exhaust tips feature either a single-part construction with a single colour or multi-part construction with multiple colours and the parts screw together.**



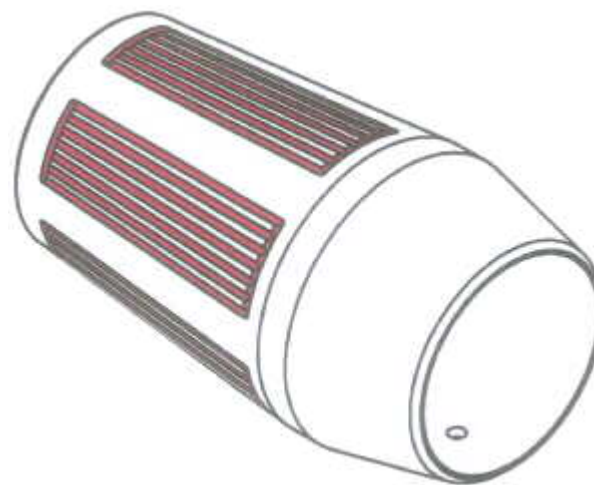
- (21) Design Number: **15736/2012**
(22) Date of Filing Application: **16 November 2012**
(24) Date from which industrial property rights may have effect: **16 November 2012**
(54) Product in respect of which the design is registered: **Exhaust tips for vehicles and motorcycle**
(51) International Design Classification: **12-16N**
(74) Name(s) of Attorney(s):
(71) Name(s) and Address(s) of Applicant(s):
Impulse Engine Technology Pty Ltd
2/64 Market St Randwick NSW 2031 Australia
(72) Name(s) of Designer(s): **Alexander Chabry**
(45) Registration Date: **11 April 2013**
(56) Related Art Documents: **Not Applicable**
(57) Statement of Newness and Distinctiveness: **The exhaust tips feature the shape of jet engines of passenger and fighter planes or the rocket engine of space ships. The exhaust tips also feature either grooves, louvers, fins or multi-colours such as red, silver and black that look like the exhaust of a jet fighter, turbo or space ship never seen before on motor vehicles. In addition the exhaust tips feature either a single-part construction with a single colour or multi-part construction with multiple colours and the parts screw together.**



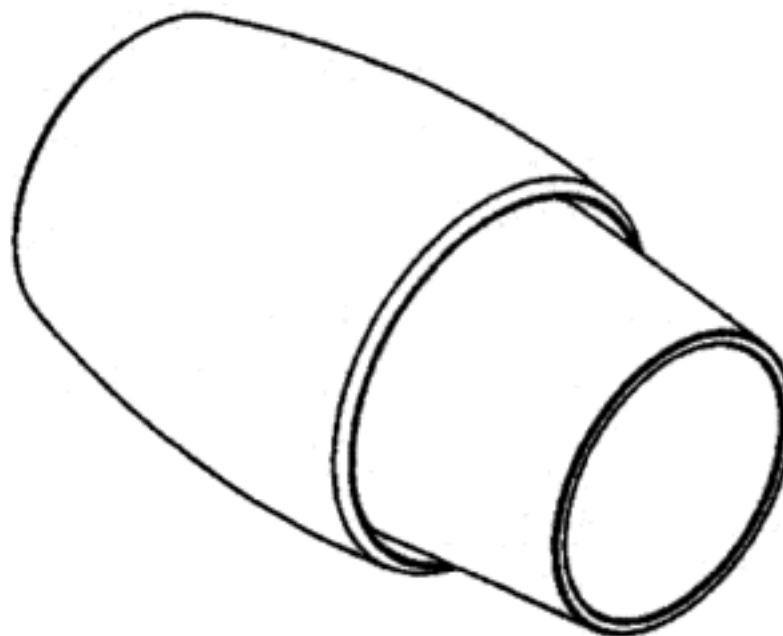
- (21) Design Number: **15738/2012**
(22) Date of Filing Application: **16 November 2012**
(24) Date from which industrial property rights may have effect: **16 November 2012**
(54) Product in respect of which the design is registered: **Exhaust tips for vehicles and motorcycles**
(51) International Design Classification: **12-16N**
(74) Name(s) of Attorney(s):
(71) Name(s) and Address(s) of Applicant(s):
Impulse Engine Technology Pty Ltd
2/64 Market St Randwick NSW 2031 Australia
(72) Name(s) of Designer(s): **Alexander Chabry**
(45) Registration Date: **11 April 2013**
(56) Related Art Documents: **Not Applicable**
(57) Statement of Newness and Distinctiveness: **The exhaust tips feature the shape of jet engines of passenger and fighter planes or the rocket engine of space ships. The exhaust tips also feature either grooves, louvers, fins or multi-colours such as red, silver and black that look like the exhaust of a jet fighter, turbo or space ship never seen before on motor vehicles. In addition the exhaust tips feature either a single-part construction with a single colour or multi-part construction with multiple colours and the parts screw together.**



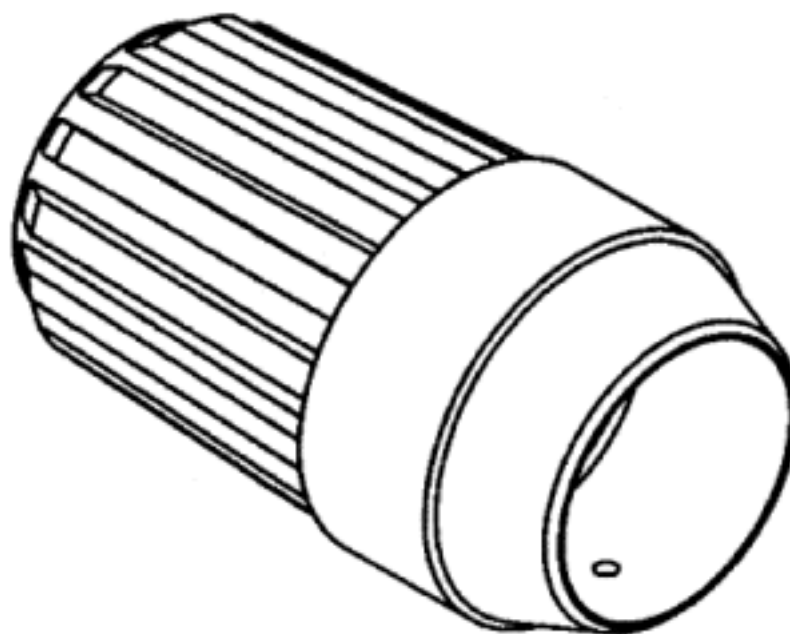
- (21) Design Number: **15739/2012**
(22) Date of Filing Application: **16 November 2012**
(24) Date from which industrial property rights may have effect: **16 November 2012**
(54) Product in respect of which the design is registered: **Exhaust tips for vehicles and motorcycles**
(51) International Design Classification: **12-16N**
(74) Name(s) of Attorney(s):
(71) Name(s) and Address(s) of Applicant(s):
Impulse Engine Technology Pty Ltd
2/64 Market St Randwick NSW 2031 Australia
(72) Name(s) of Designer(s): **Alexander Chabry**
(45) Registration Date: **11 April 2013**
(56) Related Art Documents: **Not Applicable**
(57) Statement of Newness and Distinctiveness: **The exhaust tips feature the shape of jet engines of passenger and fighter planes or the rocket engine of space ships. The exhaust tips also feature either grooves, louvers, fins or multi-colours such as red, silver and black that look like the exhaust of a jet fighter, turbo or space ship never seen before on motor vehicles. In addition the exhaust tips feature either a single-part construction with a single colour or multi-part construction with multiple colours and the parts screw together.**



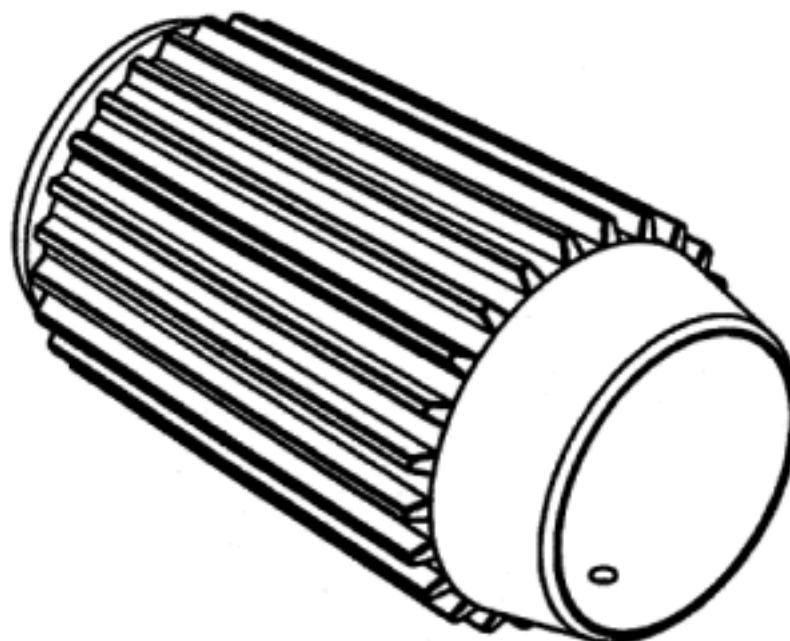
- (21) Design Number: **15740/2012**
(22) Date of Filing Application: **16 November 2012**
(24) Date from which industrial property rights may have effect: **16 November 2012**
(54) Product in respect of which the design is registered: **Exhaust tips for vehicles and motorcycles**
(51) International Design Classification: **12-16N**
(74) Name(s) of Attorney(s):
(71) Name(s) and Address(s) of Applicant(s):
Impulse Engine Technology Pty Ltd
2/64 Market St Randwick NSW 2031 Australia
(72) Name(s) of Designer(s): **Alexander Chabry**
(45) Registration Date: **11 April 2013**
(56) Related Art Documents: **Not Applicable**
(57) Statement of Newness and Distinctiveness: **The exhaust tips feature the shape of jet engines of passenger and fighter planes or the rocket engine of space ships. The exhaust tips also feature either grooves, louvers, fins or multi-colours such as red, silver and black that look like the exhaust of a jet fighter, turbo or space ship never seen before on motor vehicles. In addition the exhaust tips feature either a single-part construction with a single colour or multi-part construction with multiple colours and the parts screw together.**



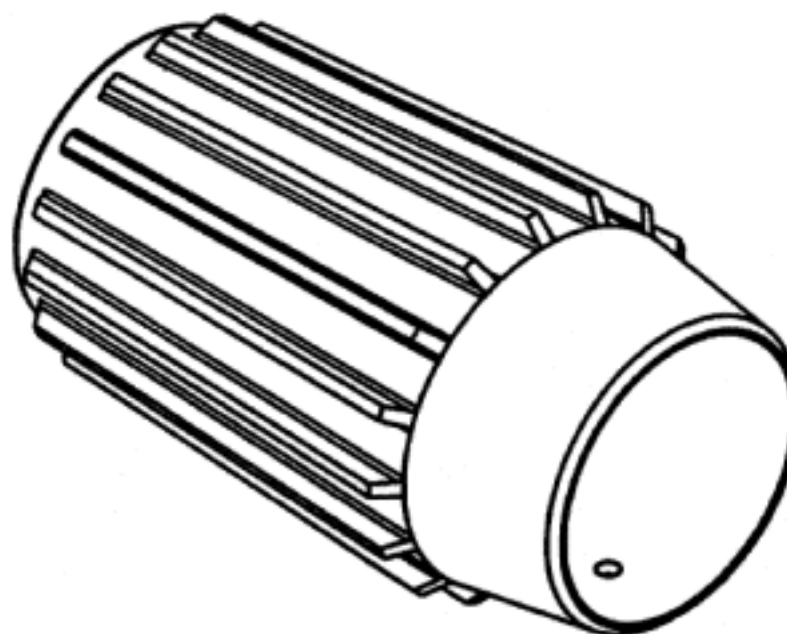
- (21) Design Number: **15742/2012**
(22) Date of Filing Application: **16 November 2012**
(24) Date from which industrial property rights may have effect: **16 November 2012**
(54) Product in respect of which the design is registered: **Exhaust tips for vehicles and motorcycles**
(51) International Design Classification: **12-16N**
(74) Name(s) of Attorney(s):
(71) Name(s) and Address(s) of Applicant(s):
Impulse Engine Technology Pty Ltd
2/64 Market St Randwick NSW 2031 Australia
(72) Name(s) of Designer(s): **Alexander Chabry**
(45) Registration Date: **11 April 2013**
(56) Related Art Documents: **Not Applicable**
(57) Statement of Newness and Distinctiveness: **The exhaust tips feature the shape of jet engines of passenger and fighter planes or the rocket engine of space ships. The exhaust tips also feature either grooves, louvers, fins or multi-colours such as red, silver and black that look like the exhaust of a jet fighter, turbo or space ship never seen before on motor vehicles. In addition the exhaust tips feature either a single-part construction with a single colour or multi-part construction with multiple colours and the parts screw together.**



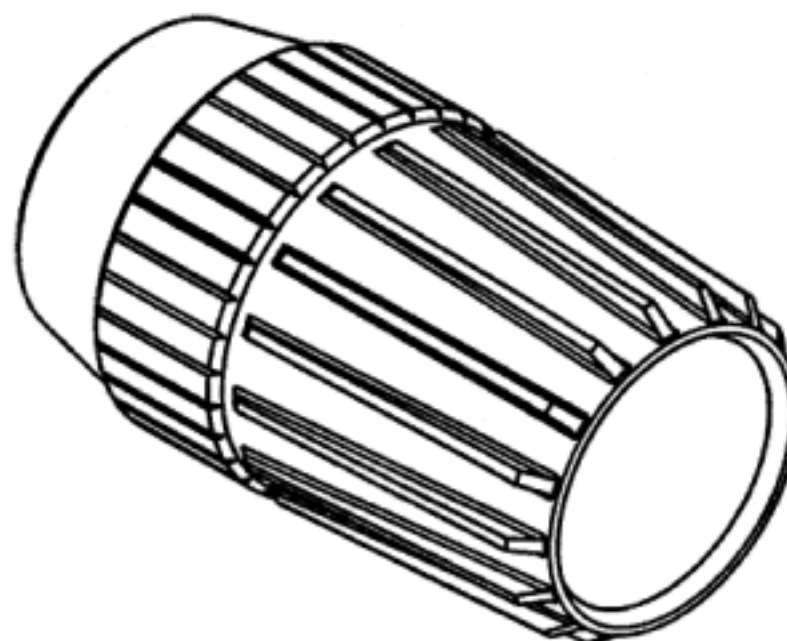
- (21) Design Number: **15743/2012**
(22) Date of Filing Application: **16 November 2012**
(24) Date from which industrial property rights may have effect: **16 November 2012**
(54) Product in respect of which the design is registered: **Exhaust tips for vehicles and motorcycles**
(51) International Design Classification: **12-16N**
(74) Name(s) of Attorney(s):
(71) Name(s) and Address(s) of Applicant(s):
Impulse Engine Technology Pty Ltd
2/64 Market St Randwick NSW 2031 Australia
(72) Name(s) of Designer(s): **Alexander Chabry**
(45) Registration Date: **11 April 2013**
(56) Related Art Documents: **Not Applicable**
(57) Statement of Newness and Distinctiveness: **The exhaust tips feature the shape of jet engines of passenger and fighter planes or the rocket engine of space ships. The exhaust tips also feature either grooves, louvers, fins or multi-colours such as red, silver and black that look like the exhaust of a jet fighter, turbo or space ship never seen before on motor vehicles. In addition the exhaust tips feature either a single-part construction with a single colour or multi-part construction with multiple colours and the parts screw together.**



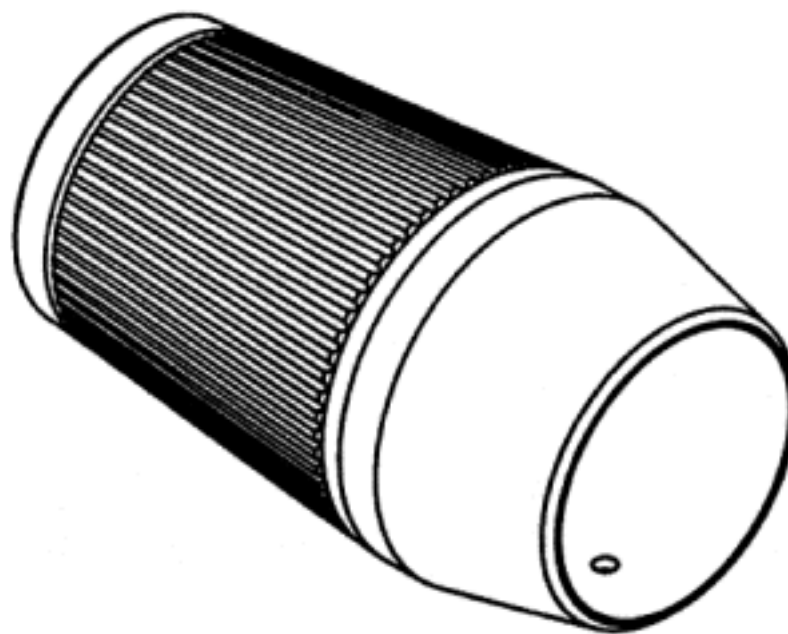
- (21) Design Number: **15745/2012**
(22) Date of Filing Application: **16 November 2012**
(24) Date from which industrial property rights may have effect: **16 November 2012**
(54) Product in respect of which the design is registered: **Exhaust tips for vehicles and motorcycles**
(51) International Design Classification: **12-16N**
(74) Name(s) of Attorney(s):
(71) Name(s) and Address(s) of Applicant(s):
Impulse Engine Technology Pty Ltd
2/64 Market St Randwick NSW 2031 Australia
(72) Name(s) of Designer(s): **Alexander Chabry**
(45) Registration Date: **11 April 2013**
(56) Related Art Documents: **Not Applicable**
(57) Statement of Newness and Distinctiveness: **The exhaust tips feature the shape of jet engines of passenger and fighter planes or the rocket engine of space ships. The exhaust tips also feature either grooves, louvers, fins or multi-colours such as red, silver and black that look like the exhaust of a jet fighter, turbo or space ship never seen before on motor vehicles. In addition the exhaust tips feature either a single-part construction with a single colour or multi-part construction with multiple colours and the parts screw together.**



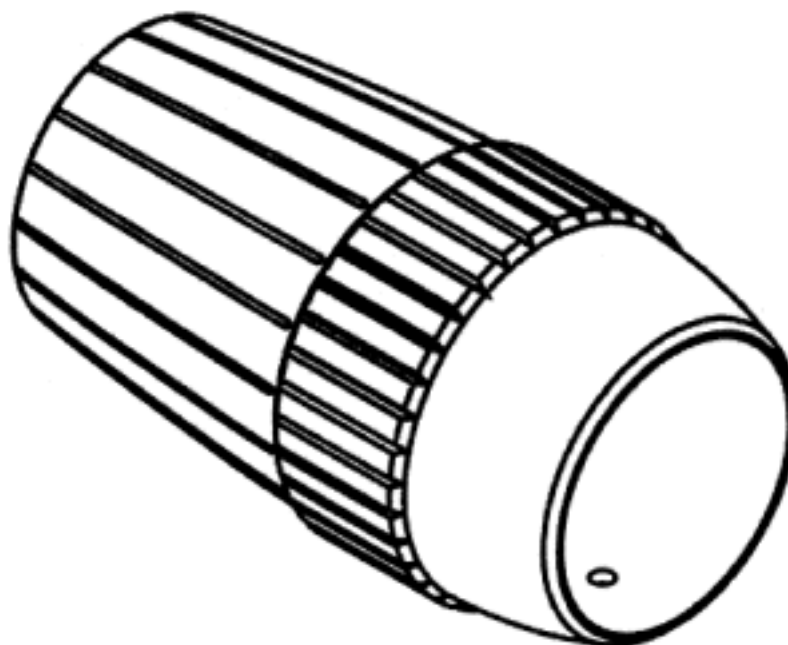
- (21) Design Number: **15746/2012**
(22) Date of Filing Application: **16 November 2012**
(24) Date from which industrial property rights may have effect: **16 November 2012**
(54) Product in respect of which the design is registered: **Exhaust tips for vehicles and motorcycles**
(51) International Design Classification: **12-16N**
(74) Name(s) of Attorney(s):
(71) Name(s) and Address(s) of Applicant(s):
Impulse Engine Technology Pty Ltd
2/64 Market St Randwick NSW 2031 Australia
(72) Name(s) of Designer(s): **Alexander Chabry**
(45) Registration Date: **11 April 2013**
(56) Related Art Documents: **Not Applicable**
(57) Statement of Newness and Distinctiveness: **The exhaust tips feature the shape of jet engines of passenger and fighter planes or the rocket engine of space ships. The exhaust tips also feature either grooves, louvers, fins or multi-colours such as red, silver and black that look like the exhaust of a jet fighter, turbo or space ship never seen before on motor vehicles. In addition the exhaust tips feature either a single-part construction with a single colour or multi-part construction with multiple colours and the parts screw together.**



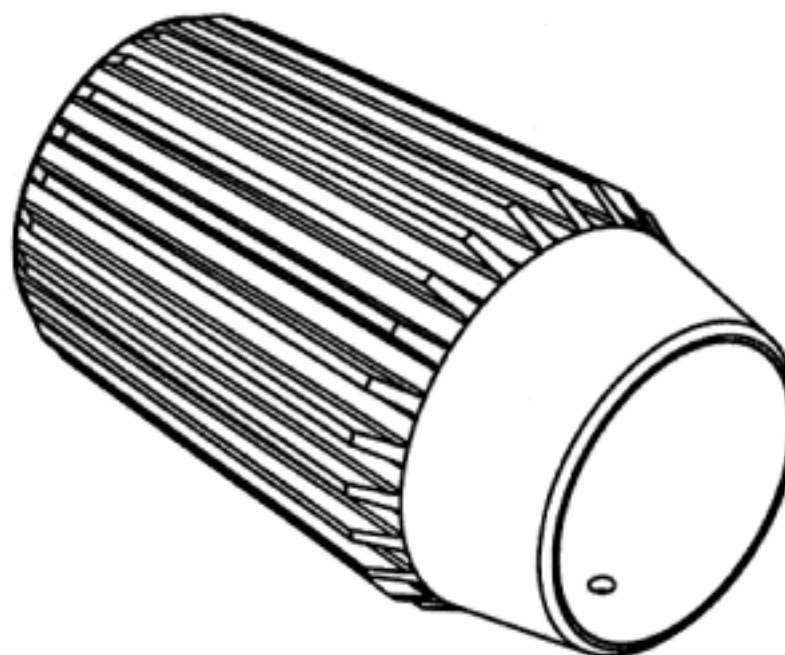
- (21) Design Number: **15748/2012**
(22) Date of Filing Application: **16 November 2012**
(24) Date from which industrial property rights may have effect: **16 November 2012**
(54) Product in respect of which the design is registered: **Exhaust tips for vehicles and motorcycles**
(51) International Design Classification: **12-16N**
(74) Name(s) of Attorney(s):
(71) Name(s) and Address(s) of Applicant(s):
Impulse Engine Technology Pty Ltd
2/64 Market St Randwick NSW 2031 Australia
(72) Name(s) of Designer(s): **Alexander Chabry**
(45) Registration Date: **11 April 2013**
(56) Related Art Documents: **Not Applicable**
(57) Statement of Newness and Distinctiveness: **The exhaust tips feature the shape of jet engines of passenger and fighter planes or the rocket engine of space ships. The exhaust tips also feature either grooves, louvers, fins or multi-colours such as red, silver and black that look like the exhaust of a jet fighter, turbo or space ship never seen before on motor vehicles. In addition the exhaust tips feature either a single-part construction with a single colour or multi-part construction with multiple colours and the parts screw together.**



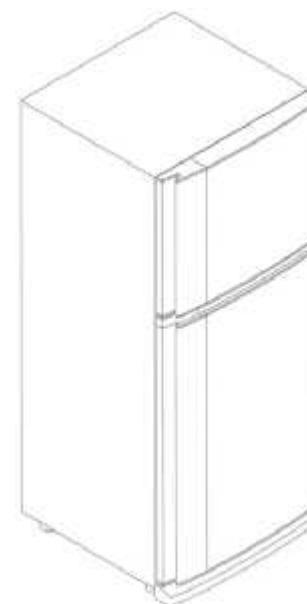
- (21) Design Number: **15749/2012**
(22) Date of Filing Application: **16 November 2012**
(24) Date from which industrial property rights may have effect: **16 November 2012**
(54) Product in respect of which the design is registered: **Exhaust tips for vehicles and motorcycles**
(51) International Design Classification: **12-16N**
(74) Name(s) of Attorney(s):
(71) Name(s) and Address(s) of Applicant(s):
Impulse Engine Technology Pty Ltd
2/64 Market St Randwick NSW 2031 Australia
(72) Name(s) of Designer(s): **Alexander Chabry**
(45) Registration Date: **11 April 2013**
(56) Related Art Documents: **Not Applicable**
(57) Statement of Newness and Distinctiveness: **The exhaust tips feature the shape of jet engines of passenger and fighter planes or the rocket engine of space ships. The exhaust tips also feature either grooves, louvers, fins or multi-colours such as red, silver and black that look like the exhaust of a jet fighter, turbo or space ship never seen before on motor vehicles. In addition the exhaust tips feature either a single-part construction with a single colour or multi-part construction with multiple colours and the parts screw together.**



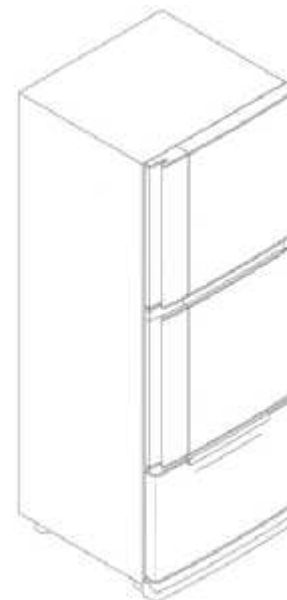
- (21) Design Number: **15750/2012**
(22) Date of Filing Application: **16 November 2012**
(24) Date from which industrial property rights may have effect: **16 November 2012**
(54) Product in respect of which the design is registered: **Exhaust tips for vehicles and motorcycles**
(51) International Design Classification: **12-16N**
(74) Name(s) of Attorney(s):
(71) Name(s) and Address(s) of Applicant(s):
Impulse Engine Technology Pty Ltd
2/64 Market St Randwick NSW 2031 Australia
(72) Name(s) of Designer(s): **Alexander Chabry**
(45) Registration Date: **11 April 2013**
(56) Related Art Documents: **Not Applicable**
(57) Statement of Newness and Distinctiveness: **The exhaust tips feature the shape of jet engines of passenger and fighter planes or the rocket engine of space ships. The exhaust tips also feature either grooves, louvers, fins or multi-colours such as red, silver and black that look like the exhaust of a jet fighter, turbo or space ship never seen before on motor vehicles. In addition the exhaust tips feature either a single-part construction with a single colour or multi-part construction with multiple colours and the parts screw together.**



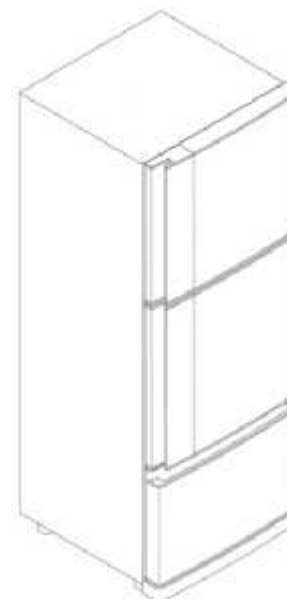
- (21) Design Number: **10227/2013**
(22) Date of Filing Application: **16 January 2013**
(24) Date from which industrial property rights may have effect: **16 January 2013**
(54) Product in respect of which the design is registered: **Refrigerator**
(51) International Design Classification: **15-07**
(74) Name(s) of Attorney(s): **Griffith Hack**
(71) Name(s) and Address(s) of Applicant(s):
Mitsubishi Electric Corporation
2-3 Marunouchi 2-Chome Chiyoda-Ku Tokyo 100-6524 Japan
(72) Name(s) of Designer(s): **Jason Ammerman and Kei Kasuga**
(45) Registration Date: **11 April 2013**
(30) Convention priority data:
(31) Number (32) Date (33) Country
2012-017145 19 Aug 2012 JAPAN
(56) Related Art Documents: **Not Applicable**
(57) Statement of Newness and Distinctiveness: **The newness and distinctiveness of the design resides in the visual features of shape and configuration of the REFRIGERATOR shown in the representations.**



(21) Design Number: **10230/2013**
(22) Date of Filing Application: **16 January 2013**
(24) Date from which industrial property rights may have effect: **16 January 2013**
(54) Product in respect of which the design is registered: **Refrigerator**
(51) International Design Classification: **15-07**
(74) Name(s) of Attorney(s): **Griffith Hack**
(71) Name(s) and Address(s) of Applicant(s):
Mitsubishi Electric Corporation
2-3 Marunouchi 2-Chome Chiyoda-Ku Tokyo 100-6524 Japan
(72) Name(s) of Designer(s): **Jason Ammerman and Kei Kasuga**
(45) Registration Date: **11 April 2013**
(30) Convention priority data:
(31) Number (32) Date (33) Country
2012-017146 19 Jul 2012 JAPAN
(56) Related Art Documents: **Not Applicable**
(57) Statement of Newness and Distinctiveness: **Newness and distinctiveness of the design resides in the visual features of shape and configuration of the REFRIGERATOR shown in the representations.**



(21) Design Number: **10232/2013**
(22) Date of Filing Application: **16 January 2013**
(24) Date from which industrial property rights may have effect: **16 January 2013**
(54) Product in respect of which the design is registered: **Refrigerator**
(51) International Design Classification: **15-07**
(74) Name(s) of Attorney(s): **Griffith Hack**
(71) Name(s) and Address(s) of Applicant(s):
Mitsubishi Electric Corporation
2-3 Marunouchi 2-Chome Chiyoda-Ku Tokyo 100-6524 Japan
(72) Name(s) of Designer(s): **Jason Ammerman and Kei Kasuga**
(45) Registration Date: **11 April 2013**
(30) Convention priority data:
(31) Number (32) Date (33) Country
2012-017147 19 Jul 2012 JAPAN
(56) Related Art Documents: **Not Applicable**
(57) Statement of Newness and Distinctiveness: **The newness and distinctiveness of the design resides in the visual features of shape and configuration of the REFRIGERATOR shown in the representations.**



(21) Design Number: **10342/2013**

(22) Date of Filing Application: **24 January 2013**

(24) Date from which industrial property rights may have effect: **24 January 2013**

(54) Product in respect of which the design is registered: **A marker cone**

(51) International Design Classification: **10-06**

(74) Name(s) of Attorney(s): **A.J. Pietras & Co**

(71) Name(s) and Address(s) of Applicant(s):

Blackout Power Products Limited

19-21 Taonui Street Palmerston North 4410 New Zealand

(72) Name(s) of Designer(s): **Warren George Vining**

(45) Registration Date: **11 April 2013**

(56) Related Art Documents: **Not Applicable**

(57) Statement of Newness and Distinctiveness: **This design is to be applied to a marker cone and the novelty resides in the features of shape and configuration of the article as shown in the accompanying representations.**



(21) Design Number: **10343/2013**

(22) Date of Filing Application: **24 January 2013**

(24) Date from which industrial property rights may have effect: **24 January 2013**

(54) Product in respect of which the design is registered: **A marker cone**

(51) International Design Classification: **10-06**

(74) Name(s) of Attorney(s): **A.J. Pietras & Co**

(71) Name(s) and Address(s) of Applicant(s):

Blackout Power Products Limited

19-21 Taonui Street Palmerston North 4410 New Zealand

(72) Name(s) of Designer(s): **Warren George Vining**

(45) Registration Date: **11 April 2013**

(56) Related Art Documents: **Not Applicable**

(57) Statement of Newness and Distinctiveness: **This design is to be applied to a marker cone and the novelty resides in the features of shape and configuration of the article as shown in the accompanying representations.**



- (21) Design Number: **10681/2013**
(22) Date of Filing Application: **12 February 2013**
(24) Date from which industrial property rights may have effect: **12 February 2013**
(54) Product in respect of which the design is registered: **Toilet building**
(51) International Design Classification: **25-03**
(74) Name(s) of Attorney(s):
(71) Name(s) and Address(s) of Applicant(s):
Belinda Joan Cook
26 Wildfire Rd Maddington WA 6109 Australia
Landmark Engineering & Design Pty Ltd
26 Wildfire Rd Maddington WA 6109 Australia
(72) Name(s) of Designer(s): **Gavin Mark Cook**
(45) Registration Date: **11 April 2013**
(56) Related Art Documents: **Not Applicable**
(57) Statement of Newness and Distinctiveness: **A unique universal access, multi user toilet building designed with curved roof and angled verandah columns.**



- (21) Design Number: **10680/2013**
(22) Date of Filing Application: **12 February 2013**
(24) Date from which industrial property rights may have effect: **12 February 2013**
(54) Product in respect of which the design is registered: **Toilet building**
(51) International Design Classification: **25-03**
(74) Name(s) of Attorney(s):
(71) Name(s) and Address(s) of Applicant(s):
Belinda Joan Cook
26 Wildfire Rd Maddington WA 6109 Australia
Landmark Engineering & Design Pty Ltd
26 Wildfire Rd Maddington WA 6109 Australia
(72) Name(s) of Designer(s): **Gavin Mark Cook**
(45) Registration Date: **11 April 2013**
(56) Related Art Documents: **Not Applicable**
(57) Statement of Newness and Distinctiveness: **A unique universal access single toilet building designed with curved roof and angled verandah columns.**



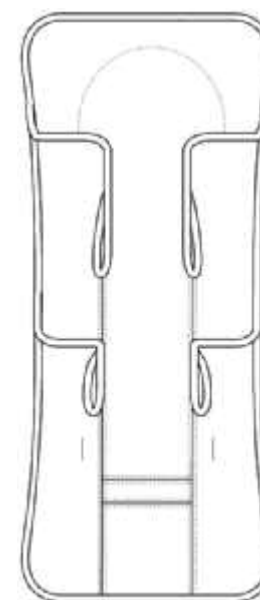
(21) Design Number: **10679/2013**
(22) Date of Filing Application: **12 February 2013**
(24) Date from which industrial property rights may have effect: **12 February 2013**
(54) Product in respect of which the design is registered: **Shelter**
(51) International Design Classification: **25-03**
(74) Name(s) of Attorney(s):
(71) Name(s) and Address(s) of Applicant(s):
Belinda Joan Cook
26 Wildfire Rd Maddington WA 6109 Australia
(72) Name(s) of Designer(s): **Gavin Mark Cook**
(45) Registration Date: **11 April 2013**
(56) Related Art Documents: **Not Applicable**
(57) Statement of Newness and Distinctiveness: **Large waved shelter with overhanging roof and two angled columns.**



(21) Design Number: **10740/2013**
(22) Date of Filing Application: **15 February 2013**
(24) Date from which industrial property rights may have effect: **15 February 2013**
(54) Product in respect of which the design is registered: **Dispensing container**
(51) International Design Classification: **09-01A**
(74) Name(s) of Attorney(s): **Davies Collison Cave**
(71) Name(s) and Address(s) of Applicant(s):
Bayer Consumer Care AG
Peter Merian-Str. 84 4052 Basel Switzerland
(72) Name(s) of Designer(s): **Bruno Chazel and Sebastien Lucien FILY**
(45) Registration Date: **11 April 2013**
(30) Convention priority data:
(31) Number (32) Date (33) Country
002094763-0003 30 Aug 2012 OFFICE FOR HARMONISATION IN THE INTERNAL MARKET (OHIM)
(56) Related Art Documents: **Not Applicable**
(57) Statement of Newness and Distinctiveness: **Newness and distinctiveness is claimed in the visual features shown in solid lines in the representations. In considering the extent of the design rights shading/rendering/light effects/colour shown in the representations is for illustrative purposes only and does not form part of the design.**



- (21) Design Number: **10470/2013**
(22) Date of Filing Application: **31 January 2013**
(24) Date from which industrial property rights may have effect: **31 January 2013**
(54) Product in respect of which the design is registered: **Pram / stroller liner**
(51) International Design Classification: **06-13B**
(74) Name(s) of Attorney(s):
(71) Name(s) and Address(s) of Applicant(s):
Lauren Anne Southern
8 Sabal PI Beaumont Hills NSW 2155 Australia
(72) Name(s) of Designer(s): **Lauren Anne Southern**
(45) Registration Date: **11 April 2013**
(56) Related Art Documents: **Not Applicable**
(57) Statement of Newness and Distinctiveness: **Newness and distinctiveness is claimed in the features of shape and/or configuration of a pram / stroller liner incorporating two vertical shoulder straps sections (A) and two waist straps sections (B) secured to the pram / stroller liner with Velcro fasteners and the design of two horizontal leg hole sections with hard sewn edges (C) that will not fray as illustrated in the accompanying representations.**



- (21) Design Number: **10756/2013**
(22) Date of Filing Application: **18 February 2013**
(24) Date from which industrial property rights may have effect: **18 February 2013**
(54) Product in respect of which the design is registered: **Stylus pen for a portable electronic device**
(51) International Design Classification: **21-01N, 19-06**
(74) Name(s) of Attorney(s): **IP Gateway Patent & Trademark Attorneys**
(71) Name(s) and Address(s) of Applicant(s):
Samsung Electronics Co., Ltd
129 Samsung-ro Yeongtong-gu Suwon-si Gyeonggi-do 443-742 Republic of Korea
(72) Name(s) of Designer(s): **Chung JaeWoong**
(45) Registration Date: **11 April 2013**
(30) Convention priority data:
(31) Number (32) Date (33) Country
30-2012-0041295 28 Aug 2012 REPUBLIC OF KOREA
(56) Related Art Documents: **Not Applicable**
(57) Statement of Newness and Distinctiveness: **The newness and distinctiveness of the design resides in the visual features of shape and/or configuration of a stylus pen for a portable electronic device as shown in solid lines in the accompanying representations.**



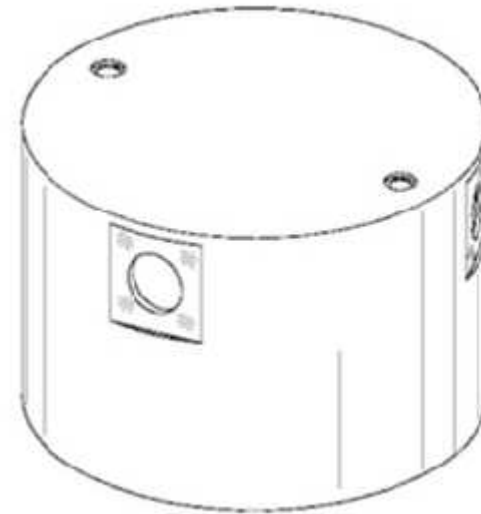
- (21) Design Number: **10813/2013**
(22) Date of Filing Application: **21 February 2013**
(24) Date from which industrial property rights may have effect: **21 February 2013**
(54) Product in respect of which the design is registered: **Puzzle**
(51) International Design Classification: **21-01M**
(74) Name(s) of Attorney(s):
(71) Name(s) and Address(s) of Applicant(s):
William Joseph Varey
55 Swanbourne St Fremantle WA 6160 Australia
(72) Name(s) of Designer(s): **William Joseph Varey**
(45) Registration Date: **11 April 2013**
(56) Related Art Documents: **Not Applicable**
(57) Statement of Newness and Distinctiveness: **Newness and distinctiveness is claimed in the features of shape and configuration of a puzzle as illustrated in the representations.**



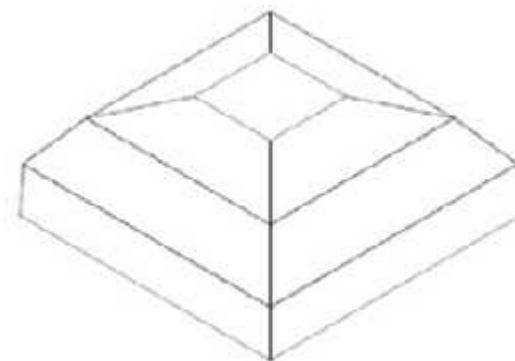
- (21) Design Number: **16578/2012**
(22) Date of Filing Application: **24 December 2012**
(24) Date from which industrial property rights may have effect: **24 December 2012**
(54) Product in respect of which the design is registered: **Eyeglass component**
(51) International Design Classification: **16-06**
(74) Name(s) of Attorney(s): **Davies Collison Cave**
(71) Name(s) and Address(s) of Applicant(s):
Oakley, Inc.
One Icon Foothill Ranch California 92610 United States of America
(72) Name(s) of Designer(s): **George Yoo**
(45) Registration Date: **11 April 2013**
(30) Convention priority data:
(31) Number (32) Date (33) Country
29/426132 29 Jun 2012 UNITED STATES OF AMERICA
(56) Related Art Documents: **Not Applicable**
(57) Statement of Newness and Distinctiveness: **Newness and distinctiveness is claimed in the visual features shown in solid lines in the representations and in the features of pattern/ornamentation as shown.**



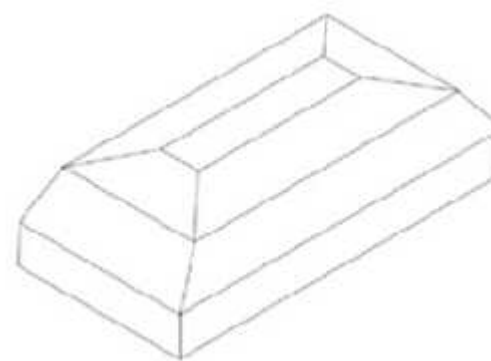
- (21) Design Number: **10897/2013**
(22) Date of Filing Application: **26 February 2013**
(24) Date from which industrial property rights may have effect: **26 February 2013**
(54) Product in respect of which the design is registered: **Cap for a motor housing**
(51) International Design Classification: **15-01**
(74) Name(s) of Attorney(s): **Knightsbridge Patent Attorneys**
(71) Name(s) and Address(s) of Applicant(s):
Ary Pty Ltd
FY1 17 Patrick Ct Seaford VIC 3198 Australia
(72) Name(s) of Designer(s): **Malki Allan Aboud Ary**
(45) Registration Date: **12 April 2013**
(56) Related Art Documents: **Not Applicable**
(57) Statement of Newness and Distinctiveness: **The applicant claims that newness and distinctiveness reside in the features of shape and configuration of a cap for a motor vehicle housing, as depicted in the accompanying representations.**



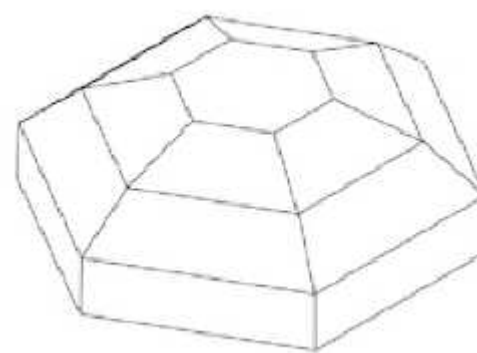
- (21) Design Number: **10902/2013**
(22) Date of Filing Application: **26 February 2013**
(24) Date from which industrial property rights may have effect: **26 February 2013**
(54) Product in respect of which the design is registered: **Light fitting**
(51) International Design Classification: **26-05C**
(74) Name(s) of Attorney(s): **Baldwins**
(71) Name(s) and Address(s) of Applicant(s):
Neil McLachlan Design Limited
Unit 43 21 Armoy Drive Botany Downs 2010 New Zealand
(72) Name(s) of Designer(s): **Neil Roderick McLachlan**
(45) Registration Date: **12 April 2013**
(56) Related Art Documents: **Not Applicable**
(57) Statement of Newness and Distinctiveness: **The design is to be applied to a light fitting and the novelty resides in the features of shape and configuration as shown in the accompanying representations.**



- (21) Design Number: **10904/2013**
(22) Date of Filing Application: **26 February 2013**
(24) Date from which industrial property rights may have effect: **26 February 2013**
(54) Product in respect of which the design is registered: **Light fitting**
(51) International Design Classification: **26-05C**
(74) Name(s) of Attorney(s): **Baldwins**
(71) Name(s) and Address(s) of Applicant(s):
Neil McLachlan Design Limited
Unit 43 21 Armoy Drive Botany Downs 2010 New Zealand
(72) Name(s) of Designer(s): **Neil Roderick McLachlan**
(45) Registration Date: **12 April 2013**
(56) Related Art Documents: **Not Applicable**
(57) Statement of Newness and Distinctiveness: **The design is to be applied to a light fitting and the novelty resides in the features of shape and configuration as shown in the accompanying representations.**



- (21) Design Number: **10907/2013**
(22) Date of Filing Application: **26 February 2013**
(24) Date from which industrial property rights may have effect: **26 February 2013**
(54) Product in respect of which the design is registered: **Light fitting**
(51) International Design Classification: **26-05C**
(74) Name(s) of Attorney(s): **Baldwins**
(71) Name(s) and Address(s) of Applicant(s):
Neil McLachlan Design Limited
Unit 43 21 Armoy Drive Botany Downs 2010 New Zealand
(72) Name(s) of Designer(s): **Neil Roderick McLachlan**
(45) Registration Date: **12 April 2013**
(56) Related Art Documents: **Not Applicable**
(57) Statement of Newness and Distinctiveness: **The design is to be applied to a light fitting and the novelty resides in the features of shape and configuration as shown in the accompanying representations.**



(21) Design Number: **10910/2013**
(22) Date of Filing Application: **26 February 2013**
(24) Date from which industrial property rights may have effect: **26 February 2013**
(54) Product in respect of which the design is registered: **Balancing weight**
(51) International Design Classification: **12-16A**
(74) Name(s) of Attorney(s): **Cullens Patent and Trade Mark Attorneys**
(71) Name(s) and Address(s) of Applicant(s):

Wegmann automotive GmbH & Co. KG
Rudolf-Diesel-Strasse 6 Veitshochheim 97209 Germany

(72) Name(s) of Designer(s): **Hans Ulrich Burgel**

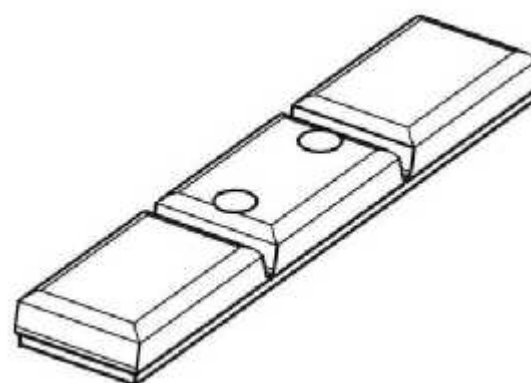
(45) Registration Date: **12 April 2013**

(30) Convention priority data:

(31) Number	(32) Date	(33) Country
002092924-0001	27 Aug 2012	OFFICE FOR HARMONISATION IN THE INTERNAL MARKET (OHIM)

(56) Related Art Documents: **Not Applicable**

(57) Statement of Newness and Distinctiveness: **Nil**



(21) Design Number: **10911/2013**
(22) Date of Filing Application: **26 February 2013**
(24) Date from which industrial property rights may have effect: **26 February 2013**
(54) Product in respect of which the design is registered: **Stack of balancing weights**
(51) International Design Classification: **12-16A**
(74) Name(s) of Attorney(s): **Cullens Patent and Trade Mark Attorneys**
(71) Name(s) and Address(s) of Applicant(s):

Wegmann automotive GmbH & Co. KG
Rudolf-Diesel-Strasse 6 Veitshochheim 97209 Germany

(72) Name(s) of Designer(s): **Hans Ulrich Burgel**

(45) Registration Date: **12 April 2013**

(30) Convention priority data:

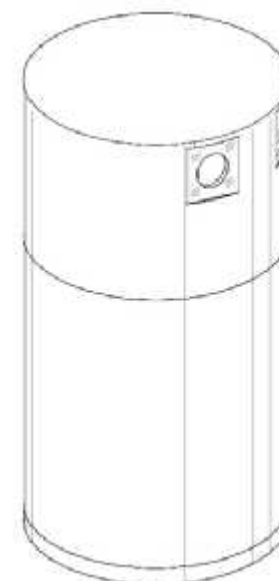
(31) Number	(32) Date	(33) Country
002092924-0003	27 Aug 2012	OFFICE FOR HARMONISATION IN THE INTERNAL MARKET (OHIM)

(56) Related Art Documents: **Not Applicable**

(57) Statement of Newness and Distinctiveness: **Nil**



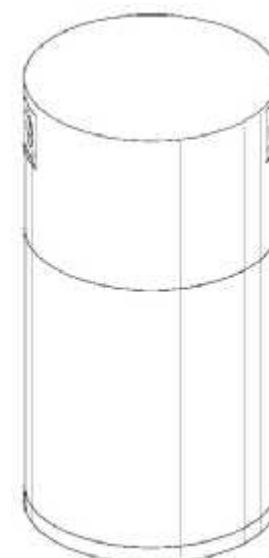
(21) Design Number: **10913/2013**
(22) Date of Filing Application: **26 February 2013**
(24) Date from which industrial property rights may have effect: **26 February 2013**
(54) Product in respect of which the design is registered: **Housing assembly for a motor**
(51) International Design Classification: **15-01**
(74) Name(s) of Attorney(s): **Knightsbridge Patent Attorneys**
(71) Name(s) and Address(s) of Applicant(s):
Ary Pty Ltd
FY1 17 Patrick Ct Seaford VIC 3198 Australia
(72) Name(s) of Designer(s): **Malki Allan Aboud Ary**
(45) Registration Date: **12 April 2013**
(56) Related Art Documents: **Not Applicable**
(57) Statement of Newness and Distinctiveness: **The Applicant claims that newness and distinctiveness reside in the features of shape and configuration of a housing assembly for a motor, as depicted in the accompanying illustrations.**



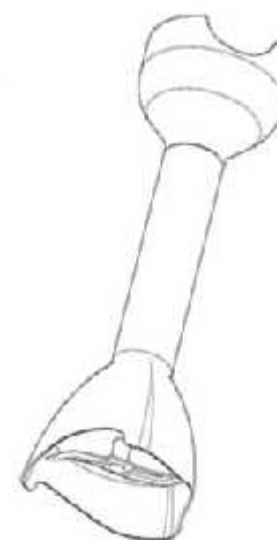
(21) Design Number: **10915/2013**
(22) Date of Filing Application: **26 February 2013**
(24) Date from which industrial property rights may have effect: **26 February 2013**
(54) Product in respect of which the design is registered: **Protective casing for handheld electronic device**
(51) International Design Classification: **03-01NES**
(74) Name(s) of Attorney(s): **Griffith Hack**
(71) Name(s) and Address(s) of Applicant(s):
SwitchEasy Limited
Room 314 Sing Win Factory Building 15-17 Shing Yip Street Kwun Tong
Kowloon Hong Kong
(72) Name(s) of Designer(s): **Chi Vun Steven Bau**
(45) Registration Date: **12 April 2013**
(30) Convention priority data:
(31) Number (32) Date (33) Country
1202198.4 31 Oct 2012 HONG KONG
(56) Related Art Documents: **Not Applicable**
(57) Statement of Newness and Distinctiveness: **Newness and distinctiveness resides in the visual features, including shape, configuration and ornamentation, of the product as shown in the representations. Figures 9 and 10 illustrate front and rear perspective views of the product in which the product is being separated into parts, one part including a detachable recharging set.**



(21) Design Number: **10916/2013**
(22) Date of Filing Application: **26 February 2013**
(24) Date from which industrial property rights may have effect: **26 February 2013**
(54) Product in respect of which the design is registered: **Housing assembly for a motor**
(51) International Design Classification: **15-01**
(74) Name(s) of Attorney(s): **Knightsbridge Patent Attorneys**
(71) Name(s) and Address(s) of Applicant(s):
Ary Pty Ltd
FY1 17 Patrick Ct Seaford VIC 3198 Australia
(72) Name(s) of Designer(s): **Malki Allan Aboud Ary**
(45) Registration Date: **12 April 2013**
(56) Related Art Documents: **Not Applicable**
(57) Statement of Newness and Distinctiveness: **The Applicant claims that newness and distinctiveness reside in the features of shape and configuration of a housing assembly for a motor, as depicted in the accompanying illustrations.**



(21) Design Number: **10929/2013**
(22) Date of Filing Application: **27 February 2013**
(24) Date from which industrial property rights may have effect: **27 February 2013**
(54) Product in respect of which the design is registered: **Blender bar**
(51) International Design Classification: **31-00**
(74) Name(s) of Attorney(s): **FB Rice**
(71) Name(s) and Address(s) of Applicant(s):
Koninklijke Philips Electronics N.V.
High Tech Campus 5 5656 AE Eindhoven The Netherlands
(72) Name(s) of Designer(s): **Christian Egger and Heimo Obersteiner**
(45) Registration Date: **12 April 2013**
(30) Convention priority data:
(31) Number (32) Date (33) Country
002094771-0001 30 Aug 2012 OFFICE FOR HARMONISATION IN THE INTERNAL MARKET (OHIM)
(56) Related Art Documents: **Not Applicable**
(57) Statement of Newness and Distinctiveness: **Newness and distinctiveness reside in the features of shape and configuration of the design as shown in the representations.**



(21) Design Number: **10930/2013**
(22) Date of Filing Application: **27 February 2013**
(24) Date from which industrial property rights may have effect: **27 February 2013**
(54) Product in respect of which the design is registered: **Steamer**
(51) International Design Classification: **07-02H, 07-02N**
(74) Name(s) of Attorney(s): **FB Rice**
(71) Name(s) and Address(s) of Applicant(s):
Koninklijke Philips Electronics N.V.
High Tech Campus 5 5656 AE Eindhoven The Netherlands
(72) Name(s) of Designer(s): **Lacides Manuel Marquez and Frank Verbrugge and Paula Andrea Allende Fritsch and Ted Chun Pong Yuan**
(45) Registration Date: **12 April 2013**
(30) Convention priority data:
(31) Number (32) Date (33) Country
002094995-0001 30 Aug 2012 OFFICE FOR HARMONISATION IN THE INTERNAL MARKET (OHIM)
(56) Related Art Documents: **Not Applicable**
(57) Statement of Newness and Distinctiveness: **Newness and distinctiveness reside in the features of shape and configuration of the design as shown in the representations.**



(21) Design Number: **10932/2013**
(22) Date of Filing Application: **27 February 2013**
(24) Date from which industrial property rights may have effect: **27 February 2013**
(54) Product in respect of which the design is registered: **Blender**
(51) International Design Classification: **31-00**
(74) Name(s) of Attorney(s): **FB Rice**
(71) Name(s) and Address(s) of Applicant(s):
Koninklijke Philips Electronics N.V.
High Tech Campus 5 5656 AE Eindhoven The Netherlands
(72) Name(s) of Designer(s): **Lacides Manuel Marquez and Frank Verbrugge and Paula Andrea Allende Fritsch and Ted Chun Pong Yuan**
(45) Registration Date: **12 April 2013**
(30) Convention priority data:
(31) Number (32) Date (33) Country
002095026-0001 30 Aug 2012 OFFICE FOR HARMONISATION IN THE INTERNAL MARKET (OHIM)
(56) Related Art Documents: **Not Applicable**
(57) Statement of Newness and Distinctiveness: **Newness and distinctiveness reside in the features of shape and configuration of the design as shown in the representations.**



(21) Design Number: **10933/2013**
(22) Date of Filing Application: **27 February 2013**
(24) Date from which industrial property rights may have effect: **27 February 2013**
(54) Product in respect of which the design is registered: **Food processor**
(51) International Design Classification: **31-00**
(74) Name(s) of Attorney(s): **FB Rice**
(71) Name(s) and Address(s) of Applicant(s):
Koninklijke Philips Electronics N.V.
High Tech Campus 5 5656 AE Eindhoven The Netherlands
(72) Name(s) of Designer(s): **Lacides Manuel Marquez and Frank Verbrugge and Paula Andrea Allende Fritsch and Ted Chun Pong Yuan**
(45) Registration Date: **12 April 2013**
(30) Convention priority data:
(31) Number (32) Date (33) Country
002095026-0002 30 Aug 2012 OFFICE FOR HARMONISATION IN THE INTERNAL MARKET (OHIM)
(56) Related Art Documents: **Not Applicable**
(57) Statement of Newness and Distinctiveness: **Newness and distinctiveness reside in the features of shape and configuration of the design as shown in the representations.**



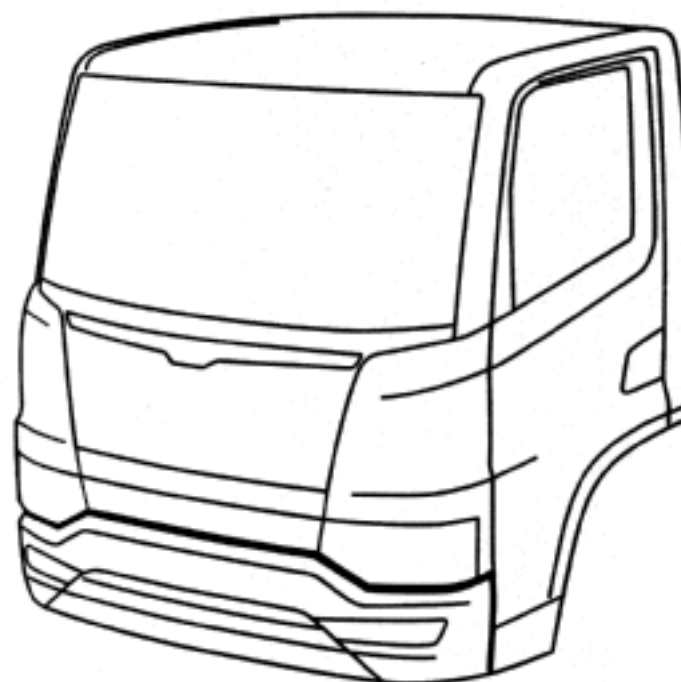
(21) Design Number: **10935/2013**
(22) Date of Filing Application: **27 February 2013**
(24) Date from which industrial property rights may have effect: **27 February 2013**
(54) Product in respect of which the design is registered: **Air fryer**
(51) International Design Classification: **07-02N**
(74) Name(s) of Attorney(s): **FB Rice**
(71) Name(s) and Address(s) of Applicant(s):
Koninklijke Philips Electronics N.V.
High Tech Campus 5 5656 AE Eindhoven The Netherlands
(72) Name(s) of Designer(s): **Frank Verbrugge and Roeland Gerard Krooshof**
(45) Registration Date: **12 April 2013**
(30) Convention priority data:
(31) Number (32) Date (33) Country
002095083-0001 30 Aug 2012 OFFICE FOR HARMONISATION IN THE INTERNAL MARKET (OHIM)
(56) Related Art Documents: **Not Applicable**
(57) Statement of Newness and Distinctiveness: **Newness and distinctiveness reside in the features of shape and configuration of the design as shown in the representations.**



(21) Design Number: **10943/2013**
(22) Date of Filing Application: **27 February 2013**
(24) Date from which industrial property rights may have effect: **27 February 2013**
(54) Product in respect of which the design is registered: **Driver's cabin for a vehicle**
(51) International Design Classification: **12-08**
(74) Name(s) of Attorney(s): **SPRUSON & FERGUSON**
(71) Name(s) and Address(s) of Applicant(s):
MAN Truck & Bus AG
Dachauer Str. 667 Munich 80995 Germany
(72) Name(s) of Designer(s): **Holger Koos**
(45) Registration Date: **12 April 2013**
(30) Convention priority data:
(31) Number (32) Date (33) Country
002095620 31 Aug 2012 OFFICE FOR HARMONISATION IN
THE INTERNAL MARKET (OHIM)
(56) Related Art Documents: **Not Applicable**
(57) Statement of Newness and Distinctiveness: **Newness and distinctiveness is claimed in the features of shape and/or configuration of a driver's cabin for a vehicle as illustrated in the accompanying representations.**



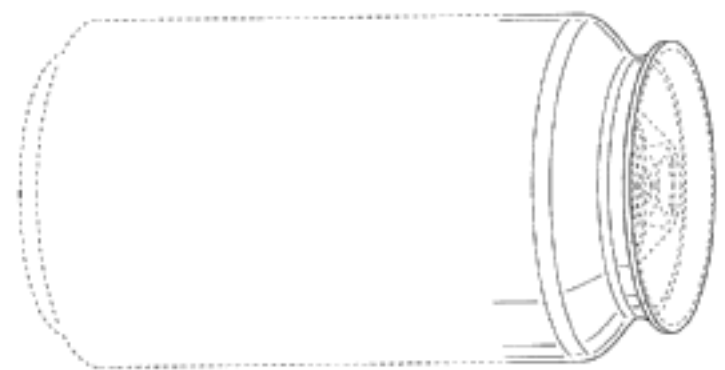
(21) Design Number: **10944/2013**
(22) Date of Filing Application: **27 February 2013**
(24) Date from which industrial property rights may have effect: **27 February 2013**
(54) Product in respect of which the design is registered: **Driver's cabin for a vehicle**
(51) International Design Classification: **12-08**
(74) Name(s) of Attorney(s): **SPRUSON & FERGUSON**
(71) Name(s) and Address(s) of Applicant(s):
MAN Truck & Bus AG
Dachauer Str. 667 Munich 80995 Germany
(72) Name(s) of Designer(s): **Holger Koos**
(45) Registration Date: **12 April 2013**
(30) Convention priority data:
(31) Number (32) Date (33) Country
002095596 31 Aug 2012 OFFICE FOR HARMONISATION IN
THE INTERNAL MARKET (OHIM)
(56) Related Art Documents: **Not Applicable**
(57) Statement of Newness and Distinctiveness: **Newness and distinctiveness is claimed in the features of shape and/or configuration of a driver's cabin for a vehicle as illustrated in the accompanying representations.**



(21) Design Number: **10945/2013**
(22) Date of Filing Application: **27 February 2013**
(24) Date from which industrial property rights may have effect: **27 February 2013**
(54) Product in respect of which the design is registered: **Beverage container**
(51) International Design Classification: **09-03L**
(74) Name(s) of Attorney(s): **Madderns**
(71) Name(s) and Address(s) of Applicant(s):
Ball Corporation
10 Longs Peak Drive Broomfield Colorado 80021-2510 United States of America
(72) Name(s) of Designer(s): **Mark A. Jacober and Howard C. Chasteen**
(45) Registration Date: **12 April 2013**
(30) Convention priority data:
(31) Number (32) Date (33) Country
29/430744 29 Aug 2012 UNITED STATES OF AMERICA
(56) Related Art Documents: **Not Applicable**
(57) Statement of Newness and Distinctiveness: **Newness and distinctiveness is claimed in the shape and/or configuration of the contoured neck of a beverage container as depicted in the accompanying drawings. In considering the scope of protection no regard will be had to the features depicted in broken lines.**



(21) Design Number: **10946/2013**
(22) Date of Filing Application: **27 February 2013**
(24) Date from which industrial property rights may have effect: **27 February 2013**
(54) Product in respect of which the design is registered: **Beverage container**
(51) International Design Classification: **09-03L**
(74) Name(s) of Attorney(s): **Madderns**
(71) Name(s) and Address(s) of Applicant(s):
Ball Corporation
10 Longs Peak Drive Broomfield Colorado 80021-2510 United States of America
(72) Name(s) of Designer(s): **Mark A. Jacober and Howard C. Chasteen**
(45) Registration Date: **12 April 2013**
(30) Convention priority data:
(31) Number (32) Date (33) Country
29/430744 29 Aug 2012 UNITED STATES OF AMERICA
(56) Related Art Documents: **Not Applicable**
(57) Statement of Newness and Distinctiveness: **Newness and distinctiveness is claimed in the shape and/or configuration of the contoured neck of a beverage container as depicted in the accompanying drawings. In considering the scope of protection no regard will be had to the features depicted in broken lines.**



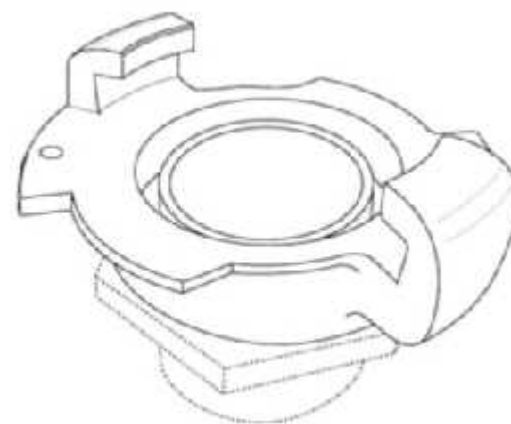
(21) Design Number: **10947/2013**
(22) Date of Filing Application: **27 February 2013**
(24) Date from which industrial property rights may have effect: **27 February 2013**
(54) Product in respect of which the design is registered: **Beverage container**
(51) International Design Classification: **09-03L**
(74) Name(s) of Attorney(s): **Madderns**
(71) Name(s) and Address(s) of Applicant(s):
Ball Corporation
10 Longs Peak Drive Broomfield Colorado 80021-2510 United States of America
(72) Name(s) of Designer(s): **Mark A. Jacober and Howard C. Chasteen**
(45) Registration Date: **12 April 2013**
(30) Convention priority data:
(31) Number (32) Date (33) Country
29/430744 29 Aug 2012 UNITED STATES OF AMERICA
(56) Related Art Documents: **Not Applicable**
(57) Statement of Newness and Distinctiveness: **Newness and distinctiveness is claimed in the shape and/or configuration of the contoured neck of a beverage container as depicted in the accompanying drawings. In considering the scope of protection no regard will be had to the features depicted in broken lines.**



(21) Design Number: **10949/2013**
(22) Date of Filing Application: **27 February 2013**
(24) Date from which industrial property rights may have effect: **27 February 2013**
(54) Product in respect of which the design is registered: **Beverage container**
(51) International Design Classification: **09-03L**
(74) Name(s) of Attorney(s): **Madderns**
(71) Name(s) and Address(s) of Applicant(s):
Ball Corporation
10 Longs Peak Drive Broomfield Colorado 80021-2510 United States of America
(72) Name(s) of Designer(s): **Mark A. Jacober and Howard C. Chasteen**
(45) Registration Date: **12 April 2013**
(30) Convention priority data:
(31) Number (32) Date (33) Country
29/430744 29 Aug 2012 UNITED STATES OF AMERICA
(56) Related Art Documents: **Not Applicable**
(57) Statement of Newness and Distinctiveness: **Newness and distinctiveness is claimed in the shape and/or configuration of the contoured neck of a beverage container as depicted in the accompanying drawings. In considering the scope of protection no regard will be had to the features depicted in broken lines.**



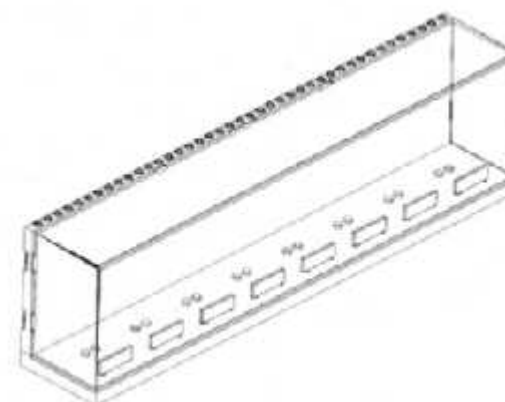
- (21) Design Number: **10951/2013**
(22) Date of Filing Application: **27 February 2013**
(24) Date from which industrial property rights may have effect: **27 February 2013**
(54) Product in respect of which the design is registered: **Hose coupling**
(51) International Design Classification: **23-01C**
(74) Name(s) of Attorney(s): **A.P.T. Patent and Trade Mark Attorneys**
(71) Name(s) and Address(s) of Applicant(s):
Jeanette Byrne
12-16 Dorset St Lonsdale SA 5160 Australia
(72) Name(s) of Designer(s): **David Byrne**
(45) Registration Date: **12 April 2013**
(56) Related Art Documents: **Not Applicable**
(57) Statement of Newness and Distinctiveness: **Newness and distinctiveness resides in the provision of an annular groove extending axially inwards from the flat end face of the coupling.**



- (21) Design Number: **10948/2013**
(22) Date of Filing Application: **27 February 2013**
(24) Date from which industrial property rights may have effect: **27 February 2013**
(54) Product in respect of which the design is registered: **Beverage container**
(51) International Design Classification: **09-03L**
(74) Name(s) of Attorney(s): **Madderns**
(71) Name(s) and Address(s) of Applicant(s):
Ball Corporation
10 Longs Peak Drive Broomfield Colorado 80021-2510 United States of America
(72) Name(s) of Designer(s): **Mark A. Jacober and Howard C. Chasteen**
(45) Registration Date: **12 April 2013**
(30) Convention priority data:
(31) Number (32) Date (33) Country
29/430744 29 Aug 2012 UNITED STATES OF AMERICA
(56) Related Art Documents: **Not Applicable**
(57) Statement of Newness and Distinctiveness: **Newness and distinctiveness is claimed in the shape and/or configuration of the contoured neck of a beverage container as depicted in the accompanying drawings. In considering the scope of protection no regard will be had to the features depicted in broken lines.**



- (21) Design Number: **10761/2013**
(22) Date of Filing Application: **18 February 2013**
(24) Date from which industrial property rights may have effect: **18 February 2013**
(54) Product in respect of which the design is registered: **Brick display case**
(51) International Design Classification: **20-02E**
(74) Name(s) of Attorney(s): **Fisher Adams Kelly**
(71) Name(s) and Address(s) of Applicant(s):

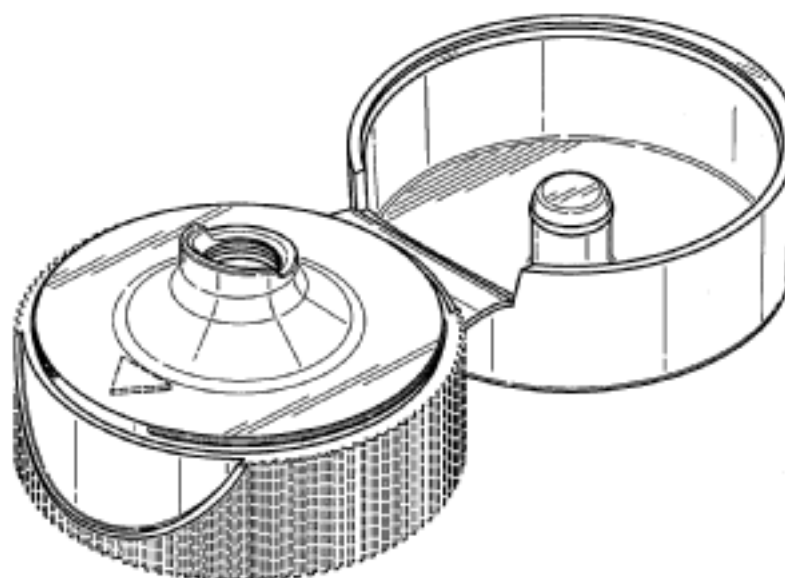


- Chi Keung Kwok**
No.5 4/F Tai Yick Building Wong Tai Street Tai Kok Tsui Kowloon Hong Kong
- (72) Name(s) of Designer(s): **Chi Keung Kwok**
(45) Registration Date: **12 April 2013**
(56) Related Art Documents: **Not Applicable**
(57) Statement of Newness and Distinctiveness: **The statement of newness and distinctiveness is in a brick display case as illustrated in the accompanying drawings.**

- (21) Design Number: **10773/2013**
(22) Date of Filing Application: **15 February 2013**
(24) Date from which industrial property rights may have effect: **15 February 2013**
(54) Product in respect of which the design is registered: **Dispensing cap**
(51) International Design Classification: **09-07A**
(74) Name(s) of Attorney(s): **Shelston IP**
(71) Name(s) and Address(s) of Applicant(s):

Reckitt Benckiser LLC
Morris Corporate Center IV 399 Interpace Parkway Parsippany New Jersey 07054 United States of America

- (72) Name(s) of Designer(s): **Jeffrey Shawn Gibb**
(45) Registration Date: **12 April 2013**
(30) Convention priority data:
- | | | |
|------------------|--------------------|---------------------------------|
| (31) Number | (32) Date | (33) Country |
| 29/432131 | 13 Sep 2012 | UNITED STATES OF AMERICA |
- (56) Related Art Documents: **Not Applicable**
(57) Statement of Newness and Distinctiveness: **Newness and distinctiveness resides in the features of shape and configuration of the dispensing cap as illustrated by solid lines in the accompanying representations. These features shown in broken lines do not form part of the design.**



(19) AU

(21) Design Number: **11075/2013**

(22) Date of Filing Application: **05 March 2013**

(24) Date from which industrial property rights may have effect: **05 March 2013**

(54) Product in respect of which the design is registered: **Electronic device**

(51) International Design Classification: **14-01, 14-03A**

(74) Name(s) of Attorney(s): **Freehills Patent Attorneys**

(71) Name(s) and Address(s) of Applicant(s):

Apple Inc.

1 Infinite Loop Cupertino California 95014 United States of America

(72) Name(s) of Designer(s): **Jody Akana and Bartley K. Andre and Jeremy Bataillou and Daniel J. Coster and Daniele De Iuliis and M. Evans Hankey and Julian Hoenig and Richard P. Howarth and Jonathan P. Ive and Duncan Robert Kerr and Shin Nishibori and Matthew Dean Rohrbach and Peter Russell-Clarke and Mikael Silvano and Christopher J. Stringer and Eugene Antony Whang and Rico Zorkendorfer**

(45) Registration Date: **12 April 2013**

(30) Convention priority data:

(31) Number	(32) Date	(33) Country
29/431569	09 Sep 2012	UNITED STATES OF AMERICA

(56) Related Art Documents: **Not Applicable**

(57) Statement of Newness and Distinctiveness: **Nil**

