



**Australian Government**

---

**IP Australia**

**AUSTRALIAN OFFICIAL JOURNAL**

**OF**

**DESIGNS**

Did you know a searchable version of this journal is now available online?

It's FREE and EASY to SEARCH.

Find it on our website ([www.ipaustralia.gov.au](http://www.ipaustralia.gov.au))

by using the "Journals" link on the home page.

This Page Left Intentionally Blank

**Contents**

**General Information & Notices**

**Proceedings Under the Designs Act 1906 preserved as a result of the provisions of Chapter 12  
Part 2 of the Designs Act 2003**

Applications for Extension of Time .....	1352
Extension of Period of Registration of Designs .....	1352
Extensions of Time Granted .....	1352
Registrations Ceased .....	1352
Subsequent Owners Registered .....	1352

**Proceedings Under the Designs Act 2003**

Applications Assigned .....	1363
Applications Lapsed .....	1362
Applications Lodged .....	1356
Applications Withdrawn .....	1362
Certificate of Examination .....	1365
Extension of Period of Registration of Design .....	1363
Extension of Time Granted Under Section 137 .....	1363
<b>Publication and Registration Proceedings</b>	
Designs Registered 348250 to 348381.....	1366
Registrations Ceased .....	1363
Subsequent Owners Registered .....	1363

This Page Left Intentionally Blank

For information on the following please see our website [www.ipaustralia.gov.au](http://www.ipaustralia.gov.au) or contact our Customer Service Network on 1300651010

[Editorial enquiries](#)

[Contact information](#)

[Freedom of Information ACT](#)

[Professional Standards Board](#)

[Sales](#)

[Requests for Information under Section 194 \(c\)](#)

[Country Codes](#)

[Trade Mark and Designs Hearing Sessions](#)

[INID \(Internationally agreed Numbers for the Identification of Data\)](#)

## “INID” NUMBERS in use on Australian Design Documents

“INID” is an acronym for “Internationally agreed Numbers for the Identification of Data”.

### (10) Data concerning the registration/renewal

- (11) Serial number of the registration and/or number of the design document
- (12) Plain language designation of the kind of published document
- (19) Identification, using the two-letter code according to WIPO Standard ST.3, of the authority publishing or registering the industrial design

### (20) Data concerning the application

- (21) Serial number of the application
- (22) Date of filing of the application
- (24) Date from which the industrial design right has effect

### (30) Data relating to priority under the Paris Convention

- (31) Serial number assigned to the priority application
- (32) Date of filing of the priority application
- (33) Two-letter code, according to WIPO Standard ST.3, identifying the authority with which the priority application was made

### (40) Date(s) of making information available to the public

- (45) Date of publication of the registered industrial design by printing or similar process, or making it available to the public by any other means

### (50) Miscellaneous Information

- (51) International Classification for Industrial Designs (class and subclass of the Locarno Classification)
- (54) Designation of article(s) or product(s) covered by the industrial design or title of the industrial design
- (55) Reproduction of the industrial design (e.g., drawing, photograph) and explanations relating to the reproduction
- (56) List of prior art documents, if separate from descriptive text
- (57) Description of characteristic features of the industrial design including indication of colours

### (60) References to other legally related application(s) and registration(s)

- (62) Serial number(s) and, if available, filing date(s) of application(s), registration(s) or document(s) related by division
- (66) Serial number(s) of the application, or the registration, of the design(s) which is (are) a variant(s) of the present one

### (70) Identification of parties concerned with the application or registration

- (71) Name(s) and address(es) of the applicant(s)
- (72) Name(s) of the creator(s) if known to be such
- (74) Name(s) and address(es) of the representative(s)

This Page Left Intentionally Blank

**Nil notices for this journal issue.**

**Proceedings under the Designs Act 1906 preserved as a result of the provisions of Chapter 12 Part 2 of the Designs Act 2003.**



This Page Left Intentionally Blank

**Applications Lapsed**

There were no Applications Lapsed under this section

**Extension of Period of Registration of Designs**

**1st Period (Section 27A(8))**

**2nd Period (Section 27A(12))**

**3rd Period (Section 27A(13))**

146109	148930	148931
148932	148933	148934
148937	149064	149065
149066	149067	149068
149249	149250	149308
149309	149389	149443
149483	149746	149781
149845	149887	149936
150014	150015	150016
150017	150108	150109
150240	150241	150263
151140	151185	151364
151365	151781	151782
151783	151798	152008
152009	153170	153649
153937	154413	

Applications lodged for extension of time have been granted.

146109 **Peter Vorkapic** An An Extension of time to extend a registration has been granted to 09/05/2013

146109 **Peter Vorkapic** An An Extension of time to extend a registration has been granted to 09/05/2013

**Subsequent Owners Registered**

(The name in parentheses is that of the subsequent owner)

146144	( <b>ASI JD MacDonald Pty Ltd</b> ) MacDonald Johnston Engineering Co. Pty Ltd
153285	( <b>Nuteam Teelinfa</b> ) Tania Louise Wilson
148622	( <b>Merck Sharp &amp; Dohme B.V.</b> ) MSD Oss B.V.
152200	( <b>Aspen Bidco Limited</b> ) Aspen Pumps Limited
152260	( <b>Aspen Bidco Limited</b> ) Aspen Pumps Limited

**Registrations Ceased**

Note: Some of the following Registrations may have been previously advertised as ceased. In this instance, the previous advertisement still prevails.

131785	131787	131788
131794	131821	131882
131975	132064	132065
132230	132309	132327
132642	133276	134297
134395	135335	145969
146988	146989	146990
146991	146993	147053
147129	147130	147132
148644	149025	150383
150561	151836	

**Applications for Extension of time**

Applications for extension of time have been lodged. Objections must be lodged within 1 month from the date of this journal.

146109 **Peter Vorkapic** Extension of time to extend a registration. Address for Service: D.Krivokuca 1D Burleigh Surf 238 Esplanade BURLEIGH HEADS QLD 4220

**Extensions of time granted**

This Page Left Intentionally Blank

**Proceedings under the Designs Act 2003.**

This Page Left Intentionally Blank

**Applications Lodged**

Lodgement information is in the following order: **Applicant's Name**; International Classification, Name of Product, Lodgement Date and **Design Number**. If the applicant claims an earlier priority date under an International Convention, the Convention Country and the associated filing date are shown in parentheses before the Lodgement Date. Divisional information will also appear in parentheses before the Lodgement Date.

<b>Allied Domecq Spirits &amp; Wine Limited;</b> 09-01K, Bottle, (EM, 07 Nov 2012) 03 May 2013	<b>12084/2013</b>	<b>Coates, Fredrica V.;</b> 02-01B, Pocket sling diaper, (IN, 08 Nov 2012) 06 May 2013	<b>12105/2013</b>
<b>Arbortech Industries Limited;</b> 08-03, A blade, 30 Apr 2013	<b>12015/2013</b>	<b>Costa Constructions (Aust) Pty Ltd;</b> 25-01K, a window flashing extrusion, 30 Apr 2013	<b>12001/2013</b>
<b>Arbortech Industries Limited;</b> 08-03, Blade, 30 Apr 2013	<b>12014/2013</b>	<b>Crown Equipment Corporation;</b> 14-03NES, Two-button controller for fleet management system, (US, 14 Nov 2012) 01 May 2013	<b>12024/2013</b>
<b>Australian Fitness Supplies Pty Limited;</b> 21-02F, Folding power pack, 30 Apr 2013	<b>12012/2013</b>	<b>CURVER Luxembourg Sarl;</b> 09-09, Household receptacle, (IL, 28 Oct 2012) 29 Apr 2013	<b>11994/2013</b>
<b>Australian Mobile Mining Equipment Systems and Accessories Pty. Limited;</b> 09-07B, A container lid, 08 May 2013	<b>12145/2013</b>	<b>Dart Industries Inc.;</b> 07-05D, Bottle dryer stand, (US, 21 Nov 2012) 02 May 2013	<b>12035/2013</b>
<b>Australian Mobile Mining Equipment Systems and Accessories Pty. Limited;</b> 09-07B, A container lid, 08 May 2013	<b>12146/2013</b>	<b>Dart Industries Inc.;</b> 09-07B, Flip top lid with straw for tumbler, (US, 20 Nov 2012) 02 May 2013	<b>12037/2013</b>
<b>Australian Mobile Mining Equipment Systems and Accessories Pty. Limited;</b> 09-07B, A container lid, 08 May 2013	<b>12147/2013</b>	<b>Dart Industries Inc.;</b> 07-02R, Utensil handle, (US, 21 Nov 2012) 02 May 2013	<b>12036/2013</b>
<b>Avery Dennison Corporation;</b> 19-02, 20-02E, Wall organization system, (US, 20 Nov 2012) 03 May 2013	<b>12054/2013</b>	<b>Dart Industries Inc.;</b> 07-01E, Infant feeding bowl, (US, 20 Nov 2012) 02 May 2013	<b>12034/2013</b>
<b>Avery Dennison Corporation;</b> 09-09, Connector, receptacle and the combination thereof, (US, 20 Nov 2012) 03 May 2013	<b>12063/2013</b>	<b>E.D. Oates Pty Ltd;</b> 04-01, 08-08B, Ferrule, 03 May 2013	<b>12095/2013</b>
<b>Barron &amp; Rawson Pty Ltd;</b> 09-02C, 60 litre plastic drum, 30 Apr 2013	<b>12000/2013</b>	<b>E.D. Oates Pty Ltd;</b> 08-05NES, 04-01, Collar for broom head assembly, 03 May 2013	<b>12096/2013</b>
<b>Bester, Domingoes;</b> 08-08C, Plate, (ZA, 21 Nov 2012) 03 May 2013	<b>12100/2013</b>	<b>E.D. Oates Pty Ltd;</b> 04-01, Broomhead, 03 May 2013	<b>12093/2013</b>
<b>Bester, Domingoes;</b> 08-05F, Power clamp, (ZA, 21 Nov 2012) 03 May 2013	<b>12099/2013</b>	<b>E.D. Oates Pty Ltd;</b> 04-01, Broomhead, 03 May 2013	<b>12094/2013</b>
<b>Bindi Enclosures;</b> 25-02C, Fence, 30 Apr 2013	<b>11998/2013</b>	<b>E.D. Oates Pty Ltd;</b> 04-01, Broomhead, 03 May 2013	<b>12092/2013</b>
<b>Breville Pty Limited;</b> 31-00, Blender jug, 01 May 2013	<b>12016/2013</b>	<b>Elbee Pty Ltd;</b> 08-07, Dreambaby multi-use latch, 03 May 2013	<b>12098/2013</b>
<b>Breville Pty Limited;</b> 31-00, Blender base, 01 May 2013	<b>12017/2013</b>	<b>Electrolux Sea Pte Ltd;</b> 15-07, A cold appliance, (CN, 06 Nov 2012) 30 Apr 2013	<b>12002/2013</b>
<b>Butcher, Philip;</b> 20-03C, Sign post, 07 May 2013	<b>12117/2013</b>	<b>Electrolux Sea Pte Ltd;</b> 15-07, A cold appliance, (CN, 06 Nov 2012) 30 Apr 2013	<b>12003/2013</b>
<b>Caird, Clay Edward James;</b> 02-03, Headgear, (NZ, 07 Nov 2012) 02 May 2013	<b>12039/2013</b>	<b>Emerson Electric Co.;</b> 23-01F, 23-03H, Hot water tank enclosure, (US, 09 Nov 2012) 01 May 2013	<b>12018/2013</b>
<b>Caird, Clay Edward James;</b> 02-03, Headgear, (NZ, 07 Nov 2012) 02 May 2013	<b>12040/2013</b>		

<b>Eppendorf AG;</b> 19-01, Paper and other sheet material, (DE, 01 Nov 2012) 29 Apr 2013	<b>11983/2013</b>	<b>Forever New Clothing Pty Ltd;</b> 02-02C, Article of clothing, 17 Sep 2012	<b>16890/2012</b>
<b>Forever New Clothing Pty Ltd;</b> 02-02NES, Article of clothing, 17 Sep 2012	<b>16866/2012</b>	<b>Forever New Clothing Pty Ltd;</b> 02-02NES, Article of clothing, 17 Sep 2012	<b>16891/2012</b>
<b>Forever New Clothing Pty Ltd;</b> 02-02NES, Article of clothing, 17 Sep 2012	<b>16867/2012</b>	<b>Forever New Clothing Pty Ltd;</b> 02-02NES, Article of clothing, 17 Sep 2012	<b>16892/2012</b>
<b>Forever New Clothing Pty Ltd;</b> 02-02C, Article of clothing, 17 Sep 2012	<b>16868/2012</b>	<b>Forever New Clothing Pty Ltd;</b> 02-02NES, Article of clothing, 17 Sep 2012	<b>16893/2012</b>
<b>Forever New Clothing Pty Ltd;</b> 02-02C, Article of clothing, 17 Sep 2012	<b>16869/2012</b>	<b>Forever New Clothing Pty Ltd;</b> 02-02NES, Article of clothing, 17 Sep 2012	<b>16894/2012</b>
<b>Forever New Clothing Pty Ltd;</b> 02-02NES, Article of clothing, 17 Sep 2012	<b>16870/2012</b>	<b>Forever New Clothing Pty Ltd;</b> 02-02NES, Article of clothing, 17 Sep 2012	<b>16895/2012</b>
<b>Forever New Clothing Pty Ltd;</b> 02-02NES, Article of clothing, 17 Sep 2012	<b>16871/2012</b>	<b>Forever New Clothing Pty Ltd;</b> 02-02NES, Article of clothing, 17 Sep 2012	<b>16896/2012</b>
<b>Forever New Clothing Pty Ltd;</b> 02-02NES, Article of clothing, 17 Sep 2012	<b>16872/2012</b>	<b>Forever New Clothing Pty Ltd;</b> 02-02NES, Article of clothing, 17 Sep 2012	<b>16897/2012</b>
<b>Forever New Clothing Pty Ltd;</b> 02-02C, Article of clothing, 17 Sep 2012	<b>16873/2012</b>	<b>Forever New Clothing Pty Ltd;</b> 02-02NES, Article of clothing, 17 Sep 2012	<b>16898/2012</b>
<b>Forever New Clothing Pty Ltd;</b> 02-02C, Article of clothing, 17 Sep 2012	<b>16874/2012</b>	<b>Forever New Clothing Pty Ltd;</b> 02-02NES, Article of clothing, 17 Sep 2012	<b>16899/2012</b>
<b>Forever New Clothing Pty Ltd;</b> 02-02C, Article of clothing, 17 Sep 2012	<b>16875/2012</b>	<b>Forever New Clothing Pty Ltd;</b> 02-02NES, Article of clothing, 17 Sep 2012	<b>16900/2012</b>
<b>Forever New Clothing Pty Ltd;</b> 02-02C, Article of clothing, 17 Sep 2012	<b>16876/2012</b>	<b>Forever New Clothing Pty Ltd;</b> 02-02NES, Article of clothing, 17 Sep 2012	<b>16901/2012</b>
<b>Forever New Clothing Pty Ltd;</b> 02-02C, Article of clothing, 17 Sep 2012	<b>16877/2012</b>	<b>Forever New Clothing Pty Ltd;</b> 02-02NES, Article of clothing, 17 Sep 2012	<b>16902/2012</b>
<b>Forever New Clothing Pty Ltd;</b> 02-02C, Article of clothing, 17 Sep 2012	<b>16878/2012</b>	<b>Forever New Clothing Pty Ltd;</b> 02-02NES, Article of clothing, 17 Sep 2012	<b>16903/2012</b>
<b>Forever New Clothing Pty Ltd;</b> 02-02C, Article of clothing, 17 Sep 2012	<b>16879/2012</b>	<b>Forever New Clothing Pty Ltd;</b> 02-02C, Article of clothing, 17 Sep 2012	<b>16904/2012</b>
<b>Forever New Clothing Pty Ltd;</b> 02-02C, Article of clothing, 17 Sep 2012	<b>16880/2012</b>	<b>Forever New Clothing Pty Ltd;</b> 02-02C, Article of clothing, 17 Sep 2012	<b>16905/2012</b>
<b>Forever New Clothing Pty Ltd;</b> 02-02C, Article of clothing, 17 Sep 2012	<b>16881/2012</b>	<b>Forever New Clothing Pty Ltd;</b> 02-02C, Article of clothing, 17 Sep 2012	<b>16906/2012</b>
<b>Forever New Clothing Pty Ltd;</b> 02-02C, Article of clothing, 17 Sep 2012	<b>16882/2012</b>	<b>Forever New Clothing Pty Ltd;</b> 02-02C, Article of clothing, 17 Sep 2012	<b>16907/2012</b>
<b>Forever New Clothing Pty Ltd;</b> 02-02C, Article of clothing, 17 Sep 2012	<b>16883/2012</b>	<b>Forever New Clothing Pty Ltd;</b> 02-02C, Article of clothing, (GB, 30 Aug 2012) 12 Oct 2012	<b>16845/2012</b>
<b>Forever New Clothing Pty Ltd;</b> 02-02C, Article of clothing, 17 Sep 2012	<b>16884/2012</b>	<b>Forever New Clothing Pty Ltd;</b> 02-02C, Article of clothing, 17 Sep 2012	<b>16865/2012</b>
<b>Forever New Clothing Pty Ltd;</b> 02-02C, Article of clothing, 17 Sep 2012	<b>16885/2012</b>	<b>Forever New Clothing Pty Ltd;</b> 03-01D, Carry case, 17 Sep 2012	<b>16863/2012</b>
<b>Forever New Clothing Pty Ltd;</b> 02-02C, Article of clothing, 17 Sep 2012	<b>16886/2012</b>	<b>Forever New Clothing Pty Ltd;</b> 03-01D, Carry case, 17 Sep 2012	<b>16864/2012</b>
<b>Forever New Clothing Pty Ltd;</b> 02-02C, Article of clothing, 17 Sep 2012	<b>16887/2012</b>	<b>Forever New Clothing Pty Ltd;</b> 02-02C, Article of clothing, (GB, 30 Aug 2012) 12 Oct 2012	<b>16846/2012</b>
<b>Forever New Clothing Pty Ltd;</b> 02-02C, Article of clothing, 17 Sep 2012	<b>16888/2012</b>	<b>Forever New Clothing Pty Ltd;</b> 02-02C, Article of clothing, (GB, 30 Aug 2012) 12 Oct 2012	<b>16847/2012</b>
<b>Forever New Clothing Pty Ltd;</b> 02-02C, Article of clothing, 17 Sep 2012	<b>16889/2012</b>		



<b>Forever New Clothing Pty Ltd;</b> 02-02C, Article of clothing, (GB, 30 Aug 2012) 12 Oct 2012	<b>16848/2012</b>	<b>Forever New Clothing Pty Ltd;</b> 02-02C, Article of clothing, (GB, 30 Aug 2012) 12 Oct 2012	<b>16844/2012</b>
<b>Forever New Clothing Pty Ltd;</b> 02-02C, Article of clothing, (GB, 30 Aug 2012) 12 Oct 2012	<b>16849/2012</b>	<b>Forever New Clothing Pty Ltd;</b> 02-02C, Article of clothing, (GB, 30 Aug 2012) 12 Oct 2012	<b>16840/2012</b>
<b>Forever New Clothing Pty Ltd;</b> 02-02C, Article of clothing, (GB, 30 Aug 2012) 12 Oct 2012	<b>16850/2012</b>	<b>Forever New Clothing Pty Ltd;</b> 02-02C, Article of clothing, (GB, 30 Aug 2012) 12 Oct 2012	<b>16841/2012</b>
<b>Forever New Clothing Pty Ltd;</b> 02-02NES, Article of clothing, (GB, 30 Aug 2012) 12 Oct 2012	<b>16851/2012</b>	<b>Forever New Clothing Pty Ltd;</b> 02-02C, Article of clothing, (GB, 30 Aug 2012) 12 Oct 2012	<b>16830/2012</b>
<b>Forever New Clothing Pty Ltd;</b> 02-02NES, Article of clothing, (GB, 30 Aug 2012) 12 Oct 2012	<b>16852/2012</b>	<b>Forever New Clothing Pty Ltd;</b> 02-02NES, Article of clothing, (GB, 30 Aug 2012) 12 Oct 2012	<b>16831/2012</b>
<b>Forever New Clothing Pty Ltd;</b> 02-02NES, Article of clothing, (GB, 30 Aug 2012) 12 Oct 2012	<b>16853/2012</b>	<b>Forever New Clothing Pty Ltd;</b> 02-02C, Article of clothing, 31 Aug 2012	<b>16825/2012</b>
<b>Forever New Clothing Pty Ltd;</b> 02-02NES, Article of clothing, (GB, 30 Aug 2012) 12 Oct 2012	<b>16854/2012</b>	<b>Forever New Clothing Pty Ltd;</b> 02-02C, Article of clothing, (GB, 30 Aug 2012) 12 Oct 2012	<b>16836/2012</b>
<b>Forever New Clothing Pty Ltd;</b> 02-02NES, Article of clothing, (GB, 30 Aug 2012) 12 Oct 2012	<b>16855/2012</b>	<b>Forever New Clothing Pty Ltd;</b> 02-02NES, Article of clothing, (GB, 30 Aug 2012) 12 Oct 2012	<b>16837/2012</b>
<b>Forever New Clothing Pty Ltd;</b> 02-04NES, Footwear, (GB, 30 Aug 2012) 12 Oct 2012	<b>16856/2012</b>	<b>Forever New Clothing Pty Ltd;</b> 02-02NES, Article of clothing, 31 Aug 2012	<b>16827/2012</b>
<b>Forever New Clothing Pty Ltd;</b> 02-02C, Article of clothing, (GB, 30 Aug 2012) 12 Oct 2012	<b>16832/2012</b>	<b>Forever New Clothing Pty Ltd;</b> 02-02C, Article of clothing, (GB, 30 Aug 2012) 12 Oct 2012	<b>16834/2012</b>
<b>Forever New Clothing Pty Ltd;</b> 02-02NES, Article of clothing, (GB, 30 Aug 2012) 12 Oct 2012	<b>16842/2012</b>	<b>Forever New Clothing Pty Ltd;</b> 02-02C, Article of clothing, (GB, 30 Aug 2012) 12 Oct 2012	<b>16835/2012</b>
<b>Forever New Clothing Pty Ltd;</b> 02-02NES, Article of clothing, (GB, 30 Aug 2012) 12 Oct 2012	<b>16843/2012</b>	<b>Forever New Clothing Pty Ltd;</b> 02-02C, Article of clothing, 31 Aug 2012	<b>16826/2012</b>
<b>Forever New Clothing Pty Ltd;</b> 02-02C, Article of clothing, (GB, 30 Aug 2012) 12 Oct 2012	<b>16833/2012</b>	<b>Forever New Clothing Pty Ltd;</b> 02-07NES, 03-01B, Carry case, (GB, 30 Aug 2012) 12 Oct 2012	<b>16862/2012</b>
<b>Forever New Clothing Pty Ltd;</b> 02-02C, Article of clothing, (GB, 30 Aug 2012) 12 Oct 2012	<b>16828/2012</b>	<b>Forever New Clothing Pty Ltd;</b> 02-07NES, 03-01B, Carry case, (GB, 30 Aug 2012) 12 Oct 2012	<b>16858/2012</b>
<b>Forever New Clothing Pty Ltd;</b> 02-02C, Article of clothing, (GB, 30 Aug 2012) 12 Oct 2012	<b>16829/2012</b>	<b>Forever New Clothing Pty Ltd;</b> 02-02C, Article of clothing, 17 Sep 2012	<b>16908/2012</b>
<b>Forever New Clothing Pty Ltd;</b> 02-02C, Article of clothing, (GB, 30 Aug 2012) 12 Oct 2012	<b>16824/2012</b>	<b>Forever New Clothing Pty Ltd;</b> 02-02C, Article of clothing, 17 Sep 2012	<b>16909/2012</b>
<b>Forever New Clothing Pty Ltd;</b> 02-02NES, Article of clothing, (GB, 30 Aug 2012) 12 Oct 2012	<b>16838/2012</b>	<b>Forever New Clothing Pty Ltd;</b> 02-07NES, 03-01B, Carry bag, (GB, 30 Aug 2012) 12 Oct 2012	<b>16860/2012</b>
<b>Forever New Clothing Pty Ltd;</b> 02-02NES, Article of clothing, (GB, 30 Aug 2012) 12 Oct 2012	<b>16839/2012</b>	<b>Forever New Clothing Pty Ltd;</b> 02-07NES, 03-01B, Handbag, (GB, 30 Aug 2012) 12 Oct 2012	<b>16859/2012</b>
<b>Forever New Clothing Pty Ltd;</b> 02-07NES, 03-01B, Carry case, (GB, 30 Aug 2012) 12 Oct 2012	<b>16861/2012</b>	<b>Forever New Clothing Pty Ltd;</b> 02-07NES, 03-01B, Carry case, (GB, 30 Aug 2012) 12 Oct 2012	<b>16857/2012</b>
		<b>Frito-Lay North America, Inc.;</b> 01-01, Snack food product, (US, 29 Oct 2012) 24 Apr 2013	<b>11924/2013</b>

<b>Fujitsu Limited;</b> 14-02, Arithmetic and control unit, (JP, 06 Nov 2012) 03 May 2013	<b>12085/2013</b>	<b>Invacare International Sarl;</b> 12-12, Wheelchair frame member, (Divisional of 10464/2013) 06 May 2013	<b>12113/2013</b>
<b>Fujitsu Limited;</b> 14-02, Personal computer, (JP, 06 Nov 2012) 03 May 2013	<b>12091/2013</b>	<b>Kimberly-Clark Worldwide, Inc.;</b> 24-04, Ergonomic bodily fluid collection container, (US, 30 Oct 2012) 30 Apr 2013	<b>12026/2013</b>
<b>Fujitsu Limited;</b> 14-02, Personal computer, (JP, 06 Nov 2012) 03 May 2013	<b>12090/2013</b>	<b>Kimberly-Clark Worldwide, Inc.;</b> 28-99, Cosmetic pad having surface patterns, 02 May 2013	<b>12032/2013</b>
<b>Fujitsu Limited;</b> 14-02, Arithmetic and control unit, (JP, 06 Nov 2012) 03 May 2013	<b>12086/2013</b>	<b>Koninklijke Philips Electronics N.V.;</b> 28-03A, Three head shaver, (EM, 29 Oct 2012) 29 Apr 2013	<b>11986/2013</b>
<b>Gilmark Holdings Pty Ltd;</b> 29-02, Safety harness for workers working at heights, (Divisional of 15428/2012) 01 Nov 2012	<b>16817/2012</b>	<b>Koninklijke Philips Electronics N.V.;</b> 31-00, Noodle/pasta maker, (EM, 31 Oct 2012) 30 Apr 2013	<b>11997/2013</b>
<b>Global Icons Pty Ltd;</b> 20-02C, Decorative heritage art, 29 Apr 2013	<b>11995/2013</b>	<b>Kraft Foods UK R&amp;D Limited;</b> 01-01, Chocolate bar, (EM, 05 Nov 2012) 03 May 2013	<b>12055/2013</b>
<b>Grasshopper Outdoors Pty Ltd;</b> 25-02H, Caravan awning, flap reduction clip, 07 May 2013	<b>12123/2013</b>	<b>Kraft Foods UK R&amp;D Limited;</b> 01-01, Chocolate bar, (EM, 05 Nov 2012) 03 May 2013	<b>12057/2013</b>
<b>GE Lighting Solutions, LLC;</b> 26-03, Roadway lamp fixture, (US, 19 May 2012) 02 May 2013	<b>12045/2013</b>	<b>KE Group Pty Ltd;</b> 05-05NES, 19-02, Sheet material blank and desk tidy, 07 May 2013	<b>12118/2013</b>
<b>GM Global Technology Operations, LLC;</b> 12-16B, Vehicle spoiler, 02 May 2013	<b>12046/2013</b>	<b>Lake, Dylan James;</b> 25-03, Post box, 03 May 2013	<b>12053/2013</b>
<b>Henkel AG &amp; Co. KGaA;</b> 28-99, Fragrance evaporator, (EM, 21 Nov 2012) 24 Apr 2013	<b>11926/2013</b>	<b>Lake, Dylan James;</b> 25-03, Post box, 03 May 2013	<b>12064/2013</b>
<b>Henkel AG &amp; Co. KGaA;</b> 28-99, Fragrance evaporator, (EM, 21 Nov 2012) 24 Apr 2013	<b>11927/2013</b>	<b>Lake, Dylan James;</b> 25-03, Post box, 03 May 2013	<b>12058/2013</b>
<b>Honda Motor Co., Ltd.;</b> 12-11, A motor scooter, (JP, 06 Nov 2012) 02 May 2013	<b>12038/2013</b>	<b>Lake, Dylan James;</b> 25-03, Post box, 03 May 2013	<b>12065/2013</b>
<b>Huang, Ben;</b> 21-02C, Golf club grip, (US, 07 Nov 2012) 29 Apr 2013	<b>11985/2013</b>	<b>Lake, Dylan James;</b> 25-03, Post box, 03 May 2013	<b>12066/2013</b>
<b>Hutzler Manufacturing Co., Inc.;</b> 07-04, Device for making whipped cream, (US, 23 Apr 2013) 07 May 2013	<b>12122/2013</b>	<b>Lake, Dylan James;</b> 25-03, Post box, 03 May 2013	<b>12059/2013</b>
<b>Hutzler Manufacturing Co., Inc.;</b> 07-06C, Condiment dispenser, (US, 26 Feb 2013) 07 May 2013	<b>12121/2013</b>	<b>Lake, Dylan James;</b> 25-03, Post box, 03 May 2013	<b>12060/2013</b>
<b>Illumination Australia Pty Ltd;</b> 23-03D, Solar panel, 30 Apr 2013	<b>12013/2013</b>	<b>Lake, Dylan James;</b> 25-03, Post box, 03 May 2013	<b>12061/2013</b>
<b>Impression Technology Pty Limited;</b> 25-01K, A section, extrusion or track of indefinite length, 02 May 2013	<b>12027/2013</b>	<b>Lake, Dylan James;</b> 25-03, Post box, 03 May 2013	<b>12062/2013</b>
<b>Invacare International Sarl;</b> 06-06C, Caster, (Divisional of 10464/2013) 06 May 2013	<b>12114/2013</b>	<b>Landmark Engineering &amp; Design Pty Ltd;</b> 25-03, Toilet building, 07 May 2013	<b>12119/2013</b>
<b>Invacare International Sarl;</b> 12-12, Wheelchair frame member, (Divisional of 10464/2013) 06 May 2013	<b>12112/2013</b>	<b>Luco Hybrid Osa Appliance Inc.;</b> 24-01, Dental appliance, 02 May 2013	<b>12033/2013</b>
		<b>LED Lenser Corp. Ltd.;</b> 26-02, Flashlight, (CN, 06 Nov 2012) 01 May 2013	<b>12025/2013</b>
		<b>M&amp;H Plastics Limited;</b> 09-01NES, Container, 03 May 2013	<b>12050/2013</b>

<b>M&amp;H Plastics Limited;</b> 09-01NES, Container, 03 May 2013	<b>12051/2013</b>	<b>OGON DESIGNS;</b> 03-01B, Wallet, 03 May 2013	<b>12049/2013</b>
<b>Ma, Jinlin;</b> 12-15B, Tyre, (CN, 06 Dec 2012) 07 May 2013	<b>12124/2013</b>	<b>Perrin, Sam;</b> 12-16NES, A device for carrying panels or sheet materials, 03 May 2013	<b>12080/2013</b>
<b>Ma, Jinlin;</b> 12-15B, Tyre, (CN, 06 Dec 2012) 07 May 2013	<b>12127/2013</b>	<b>Pierce, Scott;</b> 08-08NES, Clip, (US, 24 Oct 2012) 24 Apr 2013	<b>11972/2013</b>
<b>Ma, Jinlin;</b> 12-15B, Tyre, (CN, 06 Dec 2012) 07 May 2013	<b>12125/2013</b>	<b>Pierce, Scott;</b> 08-08NES, Clip, (US, 24 Oct 2012) 24 Apr 2013	<b>11971/2013</b>
<b>Ma, Jinlin;</b> 12-15B, Tyre, (CN, 06 Dec 2012) 07 May 2013	<b>12126/2013</b>	<b>Rhodes, Christine Ann;</b> 02-03, Hat; cap, 03 May 2013	<b>12097/2013</b>
<b>Meyer Intellectual Properties Limited;</b> 07-02R, Side handle for cookware, (US, 06 Feb 2013) 24 Apr 2013	<b>11978/2013</b>	<b>Samsonite IP Holdings S.a r.l.;</b> 03-01A, Luggage, (CN, 01 Nov 2012) 29 Apr 2013	<b>11992/2013</b>
<b>Meyer Intellectual Properties Limited;</b> 07-02R, Cookware lid handle, (US, 06 Feb 2013) 24 Apr 2013	<b>11980/2013</b>	<b>Samsung Electronics Co., Ltd.;</b> 15-05, A front-loading washer with image display, (KR, 18 Jan 2013) 03 May 2013	<b>12067/2013</b>
<b>Meyer Intellectual Properties Limited;</b> 07-02R, Cookware lid handle, (US, 06 Feb 2013) 24 Apr 2013	<b>11981/2013</b>	<b>Samsung Electronics Co., Ltd.;</b> 14-04, A front-loading washer with image display, (KR, 18 Jan 2013) 03 May 2013	<b>12068/2013</b>
<b>Meyer Intellectual Properties Limited;</b> 07-02R, Cookware lid handle, (US, 06 Feb 2013) 24 Apr 2013	<b>11979/2013</b>	<b>Samsung Electronics Co., Ltd.;</b> 14-04, Electric oven with image display, (KR, 18 Jan 2013) 03 May 2013	<b>12079/2013</b>
<b>Meyer Intellectual Properties Limited;</b> 07-02R, Side handle for cookware, (US, 06 Feb 2013) 24 Apr 2013	<b>11976/2013</b>	<b>Samsung Electronics Co., Ltd.;</b> 14-04, A front-loading washer with image display, (KR, 18 Jan 2013) 03 May 2013	<b>12073/2013</b>
<b>Meyer Intellectual Properties Limited;</b> 07-02R, Side handle for cookware, (US, 06 Feb 2013) 24 Apr 2013	<b>11977/2013</b>	<b>Samsung Electronics Co., Ltd.;</b> 14-04, A front-loading washer with image display, (KR, 18 Jan 2013) 03 May 2013	<b>12074/2013</b>
<b>Meyer Intellectual Properties Limited;</b> 07-02R, Elongated side handle for cookware, (US, 06 Feb 2013) 24 Apr 2013	<b>11974/2013</b>	<b>Samsung Electronics Co., Ltd.;</b> 14-04, A front-loading washer with image display, (KR, 18 Jan 2013) 03 May 2013	<b>12072/2013</b>
<b>Meyer Intellectual Properties Limited;</b> 07-02R, Elongated side handle for cookware, (US, 06 Feb 2013) 24 Apr 2013	<b>11975/2013</b>	<b>Samsung Electronics Co., Ltd.;</b> 14-04, Electric oven with image display, (KR, 18 Jan 2013) 03 May 2013	<b>12075/2013</b>
<b>Meyer Intellectual Properties Limited;</b> 07-02R, Elongated side handle for cookware, (US, 06 Feb 2013) 24 Apr 2013	<b>11973/2013</b>	<b>Samsung Electronics Co., Ltd.;</b> 14-04, Electric oven with image display, (KR, 18 Jan 2013) 03 May 2013	<b>12076/2013</b>
<b>Mophie, Inc.;</b> 03-01NES, Thin battery case for mobile device, (US, 30 Oct 2012) 29 Apr 2013	<b>11991/2013</b>	<b>Samsung Electronics Co., Ltd.;</b> 14-04, A front-loading washer with image display, (KR, 18 Jan 2013) 03 May 2013	<b>12069/2013</b>
<b>Mophie, Inc.;</b> 03-01NES, Battery case for mobile device, (US, 30 Oct 2012) 29 Apr 2013	<b>11993/2013</b>	<b>Samsung Electronics Co., Ltd.;</b> 14-04, Electric oven with image display, (KR, 18 Jan 2013) 03 May 2013	<b>12077/2013</b>
<b>Nevro Corporation;</b> 24-01, Implantable signal generator, (US, 05 Nov 2012) 30 Apr 2013	<b>12004/2013</b>	<b>Samsung Electronics Co., Ltd.;</b> 14-04, Electric oven with image display, (KR, 18 Jan 2013) 03 May 2013	<b>12078/2013</b>
<b>Oe World Pty Ltd;</b> 02-04NES, Thong, footwear, 29 Apr 2013	<b>11984/2013</b>	<b>Samsung Electronics Co., Ltd.;</b> 14-04, A front-loading washer with image display, (KR, 18 Jan 2013) 03 May 2013	<b>12070/2013</b>
<b>OGON DESIGNS;</b> 03-01B, Wallet, 03 May 2013	<b>12048/2013</b>	<b>Sandvik Intellectual Property AB;</b> 08-01, Drill bit with raised front, (EM, 13 Nov 2012) 29 Apr 2013	<b>11990/2013</b>

<b>Secureview (Australia) Pty Ltd;</b> 25-01K, Extrusion, 30 Apr 2013	<b>11999/2013</b>	<b>SwitchEasy Limited;</b> 03-01NES, Protective casing for handheld electronic device, (HK, 26 Oct 2012) 24 Apr 2013	<b>11920/2013</b>
<b>Shandong Linglong Tire Co., Ltd;</b> 12-15B, A tyre, 24 Apr 2013	<b>11922/2013</b>	<b>SwitchEasy Limited;</b> 03-01NES, Protective casing for handheld electronic device, (HK, 26 Oct 2012) 24 Apr 2013	<b>11921/2013</b>
<b>Shandong Linglong Tire Co., Ltd;</b> 12-15B, A tyre, 24 Apr 2013	<b>11923/2013</b>	<b>SAVERGLASS;</b> 09-01H, Bottle, (EM, 20 Nov 2012) 02 May 2013	<b>12028/2013</b>
<b>Shandong Linglong Tire Co., Ltd;</b> 12-15B, A tyre, 24 Apr 2013	<b>11915/2013</b>	<b>SAVERGLASS;</b> 09-01H, Bottle, (EM, 20 Nov 2012) 02 May 2013	<b>12030/2013</b>
<b>Shandong Linglong Tire Co., Ltd;</b> 12-15B, A tyre, 24 Apr 2013	<b>11916/2013</b>	<b>SAVERGLASS;</b> 09-01H, Bottle, (EM, 20 Nov 2012) 02 May 2013	<b>12031/2013</b>
<b>Simpro Handling Equipment Ltd;</b> 09-09, An Ezi-Mt bin-tipper, 01 May 2013	<b>12019/2013</b>	<b>SCA Hygiene Products AB;</b> 24-04, Topsheet for sanitary towel, (EM, 19 Dec 2012) 07 May 2013	<b>12120/2013</b>
<b>Smith's Consumer Products, Inc.;</b> 08-05H, Abrasive sharpener, (US, 07 Nov 2012) 05 May 2013	<b>12104/2013</b>	<b>Talley Group Limited;</b> 09-07A, Spray device, (EM, 31 Oct 2012) 29 Apr 2013	<b>11982/2013</b>
<b>Societe des Produits Nestle S.A.;</b> 01-01, Chocolate, 30 Apr 2013	<b>12011/2013</b>	<b>Tezuka, Isao;</b> 25-03, A house facade, (JP, 13 Nov 2012) 29 Apr 2013	<b>11989/2013</b>
<b>Societe des Produits Nestle S.A.;</b> 01-01, Chocolate, 30 Apr 2013	<b>12010/2013</b>	<b>The Goodyear Tire &amp; Rubber Company;</b> 12-15B, Tyre, (US, 06 Nov 2012) 02 May 2013	<b>12044/2013</b>
<b>Societe des Produits Nestle S.A.;</b> 01-01, Chocolate, 30 Apr 2013	<b>12008/2013</b>	<b>The Trustee for NBO UNIT TRUST;</b> 29-02, Height safety equipment, 01 May 2013	<b>12023/2013</b>
<b>Societe des Produits Nestle S.A.;</b> 01-01, Chocolate, 30 Apr 2013	<b>12005/2013</b>	<b>The Trustee for Rakumba Trust;</b> 26-05D, Lighting canopy, 02 May 2013	<b>12047/2013</b>
<b>Societe des Produits Nestle S.A.;</b> 01-01, Chocolate, 30 Apr 2013	<b>12006/2013</b>	<b>Tomra Systems ASA;</b> 20-01, Vending machine, (EM, 02 Nov 2012) 01 May 2013	<b>12020/2013</b>
<b>Societe des Produits Nestle S.A.;</b> 01-01, Chocolate, 30 Apr 2013	<b>12007/2013</b>	<b>Tomra Systems ASA;</b> 20-99, Panel of a vending machine, (EM, 02 Nov 2012) 01 May 2013	<b>12021/2013</b>
<b>Sony Computer Entertainment Inc.;</b> 21-01N, Controller for electronic device, (JP, 06 Nov 2012) 02 May 2013	<b>12041/2013</b>	<b>Tomra Systems ASA;</b> 20-01, Vending machine, (EM, 02 Nov 2012) 01 May 2013	<b>12022/2013</b>
<b>Sony Computer Entertainment Inc.;</b> 21-01N, Controller for electronic device, (JP, 06 Nov 2012) 02 May 2013	<b>12042/2013</b>	<b>Towiwat, Dhiti;</b> 23-03NES, 23-03F, Heat exchanger, 03 May 2013	<b>12071/2013</b>
<b>Sony Computer Entertainment Inc.;</b> 21-01N, Controller for electronic device, (JP, 19 Feb 2013) 02 May 2013	<b>12043/2013</b>	<b>Towiwat, Dhiti;</b> 23-03NES, Heat exchanger, 03 May 2013	<b>12089/2013</b>
<b>Suntory Holdings Limited;</b> 09-01K, Bottle, (US, 05 Nov 2012) 03 May 2013	<b>12052/2013</b>	<b>Towiwat, Dhiti;</b> 23-03NES, Heat exchanger, 03 May 2013	<b>12083/2013</b>
<b>SwitchEasy Limited;</b> 13-02, Portable charger for handheld electronic device, (HK, 31 Oct 2012) 30 Apr 2013	<b>12009/2013</b>	<b>Towiwat, Dhiti;</b> 23-03NES, Heat exchanger, (TH, 08 Nov 2012) 03 May 2013	<b>12087/2013</b>
<b>SwitchEasy Limited;</b> 03-01NES, Protective casing for handheld electronic device, (HK, 26 Oct 2012) 24 Apr 2013	<b>11917/2013</b>		
<b>SwitchEasy Limited;</b> 03-01NES, Protective casing for handheld electronic device, (HK, 26 Oct 2012) 24 Apr 2013	<b>11918/2013</b>		
<b>SwitchEasy Limited;</b> 03-01NES, Protective casing for handheld electronic device, (HK, 26 Oct 2012) 24 Apr 2013	<b>11919/2013</b>		

<b>Towiwat, Dhiti;</b> 23-03NES, 23-03F, Heat exchanger, (TH, 08 Nov 2012) 03 May 2013	<b>12081/2013</b>	<b>Warin, Nigel Trevor;</b> 23-01F, Square tank, Internal membrane (Plastic) supported on flat sheets, which are bolted to a steel frame, which is, attached to the floor or ceiling, 19 Jan 2012	<b>16822/2012</b>
<b>Towiwat, Dhiti;</b> 23-03NES, 23-03F, Heat exchanger, (TH, 08 Nov 2012) 03 May 2013	<b>12082/2013</b>	<b>Warin, Nigel Trevor;</b> 23-01F, Square tank, Internal membrane (Plastic) supported on flat sheets, which are bolted to a steel frame, which is, attached to the floor or ceiling, 19 Jan 2012	<b>16819/2012</b>
<b>Trade Management Systems Pty Ltd;</b> 08-99, Head for pest inspection tool, 24 Apr 2013	<b>11925/2013</b>	<b>Warin, Nigel Trevor;</b> 23-01F, Square tank, Internal membrane (Plastic) supported on flat sheets, which are bolted to a steel frame, which is, attached to the floor or ceiling, 19 Jan 2012	<b>16820/2012</b>
<b>Vola A/S;</b> 23-02B, Shower head, (EM, 27 Feb 2013) 30 Apr 2013	<b>11996/2013</b>	<b>Whites Group Pty Ltd;</b> 08-08NES, Hook for supporting trough planter or the like, 02 May 2013	<b>12029/2013</b>
<b>Warin, Nigel Trevor;</b> 23-01F, Square tank, Internal membrane (Plastic) supported on flat sheets, which are bolted to a steel frame, which is attached, to the floor or ceiling, 19 Jan 2012	<b>16818/2012</b>	<b>WIRTGEN GmbH;</b> 08-03, Chisel holder, (EM, 05 Dec 2012) 29 Apr 2013	<b>11987/2013</b>
<b>Warin, Nigel Trevor;</b> 23-01F, Square tank, Internal membrane (Plastic) supported on flat sheets, which are bolted to a steel frame, which is, attached to the floor or ceiling, 19 Jan 2012	<b>16823/2012</b>	<b>Yakima Innovation Development Corporation;</b> 12-16K, Vehicle rack system with bicycle-gripping carrier, (US, 18 Apr 2013) 29 Apr 2013	<b>11988/2013</b>
<b>Warin, Nigel Trevor;</b> 23-01F, Square tank, Internal membrane (Plastic) supported on flat sheets, which are bolted to a steel frame, which is, attached to the floor or ceiling, 19 Jan 2012	<b>16821/2012</b>		

**Applications Withdrawn**

10853 / 2013 (19-07)

11529 / 2013 (20-03A)

**Applications Lapsed**

15208 / 2012 (06-13A)

**Extension of Period of Registration of Designs**

319920	320906	320947
320948	320949	320950
320951	320952	320953
320954	320955	320956
320957	320958	320959
320960	320966	321007
321044	321047	321087
321107	321134	321156
321160	321236	321321
321322	321323	321324
321346	321348	321349
321350	321356	321361
321362	321369	321393
321400	321429	321475
321551	321571	321572
321682	321706	321733
321769	321777	321805
321820	321821	321822
321824	321825	321921
321926	322153	323139
323381	323382	323383
323384	323385	323390
323657	323658	323659
323660	323966	324015
324016	324017	324018
325554	325555	

**Registrations Ceased**

316728	316756	316757
317564	317718	317906
317982	317983	317984
317985	317986	317987
317988	317989	317990
317991	317992	317993
317995	317997	317998
317999	318000	318003
318009	318011	318012
318013	318020	318021
318024	318025	318028
318030	318032	318038
318039	318040	318042
318067	318068	318069
318070	318071	318072
318073	318074	318076
318085	318089	318090
318101	318103	318104
318132	318133	318134
318138	318146	318147
318148	318149	318150

318151	318152	318153
318154	318157	318158
318159	318162	318163
318166	318167	318170
318171	318172	318393
318527	318532	318534
318535	318536	318743
318826	318827	318834
318913	318914	318980
319034	319035	319269
319270	319271	319273
319274	320618	320942
320943	321232	321233
321958	322965	342425
344234	344608	

**Extensions of time granted under Section 137**

Applications lodged under section 137 for extension of time have been granted.

- 10244/2012 **Nigel Trevor Warin**
- 10244/2012 **Nigel Trevor Warin**
- 14912/2012 **Phillip John Stansfield-Smith**
- 15903/2012 **Eco Pacific Pty Ltd**
- 16056/2012 **AFI (WA) Pty Ltd**
- 16263/2012 **Joseph Joseph Ltd**
- 16550/2012 **Australian Fitness Supplies Pty Ltd**
- 10653/2013 **Veta Sa**
- 10654/2013 **Veta Sa**
- 10713/2013 **Aussi Rossrock Import Pty. Ltd.**
- 10714/2013 **Aussi Rossrock Import Pty. Ltd.**
- 11430/2013 **Forever New Clothing Pty Ltd**
- 11447/2013 **Prooff Collection B.V.**
- 11448/2013 **Prooff Collection B.V.**

**Applications Assigned**

(The name in parentheses is that of the subsequent applicant)

- 10896/2013 ( **KAGI IP HOLDING COMPANY LIMITED a New Zealand company** ) Kagi Limited

**Subsequent Owners Registered**

(The name in parentheses is that of the subsequent owner)

- 304065 ( **Merck Sharp & Dohme B.V** ) MSD Oss B.V.
- 322572 ( **Lockpost Holdings Pty Ltd** ) Kenneth Leslie Forge
- 344522 ( **Lockpost Holdings Pty Ltd** ) Kenneth Leslie Forge
- 344645 ( **Lockpost Holdings Pty Ltd** ) Kenneth Leslie Forge
- 344646 ( **Lockpost Holdings Pty Ltd** ) Kenneth Leslie Forge

- 317053 ( **TIGER MEDICAL GROUP (US), INC. )** Tiger Medical Products (US), Inc
- 318389 ( **TIGER MEDICAL GROUP (US), INC. )** Tiger Medical Products (US), Inc
- 310065 ( **Shojii Holdings Pty. Ltd. as trustee for the Shojii Family Trust;Trifon Chryssafis )** Wideband Technology Pty Ltd
- 311989 ( **Shojii Holdings Pty. Ltd. as trustee for the Shojii Family Trust;Trifon Chryssafis )** Wideband Technology Pty Ltd
- 314082 ( **Shojii Holdings Pty. Ltd. as trustee for the Shojii Family Trust;Trifon Chryssafis )** Wideband Technology Pty Ltd
- 314083 ( **Shojii Holdings Pty. Ltd. as trustee for the Shojii Family Trust;Trifon Chryssafis )** Wideband Technology Pty Ltd
- 323005 ( **Shojii Holdings Pty. Ltd. as trustee for the Shojii Family Trust;Trifon Chryssafis )** Wideband Technology Pty Ltd
- 346457 ( **MARNI GROUP S.R.L. )** Marni International S.A. Luxembourg Pazzallo Branch

**Certificate(s) of Examination**

Examination of the following Design Registration(s) has been completed. Infringement proceedings may now be commenced.

337595	02-02C	09/05/2013
341272	02-02C	30/04/2013
342596	23-01F	30/04/2013
345092	03-01NES	30/04/2013
345843	03-01NES	01/05/2013
345844	03-01NES	30/04/2013
345845	03-01NES	30/04/2013
345971	23-04	30/04/2013
347206	24-02	30/04/2013
347693	09-03M	30/04/2013
347694	09-03M	30/04/2013
347695	09-03M	30/04/2013
347854	02-02C	30/04/2013
347871	02-02NES	01/05/2013



**Publication and Registration Proceedings**

**Designs Registered**

This section provides a concordance between design number and registration number of Designs covered in this journal. It also shows the main class and registration date.

This section covers Registration numbers 348250 to 348381 .

The registration number shown below should be used in all future correspondence.

<b>Design Number</b>	<b>Registration Number</b>	<b>International Classification Code (IDC)</b>	<b>Registration Date</b>	<b>Design Number</b>	<b>Registration Number</b>	<b>International Classification Code (IDC)</b>	<b>Registration Date</b>
13727/2012	348358	25-03	08/05/2013	10999/2013	348370	19-08	09/05/2013
13849/2012	348359	06-03D	08/05/2013	11025/2013	348257	02-02A	01/05/2013
13850/2012	348360	06-03D	08/05/2013	11061/2013	348299	08-08K	03/05/2013
15567/2012	348378	26-05C	13/05/2013	11062/2013	348300	08-08K	03/05/2013
15991/2012	348290	14-02	02/05/2013	11063/2013	348301	08-08K	03/05/2013
15992/2012	348291	14-02	02/05/2013	11068/2013	348252	25-02B	01/05/2013
16266/2012	348282	09-03M	02/05/2013	11105/2013	348254	18-01	01/05/2013
16267/2012	348283	09-03M	02/05/2013	11114/2013	348303	12-15A	03/05/2013
16520/2012	348286	15-04	02/05/2013	11142/2013	348260	23-02F	01/05/2013
16521/2012	348287	15-04	02/05/2013	11143/2013	348259	23-02B	01/05/2013
16524/2012	348288	15-04	02/05/2013	11144/2013	348258	23-02B	01/05/2013
16525/2012	348289	15-04	02/05/2013	11145/2013	348350	24-01	07/05/2013
16586/2012	348265	24-01	01/05/2013	11147/2013	348377	08-07	10/05/2013
10127/2013	348361	24-02	08/05/2013	11186/2013	348351	21-02C	07/05/2013
10143/2013	348284	14-03NES	02/05/2013	11187/2013	348352	21-02C	07/05/2013
10144/2013	348285	14-03NES	02/05/2013	11190/2013	348318	21-01C	06/05/2013
10152/2013	348329	02-02C	06/05/2013	11192/2013	348356	02-02C	08/05/2013
10170/2013	348250	20-02NES	01/05/2013	11195/2013	348292	21-01C	02/05/2013
10171/2013	348368	20-02NES	09/05/2013	11197/2013	348293	07-02L	02/05/2013
10262/2013	348317	25-01A	06/05/2013	11199/2013	348357	06-01F	08/05/2013
10263/2013	348302	08-03	03/05/2013	11217/2013	348264	07-02N	01/05/2013
10279/2013	348372	06-04D	09/05/2013	11234/2013	348305	06-01E	03/05/2013
10458/2013	348363	08-08C	08/05/2013	11236/2013	348304	06-01E	03/05/2013
10459/2013	348364	08-08C	08/05/2013	11240/2013	348314	06-01F	03/05/2013
10460/2013	348365	08-08K	08/05/2013	11241/2013	348255	28-03NES	01/05/2013
10461/2013	348366	08-08K	08/05/2013	11245/2013	348315	06-01F	03/05/2013
10462/2013	348367	08-08K	08/05/2013	11247/2013	348294	06-01F	02/05/2013
10500/2013	348266	14-03NES	01/05/2013	11250/2013	348306	23-01NES	03/05/2013
10514/2013	348263	09-01NES	01/05/2013	11251/2013	348307	06-01L	03/05/2013
10515/2013	348262	09-07C	01/05/2013	11252/2013	348308	15-03NES	03/05/2013
10516/2013	348261	22-06	01/05/2013	11260/2013	348353	21-02C	07/05/2013
10519/2013	348379	09-01G	13/05/2013	11286/2013	348320	12-12	06/05/2013
10648/2013	348319	09-03NES	06/05/2013	11289/2013	348321	12-12	06/05/2013
10661/2013	348267	30-04	01/05/2013	11291/2013	348323	06-01F	06/05/2013
10708/2013	348253	23-01A	01/05/2013	11292/2013	348324	06-01F	06/05/2013
10732/2013	348362	06-03C	08/05/2013	11293/2013	348325	15-02	06/05/2013
10780/2013	348295	03-01B	03/05/2013	11294/2013	348326	15-02	06/05/2013
10800/2013	348380	20-02NES	13/05/2013	11295/2013	348327	26-05D	06/05/2013
10801/2013	348354	07-07A	08/05/2013	11298/2013	348322	15-03B	06/05/2013
10802/2013	348251	09-01NES	01/05/2013	11300/2013	348271	15-02	02/05/2013
10810/2013	348269	25-01K	01/05/2013	11302/2013	348272	09-01A	02/05/2013
10862/2013	348328	14-02	06/05/2013	11303/2013	348273	09-07A	02/05/2013
10880/2013	348268	02-04A	01/05/2013	11304/2013	348274	09-07A	02/05/2013
10885/2013	348270	09-01K	01/05/2013	11306/2013	348373	09-03K	09/05/2013
10901/2013	348355	26-05C	08/05/2013	11307/2013	348374	09-03K	09/05/2013
10931/2013	348369	19-08	09/05/2013	11315/2013	348347	08-05M	07/05/2013
10952/2013	348296	15-02	03/05/2013	11317/2013	348348	06-01F	07/05/2013
10953/2013	348297	15-02	03/05/2013	11318/2013	348349	06-01F	07/05/2013
10954/2013	348298	15-02	03/05/2013	11319/2013	348334	06-01F	07/05/2013
10997/2013	348371	05-05D	09/05/2013	11320/2013	348335	06-01F	07/05/2013

Publication and Registration Proceedings - Designs Registered cont'd

Design Number	Registration Number	International Classification Code (IDC)	Registration Date	Design Number	Registration Number	International Classification Code (IDC)	Registration Date
11321/2013	348336	06-01F	07/05/2013	11672/2013	348311	20-02NES	03/05/2013
11322/2013	348337	06-01F	07/05/2013	11673/2013	348310	20-02NES	03/05/2013
11323/2013	348338	06-01F	07/05/2013	11689/2013	348309	15-99	03/05/2013
11324/2013	348339	06-01F	07/05/2013	11690/2013	348313	15-99	03/05/2013
11325/2013	348340	06-01F	07/05/2013	11700/2013	348278	14-03NES	02/05/2013
11326/2013	348341	06-01F	07/05/2013	11701/2013	348279	14-03NES	02/05/2013
11327/2013	348342	06-01F	07/05/2013	11702/2013	348280	14-03NES	02/05/2013
11328/2013	348343	06-01F	07/05/2013	11727/2013	348281	28-03D	02/05/2013
11371/2013	348275	07-01B	02/05/2013	11744/2013	348256	20-02NES	01/05/2013
11372/2013	348276	07-01D	02/05/2013	11757/2013	348330	02-02C	06/05/2013
11373/2013	348277	07-01D	02/05/2013	11758/2013	348331	02-02C	06/05/2013
11381/2013	348344	15-02	07/05/2013	11760/2013	348332	24-02	06/05/2013
11382/2013	348345	15-02	07/05/2013	11761/2013	348333	24-02	06/05/2013
11383/2013	348346	15-02	07/05/2013	11984/2013	348376	02-04NES	10/05/2013
11411/2013	348381	20-03NES	13/05/2013	11990/2013	348375	08-01	10/05/2013
11661/2013	348316	08-03	03/05/2013				
11671/2013	348312	20-02NES	03/05/2013				

**Publication and Registration Proceedings**

**Class Listing of Designs Published or Registered**

The following section shows an International Classification Code listing of the Registered or Published Designs covered in this supplement.

<b>Classification</b>	<b>Registration Number</b>	<b>Design Number</b>	<b>Classification</b>	<b>Registration Number</b>	<b>Design Number</b>
02-02A	348257	11025/2013	09-01A	348272	11302/2013
02-02C	348329	10152/2013	09-01G	348379	10519/2013
02-02C	348330	11757/2013	09-01K	348270	10885/2013
02-02C	348331	11758/2013	09-01NES	348251	10802/2013
02-02C	348356	11192/2013	09-01NES	348263	10514/2013
02-04A	348268	10880/2013	09-03K	348373	11306/2013
02-04NES	348376	11984/2013	09-03K	348374	11307/2013
03-01B	348295	10780/2013	09-03M	348282	16266/2012
05-05D	348371	10997/2013	09-03M	348283	16267/2012
06-01E	348304	11236/2013	09-03NES	348319	10648/2013
06-01E	348305	11234/2013	09-07A	348272	11302/2013
06-01F	348294	11247/2013	09-07A	348273	11303/2013
06-01F	348314	11240/2013	09-07A	348274	11304/2013
06-01F	348315	11245/2013	09-07C	348262	10515/2013
06-01F	348323	11291/2013	10-04	348284	10143/2013
06-01F	348324	11292/2013	10-04	348285	10144/2013
06-01F	348334	11319/2013	12-12	348320	11286/2013
06-01F	348335	11320/2013	12-12	348321	11289/2013
06-01F	348336	11321/2013	12-15A	348303	11114/2013
06-01F	348337	11322/2013	14-02	348290	15991/2012
06-01F	348338	11323/2013	14-02	348291	15992/2012
06-01F	348339	11324/2013	14-02	348328	10862/2013
06-01F	348340	11325/2013	14-03NES	348266	10500/2013
06-01F	348341	11326/2013	14-03NES	348278	11700/2013
06-01F	348342	11327/2013	14-03NES	348279	11701/2013
06-01F	348343	11328/2013	14-03NES	348280	11702/2013
06-01F	348348	11317/2013	14-03NES	348284	10143/2013
06-01F	348349	11318/2013	14-03NES	348285	10144/2013
06-01F	348357	11199/2013	14-99	348282	16266/2012
06-01L	348307	11251/2013	14-99	348283	16267/2012
06-03C	348362	10732/2013	15-02	348271	11300/2013
06-03D	348359	13849/2012	15-02	348296	10952/2013
06-03D	348360	13850/2012	15-02	348297	10953/2013
06-04D	348372	10279/2013	15-02	348298	10954/2013
07-01B	348275	11371/2013	15-02	348325	11293/2013
07-01D	348276	11372/2013	15-02	348326	11294/2013
07-01D	348277	11373/2013	15-02	348344	11381/2013
07-02L	348293	11197/2013	15-02	348345	11382/2013
07-02N	348264	11217/2013	15-02	348346	11383/2013
07-07A	348354	10801/2013	15-03B	348322	11298/2013
08-01	348375	11990/2013	15-03NES	348308	11252/2013
08-03	348302	10263/2013	15-04	348286	16520/2012
08-03	348316	11661/2013	15-04	348287	16521/2012
08-05M	348347	11315/2013	15-04	348288	16524/2012
08-07	348377	11147/2013	15-04	348289	16525/2012
08-08C	348363	10458/2013	15-99	348309	11689/2013
08-08C	348364	10459/2013	15-99	348313	11690/2013
08-08K	348299	11061/2013	18-01	348254	11105/2013
08-08K	348300	11062/2013	19-08	348369	10931/2013
08-08K	348301	11063/2013	19-08	348370	10999/2013
08-08K	348365	10460/2013	19-08	348380	10800/2013
08-08K	348366	10461/2013	20-02NES	348250	10170/2013
08-08K	348367	10462/2013	20-02NES	348256	11744/2013

Registration Proceedings - Class Listing of Designs Published or Registered cont'd

Classification	Registration Number	Design Number	Classification	Registration Number	Design Number
20-02NES	348310	11673/2013	23-02F	348260	11142/2013
20-02NES	348311	11672/2013	24-01	348265	16586/2012
20-02NES	348312	11671/2013	24-01	348350	11145/2013
20-02NES	348368	10171/2013	24-02	348332	11760/2013
20-02NES	348380	10800/2013	24-02	348333	11761/2013
20-03NES	348381	11411/2013	24-02	348361	10127/2013
21-01C	348292	11195/2013	25-01A	348317	10262/2013
21-01C	348318	11190/2013	25-01K	348269	10810/2013
21-01L	348359	13849/2012	25-02B	348252	11068/2013
21-01L	348360	13850/2012	25-03	348358	13727/2012
21-02C	348351	11186/2013	26-05C	348355	10901/2013
21-02C	348352	11187/2013	26-05C	348378	15567/2012
21-02C	348353	11260/2013	26-05D	348327	11295/2013
22-06	348261	10516/2013	28-03D	348281	11727/2013
23-01A	348253	10708/2013	28-03NES	348255	11241/2013
23-01NES	348306	11250/2013	30-04	348267	10661/2013
23-02B	348258	11144/2013			
23-02B	348259	11143/2013			

(21) Design Number: **10170/2013**

(22) Date of Filing Application: **11 January 2013**

(24) Date from which industrial property rights may have effect: **11 January 2013**

(54) Product in respect of which the design is registered: **A display unit**

(51) International Design Classification: **20-02NES**

(74) Name(s) of Attorney(s): **Davies Collison Cave**

(71) Name(s) and Address(s) of Applicant(s):

**Una Hannaway**

**Shragarra, Kendalstown Rise, Delgany County Wicklow Republic of Ireland**

(72) Name(s) of Designer(s): **Una Hannaway**

(45) Registration Date: **01 May 2013**

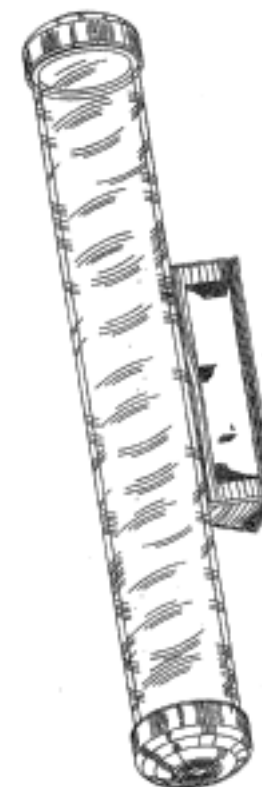
(30) Convention priority data:

(31) Number (32) Date  
**002071704-0004 11 Jul 2012**

(33) Country  
**OFFICE FOR HARMONISATION IN THE INTERNAL MARKET (OHIM)**

(56) Related Art Documents: **Not Applicable**

(57) Statement of Newness and Distinctiveness: **Nil**



(21) Design Number: **10802/2013**

(22) Date of Filing Application: **15 February 2013**

(24) Date from which industrial property rights may have effect: **15 February 2013**

(54) Product in respect of which the design is registered: **Bottle**

(51) International Design Classification: **09-01NES**

(74) Name(s) of Attorney(s):

(71) Name(s) and Address(s) of Applicant(s):

**Container Pty Ltd**

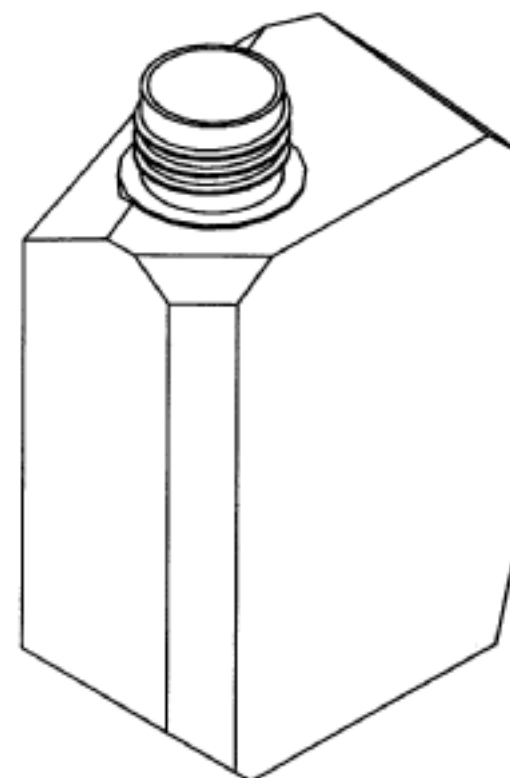
**L3 255 Riley St Surry Hills NSW 2010 Australia**

(72) Name(s) of Designer(s): **Mark Evans**

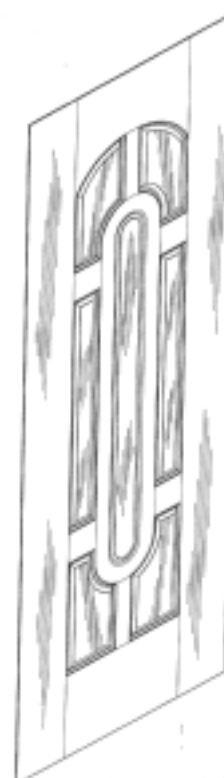
(45) Registration Date: **01 May 2013**

(56) Related Art Documents: **Not Applicable**

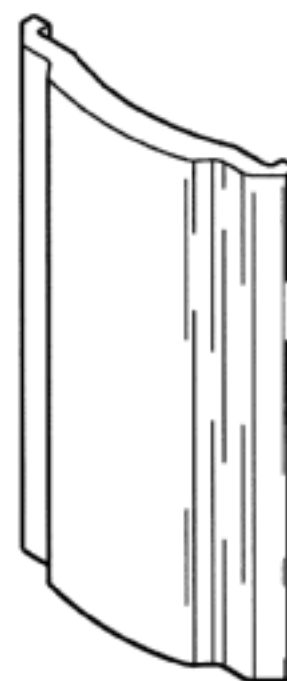
(57) Statement of Newness and Distinctiveness: **Nil**



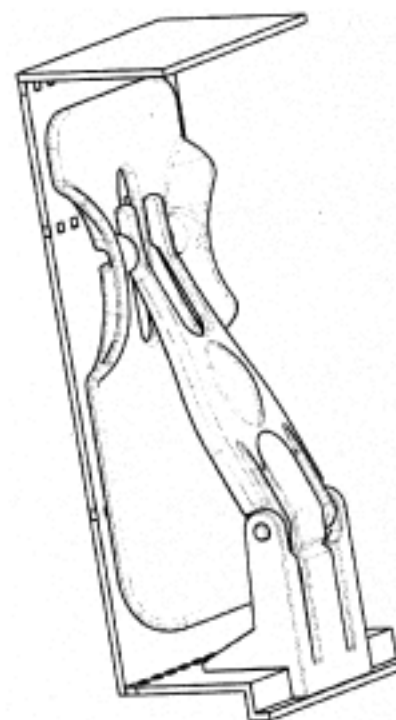
- (21) Design Number: **11068/2013**  
(22) Date of Filing Application: **06 March 2013**  
(24) Date from which industrial property rights may have effect: **06 March 2013**  
(54) Product in respect of which the design is registered: **A door facing**  
(51) International Design Classification: **25-02B**  
(74) Name(s) of Attorney(s): **IP Gateway Patent & Trademark Attorneys**  
(71) Name(s) and Address(s) of Applicant(s):  
**Masonite Corporation**  
**One Tampa City Center 201 N. Franklin Street Suite 300 Tampa Florida**  
**33602-5105 United States of America**  
(72) Name(s) of Designer(s): **Gregory J. Wysock and Timothy Gouge**  
(45) Registration Date: **01 May 2013**  
(30) Convention priority data:  
(31) Number (32) Date (33) Country  
**29/431,338 06 Sep 2012 UNITED STATES OF AMERICA**  
(56) Related Art Documents: **Not Applicable**  
(57) Statement of Newness and Distinctiveness: **The newness and distinctiveness of the design resides in the visual features of shape and/or configuration of ovolo mouldings on a door facing substantially as shown in the accompanying representations.**



- (21) Design Number: **10708/2013**  
(22) Date of Filing Application: **13 February 2013**  
(24) Date from which industrial property rights may have effect: **13 February 2013**  
(54) Product in respect of which the design is registered: **Seal side segment**  
(51) International Design Classification: **23-01A**  
(74) Name(s) of Attorney(s): **Davies Collison Cave**  
(71) Name(s) and Address(s) of Applicant(s):  
**S.P.M. Flow Control, Inc.**  
**7601 Wyatt Drive Fort Worth Texas 76108 United States of America**  
(72) Name(s) of Designer(s): **Brian Witkowski and Nuder Said**  
(45) Registration Date: **01 May 2013**  
(30) Convention priority data:  
(31) Number (32) Date (33) Country  
**29/429809 16 Aug 2012 UNITED STATES OF AMERICA**  
(56) Related Art Documents: **Not Applicable**  
(57) Statement of Newness and Distinctiveness: **Newness and distinctiveness is claimed in the visual features shown in solid lines in the representations.**



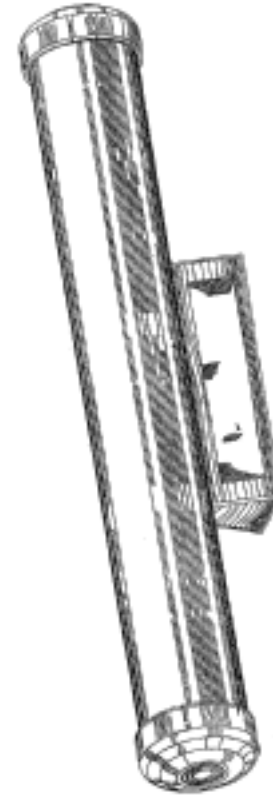
- (21) Design Number: **11105/2013**  
(22) Date of Filing Application: **07 March 2013**  
(24) Date from which industrial property rights may have effect: **07 March 2013**  
(54) Product in respect of which the design is registered: **Snatch and grab cash cover insert**  
(51) International Design Classification: **18-01**  
(74) Name(s) of Attorney(s):  
(71) Name(s) and Address(s) of Applicant(s):  
**Ryan James Clarkson**  
**PO BOX 6883 Baulkham Hills NSW 2153 Australia**  
**Anthony Cutler**  
**PO BOX 6883 Baulkham Hills NSW 2153 Australia**  
(72) Name(s) of Designer(s): **Ryan James Clarkson and Anthony Cutler**  
(45) Registration Date: **01 May 2013**  
(56) Related Art Documents: **Not Applicable**  
(57) Statement of Newness and Distinctiveness: **A cash cover for a cash register insert tray made from plastic or metal. It has a curved rear edge for easy tilt down, also on either side of the cover easy curved up edges for easy opening, it has slotted inserts on the pad to identify what currency.**



- (21) Design Number: **11241/2013**  
(22) Date of Filing Application: **13 March 2013**  
(24) Date from which industrial property rights may have effect: **12 December 2012**  
(54) Product in respect of which the design is registered: **Nail curing lamp**  
(51) International Design Classification: **28-03NES**  
(74) Name(s) of Attorney(s): **Shelston IP**  
(71) Name(s) and Address(s) of Applicant(s):  
**Creative Nail Design, Inc.**  
**1125 Joshua Way Vista California 92081 United States of America**  
(72) Name(s) of Designer(s): **David Valia and Daniel Moore and Thong Vu and Diane Larsen and Guido Charosky and Ignacio Rocchetti**  
(45) Registration Date: **01 May 2013**  
(30) Convention priority data:  
(31) Number (32) Date (33) Country  
**29/424673 14 Jun 2012 UNITED STATES OF AMERICA**  
(62) Divisional of: **347704**  
(56) Related Art Documents: **Not Applicable**  
(57) Statement of Newness and Distinctiveness: **Newness and distinctiveness reside in the features of shape and/or configuration of a NAIL CURING LAMP as illustrated in solid lines in the accompanying representations. The features illustrated in broken lines do not form part of the design.**



- (21) Design Number: **11744/2013**  
(22) Date of Filing Application: **12 April 2013**  
(24) Date from which industrial property rights may have effect: **11 January 2013**  
(54) Product in respect of which the design is registered: **A display unit**  
(51) International Design Classification: **20-02NES**  
(74) Name(s) of Attorney(s): **Davies Collison Cave**  
(71) Name(s) and Address(s) of Applicant(s):  
**Una Hannaway**  
**Shragarra Kendalstown Rise Delgany Country Wicklow Republic of Ireland**  
(72) Name(s) of Designer(s): **Una Hannaway**  
(45) Registration Date: **01 May 2013**  
(62) Divisional of: **348250**  
(56) Related Art Documents: **Not Applicable**  
(57) Statement of Newness and Distinctiveness: **Nil**



- (21) Design Number: **11025/2013**  
(22) Date of Filing Application: **04 March 2013**  
(24) Date from which industrial property rights may have effect: **04 March 2013**  
(54) Product in respect of which the design is registered: **Swimwear garment**  
(51) International Design Classification: **02-02A**  
(74) Name(s) of Attorney(s): **Herbert Geer Lawyers**  
(71) Name(s) and Address(s) of Applicant(s):  
**JETS Swimwear Pty Limited**  
**8-18 Bowden St Alexandria NSW 2015 Australia**  
(72) Name(s) of Designer(s): **Jessika Allen**  
(45) Registration Date: **01 May 2013**  
(56) Related Art Documents: **Not Applicable**  
(57) Statement of Newness and Distinctiveness: **Newness and distinctiveness is claimed in the shape, configuration, pattern and/or ornamentation of the swimwear garment as depicted in the accompanying representations. The back straps in the back view and the outline of the wearer, both shown in broken lines, form no part of the design.**





(21) Design Number: **11144/2013**

(22) Date of Filing Application: **09 March 2013**

(24) Date from which industrial property rights may have effect: **09 March 2013**

(54) Product in respect of which the design is registered: **Bath**

(51) International Design Classification: **23-02B**

(74) Name(s) of Attorney(s):

(71) Name(s) and Address(s) of Applicant(s):

**Josepine Ann Brewer**

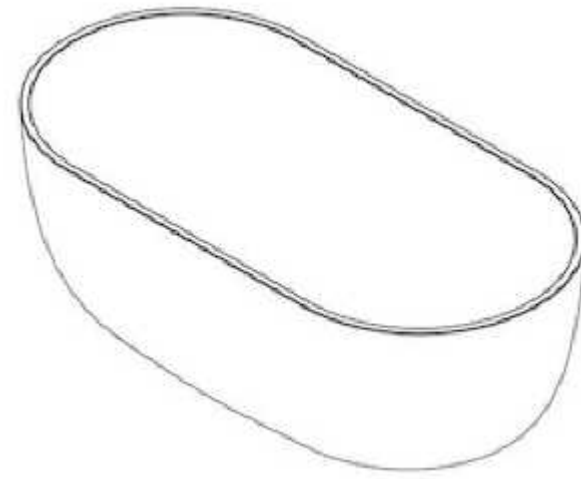
**258 Menangle St Picton NSW 2571 Australia**

(72) Name(s) of Designer(s): **Josepine Ann Brewer**

(45) Registration Date: **01 May 2013**

(56) Related Art Documents: **Not Applicable**

(57) Statement of Newness and Distinctiveness: **Monolithic solid surface bath with elegant fine edges, elliptical in form.**



(21) Design Number: **11143/2013**

(22) Date of Filing Application: **09 March 2013**

(24) Date from which industrial property rights may have effect: **09 March 2013**

(54) Product in respect of which the design is registered: **Bath**

(51) International Design Classification: **23-02B**

(74) Name(s) of Attorney(s):

(71) Name(s) and Address(s) of Applicant(s):

**Josepine Ann Brewer**

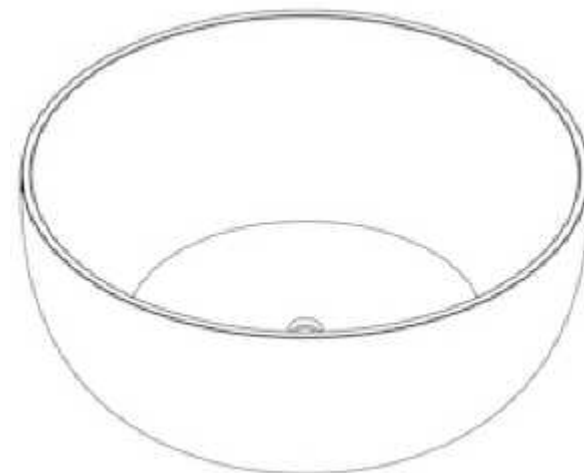
**258 Menangle St Picton NSW 2571 Australia**

(72) Name(s) of Designer(s): **Josepine Ann Brewer**

(45) Registration Date: **01 May 2013**

(56) Related Art Documents: **Not Applicable**

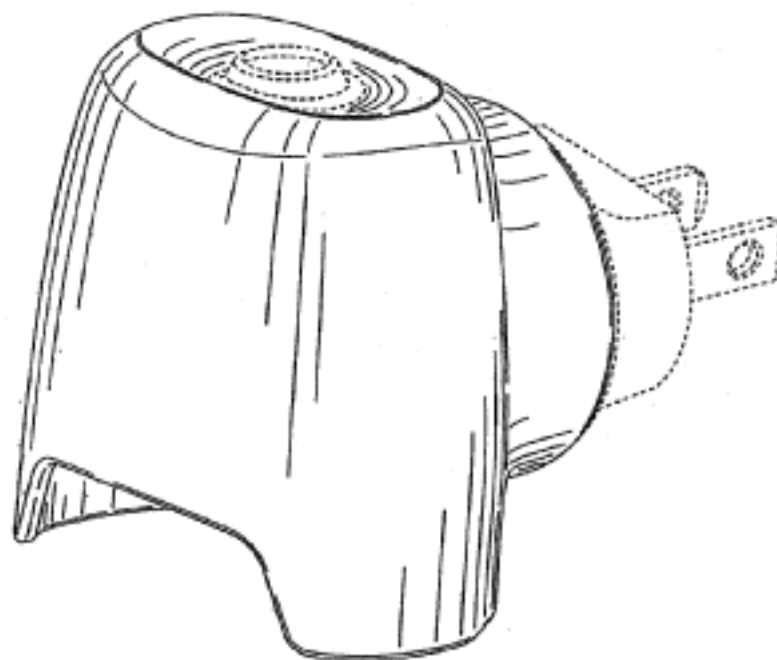
(57) Statement of Newness and Distinctiveness: **Monolithic solid surface free standing bath, circular in form, fine elegant edges.**



- (21) Design Number: **11142/2013**  
(22) Date of Filing Application: **09 March 2013**  
(24) Date from which industrial property rights may have effect: **09 March 2013**  
(54) Product in respect of which the design is registered: **Hand basin**  
(51) International Design Classification: **23-02F**  
(74) Name(s) of Attorney(s):  
(71) Name(s) and Address(s) of Applicant(s):  
**Josepine Ann Brewer**  
**258 Menangle St Picton NSW 2571 Australia**  
(72) Name(s) of Designer(s): **Josepine Ann Brewer**  
(45) Registration Date: **01 May 2013**  
(56) Related Art Documents: **Not Applicable**  
(57) Statement of Newness and Distinctiveness: **Monolithic solid surface pedestal hand basin, fine elegant edges, one unit with housing for plumbing outlets.**



- (21) Design Number: **10516/2013**  
(22) Date of Filing Application: **31 January 2013**  
(24) Date from which industrial property rights may have effect: **31 January 2013**  
(54) Product in respect of which the design is registered: **Volatile material dispenser**  
(51) International Design Classification: **22-06**  
(74) Name(s) of Attorney(s): **SPRUSON & FERGUSON**  
(71) Name(s) and Address(s) of Applicant(s):  
**S.C. Johnson & Son Inc.**  
**1525 Howe Street Racine Wisconsin 53403-2236 United States of America**  
(72) Name(s) of Designer(s): **Joel E. Adair and Brian T. Davis and Bradley H. Price and Shigeru G. Natsume and Sebastian D. Hasik and Kamran Faterioun and Joao Paulo Possidonio**  
(45) Registration Date: **01 May 2013**  
(30) Convention priority data:  
(31) Number (32) Date (33) Country  
**29/428483 31 Jul 2012 UNITED STATES OF AMERICA**  
(56) Related Art Documents: **Not Applicable**  
(57) Statement of Newness and Distinctiveness: **Newness and distinctiveness is claimed in the features of shape and/or configuration of a volatile material dispenser as illustrated in continuous lines in the accompanying representations.**

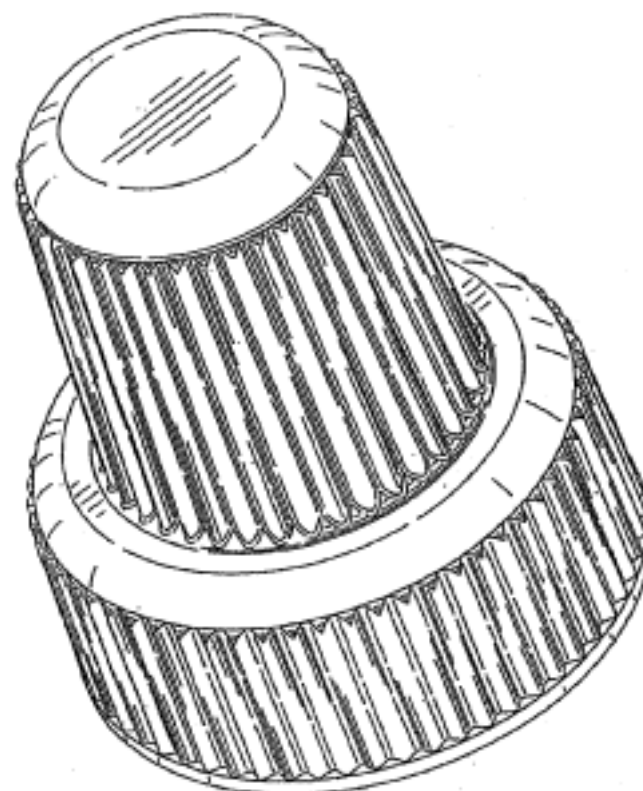


(21) Design Number: **10515/2013**  
(22) Date of Filing Application: **31 January 2013**  
(24) Date from which industrial property rights may have effect: **31 January 2013**  
(54) Product in respect of which the design is registered: **Bottle cap**  
(51) International Design Classification: **09-07C**  
(74) Name(s) of Attorney(s): **SPRUSON & FERGUSON**  
(71) Name(s) and Address(s) of Applicant(s):  
**S. C. Johnson & Son, Inc.**  
**1525 Howe Street Racine Wisconsin 53403-2236 United States of America**

(72) Name(s) of Designer(s): **Dirk K. Nickel and Christopher R. Sheridan**  
(45) Registration Date: **01 May 2013**

(30) Convention priority data:  
(31) Number (32) Date (33) Country  
**29/428488 31 Jul 2012 UNITED STATES OF AMERICA**

(56) Related Art Documents: **Not Applicable**  
(57) Statement of Newness and Distinctiveness: **Newness and distinctiveness is claimed in the features of shape and/configuration of a bottle cap as illustrated in continuous lines in the accompanying representations.**

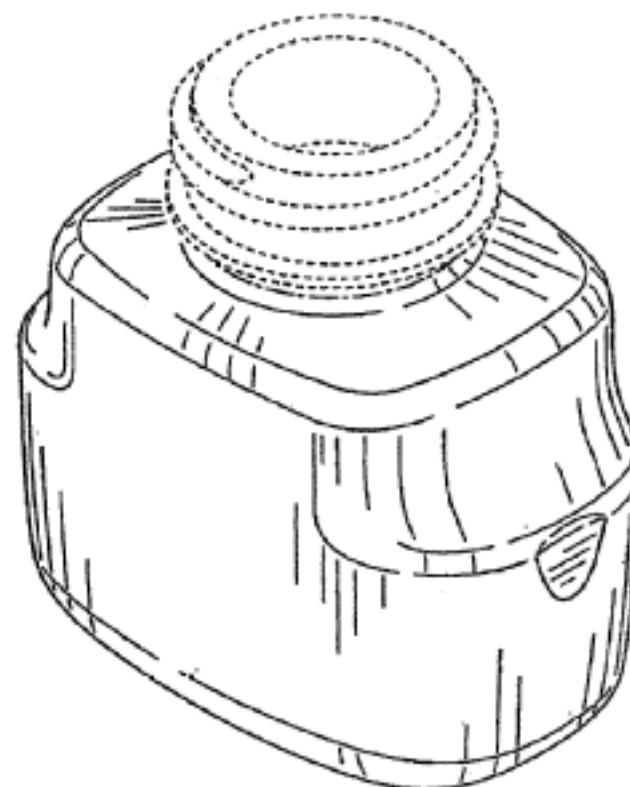


(21) Design Number: **10514/2013**  
(22) Date of Filing Application: **31 January 2013**  
(24) Date from which industrial property rights may have effect: **31 January 2013**  
(54) Product in respect of which the design is registered: **Bottle**  
(51) International Design Classification: **09-01NES**  
(74) Name(s) of Attorney(s): **SPRUSON & FERGUSON**  
(71) Name(s) and Address(s) of Applicant(s):  
**S. C. Johnson & Son, Inc.**  
**1525 Howe Street Racine Wisconsin 53403-2236 United States of America**

(72) Name(s) of Designer(s): **Joel E. Adair and Brian T. Davis and Bradley H. Price and Shigeru G. Natsume and Dirk K. Nickel and Tracy L. Guard**

(45) Registration Date: **01 May 2013**  
(30) Convention priority data:  
(31) Number (32) Date (33) Country  
**29/428486 31 Jul 2012 UNITED STATES OF AMERICA**

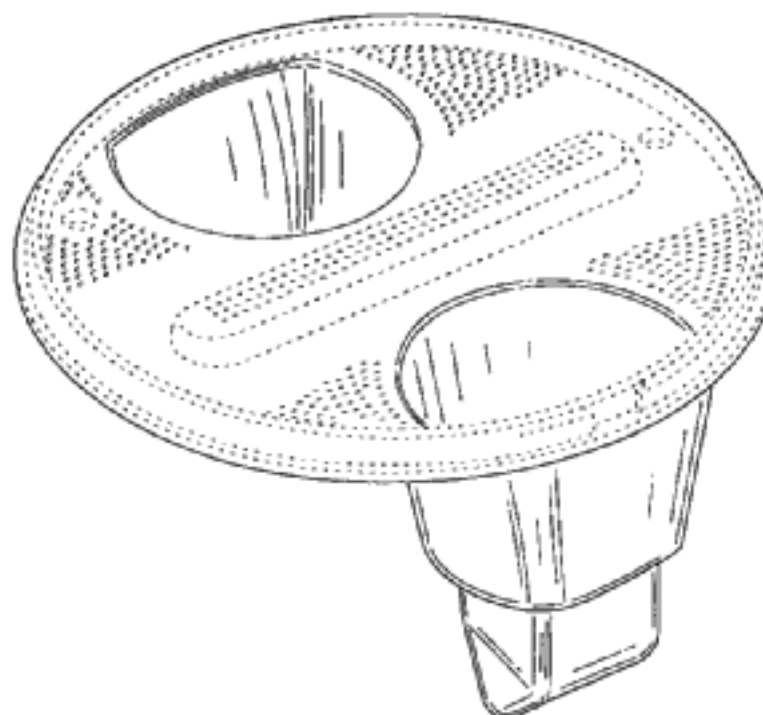
(56) Related Art Documents: **Not Applicable**  
(57) Statement of Newness and Distinctiveness: **Newness and distinctiveness is claimed in the features of shape and/or configuration of a bottle as illustrated in continuous lines in the accompanying representations.**



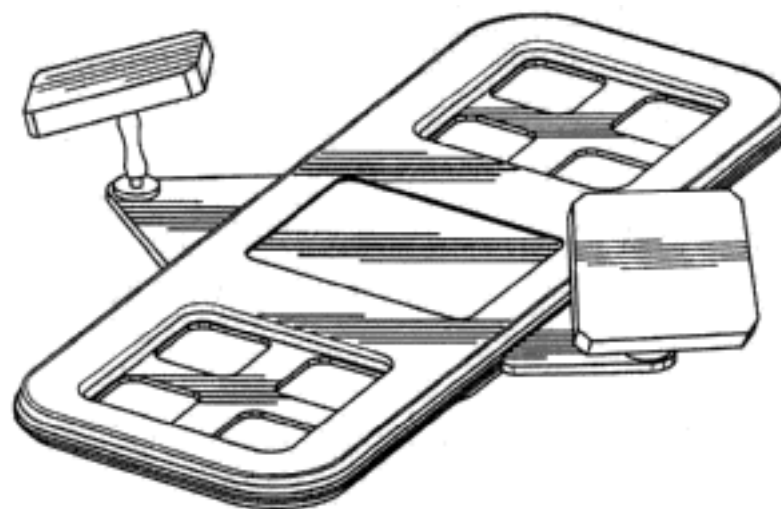
(21) Design Number: **11217/2013**  
(22) Date of Filing Application: **13 March 2013**  
(24) Date from which industrial property rights may have effect: **13 March 2013**  
(54) Product in respect of which the design is registered: **Cookware lid**  
(51) International Design Classification: **07-02N**  
(74) Name(s) of Attorney(s): **Griffith Hack**  
(71) Name(s) and Address(s) of Applicant(s):  
**Telebrands Corp**  
**77 Two Bridges Rd Fairfield NJ 07004-1029 United States of America**  
(72) Name(s) of Designer(s): **Rajoo Shahani**  
(45) Registration Date: **01 May 2013**  
(30) Convention priority data:  
(31) Number (32) Date (33) Country  
**29/441326 03 Jan 2013 UNITED STATES OF AMERICA**  
(56) Related Art Documents: **Not Applicable**  
(57) Statement of Newness and Distinctiveness: **Nil**



(21) Design Number: **16586/2012**  
(22) Date of Filing Application: **24 December 2012**  
(24) Date from which industrial property rights may have effect: **12 October 2012**  
(54) Product in respect of which the design is registered: **Sample basket**  
(51) International Design Classification: **24-01**  
(74) Name(s) of Attorney(s): **Davies Collison Cave**  
(71) Name(s) and Address(s) of Applicant(s):  
**Becton Dickinson and Company**  
**One Becton Drive Franklin Lakes New Jersey 07417-1880 United States of America**  
(72) Name(s) of Designer(s): **Melody M.H. Kuroda and David Lentz Ammon and Dwight Livingstone and Michael Justin Lizzi and Scott N. Danhof and Gregory S. Kramer and Thomas D. Haubert and Michael L. Marshall and James A. Prescott and Randy J. Somerville and M. Scott Ulrich**  
(45) Registration Date: **01 May 2013**  
(62) Divisional of: **346418**  
(56) Related Art Documents: **Not Applicable**  
(57) Statement of Newness and Distinctiveness: **Newness and distinctiveness is claimed in the features shown in solid lines in the representations.**



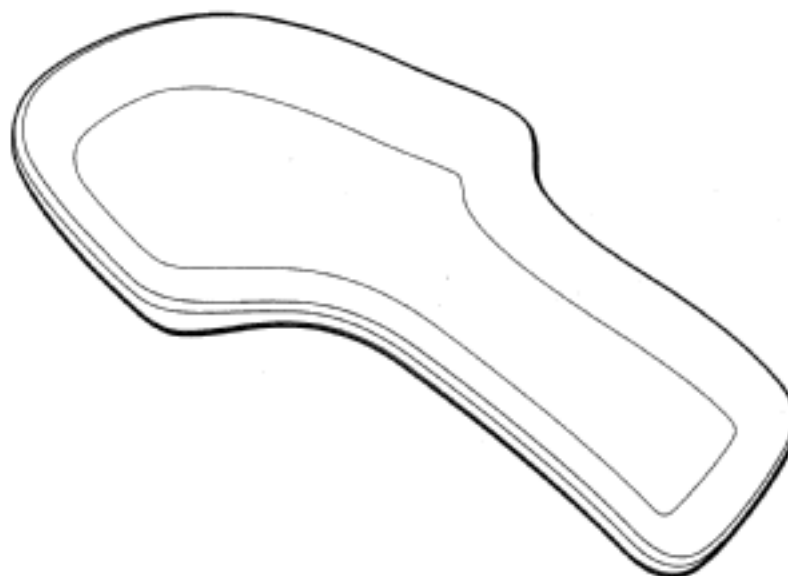
- (21) Design Number: **10500/2013**  
(22) Date of Filing Application: **01 February 2013**  
(24) Date from which industrial property rights may have effect: **01 February 2013**  
(54) Product in respect of which the design is registered: **Antenna**  
(51) International Design Classification: **14-03NES**  
(74) Name(s) of Attorney(s): **FB Rice**  
(71) Name(s) and Address(s) of Applicant(s):  
**Lyngsoe Systems Limited**  
**5570 Kennedy Road Unit B Mississauga Ontario L4Z 2A9 Canada**  
(72) Name(s) of Designer(s): **Don Ferguson and Mircea Paun and Tudor Patroi and Steve Taylor**  
(45) Registration Date: **01 May 2013**  
(30) Convention priority data:  
(31) Number (32) Date (33) Country  
**146768 03 Aug 2012 CANADA**  
(56) Related Art Documents: **Not Applicable**  
(57) Statement of Newness and Distinctiveness: **Newness and distinctiveness reside in the features of shape and configuration as shown in the representations.**



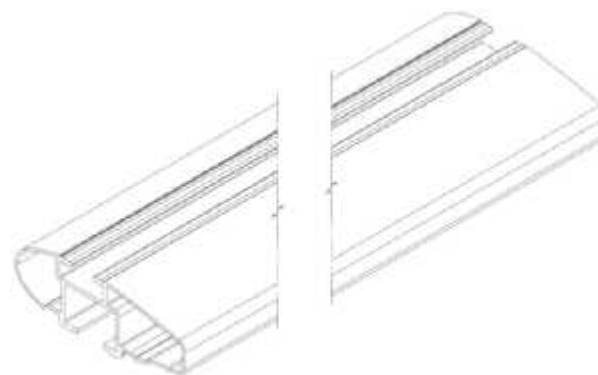
- (21) Design Number: **10661/2013**  
(22) Date of Filing Application: **11 February 2013**  
(24) Date from which industrial property rights may have effect: **11 February 2013**  
(54) Product in respect of which the design is registered: **Saddle girth**  
(51) International Design Classification: **30-04**  
(74) Name(s) of Attorney(s): **Davies Collison Cave**  
(71) Name(s) and Address(s) of Applicant(s):  
**Hammersmith Nominees Pty Ltd**  
**430 Newcastle St West Perth WA 6005 Australia**  
(72) Name(s) of Designer(s): **Ronald Gordon Bates**  
(45) Registration Date: **01 May 2013**  
(56) Related Art Documents: **Not Applicable**  
(57) Statement of Newness and Distinctiveness: **Newness and distinctiveness is claimed in the features of shape and configuration shown in solid lines in the representations.**



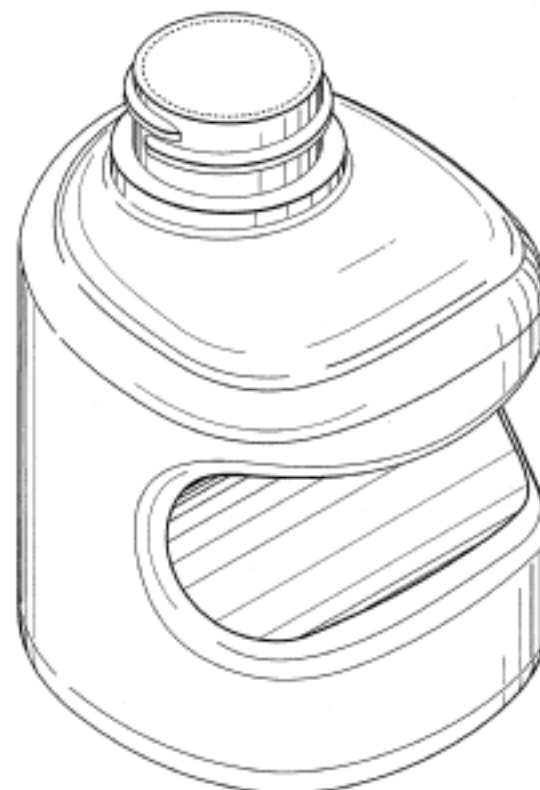
(21) Design Number: **10880/2013**  
(22) Date of Filing Application: **25 February 2013**  
(24) Date from which industrial property rights may have effect: **25 February 2013**  
(54) Product in respect of which the design is registered: **Shoe inserts**  
(51) International Design Classification: **02-04A**  
(74) Name(s) of Attorney(s): **DibbsBarker**  
(71) Name(s) and Address(s) of Applicant(s):  
**Emma Lucy Supple**  
**62 Uvedale Road Enfield EN2 6HD United Kingdom**  
(72) Name(s) of Designer(s): **Emma Lucy Supple**  
(45) Registration Date: **01 May 2013**  
(30) Convention priority data:  
(31) Number (32) Date (33) Country  
**002106625-0001 20 Sep 2012 OFFICE FOR HARMONISATION IN  
THE INTERNAL MARKET (OHIM)**  
(56) Related Art Documents: **Not Applicable**  
(57) Statement of Newness and Distinctiveness: **Nil**



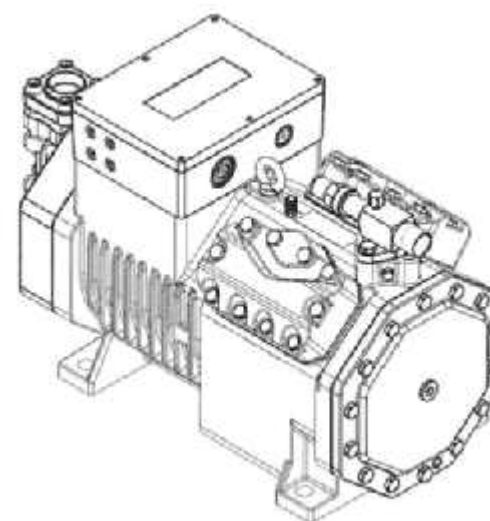
(21) Design Number: **10810/2013**  
(22) Date of Filing Application: **21 February 2013**  
(24) Date from which industrial property rights may have effect: **21 February 2013**  
(54) Product in respect of which the design is registered: **An extrusion**  
(51) International Design Classification: **25-01K**  
(74) Name(s) of Attorney(s): **HODGKINSON McINNES PATENTS**  
(71) Name(s) and Address(s) of Applicant(s):  
**Rhino Rack Australia Pty Limited**  
**3 Pike St Rydalmere NSW 2116 Australia**  
(72) Name(s) of Designer(s): **Richard Oswald Copley and Christopher Murty  
and Michael John Laybourne Hort**  
(45) Registration Date: **01 May 2013**  
(56) Related Art Documents: **Not Applicable**  
(57) Statement of Newness and Distinctiveness: **Newness and distinctiveness  
is claimed in the shape and configuration of a cross section of constant  
dimension and indefinite length of a vehicle roof rack as shown in the  
representations.**



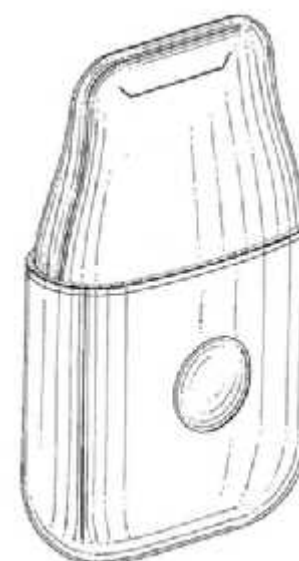
(21) Design Number: **10885/2013**  
(22) Date of Filing Application: **22 February 2013**  
(24) Date from which industrial property rights may have effect: **22 February 2013**  
(54) Product in respect of which the design is registered: **Bottle**  
(51) International Design Classification: **09-01K**  
(74) Name(s) of Attorney(s): **Shelston IP**  
(71) Name(s) and Address(s) of Applicant(s):  
**The Libman Company**  
**220 North Sheldon Street Arcola Illinois 61910 United States of America**  
(72) Name(s) of Designer(s): **Andrew D. Libman and Steven R. Kroplewski**  
(45) Registration Date: **01 May 2013**  
(30) Convention priority data:  
(31) Number (32) Date (33) Country  
**29/430290 23 Aug 2012 UNITED STATES OF AMERICA**  
(56) Related Art Documents: **Not Applicable**  
(57) Statement of Newness and Distinctiveness: **Newness and distinctiveness reside in the features of shape and/or configuration of a bottle as illustrated by solid lines in the accompanying representations. The features shown in broken outline are for contextual purposes only and do not form part of the design.**



(21) Design Number: **11300/2013**  
(22) Date of Filing Application: **15 March 2013**  
(24) Date from which industrial property rights may have effect: **15 March 2013**  
(54) Product in respect of which the design is registered: **Compressor**  
(51) International Design Classification: **15-02**  
(74) Name(s) of Attorney(s): **Griffith Hack**  
(71) Name(s) and Address(s) of Applicant(s):  
**Bitzer Kuehlmaschinenbau GmbH**  
**Eschenbruennlestrasse 15 Sindelfingen 71065 Germany**  
(72) Name(s) of Designer(s): **Klaus Ohser and Bertram Wipper**  
(45) Registration Date: **02 May 2013**  
(30) Convention priority data:  
(31) Number (32) Date (33) Country  
**002156752-0001 20 Dec 2012 OFFICE FOR HARMONISATION IN THE INTERNAL MARKET (OHIM)**  
(56) Related Art Documents: **Not Applicable**  
(57) Statement of Newness and Distinctiveness: **Newness and distinctiveness resides in the visual features, including shape, configuration and ornamentation of the PRODUCT as shown in the accompanying drawings.**



- (21) Design Number: **11302/2013**  
(22) Date of Filing Application: **15 March 2013**  
(24) Date from which industrial property rights may have effect: **15 March 2013**  
(54) Product in respect of which the design is registered: **Container for liquid product with applicator**  
(51) International Design Classification: **09-01A, 09-07A**  
(74) Name(s) of Attorney(s): **Shelston IP**  
(71) Name(s) and Address(s) of Applicant(s):  
**MSD Consumer Care, Inc.**  
**3030 Jackson Avenue Memphis Tennessee 38151 United States of America**  
(72) Name(s) of Designer(s): **Stephen Edward Schwall and Julka Rae Almquist and Christopher Ryan Gold and Ross Lockwood**  
(45) Registration Date: **02 May 2013**  
(30) Convention priority data:  
(31) Number (32) Date (33) Country  
**29/432644 18 Sep 2012 UNITED STATES OF AMERICA**  
(56) Related Art Documents: **Not Applicable**  
(57) Statement of Newness and Distinctiveness: **Newness and distinctiveness resides in the features of shape and configuration of a container for liquid product with applicator as illustrated in the accompanying representations. The configuration of the button as shown in Figures 1 and 2 and the dispensing slit near the top of the applicator as shown in Figures 1,2 and 3 do not form an essential part of the design and could be varied.**



- (21) Design Number: **11303/2013**  
(22) Date of Filing Application: **15 March 2013**  
(24) Date from which industrial property rights may have effect: **15 March 2013**  
(54) Product in respect of which the design is registered: **Spray head for spray applicator**  
(51) International Design Classification: **09-07A**  
(74) Name(s) of Attorney(s): **Shelston IP**  
(71) Name(s) and Address(s) of Applicant(s):  
**MSD Consumer Care, Inc.**  
**3030 Jackson Avenue Memphis Tennessee 38151 United States of America**  
(72) Name(s) of Designer(s): **Stephen Edward Schwall and Julka Rae Almquist and Christopher Ryan Gold and Ross Lockwood**  
(45) Registration Date: **02 May 2013**  
(30) Convention priority data:  
(31) Number (32) Date (33) Country  
**29/432641 18 Sep 2012 UNITED STATES OF AMERICA**  
(56) Related Art Documents: **Not Applicable**  
(57) Statement of Newness and Distinctiveness: **Newness and distinctiveness resides in the features of shape and configuration of a spray head for a spray applicator as illustrated in solid lines in the accompanying representations. The features shown in broken lines on the spray head do not form part of the design and can be varied and the end portion also shown in broken lines similarly does not form part of the design.**





(21) Design Number: **11304/2013**

(22) Date of Filing Application: **15 March 2013**

(24) Date from which industrial property rights may have effect: **15 March 2013**

(54) Product in respect of which the design is registered: **Spray applicator**

(51) International Design Classification: **09-07A**

(74) Name(s) of Attorney(s): **Shelston IP**

(71) Name(s) and Address(s) of Applicant(s):

**MSD Consumer Care, Inc.**

**3030 Jackson Avenue Memphis Tennessee 38151 United States of America**

(72) Name(s) of Designer(s): **Stephen Edward Schwall and Julka Rae Almquist and Christopher Ryan Gold and Ross Lockwood**

(45) Registration Date: **02 May 2013**

(30) Convention priority data:

(31) Number

(32) Date

(33) Country

**29/432639**

**18 Sep 2012**

**UNITED STATES OF AMERICA**

(56) Related Art Documents: **Not Applicable**

(57) Statement of Newness and Distinctiveness: **Newness and distinctiveness resides in the features of shape and configuration of a spray applicator as illustrated in solid lines in the accompanying representations. The features shown in broken lines do not form part of the design and can be varied.**



(21) Design Number: **11371/2013**

(22) Date of Filing Application: **18 March 2013**

(24) Date from which industrial property rights may have effect: **18 March 2013**

(54) Product in respect of which the design is registered: **Soup bowl**

(51) International Design Classification: **07-01B**

(74) Name(s) of Attorney(s): **King & Wood Mallesons**

(71) Name(s) and Address(s) of Applicant(s):

**H.A.G. Import Corporation (Australia) Pty Ltd**

**11-27 Millers Rd Brooklyn VIC 3012 Australia**

(72) Name(s) of Designer(s): **Matt Guthrie**

(45) Registration Date: **02 May 2013**

(56) Related Art Documents: **Not Applicable**

(57) Statement of Newness and Distinctiveness: **The following visual features of the design are new and distinctive. The shape and configuration of the soup bowl as shown in solid lines in the accompanying drawings.**



- (21) Design Number: **11372/2013**  
(22) Date of Filing Application: **18 March 2013**  
(24) Date from which industrial property rights may have effect: **18 March 2013**  
(54) Product in respect of which the design is registered: **Cup**  
(51) International Design Classification: **07-01D**  
(74) Name(s) of Attorney(s): **King & Wood Mallesons**  
(71) Name(s) and Address(s) of Applicant(s):  
**H.A.G. Import Corporation (Australia) Pty Ltd**  
**11-27 Millers Rd Brooklyn VIC 3012 Australia**  
(72) Name(s) of Designer(s): **Matt Guthrie**  
(45) Registration Date: **02 May 2013**  
(56) Related Art Documents: **Not Applicable**  
(57) Statement of Newness and Distinctiveness: **The following visual features of the design are new and distinctive. The shape and configuration of the cup as shown in solid lines in the accompanying drawings.**



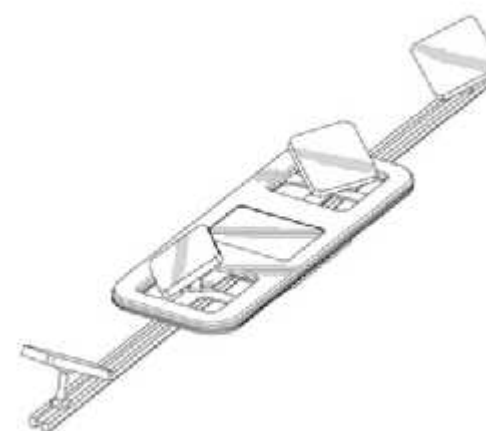
- (21) Design Number: **11373/2013**  
(22) Date of Filing Application: **18 March 2013**  
(24) Date from which industrial property rights may have effect: **18 March 2013**  
(54) Product in respect of which the design is registered: **Mug**  
(51) International Design Classification: **07-01D**  
(74) Name(s) of Attorney(s): **King & Wood Mallesons**  
(71) Name(s) and Address(s) of Applicant(s):  
**H.A.G. Import Corporation (Australia) Pty Ltd**  
**11-27 Millers Rd Brooklyn VIC 3012 Australia**  
(72) Name(s) of Designer(s): **Matt Guthrie**  
(45) Registration Date: **02 May 2013**  
(56) Related Art Documents: **Not Applicable**  
(57) Statement of Newness and Distinctiveness: **The following visual features of the design are new and distinctive. The shape and configuration of the mug as shown in solid lines in the accompanying drawings.**



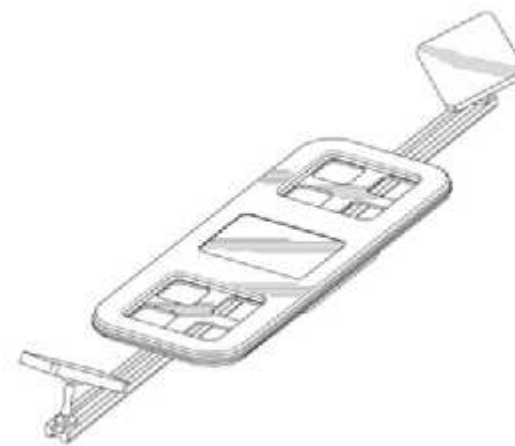
(21) Design Number: **11700/2013**  
(22) Date of Filing Application: **11 April 2013**  
(24) Date from which industrial property rights may have effect: **01 February 2013**  
(54) Product in respect of which the design is registered: **Antenna**  
(51) International Design Classification: **14-03NES**  
(74) Name(s) of Attorney(s): **FB Rice**  
(71) Name(s) and Address(s) of Applicant(s):  
**Lyngsoe Systems Limited**  
**5570 Kennedy Road Unit B Mississauga Ontario L4Z 2A9 Canada**  
(72) Name(s) of Designer(s): **Don Ferguson and Mircea Paun and Tudor Patroi and Steve Taylor**  
(45) Registration Date: **02 May 2013**  
(30) Convention priority data:  
(31) Number (32) Date (33) Country  
**29/428860 03 Aug 2012 UNITED STATES OF AMERICA**  
(62) Divisional of: **348266**  
(56) Related Art Documents: **Not Applicable**  
(57) Statement of Newness and Distinctiveness: **Newness and distinctiveness reside in the features of shape and configuration as shown in the representations.**



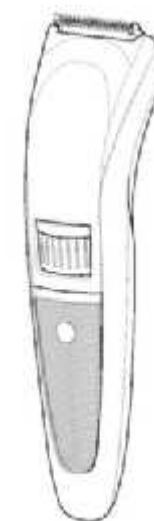
(21) Design Number: **11701/2013**  
(22) Date of Filing Application: **11 April 2013**  
(24) Date from which industrial property rights may have effect: **01 February 2013**  
(54) Product in respect of which the design is registered: **Antenna**  
(51) International Design Classification: **14-03NES**  
(74) Name(s) of Attorney(s): **FB Rice**  
(71) Name(s) and Address(s) of Applicant(s):  
**Lyngsoe Systems Limited**  
**5570 Kennedy Road Unit B Mississauga Ontario L4Z 2A9 Canada**  
(72) Name(s) of Designer(s): **Don Ferguson and Mircea Paun and Tudor Patroi and Steve Taylor**  
(45) Registration Date: **02 May 2013**  
(30) Convention priority data:  
(31) Number (32) Date (33) Country  
**146762 03 Aug 2012 CANADA**  
(62) Divisional of: **348248**  
(56) Related Art Documents: **Not Applicable**  
(57) Statement of Newness and Distinctiveness: **Newness and distinctiveness reside in the features of shape and configuration as shown in the representations.**



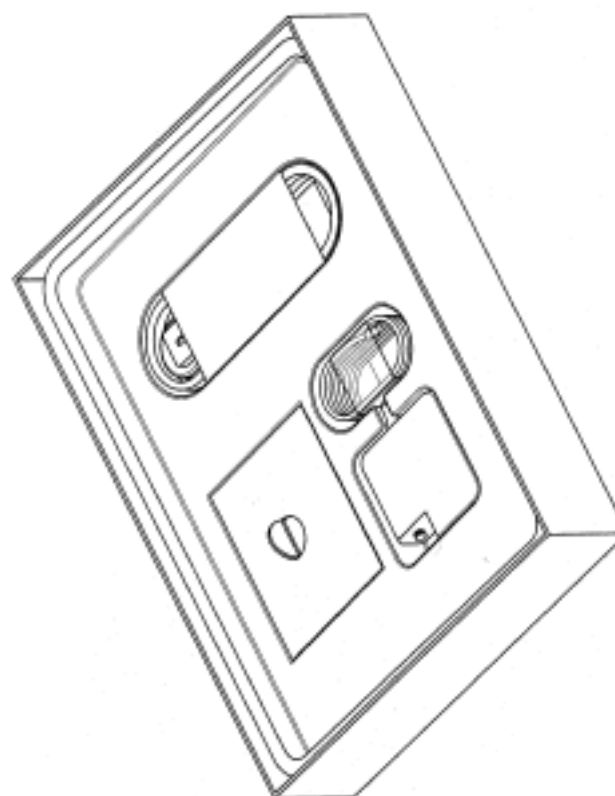
(21) Design Number: **11702/2013**  
(22) Date of Filing Application: **11 April 2013**  
(24) Date from which industrial property rights may have effect: **01 February 2013**  
(54) Product in respect of which the design is registered: **Antenna**  
(51) International Design Classification: **14-03NES**  
(74) Name(s) of Attorney(s): **FB Rice**  
(71) Name(s) and Address(s) of Applicant(s):  
**Lyngsoe Systems Limited**  
**5570 Kennedy Road Unit B Mississauga Ontario L4Z 2A9 Canada**  
(72) Name(s) of Designer(s): **Don Ferguson and Mircea Paun and Tudor Patroi and Steve Taylor**  
(45) Registration Date: **02 May 2013**  
(30) Convention priority data:  
(31) Number (32) Date (33) Country  
**146762 03 Aug 2012 CANADA**  
(62) Divisional of: **348248**  
(56) Related Art Documents: **Not Applicable**  
(57) Statement of Newness and Distinctiveness: **Newness and distinctiveness reside in the features of shape and configuration as shown in the representations.**



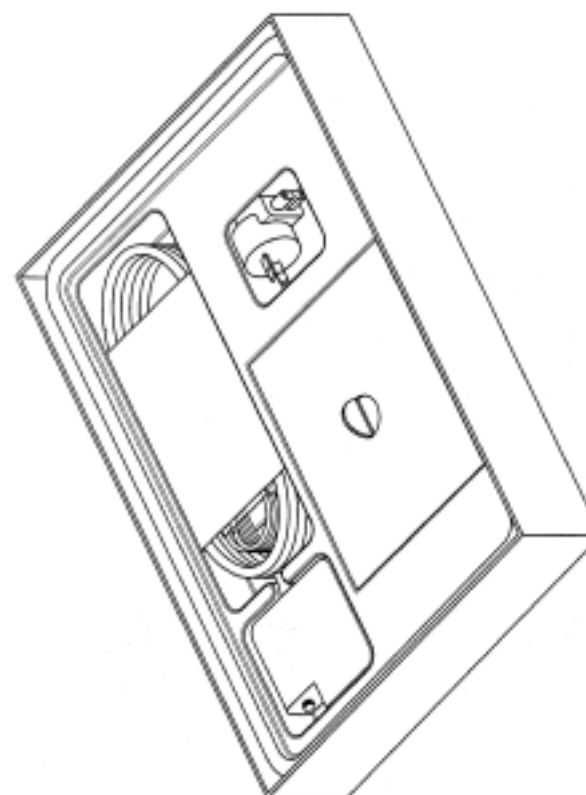
(21) Design Number: **11727/2013**  
(22) Date of Filing Application: **12 April 2013**  
(24) Date from which industrial property rights may have effect: **12 April 2013**  
(54) Product in respect of which the design is registered: **Beardtrimmer**  
(51) International Design Classification: **28-03D**  
(74) Name(s) of Attorney(s): **FB Rice**  
(71) Name(s) and Address(s) of Applicant(s):  
**Koninklijke Philips Electronics N.V.**  
**High Tech Campus 5 5656 AE Eindhoven The Netherlands**  
(72) Name(s) of Designer(s): **Ki-Hyun Yoon**  
(45) Registration Date: **02 May 2013**  
(30) Convention priority data:  
(31) Number (32) Date (33) Country  
**002118851-0001 15 Oct 2012 OFFICE FOR HARMONISATION IN THE INTERNAL MARKET (OHIM)**  
(56) Related Art Documents: **Not Applicable**  
(57) Statement of Newness and Distinctiveness: **Newness and distinctiveness reside in the features of shape and configuration of the design as shown in the representations.**



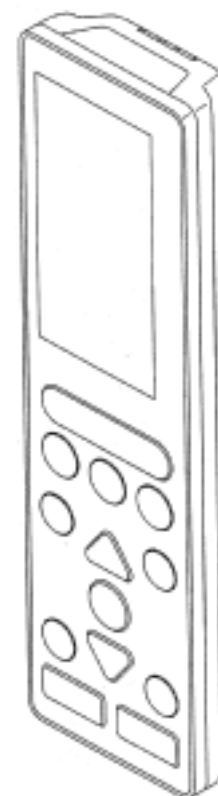
(21) Design Number: **16266/2012**  
(22) Date of Filing Application: **10 December 2012**  
(24) Date from which industrial property rights may have effect: **10 December 2012**  
(54) Product in respect of which the design is registered: **Packaged cord Kit**  
(51) International Design Classification: **09-03M, 14-99**  
(74) Name(s) of Attorney(s): **Freehills Patent Attorneys**  
(71) Name(s) and Address(s) of Applicant(s):  
**Apple Inc.**  
**One Infinite Loop Cupertino California 95014 United States of America**  
(72) Name(s) of Designer(s): **Jody Akana and Bartley K Andre and Shota Aoyagi and Jeremy Bataillou and Daniel J. Coster and Daniele De Iuliis and M. Evans Hankey and Julian Hoenig and Richard P. Howarth and Jonathan P. Ive and Duncan Robert Kerr and Matthew Dean Rohrbach and Peter Russell-Clarke and Mikael Silvano and Christopher J. Stringer and Eugene Antony Whang and Rico Zorkendorfer**  
(45) Registration Date: **02 May 2013**  
(30) Convention priority data:  
(31) Number (32) Date (33) Country  
**29/424276 10 Jun 2012 UNITED STATES OF AMERICA**  
(56) Related Art Documents: **Not Applicable**  
(57) Statement of Newness and Distinctiveness: **Nil**



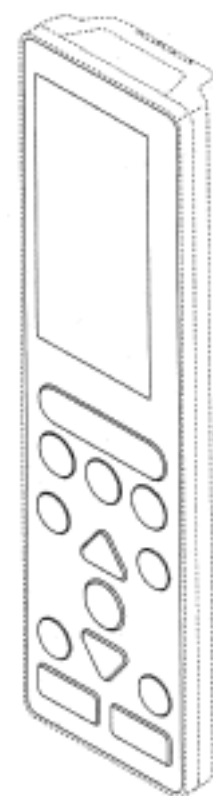
(21) Design Number: **16267/2012**  
(22) Date of Filing Application: **10 December 2012**  
(24) Date from which industrial property rights may have effect: **10 December 2012**  
(54) Product in respect of which the design is registered: **Packaged cord kit**  
(51) International Design Classification: **09-03M, 14-99**  
(74) Name(s) of Attorney(s): **Freehills Patent Attorneys**  
(71) Name(s) and Address(s) of Applicant(s):  
**Apple Inc.**  
**One Infinite Loop Cupertino California 95014 United States of America**  
(72) Name(s) of Designer(s): **Jody Akana and Bartley K. Andre and Shota Aoyagi and Jeremy Bataillou and Daniel J. Coster and Daniele De Iuliis and M. Evans Hankey and Julian Hoenig and Richard P. Howarth and Jonathan P. Ive and Duncan Robert Kerr and Matthew Dean Rohrbach and Peter Russell-Clarke and Mikael Silvano and Eugene Antony Whang and Rico Zorkendorfer and Christopher J. Stringer**  
(45) Registration Date: **02 May 2013**  
(30) Convention priority data:  
(31) Number (32) Date (33) Country  
**29/424276 10 Jun 2012 UNITED STATES OF AMERICA**  
(56) Related Art Documents: **Not Applicable**  
(57) Statement of Newness and Distinctiveness: **Nil**



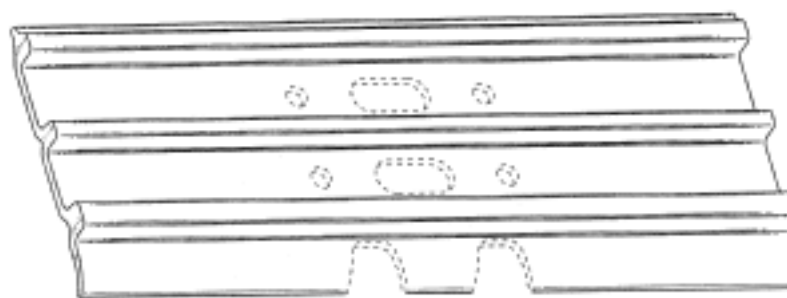
- (21) Design Number: **10143/2013**  
(22) Date of Filing Application: **08 January 2013**  
(24) Date from which industrial property rights may have effect: **08 January 2013**  
(54) Product in respect of which the design is registered: **Remote controller for air conditioner**  
(51) International Design Classification: **14-03NES, 10-04**  
(74) Name(s) of Attorney(s): **Griffith Hack**  
(71) Name(s) and Address(s) of Applicant(s):  
**Mitsubishi Electric Corporation**  
**2-3 Marunouchi 2-Chome Chiyoda-Ku Tokyo 100-8310 Japan**  
(72) Name(s) of Designer(s): **Yuki Sakai and Takayuki Nishiguchi**  
(45) Registration Date: **02 May 2013**  
(30) Convention priority data:  
(31) Number      (32) Date      (33) Country  
**2012-016593      12 Jul 2012      JAPAN**  
(56) Related Art Documents: **Not Applicable**  
(57) Statement of Newness and Distinctiveness: **The newness and distinctiveness resides in the visual features, including shape and configuration, of a remote controller for an air conditioner as shown in the accompanying representations.**



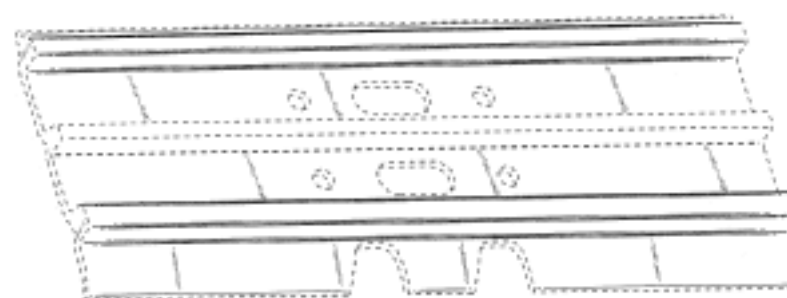
- (21) Design Number: **10144/2013**  
(22) Date of Filing Application: **08 January 2013**  
(24) Date from which industrial property rights may have effect: **08 January 2013**  
(54) Product in respect of which the design is registered: **Remote controller for air conditioner**  
(51) International Design Classification: **14-03NES, 10-04**  
(74) Name(s) of Attorney(s): **Griffith Hack**  
(71) Name(s) and Address(s) of Applicant(s):  
**Mitsubishi Electric Corporation**  
**2-3 Marunouchi 2-Chome Chiyoda-Ku Tokyo 100-8310 Japan**  
(72) Name(s) of Designer(s): **Yuki Sakai and Takayuki Nishiguchi**  
(45) Registration Date: **02 May 2013**  
(30) Convention priority data:  
(31) Number      (32) Date      (33) Country  
**2012-016594      12 Jul 2012      JAPAN**  
(56) Related Art Documents: **Not Applicable**  
(57) Statement of Newness and Distinctiveness: **Newness and distinctiveness reside in the arrangement of buttons and a display as shown in solid lines in the accompanying representations. The portions of the article in broken lines are shown for illustrative purposes only and form no part of the design.**



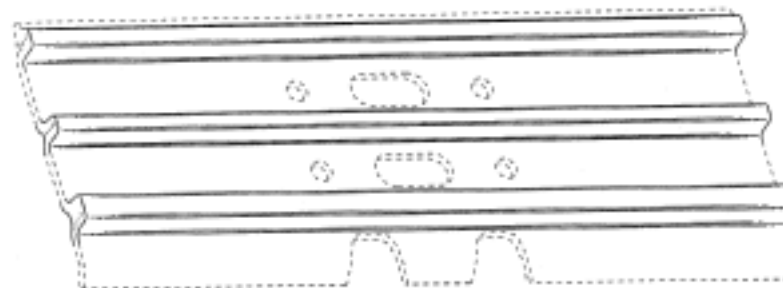
(21) Design Number: **16520/2012**  
(22) Date of Filing Application: **19 December 2012**  
(24) Date from which industrial property rights may have effect: **19 December 2012**  
(54) Product in respect of which the design is registered: **Undercarriage track shoe for mobile earthmoving machine**  
(51) International Design Classification: **15-04**  
(74) Name(s) of Attorney(s): **Freehills Patent Attorneys**  
(71) Name(s) and Address(s) of Applicant(s):  
**Caterpillar Inc.**  
**100 N.E. Adams Street Peoria Illinois 61629 United States of America**  
(72) Name(s) of Designer(s): **Robert L Meyer and Gregory Kaufmann and Mark Steven Diekevers and William Jay Ulrich IV**  
(45) Registration Date: **02 May 2013**  
(30) Convention priority data:  
(31) Number (32) Date (33) Country  
**29/426090 29 Jun 2012 UNITED STATES OF AMERICA**  
(56) Related Art Documents: **Not Applicable**  
(57) Statement of Newness and Distinctiveness: **Newness and distinctiveness lies in the features of shape and configuration of the undercarriage track shoe for mobile earthmoving machine shown in solid lines in the accompanying representations.**



(21) Design Number: **16521/2012**  
(22) Date of Filing Application: **19 December 2012**  
(24) Date from which industrial property rights may have effect: **19 December 2012**  
(54) Product in respect of which the design is registered: **Undercarriage track shoe for mobile earthmoving machine**  
(51) International Design Classification: **15-04**  
(74) Name(s) of Attorney(s): **Freehills Patent Attorneys**  
(71) Name(s) and Address(s) of Applicant(s):  
**Caterpillar Inc.**  
**100 N.E. Adams Street Peoria Illinois 61629 United States of America**  
(72) Name(s) of Designer(s): **Robert L Meyer and Gregory Kaufmann and Mark Steven Diekevers and William Jay Ulrich IV**  
(45) Registration Date: **02 May 2013**  
(30) Convention priority data:  
(31) Number (32) Date (33) Country  
**29/426090 29 Jun 2012 UNITED STATES OF AMERICA**  
(56) Related Art Documents: **Not Applicable**  
(57) Statement of Newness and Distinctiveness: **Newness and distinctiveness lies in the features of shape and configuration of the undercarriage track shoe for mobile earthmoving machine shown in solid lines in the accompanying representations.**



- (21) Design Number: **16524/2012**  
(22) Date of Filing Application: **19 December 2012**  
(24) Date from which industrial property rights may have effect: **19 December 2012**  
(54) Product in respect of which the design is registered: **Undercarriage track shoe for mobile earthmoving machine**  
(51) International Design Classification: **15-04**  
(74) Name(s) of Attorney(s): **Freehills Patent Attorneys**  
(71) Name(s) and Address(s) of Applicant(s):  
**Caterpillar Inc.**  
**100 N.E. Adams Street Peoria Illinois 61629 United States of America**  
(72) Name(s) of Designer(s): **Robert L Meyer and Gregory Kaufmann and Mark Steven Diekevers and William Jay Ulrich IV**  
(45) Registration Date: **02 May 2013**  
(30) Convention priority data:  
(31) Number (32) Date (33) Country  
**29/426090 29 Jun 2012 UNITED STATES OF AMERICA**  
(56) Related Art Documents: **Not Applicable**  
(57) Statement of Newness and Distinctiveness: **Newness and distinctiveness lies in the features of shape and configuration of the undercarriage track shoe for mobile earthmoving machine shown in solid lines in the accompanying representations.**

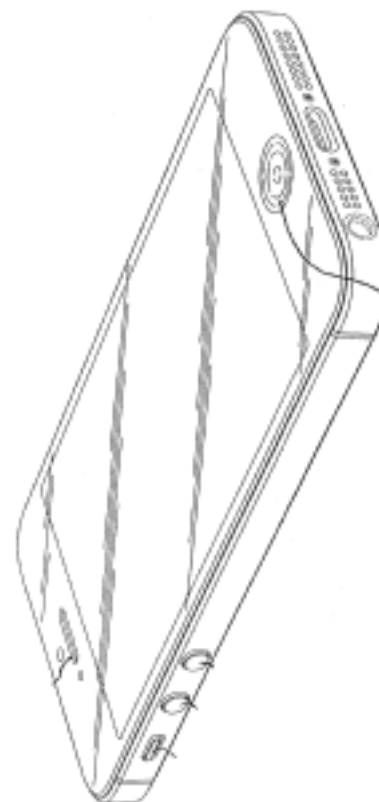


- (21) Design Number: **16525/2012**  
(22) Date of Filing Application: **19 December 2012**  
(24) Date from which industrial property rights may have effect: **19 December 2012**  
(54) Product in respect of which the design is registered: **Undercarriage track shoe for mobile earthmoving machine**  
(51) International Design Classification: **15-04**  
(74) Name(s) of Attorney(s): **Freehills Patent Attorneys**  
(71) Name(s) and Address(s) of Applicant(s):  
**Caterpillar Inc.**  
**100 N.E. Adams Street Peoria Illinois 61629 United States of America**  
(72) Name(s) of Designer(s): **Robert L Meyer and Gregory Kaufmann and Mark Steven Diekevers and William Jay Ulrich IV**  
(45) Registration Date: **02 May 2013**  
(30) Convention priority data:  
(31) Number (32) Date (33) Country  
**29/426090 29 Jun 2012 UNITED STATES OF AMERICA**  
(56) Related Art Documents: **Not Applicable**  
(57) Statement of Newness and Distinctiveness: **Newness and distinctiveness lies in the features of shape and configuration of the undercarriage track shoe for mobile earthmoving machine shown in solid lines in the accompanying representations.**





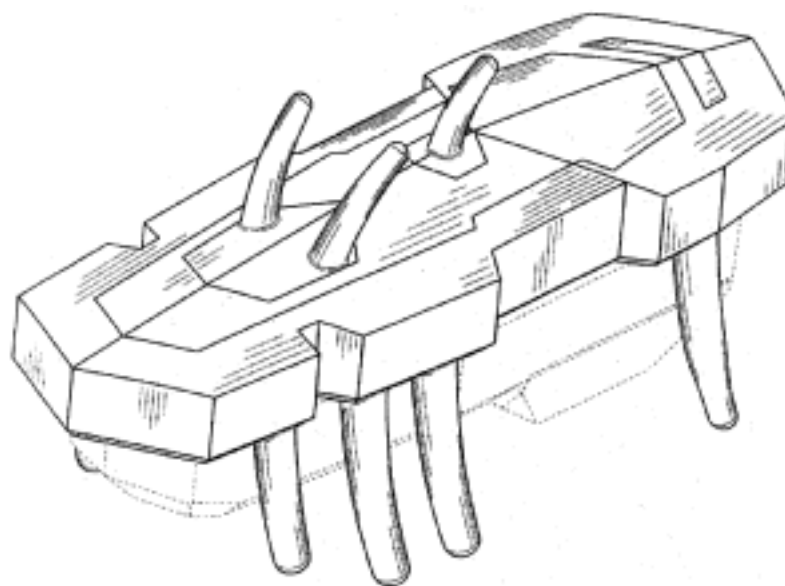
- (21) Design Number: **15991/2012**  
(22) Date of Filing Application: **29 November 2012**  
(24) Date from which industrial property rights may have effect: **29 November 2012**  
(54) Product in respect of which the design is registered: **Electronic device**  
(51) International Design Classification: **14-02**  
(74) Name(s) of Attorney(s): **Freehills Patent Attorneys**  
(71) Name(s) and Address(s) of Applicant(s):  
**Apple Inc.**  
**One Infinite Loop Cupertino California 95014 United States of America**  
(72) Name(s) of Designer(s): **Jody Akana and Bartley K. Andre and Jeremy Bataillou and Daniel J. Coster and Daniele De Iuliis and Julian Hoenig and Richard P. Howarth and Jonathan P. Ive and Duncan Robert Kerr and Shin Nishibori and Matthew Dean Rohrbach and Peter Russell-Clarke and Christopher J. Stringer and Eugene Antony Whang and Rico Zorkendorfer and M. Evans Hankey**  
(45) Registration Date: **02 May 2013**  
(30) Convention priority data:  
(31) Number (32) Date (33) Country  
**29/423180 29 May 2012 UNITED STATES OF AMERICA**  
(56) Related Art Documents: **Not Applicable**  
(57) Statement of Newness and Distinctiveness: **Newness and distinctiveness resides in the features of shape of the electronic device that are not marked with 'A' in the accompanying figures.**



- (21) Design Number: **15992/2012**  
(22) Date of Filing Application: **29 November 2012**  
(24) Date from which industrial property rights may have effect: **29 November 2012**  
(54) Product in respect of which the design is registered: **Electronic device**  
(51) International Design Classification: **14-02**  
(74) Name(s) of Attorney(s): **Freehills Patent Attorneys**  
(71) Name(s) and Address(s) of Applicant(s):  
**Apple Inc.**  
**One Infinite Loop Cupertino California 95014 United States of America**  
(72) Name(s) of Designer(s): **Jody Akana and Bartley K. Andre and Jeremy Bataillou and Daniel J. Coster and Daniele De Iuliis and Julian Hoenig and Richard P. Howarth and Jonathan P. Ive and Duncan Robert Kerr and Shin Nishibori and Matthew Dean Rohrbach and Peter Russell-Clarke and Christopher J. Stringer and Eugene Antony Whang and Rico Zorkendorfer and M. Evans Hankey**  
(45) Registration Date: **02 May 2013**  
(30) Convention priority data:  
(31) Number (32) Date (33) Country  
**29/423180 29 May 2012 UNITED STATES OF AMERICA**  
(56) Related Art Documents: **Not Applicable**  
(57) Statement of Newness and Distinctiveness: **Nil**



(21) Design Number: **11195/2013**  
(22) Date of Filing Application: **12 March 2013**  
(24) Date from which industrial property rights may have effect: **12 March 2013**  
(54) Product in respect of which the design is registered: **Toy**  
(51) International Design Classification: **21-01C**  
(74) Name(s) of Attorney(s): **SPRUSON & FERGUSON**  
(71) Name(s) and Address(s) of Applicant(s):  
**Innovation First, Inc.**  
**1519 Interstate 30 West Greenville TX 75402 United States of America**  
(72) Name(s) of Designer(s): **David Anthony Norman and Robert H. Mimplitch III and Jeffrey Russell Waegelin and Douglas Michael Galletti**  
(45) Registration Date: **02 May 2013**  
(30) Convention priority data:  
(31) Number (32) Date (33) Country  
**29/432774 20 Sep 2012 UNITED STATES OF AMERICA**  
(56) Related Art Documents: **Not Applicable**  
(57) Statement of Newness and Distinctiveness: **Newness and distinctiveness is claimed in those features of shape and/or configuration of a toy illustrated in continuous lines in the accompanying representations.**



(21) Design Number: **11197/2013**  
(22) Date of Filing Application: **12 March 2013**  
(24) Date from which industrial property rights may have effect: **12 March 2013**  
(54) Product in respect of which the design is registered: **Coffee brewer**  
(51) International Design Classification: **07-02L**  
(74) Name(s) of Attorney(s): **Griffith Hack**  
(71) Name(s) and Address(s) of Applicant(s):  
**Bruce D. Burrows**  
**24844 Anza Drive Valencia CA 91355 United States of America**  
(72) Name(s) of Designer(s): **Bruce D. Burrows**  
(45) Registration Date: **02 May 2013**  
(30) Convention priority data:  
(31) Number (32) Date (33) Country  
**29/432,014 12 Sep 2012 UNITED STATES OF AMERICA**  
(56) Related Art Documents: **Not Applicable**  
(57) Statement of Newness and Distinctiveness: **Nil**



(21) Design Number: **11247/2013**  
(22) Date of Filing Application: **13 March 2013**  
(24) Date from which industrial property rights may have effect: **13 March 2013**  
(54) Product in respect of which the design is registered: **A chair**  
(51) International Design Classification: **06-01F**  
(74) Name(s) of Attorney(s): **FB Rice**  
(71) Name(s) and Address(s) of Applicant(s):  
**King Furniture Australia Pty Ltd**  
**123 Turrella St Turrella NSW 2205 Australia**  
(72) Name(s) of Designer(s): **Charles Wilson**  
(45) Registration Date: **02 May 2013**  
(56) Related Art Documents: **Not Applicable**  
(57) Statement of Newness and Distinctiveness: **Newness and distinctiveness reside in the features of the design as shown in the representations.**



(21) Design Number: **10780/2013**  
(22) Date of Filing Application: **19 February 2013**  
(24) Date from which industrial property rights may have effect: **19 February 2013**  
(54) Product in respect of which the design is registered: **Lanyard**  
(51) International Design Classification: **03-01B**  
(74) Name(s) of Attorney(s):  
(71) Name(s) and Address(s) of Applicant(s):  
**Concettina Zollo**  
**111 357 Glenmore Rd Paddington New South Wales 2021 Australia**  
(72) Name(s) of Designer(s): **Concettina Zollo**  
(45) Registration Date: **03 May 2013**  
(56) Related Art Documents: **Not Applicable**  
(57) Statement of Newness and Distinctiveness: **Newness and distinctiveness is claimed in the visual features shown in solid lines in the representations.**



(21) Design Number: **10952/2013**

(22) Date of Filing Application: **27 February 2013**

(24) Date from which industrial property rights may have effect: **27 February 2013**

(54) Product in respect of which the design is registered: **Submersible pump of a one-sided water channel type**

(51) International Design Classification: **15-02**

(74) Name(s) of Attorney(s): **1 Place Patent Attorneys + Solicitors**

(71) Name(s) and Address(s) of Applicant(s):

**Tsurumi Manufacturing Co., Ltd.**

**16-40 Tsurumi 4-chome Tsurumi-ku Osaka-shi Osaka 542-8502 Japan**

(72) Name(s) of Designer(s): **Shogo Taniguchi and Yusuke Fujiwara and Osamu Tsujimoto**

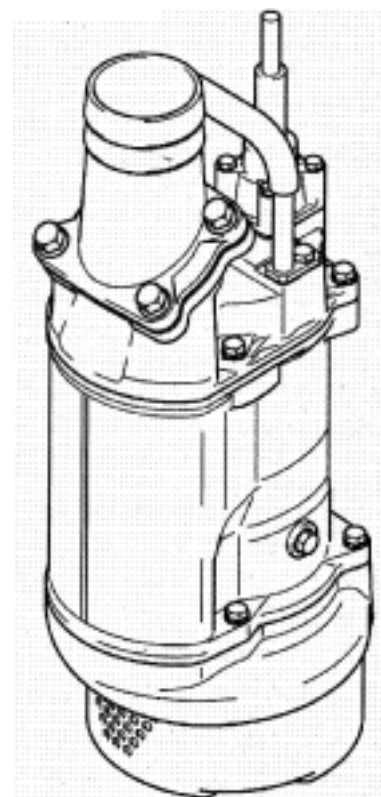
(45) Registration Date: **03 May 2013**

(30) Convention priority data:

(31) Number	(32) Date	(33) Country
<b>2012-028049</b>	<b>16 Nov 2012</b>	<b>JAPAN</b>

(56) Related Art Documents: **Not Applicable**

(57) Statement of Newness and Distinctiveness: **This article is a portable, simple, and compact submersible pump of a one-sided water channel type used to discharge spring water at a construction site or the like, wherein, through a one-sided water channel integrated with one side of a motor frame and having a calabash-like planar shape, as shown in the sectional view taken along the line A-A, water lifted from a pump casing is caused to pass to a discharge opening disposed vertically on an inclined face of a motor bracket attached to an upper end face of the motor frame, as shown in the right and left side views, and is discharged to a predetermined place through a discharging hose or pipe connected to the discharge opening, and a portal-shaped handle attached to the center of an upper face of the motor bracket is held with the hand to transport the submersible pump to an arbitrary water suction site where the submersible pump is used with a water intake hole in the lower periphery submerged in water.**



(19) AU

(21) Design Number: **10953/2013**

(22) Date of Filing Application: **27 February 2013**

(24) Date from which industrial property rights may have effect: **27 February 2013**

(54) Product in respect of which the design is registered: **Submersible pump**

(51) International Design Classification: **15-02**

(74) Name(s) of Attorney(s): **1 Place Patent Attorneys + Solicitors**

(71) Name(s) and Address(s) of Applicant(s):

**Tsurumi Manufacturing Co., Ltd.**

**16-40 Tsurumi 4-chome Tsurumi-ku Osaka-shi Osaka 542-8502 Japan**

(72) Name(s) of Designer(s): **Shogo Taniguchi and Yusuke Fujiwara and Osamu Tsujimoto**

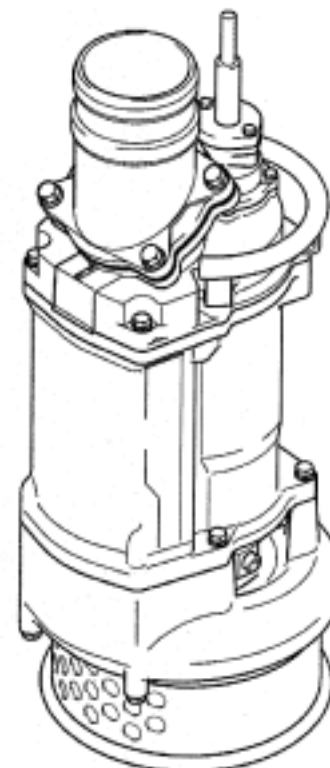
(45) Registration Date: **03 May 2013**

(30) Convention priority data:

(31) Number	(32) Date	(33) Country
<b>2012-028051</b>	<b>16 Nov 2012</b>	<b>JAPAN</b>

(56) Related Art Documents: **Not Applicable**

(57) Statement of Newness and Distinctiveness: **This article is a portable, simple, and compact submersible pump of a one-sided water channel type used to discharge spring water at a construction site or the like, wherein, a depressurizing window for evacuating water pressure generated in a pump casing to the outside of the pump in order to prevent the water pressure from being transmitted directly to an oil casing is opened between a motor frame and the pump casing, and further, through a one-sided water channel integrated with one side of the motor frame and having a calabash-like planar shape, as shown in the sectional view taken along the line A-A, water lifted from the pump casing is caused to pass to a discharge opening disposed vertically on an inclined face of motor bracket attached to an upper end face of the motor frame, as shown in the right and left side views, and is discharged to a predetermined place through a discharging hose or pipe connected to the discharge opening, and a horseshoe-shaped handle cut out at the discharge opening and attached around above the peripheral face of the motor bracket is held with the hand to transport the submersible pump to an arbitrary water suction site where the submersible pump is used with a water intake hole in the lower periphery submerged in water.**



(19) AU

(21) Design Number: **10954/2013**

(22) Date of Filing Application: **27 February 2013**

(24) Date from which industrial property rights may have effect: **27 February 2013**

(54) Product in respect of which the design is registered: **Submersible pump**

(51) International Design Classification: **15-02**

(74) Name(s) of Attorney(s): **1 Place Patent Attorneys + Solicitors**

(71) Name(s) and Address(s) of Applicant(s):

**Tsurumi Manufacturing Co., Ltd.**

**16-40 Tsurumi 4-chome Tsurumi-ku Osaka-shi Osaka 542-8502 Japan**

(72) Name(s) of Designer(s): **Shogo Taniguchi and Yusuke Fujiwara and Osamu Tsujimoto**

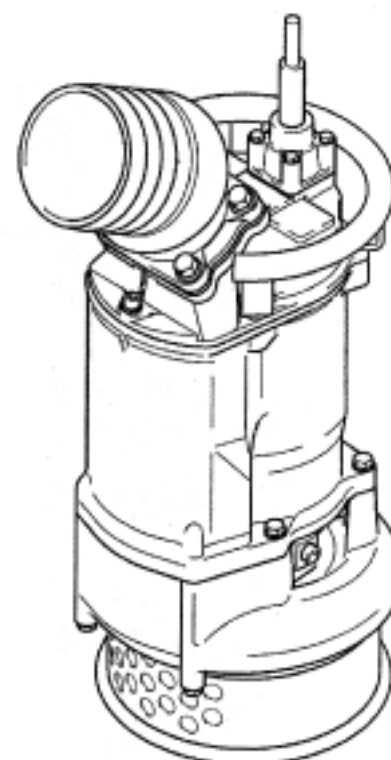
(45) Registration Date: **03 May 2013**

(30) Convention priority data:

(31) Number	(32) Date	(33) Country
<b>2012-028052</b>	<b>16 Nov 2012</b>	<b>JAPAN</b>

(56) Related Art Documents: **Not Applicable**

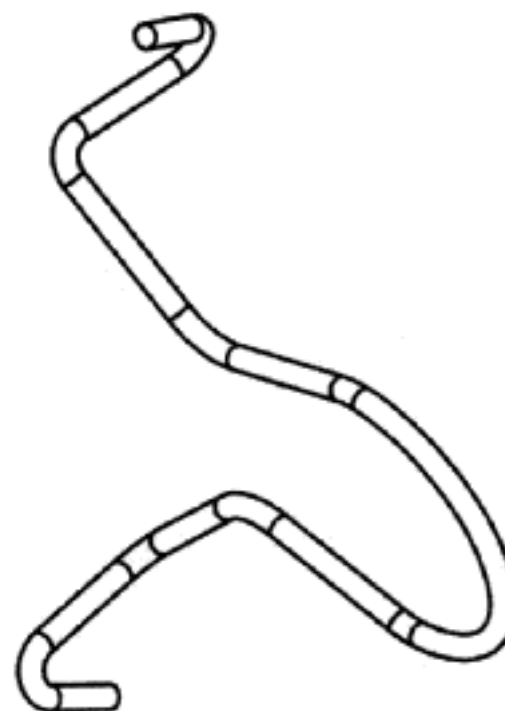
(57) Statement of Newness and Distinctiveness: **This article is a portable, simple, and compact submersible pump of a one-sided water channel type used to discharge spring water at a construction site or the like, wherein, a depressurizing window for evacuating water pressure generated in a pump casing to the outside of the pump in order to prevent the water pressure from being transmitted directly to an oil casing is opened between a motor frame and the pump casing, and further, through a one-sided water channel integrated with one side of the motor frame and having a calabash-like planar shape, as shown in the sectional view taken along the line A-A, water lifted from the pump casing is caused to pass to a discharge opening with wider diameter disposed laterally on an inclined face of a motor bracket attached to an upper end face of the motor frame, as shown in the right and left side views, and is discharged to a predetermined place through a discharging hose or pipe connected to the discharge opening, and a horseshoe-shaped handle cut out at the discharge opening and attached around above the peripheral face of the motor bracket is held with the hand to transport the submersible pump to an arbitrary water suction site where the submersible pump is used with a water intake hole in the lower periphery submerged in water.**



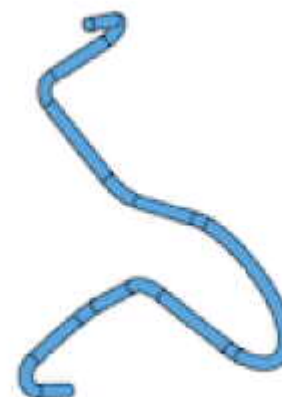
- (21) Design Number: **11061/2013**  
(22) Date of Filing Application: **05 March 2013**  
(24) Date from which industrial property rights may have effect: **05 March 2013**  
(54) Product in respect of which the design is registered: **Clip and insulator for use with a post**  
(51) International Design Classification: **08-08K**  
(74) Name(s) of Attorney(s): **Griffith Hack**  
(71) Name(s) and Address(s) of Applicant(s):  
**Onesteel Wire Pty Limited**  
**L40 259 George St Sydney NSW 2000 Australia**  
(72) Name(s) of Designer(s): **Mark White and Rodger Starkey**  
(45) Registration Date: **03 May 2013**  
(56) Related Art Documents: **Not Applicable**  
(57) Statement of Newness and Distinctiveness: **Newness and distinctiveness resides in the visual features, including shape and configuration, of a clip and insulating component for securing items to a post, as shown in solid outline in the drawings. When determining whether the design is substantially similar in overall impression to another design, no regard is to be had to those features of the post as shown in dotted outline in the drawings, which features are provided for illustrative purposes only.**



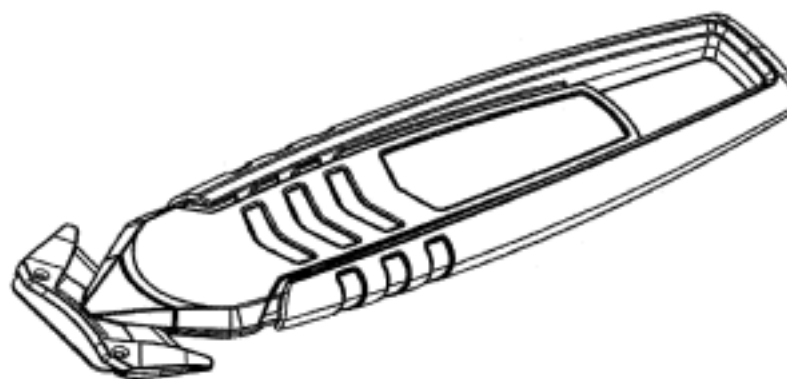
- (21) Design Number: **11062/2013**  
(22) Date of Filing Application: **05 March 2013**  
(24) Date from which industrial property rights may have effect: **05 March 2013**  
(54) Product in respect of which the design is registered: **Clip for locating an insulator at a post**  
(51) International Design Classification: **08-08K**  
(74) Name(s) of Attorney(s): **Griffith Hack**  
(71) Name(s) and Address(s) of Applicant(s):  
**Onesteel Wire Pty Limited**  
**L40 259 George St Sydney NSW 2000 Australia**  
(72) Name(s) of Designer(s): **Mark White and Rodger Starkey**  
(45) Registration Date: **03 May 2013**  
(56) Related Art Documents: **Not Applicable**  
(57) Statement of Newness and Distinctiveness: **Newness and distinctiveness resides in the visual features, including shape and configuration, of a clip for securing items to a post, as shown in solid outline in the drawings. When determining whether the design is substantially similar in overall impression to another design, no regard is to be had to those features shown in dotted outline in the drawings, which features are provided for illustrative purposes only.**



(21) Design Number: **11063/2013**  
(22) Date of Filing Application: **05 March 2013**  
(24) Date from which industrial property rights may have effect: **05 March 2013**  
(54) Product in respect of which the design is registered: **Clip for locating an insulator at a post**  
(51) International Design Classification: **08-08K**  
(74) Name(s) of Attorney(s): **Griffith Hack**  
(71) Name(s) and Address(s) of Applicant(s):  
**Onesteel Wire Pty Limited**  
**L40 259 George St Sydney NSW 2000 Australia**  
(72) Name(s) of Designer(s): **Mark White and Rodger Starkey**  
(45) Registration Date: **03 May 2013**  
(56) Related Art Documents: **Not Applicable**  
(57) Statement of Newness and Distinctiveness: **Newness and distinctiveness resides in the visual feature of ornamentation as applied to a clip for use with a post as shown in the accompanying drawings. Particular regard is to be given to the colour of the clip. When determining whether the design is substantially similar in overall impression to another design, no regard is to be had to those features as shown in dotted outline in the accompanying drawings, which features are provided for illustrative purposes only.**



(21) Design Number: **10263/2013**  
(22) Date of Filing Application: **18 January 2013**  
(24) Date from which industrial property rights may have effect: **18 January 2013**  
(54) Product in respect of which the design is registered: **Safety cutter**  
(51) International Design Classification: **08-03**  
(74) Name(s) of Attorney(s): **PIZZEYS**  
(71) Name(s) and Address(s) of Applicant(s):  
**Martor KG**  
**Heider Hof 60 Solingen 42653 Germany**  
(72) Name(s) of Designer(s): **Martin Rohrbach**  
(45) Registration Date: **03 May 2013**  
(30) Convention priority data:  
(31) Number (32) Date (33) Country  
**2075887-0001-24 18 Jul 2012 OFFICE FOR HARMONISATION IN THE INTERNAL MARKET (OHIM)**  
(56) Related Art Documents: **Not Applicable**  
(57) Statement of Newness and Distinctiveness: **Nil**





- (21) Design Number: **11114/2013**  
(22) Date of Filing Application: **08 March 2013**  
(24) Date from which industrial property rights may have effect: **08 March 2013**  
(54) Product in respect of which the design is registered: **Tire for a car**  
(51) International Design Classification: **12-15A**  
(74) Name(s) of Attorney(s): **Actuate IP**  
(71) Name(s) and Address(s) of Applicant(s):  
**Kumho Tire Co., Inc.**  
**555 Sochon-dong Gwangsan-gu Gwangju 506-711 Republic of Korea**  
(72) Name(s) of Designer(s): **Chang-Jung Park and Jae-Hyun Han and Tae-Min Kim and Jae-Phil Park and Hae-Dong Jeong and In-Hee Park and Jae-Moon Lee and Uk Seo**  
(45) Registration Date: **03 May 2013**  
(30) Convention priority data:  
(31) Number (32) Date (33) Country  
**30-2012-0051597 30 Oct 2012 REPUBLIC OF KOREA**  
(56) Related Art Documents: **Not Applicable**  
(57) Statement of Newness and Distinctiveness: **Newness and distinctiveness is claimed in the pattern and/or ornamentation of the tread, as illustrated in the accompanying representations.**



- (21) Design Number: **11236/2013**  
(22) Date of Filing Application: **13 March 2013**  
(24) Date from which industrial property rights may have effect: **13 March 2013**  
(54) Product in respect of which the design is registered: **An ottoman**  
(51) International Design Classification: **06-01E**  
(74) Name(s) of Attorney(s): **FB Rice**  
(71) Name(s) and Address(s) of Applicant(s):  
**King Furniture Australia Pty Ltd**  
**123 Turrella St Turrella NSW 2205 Australia**  
(72) Name(s) of Designer(s): **Charles Wilson**  
(45) Registration Date: **03 May 2013**  
(56) Related Art Documents: **Not Applicable**  
(57) Statement of Newness and Distinctiveness: **Newness and distinctiveness reside in the features of the design as shown in the representations.**



- (21) Design Number: **11234/2013**  
(22) Date of Filing Application: **13 March 2013**  
(24) Date from which industrial property rights may have effect: **13 March 2013**  
(54) Product in respect of which the design is registered: **An ottoman**  
(51) International Design Classification: **06-01E**  
(74) Name(s) of Attorney(s): **FB Rice**  
(71) Name(s) and Address(s) of Applicant(s):  
**King Furniture Australia Pty Ltd**  
**123 Turrella St Turrella NSW 2205 Australia**  
(72) Name(s) of Designer(s): **Charles Wilson**  
(45) Registration Date: **03 May 2013**  
(56) Related Art Documents: **Not Applicable**  
(57) Statement of Newness and Distinctiveness: **Newness and distinctiveness reside in the features of the design as shown in the representations.**



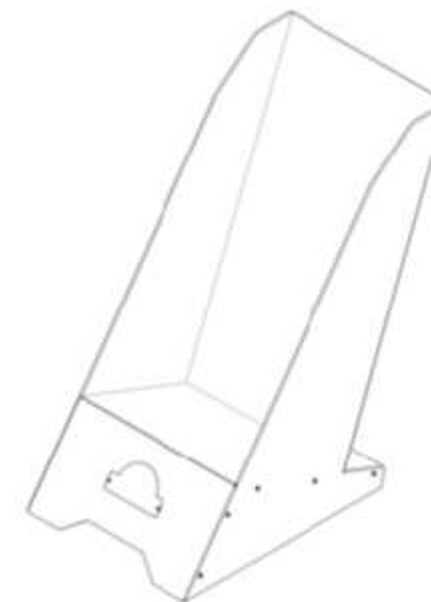
- (21) Design Number: **11250/2013**  
(22) Date of Filing Application: **13 March 2013**  
(24) Date from which industrial property rights may have effect: **13 March 2013**  
(54) Product in respect of which the design is registered: **Plumbing component for a cleanout**  
(51) International Design Classification: **23-01NES**  
(74) Name(s) of Attorney(s):  
(71) Name(s) and Address(s) of Applicant(s):  
**Angelo Ieraci**  
**168 Seventh Avenue Inglewood WA 6052 Australia**  
(72) Name(s) of Designer(s): **Angelo Ieraci**  
(45) Registration Date: **03 May 2013**  
(56) Related Art Documents: **Not Applicable**  
(57) Statement of Newness and Distinctiveness: **In considering the newness and distinctiveness of the plumbing component, no regard is to be had to the features shown in broken lines.**



- (21) Design Number: **11251/2013**  
(22) Date of Filing Application: **13 March 2013**  
(24) Date from which industrial property rights may have effect: **13 March 2013**  
(54) Product in respect of which the design is registered: **A chair**  
(51) International Design Classification: **06-01L**  
(74) Name(s) of Attorney(s): **FB Rice**  
(71) Name(s) and Address(s) of Applicant(s):  
**King Furniture Australia Pty Ltd**  
**123 Turrella St Turrella NSW 2205 Australia**  
(72) Name(s) of Designer(s): **Charles Wilson**  
(45) Registration Date: **03 May 2013**  
(56) Related Art Documents: **Not Applicable**  
(57) Statement of Newness and Distinctiveness: **Newness and distinctiveness reside in the features of the design as shown in the representations.**



- (21) Design Number: **11252/2013**  
(22) Date of Filing Application: **13 March 2013**  
(24) Date from which industrial property rights may have effect: **13 March 2013**  
(54) Product in respect of which the design is registered: **Bale holder**  
(51) International Design Classification: **15-03NES**  
(74) Name(s) of Attorney(s): **LESICAR MURRAY TRENTO**  
(71) Name(s) and Address(s) of Applicant(s):  
**Cornell Pty Ltd**  
**U1 28 Bennet Ave Melrose Park SA 5039 Australia**  
(72) Name(s) of Designer(s): **Philip Cornell**  
(45) Registration Date: **03 May 2013**  
(56) Related Art Documents: **Not Applicable**  
(57) Statement of Newness and Distinctiveness: **Newness and distinctiveness resides in the shape and/or configuration of the Bale Holder as shown in the accompanying representations.**



(21) Design Number: **11689/2013**

(22) Date of Filing Application: **10 April 2013**

(24) Date from which industrial property rights may have effect: **10 April 2013**

(54) Product in respect of which the design is registered: **Crusher**

(51) International Design Classification: **15-99**

(74) Name(s) of Attorney(s): **Griffith Hack**

(71) Name(s) and Address(s) of Applicant(s):

**Sandvik Intellectual Property AB  
Sandviken SE-811 81 Sweden**

(72) Name(s) of Designer(s): **Axel Bergman and Bengt-Arne Eriksson and Fredrik Eriksson and Mikael Larsson and Patric Malmqvist**

(45) Registration Date: **03 May 2013**

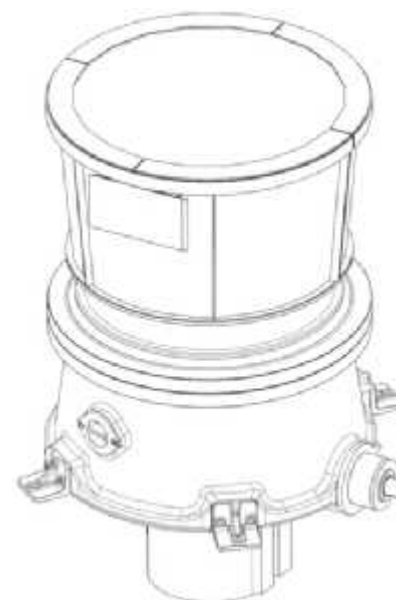
(30) Convention priority data:

(31) Number (32) Date  
**001360325-0001 11 Feb 2013**

(33) Country  
**OFFICE FOR HARMONISATION IN  
THE INTERNAL MARKET (OHIM)**

(56) Related Art Documents: **Not Applicable**

(57) Statement of Newness and Distinctiveness: **Nil**



(21) Design Number: **11673/2013**

(22) Date of Filing Application: **09 April 2013**

(24) Date from which industrial property rights may have effect: **09 April 2013**

(54) Product in respect of which the design is registered: **Two color comparison cards**

(51) International Design Classification: **20-02NES**

(74) Name(s) of Attorney(s): **PIZZEYS**

(71) Name(s) and Address(s) of Applicant(s):

**Akers Biosciences, Inc.  
201 Grove Road Thorofare New Jersey 08086 United States of America**

(72) Name(s) of Designer(s): **Raymond F. Akers JR. and N.J. Sewell**

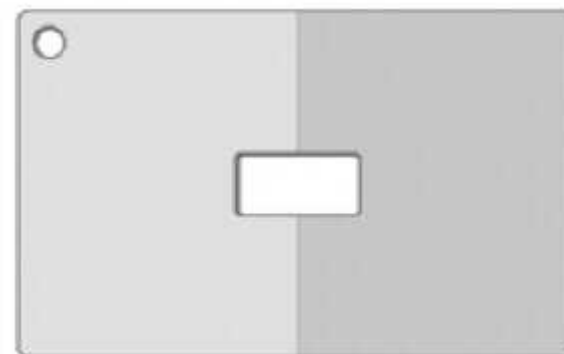
(45) Registration Date: **03 May 2013**

(30) Convention priority data:

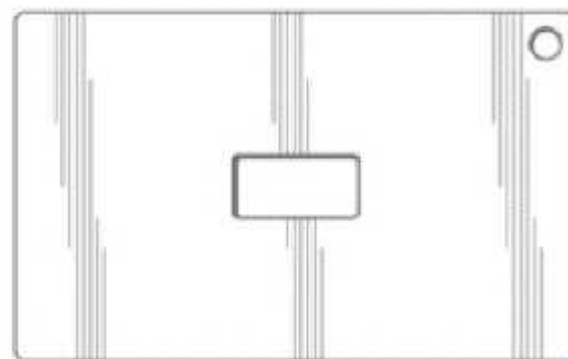
(31) Number (32) Date (33) Country  
**29/434,056 09 Oct 2012 UNITED STATES OF AMERICA**

(56) Related Art Documents: **Not Applicable**

(57) Statement of Newness and Distinctiveness: **Nil**



(21) Design Number: **11672/2013**  
(22) Date of Filing Application: **09 April 2013**  
(24) Date from which industrial property rights may have effect: **09 April 2013**  
(54) Product in respect of which the design is registered: **Comparison card**  
(51) International Design Classification: **20-02NES**  
(74) Name(s) of Attorney(s): **PIZZEYS**  
(71) Name(s) and Address(s) of Applicant(s):  
**Akers Biosciences, Inc.**  
**201 Grove Road Thorofare New Jersey 08086 United States of America**  
(72) Name(s) of Designer(s): **Raymond F. Akers JR. and NJ Sewell**  
(45) Registration Date: **03 May 2013**  
(30) Convention priority data:  
(31) Number (32) Date (33) Country  
**29/434,062 09 Oct 2012 UNITED STATES OF AMERICA**  
(56) Related Art Documents: **Not Applicable**  
(57) Statement of Newness and Distinctiveness: **Nil**



(21) Design Number: **11671/2013**  
(22) Date of Filing Application: **09 April 2013**  
(24) Date from which industrial property rights may have effect: **09 April 2013**  
(54) Product in respect of which the design is registered: **Four color comparison card**  
(51) International Design Classification: **20-02NES**  
(74) Name(s) of Attorney(s): **PIZZEYS**  
(71) Name(s) and Address(s) of Applicant(s):  
**Akers Biosciences, Inc.**  
**201 Grove Road Thorofare New Jersey 08086 United States of America**  
(72) Name(s) of Designer(s): **Raymond F. Akers JR. and N.J. Sewell**  
(45) Registration Date: **03 May 2013**  
(30) Convention priority data:  
(31) Number (32) Date (33) Country  
**29/434,065 09 Oct 2012 UNITED STATES OF AMERICA**  
(56) Related Art Documents: **Not Applicable**  
(57) Statement of Newness and Distinctiveness: **Nil**



(21) Design Number: **11690/2013**

(22) Date of Filing Application: **10 April 2013**

(24) Date from which industrial property rights may have effect: **10 April 2013**

(54) Product in respect of which the design is registered: **Crusher**

(51) International Design Classification: **15-99**

(74) Name(s) of Attorney(s): **Griffith Hack**

(71) Name(s) and Address(s) of Applicant(s):

**Sandvik Intellectual Property AB  
Sandviken SE-811 81 Sweden**

(72) Name(s) of Designer(s): **Axel Bergman and Bengt-Arne Eriksson and  
Fredrik Eriksson and Mikael Larsson and Patric Malmqvist**

(45) Registration Date: **03 May 2013**

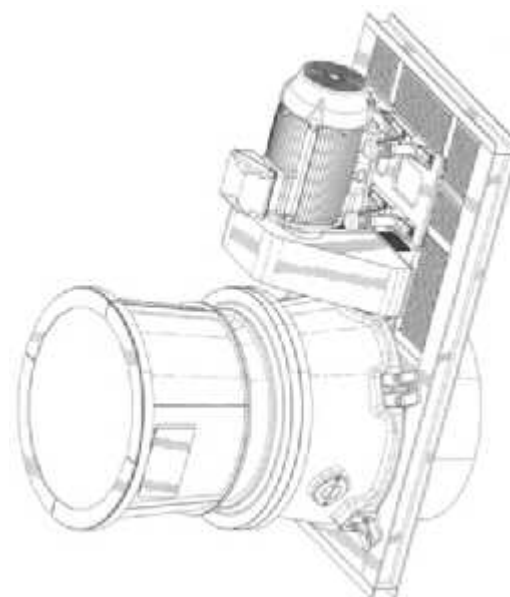
(30) Convention priority data:

(31) Number (32) Date  
**001360325-0001 11 Feb 2013**

(33) Country  
**OFFICE FOR HARMONISATION IN  
THE INTERNAL MARKET (OHIM)**

(56) Related Art Documents: **Not Applicable**

(57) Statement of Newness and Distinctiveness: **Nil**



(21) Design Number: **11240/2013**

(22) Date of Filing Application: **13 March 2013**

(24) Date from which industrial property rights may have effect: **13 March 2013**

(54) Product in respect of which the design is registered: **A chair**

(51) International Design Classification: **06-01F**

(74) Name(s) of Attorney(s): **FB Rice**

(71) Name(s) and Address(s) of Applicant(s):

**King Furniture Australia Pty Ltd  
123 Turrella St Turrella NSW 2205 Australia**

(72) Name(s) of Designer(s): **Charles Wilson**

(45) Registration Date: **03 May 2013**

(56) Related Art Documents: **Not Applicable**

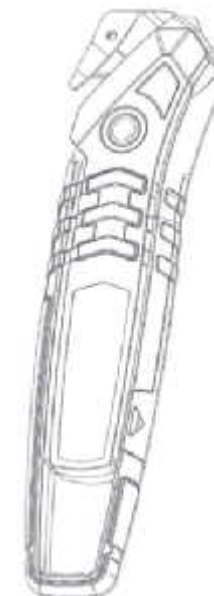
(57) Statement of Newness and Distinctiveness: **Newness and distinctiveness  
reside in the features of the design as shown in the representations.**



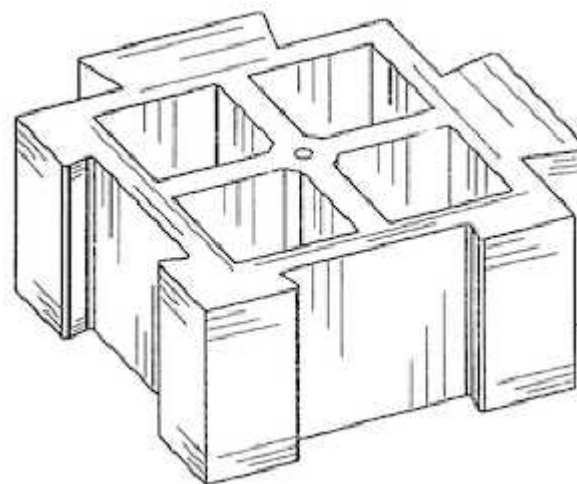
- (21) Design Number: **11245/2013**  
(22) Date of Filing Application: **13 March 2013**  
(24) Date from which industrial property rights may have effect: **13 March 2013**  
(54) Product in respect of which the design is registered: **A chair**  
(51) International Design Classification: **06-01F**  
(74) Name(s) of Attorney(s): **FB Rice**  
(71) Name(s) and Address(s) of Applicant(s):  
**King Furniture Australia Pty Ltd**  
**123 Turrella St Turrella NSW 2205 Australia**  
(72) Name(s) of Designer(s): **Charles Wilson**  
(45) Registration Date: **03 May 2013**  
(56) Related Art Documents: **Not Applicable**  
(57) Statement of Newness and Distinctiveness: **Newness and distinctiveness reside in the features of the design as shown in the representations.**



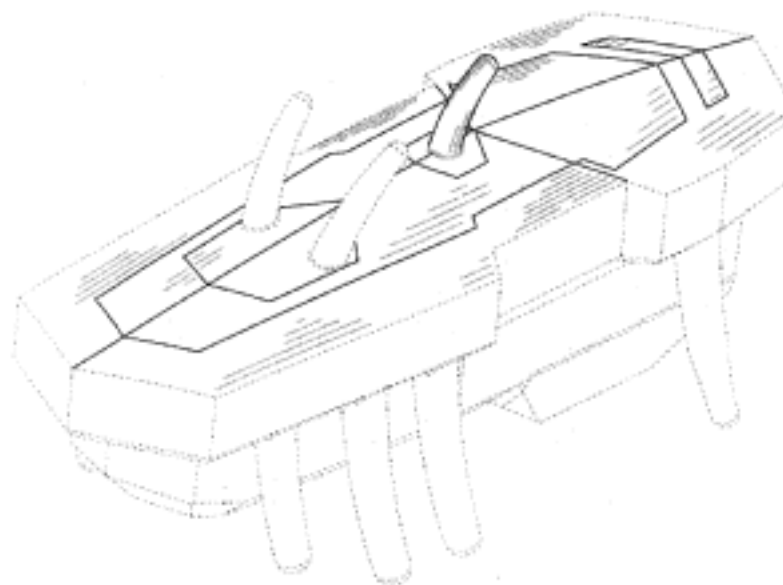
- (21) Design Number: **11661/2013**  
(22) Date of Filing Application: **08 April 2013**  
(24) Date from which industrial property rights may have effect: **18 January 2013**  
(54) Product in respect of which the design is registered: **Safety cutter**  
(51) International Design Classification: **08-03**  
(74) Name(s) of Attorney(s): **PIZZEYS**  
(71) Name(s) and Address(s) of Applicant(s):  
**Martor KG**  
**Heider Hof 60 Solingen 42653 Germany**  
(72) Name(s) of Designer(s): **Martin Rohrbach**  
(45) Registration Date: **03 May 2013**  
(62) Divisional of: **348302**  
(56) Related Art Documents: **Not Applicable**  
(57) Statement of Newness and Distinctiveness: **The newness and distinctiveness of the design resides in the features of pattern and/or ornamentation or shape and/or configuration shown in unbroken lines in the accompanying representations, (if required, see convention document).**



(21) Design Number: **10262/2013**  
(22) Date of Filing Application: **18 January 2013**  
(24) Date from which industrial property rights may have effect: **18 January 2013**  
(54) Product in respect of which the design is registered: **Masonry block**  
(51) International Design Classification: **25-01A**  
(74) Name(s) of Attorney(s): **Wadeson**  
(71) Name(s) and Address(s) of Applicant(s):  
**Lakdas Nanayakkara**  
**2065 Park Court Boca Raton FL 33486 United States of America**  
(72) Name(s) of Designer(s): **Lakdas Nanayakkara**  
(45) Registration Date: **06 May 2013**  
(30) Convention priority data:  
(31) Number (32) Date (33) Country  
**29/442,254 15 Jan 2013 UNITED STATES OF AMERICA**  
(56) Related Art Documents: **Not Applicable**  
(57) Statement of Newness and Distinctiveness: **Newness and distinctiveness resides in the geometry of the peripheral interlocking structure.**

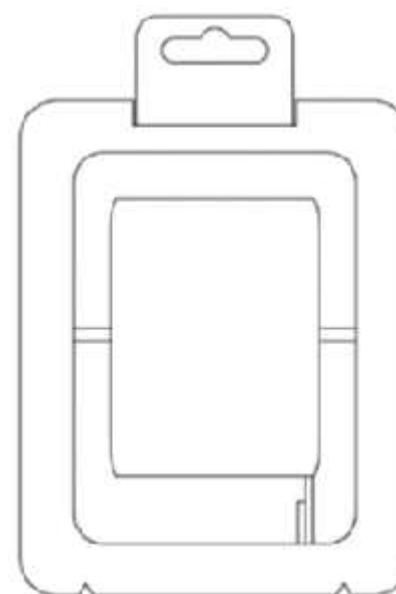


(21) Design Number: **11190/2013**  
(22) Date of Filing Application: **12 March 2013**  
(24) Date from which industrial property rights may have effect: **12 March 2013**  
(54) Product in respect of which the design is registered: **Toy**  
(51) International Design Classification: **21-01C**  
(74) Name(s) of Attorney(s): **SPRUSON & FERGUSON**  
(71) Name(s) and Address(s) of Applicant(s):  
**Innovation First, Inc.**  
**1519 Interstate 30 West Greenville TX 75402 United States of America**  
(72) Name(s) of Designer(s): **David Anthony Norman and Robert H. Mimplitch III and Jeffrey Russell Waegelin and Douglas Michael Galletti**  
(45) Registration Date: **06 May 2013**  
(30) Convention priority data:  
(31) Number (32) Date (33) Country  
**29/432774 20 Sep 2012 UNITED STATES OF AMERICA**  
(56) Related Art Documents: **Not Applicable**  
(57) Statement of Newness and Distinctiveness: **Newness and distinctiveness is claimed in those features of shape and/or configuration of a toy illustrated in continuous lines in the accompanying representations.**





(21) Design Number: **10648/2013**  
(22) Date of Filing Application: **08 February 2013**  
(24) Date from which industrial property rights may have effect: **08 February 2013**  
(54) Product in respect of which the design is registered: **Watch Box**  
(51) International Design Classification: **09-03NES**  
(74) Name(s) of Attorney(s): **Acacia Law**  
(71) Name(s) and Address(s) of Applicant(s):  
**Thomas Scott Farnen**  
**Unit 9-10 15/F Tower One Ever Gain Plaza No. 88 Container Port Road**  
**Kwai Chung New Territories Hong Kong**  
(72) Name(s) of Designer(s): **Thomas Scott Farnen**  
(45) Registration Date: **06 May 2013**  
(56) Related Art Documents: **Not Applicable**  
(57) Statement of Newness and Distinctiveness: **Nil**



(21) Design Number: **11286/2013**  
(22) Date of Filing Application: **15 March 2013**  
(24) Date from which industrial property rights may have effect: **15 March 2013**  
(54) Product in respect of which the design is registered: **A wheelchair**  
(51) International Design Classification: **12-12**  
(74) Name(s) of Attorney(s):  
(71) Name(s) and Address(s) of Applicant(s):  
**Peter James Thompson**  
**1965 A Tauherenikau Rd Greytown 5794 New Zealand**  
(72) Name(s) of Designer(s): **Peter James Thompson**  
(45) Registration Date: **06 May 2013**  
(30) Convention priority data:  
(31) Number      (32) Date      (33) Country  
**416730      18 Sep 2012      NEW ZEALAND**  
(56) Related Art Documents: **Not Applicable**  
(57) Statement of Newness and Distinctiveness: **Nil**



(21) Design Number: **11289/2013**  
(22) Date of Filing Application: **15 March 2013**  
(24) Date from which industrial property rights may have effect: **15 March 2013**  
(54) Product in respect of which the design is registered: **A wheelchair**  
(51) International Design Classification: **12-12**  
(74) Name(s) of Attorney(s):  
(71) Name(s) and Address(s) of Applicant(s):  
**Peter James Thompson**  
**1965 A Tauherenikau Rd Greytown 5794 New Zealand**  
(72) Name(s) of Designer(s): **Peter James Thompson**  
(45) Registration Date: **06 May 2013**  
(30) Convention priority data:  
(31) Number (32) Date (33) Country  
**417269 01 Feb 2013 NEW ZEALAND**  
(56) Related Art Documents: **Not Applicable**  
(57) Statement of Newness and Distinctiveness: **Nil**



(21) Design Number: **11298/2013**  
(22) Date of Filing Application: **15 March 2013**  
(24) Date from which industrial property rights may have effect: **15 March 2013**  
(54) Product in respect of which the design is registered: **A riding lawn mower**  
(51) International Design Classification: **15-03B**  
(74) Name(s) of Attorney(s): **SPRUSON & FERGUSON**  
(71) Name(s) and Address(s) of Applicant(s):  
**Honda Motor Co., Ltd.**  
**1-1 Minami-Aoyama 2-Chome Minato-ku Tokyo Japan**  
(72) Name(s) of Designer(s): **Masato Fujiwara**  
(45) Registration Date: **06 May 2013**  
(30) Convention priority data:  
(31) Number (32) Date (33) Country  
**2012-022478 18 Sep 2012 JAPAN**  
(56) Related Art Documents: **Not Applicable**  
(57) Statement of Newness and Distinctiveness: **Newness and distinctiveness is claimed in those features of the shape and/or configuration of a riding lawn mower that are illustrated in grey shades in the accompanying representations.**



(21) Design Number: **11291/2013**  
(22) Date of Filing Application: **15 March 2013**  
(24) Date from which industrial property rights may have effect: **15 March 2013**  
(54) Product in respect of which the design is registered: **A chair**  
(51) International Design Classification: **06-01F**  
(74) Name(s) of Attorney(s): **PETER MAXWELL & ASSOCIATES**  
(71) Name(s) and Address(s) of Applicant(s):  
**Steelcase, Inc.**  
**901 44th St SE Grand Rapids MI 49508-7575 United States of America**  
(72) Name(s) of Designer(s): **John Richard Hamilton and Stefan Brodbeck and Kong Siong Loong**  
(45) Registration Date: **06 May 2013**  
(30) Convention priority data:  
(31) Number (32) Date (33) Country  
**001358774-0001 15 Jan 2013 OFFICE FOR HARMONISATION IN THE INTERNAL MARKET (OHIM)**  
(56) Related Art Documents: **Not Applicable**  
(57) Statement of Newness and Distinctiveness: **Newness and distinctiveness is claimed in the shape and/or configuration of a CHAIR as illustrated by the unbroken lines in the accompanying representations.**



(21) Design Number: **11292/2013**  
(22) Date of Filing Application: **15 March 2013**  
(24) Date from which industrial property rights may have effect: **15 March 2013**  
(54) Product in respect of which the design is registered: **A chair**  
(51) International Design Classification: **06-01F**  
(74) Name(s) of Attorney(s): **PETER MAXWELL & ASSOCIATES**  
(71) Name(s) and Address(s) of Applicant(s):  
**Steelcase, Inc.**  
**901 44th St SE Grand Rapids MI 49508-7575 United States of America**  
(72) Name(s) of Designer(s): **John Richard Hamilton and Stefan Brodbeck and Kong Siong Loong**  
(45) Registration Date: **06 May 2013**  
(30) Convention priority data:  
(31) Number (32) Date (33) Country  
**001358808-001 15 Jan 2013 OFFICE FOR HARMONISATION IN THE INTERNAL MARKET (OHIM)**  
(56) Related Art Documents: **Not Applicable**  
(57) Statement of Newness and Distinctiveness: **Newness and distinctiveness is claimed in the shape and/or configuration of a CHAIR as illustrated by the unbroken lines in the accompanying representations.**



(21) Design Number: **11293/2013**

(22) Date of Filing Application: **15 March 2013**

(24) Date from which industrial property rights may have effect: **15 March 2013**

(54) Product in respect of which the design is registered: **Compressor**

(51) International Design Classification: **15-02**

(74) Name(s) of Attorney(s): **Griffith Hack**

(71) Name(s) and Address(s) of Applicant(s):

**Bitzer Kuehlmaschinenbau GmbH  
Eschenbruennlestrasse 15 Sindelfingen 71065 Germany**

(72) Name(s) of Designer(s): **Klaus Ohser and Bertram Wipper**

(45) Registration Date: **06 May 2013**

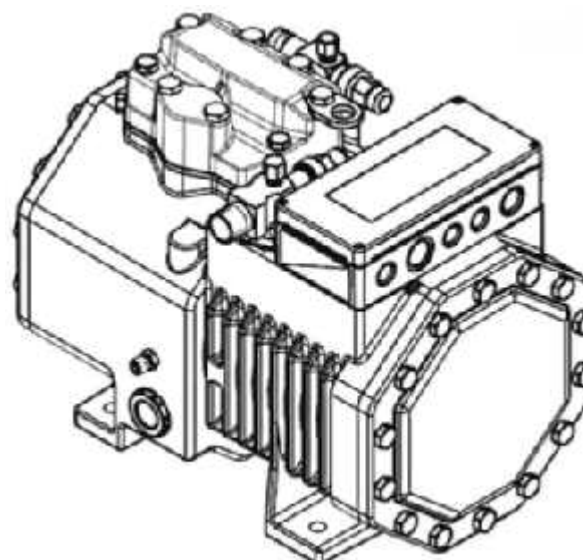
(30) Convention priority data:

(31) Number (32) Date  
**002143164-0002 27 Nov 2012**

(33) Country  
**OFFICE FOR HARMONISATION IN  
THE INTERNAL MARKET (OHIM)**

(56) Related Art Documents: **Not Applicable**

(57) Statement of Newness and Distinctiveness: **Newness and distinctiveness resides in the visual features, including shape, configuration and ornamentation of the PRODUCT as shown in the accompanying drawings.**



(21) Design Number: **11294/2013**

(22) Date of Filing Application: **15 March 2013**

(24) Date from which industrial property rights may have effect: **15 March 2013**

(54) Product in respect of which the design is registered: **Compressor**

(51) International Design Classification: **15-02**

(74) Name(s) of Attorney(s): **Griffith Hack**

(71) Name(s) and Address(s) of Applicant(s):

**Bitzer Kuehlmaschinenbau GmbH  
Eschenbruennlestrasse 15 Sindelfingen 71065 Germany**

(72) Name(s) of Designer(s): **Klaus Ohser and Bertram Wipper**

(45) Registration Date: **06 May 2013**

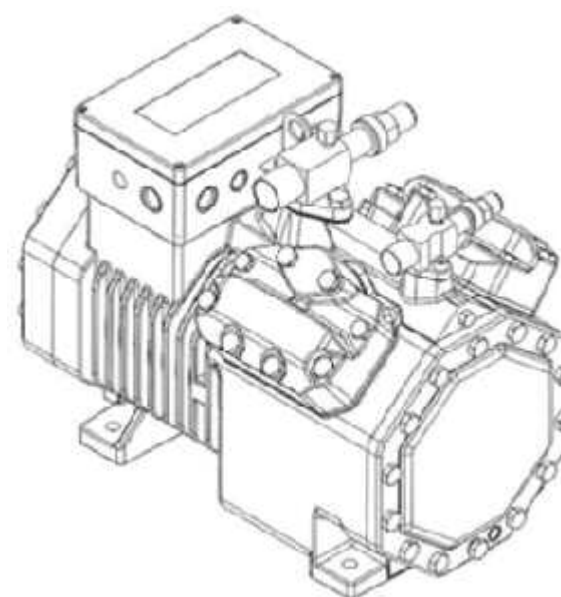
(30) Convention priority data:

(31) Number (32) Date  
**002156752-0003 20 Dec 2012**

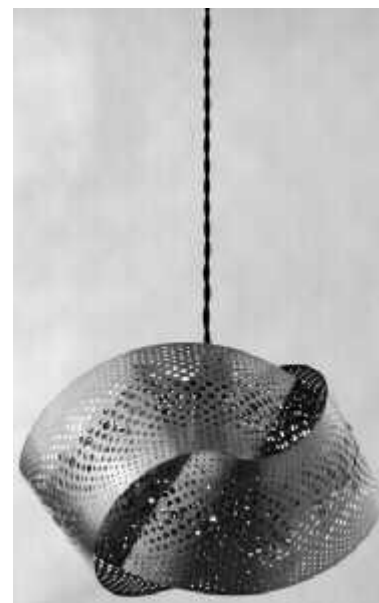
(33) Country  
**OFFICE FOR HARMONISATION IN  
THE INTERNAL MARKET (OHIM)**

(56) Related Art Documents: **Not Applicable**

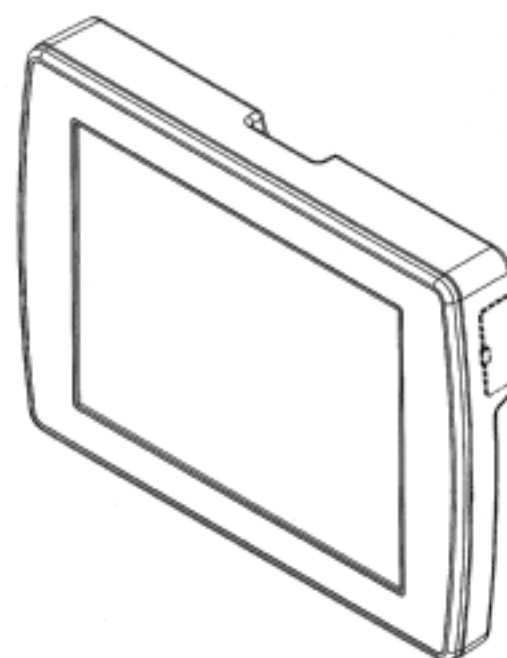
(57) Statement of Newness and Distinctiveness: **Newness and distinctiveness resides in the visual features, including shape, configuration and ornamentation of the PRODUCT as shown in the accompanying drawings.**



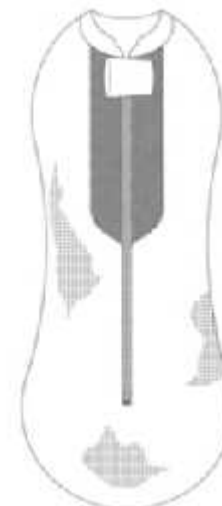
- (21) Design Number: **11295/2013**  
(22) Date of Filing Application: **15 March 2013**  
(24) Date from which industrial property rights may have effect: **15 March 2013**  
(54) Product in respect of which the design is registered: **Light**  
(51) International Design Classification: **26-05D**  
(74) Name(s) of Attorney(s):  
(71) Name(s) and Address(s) of Applicant(s):  
**Reduxr Pty Ltd**  
**PO BOX 1119 Barwon Heads VIC 3227 Australia**  
(72) Name(s) of Designer(s): **Roberto Rodriguez**  
(45) Registration Date: **06 May 2013**  
(56) Related Art Documents: **Not Applicable**  
(57) Statement of Newness and Distinctiveness: **The newness and distinctiveness of the design resides in the form of a single piece of flat strip material tied into a three point crossover symmetrical knot joined end to end.**



- (21) Design Number: **10862/2013**  
(22) Date of Filing Application: **21 February 2013**  
(24) Date from which industrial property rights may have effect: **21 February 2013**  
(54) Product in respect of which the design is registered: **Console**  
(51) International Design Classification: **14-02**  
(74) Name(s) of Attorney(s): **SPRUSON & FERGUSON**  
(71) Name(s) and Address(s) of Applicant(s):  
**Covidien LP**  
**15 Hampshire Street Mansfield Massachusetts 02048 United States of America**  
(72) Name(s) of Designer(s): **Michael C. Dorsey and David R. Swisher**  
(45) Registration Date: **06 May 2013**  
(30) Convention priority data:  
(31) Number      (32) Date      (33) Country  
**29/431433      07 Sep 2012      UNITED STATES OF AMERICA**  
(56) Related Art Documents: **Not Applicable**  
(57) Statement of Newness and Distinctiveness: **Newness and distinctiveness is claimed in the features of shape and/or configuration of a console illustrated in continuous lines in the accompanying representations.**

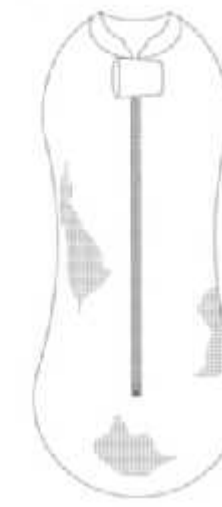


(21) Design Number: **10152/2013**  
 (22) Date of Filing Application: **10 January 2013**  
 (24) Date from which industrial property rights may have effect: **10 January 2013**  
 (54) Product in respect of which the design is registered: **Swaddling garment**  
 (51) International Design Classification: **02-02C**  
 (74) Name(s) of Attorney(s): **Actuate IP**  
 (71) Name(s) and Address(s) of Applicant(s):  
**Karen H. Barski**  
**205 Lake Avenue Trumbull Connecticut 06611 United States of America**



(72) Name(s) of Designer(s): **Karen H. Barski**  
 (45) Registration Date: **06 May 2013**  
 (30) Convention priority data:  
 (31) Number      (32) Date      (33) Country  
**29/421,376      12 Jul 2012      UNITED STATES OF AMERICA**  
 (56) Related Art Documents: **Not Applicable**  
 (57) Statement of Newness and Distinctiveness: **Newness and distinctiveness is claimed in the features of shape and/or configuration of the Swaddling Garment as illustrated in the accompanying representations.**

(21) Design Number: **11757/2013**  
 (22) Date of Filing Application: **10 January 2013**  
 (24) Date from which industrial property rights may have effect: **10 January 2013**  
 (54) Product in respect of which the design is registered: **Swaddling garment**  
 (51) International Design Classification: **02-02C**  
 (74) Name(s) of Attorney(s): **Actuate IP**  
 (71) Name(s) and Address(s) of Applicant(s):  
**Karen H. Barski**  
**205 Lake Avenue Trumbull Connecticut 06611 United States of America**

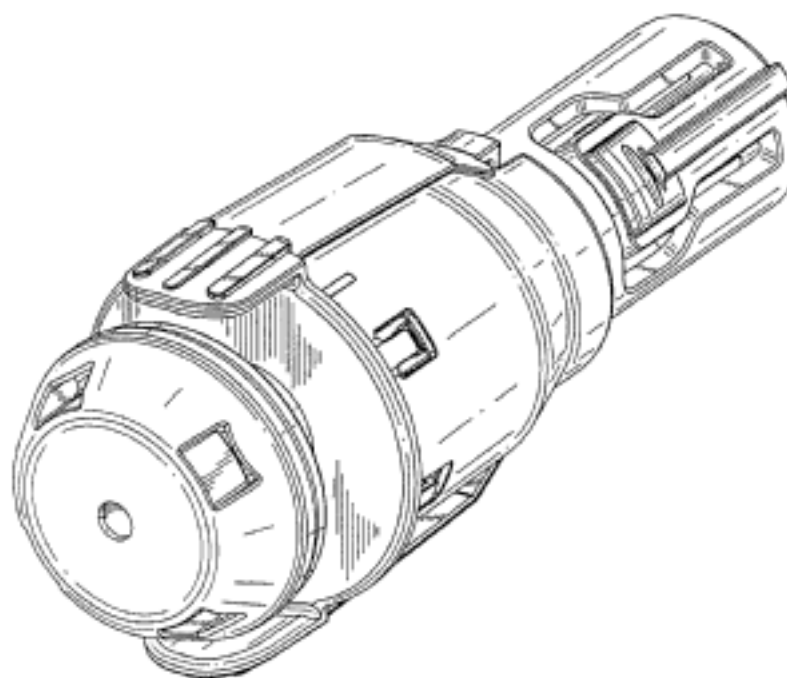


(72) Name(s) of Designer(s): **Karen H. Barski**  
 (45) Registration Date: **06 May 2013**  
 (30) Convention priority data:  
 (31) Number      (32) Date      (33) Country  
**29/421,376      12 Jul 2012      UNITED STATES OF AMERICA**  
 (56) Related Art Documents: **Not Applicable**  
 (57) Statement of Newness and Distinctiveness: **Newness and distinctiveness is claimed in the features of shape and/or configuration of the Swaddling Garment as illustrated in the accompanying representations.**

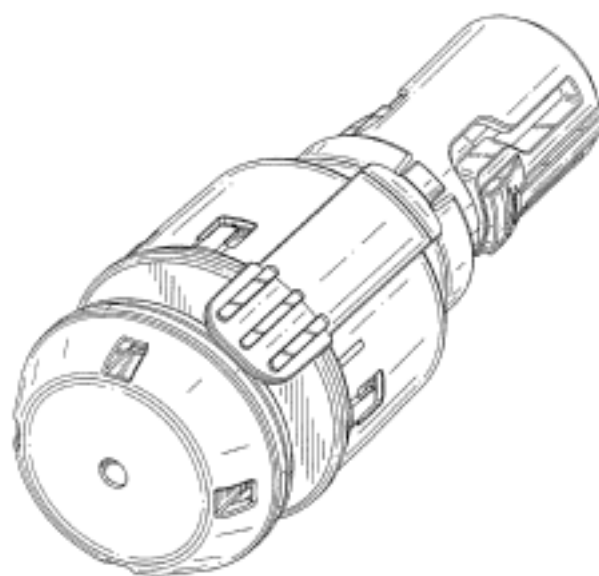
(21) Design Number: **11758/2013**  
(22) Date of Filing Application: **10 January 2013**  
(24) Date from which industrial property rights may have effect: **10 January 2013**  
(54) Product in respect of which the design is registered: **Swaddling garment**  
(51) International Design Classification: **02-02C**  
(74) Name(s) of Attorney(s): **Actuate IP**  
(71) Name(s) and Address(s) of Applicant(s):  
**Karen H. Barski**  
**205 Lake Avenue Trumbull Connecticut 06611 United States of America**  
(72) Name(s) of Designer(s): **Karen H. Barski**  
(45) Registration Date: **06 May 2013**  
(30) Convention priority data:  
(31) Number (32) Date (33) Country  
**29/421,376 12 Jul 2012 UNITED STATES OF AMERICA**  
(56) Related Art Documents: **Not Applicable**  
(57) Statement of Newness and Distinctiveness: **Newness and distinctiveness is claimed in the features of shape and/or configuration of the Swaddling Garment as illustrated in the accompanying representations.**



(21) Design Number: **11760/2013**  
(22) Date of Filing Application: **09 April 2013**  
(24) Date from which industrial property rights may have effect: **09 April 2013**  
(54) Product in respect of which the design is registered: **Surgical stapler cartridge**  
(51) International Design Classification: **24-02**  
(74) Name(s) of Attorney(s): **Freehills Patent Attorneys**  
(71) Name(s) and Address(s) of Applicant(s):  
**Ethicon Endo-Surgery, Inc.**  
**4545 Creek Road Cincinnati Ohio 45242 United States of America**  
(72) Name(s) of Designer(s): **Anil K Nalagatla and Barry T Jamison and John V Hunt and Bo Yan and Thomas E Adams**  
(45) Registration Date: **06 May 2013**  
(30) Convention priority data:  
(31) Number (32) Date (33) Country  
**29/427602 20 Jul 2012 UNITED STATES OF AMERICA**  
(56) Related Art Documents: **Not Applicable**  
(57) Statement of Newness and Distinctiveness: **Newness and distinctiveness reside in the features of shape and configuration of the surgical stapler cartridge as shown in the representations.**



(21) Design Number: **11761/2013**  
(22) Date of Filing Application: **09 April 2013**  
(24) Date from which industrial property rights may have effect: **09 April 2013**  
(54) Product in respect of which the design is registered: **Surgical stapler cartridge**  
(51) International Design Classification: **24-02**  
(74) Name(s) of Attorney(s): **Freehills Patent Attorneys**  
(71) Name(s) and Address(s) of Applicant(s):  
**Ethicon Endo-Surgery, Inc.**  
**4545 Creek Road Cincinnati Ohio 45242 United States of America**  
(72) Name(s) of Designer(s): **Anil K Nalagatla and Barry T Jamison and John V Hunt and Bo Yan and Thomas E Adams**  
(45) Registration Date: **06 May 2013**  
(30) Convention priority data:  
(31) Number (32) Date (33) Country  
**29/427602 20 Jul 2012 UNITED STATES OF AMERICA**  
(56) Related Art Documents: **Not Applicable**  
(57) Statement of Newness and Distinctiveness: **Newness and distinctiveness reside in the features of shape and configuration of the surgical stapler cartridge as shown in the representations.**



(21) Design Number: **11319/2013**  
(22) Date of Filing Application: **16 March 2013**  
(24) Date from which industrial property rights may have effect: **16 March 2013**  
(54) Product in respect of which the design is registered: **Chair**  
(51) International Design Classification: **06-01F**  
(74) Name(s) of Attorney(s): **FB Rice**  
(71) Name(s) and Address(s) of Applicant(s):  
**Steelcase Inc.**  
**901-44th Street S.E. Grand Rapids Michigan 49508 United States of America**  
(72) Name(s) of Designer(s): **Bruce M. Smith and Glen Oliver Low and James N. Ludwig and Robert J. Battey and Gordon Jay Peterson**  
(45) Registration Date: **07 May 2013**  
(30) Convention priority data:  
(31) Number (32) Date (33) Country  
**29/432821 20 Sep 2012 UNITED STATES OF AMERICA**  
(56) Related Art Documents: **Not Applicable**  
(57) Statement of Newness and Distinctiveness: **Newness and distinctiveness reside in the features of the design as shown in the representations.**





(21) Design Number: **11320/2013**  
(22) Date of Filing Application: **16 March 2013**  
(24) Date from which industrial property rights may have effect: **16 March 2013**  
(54) Product in respect of which the design is registered: **Chair**  
(51) International Design Classification: **06-01F**  
(74) Name(s) of Attorney(s): **FB Rice**  
(71) Name(s) and Address(s) of Applicant(s):  
**Steelcase Inc.**  
**901-44th Street S.E. Grand Rapids Michigan 49508 United States of America**  
(72) Name(s) of Designer(s): **Bruce M. Smith and Glen Oliver Low and James N. Ludwig and Robert J. Battey and Gordon Jay Peterson**  
(45) Registration Date: **07 May 2013**  
(30) Convention priority data:  
(31) Number (32) Date (33) Country  
**29/432764 20 Sep 2012 UNITED STATES OF AMERICA**  
(56) Related Art Documents: **Not Applicable**  
(57) Statement of Newness and Distinctiveness: **Newness and distinctiveness reside in the features of the design as shown in the representations.**



(21) Design Number: **11321/2013**  
(22) Date of Filing Application: **16 March 2013**  
(24) Date from which industrial property rights may have effect: **16 March 2013**  
(54) Product in respect of which the design is registered: **Chair**  
(51) International Design Classification: **06-01F**  
(74) Name(s) of Attorney(s): **FB Rice**  
(71) Name(s) and Address(s) of Applicant(s):  
**Steelcase Inc.**  
**901-44th Street S.E. Grand Rapids Michigan 49508 United States of America**  
(72) Name(s) of Designer(s): **Bruce M. Smith and Glen Oliver Low and James N. Ludwig and Robert J. Battey and Gordon Jay Peterson**  
(45) Registration Date: **07 May 2013**  
(30) Convention priority data:  
(31) Number (32) Date (33) Country  
**29/432768 20 Sep 2012 UNITED STATES OF AMERICA**  
(56) Related Art Documents: **Not Applicable**  
(57) Statement of Newness and Distinctiveness: **Newness and distinctiveness reside in the features of the design as shown in the representations.**



(21) Design Number: **11322/2013**  
(22) Date of Filing Application: **16 March 2013**  
(24) Date from which industrial property rights may have effect: **16 March 2013**  
(54) Product in respect of which the design is registered: **Chair**  
(51) International Design Classification: **06-01F**  
(74) Name(s) of Attorney(s): **FB Rice**  
(71) Name(s) and Address(s) of Applicant(s):  
**Steelcase Inc.**  
**901-44th Street S.E. Grand Rapids Michigan 49508 United States of America**  
(72) Name(s) of Designer(s): **Bruce M. Smith and Glen Oliver Low and James N. Ludwig and Robert J. Battey and Gordon Jay Peterson**  
(45) Registration Date: **07 May 2013**  
(30) Convention priority data:  
(31) Number (32) Date (33) Country  
**29/432780 20 Sep 2012 UNITED STATES OF AMERICA**  
(56) Related Art Documents: **Not Applicable**  
(57) Statement of Newness and Distinctiveness: **Newness and distinctiveness reside in the features of the design as shown in the representations.**



(21) Design Number: **11323/2013**  
(22) Date of Filing Application: **16 March 2013**  
(24) Date from which industrial property rights may have effect: **16 March 2013**  
(54) Product in respect of which the design is registered: **Chair**  
(51) International Design Classification: **06-01F**  
(74) Name(s) of Attorney(s): **FB Rice**  
(71) Name(s) and Address(s) of Applicant(s):  
**Steelcase Inc.**  
**901-44th Street S.E. Grand Rapids Michigan 49508 United States of America**  
(72) Name(s) of Designer(s): **Bruce M. Smith and Glen Oliver Low and James N. Ludwig and Robert J. Battey and Gordon Jay Peterson**  
(45) Registration Date: **07 May 2013**  
(30) Convention priority data:  
(31) Number (32) Date (33) Country  
**29/432766 20 Sep 2012 UNITED STATES OF AMERICA**  
(56) Related Art Documents: **Not Applicable**  
(57) Statement of Newness and Distinctiveness: **Newness and distinctiveness reside in the features of the design shown in solid lines in the representations excluding those features shown in broken lines.**



(21) Design Number: **11324/2013**  
(22) Date of Filing Application: **16 March 2013**  
(24) Date from which industrial property rights may have effect: **16 March 2013**  
(54) Product in respect of which the design is registered: **Chair**  
(51) International Design Classification: **06-01F**  
(74) Name(s) of Attorney(s): **FB Rice**  
(71) Name(s) and Address(s) of Applicant(s):  
**Steelcase Inc.**  
**901-44th Street S.E. Grand Rapids Michigan 49508 United States of America**  
(72) Name(s) of Designer(s): **Bruce M. Smith and Glen Oliver Low and Robert J. Battey and Gordon Jay Paterson and Gordon Jay Peterson**  
(45) Registration Date: **07 May 2013**  
(30) Convention priority data:  
(31) Number (32) Date (33) Country  
**29/432781 20 Sep 2012 UNITED STATES OF AMERICA**  
(56) Related Art Documents: **Not Applicable**  
(57) Statement of Newness and Distinctiveness: **Newness and distinctiveness reside in the features of the design as shown in the representations.**



(21) Design Number: **11325/2013**  
(22) Date of Filing Application: **16 March 2013**  
(24) Date from which industrial property rights may have effect: **16 March 2013**  
(54) Product in respect of which the design is registered: **Chair**  
(51) International Design Classification: **06-01F**  
(74) Name(s) of Attorney(s): **FB Rice**  
(71) Name(s) and Address(s) of Applicant(s):  
**Steelcase Inc.**  
**901-44th Street S.E. Grand Rapids Michigan 49508 United States of America**  
(72) Name(s) of Designer(s): **Bruce M. Smith and Glen Oliver Low and Robert J. Battey and Gordon Jay Paterson and James N. Ludwig**  
(45) Registration Date: **07 May 2013**  
(30) Convention priority data:  
(31) Number (32) Date (33) Country  
**29/432766 20 Sep 2012 UNITED STATES OF AMERICA**  
(56) Related Art Documents: **Not Applicable**  
(57) Statement of Newness and Distinctiveness: **Newness and distinctiveness reside in the features of the design as shown in the representations.**



(21) Design Number: **11326/2013**  
(22) Date of Filing Application: **16 March 2013**  
(24) Date from which industrial property rights may have effect: **16 March 2013**  
(54) Product in respect of which the design is registered: **Chair**  
(51) International Design Classification: **06-01F**  
(74) Name(s) of Attorney(s): **FB Rice**  
(71) Name(s) and Address(s) of Applicant(s):  
**Steelcase Inc.**  
**901-44th Street S.E. Grand Rapids Michigan 49508 United States of America**  
(72) Name(s) of Designer(s): **Bruce M. Smith and Glen Oliver Low and Robert J. Battey and Gordon Jay Paterson and James N. Ludwig**  
(45) Registration Date: **07 May 2013**  
(30) Convention priority data:  
(31) Number (32) Date (33) Country  
**29/432775 20 Sep 2012 UNITED STATES OF AMERICA**  
(56) Related Art Documents: **Not Applicable**  
(57) Statement of Newness and Distinctiveness: **Newness and distinctiveness reside in the features of the design as shown in the representations.**



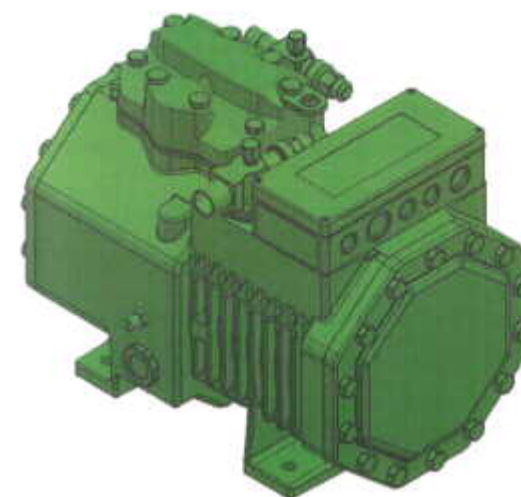
(21) Design Number: **11327/2013**  
(22) Date of Filing Application: **16 March 2013**  
(24) Date from which industrial property rights may have effect: **16 March 2013**  
(54) Product in respect of which the design is registered: **Chair**  
(51) International Design Classification: **06-01F**  
(74) Name(s) of Attorney(s): **FB Rice**  
(71) Name(s) and Address(s) of Applicant(s):  
**Steelcase Inc.**  
**901-44th Street S.E. Grand Rapids Michigan 49508 United States of America**  
(72) Name(s) of Designer(s): **Bruce M. Smith and Glen Oliver Low and Robert J. Battey and Gordon Jay Paterson and James N. Ludwig**  
(45) Registration Date: **07 May 2013**  
(30) Convention priority data:  
(31) Number (32) Date (33) Country  
**29/432766 20 Sep 2012 UNITED STATES OF AMERICA**  
(56) Related Art Documents: **Not Applicable**  
(57) Statement of Newness and Distinctiveness: **Newness and distinctiveness reside in the features of the design shown in solid lines in the representations excluding those features shown in broken lines.**



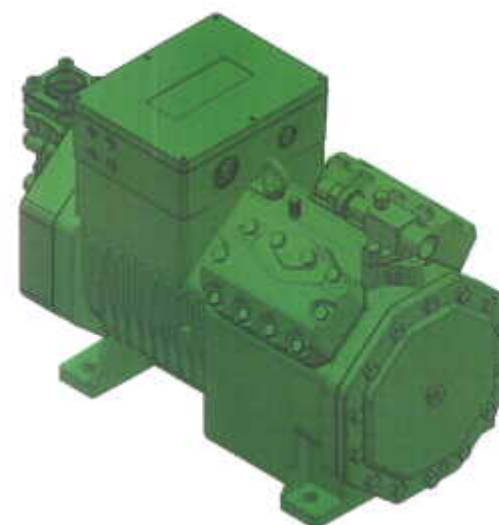
(21) Design Number: **11328/2013**  
(22) Date of Filing Application: **16 March 2013**  
(24) Date from which industrial property rights may have effect: **16 March 2013**  
(54) Product in respect of which the design is registered: **Chair**  
(51) International Design Classification: **06-01F**  
(74) Name(s) of Attorney(s): **FB Rice**  
(71) Name(s) and Address(s) of Applicant(s):  
**Steelcase Inc.**  
**901-44th Street S.E. Grand Rapids Michigan 49508 United States of America**  
(72) Name(s) of Designer(s): **Bruce M. Smith and Glen Oliver Low and Robert J. Battey and Gordon Jay Paterson and James N. Ludwig**  
(45) Registration Date: **07 May 2013**  
(30) Convention priority data:  
(31) Number (32) Date (33) Country  
**29/432822 20 Sep 2012 UNITED STATES OF AMERICA**  
(56) Related Art Documents: **Not Applicable**  
(57) Statement of Newness and Distinctiveness: **Newness and distinctiveness reside in the features of the design as shown in the representations.**



(21) Design Number: **11381/2013**  
(22) Date of Filing Application: **15 March 2013**  
(24) Date from which industrial property rights may have effect: **15 March 2013**  
(54) Product in respect of which the design is registered: **Compressor**  
(51) International Design Classification: **15-02**  
(74) Name(s) of Attorney(s): **Griffith Hack**  
(71) Name(s) and Address(s) of Applicant(s):  
**Bitzer Kuehlmaschinenbau GmbH**  
**Eschenbruennlestrasse 15 71065 Sindelfingen Germany**  
(72) Name(s) of Designer(s): **Klaus Ohser and Bertram Wipper**  
(45) Registration Date: **07 May 2013**  
(30) Convention priority data:  
(31) Number (32) Date (33) Country  
**002143164-0001 27 Nov 2012 OFFICE FOR HARMONISATION IN THE INTERNAL MARKET (OHIM)**  
(56) Related Art Documents: **Not Applicable**  
(57) Statement of Newness and Distinctiveness: **Newness and distinctiveness resides in the visual features including, shape, configuration and colour of the PRODUCT as shown in the accompanying representations.**



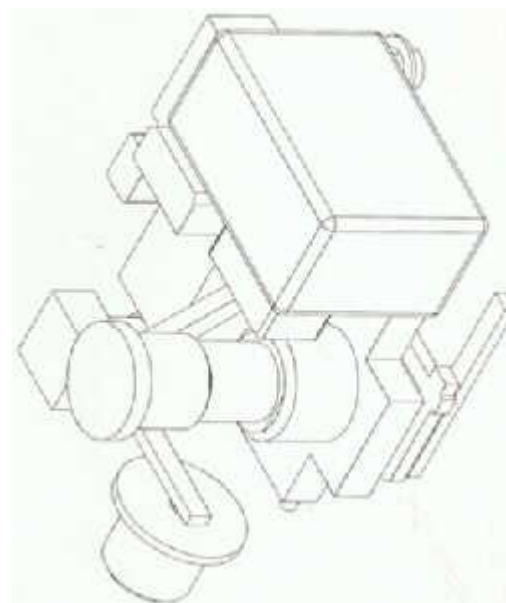
- (21) Design Number: **11382/2013**  
(22) Date of Filing Application: **15 March 2013**  
(24) Date from which industrial property rights may have effect: **15 March 2013**  
(54) Product in respect of which the design is registered: **Compressor**  
(51) International Design Classification: **15-02**  
(74) Name(s) of Attorney(s): **Griffith Hack**  
(71) Name(s) and Address(s) of Applicant(s):  
**Bitzer Kuehlmaschinenbau GmbH**  
**Eschenbruennlestrasse 15 71065 Sindelfingen Germany**  
(72) Name(s) of Designer(s): **Klaus Ohser and Bertram Wipper**  
(45) Registration Date: **07 May 2013**  
(30) Convention priority data:  
(31) Number (32) Date (33) Country  
**002156752-0002 20 Dec 2012 OFFICE FOR HARMONISATION IN**  
**THE INTERNAL MARKET (OHIM)**  
(56) Related Art Documents: **Not Applicable**  
(57) Statement of Newness and Distinctiveness: **Newness and distinctiveness**  
**resides in the visual features including, shape, configuration and colour**  
**of the PRODUCT as shown in the accompanying representations.**



- (21) Design Number: **11383/2013**  
(22) Date of Filing Application: **15 March 2013**  
(24) Date from which industrial property rights may have effect: **15 March 2013**  
(54) Product in respect of which the design is registered: **Compressor**  
(51) International Design Classification: **15-02**  
(74) Name(s) of Attorney(s): **Griffith Hack**  
(71) Name(s) and Address(s) of Applicant(s):  
**Bitzer Kuehlmaschinenbau GmbH**  
**Eschenbruennlestrasse 15 71065 Sindelfingen Germany**  
(72) Name(s) of Designer(s): **Klaus Ohser and Bertram Wipper**  
(45) Registration Date: **07 May 2013**  
(30) Convention priority data:  
(31) Number (32) Date (33) Country  
**002156752-0004 20 Dec 2012 OFFICE FOR HARMONISATION IN**  
**THE INTERNAL MARKET (OHIM)**  
(56) Related Art Documents: **Not Applicable**  
(57) Statement of Newness and Distinctiveness: **Newness and distinctiveness**  
**resides in the visual features including, shape, configuration and colour**  
**of the PRODUCT as shown in the accompanying representations.**



(21) Design Number: **11315/2013**  
(22) Date of Filing Application: **16 March 2013**  
(24) Date from which industrial property rights may have effect: **16 March 2013**  
(54) Product in respect of which the design is registered: **A mobile pipe welding device**  
(51) International Design Classification: **08-05M**  
(74) Name(s) of Attorney(s):  
(71) Name(s) and Address(s) of Applicant(s):  
**Gridweld Limited**  
**4 Speedwell Close Yardley Birmingham B25 8HT United Kingdom**  
(72) Name(s) of Designer(s): **Roger Cooper and Dominick Doyle and Michael Penny**  
(45) Registration Date: **07 May 2013**  
(56) Related Art Documents: **Not Applicable**  
(57) Statement of Newness and Distinctiveness: **The newness and distinctiveness of the design resides in the shape of assembled components of the mobile pipe welding device as shown in the continuous lines in the accompanying representations.**



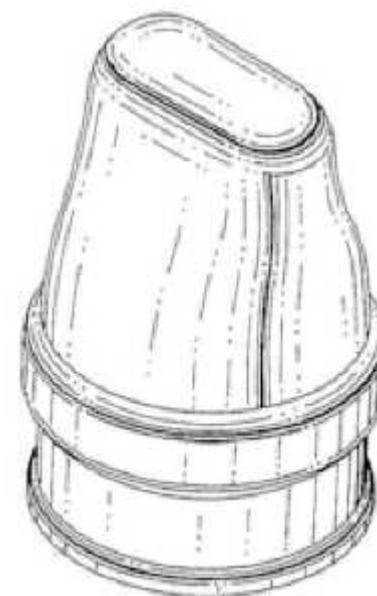
(21) Design Number: **11317/2013**  
(22) Date of Filing Application: **16 March 2013**  
(24) Date from which industrial property rights may have effect: **16 March 2013**  
(54) Product in respect of which the design is registered: **Chair**  
(51) International Design Classification: **06-01F**  
(74) Name(s) of Attorney(s): **FB Rice**  
(71) Name(s) and Address(s) of Applicant(s):  
**Steelcase Inc.**  
**901-44th Street S.E. Grand Rapids Michigan 49508 United States of America**  
(72) Name(s) of Designer(s): **Bruce M. Smith and Glen Oliver Low and Robert J. Battey and Gordon Jay Paterson and James N. Ludwig**  
(45) Registration Date: **07 May 2013**  
(30) Convention priority data:  
(31) Number (32) Date (33) Country  
**29/432822 20 Sep 2012 UNITED STATES OF AMERICA**  
(56) Related Art Documents: **Not Applicable**  
(57) Statement of Newness and Distinctiveness: **Newness and distinctiveness reside in the features of the design shown in solid lines in the representations excluding those features shown in broken lines.**



(21) Design Number: **11318/2013**  
(22) Date of Filing Application: **16 March 2013**  
(24) Date from which industrial property rights may have effect: **16 March 2013**  
(54) Product in respect of which the design is registered: **Chair**  
(51) International Design Classification: **06-01F**  
(74) Name(s) of Attorney(s): **FB Rice**  
(71) Name(s) and Address(s) of Applicant(s):  
**Steelcase Inc.**  
**901-44th Street S.E. Grand Rapids Michigan 49508 United States of America**  
(72) Name(s) of Designer(s): **Bruce M. Smith and Glen Oliver Low and James N. Ludwig and Robert J. Battey and Gordon Jay Peterson**  
(45) Registration Date: **07 May 2013**  
(30) Convention priority data:  
(31) Number (32) Date (33) Country  
**29/432775 20 Sep 2012 UNITED STATES OF AMERICA**  
(56) Related Art Documents: **Not Applicable**  
(57) Statement of Newness and Distinctiveness: **Newness and distinctiveness reside in the features of the design shown in solid lines in the representations excluding those features shown in broken lines.**



(21) Design Number: **11145/2013**  
(22) Date of Filing Application: **09 March 2013**  
(24) Date from which industrial property rights may have effect: **09 March 2013**  
(54) Product in respect of which the design is registered: **Soft cap for a connector**  
(51) International Design Classification: **24-01**  
(74) Name(s) of Attorney(s): **FB Rice**  
(71) Name(s) and Address(s) of Applicant(s):  
**Becton, Dickinson and Company**  
**1 Becton Drive Franklin Lakes New Jersey 07417 United states of America**  
(72) Name(s) of Designer(s): **Milan Ivosevic**  
(45) Registration Date: **07 May 2013**  
(30) Convention priority data:  
(31) Number (32) Date (33) Country  
**29/431791 11 Sep 2012 UNITED STATES OF AMERICA**  
(56) Related Art Documents: **Not Applicable**  
(57) Statement of Newness and Distinctiveness: **Newness and distinctiveness reside in the features of shape and configuration of the design as shown in the representations.**





(21) Design Number: **11186/2013**

(22) Date of Filing Application: **12 March 2013**

(24) Date from which industrial property rights may have effect: **12 March 2013**

(54) Product in respect of which the design is registered: **Golf club head**

(51) International Design Classification: **21-02C**

(74) Name(s) of Attorney(s): **Davies Collison Cave**

(71) Name(s) and Address(s) of Applicant(s):

**Karsten Manufacturing Corporation**

**2201 West Desert Cove Phoenix Arizona 85029 United States of America**

(72) Name(s) of Designer(s): **Brandon L. Fossum and Marty R. Jertson and  
Bradley D. Schweigert**

(45) Registration Date: **07 May 2013**

(30) Convention priority data:

(31) Number

(32) Date

(33) Country

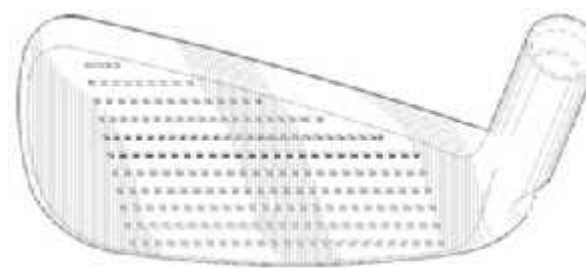
**29/437588**

**19 Nov 2012**

**UNITED STATES OF AMERICA**

(56) Related Art Documents: **Not Applicable**

(57) Statement of Newness and Distinctiveness: **Newness and distinctiveness is claimed in the visual features shown in solid lines in the representations. In considering the extent of the design rights, the broken lines shown in the representations are for illustrative purposes only and do not form part of the design.**



(21) Design Number: **11187/2013**

(22) Date of Filing Application: **12 March 2013**

(24) Date from which industrial property rights may have effect: **12 March 2013**

(54) Product in respect of which the design is registered: **Golf club head**

(51) International Design Classification: **21-02C**

(74) Name(s) of Attorney(s): **Davies Collison Cave**

(71) Name(s) and Address(s) of Applicant(s):

**Karsten Manufacturing Corporation**

**2201 West Desert Cove Phoenix Arizona 85029 United States of America**

(72) Name(s) of Designer(s): **Michael R. Nicolette and Xiaojian Chen**

(45) Registration Date: **07 May 2013**

(30) Convention priority data:

(31) Number

(32) Date

(33) Country

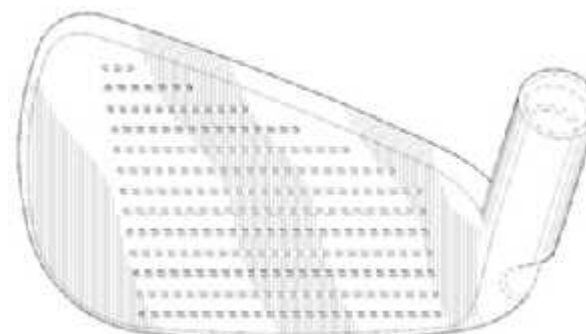
**29/440192**

**19 Dec 2012**

**UNITED STATES OF AMERICA**

(56) Related Art Documents: **Not Applicable**

(57) Statement of Newness and Distinctiveness: **Newness and distinctiveness is claimed in the visual features shown in solid lines in the representations. In considering the extent of the design rights, the broken lines shown in the representations are for illustrative purposes only and do not form part of the design.**



(21) Design Number: **11260/2013**

(22) Date of Filing Application: **13 March 2013**

(24) Date from which industrial property rights may have effect: **13 March 2013**

(54) Product in respect of which the design is registered: **Golf club head**

(51) International Design Classification: **21-02C**

(74) Name(s) of Attorney(s): **Davies Collison Cave**

(71) Name(s) and Address(s) of Applicant(s):

**Karsten Manufacturing Corporation**

**2201 West Desert Cove Phoenix Arizona 85029 United States of America**

(72) Name(s) of Designer(s): **Michael R. Nicolette and Xiaojian Chen**

(45) Registration Date: **07 May 2013**

(30) Convention priority data:

(31) Number

(32) Date

(33) Country

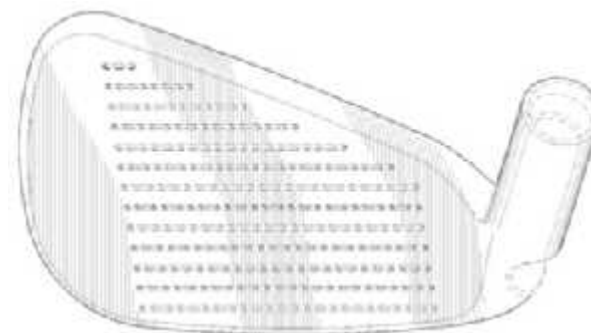
**29/440198**

**19 Dec 2012**

**UNITED STATES OF AMERICA**

(56) Related Art Documents: **Not Applicable**

(57) Statement of Newness and Distinctiveness: **Newness and distinctiveness is claimed in the visual features shown in solid lines in the representations. In considering the extent of the design rights, the broken lines shown in the representations are for illustrative purposes only and do not form part of the design.**



(21) Design Number: **10801/2013**

(22) Date of Filing Application: **15 February 2013**

(24) Date from which industrial property rights may have effect: **15 February 2013**

(54) Product in respect of which the design is registered: **Can cooler**

(51) International Design Classification: **07-07A**

(74) Name(s) of Attorney(s):

(71) Name(s) and Address(s) of Applicant(s):

**Broplenty Pty Ltd**

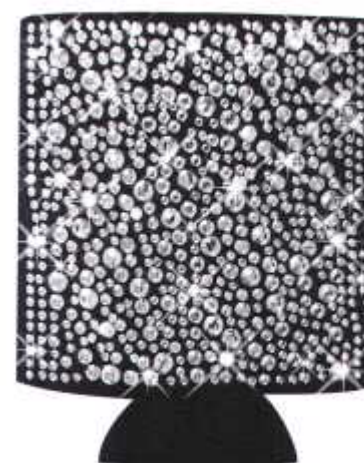
**PO BOX 1927 Sunshine Plaza QLD 4558 Australia**

(72) Name(s) of Designer(s): **Jane Brown**

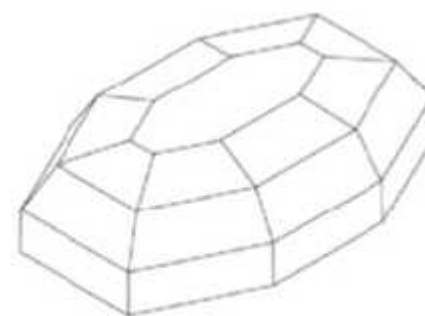
(45) Registration Date: **08 May 2013**

(56) Related Art Documents: **Not Applicable**

(57) Statement of Newness and Distinctiveness: **Neoprene can cooler covered with crystal diamantes. Various colours in neoprene.**



- (21) Design Number: **10901/2013**  
(22) Date of Filing Application: **26 February 2013**  
(24) Date from which industrial property rights may have effect: **26 February 2013**  
(54) Product in respect of which the design is registered: **Light fitting**  
(51) International Design Classification: **26-05C**  
(74) Name(s) of Attorney(s): **Baldwins**  
(71) Name(s) and Address(s) of Applicant(s):  
**Neil McLachlan Design Limited**  
**Unit 43 21 Armoy Drive Botany Downs 2010 New Zealand**  
(72) Name(s) of Designer(s): **Neil Roderick McLachlan**  
(45) Registration Date: **08 May 2013**  
(56) Related Art Documents: **Not Applicable**  
(57) Statement of Newness and Distinctiveness: **The design is to be applied to a light fitting and the novelty resides in the features of shape and configuration as shown in the accompanying representations.**



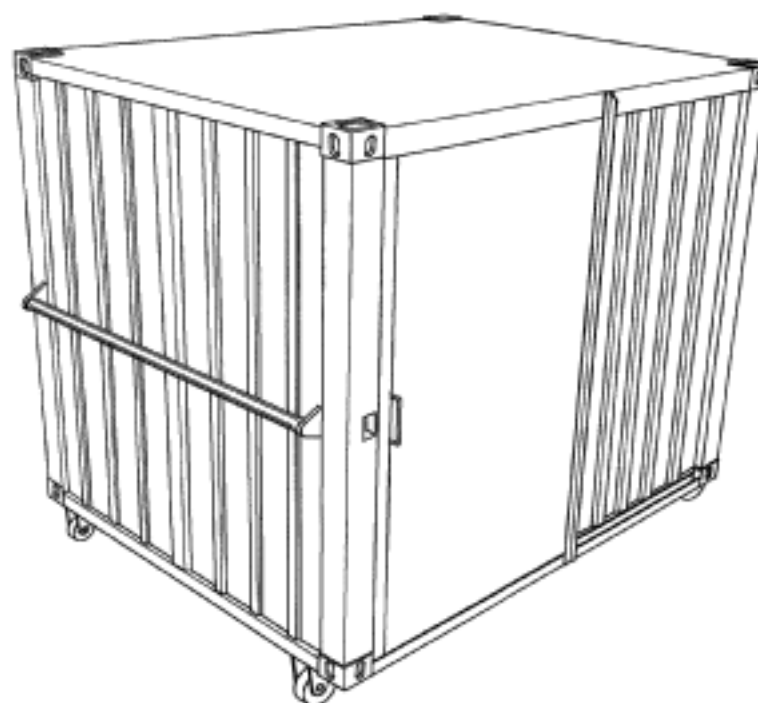
- (21) Design Number: **11192/2013**  
(22) Date of Filing Application: **07 March 2013**  
(24) Date from which industrial property rights may have effect: **12 October 2012**  
(54) Product in respect of which the design is registered: **Article of clothing**  
(51) International Design Classification: **02-02C**  
(74) Name(s) of Attorney(s): **Allens Patent & Trade Mark Attorneys**  
(71) Name(s) and Address(s) of Applicant(s):  
**Forever New Clothing Pty Ltd**  
**714-716 High St Kew East VIC 3102 Australia**  
(72) Name(s) of Designer(s): **Octavia Miller**  
(45) Registration Date: **08 May 2013**  
(30) Convention priority data:  
(31) Number      (32) Date      (33) Country  
**4026134      30 Aug 2012      UNITED KINGDOM**  
(62) Divisional of: **15083/2012**  
(56) Related Art Documents: **Not Applicable**  
(57) Statement of Newness and Distinctiveness: **Newness and distinctiveness resides in the visual features of shape, configuration, pattern and/or ornamentation of an article of clothing as shown in the accompanying representations.**



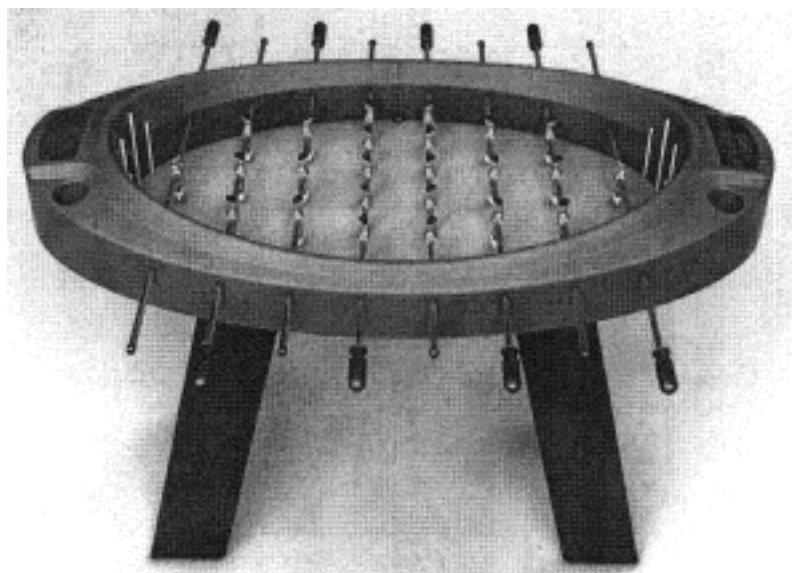
- (21) Design Number: **11199/2013**  
(22) Date of Filing Application: **13 March 2013**  
(24) Date from which industrial property rights may have effect: **13 March 2013**  
(54) Product in respect of which the design is registered: **Chair without arms**  
(51) International Design Classification: **06-01F**  
(74) Name(s) of Attorney(s): **PETER MAXWELL & ASSOCIATES**  
(71) Name(s) and Address(s) of Applicant(s):  
**Steelcase, Inc.**  
**901 44th St SE Grand Rapids MI 49508-7575 United States of America**  
(72) Name(s) of Designer(s): **Stefan Brodbeck**  
(45) Registration Date: **08 May 2013**  
(56) Related Art Documents: **Not Applicable**  
(57) Statement of Newness and Distinctiveness: **Newness and distinctiveness is claimed in the shape and/or configuration of a chair without arms as illustrated by the unbroken lines in the accompanying representations.**



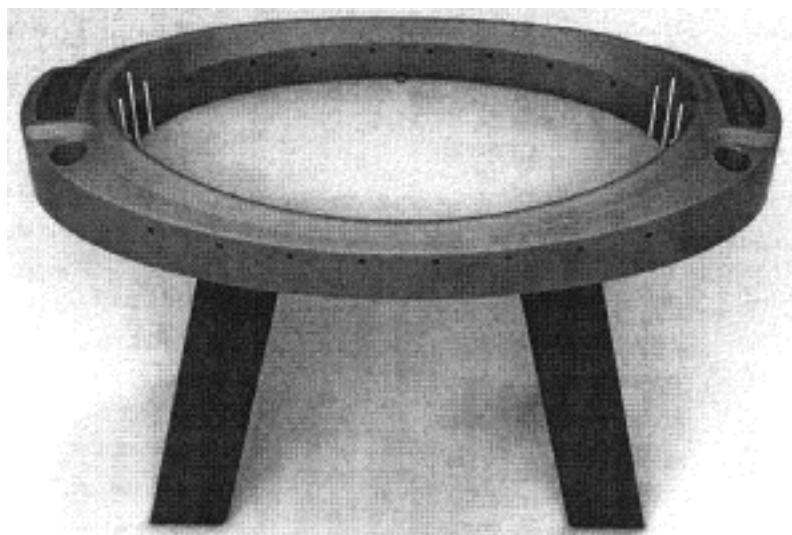
- (21) Design Number: **13727/2012**  
(22) Date of Filing Application: **02 August 2012**  
(24) Date from which industrial property rights may have effect: **02 August 2012**  
(54) Product in respect of which the design is registered: **Shed**  
(51) International Design Classification: **25-03**  
(74) Name(s) of Attorney(s): **Davies Collison Cave**  
(71) Name(s) and Address(s) of Applicant(s):  
**Prestige Steel Craft Pty Ltd**  
**4 Production Road Melton Victoria 3337 Australia**  
(72) Name(s) of Designer(s): **David Alan Florrimeil**  
(45) Registration Date: **08 May 2013**  
(56) Related Art Documents: **Not Applicable**  
(57) Statement of Newness and Distinctiveness: **Newness and distinctiveness is claimed in the shape and configuration of each of the shed as shown in the accompanying representations.**



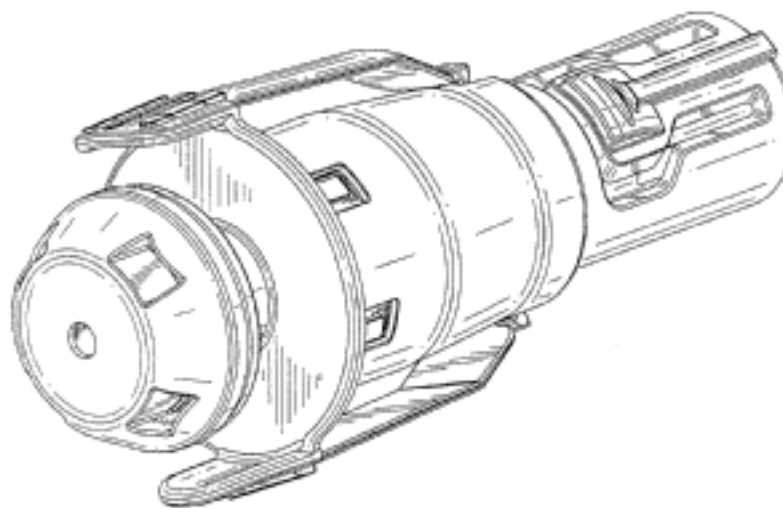
- (21) Design Number: **13849/2012**  
(22) Date of Filing Application: **08 August 2012**  
(24) Date from which industrial property rights may have effect: **08 August 2012**  
(54) Product in respect of which the design is registered: **Game**  
(51) International Design Classification: **06-03D, 21-01L**  
(74) Name(s) of Attorney(s):  
(71) Name(s) and Address(s) of Applicant(s):  
**CUB Limited**  
**77 Southbank Boulevard Southbank Victoria 3006 Australia**  
(72) Name(s) of Designer(s): **Alex Brooke and Daniel Vaughan and Ben McGuinness**  
(45) Registration Date: **08 May 2013**  
(56) Related Art Documents: **Not Applicable**  
(57) Statement of Newness and Distinctiveness: **Newness and distinctiveness resides in the visual features of shape and/or configuration of a game as illustrated in the accompanying representations.**



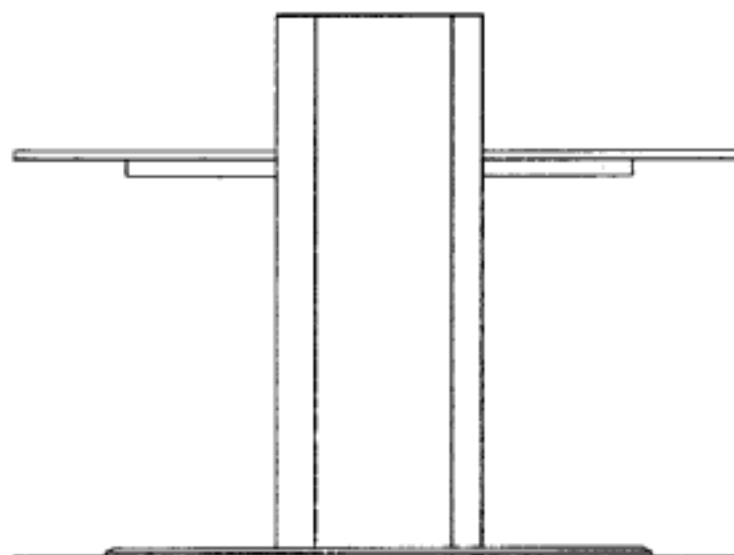
- (21) Design Number: **13850/2012**  
(22) Date of Filing Application: **08 August 2012**  
(24) Date from which industrial property rights may have effect: **08 August 2012**  
(54) Product in respect of which the design is registered: **Game**  
(51) International Design Classification: **06-03D, 21-01L**  
(74) Name(s) of Attorney(s):  
(71) Name(s) and Address(s) of Applicant(s):  
**CUB Limited**  
**77 Southbank Boulevard Southbank Victoria 3006 Australia**  
(72) Name(s) of Designer(s): **Alex Brooke and Daniel Vaughan and Ben McGuinness**  
(45) Registration Date: **08 May 2013**  
(56) Related Art Documents: **Not Applicable**  
(57) Statement of Newness and Distinctiveness: **Newness and distinctiveness resides in the visual features of shape and/or configuration of a game as illustrated in the accompanying representations.**



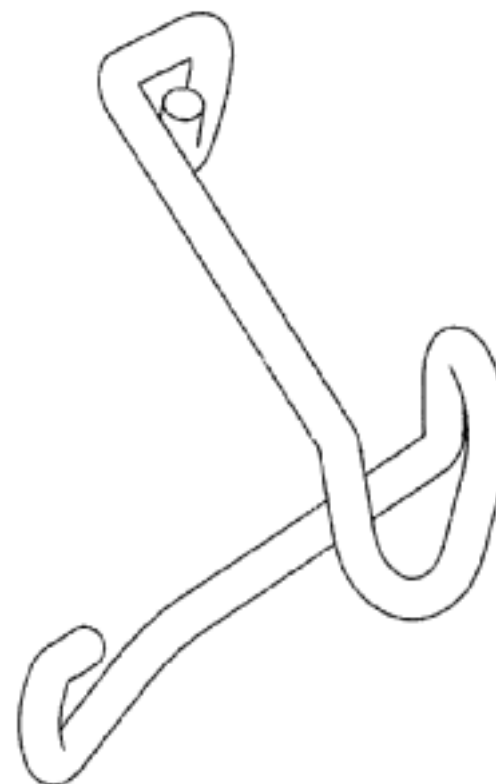
- (21) Design Number: **10127/2013**  
(22) Date of Filing Application: **07 January 2013**  
(24) Date from which industrial property rights may have effect: **07 January 2013**  
(54) Product in respect of which the design is registered: **Surgical stapler cartridge**  
(51) International Design Classification: **24-02**  
(74) Name(s) of Attorney(s): **Freehills Patent Attorneys**  
(71) Name(s) and Address(s) of Applicant(s):  
**Ethicon Endo-Surgery, Inc.**  
**4545 Creek Road Cincinnati Ohio 45242 United States of America**  
(72) Name(s) of Designer(s): **Barry T Jamison and John V Hunt and Bo Yan and Thomas E Adams and Anil K Nalagatla**  
(45) Registration Date: **08 May 2013**  
(30) Convention priority data:  
(31) Number (32) Date (33) Country  
**29/427602 20 Jul 2012 UNITED STATES OF AMERICA**  
(56) Related Art Documents: **Not Applicable**  
(57) Statement of Newness and Distinctiveness: **Newness and distinctiveness resides in the features of shape and configuration of the surgical stapler cartridge as shown in the representations.**



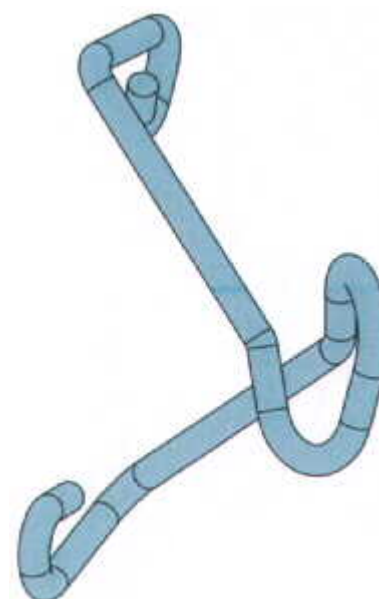
- (21) Design Number: **10732/2013**  
(22) Date of Filing Application: **13 February 2013**  
(24) Date from which industrial property rights may have effect: **13 February 2013**  
(54) Product in respect of which the design is registered: **Furniture**  
(51) International Design Classification: **06-03C**  
(74) Name(s) of Attorney(s): **PHILLIPS ORMONDE FITZPATRICK**  
(71) Name(s) and Address(s) of Applicant(s):  
**UNIFOR S.p.A.**  
**Via Isonzo 1 I-22078 Turate Como Italy**  
(72) Name(s) of Designer(s): **Dante Bonuccelli**  
(45) Registration Date: **08 May 2013**  
(30) Convention priority data:  
(31) Number (32) Date (33) Country  
**MI2012O000121 13 Aug 2012 ITALY**  
(56) Related Art Documents: **Not Applicable**  
(57) Statement of Newness and Distinctiveness: **Newness and distinctiveness resides in the shape and/or configuration of the furniture shown in the accompanying representations. The shelf shown in the representations may or may not be transparent. The features marked "A" in the representations may or may not form part of the design.**



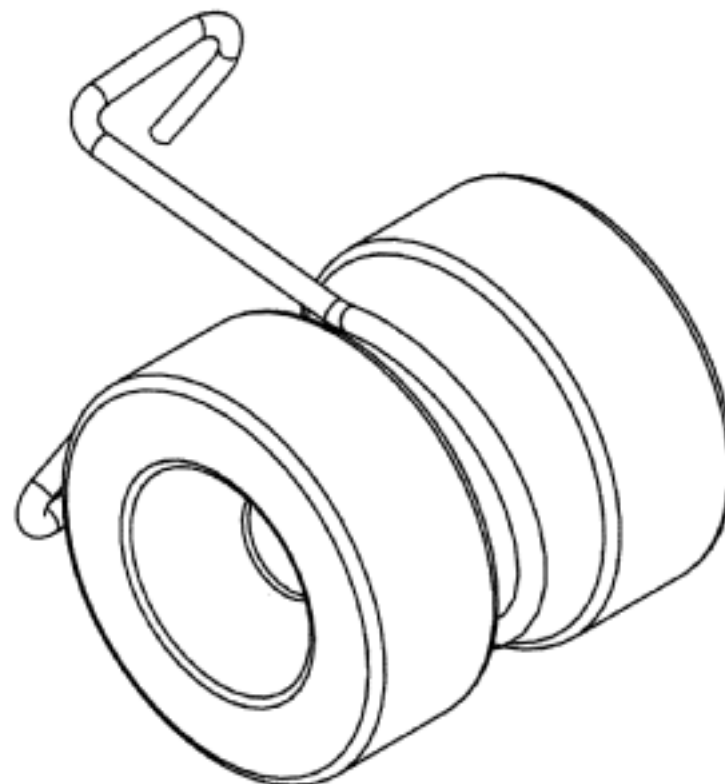
- (21) Design Number: **10458/2013**  
(22) Date of Filing Application: **30 January 2013**  
(24) Date from which industrial property rights may have effect: **30 January 2013**  
(54) Product in respect of which the design is registered: **Clip for use with a post**  
(51) International Design Classification: **08-08C**  
(74) Name(s) of Attorney(s): **Griffith Hack**  
(71) Name(s) and Address(s) of Applicant(s):  
**Onesteel Wire Pty Limited**  
**L40 259 George St Sydney NSW 2000 Australia**  
(72) Name(s) of Designer(s): **Mark White and Rodger Starkey**  
(45) Registration Date: **08 May 2013**  
(56) Related Art Documents: **Not Applicable**  
(57) Statement of Newness and Distinctiveness: **Newness and distinctiveness resides in the visual features, including shape and configuration, of a clip, for securing items to a post, as shown in solid outline in the accompanying drawings. When determining whether the design is substantially similar in overall impression to another design, no regard is to be had to those features of the post shown in dotted outline in the accompanying drawings, which features are provided for illustrative purposes only.**



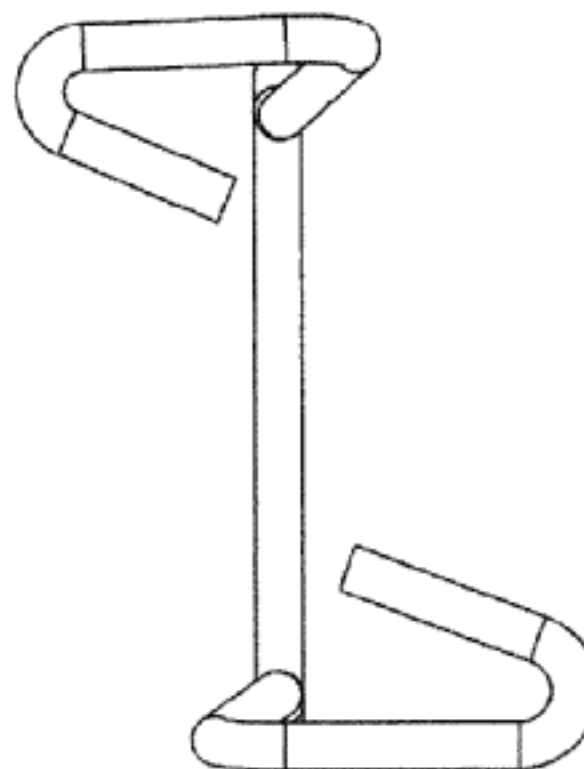
- (21) Design Number: **10459/2013**  
(22) Date of Filing Application: **30 January 2013**  
(24) Date from which industrial property rights may have effect: **30 January 2013**  
(54) Product in respect of which the design is registered: **Clip for use with a post**  
(51) International Design Classification: **08-08C**  
(74) Name(s) of Attorney(s): **Griffith Hack**  
(71) Name(s) and Address(s) of Applicant(s):  
**Onesteel Wire Pty Limited**  
**L40 259 George St Sydney NSW 2000 Australia**  
(72) Name(s) of Designer(s): **Mark White and Rodger Starkey**  
(45) Registration Date: **08 May 2013**  
(56) Related Art Documents: **Not Applicable**  
(57) Statement of Newness and Distinctiveness: **Newness and distinctiveness resides in the visual feature of ornamentation as applied to a clip for use with a post as shown in the accompanying drawings. Particular regard is to be given to the colour of the clip. When determining whether the design is substantially similar in overall impression to another design, no regard is to be had to those features of the post as shown in dotted outline in the accompanying drawings, which features are provided for illustrative purposes only.**



- (21) Design Number: **10460/2013**  
(22) Date of Filing Application: **30 January 2013**  
(24) Date from which industrial property rights may have effect: **30 January 2013**  
(54) Product in respect of which the design is registered: **Clip and insulator for use with a post**  
(51) International Design Classification: **08-08K**  
(74) Name(s) of Attorney(s): **Griffith Hack**  
(71) Name(s) and Address(s) of Applicant(s):  
**Onesteel Wire Pty Limited**  
**L40 259 George St Sydney NSW 2000 Australia**  
(72) Name(s) of Designer(s): **Mark White and Rodger Starkey**  
(45) Registration Date: **08 May 2013**  
(56) Related Art Documents: **Not Applicable**  
(57) Statement of Newness and Distinctiveness: **Newness and distinctiveness resides in the visual features, including shape and configuration, of a clip and insulating component for securing items to a post, as shown in solid outline in the drawings. When determining whether the design is substantially similar in overall impression to another design, no regard is to be had to those features of the post as shown in dotted outline in the drawings, which features are provided for illustrative purposes only.**

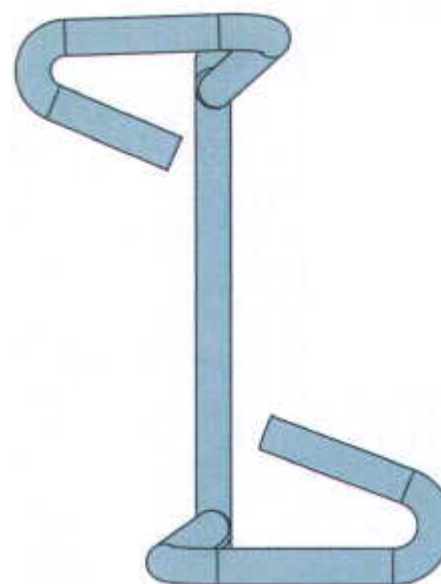


- (21) Design Number: **10461/2013**  
(22) Date of Filing Application: **30 January 2013**  
(24) Date from which industrial property rights may have effect: **30 January 2013**  
(54) Product in respect of which the design is registered: **Clip for locating an insulator at a post**  
(51) International Design Classification: **08-08K**  
(74) Name(s) of Attorney(s): **Griffith Hack**  
(71) Name(s) and Address(s) of Applicant(s):  
**Onesteel Wire Pty Limited**  
**L40 259 George St Sydney NSW 2000 Australia**  
(72) Name(s) of Designer(s): **Mark White and Rodger Starkey**  
(45) Registration Date: **08 May 2013**  
(56) Related Art Documents: **Not Applicable**  
(57) Statement of Newness and Distinctiveness: **Newness and distinctiveness resides in the visual features including shape and configuration of a clip for securing items to a post, as shown in solid outline in the drawings. When determining whether the design is substantially similar in overall impression to another design, no regard is to be had to those features shown in dotted outline in the drawings, which features are provided for illustrative purposes only.**





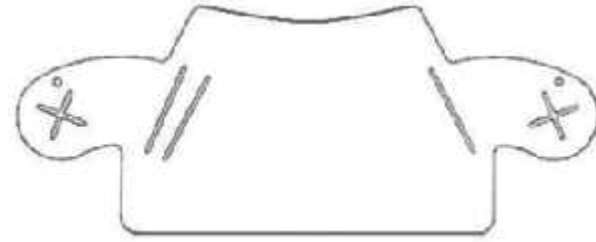
(21) Design Number: **10462/2013**  
(22) Date of Filing Application: **30 January 2013**  
(24) Date from which industrial property rights may have effect: **30 January 2013**  
(54) Product in respect of which the design is registered: **Clip for locating an insulator at a post**  
(51) International Design Classification: **08-08K**  
(74) Name(s) of Attorney(s): **Griffith Hack**  
(71) Name(s) and Address(s) of Applicant(s):  
**Onesteel Wire Pty Limited**  
**L40 259 George St Sydney NSW 2000 Australia**  
(72) Name(s) of Designer(s): **Mark White and Rodger Starkey**  
(45) Registration Date: **08 May 2013**  
(56) Related Art Documents: **Not Applicable**  
(57) Statement of Newness and Distinctiveness: **Newness and distinctiveness resides in the visual feature of ornamentation as applied to a clip for use with a post as shown in the accompanying drawings. Particular regard is to be given to the colour of the clip. When determining whether the design is substantially similar in overall impression to another design, no regard is to be had to those features as shown in dotted outline in the accompanying drawings, which features are provided for illustrative purposes only.**



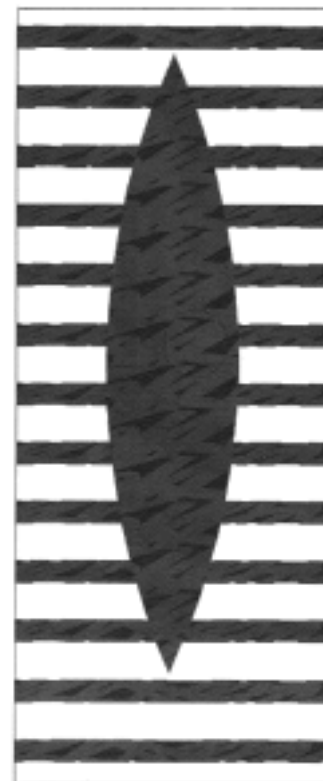
(21) Design Number: **10171/2013**  
(22) Date of Filing Application: **11 January 2013**  
(24) Date from which industrial property rights may have effect: **11 January 2013**  
(54) Product in respect of which the design is registered: **A display unit**  
(51) International Design Classification: **20-02NES**  
(74) Name(s) of Attorney(s): **Davies Collison Cave**  
(71) Name(s) and Address(s) of Applicant(s):  
**Una Hannaway**  
**Shragarra, Kendalstown Rise, Delgany County Wicklow Republic of Ireland**  
(72) Name(s) of Designer(s): **Una Hannaway**  
(45) Registration Date: **09 May 2013**  
(30) Convention priority data:  
(31) Number (32) Date (33) Country  
**002071704-0002 11 Jul 2012 OFFICE FOR HARMONISATION IN THE INTERNAL MARKET (OHIM)**  
(56) Related Art Documents: **Not Applicable**  
(57) Statement of Newness and Distinctiveness: **Nil**



- (21) Design Number: **10931/2013**  
(22) Date of Filing Application: **27 February 2013**  
(24) Date from which industrial property rights may have effect: **27 February 2013**  
(54) Product in respect of which the design is registered: **A template for making a megaphone, peak cap, fan, mouse pad and an insulating cover device.**  
(51) International Design Classification: **19-08**  
(74) Name(s) of Attorney(s):  
(71) Name(s) and Address(s) of Applicant(s):  
**Steven James Henry Amor**  
**PO BOX 607 Nerang QLD 4211 Australia**  
(72) Name(s) of Designer(s): **Steven James Henry Amor**  
(45) Registration Date: **09 May 2013**  
(56) Related Art Documents: **Not Applicable**  
(57) Statement of Newness and Distinctiveness: **The design incorporates new and a distinctive collection of tabs, slots, cuts, holes, radii and curves positioned within a new and distinctive shape.**



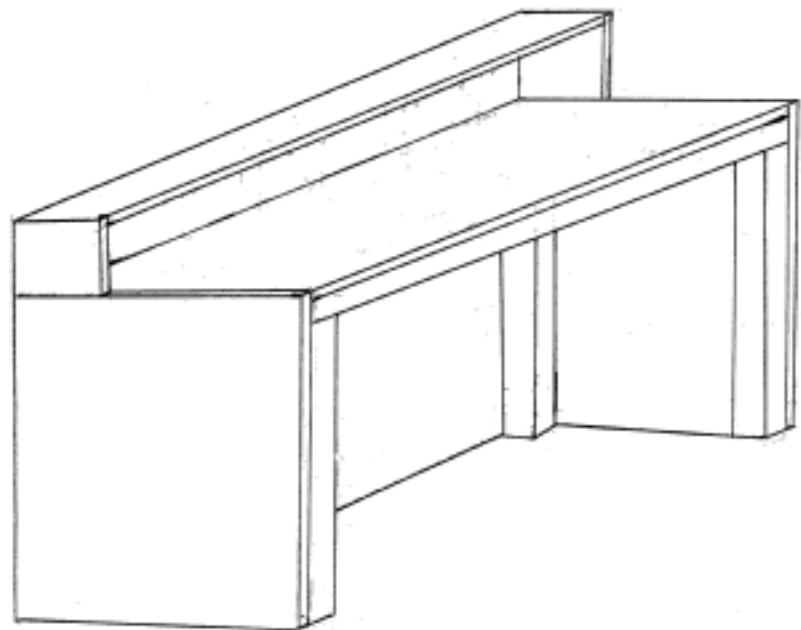
- (21) Design Number: **10999/2013**  
(22) Date of Filing Application: **01 March 2013**  
(24) Date from which industrial property rights may have effect: **01 March 2013**  
(54) Product in respect of which the design is registered: **Sticker**  
(51) International Design Classification: **19-08**  
(74) Name(s) of Attorney(s): **Armour IP**  
(71) Name(s) and Address(s) of Applicant(s):  
**Shark Mitigation Systems Pty Ltd**  
**74 Marlow St Wembley WA 6014 Australia**  
(72) Name(s) of Designer(s): **Raymond Smith**  
(45) Registration Date: **09 May 2013**  
(56) Related Art Documents: **Not Applicable**  
(57) Statement of Newness and Distinctiveness: **Nil**



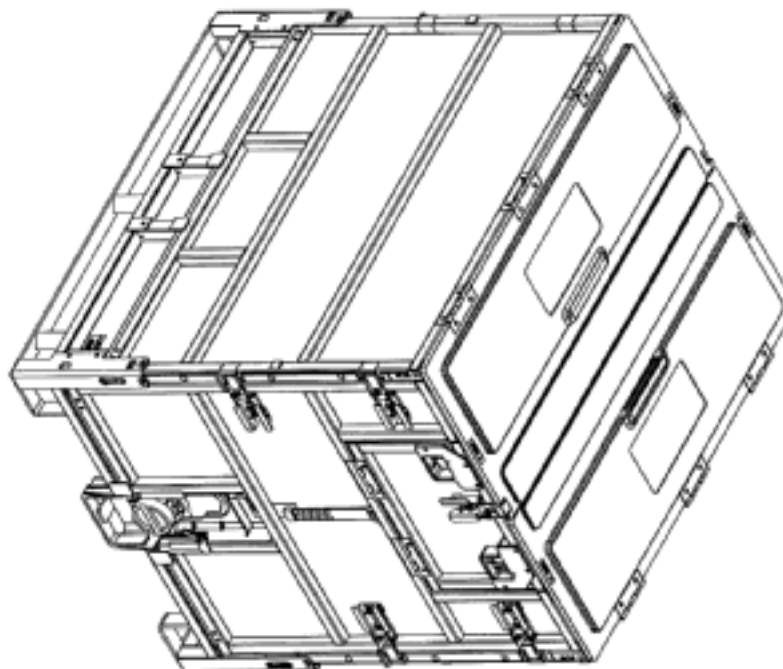
- (21) Design Number: **10997/2013**  
(22) Date of Filing Application: **01 March 2013**  
(24) Date from which industrial property rights may have effect: **01 March 2013**  
(54) Product in respect of which the design is registered: **Material**  
(51) International Design Classification: **05-05D**  
(74) Name(s) of Attorney(s): **Armour IP**  
(71) Name(s) and Address(s) of Applicant(s):  
**Shark Mitigation Systems Pty Ltd**  
**74 Marlow St Wembley WA 6014 Australia**  
(72) Name(s) of Designer(s): **Raymond Smith**  
(45) Registration Date: **09 May 2013**  
(56) Related Art Documents: **Not Applicable**  
(57) Statement of Newness and Distinctiveness: **Nil**



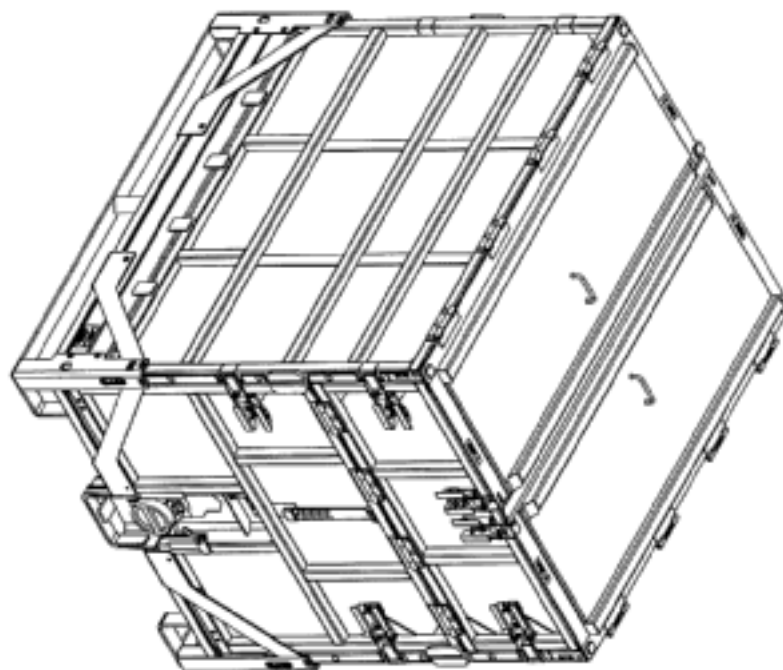
- (21) Design Number: **10279/2013**  
(22) Date of Filing Application: **20 January 2013**  
(24) Date from which industrial property rights may have effect: **20 January 2013**  
(54) Product in respect of which the design is registered: **Mobile bar unit**  
(51) International Design Classification: **06-04D**  
(74) Name(s) of Attorney(s):  
(71) Name(s) and Address(s) of Applicant(s):  
**Thor Papesch Mula**  
**5/228 Rainbow St Coogee NSW 2034 Australia**  
(72) Name(s) of Designer(s): **Thor Papesch Mula**  
(45) Registration Date: **09 May 2013**  
(56) Related Art Documents: **Not Applicable**  
(57) Statement of Newness and Distinctiveness: **A mobile bar unit in 4 basic parts that can be assembled & dismantled by 1 person in 15 minutes. Can be built in various materials to various costs. Versatile. Work bench can be modified for recess wells. Speed racks & polls for umbrellas can be attached either side. Hollow underneath to allow for eskies, kegs, glass & wine racks, etc. Adaptable for varied ornamentation and advertising needs.**



- (21) Design Number: **11306/2013**  
(22) Date of Filing Application: **15 March 2013**  
(24) Date from which industrial property rights may have effect: **15 March 2013**  
(54) Product in respect of which the design is registered: **A materials handling container**  
(51) International Design Classification: **09-03K**  
(74) Name(s) of Attorney(s): **Madderns**  
(71) Name(s) and Address(s) of Applicant(s):  
**Rees Operations Pty Ltd**  
**20 Fitzroy Ave Camden Park SA 5038 Australia**  
(72) Name(s) of Designer(s): **Ian Sharkey and Matthew Reimers and David Need**  
(45) Registration Date: **09 May 2013**  
(56) Related Art Documents: **Not Applicable**  
(57) Statement of Newness and Distinctiveness: **Nil**



- (21) Design Number: **11307/2013**  
(22) Date of Filing Application: **15 March 2013**  
(24) Date from which industrial property rights may have effect: **15 March 2013**  
(54) Product in respect of which the design is registered: **A materials handling container**  
(51) International Design Classification: **09-03K**  
(74) Name(s) of Attorney(s): **Madderns**  
(71) Name(s) and Address(s) of Applicant(s):  
**Rees Operations Pty Ltd**  
**20 Fitzroy Ave Camden Park SA 5038 Australia**  
(72) Name(s) of Designer(s): **Ian Sharkey and Matthew Reimers and David Need**  
(45) Registration Date: **09 May 2013**  
(56) Related Art Documents: **Not Applicable**  
(57) Statement of Newness and Distinctiveness: **Nil**



- (21) Design Number: **11990/2013**  
(22) Date of Filing Application: **29 April 2013**  
(24) Date from which industrial property rights may have effect: **29 April 2013**  
(54) Product in respect of which the design is registered: **Drill bit with raised front**  
(51) International Design Classification: **08-01**  
(74) Name(s) of Attorney(s): **Griffith Hack**  
(71) Name(s) and Address(s) of Applicant(s):  
**Sandvik Intellectual Property AB**  
**Sandviken SE-811 81 Sweden**  
(72) Name(s) of Designer(s): **John Hammargen and Andreas Rindeskar**  
(45) Registration Date: **10 May 2013**  
(30) Convention priority data:  
(31) Number (32) Date (33) Country  
**001351043-0001 13 Nov 2012 OFFICE FOR HARMONISATION IN**  
**THE INTERNAL MARKET (OHIM)**  
(56) Related Art Documents: **Not Applicable**  
(57) Statement of Newness and Distinctiveness: **Newness and distinctiveness resides in the visual features, including shape and configuration of the drill head, and including shape, configuration and pattern of wear buttons on the drill head, of a DRILL BIT bit as shown in the accompanying drawings.**



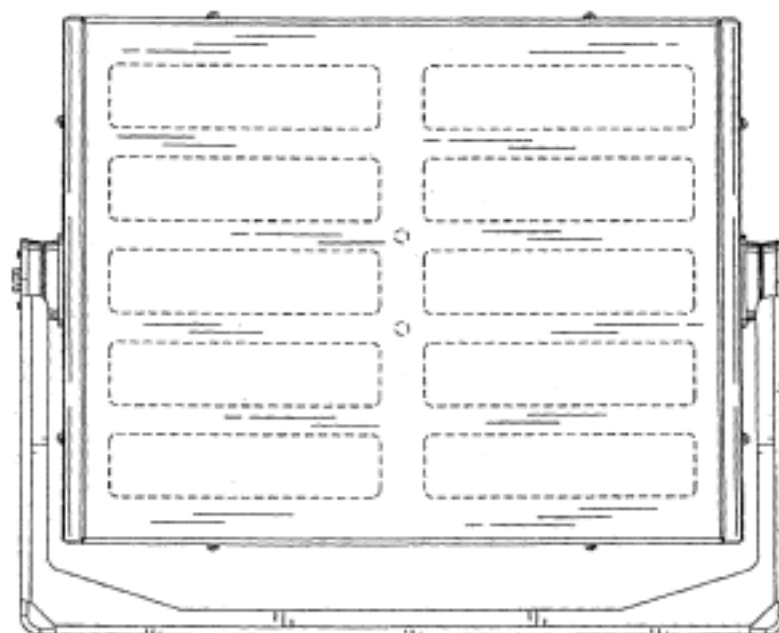
- (21) Design Number: **11984/2013**  
(22) Date of Filing Application: **29 April 2013**  
(24) Date from which industrial property rights may have effect: **29 April 2013**  
(54) Product in respect of which the design is registered: **Thong, footwear**  
(51) International Design Classification: **02-04NES**  
(74) Name(s) of Attorney(s):  
(71) Name(s) and Address(s) of Applicant(s):  
**Oe World Pty Ltd**  
**PO BOX 114 Redlynch QLD 4870 Australia**  
(72) Name(s) of Designer(s): **Clyde Newton**  
(45) Registration Date: **10 May 2013**  
(56) Related Art Documents: **Not Applicable**  
(57) Statement of Newness and Distinctiveness: **The newness and distinctiveness of the design resides in the checkered diamond molded design effect on the top of the thong sole.**



(21) Design Number: **11147/2013**  
(22) Date of Filing Application: **09 March 2013**  
(24) Date from which industrial property rights may have effect: **09 March 2013**  
(54) Product in respect of which the design is registered: **Latch assembly**  
(51) International Design Classification: **08-07**  
(74) Name(s) of Attorney(s): **FB Rice**  
(71) Name(s) and Address(s) of Applicant(s):  
**The Eastern Company**  
**21944 Drake Road Strongsville Ohio 4149-9712 United States of America**  
(72) Name(s) of Designer(s): **Lee S. Weinerman and Fredrick L. Putzier**  
(45) Registration Date: **10 May 2013**  
(30) Convention priority data:  
(31) Number (32) Date (33) Country  
**29/438101 26 Nov 2012 UNITED STATES OF AMERICA**  
(56) Related Art Documents: **Not Applicable**  
(57) Statement of Newness and Distinctiveness: **Newness and distinctiveness reside in the features of the latch assembly shown in the representations. Particular attention is drawn to the features of shape and configuration defined by the contours of a circumferential flange of the latch assembly, the contours of inner walls of a handle receiving cavity of the latch assembly, and the contours of a handle of the latch assembly.**



(21) Design Number: **15567/2012**  
(22) Date of Filing Application: **08 November 2012**  
(24) Date from which industrial property rights may have effect: **08 November 2012**  
(54) Product in respect of which the design is registered: **Light fixture with mounting bracket**  
(51) International Design Classification: **26-05C**  
(74) Name(s) of Attorney(s): **SPRUSON & FERGUSON**  
(71) Name(s) and Address(s) of Applicant(s):  
**Robert Kenneth Yasuji Fletcher**  
**3768 North Bay Drive Racine Wisconsin 53402 United States of America**  
**Erwin W. Greenwaldt**  
**2920 N. 78th Street Milwaukee Wisconsin 53222 United States of America**  
(72) Name(s) of Designer(s): **Robert Kenneth Yasuji Fletcher and Erwin W. Greenwaldt**  
(45) Registration Date: **13 May 2013**  
(30) Convention priority data:  
(31) Number (32) Date (33) Country  
**29/420369 08 May 2012 UNITED STATES OF AMERICA**  
(56) Related Art Documents: **Not Applicable**  
(57) Statement of Newness and Distinctiveness: **Newness and distinctiveness is claimed in the features of shape and/or configuration of a light fixture with mounting bracket as illustrated in continuous lines in the accompanying representations, in which particular regard is given to the shape and/or configuration of the mounting bracket and chamfered edges of the light fixture housing.**



(21) Design Number: **10519/2013**

(22) Date of Filing Application: **31 January 2013**

(24) Date from which industrial property rights may have effect: **31 January 2013**

(54) Product in respect of which the design is registered: **Perfume bottle**

(51) International Design Classification: **09-01G**

(74) Name(s) of Attorney(s): **Griffith Hack**

(71) Name(s) and Address(s) of Applicant(s):

**Kenzo (a Societe Anonyme)**  
**18 rue Vivienne Paris 75002 France**

(72) Name(s) of Designer(s): **Karim Rashid**

(45) Registration Date: **13 May 2013**

(30) Convention priority data:

(31) Number	(32) Date	(33) Country
<b>002070029-0001</b>	<b>09 Jul 2012</b>	<b>OFFICE FOR HARMONISATION IN THE INTERNAL MARKET (OHIM)</b>

(56) Related Art Documents: **Not Applicable**

(57) Statement of Newness and Distinctiveness: **Newness and distinctiveness resides in the visual features, including shape, configuration and ornamentation of the product as shown in the accompanying representation.**



(21) Design Number: **10800/2013**

(22) Date of Filing Application: **15 February 2013**

(24) Date from which industrial property rights may have effect: **15 February 2013**

(54) Product in respect of which the design is registered: **Card insert for can cooler**

(51) International Design Classification: **20-02NES, 19-08**

(74) Name(s) of Attorney(s):

(71) Name(s) and Address(s) of Applicant(s):

**Broplenty Pty Ltd**  
**PO BOX 1927 Sunshine Plaza QLD 4558 Australia**

(72) Name(s) of Designer(s): **Jane Brown**

(45) Registration Date: **13 May 2013**

(56) Related Art Documents: **Not Applicable**

(57) Statement of Newness and Distinctiveness: **Heart shape top end of card with lady design. "keeping it cool" printed on card.**



- (21) Design Number: **11411/2013**  
(22) Date of Filing Application: **18 March 2013**  
(24) Date from which industrial property rights may have effect: **18 March 2013**  
(54) Product in respect of which the design is registered: **Sign holder**  
(51) International Design Classification: **20-03NES**  
(74) Name(s) of Attorney(s): **Freehills Patent Attorneys**  
(71) Name(s) and Address(s) of Applicant(s):  
**Apple Inc.**  
**1 Infinite Loop Cupertino California 95014 United States of America**  
(72) Name(s) of Designer(s): **Russell John Kaaihue Heirakuji and Kevin Fenton Smeds and Frank Craig Thaler**  
(45) Registration Date: **13 May 2013**  
(30) Convention priority data:  
(31) Number      (32) Date      (33) Country  
**29/432721      19 Sep 2012      UNITED STATES OF AMERICA**  
(56) Related Art Documents: **Not Applicable**  
(57) Statement of Newness and Distinctiveness: **Newness and distinctiveness of the design resides in the shape and configuration shown in the accompanying representations.**

