



Australian Government

IP Australia

AUSTRALIAN OFFICIAL JOURNAL

OF

DESIGNS

Did you know a searchable version of this journal is now available online?

It's FREE and EASY to SEARCH.

Find it on our website (www.ipaustralia.gov.au)

by using the "Journals" link on the home page.

This Page Left Intentionally Blank

Contents

General Information & Notices

**Proceedings Under the Designs Act 1906 preserved as a result of the provisions of Chapter 12
Part 2 of the Designs Act 2003**

Extension of Period of Registration of Designs	1440
Names Registered - Alterations and Amendments	1440
Registrations Ceased	1440

Proceedings Under the Designs Act 2003

Applications Assigned	1452
Applications Lodged	1444
Certificate of Examination	1454
Extension of Period of Registration of Design	1452
Extension of Time Granted Under Section 137	1452
Names Registered - Alterations and Amendments	1453
Publication and Registration Proceedings	
Designs Registered 348382 to 348855.....	1455
Registrations Ceased	1452
Subsequent Owners Registered	1453

This Page Left Intentionally Blank

For information on the following please see our website www.ipaustralia.gov.au or contact our Customer Service Network on 1300651010

[Editorial enquiries](#)

[Contact information](#)

[Freedom of Information ACT](#)

[Professional Standards Board](#)

[Sales](#)

[Requests for Information under Section 194 \(c\)](#)

[Country Codes](#)

[Trade Mark and Designs Hearing Sessions](#)

[INID \(Internationally agreed Numbers for the Identification of Data\)](#)

“INID” NUMBERS in use on Australian Design Documents

“INID” is an acronym for “Internationally agreed Numbers for the Identification of Data”.

(10) Data concerning the registration/renewal

- (11) Serial number of the registration and/or number of the design document
- (12) Plain language designation of the kind of published document
- (19) Identification, using the two-letter code according to WIPO Standard ST.3, of the authority publishing or registering the industrial design

(20) Data concerning the application

- (21) Serial number of the application
- (22) Date of filing of the application
- (24) Date from which the industrial design right has effect

(30) Data relating to priority under the Paris Convention

- (31) Serial number assigned to the priority application
- (32) Date of filing of the priority application
- (33) Two-letter code, according to WIPO Standard ST.3, identifying the authority with which the priority application was made

(40) Date(s) of making information available to the public

- (45) Date of publication of the registered industrial design by printing or similar process, or making it available to the public by any other means

(50) Miscellaneous Information

- (51) International Classification for Industrial Designs (class and subclass of the Locarno Classification)
- (54) Designation of article(s) or product(s) covered by the industrial design or title of the industrial design
- (55) Reproduction of the industrial design (e.g., drawing, photograph) and explanations relating to the reproduction
- (56) List of prior art documents, if separate from descriptive text
- (57) Description of characteristic features of the industrial design including indication of colours

(60) References to other legally related application(s) and registration(s)

- (62) Serial number(s) and, if available, filing date(s) of application(s), registration(s) or document(s) related by division
- (66) Serial number(s) of the application, or the registration, of the design(s) which is (are) a variant(s) of the present one

(70) Identification of parties concerned with the application or registration

- (71) Name(s) and address(es) of the applicant(s)
- (72) Name(s) of the creator(s) if known to be such
- (74) Name(s) and address(es) of the representative(s)

This Page Left Intentionally Blank

Nil notices for this journal issue.

Proceedings under the Designs Act 1906 preserved as a result of the provisions of Chapter 12 Part 2 of the Designs Act 2003.

This Page Left Intentionally Blank

Applications Lapsed

There were no Applications Lapsed under this section

Extension of Period of Registration of Designs

1st Period (Section 27A(8))

2nd Period (Section 27A(12))

3rd Period (Section 27A(13))

147939	147940	147941
147942	148558	148702
149056	149157	149217
149246	150050	150136
150137	150978	154246

Registrations Ceased

Note: Some of the following Registrations may have been previously advertised as ceased. In this instance, the previous advertisement still prevails.

131992	132089	132100
132162	132166	132168
132172	132672	132673
132715	132716	132717
132965	133095	133166
133508	133719	133844
133863	135172	135552
136481	138867	140314
146482	146829	147200
147201	147203	147204
147397	147427	147445
147492	148070	148317
148365	148544	148677
148968	149140	149736
150876	151232	151995
152317	152318	152319
152819	154883	155022

Names Registered - Alterations and Amendments

(The name in parentheses is the new name of the proprietor)

154125	(ResMed R&D Germany GmbH) MAP Medizin-Technologie GmbH
150091	(ResMed R&D Germany GmbH) MAP Medizin-Technologie GmbH

This Page Left Intentionally Blank

Proceedings under the Designs Act 2003.

This Page Left Intentionally Blank

Applications Lodged

Lodgement information is in the following order: **Applicant's Name**; International Classification, Name of Product, Lodgement Date and **Design Number**. If the applicant claims an earlier priority date under an International Convention, the Convention Country and the associated filing date are shown in parentheses before the Lodgement Date. Divisional information will also appear in parentheses before the Lodgement Date.

Aeros Pty Ltd; 25-01K, Two piece coupling, 17 May 2013	12296/2013	Ball Corporation; 09-01NES, Metallic bottle container, (US, 13 Nov 2012) 10 May 2013	12181/2013
African Oxygen Limited; 24-01, Regulator, (ZA, 30 Nov 2012) 22 May 2013	12370/2013	Bang Design IP Pty Ltd; 23-02C, Toilet wall-hung, 16 May 2013	12288/2013
Allsafe Flooring Pty Ltd; 29-02, Tactile indicator stud, 16 May 2013	12284/2013	Bang Design IP Pty Ltd; 23-02C, Toilet suite, 16 May 2013	12286/2013
Alto Packaging Limited; 09-03F, 09-03H, A divider and tray, 16 May 2013	12282/2013	Bang Design IP Pty Ltd; 23-02C, Toilet wall-faced, 16 May 2013	12287/2013
Alto Packaging Limited; 09-03H, A divider, 16 May 2013	12281/2013	Bayer Consumer Care AG; 09-01A, Dispensing container, (EM, 14 Dec 2012) 15 May 2013	12245/2013
Analytica Limited; 24-01, A perineometer, 14 May 2013	12210/2013	Bayer Consumer Care AG; 09-01A, Dispensing container, (EM, 14 Dec 2012) 15 May 2013	12244/2013
Anchor Foods Pty Ltd; 07-04, 07-02P, Icing bag coupler, 08 May 2013	12133/2013	Beba Enterprises Pty Ltd; 02-02C, 02-02NES, Articles of clothing, 14 May 2013	12264/2013
Anchor Foods Pty Ltd; 07-04, 07-02P, Icing bag coupler, 08 May 2013	12131/2013	Bedford Industries, Inc.; 08-08NES, Tag-loop carrier assembly, (US, 21 Nov 2012) 21 May 2013	12353/2013
Anchor Foods Pty Ltd; 07-04, 07-02P, Icing bag coupler, 08 May 2013	12132/2013	Bedford Industries, Inc.; 08-08NES, Tag-loop carrier assembly, (US, 21 Nov 2012) 21 May 2013	12354/2013
Anchor Foods Pty Ltd; 07-04, 07-02P, Icing bag coupler, 08 May 2013	12129/2013	Bedford Industries, Inc.; 08-08NES, Tag-loop carrier assembly, (US, 21 Nov 2012) 21 May 2013	12352/2013
Anchor Foods Pty Ltd; 07-04, 07-02P, Icing bag coupler, 08 May 2013	12130/2013	Bedford Industries, Inc.; 09-07NES, Fasteners for packaging, (US, 09 Nov 2012) 09 May 2013	12173/2013
Arlec Australia Pty Ltd; 13-03D, Power outlet, 13 May 2013	12196/2013	Bedford Industries, Inc.; 09-07NES, Fasteners for packaging, (US, 09 Nov 2012) 09 May 2013	12171/2013
Ausmart International Pty Ltd; 06-03NES, Fresh produce table, 15 May 2013	12246/2013	Bedford Industries, Inc.; 09-07NES, Fasteners for packaging, (US, 09 Nov 2012) 09 May 2013	12172/2013
Aussiroo KDK Homeware Pty Ltd; 23-02C, Toilet pan, 22 May 2013	12377/2013	Bogust, Matthew Edward James; 99-00, Cardboard pet casket/coffin, (NZ, 24 Nov 2012) 23 May 2013	12396/2013
Aussiroo KDK Homeware Pty Ltd; 23-02C, Toilet pan, 22 May 2013	12378/2013	Brand Promotions Pty Ltd; 09-03NES, Tablet, 16 May 2013	12280/2013
Aussiroo KDK Homeware Pty Ltd; 23-02C, Toilet pan, 22 May 2013	12375/2013	Bridgestone Americas Tire Operations, LLC; 12-15B, Tire, (US, 20 Nov 2012) 14 May 2013	12217/2013
Aussiroo KDK Homeware Pty Ltd; 23-02C, Toilet pan, 22 May 2013	12376/2013	Bridgestone Bandag, LLC; 12-15B, Tire, (US, 21 Dec 2012) 20 May 2013	12334/2013
Aussiroo KDK Homeware Pty Ltd; 23-02C, Toilet pan, 22 May 2013	12374/2013	Brightgreen Pty Ltd; 26-05E, LED downlight, 22 May 2013	12367/2013
Ball Corporation; 09-07B, Vented container end closure, (US, 13 Nov 2012) 10 May 2013	12183/2013		

Brown, Tracy Lynne; 09-01NES, Container with screw cap, 23 May 2013	12387/2013	E.D. Oates Pty Ltd; 04-01, Broom, 21 May 2013	12340/2013
Calista Tools, LLC; Cheer Master Trading Ltd; Tristar Products, Inc.; 28-03B, Heat round brush, 16 May 2013	12290/2013	Eveready Battery Company, Inc.; 26-02, A lighting device, (US, 23 Jan 2013) 20 May 2013	12318/2013
Chamings, Luke James; 22-05, Fishing lure, 14 May 2013	12219/2013	Faber, Lieuwe; 12-16L, A trailer coupler, (NZ, 20 Nov 2012) 15 May 2013	12220/2013
Cheer Master Trading Ltd; Tristar Products, Inc.; Calista Tools, LLC; 28-03B, Heat round brush, 16 May 2013	12290/2013	Fabinno Co., Ltd; 05-05D, , (KR, 08 Nov 2012) 08 May 2013	12134/2013
Chemtura Corporation; 09-01A, Dispensing device, (US, 27 Nov 2012) 20 May 2013	12331/2013	Factor 50 Plus Pty Ltd; 03-03, Umbrella, 09 May 2013	12169/2013
Concave Global Pty Ltd; Neophitou, Andrew; 02-04NES, Shoe, 15 May 2013	12243/2013	Feregrino, Saul Casio; 20-03NES, T-shirt, caps, cups, magazines, animations, comics, 19 May 2013	12304/2013
Coopers Brewery Limited; 10-05, 08-05NES, Hydrometer, 24 May 2013	12409/2013	Feregrino, Saul Casio; 20-03NES, T-shirts, caps, cups, magazines, comics, animations, 19 May 2013	12307/2013
Crinum IP Pty Ltd; 09-07A, Actuator cap, 07 May 2013	12148/2013	Feregrino, Saul Casio; 20-03NES, T-shirt, caps, cups, magazines, comics, animations, 19 May 2013	12308/2013
Curvessence Pty Limited; 06-08, Clothes hanger, 09 May 2013	12166/2013	Feregrino, Saul Casio; 20-03NES, T-shirt, caps, cups, magazines, comic, animations, 19 May 2013	12305/2013
COMPAGNIE GENERALE DES ETABLISSEMENTS MICHELIN; Michelin Recherche et Technique S.A.; 12-15A, A tyre, (US, 07 Jan 2013) 20 May 2013	12328/2013	Feregrino, Saul Casio; 20-03NES, T-shirts, caps, cups, magazines, animations, comics, 19 May 2013	12306/2013
COMPAGNIE GENERALE DES ETABLISSEMENTS MICHELIN; Michelin Recherche et Technique S.A.; 12-15C, A tyre, (FR, 28 Nov 2012) 14 May 2013	12209/2013	Ferrari S.p.A.; 12-08, 21-01C, Car, (EM, 04 Dec 2012) 16 May 2013	12289/2013
COMPAGNIE GENERALE DES ETABLISSEMENTS MICHELIN; Michelin Recherche et Technique S.A.; 12-15A, A tyre, (FR, 06 Nov 2012) 07 May 2013	12187/2013	Forever New Clothing Pty Ltd; 02-02NES, Article of clothing, 08 Oct 2012	16914/2012
Delaware Capital Formation, Inc.; 20-02A, Fuel dispensing nozzle, (EM, 30 Nov 2012) 08 May 2013	12141/2013	Forever New Clothing Pty Ltd; 03-01B, Accessory item, 17 May 2013	12337/2013
Deslandes, S.; Moreira, F. Gomes; 09-03C, Packaging, 06 May 2013	12106/2013	Forever New Clothing Pty Ltd; 02-02C, Article of clothing, 17 May 2013	12338/2013
Dibben, Glen Thomas; 15-01, 15-99, Pollution control for internal combustion engines, 15 May 2013	12233/2013	Forever New Clothing Pty Ltd; 02-02C, Article of clothing, 08 Oct 2012	16915/2012
Dorel France; 12-12, Pushchair, (EM, 16 Nov 2012) 16 May 2013	12324/2013	Forever New Clothing Pty Ltd; 02-02C, Article of clothing, 08 Oct 2012	16916/2012
Dorel France; 12-12, Pushchair, (EM, 16 Nov 2012) 16 May 2013	12323/2013	Forever New Clothing Pty Ltd; 02-02C, Article of clothing, 08 Oct 2012	16917/2012
E.D. Oates Pty Ltd; 07-05E, Dustpan, 21 May 2013	12339/2013	Forever New Clothing Pty Ltd; 02-02NES, Article of clothing, 08 Oct 2012	16911/2012
		Forever New Clothing Pty Ltd; 02-02NES, Article of clothing, 08 Oct 2012	16910/2012
		Forever New Clothing Pty Ltd; 02-02NES, Article of clothing, 08 Oct 2012	16912/2012
		Forever New Clothing Pty Ltd; 02-02NES, Article of clothing, 08 Oct 2012	16913/2012
		Fork Mate; Stratos, Natalie; Stratos, Hlias; 12-05, 12-16NES, Forklift cab cover-wet weather/protection solution, 22 May 2013	12380/2013

Freedom Screens of Australia Pty Ltd; 25-01K, Component for a retractable screens, 21 May 2013	12350/2013	Joseph, Anthony John; 13-02, iPhone charger kit, 23 May 2013	12386/2013
Gooden Industries Pty Ltd; 13-03D, Switch and outlet cover plate, 14 May 2013	12211/2013	Justice, Peter Norman Vickery; 14-02, Generic case page for court eFiling system, 20 May 2013	12336/2013
Gort-Barten, Alex; 07-02L, Adaptor for a coffee machine, (EM, 16 Nov 2012) 16 May 2013	12309/2013	Kabushiki Kaisha Privee A.G.; 19-06, Crayon, (JP, 27 Nov 2012) 22 May 2013	12361/2013
Gram Engineering; 25-02C, 25-01K, A fence, a balustrade, or a hand rail, 08 May 2013	12138/2013	Kabushiki Kaisha Privee A.G.; 19-06, Crayon, (JP, 27 Nov 2012) 22 May 2013	12365/2013
Gram Engineering; 25-02C, A fence, a balustrade, or a hand rail, 08 May 2013	12139/2013	Kabushiki Kaisha Privee A.G.; 19-06, Crayon, (JP, 29 Nov 2012) 22 May 2013	12366/2013
Great Wall Motor Company Limited; 12-08, Vehicle, (CN, 28 Nov 2012) 22 May 2013	12373/2013	KeepCup Pty Ltd; 07-01C, Beverage cup, 23 May 2013	12394/2013
Great Wall Motor Company Limited; 12-08, Vehicle, (CN, 30 Nov 2012) 21 May 2013	12351/2013	KeepCup Pty Ltd; 07-01C, Beverage cup, 23 May 2013	12392/2013
Green Bean Packaging Pty Ltd; 09-03F, Cardboard tray, 10 May 2013	12178/2013	Kenu Inc.; 14-03A, 08-08NES, Dashboard vent mount for an electronic device, (US, 20 Nov 2012) 20 May 2013	12325/2013
GWR Pty Ltd, trading as Uniquip Industries; 14-02, Electrical apparatus, 17 May 2013	12302/2013	Kohler Co.; 23-02B, Shower device, (Divisional of 10784/2013) 13 May 2013	12193/2013
GWR Pty Ltd, trading as Uniquip Industries; 14-02, Electrical apparatus, 17 May 2013	12301/2013	Koninklijke Philips Electronics N.V.; 99-00, , (EM, 12 Nov 2012) 10 May 2013	12177/2013
Hollister Incorporated; 24-04, 24-03, Expandable ostomy appliance, (US, 03 Jan 2013) 09 May 2013	12170/2013	Koninklijke Philips Electronics N.V.; 23-99, Control panel, (WO, 14 Nov 2012) 14 May 2013	12213/2013
Honda Motor Co., Ltd.; 12-08, 21-01C, Automobile and automobile replica, (US, 09 Nov 2012) 09 May 2013	12168/2013	Koninklijke Philips Electronics N.V.; 23-99, Control panel, (EM, 14 Nov 2012) 14 May 2013	12214/2013
Hutzler Manufacturing Co., Inc.; 07-01NES, Container, (US, 26 Feb 2013) 14 May 2013	12215/2013	Koninklijke Philips Electronics N.V.; 23-99, Control panel, (EM, 14 Nov 2012) 14 May 2013	12212/2013
HITARGET HOLDING AUSTRALIA PTY LTD; 19-08, Wine lable, 22 May 2013	12383/2013	Kuo, Wen-Nan; 10-06, Traffic cone, 22 May 2013	12384/2013
Illumination Australia Pty Ltd; 26-02, Solar light, 17 May 2013	12297/2013	KKS Enterprises Pty Ltd; 21-02D, Cover device for goggle straps, 22 May 2013	12381/2013
Indian Motorcycle International, LLC; 12-11, A motorcycle, (US, 12 Nov 2012) 09 May 2013	12149/2013	Lander, Kirt; 02-04A, Hoof boot shell, (US, 03 Dec 2012) 24 May 2013	12407/2013
Infant Ventures LLC; 07-03, 10-04, Feeding and dosing spoon, (US, 12 Nov 2012) 10 May 2013	12182/2013	Landmark Engineering & Design Pty Ltd; 25-03, Toilet building, 09 May 2013	12165/2013
Invacare International Sarl; 12-12, Wheelchair, (Divisional of 10464/2013) 06 May 2013	12111/2013	Leatherman Tool Group, Inc.; 08-03, Multipurpose cutting blade, (US, 21 Nov 2012) 06 May 2013	12115/2013
Jelly Belly Candy Company; 14-99, 09-03NES, Ornamental UPC Code/Barcode, (US, 09 Nov 2012) 06 May 2013	12110/2013	Leatherman Tool Group, Inc.; 08-03, Multipurpose cutting tool, (US, 21 Nov 2012) 06 May 2013	12116/2013
		Lucas, Michael Charles; 12-16NES, Helmet holder, 22 May 2013	12369/2013

LM Australasia Pty Ltd; 99-00, , 10 May 2013	12256/2013	Michelin Recherche et Technique S.A.;COMPAGNIE GENERALE DES ETABLISSEMENTS MICHELIN; 12-15A, A tyre, (US, 07 Jan 2013) 20 May 2013	12328/2013
LM Australasia Pty Ltd; 99-00, , 10 May 2013	12262/2013		
LM Australasia Pty Ltd; 99-00, , 10 May 2013	12263/2013	Molnlycke Health Care AB; 06-13NES, Active self-warming blanket, (EM, 20 Nov 2012) 15 May 2013	12221/2013
LM Australasia Pty Ltd; 99-00, , 10 May 2013	12258/2013	Mophie, Inc.; 03-01NES, Battery case for a mobile device, (US, 30 Nov 2012) 22 May 2013	12385/2013
LM Australasia Pty Ltd; 99-00, , 10 May 2013	12259/2013	Moreira, F. Gomes;Deslandes, S.; 09-03C, Packaging, 06 May 2013	12106/2013
LM Australasia Pty Ltd; 99-00, , 10 May 2013	12257/2013	Moschella, Virginia; 19-08, Promotional design for advertising media products, 18 May 2013	12303/2013
LM Australasia Pty Ltd; 99-00, , 10 May 2013	12254/2013	MPORT PTY LTD; 25-03, Automated 3D body measurement booth, 13 May 2013	12195/2013
LM Australasia Pty Ltd; 99-00, , 10 May 2013	12260/2013	National Oilwell Varco UK Limited; 08-05L, Wireline roller device, (EM, 13 Nov 2012) 13 May 2013	12198/2013
LM Australasia Pty Ltd; 99-00, , 10 May 2013	12261/2013	Neophitou, Andrew;Concave Global Pty Ltd; 02-04NES, Shoe, 15 May 2013	12243/2013
LM Australasia Pty Ltd; 99-00, , 10 May 2013	12255/2013	New Age Caravans; 12-10, , 22 May 2013	12362/2013
Marine Town Inc.; 08-08A, Fastening device, 16 May 2013	12279/2013	New Age Caravans; 12-10, Caravan, 22 May 2013	12364/2013
Masport Limited; 15-03B, A handle lift for a mower, 23 May 2013	12389/2013	New Age Caravans; 12-10, Caravan, 22 May 2013	12363/2013
Master Lock Company LLC; 08-07, Lock, (Divisional of 10868/2013) 23 May 2013	12388/2013	Nintendo Co., Ltd.; 13-02, Electronic computer, (JP, 26 Nov 2012) 15 May 2013	12236/2013
Master Lock Company LLC; 08-07, Link for lock, (Divisional of 10731/2013) 08 May 2013	12128/2013	Nintendo Co., Ltd.; 13-02, Storage battery, (JP, 16 Nov 2012) 15 May 2013	12234/2013
Master Lock Company LLC; 08-07, Lock, (Divisional of 10840/2013) 14 May 2013	12208/2013	Nintendo Co., Ltd.; 13-02, Storage battery, (JP, 16 Nov 2012) 15 May 2013	12235/2013
McPherson's Limited; 07-01G, 07-03, Pot and spoon set, 15 May 2013	12241/2013	Nitz engineering GmbH; 12-16E, Housing for electronic circuitry, 22 May 2013	12355/2013
Michael Kors, LLC; 09-01NES, Bottle with cap, (US, 19 Nov 2012) 24 Apr 2013	12206/2013	Orbel Health Limited; 23-02A, Dispenser, (EM, 15 Mar 2013) 17 May 2013	12295/2013
Michael Kors, LLC; 09-01NES, Bottle with cap, (US, 19 Nov 2012) 24 Apr 2013	12205/2013	Orbel Health Limited; 23-02A, Dispenser, (EM, 15 Mar 2013) 17 May 2013	12293/2013
Michelin Recherche et Technique S.A.;COMPAGNIE GENERALE DES ETABLISSEMENTS MICHELIN; 12-15C, A tyre, (FR, 28 Nov 2012) 14 May 2013	12209/2013	Oregon Precision Industries, Inc.; 07-06A, Bottle carrier, (US, 10 May 2013) 22 May 2013	12368/2013
Michelin Recherche et Technique S.A.;COMPAGNIE GENERALE DES ETABLISSEMENTS MICHELIN; 12-15A, A tyre, (FR, 06 Nov 2012) 07 May 2013	12187/2013	Pagliari, Dimitra; 07-05E, Sponge, 06 May 2013	12107/2013

Peak Brands Pty Ltd; 26-06, Vehicle driving light, 17 May 2013	12292/2013	Samsung Electronics Co., Ltd; 14-02, , (KR, 23 Feb 2013) 16 May 2013	12314/2013
Pierlite Australia Pty Ltd; 26-05A, Reflector, 24 May 2013	12410/2013	Samsung Electronics Co., Ltd; 14-02, , (KR, 23 Feb 2013) 16 May 2013	12315/2013
Pierlite Australia Pty Ltd; 26-03, Lens for a street light, 24 May 2013	12413/2013	Samsung Electronics Co., Ltd; 14-02, , (KR, 23 Feb 2013) 16 May 2013	12313/2013
Pierlite Australia Pty Ltd; 26-05E, Heatsink, 24 May 2013	12414/2013	Samsung Electronics Co., Ltd; 14-02, Display screen for an electronic device, (KR, 23 Feb 2013) 16 May 2013	12311/2013
Pierlite Australia Pty Ltd; 26-05A, Reflector, 24 May 2013	12415/2013	Samsung Electronics Co., Ltd; 14-03E, Electronic device, (KR, 06 Feb 2013) 14 May 2013	12218/2013
Pierlite Australia Pty Ltd; 26-05A, Reflector, 24 May 2013	12411/2013	Samsung Electronics Co., Ltd; 14-04, Display screen for an electronic device, (KR, 23 Feb 2013) 15 May 2013	12320/2013
Pomper, John Robert; 12-16L, Trailer boat guide, 10 May 2013	12175/2013	Samsung Electronics Co., Ltd; 14-04, Display screen for an electronic device, (KR, 23 Feb 2013) 17 May 2013	12345/2013
Prestige Plating Pty Ltd; 08-99, Anti sweeping device, 14 May 2013	12216/2013	Samsung Electronics Co., Ltd; 14-04, Display screen for an electronic device, (KR, 23 Feb 2013) 17 May 2013	12341/2013
Pritchett, Ronnie; 26-02, Flashlight with wide area light projection, (US, 15 Nov 2012) 15 May 2013	12230/2013	Samsung Electronics Co., Ltd; 14-04, Display screen for an electronic device, (KR, 23 Feb 2013) 17 May 2013	12342/2013
Ready Industries Pty. Ltd.; 23-02C, Portable toilet bowl, 22 May 2013	12360/2013	Samsung Electronics Co., Ltd; 14-04, Display screen for an electronic device, (KR, 23 Feb 2013) 17 May 2013	12343/2013
Ready Industries Pty. Ltd.; 08-05G, Foot operated water pump, 21 May 2013	12349/2013	Samsung Electronics Co., Ltd; 14-04, Display screen with icon for an electronic device, (KR, 23 Feb 2013) 17 May 2013	12344/2013
Retail & Commercial Properties Pty Ltd; 08-08NES, Ferrule insert, 17 May 2013	12300/2013	Samsung Electronics Co., Ltd; 14-04, Display screen for an electronic device, (KR, 13 Mar 2013) 15 May 2013	12322/2013
Revie Pyp Pty Ltd; 12-11, Bicycle seat, 16 May 2013	12283/2013	Samsung Electronics Co., Ltd; 14-02, , (KR, 23 Feb 2013) 16 May 2013	12316/2013
Rimowa GmbH; 03-01A, Bag, (EM, 29 Nov 2012) 20 May 2013	12333/2013	Samsung Electronics Co., Ltd; 14-04, Display screen for an electronic device, (KR, 23 Feb 2013) 16 May 2013	12317/2013
Royalbeach International Inc.; 21-02F, Waterflow rowing machine, 06 May 2013	12109/2013	Samsung Electronics Co., Ltd; 14-04, Display screen with icon for an electronic device, (KR, 23 Feb 2013) 15 May 2013	12321/2013
READY INDUSTRIES PTY. LTD.; 08-08K, Temporary fence foot, 24 May 2013	12397/2013	Samsung Electronics Co., Ltd; 14-02, Electronic device, (KR, 06 Feb 2013) 15 May 2013	12248/2013
S. C. Johnson & Son, Inc.; 28-03NES, Toilet cleaning applicator, (US, 09 Nov 2012) 08 May 2013	12137/2013	Samsung Electronics Co., Ltd; 14-04, Display screen with icon for an electronic device, (KR, 23 Feb 2013) 10 May 2013	12180/2013
S. C. Johnson & Son, Inc.; 28-03NES, Toilet cleaning applicator, (US, 09 Nov 2012) 08 May 2013	12136/2013	Samsung Electronics Co., Ltd; 14-04, Display screen with icon for an electronic device, (KR, 23 Feb 2013) 10 May 2013	12179/2013
S. C. Johnson & Son, Inc.; 28-03NES, Toilet cleaning composition, (US, 09 Nov 2012) 08 May 2013	12135/2013		
Samsung Electronics Co., Ltd; 14-01, Display of electronic device with icon, (KR, 22 Feb 2013) 15 May 2013	12222/2013		
Samsung Electronics Co., Ltd; 14-02, , (KR, 23 Feb 2013) 16 May 2013	12312/2013		
Samsung Electronics Co., Ltd; 14-04, Display screen with icon for an electronic device, (KR, 23 Feb 2013) 15 May 2013	12319/2013		

Samsung Electronics Co., Ltd.; 14-02, Electronic device, (KR, 06 Feb 2013) 15 May 2013	12249/2013	Samsung Electronics Co., Ltd.; 14-01, Display of electronic device with icon(s), (KR, 22 Feb 2013) 15 May 2013	12223/2013
Samsung Electronics Co., Ltd.; 14-02, Electronic device, (KR, 06 Feb 2013) 15 May 2013	12250/2013	Samsung Electronics Co., Ltd.; 14-04, Display screen for an electronic device, (KR, 23 Feb 2013) 14 May 2013	12268/2013
Samsung Electronics Co., Ltd.; 14-02, Electronic device, (KR, 06 Feb 2013) 15 May 2013	12251/2013	Samsung Electronics Co., Ltd.; 14-01, Display of electronic device with icon, (KR, 08 Apr 2013) 15 May 2013	12228/2013
Samsung Electronics Co., Ltd.; 14-04, Display screen for an electronic device, (KR, 23 Feb 2013) 14 May 2013	12278/2013	Samsung Electronics Co., Ltd.; 14-01, Display of electronic device with icon, (KR, 22 Apr 2013) 15 May 2013	12229/2013
Samsung Electronics Co., Ltd.; 14-01, Display of electronic device with icon, (KR, 22 Apr 2013) 15 May 2013	12231/2013	Samsung Electronics Co., Ltd.; 14-04, Display screen for an electronic device, (KR, 23 Feb 2013) 14 May 2013	12269/2013
Samsung Electronics Co., Ltd.; 14-01, Display of electronic device with icon, (KR, 24 Apr 2013) 15 May 2013	12232/2013	Samsung Electronics Co., Ltd.; 14-04, Display screen for an electronic device, (KR, 23 Feb 2013) 14 May 2013	12266/2013
Samsung Electronics Co., Ltd.; 14-04, Display screen for an electronic device, (KR, 13 Mar 2013) 14 May 2013	12267/2013	Samsung Electronics Co., Ltd.; 14-04, Display screen with icon for an electronic device, (KR, 23 Feb 2013) 14 May 2013	12277/2013
Samsung Electronics Co., Ltd.; 14-04, Display screen for an electronic device, (KR, 23 Feb 2013) 14 May 2013	12275/2013	Samsung Electronics Co., Ltd.; 14-03A, Electronic device, (KR, 06 Feb 2013) 15 May 2013	12252/2013
Samsung Electronics Co., Ltd.; 14-04, Display screen with icon for an electronic device, (KR, 23 Feb 2013) 14 May 2013	12276/2013	Samsung Electronics Co., Ltd.; 14-03A, Electronic device, (KR, 06 Feb 2013) 15 May 2013	12253/2013
Samsung Electronics Co., Ltd.; 14-01, Display of electronic device with icon, (KR, 27 Mar 2013) 15 May 2013	12226/2013	Samsung Electronics., Ltd.; 14-02, Electronic device, (KR, 06 Feb 2013) 15 May 2013	12247/2013
Samsung Electronics Co., Ltd.; 14-04, Display screen for an electronic device, (KR, 23 Feb 2013) 14 May 2013	12273/2013	Sandvik Intellectual Property AB; 15-99, Lined cassette for crusher feed hopper, (EM, 14 Nov 2012) 13 May 2013	12191/2013
Samsung Electronics Co., Ltd.; 14-04, Display screen for an electronic device, (KR, 23 Feb 2013) 14 May 2013	12271/2013	Sandvik Intellectual Property AB; 15-99, Crusher feed hopper with cassette with liners, (EM, 14 Nov 2012) 13 May 2013	12192/2013
Samsung Electronics Co., Ltd.; 14-01, Display of electronic device with icon, (KR, 22 Feb 2013) 15 May 2013	12224/2013	Sandvik Intellectual Property AB; 15-99, Lined cassette for crusher feed hopper, (EM, 14 Nov 2012) 13 May 2013	12190/2013
Samsung Electronics Co., Ltd.; 14-04, Display screen for an electronic device, (KR, 23 Feb 2013) 14 May 2013	12270/2013	Sandvik Intellectual Property AB; 15-99, Crusher feed hopper wear protection cassette, (EM, 14 Nov 2012) 13 May 2013	12189/2013
Samsung Electronics Co., Ltd.; 14-01, Display of electronic device with icon, (KR, 27 Mar 2013) 15 May 2013	12227/2013	Sandvik Intellectual Property AB; 15-99, Crusher feed hopper wear protection cassette, (EM, 14 Nov 2012) 13 May 2013	12188/2013
Samsung Electronics Co., Ltd.; 14-04, Display screen with icon for an electronic device, (KR, 23 Feb 2013) 14 May 2013	12274/2013	Sayfa R&D Pty Ltd; 25-01K, An extrusion, 16 May 2013	12291/2013
Samsung Electronics Co., Ltd.; 14-04, Display screen for an electronic device, (KR, 23 Feb 2013) 14 May 2013	12272/2013	Schneider Electric (Australia) Pty Limited; 13-02, USB charging module, 24 May 2013	12408/2013
Samsung Electronics Co., Ltd.; 14-01, Display of electronic device with icon(s), (KR, 22 Feb 2013) 15 May 2013	12225/2013	Shirliff, Cameron; 23-01H, Spout, 14 May 2013	12204/2013
		Simmons, Stephen Leslie; 15-03NES, A tipping track guide, 22 May 2013	12371/2013

Sinmaz, Tulin; 06-08, A shirt/garment plastic hanger that attaches to laundry/ hamper baskets (with handles and without) and to ironing, boards, 17 May 2013	12310/2013	Take Two Marketing and Events Pty Ltd; 07-04, A peeler, 20 May 2013	12332/2013
Slater, Nicole; 13-03NES, Dual safety plug, 15 May 2013	12238/2013	The trustee for onepointsix unit trust; 25-02NES, Bollard base, 21 May 2013	12347/2013
Slater, Nicole; 13-03NES, Safety plug, 15 May 2013	12237/2013	The trustee for onepointsix unit trust; 25-02NES, Bollard, 21 May 2013	12348/2013
Solid State Security Pty Ltd; 25-01K, Screen frame extrusion, 23 May 2013	12390/2013	The trustee for onepointsix unit trust; 25-02NES, Bollard base, 21 May 2013	12346/2013
Solid State Security Pty Ltd; 25-01K, Screen frame extrusion, 23 May 2013	12391/2013	The Coca-Cola Company; 09-01NES, Bottle, 15 May 2013	12242/2013
Star Globe Pty Ltd; 21-02C, A Golf putter, 22 May 2013	12379/2013	The Coca-Cola Company; 09-07C, Bottle closure, (US, 01 Aug 2012) 13 May 2013	12265/2013
Star Trading Pty Ltd; 02-07NES, Garment, 22 May 2013	12372/2013	The Decor Corporation Pty. Ltd.; 07-01NES, Container base, 20 May 2013	12356/2013
Stodulka, Andy; 08-08L, Corner bracket A1, 09 May 2013	12185/2013	The Decor Corporation Pty. Ltd.; 07-01NES, Container base, 20 May 2013	12358/2013
Stodulka, Andrea Mario; 25-01C, Wall framing, 09 May 2013	12186/2013	The Decor Corporation Pty. Ltd.; 07-01NES, Lid for a container, 20 May 2013	12359/2013
Stratos, Natalie;Stratos, Hlias;Fork Mate; 12-05, 12-16NES, Forklift cab cover-wet weather/protection solution, 22 May 2013	12380/2013	The Decor Corporation Pty. Ltd.; 07-01NES, Container base, 20 May 2013	12357/2013
Stratos, Hlias;Stratos, Natalie;Fork Mate; 12-05, 12-16NES, Forklift cab cover-wet weather/protection solution, 22 May 2013	12380/2013	The P&M Meurs Family Trust No. 4;The SM Happy Lab Trust; 09-03F, Confectionery packaging, 15 May 2013	12239/2013
Sulzer Mixpac AG; 09-07A, Applicator, (CH, 28 Jan 2013) 20 May 2013	12326/2013	The P&M Meurs Family Trust No. 4;The SM Happy Lab Trust; 09-03F, Confectionery packaging, 15 May 2013	12240/2013
Sulzer Mixpac AG; 09-07A, Applicator, (CH, 28 Jan 2013) 20 May 2013	12327/2013	The Raymond Corporation; 30-02, Enclosure, (US, 03 Dec 2012) 14 May 2013	12207/2013
Superfeet Worldwide, Inc.; 02-04A, Orthotic inserts for shoes, (US, 04 Dec 2012) 24 May 2013	12412/2013	The SM Happy Lab Trust;The P&M Meurs Family Trust No. 4; 09-03F, Confectionery packaging, 15 May 2013	12240/2013
SwitchEasy Limited; 03-01NES, Protective casing for handheld electronic device, (HK, 23 Nov 2012) 13 May 2013	12194/2013	The SM Happy Lab Trust;The P&M Meurs Family Trust No. 4; 09-03F, Confectionery packaging, 15 May 2013	12239/2013
SAMSUNG ELECTRONICS CO., LTD.; 14-01, Display of electronic device with icon, (KR, 22 Feb 2013) 22 May 2013	12382/2013	Thoelen, Martine; 26-01, A candle holder, (WO, 23 Nov 2012) 13 May 2013	12197/2013
STM MANAGEMENT PTY LTD; 03-01NES, Case for a tablet computer, 20 May 2013	12335/2013	Tizzone, Ross; 14-02, 28-03NES, Nail printer, 17 May 2013	12298/2013
Take Two Marketing and Events Pty Ltd; 15-99, A bag sealer, 23 May 2013	12393/2013	Tizzone, Ross; 14-02, 28-03NES, Nail printer, 17 May 2013	12299/2013
Take Two Marketing and Events Pty Ltd; 15-99, A bag sealer, 23 May 2013	12395/2013	Toray Industries, Inc.; 07-01F, Water pitcher, (JP, 19 Nov 2012) 10 May 2013	12176/2013
Take Two Marketing and Events Pty Ltd; 08-03, A knife, 20 May 2013	12330/2013	Trentcom APS Pty Ltd; 09-03F, A seed container, 09 May 2013	12167/2013
		Tristar Products, Inc.;Cheer Master Trading Ltd;Calista Tools, LLC; 28-03B, Heat round brush, 16 May 2013	12290/2013

TAg IT TECHNOLOGIES LIMITED; 14-02, A housing for a wireless marker, (NZ, 20 Nov 2012) 20 May 2013	12329/2013	Wennerbom, Jeffrey David; 21-01C, Track plate for a track of a tracked vehicle, 16 May 2013	12285/2013
Vehicle Components Pty Ltd; 12-16NES, A vehicle suspension support arm, 08 May 2013	12142/2013	West, Kylie; 20-03A, Children's routine chart, 07 May 2013	12184/2013
Wang, Jonathan Hwan; 12-02, Folding golf cart, 17 May 2013	12294/2013	Whirlpool Corporation; 07-02K, Electric kettle, (US, 01 Mar 2013) 13 May 2013	12199/2013
Wartsila Finland Oy; 14-01, Display screen, (EM, 13 Nov 2012) 09 May 2013	12150/2013	Whirlpool Corporation; 07-02K, Kettle, (US, 01 Mar 2013) 13 May 2013	12203/2013
Wartsila Finland Oy; 14-01, Display screen, (EM, 13 Nov 2012) 09 May 2013	12151/2013	Whirlpool Corporation; 07-02K, Kettle, (US, 01 Mar 2013) 13 May 2013	12201/2013
Wartsila Finland Oy; 14-01, Display screen, (EM, 13 Nov 2012) 09 May 2013	12152/2013	Whirlpool Corporation; 07-02K, Kettle, (US, 01 Mar 2013) 13 May 2013	12200/2013
Wartsila Finland Oy; 14-01, Display screen, (EM, 13 Nov 2012) 09 May 2013	12153/2013	Whirlpool Corporation; 07-02NES, Milk frother, (US, 01 Mar 2013) 13 May 2013	12202/2013
Wartsila Finland Oy; 15-01, Propulsion control unit, (EM, 13 Nov 2012) 09 May 2013	12154/2013		
Wartsila Finland Oy; 15-01, Propulsion control unit, (EM, 13 Nov 2012) 09 May 2013	12155/2013		
Wartsila Finland Oy; 15-01, Propulsion control unit, (EM, 13 Nov 2012) 09 May 2013	12156/2013		
Wartsila Finland Oy; 15-01, Propulsion control unit, (EM, 13 Nov 2012) 09 May 2013	12157/2013		
Wartsila Finland Oy; 15-01, Propulsion control unit, (EM, 13 Nov 2012) 09 May 2013	12158/2013		
Wartsila Finland Oy; 15-01, Propulsion control unit, (EM, 13 Nov 2012) 09 May 2013	12159/2013		
Wartsila Finland Oy; 15-01, Propulsion control unit, (EM, 13 Nov 2012) 09 May 2013	12160/2013		
Wartsila Finland Oy; 15-01, Propulsion control unit, (EM, 13 Nov 2012) 09 May 2013	12161/2013		
Wartsila Finland Oy; 14-02, Display, (EM, 13 Nov 2012) 09 May 2013	12162/2013		
Wartsila Finland Oy; 14-02, Display, (EM, 13 Nov 2012) 09 May 2013	12163/2013		
Wartsila Finland Oy; 14-02, Display, (EM, 13 Nov 2012) 09 May 2013	12164/2013		

Extension of Period of Registration of Designs

318771	318840	318841
318842	318843	319059
319962	319963	319964
319965	319966	319967
319968	319969	319975
319976	319977	319978
319979	320053	320054
320055	321081	321153
321159	321161	321184
321187	321189	321217
321218	321220	321221
321222	321226	321227
321240	321261	321267
321287	321289	321309
321312	321315	321337
321338	321420	321438
321454	321455	321456
321457	321505	321506
321507	321508	321511
321542	321543	321544
321548	321549	321587
321588	321708	321715
321716	321717	321718
321719	321720	321721
321722	321723	321724
321725	321726	321727
321747	321755	321756
321809	322109	322234
322362	322363	322364
322390	322916	322964
323060	323189	323190
323400	323401	323402
323403	323430	323782
323793	323894	324117
324118	324119	324120
324121	324122	324123
324124	324125	324126
324127	324128	324129
324130	324131	324132
324133	324799	325955
325956	335651	

Registrations Ceased

317014	317356	317357
317358	317611	317670
318182	318185	318187
318188	318190	318192
318193	318215	318217
318219	318226	318230

318231	318232	318233
318234	318235	318237
318238	318239	318240
318241	318242	318243
318244	318246	318250
318252	318253	318254
318281	318282	318283
318290	318312	318315
318318	318334	318335
318336	318338	318339
318340	318341	318342
318344	318374	318394
318395	318396	318397
318404	318406	318409
318410	318415	318416
318417	318418	318419
318420	318421	318422
318424	318429	318514
318528	318601	318602
318734	318835	318837
318838	318865	318866
319110	319111	319112
319113	319114	319115
319116	319117	319118
319119	319120	319121
319122	319123	319124
319182	319183	319184
319195	319196	319368
319457	319458	319459
319460	319461	320439
320557	320995	321761
336027	342901	344418

Extensions of time granted under Section 137

Applications lodged under section 137 for extension of time have been granted.

- 13027/2012 **GRC Environments Pty Ltd**
- 16550/2012 **Australian Fitness Supplies Pty Ltd**
- 16580/2012 **McLaren Automotive Limited**
- 16640/2012 **Sanofi-Aventis Deutschland GmbH**
- 10663/2013 **Dori Saade**
- 10664/2013 **Dori Saade**
- 10762/2013 **Gracie Pty Ltd**

Applications Assigned

(The name in parentheses is that of the subsequent applicant)

- 12001/2013 **(Smart Reveal Pty Ltd)** Costa Constructions (Aust) Pty Ltd

Subsequent Owners Registered

(The name in parentheses is that of the subsequent owner)

- 330186 (**Caterpillar Global Mining LLC**) Bucyrus International, Inc.
- 330187 (**Caterpillar Global Mining LLC**) Bucyrus International, Inc.
- 321395 (**Techtronic Outdoor Products Technology Limited**) Techtronic Industries Company Limited
- 334682 (**SIERRA DE JAEN SA**) Balneario Y Aguas De Solan De Cabras S.L.
- 334683 (**SIERRA DE JAEN SA**) Balneario Y Aguas De Solan De Cabras, S.L.
- 334684 (**SIERRA DE JAEN SA**) Balneario Y Aguas De Solan De Cabras, S.L.
- 346996 (**Castle Farms Ltd**) Greenline Industries Pty Ltd
- 347523 (**Tru-Test Limited**) Grant Pearce

Names Registered - Alterations and Amendments

(The name in parentheses is that of the subsequent applicant)

- 304981 (**ResMed R&D Germany GmbH**) MAP Medizin-Technologie GmbH
- 334682 (**AGUAS DE SOLAN DE CABRAS SA**) SIERRA DE JAEN SA
- 334683 (**AGUAS DE SOLAN DE CABRAS SA**) SIERRA DE JAEN SA
- 334684 (**AGUAS DE SOLAN DE CABRAS SA**) SIERRA DE JAEN SA
- 341579 (**Beacon Lighting International Ltd**) Fanaway Technology Hong Kong Ltd.
- 341580 (**Beacon Lighting International Ltd**) Fanaway Technology Hong Kong Ltd.

Certificate(s) of Examination

Examination of the following Design Registration(s) has been completed. Infringement proceedings may now be commenced.

309784	09-02B	24/05/2013
345299	23-04	17/05/2013
345549	02-02B	13/05/2013
345549	02-02B	13/05/2013
345984	13-03NES	22/05/2013
346019	13-03NES	22/05/2013
346174	12-05	22/05/2013
346293	21-01B	23/05/2013
346831	15-04	16/05/2013
346832	15-04	16/05/2013
346838	13-03NES	22/05/2013
346946	09-05	15/05/2013
346997	14-02	21/05/2013
346998	14-02	21/05/2013
346999	14-02	21/05/2013
347000	14-02	21/05/2013
347001	14-02	21/05/2013
347002	14-02	21/05/2013
347004	23-03B	21/05/2013
347211	06-06E	16/05/2013
347515	26-06	16/05/2013
347828	26-05D	20/05/2013
347829	15-99	23/05/2013
347830	15-99	23/05/2013
347831	15-99	23/05/2013
348356	02-02C	14/05/2013

Publication and Registration Proceedings

Designs Registered

This section provides a concordance between design number and registration number of Designs covered in this journal. It also shows the main class and registration date.

This section covers Registration numbers 348382 to 348855 .

The registration number shown below should be used in all future correspondence.

Design Number	Registration Number	International Classification Code (IDC)	Registration Date	Design Number	Registration Number	International Classification Code (IDC)	Registration Date
14702/2012	348527	07-02NES	16/05/2013	16870/2012	348652	02-02NES	22/05/2013
14747/2012	348601	02-02NES	20/05/2013	16871/2012	348653	02-02NES	22/05/2013
14912/2012	348528	07-02P	16/05/2013	16872/2012	348654	02-02NES	22/05/2013
14993/2012	348602	12-16NES	20/05/2013	16873/2012	348655	02-02C	22/05/2013
15428/2012	348486	29-02	15/05/2013	16874/2012	348656	02-02C	22/05/2013
15447/2012	348687	26-03	22/05/2013	16875/2012	348657	02-02C	22/05/2013
16263/2012	348529	07-03	16/05/2013	16876/2012	348658	02-02C	22/05/2013
16342/2012	348703	07-99C	23/05/2013	16877/2012	348659	02-02C	22/05/2013
16398/2012	348728	14-02	23/05/2013	16878/2012	348660	02-02C	22/05/2013
16777/2012	348704	02-02C	23/05/2013	16879/2012	348661	02-02C	22/05/2013
16778/2012	348705	02-02C	23/05/2013	16880/2012	348662	02-02C	22/05/2013
16779/2012	348706	02-02C	23/05/2013	16881/2012	348663	02-02C	22/05/2013
16780/2012	348707	02-02NES	23/05/2013	16882/2012	348664	02-02C	22/05/2013
16781/2012	348708	02-02NES	23/05/2013	16883/2012	348665	02-02C	22/05/2013
16782/2012	348709	02-02NES	23/05/2013	16884/2012	348666	02-02C	22/05/2013
16783/2012	348710	02-02NES	23/05/2013	16885/2012	348667	02-02C	22/05/2013
16784/2012	348711	02-02NES	23/05/2013	16886/2012	348690	02-02C	22/05/2013
16785/2012	348712	02-02NES	23/05/2013	16887/2012	348691	02-02C	22/05/2013
16788/2012	348713	02-02C	23/05/2013	16888/2012	348692	02-02C	22/05/2013
16789/2012	348714	02-02C	23/05/2013	16889/2012	348693	02-02C	22/05/2013
16790/2012	348715	02-02C	23/05/2013	16890/2012	348694	02-02C	22/05/2013
16791/2012	348716	02-02C	23/05/2013	16891/2012	348695	02-02NES	22/05/2013
16792/2012	348717	02-02C	23/05/2013	16892/2012	348696	02-02NES	22/05/2013
16793/2012	348718	02-02C	23/05/2013	16893/2012	348697	02-02NES	22/05/2013
16794/2012	348719	02-02C	23/05/2013	16894/2012	348698	02-02NES	22/05/2013
16795/2012	348720	02-02C	23/05/2013	16895/2012	348699	02-02NES	22/05/2013
16797/2012	348721	02-02C	23/05/2013	16896/2012	348700	02-02NES	22/05/2013
16798/2012	348722	02-02C	23/05/2013	16897/2012	348701	02-02NES	22/05/2013
16799/2012	348723	02-02C	23/05/2013	16898/2012	348702	02-02NES	22/05/2013
16800/2012	348724	02-02C	23/05/2013	16899/2012	348668	02-02NES	22/05/2013
16801/2012	348725	02-02C	23/05/2013	16900/2012	348669	02-02NES	22/05/2013
16802/2012	348726	02-02C	23/05/2013	16901/2012	348670	02-02NES	22/05/2013
16803/2012	348727	02-02C	23/05/2013	16902/2012	348671	02-02NES	22/05/2013
16804/2012	348845	02-02NES	27/05/2013	16903/2012	348759	02-02NES	24/05/2013
16805/2012	348846	02-02NES	27/05/2013	16904/2012	348760	02-02C	24/05/2013
16806/2012	348847	02-02NES	27/05/2013	16905/2012	348761	02-02C	24/05/2013
16807/2012	348848	02-02NES	27/05/2013	16906/2012	348762	02-02C	24/05/2013
16808/2012	348849	02-02NES	27/05/2013	16907/2012	348763	02-02C	24/05/2013
16809/2012	348850	02-02NES	27/05/2013	16908/2012	348764	02-02C	24/05/2013
16810/2012	348851	02-02NES	27/05/2013	16909/2012	348765	02-02C	24/05/2013
16811/2012	348852	02-02NES	27/05/2013	10413/2013	348672	06-09	22/05/2013
16812/2012	348853	02-02C	27/05/2013	10464/2013	348530	12-12	16/05/2013
16814/2012	348854	02-02C	27/05/2013	10501/2013	348766	14-01	24/05/2013
16815/2012	348855	02-02C	27/05/2013	10671/2013	348393	23-02C	13/05/2013
16817/2012	348487	29-02	15/05/2013	10712/2013	348611	09-07B	20/05/2013
16865/2012	348647	02-02C	22/05/2013	10731/2013	348562	08-07	20/05/2013
16866/2012	348648	02-02NES	22/05/2013	10733/2013	348563	08-07	20/05/2013
16867/2012	348649	02-02NES	22/05/2013	10776/2013	348594	09-01NES	20/05/2013
16868/2012	348650	02-02C	22/05/2013	10777/2013	348593	09-01NES	20/05/2013
16869/2012	348651	02-02C	22/05/2013	10805/2013	348688	08-05NES	22/05/2013

Publication and Registration Proceedings - Designs Registered cont'd

Design Number	Registration Number	International Classification Code (IDC)	Registration Date	Design Number	Registration Number	International Classification Code (IDC)	Registration Date
10807/2013	348689	23-01NES	22/05/2013	11366/2013	348392	07-01D	13/05/2013
10808/2013	348603	23-01NES	20/05/2013	11368/2013	348382	07-01B	13/05/2013
10843/2013	348604	15-05	20/05/2013	11369/2013	348383	21-01N	13/05/2013
10844/2013	348605	15-05	20/05/2013	11374/2013	348384	07-01F	13/05/2013
10845/2013	348606	15-05	20/05/2013	11376/2013	348385	07-01G	13/05/2013
10891/2013	348771	14-03B	24/05/2013	11377/2013	348386	07-01D	13/05/2013
10893/2013	348767	14-03B	24/05/2013	11378/2013	348416	07-01F	14/05/2013
10926/2013	348445	09-99	14/05/2013	11380/2013	348585	09-01H	20/05/2013
10927/2013	348446	09-99	14/05/2013	11389/2013	348407	12-16L	14/05/2013
10928/2013	348447	09-99	14/05/2013	11391/2013	348405	01-01	14/05/2013
10961/2013	348596	14-03NES	20/05/2013	11393/2013	348406	26-03	14/05/2013
10962/2013	348595	14-03NES	20/05/2013	11396/2013	348398	12-15B	14/05/2013
11001/2013	348484	06-01E	15/05/2013	11398/2013	348399	26-03	14/05/2013
11012/2013	348564	14-02	20/05/2013	11402/2013	348403	07-01G	14/05/2013
11016/2013	348417	26-02	14/05/2013	11404/2013	348402	12-15C	14/05/2013
11052/2013	348768	09-03E	24/05/2013	11410/2013	348389	20-03NES	13/05/2013
11070/2013	348772	08-08B	24/05/2013	11413/2013	348587	15-05	20/05/2013
11082/2013	348773	06-04B	24/05/2013	11414/2013	348586	15-05	20/05/2013
11111/2013	348448	09-07B	14/05/2013	11415/2013	348574	15-05	20/05/2013
11115/2013	348750	07-01C	24/05/2013	11417/2013	348404	03-01NES	14/05/2013
11154/2013	348597	03-01NES	20/05/2013	11419/2013	348580	23-01A	20/05/2013
11189/2013	348774	08-08NES	24/05/2013	11420/2013	348401	13-02	14/05/2013
11191/2013	348745	21-01C	24/05/2013	11421/2013	348501	25-01C	16/05/2013
11196/2013	348744	21-01C	24/05/2013	11422/2013	348400	09-09	14/05/2013
11198/2013	348743	07-02L	24/05/2013	11424/2013	348442	20-03NES	14/05/2013
11276/2013	348449	09-01NES	14/05/2013	11425/2013	348443	20-03NES	14/05/2013
11277/2013	348532	21-02F	16/05/2013	11426/2013	348444	20-03NES	14/05/2013
11278/2013	348607	06-06A	20/05/2013	11427/2013	348535	20-03NES	16/05/2013
11279/2013	348450	12-15B	14/05/2013	11428/2013	348483	20-03NES	15/05/2013
11280/2013	348451	23-01F	14/05/2013	11429/2013	348531	20-03NES	16/05/2013
11281/2013	348452	13-02	14/05/2013	11432/2013	348488	12-16K	16/05/2013
11285/2013	348453	14-01	14/05/2013	11433/2013	348489	12-16K	16/05/2013
11290/2013	348454	25-02C	14/05/2013	11434/2013	348490	15-99	16/05/2013
11296/2013	348673	15-01	22/05/2013	11436/2013	348491	07-04	16/05/2013
11332/2013	348533	06-06G	16/05/2013	11444/2013	348502	14-01	16/05/2013
11333/2013	348534	06-06G	16/05/2013	11445/2013	348503	14-01	16/05/2013
11334/2013	348559	06-06G	17/05/2013	11446/2013	348504	14-01	16/05/2013
11335/2013	348560	06-01F	17/05/2013	11449/2013	348505	09-01G	16/05/2013
11336/2013	348838	06-06G	27/05/2013	11450/2013	348506	22-05	16/05/2013
11337/2013	348581	06-01F	20/05/2013	11454/2013	348495	31-00	16/05/2013
11338/2013	348575	06-06G	20/05/2013	11456/2013	348496	07-05NES	16/05/2013
11339/2013	348576	06-01F	20/05/2013	11457/2013	348497	26-04	16/05/2013
11340/2013	348482	06-06G	15/05/2013	11458/2013	348498	06-01NES	16/05/2013
11341/2013	348561	06-01F	17/05/2013	11459/2013	348499	14-01	16/05/2013
11347/2013	348387	12-10	13/05/2013	11460/2013	348500	15-01	16/05/2013
11352/2013	348577	09-01H	20/05/2013	11463/2013	348456	15-01	14/05/2013
11353/2013	348455	09-01H	14/05/2013	11464/2013	348493	21-03	16/05/2013
11355/2013	348388	06-01F	13/05/2013	11465/2013	348492	12-16L	16/05/2013
11356/2013	348578	09-01H	20/05/2013	11466/2013	348494	12-16L	16/05/2013
11357/2013	348579	09-01H	20/05/2013	11468/2013	348418	14-02	14/05/2013
11358/2013	348582	09-01H	20/05/2013	11469/2013	348419	14-02	14/05/2013
11359/2013	348583	09-01H	20/05/2013	11470/2013	348420	12-15B	14/05/2013
11360/2013	348584	09-01H	20/05/2013	11472/2013	348421	14-01	14/05/2013
11364/2013	348390	07-01B	13/05/2013	11474/2013	348422	14-01	14/05/2013
11365/2013	348391	07-01B	13/05/2013	11476/2013	348423	13-03B	14/05/2013

Publication and Registration Proceedings - Designs Registered cont'd

Design Number	Registration Number	International Classification Code (IDC)	Registration Date	Design Number	Registration Number	International Classification Code (IDC)	Registration Date
11479/2013	348424	24-04	14/05/2013	11564/2013	348567	09-01H	20/05/2013
11480/2013	348425	06-02	14/05/2013	11569/2013	348568	12-16NES	20/05/2013
11483/2013	348674	15-04	22/05/2013	11570/2013	348569	05-05NES	20/05/2013
11484/2013	348675	15-04	22/05/2013	11574/2013	348485	28-01	15/05/2013
11485/2013	348676	15-04	22/05/2013	11576/2013	348775	12-06C	24/05/2013
11486/2013	348677	15-04	22/05/2013	11577/2013	348440	07-02E	14/05/2013
11487/2013	348678	15-04	22/05/2013	11578/2013	348441	07-02E	14/05/2013
11488/2013	348679	15-04	22/05/2013	11582/2013	348570	02-02NES	20/05/2013
11489/2013	348680	15-04	22/05/2013	11583/2013	348571	02-02NES	20/05/2013
11490/2013	348681	15-04	22/05/2013	11584/2013	348572	02-02NES	20/05/2013
11491/2013	348682	15-04	22/05/2013	11586/2013	348472	21-02B	15/05/2013
11492/2013	348683	15-04	22/05/2013	11587/2013	348473	03-01C	15/05/2013
11493/2013	348684	15-04	22/05/2013	11589/2013	348590	06-01F	20/05/2013
11494/2013	348685	15-04	22/05/2013	11590/2013	348591	06-01F	20/05/2013
11495/2013	348686	15-04	22/05/2013	11591/2013	348474	09-03F	15/05/2013
11499/2013	348426	09-07B	14/05/2013	11593/2013	348475	09-03F	15/05/2013
11500/2013	348427	11-01NES	14/05/2013	11595/2013	348476	09-03F	15/05/2013
11503/2013	348428	09-07B	14/05/2013	11602/2013	348592	21-01H	20/05/2013
11505/2013	348429	03-01B	14/05/2013	11605/2013	348598	31-00	20/05/2013
11508/2013	348430	09-09	14/05/2013	11606/2013	348599	31-00	20/05/2013
11512/2013	348636	08-06	21/05/2013	11608/2013	348600	11-01E	20/05/2013
11513/2013	348637	24-02	21/05/2013	11610/2013	348507	12-08	16/05/2013
11514/2013	348638	24-02	21/05/2013	11612/2013	348508	30-03	16/05/2013
11517/2013	348457	23-02B	15/05/2013	11613/2013	348509	23-01H	16/05/2013
11527/2013	348458	26-03	15/05/2013	11614/2013	348510	23-01A	16/05/2013
11528/2013	348459	24-01	15/05/2013	11615/2013	348511	23-01H	16/05/2013
11530/2013	348464	08-08D	15/05/2013	11616/2013	348512	08-01	16/05/2013
11531/2013	348460	08-08D	15/05/2013	11617/2013	348513	06-01C	16/05/2013
11532/2013	348431	23-01A	14/05/2013	11619/2013	348514	12-15A	16/05/2013
11533/2013	348432	23-01A	14/05/2013	11620/2013	348515	12-15A	16/05/2013
11534/2013	348433	23-01A	14/05/2013	11621/2013	348516	12-15A	16/05/2013
11535/2013	348434	23-01A	14/05/2013	11623/2013	348839	12-15A	27/05/2013
11536/2013	348435	23-01A	14/05/2013	11624/2013	348840	08-08NES	27/05/2013
11537/2013	348536	23-01A	16/05/2013	11628/2013	348769	25-02G	24/05/2013
11539/2013	348436	23-01A	14/05/2013	11632/2013	348841	13-03E	27/05/2013
11540/2013	348437	23-01A	14/05/2013	11633/2013	348842	09-07C	27/05/2013
11541/2013	348438	23-01A	14/05/2013	11634/2013	348843	09-07C	27/05/2013
11542/2013	348439	23-02C	14/05/2013	11639/2013	348820	23-01A	27/05/2013
11543/2013	348461	12-16C	15/05/2013	11640/2013	348821	23-01A	27/05/2013
11545/2013	348462	12-16C	15/05/2013	11647/2013	348394	23-02C	13/05/2013
11546/2013	348463	12-16B	15/05/2013	11648/2013	348395	23-02C	13/05/2013
11547/2013	348465	23-02C	15/05/2013	11649/2013	348396	23-02C	13/05/2013
11549/2013	348466	08-08D	15/05/2013	11650/2013	348397	23-02C	13/05/2013
11550/2013	348467	12-08	15/05/2013	11652/2013	348517	13-01	16/05/2013
11551/2013	348468	12-16C	15/05/2013	11653/2013	348518	22-05	16/05/2013
11552/2013	348469	26-06	15/05/2013	11655/2013	348519	22-05	16/05/2013
11553/2013	348608	26-06	20/05/2013	11656/2013	348520	24-04	16/05/2013
11554/2013	348609	26-06	20/05/2013	11657/2013	348639	02-99	21/05/2013
11555/2013	348610	12-16NES	20/05/2013	11658/2013	348521	23-01G	16/05/2013
11556/2013	348589	12-16NES	20/05/2013	11662/2013	348746	09-05	24/05/2013
11557/2013	348729	12-16NES	23/05/2013	11663/2013	348573	21-01D	20/05/2013
11559/2013	348470	09-07C	15/05/2013	11665/2013	348747	09-05	24/05/2013
11561/2013	348471	23-02C	15/05/2013	11667/2013	348730	28-03B	23/05/2013
11562/2013	348565	09-01H	20/05/2013	11668/2013	348748	26-05D	24/05/2013
11563/2013	348566	09-01H	20/05/2013	11675/2013	348749	07-04	24/05/2013

Publication and Registration Proceedings - Designs Registered cont'd

Design Number	Registration Number	International Classification Code (IDC)	Registration Date	Design Number	Registration Number	International Classification Code (IDC)	Registration Date
11676/2013	348588	07-04	20/05/2013	11802/2013	348477	09-01NES	15/05/2013
11677/2013	348537	07-04	17/05/2013	11803/2013	348786	12-16A	24/05/2013
11678/2013	348538	13-02	17/05/2013	11804/2013	348787	12-16A	24/05/2013
11679/2013	348539	13-02	17/05/2013	11807/2013	348788	21-01C	24/05/2013
11680/2013	348751	06-13NES	24/05/2013	11808/2013	348789	08-05G	24/05/2013
11681/2013	348540	13-02	17/05/2013	11809/2013	348790	23-02B	24/05/2013
11682/2013	348541	13-02	17/05/2013	11814/2013	348791	13-02	24/05/2013
11684/2013	348752	15-02	24/05/2013	11815/2013	348792	09-07B	24/05/2013
11685/2013	348753	15-02	24/05/2013	11819/2013	348793	09-07B	24/05/2013
11687/2013	348754	12-12	24/05/2013	11820/2013	348794	09-07B	24/05/2013
11691/2013	348522	13-01	16/05/2013	11833/2013	348822	16-01	27/05/2013
11692/2013	348542	13-01	17/05/2013	11838/2013	348823	06-01E	27/05/2013
11704/2013	348543	07-99NES	17/05/2013	11839/2013	348612	14-03E	21/05/2013
11706/2013	348523	15-05	16/05/2013	11840/2013	348613	14-03E	21/05/2013
11707/2013	348524	26-05C	16/05/2013	11841/2013	348614	24-02	21/05/2013
11708/2013	348525	26-05C	16/05/2013	11843/2013	348615	24-02	21/05/2013
11710/2013	348526	25-02H	16/05/2013	11848/2013	348807	09-01G	27/05/2013
11712/2013	348824	09-01G	27/05/2013	11850/2013	348478	09-07B	15/05/2013
11713/2013	348825	14-02	27/05/2013	11851/2013	348479	09-07B	15/05/2013
11714/2013	348826	14-02	27/05/2013	11852/2013	348480	09-07B	15/05/2013
11715/2013	348827	14-02	27/05/2013	11857/2013	348770	23-02A	24/05/2013
11716/2013	348544	15-02	17/05/2013	11869/2013	348616	08-05NES	21/05/2013
11717/2013	348828	15-02	27/05/2013	11873/2013	348481	26-01	15/05/2013
11719/2013	348829	23-01H	27/05/2013	11874/2013	348617	28-03A	21/05/2013
11720/2013	348545	13-03C	17/05/2013	11875/2013	348618	12-16NES	21/05/2013
11721/2013	348546	02-06	17/05/2013	11879/2013	348619	14-02	21/05/2013
11724/2013	348830	26-06	27/05/2013	11884/2013	348837	14-03NES	27/05/2013
11728/2013	348831	07-05D	27/05/2013	11886/2013	348732	15-01	23/05/2013
11740/2013	348832	09-01NES	27/05/2013	11887/2013	348733	15-01	23/05/2013
11745/2013	348833	08-06	27/05/2013	11888/2013	348734	15-01	23/05/2013
11748/2013	348834	07-07A	27/05/2013	11889/2013	348640	26-03	21/05/2013
11750/2013	348835	13-03C	27/05/2013	11890/2013	348641	26-03	21/05/2013
11751/2013	348547	08-06	17/05/2013	11891/2013	348642	26-03	21/05/2013
11752/2013	348548	25-01K	17/05/2013	11893/2013	348643	26-04	21/05/2013
11756/2013	348836	12-16NES	27/05/2013	11895/2013	348735	26-04	23/05/2013
11774/2013	348550	21-02C	17/05/2013	11896/2013	348620	09-01K	21/05/2013
11775/2013	348549	13-01	17/05/2013	11897/2013	348621	07-04	21/05/2013
11776/2013	348551	13-01	17/05/2013	11899/2013	348736	09-03F	23/05/2013
11777/2013	348552	09-05	17/05/2013	11913/2013	348622	12-15B	21/05/2013
11778/2013	348553	09-05	17/05/2013	11914/2013	348623	12-15B	21/05/2013
11779/2013	348554	06-01F	17/05/2013	11915/2013	348624	12-15B	21/05/2013
11780/2013	348555	06-01F	17/05/2013	11916/2013	348625	12-15B	21/05/2013
11781/2013	348556	06-01F	17/05/2013	11917/2013	348626	03-01NES	21/05/2013
11782/2013	348557	09-05	17/05/2013	11918/2013	348627	03-01NES	21/05/2013
11785/2013	348776	06-08	24/05/2013	11919/2013	348628	03-01NES	21/05/2013
11789/2013	348777	26-05B	24/05/2013	11920/2013	348629	03-01NES	21/05/2013
11790/2013	348778	24-02	24/05/2013	11921/2013	348630	03-01NES	21/05/2013
11791/2013	348779	03-01NES	24/05/2013	11922/2013	348631	12-15B	21/05/2013
11792/2013	348806	09-01G	24/05/2013	11923/2013	348646	12-15A	22/05/2013
11793/2013	348780	09-99	24/05/2013	11924/2013	348632	01-01	21/05/2013
11794/2013	348781	24-02	24/05/2013	11926/2013	348644	28-99	21/05/2013
11798/2013	348782	23-02B	24/05/2013	11927/2013	348645	28-99	21/05/2013
11799/2013	348783	14-02	24/05/2013	11929/2013	348633	01-01	21/05/2013
11800/2013	348784	14-02	24/05/2013	11931/2013	348634	12-08	21/05/2013
11801/2013	348785	23-02B	24/05/2013	11932/2013	348635	12-08	21/05/2013

Publication and Registration Proceedings - Designs Registered cont'd

Design Number	Registration Number	International Classification Code (IDC)	Registration Date	Design Number	Registration Number	International Classification Code (IDC)	Registration Date
11933/2013	348731	12-16C	23/05/2013	12002/2013	348742	15-07	23/05/2013
11934/2013	348755	23-01F	24/05/2013	12004/2013	348808	24-01	27/05/2013
11935/2013	348756	12-16C	24/05/2013	12005/2013	348410	01-01	14/05/2013
11945/2013	348757	09-01B	24/05/2013	12006/2013	348411	01-01	14/05/2013
11946/2013	348558	12-02	17/05/2013	12007/2013	348412	01-01	14/05/2013
11949/2013	348737	10-04	23/05/2013	12008/2013	348413	01-01	14/05/2013
11951/2013	348758	09-03F	24/05/2013	12010/2013	348414	01-01	14/05/2013
11952/2013	348738	12-16NES	23/05/2013	12011/2013	348415	01-01	14/05/2013
11954/2013	348739	10-04	23/05/2013	12012/2013	348809	21-02F	27/05/2013
11956/2013	348740	10-04	23/05/2013	12048/2013	348408	03-01B	14/05/2013
11973/2013	348795	07-02R	24/05/2013	12049/2013	348409	03-01B	14/05/2013
11974/2013	348796	07-02R	24/05/2013	12084/2013	348810	09-01NES	27/05/2013
11975/2013	348797	07-02R	24/05/2013	12085/2013	348811	14-02	27/05/2013
11976/2013	348798	07-02R	24/05/2013	12086/2013	348812	14-02	27/05/2013
11977/2013	348799	07-02R	24/05/2013	12087/2013	348813	23-03NES	27/05/2013
11978/2013	348800	07-02R	24/05/2013	12089/2013	348814	23-03NES	27/05/2013
11979/2013	348801	07-02R	24/05/2013	12099/2013	348815	08-05F	27/05/2013
11980/2013	348802	07-02R	24/05/2013	12104/2013	348816	08-05H	27/05/2013
11981/2013	348803	07-02R	24/05/2013	12105/2013	348817	02-01B	27/05/2013
11985/2013	348804	21-02C	24/05/2013	12115/2013	348818	08-03	27/05/2013
11987/2013	348805	08-03	24/05/2013	12116/2013	348819	08-03	27/05/2013
12000/2013	348741	09-02C	23/05/2013				
12001/2013	348844	25-01K	27/05/2013				

Publication and Registration Proceedings

Class Listing of Designs Published or Registered

The following section shows an International Classification Code listing of the Registered or Published Designs covered in this supplement.

Classification	Registration Number	Design Number	Classification	Registration Number	Design Number
01-01	348405	11391/2013	02-02C	348764	16908/2012
01-01	348410	12005/2013	02-02C	348765	16909/2012
01-01	348411	12006/2013	02-02C	348853	16812/2012
01-01	348412	12007/2013	02-02C	348854	16814/2012
01-01	348413	12008/2013	02-02C	348855	16815/2012
01-01	348414	12010/2013	02-02NES	348570	11582/2013
01-01	348415	12011/2013	02-02NES	348571	11583/2013
01-01	348632	11924/2013	02-02NES	348572	11584/2013
01-01	348633	11929/2013	02-02NES	348601	14747/2012
02-01B	348817	12105/2013	02-02NES	348648	16866/2012
02-02C	348647	16865/2012	02-02NES	348649	16867/2012
02-02C	348650	16868/2012	02-02NES	348652	16870/2012
02-02C	348651	16869/2012	02-02NES	348653	16871/2012
02-02C	348655	16873/2012	02-02NES	348654	16872/2012
02-02C	348656	16874/2012	02-02NES	348668	16899/2012
02-02C	348657	16875/2012	02-02NES	348669	16900/2012
02-02C	348658	16876/2012	02-02NES	348670	16901/2012
02-02C	348659	16877/2012	02-02NES	348671	16902/2012
02-02C	348660	16878/2012	02-02NES	348695	16891/2012
02-02C	348661	16879/2012	02-02NES	348696	16892/2012
02-02C	348662	16880/2012	02-02NES	348697	16893/2012
02-02C	348663	16881/2012	02-02NES	348698	16894/2012
02-02C	348664	16882/2012	02-02NES	348699	16895/2012
02-02C	348665	16883/2012	02-02NES	348700	16896/2012
02-02C	348666	16884/2012	02-02NES	348701	16897/2012
02-02C	348667	16885/2012	02-02NES	348702	16898/2012
02-02C	348690	16886/2012	02-02NES	348704	16777/2012
02-02C	348691	16887/2012	02-02NES	348707	16780/2012
02-02C	348692	16888/2012	02-02NES	348708	16781/2012
02-02C	348693	16889/2012	02-02NES	348709	16782/2012
02-02C	348694	16890/2012	02-02NES	348710	16783/2012
02-02C	348704	16777/2012	02-02NES	348711	16784/2012
02-02C	348705	16778/2012	02-02NES	348712	16785/2012
02-02C	348706	16779/2012	02-02NES	348717	16792/2012
02-02C	348713	16788/2012	02-02NES	348759	16903/2012
02-02C	348714	16789/2012	02-02NES	348845	16804/2012
02-02C	348715	16790/2012	02-02NES	348846	16805/2012
02-02C	348716	16791/2012	02-02NES	348847	16806/2012
02-02C	348717	16792/2012	02-02NES	348848	16807/2012
02-02C	348718	16793/2012	02-02NES	348849	16808/2012
02-02C	348719	16794/2012	02-02NES	348850	16809/2012
02-02C	348720	16795/2012	02-02NES	348851	16810/2012
02-02C	348721	16797/2012	02-02NES	348852	16811/2012
02-02C	348722	16798/2012	02-02NES	348853	16812/2012
02-02C	348723	16799/2012	02-02NES	348854	16814/2012
02-02C	348724	16800/2012	02-06	348546	11721/2013
02-02C	348725	16801/2012	02-07C	348427	11500/2013
02-02C	348726	16802/2012	02-99	348639	11657/2013
02-02C	348727	16803/2012	03-01A	348473	11587/2013
02-02C	348760	16904/2012	03-01B	348408	12048/2013
02-02C	348761	16905/2012	03-01B	348409	12049/2013
02-02C	348762	16906/2012	03-01B	348429	11505/2013
02-02C	348763	16907/2012	03-01C	348473	11587/2013

Registration Proceedings - Class Listing of Designs Published or Registered cont'd

Classification	Registration Number	Design Number	Classification	Registration Number	Design Number
03-01D	348459	11528/2013	07-02R	348795	11973/2013
03-01NES	348404	11417/2013	07-02R	348796	11974/2013
03-01NES	348597	11154/2013	07-02R	348797	11975/2013
03-01NES	348626	11917/2013	07-02R	348798	11976/2013
03-01NES	348627	11918/2013	07-02R	348799	11977/2013
03-01NES	348628	11919/2013	07-02R	348800	11978/2013
03-01NES	348629	11920/2013	07-02R	348801	11979/2013
03-01NES	348630	11921/2013	07-02R	348802	11980/2013
03-01NES	348779	11791/2013	07-02R	348803	11981/2013
05-05NES	348569	11570/2013	07-03	348529	16263/2012
06-01C	348513	11617/2013	07-04	348491	11436/2013
06-01E	348484	11001/2013	07-04	348537	11677/2013
06-01E	348823	11838/2013	07-04	348588	11676/2013
06-01F	348388	11355/2013	07-04	348621	11897/2013
06-01F	348554	11779/2013	07-04	348749	11675/2013
06-01F	348555	11780/2013	07-05D	348831	11728/2013
06-01F	348556	11781/2013	07-05E	348603	10808/2013
06-01F	348560	11335/2013	07-05E	348604	10843/2013
06-01F	348561	11341/2013	07-05E	348605	10844/2013
06-01F	348576	11339/2013	07-05E	348606	10845/2013
06-01F	348581	11337/2013	07-05E	348689	10807/2013
06-01F	348590	11589/2013	07-05NES	348496	11456/2013
06-01F	348591	11590/2013	07-06NES	348537	11677/2013
06-01L	348498	11458/2013	07-06NES	348588	11676/2013
06-01NES	348498	11458/2013	07-06NES	348749	11675/2013
06-02	348425	11480/2013	07-07A	348834	11748/2013
06-04B	348773	11082/2013	07-99C	348703	16342/2012
06-04NES	348445	10926/2013	07-99NES	348543	11704/2013
06-04NES	348446	10927/2013	08-01	348512	11616/2013
06-04NES	348447	10928/2013	08-03	348805	11987/2013
06-05	348425	11480/2013	08-03	348818	12115/2013
06-06A	348607	11278/2013	08-03	348819	12116/2013
06-06G	348482	11340/2013	08-05F	348815	12099/2013
06-06G	348533	11332/2013	08-05G	348789	11808/2013
06-06G	348534	11333/2013	08-05H	348816	12104/2013
06-06G	348559	11334/2013	08-05NES	348616	11869/2013
06-06G	348575	11338/2013	08-05NES	348688	10805/2013
06-06G	348838	11336/2013	08-06	348547	11751/2013
06-08	348776	11785/2013	08-06	348636	11512/2013
06-09	348672	10413/2013	08-06	348833	11745/2013
06-13NES	348751	11680/2013	08-07	348562	10731/2013
07-01B	348382	11368/2013	08-07	348563	10733/2013
07-01B	348390	11364/2013	08-08B	348772	11070/2013
07-01B	348391	11365/2013	08-08D	348431	11532/2013
07-01C	348750	11115/2013	08-08D	348432	11533/2013
07-01D	348386	11377/2013	08-08D	348433	11534/2013
07-01D	348392	11366/2013	08-08D	348434	11535/2013
07-01F	348384	11374/2013	08-08D	348435	11536/2013
07-01F	348416	11378/2013	08-08D	348436	11539/2013
07-01G	348385	11376/2013	08-08D	348437	11540/2013
07-01G	348403	11402/2013	08-08D	348438	11541/2013
07-02E	348440	11577/2013	08-08D	348460	11531/2013
07-02E	348441	11578/2013	08-08D	348464	11530/2013
07-02L	348743	11198/2013	08-08D	348466	11549/2013
07-02NES	348527	14702/2012	08-08D	348536	11537/2013
07-02P	348528	14912/2012	08-08K	348423	11476/2013

Registration Proceedings - Class Listing of Designs Published or Registered cont'd

Classification	Registration Number	Design Number	Classification	Registration Number	Design Number
08-08L	348580	11419/2013	09-09	348430	11508/2013
08-08NES	348580	11419/2013	09-99	348445	10926/2013
08-08NES	348774	11189/2013	09-99	348446	10927/2013
08-08NES	348840	11624/2013	09-99	348447	10928/2013
08-99	348400	11422/2013	09-99	348780	11793/2013
09-01B	348757	11945/2013	10-04	348737	11949/2013
09-01G	348505	11449/2013	10-04	348739	11954/2013
09-01G	348806	11792/2013	10-04	348740	11956/2013
09-01G	348807	11848/2013	11-01E	348600	11608/2013
09-01G	348824	11712/2013	11-01NES	348427	11500/2013
09-01H	348455	11353/2013	11-02C	348607	11278/2013
09-01H	348565	11562/2013	12-02	348558	11946/2013
09-01H	348566	11563/2013	12-06C	348775	11576/2013
09-01H	348567	11564/2013	12-08	348467	11550/2013
09-01H	348577	11352/2013	12-08	348507	11610/2013
09-01H	348578	11356/2013	12-08	348634	11931/2013
09-01H	348579	11357/2013	12-08	348635	11932/2013
09-01H	348582	11358/2013	12-10	348387	11347/2013
09-01H	348583	11359/2013	12-10	348687	15447/2012
09-01H	348584	11360/2013	12-10	348835	11750/2013
09-01H	348585	11380/2013	12-12	348530	10464/2013
09-01K	348620	11896/2013	12-12	348754	11687/2013
09-01NES	348449	11276/2013	12-15A	348514	11619/2013
09-01NES	348477	11802/2013	12-15A	348515	11620/2013
09-01NES	348593	10777/2013	12-15A	348516	11621/2013
09-01NES	348594	10776/2013	12-15A	348646	11923/2013
09-01NES	348810	12084/2013	12-15A	348839	11623/2013
09-01NES	348832	11740/2013	12-15B	348398	11396/2013
09-02C	348741	12000/2013	12-15B	348420	11470/2013
09-03E	348768	11052/2013	12-15B	348450	11279/2013
09-03F	348474	11591/2013	12-15B	348622	11913/2013
09-03F	348475	11593/2013	12-15B	348623	11914/2013
09-03F	348476	11595/2013	12-15B	348624	11915/2013
09-03F	348736	11899/2013	12-15B	348625	11916/2013
09-03F	348758	11951/2013	12-15B	348631	11922/2013
09-03M	348736	11899/2013	12-15C	348402	11404/2013
09-05	348473	11587/2013	12-16A	348786	11803/2013
09-05	348552	11777/2013	12-16A	348787	11804/2013
09-05	348553	11778/2013	12-16B	348463	11546/2013
09-05	348557	11782/2013	12-16C	348461	11543/2013
09-05	348746	11662/2013	12-16C	348462	11545/2013
09-05	348747	11665/2013	12-16C	348468	11551/2013
09-07B	348426	11499/2013	12-16C	348731	11933/2013
09-07B	348428	11503/2013	12-16C	348756	11935/2013
09-07B	348448	11111/2013	12-16K	348488	11432/2013
09-07B	348478	11850/2013	12-16K	348489	11433/2013
09-07B	348479	11851/2013	12-16L	348407	11389/2013
09-07B	348480	11852/2013	12-16L	348492	11465/2013
09-07B	348611	10712/2013	12-16L	348494	11466/2013
09-07B	348792	11815/2013	12-16NES	348568	11569/2013
09-07B	348793	11819/2013	12-16NES	348589	11556/2013
09-07B	348794	11820/2013	12-16NES	348602	14993/2012
09-07C	348470	11559/2013	12-16NES	348610	11555/2013
09-07C	348842	11633/2013	12-16NES	348618	11875/2013
09-07C	348843	11634/2013	12-16NES	348729	11557/2013
09-09	348400	11422/2013	12-16NES	348738	11952/2013

Registration Proceedings - Class Listing of Designs Published or Registered cont'd

Classification	Registration Number	Design Number	Classification	Registration Number	Design Number
12-16NES	348836	11756/2013	15-01	348733	11887/2013
13-01	348517	11652/2013	15-01	348734	11888/2013
13-01	348522	11691/2013	15-02	348544	11716/2013
13-01	348542	11692/2013	15-02	348752	11684/2013
13-01	348549	11775/2013	15-02	348753	11685/2013
13-01	348551	11776/2013	15-02	348828	11717/2013
13-02	348401	11420/2013	15-04	348674	11483/2013
13-02	348452	11281/2013	15-04	348675	11484/2013
13-02	348538	11678/2013	15-04	348676	11485/2013
13-02	348539	11679/2013	15-04	348677	11486/2013
13-02	348540	11681/2013	15-04	348678	11487/2013
13-02	348541	11682/2013	15-04	348679	11488/2013
13-02	348597	11154/2013	15-04	348680	11489/2013
13-02	348791	11814/2013	15-04	348681	11490/2013
13-03B	348423	11476/2013	15-04	348682	11491/2013
13-03C	348545	11720/2013	15-04	348683	11492/2013
13-03C	348835	11750/2013	15-04	348684	11493/2013
13-03E	348492	11465/2013	15-04	348685	11494/2013
13-03E	348494	11466/2013	15-04	348686	11495/2013
13-03E	348545	11720/2013	15-05	348523	11706/2013
13-03E	348841	11632/2013	15-05	348574	11415/2013
13-03NES	348492	11465/2013	15-05	348586	11414/2013
13-03NES	348494	11466/2013	15-05	348587	11413/2013
13-99	348687	15447/2012	15-05	348604	10843/2013
14-01	348421	11472/2013	15-05	348605	10844/2013
14-01	348422	11474/2013	15-05	348606	10845/2013
14-01	348453	11285/2013	15-07	348742	12002/2013
14-01	348499	11459/2013	15-99	348400	11422/2013
14-01	348502	11444/2013	15-99	348456	11463/2013
14-01	348503	11445/2013	15-99	348490	11434/2013
14-01	348504	11446/2013	15-99	348500	11460/2013
14-01	348766	10501/2013	15-99	348674	11483/2013
14-02	348418	11468/2013	15-99	348675	11484/2013
14-02	348419	11469/2013	15-99	348676	11485/2013
14-02	348564	11012/2013	15-99	348677	11486/2013
14-02	348619	11879/2013	15-99	348678	11487/2013
14-02	348728	16398/2012	15-99	348679	11488/2013
14-02	348779	11791/2013	15-99	348680	11489/2013
14-02	348783	11799/2013	15-99	348681	11490/2013
14-02	348784	11800/2013	15-99	348682	11491/2013
14-02	348811	12085/2013	15-99	348683	11492/2013
14-02	348812	12086/2013	15-99	348684	11493/2013
14-02	348825	11713/2013	15-99	348685	11494/2013
14-02	348826	11714/2013	15-99	348686	11495/2013
14-02	348827	11715/2013	16-01	348499	11459/2013
14-03B	348767	10893/2013	16-01	348822	11833/2013
14-03B	348771	10891/2013	20-01	348774	11189/2013
14-03E	348612	11839/2013	20-02C	348442	11424/2013
14-03E	348613	11840/2013	20-02C	348443	11425/2013
14-03NES	348595	10962/2013	20-02C	348444	11426/2013
14-03NES	348596	10961/2013	20-02C	348483	11428/2013
14-03NES	348837	11884/2013	20-02C	348531	11429/2013
15-01	348456	11463/2013	20-02C	348535	11427/2013
15-01	348500	11460/2013	20-02NES	348783	11799/2013
15-01	348673	11296/2013	20-02NES	348784	11800/2013
15-01	348732	11886/2013	20-03NES	348389	11410/2013

Registration Proceedings - Class Listing of Designs Published or Registered cont'd

Classification	Registration Number	Design Number	Classification	Registration Number	Design Number
20-03NES	348442	11424/2013	23-02C	348397	11650/2013
20-03NES	348443	11425/2013	23-02C	348439	11542/2013
20-03NES	348444	11426/2013	23-02C	348465	11547/2013
20-03NES	348483	11428/2013	23-02C	348471	11561/2013
20-03NES	348531	11429/2013	23-02F	348471	11561/2013
20-03NES	348535	11427/2013	23-03NES	348813	12087/2013
21-01C	348744	11196/2013	23-03NES	348814	12089/2013
21-01C	348745	11191/2013	24-01	348459	11528/2013
21-01C	348788	11807/2013	24-01	348808	12004/2013
21-01D	348573	11663/2013	24-02	348614	11841/2013
21-01H	348592	11602/2013	24-02	348615	11843/2013
21-01N	348383	11369/2013	24-02	348637	11513/2013
21-01N	348728	16398/2012	24-02	348638	11514/2013
21-02B	348472	11586/2013	24-02	348737	11949/2013
21-02C	348550	11774/2013	24-02	348739	11954/2013
21-02C	348804	11985/2013	24-02	348740	11956/2013
21-02F	348532	11277/2013	24-02	348778	11790/2013
21-02F	348809	12012/2013	24-02	348781	11794/2013
21-03	348493	11464/2013	24-04	348424	11479/2013
22-05	348506	11450/2013	24-04	348520	11656/2013
22-05	348518	11653/2013	25-01C	348501	11421/2013
22-05	348519	11655/2013	25-01K	348548	11752/2013
23-01A	348431	11532/2013	25-01K	348844	12001/2013
23-01A	348432	11533/2013	25-01NES	348840	11624/2013
23-01A	348433	11534/2013	25-02C	348454	11290/2013
23-01A	348434	11535/2013	25-02G	348769	11628/2013
23-01A	348435	11536/2013	25-02H	348526	11710/2013
23-01A	348436	11539/2013	25-02H	348844	12001/2013
23-01A	348437	11540/2013	25-02NES	348439	11542/2013
23-01A	348438	11541/2013	25-02NES	348465	11547/2013
23-01A	348460	11531/2013	26-01	348481	11873/2013
23-01A	348464	11530/2013	26-02	348417	11016/2013
23-01A	348466	11549/2013	26-03	348399	11398/2013
23-01A	348510	11614/2013	26-03	348406	11393/2013
23-01A	348536	11537/2013	26-03	348458	11527/2013
23-01A	348580	11419/2013	26-03	348640	11889/2013
23-01A	348820	11639/2013	26-03	348641	11890/2013
23-01A	348821	11640/2013	26-03	348642	11891/2013
23-01F	348451	11280/2013	26-03	348643	11893/2013
23-01F	348755	11934/2013	26-03	348687	15447/2012
23-01G	348521	11658/2013	26-03	348735	11895/2013
23-01H	348509	11613/2013	26-04	348497	11457/2013
23-01H	348511	11615/2013	26-04	348643	11893/2013
23-01H	348829	11719/2013	26-04	348735	11895/2013
23-01NES	348603	10808/2013	26-05B	348777	11789/2013
23-01NES	348688	10805/2013	26-05C	348524	11707/2013
23-01NES	348689	10807/2013	26-05C	348525	11708/2013
23-02A	348770	11857/2013	26-05D	348643	11893/2013
23-02B	348457	11517/2013	26-05D	348735	11895/2013
23-02B	348782	11798/2013	26-05D	348748	11668/2013
23-02B	348785	11801/2013	26-06	348469	11552/2013
23-02B	348790	11809/2013	26-06	348608	11553/2013
23-02C	348393	10671/2013	26-06	348609	11554/2013
23-02C	348394	11647/2013	26-06	348830	11724/2013
23-02C	348395	11648/2013	28-01	348485	11574/2013
23-02C	348396	11649/2013	28-03A	348617	11874/2013

Registration Proceedings - Class Listing of Designs Published or Registered cont'd

Classification	Registration Number	Design Number	Classification	Registration Number	Design Number
28-03B	348730	11667/2013	31-00	348495	11454/2013
28-99	348644	11926/2013	31-00	348598	11605/2013
28-99	348645	11927/2013	31-00	348599	11606/2013
29-02	348486	15428/2012			
29-02	348487	16817/2012			
30-03	348508	11612/2013			

- (21) Design Number: **11368/2013**
(22) Date of Filing Application: **18 March 2013**
(24) Date from which industrial property rights may have effect: **18 March 2013**
(54) Product in respect of which the design is registered: **Bowl**
(51) International Design Classification: **07-01B**
(74) Name(s) of Attorney(s): **King & Wood Mallesons**
(71) Name(s) and Address(s) of Applicant(s):
H.A.G. Import Corporation (Australia) Pty Ltd
11-27 Millers Rd Brooklyn VIC 3012 Australia
(72) Name(s) of Designer(s): **Matt Guthrie**
(45) Registration Date: **13 May 2013**
(56) Related Art Documents: **Not Applicable**
(57) Statement of Newness and Distinctiveness: **The following visual features of the design are new and distinctive. The shape and configuration of the bowl as shown in solid lines in the accompanying drawings.**



- (21) Design Number: **11369/2013**
(22) Date of Filing Application: **18 March 2013**
(24) Date from which industrial property rights may have effect: **18 March 2013**
(54) Product in respect of which the design is registered: **Gun-shaped game controller**
(51) International Design Classification: **21-01N**
(74) Name(s) of Attorney(s):
(71) Name(s) and Address(s) of Applicant(s):
Yi Zhong Wang
6/F Building 2 Liming Industrial Park No. 89 Yuguan Rd Nanshan District
Shenzhen Guangdong China
(72) Name(s) of Designer(s): **Yi Zhong Wang**
(45) Registration Date: **13 May 2013**
(56) Related Art Documents: **Not Applicable**
(57) Statement of Newness and Distinctiveness: **Nil**



- (21) Design Number: **11374/2013**
(22) Date of Filing Application: **18 March 2013**
(24) Date from which industrial property rights may have effect: **18 March 2013**
(54) Product in respect of which the design is registered: **Creamer**
(51) International Design Classification: **07-01F**
(74) Name(s) of Attorney(s): **King & Wood Mallesons**
(71) Name(s) and Address(s) of Applicant(s):
H.A.G. Import Corporation (Australia) Pty Ltd
11-27 Millers Rd Brooklyn VIC 3012 Australia
(72) Name(s) of Designer(s): **Matt Guthrie**
(45) Registration Date: **13 May 2013**
(56) Related Art Documents: **Not Applicable**
(57) Statement of Newness and Distinctiveness: **The following visual features of the design are new and distinctive. The shape and configuration of the creamer as shown in solid lines in the accompanying drawings.**



- (21) Design Number: **11376/2013**
(22) Date of Filing Application: **18 March 2013**
(24) Date from which industrial property rights may have effect: **18 March 2013**
(54) Product in respect of which the design is registered: **Teapot**
(51) International Design Classification: **07-01G**
(74) Name(s) of Attorney(s): **King & Wood Mallesons**
(71) Name(s) and Address(s) of Applicant(s):
H.A.G. Import Corporation (Australia) Pty Ltd
11-27 Millers Rd Brooklyn VIC 3012 Australia
(72) Name(s) of Designer(s): **Matt Guthrie**
(45) Registration Date: **13 May 2013**
(56) Related Art Documents: **Not Applicable**
(57) Statement of Newness and Distinctiveness: **The following visual features of the design are new and distinctive. The shape and configuration of the teapot as shown in solid lines in the accompanying drawings.**



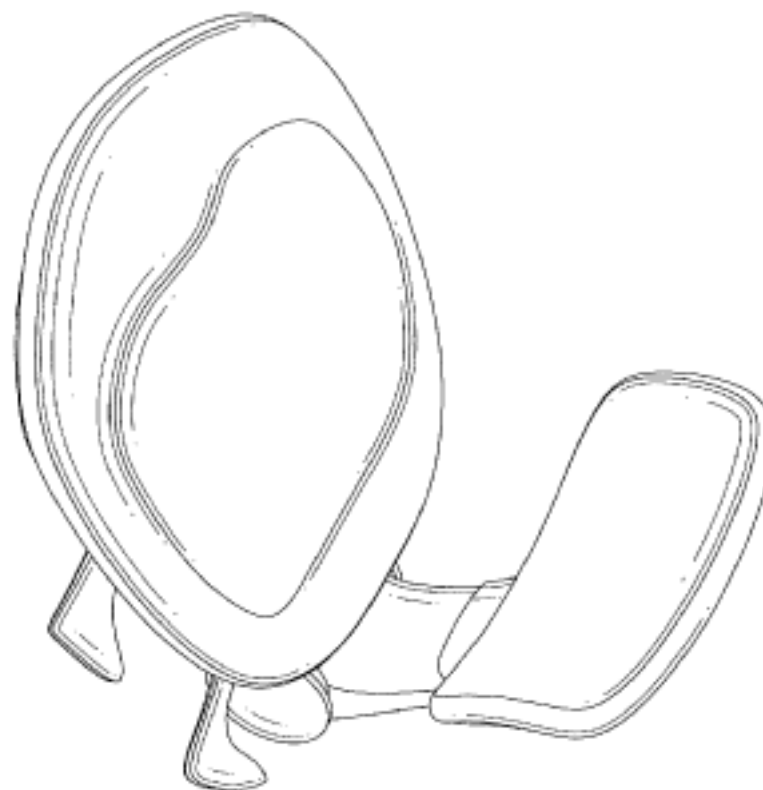
- (21) Design Number: **11377/2013**
(22) Date of Filing Application: **18 March 2013**
(24) Date from which industrial property rights may have effect: **18 March 2013**
(54) Product in respect of which the design is registered: **Gravy boat saucer**
(51) International Design Classification: **07-01D**
(74) Name(s) of Attorney(s): **King & Wood Mallesons**
(71) Name(s) and Address(s) of Applicant(s):
H.A.G. Import Corporation (Australia) Pty Ltd
11-27 Millers Rd Brooklyn VIC 3012 Australia
(72) Name(s) of Designer(s): **Matt Guthrie**
(45) Registration Date: **13 May 2013**
(56) Related Art Documents: **Not Applicable**
(57) Statement of Newness and Distinctiveness: **The following visual features of the design are new and distinctive. The shape and configuration of the gravy boat saucer as shown in solid lines in the accompanying drawings.**



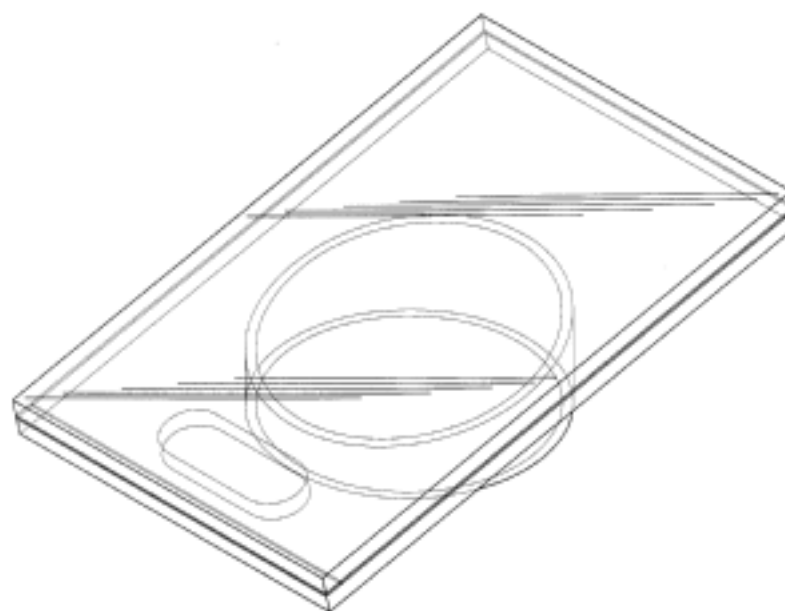
- (21) Design Number: **11347/2013**
(22) Date of Filing Application: **18 March 2013**
(24) Date from which industrial property rights may have effect: **18 March 2013**
(54) Product in respect of which the design is registered: **Camper trailer**
(51) International Design Classification: **12-10**
(74) Name(s) of Attorney(s): **LESICAR MURRAY TRENTO**
(71) Name(s) and Address(s) of Applicant(s):
Purple Line Pty Ltd
SE117 45 Glenferrie Rd Malvern VIC 3144 Australia
(72) Name(s) of Designer(s): **Stuart Barrow**
(45) Registration Date: **13 May 2013**
(56) Related Art Documents: **Not Applicable**
(57) Statement of Newness and Distinctiveness: **Newness and distinctiveness reside in the shape and/or configuration of the Camper Trailer as shown in the accompanying drawings.**



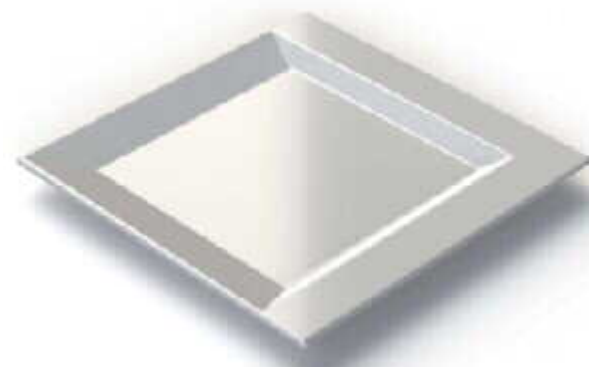
(21) Design Number: **11355/2013**
(22) Date of Filing Application: **18 March 2013**
(24) Date from which industrial property rights may have effect: **18 March 2013**
(54) Product in respect of which the design is registered: **Chair**
(51) International Design Classification: **06-01F**
(74) Name(s) of Attorney(s): **Madderns**
(71) Name(s) and Address(s) of Applicant(s):
SHC Technology Co., Ltd
No 8 Industrial North 2nd Road Nankang Industrial Park Nantou City
Nantou Hsien Taiwan
(72) Name(s) of Designer(s): **Johann Geiger and Yu-Chih Chou and Chia-Hsuan**
Lin and I-Chun Liao
(45) Registration Date: **13 May 2013**
(56) Related Art Documents: **Not Applicable**
(57) Statement of Newness and Distinctiveness: **Nil**



(21) Design Number: **11410/2013**
(22) Date of Filing Application: **18 March 2013**
(24) Date from which industrial property rights may have effect: **18 March 2013**
(54) Product in respect of which the design is registered: **Sign holder**
(51) International Design Classification: **20-03NES**
(74) Name(s) of Attorney(s): **Freehills Patent Attorneys**
(71) Name(s) and Address(s) of Applicant(s):
Apple Inc.
1 Infinite Loop Cupertino California 95014 United States of America
(72) Name(s) of Designer(s): **Russell John Kaaihue Heirakuji and Kevin Fenton**
Smeds and Frank Craig Thaler
(45) Registration Date: **13 May 2013**
(30) Convention priority data:
(31) Number (32) Date (33) Country
29/432721 19 Sep 2012 UNITED STATES OF AMERICA
(56) Related Art Documents: **Not Applicable**
(57) Statement of Newness and Distinctiveness: **Newness and distinctiveness**
of the design resides in the shape and configuration shown in the
accompanying representations.



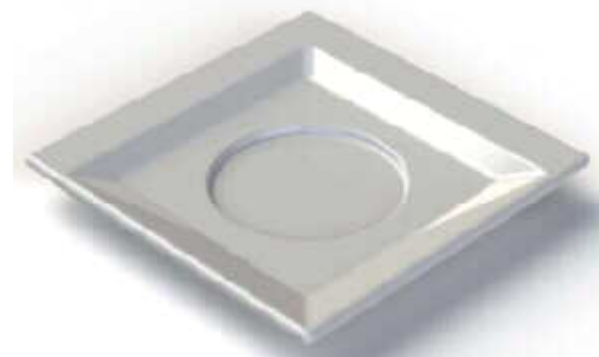
- (21) Design Number: **11364/2013**
(22) Date of Filing Application: **18 March 2013**
(24) Date from which industrial property rights may have effect: **18 March 2013**
(54) Product in respect of which the design is registered: **Square platter**
(51) International Design Classification: **07-01B**
(74) Name(s) of Attorney(s): **King & Wood Mallesons**
(71) Name(s) and Address(s) of Applicant(s):
H.A.G. Import Corporation (Australia) Pty Ltd
11-27 Millers Rd Brooklyn VIC 3012 Australia
(72) Name(s) of Designer(s): **Matt Guthrie**
(45) Registration Date: **13 May 2013**
(56) Related Art Documents: **Not Applicable**
(57) Statement of Newness and Distinctiveness: **The following visual features of the design are new and distinctive. The shape and configuration of a square platter as shown in solid lines in the accompanying drawings.**



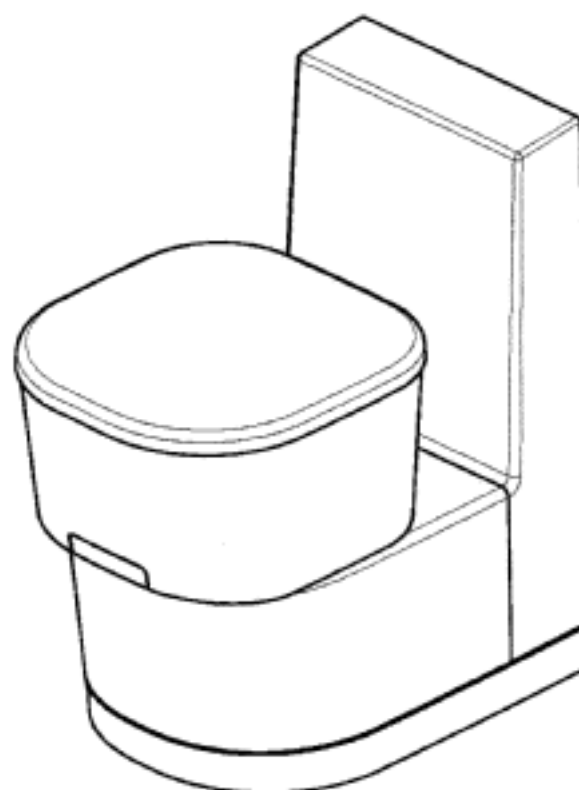
- (21) Design Number: **11365/2013**
(22) Date of Filing Application: **18 March 2013**
(24) Date from which industrial property rights may have effect: **18 March 2013**
(54) Product in respect of which the design is registered: **Rectangular platter**
(51) International Design Classification: **07-01B**
(74) Name(s) of Attorney(s): **King & Wood Mallesons**
(71) Name(s) and Address(s) of Applicant(s):
H.A.G. Import Corporation (Australia) Pty Ltd
11-27 Millers Rd Brooklyn VIC 3012 Australia
(72) Name(s) of Designer(s): **Matt Guthrie**
(45) Registration Date: **13 May 2013**
(56) Related Art Documents: **Not Applicable**
(57) Statement of Newness and Distinctiveness: **The following visual features of the design are new and distinctive. The shape and configuration of a rectangular platter as shown in solid lines in the accompanying drawings.**



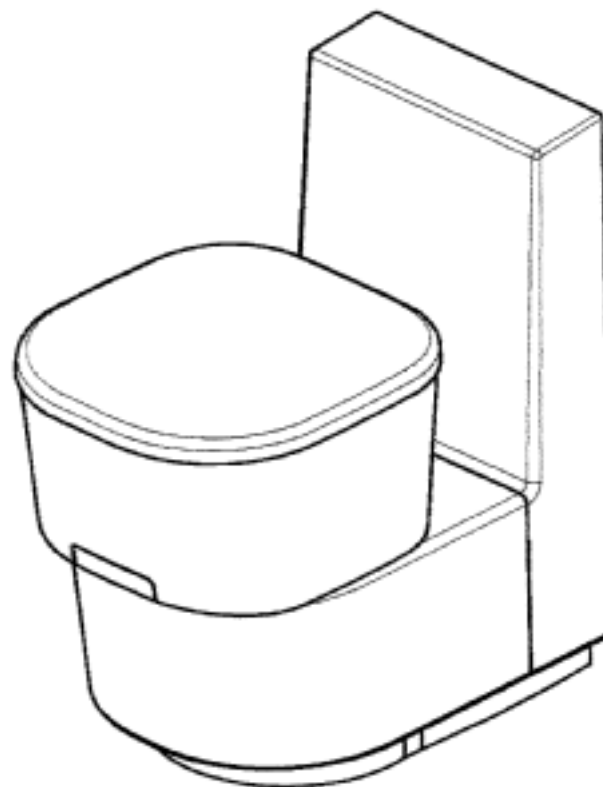
- (21) Design Number: **11366/2013**
(22) Date of Filing Application: **18 March 2013**
(24) Date from which industrial property rights may have effect: **18 March 2013**
(54) Product in respect of which the design is registered: **Saucer**
(51) International Design Classification: **07-01D**
(74) Name(s) of Attorney(s): **King & Wood Mallesons**
(71) Name(s) and Address(s) of Applicant(s):
H.A.G. Import Corporation (Australia) Pty Ltd
11-27 Millers Rd Brooklyn VIC 3012 Australia
(72) Name(s) of Designer(s): **Matt Guthrie**
(45) Registration Date: **13 May 2013**
(56) Related Art Documents: **Not Applicable**
(57) Statement of Newness and Distinctiveness: **The following visual features of the design are new and distinctive. The shape and configuration of the saucer as shown in solid lines in the accompanying drawings.**



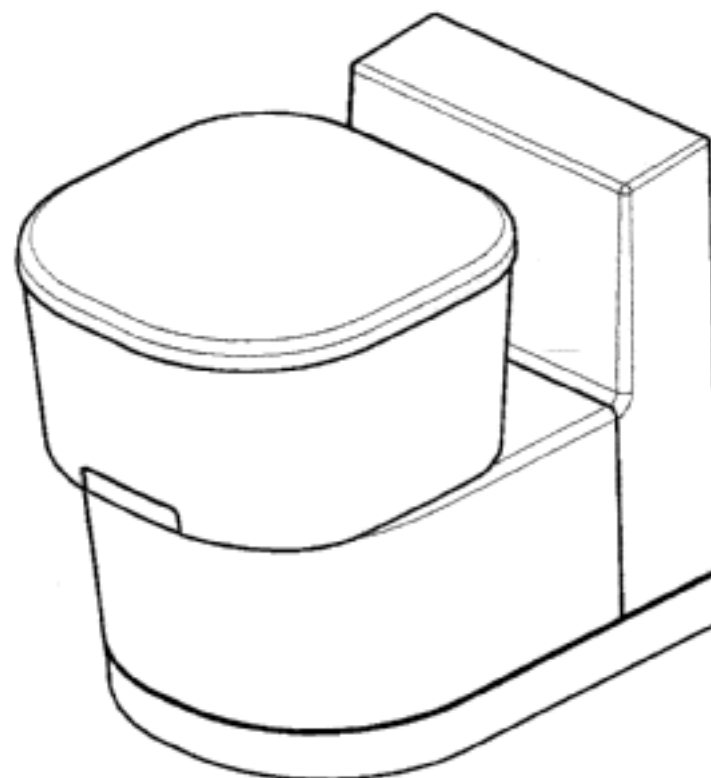
- (21) Design Number: **10671/2013**
(22) Date of Filing Application: **08 February 2013**
(24) Date from which industrial property rights may have effect: **08 February 2013**
(54) Product in respect of which the design is registered: **A Toilet**
(51) International Design Classification: **23-02C**
(74) Name(s) of Attorney(s): **PHILLIPS ORMONDE FITZPATRICK**
(71) Name(s) and Address(s) of Applicant(s):
Dometic GmbH
In der Steinwiese 16 57074 Siegen Germany
(72) Name(s) of Designer(s): **Tim Jochim and Andrew Moseley and Jens Oxenfarth**
(45) Registration Date: **13 May 2013**
(30) Convention priority data:
(31) Number (32) Date (33) Country
002091496 23 Aug 2012 OFFICE FOR HARMONISATION IN THE INTERNAL MARKET (OHIM)
(56) Related Art Documents: **Not Applicable**
(57) Statement of Newness and Distinctiveness: **Those features of the toilet depicted in the representations that are new and distinctive are the shape an/or configuration.**



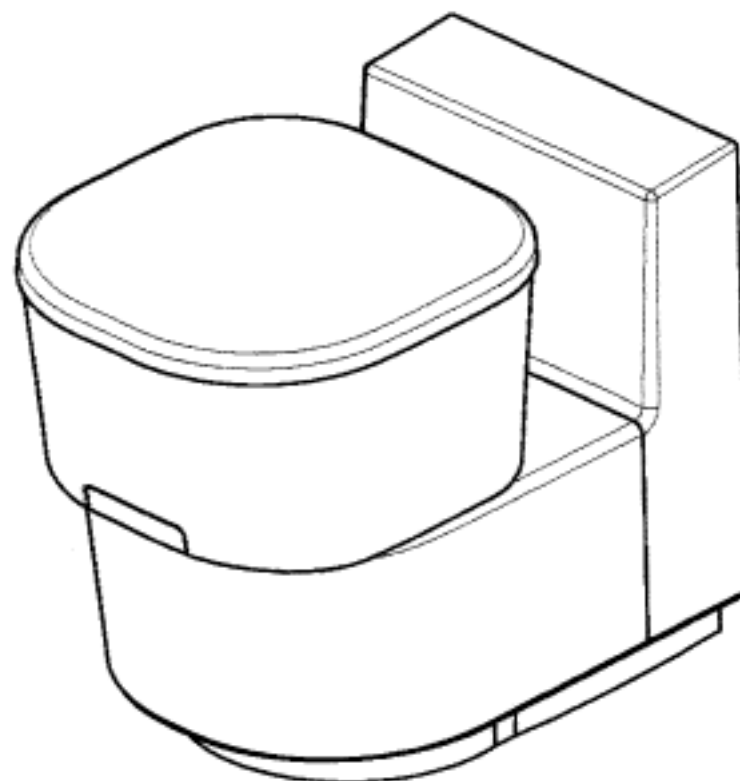
(21) Design Number: **11647/2013**
(22) Date of Filing Application: **08 February 2013**
(24) Date from which industrial property rights may have effect: **08 February 2013**
(54) Product in respect of which the design is registered: **A toilet**
(51) International Design Classification: **23-02C**
(74) Name(s) of Attorney(s): **PHILLIPS ORMONDE FITZPATRICK**
(71) Name(s) and Address(s) of Applicant(s):
Dometic GmbH
In der Steinwiese 16 57074 Siegen Germany
(72) Name(s) of Designer(s): **Tim Jochim and Andrew Moseley and Jens Oxenfarth**
(45) Registration Date: **13 May 2013**
(30) Convention priority data:
(31) Number (32) Date (33) Country
002091496-002 23 Aug 2012 OFFICE FOR HARMONISATION IN THE INTERNAL MARKET (OHIM)
(56) Related Art Documents: **Not Applicable**
(57) Statement of Newness and Distinctiveness: **Those features of the toilet depicted in the representations that are new and distinctive are the shape and/or configuration.**



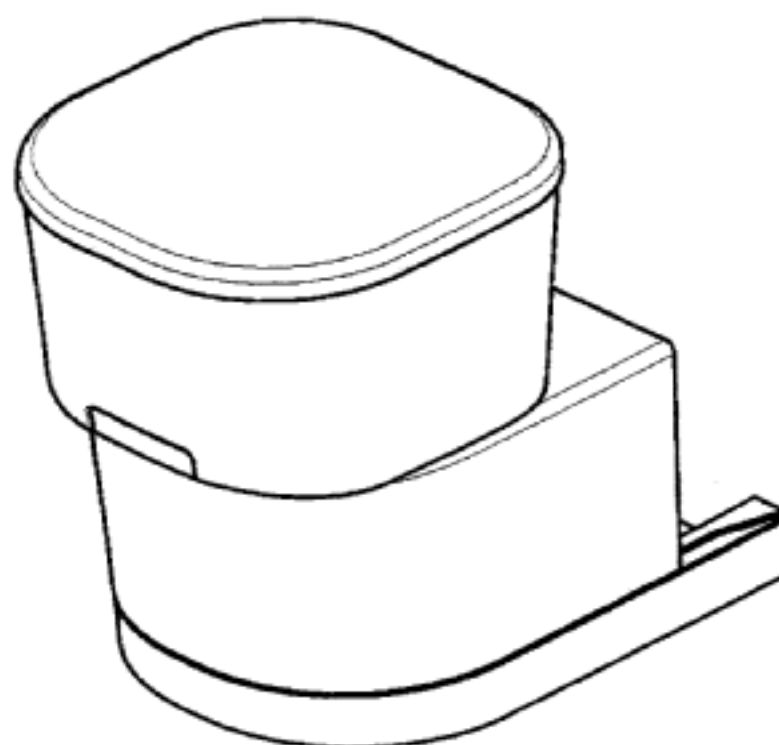
(21) Design Number: **11648/2013**
(22) Date of Filing Application: **08 February 2013**
(24) Date from which industrial property rights may have effect: **08 February 2013**
(54) Product in respect of which the design is registered: **A toilet**
(51) International Design Classification: **23-02C**
(74) Name(s) of Attorney(s): **PHILLIPS ORMONDE FITZPATRICK**
(71) Name(s) and Address(s) of Applicant(s):
Dometic GmbH
In der Steinwiese 16 57074 Siegen Germany
(72) Name(s) of Designer(s): **Tim Jochim and Andrew Moseley and Jens Oxenfarth**
(45) Registration Date: **13 May 2013**
(30) Convention priority data:
(31) Number (32) Date (33) Country
002091496-003 23 Aug 2012 OFFICE FOR HARMONISATION IN THE INTERNAL MARKET (OHIM)
(56) Related Art Documents: **Not Applicable**
(57) Statement of Newness and Distinctiveness: **Those features of the toilet depicted in the representations that are new and distinctive are the shape and/or configuration.**



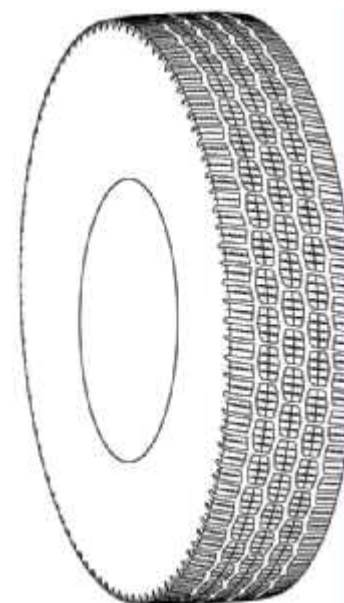
(21) Design Number: **11649/2013**
(22) Date of Filing Application: **08 February 2013**
(24) Date from which industrial property rights may have effect: **08 February 2013**
(54) Product in respect of which the design is registered: **A toilet**
(51) International Design Classification: **23-02C**
(74) Name(s) of Attorney(s): **PHILLIPS ORMONDE FITZPATRICK**
(71) Name(s) and Address(s) of Applicant(s):
Dometic GmbH
In der Steinwiese 16 57074 Siegen Germany
(72) Name(s) of Designer(s): **Tim Jochim and Andrew Moseley and Jens Oxenfarth**
(45) Registration Date: **13 May 2013**
(30) Convention priority data:
(31) Number (32) Date (33) Country
002091496-004 23 Aug 2012 OFFICE FOR HARMONISATION IN THE INTERNAL MARKET (OHIM)
(56) Related Art Documents: **Not Applicable**
(57) Statement of Newness and Distinctiveness: **Those features of the toilet depicted in the representations that are new and distinctive are the shape and/or configuration.**



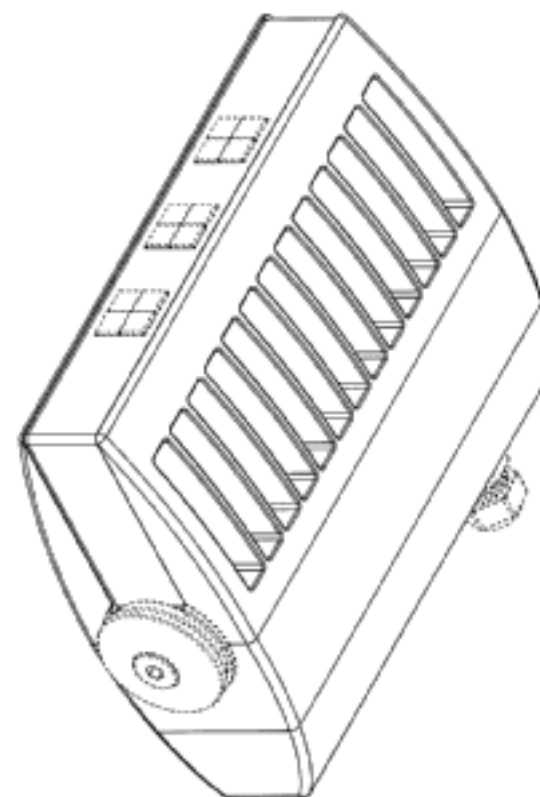
(21) Design Number: **11650/2013**
(22) Date of Filing Application: **08 February 2013**
(24) Date from which industrial property rights may have effect: **08 February 2013**
(54) Product in respect of which the design is registered: **A toilet**
(51) International Design Classification: **23-02C**
(74) Name(s) of Attorney(s): **PHILLIPS ORMONDE FITZPATRICK**
(71) Name(s) and Address(s) of Applicant(s):
Dometic GmbH
In der Steinwiese 16 57074 Siegen Germany
(72) Name(s) of Designer(s): **Tim Jochim and Andrew Moseley and Jens Oxenfarth**
(45) Registration Date: **13 May 2013**
(30) Convention priority data:
(31) Number (32) Date (33) Country
002091496-005 23 Aug 2012 OFFICE FOR HARMONISATION IN THE INTERNAL MARKET (OHIM)
(56) Related Art Documents: **Not Applicable**
(57) Statement of Newness and Distinctiveness: **Those features of the toilet depicted in the representations that are new and distinctive are the shape and/or configuration.**



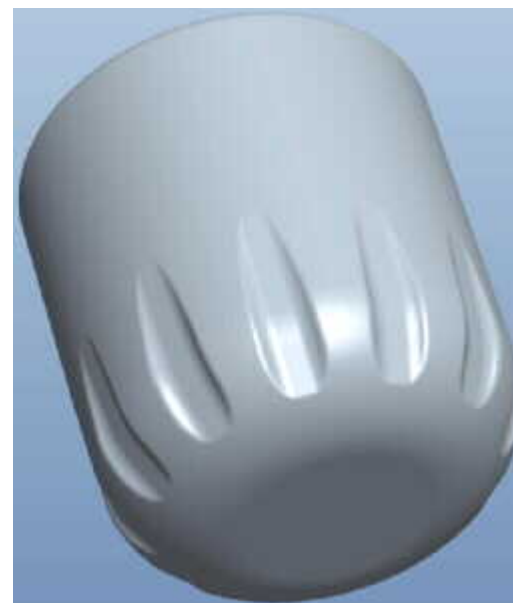
(21) Design Number: **11396/2013**
(22) Date of Filing Application: **19 March 2013**
(24) Date from which industrial property rights may have effect: **19 March 2013**
(54) Product in respect of which the design is registered: **A tyre**
(51) International Design Classification: **12-15B**
(74) Name(s) of Attorney(s): **WATERMARK PATENT AND TRADE MARKS ATTORNEYS**
(71) Name(s) and Address(s) of Applicant(s):
COMPAGNIE GENERALE DES ETABLISSEMENTS MICHELIN
12 cours Sablon Clermont-Ferrand F- 63000 France
Michelin Recherche et Technique S.A.
Route Louis-Braille 10 Granges-Paccot CH-1763 Switzerland
(72) Name(s) of Designer(s): **Jeremy Compte and Jonathan LeJeune**
(45) Registration Date: **14 May 2013**
(30) Convention priority data:
(31) Number (32) Date (33) Country
12/4678 08 Oct 2012 FRANCE
(56) Related Art Documents: **Not Applicable**
(57) Statement of Newness and Distinctiveness: **Newness and distinctiveness resides in the appearance of the tread region of the tyre, the remainder of the tyre not forming part of the design.**



(21) Design Number: **11398/2013**
(22) Date of Filing Application: **19 March 2013**
(24) Date from which industrial property rights may have effect: **19 March 2013**
(54) Product in respect of which the design is registered: **Floodlight**
(51) International Design Classification: **26-03**
(74) Name(s) of Attorney(s): **Madderns**
(71) Name(s) and Address(s) of Applicant(s):
Gerard Lighting Pty Ltd
142-144 Fullarton Rd Rose Park SA 5067 Australia
(72) Name(s) of Designer(s): **Jason Andrew Gerard and Maxwell Dickison**
(45) Registration Date: **14 May 2013**
(56) Related Art Documents: **Not Applicable**
(57) Statement of Newness and Distinctiveness: **Newness and distinctiveness is claimed in the shape and/or configuration of a floodlight as shown in the accompanying drawings. When considering the scope of protection, no regard will be had to the features depicted in dotted lines.**



(21) Design Number: **11422/2013**
(22) Date of Filing Application: **20 March 2013**
(24) Date from which industrial property rights may have effect: **20 March 2013**
(54) Product in respect of which the design is registered: **A swarf collector**
(51) International Design Classification: **09-09, 08-99, 15-99**
(74) Name(s) of Attorney(s): **Cullens Patent and Trade Mark Attorneys**
(71) Name(s) and Address(s) of Applicant(s):
Anthony Bernard Nation
c/o 15 Patrick St Aitkenvale QLD 4810 Australia
(72) Name(s) of Designer(s): **Anthony Bernard Nation**
(45) Registration Date: **14 May 2013**
(56) Related Art Documents: **Not Applicable**
(57) Statement of Newness and Distinctiveness: **Nil**



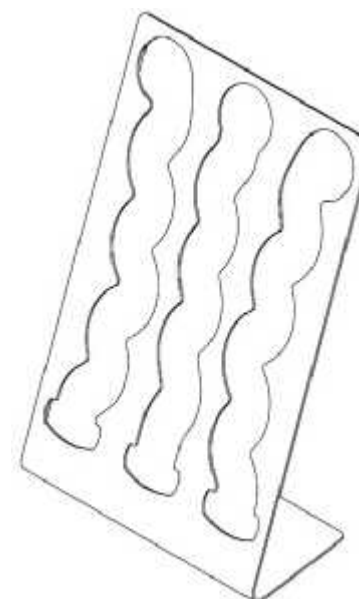
(21) Design Number: **11420/2013**
(22) Date of Filing Application: **20 March 2013**
(24) Date from which industrial property rights may have effect: **20 March 2013**
(54) Product in respect of which the design is registered: **A charger**
(51) International Design Classification: **13-02**
(74) Name(s) of Attorney(s): **Halfords IP**
(71) Name(s) and Address(s) of Applicant(s):
Eveready Battery Company, Inc.
533 Maryville University Drive St Louis Missouri 63141 United States of America
(72) Name(s) of Designer(s): **Jonathan A. Fitch and Donwoong Kang and Scott W. Osiecki**
(45) Registration Date: **14 May 2013**
(30) Convention priority data:
(31) Number (32) Date (33) Country
29/433093 26 Sep 2012 UNITED STATES OF AMERICA
(56) Related Art Documents: **Not Applicable**
(57) Statement of Newness and Distinctiveness: **Newness and distinctiveness resides in those features of shape and or configuration of a charger as depicted in the representations. Shading lines and features shown in broken lines do not form part of the design.**



- (21) Design Number: **11404/2013**
(22) Date of Filing Application: **19 March 2013**
(24) Date from which industrial property rights may have effect: **19 March 2013**
(54) Product in respect of which the design is registered: **Tire tread**
(51) International Design Classification: **12-15C**
(74) Name(s) of Attorney(s): **Lord & Company**
(71) Name(s) and Address(s) of Applicant(s):
EUROTIRE, INC.
200 South Biscayne Boulevard 55th Floor Miami Florida 33131 United States of America
(72) Name(s) of Designer(s): **William E. Rayman**
(45) Registration Date: **14 May 2013**
(30) Convention priority data:
(31) Number (32) Date (33) Country
29/432,895 21 Sep 2012 UNITED STATES OF AMERICA
(56) Related Art Documents: **Not Applicable**
(57) Statement of Newness and Distinctiveness: **The particular visual features of the design which are new and distinctive are pattern or ornament. The features shown in dotted lines are to be disregarded when considering the scope of the design.**



- (21) Design Number: **11402/2013**
(22) Date of Filing Application: **19 March 2013**
(24) Date from which industrial property rights may have effect: **19 March 2013**
(54) Product in respect of which the design is registered: **Coffee capsule/pod holder**
(51) International Design Classification: **07-01G**
(74) Name(s) of Attorney(s):
(71) Name(s) and Address(s) of Applicant(s):
Hologramer Pty Ltd
91 Miskin St Toowong QLD 4066 Australia
(72) Name(s) of Designer(s): **Gareth Adam Schroder and Stephen John McGuinness**
(45) Registration Date: **14 May 2013**
(56) Related Art Documents: **Not Applicable**
(57) Statement of Newness and Distinctiveness: **The newness and distinctiveness of the design resides in the waved 'zigzag' profile of the front cutout. The waved profile slows the drop of the coffee capsules providing both visual and audible feedback.**



(21) Design Number: **11417/2013**
(22) Date of Filing Application: **19 March 2013**
(24) Date from which industrial property rights may have effect: **19 March 2013**
(54) Product in respect of which the design is registered: **A case**
(51) International Design Classification: **03-01NES**
(74) Name(s) of Attorney(s): **SPRUSON & FERGUSON**
(71) Name(s) and Address(s) of Applicant(s):

Lilly Brush Co., LLC
3850 Albion Street Denver CO 80113 United States of America

(72) Name(s) of Designer(s): **Elsie C. Hamilton**

(45) Registration Date: **14 May 2013**

(30) Convention priority data:

(31) Number	(32) Date	(33) Country
29/432807	20 Sep 2012	UNITED STATES OF AMERICA

(56) Related Art Documents: **Not Applicable**

(57) Statement of Newness and Distinctiveness: **Newness and distinctiveness is claimed in the following features of shape and/or configuration and pattern and/or ornamentation of a case as illustrated and labelled in the accompanying representations; noting the curved intersection labelled 'A' between the case lid (labelled 'B') and the case base (labelled 'C') and the differing colours of the case lid and case base.**



(21) Design Number: **11391/2013**
(22) Date of Filing Application: **19 March 2013**
(24) Date from which industrial property rights may have effect: **19 March 2013**
(54) Product in respect of which the design is registered: **Confectionery**
(51) International Design Classification: **01-01**
(74) Name(s) of Attorney(s): **Baker & McKenzie**
(71) Name(s) and Address(s) of Applicant(s):

Mars, Incorporated
6885 Elm Street McLean Virginia 22101-3883 United States of America

(72) Name(s) of Designer(s): **Matthew Wright and Christopher Weston and Sebastian Holled Gwyther and David Ernest Gadd**

(45) Registration Date: **14 May 2013**

(30) Convention priority data:

(31) Number	(32) Date	(33) Country
2106690	20 Sep 2012	OFFICE FOR HARMONISATION IN THE INTERNAL MARKET (OHIM)

(56) Related Art Documents: **Not Applicable**

(57) Statement of Newness and Distinctiveness: **The newness and distinctiveness of the design resides in the features of shape and configuration as depicted in the attached representations.**



(21) Design Number: **11393/2013**

(22) Date of Filing Application: **19 March 2013**

(24) Date from which industrial property rights may have effect: **19 March 2013**

(54) Product in respect of which the design is registered: **Floodlight luminaire**

(51) International Design Classification: **26-03**

(74) Name(s) of Attorney(s): **FB Rice**

(71) Name(s) and Address(s) of Applicant(s):

**Koninklijke Philips Electronics N.V.
High Tech Campus 5 Eindhoven 5656 AE The Netherlands**

(72) Name(s) of Designer(s): **Jian Jin and William Bo Zhou**

(45) Registration Date: **14 May 2013**

(30) Convention priority data:

(31) Number	(32) Date	(33) Country
002105635-0001	19 Sep 2012	OFFICE FOR HARMONISATION IN THE INTERNAL MARKET (OHIM)

(56) Related Art Documents: **Not Applicable**

(57) Statement of Newness and Distinctiveness: **Newness and distinctiveness reside in the features of shape and configuration of the design as shown in the representations.**



(21) Design Number: **11389/2013**

(22) Date of Filing Application: **19 March 2013**

(24) Date from which industrial property rights may have effect: **19 March 2013**

(54) Product in respect of which the design is registered: **A towing link assembly**

(51) International Design Classification: **12-16L**

(74) Name(s) of Attorney(s): **Fraser Old & Sohn**

(71) Name(s) and Address(s) of Applicant(s):

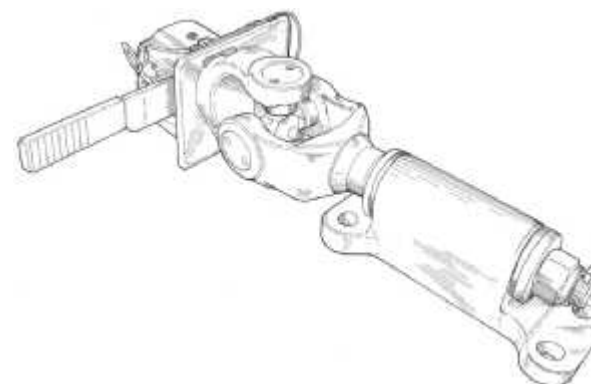
**Joseph John McGinnes
81 Macauley St Lithgow NSW 2790 Australia**

(72) Name(s) of Designer(s): **Joseph John McGinnes**

(45) Registration Date: **14 May 2013**

(56) Related Art Documents: **Not Applicable**

(57) Statement of Newness and Distinctiveness: **Newness and distinctiveness is claimed in respect of the shape and/or configuration of the towing link assembly illustrated in the accompanying representations. In carrying out a consideration in accordance with Section 19 the shape and/or configuration of the actuating handle illustrated in the representations is not to be considered either new or distinctive and does not form part of the design.**



(21) Design Number: **12048/2013**
(22) Date of Filing Application: **03 May 2013**
(24) Date from which industrial property rights may have effect: **03 May 2013**
(54) Product in respect of which the design is registered: **Wallet**
(51) International Design Classification: **03-01B**
(74) Name(s) of Attorney(s):
(71) Name(s) and Address(s) of Applicant(s):

OGON DESIGNS
ZAC du Long Buisson 175 Rue Alberto Santos Dumont Guichainville
27930 France

(72) Name(s) of Designer(s): **Thomas Marcel**
(45) Registration Date: **14 May 2013**
(56) Related Art Documents: **Not Applicable**
(57) Statement of Newness and Distinctiveness: **Nil**



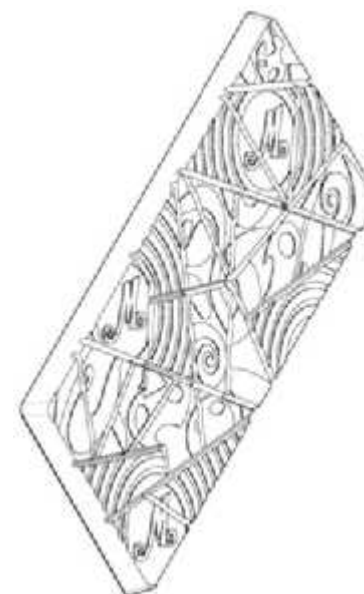
(21) Design Number: **12049/2013**
(22) Date of Filing Application: **03 May 2013**
(24) Date from which industrial property rights may have effect: **03 May 2013**
(54) Product in respect of which the design is registered: **Wallet**
(51) International Design Classification: **03-01B**
(74) Name(s) of Attorney(s):
(71) Name(s) and Address(s) of Applicant(s):

OGON DESIGNS
ZAC du Long Buisson 175 Rue Alberto Santos Dumont Guichainville
27930 France

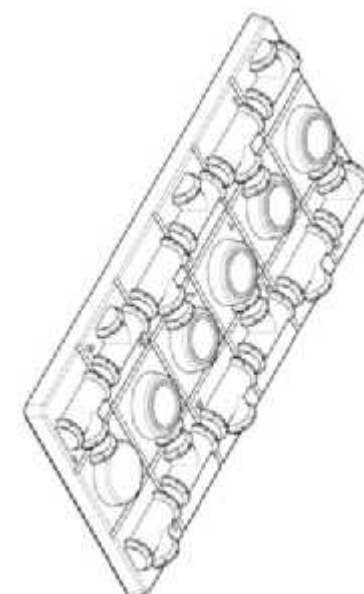
(72) Name(s) of Designer(s): **Thomas Marcel**
(45) Registration Date: **14 May 2013**
(56) Related Art Documents: **Not Applicable**
(57) Statement of Newness and Distinctiveness: **Nil**



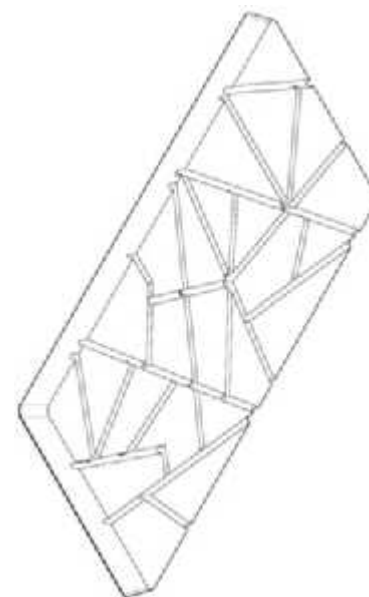
- (21) Design Number: **12005/2013**
(22) Date of Filing Application: **30 April 2013**
(24) Date from which industrial property rights may have effect: **30 April 2013**
(54) Product in respect of which the design is registered: **Chocolate**
(51) International Design Classification: **01-01**
(74) Name(s) of Attorney(s): **Banki Haddock Fiora**
(71) Name(s) and Address(s) of Applicant(s):
Societe des Produits Nestle S.A.
Vevey Canton of Vaud 1800 Switzerland
(72) Name(s) of Designer(s): **Christian Schweitzer**
(45) Registration Date: **14 May 2013**
(56) Related Art Documents: **Not Applicable**
(57) Statement of Newness and Distinctiveness: **Nil**



- (21) Design Number: **12006/2013**
(22) Date of Filing Application: **30 April 2013**
(24) Date from which industrial property rights may have effect: **30 April 2013**
(54) Product in respect of which the design is registered: **Chocolate**
(51) International Design Classification: **01-01**
(74) Name(s) of Attorney(s): **Banki Haddock Fiora**
(71) Name(s) and Address(s) of Applicant(s):
Societe des Produits Nestle S.A.
Vevey Canton of Vaud 1800 Switzerland
(72) Name(s) of Designer(s): **Christian Schweitzer**
(45) Registration Date: **14 May 2013**
(56) Related Art Documents: **Not Applicable**
(57) Statement of Newness and Distinctiveness: **Nil**



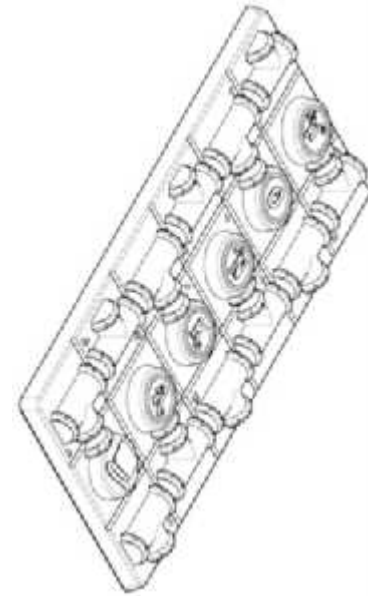
(21) Design Number: **12007/2013**
(22) Date of Filing Application: **30 April 2013**
(24) Date from which industrial property rights may have effect: **30 April 2013**
(54) Product in respect of which the design is registered: **Chocolate**
(51) International Design Classification: **01-01**
(74) Name(s) of Attorney(s): **Banki Haddock Fiora**
(71) Name(s) and Address(s) of Applicant(s):
Societe des Produits Nestle S.A.
Vevey Canton of Vaud 1800 Switzerland
(72) Name(s) of Designer(s): **Christian Schweitzer**
(45) Registration Date: **14 May 2013**
(56) Related Art Documents: **Not Applicable**
(57) Statement of Newness and Distinctiveness: **Nil**



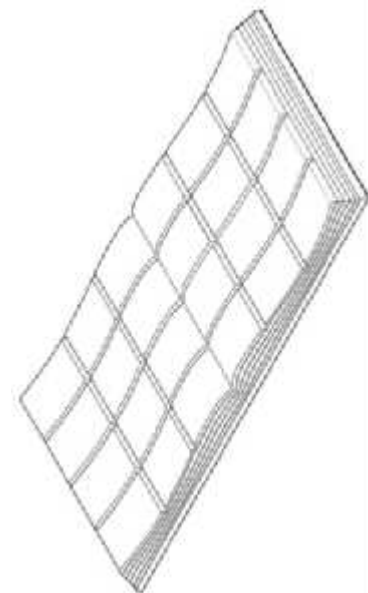
(21) Design Number: **12008/2013**
(22) Date of Filing Application: **30 April 2013**
(24) Date from which industrial property rights may have effect: **30 April 2013**
(54) Product in respect of which the design is registered: **Chocolate**
(51) International Design Classification: **01-01**
(74) Name(s) of Attorney(s): **Banki Haddock Fiora**
(71) Name(s) and Address(s) of Applicant(s):
Societe des Produits Nestle S.A.
Vevey Canton of Vaud 1800 Switzerland
(72) Name(s) of Designer(s): **Christian Schweitzer**
(45) Registration Date: **14 May 2013**
(56) Related Art Documents: **Not Applicable**
(57) Statement of Newness and Distinctiveness: **Nil**



(21) Design Number: **12010/2013**
(22) Date of Filing Application: **30 April 2013**
(24) Date from which industrial property rights may have effect: **30 April 2013**
(54) Product in respect of which the design is registered: **Chocolate**
(51) International Design Classification: **01-01**
(74) Name(s) of Attorney(s): **Banki Haddock Fiora**
(71) Name(s) and Address(s) of Applicant(s):
Societe des Produits Nestle S.A.
Vevey Canton of Vaud 1800 Switzerland
(72) Name(s) of Designer(s): **Christian Schweitzer**
(45) Registration Date: **14 May 2013**
(56) Related Art Documents: **Not Applicable**
(57) Statement of Newness and Distinctiveness: **Nil**



(21) Design Number: **12011/2013**
(22) Date of Filing Application: **30 April 2013**
(24) Date from which industrial property rights may have effect: **30 April 2013**
(54) Product in respect of which the design is registered: **Chocolate**
(51) International Design Classification: **01-01**
(74) Name(s) of Attorney(s): **Banki Haddock Fiora**
(71) Name(s) and Address(s) of Applicant(s):
Societe des Produits Nestle S.A.
Vevey Canton of Vaud 1800 Switzerland
(72) Name(s) of Designer(s): **Christian Schweitzer**
(45) Registration Date: **14 May 2013**
(56) Related Art Documents: **Not Applicable**
(57) Statement of Newness and Distinctiveness: **Nil**



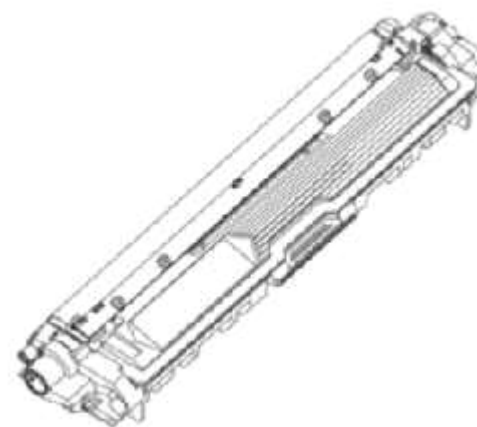
- (21) Design Number: **11378/2013**
(22) Date of Filing Application: **18 March 2013**
(24) Date from which industrial property rights may have effect: **18 March 2013**
(54) Product in respect of which the design is registered: **Gravy boat**
(51) International Design Classification: **07-01F**
(74) Name(s) of Attorney(s): **King & Wood Mallesons**
(71) Name(s) and Address(s) of Applicant(s):
H.A.G. Import Corporation (Australia) Pty Ltd
11-27 Millers Rd Brooklyn VIC 3012 Australia
(72) Name(s) of Designer(s): **Matt Guthrie**
(45) Registration Date: **14 May 2013**
(56) Related Art Documents: **Not Applicable**
(57) Statement of Newness and Distinctiveness: **The following visual features of the design are new and distinctive. The shape and configuration of the gravy boat as shown in solid lines in the accompanying drawings.**



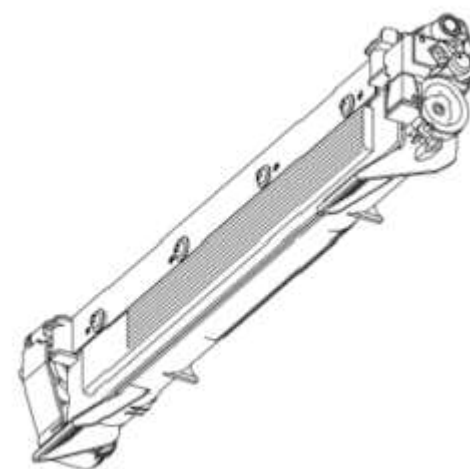
- (21) Design Number: **11016/2013**
(22) Date of Filing Application: **04 March 2013**
(24) Date from which industrial property rights may have effect: **04 March 2013**
(54) Product in respect of which the design is registered: **Portable lamp**
(51) International Design Classification: **26-02**
(74) Name(s) of Attorney(s): **FB Rice**
(71) Name(s) and Address(s) of Applicant(s):
Koninklijke Philips Electronics N.V.
High Tech Campus 5 Eindhoven 5656 AE The Netherlands
(72) Name(s) of Designer(s): **Jin Cherl Kwon and Justin Jiwei Hu and Liwei Gu and Johnson Cheng Zhou**
(45) Registration Date: **14 May 2013**
(30) Convention priority data:
(31) Number (32) Date (33) Country
002096834-0001 04 Sep 2012 OFFICE FOR HARMONISATION IN THE INTERNAL MARKET (OHIM)
(56) Related Art Documents: **Not Applicable**
(57) Statement of Newness and Distinctiveness: **Newness and distinctiveness reside in the features of shape and configuration of the design as shown in the representations.**



(21) Design Number: **11468/2013**
(22) Date of Filing Application: **25 March 2013**
(24) Date from which industrial property rights may have effect: **25 March 2013**
(54) Product in respect of which the design is registered: **Toner cartridge**
(51) International Design Classification: **14-02**
(74) Name(s) of Attorney(s): **Collison & Co**
(71) Name(s) and Address(s) of Applicant(s):
Brother Industries, Ltd.
15-1 Naeshiro-cho Mizuho-ku Nagoya-shi Aichi-ken 467-8561 Japan
(72) Name(s) of Designer(s): **Nao Itabashi and Hideshi Nishiyama and Naoya Kamimura and Ryuya Yamazaki**
(45) Registration Date: **14 May 2013**
(30) Convention priority data:
(31) Number (32) Date (33) Country
2012/025028 16 Oct 2012 JAPAN
(56) Related Art Documents: **Not Applicable**
(57) Statement of Newness and Distinctiveness: **Nil**



(21) Design Number: **11469/2013**
(22) Date of Filing Application: **25 March 2013**
(24) Date from which industrial property rights may have effect: **25 March 2013**
(54) Product in respect of which the design is registered: **Toner cartridge**
(51) International Design Classification: **14-02**
(74) Name(s) of Attorney(s): **Collison & Co**
(71) Name(s) and Address(s) of Applicant(s):
Brother Industries, Ltd.
15-1 Naeshiro-cho Mizuho-ku Nagoya-shi Aichi-ken 467-8561 Japan
(72) Name(s) of Designer(s): **Hiroki Mori and Yasumasa Fujii and Tatsuo Ogasawara**
(45) Registration Date: **14 May 2013**
(30) Convention priority data:
(31) Number (32) Date (33) Country
2012-028326 20 Nov 2012 JAPAN
(56) Related Art Documents: **Not Applicable**
(57) Statement of Newness and Distinctiveness: **Nil**



(21) Design Number: **11470/2013**
(22) Date of Filing Application: **25 March 2013**
(24) Date from which industrial property rights may have effect: **25 March 2013**
(54) Product in respect of which the design is registered: **Tyre**
(51) International Design Classification: **12-15B**
(74) Name(s) of Attorney(s): **Griffith Hack**
(71) Name(s) and Address(s) of Applicant(s):

Continental Reifen Deutschland GmbH
Vahrenwalderstrasse 9 Hannover 30165 Germany

(72) Name(s) of Designer(s): **Peter Bogenschutz and Stefan Rittweger**

(45) Registration Date: **14 May 2013**

(30) Convention priority data:

(31) Number	(32) Date	(33) Country
002122077-0001	19 Oct 2012	OFFICE FOR HARMONISATION IN THE INTERNAL MARKET (OHIM)

(56) Related Art Documents: **Not Applicable**

(57) Statement of Newness and Distinctiveness: **Nil**



(21) Design Number: **11472/2013**
(22) Date of Filing Application: **25 March 2013**
(24) Date from which industrial property rights may have effect: **25 March 2013**
(54) Product in respect of which the design is registered: **Headphones**
(51) International Design Classification: **14-01**
(74) Name(s) of Attorney(s):
(71) Name(s) and Address(s) of Applicant(s):

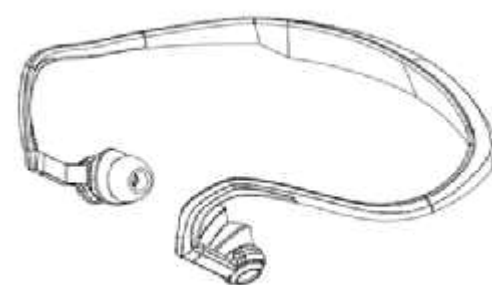
Happy Soldier Group Pty Ltd
SE1 51 Victoria Rd Rozelle NSW 2039 Australia

(72) Name(s) of Designer(s): **Mark Cole and Vincent Sin**

(45) Registration Date: **14 May 2013**

(56) Related Art Documents: **Not Applicable**

(57) Statement of Newness and Distinctiveness: **Newness and distinctiveness is claimed in the features of shape and/or configuration of a set of headphones as depicted in the accompanying drawings.**

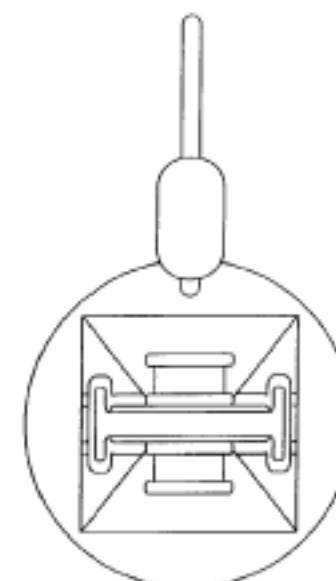


PERSPECTIVE VIEW

(21) Design Number: **11474/2013**
(22) Date of Filing Application: **25 March 2013**
(24) Date from which industrial property rights may have effect: **25 March 2013**
(54) Product in respect of which the design is registered: **Audio apparatus**
(51) International Design Classification: **14-01**
(74) Name(s) of Attorney(s): **FB Rice**
(71) Name(s) and Address(s) of Applicant(s):
LG Electronics Inc.
20 Yeouido-dong Yeongdeungpo-gu Seoul 150-721 Republic of Korea
(72) Name(s) of Designer(s): **Gangho Woo and Yuonui Chong**
(45) Registration Date: **14 May 2013**
(30) Convention priority data:
(31) Number (32) Date (33) Country
30-2012-0046144 25 Sep 2012 REPUBLIC OF KOREA
(56) Related Art Documents: **Not Applicable**
(57) Statement of Newness and Distinctiveness: **Newness and distinctiveness reside in the features of the design as shown in the representations.**



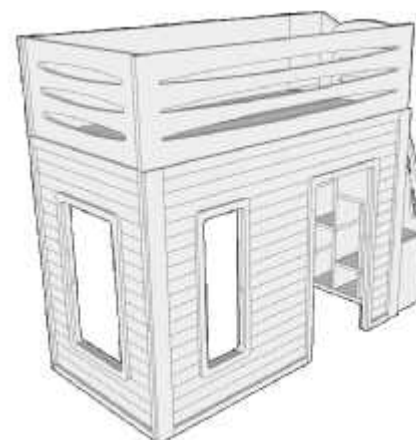
(21) Design Number: **11476/2013**
(22) Date of Filing Application: **25 March 2013**
(24) Date from which industrial property rights may have effect: **25 March 2013**
(54) Product in respect of which the design is registered: **Electric fence steel Y post insulator**
(51) International Design Classification: **13-03B, 08-08K**
(74) Name(s) of Attorney(s): **SPRUSON & FERGUSON**
(71) Name(s) and Address(s) of Applicant(s):
Country Electronics Pty Ltd
11 Industrial Ave Mudgee NSW 2850 Australia
(72) Name(s) of Designer(s): **Ron George Arthur Smith and David Ronald Smith and Ian James McAdam**
(45) Registration Date: **14 May 2013**
(56) Related Art Documents: **Not Applicable**
(57) Statement of Newness and Distinctiveness: **Newness and distinctiveness is claimed in the following features of shape and/or configuration of an electric fence steel Y post insulator as illustrated and labelled in the accompanying representations: a) The dual opposing pins labelled "A"; b) The aperture labelled "B"; c) The T-shaped slot labelled "C"; and d) The aperture labelled "D".**



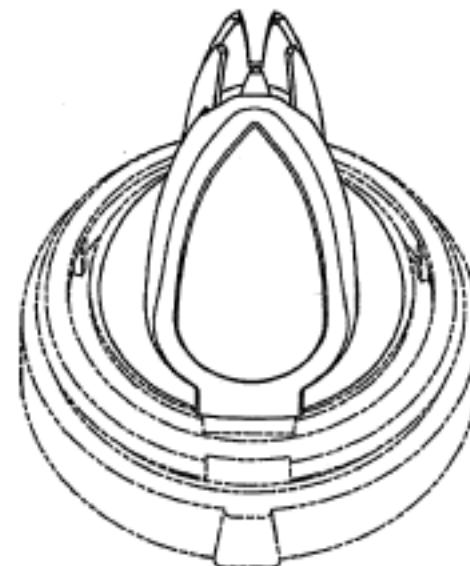
- (21) Design Number: **11479/2013**
(22) Date of Filing Application: **25 March 2013**
(24) Date from which industrial property rights may have effect: **25 March 2013**
(54) Product in respect of which the design is registered: **Teether device**
(51) International Design Classification: **24-04**
(74) Name(s) of Attorney(s): **PHILLIPS ORMONDE FITZPATRICK**
(71) Name(s) and Address(s) of Applicant(s):
Glaxo Group Limited
980 Great Road Brentford Middlesex TW9 9GS United Kingdom
(72) Name(s) of Designer(s): **Marcus Blachford and Andrew Mitchell and Alex Brian and Simon Ritchie**
(45) Registration Date: **14 May 2013**
(30) Convention priority data:
(31) Number (32) Date (33) Country
4026505 27 Sep 2012 UNITED KINGDOM
(56) Related Art Documents: **Not Applicable**
(57) Statement of Newness and Distinctiveness: **Those features of the teething device depicted in the representations that are new and distinctive are the shape and/or configuration. The stippling shown in the representations indicates a different colour from the rest of the device.**



- (21) Design Number: **11480/2013**
(22) Date of Filing Application: **25 March 2013**
(24) Date from which industrial property rights may have effect: **25 March 2013**
(54) Product in respect of which the design is registered: **A loft bed**
(51) International Design Classification: **06-02, 06-05**
(74) Name(s) of Attorney(s):
(71) Name(s) and Address(s) of Applicant(s):
Anne-Marie Bevis
PO BOX 85 Quinns Rocks WA 6030 Australia
(72) Name(s) of Designer(s): **Anne-Marie Bevis**
(45) Registration Date: **14 May 2013**
(56) Related Art Documents: **Not Applicable**
(57) Statement of Newness and Distinctiveness: **It is a new generation of loft bed, which provides a purpose built "play" area or "time out" area for the children to use underneath the top "loft" bed.**



- (21) Design Number: **11499/2013**
(22) Date of Filing Application: **26 March 2013**
(24) Date from which industrial property rights may have effect: **26 March 2013**
(54) Product in respect of which the design is registered: **Dispensing closure**
(51) International Design Classification: **09-07B**
(74) Name(s) of Attorney(s): **SPRUSON & FERGUSON**
(71) Name(s) and Address(s) of Applicant(s):
AptarGroup, Inc.
475 West Terra Cotta Suite E Crystal Lake Illinois 60014-9695 United States of America
(72) Name(s) of Designer(s): **John Wisniewski and Anne F. Stecker**
(45) Registration Date: **14 May 2013**
(30) Convention priority data:
(31) Number (32) Date (33) Country
29/433219 27 Sep 2012 UNITED STATES OF AMERICA
(56) Related Art Documents: **Not Applicable**
(57) Statement of Newness and Distinctiveness: **Newness and distinctiveness is claimed in those features of shape and/or configuration of a dispensing closure illustrated in continuous lines in the accompanying representations.**



- (21) Design Number: **11500/2013**
(22) Date of Filing Application: **26 March 2013**
(24) Date from which industrial property rights may have effect: **26 March 2013**
(54) Product in respect of which the design is registered: **Silver metal lapel pin**
(51) International Design Classification: **11-01NES, 02-07C**
(74) Name(s) of Attorney(s):
(71) Name(s) and Address(s) of Applicant(s):
TheSRF Pty. Ltd.
PO BOX 837 Macleod West VIC 3085 Australia
(72) Name(s) of Designer(s): **Carley Scott**
(45) Registration Date: **14 May 2013**
(56) Related Art Documents: **Not Applicable**
(57) Statement of Newness and Distinctiveness: **The design follows a specific mathematical formula for each curve, shape and feature. The depth & angle of the three notches, or barbs in the feather, one on the left indicating spirit, two on the right indicating mind & body follow the formula. Barbs on the left commence at rachis (spine), on right at calamus (bottom of shaft). All design elements specifically measured to a refined ratio of the golden mean formula reflecting an overall concept of balance, natural growth, support & improvement.**



(21) Design Number: **11503/2013**

(22) Date of Filing Application: **26 March 2013**

(24) Date from which industrial property rights may have effect: **26 March 2013**

(54) Product in respect of which the design is registered: **Dispensing closure**

(51) International Design Classification: **09-07B**

(74) Name(s) of Attorney(s): **SPRUSON & FERGUSON**

(71) Name(s) and Address(s) of Applicant(s):

AptarGroup, Inc.

475 West Terra Cotta Suite E Crystal Lake Illinois 60014-9695 United States of America

(72) Name(s) of Designer(s): **John Wisniewski and Christopher A. Danks**

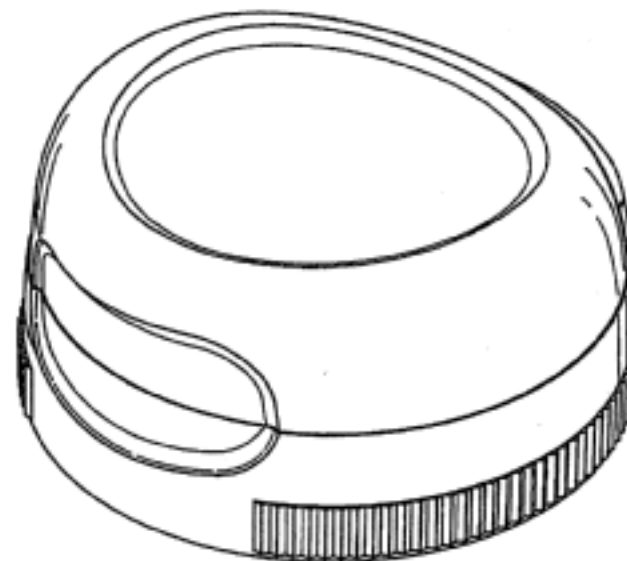
(45) Registration Date: **14 May 2013**

(30) Convention priority data:

(31) Number	(32) Date	(33) Country
29/433230	27 Sep 2012	UNITED STATES OF AMERICA

(56) Related Art Documents: **Not Applicable**

(57) Statement of Newness and Distinctiveness: **Newness and distinctiveness is claimed in the features of shape and/or configuration of a dispensing closure illustrated in the accompanying representations, the features including: a base and a lid each having about the same height; vertical ridges on the lower part of the base, the ridges being in two separate groups-one on the left side and one on the right side; the front vertical surface of the base and the front vertical surface of the lid each having a curved recess that confronts the other recess; and a circular recess in the top surface of the lid.**



(21) Design Number: **11505/2013**

(22) Date of Filing Application: **26 March 2013**

(24) Date from which industrial property rights may have effect: **26 March 2013**

(54) Product in respect of which the design is registered: **Hand bag**

(51) International Design Classification: **03-01B**

(74) Name(s) of Attorney(s): **SPRUSON & FERGUSON**

(71) Name(s) and Address(s) of Applicant(s):

Christian Dior Couture

30 avenue Montaigne Paris 75008 France

(72) Name(s) of Designer(s): **Raf Simons**

(45) Registration Date: **14 May 2013**

(30) Convention priority data:

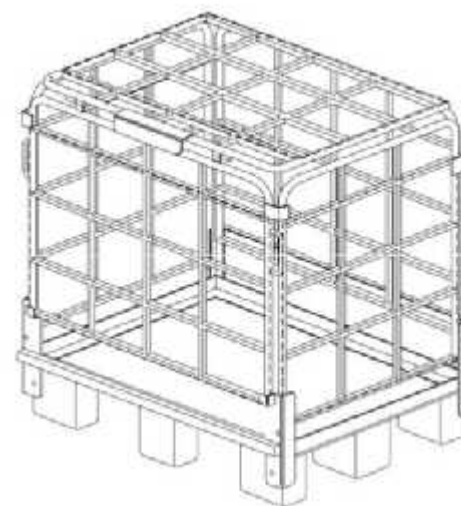
(31) Number	(32) Date	(33) Country
DM/079672	23 Nov 2012	SWITZERLAND

(56) Related Art Documents: **Not Applicable**

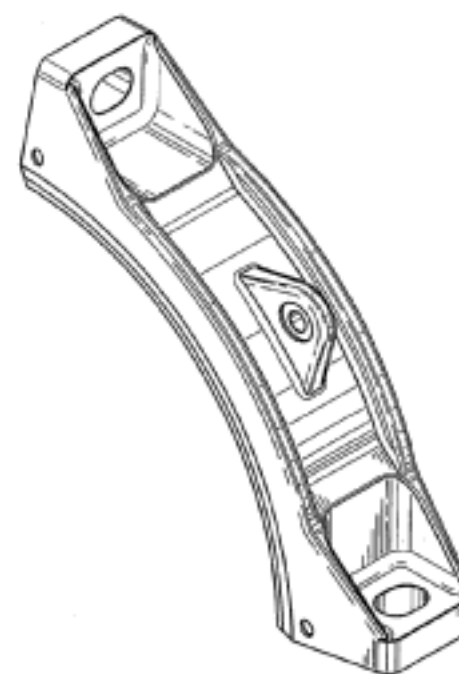
(57) Statement of Newness and Distinctiveness: **Newness and distinctiveness is claimed in the features of shape and/or configuration of a hand bag as illustrated in the accompanying representations.**



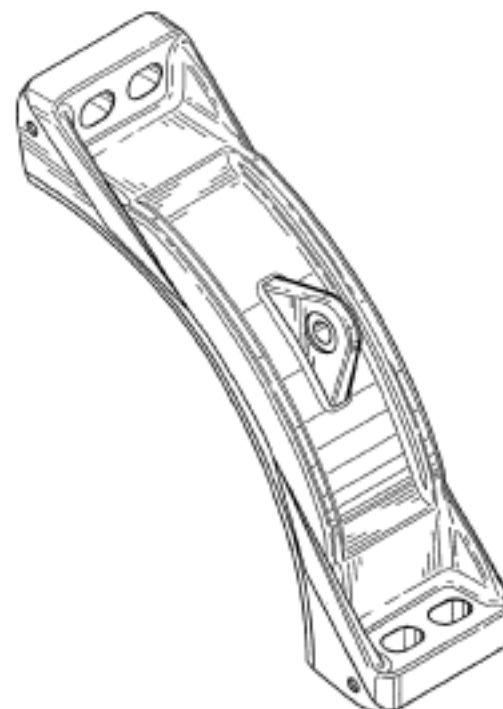
- (21) Design Number: **11508/2013**
(22) Date of Filing Application: **26 March 2013**
(24) Date from which industrial property rights may have effect: **26 March 2013**
(54) Product in respect of which the design is registered: **Container**
(51) International Design Classification: **09-09**
(74) Name(s) of Attorney(s): **Griffith Hack**
(71) Name(s) and Address(s) of Applicant(s):
STP Used Battery Recyclers Pty Ltd
U4/4 Brodie Hall Dr Bentley WA 6102 Australia
(72) Name(s) of Designer(s): **Fenton Goddard**
(45) Registration Date: **14 May 2013**
(56) Related Art Documents: **Not Applicable**
(57) Statement of Newness and Distinctiveness: **Newness and distinctiveness resides in the visual features, including shape, configuration and ornamentation of the product as shown in the accompanying representations. The dashed lines shown in the representations illustrate flat panels that can be attached to the product and have been included for illustrative purposes only.**



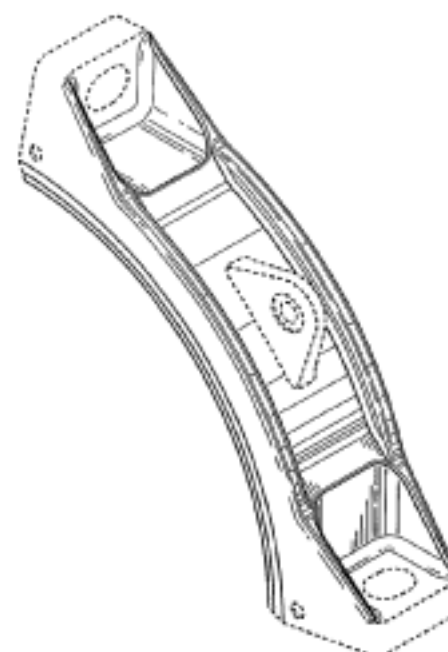
- (21) Design Number: **11532/2013**
(22) Date of Filing Application: **28 March 2013**
(24) Date from which industrial property rights may have effect: **28 March 2013**
(54) Product in respect of which the design is registered: **Pipe coupling segment**
(51) International Design Classification: **23-01A, 08-08D**
(74) Name(s) of Attorney(s): **SPRUSON & FERGUSON**
(71) Name(s) and Address(s) of Applicant(s):
Victaulic Company
4901 Kesslersville Road Easton Pennsylvania 18040 United States of America
(72) Name(s) of Designer(s): **Amit R. Shah and Scott D. Madara**
(45) Registration Date: **14 May 2013**
(30) Convention priority data:
(31) Number (32) Date (33) Country
29/433487 01 Oct 2012 UNITED STATES OF AMERICA
(56) Related Art Documents: **Not Applicable**
(57) Statement of Newness and Distinctiveness: **Newness and distinctiveness is claimed in the features of shape/or configuration of a pipe coupling segment as illustrated in the accompanying representations.**



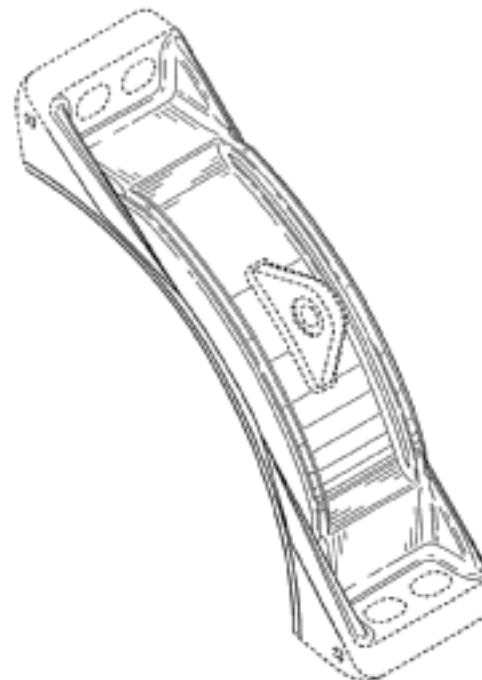
(21) Design Number: **11533/2013**
(22) Date of Filing Application: **28 March 2013**
(24) Date from which industrial property rights may have effect: **28 March 2013**
(54) Product in respect of which the design is registered: **Pipe coupling segment**
(51) International Design Classification: **23-01A, 08-08D**
(74) Name(s) of Attorney(s): **SPRUSON & FERGUSON**
(71) Name(s) and Address(s) of Applicant(s):
Victaulic Company
4901 Kesslersville Road Easton Pennsylvania 18040 United States of America
(72) Name(s) of Designer(s): **Amit R. Shah and Scott D. Madara**
(45) Registration Date: **14 May 2013**
(30) Convention priority data:
(31) Number (32) Date (33) Country
29/433534 01 Oct 2012 UNITED STATES OF AMERICA
(56) Related Art Documents: **Not Applicable**
(57) Statement of Newness and Distinctiveness: **Newness and distinctiveness is claimed in the features of shape/or configuration of a pipe coupling segment as illustrated in the accompanying representations.**



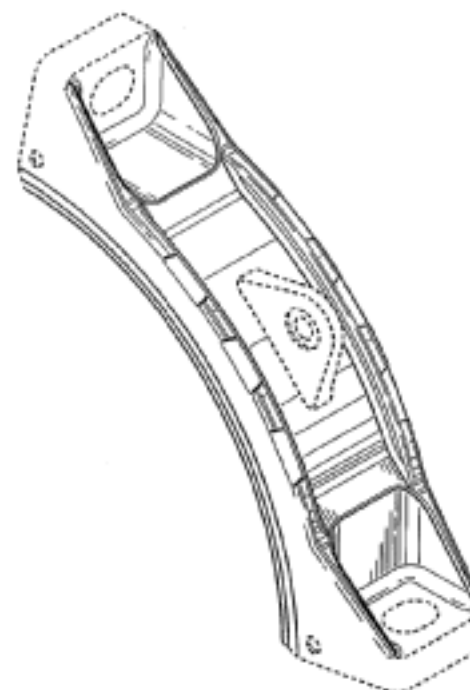
(21) Design Number: **11534/2013**
(22) Date of Filing Application: **28 March 2013**
(24) Date from which industrial property rights may have effect: **28 March 2013**
(54) Product in respect of which the design is registered: **Pipe coupling segment**
(51) International Design Classification: **23-01A, 08-08D**
(74) Name(s) of Attorney(s): **SPRUSON & FERGUSON**
(71) Name(s) and Address(s) of Applicant(s):
Victaulic Company
4901 Kesslersville Road Easton Pennsylvania 18040 United States of America
(72) Name(s) of Designer(s): **Amit R. Shah and Scott D. Madara**
(45) Registration Date: **14 May 2013**
(30) Convention priority data:
(31) Number (32) Date (33) Country
29/433487 01 Oct 2012 UNITED STATES OF AMERICA
(56) Related Art Documents: **Not Applicable**
(57) Statement of Newness and Distinctiveness: **Newness and distinctiveness is claimed in those features of shape/or configuration of a pipe coupling segment illustrated in continuous lines in the accompanying representations.**



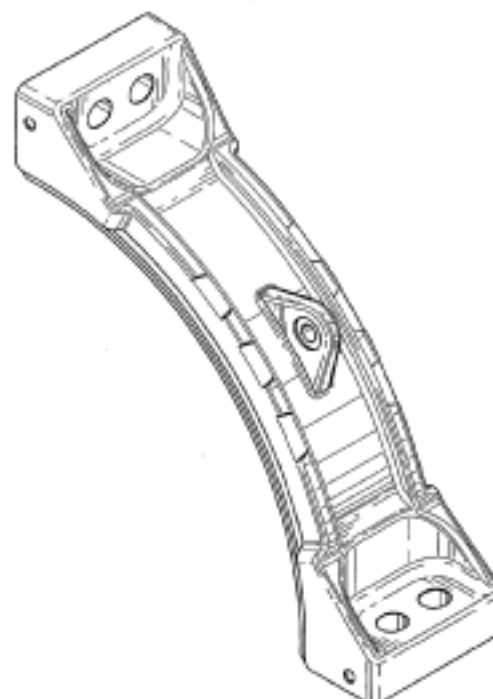
(21) Design Number: **11535/2013**
(22) Date of Filing Application: **28 March 2013**
(24) Date from which industrial property rights may have effect: **28 March 2013**
(54) Product in respect of which the design is registered: **Pipe coupling segment**
(51) International Design Classification: **23-01A, 08-08D**
(74) Name(s) of Attorney(s): **SPRUSON & FERGUSON**
(71) Name(s) and Address(s) of Applicant(s):
Victaulic Company
4901 Kesslersville Road Easton Pennsylvania 18040 United States of America
(72) Name(s) of Designer(s): **Amit R. Shah and Scott D. Madara**
(45) Registration Date: **14 May 2013**
(30) Convention priority data:
(31) Number (32) Date (33) Country
29/433534 01 Oct 2012 UNITED STATES OF AMERICA
(56) Related Art Documents: **Not Applicable**
(57) Statement of Newness and Distinctiveness: **Newness and distinctiveness is claimed in those features of shape/or configuration of a pipe coupling segment illustrated in continuous lines in the accompanying representations.**



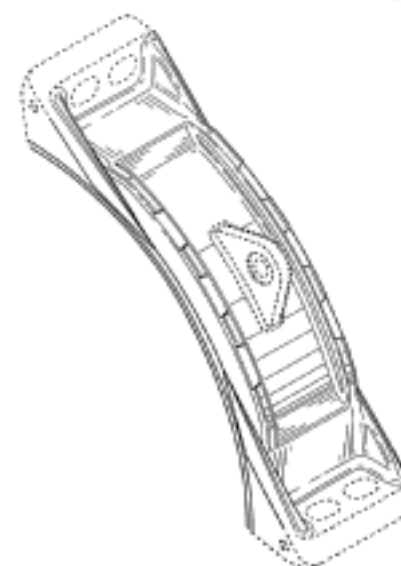
(21) Design Number: **11536/2013**
(22) Date of Filing Application: **28 March 2013**
(24) Date from which industrial property rights may have effect: **28 March 2013**
(54) Product in respect of which the design is registered: **Pipe coupling segment**
(51) International Design Classification: **23-01A, 08-08D**
(74) Name(s) of Attorney(s): **SPRUSON & FERGUSON**
(71) Name(s) and Address(s) of Applicant(s):
Victaulic Company
4901 Kesslersville Road Easton PA 18040 United States of America
(72) Name(s) of Designer(s): **Scott D. Madara and Amit R. Shah**
(45) Registration Date: **14 May 2013**
(30) Convention priority data:
(31) Number (32) Date (33) Country
29/433536 01 Oct 2012 UNITED STATES OF AMERICA
(56) Related Art Documents: **Not Applicable**
(57) Statement of Newness and Distinctiveness: **Newness and distinctiveness is claimed in those features of shape and/or configuration of a pipe coupling segment illustrated in continuous lines in the accompanying representations.**



(21) Design Number: **11539/2013**
(22) Date of Filing Application: **28 March 2013**
(24) Date from which industrial property rights may have effect: **28 March 2013**
(54) Product in respect of which the design is registered: **Pipe coupling segment**
(51) International Design Classification: **23-01A, 08-08D**
(74) Name(s) of Attorney(s): **SPRUSON & FERGUSON**
(71) Name(s) and Address(s) of Applicant(s):
Victaulic Company
4901 Kesslersville Road Easton PA 18040 United States of America
(72) Name(s) of Designer(s): **Scott D. Madara and Amit R. Shah**
(45) Registration Date: **14 May 2013**
(30) Convention priority data:
(31) Number (32) Date (33) Country
29/433585 02 Oct 2012 UNITED STATES OF AMERICA
(56) Related Art Documents: **Not Applicable**
(57) Statement of Newness and Distinctiveness: **Newness and distinctiveness is claimed in the features of shape and/or configuration of a pipe coupling segment as illustrated in the accompanying representations.**



(21) Design Number: **11540/2013**
(22) Date of Filing Application: **28 March 2013**
(24) Date from which industrial property rights may have effect: **28 March 2013**
(54) Product in respect of which the design is registered: **Pipe coupling segment**
(51) International Design Classification: **23-01A, 08-08D**
(74) Name(s) of Attorney(s): **SPRUSON & FERGUSON**
(71) Name(s) and Address(s) of Applicant(s):
Victaulic Company
4901 Kesslersville Road Easton PA 18040 United States of America
(72) Name(s) of Designer(s): **Scott D. Madara and Amit R. Shah**
(45) Registration Date: **14 May 2013**
(30) Convention priority data:
(31) Number (32) Date (33) Country
29/433587 02 Oct 2012 UNITED STATES OF AMERICA
(56) Related Art Documents: **Not Applicable**
(57) Statement of Newness and Distinctiveness: **Newness and distinctiveness is claimed in those features of shape and/or configuration of a pipe coupling segment illustrated in continuous lines in the accompanying representations.**



(21) Design Number: **11541/2013**
(22) Date of Filing Application: **28 March 2013**
(24) Date from which industrial property rights may have effect: **28 March 2013**
(54) Product in respect of which the design is registered: **Pipe coupling segment**
(51) International Design Classification: **23-01A, 08-08D**
(74) Name(s) of Attorney(s): **SPRUSON & FERGUSON**
(71) Name(s) and Address(s) of Applicant(s):

Victaulic Company
4901 Kesslersville Road Easton PA 18040 United States of America

(72) Name(s) of Designer(s): **Scott D. Madara and Amit R. Shah**

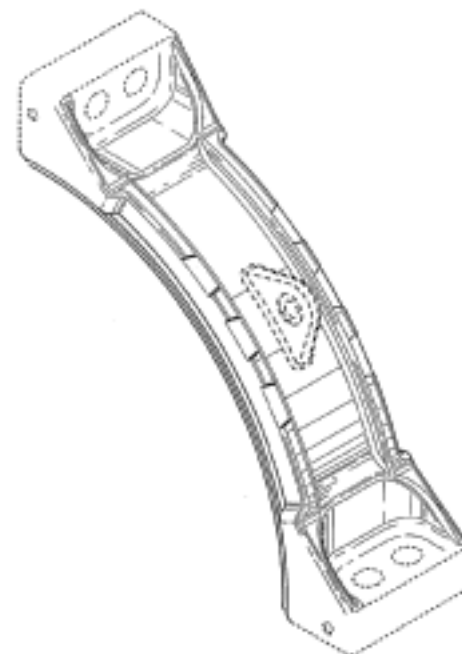
(45) Registration Date: **14 May 2013**

(30) Convention priority data:

(31) Number	(32) Date	(33) Country
29/433585	02 Oct 2012	UNITED STATES OF AMERICA

(56) Related Art Documents: **Not Applicable**

(57) Statement of Newness and Distinctiveness: **Newness and distinctiveness is claimed in those features of shape and/or configuration of a pipe coupling segment illustrated in continuous lines in the accompanying representations.**



(21) Design Number: **11542/2013**
(22) Date of Filing Application: **28 March 2013**
(24) Date from which industrial property rights may have effect: **28 March 2013**
(54) Product in respect of which the design is registered: **Portable toilet roof**
(51) International Design Classification: **23-02C, 25-02NES**
(74) Name(s) of Attorney(s):
(71) Name(s) and Address(s) of Applicant(s):

Ready Industries Pty. Ltd.
PO BOX 330 Niddrie VIC 3042 Australia

(72) Name(s) of Designer(s): **Martin Fouracre and Bruce Fouracre**

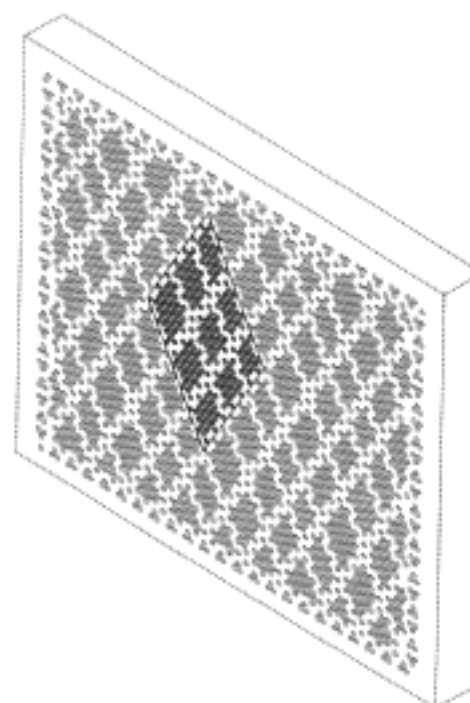
(45) Registration Date: **14 May 2013**

(56) Related Art Documents: **Not Applicable**

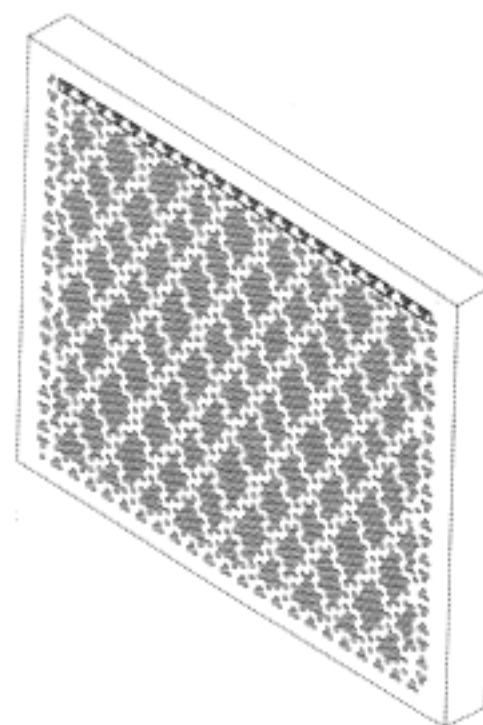
(57) Statement of Newness and Distinctiveness: **Newness & Distinctiveness is claimed (but not limited to) the visual features of the recessed gutter in the top of the Portable Toilet Roof and the dome shape and surrounding ribs in the bottom of the Portable Toilet Roof.**



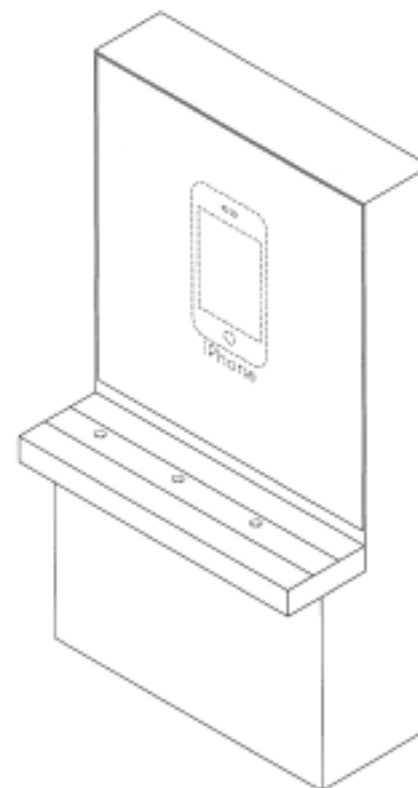
- (21) Design Number: **11577/2013**
(22) Date of Filing Application: **27 March 2013**
(24) Date from which industrial property rights may have effect: **27 March 2013**
(54) Product in respect of which the design is registered: **Burner plate**
(51) International Design Classification: **07-02E**
(74) Name(s) of Attorney(s): **Fisher Adams Kelly**
(71) Name(s) and Address(s) of Applicant(s):
Rinnai Corporation
2-26 Fukuzumi-cho Nakagawa-ku Nagoya-shi Aichi-ken 454-0802 Japan
(72) Name(s) of Designer(s): **Kazuyuki Akagi and Masaru Takeuchi**
(45) Registration Date: **14 May 2013**
(30) Convention priority data:
(31) Number (32) Date (33) Country
2012-023995 02 Oct 2012 JAPAN
(56) Related Art Documents: **Not Applicable**
(57) Statement of Newness and Distinctiveness: **The newness and distinctiveness of the design resides in the shape and/or configuration of the BURNER PLATE shown in the representations. The dot-dashed lines define the boundary of the claimed design. The features shown in the broken lines in the representations depict environmental matter only and form no part of the claimed design.**



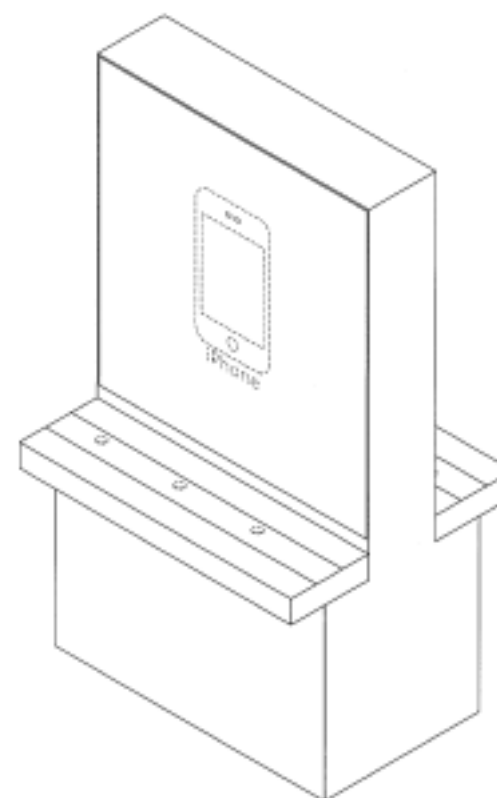
- (21) Design Number: **11578/2013**
(22) Date of Filing Application: **27 March 2013**
(24) Date from which industrial property rights may have effect: **27 March 2013**
(54) Product in respect of which the design is registered: **Burner plate**
(51) International Design Classification: **07-02E**
(74) Name(s) of Attorney(s): **Fisher Adams Kelly**
(71) Name(s) and Address(s) of Applicant(s):
Rinnai Corporation
2-26 Fukuzumi-cho Nakagawa-ku Nagoya-shi Aichi-ken 454-0802 Japan
(72) Name(s) of Designer(s): **Kazuyuki Akagi and Masaru Takeuchi**
(45) Registration Date: **14 May 2013**
(30) Convention priority data:
(31) Number (32) Date (33) Country
2012-023996 02 Oct 2012 JAPAN
(56) Related Art Documents: **Not Applicable**
(57) Statement of Newness and Distinctiveness: **The newness and distinctiveness of the design resides in the shape and/or configuration of the BURNER PLATE shown in the representations. The dot-dashed lines define the boundary of the claimed design. The features shown in the broken lines in the representations depict environmental matter only and form no part of the claimed design.**



- (21) Design Number: **11424/2013**
(22) Date of Filing Application: **19 March 2013**
(24) Date from which industrial property rights may have effect: **19 March 2013**
(54) Product in respect of which the design is registered: **Display structure**
(51) International Design Classification: **20-03NES, 20-02C**
(74) Name(s) of Attorney(s): **Freehills Patent Attorneys**
(71) Name(s) and Address(s) of Applicant(s):
Apple Inc.
1 Infinite Loop Cupertino California 95014 United States of America
(72) Name(s) of Designer(s): **Federico F. Tio and Frank C. Thaler and Wesley B. Hamm and Kevin F. Smeds and Russell J. Kaaihue Heirakuji**
(45) Registration Date: **14 May 2013**
(30) Convention priority data:
(31) Number (32) Date (33) Country
29/432724 19 Sep 2012 UNITED STATES OF AMERICA
(56) Related Art Documents: **Not Applicable**
(57) Statement of Newness and Distinctiveness: **Newness and distinctiveness resides in the features of shape and configuration shown in solid outline in the accompanying representations.**

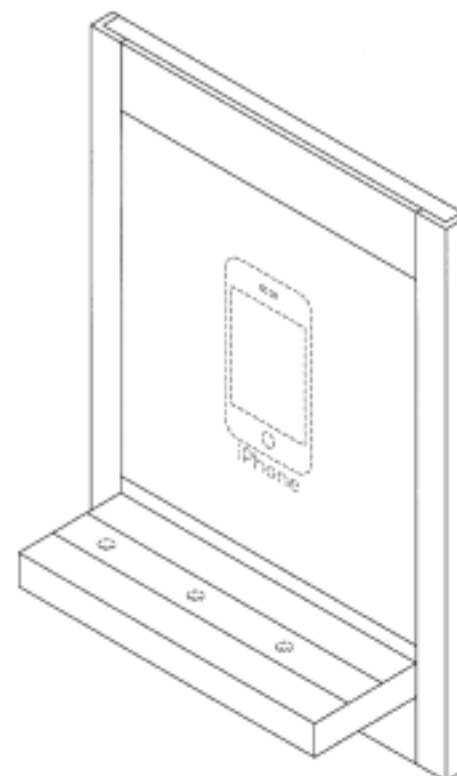


- (21) Design Number: **11425/2013**
(22) Date of Filing Application: **19 March 2013**
(24) Date from which industrial property rights may have effect: **19 March 2013**
(54) Product in respect of which the design is registered: **Display structure**
(51) International Design Classification: **20-03NES, 20-02C**
(74) Name(s) of Attorney(s): **Freehills Patent Attorneys**
(71) Name(s) and Address(s) of Applicant(s):
Apple Inc.
1 Infinite Loop Cupertino California 95014 United States of America
(72) Name(s) of Designer(s): **Federico F. Tio and Frank C. Thaler and Wesley B. Hamm and Kevin F. Smeds and Russell J. Kaaihue Heirakuji**
(45) Registration Date: **14 May 2013**
(30) Convention priority data:
(31) Number (32) Date (33) Country
29/432724 19 Sep 2012 UNITED STATES OF AMERICA
(56) Related Art Documents: **Not Applicable**
(57) Statement of Newness and Distinctiveness: **Newness and distinctiveness resides in the features of shape and configuration shown in solid outline in the accompanying representations.**



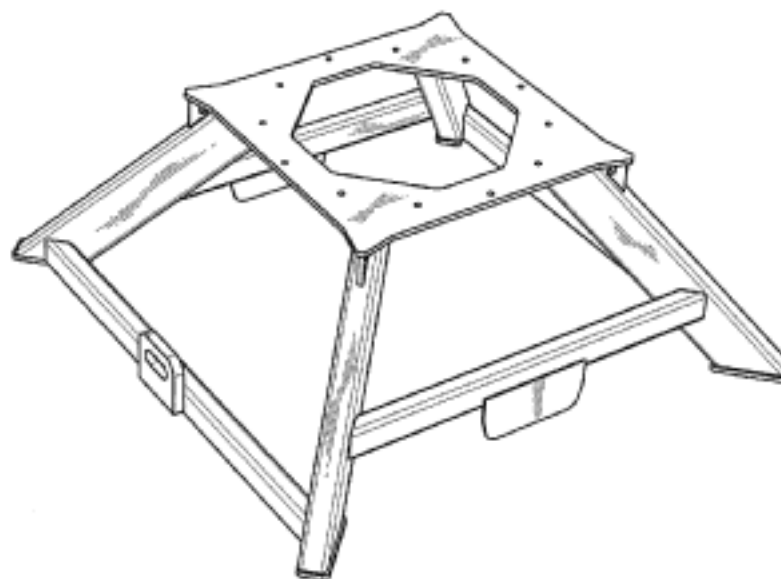
(19) AU

(21) Design Number: **11426/2013**
 (22) Date of Filing Application: **19 March 2013**
 (24) Date from which industrial property rights may have effect: **19 March 2013**
 (54) Product in respect of which the design is registered: **Display structure**
 (51) International Design Classification: **20-03NES, 20-02C**
 (74) Name(s) of Attorney(s): **Freehills Patent Attorneys**
 (71) Name(s) and Address(s) of Applicant(s):
Apple Inc.
1 Infinite Loop Cupertino California 95014 United States of America
 (72) Name(s) of Designer(s): **Federico F. Tio and Frank C. Thaler and Wesley B. Hamm and Kevin F. Smeds and Russell J. Kaaihue Heirakuji**
 (45) Registration Date: **14 May 2013**
 (30) Convention priority data:
 (31) Number (32) Date (33) Country
29/432724 19 Sep 2012 UNITED STATES OF AMERICA
 (56) Related Art Documents: **Not Applicable**
 (57) Statement of Newness and Distinctiveness: **Newness and distinctiveness resides in the features of shape and configuration shown in solid outline in the accompanying representations.**

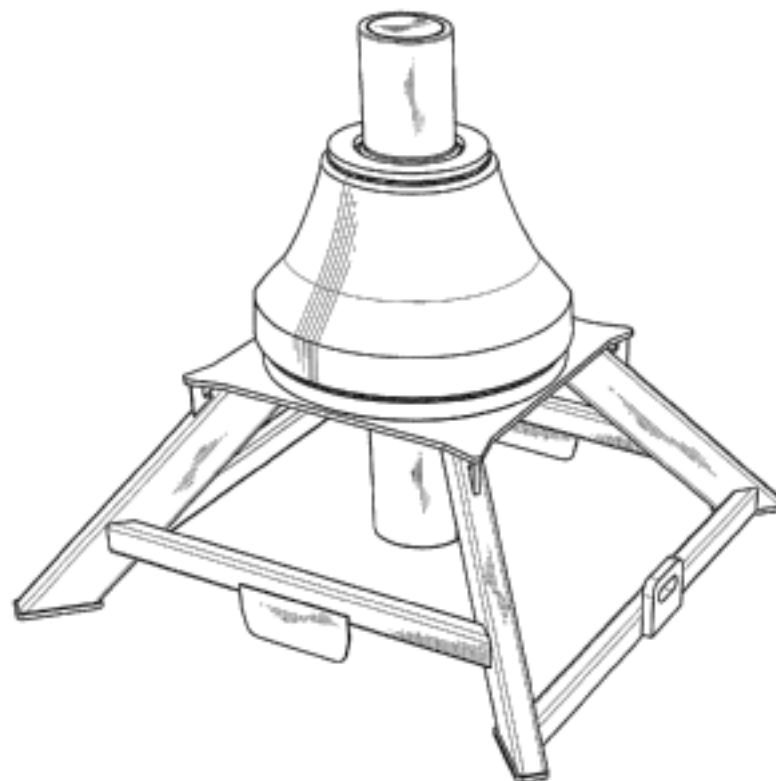


(19) AU

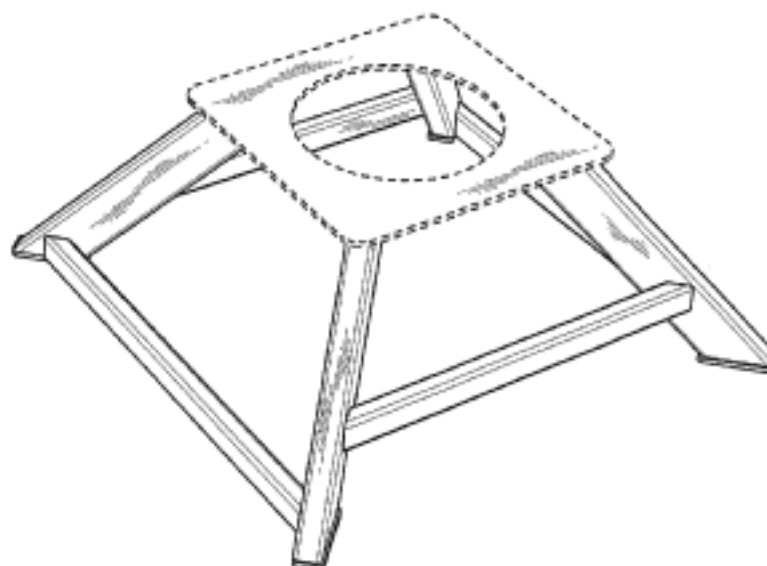
(21) Design Number: **10926/2013**
 (22) Date of Filing Application: **27 February 2013**
 (24) Date from which industrial property rights may have effect: **27 February 2013**
 (54) Product in respect of which the design is registered: **Transport rack for shaft**
 (51) International Design Classification: **09-99, 06-04NES**
 (74) Name(s) of Attorney(s): **Griffith Hack**
 (71) Name(s) and Address(s) of Applicant(s):
Sandvik Intellectual Property AB
Sandviken SE-811 81 Sweden
 (72) Name(s) of Designer(s): **Rrezart Zejnnullahu**
 (45) Registration Date: **14 May 2013**
 (30) Convention priority data:
 (31) Number (32) Date (33) Country
001341267-0001 28 Aug 2012 OFFICE FOR HARMONISATION IN THE INTERNAL MARKET (OHIM)
 (56) Related Art Documents: **Not Applicable**
 (57) Statement of Newness and Distinctiveness: **Nil**



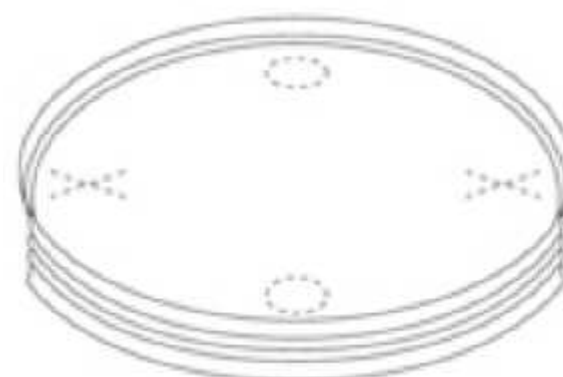
(21) Design Number: **10927/2013**
(22) Date of Filing Application: **27 February 2013**
(24) Date from which industrial property rights may have effect: **27 February 2013**
(54) Product in respect of which the design is registered: **Transport rack for shaft**
(51) International Design Classification: **09-99, 06-04NES**
(74) Name(s) of Attorney(s): **Griffith Hack**
(71) Name(s) and Address(s) of Applicant(s):
Sandvik Intellectual Property AB
Sandviken SE-811 81 Sweden
(72) Name(s) of Designer(s): **Rrezart Zejnullahu**
(45) Registration Date: **14 May 2013**
(30) Convention priority data:
(31) Number (32) Date (33) Country
001341267-0002 28 Aug 2012 OFFICE FOR HARMONISATION IN
THE INTERNAL MARKET (OHIM)
(56) Related Art Documents: **Not Applicable**
(57) Statement of Newness and Distinctiveness: **Nil**



(21) Design Number: **10928/2013**
(22) Date of Filing Application: **27 February 2013**
(24) Date from which industrial property rights may have effect: **27 February 2013**
(54) Product in respect of which the design is registered: **Transport rack for shaft**
(51) International Design Classification: **09-99, 06-04NES**
(74) Name(s) of Attorney(s): **Griffith Hack**
(71) Name(s) and Address(s) of Applicant(s):
Sandvik Intellectual Property AB
Sandviken SE-811 81 Sweden
(72) Name(s) of Designer(s): **Rrezart Zejnullahu**
(45) Registration Date: **14 May 2013**
(30) Convention priority data:
(31) Number (32) Date (33) Country
001341267-003 28 Aug 2012 OFFICE FOR HARMONISATION IN
THE INTERNAL MARKET (OHIM)
(56) Related Art Documents: **Not Applicable**
(57) Statement of Newness and Distinctiveness: **Newness and distinctiveness resides in the visual features, including shape and configuration, of a transport rack as shown in solid outline in the accompanying drawings. When determining whether the design is substantially similar in overall impression to another design, no regard is to be had to those features shown in dotted outline in the accompanying drawings, which features are provided for illustrative purposes only.**



- (21) Design Number: **11111/2013**
(22) Date of Filing Application: **08 March 2013**
(24) Date from which industrial property rights may have effect: **08 March 2013**
(54) Product in respect of which the design is registered: **Lid**
(51) International Design Classification: **09-07B**
(74) Name(s) of Attorney(s): **Shelston IP**
(71) Name(s) and Address(s) of Applicant(s):
Stephen Layfield
Layfield Design L6 69 Reservoir St Surry Hills NSW 2010 Australia
(72) Name(s) of Designer(s): **Stephen Layfield**
(45) Registration Date: **14 May 2013**
(56) Related Art Documents: **Not Applicable**
(57) Statement of Newness and Distinctiveness: **Newness and distinctiveness reside in the features of shape and/or configuration of a lid as illustrated in solid lines in the accompanying representations. Those features illustrated in broken lines are intended only to place the design in the appropriate context and do not form part of the design.**



- (21) Design Number: **11276/2013**
(22) Date of Filing Application: **14 March 2013**
(24) Date from which industrial property rights may have effect: **14 March 2013**
(54) Product in respect of which the design is registered: **Bottle and cap assembly**
(51) International Design Classification: **09-01NES**
(74) Name(s) of Attorney(s): **Shelston IP**
(71) Name(s) and Address(s) of Applicant(s):
The Libman Company
220 North Sheldon Street Arcola Illinois 61910 United States of America
(72) Name(s) of Designer(s): **Andrew J. Sanguinet and Steven R. Kroplewski and Brett R. Niggel**
(45) Registration Date: **14 May 2013**
(30) Convention priority data:
(31) Number (32) Date (33) Country
29/432183 14 Sep 2012 UNITED STATES OF AMERICA
(56) Related Art Documents: **Not Applicable**
(57) Statement of Newness and Distinctiveness: **Newness and distinctiveness reside in the features of shape and/or configuration of a bottle and cap assembly as illustrated by solid lines in the accompanying representations. The features shown in broken outline are for contextual purposes only and do not form part of the design.**



(21) Design Number: **11279/2013**

(22) Date of Filing Application: **14 March 2013**

(24) Date from which industrial property rights may have effect: **14 March 2013**

(54) Product in respect of which the design is registered: **Tyre**

(51) International Design Classification: **12-15B**

(74) Name(s) of Attorney(s): **Griffith Hack**

(71) Name(s) and Address(s) of Applicant(s):

**Continental Reifen Deutschland GmbH
Vahrenwalderstrasse 9 30165 Hannover Germany**

(72) Name(s) of Designer(s): **Stefan Rittweger**

(45) Registration Date: **14 May 2013**

(30) Convention priority data:

(31) Number (32) Date
002121996-0001 19 Oct 2012

(33) Country
**OFFICE FOR HARMONISATION IN
THE INTERNAL MARKET (OHIM)**

(56) Related Art Documents: **Not Applicable**

(57) Statement of Newness and Distinctiveness: **Newness and distinctiveness resides in the visual features, including shape, configuration and pattern, of a tread for a tyre as shown in the accompanying representations.**



(21) Design Number: **11280/2013**

(22) Date of Filing Application: **14 March 2013**

(24) Date from which industrial property rights may have effect: **14 March 2013**

(54) Product in respect of which the design is registered: **Water storage unit**

(51) International Design Classification: **23-01F**

(74) Name(s) of Attorney(s): **Actuate IP**

(71) Name(s) and Address(s) of Applicant(s):

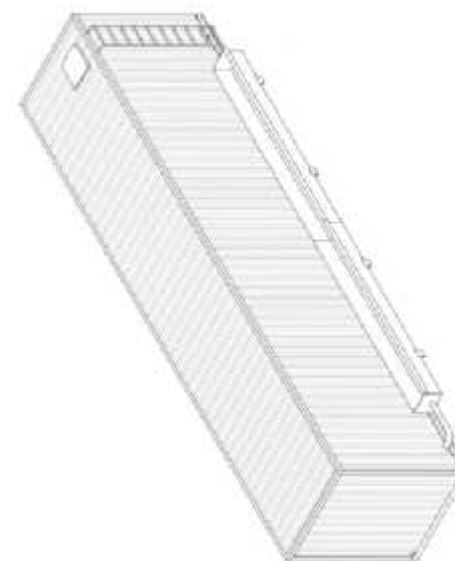
**Bilba Holdings Pty Ltd
36 Gillard Cres Katherine NT 0850 Australia**

(72) Name(s) of Designer(s): **Adrian Brown**

(45) Registration Date: **14 May 2013**

(56) Related Art Documents: **Not Applicable**

(57) Statement of Newness and Distinctiveness: **Newness and distinctiveness is claimed in the features of shape and/or configuration of the water storage unit as illustrated in the accompanying representations.**



(21) Design Number: **11281/2013**

(22) Date of Filing Application: **14 March 2013**

(24) Date from which industrial property rights may have effect: **14 March 2013**

(54) Product in respect of which the design is registered: **A charger**

(51) International Design Classification: **13-02**

(74) Name(s) of Attorney(s): **Halfords IP**

(71) Name(s) and Address(s) of Applicant(s):

Eveready Battery Company, Inc.

533 Maryville University Drive St Louis Missouri 63141 United States of America

(72) Name(s) of Designer(s): **Jason R. Bennett and Thomas G. Ryan**

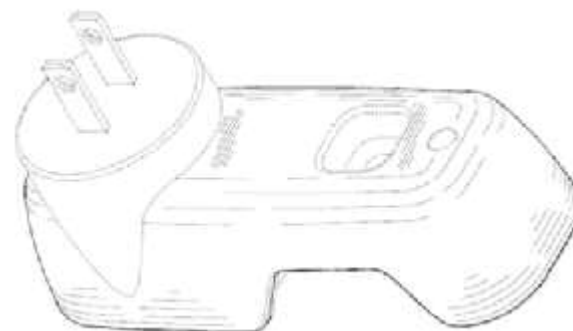
(45) Registration Date: **14 May 2013**

(30) Convention priority data:

(31) Number	(32) Date	(33) Country
29/433590	02 Oct 2012	UNITED STATES OF AMERICA

(56) Related Art Documents: **Not Applicable**

(57) Statement of Newness and Distinctiveness: **Newness and distinctiveness resides in those features of shape and or configuration of a charger as depicted in the representations. Shading lines and features shown in broken lines do not form part of the design.**



(21) Design Number: **11285/2013**

(22) Date of Filing Application: **14 March 2013**

(24) Date from which industrial property rights may have effect: **14 March 2013**

(54) Product in respect of which the design is registered: **Speaker**

(51) International Design Classification: **14-01**

(74) Name(s) of Attorney(s):

(71) Name(s) and Address(s) of Applicant(s):

Littlebigsound Pte Ltd

25 Tagore Lane #02-06 Singapore Godown 787602 Singapore

(72) Name(s) of Designer(s): **Chin Kwang Chong**

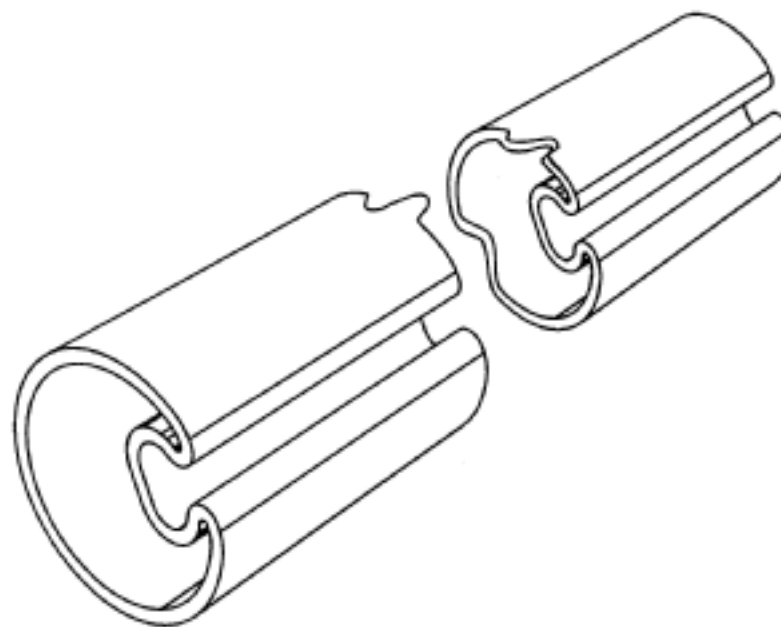
(45) Registration Date: **14 May 2013**

(56) Related Art Documents: **Not Applicable**

(57) Statement of Newness and Distinctiveness: **The feature of the design for which novelty is claimed is the shape, configuration, pattern and ornament of the article shown in the representation.**



- (21) Design Number: **11290/2013**
(22) Date of Filing Application: **13 March 2013**
(24) Date from which industrial property rights may have effect: **13 March 2013**
(54) Product in respect of which the design is registered: **Hand rail**
(51) International Design Classification: **25-02C**
(74) Name(s) of Attorney(s): **Fisher Adams Kelly**
(71) Name(s) and Address(s) of Applicant(s):
Steelmore Holdings Pty Ltd
7 Barrinia Street Slacks Creek 4127 Queensland Australia
(72) Name(s) of Designer(s): **Jason Robert Cerezo**
(45) Registration Date: **14 May 2013**
(56) Related Art Documents: **Not Applicable**
(57) Statement of Newness and Distinctiveness: **The newness and distinctiveness of the design resides in the shape and/or configuration of the HAND RAIL shown in the representations. The break line in the perspective views indicates that the HAND RAIL is of indefinite length.**



- (21) Design Number: **11353/2013**
(22) Date of Filing Application: **18 March 2013**
(24) Date from which industrial property rights may have effect: **24 July 2012**
(54) Product in respect of which the design is registered: **A bottle**
(51) International Design Classification: **09-01H**
(74) Name(s) of Attorney(s): **Halfords IP**
(71) Name(s) and Address(s) of Applicant(s):
Cospak Pty Ltd
1 Culverston Rd Minto NSW 2566 Australia
(72) Name(s) of Designer(s): **Warren Slattery and David Driver and Michael Gilbert**
(45) Registration Date: **14 May 2013**
(62) Divisional of: **348081**
(56) Related Art Documents: **Not Applicable**
(57) Statement of Newness and Distinctiveness: **Newness and distinctiveness resides in the combination of the features of shape and blue colouring of a bottle as depicted in the representations.**



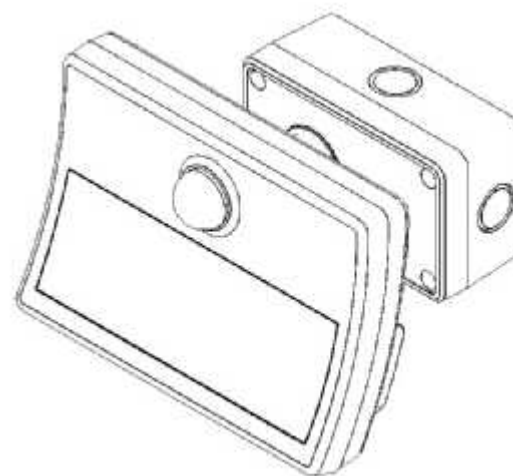
(21) Design Number: **11463/2013**
(22) Date of Filing Application: **25 March 2013**
(24) Date from which industrial property rights may have effect: **25 March 2013**
(54) Product in respect of which the design is registered: **Gearboxes for electric motors and generators**
(51) International Design Classification: **15-01, 15-99**
(74) Name(s) of Attorney(s): **Griffith Hack**
(71) Name(s) and Address(s) of Applicant(s):
SEW-EURODRIVE GmbH & Co. KG
Ernst-Blickle-Strasse 42 76646 Bruchsal Germany
(72) Name(s) of Designer(s): **Miki Tegeltija**
(45) Registration Date: **14 May 2013**
(30) Convention priority data:
(31) Number (32) Date (33) Country
40 2012004440.7 25 Sep 2012 GERMANY
(56) Related Art Documents: **Not Applicable**
(57) Statement of Newness and Distinctiveness: **Newness and distinctiveness resides in the visual features, including shape and configuration of the product as shown in the accompanying representations.**



(21) Design Number: **11517/2013**
(22) Date of Filing Application: **27 March 2013**
(24) Date from which industrial property rights may have effect: **27 March 2013**
(54) Product in respect of which the design is registered: **Bath tub**
(51) International Design Classification: **23-02B**
(74) Name(s) of Attorney(s): **Shelston IP**
(71) Name(s) and Address(s) of Applicant(s):
Victoria & Albert Baths Ltd
Vanda House Heathmill Road Wombourne West Midlands WV5 8AP
United Kingdom
(72) Name(s) of Designer(s): **Kevin Quigley**
(45) Registration Date: **15 May 2013**
(30) Convention priority data:
(31) Number (32) Date (33) Country
001351621-0001 14 Nov 2012 OFFICE FOR HARMONISATION IN THE INTERNAL MARKET (OHIM)
(56) Related Art Documents: **Not Applicable**
(57) Statement of Newness and Distinctiveness: **Newness and distinctiveness resides in the features of shape and configuration of the bath tub illustrated in the accompanying representations and, in particular, but not exclusively, in the features of the rim portion of the bath tub. The plug hole details shown in broken line do not form part of the design and can be varied.**



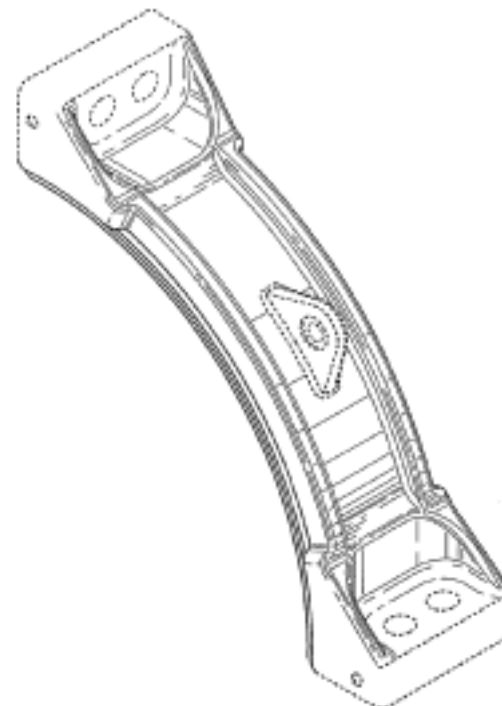
- (21) Design Number: **11527/2013**
(22) Date of Filing Application: **27 March 2013**
(24) Date from which industrial property rights may have effect: **27 March 2013**
(54) Product in respect of which the design is registered: **Flood light**
(51) International Design Classification: **26-03**
(74) Name(s) of Attorney(s): **Complete IP Pty Limited**
(71) Name(s) and Address(s) of Applicant(s):
Global Tech China Limited
Flat A 3/F Wai Yip Industrial Building 171 Wai Yip Street Kwun Tong
Hong Kong
(72) Name(s) of Designer(s): **Keith Adrian Gough and John Fearnall**
(45) Registration Date: **15 May 2013**
(56) Related Art Documents: **Not Applicable**
(57) Statement of Newness and Distinctiveness: **The features of the design for which newness and distinctiveness is claimed are the pattern, ornamentation, shape and configuration of the article as shown in the representations.**



- (21) Design Number: **11528/2013**
(22) Date of Filing Application: **27 March 2013**
(24) Date from which industrial property rights may have effect: **27 March 2013**
(54) Product in respect of which the design is registered: **Tray**
(51) International Design Classification: **24-01, 03-01D**
(74) Name(s) of Attorney(s): **WATERMARK PATENT AND TRADE MARKS ATTORNEYS**
(71) Name(s) and Address(s) of Applicant(s):
Sentry Medical Pty Ltd
116 Newton Rd Wetherill Park NSW 2164 Australia
(72) Name(s) of Designer(s): **Bernard Wai**
(45) Registration Date: **15 May 2013**
(56) Related Art Documents: **Not Applicable**
(57) Statement of Newness and Distinctiveness: **Newness and distinctiveness lies in the visual features of the tray as shown in the accompanying representations. The trade mark 'Sentry Medical' as shown on the tray in the representations does not form part of the design.**



- (21) Design Number: **11531/2013**
(22) Date of Filing Application: **28 March 2013**
(24) Date from which industrial property rights may have effect: **28 March 2013**
(54) Product in respect of which the design is registered: **Pipe coupling segment**
(51) International Design Classification: **08-08D, 23-01A**
(74) Name(s) of Attorney(s): **SPRUSON & FERGUSON**
(71) Name(s) and Address(s) of Applicant(s):
Victaulic Company
4901 Kesslersville Road Easton PA 18040 United States of America
(72) Name(s) of Designer(s): **Amit R. Shah and Scott D. Madara**
(45) Registration Date: **15 May 2013**
(30) Convention priority data:
(31) Number (32) Date (33) Country
29/433535 01 Oct 2012 UNITED STATES OF AMERICA
(56) Related Art Documents: **Not Applicable**
(57) Statement of Newness and Distinctiveness: **Newness and distinctiveness is claimed in those features of shape and/or configuration of a pipe coupling segment illustrated in continuous lines in the accompanying representations.**



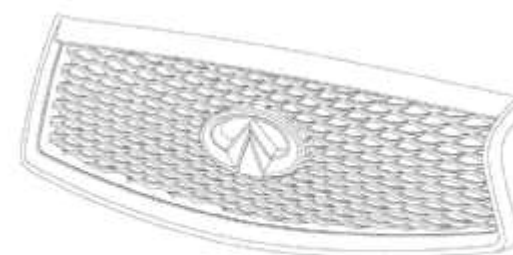
- (21) Design Number: **11543/2013**
(22) Date of Filing Application: **28 March 2013**
(24) Date from which industrial property rights may have effect: **28 March 2013**
(54) Product in respect of which the design is registered: **Rear bumper for automobile**
(51) International Design Classification: **12-16C**
(74) Name(s) of Attorney(s): **Griffith Hack**
(71) Name(s) and Address(s) of Applicant(s):
Nissan Jidosha Kabushiki Kaisha also trading as Nissan Motor Co., Ltd.
No.2 Takaracho Kanagawa-ku Yokohama-shi Kanagawa-Ken 220-8623
Japan
(72) Name(s) of Designer(s): **Kouichi Ishizuka and Baek Joel and Hirohisa Ono**
(45) Registration Date: **15 May 2013**
(30) Convention priority data:
(31) Number (32) Date (33) Country
2012-023854 28 Sep 2012 JAPAN
(56) Related Art Documents: **Not Applicable**
(57) Statement of Newness and Distinctiveness: **Newness and distinctiveness resides in the shape and configuration of the design as shown in therepresentations**



- (21) Design Number: **11545/2013**
(22) Date of Filing Application: **28 March 2013**
(24) Date from which industrial property rights may have effect: **28 March 2013**
(54) Product in respect of which the design is registered: **Front bumper for automobile**
(51) International Design Classification: **12-16C**
(74) Name(s) of Attorney(s): **Griffith Hack**
(71) Name(s) and Address(s) of Applicant(s):
Nissan Jidosha Kabushiki Kaisha also trading as Nissan Motor Co., Ltd.
No.2 Takaracho Kanagawa-ku Yokohama-shi Kanagawa-Ken 220-8623
Japan
(72) Name(s) of Designer(s): **Seonwook Whang and Baek Joel**
(45) Registration Date: **15 May 2013**
(30) Convention priority data:
(31) Number (32) Date (33) Country
2012-023852 28 Sep 2012 JAPAN
(56) Related Art Documents: **Not Applicable**
(57) Statement of Newness and Distinctiveness: **Newness and distinctiveness resides in the shape and configuration of the design as shown in the representations.**



- (21) Design Number: **11546/2013**
(22) Date of Filing Application: **28 March 2013**
(24) Date from which industrial property rights may have effect: **28 March 2013**
(54) Product in respect of which the design is registered: **Radiator grill for automobile**
(51) International Design Classification: **12-16B**
(74) Name(s) of Attorney(s): **Griffith Hack**
(71) Name(s) and Address(s) of Applicant(s):
Nissan Jidosha Kabushiki Kaisha also trading as Nissan Motor Co., Ltd.
No.2 Takaracho Kanagawa-ku Yokohama-shi Kanagawa-Ken 220-8623
Japan
(72) Name(s) of Designer(s): **Seonwook Whang and Yoshihiro Okada and Baek Joel**
(45) Registration Date: **15 May 2013**
(30) Convention priority data:
(31) Number (32) Date (33) Country
2012-023849 28 Sep 2012 JAPAN
(56) Related Art Documents: **Not Applicable**
(57) Statement of Newness and Distinctiveness: **Newness and distinctiveness resides in the shape and configuration of the design as shown in the representations.**



(21) Design Number: **11530/2013**
(22) Date of Filing Application: **28 March 2013**
(24) Date from which industrial property rights may have effect: **28 March 2013**
(54) Product in respect of which the design is registered: **Pipe coupling segment**
(51) International Design Classification: **08-08D, 23-01A**
(74) Name(s) of Attorney(s): **SPRUSON & FERGUSON**
(71) Name(s) and Address(s) of Applicant(s):

Victaulic Company
4901 Kesslersville Road Easton PA 18040 United States of America

(72) Name(s) of Designer(s): **Amit R. Shah and Scott D. Madara**

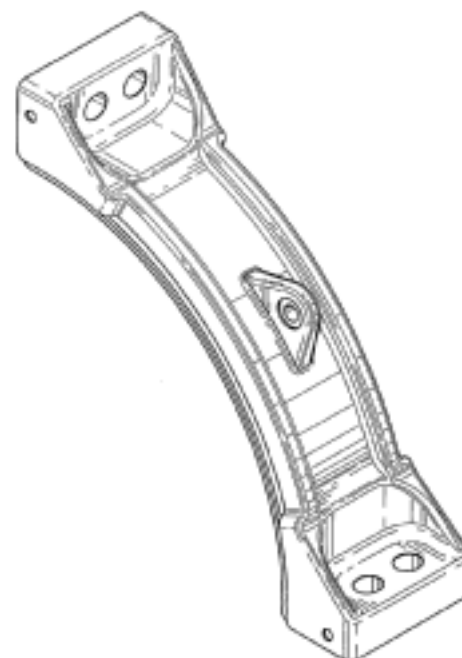
(45) Registration Date: **15 May 2013**

(30) Convention priority data:

(31) Number	(32) Date	(33) Country
29/433535	01 Oct 2012	UNITED STATES OF AMERICA

(56) Related Art Documents: **Not Applicable**

(57) Statement of Newness and Distinctiveness: **Newness and distinctiveness is claimed in the features of shape and/or configuration of a pipe coupling segment as illustrated in the accompanying representations.**



(21) Design Number: **11547/2013**
(22) Date of Filing Application: **28 March 2013**
(24) Date from which industrial property rights may have effect: **28 March 2013**
(54) Product in respect of which the design is registered: **Portable toilet wall**
(51) International Design Classification: **23-02C, 25-02NES**
(74) Name(s) of Attorney(s):
(71) Name(s) and Address(s) of Applicant(s):

Ready Industries Pty. Ltd.
PO BOX 330 Niddrie VIC 3042 Australia

(72) Name(s) of Designer(s): **Martin Fouracre and Bruce Fouracre**

(45) Registration Date: **15 May 2013**

(56) Related Art Documents: **Not Applicable**

(57) Statement of Newness and Distinctiveness: **Newness & Distinctiveness is claimed (but not limited to) the visual features of the recessed vertical side edges of the Portable Toilet Wall and the curved styling of the Portable Toilet Wall.**



(19) AU

(21) Design Number: **11549/2013**
(22) Date of Filing Application: **28 March 2013**
(24) Date from which industrial property rights may have effect: **28 March 2013**
(54) Product in respect of which the design is registered: **Pipe coupling segment**
(51) International Design Classification: **08-08D, 23-01A**
(74) Name(s) of Attorney(s): **SPRUSON & FERGUSON**
(71) Name(s) and Address(s) of Applicant(s):

Victaulic Company
4901 Kesslersville Road Easton PA 18040 United States of America

(72) Name(s) of Designer(s): **Scott D. Madara and Amit R. Shah**

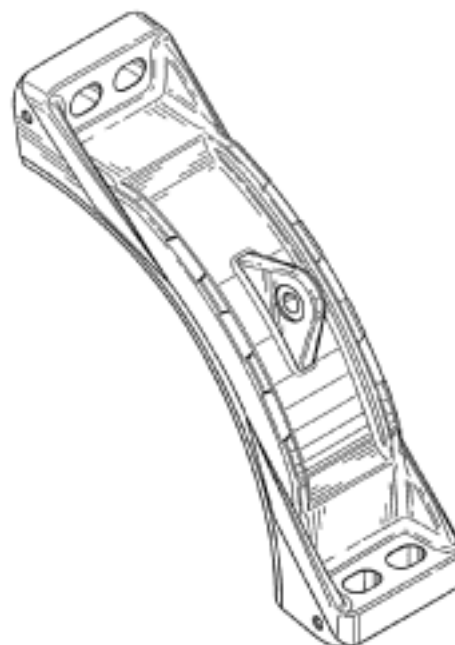
(45) Registration Date: **15 May 2013**

(30) Convention priority data:

(31) Number	(32) Date	(33) Country
29/433587	02 Oct 2012	UNITED STATES OF AMERICA

(56) Related Art Documents: **Not Applicable**

(57) Statement of Newness and Distinctiveness: **Newness and distinctiveness is claimed in the features of shape and/or configuration of a pipe coupling segment as illustrated in the accompanying representations.**



(19) AU

(21) Design Number: **11550/2013**
(22) Date of Filing Application: **28 March 2013**
(24) Date from which industrial property rights may have effect: **28 March 2013**
(54) Product in respect of which the design is registered: **Automobile**
(51) International Design Classification: **12-08**
(74) Name(s) of Attorney(s): **Griffith Hack**
(71) Name(s) and Address(s) of Applicant(s):

Nissan Jidosha Kabushiki Kaisha also trading as Nissan Motor Co., Ltd.
No. 2 Takaracho Kanagawa-ku Yokohama-shi Kanagawa-ken 220-8623
Japan

(72) Name(s) of Designer(s): **Kouichi Ishizuka and Baek Joel and Hirohisa Ono**

(45) Registration Date: **15 May 2013**

(30) Convention priority data:

(31) Number	(32) Date	(33) Country
2012-023866	28 Sep 2012	JAPAN

(56) Related Art Documents: **Not Applicable**

(57) Statement of Newness and Distinctiveness: **Newness and distinctiveness resides in the shape and configuration of the design as shown in the representations.**



- (21) Design Number: **11551/2013**
(22) Date of Filing Application: **28 March 2013**
(24) Date from which industrial property rights may have effect: **28 March 2013**
(54) Product in respect of which the design is registered: **Front bumper for automobile**
(51) International Design Classification: **12-16C**
(74) Name(s) of Attorney(s): **Griffith Hack**
(71) Name(s) and Address(s) of Applicant(s):
Nissan Jidosha Kabushiki Kaisha also trading as Nissan Motor Co., Ltd.
No. 2 Takaracho Kanagawa-ku Yokohama-shi Kanagawa-ken 220-8623
Japan
(72) Name(s) of Designer(s): **Kouichi Ishizuka and Yoshihiro Okada and Seonwook Whang**
(45) Registration Date: **15 May 2013**
(30) Convention priority data:
(31) Number (32) Date (33) Country
2012-023850 28 Sep 2012 JAPAN
(56) Related Art Documents: **Not Applicable**
(57) Statement of Newness and Distinctiveness: **Newness and distinctiveness resides in the shape and configuration of the design as shown in the representations.**



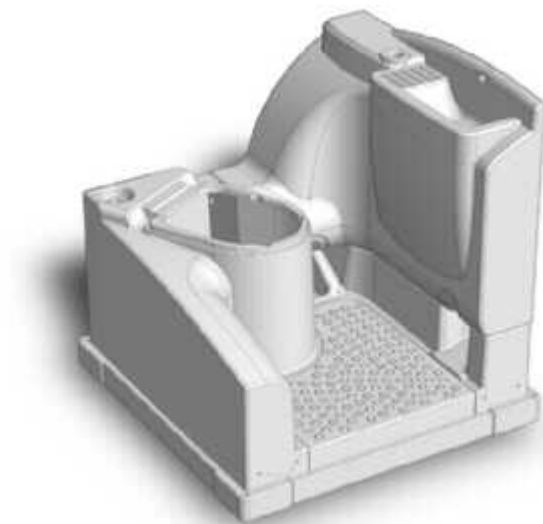
- (21) Design Number: **11552/2013**
(22) Date of Filing Application: **28 March 2013**
(24) Date from which industrial property rights may have effect: **28 March 2013**
(54) Product in respect of which the design is registered: **Rear combination lamp for automobile**
(51) International Design Classification: **26-06**
(74) Name(s) of Attorney(s): **Griffith Hack**
(71) Name(s) and Address(s) of Applicant(s):
Nissan Jidosha Kabushiki Kaisha also trading as Nissan Motor Co., Ltd.
No. 2 Takaracho Kanagawa-ku Yokohama-shi Kanagawa-ken 220-8623
Japan
(72) Name(s) of Designer(s): **Kouichi Ishizuka and Shinya Momokawa**
(45) Registration Date: **15 May 2013**
(30) Convention priority data:
(31) Number (32) Date (33) Country
2012-023858 28 Sep 2012 JAPAN
(56) Related Art Documents: **Not Applicable**
(57) Statement of Newness and Distinctiveness: **Newness and distinctiveness resides in the shape and configuration of the design as shown in the representations.**



- (21) Design Number: **11559/2013**
(22) Date of Filing Application: **28 March 2013**
(24) Date from which industrial property rights may have effect: **28 March 2013**
(54) Product in respect of which the design is registered: **Cap for a container**
(51) International Design Classification: **09-07C**
(74) Name(s) of Attorney(s): **Callinans**
(71) Name(s) and Address(s) of Applicant(s):
Trydel Research Pty Ltd
31 Cornhill St Ferntree Gully VIC 3156 Australia
(72) Name(s) of Designer(s): **Terence Dowel**
(45) Registration Date: **15 May 2013**
(56) Related Art Documents: **Not Applicable**
(57) Statement of Newness and Distinctiveness: **Newness and distinctiveness lies in the shape or configuration of that part of a cap for a container as shown in solid lines in the accompanying representations.**



- (21) Design Number: **11561/2013**
(22) Date of Filing Application: **28 March 2013**
(24) Date from which industrial property rights may have effect: **28 March 2013**
(54) Product in respect of which the design is registered: **Portable toilet waste & water tank & wash basin**
(51) International Design Classification: **23-02C, 23-02F**
(74) Name(s) of Attorney(s):
(71) Name(s) and Address(s) of Applicant(s):
Ready Industries Pty. Ltd.
PO BOX 330 Niddrie VIC 3042 Australia
(72) Name(s) of Designer(s): **Martin Fouracre and Bruce Fouracre**
(45) Registration Date: **15 May 2013**
(56) Related Art Documents: **Not Applicable**
(57) Statement of Newness and Distinctiveness: **Newness and Distinctiveness is claimed (but not limited to) the visual features of the grated sink area, curved ledge behind the hand wash basin, rounded styling throughout and protruding convex hand wash basin sink area.**



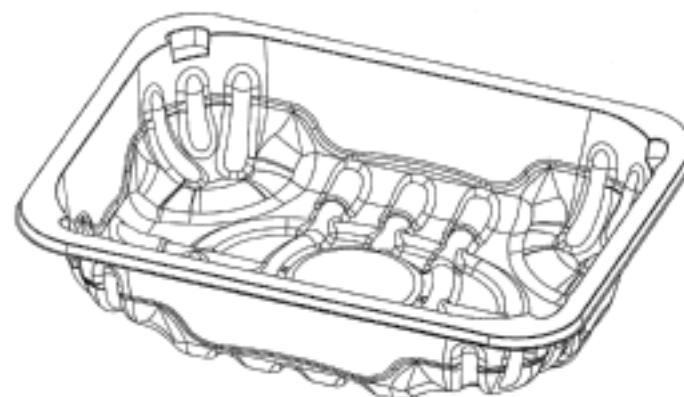
- (21) Design Number: **11586/2013**
(22) Date of Filing Application: **02 April 2013**
(24) Date from which industrial property rights may have effect: **02 April 2013**
(54) Product in respect of which the design is registered: **A handle for a bat**
(51) International Design Classification: **21-02B**
(74) Name(s) of Attorney(s): **SPRUSON & FERGUSON**
(71) Name(s) and Address(s) of Applicant(s):
Randika Dias
512/3 Ferntree PI Epping NSW 2121 Australia
(72) Name(s) of Designer(s): **Randika Dias**
(45) Registration Date: **15 May 2013**
(56) Related Art Documents: **Not Applicable**
(57) Statement of Newness and Distinctiveness: **Newness and distinctiveness is claimed in the features of shape and/or configuration of a handle for a bat as illustrated in the accompanying representations.**



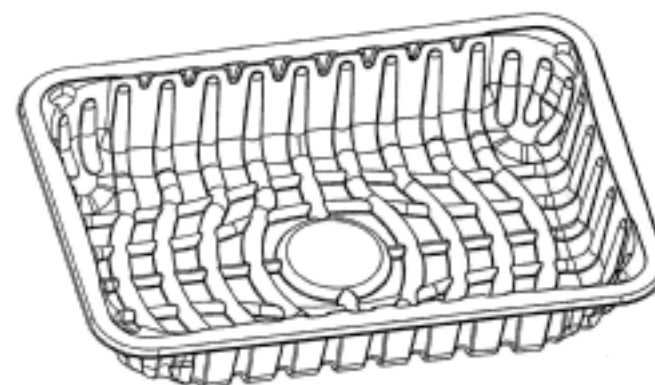
- (21) Design Number: **11587/2013**
(22) Date of Filing Application: **02 April 2013**
(24) Date from which industrial property rights may have effect: **02 April 2013**
(54) Product in respect of which the design is registered: **High visibility backpack cover (as in photo)**
(51) International Design Classification: **03-01C, 09-05, 03-01A**
(74) Name(s) of Attorney(s):
(71) Name(s) and Address(s) of Applicant(s):
Adaluma Pty Ltd
9 Bishop St Jolimont WA 6014 Australia
(72) Name(s) of Designer(s): **Anna Elisabeth Maria Lazdins**
(45) Registration Date: **15 May 2013**
(56) Related Art Documents: **Not Applicable**
(57) Statement of Newness and Distinctiveness: **Detachable cover for backpack or bag in bright colours (neon-yellow) with reflective stripes, promoting visibility of roadusers with packs (eg cyclists). It has elastified fit and is attachable to any backpack. It can be fixed to the backpack-pocket to prevent loss and stored without detaching, ready for use. Optional armstraps promote visibility to the front.**



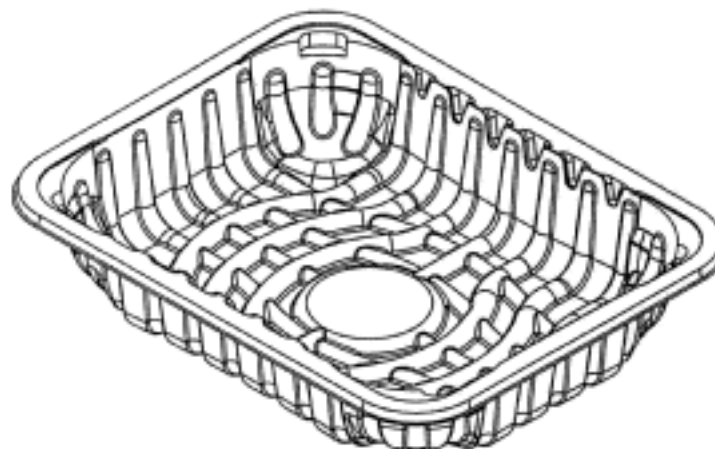
(21) Design Number: **11591/2013**
(22) Date of Filing Application: **28 March 2013**
(24) Date from which industrial property rights may have effect: **28 March 2013**
(54) Product in respect of which the design is registered: **Tray**
(51) International Design Classification: **09-03F**
(74) Name(s) of Attorney(s): **SPRUSON & FERGUSON**
(71) Name(s) and Address(s) of Applicant(s):
LINPAC Packaging Limited
Wakefield Road Featherstone West Yorkshire WF7 5DE United Kingdom
(72) Name(s) of Designer(s): **Richard Kershaw**
(45) Registration Date: **15 May 2013**
(30) Convention priority data:
(31) Number (32) Date (33) Country
001328801 28 May 2012 OFFICE FOR HARMONISATION IN
THE INTERNAL MARKET (OHIM)
(56) Related Art Documents: **Not Applicable**
(57) Statement of Newness and Distinctiveness: **Newness and distinctiveness**
is claimed in the features of shape and/or configuration of a tray as
illustrated in the accompanying representations.



(21) Design Number: **11593/2013**
(22) Date of Filing Application: **28 March 2013**
(24) Date from which industrial property rights may have effect: **28 March 2013**
(54) Product in respect of which the design is registered: **Tray**
(51) International Design Classification: **09-03F**
(74) Name(s) of Attorney(s): **SPRUSON & FERGUSON**
(71) Name(s) and Address(s) of Applicant(s):
LINPAC Packaging Limited
Wakefield Road Featherstone West Yorkshire WF7 5DE United Kingdom
(72) Name(s) of Designer(s): **Richard Kershaw and David Charles Aylmer**
(45) Registration Date: **15 May 2013**
(30) Convention priority data:
(31) Number (32) Date (33) Country
001321855 05 Apr 2012 OFFICE FOR HARMONISATION IN
THE INTERNAL MARKET (OHIM)
(56) Related Art Documents: **Not Applicable**
(57) Statement of Newness and Distinctiveness: **Newness and distinctiveness**
is claimed in the features of shape and/or configuration of a tray as
illustrated in the accompanying representations.



(21) Design Number: **11595/2013**
(22) Date of Filing Application: **28 March 2013**
(24) Date from which industrial property rights may have effect: **28 March 2013**
(54) Product in respect of which the design is registered: **Tray**
(51) International Design Classification: **09-03F**
(74) Name(s) of Attorney(s): **SPRUSON & FERGUSON**
(71) Name(s) and Address(s) of Applicant(s):
LINPAC Packaging Limited
Wakefield Road Featherstone West Yorkshire WF7 5DE United Kingdom
(72) Name(s) of Designer(s): **Richard Kershaw and David Charles Aylmer**
(45) Registration Date: **15 May 2013**
(30) Convention priority data:
(31) Number (32) Date (33) Country
001321855 05 Apr 2012 OFFICE FOR HARMONISATION IN
THE INTERNAL MARKET (OHIM)
(56) Related Art Documents: **Not Applicable**
(57) Statement of Newness and Distinctiveness: **Newness and distinctiveness**
is claimed in the features of shape and/or configuration of a tray as
illustrated in the accompanying representations.



(21) Design Number: **11802/2013**
(22) Date of Filing Application: **17 April 2013**
(24) Date from which industrial property rights may have effect: **17 April 2013**
(54) Product in respect of which the design is registered: **Container**
(51) International Design Classification: **09-01NES**
(74) Name(s) of Attorney(s): **PIZZEYS**
(71) Name(s) and Address(s) of Applicant(s):
Monsanto Technology LLC
800 North Lindbergh Blvd St Louis MO 63167 United States of America
(72) Name(s) of Designer(s): **Scott C. Voelker**
(45) Registration Date: **15 May 2013**
(30) Convention priority data:
(31) Number (32) Date (33) Country
29/435,244 22 Oct 2012 UNITED STATES OF AMERICA
(56) Related Art Documents: **Not Applicable**
(57) Statement of Newness and Distinctiveness: **Nil**



(21) Design Number: **11850/2013**

(22) Date of Filing Application: **19 April 2013**

(24) Date from which industrial property rights may have effect: **19 April 2013**

(54) Product in respect of which the design is registered: **A container lid**

(51) International Design Classification: **09-07B**

(74) Name(s) of Attorney(s): **Australian Patent & TradeMark Services Pty Ltd**

(71) Name(s) and Address(s) of Applicant(s):

**Australian Mobile Mining Equipment Systems and Accessories Pty. Limited
18 Sleigh PI Wetherill Park NSW 2164 Australia**

(72) Name(s) of Designer(s): **Murray Robert Bridle**

(45) Registration Date: **15 May 2013**

(56) Related Art Documents: **Not Applicable**

(57) Statement of Newness and Distinctiveness: **Newness and distinctiveness is claimed in the shape and/or configuration of a container lid as illustrated in the accompanying representations.**



(21) Design Number: **11851/2013**

(22) Date of Filing Application: **19 April 2013**

(24) Date from which industrial property rights may have effect: **19 April 2013**

(54) Product in respect of which the design is registered: **A container lid**

(51) International Design Classification: **09-07B**

(74) Name(s) of Attorney(s): **Australian Patent & TradeMark Services Pty Ltd**

(71) Name(s) and Address(s) of Applicant(s):

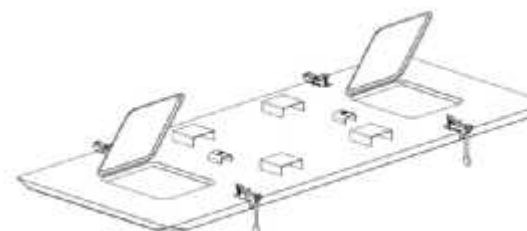
**Australian Mobile Mining Equipment Systems and Accessories Pty. Limited
18 Sleigh PI Wetherill Park NSW 2164 Australia**

(72) Name(s) of Designer(s): **Murray Robert Bridle**

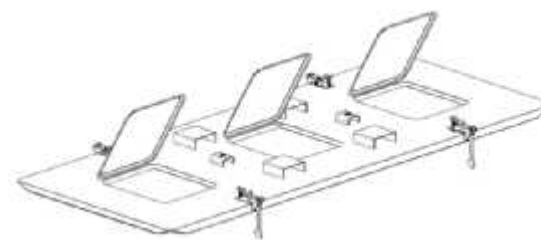
(45) Registration Date: **15 May 2013**

(56) Related Art Documents: **Not Applicable**

(57) Statement of Newness and Distinctiveness: **Newness and distinctiveness is claimed in the shape and/or configuration of a container lid as illustrated in the accompanying representations.**



- (21) Design Number: **11852/2013**
(22) Date of Filing Application: **19 April 2013**
(24) Date from which industrial property rights may have effect: **19 April 2013**
(54) Product in respect of which the design is registered: **A container lid**
(51) International Design Classification: **09-07B**
(74) Name(s) of Attorney(s): **Australian Patent & TradeMark Services Pty Ltd**
(71) Name(s) and Address(s) of Applicant(s):
Australian Mobile Mining Equipment Systems and Accessories Pty. Limited
18 Sleigh Pl Wetherill Park NSW 2164 Australia
(72) Name(s) of Designer(s): **Murray Robert Bridle**
(45) Registration Date: **15 May 2013**
(56) Related Art Documents: **Not Applicable**
(57) Statement of Newness and Distinctiveness: **Newness and distinctiveness is claimed in the shape and/or configuration of a container lid as illustrated in the accompanying representations.**



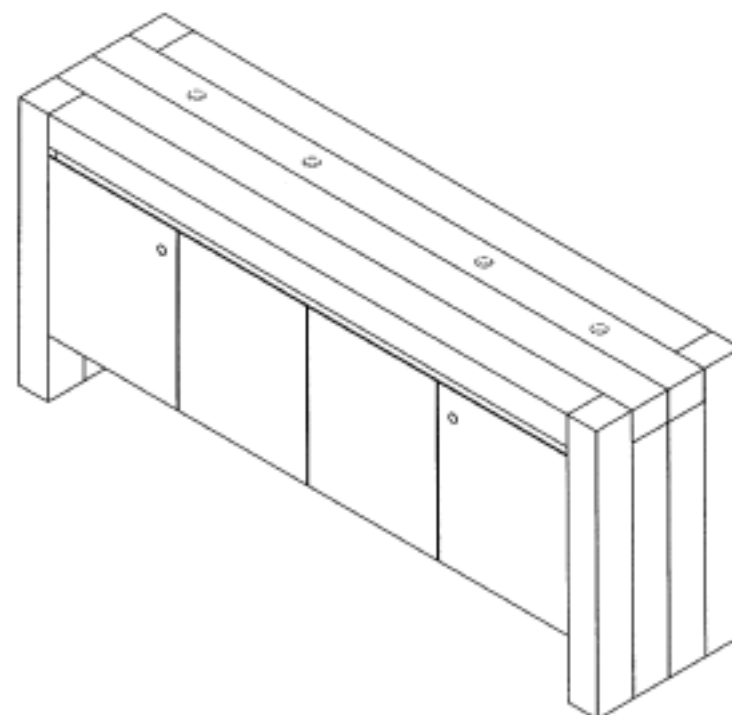
- (21) Design Number: **11873/2013**
(22) Date of Filing Application: **22 April 2013**
(24) Date from which industrial property rights may have effect: **22 April 2013**
(54) Product in respect of which the design is registered: **Flameless votive candle**
(51) International Design Classification: **26-01**
(74) Name(s) of Attorney(s): **PIZZEYS**
(71) Name(s) and Address(s) of Applicant(s):
Candella LLC
4000 W. Metropolitan Dr Suite 400 Orange CA 92868 United States of America
(72) Name(s) of Designer(s): **Jeff Thompson**
(45) Registration Date: **15 May 2013**
(30) Convention priority data:
(31) Number (32) Date (33) Country
29/435,316 23 Oct 2012 UNITED STATES OF AMERICA
(56) Related Art Documents: **Not Applicable**
(57) Statement of Newness and Distinctiveness: **The design is applied to a flameless votive candle and the novelty resides in the features of shape, ornamentation, pattern, and/or configuration as shown in the accompanying representations.**



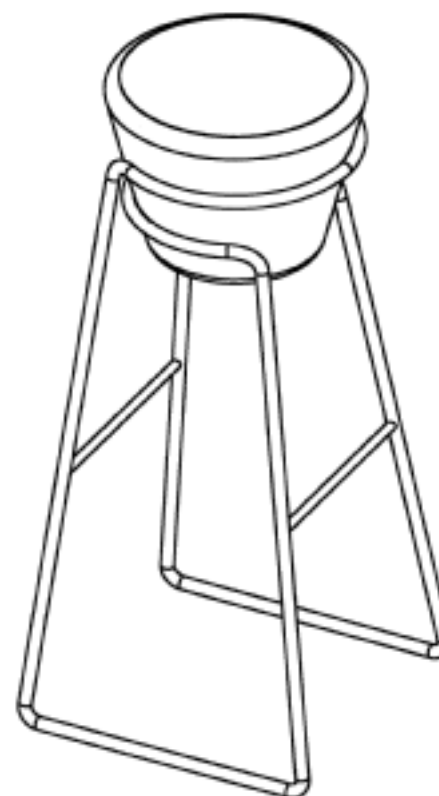
- (21) Design Number: **11340/2013**
(22) Date of Filing Application: **14 March 2013**
(24) Date from which industrial property rights may have effect: **14 March 2013**
(54) Product in respect of which the design is registered: **A seat of a chair, the seat having a pair of ischial concavities**
(51) International Design Classification: **06-06G**
(74) Name(s) of Attorney(s): **Fraser Old & Sohn**
(71) Name(s) and Address(s) of Applicant(s):
Sebel Furniture Ltd
92 Gow St Padstow NSW 2211 Australia
(72) Name(s) of Designer(s): **Gregory Brent Welsh**
(45) Registration Date: **15 May 2013**
(56) Related Art Documents: **Not Applicable**
(57) Statement of Newness and Distinctiveness: **Newness and distinctiveness is claimed in respect of the shape and/or configuration of the product illustrated in the accompanying representations. In carrying out a consideration in accordance with Section 19 the shape and/or configuration of the legs and backrest of the chair illustrated in the representations is/are not to be considered either new or distinctive and do/does not form part of the design.**



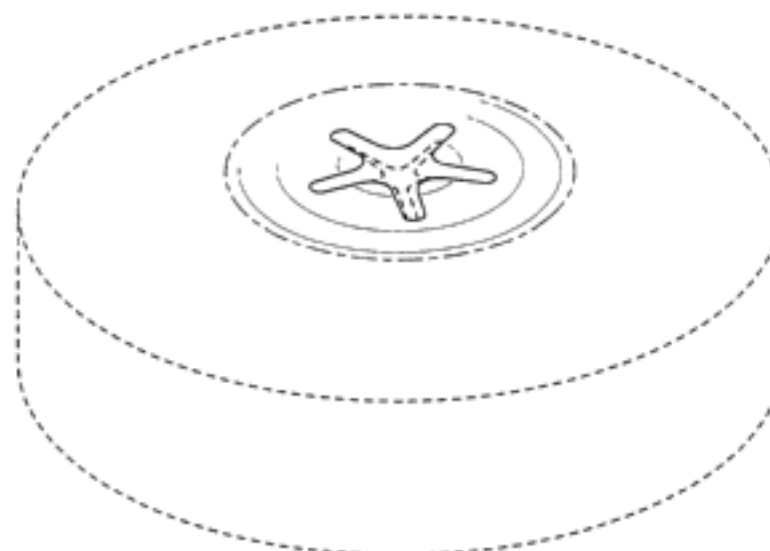
- (21) Design Number: **11428/2013**
(22) Date of Filing Application: **19 March 2013**
(24) Date from which industrial property rights may have effect: **19 March 2013**
(54) Product in respect of which the design is registered: **Display structure**
(51) International Design Classification: **20-03NES, 20-02C**
(74) Name(s) of Attorney(s): **Freehills Patent Attorneys**
(71) Name(s) and Address(s) of Applicant(s):
Apple Inc.
1 Infinite Loop Cupertino California 95014 United States of America
(72) Name(s) of Designer(s): **Federico F. Tio and Frank C. Thaler and Wesley B. Hamm and Kevin F. Smeds and Russell J. Kaaihue Heirakuji**
(45) Registration Date: **15 May 2013**
(30) Convention priority data:
(31) Number (32) Date (33) Country
29/432724 19 Sep 2012 UNITED STATES OF AMERICA
(56) Related Art Documents: **Not Applicable**
(57) Statement of Newness and Distinctiveness: **Newness and distinctiveness resides in the features of shape and configuration shown in solid outline in the accompanying representations.**



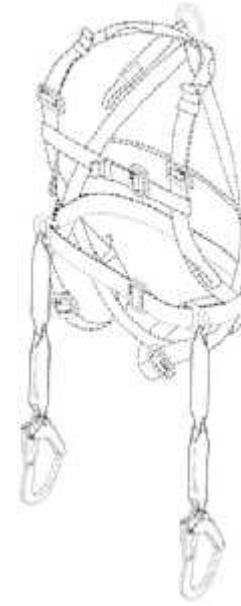
(21) Design Number: **11001/2013**
(22) Date of Filing Application: **03 March 2013**
(24) Date from which industrial property rights may have effect: **03 March 2013**
(54) Product in respect of which the design is registered: **Seat**
(51) International Design Classification: **06-01E**
(74) Name(s) of Attorney(s):
(71) Name(s) and Address(s) of Applicant(s):
Asher Abergel
PO BOX Q1032 Queen Victoria Building NSW 1230 Australia
(72) Name(s) of Designer(s): **Asher Abergel**
(45) Registration Date: **15 May 2013**
(56) Related Art Documents: **Not Applicable**
(57) Statement of Newness and Distinctiveness: **Newness and distinctiveness resides in the features of shape and/or configuration of the seat as shown in the solid lines in the accompanying representations.**



(21) Design Number: **11574/2013**
(22) Date of Filing Application: **27 March 2013**
(24) Date from which industrial property rights may have effect: **27 July 2012**
(54) Product in respect of which the design is registered: **Tablet**
(51) International Design Classification: **28-01**
(74) Name(s) of Attorney(s): **Shelston IP**
(71) Name(s) and Address(s) of Applicant(s):
McNeil-PPC, Inc.
199 Grandview Road Skillman New Jersey 08558 United States of America
Johnson & Johnson Industrial Ltda
Ri highway Presidente Dutra KM 154 Sao Jose Dos Campos Sao Paulo Brazil
(72) Name(s) of Designer(s): **Joel Waldman and Fernanda Franzoi**
(45) Registration Date: **15 May 2013**
(30) Convention priority data:
(31) Number (32) Date (33) Country
29/412544 03 Feb 2012 UNITED STATES OF AMERICA
(62) Divisional of: **347984**
(56) Related Art Documents: **Not Applicable**
(57) Statement of Newness and Distinctiveness: **Newness and distinctiveness reside in the star shape in the upper curved surface of the tablet as illustrated in solid lines in the accompanying representations. Those features illustrated in broken lines do not form part of the design.**



- (21) Design Number: **15428/2012**
(22) Date of Filing Application: **01 November 2012**
(24) Date from which industrial property rights may have effect: **01 November 2012**
(54) Product in respect of which the design is registered: **Safety harness for workers working at heights**
(51) International Design Classification: **29-02**
(74) Name(s) of Attorney(s):
(71) Name(s) and Address(s) of Applicant(s):
Gilmark Holdings Pty Ltd
PO BOX 3006 Windang NSW 2528 Australia
(72) Name(s) of Designer(s): **Neil Rooney**
(45) Registration Date: **15 May 2013**
(56) Related Art Documents: **Not Applicable**
(57) Statement of Newness and Distinctiveness: **Nil**



- (21) Design Number: **16817/2012**
(22) Date of Filing Application: **01 November 2012**
(24) Date from which industrial property rights may have effect: **01 November 2012**
(54) Product in respect of which the design is registered: **Safety harness for workers working at heights**
(51) International Design Classification: **29-02**
(74) Name(s) of Attorney(s):
(71) Name(s) and Address(s) of Applicant(s):
Gilmark Holdings Pty Ltd
PO BOX 3006 Windang NSW 2528 Australia
(72) Name(s) of Designer(s): **Neil Rooney**
(45) Registration Date: **15 May 2013**
(62) Divisional of: **348486**
(56) Related Art Documents: **Not Applicable**
(57) Statement of Newness and Distinctiveness: **Nil**



(21) Design Number: **11432/2013**
(22) Date of Filing Application: **21 March 2013**
(24) Date from which industrial property rights may have effect: **21 March 2013**
(54) Product in respect of which the design is registered: **A roof rack for cars**
(51) International Design Classification: **12-16K**
(74) Name(s) of Attorney(s): **James & Wells Intellectual Property**
(71) Name(s) and Address(s) of Applicant(s):

Thule Sweden AB
Borggatan 2 330 33 Hillerstorp Sweden

(72) Name(s) of Designer(s): **Henrik Eriksson**

(45) Registration Date: **16 May 2013**

(30) Convention priority data:

(31) Number	(32) Date	(33) Country
201230464278.6	26 Sep 2012	CHINA

(56) Related Art Documents: **Not Applicable**

(57) Statement of Newness and Distinctiveness: **This design is to be applied to a Roof Rack for Cars and the novelty resides in features of shape and configuration of the article, all as shown in the accompanying representations.**



(21) Design Number: **11433/2013**
(22) Date of Filing Application: **21 March 2013**
(24) Date from which industrial property rights may have effect: **21 March 2013**
(54) Product in respect of which the design is registered: **A roof rack for cars**
(51) International Design Classification: **12-16K**
(74) Name(s) of Attorney(s): **James & Wells Intellectual Property**
(71) Name(s) and Address(s) of Applicant(s):

Thule Sweden AB
Borggatan 2 330 33 Hillerstorp Sweden

(72) Name(s) of Designer(s): **Henrik Eriksson**

(45) Registration Date: **16 May 2013**

(30) Convention priority data:

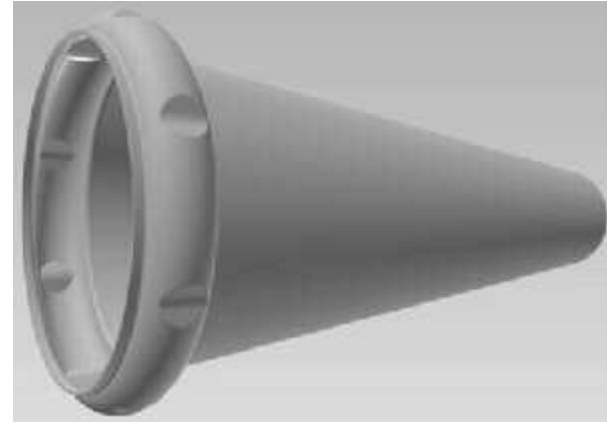
(31) Number	(32) Date	(33) Country
201230464278.6	26 Sep 2012	CHINA

(56) Related Art Documents: **Not Applicable**

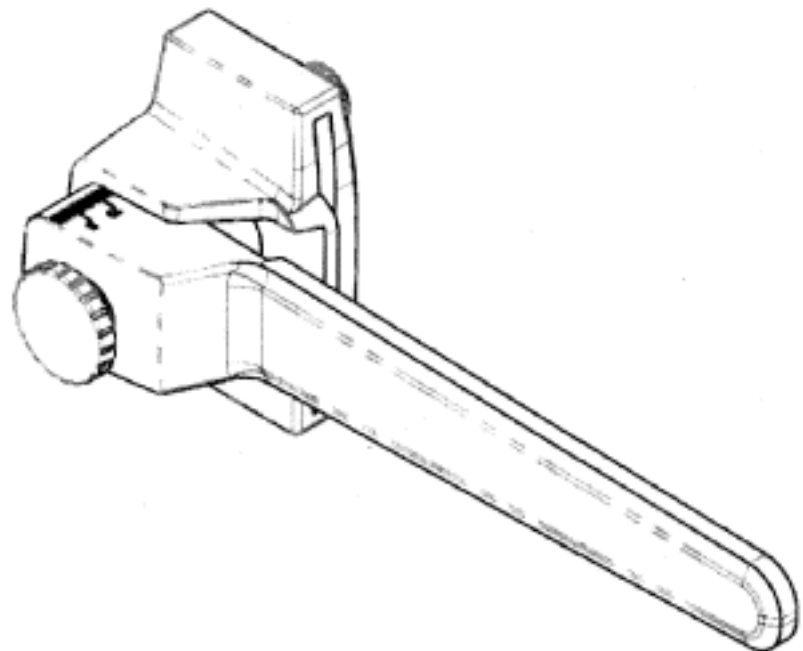
(57) Statement of Newness and Distinctiveness: **This design is to be applied to a Roof Rack for Cars and the novelty resides in features of shape and configuration of the article, all as shown in the accompanying representations.**



- (21) Design Number: **11434/2013**
(22) Date of Filing Application: **21 March 2013**
(24) Date from which industrial property rights may have effect: **21 March 2013**
(54) Product in respect of which the design is registered: **Hole saver**
(51) International Design Classification: **15-99**
(74) Name(s) of Attorney(s): **FB Rice**
(71) Name(s) and Address(s) of Applicant(s):
FSP Holdings Pty Ltd
4 Hambledon Hill Rd Singleton NSW 2330 Australia
(72) Name(s) of Designer(s): **Stephan Hewitt**
(45) Registration Date: **16 May 2013**
(56) Related Art Documents: **Not Applicable**
(57) Statement of Newness and Distinctiveness: **Newness and distinctiveness reside in the shape and configuration of the hole saver as shown in the representations.**



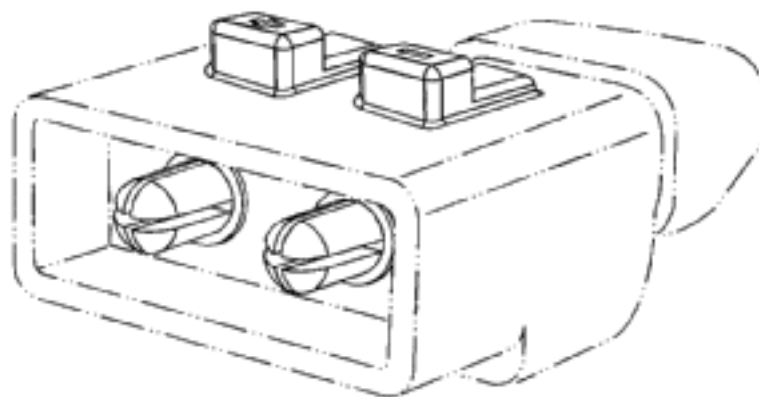
- (21) Design Number: **11436/2013**
(22) Date of Filing Application: **21 March 2013**
(24) Date from which industrial property rights may have effect: **21 March 2013**
(54) Product in respect of which the design is registered: **A knife guide**
(51) International Design Classification: **07-04**
(74) Name(s) of Attorney(s): **SPRUSON & FERGUSON**
(71) Name(s) and Address(s) of Applicant(s):
Take Two Marketing and Events Pty Ltd
SE302 L3 209 Oxford St Bondi Junction NSW 2022 Australia
(72) Name(s) of Designer(s): **James Cheney and Eric Siu**
(45) Registration Date: **16 May 2013**
(56) Related Art Documents: **Not Applicable**
(57) Statement of Newness and Distinctiveness: **Newness and distinctiveness is claimed in those features of shape and/or configuration of a knife guide as illustrated in the accompanying representations apart from the knife which forms no part of the design.**



- (21) Design Number: **11465/2013**
(22) Date of Filing Application: **21 March 2013**
(24) Date from which industrial property rights may have effect: **21 March 2013**
(54) Product in respect of which the design is registered: **Trailer plug**
(51) International Design Classification: **12-16L, 13-03E, 13-03NES**
(74) Name(s) of Attorney(s): **Fisher Adams Kelly**
(71) Name(s) and Address(s) of Applicant(s):

AMA Group Limited
SE1 1233 High St Armadale VIC 3143 Australia

- (72) Name(s) of Designer(s): **Adam Middleton**
(45) Registration Date: **16 May 2013**
(56) Related Art Documents: **Not Applicable**
(57) Statement of Newness and Distinctiveness: **The newness and distinctiveness of the design resides in the shape and/or configuration of the trailer plug shown in the representations. The portion of the product shown in phantom in the representations should be disregarded when assessing newness and distinctiveness.**

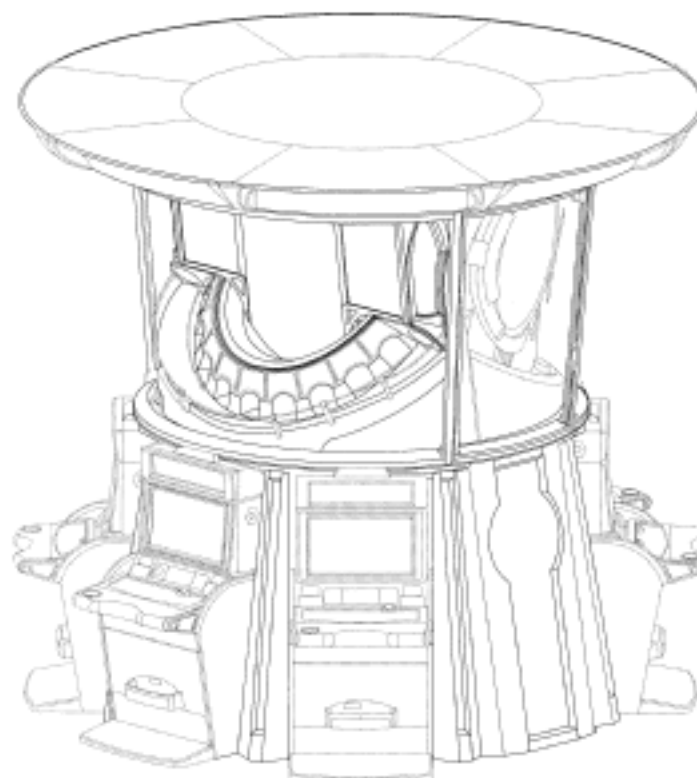


- (21) Design Number: **11464/2013**
(22) Date of Filing Application: **21 March 2013**
(24) Date from which industrial property rights may have effect: **21 March 2013**
(54) Product in respect of which the design is registered: **Game machine**
(51) International Design Classification: **21-03**
(74) Name(s) of Attorney(s): **Fisher Adams Kelly**
(71) Name(s) and Address(s) of Applicant(s):

Konami Gaming, Inc.
585 Trade Center Drive Las Vegas 89119 Nevada United States of America

- (72) Name(s) of Designer(s): **Atsushi Inoue and Tomoaki Hirai and Masato Okuaki and Shoki Kogure**
(45) Registration Date: **16 May 2013**
(30) Convention priority data:
(31) Number (32) Date (33) Country
29/449259 14 Mar 2013 UNITED STATES OF AMERICA

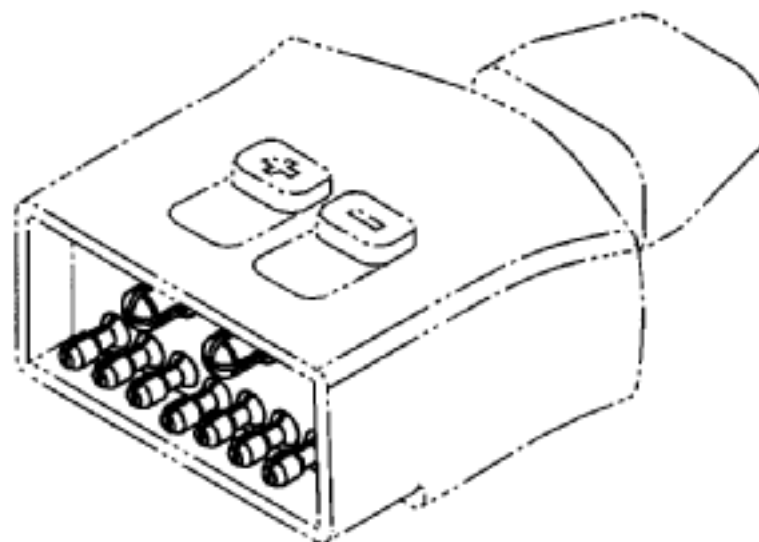
- (56) Related Art Documents: **Not Applicable**
(57) Statement of Newness and Distinctiveness: **The newness and distinctiveness of the design resides in the shape and/or configuration of the game machine shown in the representations. When considering the newness and distinctiveness of the design, the broken lines should be disregarded.**



- (21) Design Number: **11466/2013**
(22) Date of Filing Application: **21 March 2013**
(24) Date from which industrial property rights may have effect: **21 March 2013**
(54) Product in respect of which the design is registered: **Trailer plug**
(51) International Design Classification: **12-16L, 13-03E, 13-03NES**
(74) Name(s) of Attorney(s): **Fisher Adams Kelly**
(71) Name(s) and Address(s) of Applicant(s):

AMA Group Limited
SE1 1233 High St Armadale VIC 3143 Australia

- (72) Name(s) of Designer(s): **Adam Middleton**
(45) Registration Date: **16 May 2013**
(56) Related Art Documents: **Not Applicable**
(57) Statement of Newness and Distinctiveness: **The newness and distinctiveness of the design resides in the shape and/or configuration of the TRAILER PLUG shown in the representations. The portion of the product shown in phantom in the representations should be disregarded when assessing newness and distinctiveness.**



- (21) Design Number: **11454/2013**
(22) Date of Filing Application: **22 March 2013**
(24) Date from which industrial property rights may have effect: **22 March 2013**
(54) Product in respect of which the design is registered: **Mixer**
(51) International Design Classification: **31-00**
(74) Name(s) of Attorney(s): **Griffith Hack**
(71) Name(s) and Address(s) of Applicant(s):

Guangdong Xinbao Electrical Appliances Holdings Co., Ltd
Zhenghenan Road Leliu Town Shunde District Foshan City Guangdong
Province 528322 China

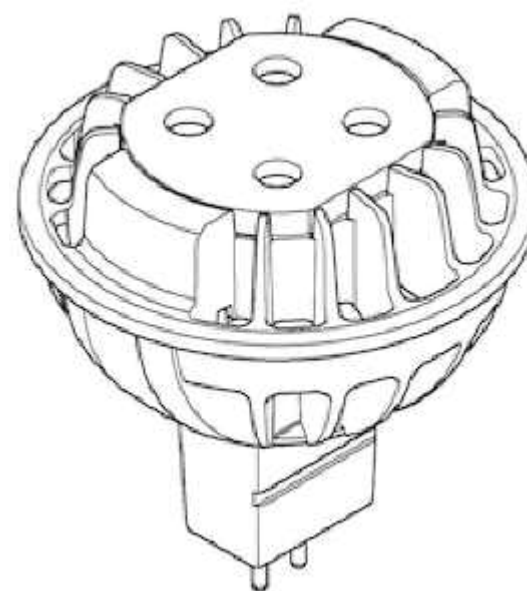
- (72) Name(s) of Designer(s): **Jiangang Guo and Peng Liu**
(45) Registration Date: **16 May 2013**
(30) Convention priority data:
(31) Number (32) Date (33) Country
201230475094.X 07 Oct 2012 CHINA
(56) Related Art Documents: **Not Applicable**
(57) Statement of Newness and Distinctiveness: **Nil**



(21) Design Number: **11456/2013**
(22) Date of Filing Application: **22 March 2013**
(24) Date from which industrial property rights may have effect: **22 March 2013**
(54) Product in respect of which the design is registered: **Garment steamer**
(51) International Design Classification: **07-05NES**
(74) Name(s) of Attorney(s): **FB Rice**
(71) Name(s) and Address(s) of Applicant(s):
Koninklijke Philips Electronics N.V.
High Tech Campus 5 Eindhoven 5656 AE The Netherlands
(72) Name(s) of Designer(s): **Massimiliano La Rovere**
(45) Registration Date: **16 May 2013**
(30) Convention priority data:
(31) Number (32) Date (33) Country
**002107953-0001 24 Sep 2012 OFFICE FOR HARMONISATION IN
THE INTERNAL MARKET (OHIM)**
(56) Related Art Documents: **Not Applicable**
(57) Statement of Newness and Distinctiveness: **Newness and distinctiveness
reside in the features of shape and configuration of the design as shown
in the representations.**



(21) Design Number: **11457/2013**
(22) Date of Filing Application: **22 March 2013**
(24) Date from which industrial property rights may have effect: **22 March 2013**
(54) Product in respect of which the design is registered: **Solid state lighting spot**
(51) International Design Classification: **26-04**
(74) Name(s) of Attorney(s): **FB Rice**
(71) Name(s) and Address(s) of Applicant(s):
Koninklijke Philips Electronics N.V.
High Tech Campus 5 Eindhoven 5656 AE The Netherlands
(72) Name(s) of Designer(s): **Wesley Xiaowei Li and Tracy Li Cheng and Angel
Qi Lin**
(45) Registration Date: **16 May 2013**
(30) Convention priority data:
(31) Number (32) Date (33) Country
**002107995-0001 24 Sep 2012 OFFICE FOR HARMONISATION IN
THE INTERNAL MARKET (OHIM)**
(56) Related Art Documents: **Not Applicable**
(57) Statement of Newness and Distinctiveness: **Newness and distinctiveness
reside in the features of shape and configuration of the design as shown
in the representations.**



- (21) Design Number: **11458/2013**
(22) Date of Filing Application: **22 March 2013**
(24) Date from which industrial property rights may have effect: **22 March 2013**
(54) Product in respect of which the design is registered: **Oak wine barrel furniture outdoor lounge**
(51) International Design Classification: **06-01NES, 06-01L**
(74) Name(s) of Attorney(s):
(71) Name(s) and Address(s) of Applicant(s):
Luis Orlando Figueroa
10 Parkinson St Elizabeth Downs SA 5113 Australia
(72) Name(s) of Designer(s): **Luis Orlando Figueroa**
(45) Registration Date: **16 May 2013**
(56) Related Art Documents: **Not Applicable**
(57) Statement of Newness and Distinctiveness: **This design is unique and is comfortable as it has a backrest. Handmade out of the wine oak barrels and is a unique overall design.**



- (21) Design Number: **11459/2013**
(22) Date of Filing Application: **24 March 2013**
(24) Date from which industrial property rights may have effect: **24 March 2013**
(54) Product in respect of which the design is registered: **Intergrated CCTV camera and recording system**
(51) International Design Classification: **14-01, 16-01**
(74) Name(s) of Attorney(s):
(71) Name(s) and Address(s) of Applicant(s):
Jonathan Duy Khac Nguyen
115 Hollywood Dr Lansvale NSW 2166 Australia
(72) Name(s) of Designer(s): **Jonathan Duy Khac Nguyen**
(45) Registration Date: **16 May 2013**
(56) Related Art Documents: **Not Applicable**
(57) Statement of Newness and Distinctiveness: **Nil**



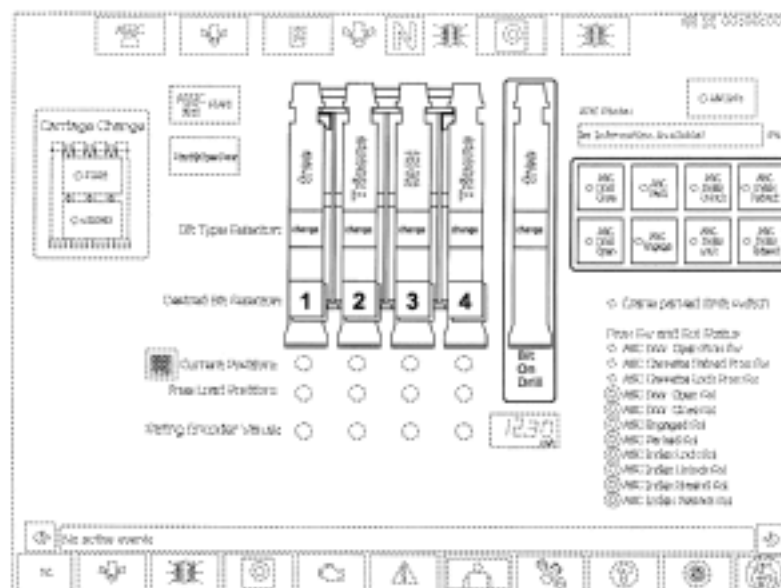
- (21) Design Number: **11460/2013**
(22) Date of Filing Application: **25 March 2013**
(24) Date from which industrial property rights may have effect: **25 March 2013**
(54) Product in respect of which the design is registered: **Gearboxes for electric motors and generators**
(51) International Design Classification: **15-01, 15-99**
(74) Name(s) of Attorney(s): **Griffith Hack**
(71) Name(s) and Address(s) of Applicant(s):
SEW-EURODRIVE GmbH & Co. KG
Ernst-Blickle-Strasse 42 76646 Bruchsal Germany
(72) Name(s) of Designer(s): **Miki Tegeltija**
(45) Registration Date: **16 May 2013**
(30) Convention priority data:
(31) Number (32) Date (33) Country
40 2012004440.7 25 Sep 2012 GERMANY
(56) Related Art Documents: **Not Applicable**
(57) Statement of Newness and Distinctiveness: **Newness and distinctiveness resides in the visual features, including shape and configuration of the product as shown in the accompanying representations.**



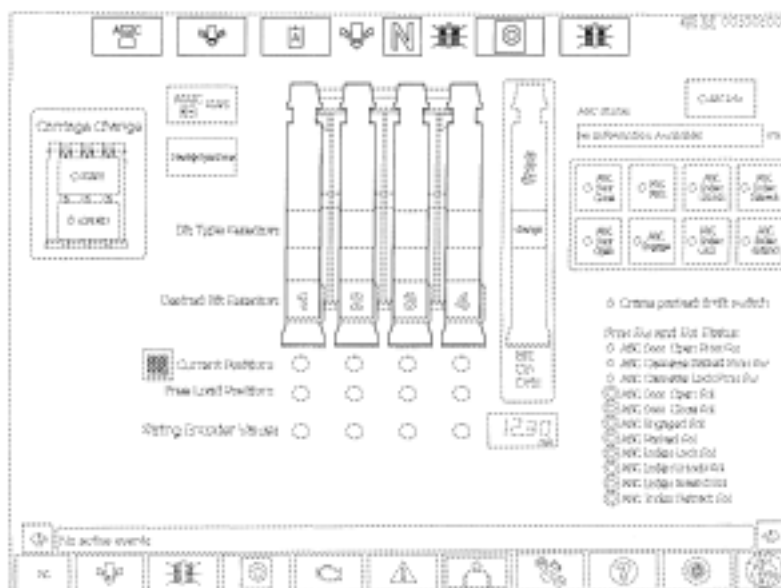
- (21) Design Number: **11421/2013**
(22) Date of Filing Application: **20 March 2013**
(24) Date from which industrial property rights may have effect: **20 March 2013**
(54) Product in respect of which the design is registered: **Structural arch member for a building**
(51) International Design Classification: **25-01C**
(74) Name(s) of Attorney(s): **Marks & Clerk Australia**
(71) Name(s) and Address(s) of Applicant(s):
Lolworth Investments Pty Ltd
2 Burton Rd Kairi QLD 4872 Australia
(72) Name(s) of Designer(s): **Michael Dowse Collins**
(45) Registration Date: **16 May 2013**
(56) Related Art Documents: **Not Applicable**
(57) Statement of Newness and Distinctiveness: **In considering the newness and distinctiveness of the design, regard is to be given to the overall shape and/or configuration of the structural arch member for a building as shown in the representations.**



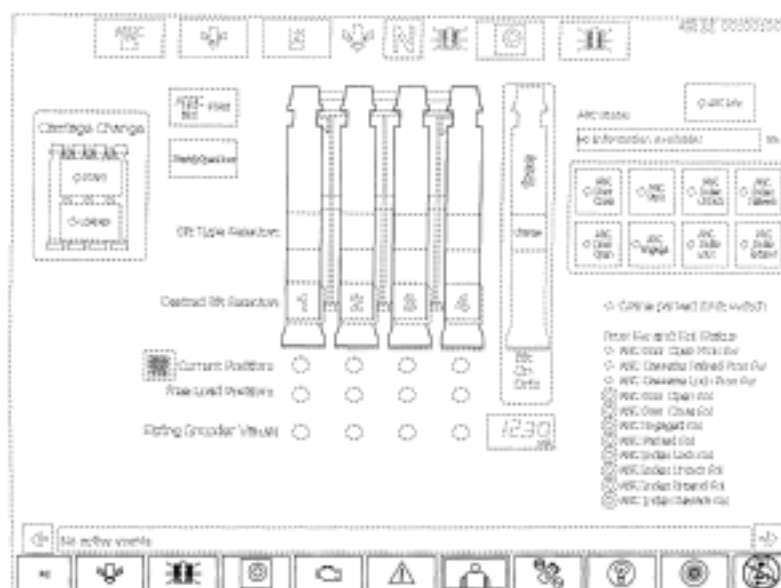
- (21) Design Number: **11444/2013**
(22) Date of Filing Application: **20 March 2013**
(24) Date from which industrial property rights may have effect: **20 March 2013**
(54) Product in respect of which the design is registered: **Display screen**
(51) International Design Classification: **14-01**
(74) Name(s) of Attorney(s): **Freehills Patent Attorneys**
(71) Name(s) and Address(s) of Applicant(s):
Caterpillar Global Mining Equipment LLC
1100 Milwaukee Avenue South Milwaukee Wisconsin 53172 United States of America
(72) Name(s) of Designer(s): **Chinpei Tang and Timo Diekmann and Vin J. Varghese and Marcus U. Bahtz**
(45) Registration Date: **16 May 2013**
(30) Convention priority data:
(31) Number (32) Date (33) Country
29/432894 21 Sep 2012 UNITED STATES OF AMERICA
(56) Related Art Documents: **Not Applicable**
(57) Statement of Newness and Distinctiveness: **Newness and distinctiveness lies in the pattern and ornamentation shown in solid lines in the accompanying figure.**



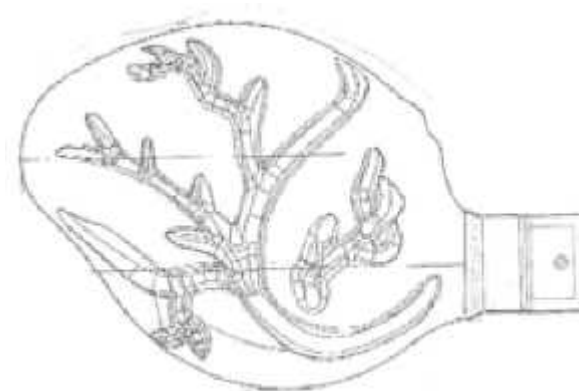
- (21) Design Number: **11445/2013**
(22) Date of Filing Application: **20 March 2013**
(24) Date from which industrial property rights may have effect: **20 March 2013**
(54) Product in respect of which the design is registered: **Display screen**
(51) International Design Classification: **14-01**
(74) Name(s) of Attorney(s): **Freehills Patent Attorneys**
(71) Name(s) and Address(s) of Applicant(s):
Caterpillar Global Mining Equipment LLC
1100 Milwaukee Avenue South Milwaukee Wisconsin 53172 United States of America
(72) Name(s) of Designer(s): **Chinpei Tang and Timo Diekmann and Vin J. Varghese and Marcus U. Bahtz**
(45) Registration Date: **16 May 2013**
(30) Convention priority data:
(31) Number (32) Date (33) Country
29/432894 21 Sep 2012 UNITED STATES OF AMERICA
(56) Related Art Documents: **Not Applicable**
(57) Statement of Newness and Distinctiveness: **Newness and distinctiveness lies in the pattern and ornamentation shown in solid lines in the accompanying figure.**



- (21) Design Number: **11446/2013**
(22) Date of Filing Application: **20 March 2013**
(24) Date from which industrial property rights may have effect: **20 March 2013**
(54) Product in respect of which the design is registered: **Display screen**
(51) International Design Classification: **14-01**
(74) Name(s) of Attorney(s): **Freehills Patent Attorneys**
(71) Name(s) and Address(s) of Applicant(s):
Caterpillar Global Mining Equipment LLC
1100 Milwaukee Avenue South Milwaukee Wisconsin 53172 United States of America
(72) Name(s) of Designer(s): **Chinpei Tang and Timo Diekmann and Vin J. Varghese and Marcus U. Bahtz**
(45) Registration Date: **16 May 2013**
(30) Convention priority data:
(31) Number (32) Date (33) Country
29/432894 21 Sep 2012 UNITED STATES OF AMERICA
(56) Related Art Documents: **Not Applicable**
(57) Statement of Newness and Distinctiveness: **Newness and distinctiveness lies in the pattern and ornamentation shown in solid lines in the accompanying figure.**



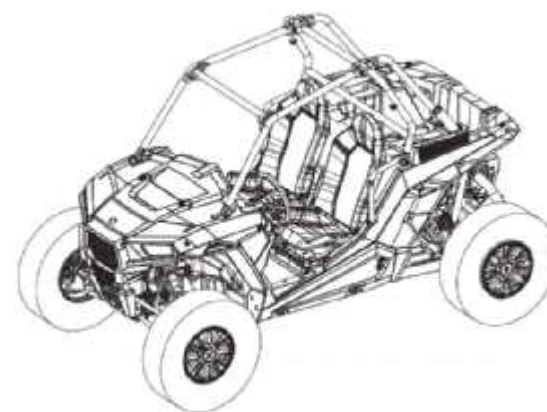
- (21) Design Number: **11449/2013**
(22) Date of Filing Application: **22 March 2013**
(24) Date from which industrial property rights may have effect: **22 March 2013**
(54) Product in respect of which the design is registered: **Perfume bottle**
(51) International Design Classification: **09-01G**
(74) Name(s) of Attorney(s):
(71) Name(s) and Address(s) of Applicant(s):
Map of the Heart Pty Ltd
Shop 5 1000-1008 Pittwater Rd Collaroy NSW 2097 Australia
(72) Name(s) of Designer(s): **Sarah Blair and Jeffrey Darling**
(45) Registration Date: **16 May 2013**
(56) Related Art Documents: **Not Applicable**
(57) Statement of Newness and Distinctiveness: **Newness and distinctiveness resides in the visual features, including shape, configuration and ornamentation of the product as shown in the accompanying representation.**



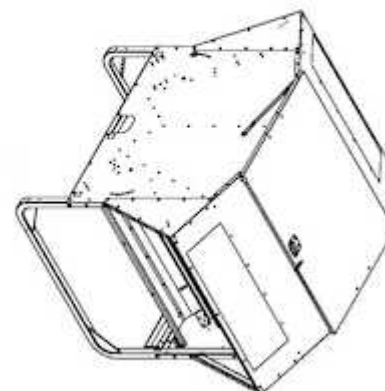
(21) Design Number: **11450/2013**
(22) Date of Filing Application: **22 March 2013**
(24) Date from which industrial property rights may have effect: **22 March 2013**
(54) Product in respect of which the design is registered: **Fishing lure**
(51) International Design Classification: **22-05**
(74) Name(s) of Attorney(s): **PHILLIPS ORMONDE FITZPATRICK**
(71) Name(s) and Address(s) of Applicant(s):
John Morton Calderwood
Pine Grove Stables Crouch Rd Golden Gr SA 5125 Australia
(72) Name(s) of Designer(s): **John Morton Calderwood**
(45) Registration Date: **16 May 2013**
(56) Related Art Documents: **Not Applicable**
(57) Statement of Newness and Distinctiveness: **Nil**



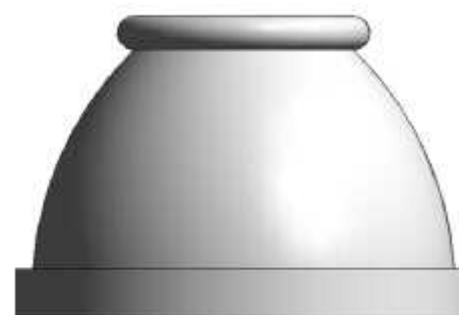
(21) Design Number: **11610/2013**
(22) Date of Filing Application: **03 April 2013**
(24) Date from which industrial property rights may have effect: **03 April 2013**
(54) Product in respect of which the design is registered: **Side-by-side all terrain vehicle**
(51) International Design Classification: **12-08**
(74) Name(s) of Attorney(s): **WATERMARK PATENT AND TRADE MARKS ATTORNEYS**
(71) Name(s) and Address(s) of Applicant(s):
Polaris Industries Inc
2100 Highway 55 Medina Minnesota 55340 United States of America
(72) Name(s) of Designer(s): **Richard E Eck and Curtis C Carruth**
(45) Registration Date: **16 May 2013**
(30) Convention priority data:
(31) Number (32) Date (33) Country
29/434,278 11 Oct 2012 UNITED STATES OF AMERICA
(56) Related Art Documents: **Not Applicable**
(57) Statement of Newness and Distinctiveness: **Nil**



- (21) Design Number: **11612/2013**
(22) Date of Filing Application: **03 April 2013**
(24) Date from which industrial property rights may have effect: **03 April 2013**
(54) Product in respect of which the design is registered: **Grain feeder**
(51) International Design Classification: **30-03**
(74) Name(s) of Attorney(s):
(71) Name(s) and Address(s) of Applicant(s):
Advantage Feeders Pty. Ltd.
3 Chicquita Cct Mentone VIC 3194 Australia
(72) Name(s) of Designer(s): **Gerard Roney**
(45) Registration Date: **16 May 2013**
(56) Related Art Documents: **Not Applicable**
(57) Statement of Newness and Distinctiveness: **Small grain feeder. Comes with divisive panel down centre to allow different feed combinations to be fed out. Weather protection, creep panel.**



- (21) Design Number: **11613/2013**
(22) Date of Filing Application: **03 April 2013**
(24) Date from which industrial property rights may have effect: **03 April 2013**
(54) Product in respect of which the design is registered: **Tap flange**
(51) International Design Classification: **23-01H**
(74) Name(s) of Attorney(s):
(71) Name(s) and Address(s) of Applicant(s):
Ian Shirliff
C/- Brodware Industries PO BOX 610 Seven Hills NSW 1730 Australia
(72) Name(s) of Designer(s): **Ian Shirliff**
(45) Registration Date: **16 May 2013**
(56) Related Art Documents: **Not Applicable**
(57) Statement of Newness and Distinctiveness: **Newness and distinctiveness is claimed in the shape of the tap flange as illustrated in the accompanying representations.**



(21) Design Number: **11614/2013**

(22) Date of Filing Application: **03 April 2013**

(24) Date from which industrial property rights may have effect: **03 April 2013**

(54) Product in respect of which the design is registered: **Plumbing pipe trim**

(51) International Design Classification: **23-01A**

(74) Name(s) of Attorney(s):

(71) Name(s) and Address(s) of Applicant(s):

Ian Shirliff

C/- Brodware Industries PO BOX 610 Seven Hills NSW 1730 Australia

(72) Name(s) of Designer(s): **Ian Shirliff**

(45) Registration Date: **16 May 2013**

(56) Related Art Documents: **Not Applicable**

(57) Statement of Newness and Distinctiveness: **Newness and distinctiveness is claimed in the shape of the plumbing pipe trim as illustrated in the accompanying representations.**



(21) Design Number: **11615/2013**

(22) Date of Filing Application: **03 April 2013**

(24) Date from which industrial property rights may have effect: **03 April 2013**

(54) Product in respect of which the design is registered: **Tap flange**

(51) International Design Classification: **23-01H**

(74) Name(s) of Attorney(s):

(71) Name(s) and Address(s) of Applicant(s):

Ian Shirliff

C/- Brodware Industries PO BOX 610 Seven Hills NSW 1730 Australia

(72) Name(s) of Designer(s): **Ian Shirliff**

(45) Registration Date: **16 May 2013**

(56) Related Art Documents: **Not Applicable**

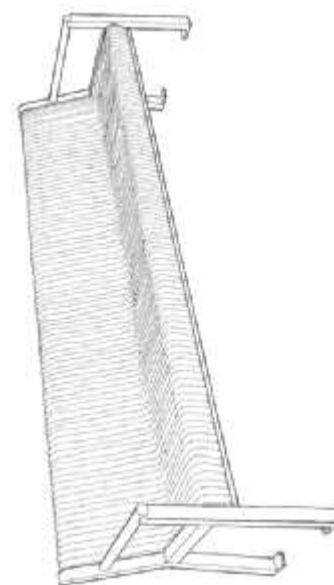
(57) Statement of Newness and Distinctiveness: **Newness and distinctiveness is claimed in the shape of the tap flange as illustrated in the accompanying representations.**



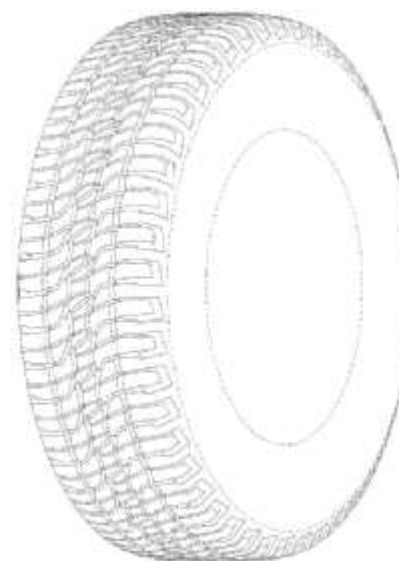
- (21) Design Number: **11616/2013**
(22) Date of Filing Application: **03 April 2013**
(24) Date from which industrial property rights may have effect: **03 April 2013**
(54) Product in respect of which the design is registered: **A drill unit**
(51) International Design Classification: **08-01**
(74) Name(s) of Attorney(s): **Fraser Old & Sohn**
(71) Name(s) and Address(s) of Applicant(s):
John Arthur Notaras
9 Fred St Lilyfield NSW 2040 Australia
Angelo Lambrinos Notaras
9 Fred St Lilyfield NSW 2040 Australia
(72) Name(s) of Designer(s): **John Arthur Notaras and Angelo Lambrinos Notaras**
(45) Registration Date: **16 May 2013**
(56) Related Art Documents: **Not Applicable**
(57) Statement of Newness and Distinctiveness: **Newness and distinctiveness is claimed in respect of the shape and/or configuration of the handles of the drill unit illustrated in the accompanying representations. In carrying out a consideration in accordance with Section 19 the shape and/or configuration of the engine illustrated in broken lines and the auger illustrated in solid lines in the representations is/are not to be considered either new or distinctive and do/does not form part of the design.**



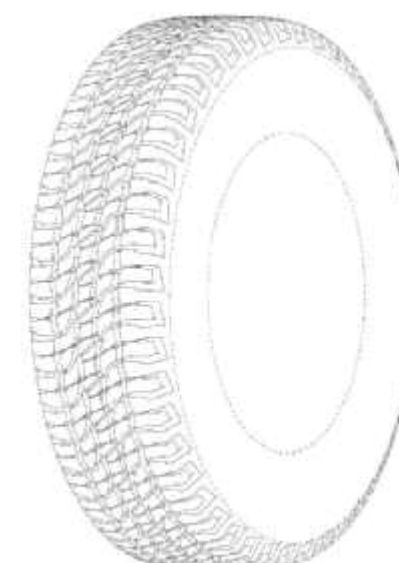
- (21) Design Number: **11617/2013**
(22) Date of Filing Application: **03 April 2013**
(24) Date from which industrial property rights may have effect: **03 April 2013**
(54) Product in respect of which the design is registered: **Seat**
(51) International Design Classification: **06-01C**
(74) Name(s) of Attorney(s):
(71) Name(s) and Address(s) of Applicant(s):
Ripple Iron Pty Ltd
21 Ellen St Moorooka QLD 4105 Australia
Russell James Ogilvie Hall
C/- Russell Hall Architects Pty Ltd 18 Lucy St Moorooka QLD 4105 Australia
(72) Name(s) of Designer(s): **Russell James Ogilvie Hall**
(45) Registration Date: **16 May 2013**
(56) Related Art Documents: **Not Applicable**
(57) Statement of Newness and Distinctiveness: **Design and shape of end frame, and the use of ripple iron perforated seat skin and method of attachment of the seat skin within the end frame to have no protrusions.**



- (21) Design Number: **11619/2013**
(22) Date of Filing Application: **04 April 2013**
(24) Date from which industrial property rights may have effect: **04 April 2013**
(54) Product in respect of which the design is registered: **A tyre**
(51) International Design Classification: **12-15A**
(74) Name(s) of Attorney(s): **WATERMARK PATENT AND TRADE MARKS ATTORNEYS**
(71) Name(s) and Address(s) of Applicant(s):
Compagnie Generale Des Etablissements Michelin
12 cours Sablon Clermont-Ferrand F-63000 France
Michelin Recherche et Technique S.A.
Route Louis-Braille 10 Granges-Paccot CH-1763 Switzerland
(72) Name(s) of Designer(s): **John A. Hutz and Pat Buresh and Luz Restrepo**
(45) Registration Date: **16 May 2013**
(30) Convention priority data:
(31) Number (32) Date (33) Country
29/435,468 24 Oct 2012 UNITED STATES OF AMERICA
(56) Related Art Documents: **Not Applicable**
(57) Statement of Newness and Distinctiveness: **Newness and distinctiveness resides in the appearance of the tread region of the tyre, the remainder of the tyre not forming part of the design.**



- (21) Design Number: **11620/2013**
(22) Date of Filing Application: **04 April 2013**
(24) Date from which industrial property rights may have effect: **04 April 2013**
(54) Product in respect of which the design is registered: **A tyre**
(51) International Design Classification: **12-15A**
(74) Name(s) of Attorney(s): **WATERMARK PATENT AND TRADE MARKS ATTORNEYS**
(71) Name(s) and Address(s) of Applicant(s):
Compagnie Generale Des Etablissements Michelin
12 cours Sablon Clermont-Ferrand F-63000 France
Michelin Recherche et Technique S.A.
Route Louis-Braille 10 Granges-Paccot CH-1763 Switzerland
(72) Name(s) of Designer(s): **John A. Hutz and Pat Buresh and Luz Restrepo**
(45) Registration Date: **16 May 2013**
(30) Convention priority data:
(31) Number (32) Date (33) Country
29/435,478 24 Oct 2012 UNITED STATES OF AMERICA
(56) Related Art Documents: **Not Applicable**
(57) Statement of Newness and Distinctiveness: **Newness and distinctiveness resides in the appearance of the tread region of the tyre, the remainder of the tyre not forming part of the design.**



- (21) Design Number: **11621/2013**
(22) Date of Filing Application: **04 April 2013**
(24) Date from which industrial property rights may have effect: **04 April 2013**
(54) Product in respect of which the design is registered: **A tyre**
(51) International Design Classification: **12-15A**
(74) Name(s) of Attorney(s): **WATERMARK PATENT AND TRADE MARKS ATTORNEYS**
(71) Name(s) and Address(s) of Applicant(s):
Compagnie Generale Des Etablissements Michelin
12 cours Sablon Clermont-Ferrand F-63000 France
Michelin Recherche et Technique S.A.
Route Louis-Braille 10 Granges-Paccot CH-1763 Switzerland
(72) Name(s) of Designer(s): **Fang Zhu and John A. Hutz and Lee A. Montgomery**
(45) Registration Date: **16 May 2013**
(30) Convention priority data:
(31) Number (32) Date (33) Country
29/438,082 26 Nov 2012 UNITED STATES OF AMERICA
(56) Related Art Documents: **Not Applicable**
(57) Statement of Newness and Distinctiveness: **Newness and distinctiveness resides in the appearance of the tread region of the tyre, the remainder of the tyre not forming part of the design.**



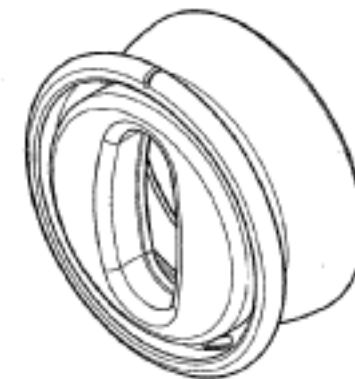
- (21) Design Number: **11652/2013**
(22) Date of Filing Application: **08 April 2013**
(24) Date from which industrial property rights may have effect: **08 April 2013**
(54) Product in respect of which the design is registered: **Electric generator**
(51) International Design Classification: **13-01**
(74) Name(s) of Attorney(s): **SPRUSON & FERGUSON**
(71) Name(s) and Address(s) of Applicant(s):
C.E. Niehoff & Co.
2021 Lee Street Evanston Illinois 60202 United States of America
(72) Name(s) of Designer(s): **Gerald Miller**
(45) Registration Date: **16 May 2013**
(30) Convention priority data:
(31) Number (32) Date (33) Country
29/434308 11 Oct 2012 UNITED STATES OF AMERICA
(56) Related Art Documents: **Not Applicable**
(57) Statement of Newness and Distinctiveness: **Newness and distinctiveness is claimed in the features of shape and/or configuration of an electric generator as illustrated in the accompanying representations.**



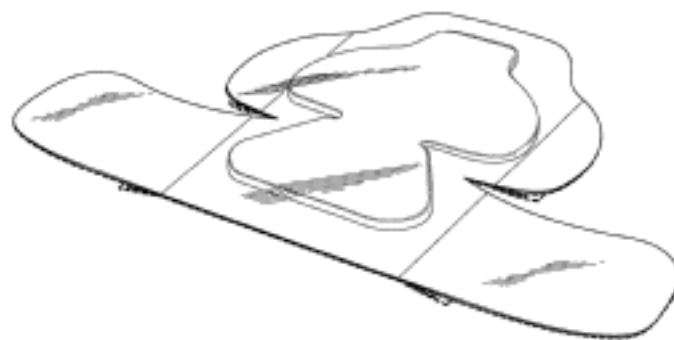
- (21) Design Number: **11653/2013**
(22) Date of Filing Application: **08 April 2013**
(24) Date from which industrial property rights may have effect: **08 April 2013**
(54) Product in respect of which the design is registered: **A fishing reel**
(51) International Design Classification: **22-05**
(74) Name(s) of Attorney(s): **SPRUSON & FERGUSON**
(71) Name(s) and Address(s) of Applicant(s):
Tiller & Tiller Pty Limited
23 Nelson St Annandale NSW 2038 Australia
(72) Name(s) of Designer(s): **Robert Bruce Tiller and Brandon Liew**
(45) Registration Date: **16 May 2013**
(56) Related Art Documents: **Not Applicable**
(57) Statement of Newness and Distinctiveness: **Newness and distinctiveness is claimed in the features of shape and/or configuration of a fishing reel as illustrated in the accompanying representations.**



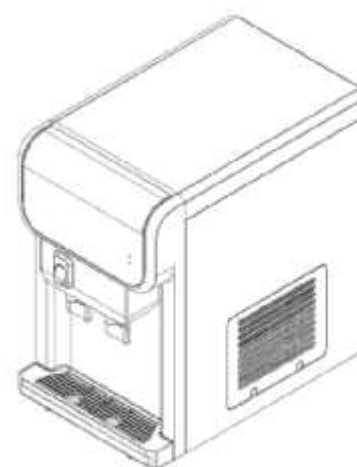
- (21) Design Number: **11655/2013**
(22) Date of Filing Application: **08 April 2013**
(24) Date from which industrial property rights may have effect: **08 April 2013**
(54) Product in respect of which the design is registered: **A fishing reel**
(51) International Design Classification: **22-05**
(74) Name(s) of Attorney(s): **SPRUSON & FERGUSON**
(71) Name(s) and Address(s) of Applicant(s):
Tiller & Tiller Pty Limited
23 Nelson St Annandale NSW 2038 Australia
(72) Name(s) of Designer(s): **Robert Bruce Tiller and Brandon Liew**
(45) Registration Date: **16 May 2013**
(56) Related Art Documents: **Not Applicable**
(57) Statement of Newness and Distinctiveness: **Newness and distinctiveness is claimed in the features of shape and/or configuration of a rear flexible flange of a fishing reel as illustrated in the accompanying representations.**



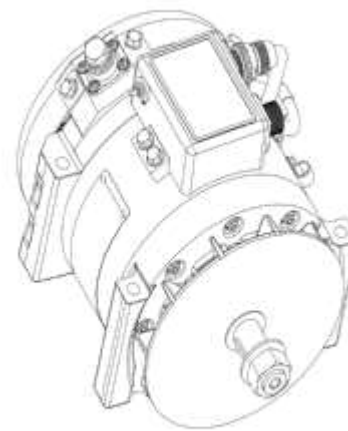
- (21) Design Number: **11656/2013**
(22) Date of Filing Application: **08 April 2013**
(24) Date from which industrial property rights may have effect: **08 April 2013**
(54) Product in respect of which the design is registered: **A dressing**
(51) International Design Classification: **24-04**
(74) Name(s) of Attorney(s): **SPRUSON & FERGUSON**
(71) Name(s) and Address(s) of Applicant(s):
Molnlycke Health Care AB
Gamlestadsvagen 3C Goteborg SE-402 52 Sweden
(72) Name(s) of Designer(s): **Christian Wathne and Ritva Miettinen and Rose-Marie Fredrikson and Timo Leppanen and Yvonne Arnkil Neselius and Ann-Britt Gergely**
(45) Registration Date: **16 May 2013**
(30) Convention priority data:
(31) Number (32) Date (33) Country
001346951 12 Oct 2012 OFFICE FOR HARMONISATION IN THE INTERNAL MARKET (OHIM)
(56) Related Art Documents: **Not Applicable**
(57) Statement of Newness and Distinctiveness: **Newness and distinctiveness is claimed in those features of shape and/or configuration of a dressing illustrated in continuous lines in the accompanying representations.**



- (21) Design Number: **11658/2013**
(22) Date of Filing Application: **08 April 2013**
(24) Date from which industrial property rights may have effect: **08 April 2013**
(54) Product in respect of which the design is registered: **Water purifier**
(51) International Design Classification: **23-01G**
(74) Name(s) of Attorney(s): **WALLINGTON-DUMMER**
(71) Name(s) and Address(s) of Applicant(s):
Clover Co. Ltd.
911-2 Hogye-2dong Dongan-gu Anyang-si Gyeonggi-do 431-080
Republic of Korea
(72) Name(s) of Designer(s): **Young Mu Moon and Ki Jung Lim and Yoo Jin Hwang**
(45) Registration Date: **16 May 2013**
(56) Related Art Documents: **Not Applicable**
(57) Statement of Newness and Distinctiveness: **Newness and distinctiveness reside in the two water outlets respectively mounted on the front face for discharging cold water and hot water and a safety button for hot water above the hot water outlet.**



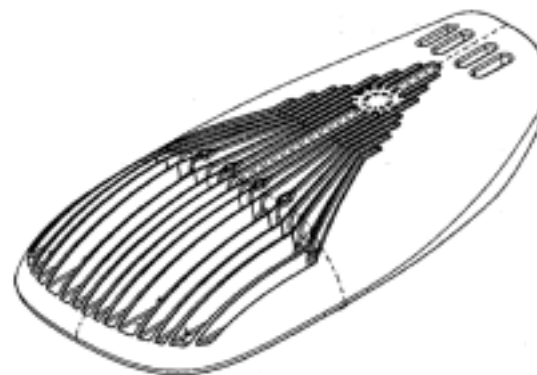
(21) Design Number: **11691/2013**
(22) Date of Filing Application: **10 April 2013**
(24) Date from which industrial property rights may have effect: **10 April 2013**
(54) Product in respect of which the design is registered: **Electric generator**
(51) International Design Classification: **13-01**
(74) Name(s) of Attorney(s): **SPRUSON & FERGUSON**
(71) Name(s) and Address(s) of Applicant(s):
C.E. Niehoff & Co.
2021 Lee Street Evanston Illinois 60202 United States of America
(72) Name(s) of Designer(s): **Nisvet Basic and Ninos Canon and Issam Jabaji**
(45) Registration Date: **16 May 2013**
(30) Convention priority data:
(31) Number (32) Date (33) Country
29/434262 11 Oct 2012 UNITED STATES OF AMERICA
(56) Related Art Documents: **Not Applicable**
(57) Statement of Newness and Distinctiveness: **Newness and distinctiveness is claimed in the features of shape and/or configuration of an electric generator as illustrated in the accompanying representations.**



(21) Design Number: **11706/2013**
(22) Date of Filing Application: **11 April 2013**
(24) Date from which industrial property rights may have effect: **11 April 2013**
(54) Product in respect of which the design is registered: **Backpack vacuum cleaner**
(51) International Design Classification: **15-05**
(74) Name(s) of Attorney(s): **Griffith Hack**
(71) Name(s) and Address(s) of Applicant(s):
Electrolux Home Care Products, Inc.
10200 David Taylor Dr Charlotte NC 28262-2373 United States of America
(72) Name(s) of Designer(s): **James Michael Wiggins**
(45) Registration Date: **16 May 2013**
(30) Convention priority data:
(31) Number (32) Date (33) Country
29/434473 12 Oct 2012 UNITED STATES OF AMERICA
(56) Related Art Documents: **Not Applicable**
(57) Statement of Newness and Distinctiveness: **Newness and distinctiveness resides in the visual features, including shape and configuration, of a BACKPACK VACUUM CLEANER as shown in solid outline in the accompanying drawings. When determining whether the design is substantially similar in overall impression to another design, no regard is to be had to those features shown in dotted outline in the accompanying drawings, which features are provided for illustrative purposes only.**

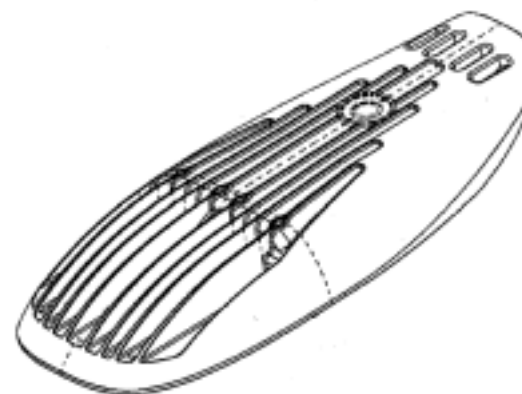


(21) Design Number: **11707/2013**
(22) Date of Filing Application: **11 April 2013**
(24) Date from which industrial property rights may have effect: **11 April 2013**
(54) Product in respect of which the design is registered: **Lighting fixture**
(51) International Design Classification: **26-05C**
(74) Name(s) of Attorney(s): **SPRUSON & FERGUSON**
(71) Name(s) and Address(s) of Applicant(s):
Cree, Inc.
4600 Silicon Drive Durham North Carolina 27703 United States of America



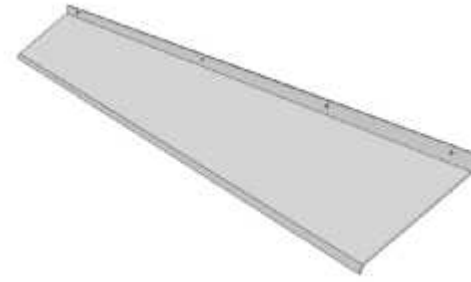
(72) Name(s) of Designer(s): **Lisa Ruffalo and Alan J. Ruud**
(45) Registration Date: **16 May 2013**
(30) Convention priority data:
(31) Number (32) Date (33) Country
29/434454 12 Oct 2012 UNITED STATES OF AMERICA
(56) Related Art Documents: **Not Applicable**
(57) Statement of Newness and Distinctiveness: **Newness and distinctiveness is claimed in those features of shape and/or configuration of a lighting fixture illustrated in continuous lines in the accompanying representations.**

(21) Design Number: **11708/2013**
(22) Date of Filing Application: **11 April 2013**
(24) Date from which industrial property rights may have effect: **11 April 2013**
(54) Product in respect of which the design is registered: **Lighting fixture**
(51) International Design Classification: **26-05C**
(74) Name(s) of Attorney(s): **SPRUSON & FERGUSON**
(71) Name(s) and Address(s) of Applicant(s):
Cree, Inc.
4600 Silicon Drive Durham North Carolina 27703 United States of America



(72) Name(s) of Designer(s): **Lisa Ruffalo and Alan J. Ruud**
(45) Registration Date: **16 May 2013**
(30) Convention priority data:
(31) Number (32) Date (33) Country
29/434452 12 Oct 2012 UNITED STATES OF AMERICA
(56) Related Art Documents: **Not Applicable**
(57) Statement of Newness and Distinctiveness: **Newness and distinctiveness is claimed in those features of shape and/or configuration of a lighting fixture illustrated in continuous lines in the accompanying representations.**

- (21) Design Number: **11710/2013**
(22) Date of Filing Application: **11 April 2013**
(24) Date from which industrial property rights may have effect: **11 April 2013**
(54) Product in respect of which the design is registered: **Awning**
(51) International Design Classification: **25-02H**
(74) Name(s) of Attorney(s):
(71) Name(s) and Address(s) of Applicant(s):
Mark Antony Beattie
PO BOX 645 Alexandria NSW 1435 Australia
(72) Name(s) of Designer(s): **Mark Antony Beattie**
(45) Registration Date: **16 May 2013**
(56) Related Art Documents: **Not Applicable**
(57) Statement of Newness and Distinctiveness: **A self supporting one piece awning for shade and shelter of buildings.**



- (21) Design Number: **14702/2012**
(22) Date of Filing Application: **21 September 2012**
(24) Date from which industrial property rights may have effect: **21 September 2012**
(54) Product in respect of which the design is registered: **Spoon dock**
(51) International Design Classification: **07-02NES**
(74) Name(s) of Attorney(s):
(71) Name(s) and Address(s) of Applicant(s):
Jane Heron-Kirkmoe
23 Second Ave Moana SA 5169 Australia
(72) Name(s) of Designer(s): **Jane Heron-Kirkmoe**
(45) Registration Date: **16 May 2013**
(56) Related Art Documents: **Not Applicable**
(57) Statement of Newness and Distinctiveness: **Nil**



(21) Design Number: **14912/2012**
(22) Date of Filing Application: **02 October 2012**
(24) Date from which industrial property rights may have effect: **02 October 2012**
(54) Product in respect of which the design is registered: **A food mould**
(51) International Design Classification: **07-02P**
(74) Name(s) of Attorney(s):
(71) Name(s) and Address(s) of Applicant(s):
Phillip John Stansfield-Smith
5/9-11 Nelson Rd Point Lonsdale VIC 3225 Australia
(72) Name(s) of Designer(s): **Phillip John Stansfield-Smith**
(45) Registration Date: **16 May 2013**
(56) Related Art Documents: **Not Applicable**
(57) Statement of Newness and Distinctiveness: **A food mould.**



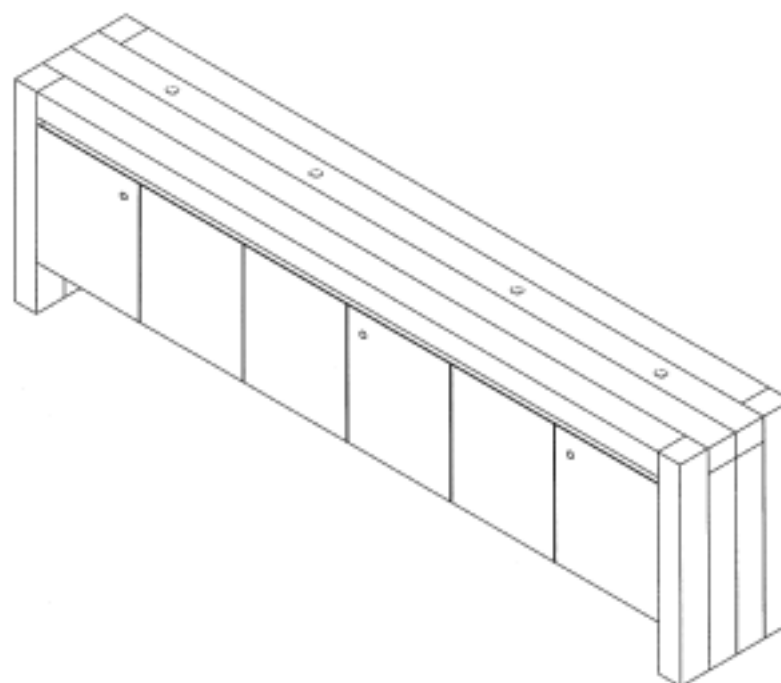
(21) Design Number: **16263/2012**
(22) Date of Filing Application: **11 December 2012**
(24) Date from which industrial property rights may have effect: **11 December 2012**
(54) Product in respect of which the design is registered: **Spoon handle**
(51) International Design Classification: **07-03**
(74) Name(s) of Attorney(s): **Trademark Works**
(71) Name(s) and Address(s) of Applicant(s):
Joseph Joseph Ltd
The Grove 30 Great Guildford Street SE1 OHS London United Kingdom
(72) Name(s) of Designer(s): **Antony Joseph**
(45) Registration Date: **16 May 2013**
(30) Convention priority data:
(31) Number (32) Date (33) Country
**002107078-0001 21 Sep 2012 OFFICE FOR HARMONISATION IN
THE INTERNAL MARKET (OHIM)**
(56) Related Art Documents: **Not Applicable**
(57) Statement of Newness and Distinctiveness: **The newness and distinctiveness of the design resides in the shape of the spoon handle as shown in the continuous lines in the accompanying representations. The broken lines are not part of the design and are to be disregarded when considering the overall impression of the design.**



(21) Design Number: **10464/2013**
(22) Date of Filing Application: **31 January 2013**
(24) Date from which industrial property rights may have effect: **31 January 2013**
(54) Product in respect of which the design is registered: **Wheelchair**
(51) International Design Classification: **12-12**
(74) Name(s) of Attorney(s): **Callinans**
(71) Name(s) and Address(s) of Applicant(s):
Invacare International Sarl
Route de Cite-Quest 2 Gland 1196 Switzerland
(72) Name(s) of Designer(s): **Wilfrid Da Cunha and Mael Robert and Jean-Michel Roncin and Aurelie Lauret**
(45) Registration Date: **16 May 2013**
(30) Convention priority data:
(31) Number (32) Date (33) Country
**683407601 31 Jul 2012 WORLD INTELLECTUAL
PROPERTY ORGANIZATION
(WIPO)**
(56) Related Art Documents: **Not Applicable**
(57) Statement of Newness and Distinctiveness: **Nil**



(21) Design Number: **11429/2013**
(22) Date of Filing Application: **19 March 2013**
(24) Date from which industrial property rights may have effect: **19 March 2013**
(54) Product in respect of which the design is registered: **Display structure**
(51) International Design Classification: **20-03NES, 20-02C**
(74) Name(s) of Attorney(s): **Freehills Patent Attorneys**
(71) Name(s) and Address(s) of Applicant(s):
Apple Inc.
1 Infinite Loop Cupertino California 95014 United States of America
(72) Name(s) of Designer(s): **Federico F. Tio and Frank C. Thaler and Wesley B. Hamm and Kevin F. Smeds and Russell J. Kaaihue Heirakuji**
(45) Registration Date: **16 May 2013**
(30) Convention priority data:
(31) Number (32) Date (33) Country
29/432724 19 Sep 2012 UNITED STATES OF AMERICA
(56) Related Art Documents: **Not Applicable**
(57) Statement of Newness and Distinctiveness: **Newness and distinctiveness resides in the features of shape and configuration shown in solid outline in the accompanying representations.**



(21) Design Number: **11277/2013**
(22) Date of Filing Application: **14 March 2013**
(24) Date from which industrial property rights may have effect: **14 March 2013**
(54) Product in respect of which the design is registered: **Trampoline**
(51) International Design Classification: **21-02F**
(74) Name(s) of Attorney(s): **AJ Park**
(71) Name(s) and Address(s) of Applicant(s):
Board & Batten International Inc
C/- International Management Services Ltd 4th Floor Harbour Centre
North Church Street Georgetown Cayman Islands



(72) Name(s) of Designer(s): **David Jethro Miller**

(45) Registration Date: **16 May 2013**

(30) Convention priority data:

(31) Number	(32) Date	(33) Country
416725	18 Sep 2012	NEW ZEALAND

(56) Related Art Documents: **Not Applicable**

(57) Statement of Newness and Distinctiveness: **The novelty claimed for the design as applied to a trampoline resides in the features of shape and/or configuration all as shown in the representations excluding the shape and configuration of the legs of the trampoline, and of the periphery of the top of the trampoline.**

(21) Design Number: **11332/2013**
(22) Date of Filing Application: **14 March 2013**
(24) Date from which industrial property rights may have effect: **14 March 2013**
(54) Product in respect of which the design is registered: **A seat of a chair, the seat having coalesced ischial concavities**
(51) International Design Classification: **06-06G**
(74) Name(s) of Attorney(s): **Fraser Old & Sohn**
(71) Name(s) and Address(s) of Applicant(s):
Sebel Furniture Ltd
92 Gow St Padstow NSW 2211 Australia



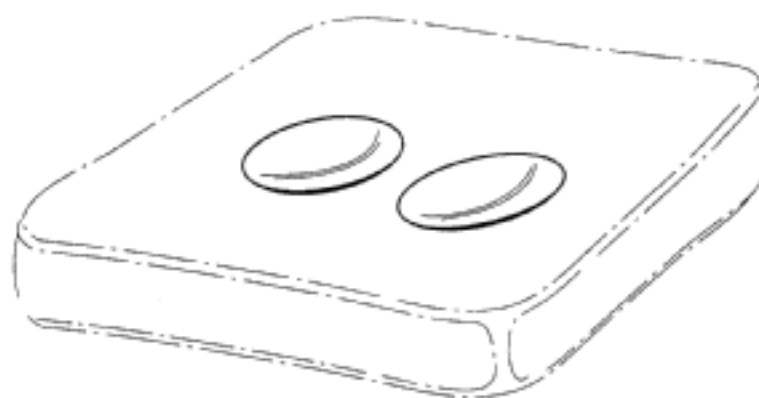
(72) Name(s) of Designer(s): **Gregory Brent Welsh**

(45) Registration Date: **16 May 2013**

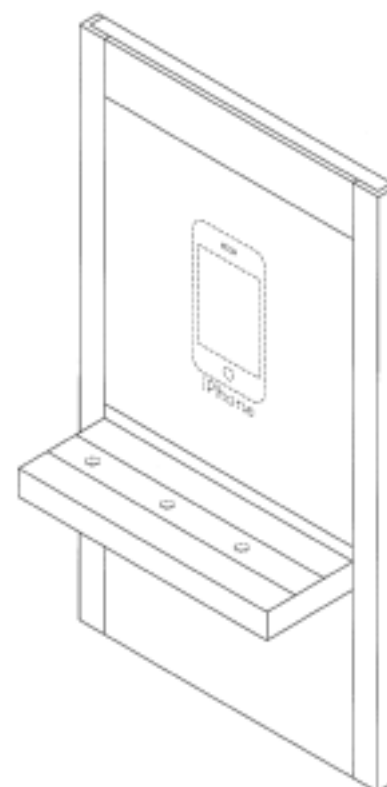
(56) Related Art Documents: **Not Applicable**

(57) Statement of Newness and Distinctiveness: **Newness and distinctiveness is claimed in respect of the shape and/or configuration of the seat illustrated in the accompanying representations. In carrying out a consideration in accordance with Section 19 the shape and/or configuration of the portions of the seat illustrated by broken lines in the representations is/are not to be considered either new or distinctive and do/does not form part of the design.**

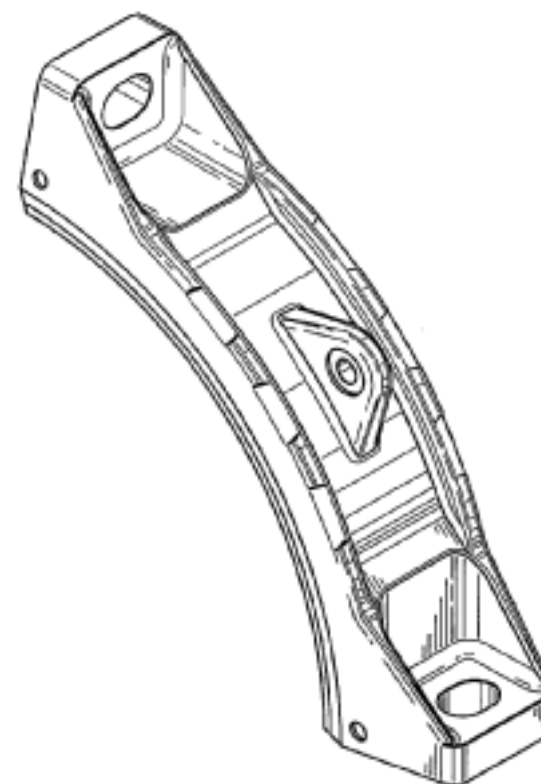
- (21) Design Number: **11333/2013**
(22) Date of Filing Application: **14 March 2013**
(24) Date from which industrial property rights may have effect: **14 March 2013**
(54) Product in respect of which the design is registered: **A seat of a chair, the seat having a pair of ischial concavities**
(51) International Design Classification: **06-06G**
(74) Name(s) of Attorney(s): **Fraser Old & Sohn**
(71) Name(s) and Address(s) of Applicant(s):
Sebel Furniture Ltd
92 Gow St Padstow NSW 2211 Australia
(72) Name(s) of Designer(s): **Gregory Brent Welsh**
(45) Registration Date: **16 May 2013**
(56) Related Art Documents: **Not Applicable**
(57) Statement of Newness and Distinctiveness: **Newness and distinctiveness is claimed in respect of the shape and/or configuration of the seat illustrated in the accompanying representations. In carrying out a consideration in accordance with Section 19 the shape and/or configuration of the portions of the seat illustrated by broken lines in the representations is/are not to be considered either new or distinctive and do/does not form part of the design.**



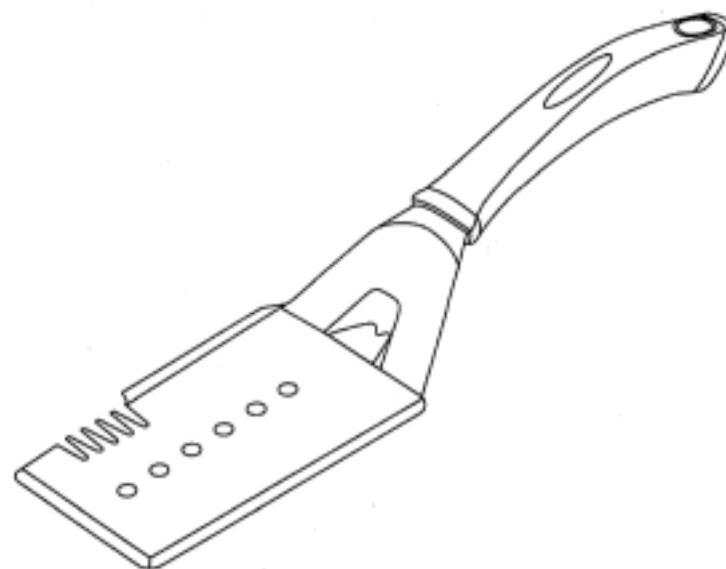
- (21) Design Number: **11427/2013**
(22) Date of Filing Application: **19 March 2013**
(24) Date from which industrial property rights may have effect: **19 March 2013**
(54) Product in respect of which the design is registered: **Display structure**
(51) International Design Classification: **20-03NES, 20-02C**
(74) Name(s) of Attorney(s): **Freehills Patent Attorneys**
(71) Name(s) and Address(s) of Applicant(s):
Apple Inc.
1 Infinite Loop Cupertino California 95014 United States of America
(72) Name(s) of Designer(s): **Federico F. Tio and Frank C. Thaler and Wesley B. Hamm and Kevin F. Smeds and Russell J. Kaaihue Heirakuji**
(45) Registration Date: **16 May 2013**
(30) Convention priority data:
(31) Number (32) Date (33) Country
29/432724 19 Sep 2012 UNITED STATES OF AMERICA
(56) Related Art Documents: **Not Applicable**
(57) Statement of Newness and Distinctiveness: **Newness and distinctiveness resides in the features of shape and configuration shown in solid outline in the accompanying representations.**



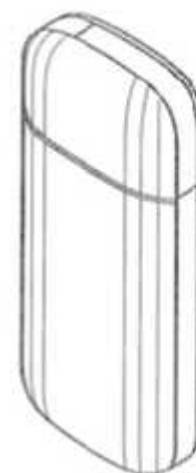
(21) Design Number: **11537/2013**
(22) Date of Filing Application: **28 March 2013**
(24) Date from which industrial property rights may have effect: **28 March 2013**
(54) Product in respect of which the design is registered: **Pipe coupling segment**
(51) International Design Classification: **23-01A, 08-08D**
(74) Name(s) of Attorney(s): **SPRUSON & FERGUSON**
(71) Name(s) and Address(s) of Applicant(s):
Victaulic Company
4901 Kesslersville Road Easton PA 18040 United States of America
(72) Name(s) of Designer(s): **Scott D. Madara and Amit R. Shah**
(45) Registration Date: **16 May 2013**
(30) Convention priority data:
(31) Number (32) Date (33) Country
29/433536 01 Oct 2012 UNITED STATES OF AMERICA
(56) Related Art Documents: **Not Applicable**
(57) Statement of Newness and Distinctiveness: **Newness and distinctiveness is claimed in the features of shape and/or configuration of a pipe coupling segment illustrated in the accompanying representations.**



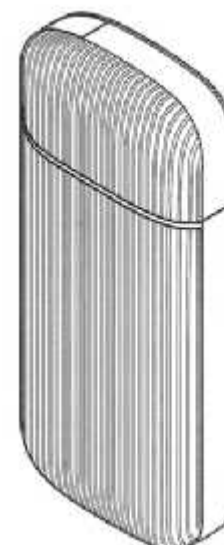
(21) Design Number: **11677/2013**
(22) Date of Filing Application: **09 April 2013**
(24) Date from which industrial property rights may have effect: **09 April 2013**
(54) Product in respect of which the design is registered: **A barbeque spatula**
(51) International Design Classification: **07-04, 07-06NES**
(74) Name(s) of Attorney(s): **SPRUSON & FERGUSON**
(71) Name(s) and Address(s) of Applicant(s):
Sheldon and Hammond Pty Ltd
24 Salisbury Rd Asquith NSW 2077 Australia
(72) Name(s) of Designer(s): **Alexander Angus**
(45) Registration Date: **17 May 2013**
(56) Related Art Documents: **Not Applicable**
(57) Statement of Newness and Distinctiveness: **Newness and distinctiveness is claimed in the features of shape and/or configuration of a barbeque spatula as illustrated in the accompanying representations.**



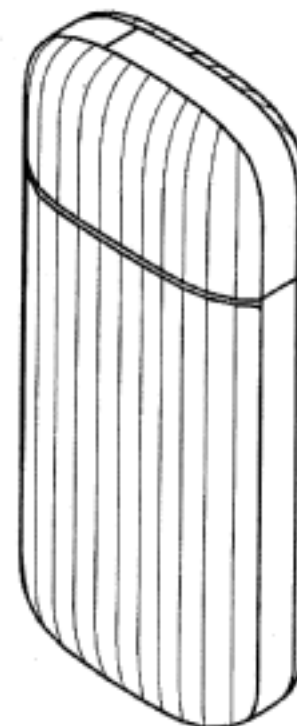
(21) Design Number: **11678/2013**
(22) Date of Filing Application: **09 April 2013**
(24) Date from which industrial property rights may have effect: **09 April 2013**
(54) Product in respect of which the design is registered: **Charging unit**
(51) International Design Classification: **13-02**
(74) Name(s) of Attorney(s): **Callinans**
(71) Name(s) and Address(s) of Applicant(s):
Philip Morris Products S.A.
Quai Jeanrenaud 3 Neuchatel 2000 Switzerland
(72) Name(s) of Designer(s): **Laurent Manca and Jimmy Rennick**
(45) Registration Date: **17 May 2013**
(30) Convention priority data:
(31) Number (32) Date (33) Country
**001348544 23 Oct 2012 OFFICE FOR HARMONISATION IN
THE INTERNAL MARKET (OHIM)**
(56) Related Art Documents: **Not Applicable**
(57) Statement of Newness and Distinctiveness: **Newness and distinctiveness
are provided by the pattern and/or ornamentation of the design shown
in the representations.**



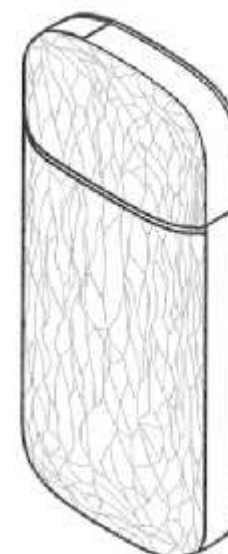
(21) Design Number: **11679/2013**
(22) Date of Filing Application: **09 April 2013**
(24) Date from which industrial property rights may have effect: **09 April 2013**
(54) Product in respect of which the design is registered: **Charging unit**
(51) International Design Classification: **13-02**
(74) Name(s) of Attorney(s): **Callinans**
(71) Name(s) and Address(s) of Applicant(s):
Philip Morris Products S.A.
Quai Jeanrenaud 3 Neuchatel 2000 Switzerland
(72) Name(s) of Designer(s): **Laurent Manca and Jimmy Rennick**
(45) Registration Date: **17 May 2013**
(30) Convention priority data:
(31) Number (32) Date (33) Country
**001349062-0001 26 Oct 2012 OFFICE FOR HARMONISATION IN
THE INTERNAL MARKET (OHIM)**
(56) Related Art Documents: **Not Applicable**
(57) Statement of Newness and Distinctiveness: **Newness and distinctiveness
are provided by the pattern and/or ornamentation of the design shown
in the representations.**



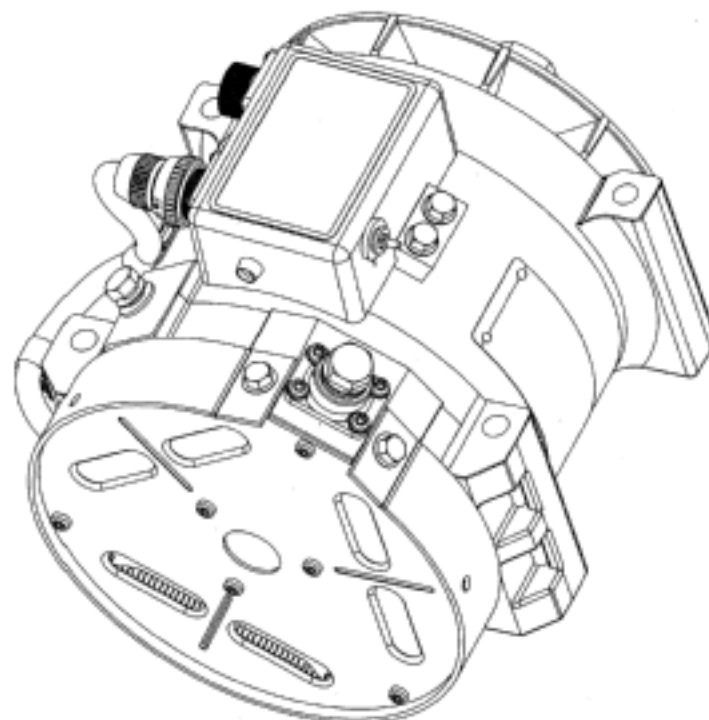
- (21) Design Number: **11681/2013**
(22) Date of Filing Application: **09 April 2013**
(24) Date from which industrial property rights may have effect: **09 April 2013**
(54) Product in respect of which the design is registered: **Charging unit**
(51) International Design Classification: **13-02**
(74) Name(s) of Attorney(s): **Callinans**
(71) Name(s) and Address(s) of Applicant(s):
Philip Morris Products S.A.
Quai Jeanrenaud 3 Neuchatel 2000 Switzerland
(72) Name(s) of Designer(s): **Laurent Manca and Jimmy Rennick**
(45) Registration Date: **17 May 2013**
(30) Convention priority data:
(31) Number (32) Date (33) Country
**001349062-0002 26 Oct 2012 OFFICE FOR HARMONISATION IN
THE INTERNAL MARKET (OHIM)**
(56) Related Art Documents: **Not Applicable**
(57) Statement of Newness and Distinctiveness: **Newness and distinctiveness
are provided by the pattern and/or ornamentation of the design shown
in the representations.**



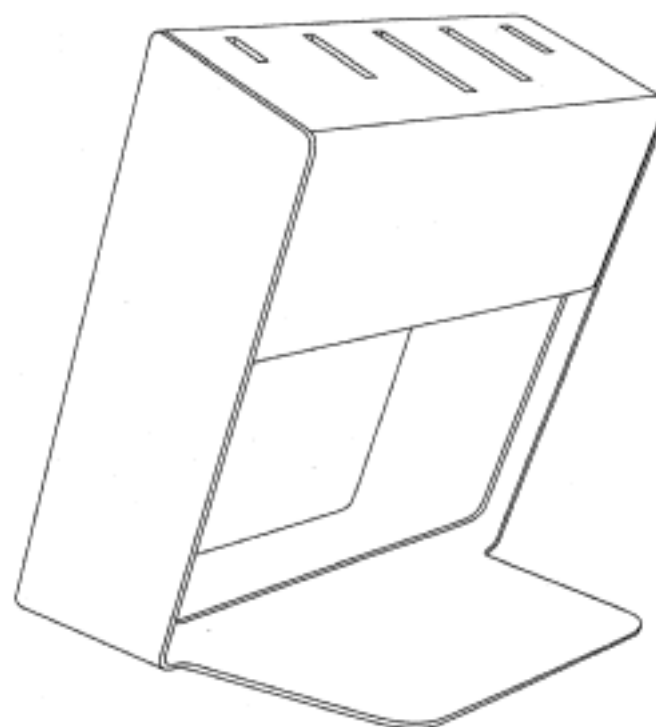
- (21) Design Number: **11682/2013**
(22) Date of Filing Application: **10 April 2013**
(24) Date from which industrial property rights may have effect: **10 April 2013**
(54) Product in respect of which the design is registered: **Charging unit**
(51) International Design Classification: **13-02**
(74) Name(s) of Attorney(s): **Callinans**
(71) Name(s) and Address(s) of Applicant(s):
Philip Morris Products S.A.
Quai Jeanrenaud 3 Neuchatel 2000 Switzerland
(72) Name(s) of Designer(s): **Laurent Manca and Jimmy Rennick**
(45) Registration Date: **17 May 2013**
(30) Convention priority data:
(31) Number (32) Date (33) Country
**001349062-0003 26 Oct 2012 OFFICE FOR HARMONISATION IN
THE INTERNAL MARKET (OHIM)**
(56) Related Art Documents: **Not Applicable**
(57) Statement of Newness and Distinctiveness: **Newness and distinctiveness
are provided by the pattern and/or ornamentation of the design shown
in the representations.**



- (21) Design Number: **11692/2013**
(22) Date of Filing Application: **10 April 2013**
(24) Date from which industrial property rights may have effect: **10 April 2013**
(54) Product in respect of which the design is registered: **Electric generator**
(51) International Design Classification: **13-01**
(74) Name(s) of Attorney(s): **SPRUSON & FERGUSON**
(71) Name(s) and Address(s) of Applicant(s):
C.E. Niehoff & Co.
2021 Lee Street Evanston Illinois 60202 United States of America
(72) Name(s) of Designer(s): **Nisvet Basic and Ninos Canon and Issam Jabaji**
(45) Registration Date: **17 May 2013**
(30) Convention priority data:
(31) Number (32) Date (33) Country
29/434262 11 Oct 2012 UNITED STATES OF AMERICA
(56) Related Art Documents: **Not Applicable**
(57) Statement of Newness and Distinctiveness: **Newness and distinctiveness is claimed in the features of shape and/or configuration of an electric generator as illustrated in the accompanying representations.**



- (21) Design Number: **11704/2013**
(22) Date of Filing Application: **11 April 2013**
(24) Date from which industrial property rights may have effect: **11 April 2013**
(54) Product in respect of which the design is registered: **A knife block**
(51) International Design Classification: **07-99NES**
(74) Name(s) of Attorney(s): **SPRUSON & FERGUSON**
(71) Name(s) and Address(s) of Applicant(s):
Sheldon and Hammond Pty Ltd
24 Salisbury Rd Asquith NSW 2077 Australia
(72) Name(s) of Designer(s): **Alexander Angus**
(45) Registration Date: **17 May 2013**
(56) Related Art Documents: **Not Applicable**
(57) Statement of Newness and Distinctiveness: **Newness and distinctiveness is claimed in the features of shape and/or configuration of a knife block as illustrated in the accompanying representations.**



(21) Design Number: **11716/2013**

(22) Date of Filing Application: **10 April 2013**

(24) Date from which industrial property rights may have effect: **10 April 2013**

(54) Product in respect of which the design is registered: **Compressor**

(51) International Design Classification: **15-02**

(74) Name(s) of Attorney(s): **Griffith Hack**

(71) Name(s) and Address(s) of Applicant(s):

**Bitzer Kuehlmaschinenbau GmbH
Eschenbruennlestrasse 15 71065 Sindelfingen Germany**

(72) Name(s) of Designer(s): **Klaus Ohser**

(45) Registration Date: **17 May 2013**

(30) Convention priority data:

(31) Number	(32) Date	(33) Country
002198689-0002	08 Mar 2013	OFFICE FOR HARMONISATION IN THE INTERNAL MARKET (OHIM)

(56) Related Art Documents: **Not Applicable**

(57) Statement of Newness and Distinctiveness: **Newness and distinctiveness resides in the visual features including, shape, configuration and colour of the PRODUCT as shown in the accompanying representation.**



(21) Design Number: **11720/2013**

(22) Date of Filing Application: **09 April 2013**

(24) Date from which industrial property rights may have effect: **09 April 2013**

(54) Product in respect of which the design is registered: **Electrical junction box**

(51) International Design Classification: **13-03C, 13-03E**

(74) Name(s) of Attorney(s): **Fisher Adams Kelly**

(71) Name(s) and Address(s) of Applicant(s):

**Sumitomo Wiring Systems, Ltd.
1-14 Nishisuehiro-cho Yokkaichi-shi MIE-KEN 510-8503 Japan**

(72) Name(s) of Designer(s): **Ryo Suenaga**

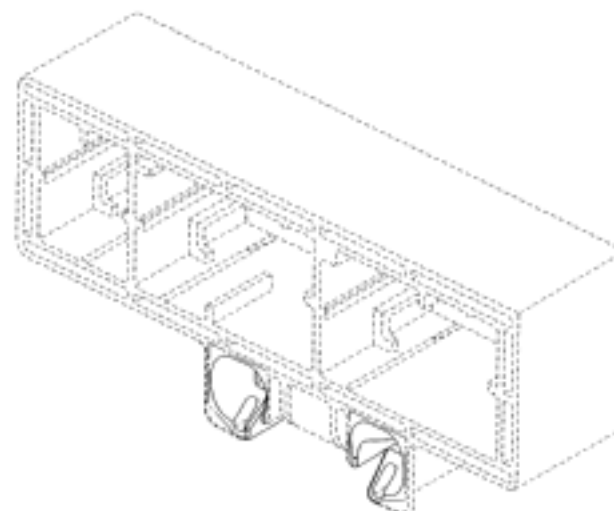
(45) Registration Date: **17 May 2013**

(30) Convention priority data:

(31) Number	(32) Date	(33) Country
2012-027767	14 Nov 2012	JAPAN

(56) Related Art Documents: **Not Applicable**

(57) Statement of Newness and Distinctiveness: **The newness and distinctiveness of the design resides in the shape and/or configuration of the ELECTRICAL JUNCTION BOX shown in the representations. When considering the newness and distinctiveness of the design, the broken lines should be disregarded.**



(21) Design Number: **11721/2013**

(22) Date of Filing Application: **10 April 2013**

(24) Date from which industrial property rights may have effect: **10 April 2013**

(54) Product in respect of which the design is registered: **Glove**

(51) International Design Classification: **02-06**

(74) Name(s) of Attorney(s): **Fisher Adams Kelly**

(71) Name(s) and Address(s) of Applicant(s):

MadGrip Holdings, LLC
67 Allen Martin Drive ESSEX JUNCTION 05451 Vermont United States of America

(72) Name(s) of Designer(s): **David Gellis**

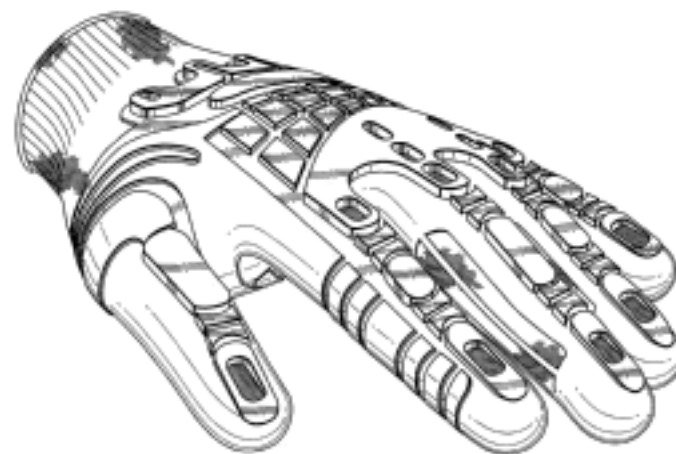
(45) Registration Date: **17 May 2013**

(30) Convention priority data:

(31) Number	(32) Date	(33) Country
29/435148	19 Oct 2012	UNITED STATES OF AMERICA

(56) Related Art Documents: **Not Applicable**

(57) Statement of Newness and Distinctiveness: **The newness and distinctiveness of the design resides in the shape and/or configuration of the GLOVE shown in the representations.**



(21) Design Number: **11751/2013**

(22) Date of Filing Application: **12 April 2013**

(24) Date from which industrial property rights may have effect: **12 April 2013**

(54) Product in respect of which the design is registered: **A handle**

(51) International Design Classification: **08-06**

(74) Name(s) of Attorney(s): **PHILLIPS ORMONDE FITZPATRICK**

(71) Name(s) and Address(s) of Applicant(s):

Stratco (Australia) Pty Limited
125 Cavan Rd Gepps Cross SA 5094 Australia

(72) Name(s) of Designer(s): **James Matthew Jansen and Michael Robert Farr**

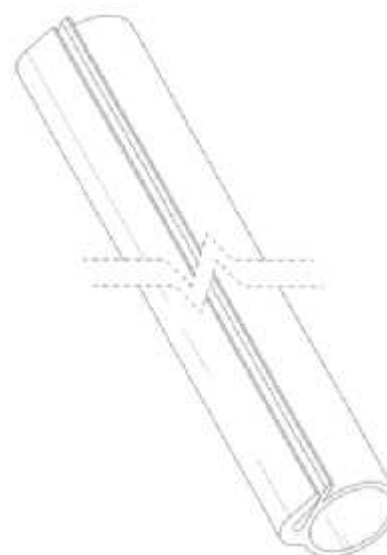
(45) Registration Date: **17 May 2013**

(56) Related Art Documents: **Not Applicable**

(57) Statement of Newness and Distinctiveness: **Nil**



(21) Design Number: **11752/2013**
(22) Date of Filing Application: **12 April 2013**
(24) Date from which industrial property rights may have effect: **12 April 2013**
(54) Product in respect of which the design is registered: **An extrusion**
(51) International Design Classification: **25-01K**
(74) Name(s) of Attorney(s): **PHILLIPS ORMONDE FITZPATRICK**
(71) Name(s) and Address(s) of Applicant(s):
Stratco (Australia) Pty Limited
125 Cavan Rd Gepps Cross SA 5094 Australia
(72) Name(s) of Designer(s): **James Matthew Jansen**
(45) Registration Date: **17 May 2013**
(56) Related Art Documents: **Not Applicable**
(57) Statement of Newness and Distinctiveness: **The extrusion is of indefinite length and is of constant cross-section throughout its length. Newness and distinctiveness is claimed in the shape and/or configuration of the extrusion as shown in the representations.**



(21) Design Number: **11775/2013**
(22) Date of Filing Application: **15 April 2013**
(24) Date from which industrial property rights may have effect: **15 April 2013**
(54) Product in respect of which the design is registered: **Wind turbine**
(51) International Design Classification: **13-01**
(74) Name(s) of Attorney(s): **SPRUSON & FERGUSON**
(71) Name(s) and Address(s) of Applicant(s):
Siemens Aktiengesellschaft
Wittelsbacherplatz 2 Munchen 80333 Germany
(72) Name(s) of Designer(s): **Thorkil Munk-Hansen**
(45) Registration Date: **17 May 2013**
(30) Convention priority data:
(31) Number (32) Date (33) Country
**001347694 18 Oct 2012 OFFICE FOR HARMONISATION IN
THE INTERNAL MARKET (OHIM)**
(56) Related Art Documents: **Not Applicable**
(57) Statement of Newness and Distinctiveness: **Newness and distinctiveness is claimed in the features of shape and/or configuration of a wind turbine as illustrated in the accompanying representations.**



(21) Design Number: **11774/2013**

(22) Date of Filing Application: **15 April 2013**

(24) Date from which industrial property rights may have effect: **15 April 2013**

(54) Product in respect of which the design is registered: **Golf club head**

(51) International Design Classification: **21-02C**

(74) Name(s) of Attorney(s): **Davies Collison Cave**

(71) Name(s) and Address(s) of Applicant(s):

Karsten Manufacturing Corporation

2201 West Desert Cove Phoenix Arizona 85029 United States of America

(72) Name(s) of Designer(s): **Xiaojian Chen and Brandon L. Fossum and Marty R. Jertson and Ryan M. Stokke**

(45) Registration Date: **17 May 2013**

(30) Convention priority data:

(31) Number

(32) Date

(33) Country

29/437030

12 Nov 2012

UNITED STATES OF AMERICA

(56) Related Art Documents: **Not Applicable**

(57) Statement of Newness and Distinctiveness: **Newness and distinctiveness is claimed in the visual features shown in solid lines in the representations. In considering the extent of the design rights, the broken lines shown in the representations are for illustrative purposes only and do not form part of the design.**



(21) Design Number: **11776/2013**

(22) Date of Filing Application: **15 April 2013**

(24) Date from which industrial property rights may have effect: **15 April 2013**

(54) Product in respect of which the design is registered: **Wind turbine**

(51) International Design Classification: **13-01**

(74) Name(s) of Attorney(s): **SPRUSON & FERGUSON**

(71) Name(s) and Address(s) of Applicant(s):

Siemens Aktiengesellschaft

Wittelsbacherplatz 2 Munchen 80333 Germany

(72) Name(s) of Designer(s): **Thorkil Munk-Hansen**

(45) Registration Date: **17 May 2013**

(30) Convention priority data:

(31) Number

(32) Date

(33) Country

001347686

18 Oct 2012

**OFFICE FOR HARMONISATION IN
THE INTERNAL MARKET (OHIM)**

(56) Related Art Documents: **Not Applicable**

(57) Statement of Newness and Distinctiveness: **Newness and distinctiveness is claimed in the features of shape and/or configuration of a wind turbine as illustrated in the accompanying representations.**



(21) Design Number: **11777/2013**
(22) Date of Filing Application: **15 April 2013**
(24) Date from which industrial property rights may have effect: **15 April 2013**
(54) Product in respect of which the design is registered: **Blister package**
(51) International Design Classification: **09-05**
(74) Name(s) of Attorney(s): **SPRUSON & FERGUSON**
(71) Name(s) and Address(s) of Applicant(s):
Wm. Wrigley Jr. Company
1132 West Blackhawk Street Chicago IL 60642 United States of America
(72) Name(s) of Designer(s): **Russell Stacy-Ryan**
(45) Registration Date: **17 May 2013**
(30) Convention priority data:
(31) Number (32) Date (33) Country
29/434591 15 Oct 2012 UNITED STATES OF AMERICA
(56) Related Art Documents: **Not Applicable**
(57) Statement of Newness and Distinctiveness: **Newness and distinctiveness is claimed in those features of shape and/or configuration of a blister package as illustrated in continuous lines in the accompanying representations.**



(21) Design Number: **11778/2013**
(22) Date of Filing Application: **15 April 2013**
(24) Date from which industrial property rights may have effect: **15 April 2013**
(54) Product in respect of which the design is registered: **Blister package**
(51) International Design Classification: **09-05**
(74) Name(s) of Attorney(s): **SPRUSON & FERGUSON**
(71) Name(s) and Address(s) of Applicant(s):
Wm. Wrigley Jr. Company
1132 West Blackhawk Street Chicago IL 60642 United States of America
(72) Name(s) of Designer(s): **Russell Stacy-Ryan**
(45) Registration Date: **17 May 2013**
(30) Convention priority data:
(31) Number (32) Date (33) Country
29/434591 15 Oct 2012 UNITED STATES OF AMERICA
(56) Related Art Documents: **Not Applicable**
(57) Statement of Newness and Distinctiveness: **Newness and distinctiveness is claimed in the features of shape and/or configuration of a blister package as illustrated in the accompanying representations.**



(21) Design Number: **11779/2013**
(22) Date of Filing Application: **15 April 2013**
(24) Date from which industrial property rights may have effect: **15 April 2013**
(54) Product in respect of which the design is registered: **Chair**
(51) International Design Classification: **06-01F**
(74) Name(s) of Attorney(s): **FB Rice**
(71) Name(s) and Address(s) of Applicant(s):
Okamura Corporation
7-18 Kitasaiwai 2-chome Nishi-ku Yokohama-shi Kanagawa 220-0004
Japan
(72) Name(s) of Designer(s): **Fabrizio Giugiaro**
(45) Registration Date: **17 May 2013**
(30) Convention priority data:
(31) Number (32) Date (33) Country
2012-025164 17 Oct 2012 JAPAN
(56) Related Art Documents: **Not Applicable**
(57) Statement of Newness and Distinctiveness: **Newness and distinctiveness**
reside in the features of the design as shown in the representations.



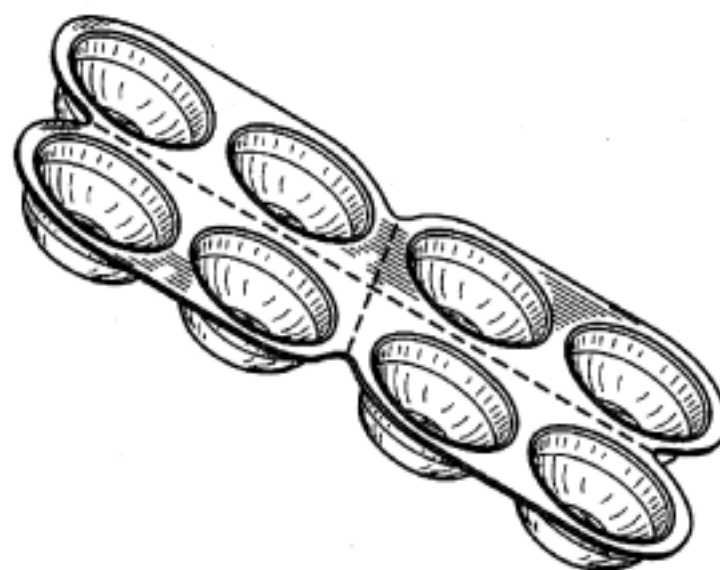
(21) Design Number: **11780/2013**
(22) Date of Filing Application: **15 April 2013**
(24) Date from which industrial property rights may have effect: **15 April 2013**
(54) Product in respect of which the design is registered: **Chair**
(51) International Design Classification: **06-01F**
(74) Name(s) of Attorney(s): **FB Rice**
(71) Name(s) and Address(s) of Applicant(s):
Okamura Corporation
7-18 Kitasaiwai 2-chome Nishi-ku Yokohama-shi Kanagawa 220-0004
Japan
(72) Name(s) of Designer(s): **Fabrizio Giugiaro**
(45) Registration Date: **17 May 2013**
(30) Convention priority data:
(31) Number (32) Date (33) Country
2012-025182 17 Oct 2012 JAPAN
(56) Related Art Documents: **Not Applicable**
(57) Statement of Newness and Distinctiveness: **Newness and distinctiveness**
reside in the visual features of the design as shown in the
representations.



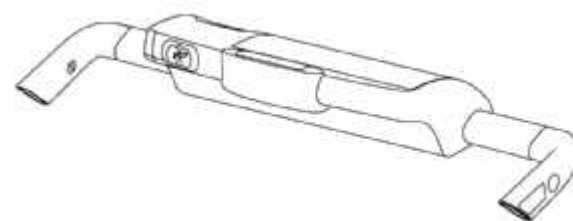
(21) Design Number: **11781/2013**
(22) Date of Filing Application: **15 April 2013**
(24) Date from which industrial property rights may have effect: **15 April 2013**
(54) Product in respect of which the design is registered: **Chair**
(51) International Design Classification: **06-01F**
(74) Name(s) of Attorney(s): **FB Rice**
(71) Name(s) and Address(s) of Applicant(s):
Okamura Corporation
7-18 Kitasaiwai 2-chome Nishi-ku Yokohama-shi Kanagawa 220-0004
Japan
(72) Name(s) of Designer(s): **Fabrizio Giugiaro**
(45) Registration Date: **17 May 2013**
(30) Convention priority data:
(31) Number (32) Date (33) Country
2012-025166 17 Oct 2012 JAPAN
(56) Related Art Documents: **Not Applicable**
(57) Statement of Newness and Distinctiveness: **Newness and distinctiveness reside in the features of the design as shown in the representations.**



(21) Design Number: **11782/2013**
(22) Date of Filing Application: **15 April 2013**
(24) Date from which industrial property rights may have effect: **15 April 2013**
(54) Product in respect of which the design is registered: **Blister package**
(51) International Design Classification: **09-05**
(74) Name(s) of Attorney(s): **SPRUSON & FERGUSON**
(71) Name(s) and Address(s) of Applicant(s):
Wm. Wrigley Jr. Company
1132 West Blackhawk Street Chicago IL 60642 United States of America
(72) Name(s) of Designer(s): **Russell Stacy-Ryan**
(45) Registration Date: **17 May 2013**
(30) Convention priority data:
(31) Number (32) Date (33) Country
29/434591 15 Oct 2012 UNITED STATES OF AMERICA
(56) Related Art Documents: **Not Applicable**
(57) Statement of Newness and Distinctiveness: **Newness and distinctiveness is claimed in the features of shape and/or configuration of a blister package as illustrated in the accompanying representations.**



- (21) Design Number: **11946/2013**
(22) Date of Filing Application: **26 April 2013**
(24) Date from which industrial property rights may have effect: **26 April 2013**
(54) Product in respect of which the design is registered: **Shopping trolley handle**
(51) International Design Classification: **12-02**
(74) Name(s) of Attorney(s): **PIZZEYS**
(71) Name(s) and Address(s) of Applicant(s):



Horst Sonnendorfer
Lindberghstr. 8 Puchheim 82178 Germany
Franz Wieth
Lindberghstr.8 Puchheim 82178 Germany

(72) Name(s) of Designer(s): **Horst Sonnendorfer and Franz Wieth**

(45) Registration Date: **17 May 2013**

(30) Convention priority data:

(31) Number	(32) Date	(33) Country
40 2012 004 967	29 Oct 2012	GERMANY

(56) Related Art Documents: **Not Applicable**

(57) Statement of Newness and Distinctiveness: **The newness and distinctiveness of the design resides in the features of pattern and/or ornamentation OR shape and/or configuration shown in unbroken lines in the accompanying representations. (if required, see Convention document)**

- (21) Design Number: **11334/2013**
(22) Date of Filing Application: **14 March 2013**
(24) Date from which industrial property rights may have effect: **14 March 2013**
(54) Product in respect of which the design is registered: **A seat of a chair, the seat having coalesced ischial concavities**
(51) International Design Classification: **06-06G**
(74) Name(s) of Attorney(s): **Fraser Old & Sohn**
(71) Name(s) and Address(s) of Applicant(s):



Sebel Furniture Ltd
92 Gow St Padstow NSW 2211 Australia

(72) Name(s) of Designer(s): **Gregory Brent Welsh**

(45) Registration Date: **17 May 2013**

(56) Related Art Documents: **Not Applicable**

(57) Statement of Newness and Distinctiveness: **Newness and distinctiveness is claimed in respect of the shape and/or configuration of the product illustrated in the accompanying representations. In carrying out a consideration in accordance with Section 19 the shape and/or configuration of the portions of the product illustrated by broken lines in the representations is/are not to be considered either new or distinctive and do/does not form part of the design.**

- (21) Design Number: **11335/2013**
(22) Date of Filing Application: **14 March 2013**
(24) Date from which industrial property rights may have effect: **14 March 2013**
(54) Product in respect of which the design is registered: **A chair having coalesced ischial concavities**
(51) International Design Classification: **06-01F**
(74) Name(s) of Attorney(s): **Fraser Old & Sohn**
(71) Name(s) and Address(s) of Applicant(s):
Sebel Furniture Ltd
92 Gow St Padstow NSW 2211 Australia
(72) Name(s) of Designer(s): **Gregory Brent Welsh**
(45) Registration Date: **17 May 2013**
(56) Related Art Documents: **Not Applicable**
(57) Statement of Newness and Distinctiveness: **Newness and distinctiveness is claimed in respect of the shape and/or configuration of the product illustrated in the accompanying representations. In carrying out a consideration in accordance with Section 19 the shape and/or configuration of the portions of the product illustrated by broken lines in the representations is/are not to be considered either new or distinctive and do/does not form part of the design.**



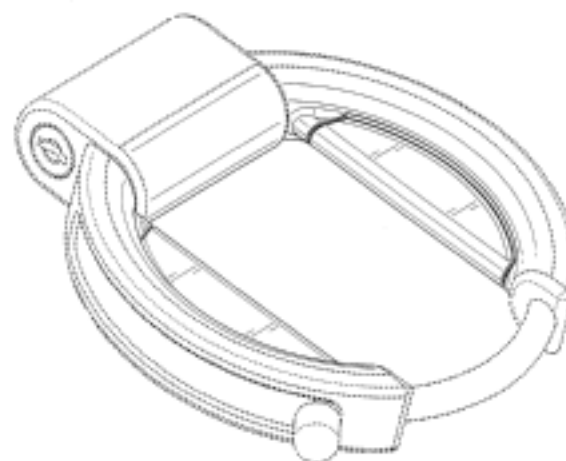
- (21) Design Number: **11341/2013**
(22) Date of Filing Application: **14 March 2013**
(24) Date from which industrial property rights may have effect: **14 March 2013**
(54) Product in respect of which the design is registered: **A chair having a pair of ischial concavities**
(51) International Design Classification: **06-01F**
(74) Name(s) of Attorney(s): **Fraser Old & Sohn**
(71) Name(s) and Address(s) of Applicant(s):
Sebel Furniture Ltd
92 Gow St Padstow NSW 2211 Australia
(72) Name(s) of Designer(s): **Gregory Brent Welsh**
(45) Registration Date: **17 May 2013**
(56) Related Art Documents: **Not Applicable**
(57) Statement of Newness and Distinctiveness: **Newness and distinctiveness is claimed in respect of the shape and/or configuration of the product illustrated in the accompanying representations. In carrying out a consideration in accordance with Section 19 the shape and/or configuration of the legs and backrest of the chair illustrated in the representations is/are not to be considered either new or distinctive and do/does not form part of the design.**



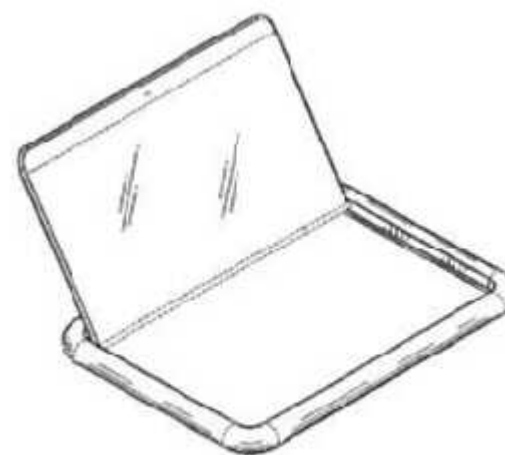
(21) Design Number: **10731/2013**
(22) Date of Filing Application: **15 February 2013**
(24) Date from which industrial property rights may have effect: **15 February 2013**
(54) Product in respect of which the design is registered: **Lock**
(51) International Design Classification: **08-07**
(74) Name(s) of Attorney(s): **Callinans**
(71) Name(s) and Address(s) of Applicant(s):
Master Lock Company LLC
137 W. Forest Hill Avenue Oak Creek Wisconsin 35154 United States of America
(72) Name(s) of Designer(s): **Scott Stevens**
(45) Registration Date: **20 May 2013**
(30) Convention priority data:
(31) Number (32) Date (33) Country
29/430,577 28 Aug 2012 UNITED STATES OF AMERICA
(56) Related Art Documents: **Not Applicable**
(57) Statement of Newness and Distinctiveness: **Nil**



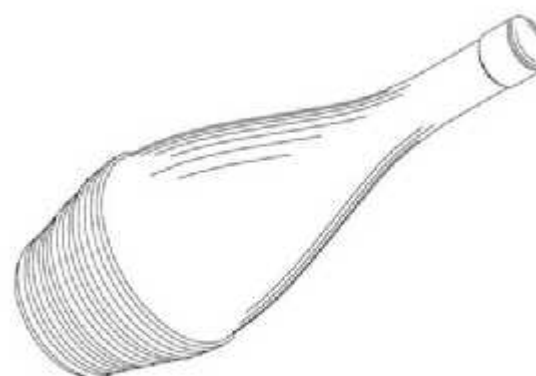
(21) Design Number: **10733/2013**
(22) Date of Filing Application: **15 February 2013**
(24) Date from which industrial property rights may have effect: **15 February 2013**
(54) Product in respect of which the design is registered: **Lock**
(51) International Design Classification: **08-07**
(74) Name(s) of Attorney(s): **Callinans**
(71) Name(s) and Address(s) of Applicant(s):
Master Lock Company LLC
137 W. Forest Hill Avenue Oak Creek Wisconsin 53154 United States of America
(72) Name(s) of Designer(s): **Scott Stevens**
(45) Registration Date: **20 May 2013**
(30) Convention priority data:
(31) Number (32) Date (33) Country
29/430,578 28 Aug 2012 UNITED STATES OF AMERICA
(56) Related Art Documents: **Not Applicable**
(57) Statement of Newness and Distinctiveness: **Newness and distinctiveness are provided by the shape and/or configuration of the design shown in the representations. The features shown in broken lines in the representations are for illustrative purposes only and should not be considered when construing visual features of the design**



- (21) Design Number: **11012/2013**
(22) Date of Filing Application: **04 March 2013**
(24) Date from which industrial property rights may have effect: **04 March 2013**
(54) Product in respect of which the design is registered: **Tablet computer**
(51) International Design Classification: **14-02**
(74) Name(s) of Attorney(s): **Davies Collison Cave**
(71) Name(s) and Address(s) of Applicant(s):
Neonode Inc.
2350 Mission College Boulevard Suite 19 Santa Clara California 95054
United States of America
(72) Name(s) of Designer(s): **Thomas Eriksson and Thomas Schaad and Jonas Bergfeldt and Dan McCormick**
(45) Registration Date: **20 May 2013**
(30) Convention priority data:
(31) Number (32) Date (33) Country
29/432924 22 Sep 2012 UNITED STATES OF AMERICA
(56) Related Art Documents: **Not Applicable**
(57) Statement of Newness and Distinctiveness: **Newness and distinctiveness is claimed in the visual features shown in solid lines in the representations.**



- (21) Design Number: **11562/2013**
(22) Date of Filing Application: **28 March 2013**
(24) Date from which industrial property rights may have effect: **28 March 2013**
(54) Product in respect of which the design is registered: **Bottle**
(51) International Design Classification: **09-01H**
(74) Name(s) of Attorney(s):
(71) Name(s) and Address(s) of Applicant(s):
Ruffino S.R.L.
12 Via Corsica Brescia 25125 Italy
(72) Name(s) of Designer(s): **Sandro Sartor and Tommaso Alessandri**
(45) Registration Date: **20 May 2013**
(30) Convention priority data:
(31) Number (32) Date (33) Country
29/438,476 30 Nov 2012 UNITED STATES OF AMERICA
(56) Related Art Documents: **Not Applicable**
(57) Statement of Newness and Distinctiveness: **The newness and distinctiveness of the design resides in the shape, pattern, configuration or ornamentation of the bottle as shown in the accompanying representations.**



(21) Design Number: **11563/2013**
(22) Date of Filing Application: **28 March 2013**
(24) Date from which industrial property rights may have effect: **28 March 2013**
(54) Product in respect of which the design is registered: **Bottle**
(51) International Design Classification: **09-01H**
(74) Name(s) of Attorney(s):
(71) Name(s) and Address(s) of Applicant(s):

Ruffino S.R.L.
12 Via Corsica Brescia 25125 Italy

(72) Name(s) of Designer(s): **Sandro Sartor and Tommaso Alessandri**

(45) Registration Date: **20 May 2013**

(30) Convention priority data:

(31) Number	(32) Date	(33) Country
29/438,476	30 Nov 2012	UNITED STATES OF AMERICA

(56) Related Art Documents: **Not Applicable**

(57) Statement of Newness and Distinctiveness: **The newness and distinctiveness of the design resides in the shape, pattern, configuration or ornamentation of the bottle as shown in the accompanying representations.**



(21) Design Number: **11564/2013**
(22) Date of Filing Application: **28 March 2013**
(24) Date from which industrial property rights may have effect: **28 March 2013**
(54) Product in respect of which the design is registered: **Bottle**
(51) International Design Classification: **09-01H**
(74) Name(s) of Attorney(s):
(71) Name(s) and Address(s) of Applicant(s):

Ruffino S.R.L.
12 Via Corsica Brescia 25125 Italy

(72) Name(s) of Designer(s): **Sandro Sartor and Tommaso Alessandri**

(45) Registration Date: **20 May 2013**

(30) Convention priority data:

(31) Number	(32) Date	(33) Country
29/438,476	30 Nov 2012	UNITED STATES OF AMERICA

(56) Related Art Documents: **Not Applicable**

(57) Statement of Newness and Distinctiveness: **The newness and distinctiveness of the design resides in the shape, configuration, pattern or ornamentation of the bottle as shown in the accompanying representations.**



(21) Design Number: **11569/2013**

(22) Date of Filing Application: **31 March 2013**

(24) Date from which industrial property rights may have effect: **31 March 2013**

(54) Product in respect of which the design is registered: **A ute or trailer camper**

(51) International Design Classification: **12-16NES**

(74) Name(s) of Attorney(s):

(71) Name(s) and Address(s) of Applicant(s):

Neil Alexander McAuley
565 Meenyan-Mirboo North Rd Dumbalk VIC 3956 Australia

(72) Name(s) of Designer(s): **Neil Alexander McAuley**

(45) Registration Date: **20 May 2013**

(56) Related Art Documents: **Not Applicable**

(57) Statement of Newness and Distinctiveness: **I have manufactured a prototype of a slide on camper that has a lift up top, and hard walls that fold into place to form an area that can be used to sleep or perform basic cooking. It has an angled panel that generates more space inside the unit. The camper is made from aluminium, and it has no canvas associated with the pop up top. I completed the prototype on Wednesday 20 March 2013.**



(21) Design Number: **11570/2013**

(22) Date of Filing Application: **31 March 2013**

(24) Date from which industrial property rights may have effect: **31 March 2013**

(54) Product in respect of which the design is registered: **Fabric**

(51) International Design Classification: **05-05NES**

(74) Name(s) of Attorney(s):

(71) Name(s) and Address(s) of Applicant(s):

XX STACEY LOUISE XX PTY. LTD.
757 Rosedale-Heyfield Rd Winnindoo VIC 3858 Australia

(72) Name(s) of Designer(s): **Stacey Louise Graham**

(45) Registration Date: **20 May 2013**

(56) Related Art Documents: **Not Applicable**

(57) Statement of Newness and Distinctiveness: **The colours have been individually hand selected in this unique pattern. Using Pantone colours as a means for identifying the exact colours of hot pink, baby pink, dark green and light green are the following colour descriptions: PMS 219, PMS 2635, PMS576 and PMS578. What makes this design most unique is the inclusion of light and bright pink colours in a pattern often associated with camouflage print.**



(21) Design Number: **11582/2013**
(22) Date of Filing Application: **02 April 2013**
(24) Date from which industrial property rights may have effect: **02 April 2013**
(54) Product in respect of which the design is registered: **An article of clothing**
(51) International Design Classification: **02-02NES**
(74) Name(s) of Attorney(s): **Madderns**
(71) Name(s) and Address(s) of Applicant(s):
Bonya Springs Pty Ltd
PO BOX 176 Edithburgh SA 5583 Australia
(72) Name(s) of Designer(s): **Miles Cockington**
(45) Registration Date: **20 May 2013**
(56) Related Art Documents: **Not Applicable**
(57) Statement of Newness and Distinctiveness: **Nil**



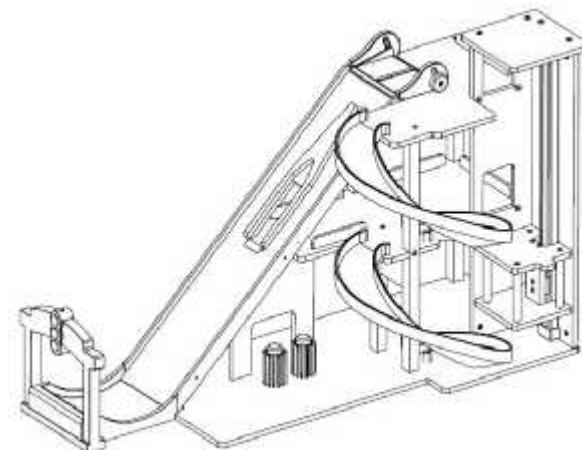
(21) Design Number: **11583/2013**
(22) Date of Filing Application: **02 April 2013**
(24) Date from which industrial property rights may have effect: **02 April 2013**
(54) Product in respect of which the design is registered: **An article of clothing**
(51) International Design Classification: **02-02NES**
(74) Name(s) of Attorney(s): **Madderns**
(71) Name(s) and Address(s) of Applicant(s):
Bonya Springs Pty Ltd
PO BOX 176 Edithburgh SA 5583 Australia
(72) Name(s) of Designer(s): **Miles Cockington**
(45) Registration Date: **20 May 2013**
(56) Related Art Documents: **Not Applicable**
(57) Statement of Newness and Distinctiveness: **Nil**



(21) Design Number: **11584/2013**
(22) Date of Filing Application: **02 April 2013**
(24) Date from which industrial property rights may have effect: **02 April 2013**
(54) Product in respect of which the design is registered: **An article of clothing**
(51) International Design Classification: **02-02NES**
(74) Name(s) of Attorney(s): **Madderns**
(71) Name(s) and Address(s) of Applicant(s):
Bonya Springs Pty Ltd
BOX 176 Edithburgh SA 5583 Australia
(72) Name(s) of Designer(s): **Miles Cockington**
(45) Registration Date: **20 May 2013**
(56) Related Art Documents: **Not Applicable**
(57) Statement of Newness and Distinctiveness: **Nil**



(21) Design Number: **11663/2013**
(22) Date of Filing Application: **08 April 2013**
(24) Date from which industrial property rights may have effect: **08 April 2013**
(54) Product in respect of which the design is registered: **Toy ramp racing set**
(51) International Design Classification: **21-01D**
(74) Name(s) of Attorney(s): **Baker & McKenzie**
(71) Name(s) and Address(s) of Applicant(s):
Kidkraft, Inc.
4630 Olin Road Dallas Texas 75244-4615 United States of America
(72) Name(s) of Designer(s): **Ryan Broussard**
(45) Registration Date: **20 May 2013**
(56) Related Art Documents: **Not Applicable**
(57) Statement of Newness and Distinctiveness: **Nil**



- (21) Design Number: **11415/2013**
(22) Date of Filing Application: **20 March 2013**
(24) Date from which industrial property rights may have effect: **10 December 2012**
(54) Product in respect of which the design is registered: **Washing machine**
(51) International Design Classification: **15-05**
(74) Name(s) of Attorney(s): **Halfords IP**
(71) Name(s) and Address(s) of Applicant(s):
Electrolux Sea Pte Ltd
11 Lorong 3 Toa Payoh Block B #01-13/14/15 Jackson Square 319579
Singapore
(72) Name(s) of Designer(s): **Swaminathan Iyer and Pernilla Johansson**
(45) Registration Date: **20 May 2013**
(30) Convention priority data:
(31) Number (32) Date (33) Country
201230251802.1 12 Jun 2012 CHINA
(62) Divisional of: **347858**
(56) Related Art Documents: **Not Applicable**
(57) Statement of Newness and Distinctiveness: **Newness and Distinctiveness resides in those features of shape and or configuration of a washing machine as depicted in the representations.**



- (21) Design Number: **11338/2013**
(22) Date of Filing Application: **14 March 2013**
(24) Date from which industrial property rights may have effect: **14 March 2013**
(54) Product in respect of which the design is registered: **A seat of a chair, the seat having a pair of ischial concavities**
(51) International Design Classification: **06-06G**
(74) Name(s) of Attorney(s): **Fraser Old & Sohn**
(71) Name(s) and Address(s) of Applicant(s):
Sebel Furniture Ltd
92 Gow St Padstow NSW 2211 Australia
(72) Name(s) of Designer(s): **Gregory Brent Welsh**
(45) Registration Date: **20 May 2013**
(56) Related Art Documents: **Not Applicable**
(57) Statement of Newness and Distinctiveness: **Newness and distinctiveness is claimed in respect of the shape and/or configuration of the product illustrated in the accompanying representations. In carrying out a consideration in accordance with Section 19 the shape and/or configuration of the portions of the product illustrated by broken lines in the representations is/are not to be considered either new or distinctive and do/does not form part of the design.**



- (21) Design Number: **11339/2013**
(22) Date of Filing Application: **14 March 2013**
(24) Date from which industrial property rights may have effect: **14 March 2013**
(54) Product in respect of which the design is registered: **A chair having a pair of ischial concavities**
(51) International Design Classification: **06-01F**
(74) Name(s) of Attorney(s): **Fraser Old & Sohn**
(71) Name(s) and Address(s) of Applicant(s):
Sebel Furniture Ltd
92 Gow St Padstow NSW 2211 Australia
(72) Name(s) of Designer(s): **Gregory Brent Welsh**
(45) Registration Date: **20 May 2013**
(56) Related Art Documents: **Not Applicable**
(57) Statement of Newness and Distinctiveness: **Newness and distinctiveness is claimed in respect of the shape and/or configuration of the product illustrated in the accompanying representations. In carrying out a consideration in accordance with Section 19 the shape and/or configuration of the portions of the product illustrated by broken lines in the representations is/are not to be considered either new or distinctive and do/does not form part of the design.**



- (21) Design Number: **11352/2013**
(22) Date of Filing Application: **18 March 2013**
(24) Date from which industrial property rights may have effect: **24 July 2012**
(54) Product in respect of which the design is registered: **A bottle**
(51) International Design Classification: **09-01H**
(74) Name(s) of Attorney(s): **Halfords IP**
(71) Name(s) and Address(s) of Applicant(s):
Cospak Pty Ltd
1 Culverston Rd Minto NSW 2566 Australia
(72) Name(s) of Designer(s): **Warren Slattery and David Driver and Michael Gilbert**
(45) Registration Date: **20 May 2013**
(62) Divisional of: **348081**
(56) Related Art Documents: **Not Applicable**
(57) Statement of Newness and Distinctiveness: **Newness and distinctiveness resides in the combination of the features of shape and blue colouring of a bottle as depicted in the representations.**



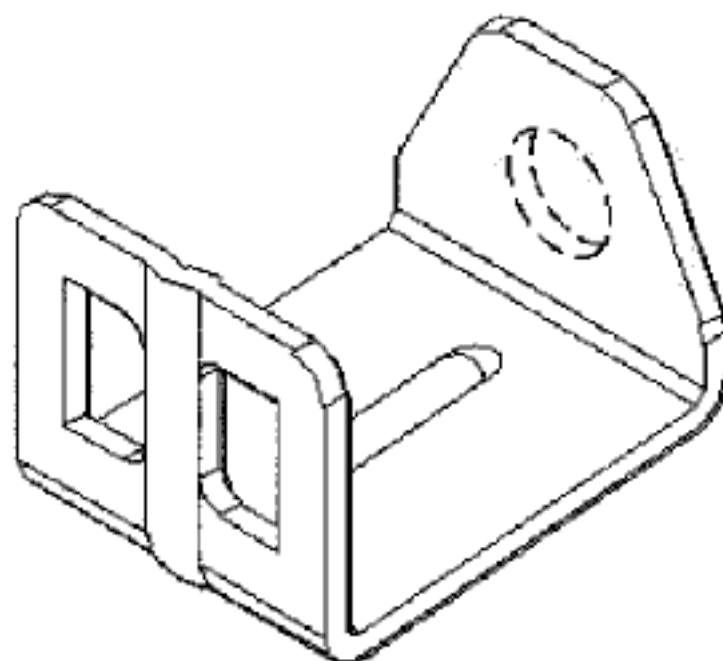
- (21) Design Number: **11356/2013**
(22) Date of Filing Application: **18 March 2013**
(24) Date from which industrial property rights may have effect: **24 July 2012**
(54) Product in respect of which the design is registered: **A bottle**
(51) International Design Classification: **09-01H**
(74) Name(s) of Attorney(s): **Halfords IP**
(71) Name(s) and Address(s) of Applicant(s):
Cospak Pty Ltd
1 Culverston Rd Minto NSW 2566 Australia
(72) Name(s) of Designer(s): **Warren Slattery and David Driver and Michael Gilbert**
(45) Registration Date: **20 May 2013**
(62) Divisional of: **348081**
(56) Related Art Documents: **Not Applicable**
(57) Statement of Newness and Distinctiveness: **Newness and distinctiveness resides in the combination of the features of shape and blue colouring of a bottle as depicted in the representations.**



- (21) Design Number: **11357/2013**
(22) Date of Filing Application: **18 March 2013**
(24) Date from which industrial property rights may have effect: **24 July 2012**
(54) Product in respect of which the design is registered: **A bottle**
(51) International Design Classification: **09-01H**
(74) Name(s) of Attorney(s): **Halfords IP**
(71) Name(s) and Address(s) of Applicant(s):
Cospak Pty Ltd
1 Culverston Rd Minto NSW 2566 Australia
(72) Name(s) of Designer(s): **Warren Slattery and David Driver and Michael Gilbert**
(45) Registration Date: **20 May 2013**
(62) Divisional of: **348081**
(56) Related Art Documents: **Not Applicable**
(57) Statement of Newness and Distinctiveness: **Newness and distinctiveness resides in the combination of the features of shape and blue colouring of a bottle as depicted in the representations.**



- (21) Design Number: **11419/2013**
(22) Date of Filing Application: **20 March 2013**
(24) Date from which industrial property rights may have effect: **20 March 2013**
(54) Product in respect of which the design is registered: **Bracket for a pipe clip**
(51) International Design Classification: **23-01A, 08-08L, 08-08NES**
(74) Name(s) of Attorney(s): **Callinans**
(71) Name(s) and Address(s) of Applicant(s):
Abey Australia Pty Ltd
57-81 Abey Rd Melton VIC 3337 Australia
(72) Name(s) of Designer(s): **Mathew Peart**
(45) Registration Date: **20 May 2013**
(56) Related Art Documents: **Not Applicable**
(57) Statement of Newness and Distinctiveness: **Newness and distinctiveness lies in the shape or configuration of the bracket shown in the representations.**



- (21) Design Number: **11337/2013**
(22) Date of Filing Application: **14 March 2013**
(24) Date from which industrial property rights may have effect: **14 March 2013**
(54) Product in respect of which the design is registered: **A chair having coalesced ischial concavities**
(51) International Design Classification: **06-01F**
(74) Name(s) of Attorney(s): **Fraser Old & Sohn**
(71) Name(s) and Address(s) of Applicant(s):
Sebel Furniture Ltd
92 Gow St Padstow NSW 2211 Australia
(72) Name(s) of Designer(s): **Gregory Brent Welsh**
(45) Registration Date: **20 May 2013**
(56) Related Art Documents: **Not Applicable**
(57) Statement of Newness and Distinctiveness: **Newness and distinctiveness is claimed in respect of the shape and/or configuration of the product illustrated in the accompanying representations. In carrying out a consideration in accordance with Section 19 the shape and/or configuration of the legs and backrest of the chair illustrated in the representations is/are not to be considered either new or distinctive and do/does not form part of the design.**



- (21) Design Number: **11358/2013**
(22) Date of Filing Application: **18 March 2013**
(24) Date from which industrial property rights may have effect: **24 July 2012**
(54) Product in respect of which the design is registered: **A bottle**
(51) International Design Classification: **09-01H**
(74) Name(s) of Attorney(s): **Halfords IP**
(71) Name(s) and Address(s) of Applicant(s):
Cospak Pty Ltd
1 Culverston Rd Minto NSW 2566 Australia
(72) Name(s) of Designer(s): **Warren Slattery and David Driver and Michael Gilbert**
(45) Registration Date: **20 May 2013**
(62) Divisional of: **348081**
(56) Related Art Documents: **Not Applicable**
(57) Statement of Newness and Distinctiveness: **Newness and distinctiveness resides in the combination of the features of shape and blue colouring of a bottle as depicted in the representations.**



- (21) Design Number: **11359/2013**
(22) Date of Filing Application: **18 March 2013**
(24) Date from which industrial property rights may have effect: **24 July 2012**
(54) Product in respect of which the design is registered: **A bottle**
(51) International Design Classification: **09-01H**
(74) Name(s) of Attorney(s): **Halfords IP**
(71) Name(s) and Address(s) of Applicant(s):
Cospak Pty Ltd
1 Culverston Rd Minto NSW 2566 Australia
(72) Name(s) of Designer(s): **Warren Slattery and David Driver and Michael Gilbert**
(45) Registration Date: **20 May 2013**
(62) Divisional of: **348081**
(56) Related Art Documents: **Not Applicable**
(57) Statement of Newness and Distinctiveness: **Newness and distinctiveness resides in the combination of the features of shape and blue colouring of a bottle as depicted in the representations.**



- (21) Design Number: **11360/2013**
(22) Date of Filing Application: **18 March 2013**
(24) Date from which industrial property rights may have effect: **24 July 2012**
(54) Product in respect of which the design is registered: **A bottle**
(51) International Design Classification: **09-01H**
(74) Name(s) of Attorney(s): **Halfords IP**
(71) Name(s) and Address(s) of Applicant(s):
Cospak Pty Ltd
1 Culverston Rd Minto NSW 2566 Australia
(72) Name(s) of Designer(s): **Warren Slattery and David Driver and Michael Gilbert**
(45) Registration Date: **20 May 2013**
(62) Divisional of: **348081**
(56) Related Art Documents: **Not Applicable**
(57) Statement of Newness and Distinctiveness: **Newness and distinctiveness resides in the combination of the features of shape and blue colouring of a bottle as depicted in the representations.**



- (21) Design Number: **11380/2013**
(22) Date of Filing Application: **19 March 2013**
(24) Date from which industrial property rights may have effect: **24 July 2012**
(54) Product in respect of which the design is registered: **A bottle**
(51) International Design Classification: **09-01H**
(74) Name(s) of Attorney(s): **Halfords IP**
(71) Name(s) and Address(s) of Applicant(s):
Cospak Pty Ltd
1 Culverston Rd Minto NSW 2566 Australia
(72) Name(s) of Designer(s): **Warren Slattery and David Driver and Michael Gilbert**
(45) Registration Date: **20 May 2013**
(62) Divisional of: **348081**
(56) Related Art Documents: **Not Applicable**
(57) Statement of Newness and Distinctiveness: **Newness and Distinctiveness resides in the combination of the features of shape and blue colouring of a bottle as depicted in the representations.**



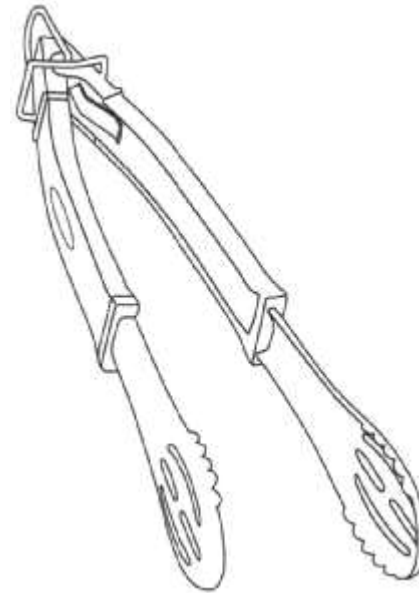
(21) Design Number: **11414/2013**
(22) Date of Filing Application: **20 March 2013**
(24) Date from which industrial property rights may have effect: **10 December 2012**
(54) Product in respect of which the design is registered: **Washing machine**
(51) International Design Classification: **15-05**
(74) Name(s) of Attorney(s): **Halfords IP**
(71) Name(s) and Address(s) of Applicant(s):
Electrolux Sea Pte Ltd
11 Lorong 3 Toa Payoh Block B #01-13/14/15 Jackson Square 319579
Singapore
(72) Name(s) of Designer(s): **Swaminathan Iyer and Pernilla Johansson**
(45) Registration Date: **20 May 2013**
(30) Convention priority data:
(31) Number (32) Date (33) Country
201230251802.1 12 Jun 2012 CHINA
(62) Divisional of: **347858**
(56) Related Art Documents: **Not Applicable**
(57) Statement of Newness and Distinctiveness: **Newness and Distinctiveness resides in those features of shape and or configuration of a washing machine as depicted in the representations.**



(21) Design Number: **11413/2013**
(22) Date of Filing Application: **20 March 2013**
(24) Date from which industrial property rights may have effect: **10 December 2012**
(54) Product in respect of which the design is registered: **Washing machine**
(51) International Design Classification: **15-05**
(74) Name(s) of Attorney(s): **Halfords IP**
(71) Name(s) and Address(s) of Applicant(s):
Electrolux Sea Pte Ltd
11 Lorong 3 Toa Payoh Block B #01-13/14/15 Jackson Square 319579
Singapore
(72) Name(s) of Designer(s): **Swaminathan Iyer and Pernilla Johansson**
(45) Registration Date: **20 May 2013**
(30) Convention priority data:
(31) Number (32) Date (33) Country
201230251802.1 12 Jun 2012 CHINA
(62) Divisional of: **347858**
(56) Related Art Documents: **Not Applicable**
(57) Statement of Newness and Distinctiveness: **Newness and Distinctiveness resides in the features of shape and or configuration of a washing machine as depicted in the representations.**



- (21) Design Number: **11676/2013**
(22) Date of Filing Application: **09 April 2013**
(24) Date from which industrial property rights may have effect: **09 April 2013**
(54) Product in respect of which the design is registered: **Barbeque tongs**
(51) International Design Classification: **07-04, 07-06NES**
(74) Name(s) of Attorney(s): **SPRUSON & FERGUSON**
(71) Name(s) and Address(s) of Applicant(s):
Sheldon and Hammond Pty Ltd
24 Salisbury Rd Asquith NSW 2077 Australia
(72) Name(s) of Designer(s): **Alexander Angus**
(45) Registration Date: **20 May 2013**
(56) Related Art Documents: **Not Applicable**
(57) Statement of Newness and Distinctiveness: **Newness and distinctiveness is claimed in the features of shape and/or configuration of barbeque tongs as illustrated in the accompanying representations.**



- (21) Design Number: **11556/2013**
(22) Date of Filing Application: **28 March 2013**
(24) Date from which industrial property rights may have effect: **28 March 2013**
(54) Product in respect of which the design is registered: **Center console for automobile**
(51) International Design Classification: **12-16NES**
(74) Name(s) of Attorney(s): **Griffith Hack**
(71) Name(s) and Address(s) of Applicant(s):
Nissan Jidosha Kabushiki Kaisha also trading as Nissan Motor Co., Ltd.
No. 2 Takaracho Kanagawa-ku Yokohama-shi Kanagawa-ken 220-8623
Japan
(72) Name(s) of Designer(s): **Daisuke Seki and Junji Kobari**
(45) Registration Date: **20 May 2013**
(30) Convention priority data:
(31) Number (32) Date (33) Country
2012-023871 28 Sep 2012 JAPAN
(56) Related Art Documents: **Not Applicable**
(57) Statement of Newness and Distinctiveness: **Newness and distinctiveness resides in the shape and configuration of the design as shown in the representations.**



- (21) Design Number: **11589/2013**
(22) Date of Filing Application: **03 April 2013**
(24) Date from which industrial property rights may have effect: **03 April 2013**
(54) Product in respect of which the design is registered: **Chair**
(51) International Design Classification: **06-01F**
(74) Name(s) of Attorney(s): **AJ Park**
(71) Name(s) and Address(s) of Applicant(s):
Formway Furniture Limited
43b Seaview Road Lower Hutt Wellington 5010 New Zealand
(72) Name(s) of Designer(s): **Kent Wallace Parker and Mark Rundle Pennington and Paul James Stevenson**
(45) Registration Date: **20 May 2013**
(30) Convention priority data:
(31) Number (32) Date (33) Country
29/433784 04 Oct 2012 UNITED STATES OF AMERICA
(56) Related Art Documents: **Not Applicable**
(57) Statement of Newness and Distinctiveness: **Newness and distinctiveness reside in the features of shape and/or configuration of the Chair as shown in the representations. The broken lines showing the headrest, footrest, and one of the actuators are for illustrative purposes only and are to be disregarded when considering the overall impression of the design. The bottom view is shown for illustrative purposes only and is to be disregarded when considering the overall impression of the design.**



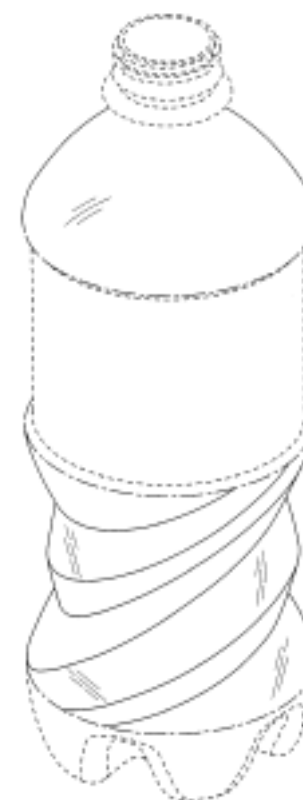
- (21) Design Number: **11590/2013**
(22) Date of Filing Application: **03 April 2013**
(24) Date from which industrial property rights may have effect: **03 April 2013**
(54) Product in respect of which the design is registered: **Chair**
(51) International Design Classification: **06-01F**
(74) Name(s) of Attorney(s): **AJ Park**
(71) Name(s) and Address(s) of Applicant(s):
Formway Furniture Limited
43b Seaview Road Lower Hutt Wellington 5010 New Zealand
(72) Name(s) of Designer(s): **Kent Wallace Parker and Mark Rundle Pennington and Paul James Stevenson**
(45) Registration Date: **20 May 2013**
(30) Convention priority data:
(31) Number (32) Date (33) Country
29/433784 04 Oct 2012 UNITED STATES OF AMERICA
(56) Related Art Documents: **Not Applicable**
(57) Statement of Newness and Distinctiveness: **Newness and distinctiveness reside in the features of shape and/or configuration of the Chair as shown in the representations. The broken lines showing the headrest, footrest, and one of the actuators are for illustrative purposes only and are to be disregarded when considering the overall impression of the design. The bottom view is shown for illustrative purposes only and is to be disregarded when considering the overall impression of the design.**



(21) Design Number: **11602/2013**
(22) Date of Filing Application: **03 April 2013**
(24) Date from which industrial property rights may have effect: **03 April 2013**
(54) Product in respect of which the design is registered: **Toy catapult**
(51) International Design Classification: **21-01H**
(74) Name(s) of Attorney(s):
(71) Name(s) and Address(s) of Applicant(s):
Education Projects Pty Ltd
57 Bancroft Tce Deception Bay QLD 4508 Australia
(72) Name(s) of Designer(s): **Christopher Fowler**
(45) Registration Date: **20 May 2013**
(56) Related Art Documents: **Not Applicable**
(57) Statement of Newness and Distinctiveness: **Constructed out of straws.**



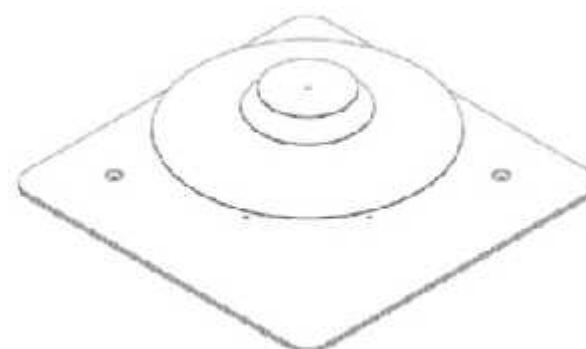
(21) Design Number: **10777/2013**
(22) Date of Filing Application: **15 February 2013**
(24) Date from which industrial property rights may have effect: **15 February 2013**
(54) Product in respect of which the design is registered: **Bottle**
(51) International Design Classification: **09-01NES**
(74) Name(s) of Attorney(s): **SPRUSON & FERGUSON**
(71) Name(s) and Address(s) of Applicant(s):
PepsiCo, Inc.
700 Anderson Hill Road Purchase New York 10577 United States of America
(72) Name(s) of Designer(s): **Sean Horita and Ryan Maloney and Jay Ostby and David Schlesinger and Rohit Joshi and Mark A. Woloszyk and Guizhang Zheng**
(45) Registration Date: **20 May 2013**
(30) Convention priority data:
(31) Number (32) Date (33) Country
29/429841 17 Aug 2012 UNITED STATES OF AMERICA
(56) Related Art Documents: **Not Applicable**
(57) Statement of Newness and Distinctiveness: **Newness and distinctiveness is claimed in those features of shape and/or configuration of a bottle illustrated in continuous lines in the accompanying representations.**



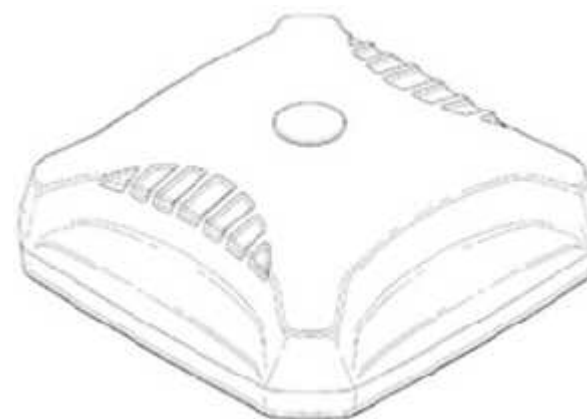
- (21) Design Number: **10776/2013**
(22) Date of Filing Application: **15 February 2013**
(24) Date from which industrial property rights may have effect: **15 February 2013**
(54) Product in respect of which the design is registered: **Bottle**
(51) International Design Classification: **09-01NES**
(74) Name(s) of Attorney(s): **SPRUSON & FERGUSON**
(71) Name(s) and Address(s) of Applicant(s):
PepsiCo, Inc.
700 Anderson Hill Road Purchase New York 10577 United States of America
(72) Name(s) of Designer(s): **Sean Horita and Ryan Maloney and Jay Ostby and David Schlesinger and Rohit Joshi and Mark A. Woloszyk and Guizhang Zheng**
(45) Registration Date: **20 May 2013**
(30) Convention priority data:
(31) Number (32) Date (33) Country
29/429842 17 Aug 2012 UNITED STATES OF AMERICA
(56) Related Art Documents: **Not Applicable**
(57) Statement of Newness and Distinctiveness: **Newness and distinctiveness is claimed in those features of shape and/or configuration of a bottle illustrated in continuous lines in the accompanying representations.**



- (21) Design Number: **10962/2013**
(22) Date of Filing Application: **28 February 2013**
(24) Date from which industrial property rights may have effect: **28 February 2013**
(54) Product in respect of which the design is registered: **Antenna**
(51) International Design Classification: **14-03NES**
(74) Name(s) of Attorney(s): **Davies Collison Cave**
(71) Name(s) and Address(s) of Applicant(s):
Poynting Antennas (PTY) Limited
33 Thora Crescent Wynberg Sandton 2090 South Africa
(72) Name(s) of Designer(s): **Andries Petrus Cronje Fourie and Derek Colin Nitch**
(45) Registration Date: **20 May 2013**
(30) Convention priority data:
(31) Number (32) Date (33) Country
F2012/01505 31 Aug 2012 SOUTH AFRICA
(56) Related Art Documents: **Not Applicable**
(57) Statement of Newness and Distinctiveness: **Newness and distinctiveness is claimed in the visual features shown in solid lines in the representations.**



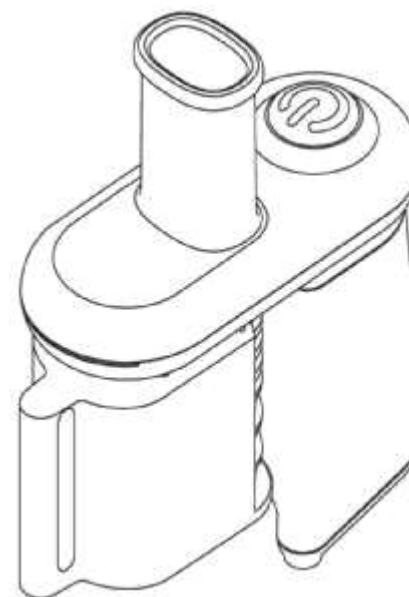
- (21) Design Number: **10961/2013**
(22) Date of Filing Application: **28 February 2013**
(24) Date from which industrial property rights may have effect: **28 February 2013**
(54) Product in respect of which the design is registered: **Antenna housing**
(51) International Design Classification: **14-03NES**
(74) Name(s) of Attorney(s): **Davies Collison Cave**
(71) Name(s) and Address(s) of Applicant(s):
Poynting Antennas (PTY) Limited
33 Thora Crescent Wynberg Sandton 2090 South Africa
(72) Name(s) of Designer(s): **Charles John Max Rohland**
(45) Registration Date: **20 May 2013**
(30) Convention priority data:
(31) Number (32) Date (33) Country
A2012/01510 31 Aug 2012 SOUTH AFRICA
(56) Related Art Documents: **Not Applicable**
(57) Statement of Newness and Distinctiveness: **Newness and distinctiveness is claimed in the visual features shown in solid lines in the representations.**



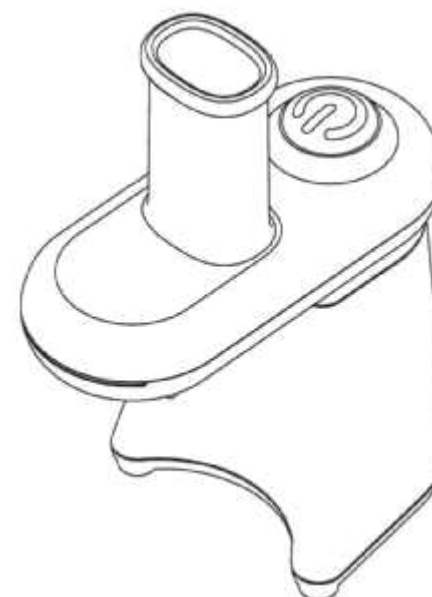
- (21) Design Number: **11154/2013**
(22) Date of Filing Application: **11 March 2013**
(24) Date from which industrial property rights may have effect: **11 March 2013**
(54) Product in respect of which the design is registered: **Mobile phone cover with charger unit**
(51) International Design Classification: **03-01NES, 13-02**
(74) Name(s) of Attorney(s):
(71) Name(s) and Address(s) of Applicant(s):
Jeremy D. Keight
343 Donald's Range Rd Razorback NSW 2571 Australia
(72) Name(s) of Designer(s): **Zhu Youhua**
(45) Registration Date: **20 May 2013**
(56) Related Art Documents: **Not Applicable**
(57) Statement of Newness and Distinctiveness: **Nil**



(21) Design Number: **11605/2013**
(22) Date of Filing Application: **03 April 2013**
(24) Date from which industrial property rights may have effect: **03 April 2013**
(54) Product in respect of which the design is registered: **Electric grater-mincer**
(51) International Design Classification: **31-00**
(74) Name(s) of Attorney(s): **SPRUSON & FERGUSON**
(71) Name(s) and Address(s) of Applicant(s):
SEB
Selongey 21260 France
(72) Name(s) of Designer(s): **Anthony Lebosse**
(45) Registration Date: **20 May 2013**
(30) Convention priority data:
(31) Number (32) Date (33) Country
001346225-0001 05 Oct 2012 OFFICE FOR HARMONISATION IN
THE INTERNAL MARKET (OHIM)
(56) Related Art Documents: **Not Applicable**
(57) Statement of Newness and Distinctiveness: **Newness and distinctiveness**
is claimed in the features of shape and/or configuration of an electric
grater-mincer as illustrated in the accompanying representations.



(21) Design Number: **11606/2013**
(22) Date of Filing Application: **03 April 2013**
(24) Date from which industrial property rights may have effect: **03 April 2013**
(54) Product in respect of which the design is registered: **Electric grater-mincer**
body
(51) International Design Classification: **31-00**
(74) Name(s) of Attorney(s): **SPRUSON & FERGUSON**
(71) Name(s) and Address(s) of Applicant(s):
SEB
Selongey 21260 France
(72) Name(s) of Designer(s): **Anthony Lebosse**
(45) Registration Date: **20 May 2013**
(30) Convention priority data:
(31) Number (32) Date (33) Country
001346225-0002 05 Oct 2012 OFFICE FOR HARMONISATION IN
THE INTERNAL MARKET (OHIM)
(56) Related Art Documents: **Not Applicable**
(57) Statement of Newness and Distinctiveness: **Newness and distinctiveness**
is claimed in the features of shape and/or configuration of an electric
grater-mincer body as illustrated in the accompanying representations.



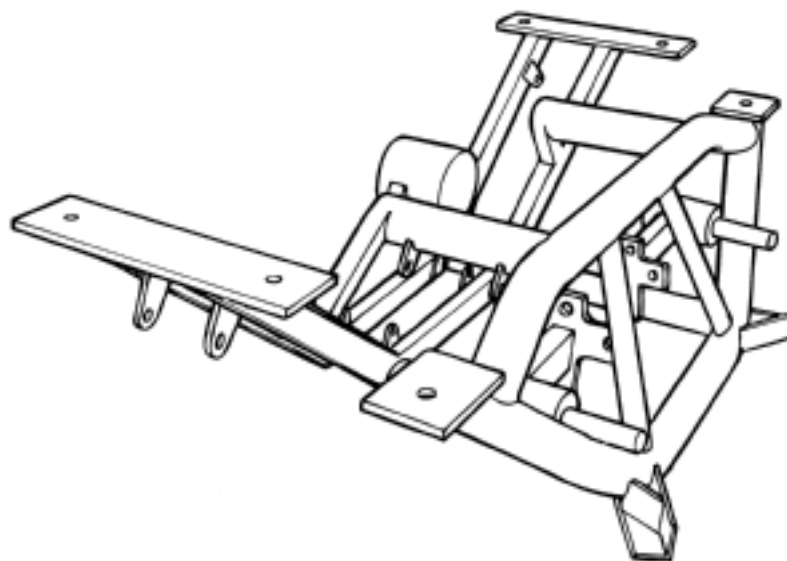
- (21) Design Number: **11608/2013**
(22) Date of Filing Application: **03 April 2013**
(24) Date from which industrial property rights may have effect: **03 April 2013**
(54) Product in respect of which the design is registered: **An article of adornment**
(51) International Design Classification: **11-01E**
(74) Name(s) of Attorney(s): **FB Rice**
(71) Name(s) and Address(s) of Applicant(s):
Paspaley Pearl Sales Pty Ltd
GPO BOX 338 Darwin NT 0801 Australia
(72) Name(s) of Designer(s): **Catherine Buman**
(45) Registration Date: **20 May 2013**
(56) Related Art Documents: **Not Applicable**
(57) Statement of Newness and Distinctiveness: **Newness and distinctiveness reside in the visual features of the design as shown in solid lines in the representations excluding those features shown in dotted lines.**



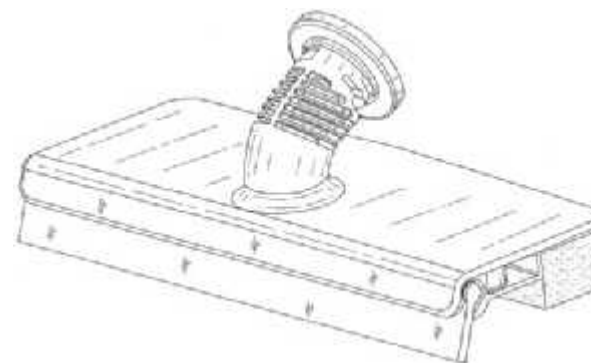
- (21) Design Number: **14747/2012**
(22) Date of Filing Application: **24 September 2012**
(24) Date from which industrial property rights may have effect: **24 September 2012**
(54) Product in respect of which the design is registered: **Article of clothing**
(51) International Design Classification: **02-02NES**
(74) Name(s) of Attorney(s): **Allens Patent & Trade Mark Attorneys**
(71) Name(s) and Address(s) of Applicant(s):
Forever New Clothing Pty Ltd
714-716 High St Kew East VIC 3102 Australia
(72) Name(s) of Designer(s): **Gemma Henderson**
(45) Registration Date: **20 May 2013**
(56) Related Art Documents: **Not Applicable**
(57) Statement of Newness and Distinctiveness: **Newness and distinctiveness resides in the visual features of shape, configuration, pattern and/or ornamentation of an article of clothing as shown in the accompanying representations.**



(21) Design Number: **14993/2012**
(22) Date of Filing Application: **05 October 2012**
(24) Date from which industrial property rights may have effect: **05 October 2012**
(54) Product in respect of which the design is registered: **A differential cradle for a vehicle**
(51) International Design Classification: **12-16NES**
(74) Name(s) of Attorney(s): **Madderns**
(71) Name(s) and Address(s) of Applicant(s):
CPIP Pty Ltd
PO BOX 7504 Cloisters Square Perth WA 6850 Australia
(72) Name(s) of Designer(s): **Grant Christopher Reynolds**
(45) Registration Date: **20 May 2013**
(56) Related Art Documents: **Not Applicable**
(57) Statement of Newness and Distinctiveness: **Nil**



(21) Design Number: **10808/2013**
(22) Date of Filing Application: **21 February 2013**
(24) Date from which industrial property rights may have effect: **21 February 2013**
(54) Product in respect of which the design is registered: **Steam cleaning squeegee with sponge**
(51) International Design Classification: **23-01NES, 07-05E**
(74) Name(s) of Attorney(s): **Davies Collison Cave**
(71) Name(s) and Address(s) of Applicant(s):
Black & Decker Inc
1207 Drummond Plaza Newark Delaware 19711 United States of America
(72) Name(s) of Designer(s): **Graeme Crawley**
(45) Registration Date: **20 May 2013**
(30) Convention priority data:
(31) Number (32) Date (33) Country
**001340954 24 Aug 2012 OFFICE FOR HARMONISATION IN
THE INTERNAL MARKET (OHIM)**
(56) Related Art Documents: **Not Applicable**
(57) Statement of Newness and Distinctiveness: **Nil**



(21) Design Number: **10843/2013**

(22) Date of Filing Application: **22 February 2013**

(24) Date from which industrial property rights may have effect: **22 February 2013**

(54) Product in respect of which the design is registered: **Steam cleaning brush**

(51) International Design Classification: **15-05, 07-05E**

(74) Name(s) of Attorney(s): **Davies Collison Cave**

(71) Name(s) and Address(s) of Applicant(s):

Black & Decker Inc

1207 Drummond Plaza Newark Delaware 19711 United States of America

(72) Name(s) of Designer(s): **Graeme Crawley**

(45) Registration Date: **20 May 2013**

(30) Convention priority data:

(31) Number
001340970

(32) Date
24 Aug 2012

(33) Country
**OFFICE FOR HARMONISATION IN
THE INTERNAL MARKET (OHIM)**

(56) Related Art Documents: **Not Applicable**

(57) Statement of Newness and Distinctiveness: **Nil**



(21) Design Number: **10844/2013**

(22) Date of Filing Application: **22 February 2013**

(24) Date from which industrial property rights may have effect: **22 February 2013**

(54) Product in respect of which the design is registered: **Steam cleaning floor head**

(51) International Design Classification: **15-05, 07-05E**

(74) Name(s) of Attorney(s): **Davies Collison Cave**

(71) Name(s) and Address(s) of Applicant(s):

Black & Decker Inc

1207 Drummond Plaza Newark Delaware 19711 United States of America

(72) Name(s) of Designer(s): **Graeme Crawley**

(45) Registration Date: **20 May 2013**

(30) Convention priority data:

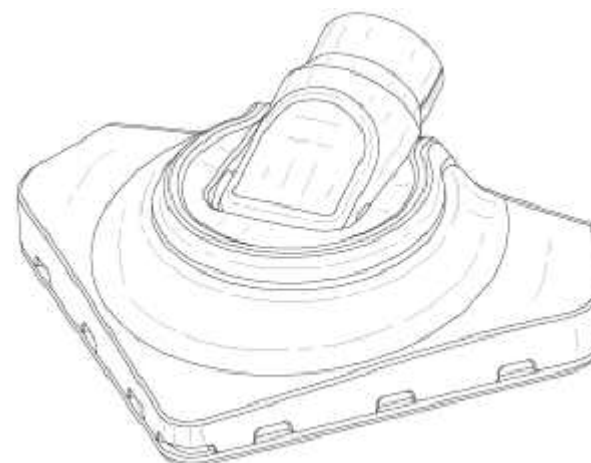
(31) Number
001340939

(32) Date
24 Aug 2012

(33) Country
**OFFICE FOR HARMONISATION IN
THE INTERNAL MARKET (OHIM)**

(56) Related Art Documents: **Not Applicable**

(57) Statement of Newness and Distinctiveness: **Nil**



(21) Design Number: **10845/2013**

(22) Date of Filing Application: **22 February 2013**

(24) Date from which industrial property rights may have effect: **22 February 2013**

(54) Product in respect of which the design is registered: **Steam cleaning brush**

(51) International Design Classification: **15-05, 07-05E**

(74) Name(s) of Attorney(s): **Davies Collison Cave**

(71) Name(s) and Address(s) of Applicant(s):

Black & Decker Inc

1207 Drummond Plaza Newark Delaware 19711 United States of America

(72) Name(s) of Designer(s): **Graeme Crawley**

(45) Registration Date: **20 May 2013**

(30) Convention priority data:

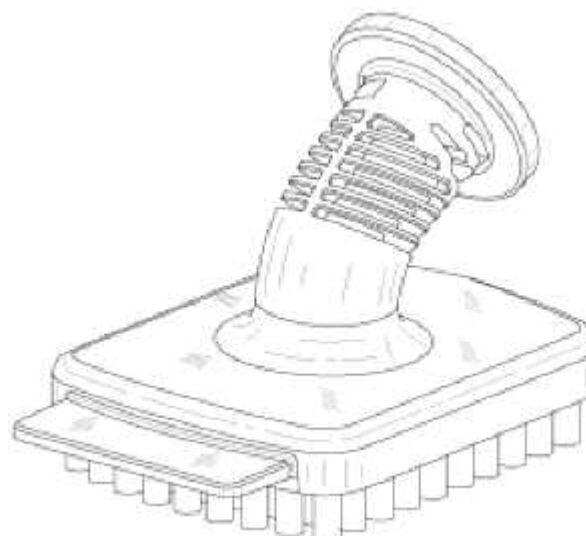
(31) Number
001340988

(32) Date
24 Aug 2012

(33) Country
**OFFICE FOR HARMONISATION IN
THE INTERNAL MARKET (OHIM)**

(56) Related Art Documents: **Not Applicable**

(57) Statement of Newness and Distinctiveness: **Nil**



(21) Design Number: **11278/2013**

(22) Date of Filing Application: **14 March 2013**

(24) Date from which industrial property rights may have effect: **14 March 2013**

(54) Product in respect of which the design is registered: **Pot plant stand**

(51) International Design Classification: **06-06A, 11-02C**

(74) Name(s) of Attorney(s):

(71) Name(s) and Address(s) of Applicant(s):

Troy Juides

22 Osborne Tce Deception Bay Qld 4508 Australia

(72) Name(s) of Designer(s): **Troy Juides**

(45) Registration Date: **20 May 2013**

(56) Related Art Documents: **Not Applicable**

(57) Statement of Newness and Distinctiveness: **Newness and distinctiveness is claimed in the shape and/or configuration of the pot plant stand as shown in the representations. No newness and/or distinctiveness is claimed in the shape and configuration of the clamp shown in both the side elevation and other side elevation representations.**



- (21) Design Number: **11553/2013**
(22) Date of Filing Application: **28 March 2013**
(24) Date from which industrial property rights may have effect: **28 March 2013**
(54) Product in respect of which the design is registered: **Headlight for automobile**
(51) International Design Classification: **26-06**
(74) Name(s) of Attorney(s): **Griffith Hack**
(71) Name(s) and Address(s) of Applicant(s):
Nissan Jidosha Kabushiki Kaisha also trading as Nissan Motor Co., Ltd.
No. 2 Takaracho Kanagawa-ku Yokohama-shi Kanagawa-ken 220-8623
Japan
(72) Name(s) of Designer(s): **Kouichi Ishizuka and Yoshihiro Okada and Shinya Momokawa**
(45) Registration Date: **20 May 2013**
(30) Convention priority data:
(31) Number (32) Date (33) Country
2012-023857 28 Sep 2012 JAPAN
(56) Related Art Documents: **Not Applicable**
(57) Statement of Newness and Distinctiveness: **Newness and distinctiveness resides in the shape and configuration of the design as shown in the representations.**



- (21) Design Number: **11554/2013**
(22) Date of Filing Application: **28 March 2013**
(24) Date from which industrial property rights may have effect: **28 March 2013**
(54) Product in respect of which the design is registered: **Rear combination lamp for automobile**
(51) International Design Classification: **26-06**
(74) Name(s) of Attorney(s): **Griffith Hack**
(71) Name(s) and Address(s) of Applicant(s):
Nissan Jidosha Kabushiki Kaisha also trading as Nissan Motor Co., Ltd.
No. 2 Takaracho Kanagawa-ku Yokohama-shi Kanagawa-ken 220-8623
Japan
(72) Name(s) of Designer(s): **Kouichi Ishizuka and Shinya Momokawa**
(45) Registration Date: **20 May 2013**
(30) Convention priority data:
(31) Number (32) Date (33) Country
2012-023859 28 Sep 2012 JAPAN
(56) Related Art Documents: **Not Applicable**
(57) Statement of Newness and Distinctiveness: **Newness and distinctiveness resides in the shape and configuration of the design as shown in the representations.**



- (21) Design Number: **11555/2013**
(22) Date of Filing Application: **28 March 2013**
(24) Date from which industrial property rights may have effect: **28 March 2013**
(54) Product in respect of which the design is registered: **Instrument panel for automobile**
(51) International Design Classification: **12-16NES**
(74) Name(s) of Attorney(s): **Griffith Hack**
(71) Name(s) and Address(s) of Applicant(s):
Nissan Jidosha Kabushiki Kaisha also trading as Nissan Motor Co., Ltd.
No. 2 Takaracho Kanagawa-ku Yokohama-shi Kanagawa-ken 220-8623
Japan
(72) Name(s) of Designer(s): **Kenjiro Yamagata and Daisuke Seki and Junji Kobari and Ahyoung Min and Bert Dehaes**
(45) Registration Date: **20 May 2013**
(30) Convention priority data:
(31) Number (32) Date (33) Country
2012-023867 28 Sep 2012 JAPAN
(56) Related Art Documents: **Not Applicable**
(57) Statement of Newness and Distinctiveness: **Newness and distinctiveness resides in the shape and configuration of the design as shown in the representations.**



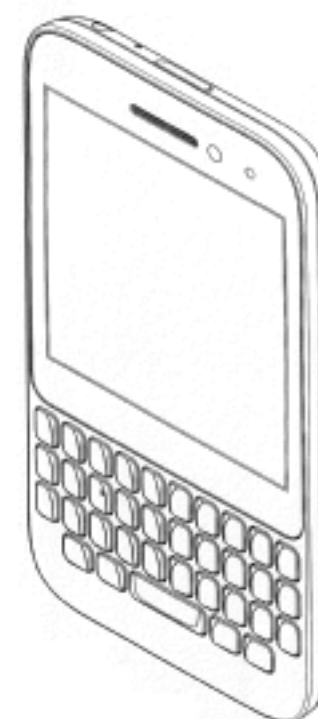
- (21) Design Number: **10712/2013**
(22) Date of Filing Application: **13 February 2013**
(24) Date from which industrial property rights may have effect: **13 February 2013**
(54) Product in respect of which the design is registered: **Screw cap for a container**
(51) International Design Classification: **09-07B**
(74) Name(s) of Attorney(s): **Davies Collison Cave**
(71) Name(s) and Address(s) of Applicant(s):
Visy R & D Pty Ltd
L11 2 Southbank Bvd Southbank VIC 3006 Australia
(72) Name(s) of Designer(s): **Brett Medlin**
(45) Registration Date: **20 May 2013**
(56) Related Art Documents: **Not Applicable**
(57) Statement of Newness and Distinctiveness: **The features of shape and configuration of the screw cap shown in the accompanying representations are considered to be new and distinctive.**



- (21) Design Number: **11839/2013**
(22) Date of Filing Application: **19 April 2013**
(24) Date from which industrial property rights may have effect: **19 April 2013**
(54) Product in respect of which the design is registered: **Handheld electronic device**
(51) International Design Classification: **14-03E**
(74) Name(s) of Attorney(s): **SPRUSON & FERGUSON**
(71) Name(s) and Address(s) of Applicant(s):
Research In Motion Limited
295 Phillip Street Waterloo Ontario N2L 3W8 Canada
(72) Name(s) of Designer(s): **Joseph Michael Hofer and Younghwan Kim and Todd Andrew Wood and Brian Dennis Paschke and Di Tao and Aaron Michael Szymanski and Alina Claudia Oprea and Anders Fahrendorff and Cortez Corley**
(45) Registration Date: **21 May 2013**
(30) Convention priority data:
(31) Number (32) Date (33) Country
29/438516 30 Nov 2012 UNITED STATES OF AMERICA
(56) Related Art Documents: **Not Applicable**
(57) Statement of Newness and Distinctiveness: **Newness and distinctiveness is claimed in the features of shape and/or configuration of a handheld electronic device as illustrated in continuous lines in the accompanying representations.**



- (21) Design Number: **11840/2013**
(22) Date of Filing Application: **19 April 2013**
(24) Date from which industrial property rights may have effect: **19 April 2013**
(54) Product in respect of which the design is registered: **Handheld electronic device**
(51) International Design Classification: **14-03E**
(74) Name(s) of Attorney(s): **SPRUSON & FERGUSON**
(71) Name(s) and Address(s) of Applicant(s):
Research In Motion Limited
295 Phillip Street Waterloo Ontario N2L 3W8 Canada
(72) Name(s) of Designer(s): **Marco Sixtus Ferrari and Brian Dennis Paschke and Di Tao and Ingve Holmung and Jamaal Peele and Jodie Elizabeth Fletcher and Younghwan Kim and Wei He and Roman Peter Rak and Todd Andrew Wood and Anders Fahrendorff and Cortez Corley and Aaron Michael Szymanski**
(45) Registration Date: **21 May 2013**
(30) Convention priority data:
(31) Number (32) Date (33) Country
29/438517 30 Nov 2012 UNITED STATES OF AMERICA
(56) Related Art Documents: **Not Applicable**
(57) Statement of Newness and Distinctiveness: **Newness and distinctiveness is claimed in the features of shape and/or configuration of a handheld electronic device as illustrated in continuous lines in the accompanying representations.**



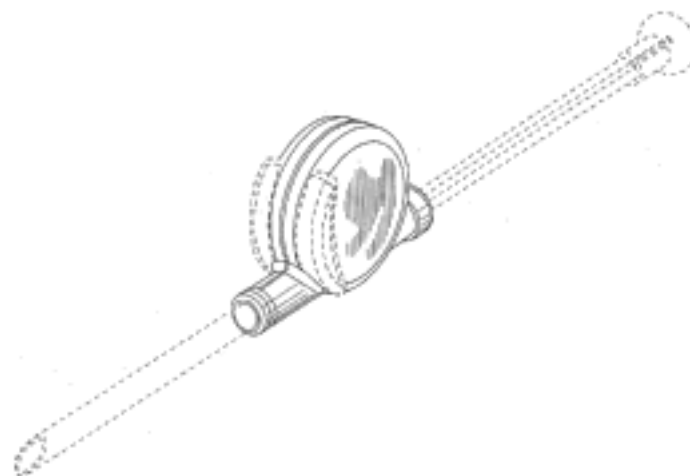
(21) Design Number: **11841/2013**
(22) Date of Filing Application: **19 April 2013**
(24) Date from which industrial property rights may have effect: **19 April 2013**
(54) Product in respect of which the design is registered: **Insertion tool**
(51) International Design Classification: **24-02**
(74) Name(s) of Attorney(s): **Griffith Hack**
(71) Name(s) and Address(s) of Applicant(s):
Endo Pharmaceuticals Solutions Inc.
1400 Atwater Drive Malvern Pennsylvania 19355 United States of America

(72) Name(s) of Designer(s): **Alexander Schwarz and Richard Caizza**
(45) Registration Date: **21 May 2013**

(30) Convention priority data:
(31) Number (32) Date (33) Country
29/435449 24 Oct 2012 UNITED STATES OF AMERICA

(56) Related Art Documents: **Not Applicable**

(57) Statement of Newness and Distinctiveness: **Newness and distinctiveness resides in the visual features, including shape and configuration, of an insertion tool as shown in solid outline in the accompanying drawings. When determining whether the design is substantially similar in overall impression to another design, no regard is to be had to those features shown in dotted outline in the accompanying drawings, which features are provided for illustrative purposes only.**

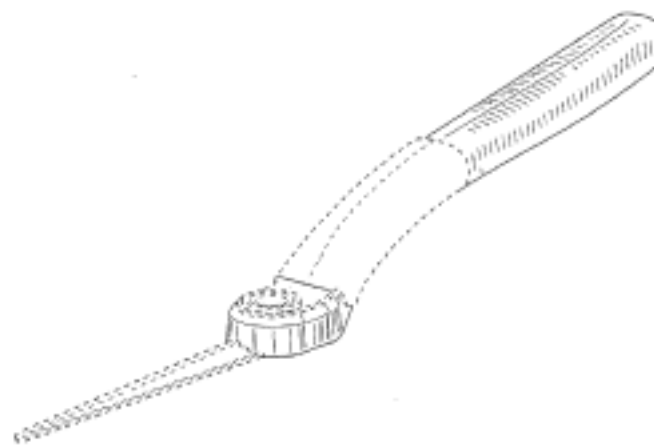


(21) Design Number: **11843/2013**
(22) Date of Filing Application: **19 April 2013**
(24) Date from which industrial property rights may have effect: **19 April 2013**
(54) Product in respect of which the design is registered: **Tunneling tool**
(51) International Design Classification: **24-02**
(74) Name(s) of Attorney(s): **Griffith Hack**
(71) Name(s) and Address(s) of Applicant(s):
Endo Pharmaceuticals Solutions Inc.
1400 Atwater Drive Malvern Pennsylvania 19355 United States of America

(72) Name(s) of Designer(s): **Alexander Schwarz and Richard Caizza**
(45) Registration Date: **21 May 2013**

(56) Related Art Documents: **Not Applicable**

(57) Statement of Newness and Distinctiveness: **Newness and distinctiveness resides in the visual features, including shape and configuration, of a tunneling tool as shown in solid outline in the accompanying drawings. When determining whether the design is substantially similar in overall impression to another design, no regard is to be had to those features shown in dotted outline in the accompanying drawings, which features are provided for illustrative purposes only.**



(21) Design Number: **11869/2013**

(22) Date of Filing Application: **22 April 2013**

(24) Date from which industrial property rights may have effect: **22 April 2013**

(54) Product in respect of which the design is registered: **Agricultural tape binder**

(51) International Design Classification: **08-05NES**

(74) Name(s) of Attorney(s): **Callinans**

(71) Name(s) and Address(s) of Applicant(s):

**Desarrollos Especiales De Sistemas De Anclaje, S.A.
Parque de Negocios de Viladecans Edificio Australia - Manzana B C/
Antonio Machado 78-80 1a planta Viladecans Barcelona Spain**

(72) Name(s) of Designer(s): **Carles Escoda**

(45) Registration Date: **21 May 2013**

(30) Convention priority data:

(31) Number	(32) Date	(33) Country
002124495-0001	24 Oct 2012	OFFICE FOR HARMONISATION IN THE INTERNAL MARKET (OHIM)

(56) Related Art Documents: **Not Applicable**

(57) Statement of Newness and Distinctiveness: **Newness and distinctiveness are provided by the shape and/or configuration of the design shown in the representations.**



(21) Design Number: **11874/2013**

(22) Date of Filing Application: **22 April 2013**

(24) Date from which industrial property rights may have effect: **22 April 2013**

(54) Product in respect of which the design is registered: **Shaver step**

(51) International Design Classification: **28-03A**

(74) Name(s) of Attorney(s): **LESICAR MURRAY TRENTO**

(71) Name(s) and Address(s) of Applicant(s):

**Leanne Therese Brown
5 Hilltop St Herne Hill VIC 3218 Australia**

(72) Name(s) of Designer(s): **Leanne Therese Brown**

(45) Registration Date: **21 May 2013**

(56) Related Art Documents: **Not Applicable**

(57) Statement of Newness and Distinctiveness: **Newness and distinctiveness reside in the shape and/or configuration of the Shaver Step as shown in the accompanying drawings.**



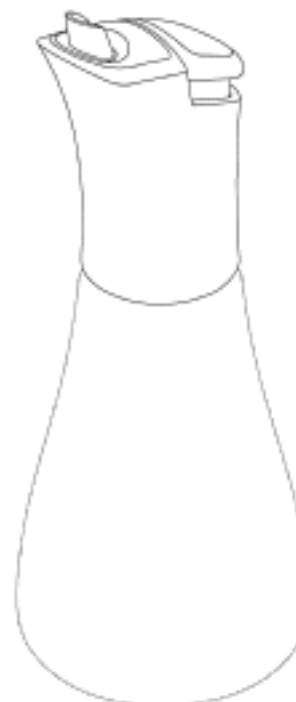
- (21) Design Number: **11875/2013**
(22) Date of Filing Application: **22 April 2013**
(24) Date from which industrial property rights may have effect: **22 April 2013**
(54) Product in respect of which the design is registered: **Air intake snorkel for a vehicle**
(51) International Design Classification: **12-16NES**
(74) Name(s) of Attorney(s): **HODGKINSON McINNES PATENTS**
(71) Name(s) and Address(s) of Applicant(s):
Australian Performance Development Pty Ltd
73 Merrindale Dr South Croydon VIC 3136 Australia
(72) Name(s) of Designer(s): **Andrew Berry**
(45) Registration Date: **21 May 2013**
(56) Related Art Documents: **Not Applicable**
(57) Statement of Newness and Distinctiveness: **Newness and distinctiveness is claimed in the shape and configuration of an air intake snorkel for a vehicle as shown in the representations.**



- (21) Design Number: **11879/2013**
(22) Date of Filing Application: **22 April 2013**
(24) Date from which industrial property rights may have effect: **22 April 2013**
(54) Product in respect of which the design is registered: **Electronic device**
(51) International Design Classification: **14-02**
(74) Name(s) of Attorney(s): **Griffith Hack**
(71) Name(s) and Address(s) of Applicant(s):
Mettler Toledo (Changzhou) Measurement Technology Ltd
No 111 West Taihu Road Xinbei District Changzhou Jiangsu 213125
China
Mettler Toledo (Changzhou) Precision Instrument Ltd
No 5 Middle Huashan Road Xinbei District Changzhou Jiangsu 213022
China
Mettler Toledo (Changzhou) Scale & System Ltd
No 111 West Taihu Road Xinbei District Changzhou Jiangsu 213125
China
(72) Name(s) of Designer(s): **Zhen Hua Zhu and Xu Ying Qian and Hua Jie Yuan**
(45) Registration Date: **21 May 2013**
(30) Convention priority data:
(31) Number (32) Date (33) Country
201230504280.1 22 Oct 2012 CHINA
(56) Related Art Documents: **Not Applicable**
(57) Statement of Newness and Distinctiveness: **Newness and distinctiveness resides in the visual features, including shape and configuration of the PRODUCT.**



(21) Design Number: **11896/2013**
(22) Date of Filing Application: **23 April 2013**
(24) Date from which industrial property rights may have effect: **23 April 2013**
(54) Product in respect of which the design is registered: **Household bottle**
(51) International Design Classification: **09-01K**
(74) Name(s) of Attorney(s): **Madderns**
(71) Name(s) and Address(s) of Applicant(s):
DKB Household UK Limited
Bridge House Eelmoor Road Farnborough Hampshire GU14 7UE United Kingdom
(72) Name(s) of Designer(s): **Daniel Kestenbaum**
(45) Registration Date: **21 May 2013**
(30) Convention priority data:
(31) Number (32) Date (33) Country
002123588-0003 23 Oct 2012 OFFICE FOR HARMONISATION IN THE INTERNAL MARKET (OHIM)
(56) Related Art Documents: **Not Applicable**
(57) Statement of Newness and Distinctiveness: **Nil**



(21) Design Number: **11897/2013**
(22) Date of Filing Application: **23 April 2013**
(24) Date from which industrial property rights may have effect: **23 April 2013**
(54) Product in respect of which the design is registered: **Household grater**
(51) International Design Classification: **07-04**
(74) Name(s) of Attorney(s): **Madderns**
(71) Name(s) and Address(s) of Applicant(s):
DKB Household UK Limited
Bridge House Eelmoor Road Farnborough Hampshire GU14 7UE United Kingdom
(72) Name(s) of Designer(s): **Daniel Kestenbaum**
(45) Registration Date: **21 May 2013**
(30) Convention priority data:
(31) Number (32) Date (33) Country
002123588-0001 23 Oct 2012 OFFICE FOR HARMONISATION IN THE INTERNAL MARKET (OHIM)
(56) Related Art Documents: **Not Applicable**
(57) Statement of Newness and Distinctiveness: **Nil**



- (21) Design Number: **11913/2013**
(22) Date of Filing Application: **24 April 2013**
(24) Date from which industrial property rights may have effect: **24 April 2013**
(54) Product in respect of which the design is registered: **A tyre**
(51) International Design Classification: **12-15B**
(74) Name(s) of Attorney(s):
(71) Name(s) and Address(s) of Applicant(s):
Shandong Linglong Tyre Co., Ltd.
No. 777 Jinlong Road Zhaoyuan City Shandong 265400 People's Republic of China
(72) Name(s) of Designer(s): **Wang Feng**
(45) Registration Date: **21 May 2013**
(56) Related Art Documents: **Not Applicable**
(57) Statement of Newness and Distinctiveness: **The novelty of the design resides in the repeating tyre pattern shown in the representations.**



- (21) Design Number: **11914/2013**
(22) Date of Filing Application: **24 April 2013**
(24) Date from which industrial property rights may have effect: **24 April 2013**
(54) Product in respect of which the design is registered: **A tyre**
(51) International Design Classification: **12-15B**
(74) Name(s) of Attorney(s):
(71) Name(s) and Address(s) of Applicant(s):
Shandong Linglong Tyre Co., Ltd.
No. 777 Jinlong Road Zhaoyuan City Shandong 265400 People's Republic of China
(72) Name(s) of Designer(s): **Wang Feng**
(45) Registration Date: **21 May 2013**
(56) Related Art Documents: **Not Applicable**
(57) Statement of Newness and Distinctiveness: **The novelty of the design resides in the repeating tyre pattern shown in the representations.**



- (21) Design Number: **11915/2013**
(22) Date of Filing Application: **24 April 2013**
(24) Date from which industrial property rights may have effect: **24 April 2013**
(54) Product in respect of which the design is registered: **A tyre**
(51) International Design Classification: **12-15B**
(74) Name(s) of Attorney(s):
(71) Name(s) and Address(s) of Applicant(s):
 Shandong Linglong Tire Co., Ltd
 No. 777 Jinlong Rd Zhaoyuan City Shandong 265400 China
(72) Name(s) of Designer(s): **Wang Feng**
(45) Registration Date: **21 May 2013**
(56) Related Art Documents: **Not Applicable**
(57) Statement of Newness and Distinctiveness: **The novelty of the design resides in the repeating tyre pattern shown in the representations.**



- (21) Design Number: **11916/2013**
(22) Date of Filing Application: **24 April 2013**
(24) Date from which industrial property rights may have effect: **24 April 2013**
(54) Product in respect of which the design is registered: **A tyre**
(51) International Design Classification: **12-15B**
(74) Name(s) of Attorney(s):
(71) Name(s) and Address(s) of Applicant(s):
 Shandong Linglong Tire Co., Ltd
 No. 777 Jinlong Rd Zhaoyuan City Shandong 265400 China
(72) Name(s) of Designer(s): **Wang Feng**
(45) Registration Date: **21 May 2013**
(56) Related Art Documents: **Not Applicable**
(57) Statement of Newness and Distinctiveness: **The novelty of the design resides in the repeating tyre pattern shown in the representations.**



(21) Design Number: **11917/2013**
(22) Date of Filing Application: **24 April 2013**
(24) Date from which industrial property rights may have effect: **24 April 2013**
(54) Product in respect of which the design is registered: **Protective casing for handheld electronic device**
(51) International Design Classification: **03-01NES**
(74) Name(s) of Attorney(s): **Griffith Hack**
(71) Name(s) and Address(s) of Applicant(s):
SwitchEasy Limited
Room 314 Sing Win Factory Building 15-17 Shing Yip Street Kwun Tong
Kowloon Hong Kong
(72) Name(s) of Designer(s): **Chi Vun Steven Bau**
(45) Registration Date: **21 May 2013**
(30) Convention priority data:
(31) Number (32) Date (33) Country
1202173.1M001 26 Oct 2012 HONG KONG
(56) Related Art Documents: **Not Applicable**
(57) Statement of Newness and Distinctiveness: **Newness and distinctiveness resides in the visual features, including shape, configuration and ornamentation of the product as shown in the accompanying representations.**



(21) Design Number: **11918/2013**
(22) Date of Filing Application: **24 April 2013**
(24) Date from which industrial property rights may have effect: **24 April 2013**
(54) Product in respect of which the design is registered: **Protective casing for handheld electronic device**
(51) International Design Classification: **03-01NES**
(74) Name(s) of Attorney(s): **Griffith Hack**
(71) Name(s) and Address(s) of Applicant(s):
SwitchEasy Limited
Room 314 Sing Win Factory Building 15-17 Shing Yip Street Kwun Tong
Kowloon Hong Kong
(72) Name(s) of Designer(s): **Chi Vun Steven Bau**
(45) Registration Date: **21 May 2013**
(30) Convention priority data:
(31) Number (32) Date (33) Country
1202173.1M002 26 Oct 2012 HONG KONG
(56) Related Art Documents: **Not Applicable**
(57) Statement of Newness and Distinctiveness: **Newness and distinctiveness resides in the visual features, including shape, configuration and ornamentation of the product as shown in the accompanying representations.**



(21) Design Number: **11919/2013**
(22) Date of Filing Application: **24 April 2013**
(24) Date from which industrial property rights may have effect: **24 April 2013**
(54) Product in respect of which the design is registered: **Protective casing for handheld electronic device**
(51) International Design Classification: **03-01NES**
(74) Name(s) of Attorney(s): **Griffith Hack**
(71) Name(s) and Address(s) of Applicant(s):
SwitchEasy Limited
Room 314 Sing Win Factory Building 15-17 Shing Yip Street Kwun Tong
Kowloon Hong Kong
(72) Name(s) of Designer(s): **Chi Vun Steven Bau**
(45) Registration Date: **21 May 2013**
(30) Convention priority data:
(31) Number (32) Date (33) Country
1202173.1M003 26 Oct 2012 HONG KONG
(56) Related Art Documents: **Not Applicable**
(57) Statement of Newness and Distinctiveness: **Newness and distinctiveness resides in the visual features, including shape, configuration and ornamentation of the product as shown in the accompanying representations.**



(21) Design Number: **11920/2013**
(22) Date of Filing Application: **24 April 2013**
(24) Date from which industrial property rights may have effect: **24 April 2013**
(54) Product in respect of which the design is registered: **Protective casing for handheld electronic device**
(51) International Design Classification: **03-01NES**
(74) Name(s) of Attorney(s): **Griffith Hack**
(71) Name(s) and Address(s) of Applicant(s):
SwitchEasy Limited
Room 314 Sing Win Factory Building 15-17 Shing Yip Street Kwun Tong
Kowloon Hong Kong
(72) Name(s) of Designer(s): **Chi Vun Steven Bau**
(45) Registration Date: **21 May 2013**
(30) Convention priority data:
(31) Number (32) Date (33) Country
1202173.1M004 26 Oct 2012 HONG KONG
(56) Related Art Documents: **Not Applicable**
(57) Statement of Newness and Distinctiveness: **Newness and distinctiveness resides in the visual features, including shape, configuration and ornamentation of the product as shown in the accompanying representations.**



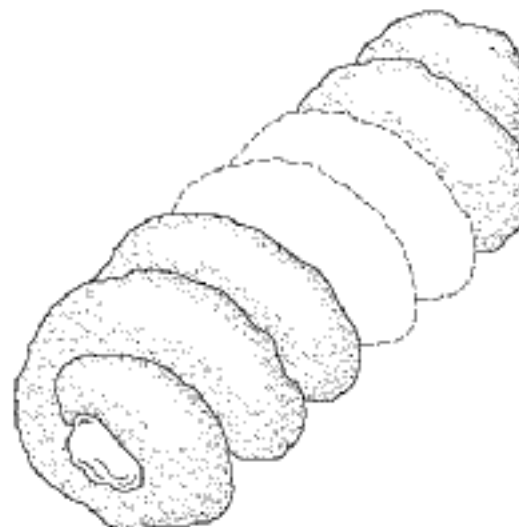
(21) Design Number: **11921/2013**
(22) Date of Filing Application: **24 April 2013**
(24) Date from which industrial property rights may have effect: **24 April 2013**
(54) Product in respect of which the design is registered: **Protective casing for handheld electronic device**
(51) International Design Classification: **03-01NES**
(74) Name(s) of Attorney(s): **Griffith Hack**
(71) Name(s) and Address(s) of Applicant(s):
SwitchEasy Limited
Room 314 Sing Win Factory Building 15-17 Shing Yip Street Kwun Tong
Kowloon Hong Kong
(72) Name(s) of Designer(s): **Chi Vun Steven Bau**
(45) Registration Date: **21 May 2013**
(30) Convention priority data:
(31) Number (32) Date (33) Country
1202173.1M005 26 Oct 2012 HONG KONG
(56) Related Art Documents: **Not Applicable**
(57) Statement of Newness and Distinctiveness: **Newness and distinctiveness resides in the visual features, including shape, configuration and ornamentation of the product as shown in the accompanying representations.**



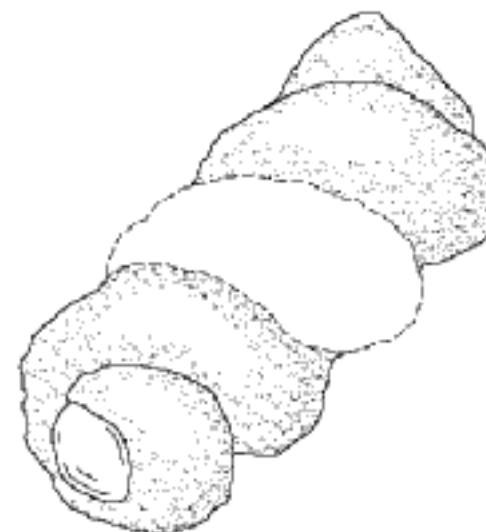
(21) Design Number: **11922/2013**
(22) Date of Filing Application: **24 April 2013**
(24) Date from which industrial property rights may have effect: **24 April 2013**
(54) Product in respect of which the design is registered: **A tyre**
(51) International Design Classification: **12-15B**
(74) Name(s) of Attorney(s):
(71) Name(s) and Address(s) of Applicant(s):
Shandong Linglong Tire Co., Ltd
No. 777 Jinlong Rd Zhaoyuan City Shandong 265400 China
(72) Name(s) of Designer(s): **Wang Feng**
(45) Registration Date: **21 May 2013**
(56) Related Art Documents: **Not Applicable**
(57) Statement of Newness and Distinctiveness: **The novelty of the design resides in the repeating tyre pattern shown in the representations.**



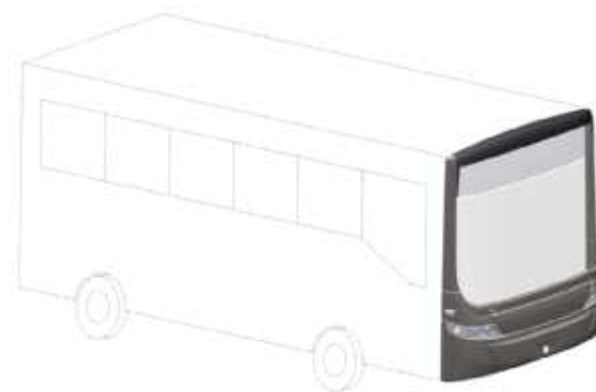
(21) Design Number: **11924/2013**
(22) Date of Filing Application: **24 April 2013**
(24) Date from which industrial property rights may have effect: **24 April 2013**
(54) Product in respect of which the design is registered: **Snack food product**
(51) International Design Classification: **01-01**
(74) Name(s) of Attorney(s): **Allens Patent & Trade Mark Attorneys**
(71) Name(s) and Address(s) of Applicant(s):
Frito-Lay North America, Inc.
7701 Legacy Drive Plano Texas 75024-4099 United States of America
(72) Name(s) of Designer(s): **James Coomes and Brian Peter Jacoby and Jorge C. Morales-Alvarez**
(45) Registration Date: **21 May 2013**
(30) Convention priority data:
(31) Number (32) Date (33) Country
29/435817 29 Oct 2012 UNITED STATES OF AMERICA
(56) Related Art Documents: **Not Applicable**
(57) Statement of Newness and Distinctiveness: **Newness and distinctiveness is claimed in the shape and configuration of the snack food product shown in solid lines in the attached representations. The dashed lines are to indicate indefinite shape or length of a midsection and form no part of the monopoly claimed. Similarly, the surface shading forms no part of the design.**



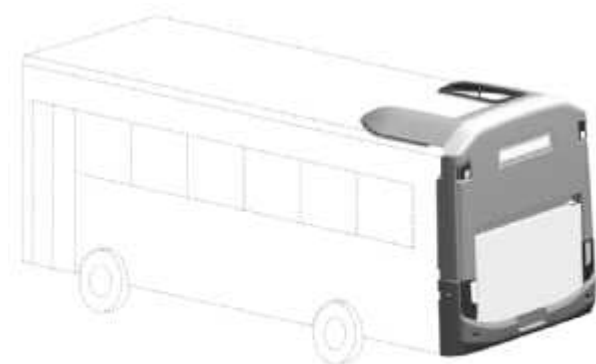
(21) Design Number: **11929/2013**
(22) Date of Filing Application: **24 April 2013**
(24) Date from which industrial property rights may have effect: **24 April 2013**
(54) Product in respect of which the design is registered: **A snack food product**
(51) International Design Classification: **01-01**
(74) Name(s) of Attorney(s): **Allens Patent & Trade Mark Attorneys**
(71) Name(s) and Address(s) of Applicant(s):
Frito-Lay North America, Inc.
7701 Legacy Drive Plano Texas 75024-4099 United States of America
(72) Name(s) of Designer(s): **James Coomes and Brian Peter Jacoby and Jorge C. Morales-Alvarez**
(45) Registration Date: **21 May 2013**
(30) Convention priority data:
(31) Number (32) Date (33) Country
29/435817 29 Oct 2012 UNITED STATES OF AMERICA
(56) Related Art Documents: **Not Applicable**
(57) Statement of Newness and Distinctiveness: **Newness and distinctiveness is claimed in the shape and configuration of the snack food product shown in solid lines in the attached representations. The dashed lines are to indicate indefinite shape or length of a midsection and form no part of the monopoly claimed. Similarly the shading is merely for clarity and forms no part of the design.**



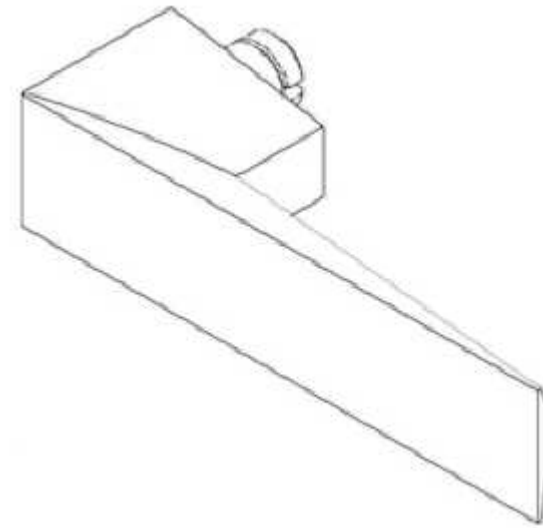
- (21) Design Number: **11931/2013**
(22) Date of Filing Application: **24 April 2013**
(24) Date from which industrial property rights may have effect: **24 April 2013**
(54) Product in respect of which the design is registered: **Bus**
(51) International Design Classification: **12-08**
(74) Name(s) of Attorney(s): **Davies Collison Cave**
(71) Name(s) and Address(s) of Applicant(s):
Volgren Australia Pty Ltd
221-243 Hammond Rd Dandenong VIC 3175 Australia
(72) Name(s) of Designer(s): **Michael Kearney and Ron Lumsden and Dominic Lamanna and Robbie Napper and Peter Elliot and Ilya Fridman and Matthew Glenn and Cameron Glover and Jesse de Wald and Nicholas Carnie and Jessica Cassar and Kieran John and Jack Martinich**
(45) Registration Date: **21 May 2013**
(56) Related Art Documents: **Not Applicable**
(57) Statement of Newness and Distinctiveness: **The shape and configuration of those parts of the design shown by means other than dashed lines are new and distinctive.**



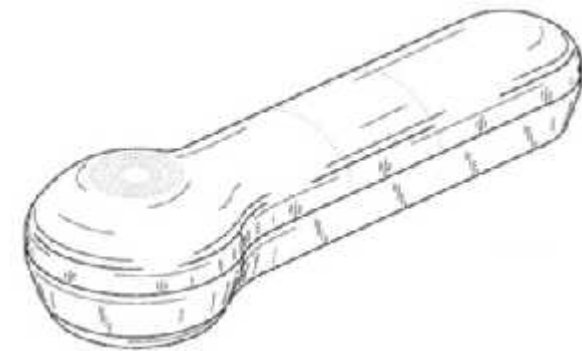
- (21) Design Number: **11932/2013**
(22) Date of Filing Application: **24 April 2013**
(24) Date from which industrial property rights may have effect: **24 April 2013**
(54) Product in respect of which the design is registered: **Bus**
(51) International Design Classification: **12-08**
(74) Name(s) of Attorney(s): **Davies Collison Cave**
(71) Name(s) and Address(s) of Applicant(s):
Volgren Australia Pty Ltd
221-243 Hammond Rd Dandenong VIC 3175 Australia
(72) Name(s) of Designer(s): **Michael Kearney and Ron Lumsden and Dominic Lamanna and Robbie Napper and Peter Elliot and Ilya Fridman and Matthew Glenn and Cameron Glover and Jesse de Wald and Nicholas Carnie and Jessica Cassar and Kieran John and Jack Martinich**
(45) Registration Date: **21 May 2013**
(56) Related Art Documents: **Not Applicable**
(57) Statement of Newness and Distinctiveness: **The shape and configuration of those parts of the design shown by means other than dashed lines are new and distinctive.**



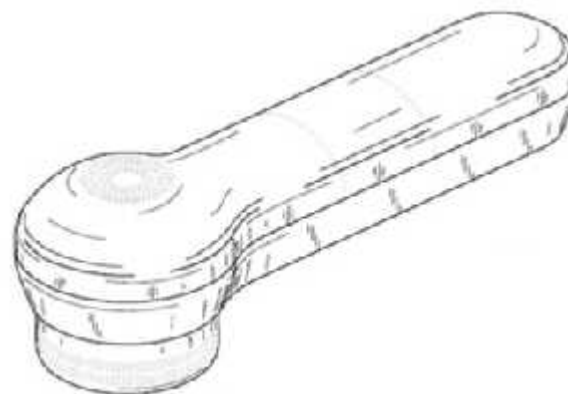
- (21) Design Number: **11512/2013**
(22) Date of Filing Application: **26 March 2013**
(24) Date from which industrial property rights may have effect: **26 March 2013**
(54) Product in respect of which the design is registered: **A multifaceted door lever**
(51) International Design Classification: **08-06**
(74) Name(s) of Attorney(s): **FB Rice**
(71) Name(s) and Address(s) of Applicant(s):
Designer Doorware Pty Ltd
14 Adams Ct Sunshine VIC 3020 Australia
(72) Name(s) of Designer(s): **Joseph Di Benedetto and Daniel McDermott**
(45) Registration Date: **21 May 2013**
(56) Related Art Documents: **Not Applicable**
(57) Statement of Newness and Distinctiveness: **Newness and distinctiveness reside in the shape and configuration of the multifaceted door lever. In considering newness and distinctiveness, the features shown in broken lines should be disregarded.**



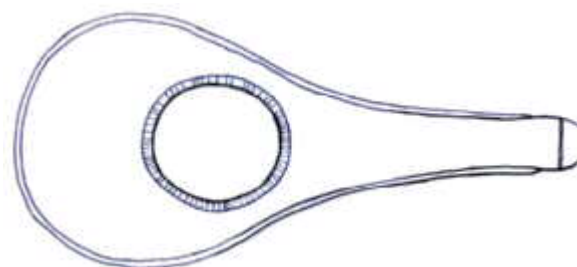
- (21) Design Number: **11513/2013**
(22) Date of Filing Application: **26 March 2013**
(24) Date from which industrial property rights may have effect: **26 March 2013**
(54) Product in respect of which the design is registered: **Microneedle applicator**
(51) International Design Classification: **24-02**
(74) Name(s) of Attorney(s): **Davies Collison Cave**
(71) Name(s) and Address(s) of Applicant(s):
3M Innovative Properties Company
3M Center Saint Paul Minnesota 55133-3427 United States of America
(72) Name(s) of Designer(s): **Scott A. Burton and Richard R. Mathias and Elizabeth A. Marshall and Chin-Yee Ng**
(45) Registration Date: **21 May 2013**
(30) Convention priority data:
(31) Number (32) Date (33) Country
29/435645 26 Oct 2012 UNITED STATES OF AMERICA
(56) Related Art Documents: **Not Applicable**
(57) Statement of Newness and Distinctiveness: **Newness and distinctiveness is claimed in the visual features shown in solid lines in the representations. In considering the extent of the design rights, the broken lines shown in the representations are for illustrative purposes only and do not form part of the design.**



(21) Design Number: **11514/2013**
(22) Date of Filing Application: **26 March 2013**
(24) Date from which industrial property rights may have effect: **26 March 2013**
(54) Product in respect of which the design is registered: **Microneedle applicator**
(51) International Design Classification: **24-02**
(74) Name(s) of Attorney(s): **Davies Collison Cave**
(71) Name(s) and Address(s) of Applicant(s):
3M Innovative Properties Company
3M Center Saint Paul Minnesota 55133-3427 United States of America
(72) Name(s) of Designer(s): **Scott A. Burton and Richard R. Mathias and Elizabeth A. Marshall and Chin-Yee Ng**
(45) Registration Date: **21 May 2013**
(30) Convention priority data:
(31) Number (32) Date (33) Country
29/435644 26 Oct 2012 UNITED STATES OF AMERICA
(56) Related Art Documents: **Not Applicable**
(57) Statement of Newness and Distinctiveness: **Newness and distinctiveness is claimed in the visual features shown in solid lines in the representations. In considering the extent of the design rights, the broken lines shown in the representations are for illustrative purposes only and do not form part of the design.**



(21) Design Number: **11657/2013**
(22) Date of Filing Application: **08 April 2013**
(24) Date from which industrial property rights may have effect: **08 April 2013**
(54) Product in respect of which the design is registered: **Baby garment**
(51) International Design Classification: **02-99**
(74) Name(s) of Attorney(s): **HODGKINSON McINNES PATENTS**
(71) Name(s) and Address(s) of Applicant(s):
Shae Louise Tye
6 Lothian St Winston Hills NSW 2153 Australia
(72) Name(s) of Designer(s): **Shae Louise Tye**
(45) Registration Date: **21 May 2013**
(56) Related Art Documents: **Not Applicable**
(57) Statement of Newness and Distinctiveness: **Newness and Distinctiveness is claimed in the shape and configuration of a baby garment as shown in the attached representations. In some of the figures, the baby garment is shown "in situ" as worn by a baby, which is shown in ghost lines and does not form part of the design.**



(21) Design Number: **11889/2013**

(22) Date of Filing Application: **23 April 2013**

(24) Date from which industrial property rights may have effect: **23 April 2013**

(54) Product in respect of which the design is registered: **Luminaire for road lighting**

(51) International Design Classification: **26-03**

(74) Name(s) of Attorney(s): **FB Rice**

(71) Name(s) and Address(s) of Applicant(s):

**Koninklijke Philips Electronics N.V.
High Tech Campus 5 Eindhoven 5656 AE The Netherlands**

(72) Name(s) of Designer(s): **Leo Yu Hang Liu**

(45) Registration Date: **21 May 2013**

(30) Convention priority data:

(31) Number (32) Date
002123430-0003 23 Oct 2012

(33) Country
**OFFICE FOR HARMONISATION IN
THE INTERNAL MARKET (OHIM)**

(56) Related Art Documents: **Not Applicable**

(57) Statement of Newness and Distinctiveness: **Newness and distinctiveness reside in the features of shape and configuration of the design as shown in the representations.**



(21) Design Number: **11890/2013**

(22) Date of Filing Application: **23 April 2013**

(24) Date from which industrial property rights may have effect: **23 April 2013**

(54) Product in respect of which the design is registered: **Luminaire for road lighting**

(51) International Design Classification: **26-03**

(74) Name(s) of Attorney(s): **FB Rice**

(71) Name(s) and Address(s) of Applicant(s):

**Koninklijke Philips Electronics N.V.
High Tech Campus 5 Eindhoven 5656 AE The Netherlands**

(72) Name(s) of Designer(s): **Leo Yu Hang Liu**

(45) Registration Date: **21 May 2013**

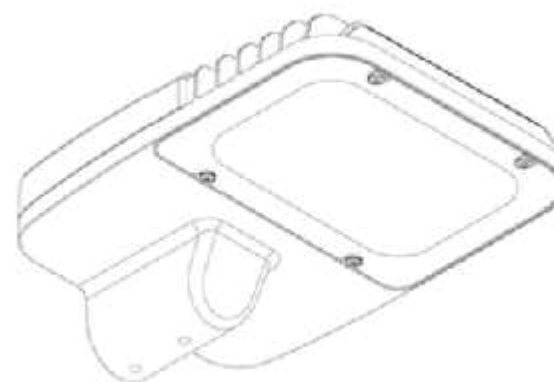
(30) Convention priority data:

(31) Number (32) Date
002123430-0001 23 Oct 2012

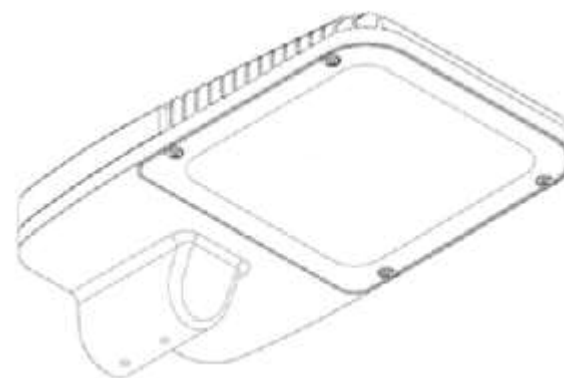
(33) Country
**OFFICE FOR HARMONISATION IN
THE INTERNAL MARKET (OHIM)**

(56) Related Art Documents: **Not Applicable**

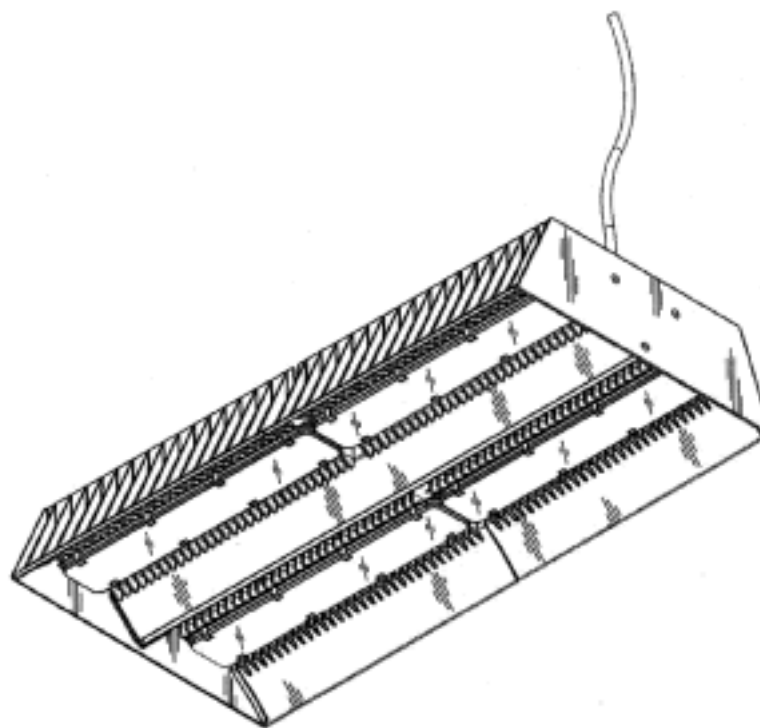
(57) Statement of Newness and Distinctiveness: **Newness and distinctiveness reside in the features of shape and configuration of the design as shown in the representations.**



(21) Design Number: **11891/2013**
(22) Date of Filing Application: **23 April 2013**
(24) Date from which industrial property rights may have effect: **23 April 2013**
(54) Product in respect of which the design is registered: **Luminaire for road lighting**
(51) International Design Classification: **26-03**
(74) Name(s) of Attorney(s): **FB Rice**
(71) Name(s) and Address(s) of Applicant(s):
Koninklijke Philips Electronics N.V.
High Tech Campus 5 Eindhoven 5656 AE The Netherlands
(72) Name(s) of Designer(s): **Leo Yu Hang Liu**
(45) Registration Date: **21 May 2013**
(30) Convention priority data:
(31) Number (32) Date (33) Country
002123430-0002 23 Oct 2012 OFFICE FOR HARMONISATION IN THE INTERNAL MARKET (OHIM)
(56) Related Art Documents: **Not Applicable**
(57) Statement of Newness and Distinctiveness: **Newness and distinctiveness reside in the features of shape and configuration of the design as shown in the representations.**



(21) Design Number: **11893/2013**
(22) Date of Filing Application: **23 April 2013**
(24) Date from which industrial property rights may have effect: **23 April 2013**
(54) Product in respect of which the design is registered: **Luminaire**
(51) International Design Classification: **26-04, 26-03, 26-05D**
(74) Name(s) of Attorney(s): **SPRUSON & FERGUSON**
(71) Name(s) and Address(s) of Applicant(s):
Zumtobel Lighting GmbH
Schweizer Strass 30 Dornbirn 6850 Austria
(72) Name(s) of Designer(s): **Stephen Philips**
(45) Registration Date: **21 May 2013**
(30) Convention priority data:
(31) Number (32) Date (33) Country
001348585-0002 24 Oct 2012 OFFICE FOR HARMONISATION IN THE INTERNAL MARKET (OHIM)
(56) Related Art Documents: **Not Applicable**
(57) Statement of Newness and Distinctiveness: **Newness and distinctiveness is claimed in the features of shape and/or configuration of a luminaire as illustrated in the accompanying representations.**



(21) Design Number: **11926/2013**

(22) Date of Filing Application: **24 April 2013**

(24) Date from which industrial property rights may have effect: **24 April 2013**

(54) Product in respect of which the design is registered: **Fragrance evaporator**

(51) International Design Classification: **28-99**

(74) Name(s) of Attorney(s): **SPRUSON & FERGUSON**

(71) Name(s) and Address(s) of Applicant(s):

Henkel AG & Co. KGaA
Henkelstrasse 67 40589 Dusseldorf Germany

(72) Name(s) of Designer(s): **Kim Do Keun**

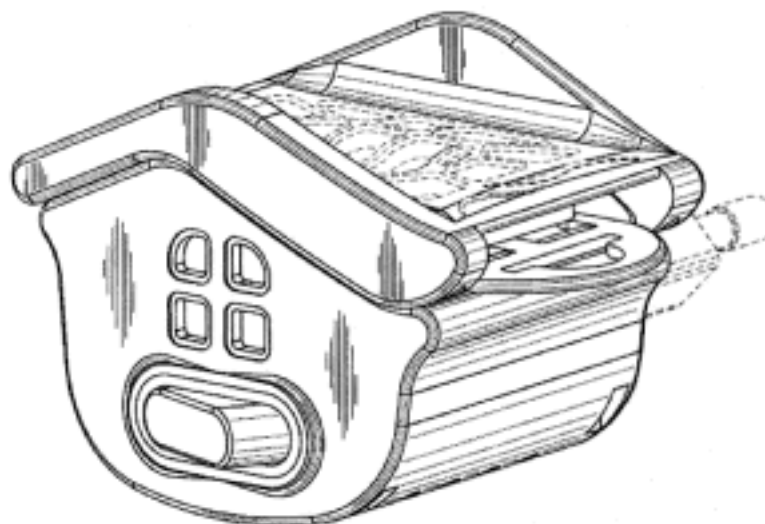
(45) Registration Date: **21 May 2013**

(30) Convention priority data:

(31) Number	(32) Date	(33) Country
EU002139519	21 Nov 2012	OFFICE FOR HARMONISATION IN THE INTERNAL MARKET (OHIM)

(56) Related Art Documents: **Not Applicable**

(57) Statement of Newness and Distinctiveness: **Newness and distinctiveness is claimed in those features of shape and/or configuration of a fragrance evaporator illustrated in continuous lines in the accompanying representations.**



(21) Design Number: **11927/2013**

(22) Date of Filing Application: **24 April 2013**

(24) Date from which industrial property rights may have effect: **24 April 2013**

(54) Product in respect of which the design is registered: **Fragrance evaporator**

(51) International Design Classification: **28-99**

(74) Name(s) of Attorney(s): **SPRUSON & FERGUSON**

(71) Name(s) and Address(s) of Applicant(s):

Henkel AG & Co. KGaA
Henkelstrasse 67 40589 Dusseldorf Germany

(72) Name(s) of Designer(s): **Kim Do Keun**

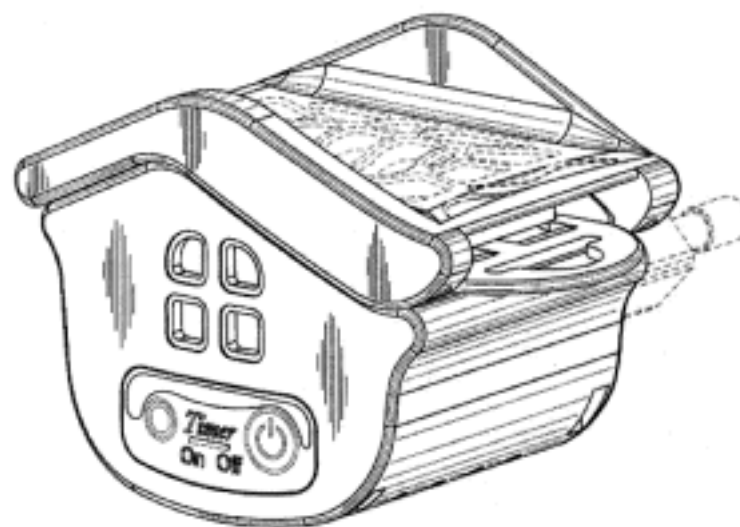
(45) Registration Date: **21 May 2013**

(30) Convention priority data:

(31) Number	(32) Date	(33) Country
EU002139519	21 Nov 2012	OFFICE FOR HARMONISATION IN THE INTERNAL MARKET (OHIM)

(56) Related Art Documents: **Not Applicable**

(57) Statement of Newness and Distinctiveness: **Newness and distinctiveness is claimed in those features of shape and/or configuration of a fragrance evaporator illustrated in continuous lines in the accompanying representations.**



- (21) Design Number: **11923/2013**
(22) Date of Filing Application: **24 April 2013**
(24) Date from which industrial property rights may have effect: **24 April 2013**
(54) Product in respect of which the design is registered: **A tyre**
(51) International Design Classification: **12-15A**
(74) Name(s) of Attorney(s):
(71) Name(s) and Address(s) of Applicant(s):
Shandong Linglong Tire Co., Ltd
No. 777 Jinlong Rd Zhaoyuan City Shandong 265400 China
(72) Name(s) of Designer(s): **Wang Feng**
(45) Registration Date: **22 May 2013**
(56) Related Art Documents: **Not Applicable**
(57) Statement of Newness and Distinctiveness: **The novelty of the design resides in the repeating tyre pattern shown in the representations.**



- (21) Design Number: **16865/2012**
(22) Date of Filing Application: **07 May 2013**
(24) Date from which industrial property rights may have effect: **17 September 2012**
(54) Product in respect of which the design is registered: **Article of clothing**
(51) International Design Classification: **02-02C**
(74) Name(s) of Attorney(s): **Allens Patent & Trade Mark Attorneys**
(71) Name(s) and Address(s) of Applicant(s):
Forever New Clothing Pty Ltd
714-716 High St Kew East VIC 3102 Australia
(72) Name(s) of Designer(s): **Gemma Henderson**
(45) Registration Date: **22 May 2013**
(62) Divisional of: **14610/2012**
(56) Related Art Documents: **Not Applicable**
(57) Statement of Newness and Distinctiveness: **Newness and distinctiveness resides in the visual features of shape, configuration, pattern and/or ornamentation of an article of clothing as shown in the accompanying representations.**



- (21) Design Number: **16866/2012**
(22) Date of Filing Application: **07 May 2013**
(24) Date from which industrial property rights may have effect: **17 September 2012**
(54) Product in respect of which the design is registered: **Article of clothing**
(51) International Design Classification: **02-02NES**
(74) Name(s) of Attorney(s): **Allens Patent & Trade Mark Attorneys**
(71) Name(s) and Address(s) of Applicant(s):
Forever New Clothing Pty Ltd
714-716 High St Kew East VIC 3102 Australia
(72) Name(s) of Designer(s): **Jennifer Hall**
(45) Registration Date: **22 May 2013**
(62) Divisional of: **14610/2012**
(56) Related Art Documents: **Not Applicable**
(57) Statement of Newness and Distinctiveness: **Newness and distinctiveness resides in the visual features of shape, configuration, pattern and/or ornamentation of an article of clothing as shown in the accompanying representations.**



- (21) Design Number: **16867/2012**
(22) Date of Filing Application: **07 May 2013**
(24) Date from which industrial property rights may have effect: **17 September 2012**
(54) Product in respect of which the design is registered: **Article of clothing**
(51) International Design Classification: **02-02NES**
(74) Name(s) of Attorney(s): **Allens Patent & Trade Mark Attorneys**
(71) Name(s) and Address(s) of Applicant(s):
Forever New Clothing Pty Ltd
714-716 High St Kew East VIC 3102 Australia
(72) Name(s) of Designer(s): **Rebecca Royce Jones**
(45) Registration Date: **22 May 2013**
(62) Divisional of: **14610/2012**
(56) Related Art Documents: **Not Applicable**
(57) Statement of Newness and Distinctiveness: **Newness and distinctiveness resides in the visual features of shape, configuration, pattern and/or ornamentation of an article of clothing as shown in the accompanying representations.**



- (21) Design Number: **16868/2012**
(22) Date of Filing Application: **07 May 2013**
(24) Date from which industrial property rights may have effect: **17 September 2012**
(54) Product in respect of which the design is registered: **Article of clothing**
(51) International Design Classification: **02-02C**
(74) Name(s) of Attorney(s): **Allens Patent & Trade Mark Attorneys**
(71) Name(s) and Address(s) of Applicant(s):
Forever New Clothing Pty Ltd
714-716 High St Kew East VIC 3102 Australia
(72) Name(s) of Designer(s): **Laura Mitchell**
(45) Registration Date: **22 May 2013**
(62) Divisional of: **14610/2012**
(56) Related Art Documents: **Not Applicable**
(57) Statement of Newness and Distinctiveness: **Newness and distinctiveness resides in the visual features of shape, configuration, pattern and/or ornamentation of an article of clothing as shown in the accompanying representations.**



- (21) Design Number: **16869/2012**
(22) Date of Filing Application: **07 May 2013**
(24) Date from which industrial property rights may have effect: **17 September 2012**
(54) Product in respect of which the design is registered: **Article of clothing**
(51) International Design Classification: **02-02C**
(74) Name(s) of Attorney(s): **Allens Patent & Trade Mark Attorneys**
(71) Name(s) and Address(s) of Applicant(s):
Forever New Clothing Pty Ltd
714-716 High St Kew East VIC 3102 Australia
(72) Name(s) of Designer(s): **Laura Mitchell**
(45) Registration Date: **22 May 2013**
(62) Divisional of: **14610/2012**
(56) Related Art Documents: **Not Applicable**
(57) Statement of Newness and Distinctiveness: **Newness and distinctiveness resides in the visual features of shape, configuration, pattern and/or ornamentation of an article of clothing as shown in the accompanying representations.**



- (21) Design Number: **16870/2012**
(22) Date of Filing Application: **07 May 2013**
(24) Date from which industrial property rights may have effect: **17 September 2012**
(54) Product in respect of which the design is registered: **Article of clothing**
(51) International Design Classification: **02-02NES**
(74) Name(s) of Attorney(s): **Allens Patent & Trade Mark Attorneys**
(71) Name(s) and Address(s) of Applicant(s):
Forever New Clothing Pty Ltd
714-716 High St Kew East VIC 3102 Australia
(72) Name(s) of Designer(s): **Gemma Henderson**
(45) Registration Date: **22 May 2013**
(62) Divisional of: **14610/2012**
(56) Related Art Documents: **Not Applicable**
(57) Statement of Newness and Distinctiveness: **Newness and distinctiveness resides in the visual features of shape, configuration, pattern and/or ornamentation of an article of clothing as shown in the accompanying representations.**



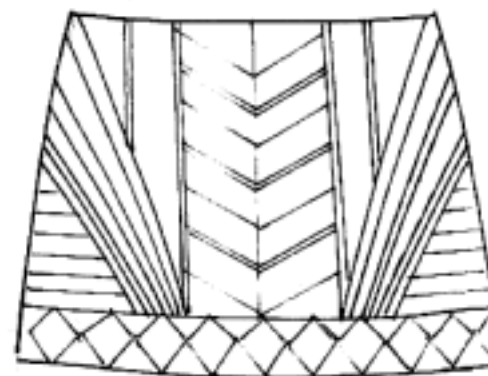
- (21) Design Number: **16871/2012**
(22) Date of Filing Application: **07 May 2013**
(24) Date from which industrial property rights may have effect: **17 September 2012**
(54) Product in respect of which the design is registered: **Article of clothing**
(51) International Design Classification: **02-02NES**
(74) Name(s) of Attorney(s): **Allens Patent & Trade Mark Attorneys**
(71) Name(s) and Address(s) of Applicant(s):
Forever New Clothing Pty Ltd
714-716 High St Kew East VIC 3102 Australia
(72) Name(s) of Designer(s): **Gemma Henderson**
(45) Registration Date: **22 May 2013**
(62) Divisional of: **14610/2012**
(56) Related Art Documents: **Not Applicable**
(57) Statement of Newness and Distinctiveness: **Newness and distinctiveness resides in the visual features of shape, configuration, pattern and/or ornamentation of an article of clothing as shown in the accompanying representations.**



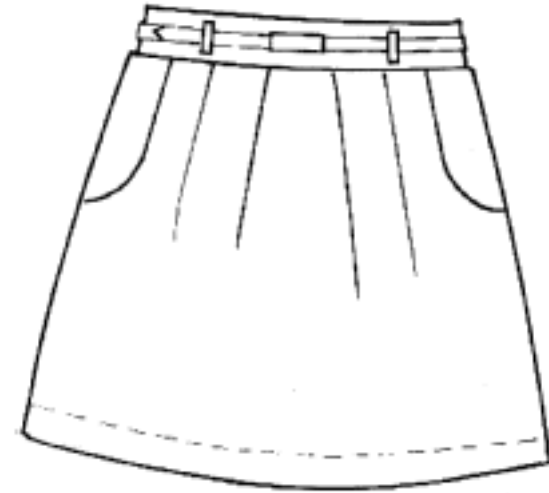
- (21) Design Number: **16872/2012**
(22) Date of Filing Application: **07 May 2013**
(24) Date from which industrial property rights may have effect: **17 September 2012**
(54) Product in respect of which the design is registered: **Article of clothing**
(51) International Design Classification: **02-02NES**
(74) Name(s) of Attorney(s): **Allens Patent & Trade Mark Attorneys**
(71) Name(s) and Address(s) of Applicant(s):
Forever New Clothing Pty Ltd
714-716 High St Kew East VIC 3102 Australia
(72) Name(s) of Designer(s): **Gemma Henderson**
(45) Registration Date: **22 May 2013**
(62) Divisional of: **14610/2012**
(56) Related Art Documents: **Not Applicable**
(57) Statement of Newness and Distinctiveness: **Newness and distinctiveness resides in the visual features of shape, configuration, pattern and/or ornamentation of an article of clothing as shown in the accompanying representations.**



- (21) Design Number: **16873/2012**
(22) Date of Filing Application: **07 May 2013**
(24) Date from which industrial property rights may have effect: **17 September 2012**
(54) Product in respect of which the design is registered: **Article of clothing**
(51) International Design Classification: **02-02C**
(74) Name(s) of Attorney(s): **Allens Patent & Trade Mark Attorneys**
(71) Name(s) and Address(s) of Applicant(s):
Forever New Clothing Pty Ltd
714-716 High St Kew East VIC 3102 Australia
(72) Name(s) of Designer(s): **Mary McCarthy**
(45) Registration Date: **22 May 2013**
(62) Divisional of: **14610/2012**
(56) Related Art Documents: **Not Applicable**
(57) Statement of Newness and Distinctiveness: **Newness and distinctiveness resides in the visual features of shape, configuration, pattern and/or ornamentation of an article of clothing as shown in the accompanying representations.**



- (21) Design Number: **16874/2012**
(22) Date of Filing Application: **07 May 2013**
(24) Date from which industrial property rights may have effect: **17 September 2012**
(54) Product in respect of which the design is registered: **Article of clothing**
(51) International Design Classification: **02-02C**
(74) Name(s) of Attorney(s): **Allens Patent & Trade Mark Attorneys**
(71) Name(s) and Address(s) of Applicant(s):
Forever New Clothing Pty Ltd
714-716 High St Kew East VIC 3102 Australia
(72) Name(s) of Designer(s): **Mary McCarthy**
(45) Registration Date: **22 May 2013**
(62) Divisional of: **14610/2012**
(56) Related Art Documents: **Not Applicable**
(57) Statement of Newness and Distinctiveness: **Newness and distinctiveness resides in the visual features of shape, configuration, pattern and/or ornamentation of an article of clothing as shown in the accompanying representations.**



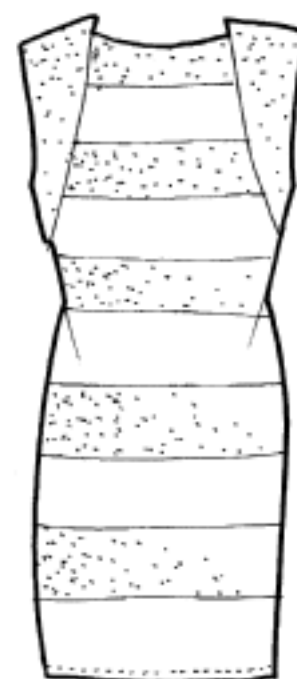
- (21) Design Number: **16875/2012**
(22) Date of Filing Application: **07 May 2013**
(24) Date from which industrial property rights may have effect: **17 September 2012**
(54) Product in respect of which the design is registered: **Article of clothing**
(51) International Design Classification: **02-02C**
(74) Name(s) of Attorney(s): **Allens Patent & Trade Mark Attorneys**
(71) Name(s) and Address(s) of Applicant(s):
Forever New Clothing Pty Ltd
714-716 High St Kew East VIC 3102 Australia
(72) Name(s) of Designer(s): **Octavia Miller**
(45) Registration Date: **22 May 2013**
(62) Divisional of: **14610/2012**
(56) Related Art Documents: **Not Applicable**
(57) Statement of Newness and Distinctiveness: **Newness and distinctiveness resides in the visual features of shape, configuration, pattern and/or ornamentation of an article of clothing as shown in the accompanying representations.**



- (21) Design Number: **16876/2012**
(22) Date of Filing Application: **07 May 2013**
(24) Date from which industrial property rights may have effect: **17 September 2012**
(54) Product in respect of which the design is registered: **Article of clothing**
(51) International Design Classification: **02-02C**
(74) Name(s) of Attorney(s): **Allens Patent & Trade Mark Attorneys**
(71) Name(s) and Address(s) of Applicant(s):
Forever New Clothing Pty Ltd
714-716 High St Kew East VIC 3102 Australia
(72) Name(s) of Designer(s): **Octavia Miller**
(45) Registration Date: **22 May 2013**
(62) Divisional of: **14610/2012**
(56) Related Art Documents: **Not Applicable**
(57) Statement of Newness and Distinctiveness: **Newness and distinctiveness resides in the visual features of shape, configuration, pattern and/or ornamentation of an article of clothing as shown in the accompanying representations.**



- (21) Design Number: **16877/2012**
(22) Date of Filing Application: **07 May 2013**
(24) Date from which industrial property rights may have effect: **17 September 2012**
(54) Product in respect of which the design is registered: **Article of clothing**
(51) International Design Classification: **02-02C**
(74) Name(s) of Attorney(s): **Allens Patent & Trade Mark Attorneys**
(71) Name(s) and Address(s) of Applicant(s):
Forever New Clothing Pty Ltd
714-716 High St Kew East VIC 3102 Australia
(72) Name(s) of Designer(s): **Octavia Miller**
(45) Registration Date: **22 May 2013**
(62) Divisional of: **14610/2012**
(56) Related Art Documents: **Not Applicable**
(57) Statement of Newness and Distinctiveness: **Newness and distinctiveness resides in the visual features of shape, configuration, pattern and/or ornamentation of an article of clothing as shown in the accompanying representations.**



- (21) Design Number: **16878/2012**
(22) Date of Filing Application: **07 May 2013**
(24) Date from which industrial property rights may have effect: **17 September 2012**
(54) Product in respect of which the design is registered: **Article of clothing**
(51) International Design Classification: **02-02C**
(74) Name(s) of Attorney(s): **Allens Patent & Trade Mark Attorneys**
(71) Name(s) and Address(s) of Applicant(s):
Forever New Clothing Pty Ltd
714-716 High St Kew East VIC 3102 Australia
(72) Name(s) of Designer(s): **Octavia Miller**
(45) Registration Date: **22 May 2013**
(62) Divisional of: **14610/2012**
(56) Related Art Documents: **Not Applicable**
(57) Statement of Newness and Distinctiveness: **Newness and distinctiveness resides in the visual features of shape, configuration, pattern and/or ornamentation of an article of clothing as shown in the accompanying representations.**



- (21) Design Number: **16879/2012**
(22) Date of Filing Application: **07 May 2013**
(24) Date from which industrial property rights may have effect: **17 September 2012**
(54) Product in respect of which the design is registered: **Article of clothing**
(51) International Design Classification: **02-02C**
(74) Name(s) of Attorney(s): **Allens Patent & Trade Mark Attorneys**
(71) Name(s) and Address(s) of Applicant(s):
Forever New Clothing Pty Ltd
714-716 High St Kew East VIC 3102 Australia
(72) Name(s) of Designer(s): **Tristan Melle**
(45) Registration Date: **22 May 2013**
(62) Divisional of: **14610/2012**
(56) Related Art Documents: **Not Applicable**
(57) Statement of Newness and Distinctiveness: **Newness and distinctiveness resides in the visual features of shape, configuration, pattern and/or ornamentation of an article of clothing as shown in the accompanying representations.**



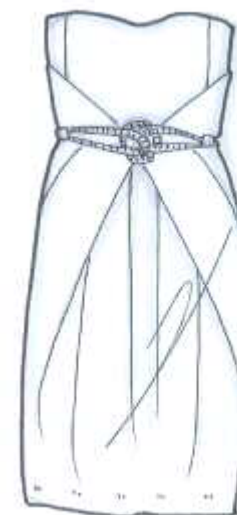
- (21) Design Number: **16880/2012**
(22) Date of Filing Application: **07 May 2013**
(24) Date from which industrial property rights may have effect: **17 September 2012**
(54) Product in respect of which the design is registered: **Article of clothing**
(51) International Design Classification: **02-02C**
(74) Name(s) of Attorney(s): **Allens Patent & Trade Mark Attorneys**
(71) Name(s) and Address(s) of Applicant(s):
Forever New Clothing Pty Ltd
714-716 High St Kew East VIC 3102 Australia
(72) Name(s) of Designer(s): **Tristan Melle**
(45) Registration Date: **22 May 2013**
(62) Divisional of: **14610/2012**
(56) Related Art Documents: **Not Applicable**
(57) Statement of Newness and Distinctiveness: **Newness and distinctiveness resides in the visual features of shape, configuration, pattern and/or ornamentation of an article of clothing as shown in the accompanying representations.**



- (21) Design Number: **16881/2012**
(22) Date of Filing Application: **07 May 2013**
(24) Date from which industrial property rights may have effect: **17 September 2012**
(54) Product in respect of which the design is registered: **Article of clothing**
(51) International Design Classification: **02-02C**
(74) Name(s) of Attorney(s): **Allens Patent & Trade Mark Attorneys**
(71) Name(s) and Address(s) of Applicant(s):
Forever New Clothing Pty Ltd
714-716 High St Kew East VIC 3102 Australia
(72) Name(s) of Designer(s): **Tristan Melle**
(45) Registration Date: **22 May 2013**
(62) Divisional of: **14610/2012**
(56) Related Art Documents: **Not Applicable**
(57) Statement of Newness and Distinctiveness: **Newness and distinctiveness resides in the visual features of shape, configuration, pattern and/or ornamentation of an article of clothing as shown in the accompanying representations.**



- (21) Design Number: **16882/2012**
(22) Date of Filing Application: **07 May 2013**
(24) Date from which industrial property rights may have effect: **17 September 2012**
(54) Product in respect of which the design is registered: **Article of clothing**
(51) International Design Classification: **02-02C**
(74) Name(s) of Attorney(s): **Allens Patent & Trade Mark Attorneys**
(71) Name(s) and Address(s) of Applicant(s):
Forever New Clothing Pty Ltd
714-716 High St Kew East VIC 3102 Australia
(72) Name(s) of Designer(s): **Tristan Melle**
(45) Registration Date: **22 May 2013**
(62) Divisional of: **14610/2012**
(56) Related Art Documents: **Not Applicable**
(57) Statement of Newness and Distinctiveness: **Newness and distinctiveness resides in the visual features of shape, configuration, pattern and/or ornamentation of an article of clothing as shown in the accompanying representations.**



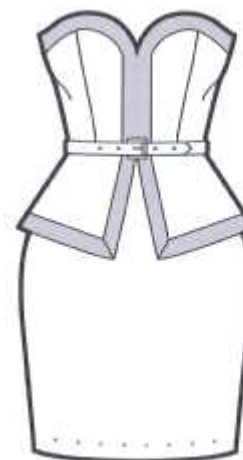
- (21) Design Number: **16883/2012**
(22) Date of Filing Application: **07 May 2013**
(24) Date from which industrial property rights may have effect: **17 September 2012**
(54) Product in respect of which the design is registered: **Article of clothing**
(51) International Design Classification: **02-02C**
(74) Name(s) of Attorney(s): **Allens Patent & Trade Mark Attorneys**
(71) Name(s) and Address(s) of Applicant(s):
Forever New Clothing Pty Ltd
714-716 High St Kew East VIC 3102 Australia
(72) Name(s) of Designer(s): **Tristan Melle**
(45) Registration Date: **22 May 2013**
(62) Divisional of: **14610/2012**
(56) Related Art Documents: **Not Applicable**
(57) Statement of Newness and Distinctiveness: **Newness and distinctiveness resides in the visual features of shape, configuration, pattern and/or ornamentation of an article of clothing as shown in the accompanying representations.**



- (21) Design Number: **16884/2012**
(22) Date of Filing Application: **07 May 2013**
(24) Date from which industrial property rights may have effect: **17 September 2012**
(54) Product in respect of which the design is registered: **Article of clothing**
(51) International Design Classification: **02-02C**
(74) Name(s) of Attorney(s): **Allens Patent & Trade Mark Attorneys**
(71) Name(s) and Address(s) of Applicant(s):
Forever New Clothing Pty Ltd
714-716 High St Kew East VIC 3102 Australia
(72) Name(s) of Designer(s): **Tristan Melle**
(45) Registration Date: **22 May 2013**
(62) Divisional of: **14610/2012**
(56) Related Art Documents: **Not Applicable**
(57) Statement of Newness and Distinctiveness: **Newness and distinctiveness resides in the visual features of shape, configuration, pattern and/or ornamentation of an article of clothing as shown in the accompanying representations.**



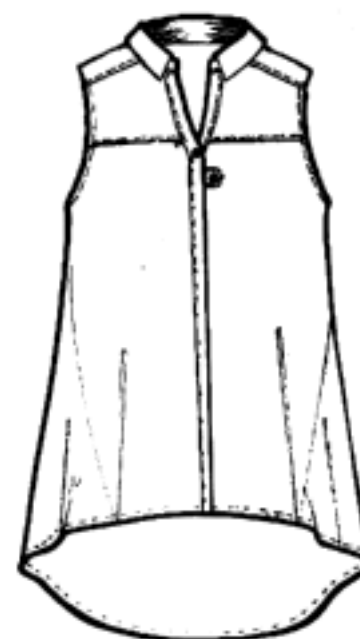
- (21) Design Number: **16885/2012**
(22) Date of Filing Application: **07 May 2013**
(24) Date from which industrial property rights may have effect: **17 September 2012**
(54) Product in respect of which the design is registered: **Article of clothing**
(51) International Design Classification: **02-02C**
(74) Name(s) of Attorney(s): **Allens Patent & Trade Mark Attorneys**
(71) Name(s) and Address(s) of Applicant(s):
Forever New Clothing Pty Ltd
714-716 High St Kew East VIC 3102 Australia
(72) Name(s) of Designer(s): **Laura Mitchell**
(45) Registration Date: **22 May 2013**
(62) Divisional of: **14610/2012**
(56) Related Art Documents: **Not Applicable**
(57) Statement of Newness and Distinctiveness: **Newness and distinctiveness resides in the visual features of shape, configuration, pattern and/or ornamentation of an article of clothing as shown in the accompanying representations.**



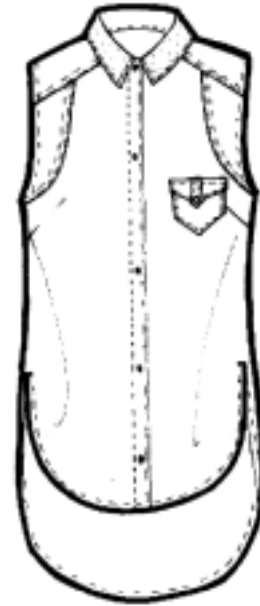
- (21) Design Number: **16899/2012**
(22) Date of Filing Application: **07 May 2013**
(24) Date from which industrial property rights may have effect: **17 September 2012**
(54) Product in respect of which the design is registered: **Article of clothing**
(51) International Design Classification: **02-02NES**
(74) Name(s) of Attorney(s): **Allens Patent & Trade Mark Attorneys**
(71) Name(s) and Address(s) of Applicant(s):
Forever New Clothing Pty Ltd
714-716 High St Kew East VIC 3102 Australia
(72) Name(s) of Designer(s): **Gemma Henderson**
(45) Registration Date: **22 May 2013**
(62) Divisional of: **14610/2012**
(56) Related Art Documents: **Not Applicable**
(57) Statement of Newness and Distinctiveness: **Newness and distinctiveness resides in the visual features of shape, configuration, pattern and/or ornamentation of an article of clothing as shown in the accompanying representations.**



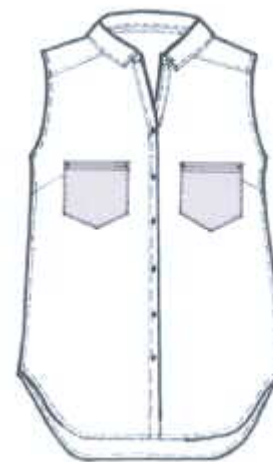
- (21) Design Number: **16900/2012**
(22) Date of Filing Application: **07 May 2013**
(24) Date from which industrial property rights may have effect: **17 September 2012**
(54) Product in respect of which the design is registered: **Article of clothing**
(51) International Design Classification: **02-02NES**
(74) Name(s) of Attorney(s): **Allens Patent & Trade Mark Attorneys**
(71) Name(s) and Address(s) of Applicant(s):
Forever New Clothing Pty Ltd
714-716 High St Kew East VIC 3102 Australia
(72) Name(s) of Designer(s): **Gemma Henderson**
(45) Registration Date: **22 May 2013**
(62) Divisional of: **14610/2012**
(56) Related Art Documents: **Not Applicable**
(57) Statement of Newness and Distinctiveness: **Newness and distinctiveness resides in the visual features of shape, configuration, pattern and/or ornamentation of an article of clothing as shown in the accompanying representations.**



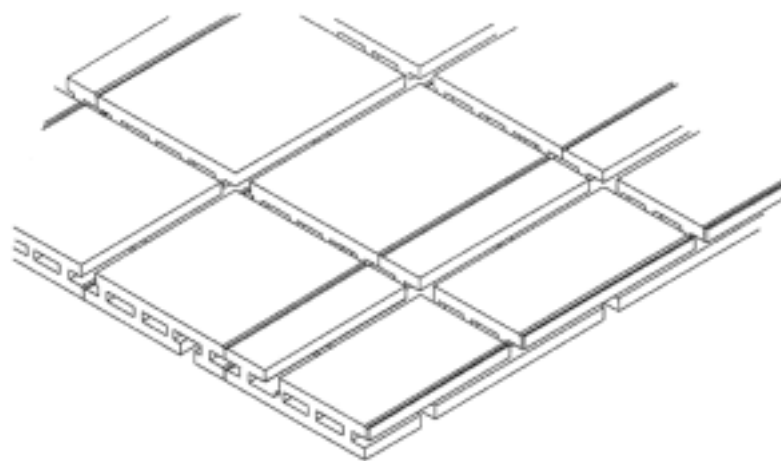
- (21) Design Number: **16901/2012**
(22) Date of Filing Application: **07 May 2013**
(24) Date from which industrial property rights may have effect: **17 September 2012**
(54) Product in respect of which the design is registered: **Article of clothing**
(51) International Design Classification: **02-02NES**
(74) Name(s) of Attorney(s): **Allens Patent & Trade Mark Attorneys**
(71) Name(s) and Address(s) of Applicant(s):
Forever New Clothing Pty Ltd
714-716 High St Kew East VIC 3102 Australia
(72) Name(s) of Designer(s): **Anna Pham**
(45) Registration Date: **22 May 2013**
(62) Divisional of: **14610/2012**
(56) Related Art Documents: **Not Applicable**
(57) Statement of Newness and Distinctiveness: **Newness and distinctiveness resides in the visual features of shape, configuration, pattern and/or ornamentation of an article of clothing as shown in the accompanying representations.**



- (21) Design Number: **16902/2012**
(22) Date of Filing Application: **07 May 2013**
(24) Date from which industrial property rights may have effect: **17 September 2012**
(54) Product in respect of which the design is registered: **Article of clothing**
(51) International Design Classification: **02-02NES**
(74) Name(s) of Attorney(s): **Allens Patent & Trade Mark Attorneys**
(71) Name(s) and Address(s) of Applicant(s):
Forever New Clothing Pty Ltd
714-716 High St Kew East VIC 3102 Australia
(72) Name(s) of Designer(s): **Anna Pham**
(45) Registration Date: **22 May 2013**
(62) Divisional of: **14610/2012**
(56) Related Art Documents: **Not Applicable**
(57) Statement of Newness and Distinctiveness: **Newness and distinctiveness resides in the visual features of shape, configuration, pattern and/or ornamentation of an article of clothing as shown in the accompanying representations.**



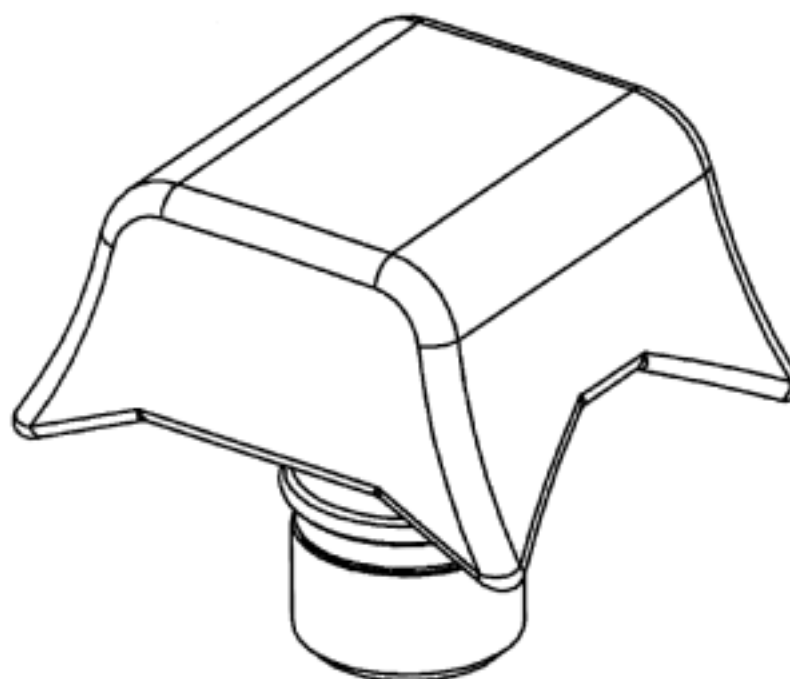
(21) Design Number: **10413/2013**
(22) Date of Filing Application: **29 January 2013**
(24) Date from which industrial property rights may have effect: **29 January 2013**
(54) Product in respect of which the design is registered: **Motion isolation insulator pad for reducing movement of an object such as mattress cushion**
(51) International Design Classification: **06-09**
(74) Name(s) of Attorney(s): **Griffith Hack**
(71) Name(s) and Address(s) of Applicant(s):
Nomaco, Inc
501 Nmc Dr Zebulon NC 27597-2762 United States of America
(72) Name(s) of Designer(s): **Julian Young and Ivan Sobran and Randal Henderson**
(45) Registration Date: **22 May 2013**
(30) Convention priority data:
(31) Number (32) Date (33) Country
29/428,120 26 Jul 2012 UNITED STATES OF AMERICA
(56) Related Art Documents: **Not Applicable**
(57) Statement of Newness and Distinctiveness: **Newness and distinctiveness resides in the visual features including shape, configuration and ornamentation of the PRODUCT as shown in the accompanying representations. Figures 1, 3 and 4 include dashed lines indicating that the PRODUCT may be of any length and width.**



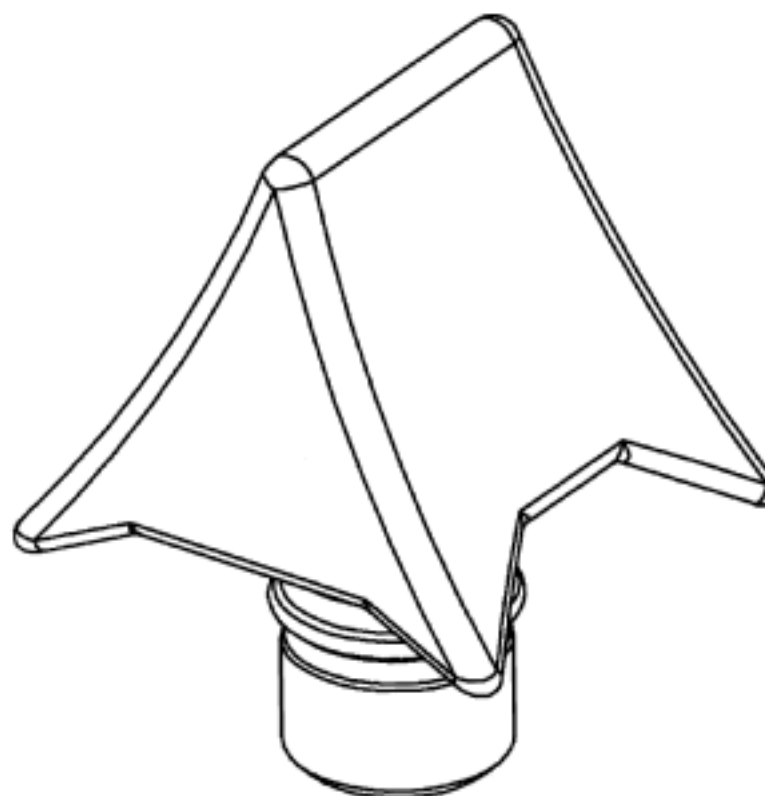
(21) Design Number: **11296/2013**
(22) Date of Filing Application: **15 March 2013**
(24) Date from which industrial property rights may have effect: **15 March 2013**
(54) Product in respect of which the design is registered: **An internal-combustion engine**
(51) International Design Classification: **15-01**
(74) Name(s) of Attorney(s): **SPRUSON & FERGUSON**
(71) Name(s) and Address(s) of Applicant(s):
Honda Motor Co., Ltd.
1-1 Minami-Aoyama 2-Chome Minato-ku Tokyo Japan
(72) Name(s) of Designer(s): **Masato Fujiwara**
(45) Registration Date: **22 May 2013**
(30) Convention priority data:
(31) Number (32) Date (33) Country
2012-023513 27 Sep 2012 JAPAN
(56) Related Art Documents: **Not Applicable**
(57) Statement of Newness and Distinctiveness: **Newness and distinctiveness is claimed in those features of the shape and/or configuration of an internal-combustion engine that are illustrated in grey shades in the accompanying representations.**



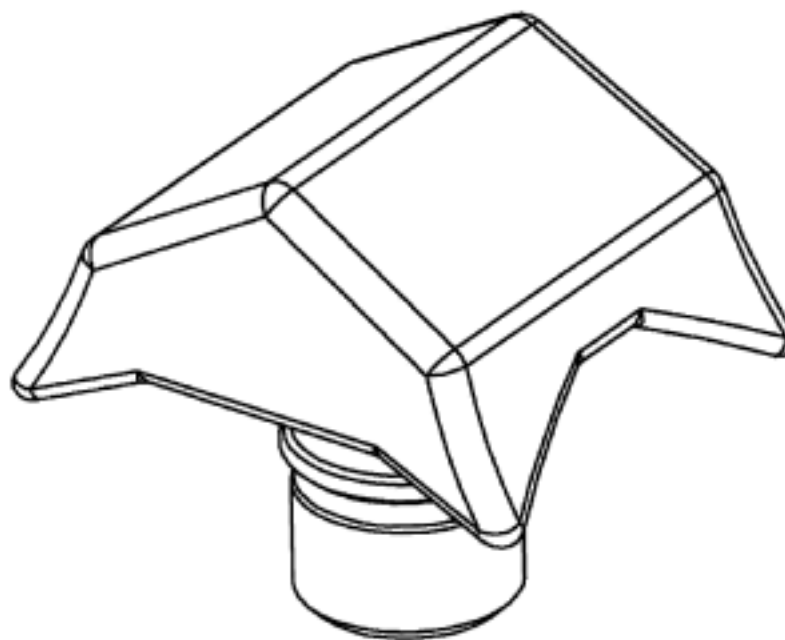
(21) Design Number: **11483/2013**
(22) Date of Filing Application: **22 March 2013**
(24) Date from which industrial property rights may have effect: **22 March 2013**
(54) Product in respect of which the design is registered: **Compactor tool**
(51) International Design Classification: **15-04, 15-99**
(74) Name(s) of Attorney(s): **Freehills Patent Attorneys**
(71) Name(s) and Address(s) of Applicant(s):
Hamm AG
Hammstr. 1 95633 Tirschenreuth Germany
(72) Name(s) of Designer(s): **Matthias Meier**
(45) Registration Date: **22 May 2013**
(30) Convention priority data:
(31) Number (32) Date (33) Country
**001352389-0001 23 Nov 2012 OFFICE FOR HARMONISATION IN
THE INTERNAL MARKET (OHIM)**
(56) Related Art Documents: **Not Applicable**
(57) Statement of Newness and Distinctiveness: **Newness and distinctiveness
of the design resides in the features of shape and configuration of the
compactor tool as shown in the accompanying representations.**



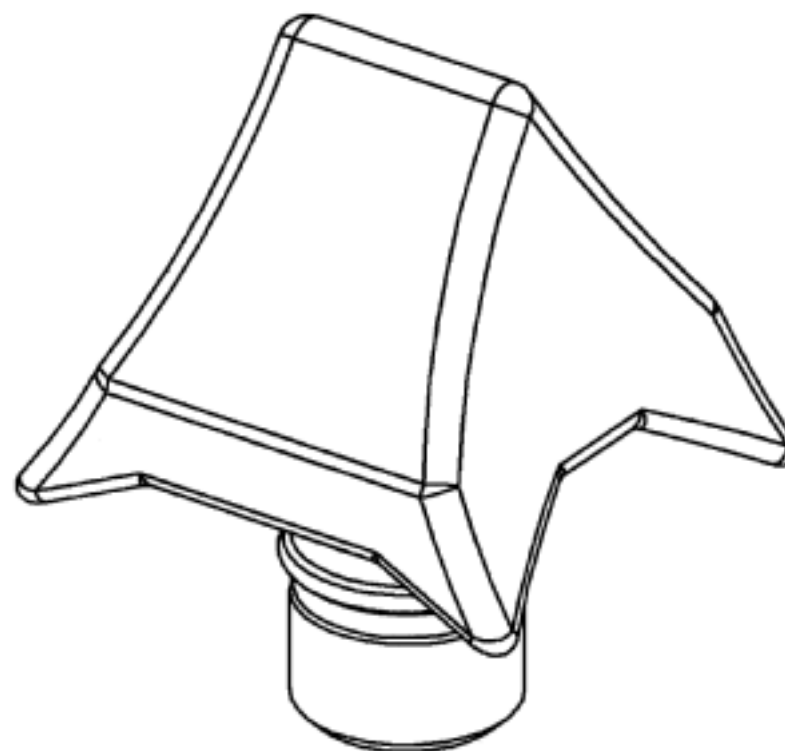
(21) Design Number: **11484/2013**
(22) Date of Filing Application: **22 March 2013**
(24) Date from which industrial property rights may have effect: **22 March 2013**
(54) Product in respect of which the design is registered: **Compactor tool**
(51) International Design Classification: **15-04, 15-99**
(74) Name(s) of Attorney(s): **Freehills Patent Attorneys**
(71) Name(s) and Address(s) of Applicant(s):
Hamm AG
Hammstr. 1 95633 Tirschenreuth Germany
(72) Name(s) of Designer(s): **Matthias Meier**
(45) Registration Date: **22 May 2013**
(30) Convention priority data:
(31) Number (32) Date (33) Country
**001352389-0002 23 Nov 2012 OFFICE FOR HARMONISATION IN
THE INTERNAL MARKET (OHIM)**
(56) Related Art Documents: **Not Applicable**
(57) Statement of Newness and Distinctiveness: **Newness and distinctiveness
of the design resides in the features of shape and configuration of the
compactor tool as shown in the accompanying representations.**



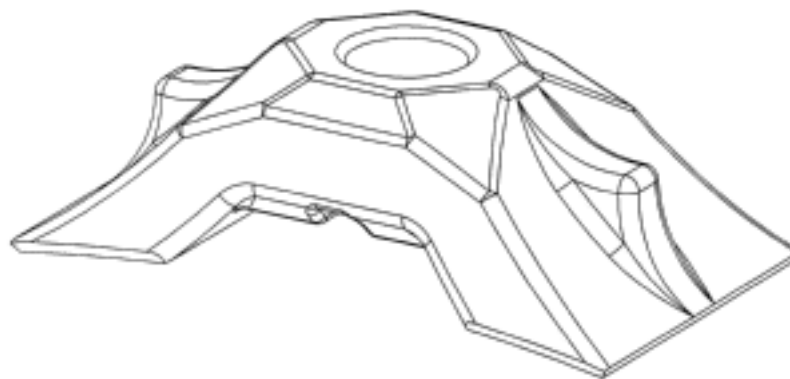
(21) Design Number: **11485/2013**
(22) Date of Filing Application: **22 March 2013**
(24) Date from which industrial property rights may have effect: **22 March 2013**
(54) Product in respect of which the design is registered: **Compactor tool**
(51) International Design Classification: **15-04, 15-99**
(74) Name(s) of Attorney(s): **Freehills Patent Attorneys**
(71) Name(s) and Address(s) of Applicant(s):
Hamm AG
Hammstr. 1 95633 Tirschenreuth Germany
(72) Name(s) of Designer(s): **Matthias Meier**
(45) Registration Date: **22 May 2013**
(30) Convention priority data:
(31) Number (32) Date (33) Country
**001352389-0003 23 Nov 2012 OFFICE FOR HARMONISATION IN
THE INTERNAL MARKET (OHIM)**
(56) Related Art Documents: **Not Applicable**
(57) Statement of Newness and Distinctiveness: **Newness and distinctiveness
of the design resides in the features of shape and configuration of the
compactor tool as shown in the accompanying representations.**



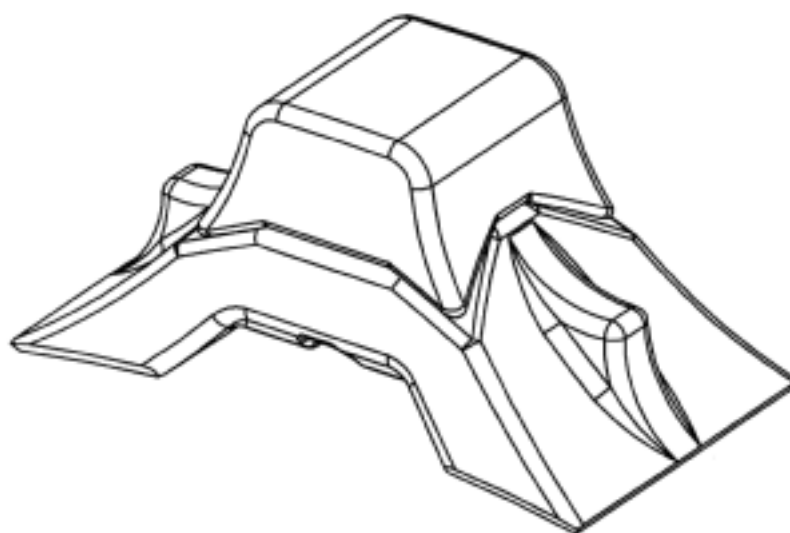
(21) Design Number: **11486/2013**
(22) Date of Filing Application: **22 March 2013**
(24) Date from which industrial property rights may have effect: **22 March 2013**
(54) Product in respect of which the design is registered: **Compactor tool**
(51) International Design Classification: **15-04, 15-99**
(74) Name(s) of Attorney(s): **Freehills Patent Attorneys**
(71) Name(s) and Address(s) of Applicant(s):
Hamm AG
Hammstr. 1 95633 Tirschenreuth Germany
(72) Name(s) of Designer(s): **Matthias Meier**
(45) Registration Date: **22 May 2013**
(30) Convention priority data:
(31) Number (32) Date (33) Country
**001352389-0004 23 Nov 2012 OFFICE FOR HARMONISATION IN
THE INTERNAL MARKET (OHIM)**
(56) Related Art Documents: **Not Applicable**
(57) Statement of Newness and Distinctiveness: **Newness and distinctiveness
of the design resides in the features of shape and configuration of the
compactor tool as shown in the accompanying representations.**



(21) Design Number: **11487/2013**
(22) Date of Filing Application: **22 March 2013**
(24) Date from which industrial property rights may have effect: **22 March 2013**
(54) Product in respect of which the design is registered: **Tool holder**
(51) International Design Classification: **15-04, 15-99**
(74) Name(s) of Attorney(s): **Freehills Patent Attorneys**
(71) Name(s) and Address(s) of Applicant(s):
Hamm AG
Hammstr. 1 95633 Tirschenreuth Germany
(72) Name(s) of Designer(s): **Matthias Meier**
(45) Registration Date: **22 May 2013**
(30) Convention priority data:
(31) Number (32) Date (33) Country
**001352389-0005 23 Nov 2012 OFFICE FOR HARMONISATION IN
THE INTERNAL MARKET (OHIM)**
(56) Related Art Documents: **Not Applicable**
(57) Statement of Newness and Distinctiveness: **Newness and distinctiveness
of the design resides in the features of shape and configuration of the
tool holder as shown in the accompanying representations.**



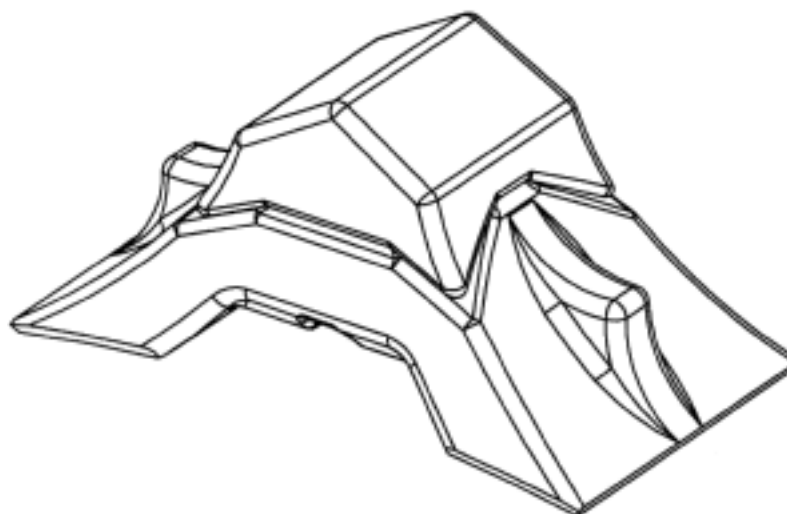
(21) Design Number: **11488/2013**
(22) Date of Filing Application: **22 March 2013**
(24) Date from which industrial property rights may have effect: **22 March 2013**
(54) Product in respect of which the design is registered: **Compactor tool and tool
holder**
(51) International Design Classification: **15-04, 15-99**
(74) Name(s) of Attorney(s): **Freehills Patent Attorneys**
(71) Name(s) and Address(s) of Applicant(s):
Hamm AG
Hammstr. 1 95633 Tirschenreuth Germany
(72) Name(s) of Designer(s): **Matthias Meier**
(45) Registration Date: **22 May 2013**
(30) Convention priority data:
(31) Number (32) Date (33) Country
**001352389-0006 23 Nov 2012 OFFICE FOR HARMONISATION IN
THE INTERNAL MARKET (OHIM)**
(56) Related Art Documents: **Not Applicable**
(57) Statement of Newness and Distinctiveness: **Newness and distinctiveness
of the design resides in the features of shape and configuration of
the compactor tool and tool holder as shown in the accompanying
representations.**



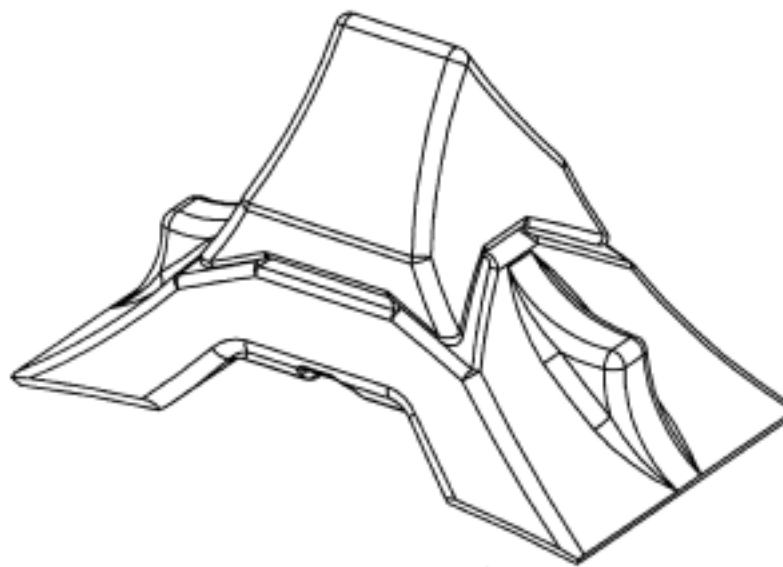
(21) Design Number: **11489/2013**
(22) Date of Filing Application: **22 March 2013**
(24) Date from which industrial property rights may have effect: **22 March 2013**
(54) Product in respect of which the design is registered: **Compactor tool and tool holder**
(51) International Design Classification: **15-04, 15-99**
(74) Name(s) of Attorney(s): **Freehills Patent Attorneys**
(71) Name(s) and Address(s) of Applicant(s):
Hamm AG
Hammstr. 1 95633 Tirschenreuth Germany
(72) Name(s) of Designer(s): **Matthias Meier**
(45) Registration Date: **22 May 2013**
(30) Convention priority data:
(31) Number (32) Date (33) Country
001352389-0007 23 Nov 2012 OFFICE FOR HARMONISATION IN THE INTERNAL MARKET (OHIM)
(56) Related Art Documents: **Not Applicable**
(57) Statement of Newness and Distinctiveness: **Newness and distinctiveness of the design resides in the features of shape and configuration of the compactor tool and tool holder as shown in the accompanying representations.**



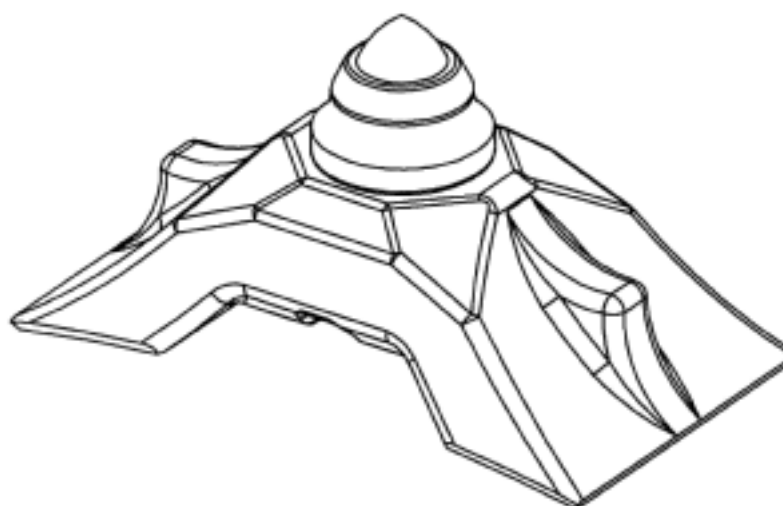
(21) Design Number: **11490/2013**
(22) Date of Filing Application: **22 March 2013**
(24) Date from which industrial property rights may have effect: **22 March 2013**
(54) Product in respect of which the design is registered: **Compactor tool and tool holder**
(51) International Design Classification: **15-04, 15-99**
(74) Name(s) of Attorney(s): **Freehills Patent Attorneys**
(71) Name(s) and Address(s) of Applicant(s):
Hamm AG
Hammstr. 1 95633 Tirschenreuth Germany
(72) Name(s) of Designer(s): **Matthias Meier**
(45) Registration Date: **22 May 2013**
(30) Convention priority data:
(31) Number (32) Date (33) Country
001352389-0008 23 Nov 2012 OFFICE FOR HARMONISATION IN THE INTERNAL MARKET (OHIM)
(56) Related Art Documents: **Not Applicable**
(57) Statement of Newness and Distinctiveness: **Newness and distinctiveness of the design resides in the features of shape and configuration of the compactor tool and tool holder as shown in the accompanying representations.**



(21) Design Number: **11491/2013**
(22) Date of Filing Application: **22 March 2013**
(24) Date from which industrial property rights may have effect: **22 March 2013**
(54) Product in respect of which the design is registered: **Compactor tool and tool holder**
(51) International Design Classification: **15-04, 15-99**
(74) Name(s) of Attorney(s): **Freehills Patent Attorneys**
(71) Name(s) and Address(s) of Applicant(s):
Hamm AG
Hammstr. 1 95633 Tirschenreuth Germany
(72) Name(s) of Designer(s): **Matthias Meier**
(45) Registration Date: **22 May 2013**
(30) Convention priority data:
(31) Number (32) Date (33) Country
001352389-0009 23 Nov 2012 OFFICE FOR HARMONISATION IN THE INTERNAL MARKET (OHIM)
(56) Related Art Documents: **Not Applicable**
(57) Statement of Newness and Distinctiveness: **Newness and distinctiveness of the design resides in the features of shape and configuration of the compactor tool and tool holder as shown in the accompanying representations.**



(21) Design Number: **11492/2013**
(22) Date of Filing Application: **22 March 2013**
(24) Date from which industrial property rights may have effect: **22 March 2013**
(54) Product in respect of which the design is registered: **Chisel and tool holder**
(51) International Design Classification: **15-04, 15-99**
(74) Name(s) of Attorney(s): **Freehills Patent Attorneys**
(71) Name(s) and Address(s) of Applicant(s):
Hamm AG
Hammstr. 1 95633 Tirschenreuth Germany
(72) Name(s) of Designer(s): **Matthias Meier**
(45) Registration Date: **22 May 2013**
(30) Convention priority data:
(31) Number (32) Date (33) Country
001352389-0010 23 Nov 2012 OFFICE FOR HARMONISATION IN THE INTERNAL MARKET (OHIM)
(56) Related Art Documents: **Not Applicable**
(57) Statement of Newness and Distinctiveness: **Newness and distinctiveness of the design resides in the features of shape and configuration of the chisel and tool holder as shown in the accompanying representations.**



(21) Design Number: **11493/2013**

(22) Date of Filing Application: **22 March 2013**

(24) Date from which industrial property rights may have effect: **22 March 2013**

(54) Product in respect of which the design is registered: **Chisel and tool holder**

(51) International Design Classification: **15-04, 15-99**

(74) Name(s) of Attorney(s): **Freehills Patent Attorneys**

(71) Name(s) and Address(s) of Applicant(s):

Hamm AG

Hammstr. 1 95633 Tirschenreuth Germany

(72) Name(s) of Designer(s): **Matthias Meier**

(45) Registration Date: **22 May 2013**

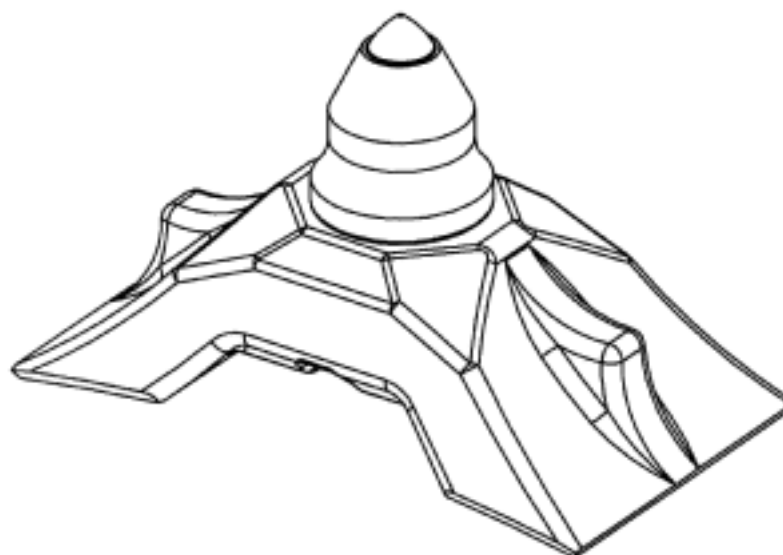
(30) Convention priority data:

(31) Number (32) Date
001352389-0011 23 Nov 2012

(33) Country
**OFFICE FOR HARMONISATION IN
THE INTERNAL MARKET (OHIM)**

(56) Related Art Documents: **Not Applicable**

(57) Statement of Newness and Distinctiveness: **Newness and distinctiveness of the design resides in the features of shape and configuration of the chisel and tool holder as shown in the accompanying representations.**



(21) Design Number: **11494/2013**

(22) Date of Filing Application: **22 March 2013**

(24) Date from which industrial property rights may have effect: **22 March 2013**

(54) Product in respect of which the design is registered: **Chisel and tool holder**

(51) International Design Classification: **15-04, 15-99**

(74) Name(s) of Attorney(s): **Freehills Patent Attorneys**

(71) Name(s) and Address(s) of Applicant(s):

Hamm AG

Hammstr. 1 95633 Tirschenreuth Germany

(72) Name(s) of Designer(s): **Matthias Meier**

(45) Registration Date: **22 May 2013**

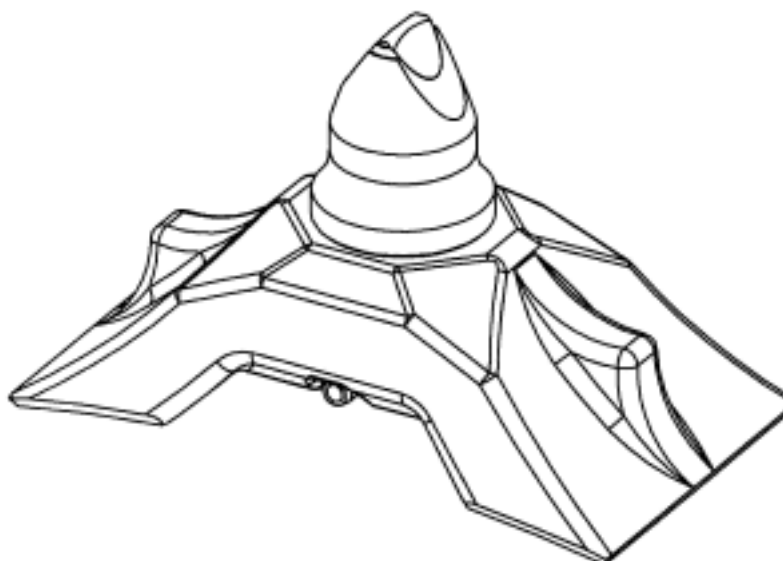
(30) Convention priority data:

(31) Number (32) Date
001352389-0012 23 Nov 2012

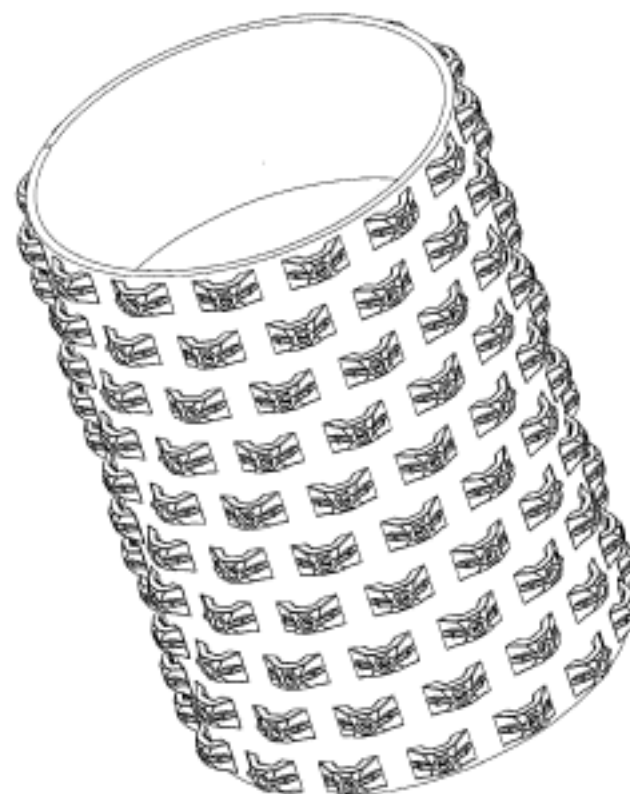
(33) Country
**OFFICE FOR HARMONISATION IN
THE INTERNAL MARKET (OHIM)**

(56) Related Art Documents: **Not Applicable**

(57) Statement of Newness and Distinctiveness: **Newness and distinctiveness of the design resides in the features of shape and configuration of the chisel and tool holder as shown in the accompanying representations.**



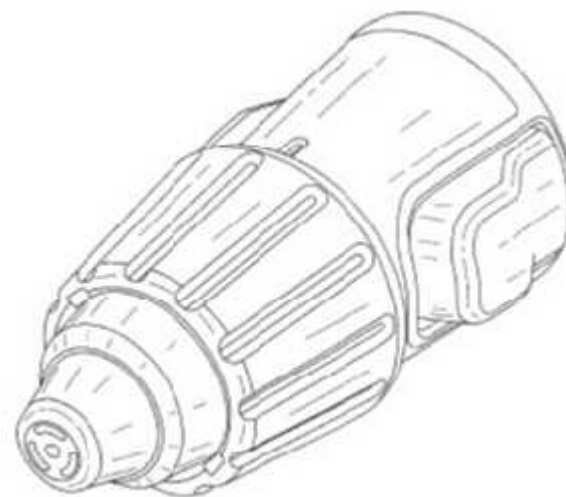
(21) Design Number: **11495/2013**
(22) Date of Filing Application: **22 March 2013**
(24) Date from which industrial property rights may have effect: **22 March 2013**
(54) Product in respect of which the design is registered: **Compacting and crushing drum**
(51) International Design Classification: **15-04, 15-99**
(74) Name(s) of Attorney(s): **Freehills Patent Attorneys**
(71) Name(s) and Address(s) of Applicant(s):
Hamm AG
Hammstr. 1 95633 Tirschenreuth Germany
(72) Name(s) of Designer(s): **Matthias Meier**
(45) Registration Date: **22 May 2013**
(30) Convention priority data:
(31) Number (32) Date (33) Country
001352389-0013 23 Nov 2012 OFFICE FOR HARMONISATION IN THE INTERNAL MARKET (OHIM)
(56) Related Art Documents: **Not Applicable**
(57) Statement of Newness and Distinctiveness: **Newness and distinctiveness of the design resides in the features of shape and configuration of the compacting and crushing drum as shown in the accompanying representations.**



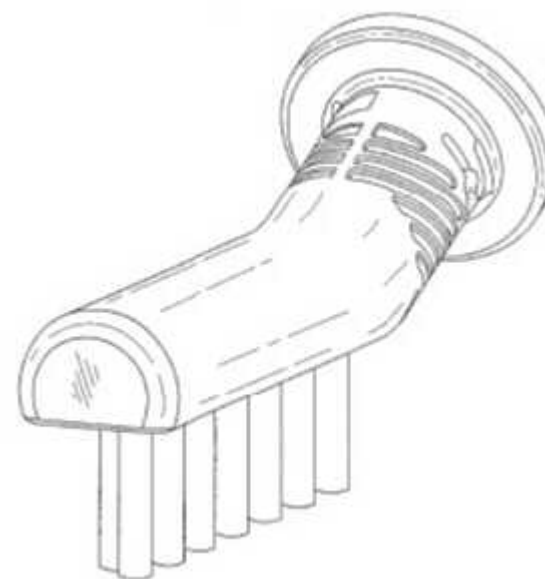
(21) Design Number: **15447/2012**
(22) Date of Filing Application: **31 October 2012**
(24) Date from which industrial property rights may have effect: **31 October 2012**
(54) Product in respect of which the design is registered: **Trailer mounted light tower**
(51) International Design Classification: **26-03, 13-99, 12-10**
(74) Name(s) of Attorney(s): **Madderns**
(71) Name(s) and Address(s) of Applicant(s):
MISIP Pty Ltd
PO BOX 7504 Cloisters Square Perth WA 6850 Australia
(72) Name(s) of Designer(s): **Grant Reynolds**
(45) Registration Date: **22 May 2013**
(56) Related Art Documents: **Not Applicable**
(57) Statement of Newness and Distinctiveness: **Nil**



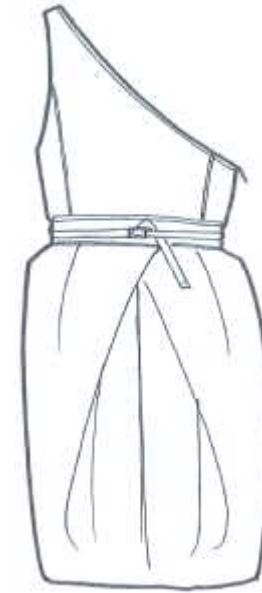
(21) Design Number: **10805/2013**
(22) Date of Filing Application: **21 February 2013**
(24) Date from which industrial property rights may have effect: **21 February 2013**
(54) Product in respect of which the design is registered: **Adjustable steam nozzle**
(51) International Design Classification: **08-05NES, 23-01NES**
(74) Name(s) of Attorney(s): **Davies Collison Cave**
(71) Name(s) and Address(s) of Applicant(s):
Black & Decker, Inc.
Drummond Plaza Office Park 1423 Kirkwood Highway Newark Delaware
19711 United States of America
(72) Name(s) of Designer(s): **Graeme Crawley**
(45) Registration Date: **22 May 2013**
(30) Convention priority data:
(31) Number (32) Date (33) Country
001340905 24 Aug 2012 OFFICE FOR HARMONISATION IN
THE INTERNAL MARKET (OHIM)
(56) Related Art Documents: **Not Applicable**
(57) Statement of Newness and Distinctiveness: **Nil**



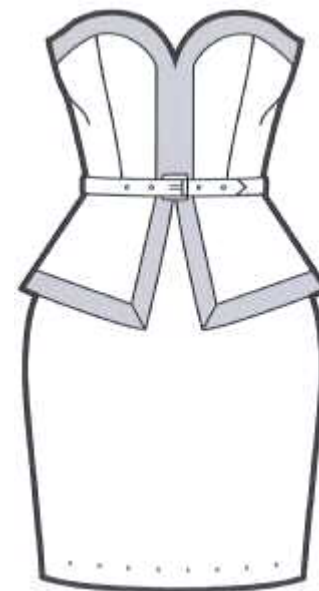
(21) Design Number: **10807/2013**
(22) Date of Filing Application: **21 February 2013**
(24) Date from which industrial property rights may have effect: **21 February 2013**
(54) Product in respect of which the design is registered: **Steam cleaning brush**
(51) International Design Classification: **23-01NES, 07-05E**
(74) Name(s) of Attorney(s): **Davies Collison Cave**
(71) Name(s) and Address(s) of Applicant(s):
Black & Decker, Inc.
Drummond Plaza Office Park 1423 Kirkwood Highway Newark Delaware
19711 United States of America
(72) Name(s) of Designer(s): **Graeme Crawley**
(45) Registration Date: **22 May 2013**
(30) Convention priority data:
(31) Number (32) Date (33) Country
001340921 24 Aug 2012 OFFICE FOR HARMONISATION IN
THE INTERNAL MARKET (OHIM)
(56) Related Art Documents: **Not Applicable**
(57) Statement of Newness and Distinctiveness: **Nil**



- (21) Design Number: **16886/2012**
(22) Date of Filing Application: **17 September 2012**
(24) Date from which industrial property rights may have effect: **17 September 2012**
(54) Product in respect of which the design is registered: **Article of clothing**
(51) International Design Classification: **02-02C**
(74) Name(s) of Attorney(s): **Allens Patent & Trade Mark Attorneys**
(71) Name(s) and Address(s) of Applicant(s):
Forever New Clothing Pty Ltd
714-716 High St Kew East VIC 3102 Australia
(72) Name(s) of Designer(s): **Tristan Melle**
(45) Registration Date: **22 May 2013**
(56) Related Art Documents: **Not Applicable**
(57) Statement of Newness and Distinctiveness: **Newness and distinctiveness resides in the visual features of shape, configuration, pattern and/or ornamentation of an article of clothing as shown in the accompanying representations.**



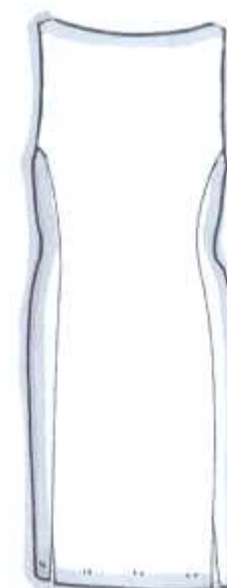
- (21) Design Number: **16887/2012**
(22) Date of Filing Application: **17 September 2012**
(24) Date from which industrial property rights may have effect: **17 September 2012**
(54) Product in respect of which the design is registered: **Article of clothing**
(51) International Design Classification: **02-02C**
(74) Name(s) of Attorney(s): **Allens Patent & Trade Mark Attorneys**
(71) Name(s) and Address(s) of Applicant(s):
Forever New Clothing Pty Ltd
714-716 High St Kew East VIC 3102 Australia
(72) Name(s) of Designer(s): **Laura Mitchell**
(45) Registration Date: **22 May 2013**
(56) Related Art Documents: **Not Applicable**
(57) Statement of Newness and Distinctiveness: **Newness and distinctiveness resides in the visual features of shape, configuration, pattern and/or ornamentation of an article of clothing as shown in the accompanying representations.**



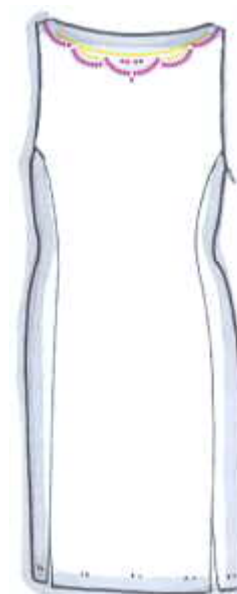
- (21) Design Number: **16888/2012**
(22) Date of Filing Application: **17 September 2012**
(24) Date from which industrial property rights may have effect: **17 September 2012**
(54) Product in respect of which the design is registered: **Article of clothing**
(51) International Design Classification: **02-02C**
(74) Name(s) of Attorney(s): **Allens Patent & Trade Mark Attorneys**
(71) Name(s) and Address(s) of Applicant(s):
Forever New Clothing Pty Ltd
714-716 High St Kew East VIC 3102 Australia
(72) Name(s) of Designer(s): **Tristan Melle**
(45) Registration Date: **22 May 2013**
(56) Related Art Documents: **Not Applicable**
(57) Statement of Newness and Distinctiveness: **Newness and distinctiveness resides in the visual features of shape, configuration, pattern and/or ornamentation of an article of clothing as shown in the accompanying representations.**



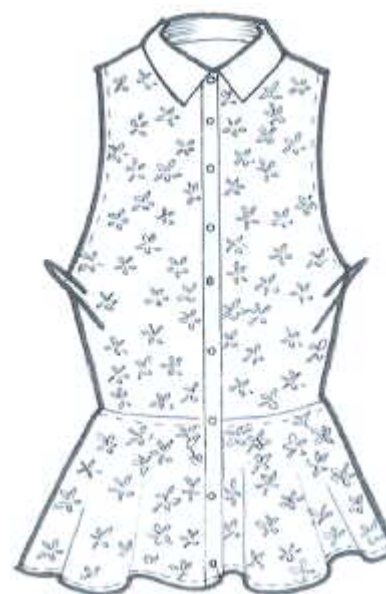
- (21) Design Number: **16889/2012**
(22) Date of Filing Application: **17 September 2012**
(24) Date from which industrial property rights may have effect: **17 September 2012**
(54) Product in respect of which the design is registered: **Article of clothing**
(51) International Design Classification: **02-02C**
(74) Name(s) of Attorney(s): **Allens Patent & Trade Mark Attorneys**
(71) Name(s) and Address(s) of Applicant(s):
Forever New Clothing Pty Ltd
714-716 High St Kew East VIC 3102 Australia
(72) Name(s) of Designer(s): **Laura Mitchell**
(45) Registration Date: **22 May 2013**
(56) Related Art Documents: **Not Applicable**
(57) Statement of Newness and Distinctiveness: **Newness and distinctiveness resides in the visual features of shape, configuration, pattern and/or ornamentation of an article of clothing as shown in the accompanying representations.**



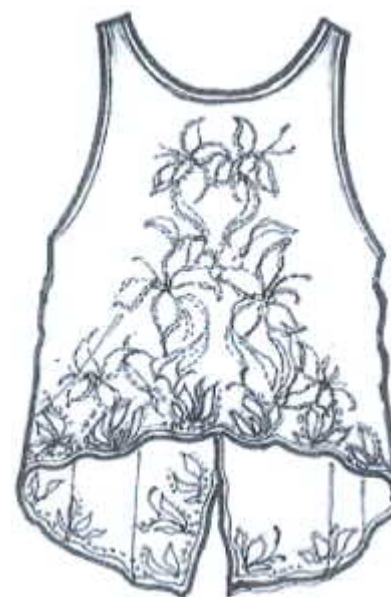
- (21) Design Number: **16890/2012**
(22) Date of Filing Application: **17 September 2012**
(24) Date from which industrial property rights may have effect: **17 September 2012**
(54) Product in respect of which the design is registered: **Article of clothing**
(51) International Design Classification: **02-02C**
(74) Name(s) of Attorney(s): **Allens Patent & Trade Mark Attorneys**
(71) Name(s) and Address(s) of Applicant(s):
Forever New Clothing Pty Ltd
714-716 High St Kew East VIC 3102 Australia
(72) Name(s) of Designer(s): **Tristan Melle**
(45) Registration Date: **22 May 2013**
(56) Related Art Documents: **Not Applicable**
(57) Statement of Newness and Distinctiveness: **Newness and distinctiveness resides in the visual features of shape, configuration, pattern and/or ornamentation of an article of clothing as shown in the accompanying representations.**



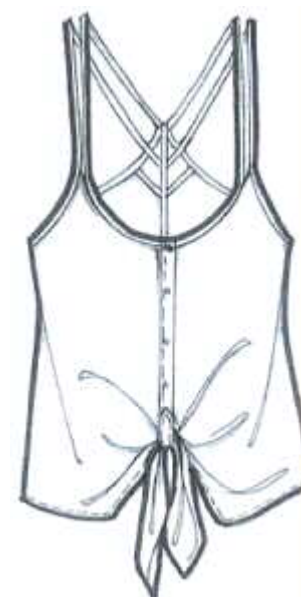
- (21) Design Number: **16891/2012**
(22) Date of Filing Application: **17 September 2012**
(24) Date from which industrial property rights may have effect: **17 September 2012**
(54) Product in respect of which the design is registered: **Article of clothing**
(51) International Design Classification: **02-02NES**
(74) Name(s) of Attorney(s): **Allens Patent & Trade Mark Attorneys**
(71) Name(s) and Address(s) of Applicant(s):
Forever New Clothing Pty Ltd
714-716 High St Kew East VIC 3102 Australia
(72) Name(s) of Designer(s): **Gemma Henderson**
(45) Registration Date: **22 May 2013**
(56) Related Art Documents: **Not Applicable**
(57) Statement of Newness and Distinctiveness: **Newness and distinctiveness resides in the visual features of shape, configuration, pattern and/or ornamentation of an article of clothing as shown in the accompanying representations.**



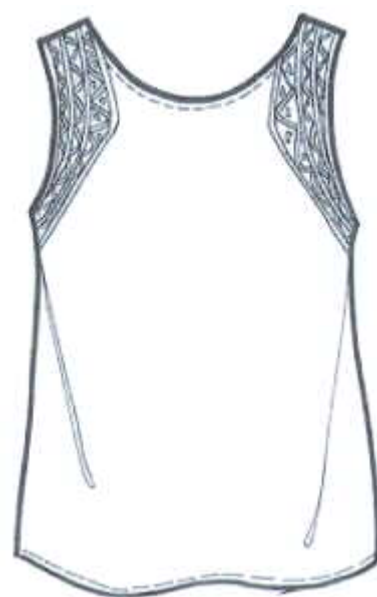
- (21) Design Number: **16892/2012**
(22) Date of Filing Application: **17 September 2012**
(24) Date from which industrial property rights may have effect: **17 September 2012**
(54) Product in respect of which the design is registered: **Article of clothing**
(51) International Design Classification: **02-02NES**
(74) Name(s) of Attorney(s): **Allens Patent & Trade Mark Attorneys**
(71) Name(s) and Address(s) of Applicant(s):
Forever New Clothing Pty Ltd
714-716 High St Kew East VIC 3102 Australia
(72) Name(s) of Designer(s): **Gemma Henderson**
(45) Registration Date: **22 May 2013**
(56) Related Art Documents: **Not Applicable**
(57) Statement of Newness and Distinctiveness: **Newness and distinctiveness resides in the visual features of shape, configuration, pattern and/or ornamentation of an article of clothing as shown in the accompanying representations.**



- (21) Design Number: **16893/2012**
(22) Date of Filing Application: **17 September 2012**
(24) Date from which industrial property rights may have effect: **17 September 2012**
(54) Product in respect of which the design is registered: **Article of clothing**
(51) International Design Classification: **02-02NES**
(74) Name(s) of Attorney(s): **Allens Patent & Trade Mark Attorneys**
(71) Name(s) and Address(s) of Applicant(s):
Forever New Clothing Pty Ltd
714-716 High St Kew East VIC 3102 Australia
(72) Name(s) of Designer(s): **Gemma Henderson**
(45) Registration Date: **22 May 2013**
(56) Related Art Documents: **Not Applicable**
(57) Statement of Newness and Distinctiveness: **Newness and distinctiveness resides in the visual features of shape, configuration, pattern and/or ornamentation of an article of clothing as shown in the accompanying representations.**



- (21) Design Number: **16894/2012**
(22) Date of Filing Application: **17 September 2012**
(24) Date from which industrial property rights may have effect: **17 September 2012**
(54) Product in respect of which the design is registered: **Article of clothing**
(51) International Design Classification: **02-02NES**
(74) Name(s) of Attorney(s): **Allens Patent & Trade Mark Attorneys**
(71) Name(s) and Address(s) of Applicant(s):
Forever New Clothing Pty Ltd
714-716 High St Kew East VIC 3102 Australia
(72) Name(s) of Designer(s): **Gemma Henderson**
(45) Registration Date: **22 May 2013**
(56) Related Art Documents: **Not Applicable**
(57) Statement of Newness and Distinctiveness: **Newness and distinctiveness resides in the visual features of shape, configuration, pattern and/or ornamentation of an article of clothing as shown in the accompanying representations.**



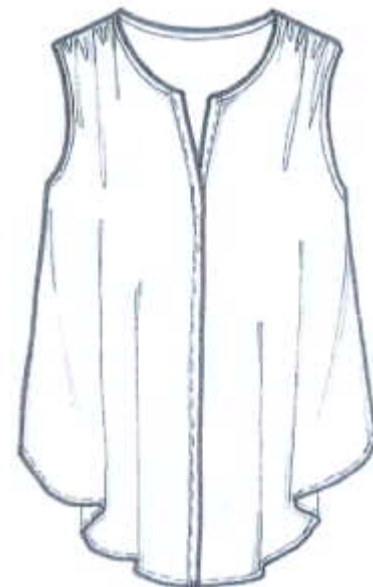
- (21) Design Number: **16895/2012**
(22) Date of Filing Application: **17 September 2012**
(24) Date from which industrial property rights may have effect: **17 September 2012**
(54) Product in respect of which the design is registered: **Article of clothing**
(51) International Design Classification: **02-02NES**
(74) Name(s) of Attorney(s): **Allens Patent & Trade Mark Attorneys**
(71) Name(s) and Address(s) of Applicant(s):
Forever New Clothing Pty Ltd
714-716 High St Kew East VIC 3102 Australia
(72) Name(s) of Designer(s): **Gemma Henderson**
(45) Registration Date: **22 May 2013**
(56) Related Art Documents: **Not Applicable**
(57) Statement of Newness and Distinctiveness: **Newness and distinctiveness resides in the visual features of shape, configuration, pattern and/or ornamentation of an article of clothing as shown in the accompanying representations.**



- (21) Design Number: **16896/2012**
(22) Date of Filing Application: **17 September 2012**
(24) Date from which industrial property rights may have effect: **17 September 2012**
(54) Product in respect of which the design is registered: **Article of clothing**
(51) International Design Classification: **02-02NES**
(74) Name(s) of Attorney(s): **Allens Patent & Trade Mark Attorneys**
(71) Name(s) and Address(s) of Applicant(s):
Forever New Clothing Pty Ltd
714-716 High St Kew East VIC 3102 Australia
(72) Name(s) of Designer(s): **Gemma Henderson**
(45) Registration Date: **22 May 2013**
(56) Related Art Documents: **Not Applicable**
(57) Statement of Newness and Distinctiveness: **Newness and distinctiveness resides in the visual features of shape, configuration, pattern and/or ornamentation of an article of clothing as shown in the accompanying representations.**



- (21) Design Number: **16897/2012**
(22) Date of Filing Application: **17 September 2012**
(24) Date from which industrial property rights may have effect: **17 September 2012**
(54) Product in respect of which the design is registered: **Article of clothing**
(51) International Design Classification: **02-02NES**
(74) Name(s) of Attorney(s): **Allens Patent & Trade Mark Attorneys**
(71) Name(s) and Address(s) of Applicant(s):
Forever New Clothing Pty Ltd
714-716 High St Kew East VIC 3102 Australia
(72) Name(s) of Designer(s): **Gemma Henderson**
(45) Registration Date: **22 May 2013**
(56) Related Art Documents: **Not Applicable**
(57) Statement of Newness and Distinctiveness: **Newness and distinctiveness resides in the visual features of shape, configuration, pattern and/or ornamentation of an article of clothing as shown in the accompanying representations.**



- (21) Design Number: **16898/2012**
(22) Date of Filing Application: **17 September 2012**
(24) Date from which industrial property rights may have effect: **17 September 2012**
(54) Product in respect of which the design is registered: **Article of clothing**
(51) International Design Classification: **02-02NES**
(74) Name(s) of Attorney(s): **Allens Patent & Trade Mark Attorneys**
(71) Name(s) and Address(s) of Applicant(s):
Forever New Clothing Pty Ltd
714-716 High St Kew East VIC 3102 Australia
(72) Name(s) of Designer(s): **Gemma Henderson**
(45) Registration Date: **22 May 2013**
(56) Related Art Documents: **Not Applicable**
(57) Statement of Newness and Distinctiveness: **Newness and distinctiveness resides in the visual features of shape, configuration, pattern and/or ornamentation of an article of clothing as shown in the accompanying representations.**



- (21) Design Number: **16342/2012**
(22) Date of Filing Application: **14 December 2012**
(24) Date from which industrial property rights may have effect: **14 December 2012**
(54) Product in respect of which the design is registered: **Holder for rolls of kitchen paper**
(51) International Design Classification: **07-99C**
(74) Name(s) of Attorney(s): **Trademark Works**
(71) Name(s) and Address(s) of Applicant(s):
Joseph Joseph Ltd
The Grove 30 Great Guildford Street SE1 OHS London United Kingdom
(72) Name(s) of Designer(s): **Richard Hartshorn and Edward Goodwin**
(45) Registration Date: **23 May 2013**
(30) Convention priority data:
(31) Number (32) Date (33) Country
002107078-0005 21 Sep 2012 EUROPEAN PATENT OFFICE (EPO)
(56) Related Art Documents: **Not Applicable**
(57) Statement of Newness and Distinctiveness: **The newness and distinctiveness of the design resides in the kitchen roll holder which has an offset blade for tearing paper with and a non slip base, as shown in the accompanying representations.**



- (21) Design Number: **16777/2012**
(22) Date of Filing Application: **15 April 2013**
(24) Date from which industrial property rights may have effect: **27 July 2012**
(54) Product in respect of which the design is registered: **Article of clothing**
(51) International Design Classification: **02-02C, 02-02NES**
(74) Name(s) of Attorney(s): **Allens Patent & Trade Mark Attorneys**
(71) Name(s) and Address(s) of Applicant(s):
Forever New Clothing Pty Ltd
714-716 High St Kew East VIC 3102 Australia
(72) Name(s) of Designer(s): **Octavia Miller**
(45) Registration Date: **23 May 2013**
(62) Divisional of: **13577/2012**
(56) Related Art Documents: **Not Applicable**
(57) Statement of Newness and Distinctiveness: **Newness and distinctiveness resides in the visual features of shape, configuration, pattern and/or ornamentation of an article of clothing as shown in the accompanying representations.**



- (21) Design Number: **16778/2012**
(22) Date of Filing Application: **15 April 2013**
(24) Date from which industrial property rights may have effect: **27 July 2012**
(54) Product in respect of which the design is registered: **Article of clothing**
(51) International Design Classification: **02-02C**
(74) Name(s) of Attorney(s): **Allens Patent & Trade Mark Attorneys**
(71) Name(s) and Address(s) of Applicant(s):
Forever New Clothing Pty Ltd
714-716 High St Kew East VIC 3102 Australia
(72) Name(s) of Designer(s): **Octavia Miller**
(45) Registration Date: **23 May 2013**
(62) Divisional of: **13577/2012**
(56) Related Art Documents: **Not Applicable**
(57) Statement of Newness and Distinctiveness: **Newness and distinctiveness resides in the visual features of shape, configuration, pattern and/or ornamentation of an article of clothing as shown in the accompanying representations.**



- (21) Design Number: **16779/2012**
(22) Date of Filing Application: **15 April 2013**
(24) Date from which industrial property rights may have effect: **27 July 2012**
(54) Product in respect of which the design is registered: **Article of clothing**
(51) International Design Classification: **02-02C**
(74) Name(s) of Attorney(s): **Allens Patent & Trade Mark Attorneys**
(71) Name(s) and Address(s) of Applicant(s):
Forever New Clothing Pty Ltd
714-716 High St Kew East VIC 3102 Australia
(72) Name(s) of Designer(s): **Octavia Miller**
(45) Registration Date: **23 May 2013**
(62) Divisional of: **13577/2012**
(56) Related Art Documents: **Not Applicable**
(57) Statement of Newness and Distinctiveness: **Newness and distinctiveness resides in the visual features of shape, configuration, pattern and/or ornamentation of an article of clothing as shown in the accompanying representations.**



- (21) Design Number: **16780/2012**
(22) Date of Filing Application: **15 April 2013**
(24) Date from which industrial property rights may have effect: **27 July 2012**
(54) Product in respect of which the design is registered: **Article of clothing**
(51) International Design Classification: **02-02NES**
(74) Name(s) of Attorney(s): **Allens Patent & Trade Mark Attorneys**
(71) Name(s) and Address(s) of Applicant(s):
Forever New Clothing Pty Ltd
714-716 High St Kew East VIC 3102 Australia
(72) Name(s) of Designer(s): **Mantra Ahrendt**
(45) Registration Date: **23 May 2013**
(62) Divisional of: **13577/2012**
(56) Related Art Documents: **Not Applicable**
(57) Statement of Newness and Distinctiveness: **Newness and distinctiveness resides in the visual features of shape, configuration, pattern and/or ornamentation of an article of clothing as shown in the accompanying representations.**



- (21) Design Number: **16781/2012**
(22) Date of Filing Application: **15 April 2013**
(24) Date from which industrial property rights may have effect: **27 July 2012**
(54) Product in respect of which the design is registered: **Article of clothing**
(51) International Design Classification: **02-02NES**
(74) Name(s) of Attorney(s): **Allens Patent & Trade Mark Attorneys**
(71) Name(s) and Address(s) of Applicant(s):
Forever New Clothing Pty Ltd
714-716 High St Kew East VIC 3102 Australia
(72) Name(s) of Designer(s): **Jennifer Hall**
(45) Registration Date: **23 May 2013**
(62) Divisional of: **13577/2012**
(56) Related Art Documents: **Not Applicable**
(57) Statement of Newness and Distinctiveness: **Newness and distinctiveness resides in the visual features of shape, configuration, pattern and/or ornamentation of an article of clothing as shown in the accompanying representations.**



- (21) Design Number: **16782/2012**
(22) Date of Filing Application: **15 April 2013**
(24) Date from which industrial property rights may have effect: **27 July 2012**
(54) Product in respect of which the design is registered: **Article of clothing**
(51) International Design Classification: **02-02NES**
(74) Name(s) of Attorney(s): **Allens Patent & Trade Mark Attorneys**
(71) Name(s) and Address(s) of Applicant(s):
Forever New Clothing Pty Ltd
714-716 High St Kew East VIC 3102 Australia
(72) Name(s) of Designer(s): **Jennifer Hall**
(45) Registration Date: **23 May 2013**
(62) Divisional of: **13577/2012**
(56) Related Art Documents: **Not Applicable**
(57) Statement of Newness and Distinctiveness: **Newness and distinctiveness resides in the visual features of shape, configuration, pattern and/or ornamentation of an article of clothing as shown in the accompanying representations.**



- (21) Design Number: **16783/2012**
(22) Date of Filing Application: **15 April 2013**
(24) Date from which industrial property rights may have effect: **27 July 2012**
(54) Product in respect of which the design is registered: **Article of clothing**
(51) International Design Classification: **02-02NES**
(74) Name(s) of Attorney(s): **Allens Patent & Trade Mark Attorneys**
(71) Name(s) and Address(s) of Applicant(s):
Forever New Clothing Pty Ltd
714-716 High St Kew East VIC 3102 Australia
(72) Name(s) of Designer(s): **Jennifer Hall**
(45) Registration Date: **23 May 2013**
(62) Divisional of: **13577/2012**
(56) Related Art Documents: **Not Applicable**
(57) Statement of Newness and Distinctiveness: **Newness and distinctiveness resides in the visual features of shape, configuration, pattern and/or ornamentation of an article of clothing as shown in the accompanying representations.**



- (21) Design Number: **16784/2012**
(22) Date of Filing Application: **15 April 2013**
(24) Date from which industrial property rights may have effect: **27 July 2012**
(54) Product in respect of which the design is registered: **Article of clothing**
(51) International Design Classification: **02-02NES**
(74) Name(s) of Attorney(s): **Allens Patent & Trade Mark Attorneys**
(71) Name(s) and Address(s) of Applicant(s):
Forever New Clothing Pty Ltd
714-716 High St Kew East VIC 3102 Australia
(72) Name(s) of Designer(s): **Jennifer Hall**
(45) Registration Date: **23 May 2013**
(62) Divisional of: **13577/2012**
(56) Related Art Documents: **Not Applicable**
(57) Statement of Newness and Distinctiveness: **Newness and distinctiveness resides in the visual features of shape, configuration, pattern and/or ornamentation of an article of clothing as shown in the accompanying representations.**



- (21) Design Number: **16785/2012**
(22) Date of Filing Application: **15 April 2013**
(24) Date from which industrial property rights may have effect: **27 July 2012**
(54) Product in respect of which the design is registered: **Article of clothing**
(51) International Design Classification: **02-02NES**
(74) Name(s) of Attorney(s): **Allens Patent & Trade Mark Attorneys**
(71) Name(s) and Address(s) of Applicant(s):
Forever New Clothing Pty Ltd
714-716 High St Kew East VIC 3102 Australia
(72) Name(s) of Designer(s): **Jennifer Hall**
(45) Registration Date: **23 May 2013**
(62) Divisional of: **13577/2012**
(56) Related Art Documents: **Not Applicable**
(57) Statement of Newness and Distinctiveness: **Newness and distinctiveness resides in the visual features of shape, configuration, pattern and/or ornamentation of an article of clothing as shown in the accompanying representations.**



- (21) Design Number: **16788/2012**
(22) Date of Filing Application: **15 April 2013**
(24) Date from which industrial property rights may have effect: **27 July 2012**
(54) Product in respect of which the design is registered: **Article of clothing**
(51) International Design Classification: **02-02C**
(74) Name(s) of Attorney(s): **Allens Patent & Trade Mark Attorneys**
(71) Name(s) and Address(s) of Applicant(s):
Forever New Clothing Pty Ltd
714-716 High St Kew East VIC 3102 Australia
(72) Name(s) of Designer(s): **Mary McCarthy**
(45) Registration Date: **23 May 2013**
(62) Divisional of: **13577/2012**
(56) Related Art Documents: **Not Applicable**
(57) Statement of Newness and Distinctiveness: **Newness and distinctiveness resides in the visual features of shape, configuration, pattern and/or ornamentation of an article of clothing as shown in the accompanying representations.**



- (21) Design Number: **16789/2012**
(22) Date of Filing Application: **15 April 2013**
(24) Date from which industrial property rights may have effect: **27 July 2012**
(54) Product in respect of which the design is registered: **Article of clothing**
(51) International Design Classification: **02-02C**
(74) Name(s) of Attorney(s): **Allens Patent & Trade Mark Attorneys**
(71) Name(s) and Address(s) of Applicant(s):
Forever New Clothing Pty Ltd
714-716 High St Kew East VIC 3102 Australia
(72) Name(s) of Designer(s): **Mary McCarthy**
(45) Registration Date: **23 May 2013**
(62) Divisional of: **13577/2012**
(56) Related Art Documents: **Not Applicable**
(57) Statement of Newness and Distinctiveness: **Newness and distinctiveness resides in the visual features of shape, configuration, pattern and/or ornamentation of an article of clothing as shown in the accompanying representations.**



- (21) Design Number: **16790/2012**
(22) Date of Filing Application: **15 April 2013**
(24) Date from which industrial property rights may have effect: **27 July 2012**
(54) Product in respect of which the design is registered: **Article of clothing**
(51) International Design Classification: **02-02C**
(74) Name(s) of Attorney(s): **Allens Patent & Trade Mark Attorneys**
(71) Name(s) and Address(s) of Applicant(s):
Forever New Clothing Pty Ltd
714-716 High St Kew East VIC 3102 Australia
(72) Name(s) of Designer(s): **Mary McCarthy**
(45) Registration Date: **23 May 2013**
(62) Divisional of: **13577/2012**
(56) Related Art Documents: **Not Applicable**
(57) Statement of Newness and Distinctiveness: **Newness and distinctiveness resides in the visual features of shape, configuration, pattern and/or ornamentation of an article of clothing as shown in the accompanying representations.**



- (21) Design Number: **16791/2012**
(22) Date of Filing Application: **15 April 2013**
(24) Date from which industrial property rights may have effect: **27 July 2012**
(54) Product in respect of which the design is registered: **Article of clothing**
(51) International Design Classification: **02-02C**
(74) Name(s) of Attorney(s): **Allens Patent & Trade Mark Attorneys**
(71) Name(s) and Address(s) of Applicant(s):
Forever New Clothing Pty Ltd
714-716 High St Kew East VIC 3102 Australia
(72) Name(s) of Designer(s): **Mary McCarthy**
(45) Registration Date: **23 May 2013**
(62) Divisional of: **13577/2012**
(56) Related Art Documents: **Not Applicable**
(57) Statement of Newness and Distinctiveness: **Newness and distinctiveness resides in the visual features of shape, configuration, pattern and/or ornamentation of an article of clothing as shown in the accompanying representations.**



- (21) Design Number: **16792/2012**
(22) Date of Filing Application: **15 April 2013**
(24) Date from which industrial property rights may have effect: **27 July 2012**
(54) Product in respect of which the design is registered: **Article of clothing**
(51) International Design Classification: **02-02C, 02-02NES**
(74) Name(s) of Attorney(s): **Allens Patent & Trade Mark Attorneys**
(71) Name(s) and Address(s) of Applicant(s):
Forever New Clothing Pty Ltd
714-716 High St Kew East VIC 3102 Australia
(72) Name(s) of Designer(s): **Tristan Melle**
(45) Registration Date: **23 May 2013**
(62) Divisional of: **13577/2012**
(56) Related Art Documents: **Not Applicable**
(57) Statement of Newness and Distinctiveness: **Newness and distinctiveness resides in the visual features of shape, configuration, pattern and/or ornamentation of an article of clothing as shown in the accompanying representations.**



- (21) Design Number: **16793/2012**
(22) Date of Filing Application: **15 April 2013**
(24) Date from which industrial property rights may have effect: **27 July 2012**
(54) Product in respect of which the design is registered: **Article of clothing**
(51) International Design Classification: **02-02C**
(74) Name(s) of Attorney(s): **Allens Patent & Trade Mark Attorneys**
(71) Name(s) and Address(s) of Applicant(s):
Forever New Clothing Pty Ltd
714-716 High St Kew East VIC 3102 Australia
(72) Name(s) of Designer(s): **Tristan Melle**
(45) Registration Date: **23 May 2013**
(62) Divisional of: **13577/2012**
(56) Related Art Documents: **Not Applicable**
(57) Statement of Newness and Distinctiveness: **Newness and distinctiveness resides in the visual features of shape, configuration, pattern and/or ornamentation of an article of clothing as shown in the accompanying representations.**



- (21) Design Number: **16794/2012**
(22) Date of Filing Application: **15 April 2013**
(24) Date from which industrial property rights may have effect: **27 July 2012**
(54) Product in respect of which the design is registered: **Article of clothing**
(51) International Design Classification: **02-02C**
(74) Name(s) of Attorney(s): **Allens Patent & Trade Mark Attorneys**
(71) Name(s) and Address(s) of Applicant(s):
Forever New Clothing Pty Ltd
714-716 High St Kew East VIC 3102 Australia
(72) Name(s) of Designer(s): **Tristan Melle**
(45) Registration Date: **23 May 2013**
(62) Divisional of: **13577/2012**
(56) Related Art Documents: **Not Applicable**
(57) Statement of Newness and Distinctiveness: **Newness and distinctiveness resides in the visual features of shape, configuration, pattern and/or ornamentation of an article of clothing as shown in the accompanying representations.**



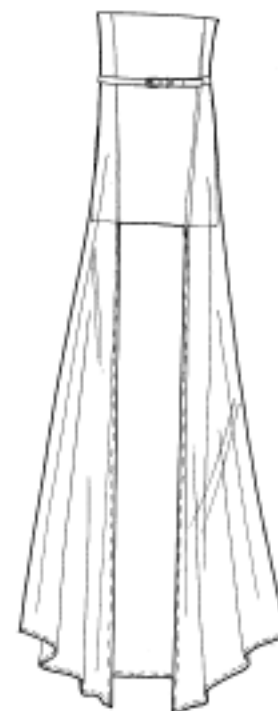
- (21) Design Number: **16795/2012**
(22) Date of Filing Application: **15 April 2013**
(24) Date from which industrial property rights may have effect: **27 July 2012**
(54) Product in respect of which the design is registered: **Article of clothing**
(51) International Design Classification: **02-02C**
(74) Name(s) of Attorney(s): **Allens Patent & Trade Mark Attorneys**
(71) Name(s) and Address(s) of Applicant(s):
Forever New Clothing Pty Ltd
714-716 High St Kew East VIC 3102 Australia
(72) Name(s) of Designer(s): **Laura Mitchell**
(45) Registration Date: **23 May 2013**
(62) Divisional of: **13577/2012**
(56) Related Art Documents: **Not Applicable**
(57) Statement of Newness and Distinctiveness: **Newness and distinctiveness resides in the visual features of shape, configuration, pattern and/or ornamentation of an article of clothing as shown in the accompanying representations.**



- (21) Design Number: **16797/2012**
(22) Date of Filing Application: **15 April 2013**
(24) Date from which industrial property rights may have effect: **27 July 2012**
(54) Product in respect of which the design is registered: **Article of clothing**
(51) International Design Classification: **02-02C**
(74) Name(s) of Attorney(s): **Allens Patent & Trade Mark Attorneys**
(71) Name(s) and Address(s) of Applicant(s):
Forever New Clothing Pty Ltd
714-716 High St Kew East VIC 3102 Australia
(72) Name(s) of Designer(s): **Tristan Melle**
(45) Registration Date: **23 May 2013**
(62) Divisional of: **13577/2012**
(56) Related Art Documents: **Not Applicable**
(57) Statement of Newness and Distinctiveness: **Newness and distinctiveness resides in the visual features of shape, configuration, pattern and/or ornamentation of an article of clothing as shown in the accompanying representations.**



- (21) Design Number: **16798/2012**
(22) Date of Filing Application: **15 April 2013**
(24) Date from which industrial property rights may have effect: **27 July 2012**
(54) Product in respect of which the design is registered: **Article of clothing**
(51) International Design Classification: **02-02C**
(74) Name(s) of Attorney(s): **Allens Patent & Trade Mark Attorneys**
(71) Name(s) and Address(s) of Applicant(s):
Forever New Clothing Pty Ltd
714-716 High St Kew East VIC 3102 Australia
(72) Name(s) of Designer(s): **Tristan Melle**
(45) Registration Date: **23 May 2013**
(62) Divisional of: **13577/2012**
(56) Related Art Documents: **Not Applicable**
(57) Statement of Newness and Distinctiveness: **Newness and distinctiveness resides in the visual features of shape, configuration, pattern and/or ornamentation of an article of clothing as shown in the accompanying representations.**



- (21) Design Number: **16799/2012**
(22) Date of Filing Application: **15 April 2013**
(24) Date from which industrial property rights may have effect: **27 July 2012**
(54) Product in respect of which the design is registered: **Article of clothing**
(51) International Design Classification: **02-02C**
(74) Name(s) of Attorney(s): **Allens Patent & Trade Mark Attorneys**
(71) Name(s) and Address(s) of Applicant(s):
Forever New Clothing Pty Ltd
714-716 High St Kew East VIC 3102 Australia
(72) Name(s) of Designer(s): **Tristan Melle**
(45) Registration Date: **23 May 2013**
(62) Divisional of: **13577/2012**
(56) Related Art Documents: **Not Applicable**
(57) Statement of Newness and Distinctiveness: **Newness and distinctiveness resides in the visual features of shape, configuration, pattern and/or ornamentation of an article of clothing as shown in the accompanying representations.**



- (21) Design Number: **16800/2012**
(22) Date of Filing Application: **15 April 2013**
(24) Date from which industrial property rights may have effect: **27 July 2012**
(54) Product in respect of which the design is registered: **Article of clothing**
(51) International Design Classification: **02-02C**
(74) Name(s) of Attorney(s): **Allens Patent & Trade Mark Attorneys**
(71) Name(s) and Address(s) of Applicant(s):
Forever New Clothing Pty Ltd
714-716 High St Kew East VIC 3102 Australia
(72) Name(s) of Designer(s): **Tristan Melle**
(45) Registration Date: **23 May 2013**
(62) Divisional of: **13577/2012**
(56) Related Art Documents: **Not Applicable**
(57) Statement of Newness and Distinctiveness: **Newness and distinctiveness resides in the visual features of shape, configuration, pattern and/or ornamentation of an article of clothing as shown in the accompanying representations.**



- (21) Design Number: **16801/2012**
(22) Date of Filing Application: **15 April 2013**
(24) Date from which industrial property rights may have effect: **27 July 2012**
(54) Product in respect of which the design is registered: **Article of clothing**
(51) International Design Classification: **02-02C**
(74) Name(s) of Attorney(s): **Allens Patent & Trade Mark Attorneys**
(71) Name(s) and Address(s) of Applicant(s):
Forever New Clothing Pty Ltd
714-716 High St Kew East VIC 3102 Australia
(72) Name(s) of Designer(s): **Dulcie Flynn**
(45) Registration Date: **23 May 2013**
(62) Divisional of: **13577/2012**
(56) Related Art Documents: **Not Applicable**
(57) Statement of Newness and Distinctiveness: **Newness and distinctiveness resides in the visual features of shape, configuration, pattern and/or ornamentation of an article of clothing as shown in the accompanying representations.**



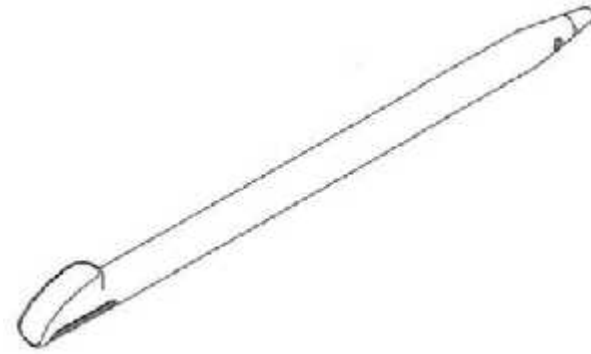
- (21) Design Number: **16802/2012**
(22) Date of Filing Application: **15 April 2013**
(24) Date from which industrial property rights may have effect: **27 July 2012**
(54) Product in respect of which the design is registered: **Article of clothing**
(51) International Design Classification: **02-02C**
(74) Name(s) of Attorney(s): **Allens Patent & Trade Mark Attorneys**
(71) Name(s) and Address(s) of Applicant(s):
Forever New Clothing Pty Ltd
714-716 High St Kew East VIC 3102 Australia
(72) Name(s) of Designer(s): **Tristan Melle**
(45) Registration Date: **23 May 2013**
(62) Divisional of: **13577/2012**
(56) Related Art Documents: **Not Applicable**
(57) Statement of Newness and Distinctiveness: **Newness and distinctiveness resides in the visual features of shape, configuration, pattern and/or ornamentation of an article of clothing as shown in the accompanying representations.**



- (21) Design Number: **16803/2012**
(22) Date of Filing Application: **15 April 2013**
(24) Date from which industrial property rights may have effect: **27 July 2012**
(54) Product in respect of which the design is registered: **Article of clothing**
(51) International Design Classification: **02-02C**
(74) Name(s) of Attorney(s): **Allens Patent & Trade Mark Attorneys**
(71) Name(s) and Address(s) of Applicant(s):
Forever New Clothing Pty Ltd
714-716 High St Kew East VIC 3102 Australia
(72) Name(s) of Designer(s): **Laura Mitchell**
(45) Registration Date: **23 May 2013**
(62) Divisional of: **13577/2012**
(56) Related Art Documents: **Not Applicable**
(57) Statement of Newness and Distinctiveness: **Newness and distinctiveness resides in the visual features of shape, configuration, pattern and/or ornamentation of an article of clothing as shown in the accompanying representations.**



(21) Design Number: **16398/2012**
(22) Date of Filing Application: **18 December 2012**
(24) Date from which industrial property rights may have effect: **18 December 2012**
(54) Product in respect of which the design is registered: **Stylus pen for operate a touch panel**
(51) International Design Classification: **14-02, 21-01N**
(74) Name(s) of Attorney(s): **Davies Collison Cave**
(71) Name(s) and Address(s) of Applicant(s):
Nintendo Co., Ltd
11-1 Hokotate-cho Kamitoba Minami-ku Kyoto 601-8501 Japan
(72) Name(s) of Designer(s): **Kenichi Sugino and Yui Ehara and Takaki Fujino and Junichiro Miyatake and Tetsuya Akama and Shinji Hirose**
(45) Registration Date: **23 May 2013**
(30) Convention priority data:
(31) Number (32) Date (33) Country
2012-014501 18 Jun 2012 JAPAN
(56) Related Art Documents: **Not Applicable**
(57) Statement of Newness and Distinctiveness: **Nil**



(21) Design Number: **11557/2013**
(22) Date of Filing Application: **28 March 2013**
(24) Date from which industrial property rights may have effect: **28 March 2013**
(54) Product in respect of which the design is registered: **Center console for automobile**
(51) International Design Classification: **12-16NES**
(74) Name(s) of Attorney(s): **Griffith Hack**
(71) Name(s) and Address(s) of Applicant(s):
Nissan Jidosha Kabushiki Kaisha also trading as Nissan Motor Co., Ltd.
No. 2 Takaracho Kanagawa-ku Yokohama-shi Kanagawa-ken 220-8623
Japan
(72) Name(s) of Designer(s): **Junji Kobari and Ahyoung Min and Bert Dehaes**
(45) Registration Date: **23 May 2013**
(30) Convention priority data:
(31) Number (32) Date (33) Country
2012-023870 28 Sep 2012 JAPAN
(56) Related Art Documents: **Not Applicable**
(57) Statement of Newness and Distinctiveness: **Newness and distinctiveness resides in the shape and configuration of the design as shown in the representations.**



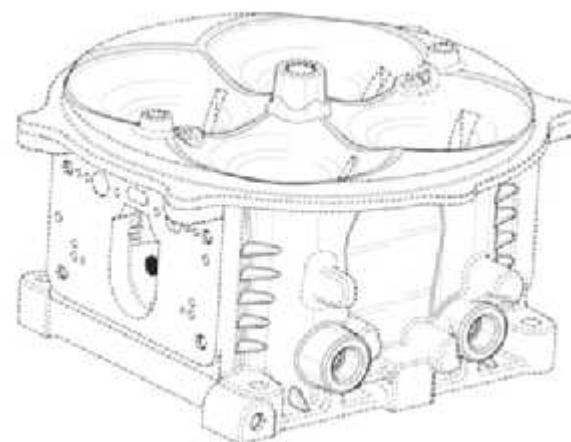
(21) Design Number: **11667/2013**
(22) Date of Filing Application: **08 April 2013**
(24) Date from which industrial property rights may have effect: **08 April 2013**
(54) Product in respect of which the design is registered: **Hair straightener and curler**
(51) International Design Classification: **28-03B**
(74) Name(s) of Attorney(s): **Wrays**
(71) Name(s) and Address(s) of Applicant(s):
Babyliss Faco SPRL
Avenue de l'Independance 25 Wandre 4020 Belgium
(72) Name(s) of Designer(s): **Pierre Julemont**
(45) Registration Date: **23 May 2013**
(30) Convention priority data:
(31) Number (32) Date (33) Country
002115832-0008 09 Oct 2012 OFFICE FOR HARMONISATION IN THE INTERNAL MARKET (OHIM)
(56) Related Art Documents: **Not Applicable**
(57) Statement of Newness and Distinctiveness: **Newness and distinctiveness is claimed in the features of shape and/or configuration of the Hair Straightener And Curler depicted in the accompanying representations.**



(21) Design Number: **11933/2013**
(22) Date of Filing Application: **24 April 2013**
(24) Date from which industrial property rights may have effect: **24 April 2013**
(54) Product in respect of which the design is registered: **Front bumper for a bus**
(51) International Design Classification: **12-16C**
(74) Name(s) of Attorney(s): **Davies Collison Cave**
(71) Name(s) and Address(s) of Applicant(s):
Volgren Australia Pty Ltd
221-243 Hammond Rd Dandenong VIC 3175 Australia
(72) Name(s) of Designer(s): **Michael Kearney and Ron Lumsden and Dominic Lamanna and Robbie Napper and Peter Elliot and Ilya Fridman and Matthew Glenn and Cameron Glover and Jesse de Wald and Nicholas Carnie and Jessica Cassar and Kieran John and Jack Martinich**
(45) Registration Date: **23 May 2013**
(56) Related Art Documents: **Not Applicable**
(57) Statement of Newness and Distinctiveness: **Nil**

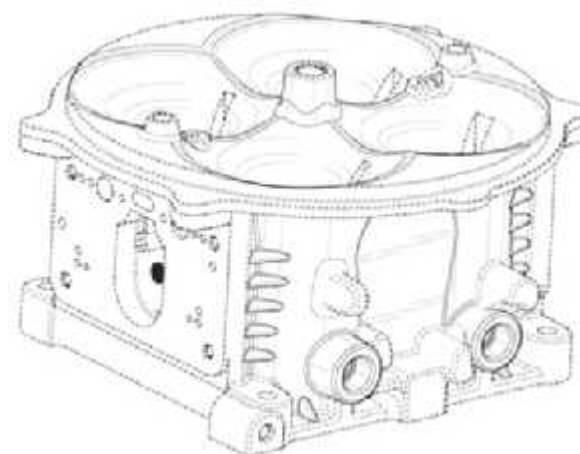


(21) Design Number: **11886/2013**
(22) Date of Filing Application: **23 April 2013**
(24) Date from which industrial property rights may have effect: **23 April 2013**
(54) Product in respect of which the design is registered: **Carburetor main body**
(51) International Design Classification: **15-01**
(74) Name(s) of Attorney(s): **AJ Park**
(71) Name(s) and Address(s) of Applicant(s):
Holley Performance Products, Inc.
1801 Russellville Road Bowling Green Kentucky 42101 United States of America
(72) Name(s) of Designer(s): **Laura Shehan and Amy Gieske and Shane Weckerly and Charles Jeneckes and Jonathan Sams**
(45) Registration Date: **23 May 2013**
(30) Convention priority data:
(31) Number (32) Date (33) Country
29/435,549 25 Oct 2012 UNITED STATES OF AMERICA



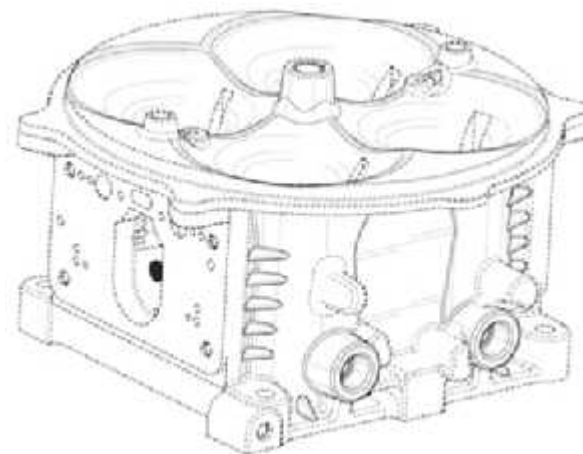
(56) Related Art Documents: **Not Applicable**
(57) Statement of Newness and Distinctiveness: **Newness and distinctiveness reside in the features of shape and/or configuration of the Carburetor Main Body, as shown in the representations. Newness and distinctiveness are not claimed in relation to the features shown in broken lines in the representations, which features are shown for illustrative purposes only.**

(21) Design Number: **11887/2013**
(22) Date of Filing Application: **23 April 2013**
(24) Date from which industrial property rights may have effect: **23 April 2013**
(54) Product in respect of which the design is registered: **Carburetor main body**
(51) International Design Classification: **15-01**
(74) Name(s) of Attorney(s): **AJ Park**
(71) Name(s) and Address(s) of Applicant(s):
Holley Performance Products, Inc.
1801 Russellville Road Bowling Green Kentucky 42101 United States of America
(72) Name(s) of Designer(s): **Laura Shehan and Amy Gieske and Shane Weckerly and Charles Jeneckes and Jonathan Sams**
(45) Registration Date: **23 May 2013**
(30) Convention priority data:
(31) Number (32) Date (33) Country
29/435,549 25 Oct 2012 UNITED STATES OF AMERICA

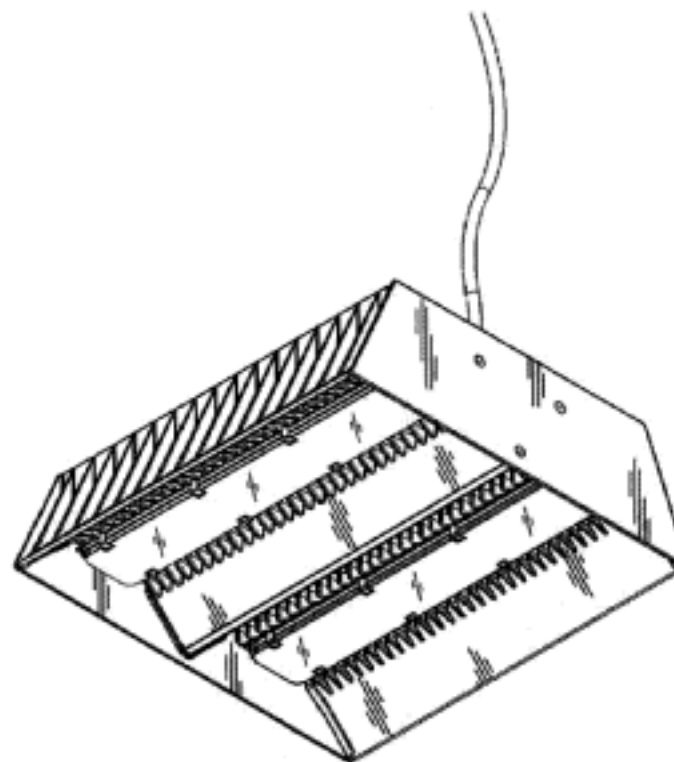


(56) Related Art Documents: **Not Applicable**
(57) Statement of Newness and Distinctiveness: **Newness and distinctiveness reside in the features of shape and/or configuration of the Carburetor Main Body, as shown in the representations. Newness and distinctiveness are not claimed in relation to the features shown in broken lines in the representations, which features are shown for illustrative purposes only.**

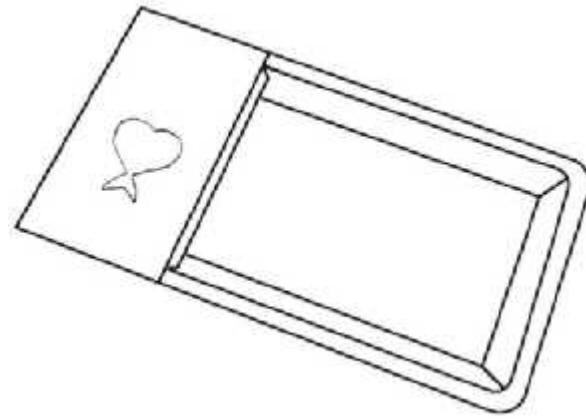
- (21) Design Number: **11888/2013**
(22) Date of Filing Application: **23 April 2013**
(24) Date from which industrial property rights may have effect: **23 April 2013**
(54) Product in respect of which the design is registered: **Carburetor main body**
(51) International Design Classification: **15-01**
(74) Name(s) of Attorney(s): **AJ Park**
(71) Name(s) and Address(s) of Applicant(s):
Holley Performance Products, Inc.
1801 Russellville Road Bowling Green Kentucky 42101 United States of America
(72) Name(s) of Designer(s): **Laura Shehan and Amy Gieske and Shane Weckerly and Charles Jeneckes and Jonathan Sams**
(45) Registration Date: **23 May 2013**
(30) Convention priority data:
(31) Number (32) Date (33) Country
29/435,549 25 Oct 2012 UNITED STATES OF AMERICA
(56) Related Art Documents: **Not Applicable**
(57) Statement of Newness and Distinctiveness: **Newness and distinctiveness reside in the features of shape and/or configuration of the Carburetor Main Body, as shown in the representations. Newness and distinctiveness are not claimed in relation to the features shown in broken lines in the representations, which features are shown for illustrative purposes only.**



- (21) Design Number: **11895/2013**
(22) Date of Filing Application: **23 April 2013**
(24) Date from which industrial property rights may have effect: **23 April 2013**
(54) Product in respect of which the design is registered: **Luminaire**
(51) International Design Classification: **26-04, 26-03, 26-05D**
(74) Name(s) of Attorney(s): **SPRUSON & FERGUSON**
(71) Name(s) and Address(s) of Applicant(s):
Zumtobel Lighting GmbH
Schweizer Strasse 30 6850 Dornbirn Austria
(72) Name(s) of Designer(s): **Stephen Philips**
(45) Registration Date: **23 May 2013**
(30) Convention priority data:
(31) Number (32) Date (33) Country
001348585-0001 24 Oct 2012 OFFICE FOR HARMONISATION IN THE INTERNAL MARKET (OHIM)
(56) Related Art Documents: **Not Applicable**
(57) Statement of Newness and Distinctiveness: **Newness and distinctiveness is claimed in the features of shape and/or configuration of a luminaire as illustrated in the accompanying representations.**



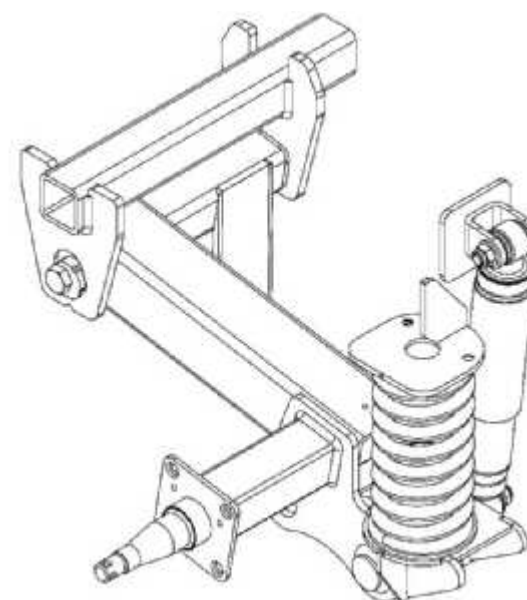
- (21) Design Number: **11899/2013**
(22) Date of Filing Application: **23 April 2013**
(24) Date from which industrial property rights may have effect: **23 April 2013**
(54) Product in respect of which the design is registered: **Packaging container**
(51) International Design Classification: **09-03F, 09-03M**
(74) Name(s) of Attorney(s): **Shelston IP**
(71) Name(s) and Address(s) of Applicant(s):
Pacific West Foods Australia Pty Ltd
3 Trent Rd North Rocks NSW 2151 Australia
(72) Name(s) of Designer(s): **Michael Steele**
(45) Registration Date: **23 May 2013**
(56) Related Art Documents: **Not Applicable**
(57) Statement of Newness and Distinctiveness: **Newness and distinctiveness resides in the shape and/or configuration of a packaging container as depicted in the accompanying representations. It is to be noted that the heart/fishtail shaped portion shown in the perspective and top views provides a window to enable viewing of contents of an internal region of packaging container.**



- (21) Design Number: **11949/2013**
(22) Date of Filing Application: **26 April 2013**
(24) Date from which industrial property rights may have effect: **26 April 2013**
(54) Product in respect of which the design is registered: **Dosage container**
(51) International Design Classification: **10-04, 24-02**
(74) Name(s) of Attorney(s): **Shelston IP**
(71) Name(s) and Address(s) of Applicant(s):
Reckitt Benckiser N.V.
Siriusdreef 14 Hoofddorp 2132 WT Netherlands
(72) Name(s) of Designer(s): **Fabio Corradini and Roberto Casonati and Ralf Wiedemann and Umberto Toniolo**
(45) Registration Date: **23 May 2013**
(30) Convention priority data:
(31) Number (32) Date (33) Country
**002126797-0001 29 Oct 2012 OFFICE FOR HARMONISATION IN
THE INTERNAL MARKET (OHIM)**
(56) Related Art Documents: **Not Applicable**
(57) Statement of Newness and Distinctiveness: **Nil**



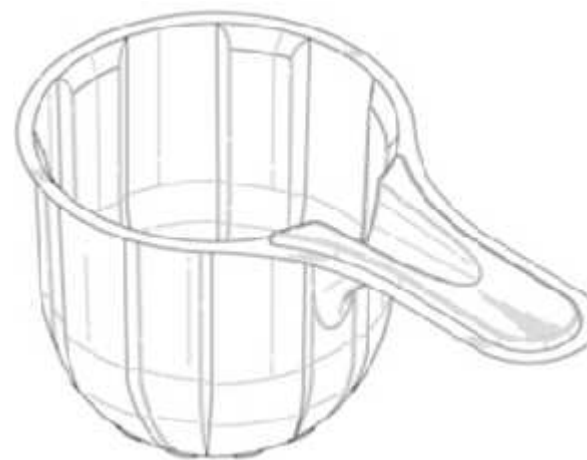
(21) Design Number: **11952/2013**
(22) Date of Filing Application: **26 April 2013**
(24) Date from which industrial property rights may have effect: **26 April 2013**
(54) Product in respect of which the design is registered: **An independent suspension assembly for a vehicle**
(51) International Design Classification: **12-16NES**
(74) Name(s) of Attorney(s):
(71) Name(s) and Address(s) of Applicant(s):
Vehicle Components Pty Ltd
C/- Michael Buck IP PO BOX 4361 St Lucia QLD 4067 Australia
(72) Name(s) of Designer(s): **Christopher Goddard**
(45) Registration Date: **23 May 2013**
(56) Related Art Documents: **Not Applicable**
(57) Statement of Newness and Distinctiveness: **The shape and configuration of an independent suspension assembly for a vehicle as shown in the representations.**



(21) Design Number: **11954/2013**
(22) Date of Filing Application: **26 April 2013**
(24) Date from which industrial property rights may have effect: **26 April 2013**
(54) Product in respect of which the design is registered: **Dosage container**
(51) International Design Classification: **10-04, 24-02**
(74) Name(s) of Attorney(s): **Shelston IP**
(71) Name(s) and Address(s) of Applicant(s):
Reckitt Benckiser N.V.
Siriusdreef 14 Hoofddorp 2132 WT Netherlands
(72) Name(s) of Designer(s): **Fabio Corradini and Roberto Casonati and Ralf Wiedemann and Umberto Toniolo**
(45) Registration Date: **23 May 2013**
(30) Convention priority data:
(31) Number (32) Date (33) Country
002126797-0002 29 Oct 2012 OFFICE FOR HARMONISATION IN THE INTERNAL MARKET (OHIM)
(56) Related Art Documents: **Not Applicable**
(57) Statement of Newness and Distinctiveness: **Nil**



(21) Design Number: **11956/2013**
(22) Date of Filing Application: **26 April 2013**
(24) Date from which industrial property rights may have effect: **26 April 2013**
(54) Product in respect of which the design is registered: **Dosage container**
(51) International Design Classification: **10-04, 24-02**
(74) Name(s) of Attorney(s): **Shelston IP**
(71) Name(s) and Address(s) of Applicant(s):
Reckitt Benckiser N.V.
Siriusdreef 14 Hoofddorp 2132 WT Netherlands
(72) Name(s) of Designer(s): **Fabio Corradini and Roberto Casonati and Ralf Wiedemann and Umberto Toniolo**
(45) Registration Date: **23 May 2013**
(30) Convention priority data:
(31) Number (32) Date (33) Country
002126797-0003 29 Oct 2012 OFFICE FOR HARMONISATION IN THE INTERNAL MARKET (OHIM)
(56) Related Art Documents: **Not Applicable**
(57) Statement of Newness and Distinctiveness: **Nil**



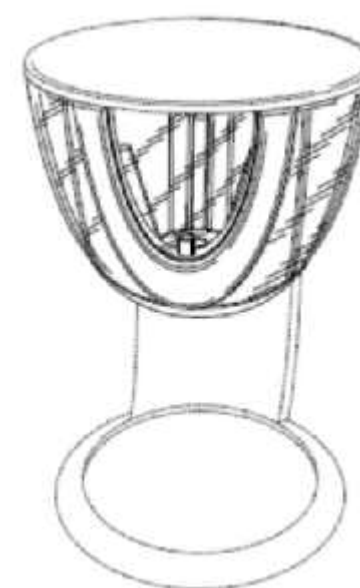
(21) Design Number: **12000/2013**
(22) Date of Filing Application: **30 April 2013**
(24) Date from which industrial property rights may have effect: **30 April 2013**
(54) Product in respect of which the design is registered: **60 litre plastic drum**
(51) International Design Classification: **09-02C**
(74) Name(s) of Attorney(s):
(71) Name(s) and Address(s) of Applicant(s):
Barron & Rawson Pty Ltd
35-37 Marigold St Revesby NSW 2212 Australia
(72) Name(s) of Designer(s): **Brad Smyth**
(45) Registration Date: **23 May 2013**
(56) Related Art Documents: **Not Applicable**
(57) Statement of Newness and Distinctiveness: **Nil**



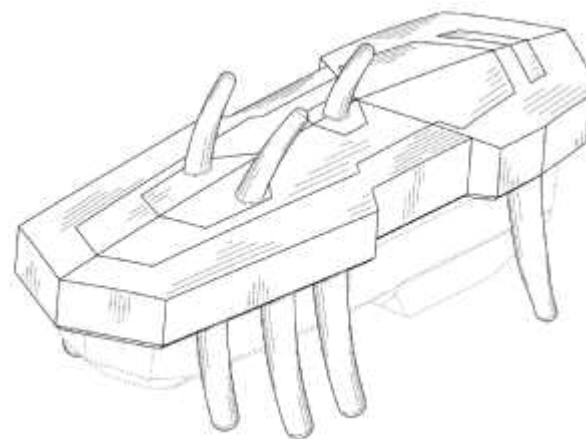
(21) Design Number: **12002/2013**
(22) Date of Filing Application: **30 April 2013**
(24) Date from which industrial property rights may have effect: **30 April 2013**
(54) Product in respect of which the design is registered: **A cold appliance**
(51) International Design Classification: **15-07**
(74) Name(s) of Attorney(s): **Halfords IP**
(71) Name(s) and Address(s) of Applicant(s):
Electrolux Sea Pte Ltd
11 Lorong 3 Toa Payoh Block B #01-13/14/15 Jackson Square 319579
Singapore
(72) Name(s) of Designer(s): **Pernilla Johansson and Lyndon Craig and Leonard Tan Bahroocha**
(45) Registration Date: **23 May 2013**
(30) Convention priority data:
(31) Number (32) Date (33) Country
201230535427.3 06 Nov 2012 CHINA
(56) Related Art Documents: **Not Applicable**
(57) Statement of Newness and Distinctiveness: **Newness and Distinctiveness is claimed in those features of shape and or configuration of A Cold Appliance, such as a Refrigerator and/or Freezer as depicted in the representations.**



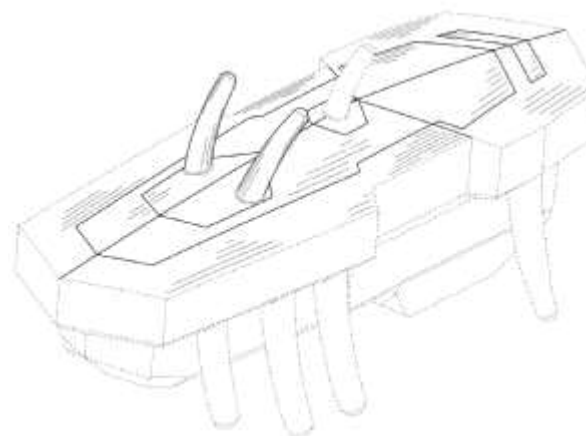
(21) Design Number: **11198/2013**
(22) Date of Filing Application: **12 March 2013**
(24) Date from which industrial property rights may have effect: **12 March 2013**
(54) Product in respect of which the design is registered: **Coffee brewer head**
(51) International Design Classification: **07-02L**
(74) Name(s) of Attorney(s): **Griffith Hack**
(71) Name(s) and Address(s) of Applicant(s):
Bruce D. Burrows
24844 Anza Drive Valencia CA 91355 United States of America
(72) Name(s) of Designer(s): **Bruce D. Burrows**
(45) Registration Date: **24 May 2013**
(30) Convention priority data:
(31) Number (32) Date (33) Country
29/432015 12 Sep 2012 UNITED STATES OF AMERICA
(56) Related Art Documents: **Not Applicable**
(57) Statement of Newness and Distinctiveness: **Newness and distinctiveness resides in the visual features, including shape and configuration, of a coffee brewer head as shown in solid outline in the accompanying drawings. When determining whether the design is substantially similar in overall impression to another design, no regard is to be had to the features shown in dotted outline in the accompanying drawings, which features are provided for illustrative purposes only.**



(21) Design Number: **11196/2013**
(22) Date of Filing Application: **12 March 2013**
(24) Date from which industrial property rights may have effect: **12 March 2013**
(54) Product in respect of which the design is registered: **Toy**
(51) International Design Classification: **21-01C**
(74) Name(s) of Attorney(s): **SPRUSON & FERGUSON**
(71) Name(s) and Address(s) of Applicant(s):
Innovation First, Inc.
1519 Interstate 30 West Greenville TX 75402 United States of America
(72) Name(s) of Designer(s): **David Anthony Norman and Robert H. Mimplitch III**
and Jeffrey Russell Waegelin and Douglas Michael Galletti
(45) Registration Date: **24 May 2013**
(30) Convention priority data:
(31) Number (32) Date (33) Country
29/432774 20 Sep 2012 UNITED STATES OF AMERICA
(56) Related Art Documents: **Not Applicable**
(57) Statement of Newness and Distinctiveness: **Newness and distinctiveness**
is claimed in those features of shape and/or configuration of a toy
illustrated in continuous lines in the accompanying representations.



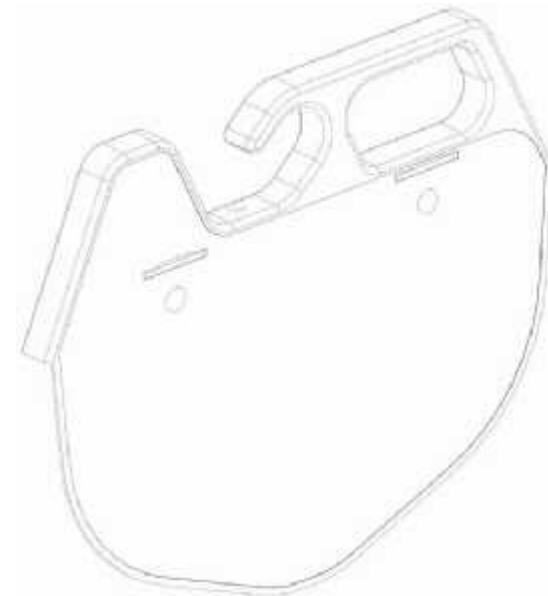
(21) Design Number: **11191/2013**
(22) Date of Filing Application: **12 March 2013**
(24) Date from which industrial property rights may have effect: **12 March 2013**
(54) Product in respect of which the design is registered: **Toy**
(51) International Design Classification: **21-01C**
(74) Name(s) of Attorney(s): **SPRUSON & FERGUSON**
(71) Name(s) and Address(s) of Applicant(s):
Innovation First, Inc.
1519 Interstate 30 West Greenville TX 75402 United States of America
(72) Name(s) of Designer(s): **David Anthony Norman and Robert H. Mimplitch III**
and Jeffrey Russell Waegelin and Douglas Michael Galletti
(45) Registration Date: **24 May 2013**
(30) Convention priority data:
(31) Number (32) Date (33) Country
29/432774 20 Sep 2012 UNITED STATES OF AMERICA
(56) Related Art Documents: **Not Applicable**
(57) Statement of Newness and Distinctiveness: **Newness and distinctiveness**
is claimed in those features of shape and/or configuration of a toy
illustrated in continuous lines in the accompanying representations.



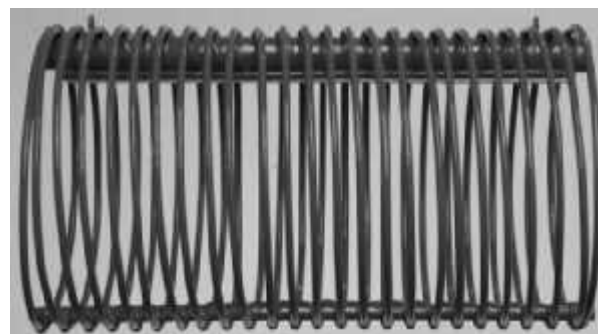
- (21) Design Number: **11662/2013**
(22) Date of Filing Application: **08 April 2013**
(24) Date from which industrial property rights may have effect: **08 April 2013**
(54) Product in respect of which the design is registered: **Packaging container**
(51) International Design Classification: **09-05**
(74) Name(s) of Attorney(s): **WATERMARK PATENT AND TRADE MARKS ATTORNEYS**
(71) Name(s) and Address(s) of Applicant(s):
Who-Rae Pty Ltd
L1 185 Bank St South Melbourne VIC 3205 Australia
(72) Name(s) of Designer(s): **Warwick James Brown and Giles Frederick Matthews and Lorrin Megan Windahl and Andrew Joseph Fanning**
(45) Registration Date: **24 May 2013**
(56) Related Art Documents: **Not Applicable**
(57) Statement of Newness and Distinctiveness: **Nil**



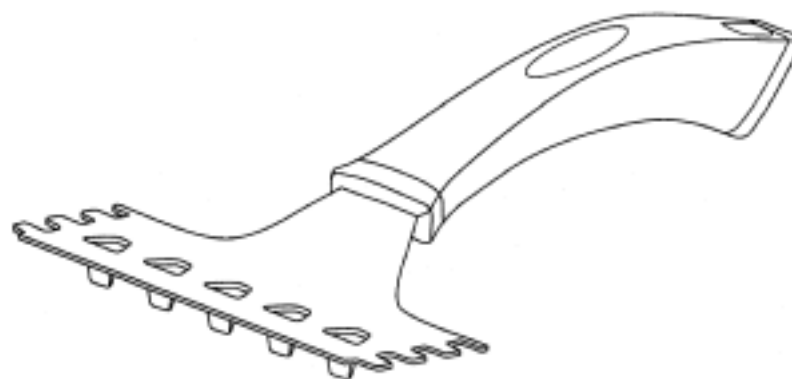
- (21) Design Number: **11665/2013**
(22) Date of Filing Application: **08 April 2013**
(24) Date from which industrial property rights may have effect: **08 April 2013**
(54) Product in respect of which the design is registered: **Packaging container**
(51) International Design Classification: **09-05**
(74) Name(s) of Attorney(s): **WATERMARK PATENT AND TRADE MARKS ATTORNEYS**
(71) Name(s) and Address(s) of Applicant(s):
Who-Rae Pty Ltd
L1 185 Bank St South Melbourne VIC 3205 Australia
(72) Name(s) of Designer(s): **Warwick James Brown and Giles Frederick Matthews**
(45) Registration Date: **24 May 2013**
(56) Related Art Documents: **Not Applicable**
(57) Statement of Newness and Distinctiveness: **Nil**



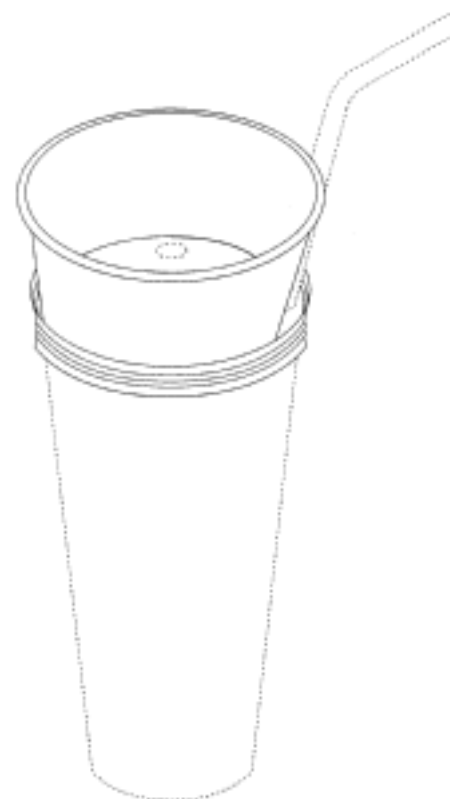
- (21) Design Number: **11668/2013**
(22) Date of Filing Application: **08 April 2013**
(24) Date from which industrial property rights may have effect: **08 April 2013**
(54) Product in respect of which the design is registered: **Lamp**
(51) International Design Classification: **26-05D**
(74) Name(s) of Attorney(s): **Acacia Law**
(71) Name(s) and Address(s) of Applicant(s):
Vittorio Bonacina Di Mario Bonacina & C. - S.N.C.
Via Madonnina 12 Lurago d'Erba (CO) 22040 Italy
(72) Name(s) of Designer(s): **Elia Bonacina**
(45) Registration Date: **24 May 2013**
(56) Related Art Documents: **Not Applicable**
(57) Statement of Newness and Distinctiveness: **The newness and distinctiveness in the lamp particularly resides in the aesthetic effect of a single continuous core thread in a repeating spiral coil creating a macro cylindrical structure defining empty space between the coils and in the axial centre of the macro cylindrical structure itself. The design may be any colour. Power leads and supporting wires visible in some of the representations are not to be considered part of the design or to contribute to its novelty.**



- (21) Design Number: **11675/2013**
(22) Date of Filing Application: **09 April 2013**
(24) Date from which industrial property rights may have effect: **09 April 2013**
(54) Product in respect of which the design is registered: **A barbeque scraper**
(51) International Design Classification: **07-04, 07-06NES**
(74) Name(s) of Attorney(s): **SPRUSON & FERGUSON**
(71) Name(s) and Address(s) of Applicant(s):
Sheldon and Hammond Pty Ltd
24 Salisbury Rd Asquith NSW 2077 Australia
(72) Name(s) of Designer(s): **Alexander Angus**
(45) Registration Date: **24 May 2013**
(56) Related Art Documents: **Not Applicable**
(57) Statement of Newness and Distinctiveness: **Newness and distinctiveness is claimed in the features of shape and/or configuration of a barbeque scraper as illustrated in the accompanying representations.**



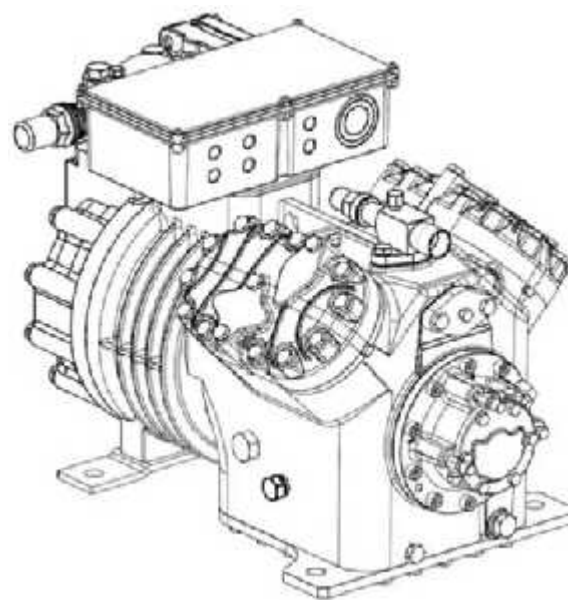
- (21) Design Number: **11115/2013**
(22) Date of Filing Application: **08 March 2013**
(24) Date from which industrial property rights may have effect: **08 March 2013**
(54) Product in respect of which the design is registered: **Lid and container**
(51) International Design Classification: **07-01C**
(74) Name(s) of Attorney(s): **Shelston IP**
(71) Name(s) and Address(s) of Applicant(s):
Stephen Layfield
Layfield Design L6 69 Reservoir St Surry Hills NSW 2010 Australia
(72) Name(s) of Designer(s): **Stephen Layfield**
(45) Registration Date: **24 May 2013**
(56) Related Art Documents: **Not Applicable**
(57) Statement of Newness and Distinctiveness: **Newness and distinctiveness reside in the features of shape and/or configuration of a lid and container as illustrated in solid lines in the accompanying representations. Those features illustrated in broken lines are intended only to place the design in the appropriate context and do not form part of the design.**



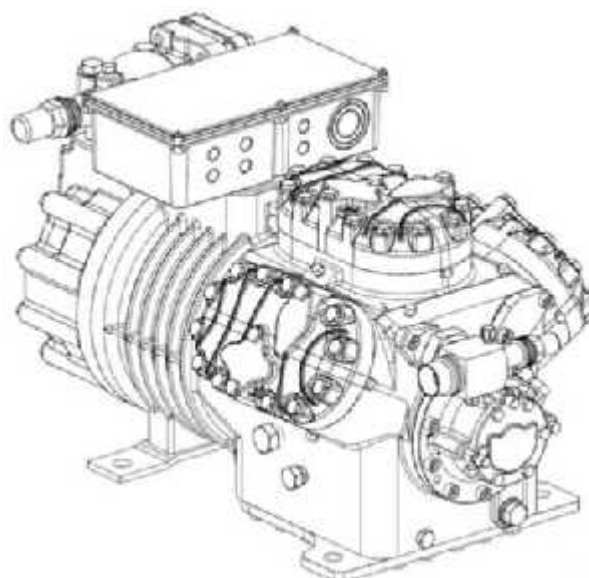
- (21) Design Number: **11680/2013**
(22) Date of Filing Application: **09 April 2013**
(24) Date from which industrial property rights may have effect: **09 April 2013**
(54) Product in respect of which the design is registered: **Mattress protector**
(51) International Design Classification: **06-13NES**
(74) Name(s) of Attorney(s):
(71) Name(s) and Address(s) of Applicant(s):
THOMAS PEACOCK & SONS PTY LTD
13-15 Hazelhurst St Kewdale WA 6105 Australia
(72) Name(s) of Designer(s): **Warren Wild**
(45) Registration Date: **24 May 2013**
(56) Related Art Documents: **Not Applicable**
(57) Statement of Newness and Distinctiveness: **The Fit Right elastic system is a new way to allow mattress protectors to be securely fitted to a wide variety of different height mattresses. The Fit Right system uses the standard skirt which is sewn onto the edge of the mattress protector quilting and then sewn to an elastic strip which is designed to fit underneath the mattress. However, in addition the Fit Right system has 4 x 4cm wide elastic strips that are sewn to the bottom elastic strip diagonally across the corners.**



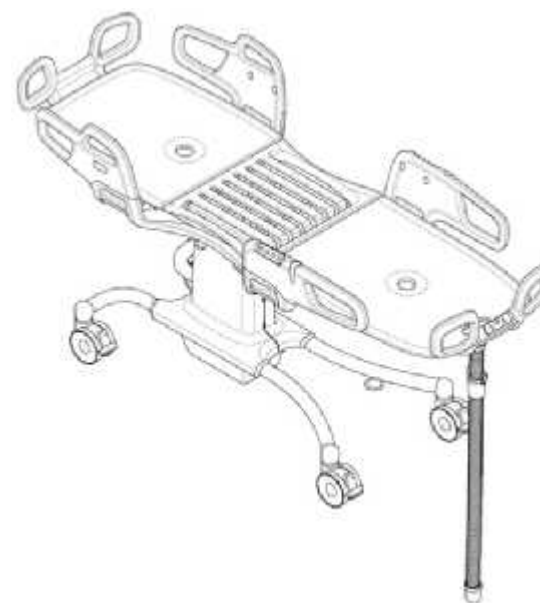
- (21) Design Number: **11684/2013**
(22) Date of Filing Application: **10 April 2013**
(24) Date from which industrial property rights may have effect: **10 April 2013**
(54) Product in respect of which the design is registered: **Compressor**
(51) International Design Classification: **15-02**
(74) Name(s) of Attorney(s): **Griffith Hack**
(71) Name(s) and Address(s) of Applicant(s):
Bitzer Kuehlmaschinenbau GmbH
Eschenbruennlestrasse 15 Sindelfingen 71065 Germany
(72) Name(s) of Designer(s): **Klaus Ohser**
(45) Registration Date: **24 May 2013**
(30) Convention priority data:
(31) Number (32) Date (33) Country
002198689-0001 08 Mar 2013 OFFICE FOR HARMONISATION IN
THE INTERNAL MARKET (OHIM)
(56) Related Art Documents: **Not Applicable**
(57) Statement of Newness and Distinctiveness: **Newness and distinctiveness**
resides in the visual features, including shape, configuration and
ornamentation of the product as shown in the accompanying drawings.



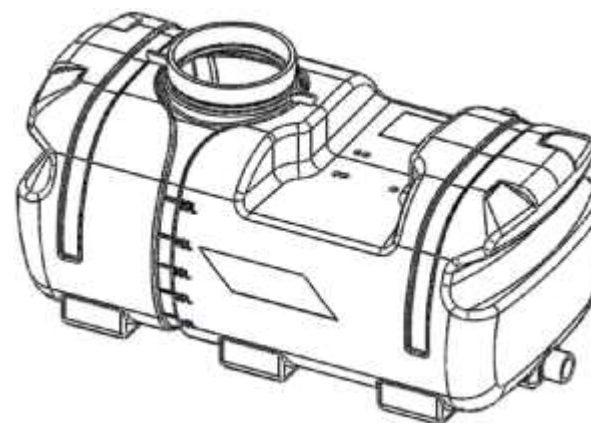
- (21) Design Number: **11685/2013**
(22) Date of Filing Application: **10 April 2013**
(24) Date from which industrial property rights may have effect: **10 April 2013**
(54) Product in respect of which the design is registered: **Compressor**
(51) International Design Classification: **15-02**
(74) Name(s) of Attorney(s): **Griffith Hack**
(71) Name(s) and Address(s) of Applicant(s):
Bitzer Kuehlmaschinenbau GmbH
Eschenbruennlestrasse 15 Sindelfingen 71065 Germany
(72) Name(s) of Designer(s): **Klaus Ohser**
(45) Registration Date: **24 May 2013**
(30) Convention priority data:
(31) Number (32) Date (33) Country
002198689-0003 08 Mar 2013 OFFICE FOR HARMONISATION IN
THE INTERNAL MARKET (OHIM)
(56) Related Art Documents: **Not Applicable**
(57) Statement of Newness and Distinctiveness: **Newness and distinctiveness**
resides in the visual features, including shape, configuration and
ornamentation of the product as shown in the accompanying drawings.



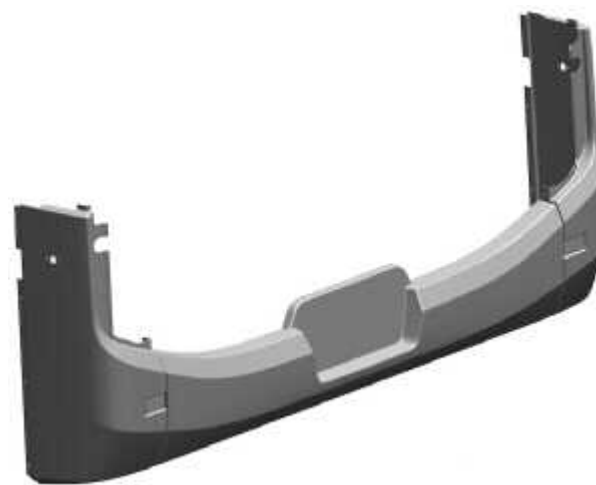
- (21) Design Number: **11687/2013**
(22) Date of Filing Application: **10 April 2013**
(24) Date from which industrial property rights may have effect: **10 April 2013**
(54) Product in respect of which the design is registered: **Shower stretcher**
(51) International Design Classification: **12-12**
(74) Name(s) of Attorney(s): **Cotters Patent & Trade Mark Attorneys**
(71) Name(s) and Address(s) of Applicant(s):
Arjo Hospital Equipment AB
Verkstadsvagen 5 Eslov 241 38 Sweden
(72) Name(s) of Designer(s): **Andreas Thomasson and Bodil Akesson and Kajsa Haraldsson and Richard Nilsson**
(45) Registration Date: **24 May 2013**
(30) Convention priority data:
(31) Number (32) Date (33) Country
002116814-0001 10 Oct 2012 OFFICE FOR HARMONISATION IN THE INTERNAL MARKET (OHIM)
(56) Related Art Documents: **Not Applicable**
(57) Statement of Newness and Distinctiveness: **Newness and distinctiveness is claimed in the features of shape and/or configuration of a shower stretcher as shown in the accompanying drawings.**



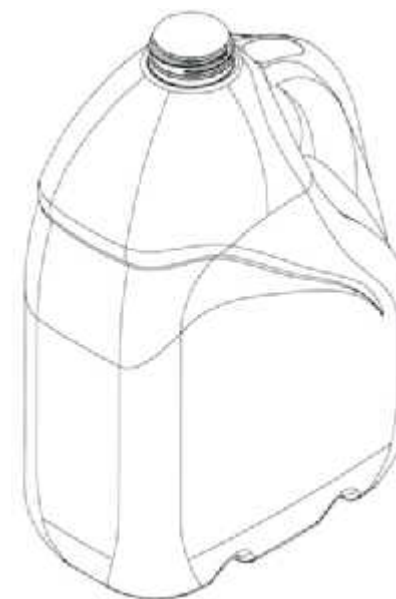
- (21) Design Number: **11934/2013**
(22) Date of Filing Application: **24 April 2013**
(24) Date from which industrial property rights may have effect: **24 April 2013**
(54) Product in respect of which the design is registered: **Spray tank, chemical tank**
(51) International Design Classification: **23-01F**
(74) Name(s) of Attorney(s):
(71) Name(s) and Address(s) of Applicant(s):
Silvan Australia Pty Ltd
PO BOX 4453 Dandenong South VIC 3164 Australia
(72) Name(s) of Designer(s): **Ian Wong**
(45) Registration Date: **24 May 2013**
(56) Related Art Documents: **Not Applicable**
(57) Statement of Newness and Distinctiveness: **Nil**



- (21) Design Number: **11935/2013**
(22) Date of Filing Application: **24 April 2013**
(24) Date from which industrial property rights may have effect: **24 April 2013**
(54) Product in respect of which the design is registered: **Rear bumper for a bus**
(51) International Design Classification: **12-16C**
(74) Name(s) of Attorney(s): **Davies Collison Cave**
(71) Name(s) and Address(s) of Applicant(s):
Volgren Australia Pty Ltd
221-243 Hammond Rd Dandenong VIC 3175 Australia
(72) Name(s) of Designer(s): **Michael Kearney and Ron Lumsden and Dominic Lamanna and Robbie Napper and Peter Elliot and Ilya Fridman and Matthew Glenn and Cameron Glover and Jesse de Wald and Nicholas Carnie and Jessica Cassar and Kieran John and Jack Martinich**
(45) Registration Date: **24 May 2013**
(56) Related Art Documents: **Not Applicable**
(57) Statement of Newness and Distinctiveness: **Nil**



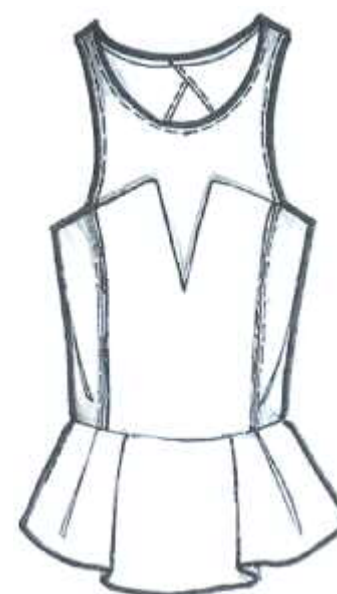
- (21) Design Number: **11945/2013**
(22) Date of Filing Application: **26 April 2013**
(24) Date from which industrial property rights may have effect: **26 April 2013**
(54) Product in respect of which the design is registered: **A bottle**
(51) International Design Classification: **09-01B**
(74) Name(s) of Attorney(s): **AJ Park**
(71) Name(s) and Address(s) of Applicant(s):
Alto Packaging Limited
Level 6 57 Symonds Street Grafton Auckland 1010 New Zealand
(72) Name(s) of Designer(s): **Christina Theodora Maria Koeleman**
(45) Registration Date: **24 May 2013**
(56) Related Art Documents: **Not Applicable**
(57) Statement of Newness and Distinctiveness: **Nil**



(21) Design Number: **11951/2013**
(22) Date of Filing Application: **26 April 2013**
(24) Date from which industrial property rights may have effect: **26 April 2013**
(54) Product in respect of which the design is registered: **Multi-walled container**
(51) International Design Classification: **09-03F**
(74) Name(s) of Attorney(s): **AJ Park**
(71) Name(s) and Address(s) of Applicant(s):
Alto Packaging Limited
Level 6 57 Symonds Street Grafton Auckland 1010 New Zealand
(72) Name(s) of Designer(s): **Steven Mark Long**
(45) Registration Date: **24 May 2013**
(30) Convention priority data:
(31) Number (32) Date (33) Country
417255 29 Jan 2013 NEW ZEALAND
(56) Related Art Documents: **Not Applicable**
(57) Statement of Newness and Distinctiveness: **Nil**



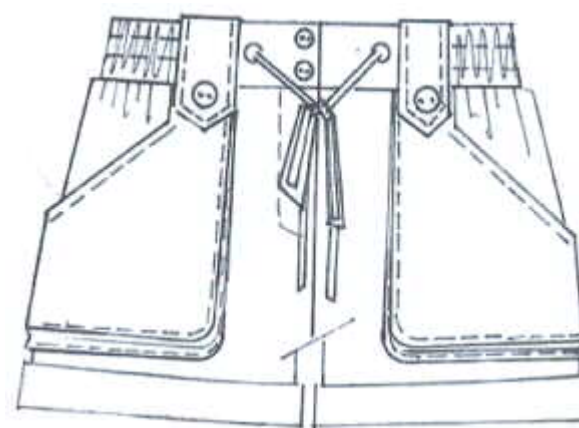
(21) Design Number: **16903/2012**
(22) Date of Filing Application: **17 September 2012**
(24) Date from which industrial property rights may have effect: **17 September 2012**
(54) Product in respect of which the design is registered: **Article of clothing**
(51) International Design Classification: **02-02NES**
(74) Name(s) of Attorney(s): **Allens Patent & Trade Mark Attorneys**
(71) Name(s) and Address(s) of Applicant(s):
Forever New Clothing Pty Ltd
714-716 High St Kew East VIC 3102 Australia
(72) Name(s) of Designer(s): **Gemma Henderson**
(45) Registration Date: **24 May 2013**
(56) Related Art Documents: **Not Applicable**
(57) Statement of Newness and Distinctiveness: **Newness and distinctiveness resides in the visual features of shape, configuration, pattern and/or ornamentation of an article of clothing as shown in the accompanying representations.**



- (21) Design Number: **16904/2012**
(22) Date of Filing Application: **17 September 2012**
(24) Date from which industrial property rights may have effect: **17 September 2012**
(54) Product in respect of which the design is registered: **Article of clothing**
(51) International Design Classification: **02-02C**
(74) Name(s) of Attorney(s): **Allens Patent & Trade Mark Attorneys**
(71) Name(s) and Address(s) of Applicant(s):
Forever New Clothing Pty Ltd
714-716 High St Kew East VIC 3102 Australia
(72) Name(s) of Designer(s): **Mary McCarthy**
(45) Registration Date: **24 May 2013**
(56) Related Art Documents: **Not Applicable**
(57) Statement of Newness and Distinctiveness: **Newness and distinctiveness resides in the visual features of shape, configuration, pattern and/or ornamentation of an article of clothing as shown in the accompanying representations.**



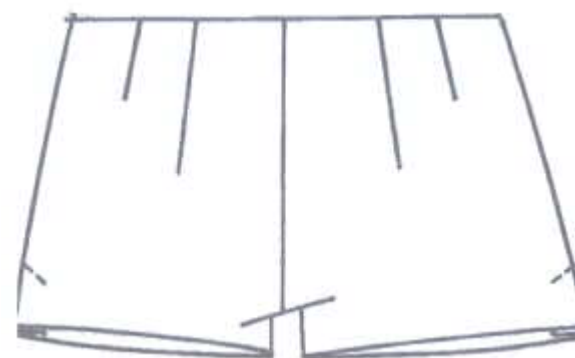
- (21) Design Number: **16905/2012**
(22) Date of Filing Application: **17 September 2012**
(24) Date from which industrial property rights may have effect: **17 September 2012**
(54) Product in respect of which the design is registered: **Article of clothing**
(51) International Design Classification: **02-02C**
(74) Name(s) of Attorney(s): **Allens Patent & Trade Mark Attorneys**
(71) Name(s) and Address(s) of Applicant(s):
Forever New Clothing Pty Ltd
714-716 High St Kew East VIC 3102 Australia
(72) Name(s) of Designer(s): **Mary McCarthy**
(45) Registration Date: **24 May 2013**
(56) Related Art Documents: **Not Applicable**
(57) Statement of Newness and Distinctiveness: **Newness and distinctiveness resides in the visual features of shape, configuration, pattern and/or ornamentation of an article of clothing as shown in the accompanying representations.**



- (21) Design Number: **16906/2012**
(22) Date of Filing Application: **17 September 2012**
(24) Date from which industrial property rights may have effect: **17 September 2012**
(54) Product in respect of which the design is registered: **Article of clothing**
(51) International Design Classification: **02-02C**
(74) Name(s) of Attorney(s): **Allens Patent & Trade Mark Attorneys**
(71) Name(s) and Address(s) of Applicant(s):
Forever New Clothing Pty Ltd
714-716 High St Kew East VIC 3102 Australia
(72) Name(s) of Designer(s): **Mary McCarthy**
(45) Registration Date: **24 May 2013**
(56) Related Art Documents: **Not Applicable**
(57) Statement of Newness and Distinctiveness: **Newness and distinctiveness resides in the visual features of shape, configuration, pattern and/or ornamentation of an article of clothing as shown in the accompanying representations.**



- (21) Design Number: **16907/2012**
(22) Date of Filing Application: **17 September 2012**
(24) Date from which industrial property rights may have effect: **17 September 2012**
(54) Product in respect of which the design is registered: **Article of clothing**
(51) International Design Classification: **02-02C**
(74) Name(s) of Attorney(s): **Allens Patent & Trade Mark Attorneys**
(71) Name(s) and Address(s) of Applicant(s):
Forever New Clothing Pty Ltd
714-716 High St Kew East VIC 3102 Australia
(72) Name(s) of Designer(s): **Mary McCarthy**
(45) Registration Date: **24 May 2013**
(56) Related Art Documents: **Not Applicable**
(57) Statement of Newness and Distinctiveness: **Newness and distinctiveness resides in the visual features of shape, configuration, pattern and/or ornamentation of an article of clothing as shown in the accompanying representations.**



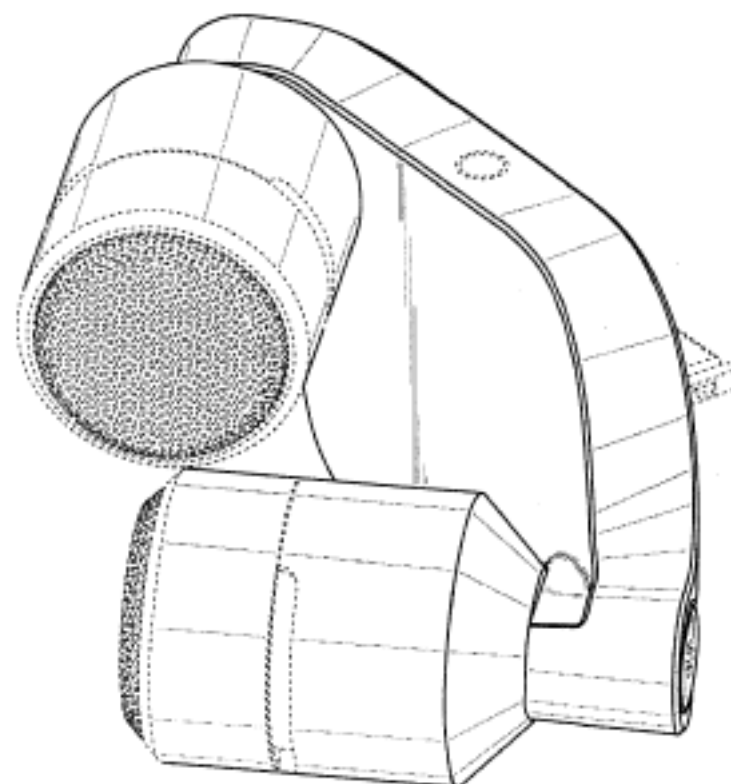
- (21) Design Number: **16908/2012**
(22) Date of Filing Application: **17 September 2012**
(24) Date from which industrial property rights may have effect: **17 September 2012**
(54) Product in respect of which the design is registered: **Article of clothing**
(51) International Design Classification: **02-02C**
(74) Name(s) of Attorney(s): **Allens Patent & Trade Mark Attorneys**
(71) Name(s) and Address(s) of Applicant(s):
Forever New Clothing Pty Ltd
714-716 High St Kew East VIC 3102 Australia
(72) Name(s) of Designer(s): **Mary McCarthy**
(45) Registration Date: **24 May 2013**
(56) Related Art Documents: **Not Applicable**
(57) Statement of Newness and Distinctiveness: **Newness and distinctiveness resides in the visual features of shape, configuration, pattern and/or ornamentation of an article of clothing as shown in the accompanying representations.**



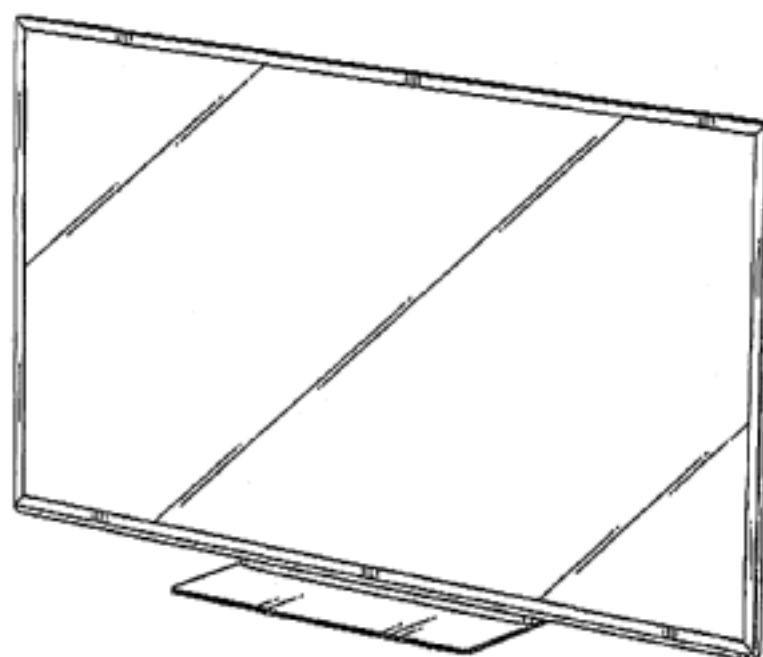
- (21) Design Number: **16909/2012**
(22) Date of Filing Application: **17 September 2012**
(24) Date from which industrial property rights may have effect: **17 September 2012**
(54) Product in respect of which the design is registered: **Article of clothing**
(51) International Design Classification: **02-02C**
(74) Name(s) of Attorney(s): **Allens Patent & Trade Mark Attorneys**
(71) Name(s) and Address(s) of Applicant(s):
Forever New Clothing Pty Ltd
714-716 High St Kew East VIC 3102 Australia
(72) Name(s) of Designer(s): **Mantra Ahrendt**
(45) Registration Date: **24 May 2013**
(56) Related Art Documents: **Not Applicable**
(57) Statement of Newness and Distinctiveness: **Newness and distinctiveness resides in the visual features of shape, configuration, pattern and/or ornamentation of an article of clothing as shown in the accompanying representations.**



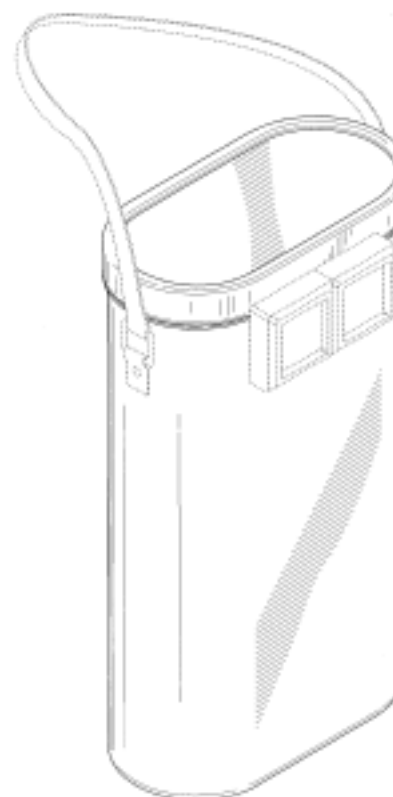
(21) Design Number: **10501/2013**
(22) Date of Filing Application: **01 February 2013**
(24) Date from which industrial property rights may have effect: **01 February 2013**
(54) Product in respect of which the design is registered: **Microphone**
(51) International Design Classification: **14-01**
(74) Name(s) of Attorney(s): **Davies Collison Cave**
(71) Name(s) and Address(s) of Applicant(s):
Freedman Electronics Pty. Ltd.
107 Carnarvon St Silverwater NSW 2128 Australia
(72) Name(s) of Designer(s): **Samuel Dean Trewartha and See Lih Ong and Peter Noel Cooper and Sunghoon Mun**
(45) Registration Date: **24 May 2013**
(30) Convention priority data:
(31) Number (32) Date (33) Country
29/428879 03 Aug 2012 UNITED STATES OF AMERICA
(56) Related Art Documents: **Not Applicable**
(57) Statement of Newness and Distinctiveness: **The shape and configuration of those parts of the design shown in solid lines in the representations are new and distinctive.**



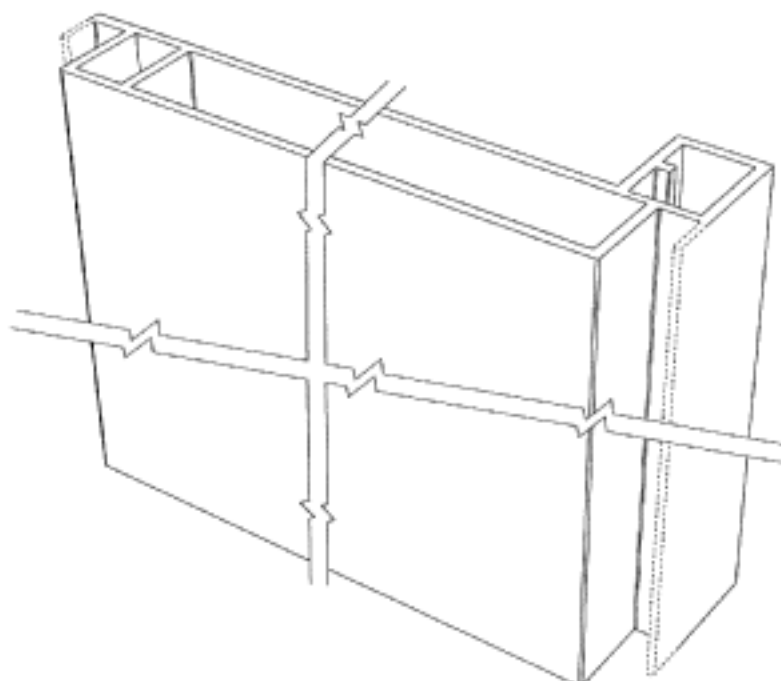
(21) Design Number: **10893/2013**
(22) Date of Filing Application: **26 February 2013**
(24) Date from which industrial property rights may have effect: **26 February 2013**
(54) Product in respect of which the design is registered: **Television receiver**
(51) International Design Classification: **14-03B**
(74) Name(s) of Attorney(s): **HODGKINSON McINNES PATENTS**
(71) Name(s) and Address(s) of Applicant(s):
Kabushiki Kaisha Toshiba
1-1 Shibaura 1-chome Minato-ku Tokyo 105-8001 Japan
(72) Name(s) of Designer(s): **Taihei Miyaji**
(45) Registration Date: **24 May 2013**
(30) Convention priority data:
(31) Number (32) Date (33) Country
2012-020582 28 Aug 2012 JAPAN
(56) Related Art Documents: **Not Applicable**
(57) Statement of Newness and Distinctiveness: **Newness and distinctiveness is claimed in the features of shape and/or configuration of a television receiver as illustrated in the accompanying representations.**



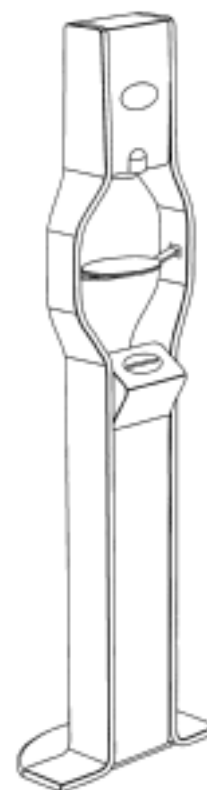
(21) Design Number: **11052/2013**
(22) Date of Filing Application: **05 March 2013**
(24) Date from which industrial property rights may have effect: **05 March 2013**
(54) Product in respect of which the design is registered: **Bottle carrier**
(51) International Design Classification: **09-03E**
(74) Name(s) of Attorney(s): **PIZZEYS**
(71) Name(s) and Address(s) of Applicant(s):
Mark A. Waltrip
9212 Island Lake Ct. Orlando Florida 32836 United States of America
(72) Name(s) of Designer(s): **Mark A. Waltrip**
(45) Registration Date: **24 May 2013**
(30) Convention priority data:
(31) Number (32) Date (33) Country
29/431,475 07 Sep 2012 UNITED STATES OF AMERICA
(56) Related Art Documents: **Not Applicable**
(57) Statement of Newness and Distinctiveness: **Nil**



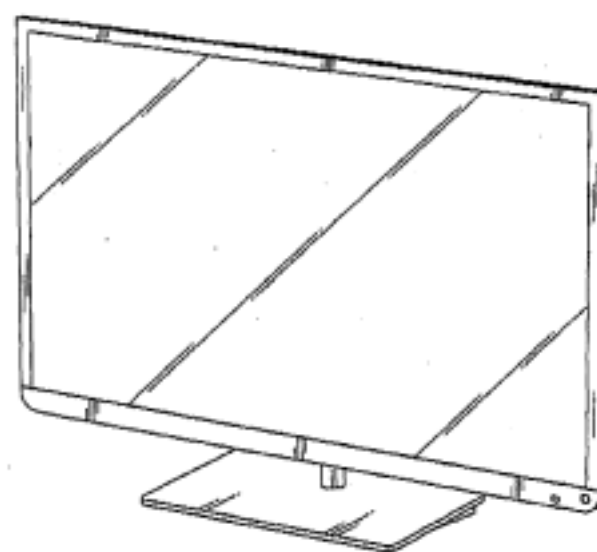
(21) Design Number: **11628/2013**
(22) Date of Filing Application: **04 April 2013**
(24) Date from which industrial property rights may have effect: **04 April 2013**
(54) Product in respect of which the design is registered: **A window adapter for a prefabricated wall panel**
(51) International Design Classification: **25-02G**
(74) Name(s) of Attorney(s): **Madderns**
(71) Name(s) and Address(s) of Applicant(s):
Prodrome Designs Pty Ltd
468 Stuart Hwy Winnellie NT 0820 Australia
(72) Name(s) of Designer(s): **John Koukouvas**
(45) Registration Date: **24 May 2013**
(56) Related Art Documents: **Not Applicable**
(57) Statement of Newness and Distinctiveness: **Newness and distinctiveness resides in the visual features of shape and/or configuration of a window adapter for a prefabricated wall panel as illustrated in solid (as opposed to dashed) lines.**



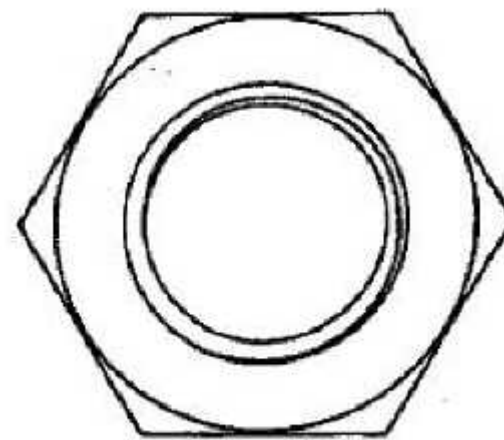
- (21) Design Number: **11857/2013**
(22) Date of Filing Application: **18 April 2013**
(24) Date from which industrial property rights may have effect: **18 April 2013**
(54) Product in respect of which the design is registered: **Hygiene products stand**
(51) International Design Classification: **23-02A**
(74) Name(s) of Attorney(s): **Freehills Patent Attorneys**
(71) Name(s) and Address(s) of Applicant(s):
Kimberly-Clark Worldwide, Inc.
2300 Winchester Road Neenah Wisconsin 54956 United States of America
(72) Name(s) of Designer(s): **Barry P. Markwick and Ronnie L. Phillips and Joanna L. Klee and Christopher M. Sinotte and Sarah S. Happel and Basma A. Osman and John D. Mabry and Andrew J. Shapiro and David H. Wykes**
(45) Registration Date: **24 May 2013**
(30) Convention priority data:
(31) Number (32) Date (33) Country
29/435932 31 Oct 2012 UNITED STATES OF AMERICA
(56) Related Art Documents: **Not Applicable**
(57) Statement of Newness and Distinctiveness: **Newness and distinctiveness of the design resides in the shape and/or configuration of the hygiene products stand as shown in solid outlines in the accompanying representations.**



- (21) Design Number: **10891/2013**
(22) Date of Filing Application: **26 February 2013**
(24) Date from which industrial property rights may have effect: **26 February 2013**
(54) Product in respect of which the design is registered: **Television receiver**
(51) International Design Classification: **14-03B**
(74) Name(s) of Attorney(s): **HODGKINSON McINNES PATENTS**
(71) Name(s) and Address(s) of Applicant(s):
Kabushiki Kaisha Toshiba
1-1 Shibaura 1-chome Minato-ku Tokyo 105-8001 Japan
(72) Name(s) of Designer(s): **Shogo Suzuki and Takashi Asanuma and Taihei Miyaji and Hitoshi Otsuka and Takeshi Suzuki and Kentaro Ichise and Giles Mitchell and Kentaro Tanaka**
(45) Registration Date: **24 May 2013**
(30) Convention priority data:
(31) Number (32) Date (33) Country
2012-020580 28 Aug 2012 JAPAN
(56) Related Art Documents: **Not Applicable**
(57) Statement of Newness and Distinctiveness: **Newness and distinctiveness is claimed in the features of shape and/or configuration of a television receiver as illustrated in the accompanying representations.**



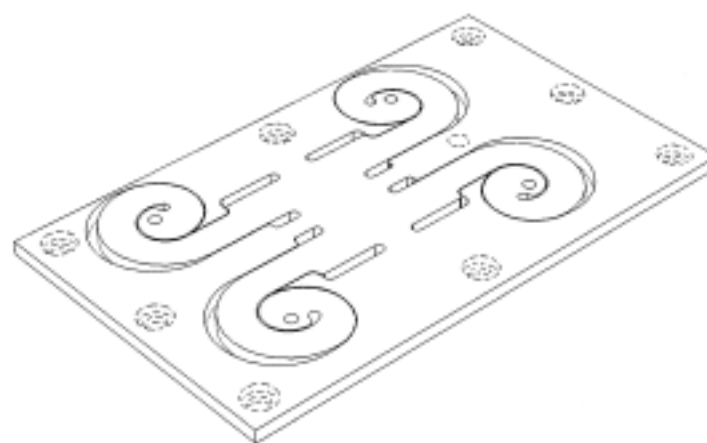
- (21) Design Number: **11070/2013**
(22) Date of Filing Application: **06 March 2013**
(24) Date from which industrial property rights may have effect: **06 March 2013**
(54) Product in respect of which the design is registered: **A nut**
(51) International Design Classification: **08-08B**
(74) Name(s) of Attorney(s): **Davies Collison Cave**
(71) Name(s) and Address(s) of Applicant(s):
Sumitomo Forestry Co., Ltd.
3-2 Otemachi 1-chome Chiyoda-ku Tokoyo 100-8270 Japan
Kanai Co., Ltd.
4-24-5 Hanahata Adachi-ku Tokyo 121-0061 Japan
(72) Name(s) of Designer(s): **Junichi Imai and Hiroki Nakashima and Kunio Kanai and Yasufumi Ushio**
(45) Registration Date: **24 May 2013**
(30) Convention priority data:
(31) Number (32) Date (33) Country
2012-023133 25 Sep 2012 JAPAN
(56) Related Art Documents: **Not Applicable**
(57) Statement of Newness and Distinctiveness: **Newness and distinctiveness is claimed in the shape and configuration of the extension and ring member marked X and Y at the end of the nut body as shown in the representations.**



- (21) Design Number: **11082/2013**
(22) Date of Filing Application: **07 March 2013**
(24) Date from which industrial property rights may have effect: **07 March 2013**
(54) Product in respect of which the design is registered: **Storage unit**
(51) International Design Classification: **06-04B**
(74) Name(s) of Attorney(s): **WATERMARK PATENT AND TRADE MARKS ATTORNEYS**
(71) Name(s) and Address(s) of Applicant(s):
Site Safe (Vic) Pty Ltd
74 Castro Way Derrimut VIC 3030 Australia
(72) Name(s) of Designer(s): **Gerstner-Stevens Gerard Manfred**
(45) Registration Date: **24 May 2013**
(56) Related Art Documents: **Not Applicable**
(57) Statement of Newness and Distinctiveness: **Newness and distinctiveness is claimed in those features of shape and/or configuration of a storage unit as illustrated in the accompanying representations.**



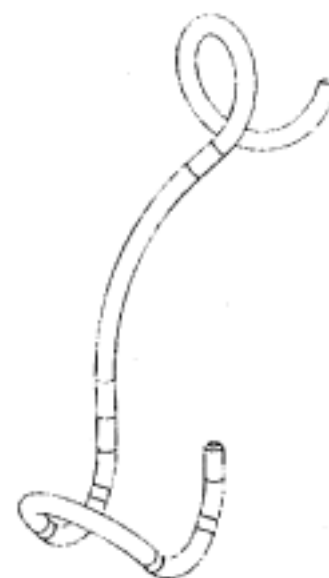
- (21) Design Number: **11189/2013**
(22) Date of Filing Application: **12 March 2013**
(24) Date from which industrial property rights may have effect: **12 March 2013**
(54) Product in respect of which the design is registered: **Mounting bracket**
(51) International Design Classification: **08-08NES, 20-01**
(74) Name(s) of Attorney(s): **HODGKINSON McINNES PATENTS**
(71) Name(s) and Address(s) of Applicant(s):
Sprintquip Pty Ltd
1 Arab Rd Padstow NSW 2211 Australia
(72) Name(s) of Designer(s): **Anton Evan Wachswender**
(45) Registration Date: **24 May 2013**
(56) Related Art Documents: **Not Applicable**
(57) Statement of Newness and Distinctiveness: **Newness and distinctiveness is claimed in the shape and configuration of a mounting bracket for affixing an article to a surface as shown in the representations, and in particular, is claimed in the gap between the side-walls of each arm demarcated in a plate of the bracket and the side-walls of the plate, which is greatest at a point distal from a junction of the arm and the plate. The features of the mounting holes shown in ghost lines are representative only and do not form part of the design.**



- (21) Design Number: **11576/2013**
(22) Date of Filing Application: **27 March 2013**
(24) Date from which industrial property rights may have effect: **27 March 2013**
(54) Product in respect of which the design is registered: **Paddle for canoes**
(51) International Design Classification: **12-06C**
(74) Name(s) of Attorney(s): **Fisher Adams Kelly**
(71) Name(s) and Address(s) of Applicant(s):
Remateria AB
Agnesbergsvagen 18 AGNESBERG SE-424 38 Sweden
(72) Name(s) of Designer(s): **Pontus Ny**
(45) Registration Date: **24 May 2013**
(30) Convention priority data:
(31) Number (32) Date (33) Country
002110528-0001 28 Sep 2012 OFFICE FOR HARMONISATION IN THE INTERNAL MARKET (OHIM)
(56) Related Art Documents: **Not Applicable**
(57) Statement of Newness and Distinctiveness: **The newness and distinctiveness of the design resides in the shape and/or configuration of the PADDLES FOR CANOES shown in the representations.**



- (21) Design Number: **11785/2013**
(22) Date of Filing Application: **16 April 2013**
(24) Date from which industrial property rights may have effect: **16 April 2013**
(54) Product in respect of which the design is registered: **A hanger**
(51) International Design Classification: **06-08**
(74) Name(s) of Attorney(s): **SPRUSON & FERGUSON**
(71) Name(s) and Address(s) of Applicant(s):
Flat Tyre Pursuits Pty Ltd
302/118 Alfred St Milson Point NSW 2061 Australia
(72) Name(s) of Designer(s): **Christopher Saunders**
(45) Registration Date: **24 May 2013**
(56) Related Art Documents: **Not Applicable**
(57) Statement of Newness and Distinctiveness: **Newness and distinctiveness is claimed in the features of shape and/or configuration of a hanger as illustrated in the accompanying representations.**



- (21) Design Number: **11789/2013**
(22) Date of Filing Application: **16 April 2013**
(24) Date from which industrial property rights may have effect: **16 April 2013**
(54) Product in respect of which the design is registered: **Floor lamp**
(51) International Design Classification: **26-05B**
(74) Name(s) of Attorney(s): **SPRUSON & FERGUSON**
(71) Name(s) and Address(s) of Applicant(s):
Zumtobel Lighting GmbH
Grevenmarschstrasse 74-78 32657 Lemgo Germany
(72) Name(s) of Designer(s): **Julian Lonsdale**
(45) Registration Date: **24 May 2013**
(30) Convention priority data:
(31) Number (32) Date (33) Country
001347306-0001 16 Oct 2012 OFFICE FOR HARMONISATION IN THE INTERNAL MARKET (OHIM)
(56) Related Art Documents: **Not Applicable**
(57) Statement of Newness and Distinctiveness: **Newness and distinctiveness is claimed in the features of shape and/or configuration of a floor lamp as illustrated in the accompanying representations.**



(21) Design Number: **11790/2013**

(22) Date of Filing Application: **16 April 2013**

(24) Date from which industrial property rights may have effect: **16 April 2013**

(54) Product in respect of which the design is registered: **Tube strip for automated processing systems**

(51) International Design Classification: **24-02**

(74) Name(s) of Attorney(s): **Griffith Hack**

(71) Name(s) and Address(s) of Applicant(s):

Qiagen Gaithersburg, Inc.

1201 Clopper Road Gaithersburg MD 20878 United States of America

(72) Name(s) of Designer(s): **Bert Jungheim**

(45) Registration Date: **24 May 2013**

(30) Convention priority data:

(31) Number

(32) Date

(33) Country

29/435,278

22 Oct 2012

UNITED STATES OF AMERICA

(56) Related Art Documents: **Not Applicable**

(57) Statement of Newness and Distinctiveness: **Newness and distinctiveness resides in the visual features, including shape, configuration and ornamentation, of the product as shown by means of solid lines in the attached drawings. Those parts shown by broken lines indicate environmental structure or boundaries that form no part of the claimed design.**



(21) Design Number: **11791/2013**

(22) Date of Filing Application: **16 April 2013**

(24) Date from which industrial property rights may have effect: **16 April 2013**

(54) Product in respect of which the design is registered: **Protective casing for handheld electronic device**

(51) International Design Classification: **03-01NES, 14-02**

(74) Name(s) of Attorney(s): **Griffith Hack**

(71) Name(s) and Address(s) of Applicant(s):

SwitchEasy Limited

Room 314 Sing Win Factory Building 15-17 Shing Yip Street Kwun Tong Kowloon Hong Kong

(72) Name(s) of Designer(s): **Chi Vun Steven Bau**

(45) Registration Date: **24 May 2013**

(30) Convention priority data:

(31) Number

(32) Date

(33) Country

1202164.2

24 Oct 2012

HONG KONG

(56) Related Art Documents: **Not Applicable**

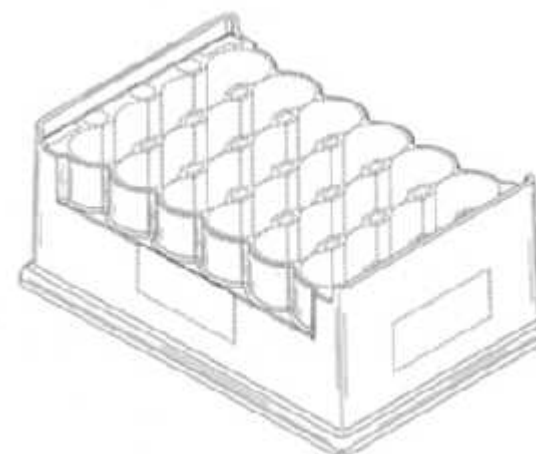
(57) Statement of Newness and Distinctiveness: **Newness and distinctiveness resides in the visual features, including shape, configuration and ornamentation of the product as shown in the accompanying representations.**



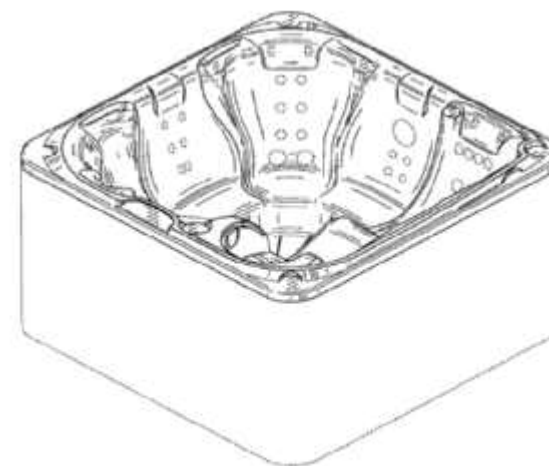
(21) Design Number: **11793/2013**
(22) Date of Filing Application: **16 April 2013**
(24) Date from which industrial property rights may have effect: **16 April 2013**
(54) Product in respect of which the design is registered: **Container**
(51) International Design Classification: **09-99**
(74) Name(s) of Attorney(s): **Marks & Clerk Australia**
(71) Name(s) and Address(s) of Applicant(s):
Chapelsmith Pty Ltd
15-17 Lincoln Sq South Carlton VIC 3053 Australia
(72) Name(s) of Designer(s): **Helen Armstrong**
(45) Registration Date: **24 May 2013**
(56) Related Art Documents: **Not Applicable**
(57) Statement of Newness and Distinctiveness: **Nil**



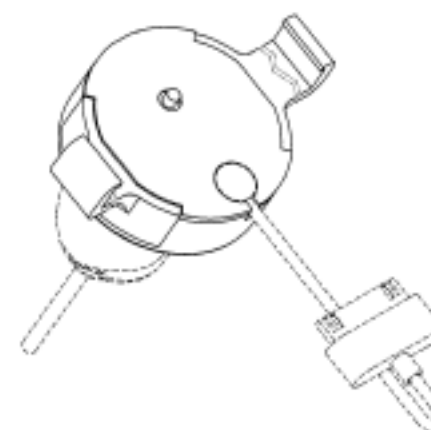
(21) Design Number: **11794/2013**
(22) Date of Filing Application: **16 April 2013**
(24) Date from which industrial property rights may have effect: **16 April 2013**
(54) Product in respect of which the design is registered: **Tube strip holder for automating processing systems**
(51) International Design Classification: **24-02**
(74) Name(s) of Attorney(s): **Griffith Hack**
(71) Name(s) and Address(s) of Applicant(s):
QIAGEN Inc.
1201 Clopper Rd Gaithersburg MD 20878-4000 United States of America
(72) Name(s) of Designer(s): **Bradley Scott Thomas**
(45) Registration Date: **24 May 2013**
(30) Convention priority data:
(31) Number (32) Date (33) Country
29/435277 22 Oct 2012 UNITED STATES OF AMERICA
(56) Related Art Documents: **Not Applicable**
(57) Statement of Newness and Distinctiveness: **Newness and distinctiveness resides in the visual features, including shape and configuration, of a tube strip holder for automating process systems as shown in solid outline in the accompanying drawings. When determining whether the design is substantially similar in overall impression to another design, no regard is to be had to those features shown in dotted outline in the accompanying drawings, which features are provided for illustrative purposes only.**



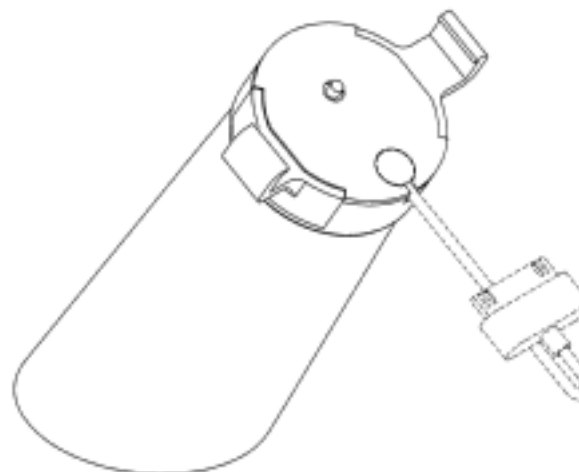
(21) Design Number: **11798/2013**
(22) Date of Filing Application: **17 April 2013**
(24) Date from which industrial property rights may have effect: **17 April 2013**
(54) Product in respect of which the design is registered: **Spa shell**
(51) International Design Classification: **23-02B**
(74) Name(s) of Attorney(s): **Baldwins**
(71) Name(s) and Address(s) of Applicant(s):
Watkins Manufacturing Corporation
1280 Park Center Drive Vista California 92081 United States of America
(72) Name(s) of Designer(s): **Christopher Carl Larsen and Sage Nathan Baker**
(45) Registration Date: **24 May 2013**
(30) Convention priority data:
(31) Number (32) Date (33) Country
29/439,770 14 Dec 2012 UNITED STATES OF AMERICA
(56) Related Art Documents: **Not Applicable**
(57) Statement of Newness and Distinctiveness: **Newness and distinctiveness is claimed in the features of shape and/or configuration of the article as shown in the accompanying representations, excluding those portions shown in broken line.**



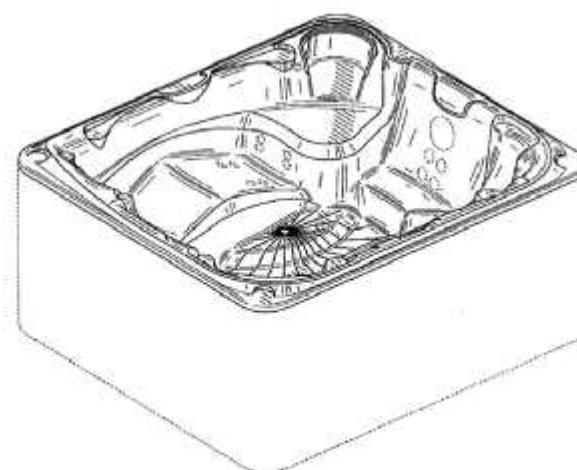
(21) Design Number: **11799/2013**
(22) Date of Filing Application: **15 April 2013**
(24) Date from which industrial property rights may have effect: **15 April 2013**
(54) Product in respect of which the design is registered: **Display stand component**
(51) International Design Classification: **14-02, 20-02NES**
(74) Name(s) of Attorney(s): **Freehills Patent Attorneys**
(71) Name(s) and Address(s) of Applicant(s):
Apple Inc.
1 Infinite Loop Cupertino California 95014 United States of America
(72) Name(s) of Designer(s): **Richard P. Howarth and Wesley Bryan Hamm and Federico F. Tio and Frank Craig Thaler and Russell John Kaaihue Heirakuji**
(45) Registration Date: **24 May 2013**
(30) Convention priority data:
(31) Number (32) Date (33) Country
29/434593 15 Oct 2012 UNITED STATES OF AMERICA
(56) Related Art Documents: **Not Applicable**
(57) Statement of Newness and Distinctiveness: **Newness and distinctiveness of the design resides in the shape and configuration of the display stand component as shown in solid outline in the accompanying representations.**



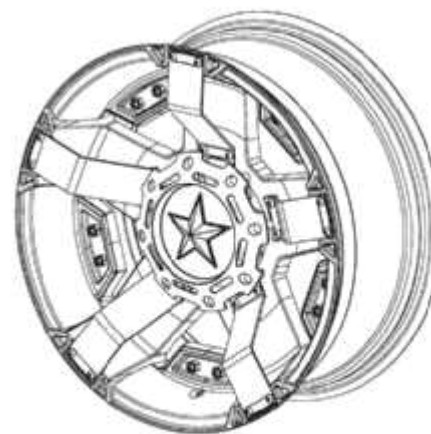
- (21) Design Number: **11800/2013**
(22) Date of Filing Application: **15 April 2013**
(24) Date from which industrial property rights may have effect: **15 April 2013**
(54) Product in respect of which the design is registered: **Dislay stand**
(51) International Design Classification: **14-02, 20-02NES**
(74) Name(s) of Attorney(s): **Freehills Patent Attorneys**
(71) Name(s) and Address(s) of Applicant(s):
Apple Inc.
1 Infinite Loop Cupertino California 95014 United States of America
(72) Name(s) of Designer(s): **Richard P. Howarth and Wesley Bryan Hamm and Federico F. Tio and Frank Craig Thaler and Russell John Kaaihue Heirakuji**
(45) Registration Date: **24 May 2013**
(30) Convention priority data:
(31) Number (32) Date (33) Country
29/434593 15 Oct 2012 UNITED STATES OF AMERICA
(56) Related Art Documents: **Not Applicable**
(57) Statement of Newness and Distinctiveness: **Newness and distinctiveness of the design resides in the shape and configuration of the display stand as shown in solid outlines in the accompanying drawings.**



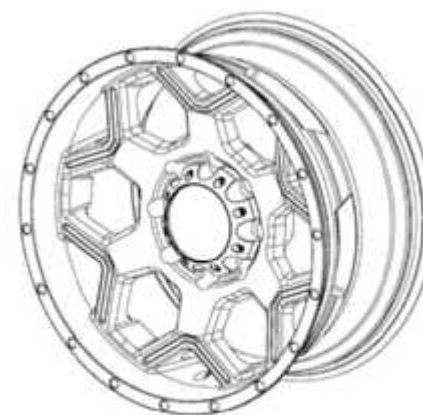
- (21) Design Number: **11801/2013**
(22) Date of Filing Application: **17 April 2013**
(24) Date from which industrial property rights may have effect: **17 April 2013**
(54) Product in respect of which the design is registered: **Spa shell**
(51) International Design Classification: **23-02B**
(74) Name(s) of Attorney(s): **Baldwins**
(71) Name(s) and Address(s) of Applicant(s):
Watkins Manufacturing Corporation
1280 Park Center Drive Vista California 92081 United States of America
(72) Name(s) of Designer(s): **Christopher Carl Larsen and Sage Nathan Baker**
(45) Registration Date: **24 May 2013**
(30) Convention priority data:
(31) Number (32) Date (33) Country
29/439,778 14 Dec 2012 UNITED STATES OF AMERICA
(56) Related Art Documents: **Not Applicable**
(57) Statement of Newness and Distinctiveness: **Newness and distinctiveness is claimed in the features of shape and/or configuration of the article as shown in the accompanying representations, excluding those portions shown in broken line.**



(21) Design Number: **11803/2013**
(22) Date of Filing Application: **17 April 2013**
(24) Date from which industrial property rights may have effect: **17 April 2013**
(54) Product in respect of which the design is registered: **Wheel**
(51) International Design Classification: **12-16A**
(74) Name(s) of Attorney(s): **MORCOM PERNAT**
(71) Name(s) and Address(s) of Applicant(s):
Wheel Pros, LLC
44 Union Blvd Suite 620S Lakewood CO 80228 United States of America
(72) Name(s) of Designer(s): **Suny Chung**
(45) Registration Date: **24 May 2013**
(30) Convention priority data:
(31) Number (32) Date (33) Country
29/435,797 29 Oct 2012 UNITED STATES OF AMERICA
(56) Related Art Documents: **Not Applicable**
(57) Statement of Newness and Distinctiveness: **The newness of the design resides in the shape and configuration of a wheel as illustrated in the representations.**



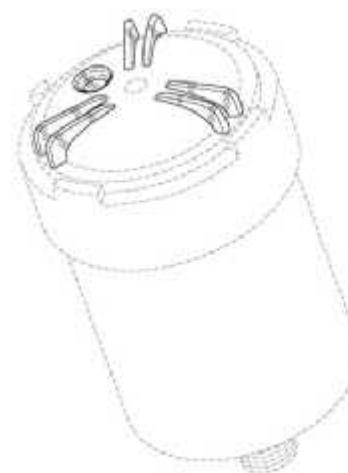
(21) Design Number: **11804/2013**
(22) Date of Filing Application: **17 April 2013**
(24) Date from which industrial property rights may have effect: **17 April 2013**
(54) Product in respect of which the design is registered: **Wheel**
(51) International Design Classification: **12-16A**
(74) Name(s) of Attorney(s): **MORCOM PERNAT**
(71) Name(s) and Address(s) of Applicant(s):
Wheel Pros, LLC
44 Union Blvd Suite 620S Lakewood CO 80228 United States of America
(72) Name(s) of Designer(s): **Suny Chung**
(45) Registration Date: **24 May 2013**
(30) Convention priority data:
(31) Number (32) Date (33) Country
29/448,120 09 Mar 2013 UNITED STATES OF AMERICA
(56) Related Art Documents: **Not Applicable**
(57) Statement of Newness and Distinctiveness: **The newness of the design resides in the shape and configuration of a wheel as illustrated in the representations.**



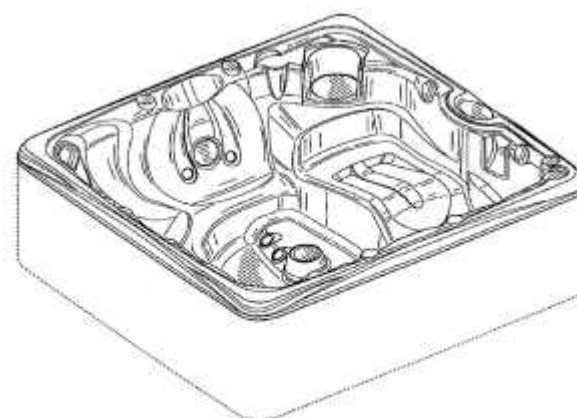
(21) Design Number: **11807/2013**
(22) Date of Filing Application: **17 April 2013**
(24) Date from which industrial property rights may have effect: **17 April 2013**
(54) Product in respect of which the design is registered: **Educational toy car**
(51) International Design Classification: **21-01C**
(74) Name(s) of Attorney(s):
(71) Name(s) and Address(s) of Applicant(s):
Education Projects Pty Ltd
PO BOX 57 Deception Bay QLD 4508 Australia
(72) Name(s) of Designer(s): **Christopher Fowler**
(45) Registration Date: **24 May 2013**
(56) Related Art Documents: **Not Applicable**
(57) Statement of Newness and Distinctiveness: **Car is constructed out of straw and take-away container lids.**



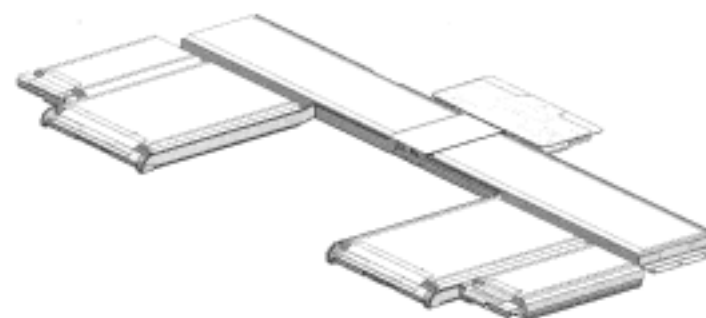
(21) Design Number: **11808/2013**
(22) Date of Filing Application: **17 April 2013**
(24) Date from which industrial property rights may have effect: **17 April 2013**
(54) Product in respect of which the design is registered: **Lubricator apparatus**
(51) International Design Classification: **08-05G**
(74) Name(s) of Attorney(s): **Allens Patent & Trade Mark Attorneys**
(71) Name(s) and Address(s) of Applicant(s):
Stephania Holdings Inc.
7388 Wilson Avenue Delta British Columbia V4G 1H3 Canada
(72) Name(s) of Designer(s): **Stephan Karl Orlitzky**
(45) Registration Date: **24 May 2013**
(30) Convention priority data:
(31) Number (32) Date (33) Country
29/435,038 18 Oct 2012 UNITED STATES OF AMERICA
(56) Related Art Documents: **Not Applicable**
(57) Statement of Newness and Distinctiveness: **Newness and distinctiveness resides in the visual features of shape and/or configuration of a lubricator apparatus shown in solid lines in the accompanying representations.**



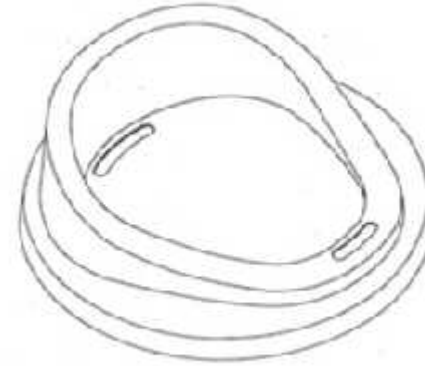
(21) Design Number: **11809/2013**
(22) Date of Filing Application: **17 April 2013**
(24) Date from which industrial property rights may have effect: **17 April 2013**
(54) Product in respect of which the design is registered: **Spa shell**
(51) International Design Classification: **23-02B**
(74) Name(s) of Attorney(s): **Baldwins**
(71) Name(s) and Address(s) of Applicant(s):
Watkins Manufacturing Corporation
1280 Park Center Drive Vista California 92081 United States of America
(72) Name(s) of Designer(s): **Christopher Carl Larsen and Sage Nathan Baker**
(45) Registration Date: **24 May 2013**
(30) Convention priority data:
(31) Number (32) Date (33) Country
29/439,781 14 Dec 2012 UNITED STATES OF AMERICA
(56) Related Art Documents: **Not Applicable**
(57) Statement of Newness and Distinctiveness: **Newness and distinctiveness is claimed in the features of shape and/or configuration of the article as shown in the accompanying representations, excluding those portions shown in broken line.**



(21) Design Number: **11814/2013**
(22) Date of Filing Application: **16 April 2013**
(24) Date from which industrial property rights may have effect: **16 April 2013**
(54) Product in respect of which the design is registered: **Battery**
(51) International Design Classification: **13-02**
(74) Name(s) of Attorney(s): **Freehills Patent Attorneys**
(71) Name(s) and Address(s) of Applicant(s):
Apple Inc.
1 Infinite Loop Cupertino California 95014 United States of America
(72) Name(s) of Designer(s): **Bartley K. Andre and Matthew Phillip Casebolt and Ron Alan Hopkinson and Eric Knopf and Mikael Silvano and Eric Joel Weirshauser**
(45) Registration Date: **24 May 2013**
(30) Convention priority data:
(31) Number (32) Date (33) Country
29/435192 20 Oct 2012 UNITED STATES OF AMERICA
(56) Related Art Documents: **Not Applicable**
(57) Statement of Newness and Distinctiveness: **Newness and distinctiveness resides in the features of shape and configuration of the design illustrated in the accompanying representations.**



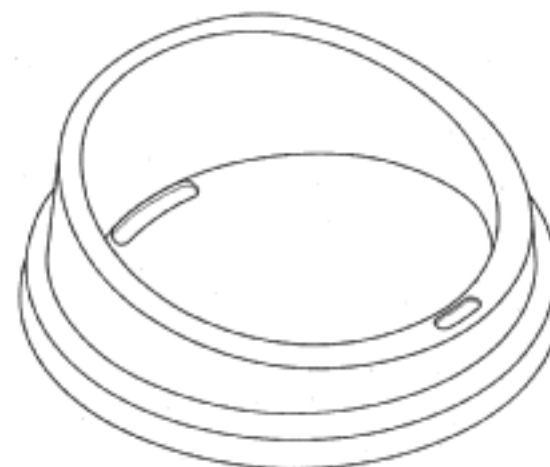
(21) Design Number: **11815/2013**
(22) Date of Filing Application: **18 April 2013**
(24) Date from which industrial property rights may have effect: **18 April 2013**
(54) Product in respect of which the design is registered: **Lid of cup**
(51) International Design Classification: **09-07B**
(74) Name(s) of Attorney(s): **Collison & Co**
(71) Name(s) and Address(s) of Applicant(s):
K & Lap Co., Ltd.
(4 fl. Polikem Bldg. Gwanyang- dong) 374 Simin-daero Anyang Si
Dongan-gu Gyeonggi-do 431-804 Republic of Korea
(72) Name(s) of Designer(s): **Sung Il Kim**
(45) Registration Date: **24 May 2013**
(30) Convention priority data:
(31) Number (32) Date (33) Country
30-2012-0050881 25 Oct 2012 REPUBLIC OF KOREA
(56) Related Art Documents: **Not Applicable**
(57) Statement of Newness and Distinctiveness: **Nil**



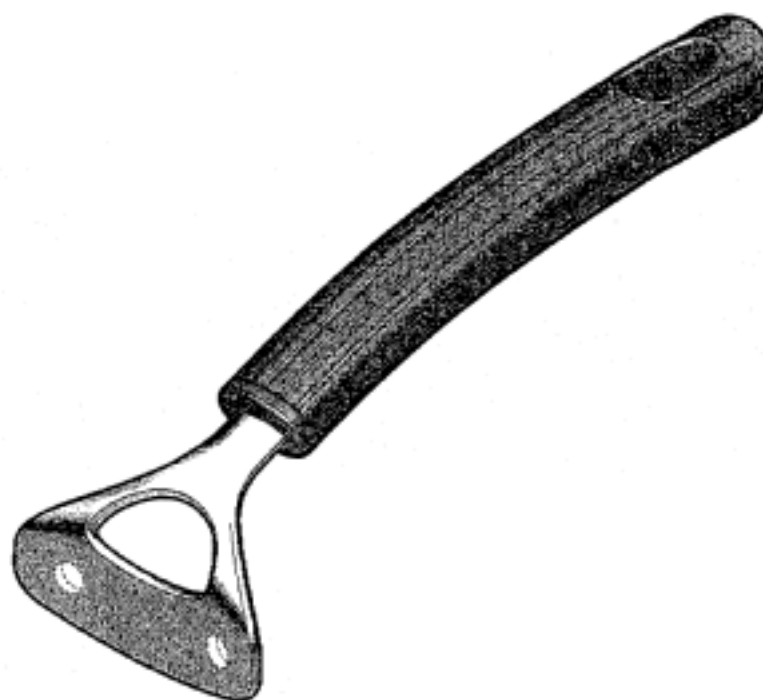
(21) Design Number: **11819/2013**
(22) Date of Filing Application: **18 April 2013**
(24) Date from which industrial property rights may have effect: **18 April 2013**
(54) Product in respect of which the design is registered: **Lid of cup**
(51) International Design Classification: **09-07B**
(74) Name(s) of Attorney(s): **Collison & Co**
(71) Name(s) and Address(s) of Applicant(s):
K & Lap Co., Ltd.
(4 fl. Polikem Bldg. Gwanyang- dong) 374 Simin-daero Anyang Si
Dongan-gu Gyeonggi-do 431-804 Republic of Korea
(72) Name(s) of Designer(s): **Sung Il Kim**
(45) Registration Date: **24 May 2013**
(30) Convention priority data:
(31) Number (32) Date (33) Country
30-2012-0060428 25 Oct 2012 REPUBLIC OF KOREA
(56) Related Art Documents: **Not Applicable**
(57) Statement of Newness and Distinctiveness: **Nil**



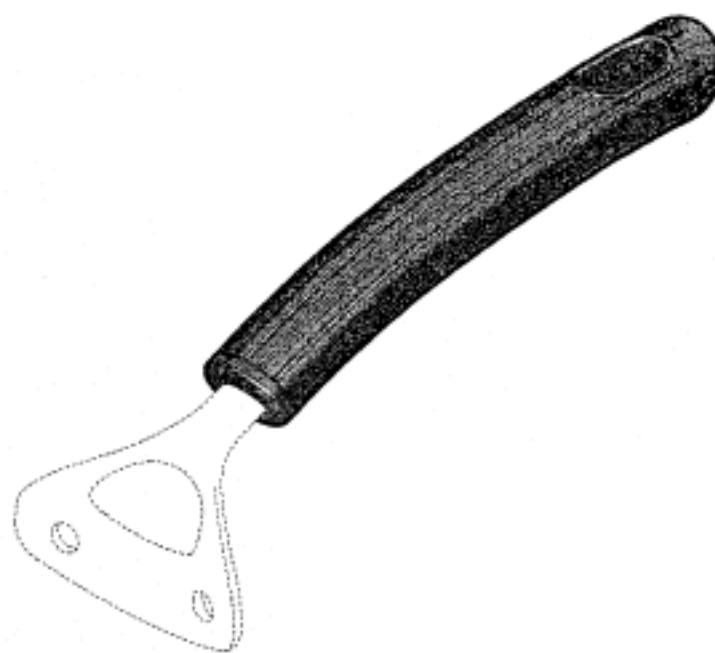
(21) Design Number: **11820/2013**
(22) Date of Filing Application: **18 April 2013**
(24) Date from which industrial property rights may have effect: **18 April 2013**
(54) Product in respect of which the design is registered: **Lid of cup**
(51) International Design Classification: **09-07B**
(74) Name(s) of Attorney(s): **Collison & Co**
(71) Name(s) and Address(s) of Applicant(s):
K & Lap Co., Ltd.
(4 fl. Polikem Bldg. Gwanyang- dong) 374 Simin-daero Anyang Si
Dongan-gu Gyeonggi-do 431-804 Republic of Korea
(72) Name(s) of Designer(s): **Sung Il Kim**
(45) Registration Date: **24 May 2013**
(30) Convention priority data:
(31) Number (32) Date (33) Country
30-2012-0050882 14 Dec 2012 REPUBLIC OF KOREA
(56) Related Art Documents: **Not Applicable**
(57) Statement of Newness and Distinctiveness: **Nil**



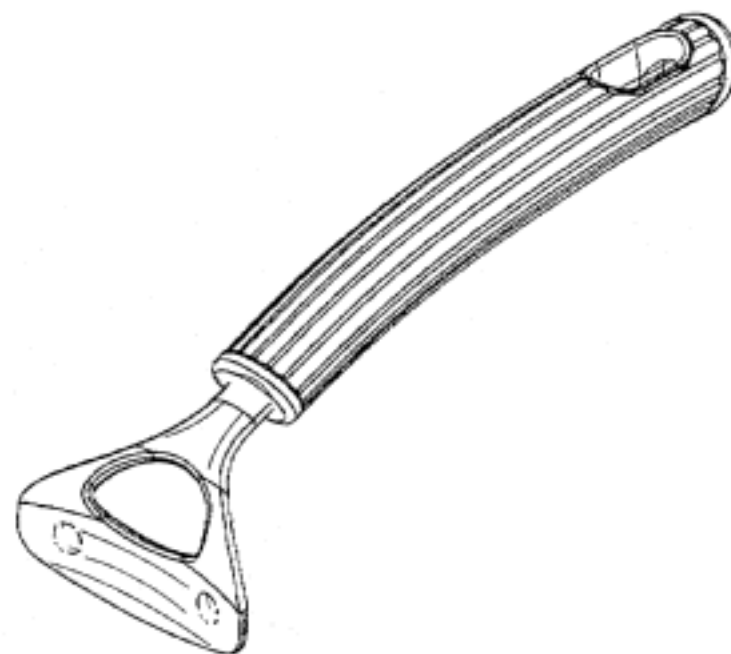
(21) Design Number: **11973/2013**
(22) Date of Filing Application: **24 April 2013**
(24) Date from which industrial property rights may have effect: **24 April 2013**
(54) Product in respect of which the design is registered: **Elongated side handle for cookware**
(51) International Design Classification: **07-02R**
(74) Name(s) of Attorney(s): **PIPERS Melbourne**
(71) Name(s) and Address(s) of Applicant(s):
Meyer Intellectual Properties Limited
382 Kwun Tong Road Hong Kong SAR
(72) Name(s) of Designer(s): **Robert A Rae**
(45) Registration Date: **24 May 2013**
(30) Convention priority data:
(31) Number (32) Date (33) Country
29/444,951 06 Feb 2013 UNITED STATES OF AMERICA
(56) Related Art Documents: **Not Applicable**
(57) Statement of Newness and Distinctiveness: **This design is to be applied to an Elongated Side Handle for Cookware and the novelty resides in the features of shape and configuration of the article shown in the accompanying representations. No novelty is claimed for the features shown in broken lines - those are for illustrative purposes only and depict the environment of the design.**



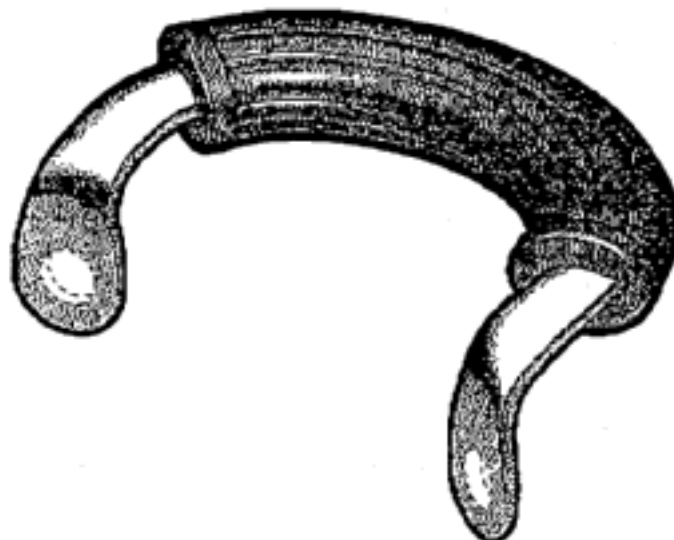
(21) Design Number: **11974/2013**
(22) Date of Filing Application: **24 April 2013**
(24) Date from which industrial property rights may have effect: **24 April 2013**
(54) Product in respect of which the design is registered: **Elongated side handle for cookware**
(51) International Design Classification: **07-02R**
(74) Name(s) of Attorney(s): **PIPERS Melbourne**
(71) Name(s) and Address(s) of Applicant(s):
Meyer Intellectual Properties Limited
382 Kwun Tong Road Hong Kong SAR
(72) Name(s) of Designer(s): **Robert A Rae**
(45) Registration Date: **24 May 2013**
(30) Convention priority data:
(31) Number (32) Date (33) Country
29/444,951 06 Feb 2013 UNITED STATES OF AMERICA
(56) Related Art Documents: **Not Applicable**
(57) Statement of Newness and Distinctiveness: **This design is to be applied to an Elongated Side Handle for Cookware and the novelty resides in the features of shape and configuration of the article shown in the accompanying representations. No novelty is claimed for the features shown in broken lines - those are for illustrative purposes only and depict the environment of the design.**



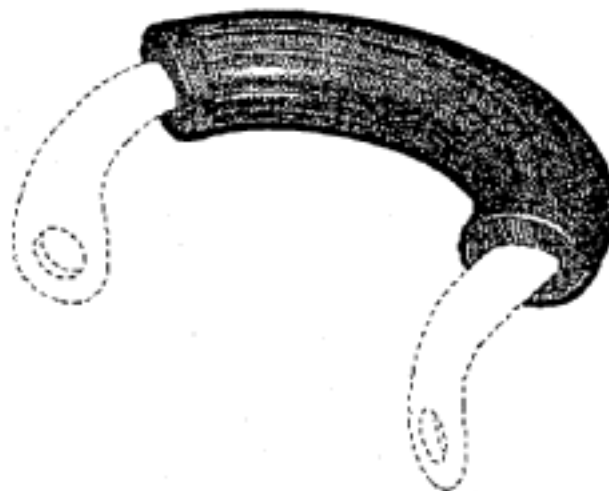
(21) Design Number: **11975/2013**
(22) Date of Filing Application: **24 April 2013**
(24) Date from which industrial property rights may have effect: **24 April 2013**
(54) Product in respect of which the design is registered: **Elongated side handle for cookware**
(51) International Design Classification: **07-02R**
(74) Name(s) of Attorney(s): **PIPERS Melbourne**
(71) Name(s) and Address(s) of Applicant(s):
Meyer Intellectual Properties Limited
382 Kwun Tong Road Hong Kong SAR
(72) Name(s) of Designer(s): **Robert A Rae**
(45) Registration Date: **24 May 2013**
(30) Convention priority data:
(31) Number (32) Date (33) Country
29/444,951 06 Feb 2013 UNITED STATES OF AMERICA
(56) Related Art Documents: **Not Applicable**
(57) Statement of Newness and Distinctiveness: **This design is to be applied to an Elongated Side Handle for Cookware and the novelty resides in the features of shape and configuration of the article shown in the accompanying representations. No novelty is claimed for the features shown in broken lines - those are for illustrative purposes only and depict the environment of the design.**



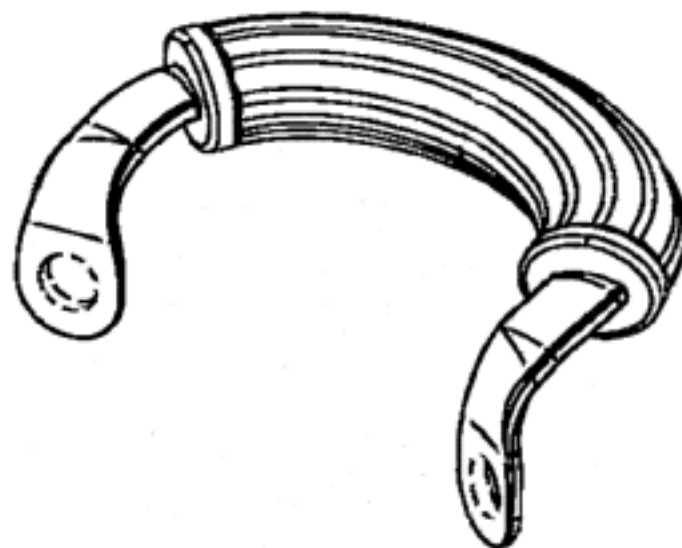
(21) Design Number: **11976/2013**
(22) Date of Filing Application: **24 April 2013**
(24) Date from which industrial property rights may have effect: **24 April 2013**
(54) Product in respect of which the design is registered: **Side handle for cookware**
(51) International Design Classification: **07-02R**
(74) Name(s) of Attorney(s): **PIPERS Melbourne**
(71) Name(s) and Address(s) of Applicant(s):
Meyer Intellectual Properties Limited
382 Kwun Tong Road Hong Kong SAR
(72) Name(s) of Designer(s): **Robert A Rae**
(45) Registration Date: **24 May 2013**
(30) Convention priority data:
(31) Number (32) Date (33) Country
29/444,953 06 Feb 2013 UNITED STATES OF AMERICA
(56) Related Art Documents: **Not Applicable**
(57) Statement of Newness and Distinctiveness: **This design is to be applied to a Side Handle for Cookware and the novelty resides in the features of shape and configuration of the article shown in the accompanying representations. No novelty is claimed for the features shown in broken lines - those are for illustrative purposes only and depict the environment of the design.**



(21) Design Number: **11977/2013**
(22) Date of Filing Application: **24 April 2013**
(24) Date from which industrial property rights may have effect: **24 April 2013**
(54) Product in respect of which the design is registered: **Side handle for cookware**
(51) International Design Classification: **07-02R**
(74) Name(s) of Attorney(s): **PIPERS Melbourne**
(71) Name(s) and Address(s) of Applicant(s):
Meyer Intellectual Properties Limited
382 Kwun Tong Road Hong Kong SAR
(72) Name(s) of Designer(s): **Robert A Rae**
(45) Registration Date: **24 May 2013**
(30) Convention priority data:
(31) Number (32) Date (33) Country
29/444,953 06 Feb 2013 UNITED STATES OF AMERICA
(56) Related Art Documents: **Not Applicable**
(57) Statement of Newness and Distinctiveness: **This design is to be applied to a Side Handle for Cookware and the novelty resides in the features of shape and configuration of the article shown in the accompanying representations. No novelty is claimed for the features shown in broken lines - those are for illustrative purposes only and depict the environment of the design.**



(21) Design Number: **11978/2013**
(22) Date of Filing Application: **24 April 2013**
(24) Date from which industrial property rights may have effect: **24 April 2013**
(54) Product in respect of which the design is registered: **Side handle for cookware**
(51) International Design Classification: **07-02R**
(74) Name(s) of Attorney(s): **PIPERS Melbourne**
(71) Name(s) and Address(s) of Applicant(s):
Meyer Intellectual Properties Limited
382 Kwun Tong Road Hong Kong SAR
(72) Name(s) of Designer(s): **Robert A Rae**
(45) Registration Date: **24 May 2013**
(30) Convention priority data:
(31) Number (32) Date (33) Country
29/444,953 06 Feb 2013 UNITED STATES OF AMERICA



(56) Related Art Documents: **Not Applicable**
(57) Statement of Newness and Distinctiveness: **This design is to be applied to a Side Handle for Cookware and the novelty resides in the features of shape and configuration of the article shown in the accompanying representations. No novelty is claimed for the features shown in broken lines - those are for illustrative purposes only and depict the environment of the design.**

(21) Design Number: **11979/2013**
(22) Date of Filing Application: **24 April 2013**
(24) Date from which industrial property rights may have effect: **24 April 2013**
(54) Product in respect of which the design is registered: **Cookware lid handle**
(51) International Design Classification: **07-02R**
(74) Name(s) of Attorney(s): **PIPERS Melbourne**
(71) Name(s) and Address(s) of Applicant(s):
Meyer Intellectual Properties Limited
382 Kwun Tong Road Hong Kong SAR
(72) Name(s) of Designer(s): **Robert A Rae**
(45) Registration Date: **24 May 2013**
(30) Convention priority data:
(31) Number (32) Date (33) Country
29/444,955 06 Feb 2013 UNITED STATES OF AMERICA



(56) Related Art Documents: **Not Applicable**
(57) Statement of Newness and Distinctiveness: **This design is to be applied to a Cookware Lid Handle and the novelty resides in the features of shape and configuration of the article shown in the accompanying representations. No novelty is claimed for the features shown in broken lines - those are for illustrative purposes only and depict the environment of the design.**

(21) Design Number: **11980/2013**

(22) Date of Filing Application: **24 April 2013**

(24) Date from which industrial property rights may have effect: **24 April 2013**

(54) Product in respect of which the design is registered: **Cookware lid handle**

(51) International Design Classification: **07-02R**

(74) Name(s) of Attorney(s): **PIPERS Melbourne**

(71) Name(s) and Address(s) of Applicant(s):

**Meyer Intellectual Properties Limited
382 Kwun Tong Road Hong Kong SAR**

(72) Name(s) of Designer(s): **Robert A Rae**

(45) Registration Date: **24 May 2013**

(30) Convention priority data:

(31) Number	(32) Date	(33) Country
29/444,955	06 Feb 2013	UNITED STATES OF AMERICA

(56) Related Art Documents: **Not Applicable**

(57) Statement of Newness and Distinctiveness: **This design is to be applied to a Cookware Lid Handle and the novelty resides in the features of shape and configuration of the article shown in the accompanying representations. No novelty is claimed for the features shown in broken lines - those are for illustrative purposes only and depict the environment of the design.**



(21) Design Number: **11981/2013**

(22) Date of Filing Application: **24 April 2013**

(24) Date from which industrial property rights may have effect: **24 April 2013**

(54) Product in respect of which the design is registered: **Cookware lid handle**

(51) International Design Classification: **07-02R**

(74) Name(s) of Attorney(s): **PIPERS Melbourne**

(71) Name(s) and Address(s) of Applicant(s):

**Meyer Intellectual Properties Limited
382 Kwun Tong Road Hong Kong SAR**

(72) Name(s) of Designer(s): **Robert A Rae**

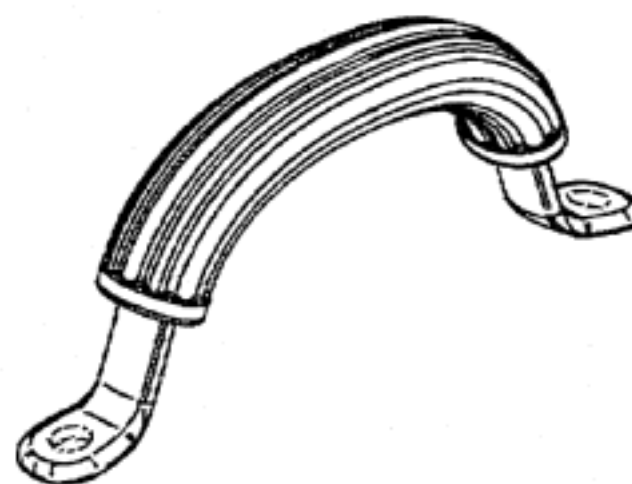
(45) Registration Date: **24 May 2013**

(30) Convention priority data:

(31) Number	(32) Date	(33) Country
29/444,955	06 Feb 2013	UNITED STATES OF AMERICA

(56) Related Art Documents: **Not Applicable**

(57) Statement of Newness and Distinctiveness: **This design is to be applied to a Cookware Lid Handle and the novelty resides in the features of shape and configuration of the article shown in the accompanying representations. No novelty is claimed for the features shown in broken lines - those are for illustrative purposes only and depict the environment of the design.**



(21) Design Number: **11985/2013**
(22) Date of Filing Application: **29 April 2013**
(24) Date from which industrial property rights may have effect: **29 April 2013**
(54) Product in respect of which the design is registered: **Golf club grip**
(51) International Design Classification: **21-02C**
(74) Name(s) of Attorney(s): **Davies Collison Cave**
(71) Name(s) and Address(s) of Applicant(s):
Ben Huang
19472 Woodlands Lane Huntington Beach CA 92648 United States of America
(72) Name(s) of Designer(s): **Ben Huang**
(45) Registration Date: **24 May 2013**
(30) Convention priority data:
(31) Number (32) Date (33) Country
29/436610 07 Nov 2012 UNITED STATES OF AMERICA
(56) Related Art Documents: **Not Applicable**
(57) Statement of Newness and Distinctiveness: **Nil**



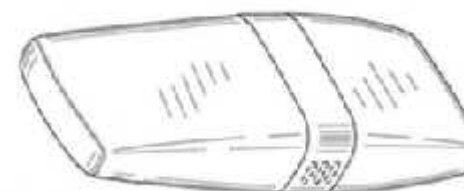
(21) Design Number: **11987/2013**
(22) Date of Filing Application: **29 April 2013**
(24) Date from which industrial property rights may have effect: **29 April 2013**
(54) Product in respect of which the design is registered: **Chisel holder**
(51) International Design Classification: **08-03**
(74) Name(s) of Attorney(s): **Griffith Hack**
(71) Name(s) and Address(s) of Applicant(s):
WIRTGEN GmbH
Reinhard-Wirtgen-Str. 2 53578 Windhagen Germany
(72) Name(s) of Designer(s): **Karsten Buhr and Thomas Lehnert and Cyrus Barimani and Gunter Hahn**
(45) Registration Date: **24 May 2013**
(30) Convention priority data:
(31) Number (32) Date (33) Country
002147884 05 Dec 2012 OFFICE FOR HARMONISATION IN THE INTERNAL MARKET (OHIM)
(56) Related Art Documents: **Not Applicable**
(57) Statement of Newness and Distinctiveness: **Nil**



(21) Design Number: **11792/2013**
(22) Date of Filing Application: **16 April 2013**
(24) Date from which industrial property rights may have effect: **16 April 2013**
(54) Product in respect of which the design is registered: **Flask for perfumery products**
(51) International Design Classification: **09-01G**
(74) Name(s) of Attorney(s): **Griffith Hack**
(71) Name(s) and Address(s) of Applicant(s):
Guerlain Societe Anonyme
68 Avenue Des Champs Elysees Paris 75008 France
(72) Name(s) of Designer(s): **Thierry De Baschmakoff**
(45) Registration Date: **24 May 2013**
(30) Convention priority data:
(31) Number (32) Date (33) Country
001347777-0001 18 Oct 2012 OFFICE FOR HARMONISATION IN THE INTERNAL MARKET (OHIM)
(56) Related Art Documents: **Not Applicable**
(57) Statement of Newness and Distinctiveness: **Newness and distinctiveness resides in the visual features, including shape, configuration and ornamentation of the product as shown in the accompanying representations.**



(21) Design Number: **11848/2013**
(22) Date of Filing Application: **19 April 2013**
(24) Date from which industrial property rights may have effect: **19 April 2013**
(54) Product in respect of which the design is registered: **Cosmetic package**
(51) International Design Classification: **09-01G**
(74) Name(s) of Attorney(s): **PHILLIPS ORMONDE FITZPATRICK**
(71) Name(s) and Address(s) of Applicant(s):
Avon Products, Inc.
777 Third Avenue New York New York 10017 United States of America
(72) Name(s) of Designer(s): **Marisol Simard**
(45) Registration Date: **27 May 2013**
(30) Convention priority data:
(31) Number (32) Date (33) Country
29/435,348 23 Oct 2012 UNITED STATES OF AMERICA
(56) Related Art Documents: **Not Applicable**
(57) Statement of Newness and Distinctiveness: **Those features of the cosmetic package depicted in the representations that are new and distinctive are the shape and/or configuration. The features shown in broken line are not part of the design and are to be disregarded when considering the overall impression of the design.**



(21) Design Number: **12004/2013**
(22) Date of Filing Application: **30 April 2013**
(24) Date from which industrial property rights may have effect: **30 April 2013**
(54) Product in respect of which the design is registered: **Implantable signal generator**
(51) International Design Classification: **24-01**
(74) Name(s) of Attorney(s): **PIZZEYS**
(71) Name(s) and Address(s) of Applicant(s):
Nevro Corporation
4040 Campbell Avenue Suite 210 Menlo Park CA 94025 United States of America
(72) Name(s) of Designer(s): **Andre B. Walker and Jon Parker and Yougandh Chitre**
(45) Registration Date: **27 May 2013**
(30) Convention priority data:
(31) Number (32) Date (33) Country
29/436,395 05 Nov 2012 UNITED STATES OF AMERICA
(56) Related Art Documents: **Not Applicable**
(57) Statement of Newness and Distinctiveness: **Nil**



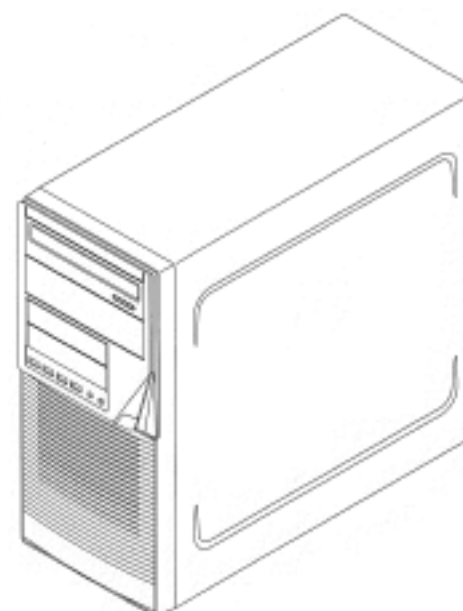
(21) Design Number: **12012/2013**
(22) Date of Filing Application: **30 April 2013**
(24) Date from which industrial property rights may have effect: **30 April 2013**
(54) Product in respect of which the design is registered: **Folding gym equipment**
(51) International Design Classification: **21-02F**
(74) Name(s) of Attorney(s): **Complete IP Pty Limited**
(71) Name(s) and Address(s) of Applicant(s):
Australian Fitness Supplies Pty Limited
1/2 Activity Cres Molendinar QLD 4214 Australia
(72) Name(s) of Designer(s): **Daniel Alenaddaf**
(45) Registration Date: **27 May 2013**
(56) Related Art Documents: **Not Applicable**
(57) Statement of Newness and Distinctiveness: **The features of the design for which newness and distinctiveness is claimed are the pattern, ornamentation, shape and configuration of the article as shown in the representations.**



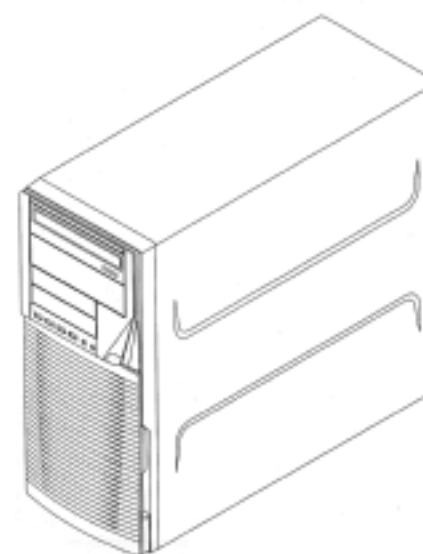
(21) Design Number: **12084/2013**
(22) Date of Filing Application: **03 May 2013**
(24) Date from which industrial property rights may have effect: **03 May 2013**
(54) Product in respect of which the design is registered: **Bottle**
(51) International Design Classification: **09-01NES**
(74) Name(s) of Attorney(s): **SPRUSON & FERGUSON**
(71) Name(s) and Address(s) of Applicant(s):
Allied Domecq Spirits & Wine Limited
Chivas House 72 Chancellors Road London W6 9RS United Kingdom
(72) Name(s) of Designer(s): **Robert Monaghan and Gavin Blake**
(45) Registration Date: **27 May 2013**
(30) Convention priority data:
(31) Number (32) Date (33) Country
002132076-0001 07 Nov 2012 OFFICE FOR HARMONISATION IN
THE INTERNAL MARKET (OHIM)
(56) Related Art Documents: **Not Applicable**
(57) Statement of Newness and Distinctiveness: **Newness and distinctiveness is claimed in the features of shape and/or configuration of a raised section adjacent the Base of a Bottle as illustrated in the accompanying representations.**



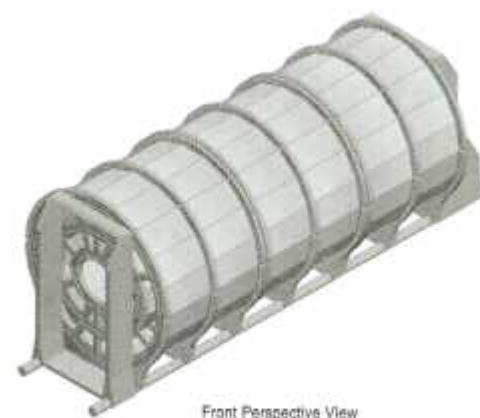
(21) Design Number: **12085/2013**
(22) Date of Filing Application: **03 May 2013**
(24) Date from which industrial property rights may have effect: **03 May 2013**
(54) Product in respect of which the design is registered: **Arithmetic and control unit**
(51) International Design Classification: **14-02**
(74) Name(s) of Attorney(s): **SPRUSON & FERGUSON**
(71) Name(s) and Address(s) of Applicant(s):
Fujitsu Limited
1-1 Kamikodanaka 4-chome Nakahara-Ku Kawasaki-shi Kanagawa
211-8588 Japan
(72) Name(s) of Designer(s): **Toni Koberling and Nobuharu Tsusaka and**
Hiroyuki Fujita and Hisao Morooka and Eiji Nagao and Mark Friesen
(45) Registration Date: **27 May 2013**
(30) Convention priority data:
(31) Number (32) Date (33) Country
2012-027014 06 Nov 2012 JAPAN
(56) Related Art Documents: **Not Applicable**
(57) Statement of Newness and Distinctiveness: **Newness and distinctiveness is claimed in the features of shape and/or configuration of an arithmetic control unit as illustrated in the accompanying representations.**



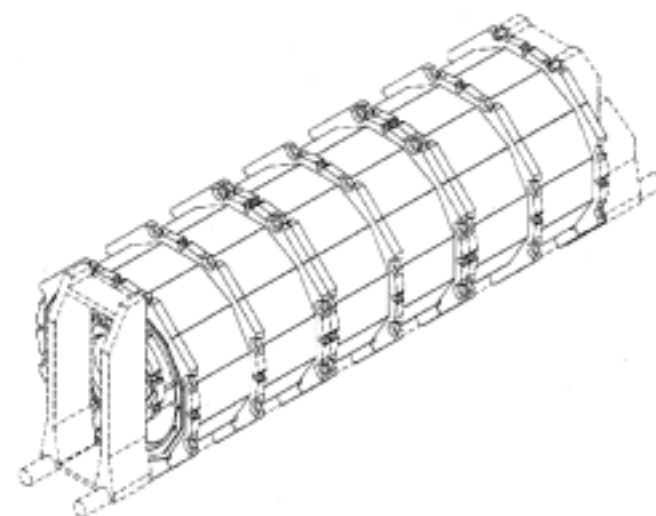
- (21) Design Number: **12086/2013**
(22) Date of Filing Application: **03 May 2013**
(24) Date from which industrial property rights may have effect: **03 May 2013**
(54) Product in respect of which the design is registered: **Arithmetic and control unit**
(51) International Design Classification: **14-02**
(74) Name(s) of Attorney(s): **SPRUSON & FERGUSON**
(71) Name(s) and Address(s) of Applicant(s):
Fujitsu Limited
1-1 Kamikodanaka 4-chome Nakahara-Ku Kawasaki-shi Kanagawa
211-8588 Japan
(72) Name(s) of Designer(s): **Toni Koberling and Nobuharu Tsusaka and Hiroyuki Fujita and Hisao Morooka and Eiji Nagao and Mark Friesen**
(45) Registration Date: **27 May 2013**
(30) Convention priority data:
(31) Number (32) Date (33) Country
2012-027015 06 Nov 2012 JAPAN
(56) Related Art Documents: **Not Applicable**
(57) Statement of Newness and Distinctiveness: **Newness and distinctiveness is claimed in the features of shape and/or configuration of an arithmetic and control unit as illustrated in the accompanying representations.**



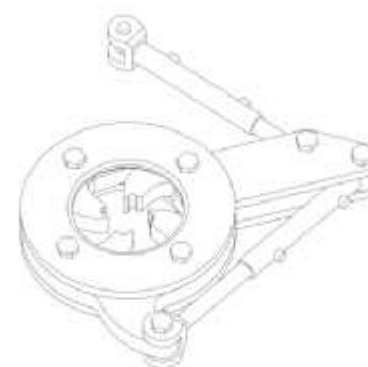
- (21) Design Number: **12087/2013**
(22) Date of Filing Application: **03 May 2013**
(24) Date from which industrial property rights may have effect: **03 May 2013**
(54) Product in respect of which the design is registered: **Heat exchanger**
(51) International Design Classification: **23-03NES**
(74) Name(s) of Attorney(s): **SPRUSON & FERGUSON**
(71) Name(s) and Address(s) of Applicant(s):
Dhiti Towiwat
163/71 Phahonyothin 32 Khwaeng Lat Yao Khet Chatuchak Bangkok
Thailand
(72) Name(s) of Designer(s): **Dhiti Towiwat**
(45) Registration Date: **27 May 2013**
(30) Convention priority data:
(31) Number (32) Date (33) Country
1202002953 08 Nov 2012 THAILAND
(56) Related Art Documents: **Not Applicable**
(57) Statement of Newness and Distinctiveness: **Newness and distinctiveness is claimed in the features of shape and/or configuration of a heat exchanger as illustrated in the accompanying representations.**



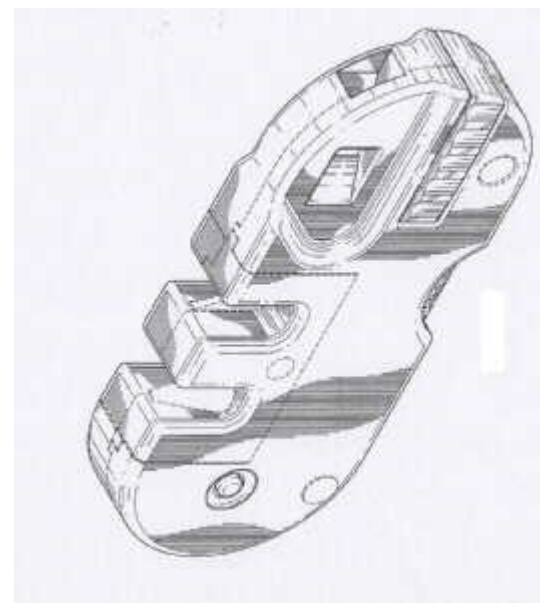
- (21) Design Number: **12089/2013**
(22) Date of Filing Application: **03 May 2013**
(24) Date from which industrial property rights may have effect: **03 May 2013**
(54) Product in respect of which the design is registered: **Heat exchanger**
(51) International Design Classification: **23-03NES**
(74) Name(s) of Attorney(s): **SPRUSON & FERGUSON**
(71) Name(s) and Address(s) of Applicant(s):
Dhiti Towiwat
163/71 Phahonyothin 32 Khwaeng Lat Yao Khet Chatuchak Bangkok
Thailand
(72) Name(s) of Designer(s): **Dhiti Towiwat**
(45) Registration Date: **27 May 2013**
(56) Related Art Documents: **Not Applicable**
(57) Statement of Newness and Distinctiveness: **Newness and distinctiveness is claimed in those features of shape and/or configuration of a heat exchanger as illustrated in continuous lines in the accompanying representations.**



- (21) Design Number: **12099/2013**
(22) Date of Filing Application: **03 May 2013**
(24) Date from which industrial property rights may have effect: **03 May 2013**
(54) Product in respect of which the design is registered: **Power clamp**
(51) International Design Classification: **08-05F**
(74) Name(s) of Attorney(s): **Churchill Attorneys**
(71) Name(s) and Address(s) of Applicant(s):
Domengoes Bester
3 Maroela Road Brits 0250 South Africa
(72) Name(s) of Designer(s): **Domengoes Bester and Jan Hendrik Meyer**
(45) Registration Date: **27 May 2013**
(30) Convention priority data:
(31) Number (32) Date (33) Country
F2012/02022 21 Nov 2012 SOUTH AFRICA
(56) Related Art Documents: **Not Applicable**
(57) Statement of Newness and Distinctiveness: **The newness and distinctiveness of the design resides in the shape of the power clamp as shown in the accompanying representations.**



(21) Design Number: **12104/2013**
(22) Date of Filing Application: **05 May 2013**
(24) Date from which industrial property rights may have effect: **05 May 2013**
(54) Product in respect of which the design is registered: **Abrasive sharpener**
(51) International Design Classification: **08-05H**
(74) Name(s) of Attorney(s): **John Christiansen**
(71) Name(s) and Address(s) of Applicant(s):
Smith's Consumer Products, Inc.
747 Mid America Boulevard Hot Springs Arizona 71913 United States of America



(72) Name(s) of Designer(s): **Richard S. Smith and Louis Chalfant**
(45) Registration Date: **27 May 2013**
(30) Convention priority data:
(31) Number (32) Date (33) Country
29/436,628 07 Nov 2012 UNITED STATES OF AMERICA
(56) Related Art Documents: **Not Applicable**
(57) Statement of Newness and Distinctiveness: **Newness and distinctiveness is claimed in the visual features, including shape and configuration, of an abrasive sharpener as shown in the accompanying representations. Figs. 1 to 7 show an abrasive rod and a fire starter in a stored position, and Figs. 8 and 9 respectively show the internal abrasive rod in an exterior position and the fire starter in an exploded position.**

(21) Design Number: **12105/2013**
(22) Date of Filing Application: **06 May 2013**
(24) Date from which industrial property rights may have effect: **06 May 2013**
(54) Product in respect of which the design is registered: **Pocket sling diaper**
(51) International Design Classification: **02-01B**
(74) Name(s) of Attorney(s): **Franke Hyland**
(71) Name(s) and Address(s) of Applicant(s):
Fredrica V. Coates
400 Stanton Ct Winston Salem NC 27106-3670 United States of America



(72) Name(s) of Designer(s): **Fredrica V. Coates**
(45) Registration Date: **27 May 2013**
(30) Convention priority data:
(31) Number (32) Date (33) Country
249326 08 Nov 2012 INDIA
(56) Related Art Documents: **Not Applicable**
(57) Statement of Newness and Distinctiveness: **Nil**

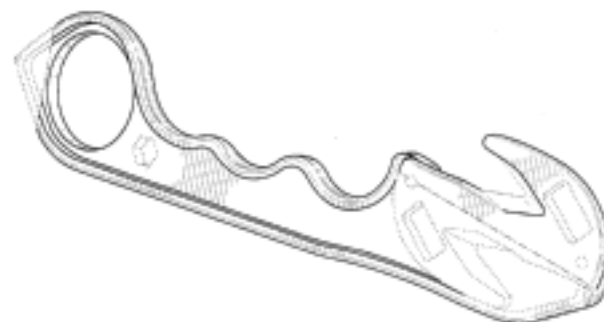
(19) AU

(21) Design Number: **12115/2013**
 (22) Date of Filing Application: **06 May 2013**
 (24) Date from which industrial property rights may have effect: **06 May 2013**
 (54) Product in respect of which the design is registered: **Multipurpose cutting blade**
 (51) International Design Classification: **08-03**
 (74) Name(s) of Attorney(s): **PIZZEYS**
 (71) Name(s) and Address(s) of Applicant(s):
Leatherman Tool Group, Inc.
12106 N.E. Ainsworth Circle Portland Oregon 97220-9001 United States of America
 (72) Name(s) of Designer(s): **Andro Purnomohadi**
 (45) Registration Date: **27 May 2013**
 (30) Convention priority data:
 (31) Number (32) Date (33) Country
29/437,931 21 Nov 2012 UNITED STATES OF AMERICA
 (56) Related Art Documents: **Not Applicable**
 (57) Statement of Newness and Distinctiveness: **Nil**

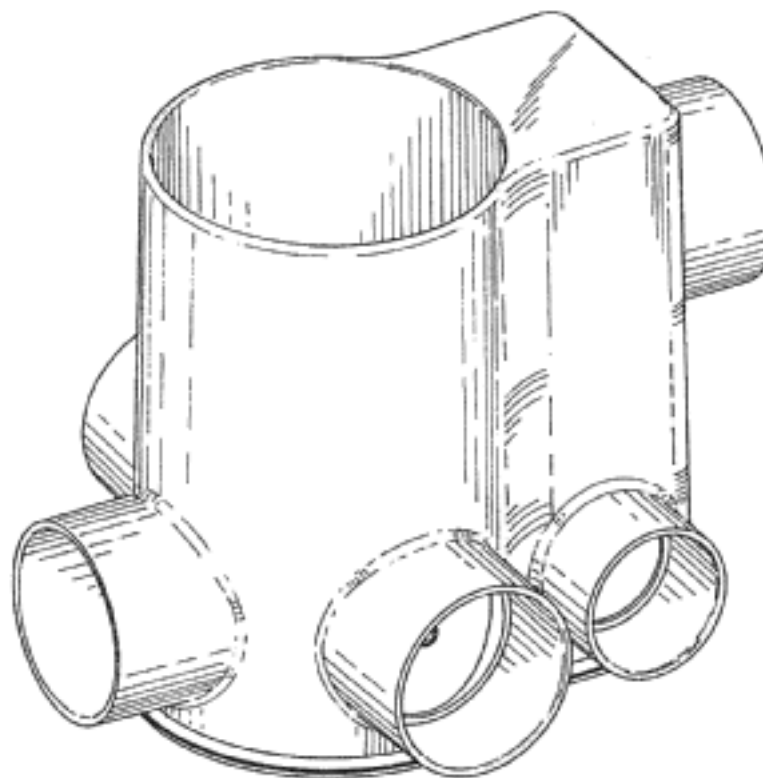


(19) AU

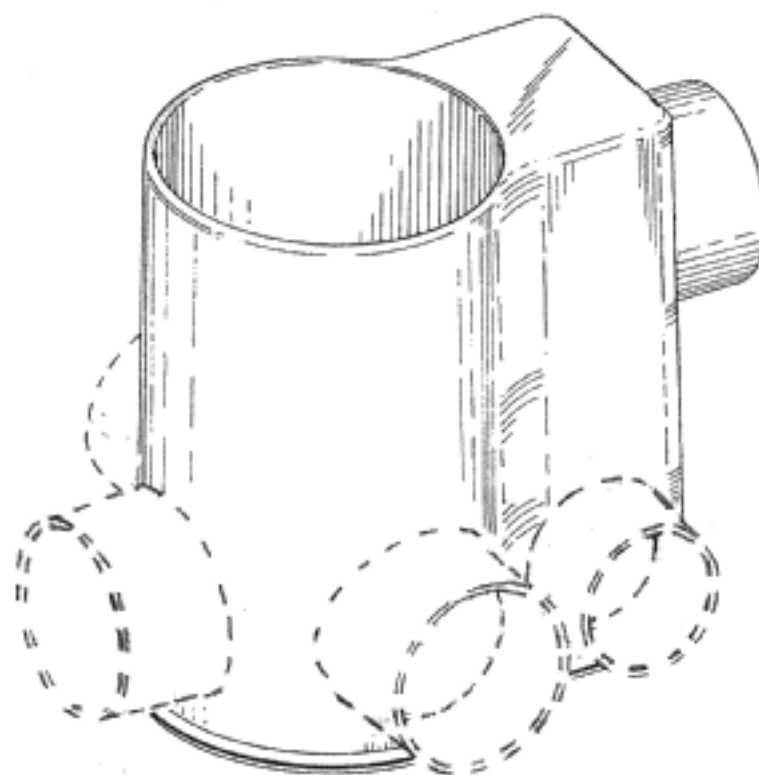
(21) Design Number: **12116/2013**
 (22) Date of Filing Application: **06 May 2013**
 (24) Date from which industrial property rights may have effect: **06 May 2013**
 (54) Product in respect of which the design is registered: **Multipurpose cutting tool**
 (51) International Design Classification: **08-03**
 (74) Name(s) of Attorney(s): **PIZZEYS**
 (71) Name(s) and Address(s) of Applicant(s):
Leatherman Tool Group, Inc.
12106 N.E. Ainsworth Circle Portland Oregon 97220-9001 United States of America
 (72) Name(s) of Designer(s): **Andro Purnomohadi**
 (45) Registration Date: **27 May 2013**
 (30) Convention priority data:
 (31) Number (32) Date (33) Country
29/437,926 21 Nov 2012 UNITED STATES OF AMERICA
 (56) Related Art Documents: **Not Applicable**
 (57) Statement of Newness and Distinctiveness: **Nil**



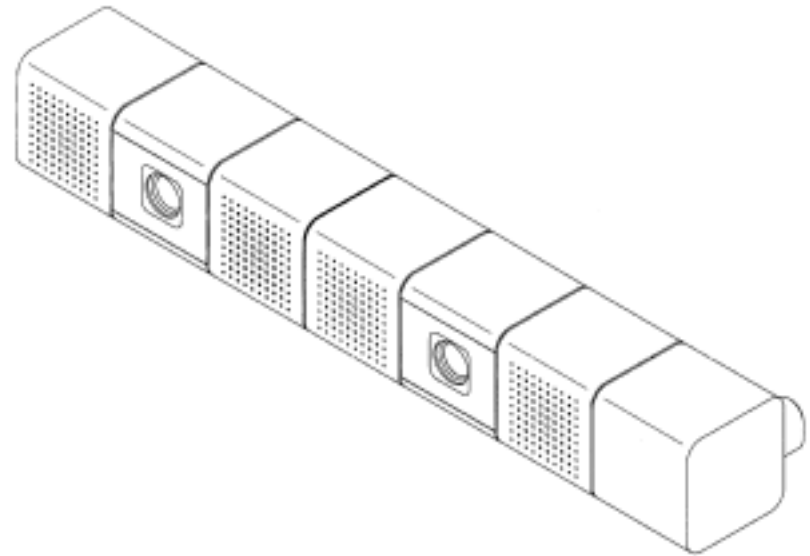
- (21) Design Number: **11639/2013**
(22) Date of Filing Application: **05 April 2013**
(24) Date from which industrial property rights may have effect: **05 April 2013**
(54) Product in respect of which the design is registered: **Gully trap**
(51) International Design Classification: **23-01A**
(74) Name(s) of Attorney(s): **IP Gateway Patent & Trademark Attorneys**
(71) Name(s) and Address(s) of Applicant(s):
Plastec Australia Pty Ltd
2 Enterprise St Caloundra QLD 4551 Australia
(72) Name(s) of Designer(s): **Andrew Hobbs**
(45) Registration Date: **27 May 2013**
(56) Related Art Documents: **Not Applicable**
(57) Statement of Newness and Distinctiveness: **The newness and distinctiveness of the design resides in the visual features of shape and/or configuration of a gully trap substantially as shown in the accompanying representations.**



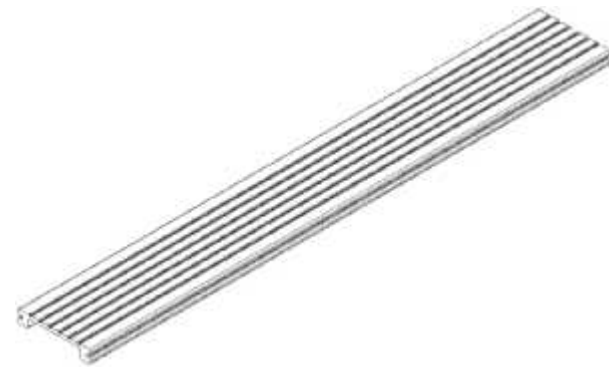
- (21) Design Number: **11640/2013**
(22) Date of Filing Application: **05 April 2013**
(24) Date from which industrial property rights may have effect: **05 April 2013**
(54) Product in respect of which the design is registered: **Gully trap**
(51) International Design Classification: **23-01A**
(74) Name(s) of Attorney(s): **IP Gateway Patent & Trademark Attorneys**
(71) Name(s) and Address(s) of Applicant(s):
Plastec Australia Pty Ltd
2 Enterprise St Caloundra QLD 4551 Australia
(72) Name(s) of Designer(s): **Andrew Hobbs**
(45) Registration Date: **27 May 2013**
(56) Related Art Documents: **Not Applicable**
(57) Statement of Newness and Distinctiveness: **The newness and distinctiveness of the design resides in the visual features of shape and/or configuration of a gully trap substantially as shown in the solid lines in the accompanying representations.**



- (21) Design Number: **11833/2013**
(22) Date of Filing Application: **16 April 2013**
(24) Date from which industrial property rights may have effect: **16 April 2013**
(54) Product in respect of which the design is registered: **Camera**
(51) International Design Classification: **16-01**
(74) Name(s) of Attorney(s): **Shelston IP**
(71) Name(s) and Address(s) of Applicant(s):
Sony Computer Entertainment Inc.
1-7-1 Konan Minato-ku Tokyo Japan
(72) Name(s) of Designer(s): **Tetsu Sumii and Taichi Nokuo**
(45) Registration Date: **27 May 2013**
(30) Convention priority data:
(31) Number (32) Date (33) Country
2012-027072 06 Nov 2012 JAPAN
(56) Related Art Documents: **Not Applicable**
(57) Statement of Newness and Distinctiveness: **Newness and distinctiveness reside in the features of shape and/or configuration of the CAMERA as shown in the accompanying representations.**



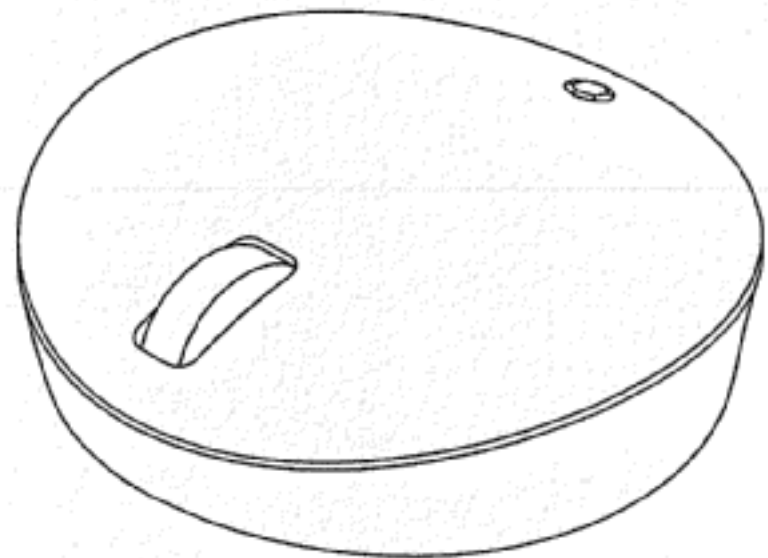
- (21) Design Number: **11838/2013**
(22) Date of Filing Application: **19 April 2013**
(24) Date from which industrial property rights may have effect: **19 April 2013**
(54) Product in respect of which the design is registered: **Stool**
(51) International Design Classification: **06-01E**
(74) Name(s) of Attorney(s):
(71) Name(s) and Address(s) of Applicant(s):
Nathan James Goldsworthy
34 Sherwood Avenue Grey Lynn Auckland 1021 New Zealand
(72) Name(s) of Designer(s): **Nathan James Goldsworthy**
(45) Registration Date: **27 May 2013**
(56) Related Art Documents: **Not Applicable**
(57) Statement of Newness and Distinctiveness: **The distinctiveness of the design resides in the shape of the stool and the relationship of the angles within the stool as per the representation.**



- (21) Design Number: **11712/2013**
(22) Date of Filing Application: **11 April 2013**
(24) Date from which industrial property rights may have effect: **11 April 2013**
(54) Product in respect of which the design is registered: **Cosmetics container**
(51) International Design Classification: **09-01G**
(74) Name(s) of Attorney(s): **SPRUSON & FERGUSON**
(71) Name(s) and Address(s) of Applicant(s):
Laboratoires La Prairie SA
Industriestrasse 8 8604 Volketswil Switzerland
(72) Name(s) of Designer(s): **Anil Kalyanpur and Richard Suhr**
(45) Registration Date: **27 May 2013**
(56) Related Art Documents: **Not Applicable**
(57) Statement of Newness and Distinctiveness: **Newness and distinctiveness is claimed in the features of shape and/or configuration of the circular ring surrounding the middle section of a cosmetics container as illustrated in the accompanying representations.**



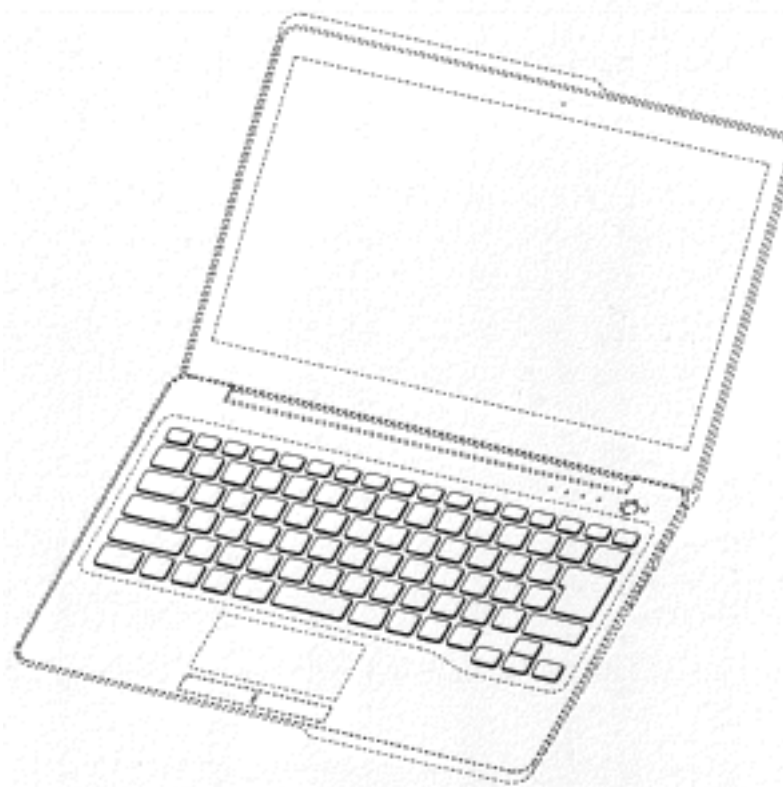
- (21) Design Number: **11713/2013**
(22) Date of Filing Application: **11 April 2013**
(24) Date from which industrial property rights may have effect: **11 April 2013**
(54) Product in respect of which the design is registered: **Mouse**
(51) International Design Classification: **14-02**
(74) Name(s) of Attorney(s): **SPRUSON & FERGUSON**
(71) Name(s) and Address(s) of Applicant(s):
Fujitsu Limited
1-1 Kamiodanaka 4-chome Nakahara-Ku Kawasaki-shi Kanagawa
211-8588 Japan
(72) Name(s) of Designer(s): **Maria Ota and Mikako Sanjo and Hiroyuki Fujita**
(45) Registration Date: **27 May 2013**
(30) Convention priority data:
(31) Number (32) Date (33) Country
2012-024725 11 Oct 2012 JAPAN
(56) Related Art Documents: **Not Applicable**
(57) Statement of Newness and Distinctiveness: **Newness and distinctiveness is claimed in the features of shape and/or configuration of a mouse as illustrated in the accompanying representations.**



- (21) Design Number: **11714/2013**
(22) Date of Filing Application: **11 April 2013**
(24) Date from which industrial property rights may have effect: **11 April 2013**
(54) Product in respect of which the design is registered: **Personal computer**
(51) International Design Classification: **14-02**
(74) Name(s) of Attorney(s): **SPRUSON & FERGUSON**
(71) Name(s) and Address(s) of Applicant(s):
Fujitsu Limited
1-1 Kamikodanaka 4-chome Nakahara-Ku Kawasaki-shi Kanagawa
211-8588 Japan
(72) Name(s) of Designer(s): **Mikako Sanjo and Hiroyuki Fujita**
(45) Registration Date: **27 May 2013**
(30) Convention priority data:
(31) Number (32) Date (33) Country
2012-024771 11 Oct 2012 JAPAN
(56) Related Art Documents: **Not Applicable**
(57) Statement of Newness and Distinctiveness: **Newness and distinctiveness is claimed in the features of shape and/or configuration of a personal computer as illustrated in the accompanying representations.**



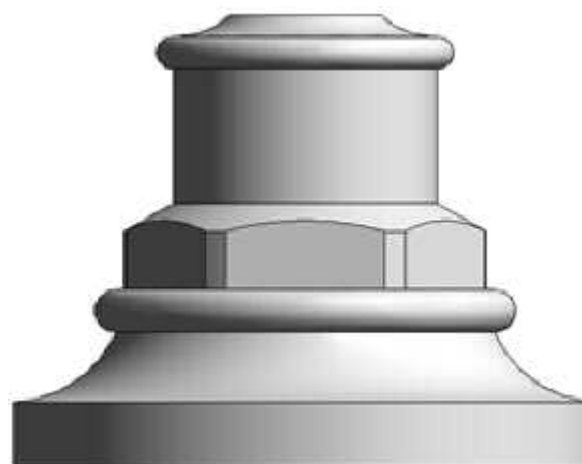
- (21) Design Number: **11715/2013**
(22) Date of Filing Application: **11 April 2013**
(24) Date from which industrial property rights may have effect: **11 April 2013**
(54) Product in respect of which the design is registered: **Personal computer**
(51) International Design Classification: **14-02**
(74) Name(s) of Attorney(s): **SPRUSON & FERGUSON**
(71) Name(s) and Address(s) of Applicant(s):
Fujitsu Limited
1-1 Kamikodanaka 4-chome Nakahara-Ku Kawasaki-shi Kanagawa
211-8588 Japan
(72) Name(s) of Designer(s): **Mikako Sanjo and Hiroyuki Fujita**
(45) Registration Date: **27 May 2013**
(30) Convention priority data:
(31) Number (32) Date (33) Country
2012-024770 11 Oct 2012 JAPAN
(56) Related Art Documents: **Not Applicable**
(57) Statement of Newness and Distinctiveness: **Newness and distinctiveness is claimed in the features of shape and/or configuration of a personal computer as illustrated in continuous lines in the accompanying representations.**



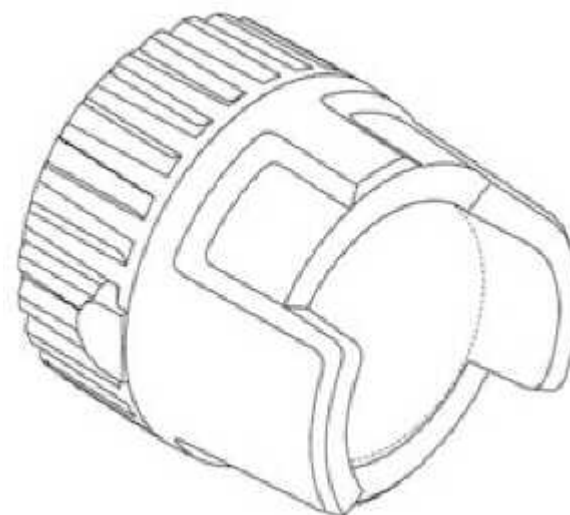
(21) Design Number: **11717/2013**
(22) Date of Filing Application: **10 April 2013**
(24) Date from which industrial property rights may have effect: **10 April 2013**
(54) Product in respect of which the design is registered: **Compressor**
(51) International Design Classification: **15-02**
(74) Name(s) of Attorney(s): **Griffith Hack**
(71) Name(s) and Address(s) of Applicant(s):
Bitzer Kuehlmaschinenbau GmbH
Eschenbruennlestrasse 15 71065 Sindelfingen Germany
(72) Name(s) of Designer(s): **Klaus Ohser**
(45) Registration Date: **27 May 2013**
(30) Convention priority data:
(31) Number (32) Date (33) Country
002198689-0004 08 Mar 2013 OFFICE FOR HARMONISATION IN
THE INTERNAL MARKET (OHIM)
(56) Related Art Documents: **Not Applicable**
(57) Statement of Newness and Distinctiveness: **Newness and distinctiveness resides in the visual features including, shape, configuration and colour of the PRODUCT as shown in the accompanying representation.**



(21) Design Number: **11719/2013**
(22) Date of Filing Application: **12 April 2013**
(24) Date from which industrial property rights may have effect: **12 April 2013**
(54) Product in respect of which the design is registered: **Tap flange**
(51) International Design Classification: **23-01H**
(74) Name(s) of Attorney(s):
(71) Name(s) and Address(s) of Applicant(s):
Ian Shirtliff
Brodware Industries PO BOX 610 Seven Hills NSW 1730 Australia
(72) Name(s) of Designer(s): **Ian Shirtliff**
(45) Registration Date: **27 May 2013**
(56) Related Art Documents: **Not Applicable**
(57) Statement of Newness and Distinctiveness: **Newness and distinctiveness is claimed in the shape of the tap flange as illustrated in the accompanying representations.**



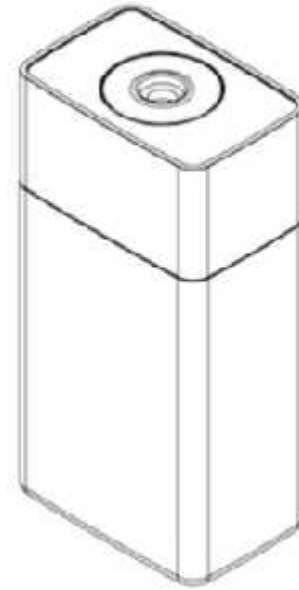
- (21) Design Number: **11724/2013**
(22) Date of Filing Application: **12 April 2013**
(24) Date from which industrial property rights may have effect: **12 April 2013**
(54) Product in respect of which the design is registered: **Vehicular lighting fixture**
(51) International Design Classification: **26-06**
(74) Name(s) of Attorney(s): **Griffith Hack**
(71) Name(s) and Address(s) of Applicant(s):
Kabushiki Kaisha Toyota Jidoshokki
2-1 Toyoda-cho Kariya-Shi Aichi 448-8671 Japan
(72) Name(s) of Designer(s): **Tadayuki Yakushi**
(45) Registration Date: **27 May 2013**
(30) Convention priority data:
(31) Number (32) Date (33) Country
D2012-024857 12 Oct 2012 JAPAN
(56) Related Art Documents: **Not Applicable**
(57) Statement of Newness and Distinctiveness: **Newness and distinctiveness resides in the shape and/or configuration of the PRODUCT shown by solid lines in the accompanying representations.**



- (21) Design Number: **11728/2013**
(22) Date of Filing Application: **12 April 2013**
(24) Date from which industrial property rights may have effect: **12 April 2013**
(54) Product in respect of which the design is registered: **A stackable clothes drying assembly**
(51) International Design Classification: **07-05D**
(74) Name(s) of Attorney(s): **Pegasus IP**
(71) Name(s) and Address(s) of Applicant(s):
Candoline Pty Ltd
52/9 Sylvan Road Toowong QLD 4066 Australia
(72) Name(s) of Designer(s): **Stephen Thornton**
(45) Registration Date: **27 May 2013**
(56) Related Art Documents: **Not Applicable**
(57) Statement of Newness and Distinctiveness: **The newness and distinctiveness resides in the shape and/or configuration of the product shown in the reps.**



- (21) Design Number: **11740/2013**
(22) Date of Filing Application: **12 April 2013**
(24) Date from which industrial property rights may have effect: **12 April 2013**
(54) Product in respect of which the design is registered: **Bottle**
(51) International Design Classification: **09-01NES**
(74) Name(s) of Attorney(s): **Cotters Patent & Trade Mark Attorneys**
(71) Name(s) and Address(s) of Applicant(s):
Patricks Universal Exports Pty Ltd
245 Oxford St Bondi Junction NSW 2022 Australia
(72) Name(s) of Designer(s): **Patrick Kidd and Aimee Reynolds and Brett Niggel and Liam Hawry**
(45) Registration Date: **27 May 2013**
(56) Related Art Documents: **Not Applicable**
(57) Statement of Newness and Distinctiveness: **Newness and distinctiveness is claimed in the features of shape and/or configuration of a bottle as depicted in the accompanying drawings.**



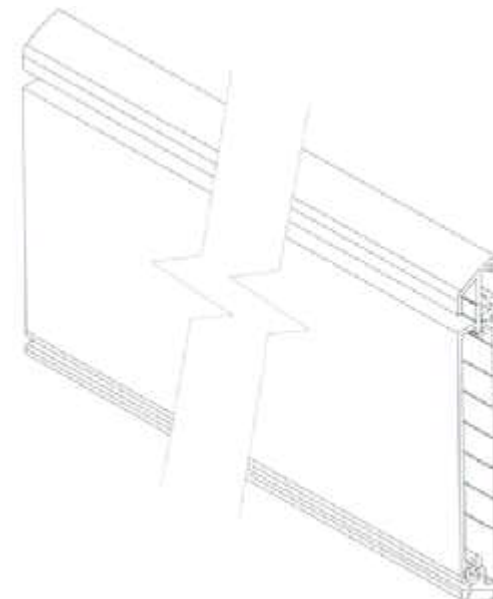
- (21) Design Number: **11745/2013**
(22) Date of Filing Application: **12 April 2013**
(24) Date from which industrial property rights may have effect: **12 April 2013**
(54) Product in respect of which the design is registered: **Hinge**
(51) International Design Classification: **08-06**
(74) Name(s) of Attorney(s):
(71) Name(s) and Address(s) of Applicant(s):
Audrius Macenris
PO BOX 882 Mount Eliza VIC 3930 Australia
(72) Name(s) of Designer(s): **Audrius Macenris**
(45) Registration Date: **27 May 2013**
(56) Related Art Documents: **Not Applicable**
(57) Statement of Newness and Distinctiveness: **A hinge including first and second hinge members movable between an open position and a closed position, the first hinge member including a substantially cylindrical body portion having a longitudinal axis about which the second hinge member is rotatable to move the hinge between the open position and the closed position; the body portion housing biasing means having an end fixed relative to the second hinge member, the biasing means being in engagement with an adjustment member.**



- (21) Design Number: **11748/2013**
(22) Date of Filing Application: **12 April 2013**
(24) Date from which industrial property rights may have effect: **12 April 2013**
(54) Product in respect of which the design is registered: **Insulating cookware cover**
(51) International Design Classification: **07-07A**
(74) Name(s) of Attorney(s): **Barker Blenkinship & Associates**
(71) Name(s) and Address(s) of Applicant(s):
Green Brothers (Wholesale) Pty Ltd
C/- 79 Warrimoo Ave St Ives NSW 2075 Australia
(72) Name(s) of Designer(s): **Ross Barry Green**
(45) Registration Date: **27 May 2013**
(56) Related Art Documents: **Not Applicable**
(57) Statement of Newness and Distinctiveness: **Newness and distinctiveness resides in the shape and configuration of an insulating cookware cover as depicted in the attached drawings.**



- (21) Design Number: **11750/2013**
(22) Date of Filing Application: **12 April 2013**
(24) Date from which industrial property rights may have effect: **12 April 2013**
(54) Product in respect of which the design is registered: **Electrical conduit**
(51) International Design Classification: **13-03C, 12-10**
(74) Name(s) of Attorney(s): **Actuate IP**
(71) Name(s) and Address(s) of Applicant(s):
The Cardan Group Pty Ltd
2208/22 Dorcas St Southbank VIC 3006 Australia
(72) Name(s) of Designer(s): **Andrew Stolp**
(45) Registration Date: **27 May 2013**
(56) Related Art Documents: **Not Applicable**
(57) Statement of Newness and Distinctiveness: **Nil**



- (21) Design Number: **11756/2013**
(22) Date of Filing Application: **15 April 2013**
(24) Date from which industrial property rights may have effect: **15 April 2013**
(54) Product in respect of which the design is registered: **Surge tank**
(51) International Design Classification: **12-16NES**
(74) Name(s) of Attorney(s):
(71) Name(s) and Address(s) of Applicant(s):
Julian Austin
13 Holbrook St Bossley Park NSW 2176 Australia
(72) Name(s) of Designer(s): **Julian Austin**
(45) Registration Date: **27 May 2013**
(56) Related Art Documents: **Not Applicable**
(57) Statement of Newness and Distinctiveness: **This newly designed surge tank is the second one for which I am applying (the first was registered last year). This version is a complete re-design which allows for direct fuel injection into the fuel pumps from the primary fuel pump. The design now includes a unique mounting bracket which will allow for installation under the automobile. The design is also far more compact allow for the fuel pumps to be fitted under the surge tank.**



- (21) Design Number: **11884/2013**
(22) Date of Filing Application: **23 April 2013**
(24) Date from which industrial property rights may have effect: **23 April 2013**
(54) Product in respect of which the design is registered: **Remote controller for air conditioner**
(51) International Design Classification: **14-03NES**
(74) Name(s) of Attorney(s): **Wrays**
(71) Name(s) and Address(s) of Applicant(s):
Mitsubishi Heavy Industries, Ltd.
16-5 Konan 2-chome Minato-ku Tokyo 108-8215 Japan
(72) Name(s) of Designer(s): **Takeyuki Koresawa and Takashi Goto and Toshiya Hashimoto and Toshiki Mori**
(45) Registration Date: **27 May 2013**
(30) Convention priority data:
(31) Number (32) Date (33) Country
2012-032011 28 Dec 2012 JAPAN
(56) Related Art Documents: **Not Applicable**
(57) Statement of Newness and Distinctiveness: **Newness and distinctiveness is claimed in the features of shape and/or configuration of the Remote Controller For Air Conditioner depicted in the accompanying representations.**



- (21) Design Number: **11336/2013**
(22) Date of Filing Application: **14 March 2013**
(24) Date from which industrial property rights may have effect: **14 March 2013**
(54) Product in respect of which the design is registered: **A seat of a chair, the seat having coalesced ischial concavities**
(51) International Design Classification: **06-06G**
(74) Name(s) of Attorney(s): **Fraser Old & Sohn**
(71) Name(s) and Address(s) of Applicant(s):
Sebel Furniture Ltd
92 Gow St Padstow NSW 2211 Australia
(72) Name(s) of Designer(s): **Gregory Brent Welsh**
(45) Registration Date: **27 May 2013**
(56) Related Art Documents: **Not Applicable**
(57) Statement of Newness and Distinctiveness: **Newness and distinctiveness is claimed in respect of the shape and/or configuration of the product illustrated in the accompanying representations. In carrying out a consideration in accordance with Section 19 the shape and/or configuration of the legs and backrest of the chair illustrated in the representations is/are not to be considered either new or distinctive and do/does not form part of the design.**



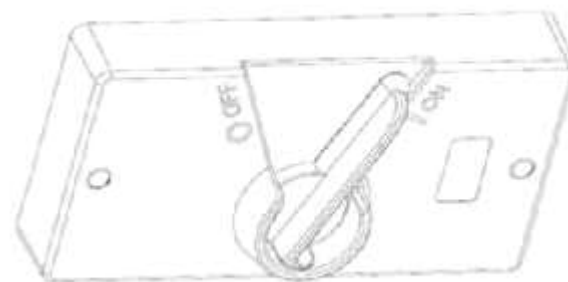
- (21) Design Number: **11623/2013**
(22) Date of Filing Application: **04 April 2013**
(24) Date from which industrial property rights may have effect: **04 April 2013**
(54) Product in respect of which the design is registered: **A tyre**
(51) International Design Classification: **12-15A**
(74) Name(s) of Attorney(s): **WATERMARK PATENT AND TRADE MARKS ATTORNEYS**
(71) Name(s) and Address(s) of Applicant(s):
Compagnie Generale Des Etablissements Michelin
12 cours Sablon Clermont-Ferrand F-63000 France
Michelin Recherche et Technique S.A.
Route Louis-Braille 10 Granges-Paccot CH-1763 Switzerland
(72) Name(s) of Designer(s): **Fang Zhu and John A. Hutz and Lee A. Montgomery**
(45) Registration Date: **27 May 2013**
(30) Convention priority data:
(31) Number (32) Date (33) Country
29/438,085 26 Nov 2012 UNITED STATES OF AMERICA
(56) Related Art Documents: **Not Applicable**
(57) Statement of Newness and Distinctiveness: **Newness and distinctiveness resides in the appearance of the tread region of the tyre, the remainder of the tyre not forming part of the design.**



- (21) Design Number: **11624/2013**
(22) Date of Filing Application: **04 April 2013**
(24) Date from which industrial property rights may have effect: **04 April 2013**
(54) Product in respect of which the design is registered: **A support cell under a load bearing feature**
(51) International Design Classification: **08-08NES, 25-01NES**
(74) Name(s) of Attorney(s):
(71) Name(s) and Address(s) of Applicant(s):
Benjamin Douglas Gooden
31 Enterprise Cres Singleton NSW 2330 Australia
Rebecca Grace Gooden
31 Enterprise Cres Singleton NSW 2330 Australia
(72) Name(s) of Designer(s): **Benjamin Douglas Gooden and Ralph Lee**
(45) Registration Date: **27 May 2013**
(56) Related Art Documents: **Not Applicable**
(57) Statement of Newness and Distinctiveness: **The design is to be applied to a support cell under a load bearing feature, and the novelty resides in the features of shape and configuration as shown in the accompanying representations.**



- (21) Design Number: **11632/2013**
(22) Date of Filing Application: **05 April 2013**
(24) Date from which industrial property rights may have effect: **05 April 2013**
(54) Product in respect of which the design is registered: **A switch**
(51) International Design Classification: **13-03E**
(74) Name(s) of Attorney(s): **Davies Collison Cave**
(71) Name(s) and Address(s) of Applicant(s):
Arlec Australia Pty Ltd
Building 3 31-41 Joseph St Blackburn VIC 3130 Australia
(72) Name(s) of Designer(s): **Monvids Puika and Kar Lun Tam**
(45) Registration Date: **27 May 2013**
(56) Related Art Documents: **Not Applicable**
(57) Statement of Newness and Distinctiveness: **Nil**



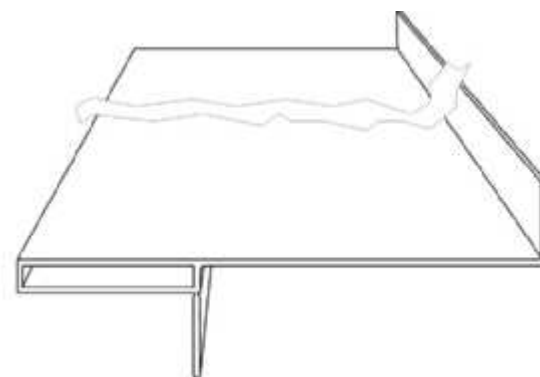
(21) Design Number: **11633/2013**
(22) Date of Filing Application: **05 April 2013**
(24) Date from which industrial property rights may have effect: **05 April 2013**
(54) Product in respect of which the design is registered: **Cap**
(51) International Design Classification: **09-07C**
(74) Name(s) of Attorney(s): **Shelston IP**
(71) Name(s) and Address(s) of Applicant(s):
Reckitt Benckiser N.V.
Siriusdreef 14 Hoofddorp 2132 WT Netherlands
(72) Name(s) of Designer(s): **Fabio Corradini and Sara Quaggia and Jenny Xiao**
and Cecile Moine and Ralf Wiedemann and Eason Xu
(45) Registration Date: **27 May 2013**
(30) Convention priority data:
(31) Number (32) Date (33) Country
002115147 08 Oct 2012 OFFICE FOR HARMONISATION IN
THE INTERNAL MARKET (OHIM)
(56) Related Art Documents: **Not Applicable**
(57) Statement of Newness and Distinctiveness: **Nil**



(21) Design Number: **11634/2013**
(22) Date of Filing Application: **05 April 2013**
(24) Date from which industrial property rights may have effect: **05 April 2013**
(54) Product in respect of which the design is registered: **Cap**
(51) International Design Classification: **09-07C**
(74) Name(s) of Attorney(s): **Shelston IP**
(71) Name(s) and Address(s) of Applicant(s):
Reckitt Benckiser N.V.
Siriusdreef 14 Hoofddorp 2132 WT Netherlands
(72) Name(s) of Designer(s): **Fabio Corradini and Sara Quaggia and Jenny Xiao**
and Cecile Moine and Ralf Wiedemann and Eason Xu
(45) Registration Date: **27 May 2013**
(30) Convention priority data:
(31) Number (32) Date (33) Country
002115147 08 Oct 2012 OFFICE FOR HARMONISATION IN
THE INTERNAL MARKET (OHIM)
(56) Related Art Documents: **Not Applicable**
(57) Statement of Newness and Distinctiveness: **Nil**



- (21) Design Number: **12001/2013**
(22) Date of Filing Application: **30 April 2013**
(24) Date from which industrial property rights may have effect: **30 April 2013**
(54) Product in respect of which the design is registered: **a window flashing extrusion**
(51) International Design Classification: **25-01K, 25-02H**
(74) Name(s) of Attorney(s):
(71) Name(s) and Address(s) of Applicant(s):
Smart Reveal Pty Ltd
C/- Michael Buck IP PO BOX 4361 St Lucia QLD 4067 Australia
(72) Name(s) of Designer(s): **Dean Costa**
(45) Registration Date: **27 May 2013**
(56) Related Art Documents: **Not Applicable**
(57) Statement of Newness and Distinctiveness: **The shape and configuration of a window flashing extrusion having a constant cross section as depicted in the end view and being of indefinite length as indicated in the perspective views.**



- (21) Design Number: **16804/2012**
(22) Date of Filing Application: **15 April 2013**
(24) Date from which industrial property rights may have effect: **27 July 2012**
(54) Product in respect of which the design is registered: **Article of clothing**
(51) International Design Classification: **02-02NES**
(74) Name(s) of Attorney(s): **Allens Patent & Trade Mark Attorneys**
(71) Name(s) and Address(s) of Applicant(s):
Forever New Clothing Pty Ltd
714-716 High St Kew East VIC 3102 Australia
(72) Name(s) of Designer(s): **Gemma Henderson**
(45) Registration Date: **27 May 2013**
(62) Divisional of: **13577/2012**
(56) Related Art Documents: **Not Applicable**
(57) Statement of Newness and Distinctiveness: **Newness and distinctiveness resides in the visual features of shape, configuration, pattern and/or ornamentation of an article of clothing as shown in the accompanying representations.**



- (21) Design Number: **16805/2012**
(22) Date of Filing Application: **15 April 2013**
(24) Date from which industrial property rights may have effect: **27 July 2012**
(54) Product in respect of which the design is registered: **Article of clothing**
(51) International Design Classification: **02-02NES**
(74) Name(s) of Attorney(s): **Allens Patent & Trade Mark Attorneys**
(71) Name(s) and Address(s) of Applicant(s):
Forever New Clothing Pty Ltd
714-716 High St Kew East VIC 3102 Australia
(72) Name(s) of Designer(s): **Gemma Henderson**
(45) Registration Date: **27 May 2013**
(62) Divisional of: **13577/2012**
(56) Related Art Documents: **Not Applicable**
(57) Statement of Newness and Distinctiveness: **Newness and distinctiveness resides in the visual features of shape, configuration, pattern and/or ornamentation of an article of clothing as shown in the accompanying representations.**



- (21) Design Number: **16806/2012**
(22) Date of Filing Application: **15 April 2013**
(24) Date from which industrial property rights may have effect: **27 July 2012**
(54) Product in respect of which the design is registered: **Article of clothing**
(51) International Design Classification: **02-02NES**
(74) Name(s) of Attorney(s): **Allens Patent & Trade Mark Attorneys**
(71) Name(s) and Address(s) of Applicant(s):
Forever New Clothing Pty Ltd
714-716 High St Kew East VIC 3102 Australia
(72) Name(s) of Designer(s): **Gemma Henderson**
(45) Registration Date: **27 May 2013**
(62) Divisional of: **13577/2012**
(56) Related Art Documents: **Not Applicable**
(57) Statement of Newness and Distinctiveness: **Newness and distinctiveness resides in the visual features of shape, configuration, pattern and/or ornamentation of an article of clothing as shown in the accompanying representations.**



- (21) Design Number: **16807/2012**
(22) Date of Filing Application: **15 April 2013**
(24) Date from which industrial property rights may have effect: **27 July 2012**
(54) Product in respect of which the design is registered: **Article of clothing**
(51) International Design Classification: **02-02NES**
(74) Name(s) of Attorney(s): **Allens Patent & Trade Mark Attorneys**
(71) Name(s) and Address(s) of Applicant(s):
Forever New Clothing Pty Ltd
714-716 High St Kew East VIC 3102 Australia
(72) Name(s) of Designer(s): **Gemma Henderson**
(45) Registration Date: **27 May 2013**
(62) Divisional of: **13577/2012**
(56) Related Art Documents: **Not Applicable**
(57) Statement of Newness and Distinctiveness: **Newness and distinctiveness resides in the visual features of shape, configuration, pattern and/or ornamentation of an article of clothing as shown in the accompanying representations.**



- (21) Design Number: **16808/2012**
(22) Date of Filing Application: **15 April 2013**
(24) Date from which industrial property rights may have effect: **27 July 2012**
(54) Product in respect of which the design is registered: **Article of clothing**
(51) International Design Classification: **02-02NES**
(74) Name(s) of Attorney(s): **Allens Patent & Trade Mark Attorneys**
(71) Name(s) and Address(s) of Applicant(s):
Forever New Clothing Pty Ltd
714-716 High St Kew East VIC 3102 Australia
(72) Name(s) of Designer(s): **Gemma Henderson**
(45) Registration Date: **27 May 2013**
(62) Divisional of: **13577/2012**
(56) Related Art Documents: **Not Applicable**
(57) Statement of Newness and Distinctiveness: **Newness and distinctiveness resides in the visual features of shape, configuration, pattern and/or ornamentation of an article of clothing as shown in the accompanying representations.**



- (21) Design Number: **16809/2012**
(22) Date of Filing Application: **15 April 2013**
(24) Date from which industrial property rights may have effect: **27 July 2012**
(54) Product in respect of which the design is registered: **Article of clothing**
(51) International Design Classification: **02-02NES**
(74) Name(s) of Attorney(s): **Allens Patent & Trade Mark Attorneys**
(71) Name(s) and Address(s) of Applicant(s):
Forever New Clothing Pty Ltd
714-716 High St Kew East VIC 3102 Australia
(72) Name(s) of Designer(s): **Gemma Henderson**
(45) Registration Date: **27 May 2013**
(62) Divisional of: **13577/2012**
(56) Related Art Documents: **Not Applicable**
(57) Statement of Newness and Distinctiveness: **Newness and distinctiveness resides in the visual features of shape, configuration, pattern and/or ornamentation of an article of clothing as shown in the accompanying representations.**



- (21) Design Number: **16810/2012**
(22) Date of Filing Application: **15 April 2013**
(24) Date from which industrial property rights may have effect: **27 July 2012**
(54) Product in respect of which the design is registered: **Article of clothing**
(51) International Design Classification: **02-02NES**
(74) Name(s) of Attorney(s): **Allens Patent & Trade Mark Attorneys**
(71) Name(s) and Address(s) of Applicant(s):
Forever New Clothing Pty Ltd
714-716 High St Kew East VIC 3102 Australia
(72) Name(s) of Designer(s): **Gemma Henderson**
(45) Registration Date: **27 May 2013**
(62) Divisional of: **13577/2012**
(56) Related Art Documents: **Not Applicable**
(57) Statement of Newness and Distinctiveness: **Newness and distinctiveness resides in the visual features of shape, configuration, pattern and/or ornamentation of an article of clothing as shown in the accompanying representations.**



- (21) Design Number: **16811/2012**
(22) Date of Filing Application: **15 April 2013**
(24) Date from which industrial property rights may have effect: **27 July 2012**
(54) Product in respect of which the design is registered: **Article of clothing**
(51) International Design Classification: **02-02NES**
(74) Name(s) of Attorney(s): **Allens Patent & Trade Mark Attorneys**
(71) Name(s) and Address(s) of Applicant(s):
Forever New Clothing Pty Ltd
714-716 High St Kew East VIC 3102 Australia
(72) Name(s) of Designer(s): **Gemma Henderson**
(45) Registration Date: **27 May 2013**
(62) Divisional of: **13577/2012**
(56) Related Art Documents: **Not Applicable**
(57) Statement of Newness and Distinctiveness: **Newness and distinctiveness resides in the visual features of shape, configuration, pattern and/or ornamentation of an article of clothing as shown in the accompanying representations.**



- (21) Design Number: **16812/2012**
(22) Date of Filing Application: **15 April 2013**
(24) Date from which industrial property rights may have effect: **27 July 2012**
(54) Product in respect of which the design is registered: **Article of clothing**
(51) International Design Classification: **02-02C, 02-02NES**
(74) Name(s) of Attorney(s): **Allens Patent & Trade Mark Attorneys**
(71) Name(s) and Address(s) of Applicant(s):
Forever New Clothing Pty Ltd
714-716 High St Kew East VIC 3102 Australia
(72) Name(s) of Designer(s): **Gemma Henderson**
(45) Registration Date: **27 May 2013**
(62) Divisional of: **13577/2012**
(56) Related Art Documents: **Not Applicable**
(57) Statement of Newness and Distinctiveness: **Newness and distinctiveness resides in the visual features of shape, configuration, pattern and/or ornamentation of an article of clothing as shown in the accompanying representations.**



- (21) Design Number: **16814/2012**
(22) Date of Filing Application: **15 April 2013**
(24) Date from which industrial property rights may have effect: **27 July 2012**
(54) Product in respect of which the design is registered: **Article of clothing**
(51) International Design Classification: **02-02C, 02-02NES**
(74) Name(s) of Attorney(s): **Allens Patent & Trade Mark Attorneys**
(71) Name(s) and Address(s) of Applicant(s):
Forever New Clothing Pty Ltd
714-716 High St Kew East VIC 3102 Australia
(72) Name(s) of Designer(s): **Gemma Henderson**
(45) Registration Date: **27 May 2013**
(62) Divisional of: **13577/2012**
(56) Related Art Documents: **Not Applicable**
(57) Statement of Newness and Distinctiveness: **Newness and distinctiveness resides in the visual features of shape, configuration, pattern and/or ornamentation of an article of clothing as shown in the accompanying representations.**



- (21) Design Number: **16815/2012**
(22) Date of Filing Application: **15 April 2013**
(24) Date from which industrial property rights may have effect: **27 July 2012**
(54) Product in respect of which the design is registered: **Article of clothing**
(51) International Design Classification: **02-02C**
(74) Name(s) of Attorney(s): **Allens Patent & Trade Mark Attorneys**
(71) Name(s) and Address(s) of Applicant(s):
Forever New Clothing Pty Ltd
714-716 High St Kew East VIC 3102 Australia
(72) Name(s) of Designer(s): **Mary McCarthy**
(45) Registration Date: **27 May 2013**
(62) Divisional of: **13577/2012**
(56) Related Art Documents: **Not Applicable**
(57) Statement of Newness and Distinctiveness: **Newness and distinctiveness resides in the visual features of shape, configuration, pattern and/or ornamentation of an article of clothing as shown in the accompanying representations.**

