



Australian Government

IP Australia

AUSTRALIAN OFFICIAL JOURNAL

OF

DESIGNS

Did you know a searchable version of this journal is now available online?

It's FREE and EASY to SEARCH.

Find it on our website (www.ipaustralia.gov.au)

by using the "Journals" link on the home page.

This Page Left Intentionally Blank

Contents

General Information & Notices

**Proceedings Under the Designs Act 1906 preserved as a result of the provisions of Chapter 12
Part 2 of the Designs Act 2003**

Extension of Period of Registration of Designs	1704
Names Registered - Alterations and Amendments	1704
Registrations Ceased	1704
Subsequent Owners Registered	1704

Proceedings Under the Designs Act 2003

Applications Lapsed	1713
Applications Lodged	1708
Certificate of Examination	1718
Extension of Period of Registration of Design	1714
Extension of Time Granted Under Section 137	1714
Licences Registered	1714
Names Registered - Alterations and Amendments	1714
Publication and Registration Proceedings	
Designs Registered 348856 to 349105.....	1719
Registrations Ceased	1714
Subsequent Owners Registered	1714

This Page Left Intentionally Blank

For information on the following please see our website www.ipaustralia.gov.au or contact our Customer Service Network on 1300651010

[Editorial enquiries](#)

[Contact information](#)

[Freedom of Information ACT](#)

[Professional Standards Board](#)

[Sales](#)

[Requests for Information under Section 194 \(c\)](#)

[Country Codes](#)

[Trade Mark and Designs Hearing Sessions](#)

[INID \(Internationally agreed Numbers for the Identification of Data\)](#)

“INID” NUMBERS in use on Australian Design Documents

“INID” is an acronym for “Internationally agreed Numbers for the Identification of Data”.

(10) Data concerning the registration/renewal

- (11) Serial number of the registration and/or number of the design document
- (12) Plain language designation of the kind of published document
- (19) Identification, using the two-letter code according to WIPO Standard ST.3, of the authority publishing or registering the industrial design

(20) Data concerning the application

- (21) Serial number of the application
- (22) Date of filing of the application
- (24) Date from which the industrial design right has effect

(30) Data relating to priority under the Paris Convention

- (31) Serial number assigned to the priority application
- (32) Date of filing of the priority application
- (33) Two-letter code, according to WIPO Standard ST.3, identifying the authority with which the priority application was made

(40) Date(s) of making information available to the public

- (45) Date of publication of the registered industrial design by printing or similar process, or making it available to the public by any other means

(50) Miscellaneous Information

- (51) International Classification for Industrial Designs (class and subclass of the Locarno Classification)
- (54) Designation of article(s) or product(s) covered by the industrial design or title of the industrial design
- (55) Reproduction of the industrial design (e.g., drawing, photograph) and explanations relating to the reproduction
- (56) List of prior art documents, if separate from descriptive text
- (57) Description of characteristic features of the industrial design including indication of colours

(60) References to other legally related application(s) and registration(s)

- (62) Serial number(s) and, if available, filing date(s) of application(s), registration(s) or document(s) related by division
- (66) Serial number(s) of the application, or the registration, of the design(s) which is (are) a variant(s) of the present one

(70) Identification of parties concerned with the application or registration

- (71) Name(s) and address(es) of the applicant(s)
- (72) Name(s) of the creator(s) if known to be such
- (74) Name(s) and address(es) of the representative(s)

This Page Left Intentionally Blank

Nil notices for this journal issue.

Proceedings under the Designs Act 1906 preserved as a result of the provisions of Chapter 12 Part 2 of the Designs Act 2003.

This Page Left Intentionally Blank

Applications Lapsed

There were no Applications Lapsed under this section

Extension of Period of Registration of Designs

1st Period (Section 27A(8))

2nd Period (Section 27A(12))

3rd Period (Section 27A(13))

148302	149129	149160
149164	149166	149201
149241	149242	149243
149244	149256	149257
149258	149266	149313
149316	150222	150242
150351	150915	150916
150917	151394	152252
152253	152254	152255
152688	153172	153727
154105	154106	154572
154628	154642	

157119	157120	157121
157122	157245	157246
157247	157248	157249

Subsequent Owners Registered

(The name in parentheses is that of the subsequent owner)

153241	(Corning Incorporated) Becton, Dickinson and Company
149547	(Spirax Industries Pty Limited) Esselte Australia Pty Ltd

Names Registered - Alterations and Amendments

(The name in parentheses is the new name of the proprietor)

149603	(King Furniture Australia Pty Ltd) King Furniture (Australia) Pty Ltd
153838	(King Furniture Australia Pty Ltd) King Furniture (Australia) Pty Ltd

Registrations Ceased

Note: Some of the following Registrations may have been previously advertised as ceased. In this instance, the previous advertisement still prevails.

130674	130675	130692
131142	131278	131795
131920	132023	132051
132081	132177	132180
132226	132292	132510
132512	132513	132601
132820	132894	132985
132986	132987	133007
133116	133201	133355
133362	133866	134026
134291	134541	135162
135497	135498	135615
135751	135900	136224
137684	146271	146370
146483	147270	147296
147315	147350	147379
147384	147398	147496
147497	147524	147525
147526	147585	147586
147644	147645	147875
148250	148434	148598
148709	149046	149154
149194	149433	150814
151707	152521	154763
154764	154765	157115
157116	157117	157118

This Page Left Intentionally Blank

Proceedings under the Designs Act 2003.

This Page Left Intentionally Blank

Applications Lodged

Lodgement information is in the following order: **Applicant's Name**; International Classification, Name of Product, Lodgement Date and **Design Number**. If the applicant claims an earlier priority date under an International Convention, the Convention Country and the associated filing date are shown in parentheses before the Lodgement Date. Divisional information will also appear in parentheses before the Lodgement Date.

Abramowitch, David Ralf; 25-04, Inflatable for forming a sukkah frame, 04 Jun 2013	12570/2013	Aussie Modern Holding Pty Ltd; 02-02NES, This is a design fo Souvenir T- shirts, 03 Jun 2013	12565/2013
Adine Pty Ltd; 07-06D, Bottle opener, 03 Jun 2013	12555/2013	ASSA ABLOY Australia Pty Limited; 08-07, Lock body, 05 Jun 2013	12602/2013
Adine Pty Ltd; 07-06D, Bottle opener, 03 Jun 2013	12554/2013	AV Industries (Aust) Pty Ltd; 23-02NES, 09-09, Mobile waste treatment plant, 31 May 2013	12535/2013
African Oxygen Limited; 24-01, Regulator, (ZA, 30 Nov 2012) 29 May 2013	12478/2013	Ball Corporation; 09-07B, 23-04, Vented end closure, (US, 28 Nov 2012) 28 May 2013	12469/2013
Aktiebolaget Electrolux; 07-02L, A milk frother, (EM, 22 Aug 2012) 21 Feb 2013	12521/2013	Beba Enterprises Pty Ltd; 02-02NES, Articles of clothing, 14 Dec 2012	12445/2013
Ariat International, Inc.; 02-02B, Apparel pocket, (US, 10 Dec 2012) 05 Jun 2013	12595/2013	Beba Enterprises Pty Ltd; 02-02NES, Articles of clothing, 30 May 2013	12580/2013
Ariat International, Inc.; 02-02C, Trousers, (US, 10 Dec 2012) 05 Jun 2013	12596/2013	Beba Enterprises Pty Ltd; 02-02NES, Articles of clothing, 30 May 2013	12578/2013
Art Plastics Pty Ltd; 23-01K, Pop down valve mechanism, 28 May 2013	12464/2013	Beba Enterprises Pty Ltd; 02-02NES, Articles of clothing, 30 May 2013	12579/2013
Art Plastics Pty Ltd; 23-01NES, Tundish - rinse by-pass, 28 May 2013	12462/2013	Bluescope Steel Limited; 23-03D, A solar panel flashing, 03 Jun 2013	12553/2013
Art Plastics Pty Ltd; 23-01NES, Exploded tundish, 28 May 2013	12463/2013	Bluescope Steel Limited; 23-03D, A solar panel, 03 Jun 2013	12550/2013
Ashbaugh, Brad Burritt; 03-01B, Wallet, 24 May 2013	12406/2013	Bose Corporation; 14-01, Speaker, (US, 19 Dec 2012) 30 May 2013	12501/2013
Audiofly Pty Ltd; 14-01, Earbuds for in-ear headphones and connecting cable, 28 Feb 2013	12174/2013	Bose Corporation; 06-01D, Vehicle seat suspension base, (US, 21 Dec 2012) 31 May 2013	12533/2013
Aussie Modern Holding Pty Ltd; 02-02NES, This is design for souvenir T- shirts, 03 Jun 2013	12568/2013	Bray, Robert Reginald; 12-06B, A sail propelled boat, (ZA, 28 Nov 2012) 29 May 2013	12576/2013
Aussie Modern Holding Pty Ltd; 02-02NES, This is a design for souvenir T- shirts, 03 Jun 2013	12569/2013	Breville Pty Limited; 07-02H, Waffle maker, 04 Jun 2013	12571/2013
Aussie Modern Holding Pty Ltd; 02-02NES, This is a design for souvenir T- shirts, 03 Jun 2013	12563/2013	Britten, Paul; 21-01L, , 31 May 2013	12537/2013
Aussie Modern Holding Pty Ltd; 02-02NES, This is a design for souvenir T- shirts, 03 Jun 2013	12566/2013	Burden, Ian James; 06-01F, A chair, 24 May 2013	12454/2013
Aussie Modern Holding Pty Ltd; 02-02NES, This is a design for souvenir T- shirts, 03 Jun 2013	12567/2013	Burden, Ian James; 06-02, A bed base, 27 May 2013	12487/2013
Aussie Modern Holding Pty Ltd; 02-02NES, This is a design for souvenir T- shirts, 03 Jun 2013	12564/2013	Burden, Ian James; 06-04D, A cabinet, 24 May 2013	12459/2013
Aussie Modern Holding Pty Ltd; 02-02NES, This is a design for souvenir T- shirts, 03 Jun 2013	12567/2013	Burden, Ian James; 06-04D, A cabinet, 24 May 2013	12460/2013
Aussie Modern Holding Pty Ltd; 02-02NES, This is a design for souvenir T- shirts, 03 Jun 2013	12564/2013	Burden, Ian James; 06-03A, A table, 24 May 2013	12457/2013

Burden, Ian James; 06-02, A bed frame, 24 May 2013	12458/2013	Daikin Industries Ltd.; 23-04, Air conditioner, 24 May 2013	12452/2013
Burden, Ian James; 06-04D, A cabinet, 24 May 2013	12455/2013	Daikin Industries Ltd.; 23-04, Air conditioner, 24 May 2013	12453/2013
Burden, Ian James; 06-03A, A table, 24 May 2013	12456/2013	Daikin Industries Ltd.; 23-04, Air conditioner, 24 May 2013	12450/2013
BISSELL Homecare, Inc.; 15-05, Vacuum cleaner handle, (US, 19 Dec 2012) 05 Jun 2013	12594/2013	Daikin Industries Ltd.; 23-04, Air conditioner, 24 May 2013	12451/2013
BISSELL Homecare, Inc.; 15-05, Vacuum cleaner tank, (US, 19 Dec 2012) 06 Jun 2013	12631/2013	Daikin Industries Ltd.; 23-04, Air conditioner, 24 May 2013	12447/2013
BISSELL Homecare, Inc.; 08-06, 15-05, Vacuum cleaner handle, (US, 19 Dec 2012) 06 Jun 2013	12632/2013	Daikin Industries Ltd.; 23-04, Air conditioner, 24 May 2013	12448/2013
BLP International Inc.; 07-05E, Squeegee, 29 May 2013	12518/2013	Daikin Industries Ltd.; 14-03NES, Controller for air conditioner, 24 May 2013	12446/2013
Campbell Soup Company; 09-01NES, Bottle, 29 May 2013	12473/2013	Decor Corporation Pty. Ltd., The; 09-07B, Lid for container, 03 Jun 2013	12559/2013
Charles Parsons (Holdings) Pty Limited; 21-04, A swag-style tent, 31 May 2013	12530/2013	Decor Corporation Pty. Ltd., The; 09-07B, Lid for container, 03 Jun 2013	12561/2013
Charles Parsons (Holdings) Pty Limited; 21-04, A tent, 31 May 2013	12529/2013	Decor Corporation Pty. Ltd., The; 09-07B, Lid for container, 03 Jun 2013	12560/2013
Chemtura Corporation; 09-01A, Dispensing device, (US, 28 Nov 2012) 28 May 2013	12467/2013	Decor Corporation Pty. Ltd., The; 09-07B, Lid for container, 03 Jun 2013	12558/2013
Christian Dior Couture; 07-99NES, Shoe tree, (CH, 06 Dec 2012) 03 Jun 2013	12536/2013	Elopak Systems AG; 09-03NES, A packaging carton, 30 May 2013	12507/2013
Clarkson, Ryan; 25-01G, A building eave steel panel, 21 May 2013	12437/2013	Energy Matters Pty Ltd; 25-01K, 08-08NES, Commercial roof bracket, 27 May 2013	12430/2013
Colgate-Palmolive Company;Omron Healthcare Co., Ltd.; 04-02, Electric toothbrush, (JP, 30 Nov 2012) 30 May 2013	12491/2013	Enerji Ltd; 13-99, Production of waste heat, 27 May 2013	12439/2013
Colgate-Palmolive Company;Omron Healthcare Co., Ltd.; 04-02, Electric toothbrush, (JP, 30 Nov 2012) 30 May 2013	12492/2013	Everstone International Pty Ltd; 20-02C, A tile display stand, 28 May 2013	12468/2013
Colgate-Palmolive Company;Omron Healthcare Co., Ltd.; 03-01D, 04-02, Container, (JP, 30 Nov 2012) 30 May 2013	12490/2013	Fantastic Holdings Limited; 06-09, Cushion with ventilation holes, 24 May 2013	12417/2013
Colgate-Palmolive Company;Omron Healthcare Co., Ltd.; 03-01D, 04-02, Case with battery charger for electric toothbrush, (JP, 30 Nov 2012) 30 May 2013	12489/2013	Felton Industries Limited; 23-01NES, A water flow aerator, (NZ, 10 Sep 2012) (Divisional of 11107/2013) 28 May 2013	12465/2013
Colgate-Palmolive Company;Omron Healthcare Co., Ltd.; 03-01D, 04-02, Case with battery charger for electric toothbrush, (JP, 30 Nov 2012) 30 May 2013	12493/2013	Find It Import Export, S.L.L.; 15-07, Cooler for wine/wine pourer, (EM, 08 Jan 2013) 03 Jun 2013	12538/2013
Daikin Industries Ltd.; 23-04, Air conditioner, 24 May 2013	12449/2013	Forever New Clothing Pty Ltd; 02-02NES, Articles of clothing, (Divisional of 16796/2012) 15 Apr 2013	12581/2013
		Fujitsu Limited; 14-02, Personal computer, (JP, 06 Nov 2012) 03 May 2013	12108/2013
		Graco Minnesota Inc.; 14-04, A display screen with graphical user interface, (Divisional of 11872/2013) 05 Jun 2013	12597/2013

Grey Reid, Wendy; 06-01G, Upholstered sofa, arm chair, ottoman and/or chaise, 29 May 2013	12485/2013	Jiangsu Henyuan Garden Supplies CO., Ltd; 08-01, Garden stick, (CA, 02 May 2013) 27 May 2013	12441/2013
Griffin, David Norris;Hearne, Mathew; 07-05D, Clothes line, 29 May 2013	12517/2013	Jury, Linda Ann;Jury, Steven; 08-05E, A motorcycle tolerance guide tool, 03 Jun 2013	12562/2013
Gripple Limited; 13-03D, Wire joiner, tensioner and fastening device, 29 May 2013	12483/2013	Jury, Steven;Jury, Linda Ann; 08-05E, A motorcycle tolerance guide tool, 03 Jun 2013	12562/2013
Guala Pack S.p.A.; 09-07A, Cap for container, (IT, 29 Nov 2012) 29 May 2013	12482/2013	Karsten Manufacturing Corporation; 21-02C, Golf club head, (US, 04 Mar 2013) 27 May 2013	12432/2013
Guala Pack S.p.A.; 09-07B, Cap for container, (IT, 29 Nov 2012) 27 May 2013	12434/2013	Keystone Retaining Wall Systems, LLC; 25-01F, 25-01A, Wall, (US, 06 Dec 2012) 30 May 2013	12488/2013
Hangzhou China Arts Industrial Co. Ltd; 06-03A, Table, 31 May 2013	12528/2013	Kleidon, John; 26-06, Vehicle lighting, 29 May 2013	12476/2013
Hearne, Mathew;Griffin, David Norris; 07-05D, Clothes line, 29 May 2013	12517/2013	Koninklijke Philips N.V.; 31-00, Juicer, (EM, 27 Nov 2012) 24 May 2013	12403/2013
Hills Holdings Limited; 07-05D, A retractable clothesline, 30 May 2013	12504/2013	Koninklijke Philips N.V.; 26-05E, Led downlight, (EM, 28 Nov 2012) 27 May 2013	12435/2013
Hunt, Ethan; 14-03E, Mobile phone, 06 Jun 2013	12633/2013	Koninklijke Philips N.V.; 26-05E, LED downlight, (EM, 28 Nov 2012) 24 May 2013	12405/2013
Illinois Tool Works Inc.; 08-09, A rose for a leverset or knobset, 29 May 2013	12472/2013	Lambert, Phil; 11-01A, 17-99, Ring for musical instrument, 04 Jun 2013	12575/2013
Intralux Australia Pty Limited; 26-05E, LED light fixture, 30 May 2013	12486/2013	Lambert, Phil; 17-99, Musical instrument finger guard, 04 Jun 2013	12577/2013
Iseki & Co., Ltd.; 12-16B, Bonnet for a tractor, (JP, 04 Dec 2012) 04 Jun 2013	12573/2013	Lander, Kirt; 30-99, Hoof boot heel captivator, (US, 28 Nov 2012) 24 May 2013	12400/2013
Janome Sewing Machine Company Limited; 15-06, Sewing machine, (JP, 21 Dec 2012) 31 May 2013	12532/2013	Lander, Kirt; 30-99, Hoof boot heel captivator, (US, 28 Nov 2012) 24 May 2013	12404/2013
Jemie B.V.; 09-02B, Canister, (BJ, 05 Apr 2013) 05 Jun 2013	12591/2013	Leijen Pty Ltd;Patpaul Pty Ltd; 08-06, Shower door mount, 03 Jun 2013	12557/2013
Jemie B.V.; 09-01NES, Double neck bottle, (BJ, 05 Apr 2013) 05 Jun 2013	12592/2013	Lexis-Nexis, a Division of Reed Elsevier Inc; 14-02, Electronic device with boxed abacus icon, (US, 29 Nov 2012) 29 May 2013	12475/2013
Jiangsu Henyuan Garden Supplies CO., Ltd; 08-01, Garden stick, (CA, 02 May 2013) 27 May 2013	12440/2013	Liang, Li; 02-02C, Fashion wrap, 05 Jun 2013	12604/2013
Jiangsu Henyuan Garden Supplies CO., Ltd; 08-01, Garden stick, (CA, 02 May 2013) 27 May 2013	12442/2013	Luminous Star Technology Ltd; 10-05, 26-99, An alarm light, 03 Jun 2013	12539/2013
Jiangsu Henyuan Garden Supplies CO., Ltd; 08-01, Garden stick, (CA, 02 May 2013) 27 May 2013	12443/2013	LG Electronics Inc.; 14-03E, Mobile phone, (KR, 30 Nov 2012) 29 May 2013	12471/2013
		LG Electronics Inc.; 14-03E, Mobile phone, (KR, 30 Nov 2012) 30 May 2013	12500/2013

LG Electronics Inc.; 14-03E, Mobile phone, (KR, 30 Nov 2012) 27 May 2013	12438/2013	Omron Healthcare Co., Ltd.;Colgate- Palmolive Company; 04-02, Electric toothbrush, (JP, 30 Nov 2012) 30 May 2013	12491/2013
Makita, Rie; 09-07C, A cap, 04 Jun 2013	12584/2013	Omron Healthcare Co., Ltd.;Colgate- Palmolive Company; 03-01D, 04-02, Container, (JP, 30 Nov 2012) 30 May 2013	12490/2013
Martor KG; 08-03, Cutter, (EM, 30 Aug 2012) 28 Feb 2013	12433/2013	Omron Healthcare Co., Ltd.;Colgate- Palmolive Company; 04-02, Electric toothbrush, (JP, 30 Nov 2012) 30 May 2013	12492/2013
Master Lock Company LLC; 08-07, Lock, (Divisional of 10875/2013) 24 May 2013	12398/2013	Omron Healthcare Co., Ltd.;Colgate- Palmolive Company; 03-01D, 04-02, Case with battery charger for electric toothbrush, (JP, 30 Nov 2012) 30 May 2013	12489/2013
Master Lock Company LLC; 08-07, Lock, (Divisional of 10872/2013) 03 Jun 2013	12552/2013	Omron Healthcare Co., Ltd.;Colgate- Palmolive Company; 03-01D, 04-02, Case with battery charger for electric toothbrush, (JP, 30 Nov 2012) 30 May 2013	12493/2013
Master Lock Company LLC; 08-07, Lock, (Divisional of 10872/2013) 03 Jun 2013	12545/2013	Patentstar B.V.; 11-02C, Plant pot, (EM, 07 Dec 2012) 24 May 2013	12401/2013
Master Lock Company LLC; 08-07, Lock, 03 Jun 2013	12549/2013	Patpaul Pty Ltd;Leijen Pty Ltd; 08-06, Shower door mount, 03 Jun 2013	12557/2013
Master Lock Company LLC; 08-07, Lock, (Divisional of 10872/2013) 03 Jun 2013	12551/2013	Performance Fabrics, Inc.; 02-06, Glove, (US, 29 Nov 2012) 29 May 2013	12477/2013
Master Lock Company LLC; 08-07, Lock, (Divisional of 10878/2013) 24 May 2013	12399/2013	Pierlite Australia Pty Ltd; 26-03, Street light, 24 May 2013	12418/2013
Mayo Hardware Pty Ltd; 25-03, 99-00, Mail and parcel delivery boxes, 23 May 2013	12428/2013	Pierlite Australia Pty Ltd; 26-05A, Reflector, 24 May 2013	12416/2013
McCormack, Phillipa; 02-05, Burping and nursing bib, 24 May 2013	12426/2013	Pierlite Australia Pty Ltd; 26-05E, LED light array, 24 May 2013	12419/2013
Nautilus, Inc.; 21-02F, Exercise bike, 03 Jun 2013	12540/2013	Podlasov, Dmitry; 09-05, 07-02L, Pod for a pre-packaged drink, 04 Jun 2013	12582/2013
Nautilus, Inc.; 21-02F, Exercise bike flywheel housing, 03 Jun 2013	12541/2013	Podlasov, Dmitry; 09-05, 07-02L, Pod for a pre-packaged drink, 04 Jun 2013	12583/2013
Nautilus, Inc.; 21-02F, Exercise bike, 03 Jun 2013	12542/2013	Pyrotek Pty Ltd; 08-05M, Ceramic orifice ring for molten glass, 04 Jun 2013	12585/2013
Nautilus, Inc.; 21-02F, Exercise bike flywheel, 03 Jun 2013	12543/2013	Quesada, Carlos S.; 23-03A, Heat exchanger means, (EM, 30 Nov 2012) 29 May 2013	12474/2013
Nissan Jidosha Kabushiki Kaisha; 12-16C, Front bumper for automobile, (JP, 29 Nov 2012) 29 May 2013	12480/2013	Real Edge Limited; 10-04, 10-05, Vibration sensor/monitor, 30 May 2013	12496/2013
Nissan Jidosha Kabushiki Kaisha; 12-16C, Rear bumper for automobile, (JP, 29 Nov 2012) 29 May 2013	12481/2013	Red Bull GmbH; 09-03E, Container, (EM, 03 Dec 2012) 03 Jun 2013	12544/2013
Nokia Corporation; 14-03E, A handset, (US, 30 Nov 2012) 30 May 2013	12497/2013		
Nokia Corporation; 14-03E, A handset, (US, 30 Nov 2012) 30 May 2013	12498/2013		
O'Hara, Mark; 09-01G, Cosmetic fluid container, (US, 18 Jan 2013) 04 Jun 2013	12572/2013		

Red Bull GmbH; 09-03E, Container, (EM, 03 Dec 2012) 03 Jun 2013	12546/2013	Samsung Electronics Co., Ltd.; 03-01NES, Case for an electronic device, (US, 13 Mar 2013) 24 May 2013	12424/2013
Reid, Stacey Maree; 02-02B, Hospital clothing, 24 May 2013	12425/2013	Sandor, Laszio; 19-08, Shrinkwrap label, (CA, 06 Dec 2012) 31 May 2013	12524/2013
Riamble Pty Ltd; 06-09, Head support, 30 May 2013	12515/2013	Sensio Inc.; 07-02K, Kitchen appliance base, (US, 05 Dec 2012) 05 Jun 2013	12590/2013
Roadvision Pty. Ltd.; 26-06, Lighting assembly, 31 May 2013	12516/2013	Sensio Inc.; 23-01G, Filter, (US, 05 Dec 2012) 05 Jun 2013	12589/2013
Roehrs, Sven; 02-02C, Garment, 03 Jun 2013	12556/2013	Sensio Inc.; 07-04, 31-00, Juicing element, (US, 05 Dec 2012) 05 Jun 2013	12593/2013
Samsung Electronics Co., Ltd.; 03-01NES, Case for an electronic device, (KR, 13 Mar 2013) 30 May 2013	12512/2013	Sensio Inc.; 07-02NES, Kitchen appliance bowl, (US, 05 Dec 2012) 05 Jun 2013	12599/2013
Samsung Electronics Co., Ltd.; 03-01NES, Case for an electronic device, (KR, 13 Mar 2013) 30 May 2013	12513/2013	Sentrel Commercial Pty Ltd; 25-02C, Balustrade section, 27 May 2013	12436/2013
Samsung Electronics Co., Ltd.; 03-01NES, Case for an electronic device, (KR, 13 Mar 2013) 30 May 2013	12503/2013	Sentry Medical Pty Ltd; 24-04, 24-99, Wall mount for medical consumables dispenser, 29 May 2013	12479/2013
Samsung Electronics Co., Ltd.; 03-01NES, Case for an electronic device, (KR, 13 Mar 2013) 30 May 2013	12511/2013	Shareen Joel Design; 06-03B, Table; side table, 29 May 2013	12484/2013
Samsung Electronics Co., Ltd.; 03-01NES, Case for an electronic device, (KR, 13 Mar 2013) 30 May 2013	12509/2013	Sheldon and Hammond Pty Ltd; 07-99NES, An ice cream scoop, 31 May 2013	12534/2013
Samsung Electronics Co., Ltd.; 03-01NES, Case for an electronic device, (KR, 13 Mar 2013) 30 May 2013	12510/2013	Sika Technology Limited; 25-03, A chamber, 30 May 2013	12495/2013
Samsung Electronics Co., Ltd.; 03-01NES, Case for an electronic device, (KR, 13 Mar 2013) 30 May 2013	12506/2013	Sika Technology Limited; 25-03, A chamber, 30 May 2013	12494/2013
Samsung Electronics Co., Ltd.; 03-01NES, Case for an electronic device, (KR, 13 Mar 2013) 30 May 2013	12508/2013	Smith, Amy Elizabeth; 10-06, A whip, 05 Jun 2013	12603/2013
Samsung Electronics Co., Ltd.; 03-01NES, Case for an electronic device, (KR, 13 Mar 2013) 30 May 2013	12505/2013	Smith's Consumer Products, Inc.; 08-03, Multi-tool with knife, 25 May 2013	12427/2013
Samsung Electronics Co., Ltd.; 03-01NES, Case for an electronic device, (KR, 13 Mar 2013) 30 May 2013	12499/2013	Sonnendorfer, Horst;Wieth, Franz; 08-07, Returnable key, (EM, 05 Dec 2012) 31 May 2013	12526/2013
Samsung Electronics Co., Ltd.; 03-01NES, Case for an electronic device, (KR, 13 Mar 2013) 24 May 2013	12422/2013	Spears, John Alan; 10-04, Template level, 30 May 2013	12514/2013
Samsung Electronics Co., Ltd.; 03-01NES, Case for an electronic device, (KR, 13 Mar 2013) 24 May 2013	12423/2013	Starky Constuctions Pty. Ltd.; 13-03C, Hose and cable protector, 06 Jun 2013	12630/2013
Samsung Electronics Co., Ltd.; 03-01NES, Case for an electronic device, (KR, 13 Mar 2013) 24 May 2013	12421/2013	Superfeet Worldwide, Inc.; 02-04A, Orthotic insert for shoes, (US, 04 Dec 2012) 24 May 2013	12522/2013
Samsung Electronics Co., Ltd.; 03-01NES, Case for an electronic device, (KR, 13 Mar 2013) 24 May 2013	12420/2013	Tacon, Jonathan Rayner; 25-01NES, Interlocking buoyant element, (ZA, 12 Dec 2012) 28 May 2013	12466/2013
		Tacon, Jonathan Rayner; 23-02NES, Buoyant element, (ZA, 28 Nov 2012) 28 May 2013	12461/2013
		Targus Australia Pty Ltd; 03-01NES, Laptop case, 31 May 2013	12525/2013

Tate, William; 12-15F, 15-04, 12-05, Skid steer / bobcat track system, 27 May 2013	12429/2013	Volvo Truck Corporation; 12-08, 21-01C, Truck cab, scale model and toy truck cab, (EM, 06 Feb 2013) 06 Jun 2013	12625/2013
Tecmen Electronics CO., LTD.; 02-03, Welding helmet, 05 Jun 2013	12587/2013	Volvo Truck Corporation; 12-08, 21-01C, Truck cab, scale model and toy truck cab, (EM, 06 Feb 2013) 06 Jun 2013	12626/2013
Tecmen Electronics CO., LTD.; 24-01, Respirator, 05 Jun 2013	12588/2013		
The Coleman Company, Inc.; 09-07NES, Grill lid, (US, 28 Nov 2012) 28 May 2013	12470/2013	Volvo Truck Corporation; 12-08, 21-01C, Truck cab, scale model and toy truck cab, (EM, 06 Feb 2013) 06 Jun 2013	12623/2013
The Goodyear Tire & Rubber Company; 12-15D, Tyre, (US, 03 Dec 2012) 27 May 2013	12431/2013	Volvo Truck Corporation; 12-08, 21-01C, Truck cab, scale model and toy truck cab, (EM, 06 Feb 2013) 06 Jun 2013	12627/2013
The Trustee for Sturdybilt Agencies Discretionary Trust; 06-05, Outdoor furniture, 31 May 2013	12531/2013	Volvo Truck Corporation; 12-08, 21-01C, Truck cab, scale model and toy truck cab, (EM, 06 Feb 2013) 06 Jun 2013	12628/2013
Thomas, Carly Michelle; 06-04NES, Wine stand & bucket - freestanding and table top, 03 Jun 2013	12548/2013		
Trapnell, Matthew Peter; 09-06, Leg rope; rope; cables, 24 May 2013	12402/2013	Volvo Truck Corporation; 12-08, 21-01C, Truck cab, scale model and toy truck cab, (EM, 06 Feb 2013) 06 Jun 2013	12624/2013
Tricon Drilling Solutions Pty Ltd; 08-01, Rotary roller cone bit, 05 Jun 2013	12598/2013		
TOAD Medical Corporation; 24-03, Weight-bearing lower extremity brace, (US, 15 Mar 2013) 31 May 2013	12527/2013	Vuly Pty Ltd; 21-02F, Trampoline, (NZ, 10 Dec 2012) 28 May 2013	12444/2013
UrbanHello; 14-03E, Cordless phone, (FR, 07 Dec 2012) 05 Jun 2013	12586/2013	Wieth, Franz;Sonnendorfer, Horst; 08-07, Returnable key, (EM, 05 Dec 2012) 31 May 2013	12526/2013
Volvo Truck Corporation; 12-16NES, Dashboard, (EM, 06 Feb 2013) 06 Jun 2013	12629/2013	Worthington Industries Pty Ltd; 12-16NES, 25-01F, One piece caravan floor, 30 May 2013	12502/2013
		3rd Stone Design Inc.; 09-03F, Food container, (US, 05 Dec 2012) 04 Jun 2013	12574/2013

Applications Lapsed

15650 / 2012 (09-01H)

Extension of Period of Registration of Designs

319615	320108	320109
320110	320111	320112
320782	320783	320784
320785	321093	321094
321095	321358	321367
321376	321377	321378
321379	321382	321387
321424	321425	321426
321450	321452	321453
321458	321486	321488
321493	321494	321521
321522	321523	321524
321525	321526	321527
321528	321529	321530
321532	321533	321534
321547	321597	321607
321611	321612	321635
321636	321640	321705
321732	321913	322044
322045	322068	322169
322228	322334	322345
322351	322352	322365
322451	322523	322524
322525	322558	322719
322729	322949	323076
323153	323155	323156
323413	323414	323451
323457	323458	323459
323460	323461	323462
323463	323464	323465
323466	323467	323521
323549	323550	323676
323772	323807	324091
324590	324639	324640
325143	325144	

Registrations Ceased

317016	317759	317797
318399	318400	318401
318402	318435	318436
318437	318438	318439
318440	318442	318445
318446	318447	318448
318449	318464	318468
318471	318486	318487
318488	318489	318490
318491	318507	318508
318513	318515	318537
318538	318544	318546

318547	318548	318549
318579	318581	318587
318588	318603	318604
318605	318611	318613
318616	318617	318619
318620	318622	318633
318634	318648	318673
318711	318830	318867
318869	318946	318947
318948	319013	319014
319040	319041	319420
319451	319544	319984
319985	319986	320005
320124	345129	

Extensions of time granted under Section 137

Applications lodged under section 137 for extension of time have been granted.

10107/2013 **Dennis Ronald Gravolin**

10108/2013 **Dennis Ronald Gravolin**

349091 **COMPAGNIE GENERALE DES ETABLISSEMENTS MICHELIN**

Licences Registered

347995 A licence has been granted to **Revolutionary Products Inc.**

Subsequent Owners Registered

(The name in parentheses is that of the subsequent owner)

305787	(Spirax Industries Pty Limited) Esselte Australia Pty Ltd
320964	(Spirax Industries Pty Limited) Esselte Australia Pty Ltd
320965	(Spirax Industries Pty Limited) Esselte Australia Pty Ltd
321405	(Spirax Industries Pty Limited) Esselte Australia Pty Ltd
321406	(Spirax Industries Pty Limited) Esselte Australia Pty Ltd
320626	(EZI ROLL DOORS AUSTRALIA PTY LTD) AC DC Motorized Solutions Pty Ltd;EZI ROLL DOORS AUSTRALIA PTY LTD
322268	(Societe Des Produits Nestle S.A.) Wyeth
336869	(Societe Des Produits Nestle S.A.) Wyeth LLC
321417	(Simpson Performance Products, Inc.) Hubbard/Downing, Inc.
321418	(Simpson Performance Products, Inc.) Hubbard/Downing, Inc.

Names Registered - Alterations and Amendments

(The name in parentheses is that of the subsequent applicant)

Certificate(s) of Examination

Examination of the following Design Registration(s) has been completed. Infringement proceedings may now be commenced.

319502	26-05B	28/05/2013
332104	08-08C	28/05/2013
334321	25-01D	03/06/2013
337238	23-02NES	31/05/2013
337239	23-01NES	31/05/2013
337240	23-01NES	31/05/2013
345623	19-06	03/06/2013
346527	12-15B	28/05/2013
346542	14-02	06/06/2013
346888	09-01G	30/05/2013
347147	12-15A	30/05/2013
347578	21-01F	03/06/2013
347834	03-03	03/06/2013
347847	02-03	29/05/2013

Publication and Registration Proceedings

Designs Registered

This section provides a concordance between design number and registration number of Designs covered in this journal. It also shows the main class and registration date.

This section covers Registration numbers 348856 to 349105 .

The registration number shown below should be used in all future correspondence.

Design Number	Registration Number	International Classification Code (IDC)	Registration Date	Design Number	Registration Number	International Classification Code (IDC)	Registration Date
13577/2012	348941	02-02C	30/05/2013	10821/2013	348880	02-02A	28/05/2013
13925/2012	348942	02-01A	30/05/2013	10839/2013	348962	13-03D	31/05/2013
14014/2012	348881	31-00	28/05/2013	10840/2013	348963	08-07	31/05/2013
14015/2012	348882	09-08	28/05/2013	10847/2013	349051	21-01B	06/06/2013
14016/2012	348883	09-08	28/05/2013	10860/2013	348933	14-01	30/05/2013
14017/2012	348884	09-08	28/05/2013	10861/2013	348934	14-01	30/05/2013
14018/2012	348885	09-08	28/05/2013	10868/2013	348964	08-07	31/05/2013
14036/2012	348886	26-03	28/05/2013	10878/2013	349052	08-07	07/06/2013
14331/2012	349029	24-01	06/06/2013	10889/2013	348935	14-03B	30/05/2013
14610/2012	348910	02-02C	29/05/2013	10890/2013	348936	14-03B	30/05/2013
14842/2012	349014	12-16B	05/06/2013	10956/2013	349059	12-10	07/06/2013
14863/2012	348878	12-16NES	28/05/2013	10984/2013	348919	07-04	30/05/2013
14878/2012	348911	12-16NES	29/05/2013	10987/2013	349053	07-02E	07/06/2013
15387/2012	349061	25-01D	07/06/2013	11107/2013	349046	23-01H	06/06/2013
15389/2012	349062	25-01D	07/06/2013	11113/2013	348997	07-01C	04/06/2013
15478/2012	348918	07-05E	30/05/2013	11231/2013	349104	12-16B	08/06/2013
15554/2012	348887	17-04	28/05/2013	11233/2013	349082	12-16N	07/06/2013
15555/2012	348888	17-04	28/05/2013	11235/2013	349083	12-16B	07/06/2013
15556/2012	348889	17-04	28/05/2013	11237/2013	349047	12-16B	06/06/2013
15636/2012	349102	02-02C	07/06/2013	11239/2013	349078	12-16B	07/06/2013
15903/2012	349063	23-03NES	07/06/2013	11242/2013	349077	12-16B	07/06/2013
15947/2012	348890	06-13B	28/05/2013	11243/2013	349079	12-16B	07/06/2013
16816/2012	349030	24-01	06/06/2013	11246/2013	349080	12-16B	07/06/2013
10113/2013	349045	09-07B	06/06/2013	11248/2013	349081	12-16B	07/06/2013
10158/2013	349031	13-03NES	06/06/2013	11253/2013	349064	12-16B	07/06/2013
10243/2013	349035	26-02	06/06/2013	11283/2013	348904	14-03A	29/05/2013
10244/2013	349038	26-02	06/06/2013	11313/2013	348965	25-02A	31/05/2013
10278/2013	348938	03-01NES	30/05/2013	11375/2013	349065	07-01B	07/06/2013
10359/2013	349058	21-03	07/06/2013	11455/2013	348920	15-01	30/05/2013
10373/2013	348939	13-03C	30/05/2013	11473/2013	349054	11-02B	07/06/2013
10547/2013	348912	09-07C	29/05/2013	11482/2013	348958	19-02	30/05/2013
10558/2013	348937	21-02NES	30/05/2013	11502/2013	349050	14-03A	06/06/2013
10663/2013	349041	07-02E	06/06/2013	11504/2013	349055	14-03A	07/06/2013
10664/2013	349042	07-02E	06/06/2013	11506/2013	348915	09-03E	29/05/2013
10711/2013	348953	09-01K	30/05/2013	11509/2013	348916	09-03E	29/05/2013
10713/2013	349048	25-02C	06/06/2013	11522/2013	349084	12-16F	07/06/2013
10714/2013	349049	25-02C	06/06/2013	11523/2013	349085	12-16F	07/06/2013
10715/2013	348956	01-01	30/05/2013	11538/2013	349002	21-02F	04/06/2013
10738/2013	348982	09-01A	04/06/2013	11544/2013	349086	25-02B	07/06/2013
10768/2013	348955	25-04	30/05/2013	11548/2013	348959	07-03	30/05/2013
10769/2013	348954	25-04	30/05/2013	11585/2013	348966	08-08NES	31/05/2013
10779/2013	348943	09-03F	30/05/2013	11607/2013	349066	12-15C	07/06/2013
10784/2013	348914	23-02B	29/05/2013	11609/2013	349003	07-04	04/06/2013
10797/2013	348987	09-01A	04/06/2013	11629/2013	349087	06-13NES	07/06/2013
10798/2013	348988	09-01A	04/06/2013	11635/2013	348856	09-01NES	28/05/2013
10799/2013	348989	09-01A	04/06/2013	11636/2013	348858	26-05E	28/05/2013
10806/2013	349056	23-01NES	07/06/2013	11637/2013	348857	09-01NES	28/05/2013
10809/2013	348957	23-01NES	30/05/2013	11669/2013	348921	11-02A	30/05/2013
10811/2013	348879	02-02A	28/05/2013	11759/2013	348940	13-03C	30/05/2013
10820/2013	349043	07-02L	06/06/2013	11816/2013	348892	09-02A	29/05/2013

Publication and Registration Proceedings - Designs Registered cont'd

Design Number	Registration Number	International Classification Code (IDC)	Registration Date	Design Number	Registration Number	International Classification Code (IDC)	Registration Date
11817/2013	348893	09-02A	29/05/2013	12039/2013	348929	02-03	30/05/2013
11818/2013	348894	09-02A	29/05/2013	12040/2013	348930	02-03	30/05/2013
11821/2013	348859	25-02C	28/05/2013	12041/2013	348949	21-01N	30/05/2013
11822/2013	348860	11-01C	28/05/2013	12042/2013	348950	21-01N	30/05/2013
11823/2013	348861	08-08NES	28/05/2013	12043/2013	348931	21-01N	30/05/2013
11824/2013	348862	25-03	28/05/2013	12044/2013	349060	12-15B	07/06/2013
11825/2013	348863	07-01B	28/05/2013	12045/2013	348951	26-03	30/05/2013
11826/2013	348864	07-01C	28/05/2013	12053/2013	348952	25-03	30/05/2013
11827/2013	348865	07-01E	28/05/2013	12054/2013	348984	19-02	04/06/2013
11828/2013	348960	12-15B	30/05/2013	12055/2013	348990	01-01	04/06/2013
11829/2013	348961	12-15B	30/05/2013	12057/2013	348991	01-01	04/06/2013
11830/2013	348866	15-05	28/05/2013	12071/2013	348992	23-03NES	04/06/2013
11831/2013	348867	25-01K	28/05/2013	12081/2013	348993	23-03NES	04/06/2013
11832/2013	348868	22-01	28/05/2013	12082/2013	348994	23-03NES	04/06/2013
11834/2013	349036	26-02	06/06/2013	12083/2013	348995	23-03NES	04/06/2013
11835/2013	349037	26-02	06/06/2013	12112/2013	348996	12-12	04/06/2013
11836/2013	349039	26-02	06/06/2013	12113/2013	349015	12-12	05/06/2013
11837/2013	349040	26-02	06/06/2013	12114/2013	349000	06-06C	04/06/2013
11849/2013	349026	28-03NES	05/06/2013	12119/2013	348983	25-03	04/06/2013
11870/2013	348891	08-05NES	29/05/2013	12121/2013	348998	07-06C	04/06/2013
11902/2013	348944	09-01NES	30/05/2013	12123/2013	348999	25-02H	04/06/2013
11940/2013	349033	13-03NES	06/06/2013	12124/2013	349018	12-15B	05/06/2013
11941/2013	349032	13-03NES	06/06/2013	12125/2013	349019	12-15A	05/06/2013
11942/2013	349034	13-03NES	06/06/2013	12126/2013	349020	12-15A	05/06/2013
11960/2013	348869	06-04NES	28/05/2013	12127/2013	349021	12-15A	05/06/2013
11961/2013	348870	06-04NES	28/05/2013	12129/2013	348973	07-04	31/05/2013
11962/2013	348871	06-04F	28/05/2013	12130/2013	348974	07-04	31/05/2013
11964/2013	348872	08-08H	28/05/2013	12131/2013	348975	07-04	31/05/2013
11965/2013	348874	06-02	28/05/2013	12132/2013	348976	07-04	31/05/2013
11966/2013	348873	06-02	28/05/2013	12133/2013	348977	07-04	31/05/2013
11970/2013	348875	21-02F	28/05/2013	12134/2013	349057	05-05D	07/06/2013
11971/2013	348876	08-08NES	28/05/2013	12141/2013	348967	20-02A	31/05/2013
11972/2013	348877	08-08NES	28/05/2013	12142/2013	348968	12-16NES	31/05/2013
11986/2013	348947	28-03A	30/05/2013	12148/2013	348985	09-07A	04/06/2013
11988/2013	348922	12-16K	30/05/2013	12165/2013	348969	25-03	31/05/2013
11989/2013	349088	25-03	07/06/2013	12166/2013	348970	06-08	31/05/2013
11992/2013	348923	03-01A	30/05/2013	12167/2013	348971	09-03F	31/05/2013
11994/2013	348924	09-09	30/05/2013	12168/2013	348972	12-08	31/05/2013
11996/2013	348948	23-02B	30/05/2013	12171/2013	349022	09-07NES	05/06/2013
11997/2013	348925	31-00	30/05/2013	12172/2013	349023	09-07NES	05/06/2013
11999/2013	348926	25-01K	30/05/2013	12173/2013	349024	09-07NES	05/06/2013
12009/2013	348905	13-02	29/05/2013	12175/2013	349090	12-16L	07/06/2013
12014/2013	348927	08-03	30/05/2013	12178/2013	349028	09-03F	05/06/2013
12015/2013	348928	08-03	30/05/2013	12181/2013	349027	09-01NES	05/06/2013
12018/2013	348906	23-01F	29/05/2013	12182/2013	348981	07-03	03/06/2013
12020/2013	349067	20-01	07/06/2013	12183/2013	349025	09-07B	05/06/2013
12021/2013	349068	20-99	07/06/2013	12187/2013	349091	12-15B	07/06/2013
12022/2013	349089	20-01	07/06/2013	12188/2013	348895	15-99	29/05/2013
12024/2013	348907	14-03NES	29/05/2013	12189/2013	348896	15-99	29/05/2013
12025/2013	348908	26-02	29/05/2013	12190/2013	348897	15-99	29/05/2013
12026/2013	348917	24-04	29/05/2013	12191/2013	348898	15-99	29/05/2013
12034/2013	349004	07-01E	04/06/2013	12192/2013	348899	15-99	29/05/2013
12035/2013	349005	07-05D	04/06/2013	12193/2013	349001	23-02B	04/06/2013
12036/2013	349006	07-02R	04/06/2013	12194/2013	348978	03-01NES	03/06/2013
12038/2013	348909	12-11	29/05/2013	12195/2013	348979	25-03	03/06/2013

Publication and Registration Proceedings - Designs Registered cont'd

Design Number	Registration Number	International Classification Code (IDC)	Registration Date	Design Number	Registration Number	International Classification Code (IDC)	Registration Date
12196/2013	348980	13-03D	03/06/2013	12285/2013	349070	15-04	07/06/2013
12197/2013	348900	26-01	29/05/2013	12286/2013	348901	23-02C	29/05/2013
12204/2013	349007	23-01H	04/06/2013	12287/2013	348902	23-02C	29/05/2013
12205/2013	348945	09-01NES	30/05/2013	12288/2013	348903	23-02C	29/05/2013
12206/2013	348946	09-01NES	30/05/2013	12290/2013	349071	28-03B	07/06/2013
12208/2013	349008	08-07	04/06/2013	12291/2013	349072	25-01K	07/06/2013
12209/2013	349009	12-15C	04/06/2013	12292/2013	348932	26-06	30/05/2013
12210/2013	349010	24-01	04/06/2013	12293/2013	349097	23-02A	07/06/2013
12217/2013	349011	12-15B	04/06/2013	12294/2013	349098	12-02	07/06/2013
12220/2013	349012	12-16L	04/06/2013	12295/2013	349099	23-02A	07/06/2013
12221/2013	349013	06-13NES	04/06/2013	12296/2013	349100	25-01K	07/06/2013
12241/2013	349016	07-01G	05/06/2013	12311/2013	349073	14-02	07/06/2013
12242/2013	349017	09-01NES	05/06/2013	12312/2013	349074	14-02	07/06/2013
12247/2013	349092	14-02	07/06/2013	12315/2013	349075	14-02	07/06/2013
12248/2013	349093	14-02	07/06/2013	12316/2013	349076	14-02	07/06/2013
12249/2013	349094	14-02	07/06/2013	12323/2013	349105	12-12	08/06/2013
12250/2013	349095	14-02	07/06/2013	12324/2013	349101	12-12	07/06/2013
12251/2013	349096	14-02	07/06/2013	12445/2013	349103	02-02NES	07/06/2013
12265/2013	348913	09-07C	29/05/2013	12521/2013	349044	07-02L	06/06/2013
12276/2013	348986	14-04	04/06/2013				
12279/2013	349069	08-08A	07/06/2013				

Publication and Registration Proceedings

Class Listing of Designs Published or Registered

The following section shows an International Classification Code listing of the Registered or Published Designs covered in this supplement.

Classification	Registration Number	Design Number	Classification	Registration Number	Design Number
01-01	348956	10715/2013	07-04	348976	12132/2013
01-01	348990	12055/2013	07-04	348977	12133/2013
01-01	348991	12057/2013	07-04	349003	11609/2013
02-01A	348942	13925/2012	07-05D	349005	12035/2013
02-02A	348879	10811/2013	07-05E	348918	15478/2012
02-02A	348880	10821/2013	07-05E	348957	10809/2013
02-02C	348910	14610/2012	07-05NES	348918	15478/2012
02-02C	348941	13577/2012	07-06C	348998	12121/2013
02-02C	349102	15636/2012	07-06NES	349065	11375/2013
02-02NES	349103	12445/2013	08-03	348927	12014/2013
02-03	348929	12039/2013	08-03	348928	12015/2013
02-03	348930	12040/2013	08-05NES	348891	11870/2013
03-01A	348923	11992/2013	08-07	348963	10840/2013
03-01NES	348938	10278/2013	08-07	348964	10868/2013
03-01NES	348978	12194/2013	08-07	349008	12208/2013
05-05D	349057	12134/2013	08-07	349052	10878/2013
06-02	348873	11966/2013	08-08A	349069	12279/2013
06-02	348874	11965/2013	08-08H	348872	11964/2013
06-04F	348871	11962/2013	08-08M	348999	12123/2013
06-04NES	348869	11960/2013	08-08NES	348861	11823/2013
06-04NES	348870	11961/2013	08-08NES	348876	11971/2013
06-06C	349000	12114/2013	08-08NES	348877	11972/2013
06-08	348970	12166/2013	08-08NES	348966	11585/2013
06-13B	348890	15947/2012	09-01A	348982	10738/2013
06-13C	349087	11629/2013	09-01A	348987	10797/2013
06-13NES	349013	12221/2013	09-01A	348988	10798/2013
06-13NES	349087	11629/2013	09-01A	348989	10799/2013
07-01B	348863	11825/2013	09-01K	348953	10711/2013
07-01B	349065	11375/2013	09-01K	348998	12121/2013
07-01C	348864	11826/2013	09-01NES	348856	11635/2013
07-01C	348997	11113/2013	09-01NES	348857	11637/2013
07-01E	348865	11827/2013	09-01NES	348944	11902/2013
07-01E	349004	12034/2013	09-01NES	348945	12205/2013
07-01G	349016	12241/2013	09-01NES	348946	12206/2013
07-02E	349041	10663/2013	09-01NES	349017	12242/2013
07-02E	349042	10664/2013	09-01NES	349027	12181/2013
07-02E	349053	10987/2013	09-02A	348892	11816/2013
07-02L	349043	10820/2013	09-02A	348893	11817/2013
07-02L	349044	12521/2013	09-02A	348894	11818/2013
07-02P	348973	12129/2013	09-03E	348915	11506/2013
07-02P	348974	12130/2013	09-03E	348916	11509/2013
07-02P	348975	12131/2013	09-03F	348943	10779/2013
07-02P	348976	12132/2013	09-03F	348971	12167/2013
07-02P	348977	12133/2013	09-03F	349028	12178/2013
07-02R	349006	12036/2013	09-07A	348985	12148/2013
07-03	348959	11548/2013	09-07B	349025	12183/2013
07-03	348981	12182/2013	09-07B	349045	10113/2013
07-03	349006	12036/2013	09-07C	348912	10547/2013
07-03	349016	12241/2013	09-07C	348913	12265/2013
07-04	348919	10984/2013	09-07NES	349022	12171/2013
07-04	348973	12129/2013	09-07NES	349023	12172/2013
07-04	348974	12130/2013	09-07NES	349024	12173/2013
07-04	348975	12131/2013	09-08	348882	14015/2012

Registration Proceedings - Class Listing of Designs Published or Registered cont'd

Classification	Registration Number	Design Number	Classification	Registration Number	Design Number
09-08	348883	14016/2012	14-01	348933	10860/2013
09-08	348884	14017/2012	14-01	348934	10861/2013
09-08	348885	14018/2012	14-02	349073	12311/2013
09-09	348924	11994/2013	14-02	349074	12312/2013
10-04	348981	12182/2013	14-02	349075	12315/2013
11-01C	348860	11822/2013	14-02	349076	12316/2013
11-02A	348921	11669/2013	14-02	349092	12247/2013
11-02B	349054	11473/2013	14-02	349093	12248/2013
12-02	349098	12294/2013	14-02	349094	12249/2013
12-08	348972	12168/2013	14-02	349095	12250/2013
12-10	349059	10956/2013	14-02	349096	12251/2013
12-11	348909	12038/2013	14-03A	348904	11283/2013
12-12	348996	12112/2013	14-03A	349050	11502/2013
12-12	349015	12113/2013	14-03A	349055	11504/2013
12-12	349101	12324/2013	14-03A	349092	12247/2013
12-12	349105	12323/2013	14-03A	349093	12248/2013
12-15A	349019	12125/2013	14-03A	349094	12249/2013
12-15A	349020	12126/2013	14-03A	349095	12250/2013
12-15A	349021	12127/2013	14-03A	349096	12251/2013
12-15B	348960	11828/2013	14-03B	348935	10889/2013
12-15B	348961	11829/2013	14-03B	348936	10890/2013
12-15B	349011	12217/2013	14-03NES	348907	12024/2013
12-15B	349018	12124/2013	14-04	348986	12276/2013
12-15B	349060	12044/2013	15-01	348920	11455/2013
12-15B	349091	12187/2013	15-04	349070	12285/2013
12-15C	349009	12209/2013	15-05	348866	11830/2013
12-15C	349066	11607/2013	15-99	348892	11816/2013
12-16B	349014	14842/2012	15-99	348893	11817/2013
12-16B	349047	11237/2013	15-99	348894	11818/2013
12-16B	349064	11253/2013	15-99	348895	12188/2013
12-16B	349077	11242/2013	15-99	348896	12189/2013
12-16B	349078	11239/2013	15-99	348897	12190/2013
12-16B	349079	11243/2013	15-99	348898	12191/2013
12-16B	349080	11246/2013	15-99	348899	12192/2013
12-16B	349081	11248/2013	16-06	348858	11636/2013
12-16B	349083	11235/2013	17-04	348887	15554/2012
12-16B	349104	11231/2013	17-04	348888	15555/2012
12-16F	349084	11522/2013	17-04	348889	15556/2012
12-16F	349085	11523/2013	19-02	348958	11482/2013
12-16K	348922	11988/2013	19-02	348984	12054/2013
12-16L	349012	12220/2013	19-08	348878	14863/2012
12-16L	349059	10956/2013	20-01	349067	12020/2013
12-16L	349090	12175/2013	20-01	349068	12021/2013
12-16N	349082	11233/2013	20-01	349089	12022/2013
12-16NES	348878	14863/2012	20-02A	348967	12141/2013
12-16NES	348911	14878/2012	20-02E	348984	12054/2013
12-16NES	348968	12142/2013	20-99	349068	12021/2013
13-02	348905	12009/2013	21-01B	349051	10847/2013
13-03C	348939	10373/2013	21-01C	348972	12168/2013
13-03C	348940	11759/2013	21-01N	348931	12043/2013
13-03D	348962	10839/2013	21-01N	348949	12041/2013
13-03D	348980	12196/2013	21-01N	348950	12042/2013
13-03NES	349031	10158/2013	21-02F	348875	11970/2013
13-03NES	349032	11941/2013	21-02F	349002	11538/2013
13-03NES	349033	11940/2013	21-02NES	348937	10558/2013
13-03NES	349034	11942/2013	21-03	349058	10359/2013

Registration Proceedings - Class Listing of Designs Published or Registered cont'd

Classification	Registration Number	Design Number	Classification	Registration Number	Design Number
22-01	348868	11832/2013	25-02A	348965	11313/2013
23-01F	348906	12018/2013	25-02B	349086	11544/2013
23-01H	349007	12204/2013	25-02C	348859	11821/2013
23-01H	349046	11107/2013	25-02C	349048	10713/2013
23-01NES	348957	10809/2013	25-02C	349049	10714/2013
23-01NES	349046	11107/2013	25-02H	348999	12123/2013
23-01NES	349056	10806/2013	25-03	348862	11824/2013
23-02A	349097	12293/2013	25-03	348952	12053/2013
23-02A	349099	12295/2013	25-03	348969	12165/2013
23-02B	348914	10784/2013	25-03	348979	12195/2013
23-02B	348948	11996/2013	25-03	348983	12119/2013
23-02B	349001	12193/2013	25-03	349088	11989/2013
23-02C	348901	12286/2013	25-04	348954	10769/2013
23-02C	348902	12287/2013	25-04	348955	10768/2013
23-02C	348903	12288/2013	26-01	348900	12197/2013
23-03F	348992	12071/2013	26-02	348908	12025/2013
23-03F	348993	12081/2013	26-02	349035	10243/2013
23-03F	348994	12082/2013	26-02	349036	11834/2013
23-03H	348906	12018/2013	26-02	349037	11835/2013
23-03NES	348992	12071/2013	26-02	349038	10244/2013
23-03NES	348993	12081/2013	26-02	349039	11836/2013
23-03NES	348994	12082/2013	26-02	349040	11837/2013
23-03NES	348995	12083/2013	26-03	348886	14036/2012
23-03NES	349063	15903/2012	26-03	348951	12045/2013
24-01	349010	12210/2013	26-05E	348858	11636/2013
24-01	349029	14331/2012	26-06	348932	12292/2013
24-01	349030	16816/2012	28-03A	348947	11986/2013
24-04	348917	12026/2013	28-03B	349071	12290/2013
25-01D	349061	15387/2012	28-03NES	349026	11849/2013
25-01D	349062	15389/2012	31-00	348881	14014/2012
25-01K	348867	11831/2013	31-00	348925	11997/2013
25-01K	348926	11999/2013	31-00	349003	11609/2013
25-01K	349072	12291/2013			
25-01K	349100	12296/2013			

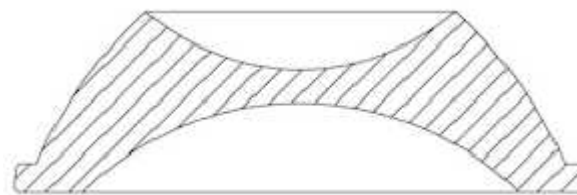
(21) Design Number: **11635/2013**
(22) Date of Filing Application: **05 April 2013**
(24) Date from which industrial property rights may have effect: **05 April 2013**
(54) Product in respect of which the design is registered: **Bottle with cap**
(51) International Design Classification: **09-01NES**
(74) Name(s) of Attorney(s): **Shelston IP**
(71) Name(s) and Address(s) of Applicant(s):
Reckitt Benckiser N.V.
Siriusdreef 14 Hoofddorp 2132 WT Netherlands
(72) Name(s) of Designer(s): **Fabio Corradini and Sara Quaggia and Jenny Xiao**
and Cecile Moine and Ralf Wiedemann and Eason Xu
(45) Registration Date: **28 May 2013**
(30) Convention priority data:
(31) Number (32) Date (33) Country
002115113 08 Oct 2012 OFFICE FOR HARMONISATION IN
THE INTERNAL MARKET (OHIM)
(56) Related Art Documents: **Not Applicable**
(57) Statement of Newness and Distinctiveness: **Nil**



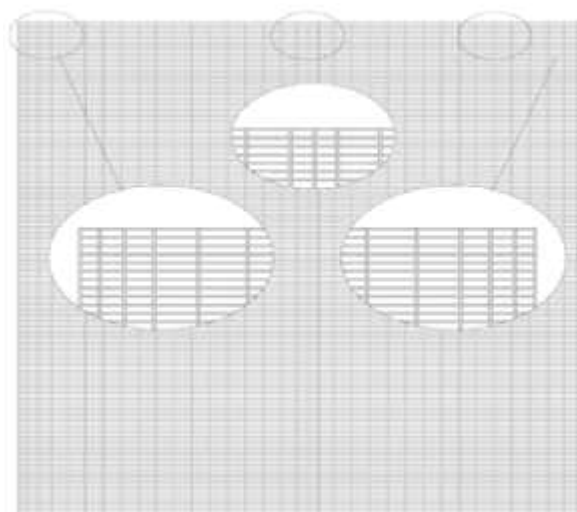
(21) Design Number: **11637/2013**
(22) Date of Filing Application: **05 April 2013**
(24) Date from which industrial property rights may have effect: **05 April 2013**
(54) Product in respect of which the design is registered: **Bottle with cap**
(51) International Design Classification: **09-01NES**
(74) Name(s) of Attorney(s): **Shelston IP**
(71) Name(s) and Address(s) of Applicant(s):
Reckitt Benckiser N.V.
Siriusdreef 14 Hoofddorp 2132 WT Netherlands
(72) Name(s) of Designer(s): **Fabio Corradini and Sara Quaggia and Jenny Xiao**
and Cecile Moine and Ralf Wiedemann and Eason Xu
(45) Registration Date: **28 May 2013**
(30) Convention priority data:
(31) Number (32) Date (33) Country
002115113 08 Oct 2012 OFFICE FOR HARMONISATION IN
THE INTERNAL MARKET (OHIM)
(56) Related Art Documents: **Not Applicable**
(57) Statement of Newness and Distinctiveness: **Nil**



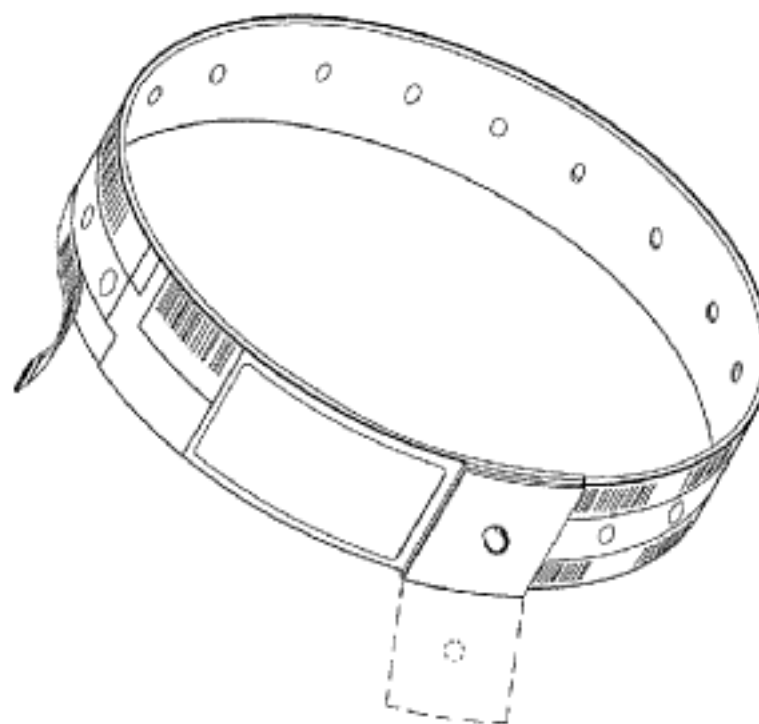
(21) Design Number: **11636/2013**
(22) Date of Filing Application: **05 April 2013**
(24) Date from which industrial property rights may have effect: **05 April 2013**
(54) Product in respect of which the design is registered: **Concavo-convex lens (LED)**
(51) International Design Classification: **26-05E, 16-06**
(74) Name(s) of Attorney(s): **A.P.T. Patent and Trade Mark Attorneys**
(71) Name(s) and Address(s) of Applicant(s):
Zeng Jing
Room 1101 Wukuang Mansion No. 32 Hongkong Middle Road Shinan District Qingdao City Shandong Province China
(72) Name(s) of Designer(s): **Zhang Yong and Zeng Zhaoyong and Sun Zhengyi**
(45) Registration Date: **28 May 2013**
(30) Convention priority data:
(31) Number (32) Date (33) Country
201230491992.4 16 Oct 2012 CHINA
(56) Related Art Documents: **Not Applicable**
(57) Statement of Newness and Distinctiveness: **Nil**



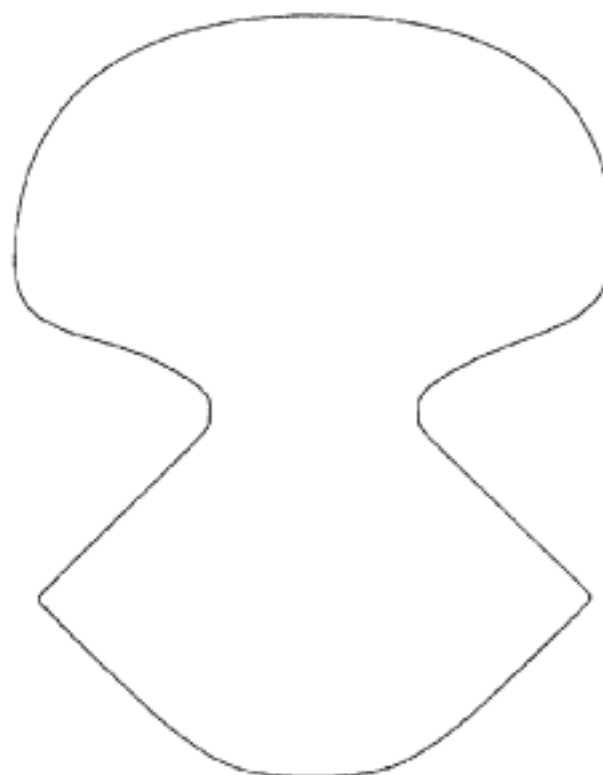
(21) Design Number: **11821/2013**
(22) Date of Filing Application: **18 April 2013**
(24) Date from which industrial property rights may have effect: **18 April 2013**
(54) Product in respect of which the design is registered: **Welded wire mesh**
(51) International Design Classification: **25-02C**
(74) Name(s) of Attorney(s):
(71) Name(s) and Address(s) of Applicant(s):
Protective Fencing Pty Ltd
16 Pile Rd Somersby NSW 2250 Australia
(72) Name(s) of Designer(s): **Allan Masters**
(45) Registration Date: **28 May 2013**
(56) Related Art Documents: **Not Applicable**
(57) Statement of Newness and Distinctiveness: **Newness and distinctiveness resides in the constantly varying spacing of line wires on either side of the panel and the addition of narrow spacings in the centre of panel. Panel is of indefinite length and height.**



(21) Design Number: **11822/2013**
(22) Date of Filing Application: **18 April 2013**
(24) Date from which industrial property rights may have effect: **18 April 2013**
(54) Product in respect of which the design is registered: **Identification wristband**
(51) International Design Classification: **11-01C**
(74) Name(s) of Attorney(s): **Griffith Hack**
(71) Name(s) and Address(s) of Applicant(s):
Precision Dynamics Corporation
27770 North Entertainment Drive Suite 200 Valencia California 91355
United States of America
(72) Name(s) of Designer(s): **Ron Ennis and Shane Taghavi and Kim Canchola**
(45) Registration Date: **28 May 2013**
(30) Convention priority data:
(31) Number (32) Date (33) Country
29/434922 18 Oct 2012 UNITED STATES OF AMERICA
(56) Related Art Documents: **Not Applicable**
(57) Statement of Newness and Distinctiveness: **Newness and distinctiveness resides in the visual features, including shape and configuration, of an identification wristband as shown in solid outline in the accompanying drawings.**



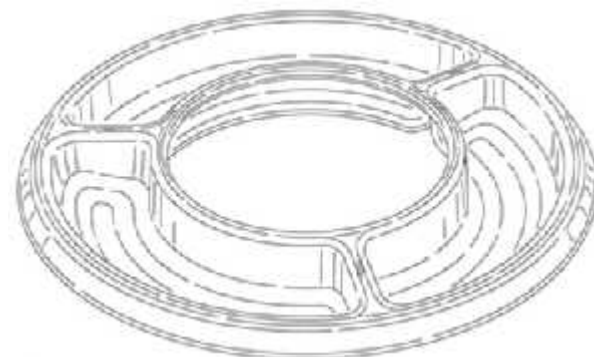
(21) Design Number: **11823/2013**
(22) Date of Filing Application: **18 April 2013**
(24) Date from which industrial property rights may have effect: **18 April 2013**
(54) Product in respect of which the design is registered: **Hanging device for a picture**
(51) International Design Classification: **08-08NES**
(74) Name(s) of Attorney(s): **SPRUSON & FERGUSON**
(71) Name(s) and Address(s) of Applicant(s):
Ready 2 Go Limited
Unit 8b 3 Daimler Close Royal Oak Industrial Estate Daventry
Northamptonshire NN11 8QJ United Kingdom
(72) Name(s) of Designer(s): **Oliver Taylor and Matthew Stokes**
(45) Registration Date: **28 May 2013**
(30) Convention priority data:
(31) Number (32) Date (33) Country
001348189-0001 18 Oct 2012 OFFICE FOR HARMONISATION IN THE INTERNAL MARKET (OHIM)
(56) Related Art Documents: **Not Applicable**
(57) Statement of Newness and Distinctiveness: **Newness and distinctiveness is claimed in the features of shape and/or configuration of a hanging device for a picture as illustrated in the accompanying representations.**



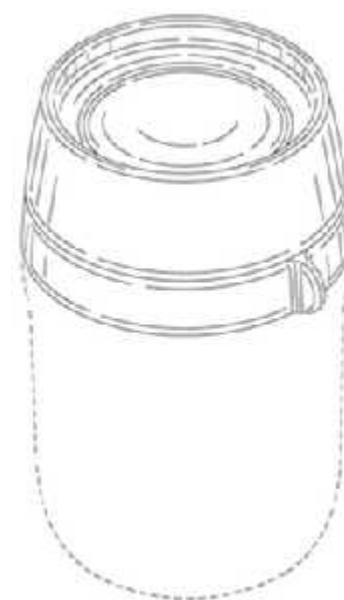
(21) Design Number: **11824/2013**
(22) Date of Filing Application: **18 April 2013**
(24) Date from which industrial property rights may have effect: **18 April 2013**
(54) Product in respect of which the design is registered: **Telemedicine booth**
(51) International Design Classification: **25-03**
(74) Name(s) of Attorney(s): **Shelston IP**
(71) Name(s) and Address(s) of Applicant(s):
H4D
11 rue de Cuques Aix-en-Provence 13100 France
(72) Name(s) of Designer(s): **Tanguy Morgan**
(45) Registration Date: **28 May 2013**
(30) Convention priority data:
(31) Number (32) Date (33) Country
12/4993 08 Nov 2012 FRANCE
(56) Related Art Documents: **Not Applicable**
(57) Statement of Newness and Distinctiveness: **Nil**



(21) Design Number: **11825/2013**
(22) Date of Filing Application: **17 April 2013**
(24) Date from which industrial property rights may have effect: **17 April 2013**
(54) Product in respect of which the design is registered: **Divided party tray**
(51) International Design Classification: **07-01B**
(74) Name(s) of Attorney(s): **PHILLIPS ORMONDE FITZPATRICK**
(71) Name(s) and Address(s) of Applicant(s):
Dart Industries Inc.
14901 S. Orange Blossom Trail Orlando Florida 32837 United States of America
(72) Name(s) of Designer(s): **Alex Muspratt-Williams and Jan-Hendrick de Groot**
(45) Registration Date: **28 May 2013**
(30) Convention priority data:
(31) Number (32) Date (33) Country
29/436,552 07 Nov 2012 UNITED STATES OF AMERICA
(56) Related Art Documents: **Not Applicable**
(57) Statement of Newness and Distinctiveness: **Those features of the divided party tray depicted in the representations that are new and distinctive are the shape and/or configuration.**



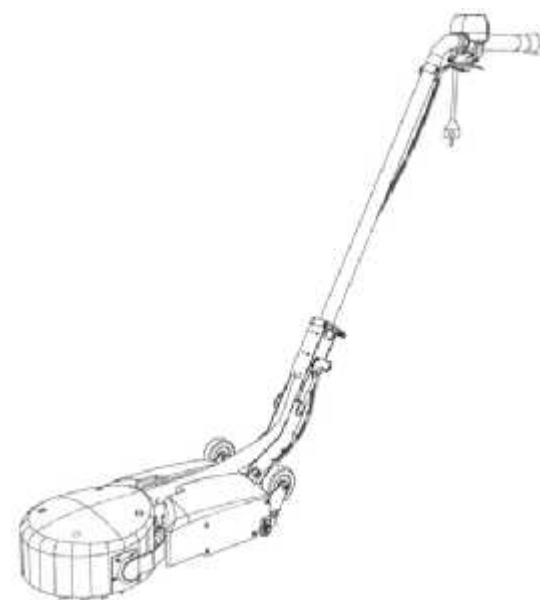
(21) Design Number: **11826/2013**
(22) Date of Filing Application: **17 April 2013**
(24) Date from which industrial property rights may have effect: **17 April 2013**
(54) Product in respect of which the design is registered: **Child's training cup**
(51) International Design Classification: **07-01C**
(74) Name(s) of Attorney(s): **PHILLIPS ORMONDE FITZPATRICK**
(71) Name(s) and Address(s) of Applicant(s):
Dart Industries Inc.
14901 S. Orange Blossom Trail Orlando Florida 32837 United States of America
(72) Name(s) of Designer(s): **Raymond J Trudeau and Maxime R. Richard and Anthony M. De Leo**
(45) Registration Date: **28 May 2013**
(30) Convention priority data:
(31) Number (32) Date (33) Country
29/436,581 07 Nov 2012 UNITED STATES OF AMERICA
(56) Related Art Documents: **Not Applicable**
(57) Statement of Newness and Distinctiveness: **Those features of the child's training cup depicted in the representations that are new and distinctive are the shape and/or configuration. The features shown in broken line are not part of the design and are to be disregarded when considering the overall impression of the design.**



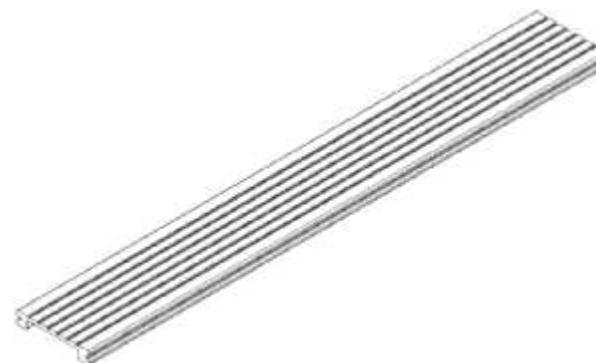
(21) Design Number: **11827/2013**
(22) Date of Filing Application: **17 April 2013**
(24) Date from which industrial property rights may have effect: **17 April 2013**
(54) Product in respect of which the design is registered: **Sippy cup lid**
(51) International Design Classification: **07-01E**
(74) Name(s) of Attorney(s): **PHILLIPS ORMONDE FITZPATRICK**
(71) Name(s) and Address(s) of Applicant(s):
Dart Industries Inc.
14901 S. Orange Blossom Trail Orlando Florida 32837 United States of America
(72) Name(s) of Designer(s): **Anthony M. De Leo**
(45) Registration Date: **28 May 2013**
(30) Convention priority data:
(31) Number (32) Date (33) Country
29/436,568 08 Apr 2013 UNITED STATES OF AMERICA
(56) Related Art Documents: **Not Applicable**
(57) Statement of Newness and Distinctiveness: **Those features of the sippy cup lid depicted in the representations that are new and distinctive are the shape and/or configuration. The features shown in broken line are not part of the design and are to be disregarded when considering the overall impression of the design.**



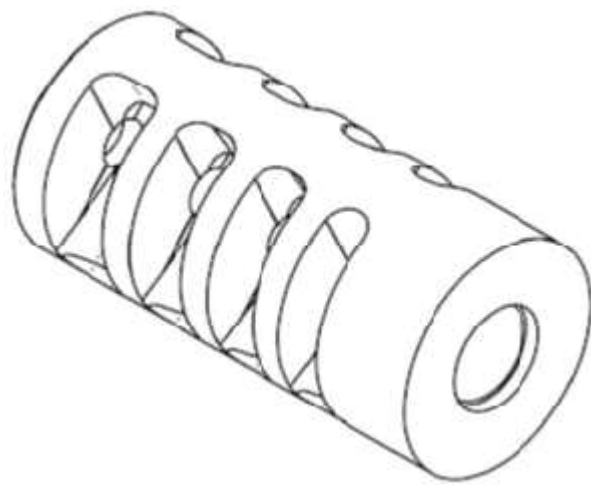
(21) Design Number: **11830/2013**
(22) Date of Filing Application: **18 April 2013**
(24) Date from which industrial property rights may have effect: **18 April 2013**
(54) Product in respect of which the design is registered: **Cleaning machine**
(51) International Design Classification: **15-05**
(74) Name(s) of Attorney(s): **WATERMARK PATENT AND TRADE MARKS ATTORNEYS**
(71) Name(s) and Address(s) of Applicant(s):
Qleeno AB
Gamlestadsvagen 2-4 B2 Goteborg SE-415 Sweden
(72) Name(s) of Designer(s): **Patrick Andreason**
(45) Registration Date: **28 May 2013**
(30) Convention priority data:
(31) Number (32) Date (33) Country
002122028-0001 19 Oct 2012 OFFICE FOR HARMONISATION IN THE INTERNAL MARKET (OHIM)
(56) Related Art Documents: **Not Applicable**
(57) Statement of Newness and Distinctiveness: **Nil**



(21) Design Number: **11831/2013**
(22) Date of Filing Application: **18 April 2013**
(24) Date from which industrial property rights may have effect: **18 April 2013**
(54) Product in respect of which the design is registered: **An extrusion or pulltrusion for decking**
(51) International Design Classification: **25-01K**
(74) Name(s) of Attorney(s): **Armour IP**
(71) Name(s) and Address(s) of Applicant(s):
Abbix Industries Pty Ltd
PO BOX 1154 Wangara DC WA 6947 Australia
(72) Name(s) of Designer(s): **Fraser Tonner**
(45) Registration Date: **28 May 2013**
(56) Related Art Documents: **Not Applicable**
(57) Statement of Newness and Distinctiveness: **Newness and distinctiveness resides in the cross sectional shape of the decking extrusion or pulltrusion of indefinite length.**



(21) Design Number: **11832/2013**
(22) Date of Filing Application: **18 April 2013**
(24) Date from which industrial property rights may have effect: **18 April 2013**
(54) Product in respect of which the design is registered: **A muzzlebrake for a rifle**
(51) International Design Classification: **22-01**
(74) Name(s) of Attorney(s):
(71) Name(s) and Address(s) of Applicant(s):



Dean Frank Maisey
PO Box 14006 Tauranga 3143 New Zealand

(72) Name(s) of Designer(s): **Dean Frank Maisey**

(45) Registration Date: **28 May 2013**

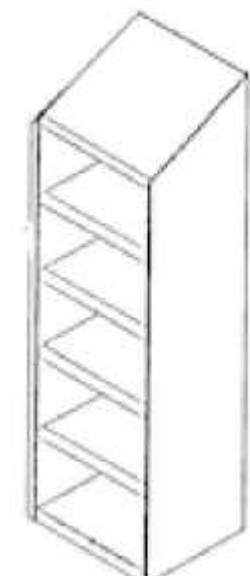
(30) Convention priority data:

(31) Number	(32) Date	(33) Country
417158	20 Dec 2012	NEW ZEALAND

(56) Related Art Documents: **Not Applicable**

(57) Statement of Newness and Distinctiveness: **The design is to be applied to a muzzlebrake for a rifle, and the novelty resides in the features of shape and configuration as shown in the accompanying representations. Particular regard is to be had to the progressive gas chamber/port sizes, from small to large (or large to small).**

(21) Design Number: **11960/2013**
(22) Date of Filing Application: **26 April 2013**
(24) Date from which industrial property rights may have effect: **31 January 2013**
(54) Product in respect of which the design is registered: **shelving for prefabricated prison cell**
(51) International Design Classification: **06-04NES**
(74) Name(s) of Attorney(s): **Callinans**
(71) Name(s) and Address(s) of Applicant(s):



Steelfinne Fabrications Pty Ltd
1 Bridget St Glen Waverley VIC 3150 Australia

(72) Name(s) of Designer(s): **Glenn Dickson and Eddie Villa**

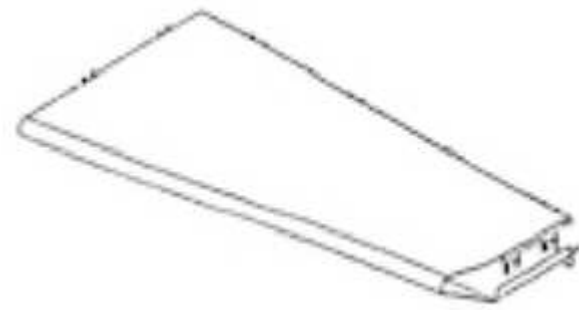
(45) Registration Date: **28 May 2013**

(62) Divisional of: **10520/2013**

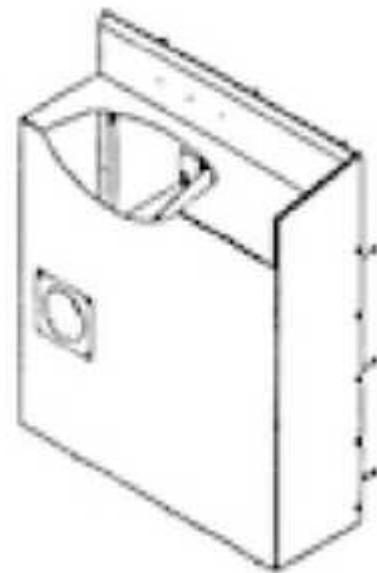
(56) Related Art Documents: **Not Applicable**

(57) Statement of Newness and Distinctiveness: **Nil**

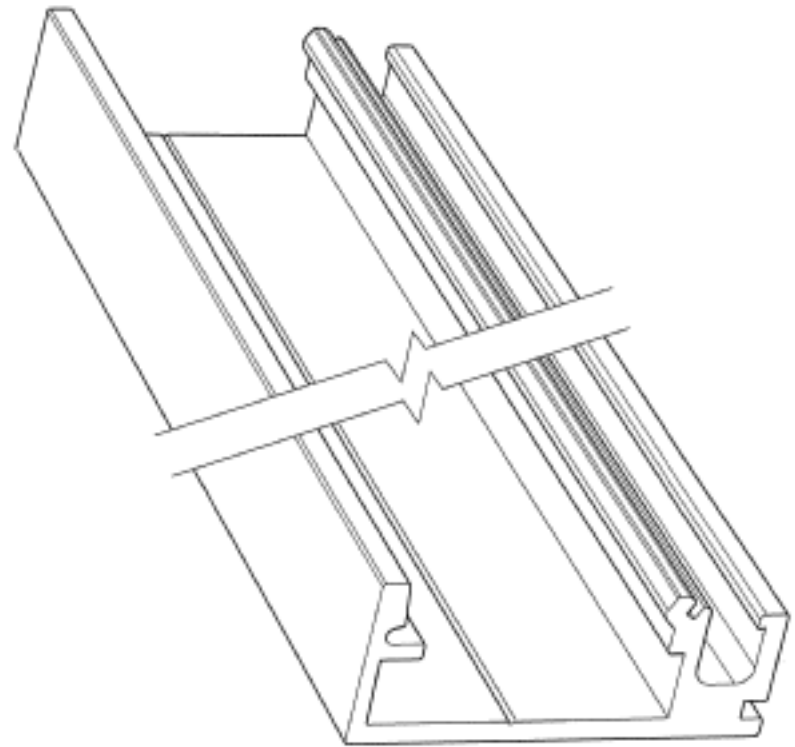
(21) Design Number: **11961/2013**
(22) Date of Filing Application: **26 April 2013**
(24) Date from which industrial property rights may have effect: **31 January 2013**
(54) Product in respect of which the design is registered: **Shelf for prefabricated prison cell**
(51) International Design Classification: **06-04NES**
(74) Name(s) of Attorney(s): **Callinans**
(71) Name(s) and Address(s) of Applicant(s):
Steelfinne Fabrications Pty Ltd
1 Bridget St Glen Waverley VIC 3150 Australia
(72) Name(s) of Designer(s): **Glenn Dickson and Eddie Villa**
(45) Registration Date: **28 May 2013**
(62) Divisional of: **10520/2013**
(56) Related Art Documents: **Not Applicable**
(57) Statement of Newness and Distinctiveness: **Nil**



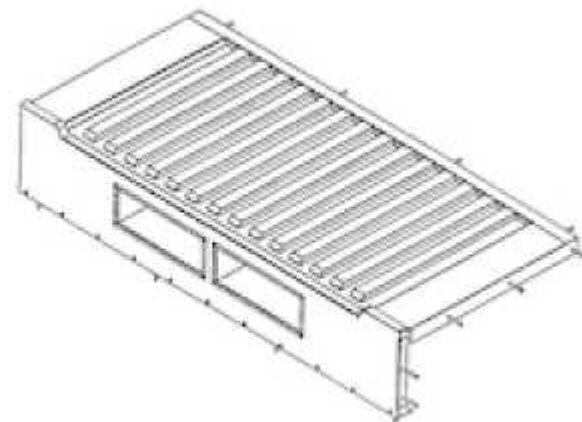
(21) Design Number: **11962/2013**
(22) Date of Filing Application: **26 April 2013**
(24) Date from which industrial property rights may have effect: **31 January 2013**
(54) Product in respect of which the design is registered: **Vanity unit for prefabricated prison cell**
(51) International Design Classification: **06-04F**
(74) Name(s) of Attorney(s): **Callinans**
(71) Name(s) and Address(s) of Applicant(s):
Steelfinne Fabrications Pty Ltd
1 Bridget St Glen Waverley VIC 3150 Australia
(72) Name(s) of Designer(s): **Glenn Dickson and Eddie Villa**
(45) Registration Date: **28 May 2013**
(62) Divisional of: **10520/2013**
(56) Related Art Documents: **Not Applicable**
(57) Statement of Newness and Distinctiveness: **Nil**



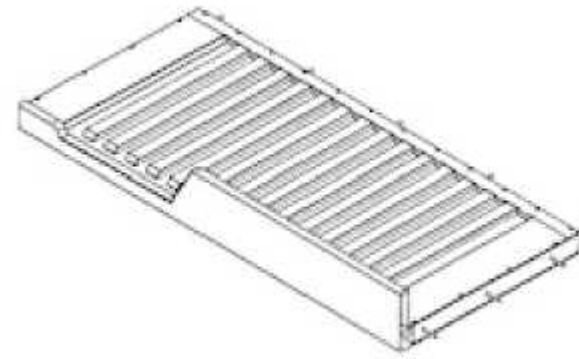
(21) Design Number: **11964/2013**
(22) Date of Filing Application: **26 April 2013**
(24) Date from which industrial property rights may have effect: **26 April 2013**
(54) Product in respect of which the design is registered: **A carrier for a pliable sheet**
(51) International Design Classification: **08-08H**
(74) Name(s) of Attorney(s): **Madderns**
(71) Name(s) and Address(s) of Applicant(s):
Slidetrack Blinds Pty Ltd
10 Woodhouse Cres Wattle Park SA 5066 Australia
(72) Name(s) of Designer(s): **Brian Lionel Zwar**
(45) Registration Date: **28 May 2013**
(56) Related Art Documents: **Not Applicable**
(57) Statement of Newness and Distinctiveness: **Nil**



(21) Design Number: **11966/2013**
(22) Date of Filing Application: **26 April 2013**
(24) Date from which industrial property rights may have effect: **31 January 2013**
(54) Product in respect of which the design is registered: **Bed with storage for prefabricated prison cell**
(51) International Design Classification: **06-02**
(74) Name(s) of Attorney(s): **Callinans**
(71) Name(s) and Address(s) of Applicant(s):
Steelfinne Fabrications Pty Ltd
1 Bridget St Glen Waverley VIC 3150 Australia
(72) Name(s) of Designer(s): **Glenn Dickson and Eddie Villa**
(45) Registration Date: **28 May 2013**
(62) Divisional of: **10520/2013**
(56) Related Art Documents: **Not Applicable**
(57) Statement of Newness and Distinctiveness: **Nil**



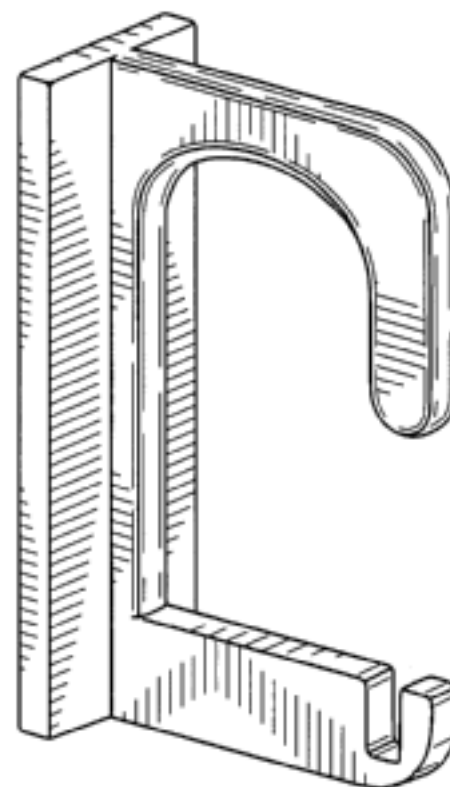
(21) Design Number: **11965/2013**
(22) Date of Filing Application: **26 April 2013**
(24) Date from which industrial property rights may have effect: **31 January 2013**
(54) Product in respect of which the design is registered: **Bed for prefabricated prison cell**
(51) International Design Classification: **06-02**
(74) Name(s) of Attorney(s): **Callinans**
(71) Name(s) and Address(s) of Applicant(s):
Steelfinne Fabrications Pty Ltd
1 Bridget St Glen Waverley VIC 3150 Australia
(72) Name(s) of Designer(s): **Glenn Dickson and Eddie Villa**
(45) Registration Date: **28 May 2013**
(62) Divisional of: **10520/2013**
(56) Related Art Documents: **Not Applicable**
(57) Statement of Newness and Distinctiveness: **Nil**



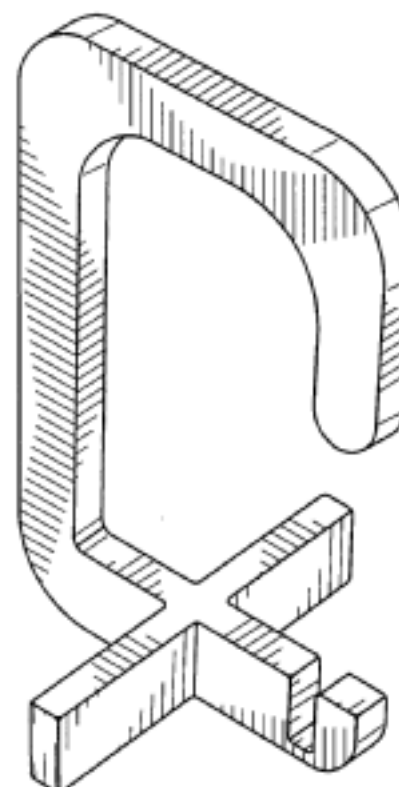
(21) Design Number: **11970/2013**
(22) Date of Filing Application: **28 April 2013**
(24) Date from which industrial property rights may have effect: **28 April 2013**
(54) Product in respect of which the design is registered: **Fitness plate (multi-purpose)**
(51) International Design Classification: **21-02F**
(74) Name(s) of Attorney(s):
(71) Name(s) and Address(s) of Applicant(s):
Cheok Io Tang
7/F No 5-9 Morrison Hill Road Morrison Plaza Causeway Bay Hong Kong
(72) Name(s) of Designer(s): **Cheok Io Tang**
(45) Registration Date: **28 May 2013**
(30) Convention priority data:
(31) Number (32) Date (33) Country
201330042683.3 20 Feb 2013 CHINA
(56) Related Art Documents: **Not Applicable**
(57) Statement of Newness and Distinctiveness: **Nil**



(21) Design Number: **11971/2013**
(22) Date of Filing Application: **24 April 2013**
(24) Date from which industrial property rights may have effect: **24 April 2013**
(54) Product in respect of which the design is registered: **Clip**
(51) International Design Classification: **08-08NES**
(74) Name(s) of Attorney(s): **Freehills Patent Attorneys**
(71) Name(s) and Address(s) of Applicant(s):
Scott Pierce
PO Box 530819 Henderson Nevada 89053 United States of America
(72) Name(s) of Designer(s): **Scott Pierce**
(45) Registration Date: **28 May 2013**
(30) Convention priority data:
(31) Number (32) Date (33) Country
29/435507 24 Oct 2012 UNITED STATES OF AMERICA
(56) Related Art Documents: **Not Applicable**
(57) Statement of Newness and Distinctiveness: **Newness and distinctiveness resides in the features of shape and configuration shown in the accompanying figures.**



(21) Design Number: **11972/2013**
(22) Date of Filing Application: **24 April 2013**
(24) Date from which industrial property rights may have effect: **24 April 2013**
(54) Product in respect of which the design is registered: **Clip**
(51) International Design Classification: **08-08NES**
(74) Name(s) of Attorney(s): **Freehills Patent Attorneys**
(71) Name(s) and Address(s) of Applicant(s):
Scott Pierce
PO Box 530819 Henderson Nevada 89053 United States of America
(72) Name(s) of Designer(s): **Scott Pierce**
(45) Registration Date: **28 May 2013**
(30) Convention priority data:
(31) Number (32) Date (33) Country
29/435508 24 Oct 2012 UNITED STATES OF AMERICA
(56) Related Art Documents: **Not Applicable**
(57) Statement of Newness and Distinctiveness: **Newness and distinctiveness resides in the features of shape and configuration shown in the accompanying figures.**



(21) Design Number: **14863/2012**
(22) Date of Filing Application: **27 September 2012**
(24) Date from which industrial property rights may have effect: **27 September 2012**
(54) Product in respect of which the design is registered: **Left-side and right-side vehicle side decal**
(51) International Design Classification: **12-16NES, 19-08**
(74) Name(s) of Attorney(s): **K&L Gates**
(71) Name(s) and Address(s) of Applicant(s):
GM Global Technology Operations LLC
300 Renaissance Centre City of Detroit State of Michigan 48265-3000
United States of America
(72) Name(s) of Designer(s): **Peter Hughes**
(45) Registration Date: **28 May 2013**
(56) Related Art Documents: **Not Applicable**
(57) Statement of Newness and Distinctiveness: **Nil**



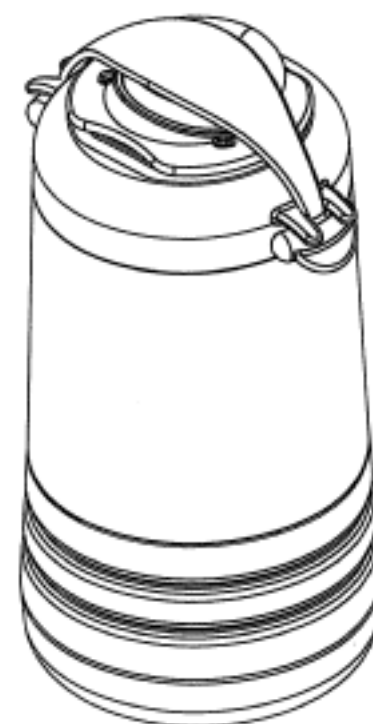
(21) Design Number: **10811/2013**
(22) Date of Filing Application: **21 February 2013**
(24) Date from which industrial property rights may have effect: **21 February 2013**
(54) Product in respect of which the design is registered: **Swimsuit**
(51) International Design Classification: **02-02A**
(74) Name(s) of Attorney(s): **Shelston IP**
(71) Name(s) and Address(s) of Applicant(s):
Global Trademarks, Inc.
110 Commerce Way Stockertown Pennsylvania 18083 United States of
America
(72) Name(s) of Designer(s): **Mark Waldman**
(45) Registration Date: **28 May 2013**
(56) Related Art Documents: **Not Applicable**
(57) Statement of Newness and Distinctiveness: **Nil**



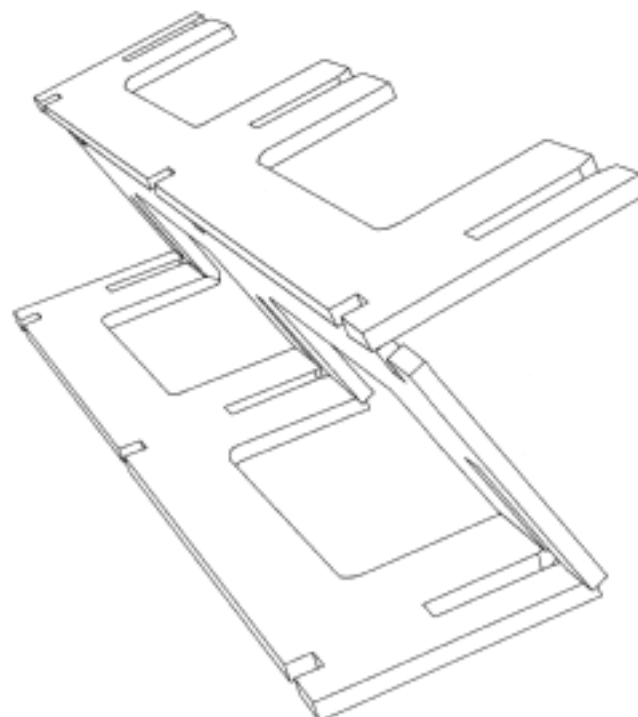
(21) Design Number: **10821/2013**
(22) Date of Filing Application: **21 February 2013**
(24) Date from which industrial property rights may have effect: **21 February 2013**
(54) Product in respect of which the design is registered: **Swimsuit**
(51) International Design Classification: **02-02A**
(74) Name(s) of Attorney(s): **Shelston IP**
(71) Name(s) and Address(s) of Applicant(s):
Global Trademarks, Inc.
110 Commerce Way Stockertown Pennsylvania 18083 United States of America
(72) Name(s) of Designer(s): **Mark Waldman**
(45) Registration Date: **28 May 2013**
(30) Convention priority data:
(31) Number (32) Date (33) Country
29/430095 21 Aug 2012 UNITED STATES OF AMERICA
(56) Related Art Documents: **Not Applicable**
(57) Statement of Newness and Distinctiveness: **Nil**



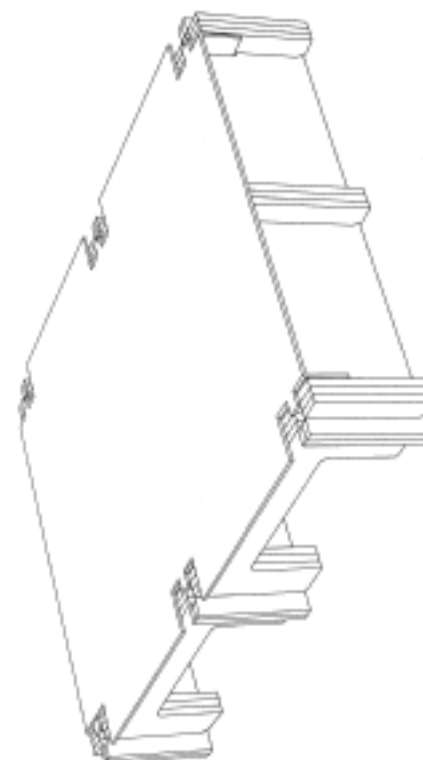
(21) Design Number: **14014/2012**
(22) Date of Filing Application: **16 August 2012**
(24) Date from which industrial property rights may have effect: **16 August 2012**
(54) Product in respect of which the design is registered: **Device for cleaning the teet of a dummy/passifier or baby-feeding bottle**
(51) International Design Classification: **31-00**
(74) Name(s) of Attorney(s): **Davies Collison Cave**
(71) Name(s) and Address(s) of Applicant(s):
Anthony Siljeg
2 Lorack Close Mulgrave Victoria 3170 Australia
(72) Name(s) of Designer(s): **Anthony Siljeg**
(45) Registration Date: **28 May 2013**
(56) Related Art Documents: **Not Applicable**
(57) Statement of Newness and Distinctiveness: **Newness and distinctiveness is claimed in shape and configuration of a device for cleaning the teet of a dummy/passifier or baby-feeding bottle, as shown in Figures 1 to 9 of the accompanying representations. Newness and distinctiveness is claimed in shape and configuration of a device for cleaning the teet of a dummy/passifier or baby-feeding bottle, as shown in Figures 10 to 18 of the accompanying representations.**



- (21) Design Number: **14015/2012**
(22) Date of Filing Application: **16 August 2012**
(24) Date from which industrial property rights may have effect: **16 August 2012**
(54) Product in respect of which the design is registered: **Blank for a bearer of a pallet**
(51) International Design Classification: **09-08**
(74) Name(s) of Attorney(s): **Davies Collison Cave**
(71) Name(s) and Address(s) of Applicant(s):
Visy R & D Pty Ltd
Visy Technical and Innovation Centre 13 Reo Crescent Campbellfield
Victoria 3061 Australia
(72) Name(s) of Designer(s): **Clint Paul Moka**
(45) Registration Date: **28 May 2013**
(56) Related Art Documents: **Not Applicable**
(57) Statement of Newness and Distinctiveness: **The features of shape and configuration of the blank shown in the accompanying representations are considered to be new and distinctive, wherein the solid lines within the boundary of the blank are cut lines and the broken lines are lines of perforation that facilitate folding of the blank.**



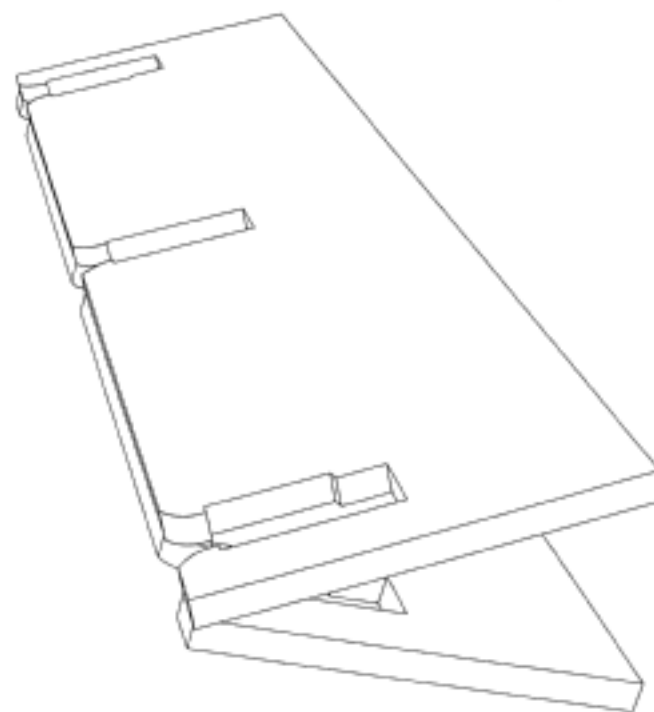
- (21) Design Number: **14016/2012**
(22) Date of Filing Application: **16 August 2012**
(24) Date from which industrial property rights may have effect: **16 August 2012**
(54) Product in respect of which the design is registered: **A pallet**
(51) International Design Classification: **09-08**
(74) Name(s) of Attorney(s): **Davies Collison Cave**
(71) Name(s) and Address(s) of Applicant(s):
Visy R & D Pty Ltd
Visy Technical and Innovation Centre 13 Reo Crescent Campbellfield
Victoria 3061 Australia
(72) Name(s) of Designer(s): **Clint Paul Moka**
(45) Registration Date: **28 May 2013**
(56) Related Art Documents: **Not Applicable**
(57) Statement of Newness and Distinctiveness: **The features of shape and configuration of the pallet shown in the accompanying representations are considered to be new and distinctive.**



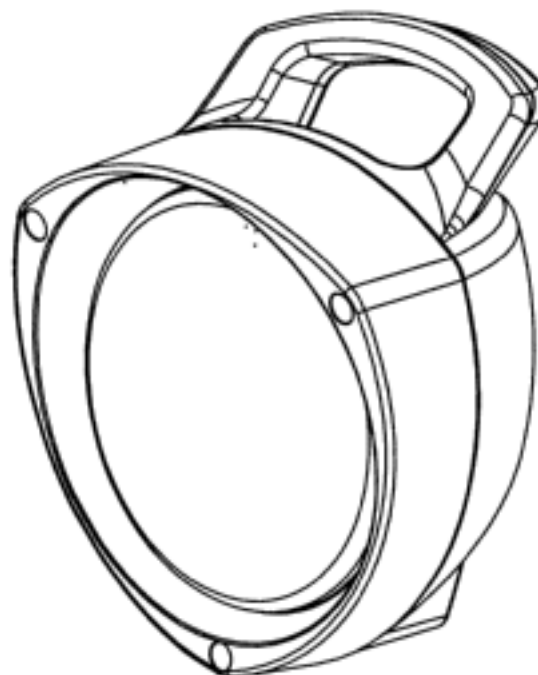
- (21) Design Number: **14017/2012**
(22) Date of Filing Application: **16 August 2012**
(24) Date from which industrial property rights may have effect: **16 August 2012**
(54) Product in respect of which the design is registered: **Blank for a deck of a pallet**
(51) International Design Classification: **09-08**
(74) Name(s) of Attorney(s): **Davies Collison Cave**
(71) Name(s) and Address(s) of Applicant(s):
Visy R & D Pty Ltd
Visy Technical and Innovation Centre 13 Reo Crescent Campbellfield
Victoria 3061 Australia
(72) Name(s) of Designer(s): **Clint Paul Moka**
(45) Registration Date: **28 May 2013**
(56) Related Art Documents: **Not Applicable**
(57) Statement of Newness and Distinctiveness: **The features of shape and configuration of the blank shown in the accompanying representations are considered to be new and distinctive, wherein the broken lines within the boundary of the blank are lines of deformation that facilitate folding of the blank and the solid lines within the boundary are score lines that separate section of the blank during folding.**



- (21) Design Number: **14018/2012**
(22) Date of Filing Application: **16 August 2012**
(24) Date from which industrial property rights may have effect: **16 August 2012**
(54) Product in respect of which the design is registered: **Blank for a bearer of a pallet**
(51) International Design Classification: **09-08**
(74) Name(s) of Attorney(s): **Davies Collison Cave**
(71) Name(s) and Address(s) of Applicant(s):
Visy R & D Pty Ltd
Visy Technical and Innovation Centre 13 Reo Crescent Campbellfield
Victoria 3061 Australia
(72) Name(s) of Designer(s): **Clint Paul Moka**
(45) Registration Date: **28 May 2013**
(56) Related Art Documents: **Not Applicable**
(57) Statement of Newness and Distinctiveness: **The features of shape and configuration of the blank shown in the accompanying representations are considered to be new and distinctive, wherein the solid lines within the boundary of the blank are cut lines and the broken lines are lines of perforation that facilitate folding of the blank.**



- (21) Design Number: **14036/2012**
(22) Date of Filing Application: **17 August 2012**
(24) Date from which industrial property rights may have effect: **17 August 2012**
(54) Product in respect of which the design is registered: **Lamp**
(51) International Design Classification: **26-03**
(74) Name(s) of Attorney(s): **PHILLIPS ORMONDE FITZPATRICK**
(71) Name(s) and Address(s) of Applicant(s):
Brown & Watson International Pty Ltd
1500 Ferntree Gully Road Knoxfield Victoria 3180 Australia
(72) Name(s) of Designer(s): **Paul Davies**
(45) Registration Date: **28 May 2013**
(56) Related Art Documents: **Not Applicable**
(57) Statement of Newness and Distinctiveness: **Those features of the lamp depicted in the representations that are new and distinctive are the shape and/or configuration.**



- (21) Design Number: **15554/2012**
(22) Date of Filing Application: **09 November 2012**
(24) Date from which industrial property rights may have effect: **09 November 2012**
(54) Product in respect of which the design is registered: **Percussion musical instrument**
(51) International Design Classification: **17-04**
(74) Name(s) of Attorney(s):
(71) Name(s) and Address(s) of Applicant(s):
Matthew John Mannigel Armstrong
11 Renmark St Duffy ACT 2611 Australia
(72) Name(s) of Designer(s): **Matthew John Mannigel Armstrong**
(45) Registration Date: **28 May 2013**
(56) Related Art Documents: **Not Applicable**
(57) Statement of Newness and Distinctiveness: **The shape and configuration of the musical instrument Colour and surface patterning of materials is not part of the design specification. The tubes are indefinitely variable in length.**



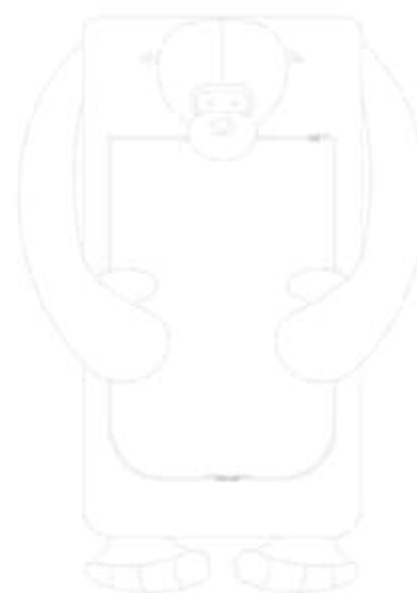
- (21) Design Number: **15555/2012**
(22) Date of Filing Application: **09 November 2012**
(24) Date from which industrial property rights may have effect: **09 November 2012**
(54) Product in respect of which the design is registered: **Percussion musical instrument**
(51) International Design Classification: **17-04**
(74) Name(s) of Attorney(s):
(71) Name(s) and Address(s) of Applicant(s):
Matthew John Mannigel Armstrong
11 Renmark St Duffy ACT 2611 Australia
(72) Name(s) of Designer(s): **Matthew John Mannigel Armstrong**
(45) Registration Date: **28 May 2013**
(56) Related Art Documents: **Not Applicable**
(57) Statement of Newness and Distinctiveness: **The shape and configuration of the musical instrument Colour and surface patterning of materials is not part of the design specification. The tubes are indefinitely variable in length.**



- (21) Design Number: **15556/2012**
(22) Date of Filing Application: **09 November 2012**
(24) Date from which industrial property rights may have effect: **09 November 2012**
(54) Product in respect of which the design is registered: **Percussion musical instrument**
(51) International Design Classification: **17-04**
(74) Name(s) of Attorney(s):
(71) Name(s) and Address(s) of Applicant(s):
Matthew John Mannigel Armstrong
11 Renmark St Duffy ACT 2611 Australia
(72) Name(s) of Designer(s): **Matthew John Mannigel Armstrong**
(45) Registration Date: **28 May 2013**
(56) Related Art Documents: **Not Applicable**
(57) Statement of Newness and Distinctiveness: **The shape and configuration of the musical instrument Colour and surface patterning of materials is not part of the design specification. The tubes are indefinitely variable in length.**



- (21) Design Number: **15947/2012**
(22) Date of Filing Application: **29 November 2012**
(24) Date from which industrial property rights may have effect: **29 November 2012**
(54) Product in respect of which the design is registered: **Bed cover**
(51) International Design Classification: **06-13B**
(74) Name(s) of Attorney(s): **Elliptic Legal & Patent Services**
(71) Name(s) and Address(s) of Applicant(s):
AFI (WA) Pty Ltd
211 Camboon Rd Malaga WA 6090 Australia
(72) Name(s) of Designer(s): **Bruno Tassone**
(45) Registration Date: **28 May 2013**
(56) Related Art Documents: **Not Applicable**
(57) Statement of Newness and Distinctiveness: **Novelty is claimed in the shape and pattern of the bed cover as shown in the accompanying representations.**



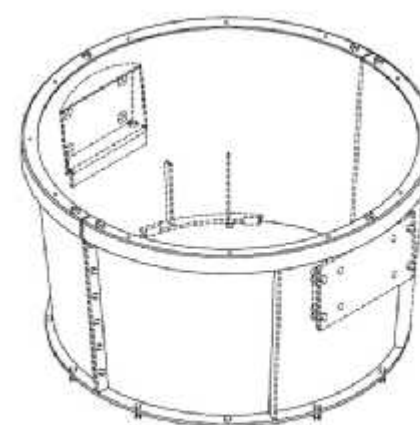
- (21) Design Number: **11870/2013**
(22) Date of Filing Application: **22 April 2013**
(24) Date from which industrial property rights may have effect: **22 April 2013**
(54) Product in respect of which the design is registered: **Agricultural tape binder**
(51) International Design Classification: **08-05NES**
(74) Name(s) of Attorney(s): **Callinans**
(71) Name(s) and Address(s) of Applicant(s):
Desarrollos Especiales De Sistemas De Anclaje, S.A.
Parque de Negocios de Viladecans Edificio Australia - Manzana B C/
Antonio Machado 78-80 1a planta Viladecans Barcelona Spain
(72) Name(s) of Designer(s): **Carles Escoda**
(45) Registration Date: **29 May 2013**
(30) Convention priority data:
(31) Number (32) Date (33) Country
002124495-0003 24 Oct 2012 OFFICE FOR HARMONISATION IN
THE INTERNAL MARKET (OHIM)
(56) Related Art Documents: **Not Applicable**
(57) Statement of Newness and Distinctiveness: **Newness and distinctiveness are provided by the visual features of yellow and grey colours of the design shown in the representations.**



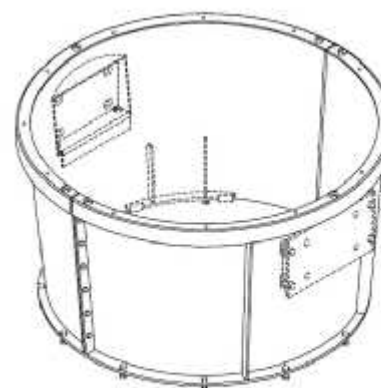
- (21) Design Number: **11816/2013**
(22) Date of Filing Application: **18 April 2013**
(24) Date from which industrial property rights may have effect: **18 April 2013**
(54) Product in respect of which the design is registered: **Feed hopper**
(51) International Design Classification: **09-02A, 15-99**
(74) Name(s) of Attorney(s): **Griffith Hack**
(71) Name(s) and Address(s) of Applicant(s):
Sandvik Intellectual Property AB
SE-811 81 Sandviken Sweden
(72) Name(s) of Designer(s): **Axel Bergman and Bengt-Arne Eriksson and Fredrik Eriksson and Mikael Larsson and Patric Malmqvist**
(45) Registration Date: **29 May 2013**
(30) Convention priority data:
(31) Number (32) Date (33) Country
001347678-001 18 Oct 2012 OFFICE FOR HARMONISATION IN THE INTERNAL MARKET (OHIM)
(56) Related Art Documents: **Not Applicable**
(57) Statement of Newness and Distinctiveness: **Newness and distinctiveness resides in the visual features, including shape and configuration, of a feed hopper as shown in solid outline in the accompanying drawings. When determining whether the design is substantially similar in overall impression to another design, no regard is to be had to those features shown in dotted outline in the accompanying drawings, which features are provided for illustrative purposes only.**



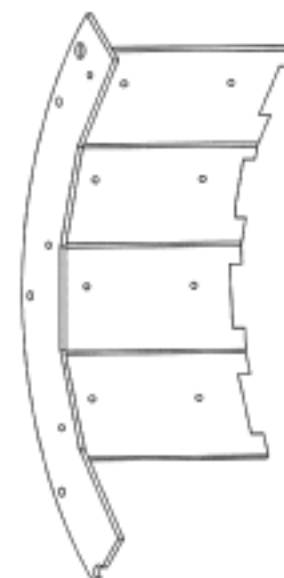
- (21) Design Number: **11817/2013**
(22) Date of Filing Application: **18 April 2013**
(24) Date from which industrial property rights may have effect: **18 April 2013**
(54) Product in respect of which the design is registered: **Feed hopper**
(51) International Design Classification: **09-02A, 15-99**
(74) Name(s) of Attorney(s): **Griffith Hack**
(71) Name(s) and Address(s) of Applicant(s):
Sandvik Intellectual Property AB
SE-811 81 Sandviken Sweden
(72) Name(s) of Designer(s): **Axel Bergman and Bengt-Arne Eriksson and Fredrik Eriksson and Mikael Larsson and Patric Malmqvist**
(45) Registration Date: **29 May 2013**
(30) Convention priority data:
(31) Number (32) Date (33) Country
001347678-002 18 Dec 2012 OFFICE FOR HARMONISATION IN THE INTERNAL MARKET (OHIM)
(56) Related Art Documents: **Not Applicable**
(57) Statement of Newness and Distinctiveness: **Newness and distinctiveness resides in the visual features, including shape and configuration, of a feed hopper as shown in solid outline in the accompanying drawings. When determining whether the design is substantially similar in overall impression to another design, no regard is to be had to those features shown in dotted outline in the accompanying drawings, which features are provided for illustrative purposes only.**



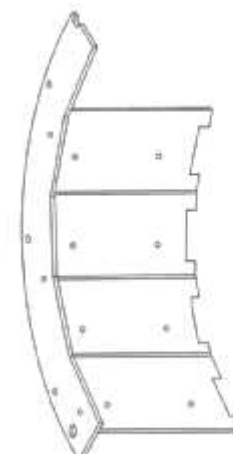
- (21) Design Number: **11818/2013**
(22) Date of Filing Application: **18 April 2013**
(24) Date from which industrial property rights may have effect: **18 April 2013**
(54) Product in respect of which the design is registered: **Feed hopper**
(51) International Design Classification: **09-02A, 15-99**
(74) Name(s) of Attorney(s): **Griffith Hack**
(71) Name(s) and Address(s) of Applicant(s):
Sandvik Intellectual Property AB
SE-811 81 Sandviken Sweden
(72) Name(s) of Designer(s): **Axel Bergman and Bengt-Arne Eriksson and Fredrik Eriksson and Mikael Larsson and Patric Malmqvist**
(45) Registration Date: **29 May 2013**
(30) Convention priority data:
(31) Number (32) Date (33) Country
001347678-003 18 Oct 2012 OFFICE FOR HARMONISATION IN THE INTERNAL MARKET (OHIM)
(56) Related Art Documents: **Not Applicable**
(57) Statement of Newness and Distinctiveness: **Newness and distinctiveness resides in the visual features, including shape and configuration, of a feed hopper as shown in solid outline in the accompanying drawings. When determining whether the design is substantially similar in overall impression to another design, no regard is to be had to those features shown in dotted outline in the accompanying drawings, which features are provided for illustrative purposes only.**



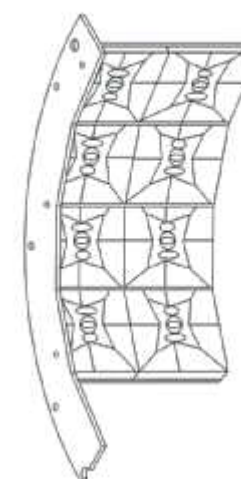
- (21) Design Number: **12188/2013**
(22) Date of Filing Application: **13 May 2013**
(24) Date from which industrial property rights may have effect: **13 May 2013**
(54) Product in respect of which the design is registered: **Crusher feed hopper wear protection cassette**
(51) International Design Classification: **15-99**
(74) Name(s) of Attorney(s): **Griffith Hack**
(71) Name(s) and Address(s) of Applicant(s):
Sandvik Intellectual Property AB
SE-811 81 Sandviken Sweden
(72) Name(s) of Designer(s): **Axel Bergman and Bengt-Arne Eriksson and Fredrik Eriksson and Mikael Larsson and Patric Malmqvist**
(45) Registration Date: **29 May 2013**
(30) Convention priority data:
(31) Number (32) Date (33) Country
001351126-0001 14 Nov 2012 OFFICE FOR HARMONISATION IN THE INTERNAL MARKET (OHIM)
(56) Related Art Documents: **Not Applicable**
(57) Statement of Newness and Distinctiveness: **Nil**



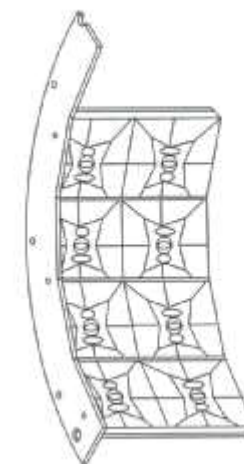
(21) Design Number: **12189/2013**
(22) Date of Filing Application: **13 May 2013**
(24) Date from which industrial property rights may have effect: **13 May 2013**
(54) Product in respect of which the design is registered: **Crusher feed hopper wear protection cassette**
(51) International Design Classification: **15-99**
(74) Name(s) of Attorney(s): **Griffith Hack**
(71) Name(s) and Address(s) of Applicant(s):
Sandvik Intellectual Property AB
SE-811 81 Sandviken Sweden
(72) Name(s) of Designer(s): **Axel Bergman and Bengt-Arne Eriksson and Fredrik Eriksson and Mikael Larsson and Patric Malmqvist**
(45) Registration Date: **29 May 2013**
(30) Convention priority data:
(31) Number (32) Date (33) Country
001351126-0002 14 Nov 2012 OFFICE FOR HARMONISATION IN THE INTERNAL MARKET (OHIM)
(56) Related Art Documents: **Not Applicable**
(57) Statement of Newness and Distinctiveness: **Nil**



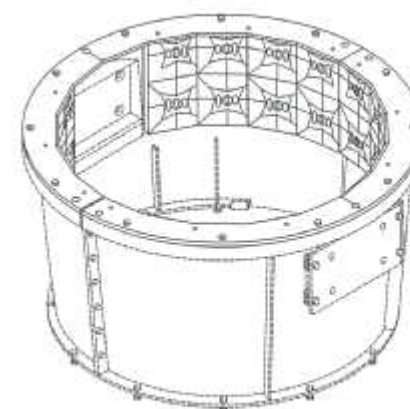
(21) Design Number: **12190/2013**
(22) Date of Filing Application: **13 May 2013**
(24) Date from which industrial property rights may have effect: **13 May 2013**
(54) Product in respect of which the design is registered: **Lined cassette for crusher feed hopper**
(51) International Design Classification: **15-99**
(74) Name(s) of Attorney(s): **Griffith Hack**
(71) Name(s) and Address(s) of Applicant(s):
Sandvik Intellectual Property AB
SE-811 81 Sandviken Sweden
(72) Name(s) of Designer(s): **Axel Bergman and Bengt-Arne Eriksson and Fredrik Eriksson and Mikael Larsson and Patric Malmqvist**
(45) Registration Date: **29 May 2013**
(30) Convention priority data:
(31) Number (32) Date (33) Country
001351126-0003 14 Nov 2012 OFFICE FOR HARMONISATION IN THE INTERNAL MARKET (OHIM)
(56) Related Art Documents: **Not Applicable**
(57) Statement of Newness and Distinctiveness: **Nil**



- (21) Design Number: **12191/2013**
(22) Date of Filing Application: **13 May 2013**
(24) Date from which industrial property rights may have effect: **13 May 2013**
(54) Product in respect of which the design is registered: **Lined cassette for crusher feed hopper**
(51) International Design Classification: **15-99**
(74) Name(s) of Attorney(s): **Griffith Hack**
(71) Name(s) and Address(s) of Applicant(s):
Sandvik Intellectual Property AB
SE-811 81 Sandviken Sweden
(72) Name(s) of Designer(s): **Axel Bergman and Bengt-Arne Eriksson and Fredrik Eriksson and Mikael Larsson and Patric Malmqvist**
(45) Registration Date: **29 May 2013**
(30) Convention priority data:
(31) Number (32) Date (33) Country
001351126-0004 14 Nov 2012 OFFICE FOR HARMONISATION IN THE INTERNAL MARKET (OHIM)
(56) Related Art Documents: **Not Applicable**
(57) Statement of Newness and Distinctiveness: **Nil**



- (21) Design Number: **12192/2013**
(22) Date of Filing Application: **13 May 2013**
(24) Date from which industrial property rights may have effect: **13 May 2013**
(54) Product in respect of which the design is registered: **Crusher feed hopper with cassette with liners**
(51) International Design Classification: **15-99**
(74) Name(s) of Attorney(s): **Griffith Hack**
(71) Name(s) and Address(s) of Applicant(s):
Sandvik Intellectual Property AB
SE-811 81 Sandviken Sweden
(72) Name(s) of Designer(s): **Axel Bergman and Bengt-Arne Eriksson and Fredrik Eriksson and Mikael Larsson and Patric Malmqvist**
(45) Registration Date: **29 May 2013**
(30) Convention priority data:
(31) Number (32) Date (33) Country
001351126-0005 14 Nov 2012 OFFICE FOR HARMONISATION IN THE INTERNAL MARKET (OHIM)
(56) Related Art Documents: **Not Applicable**
(57) Statement of Newness and Distinctiveness: **Newness and distinctiveness resides in the visual features, including shape and configuration, of a CRUSHER FEED HOPPER as shown in solid outline, the CRUSHER FEED HOPPER shown with WEAR PROTECTION CASSETTES, the CASSETTES having WEAR PROTECTION LINERS. When determining whether the design is substantially similar in overall impression to another design, no regard is to be had to features shown in dotted outline, which features are provided for illustrative purposes only.**



(21) Design Number: **12197/2013**
(22) Date of Filing Application: **13 May 2013**
(24) Date from which industrial property rights may have effect: **13 May 2013**
(54) Product in respect of which the design is registered: **A candle holder**
(51) International Design Classification: **26-01**
(74) Name(s) of Attorney(s): **Banki Haddock Fiora**
(71) Name(s) and Address(s) of Applicant(s):

Martine Thoelen
Kaepplistrasse 15 Meggan CH - 6045 Switzerland

(72) Name(s) of Designer(s): **Martine Thoelen**

(45) Registration Date: **29 May 2013**

(30) Convention priority data:

(31) Number	(32) Date	(33) Country
DM/079934	23 Nov 2012	WORLD INTELLECTUAL PROPERTY ORGANIZATION (WIPO)



(56) Related Art Documents: **Not Applicable**

(57) Statement of Newness and Distinctiveness: **Nil**

(21) Design Number: **12286/2013**
(22) Date of Filing Application: **16 May 2013**
(24) Date from which industrial property rights may have effect: **16 May 2013**
(54) Product in respect of which the design is registered: **Toilet suite**
(51) International Design Classification: **23-02C**
(74) Name(s) of Attorney(s):
(71) Name(s) and Address(s) of Applicant(s):

Bang Design IP Pty Ltd
91 Beattie St Balmain NSW 2041 Australia

(72) Name(s) of Designer(s): **David Granger and Kristian Aus**

(45) Registration Date: **29 May 2013**

(56) Related Art Documents: **Not Applicable**

(57) Statement of Newness and Distinctiveness: **Newness and distinctiveness
is claimed in those visual features as shown in the representations.**



- (21) Design Number: **12287/2013**
(22) Date of Filing Application: **16 May 2013**
(24) Date from which industrial property rights may have effect: **16 May 2013**
(54) Product in respect of which the design is registered: **Toilet wall-faced**
(51) International Design Classification: **23-02C**
(74) Name(s) of Attorney(s):
(71) Name(s) and Address(s) of Applicant(s):
 Bang Design IP Pty Ltd
 91 Beattie St Balmain NSW 2041 Australia
(72) Name(s) of Designer(s): **David Granger and Kristian Aus**
(45) Registration Date: **29 May 2013**
(56) Related Art Documents: **Not Applicable**
(57) Statement of Newness and Distinctiveness: **Newness and distinctiveness is claimed in those visual features as shown in the representations.**



- (21) Design Number: **12288/2013**
(22) Date of Filing Application: **16 May 2013**
(24) Date from which industrial property rights may have effect: **16 May 2013**
(54) Product in respect of which the design is registered: **Toilet wall-hung**
(51) International Design Classification: **23-02C**
(74) Name(s) of Attorney(s):
(71) Name(s) and Address(s) of Applicant(s):
 Bang Design IP Pty Ltd
 91 Beattie St Balmain NSW 2041 Australia
(72) Name(s) of Designer(s): **David Granger and Kristian Aus**
(45) Registration Date: **29 May 2013**
(56) Related Art Documents: **Not Applicable**
(57) Statement of Newness and Distinctiveness: **Newness and distinctiveness is claimed in those visual features as shown in the representations.**



(21) Design Number: **11283/2013**
(22) Date of Filing Application: **14 March 2013**
(24) Date from which industrial property rights may have effect: **14 March 2013**
(54) Product in respect of which the design is registered: **Portable telephone handset**
(51) International Design Classification: **14-03A**
(74) Name(s) of Attorney(s): **Ashurst Australia**
(71) Name(s) and Address(s) of Applicant(s):
Vertu Corporation Limited
Beacon Hill Road Church Crookham Hampshire GU52 8DY United Kingdom
(72) Name(s) of Designer(s): **Frank Nuovo and Joel Bridge**
(45) Registration Date: **29 May 2013**
(30) Convention priority data:
(31) Number (32) Date (33) Country
29/433729 04 Oct 2012 UNITED STATES OF AMERICA
(56) Related Art Documents: **Not Applicable**
(57) Statement of Newness and Distinctiveness: **Nil**



(21) Design Number: **12009/2013**
(22) Date of Filing Application: **30 April 2013**
(24) Date from which industrial property rights may have effect: **30 April 2013**
(54) Product in respect of which the design is registered: **Portable charger for handheld electronic device**
(51) International Design Classification: **13-02**
(74) Name(s) of Attorney(s): **Griffith Hack**
(71) Name(s) and Address(s) of Applicant(s):
SwitchEasy Limited
Room 314 Sing Win Factory Building 15-17 Shing Yip Street Kwun Tong Kowloon Hong Kong
(72) Name(s) of Designer(s): **Chi Vun Steven Bau**
(45) Registration Date: **29 May 2013**
(30) Convention priority data:
(31) Number (32) Date (33) Country
1202199.6 31 Oct 2012 HONG KONG
(56) Related Art Documents: **Not Applicable**
(57) Statement of Newness and Distinctiveness: **Newness and distinctiveness resides in the visual features, including shape, configuration and ornamentation of the PRODUCT as shown in the accompanying drawings.**



- (21) Design Number: **12018/2013**
(22) Date of Filing Application: **01 May 2013**
(24) Date from which industrial property rights may have effect: **01 May 2013**
(54) Product in respect of which the design is registered: **Hot water tank enclosure**
(51) International Design Classification: **23-01F, 23-03H**
(74) Name(s) of Attorney(s): **FB Rice**
(71) Name(s) and Address(s) of Applicant(s):
Emerson Electric Co.
8000 West Florissant Avenue St Louis Missouri 63136 United States of America
(72) Name(s) of Designer(s): **Manivone Kitzke and Kelly T. Gamble and Peter J. Loire and Eric P. Wolf and Eric J. Schulz**
(45) Registration Date: **29 May 2013**
(30) Convention priority data:
(31) Number (32) Date (33) Country
29/436808 09 Nov 2012 UNITED STATES OF AMERICA
(56) Related Art Documents: **Not Applicable**
(57) Statement of Newness and Distinctiveness: **Newness and distinctiveness reside in the features of the design shown in solid lines in the representations excluding those features shown in broken lines.**



- (21) Design Number: **12024/2013**
(22) Date of Filing Application: **01 May 2013**
(24) Date from which industrial property rights may have effect: **01 May 2013**
(54) Product in respect of which the design is registered: **Two-button controller for fleet management system**
(51) International Design Classification: **14-03NES**
(74) Name(s) of Attorney(s): **Griffith Hack**
(71) Name(s) and Address(s) of Applicant(s):
Crown Equipment Corporation
40 South Washington Street New Bremen OH 45869 United States of America
(72) Name(s) of Designer(s): **Philip W. Swift and Gregory S. Breiding and Sergio S. De Oliveira and Gregg E. Hillman and Rodrigo Colin**
(45) Registration Date: **29 May 2013**
(30) Convention priority data:
(31) Number (32) Date (33) Country
29/437,154 14 Nov 2012 UNITED STATES OF AMERICA
(56) Related Art Documents: **Not Applicable**
(57) Statement of Newness and Distinctiveness: **Newness and distinctiveness resides in the visual features, including shape, configuration and ornamentation of the visual features of the PRODUCT as shown by means of solid lines in the accompanying representations. Those parts shown by means of dashed lines have been included for illustrative purposes and do not form part of the design.**



(21) Design Number: **12025/2013**
(22) Date of Filing Application: **01 May 2013**
(24) Date from which industrial property rights may have effect: **01 May 2013**
(54) Product in respect of which the design is registered: **Flashlight**
(51) International Design Classification: **26-02**
(74) Name(s) of Attorney(s): **PIZZEYS**
(71) Name(s) and Address(s) of Applicant(s):
LED Lenser Corp. Ltd.
No 25 Yundong 1st Rd Yangdong Industrial Zone Yangdong County
Yangjiang City Guangdong Province 529500 China
(72) Name(s) of Designer(s): **Andre Kunzendorf**
(45) Registration Date: **29 May 2013**
(30) Convention priority data:
(31) Number (32) Date (33) Country
201230535248.X 06 Nov 2012 CHINA
(56) Related Art Documents: **Not Applicable**
(57) Statement of Newness and Distinctiveness: **Nil**



(21) Design Number: **12038/2013**
(22) Date of Filing Application: **02 May 2013**
(24) Date from which industrial property rights may have effect: **02 May 2013**
(54) Product in respect of which the design is registered: **A motor scooter**
(51) International Design Classification: **12-11**
(74) Name(s) of Attorney(s): **SPRUSON & FERGUSON**
(71) Name(s) and Address(s) of Applicant(s):
Honda Motor Co., Ltd.
1-1 Minami-Aoyama 2-Chome Minato-ku Tokyo Japan
(72) Name(s) of Designer(s): **Taro Nishimoto and Hirofumi Yaegashi and Fujio Nakamura**
(45) Registration Date: **29 May 2013**
(30) Convention priority data:
(31) Number (32) Date (33) Country
2012-027049 06 Nov 2012 JAPAN
(56) Related Art Documents: **Not Applicable**
(57) Statement of Newness and Distinctiveness: **Newness and distinctiveness is claimed in the features of shape and/or configuration of a motor scooter as illustrated in the accompanying representations.**



- (21) Design Number: **14610/2012**
(22) Date of Filing Application: **17 September 2012**
(24) Date from which industrial property rights may have effect: **17 September 2012**
(54) Product in respect of which the design is registered: **Article of clothing**
(51) International Design Classification: **02-02C**
(74) Name(s) of Attorney(s): **Allens Patent & Trade Mark Attorneys**
(71) Name(s) and Address(s) of Applicant(s):
Forever New Clothing Pty Ltd
714-716 High St Kew East VIC 3102 Australia
(72) Name(s) of Designer(s): **Gemma Henderson**
(45) Registration Date: **29 May 2013**
(56) Related Art Documents: **Not Applicable**
(57) Statement of Newness and Distinctiveness: **Newness and distinctiveness resides in the visual features of shape, configuration, pattern and/or ornamentation of an article of clothing as shown in the accompanying representations.**



- (21) Design Number: **14878/2012**
(22) Date of Filing Application: **27 September 2012**
(24) Date from which industrial property rights may have effect: **27 September 2012**
(54) Product in respect of which the design is registered: **Left-side and right-side vehicle rear reflector**
(51) International Design Classification: **12-16NES**
(74) Name(s) of Attorney(s): **K&L Gates**
(71) Name(s) and Address(s) of Applicant(s):
GM Global Technology Operations LLC
300 Renaissance Centre City of Detroit State of Michigan 48265-3000
United States of America
(72) Name(s) of Designer(s): **Andrew Harrison**
(45) Registration Date: **29 May 2013**
(56) Related Art Documents: **Not Applicable**
(57) Statement of Newness and Distinctiveness: **Nil**



(21) Design Number: **10547/2013**
(22) Date of Filing Application: **01 February 2013**
(24) Date from which industrial property rights may have effect: **01 February 2013**
(54) Product in respect of which the design is registered: **Bottle closure**
(51) International Design Classification: **09-07C**
(74) Name(s) of Attorney(s): **PHILLIPS ORMONDE FITZPATRICK**
(71) Name(s) and Address(s) of Applicant(s):

The Coca-Cola Company
One Coca-Cola Plaza N.W. Atlanta Georgia 30313 United States of America

(72) Name(s) of Designer(s): **John E. Adams**

(45) Registration Date: **29 May 2013**

(30) Convention priority data:

(31) Number	(32) Date	(33) Country
29/428,588	01 Aug 2012	UNITED STATES OF AMERICA

(56) Related Art Documents: **Not Applicable**

(57) Statement of Newness and Distinctiveness: **The features of the bottle closure depicted in the representations that are new and distinctive are the shape and/or configuration. Any features shown in a dashed line format are not part of the design and are to be disregarded when considering the overall impression of the design.**



(21) Design Number: **12265/2013**
(22) Date of Filing Application: **13 May 2013**
(24) Date from which industrial property rights may have effect: **13 May 2013**
(54) Product in respect of which the design is registered: **Bottle closure**
(51) International Design Classification: **09-07C**
(74) Name(s) of Attorney(s): **PHILLIPS ORMONDE FITZPATRICK**
(71) Name(s) and Address(s) of Applicant(s):

The Coca-Cola Company
One Coca-Cola Plaza N.W. Atlanta Georgia 30313 United States of America

(72) Name(s) of Designer(s): **John E. Adams**

(45) Registration Date: **29 May 2013**

(30) Convention priority data:

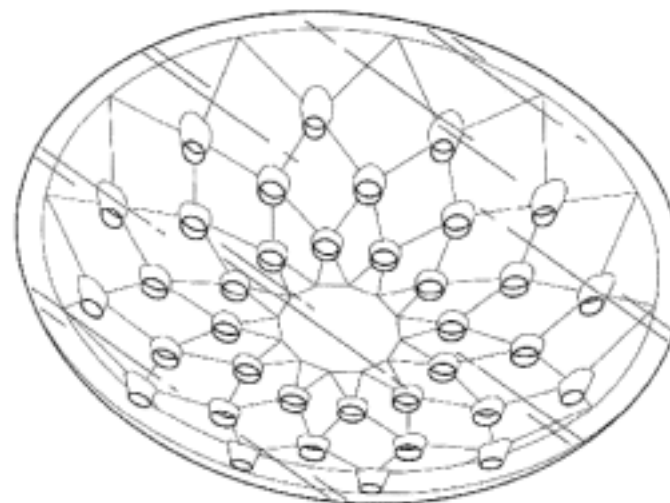
(31) Number	(32) Date	(33) Country
29/428,588	01 Aug 2012	UNITED STATES OF AMERICA

(56) Related Art Documents: **Not Applicable**

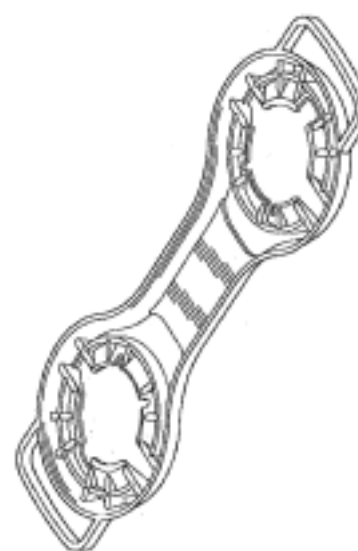
(57) Statement of Newness and Distinctiveness: **The features of the bottle closure depicted in the representations that are new and distinctive are the shape and/or configuration. Any features shown in a dashed line format are not part of the design and are to be disregarded when considering the overall impression of the design.**



- (21) Design Number: **10784/2013**
(22) Date of Filing Application: **19 February 2013**
(24) Date from which industrial property rights may have effect: **12 September 2012**
(54) Product in respect of which the design is registered: **Shower faceplate**
(51) International Design Classification: **23-02B**
(74) Name(s) of Attorney(s): **Griffith Hack**
(71) Name(s) and Address(s) of Applicant(s):
Kohler Co.
444 Highland Drive Kohler WI 53044 United States of America
(72) Name(s) of Designer(s): **Kenneth S. Hanna and Gregory De Swarte and Leila M. Rubin and Eugenio Duarte**
(45) Registration Date: **29 May 2013**
(62) Divisional of: **347238**
(56) Related Art Documents: **Not Applicable**
(57) Statement of Newness and Distinctiveness: **Newness and distinctiveness resides in the visual features of the product, including shape, configuration and ornamentation as shown in the accompanying representations.**



- (21) Design Number: **11506/2013**
(22) Date of Filing Application: **26 March 2013**
(24) Date from which industrial property rights may have effect: **26 March 2013**
(54) Product in respect of which the design is registered: **Two-ring bottle carrier**
(51) International Design Classification: **09-03E**
(74) Name(s) of Attorney(s): **Smootenburg Patent & Trade Mark Attorneys**
(71) Name(s) and Address(s) of Applicant(s):
Oregon Precision Industries, Inc.
1680 Irving Road Eugene OR 97402 United States of America
(72) Name(s) of Designer(s): **Zakary James Borg and Ronald Lee Mellor Jr**
(45) Registration Date: **29 May 2013**
(30) Convention priority data:
(31) Number (32) Date (33) Country
29/448,988 14 Mar 2013 UNITED STATES OF AMERICA
(56) Related Art Documents: **Not Applicable**
(57) Statement of Newness and Distinctiveness: **Newness and distinctiveness is claimed in the features of shape and/or configuration of a two-ring bottle carrier as illustrated in the accompanying representations. No regard is to be had to the dashed lines in the figures, they are for environmental purposes only and form no part of the claimed design.**



(21) Design Number: **11509/2013**
(22) Date of Filing Application: **26 March 2013**
(24) Date from which industrial property rights may have effect: **26 March 2013**
(54) Product in respect of which the design is registered: **Four-ring bottle carrier**
(51) International Design Classification: **09-03E**
(74) Name(s) of Attorney(s): **Smooten Patent & Trade Mark Attorneys**
(71) Name(s) and Address(s) of Applicant(s):

Oregon Precision Industries, Inc.
1680 Irving Road Eugene OR 97402 United States of America

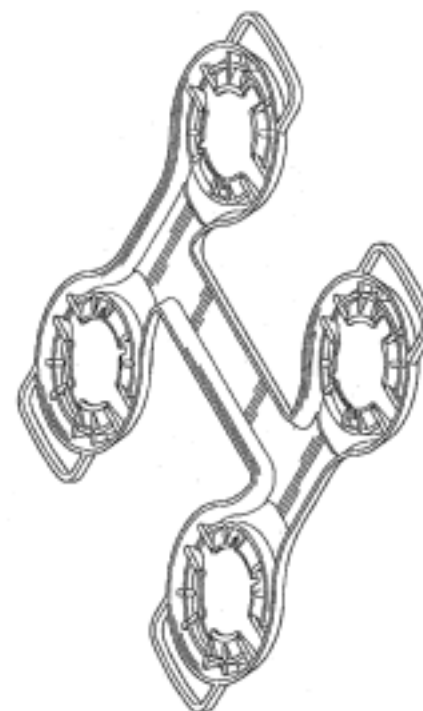
(72) Name(s) of Designer(s): **Zakary James Borg and Ronald Lee Mellor Jr**
(45) Registration Date: **29 May 2013**

(30) Convention priority data:

(31) Number	(32) Date	(33) Country
29/448,996	14 Mar 2013	UNITED STATES OF AMERICA

(56) Related Art Documents: **Not Applicable**

(57) Statement of Newness and Distinctiveness: **Newness and distinctiveness is claimed in features of shape and/or configuration of a four-ring bottle carrier as illustrated in the accompanying representations. No regard is to be had to the dashed lines in the figures, they are for environmental purposes only and form no part of the claimed design.**



(21) Design Number: **12026/2013**
(22) Date of Filing Application: **30 April 2013**
(24) Date from which industrial property rights may have effect: **30 April 2013**
(54) Product in respect of which the design is registered: **Ergonomic bodily fluid collection container**
(51) International Design Classification: **24-04**
(74) Name(s) of Attorney(s): **Freehills Patent Attorneys**
(71) Name(s) and Address(s) of Applicant(s):

Kimberly-Clark Worldwide, Inc.
2300 Winchester Road Neenah Wisconsin 54956 United States of America

(72) Name(s) of Designer(s): **Joseph A. Cesa and Adrienne A. Hershey and Stephen A. Baratian and Alison S. Bagwell and Lisa A. Dagnatchew and Carl Aronson**

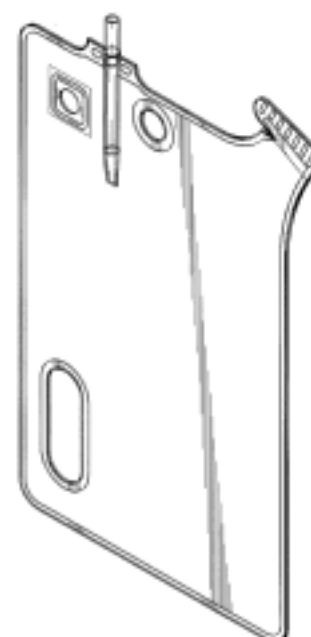
(45) Registration Date: **29 May 2013**

(30) Convention priority data:

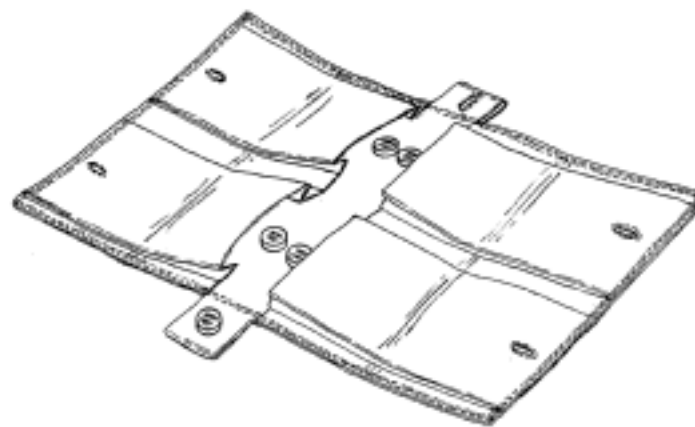
(31) Number	(32) Date	(33) Country
29/435869	30 Oct 2012	UNITED STATES OF AMERICA

(56) Related Art Documents: **Not Applicable**

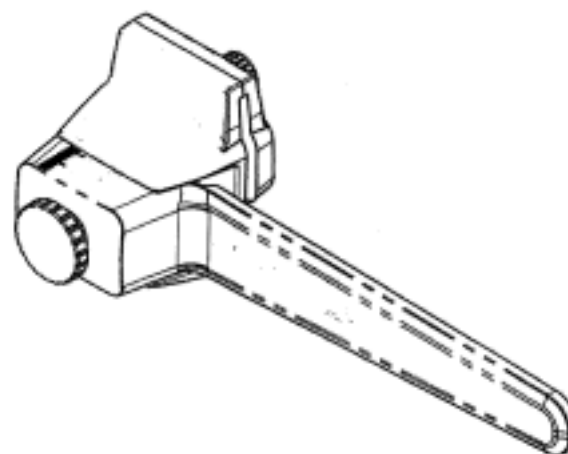
(57) Statement of Newness and Distinctiveness: **Newness and distinctiveness of the design resides in the shape and configuration of the ergonomics bodily fluid collection container as shown in solid outlines in the accompanying representations.**



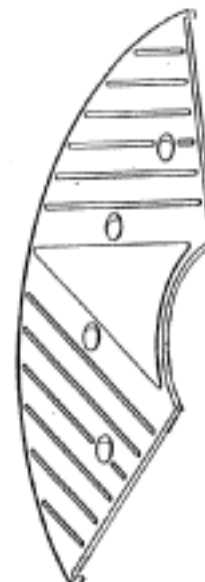
- (21) Design Number: **15478/2012**
(22) Date of Filing Application: **01 November 2012**
(24) Date from which industrial property rights may have effect: **01 November 2012**
(54) Product in respect of which the design is registered: **Screen cleaning device**
(51) International Design Classification: **07-05E, 07-05NES**
(74) Name(s) of Attorney(s): **PHILLIPS ORMONDE FITZPATRICK**
(71) Name(s) and Address(s) of Applicant(s):
Anthony Kwaw Quansah
U5 299 Mansfield St Thornbury VIC 3071 Australia
(72) Name(s) of Designer(s): **Anthony Kwaw Quansah**
(45) Registration Date: **30 May 2013**
(56) Related Art Documents: **Not Applicable**
(57) Statement of Newness and Distinctiveness: **Nil**



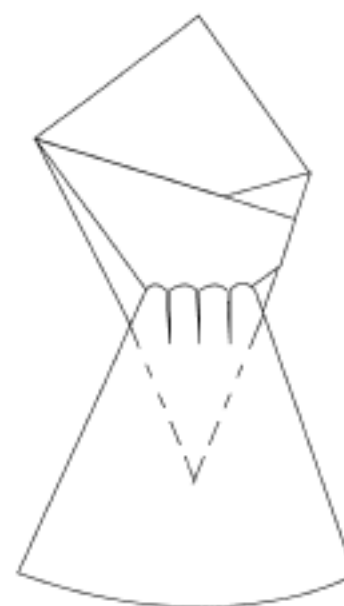
- (21) Design Number: **10984/2013**
(22) Date of Filing Application: **01 March 2013**
(24) Date from which industrial property rights may have effect: **01 March 2013**
(54) Product in respect of which the design is registered: **A knife guide**
(51) International Design Classification: **07-04**
(74) Name(s) of Attorney(s): **SPRUSON & FERGUSON**
(71) Name(s) and Address(s) of Applicant(s):
Take Two Marketing and Events Pty Ltd
SE301 L3 209 Oxford St Bondi Junction NSW 2022 Australia
(72) Name(s) of Designer(s): **James Cheney and Eric Siu**
(45) Registration Date: **30 May 2013**
(56) Related Art Documents: **Not Applicable**
(57) Statement of Newness and Distinctiveness: **Newness and distinctiveness is claimed in the features of shape and/or configuration of a knife guide as illustrated in the accompanying representations apart from the knife shown in the 3rd and 4th perspective views.**



- (21) Design Number: **11455/2013**
(22) Date of Filing Application: **22 March 2013**
(24) Date from which industrial property rights may have effect: **22 March 2013**
(54) Product in respect of which the design is registered: **Electrical machine rotor lamination segment**
(51) International Design Classification: **15-01**
(74) Name(s) of Attorney(s): **SPRUSON & FERGUSON**
(71) Name(s) and Address(s) of Applicant(s):
Radial Flux Laboratories Pty Ltd
3/45 Bryant St Padstow NSW 2211 Australia
(72) Name(s) of Designer(s): **Paul Evan Lillington**
(45) Registration Date: **30 May 2013**
(56) Related Art Documents: **Not Applicable**
(57) Statement of Newness and Distinctiveness: **Newness and distinctiveness is claimed in the features of shape and/or configuration of an electrical machine rotor lamination segment as illustrated in the accompanying representations.**



- (21) Design Number: **11669/2013**
(22) Date of Filing Application: **02 April 2013**
(24) Date from which industrial property rights may have effect: **02 April 2013**
(54) Product in respect of which the design is registered: **Double cone vase 2**
(51) International Design Classification: **11-02A**
(74) Name(s) of Attorney(s):
(71) Name(s) and Address(s) of Applicant(s):
Betul Madakbas
99 Cromer Rd Beaumaris VIC 3193 Australia
(72) Name(s) of Designer(s): **Betul Madakbas**
(45) Registration Date: **30 May 2013**
(56) Related Art Documents: **Not Applicable**
(57) Statement of Newness and Distinctiveness: **A flat fold vase, made from two waterproof cones that fit inside each other.**



(21) Design Number: **11988/2013**

(22) Date of Filing Application: **29 April 2013**

(24) Date from which industrial property rights may have effect: **29 April 2013**

(54) Product in respect of which the design is registered: **Vehicle rack system with bicycle-gripping carrier**

(51) International Design Classification: **12-16K**

(74) Name(s) of Attorney(s):

(71) Name(s) and Address(s) of Applicant(s):

**Yakima Innovation Development Corporation
PO Box 613 4th Floor Harbour Centre Georgetown Grand Cayman KY1-1
107 Cayman Islands**

(72) Name(s) of Designer(s): **David Condon and Chris Sautter and James Buckroyd**

(45) Registration Date: **30 May 2013**

(30) Convention priority data:

(31) Number	(32) Date	(33) Country
29/452,623	18 Apr 2013	UNITED STATES OF AMERICA

(56) Related Art Documents: **Not Applicable**

(57) Statement of Newness and Distinctiveness: **This design is to be applied to a VEHICLE RACK SYSTEM WITH A BICYCLE-GRIPPING CARRIER and the novelty resides in features of shape and configuration of the article as shown in the accompanying representations. The features shown in dashed line(s) are disclaimed from the design. The features shown in stippling and shading lines represent the approximate three-dimensional contour of the article, and are disclaimed from the design.**



(21) Design Number: **11992/2013**

(22) Date of Filing Application: **29 April 2013**

(24) Date from which industrial property rights may have effect: **29 April 2013**

(54) Product in respect of which the design is registered: **Luggage**

(51) International Design Classification: **03-01A**

(74) Name(s) of Attorney(s): **Griffith Hack**

(71) Name(s) and Address(s) of Applicant(s):

**Samsonite IP Holdings S.a r.l.
13-15 Avenue de la Liberte L-1931 Luxembourg**

(72) Name(s) of Designer(s): **Kenzo Yoneno**

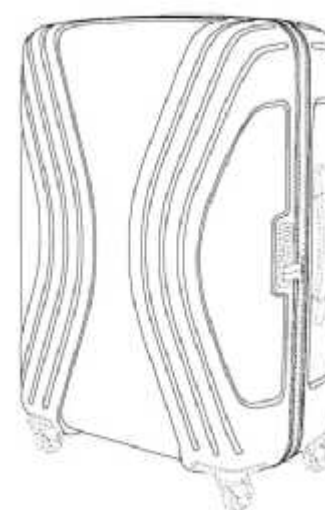
(45) Registration Date: **30 May 2013**

(30) Convention priority data:

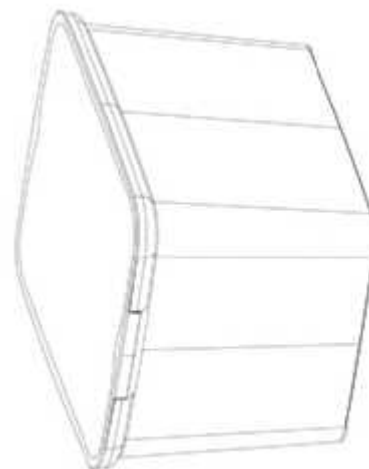
(31) Number	(32) Date	(33) Country
201230527913.0	01 Nov 2012	CHINA

(56) Related Art Documents: **Not Applicable**

(57) Statement of Newness and Distinctiveness: **Newness and distinctiveness resides in the visual features, including shape, configuration and ornamentation of the PRODUCT as shown by means of solid lines in the accompanying representations.**



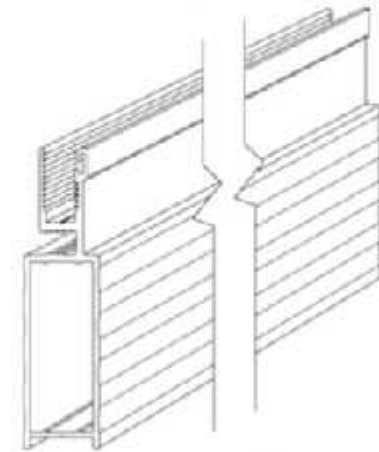
(21) Design Number: **11994/2013**
(22) Date of Filing Application: **29 April 2013**
(24) Date from which industrial property rights may have effect: **29 April 2013**
(54) Product in respect of which the design is registered: **Household receptacle**
(51) International Design Classification: **09-09**
(74) Name(s) of Attorney(s): **Shelston IP**
(71) Name(s) and Address(s) of Applicant(s):
CURVER Luxembourg Sarl
Z.I. Haneboesch Neidercorn L4562 Luxembourg
(72) Name(s) of Designer(s): **Nikolai Duvigneau**
(45) Registration Date: **30 May 2013**
(30) Convention priority data:
(31) Number (32) Date (33) Country
53310 28 Oct 2012 ISRAEL
(56) Related Art Documents: **Not Applicable**
(57) Statement of Newness and Distinctiveness: **Newness and distinctiveness reside in the features of shape and/or configuration of a HOUSEHOLD RECEPTACLE as illustrated in the accompanying representations.**



(21) Design Number: **11997/2013**
(22) Date of Filing Application: **30 April 2013**
(24) Date from which industrial property rights may have effect: **30 April 2013**
(54) Product in respect of which the design is registered: **Noodle/pasta maker**
(51) International Design Classification: **31-00**
(74) Name(s) of Attorney(s): **FB Rice**
(71) Name(s) and Address(s) of Applicant(s):
Koninklijke Philips Electronics N.V.
High Tech Campus 5 Eindhoven 5656 AE The Netherlands
(72) Name(s) of Designer(s): **Emma Sandberg and Celia Chiew Foon Wong**
(45) Registration Date: **30 May 2013**
(30) Convention priority data:
(31) Number (32) Date (33) Country
002128892-0001 31 Oct 2012 OFFICE FOR HARMONISATION IN THE INTERNAL MARKET (OHIM)
(56) Related Art Documents: **Not Applicable**
(57) Statement of Newness and Distinctiveness: **Newness and distinctiveness reside in the features of shape and configuration of the design as shown in the representations.**



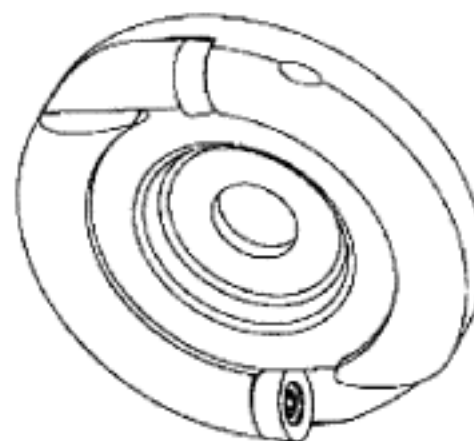
- (21) Design Number: **11999/2013**
(22) Date of Filing Application: **30 April 2013**
(24) Date from which industrial property rights may have effect: **30 April 2013**
(54) Product in respect of which the design is registered: **Extrusion**
(51) International Design Classification: **25-01K**
(74) Name(s) of Attorney(s): **Shelston IP**
(71) Name(s) and Address(s) of Applicant(s):
Secureview (Australia) Pty Ltd
48 Loves Ave Oyster Bay NSW 2225 Australia
(72) Name(s) of Designer(s): **Philip Van Der Woerd**
(45) Registration Date: **30 May 2013**
(56) Related Art Documents: **Not Applicable**
(57) Statement of Newness and Distinctiveness: **Newness and distinctiveness reside in the features of shape and/or configuration of an EXTRUSION of indefinite length as illustrated in the accompanying representations. In particular, newness and distinctiveness reside in the features of the recess at one end of the EXTRUSION.**



- (21) Design Number: **12014/2013**
(22) Date of Filing Application: **30 April 2013**
(24) Date from which industrial property rights may have effect: **30 April 2013**
(54) Product in respect of which the design is registered: **Blade**
(51) International Design Classification: **08-03**
(74) Name(s) of Attorney(s):
(71) Name(s) and Address(s) of Applicant(s):
Arbortech Industries Limited
PO BOX 3125 Malaga DC WA 6945 Australia
(72) Name(s) of Designer(s): **Kevin Inkster**
(45) Registration Date: **30 May 2013**
(56) Related Art Documents: **Not Applicable**
(57) Statement of Newness and Distinctiveness: **Nil**



(21) Design Number: **12015/2013**
(22) Date of Filing Application: **30 April 2013**
(24) Date from which industrial property rights may have effect: **30 April 2013**
(54) Product in respect of which the design is registered: **A blade**
(51) International Design Classification: **08-03**
(74) Name(s) of Attorney(s):
(71) Name(s) and Address(s) of Applicant(s):
Arbortech Industries Limited
PO BOX 3125 Malaga DC WA 6945 Australia
(72) Name(s) of Designer(s): **Kevin Inkster**
(45) Registration Date: **30 May 2013**
(56) Related Art Documents: **Not Applicable**
(57) Statement of Newness and Distinctiveness: **Nil**



(21) Design Number: **12039/2013**
(22) Date of Filing Application: **02 May 2013**
(24) Date from which industrial property rights may have effect: **02 May 2013**
(54) Product in respect of which the design is registered: **Headgear**
(51) International Design Classification: **02-03**
(74) Name(s) of Attorney(s): **James & Wells Intellectual Property**
(71) Name(s) and Address(s) of Applicant(s):
Clay Edward James Caird
733 Maddisons Road RD 5 Christchurch 7675 New Zealand
(72) Name(s) of Designer(s): **Clay Edward James Caird**
(45) Registration Date: **30 May 2013**
(30) Convention priority data:
(31) Number (32) Date (33) Country
416970 07 Nov 2012 NEW ZEALAND
(56) Related Art Documents: **Not Applicable**
(57) Statement of Newness and Distinctiveness: **This design is to be applied to headgear and the novelty resides in features of shape and configuration of the article, all as shown in the accompanying representations.**



(21) Design Number: **12040/2013**
(22) Date of Filing Application: **02 May 2013**
(24) Date from which industrial property rights may have effect: **02 May 2013**
(54) Product in respect of which the design is registered: **Headgear**
(51) International Design Classification: **02-03**
(74) Name(s) of Attorney(s): **James & Wells Intellectual Property**
(71) Name(s) and Address(s) of Applicant(s):

Clay Edward James Caird
733 Maddisons Road RD 5 Christchurch 7675 New Zealand

(72) Name(s) of Designer(s): **Clay Edward James Caird**

(45) Registration Date: **30 May 2013**

(30) Convention priority data:

(31) Number	(32) Date	(33) Country
416971	07 Nov 2012	NEW ZEALAND

(56) Related Art Documents: **Not Applicable**

(57) Statement of Newness and Distinctiveness: **This design is to be applied to headgear and the novelty resides in features of shape and configuration of the article, all as shown in the accompanying representations.**



(21) Design Number: **12043/2013**
(22) Date of Filing Application: **02 May 2013**
(24) Date from which industrial property rights may have effect: **02 May 2013**
(54) Product in respect of which the design is registered: **Controller for electronic device**
(51) International Design Classification: **21-01N**
(74) Name(s) of Attorney(s): **Shelston IP**
(71) Name(s) and Address(s) of Applicant(s):

Sony Computer Entertainment Inc.
1-7-1 Konan Minato-ku Toyko 108-0075 Japan

(72) Name(s) of Designer(s): **Tetsu Sumii and Ennin Huang**

(45) Registration Date: **30 May 2013**

(30) Convention priority data:

(31) Number	(32) Date	(33) Country
2013-003271	19 Feb 2013	JAPAN

(56) Related Art Documents: **Not Applicable**

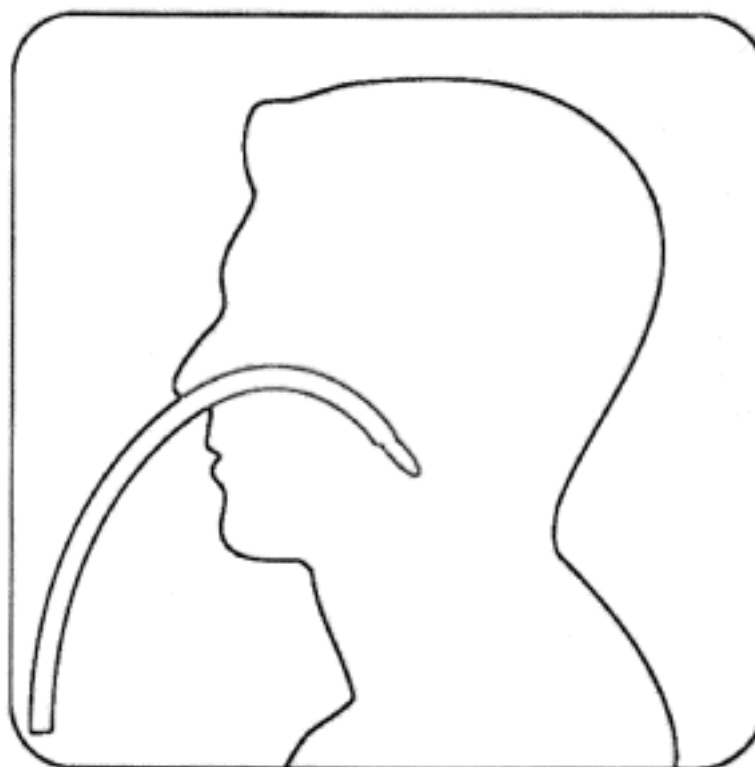
(57) Statement of Newness and Distinctiveness: **Newness and distinctiveness reside in the features of shape and/or configuration of the controller for electronic device as shown in the accompanying representations.**



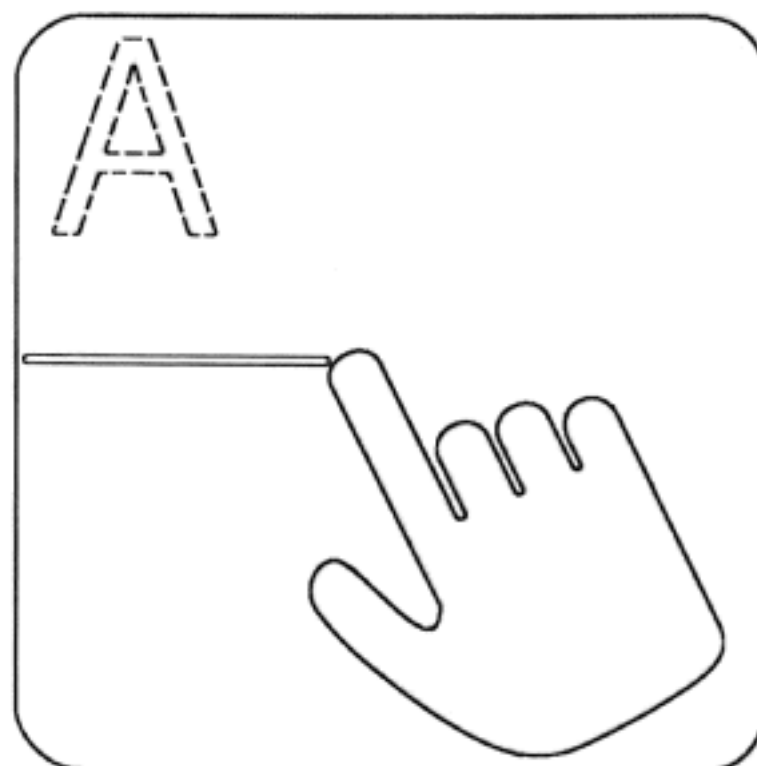
- (21) Design Number: **12292/2013**
(22) Date of Filing Application: **17 May 2013**
(24) Date from which industrial property rights may have effect: **17 May 2013**
(54) Product in respect of which the design is registered: **Vehicle driving light**
(51) International Design Classification: **26-06**
(74) Name(s) of Attorney(s):
(71) Name(s) and Address(s) of Applicant(s):
Peak Brands Pty Ltd
c/o IP Attorneys PO BOX 7629 East Brisbane QLD 4169 Australia
(72) Name(s) of Designer(s): **Scott Hill**
(45) Registration Date: **30 May 2013**
(56) Related Art Documents: **Not Applicable**
(57) Statement of Newness and Distinctiveness: **A new Vehicle Driving Light featuring a distinctive Airfoil Shield, designed to act as a Heat-Sink Conductor for the thermal management of multiple LED while in operation.**



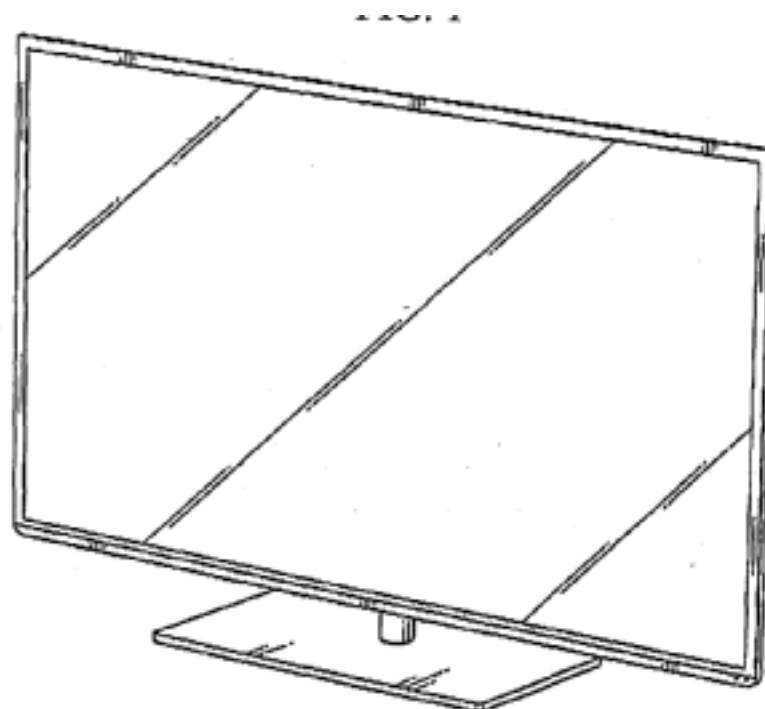
- (21) Design Number: **10860/2013**
(22) Date of Filing Application: **21 February 2013**
(24) Date from which industrial property rights may have effect: **21 February 2013**
(54) Product in respect of which the design is registered: **Display screen with enteral feeding icon**
(51) International Design Classification: **14-01**
(74) Name(s) of Attorney(s): **SPRUSON & FERGUSON**
(71) Name(s) and Address(s) of Applicant(s):
Covidien LP
15 Hampshire Street Mansfield Massachusetts 02048 United States of America
(72) Name(s) of Designer(s): **Robert Allyn and Josef Zeevi and Chad Phipps and Ryan Hoalt and Joseph Meersman**
(45) Registration Date: **30 May 2013**
(30) Convention priority data:
(31) Number (32) Date (33) Country
29/431457 07 Sep 2012 UNITED STATES OF AMERICA
(56) Related Art Documents: **Not Applicable**
(57) Statement of Newness and Distinctiveness: **Newness and distinctiveness is claimed in those features of pattern and/or ornamentation of a display screen with enteral feeding icon illustrated in continuous lines in the accompanying representations, apart from the patient details, the keyboard text and icons labelled "A" and "B".**



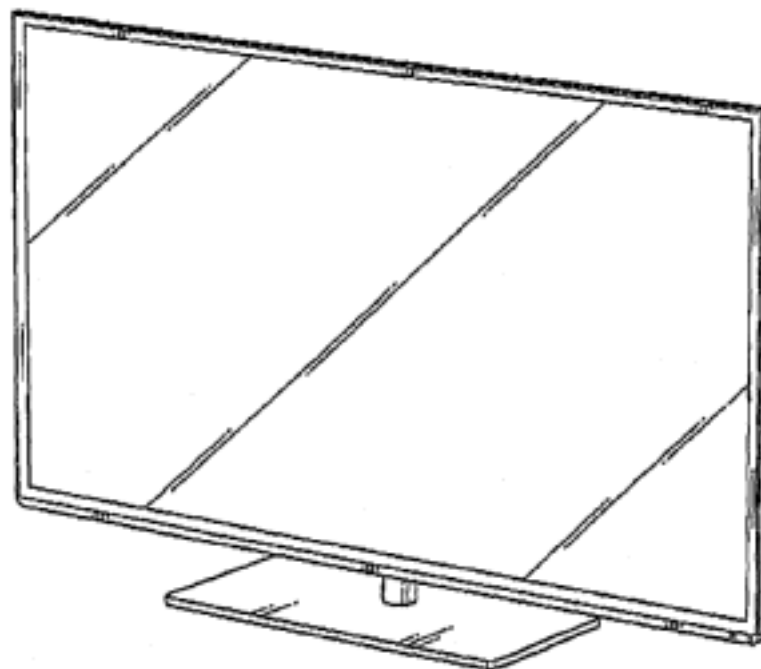
- (21) Design Number: **10861/2013**
(22) Date of Filing Application: **21 February 2013**
(24) Date from which industrial property rights may have effect: **21 February 2013**
(54) Product in respect of which the design is registered: **Display screen with annotated file icon**
(51) International Design Classification: **14-01**
(74) Name(s) of Attorney(s): **SPRUSON & FERGUSON**
(71) Name(s) and Address(s) of Applicant(s):
Covidien LP
15 Hampshire Street Mansfield Massachusetts 02048 United States of America
(72) Name(s) of Designer(s): **Robert Allyn**
(45) Registration Date: **30 May 2013**
(30) Convention priority data:
(31) Number (32) Date (33) Country
29/431448 07 Sep 2012 UNITED STATES OF AMERICA
(56) Related Art Documents: **Not Applicable**
(57) Statement of Newness and Distinctiveness: **Newness and distinctiveness is claimed in the features of shape and/or configuration of a display screen with annotate file icon illustrated in continuous lines in the accompanying representations.**



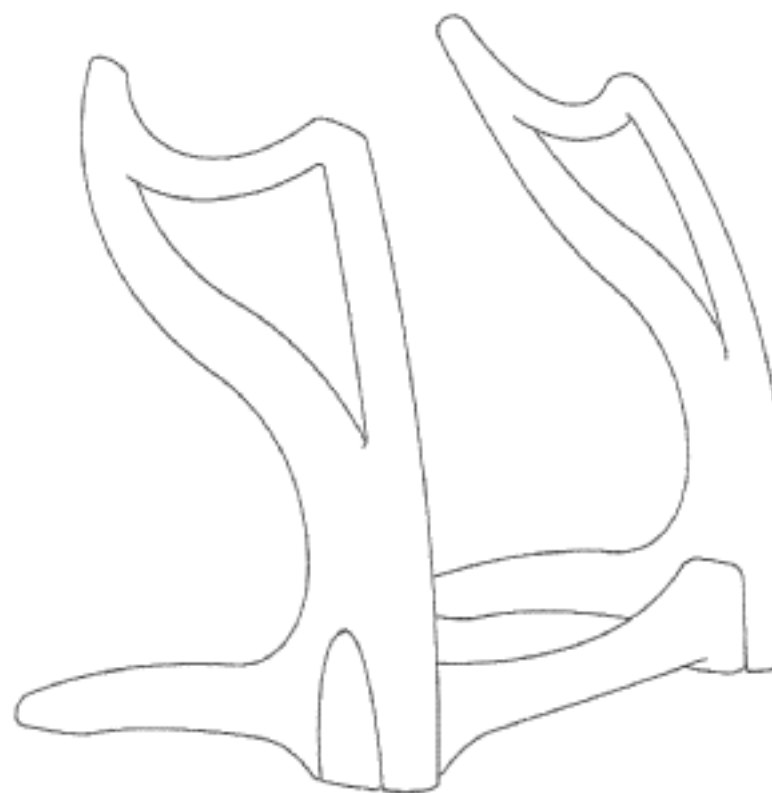
- (21) Design Number: **10889/2013**
(22) Date of Filing Application: **26 February 2013**
(24) Date from which industrial property rights may have effect: **26 February 2013**
(54) Product in respect of which the design is registered: **Television receiver**
(51) International Design Classification: **14-03B**
(74) Name(s) of Attorney(s): **HODGKINSON McINNES PATENTS**
(71) Name(s) and Address(s) of Applicant(s):
Kabushiki Kaisha Toshiba
1-1 Shibaura 1-chome Minato-ku Tokyo 105-8001 Japan
(72) Name(s) of Designer(s): **Shogo Suzuki and Takashi Asanuma and Taihei Miyaji and Hitoshi Otsuka and Takeshi Suzuki and Kentaro Ichise and Giles Mitchell and Kentaro Tanaka**
(45) Registration Date: **30 May 2013**
(30) Convention priority data:
(31) Number (32) Date (33) Country
2012-020579 28 Aug 2012 JAPAN
(56) Related Art Documents: **Not Applicable**
(57) Statement of Newness and Distinctiveness: **Newness and distinctiveness is claimed in the features of shape and/or configuration of a television receiver as illustrated in the accompanying representations.**



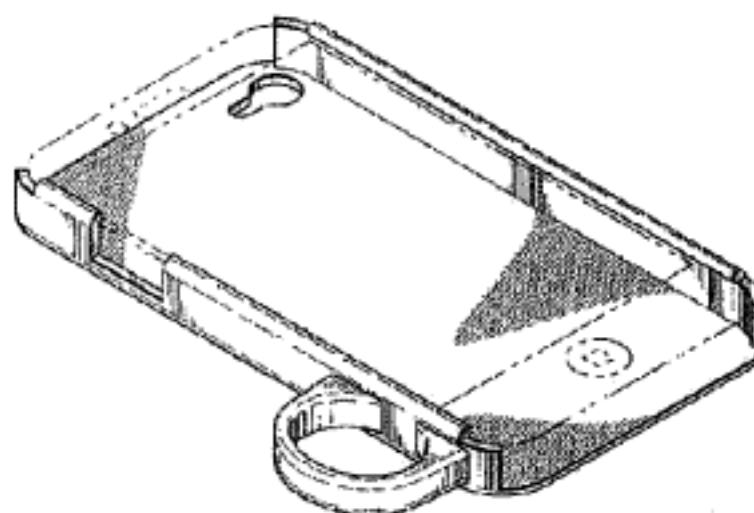
- (21) Design Number: **10890/2013**
(22) Date of Filing Application: **26 February 2013**
(24) Date from which industrial property rights may have effect: **26 February 2013**
(54) Product in respect of which the design is registered: **Television receiver**
(51) International Design Classification: **14-03B**
(74) Name(s) of Attorney(s): **HODGKINSON McINNES PATENTS**
(71) Name(s) and Address(s) of Applicant(s):
Kabushiki Kaisha Toshiba
1-1 Shibaura 1-chome Minato-ku Tokyo 105-8001 Japan
(72) Name(s) of Designer(s): **Shogo Suzuki and Takashi Asanuma and Taihei Miyaji and Hitoshi Otsuka and Takeshi Suzuki and Kentaro Ichise and Giles Mitchell and Kentaro Tanaka**
(45) Registration Date: **30 May 2013**
(30) Convention priority data:
(31) Number (32) Date (33) Country
2012-020581 28 Aug 2012 JAPAN
(56) Related Art Documents: **Not Applicable**
(57) Statement of Newness and Distinctiveness: **Newness and distinctiveness is claimed in the features of shape and/or configuration of a television receiver as illustrated in the accompanying representations.**



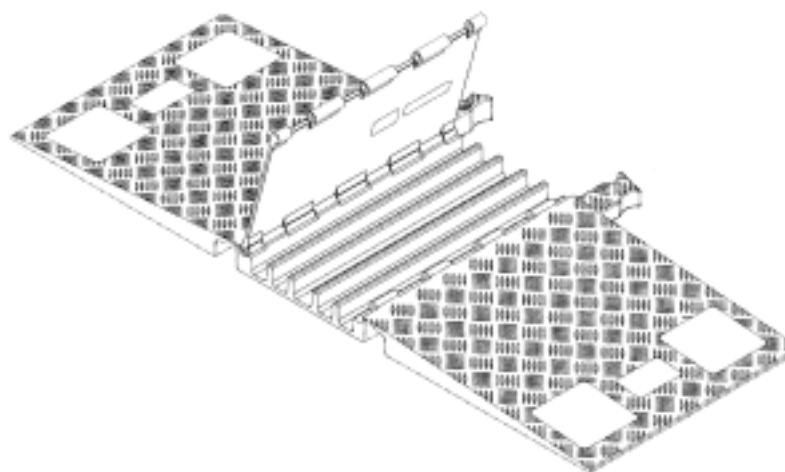
- (21) Design Number: **10558/2013**
(22) Date of Filing Application: **05 February 2013**
(24) Date from which industrial property rights may have effect: **05 February 2013**
(54) Product in respect of which the design is registered: **Kicking tee**
(51) International Design Classification: **21-02NES**
(74) Name(s) of Attorney(s): **Davies Collison Cave**
(71) Name(s) and Address(s) of Applicant(s):
Davmik Pty Ltd
53 Arthur St Forestville NSW 2087 Australia
(72) Name(s) of Designer(s): **David MacKay and Sandy Richardson**
(45) Registration Date: **30 May 2013**
(56) Related Art Documents: **Not Applicable**
(57) Statement of Newness and Distinctiveness: **The or each discernable feature of shape pattern ornamentation or configuration shown in the accompanying representations separately or in any combination of two or more such features, including each such feature or combination as applied to the article or any other article.**



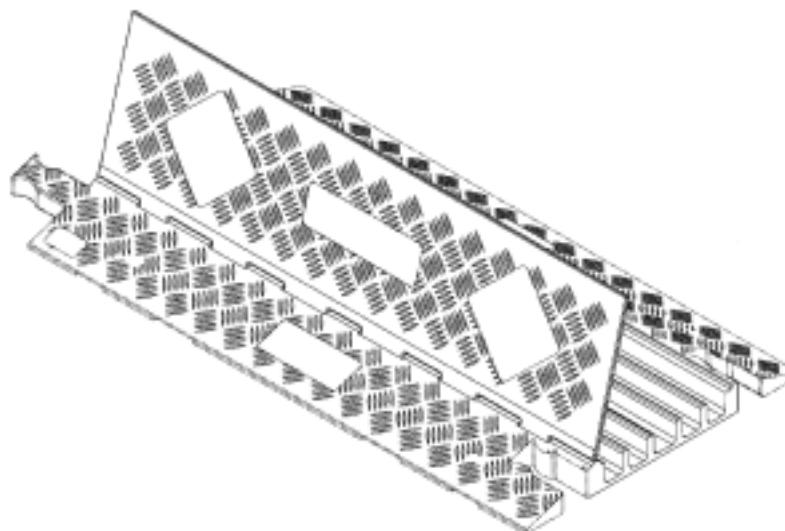
(21) Design Number: **10278/2013**
(22) Date of Filing Application: **18 January 2013**
(24) Date from which industrial property rights may have effect: **18 January 2013**
(54) Product in respect of which the design is registered: **Cell phone loop case**
(51) International Design Classification: **03-01NES**
(74) Name(s) of Attorney(s): **Axis Legal (Australia) Pty Ltd**
(71) Name(s) and Address(s) of Applicant(s):
Candybook LLC
201 Calle de Los Molinos San Clemente CA 92672-3874 United States of America
(72) Name(s) of Designer(s): **Dennis M. Ruvolo**
(45) Registration Date: **30 May 2013**
(30) Convention priority data:
(31) Number (32) Date (33) Country
29427739 21 Jul 2012 UNITED STATES OF AMERICA
(56) Related Art Documents: **Not Applicable**
(57) Statement of Newness and Distinctiveness: **Newness and distinctiveness reside in the shape and/or configuration of the cell phone loop case as shown in the accompanying representations.**



(21) Design Number: **10373/2013**
(22) Date of Filing Application: **25 January 2013**
(24) Date from which industrial property rights may have effect: **25 January 2013**
(54) Product in respect of which the design is registered: **Cable protector with detachable lid**
(51) International Design Classification: **13-03C**
(74) Name(s) of Attorney(s): **Davies Collison Cave**
(71) Name(s) and Address(s) of Applicant(s):
Checkers Industrial Products, LLC
620 Compton Street Broomfield CO 80020 United States
(72) Name(s) of Designer(s): **Daniel Coffman and Greg Widgery**
(45) Registration Date: **30 May 2013**
(30) Convention priority data:
(31) Number (32) Date (33) Country
29/428126 26 Jul 2012 UNITED STATES OF AMERICA
(56) Related Art Documents: **Not Applicable**
(57) Statement of Newness and Distinctiveness: **Newness and distinctiveness is claimed in the visual features shown in the representations. In considering the extent of the design rights, the broken lines shown in the representations are for illustrative purposes only and do not form part of the design.**



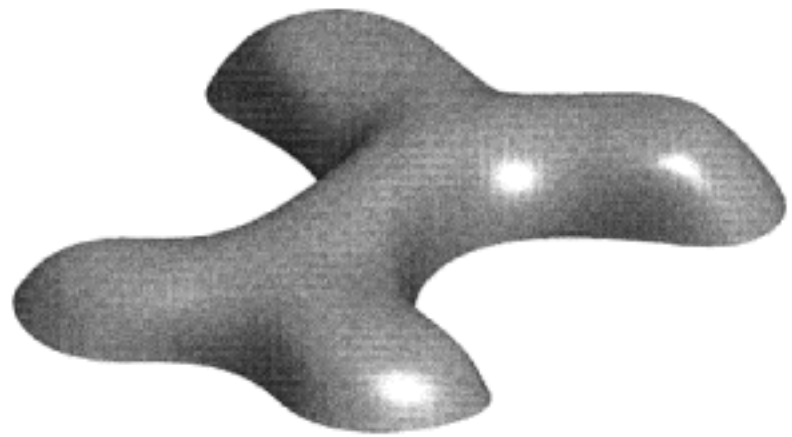
- (21) Design Number: **11759/2013**
(22) Date of Filing Application: **10 April 2013**
(24) Date from which industrial property rights may have effect: **10 April 2013**
(54) Product in respect of which the design is registered: **Cable protector with detachable lid**
(51) International Design Classification: **13-03C**
(74) Name(s) of Attorney(s): **Davies Collison Cave**
(71) Name(s) and Address(s) of Applicant(s):
Checkers Industrial Products, LLC
620 Compton Street Broomfield CO 80020 United States of America
(72) Name(s) of Designer(s): **Daniel Coffman and Greg Widgery**
(45) Registration Date: **30 May 2013**
(30) Convention priority data:
(31) Number (32) Date (33) Country
29/428126 26 Jul 2012 UNITED STATES OF AMERICA
(56) Related Art Documents: **Not Applicable**
(57) Statement of Newness and Distinctiveness: **Newness and distinctiveness is claimed in the visual features shown in the representations. In considering the extent of the design rights, the broken lines shown in the representations are for illustrative purposes only and do not form part of the design.**



- (21) Design Number: **13577/2012**
(22) Date of Filing Application: **27 July 2012**
(24) Date from which industrial property rights may have effect: **27 July 2012**
(54) Product in respect of which the design is registered: **Article of clothing**
(51) International Design Classification: **02-02C**
(74) Name(s) of Attorney(s): **Allens Patent & Trade Mark Attorneys**
(71) Name(s) and Address(s) of Applicant(s):
Forever New Clothing Pty Ltd
714-716 High Street Kew East Victoria 3102 Australia
(72) Name(s) of Designer(s): **Gemma Henderson and Octavia Miller and Mary McCarthy and Suzie Abbott and Rebecca Royce-Jones and Tristan Melle and Laura Mitchell and Dulcie Flynn and Jennifer Hall and Mantra Ahrendt and Alice Burrow and Christianna Heideman and Georgia Roberts-Thomson and Sarah Saxty**
(45) Registration Date: **30 May 2013**
(56) Related Art Documents: **Not Applicable**
(57) Statement of Newness and Distinctiveness: **Newness and distinctiveness resides in the features of shape, configuration, pattern and/or ornamentation of an article of clothing as shown in the accompanying representations.**



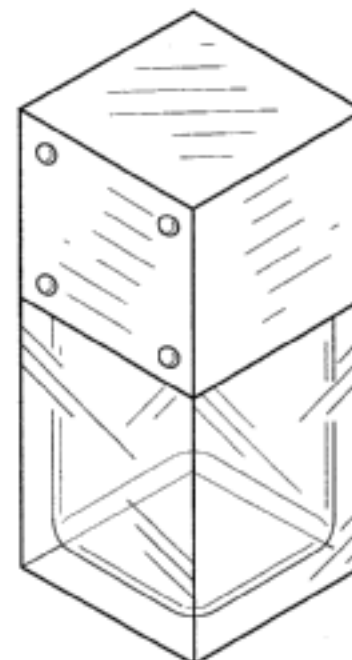
- (21) Design Number: **13925/2012**
(22) Date of Filing Application: **13 August 2012**
(24) Date from which industrial property rights may have effect: **13 August 2012**
(54) Product in respect of which the design is registered: **Breast-protective orthosis**
(51) International Design Classification: **02-01A**
(74) Name(s) of Attorney(s): **Davies Collison Cave**
(71) Name(s) and Address(s) of Applicant(s):
Mamma Guard Pty Ltd
354 Burwood Highway Bennettswood Victoria 3125 Australia
(72) Name(s) of Designer(s): **Paul Evans**
(45) Registration Date: **30 May 2013**
(56) Related Art Documents: **Not Applicable**
(57) Statement of Newness and Distinctiveness: **Newness and distinctiveness is claimed in the features of shape and configuration shown in the accompanying representations.**



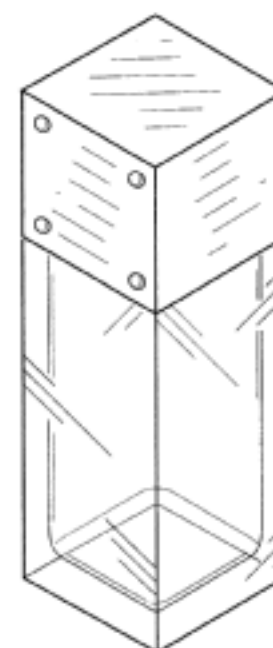
- (21) Design Number: **10779/2013**
(22) Date of Filing Application: **19 February 2013**
(24) Date from which industrial property rights may have effect: **19 February 2013**
(54) Product in respect of which the design is registered: **Cake box**
(51) International Design Classification: **09-03F**
(74) Name(s) of Attorney(s): **Acumen Intellectual Property**
(71) Name(s) and Address(s) of Applicant(s):
Skell-a-tin Pty Ltd
52 Hector Rd Willoughby NSW 2068 Australia
(72) Name(s) of Designer(s): **Geoffrey Ronald Hamblin**
(45) Registration Date: **30 May 2013**
(56) Related Art Documents: **Not Applicable**
(57) Statement of Newness and Distinctiveness: **Newness and distinctiveness is claimed in the features of shape and/or configuration of a cake box as illustrated in the accompanying representations. The clear plastic top shown in the perspective view does not form part of the design and is to be ignored in considering the newness and distinctiveness of the design and the scope of the monopoly of any design registration derived from this application.**



(21) Design Number: **11902/2013**
(22) Date of Filing Application: **24 April 2013**
(24) Date from which industrial property rights may have effect: **24 April 2013**
(54) Product in respect of which the design is registered: **Bottle with cap**
(51) International Design Classification: **09-01NES**
(74) Name(s) of Attorney(s): **PHILLIPS ORMONDE FITZPATRICK**
(71) Name(s) and Address(s) of Applicant(s):
Michael Kors, LLC
11 West 42nd Street New York New York 10036 United States of America
(72) Name(s) of Designer(s): **Richard Lavigne and Elizabeth Bogert and Michelle A. Badalich**
(45) Registration Date: **30 May 2013**
(30) Convention priority data:
(31) Number (32) Date (33) Country
29/437,589 19 Nov 2012 UNITED STATES OF AMERICA
(56) Related Art Documents: **Not Applicable**
(57) Statement of Newness and Distinctiveness: **Nil**



(21) Design Number: **12205/2013**
(22) Date of Filing Application: **24 April 2013**
(24) Date from which industrial property rights may have effect: **24 April 2013**
(54) Product in respect of which the design is registered: **Bottle with cap**
(51) International Design Classification: **09-01NES**
(74) Name(s) of Attorney(s): **PHILLIPS ORMONDE FITZPATRICK**
(71) Name(s) and Address(s) of Applicant(s):
Michael Kors, LLC
11 West 42nd Street New York New York 10036 United States of America
(72) Name(s) of Designer(s): **Elizabeth Bogert and Richard Lavigne and Michelle A. Badalich**
(45) Registration Date: **30 May 2013**
(30) Convention priority data:
(31) Number (32) Date (33) Country
29/437,589 19 Nov 2012 UNITED STATES OF AMERICA
(56) Related Art Documents: **Not Applicable**
(57) Statement of Newness and Distinctiveness: **Nil the features of pattern and/or ornamentation OR shape and/or configuration shown in unbroken lines in the accompanying representations. (If required, see Convention document)**



(21) Design Number: **12206/2013**

(22) Date of Filing Application: **24 April 2013**

(24) Date from which industrial property rights may have effect: **24 April 2013**

(54) Product in respect of which the design is registered: **Bottle with cap**

(51) International Design Classification: **09-01NES**

(74) Name(s) of Attorney(s): **PHILLIPS ORMONDE FITZPATRICK**

(71) Name(s) and Address(s) of Applicant(s):

Michael Kors, LLC

11 West 42nd Street New York New York 10036 United States of America

(72) Name(s) of Designer(s): **Elizabeth Bogert and Richard Lavigne and Michelle A. Badalich**

(45) Registration Date: **30 May 2013**

(30) Convention priority data:

(31) Number

(32) Date

(33) Country

29/437,589

19 Nov 2012

UNITED STATES OF AMERICA

(56) Related Art Documents: **Not Applicable**

(57) Statement of Newness and Distinctiveness: **Nil**



(21) Design Number: **11986/2013**

(22) Date of Filing Application: **29 April 2013**

(24) Date from which industrial property rights may have effect: **29 April 2013**

(54) Product in respect of which the design is registered: **Three head shaver**

(51) International Design Classification: **28-03A**

(74) Name(s) of Attorney(s): **FB Rice**

(71) Name(s) and Address(s) of Applicant(s):

Koninklijke Philips Electronics N.V.

High Tech Campus 5 Eindhoven 5656 AE The Netherlands

(72) Name(s) of Designer(s): **Ian Robert Ellison and Peter Gal**

(45) Registration Date: **30 May 2013**

(30) Convention priority data:

(31) Number

(32) Date

(33) Country

002126607-0001

29 Oct 2012

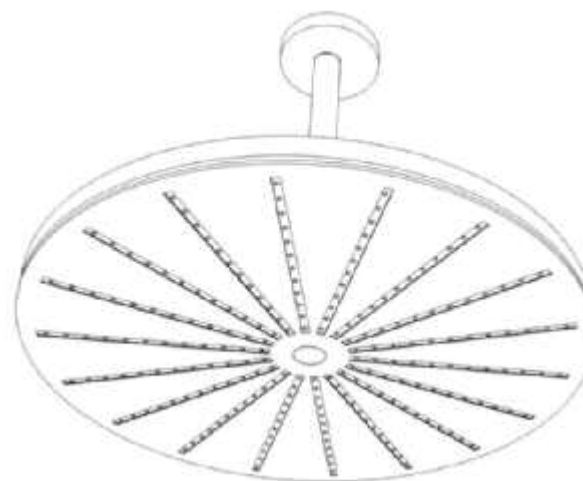
**OFFICE FOR HARMONISATION IN
THE INTERNAL MARKET (OHIM)**

(56) Related Art Documents: **Not Applicable**

(57) Statement of Newness and Distinctiveness: **Newness and distinctiveness reside in the features of shape and configuration of the design as shown in the representations.**



(21) Design Number: **11996/2013**
(22) Date of Filing Application: **30 April 2013**
(24) Date from which industrial property rights may have effect: **30 April 2013**
(54) Product in respect of which the design is registered: **Shower head**
(51) International Design Classification: **23-02B**
(74) Name(s) of Attorney(s): **Simpsons Solicitors**
(71) Name(s) and Address(s) of Applicant(s):
Vola A/S
Lunavej 2 DK-8700 Horsens Denmark
(72) Name(s) of Designer(s): **Members of the design team of Aarhus**
Arkitekterne A/S
(45) Registration Date: **30 May 2013**
(30) Convention priority data:
(31) Number (32) Date (33) Country
002192393-0001 27 Feb 2013 OFFICE FOR HARMONISATION IN
THE INTERNAL MARKET (OHIM)
(56) Related Art Documents: **Not Applicable**
(57) Statement of Newness and Distinctiveness: **Nil**



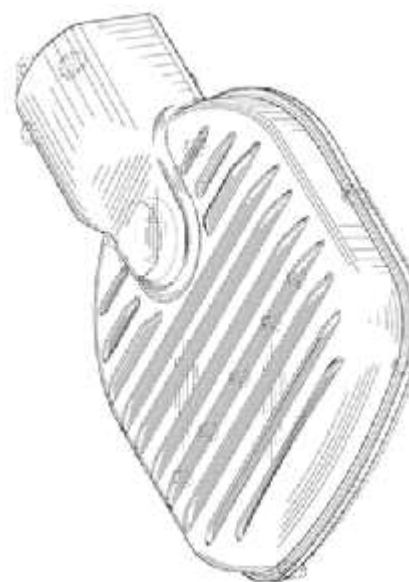
(21) Design Number: **12041/2013**
(22) Date of Filing Application: **02 May 2013**
(24) Date from which industrial property rights may have effect: **02 May 2013**
(54) Product in respect of which the design is registered: **Controller for electronic device**
(51) International Design Classification: **21-01N**
(74) Name(s) of Attorney(s): **Shelston IP**
(71) Name(s) and Address(s) of Applicant(s):
Sony Computer Entertainment Inc.
1-7-1 Konan Minato-ku Toyko 108-0075 Japan
(72) Name(s) of Designer(s): **Ennin Huang**
(45) Registration Date: **30 May 2013**
(30) Convention priority data:
(31) Number (32) Date (33) Country
2012-027073 06 Nov 2012 JAPAN
(56) Related Art Documents: **Not Applicable**
(57) Statement of Newness and Distinctiveness: **Newness and distinctiveness**
reside in the features of shape and/or configuration of the controller for
electronic device as shown in the accompanying representations.



(21) Design Number: **12042/2013**
(22) Date of Filing Application: **02 May 2013**
(24) Date from which industrial property rights may have effect: **02 May 2013**
(54) Product in respect of which the design is registered: **Controller for electronic device**
(51) International Design Classification: **21-01N**
(74) Name(s) of Attorney(s): **Shelston IP**
(71) Name(s) and Address(s) of Applicant(s):
Sony Computer Entertainment Inc.
1-7-1 Konan Minato-ku Toyko 108-0075 Japan
(72) Name(s) of Designer(s): **Ennin Huang**
(45) Registration Date: **30 May 2013**
(30) Convention priority data:
(31) Number (32) Date (33) Country
2012-027074 06 Nov 2012 JAPAN
(56) Related Art Documents: **Not Applicable**
(57) Statement of Newness and Distinctiveness: **Newness and distinctiveness reside in the features of shape and/or configuration of the controller for electronic device as shown in solid lines in the accompanying representations. The broken lines showing of the controller for electronic device are for environmental purposes only and form no part of the claimed design.**



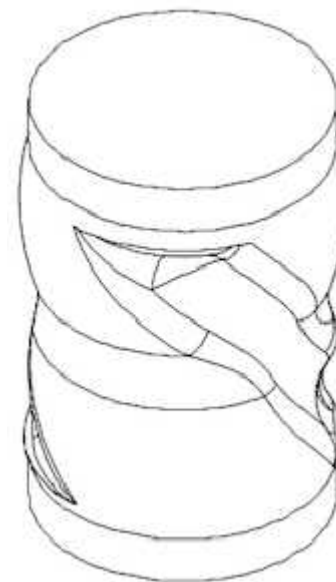
(21) Design Number: **12045/2013**
(22) Date of Filing Application: **02 May 2013**
(24) Date from which industrial property rights may have effect: **02 May 2013**
(54) Product in respect of which the design is registered: **Roadway lamp fixture**
(51) International Design Classification: **26-03**
(74) Name(s) of Attorney(s): **PHILLIPS ORMONDE FITZPATRICK**
(71) Name(s) and Address(s) of Applicant(s):
GE Lighting Solutions, LLC
1975 Noble Road Bldg. 338 Nela Park East Cleveland Ohio 44112 United States of America
(72) Name(s) of Designer(s): **David Mark Johnson and Kenneth Alden Lane**
(45) Registration Date: **30 May 2013**
(30) Convention priority data:
(31) Number (32) Date (33) Country
29/437,565 19 May 2012 UNITED STATES OF AMERICA
(56) Related Art Documents: **Not Applicable**
(57) Statement of Newness and Distinctiveness: **Those features of the roadway lamp fixture depicted in the representations that are new and distinctive are the shape and/or configuration. The features shown in broken line are not part of the design and are to be disregarded when considering the overall impression of the design.**



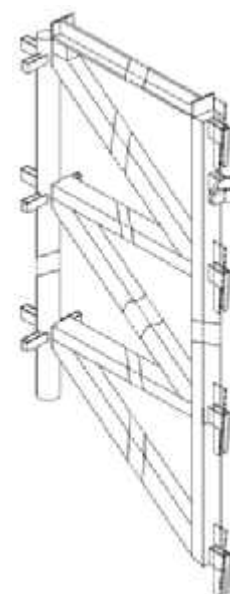
- (21) Design Number: **12053/2013**
(22) Date of Filing Application: **03 May 2013**
(24) Date from which industrial property rights may have effect: **03 May 2013**
(54) Product in respect of which the design is registered: **Post box**
(51) International Design Classification: **25-03**
(74) Name(s) of Attorney(s):
(71) Name(s) and Address(s) of Applicant(s):
Dylan James Lake
17 The Rise Glen Waverley VIC 3150 Australia
(72) Name(s) of Designer(s): **Dylan James Lake**
(45) Registration Date: **30 May 2013**
(56) Related Art Documents: **Not Applicable**
(57) Statement of Newness and Distinctiveness: **The newness and distinctiveness of the design resides in the shape and/or configuration of a letterbox shown in the representations.**



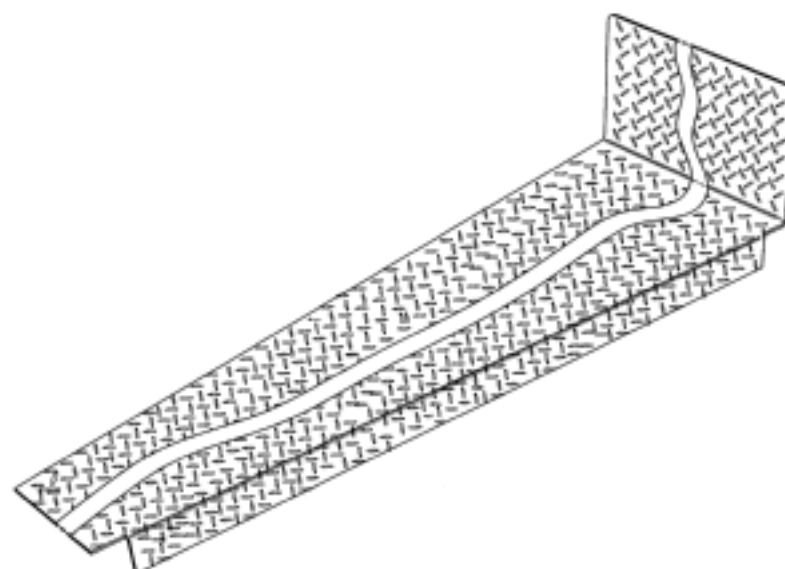
- (21) Design Number: **10711/2013**
(22) Date of Filing Application: **13 February 2013**
(24) Date from which industrial property rights may have effect: **13 February 2013**
(54) Product in respect of which the design is registered: **Container**
(51) International Design Classification: **09-01K**
(74) Name(s) of Attorney(s): **Davies Collison Cave**
(71) Name(s) and Address(s) of Applicant(s):
Visy R & D Pty Ltd
L11 2 Southbank Bvd Southbank VIC 3006 Australia
(72) Name(s) of Designer(s): **Sean Meneaud**
(45) Registration Date: **30 May 2013**
(56) Related Art Documents: **Not Applicable**
(57) Statement of Newness and Distinctiveness: **The features of shape and configuration of the container shown in the accompanying representations are considered to be new and distinctive.**



- (21) Design Number: **10769/2013**
(22) Date of Filing Application: **18 February 2013**
(24) Date from which industrial property rights may have effect: **18 February 2013**
(54) Product in respect of which the design is registered: **A scaffold truss**
(51) International Design Classification: **25-04**
(74) Name(s) of Attorney(s): **Shelston IP**
(71) Name(s) and Address(s) of Applicant(s):
4 Ken Pty Ltd
24 Byrne St Auburn NSW 2144 Australia
(72) Name(s) of Designer(s): **Kenneth Alan Cox**
(45) Registration Date: **30 May 2013**
(56) Related Art Documents: **Not Applicable**
(57) Statement of Newness and Distinctiveness: **Newness and distinctiveness reside in the features of shape and/or configuration of a scaffold truss of substantially indefinite height and width, as illustrated by solid lines in the accompanying representations. The features shown in broken outline are for contextual purposes only and do not form part of the design.**



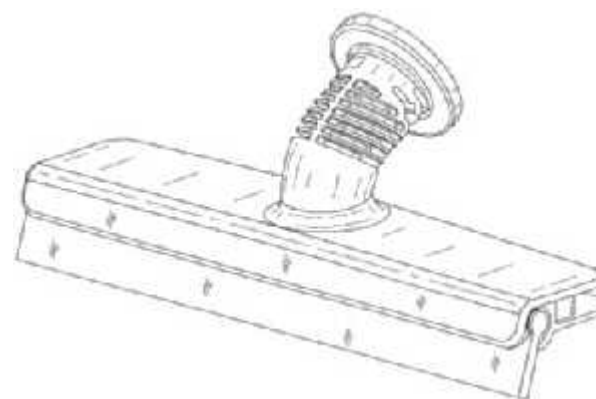
- (21) Design Number: **10768/2013**
(22) Date of Filing Application: **18 February 2013**
(24) Date from which industrial property rights may have effect: **18 February 2013**
(54) Product in respect of which the design is registered: **A scaffold plate**
(51) International Design Classification: **25-04**
(74) Name(s) of Attorney(s): **Shelston IP**
(71) Name(s) and Address(s) of Applicant(s):
4 Ken Pty Ltd
24 Byrne St Auburn NSW 2144 Australia
(72) Name(s) of Designer(s): **Kenneth Alan Cox**
(45) Registration Date: **30 May 2013**
(56) Related Art Documents: **Not Applicable**
(57) Statement of Newness and Distinctiveness: **Newness and distinctiveness reside in the features of shape and/or configuration of a scaffold plate of substantially indefinite length and width, as illustrated in the accompanying representations. The tread pattern applied to the surface of the scaffold plate is illustrative only and does not form part of the design.**



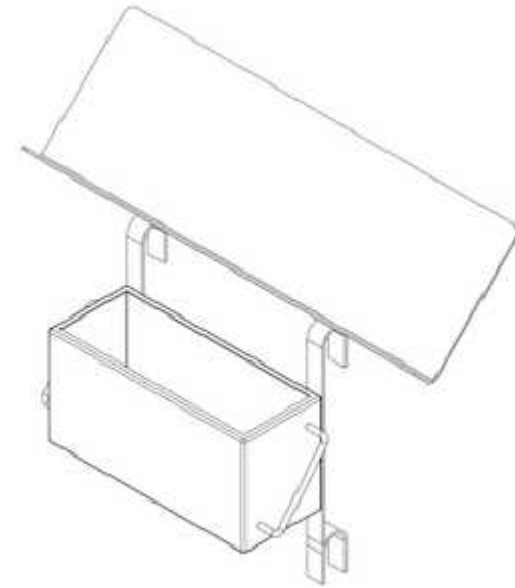
(21) Design Number: **10715/2013**
(22) Date of Filing Application: **14 February 2013**
(24) Date from which industrial property rights may have effect: **14 February 2013**
(54) Product in respect of which the design is registered: **Snack product**
(51) International Design Classification: **01-01**
(74) Name(s) of Attorney(s): **PIPERS**
(71) Name(s) and Address(s) of Applicant(s):
Investigacion De Tecnologia Avanzada, S.A. de C.V.
Ave Ruiz Cortines #2002 Ote Col. La Purisima Guadalupe N.L. 67110
Mexico
(72) Name(s) of Designer(s): **Felipe A. Rubio and Arturo Garcia and Miguel A. Arce and Rodrigo Lobeira**
(45) Registration Date: **30 May 2013**
(30) Convention priority data:
(31) Number (32) Date (33) Country
29/441,309 03 Jan 2013 UNITED STATES OF AMERICA
(56) Related Art Documents: **Not Applicable**
(57) Statement of Newness and Distinctiveness: **The design is to be applied to a snack product and the novelty resides in the features of shape and configuration of the snack product as shown in the accompanying representations.**



(21) Design Number: **10809/2013**
(22) Date of Filing Application: **21 February 2013**
(24) Date from which industrial property rights may have effect: **21 February 2013**
(54) Product in respect of which the design is registered: **Steam cleaning squeegee**
(51) International Design Classification: **23-01NES, 07-05E**
(74) Name(s) of Attorney(s): **Davies Collison Cave**
(71) Name(s) and Address(s) of Applicant(s):
Black & Decker Inc
1207 Drummond Plaza Newark Delaware 19711 United States of America
(72) Name(s) of Designer(s): **Graeme Crawley**
(45) Registration Date: **30 May 2013**
(30) Convention priority data:
(31) Number (32) Date (33) Country
001340947 24 Aug 2012 OFFICE FOR HARMONISATION IN THE INTERNAL MARKET (OHIM)
(56) Related Art Documents: **Not Applicable**
(57) Statement of Newness and Distinctiveness: **Nil**



- (21) Design Number: **11482/2013**
(22) Date of Filing Application: **26 March 2013**
(24) Date from which industrial property rights may have effect: **26 March 2013**
(54) Product in respect of which the design is registered: **Folder holder**
(51) International Design Classification: **19-02**
(74) Name(s) of Attorney(s):
(71) Name(s) and Address(s) of Applicant(s):
No Bolt Operations Pty Ltd
29 Union Road Dandenong South Victoria 3175 Australia
(72) Name(s) of Designer(s): **Danny Frolik**
(45) Registration Date: **30 May 2013**
(56) Related Art Documents: **Not Applicable**
(57) Statement of Newness and Distinctiveness: **Newness and distinctiveness resides in the features of the shape and configuration of the folder holder as illustrated in the accompanying drawings.**



- (21) Design Number: **11548/2013**
(22) Date of Filing Application: **28 March 2013**
(24) Date from which industrial property rights may have effect: **28 March 2013**
(54) Product in respect of which the design is registered: **A knife**
(51) International Design Classification: **07-03**
(74) Name(s) of Attorney(s): **SPRUSON & FERGUSON**
(71) Name(s) and Address(s) of Applicant(s):
Take Two Marketing and Events Pty Ltd
SE302 L3 209 Oxford St Bondi Junction NSW 2022 Australia
(72) Name(s) of Designer(s): **James Cheney**
(45) Registration Date: **30 May 2013**
(56) Related Art Documents: **Not Applicable**
(57) Statement of Newness and Distinctiveness: **Newness and distinctiveness is claimed in the features of shape and/or configuration of a knife handle as illustrated in the accompanying representations; the knife blade as shown forms no part of the design.**



(21) Design Number: **11828/2013**
(22) Date of Filing Application: **18 April 2013**
(24) Date from which industrial property rights may have effect: **18 April 2013**
(54) Product in respect of which the design is registered: **Tire**
(51) International Design Classification: **12-15B**
(74) Name(s) of Attorney(s): **PHILLIPS ORMONDE FITZPATRICK**
(71) Name(s) and Address(s) of Applicant(s):

Cooper Tire & Rubber Company
701 Lima Avenue Findlay Ohio 45840 United States of America

(72) Name(s) of Designer(s): **Jeremy J Jacobs**

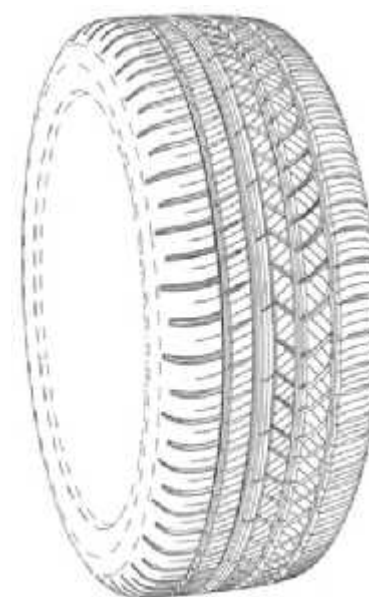
(45) Registration Date: **30 May 2013**

(30) Convention priority data:

(31) Number	(32) Date	(33) Country
29/437,323	15 Nov 2012	UNITED STATES OF AMERICA

(56) Related Art Documents: **Not Applicable**

(57) Statement of Newness and Distinctiveness: **Those features of the tire depicted in the representations that are new and distinctive are the shape and/or configuration of the tread of the tire. The features shown in broken line are not part of the design and are to be disregarded when considering the overall impression of the design.**



(21) Design Number: **11829/2013**
(22) Date of Filing Application: **18 April 2013**
(24) Date from which industrial property rights may have effect: **18 April 2013**
(54) Product in respect of which the design is registered: **Tire**
(51) International Design Classification: **12-15B**
(74) Name(s) of Attorney(s): **PHILLIPS ORMONDE FITZPATRICK**
(71) Name(s) and Address(s) of Applicant(s):

Cooper Tire & Rubber Company
701 Lima Avenue Findlay Ohio 45840 United States of America

(72) Name(s) of Designer(s): **Jeremy J. Jacobs and Christopher D. Grote**

(45) Registration Date: **30 May 2013**

(30) Convention priority data:

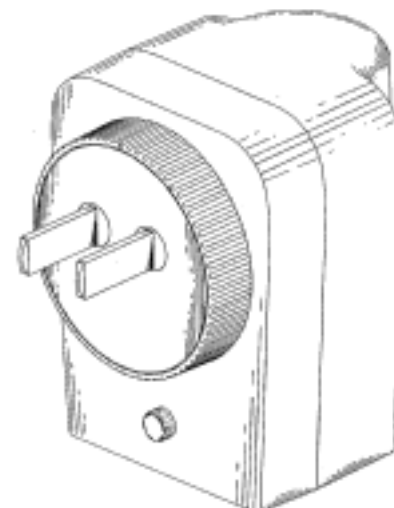
(31) Number	(32) Date	(33) Country
29/435,701	26 Oct 2012	UNITED STATES OF AMERICA

(56) Related Art Documents: **Not Applicable**

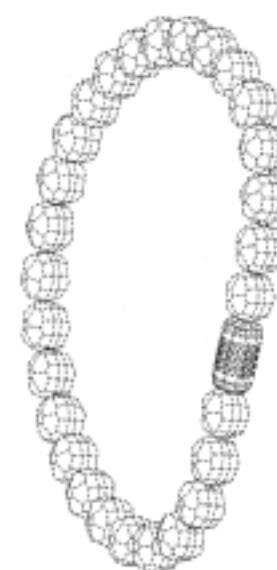
(57) Statement of Newness and Distinctiveness: **Those features of the tire depicted in the representations that are new and distinctive are the shape and/or configuration of the tread of the tire. The features shown in broken line are not part of the design and are to be disregarded when considering the overall impression of the design.**



(21) Design Number: **10839/2013**
(22) Date of Filing Application: **22 February 2013**
(24) Date from which industrial property rights may have effect: **22 February 2013**
(54) Product in respect of which the design is registered: **Power adapter**
(51) International Design Classification: **13-03D**
(74) Name(s) of Attorney(s): **WATERMARK PATENT AND TRADE MARKS ATTORNEYS**
(71) Name(s) and Address(s) of Applicant(s):
Well Shin Technology Co., Ltd
No. 196 Xinhua 3rd Rd Nei Hu Taipei 114 Taiwan
(72) Name(s) of Designer(s): **Jui-Hsiung Wu**
(45) Registration Date: **31 May 2013**
(56) Related Art Documents: **Not Applicable**
(57) Statement of Newness and Distinctiveness: **Nil**



(21) Design Number: **10840/2013**
(22) Date of Filing Application: **22 February 2013**
(24) Date from which industrial property rights may have effect: **22 February 2013**
(54) Product in respect of which the design is registered: **Lock**
(51) International Design Classification: **08-07**
(74) Name(s) of Attorney(s): **Callinans**
(71) Name(s) and Address(s) of Applicant(s):
Master Lock Company LLC
137 W. Forest Hill Avenue Oak Creek Wisconsin 53154 United States of America
(72) Name(s) of Designer(s): **Lea Marie Plato**
(45) Registration Date: **31 May 2013**
(30) Convention priority data:
(31) Number (32) Date (33) Country
29/430,640 28 Aug 2012 UNITED STATES OF AMERICA
(56) Related Art Documents: **Not Applicable**
(57) Statement of Newness and Distinctiveness: **Newness and distinctiveness are provided by shape and/or configuration of the design shown in the representations. The features shown in broken lines in the representations are for illustrative purpose only and should not be considered when construing visual features of the design.**



(21) Design Number: **10868/2013**
(22) Date of Filing Application: **25 February 2013**
(24) Date from which industrial property rights may have effect: **25 February 2013**
(54) Product in respect of which the design is registered: **Lock**
(51) International Design Classification: **08-07**
(74) Name(s) of Attorney(s): **Callinans**
(71) Name(s) and Address(s) of Applicant(s):
Master Lock Company LLC
137 W. Forest Hill Avenue Oak Creek Wisconsin 53154 United States of America

(72) Name(s) of Designer(s): **Lea Marie Plato**

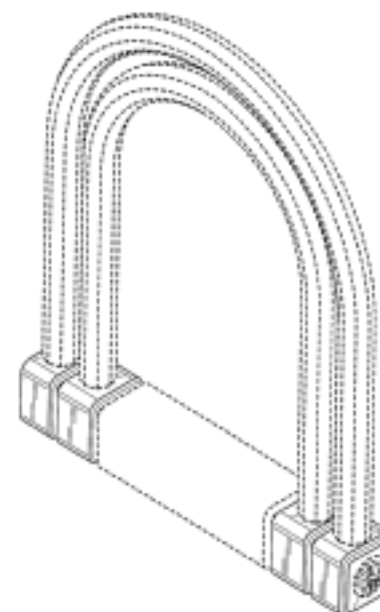
(45) Registration Date: **31 May 2013**

(30) Convention priority data:

(31) Number	(32) Date	(33) Country
29/430,634	28 Aug 2012	UNITED STATES OF AMERICA

(56) Related Art Documents: **Not Applicable**

(57) Statement of Newness and Distinctiveness: **Newness and distinctiveness are provided by the shape and/or configuration of the design shown in the representations. The features shown in broken lines in the representations are for illustrative purpose only and should not be considered when construing visual features of the design.**



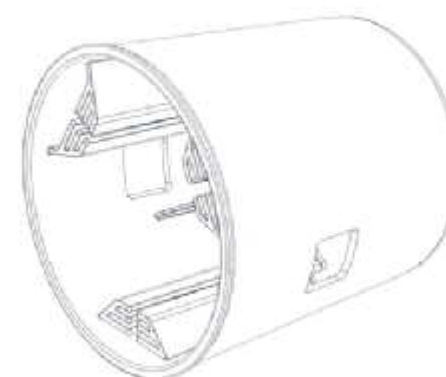
(21) Design Number: **11313/2013**
(22) Date of Filing Application: **15 March 2013**
(24) Date from which industrial property rights may have effect: **15 March 2013**
(54) Product in respect of which the design is registered: **A safety cap for picket posts and reinforcing bars**
(51) International Design Classification: **25-02A**
(74) Name(s) of Attorney(s):
(71) Name(s) and Address(s) of Applicant(s):
Sureguard Safety Australia Pty Ltd
34 Abington Cres Glen Alpine NSW 2560 Australia

(72) Name(s) of Designer(s): **Wayne Kopp**

(45) Registration Date: **31 May 2013**

(56) Related Art Documents: **Not Applicable**

(57) Statement of Newness and Distinctiveness: **The plastic moulded Safety Cap serves a dual function for protecting the top end of Steel Star Picket Posts and also the exposed ends of various diameters of Reinforcing Bar in concrete, the holes on either side of the Safety Cap enable tie wire to be threaded through for affixing to the star posts or reinforcing bar.**



(21) Design Number: **11585/2013**
(22) Date of Filing Application: **02 April 2013**
(24) Date from which industrial property rights may have effect: **02 April 2013**
(54) Product in respect of which the design is registered: **Telescopic pole**
(51) International Design Classification: **08-08NES**
(74) Name(s) of Attorney(s):
(71) Name(s) and Address(s) of Applicant(s):

Railblaza Limited
6 Tavern Road Silverdale Auckland 0932 New Zealand

(72) Name(s) of Designer(s): **Paul Sandkuijl**

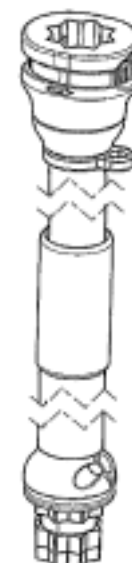
(45) Registration Date: **31 May 2013**

(30) Convention priority data:

(31) Number	(32) Date	(33) Country
416905	25 Oct 2012	NEW ZEALAND

(56) Related Art Documents: **Not Applicable**

(57) Statement of Newness and Distinctiveness: **The design is to be applied to a telescopic pole of indefinite length as shown in the accompanying representations. The novelty resides in the features of shape and configuration of the telescopic pole as shown in the accompanying representations. No novelty is claimed in the shape and configuration of the zigzag break lines that indicate the indefinite length.**



(21) Design Number: **12141/2013**
(22) Date of Filing Application: **08 May 2013**
(24) Date from which industrial property rights may have effect: **08 May 2013**
(54) Product in respect of which the design is registered: **Fuel dispensing nozzle**
(51) International Design Classification: **20-02A**
(74) Name(s) of Attorney(s): **PHILLIPS ORMONDE FITZPATRICK**
(71) Name(s) and Address(s) of Applicant(s):

Delaware Capital Formation, Inc.
501 Silverside Road Suite 5 Wilmington Delaware 19809 United States of America

(72) Name(s) of Designer(s): **Ares Marasligiller and Yashodhan Dhuru and Paul Zink and Andrew Mendenhall and Chris Laux and Todd Midkiff**

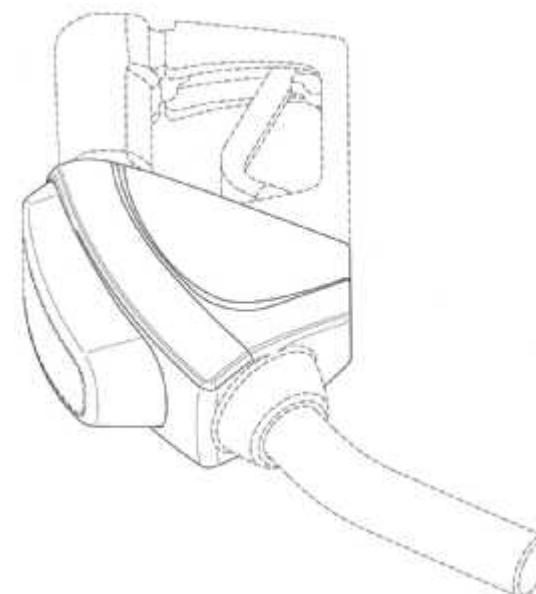
(45) Registration Date: **31 May 2013**

(30) Convention priority data:

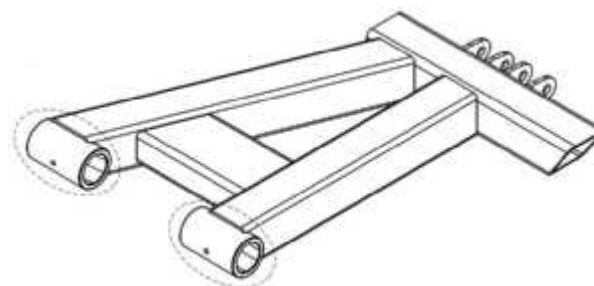
(31) Number	(32) Date	(33) Country
002145748-0001	30 Nov 2012	OFFICE FOR HARMONISATION IN THE INTERNAL MARKET (OHIM)

(56) Related Art Documents: **Not Applicable**

(57) Statement of Newness and Distinctiveness: **Those features of the fuel dispensing nozzle depicted in the representations that are new and distinctive are the shape and/or configuration. The features shown in broken lines are not part of the design and are to be disregarded when considering the overall impression of the design.**



- (21) Design Number: **12142/2013**
(22) Date of Filing Application: **08 May 2013**
(24) Date from which industrial property rights may have effect: **08 May 2013**
(54) Product in respect of which the design is registered: **A vehicle suspension support arm**
(51) International Design Classification: **12-16NES**
(74) Name(s) of Attorney(s):
(71) Name(s) and Address(s) of Applicant(s):
Vehicle Components Pty Ltd
C/- Michael Buck IP PO BOX 4361 St Lucia QLD 4067 Australia
(72) Name(s) of Designer(s): **Arthur Goddard**
(45) Registration Date: **31 May 2013**
(56) Related Art Documents: **Not Applicable**
(57) Statement of Newness and Distinctiveness: **The shape and configuration of a vehicle suspension support arm as shown in the representations without regard to the mounting lugs on the upper side but with particular regard to the portion indicated as "A" in the representations.**



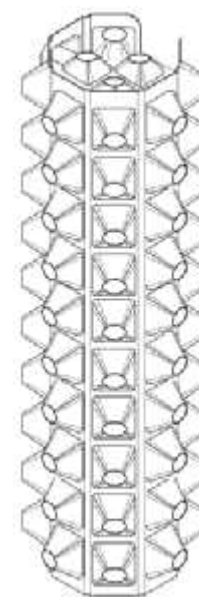
- (21) Design Number: **12165/2013**
(22) Date of Filing Application: **09 May 2013**
(24) Date from which industrial property rights may have effect: **09 May 2013**
(54) Product in respect of which the design is registered: **Toilet building**
(51) International Design Classification: **25-03**
(74) Name(s) of Attorney(s):
(71) Name(s) and Address(s) of Applicant(s):
Landmark Engineering & Design Pty Ltd
26 Wildfire Rd Maddington WA 6109 Australia
(72) Name(s) of Designer(s): **Gavin Cook**
(45) Registration Date: **31 May 2013**
(56) Related Art Documents: **Not Applicable**
(57) Statement of Newness and Distinctiveness: **A Contemporary style Construction to suit a range of situations where there is requirement for a Shelter & Toilet at the same location.**



- (21) Design Number: **12166/2013**
(22) Date of Filing Application: **09 May 2013**
(24) Date from which industrial property rights may have effect: **09 May 2013**
(54) Product in respect of which the design is registered: **Clothes hanger**
(51) International Design Classification: **06-08**
(74) Name(s) of Attorney(s): **Cotters Patent & Trade Mark Attorneys**
(71) Name(s) and Address(s) of Applicant(s):
Curvesence Pty Limited
5 Shellbank Pde Cremorne NSW 2090 Australia
(72) Name(s) of Designer(s): **Kathleen Siddall-Cohen**
(45) Registration Date: **31 May 2013**
(56) Related Art Documents: **Not Applicable**
(57) Statement of Newness and Distinctiveness: **Newness and distinctiveness is claimed in the features of shape and/or configuration of a clothes hanger as depicted in the accompanying drawings.**



- (21) Design Number: **12167/2013**
(22) Date of Filing Application: **09 May 2013**
(24) Date from which industrial property rights may have effect: **09 May 2013**
(54) Product in respect of which the design is registered: **A seed container**
(51) International Design Classification: **09-03F**
(74) Name(s) of Attorney(s): **Sandercock & Cowie**
(71) Name(s) and Address(s) of Applicant(s):
Trentcom APS Pty Ltd
95C Beaumont Rd Berwick VIC 3806 Australia
(72) Name(s) of Designer(s): **Peter Alan Lawton**
(45) Registration Date: **31 May 2013**
(56) Related Art Documents: **Not Applicable**
(57) Statement of Newness and Distinctiveness: **Newness and distinctiveness reside in the shape and configuration of the seed propagation container as shown in the accompanying representations.**



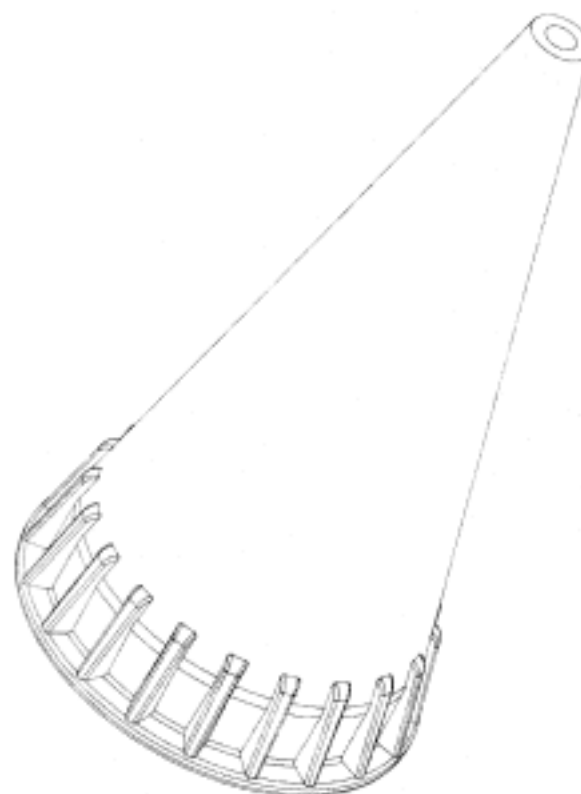
(21) Design Number: **12168/2013**
(22) Date of Filing Application: **09 May 2013**
(24) Date from which industrial property rights may have effect: **09 May 2013**
(54) Product in respect of which the design is registered: **Automobile and automobile replica**
(51) International Design Classification: **12-08, 21-01C**
(74) Name(s) of Attorney(s): **Griffith Hack**
(71) Name(s) and Address(s) of Applicant(s):
Honda Motor Co., Ltd.
1-1 Minami-Aoyama 2-chome Minato-ku Tokyo 107-8556 Japan
(72) Name(s) of Designer(s): **Rick Chen and Jason Pope and Art Osborne and Matthew Mantz and Takuro Hana**
(45) Registration Date: **31 May 2013**
(30) Convention priority data:
(31) Number (32) Date (33) Country
29/436,934 09 Nov 2012 UNITED STATES OF AMERICA
(56) Related Art Documents: **Not Applicable**
(57) Statement of Newness and Distinctiveness: **Newness and distinctiveness resides in the visual features, including shape, configuration and ornamentation of the PRODUCTS as shown in the accompanying drawings. The portions of the PRODUCTS shown in dashed lines have been included for illustrative purposes only.**



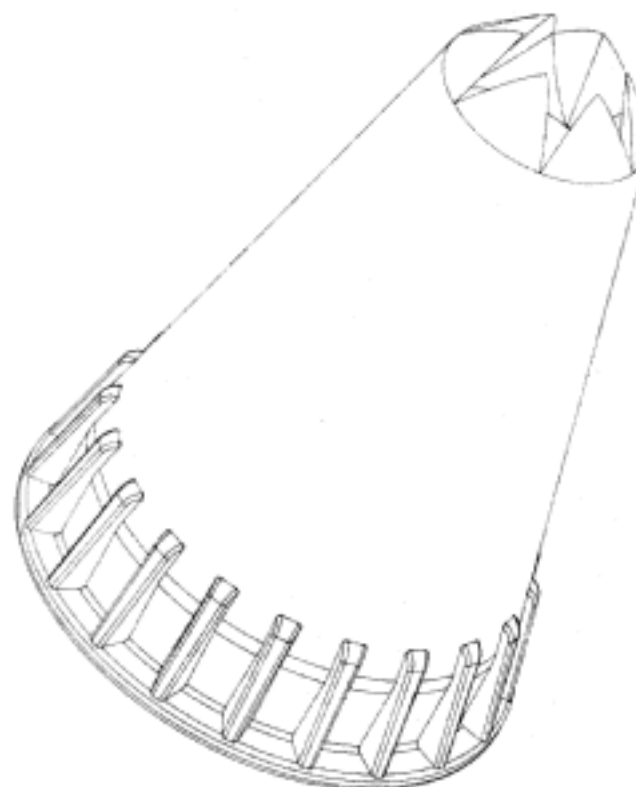
(21) Design Number: **12129/2013**
(22) Date of Filing Application: **08 May 2013**
(24) Date from which industrial property rights may have effect: **08 May 2013**
(54) Product in respect of which the design is registered: **Icing bag coupler**
(51) International Design Classification: **07-04, 07-02P**
(74) Name(s) of Attorney(s): **TELLER & ASSOCIATES**
(71) Name(s) and Address(s) of Applicant(s):
Anchor Foods Pty Ltd
148 Carrington St Fremantle WA 6163 Australia
(72) Name(s) of Designer(s): **David Clapin**
(45) Registration Date: **31 May 2013**
(56) Related Art Documents: **Not Applicable**
(57) Statement of Newness and Distinctiveness: **Newness and distinctiveness is claimed in the features of shape and/or configuration of an icing bag coupler as illustrated in the accompanying representations.**



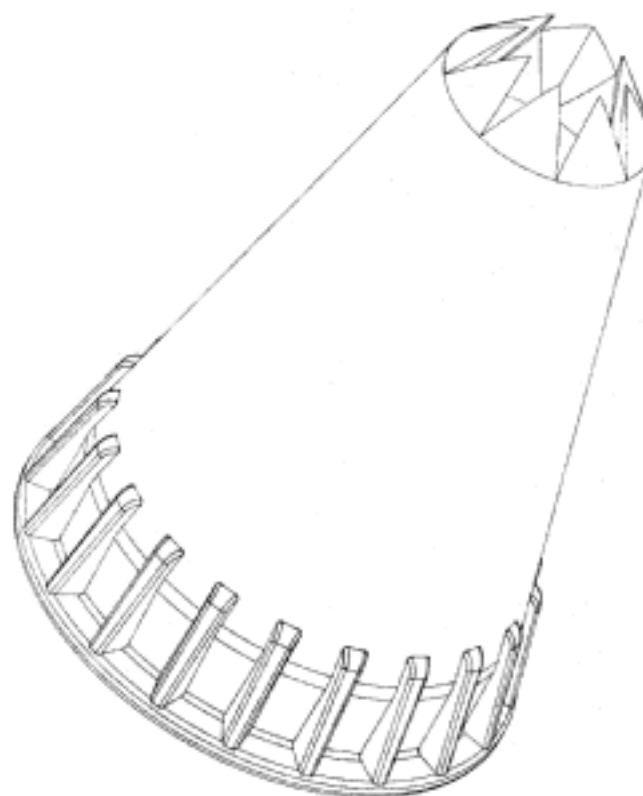
- (21) Design Number: **12130/2013**
(22) Date of Filing Application: **08 May 2013**
(24) Date from which industrial property rights may have effect: **08 May 2013**
(54) Product in respect of which the design is registered: **Icing bag coupler**
(51) International Design Classification: **07-04, 07-02P**
(74) Name(s) of Attorney(s): **TELLER & ASSOCIATES**
(71) Name(s) and Address(s) of Applicant(s):
Anchor Foods Pty Ltd
148 Carrington St Fremantle WA 6163 Australia
(72) Name(s) of Designer(s): **David Clapin**
(45) Registration Date: **31 May 2013**
(56) Related Art Documents: **Not Applicable**
(57) Statement of Newness and Distinctiveness: **Newness and distinctiveness is claimed in the features of shape and/or configuration of an icing bag nozzle as illustrated in the accompanying representations.**



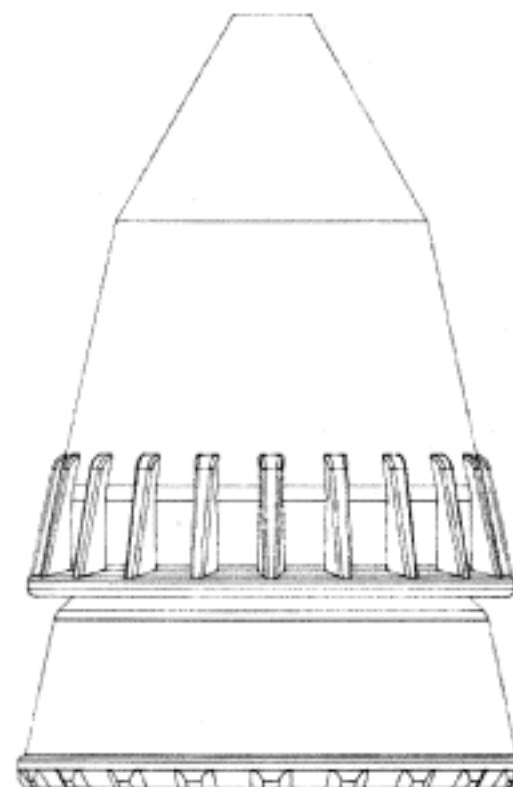
- (21) Design Number: **12131/2013**
(22) Date of Filing Application: **08 May 2013**
(24) Date from which industrial property rights may have effect: **08 May 2013**
(54) Product in respect of which the design is registered: **Icing bag coupler**
(51) International Design Classification: **07-04, 07-02P**
(74) Name(s) of Attorney(s): **TELLER & ASSOCIATES**
(71) Name(s) and Address(s) of Applicant(s):
Anchor Foods Pty Ltd
148 Carrington St Fremantle WA 6163 Australia
(72) Name(s) of Designer(s): **David Clapin**
(45) Registration Date: **31 May 2013**
(56) Related Art Documents: **Not Applicable**
(57) Statement of Newness and Distinctiveness: **Newness and distinctiveness is claimed in the features of shape and/or configuration of an icing bag nozzle as illustrated in the accompanying representations.**



- (21) Design Number: **12132/2013**
(22) Date of Filing Application: **08 May 2013**
(24) Date from which industrial property rights may have effect: **08 May 2013**
(54) Product in respect of which the design is registered: **Icing bag coupler**
(51) International Design Classification: **07-04, 07-02P**
(74) Name(s) of Attorney(s): **TELLER & ASSOCIATES**
(71) Name(s) and Address(s) of Applicant(s):
Anchor Foods Pty Ltd
148 Carrington St Fremantle WA 6163 Australia
(72) Name(s) of Designer(s): **David Clapin**
(45) Registration Date: **31 May 2013**
(56) Related Art Documents: **Not Applicable**
(57) Statement of Newness and Distinctiveness: **Newness and distinctiveness is claimed in the features of shape and/or configuration of an icing bag nozzle as illustrated in the accompanying representations.**



- (21) Design Number: **12133/2013**
(22) Date of Filing Application: **08 May 2013**
(24) Date from which industrial property rights may have effect: **08 May 2013**
(54) Product in respect of which the design is registered: **Icing bag coupler**
(51) International Design Classification: **07-04, 07-02P**
(74) Name(s) of Attorney(s): **TELLER & ASSOCIATES**
(71) Name(s) and Address(s) of Applicant(s):
Anchor Foods Pty Ltd
148 Carrington St Fremantle WA 6163 Australia
(72) Name(s) of Designer(s): **David Clapin**
(45) Registration Date: **31 May 2013**
(56) Related Art Documents: **Not Applicable**
(57) Statement of Newness and Distinctiveness: **Newness and distinctiveness is claimed in the features of shape and/or configuration of an icing bag nozzle as illustrated in the accompanying representations.**



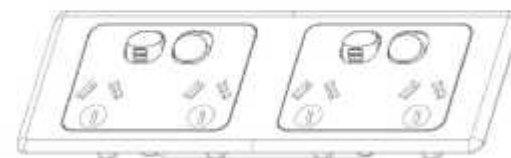
- (21) Design Number: **12194/2013**
(22) Date of Filing Application: **13 May 2013**
(24) Date from which industrial property rights may have effect: **13 May 2013**
(54) Product in respect of which the design is registered: **Protective casing for handheld electronic device**
(51) International Design Classification: **03-01NES**
(74) Name(s) of Attorney(s): **Griffith Hack**
(71) Name(s) and Address(s) of Applicant(s):
SwitchEasy Limited
Room 314 Sing Win Factory Building 15-17 Shing Yip Street Kwun Tong
Kowloon Hong Kong
(72) Name(s) of Designer(s): **Chi Vun Steven Bau**
(45) Registration Date: **03 June 2013**
(30) Convention priority data:
(31) Number (32) Date (33) Country
1202311.5 23 Nov 2012 HONG KONG
(56) Related Art Documents: **Not Applicable**
(57) Statement of Newness and Distinctiveness: **Newness and distinctiveness resides in the visual features, including shape, configuration and ornamentation of the PRODUCT as shown in accompanying representations. Figure 9 is an exploded perspective view of the PRODUCT in which the part illustrated with diagonal lines is transparent or translucent.**



- (21) Design Number: **12195/2013**
(22) Date of Filing Application: **13 May 2013**
(24) Date from which industrial property rights may have effect: **13 May 2013**
(54) Product in respect of which the design is registered: **Automated 3D body measurement booth**
(51) International Design Classification: **25-03**
(74) Name(s) of Attorney(s):
(71) Name(s) and Address(s) of Applicant(s):
MPORT PTY LTD
U6 76 Reserve Rd Artarmon NSW 2064 Australia
(72) Name(s) of Designer(s): **Melody Shiue**
(45) Registration Date: **03 June 2013**
(56) Related Art Documents: **Not Applicable**
(57) Statement of Newness and Distinctiveness: **The mPort Booth is a 3D human body scanner encased in a minimalistic cylindrical form and accessed via a touch-panel-activated sliding door. Simplistic geometries, namely the circle and chamfered recesses, corners and edges, are applied throughout both the exterior and interior design of the booth as a distinguishing feature of mPort's 'cutting edge' branding. Blue and warm white LED lights illuminate through an opalescent, laser-cut ceiling to create a futuristic atmosphere.**



(21) Design Number: **12196/2013**
(22) Date of Filing Application: **13 May 2013**
(24) Date from which industrial property rights may have effect: **13 May 2013**
(54) Product in respect of which the design is registered: **Power outlet**
(51) International Design Classification: **13-03D**
(74) Name(s) of Attorney(s): **Davies Collison Cave**
(71) Name(s) and Address(s) of Applicant(s):



Arlec Australia Pty Ltd
Building 3 31-41 Joseph St Blackburn VIC 3130 Australia
(72) Name(s) of Designer(s): **Monvids Puika and Kar Lun Tam**
(45) Registration Date: **03 June 2013**
(56) Related Art Documents: **Not Applicable**
(57) Statement of Newness and Distinctiveness: **Newness and distinctiveness is claimed in the shape and configuration of the power outlet as viewed from the front and not in the shape and configuration of the rear of the power outlet.**

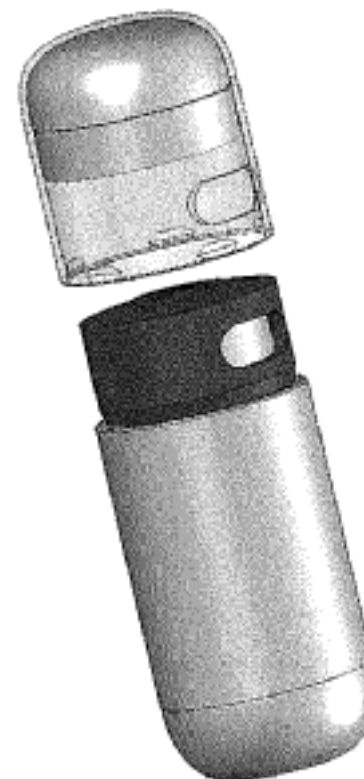
(21) Design Number: **12182/2013**
(22) Date of Filing Application: **10 May 2013**
(24) Date from which industrial property rights may have effect: **10 May 2013**
(54) Product in respect of which the design is registered: **Feeding and dosing spoon**
(51) International Design Classification: **07-03, 10-04**
(74) Name(s) of Attorney(s): **Madderns**
(71) Name(s) and Address(s) of Applicant(s):



Infant Ventures LLC
228 Park Avenue South #58414 New York New York 10003 United States of America
(72) Name(s) of Designer(s): **Trevor Hardy and Marcel Botha**
(45) Registration Date: **03 June 2013**
(30) Convention priority data:
(31) Number (32) Date (33) Country
29/437008 12 Nov 2012 UNITED STATES OF AMERICA
(56) Related Art Documents: **Not Applicable**
(57) Statement of Newness and Distinctiveness: **Newness and distinctiveness is claimed in the shape and/or configuration of a feeding and dosing spoon as depicted in the accompanying drawings.**

(21) Design Number: **10738/2013**
(22) Date of Filing Application: **15 February 2013**
(24) Date from which industrial property rights may have effect: **15 February 2013**
(54) Product in respect of which the design is registered: **Dispensing container**
(51) International Design Classification: **09-01A**
(74) Name(s) of Attorney(s): **Davies Collison Cave**
(71) Name(s) and Address(s) of Applicant(s):
Bayer Consumer Care AG
Peter Merian-Str. 84 4052 Basel Switzerland
(72) Name(s) of Designer(s): **Bruno Chazel and Sebastien Lucien FILY**
(45) Registration Date: **04 June 2013**
(30) Convention priority data:
(31) Number (32) Date (33) Country
002094763-0001 30 Aug 2012 OFFICE FOR HARMONISATION IN
THE INTERNAL MARKET (OHIM)

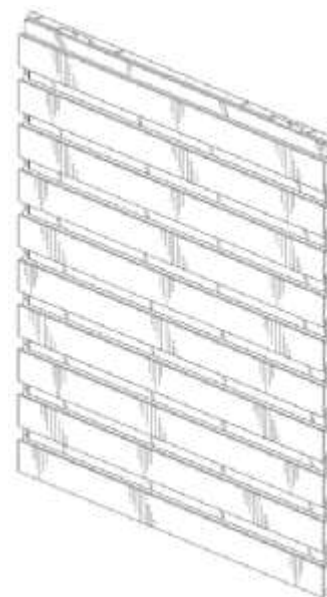
(56) Related Art Documents: **Not Applicable**
(57) Statement of Newness and Distinctiveness: **Newness and distinctiveness is claimed in the visual features shown in solid lines in the representations. In considering the extent of the design rights shading/rendering/light effects/colour shown in the representation is for illustrative purposes only and does not form part of the design.**



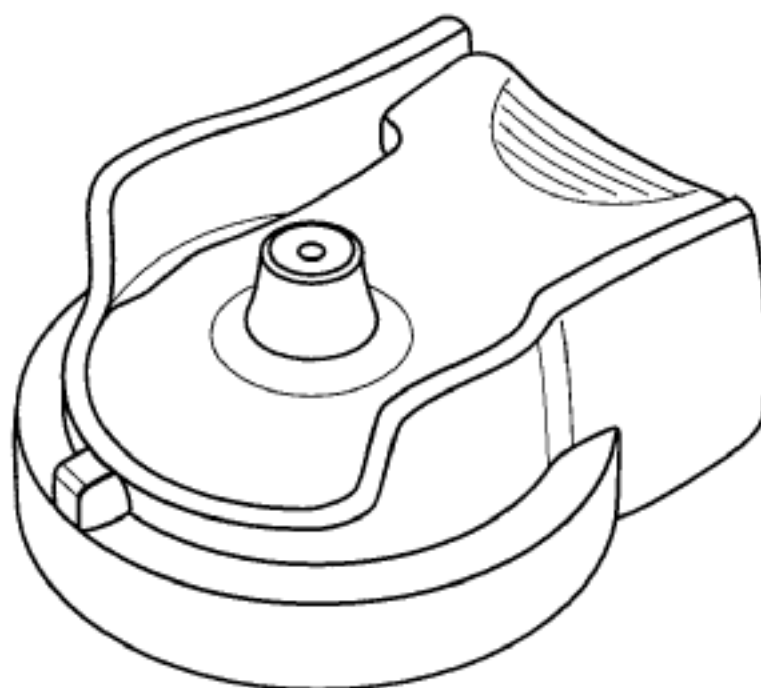
(21) Design Number: **12119/2013**
(22) Date of Filing Application: **07 May 2013**
(24) Date from which industrial property rights may have effect: **07 May 2013**
(54) Product in respect of which the design is registered: **Toilet building**
(51) International Design Classification: **25-03**
(74) Name(s) of Attorney(s):
(71) Name(s) and Address(s) of Applicant(s):
Landmark Engineering & Design Pty Ltd
26 Wildfire Rd Maddington WA 6109 Australia
(72) Name(s) of Designer(s): **Gavin Mark Cook**
(45) Registration Date: **04 June 2013**
(56) Related Art Documents: **Not Applicable**
(57) Statement of Newness and Distinctiveness: **A practicle solution to suit a broad range of situations where a toilet facility is required and provision of a rest area beside.**



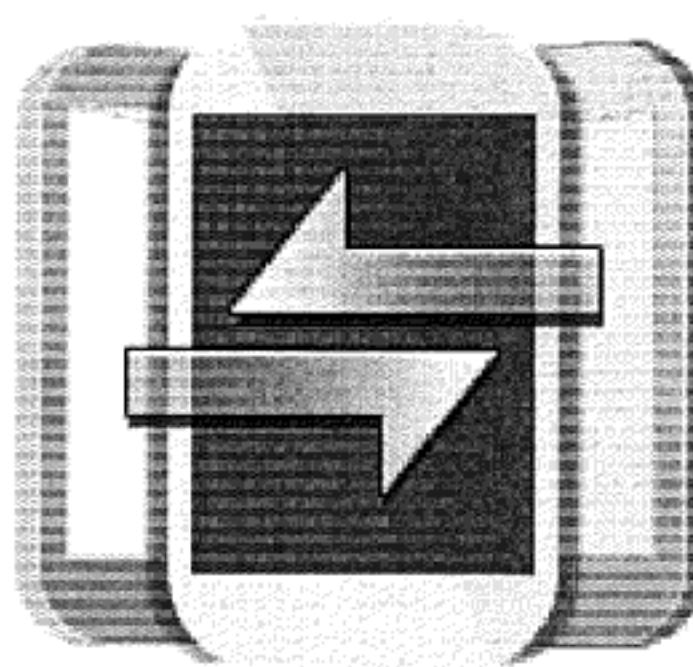
- (21) Design Number: **12054/2013**
(22) Date of Filing Application: **03 May 2013**
(24) Date from which industrial property rights may have effect: **03 May 2013**
(54) Product in respect of which the design is registered: **Wall organization system**
(51) International Design Classification: **19-02, 20-02E**
(74) Name(s) of Attorney(s): **Shelston IP**
(71) Name(s) and Address(s) of Applicant(s):
Avery Dennison Corporation
150 North Orange Grove Blvd Pasadena California 91103-3596 United States of America
(72) Name(s) of Designer(s): **Dale Loree and Stephen Sams and Benjamin D. Rose**
(45) Registration Date: **04 June 2013**
(30) Convention priority data:
(31) Number (32) Date (33) Country
29/437824 20 Nov 2012 UNITED STATES OF AMERICA
(56) Related Art Documents: **Not Applicable**
(57) Statement of Newness and Distinctiveness: **Newness and distinctiveness reside in the features of shape and/or configuration of a WALL ORGANIZATION SYSTEM as illustrated in the accompanying representations.**



- (21) Design Number: **12148/2013**
(22) Date of Filing Application: **07 May 2013**
(24) Date from which industrial property rights may have effect: **07 May 2013**
(54) Product in respect of which the design is registered: **Actuator cap**
(51) International Design Classification: **09-07A**
(74) Name(s) of Attorney(s): **Fisher Adams Kelly**
(71) Name(s) and Address(s) of Applicant(s):
Crinum IP Pty Ltd
3 Bronze St Sumner Park QLD 4074 Australia
(72) Name(s) of Designer(s): **Michael John Martin and David Seychell**
(45) Registration Date: **04 June 2013**
(56) Related Art Documents: **Not Applicable**
(57) Statement of Newness and Distinctiveness: **The newness and distinctiveness of the design resides in the shape and/or configuration of the ACTUATOR CAP shown in the representations. Particular regard may be had to the locking projections extending from the side walls and visible under the actuator tab in the rear and rear perspective views.**



- (21) Design Number: **12276/2013**
(22) Date of Filing Application: **14 May 2013**
(24) Date from which industrial property rights may have effect: **14 May 2013**
(54) Product in respect of which the design is registered: **Display screen with icon for an electronic device**
(51) International Design Classification: **14-04**
(74) Name(s) of Attorney(s): **Wrays**
(71) Name(s) and Address(s) of Applicant(s):
Samsung Electronics Co., Ltd.
129 Samsung-ro Yeongtong-gu Suwon-si Gyeonggi-do 443-742 Republic of Korea
(72) Name(s) of Designer(s): **Seung-Myung Lee**
(45) Registration Date: **04 June 2013**
(30) Convention priority data:
(31) Number (32) Date (33) Country
30-2013-0009516 23 Feb 2013 REPUBLIC OF KOREA
(56) Related Art Documents: **Not Applicable**
(57) Statement of Newness and Distinctiveness: **Newness and distinctiveness is claimed in the features of pattern and/or ornamentation of the Display Screen With Icon For An Electronic Device as shown in the accompanying representations: namely, the overlapped devices and arrows icon depicted in Figure 1 and referenced by an A. The features depicted by broken lines in Figure 1 are for illustrative purposes only and form no part of the claimed design.**



- (21) Design Number: **10797/2013**
(22) Date of Filing Application: **19 February 2013**
(24) Date from which industrial property rights may have effect: **19 February 2013**
(54) Product in respect of which the design is registered: **Dispenser**
(51) International Design Classification: **09-01A**
(74) Name(s) of Attorney(s): **SPRUSON & FERGUSON**
(71) Name(s) and Address(s) of Applicant(s):
S. C. Johnson & Son, Inc.
1525 Howe Street Racine Wisconsin 53403 United States of America
(72) Name(s) of Designer(s): **Spencer Ralph Dodge and Aparna Unnikrishnan**
(45) Registration Date: **04 June 2013**
(30) Convention priority data:
(31) Number (32) Date (33) Country
00134927-0001 20 Aug 2012 OFFICE FOR HARMONISATION IN THE INTERNAL MARKET (OHIM)
(56) Related Art Documents: **Not Applicable**
(57) Statement of Newness and Distinctiveness: **Newness and distinctiveness is claimed in the features of shape and/or configuration of a dispenser illustrated in continuous lines in the accompanying representations.**



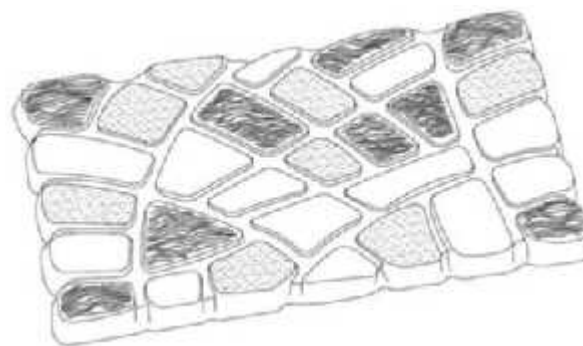
(21) Design Number: **10798/2013**
(22) Date of Filing Application: **19 February 2013**
(24) Date from which industrial property rights may have effect: **19 February 2013**
(54) Product in respect of which the design is registered: **Dispenser**
(51) International Design Classification: **09-01A**
(74) Name(s) of Attorney(s): **SPRUSON & FERGUSON**
(71) Name(s) and Address(s) of Applicant(s):
S. C. Johnson & Son, Inc.
1525 Howe Street Racine Wisconsin 53403 United States of America
(72) Name(s) of Designer(s): **Spencer Ralph Dodge and Aparna Unnikrishnan**
(45) Registration Date: **04 June 2013**
(30) Convention priority data:
(31) Number (32) Date (33) Country
**00134927-0002 20 Aug 2012 OFFICE FOR HARMONISATION IN
THE INTERNAL MARKET (OHIM)**
(56) Related Art Documents: **Not Applicable**
(57) Statement of Newness and Distinctiveness: **Newness and distinctiveness
is claimed in the features of shape and/or configuration of a dispenser
illustrated in continuous lines in the accompanying representations.**



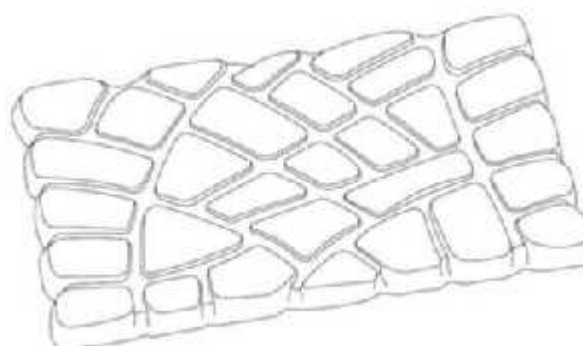
(21) Design Number: **10799/2013**
(22) Date of Filing Application: **19 February 2013**
(24) Date from which industrial property rights may have effect: **19 February 2013**
(54) Product in respect of which the design is registered: **Dispenser**
(51) International Design Classification: **09-01A**
(74) Name(s) of Attorney(s): **SPRUSON & FERGUSON**
(71) Name(s) and Address(s) of Applicant(s):
S. C. Johnson & Son, Inc.
1525 Howe Street Racine Wisconsin 53403 United States of America
(72) Name(s) of Designer(s): **Spencer Ralph Dodge and Aparna Unnikrishnan**
(45) Registration Date: **04 June 2013**
(30) Convention priority data:
(31) Number (32) Date (33) Country
**00134927-0003 20 Aug 2012 OFFICE FOR HARMONISATION IN
THE INTERNAL MARKET (OHIM)**
(56) Related Art Documents: **Not Applicable**
(57) Statement of Newness and Distinctiveness: **Newness and distinctiveness
is claimed in the features of shape and/or configuration of a dispenser
illustrated in continuous lines in the accompanying representations.**



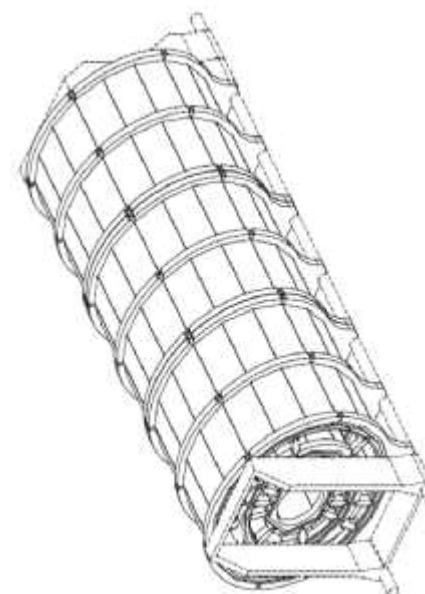
(21) Design Number: **12055/2013**
(22) Date of Filing Application: **03 May 2013**
(24) Date from which industrial property rights may have effect: **03 May 2013**
(54) Product in respect of which the design is registered: **Chocolate bar**
(51) International Design Classification: **01-01**
(74) Name(s) of Attorney(s): **Griffith Hack**
(71) Name(s) and Address(s) of Applicant(s):
Kraft Foods UK R&D Limited
PO Box 12 Bournville Lane Bournville Birmingham W Mids B30 2LU
United Kingdom
(72) Name(s) of Designer(s): **Tom Dingley and Tanja Langgner and Andrian Caroen**
(45) Registration Date: **04 June 2013**
(30) Convention priority data:
(31) Number (32) Date (33) Country
002130641-0001 05 Nov 2012 OFFICE FOR HARMONISATION IN
THE INTERNAL MARKET (OHIM)
(56) Related Art Documents: **Not Applicable**
(57) Statement of Newness and Distinctiveness: **Newness and distinctiveness resides in the visual features, including shape, configuration and ornamentation of the PRODUCT as shown in the accompanying representations.**



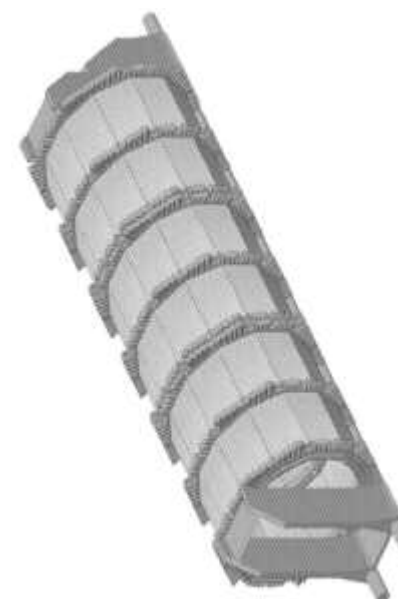
(21) Design Number: **12057/2013**
(22) Date of Filing Application: **03 May 2013**
(24) Date from which industrial property rights may have effect: **03 May 2013**
(54) Product in respect of which the design is registered: **Chocolate bar**
(51) International Design Classification: **01-01**
(74) Name(s) of Attorney(s): **Griffith Hack**
(71) Name(s) and Address(s) of Applicant(s):
Kraft Foods UK R&D Limited
PO Box 12 Bournville Lane Bournville Birmingham W Mids B30 2LU
United Kingdom
(72) Name(s) of Designer(s): **Tom Dingley and Tanja Langgner and Andrian Caroen**
(45) Registration Date: **04 June 2013**
(30) Convention priority data:
(31) Number (32) Date (33) Country
002130641-0002 05 Nov 2012 OFFICE FOR HARMONISATION IN
THE INTERNAL MARKET (OHIM)
(56) Related Art Documents: **Not Applicable**
(57) Statement of Newness and Distinctiveness: **Newness and distinctiveness resides in the visual features, including shape, configuration and ornamentation of the PRODUCT as shown in the accompanying representations.**



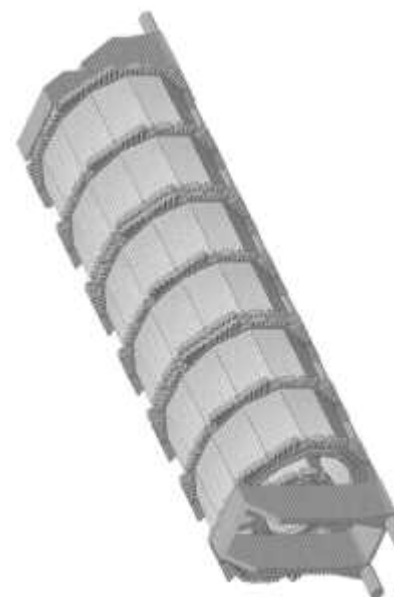
(21) Design Number: **12071/2013**
(22) Date of Filing Application: **03 May 2013**
(24) Date from which industrial property rights may have effect: **03 May 2013**
(54) Product in respect of which the design is registered: **Heat exchanger**
(51) International Design Classification: **23-03NES, 23-03F**
(74) Name(s) of Attorney(s): **SPRUSON & FERGUSON**
(71) Name(s) and Address(s) of Applicant(s):
Dhiti Towiwat
163/71 Phahonyothin 32 Khwaeng Lat Yao Khet Chatuchak Bangkok
Thailand
(72) Name(s) of Designer(s): **Dhiti Towiwat**
(45) Registration Date: **04 June 2013**
(56) Related Art Documents: **Not Applicable**
(57) Statement of Newness and Distinctiveness: **Newness and distinctiveness is claimed in those features of shape and/or configuration of a heat exchanger as illustrated in continuous lines in the accompanying representations.**



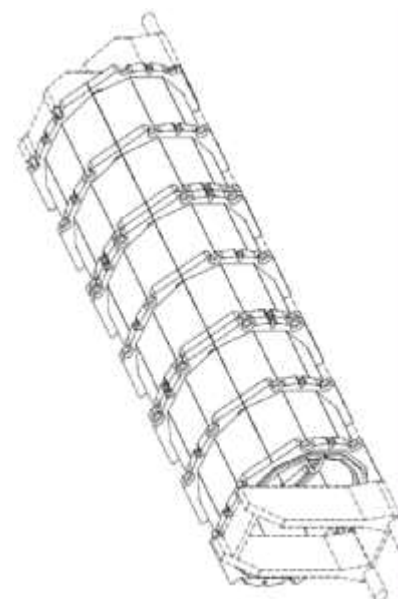
(21) Design Number: **12081/2013**
(22) Date of Filing Application: **03 May 2013**
(24) Date from which industrial property rights may have effect: **03 May 2013**
(54) Product in respect of which the design is registered: **Heat exchanger**
(51) International Design Classification: **23-03NES, 23-03F**
(74) Name(s) of Attorney(s): **SPRUSON & FERGUSON**
(71) Name(s) and Address(s) of Applicant(s):
Dhiti Towiwat
163/71 Phahonyothin 32 Khwaeng Lat Yao Khet Chatuchak Bangkok
Thailand
(72) Name(s) of Designer(s): **Dhiti Towiwat**
(45) Registration Date: **04 June 2013**
(30) Convention priority data:
(31) Number (32) Date (33) Country
1202002951 08 Nov 2012 THAILAND
(56) Related Art Documents: **Not Applicable**
(57) Statement of Newness and Distinctiveness: **Newness and distinctiveness is claimed in the features of shape and/or configuration of a heat exchanger as illustrated in the accompanying representations.**



- (21) Design Number: **12082/2013**
(22) Date of Filing Application: **03 May 2013**
(24) Date from which industrial property rights may have effect: **03 May 2013**
(54) Product in respect of which the design is registered: **Heat exchanger**
(51) International Design Classification: **23-03NES, 23-03F**
(74) Name(s) of Attorney(s): **SPRUSON & FERGUSON**
(71) Name(s) and Address(s) of Applicant(s):
Dhiti Towiwat
163/71 Phahonyothin 32 Khwaeng Lat Yao Khet Chatuchak Bangkok
Thailand
(72) Name(s) of Designer(s): **Dhiti Towiwat**
(45) Registration Date: **04 June 2013**
(30) Convention priority data:
(31) Number (32) Date (33) Country
1202002952 08 Nov 2012 THAILAND
(56) Related Art Documents: **Not Applicable**
(57) Statement of Newness and Distinctiveness: **Newness and distinctiveness is claimed in the features of shape and/or configuration of a heat exchanger as illustrated in the accompanying representations.**



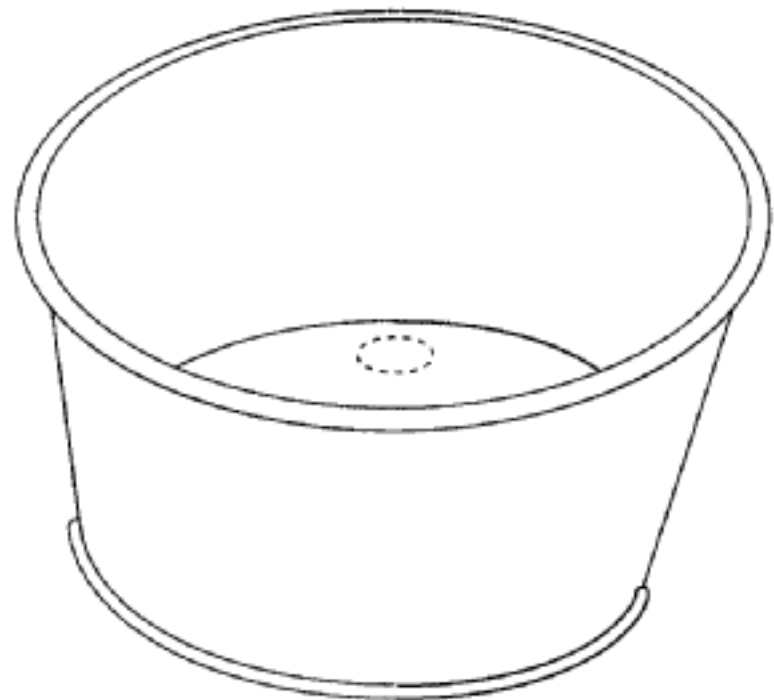
- (21) Design Number: **12083/2013**
(22) Date of Filing Application: **03 May 2013**
(24) Date from which industrial property rights may have effect: **03 May 2013**
(54) Product in respect of which the design is registered: **Heat exchanger**
(51) International Design Classification: **23-03NES**
(74) Name(s) of Attorney(s): **SPRUSON & FERGUSON**
(71) Name(s) and Address(s) of Applicant(s):
Dhiti Towiwat
163/71 Phahonyothin 32 Khwaeng Lat Yao Khet Chatuchak Bangkok
Thailand
(72) Name(s) of Designer(s): **Dhiti Towiwat**
(45) Registration Date: **04 June 2013**
(56) Related Art Documents: **Not Applicable**
(57) Statement of Newness and Distinctiveness: **Newness and distinctiveness is claimed in those features of shape and/or configuration of a heat exchanger as illustrated in continuous lines in the accompanying representations.**



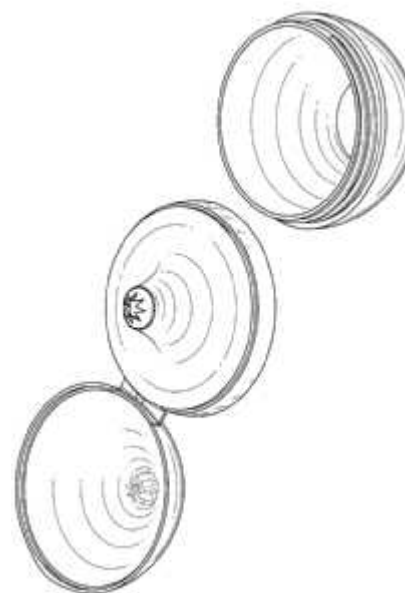
- (21) Design Number: **12112/2013**
(22) Date of Filing Application: **06 May 2013**
(24) Date from which industrial property rights may have effect: **31 January 2013**
(54) Product in respect of which the design is registered: **Wheelchair frame member**
(51) International Design Classification: **12-12**
(74) Name(s) of Attorney(s): **Callinans**
(71) Name(s) and Address(s) of Applicant(s):
Invacare International Sarl
Route de Cite-Ouest 2 Gland 1196 Switzerland
(72) Name(s) of Designer(s): **Wilfrid Da Cunha and Aurelie Lauret and Mael Robert and Jean-Michel Roncin**
(45) Registration Date: **04 June 2013**
(62) Divisional of: **348530**
(56) Related Art Documents: **Not Applicable**
(57) Statement of Newness and Distinctiveness: **Nil**



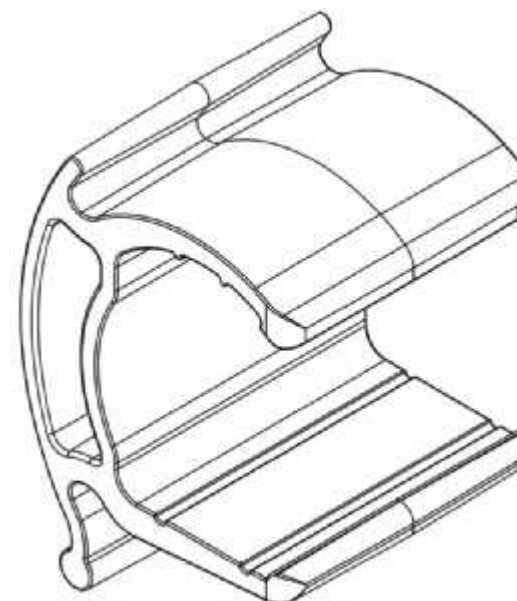
- (21) Design Number: **11113/2013**
(22) Date of Filing Application: **08 March 2013**
(24) Date from which industrial property rights may have effect: **08 March 2013**
(54) Product in respect of which the design is registered: **Container**
(51) International Design Classification: **07-01C**
(74) Name(s) of Attorney(s): **Shelston IP**
(71) Name(s) and Address(s) of Applicant(s):
Stephen Layfield
Layfield Design L6 69 Reservoir St Surry Hills NSW 2010 Australia
(72) Name(s) of Designer(s): **Stephen Layfield**
(45) Registration Date: **04 June 2013**
(56) Related Art Documents: **Not Applicable**
(57) Statement of Newness and Distinctiveness: **Newness and distinctiveness reside in the features of shape and/or configuration of a container as illustrated in solid lines in the accompanying representations. Those features illustrated in broken lines are intended only to place the design in the appropriate context and do not form part of the design.**



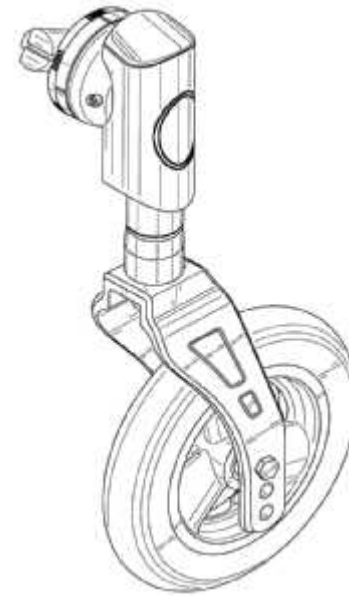
- (21) Design Number: **12121/2013**
(22) Date of Filing Application: **07 May 2013**
(24) Date from which industrial property rights may have effect: **07 May 2013**
(54) Product in respect of which the design is registered: **Condiment dispenser**
(51) International Design Classification: **07-06C, 09-01K**
(74) Name(s) of Attorney(s): **FB Rice**
(71) Name(s) and Address(s) of Applicant(s):
Hutzler Manufacturing Co., Inc.
4 Grace Way Canaan Connecticut 06018 United States of America
(72) Name(s) of Designer(s): **William Kolano**
(45) Registration Date: **04 June 2013**
(30) Convention priority data:
(31) Number (32) Date (33) Country
29/446622 26 Feb 2013 UNITED STATES OF AMERICA
(56) Related Art Documents: **Not Applicable**
(57) Statement of Newness and Distinctiveness: **Newness and distinctiveness reside in the features of shape and configuration of the design as shown in the representations and excluding those features shown in broken lines.**



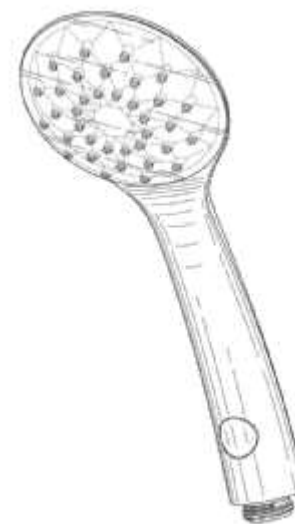
- (21) Design Number: **12123/2013**
(22) Date of Filing Application: **07 May 2013**
(24) Date from which industrial property rights may have effect: **07 May 2013**
(54) Product in respect of which the design is registered: **Caravan awning, flap reduction clip**
(51) International Design Classification: **25-02H, 08-08M**
(74) Name(s) of Attorney(s):
(71) Name(s) and Address(s) of Applicant(s):
Grasshopper Outdoors Pty Ltd
PO BOX 3005 Caboolture QLD 4510 Australia
(72) Name(s) of Designer(s): **Steven Otto van Schagen**
(45) Registration Date: **04 June 2013**
(56) Related Art Documents: **Not Applicable**
(57) Statement of Newness and Distinctiveness: **The newness and distinctiveness of the design resides in the shape of the Clip as shown in the continuous lines in the accompanying representations. The Design of the clip as shown in the drawings fit purposefully the Grasshopper Rafters subject to Registration Number 326851 in the name of Grasshopper Outdoors Pty Ltd. The clip is designed to fit the distinctive shape and curves of the Rafter The clip holds tight and fast to reduce awning flapping in windy conditions.**



- (21) Design Number: **12114/2013**
(22) Date of Filing Application: **06 May 2013**
(24) Date from which industrial property rights may have effect: **31 January 2013**
(54) Product in respect of which the design is registered: **Caster**
(51) International Design Classification: **06-06C**
(74) Name(s) of Attorney(s): **Callinans**
(71) Name(s) and Address(s) of Applicant(s):
Invacare International Sarl
Route de Cite-Ouest 2 Gland 1196 Switzerland
(72) Name(s) of Designer(s): **Wilfrid Da Cunha and Aurelie Lauret and Mael Robert and Jean-Michel Roncin**
(45) Registration Date: **04 June 2013**
(62) Divisional of: **348530**
(56) Related Art Documents: **Not Applicable**
(57) Statement of Newness and Distinctiveness: **Nil**



- (21) Design Number: **12193/2013**
(22) Date of Filing Application: **13 May 2013**
(24) Date from which industrial property rights may have effect: **12 September 2012**
(54) Product in respect of which the design is registered: **Shower device**
(51) International Design Classification: **23-02B**
(74) Name(s) of Attorney(s): **Griffith Hack**
(71) Name(s) and Address(s) of Applicant(s):
Kohler Co.
444 Highland Drive Kohler Wisconsin 53404 United States of America
(72) Name(s) of Designer(s): **Kenneth S. Hanna and Gregory De Swarte and Leila M. Rubin and Eugenio Duarte**
(45) Registration Date: **04 June 2013**
(62) Divisional of: **348914**
(56) Related Art Documents: **Not Applicable**
(57) Statement of Newness and Distinctiveness: **Newness and distinctiveness resides in the visual features of the PRODUCT, including shape, configuration and ornamentation as shown in the accompanying representations.**



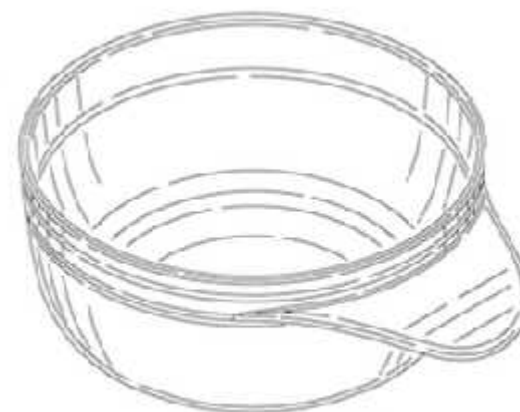
(21) Design Number: **11538/2013**
(22) Date of Filing Application: **28 March 2013**
(24) Date from which industrial property rights may have effect: **28 March 2013**
(54) Product in respect of which the design is registered: **An exercise device**
(51) International Design Classification: **21-02F**
(74) Name(s) of Attorney(s): **SPRUSON & FERGUSON**
(71) Name(s) and Address(s) of Applicant(s):
Aaron John Laurence
3/153 New South Head Rd Vaucluse NSW 2030 Australia
(72) Name(s) of Designer(s): **Aaron John Laurence**
(45) Registration Date: **04 June 2013**
(56) Related Art Documents: **Not Applicable**
(57) Statement of Newness and Distinctiveness: **Newness and distinctiveness is claimed in those features of shape and/or configuration of an exercise device as illustrated in continuous lines in the accompanying representations.**



(21) Design Number: **11609/2013**
(22) Date of Filing Application: **03 April 2013**
(24) Date from which industrial property rights may have effect: **03 April 2013**
(54) Product in respect of which the design is registered: **Emulsifier**
(51) International Design Classification: **07-04, 31-00**
(74) Name(s) of Attorney(s): **Davies Collison Cave**
(71) Name(s) and Address(s) of Applicant(s):
Chef'n Corporation
1525 4th Avenue Suite 700 Seattle Washington 98101 United States of America
(72) Name(s) of Designer(s): **Matthew Krus**
(45) Registration Date: **04 June 2013**
(30) Convention priority data:
(31) Number (32) Date (33) Country
29/433734 04 Oct 2012 UNITED STATES OF AMERICA
(56) Related Art Documents: **Not Applicable**
(57) Statement of Newness and Distinctiveness: **Nil**



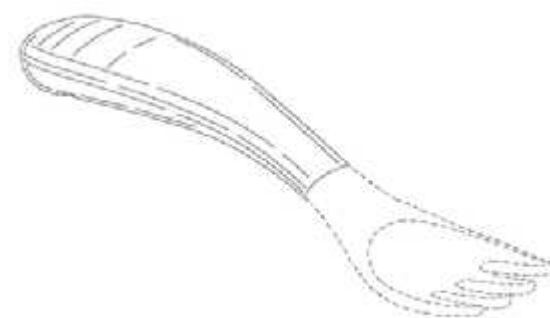
(21) Design Number: **12034/2013**
(22) Date of Filing Application: **02 May 2013**
(24) Date from which industrial property rights may have effect: **02 May 2013**
(54) Product in respect of which the design is registered: **Infant feeding bowl**
(51) International Design Classification: **07-01E**
(74) Name(s) of Attorney(s): **PHILLIPS ORMONDE FITZPATRICK**
(71) Name(s) and Address(s) of Applicant(s):
Dart Industries Inc.
14901 S. Orange Blossom Trail Orlando Florida 32837 United States of America
(72) Name(s) of Designer(s): **Anthony M. De Leo**
(45) Registration Date: **04 June 2013**
(30) Convention priority data:
(31) Number (32) Date (33) Country
29/437,669 20 Nov 2012 UNITED STATES OF AMERICA
(56) Related Art Documents: **Not Applicable**
(57) Statement of Newness and Distinctiveness: **Those features of the infant feeding bowl depicted in the representations that are new and distinctive are the shape and/or configuration.**



(21) Design Number: **12035/2013**
(22) Date of Filing Application: **02 May 2013**
(24) Date from which industrial property rights may have effect: **02 May 2013**
(54) Product in respect of which the design is registered: **Bottle dryer stand**
(51) International Design Classification: **07-05D**
(74) Name(s) of Attorney(s): **PHILLIPS ORMONDE FITZPATRICK**
(71) Name(s) and Address(s) of Applicant(s):
Dart Industries Inc.
14901 S. Orange Blossom Trail Orlando Florida 32837 United States of America
(72) Name(s) of Designer(s): **Julie L. Yessin**
(45) Registration Date: **04 June 2013**
(30) Convention priority data:
(31) Number (32) Date (33) Country
29/437,867 21 Nov 2012 UNITED STATES OF AMERICA
(56) Related Art Documents: **Not Applicable**
(57) Statement of Newness and Distinctiveness: **Those features of the bottle dryer stand depicted in the representations that are new and distinctive are the shape and/or configuration.**



(21) Design Number: **12036/2013**
(22) Date of Filing Application: **02 May 2013**
(24) Date from which industrial property rights may have effect: **02 May 2013**
(54) Product in respect of which the design is registered: **Utensil handle**
(51) International Design Classification: **07-02R, 07-03**
(74) Name(s) of Attorney(s): **PHILLIPS ORMONDE FITZPATRICK**
(71) Name(s) and Address(s) of Applicant(s):
Dart Industries Inc.
14901 S. Orange Blossom Trail Orlando Florida 32837 United States of America

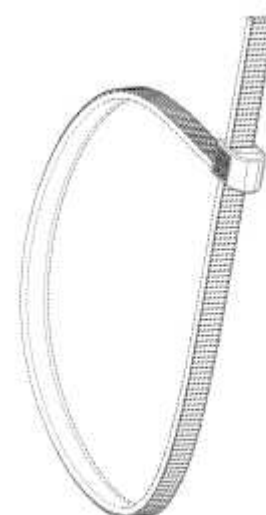


(72) Name(s) of Designer(s): **Anthony M. De Leo**
(45) Registration Date: **04 June 2013**
(30) Convention priority data:
(31) Number (32) Date (33) Country
29/437,865 21 Nov 2012 UNITED STATES OF AMERICA
(56) Related Art Documents: **Not Applicable**
(57) Statement of Newness and Distinctiveness: **Those features of the utensil handle depicted in the representations that are new and distinctive are the shape and/or configuration. The features shown in broken lines are not part of the design and are to be disregarded when considering the overall impression of the design.**

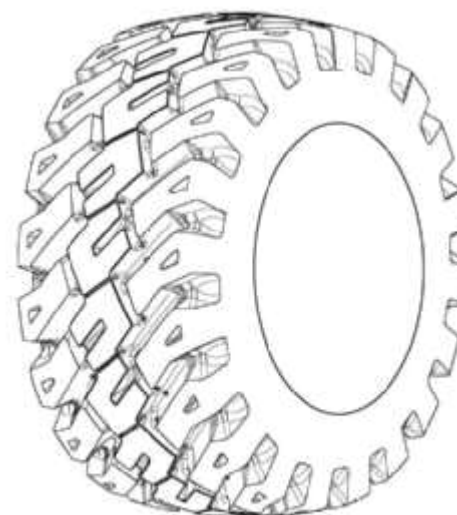
(21) Design Number: **12204/2013**
(22) Date of Filing Application: **14 May 2013**
(24) Date from which industrial property rights may have effect: **14 May 2013**
(54) Product in respect of which the design is registered: **Spout**
(51) International Design Classification: **23-01H**
(74) Name(s) of Attorney(s):
(71) Name(s) and Address(s) of Applicant(s):
Cameron Shirliff
PO BOX 610 Seven Hills NSW 1730 Australia
(72) Name(s) of Designer(s): **Ian Shirliff**
(45) Registration Date: **04 June 2013**
(56) Related Art Documents: **Not Applicable**
(57) Statement of Newness and Distinctiveness: **Newness and distinctiveness is claimed in the shape of the spout as illustrated in the accompanying representations.**



- (21) Design Number: **12208/2013**
(22) Date of Filing Application: **14 May 2013**
(24) Date from which industrial property rights may have effect: **22 February 2013**
(54) Product in respect of which the design is registered: **Lock**
(51) International Design Classification: **08-07**
(74) Name(s) of Attorney(s): **Callinans**
(71) Name(s) and Address(s) of Applicant(s):
Master Lock Company LLC
137 W. Forest Hill Avenue Oak Creek Wisconsin 53154 United States of America
(72) Name(s) of Designer(s): **Lea Marie Plato**
(45) Registration Date: **04 June 2013**
(62) Divisional of: **348963**
(56) Related Art Documents: **Not Applicable**
(57) Statement of Newness and Distinctiveness: **Newness and distinctiveness are provided by the shape and/or configuration of the design shown in the representations. The features shown in broken lines in the representations are for illustrative purposes only and should not be considered when construing visual features of the design.**



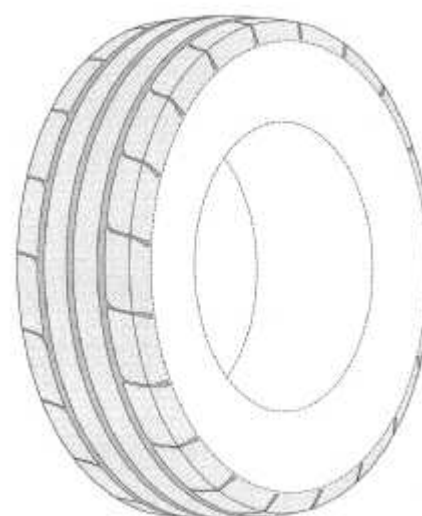
- (21) Design Number: **12209/2013**
(22) Date of Filing Application: **14 May 2013**
(24) Date from which industrial property rights may have effect: **14 May 2013**
(54) Product in respect of which the design is registered: **A tyre**
(51) International Design Classification: **12-15C**
(74) Name(s) of Attorney(s): **WATERMARK PATENT AND TRADE MARKS ATTORNEYS**
(71) Name(s) and Address(s) of Applicant(s):
COMPAGNIE GENERALE DES ETABLISSEMENTS MICHELIN
12 cours Sablon Clermont-Ferrand F- 63000 France
Michelin Recherche et Technique S.A.
Route Louis Braille 10 Granges-Paccot CH- 1763 Switzerland
(72) Name(s) of Designer(s): **Arnaud Larregain and Thierry Favario**
(45) Registration Date: **04 June 2013**
(30) Convention priority data:
(31) Number (32) Date (33) Country
125404 28 Nov 2012 FRANCE
(56) Related Art Documents: **Not Applicable**
(57) Statement of Newness and Distinctiveness: **Newness and distinctiveness resides in the appearance of the tread region of the tyre, the remainder of the tyre forms no part of the design.**



(21) Design Number: **12210/2013**
(22) Date of Filing Application: **14 May 2013**
(24) Date from which industrial property rights may have effect: **14 May 2013**
(54) Product in respect of which the design is registered: **A perineometer**
(51) International Design Classification: **24-01**
(74) Name(s) of Attorney(s): **SPRUSON & FERGUSON**
(71) Name(s) and Address(s) of Applicant(s):
Analytica Limited
320 Adelaide St Brisbane QLD 4000 Australia
(72) Name(s) of Designer(s): **Chelsea Cornelius**
(45) Registration Date: **04 June 2013**
(56) Related Art Documents: **Not Applicable**
(57) Statement of Newness and Distinctiveness: **Newness and distinctiveness is claimed in the features of shape and/or configuration of a perineometer as illustrated in the accompanying representations.**



(21) Design Number: **12217/2013**
(22) Date of Filing Application: **14 May 2013**
(24) Date from which industrial property rights may have effect: **14 May 2013**
(54) Product in respect of which the design is registered: **Tire**
(51) International Design Classification: **12-15B**
(74) Name(s) of Attorney(s): **PHILLIPS ORMONDE FITZPATRICK**
(71) Name(s) and Address(s) of Applicant(s):
Bridgestone Americas Tire Operations, LLC
535 Marriott Drive 9th Floor Nashville Tennessee 37214 United States of America
(72) Name(s) of Designer(s): **Paula R. Lundgren and Bradley J. Harris**
(45) Registration Date: **04 June 2013**
(30) Convention priority data:
(31) Number (32) Date (33) Country
29/437,726 20 Nov 2012 UNITED STATES OF AMERICA
(56) Related Art Documents: **Not Applicable**
(57) Statement of Newness and Distinctiveness: **Those features of the tire depicted in the representations that are new and distinctive are the shape and/or configuration of the tread of the tire. The sidewall, inner bead, and the peripheral boundary between the claimed tire tread and the side wall shown in broken lines are not part of the design and are to be disregarded when considering the overall impression of the design.**



(21) Design Number: **12220/2013**
(22) Date of Filing Application: **15 May 2013**
(24) Date from which industrial property rights may have effect: **15 May 2013**
(54) Product in respect of which the design is registered: **A trailer coupler**
(51) International Design Classification: **12-16L**
(74) Name(s) of Attorney(s): **James & Wells Intellectual Property**
(71) Name(s) and Address(s) of Applicant(s):



Lieuwe Faber
305A Glenbrook Beach Road Glenbrook 2681 New Zealand

(72) Name(s) of Designer(s): **Lieuwe Faber**

(45) Registration Date: **04 June 2013**

(30) Convention priority data:

(31) Number	(32) Date	(33) Country
417038	20 Nov 2012	NEW ZEALAND

(56) Related Art Documents: **Not Applicable**

(57) Statement of Newness and Distinctiveness: **The design is to be applied to an apparatus for coupling a trailer to a trailer hitch, and the novelty resides in features of shape and configuration as shown in the accompanying representations.**

(21) Design Number: **12221/2013**
(22) Date of Filing Application: **15 May 2013**
(24) Date from which industrial property rights may have effect: **15 May 2013**
(54) Product in respect of which the design is registered: **Active self-warming blanket**
(51) International Design Classification: **06-13NES**
(74) Name(s) of Attorney(s): **SPRUSON & FERGUSON**
(71) Name(s) and Address(s) of Applicant(s):

Molnlycke Health Care AB
Gamlestadsvagen 3C Goteborg SE-402 52 Sweden

(72) Name(s) of Designer(s): **Sara Grund and Gerdie Smid and Marcus Ruland and Alessia Righetti and Glenn Lundberg**

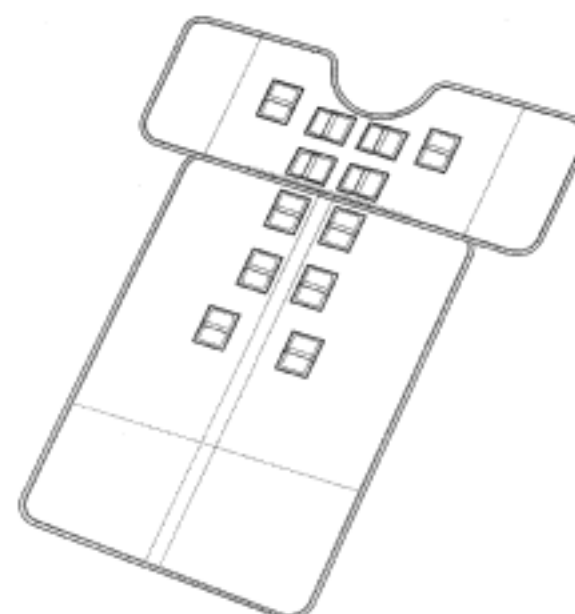
(45) Registration Date: **04 June 2013**

(30) Convention priority data:

(31) Number	(32) Date	(33) Country
001351852-0001	20 Nov 2012	OFFICE FOR HARMONISATION IN THE INTERNAL MARKET (OHIM)

(56) Related Art Documents: **Not Applicable**

(57) Statement of Newness and Distinctiveness: **Newness and distinctiveness is claimed in the features of shape and/or configuration of an active self-warming blanket as illustrated in the accompanying representations.**



(21) Design Number: **14842/2012**
(22) Date of Filing Application: **27 September 2012**
(24) Date from which industrial property rights may have effect: **27 September 2012**
(54) Product in respect of which the design is registered: **Vehicle front facia**
(51) International Design Classification: **12-16B**
(74) Name(s) of Attorney(s): **K&L Gates**
(71) Name(s) and Address(s) of Applicant(s):
GM Global Technology Operations LLC
300 Renaissance Centre City of Detroit State of Michigan 48265-3000
United States of America
(72) Name(s) of Designer(s): **Justin Thompson**
(45) Registration Date: **05 June 2013**
(56) Related Art Documents: **Not Applicable**
(57) Statement of Newness and Distinctiveness: **Nil**



(21) Design Number: **12113/2013**
(22) Date of Filing Application: **06 May 2013**
(24) Date from which industrial property rights may have effect: **31 January 2013**
(54) Product in respect of which the design is registered: **Wheelchair frame member**
(51) International Design Classification: **12-12**
(74) Name(s) of Attorney(s): **Callinans**
(71) Name(s) and Address(s) of Applicant(s):
Invacare International Sarl
Route de Cite-Ouest 2 Gland 1196 Switzerland
(72) Name(s) of Designer(s): **Wilfrid Da Cunha and Aurelie Lauret and Mael Robert and Jean-Michel Roncin**
(45) Registration Date: **05 June 2013**
(62) Divisional of: **348530**
(56) Related Art Documents: **Not Applicable**
(57) Statement of Newness and Distinctiveness: **Nil**



- (21) Design Number: **12241/2013**
(22) Date of Filing Application: **15 May 2013**
(24) Date from which industrial property rights may have effect: **15 May 2013**
(54) Product in respect of which the design is registered: **Pot and spoon set**
(51) International Design Classification: **07-01G, 07-03**
(74) Name(s) of Attorney(s): **PHILLIPS ORMONDE FITZPATRICK**
(71) Name(s) and Address(s) of Applicant(s):
McPherson's Limited
5 Dunlop Rd Mulgrave VIC 3170 Australia
(72) Name(s) of Designer(s): **Clive Solari and Jonathan Lowe**
(45) Registration Date: **05 June 2013**
(56) Related Art Documents: **Not Applicable**
(57) Statement of Newness and Distinctiveness: **Those features of the pot and spoon set depicted in the representations that are new and distinctive are the shape and/or configuration.**



- (21) Design Number: **12242/2013**
(22) Date of Filing Application: **15 May 2013**
(24) Date from which industrial property rights may have effect: **15 May 2013**
(54) Product in respect of which the design is registered: **Bottle**
(51) International Design Classification: **09-01NES**
(74) Name(s) of Attorney(s): **PHILLIPS ORMONDE FITZPATRICK**
(71) Name(s) and Address(s) of Applicant(s):
The Coca-Cola Company
One Coca-Cola Plaza NW Atlanta Georgia 30313 United States of America
(72) Name(s) of Designer(s): **Richard Staten and Terri L. Gunder**
(45) Registration Date: **05 June 2013**
(56) Related Art Documents: **Not Applicable**
(57) Statement of Newness and Distinctiveness: **Those features of the bottle depicted in the representations that are new and distinctive are the shape and/or configuration. The features shown in broken lines are not part of the design and are to be disregarded when considering the overall impression of the design.**



(21) Design Number: **12124/2013**
(22) Date of Filing Application: **07 May 2013**
(24) Date from which industrial property rights may have effect: **07 May 2013**
(54) Product in respect of which the design is registered: **Tyre**
(51) International Design Classification: **12-15B**
(74) Name(s) of Attorney(s):
(71) Name(s) and Address(s) of Applicant(s):
Jinlin Ma
701/1 Anhuaxuan Ruihuayuannei St Middle Jiejing Rd Panyu Dist
Guangzhou City Guangdong Prov China
(72) Name(s) of Designer(s): **Jinlin Ma**
(45) Registration Date: **05 June 2013**
(30) Convention priority data:
(31) Number (32) Date (33) Country
201230606565.6 06 Dec 2012 CHINA
(56) Related Art Documents: **Not Applicable**
(57) Statement of Newness and Distinctiveness: **Nil**



(21) Design Number: **12125/2013**
(22) Date of Filing Application: **07 May 2013**
(24) Date from which industrial property rights may have effect: **07 May 2013**
(54) Product in respect of which the design is registered: **Tyre**
(51) International Design Classification: **12-15A**
(74) Name(s) of Attorney(s):
(71) Name(s) and Address(s) of Applicant(s):
Jinlin Ma
701/1 Anhuaxuan Ruihuayuannei St Middle Jiejing Rd Panyu Dist
Guangzhou City Guangdong Prov China
(72) Name(s) of Designer(s): **Jinlin Ma**
(45) Registration Date: **05 June 2013**
(30) Convention priority data:
(31) Number (32) Date (33) Country
201230606287.4 06 Dec 2012 CHINA
(56) Related Art Documents: **Not Applicable**
(57) Statement of Newness and Distinctiveness: **Nil**



(21) Design Number: **12126/2013**

(22) Date of Filing Application: **07 May 2013**

(24) Date from which industrial property rights may have effect: **07 May 2013**

(54) Product in respect of which the design is registered: **Tyre**

(51) International Design Classification: **12-15A**

(74) Name(s) of Attorney(s):

(71) Name(s) and Address(s) of Applicant(s):

Jinlin Ma

**701/1 Anhuaxuan Ruihuayuannei St Middle Jiejing Rd Panyu Dist
Guangzhou City Guangdong Prov China**

(72) Name(s) of Designer(s): **Jinlin Ma**

(45) Registration Date: **05 June 2013**

(30) Convention priority data:

(31) Number	(32) Date	(33) Country
201230606288.9	06 Dec 2012	CHINA

(56) Related Art Documents: **Not Applicable**

(57) Statement of Newness and Distinctiveness: **Nil**



(21) Design Number: **12127/2013**

(22) Date of Filing Application: **07 May 2013**

(24) Date from which industrial property rights may have effect: **07 May 2013**

(54) Product in respect of which the design is registered: **Tyre**

(51) International Design Classification: **12-15A**

(74) Name(s) of Attorney(s):

(71) Name(s) and Address(s) of Applicant(s):

Jinlin Ma

**701/1 Anhuaxuan Ruihuayuannei St Middle Jiejing Rd Panyu Dist
Guangzhou City Guangdong Prov China**

(72) Name(s) of Designer(s): **Jinlin Ma**

(45) Registration Date: **05 June 2013**

(30) Convention priority data:

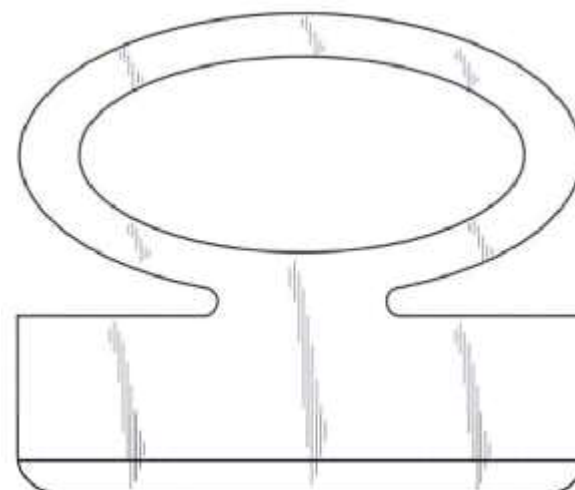
(31) Number	(32) Date	(33) Country
201230606288.9	06 Dec 2012	CHINA

(56) Related Art Documents: **Not Applicable**

(57) Statement of Newness and Distinctiveness: **Nil**



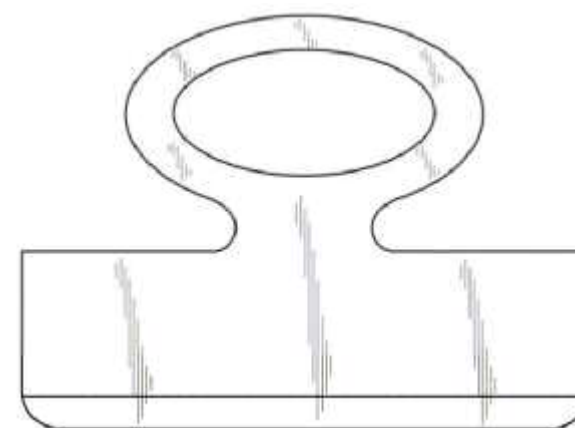
(21) Design Number: **12171/2013**
(22) Date of Filing Application: **09 May 2013**
(24) Date from which industrial property rights may have effect: **09 May 2013**
(54) Product in respect of which the design is registered: **Fasteners for packaging**
(51) International Design Classification: **09-07NES**
(74) Name(s) of Attorney(s): **Acacia Law**
(71) Name(s) and Address(s) of Applicant(s):



Bedford Industries, Inc.
1659 Rowe Avenue Worthington Minnesota 56187 United States of America

(72) Name(s) of Designer(s): **Curtis J. Heinrichs**
(45) Registration Date: **05 June 2013**
(30) Convention priority data:
(31) Number (32) Date (33) Country
29/436,895 09 Nov 2012 UNITED STATES OF AMERICA
(56) Related Art Documents: **Not Applicable**
(57) Statement of Newness and Distinctiveness: **The design is to be applied to a loop fastener for packaging and the novelty resides in the features of shape and configuration as shown in the accompanying representations. In particular, novelty lies in the combination of a loop head in conjunction with a strip that is bevelled at its free end as shown. The relative sizes of the loop head and the strip are important to its novelty.**

(21) Design Number: **12172/2013**
(22) Date of Filing Application: **09 May 2013**
(24) Date from which industrial property rights may have effect: **09 May 2013**
(54) Product in respect of which the design is registered: **Fasteners for packaging**
(51) International Design Classification: **09-07NES**
(74) Name(s) of Attorney(s): **Acacia Law**
(71) Name(s) and Address(s) of Applicant(s):



Bedford Industries, Inc.
1659 Rowe Avenue Worthington Minnesota 56187 United States of America

(72) Name(s) of Designer(s): **Curtis J. Heinrichs**
(45) Registration Date: **05 June 2013**
(30) Convention priority data:
(31) Number (32) Date (33) Country
29/436,895 09 Nov 2012 UNITED STATES OF AMERICA
(56) Related Art Documents: **Not Applicable**
(57) Statement of Newness and Distinctiveness: **The design is to be applied to a loop fastener for packaging and the novelty resides in the features of shape and configuration as shown in the accompanying representations. In particular, novelty lies in the combination of a loop head in conjunction with a strip that is bevelled at its free end as shown. The relative sizes of the loop head and the strip are important to its novelty.**

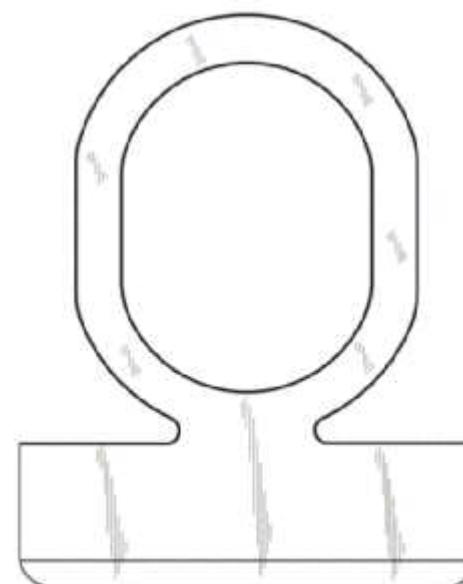
(21) Design Number: **12173/2013**
(22) Date of Filing Application: **09 May 2013**
(24) Date from which industrial property rights may have effect: **09 May 2013**
(54) Product in respect of which the design is registered: **Fasteners for packaging**
(51) International Design Classification: **09-07NES**
(74) Name(s) of Attorney(s): **Acacia Law**
(71) Name(s) and Address(s) of Applicant(s):
Bedford Industries, Inc.
1659 Rowe Avenue Worthington Minnesota 56187 United States of America

(72) Name(s) of Designer(s): **Curtis J. Heinrichs**
(45) Registration Date: **05 June 2013**

(30) Convention priority data:
(31) Number (32) Date (33) Country
29/436,895 09 Nov 2012 UNITED STATES OF AMERICA

(56) Related Art Documents: **Not Applicable**

(57) Statement of Newness and Distinctiveness: **The design is to be applied to a loop fastener for packaging and the novelty resides in the features of shape and configuration as shown in the accompanying representations. In particular, novelty lies in the combination of a loop head in conjunction with a strip that is bevelled at its free end as shown. The relative sizes of the loop head and the strip are important to its novelty.**



(21) Design Number: **12183/2013**
(22) Date of Filing Application: **10 May 2013**
(24) Date from which industrial property rights may have effect: **10 May 2013**
(54) Product in respect of which the design is registered: **Vented container end closure**
(51) International Design Classification: **09-07B**
(74) Name(s) of Attorney(s): **Madderns**
(71) Name(s) and Address(s) of Applicant(s):
Ball Corporation
10 Longs Peak Drive Broomfield Colorado 80021-2510 United States of America

(72) Name(s) of Designer(s): **Anthony J. Scott**
(45) Registration Date: **05 June 2013**

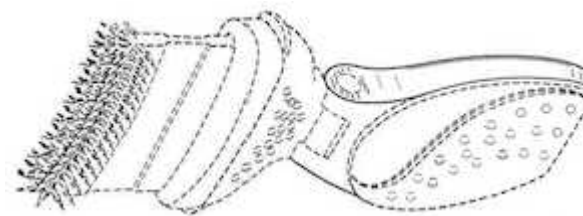
(30) Convention priority data:
(31) Number (32) Date (33) Country
29/437073 13 Nov 2012 UNITED STATES OF AMERICA

(56) Related Art Documents: **Not Applicable**

(57) Statement of Newness and Distinctiveness: **Newness and distinctiveness is claimed in the shape and/or configuration of a vented container end closure as shown in the accompanying figure. When considering the scope of monopoly, no regard will be had to those features depicted in dotted lines.**



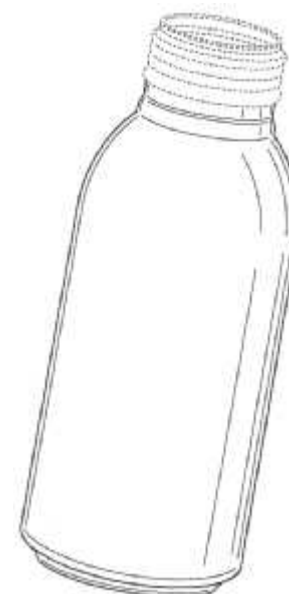
(21) Design Number: **11849/2013**
(22) Date of Filing Application: **19 April 2013**
(24) Date from which industrial property rights may have effect: **19 April 2013**
(54) Product in respect of which the design is registered: **Ergonomic applicator**
(51) International Design Classification: **28-03NES**
(74) Name(s) of Attorney(s): **PHILLIPS ORMONDE FITZPATRICK**
(71) Name(s) and Address(s) of Applicant(s):
Avon Products, Inc.
777 Third Avenue New York New York 10017 United States of America



(72) Name(s) of Designer(s): **Simard Marisol**
(45) Registration Date: **05 June 2013**
(30) Convention priority data:
(31) Number (32) Date (33) Country
29/435,321 23 Oct 2012 UNITED STATES OF AMERICA

(56) Related Art Documents: **Not Applicable**
(57) Statement of Newness and Distinctiveness: **Those features of the ergonomic applicator depicted in the representations that are new and distinctive are the shape and/or configuration. The features shown in broken line are not part of the design and are to be disregarded when considering the overall impression of the design.**

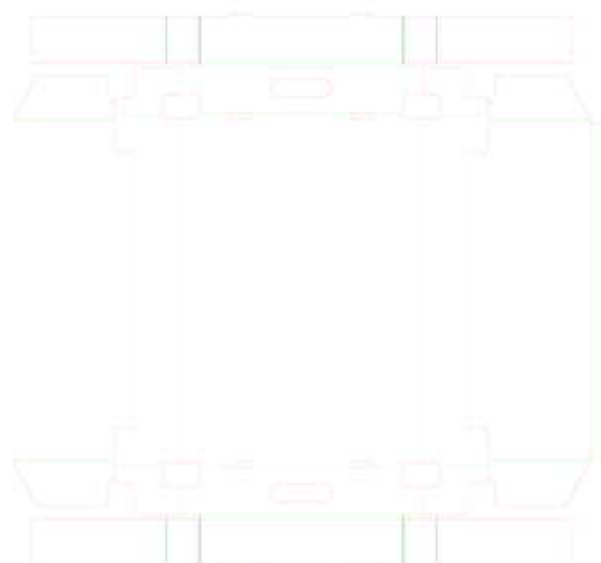
(21) Design Number: **12181/2013**
(22) Date of Filing Application: **10 May 2013**
(24) Date from which industrial property rights may have effect: **10 May 2013**
(54) Product in respect of which the design is registered: **Metallic bottle container**
(51) International Design Classification: **09-01NES**
(74) Name(s) of Attorney(s): **Madderns**
(71) Name(s) and Address(s) of Applicant(s):
Ball Corporation
10 Longs Peak Drive Broomfield Colorado 80021-2510 United States of America



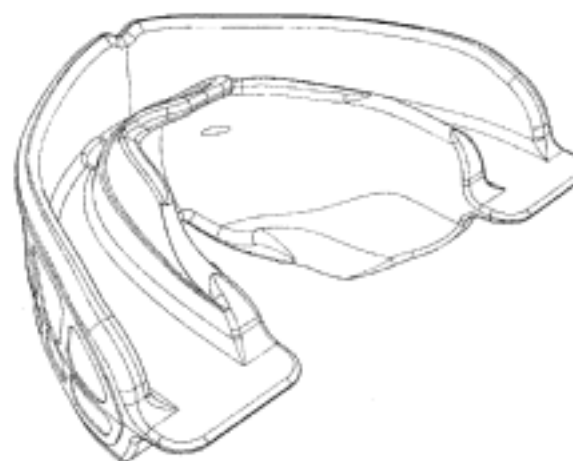
(72) Name(s) of Designer(s): **Linda A. Hines**
(45) Registration Date: **05 June 2013**
(30) Convention priority data:
(31) Number (32) Date (33) Country
29/437075 13 Nov 2012 UNITED STATES OF AMERICA

(56) Related Art Documents: **Not Applicable**
(57) Statement of Newness and Distinctiveness: **Newness and distinctiveness is claimed in the shape and/or configuration of a metallic bottle container as shown in the accompanying drawings. When considering the scope of monopoly, no regard will be had to the features depicted in dotted lines.**

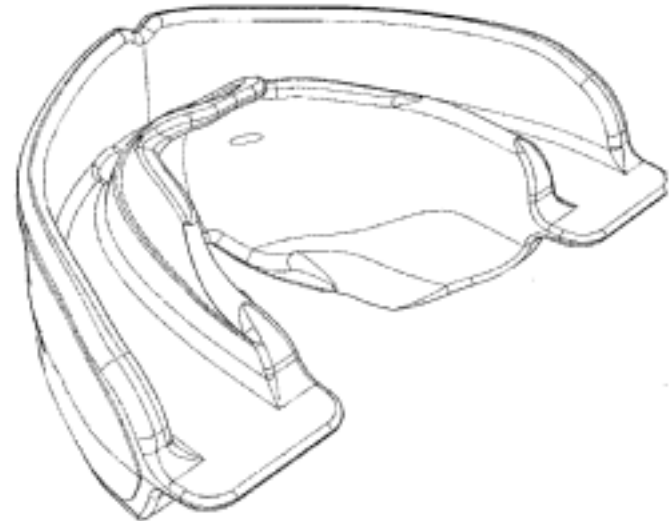
- (21) Design Number: **12178/2013**
(22) Date of Filing Application: **10 May 2013**
(24) Date from which industrial property rights may have effect: **10 May 2013**
(54) Product in respect of which the design is registered: **Cardboard tray**
(51) International Design Classification: **09-03F**
(74) Name(s) of Attorney(s):
(71) Name(s) and Address(s) of Applicant(s):
Green Bean Packaging Pty Ltd
8 Brex Ct Reservoir VIC 3073 Australia
(72) Name(s) of Designer(s): **Zaidi Karim**
(45) Registration Date: **05 June 2013**
(56) Related Art Documents: **Not Applicable**
(57) Statement of Newness and Distinctiveness: **This design enable tray comes as a one piece which can be folded up and stacked well on top of each other, it has and over lapping lid and hand hole which only goes half way through to stop contamination which what is inside.**



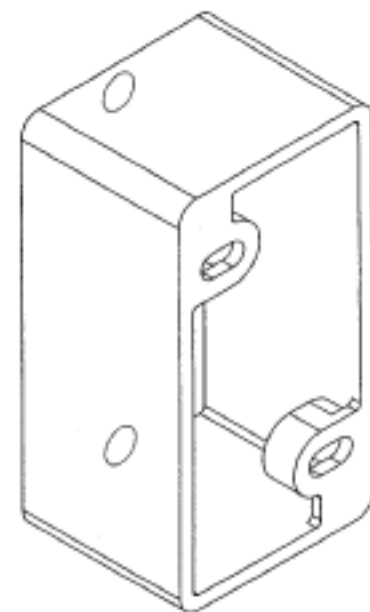
- (21) Design Number: **14331/2012**
(22) Date of Filing Application: **31 August 2012**
(24) Date from which industrial property rights may have effect: **31 August 2012**
(54) Product in respect of which the design is registered: **Orthodontic appliance**
(51) International Design Classification: **24-01**
(74) Name(s) of Attorney(s): **IP Gateway Patent & Trademark Attorneys**
(71) Name(s) and Address(s) of Applicant(s):
Christopher John Farrell
44 Siganto Dr Helensvale QLD 4212 Australia
(72) Name(s) of Designer(s): **Christopher John Farrell**
(45) Registration Date: **06 June 2013**
(56) Related Art Documents: **Not Applicable**
(57) Statement of Newness and Distinctiveness: **The newness and distinctiveness of the design resides in the visual features of shape and/or configuration of an orthodontic appliance as shown in the accompanying representations.**



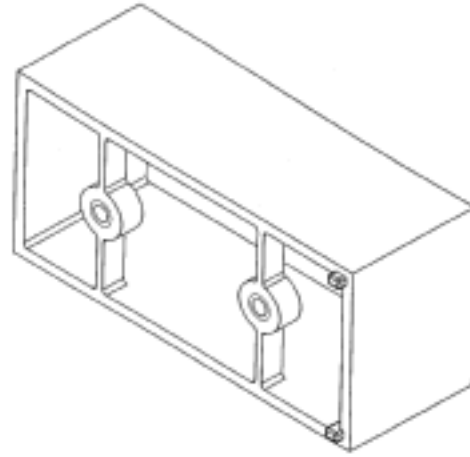
- (21) Design Number: **16816/2012**
(22) Date of Filing Application: **31 August 2012**
(24) Date from which industrial property rights may have effect: **31 August 2012**
(54) Product in respect of which the design is registered: **Orthodontic appliance**
(51) International Design Classification: **24-01**
(74) Name(s) of Attorney(s): **IP Gateway Patent & Trademark Attorneys**
(71) Name(s) and Address(s) of Applicant(s):
Christopher John Farrell
44 Siganto Dr Helensvale QLD 4212 Australia
(72) Name(s) of Designer(s): **Christopher John Farrell**
(45) Registration Date: **06 June 2013**
(56) Related Art Documents: **Not Applicable**
(57) Statement of Newness and Distinctiveness: **The newness and distinctiveness of the design resides in the visual features of shape and/or configuration of an orthodontic appliance as shown in the accompanying representations.**



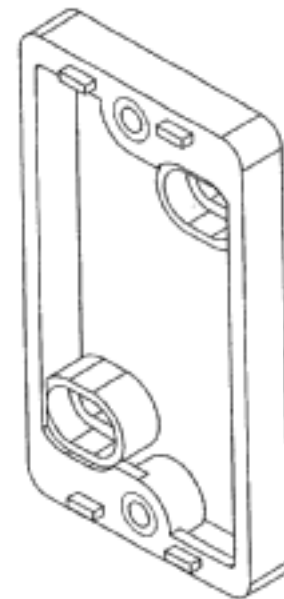
- (21) Design Number: **10158/2013**
(22) Date of Filing Application: **10 January 2013**
(24) Date from which industrial property rights may have effect: **10 January 2013**
(54) Product in respect of which the design is registered: **Proximity mounting block**
(51) International Design Classification: **13-03NES**
(74) Name(s) of Attorney(s):
(71) Name(s) and Address(s) of Applicant(s):
Michael McNamara
68 Hemmant Tingalpa Rd Hemmant QLD 4174 Australia
(72) Name(s) of Designer(s): **Michael McNamara**
(45) Registration Date: **06 June 2013**
(56) Related Art Documents: **Not Applicable**
(57) Statement of Newness and Distinctiveness: **Nil**



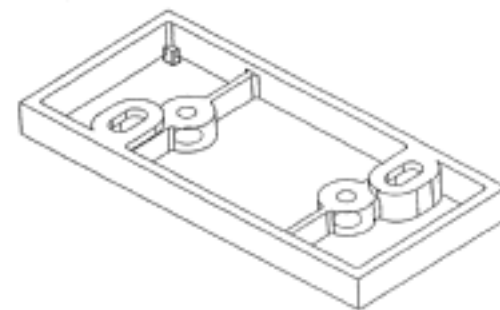
(21) Design Number: **11941/2013**
(22) Date of Filing Application: **10 January 2013**
(24) Date from which industrial property rights may have effect: **10 January 2013**
(54) Product in respect of which the design is registered: **Proximity mounting block**
(51) International Design Classification: **13-03NES**
(74) Name(s) of Attorney(s):
(71) Name(s) and Address(s) of Applicant(s):
Michael McNamara
68 Hemmant Tingalpa Rd Hemmant QLD 4174 Australia
(72) Name(s) of Designer(s): **Michael McNamara**
(45) Registration Date: **06 June 2013**
(56) Related Art Documents: **Not Applicable**
(57) Statement of Newness and Distinctiveness: **Nil**



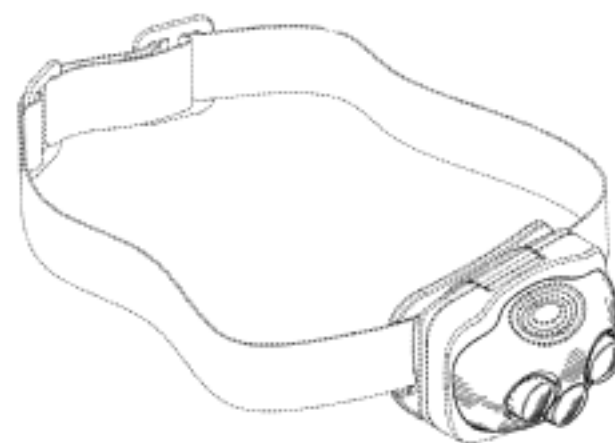
(21) Design Number: **11940/2013**
(22) Date of Filing Application: **10 January 2013**
(24) Date from which industrial property rights may have effect: **10 January 2013**
(54) Product in respect of which the design is registered: **Proximity mounting block**
(51) International Design Classification: **13-03NES**
(74) Name(s) of Attorney(s):
(71) Name(s) and Address(s) of Applicant(s):
Michael McNamara
68 Hemmant Tingalpa Rd Hemmant QLD 4174 Australia
(72) Name(s) of Designer(s): **Michael McNamara**
(45) Registration Date: **06 June 2013**
(56) Related Art Documents: **Not Applicable**
(57) Statement of Newness and Distinctiveness: **Nil**



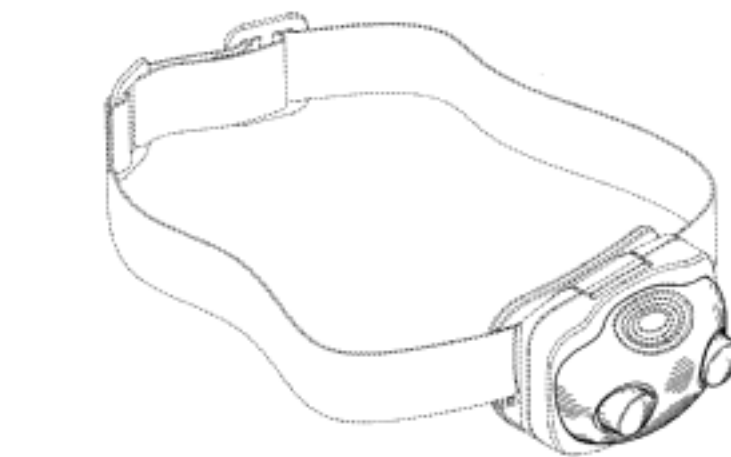
(21) Design Number: **11942/2013**
(22) Date of Filing Application: **10 January 2013**
(24) Date from which industrial property rights may have effect: **10 January 2013**
(54) Product in respect of which the design is registered: **Proximity mounting block**
(51) International Design Classification: **13-03NES**
(74) Name(s) of Attorney(s):
(71) Name(s) and Address(s) of Applicant(s):
Michael McNamara
68 Hemmant Tingalpa Rd Hemmant QLD 4174 Australia
(72) Name(s) of Designer(s): **Michael McNamara**
(45) Registration Date: **06 June 2013**
(56) Related Art Documents: **Not Applicable**
(57) Statement of Newness and Distinctiveness: **Nil**



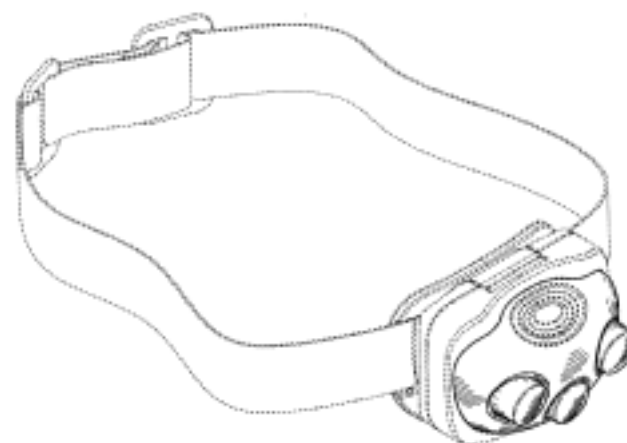
(21) Design Number: **10243/2013**
(22) Date of Filing Application: **17 January 2013**
(24) Date from which industrial property rights may have effect: **17 January 2013**
(54) Product in respect of which the design is registered: **Lighting device**
(51) International Design Classification: **26-02**
(74) Name(s) of Attorney(s): **Halfords IP**
(71) Name(s) and Address(s) of Applicant(s):
Eveready Battery Company, Inc.
533 Maryville University Drive St Louis Missouri 63141 United States of America
(72) Name(s) of Designer(s): **David J. Hine and Matthew R. Gortner and William R. Narpes**
(45) Registration Date: **06 June 2013**
(30) Convention priority data:
(31) Number (32) Date (33) Country
29/428473 31 Jul 2012 UNITED STATES OF AMERICA
(56) Related Art Documents: **Not Applicable**
(57) Statement of Newness and Distinctiveness: **Newness and Distinctiveness is claimed in those features of shape and or configuration of a lighting device as depicted in the representations. Shading lines and features shown in broken lines do not form part of the design.**



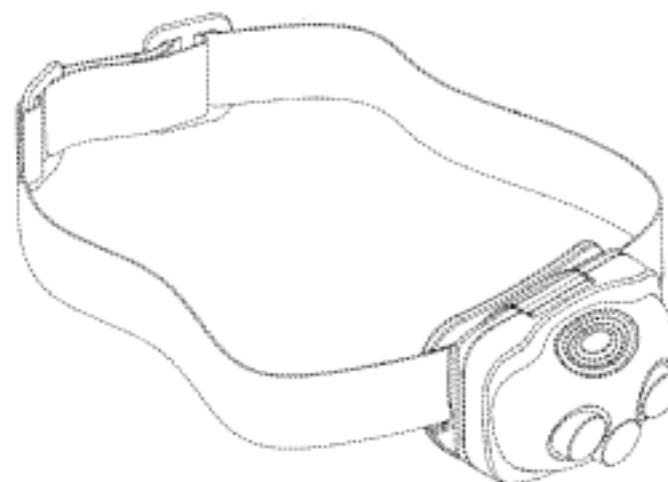
(21) Design Number: **11834/2013**
(22) Date of Filing Application: **17 January 2013**
(24) Date from which industrial property rights may have effect: **17 January 2013**
(54) Product in respect of which the design is registered: **Lighting device**
(51) International Design Classification: **26-02**
(74) Name(s) of Attorney(s): **Halfords IP**
(71) Name(s) and Address(s) of Applicant(s):
Eveready Battery Company, Inc.
533 Maryville University Drive St Louis Missouri 63141 United States of America
(72) Name(s) of Designer(s): **David J. Hine and Matthew R. Gortner and William R. Narpes**
(45) Registration Date: **06 June 2013**
(30) Convention priority data:
(31) Number (32) Date (33) Country
29/428473 31 Jul 2012 UNITED STATES OF AMERICA
(56) Related Art Documents: **Not Applicable**
(57) Statement of Newness and Distinctiveness: **Newness and Distinctiveness is claimed in those features of shape and or configuration of a lightning device as depicted in the representations. Shading lines and features shown in broken lines do not form part of the design.**



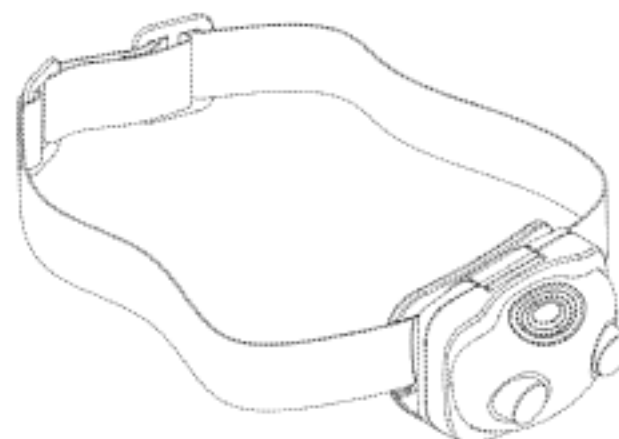
(21) Design Number: **11835/2013**
(22) Date of Filing Application: **17 January 2013**
(24) Date from which industrial property rights may have effect: **17 January 2013**
(54) Product in respect of which the design is registered: **Lighting device**
(51) International Design Classification: **26-02**
(74) Name(s) of Attorney(s): **Halfords IP**
(71) Name(s) and Address(s) of Applicant(s):
Eveready Battery Company, Inc.
533 Maryville University Drive St Louis Missouri 63141 United States of America
(72) Name(s) of Designer(s): **David J. Hine and Matthew R. Gortner and William R. Narpes**
(45) Registration Date: **06 June 2013**
(30) Convention priority data:
(31) Number (32) Date (33) Country
29/428473 31 Jul 2012 UNITED STATES OF AMERICA
(56) Related Art Documents: **Not Applicable**
(57) Statement of Newness and Distinctiveness: **Newness and Distinctiveness is claimed in those features of shape and or configuration of a lightning device as depicted in the representations. Shading lines and features shown in broken lines do not form part of the design.**



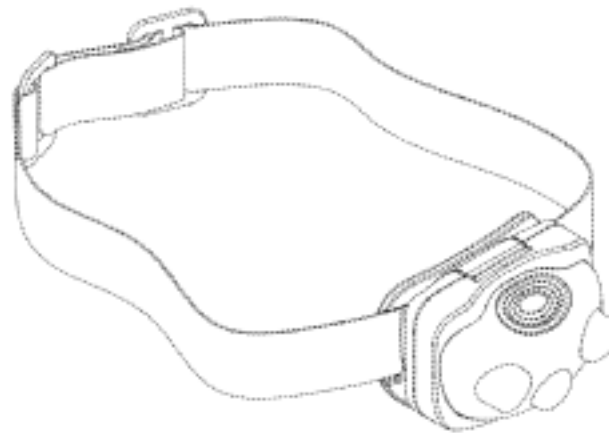
(21) Design Number: **10244/2013**
(22) Date of Filing Application: **17 January 2013**
(24) Date from which industrial property rights may have effect: **17 January 2013**
(54) Product in respect of which the design is registered: **Lighting device**
(51) International Design Classification: **26-02**
(74) Name(s) of Attorney(s): **Halfords IP**
(71) Name(s) and Address(s) of Applicant(s):
Eveready Battery Company, Inc.
533 Maryville University Drive St Louis Missouri 63141 United States of America
(72) Name(s) of Designer(s): **David J. Hine and Matthew R. Gortner and William R. Narpes**
(45) Registration Date: **06 June 2013**
(30) Convention priority data:
(31) Number (32) Date (33) Country
29/428476 31 Jul 2012 UNITED STATES OF AMERICA
(56) Related Art Documents: **Not Applicable**
(57) Statement of Newness and Distinctiveness: **Newness and Distinctiveness is claimed in those features of shape and or configuration of a Lighting Device as depicted in the representations. Shading lines and features shown in broken lines do not form part of the design.**



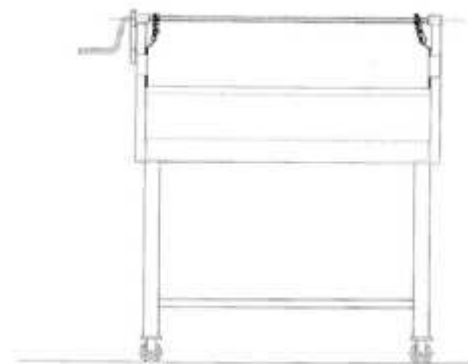
(21) Design Number: **11836/2013**
(22) Date of Filing Application: **17 January 2013**
(24) Date from which industrial property rights may have effect: **17 January 2013**
(54) Product in respect of which the design is registered: **Lighting device**
(51) International Design Classification: **26-02**
(74) Name(s) of Attorney(s): **Halfords IP**
(71) Name(s) and Address(s) of Applicant(s):
Eveready Battery Company, Inc.
533 Maryville University Drive St Louis Missouri 63141 United States of America
(72) Name(s) of Designer(s): **David J. Hine and Matthew R. Gortner and William R. Narpes**
(45) Registration Date: **06 June 2013**
(30) Convention priority data:
(31) Number (32) Date (33) Country
29/428476 31 Jul 2012 UNITED STATES OF AMERICA
(56) Related Art Documents: **Not Applicable**
(57) Statement of Newness and Distinctiveness: **Newness and Distinctiveness is claimed in those features of shape and or configuration of a Lighting Device as depicted in the representations. Shading lines and features shown in broken lines do not form part of the design.**



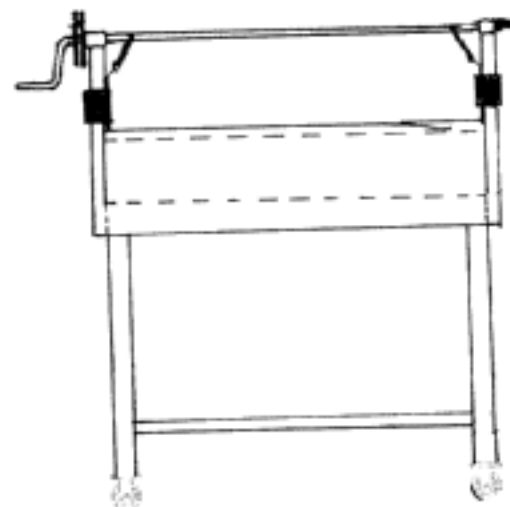
(21) Design Number: **11837/2013**
(22) Date of Filing Application: **17 January 2013**
(24) Date from which industrial property rights may have effect: **17 January 2013**
(54) Product in respect of which the design is registered: **Lightning device**
(51) International Design Classification: **26-02**
(74) Name(s) of Attorney(s): **Halfords IP**
(71) Name(s) and Address(s) of Applicant(s):
Eveready Battery Company, Inc.
533 Maryville University Drive St Louis Missouri 63141 United States of America
(72) Name(s) of Designer(s): **David J. Hine and Matthew R. Gortner and William R. Narpes**
(45) Registration Date: **06 June 2013**
(30) Convention priority data:
(31) Number (32) Date (33) Country
29/428476 31 Jul 2012 UNITED STATES OF AMERICA
(56) Related Art Documents: **Not Applicable**
(57) Statement of Newness and Distinctiveness: **Newness and Distinctiveness is claimed in those features of shape and or configuration of a Lightning Device as depicted in the representations. Shading lines and features shown in broken lines do not form part of the design.**



(21) Design Number: **10663/2013**
(22) Date of Filing Application: **11 February 2013**
(24) Date from which industrial property rights may have effect: **11 February 2013**
(54) Product in respect of which the design is registered: **BBQ- Adjustable hot grill/plate BBQ**
(51) International Design Classification: **07-02E**
(74) Name(s) of Attorney(s):
(71) Name(s) and Address(s) of Applicant(s):
Dori Saade
26 Pemberton St Stathfield NSW 2135 Australia
(72) Name(s) of Designer(s): **Dori Saade**
(45) Registration Date: **06 June 2013**
(56) Related Art Documents: **Not Applicable**
(57) Statement of Newness and Distinctiveness: **Hand winch mechanism lifting and lowering the grill plate of the BBQ.**



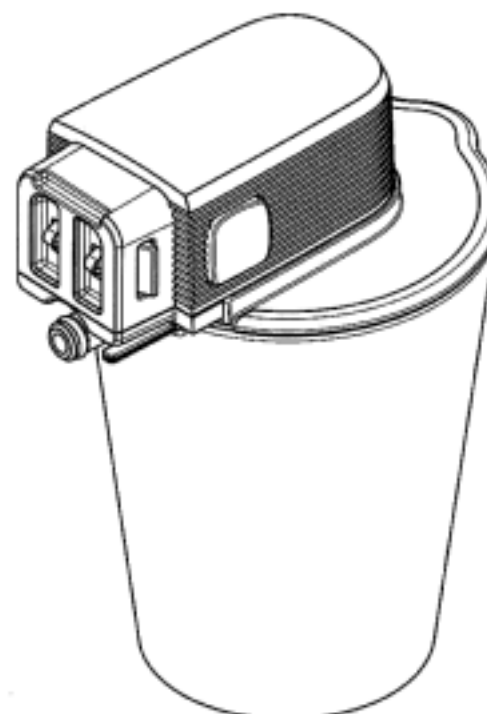
- (21) Design Number: **10664/2013**
(22) Date of Filing Application: **11 February 2013**
(24) Date from which industrial property rights may have effect: **11 February 2013**
(54) Product in respect of which the design is registered: **BBQ - Adjustable hot grill plate BBQ**
(51) International Design Classification: **07-02E**
(74) Name(s) of Attorney(s):
(71) Name(s) and Address(s) of Applicant(s):
Dori Saade
26 Pemberton St Stathfield NSW 2135 Australia
(72) Name(s) of Designer(s): **Dori Saade**
(45) Registration Date: **06 June 2013**
(56) Related Art Documents: **Not Applicable**
(57) Statement of Newness and Distinctiveness: **Hand Winch mechanism lifting and lowering the grill plate of the BBQ.**



- (21) Design Number: **10820/2013**
(22) Date of Filing Application: **21 February 2013**
(24) Date from which industrial property rights may have effect: **21 February 2013**
(54) Product in respect of which the design is registered: **A coffee machine**
(51) International Design Classification: **07-02L**
(74) Name(s) of Attorney(s): **Halfords IP**
(71) Name(s) and Address(s) of Applicant(s):
Aktiebolaget Electrolux
St Goransgatan 143 Stockholm 105 45 Sweden
(72) Name(s) of Designer(s): **Christian Agren**
(45) Registration Date: **06 June 2013**
(30) Convention priority data:
(31) Number (32) Date (33) Country
**002090878 22 Aug 2012 OFFICE FOR HARMONISATION IN
THE INTERNAL MARKET (OHIM)**
(56) Related Art Documents: **Not Applicable**
(57) Statement of Newness and Distinctiveness: **Newness and distinctiveness is claimed in those features of shape and or configuration of a coffee machine and a milk frother as depicted in the representations.**



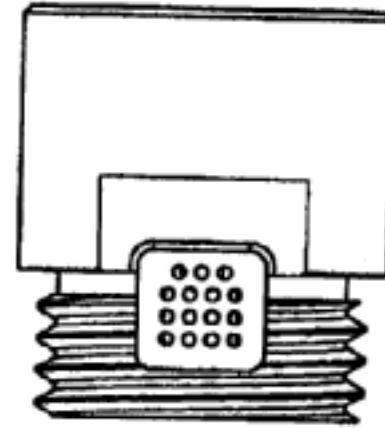
(21) Design Number: **12521/2013**
(22) Date of Filing Application: **21 February 2013**
(24) Date from which industrial property rights may have effect: **21 February 2013**
(54) Product in respect of which the design is registered: **A milk frother**
(51) International Design Classification: **07-02L**
(74) Name(s) of Attorney(s): **Halfords IP**
(71) Name(s) and Address(s) of Applicant(s):
Aktiebolaget Electrolux
St Goransgatan 143 SE-10545 Stockholm Sweden
(72) Name(s) of Designer(s): **Christian Argen**
(45) Registration Date: **06 June 2013**
(30) Convention priority data:
(31) Number (32) Date (33) Country
002090878 22 Aug 2012 OFFICE FOR HARMONISATION IN
THE INTERNAL MARKET (OHIM)
(56) Related Art Documents: **Not Applicable**
(57) Statement of Newness and Distinctiveness: **Newness and Distinctiveness**
is claimed in those features of shape and or configuration of A Milk
Frother as depicted in the accompanying representations.



(21) Design Number: **10113/2013**
(22) Date of Filing Application: **07 January 2013**
(24) Date from which industrial property rights may have effect: **07 January 2013**
(54) Product in respect of which the design is registered: **Screw cap for a jar**
(51) International Design Classification: **09-07B**
(74) Name(s) of Attorney(s): **Davies Collison Cave**
(71) Name(s) and Address(s) of Applicant(s):
Visy R & D Pty Ltd
L11 2 Southbank Bvd Southbank VIC 3006 Australia
(72) Name(s) of Designer(s): **Brett Medlin**
(45) Registration Date: **06 June 2013**
(56) Related Art Documents: **Not Applicable**
(57) Statement of Newness and Distinctiveness: **The features of shape and**
configuration of the inside of the cap are considered new and distinctive.



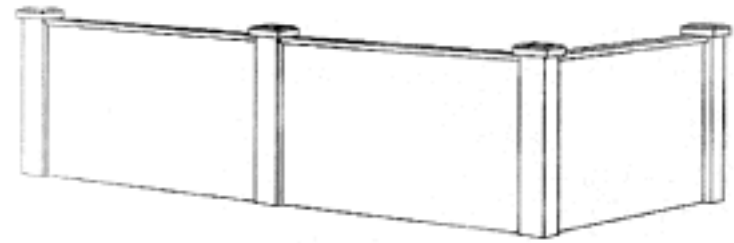
(21) Design Number: **11107/2013**
(22) Date of Filing Application: **08 March 2013**
(24) Date from which industrial property rights may have effect: **08 March 2013**
(54) Product in respect of which the design is registered: **A water flow aerator**
(51) International Design Classification: **23-01H, 23-01NES**
(74) Name(s) of Attorney(s): **AJ Park**
(71) Name(s) and Address(s) of Applicant(s):
Felton Industries Limited
Level 3 117 St Georges Bay Road Parnell Auckland New Zealand
(72) Name(s) of Designer(s): **Daniel Joseph O'Donoghue**
(45) Registration Date: **06 June 2013**
(30) Convention priority data:
(31) Number (32) Date (33) Country
416694 10 Sep 2012 NEW ZEALAND
(56) Related Art Documents: **Not Applicable**
(57) Statement of Newness and Distinctiveness: **Nil**



(21) Design Number: **11237/2013**
(22) Date of Filing Application: **13 March 2013**
(24) Date from which industrial property rights may have effect: **13 March 2013**
(54) Product in respect of which the design is registered: **Vehicle lower grille**
(51) International Design Classification: **12-16B**
(74) Name(s) of Attorney(s): **K&L Gates**
(71) Name(s) and Address(s) of Applicant(s):
GM Global Technology Operations LLC
300 Renaissance Centre City of Detroit State of Michigan 48265-3000
United States of America
(72) Name(s) of Designer(s): **Julian Mark Quincey**
(45) Registration Date: **06 June 2013**
(56) Related Art Documents: **Not Applicable**
(57) Statement of Newness and Distinctiveness: **Nil**



- (21) Design Number: **10713/2013**
(22) Date of Filing Application: **13 February 2013**
(24) Date from which industrial property rights may have effect: **13 February 2013**
(54) Product in respect of which the design is registered: **Modular fence**
(51) International Design Classification: **25-02C**
(74) Name(s) of Attorney(s):
(71) Name(s) and Address(s) of Applicant(s):
Aussi Rossrock Import Pty. Ltd.
38 Lipson St Port Adelaide SA 5015 Australia
(72) Name(s) of Designer(s): **Guang Xing Yuan**
(45) Registration Date: **06 June 2013**
(56) Related Art Documents: **Not Applicable**
(57) Statement of Newness and Distinctiveness: **The design configuration is new and distinctive. The design's post components and capping for the post and wall are EPS mouldings. Post components are supported by aluminium columns that support and act as a channel for the wall panels. EPS panels/mouldings consist of expanded polystyrene sandwiched by magnesium boards. The EPS panels consist of expanded polystyrene sandwiched by magnesium boards. The magnesium board can be rendered, painted or spray rendered/painted directly onto its surface.**



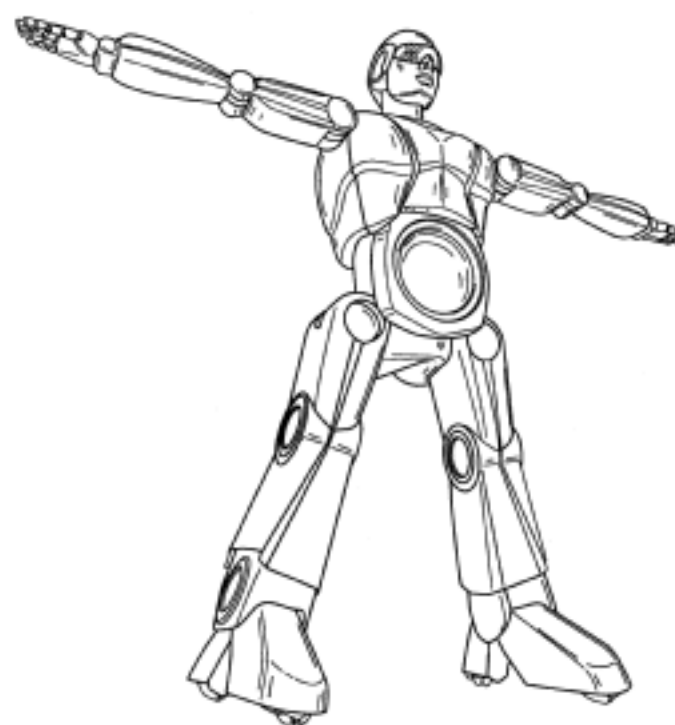
- (21) Design Number: **10714/2013**
(22) Date of Filing Application: **13 February 2013**
(24) Date from which industrial property rights may have effect: **13 February 2013**
(54) Product in respect of which the design is registered: **Modular fence system that uses EPS wall panels**
(51) International Design Classification: **25-02C**
(74) Name(s) of Attorney(s):
(71) Name(s) and Address(s) of Applicant(s):
Aussi Rossrock Import Pty. Ltd.
38 Lipson St Port Adelaide SA 5015 Australia
(72) Name(s) of Designer(s): **Guang Xing Yuan**
(45) Registration Date: **06 June 2013**
(56) Related Art Documents: **Not Applicable**
(57) Statement of Newness and Distinctiveness: **The design configuration is new and distinctive. The design's post components and capping for the posts/walls are EPS mouldings. The post components are supported by fibreglass columns which support the wall panels. Wall panels are made so that the mid posts are not required. The EPS panels consist of expanded polystyrene sandwiched by magnesium boards. The magnesium board can be rendered, painted or spray rendered/painted directly onto its surface.**



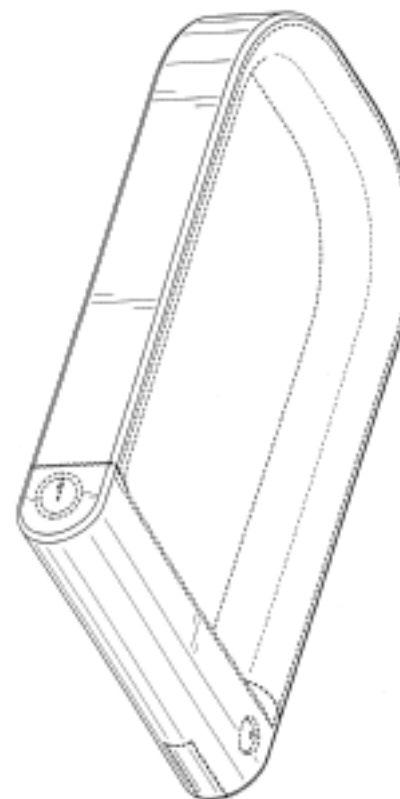
(21) Design Number: **11502/2013**
(22) Date of Filing Application: **26 March 2013**
(24) Date from which industrial property rights may have effect: **26 March 2013**
(54) Product in respect of which the design is registered: **Telephone**
(51) International Design Classification: **14-03A**
(74) Name(s) of Attorney(s): **FB Rice**
(71) Name(s) and Address(s) of Applicant(s):
Siemens Enterprise Communications GMBH & Co. KG
Hofmannstr. 51 Munchen 81379 Germany
(72) Name(s) of Designer(s): **Stefan Hillenmayer**
(45) Registration Date: **06 June 2013**
(30) Convention priority data:
(31) Number (32) Date (33) Country
402012004561.6 28 Sep 2012 GERMANY
(56) Related Art Documents: **Not Applicable**
(57) Statement of Newness and Distinctiveness: **Newness and distinctiveness reside in the features of the design as shown in the representations with the representations showing a complete telephone as well as separate views of the telephone's stand.**



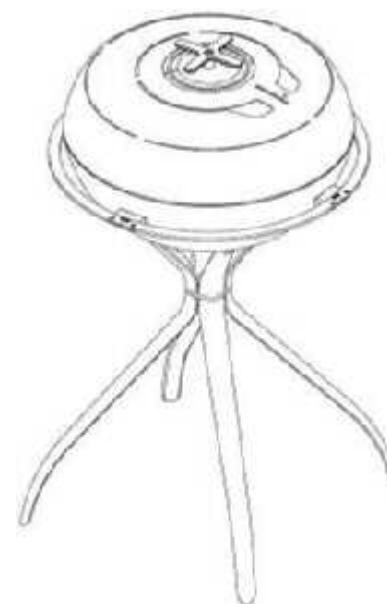
(21) Design Number: **10847/2013**
(22) Date of Filing Application: **22 February 2013**
(24) Date from which industrial property rights may have effect: **22 February 2013**
(54) Product in respect of which the design is registered: **Humanoid robot**
(51) International Design Classification: **21-01B**
(74) Name(s) of Attorney(s): **Simpsons Solicitors**
(71) Name(s) and Address(s) of Applicant(s):
Tosy Robotics Joint Stock Company
No 7 Lane 538 Lang Road Ha Noi Dong Da District Vietnam
(72) Name(s) of Designer(s): **Ho Vinh Hoang**
(45) Registration Date: **06 June 2013**
(30) Convention priority data:
(31) Number (32) Date (33) Country
29/430,657 28 Aug 2012 UNITED STATES OF AMERICA
(56) Related Art Documents: **Not Applicable**
(57) Statement of Newness and Distinctiveness: **Nil**



(21) Design Number: **10878/2013**
(22) Date of Filing Application: **25 February 2013**
(24) Date from which industrial property rights may have effect: **25 February 2013**
(54) Product in respect of which the design is registered: **Lock**
(51) International Design Classification: **08-07**
(74) Name(s) of Attorney(s): **Callinans**
(71) Name(s) and Address(s) of Applicant(s):
Master Lock Company LLC
137 W. Forest Hill Avenue Oak Creek Wisconsin 53154 United States of America
(72) Name(s) of Designer(s): **Scott Stevens**
(45) Registration Date: **07 June 2013**
(30) Convention priority data:
(31) Number (32) Date (33) Country
29/430,596 28 Aug 2012 UNITED STATES OF AMERICA
(56) Related Art Documents: **Not Applicable**
(57) Statement of Newness and Distinctiveness: **Newness and distinctiveness are provided by the shape and/or configuration of the design shown in the representations. The features shown in broken lines in the representations are for illustrative purposes only and should not be considered when construing visual features of the design.**



(21) Design Number: **10987/2013**
(22) Date of Filing Application: **01 March 2013**
(24) Date from which industrial property rights may have effect: **01 March 2013**
(54) Product in respect of which the design is registered: **Barbecue**
(51) International Design Classification: **07-02E**
(74) Name(s) of Attorney(s): **Davies Collison Cave**
(71) Name(s) and Address(s) of Applicant(s):
Halo Product Design Limited
6 Opera Court 39-47 Wedmore Street Islington London N19 4RT United Kingdom
(72) Name(s) of Designer(s): **John Tomalin-Reeves**
(45) Registration Date: **07 June 2013**
(30) Convention priority data:
(31) Number (32) Date (33) Country
002103481-001-6 14 Sep 2012 OFFICE FOR HARMONISATION IN THE INTERNAL MARKET (OHIM)
(56) Related Art Documents: **Not Applicable**
(57) Statement of Newness and Distinctiveness: **Newness and distinctiveness is claimed in the visual features of a barbecue having a utility ring shown in solid lines in the representations.**



- (21) Design Number: **11473/2013**
(22) Date of Filing Application: **25 March 2013**
(24) Date from which industrial property rights may have effect: **25 March 2013**
(54) Product in respect of which the design is registered: **Vertical blanket planter**
(51) International Design Classification: **11-02B**
(74) Name(s) of Attorney(s):
(71) Name(s) and Address(s) of Applicant(s):
JPD Media & Design Pty Limited
L2 9 Waratah St Mona Vale NSW 2103 Australia
(72) Name(s) of Designer(s): **Jamie Durie**
(45) Registration Date: **07 June 2013**
(56) Related Art Documents: **Not Applicable**
(57) Statement of Newness and Distinctiveness: **Newness and distinctiveness in the design as applied to a vertical garden greenwall blanket resides in the shape and/or configuration thereof as is illustrated in the accompanying representations. Particular reference is made to the staggered pocket configuration.**



- (21) Design Number: **11504/2013**
(22) Date of Filing Application: **26 March 2013**
(24) Date from which industrial property rights may have effect: **26 March 2013**
(54) Product in respect of which the design is registered: **Telephone**
(51) International Design Classification: **14-03A**
(74) Name(s) of Attorney(s): **FB Rice**
(71) Name(s) and Address(s) of Applicant(s):
Siemens Enterprise Communications GMBH & Co. KG
Hofmannstr. 51 Munchen 81379 Germany
(72) Name(s) of Designer(s): **Stefan Hillenmayer**
(45) Registration Date: **07 June 2013**
(30) Convention priority data:
(31) Number (32) Date (33) Country
402012004621.3 05 Oct 2012 GERMANY
(56) Related Art Documents: **Not Applicable**
(57) Statement of Newness and Distinctiveness: **Newness and distinctiveness reside in the features of the design as shown in the representations which show an assembled telephone and include separate views of components of the telephone including a side extension and stands.**



(21) Design Number: **10806/2013**
(22) Date of Filing Application: **21 February 2013**
(24) Date from which industrial property rights may have effect: **21 February 2013**
(54) Product in respect of which the design is registered: **Steam hose**
(51) International Design Classification: **23-01NES**
(74) Name(s) of Attorney(s): **Davies Collison Cave**
(71) Name(s) and Address(s) of Applicant(s):
Black & Decker, Inc.
Drummond Plaza Office Park 1423 Kirkwood Highway Newark Delaware
19711 United States of America
(72) Name(s) of Designer(s): **Graeme Crawley**
(45) Registration Date: **07 June 2013**
(30) Convention priority data:
(31) Number (32) Date (33) Country
001340913 24 Aug 2012 OFFICE FOR HARMONISATION IN
THE INTERNAL MARKET (OHIM)
(56) Related Art Documents: **Not Applicable**
(57) Statement of Newness and Distinctiveness: **Newness and distinctiveness is**
claimed in the visual features shown in solid lines in the representations.



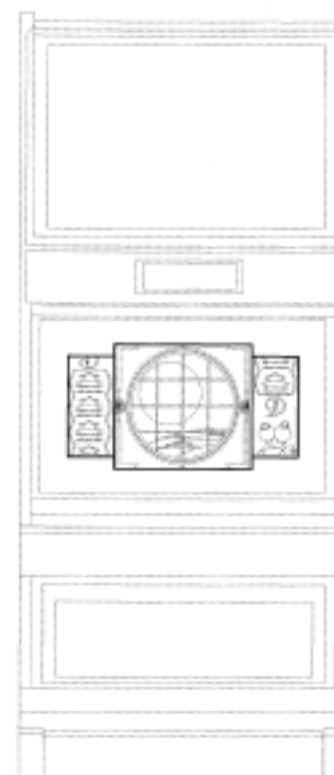
(21) Design Number: **12134/2013**
(22) Date of Filing Application: **08 May 2013**
(24) Date from which industrial property rights may have effect: **08 May 2013**
(54) Product in respect of which the design is registered: **Woven Fabric for**
Tarpaulin
(51) International Design Classification: **05-05D**
(74) Name(s) of Attorney(s): **Collison & Co**
(71) Name(s) and Address(s) of Applicant(s):
Fabinno Co., Ltd
Rm # 901 AT Center 232 Yangjae-dong Seocho-gu Seoul 137-787
Republic of Korea
(72) Name(s) of Designer(s): **Dong-Ho Chang and Kyu-Hee Chang**
(45) Registration Date: **07 June 2013**
(30) Convention priority data:
(31) Number (32) Date (33) Country
30-2012-0053389 08 Nov 2012 REPUBLIC OF KOREA
(56) Related Art Documents: **Not Applicable**
(57) Statement of Newness and Distinctiveness: **Nil**



(21) Design Number: **10359/2013**
(22) Date of Filing Application: **23 January 2013**
(24) Date from which industrial property rights may have effect: **23 January 2013**
(54) Product in respect of which the design is registered: **GAME MACHINE**
(51) International Design Classification: **21-03**
(74) Name(s) of Attorney(s): **Fisher Adams Kelly**
(71) Name(s) and Address(s) of Applicant(s):
Konami Gaming, Inc.
585 Trade Center Drive LAS VEGAS Nevada 89119 United States of America

(72) Name(s) of Designer(s): **Yuji Ono**
(45) Registration Date: **07 June 2013**
(30) Convention priority data:
(31) Number (32) Date (33) Country
29/443546 18 Jan 2013 UNITED STATES OF AMERICA

(56) Related Art Documents: **Not Applicable**
(57) Statement of Newness and Distinctiveness: **The newness and distinctiveness of the design resides in the shape and/or configuration of the GAME MACHINE shown in the representations. When considering the newness and distinctiveness of the design, the broken lines should be disregarded.**

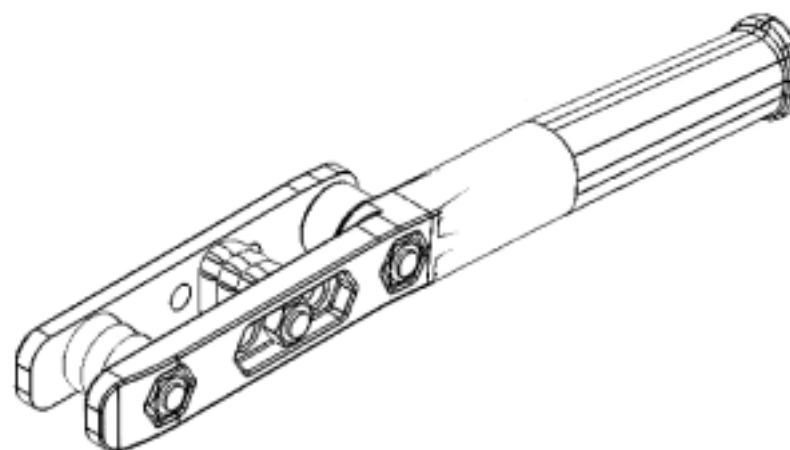


(21) Design Number: **10956/2013**
(22) Date of Filing Application: **28 February 2013**
(24) Date from which industrial property rights may have effect: **28 February 2013**
(54) Product in respect of which the design is registered: **Trailer handle**
(51) International Design Classification: **12-10, 12-16L**
(74) Name(s) of Attorney(s): **James & Wells**
(71) Name(s) and Address(s) of Applicant(s):
Markus Robert Buckley
226 Turere Lane Te Awamutu 3800 New Zealand

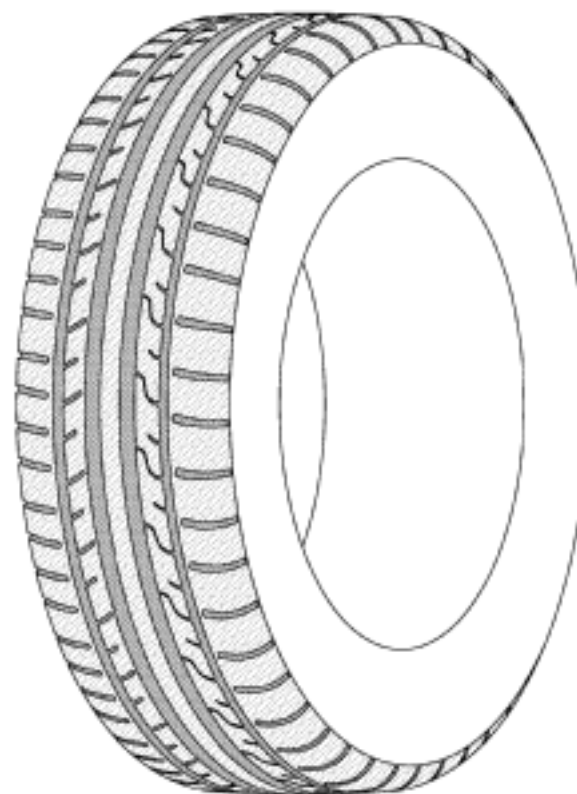
Kenneth Masters Hunt
235 Ridge Road South Pahiatua 4988 New Zealand
(72) Name(s) of Designer(s): **Markus Robert Buckley and Kenneth Masters Hunt**

(45) Registration Date: **07 June 2013**
(30) Convention priority data:
(31) Number (32) Date (33) Country
417294 12 Feb 2013 NEW ZEALAND

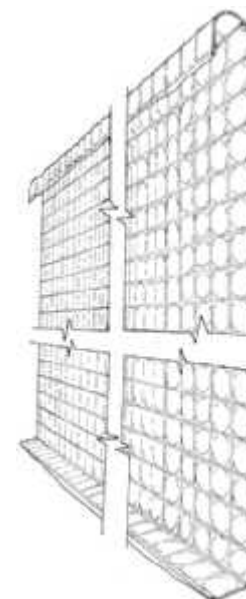
(56) Related Art Documents: **Not Applicable**
(57) Statement of Newness and Distinctiveness: **The design relates to a handle and the novelty resides in the features of shape and configuration as shown in the attached representations.**



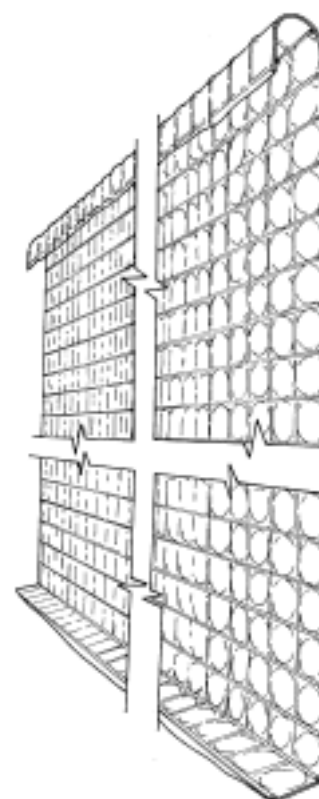
- (21) Design Number: **12044/2013**
(22) Date of Filing Application: **02 May 2013**
(24) Date from which industrial property rights may have effect: **02 May 2013**
(54) Product in respect of which the design is registered: **Tyre**
(51) International Design Classification: **12-15B**
(74) Name(s) of Attorney(s): **SPRUSON & FERGUSON**
(71) Name(s) and Address(s) of Applicant(s):
The Goodyear Tire & Rubber Company
1144 East Marker Street Arkon OH 44316-0001 United States of America
(72) Name(s) of Designer(s): **Helmut Wolfgang FehI and Saburo Miyabe and Wolfgang Karl Maegerle and Bernd Richard Loewenhaupt and Hartono Edy and Jaap Leendertse and Thomas Gunther Bohner**
(45) Registration Date: **07 June 2013**
(30) Convention priority data:
(31) Number (32) Date (33) Country
29/436455 06 Nov 2012 UNITED STATES OF AMERICA
(56) Related Art Documents: **Not Applicable**
(57) Statement of Newness and Distinctiveness: **Newness and distinctiveness is claimed in the features of shape and/or configuration of the tread of a tyre as illustrated in the accompanying representations, wherein the shape and/or configuration of the tread is repeated throughout the circumference of the tyre.**



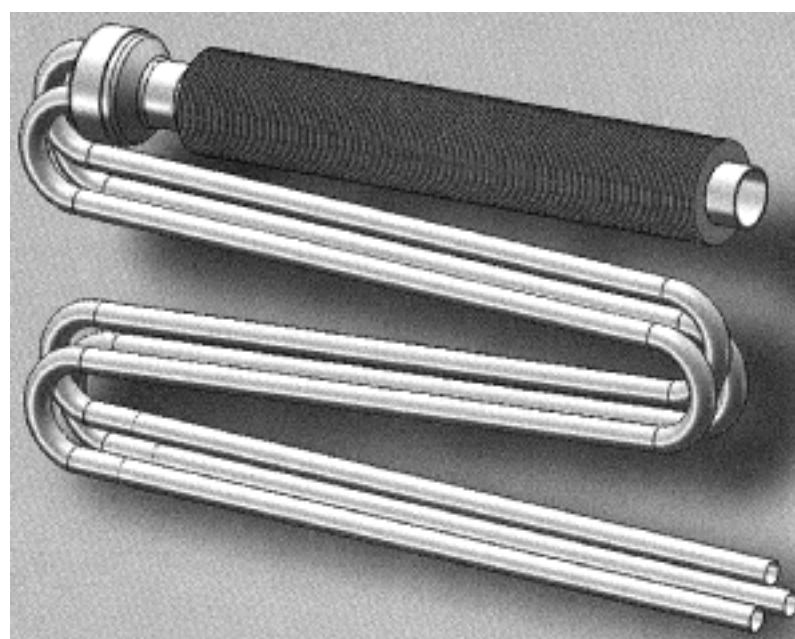
- (21) Design Number: **15387/2012**
(22) Date of Filing Application: **30 October 2012**
(24) Date from which industrial property rights may have effect: **30 October 2012**
(54) Product in respect of which the design is registered: **An erosion control panel**
(51) International Design Classification: **25-01D**
(74) Name(s) of Attorney(s): **Intellepro Patent & Trade Mark Attorneys**
(71) Name(s) and Address(s) of Applicant(s):
Underwood Companies Holdings Pty Ltd
C/- Intellepro Patent & Trade Mark Attorneys GPO BOX 1339 Brisbane
QLD 4001 Australia
(72) Name(s) of Designer(s): **Daniel Charles Underwood and Lester George Underwood**
(45) Registration Date: **07 June 2013**
(56) Related Art Documents: **Not Applicable**
(57) Statement of Newness and Distinctiveness: **Nil**



- (21) Design Number: **15389/2012**
(22) Date of Filing Application: **30 October 2012**
(24) Date from which industrial property rights may have effect: **30 October 2012**
(54) Product in respect of which the design is registered: **An erosion control panel**
(51) International Design Classification: **25-01D**
(74) Name(s) of Attorney(s): **Intellepro Patent & Trade Mark Attorneys**
(71) Name(s) and Address(s) of Applicant(s):
Underwood Companies Holdings Pty Ltd
C/- Intellepro Patent & Trade Mark Attorneys GPO BOX 1339 Brisbane
QLD 4001 Australia
(72) Name(s) of Designer(s): **Daniel Charles Underwood and Lester George Underwood**
(45) Registration Date: **07 June 2013**
(56) Related Art Documents: **Not Applicable**
(57) Statement of Newness and Distinctiveness: **Nil**



- (21) Design Number: **15903/2012**
(22) Date of Filing Application: **27 November 2012**
(24) Date from which industrial property rights may have effect: **27 November 2012**
(54) Product in respect of which the design is registered: **A double concentric finned tube heat exchanger**
(51) International Design Classification: **23-03NES**
(74) Name(s) of Attorney(s):
(71) Name(s) and Address(s) of Applicant(s):
Eco Pacific Pty Ltd
121 Lemont Ave Mt Waverley VIC 3149 Australia
(72) Name(s) of Designer(s): **Jai Kaudinya Dr and Sam Kaudinya**
(45) Registration Date: **07 June 2013**
(56) Related Art Documents: **Not Applicable**
(57) Statement of Newness and Distinctiveness: **An aluminium circular extruded finned tube compressed fitted over a concentric steel tube interfaced with three small serpentine tubes have been designed developed and tested successfully to achieve clean combustion with very high heat transfer coefficient from high temperature gas to air.**



(21) Design Number: **11253/2013**
(22) Date of Filing Application: **13 March 2013**
(24) Date from which industrial property rights may have effect: **13 March 2013**
(54) Product in respect of which the design is registered: **Vehicle sailplane**
(51) International Design Classification: **12-16B**
(74) Name(s) of Attorney(s): **K&L Gates**
(71) Name(s) and Address(s) of Applicant(s):
GM Global Technology Operations LLC
300 Renaissance Centre City of Detroit State of Michigan 48265-3000
United States of America
(72) Name(s) of Designer(s): **Julian Mark Quincey**
(45) Registration Date: **07 June 2013**
(56) Related Art Documents: **Not Applicable**
(57) Statement of Newness and Distinctiveness: **Nil**



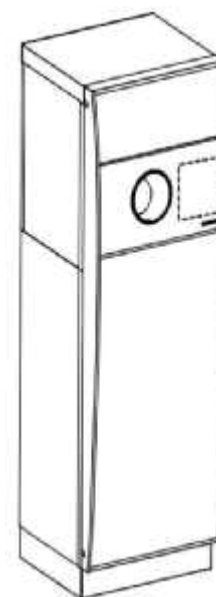
(21) Design Number: **11375/2013**
(22) Date of Filing Application: **18 March 2013**
(24) Date from which industrial property rights may have effect: **18 March 2013**
(54) Product in respect of which the design is registered: **Sugar pot**
(51) International Design Classification: **07-01B, 07-06NES**
(74) Name(s) of Attorney(s): **King & Wood Mallesons**
(71) Name(s) and Address(s) of Applicant(s):
H.A.G. Import Corporation (Australia) Pty Ltd
11-27 Millers Rd Brooklyn VIC 3012 Australia
(72) Name(s) of Designer(s): **Matt Guthrie**
(45) Registration Date: **07 June 2013**
(56) Related Art Documents: **Not Applicable**
(57) Statement of Newness and Distinctiveness: **The following visual features of the design are new and distinctive. The shape and configuration of the sugar pot as shown in solid lines in the accompanying drawings.**



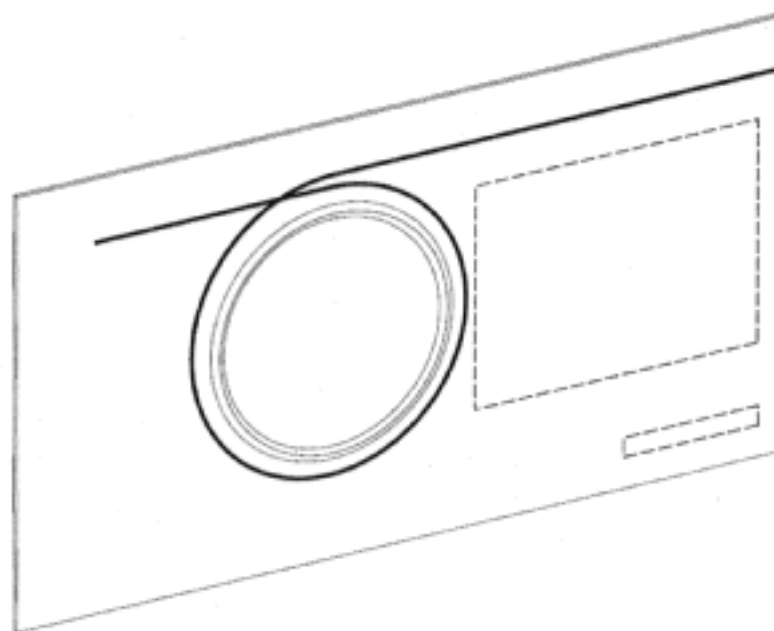
- (21) Design Number: **11607/2013**
(22) Date of Filing Application: **03 April 2013**
(24) Date from which industrial property rights may have effect: **18 December 2012**
(54) Product in respect of which the design is registered: **Automobile tyre**
(51) International Design Classification: **12-15C**
(74) Name(s) of Attorney(s): **Griffith Hack**
(71) Name(s) and Address(s) of Applicant(s):
Bridgestone Corporation
10-1 Kyobashi 1-chrome Chuo-ku Tokyo 104-8340 Japan
(72) Name(s) of Designer(s): **Hiroaki Ono**
(45) Registration Date: **07 June 2013**
(62) Divisional of: **347988**
(56) Related Art Documents: **Not Applicable**
(57) Statement of Newness and Distinctiveness: **The shape and configuration of the tread portion of the PRODUCT is new and distinctive.**



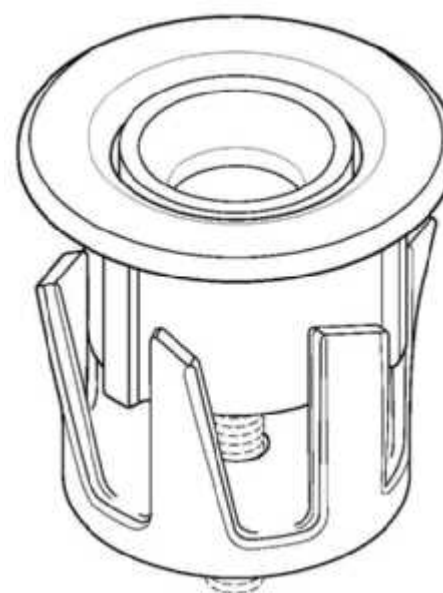
- (21) Design Number: **12020/2013**
(22) Date of Filing Application: **01 May 2013**
(24) Date from which industrial property rights may have effect: **01 May 2013**
(54) Product in respect of which the design is registered: **Vending machine**
(51) International Design Classification: **20-01**
(74) Name(s) of Attorney(s): **SPRUSON & FERGUSON**
(71) Name(s) and Address(s) of Applicant(s):
Tomra Systems ASA
Drengsrudhagen 2 Asker NO-1385 Norway
(72) Name(s) of Designer(s): **Silje Sandahl**
(45) Registration Date: **07 June 2013**
(30) Convention priority data:
(31) Number (32) Date (33) Country
002129569 02 Nov 2012 OFFICE FOR HARMONISATION IN THE INTERNAL MARKET (OHIM)
(56) Related Art Documents: **Not Applicable**
(57) Statement of Newness and Distinctiveness: **Newness and distinctiveness is claimed in those features of shape and/or configuration of a vending machine illustrated in continuous lines in the accompanying representations.**



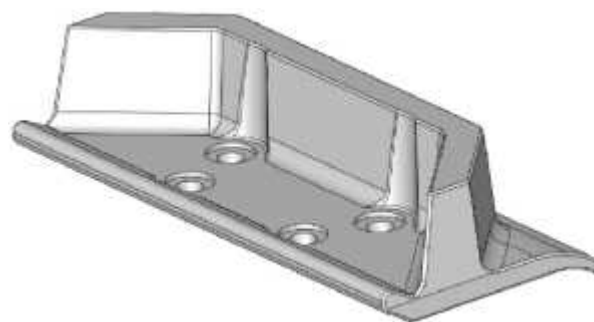
(21) Design Number: **12021/2013**
(22) Date of Filing Application: **01 May 2013**
(24) Date from which industrial property rights may have effect: **01 May 2013**
(54) Product in respect of which the design is registered: **Panel of a vending machine**
(51) International Design Classification: **20-99, 20-01**
(74) Name(s) of Attorney(s): **SPRUSON & FERGUSON**
(71) Name(s) and Address(s) of Applicant(s):
Tomra Systems ASA
Drengsrudhagen 2 Asker NO-1385 Norway
(72) Name(s) of Designer(s): **Silje Sandahl**
(45) Registration Date: **07 June 2013**
(30) Convention priority data:
(31) Number (32) Date (33) Country
002129569 02 Nov 2012 OFFICE FOR HARMONISATION IN
THE INTERNAL MARKET (OHIM)
(56) Related Art Documents: **Not Applicable**
(57) Statement of Newness and Distinctiveness: **Newness and distinctiveness is claimed in those features of shape and/or configuration of a panel of a vending machine illustrated in continuous lines in the accompanying representations.**



(21) Design Number: **12279/2013**
(22) Date of Filing Application: **16 May 2013**
(24) Date from which industrial property rights may have effect: **16 May 2013**
(54) Product in respect of which the design is registered: **Fastening device**
(51) International Design Classification: **08-08A**
(74) Name(s) of Attorney(s):
(71) Name(s) and Address(s) of Applicant(s):
Marine Town Inc.
21f-2 No 33 Sec 1 Minsheng Rd Panchiao Dist New Taipei City 22069
Taiwan
(72) Name(s) of Designer(s): **Chin-Chung Tung**
(45) Registration Date: **07 June 2013**
(56) Related Art Documents: **Not Applicable**
(57) Statement of Newness and Distinctiveness: **Newness and distinctiveness is claimed in the features of shape and/or configuration of a fastening device as illustrated in the accompanying representations.**



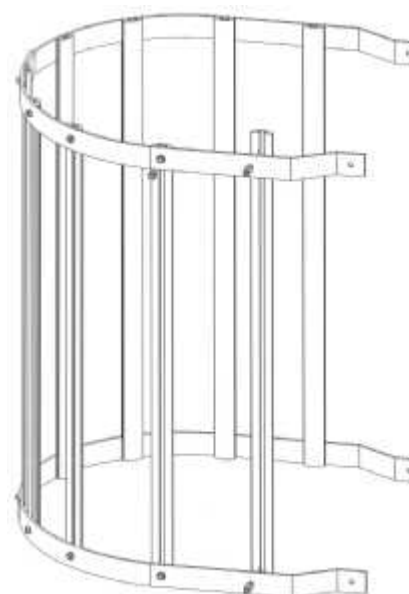
- (21) Design Number: **12285/2013**
(22) Date of Filing Application: **16 May 2013**
(24) Date from which industrial property rights may have effect: **16 May 2013**
(54) Product in respect of which the design is registered: **Track plate for a track of a tracked vehicle**
(51) International Design Classification: **15-04**
(74) Name(s) of Attorney(s): **FB Rice**
(71) Name(s) and Address(s) of Applicant(s):
Jeffrey David Wennerbom
64 Calgaroo Ave Muswellbrook NSW 2333 Australia
(72) Name(s) of Designer(s): **Jeffrey David Wennerbom**
(45) Registration Date: **07 June 2013**
(56) Related Art Documents: **Not Applicable**
(57) Statement of Newness and Distinctiveness: **Newness and distinctiveness reside in the features of the design as shown in the representations.**



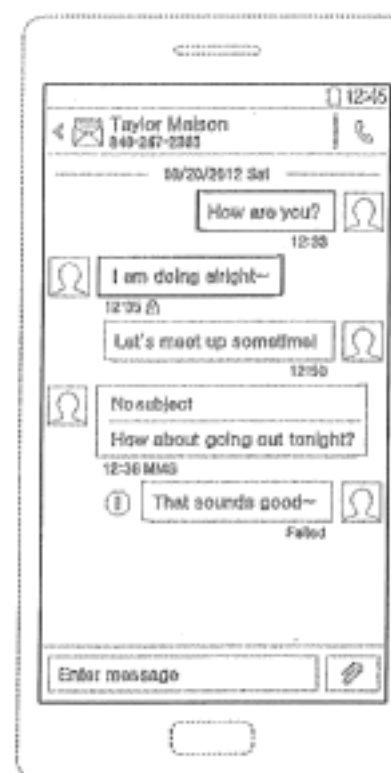
- (21) Design Number: **12290/2013**
(22) Date of Filing Application: **16 May 2013**
(24) Date from which industrial property rights may have effect: **16 May 2013**
(54) Product in respect of which the design is registered: **Heat round brush**
(51) International Design Classification: **28-03B**
(74) Name(s) of Attorney(s): **PHILLIPS ORMONDE FITZPATRICK**
(71) Name(s) and Address(s) of Applicant(s):
Cheer Master Trading Ltd
RM.2103-5 Oterprise Square 21/F.26 Nathan Road Tsim Sha Tsui
Kowloon Hong Kong
Tristar Products, Inc.
492 Route 46 East Fairfield New Jersey 07004 United States of America
Calista Tools, LLC
1211 Wilmington Pike Suite 305 West Chester Pennsylvania 19382
United States of America
(72) Name(s) of Designer(s): **Liang Xu**
(45) Registration Date: **07 June 2013**
(56) Related Art Documents: **Not Applicable**
(57) Statement of Newness and Distinctiveness: **Those features of the heat round brush depicted in the representations that are new and distinctive are the shape and/or configuration. The electrical cord of the heat round brush marked "A" is not part of the design and is to be disregarded when considering the overall impression of the design.**



- (21) Design Number: **12291/2013**
(22) Date of Filing Application: **16 May 2013**
(24) Date from which industrial property rights may have effect: **16 May 2013**
(54) Product in respect of which the design is registered: **An extrusion**
(51) International Design Classification: **25-01K**
(74) Name(s) of Attorney(s): **Actuate IP**
(71) Name(s) and Address(s) of Applicant(s):
Sayfa R&D Pty Ltd
44 Kalman Dr Boronia VIC 3155 Australia
(72) Name(s) of Designer(s): **Roland Stephen Voss and Murray Voss**
(45) Registration Date: **07 June 2013**
(56) Related Art Documents: **Not Applicable**
(57) Statement of Newness and Distinctiveness: **Newness and distinctiveness is claimed in the features of shape and/or configuration of the Extrusion of indeterminate length with constant cross-section, as illustrated in the accompanying representations.**



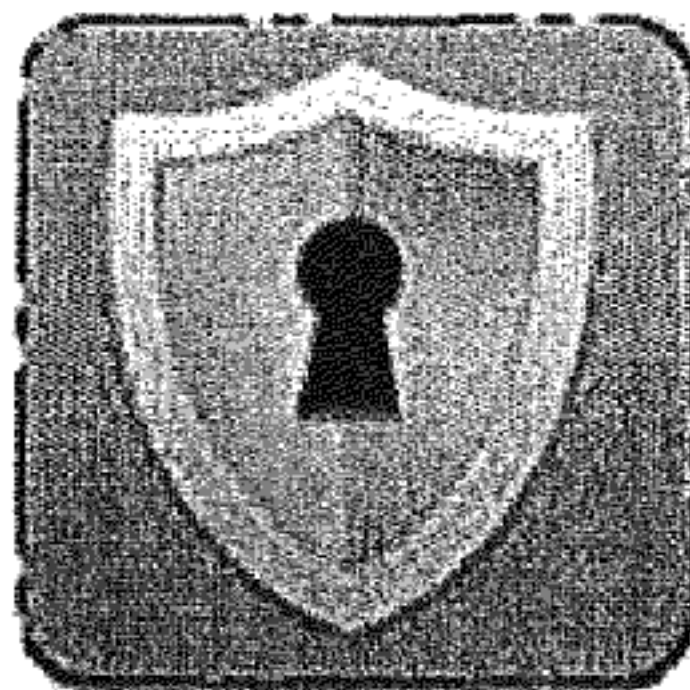
- (21) Design Number: **12311/2013**
(22) Date of Filing Application: **16 May 2013**
(24) Date from which industrial property rights may have effect: **16 May 2013**
(54) Product in respect of which the design is registered: **Display screen for an electronic device**
(51) International Design Classification: **14-02**
(74) Name(s) of Attorney(s): **Wrays**
(71) Name(s) and Address(s) of Applicant(s):
Samsung Electronics Co., Ltd
129 Samsung-ro Yeongtong-gu Suwon-si Gyeonggi-do 443-742 Republic of Korea
(72) Name(s) of Designer(s): **Jee-Won Lee**
(45) Registration Date: **07 June 2013**
(30) Convention priority data:
(31) Number (32) Date (33) Country
30-2013-0009493 23 Feb 2013 REPUBLIC OF KOREA
(56) Related Art Documents: **Not Applicable**
(57) Statement of Newness and Distinctiveness: **Newness and distinctiveness is claimed in the features of pattern and/or ornamentation of the Display Screen For An Electronic Device as shown in the accompanying representations: namely, the features depicted in Figure 1 by solid lines. The features depicted by broken lines in Figure 1 are for illustrative purposes only and form no part of the claimed design. Figure 2 is for illustrative purposes only showing example images on the display screen in combination with the features depicted by solid lines in Figure 1.**



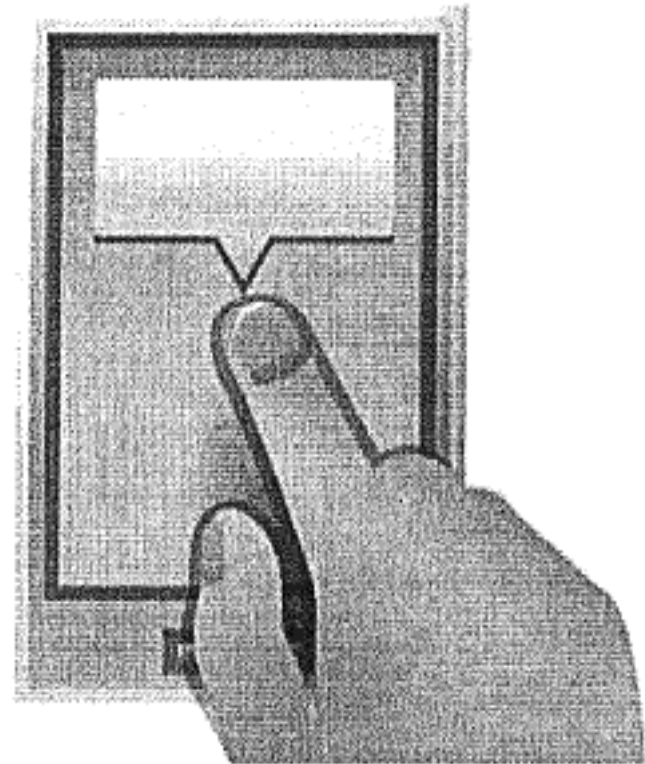
- (21) Design Number: **12312/2013**
(22) Date of Filing Application: **16 May 2013**
(24) Date from which industrial property rights may have effect: **16 May 2013**
(54) Product in respect of which the design is registered:
(51) International Design Classification: **14-02**
(74) Name(s) of Attorney(s): **Wrays**
(71) Name(s) and Address(s) of Applicant(s):
Samsung Electronics Co., Ltd
129 Samsung-ro Yeongtong-gu Suwon-si Gyeonggi-do 443-742 Republic of Korea
(72) Name(s) of Designer(s): **Jee-Won Lee**
(45) Registration Date: **07 June 2013**
(30) Convention priority data:
(31) Number (32) Date (33) Country
30-2013-0009492 23 Feb 2013 REPUBLIC OF KOREA
(56) Related Art Documents: **Not Applicable**
(57) Statement of Newness and Distinctiveness: **Newness and distinctiveness is claimed in the features of pattern and/or ornamentation of the Display Screen For An Electronic Device as shown in the accompanying representations: namely, the features depicted in Figure 1 by solid lines. The features depicted by broken lines in Figure 1 are for illustrative purposes only and form no part of the claimed design. Figure 2 is for illustrative purposes only showing example images on the display screen in combination with the features depicted by solid lines in Figure 1.**



- (21) Design Number: **12315/2013**
(22) Date of Filing Application: **16 May 2013**
(24) Date from which industrial property rights may have effect: **16 May 2013**
(54) Product in respect of which the design is registered:
(51) International Design Classification: **14-02**
(74) Name(s) of Attorney(s): **Wrays**
(71) Name(s) and Address(s) of Applicant(s):
Samsung Electronics Co., Ltd
129 Samsung-ro Yeongtong-gu Suwon-si Gyeonggi-do 443-742 Republic of Korea
(72) Name(s) of Designer(s): **Bo-Won Kim and Sun-Ho Kim**
(45) Registration Date: **07 June 2013**
(30) Convention priority data:
(31) Number (32) Date (33) Country
30-2013-0009563 23 Feb 2013 REPUBLIC OF KOREA
(56) Related Art Documents: **Not Applicable**
(57) Statement of Newness and Distinctiveness: **Newness and distinctiveness is claimed in the features of pattern and/or ornamentation of the Display Screen with Icon for an Electronic Device as shown in the accompanying representations. The features depicted by broken lines in Figure 1 are for illustrative purposes and defining the boundary of the icon only and form no part of the claimed design.**



- (21) Design Number: **12316/2013**
(22) Date of Filing Application: **16 May 2013**
(24) Date from which industrial property rights may have effect: **16 May 2013**
(54) Product in respect of which the design is registered: **Display Screen With Icon For An Electronic Device**
(51) International Design Classification: **14-02**
(74) Name(s) of Attorney(s): **Wrays**
(71) Name(s) and Address(s) of Applicant(s):
Samsung Electronics Co., Ltd
129 Samsung-ro Yeongtong-gu Suwon-si Gyeonggi-do 443-742 Republic of Korea
(72) Name(s) of Designer(s): **Bo-Won Kim**
(45) Registration Date: **07 June 2013**
(30) Convention priority data:
(31) Number (32) Date (33) Country
30-2013-0009527 23 Feb 2013 REPUBLIC OF KOREA
(56) Related Art Documents: **Not Applicable**
(57) Statement of Newness and Distinctiveness: **Newness and distinctiveness is claimed in the features of pattern and/or ornamentation of the Display Screen with Icon for an Electronic Device as shown in the accompanying representations: namely, the icon depicted in Figure 1 by solid lines and referenced by an A. The features depicted by broken lines in Figure 1 are for illustrative purposes only and form no part of the claimed design.**



- (21) Design Number: **11242/2013**
(22) Date of Filing Application: **13 March 2013**
(24) Date from which industrial property rights may have effect: **13 March 2013**
(54) Product in respect of which the design is registered: **Vehicle sailplane centre section**
(51) International Design Classification: **12-16B**
(74) Name(s) of Attorney(s): **K&L Gates**
(71) Name(s) and Address(s) of Applicant(s):
GM Global Technology Operations LLC
300 Renaissance Centre City of Detroit State of Michigan 48265-3000 United States of America
(72) Name(s) of Designer(s): **Julian Mark Quincey**
(45) Registration Date: **07 June 2013**
(56) Related Art Documents: **Not Applicable**
(57) Statement of Newness and Distinctiveness: **Nil**



(21) Design Number: **11239/2013**
(22) Date of Filing Application: **13 March 2013**
(24) Date from which industrial property rights may have effect: **13 March 2013**
(54) Product in respect of which the design is registered: **Vehicle outer grille**
(51) International Design Classification: **12-16B**
(74) Name(s) of Attorney(s): **K&L Gates**
(71) Name(s) and Address(s) of Applicant(s):
GM Global Technology Operations LLC
300 Renaissance Centre City of Detroit State of Michigan 48265-3000
United States of America
(72) Name(s) of Designer(s): **Julian Mark Quincey**
(45) Registration Date: **07 June 2013**
(56) Related Art Documents: **Not Applicable**
(57) Statement of Newness and Distinctiveness: **Nil**



(21) Design Number: **11243/2013**
(22) Date of Filing Application: **13 March 2013**
(24) Date from which industrial property rights may have effect: **13 March 2013**
(54) Product in respect of which the design is registered: **Vehicle tonneau cover**
(51) International Design Classification: **12-16B**
(74) Name(s) of Attorney(s): **K&L Gates**
(71) Name(s) and Address(s) of Applicant(s):
GM Global Technology Operations LLC
300 Renaissance Centre City of Detroit State of Michigan 48265-3000
United States of America
(72) Name(s) of Designer(s): **Julian Mark Quincey**
(45) Registration Date: **07 June 2013**
(56) Related Art Documents: **Not Applicable**
(57) Statement of Newness and Distinctiveness: **Nil**



(21) Design Number: **11246/2013**
(22) Date of Filing Application: **13 March 2013**
(24) Date from which industrial property rights may have effect: **13 March 2013**
(54) Product in respect of which the design is registered: **Vehicle rear fascia**
(51) International Design Classification: **12-16B**
(74) Name(s) of Attorney(s): **K&L Gates**
(71) Name(s) and Address(s) of Applicant(s):
GM Global Technology Operations LLC
300 Renaissance Centre City of Detroit State of Michigan 48265-3000
United States of America
(72) Name(s) of Designer(s): **Julian Mark Quincey**
(45) Registration Date: **07 June 2013**
(56) Related Art Documents: **Not Applicable**
(57) Statement of Newness and Distinctiveness: **Nil**



(21) Design Number: **11248/2013**
(22) Date of Filing Application: **13 March 2013**
(24) Date from which industrial property rights may have effect: **13 March 2013**
(54) Product in respect of which the design is registered: **Vehicle rear fascia insert**
(51) International Design Classification: **12-16B**
(74) Name(s) of Attorney(s): **K&L Gates**
(71) Name(s) and Address(s) of Applicant(s):
GM Global Technology Operations LLC
300 Renaissance Centre City of Detroit State of Michigan 48265-3000
United States of America
(72) Name(s) of Designer(s): **Julian Mark Quincey**
(45) Registration Date: **07 June 2013**
(56) Related Art Documents: **Not Applicable**
(57) Statement of Newness and Distinctiveness: **Nil**



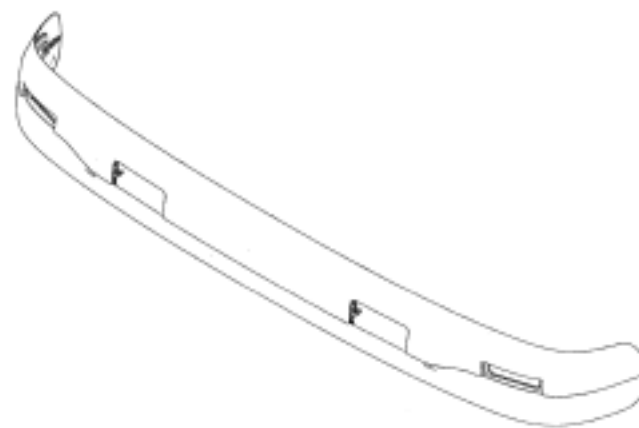
(21) Design Number: **11233/2013**
(22) Date of Filing Application: **13 March 2013**
(24) Date from which industrial property rights may have effect: **13 March 2013**
(54) Product in respect of which the design is registered: **Vehicle exhaust finisher**
(51) International Design Classification: **12-16N**
(74) Name(s) of Attorney(s): **K&L Gates**
(71) Name(s) and Address(s) of Applicant(s):
GM Global Technology Operations LLC
300 Renaissance Centre City of Detroit State of Michigan 48265-3000
United States of America
(72) Name(s) of Designer(s): **Julian Mark Quincey**
(45) Registration Date: **07 June 2013**
(56) Related Art Documents: **Not Applicable**
(57) Statement of Newness and Distinctiveness: **Nil**



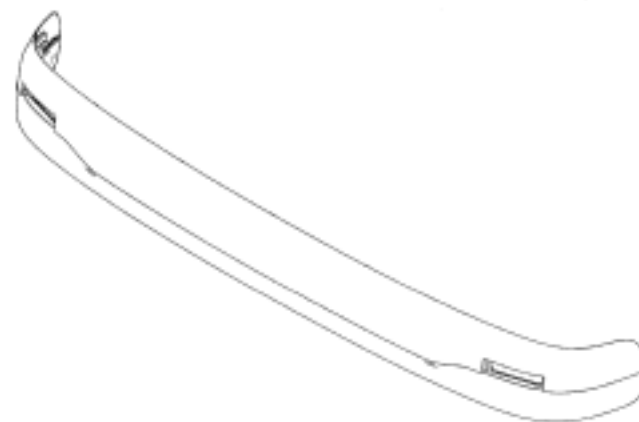
(21) Design Number: **11235/2013**
(22) Date of Filing Application: **13 March 2013**
(24) Date from which industrial property rights may have effect: **13 March 2013**
(54) Product in respect of which the design is registered: **Vehicle front fascia**
(51) International Design Classification: **12-16B**
(74) Name(s) of Attorney(s): **K&L Gates**
(71) Name(s) and Address(s) of Applicant(s):
GM Global Technology Operations LLC
300 Renaissance Centre City of Detroit State of Michigan 48265-3000
United States of America
(72) Name(s) of Designer(s): **Julian Mark Quincey**
(45) Registration Date: **07 June 2013**
(56) Related Art Documents: **Not Applicable**
(57) Statement of Newness and Distinctiveness: **Nil**



(21) Design Number: **11522/2013**
(22) Date of Filing Application: **27 March 2013**
(24) Date from which industrial property rights may have effect: **27 March 2013**
(54) Product in respect of which the design is registered: **Sun visor**
(51) International Design Classification: **12-16F**
(74) Name(s) of Attorney(s): **Davies Collison Cave**
(71) Name(s) and Address(s) of Applicant(s):
Scania CV AB
SE-151 87 Sodertalje Sweden
(72) Name(s) of Designer(s): **Linda Eriksson and Xavier Carreras-Castro and Kamran Noghabai and Per Elofsson**
(45) Registration Date: **07 June 2013**
(30) Convention priority data:
(31) Number (32) Date (33) Country
2012/0436 04 Oct 2012 SWEDEN
(56) Related Art Documents: **Not Applicable**
(57) Statement of Newness and Distinctiveness: **Nil**



(21) Design Number: **11523/2013**
(22) Date of Filing Application: **27 March 2013**
(24) Date from which industrial property rights may have effect: **27 March 2013**
(54) Product in respect of which the design is registered: **Sun visor**
(51) International Design Classification: **12-16F**
(74) Name(s) of Attorney(s): **Davies Collison Cave**
(71) Name(s) and Address(s) of Applicant(s):
Scania CV AB
SE-151 87 Sodertalje Sweden
(72) Name(s) of Designer(s): **Linda Eriksson and Xavier Carreras-Castro and Kamran Noghabai and Per Elofsson**
(45) Registration Date: **07 June 2013**
(30) Convention priority data:
(31) Number (32) Date (33) Country
2012/0436 04 Oct 2012 SWEDEN
(56) Related Art Documents: **Not Applicable**
(57) Statement of Newness and Distinctiveness: **Nil**



(21) Design Number: **11544/2013**

(22) Date of Filing Application: **28 March 2013**

(24) Date from which industrial property rights may have effect: **28 March 2013**

(54) Product in respect of which the design is registered: **Toilet door**

(51) International Design Classification: **25-02B**

(74) Name(s) of Attorney(s):

(71) Name(s) and Address(s) of Applicant(s):

Ready Industries Pty. Ltd.

PO BOX 330 Niddrie VIC 3042 Australia

(72) Name(s) of Designer(s): **Martin Fouracre and Bruce Fouracre**

(45) Registration Date: **07 June 2013**

(56) Related Art Documents: **Not Applicable**

(57) Statement of Newness and Distinctiveness: **Newness & Distinctiveness is claimed (but not limited to) the visual features of the styling lines at the top and bottom of the Portable Toilet Door and the 'q' shaped styling feature at the centre right of the Portable Toilet Door.**



(21) Design Number: **11629/2013**

(22) Date of Filing Application: **04 April 2013**

(24) Date from which industrial property rights may have effect: **04 April 2013**

(54) Product in respect of which the design is registered: **Car seat cover/beach towel**

(51) International Design Classification: **06-13NES, 06-13C**

(74) Name(s) of Attorney(s):

(71) Name(s) and Address(s) of Applicant(s):

Fluid Mocean Pty. Ltd.

26 127 Queenscliff Rd Queenscliff NSW 2096 Australia

(72) Name(s) of Designer(s): **Matthew Monk**

(45) Registration Date: **07 June 2013**

(56) Related Art Documents: **Not Applicable**

(57) Statement of Newness and Distinctiveness: **New & distinctive head rest hole & head rest pouch which is stitched to the main body (along the front edge only). When mounted correctly these features form a unique "poncho" style of car seat cover design giving breadth across the upper car seat body and avoiding material bunching. When laid out flat the product doubles as a beach towel with the head rest hole being closed by the head rest pouch material. The head rest pouch also acts as a storage case for the cover's body of the material.**



(21) Design Number: **11989/2013**

(22) Date of Filing Application: **29 April 2013**

(24) Date from which industrial property rights may have effect: **29 April 2013**

(54) Product in respect of which the design is registered: **A house facade**

(51) International Design Classification: **25-03**

(74) Name(s) of Attorney(s): **FB Rice**

(71) Name(s) and Address(s) of Applicant(s):

Isao Tezuka

1-6 Higashisenba-cho Tokushima-shi Tokushima 770-0871 Japan

(72) Name(s) of Designer(s): **Isao Tezuka**

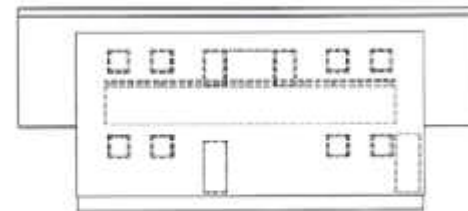
(45) Registration Date: **07 June 2013**

(30) Convention priority data:

(31) Number	(32) Date	(33) Country
2012-027748	13 Nov 2012	JAPAN

(56) Related Art Documents: **Not Applicable**

(57) Statement of Newness and Distinctiveness: **Newness and distinctiveness reside in the features of the design as shown in the representations, and excluding those features shown in broken lines.**



(21) Design Number: **12022/2013**

(22) Date of Filing Application: **01 May 2013**

(24) Date from which industrial property rights may have effect: **01 May 2013**

(54) Product in respect of which the design is registered: **Vending machine**

(51) International Design Classification: **20-01**

(74) Name(s) of Attorney(s): **SPRUSON & FERGUSON**

(71) Name(s) and Address(s) of Applicant(s):

Tomra Systems ASA

Drengsrudhagen 2 Asker NO-1385 Norway

(72) Name(s) of Designer(s): **Silje Sandahl**

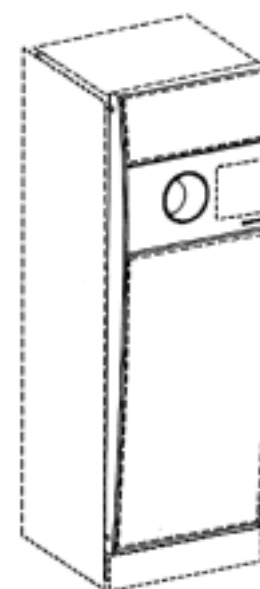
(45) Registration Date: **07 June 2013**

(30) Convention priority data:

(31) Number	(32) Date	(33) Country
002129569	02 Nov 2012	OFFICE FOR HARMONISATION IN THE INTERNAL MARKET (OHIM)

(56) Related Art Documents: **Not Applicable**

(57) Statement of Newness and Distinctiveness: **Newness and distinctiveness is claimed in those features of shape and/or configuration of a vending machine illustrated in continuous lines in the accompanying representations.**



(21) Design Number: **12175/2013**
(22) Date of Filing Application: **10 May 2013**
(24) Date from which industrial property rights may have effect: **10 May 2013**
(54) Product in respect of which the design is registered: **Trailer boat guide**
(51) International Design Classification: **12-16L**
(74) Name(s) of Attorney(s):
(71) Name(s) and Address(s) of Applicant(s):

John Robert Pomper
46 Cove Bvd River Heads QLD 4655 Australia

(72) Name(s) of Designer(s): **John Robert Pomper**

(45) Registration Date: **07 June 2013**

(56) Related Art Documents: **Not Applicable**

(57) Statement of Newness and Distinctiveness: **The newness and distinctiveness resides in the shape and configuration of the bracket and its mounting hole, torsion spring, guide arm and its bush (spring slide) and fastened plastic skid in relation to the two fasteners acting as pivoting points. The design allows for a pair of Trailer Boat Guides to be easily retro-fitted (facing outwardly to form a V shape) directly to the existing boat trailer roller mounts via the existing roller shaft.**



(21) Design Number: **12187/2013**
(22) Date of Filing Application: **07 May 2013**
(24) Date from which industrial property rights may have effect: **07 May 2013**
(54) Product in respect of which the design is registered: **A tyre**
(51) International Design Classification: **12-15B**
(74) Name(s) of Attorney(s): **WATERMARK PATENT AND TRADE MARKS ATTORNEYS**
(71) Name(s) and Address(s) of Applicant(s):

COMPAGNIE GENERALE DES ETABLISSEMENTS MICHELIN
12 cours Sablon 63000 Clermont - Ferrand France
Michelin Recherche et Technique S.A.
Route Louis-Braille 10 et 12 CH-1763 Granges-Paccot Switzerland

(72) Name(s) of Designer(s): **Mathieu Vandaele and Florian Thalamy**

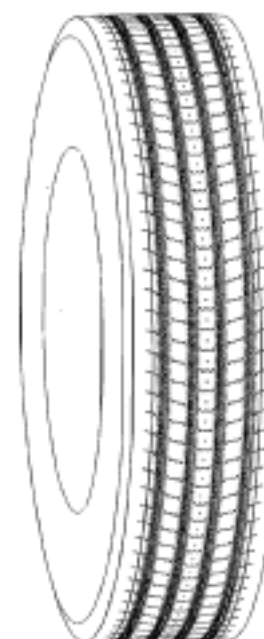
(45) Registration Date: **07 June 2013**

(30) Convention priority data:

(31) Number	(32) Date	(33) Country
12/5020	06 Nov 2012	FRANCE

(56) Related Art Documents: **Not Applicable**

(57) Statement of Newness and Distinctiveness: **Newness and distinctiveness resides in the appearance of the tread region of the tyre, the remainder of the tyre not forming part of the Design.**



- (21) Design Number: **12247/2013**
(22) Date of Filing Application: **15 May 2013**
(24) Date from which industrial property rights may have effect: **15 May 2013**
(54) Product in respect of which the design is registered: **Electronic device**
(51) International Design Classification: **14-02, 14-03A**
(74) Name(s) of Attorney(s): **Wrays**
(71) Name(s) and Address(s) of Applicant(s):
Samsung Electronics., Ltd.
129 Samsung-ro Yeongtong-gu Suwon-si Gyeonggi-do 443-742 Republic of Korea
(72) Name(s) of Designer(s): **Min-Hyouk Lee and Hyoung-Shin Park and Kwan-Ue Hong and Jong-Bo Jung and Gi-Young Lee**
(45) Registration Date: **07 June 2013**
(30) Convention priority data:
(31) Number (32) Date (33) Country
30-2013-0006495 06 Feb 2013 REPUBLIC OF KOREA
(56) Related Art Documents: **Not Applicable**
(57) Statement of Newness and Distinctiveness: **Newness and distinctiveness is claimed in the features of shape and/or configuration of the Electronic Device as shown in the accompanying representations. The features depicted by broken lines are for illustrative purposes only and form no part of the claimed design.**



- (21) Design Number: **12248/2013**
(22) Date of Filing Application: **15 May 2013**
(24) Date from which industrial property rights may have effect: **15 May 2013**
(54) Product in respect of which the design is registered: **Electronic device**
(51) International Design Classification: **14-02, 14-03A**
(74) Name(s) of Attorney(s): **Wrays**
(71) Name(s) and Address(s) of Applicant(s):
Samsung Electronics Co., Ltd
129 Samsung-ro Yeontong-gu Suwon-si Gyeonggi-do 443-742 Republic of Korea
(72) Name(s) of Designer(s): **Min-Hyouk Lee and Hyoung-Shin Park and Kwan-Ue Hong and Jong-Bo Jung and Gi-Young Lee**
(45) Registration Date: **07 June 2013**
(30) Convention priority data:
(31) Number (32) Date (33) Country
30-2013-0006506 06 Feb 2013 REPUBLIC OF KOREA
(56) Related Art Documents: **Not Applicable**
(57) Statement of Newness and Distinctiveness: **Newness and distinctiveness is claimed in the features of shape and/or configuration of the Electronic Device as shown in the accompanying representations. The features depicted by broken lines are for illustrative purposes only and form no part of the claimed design.**



- (21) Design Number: **12249/2013**
(22) Date of Filing Application: **15 May 2013**
(24) Date from which industrial property rights may have effect: **15 May 2013**
(54) Product in respect of which the design is registered: **Electronic device**
(51) International Design Classification: **14-02, 14-03A**
(74) Name(s) of Attorney(s): **Wrays**
(71) Name(s) and Address(s) of Applicant(s):
Samsung Electronics Co., Ltd.
129 Samsung-ro Yeongtong-gu Suwon-si Gyeonggi-do 443-742 Republic of Korea
(72) Name(s) of Designer(s): **Min-Hyouk Lee and Hyoung-Shin Park and Kwan-Ue Hong and Jong-Bo Jung and Gi-Young Lee**
(45) Registration Date: **07 June 2013**
(30) Convention priority data:
(31) Number (32) Date (33) Country
30-2013-0006504 06 Feb 2013 REPUBLIC OF KOREA
(56) Related Art Documents: **Not Applicable**
(57) Statement of Newness and Distinctiveness: **Newness and distinctiveness is claimed in the features of shape and/or configuration of the Electronic Device as shown in the accompanying representations. The features depicted by broken lines are for illustrative purposes only and form no part of the claimed design.**



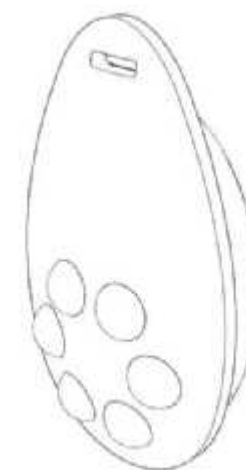
- (21) Design Number: **12250/2013**
(22) Date of Filing Application: **15 May 2013**
(24) Date from which industrial property rights may have effect: **15 May 2013**
(54) Product in respect of which the design is registered: **Electronic device**
(51) International Design Classification: **14-02, 14-03A**
(74) Name(s) of Attorney(s): **Wrays**
(71) Name(s) and Address(s) of Applicant(s):
Samsung Electronics Co., Ltd.
129 Samsung-ro Yeongtong-gu Suwon-si Gyeonggi-do 443-742 Republic of Korea
(72) Name(s) of Designer(s): **Min-Hyouk Lee and Hyoung-Shin Park and Kwan-Ue Hong and Jong-Bo Jung and Gi-Young Lee**
(45) Registration Date: **07 June 2013**
(30) Convention priority data:
(31) Number (32) Date (33) Country
30-2013-0006498 06 Feb 2013 REPUBLIC OF KOREA
(56) Related Art Documents: **Not Applicable**
(57) Statement of Newness and Distinctiveness: **Newness and distinctiveness is claimed in the features of shape and/or configuration of the Electronic Device as shown in the accompanying representations. The features depicted by broken lines are for illustrative purposes only and form no part of the claimed design.**



(21) Design Number: **12251/2013**
(22) Date of Filing Application: **15 May 2013**
(24) Date from which industrial property rights may have effect: **15 May 2013**
(54) Product in respect of which the design is registered: **Electronic device**
(51) International Design Classification: **14-02, 14-03A**
(74) Name(s) of Attorney(s): **Wrays**
(71) Name(s) and Address(s) of Applicant(s):
Samsung Electronics Co., Ltd.
129 Samsung-ro Yeongtong-gu Suwon-si Gyeonggi-do 443-742 Republic of Korea
(72) Name(s) of Designer(s): **Min-Hyouk Lee and Hyoung-Shin Park and Kwan-Ue Hong and Jong-Bo Jung and Gi-Young Lee**
(45) Registration Date: **07 June 2013**
(30) Convention priority data:
(31) Number (32) Date (33) Country
30-2013-0006501 06 Feb 2013 REPUBLIC OF KOREA
(56) Related Art Documents: **Not Applicable**
(57) Statement of Newness and Distinctiveness: **Newness and distinctiveness is claimed in the features of shape and/or configuration of the Electronic Device as shown in the accompanying representations. The features depicted by broken lines are for illustrative purposes only and form no part of the claimed design.**



(21) Design Number: **12293/2013**
(22) Date of Filing Application: **17 May 2013**
(24) Date from which industrial property rights may have effect: **17 May 2013**
(54) Product in respect of which the design is registered: **Dispenser**
(51) International Design Classification: **23-02A**
(74) Name(s) of Attorney(s): **Griffith Hack**
(71) Name(s) and Address(s) of Applicant(s):
Orbel Health Limited
1 St. Andrew's Hill London EC4V 5BY United Kingdom
(72) Name(s) of Designer(s): **Adam Sutcliffe**
(45) Registration Date: **07 June 2013**
(30) Convention priority data:
(31) Number (32) Date (33) Country
002203687-0001 15 Mar 2013 OFFICE FOR HARMONISATION IN THE INTERNAL MARKET (OHIM)
(56) Related Art Documents: **Not Applicable**
(57) Statement of Newness and Distinctiveness: **Newness and distinctiveness resides in the visual features, including shape, configuration and ornamentation of the PRODUCT as shown in the accompanying representations.**



(21) Design Number: **12294/2013**

(22) Date of Filing Application: **17 May 2013**

(24) Date from which industrial property rights may have effect: **17 May 2013**

(54) Product in respect of which the design is registered: **Folding golf cart**

(51) International Design Classification: **12-02**

(74) Name(s) of Attorney(s): **Baxter IP**

(71) Name(s) and Address(s) of Applicant(s):

Jonathan Hwan Wang

46980 Octillo Court Fremont CA 94539-7205 United States of America

(72) Name(s) of Designer(s): **Jonathan Hwan Wang**

(45) Registration Date: **07 June 2013**

(56) Related Art Documents: **Not Applicable**

(57) Statement of Newness and Distinctiveness: **Nil**



(21) Design Number: **12295/2013**

(22) Date of Filing Application: **17 May 2013**

(24) Date from which industrial property rights may have effect: **17 May 2013**

(54) Product in respect of which the design is registered: **Dispenser**

(51) International Design Classification: **23-02A**

(74) Name(s) of Attorney(s): **Griffith Hack**

(71) Name(s) and Address(s) of Applicant(s):

Orbel Health Limited

1 St. Andrew's Hill London EC4V 5BY United Kingdom

(72) Name(s) of Designer(s): **Adam Sutcliffe**

(45) Registration Date: **07 June 2013**

(30) Convention priority data:

(31) Number (32) Date
002203687-0002 15 Mar 2013

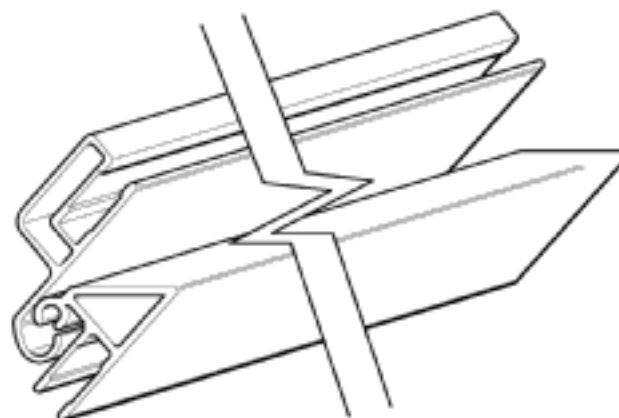
(33) Country
**OFFICE FOR HARMONISATION IN
THE INTERNAL MARKET (OHIM)**

(56) Related Art Documents: **Not Applicable**

(57) Statement of Newness and Distinctiveness: **Newness and distinctiveness resides in the visual features, including shape, configuration and ornamentation of the PRODUCT as shown in the accompanying representations.**



(21) Design Number: **12296/2013**
(22) Date of Filing Application: **17 May 2013**
(24) Date from which industrial property rights may have effect: **17 May 2013**
(54) Product in respect of which the design is registered: **Two piece coupling**
(51) International Design Classification: **25-01K**
(74) Name(s) of Attorney(s): **FB Rice**
(71) Name(s) and Address(s) of Applicant(s):
Aeros Pty Ltd
32-34 Lincoln St Brunswick East VIC 3057 Australia
(72) Name(s) of Designer(s): **Arthur Papastefanou**
(45) Registration Date: **07 June 2013**
(56) Related Art Documents: **Not Applicable**
(57) Statement of Newness and Distinctiveness: **Newness and distinctiveness reside in the cross-sectional shape and/or configuration of the two piece coupling as shown in the representations, wherein the two piece coupling may be of any length.**



(21) Design Number: **12324/2013**
(22) Date of Filing Application: **16 May 2013**
(24) Date from which industrial property rights may have effect: **16 May 2013**
(54) Product in respect of which the design is registered: **Pushchair**
(51) International Design Classification: **12-12**
(74) Name(s) of Attorney(s): **Freehills Patent Attorneys**
(71) Name(s) and Address(s) of Applicant(s):
Dorel France
Z.I. - 9 boulevard du Poitou 49309 Cholet France
(72) Name(s) of Designer(s): **Yann Naslain and Giancarlo Augusto Orsini**
(45) Registration Date: **07 June 2013**
(30) Convention priority data:
(31) Number (32) Date (33) Country
**002137596 16 Nov 2012 OFFICE FOR HARMONISATION IN
THE INTERNAL MARKET (OHIM)**
(56) Related Art Documents: **Not Applicable**
(57) Statement of Newness and Distinctiveness: **Newness and distinctiveness resides in the features of shape and configuration illustrated in the accompanying representations.**



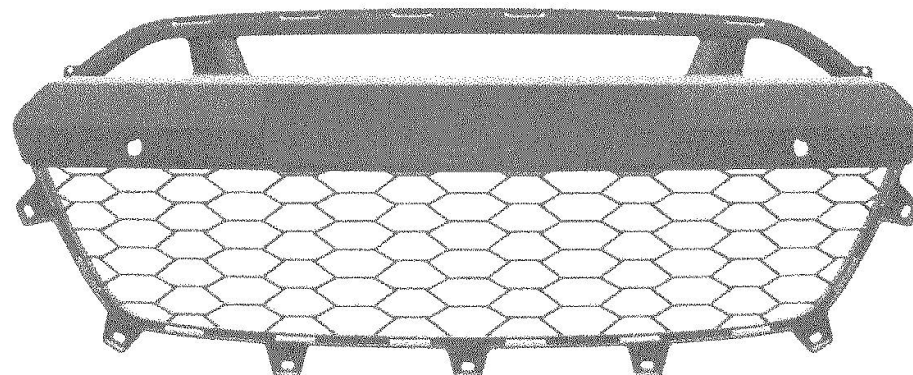
(21) Design Number: **15636/2012**
(22) Date of Filing Application: **14 November 2012**
(24) Date from which industrial property rights may have effect: **14 November 2012**
(54) Product in respect of which the design is registered: **A woman's garment, comprising beaded parts**
(51) International Design Classification: **02-02C**
(74) Name(s) of Attorney(s):
(71) Name(s) and Address(s) of Applicant(s):
Johanna Johnson
89 Glenmore Rd Paddington NSW 2021 Australia
(72) Name(s) of Designer(s): **Johanna Johnson**
(45) Registration Date: **07 June 2013**
(56) Related Art Documents: **Not Applicable**
(57) Statement of Newness and Distinctiveness: **Nil**



(21) Design Number: **12445/2013**
(22) Date of Filing Application: **14 December 2012**
(24) Date from which industrial property rights may have effect: **14 December 2012**
(54) Product in respect of which the design is registered: **Articles of clothing**
(51) International Design Classification: **02-02NES**
(74) Name(s) of Attorney(s):
(71) Name(s) and Address(s) of Applicant(s):
Beba Enterprises Pty Ltd
34 Garden St South Yarra VIC 3141 Australia
(72) Name(s) of Designer(s): **Robert Cromb**
(45) Registration Date: **07 June 2013**
(56) Related Art Documents: **Not Applicable**
(57) Statement of Newness and Distinctiveness: **Nil**



(21) Design Number: **11231/2013**
(22) Date of Filing Application: **13 March 2013**
(24) Date from which industrial property rights may have effect: **13 March 2013**
(54) Product in respect of which the design is registered: **Vehicle lower grille**
(51) International Design Classification: **12-16B**
(74) Name(s) of Attorney(s): **K&L Gates**
(71) Name(s) and Address(s) of Applicant(s):
GM Global Technology Operations LLC
300 Renaissance Centre City of Detroit State of Michigan 48265-3000
United States of America
(72) Name(s) of Designer(s): **Julian Mark Quincey**
(45) Registration Date: **08 June 2013**
(56) Related Art Documents: **Not Applicable**
(57) Statement of Newness and Distinctiveness: **Nil**



Front View

(21) Design Number: **12323/2013**
(22) Date of Filing Application: **16 May 2013**
(24) Date from which industrial property rights may have effect: **16 May 2013**
(54) Product in respect of which the design is registered: **Pushchair**
(51) International Design Classification: **12-12**
(74) Name(s) of Attorney(s): **Freehills Patent Attorneys**
(71) Name(s) and Address(s) of Applicant(s):
Dorel France
Z.I. - 9 boulevard du Poitou 49309 Cholet France
(72) Name(s) of Designer(s): **Yann Naslain and Giancarlo Augusto Orsini**
(45) Registration Date: **08 June 2013**
(30) Convention priority data:
(31) Number (32) Date (33) Country
002137596 16 Nov 2012 OFFICE FOR HARMONISATION IN
THE INTERNAL MARKET (OHIM)
(56) Related Art Documents: **Not Applicable**
(57) Statement of Newness and Distinctiveness: **Newness and distinctiveness resides in the features of shape and configuration illustrated in the accompanying representations.**

1/7



Front perspective view