



Australian Government

IP Australia

AUSTRALIAN OFFICIAL JOURNAL

OF

DESIGNS

Did you know a searchable version of this journal is now available online?

It's FREE and EASY to SEARCH.

Find it on our website (www.ipaustralia.gov.au)

by using the "Journals" link on the home page.

This Page Left Intentionally Blank

Contents

General Information & Notices

**Proceedings Under the Designs Act 1906 preserved as a result of the provisions of Chapter 12
Part 2 of the Designs Act 2003**

Extension of Period of Registration of Designs	1852
Names Registered - Alterations and Amendments	1852
Registrations Ceased	1852
Subsequent Owners Registered	1852

Proceedings Under the Designs Act 2003

Applications for Extension of Time Under Section 137	1863
Applications Lapsed	1862
Applications Lodged	1856
Certificate of Examination	1864
Extension of Period of Registration of Design	1863
Publication and Registration Proceedings	
Designs Registered 349106 to 349397.....	1865
Registrations Ceased	1863
Subsequent Owners Registered	1863

This Page Left Intentionally Blank

For information on the following please see our website www.ipaustralia.gov.au or contact our Customer Service Network on 1300651010

[Editorial enquiries](#)

[Contact information](#)

[Freedom of Information ACT](#)

[Professional Standards Board](#)

[Sales](#)

[Requests for Information under Section 194 \(c\)](#)

[Country Codes](#)

[Trade Mark and Designs Hearing Sessions](#)

[INID \(Internationally agreed Numbers for the Identification of Data\)](#)

“INID” NUMBERS in use on Australian Design Documents

“INID” is an acronym for “Internationally agreed Numbers for the Identification of Data”.

(10) Data concerning the registration/renewal

- (11) Serial number of the registration and/or number of the design document
- (12) Plain language designation of the kind of published document
- (19) Identification, using the two-letter code according to WIPO Standard ST.3, of the authority publishing or registering the industrial design

(20) Data concerning the application

- (21) Serial number of the application
- (22) Date of filing of the application
- (24) Date from which the industrial design right has effect

(30) Data relating to priority under the Paris Convention

- (31) Serial number assigned to the priority application
- (32) Date of filing of the priority application
- (33) Two-letter code, according to WIPO Standard ST.3, identifying the authority with which the priority application was made

(40) Date(s) of making information available to the public

- (45) Date of publication of the registered industrial design by printing or similar process, or making it available to the public by any other means

(50) Miscellaneous Information

- (51) International Classification for Industrial Designs (class and subclass of the Locarno Classification)
- (54) Designation of article(s) or product(s) covered by the industrial design or title of the industrial design
- (55) Reproduction of the industrial design (e.g., drawing, photograph) and explanations relating to the reproduction
- (56) List of prior art documents, if separate from descriptive text
- (57) Description of characteristic features of the industrial design including indication of colours

(60) References to other legally related application(s) and registration(s)

- (62) Serial number(s) and, if available, filing date(s) of application(s), registration(s) or document(s) related by division
- (66) Serial number(s) of the application, or the registration, of the design(s) which is (are) a variant(s) of the present one

(70) Identification of parties concerned with the application or registration

- (71) Name(s) and address(es) of the applicant(s)
- (72) Name(s) of the creator(s) if known to be such
- (74) Name(s) and address(es) of the representative(s)

This Page Left Intentionally Blank

Nil notices for this journal issue.

Proceedings under the Designs Act 1906 preserved as a result of the provisions of Chapter 12 Part 2 of the Designs Act 2003.

This Page Left Intentionally Blank

Applications Lapsed

There were no Applications Lapsed under this section

Extension of Period of Registration of Designs

1st Period (Section 27A(8))

2nd Period (Section 27A(12))

3rd Period (Section 27A(13))

148619	148939	149107
149208	149209	149251
149273	149320	149321
149337	149338	149449
149450	149451	149452
149484	149485	149541
149675	149680	149681
149685	149850	149851
149939	149955	149956
149957	149985	150070
150221	150243	150265
150544	150569	150645
150688	150776	150801
151236	151565	151567
152061	152422	152843
152844	153015	153016
153666	153745	153825
154123	154124	154166

146484	146545	146813
146914	146915	146916
146917	146918	147001
147453	147454	147455
147550	147678	147706
147708	147725	147737
147753	147813	147902
147984	148199	148251
148385	148438	148607
148608	148679	148727
148952	150219	150949
151998	151999	152000
152054	152085	152120
152121	152122	152123
152214	152215	152249
152250	152666	152748
152750	152818	152820
152841	153730	153731
154104	154821	154989
155387	156201	

Subsequent Owners Registered

(The name in parentheses is that of the subsequent owner)

136426 (**Sperian Respiratory Protection USA, LLC**)
Howard S. Leight and Associates, Inc.

Names Registered - Alterations and Amendments

(The name in parentheses is the new name of the proprietor)

137213 (**Sperian Respiratory Protection USA, LLC**) Bacou USA Safety Inc.
140179 (**Sperian Respiratory Protection USA, LLC**) Bacou USA Safety Inc.
153790 (**CUB Pty Ltd**) Foster's Australia Limited
143787 (**Honeywell Safety Products Sweden AB**) Bacou-Dalloz A.B.

Registrations Ceased

Note: Some of the following Registrations may have been previously advertised as ceased. In this instance, the previous advertisement still prevails.

130579	130961	132115
132116	132120	132185
132186	132189	132190
132238	132269	132274
132275	132276	132287
132331	132332	132335
132336	132337	132338
132360	132394	132395
132415	132416	132417
132540	132616	132617
132618	132675	132676
132698	132872	132946
133008	133117	133118
133119	133120	133278
133638	133692	134281
134282	134627	135049
135050	135201	135202
135606	135853	135906
136020	136122	136150
137003	137093	141018

This Page Left Intentionally Blank

Proceedings under the Designs Act 2003.

This Page Left Intentionally Blank

Applications Lodged

Lodgement information is in the following order: **Applicant's Name**; International Classification, Name of Product, Lodgement Date and **Design Number**. If the applicant claims an earlier priority date under an International Convention, the Convention Country and the associated filing date are shown in parentheses before the Lodgement Date. Divisional information will also appear in parentheses before the Lodgement Date.

Aktiebolaget Electrolux; 15-05, Vacuum cleaner component, (EM, 18 Dec 2012) 11 Mar 2013	12812/2013	BISSELL Homecare, Inc; 15-05, Vacuum cleaner module, (US, 18 Jan 2013) 11 Jun 2013	12689/2013
Aktiebolaget Electrolux; 15-05, Vacuum cleaner, (EM, 18 Sep 2012) 11 Mar 2013	12814/2013	BISSELL Homecare, Inc; 08-06, 15-05, Vacuum cleaner handle, (US, 18 Jan 2013) 11 Jun 2013	12688/2013
Aktiebolaget Electrolux; 15-05, Vacuum cleaner, (EM, 18 Dec 2012) 11 Mar 2013	12813/2013	BISSELL Homecare, Inc; 15-05, Vacuum cleaner base, (US, 18 Jan 2013) 11 Jun 2013	12673/2013
Aktiebolaget Electrolux; 15-05, Vacuum cleaner, (EM, 18 Sep 2012) 11 Mar 2013	12811/2013	BRITA GmbH; 07-01F, Stopper for a carafe, (DE, 19 Dec 2012) 18 Jun 2013	12800/2013
Ames True Temper, Inc.; 12-02, Garden cart frame assembly, (US, 12 Dec 2012) 11 Jun 2013	12680/2013	BRITA GmbH; 07-01F, Filter insert for a carafe, (DE, 19 Dec 2012) 18 Jun 2013	12801/2013
Arlec Australia Pty Ltd; 26-05D, Display plate for a night light, 20 Jun 2013	12835/2013	BRITA GmbH; 07-01F, Carafe, (DE, 19 Dec 2012) 18 Jun 2013	12798/2013
Arlec Australia Pty Ltd; 26-05D, Display plate for a night light, 20 Jun 2013	12838/2013	BRITA GmbH; 07-01F, Carafe and stopper together with filter insert, (DE, 19 Dec 2012) 18 Jun 2013	12802/2013
Arlec Australia Pty Ltd; 26-05D, Display plate for a night light, 20 Jun 2013	12836/2013	BRITA GmbH; 07-01F, Carafe and stopper therefore, (DE, 19 Dec 2012) 18 Jun 2013	12799/2013
Arlec Australia Pty Ltd; 26-05D, Display plate for a night light, 20 Jun 2013	12837/2013	Cajee, Mohamed Ismail; 12-12, Invalid walker, 06 Jun 2013	12608/2013
Baker, Ross;Fitzpatrick, David; 26-05NES, Ceiling light guard, 12 Jun 2013	12771/2013	Cajee, Mohamed Ismail; 12-12, Wheel chair cross-over invalid walker, 06 Jun 2013	12610/2013
Barnes, Carolyn Vanessa; 12-02, A trolley, 07 Jun 2013	12662/2013	Cajee, Mohamed Ismail; 03-03, Crutch, 06 Jun 2013	12611/2013
Beats Electronics, LLC; 14-03NES, Transmitter box, (US, 10 Dec 2012) 11 Jun 2013	12682/2013	Cajee, Mohammed Ismail; 12-12, Invalid walker with seat, 06 Jun 2013	12612/2013
Beats Electronics, LLC; 14-03NES, Transmitter box, (US, 10 Dec 2012) 11 Jun 2013	12683/2013	Cajee, Mohammed Ismail; 03-03, Walking stick, 06 Jun 2013	12613/2013
Bork, Gregory; 02-01NES, Jockstrap, mens underwear, 15 Jun 2013	12765/2013	Cajee, Mohammed Ismail; 12-12, Invalid walker, 06 Jun 2013	12614/2013
Brand Developers Ltd; 07-03, 08-03, Knife, 14 Jun 2013	12746/2013	Cajee, Mohammed Ismail; 12-12, Invalid walking frame, 06 Jun 2013	12615/2013
BISSELL Homecare, Inc; 15-05, Vacuum cleaner base, (US, 19 Dec 2012) 11 Jun 2013	12687/2013	Cajee, Mohamed Ismail; 06-01NES, Invalid seat for bath, 06 Jun 2013	12609/2013
BISSELL Homecare, Inc; 15-05, Vacuum cleaner base, (US, 19 Dec 2012) 11 Jun 2013	12681/2013	Caroma Industries Limited; 23-01A, A toilet waste connector, 13 Jun 2013	12706/2013
		Caroma Industries Limited; 23-02C, A toilet pan, 20 Jun 2013	12854/2013
		Caroma Industries Limited; 23-02C, A toilet suite, 20 Jun 2013	12855/2013

Caroma Industries Limited; 23-01A, A toilet waste connector, 13 Jun 2013	12707/2013	Dr Schnakels Pty Ltd; 02-02C, Skirt, 11 Jun 2013	12684/2013
Centor Design Pty Ltd; 08-06, Hinge, 20 Jun 2013	12847/2013	Draeger Safety AG & Co KGaA; 24-01, Breathing device, (EM, 22 Jan 2013) 06 Jun 2013	12620/2013
Centor Design Pty Ltd; 08-06, Door handle, 20 Jun 2013	12849/2013	Draeger Safety AG & Co KGaA; 24-01, Breathing device, (EM, 22 Jan 2013) 06 Jun 2013	12619/2013
Centor Design Pty Ltd; 25-02B, Pivot and Sill extrusion, 20 Jun 2013	12848/2013	Dubgear Inc.; 14-02, Portable device with strap, (US, 21 Dec 2012) 20 Jun 2013	12839/2013
Centor Design Pty Ltd; 25-02B, Sliding door sill, 20 Jun 2013	12845/2013	Dubgear Inc.; 07-01D, Beverage mug, (CA, 21 Dec 2012) 20 Jun 2013	12841/2013
Centor Design Pty Ltd; 08-06, Hinge, 20 Jun 2013	12846/2013	Edgecraft Corporation; 08-05H, Knife sharpener, (US, 07 Jan 2013) 11 Jun 2013	12685/2013
Centor Design Pty Ltd; 25-02B, 08-09, Sliding door sill, 20 Jun 2013	12853/2013	Enjoymagnolia, Lda; 06-13C, Towel, (EM, 13 Dec 2012) 13 Jun 2013	12701/2013
Centor Design Pty Ltd; 25-02B, 08-09, Stile, 20 Jun 2013	12851/2013	F.V. Bilotto Nominees Pty Ltd; 09-04, 09-03F, A crate, 29 Aug 2012	12647/2013
Centor Design Pty Ltd; 25-02B, 08-09, Stile, 20 Jun 2013	12852/2013	Facebook, Inc.; 14-04, Display panel with a graphical user interface, (US, 14 Dec 2012) 12 Jun 2013	12697/2013
Centor Design Pty Ltd; 25-02B, 08-09, Stile, 20 Jun 2013	12850/2013	Facebook, Inc.; 14-04, Display panel with a graphical user interface, (US, 14 Dec 2012) 12 Jun 2013	12696/2013
Chelvaratnam, Danielle; 06-01L, Baby bean bag, 18 Jun 2013	12796/2013	Ferrari S.p.A.; 12-08, 21-01C, Car, (EM, 30 Jan 2013) 14 Jun 2013	12763/2013
Coca-Cola Company, The; 09-01NES, Bottle, (US, 18 Dec 2012) 14 Jun 2013	12756/2013	Fieldpoint (Cyprus) Limited; 26-02, Therapeutic lamp, (WO, 20 Mar 2013) 13 Jun 2013	12700/2013
Compagnie Generale Des Etablissements Michelin;Michelin Recherche et Technique S.A.; 12-15C, A tyre, (FR, 26 Dec 2012) 13 Jun 2013	12723/2013	Fifty-Fourth Rischell Pty Ltd; 02-02C, Men's clothing, 14 Jun 2013	12745/2013
Compagnie Generale Des Etablissements Michelin;Michelin Recherche et Technique S.A.; 12-15B, A tyre, (US, 13 Feb 2013) 17 Jun 2013	12790/2013	Finnin, Christopher Leigh; 12-16NES, Air intake system, 19 Jun 2013	12828/2013
Compagnie Generale Des Etablissements Michelin;Michelin Recherche et Technique S.A.; 12-15C, A tyre, (FR, 26 Dec 2012) 13 Jun 2013	12708/2013	Fitzpatrick, David;Baker, Ross; 26-05NES, Ceiling light guard, 12 Jun 2013	12771/2013
Cooper Tire & Rubber Company; 12-15C, Tire, (US, 23 Apr 2013) 13 Jun 2013	12705/2013	Flux Steel Creations Pty Ltd; 08-08K, Fencing bracket - case A, 07 Jun 2013	12663/2013
Creative Technology Ltd; 14-01, Headphone, (SG, 08 Jan 2013) 07 Jun 2013	12642/2013	Flux Steel Creations Pty Ltd; 08-08K, Fencing bracket - case C, 07 Jun 2013	12665/2013
David Stuckey Investments Pty Ltd; 08-06, Spindle for a handle, 06 Jun 2013	12617/2013	Flux Steel Creations Pty Ltd; 08-08K, Fencing bracket - case B, 07 Jun 2013	12664/2013
David Stuckey Investments Pty Ltd; 08-06, Handle assembly, 06 Jun 2013	12618/2013	Frenger Systems Limited; 23-04, Ventillation and air conditioning equipment, (EM, 13 Dec 2012) 13 Jun 2013	12702/2013
Delaware Capital Formation, Inc.; 20-02A, Fuel dispensing nozzle, (EM, 30 Nov 2012) 08 May 2013	12523/2013	Funtastic Limited; 09-01D, A container, 04 Jun 2013	12605/2013
Divall, Alan David;Galway, Darren Paul; 25-01K, Gate frame extrusion, 07 Jun 2013	12661/2013		

G.H. MUMM & Cie, Societe Vinicole de Champagne, Successeur; 07-01C, Flute, (EM, 21 Dec 2012) 21 Jun 2013	12865/2013	Horne Engineering Limited; 23-02B, Shower, (EM, 17 Dec 2012) 17 Jun 2013	12779/2013
Galway, Darren Paul;Divall, Alan David; 25-01K, Gate frame extrusion, 07 Jun 2013	12661/2013	Horne Engineering Limited; 23-02B, Shower, (EM, 17 Dec 2012) 17 Jun 2013	12780/2013
Garth Australia Pty Ltd; 23-04, 07-02C, Hood for cooking apparatus, 06 Jun 2013	12672/2013	Hosking, Peter; 08-01, Power tools, (EM, 21 Dec 2012) 21 Jun 2013	12859/2013
Gessi S.P.A.; 23-01H, Faucet, (IT, 13 Dec 2012) 12 Jun 2013	12693/2013	Hosking, Peter; 08-01, Power tools, (EM, 21 Dec 2012) 21 Jun 2013	12860/2013
Global Trading Solutions Pty Ltd; 12-99, Vehicle recovery track, 14 Jun 2013	12752/2013	Hosking, Peter; 08-01, Power tools, (EM, 21 Dec 2012) 21 Jun 2013	12858/2013
Goodman Fielder Limited; 09-01NES, Bottle, 19 Jun 2013	12817/2013	Industrie Clothing Pty Limited; 02-02C, Pants, 17 Jun 2013	12783/2013
Goodman Fielder Limited; 09-01NES, Bottle, 19 Jun 2013	12818/2013	Iseki & Co., Ltd.; 12-09, Tractor, 10 Jun 2013	12671/2013
Goodman Fielder Limited; 09-01NES, Bottle, 19 Jun 2013	12816/2013	Joseph Joseph Ltd; 10-04, Measuring jug, (EM, 28 Mar 2013) 17 Jun 2013	12768/2013
Greenwall Australia Pty Ltd; 11-02B, A pot for a verticle garden, 19 Jun 2013	12815/2013	Joseph Joseph Ltd; 07-04, Colanders, (GB, 28 Mar 2013) 17 Jun 2013	12769/2013
Hangzhou China Art Industrial Co. Ltd.; 26-02, Light, 14 Jun 2013	12762/2013	Joseph Joseph Ltd; 07-04, Garlic crusher, (EM, 28 Mar 2013) 17 Jun 2013	12767/2013
Harn Marketing Sdn. Bhd.; 06-06D, Drawer side wall, (MY, 21 Dec 2012) 21 Jun 2013	12861/2013	Joseph Joseph Ltd; 04-02, Handles for toilet brushes, (EM, 18 Mar 2013) 17 Jun 2013	12766/2013
Hart, Christopher Noel; 24-03, An abutment for a dental implant, 14 Jun 2013	12743/2013	Joseph Joseph Ltd; 08-03, 07-04, Meat carving knives set, (GB, 28 Mar 2013) 17 Jun 2013	12770/2013
Hart, Christopher Noel; 24-03, A retention device for a dental abutment, 07 Jun 2013	12667/2013	Jurcevic, Dinko; 19-99, Adhesive stick, (EM, 12 Dec 2012) 12 Jun 2013	12759/2013
Hart, Christopher Noel; 24-03, An abutment for a dental implant, 07 Jun 2013	12666/2013	Jurcevic, Dinko; 19-99, Adhesive stick, (EM, 12 Dec 2012) 12 Jun 2013	12760/2013
Hermans, Ty Gerard; 23-01NES, Plumbing fitting, 07 Jun 2013	12658/2013	Jurcevic, Dinko; 19-99, Adhesive stick, (EM, 12 Dec 2012) 12 Jun 2013	12757/2013
High Manor Pty Ltd; 25-02NES, Limestone block, 13 Jun 2013	12713/2013	Jurcevic, Dinko; 19-99, Adhesive stick, (EM, 12 Dec 2012) 12 Jun 2013	12758/2013
High Manor Pty Ltd; 25-02NES, Limestone block, 13 Jun 2013	12716/2013	Kimberly-Clark Worldwide, Inc.; 09-03M, Container for storing and dispensing wipes, (US, 26 Feb 2013) 17 Jun 2013	12774/2013
High Manor Pty Ltd; 25-02NES, Limestone block, 13 Jun 2013	12714/2013	Kimberly-Clark Worldwide, Inc.; 09-03M, Container for storing and dispensing wipes, (US, 26 Feb 2013) 17 Jun 2013	12776/2013
High Manor Pty Ltd; 25-02NES, Limestone block, 13 Jun 2013	12715/2013	Knightsbridge Cybersystems GmbH; 14-02, Data storage apparatus, 19 Jun 2013	12819/2013
High Manor Pty Ltd; 25-02NES, Limestone block, 13 Jun 2013	12712/2013		
High Manor Pty Ltd; 25-02NES, Limestone block, 13 Jun 2013	12711/2013		
Hill, Keith Lawrence; 20-02NES, Bookholder, 11 Jun 2013	12677/2013		

Knightsbridge Cybersystems GmbH; 14-02, Data storage apparatus, 19 Jun 2013	12820/2013	Magpul Industries Corporation; 22-01, Firearm magazines, (US, 28 Dec 2012) 14 Jun 2013	12748/2013
Kone Corporation; 12-05, Push buttons, hoist, lifts, elevators (part of), (EM, 11 Jan 2013) 07 Jun 2013	12657/2013	Magpul Industries Corporation; 22-01, Firearm magazine, (US, 27 Dec 2012) 14 Jun 2013	12749/2013
Koninklijke Philips Electronics N.V.; 07-02L, Coffee maker, (EM, 19 Dec 2012) 19 Jun 2013	12822/2013	Magpul Industries Corporation; 22-01, Firearm magazine, (US, 28 Dec 2012) 14 Jun 2013	12747/2013
Koninklijke Philips N.V.; 07-02L, Coffee maker, (EM, 19 Dec 2012) 19 Jun 2013	12824/2013	Markham, Andrew Robert; 08-08D, 12-11, 21-01F, Scooter compression clamp, 07 Jun 2013	12648/2013
Koninklijke Philips N.V.; 07-02L, Coffee maker, (EM, 19 Dec 2012) 19 Jun 2013	12826/2013	Mastio, Emmanuel; 06-01H, Chair, 11 Jun 2013	12679/2013
Koninklijke Philips N.V.; 07-02L, Milk container for coffee maker, (EM, 19 Dec 2012) 19 Jun 2013	12827/2013	Mastio, Emmanuel; 06-01H, Chair, 11 Jun 2013	12678/2013
Koninklijke Philips N.V.; 07-02L, Coffee maker, (EM, 19 Dec 2012) 19 Jun 2013	12825/2013	McNeil-PPC Inc.; 24-04, Sanitary absorbent article, (US, 17 Dec 2012) 14 Jun 2013	12742/2013
Laman, Parit;Ng, You Choon; 06-06B, Dressing table with mirror, 13 Jun 2013	12726/2013	McNeil-PPC, Inc.; 23-02A, Release paper for a sanitary absorbent article, (US, 17 Dec 2012) 14 Jun 2013	12741/2013
Laman, Parit;Ng, You Choon; 06-04F, Chest drawers with a door, 13 Jun 2013	12727/2013	McNeil-PPC, Inc.; 09-05, 24-04, Wrapper for a sanitary absorbent article, (US, 17 Dec 2012) 13 Jun 2013	12704/2013
Littlebigsound Pte Ltd; 14-01, Speaker, (SG, 14 Mar 2013) 19 Jun 2013	12830/2013	Merlak, Miha; 09-07B, Cover for drinking vessel, cover for cans, (WO, 31 May 2013) 20 Jun 2013	12834/2013
Littlebigsound Pte Ltd; 14-01, Speaker, (SG, 14 Mar 2013) 19 Jun 2013	12829/2013	Method Products, Inc.; 09-01A, Bottle, (US, 17 Dec 2012) 14 Jun 2013	12805/2013
Liu, Ming-Fan; 20-02D, Tool positioning pad with surface pattern, 21 Jun 2013	12863/2013	Michelin Recherche et Technique S.A.;Compagnie Generale Des Etablissements Michelin; 12-15B, A tyre, (US, 13 Feb 2013) 17 Jun 2013	12790/2013
Liu, Ming-Fan; 20-02D, Tool positioning pad with surface pattern, 21 Jun 2013	12864/2013	Michelin Recherche et Technique S.A.;Compagnie Generale Des Etablissements Michelin; 12-15C, A tyre, (FR, 26 Dec 2012) 13 Jun 2013	12723/2013
Loughman, Sean; 06-04NES, Bookshelf, shelf, 21 Jun 2013	12857/2013	Michelin Recherche et Technique S.A.;Compagnie Generale Des Etablissements Michelin; 12-15C, A tyre, (FR, 26 Dec 2012) 13 Jun 2013	12708/2013
Lyson Trading Pty Ltd; 09-03F, Plastic cake dome lid, 11 Jun 2013	12675/2013	Moore, Simon Timothy;Wilder, John; 15-99, Core tray, 06 Jun 2013	12690/2013
Lyson Trading Pty Ltd; 09-03F, Plastic muffin 4 pack container, 11 Jun 2013	12676/2013	Moore, Simon Timothy;Wilder, John; 15-99, Core tray, 06 Jun 2013	12692/2013
Magpul Industries Corporation; 02-07NES, Connection ring for a firearm sling, (US, 13 Dec 2012) 12 Jun 2013	12698/2013	Moore, Simon Timothy;Wilder, John; 15-99, Core tray, 06 Jun 2013	12691/2013
Magpul Industries Corporation; 22-99, Rail cover panel with surface texture, (US, 27 Dec 2012) 14 Jun 2013	12750/2013		
Magpul Industries Corporation; 22-01, Firearm magazine with window, (US, 27 Dec 2012) 14 Jun 2013	12751/2013		

MEGA Brands, Inc.; 21-01B, Torso of toy figurine, (US, 13 Mar 2013) 23 Jun 2013	12866/2013	OMICRON electronics GmbH; 10-04, Test device, (EM, 21 Dec 2012) 21 Jun 2013	12862/2013
MEGA Brands, Inc.; 21-01B, Leg of toy figurine, (US, 13 Mar 2013) 23 Jun 2013	12867/2013	Pearson, H. G.; 21-01L, Wooden engraved chessboard, 04 Jun 2013	12674/2013
MEGA Brands, Inc.; 21-01B, Toy figurine head, (US, 13 Mar 2013) 23 Jun 2013	12868/2013	Raftery, Luci;VOTAG; 99-00, Lawn and garden care - mowing & maintenance, 20 Jun 2013	12833/2013
MEGA Brands, Inc.; 21-01B, Foot of toy figurine, (US, 13 Mar 2013) 23 Jun 2013	12869/2013	Rawson, John Allen; 22-04, Shooting to 50 and 100 metres, 06 Jun 2013	12649/2013
MEGA Brands, Inc.; 21-01B, Arm of toy figurine, (US, 13 Mar 2013) 23 Jun 2013	12870/2013	Red Bull GmbH; 15-07, Refrigerator, (EM, 17 Dec 2012) 17 Jun 2013	12791/2013
MEGA Brands, Inc.; 21-01B, Toy figurine head, (US, 15 Mar 2013) 23 Jun 2013	12871/2013	Red Bull GmbH; 20-02E, Display stand, (EM, 18 Dec 2012) 18 Jun 2013	12795/2013
Neonode Inc.; 14-03E, Mobile phone, (US, 03 Jan 2013) 07 Jun 2013	12646/2013	Red Bull GmbH; 20-02E, Display stand, (EM, 18 Dec 2012) 18 Jun 2013	12804/2013
Ng, You Choon; 06-02, Bed, 13 Jun 2013	12725/2013	Red Bull GmbH; 20-02NES, Display stand, (EM, 18 Dec 2012) 18 Jun 2013	12803/2013
Ng, You Choon;Laman, Parit; 06-04F, Chest drawers with a door, 13 Jun 2013	12727/2013	Red Bull GmbH; 20-02E, Display stand, (EM, 18 Dec 2012) 18 Jun 2013	12797/2013
Ng, You Choon;Laman, Parit; 06-06B, Dressing table with mirror, 13 Jun 2013	12726/2013	Red Bull GmbH; 15-07, Refrigerator, (EM, 17 Dec 2012) 17 Jun 2013	12784/2013
Ng, You Choon; 06-02, Bed, 13 Jun 2013	12724/2013	Red Bull GmbH; 15-07, Refrigerator, (EM, 17 Dec 2012) 17 Jun 2013	12785/2013
Nucifora, Kaylene; 19-08, Coupon book, 14 Jun 2013	12761/2013	Red Bull GmbH; 15-07, Refrigerator, (EM, 17 Dec 2012) 17 Jun 2013	12793/2013
Ottaway, Dianna; 11-99, Artworks, paintings, drawings, designs, 17 Jun 2013	12786/2013	Red Bull GmbH; 15-07, Refrigerator, (EM, 17 Dec 2012) 17 Jun 2013	12788/2013
Oyj, Marimekko; 07-03, Dinner fork, (EM, 22 Jan 2013) 13 Jun 2013	12718/2013	Red Bull GmbH; 15-07, Refrigerator, (EM, 17 Dec 2012) 17 Jun 2013	12789/2013
Oyj, Marimekko; 07-02NES, Salad server big short, (EM, 22 Jan 2013) 13 Jun 2013	12721/2013	Red Bull GmbH; 15-07, Refrigerator, (EM, 17 Dec 2012) 17 Jun 2013	12787/2013
Oyj, Marimekko; 07-02NES, Salad server small long, (EM, 22 Jan 2013) 13 Jun 2013	12722/2013	Red Bull GmbH; 07-01NES, Container, (EM, 03 Dec 2012) 03 Jun 2013	12547/2013
Oyj, Marimekko; 07-03, Dinner spoon, (EM, 22 Jan 2013) 13 Jun 2013	12720/2013	Reed, Frank George; 21-02NES, Body inversion machine, (NZ, 18 Dec 2012) 17 Jun 2013	12772/2013
Oyj, Marimekko; 07-03, Dinner knife, (EM, 22 Jan 2013) 13 Jun 2013	12719/2013	Rumm, Justin Paul; 17-03, Hair for bows for stringed instruments, 14 Jun 2013	12843/2013
Oyj, Marimekko; 07-03, Coffee spoon, (EM, 22 Jan 2013) 13 Jun 2013	12717/2013		

Rumm, Justin Paul; 17-03, Hair for bows for stringed instruments, 14 Jun 2013	12844/2013	Stormtech Pty Limited; 25-02G, A grate of metal, 14 Jun 2013	12735/2013
Rumm, Justin Paul; 17-03, Hair for bows for stringed instruments, 14 Jun 2013	12842/2013	Stormtech Pty Limited; 25-02G, A grate of metal, 14 Jun 2013	12734/2013
RA Brands, L.L.C.; 22-01, Firearm handguard and a portion thereof, (US, 11 Jan 2013) 07 Jun 2013	12652/2013	Stormtech Pty Limited; 25-02G, A grate of metal, 14 Jun 2013	12730/2013
RA Brands, L.L.C.; 22-01, Firearm handguard and a portion thereof, (US, 11 Jan 2013) 07 Jun 2013	12656/2013	Stormtech Pty Limited; 25-02G, A grate of metal, 14 Jun 2013	12737/2013
RA Brands, L.L.C.; 22-01, Firearm handguard and a portion thereof, (US, 11 Jan 2013) 07 Jun 2013	12654/2013	Stormtech Pty Limited; 25-02G, A drain of metal, 14 Jun 2013	12738/2013
RA Brands, L.L.C.; 22-01, Firearm handguard and a portion thereof, (US, 11 Jan 2013) 07 Jun 2013	12655/2013	Stormtech Pty Limited; 25-02G, A grate of metal, 14 Jun 2013	12733/2013
RA Brands, L.L.C.; 22-01, Firearm handguard and a portion thereof, (US, 11 Jan 2013) 07 Jun 2013	12653/2013	Stormtech Pty Limited; 25-02G, A grate of metal, 14 Jun 2013	12731/2013
RA Brands, L.L.C.; 22-01, Firearm handguard and a portion thereof, (US, 11 Jan 2013) 07 Jun 2013	12651/2013	Stormtech Pty Limited; 25-02G, A grate of metal, 14 Jun 2013	12729/2013
RA Brands, L.L.C.; 22-01, Firearm handguard and a portion thereof, (US, 11 Jan 2013) 07 Jun 2013	12650/2013	Stormtech Pty Limited; 25-02G, A grate of metal, 14 Jun 2013	12736/2013
Samsung Electronics Co., Ltd.; 16-03, Cartridge for printer, (KR, 24 Dec 2012) 18 Jun 2013	12794/2013	Stormtech Pty Limited; 25-02G, A grate of metal, 14 Jun 2013	12732/2013
Schneider Electric (Australia) Pty Limited; 13-03D, Face plate, 17 Jun 2013	12792/2013	Stormtech Pty Limited; 25-02G, A grate of metal, 14 Jun 2013	12744/2013
Seed, Quenton; 15-99, Rod loader attachment, 10 Jun 2013	12694/2013	Stylgame S.r.l.; 06-01F, Adjustable seat base, (EM, 17 Dec 2012) 14 Jun 2013	12840/2013
Seed, Quenton; 15-99, Rod loader attachment, 10 Jun 2013	12695/2013	Sunbeam Corporation Limited; 07-04, Coffee grinder base, 18 Jun 2013	12821/2013
Slurry Technology Group Pty Ltd; 23-01A, Mechanical seal, 18 Jun 2013	12810/2013	SAVERGLASS; 09-01NES, Bottle, (EM, 04 Apr 2013) 19 Jun 2013	12823/2013
Slurry Technology Group Pty Ltd; 15-02, Pump, 18 Jun 2013	12809/2013	SAVERGLASS; 09-01H, Bottle, (EM, 04 Apr 2013) 19 Jun 2013	12728/2013
Societe des Produits Nestle S.A.; 07-02L, A coffee machine, (CH, 21 Dec 2012) 19 Jun 2013	12831/2013	Tan, Eng Kiat; 09-03A, Cigarette box holder, 13 Jun 2013	12755/2013
Sonoco Development, Inc.; 09-07B, Container overcap, (US, 19 Dec 2012) 27 Feb 2013	12607/2013	The Coca-Cola Company; 09-01NES, Bottle, (US, 18 Dec 2012) 14 Jun 2013	12710/2013
Sonoco Development, Inc.; 09-07B, Container overcap, (US, 19 Dec 2012) 27 Feb 2013	12606/2013	The Coleman Company, Inc.; 06-09, Sleep mat, (US, 13 Dec 2012) 13 Jun 2013	12709/2013
South West Community Transport Inc; 03-03, Umbrella, 12 Jun 2013	12699/2013	The Coleman Company, Inc.; 06-09, Sleep mat, (US, 13 Dec 2012) 13 Jun 2013	12644/2013
Stormtech Pty Limited; 25-02G, A drain of metal, 14 Jun 2013	12739/2013	Thorn Europhane S.A.; 25-02A, A bollard, (EM, 11 Dec 2012) 07 Jun 2013	12645/2013
Stormtech Pty Limited; 25-02G, A drain of metal, 14 Jun 2013	12740/2013	Thorn Europhane S.A.; 25-02A, A bollard, (EM, 11 Dec 2012) 07 Jun 2013	12777/2013
		Tomy International, Inc.; 07-01E, Baby bottle, (Divisional of 10838/2013) 17 Jun 2013	12773/2013
		Tomy International, Inc.; 07-01E, Baby bottle, 17 Jun 2013	

Tomy International, Inc.; 07-01E, Baby bottle, (Divisional of 10838/2013) 17 Jun 2013	12778/2013	Whirlpool Corporation; 07-02K, Kettle, (US, 01 Mar 2013) 05 Jun 2013	12639/2013
Urban LYNCH; 06-02, Cot, (NZ, 21 Dec 2012) 14 Jun 2013	12753/2013	Whirlpool Corporation; 07-02K, Kettle, (US, 01 Mar 2013) 05 Jun 2013	12640/2013
Urban LYNCH; 06-02, Cot, (NZ, 21 Dec 2012) 14 Jun 2013	12754/2013	Whirlpool Corporation; 07-02K, Kettle, (US, 01 Mar 2013) 05 Jun 2013	12637/2013
Visy R & D Pty Ltd; 09-03M, Blank for forming a container, 07 Jun 2013	12643/2013	Whirlpool Corporation; 07-02K, Kettle, (US, 01 Mar 2013) 05 Jun 2013	12638/2013
Visy R & D Pty Ltd; 09-08, Blank for forming support apparatus therefrom, 11 Jun 2013	12686/2013	Whirlpool Corporation; 07-02K, Kettle, (US, 01 Mar 2013) 05 Jun 2013	12636/2013
Vogler, Lin William;Worthington, Michael Graham; 25-02NES, Partition, 06 Jun 2013	12616/2013	Whirlpool Corporation; 07-02K, Kettle, (US, 01 Mar 2013) 05 Jun 2013	12634/2013
Volvo Truck Corporation; 21-01C, 12-08, Truck cab, scale model and toy truck cab, (EM, 06 Feb 2013) 06 Jun 2013	12621/2013	Whirlpool Corporation; 07-02K, Electronic kettle, (US, 01 Mar 2013) 05 Jun 2013	12808/2013
Volvo Truck Corporation; 21-01C, 12-08, Truck cab, scale model and toy truck cab, (EM, 06 Feb 2013) 06 Jun 2013	12622/2013	Wickett, Geoffrey Malcolm; 06-04NES, A storage unit, 18 Jun 2013	12691/2013
Vrins, Tanya; 99-00, Test, 15 Jun 2013	12764/2013	Wilder, John;Moore, Simon Timothy; 15-99, Core tray, 06 Jun 2013	12692/2013
VOTAG;Rafferty, Luci; 99-00, Lawn and garden care - mowing & maintenance, 20 Jun 2013	12833/2013	Wilder, John;Moore, Simon Timothy; 15-99, Core tray, 06 Jun 2013	12690/2013
VOTAG; 99-00, Goods/services lawn & garden maintenance services, 20 Jun 2013	12856/2013	Williams, David Rees; 23-03E, Barbecue or firepit, (GB, 28 Mar 2013) 19 Jun 2013	12832/2013
Ward, Kenneth David; 25-01B, Apparatus for formwork, 07 Jun 2013	12659/2013	Wilson Transformer Company Pty Ltd; 08-08K, Bracket, 13 Jun 2013	12703/2013
Ward, Kenneth David; 08-08L, 25-01B, Bracket for formwork, 07 Jun 2013	12660/2013	Worthington, Michael Graham;Vogler, Lin William; 25-02NES, Partition, 06 Jun 2013	12616/2013
Watson, Roy McKay; 23-01A, A spouting connector assembly, (NZ, 11 Dec 2012) 10 Jun 2013	12669/2013	Zumtobel Lighting GmbH; 26-05A, Recessed luminaire, (EM, 20 Dec 2012) 18 Jun 2013	12806/2013
Watson, Roy McKay; 23-01A, A spouting connector assembly, (NZ, 11 Dec 2012) 10 Jun 2013	12670/2013	Zumtobel Lightning GmbH; 26-05C, Recessed luminaire, (EM, 20 Dec 2012) 18 Jun 2013	12807/2013
Whirlpool Corporation; 07-02K, Kettle, (US, 01 Mar 2013) 05 Jun 2013	12635/2013	3M Innovative Properties Company; 24-01, Respiratory mask having flange outline, (US, 27 Dec 2012) 13 Jun 2013	12781/2013
Whirlpool Corporation; 07-02NES, 07-02L, Milk frother, (US, 13 Mar 2013) 05 Jun 2013	12641/2013	3M Innovative Properties Company; 24-01, Respiratory mask with weld line, (US, 27 Dec 2012) 13 Jun 2013	12782/2013

Applications Lapsed

16138 / 2012 (21-01A)

16211 / 2012 (12-16A)

Extension of Period of Registration of Designs

319786	320190	320191
320538	320562	320882
320884	321317	321327
321328	321368	321439
321440	321447	321448
321449	321459	321460
321468	321469	321470
321471	321478	321491
321492	321503	321518
321519	321520	321546
321552	321566	321568
321570	321641	321662
321666	321667	321670
321674	321675	321734
321735	321745	321746
321751	321792	321793
321797	321798	321929
321978	321979	321980
321981	321993	321997
321998	321999	322020
322091	322092	322103
322104	322114	322118
322119	322120	322127
322128	322129	322268
322276	322297	322314
322315	322319	322377
322378	322379	322380
322392	322433	322986
322987	322988	322989
322990	322991	322992
322993	323015	323016
323017	323018	323019
323020	323021	323065
323066	323067	323068
323069	323070	323071
323121	323169	323210
323239	323348	323448
323449	323450	323468
323469	323783	323822
324137	324138	324291
324349	324350	324495
324496	324497	325386
325443		

Registrations Ceased

317182	317531	317760
318077	318086	318202
318413	318414	318550
318552	318553	318556

318557	318558	318560
318561	318562	318563
318624	318626	318627
318630	318632	318638
318639	318640	318641
318644	318650	318652
318655	318656	318674
318680	318681	318683
318690	318692	318693
318694	318714	318715
318716	318717	318731
318750	318751	318770
318773	318774	318775
318831	318833	318876
318877	318878	318880
318881	318882	318884
318885	318892	318987
319061	319517	319518
319576	319614	319616
319617	319618	319619
319620	319621	319622
319624	319866	319867
319993	320127	320322
320323	320324	320325
320326	321351	321352
341839	345164	345624

Applications for Extension of time under Section 137

Applications under section 137 for extension of time have been lodged. Objections must be lodged within 1 month from the date of this journal.

313604 **Keith Melbourne** Address for Service: K. Melbourne 64 Shakespeare Street MOUNT HAWTHORN WA 6016

Subsequent Owners Registered

(The name in parentheses is that of the subsequent owner)

- 314387 (**CTCI Pty Limited**) Agabow Pty Ltd Trading as Central Tablelands Commercial Industries
- 334443 (**Omega Medical Design Pty Ltd**) David Drew Inglis Croft

Certificate(s) of Examination

Examination of the following Design Registration(s) has been completed. Infringement proceedings may now be commenced.

317751	12-16A	11/06/2013
329133	12-06NES	20/06/2013
333295	12-06NES	20/06/2013
339452	07-02E	24/06/2013
343310	19-02	18/06/2013
346001	09-03G	14/06/2013
346351	27-99	24/06/2013
346352	27-99	24/06/2013
346353	27-99	24/06/2013
346355	27-99	24/06/2013
346386	27-99	24/06/2013
347038	02-04NES	19/06/2013
347128	07-04	21/06/2013
347129	07-04	21/06/2013
347257	09-03M	13/06/2013
347334	02-04NES	24/06/2013
347393	08-03	17/06/2013
347394	08-03	17/06/2013
347395	08-03	17/06/2013
347396	08-03	17/06/2013
347470	14-03A	11/06/2013
347713	26-04	20/06/2013
347762	12-11	11/06/2013
347835	13-03E	13/06/2013
347836	13-03E	13/06/2013
347837	13-03E	13/06/2013
347839	04-02	17/06/2013
347840	04-02	17/06/2013
347841	02-03	12/06/2013
347842	04-02	17/06/2013
347845	04-02	17/06/2013
347846	15-03A	19/06/2013
347851	07-02E	17/06/2013
347895	03-03	11/06/2013
347979	09-99	16/06/2013
347980	09-99	16/06/2013
347981	10-04	21/06/2013
347996	02-02B	20/06/2013
348116	11-02C	18/06/2013
348316	08-03	23/06/2013
348376	02-04NES	11/06/2013
348410	01-01	24/06/2013
348411	01-01	24/06/2013

Publication and Registration Proceedings

Designs Registered

This section provides a concordance between design number and registration number of Designs covered in this journal. It also shows the main class and registration date.

This section covers Registration numbers 349106 to 349397 .

The registration number shown below should be used in all future correspondence.

Design Number	Registration Number	International Classification Code (IDC)	Registration Date	Design Number	Registration Number	International Classification Code (IDC)	Registration Date
14283/2012	349325	09-04	20/06/2013	16848/2012	349149	02-02C	12/06/2013
14611/2012	349162	11-01C	13/06/2013	16849/2012	349150	02-02C	12/06/2013
15000/2012	349175	02-02C	13/06/2013	16850/2012	349151	02-02C	12/06/2013
15083/2012	349176	02-02C	13/06/2013	16851/2012	349152	02-02NES	12/06/2013
15084/2012	349174	03-01B	13/06/2013	16852/2012	349153	02-02NES	12/06/2013
15395/2012	349271	12-05	18/06/2013	16853/2012	349154	02-02NES	12/06/2013
15626/2012	349379	12-06A	25/06/2013	16855/2012	349189	02-02NES	13/06/2013
15627/2012	349283	29-02	18/06/2013	16857/2012	349106	03-01B	11/06/2013
15630/2012	349228	02-02C	17/06/2013	16858/2012	349107	03-01B	11/06/2013
15631/2012	349231	02-02C	17/06/2013	16859/2012	349108	03-01B	11/06/2013
15632/2012	349230	02-02C	17/06/2013	16860/2012	349109	03-01B	11/06/2013
15634/2012	349229	02-02C	17/06/2013	16861/2012	349110	03-01B	11/06/2013
15635/2012	349235	02-02C	17/06/2013	16862/2012	349111	03-01B	11/06/2013
15637/2012	349234	02-02C	17/06/2013	16863/2012	349165	03-01D	13/06/2013
15639/2012	349233	02-02C	17/06/2013	16864/2012	349166	03-01D	13/06/2013
15640/2012	349232	02-02C	17/06/2013	16910/2012	349112	02-02NES	11/06/2013
15811/2012	349173	02-02C	13/06/2013	16911/2012	349113	02-02NES	11/06/2013
16367/2012	349128	02-02NES	11/06/2013	16912/2012	349114	02-02NES	11/06/2013
16454/2012	349270	14-02	18/06/2013	16913/2012	349135	02-02NES	11/06/2013
16580/2012	349281	12-08	18/06/2013	16914/2012	349115	02-02NES	11/06/2013
16640/2012	349327	24-02	20/06/2013	16915/2012	349155	02-02C	12/06/2013
16765/2012	349331	24-02	20/06/2013	16916/2012	349116	02-02C	11/06/2013
16766/2012	349332	24-02	20/06/2013	16917/2012	349117	02-02C	11/06/2013
16767/2012	349333	24-02	20/06/2013	10107/2013	349380	13-03NES	25/06/2013
16768/2012	349334	24-02	20/06/2013	10108/2013	349381	13-03NES	25/06/2013
16769/2012	349335	24-02	20/06/2013	10706/2013	349237	06-03A	17/06/2013
16770/2012	349336	24-02	20/06/2013	10723/2013	349284	26-03	18/06/2013
16771/2012	349337	24-02	20/06/2013	10724/2013	349285	08-08M	18/06/2013
16772/2012	349330	24-02	20/06/2013	10774/2013	349279	28-99	18/06/2013
16773/2012	349328	24-02	20/06/2013	10775/2013	349280	28-99	18/06/2013
16774/2012	349329	24-02	20/06/2013	10835/2013	349382	24-01	25/06/2013
16775/2012	349338	24-02	20/06/2013	10838/2013	349383	07-01E	25/06/2013
16786/2012	349268	02-02C	18/06/2013	10842/2013	349277	26-03	18/06/2013
16787/2012	349269	02-02C	18/06/2013	10846/2013	349278	07-01D	18/06/2013
16796/2012	349136	02-02C	12/06/2013	10849/2013	349259	22-06	17/06/2013
16828/2012	349177	02-02C	13/06/2013	10850/2013	349178	22-06	13/06/2013
16829/2012	349137	02-02C	12/06/2013	10851/2013	349260	22-06	17/06/2013
16830/2012	349138	02-02C	12/06/2013	10863/2013	349308	21-01M	19/06/2013
16831/2012	349139	02-02NES	12/06/2013	10864/2013	349309	21-01M	19/06/2013
16832/2012	349140	02-02C	12/06/2013	10865/2013	349310	21-01M	19/06/2013
16833/2012	349141	02-02C	12/06/2013	10866/2013	349311	21-01M	19/06/2013
16834/2012	349142	02-02C	12/06/2013	10875/2013	349378	08-07	24/06/2013
16837/2012	349143	02-02NES	12/06/2013	10950/2013	349185	09-07B	13/06/2013
16838/2012	349144	02-02NES	12/06/2013	10969/2013	349236	14-02	17/06/2013
16839/2012	349145	02-02NES	12/06/2013	10986/2013	349384	08-05NES	25/06/2013
16841/2012	349146	02-02C	12/06/2013	11043/2013	349385	09-03M	25/06/2013
16843/2012	349163	02-02NES	13/06/2013	11057/2013	349386	06-10	25/06/2013
16845/2012	349147	02-02C	12/06/2013	11085/2013	349286	09-03M	18/06/2013
16846/2012	349164	02-02C	13/06/2013	11086/2013	349287	09-03M	18/06/2013
16847/2012	349148	02-02C	12/06/2013	11087/2013	349288	14-02	18/06/2013

Publication and Registration Proceedings - Designs Registered cont'd

Design Number	Registration Number	International Classification Code (IDC)	Registration Date	Design Number	Registration Number	International Classification Code (IDC)	Registration Date
11088/2013	349289	14-02	18/06/2013	11847/2013	349394	25-03	25/06/2013
11108/2013	349290	13-02	18/06/2013	11876/2013	349376	12-06NES	24/06/2013
11109/2013	349291	10-05	18/06/2013	11885/2013	349258	08-08K	17/06/2013
11110/2013	349292	10-05	18/06/2013	11892/2013	349125	25-01F	11/06/2013
11134/2013	349339	06-02	20/06/2013	11894/2013	349395	07-03	25/06/2013
11203/2013	349387	14-01	25/06/2013	11900/2013	349188	14-03E	13/06/2013
11204/2013	349388	14-01	25/06/2013	11910/2013	349396	08-09	25/06/2013
11205/2013	349389	14-01	25/06/2013	11911/2013	349342	08-09	20/06/2013
11206/2013	349390	14-01	25/06/2013	11912/2013	349184	25-02C	13/06/2013
11207/2013	349391	14-01	25/06/2013	11925/2013	349397	22-99	25/06/2013
11208/2013	349392	14-01	25/06/2013	11936/2013	349156	23-02C	12/06/2013
11209/2013	349393	14-01	25/06/2013	11937/2013	349303	12-16F	18/06/2013
11229/2013	349261	12-16B	17/06/2013	11953/2013	349157	09-03H	12/06/2013
11238/2013	349293	25-01C	18/06/2013	11957/2013	349343	06-05	20/06/2013
11255/2013	349127	12-16B	11/06/2013	11959/2013	349158	09-03H	12/06/2013
11256/2013	349129	12-16B	11/06/2013	11963/2013	349159	25-01NES	12/06/2013
11258/2013	349130	12-16B	11/06/2013	11967/2013	349160	19-07	12/06/2013
11259/2013	349131	12-16B	11/06/2013	11968/2013	349161	19-07	12/06/2013
11261/2013	349132	12-16B	11/06/2013	12028/2013	349304	09-01H	18/06/2013
11262/2013	349133	12-16B	11/06/2013	12030/2013	349305	09-01H	18/06/2013
11263/2013	349134	12-16B	11/06/2013	12031/2013	349306	09-01H	18/06/2013
11265/2013	349119	12-16E	11/06/2013	12100/2013	349262	08-05F	17/06/2013
11266/2013	349120	12-16E	11/06/2013	12111/2013	349126	12-12	11/06/2013
11267/2013	349121	12-16A	11/06/2013	12117/2013	349167	20-03C	13/06/2013
11268/2013	349122	12-16A	11/06/2013	12145/2013	349344	09-03K	20/06/2013
11269/2013	349123	12-16A	11/06/2013	12146/2013	349345	09-03K	20/06/2013
11287/2013	349340	10-07	20/06/2013	12147/2013	349346	09-03K	20/06/2013
11288/2013	349341	10-07	20/06/2013	12211/2013	349168	13-03D	13/06/2013
11407/2013	349312	25-04	19/06/2013	12280/2013	349169	09-03NES	13/06/2013
11431/2013	349294	24-01	18/06/2013	12318/2013	349227	26-02	17/06/2013
11452/2013	349295	07-01NES	18/06/2013	12325/2013	349239	14-03A	17/06/2013
11453/2013	349296	07-01NES	18/06/2013	12326/2013	349241	08-05NES	17/06/2013
11518/2013	349179	12-16F	13/06/2013	12327/2013	349242	08-05NES	17/06/2013
11519/2013	349180	12-16F	13/06/2013	12328/2013	349240	12-15A	17/06/2013
11520/2013	349181	12-16F	13/06/2013	12329/2013	349243	14-02	17/06/2013
11521/2013	349182	12-16F	13/06/2013	12330/2013	349244	08-03	17/06/2013
11524/2013	349183	12-16F	13/06/2013	12331/2013	349245	09-01F	17/06/2013
11558/2013	349297	12-16B	18/06/2013	12333/2013	349246	03-01A	17/06/2013
11560/2013	349118	01-01	11/06/2013	12334/2013	349238	12-15B	17/06/2013
11573/2013	349313	28-01	19/06/2013	12335/2013	349263	03-01NES	17/06/2013
11659/2013	349226	06-03C	17/06/2013	12346/2013	349347	25-02NES	20/06/2013
11664/2013	349298	12-02	18/06/2013	12347/2013	349348	25-02NES	20/06/2013
11695/2013	349314	31-00	19/06/2013	12348/2013	349349	25-02NES	20/06/2013
11709/2013	349299	15-05	18/06/2013	12349/2013	349247	08-05G	17/06/2013
11723/2013	349315	23-02A	19/06/2013	12351/2013	349248	12-08	17/06/2013
11726/2013	349375	26-05E	24/06/2013	12361/2013	349170	19-06	13/06/2013
11762/2013	349377	26-02	24/06/2013	12368/2013	349272	09-03E	18/06/2013
11768/2013	349282	23-01L	18/06/2013	12369/2013	349171	12-16NES	13/06/2013
11770/2013	349316	08-03	19/06/2013	12373/2013	349172	12-08	13/06/2013
11771/2013	349317	08-03	19/06/2013	12374/2013	349249	23-02C	17/06/2013
11772/2013	349318	08-03	19/06/2013	12375/2013	349250	23-02C	17/06/2013
11773/2013	349319	08-03	19/06/2013	12376/2013	349251	23-02C	17/06/2013
11810/2013	349300	06-13C	18/06/2013	12377/2013	349252	23-02C	17/06/2013
11844/2013	349301	06-13B	18/06/2013	12378/2013	349253	23-02C	17/06/2013
11845/2013	349302	06-13B	18/06/2013	12381/2013	349254	21-02D	17/06/2013

Publication and Registration Proceedings - Designs Registered cont'd

Design Number	Registration Number	International Classification Code (IDC)	Registration Date	Design Number	Registration Number	International Classification Code (IDC)	Registration Date
12392/2013	349255	07-01C	17/06/2013	12456/2013	349266	06-03A	18/06/2013
12394/2013	349256	07-01C	17/06/2013	12457/2013	349267	06-03A	18/06/2013
12395/2013	349257	07-99NES	17/06/2013	12458/2013	349223	06-02	17/06/2013
12397/2013	349190	25-02C	14/06/2013	12459/2013	349224	06-04D	17/06/2013
12399/2013	349191	08-07	14/06/2013	12460/2013	349225	06-04D	17/06/2013
12400/2013	349192	30-99	14/06/2013	12467/2013	349320	09-01A	19/06/2013
12401/2013	349193	11-02C	14/06/2013	12471/2013	349321	14-03E	19/06/2013
12404/2013	349194	30-99	14/06/2013	12477/2013	349322	02-06	19/06/2013
12406/2013	349195	03-01B	14/06/2013	12480/2013	349350	12-16C	21/06/2013
12407/2013	349196	30-99	14/06/2013	12481/2013	349351	12-16C	21/06/2013
12408/2013	349197	13-02	14/06/2013	12482/2013	349352	09-07C	21/06/2013
12409/2013	349198	10-05	14/06/2013	12487/2013	349323	06-02	19/06/2013
12410/2013	349199	26-05A	14/06/2013	12497/2013	349353	14-03E	21/06/2013
12411/2013	349200	26-05A	14/06/2013	12498/2013	349354	14-03E	21/06/2013
12413/2013	349201	26-03	14/06/2013	12499/2013	349355	03-01NES	21/06/2013
12414/2013	349203	26-05A	14/06/2013	12505/2013	349356	03-01NES	21/06/2013
12415/2013	349202	26-05A	14/06/2013	12506/2013	349357	03-01NES	21/06/2013
12416/2013	349204	26-05A	14/06/2013	12508/2013	349358	03-01NES	21/06/2013
12418/2013	349205	26-03	14/06/2013	12509/2013	349359	03-01NES	21/06/2013
12419/2013	349206	26-05E	14/06/2013	12510/2013	349360	03-01NES	21/06/2013
12421/2013	349207	03-01NES	14/06/2013	12511/2013	349361	03-01NES	21/06/2013
12422/2013	349208	03-01NES	14/06/2013	12516/2013	349124	26-06	11/06/2013
12423/2013	349209	03-01NES	14/06/2013	12518/2013	349362	07-05E	21/06/2013
12424/2013	349210	03-01NES	14/06/2013	12523/2013	349307	20-02A	18/06/2013
12429/2013	349215	12-15F	17/06/2013	12534/2013	349363	07-99NES	21/06/2013
12430/2013	349216	25-01K	17/06/2013	12535/2013	349364	23-02NES	21/06/2013
12432/2013	349217	21-02C	17/06/2013	12536/2013	349366	07-99NES	24/06/2013
12436/2013	349218	25-02C	17/06/2013	12538/2013	349367	07-01F	24/06/2013
12440/2013	349219	08-08O	17/06/2013	12554/2013	349368	07-06D	24/06/2013
12441/2013	349220	08-08O	17/06/2013	12555/2013	349369	07-06D	24/06/2013
12442/2013	349221	08-08O	17/06/2013	12556/2013	349370	02-02C	24/06/2013
12443/2013	349222	08-08O	17/06/2013	12557/2013	349371	08-09	24/06/2013
12446/2013	349211	14-03NES	14/06/2013	12560/2013	349372	09-07B	24/06/2013
12447/2013	349212	23-04	14/06/2013	12561/2013	349373	09-07B	24/06/2013
12448/2013	349213	23-04	14/06/2013	12562/2013	349374	08-05E	24/06/2013
12449/2013	349214	23-04	14/06/2013	12581/2013	349365	02-02NES	21/06/2013
12450/2013	349275	23-04	18/06/2013	12606/2013	349186	09-07B	13/06/2013
12451/2013	349274	23-04	18/06/2013	12607/2013	349187	09-07B	13/06/2013
12452/2013	349273	23-04	18/06/2013	12647/2013	349326	09-04	20/06/2013
12453/2013	349276	23-04	18/06/2013	12680/2013	349324	12-02	19/06/2013
12454/2013	349264	06-01F	18/06/2013				
12455/2013	349265	06-04D	18/06/2013				

Publication and Registration Proceedings

Class Listing of Designs Published or Registered

The following section shows an International Classification Code listing of the Registered or Published Designs covered in this supplement.

Classification	Registration Number	Design Number	Classification	Registration Number	Design Number
01-01	349118	11560/2013	03-01B	349109	16860/2012
02-02C	349116	16916/2012	03-01B	349110	16861/2012
02-02C	349117	16917/2012	03-01B	349111	16862/2012
02-02C	349136	16796/2012	03-01B	349174	15084/2012
02-02C	349137	16829/2012	03-01B	349195	12406/2013
02-02C	349138	16830/2012	03-01D	349165	16863/2012
02-02C	349140	16832/2012	03-01D	349166	16864/2012
02-02C	349141	16833/2012	03-01NES	349207	12421/2013
02-02C	349142	16834/2012	03-01NES	349208	12422/2013
02-02C	349146	16841/2012	03-01NES	349209	12423/2013
02-02C	349147	16845/2012	03-01NES	349210	12424/2013
02-02C	349148	16847/2012	03-01NES	349263	12335/2013
02-02C	349149	16848/2012	03-01NES	349355	12499/2013
02-02C	349150	16849/2012	03-01NES	349356	12505/2013
02-02C	349151	16850/2012	03-01NES	349357	12506/2013
02-02C	349155	16915/2012	03-01NES	349358	12508/2013
02-02C	349164	16846/2012	03-01NES	349359	12509/2013
02-02C	349173	15811/2012	03-01NES	349360	12510/2013
02-02C	349175	15000/2012	03-01NES	349361	12511/2013
02-02C	349176	15083/2012	04-99	349384	10986/2013
02-02C	349177	16828/2012	06-01E	349237	10706/2013
02-02C	349228	15630/2012	06-01F	349264	12454/2013
02-02C	349229	15634/2012	06-02	349223	12458/2013
02-02C	349230	15632/2012	06-02	349323	12487/2013
02-02C	349231	15631/2012	06-02	349339	11134/2013
02-02C	349232	15640/2012	06-03A	349237	10706/2013
02-02C	349233	15639/2012	06-03A	349266	12456/2013
02-02C	349234	15637/2012	06-03A	349267	12457/2013
02-02C	349235	15635/2012	06-03C	349226	11659/2013
02-02C	349268	16786/2012	06-04D	349224	12459/2013
02-02C	349269	16787/2012	06-04D	349225	12460/2013
02-02C	349370	12556/2013	06-04D	349265	12455/2013
02-02NES	349112	16910/2012	06-05	349343	11957/2013
02-02NES	349113	16911/2012	06-10	349386	11057/2013
02-02NES	349114	16912/2012	06-13B	349301	11844/2013
02-02NES	349115	16914/2012	06-13B	349302	11845/2013
02-02NES	349128	16367/2012	06-13C	349300	11810/2013
02-02NES	349135	16913/2012	07-01C	349255	12392/2013
02-02NES	349139	16831/2012	07-01C	349256	12394/2013
02-02NES	349143	16837/2012	07-01D	349278	10846/2013
02-02NES	349144	16838/2012	07-01E	349383	10838/2013
02-02NES	349145	16839/2012	07-01F	349367	12538/2013
02-02NES	349152	16851/2012	07-01NES	349295	11452/2013
02-02NES	349153	16852/2012	07-01NES	349296	11453/2013
02-02NES	349154	16853/2012	07-01NES	349367	12538/2013
02-02NES	349163	16843/2012	07-01NES	349372	12560/2013
02-02NES	349189	16855/2012	07-01NES	349373	12561/2013
02-02NES	349365	12581/2013	07-03	349395	11894/2013
02-06	349322	12477/2013	07-04	349314	11695/2013
03-01A	349246	12333/2013	07-05E	349362	12518/2013
03-01B	349106	16857/2012	07-06D	349368	12554/2013
03-01B	349107	16858/2012	07-06D	349369	12555/2013
03-01B	349108	16859/2012	07-07A	349367	12538/2013

Registration Proceedings - Class Listing of Designs Published or Registered cont'd

Classification	Registration Number	Design Number	Classification	Registration Number	Design Number
07-99NES	349257	12395/2013	09-05	349287	11086/2013
07-99NES	349363	12534/2013	09-07B	349185	10950/2013
07-99NES	349366	12536/2013	09-07B	349186	12606/2013
08-03	349244	12330/2013	09-07B	349187	12607/2013
08-03	349316	11770/2013	09-07B	349372	12560/2013
08-03	349317	11771/2013	09-07B	349373	12561/2013
08-03	349318	11772/2013	09-07C	349352	12482/2013
08-03	349319	11773/2013	09-07NES	349344	12145/2013
08-05E	349374	12562/2013	09-07NES	349345	12146/2013
08-05F	349262	12100/2013	09-07NES	349346	12147/2013
08-05G	349247	12349/2013	09-09	349364	12535/2013
08-05NES	349198	12409/2013	10-04	349374	12562/2013
08-05NES	349241	12326/2013	10-05	349198	12409/2013
08-05NES	349242	12327/2013	10-05	349291	11109/2013
08-05NES	349384	10986/2013	10-05	349292	11110/2013
08-07	349191	12399/2013	10-06	349347	12346/2013
08-07	349378	10875/2013	10-06	349348	12347/2013
08-08K	349190	12397/2013	10-07	349340	11287/2013
08-08K	349258	11885/2013	10-07	349341	11288/2013
08-08L	349216	12430/2013	11-01C	349162	14611/2012
08-08M	349285	10724/2013	11-02C	349193	12401/2013
08-08NES	349239	12325/2013	12-02	349298	11664/2013
08-08NES	349285	10724/2013	12-02	349324	12680/2013
08-08O	349219	12440/2013	12-05	349271	15395/2012
08-08O	349220	12441/2013	12-06A	349379	15626/2012
08-08O	349221	12442/2013	12-06NES	349376	11876/2013
08-08O	349222	12443/2013	12-08	349172	12373/2013
08-09	349342	11911/2013	12-08	349248	12351/2013
08-09	349371	12557/2013	12-08	349281	16580/2012
08-09	349396	11910/2013	12-10	349364	12535/2013
09-01A	349320	12467/2013	12-12	349126	12111/2013
09-01C	349295	11452/2013	12-15A	349240	12328/2013
09-01C	349296	11453/2013	12-15B	349238	12334/2013
09-01F	349245	12331/2013	12-15F	349215	12429/2013
09-01H	349304	12028/2013	12-16A	349121	11267/2013
09-01H	349305	12030/2013	12-16A	349122	11268/2013
09-01H	349306	12031/2013	12-16A	349123	11269/2013
09-01NES	349320	12467/2013	12-16B	349127	11255/2013
09-03E	349272	12368/2013	12-16B	349129	11256/2013
09-03F	349158	11959/2013	12-16B	349130	11258/2013
09-03F	349325	14283/2012	12-16B	349131	11259/2013
09-03F	349326	12647/2013	12-16B	349132	11261/2013
09-03H	349157	11953/2013	12-16B	349133	11262/2013
09-03H	349158	11959/2013	12-16B	349134	11263/2013
09-03K	349286	11085/2013	12-16B	349261	11229/2013
09-03K	349287	11086/2013	12-16B	349297	11558/2013
09-03K	349344	12145/2013	12-16C	349350	12480/2013
09-03K	349345	12146/2013	12-16C	349351	12481/2013
09-03K	349346	12147/2013	12-16E	349119	11265/2013
09-03M	349286	11085/2013	12-16E	349120	11266/2013
09-03M	349287	11086/2013	12-16F	349179	11518/2013
09-03M	349385	11043/2013	12-16F	349180	11519/2013
09-03NES	349169	12280/2013	12-16F	349181	11520/2013
09-04	349325	14283/2012	12-16F	349182	11521/2013
09-04	349326	12647/2013	12-16F	349183	11524/2013
09-05	349286	11085/2013	12-16F	349303	11937/2013

Registration Proceedings - Class Listing of Designs Published or Registered cont'd

Classification	Registration Number	Design Number	Classification	Registration Number	Design Number
12-16NES	349171	12369/2013	23-02C	349249	12374/2013
12-16NES	349297	11558/2013	23-02C	349250	12375/2013
13-02	349197	12408/2013	23-02C	349251	12376/2013
13-02	349290	11108/2013	23-02C	349252	12377/2013
13-03D	349168	12211/2013	23-02C	349253	12378/2013
13-03D	349286	11085/2013	23-02NES	349364	12535/2013
13-03D	349287	11086/2013	23-04	349212	12447/2013
13-03D	349385	11043/2013	23-04	349213	12448/2013
13-03NES	349380	10107/2013	23-04	349214	12449/2013
13-03NES	349381	10108/2013	23-04	349273	12452/2013
14-01	349385	11043/2013	23-04	349274	12451/2013
14-01	349387	11203/2013	23-04	349275	12450/2013
14-01	349388	11204/2013	23-04	349276	12453/2013
14-01	349389	11205/2013	24-01	349294	11431/2013
14-01	349390	11206/2013	24-01	349382	10835/2013
14-01	349391	11207/2013	24-02	349294	11431/2013
14-01	349392	11208/2013	24-02	349327	16640/2012
14-01	349393	11209/2013	24-02	349328	16773/2012
14-02	349236	10969/2013	24-02	349329	16774/2012
14-02	349243	12329/2013	24-02	349330	16772/2012
14-02	349270	16454/2012	24-02	349331	16765/2012
14-02	349288	11087/2013	24-02	349332	16766/2012
14-02	349289	11088/2013	24-02	349333	16767/2012
14-03A	349239	12325/2013	24-02	349334	16768/2012
14-03E	349188	11900/2013	24-02	349335	16769/2012
14-03E	349321	12471/2013	24-02	349336	16770/2012
14-03E	349353	12497/2013	24-02	349337	16771/2012
14-03E	349354	12498/2013	24-02	349338	16775/2012
14-03NES	349211	12446/2013	25-01C	349293	11238/2013
14-99	349236	10969/2013	25-01F	349125	11892/2013
14-99	349286	11085/2013	25-01K	349216	12430/2013
14-99	349287	11086/2013	25-01NES	349159	11963/2013
15-04	349215	12429/2013	25-02A	349349	12348/2013
15-05	349299	11709/2013	25-02C	349184	11912/2013
19-06	349170	12361/2013	25-02C	349190	12397/2013
19-07	349160	11967/2013	25-02C	349218	12436/2013
19-07	349161	11968/2013	25-02H	349159	11963/2013
20-02A	349307	12523/2013	25-02NES	349347	12346/2013
20-02E	349169	12280/2013	25-02NES	349348	12347/2013
20-03C	349167	12117/2013	25-02NES	349349	12348/2013
21-01C	349281	16580/2012	25-03	349394	11847/2013
21-01M	349308	10863/2013	25-04	349312	11407/2013
21-01M	349309	10864/2013	26-02	349227	12318/2013
21-01M	349310	10865/2013	26-02	349377	11762/2013
21-01M	349311	10866/2013	26-03	349201	12413/2013
21-02C	349217	12432/2013	26-03	349205	12418/2013
21-02D	349254	12381/2013	26-03	349277	10842/2013
22-06	349178	10850/2013	26-03	349284	10723/2013
22-06	349259	10849/2013	26-05A	349199	12410/2013
22-06	349260	10851/2013	26-05A	349200	12411/2013
22-99	349397	11925/2013	26-05A	349202	12415/2013
23-01L	349282	11768/2013	26-05A	349203	12414/2013
23-02A	349315	11723/2013	26-05A	349204	12416/2013
23-02A	349347	12346/2013	26-05E	349206	12419/2013
23-02A	349348	12347/2013	26-05E	349277	10842/2013
23-02C	349156	11936/2013	26-05E	349284	10723/2013

Registration Proceedings - Class Listing of Designs Published or Registered cont'd

Classification	Registration Number	Design Number	Classification	Registration Number	Design Number
26-05E	349375	11726/2013	29-02	349283	15627/2012
26-06	349119	11265/2013	30-99	349192	12400/2013
26-06	349120	11266/2013	30-99	349194	12404/2013
26-06	349124	12516/2013	30-99	349196	12407/2013
28-01	349313	11573/2013	31-00	349314	11695/2013
28-99	349279	10774/2013			
28-99	349280	10775/2013			

(21) Design Number: **16857/2012**
(22) Date of Filing Application: **29 April 2013**
(24) Date from which industrial property rights may have effect: **12 October 2012**
(54) Product in respect of which the design is registered: **Carry case**
(51) International Design Classification: **03-01B**
(74) Name(s) of Attorney(s): **Allens Patent & Trade Mark Attorneys**
(71) Name(s) and Address(s) of Applicant(s):
Forever New Clothing Pty Ltd
714-716 High St Kew East VIC 3102 Australia
(72) Name(s) of Designer(s): **Georgia Roberts-Thomson**
(45) Registration Date: **11 June 2013**
(30) Convention priority data:
(31) Number (32) Date (33) Country
4026135 30 Aug 2012 UNITED KINGDOM
(62) Divisional of: **349174**
(56) Related Art Documents: **Not Applicable**
(57) Statement of Newness and Distinctiveness: **Newness and distinctiveness resides in the visual features of shape, configuration, pattern and/or ornamentation of a carry case as shown in the accompanying representations.**



(21) Design Number: **16858/2012**
(22) Date of Filing Application: **29 April 2013**
(24) Date from which industrial property rights may have effect: **12 October 2012**
(54) Product in respect of which the design is registered: **Carry case**
(51) International Design Classification: **03-01B**
(74) Name(s) of Attorney(s): **Allens Patent & Trade Mark Attorneys**
(71) Name(s) and Address(s) of Applicant(s):
Forever New Clothing Pty Ltd
714-716 High St Kew East VIC 3102 Australia
(72) Name(s) of Designer(s): **Georgia Roberts-Thomson**
(45) Registration Date: **11 June 2013**
(30) Convention priority data:
(31) Number (32) Date (33) Country
4026135 30 Aug 2012 UNITED KINGDOM
(62) Divisional of: **349174**
(56) Related Art Documents: **Not Applicable**
(57) Statement of Newness and Distinctiveness: **Newness and distinctiveness resides in the visual features of shape, configuration, pattern and/or ornamentation of a carry case as shown in the accompanying representations.**



(21) Design Number: **16859/2012**
(22) Date of Filing Application: **29 April 2013**
(24) Date from which industrial property rights may have effect: **12 October 2012**
(54) Product in respect of which the design is registered: **Handbag**
(51) International Design Classification: **03-01B**
(74) Name(s) of Attorney(s): **Allens Patent & Trade Mark Attorneys**
(71) Name(s) and Address(s) of Applicant(s):
Forever New Clothing Pty Ltd
714-716 High St Kew East VIC 3102 Australia
(72) Name(s) of Designer(s): **Georgia Roberts-Thomson**
(45) Registration Date: **11 June 2013**
(30) Convention priority data:
(31) Number (32) Date (33) Country
4026135 30 Aug 2012 UNITED KINGDOM
(62) Divisional of: **349174**
(56) Related Art Documents: **Not Applicable**
(57) Statement of Newness and Distinctiveness: **Newness and distinctiveness resides in the visual features of shape, configuration, pattern and/or ornamentation of a handbag as shown in the accompanying representations.**



(21) Design Number: **16860/2012**
(22) Date of Filing Application: **29 April 2013**
(24) Date from which industrial property rights may have effect: **12 October 2012**
(54) Product in respect of which the design is registered: **Carry bag**
(51) International Design Classification: **03-01B**
(74) Name(s) of Attorney(s): **Allens Patent & Trade Mark Attorneys**
(71) Name(s) and Address(s) of Applicant(s):
Forever New Clothing Pty Ltd
714-716 High St Kew East VIC 3102 Australia
(72) Name(s) of Designer(s): **Georgia Roberts-Thomson**
(45) Registration Date: **11 June 2013**
(30) Convention priority data:
(31) Number (32) Date (33) Country
4026135 30 Aug 2012 UNITED KINGDOM
(62) Divisional of: **349174**
(56) Related Art Documents: **Not Applicable**
(57) Statement of Newness and Distinctiveness: **Newness and distinctiveness resides in the visual features of shape, configuration, pattern and/or ornamentation of a carry bag as shown in the accompanying representations.**



(21) Design Number: **16861/2012**
(22) Date of Filing Application: **29 April 2013**
(24) Date from which industrial property rights may have effect: **12 October 2012**
(54) Product in respect of which the design is registered: **Carry case**
(51) International Design Classification: **03-01B**
(74) Name(s) of Attorney(s): **Allens Patent & Trade Mark Attorneys**
(71) Name(s) and Address(s) of Applicant(s):
Forever New Clothing Pty Ltd
714-716 High St Kew East VIC 3102 Australia
(72) Name(s) of Designer(s): **Georgia Roberts-Thomson**
(45) Registration Date: **11 June 2013**
(30) Convention priority data:
(31) Number (32) Date (33) Country
4026135 30 Aug 2012 UNITED KINGDOM
(62) Divisional of: **349174**
(56) Related Art Documents: **Not Applicable**
(57) Statement of Newness and Distinctiveness: **Newness and distinctiveness resides in the visual features of shape, configuration, pattern and/or ornamentation of a carry case as shown in the accompanying representations.**



(21) Design Number: **16862/2012**
(22) Date of Filing Application: **29 April 2013**
(24) Date from which industrial property rights may have effect: **12 October 2012**
(54) Product in respect of which the design is registered: **Carry case**
(51) International Design Classification: **03-01B**
(74) Name(s) of Attorney(s): **Allens Patent & Trade Mark Attorneys**
(71) Name(s) and Address(s) of Applicant(s):
Forever New Clothing Pty Ltd
714-716 High St Kew East VIC 3102 Australia
(72) Name(s) of Designer(s): **Georgia Roberts-Thomson**
(45) Registration Date: **11 June 2013**
(30) Convention priority data:
(31) Number (32) Date (33) Country
4026135 30 Aug 2012 UNITED KINGDOM
(62) Divisional of: **349174**
(56) Related Art Documents: **Not Applicable**
(57) Statement of Newness and Distinctiveness: **Newness and distinctiveness resides in the visual features of shape, configuration, pattern and/or ornamentation of a carry case as shown in the accompanying representations.**



- (21) Design Number: **16910/2012**
(22) Date of Filing Application: **07 May 2013**
(24) Date from which industrial property rights may have effect: **08 October 2012**
(54) Product in respect of which the design is registered: **Article of clothing**
(51) International Design Classification: **02-02NES**
(74) Name(s) of Attorney(s): **Allens Patent & Trade Mark Attorneys**
(71) Name(s) and Address(s) of Applicant(s):
Forever New Clothing Pty Ltd
714-716 High St Kew East VIC 3102 Australia
(72) Name(s) of Designer(s): **Jennifer Hall**
(45) Registration Date: **11 June 2013**
(62) Divisional of: **349175**
(56) Related Art Documents: **Not Applicable**
(57) Statement of Newness and Distinctiveness: **Newness and distinctiveness resides in the visual features of shape, configuration, pattern and/or ornamentation of an article of clothing as shown in the accompanying representations.**



- (21) Design Number: **16911/2012**
(22) Date of Filing Application: **07 May 2013**
(24) Date from which industrial property rights may have effect: **08 October 2012**
(54) Product in respect of which the design is registered: **Article of clothing**
(51) International Design Classification: **02-02NES**
(74) Name(s) of Attorney(s): **Allens Patent & Trade Mark Attorneys**
(71) Name(s) and Address(s) of Applicant(s):
Forever New Clothing Pty Ltd
714-716 High St Kew East VIC 3102 Australia
(72) Name(s) of Designer(s): **Jennifer Hall**
(45) Registration Date: **11 June 2013**
(62) Divisional of: **349175**
(56) Related Art Documents: **Not Applicable**
(57) Statement of Newness and Distinctiveness: **Newness and distinctiveness resides in the visual features of shape, configuration, pattern and/or ornamentation of an article of clothing as shown in the accompanying representations.**



- (21) Design Number: **16912/2012**
(22) Date of Filing Application: **07 May 2013**
(24) Date from which industrial property rights may have effect: **08 October 2012**
(54) Product in respect of which the design is registered: **Article of clothing**
(51) International Design Classification: **02-02NES**
(74) Name(s) of Attorney(s): **Allens Patent & Trade Mark Attorneys**
(71) Name(s) and Address(s) of Applicant(s):
Forever New Clothing Pty Ltd
714-716 High St Kew East VIC 3102 Australia
(72) Name(s) of Designer(s): **Jennifer Hall**
(45) Registration Date: **11 June 2013**
(62) Divisional of: **349175**
(56) Related Art Documents: **Not Applicable**
(57) Statement of Newness and Distinctiveness: **Newness and distinctiveness resides in the visual features of shape, configuration, pattern and/or ornamentation of an article of clothing as shown in the accompanying representations.**



- (21) Design Number: **16914/2012**
(22) Date of Filing Application: **07 May 2013**
(24) Date from which industrial property rights may have effect: **08 October 2012**
(54) Product in respect of which the design is registered: **Article of clothing**
(51) International Design Classification: **02-02NES**
(74) Name(s) of Attorney(s): **Allens Patent & Trade Mark Attorneys**
(71) Name(s) and Address(s) of Applicant(s):
Forever New Clothing Pty Ltd
714-716 High St Kew East VIC 3102 Australia
(72) Name(s) of Designer(s): **Jennifer Hall**
(45) Registration Date: **11 June 2013**
(62) Divisional of: **349175**
(56) Related Art Documents: **Not Applicable**
(57) Statement of Newness and Distinctiveness: **Newness and distinctiveness resides in the visual features of shape, configuration, pattern and/or ornamentation of an article of clothing as shown in the accompanying representations.**



- (21) Design Number: **16916/2012**
(22) Date of Filing Application: **07 May 2013**
(24) Date from which industrial property rights may have effect: **08 October 2012**
(54) Product in respect of which the design is registered: **Article of clothing**
(51) International Design Classification: **02-02C**
(74) Name(s) of Attorney(s): **Allens Patent & Trade Mark Attorneys**
(71) Name(s) and Address(s) of Applicant(s):
Forever New Clothing Pty Ltd
714-716 High St Kew East VIC 3102 Australia
(72) Name(s) of Designer(s): **Laura Mitchell**
(45) Registration Date: **11 June 2013**
(62) Divisional of: **349175**
(56) Related Art Documents: **Not Applicable**
(57) Statement of Newness and Distinctiveness: **Newness and distinctiveness resides in the visual features of shape, configuration, pattern and/or ornamentation of an article of clothing as shown in the accompanying representations.**



- (21) Design Number: **16917/2012**
(22) Date of Filing Application: **07 May 2013**
(24) Date from which industrial property rights may have effect: **08 October 2012**
(54) Product in respect of which the design is registered: **Article of clothing**
(51) International Design Classification: **02-02C**
(74) Name(s) of Attorney(s): **Allens Patent & Trade Mark Attorneys**
(71) Name(s) and Address(s) of Applicant(s):
Forever New Clothing Pty Ltd
714-716 High St Kew East VIC 3102 Australia
(72) Name(s) of Designer(s): **Tristan Melle**
(45) Registration Date: **11 June 2013**
(62) Divisional of: **349175**
(56) Related Art Documents: **Not Applicable**
(57) Statement of Newness and Distinctiveness: **Newness and distinctiveness resides in the visual features of shape, configuration, pattern and/or ornamentation of an article of clothing as shown in the accompanying representations.**



(21) Design Number: **11560/2013**
(22) Date of Filing Application: **28 March 2013**
(24) Date from which industrial property rights may have effect: **28 March 2013**
(54) Product in respect of which the design is registered: **Chocolate**
(51) International Design Classification: **01-01**
(74) Name(s) of Attorney(s): **Banki Haddock Fiora**
(71) Name(s) and Address(s) of Applicant(s):
Societe des Produits Nestle S.A.
Vevey Canton of Vaud 1800 Switzerland
(72) Name(s) of Designer(s): **Peter Bongers**
(45) Registration Date: **11 June 2013**
(56) Related Art Documents: **Not Applicable**
(57) Statement of Newness and Distinctiveness: **Nil**



(21) Design Number: **11265/2013**
(22) Date of Filing Application: **13 March 2013**
(24) Date from which industrial property rights may have effect: **13 March 2013**
(54) Product in respect of which the design is registered: **Vehicle tail lamp decklid**
(51) International Design Classification: **12-16E, 26-06**
(74) Name(s) of Attorney(s): **K&L Gates**
(71) Name(s) and Address(s) of Applicant(s):
GM Global Technology Operations LLC
300 Renaissance Centre City of Detroit State of Michigan 48265-3000
United States of America
(72) Name(s) of Designer(s): **Julian Mark Quincey**
(45) Registration Date: **11 June 2013**
(56) Related Art Documents: **Not Applicable**
(57) Statement of Newness and Distinctiveness: **Nil**



(21) Design Number: **11266/2013**
(22) Date of Filing Application: **13 March 2013**
(24) Date from which industrial property rights may have effect: **13 March 2013**
(54) Product in respect of which the design is registered: **Vehicle tail lamp**
(51) International Design Classification: **12-16E, 26-06**
(74) Name(s) of Attorney(s): **K&L Gates**
(71) Name(s) and Address(s) of Applicant(s):
GM Global Technology Operations LLC
300 Renaissance Centre City of Detroit State of Michigan 48265-3000
United States of America
(72) Name(s) of Designer(s): **Julian Mark Quincey**
(45) Registration Date: **11 June 2013**
(56) Related Art Documents: **Not Applicable**
(57) Statement of Newness and Distinctiveness: **Nil**



(21) Design Number: **11267/2013**
(22) Date of Filing Application: **13 March 2013**
(24) Date from which industrial property rights may have effect: **13 March 2013**
(54) Product in respect of which the design is registered: **Vehicle wheel**
(51) International Design Classification: **12-16A**
(74) Name(s) of Attorney(s): **K&L Gates**
(71) Name(s) and Address(s) of Applicant(s):
GM Global Technology Operations LLC
300 Renaissance Centre City of Detroit State of Michigan 48265-3000
United States of America
(72) Name(s) of Designer(s): **Julian Mark Quincey**
(45) Registration Date: **11 June 2013**
(56) Related Art Documents: **Not Applicable**
(57) Statement of Newness and Distinctiveness: **Nil**



(21) Design Number: **11268/2013**
(22) Date of Filing Application: **13 March 2013**
(24) Date from which industrial property rights may have effect: **13 March 2013**
(54) Product in respect of which the design is registered: **Vehicle wheel**
(51) International Design Classification: **12-16A**
(74) Name(s) of Attorney(s): **K&L Gates**
(71) Name(s) and Address(s) of Applicant(s):
GM Global Technology Operations LLC
300 Renaissance Centre City of Detroit State of Michigan 48265-3000
United States of America
(72) Name(s) of Designer(s): **Julian Mark Quincey**
(45) Registration Date: **11 June 2013**
(56) Related Art Documents: **Not Applicable**
(57) Statement of Newness and Distinctiveness: **Nil**



(21) Design Number: **11269/2013**
(22) Date of Filing Application: **13 March 2013**
(24) Date from which industrial property rights may have effect: **13 March 2013**
(54) Product in respect of which the design is registered: **Vehicle wheel**
(51) International Design Classification: **12-16A**
(74) Name(s) of Attorney(s): **K&L Gates**
(71) Name(s) and Address(s) of Applicant(s):
GM Global Technology Operations LLC
300 Renaissance Centre City of Detroit State of Michigan 48265-3000
United States of America
(72) Name(s) of Designer(s): **Julian Mark Quincey**
(45) Registration Date: **11 June 2013**
(56) Related Art Documents: **Not Applicable**
(57) Statement of Newness and Distinctiveness: **Nil**



- (21) Design Number: **12516/2013**
(22) Date of Filing Application: **31 May 2013**
(24) Date from which industrial property rights may have effect: **31 May 2013**
(54) Product in respect of which the design is registered: **Lighting assembly**
(51) International Design Classification: **26-06**
(74) Name(s) of Attorney(s):
(71) Name(s) and Address(s) of Applicant(s):

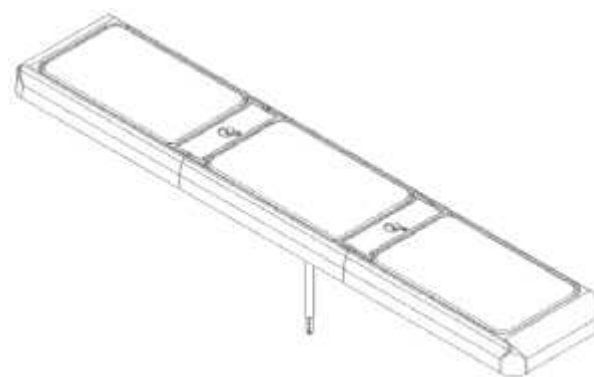
Roadvision Pty. Ltd.
10 Kingston Park Ct Knoxfield VIC 3180 Australia

(72) Name(s) of Designer(s): **Gary John Parker**

(45) Registration Date: **11 June 2013**

(56) Related Art Documents: **Not Applicable**

(57) Statement of Newness and Distinctiveness: **Newness and distinctiveness resides in the shape and configuration of the rear lamp assembly illustrated in the accompanying representations, and in particular 1) the slim line appearance (most evident in the side and end views) and 2) the bracket and divider panels sharing a common corner contour to the lenses, and 3) the distinctive shape and position of the divider panels; colour and ornamentation are to be disregarded.**



- (21) Design Number: **11892/2013**
(22) Date of Filing Application: **23 April 2013**
(24) Date from which industrial property rights may have effect: **23 April 2013**
(54) Product in respect of which the design is registered: **Sedimentary stone and natural mosaic tiles**
(51) International Design Classification: **25-01F**
(74) Name(s) of Attorney(s):
(71) Name(s) and Address(s) of Applicant(s):

Charles A Stephenson
6 Stathmore PI Taree NSW 2430 Australia

(72) Name(s) of Designer(s): **Charles A Stephenson**

(45) Registration Date: **11 June 2013**

(56) Related Art Documents: **Not Applicable**

(57) Statement of Newness and Distinctiveness: **The newness and distinctiveness of the design resides in the shape, colour and arrangement of the stone mosaic tiles as shown in the accompanying representations.**



(21) Design Number: **12111/2013**
(22) Date of Filing Application: **06 May 2013**
(24) Date from which industrial property rights may have effect: **31 January 2013**
(54) Product in respect of which the design is registered: **Wheelchair**
(51) International Design Classification: **12-12**
(74) Name(s) of Attorney(s): **Callinans**
(71) Name(s) and Address(s) of Applicant(s):
Invacare International Sarl
Route de Cite-Ouest 2 Gland 1196 Switzerland
(72) Name(s) of Designer(s): **Aurelie Lauret and Mael Robert and Jean-Michel Roncin and Wifrid Da Cunha**
(45) Registration Date: **11 June 2013**
(62) Divisional of: **348530**
(56) Related Art Documents: **Not Applicable**
(57) Statement of Newness and Distinctiveness: **Nil**



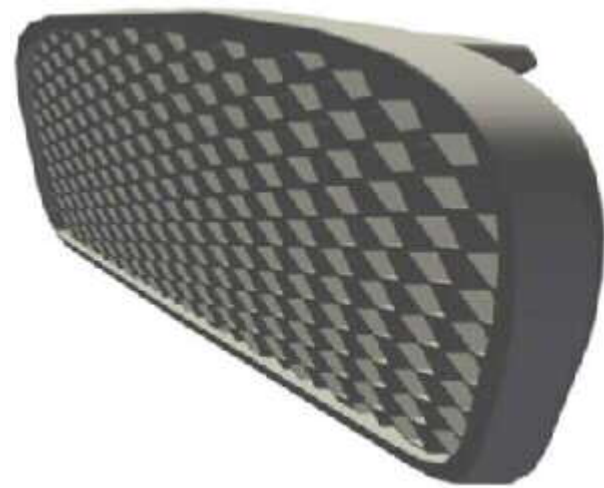
(21) Design Number: **11255/2013**
(22) Date of Filing Application: **13 March 2013**
(24) Date from which industrial property rights may have effect: **13 March 2013**
(54) Product in respect of which the design is registered: **Vehicle sideskirt**
(51) International Design Classification: **12-16B**
(74) Name(s) of Attorney(s): **K&L Gates**
(71) Name(s) and Address(s) of Applicant(s):
GM Global Technology Operations LLC
300 Renaissance Centre City of Detroit State of Michigan 48265-3000
United States of America
(72) Name(s) of Designer(s): **Julian Mark Quincey**
(45) Registration Date: **11 June 2013**
(56) Related Art Documents: **Not Applicable**
(57) Statement of Newness and Distinctiveness: **Nil**



(21) Design Number: **16367/2012**
(22) Date of Filing Application: **14 December 2012**
(24) Date from which industrial property rights may have effect: **14 December 2012**
(54) Product in respect of which the design is registered: **Articles of clothing**
(51) International Design Classification: **02-02NES**
(74) Name(s) of Attorney(s): **K&L Gates**
(71) Name(s) and Address(s) of Applicant(s):
Beba Enterprises Pty Ltd
34 Garden St South Yarra VIC 3141 Australia
(72) Name(s) of Designer(s): **Robert Cromb**
(45) Registration Date: **11 June 2013**
(56) Related Art Documents: **Not Applicable**
(57) Statement of Newness and Distinctiveness: **Nil**



(21) Design Number: **11256/2013**
(22) Date of Filing Application: **13 March 2013**
(24) Date from which industrial property rights may have effect: **13 March 2013**
(54) Product in respect of which the design is registered: **Vehicle sideskirt mesh**
(51) International Design Classification: **12-16B**
(74) Name(s) of Attorney(s): **K&L Gates**
(71) Name(s) and Address(s) of Applicant(s):
GM Global Technology Operations LLC
300 Renaissance Centre City of Detroit State of Michigan 48265-3000
United States of America
(72) Name(s) of Designer(s): **Julian Mark Quincey**
(45) Registration Date: **11 June 2013**
(56) Related Art Documents: **Not Applicable**
(57) Statement of Newness and Distinctiveness: **Nil**



(21) Design Number: **11258/2013**
(22) Date of Filing Application: **13 March 2013**
(24) Date from which industrial property rights may have effect: **13 March 2013**
(54) Product in respect of which the design is registered: **Vehicle rear fascia**
(51) International Design Classification: **12-16B**
(74) Name(s) of Attorney(s): **K&L Gates**
(71) Name(s) and Address(s) of Applicant(s):
GM Global Technology Operations LLC
300 Renaissance Centre City of Detroit State of Michigan 48265-3000
United States of America
(72) Name(s) of Designer(s): **Julian Mark Quincey**
(45) Registration Date: **11 June 2013**
(56) Related Art Documents: **Not Applicable**
(57) Statement of Newness and Distinctiveness: **Nil**



(21) Design Number: **11259/2013**
(22) Date of Filing Application: **13 March 2013**
(24) Date from which industrial property rights may have effect: **13 March 2013**
(54) Product in respect of which the design is registered: **Vehicle rear fascia insert**
(51) International Design Classification: **12-16B**
(74) Name(s) of Attorney(s): **K&L Gates**
(71) Name(s) and Address(s) of Applicant(s):
GM Global Technology Operations LLC
300 Renaissance Centre City of Detroit State of Michigan 48265-3000
United States of America
(72) Name(s) of Designer(s): **Julian Mark Quincey**
(45) Registration Date: **11 June 2013**
(56) Related Art Documents: **Not Applicable**
(57) Statement of Newness and Distinctiveness: **Nil**



(21) Design Number: **11261/2013**
(22) Date of Filing Application: **13 March 2013**
(24) Date from which industrial property rights may have effect: **13 March 2013**
(54) Product in respect of which the design is registered: **Vehicle front fascia**
(51) International Design Classification: **12-16B**
(74) Name(s) of Attorney(s): **K&L Gates**
(71) Name(s) and Address(s) of Applicant(s):
GM Global Technology Operations LLC
300 Renaissance Centre City of Detroit State of Michigan 48265-3000
United States of America
(72) Name(s) of Designer(s): **Adam Dean Smith**
(45) Registration Date: **11 June 2013**
(56) Related Art Documents: **Not Applicable**
(57) Statement of Newness and Distinctiveness: **Nil**



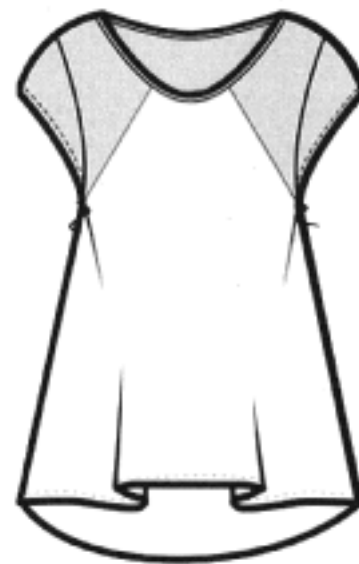
(21) Design Number: **11262/2013**
(22) Date of Filing Application: **13 March 2013**
(24) Date from which industrial property rights may have effect: **13 March 2013**
(54) Product in respect of which the design is registered: **Vehicle grille**
(51) International Design Classification: **12-16B**
(74) Name(s) of Attorney(s): **K&L Gates**
(71) Name(s) and Address(s) of Applicant(s):
GM Global Technology Operations LLC
300 Renaissance Centre City of Detroit State of Michigan 48265-3000
United States of America
(72) Name(s) of Designer(s): **Julian Mark Quincey**
(45) Registration Date: **11 June 2013**
(56) Related Art Documents: **Not Applicable**
(57) Statement of Newness and Distinctiveness: **Nil**



(21) Design Number: **11263/2013**
(22) Date of Filing Application: **13 March 2013**
(24) Date from which industrial property rights may have effect: **13 March 2013**
(54) Product in respect of which the design is registered: **Vehicle grille surround**
(51) International Design Classification: **12-16B**
(74) Name(s) of Attorney(s): **K&L Gates**
(71) Name(s) and Address(s) of Applicant(s):
GM Global Technology Operations LLC
300 Renaissance Centre City of Detroit State of Michigan 48265-3000
United States of America
(72) Name(s) of Designer(s): **Julian Mark Quincey**
(45) Registration Date: **11 June 2013**
(56) Related Art Documents: **Not Applicable**
(57) Statement of Newness and Distinctiveness: **Nil**



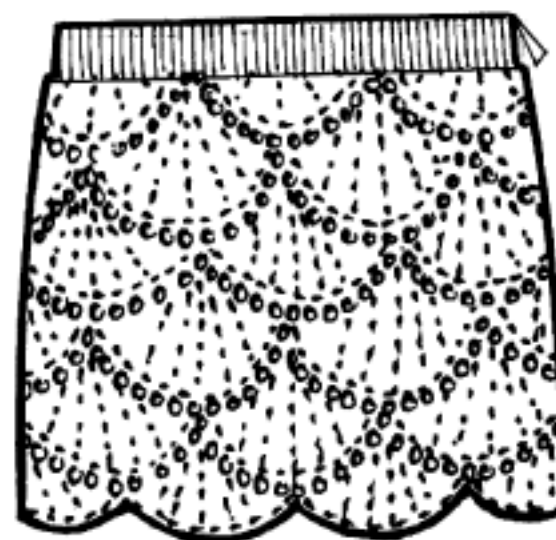
(21) Design Number: **16913/2012**
(22) Date of Filing Application: **07 May 2013**
(24) Date from which industrial property rights may have effect: **08 October 2012**
(54) Product in respect of which the design is registered: **Article of clothing**
(51) International Design Classification: **02-02NES**
(74) Name(s) of Attorney(s): **Allens Patent & Trade Mark Attorneys**
(71) Name(s) and Address(s) of Applicant(s):
Forever New Clothing Pty Ltd
714-716 High St Kew East VIC 3102 Australia
(72) Name(s) of Designer(s): **Jennifer Hall**
(45) Registration Date: **11 June 2013**
(62) Divisional of: **349175**
(56) Related Art Documents: **Not Applicable**
(57) Statement of Newness and Distinctiveness: **Newness and distinctiveness resides in the visual features of shape, configuration, pattern and/or ornamentation of an article of clothing as shown in the accompanying representations.**



- (21) Design Number: **16796/2012**
(22) Date of Filing Application: **15 April 2013**
(24) Date from which industrial property rights may have effect: **27 July 2012**
(54) Product in respect of which the design is registered: **Article of clothing**
(51) International Design Classification: **02-02C**
(74) Name(s) of Attorney(s): **Allens Patent & Trade Mark Attorneys**
(71) Name(s) and Address(s) of Applicant(s):
Forever New Clothing Pty Ltd
714-716 High St Kew East VIC 3102 Australia
(72) Name(s) of Designer(s): **Tristan Melle**
(45) Registration Date: **12 June 2013**
(62) Divisional of: **348941**
(56) Related Art Documents: **Not Applicable**
(57) Statement of Newness and Distinctiveness: **Newness and distinctiveness resides in the visual features of shape, configuration, pattern and/or ornamentation of an article of clothing as shown in the accompanying representations.**



- (21) Design Number: **16829/2012**
(22) Date of Filing Application: **30 April 2013**
(24) Date from which industrial property rights may have effect: **12 October 2012**
(54) Product in respect of which the design is registered: **Article of clothing**
(51) International Design Classification: **02-02C**
(74) Name(s) of Attorney(s): **Allens Patent & Trade Mark Attorneys**
(71) Name(s) and Address(s) of Applicant(s):
Forever New Clothing Pty Ltd
714-716 High St Kew East VIC 3102 Australia
(72) Name(s) of Designer(s): **Octavia Miller**
(45) Registration Date: **12 June 2013**
(30) Convention priority data:
(31) Number (32) Date (33) Country
4026134 30 Aug 2012 UNITED KINGDOM
(62) Divisional of: **349176**
(56) Related Art Documents: **Not Applicable**
(57) Statement of Newness and Distinctiveness: **Newness and distinctiveness resides in the visual features of shape, configuration, pattern and/or ornamentation of an article of clothing as shown in the accompanying representations.**



(21) Design Number: **16830/2012**
(22) Date of Filing Application: **30 April 2013**
(24) Date from which industrial property rights may have effect: **12 October 2012**
(54) Product in respect of which the design is registered: **Article of clothing**
(51) International Design Classification: **02-02C**
(74) Name(s) of Attorney(s): **Allens Patent & Trade Mark Attorneys**
(71) Name(s) and Address(s) of Applicant(s):
Forever New Clothing Pty Ltd
714-716 High St Kew East VIC 3102 Australia
(72) Name(s) of Designer(s): **Mary McCarthy**
(45) Registration Date: **12 June 2013**
(30) Convention priority data:
(31) Number (32) Date (33) Country
4026134 30 Aug 2012 UNITED KINGDOM
(62) Divisional of: **349176**
(56) Related Art Documents: **Not Applicable**
(57) Statement of Newness and Distinctiveness: **Newness and distinctiveness resides in the visual features of shape, configuration, pattern and/or ornamentation of an article of clothing as shown in the accompanying representations.**



(21) Design Number: **16831/2012**
(22) Date of Filing Application: **30 April 2013**
(24) Date from which industrial property rights may have effect: **12 October 2012**
(54) Product in respect of which the design is registered: **Article of clothing**
(51) International Design Classification: **02-02NES**
(74) Name(s) of Attorney(s): **Allens Patent & Trade Mark Attorneys**
(71) Name(s) and Address(s) of Applicant(s):
Forever New Clothing Pty Ltd
714-716 High St Kew East VIC 3102 Australia
(72) Name(s) of Designer(s): **Jennifer Hall**
(45) Registration Date: **12 June 2013**
(30) Convention priority data:
(31) Number (32) Date (33) Country
4026134 30 Aug 2012 UNITED KINGDOM
(62) Divisional of: **349176**
(56) Related Art Documents: **Not Applicable**
(57) Statement of Newness and Distinctiveness: **Newness and distinctiveness resides in the visual features of shape, configuration, pattern and/or ornamentation of an article of clothing as shown in the accompanying representations.**



(21) Design Number: **16832/2012**
(22) Date of Filing Application: **30 April 2013**
(24) Date from which industrial property rights may have effect: **12 October 2012**
(54) Product in respect of which the design is registered: **Article of clothing**
(51) International Design Classification: **02-02C**
(74) Name(s) of Attorney(s): **Allens Patent & Trade Mark Attorneys**
(71) Name(s) and Address(s) of Applicant(s):
Forever New Clothing Pty Ltd
714-716 High St Kew East VIC 3102 Australia
(72) Name(s) of Designer(s): **Mary McCarthy**
(45) Registration Date: **12 June 2013**
(30) Convention priority data:
(31) Number (32) Date (33) Country
4026134 30 Aug 2012 UNITED KINGDOM
(62) Divisional of: **349176**
(56) Related Art Documents: **Not Applicable**
(57) Statement of Newness and Distinctiveness: **Newness and distinctiveness resides in the visual features of shape, configuration, pattern and/or ornamentation of an article of clothing as shown in the accompanying representations.**



(21) Design Number: **16833/2012**
(22) Date of Filing Application: **30 April 2013**
(24) Date from which industrial property rights may have effect: **12 October 2012**
(54) Product in respect of which the design is registered: **Article of clothing**
(51) International Design Classification: **02-02C**
(74) Name(s) of Attorney(s): **Allens Patent & Trade Mark Attorneys**
(71) Name(s) and Address(s) of Applicant(s):
Forever New Clothing Pty Ltd
714-716 High St Kew East VIC 3102 Australia
(72) Name(s) of Designer(s): **Mary McCarthy**
(45) Registration Date: **12 June 2013**
(30) Convention priority data:
(31) Number (32) Date (33) Country
4026134 30 Aug 2012 UNITED KINGDOM
(62) Divisional of: **349176**
(56) Related Art Documents: **Not Applicable**
(57) Statement of Newness and Distinctiveness: **Newness and distinctiveness resides in the visual features of shape, configuration, pattern and/or ornamentation of an article of clothing as shown in the accompanying representations.**



(21) Design Number: **16834/2012**
(22) Date of Filing Application: **30 April 2013**
(24) Date from which industrial property rights may have effect: **12 October 2012**
(54) Product in respect of which the design is registered: **Article of clothing**
(51) International Design Classification: **02-02C**
(74) Name(s) of Attorney(s): **Allens Patent & Trade Mark Attorneys**
(71) Name(s) and Address(s) of Applicant(s):
Forever New Clothing Pty Ltd
714-716 High St Kew East VIC 3102 Australia
(72) Name(s) of Designer(s): **Laura Mitchell**
(45) Registration Date: **12 June 2013**
(30) Convention priority data:
(31) Number (32) Date (33) Country
4026134 30 Aug 2012 UNITED KINGDOM
(62) Divisional of: **349176**
(56) Related Art Documents: **Not Applicable**
(57) Statement of Newness and Distinctiveness: **Newness and distinctiveness resides in the visual features of shape, configuration, pattern and/or ornamentation of an article of clothing as shown in the accompanying representations.**



(21) Design Number: **16837/2012**
(22) Date of Filing Application: **30 April 2013**
(24) Date from which industrial property rights may have effect: **12 October 2012**
(54) Product in respect of which the design is registered: **Article of clothing**
(51) International Design Classification: **02-02NES**
(74) Name(s) of Attorney(s): **Allens Patent & Trade Mark Attorneys**
(71) Name(s) and Address(s) of Applicant(s):
Forever New Clothing Pty Ltd
714-716 High St Kew East VIC 3102 Australia
(72) Name(s) of Designer(s): **Rebecca Royce-Jones**
(45) Registration Date: **12 June 2013**
(30) Convention priority data:
(31) Number (32) Date (33) Country
4026134 30 Aug 2012 UNITED KINGDOM
(62) Divisional of: **349176**
(56) Related Art Documents: **Not Applicable**
(57) Statement of Newness and Distinctiveness: **Newness and distinctiveness resides in the visual features of shape, configuration, pattern and/or ornamentation of an article of clothing as shown in the accompanying representations.**



- (21) Design Number: **16838/2012**
(22) Date of Filing Application: **30 April 2013**
(24) Date from which industrial property rights may have effect: **12 October 2012**
(54) Product in respect of which the design is registered: **Article of clothing**
(51) International Design Classification: **02-02NES**
(74) Name(s) of Attorney(s): **Allens Patent & Trade Mark Attorneys**
(71) Name(s) and Address(s) of Applicant(s):
Forever New Clothing Pty Ltd
714-716 High St Kew East VIC 3102 Australia
(72) Name(s) of Designer(s): **Rebecca Royce-Jones**
(45) Registration Date: **12 June 2013**
(30) Convention priority data:
(31) Number (32) Date (33) Country
4026134 30 Aug 2012 UNITED KINGDOM
(62) Divisional of: **349176**
(56) Related Art Documents: **Not Applicable**
(57) Statement of Newness and Distinctiveness: **Newness and distinctiveness resides in the visual features of shape, configuration, pattern and/or ornamentation of an article of clothing as shown in the accompanying representations.**



- (21) Design Number: **16839/2012**
(22) Date of Filing Application: **30 April 2013**
(24) Date from which industrial property rights may have effect: **12 October 2012**
(54) Product in respect of which the design is registered: **Article of clothing**
(51) International Design Classification: **02-02NES**
(74) Name(s) of Attorney(s): **Allens Patent & Trade Mark Attorneys**
(71) Name(s) and Address(s) of Applicant(s):
Forever New Clothing Pty Ltd
714-716 High St Kew East VIC 3102 Australia
(72) Name(s) of Designer(s): **Gemma Henderson**
(45) Registration Date: **12 June 2013**
(30) Convention priority data:
(31) Number (32) Date (33) Country
4026134 30 Aug 2012 UNITED KINGDOM
(62) Divisional of: **349176**
(56) Related Art Documents: **Not Applicable**
(57) Statement of Newness and Distinctiveness: **Newness and distinctiveness resides in the visual features of shape, configuration, pattern and/or ornamentation of an article of clothing as shown in the accompanying representations.**



(21) Design Number: **16841/2012**
(22) Date of Filing Application: **30 April 2013**
(24) Date from which industrial property rights may have effect: **12 October 2012**
(54) Product in respect of which the design is registered: **Article of clothing**
(51) International Design Classification: **02-02C**
(74) Name(s) of Attorney(s): **Allens Patent & Trade Mark Attorneys**
(71) Name(s) and Address(s) of Applicant(s):
Forever New Clothing Pty Ltd
714-716 High St Kew East VIC 3102 Australia
(72) Name(s) of Designer(s): **Gemma Henderson**
(45) Registration Date: **12 June 2013**
(30) Convention priority data:
(31) Number (32) Date (33) Country
4026134 30 Aug 2012 UNITED KINGDOM
(62) Divisional of: **349176**
(56) Related Art Documents: **Not Applicable**
(57) Statement of Newness and Distinctiveness: **Newness and distinctiveness resides in the visual features of shape, configuration, pattern and/or ornamentation of an article of clothing as shown in the accompanying representations.**



(21) Design Number: **16845/2012**
(22) Date of Filing Application: **30 April 2013**
(24) Date from which industrial property rights may have effect: **12 October 2012**
(54) Product in respect of which the design is registered: **Article of clothing**
(51) International Design Classification: **02-02C**
(74) Name(s) of Attorney(s): **Allens Patent & Trade Mark Attorneys**
(71) Name(s) and Address(s) of Applicant(s):
Forever New Clothing Pty Ltd
714-716 High St Kew East VIC 3102 Australia
(72) Name(s) of Designer(s): **Laura Mitchell**
(45) Registration Date: **12 June 2013**
(30) Convention priority data:
(31) Number (32) Date (33) Country
4026134 30 Aug 2012 UNITED KINGDOM
(62) Divisional of: **349176**
(56) Related Art Documents: **Not Applicable**
(57) Statement of Newness and Distinctiveness: **Newness and distinctiveness resides in the visual features of shape, configuration, pattern and/or ornamentation of an article of clothing as shown in the accompanying representations.**



(21) Design Number: **16847/2012**
(22) Date of Filing Application: **30 April 2013**
(24) Date from which industrial property rights may have effect: **12 October 2012**
(54) Product in respect of which the design is registered: **Article of clothing**
(51) International Design Classification: **02-02C**
(74) Name(s) of Attorney(s): **Allens Patent & Trade Mark Attorneys**
(71) Name(s) and Address(s) of Applicant(s):
Forever New Clothing Pty Ltd
714-716 High St Kew East VIC 3102 Australia
(72) Name(s) of Designer(s): **Laura Mitchell**
(45) Registration Date: **12 June 2013**
(30) Convention priority data:
(31) Number (32) Date (33) Country
4026134 30 Aug 2012 UNITED KINGDOM
(62) Divisional of: **349176**
(56) Related Art Documents: **Not Applicable**
(57) Statement of Newness and Distinctiveness: **Newness and distinctiveness resides in the visual features of shape, configuration, pattern and/or ornamentation of an article of clothing as shown in the accompanying representations.**



(21) Design Number: **16848/2012**
(22) Date of Filing Application: **30 April 2013**
(24) Date from which industrial property rights may have effect: **12 October 2012**
(54) Product in respect of which the design is registered: **Article of clothing**
(51) International Design Classification: **02-02C**
(74) Name(s) of Attorney(s): **Allens Patent & Trade Mark Attorneys**
(71) Name(s) and Address(s) of Applicant(s):
Forever New Clothing Pty Ltd
714-716 High St Kew East VIC 3102 Australia
(72) Name(s) of Designer(s): **Tristan Melle**
(45) Registration Date: **12 June 2013**
(30) Convention priority data:
(31) Number (32) Date (33) Country
4026134 30 Aug 2012 UNITED KINGDOM
(62) Divisional of: **349176**
(56) Related Art Documents: **Not Applicable**
(57) Statement of Newness and Distinctiveness: **Newness and distinctiveness resides in the visual features of shape, configuration, pattern and/or ornamentation of an article of clothing as shown in the accompanying representations.**



(21) Design Number: **16849/2012**
(22) Date of Filing Application: **30 April 2013**
(24) Date from which industrial property rights may have effect: **12 October 2012**
(54) Product in respect of which the design is registered: **Article of clothing**
(51) International Design Classification: **02-02C**
(74) Name(s) of Attorney(s): **Allens Patent & Trade Mark Attorneys**
(71) Name(s) and Address(s) of Applicant(s):
Forever New Clothing Pty Ltd
714-716 High St Kew East VIC 3102 Australia
(72) Name(s) of Designer(s): **Tristan Melle**
(45) Registration Date: **12 June 2013**
(30) Convention priority data:
(31) Number (32) Date (33) Country
4026134 30 Aug 2012 UNITED KINGDOM
(62) Divisional of: **349176**
(56) Related Art Documents: **Not Applicable**
(57) Statement of Newness and Distinctiveness: **Newness and distinctiveness resides in the visual features of shape, configuration, pattern and/or ornamentation of an article of clothing as shown in the accompanying representations.**



(21) Design Number: **16850/2012**
(22) Date of Filing Application: **30 April 2013**
(24) Date from which industrial property rights may have effect: **12 October 2012**
(54) Product in respect of which the design is registered: **Article of clothing**
(51) International Design Classification: **02-02C**
(74) Name(s) of Attorney(s): **Allens Patent & Trade Mark Attorneys**
(71) Name(s) and Address(s) of Applicant(s):
Forever New Clothing Pty Ltd
714-716 High St Kew East VIC 3102 Australia
(72) Name(s) of Designer(s): **Tristan Melle**
(45) Registration Date: **12 June 2013**
(30) Convention priority data:
(31) Number (32) Date (33) Country
4026134 30 Aug 2012 UNITED KINGDOM
(62) Divisional of: **349176**
(56) Related Art Documents: **Not Applicable**
(57) Statement of Newness and Distinctiveness: **Newness and distinctiveness resides in the visual features of shape, configuration, pattern and/or ornamentation of an article of clothing as shown in the accompanying representations.**



- (21) Design Number: **16851/2012**
(22) Date of Filing Application: **30 April 2013**
(24) Date from which industrial property rights may have effect: **12 October 2012**
(54) Product in respect of which the design is registered: **Article of clothing**
(51) International Design Classification: **02-02NES**
(74) Name(s) of Attorney(s): **Allens Patent & Trade Mark Attorneys**
(71) Name(s) and Address(s) of Applicant(s):
Forever New Clothing Pty Ltd
714-716 High St Kew East VIC 3102 Australia
(72) Name(s) of Designer(s): **Jennifer Hall**
(45) Registration Date: **12 June 2013**
(30) Convention priority data:
(31) Number (32) Date (33) Country
4026134 30 Aug 2012 UNITED KINGDOM
(62) Divisional of: **349176**
(56) Related Art Documents: **Not Applicable**
(57) Statement of Newness and Distinctiveness: **Newness and distinctiveness resides in the visual features of shape, configuration, pattern and/or ornamentation of an article of clothing as shown in the accompanying representations.**



- (21) Design Number: **16852/2012**
(22) Date of Filing Application: **30 April 2013**
(24) Date from which industrial property rights may have effect: **12 October 2012**
(54) Product in respect of which the design is registered: **Article of clothing**
(51) International Design Classification: **02-02NES**
(74) Name(s) of Attorney(s): **Allens Patent & Trade Mark Attorneys**
(71) Name(s) and Address(s) of Applicant(s):
Forever New Clothing Pty Ltd
714-716 High St Kew East VIC 3102 Australia
(72) Name(s) of Designer(s): **Jennifer Hall**
(45) Registration Date: **12 June 2013**
(30) Convention priority data:
(31) Number (32) Date (33) Country
4026134 30 Aug 2012 UNITED KINGDOM
(62) Divisional of: **349176**
(56) Related Art Documents: **Not Applicable**
(57) Statement of Newness and Distinctiveness: **Newness and distinctiveness resides in the visual features of shape, configuration, pattern and/or ornamentation of an article of clothing as shown in the accompanying representations.**



- (21) Design Number: **16853/2012**
(22) Date of Filing Application: **30 April 2013**
(24) Date from which industrial property rights may have effect: **12 October 2012**
(54) Product in respect of which the design is registered: **Article of clothing**
(51) International Design Classification: **02-02NES**
(74) Name(s) of Attorney(s): **Allens Patent & Trade Mark Attorneys**
(71) Name(s) and Address(s) of Applicant(s):
Forever New Clothing Pty Ltd
714-716 High St Kew East VIC 3102 Australia
(72) Name(s) of Designer(s): **Jennifer Hall**
(45) Registration Date: **12 June 2013**
(30) Convention priority data:
(31) Number (32) Date (33) Country
4026134 30 Aug 2012 UNITED KINGDOM
(62) Divisional of: **349176**
(56) Related Art Documents: **Not Applicable**
(57) Statement of Newness and Distinctiveness: **Newness and distinctiveness resides in the visual features of shape, configuration, pattern and/or ornamentation of an article of clothing as shown in the accompanying representations.**



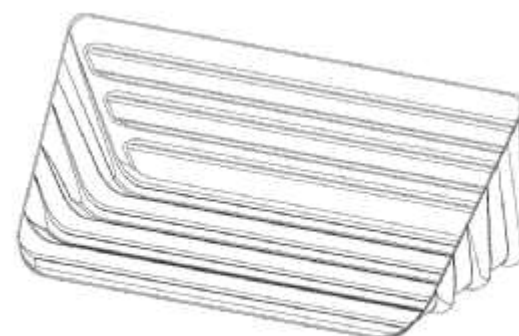
- (21) Design Number: **16915/2012**
(22) Date of Filing Application: **08 October 2012**
(24) Date from which industrial property rights may have effect: **08 October 2012**
(54) Product in respect of which the design is registered: **Article of clothing**
(51) International Design Classification: **02-02C**
(74) Name(s) of Attorney(s): **Allens Patent & Trade Mark Attorneys**
(71) Name(s) and Address(s) of Applicant(s):
Forever New Clothing Pty Ltd
714-716 High St Kew East VIC 3102 Australia
(72) Name(s) of Designer(s): **Tristan Melle**
(45) Registration Date: **12 June 2013**
(62) Divisional of: **349175**
(56) Related Art Documents: **Not Applicable**
(57) Statement of Newness and Distinctiveness: **Newness and distinctiveness resides in the visual features of shape, configuration, pattern and/or ornamentation of an article of clothing as shown in the accompanying representations.**



- (21) Design Number: **11936/2013**
(22) Date of Filing Application: **24 April 2013**
(24) Date from which industrial property rights may have effect: **24 April 2013**
(54) Product in respect of which the design is registered: **Portable toilet toilet bowl**
(51) International Design Classification: **23-02C**
(74) Name(s) of Attorney(s):
(71) Name(s) and Address(s) of Applicant(s):
Geoffrey Sach
47 East Road Pearcedale Victoria 3912 Australia
(72) Name(s) of Designer(s): **Geoffrey Sach**
(45) Registration Date: **12 June 2013**
(56) Related Art Documents: **Not Applicable**
(57) Statement of Newness and Distinctiveness: **A Toilet Bowl with full water seal capability, discharging waste via a "J" trap into a self containing waste holding tank.**



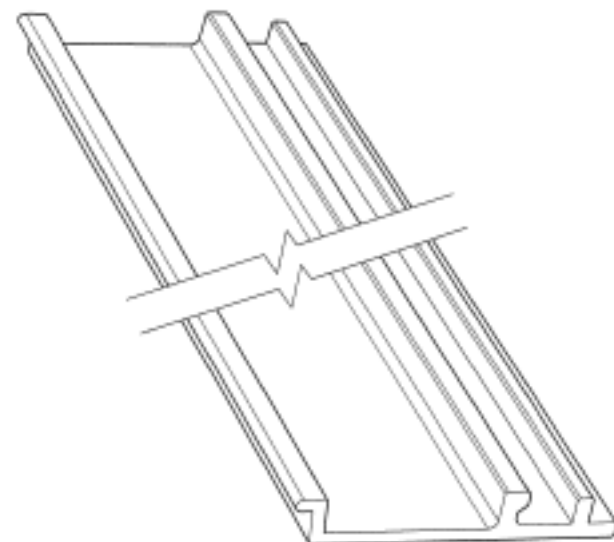
- (21) Design Number: **11953/2013**
(22) Date of Filing Application: **26 April 2013**
(24) Date from which industrial property rights may have effect: **26 April 2013**
(54) Product in respect of which the design is registered: **A divider**
(51) International Design Classification: **09-03H**
(74) Name(s) of Attorney(s): **AJ Park**
(71) Name(s) and Address(s) of Applicant(s):
Alto Packaging Limited
Level 6 57 Symonds Street Grafton Auckland 1010 New Zealand
(72) Name(s) of Designer(s): **Christopher James Cowan**
(45) Registration Date: **12 June 2013**
(56) Related Art Documents: **Not Applicable**
(57) Statement of Newness and Distinctiveness: **The newness and distinctiveness resides in the features of shape and/or configuration of a divider as illustrated in the drawings.**



- (21) Design Number: **11959/2013**
(22) Date of Filing Application: **26 April 2013**
(24) Date from which industrial property rights may have effect: **26 April 2013**
(54) Product in respect of which the design is registered: **A tray with divider**
(51) International Design Classification: **09-03H, 09-03F**
(74) Name(s) of Attorney(s): **AJ Park**
(71) Name(s) and Address(s) of Applicant(s):
Alto Packaging Limited
Level 6 57 Symonds Street Grafton Auckland 1010 New Zealand
(72) Name(s) of Designer(s): **Christopher James Cowan**
(45) Registration Date: **12 June 2013**
(56) Related Art Documents: **Not Applicable**
(57) Statement of Newness and Distinctiveness: **The newness and distinctiveness resides in the features of shape and/or configuration of a tray with divider as illustrated in the drawings but irrespective of the precise location of the divider along the base of the tray.**



- (21) Design Number: **11963/2013**
(22) Date of Filing Application: **26 April 2013**
(24) Date from which industrial property rights may have effect: **26 April 2013**
(54) Product in respect of which the design is registered: **A cover for a pliable sheet**
(51) International Design Classification: **25-01NES, 25-02H**
(74) Name(s) of Attorney(s): **Madderns**
(71) Name(s) and Address(s) of Applicant(s):
Slidetrack Blinds Pty Ltd
10 Woodhouse Cres Wattle Park SA 5066 Australia
(72) Name(s) of Designer(s): **Brian Lionel Zwar**
(45) Registration Date: **12 June 2013**
(56) Related Art Documents: **Not Applicable**
(57) Statement of Newness and Distinctiveness: **Nil**



(21) Design Number: **11967/2013**
(22) Date of Filing Application: **26 April 2013**
(24) Date from which industrial property rights may have effect: **26 April 2013**
(54) Product in respect of which the design is registered: **Golf course map**
(51) International Design Classification: **19-07**
(74) Name(s) of Attorney(s): **Griffith Hack**
(71) Name(s) and Address(s) of Applicant(s):



GF Link
194 rue de la Limite Beynost 01700 France

(72) Name(s) of Designer(s): **Jocelyn Crouzet**

(45) Registration Date: **12 June 2013**

(30) Convention priority data:

(31) Number	(32) Date	(33) Country
699658401	26 Oct 2012	WORLD INTELLECTUAL PROPERTY ORGANIZATION (WIPO)

(56) Related Art Documents: **Not Applicable**

(57) Statement of Newness and Distinctiveness: **Newness and Distinctiveness resides in the visual features, including shape, configuration, and ornamentation of the product as shown in the representations.**

(21) Design Number: **11968/2013**
(22) Date of Filing Application: **26 April 2013**
(24) Date from which industrial property rights may have effect: **26 April 2013**
(54) Product in respect of which the design is registered: **Golf course map**
(51) International Design Classification: **19-07**
(74) Name(s) of Attorney(s): **Griffith Hack**
(71) Name(s) and Address(s) of Applicant(s):



GF Link
194 rue de la Limite Beynost 01700 France

(72) Name(s) of Designer(s): **Jocelyn Crouzet**

(45) Registration Date: **12 June 2013**

(30) Convention priority data:

(31) Number	(32) Date	(33) Country
699658401	26 Oct 2012	WORLD INTELLECTUAL PROPERTY ORGANIZATION (WIPO)

(56) Related Art Documents: **Not Applicable**

(57) Statement of Newness and Distinctiveness: **Newness and distinctiveness resides in the visual features, including shape, configuration and ornamentation of the product as shown in the representations.**

- (21) Design Number: **14611/2012**
(22) Date of Filing Application: **17 September 2012**
(24) Date from which industrial property rights may have effect: **17 September 2012**
(54) Product in respect of which the design is registered: **Bracelet**
(51) International Design Classification: **11-01C**
(74) Name(s) of Attorney(s): **Allens Patent & Trade Mark Attorneys**
(71) Name(s) and Address(s) of Applicant(s):
Forever New Clothing Pty Ltd
714-716 High St Kew East VIC 3102 Australia
(72) Name(s) of Designer(s): **Christianna Heidemann**
(45) Registration Date: **13 June 2013**
(56) Related Art Documents: **Not Applicable**
(57) Statement of Newness and Distinctiveness: **Newness and distinctiveness resides in the visual features of shape, configuration, pattern and/or ornamentation of a bracelet as shown in the accompanying representations.**



- (21) Design Number: **16843/2012**
(22) Date of Filing Application: **30 April 2013**
(24) Date from which industrial property rights may have effect: **12 October 2012**
(54) Product in respect of which the design is registered: **Article of clothing**
(51) International Design Classification: **02-02NES**
(74) Name(s) of Attorney(s): **Allens Patent & Trade Mark Attorneys**
(71) Name(s) and Address(s) of Applicant(s):
Forever New Clothing Pty Ltd
714-716 High St Kew East VIC 3102 Australia
(72) Name(s) of Designer(s): **Gemma Henderson**
(45) Registration Date: **13 June 2013**
(30) Convention priority data:
(31) Number (32) Date (33) Country
4026134 30 Aug 2012 UNITED KINGDOM
(62) Divisional of: **349176**
(56) Related Art Documents: **Not Applicable**
(57) Statement of Newness and Distinctiveness: **Newness and distinctiveness resides in the visual features of shape, configuration, pattern and/or ornamentation of an article of clothing as shown in the accompanying representations.**



(21) Design Number: **16846/2012**
(22) Date of Filing Application: **30 April 2013**
(24) Date from which industrial property rights may have effect: **12 October 2012**
(54) Product in respect of which the design is registered: **Article of clothing**
(51) International Design Classification: **02-02C**
(74) Name(s) of Attorney(s): **Allens Patent & Trade Mark Attorneys**
(71) Name(s) and Address(s) of Applicant(s):
Forever New Clothing Pty Ltd
714-716 High St Kew East VIC 3102 Australia
(72) Name(s) of Designer(s): **Tristan Melle**
(45) Registration Date: **13 June 2013**
(30) Convention priority data:
(31) Number (32) Date (33) Country
4026134 30 Aug 2012 UNITED KINGDOM
(62) Divisional of: **349176**
(56) Related Art Documents: **Not Applicable**
(57) Statement of Newness and Distinctiveness: **Newness and distinctiveness resides in the visual features of shape, configuration, pattern and/or ornamentation of an article of clothing as shown in the accompanying representations.**



(21) Design Number: **16863/2012**
(22) Date of Filing Application: **07 May 2013**
(24) Date from which industrial property rights may have effect: **17 September 2012**
(54) Product in respect of which the design is registered: **Carry case**
(51) International Design Classification: **03-01D**
(74) Name(s) of Attorney(s): **Allens Patent & Trade Mark Attorneys**
(71) Name(s) and Address(s) of Applicant(s):
Forever New Clothing Pty Ltd
714-716 High St Kew East VIC 3102 Australia
(72) Name(s) of Designer(s): **Georgia Roberts-Thomas**
(45) Registration Date: **13 June 2013**
(62) Divisional of: **349162**
(56) Related Art Documents: **Not Applicable**
(57) Statement of Newness and Distinctiveness: **Newness and distinctiveness resides in the visual features of shape, configuration, pattern and/or ornamentation of a carry case as shown in the accompanying representations.**



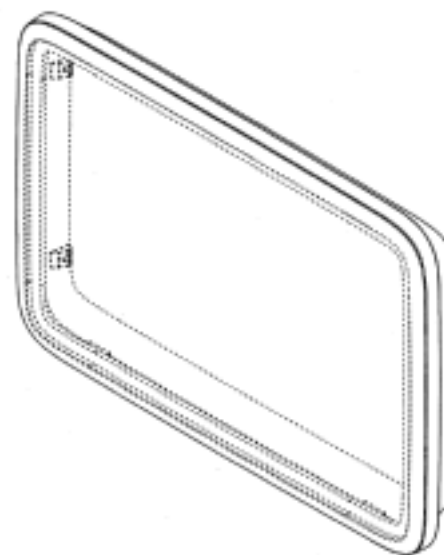
- (21) Design Number: **16864/2012**
(22) Date of Filing Application: **07 May 2013**
(24) Date from which industrial property rights may have effect: **17 September 2012**
(54) Product in respect of which the design is registered: **Carry case**
(51) International Design Classification: **03-01D**
(74) Name(s) of Attorney(s): **Allens Patent & Trade Mark Attorneys**
(71) Name(s) and Address(s) of Applicant(s):
Forever New Clothing Pty Ltd
714-716 High St Kew East VIC 3102 Australia
(72) Name(s) of Designer(s): **Georgia Roberts-Thomas**
(45) Registration Date: **13 June 2013**
(62) Divisional of: **349162**
(56) Related Art Documents: **Not Applicable**
(57) Statement of Newness and Distinctiveness: **Newness and distinctiveness resides in the visual features of shape, configuration, pattern and/or ornamentation of a carry case as shown in the accompanying representations.**



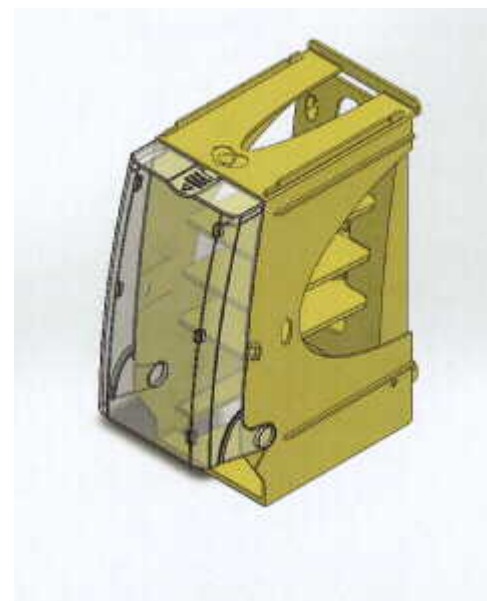
- (21) Design Number: **12117/2013**
(22) Date of Filing Application: **07 May 2013**
(24) Date from which industrial property rights may have effect: **07 May 2013**
(54) Product in respect of which the design is registered: **Sign post**
(51) International Design Classification: **20-03C**
(74) Name(s) of Attorney(s): **A.P.T. Patent and Trade Mark Attorneys**
(71) Name(s) and Address(s) of Applicant(s):
Philip Butcher
19 Avey Rd Mount Gambier SA 5290 Australia
(72) Name(s) of Designer(s): **Philip Butcher**
(45) Registration Date: **13 June 2013**
(56) Related Art Documents: **Not Applicable**
(57) Statement of Newness and Distinctiveness: **Newness and distinctiveness is claimed in the shape and configuration of the sign post as shown in the accompanying representations, wherein the sign post is of indefinite length and has a substantially uniform cross section throughout its length.**



- (21) Design Number: **12211/2013**
(22) Date of Filing Application: **14 May 2013**
(24) Date from which industrial property rights may have effect: **14 May 2013**
(54) Product in respect of which the design is registered: **Cover plate**
(51) International Design Classification: **13-03D**
(74) Name(s) of Attorney(s): **Davies Collison Cave**
(71) Name(s) and Address(s) of Applicant(s):
Gooden Industries Pty Ltd
4307 Illawarra Hwy Robertson NSW 2577 Australia
(72) Name(s) of Designer(s): **Matthew Gooden**
(45) Registration Date: **13 June 2013**
(56) Related Art Documents: **Not Applicable**
(57) Statement of Newness and Distinctiveness: **Newness and distinctiveness is claimed in the visual features shown in solid lines in the representations. In considering the extent of the design rights, the broken lines shown in the representations are for illustrative purposes only and do not form part of the design.**



- (21) Design Number: **12280/2013**
(22) Date of Filing Application: **16 May 2013**
(24) Date from which industrial property rights may have effect: **16 May 2013**
(54) Product in respect of which the design is registered: **Tablet dispenser tray**
(51) International Design Classification: **09-03NES, 20-02E**
(74) Name(s) of Attorney(s): **Etheringtons Solicitors**
(71) Name(s) and Address(s) of Applicant(s):
Brand Promotions Pty Ltd
6-8 Crewe PI Rosebery NSW 2018 Australia
(72) Name(s) of Designer(s): **Robert Orrell**
(45) Registration Date: **13 June 2013**
(56) Related Art Documents: **Not Applicable**
(57) Statement of Newness and Distinctiveness: **Tablet dispenser tray.**



(21) Design Number: **12361/2013**
(22) Date of Filing Application: **22 May 2013**
(24) Date from which industrial property rights may have effect: **22 May 2013**
(54) Product in respect of which the design is registered: **Crayon**
(51) International Design Classification: **19-06**
(74) Name(s) of Attorney(s): **SPRUSON & FERGUSON**
(71) Name(s) and Address(s) of Applicant(s):

Kabushiki Kaisha Privee A.G.
6-10-1 Roppongi Minato-ku Tokyo 106-6117 Japan

(72) Name(s) of Designer(s): **Eiji Ishiwata**

(45) Registration Date: **13 June 2013**

(30) Convention priority data:

(31) Number	(32) Date	(33) Country
2012-28936	27 Nov 2012	JAPAN

(56) Related Art Documents: **Not Applicable**

(57) Statement of Newness and Distinctiveness: **Newness and distinctiveness is claimed in the features of shape and/or configuration of a crayon as illustrated in the accompanying representations.**



(21) Design Number: **12369/2013**
(22) Date of Filing Application: **22 May 2013**
(24) Date from which industrial property rights may have effect: **22 May 2013**
(54) Product in respect of which the design is registered: **Helmet holder**
(51) International Design Classification: **12-16NES**
(74) Name(s) of Attorney(s): **Raven IP**
(71) Name(s) and Address(s) of Applicant(s):

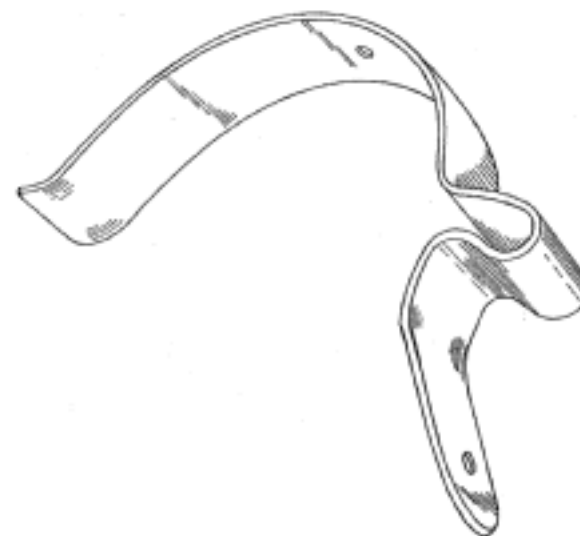
Michael Charles Lucas
16 Waranga Way Coombabah QLD 4216 Australia

(72) Name(s) of Designer(s): **Michael Charles Lucas**

(45) Registration Date: **13 June 2013**

(56) Related Art Documents: **Not Applicable**

(57) Statement of Newness and Distinctiveness: **Nil**



(21) Design Number: **12373/2013**
(22) Date of Filing Application: **22 May 2013**
(24) Date from which industrial property rights may have effect: **22 May 2013**
(54) Product in respect of which the design is registered: **Vehicle**
(51) International Design Classification: **12-08**
(74) Name(s) of Attorney(s): **WATERMARK PATENT AND TRADE MARKS ATTORNEYS**
(71) Name(s) and Address(s) of Applicant(s):
Great Wall Motor Company Limited
No. 2266 Chaoyang South St Baoding Hebei 071000 China
(72) Name(s) of Designer(s): **Yong Huang and Hui Liu and Quan Wen and Yingjie Wu and Liang Wang and Zekun Shi and Fachen Liu and Feng Jiang and Ning Li and Jie Ma and Baoqiang Mo**
(45) Registration Date: **13 June 2013**
(30) Convention priority data:
(31) Number (32) Date (33) Country
201230582123.2 28 Nov 2012 CHINA
(56) Related Art Documents: **Not Applicable**
(57) Statement of Newness and Distinctiveness: **Nil**



(21) Design Number: **15811/2012**
(22) Date of Filing Application: **20 November 2012**
(24) Date from which industrial property rights may have effect: **20 November 2012**
(54) Product in respect of which the design is registered: **Articles of clothing**
(51) International Design Classification: **02-02C**
(74) Name(s) of Attorney(s): **K&L Gates**
(71) Name(s) and Address(s) of Applicant(s):
Beba Enterprises Pty Ltd
34 Garden St South Yarra VIC 3141 Australia
(72) Name(s) of Designer(s): **Arthur Soetedja**
(45) Registration Date: **13 June 2013**
(56) Related Art Documents: **Not Applicable**
(57) Statement of Newness and Distinctiveness: **Nil**



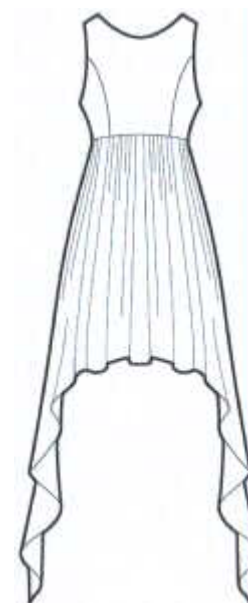
- (21) Design Number: **15084/2012**
(22) Date of Filing Application: **12 October 2012**
(24) Date from which industrial property rights may have effect: **12 October 2012**
(54) Product in respect of which the design is registered: **A carry bag**
(51) International Design Classification: **03-01B**
(74) Name(s) of Attorney(s): **Allens Patent & Trade Mark Attorneys**
(71) Name(s) and Address(s) of Applicant(s):
Forever New Clothing Pty Ltd
714-716 High St Kew East VIC 3102 Australia
(72) Name(s) of Designer(s): **Georgia Roberts-Thomson**
(45) Registration Date: **13 June 2013**
(30) Convention priority data:
(31) Number (32) Date (33) Country
4026135 30 Aug 2012 UNITED KINGDOM
(56) Related Art Documents: **Not Applicable**
(57) Statement of Newness and Distinctiveness: **Newness and distinctiveness resides in the visual features of shape, configuration, pattern and/or ornamentation of a carry bag as shown in the accompanying representations.**



- (21) Design Number: **15000/2012**
(22) Date of Filing Application: **08 October 2012**
(24) Date from which industrial property rights may have effect: **08 October 2012**
(54) Product in respect of which the design is registered: **Article of clothing**
(51) International Design Classification: **02-02C**
(74) Name(s) of Attorney(s): **Allens Patent & Trade Mark Attorneys**
(71) Name(s) and Address(s) of Applicant(s):
Forever New Clothing Pty Ltd
714-716 High St Kew East VIC 3102 Australia
(72) Name(s) of Designer(s): **Octavia Miller**
(45) Registration Date: **13 June 2013**
(56) Related Art Documents: **Not Applicable**
(57) Statement of Newness and Distinctiveness: **Newness and distinctiveness resides in the visual features of shape, configuration, pattern and/or ornamentation of an article of clothing as shown in the accompanying representations.**



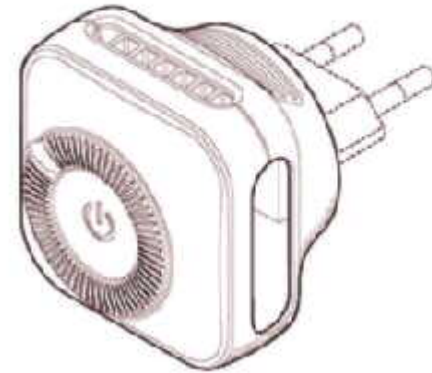
- (21) Design Number: **15083/2012**
(22) Date of Filing Application: **12 October 2012**
(24) Date from which industrial property rights may have effect: **12 October 2012**
(54) Product in respect of which the design is registered: **Article of clothing**
(51) International Design Classification: **02-02C**
(74) Name(s) of Attorney(s): **Allens Patent & Trade Mark Attorneys**
(71) Name(s) and Address(s) of Applicant(s):
Forever New Clothing Pty Ltd
714-716 High St Kew East VIC 3102 Australia
(72) Name(s) of Designer(s): **Gemma Henderson and Octavia Miller and Mary McCarthy and Rebecca Royce-Jones and Tristan Melle and Laura Mitchell and Jennifer Hall and Mantra Ahrendt and Alice Burrow and Christianna Heideman and Sarah Saxty**
(45) Registration Date: **13 June 2013**
(30) Convention priority data:
(31) Number (32) Date (33) Country
4026134 30 Aug 2012 UNITED KINGDOM
(56) Related Art Documents: **Not Applicable**
(57) Statement of Newness and Distinctiveness: **Newness and distinctiveness resides in the visual features of shape, configuration, pattern and/or ornamentation of an article of clothing as shown in the accompanying representations.**



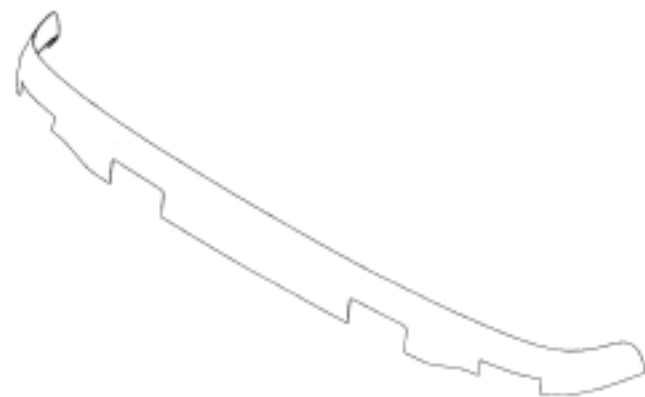
- (21) Design Number: **16828/2012**
(22) Date of Filing Application: **30 April 2013**
(24) Date from which industrial property rights may have effect: **12 October 2012**
(54) Product in respect of which the design is registered: **Article of clothing**
(51) International Design Classification: **02-02C**
(74) Name(s) of Attorney(s): **Allens Patent & Trade Mark Attorneys**
(71) Name(s) and Address(s) of Applicant(s):
Forever New Clothing Pty Ltd
714-716 High St Kew East VIC 3102 Australia
(72) Name(s) of Designer(s): **Octavia Miller**
(45) Registration Date: **13 June 2013**
(30) Convention priority data:
(31) Number (32) Date (33) Country
4026134 30 Aug 2012 UNITED KINGDOM
(62) Divisional of: **349176**
(56) Related Art Documents: **Not Applicable**
(57) Statement of Newness and Distinctiveness: **Newness and distinctiveness resides in the visual features of shape, configuration, pattern and/or ornamentation of an article of clothing as shown in the accompanying representations.**



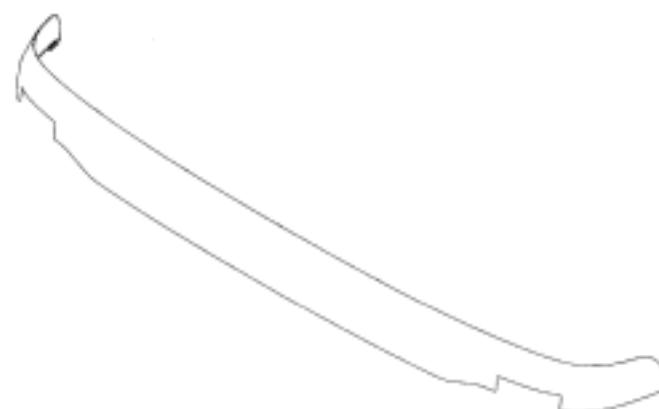
- (21) Design Number: **10850/2013**
(22) Date of Filing Application: **22 February 2013**
(24) Date from which industrial property rights may have effect: **22 February 2013**
(54) Product in respect of which the design is registered: **Device with refill**
(51) International Design Classification: **22-06**
(74) Name(s) of Attorney(s): **Shelston IP**
(71) Name(s) and Address(s) of Applicant(s):
Reckitt & Colman (Overseas) Limited
103-105 Bath Road Slough Berkshire SL1 3UH United Kingdom
(72) Name(s) of Designer(s): **Martin Butler and Jos Harrison and Tim Sharpe and Dennis Chan and Alex Peacop and Daniel Tebe**
(45) Registration Date: **13 June 2013**
(30) Convention priority data:
(31) Number (32) Date (33) Country
002093369-0002 28 Aug 2012 OFFICE FOR HARMONISATION IN THE INTERNAL MARKET (OHIM)
(56) Related Art Documents: **Not Applicable**
(57) Statement of Newness and Distinctiveness: **Newness and distinctiveness reside in the features of shape and configuration of the device without refill as illustrated by solid lines in the accompanying representations. These features shown in broken lines do not form part of the design.**



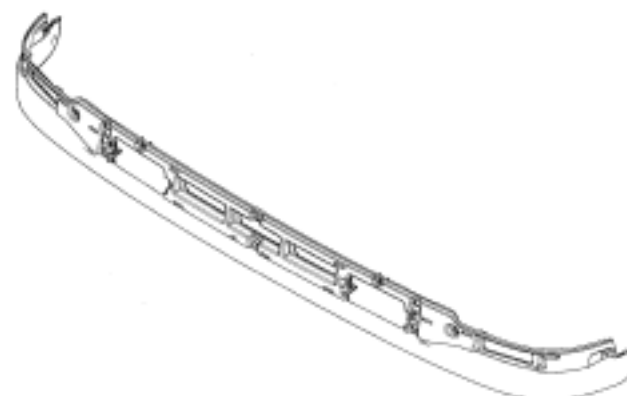
- (21) Design Number: **11518/2013**
(22) Date of Filing Application: **27 March 2013**
(24) Date from which industrial property rights may have effect: **27 March 2013**
(54) Product in respect of which the design is registered: **Upper part of a sun visor**
(51) International Design Classification: **12-16F**
(74) Name(s) of Attorney(s): **Davies Collison Cave**
(71) Name(s) and Address(s) of Applicant(s):
Scania CV AB
SE-151 87 Sodertalje Sweden
(72) Name(s) of Designer(s): **Linda Eriksson and Xavier Carreras-Castro and Kamran Noghabai and Per Elofsson**
(45) Registration Date: **13 June 2013**
(30) Convention priority data:
(31) Number (32) Date (33) Country
2012/0436 04 Oct 2012 SWEDEN
(56) Related Art Documents: **Not Applicable**
(57) Statement of Newness and Distinctiveness: **Nil**



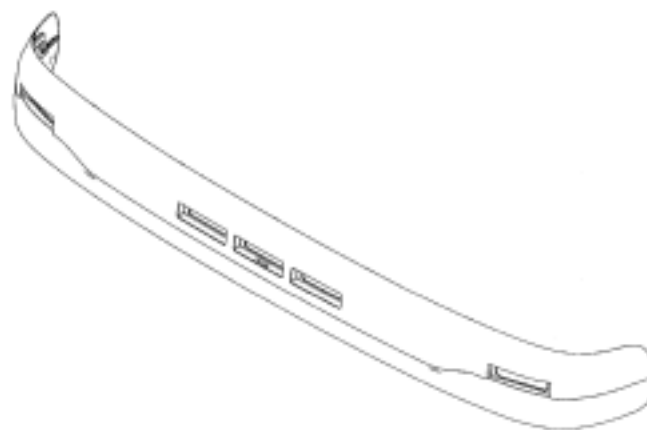
(21) Design Number: **11519/2013**
(22) Date of Filing Application: **27 March 2013**
(24) Date from which industrial property rights may have effect: **27 March 2013**
(54) Product in respect of which the design is registered: **Upper part of a sun visor**
(51) International Design Classification: **12-16F**
(74) Name(s) of Attorney(s): **Davies Collison Cave**
(71) Name(s) and Address(s) of Applicant(s):
Scania CV AB
SE-151 87 Sodertalje Sweden
(72) Name(s) of Designer(s): **Linda Eriksson and Xavier Carreras-Castro and Kamran Noghabai and Per Elofsson**
(45) Registration Date: **13 June 2013**
(30) Convention priority data:
(31) Number (32) Date (33) Country
2012/0436 04 Oct 2012 SWEDEN
(56) Related Art Documents: **Not Applicable**
(57) Statement of Newness and Distinctiveness: **Nil**



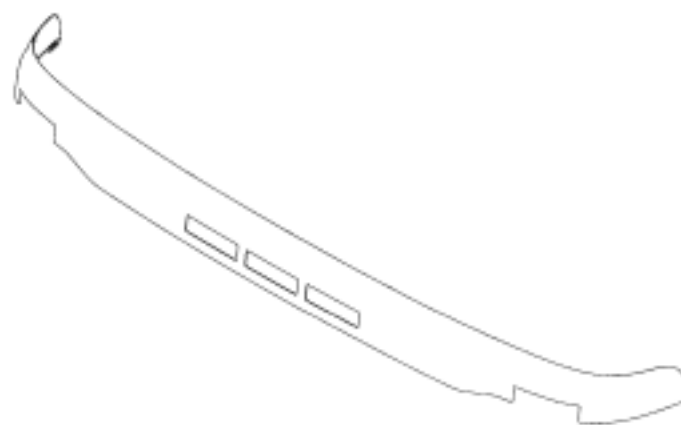
(21) Design Number: **11520/2013**
(22) Date of Filing Application: **27 March 2013**
(24) Date from which industrial property rights may have effect: **27 March 2013**
(54) Product in respect of which the design is registered: **Lower part of a sun visor**
(51) International Design Classification: **12-16F**
(74) Name(s) of Attorney(s): **Davies Collison Cave**
(71) Name(s) and Address(s) of Applicant(s):
Scania CV AB
SE-151 87 Sodertalje Sweden
(72) Name(s) of Designer(s): **Linda Eriksson and Xavier Carreras-Castro and Kamran Noghabai and Per Elofsson**
(45) Registration Date: **13 June 2013**
(30) Convention priority data:
(31) Number (32) Date (33) Country
2012/0436 04 Oct 2012 SWEDEN
(56) Related Art Documents: **Not Applicable**
(57) Statement of Newness and Distinctiveness: **Nil**



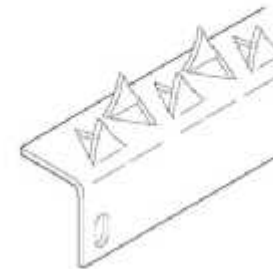
(21) Design Number: **11521/2013**
(22) Date of Filing Application: **27 March 2013**
(24) Date from which industrial property rights may have effect: **27 March 2013**
(54) Product in respect of which the design is registered: **Sun visor**
(51) International Design Classification: **12-16F**
(74) Name(s) of Attorney(s): **Davies Collison Cave**
(71) Name(s) and Address(s) of Applicant(s):
Scania CV AB
SE-151 87 Sodertalje Sweden
(72) Name(s) of Designer(s): **Linda Eriksson and Xavier Carreras-Castro and Kamran Noghabai and Per Elofsson**
(45) Registration Date: **13 June 2013**
(30) Convention priority data:
(31) Number (32) Date (33) Country
2012/0436 04 Oct 2012 SWEDEN
(56) Related Art Documents: **Not Applicable**
(57) Statement of Newness and Distinctiveness: **Nil**



(21) Design Number: **11524/2013**
(22) Date of Filing Application: **27 March 2013**
(24) Date from which industrial property rights may have effect: **27 March 2013**
(54) Product in respect of which the design is registered: **Upper part of a sun visor**
(51) International Design Classification: **12-16F**
(74) Name(s) of Attorney(s): **Davies Collison Cave**
(71) Name(s) and Address(s) of Applicant(s):
Scania CV AB
SE-151 87 Sodertalje Sweden
(72) Name(s) of Designer(s): **Linda Eriksson and Xavier Carreras-Castro and Kamran Noghabai and Per Elofsson**
(45) Registration Date: **13 June 2013**
(30) Convention priority data:
(31) Number (32) Date (33) Country
2012/0436 04 Oct 2012 SWEDEN
(56) Related Art Documents: **Not Applicable**
(57) Statement of Newness and Distinctiveness: **Nil**



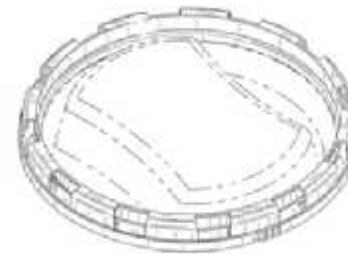
- (21) Design Number: **11912/2013**
(22) Date of Filing Application: **24 April 2013**
(24) Date from which industrial property rights may have effect: **24 April 2013**
(54) Product in respect of which the design is registered: **Fence rail topping**
(51) International Design Classification: **25-02C**
(74) Name(s) of Attorney(s):
(71) Name(s) and Address(s) of Applicant(s):
Protective Fencing Pty Ltd
16 Pile Road Somersby New South Wales 2250 Australia
(72) Name(s) of Designer(s): **Allan Masters**
(45) Registration Date: **13 June 2013**
(56) Related Art Documents: **Not Applicable**
(57) Statement of Newness and Distinctiveness: **The newness and distinctiveness resides in the curved shape of the pointed protrusions and the offset arrangement of the protrusions along a steel section of variable shape and indefinite length.**



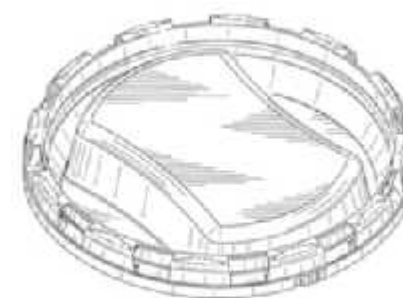
- (21) Design Number: **10950/2013**
(22) Date of Filing Application: **27 February 2013**
(24) Date from which industrial property rights may have effect: **27 February 2013**
(54) Product in respect of which the design is registered: **Container overcap**
(51) International Design Classification: **09-07B**
(74) Name(s) of Attorney(s): **King & Wood Mallesons**
(71) Name(s) and Address(s) of Applicant(s):
Sonoco Development, Inc.
North Second Street Hartsville SC 29550 United States of America
(72) Name(s) of Designer(s): **Keith E. Antal Sr and Chad E. Lagace and Terry Smith**
(45) Registration Date: **13 June 2013**
(30) Convention priority data:
(31) Number (32) Date (33) Country
29/440185 19 Dec 2012 UNITED STATES OF AMERICA
(56) Related Art Documents: **Not Applicable**
(57) Statement of Newness and Distinctiveness: **Nil**



(21) Design Number: **12606/2013**
(22) Date of Filing Application: **27 February 2013**
(24) Date from which industrial property rights may have effect: **27 February 2013**
(54) Product in respect of which the design is registered: **Container overcap**
(51) International Design Classification: **09-07B**
(74) Name(s) of Attorney(s):
(71) Name(s) and Address(s) of Applicant(s):
Sonoco Development, Inc.
North Second Street Hartsville SC 29550 United States of America
(72) Name(s) of Designer(s): **Keith E. Antal Sr and Chad E. Lagace and Terry Smith**
(45) Registration Date: **13 June 2013**
(30) Convention priority data:
(31) Number (32) Date (33) Country
29/440,185 19 Dec 2012 UNITED STATES OF AMERICA
(56) Related Art Documents: **Not Applicable**
(57) Statement of Newness and Distinctiveness: **Nil**



(21) Design Number: **12607/2013**
(22) Date of Filing Application: **27 February 2013**
(24) Date from which industrial property rights may have effect: **27 February 2013**
(54) Product in respect of which the design is registered: **Container overcap**
(51) International Design Classification: **09-07B**
(74) Name(s) of Attorney(s):
(71) Name(s) and Address(s) of Applicant(s):
Sonoco Development, Inc.
North Second Street Hartsville SC 29550 United States of America
(72) Name(s) of Designer(s): **Keith E. Antal Sr and Chad E. Lagace and Terry Smith**
(45) Registration Date: **13 June 2013**
(30) Convention priority data:
(31) Number (32) Date (33) Country
29/440,185 19 Dec 2012 UNITED STATES OF AMERICA
(56) Related Art Documents: **Not Applicable**
(57) Statement of Newness and Distinctiveness: **Nil**



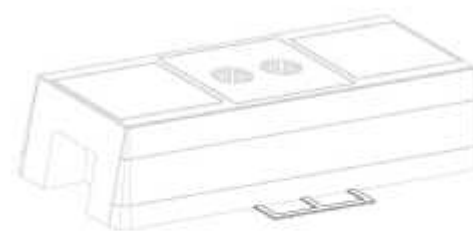
(21) Design Number: **11900/2013**
(22) Date of Filing Application: **23 April 2013**
(24) Date from which industrial property rights may have effect: **23 April 2013**
(54) Product in respect of which the design is registered: **Portable telephone handset**
(51) International Design Classification: **14-03E**
(74) Name(s) of Attorney(s): **Ashurst Australia**
(71) Name(s) and Address(s) of Applicant(s):
Vertu Corporation Limited
Beacon Hill Road Church Crookham Hampshire GU52 8DY United Kingdom
(72) Name(s) of Designer(s): **Frank Nuovo and Jonathan Dry and Joel Bridge**
(45) Registration Date: **13 June 2013**
(30) Convention priority data:
(31) Number (32) Date (33) Country
002203075-0001 15 Mar 2013 OFFICE FOR HARMONISATION IN THE INTERNAL MARKET (OHIM)
(56) Related Art Documents: **Not Applicable**
(57) Statement of Newness and Distinctiveness: **Nil**



(21) Design Number: **16855/2012**
(22) Date of Filing Application: **30 April 2013**
(24) Date from which industrial property rights may have effect: **12 October 2012**
(54) Product in respect of which the design is registered: **Article of clothing**
(51) International Design Classification: **02-02NES**
(74) Name(s) of Attorney(s): **Allens Patent & Trade Mark Attorneys**
(71) Name(s) and Address(s) of Applicant(s):
Forever New Clothing Pty Ltd
714-716 High St Kew East VIC 3102 Australia
(72) Name(s) of Designer(s): **Alice Burrow**
(45) Registration Date: **13 June 2013**
(30) Convention priority data:
(31) Number (32) Date (33) Country
4026134 30 Aug 2012 UNITED KINGDOM
(62) Divisional of: **349176**
(56) Related Art Documents: **Not Applicable**
(57) Statement of Newness and Distinctiveness: **Newness and distinctiveness resides in the visual features of shape, configuration, pattern and/or ornamentation of an article of clothing as shown in the accompanying representations.**



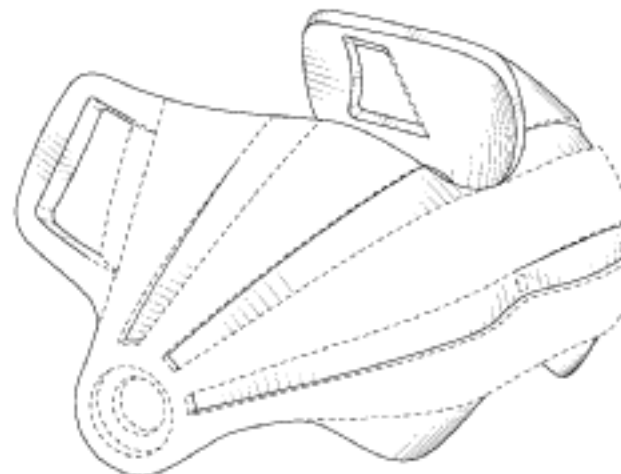
- (21) Design Number: **12397/2013**
(22) Date of Filing Application: **24 May 2013**
(24) Date from which industrial property rights may have effect: **24 May 2013**
(54) Product in respect of which the design is registered: **Temporary fence foot**
(51) International Design Classification: **25-02C, 08-08K**
(74) Name(s) of Attorney(s):
(71) Name(s) and Address(s) of Applicant(s):
READY INDUSTRIES PTY. LTD.
PO BOX 330 Niddrie VIC 3042 Australia
(72) Name(s) of Designer(s): **Martin Fouracre and Bruce Fouracre**
(45) Registration Date: **14 June 2013**
(56) Related Art Documents: **Not Applicable**
(57) Statement of Newness and Distinctiveness: **Newness and distinctiveness is claimed in the visual features of the flaps and ribs of the temporary fence foot shown in solid lines in the representations. The flaps may be in an open position, as moulded, or in a closed or folded position where they are retained by the ribs.**



- (21) Design Number: **12399/2013**
(22) Date of Filing Application: **24 May 2013**
(24) Date from which industrial property rights may have effect: **25 February 2013**
(54) Product in respect of which the design is registered: **Lock**
(51) International Design Classification: **08-07**
(74) Name(s) of Attorney(s): **Callinans**
(71) Name(s) and Address(s) of Applicant(s):
Master Lock Company LLC
137 W. Forest Hill Avenue Oak Creek Wisconsin 53154 United States of America
(72) Name(s) of Designer(s): **Scott Stevens**
(45) Registration Date: **14 June 2013**
(62) Divisional of: **349052**
(56) Related Art Documents: **Not Applicable**
(57) Statement of Newness and Distinctiveness: **Newness and distinctiveness are provided by the shape and/or configuration of the design shown in the representations. The features shown in broken lines in the representations are for illustrative purposes only and should not be considered when construing visual features of the design.**



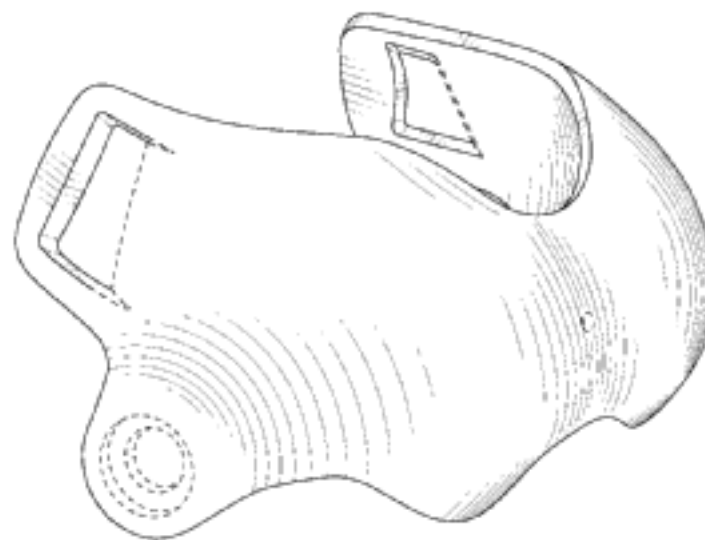
(21) Design Number: **12400/2013**
(22) Date of Filing Application: **24 May 2013**
(24) Date from which industrial property rights may have effect: **24 May 2013**
(54) Product in respect of which the design is registered: **Hoof boot heel captivator**
(51) International Design Classification: **30-99**
(74) Name(s) of Attorney(s): **Adams Pluck**
(71) Name(s) and Address(s) of Applicant(s):
Kirt Lander
PO BOX 6488 Kingman Arizona 86402 United States of America
(72) Name(s) of Designer(s): **Kirt Lander**
(45) Registration Date: **14 June 2013**
(30) Convention priority data:
(31) Number (32) Date (33) Country
29/438,317 28 Nov 2012 UNITED STATES OF AMERICA
(56) Related Art Documents: **Not Applicable**
(57) Statement of Newness and Distinctiveness: **Nil**



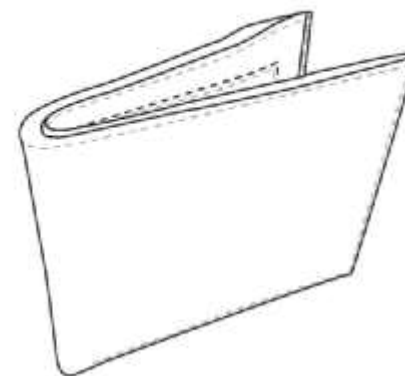
(21) Design Number: **12401/2013**
(22) Date of Filing Application: **24 May 2013**
(24) Date from which industrial property rights may have effect: **24 May 2013**
(54) Product in respect of which the design is registered: **Plant pot**
(51) International Design Classification: **11-02C**
(74) Name(s) of Attorney(s): **Baldwins Intellectual Property**
(71) Name(s) and Address(s) of Applicant(s):
Patentstar B.V.
Alfensvaart 7 2771 NM Boskoop Netherlands
(72) Name(s) of Designer(s): **Huibert Van der Starre**
(45) Registration Date: **14 June 2013**
(30) Convention priority data:
(31) Number (32) Date (33) Country
002149328-0001 07 Dec 2012 OFFICE FOR HARMONISATION IN THE INTERNAL MARKET (OHIM)
(56) Related Art Documents: **Not Applicable**
(57) Statement of Newness and Distinctiveness: **Nil**



(21) Design Number: **12404/2013**
(22) Date of Filing Application: **24 May 2013**
(24) Date from which industrial property rights may have effect: **24 May 2013**
(54) Product in respect of which the design is registered: **Hoof boot heel captivator**
(51) International Design Classification: **30-99**
(74) Name(s) of Attorney(s): **Adams Pluck**
(71) Name(s) and Address(s) of Applicant(s):
Kirt Lander
PO BOX 6488 Kingman Arizona 86402 United States of America
(72) Name(s) of Designer(s): **Kirt Lander**
(45) Registration Date: **14 June 2013**
(30) Convention priority data:
(31) Number (32) Date (33) Country
29/438,318 28 Nov 2012 UNITED STATES OF AMERICA
(56) Related Art Documents: **Not Applicable**
(57) Statement of Newness and Distinctiveness: **Nil**



(21) Design Number: **12406/2013**
(22) Date of Filing Application: **24 May 2013**
(24) Date from which industrial property rights may have effect: **24 May 2013**
(54) Product in respect of which the design is registered: **Wallet**
(51) International Design Classification: **03-01B**
(74) Name(s) of Attorney(s): **Baxter IP**
(71) Name(s) and Address(s) of Applicant(s):
Brad Burritt Ashbaugh
123/107-121 Quay St Haymarket Sydney NSW 2000 Australia
(72) Name(s) of Designer(s): **Brad Burritt Ashbaugh**
(45) Registration Date: **14 June 2013**
(56) Related Art Documents: **Not Applicable**
(57) Statement of Newness and Distinctiveness: **Newness and distinctiveness is claimed in the substantially V-shaped upper and lower edges of the wallet when in the open configuration as shown in solid lines in the accompanying representations.**



(21) Design Number: **12407/2013**
(22) Date of Filing Application: **24 May 2013**
(24) Date from which industrial property rights may have effect: **24 May 2013**
(54) Product in respect of which the design is registered: **Hoof boot shell**
(51) International Design Classification: **30-99**
(74) Name(s) of Attorney(s): **Adams Pluck**
(71) Name(s) and Address(s) of Applicant(s):

Kirt Lander
PO BOX 6488 Kingman Arizona 86402 United States of America

(72) Name(s) of Designer(s): **Kirt Lander**

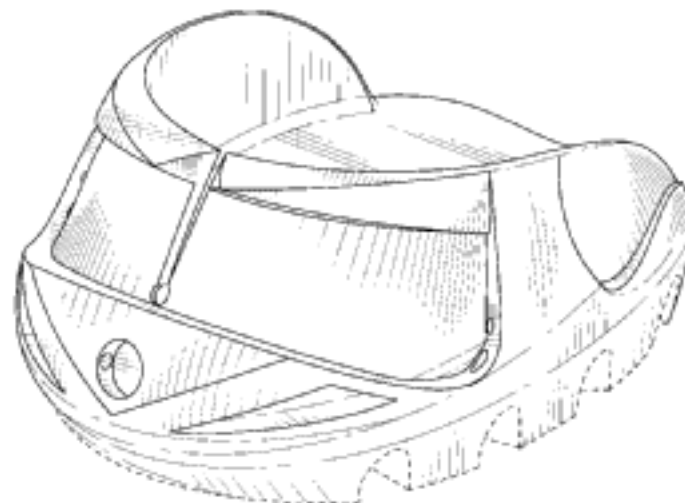
(45) Registration Date: **14 June 2013**

(30) Convention priority data:

(31) Number	(32) Date	(33) Country
29/438,721	03 Dec 2012	UNITED STATES OF AMERICA

(56) Related Art Documents: **Not Applicable**

(57) Statement of Newness and Distinctiveness: **Nil**



(21) Design Number: **12408/2013**
(22) Date of Filing Application: **24 May 2013**
(24) Date from which industrial property rights may have effect: **24 May 2013**
(54) Product in respect of which the design is registered: **USB charging module**
(51) International Design Classification: **13-02**
(74) Name(s) of Attorney(s): **Madderns**
(71) Name(s) and Address(s) of Applicant(s):

Schneider Electric (Australia) Pty Limited
78 Waterloo Rd Macquarie Park NSW 2113 Australia

(72) Name(s) of Designer(s): **Gerrit de Man**

(45) Registration Date: **14 June 2013**

(56) Related Art Documents: **Not Applicable**

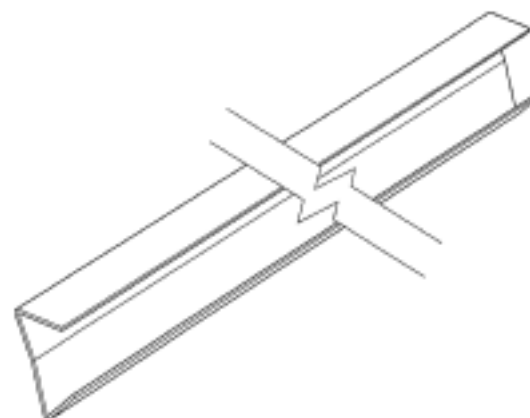
(57) Statement of Newness and Distinctiveness: **Newness and distinctiveness is claimed in the shape and/or configuration of a USB charging module as depicted in the accompanying drawings.**



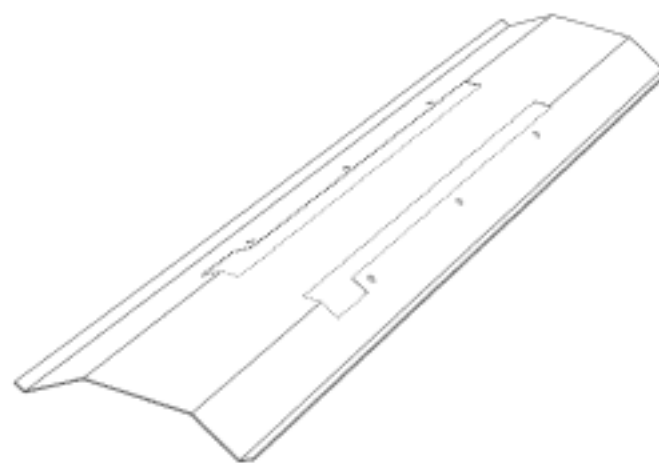
- (21) Design Number: **12409/2013**
(22) Date of Filing Application: **24 May 2013**
(24) Date from which industrial property rights may have effect: **24 May 2013**
(54) Product in respect of which the design is registered: **Hydrometer**
(51) International Design Classification: **10-05, 08-05NES**
(74) Name(s) of Attorney(s): **Madderns**
(71) Name(s) and Address(s) of Applicant(s):
Coopers Brewery Limited
461 South Rd Regency Park SA 5010 Australia
(72) Name(s) of Designer(s): **Andrew Whittaker**
(45) Registration Date: **14 June 2013**
(56) Related Art Documents: **Not Applicable**
(57) Statement of Newness and Distinctiveness: **Newness and distinctiveness is claimed in the shape and/or configuration of a hydrometer as shown in the accompanying drawings.**



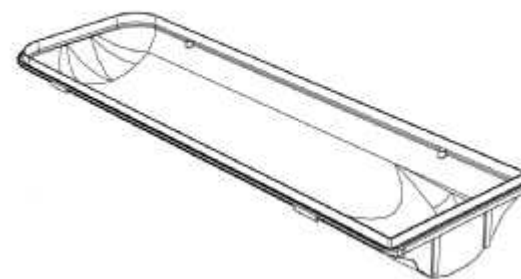
- (21) Design Number: **12410/2013**
(22) Date of Filing Application: **24 May 2013**
(24) Date from which industrial property rights may have effect: **24 May 2013**
(54) Product in respect of which the design is registered: **Reflector**
(51) International Design Classification: **26-05A**
(74) Name(s) of Attorney(s): **Madderns**
(71) Name(s) and Address(s) of Applicant(s):
Pierlite Australia Pty Ltd
96-112 Gow St Padstow NSW 2211 Australia
(72) Name(s) of Designer(s): **Bryan Negrone and Andrew Nagy**
(45) Registration Date: **14 June 2013**
(56) Related Art Documents: **Not Applicable**
(57) Statement of Newness and Distinctiveness: **Newness and distinctiveness is claimed in the shape and/or configuration of a reflector of indefinite length as shown in the accompanying drawings.**



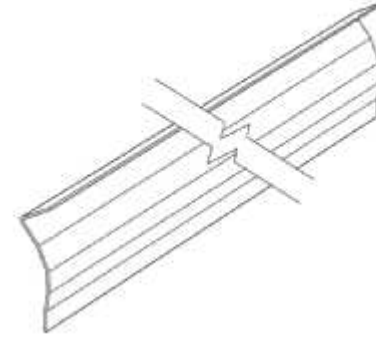
- (21) Design Number: **12411/2013**
(22) Date of Filing Application: **24 May 2013**
(24) Date from which industrial property rights may have effect: **24 May 2013**
(54) Product in respect of which the design is registered: **Reflector**
(51) International Design Classification: **26-05A**
(74) Name(s) of Attorney(s): **Madderns**
(71) Name(s) and Address(s) of Applicant(s):
Pierlite Australia Pty Ltd
96-112 Gow St Padstow NSW 2211 Australia
(72) Name(s) of Designer(s): **Bryan Negrone and Andrew Nagy**
(45) Registration Date: **14 June 2013**
(56) Related Art Documents: **Not Applicable**
(57) Statement of Newness and Distinctiveness: **Newness and distinctiveness is claimed in the shape and/or configuration of a reflector as shown in the accompanying drawings. In considering the scope of protection, no regard shall be had to the features depicted in dotted lines.**



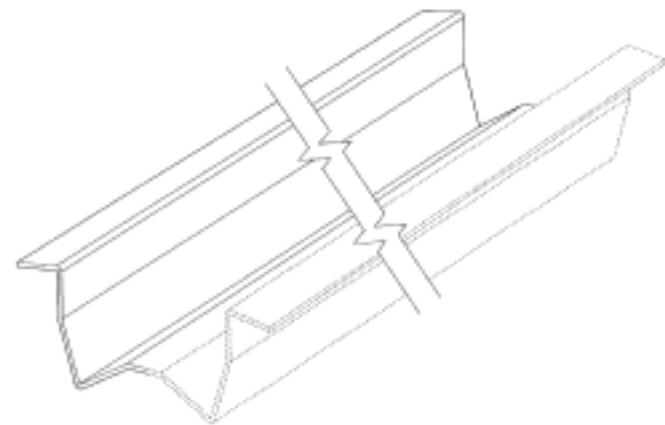
- (21) Design Number: **12413/2013**
(22) Date of Filing Application: **24 May 2013**
(24) Date from which industrial property rights may have effect: **24 May 2013**
(54) Product in respect of which the design is registered: **Lens for a street light**
(51) International Design Classification: **26-03**
(74) Name(s) of Attorney(s): **Madderns**
(71) Name(s) and Address(s) of Applicant(s):
Pierlite Australia Pty Ltd
96-112 Gow St Padstow NSW 2211 Australia
(72) Name(s) of Designer(s): **Andrew Nagy and Bryan Negrone**
(45) Registration Date: **14 June 2013**
(56) Related Art Documents: **Not Applicable**
(57) Statement of Newness and Distinctiveness: **Newness and distinctiveness is claimed in the shape and/or configuration of a lens for a street light as shown in the accompanying drawings.**



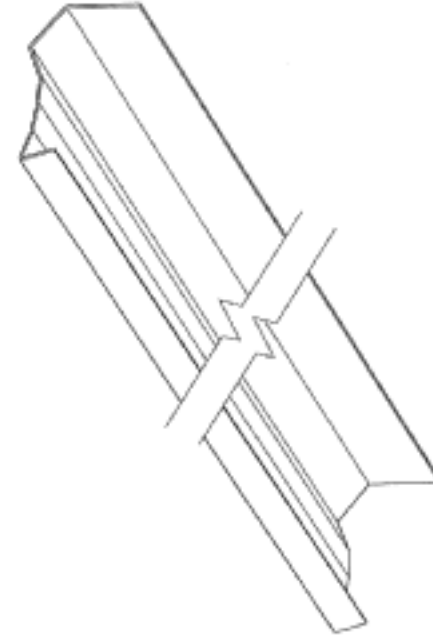
- (21) Design Number: **12415/2013**
(22) Date of Filing Application: **24 May 2013**
(24) Date from which industrial property rights may have effect: **24 May 2013**
(54) Product in respect of which the design is registered: **Reflector**
(51) International Design Classification: **26-05A**
(74) Name(s) of Attorney(s): **Madderns**
(71) Name(s) and Address(s) of Applicant(s):
Pierlite Australia Pty Ltd
96-112 Gow St Padstow NSW 2211 Australia
(72) Name(s) of Designer(s): **Andrew Nagy and Bryan Negrone**
(45) Registration Date: **14 June 2013**
(56) Related Art Documents: **Not Applicable**
(57) Statement of Newness and Distinctiveness: **Newness and distinctiveness is claimed in the shape and/or configuration of a reflector of indefinite length as shown in the accompanying drawings.**



- (21) Design Number: **12414/2013**
(22) Date of Filing Application: **24 May 2013**
(24) Date from which industrial property rights may have effect: **24 May 2013**
(54) Product in respect of which the design is registered: **Heatsink**
(51) International Design Classification: **26-05A**
(74) Name(s) of Attorney(s): **Madderns**
(71) Name(s) and Address(s) of Applicant(s):
Pierlite Australia Pty Ltd
96-112 Gow St Padstow NSW 2211 Australia
(72) Name(s) of Designer(s): **Bryan Negrone and Andrew Nagy**
(45) Registration Date: **14 June 2013**
(56) Related Art Documents: **Not Applicable**
(57) Statement of Newness and Distinctiveness: **Newness and distinctiveness is claimed in the shape and/or configuration of a heatsink of indefinite length as shown in the accompanying drawings. In considering the scope of protection, no regard shall be had to the features depicted in dotted lines.**



- (21) Design Number: **12416/2013**
(22) Date of Filing Application: **24 May 2013**
(24) Date from which industrial property rights may have effect: **24 May 2013**
(54) Product in respect of which the design is registered: **Reflector**
(51) International Design Classification: **26-05A**
(74) Name(s) of Attorney(s): **Madderns**
(71) Name(s) and Address(s) of Applicant(s):
Pierlite Australia Pty Ltd
96-112 Gow St Padstow NSW 2211 Australia
(72) Name(s) of Designer(s): **Bryan Negrone and Andrew Nagy**
(45) Registration Date: **14 June 2013**
(56) Related Art Documents: **Not Applicable**
(57) Statement of Newness and Distinctiveness: **Newness and distinctiveness is claimed in the shape and/or configuration of a reflector of indefinite length as shown in the accompanying drawings.**



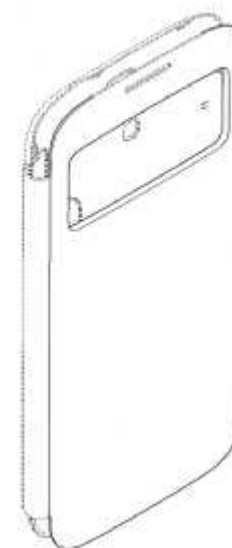
- (21) Design Number: **12418/2013**
(22) Date of Filing Application: **24 May 2013**
(24) Date from which industrial property rights may have effect: **24 May 2013**
(54) Product in respect of which the design is registered: **Street light**
(51) International Design Classification: **26-03**
(74) Name(s) of Attorney(s): **Madderns**
(71) Name(s) and Address(s) of Applicant(s):
Pierlite Australia Pty Ltd
96-112 Gow St Padstow NSW 2211 Australia
(72) Name(s) of Designer(s): **Bryan Negrone and Andrew Nagy**
(45) Registration Date: **14 June 2013**
(56) Related Art Documents: **Not Applicable**
(57) Statement of Newness and Distinctiveness: **Newness and distinctiveness is claimed in the shape and/or configuration of a street light as shown in the accompanying drawings.**



- (21) Design Number: **12419/2013**
(22) Date of Filing Application: **24 May 2013**
(24) Date from which industrial property rights may have effect: **24 May 2013**
(54) Product in respect of which the design is registered: **LED light array**
(51) International Design Classification: **26-05E**
(74) Name(s) of Attorney(s): **Madderns**
(71) Name(s) and Address(s) of Applicant(s):
Pierlite Australia Pty Ltd
96-112 Gow St Padstow NSW 2211 Australia
(72) Name(s) of Designer(s): **Bryan Negrone and Andrew Nagy**
(45) Registration Date: **14 June 2013**
(56) Related Art Documents: **Not Applicable**
(57) Statement of Newness and Distinctiveness: **Newness and distinctiveness is claimed in the shape and/or configuration of an LED light array as shown in the accompanying drawings.**



- (21) Design Number: **12421/2013**
(22) Date of Filing Application: **24 May 2013**
(24) Date from which industrial property rights may have effect: **24 May 2013**
(54) Product in respect of which the design is registered: **Case for an electronic device**
(51) International Design Classification: **03-01NES**
(74) Name(s) of Attorney(s): **Wrays**
(71) Name(s) and Address(s) of Applicant(s):
Samsung Electronics Co., Ltd.
129 Samsung-ro Yeongtong-gu Suwon-si Gyeonggi-do 443-742 Republic of Korea
(72) Name(s) of Designer(s): **Yoon-Young Kim and Won-Kyu Sung**
(45) Registration Date: **14 June 2013**
(30) Convention priority data:
(31) Number (32) Date (33) Country
30-2013-0012860 13 Mar 2013 REPUBLIC OF KOREA
(56) Related Art Documents: **Not Applicable**
(57) Statement of Newness and Distinctiveness: **Newness and distinctiveness is claimed in the features of shape and/or configuration of the Case For An Electronic Device as shown in the accompanying representations. The features depicted by broken lines are for illustrative purposes only and form no part of the claimed design.**



(21) Design Number: **12422/2013**
(22) Date of Filing Application: **24 May 2013**
(24) Date from which industrial property rights may have effect: **24 May 2013**
(54) Product in respect of which the design is registered: **Case for an electronic device**
(51) International Design Classification: **03-01NES**
(74) Name(s) of Attorney(s): **Wrays**
(71) Name(s) and Address(s) of Applicant(s):
Samsung Electronics Co., Ltd.
129 Samsung-ro Yeongtong-gu Suwon-si Gyeonggi-do 443-742 Republic of Korea
(72) Name(s) of Designer(s): **Yoon-Young Kim**
(45) Registration Date: **14 June 2013**
(30) Convention priority data:
(31) Number (32) Date (33) Country
30-2013-0012864 13 Mar 2013 REPUBLIC OF KOREA
(56) Related Art Documents: **Not Applicable**
(57) Statement of Newness and Distinctiveness: **Newness and distinctiveness is claimed in the features of shape and/or configuration of the Case For An Electronic Device as shown in the accompanying representations. The features depicted by broken lines are for illustrative purposes only and form no part of the claimed design.**



(21) Design Number: **12423/2013**
(22) Date of Filing Application: **24 May 2013**
(24) Date from which industrial property rights may have effect: **24 May 2013**
(54) Product in respect of which the design is registered: **Case for an electronic device**
(51) International Design Classification: **03-01NES**
(74) Name(s) of Attorney(s): **Wrays**
(71) Name(s) and Address(s) of Applicant(s):
Samsung Electronics Co., Ltd.
129 Samsung-ro Yeongtong-gu Suwon-si Gyeonggi-do 443-742 Republic of Korea
(72) Name(s) of Designer(s): **Yoon-Young Kim**
(45) Registration Date: **14 June 2013**
(30) Convention priority data:
(31) Number (32) Date (33) Country
30-2013-0012862 13 Mar 2013 REPUBLIC OF KOREA
(56) Related Art Documents: **Not Applicable**
(57) Statement of Newness and Distinctiveness: **Newness and distinctiveness is claimed in the features of shape and/or configuration of the Case For An Electronic Device as shown in the accompanying representations. The features depicted by broken lines are for illustrative purposes only and form no part of the claimed design.**



(21) Design Number: **12424/2013**

(22) Date of Filing Application: **24 May 2013**

(24) Date from which industrial property rights may have effect: **24 May 2013**

(54) Product in respect of which the design is registered: **Case for an electronic device**

(51) International Design Classification: **03-01NES**

(74) Name(s) of Attorney(s): **Wrays**

(71) Name(s) and Address(s) of Applicant(s):

Samsung Electronics Co., Ltd.
129 Samsung-ro Yeongtong-gu Suwon-si Gyeonggi-do 443-742 Republic of Korea

(72) Name(s) of Designer(s): **Yoon-Young Kim**

(45) Registration Date: **14 June 2013**

(30) Convention priority data:

(31) Number	(32) Date	(33) Country
29/448,720	13 Mar 2013	UNITED STATES OF AMERICA

(56) Related Art Documents: **Not Applicable**

(57) Statement of Newness and Distinctiveness: **Newness and distinctiveness is claimed in the features of shape and/or configuration of the Case For An Electronic Device as shown in the accompanying representations. The features depicted by broken lines are for illustrative purposes only and form no part of the claimed design.**



(21) Design Number: **12446/2013**

(22) Date of Filing Application: **24 May 2013**

(24) Date from which industrial property rights may have effect: **24 May 2013**

(54) Product in respect of which the design is registered: **Controller for air conditioner**

(51) International Design Classification: **14-03NES**

(74) Name(s) of Attorney(s): **Freehills Patent Attorneys**

(71) Name(s) and Address(s) of Applicant(s):

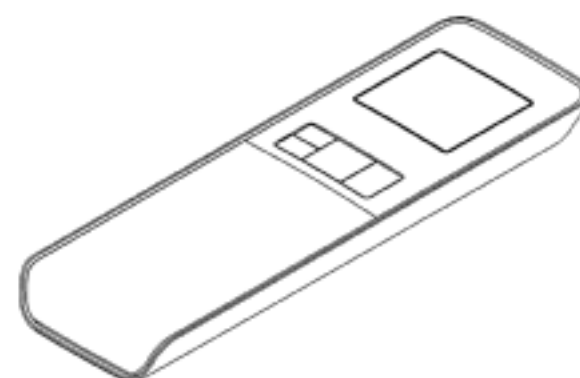
Daikin Industries Ltd.
Umeda Center Building 4-12 Nakazaki-Nishi 2-chome Kita-Ku Osaka-shi Osaka-fu Japan

(72) Name(s) of Designer(s): **Takanori Ikegaya**

(45) Registration Date: **14 June 2013**

(56) Related Art Documents: **Not Applicable**

(57) Statement of Newness and Distinctiveness: **Newness and distinctiveness of the design resides in the features of shape and configuration of the design illustrated in the accompanying drawings.**



(21) Design Number: **12447/2013**

(22) Date of Filing Application: **24 May 2013**

(24) Date from which industrial property rights may have effect: **24 May 2013**

(54) Product in respect of which the design is registered: **Air conditioner**

(51) International Design Classification: **23-04**

(74) Name(s) of Attorney(s): **Freehills Patent Attorneys**

(71) Name(s) and Address(s) of Applicant(s):

Daikin Industries Ltd.

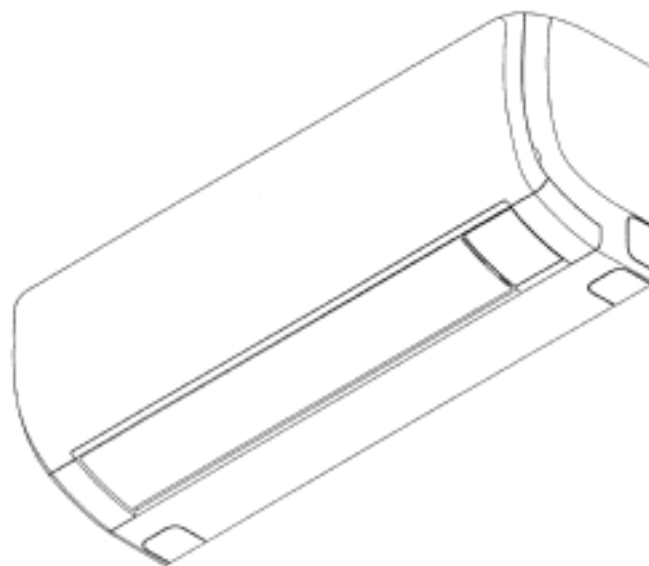
**Umeda Center Building 4-12 Nakazaki-Nishi 2-chome Kita-Ku Osaka-shi
Osaka-fu Japan**

(72) Name(s) of Designer(s): **Junichi Ikeda**

(45) Registration Date: **14 June 2013**

(56) Related Art Documents: **Not Applicable**

(57) Statement of Newness and Distinctiveness: **Newness and distinctiveness of the design resides in the features of shape and configuration of the design illustrated in the accompanying drawings.**



(21) Design Number: **12448/2013**

(22) Date of Filing Application: **24 May 2013**

(24) Date from which industrial property rights may have effect: **24 May 2013**

(54) Product in respect of which the design is registered: **Air conditioner**

(51) International Design Classification: **23-04**

(74) Name(s) of Attorney(s): **Freehills Patent Attorneys**

(71) Name(s) and Address(s) of Applicant(s):

Daikin Industries Ltd.

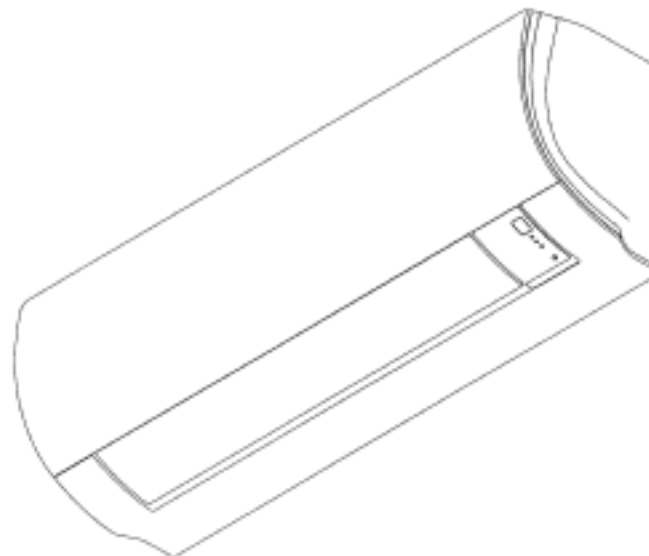
**Umeda Center Building 4-12 Nakazaki-Nishi 2-chome Kita-Ku Osaka-shi
Osaka-fu Japan**

(72) Name(s) of Designer(s): **Kouichirou Seki**

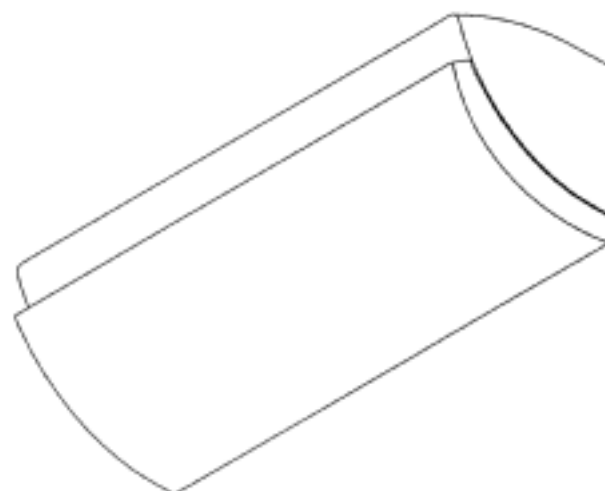
(45) Registration Date: **14 June 2013**

(56) Related Art Documents: **Not Applicable**

(57) Statement of Newness and Distinctiveness: **Newness and distinctiveness of the design resides in the features of shape and configuration of the design illustrated in the accompanying drawings.**



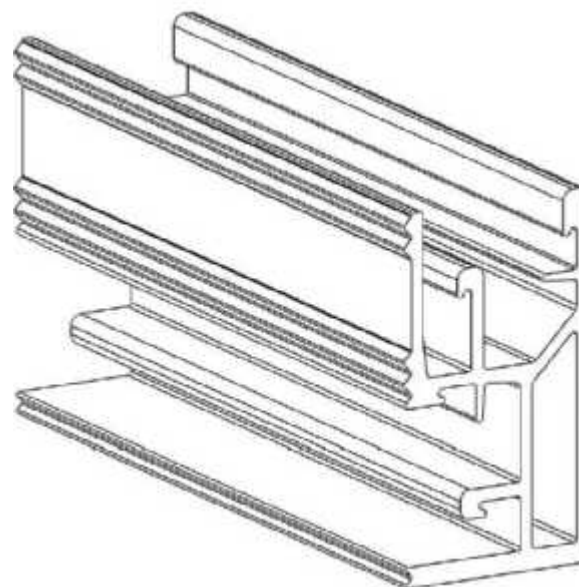
- (21) Design Number: **12449/2013**
(22) Date of Filing Application: **24 May 2013**
(24) Date from which industrial property rights may have effect: **24 May 2013**
(54) Product in respect of which the design is registered: **Air conditioner**
(51) International Design Classification: **23-04**
(74) Name(s) of Attorney(s): **Freehills Patent Attorneys**
(71) Name(s) and Address(s) of Applicant(s):
Daikin Industries Ltd.
Umeda Center Building 4-12 Nakazaki-Nishi 2-chome Kita-Ku Osaka-shi
Osaka-fu Japan
(72) Name(s) of Designer(s): **Yumi Saitou**
(45) Registration Date: **14 June 2013**
(56) Related Art Documents: **Not Applicable**
(57) Statement of Newness and Distinctiveness: **Newness and distinctiveness of the design resides in the features of shape and configuration of the design illustrated in the accompanying drawings.**



- (21) Design Number: **12429/2013**
(22) Date of Filing Application: **27 May 2013**
(24) Date from which industrial property rights may have effect: **27 May 2013**
(54) Product in respect of which the design is registered: **Skid steer / bobcat track system**
(51) International Design Classification: **12-15F, 15-04**
(74) Name(s) of Attorney(s):
(71) Name(s) and Address(s) of Applicant(s):
William Tate
59 Clackline Rd Clackline WA 6564 Australia
(72) Name(s) of Designer(s): **William Tate**
(45) Registration Date: **17 June 2013**
(56) Related Art Documents: **Not Applicable**
(57) Statement of Newness and Distinctiveness: **The newness and distinctiveness of the design resides in the mirror image of the segment from the centre line giving the unit a reversable application. The Polyurethane pigments give a unique colour to the individual track segments. An overall radius has been added to all profiles to give a softer, more robust appearance.**



- (21) Design Number: **12430/2013**
(22) Date of Filing Application: **27 May 2013**
(24) Date from which industrial property rights may have effect: **27 May 2013**
(54) Product in respect of which the design is registered: **Commercial roof bracket**
(51) International Design Classification: **25-01K, 08-08L**
(74) Name(s) of Attorney(s):
(71) Name(s) and Address(s) of Applicant(s):
Energy Matters Pty Ltd
L2 101-105 Clarke St South Melbourne VIC 3205 Australia
(72) Name(s) of Designer(s): **Jeremy Lawrence**
(45) Registration Date: **17 June 2013**
(56) Related Art Documents: **Not Applicable**
(57) Statement of Newness and Distinctiveness: **The newness and distinctiveness of the design resides in the particular profile, shape and the arrangement of the rail. The rail hooks and bolt supports have the ability to hold the proprietary key nut in a horizontal or vertical orientation without it tilting, twisting or fouling when the rail is installed at an angle.**

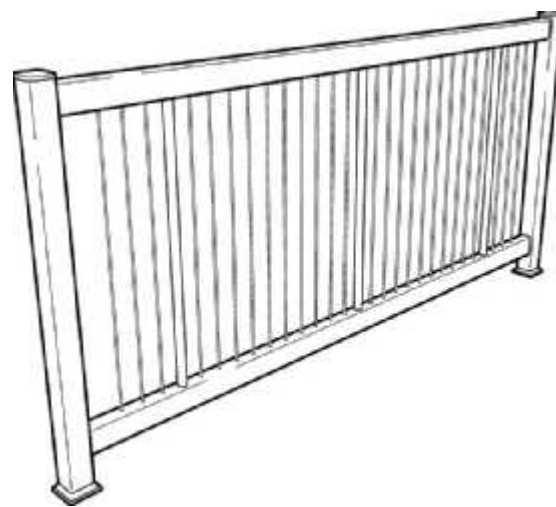


- (21) Design Number: **12432/2013**
(22) Date of Filing Application: **27 May 2013**
(24) Date from which industrial property rights may have effect: **27 May 2013**
(54) Product in respect of which the design is registered: **Golf club head**
(51) International Design Classification: **21-02C**
(74) Name(s) of Attorney(s): **Davies Collison Cave**
(71) Name(s) and Address(s) of Applicant(s):
Karsten Manufacturing Corporation
2201 West Desert Cove Phoenix Arizona 85029 United States of America
(72) Name(s) of Designer(s): **John A. Solheim and Ryan M. Stokke and Xiaojian Chen**
(45) Registration Date: **17 June 2013**
(30) Convention priority data:
(31) Number (32) Date (33) Country
29/447491 04 Mar 2013 UNITED STATES OF AMERICA
(56) Related Art Documents: **Not Applicable**
(57) Statement of Newness and Distinctiveness: **Newness and distinctiveness is claimed in the visual features shown in solid lines in the representations. In considering the extent of the design rights, the broken lines shown in the representations are for illustrative purposes only and do not form part of the design.**



(19) AU

- (21) Design Number: **12436/2013**
(22) Date of Filing Application: **27 May 2013**
(24) Date from which industrial property rights may have effect: **27 May 2013**
(54) Product in respect of which the design is registered: **Balustrade section**
(51) International Design Classification: **25-02C**
(74) Name(s) of Attorney(s): **WATERMARK PATENT AND TRADE MARKS ATTORNEYS**
(71) Name(s) and Address(s) of Applicant(s):
Sentrel Commercial Pty Ltd
603 Roses Rd Glennifer NSW 2454 Australia
(72) Name(s) of Designer(s): **Brett Harrison**
(45) Registration Date: **17 June 2013**
(56) Related Art Documents: **Not Applicable**
(57) Statement of Newness and Distinctiveness: **Particular regard is made to the shape and configuration of the balustrade section incorporating the post and rail portions and the vertical poles and cable barrier as shown in the accompanying representations as being new and distinctive, noting that the visual features of the rails and pole/cable barrier may be repeated extending out from a post at either end of the balustrade section to connect to another post thereby repeating the overall appearance of the balustrade section.**



(19) AU

- (21) Design Number: **12440/2013**
(22) Date of Filing Application: **27 May 2013**
(24) Date from which industrial property rights may have effect: **27 May 2013**
(54) Product in respect of which the design is registered: **Garden stick**
(51) International Design Classification: **08-08O**
(74) Name(s) of Attorney(s): **DibbsBarker**
(71) Name(s) and Address(s) of Applicant(s):
Jiangsu Henyuan Garden Supplies CO., Ltd
Industry District Qianhuang Town Changzhou Jiangsu China
(72) Name(s) of Designer(s): **ShuiPing Yang**
(45) Registration Date: **17 June 2013**
(30) Convention priority data:
(31) Number (32) Date (33) Country
150960 02 May 2013 CANADA
(56) Related Art Documents: **Not Applicable**
(57) Statement of Newness and Distinctiveness: **Nil**



(21) Design Number: **12441/2013**
(22) Date of Filing Application: **27 May 2013**
(24) Date from which industrial property rights may have effect: **27 May 2013**
(54) Product in respect of which the design is registered: **Garden stick**
(51) International Design Classification: **08-080**
(74) Name(s) of Attorney(s): **DibbsBarker**
(71) Name(s) and Address(s) of Applicant(s):
Jiangsu Henyuan Garden Supplies CO., Ltd
Industry District Qianhuang Town Changzhou Jiangsu China
(72) Name(s) of Designer(s): **ShuiPing Yang**
(45) Registration Date: **17 June 2013**
(30) Convention priority data:
(31) Number (32) Date (33) Country
150960 02 May 2013 CANADA
(56) Related Art Documents: **Not Applicable**
(57) Statement of Newness and Distinctiveness: **Nil**



(21) Design Number: **12442/2013**
(22) Date of Filing Application: **27 May 2013**
(24) Date from which industrial property rights may have effect: **27 May 2013**
(54) Product in respect of which the design is registered: **Garden stick**
(51) International Design Classification: **08-080**
(74) Name(s) of Attorney(s): **DibbsBarker**
(71) Name(s) and Address(s) of Applicant(s):
Jiangsu Henyuan Garden Supplies CO., Ltd
Industry District Qianhuang Town Changzhou Jiangsu China
(72) Name(s) of Designer(s): **ShuiPing Yang**
(45) Registration Date: **17 June 2013**
(30) Convention priority data:
(31) Number (32) Date (33) Country
150960 02 May 2013 CANADA
(56) Related Art Documents: **Not Applicable**
(57) Statement of Newness and Distinctiveness: **Nil**



(21) Design Number: **12443/2013**
(22) Date of Filing Application: **27 May 2013**
(24) Date from which industrial property rights may have effect: **27 May 2013**
(54) Product in respect of which the design is registered: **Garden stick**
(51) International Design Classification: **08-080**
(74) Name(s) of Attorney(s): **DibbsBarker**
(71) Name(s) and Address(s) of Applicant(s):
Jiangsu Henyuan Garden Supplies CO., Ltd
Industry District Qianhuang Town Changzhou Jiangsu China
(72) Name(s) of Designer(s): **ShuiPing Yang**
(45) Registration Date: **17 June 2013**
(30) Convention priority data:
(31) Number (32) Date (33) Country
150960 02 May 2013 CANADA
(56) Related Art Documents: **Not Applicable**
(57) Statement of Newness and Distinctiveness: **Nil**



(21) Design Number: **12458/2013**
(22) Date of Filing Application: **24 May 2013**
(24) Date from which industrial property rights may have effect: **24 May 2013**
(54) Product in respect of which the design is registered: **A bed frame**
(51) International Design Classification: **06-02**
(74) Name(s) of Attorney(s):
(71) Name(s) and Address(s) of Applicant(s):
Ian James Burden
11-13 Queen Guinevere's PI Sovereign Islands QLD 4216 Australia
(72) Name(s) of Designer(s): **Ian James Burden**
(45) Registration Date: **17 June 2013**
(56) Related Art Documents: **Not Applicable**
(57) Statement of Newness and Distinctiveness: **The design relates to a bed frame and the novelty resides in the features of shape and configuration of the article shown in the accompanying representation.**



- (21) Design Number: **12459/2013**
(22) Date of Filing Application: **24 May 2013**
(24) Date from which industrial property rights may have effect: **24 May 2013**
(54) Product in respect of which the design is registered: **A cabinet**
(51) International Design Classification: **06-04D**
(74) Name(s) of Attorney(s):
(71) Name(s) and Address(s) of Applicant(s):
Ian James Burden
11-13 Queen Guinevere's PI Sovereign Islands QLD 4216 Australia
(72) Name(s) of Designer(s): **Ian James Burden**
(45) Registration Date: **17 June 2013**
(56) Related Art Documents: **Not Applicable**
(57) Statement of Newness and Distinctiveness: **The design relates to a cabinet and the novelty resides in the features of shape and configuration of the article as shown in the accompanying representation.**



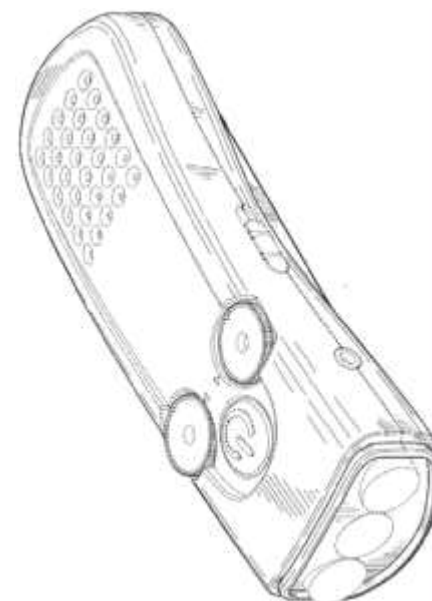
- (21) Design Number: **12460/2013**
(22) Date of Filing Application: **24 May 2013**
(24) Date from which industrial property rights may have effect: **24 May 2013**
(54) Product in respect of which the design is registered: **A cabinet**
(51) International Design Classification: **06-04D**
(74) Name(s) of Attorney(s):
(71) Name(s) and Address(s) of Applicant(s):
Ian James Burden
11-13 Queen Guinevere's PI Sovereign Islands QLD 4216 Australia
(72) Name(s) of Designer(s): **Ian James Burden**
(45) Registration Date: **17 June 2013**
(56) Related Art Documents: **Not Applicable**
(57) Statement of Newness and Distinctiveness: **The design relates to a cabinet and the novelty resides in the features of shape and configuration of the article as shown in the accompanying representation.**



(21) Design Number: **11659/2013**
(22) Date of Filing Application: **08 April 2013**
(24) Date from which industrial property rights may have effect: **08 April 2013**
(54) Product in respect of which the design is registered: **Work bench**
(51) International Design Classification: **06-03C**
(74) Name(s) of Attorney(s): **Davies Collison Cave**
(71) Name(s) and Address(s) of Applicant(s):
The Stanley Works Israel Limited
19 Ha'Melacha Street Rosh Ha'Ayin 48091 Israel
(72) Name(s) of Designer(s): **Shalom Saigauvker and Nadin Daniel Horovitz and Yosi Sabbag**
(45) Registration Date: **17 June 2013**
(30) Convention priority data:
(31) Number (32) Date (33) Country
001346530 10 Oct 2012 OFFICE FOR HARMONISATION IN THE INTERNAL MARKET (OHIM)
(56) Related Art Documents: **Not Applicable**
(57) Statement of Newness and Distinctiveness: **Nil**



(21) Design Number: **12318/2013**
(22) Date of Filing Application: **20 May 2013**
(24) Date from which industrial property rights may have effect: **20 May 2013**
(54) Product in respect of which the design is registered: **A lighting device**
(51) International Design Classification: **26-02**
(74) Name(s) of Attorney(s): **Halfords IP**
(71) Name(s) and Address(s) of Applicant(s):
Eveready Battery Company, Inc.
533 Maryville University Drive St Louis Missouri 63141 United States of America
(72) Name(s) of Designer(s): **Lai King Ma**
(45) Registration Date: **17 June 2013**
(30) Convention priority data:
(31) Number (32) Date (33) Country
29/443901 23 Jan 2013 UNITED STATES OF AMERICA
(56) Related Art Documents: **Not Applicable**
(57) Statement of Newness and Distinctiveness: **Newness and Distinctiveness resides in those features of shape and or configuration of a Lighting Device as depicted in the representations. Shading lines and features shown in broken lines do not form part of the design.**



(21) Design Number: **15630/2012**
(22) Date of Filing Application: **14 November 2012**
(24) Date from which industrial property rights may have effect: **14 November 2012**
(54) Product in respect of which the design is registered: **A woman's garment, comprising beaded parts**
(51) International Design Classification: **02-02C**
(74) Name(s) of Attorney(s):
(71) Name(s) and Address(s) of Applicant(s):
Johanna Johnson
89 Glenmore Rd Paddington NSW 2021 Australia
(72) Name(s) of Designer(s): **Johanna Johnson**
(45) Registration Date: **17 June 2013**
(56) Related Art Documents: **Not Applicable**
(57) Statement of Newness and Distinctiveness: **Nil**



(21) Design Number: **15634/2012**
(22) Date of Filing Application: **14 November 2012**
(24) Date from which industrial property rights may have effect: **14 November 2012**
(54) Product in respect of which the design is registered: **A woman's garment, comprising beaded parts**
(51) International Design Classification: **02-02C**
(74) Name(s) of Attorney(s):
(71) Name(s) and Address(s) of Applicant(s):
Johanna Johnson
89 Glenmore Rd Paddington NSW 2021 Australia
(72) Name(s) of Designer(s): **Johanna Johnson**
(45) Registration Date: **17 June 2013**
(56) Related Art Documents: **Not Applicable**
(57) Statement of Newness and Distinctiveness: **Nil**



- (21) Design Number: **15632/2012**
(22) Date of Filing Application: **14 November 2012**
(24) Date from which industrial property rights may have effect: **14 November 2012**
(54) Product in respect of which the design is registered: **A woman's garment, comprising beaded parts**
(51) International Design Classification: **02-02C**
(74) Name(s) of Attorney(s):
(71) Name(s) and Address(s) of Applicant(s):
Johanna Johnson
89 Glenmore Rd Paddington NSW 2021 Australia
(72) Name(s) of Designer(s): **Johanna Johnson**
(45) Registration Date: **17 June 2013**
(56) Related Art Documents: **Not Applicable**
(57) Statement of Newness and Distinctiveness: **Nil**



- (21) Design Number: **15631/2012**
(22) Date of Filing Application: **14 November 2012**
(24) Date from which industrial property rights may have effect: **14 November 2012**
(54) Product in respect of which the design is registered: **A woman's garment, comprising beaded parts**
(51) International Design Classification: **02-02C**
(74) Name(s) of Attorney(s):
(71) Name(s) and Address(s) of Applicant(s):
Johanna Johnson
89 Glenmore Rd Paddington NSW 2021 Australia
(72) Name(s) of Designer(s): **Johanna Johnson**
(45) Registration Date: **17 June 2013**
(56) Related Art Documents: **Not Applicable**
(57) Statement of Newness and Distinctiveness: **Nil**



(21) Design Number: **15640/2012**
(22) Date of Filing Application: **14 November 2012**
(24) Date from which industrial property rights may have effect: **14 November 2012**
(54) Product in respect of which the design is registered: **A woman's garment, comprising of beaded parts**
(51) International Design Classification: **02-02C**
(74) Name(s) of Attorney(s):
(71) Name(s) and Address(s) of Applicant(s):
Johanna Johnson
89 Glenmore Rd Paddington NSW 2021 Australia
(72) Name(s) of Designer(s): **Johanna Johnson**
(45) Registration Date: **17 June 2013**
(56) Related Art Documents: **Not Applicable**
(57) Statement of Newness and Distinctiveness: **Nil**



(21) Design Number: **15639/2012**
(22) Date of Filing Application: **14 November 2012**
(24) Date from which industrial property rights may have effect: **14 November 2012**
(54) Product in respect of which the design is registered: **A woman's garment**
(51) International Design Classification: **02-02C**
(74) Name(s) of Attorney(s):
(71) Name(s) and Address(s) of Applicant(s):
Johanna Johnson
89 Glenmore Rd Paddington NSW 2021 Australia
(72) Name(s) of Designer(s): **Johanna Johnson**
(45) Registration Date: **17 June 2013**
(56) Related Art Documents: **Not Applicable**
(57) Statement of Newness and Distinctiveness: **Nil**



(21) Design Number: **15637/2012**
(22) Date of Filing Application: **14 November 2012**
(24) Date from which industrial property rights may have effect: **14 November 2012**
(54) Product in respect of which the design is registered: **A woman's garment**
(51) International Design Classification: **02-02C**
(74) Name(s) of Attorney(s):
(71) Name(s) and Address(s) of Applicant(s):
Johanna Johnson
89 Glenmore Rd Paddington NSW 2021 Australia
(72) Name(s) of Designer(s): **Johanna Johnson**
(45) Registration Date: **17 June 2013**
(56) Related Art Documents: **Not Applicable**
(57) Statement of Newness and Distinctiveness: **Nil**



(21) Design Number: **15635/2012**
(22) Date of Filing Application: **14 November 2012**
(24) Date from which industrial property rights may have effect: **14 November 2012**
(54) Product in respect of which the design is registered: **A womans garment, comprising beaded parts**
(51) International Design Classification: **02-02C**
(74) Name(s) of Attorney(s):
(71) Name(s) and Address(s) of Applicant(s):
Johanna Johnson
89 Glenmore Rd Paddington NSW 2021 Australia
(72) Name(s) of Designer(s): **Johanna Johnson**
(45) Registration Date: **17 June 2013**
(56) Related Art Documents: **Not Applicable**
(57) Statement of Newness and Distinctiveness: **Nil**



(21) Design Number: **10969/2013**
(22) Date of Filing Application: **28 February 2013**
(24) Date from which industrial property rights may have effect: **28 February 2013**
(54) Product in respect of which the design is registered: **Voting tablet stand**
(51) International Design Classification: **14-02, 14-99**
(74) Name(s) of Attorney(s): **Cullens Patent and Trade Mark Attorneys**
(71) Name(s) and Address(s) of Applicant(s):

Everyone Counts, Inc.
4435 Eastgate Mall Suite 100 San Diego California 92121 United States of America

(72) Name(s) of Designer(s): **Craig Harold Reines and Michael Lee Joyce and Eric James Joyce**

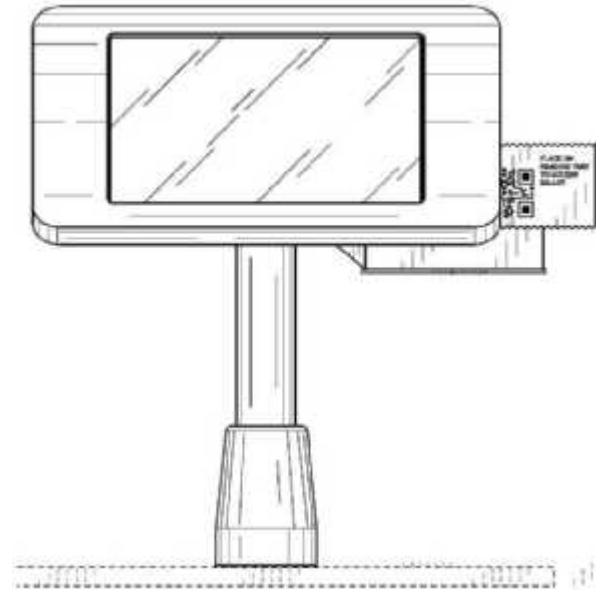
(45) Registration Date: **17 June 2013**

(30) Convention priority data:

(31) Number	(32) Date	(33) Country
29/430667	28 Aug 2012	UNITED STATES OF AMERICA

(56) Related Art Documents: **Not Applicable**

(57) Statement of Newness and Distinctiveness: **Nil**



(21) Design Number: **10706/2013**
(22) Date of Filing Application: **13 February 2013**
(24) Date from which industrial property rights may have effect: **13 February 2013**
(54) Product in respect of which the design is registered: **Article of furniture**
(51) International Design Classification: **06-03A, 06-01E**
(74) Name(s) of Attorney(s): **Griffith Hack**
(71) Name(s) and Address(s) of Applicant(s):

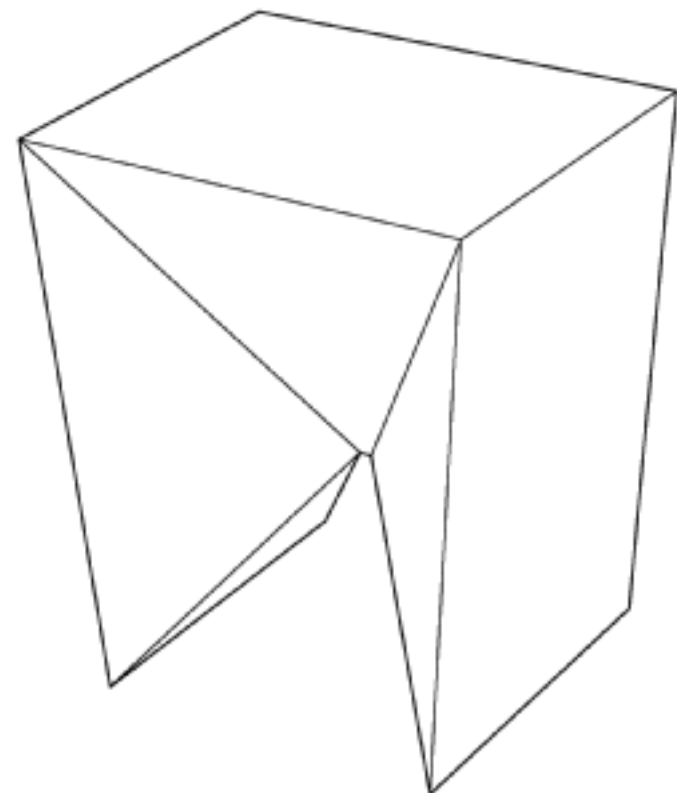
Kate Elton
32 Hanover Ave North Epping NSW 2121 Australia

(72) Name(s) of Designer(s): **Kate Elton**

(45) Registration Date: **17 June 2013**

(56) Related Art Documents: **Not Applicable**

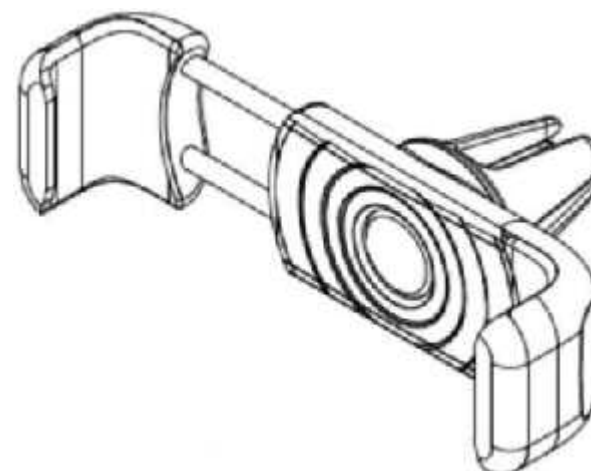
(57) Statement of Newness and Distinctiveness: **Nil**



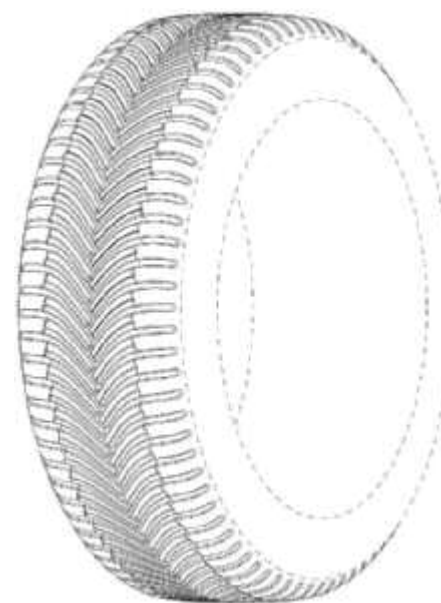
(21) Design Number: **12334/2013**
(22) Date of Filing Application: **20 May 2013**
(24) Date from which industrial property rights may have effect: **20 May 2013**
(54) Product in respect of which the design is registered: **Tire**
(51) International Design Classification: **12-15B**
(74) Name(s) of Attorney(s): **PHILLIPS ORMONDE FITZPATRICK**
(71) Name(s) and Address(s) of Applicant(s):
Bridgestone Bandag, LLC
2000 Bandag Drive Muscatine Iowa 52761 United States of America
(72) Name(s) of Designer(s): **Andrew D. Cerny and Bob Hope**
(45) Registration Date: **17 June 2013**
(30) Convention priority data:
(31) Number (32) Date (33) Country
29/440,397 21 Dec 2012 UNITED STATES OF AMERICA
(56) Related Art Documents: **Not Applicable**
(57) Statement of Newness and Distinctiveness: **Those features of the tire depicted in the representations that are new and distinctive are the shape and/or configuration of the tread of the tire. The features shown in broken line defining the sidewall, inner bead, and the peripheral boundary between the claimed tire tread and sidewall are not part of the design and are to be disregarded when considering the overall impression of the design.**



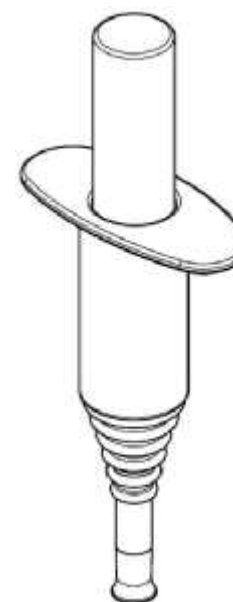
(21) Design Number: **12325/2013**
(22) Date of Filing Application: **20 May 2013**
(24) Date from which industrial property rights may have effect: **20 May 2013**
(54) Product in respect of which the design is registered: **Dashboard vent mount for an electronic device**
(51) International Design Classification: **14-03A, 08-08NES**
(74) Name(s) of Attorney(s): **Baker & McKenzie**
(71) Name(s) and Address(s) of Applicant(s):
Kenu Inc.
90 Stoneyford Avenue San Francisco California 94112 United States of America
(72) Name(s) of Designer(s): **Kenneth Y. Minn and David E. Yao**
(45) Registration Date: **17 June 2013**
(30) Convention priority data:
(31) Number (32) Date (33) Country
US29/437,793 20 Nov 2012 UNITED STATES OF AMERICA
(56) Related Art Documents: **Not Applicable**
(57) Statement of Newness and Distinctiveness: **Nil**



- (21) Design Number: **12328/2013**
(22) Date of Filing Application: **20 May 2013**
(24) Date from which industrial property rights may have effect: **20 May 2013**
(54) Product in respect of which the design is registered: **A tyre**
(51) International Design Classification: **12-15A**
(74) Name(s) of Attorney(s): **WATERMARK PATENT AND TRADE MARKS ATTORNEYS**
(71) Name(s) and Address(s) of Applicant(s):
COMPAGNIE GENERALE DES ETABLISSEMENTS MICHELIN
12 cours Sablon Clermont-Ferrand F- 63000 France
Michelin Recherche et Technique S.A.
Route Louis-Braille 10 Granges-Paccot CH - 1763 Switzerland
(72) Name(s) of Designer(s): **Cyril Guichon and Damon Christenbury and Ryan Gaylo and Ed Gliss and Derick Harris and Ben Ebel**
(45) Registration Date: **17 June 2013**
(30) Convention priority data:
(31) Number (32) Date (33) Country
29/441,542 07 Jan 2013 UNITED STATES OF AMERICA
(56) Related Art Documents: **Not Applicable**
(57) Statement of Newness and Distinctiveness: **Newness and distinctiveness resides in the appearance of the tread region of the tyre, the remainder of the tyre not forming part of the design.**



- (21) Design Number: **12326/2013**
(22) Date of Filing Application: **20 May 2013**
(24) Date from which industrial property rights may have effect: **20 May 2013**
(54) Product in respect of which the design is registered: **Applicator**
(51) International Design Classification: **08-05NES**
(74) Name(s) of Attorney(s): **WATERMARK PATENT AND TRADE MARKS ATTORNEYS**
(71) Name(s) and Address(s) of Applicant(s):
Sulzer Mixpac AG
Ruetistrasse 7 CH-9469 Haag Switzerland
(72) Name(s) of Designer(s): **Josef Ettlin**
(45) Registration Date: **17 June 2013**
(30) Convention priority data:
(31) Number (32) Date (33) Country
139569 28 Jan 2013 SWITZERLAND
(56) Related Art Documents: **Not Applicable**
(57) Statement of Newness and Distinctiveness: **Nil**



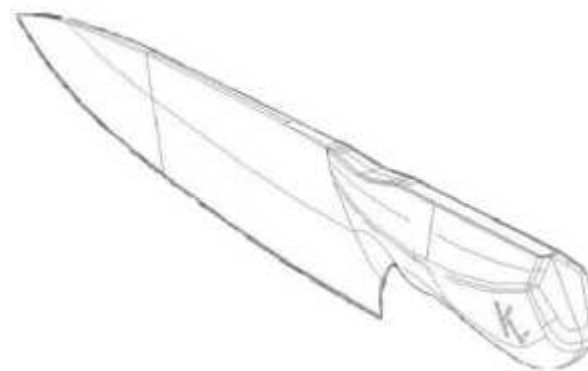
(21) Design Number: **12327/2013**
(22) Date of Filing Application: **20 May 2013**
(24) Date from which industrial property rights may have effect: **20 May 2013**
(54) Product in respect of which the design is registered: **Applicator**
(51) International Design Classification: **08-05NES**
(74) Name(s) of Attorney(s): **WATERMARK PATENT AND TRADE MARKS ATTORNEYS**
(71) Name(s) and Address(s) of Applicant(s):
Sulzer Mixpac AG
Ruetistrasse 7 CH-9469 Haag Switzerland
(72) Name(s) of Designer(s): **Josef Ettlin**
(45) Registration Date: **17 June 2013**
(30) Convention priority data:
(31) Number (32) Date (33) Country
139570 28 Jan 2013 SWITZERLAND
(56) Related Art Documents: **Not Applicable**
(57) Statement of Newness and Distinctiveness: **Nil**



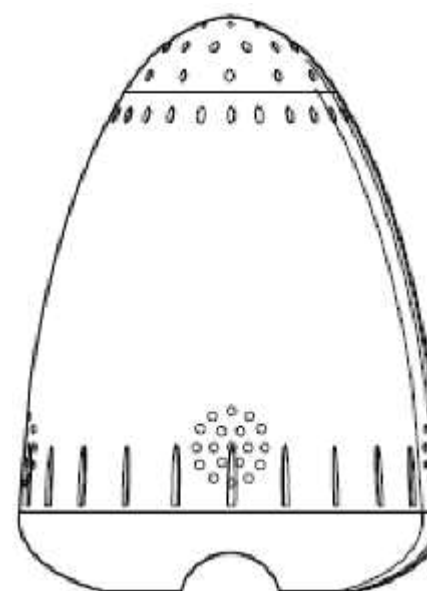
(21) Design Number: **12329/2013**
(22) Date of Filing Application: **20 May 2013**
(24) Date from which industrial property rights may have effect: **20 May 2013**
(54) Product in respect of which the design is registered: **A housing for a wireless marker**
(51) International Design Classification: **14-02**
(74) Name(s) of Attorney(s): **James & Wells Intellectual Property**
(71) Name(s) and Address(s) of Applicant(s):
TAg IT TECHNOLOGIES LIMITED
18/21 Railside Place Dinsdale Hamilton 3204 New Zealand
(72) Name(s) of Designer(s): **Ray Pryor**
(45) Registration Date: **17 June 2013**
(30) Convention priority data:
(31) Number (32) Date (33) Country
417035 20 Nov 2012 NEW ZEALAND
(56) Related Art Documents: **Not Applicable**
(57) Statement of Newness and Distinctiveness: **Newness and Distinctiveness is claimed in those features of shape and or configuration of a Housing for a Wireless Marker as depicted in the accompanying representations. The blue washed portions are not part of the design in which Newness and Distinctiveness is claimed.**



- (21) Design Number: **12330/2013**
(22) Date of Filing Application: **20 May 2013**
(24) Date from which industrial property rights may have effect: **20 May 2013**
(54) Product in respect of which the design is registered: **A knife**
(51) International Design Classification: **08-03**
(74) Name(s) of Attorney(s): **SPRUSON & FERGUSON**
(71) Name(s) and Address(s) of Applicant(s):
Take Two Marketing and Events Pty Ltd
SE302 L3 209 Oxford St Bondi Junction NSW 2022 Australia
(72) Name(s) of Designer(s): **James Cheney**
(45) Registration Date: **17 June 2013**
(56) Related Art Documents: **Not Applicable**
(57) Statement of Newness and Distinctiveness: **Newness and distinctiveness is claimed in those features of shape and/or configuration of a knife as illustrated in the accompanying representations, the knife blade forms no part of the design.**



- (21) Design Number: **12331/2013**
(22) Date of Filing Application: **20 May 2013**
(24) Date from which industrial property rights may have effect: **20 May 2013**
(54) Product in respect of which the design is registered: **Dispensing device**
(51) International Design Classification: **09-01F**
(74) Name(s) of Attorney(s): **Madderns**
(71) Name(s) and Address(s) of Applicant(s):
Chemtura Corporation
199 Benson Road Middlebury 06749 Connecticut United States of America
(72) Name(s) of Designer(s): **Curt Sayre and Zach Hansen and David Rouse and Brian Holliday and Steven Dietz and Rebecca Valentin Covington and Anna Florine McLeroy**
(45) Registration Date: **17 June 2013**
(30) Convention priority data:
(31) Number (32) Date (33) Country
29/438172 27 Nov 2012 UNITED STATES OF AMERICA
(56) Related Art Documents: **Not Applicable**
(57) Statement of Newness and Distinctiveness: **Nil**



(21) Design Number: **12333/2013**
(22) Date of Filing Application: **20 May 2013**
(24) Date from which industrial property rights may have effect: **20 May 2013**
(54) Product in respect of which the design is registered: **Bag**
(51) International Design Classification: **03-01A**
(74) Name(s) of Attorney(s): **FB Rice**
(71) Name(s) and Address(s) of Applicant(s):
Rimowa GmbH
Mathias-Brueggen-Strasse 118 Cologne 50829 Germany
(72) Name(s) of Designer(s): **Dieter Morszeck**
(45) Registration Date: **17 June 2013**
(30) Convention priority data:
(31) Number (32) Date (33) Country
002144337-0001 29 Nov 2012 OFFICE FOR HARMONISATION IN
THE INTERNAL MARKET (OHIM)
(56) Related Art Documents: **Not Applicable**
(57) Statement of Newness and Distinctiveness: **Newness and Distinctiveness**
reside in the features of the design as shown in the representations.



(21) Design Number: **12349/2013**
(22) Date of Filing Application: **21 May 2013**
(24) Date from which industrial property rights may have effect: **21 May 2013**
(54) Product in respect of which the design is registered: **Foot operated water pump**
(51) International Design Classification: **08-05G**
(74) Name(s) of Attorney(s):
(71) Name(s) and Address(s) of Applicant(s):
Ready Industries Pty. Ltd.
PO BOX 330 Niddrie VIC 3042 Australia
(72) Name(s) of Designer(s): **Martin Fouracre and Bruce Fouracre**
(45) Registration Date: **17 June 2013**
(56) Related Art Documents: **Not Applicable**
(57) Statement of Newness and Distinctiveness: **Newness & Distinctiveness is**
claimed (but not limited to) the visual features of the rubber cover and
the inlet and outlet pipes of the foot operated water pump.



- (21) Design Number: **12351/2013**
(22) Date of Filing Application: **21 May 2013**
(24) Date from which industrial property rights may have effect: **21 May 2013**
(54) Product in respect of which the design is registered: **Vehicle**
(51) International Design Classification: **12-08**
(74) Name(s) of Attorney(s): **Griffith Hack**
(71) Name(s) and Address(s) of Applicant(s):
Great Wall Motor Company Limited
No. 2266 Chaoyang South Street Baoding Hebei Province 071000 China
(72) Name(s) of Designer(s): **Yong Huang and Yanzhao Liu and Xuejun Wang and Botao Zhang and Jianwei Xu and Wanpeng Li**
(45) Registration Date: **17 June 2013**
(30) Convention priority data:
(31) Number (32) Date (33) Country
201230590356.7 30 Nov 2012 CHINA
(56) Related Art Documents: **Not Applicable**
(57) Statement of Newness and Distinctiveness: **Newness and distinctiveness resides in the visual features, including shape, configuration and ornamentation of the PRODUCT as shown in the accompanying drawings.**



- (21) Design Number: **12374/2013**
(22) Date of Filing Application: **22 May 2013**
(24) Date from which industrial property rights may have effect: **22 May 2013**
(54) Product in respect of which the design is registered: **Toilet pan**
(51) International Design Classification: **23-02C**
(74) Name(s) of Attorney(s):
(71) Name(s) and Address(s) of Applicant(s):
Aussiroo KDK Homeware Pty Ltd
9 Bruner Rd Greenacre NSW 2190 Australia
(72) Name(s) of Designer(s): **Saihui Tan**
(45) Registration Date: **17 June 2013**
(56) Related Art Documents: **Not Applicable**
(57) Statement of Newness and Distinctiveness: **The newness and distinctiveness resides on the feature of shape showing on the perspective view.**



- (21) Design Number: **12375/2013**
(22) Date of Filing Application: **22 May 2013**
(24) Date from which industrial property rights may have effect: **22 May 2013**
(54) Product in respect of which the design is registered: **Toilet pan**
(51) International Design Classification: **23-02C**
(74) Name(s) of Attorney(s):
(71) Name(s) and Address(s) of Applicant(s):
 Aussiroo KDK Homeware Pty Ltd
 9 Brunner Rd Greenacre NSW 2190 Australia
(72) Name(s) of Designer(s): **Saihui Tan**
(45) Registration Date: **17 June 2013**
(56) Related Art Documents: **Not Applicable**
(57) Statement of Newness and Distinctiveness: **The newness and distinctiveness resides on the feature of shape showing on the perspective view.**



- (21) Design Number: **12376/2013**
(22) Date of Filing Application: **22 May 2013**
(24) Date from which industrial property rights may have effect: **22 May 2013**
(54) Product in respect of which the design is registered: **Toilet pan**
(51) International Design Classification: **23-02C**
(74) Name(s) of Attorney(s):
(71) Name(s) and Address(s) of Applicant(s):
 Aussiroo KDK Homeware Pty Ltd
 9 Brunner Rd Greenacre NSW 2190 Australia
(72) Name(s) of Designer(s): **Saihui Tan**
(45) Registration Date: **17 June 2013**
(56) Related Art Documents: **Not Applicable**
(57) Statement of Newness and Distinctiveness: **The newness and distinctiveness resides on the feature of shape showing on the perspective view.**



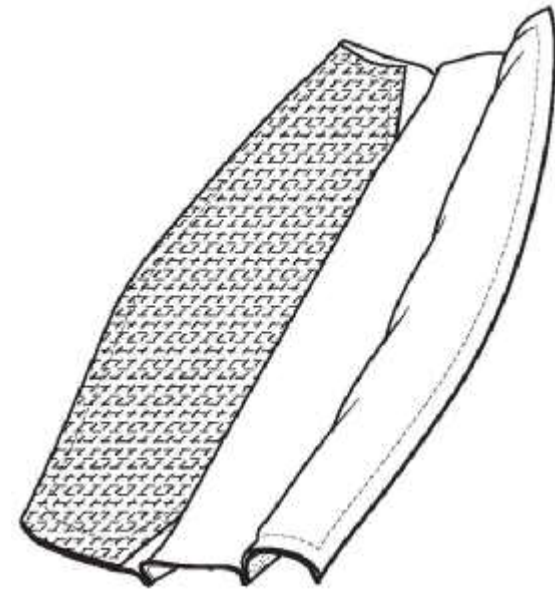
- (21) Design Number: **12377/2013**
(22) Date of Filing Application: **22 May 2013**
(24) Date from which industrial property rights may have effect: **22 May 2013**
(54) Product in respect of which the design is registered: **Toilet pan**
(51) International Design Classification: **23-02C**
(74) Name(s) of Attorney(s):
(71) Name(s) and Address(s) of Applicant(s):
 Aussiroo KDK Homeware Pty Ltd
 9 Brunner Rd Greenacre NSW 2190 Australia
(72) Name(s) of Designer(s): **Saihui Tan**
(45) Registration Date: **17 June 2013**
(56) Related Art Documents: **Not Applicable**
(57) Statement of Newness and Distinctiveness: **The newness and distinctiveness resides on the feature of shape showing on the perspective view.**



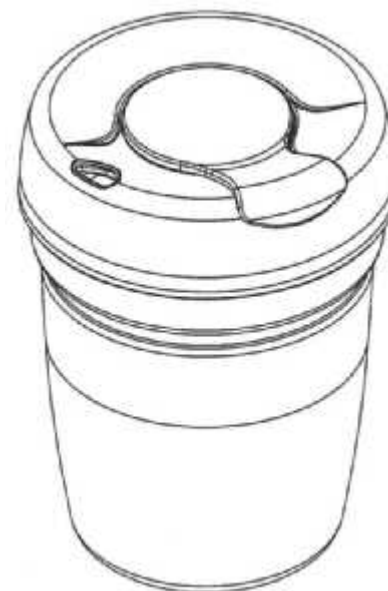
- (21) Design Number: **12378/2013**
(22) Date of Filing Application: **22 May 2013**
(24) Date from which industrial property rights may have effect: **22 May 2013**
(54) Product in respect of which the design is registered: **Toilet pan**
(51) International Design Classification: **23-02C**
(74) Name(s) of Attorney(s):
(71) Name(s) and Address(s) of Applicant(s):
 Aussiroo KDK Homeware Pty Ltd
 9 Brunner Rd Greenacre NSW 2190 Australia
(72) Name(s) of Designer(s): **Saihui Tan**
(45) Registration Date: **17 June 2013**
(56) Related Art Documents: **Not Applicable**
(57) Statement of Newness and Distinctiveness: **The newness and distinctiveness resides on the feature of shape showing on the perspective view.**



- (21) Design Number: **12381/2013**
(22) Date of Filing Application: **22 May 2013**
(24) Date from which industrial property rights may have effect: **22 May 2013**
(54) Product in respect of which the design is registered: **Cover device for goggle straps**
(51) International Design Classification: **21-02D**
(74) Name(s) of Attorney(s):
(71) Name(s) and Address(s) of Applicant(s):
KKS Enterprises Pty Ltd
93 Yarrara Rd West Pymble NSW 2073 Australia
(72) Name(s) of Designer(s): **Brian Slaughter**
(45) Registration Date: **17 June 2013**
(56) Related Art Documents: **Not Applicable**
(57) Statement of Newness and Distinctiveness: **Nil**



- (21) Design Number: **12392/2013**
(22) Date of Filing Application: **23 May 2013**
(24) Date from which industrial property rights may have effect: **23 May 2013**
(54) Product in respect of which the design is registered: **Beverage cup**
(51) International Design Classification: **07-01C**
(74) Name(s) of Attorney(s): **Griffith Hack**
(71) Name(s) and Address(s) of Applicant(s):
KeepCup Pty Ltd
156 Westgarth St Fitzroy VIC 3065 Australia
(72) Name(s) of Designer(s): **Jamie Forsyth**
(45) Registration Date: **17 June 2013**
(56) Related Art Documents: **Not Applicable**
(57) Statement of Newness and Distinctiveness: **Newness and distinctiveness resides in the features, including shape, configuration and ornamentation of the PRODUCT as shown in the accompanying drawings.**



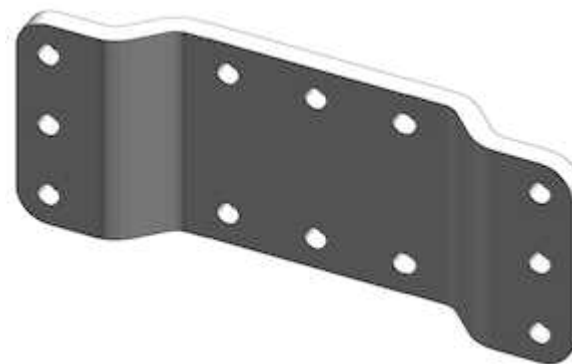
- (21) Design Number: **12394/2013**
(22) Date of Filing Application: **23 May 2013**
(24) Date from which industrial property rights may have effect: **23 May 2013**
(54) Product in respect of which the design is registered: **Beverage cup**
(51) International Design Classification: **07-01C**
(74) Name(s) of Attorney(s): **Griffith Hack**
(71) Name(s) and Address(s) of Applicant(s):
KeepCup Pty Ltd
156 Westgarth St Fitzroy VIC 3065 Australia
(72) Name(s) of Designer(s): **Jamie Forsyth**
(45) Registration Date: **17 June 2013**
(56) Related Art Documents: **Not Applicable**
(57) Statement of Newness and Distinctiveness: **Newness and distinctiveness resides in the visual features, including shape, configuration and ornamentation of the PRODUCT as shown in the accompanying drawings.**



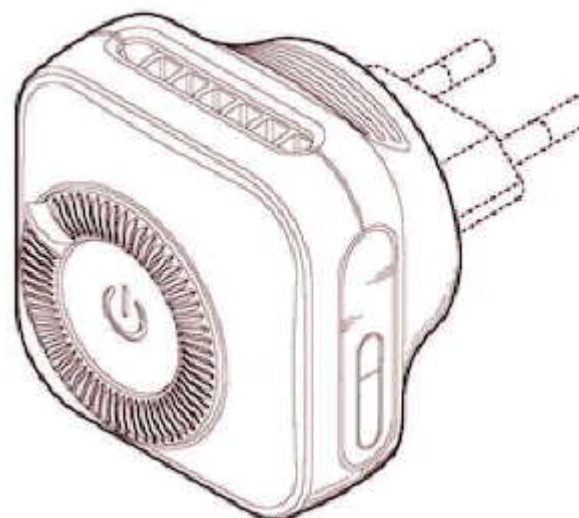
- (21) Design Number: **12395/2013**
(22) Date of Filing Application: **23 May 2013**
(24) Date from which industrial property rights may have effect: **23 May 2013**
(54) Product in respect of which the design is registered: **A bag sealer**
(51) International Design Classification: **07-99NES**
(74) Name(s) of Attorney(s): **SPRUSON & FERGUSON**
(71) Name(s) and Address(s) of Applicant(s):
Take Two Marketing and Events Pty Ltd
SE302 L3 209 Oxford St Bondi Junction NSW 2022 Australia
(72) Name(s) of Designer(s): **James Cheney**
(45) Registration Date: **17 June 2013**
(56) Related Art Documents: **Not Applicable**
(57) Statement of Newness and Distinctiveness: **Newness and distinctiveness is claimed in the features of shape and/or configuration of a bag sealer as illustrated in the accompanying representations.**



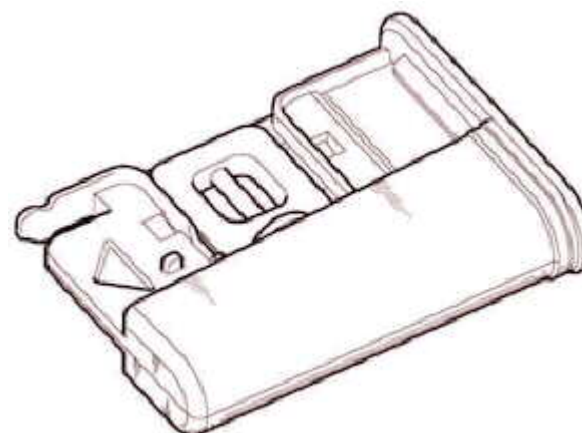
(21) Design Number: **11885/2013**
(22) Date of Filing Application: **23 April 2013**
(24) Date from which industrial property rights may have effect: **23 April 2013**
(54) Product in respect of which the design is registered: **Bracket**
(51) International Design Classification: **08-08K**
(74) Name(s) of Attorney(s): **Armour IP**
(71) Name(s) and Address(s) of Applicant(s):
Openhouse Group Pty Ltd
24 Marine Tce Fremantle WA 6160 Australia
(72) Name(s) of Designer(s): **Karl Plunkett**
(45) Registration Date: **17 June 2013**
(56) Related Art Documents: **Not Applicable**
(57) Statement of Newness and Distinctiveness: **Nil**



(21) Design Number: **10849/2013**
(22) Date of Filing Application: **22 February 2013**
(24) Date from which industrial property rights may have effect: **22 February 2013**
(54) Product in respect of which the design is registered: **Device with refill**
(51) International Design Classification: **22-06**
(74) Name(s) of Attorney(s): **Shelston IP**
(71) Name(s) and Address(s) of Applicant(s):
Reckitt & Colman (Overseas) Limited
103-105 Bath Road Slough Berkshire SL1 3UH United Kingdom
(72) Name(s) of Designer(s): **Martin Butler and Jos Harrison and Tim Sharpe and Dennis Chan and Alex Peacop and Daniel Tebe**
(45) Registration Date: **17 June 2013**
(30) Convention priority data:
(31) Number (32) Date (33) Country
002093369-0001 28 Aug 2012 OFFICE FOR HARMONISATION IN THE INTERNAL MARKET (OHIM)
(56) Related Art Documents: **Not Applicable**
(57) Statement of Newness and Distinctiveness: **Newness and distinctiveness reside in the features of shape and configuration of the device with refill as illustrated by solid lines in the accompanying representations. These features shown in broken lines do not form part of the design.**



(21) Design Number: **10851/2013**
(22) Date of Filing Application: **22 February 2013**
(24) Date from which industrial property rights may have effect: **22 February 2013**
(54) Product in respect of which the design is registered: **Refill for device**
(51) International Design Classification: **22-06**
(74) Name(s) of Attorney(s): **Shelston IP**
(71) Name(s) and Address(s) of Applicant(s):
Reckitt & Colman (Overseas) Limited
103-105 Bath Road Slough Berkshire SL1 3UH United Kingdom
(72) Name(s) of Designer(s): **Martin Butler and Jos Harrison and Tim Sharpe**
and Dennis Chan and Alex Peacop and Daniel Tebe
(45) Registration Date: **17 June 2013**
(30) Convention priority data:
(31) Number (32) Date (33) Country
002093369-0003 28 Aug 2012 OFFICE FOR HARMONISATION IN
THE INTERNAL MARKET (OHIM)
(56) Related Art Documents: **Not Applicable**
(57) Statement of Newness and Distinctiveness: **Newness and distinctiveness**
reside in the features of shape and configuration of the refill for device
as illustrated by solid lines in the accompanying representations.



(21) Design Number: **11229/2013**
(22) Date of Filing Application: **13 March 2013**
(24) Date from which industrial property rights may have effect: **13 March 2013**
(54) Product in respect of which the design is registered: **Vehicle front fascia**
(51) International Design Classification: **12-16B**
(74) Name(s) of Attorney(s): **K&L Gates**
(71) Name(s) and Address(s) of Applicant(s):
GM Global Technology Operations LLC
300 Renaissance Centre City of Detroit State of Michigan 48265-3000
United States of America
(72) Name(s) of Designer(s): **Adam Dean Smith**
(45) Registration Date: **17 June 2013**
(56) Related Art Documents: **Not Applicable**
(57) Statement of Newness and Distinctiveness: **Nil**



- (21) Design Number: **12100/2013**
(22) Date of Filing Application: **03 May 2013**
(24) Date from which industrial property rights may have effect: **03 May 2013**
(54) Product in respect of which the design is registered: **A part for a power clamp**
(51) International Design Classification: **08-05F**
(74) Name(s) of Attorney(s): **Churchill Attorneys**
(71) Name(s) and Address(s) of Applicant(s):
Domengoes Bester
3 Maroela Road Brits 0250 South Africa
(72) Name(s) of Designer(s): **Domengoes Bester and Jan Hendrik Meyer**
(45) Registration Date: **17 June 2013**
(30) Convention priority data:
(31) Number (32) Date (33) Country
F2012/02020 21 Nov 2012 SOUTH AFRICA
(56) Related Art Documents: **Not Applicable**
(57) Statement of Newness and Distinctiveness: **The newness and distinctiveness of the design resides in the shape of the plate as shown in the continuous lines in the accompanying representations.**



- (21) Design Number: **12335/2013**
(22) Date of Filing Application: **20 May 2013**
(24) Date from which industrial property rights may have effect: **20 May 2013**
(54) Product in respect of which the design is registered: **Case for a tablet computer**
(51) International Design Classification: **03-01NES**
(74) Name(s) of Attorney(s):
(71) Name(s) and Address(s) of Applicant(s):
STM MANAGEMENT PTY LTD
U21 34-36 Ralph St Alexandria NSW 2015 Australia
(72) Name(s) of Designer(s): **Ethan Nyholm and Adina Jacobs and Christopher Daniel Townsend and Neil Welby Davidson**
(45) Registration Date: **17 June 2013**
(56) Related Art Documents: **Not Applicable**
(57) Statement of Newness and Distinctiveness: **Nil**



- (21) Design Number: **12454/2013**
(22) Date of Filing Application: **24 May 2013**
(24) Date from which industrial property rights may have effect: **24 May 2013**
(54) Product in respect of which the design is registered: **A chair**
(51) International Design Classification: **06-01F**
(74) Name(s) of Attorney(s):
(71) Name(s) and Address(s) of Applicant(s):
Ian James Burden
11-13 Queen Guinevere's PI Sovereign Islands QLD 4216 Australia
(72) Name(s) of Designer(s): **Ian James Burden**
(45) Registration Date: **18 June 2013**
(56) Related Art Documents: **Not Applicable**
(57) Statement of Newness and Distinctiveness: **The design relates to a chair and the novelty resides in the features of shape and configuration of the article as shown in the accompanying representation.**



- (21) Design Number: **12455/2013**
(22) Date of Filing Application: **24 May 2013**
(24) Date from which industrial property rights may have effect: **24 May 2013**
(54) Product in respect of which the design is registered: **A cabinet**
(51) International Design Classification: **06-04D**
(74) Name(s) of Attorney(s):
(71) Name(s) and Address(s) of Applicant(s):
Ian James Burden
11-13 Queen Guinevere's PI Sovereign Islands QLD 4216 Australia
(72) Name(s) of Designer(s): **Ian James Burden**
(45) Registration Date: **18 June 2013**
(56) Related Art Documents: **Not Applicable**
(57) Statement of Newness and Distinctiveness: **The design relates to a cabinet and the novelty resides in the features of shape and configuration of the article as shown in the accompanying representation.**



-
- (21) Design Number: **12456/2013**
(22) Date of Filing Application: **24 May 2013**
(24) Date from which industrial property rights may have effect: **24 May 2013**
(54) Product in respect of which the design is registered: **A table**
(51) International Design Classification: **06-03A**
(74) Name(s) of Attorney(s):
(71) Name(s) and Address(s) of Applicant(s):
 Ian James Burden
 11-13 Queen Guinevere's PI Sovereign Islands QLD 4216 Australia
(72) Name(s) of Designer(s): **Ian James Burden**
(45) Registration Date: **18 June 2013**
(56) Related Art Documents: **Not Applicable**
(57) Statement of Newness and Distinctiveness: **The design relates to a table and the novelty resides in the features of shape and configuration of the article as shown in the accompanying representation.**



-
- (21) Design Number: **12457/2013**
(22) Date of Filing Application: **24 May 2013**
(24) Date from which industrial property rights may have effect: **24 May 2013**
(54) Product in respect of which the design is registered: **A table**
(51) International Design Classification: **06-03A**
(74) Name(s) of Attorney(s):
(71) Name(s) and Address(s) of Applicant(s):
 Ian James Burden
 11-13 Queen Guinevere's PI Sovereign Islands QLD 4216 Australia
(72) Name(s) of Designer(s): **Ian James Burden**
(45) Registration Date: **18 June 2013**
(56) Related Art Documents: **Not Applicable**
(57) Statement of Newness and Distinctiveness: **The design relates to a table and the novelty resides in the features of shape and configuration of the article as shown in the accompanying representation.**



- (21) Design Number: **16786/2012**
(22) Date of Filing Application: **15 April 2013**
(24) Date from which industrial property rights may have effect: **27 July 2012**
(54) Product in respect of which the design is registered: **Article of clothing**
(51) International Design Classification: **02-02C**
(74) Name(s) of Attorney(s): **Allens Patent & Trade Mark Attorneys**
(71) Name(s) and Address(s) of Applicant(s):
Forever New Clothing Pty Ltd
714-716 High St Kew East VIC 3102 Australia
(72) Name(s) of Designer(s): **Mary McCarthy**
(45) Registration Date: **18 June 2013**
(62) Divisional of: **348941**
(56) Related Art Documents: **Not Applicable**
(57) Statement of Newness and Distinctiveness: **Newness and distinctiveness resides in the visual features of shape, configuration, pattern and/or ornamentation of an article of clothing as shown in the accompanying representations.**



- (21) Design Number: **16787/2012**
(22) Date of Filing Application: **15 April 2013**
(24) Date from which industrial property rights may have effect: **27 July 2012**
(54) Product in respect of which the design is registered: **Article of clothing**
(51) International Design Classification: **02-02C**
(74) Name(s) of Attorney(s): **Allens Patent & Trade Mark Attorneys**
(71) Name(s) and Address(s) of Applicant(s):
Forever New Clothing Pty Ltd
714-716 High St Kew East VIC 3102 Australia
(72) Name(s) of Designer(s): **Mary McCarthy**
(45) Registration Date: **18 June 2013**
(62) Divisional of: **348941**
(56) Related Art Documents: **Not Applicable**
(57) Statement of Newness and Distinctiveness: **Newness and distinctiveness resides in the visual features of shape, configuration, pattern and/or ornamentation of an article of clothing as shown in the accompanying representations.**



(21) Design Number: **16454/2012**
(22) Date of Filing Application: **20 December 2012**
(24) Date from which industrial property rights may have effect: **20 December 2012**
(54) Product in respect of which the design is registered: **Display device with a virtual multiple sided virtual user interface icon queue**
(51) International Design Classification: **14-02**
(74) Name(s) of Attorney(s): **King & Wood Mallesons**
(71) Name(s) and Address(s) of Applicant(s):
Wikipad, Inc.
1801 Century Park East Suite 2400 Los Angeles CA 90067 United States of America



(72) Name(s) of Designer(s): **Matthew R Joynes**
(45) Registration Date: **18 June 2013**
(30) Convention priority data:
(31) Number (32) Date (33) Country
29/433,853 05 Oct 2012 UNITED STATES OF AMERICA

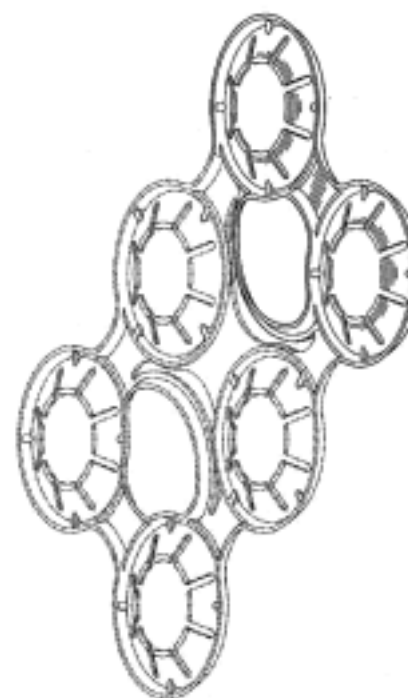
(56) Related Art Documents: **Not Applicable**
(57) Statement of Newness and Distinctiveness: **Novelty resides in the rotatable icon queue as depicted in the drawings. Features shown in dashed lines are disclaimed, including the tablet computer with integrated game controller and the icons, which have been provided merely for the purpose of placement of the design within a use environment.**

(21) Design Number: **15395/2012**
(22) Date of Filing Application: **29 October 2012**
(24) Date from which industrial property rights may have effect: **29 October 2012**
(54) Product in respect of which the design is registered: **A lance tool**
(51) International Design Classification: **12-05**
(74) Name(s) of Attorney(s): **Madderns**
(71) Name(s) and Address(s) of Applicant(s):
MISIP Pty Ltd
PO BOX 7504 Cloisters Square Perth WA 6850 Australia

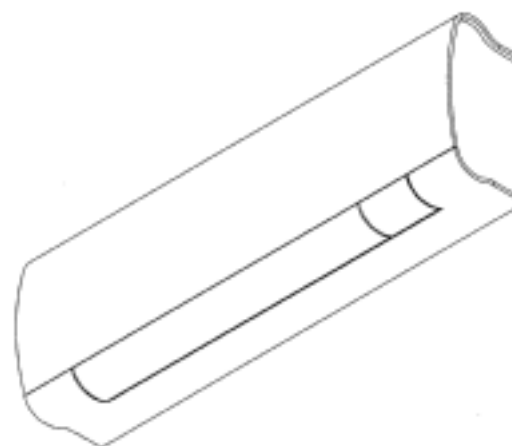


(72) Name(s) of Designer(s): **Grant Reynolds**
(45) Registration Date: **18 June 2013**
(56) Related Art Documents: **Not Applicable**
(57) Statement of Newness and Distinctiveness: **Nil**

- (21) Design Number: **12368/2013**
(22) Date of Filing Application: **22 May 2013**
(24) Date from which industrial property rights may have effect: **22 May 2013**
(54) Product in respect of which the design is registered: **Bottle carrier**
(51) International Design Classification: **09-03E**
(74) Name(s) of Attorney(s): **Smootenburg Patent & Trade Mark Attorneys**
(71) Name(s) and Address(s) of Applicant(s):
Oregon Precision Industries, Inc.
1680 Irving Road Eugene Oregon 97402 United States of America
(72) Name(s) of Designer(s): **Zakary James Borg and Ronald Lee Mellor Jr**
(45) Registration Date: **18 June 2013**
(30) Convention priority data:
(31) Number (32) Date (33) Country
29/454,510 10 May 2013 UNITED STATES OF AMERICA
(56) Related Art Documents: **Not Applicable**
(57) Statement of Newness and Distinctiveness: **Newness and distinctiveness is claimed in features of shape and/or configuration of a bottle carrier as illustrated in the accompanying representations. The dashed lines illustrate environment and form no part of the scope of the design claimed.**



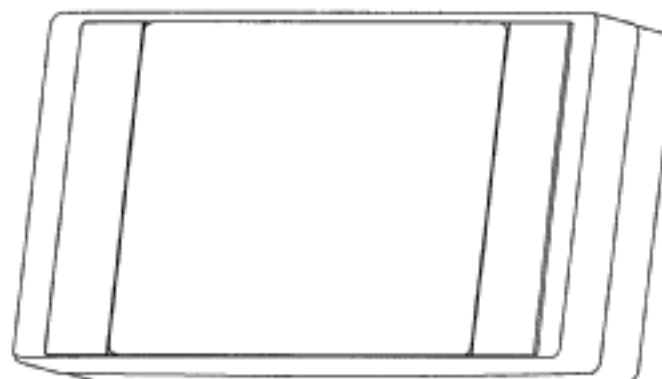
- (21) Design Number: **12452/2013**
(22) Date of Filing Application: **24 May 2013**
(24) Date from which industrial property rights may have effect: **24 May 2013**
(54) Product in respect of which the design is registered: **Air conditioner**
(51) International Design Classification: **23-04**
(74) Name(s) of Attorney(s): **Freehills Patent Attorneys**
(71) Name(s) and Address(s) of Applicant(s):
Daikin Industries Ltd.
Umeda Center Building 4-12 Nakazaki-Nishi 2-chome Kita-Ku Osaka-shi
Osaka-fu Japan
(72) Name(s) of Designer(s): **Yumi Saitou**
(45) Registration Date: **18 June 2013**
(56) Related Art Documents: **Not Applicable**
(57) Statement of Newness and Distinctiveness: **Newness and distinctiveness of the design resides in the features of shape and configuration of the design illustrated in the accompanying drawings.**



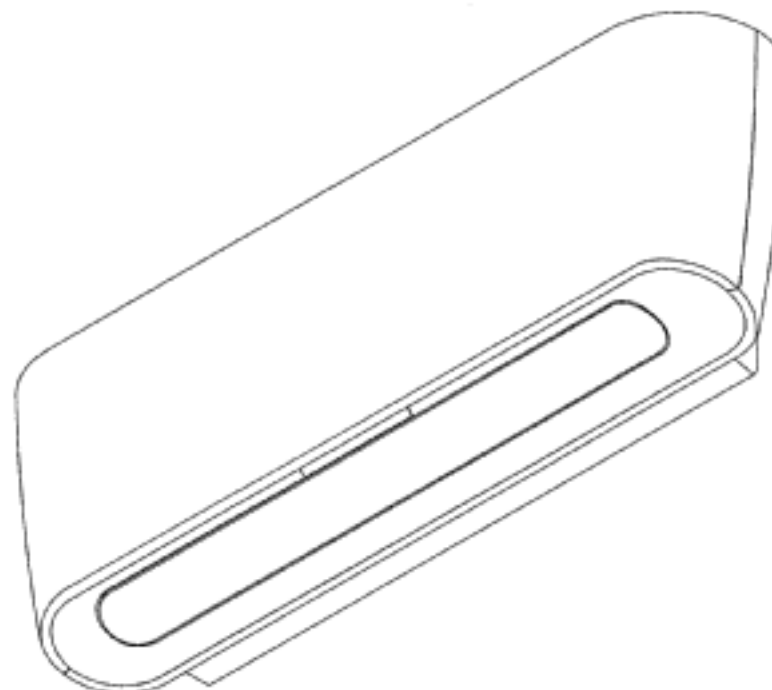
- (21) Design Number: **12451/2013**
(22) Date of Filing Application: **24 May 2013**
(24) Date from which industrial property rights may have effect: **24 May 2013**
(54) Product in respect of which the design is registered: **Air conditioner**
(51) International Design Classification: **23-04**
(74) Name(s) of Attorney(s): **Freehills Patent Attorneys**
(71) Name(s) and Address(s) of Applicant(s):
Daikin Industries Ltd.
Umeda Center Building 4-12 Nakazaki-Nishi 2-chome Kita-Ku Osaka-shi
Osaka-fu Japan
(72) Name(s) of Designer(s): **Yumi Saitou**
(45) Registration Date: **18 June 2013**
(56) Related Art Documents: **Not Applicable**
(57) Statement of Newness and Distinctiveness: **Newness and distinctiveness of the design resides in the features of shape and configuration of the design illustrated in the accompanying drawings.**



- (21) Design Number: **12450/2013**
(22) Date of Filing Application: **24 May 2013**
(24) Date from which industrial property rights may have effect: **24 May 2013**
(54) Product in respect of which the design is registered: **Air conditioner**
(51) International Design Classification: **23-04**
(74) Name(s) of Attorney(s): **Freehills Patent Attorneys**
(71) Name(s) and Address(s) of Applicant(s):
Daikin Industries Ltd.
Umeda Center Building 4-12 Nakazaki-Nishi 2-chome Kita-Ku Osaka-shi
Osaka-fu Japan
(72) Name(s) of Designer(s): **Yumi Saitou**
(45) Registration Date: **18 June 2013**
(56) Related Art Documents: **Not Applicable**
(57) Statement of Newness and Distinctiveness: **Newness and distinctiveness of the design resides in the features of shape and configuration of the design illustrated in the accompanying drawings.**



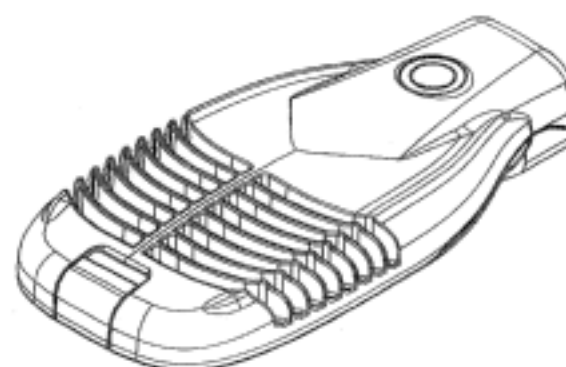
(21) Design Number: **12453/2013**
(22) Date of Filing Application: **24 May 2013**
(24) Date from which industrial property rights may have effect: **24 May 2013**
(54) Product in respect of which the design is registered: **Air conditioner**
(51) International Design Classification: **23-04**
(74) Name(s) of Attorney(s): **Freehills Patent Attorneys**
(71) Name(s) and Address(s) of Applicant(s):
Daikin Industries Ltd.
Umeda Center Building 4-12 Nakazaki-Nishi 2-chome Kita-Ku Osaka-shi
Osaka-fu Japan
(72) Name(s) of Designer(s): **Yumi Saitou**
(45) Registration Date: **18 June 2013**
(56) Related Art Documents: **Not Applicable**
(57) Statement of Newness and Distinctiveness: **Newness and distinctiveness of the design resides in the features of shape and configuration of the design illustrated in the accompanying drawings.**



(21) Design Number: **10842/2013**
(22) Date of Filing Application: **22 February 2013**
(24) Date from which industrial property rights may have effect: **22 February 2013**
(54) Product in respect of which the design is registered: **Light fixture having planar optics**
(51) International Design Classification: **26-03, 26-05E**
(74) Name(s) of Attorney(s): **Davies Collison Cave**
(71) Name(s) and Address(s) of Applicant(s):
LED Roadway Lighting Ltd.
115 Chain Lake Drive Suite 201 Bayers Lake Business Park Halifax Nova
Scotia B3S 1B3 Canada
(72) Name(s) of Designer(s): **Matthew Francis Durdle and Ken Cartmill and**
Tristan Roland Laan and Jeremy Marchand
(45) Registration Date: **18 June 2013**
(30) Convention priority data:

(31) Number	(32) Date	(33) Country
147071	22 Aug 2012	CANADA

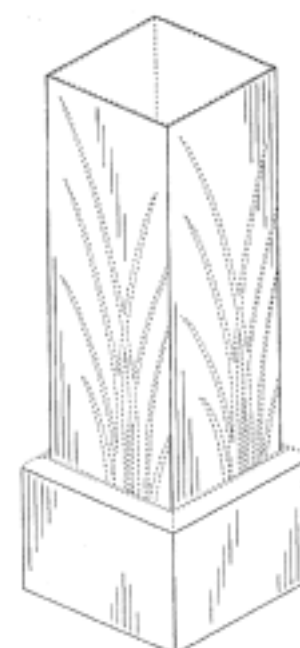
(56) Related Art Documents: **Not Applicable**
(57) Statement of Newness and Distinctiveness: **Nil**



- (21) Design Number: **10846/2013**
(22) Date of Filing Application: **22 February 2013**
(24) Date from which industrial property rights may have effect: **22 February 2013**
(54) Product in respect of which the design is registered: **Drinking mug**
(51) International Design Classification: **07-01D**
(74) Name(s) of Attorney(s): **WATERMARK PATENT AND TRADE MARKS ATTORNEYS**
(71) Name(s) and Address(s) of Applicant(s):
Eugen Michael Scherer
Penzingerstrasse 1340/4 Wien 1140 Austria
Tino Kahler
Traviatagasse 21-29/11/3 Wien 1230 Austria
(72) Name(s) of Designer(s): **Eugen Michael Scherer and Tino Kahler**
(45) Registration Date: **18 June 2013**
(30) Convention priority data:
(31) Number (32) Date (33) Country
002104240-0001 17 Sep 2012 OFFICE FOR HARMONISATION IN THE INTERNAL MARKET (OHIM)
(56) Related Art Documents: **Not Applicable**
(57) Statement of Newness and Distinctiveness: **Newness and distinctiveness resides in the visual features of shape and configuration of the drinking mug depicted in the accompanying representations.**



- (21) Design Number: **10774/2013**
(22) Date of Filing Application: **15 February 2013**
(24) Date from which industrial property rights may have effect: **15 February 2013**
(54) Product in respect of which the design is registered: **Dispenser for dispensing an air treatment substance**
(51) International Design Classification: **28-99**
(74) Name(s) of Attorney(s): **SPRUSON & FERGUSON**
(71) Name(s) and Address(s) of Applicant(s):
S.C. Johnson & Son, Inc.
1525 Howe Street Racine Wisconsin 53403-2236 United States of America
(72) Name(s) of Designer(s): **Paul E. Furner**
(45) Registration Date: **18 June 2013**
(30) Convention priority data:
(31) Number (32) Date (33) Country
29/429893 17 Aug 2012 UNITED STATES OF AMERICA
(56) Related Art Documents: **Not Applicable**
(57) Statement of Newness and Distinctiveness: **Newness and distinctiveness is claimed in the features of shape and/or configuration of a dispenser for dispensing an air treatment substance illustrated in continuous lines in the accompanying representations.**



(21) Design Number: **10775/2013**
(22) Date of Filing Application: **15 February 2013**
(24) Date from which industrial property rights may have effect: **15 February 2013**
(54) Product in respect of which the design is registered: **Dispenser for dispensing an air treatment substance**
(51) International Design Classification: **28-99**
(74) Name(s) of Attorney(s): **SPRUSON & FERGUSON**
(71) Name(s) and Address(s) of Applicant(s):
S.C. Johnson & Son, Inc.
1525 Howe Street Racine Wisconsin 53403-2236 United States of America
(72) Name(s) of Designer(s): **Paul E. Furner**
(45) Registration Date: **18 June 2013**
(30) Convention priority data:
(31) Number (32) Date (33) Country
29/429893 17 Aug 2012 UNITED STATES OF AMERICA
(56) Related Art Documents: **Not Applicable**
(57) Statement of Newness and Distinctiveness: **Newness and distinctiveness is claimed in those features of pattern and/or ornamentation of a dispenser for dispensing an air treatment substance illustrated in continuous lines in the accompanying representations.**



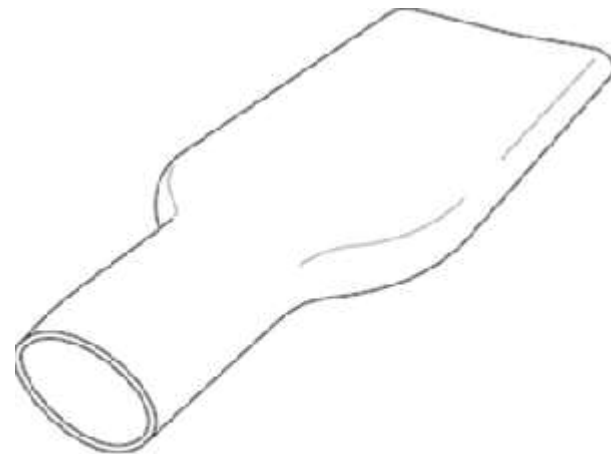
(21) Design Number: **16580/2012**
(22) Date of Filing Application: **24 December 2012**
(24) Date from which industrial property rights may have effect: **24 December 2012**
(54) Product in respect of which the design is registered: **Automobile and toy car**
(51) International Design Classification: **12-08, 21-01C**
(74) Name(s) of Attorney(s): **Griffith Hack**
(71) Name(s) and Address(s) of Applicant(s):
McLaren Automotive Limited
McLaren Technology Centre Chertsey Road Woking Surrey GU214YH
United Kingdom
(72) Name(s) of Designer(s): **Frank Stephenson**
(45) Registration Date: **18 June 2013**
(30) Convention priority data:
(31) Number (32) Date (33) Country
002067033 02 Jul 2012 OFFICE FOR HARMONISATION IN THE INTERNAL MARKET (OHIM)
(56) Related Art Documents: **Not Applicable**
(57) Statement of Newness and Distinctiveness: **Newness and distinctiveness resides in the visual features, including shape, configuration and ornamentation of the exterior of the products as shown in the accompanying drawings. The interior of the products, shown in the drawings has been included for illustrative purposes only.**



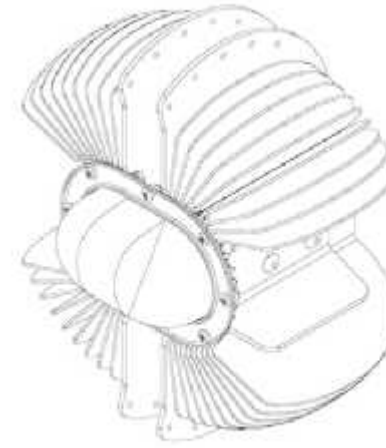
- (21) Design Number: **11768/2013**
(22) Date of Filing Application: **15 April 2013**
(24) Date from which industrial property rights may have effect: **15 April 2013**
(54) Product in respect of which the design is registered: **Gutter cover**
(51) International Design Classification: **23-01L**
(74) Name(s) of Attorney(s): **Shelston IP**
(71) Name(s) and Address(s) of Applicant(s):
A & E John Property Pty Ltd
U4 11-13 Precision PI Mulgrave NSW 2756 Australia
(72) Name(s) of Designer(s): **Thomas Gray**
(45) Registration Date: **18 June 2013**
(56) Related Art Documents: **Not Applicable**
(57) Statement of Newness and Distinctiveness: **Newness and distinctiveness resides in the features of shape and configuration of a gutter cover as illustrated in the accompanying representations. The cover gutter is of constant cross section and can be provided in a variety of lengths.**



- (21) Design Number: **15627/2012**
(22) Date of Filing Application: **14 November 2012**
(24) Date from which industrial property rights may have effect: **14 November 2012**
(54) Product in respect of which the design is registered: **Fastener cover**
(51) International Design Classification: **29-02**
(74) Name(s) of Attorney(s): **O'Sullivan's**
(71) Name(s) and Address(s) of Applicant(s):
Janeene Hares
49 Stock Rd Parklands WA 6180 Australia
Darren Duncan
21 Allen Rd Forrestdale WA 6112 Australia
(72) Name(s) of Designer(s): **Alan Roy Duncan**
(45) Registration Date: **18 June 2013**
(56) Related Art Documents: **Not Applicable**
(57) Statement of Newness and Distinctiveness: **Nil**



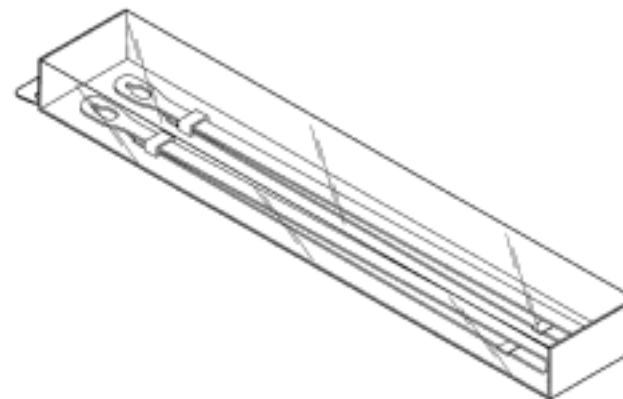
(21) Design Number: **10723/2013**
(22) Date of Filing Application: **14 February 2013**
(24) Date from which industrial property rights may have effect: **14 February 2013**
(54) Product in respect of which the design is registered: **Light module**
(51) International Design Classification: **26-03, 26-05E**
(74) Name(s) of Attorney(s): **Armour IP**
(71) Name(s) and Address(s) of Applicant(s):
PLED Australia Pty Ltd
20b Wessex St Carine WA 6020 Australia
(72) Name(s) of Designer(s): **Theodore Valerio**
(45) Registration Date: **18 June 2013**
(56) Related Art Documents: **Not Applicable**
(57) Statement of Newness and Distinctiveness: **Nil**



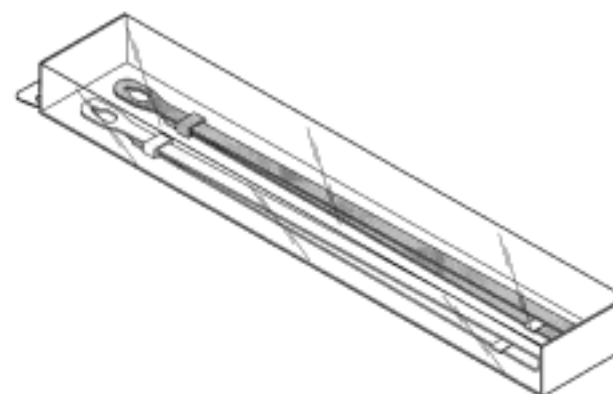
(21) Design Number: **10724/2013**
(22) Date of Filing Application: **14 February 2013**
(24) Date from which industrial property rights may have effect: **14 February 2013**
(54) Product in respect of which the design is registered: **Light bracket**
(51) International Design Classification: **08-08M, 08-08NES**
(74) Name(s) of Attorney(s): **Armour IP**
(71) Name(s) and Address(s) of Applicant(s):
PLED Australia Pty Ltd
20b Wessex St Carine WA 6020 Australia
(72) Name(s) of Designer(s): **Theodore Valerio**
(45) Registration Date: **18 June 2013**
(56) Related Art Documents: **Not Applicable**
(57) Statement of Newness and Distinctiveness: **Nil**



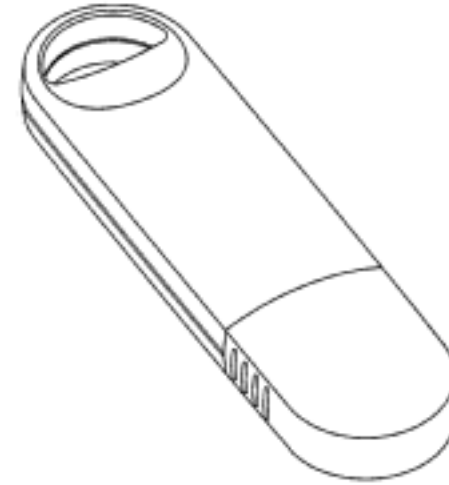
- (21) Design Number: **11085/2013**
(22) Date of Filing Application: **06 March 2013**
(24) Date from which industrial property rights may have effect: **06 March 2013**
(54) Product in respect of which the design is registered: **Packaging with accessory suitable for use as a lanyard**
(51) International Design Classification: **09-03M, 09-03K, 09-05, 13-03D, 14-99**
(74) Name(s) of Attorney(s): **Freehills Patent Attorneys**
(71) Name(s) and Address(s) of Applicant(s):
Apple Inc.
One Infinite Loop Cupertino California 95014 United States of America
(72) Name(s) of Designer(s): **Jody Akana and Bartley K. Andre and Shota Aoyagi and Jeremy Bataillou and Daniel J. Coster and Daniele De Iuliis and M. Evans Hankey and Julian Hoenig and Richard P. Howarth and Jonathan P. Ive and Duncan Robert Kerr and Matthew Dean Rohrbach and Peter Russell-Clarke and Mikael Silvano and Christopher J. Stringer and Eugene Antony Whang and Rico Zorkendorfer**
(45) Registration Date: **18 June 2013**
(30) Convention priority data:
(31) Number (32) Date (33) Country
29/431874 11 Sep 2012 UNITED STATES OF AMERICA
(56) Related Art Documents: **Not Applicable**
(57) Statement of Newness and Distinctiveness: **Nil**



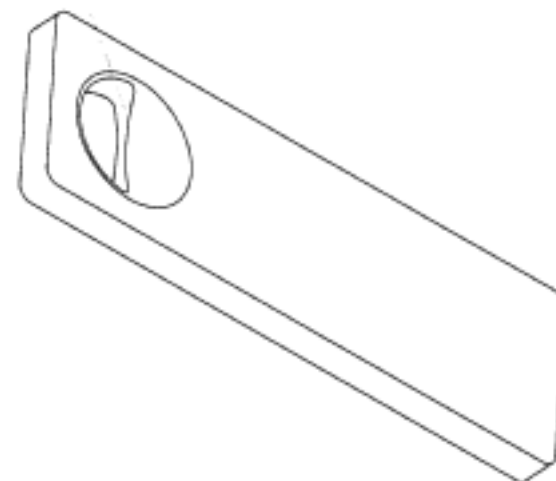
- (21) Design Number: **11086/2013**
(22) Date of Filing Application: **06 March 2013**
(24) Date from which industrial property rights may have effect: **06 March 2013**
(54) Product in respect of which the design is registered: **Packaging with accessory suitable for use as a lanyard**
(51) International Design Classification: **09-03M, 09-03K, 09-05, 13-03D, 14-99**
(74) Name(s) of Attorney(s): **Freehills Patent Attorneys**
(71) Name(s) and Address(s) of Applicant(s):
Apple Inc.
One Infinite Loop Cupertino California 95014 United States of America
(72) Name(s) of Designer(s): **Jody Akana and Bartley K. Andre and Shota Aoyagi and Jeremy Bataillou and Daniel J. Coster and Daniele De Iuliis and M. Evans Hankey and Julian Hoenig and Richard P. Howarth and Jonathan P. Ive and Duncan Robert Kerr and Matthew Dean Rohrbach and Peter Russell-Clarke and Mikael Silvano and Christopher J. Stringer and Eugene Antony Whang and Rico Zorkendorfer**
(45) Registration Date: **18 June 2013**
(30) Convention priority data:
(31) Number (32) Date (33) Country
29/431874 11 Sep 2012 UNITED STATES OF AMERICA
(56) Related Art Documents: **Not Applicable**
(57) Statement of Newness and Distinctiveness: **Newness and distinctiveness resides in the visual features of transparency and contrast represented by shade lines and grey shading respectively in the accompanying figures.**



- (21) Design Number: **11087/2013**
(22) Date of Filing Application: **07 March 2013**
(24) Date from which industrial property rights may have effect: **07 March 2013**
(54) Product in respect of which the design is registered: **Recording medium**
(51) International Design Classification: **14-02**
(74) Name(s) of Attorney(s): **Griffith Hack**
(71) Name(s) and Address(s) of Applicant(s):
Kabushiki Kaisha Toshiba
1-1 Shibaura 1-chome Minato-ku Tokyo 105-8001 Japan
(72) Name(s) of Designer(s): **Yasushi Fukuoka**
(45) Registration Date: **18 June 2013**
(30) Convention priority data:
(31) Number (32) Date (33) Country
2013-000764 18 Jan 2013 JAPAN
(56) Related Art Documents: **Not Applicable**
(57) Statement of Newness and Distinctiveness: **Newness and distinctiveness resides in the visual features, including shape, configuration and ornamentation of the product as shown in the accompanying representations.**



- (21) Design Number: **11088/2013**
(22) Date of Filing Application: **07 March 2013**
(24) Date from which industrial property rights may have effect: **07 March 2013**
(54) Product in respect of which the design is registered: **Recording medium**
(51) International Design Classification: **14-02**
(74) Name(s) of Attorney(s): **Griffith Hack**
(71) Name(s) and Address(s) of Applicant(s):
Kabushiki Kaisha Toshiba
1-1 Shibaura 1-chome Minato-ku Tokyo 105-8001 Japan
(72) Name(s) of Designer(s): **Yasushi Fukuoka**
(45) Registration Date: **18 June 2013**
(30) Convention priority data:
(31) Number (32) Date (33) Country
2012-028870 27 Nov 2012 JAPAN
(56) Related Art Documents: **Not Applicable**
(57) Statement of Newness and Distinctiveness: **Newness and distinctiveness resides in the visual features, including shape, configuration and ornamentation of the product as shown in the accompanying representations.**



(21) Design Number: **11108/2013**

(22) Date of Filing Application: **06 March 2013**

(24) Date from which industrial property rights may have effect: **06 March 2013**

(54) Product in respect of which the design is registered: **Apparatus for recharging batteries**

(51) International Design Classification: **13-02**

(74) Name(s) of Attorney(s): **PHILLIPS ORMONDE FITZPATRICK**

(71) Name(s) and Address(s) of Applicant(s):

**Costruzioni Elettroniche Industriali Automatismi S.P.A. C.E.I.A S.P.A.
Civitella in Val Di Chiana (AR) Via Strada Provinciale Pesciola 54/G-56
CAP I-52040 Frazione Viciomaggio Italy**

(72) Name(s) of Designer(s): **Alessandro Manneschi**

(45) Registration Date: **18 June 2013**

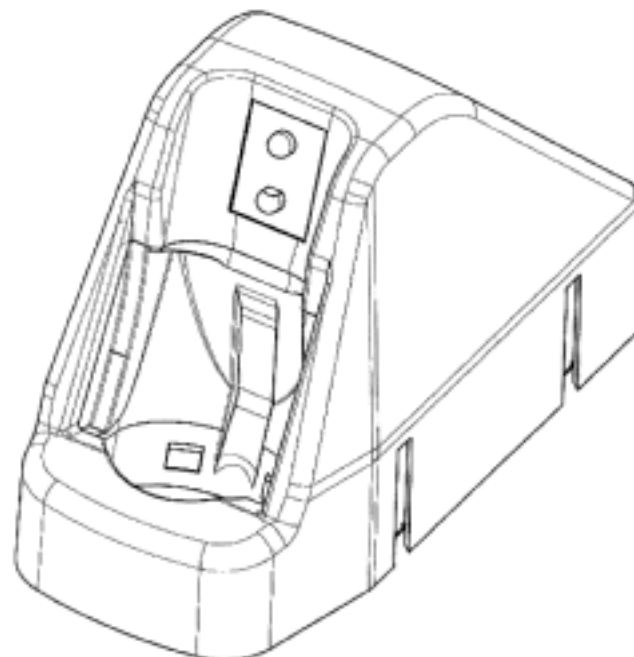
(30) Convention priority data:

(31) Number (32) Date
001342588-0001 06 Sep 2012

(33) Country
**OFFICE FOR HARMONISATION IN
THE INTERNAL MARKET (OHIM)**

(56) Related Art Documents: **Not Applicable**

(57) Statement of Newness and Distinctiveness: **Those features of the apparatus for recharging batteries depicted in the representations that are new and distinctive are the shape and/or configuration. The textual matter shown in the inverted plan view is not part of the design and is to be disregarded when considering the overall impression of the design.**



(21) Design Number: **11109/2013**

(22) Date of Filing Application: **06 March 2013**

(24) Date from which industrial property rights may have effect: **06 March 2013**

(54) Product in respect of which the design is registered: **Portable metal detector**

(51) International Design Classification: **10-05**

(74) Name(s) of Attorney(s): **PHILLIPS ORMONDE FITZPATRICK**

(71) Name(s) and Address(s) of Applicant(s):

**Costruzioni Elettroniche Industriali Automatismi S.P.A. C.E.I.A S.P.A.
Civitella in Val Di Chiana (AR) Via Strada Provinciale Pesciola 54/G-56
CAP I-52040 Frazione Viciomaggio Italy**

(72) Name(s) of Designer(s): **Alessandro Manneschi**

(45) Registration Date: **18 June 2013**

(30) Convention priority data:

(31) Number (32) Date
001342570-0001 06 Sep 2012

(33) Country
**OFFICE FOR HARMONISATION IN
THE INTERNAL MARKET (OHIM)**

(56) Related Art Documents: **Not Applicable**

(57) Statement of Newness and Distinctiveness: **Those features of the portable metal detector depicted in the representations that are new and distinctive are the shape and/or configuration. The features shown in broken lines are not part of the design and are to be disregarded when considering the overall impression of the design.**



(21) Design Number: **11110/2013**
(22) Date of Filing Application: **06 March 2013**
(24) Date from which industrial property rights may have effect: **06 March 2013**
(54) Product in respect of which the design is registered: **Portable metal detector**
(51) International Design Classification: **10-05**
(74) Name(s) of Attorney(s): **PHILLIPS ORMONDE FITZPATRICK**
(71) Name(s) and Address(s) of Applicant(s):
Costruzioni Elettroniche Industriali Automatismi S.P.A. C.E.I.A S.P.A.
Civitella in Val Di Chiana (AR) Via Strada Provinciale Pesciola 54/G-56
CAP I-52040 Frazione Viciomaggio Italy

(72) Name(s) of Designer(s): **Alessandro Manneschi**

(45) Registration Date: **18 June 2013**

(30) Convention priority data:

(31) Number	(32) Date	(33) Country
001342570-0002	06 Sep 2012	OFFICE FOR HARMONISATION IN THE INTERNAL MARKET (OHIM)

(56) Related Art Documents: **Not Applicable**

(57) Statement of Newness and Distinctiveness: **Those features of the portable metal detector depicted in the representations that are new and distinctive are the shape and/or configuration. The features shown in broken lines are not part of the design and are to be disregarded when considering the overall impression of the design.**



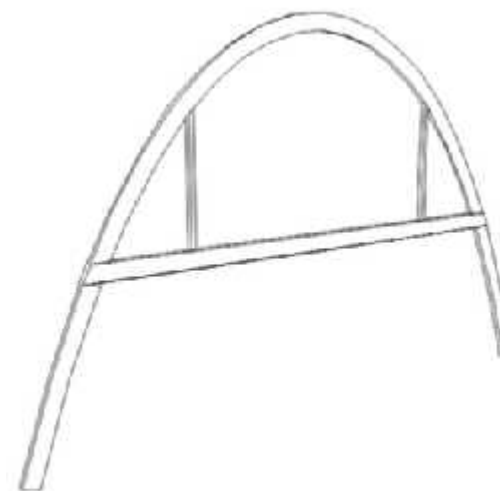
(21) Design Number: **11238/2013**
(22) Date of Filing Application: **13 March 2013**
(24) Date from which industrial property rights may have effect: **13 March 2013**
(54) Product in respect of which the design is registered: **Truss for a building**
(51) International Design Classification: **25-01C**
(74) Name(s) of Attorney(s): **Davies Collison Cave**
(71) Name(s) and Address(s) of Applicant(s):
David Reinbold
19 Homer Ave Moonah TAS 7009 Australia

(72) Name(s) of Designer(s): **David Reinbold**

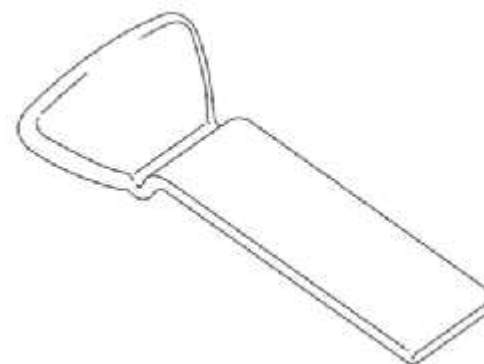
(45) Registration Date: **18 June 2013**

(56) Related Art Documents: **Not Applicable**

(57) Statement of Newness and Distinctiveness: **The features of shape and configuration of the Truss shown in the accompanying representations are considered to be new and distinctive.**



(21) Design Number: **11431/2013**
(22) Date of Filing Application: **21 March 2013**
(24) Date from which industrial property rights may have effect: **21 March 2013**
(54) Product in respect of which the design is registered: **Intra oral device**
(51) International Design Classification: **24-01, 24-02**
(74) Name(s) of Attorney(s): **PHILLIPS ORMONDE FITZPATRICK**
(71) Name(s) and Address(s) of Applicant(s):
Mutebutton Ltd
NovaUCD, The Innovation and Technology Transfer Centre Belfield
Dublin 4 Ireland
(72) Name(s) of Designer(s): **Patrick Hall and Andrew Forbes**
(45) Registration Date: **18 June 2013**
(30) Convention priority data:
(31) Number (32) Date (33) Country
002107540-0002 21 Sep 2012 OFFICE FOR HARMONISATION IN
THE INTERNAL MARKET (OHIM)
(56) Related Art Documents: **Not Applicable**
(57) Statement of Newness and Distinctiveness: **Nil**



(21) Design Number: **11452/2013**
(22) Date of Filing Application: **22 March 2013**
(24) Date from which industrial property rights may have effect: **22 March 2013**
(54) Product in respect of which the design is registered: **Jar**
(51) International Design Classification: **07-01NES, 09-01C**
(74) Name(s) of Attorney(s): **Davies Collison Cave**
(71) Name(s) and Address(s) of Applicant(s):
Crown Packaging Technology, Inc.
Alsip Technical Center 11535 S. Central Avenue Alsip Illinois 60803-2599
United States of America
(72) Name(s) of Designer(s): **Thomas Hedley Maxwell-Wood**
(45) Registration Date: **18 June 2013**
(30) Convention priority data:
(31) Number (32) Date (33) Country
002107896-002 24 Sep 2012 OFFICE FOR HARMONISATION IN
THE INTERNAL MARKET (OHIM)
(56) Related Art Documents: **Not Applicable**
(57) Statement of Newness and Distinctiveness: **Nil**



(21) Design Number: **11453/2013**

(22) Date of Filing Application: **22 March 2013**

(24) Date from which industrial property rights may have effect: **22 March 2013**

(54) Product in respect of which the design is registered: **Jar**

(51) International Design Classification: **07-01NES, 09-01C**

(74) Name(s) of Attorney(s): **Davies Collison Cave**

(71) Name(s) and Address(s) of Applicant(s):

Crown Packaging Technology, Inc.

**Alsip Technical Center 11535 S. Central Avenue Alsip Illinois 60803-2599
United States of America**

(72) Name(s) of Designer(s): **Thomas Hedley Maxwell-Wood**

(45) Registration Date: **18 June 2013**

(30) Convention priority data:

(31) Number

(32) Date

(33) Country

002107896-001

24 Sep 2012

**OFFICE FOR HARMONISATION IN
THE INTERNAL MARKET (OHIM)**

(56) Related Art Documents: **Not Applicable**

(57) Statement of Newness and Distinctiveness: **Nil**



(21) Design Number: **11558/2013**

(22) Date of Filing Application: **28 March 2013**

(24) Date from which industrial property rights may have effect: **28 March 2013**

(54) Product in respect of which the design is registered: **Cab corner vane**

(51) International Design Classification: **12-16B, 12-16NES**

(74) Name(s) of Attorney(s): **Davies Collison Cave**

(71) Name(s) and Address(s) of Applicant(s):

Scania CV AB

SE-151 87 Sodertalje Sweden

(72) Name(s) of Designer(s): **Sebastian Thyren and Lisa Larsson and Nadim Bouchouika and Xavier Carreras-Castro and Kristofer Hansen**

(45) Registration Date: **18 June 2013**

(30) Convention priority data:

(31) Number

(32) Date

(33) Country

2012/0445

10 Oct 2012

SWEDEN

(56) Related Art Documents: **Not Applicable**

(57) Statement of Newness and Distinctiveness: **Nil**



(21) Design Number: **11664/2013**

(22) Date of Filing Application: **08 April 2013**

(24) Date from which industrial property rights may have effect: **08 April 2013**

(54) Product in respect of which the design is registered: **Wheelbarrow pan**

(51) International Design Classification: **12-02**

(74) Name(s) of Attorney(s): **Shelston IP**

(71) Name(s) and Address(s) of Applicant(s):

**Vecto Trade 461 (Proprietary) Limited
Lasher Building 3 Sigma Road Industries West Germiston 1401 Gauteng
Province Republic of South Africa**

(72) Name(s) of Designer(s): **Charles William Halsted**

(45) Registration Date: **18 June 2013**

(30) Convention priority data:

(31) Number	(32) Date	(33) Country
A2012/01779	10 Oct 2012	SOUTH AFRICA

(56) Related Art Documents: **Not Applicable**

(57) Statement of Newness and Distinctiveness: **Newness and distinctiveness reside in the features of shape and/or configuration of a wheelbarrow pan as illustrated in the accompanying representations.**



(21) Design Number: **11709/2013**

(22) Date of Filing Application: **09 April 2013**

(24) Date from which industrial property rights may have effect: **09 April 2013**

(54) Product in respect of which the design is registered: **A portable blower having a carry handle**

(51) International Design Classification: **15-05**

(74) Name(s) of Attorney(s): **Fraser Old & Sohn**

(71) Name(s) and Address(s) of Applicant(s):

**John Arthur Notaras
9 Fred St Lilyfield NSW 2040 Australia**

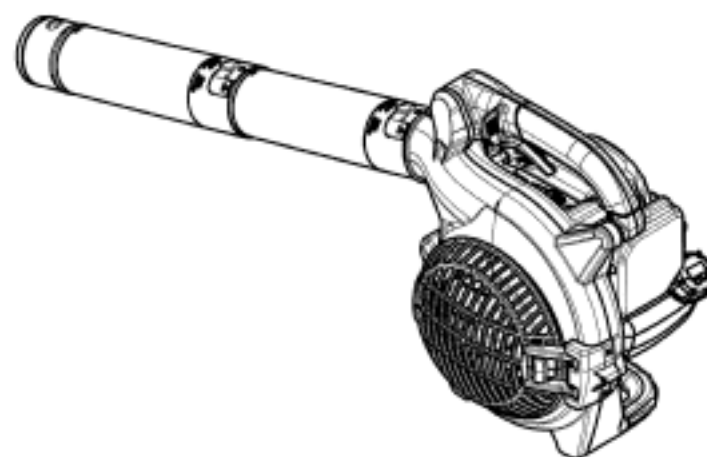
**Angelo Lambrinos Notaras
9 Fred St Lilyfield NSW 2040 Australia**

(72) Name(s) of Designer(s): **John Arthur Notaras and Angelo Lambrinos Notaras**

(45) Registration Date: **18 June 2013**

(56) Related Art Documents: **Not Applicable**

(57) Statement of Newness and Distinctiveness: **Newness and distinctiveness is claimed in respect of the shape and/or configuration of the carry handle of the portable blower illustrated in the accompanying representations. In carrying out a consideration in accordance with Section 19 the shape and/or configuration of the engine housing and the air exit tubes illustrated in the representations is/are not to be considered either new or distinctive and do/does not form part of the design.**



- (21) Design Number: **11810/2013**
(22) Date of Filing Application: **17 April 2013**
(24) Date from which industrial property rights may have effect: **17 April 2013**
(54) Product in respect of which the design is registered: **Towel**
(51) International Design Classification: **06-13C**
(74) Name(s) of Attorney(s): **Griffith Hack**
(71) Name(s) and Address(s) of Applicant(s):
Grausam Handels GmbH
Whelistrasse 29 Vienna 1200 Austria
(72) Name(s) of Designer(s): **Mario Matzinger**
(45) Registration Date: **18 June 2013**
(56) Related Art Documents: **Not Applicable**
(57) Statement of Newness and Distinctiveness: **Newness and distinctiveness resides in the visual features, including shape and configuration of the product as shown in the accompanying representations.**



- (21) Design Number: **11844/2013**
(22) Date of Filing Application: **19 April 2013**
(24) Date from which industrial property rights may have effect: **19 April 2013**
(54) Product in respect of which the design is registered: **Blanket with built-in socks and sleeves**
(51) International Design Classification: **06-13B**
(74) Name(s) of Attorney(s): **Griffith Hack**
(71) Name(s) and Address(s) of Applicant(s):
Grausam Handels GmbH
Whelistrasse 29 Vienna 1200 Austria
(72) Name(s) of Designer(s): **Mario Matzinger**
(45) Registration Date: **18 June 2013**
(56) Related Art Documents: **Not Applicable**
(57) Statement of Newness and Distinctiveness: **Newness and distinctiveness resides in the visual features, including shape and configuration of the product as shown in the accompanying representations.**



(21) Design Number: **11845/2013**

(22) Date of Filing Application: **19 April 2013**

(24) Date from which industrial property rights may have effect: **19 April 2013**

(54) Product in respect of which the design is registered: **Blanket with built-in socks**

(51) International Design Classification: **06-13B**

(74) Name(s) of Attorney(s): **Griffith Hack**

(71) Name(s) and Address(s) of Applicant(s):

**Grausam Handels GmbH
Whelistrasse 29 Vienna 1200 Austria**

(72) Name(s) of Designer(s): **Mario Matzinger**

(45) Registration Date: **18 June 2013**

(30) Convention priority data:

(31) Number (32) Date
002165454-0001 11 Jan 2013

(33) Country
**OFFICE FOR HARMONISATION IN
THE INTERNAL MARKET (OHIM)**

(56) Related Art Documents: **Not Applicable**

(57) Statement of Newness and Distinctiveness: **Newness and distinctiveness resides in the visual features, including shape and configuration of the product as shown in the accompanying representations.**



(21) Design Number: **11937/2013**

(22) Date of Filing Application: **24 April 2013**

(24) Date from which industrial property rights may have effect: **24 April 2013**

(54) Product in respect of which the design is registered: **Windscreen for a bus**

(51) International Design Classification: **12-16F**

(74) Name(s) of Attorney(s): **Davies Collison Cave**

(71) Name(s) and Address(s) of Applicant(s):

**Volgren Australia Pty Ltd
221-243 Hammond Rd Dandenong VIC 3175 Australia**

(72) Name(s) of Designer(s): **Michael Kearney and Ron Lumsden and Dominic Lamanna and Robbie Napper and Peter Elliot and Ilya Fridman and Matthew Glenn and Cameron Glover and Jesse de Wald and Nicholas Carnie and Jessica Cassar and Kieran John and Jack Martinich**

(45) Registration Date: **18 June 2013**

(56) Related Art Documents: **Not Applicable**

(57) Statement of Newness and Distinctiveness: **Nil**



(21) Design Number: **12028/2013**
(22) Date of Filing Application: **02 May 2013**
(24) Date from which industrial property rights may have effect: **02 May 2013**
(54) Product in respect of which the design is registered: **Bottle**
(51) International Design Classification: **09-01H**
(74) Name(s) of Attorney(s): **FB Rice**
(71) Name(s) and Address(s) of Applicant(s):

SAVERGLASS
3 rue de la Gare Feuquieres 60960 France

(72) Name(s) of Designer(s): **Fraser Reynolds**

(45) Registration Date: **18 June 2013**

(30) Convention priority data:

(31) Number	(32) Date	(33) Country
002139105-0001	20 Nov 2012	OFFICE FOR HARMONISATION IN THE INTERNAL MARKET (OHIM)

(56) Related Art Documents: **Not Applicable**

(57) Statement of Newness and Distinctiveness: **Newness and distinctiveness reside in the visual features of the design shown in solid lines in the representations, excluding those features shown in dashed lines and in particular in a stout short body having an oval sectional shape, in a cylindrical neck having a large diameter which protrudes upwardly from the upper part of the body, and joins with the body through circular edges having a small concave radius of curvature, in that the top surface of the body is formed of a smooth convex curvature, in that from a front view, the body tapers gradually from a very large upper portion towards the bottom, in the shape of an inverted cone, in that the base protrudes slightly at its edge in proximity to the bottom of the body and in that the transparent body makes the interior features of the body - such as the thick glass base - visible from the outside of the body**



(21) Design Number: **12030/2013**
(22) Date of Filing Application: **02 May 2013**
(24) Date from which industrial property rights may have effect: **02 May 2013**
(54) Product in respect of which the design is registered: **Bottle**
(51) International Design Classification: **09-01H**
(74) Name(s) of Attorney(s): **FB Rice**
(71) Name(s) and Address(s) of Applicant(s):

SAVERGLASS
3 rue de la Gare Feuquieres 60960 France

(72) Name(s) of Designer(s): **Fraser Reynolds**

(45) Registration Date: **18 June 2013**

(30) Convention priority data:

(31) Number	(32) Date	(33) Country
002139089-0001	20 Nov 2012	OFFICE FOR HARMONISATION IN THE INTERNAL MARKET (OHIM)

(56) Related Art Documents: **Not Applicable**

(57) Statement of Newness and Distinctiveness: **Newness and distinctiveness reside in the visual features of the design shown in solid lines in the representations, excluding those features shown in dashed lines and in particular in a stout short body having an oval sectional shape, in a cylindrical neck having a large diameter which protrudes upwardly from the upper part of the body, and joins with the body through circular edges having a large concave radius of curvature, in that the top surface of the bottle is formed of a smooth convex curvature, in that from a front view the upper portion of the body is wider than the base, and the body tapers gradually towards the bottom, in the shape of an inverted cone, and in that the base protrudes slightly at its edge in proximity to the bottom of the body, the transparent body making the interior features of the body - such as thick glass base - visible from the outside of the body**



(21) Design Number: **12031/2013**
(22) Date of Filing Application: **02 May 2013**
(24) Date from which industrial property rights may have effect: **02 May 2013**
(54) Product in respect of which the design is registered: **Bottle**
(51) International Design Classification: **09-01H**
(74) Name(s) of Attorney(s): **FB Rice**
(71) Name(s) and Address(s) of Applicant(s):

SAVERGLASS
3 rue de la Gare Feuquieres 60960 France

(72) Name(s) of Designer(s): **Regis Maillet and David Delbreuve**

(45) Registration Date: **18 June 2013**

(30) Convention priority data:

(31) Number	(32) Date	(33) Country
002139360-0001	20 Nov 2012	OFFICE FOR HARMONISATION IN THE INTERNAL MARKET (OHIM)

(56) Related Art Documents: **Not Applicable**

(57) Statement of Newness and Distinctiveness: **Newness and distinctiveness reside in the visual features of the design shown in solid lines in the representations, excluding those features shown in dashed lines and in particular in vertically upstanding body having a circular section, in a tall neck which protrudes upwardly from the upper part of the body, and joins the body through circular edges having a small radius of curvature, in a slightly inclined surface which links the lower part of the neck to the outer circular edge of the upper part of the body and in that the bottle body buldges at the center portion, and thus provides a maximum width to the body at about half the body height and in that the body gradually tapers towards the shoulder and the base from the center portion and in the transparent body which makes the interior features of the body, such as the thick glass base, visible from the outside.**



(21) Design Number: **12523/2013**
(22) Date of Filing Application: **08 May 2013**
(24) Date from which industrial property rights may have effect: **08 May 2013**
(54) Product in respect of which the design is registered: **Fuel dispensing nozzle**
(51) International Design Classification: **20-02A**
(74) Name(s) of Attorney(s): **PHILLIPS ORMONDE FITZPATRICK**
(71) Name(s) and Address(s) of Applicant(s):

Delaware Capital Formation, Inc.
501 Silverside Road Suite 5 Wilmington Delaware 19809 United States of America

(72) Name(s) of Designer(s): **Ares Marasligiller and Yashodhan Dhuru and Paul Zink and Andrew Mendenhall and Chris Laux and Todd Midkiff**

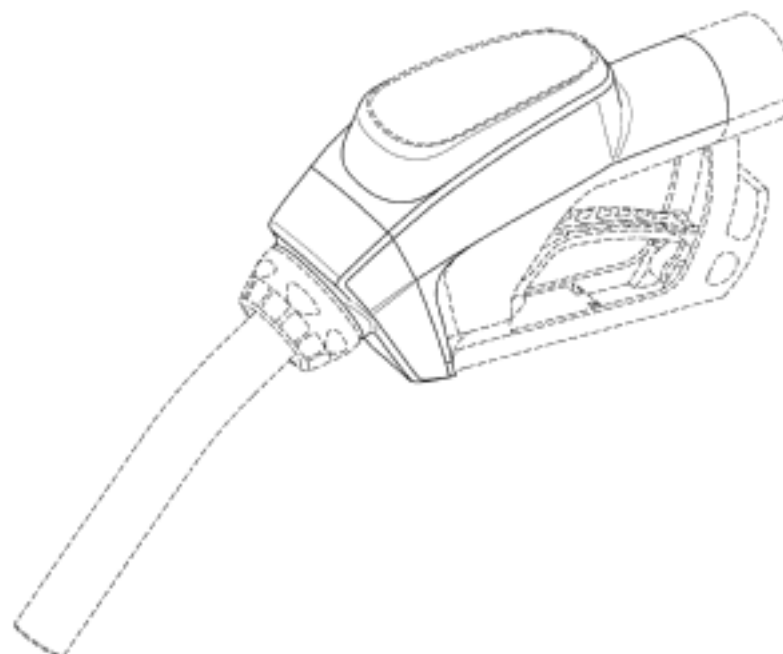
(45) Registration Date: **18 June 2013**

(30) Convention priority data:

(31) Number	(32) Date	(33) Country
002145748-0002	30 Nov 2012	OFFICE FOR HARMONISATION IN THE INTERNAL MARKET (OHIM)

(56) Related Art Documents: **Not Applicable**

(57) Statement of Newness and Distinctiveness: **Those features of the fuel dispensing nozzle depicted in the representations that are new and distinctive are the shape and/or configuration. The features shown in broken lines are not part of the design and are to be disregarded when considering the overall impression of the design.**



- (21) Design Number: **10863/2013**
(22) Date of Filing Application: **21 February 2013**
(24) Date from which industrial property rights may have effect: **21 February 2013**
(54) Product in respect of which the design is registered: **Puzzle ball**
(51) International Design Classification: **21-01M**
(74) Name(s) of Attorney(s): **Janet Stead & Associates, Patent and Trade Mark Attorneys**
(71) Name(s) and Address(s) of Applicant(s):
Damien Joseph Mangion-Campbell
PO BOX 4083 Myaree BC WA 6960 Australia
(72) Name(s) of Designer(s): **Damien Joseph Mangion-Campbell**
(45) Registration Date: **19 June 2013**
(56) Related Art Documents: **Not Applicable**
(57) Statement of Newness and Distinctiveness: **Newness and distinctiveness is claimed in the pattern and/or ornamentation of the markings of a sports ball as applied to the surface a segmented puzzle ball.**



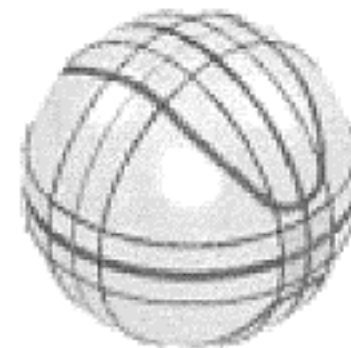
- (21) Design Number: **10864/2013**
(22) Date of Filing Application: **21 February 2013**
(24) Date from which industrial property rights may have effect: **21 February 2013**
(54) Product in respect of which the design is registered: **Puzzle ball**
(51) International Design Classification: **21-01M**
(74) Name(s) of Attorney(s): **Janet Stead & Associates, Patent and Trade Mark Attorneys**
(71) Name(s) and Address(s) of Applicant(s):
Damien Joseph Mangion-Campbell
PO BOX 4083 Myaree BC WA 6960 Australia
(72) Name(s) of Designer(s): **Damien Joseph Mangion-Campbell**
(45) Registration Date: **19 June 2013**
(56) Related Art Documents: **Not Applicable**
(57) Statement of Newness and Distinctiveness: **Newness and distinctiveness is claimed in the pattern and/or ornamentation of the markings of a sports ball as applied to the surface a segmented puzzle ball.**



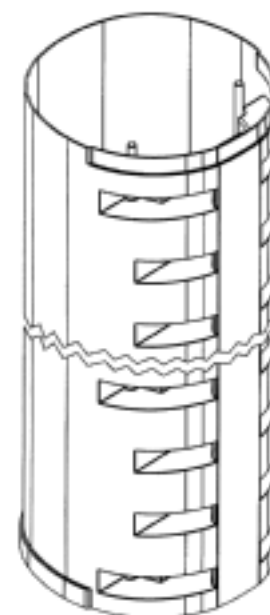
- (21) Design Number: **10865/2013**
(22) Date of Filing Application: **21 February 2013**
(24) Date from which industrial property rights may have effect: **21 February 2013**
(54) Product in respect of which the design is registered: **Puzzle ball**
(51) International Design Classification: **21-01M**
(74) Name(s) of Attorney(s): **Janet Stead & Associates, Patent and Trade Mark Attorneys**
(71) Name(s) and Address(s) of Applicant(s):
Damien Joseph Mangion-Campbell
PO BOX 4083 Myaree BC WA 6960 Australia
(72) Name(s) of Designer(s): **Damien Joseph Mangion-Campbell**
(45) Registration Date: **19 June 2013**
(56) Related Art Documents: **Not Applicable**
(57) Statement of Newness and Distinctiveness: **Newness and distinctiveness is claimed in the pattern and/or ornamentation of the markings of a sports ball as applied to the surface a segmented puzzle ball.**



- (21) Design Number: **10866/2013**
(22) Date of Filing Application: **21 February 2013**
(24) Date from which industrial property rights may have effect: **21 February 2013**
(54) Product in respect of which the design is registered: **Puzzle ball**
(51) International Design Classification: **21-01M**
(74) Name(s) of Attorney(s): **Janet Stead & Associates, Patent and Trade Mark Attorneys**
(71) Name(s) and Address(s) of Applicant(s):
Damien Joseph Mangion-Campbell
PO BOX 4083 Myaree BC WA 6960 Australia
(72) Name(s) of Designer(s): **Damien Joseph Mangion-Campbell**
(45) Registration Date: **19 June 2013**
(56) Related Art Documents: **Not Applicable**
(57) Statement of Newness and Distinctiveness: **Newness and distinctiveness is claimed in the pattern and/or ornamentation of the markings of a sports ball as applied to the surface a segmented puzzle ball.**



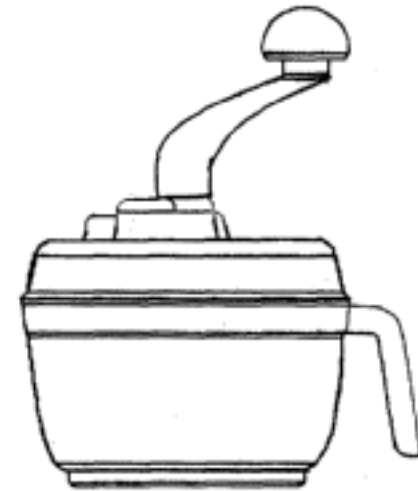
- (21) Design Number: **11407/2013**
(22) Date of Filing Application: **18 March 2013**
(24) Date from which industrial property rights may have effect: **18 March 2013**
(54) Product in respect of which the design is registered: **Laddertube for underground raises**
(51) International Design Classification: **25-04**
(74) Name(s) of Attorney(s): **Janet Stead & Associates, Patent and Trade Mark Attorneys**
(71) Name(s) and Address(s) of Applicant(s):
Hiram (WA) Pty Ltd
15 Walters Way Forrestfield WA 6058 Australia
(72) Name(s) of Designer(s): **Steven Peter Durkin**
(45) Registration Date: **19 June 2013**
(56) Related Art Documents: **Not Applicable**
(57) Statement of Newness and Distinctiveness: **Newness and distinctiveness is claimed in the shape and/or configuration of a Laddertube for Underground Raises of indefinite length as illustrated in the accompanying representations.**



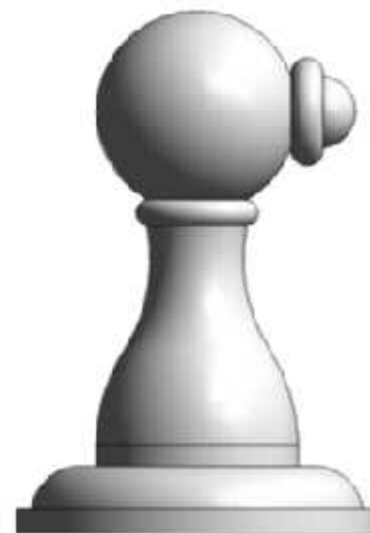
- (21) Design Number: **11573/2013**
(22) Date of Filing Application: **27 March 2013**
(24) Date from which industrial property rights may have effect: **27 July 2012**
(54) Product in respect of which the design is registered: **Tablet**
(51) International Design Classification: **28-01**
(74) Name(s) of Attorney(s): **Shelston IP**
(71) Name(s) and Address(s) of Applicant(s):
McNeil-PPC, Inc.
199 Grandview Road Skillman New Jersey 08558 United States of America
Johnson & Johnson Industrial Ltda
Righway Presidente Dutra KM 154 Sao Jose Dos Campos Sao Paulo Brazil
(72) Name(s) of Designer(s): **Joel Waldman and Anthony Bean and Fernanda Franzoi**
(45) Registration Date: **19 June 2013**
(30) Convention priority data:
(31) Number (32) Date (33) Country
29/412543 03 Feb 2012 UNITED STATES OF AMERICA
(62) Divisional of: **347994**
(56) Related Art Documents: **Not Applicable**
(57) Statement of Newness and Distinctiveness: **Newness and distinctiveness reside in the star shape formed on the upper curved surface of a tablet and its position thereon as illustrated in solid lines on the accompanying representations. The features illustrated in broken lines do not form part of the design.**



- (21) Design Number: **11695/2013**
(22) Date of Filing Application: **10 April 2013**
(24) Date from which industrial property rights may have effect: **10 April 2013**
(54) Product in respect of which the design is registered: **Multi-purpose grater**
(51) International Design Classification: **31-00, 07-04**
(74) Name(s) of Attorney(s):
(71) Name(s) and Address(s) of Applicant(s):
Xiang Kang Li
12 Springside Cres Keysborough VIC 3173 Australia
(72) Name(s) of Designer(s): **Xiang Kang Li**
(45) Registration Date: **19 June 2013**
(56) Related Art Documents: **Not Applicable**
(57) Statement of Newness and Distinctiveness: **Manually operate the rotary handle which in turn connects to either a rotary disk fixed with blade or a set of rotary blades to perform slice/shred or grate/mince functions, those disk or blades are detachable, fast and efficient.**



- (21) Design Number: **11723/2013**
(22) Date of Filing Application: **12 April 2013**
(24) Date from which industrial property rights may have effect: **12 April 2013**
(54) Product in respect of which the design is registered: **Bathroom accessory pillar**
(51) International Design Classification: **23-02A**
(74) Name(s) of Attorney(s):
(71) Name(s) and Address(s) of Applicant(s):
Ian Shirliff
Brodware Industries PO BOX 610 Seven Hills NSW 1730 Australia
(72) Name(s) of Designer(s): **Ian Shirliff**
(45) Registration Date: **19 June 2013**
(56) Related Art Documents: **Not Applicable**
(57) Statement of Newness and Distinctiveness: **Newness and distinctiveness is claimed in the shape of the bathroom accessory pillar as illustrated in the accompanying representations.**



(21) Design Number: **11770/2013**

(22) Date of Filing Application: **15 April 2013**

(24) Date from which industrial property rights may have effect: **15 April 2013**

(54) Product in respect of which the design is registered: **String trimmer**

(51) International Design Classification: **08-03**

(74) Name(s) of Attorney(s): **Davies Collison Cave**

(71) Name(s) and Address(s) of Applicant(s):

Black & Decker, Inc.

1207 Drummond Plaza Newark Delaware 19711 United States of America

(72) Name(s) of Designer(s): **Mark Baxter**

(45) Registration Date: **19 June 2013**

(30) Convention priority data:

(31) Number
001348874

(32) Date
26 Oct 2012

(33) Country
**OFFICE FOR HARMONISATION IN
THE INTERNAL MARKET (OHIM)**



(56) Related Art Documents: **Not Applicable**

(57) Statement of Newness and Distinctiveness: **Nil**

(21) Design Number: **11771/2013**

(22) Date of Filing Application: **15 April 2013**

(24) Date from which industrial property rights may have effect: **15 April 2013**

(54) Product in respect of which the design is registered: **String trimmer cutting head cap**

(51) International Design Classification: **08-03**

(74) Name(s) of Attorney(s): **Davies Collison Cave**

(71) Name(s) and Address(s) of Applicant(s):

Black & Decker, Inc.

1207 Drummond Plaza Newark Delaware 19711 United States of America

(72) Name(s) of Designer(s): **Mark Baxter**

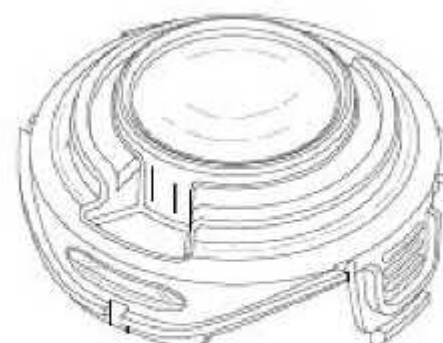
(45) Registration Date: **19 June 2013**

(30) Convention priority data:

(31) Number
001348866

(32) Date
26 Oct 2012

(33) Country
**OFFICE FOR HARMONISATION IN
THE INTERNAL MARKET (OHIM)**



(56) Related Art Documents: **Not Applicable**

(57) Statement of Newness and Distinctiveness: **Nil**

(21) Design Number: **11772/2013**

(22) Date of Filing Application: **15 April 2013**

(24) Date from which industrial property rights may have effect: **15 April 2013**

(54) Product in respect of which the design is registered: **String trimmer accessory**

(51) International Design Classification: **08-03**

(74) Name(s) of Attorney(s): **Davies Collison Cave**

(71) Name(s) and Address(s) of Applicant(s):

Black & Decker, Inc.

1207 Drummond Plaza Newark Delaware 19711 United States of America

(72) Name(s) of Designer(s): **Mark Baxter**

(45) Registration Date: **19 June 2013**

(30) Convention priority data:

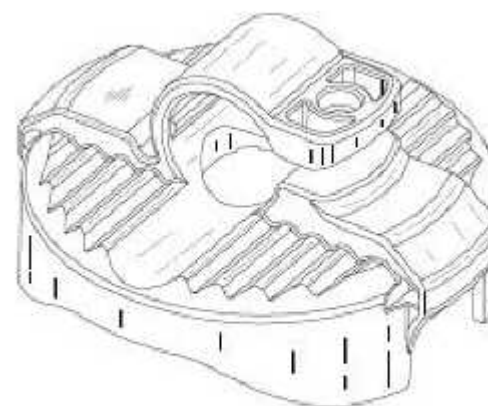
(31) Number
001348858

(32) Date
26 Oct 2012

(33) Country
**OFFICE FOR HARMONISATION IN
THE INTERNAL MARKET (OHIM)**

(56) Related Art Documents: **Not Applicable**

(57) Statement of Newness and Distinctiveness: **Nil**



(21) Design Number: **11773/2013**

(22) Date of Filing Application: **15 April 2013**

(24) Date from which industrial property rights may have effect: **15 April 2013**

(54) Product in respect of which the design is registered: **String trimmer accessory**

(51) International Design Classification: **08-03**

(74) Name(s) of Attorney(s): **Davies Collison Cave**

(71) Name(s) and Address(s) of Applicant(s):

Black & Decker, Inc.

1207 Drummond Plaza Newark Delaware 19711 United States of America

(72) Name(s) of Designer(s): **Neil Walmsley**

(45) Registration Date: **19 June 2013**

(30) Convention priority data:

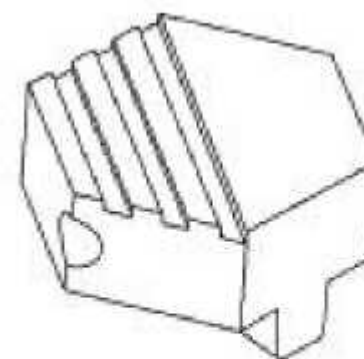
(31) Number
001348890

(32) Date
26 Oct 2012

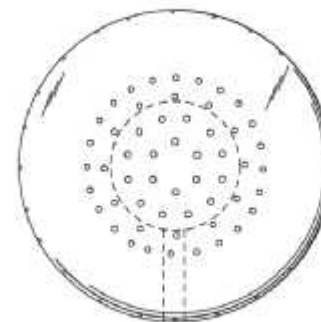
(33) Country
**OFFICE FOR HARMONISATION IN
THE INTERNAL MARKET (OHIM)**

(56) Related Art Documents: **Not Applicable**

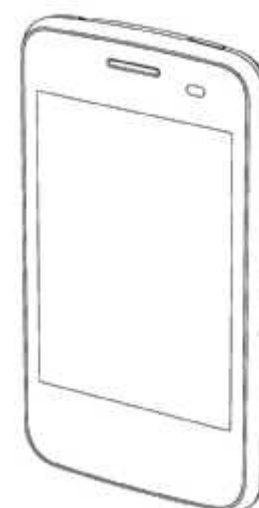
(57) Statement of Newness and Distinctiveness: **Nil**



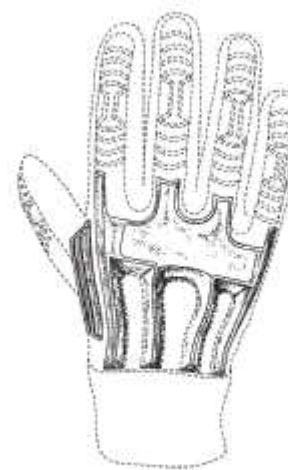
- (21) Design Number: **12467/2013**
(22) Date of Filing Application: **28 May 2013**
(24) Date from which industrial property rights may have effect: **28 May 2013**
(54) Product in respect of which the design is registered: **Dispensing device**
(51) International Design Classification: **09-01A, 09-01NES**
(74) Name(s) of Attorney(s): **Madderns**
(71) Name(s) and Address(s) of Applicant(s):
Chemtura Corporation
199 Benson Road Middlebury Connecticut 06749 United States of America
(72) Name(s) of Designer(s): **Curt Sayre and Zach Hansen and David Rouse and Brian Holliday and Steven Dietz and Rebecca Valentin Covington and Anna Florine McLeroy**
(45) Registration Date: **19 June 2013**
(30) Convention priority data:
(31) Number (32) Date (33) Country
29/438227 28 Nov 2012 UNITED STATES OF AMERICA
(56) Related Art Documents: **Not Applicable**
(57) Statement of Newness and Distinctiveness: **Newness and distinctiveness reside in all but the circular pattern indicated with broken lines shown in figures 3, 4, 5 and 6.**



- (21) Design Number: **12471/2013**
(22) Date of Filing Application: **29 May 2013**
(24) Date from which industrial property rights may have effect: **29 May 2013**
(54) Product in respect of which the design is registered: **Mobile phone**
(51) International Design Classification: **14-03E**
(74) Name(s) of Attorney(s): **FB Rice**
(71) Name(s) and Address(s) of Applicant(s):
LG Electronics Inc.
20 Yeouido-dong Yeongdeungpo-gu Seoul 150-721 Republic of Korea
(72) Name(s) of Designer(s): **Ji Hee Kim and Sha Rim Choe**
(45) Registration Date: **19 June 2013**
(30) Convention priority data:
(31) Number (32) Date (33) Country
30-2012-0057730 30 Nov 2012 REPUBLIC OF KOREA
(56) Related Art Documents: **Not Applicable**
(57) Statement of Newness and Distinctiveness: **Newness and distinctiveness reside in the visual features of the design as shown in the representations.**



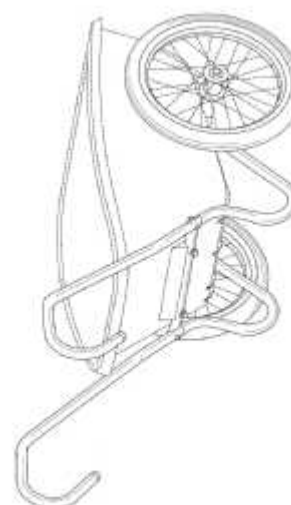
(21) Design Number: **12477/2013**
(22) Date of Filing Application: **29 May 2013**
(24) Date from which industrial property rights may have effect: **29 May 2013**
(54) Product in respect of which the design is registered: **Glove**
(51) International Design Classification: **02-06**
(74) Name(s) of Attorney(s): **FB Rice**
(71) Name(s) and Address(s) of Applicant(s):
Performance Fabrics, Inc.
2000 Oak Industrial Drive N.E. Grand Rapids Michigan 49505 United States of America
(72) Name(s) of Designer(s): **Stanley Mark Ruminski**
(45) Registration Date: **19 June 2013**
(30) Convention priority data:
(31) Number (32) Date (33) Country
29/438454 29 Nov 2012 UNITED STATES OF AMERICA
(56) Related Art Documents: **Not Applicable**
(57) Statement of Newness and Distinctiveness: **Newness and distinctiveness reside in the features of the design as shown in the representations.**



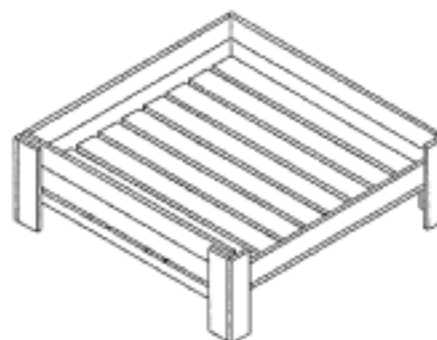
(21) Design Number: **12487/2013**
(22) Date of Filing Application: **27 May 2013**
(24) Date from which industrial property rights may have effect: **27 May 2013**
(54) Product in respect of which the design is registered: **A bed base**
(51) International Design Classification: **06-02**
(74) Name(s) of Attorney(s):
(71) Name(s) and Address(s) of Applicant(s):
Ian James Burden
11-13 Queen Guinevere's PI Sovereign Islands QLD 4216 Australia
(72) Name(s) of Designer(s): **Ian James Burden**
(45) Registration Date: **19 June 2013**
(56) Related Art Documents: **Not Applicable**
(57) Statement of Newness and Distinctiveness: **The design relates to a bed base and the novelty resides in the features of shape and configuration of the article as shown in the accompanying representation.**



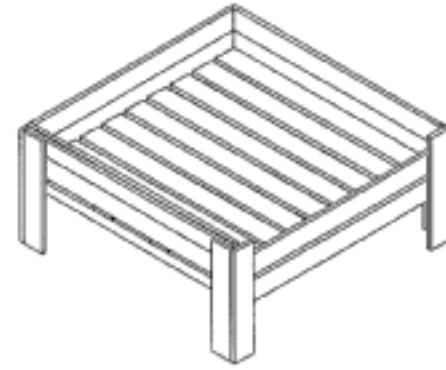
- (21) Design Number: **12680/2013**
(22) Date of Filing Application: **11 June 2013**
(24) Date from which industrial property rights may have effect: **11 June 2013**
(54) Product in respect of which the design is registered: **Garden cart frame assembly**
(51) International Design Classification: **12-02**
(74) Name(s) of Attorney(s): **FB Rice**
(71) Name(s) and Address(s) of Applicant(s):
Ames True Temper, Inc.
465 Railroad Avenue Camp Hill Pennsylvania 17011 United States of America
(72) Name(s) of Designer(s): **Barry Albert and Joshua O. Mullen**
(45) Registration Date: **19 June 2013**
(30) Convention priority data:
(31) Number (32) Date (33) Country
29/439497 12 Dec 2012 UNITED STATES OF AMERICA
(56) Related Art Documents: **Not Applicable**
(57) Statement of Newness and Distinctiveness: **Newness and distinctiveness reside in the features of the design as shown in solid lines in the representations excluding those features shown in broken lines.**



- (21) Design Number: **14283/2012**
(22) Date of Filing Application: **29 August 2012**
(24) Date from which industrial property rights may have effect: **29 August 2012**
(54) Product in respect of which the design is registered: **A crate**
(51) International Design Classification: **09-04, 09-03F**
(74) Name(s) of Attorney(s): **Freehills Patent Attorneys**
(71) Name(s) and Address(s) of Applicant(s):
F.V. Bilotto Nominees Pty Ltd
Lot 2 Maddern Rd Heatherton Victoria 3202 Australia
(72) Name(s) of Designer(s): **Mark Bilotto**
(45) Registration Date: **20 June 2013**
(56) Related Art Documents: **Not Applicable**
(57) Statement of Newness and Distinctiveness: **Newness and distinctiveness of the design resides in the features of shape and configuration of a crate as shown in the accompanying representations.**



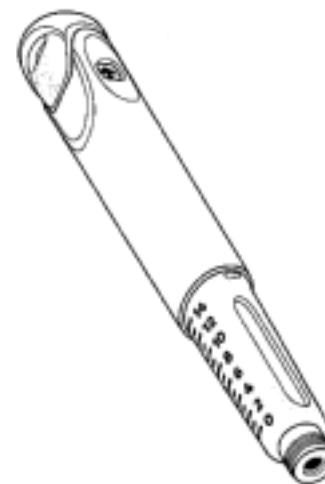
- (21) Design Number: **12647/2013**
(22) Date of Filing Application: **29 August 2012**
(24) Date from which industrial property rights may have effect: **29 August 2012**
(54) Product in respect of which the design is registered: **A crate**
(51) International Design Classification: **09-04, 09-03F**
(74) Name(s) of Attorney(s): **Freehills Patent Attorneys**
(71) Name(s) and Address(s) of Applicant(s):
F.V. Bilotto Nominees Pty Ltd
Lot 2 Maddern Rd Heatherton Victoria 3202 Australia
(72) Name(s) of Designer(s): **Mark Bilotto**
(45) Registration Date: **20 June 2013**
(56) Related Art Documents: **Not Applicable**
(57) Statement of Newness and Distinctiveness: **Newness and distinctiveness of the design resides in the features of shape and configuration of a crate as shown in the accompanying representations.**



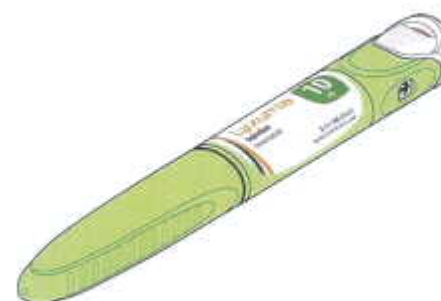
- (21) Design Number: **16640/2012**
(22) Date of Filing Application: **21 December 2012**
(24) Date from which industrial property rights may have effect: **21 December 2012**
(54) Product in respect of which the design is registered: **Injection device**
(51) International Design Classification: **24-02**
(74) Name(s) of Attorney(s): **WATERMARK PATENT AND TRADE MARKS ATTORNEYS**
(71) Name(s) and Address(s) of Applicant(s):
Sanofi-Aventis Deutschland GmbH
Bruningstrasse 50 D-65929 Frankfurt am Main Germany
(72) Name(s) of Designer(s): **David Sanders and Houda Mihad and Michael Schabbach and Timothy Cloughton**
(45) Registration Date: **20 June 2013**
(30) Convention priority data:
(31) Number (32) Date (33) Country
002 068 791 05 Jul 2012 OFFICE FOR HARMONISATION IN THE INTERNAL MARKET (OHIM)
(56) Related Art Documents: **Not Applicable**
(57) Statement of Newness and Distinctiveness: **Nil**



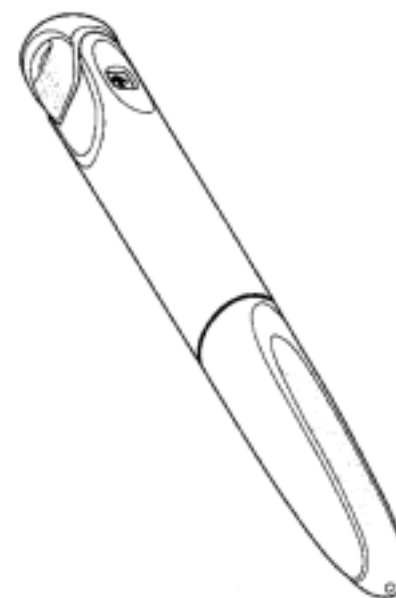
(21) Design Number: **16773/2012**
(22) Date of Filing Application: **21 December 2012**
(24) Date from which industrial property rights may have effect: **21 December 2012**
(54) Product in respect of which the design is registered: **Injection device**
(51) International Design Classification: **24-02**
(74) Name(s) of Attorney(s): **WATERMARK PATENT AND TRADE MARKS ATTORNEYS**
(71) Name(s) and Address(s) of Applicant(s):
Sanofi-Aventis Deutschland GmbH
Bruningstrasse 50 D-65929 Frankfurt am Main Germany
(72) Name(s) of Designer(s): **David Sanders and Houda Mihad and Michael Schabbach and Timothy Cloughton**
(45) Registration Date: **20 June 2013**
(30) Convention priority data:
(31) Number (32) Date (33) Country
002 068 791 05 Jul 2012 OFFICE FOR HARMONISATION IN THE INTERNAL MARKET (OHIM)
(56) Related Art Documents: **Not Applicable**
(57) Statement of Newness and Distinctiveness: **Nil**



(21) Design Number: **16774/2012**
(22) Date of Filing Application: **21 December 2012**
(24) Date from which industrial property rights may have effect: **21 December 2012**
(54) Product in respect of which the design is registered: **Injection device**
(51) International Design Classification: **24-02**
(74) Name(s) of Attorney(s): **WATERMARK PATENT AND TRADE MARKS ATTORNEYS**
(71) Name(s) and Address(s) of Applicant(s):
Sanofi-Aventis Deutschland GmbH
Bruningstrasse 50 D-65929 Frankfurt am Main Germany
(72) Name(s) of Designer(s): **David Sanders and Houda Mihad and Michael Schabbach and Timothy Cloughton**
(45) Registration Date: **20 June 2013**
(30) Convention priority data:
(31) Number (32) Date (33) Country
002 068 791 05 Jul 2012 OFFICE FOR HARMONISATION IN THE INTERNAL MARKET (OHIM)
(56) Related Art Documents: **Not Applicable**
(57) Statement of Newness and Distinctiveness: **Nil**



(21) Design Number: **16772/2012**
(22) Date of Filing Application: **21 December 2012**
(24) Date from which industrial property rights may have effect: **21 December 2012**
(54) Product in respect of which the design is registered: **Injection device**
(51) International Design Classification: **24-02**
(74) Name(s) of Attorney(s): **WATERMARK PATENT AND TRADE MARKS ATTORNEYS**
(71) Name(s) and Address(s) of Applicant(s):
Sanofi-Aventis Deutschland GmbH
Bruningstrasse 50 D-65929 Frankfurt am Main Germany
(72) Name(s) of Designer(s): **David Sanders and Houda Mihad and Michael Schabbach and Timothy Cloughton**
(45) Registration Date: **20 June 2013**
(30) Convention priority data:
(31) Number (32) Date (33) Country
002 068 791 05 Jul 2012 OFFICE FOR HARMONISATION IN THE INTERNAL MARKET (OHIM)
(56) Related Art Documents: **Not Applicable**
(57) Statement of Newness and Distinctiveness: **Nil**



(21) Design Number: **16765/2012**
(22) Date of Filing Application: **21 December 2012**
(24) Date from which industrial property rights may have effect: **21 December 2012**
(54) Product in respect of which the design is registered: **Injection device**
(51) International Design Classification: **24-02**
(74) Name(s) of Attorney(s): **WATERMARK PATENT AND TRADE MARKS ATTORNEYS**
(71) Name(s) and Address(s) of Applicant(s):
Sanofi-Aventis Deutschland GmbH
Bruningstrasse 50 D-65929 Frankfurt am Main Germany
(72) Name(s) of Designer(s): **David Sanders and Houda Mihad and Michael Schabbach and Timothy Cloughton**
(45) Registration Date: **20 June 2013**
(30) Convention priority data:
(31) Number (32) Date (33) Country
002 068 791 05 Jul 2012 OFFICE FOR HARMONISATION IN THE INTERNAL MARKET (OHIM)
(56) Related Art Documents: **Not Applicable**
(57) Statement of Newness and Distinctiveness: **Nil**



(21) Design Number: **16766/2012**
(22) Date of Filing Application: **21 December 2012**
(24) Date from which industrial property rights may have effect: **21 December 2012**
(54) Product in respect of which the design is registered: **Injection device**
(51) International Design Classification: **24-02**
(74) Name(s) of Attorney(s): **WATERMARK PATENT AND TRADE MARKS ATTORNEYS**
(71) Name(s) and Address(s) of Applicant(s):
Sanofi-Aventis Deutschland GmbH
Bruningstrasse 50 D-65929 Frankfurt am Main Germany
(72) Name(s) of Designer(s): **David Sanders and Houda Mihad and Michael Schabbach and Timothy Claughton**
(45) Registration Date: **20 June 2013**
(30) Convention priority data:
(31) Number (32) Date (33) Country
002 068 791 05 Jul 2012 OFFICE FOR HARMONISATION IN THE INTERNAL MARKET (OHIM)
(56) Related Art Documents: **Not Applicable**
(57) Statement of Newness and Distinctiveness: **Nil**



(21) Design Number: **16767/2012**
(22) Date of Filing Application: **21 December 2012**
(24) Date from which industrial property rights may have effect: **21 December 2012**
(54) Product in respect of which the design is registered: **Injection device**
(51) International Design Classification: **24-02**
(74) Name(s) of Attorney(s): **WATERMARK PATENT AND TRADE MARKS ATTORNEYS**
(71) Name(s) and Address(s) of Applicant(s):
Sanofi-Aventis Deutschland GmbH
Bruningstrasse 50 D-65929 Frankfurt am Main Germany
(72) Name(s) of Designer(s): **David Sanders and Houda Mihad and Michael Schabbach and Timothy Claughton**
(45) Registration Date: **20 June 2013**
(30) Convention priority data:
(31) Number (32) Date (33) Country
002 068 791 05 Jul 2012 OFFICE FOR HARMONISATION IN THE INTERNAL MARKET (OHIM)
(56) Related Art Documents: **Not Applicable**
(57) Statement of Newness and Distinctiveness: **Nil**



(21) Design Number: **16768/2012**
(22) Date of Filing Application: **21 December 2012**
(24) Date from which industrial property rights may have effect: **21 December 2012**
(54) Product in respect of which the design is registered: **Injection device**
(51) International Design Classification: **24-02**
(74) Name(s) of Attorney(s): **WATERMARK PATENT AND TRADE MARKS ATTORNEYS**
(71) Name(s) and Address(s) of Applicant(s):
Sanofi-Aventis Deutschland GmbH
Bruningstrasse 50 D-65929 Frankfurt am Main Germany
(72) Name(s) of Designer(s): **David Sanders and Houda Mihad and Michael Schabbach and Timothy Claughton**
(45) Registration Date: **20 June 2013**
(30) Convention priority data:
(31) Number (32) Date (33) Country
002 068 791 05 Jul 2012 OFFICE FOR HARMONISATION IN THE INTERNAL MARKET (OHIM)
(56) Related Art Documents: **Not Applicable**
(57) Statement of Newness and Distinctiveness: **Nil**



(21) Design Number: **16769/2012**
(22) Date of Filing Application: **21 December 2012**
(24) Date from which industrial property rights may have effect: **21 December 2012**
(54) Product in respect of which the design is registered: **Injection device**
(51) International Design Classification: **24-02**
(74) Name(s) of Attorney(s): **WATERMARK PATENT AND TRADE MARKS ATTORNEYS**
(71) Name(s) and Address(s) of Applicant(s):
Sanofi-Aventis Deutschland GmbH
Bruningstrasse 50 D-65929 Frankfurt am Main Germany
(72) Name(s) of Designer(s): **David Sanders and Houda Mihad and Michael Schabbach and Timothy Claughton**
(45) Registration Date: **20 June 2013**
(30) Convention priority data:
(31) Number (32) Date (33) Country
002 068 791 05 Jul 2012 OFFICE FOR HARMONISATION IN THE INTERNAL MARKET (OHIM)
(56) Related Art Documents: **Not Applicable**
(57) Statement of Newness and Distinctiveness: **Nil**



(21) Design Number: **16770/2012**
(22) Date of Filing Application: **21 December 2012**
(24) Date from which industrial property rights may have effect: **21 December 2012**
(54) Product in respect of which the design is registered: **Injection device**
(51) International Design Classification: **24-02**
(74) Name(s) of Attorney(s): **WATERMARK PATENT AND TRADE MARKS ATTORNEYS**
(71) Name(s) and Address(s) of Applicant(s):
Sanofi-Aventis Deutschland GmbH
Bruningstrasse 50 D-65929 Frankfurt am Main Germany
(72) Name(s) of Designer(s): **David Sanders and Houda Mihad and Michael Schabbach and Timothy Claughton**
(45) Registration Date: **20 June 2013**
(30) Convention priority data:
(31) Number (32) Date (33) Country
002 068 791 05 Jul 2012 OFFICE FOR HARMONISATION IN THE INTERNAL MARKET (OHIM)
(56) Related Art Documents: **Not Applicable**
(57) Statement of Newness and Distinctiveness: **Nil**



(21) Design Number: **16771/2012**
(22) Date of Filing Application: **21 December 2012**
(24) Date from which industrial property rights may have effect: **21 December 2012**
(54) Product in respect of which the design is registered: **Injection device**
(51) International Design Classification: **24-02**
(74) Name(s) of Attorney(s): **WATERMARK PATENT AND TRADE MARKS ATTORNEYS**
(71) Name(s) and Address(s) of Applicant(s):
Sanofi-Aventis Deutschland GmbH
Bruningstrasse 50 D-65929 Frankfurt am Main Germany
(72) Name(s) of Designer(s): **David Sanders and Houda Mihad and Michael Schabbach and Timothy Claughton**
(45) Registration Date: **20 June 2013**
(30) Convention priority data:
(31) Number (32) Date (33) Country
002 068 791 05 Jul 2012 OFFICE FOR HARMONISATION IN THE INTERNAL MARKET (OHIM)
(56) Related Art Documents: **Not Applicable**
(57) Statement of Newness and Distinctiveness: **Nil**



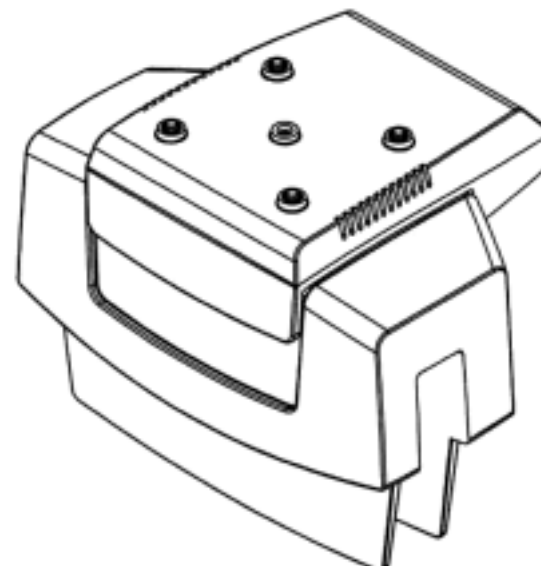
(21) Design Number: **16775/2012**
(22) Date of Filing Application: **21 December 2012**
(24) Date from which industrial property rights may have effect: **21 December 2012**
(54) Product in respect of which the design is registered: **Injection device**
(51) International Design Classification: **24-02**
(74) Name(s) of Attorney(s): **WATERMARK PATENT AND TRADE MARKS ATTORNEYS**
(71) Name(s) and Address(s) of Applicant(s):
Sanofi-Aventis Deutschland GmbH
Bruningstrasse 50 D-65929 Frankfurt am Main Germany
(72) Name(s) of Designer(s): **David Sanders and Houda Mihad and Michael Schabbach and Timothy Claughton**
(45) Registration Date: **20 June 2013**
(30) Convention priority data:
(31) Number (32) Date (33) Country
002 068 791 05 Jul 2012 OFFICE FOR HARMONISATION IN THE INTERNAL MARKET (OHIM)
(56) Related Art Documents: **Not Applicable**
(57) Statement of Newness and Distinctiveness: **Nil**



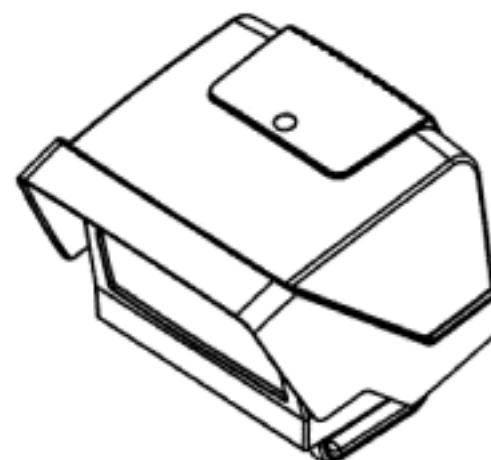
(21) Design Number: **11134/2013**
(22) Date of Filing Application: **08 March 2013**
(24) Date from which industrial property rights may have effect: **08 March 2013**
(54) Product in respect of which the design is registered: **A leather bed**
(51) International Design Classification: **06-02**
(74) Name(s) of Attorney(s):
(71) Name(s) and Address(s) of Applicant(s):
Fast & Save Pty Ltd
Fy 2 29-31 Graham Ct Hoppers Crossing VIC 3029 Australia
(72) Name(s) of Designer(s): **Thanh Trieu Nguyen**
(45) Registration Date: **20 June 2013**
(56) Related Art Documents: **Not Applicable**
(57) Statement of Newness and Distinctiveness: **Modern elegant design.**



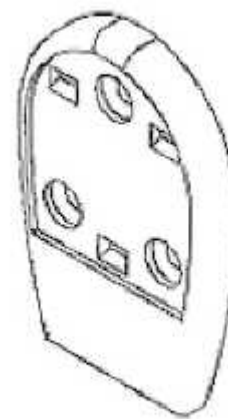
- (21) Design Number: **11287/2013**
(22) Date of Filing Application: **13 March 2013**
(24) Date from which industrial property rights may have effect: **13 March 2013**
(54) Product in respect of which the design is registered: **Casing for checking and measuring instruments**
(51) International Design Classification: **10-07**
(74) Name(s) of Attorney(s): **Freehills Patent Attorneys**
(71) Name(s) and Address(s) of Applicant(s):
Vitronic Dr.-Ing. Stein Bildverarbeitungssysteme GmbH
Hasengartenstr. 14 65189 Wiesbaden Germany
(72) Name(s) of Designer(s): **Andreas Schulze**
(45) Registration Date: **20 June 2013**
(30) Convention priority data:
(31) Number (32) Date (33) Country
002155820-0001 19 Dec 2012 GERMANY
(56) Related Art Documents: **Not Applicable**
(57) Statement of Newness and Distinctiveness: **Newness and distinctiveness resides in the features of shape and configuration of the casing for checking and measuring instruments as shown in the representations.**



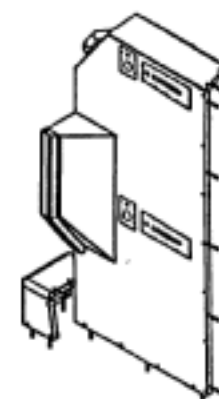
- (21) Design Number: **11288/2013**
(22) Date of Filing Application: **13 March 2013**
(24) Date from which industrial property rights may have effect: **13 March 2013**
(54) Product in respect of which the design is registered: **Casing for checking and measuring instruments**
(51) International Design Classification: **10-07**
(74) Name(s) of Attorney(s): **Freehills Patent Attorneys**
(71) Name(s) and Address(s) of Applicant(s):
Vitronic Dr.-Ing. Stein Bildverarbeitungssysteme GmbH
Hasengartenstr. 14 65189 Wiesbaden Germany
(72) Name(s) of Designer(s): **Andreas Schulze**
(45) Registration Date: **20 June 2013**
(30) Convention priority data:
(31) Number (32) Date (33) Country
002155820-0002 19 Dec 2012 GERMANY
(56) Related Art Documents: **Not Applicable**
(57) Statement of Newness and Distinctiveness: **Newness and distinctiveness resides in the features of shape and configuration of the casing for checking and measuring instruments as shown in the representations.**



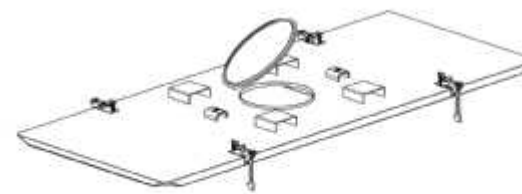
- (21) Design Number: **11911/2013**
(22) Date of Filing Application: **24 April 2013**
(24) Date from which industrial property rights may have effect: **24 April 2013**
(54) Product in respect of which the design is registered: **A door bump**
(51) International Design Classification: **08-09**
(74) Name(s) of Attorney(s): **Tatlocks Chrysiliou IP**
(71) Name(s) and Address(s) of Applicant(s):
Metlam Australia Pty Ltd
17 Parker Rd New Gisborne VIC 3428 Australia
(72) Name(s) of Designer(s): **Brian Bishop**
(45) Registration Date: **20 June 2013**
(56) Related Art Documents: **Not Applicable**
(57) Statement of Newness and Distinctiveness: **Newness and distinctiveness reside in the features of the door bump as shown in the representations.**



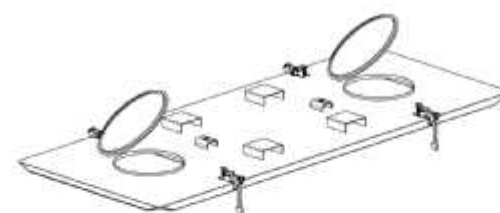
- (21) Design Number: **11957/2013**
(22) Date of Filing Application: **26 April 2013**
(24) Date from which industrial property rights may have effect: **31 January 2013**
(54) Product in respect of which the design is registered: **Bed head with ladder for prefabricated prison cell**
(51) International Design Classification: **06-05**
(74) Name(s) of Attorney(s): **Callinans**
(71) Name(s) and Address(s) of Applicant(s):
Steelfinne Fabrications Pty Ltd
1 Bridget St Glen Waverley VIC 3150 Australia
(72) Name(s) of Designer(s): **Glenn Dickson and Eddie Villa**
(45) Registration Date: **20 June 2013**
(62) Divisional of: **10520/2013**
(56) Related Art Documents: **Not Applicable**
(57) Statement of Newness and Distinctiveness: **Nil**



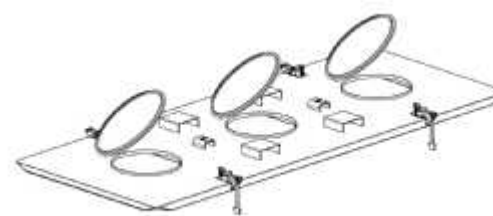
- (21) Design Number: **12145/2013**
(22) Date of Filing Application: **08 May 2013**
(24) Date from which industrial property rights may have effect: **08 May 2013**
(54) Product in respect of which the design is registered: **A container lid**
(51) International Design Classification: **09-03K, 09-07NES**
(74) Name(s) of Attorney(s): **Australian Patent & TradeMark Services Pty Ltd**
(71) Name(s) and Address(s) of Applicant(s):
Australian Mobile Mining Equipment Systems and Accessories Pty. Limited
18 Sleigh PI Wetherill Park NSW 2164 Australia
(72) Name(s) of Designer(s): **Murray Robert Bridle**
(45) Registration Date: **20 June 2013**
(56) Related Art Documents: **Not Applicable**
(57) Statement of Newness and Distinctiveness: **Newness and distinctiveness is claimed in the shape and/or configuration of a container lid as illustrated in the accompanying representations.**



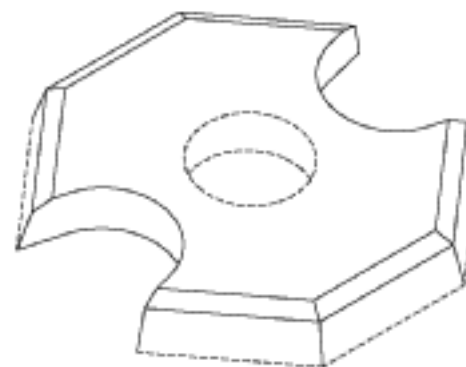
- (21) Design Number: **12146/2013**
(22) Date of Filing Application: **08 May 2013**
(24) Date from which industrial property rights may have effect: **08 May 2013**
(54) Product in respect of which the design is registered: **A container lid**
(51) International Design Classification: **09-03K, 09-07NES**
(74) Name(s) of Attorney(s): **Australian Patent & TradeMark Services Pty Ltd**
(71) Name(s) and Address(s) of Applicant(s):
Australian Mobile Mining Equipment Systems and Accessories Pty. Limited
18 Sleigh PI Wetherill Park NSW 2164 Australia
(72) Name(s) of Designer(s): **Murray Robert Bridle**
(45) Registration Date: **20 June 2013**
(56) Related Art Documents: **Not Applicable**
(57) Statement of Newness and Distinctiveness: **Newness and distinctiveness is claimed in the shape and/or configuration of a container lid as illustrated in the accompanying representations.**



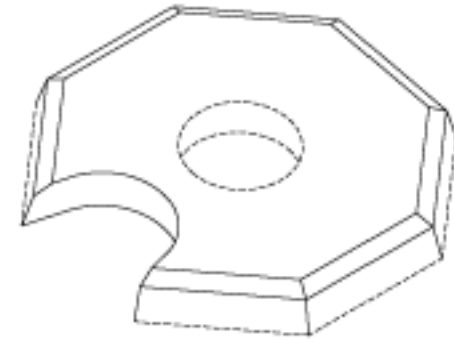
- (21) Design Number: **12147/2013**
(22) Date of Filing Application: **08 May 2013**
(24) Date from which industrial property rights may have effect: **08 May 2013**
(54) Product in respect of which the design is registered: **A container lid**
(51) International Design Classification: **09-03K, 09-07NES**
(74) Name(s) of Attorney(s): **Australian Patent & TradeMark Services Pty Ltd**
(71) Name(s) and Address(s) of Applicant(s):
Australian Mobile Mining Equipment Systems and Accessories Pty. Limited
18 Sleigh Pl Wetherill Park NSW 2164 Australia
(72) Name(s) of Designer(s): **Murray Robert Bridle**
(45) Registration Date: **20 June 2013**
(56) Related Art Documents: **Not Applicable**
(57) Statement of Newness and Distinctiveness: **Newness and distinctiveness is claimed in the shape and/or configuration of a container lid as illustrated in the accompanying representations.**



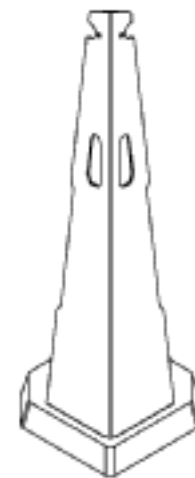
- (21) Design Number: **12346/2013**
(22) Date of Filing Application: **21 May 2013**
(24) Date from which industrial property rights may have effect: **21 May 2013**
(54) Product in respect of which the design is registered: **Bollard base**
(51) International Design Classification: **25-02NES, 23-02A, 10-06**
(74) Name(s) of Attorney(s):
(71) Name(s) and Address(s) of Applicant(s):
Onepointsix Pty. Ltd.
27-31 Munster Terrace North Melbourne Victoria 3051 Australia
(72) Name(s) of Designer(s): **Jack J. Allwood and Kyle Murray Gordon Jarratt**
(45) Registration Date: **20 June 2013**
(56) Related Art Documents: **Not Applicable**
(57) Statement of Newness and Distinctiveness: **Added cut outs to allow for better stacking and nesting of multiple units. Adjusted the proportions to allow for better nesting and stacking. Adjusted volume for a more universal weight.**



- (21) Design Number: **12347/2013**
(22) Date of Filing Application: **21 May 2013**
(24) Date from which industrial property rights may have effect: **21 May 2013**
(54) Product in respect of which the design is registered: **Bollard base**
(51) International Design Classification: **25-02NES, 23-02A, 10-06**
(74) Name(s) of Attorney(s):
(71) Name(s) and Address(s) of Applicant(s):
Onepointsix Pty. Ltd.
27-31 Munster Terrace North Melbourne Victoria 3051 Australia
(72) Name(s) of Designer(s): **Jack J. Allwood and Kyle Murray Gordon Jarratt**
(45) Registration Date: **20 June 2013**
(56) Related Art Documents: **Not Applicable**
(57) Statement of Newness and Distinctiveness: **Added cut outs to allow for better stacking and nesting of multiple units. Adjusted the proportions to allow for better nesting and stacking. Adjusted volume for a more universal weight.**



- (21) Design Number: **12348/2013**
(22) Date of Filing Application: **21 May 2013**
(24) Date from which industrial property rights may have effect: **21 May 2013**
(54) Product in respect of which the design is registered: **Bollard**
(51) International Design Classification: **25-02NES, 25-02A**
(74) Name(s) of Attorney(s):
(71) Name(s) and Address(s) of Applicant(s):
Onepointsix Pty. Ltd.
27-31 Munster Terrace North Melbourne Victoria 3051 Australia
(72) Name(s) of Designer(s): **Jack J. Allwood and Kyle Murray Gordon Jarratt**
(45) Registration Date: **20 June 2013**
(56) Related Art Documents: **Not Applicable**
(57) Statement of Newness and Distinctiveness: **Entire unit (top and base) is designed to stack/nest together, drastically reducing the space required to store/transport multiple units. Bollard base (shape and function) has been redesigned to allow fixing/assembly with bollard top and remains steady in high winds. Bollard top is flat packable and triangular in shape. Bollard top cut outs have been added to create handles and fixing points for signs/tape etc. The design can be assembled, disassembled and flat packed in seconds.**



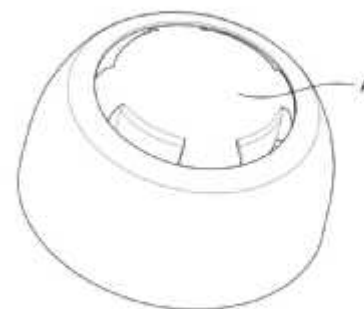
- (21) Design Number: **12480/2013**
(22) Date of Filing Application: **29 May 2013**
(24) Date from which industrial property rights may have effect: **29 May 2013**
(54) Product in respect of which the design is registered: **Front bumper for automobile**
(51) International Design Classification: **12-16C**
(74) Name(s) of Attorney(s): **Griffith Hack**
(71) Name(s) and Address(s) of Applicant(s):
Nissan Jidosha Kabushiki Kaisha
No. 2 Takaracho Kanagawa-ku Yokohama-shi Kanagawa-ken 220-8623
Japan
(72) Name(s) of Designer(s): **Kenichiro Koizumi and Takashi Utsunomiya and Kenneth Lee**
(45) Registration Date: **21 June 2013**
(30) Convention priority data:
(31) Number (32) Date (33) Country
2012-029240 29 Nov 2012 JAPAN
(56) Related Art Documents: **Not Applicable**
(57) Statement of Newness and Distinctiveness: **Newness and distinctiveness resides in the visual features, including shape and configuration, of a FRONT BUMPER FOR AUTOMOBILE as shown in solid outline in the accompanying drawings.**



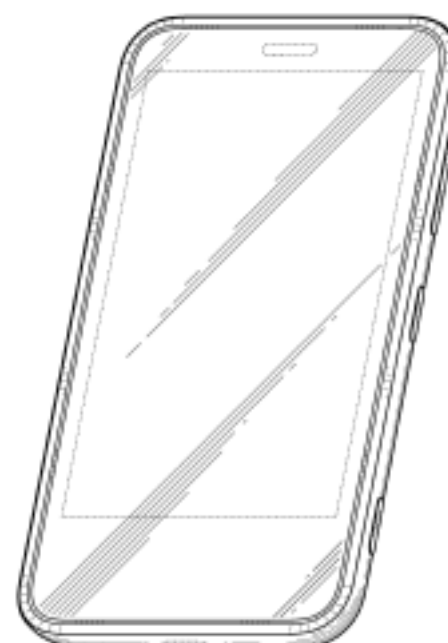
- (21) Design Number: **12481/2013**
(22) Date of Filing Application: **29 May 2013**
(24) Date from which industrial property rights may have effect: **29 May 2013**
(54) Product in respect of which the design is registered: **Rear bumper for automobile**
(51) International Design Classification: **12-16C**
(74) Name(s) of Attorney(s): **Griffith Hack**
(71) Name(s) and Address(s) of Applicant(s):
Nissan Jidosha Kabushiki Kaisha
No. 2 Takaracho Kanagawa-ku Yokohama-shi Kanagawa-ken 220-8623
Japan
(72) Name(s) of Designer(s): **Tadashi Katou and Takahiro Kuze and Kenneth Lee**
(45) Registration Date: **21 June 2013**
(30) Convention priority data:
(31) Number (32) Date (33) Country
2012-029241 29 Nov 2012 JAPAN
(56) Related Art Documents: **Not Applicable**
(57) Statement of Newness and Distinctiveness: **Newness and distinctiveness resides in the visual features, including shape and configuration, of a REAR BUMPER FOR AUTOMOBILE as shown in solid outline in the accompanying drawings.**



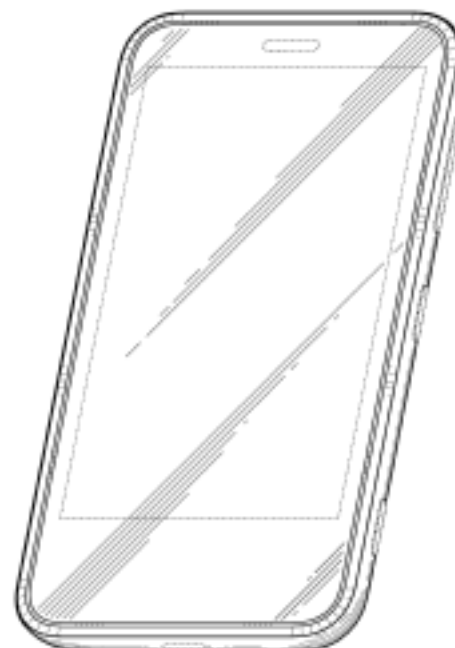
(21) Design Number: **12482/2013**
(22) Date of Filing Application: **29 May 2013**
(24) Date from which industrial property rights may have effect: **29 May 2013**
(54) Product in respect of which the design is registered: **Cap for container**
(51) International Design Classification: **09-07C**
(74) Name(s) of Attorney(s): **PHILLIPS ORMONDE FITZPATRICK**
(71) Name(s) and Address(s) of Applicant(s):
Guala Pack S.p.A.
Via Carlo Mussa 266 Castellazzo Bormida Alessandria I-15073 Italy
(72) Name(s) of Designer(s): **Stefano Tamarindo**
(45) Registration Date: **21 June 2013**
(30) Convention priority data:
(31) Number (32) Date (33) Country
BS2012O000030 29 Nov 2012 ITALY
(56) Related Art Documents: **Not Applicable**
(57) Statement of Newness and Distinctiveness: **Newness and distinctiveness resides in the shape and/or configuration of a cap for a container shown in the accompanying representations. The cap comprises a transparent dome as illustrated by "A" in the representation.**



(21) Design Number: **12497/2013**
(22) Date of Filing Application: **30 May 2013**
(24) Date from which industrial property rights may have effect: **30 May 2013**
(54) Product in respect of which the design is registered: **A handset**
(51) International Design Classification: **14-03E**
(74) Name(s) of Attorney(s): **SPRUSON & FERGUSON**
(71) Name(s) and Address(s) of Applicant(s):
Nokia Corporation
Keilalahdentie-4 FIN-02150 Espoo Finland
(72) Name(s) of Designer(s): **Daniel Dhondt**
(45) Registration Date: **21 June 2013**
(30) Convention priority data:
(31) Number (32) Date (33) Country
29/438525 30 Nov 2012 UNITED STATES OF AMERICA
(56) Related Art Documents: **Not Applicable**
(57) Statement of Newness and Distinctiveness: **Newness and distinctiveness is claimed in the features of shape and/or configuration of a handset as illustrated in the accompanying representations.**



(21) Design Number: **12498/2013**
(22) Date of Filing Application: **30 May 2013**
(24) Date from which industrial property rights may have effect: **30 May 2013**
(54) Product in respect of which the design is registered: **A handset**
(51) International Design Classification: **14-03E**
(74) Name(s) of Attorney(s): **SPRUSON & FERGUSON**
(71) Name(s) and Address(s) of Applicant(s):
Nokia Corporation
Keilalahdentie-4 FIN-02150 Espoo Finland
(72) Name(s) of Designer(s): **Daniel Dhondt**
(45) Registration Date: **21 June 2013**
(30) Convention priority data:
(31) Number (32) Date (33) Country
29/438525 30 Nov 2012 UNITED STATES OF AMERICA
(56) Related Art Documents: **Not Applicable**
(57) Statement of Newness and Distinctiveness: **Newness and distinctiveness is claimed in the features of shape and/or configuration of a handset as illustrated in the accompanying representations.**



(21) Design Number: **12499/2013**
(22) Date of Filing Application: **30 May 2013**
(24) Date from which industrial property rights may have effect: **30 May 2013**
(54) Product in respect of which the design is registered: **Case for an electronic device**
(51) International Design Classification: **03-01NES**
(74) Name(s) of Attorney(s): **Wrays**
(71) Name(s) and Address(s) of Applicant(s):
Samsung Electronics Co., Ltd.
129 Samsung-ro Yeongtong-gu Suwon-si Gyeonggi-do 443-742 Republic of Korea
(72) Name(s) of Designer(s): **Yoon-Young Kim**
(45) Registration Date: **21 June 2013**
(30) Convention priority data:
(31) Number (32) Date (33) Country
30-2013-0012854 13 Mar 2013 REPUBLIC OF KOREA
(56) Related Art Documents: **Not Applicable**
(57) Statement of Newness and Distinctiveness: **Newness and distinctiveness is claimed in the features of shape and/or configuration of the Case For An Electronic Device as shown in the accompanying representations. The features depicted by broken lines are for illustrative purposes only and form no part of the claimed design.**



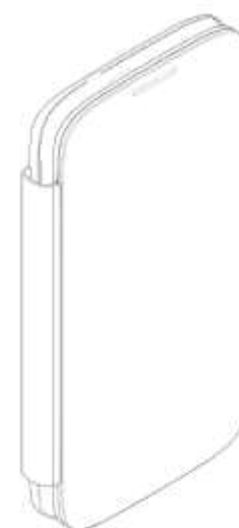
(21) Design Number: **12505/2013**
(22) Date of Filing Application: **30 May 2013**
(24) Date from which industrial property rights may have effect: **30 May 2013**
(54) Product in respect of which the design is registered: **Case for an electronic device**
(51) International Design Classification: **03-01NES**
(74) Name(s) of Attorney(s): **Wrays**
(71) Name(s) and Address(s) of Applicant(s):
Samsung Electronics Co., Ltd.
129 Samsung-ro Yeongtong-gu Suwon-si Gyeonggi-do 443-742 Republic of Korea
(72) Name(s) of Designer(s): **Yoon-Young Kim and Won-Kyu Sung**
(45) Registration Date: **21 June 2013**
(30) Convention priority data:
(31) Number (32) Date (33) Country
30-2013-0012858 13 Mar 2013 REPUBLIC OF KOREA
(56) Related Art Documents: **Not Applicable**
(57) Statement of Newness and Distinctiveness: **Newness and distinctiveness is claimed in the features of shape and/or configuration of the Case For An Electronic Device as shown in the accompanying representations. The features depicted by broken lines are for illustrative purposes only and form no part of the claimed design.**



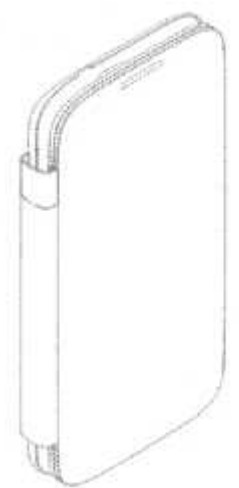
(21) Design Number: **12506/2013**
(22) Date of Filing Application: **30 May 2013**
(24) Date from which industrial property rights may have effect: **30 May 2013**
(54) Product in respect of which the design is registered: **Case for an electronic device**
(51) International Design Classification: **03-01NES**
(74) Name(s) of Attorney(s): **Wrays**
(71) Name(s) and Address(s) of Applicant(s):
Samsung Electronics Co., Ltd.
129 Samsung-ro Yeongtong-gu Suwon-si Gyeonggi-do 443-742 Republic of Korea
(72) Name(s) of Designer(s): **Yoon-Young Kim**
(45) Registration Date: **21 June 2013**
(30) Convention priority data:
(31) Number (32) Date (33) Country
30-2013-0012857 13 Mar 2013 REPUBLIC OF KOREA
(56) Related Art Documents: **Not Applicable**
(57) Statement of Newness and Distinctiveness: **Newness and distinctiveness is claimed in the features of shape and/or configuration of the Case For An Electronic Device as shown in the accompanying representations. The features depicted by broken lines are for illustrative purposes only and form no part of the claimed design.**



(21) Design Number: **12508/2013**
(22) Date of Filing Application: **30 May 2013**
(24) Date from which industrial property rights may have effect: **30 May 2013**
(54) Product in respect of which the design is registered: **Case for an electronic device**
(51) International Design Classification: **03-01NES**
(74) Name(s) of Attorney(s): **Wrays**
(71) Name(s) and Address(s) of Applicant(s):
Samsung Electronics Co., Ltd.
129 Samsung-ro Yeongtong-gu Suwon-si Gyeonggi-do 443-742 Republic of Korea
(72) Name(s) of Designer(s): **Yoon-Young Kim**
(45) Registration Date: **21 June 2013**
(30) Convention priority data:
(31) Number (32) Date (33) Country
30-2013-0012851 13 Mar 2013 REPUBLIC OF KOREA
(56) Related Art Documents: **Not Applicable**
(57) Statement of Newness and Distinctiveness: **Newness and distinctiveness is claimed in the features of shape and/or configuration of the Case For An Electronic Device as shown in the accompanying representations. The features depicted by broken lines are for illustrative purposes only and form no part of the claimed design.**



(21) Design Number: **12509/2013**
(22) Date of Filing Application: **30 May 2013**
(24) Date from which industrial property rights may have effect: **30 May 2013**
(54) Product in respect of which the design is registered: **Case for an electronic device**
(51) International Design Classification: **03-01NES**
(74) Name(s) of Attorney(s): **Wrays**
(71) Name(s) and Address(s) of Applicant(s):
Samsung Electronics Co., Ltd.
129 Samsung-ro Yeongtong-gu Suwon-si Gyeonggi-do 443-742 Republic of Korea
(72) Name(s) of Designer(s): **Yoon-Young Kim**
(45) Registration Date: **21 June 2013**
(30) Convention priority data:
(31) Number (32) Date (33) Country
30-2013-0012853 13 Mar 2013 REPUBLIC OF KOREA
(56) Related Art Documents: **Not Applicable**
(57) Statement of Newness and Distinctiveness: **Newness and distinctiveness is claimed in the features of shape and/or configuration of the Case For An Electronic Device as shown in the accompanying representations. The features depicted by broken lines are for illustrative purposes only and form no part of the claimed design.**



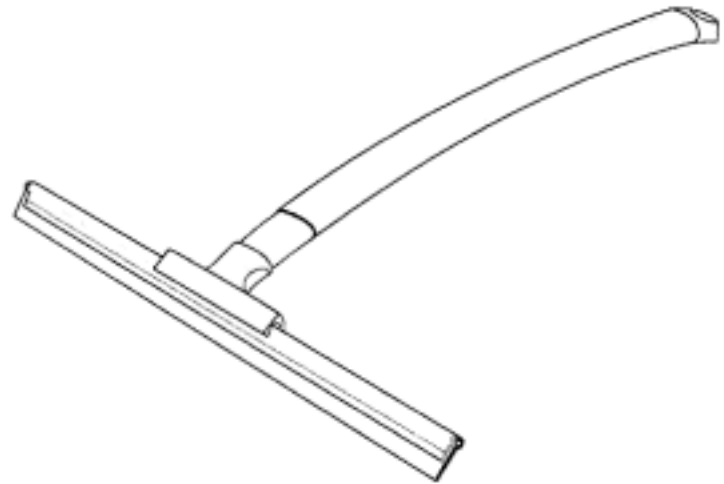
(21) Design Number: **12510/2013**
(22) Date of Filing Application: **30 May 2013**
(24) Date from which industrial property rights may have effect: **30 May 2013**
(54) Product in respect of which the design is registered: **Case for an electronic device**
(51) International Design Classification: **03-01NES**
(74) Name(s) of Attorney(s): **Wrays**
(71) Name(s) and Address(s) of Applicant(s):
Samsung Electronics Co., Ltd.
129 Samsung-ro Yeongtong-gu Suwon-si Gyeonggi-do 443-742 Republic of Korea
(72) Name(s) of Designer(s): **Yoon-Young Kim and Won-Kyu Sung**
(45) Registration Date: **21 June 2013**
(30) Convention priority data:
(31) Number (32) Date (33) Country
30-2013-0012859 13 Mar 2013 REPUBLIC OF KOREA
(56) Related Art Documents: **Not Applicable**
(57) Statement of Newness and Distinctiveness: **Newness and distinctiveness is claimed in the features of shape and/or configuration of the Case For An Electronic Device as shown in the accompanying representations. The features depicted by broken lines are for illustrative purposes only and form no part of the claimed design.**



(21) Design Number: **12511/2013**
(22) Date of Filing Application: **30 May 2013**
(24) Date from which industrial property rights may have effect: **30 May 2013**
(54) Product in respect of which the design is registered: **Case for an electronic device**
(51) International Design Classification: **03-01NES**
(74) Name(s) of Attorney(s): **Wrays**
(71) Name(s) and Address(s) of Applicant(s):
Samsung Electronics Co., Ltd.
129 Samsung-ro Yeongtong-gu Suwon-si Gyeonggi-do 443-742 Republic of Korea
(72) Name(s) of Designer(s): **Yoon-Young Kim**
(45) Registration Date: **21 June 2013**
(30) Convention priority data:
(31) Number (32) Date (33) Country
30-2013-0012863 13 Mar 2013 REPUBLIC OF KOREA
(56) Related Art Documents: **Not Applicable**
(57) Statement of Newness and Distinctiveness: **Newness and distinctiveness is claimed in the features of shape and/or configuration of the Case For An Electronic Device as shown in the accompanying representations. The features depicted by broken lines are for illustrative purposes only and form no part of the claimed design.**



- (21) Design Number: **12518/2013**
(22) Date of Filing Application: **29 May 2013**
(24) Date from which industrial property rights may have effect: **29 May 2013**
(54) Product in respect of which the design is registered: **Squeegee**
(51) International Design Classification: **07-05E**
(74) Name(s) of Attorney(s): **Fisher Adams Kelly**
(71) Name(s) and Address(s) of Applicant(s):
BLP International Inc.
201 Chrislea Rd Vaughan L4L 8N6 Ontario Canada
(72) Name(s) of Designer(s): **Michele Albo**
(45) Registration Date: **21 June 2013**
(56) Related Art Documents: **Not Applicable**
(57) Statement of Newness and Distinctiveness: **The newness and distinctiveness of the design resides in the shape and/or configuration of the SQUEEGEE shown in the representations.**



- (21) Design Number: **12534/2013**
(22) Date of Filing Application: **31 May 2013**
(24) Date from which industrial property rights may have effect: **31 May 2013**
(54) Product in respect of which the design is registered: **An ice cream scoop**
(51) International Design Classification: **07-99NES**
(74) Name(s) of Attorney(s): **SPRUSON & FERGUSON**
(71) Name(s) and Address(s) of Applicant(s):
Sheldon and Hammond Pty Ltd
24 Salisbury Rd Asquith NSW 2077 Australia
(72) Name(s) of Designer(s): **Alexander Angus**
(45) Registration Date: **21 June 2013**
(56) Related Art Documents: **Not Applicable**
(57) Statement of Newness and Distinctiveness: **Newness and distinctiveness is claimed in the features of shape and/or configuration of an ice cream scoop as illustrated in the accompanying representations.**



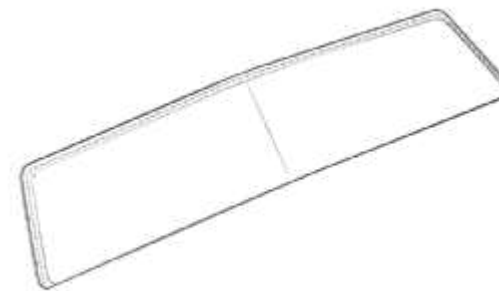
- (21) Design Number: **12535/2013**
(22) Date of Filing Application: **31 May 2013**
(24) Date from which industrial property rights may have effect: **31 May 2013**
(54) Product in respect of which the design is registered: **Mobile waste treatment plant**
(51) International Design Classification: **23-02NES, 09-09, 12-10**
(74) Name(s) of Attorney(s):
(71) Name(s) and Address(s) of Applicant(s):
AV Industries (Aust) Pty Ltd
PO BOX 9171 Wynnum Plaza QLD 4178 Australia
(72) Name(s) of Designer(s): **Shane Brian De Luca**
(45) Registration Date: **21 June 2013**
(56) Related Art Documents: **Not Applicable**
(57) Statement of Newness and Distinctiveness: **Due to Australian design rules with reference to road transport authorities, to the best of our knowledge and additionally through extensive market research we believe there is no known system of this type in Australia and overseas. The design of this plant was completed in the month of May 2013.**



- (21) Design Number: **12581/2013**
(22) Date of Filing Application: **31 May 2013**
(24) Date from which industrial property rights may have effect: **27 July 2012**
(54) Product in respect of which the design is registered: **Articles of clothing**
(51) International Design Classification: **02-02NES**
(74) Name(s) of Attorney(s): **Allens Patent & Trade Mark Attorneys**
(71) Name(s) and Address(s) of Applicant(s):
Forever New Clothing Pty Ltd
714-716 High St Kew East VIC 3102 Australia
(72) Name(s) of Designer(s): **Tristan Melle**
(45) Registration Date: **21 June 2013**
(62) Divisional of: **349136**
(56) Related Art Documents: **Not Applicable**
(57) Statement of Newness and Distinctiveness: **Newness and distinctiveness resides in the visual features of shape, configuration, pattern and/or ornamentation of an article of clothing as shown in the accompanying representations.**



(21) Design Number: **12536/2013**
(22) Date of Filing Application: **03 June 2013**
(24) Date from which industrial property rights may have effect: **03 June 2013**
(54) Product in respect of which the design is registered: **Shoe tree**
(51) International Design Classification: **07-99NES**
(74) Name(s) of Attorney(s): **SPRUSON & FERGUSON**
(71) Name(s) and Address(s) of Applicant(s):
Christian Dior Couture
30 avenue Montaigne Paris 75008 France
(72) Name(s) of Designer(s): **Diva Escandon**
(45) Registration Date: **24 June 2013**
(30) Convention priority data:
(31) Number (32) Date (33) Country
DM/080418 06 Dec 2012 SWITZERLAND
(56) Related Art Documents: **Not Applicable**
(57) Statement of Newness and Distinctiveness: **Newness and distinctiveness is claimed in the features of shape and/or configuration of a shoe tree as illustrated in the accompanying representations.**



(21) Design Number: **12538/2013**
(22) Date of Filing Application: **03 June 2013**
(24) Date from which industrial property rights may have effect: **03 June 2013**
(54) Product in respect of which the design is registered: **Cooler for wine/wine pourer**
(51) International Design Classification: **07-01F, 07-01NES, 07-07A**
(74) Name(s) of Attorney(s):
(71) Name(s) and Address(s) of Applicant(s):
Find It Import Export, S.L.L.
Polig. de Proni C/A Nave 63 Meres Siero (Asturias) 33199 Spain
(72) Name(s) of Designer(s): **Santiago Telena Gonzalez-Quiros**
(45) Registration Date: **24 June 2013**
(30) Convention priority data:
(31) Number (32) Date (33) Country
001356737-0001 08 Jan 2013 OFFICE FOR HARMONISATION IN THE INTERNAL MARKET (OHIM)
(56) Related Art Documents: **Not Applicable**
(57) Statement of Newness and Distinctiveness: **Newness and distinctiveness is claimed in the features of shape and/or configuration of a Cooler for wine/Wine pourer as illustrated in the accompanying representations.**



- (21) Design Number: **12554/2013**
(22) Date of Filing Application: **03 June 2013**
(24) Date from which industrial property rights may have effect: **03 June 2013**
(54) Product in respect of which the design is registered: **Bottle opener**
(51) International Design Classification: **07-06D**
(74) Name(s) of Attorney(s):
(71) Name(s) and Address(s) of Applicant(s):
 Adine Pty Ltd
 1A Crown St South Geelong VIC 3220 Australia
(72) Name(s) of Designer(s): **Geoff Bywater**
(45) Registration Date: **24 June 2013**
(56) Related Art Documents: **Not Applicable**
(57) Statement of Newness and Distinctiveness: **The newness and distinctiveness of the design resides in the shape of the column and round ball encasing the bottle opener mechanism. The broken lines are not part of the design and are to be disregarded when considering the overall impression of the design.**



- (21) Design Number: **12555/2013**
(22) Date of Filing Application: **03 June 2013**
(24) Date from which industrial property rights may have effect: **03 June 2013**
(54) Product in respect of which the design is registered: **Bottle opener**
(51) International Design Classification: **07-06D**
(74) Name(s) of Attorney(s):
(71) Name(s) and Address(s) of Applicant(s):
 Adine Pty Ltd
 1A Crown St South Geelong VIC 3220 Australia
(72) Name(s) of Designer(s): **Geoff Bywater**
(45) Registration Date: **24 June 2013**
(56) Related Art Documents: **Not Applicable**
(57) Statement of Newness and Distinctiveness: **The newness and distinctiveness of the design resides in the shape of the column and round ball encasing the bottle opener mechanism. The broken lines are not part of the design and are to be disregarded when considering the overall impression of the design.**



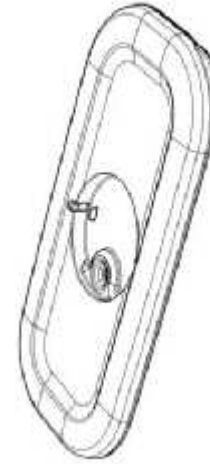
- (21) Design Number: **12556/2013**
(22) Date of Filing Application: **03 June 2013**
(24) Date from which industrial property rights may have effect: **03 June 2013**
(54) Product in respect of which the design is registered: **Garment**
(51) International Design Classification: **02-02C**
(74) Name(s) of Attorney(s): **Pegasus IP**
(71) Name(s) and Address(s) of Applicant(s):
Sven Roehrs
SE1 10 Benson St Toowong QLD 4066 Australia
(72) Name(s) of Designer(s): **Sven Roehrs**
(45) Registration Date: **24 June 2013**
(56) Related Art Documents: **Not Applicable**
(57) Statement of Newness and Distinctiveness: **The newness and distinctiveness resides in the features of shape, configuration and/or ornamentation of the garment as shown in the reps.**



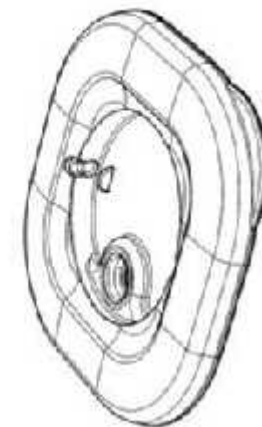
- (21) Design Number: **12557/2013**
(22) Date of Filing Application: **03 June 2013**
(24) Date from which industrial property rights may have effect: **03 June 2013**
(54) Product in respect of which the design is registered: **Shower door mount**
(51) International Design Classification: **08-09**
(74) Name(s) of Attorney(s): **Sandercock & Cowie**
(71) Name(s) and Address(s) of Applicant(s):
Patpaul Pty Ltd
99 Frankston Gardens Dr Carrum Downs VIC 3201 Australia
Leijen Pty Ltd
99 Frankston Gardens Dr Carrum Downs VIC 3201 Australia
(72) Name(s) of Designer(s): **Leigh Robert Todd**
(45) Registration Date: **24 June 2013**
(56) Related Art Documents: **Not Applicable**
(57) Statement of Newness and Distinctiveness: **Newness and distinctiveness reside in the shape and configuration of the shower door mount as shown in the accompanying representations.**



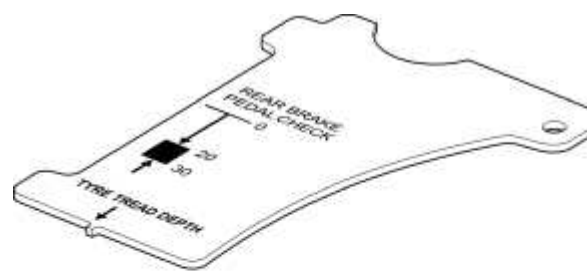
(21) Design Number: **12560/2013**
(22) Date of Filing Application: **03 June 2013**
(24) Date from which industrial property rights may have effect: **03 June 2013**
(54) Product in respect of which the design is registered: **Lid for container**
(51) International Design Classification: **09-07B, 07-01NES**
(74) Name(s) of Attorney(s): **Callinans**
(71) Name(s) and Address(s) of Applicant(s):
The Decor Corporation Pty. Ltd.
1314 Ferntree Gully Rd Scoresby VIC 3179 Australia
(72) Name(s) of Designer(s): **Jim Samartgis**
(45) Registration Date: **24 June 2013**
(56) Related Art Documents: **Not Applicable**
(57) Statement of Newness and Distinctiveness: **Nil**



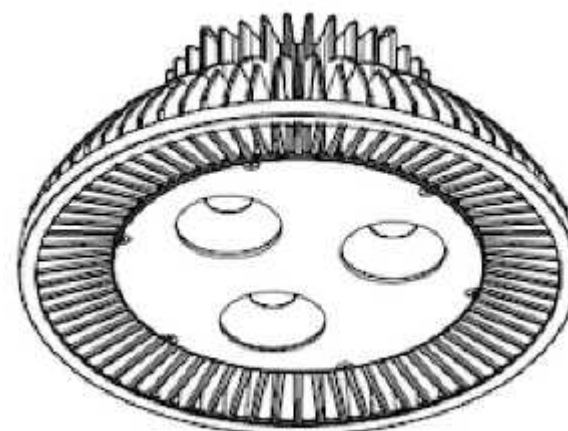
(21) Design Number: **12561/2013**
(22) Date of Filing Application: **03 June 2013**
(24) Date from which industrial property rights may have effect: **03 June 2013**
(54) Product in respect of which the design is registered: **Lid for container**
(51) International Design Classification: **09-07B, 07-01NES**
(74) Name(s) of Attorney(s): **Callinans**
(71) Name(s) and Address(s) of Applicant(s):
The Decor Corporation Pty. Ltd.
1314 Ferntree Gully Rd Scoresby VIC 3179 Australia
(72) Name(s) of Designer(s): **Jim Samartgis**
(45) Registration Date: **24 June 2013**
(56) Related Art Documents: **Not Applicable**
(57) Statement of Newness and Distinctiveness: **Nil**



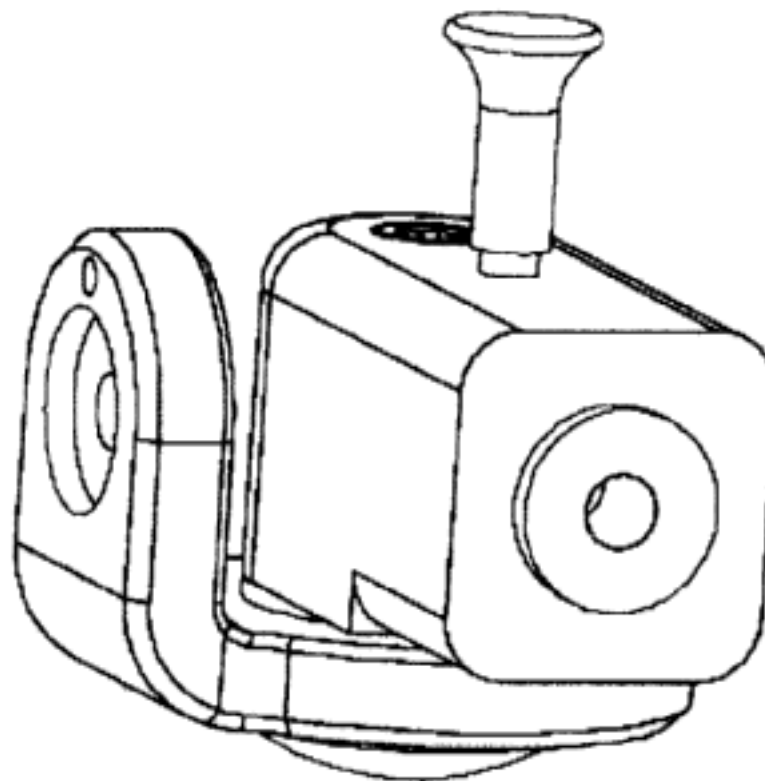
- (21) Design Number: **12562/2013**
(22) Date of Filing Application: **03 June 2013**
(24) Date from which industrial property rights may have effect: **03 June 2013**
(54) Product in respect of which the design is registered: **A motorcycle tolerance guide tool**
(51) International Design Classification: **08-05E, 10-04**
(74) Name(s) of Attorney(s): **Madderns**
(71) Name(s) and Address(s) of Applicant(s):
Steven Jury
7 Leda Ct Modbury Heights SA 5092 Australia
Linda Ann Jury
7 Leda Ct Modbury Heights SA 5092 Australia
(72) Name(s) of Designer(s): **Steven Jury**
(45) Registration Date: **24 June 2013**
(56) Related Art Documents: **Not Applicable**
(57) Statement of Newness and Distinctiveness: **Nil**



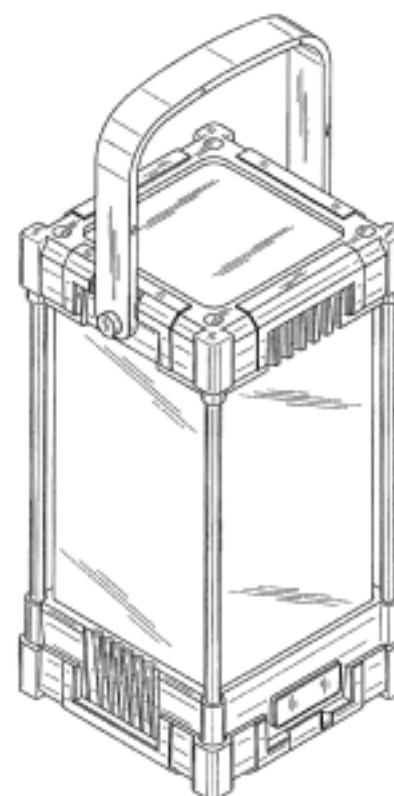
- (21) Design Number: **11726/2013**
(22) Date of Filing Application: **12 April 2013**
(24) Date from which industrial property rights may have effect: **12 April 2013**
(54) Product in respect of which the design is registered: **High bay light**
(51) International Design Classification: **26-05E**
(74) Name(s) of Attorney(s):
(71) Name(s) and Address(s) of Applicant(s):
Indice Pty Ltd
Unit 1 1100-1102 Toorak Road Camberwell VIC 3124 Australia
(72) Name(s) of Designer(s): **Clayton Mills**
(45) Registration Date: **24 June 2013**
(56) Related Art Documents: **Not Applicable**
(57) Statement of Newness and Distinctiveness: **Robust, finned design proving adequate surface area for the purpose of heat removal from the system. The two-piece mechanical housing design allows the electronic controls to be assembled inside the light fitting. The sealed front plate provides protection to the light source from dust and moisture ingress.**



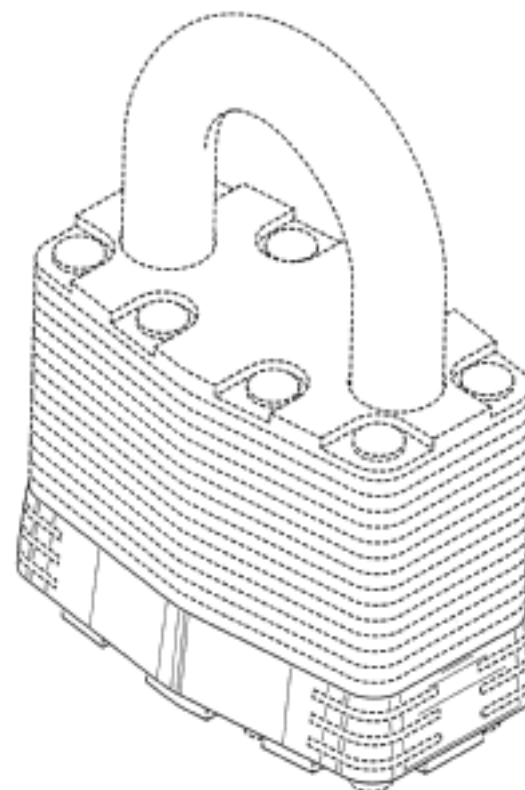
- (21) Design Number: **11876/2013**
(22) Date of Filing Application: **22 April 2013**
(24) Date from which industrial property rights may have effect: **22 April 2013**
(54) Product in respect of which the design is registered: **Wakeboard rack swing adaptor**
(51) International Design Classification: **12-06NES**
(74) Name(s) of Attorney(s):
(71) Name(s) and Address(s) of Applicant(s):
James Owen Odell
12 Cedar PI Broadbeach Waters QLD 4218 Australia
(72) Name(s) of Designer(s): **James Owen Odell**
(45) Registration Date: **24 June 2013**
(56) Related Art Documents: **Not Applicable**
(57) Statement of Newness and Distinctiveness: **The Design is new and distinctive with it stylised shape. Note the L shape bracket arm which from the side creates a circular platform for the extendable arm to attach to. The extendable arm has rounded edges and a protruding circular area. The base of the design has a nice curved protruding surface area. The pin extends out of the arm and there are counter sunk semi holes/dimples in the base platform. You can see sunken engraved areas for attaching to clamps.**



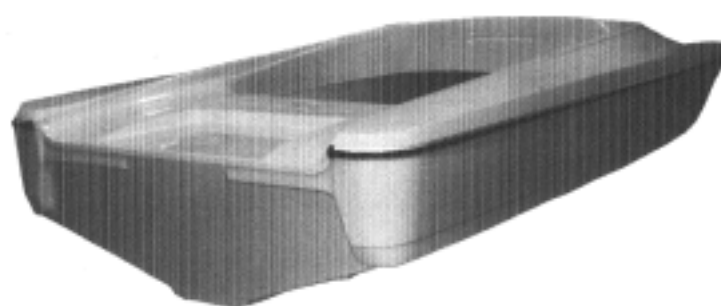
- (21) Design Number: **11762/2013**
(22) Date of Filing Application: **11 April 2013**
(24) Date from which industrial property rights may have effect: **11 April 2013**
(54) Product in respect of which the design is registered: **A portable lamp**
(51) International Design Classification: **26-02**
(74) Name(s) of Attorney(s): **K&L Gates**
(71) Name(s) and Address(s) of Applicant(s):
Zippo Manufacturing Company
33 Barbour Street Bradford Pennsylvania 16701 United States of America
(72) Name(s) of Designer(s): **James M. McDonough and Brian Barber and Howard Tripp II and Neal Barnes and Arthur R. Hamilton**
(45) Registration Date: **24 June 2013**
(30) Convention priority data:
(31) Number (32) Date (33) Country
29/444,653 01 Feb 2013 UNITED STATES OF AMERICA
(56) Related Art Documents: **Not Applicable**
(57) Statement of Newness and Distinctiveness: **Nil**



- (21) Design Number: **10875/2013**
(22) Date of Filing Application: **25 February 2013**
(24) Date from which industrial property rights may have effect: **25 February 2013**
(54) Product in respect of which the design is registered: **Lock**
(51) International Design Classification: **08-07**
(74) Name(s) of Attorney(s): **Callinans**
(71) Name(s) and Address(s) of Applicant(s):
Master Lock Company LLC
137 W. Forest Hill Avenue Oak Creek Wisconsin 53154 United States of America
(72) Name(s) of Designer(s): **Dean A. Paulson and Scott B. Stevens and Lea Marie Plato**
(45) Registration Date: **24 June 2013**
(30) Convention priority data:
(31) Number (32) Date (33) Country
29/430,637 28 Aug 2012 UNITED STATES OF AMERICA
(56) Related Art Documents: **Not Applicable**
(57) Statement of Newness and Distinctiveness: **Newness and distinctiveness are provided by the shape and/or configuration of the design shown in the representations. The features shown in broken lines in the representations are for illustrative purpose only and should not be considered when construing visual features of the design.**



- (21) Design Number: **15626/2012**
(22) Date of Filing Application: **09 November 2012**
(24) Date from which industrial property rights may have effect: **09 November 2012**
(54) Product in respect of which the design is registered: **Fibreglass outboard boat**
(51) International Design Classification: **12-06A**
(74) Name(s) of Attorney(s):
(71) Name(s) and Address(s) of Applicant(s):
Bruce Grahame Stubbs
202 Prince Charles Pde Kurnell NSW 2231 Australia
(72) Name(s) of Designer(s): **Bruce Grahame Stubbs**
(45) Registration Date: **25 June 2013**
(56) Related Art Documents: **Not Applicable**
(57) Statement of Newness and Distinctiveness: **Shape & function of hull & deck, + attachments fixed.**



- (21) Design Number: **10107/2013**
(22) Date of Filing Application: **02 January 2013**
(24) Date from which industrial property rights may have effect: **02 January 2013**
(54) Product in respect of which the design is registered: **Connector cover**
(51) International Design Classification: **13-03NES**
(74) Name(s) of Attorney(s):
(71) Name(s) and Address(s) of Applicant(s):
Dennis Ronald Gravolin
271 River St Maclean NSW 2463 Australia
Sandra Lorraine Gravolin
271 River St Maclean NSW 2463 Australia
(72) Name(s) of Designer(s): **Dennis Ronald Gravolin and Sandra Lorraine Gravolin**
(45) Registration Date: **25 June 2013**
(56) Related Art Documents: **Not Applicable**
(57) Statement of Newness and Distinctiveness: **Newness and Distinctiveness is claimed in the visual features of shape and configuration of a connector with two cable gland assembly and a LED as shown in the accompanying illustrations and representations.**



- (21) Design Number: **10108/2013**
(22) Date of Filing Application: **02 January 2013**
(24) Date from which industrial property rights may have effect: **02 January 2013**
(54) Product in respect of which the design is registered: **Connector cover**
(51) International Design Classification: **13-03NES**
(74) Name(s) of Attorney(s):
(71) Name(s) and Address(s) of Applicant(s):
Dennis Ronald Gravolin
271 River St Maclean NSW 2463 Australia
Sandra Lorraine Gravolin
271 River St Maclean NSW 2463 Australia
(72) Name(s) of Designer(s): **Dennis Ronald Gravolin and Sandra Lorraine Gravolin**
(45) Registration Date: **25 June 2013**
(56) Related Art Documents: **Not Applicable**
(57) Statement of Newness and Distinctiveness: **Newness and Distinctiveness is claimed in the visual features of shape and configuration of a connector cover with a cable gland assembly a front cover and ripple sides and LED as shown in the accompanying illustrations and representations.**



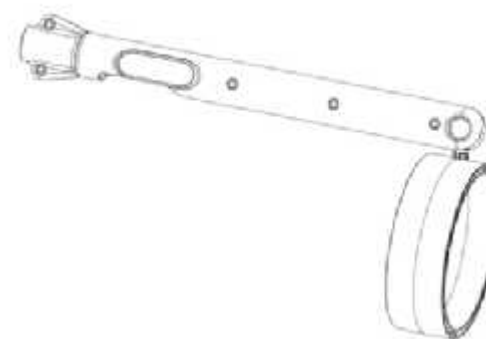
(21) Design Number: **10835/2013**
(22) Date of Filing Application: **20 February 2013**
(24) Date from which industrial property rights may have effect: **20 February 2013**
(54) Product in respect of which the design is registered: **Decontamination eyewash with shower**
(51) International Design Classification: **24-01**
(74) Name(s) of Attorney(s):
(71) Name(s) and Address(s) of Applicant(s):
David Ashley
13 Lake Rd Champion Lakes WA 6111 Australia
(72) Name(s) of Designer(s): **David Ashley**
(45) Registration Date: **25 June 2013**
(56) Related Art Documents: **Not Applicable**
(57) Statement of Newness and Distinctiveness: **Nil**



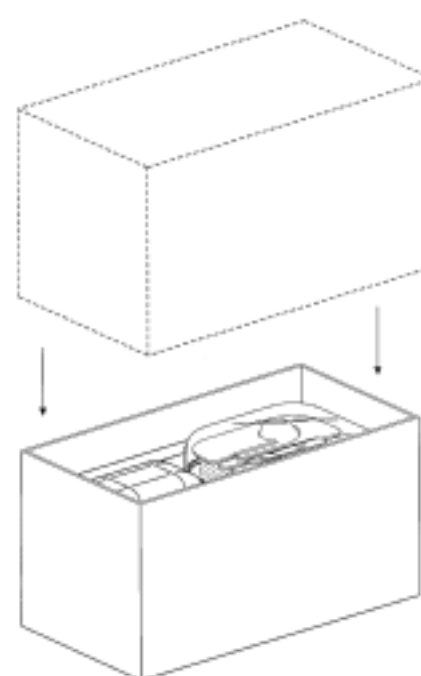
(21) Design Number: **10838/2013**
(22) Date of Filing Application: **22 February 2013**
(24) Date from which industrial property rights may have effect: **22 February 2013**
(54) Product in respect of which the design is registered: **Baby bottle**
(51) International Design Classification: **07-01E**
(74) Name(s) of Attorney(s): **Griffith Hack**
(71) Name(s) and Address(s) of Applicant(s):
Tomy International, Inc.
2021 9th Street SE Dyersville Iowa 52040 United States of America
(72) Name(s) of Designer(s): **Ruth Prentice and Patrick Thraikill**
(45) Registration Date: **25 June 2013**
(30) Convention priority data:
(31) Number (32) Date (33) Country
29/430,202 22 Aug 2012 UNITED STATES OF AMERICA
(56) Related Art Documents: **Not Applicable**
(57) Statement of Newness and Distinctiveness: **Newness and distinctiveness resides in the visual features, including shape, configuration and ornamentation of the product as shown by means of solid lines in the accompanying representations. Those parts shown by means of dashed lines have been included for illustrative purposes and do not form part of the design.**



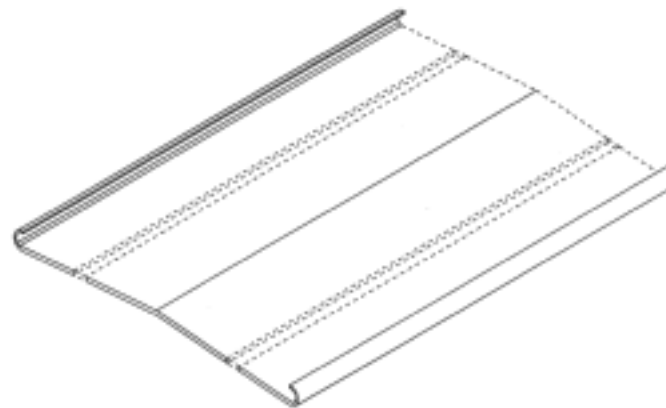
- (21) Design Number: **10986/2013**
(22) Date of Filing Application: **01 March 2013**
(24) Date from which industrial property rights may have effect: **01 March 2013**
(54) Product in respect of which the design is registered: **Handle for grabbing tool**
(51) International Design Classification: **08-05NES, 04-99**
(74) Name(s) of Attorney(s): **Allens Patent & Trade Mark Attorneys**
(71) Name(s) and Address(s) of Applicant(s):
E.D. Oates Pty Ltd
Maygar Bvd Broadmeadows VIC 3047 Australia
(72) Name(s) of Designer(s): **Brendan Abbenhuys**
(45) Registration Date: **25 June 2013**
(56) Related Art Documents: **Not Applicable**
(57) Statement of Newness and Distinctiveness: **Newness and distinctiveness resides in the visual features of shape and/or configuration of a tool attachment as illustrated in the accompanying representations.**



- (21) Design Number: **11043/2013**
(22) Date of Filing Application: **01 March 2013**
(24) Date from which industrial property rights may have effect: **01 March 2013**
(54) Product in respect of which the design is registered: **Packaging with electronic accessories**
(51) International Design Classification: **09-03M, 13-03D, 14-01**
(74) Name(s) of Attorney(s): **Freehills Patent Attorneys**
(71) Name(s) and Address(s) of Applicant(s):
Apple Inc.
1 Infinite Loop Cupertino California 95014 United States of America
(72) Name(s) of Designer(s): **Jody Akana and Shota Aoyagi and Bartley K. Andre and Jeremy Bataillou and Daniel J. Coster and Daniele De Iuliis and M. Evans Hankey and Julian Hoenig and Richard P. Howarth and Jonathan P. Ive and Duncan Robert Kerr and Shin Nishibori and Matthew Dean Rohrbach and Peter Russell-Clarke and Mikael Silvano and Christopher J. Stringer and Eugene Antony Whang and Rico Zorkendorfer**
(45) Registration Date: **25 June 2013**
(30) Convention priority data:
(31) Number (32) Date (33) Country
29/431877 12 Sep 2012 UNITED STATES OF AMERICA
(56) Related Art Documents: **Not Applicable**
(57) Statement of Newness and Distinctiveness: **Newness and distinctiveness resides in the features of shape and configuration shown in solid outline in the accompanying representations.**



- (21) Design Number: **11057/2013**
(22) Date of Filing Application: **05 March 2013**
(24) Date from which industrial property rights may have effect: **05 March 2013**
(54) Product in respect of which the design is registered: **Pelmet board for a curtain track**
(51) International Design Classification: **06-10**
(74) Name(s) of Attorney(s):
(71) Name(s) and Address(s) of Applicant(s):
David John Croucher
3 Atalanta Rise Ocean Reef WA 6027 Australia
(72) Name(s) of Designer(s): **David John Croucher**
(45) Registration Date: **25 June 2013**
(56) Related Art Documents: **Not Applicable**
(57) Statement of Newness and Distinctiveness: **Newness and distinctiveness is claimed in the pelmet board for a curtain track shown in the representations. In considering the newness and distinctiveness no regard is to be had to the features shown in dotted lines.**



- (21) Design Number: **11203/2013**
(22) Date of Filing Application: **11 March 2013**
(24) Date from which industrial property rights may have effect: **11 March 2013**
(54) Product in respect of which the design is registered: **Electronic device**
(51) International Design Classification: **14-01**
(74) Name(s) of Attorney(s): **Freehills Patent Attorneys**
(71) Name(s) and Address(s) of Applicant(s):
Apple Inc.
1 Infinite Loop Cupertino California 95014 United States of America
(72) Name(s) of Designer(s): **Richard P. Howarth and Bartley K. Andre and Jeremy Bataillou and Daniel J. Coster and Daniele De Iuliis and M. Evans Hankey and Julian Hoenig and Jonathan P. Ive and Duncan Robert Kerr and Shin Nishibori and Matthew Dean Rohrbach and Peter Russell-Clarke and Mikael Silvanto and Christopher J. Stringer and Eugene Antony Whang and Rico Zorkendorfer and Richard P. Howarth**
(45) Registration Date: **25 June 2013**
(30) Convention priority data:
(31) Number (32) Date (33) Country
29/431730 11 Sep 2012 UNITED STATES OF AMERICA
(56) Related Art Documents: **Not Applicable**
(57) Statement of Newness and Distinctiveness: **Nil**



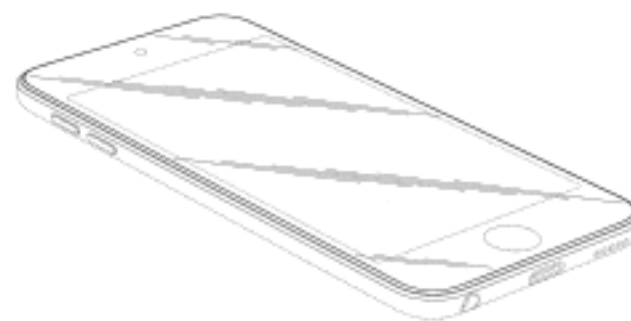
- (21) Design Number: **11204/2013**
(22) Date of Filing Application: **11 March 2013**
(24) Date from which industrial property rights may have effect: **11 March 2013**
(54) Product in respect of which the design is registered: **Electronic device**
(51) International Design Classification: **14-01**
(74) Name(s) of Attorney(s): **Freehills Patent Attorneys**
(71) Name(s) and Address(s) of Applicant(s):
Apple Inc.
1 Infinite Loop Cupertino California 95014 United States of America
(72) Name(s) of Designer(s): **Jody Akana and Bartley K. Andre and Jeremy Bataillou and Daniel J. Coster and Daniele De Iuliis and M. Evans Hankey and Julian Hoenig and Richard P. Howarth and Jonathan P. Ive and Duncan Robert Kerr and Shin Nishibori and Matthew Dean Rohrbach and Peter Russell-Clarke and Mikael Silvanto and Christopher J. Stringer and Eugene Antony Whang and Rico Zorkendorfer**
(45) Registration Date: **25 June 2013**
(30) Convention priority data:
(31) Number (32) Date (33) Country
29/431730 11 Sep 2012 UNITED STATES OF AMERICA
(56) Related Art Documents: **Not Applicable**
(57) Statement of Newness and Distinctiveness: **Newness and distinctiveness resides in the features of shape shown in solid outline in the accompanying representations.**



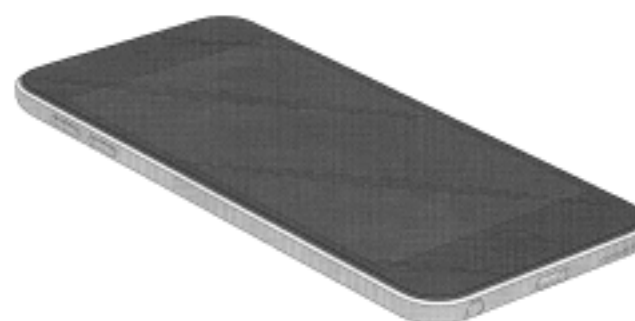
- (21) Design Number: **11205/2013**
(22) Date of Filing Application: **11 March 2013**
(24) Date from which industrial property rights may have effect: **11 March 2013**
(54) Product in respect of which the design is registered: **Electronic device**
(51) International Design Classification: **14-01**
(74) Name(s) of Attorney(s): **Freehills Patent Attorneys**
(71) Name(s) and Address(s) of Applicant(s):
Apple Inc.
1 Infinite Loop Cupertino California 95014 United States of America
(72) Name(s) of Designer(s): **Jody Akana and Bartley K. Andre and Jeremy Bataillou and Daniel J. Coster and Daniele De Iuliis and M. Evans Hankey and Julian Hoenig and Richard P. Howarth and Jonathan P. Ive and Duncan Robert Kerr and Shin Nishibori and Matthew Dean Rohrbach and Peter Russell-Clarke and Mikael Silvanto and Christopher J. Stringer and Eugene Antony Whang and Rico Zorkendorfer**
(45) Registration Date: **25 June 2013**
(30) Convention priority data:
(31) Number (32) Date (33) Country
29/431730 11 Sep 2012 UNITED STATES OF AMERICA
(56) Related Art Documents: **Not Applicable**
(57) Statement of Newness and Distinctiveness: **Newness and distinctiveness resides in the features of shape and configuration shown in solid outline in the accompanying representations.**



- (21) Design Number: **11206/2013**
(22) Date of Filing Application: **11 March 2013**
(24) Date from which industrial property rights may have effect: **11 March 2013**
(54) Product in respect of which the design is registered: **Electronic device**
(51) International Design Classification: **14-01**
(74) Name(s) of Attorney(s): **Freehills Patent Attorneys**
(71) Name(s) and Address(s) of Applicant(s):
Apple Inc.
1 Infinite Loop Cupertino California 95014 United States of America
(72) Name(s) of Designer(s): **Jody Akana and Bartley K. Andre and Jeremy Bataillou and Daniel J. Coster and Daniele De Iuliis and M. Evans Hankey and Julian Hoenig and Richard P. Howarth and Jonathan P. Ive and Duncan Robert Kerr and Shin Nishibori and Matthew Dean Rohrbach and Peter Russell-Clarke and Mikael Silvanto and Christopher J. Stringer and Eugene Antony Whang and Rico Zorkendorfer**
(45) Registration Date: **25 June 2013**
(30) Convention priority data:
(31) Number (32) Date (33) Country
29/431730 11 Sep 2012 UNITED STATES OF AMERICA
(56) Related Art Documents: **Not Applicable**
(57) Statement of Newness and Distinctiveness: **Newness and distinctiveness resides in the features of shape shown in solid outline in the accompanying representations.**



- (21) Design Number: **11207/2013**
(22) Date of Filing Application: **11 March 2013**
(24) Date from which industrial property rights may have effect: **11 March 2013**
(54) Product in respect of which the design is registered: **Electronic device**
(51) International Design Classification: **14-01**
(74) Name(s) of Attorney(s): **Freehills Patent Attorneys**
(71) Name(s) and Address(s) of Applicant(s):
Apple Inc.
1 Infinite Loop Cupertino California 95014 United States of America
(72) Name(s) of Designer(s): **Jody Akana and Bartley K. Andre and Jeremy Bataillou and Daniel J. Coster and Daniele De Iuliis and M. Evans Hankey and Julian Hoenig and Richard P. Howarth and Jonathan P. Ive and Duncan Robert Kerr and Shin Nishibori and Matthew Dean Rohrbach and Peter Russell-Clarke and Mikael Silvanto and Christopher J. Stringer and Eugene Antony Whang and Rico Zorkendorfer**
(45) Registration Date: **25 June 2013**
(30) Convention priority data:
(31) Number (32) Date (33) Country
29/431730 11 Sep 2012 UNITED STATES OF AMERICA
(56) Related Art Documents: **Not Applicable**
(57) Statement of Newness and Distinctiveness: **Newness and distinctiveness resides in the features of contrast represented in the accompanying representations by the presence and absence of grey shading.**



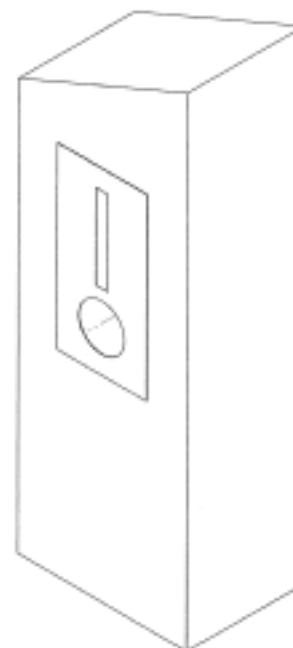
- (21) Design Number: **11208/2013**
(22) Date of Filing Application: **11 March 2013**
(24) Date from which industrial property rights may have effect: **11 March 2013**
(54) Product in respect of which the design is registered: **Electronic device**
(51) International Design Classification: **14-01**
(74) Name(s) of Attorney(s): **Freehills Patent Attorneys**
(71) Name(s) and Address(s) of Applicant(s):
Apple Inc.
1 Infinite Loop Cupertino California 95014 United States of America
(72) Name(s) of Designer(s): **Jody Akana and Bartley K. Andre and Jeremy Bataillou and Daniel J. Coster and Daniele De Iuliis and M. Evans Hankey and Julian Hoenig and Richard P. Howarth and Jonathan P. Ive and Duncan Robert Kerr and Shin Nishibori and Matthew Dean Rohrbach and Peter Russell-Clarke and Mikael Silvanto and Christopher J. Stringer and Eugene Antony Whang and Rico Zorkendorfer**
(45) Registration Date: **25 June 2013**
(30) Convention priority data:
(31) Number (32) Date (33) Country
29/431730 11 Sep 2012 UNITED STATES OF AMERICA
(56) Related Art Documents: **Not Applicable**
(57) Statement of Newness and Distinctiveness: **Newness and distinctiveness resides in the features of shape shown in solid outline in the accompanying representations.**



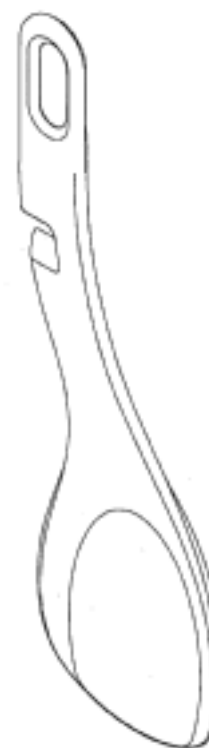
- (21) Design Number: **11209/2013**
(22) Date of Filing Application: **11 March 2013**
(24) Date from which industrial property rights may have effect: **11 March 2013**
(54) Product in respect of which the design is registered: **Electronic device**
(51) International Design Classification: **14-01**
(74) Name(s) of Attorney(s): **Freehills Patent Attorneys**
(71) Name(s) and Address(s) of Applicant(s):
Apple Inc.
1 Infinite Loop Cupertino California 95014 United States of America
(72) Name(s) of Designer(s): **Jody Akana and Bartley K. Andre and Jeremy Bataillou and Daniel J. Coster and Daniele De Iuliis and M. Evans Hankey and Julian Hoenig and Richard P. Howarth and Jonathan P. Ive and Duncan Robert Kerr and Shin Nishibori and Matthew Dean Rohrbach and Peter Russell-Clarke and Mikael Silvanto and Christopher J. Stringer and Eugene Antony Whang and Rico Zorkendorfer**
(45) Registration Date: **25 June 2013**
(30) Convention priority data:
(31) Number (32) Date (33) Country
29/431730 11 Sep 2012 UNITED STATES OF AMERICA
(56) Related Art Documents: **Not Applicable**
(57) Statement of Newness and Distinctiveness: **Newness and distinctiveness resides in the features of shape and configuration shown in solid outline in the accompanying representations.**



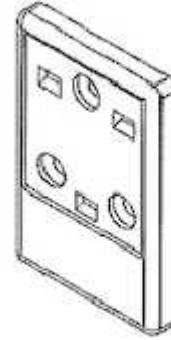
- (21) Design Number: **11847/2013**
(22) Date of Filing Application: **19 April 2013**
(24) Date from which industrial property rights may have effect: **19 April 2013**
(54) Product in respect of which the design is registered: **Post box**
(51) International Design Classification: **25-03**
(74) Name(s) of Attorney(s):
(71) Name(s) and Address(s) of Applicant(s):
Dylan James Lake
27/350 Settlement Rd Thomastown VIC 4074 Australia
(72) Name(s) of Designer(s): **Dylan James Lake**
(45) Registration Date: **25 June 2013**
(56) Related Art Documents: **Not Applicable**
(57) Statement of Newness and Distinctiveness: **The newness and distinctiveness of the design resides in the shape and/or configuration of a letterbox shown in the representations.**



- (21) Design Number: **11894/2013**
(22) Date of Filing Application: **23 April 2013**
(24) Date from which industrial property rights may have effect: **23 April 2013**
(54) Product in respect of which the design is registered: **Salad servers**
(51) International Design Classification: **07-03**
(74) Name(s) of Attorney(s): **Madderns**
(71) Name(s) and Address(s) of Applicant(s):
DKB Household UK Limited
Bridge House Eelmoor Road Farnborough Hampshire GU14 7UE United Kingdom
(72) Name(s) of Designer(s): **Daniel Kestenbaum**
(45) Registration Date: **25 June 2013**
(30) Convention priority data:
(31) Number (32) Date (33) Country
002123588-0004 23 Oct 2012 OFFICE FOR HARMONISATION IN THE INTERNAL MARKET (OHIM)
(56) Related Art Documents: **Not Applicable**
(57) Statement of Newness and Distinctiveness: **Nil**



- (21) Design Number: **11910/2013**
(22) Date of Filing Application: **24 April 2013**
(24) Date from which industrial property rights may have effect: **24 April 2013**
(54) Product in respect of which the design is registered: **A door bump**
(51) International Design Classification: **08-09**
(74) Name(s) of Attorney(s): **Tatlocks Chrysiliou IP**
(71) Name(s) and Address(s) of Applicant(s):
Metlam Australia Pty Ltd
17 Parker Rd New Gisborne VIC 3428 Australia
(72) Name(s) of Designer(s): **Brian Bishop**
(45) Registration Date: **25 June 2013**
(56) Related Art Documents: **Not Applicable**
(57) Statement of Newness and Distinctiveness: **Newness and distinctiveness reside in the features of the door bump as shown in the representations.**



- (21) Design Number: **11925/2013**
(22) Date of Filing Application: **24 April 2013**
(24) Date from which industrial property rights may have effect: **24 April 2013**
(54) Product in respect of which the design is registered: **Head for pest inspection tool**
(51) International Design Classification: **22-99**
(74) Name(s) of Attorney(s): **Cullens Patent and Trade Mark Attorneys**
(71) Name(s) and Address(s) of Applicant(s):
Trade Management Systems Pty Ltd
SE4 38 Griffith St Coolangatta QLD 4225 Australia
(72) Name(s) of Designer(s): **Mick Humberstone**
(45) Registration Date: **25 June 2013**
(56) Related Art Documents: **Not Applicable**
(57) Statement of Newness and Distinctiveness: **Nil**

