



**Australian Government**

---

**IP Australia**

**AUSTRALIAN OFFICIAL JOURNAL**

**OF**

**DESIGNS**

Did you know a searchable version of this journal is now available online?

It's FREE and EASY to SEARCH.

Find it on our website ([www.ipaustralia.gov.au](http://www.ipaustralia.gov.au))

by using the "Journals" link on the home page.

This Page Left Intentionally Blank

**Contents**

**General Information & Notices**

**Proceedings Under the Designs Act 1906 preserved as a result of the provisions of Chapter 12  
Part 2 of the Designs Act 2003**

**Extension of Period of Registration of Designs ..... 2020**

**Registrations Ceased ..... 2020**

**Proceedings Under the Designs Act 2003**

**Applications Lapsed ..... 2033**

**Applications Lodged ..... 2024**

**Applications Withdrawn ..... 2032**

**Certificate of Examination ..... 2036**

**Extension of Period of Registration of Design ..... 2034**

**Extension of Time Granted Under Section 137 ..... 2035**

**Names Registered - Alterations and Amendments ..... 2035**

**Publication and Registration Proceedings**

**Designs Registered 348196 to 349679..... 2037**

**Registrations Ceased ..... 2034**

**Subsequent Owners Registered ..... 2035**

This Page Left Intentionally Blank

For information on the following please see our website [www.ipaustralia.gov.au](http://www.ipaustralia.gov.au) or contact our Customer Service Network on 1300651010

[Editorial enquiries](#)

[Contact information](#)

[Freedom of Information ACT](#)

[Professional Standards Board](#)

[Sales](#)

[Requests for Information under Section 194 \(c\)](#)

[Country Codes](#)

[Trade Mark and Designs Hearing Sessions](#)

[INID \(Internationally agreed Numbers for the Identification of Data\)](#)

## “INID” NUMBERS in use on Australian Design Documents

“INID” is an acronym for “Internationally agreed Numbers for the Identification of Data”.

### (10) Data concerning the registration/renewal

- (11) Serial number of the registration and/or number of the design document
- (12) Plain language designation of the kind of published document
- (19) Identification, using the two-letter code according to WIPO Standard ST.3, of the authority publishing or registering the industrial design

### (20) Data concerning the application

- (21) Serial number of the application
- (22) Date of filing of the application
- (24) Date from which the industrial design right has effect

### (30) Data relating to priority under the Paris Convention

- (31) Serial number assigned to the priority application
- (32) Date of filing of the priority application
- (33) Two-letter code, according to WIPO Standard ST.3, identifying the authority with which the priority application was made

### (40) Date(s) of making information available to the public

- (45) Date of publication of the registered industrial design by printing or similar process, or making it available to the public by any other means

### (50) Miscellaneous Information

- (51) International Classification for Industrial Designs (class and subclass of the Locarno Classification)
- (54) Designation of article(s) or product(s) covered by the industrial design or title of the industrial design
- (55) Reproduction of the industrial design (e.g., drawing, photograph) and explanations relating to the reproduction
- (56) List of prior art documents, if separate from descriptive text
- (57) Description of characteristic features of the industrial design including indication of colours

### (60) References to other legally related application(s) and registration(s)

- (62) Serial number(s) and, if available, filing date(s) of application(s), registration(s) or document(s) related by division
- (66) Serial number(s) of the application, or the registration, of the design(s) which is (are) a variant(s) of the present one

### (70) Identification of parties concerned with the application or registration

- (71) Name(s) and address(es) of the applicant(s)
- (72) Name(s) of the creator(s) if known to be such
- (74) Name(s) and address(es) of the representative(s)

This Page Left Intentionally Blank

**Nil notices for this journal issue.**

**Proceedings under the Designs Act 1906 preserved as a result of the provisions of Chapter 12 Part 2 of the Designs Act 2003.**



This Page Left Intentionally Blank

**Applications Lapsed**

There were no Applications Lapsed under this section

**Extension of Period of Registration of Designs**

**1st Period (Section 27A(8))**

**2nd Period (Section 27A(12))**

**3rd Period (Section 27A(13))**

|        |        |        |
|--------|--------|--------|
| 148805 | 149410 | 149454 |
| 149455 | 149456 | 149490 |
| 149531 | 149560 | 149582 |
| 149583 | 149584 | 149648 |
| 149706 | 149867 | 150185 |
| 150247 | 150820 | 150977 |
| 151400 | 152891 | 152892 |
| 153261 | 153262 | 153263 |
| 153264 | 153265 | 153266 |
| 153323 | 153324 | 153325 |
| 153326 | 153327 | 153550 |
| 153551 | 153552 | 153790 |
| 153989 | 154502 |        |

**Registrations Ceased**

Note: Some of the following Registrations may have been previously advertised as ceased. In this instance, the previous advertisement still prevails.

|        |        |        |
|--------|--------|--------|
| 132390 | 132392 | 132554 |
| 132647 | 133168 | 133169 |
| 133170 | 133740 | 133943 |
| 135394 | 135395 | 136037 |
| 136067 | 136100 | 136760 |
| 136778 | 147828 | 148593 |
| 148594 | 148625 | 148768 |
| 148953 | 151872 |        |

This Page Left Intentionally Blank

**Proceedings under the Designs Act 2003.**

This Page Left Intentionally Blank

**Applications Lodged**

Lodgement information is in the following order: **Applicant's Name**; International Classification, Name of Product, Lodgement Date and **Design Number**. If the applicant claims an earlier priority date under an International Convention, the Convention Country and the associated filing date are shown in parentheses before the Lodgement Date. Divisional information will also appear in parentheses before the Lodgement Date.

|   |                   |   |                   |
|---|-------------------|---|-------------------|
| <b>Acarreta, Raul Delgado;</b><br>22-01, Trigger for a projectile weapon, (ES,<br>15 Jan 2013) 28 Jun 2013                      | <b>13092/2013</b> | <b>Beyond Zero Emissions;</b><br>19-08, 19-99, Publications, apparel, stickers,<br>badges, banners, 03 Jul 2013                 | <b>13147/2013</b> |
| <b>Akzo Nobel Coatings International B.V.;</b><br>20-99, Graphic symbol, (EM, 14 Jan 2013)<br>28 Jun 2013                       | <b>13070/2013</b> | <b>Bloomberg Finance L.P.;</b><br>20-02NES, Flat panel display, (US, 28 Dec<br>2012) 20 Jun 2013                                | <b>12872/2013</b> |
| <b>Aluminium Industries of Australia Pty Ltd;</b><br>25-01D, Flat aluminium interlocking wall<br>cladding panel, 24 Jun 2013    | <b>12878/2013</b> | <b>Bloomberg Finance L.P.;</b><br>20-02NES, Flat panel display, (US, 21 Dec<br>2012) 20 Jun 2013                                | <b>12873/2013</b> |
| <b>Aluminium Industries of Australia Pty Ltd;</b><br>25-01D, Vgroove aluminium interlocking wall<br>cladding panel, 24 Jun 2013 | <b>12879/2013</b> | <b>Brand Developers Aust Pty Ltd;</b><br>02-06, Oven glove or mitten, 26 Jun 2013   | <b>12962/2013</b> |
| <b>Aluminium Specialities Group Pty<br/>Limited;</b><br>25-01K, Construction element, 20 Jun 2013                               | <b>12904/2013</b> | <b>Brand Developers Aust Pty Ltd;</b><br>02-06, Oven glove or mitten, 26 Jun 2013   | <b>12963/2013</b> |
| <b>Aluminium Specialities Group Pty<br/>Limited;</b><br>25-01K, Extrusion, 20 Jun 2013  | <b>12902/2013</b> | <b>Burden, Ian James;</b><br>06-02, A bed frame, 21 Jun 2013  | <b>12874/2013</b> |
| <b>Aluminium Specialties Group Pty Limited;</b><br>25-01K, Extrusion, 20 Jun 2013   | <b>12901/2013</b> | <b>Burden, Ian James;</b><br>06-04F, A chest of drawers, 21 Jun 2013  | <b>12875/2013</b> |
| <b>Aluminium Specialties Group Pty Limited;</b><br>25-01K, Extrusion, 20 Jun 2013   | <b>12903/2013</b> | <b>Burden, Ian James;</b><br>06-04F, A chest of drawers, 21 Jun 2013  | <b>12876/2013</b> |
| <b>Ames True Temper Australia Pty Ltd;</b><br>11-02B, Planter for a raised garden, 26 Jun<br>2013                               | <b>12970/2013</b> | <b>BISSELL Homecare, Inc.;</b><br>15-05, Extraction cleaner base, (US, 23 Jan<br>2013) 04 Jul 2013                              | <b>13196/2013</b> |
| <b>Ames True Temper Australia Pty Ltd;</b><br>11-02B, Planter for a wall garden, 26 Jun<br>2013                                 | <b>12968/2013</b> | <b>BJC Elements Ltd.;</b><br>07-02C, 07-02L, 07-02M, Element, 27 Jun<br>2013  | <b>13001/2013</b> |
| <b>Ames True Temper Australia Pty Ltd;</b><br>11-02C, Leg for a raised garden, 26 Jun<br>2013                                   | <b>12969/2013</b> | <b>BJC Elements Ltd.;</b><br>07-02C, 07-02L, 07-02M, Element, 27 Jun<br>2013  | <b>13000/2013</b> |
| <b>Ames True Temper Australia Pty Ltd;</b><br>11-02B, Back plate for a wall garden, 26 Jun<br>2013                              | <b>12967/2013</b> | <b>Canada Pipeline Accessories, Co. Ltd.;</b><br>23-04, Flow conditioner, (Divisional of<br>11152/2013) 24 Jun 2013             | <b>13035/2013</b> |
| <b>Australian Sports Imports Pty Ltd;</b><br>21-04, Trampoline tent, 03 Jul 2013  | <b>13191/2013</b> | <b>Caroma Industries Limited;</b><br>07-05B, A laundry tub, 27 Jun 2013   | <b>13015/2013</b> |
| <b>Beats Electronics, LLC;</b><br>14-01, Audio listening system, (US, 03 Jan<br>2013) 02 Jul 2013                               | <b>13136/2013</b> | <b>Caroma Industries Limited;</b><br>23-02B, A bath, 01 Jul 2013  | <b>13118/2013</b> |
| <b>Beats Electronics, LLC;</b><br>14-01, Audio listening system, (US, 03 Jan<br>2013) 02 Jul 2013                               | <b>13135/2013</b> | <b>Caterpillar Inc.;</b><br>15-04, Undercarriage track link for mobile<br>earthmoving machine, (US, 29 Jun 2012) 24<br>Jun 2013 | <b>13039/2013</b> |
| <b>Beats Electronics, LLC;</b><br>14-01, Audio speaker system, (US, 03 Jan<br>2013) 28 Jun 2013                                 | <b>13068/2013</b> | <b>Cerantola S.p.A.;</b><br>06-01F, Chair, (EM, 25 Mar 2013) 27 Jun<br>2013   | <b>13032/2013</b> |
| <b>Beba Enterprises Pty Ltd;Magi<br/>Enterprises Pty Ltd;</b><br>02-02C, 02-02NES, Articles of clothing, 24<br>Jun 2013         | <b>12960/2013</b> | <b>Cerantola S.p.A.;</b><br>06-01F, Chair, (EM, 25 Mar 2013) 27 Jun<br>2013   | <b>13031/2013</b> |
|   |                   | <b>Cerantola S.p.A.;</b><br>06-01F, Chair, (EM, 25 Mar 2013) 27 Jun<br>2013   | <b>13030/2013</b> |

|   |                   |  |                   |
|---|-------------------|--|-------------------|
| <b>Cerantola S.p.A;</b><br>06-01E, Chair, (EM, 25 Mar 2013) 27 Jun 2013   | <b>13021/2013</b> | <b>Dyman Foams Pty Ltd;</b><br>23-01L, Gutter filter, 03 Jul 2013  | <b>13183/2013</b> |
| <b>Compagnie Generale Des Etablissements Michelin; Michelin Recherche Et Technique S.A.;</b><br>12-15C, A tyre, (FR, 11 Jan 2013) 03 Jul 2013 | <b>13150/2013</b> | <b>Dyman Foams Pty Ltd;</b><br>23-01L, Gutter filter, 03 Jul 2013  | <b>13187/2013</b> |
| <b>Container Pty Ltd;</b><br>28-03NES, Compact, 28 Jun 2013   | <b>13037/2013</b> | <b>Dyman Foams Pty Ltd;</b><br>23-01L, Gutter filter, 03 Jul 2013  | <b>13188/2013</b> |
| <b>Creative Nail Design, Inc.;</b><br>09-01G, Bottles for cosmetics, (EM, 15 Jan 2013) 29 Jun 2013  | <b>13115/2013</b> | <b>Dyman Foams Pty Ltd;</b><br>23-01L, Gutter filter, 03 Jul 2013  | <b>13184/2013</b> |
| <b>Creative Products Enterprises Pty Limited;</b><br>07-01C, Combination glass and cooler, 05 Jun 2013  | <b>12600/2013</b> | <b>Dyman Foams Pty Ltd;</b><br>23-01L, Gutter filter, 03 Jul 2013  | <b>13182/2013</b> |
| <b>Creative Products Enterprises Pty Limited;</b><br>07-01C, Combination cooler and glass, 05 Jun 2013  | <b>12601/2013</b> | <b>Dyson Technology Limited;</b><br>23-04, Humidifier or fan, (EM, 18 Jan 2013) 28 Jun 2013              | <b>13069/2013</b> |
| <b>David Stuckey Investments Pty Ltd;</b><br>23-01A, Coupling, 02 Jul 2013  | <b>13131/2013</b> | <b>Dyson Technology Limited;</b><br>23-04, Humidifier or fan, (EM, 18 Jan 2013) 28 Jun 2013              | <b>13071/2013</b> |
| <b>De Beers Centenary AG;</b><br>11-01A, Jewellery, (EM, 06 Jan 2013) 03 Jul 2013   | <b>13151/2013</b> | <b>Dyson Technology Limited;</b><br>23-04, Humidifier or fan, (EM, 18 Jan 2013) 28 Jun 2013              | <b>13066/2013</b> |
| <b>De Beers Centenary AG;</b><br>11-01E, Jewellery, (EM, 06 Jan 2013) 03 Jul 2013   | <b>13152/2013</b> | <b>Eco Safety Products Australia Pty Ltd;</b><br>13-03NES, Tactile ground surface indicator, 04 Jul 2013 | <b>13195/2013</b> |
| <b>De Beers Centenary AG;</b><br>11-01NES, Jewellery, (EM, 06 Jan 2013) 03 Jul 2013   | <b>13153/2013</b> | <b>Everstone International Pty Ltd;</b><br>25-01F, A tile, 24 Jun 2013                                   | <b>12893/2013</b> |
| <b>De Beers Centenary AG;</b><br>11-01A, Jewellery, (EM, 06 Jan 2013) 03 Jul 2013   | <b>13154/2013</b> | <b>Everstone International Pty Ltd;</b><br>25-01F, A tile, 24 Jun 2013                                   | <b>12886/2013</b> |
| <b>De Beers Centenary AG;</b><br>11-01A, Jewellery, (EM, 06 Jan 2013) 03 Jul 2013   | <b>13155/2013</b> | <b>ELC Management LLC;</b><br>04-02, 28-02, Mascara brush head, (US, 27 Dec 2012) 26 Jun 2013            | <b>12971/2013</b> |
| <b>De Beers Centenary AG;</b><br>11-01A, Jewellery, (EM, 06 Jan 2013) 03 Jul 2013   | <b>13156/2013</b> | <b>ELC Management LLC;</b><br>04-02, Mascara brush head, (US, 27 Dec 2012) 26 Jun 2013                   | <b>12972/2013</b> |
| <b>De Beers Centenary AG;</b><br>11-01A, Jewellery, (EM, 06 Jan 2013) 03 Jul 2013   | <b>13157/2013</b> | <b>Flow Control LLC.;</b><br>15-02, Pool cover pump, (US, 28 Jan 2013) 28 Jun 2013                       | <b>13063/2013</b> |
| <b>De Beers Centenary AG;</b><br>11-01D, Jewellery, (EM, 06 Jan 2013) 03 Jul 2013   | <b>13158/2013</b> | <b>Forever Co., Ltd.;</b><br>07-03, Kitchen knife blade, 03 Jul 2013                                     | <b>13173/2013</b> |
| <b>De Beers Centenary AG;</b><br>11-01NES, Jewellery, (EM, 06 Jan 2013) 03 Jul 2013   | <b>13159/2013</b> | <b>Forever Co., Ltd.;</b><br>07-03, Kitchen Knife blade, 03 Jul 2013                                     | <b>13174/2013</b> |
| <b>Dyman Foams Pty Ltd;</b><br>23-01L, Gutter filter, 03 Jul 2013   | <b>13179/2013</b> | <b>Forever New Clothing Pty Ltd;</b><br>03-01B, Accessory item, 21 Jun 2013                              | <b>12941/2013</b> |
| <b>Dyman Foams Pty Ltd;</b><br>23-01L, Gutter filter, 03 Jul 2013   | <b>13185/2013</b> | <b>Forever New Clothing Pty Ltd;</b><br>02-02C, 02-02NES, Article of clothing, 21 Jun 2013               | <b>12942/2013</b> |
| <b>Dyman Foams Pty Ltd;</b><br>23-01L, Gutter filter, 03 Jul 2013   | <b>13186/2013</b> | <b>Fresh Start Gourmet, LLC;</b><br>07-06NES, A cutlery stand, 04 Jul 2013                               | <b>13210/2013</b> |
|   |                   | <b>Fresh Start Gourmet, LLC;</b><br>07-06NES, A cutlery stand, 04 Jul 2013                               | <b>13211/2013</b> |
|   |                   | <b>Fujitsu General Limited;</b><br>23-04, Air conditioner, 04 Jul 2013                                   | <b>13200/2013</b> |
|   |                   | <b>Galvag Pty Limited;</b><br>07-06A, Novelty cricket bat beverage holder, 25 Jun 2013                   | <b>12927/2013</b> |



|  |                   |  |                   |
|--|-------------------|--|-------------------|
| <b>Garth Australia Pty Ltd;</b><br>07-02H, Cooking apparatus, 28 Jun 2013                                    | <b>13064/2013</b> | <b>Honda Motor Co., Ltd.;</b><br>12-08, Automobile, (JP, 28 Dec 2012) 24 Jun 2013                              | <b>12891/2013</b> |
| <b>Geometria Pte. Ltd.;</b><br>09-03NES, Pyramid-shaped takeaway container, (SG, 10 Jan 2013) 04 Jul 2013    | <b>13213/2013</b> | <b>Honda Motor Co., Ltd.;</b><br>12-16B, Front grill for automobile, (JP, 28 Dec 2012) 24 Jun 2013             | <b>12885/2013</b> |
| <b>Globeride, Inc.;</b><br>22-05, Fishing line guide ring, (JP, 26 Dec 2012) 25 Jun 2013                     | <b>12944/2013</b> | <b>Honda Motor Co., Ltd.;</b><br>12-16C, Rear bumper for automobile, (JP, 28 Dec 2012) 24 Jun 2013             | <b>12887/2013</b> |
| <b>Globeride, Inc.;</b><br>22-05, Fishing line guide ring, (JP, 26 Dec 2012) 25 Jun 2013                     | <b>12943/2013</b> | <b>Honda Motor Co., Ltd.;</b><br>26-06, Rear combination lamp for automobile, (JP, 28 Dec 2012) 24 Jun 2013    | <b>12884/2013</b> |
| <b>Globeride, Inc.;</b><br>22-05, Fishing line guide ring, (JP, 26 Dec 2012) 25 Jun 2013                     | <b>12952/2013</b> | <b>Honda Motor Co., Ltd.;</b><br>12-16NES, Instrument panel for automobile, (JP, 28 Dec 2012) 24 Jun 2013      | <b>12895/2013</b> |
| <b>Goodman Fielder Limited;</b><br>19-08, Label, 04 Jul 2013   | <b>13207/2013</b> | <b>Insuline Medical Ltd.;</b><br>24-04, Drug delivery assembly control unit, (US, 28 Dec 2012) 27 Jun 2013     | <b>12997/2013</b> |
| <b>Goodman Fielder Limited;</b><br>19-08, A label, 24 Jun 2013   | <b>12907/2013</b> | <b>Insuline Medical Ltd.;</b><br>24-04, Drug delivery assembly injection window, (US, 28 Dec 2012) 27 Jun 2013 | <b>12998/2013</b> |
| <b>Goodman Fielder Limited;</b><br>19-08, A label, 24 Jun 2013   | <b>12910/2013</b> | <b>Insuline Medical Ltd.;</b><br>24-04, Drug delivery assembly, (US, 28 Dec 2012) 27 Jun 2013                  | <b>12996/2013</b> |
| <b>Granuldisk AB;</b><br>15-05, Dish rack for dishwasher, (EM, 28 Jan 2013) 20 Jun 2013                      | <b>12899/2013</b> | <b>Intellectual Property Energy Mad Limited;</b><br>26-05A, Light fitting, (NZ, 30 Jan 2013) 25 Jun 2013       | <b>12935/2013</b> |
| <b>Granuldisk AB;</b><br>15-05, Dish rack for dishwasher, (EM, 28 Jan 2013) 20 Jun 2013                      | <b>12898/2013</b> | <b>Inter Multi Furniture Sdn Bhd;Ng, You Choon;</b><br>06-02, Bed, 01 Jul 2013                                 | <b>13122/2013</b> |
| <b>Granuldisk AB;</b><br>15-05, Lift device for dishwasher baskets, (EM, 04 Feb 2013) 20 Jun 2013            | <b>12897/2013</b> | <b>Jenkins, Darren James;</b><br>12-02, Book trolley, 04 Jul 2013  | <b>13215/2013</b> |
| <b>Great Wall Motor Company Limited;</b><br>12-08, Vehicle, (CN, 31 Jan 2013) 04 Jul 2013                    | <b>13202/2013</b> | <b>Johnson, Johanna;</b><br>02-02C, A woman's garment, comprising beaded parts, 28 Jun 2013                    | <b>13093/2013</b> |
| <b>Great Wall Motor Company Limited;</b><br>12-08, Vehicle, (CN, 11 Jan 2013) 04 Jul 2013                    | <b>13198/2013</b> | <b>Johnson, Johanna;</b><br>02-02C, A woman's garment, 28 Jun 2013   | <b>13094/2013</b> |
| <b>Groundhog S.A.;</b><br>14-02, USB flash drive, (EM, 10 Jan 2013) 04 Jul 2013                              | <b>13192/2013</b> | <b>Johnson, Johanna;</b><br>02-02C, A woman's garment, 28 Jun 2013   | <b>13095/2013</b> |
| <b>Groundhog S.A.;</b><br>14-02, USB flash drive, (EM, 10 Jan 2013) 04 Jul 2013                              | <b>13193/2013</b> | <b>Jurcevic, Dinko;</b><br>19-06, Adhesive stick, (EM, 03 Jan 2013) 24 Jun 2013                                | <b>12877/2013</b> |
| <b>Groundhog S.A.;</b><br>14-02, USB flash drive, (EM, 10 Jan 2013) 04 Jul 2013                              | <b>13194/2013</b> | <b>JETS Swimwear Pty Ltd;</b><br>02-02A, Swimwear garment, 03 Jul 2013   | <b>13160/2013</b> |
| <b>Gulp Licensing Pty Ltd;</b><br>06-04E, Kitchen storage furniture, 24 Jun 2013                             | <b>12882/2013</b> | <b>JETS Swimwear Pty Ltd;</b><br>02-02A, Swimwear garment, 03 Jul 2013   | <b>13161/2013</b> |
| <b>Gulp Licensing Pty Ltd;</b><br>06-04E, Adjustable metal frame, 24 Jun 2013                                | <b>12883/2013</b> | <b>JETS Swimwear Pty Ltd;</b><br>02-02A, Swimwear garment, 03 Jul 2013   | <b>13162/2013</b> |
| <b>Honda Motor Co., Ltd.;</b><br>12-16C, Front bumper for automobile, (JP, 28 Dec 2012) 24 Jun 2013          | <b>12888/2013</b> | <b>JETS Swimwear Pty Ltd;</b><br>02-02A, Swimwear garment, 03 Jul 2013   | <b>13163/2013</b> |
| <b>Honda Motor Co., Ltd.;</b><br>26-06, Front combination lamp for automobile, (JP, 28 Dec 2012) 24 Jun 2013 | <b>12890/2013</b> | <b>JETS Swimwear Pty Ltd;</b><br>02-02A, Swimwear garment, 03 Jul 2013   | <b>13164/2013</b> |
|  |                   | <b>JETS Swimwear Pty Ltd;</b><br>02-02A, Swimwear garment, 03 Jul 2013   | <b>13165/2013</b> |

|  |                   |  |                   |
|--|-------------------|--|-------------------|
| <b>JETS Swimwear Pty Ltd;</b><br>02-02A, Swimwear garment, 03 Jul 2013   | <b>13166/2013</b> | <b>Magpul Industries Corporation;</b><br>22-01, Firearm magazine handling attachment, (US, 31 Dec 2012) 28 Jun 2013                          | <b>13046/2013</b> |
| <b>JETS Swimwear Pty Ltd;</b><br>02-02A, Swimwear garment, 03 Jul 2013   | <b>13167/2013</b> | <b>Magpul Industries Corporation;</b><br>22-01, Firearm grip, (US, 29 Dec 2012) 27 Jun 2013  | <b>13003/2013</b> |
| <b>JETS Swimwear Pty Ltd;</b><br>02-02A, Swimwear garment, 03 Jul 2013   | <b>13168/2013</b> | <b>Magpul Industries Corporation;</b><br>22-01, Firearm grip, (US, 29 Dec 2012) 28 Jun 2013  | <b>13034/2013</b> |
| <b>JETS Swimwear Pty Ltd;</b><br>02-02A, Swimwear garment, 03 Jul 2013   | <b>13169/2013</b> | <b>Makdesi, Nizar;</b><br>06-03C, Table, 27 Jun 2013   | <b>13002/2013</b> |
| <b>Kakoschke, Celia;</b><br>02-06, Glove or mitt, 26 Jun 2013  | <b>12975/2013</b> | <b>Manrex Pty. Ltd.;</b><br>09-05, Protector card for blister package, 28 Jun 2013   | <b>13116/2013</b> |
| <b>Kakoschke, Celia;</b><br>02-02B, Vest, 26 Jun 2013  | <b>12974/2013</b> | <b>Markham, Andrew Robert;</b><br>13-03B, 08-08D, HIC M8 single clamp, 02 Jul 2013   | <b>13134/2013</b> |
| <b>Kiturami Co., Ltd;</b><br>23-03NES, Boiler, 28 Jun 2013   | <b>13062/2013</b> | <b>Mattel, Inc.;</b><br>21-01NES, Base for a conductive toy, (US, 04 Jan 2013) 01 Jul 2013   | <b>13123/2013</b> |
| <b>Koju Company Limited;</b><br>31-00, Juicer, 27 Jun 2013   | <b>13033/2013</b> | <b>Michelin Recherche Et Technique S.A.;Compagnie Generale Des Etablissements Michelin;</b><br>12-15C, A tyre, (FR, 11 Jan 2013) 03 Jul 2013 | <b>13150/2013</b> |
| <b>Koninklijke Douwe Egberts B.V.;</b><br>07-04, A coffee grinder, (NL, 04 Apr 2013) 01 Jul 2013                 | <b>13117/2013</b> | <b>Microsoft Corporation;</b><br>14-01, Display screen with graphical user interface, (US, 19 Mar 2013) 25 Jun 2013                          | <b>12926/2013</b> |
| <b>Koninklijke Philips N.V.;</b><br>26-05NES, Wake up light, (EM, 03 Jan 2013) 02 Jul 2013                       | <b>13141/2013</b> | <b>Microsoft Corporation;</b><br>14-01, Display screen with graphical user interface, (US, 19 Mar 2013) 25 Jun 2013                          | <b>12924/2013</b> |
| <b>Lee, John David;</b><br>06-01E, The easystool is a handmade timber stool, 01 Jul 2013                         | <b>13121/2013</b> | <b>Microsoft Corporation;</b><br>14-01, Display screen with graphical user interface, (US, 19 Mar 2013) 25 Jun 2013                          | <b>12922/2013</b> |
| <b>Lenew Pty Ltd;</b><br>23-02C, 25-03, A self contained portable amenities facility, 25 Jun 2013                | <b>12959/2013</b> | <b>Microsoft Corporation;</b><br>14-01, Display screen with graphical user interface, (US, 19 Mar 2013) 25 Jun 2013                          | <b>12923/2013</b> |
| <b>Lion Co.;</b><br>09-01NES, A bottle, 26 Jun 2013  | <b>12966/2013</b> | <b>Mitsubishi Electric Corporation;</b><br>23-04, Air conditioner, (JP, 18 Jan 2013) 25 Jun 2013   | <b>12936/2013</b> |
| <b>Lion Co.;</b><br>09-01NES, A bottle, 26 Jun 2013  | <b>12973/2013</b> | <b>Muscat, Oliver;</b><br>06-09, Support cushion for musical instrument, 03 Jul 2013   | <b>13178/2013</b> |
| <b>Logipak Pty Limited;</b><br>09-02C, 09-02B, 10/15/20 litre rectangle plastic drum, 25 Jun 2013                | <b>12951/2013</b> | <b>Newlite Pty Ltd;</b><br>08-08NES, A two-part mounting base, 28 Jun 2013   | <b>13105/2013</b> |
| <b>Lugton, David;</b><br>12-16K, Accessory mounting device for a bicycle, 02 Jul 2013                            | <b>13144/2013</b> | <b>Ng, You Choon;Inter Multi Furniture Sdn Bhd;</b><br>06-02, Bed, 01 Jul 2013   | <b>13122/2013</b> |
| <b>LED Lenser Corp. Ltd.;</b><br>26-02, Flashlight, (CN, 10 Jan 2013) 03 Jul 2013                                | <b>13189/2013</b> | <b>Nokia Corporation;</b><br>14-03A, 16-01, Handset camera, (US, 28 Dec 2012) 28 Jun 2013  | <b>13048/2013</b> |
| <b>LED Lenser Corp. Ltd.;</b><br>26-02, Headlamp, (CN, 10 Jan 2013) 04 Jul 2013                                  | <b>13216/2013</b> | <b>Nokia Corporation;</b><br>14-03A, Handset rear cover, (US, 28 Dec 2012) 28 Jun 2013   | <b>13041/2013</b> |
| <b>LED Lenser Corp. Ltd.;</b><br>13-02, Charging base, (CN, 10 Jan 2013) 04 Jul 2013                             | <b>13217/2013</b> |  |                   |
| <b>Magi Enterprises Pty Ltd;Beba Enterprises Pty Ltd;</b><br>02-02C, 02-02NES, Articles of clothing, 24 Jun 2013 | <b>12960/2013</b> |  |                   |
| <b>Magpul Industries Corporation;</b><br>22-01, Folding rear sight for a firearm, (US, 31 Dec 2012) 28 Jun 2013  | <b>13067/2013</b> |  |                   |

|  |                   |  |                   |
|--|-------------------|--|-------------------|
| <b>Nokia Corporation;</b><br>14-03E, Handset, (US, 28 Dec 2012) 28 Jun 2013  | <b>13043/2013</b> | <b>RA Brands, L.L.C.;</b><br>22-01, Buttstock, (Divisional of 11272/2013) 24 Jun 2013  | <b>12889/2013</b> |
| <b>Nokia Corporation;</b><br>14-03E, Handset, (US, 28 Dec 2012) 28 Jun 2013  | <b>13044/2013</b> | <b>RA Brands, L.L.C.;</b><br>22-01, Buttstock, 24 Jun 2013   | <b>12892/2013</b> |
| <b>Nokia Corporation;</b><br>14-03A, 16-01, Handset camera, (US, 28 Dec 2012) 28 Jun 2013  | <b>13045/2013</b> | <b>Samsung Electronics Co., Ltd;</b><br>14-01, Display screen for an electronic device, (KR, 09 Jan 2013) 25 Jun 2013          | <b>12946/2013</b> |
| <b>Nokia Corporation;</b><br>14-03E, Handset, (US, 28 Dec 2012) 28 Jun 2013  | <b>13040/2013</b> | <b>Samsung Electronics Co., Ltd;</b><br>14-04, Display screen for an electronic device, (KR, 05 Jan 2013) 02 Jul 2013          | <b>13133/2013</b> |
| <b>Norton, Mathew Raymund;</b><br>08-05N, Angle grinder bracket and handle, 28 Jun 2013  | <b>13050/2013</b> | <b>Samsung Electronics Co., Ltd;</b><br>14-01, Display screen for an electronic device, (KR, 09 Jan 2013) 25 Jun 2013          | <b>12958/2013</b> |
| <b>Ozzyform Industries Pty Ltd;</b><br>25-01D, Building panel for the construction industry, 03 Jul 2013                                     | <b>13190/2013</b> | <b>Samsung Electronics Co., Ltd;</b><br>14-02, Display Screen For An Electronic Device, (KR, 04 Jan 2013) 28 Jun 2013          | <b>13087/2013</b> |
| <b>Pacific Brands Clothing Pty Ltd;</b><br>02-01B, Baby garment, 28 Jun 2013   | <b>13129/2013</b> | <b>Samsung Electronics Co., Ltd;</b><br>14-02, Display Screen For An Electronic Device, (KR, 04 Jan 2013) 28 Jun 2013          | <b>13088/2013</b> |
| <b>Panasonic Corporation;</b><br>15-05, Vacuum cleaner, (JP, 08 Jan 2013) 04 Jul 2013  | <b>13199/2013</b> | <b>Samsung Electronics Co., Ltd;</b><br>14-02, Display Screen For An Electronic Device, (KR, 04 Jan 2013) 28 Jun 2013          | <b>13081/2013</b> |
| <b>Pi-Design AG;</b><br>07-02C, Electric grill, (WO, 12 Feb 2013) 26 Jun 2013  | <b>12981/2013</b> | <b>Samsung Electronics Co., Ltd;</b><br>14-02, Display Screen For An Electronic Device, (KR, 04 Jan 2013) 28 Jun 2013          | <b>13082/2013</b> |
| <b>Prodrome Designs Pty Ltd;</b><br>25-01NES, A window adaptor for a prefabricated wall panel, 24 Jun 2013                                   | <b>12919/2013</b> | <b>Samsung Electronics Co., Ltd;</b><br>14-02, Display Screen For An Electronic Device, (KR, 05 Jan 2013) 28 Jun 2013          | <b>13077/2013</b> |
| <b>Prodrome Designs Pty Ltd;</b><br>25-01NES, A window adaptor for a prefabricated wall panel, 24 Jun 2013                                   | <b>12920/2013</b> | <b>Samsung Electronics Co., Ltd;</b><br>14-04, Display screen sequence for an electronic device, (KR, 05 Jan 2013) 28 Jun 2013 | <b>13124/2013</b> |
| <b>PTT Global Chemical Public Company Limited;</b><br>15-99, A device for preparing and transferring mixtures, (TH, 27 Dec 2012) 24 Jun 2013 | <b>12894/2013</b> | <b>Samsung Electronics Co., Ltd;</b><br>14-04, Display screen for an electronic device, (KR, 05 Jan 2013) 28 Jun 2013          | <b>13125/2013</b> |
| <b>Republic Tobacco L.P.;</b><br>27-99, Tabletop cigarette making machine hopper, (US, 07 Jan 2013) 03 Jul 2013                              | <b>13148/2013</b> | <b>Samsung Electronics Co., Ltd;</b><br>14-02, Display Screen For An Electronic Device, (KR, 05 Jan 2013) 28 Jun 2013          | <b>13078/2013</b> |
| <b>Republic Tobacco L.P.;</b><br>27-99, Tabletop cigarette making machine and hopper, (US, 07 Jan 2013) 03 Jul 2013                          | <b>13149/2013</b> | <b>Samsung Electronics Co., Ltd;</b><br>14-02, Display Screen For An Electronic Device, (KR, 05 Jan 2013) 28 Jun 2013          | <b>13072/2013</b> |
| <b>Republic Tobacco L.P.;</b><br>27-99, Tabletop cigarette making machine and hopper, (US, 07 Jan 2013) 03 Jul 2013                          | <b>13146/2013</b> | <b>Samsung Electronics Co., Ltd;</b><br>14-04, Display screen for an electronic device, (KR, 04 Jan 2013) 28 Jun 2013          | <b>13113/2013</b> |
| <b>Rising Fast Pty Ltd;</b><br>08-08L, Bracket for a tag line extension, 04 Jul 2013   | <b>13197/2013</b> | <b>Samsung Electronics Co., Ltd;</b><br>14-02, Display Screen For An Electronic Device, (KR, 04 Jan 2013) 28 Jun 2013          | <b>13089/2013</b> |
| <b>RA Brands, L.L.C.;</b><br>22-01, Firearm, (Divisional of 11273/2013) 03 Jul 2013  | <b>13180/2013</b> | <b>Samsung Electronics Co., Ltd;</b><br>14-01, Display screen for an electronic device, (KR, 09 Jan 2013) 28 Jun 2013          | <b>13114/2013</b> |
| <b>RA Brands, L.L.C.;</b><br>22-01, Firearm, (Divisional of 11275/2013) 03 Jul 2013  | <b>13181/2013</b> | <b>Samsung Electronics Co., Ltd;</b><br>14-02, Display Screen For An Electronic Device, (KR, 03 Jan 2013) 28 Jun 2013          | <b>13085/2013</b> |





|   |                   |  |                   |
|---|-------------------|--|-------------------|
| <b>Samsung Electronics Co., Ltd;</b><br>14-02, Display screen for an electronic device, (KR, 09 Jan 2013) 26 Jun 2013 | <b>12979/2013</b> | <b>Samsung Electronics Co., Ltd;</b><br>14-01, Display screen for an electronic device, (KR, 09 Jan 2013) 24 Jun 2013          | <b>12896/2013</b> |
| <b>Samsung Electronics Co., Ltd;</b><br>14-02, Display screen for an electronic device, (KR, 04 Jan 2013) 27 Jun 2013 | <b>13020/2013</b> | <b>Samsung Electronics Co., Ltd;</b><br>14-01, Display screen for an electronic device, (KR, 09 Jan 2013) 24 Jun 2013          | <b>12908/2013</b> |
| <b>Samsung Electronics Co., Ltd;</b><br>14-02, Display screen for an electronic device, (KR, 05 Jan 2013) 26 Jun 2013 | <b>12983/2013</b> | <b>Samsung Electronics Co., Ltd;</b><br>14-01, Display screen for an electronic device, (KR, 09 Jan 2013) 24 Jun 2013          | <b>12909/2013</b> |
| <b>Samsung Electronics Co., Ltd;</b><br>14-01, Display screen for an electronic device, (KR, 09 Jan 2013) 26 Jun 2013 | <b>12993/2013</b> | <b>Scangrip A/S;</b><br>26-04, LED work lamp, (EM, 16 Apr 2013) 26 Jun 2013  | <b>12980/2013</b> |
| <b>Samsung Electronics Co., Ltd;</b><br>14-01, Display screen for an electronic device, (KR, 05 Jan 2013) 26 Jun 2013 | <b>12994/2013</b> | <b>Smart Openers Pty Ltd;</b><br>08-07, Cover for a door opener, 02 Jul 2013   | <b>13132/2013</b> |
| <b>Samsung Electronics Co., Ltd;</b><br>14-01, Display screen for an electronic device, (KR, 09 Jan 2013) 26 Jun 2013 | <b>12985/2013</b> | <b>Societe des Produits Nestle S.A.;</b><br>30-04, A dog safety harness, 04 Jul 2013   | <b>13212/2013</b> |
| <b>Samsung Electronics Co., Ltd;</b><br>14-01, Display screen for an electronic device, (KR, 09 Jan 2013) 26 Jun 2013 | <b>12986/2013</b> | <b>Sojo Pty Ltd;</b><br>02-99, Anti-Chafe Panel, 01 Jul 2013   | <b>13120/2013</b> |
| <b>Samsung Electronics Co., Ltd;</b><br>14-01, Display screen for an electronic device, (KR, 09 Jan 2013) 26 Jun 2013 | <b>12984/2013</b> | <b>Sony Computer Entertainment Inc.;</b><br>21-01N, Housing of controller for electronic device, (JP, 19 Feb 2013) 28 Jun 2013 | <b>13038/2013</b> |
| <b>Samsung Electronics Co., Ltd;</b><br>14-01, Display screen for an electronic device, (KR, 04 Jan 2013) 26 Jun 2013 | <b>12977/2013</b> | <b>Sony Computer Entertainment Inc.;</b><br>21-01N, Controller for electronic device, (JP, 19 Feb 2013) 28 Jun 2013            | <b>13049/2013</b> |
| <b>Samsung Electronics Co., Ltd;</b><br>14-02, Display screen for an electronic device, (KR, 09 Jan 2013) 26 Jun 2013 | <b>12987/2013</b> | <b>Sony Computer Entertainment Inc.;</b><br>21-01N, Controller for electronic device, (JP, 19 Feb 2013) 28 Jun 2013            | <b>13058/2013</b> |
| <b>Samsung Electronics Co., Ltd;</b><br>14-01, Display screen for an electronic device, (KR, 09 Jan 2013) 26 Jun 2013 | <b>12982/2013</b> | <b>Sony Computer Entertainment Inc.;</b><br>21-01N, Controller for electronic device, (JP, 19 Feb 2013) 28 Jun 2013            | <b>13060/2013</b> |
| <b>Samsung Electronics Co., Ltd;</b><br>14-02, Display screen for an electronic device, (KR, 09 Jan 2013) 26 Jun 2013 | <b>12978/2013</b> | <b>Sony Computer Entertainment Inc.;</b><br>21-01N, Controller for electronic device, (JP, 19 Feb 2013) 28 Jun 2013            | <b>13061/2013</b> |
| <b>Samsung Electronics Co., Ltd;</b><br>14-02, Display screen for an electronic device, (KR, 09 Jan 2013) 26 Jun 2013 | <b>12900/2013</b> | <b>Sony Computer Entertainment Inc.;</b><br>21-01N, Controller for electronic device, (JP, 19 Feb 2013) 28 Jun 2013            | <b>13047/2013</b> |
| <b>Samsung Electronics Co., Ltd;</b><br>14-01, Display screen for an electronic device, (KR, 09 Jan 2013) 24 Jun 2013 | <b>12914/2013</b> | <b>Sony Computer Entertainment Inc.;</b><br>21-01N, Controller for electronic device, (JP, 19 Feb 2013) 28 Jun 2013            | <b>13051/2013</b> |
| <b>Samsung Electronics Co., Ltd;</b><br>14-01, Display screen for an electronic device, (KR, 09 Jan 2013) 24 Jun 2013 | <b>12912/2013</b> | <b>Star Globe Pty Ltd;</b><br>21-02C, A golf putter head, 26 Jun 2013  | <b>12961/2013</b> |
| <b>Samsung Electronics Co., Ltd;</b><br>14-01, Display screen for an electronic device, (KR, 04 Jan 2013) 24 Jun 2013 | <b>12917/2013</b> | <b>Stramit Corporation Pty Limited;</b><br>25-01C, Construction device, 03 Jul 2013  | <b>13171/2013</b> |
| <b>Samsung Electronics Co., Ltd;</b><br>14-01, Display screen for an electronic device, 24 Jun 2013                   | <b>12913/2013</b> | <b>Stramit Corporation Pty Limited;</b><br>25-01C, Construction device, 03 Jul 2013  | <b>13170/2013</b> |
| <b>Samsung Electronics Co., Ltd;</b><br>14-01, Display screen for an electronic device, (KR, 09 Jan 2013) 24 Jun 2013 | <b>12911/2013</b> | <b>Street &amp; Garden Furniture Company Pty Ltd;</b><br>23-01NES, Drinking fountain water station, 04 Jul 2013                | <b>13214/2013</b> |
| <b>Samsung Electronics Co., Ltd;</b><br>14-01, Display screen for an electronic device, (KR, 09 Jan 2013) 24 Jun 2013 |                   | <b>Suntory Holdings Limited;</b><br>09-01NES, Bottle, (US, 28 Dec 2012) 27 Jun 2013  | <b>12999/2013</b> |
| <b>Samsung Electronics Co., Ltd;</b><br>14-01, Display screen for an electronic device, (KR, 09 Jan 2013) 24 Jun 2013 |                   | <b>Swatch AG (Swatch SA) (Swatch Ltd);</b><br>10-07, Watch case, (WO, 08 Feb 2013) 26 Jun 2013                                 | <b>12964/2013</b> |

|  |                   |   |                   |
|--|-------------------|---|-------------------|
| <b>Swatch AG (Swatch SA) (Swatch Ltd);</b><br>10-07, Watch case, (WO, 08 Feb 2013) 26 Jun 2013                             | <b>12965/2013</b> | <b>Turbonetics, Inc.;</b><br>15-01, Turbine wheel, (US, 14 Feb 2013) 02 Jul 2013              | <b>13130/2013</b> |
| <b>Syneron Medical Ltd.;</b><br>28-99, An applicator for an apparatus for skin treatment, (US, 28 Feb 2013) 04 Jul 2013    | <b>13201/2013</b> | <b>Tyco Fire Products LP;</b><br>23-01A, Pipe fitting, (Divisional of 11783/2013) 02 Jul 2013 | <b>13137/2013</b> |
| <b>Syneron Medical Ltd.;</b><br>28-03NES, An applicator for an apparatus for skin treatment, (US, 28 Feb 2013) 04 Jul 2013 | <b>13208/2013</b> | <b>Unilever PLC;</b><br>09-01A, Aerosol dispenser, (EM, 09 Jan 2013) 03 Jul 2013              | <b>13177/2013</b> |
| <b>Syneron Medical Ltd.;</b><br>28-03NES, Apparatus for skin treatment, (US, 28 Feb 2013) 04 Jul 2013                      | <b>13209/2013</b> | <b>Unilever PLC;</b><br>09-01A, Aerosol dispenser, (EM, 09 Jan 2013) 03 Jul 2013              | <b>13175/2013</b> |
| <b>STM MANAGEMENT PTY LTD;</b><br>03-01NES, Case for a tablet computer, 01 Jul 2013  | <b>13119/2013</b> | <b>Unilever PLC;</b><br>09-01A, Aerosol dispenser, (EM, 09 Jan 2013) 03 Jul 2013              | <b>13176/2013</b> |
| <b>Take Two Marketing and Events Pty Ltd;</b><br>08-08NES, A suction base, 25 Jun 2013                                     | <b>12925/2013</b> | <b>UFM Solution Pty Ltd;</b><br>21-01E, Gen ga wall, 24 Jun 2013                              | <b>12915/2013</b> |
| <b>Techtronic Floor Care Technology Limited;</b><br>15-05, Carpet washer, (CN, 07 Jan 2013) 02 Jul 2013                    | <b>13140/2013</b> | <b>UFM Solution Pty Ltd;</b><br>19-06, Collaborative whiteboard, 24 Jun 2013                  | <b>12918/2013</b> |
| <b>The Trustee for Justin Hutchinson Design Trust;</b><br>06-03B, Table, 25 Jun 2013                                       | <b>12921/2013</b> | <b>Visy Packaging Pty Ltd;</b><br>09-07C, Cap for a container, 26 Jun 2013                    | <b>12988/2013</b> |
| <b>TomTom International B.V.;</b><br>14-99, Device, (EM, 04 Jan 2013) 04 Jul 2013  | <b>13203/2013</b> | <b>Visy Packaging Pty Ltd;</b><br>09-01K, Container, 26 Jun 2013                              | <b>12990/2013</b> |
| <b>Toyota Jidosha Kabushiki Kaisha;</b><br>12-16C, Rear bumper for an automobile, (JP, 26 Dec 2012) 25 Jun 2013            | <b>12928/2013</b> | <b>Visy Packaging Pty Ltd;</b><br>09-01K, Container, 26 Jun 2013                              | <b>12989/2013</b> |
| <b>Toyota Jidosha Kabushiki Kaisha;</b><br>12-16C, Front bumper for an automobile, (JP, 26 Dec 2012) 25 Jun 2013           | <b>12934/2013</b> | <b>Willow Ware Australia Pty Limited;</b><br>07-05C, Clothes peg, 02 Jul 2013                 | <b>13138/2013</b> |
| <b>Toyota Jidosha Kabushiki Kaisha;</b><br>12-08, Automobile, (JP, 26 Dec 2012) 25 Jun 2013                                | <b>12932/2013</b> | <b>Willow Ware Australia Pty Limited;</b><br>07-05C, Clothes peg, 02 Jul 2013                 | <b>13139/2013</b> |
| <b>Toyota Jidosha Kabushiki Kaisha;</b><br>26-06, Front combination lamp for an automobile, (JP, 26 Dec 2012) 25 Jun 2013  | <b>12933/2013</b> | <b>WiniaMando Inc;</b><br>23-04, Dehumidifier, (KP, 28 Dec 2012) 28 Jun 2013                  | <b>13059/2013</b> |
| <b>Toyota Jidosha Kabushiki Kaisha;</b><br>26-06, Rear combination lamp for an automobile, (JP, 26 Dec 2012) 25 Jun 2013   | <b>12930/2013</b> | <b>WA Rangers Association Incorporated;</b><br>11-03, Service Medallion, 02 Jul 2013          | <b>13143/2013</b> |
| <b>Toyota Jidosha Kabushiki Kaisha;</b><br>12-08, Automobile, (JP, 26 Dec 2012) 25 Jun 2013                                | <b>12931/2013</b> | <b>Ziguras, Stephen;</b><br>07-01B, Bowl, 02 Jul 2013   | <b>13142/2013</b> |
| <b>Toyota Jidosha Kabushiki Kaisha;</b><br>12-08, Automobile, (JP, 26 Dec 2012) 25 Jun 2013                                | <b>12929/2013</b> | <b>4 Ken Pty Ltd;</b><br>25-04, A lap plate for scaffolding, 27 Jun 2013                      | <b>13005/2013</b> |
|  |                   | <b>4 Ken Pty Ltd;</b><br>25-04, A lap plate for scaffolding, 27 Jun 2013                      | <b>13006/2013</b> |
|  |                   | <b>4 Ken Pty Ltd;</b><br>25-04, A lap plate for scaffolding, 27 Jun 2013                      | <b>13004/2013</b> |

---

**Applications Withdrawn**

10264 / 2013 (25-04)

11630 / 2013 (06-01F)

12393 / 2013 (15-99)

12434 / 2013 (09-07B)

**Applications Lapsed**

16503 / 2012 (06-04F)

16507 / 2012 (06-06NES)

16509 / 2012 (07-05NES)

16511 / 2012 (08-06)

11718 / 2013 (07-07B)

16506 / 2012 (08-08N)

16508 / 2012 (07-05NES)

16510 / 2012 (07-05NES)

16512 / 2012 (08-06)



**Extension of Period of Registration of Designs**

|        |        |        |
|--------|--------|--------|
| 319572 | 320171 | 320172 |
| 320173 | 320453 | 320560 |
| 320761 | 320903 | 320973 |
| 321512 | 321513 | 321514 |
| 321573 | 321574 | 321575 |
| 321576 | 321577 | 321578 |
| 321583 | 321584 | 321610 |
| 321617 | 321618 | 321619 |
| 321621 | 321622 | 321623 |
| 321624 | 321625 | 321626 |
| 321627 | 321628 | 321629 |
| 321630 | 321631 | 321632 |
| 321687 | 321688 | 321689 |
| 321690 | 321691 | 321694 |
| 321736 | 321794 | 321830 |
| 321832 | 321891 | 321928 |
| 321937 | 321938 | 321939 |
| 321940 | 321941 | 321942 |
| 321944 | 321945 | 321946 |
| 321947 | 321948 | 321949 |
| 321951 | 321952 | 321953 |
| 321954 | 321955 | 321956 |
| 321957 | 321962 | 321964 |
| 321965 | 321967 | 321968 |
| 321969 | 321970 | 321973 |
| 321982 | 321996 | 322025 |
| 322027 | 322028 | 322029 |
| 322030 | 322031 | 322032 |
| 322033 | 322034 | 322035 |
| 322036 | 322049 | 322050 |
| 322051 | 322052 | 322053 |
| 322054 | 322055 | 322057 |
| 322058 | 322059 | 322060 |
| 322061 | 322063 | 322064 |
| 322082 | 322089 | 322090 |
| 322115 | 322116 | 322117 |
| 322121 | 322124 | 322133 |
| 322134 | 322135 | 322136 |
| 322137 | 322138 | 322139 |
| 322140 | 322141 | 322142 |
| 322143 | 322144 | 322158 |
| 322159 | 322177 | 322178 |
| 322179 | 322190 | 322191 |
| 322196 | 322197 | 322208 |
| 322243 | 322245 | 322246 |
| 322247 | 322248 | 322249 |
| 322299 | 322301 | 322321 |
| 322322 | 322323 | 322324 |
| 322393 | 322394 | 322477 |
| 322478 | 322479 | 322480 |
| 322481 | 322482 | 322515 |

|        |        |        |
|--------|--------|--------|
| 322516 | 322527 | 322963 |
| 322966 | 323027 | 323124 |
| 323208 | 323387 | 323415 |
| 323618 | 323678 | 323697 |
| 323714 | 323725 | 323740 |
| 324134 | 324185 | 324418 |
| 324667 | 324742 | 324743 |
| 324747 | 324957 | 325387 |

**Registrations Ceased**

|        |        |        |
|--------|--------|--------|
| 317526 | 317527 | 318108 |
| 318109 | 318110 | 318111 |
| 318112 | 318113 | 318114 |
| 318115 | 318116 | 318117 |
| 318118 | 318119 | 318120 |
| 318121 | 318122 | 318123 |
| 318124 | 318125 | 318126 |
| 318127 | 318128 | 318129 |
| 318130 | 318369 | 318492 |
| 318663 | 318689 | 318697 |
| 318698 | 318699 | 318700 |
| 318701 | 318702 | 318703 |
| 318704 | 318705 | 318706 |
| 318707 | 318708 | 318709 |
| 318754 | 318755 | 318786 |
| 318789 | 318790 | 318791 |
| 318792 | 318793 | 318794 |
| 318796 | 318797 | 318798 |
| 318799 | 318800 | 318801 |
| 318802 | 318805 | 318806 |
| 318807 | 318808 | 318809 |
| 318810 | 318811 | 318812 |
| 318813 | 318814 | 318815 |
| 318816 | 318817 | 318818 |
| 318819 | 318820 | 318821 |
| 318822 | 318823 | 318848 |
| 318849 | 318850 | 318851 |
| 318852 | 318853 | 318855 |
| 318857 | 318860 | 318861 |
| 318871 | 318873 | 318874 |
| 318923 | 318927 | 318931 |
| 318932 | 318935 | 318937 |
| 318938 | 318939 | 318941 |
| 318942 | 318945 | 318958 |
| 318969 | 318988 | 318991 |
| 318992 | 318993 | 318994 |
| 318996 | 318997 | 318999 |
| 319000 | 319015 | 319016 |
| 319017 | 319018 | 319019 |
| 319020 | 319021 | 319067 |
| 319068 | 319095 | 319096 |
| 319097 | 319098 | 319100 |

|        |        |        |
|--------|--------|--------|
| 319101 | 319102 | 319103 |
| 319199 | 319219 | 319231 |
| 319423 | 319431 | 319433 |
| 319435 | 319436 | 319437 |
| 319438 | 319439 | 319440 |
| 319441 | 319442 | 319519 |
| 319520 | 319561 | 319562 |
| 319638 | 319643 | 319672 |
| 319698 | 319712 | 319713 |
| 319849 | 319850 | 319941 |
| 320339 | 320437 | 320815 |
| 320816 | 320905 | 321278 |
| 321555 | 321556 | 322251 |
| 322746 | 322747 | 335296 |
| 338727 | 345680 |        |

**Extensions of time granted under Section 137**

Applications lodged under section 137 for extension of time have been granted.

349596 **Anthony John Sievers**

349687 **Robert Reginald Bray**

**Subsequent Owners Registered**

(The name in parentheses is that of the subsequent owner)

347408 ( **littleBits Electronics Inc** ) Aya Bdeir  
 345792 ( **Fisher & Paykel Healthcare Limited** ) Fisher  
 & Paykel Healthcare Limited;Mark Thomas  
 O'Connor;Laurence Gulliver;Charles William Douglas  
 Irving;Michael Paul Ronayne

**Names Registered - Alterations and Amendments**

(The name in parentheses is that of the subsequent applicant)

349170 ( **PRIVEE A.G. KABUSHIKI KAISHA** ) Kabushiki  
 Kaisha Privee A.G.

**Certificate(s) of Examination**

Examination of the following Design Registration(s) has been completed. Infringement proceedings may now be commenced.

|        |          |            |
|--------|----------|------------|
| 327114 | 07-02E   | 26/06/2013 |
| 330357 | 05-05NES | 02/07/2013 |
| 339365 | 08-08L   | 27/06/2013 |
| 346175 | 12-05    | 28/06/2013 |
| 347149 | 14-02    | 25/06/2013 |
| 347150 | 14-02    | 25/06/2013 |
| 347151 | 14-02    | 25/06/2013 |
| 347261 | 14-03NES | 26/06/2013 |
| 347262 | 14-01    | 26/06/2013 |
| 347434 | 28-03A   | 25/06/2013 |
| 347504 | 23-01NES | 28/06/2013 |
| 347510 | 12-08    | 02/07/2013 |
| 347636 | 09-01G   | 30/06/2013 |
| 347638 | 09-07C   | 30/06/2013 |
| 347859 | 13-02    | 28/06/2013 |
| 347860 | 13-02    | 28/06/2013 |
| 347884 | 12-16K   | 04/07/2013 |
| 347916 | 11-03    | 08/07/2013 |
| 347918 | 12-03    | 08/07/2013 |
| 347962 | 24-01    | 26/06/2013 |
| 347974 | 03-01NES | 27/06/2013 |
| 347975 | 25-02NES | 27/06/2013 |
| 347976 | 25-02NES | 27/06/2013 |
| 347977 | 25-02NES | 27/06/2013 |
| 347978 | 25-02NES | 27/06/2013 |
| 348310 | 20-02NES | 27/06/2013 |
| 348311 | 20-02NES | 27/06/2013 |
| 348312 | 20-02NES | 27/06/2013 |
| 348350 | 24-01    | 26/06/2013 |
| 348372 | 06-04D   | 28/06/2013 |

**Publication and Registration Proceedings**

**Designs Registered**

This section provides a concordance between design number and registration number of Designs covered in this journal. It also shows the main class and registration date.

This section covers Registration numbers 348196 to 349679 .

The registration number shown below should be used in all future correspondence.

| <b>Design Number</b> | <b>Registration Number</b> | <b>International Classification Code (IDC)</b> | <b>Registration Date</b> | <b>Design Number</b> | <b>Registration Number</b> | <b>International Classification Code (IDC)</b> | <b>Registration Date</b> |
|----------------------|----------------------------|--|--------------------------|----------------------|----------------------------|--|--------------------------|
| 14316/2012           | 349675                     | 02-02C   | 08/07/2013               | 11254/2013           | 349668                     | 03-01NES                                       | 08/07/2013               |
| 14668/2012           | 349597                     | 07-07B   | 03/07/2013               | 11264/2013           | 349518                     | 12-16B   | 28/06/2013               |
| 14672/2012           | 349596                     | 07-07A   | 03/07/2013               | 11308/2013           | 349601                     | 08-07  | 03/07/2013               |
| 15676/2012           | 349580                     | 14-04  | 02/07/2013               | 11343/2013           | 349585                     | 06-01C   | 03/07/2013               |
| 15720/2012           | 349598                     | 08-05NES                                       | 03/07/2013               | 11344/2013           | 349633                     | 06-01C   | 04/07/2013               |
| 15721/2012           | 349599                     | 08-05NES                                       | 03/07/2013               | 11345/2013           | 349632                     | 06-01C   | 04/07/2013               |
| 16325/2012           | 348196                     | 06-04D   | 29/04/2013               | 11367/2013           | 349669                     | 15-04  | 08/07/2013               |
| 16375/2012           | 349544                     | 31-00  | 01/07/2013               | 11370/2013           | 349670                     | 15-04  | 08/07/2013               |
| 16549/2012           | 349543                     | 30-08  | 01/07/2013               | 11412/2013           | 349621                     | 26-05D   | 04/07/2013               |
| 16659/2012           | 349665                     | 02-02C   | 05/07/2013               | 11438/2013           | 349622                     | 25-02NES                                       | 04/07/2013               |
| 16813/2012           | 349624                     | 02-02C   | 04/07/2013               | 11461/2013           | 349546                     | 11-02E   | 01/07/2013               |
| 16824/2012           | 349676                     | 02-02C   | 08/07/2013               | 11462/2013           | 349547                     | 11-02E   | 01/07/2013               |
| 16825/2012           | 349677                     | 02-02C   | 08/07/2013               | 11496/2013           | 349548                     | 25-01K   | 01/07/2013               |
| 16826/2012           | 349678                     | 02-02C   | 08/07/2013               | 11497/2013           | 349549                     | 25-01K   | 01/07/2013               |
| 16827/2012           | 349679                     | 02-02NES                                       | 08/07/2013               | 11526/2013           | 349521                     | 23-04  | 28/06/2013               |
| 10692/2013           | 349493                     | 24-02  | 27/06/2013               | 11566/2013           | 349451                     | 09-03F   | 27/06/2013               |
| 10704/2013           | 349522                     | 24-02  | 28/06/2013               | 11567/2013           | 349452                     | 09-03F   | 27/06/2013               |
| 10705/2013           | 349573                     | 08-08C   | 02/07/2013               | 11626/2013           | 349623                     | 16-06  | 04/07/2013               |
| 10759/2013           | 349616                     | 15-05  | 04/07/2013               | 11641/2013           | 349603                     | 09-05  | 03/07/2013               |
| 10760/2013           | 349617                     | 15-05  | 04/07/2013               | 11670/2013           | 349602                     | 16-06  | 03/07/2013               |
| 10762/2013           | 349600                     | 23-04  | 03/07/2013               | 11683/2013           | 349453                     | 14-02  | 27/06/2013               |
| 10819/2013           | 349570                     | 25-01K   | 02/07/2013               | 11686/2013           | 349517                     | 09-03C   | 28/06/2013               |
| 10833/2013           | 349577                     | 09-01A   | 02/07/2013               | 11696/2013           | 349550                     | 15-04  | 01/07/2013               |
| 10834/2013           | 349578                     | 09-01A   | 02/07/2013               | 11729/2013           | 349491                     | 25-03  | 27/06/2013               |
| 10872/2013           | 349398                     | 08-07  | 25/06/2013               | 11730/2013           | 349492                     | 25-03  | 27/06/2013               |
| 10894/2013           | 349630                     | 23-02A   | 04/07/2013               | 11731/2013           | 349490                     | 25-03  | 27/06/2013               |
| 10895/2013           | 349631                     | 23-02A   | 04/07/2013               | 11732/2013           | 349496                     | 25-03  | 27/06/2013               |
| 10908/2013           | 349629                     | 15-01  | 04/07/2013               | 11733/2013           | 349495                     | 25-03  | 27/06/2013               |
| 10909/2013           | 349628                     | 15-01  | 04/07/2013               | 11734/2013           | 349494                     | 25-03  | 27/06/2013               |
| 10917/2013           | 349625                     | 07-05E   | 04/07/2013               | 11735/2013           | 349523                     | 25-03  | 28/06/2013               |
| 10918/2013           | 349626                     | 07-05E   | 04/07/2013               | 11736/2013           | 349500                     | 25-03  | 27/06/2013               |
| 10919/2013           | 349627                     | 07-05E   | 04/07/2013               | 11737/2013           | 349499                     | 25-03  | 27/06/2013               |
| 10942/2013           | 349429                     | 02-02C   | 26/06/2013               | 11741/2013           | 349498                     | 25-03  | 27/06/2013               |
| 10988/2013           | 349618                     | 15-05  | 04/07/2013               | 11742/2013           | 349497                     | 25-03  | 27/06/2013               |
| 10989/2013           | 349619                     | 15-05  | 04/07/2013               | 11755/2013           | 349671                     | 30-99  | 08/07/2013               |
| 10990/2013           | 349620                     | 15-05  | 04/07/2013               | 11763/2013           | 349529                     | 20-02NES                                       | 01/07/2013               |
| 11003/2013           | 349430                     | 08-03  | 26/06/2013               | 11764/2013           | 349604                     | 15-05  | 03/07/2013               |
| 11036/2013           | 349656                     | 17-03  | 05/07/2013               | 11765/2013           | 349530                     | 15-05  | 01/07/2013               |
| 11037/2013           | 349657                     | 17-03  | 05/07/2013               | 11767/2013           | 349531                     | 15-05  | 01/07/2013               |
| 11038/2013           | 349658                     | 17-03  | 05/07/2013               | 11797/2013           | 349532                     | 13-03D   | 01/07/2013               |
| 11050/2013           | 349545                     | 26-03  | 01/07/2013               | 11842/2013           | 349454                     | 06-09  | 27/06/2013               |
| 11058/2013           | 349464                     | 07-06A   | 27/06/2013               | 11856/2013           | 349533                     | 06-13C   | 01/07/2013               |
| 11059/2013           | 349465                     | 07-06A   | 27/06/2013               | 11858/2013           | 349534                     | 13-03B   | 01/07/2013               |
| 11060/2013           | 349520                     | 07-06A   | 28/06/2013               | 11872/2013           | 349586                     | 14-01  | 03/07/2013               |
| 11136/2013           | 349463                     | 06-02  | 27/06/2013               | 11877/2013           | 349535                     | 24-02  | 01/07/2013               |
| 11137/2013           | 349462                     | 06-02  | 27/06/2013               | 11878/2013           | 349536                     | 24-02  | 01/07/2013               |
| 11151/2013           | 349432                     | 15-05  | 26/06/2013               | 11991/2013           | 349551                     | 03-01NES                                       | 01/07/2013               |
| 11201/2013           | 349666                     | 13-03D   | 08/07/2013               | 12023/2013           | 349553                     | 25-02NES                                       | 02/07/2013               |
| 11202/2013           | 349667                     | 13-03D   | 08/07/2013               | 12046/2013           | 349552                     | 12-16B   | 01/07/2013               |
| 11215/2013           | 349501                     | 14-01  | 27/06/2013               | 12052/2013           | 349455                     | 09-01K   | 27/06/2013               |

Publication and Registration Proceedings - Designs Registered cont'd

| Design Number | Registration Number | International Classification Code (IDC) | Registration Date | Design Number | Registration Number | International Classification Code (IDC) | Registration Date |
|---------------|---------------------|---|-------------------|---------------|---------------------|---|-------------------|
| 12056/2013    | 349479              | 25-03                                   | 27/06/2013        | 12363/2013    | 349481              | 12-10                                   | 27/06/2013        |
| 12058/2013    | 349446              | 25-03                                   | 26/06/2013        | 12364/2013    | 349482              | 12-10                                   | 27/06/2013        |
| 12059/2013    | 349447              | 25-03                                   | 26/06/2013        | 12371/2013    | 349605              | 12-05                                   | 03/07/2013        |
| 12060/2013    | 349448              | 25-03                                   | 26/06/2013        | 12372/2013    | 349440              | 02-07NES                                | 26/06/2013        |
| 12061/2013    | 349449              | 25-03                                   | 26/06/2013        | 12379/2013    | 349591              | 21-02C                                  | 03/07/2013        |
| 12062/2013    | 349450              | 25-03                                   | 26/06/2013        | 12388/2013    | 349411              | 08-07                                   | 26/06/2013        |
| 12064/2013    | 349437              | 25-03                                   | 26/06/2013        | 12390/2013    | 349410              | 25-01K                                  | 26/06/2013        |
| 12065/2013    | 349438              | 25-03                                   | 26/06/2013        | 12398/2013    | 349407              | 08-07                                   | 26/06/2013        |
| 12066/2013    | 349439              | 25-03                                   | 26/06/2013        | 12403/2013    | 349504              | 31-00                                   | 28/06/2013        |
| 12067/2013    | 349466              | 15-05                                   | 27/06/2013        | 12405/2013    | 349505              | 26-05E                                  | 28/06/2013        |
| 12068/2013    | 349467              | 15-05                                   | 27/06/2013        | 12433/2013    | 349431              | 08-03                                   | 26/06/2013        |
| 12069/2013    | 349468              | 15-05                                   | 27/06/2013        | 12465/2013    | 349408              | 23-01NES                                | 26/06/2013        |
| 12070/2013    | 349469              | 15-05                                   | 27/06/2013        | 12466/2013    | 349642              | 25-04                                   | 05/07/2013        |
| 12072/2013    | 349470              | 15-05                                   | 27/06/2013        | 12468/2013    | 349478              | 20-02C                                  | 27/06/2013        |
| 12073/2013    | 349471              | 15-05                                   | 27/06/2013        | 12469/2013    | 349556              | 09-07B                                  | 02/07/2013        |
| 12074/2013    | 349472              | 15-05                                   | 27/06/2013        | 12470/2013    | 349506              | 07-02E                                  | 28/06/2013        |
| 12075/2013    | 349473              | 07-02A                                  | 27/06/2013        | 12478/2013    | 349643              | 24-01                                   | 05/07/2013        |
| 12076/2013    | 349474              | 07-02A                                  | 27/06/2013        | 12484/2013    | 349537              | 06-03B                                  | 01/07/2013        |
| 12077/2013    | 349475              | 07-02A                                  | 27/06/2013        | 12486/2013    | 349538              | 26-05E                                  | 01/07/2013        |
| 12078/2013    | 349476              | 07-02A                                  | 27/06/2013        | 12493/2013    | 349409              | 03-01D                                  | 26/06/2013        |
| 12079/2013    | 349477              | 07-02A                                  | 27/06/2013        | 12503/2013    | 349421              | 03-01NES                                | 26/06/2013        |
| 12106/2013    | 349502              | 09-03M                                  | 28/06/2013        | 12504/2013    | 349401              | 07-05D                                  | 26/06/2013        |
| 12107/2013    | 349576              | 07-05E                                  | 02/07/2013        | 12512/2013    | 349402              | 03-01NES                                | 26/06/2013        |
| 12108/2013    | 349488              | 14-02                                   | 27/06/2013        | 12513/2013    | 349420              | 03-01NES                                | 26/06/2013        |
| 12109/2013    | 349419              | 21-02F                                  | 26/06/2013        | 12524/2013    | 349418              | 19-08                                   | 26/06/2013        |
| 12120/2013    | 349489              | 24-04                                   | 27/06/2013        | 12525/2013    | 349413              | 03-01NES                                | 26/06/2013        |
| 12128/2013    | 349519              | 08-07                                   | 28/06/2013        | 12527/2013    | 349483              | 24-03                                   | 27/06/2013        |
| 12150/2013    | 349634              | 14-01                                   | 05/07/2013        | 12528/2013    | 349417              | 06-03A                                  | 26/06/2013        |
| 12151/2013    | 349635              | 14-01                                   | 05/07/2013        | 12529/2013    | 349414              | 21-04                                   | 26/06/2013        |
| 12152/2013    | 349636              | 14-01                                   | 05/07/2013        | 12545/2013    | 349516              | 08-07                                   | 28/06/2013        |
| 12153/2013    | 349637              | 14-01                                   | 05/07/2013        | 12549/2013    | 349557              | 08-07                                   | 02/07/2013        |
| 12154/2013    | 349638              | 15-01                                   | 05/07/2013        | 12551/2013    | 349524              | 08-07                                   | 28/06/2013        |
| 12155/2013    | 349639              | 15-01                                   | 05/07/2013        | 12552/2013    | 349525              | 08-07                                   | 28/06/2013        |
| 12156/2013    | 349640              | 15-01                                   | 05/07/2013        | 12558/2013    | 349416              | 09-07B                                  | 26/06/2013        |
| 12157/2013    | 349641              | 15-01                                   | 05/07/2013        | 12559/2013    | 349415              | 09-07B                                  | 26/06/2013        |
| 12158/2013    | 349674              | 15-01                                   | 08/07/2013        | 12572/2013    | 349403              | 09-01G                                  | 26/06/2013        |
| 12159/2013    | 349673              | 15-01                                   | 08/07/2013        | 12574/2013    | 349404              | 09-03F                                  | 26/06/2013        |
| 12160/2013    | 349672              | 15-01                                   | 08/07/2013        | 12575/2013    | 349405              | 11-01A                                  | 26/06/2013        |
| 12162/2013    | 349587              | 12-06NES                                | 03/07/2013        | 12577/2013    | 349406              | 17-99                                   | 26/06/2013        |
| 12163/2013    | 349588              | 12-06NES                                | 03/07/2013        | 12578/2013    | 349584              | 02-02NES                                | 02/07/2013        |
| 12164/2013    | 349589              | 12-06NES                                | 03/07/2013        | 12579/2013    | 349400              | 02-02NES                                | 25/06/2013        |
| 12169/2013    | 349590              | 03-03                                   | 03/07/2013        | 12580/2013    | 349399              | 02-02NES                                | 25/06/2013        |
| 12180/2013    | 349579              | 14-01                                   | 02/07/2013        | 12582/2013    | 349422              | 09-05                                   | 26/06/2013        |
| 12199/2013    | 349574              | 07-02K                                  | 02/07/2013        | 12583/2013    | 349423              | 09-05                                   | 26/06/2013        |
| 12200/2013    | 349456              | 07-02K                                  | 27/06/2013        | 12587/2013    | 349424              | 02-03                                   | 26/06/2013        |
| 12201/2013    | 349459              | 07-02K                                  | 27/06/2013        | 12588/2013    | 349425              | 24-01                                   | 26/06/2013        |
| 12202/2013    | 349555              | 07-02L                                  | 02/07/2013        | 12590/2013    | 349441              | 31-00                                   | 26/06/2013        |
| 12203/2013    | 349581              | 07-02K                                  | 02/07/2013        | 12591/2013    | 349426              | 09-02B                                  | 26/06/2013        |
| 12218/2013    | 349487              | 14-03E                                  | 27/06/2013        | 12593/2013    | 349442              | 31-00                                   | 26/06/2013        |
| 12230/2013    | 349528              | 26-02                                   | 28/06/2013        | 12594/2013    | 349443              | 15-05                                   | 26/06/2013        |
| 12281/2013    | 349527              | 09-03H                                  | 28/06/2013        | 12595/2013    | 349444              | 02-02B                                  | 26/06/2013        |
| 12282/2013    | 349526              | 09-03F                                  | 28/06/2013        | 12596/2013    | 349445              | 02-02C                                  | 26/06/2013        |
| 12355/2013    | 349503              | 13-03E                                  | 28/06/2013        | 12597/2013    | 349558              | 14-04                                   | 02/07/2013        |
| 12360/2013    | 349412              | 23-02C                                  | 26/06/2013        | 12599/2013    | 349427              | 31-00                                   | 26/06/2013        |
| 12362/2013    | 349480              | 12-10                                   | 27/06/2013        | 12602/2013    | 349428              | 08-07                                   | 26/06/2013        |

Publication and Registration Proceedings - Designs Registered cont'd

| Design Number | Registration Number | International Classification Code (IDC) | Registration Date | Design Number | Registration Number | International Classification Code (IDC) | Registration Date |
|---------------|---------------------|---|-------------------|---------------|---------------------|---|-------------------|
| 12616/2013    | 349484              | 25-02NES                                | 27/06/2013        | 12681/2013    | 349563              | 15-05                                   | 02/07/2013        |
| 12619/2013    | 349571              | 24-01                                   | 02/07/2013        | 12682/2013    | 349564              | 14-03NES                                | 02/07/2013        |
| 12620/2013    | 349572              | 24-01                                   | 02/07/2013        | 12683/2013    | 349565              | 14-03NES                                | 02/07/2013        |
| 12621/2013    | 349644              | 21-01C                                  | 05/07/2013        | 12685/2013    | 349566              | 08-05H                                  | 02/07/2013        |
| 12622/2013    | 349645              | 21-01C                                  | 05/07/2013        | 12687/2013    | 349567              | 15-05                                   | 02/07/2013        |
| 12623/2013    | 349646              | 12-08                                   | 05/07/2013        | 12688/2013    | 349568              | 08-06                                   | 02/07/2013        |
| 12624/2013    | 349647              | 12-08                                   | 05/07/2013        | 12689/2013    | 349569              | 15-05                                   | 02/07/2013        |
| 12625/2013    | 349648              | 12-08                                   | 05/07/2013        | 12693/2013    | 349592              | 23-01H                                  | 03/07/2013        |
| 12626/2013    | 349649              | 12-08                                   | 05/07/2013        | 12696/2013    | 349593              | 14-04                                   | 03/07/2013        |
| 12627/2013    | 349650              | 12-08                                   | 05/07/2013        | 12697/2013    | 349594              | 14-04                                   | 03/07/2013        |
| 12628/2013    | 349651              | 12-08                                   | 05/07/2013        | 12699/2013    | 349595              | 03-03                                   | 03/07/2013        |
| 12629/2013    | 349485              | 12-16NES                                | 27/06/2013        | 12701/2013    | 349662              | 06-13C                                  | 05/07/2013        |
| 12630/2013    | 349486              | 13-03C                                  | 27/06/2013        | 12702/2013    | 349663              | 23-04                                   | 05/07/2013        |
| 12634/2013    | 349575              | 07-02K                                  | 02/07/2013        | 12704/2013    | 349664              | 09-05                                   | 05/07/2013        |
| 12635/2013    | 349582              | 07-02K                                  | 02/07/2013        | 12705/2013    | 349606              | 12-15C                                  | 04/07/2013        |
| 12636/2013    | 349583              | 07-02K                                  | 02/07/2013        | 12706/2013    | 349607              | 23-01A                                  | 04/07/2013        |
| 12637/2013    | 349457              | 07-02K                                  | 27/06/2013        | 12707/2013    | 349608              | 23-01A                                  | 04/07/2013        |
| 12638/2013    | 349458              | 07-02K                                  | 27/06/2013        | 12708/2013    | 349609              | 12-15C                                  | 04/07/2013        |
| 12639/2013    | 349460              | 07-02K                                  | 27/06/2013        | 12709/2013    | 349610              | 06-09                                   | 04/07/2013        |
| 12640/2013    | 349461              | 07-02K                                  | 27/06/2013        | 12710/2013    | 349611              | 06-09                                   | 04/07/2013        |
| 12641/2013    | 349554              | 07-02NES                                | 02/07/2013        | 12723/2013    | 349612              | 12-15C                                  | 04/07/2013        |
| 12642/2013    | 349515              | 14-01                                   | 28/06/2013        | 12724/2013    | 349613              | 06-02                                   | 04/07/2013        |
| 12644/2013    | 349507              | 25-02A                                  | 28/06/2013        | 12725/2013    | 349614              | 06-02                                   | 04/07/2013        |
| 12645/2013    | 349508              | 25-02A                                  | 28/06/2013        | 12728/2013    | 349615              | 09-03A                                  | 04/07/2013        |
| 12648/2013    | 349509              | 08-08D                                  | 28/06/2013        | 12741/2013    | 349652              | 23-02A                                  | 05/07/2013        |
| 12649/2013    | 349539              | 22-04                                   | 01/07/2013        | 12742/2013    | 349653              | 24-04                                   | 05/07/2013        |
| 12659/2013    | 349510              | 25-01B                                  | 28/06/2013        | 12743/2013    | 349654              | 24-03                                   | 05/07/2013        |
| 12660/2013    | 349511              | 08-08L                                  | 28/06/2013        | 12746/2013    | 349655              | 07-03                                   | 05/07/2013        |
| 12662/2013    | 349512              | 12-02                                   | 28/06/2013        | 12811/2013    | 349433              | 15-05                                   | 26/06/2013        |
| 12666/2013    | 349513              | 24-03                                   | 28/06/2013        | 12812/2013    | 349434              | 15-05                                   | 26/06/2013        |
| 12667/2013    | 349514              | 24-03                                   | 28/06/2013        | 12813/2013    | 349435              | 15-05                                   | 26/06/2013        |
| 12669/2013    | 349540              | 23-01A                                  | 01/07/2013        | 12814/2013    | 349436              | 15-05                                   | 26/06/2013        |
| 12670/2013    | 349541              | 23-01A                                  | 01/07/2013        | 12842/2013    | 349659              | 17-03                                   | 05/07/2013        |
| 12671/2013    | 349542              | 12-09                                   | 01/07/2013        | 12843/2013    | 349660              | 17-03                                   | 05/07/2013        |
| 12673/2013    | 349559              | 15-05                                   | 02/07/2013        | 12844/2013    | 349661              | 17-03                                   | 05/07/2013        |
| 12677/2013    | 349560              | 20-02NES                                | 02/07/2013        |               |                     |   |                   |
| 12678/2013    | 349561              | 06-01H                                  | 02/07/2013        |               |                     |   |                   |
| 12679/2013    | 349562              | 06-01H                                  | 02/07/2013        |               |                     |   |                   |

**Publication and Registration Proceedings**

**Class Listing of Designs Published or Registered**

The following section shows an International Classification Code listing of the Registered or Published Designs covered in this supplement.

| <b>Classification</b> | <b>Registration Number</b> | <b>Design Number</b> | <b>Classification</b> | <b>Registration Number</b> | <b>Design Number</b> |
|-----------------------|----------------------------|----------------------|-----------------------|----------------------------|----------------------|
| 02-02B                | 349444                     | 12595/2013           | 07-02A                | 349477                     | 12079/2013           |
| 02-02C                | 349429                     | 10942/2013           | 07-02E                | 349506                     | 12470/2013           |
| 02-02C                | 349445                     | 12596/2013           | 07-02K                | 349456                     | 12200/2013           |
| 02-02C                | 349624                     | 16813/2012           | 07-02K                | 349457                     | 12637/2013           |
| 02-02C                | 349665                     | 16659/2012           | 07-02K                | 349458                     | 12638/2013           |
| 02-02C                | 349675                     | 14316/2012           | 07-02K                | 349459                     | 12201/2013           |
| 02-02C                | 349676                     | 16824/2012           | 07-02K                | 349460                     | 12639/2013           |
| 02-02C                | 349677                     | 16825/2012           | 07-02K                | 349461                     | 12640/2013           |
| 02-02C                | 349678                     | 16826/2012           | 07-02K                | 349574                     | 12199/2013           |
| 02-02NES              | 349399                     | 12580/2013           | 07-02K                | 349575                     | 12634/2013           |
| 02-02NES              | 349400                     | 12579/2013           | 07-02K                | 349581                     | 12203/2013           |
| 02-02NES              | 349584                     | 12578/2013           | 07-02K                | 349582                     | 12635/2013           |
| 02-02NES              | 349665                     | 16659/2012           | 07-02K                | 349583                     | 12636/2013           |
| 02-02NES              | 349679                     | 16827/2012           | 07-02L                | 349554                     | 12641/2013           |
| 02-03                 | 349424                     | 12587/2013           | 07-02L                | 349555                     | 12202/2013           |
| 02-07NES              | 349440                     | 12372/2013           | 07-02NES              | 349554                     | 12641/2013           |
| 03-01A                | 349615                     | 12728/2013           | 07-03                 | 349655                     | 12746/2013           |
| 03-01D                | 349409                     | 12493/2013           | 07-05D                | 349401                     | 12504/2013           |
| 03-01NES              | 349402                     | 12512/2013           | 07-05E                | 349576                     | 12107/2013           |
| 03-01NES              | 349413                     | 12525/2013           | 07-05E                | 349625                     | 10917/2013           |
| 03-01NES              | 349420                     | 12513/2013           | 07-05E                | 349626                     | 10918/2013           |
| 03-01NES              | 349421                     | 12503/2013           | 07-05E                | 349627                     | 10919/2013           |
| 03-01NES              | 349551                     | 11991/2013           | 07-06A                | 349464                     | 11058/2013           |
| 03-01NES              | 349668                     | 11254/2013           | 07-06A                | 349465                     | 11059/2013           |
| 03-03                 | 349590                     | 12169/2013           | 07-06A                | 349520                     | 11060/2013           |
| 03-03                 | 349595                     | 12699/2013           | 07-07A                | 349596                     | 14672/2012           |
| 04-02                 | 349409                     | 12493/2013           | 07-07B                | 349597                     | 14668/2012           |
| 06-01C                | 349585                     | 11343/2013           | 08-03                 | 349430                     | 11003/2013           |
| 06-01C                | 349632                     | 11345/2013           | 08-03                 | 349431                     | 12433/2013           |
| 06-01C                | 349633                     | 11344/2013           | 08-03                 | 349655                     | 12746/2013           |
| 06-01H                | 349561                     | 12678/2013           | 08-05H                | 349566                     | 12685/2013           |
| 06-01H                | 349562                     | 12679/2013           | 08-05K                | 349548                     | 11496/2013           |
| 06-02                 | 349462                     | 11137/2013           | 08-05K                | 349549                     | 11497/2013           |
| 06-02                 | 349463                     | 11136/2013           | 08-05NES              | 349598                     | 15720/2012           |
| 06-02                 | 349613                     | 12724/2013           | 08-05NES              | 349599                     | 15721/2012           |
| 06-02                 | 349614                     | 12725/2013           | 08-06                 | 349568                     | 12688/2013           |
| 06-03A                | 349417                     | 12528/2013           | 08-07                 | 349398                     | 10872/2013           |
| 06-03B                | 349537                     | 12484/2013           | 08-07                 | 349407                     | 12398/2013           |
| 06-03C                | 349417                     | 12528/2013           | 08-07                 | 349411                     | 12388/2013           |
| 06-04D                | 348196                     | 16325/2012           | 08-07                 | 349428                     | 12602/2013           |
| 06-09                 | 349454                     | 11842/2013           | 08-07                 | 349516                     | 12545/2013           |
| 06-09                 | 349610                     | 12709/2013           | 08-07                 | 349519                     | 12128/2013           |
| 06-09                 | 349611                     | 12710/2013           | 08-07                 | 349524                     | 12551/2013           |
| 06-13B                | 349610                     | 12709/2013           | 08-07                 | 349525                     | 12552/2013           |
| 06-13B                | 349611                     | 12710/2013           | 08-07                 | 349557                     | 12549/2013           |
| 06-13C                | 349533                     | 11856/2013           | 08-07                 | 349601                     | 11308/2013           |
| 06-13C                | 349662                     | 12701/2013           | 08-08C                | 349573                     | 10705/2013           |
| 07-01NES              | 349415                     | 12559/2013           | 08-08D                | 349509                     | 12648/2013           |
| 07-01NES              | 349416                     | 12558/2013           | 08-08L                | 349511                     | 12660/2013           |
| 07-02A                | 349473                     | 12075/2013           | 08-99                 | 349486                     | 12630/2013           |
| 07-02A                | 349474                     | 12076/2013           | 09-01A                | 349577                     | 10833/2013           |
| 07-02A                | 349475                     | 12077/2013           | 09-01A                | 349578                     | 10834/2013           |
| 07-02A                | 349476                     | 12078/2013           | 09-01G                | 349403                     | 12572/2013           |

Registration Proceedings - Class Listing of Designs Published or Registered cont'd

| Classification | Registration Number | Design Number | Classification | Registration Number | Design Number |
|----------------|---------------------|---------------|----------------|---------------------|---------------|
| 09-01K         | 349455              | 12052/2013    | 13-03D         | 349532              | 11797/2013    |
| 09-02B         | 349426              | 12591/2013    | 13-03D         | 349666              | 11201/2013    |
| 09-03A         | 349615              | 12728/2013    | 13-03D         | 349667              | 11202/2013    |
| 09-03C         | 349517              | 11686/2013    | 13-03E         | 349503              | 12355/2013    |
| 09-03F         | 349404              | 12574/2013    | 14-01          | 349501              | 11215/2013    |
| 09-03F         | 349451              | 11566/2013    | 14-01          | 349515              | 12642/2013    |
| 09-03F         | 349452              | 11567/2013    | 14-01          | 349579              | 12180/2013    |
| 09-03F         | 349526              | 12282/2013    | 14-01          | 349586              | 11872/2013    |
| 09-03H         | 349526              | 12282/2013    | 14-01          | 349634              | 12150/2013    |
| 09-03H         | 349527              | 12281/2013    | 14-01          | 349635              | 12151/2013    |
| 09-03M         | 349502              | 12106/2013    | 14-01          | 349636              | 12152/2013    |
| 09-03NES       | 349517              | 11686/2013    | 14-01          | 349637              | 12153/2013    |
| 09-03NES       | 349664              | 12704/2013    | 14-02          | 349453              | 11683/2013    |
| 09-05          | 349422              | 12582/2013    | 14-02          | 349488              | 12108/2013    |
| 09-05          | 349423              | 12583/2013    | 14-02          | 349503              | 12355/2013    |
| 09-05          | 349603              | 11641/2013    | 14-03E         | 349487              | 12218/2013    |
| 09-05          | 349664              | 12704/2013    | 14-03NES       | 349501              | 11215/2013    |
| 09-07B         | 349415              | 12559/2013    | 14-03NES       | 349564              | 12682/2013    |
| 09-07B         | 349416              | 12558/2013    | 14-03NES       | 349565              | 12683/2013    |
| 09-07B         | 349556              | 12469/2013    | 14-04          | 349558              | 12597/2013    |
| 11-01A         | 349405              | 12575/2013    | 14-04          | 349580              | 15676/2012    |
| 11-02E         | 349546              | 11461/2013    | 14-04          | 349593              | 12696/2013    |
| 11-02E         | 349547              | 11462/2013    | 14-04          | 349594              | 12697/2013    |
| 12-02          | 349512              | 12662/2013    | 15-01          | 349628              | 10909/2013    |
| 12-05          | 349605              | 12371/2013    | 15-01          | 349629              | 10908/2013    |
| 12-06NES       | 349587              | 12162/2013    | 15-01          | 349638              | 12154/2013    |
| 12-06NES       | 349588              | 12163/2013    | 15-01          | 349639              | 12155/2013    |
| 12-06NES       | 349589              | 12164/2013    | 15-01          | 349640              | 12156/2013    |
| 12-06NES       | 349638              | 12154/2013    | 15-01          | 349641              | 12157/2013    |
| 12-06NES       | 349639              | 12155/2013    | 15-01          | 349672              | 12160/2013    |
| 12-06NES       | 349640              | 12156/2013    | 15-01          | 349673              | 12159/2013    |
| 12-06NES       | 349641              | 12157/2013    | 15-01          | 349674              | 12158/2013    |
| 12-06NES       | 349672              | 12160/2013    | 15-04          | 349550              | 11696/2013    |
| 12-06NES       | 349673              | 12159/2013    | 15-04          | 349669              | 11367/2013    |
| 12-06NES       | 349674              | 12158/2013    | 15-04          | 349670              | 11370/2013    |
| 12-08          | 349644              | 12621/2013    | 15-05          | 349432              | 11151/2013    |
| 12-08          | 349645              | 12622/2013    | 15-05          | 349433              | 12811/2013    |
| 12-08          | 349646              | 12623/2013    | 15-05          | 349434              | 12812/2013    |
| 12-08          | 349647              | 12624/2013    | 15-05          | 349435              | 12813/2013    |
| 12-08          | 349648              | 12625/2013    | 15-05          | 349436              | 12814/2013    |
| 12-08          | 349649              | 12626/2013    | 15-05          | 349443              | 12594/2013    |
| 12-08          | 349650              | 12627/2013    | 15-05          | 349466              | 12067/2013    |
| 12-08          | 349651              | 12628/2013    | 15-05          | 349467              | 12068/2013    |
| 12-09          | 349542              | 12671/2013    | 15-05          | 349468              | 12069/2013    |
| 12-10          | 349480              | 12362/2013    | 15-05          | 349469              | 12070/2013    |
| 12-10          | 349481              | 12363/2013    | 15-05          | 349470              | 12072/2013    |
| 12-10          | 349482              | 12364/2013    | 15-05          | 349471              | 12073/2013    |
| 12-11          | 349509              | 12648/2013    | 15-05          | 349472              | 12074/2013    |
| 12-15C         | 349606              | 12705/2013    | 15-05          | 349530              | 11765/2013    |
| 12-15C         | 349609              | 12708/2013    | 15-05          | 349531              | 11767/2013    |
| 12-15C         | 349612              | 12723/2013    | 15-05          | 349559              | 12673/2013    |
| 12-16B         | 349518              | 11264/2013    | 15-05          | 349563              | 12681/2013    |
| 12-16B         | 349552              | 12046/2013    | 15-05          | 349567              | 12687/2013    |
| 12-16NES       | 349485              | 12629/2013    | 15-05          | 349568              | 12688/2013    |
| 13-03B         | 349534              | 11858/2013    | 15-05          | 349569              | 12689/2013    |
| 13-03C         | 349486              | 12630/2013    | 15-05          | 349604              | 11764/2013    |



Registration Proceedings - Class Listing of Designs Published or Registered cont'd

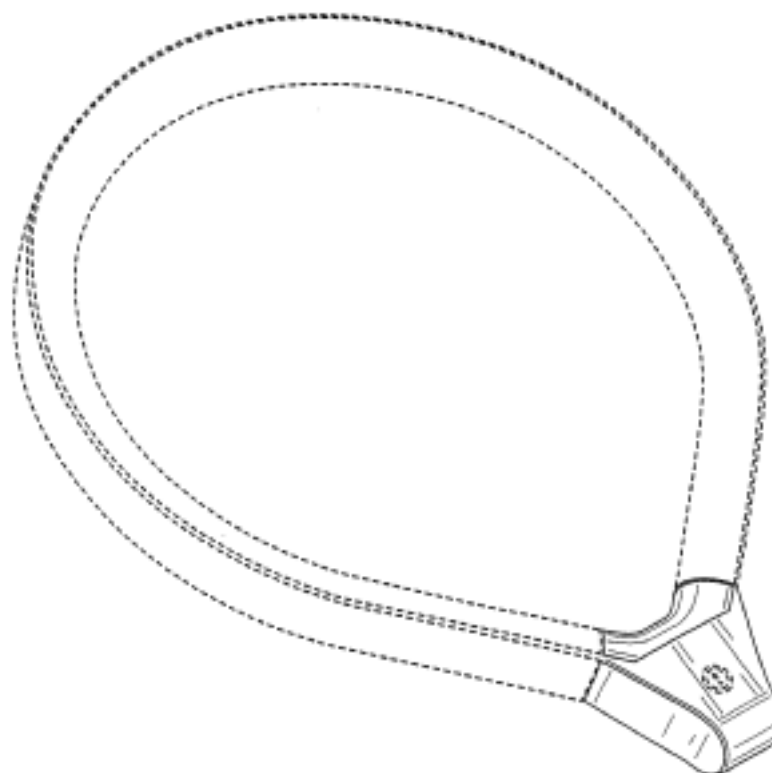
| Classification | Registration Number | Design Number | Classification | Registration Number | Design Number |
|----------------|---------------------|---------------|----------------|---------------------|---------------|
| 15-05          | 349616              | 10759/2013    | 24-02          | 349535              | 11877/2013    |
| 15-05          | 349617              | 10760/2013    | 24-02          | 349536              | 11878/2013    |
| 15-05          | 349618              | 10988/2013    | 24-02          | 349573              | 10705/2013    |
| 15-05          | 349619              | 10989/2013    | 24-03          | 349483              | 12527/2013    |
| 15-05          | 349620              | 10990/2013    | 24-03          | 349513              | 12666/2013    |
| 16-06          | 349602              | 11670/2013    | 24-03          | 349514              | 12667/2013    |
| 16-06          | 349623              | 11626/2013    | 24-03          | 349654              | 12743/2013    |
| 17-03          | 349656              | 11036/2013    | 24-04          | 349489              | 12120/2013    |
| 17-03          | 349657              | 11037/2013    | 24-04          | 349653              | 12742/2013    |
| 17-03          | 349658              | 11038/2013    | 24-04          | 349664              | 12704/2013    |
| 17-03          | 349659              | 12842/2013    | 25-01B         | 349510              | 12659/2013    |
| 17-03          | 349660              | 12843/2013    | 25-01B         | 349511              | 12660/2013    |
| 17-03          | 349661              | 12844/2013    | 25-01K         | 349410              | 12390/2013    |
| 17-99          | 349405              | 12575/2013    | 25-01K         | 349548              | 11496/2013    |
| 17-99          | 349406              | 12577/2013    | 25-01K         | 349549              | 11497/2013    |
| 19-02          | 349560              | 12677/2013    | 25-01K         | 349570              | 10819/2013    |
| 19-06          | 349546              | 11461/2013    | 25-02A         | 349507              | 12644/2013    |
| 19-06          | 349547              | 11462/2013    | 25-02A         | 349508              | 12645/2013    |
| 19-08          | 349418              | 12524/2013    | 25-02NES       | 349484              | 12616/2013    |
| 20-02C         | 349478              | 12468/2013    | 25-02NES       | 349553              | 12023/2013    |
| 20-02E         | 349478              | 12468/2013    | 25-02NES       | 349622              | 11438/2013    |
| 20-02NES       | 349529              | 11763/2013    | 25-03          | 349437              | 12064/2013    |
| 20-02NES       | 349560              | 12677/2013    | 25-03          | 349438              | 12065/2013    |
| 21-01C         | 349644              | 12621/2013    | 25-03          | 349439              | 12066/2013    |
| 21-01C         | 349645              | 12622/2013    | 25-03          | 349446              | 12058/2013    |
| 21-01C         | 349646              | 12623/2013    | 25-03          | 349447              | 12059/2013    |
| 21-01C         | 349647              | 12624/2013    | 25-03          | 349448              | 12060/2013    |
| 21-01C         | 349648              | 12625/2013    | 25-03          | 349449              | 12061/2013    |
| 21-01C         | 349649              | 12626/2013    | 25-03          | 349450              | 12062/2013    |
| 21-01C         | 349650              | 12627/2013    | 25-03          | 349479              | 12056/2013    |
| 21-01C         | 349651              | 12628/2013    | 25-03          | 349490              | 11731/2013    |
| 21-01F         | 349509              | 12648/2013    | 25-03          | 349491              | 11729/2013    |
| 21-02C         | 349591              | 12379/2013    | 25-03          | 349492              | 11730/2013    |
| 21-02F         | 349419              | 12109/2013    | 25-03          | 349494              | 11734/2013    |
| 21-04          | 349414              | 12529/2013    | 25-03          | 349495              | 11733/2013    |
| 22-04          | 349539              | 12649/2013    | 25-03          | 349496              | 11732/2013    |
| 23-01A         | 349540              | 12669/2013    | 25-03          | 349497              | 11742/2013    |
| 23-01A         | 349541              | 12670/2013    | 25-03          | 349498              | 11741/2013    |
| 23-01A         | 349607              | 12706/2013    | 25-03          | 349499              | 11737/2013    |
| 23-01A         | 349608              | 12707/2013    | 25-03          | 349500              | 11736/2013    |
| 23-01H         | 349408              | 12465/2013    | 25-03          | 349523              | 11735/2013    |
| 23-01H         | 349592              | 12693/2013    | 25-04          | 349642              | 12466/2013    |
| 23-01NES       | 349408              | 12465/2013    | 26-02          | 349528              | 12230/2013    |
| 23-02A         | 349630              | 10894/2013    | 26-03          | 349545              | 11050/2013    |
| 23-02A         | 349631              | 10895/2013    | 26-05D         | 349621              | 11412/2013    |
| 23-02A         | 349652              | 12741/2013    | 26-05E         | 349505              | 12405/2013    |
| 23-02C         | 349412              | 12360/2013    | 26-05E         | 349538              | 12486/2013    |
| 23-04          | 349521              | 11526/2013    | 29-02          | 349553              | 12023/2013    |
| 23-04          | 349600              | 10762/2013    | 29-02          | 349622              | 11438/2013    |
| 23-04          | 349663              | 12702/2013    | 30-08          | 349543              | 16549/2012    |
| 24-01          | 349425              | 12588/2013    | 30-99          | 349671              | 11755/2013    |
| 24-01          | 349571              | 12619/2013    | 31-00          | 349427              | 12599/2013    |
| 24-01          | 349572              | 12620/2013    | 31-00          | 349441              | 12590/2013    |
| 24-01          | 349643              | 12478/2013    | 31-00          | 349442              | 12593/2013    |
| 24-02          | 349493              | 10692/2013    | 31-00          | 349504              | 12403/2013    |
| 24-02          | 349522              | 10704/2013    | 31-00          | 349544              | 16375/2012    |

**Registration Proceedings - Class Listing of Designs Published or Registered cont'd**

(21) Design Number: **16325/2012**  
(22) Date of Filing Application: **10 December 2012**  
(24) Date from which industrial property rights may have effect: **10 December 2012**  
(54) Product in respect of which the design is registered: **Bexley sideboard**  
(51) International Design Classification: **06-04D**  
(74) Name(s) of Attorney(s):  
(71) Name(s) and Address(s) of Applicant(s):  
**Global Home**  
**18th Floor Ree Tower 9 Doan Van Bo Street District 1 HCMC Vietnam**  
(72) Name(s) of Designer(s): **Matthew Hobbs**  
(45) Registration Date: **29 April 2013**  
(56) Related Art Documents: **Not Applicable**  
(57) Statement of Newness and Distinctiveness: **Corner detail; Bar handle; Colour and Finish Combination.**



(21) Design Number: **10872/2013**  
(22) Date of Filing Application: **25 February 2013**  
(24) Date from which industrial property rights may have effect: **25 February 2013**  
(54) Product in respect of which the design is registered: **Lock**  
(51) International Design Classification: **08-07**  
(74) Name(s) of Attorney(s): **Callinans**  
(71) Name(s) and Address(s) of Applicant(s):  
**Master Lock Company LLC**  
**137 W. Forest Hill Avenue Oak Creek Wisconsin 53154 United States of America**  
(72) Name(s) of Designer(s): **Scott Stevens**  
(45) Registration Date: **25 June 2013**  
(30) Convention priority data:  
(31) Number      (32) Date      (33) Country  
**29/430,576      28 Aug 2012      UNITED STATES OF AMERICA**  
(56) Related Art Documents: **Not Applicable**  
(57) Statement of Newness and Distinctiveness: **Newness and distinctiveness are provided by the shape and/or configuration of the design shown in the representations. The features shown in broken lines in the representations are for illustrative purposes only and should not be considered when construing visual features of the design.**



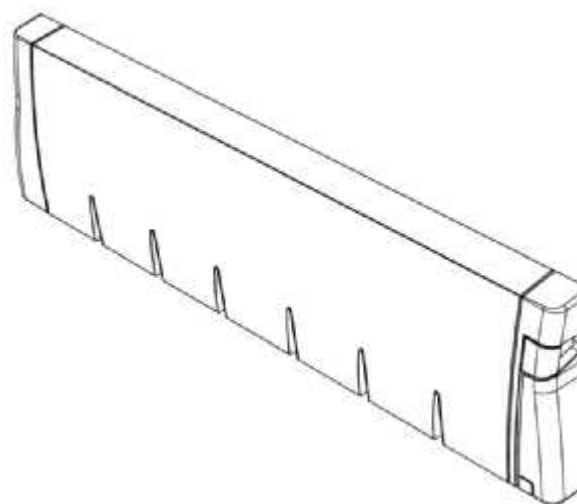
(21) Design Number: **12580/2013**  
(22) Date of Filing Application: **30 May 2013**  
(24) Date from which industrial property rights may have effect: **30 May 2013**  
(54) Product in respect of which the design is registered: **Articles of clothing**  
(51) International Design Classification: **02-02NES**  
(74) Name(s) of Attorney(s): **K&L Gates**  
(71) Name(s) and Address(s) of Applicant(s):  
**Beba Enterprises Pty Ltd**  
**34 Garden St South Yarra VIC 3141 Australia**  
(72) Name(s) of Designer(s): **Robert Cromb**  
(45) Registration Date: **25 June 2013**  
(56) Related Art Documents: **Not Applicable**  
(57) Statement of Newness and Distinctiveness: **Nil**



(21) Design Number: **12579/2013**  
(22) Date of Filing Application: **30 May 2013**  
(24) Date from which industrial property rights may have effect: **30 May 2013**  
(54) Product in respect of which the design is registered: **Articles of clothing**  
(51) International Design Classification: **02-02NES**  
(74) Name(s) of Attorney(s): **K&L Gates**  
(71) Name(s) and Address(s) of Applicant(s):  
**Beba Enterprises Pty Ltd**  
**34 Garden St South Yarra VIC 3141 Australia**  
(72) Name(s) of Designer(s): **Robert Cromb**  
(45) Registration Date: **25 June 2013**  
(56) Related Art Documents: **Not Applicable**  
(57) Statement of Newness and Distinctiveness: **Nil**



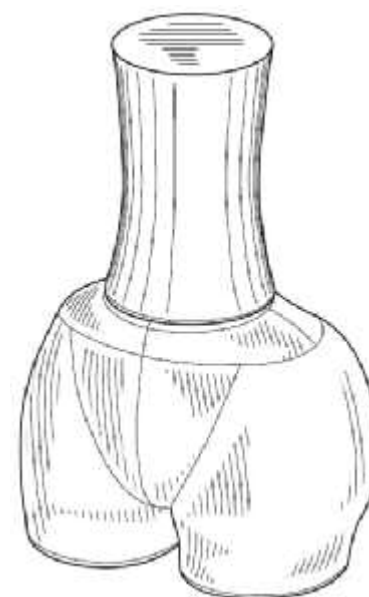
(21) Design Number: **12504/2013**  
(22) Date of Filing Application: **30 May 2013**  
(24) Date from which industrial property rights may have effect: **30 May 2013**  
(54) Product in respect of which the design is registered: **A retractable clothesline**  
(51) International Design Classification: **07-05D**  
(74) Name(s) of Attorney(s): **Madderns**  
(71) Name(s) and Address(s) of Applicant(s):  
**Hills Holdings Limited**  
**159 Port Rd Hindmarsh SA 5007 Australia**  
(72) Name(s) of Designer(s): **Benjamin Hill and John Pitcher**  
(45) Registration Date: **26 June 2013**  
(56) Related Art Documents: **Not Applicable**  
(57) Statement of Newness and Distinctiveness: **Nil**



(21) Design Number: **12512/2013**  
(22) Date of Filing Application: **30 May 2013**  
(24) Date from which industrial property rights may have effect: **30 May 2013**  
(54) Product in respect of which the design is registered: **Case for an electronic device**  
(51) International Design Classification: **03-01NES**  
(74) Name(s) of Attorney(s): **Wrays**  
(71) Name(s) and Address(s) of Applicant(s):  
**Samsung Electronics Co., Ltd**  
**129 Samsung-ro Yeongtong-gu Suwon-si Gyeonggi-do 443-742 Republic of Korea**  
(72) Name(s) of Designer(s): **Yoon-Young Kim and Won-Kyu Sung**  
(45) Registration Date: **26 June 2013**  
(30) Convention priority data:  
(31) Number      (32) Date      (33) Country  
**30-2013-0012856**   **13 Mar 2013**      **REPUBLIC OF KOREA**  
(56) Related Art Documents: **Not Applicable**  
(57) Statement of Newness and Distinctiveness: **Newness and distinctiveness is claimed in the features of shape and/or configuration of the Case For An Electronic Device as shown in the accompanying representations. The features depicted by broken lines are for illustrative purposes only and form no part of the claimed design.**



(21) Design Number: **12572/2013**  
(22) Date of Filing Application: **04 June 2013**  
(24) Date from which industrial property rights may have effect: **04 June 2013**  
(54) Product in respect of which the design is registered: **Cosmetic fluid container**  
(51) International Design Classification: **09-01G**  
(74) Name(s) of Attorney(s): **Alder IP PtyLtd**  
(71) Name(s) and Address(s) of Applicant(s):  
**Mark O'Hara**  
**8 Sandstone Portola Valley California 94028 United States of America**  
(72) Name(s) of Designer(s): **Mark O'Hara**  
(45) Registration Date: **26 June 2013**  
(30) Convention priority data:  
(31) Number (32) Date (33) Country  
**29/439968 18 Jan 2013 UNITED STATES OF AMERICA**  
(56) Related Art Documents: **Not Applicable**  
(57) Statement of Newness and Distinctiveness: **Nil**



(21) Design Number: **12574/2013**  
(22) Date of Filing Application: **04 June 2013**  
(24) Date from which industrial property rights may have effect: **04 June 2013**  
(54) Product in respect of which the design is registered: **Food container**  
(51) International Design Classification: **09-03F**  
(74) Name(s) of Attorney(s): **WATERMARK PATENT AND TRADE MARKS ATTORNEYS**  
(71) Name(s) and Address(s) of Applicant(s):  
**3rd Stone Design Inc.**  
**2935 Kerner Blvd Suite B San Rafael CA 94901 United States of America**  
(72) Name(s) of Designer(s): **Robert H.J. Miros and Brittany V. Ballard**  
(45) Registration Date: **26 June 2013**  
(30) Convention priority data:  
(31) Number (32) Date (33) Country  
**29/438,955 05 Dec 2012 UNITED STATES OF AMERICA**  
(56) Related Art Documents: **Not Applicable**  
(57) Statement of Newness and Distinctiveness: **Nil**



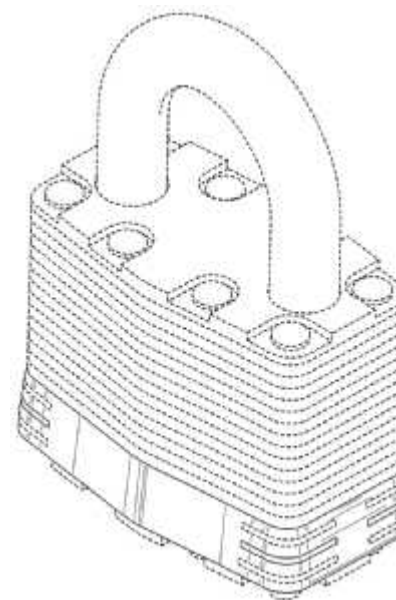
- (21) Design Number: **12575/2013**  
(22) Date of Filing Application: **04 June 2013**  
(24) Date from which industrial property rights may have effect: **04 June 2013**  
(54) Product in respect of which the design is registered: **Ring for musical instrument**  
(51) International Design Classification: **11-01A, 17-99**  
(74) Name(s) of Attorney(s):  
(71) Name(s) and Address(s) of Applicant(s):  
**Phil Lambert**  
**PO BOX 365 Carlton S VIC 3053 Australia**  
(72) Name(s) of Designer(s): **Phil Lambert**  
(45) Registration Date: **26 June 2013**  
(56) Related Art Documents: **Not Applicable**  
(57) Statement of Newness and Distinctiveness: **The newness and distinctiveness resides in the shape and configuration of the ring.**



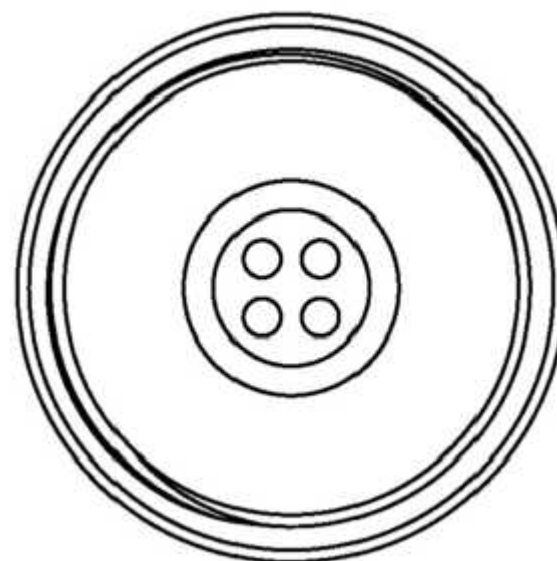
- (21) Design Number: **12577/2013**  
(22) Date of Filing Application: **04 June 2013**  
(24) Date from which industrial property rights may have effect: **04 June 2013**  
(54) Product in respect of which the design is registered: **Musical instrument finger guard**  
(51) International Design Classification: **17-99**  
(74) Name(s) of Attorney(s):  
(71) Name(s) and Address(s) of Applicant(s):  
**Phil Lambert**  
**PO BOX 365 Carlton S VIC 3053 Australia**  
(72) Name(s) of Designer(s): **Phil Lambert**  
(45) Registration Date: **26 June 2013**  
(56) Related Art Documents: **Not Applicable**  
(57) Statement of Newness and Distinctiveness: **The newness and distinctiveness resides in the shape and configuration of the finger guard.**



(21) Design Number: **12398/2013**  
(22) Date of Filing Application: **24 May 2013**  
(24) Date from which industrial property rights may have effect: **25 February 2013**  
(54) Product in respect of which the design is registered: **Lock**  
(51) International Design Classification: **08-07**  
(74) Name(s) of Attorney(s): **Callinans**  
(71) Name(s) and Address(s) of Applicant(s):  
**Master Lock Company LLC**  
**137 W. Forest Hill Avenue Oak Creek Wisconsin 53154 United States of America**  
(72) Name(s) of Designer(s): **Dean A. Paulson and Scott B. Stevens and Lea Marie Plato**  
(45) Registration Date: **26 June 2013**  
(62) Divisional of: **349378**  
(56) Related Art Documents: **Not Applicable**  
(57) Statement of Newness and Distinctiveness: **Newness and distinctiveness are provided by the shape and/or configuration of the design shown in the representations. The features shown in broken lines in the representations are for illustrative purposes only and should not be considered when construing visual features of the design.**



(21) Design Number: **12465/2013**  
(22) Date of Filing Application: **28 May 2013**  
(24) Date from which industrial property rights may have effect: **08 March 2013**  
(54) Product in respect of which the design is registered: **A water flow aerator**  
(51) International Design Classification: **23-01NES, 23-01H**  
(74) Name(s) of Attorney(s): **AJ Park**  
(71) Name(s) and Address(s) of Applicant(s):  
**Felton Industries Limited**  
**Level 3 117 St Georges Bay Road Parnell Auckland New Zealand**  
(72) Name(s) of Designer(s): **Daniel Joseph O'Donoghue**  
(45) Registration Date: **26 June 2013**  
(30) Convention priority data:  
(31) Number (32) Date (33) Country  
**416694 10 Sep 2012 NEW ZEALAND**  
(62) Divisional of: **349046**  
(56) Related Art Documents: **Not Applicable**  
(57) Statement of Newness and Distinctiveness: **Nil**

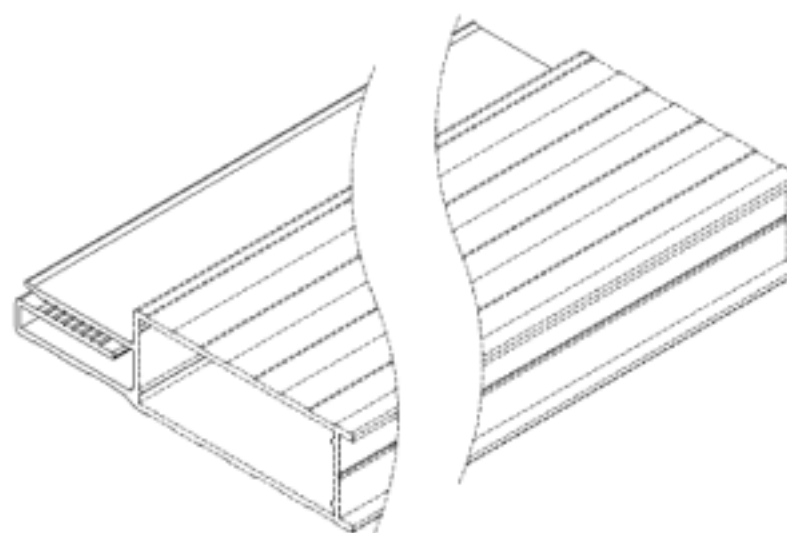




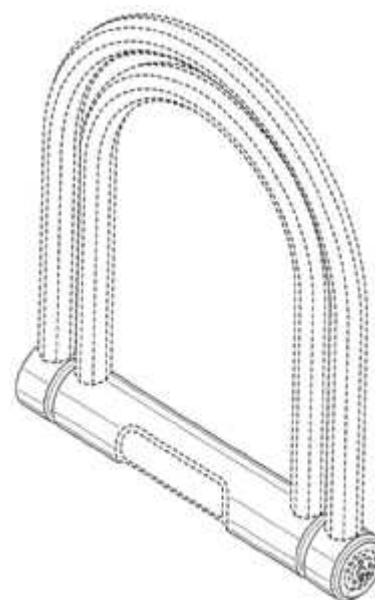
- (21) Design Number: **12493/2013**  
(22) Date of Filing Application: **30 May 2013**  
(24) Date from which industrial property rights may have effect: **30 May 2013**  
(54) Product in respect of which the design is registered: **Case with battery charger for electric toothbrush**  
(51) International Design Classification: **03-01D, 04-02**  
(74) Name(s) of Attorney(s): **FB Rice**  
(71) Name(s) and Address(s) of Applicant(s):  
**Colgate-Palmolive Company**  
**300 Park Avenue New York New York 10022 United States of America**  
**Omron Healthcare Co., Ltd.**  
**53 Kunotsubo Terado-cho Muko-shi Kyoto 617-0002 Japan**  
(72) Name(s) of Designer(s): **Takashi Shigeno and Kazuya Andachi and Tamaki Ito**  
(45) Registration Date: **26 June 2013**  
(30) Convention priority data:  
(31) Number      (32) Date      (33) Country  
**2012-029431      30 Nov 2012      JAPAN**  
(56) Related Art Documents: **Not Applicable**  
(57) Statement of Newness and Distinctiveness: **Newness and distinctiveness reside in the shape and configuration of the design as shown in the representations excluding those features shown in broken lines.**



- (21) Design Number: **12390/2013**  
(22) Date of Filing Application: **23 May 2013**  
(24) Date from which industrial property rights may have effect: **23 May 2013**  
(54) Product in respect of which the design is registered: **Screen frame extrusion**  
(51) International Design Classification: **25-01K**  
(74) Name(s) of Attorney(s): **Ahearn Fox**  
(71) Name(s) and Address(s) of Applicant(s):  
**Solid State Security Pty Ltd**  
**19 Moreton Bay Rd Capalaba QLD 4157 Australia**  
(72) Name(s) of Designer(s): **Frank John Galea**  
(45) Registration Date: **26 June 2013**  
(56) Related Art Documents: **Not Applicable**  
(57) Statement of Newness and Distinctiveness: **Newness and distinctiveness reside in the features of shape and configuration of the screen frame extrusion of indefinite length as shown in the accompanying drawings wherein: Fig. 1 is a pictorial view of the screen frame extrusion with shortened flange; Fig. 2 is an end view thereof; Fig. 3 is a pictorial view of the screen frame extrusion with even flange; Fig. 4 is an end view thereof.**



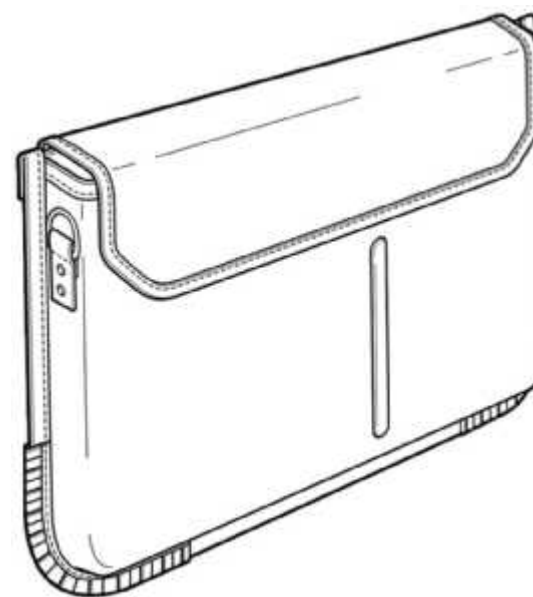
- (21) Design Number: **12388/2013**  
(22) Date of Filing Application: **23 May 2013**  
(24) Date from which industrial property rights may have effect: **25 February 2013**  
(54) Product in respect of which the design is registered: **Lock**  
(51) International Design Classification: **08-07**  
(74) Name(s) of Attorney(s): **Callinans**  
(71) Name(s) and Address(s) of Applicant(s):  
**Master Lock Company LLC**  
**137 W. Forest Hill Avenue Oak Creek Wisconsin 53154 United States of America**  
(72) Name(s) of Designer(s): **Lea Marie Plato**  
(45) Registration Date: **26 June 2013**  
(62) Divisional of: **348964**  
(56) Related Art Documents: **Not Applicable**  
(57) Statement of Newness and Distinctiveness: **Newness and distinctiveness are provided by the shape and/or configuration of the design shown in the representations. The features shown in broken lines in the representations are for illustrative purposes only and should not be considered when construing visual features of the design.**



- (21) Design Number: **12360/2013**  
(22) Date of Filing Application: **22 May 2013**  
(24) Date from which industrial property rights may have effect: **22 May 2013**  
(54) Product in respect of which the design is registered: **Portable toilet bowl**  
(51) International Design Classification: **23-02C**  
(74) Name(s) of Attorney(s):  
(71) Name(s) and Address(s) of Applicant(s):  
**Ready Industries Pty. Ltd.**  
**PO BOX 330 Niddrie VIC 3042 Australia**  
(72) Name(s) of Designer(s): **Martin Fouracre and Bruce Fouracre**  
(45) Registration Date: **26 June 2013**  
(56) Related Art Documents: **Not Applicable**  
(57) Statement of Newness and Distinctiveness: **Newness & Distinctiveness is claimed (but not limited to) the visual features of the clip in housing for a plumbing elbow fitting of the Portable Toilet Bowl.**



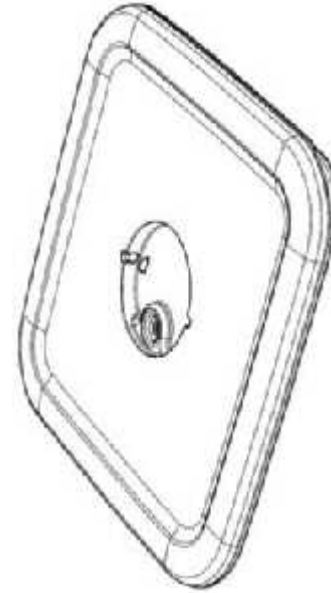
- (21) Design Number: **12525/2013**  
(22) Date of Filing Application: **31 May 2013**  
(24) Date from which industrial property rights may have effect: **31 May 2013**  
(54) Product in respect of which the design is registered: **Laptop case**  
(51) International Design Classification: **03-01NES**  
(74) Name(s) of Attorney(s): **Cotters Patent & Trade Mark Attorneys**  
(71) Name(s) and Address(s) of Applicant(s):  
**Targus Australia Pty Ltd**  
**117-119 Bowden St Meadowbank NSW 2114 Australia**  
(72) Name(s) of Designer(s): **Serine Meguerditchian**  
(45) Registration Date: **26 June 2013**  
(56) Related Art Documents: **Not Applicable**  
(57) Statement of Newness and Distinctiveness: **Newness and distinctiveness is claimed in the features of shape and/or configuration of a laptop case as depicted in the accompanying drawings.**



- (21) Design Number: **12529/2013**  
(22) Date of Filing Application: **31 May 2013**  
(24) Date from which industrial property rights may have effect: **31 May 2013**  
(54) Product in respect of which the design is registered: **A tent**  
(51) International Design Classification: **21-04**  
(74) Name(s) of Attorney(s): **AJ Park**  
(71) Name(s) and Address(s) of Applicant(s):  
**Charles Parsons (Holdings) Pty Limited**  
**L4 59 Goulburn St Sydney NSW 2000 Australia**  
(72) Name(s) of Designer(s): **Lee Alan Spouse and Salvatore Anthony Rizza**  
(45) Registration Date: **26 June 2013**  
(56) Related Art Documents: **Not Applicable**  
(57) Statement of Newness and Distinctiveness: **Newness and distinctiveness reside in the features of shape and/or configuration of the tent as shown in the representations, the features shown in broken lines form no part of the claimed design.**



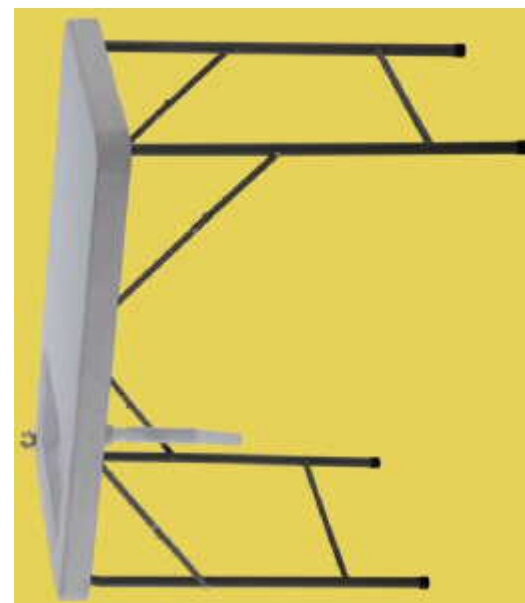
(21) Design Number: **12559/2013**  
(22) Date of Filing Application: **03 June 2013**  
(24) Date from which industrial property rights may have effect: **03 June 2013**  
(54) Product in respect of which the design is registered: **Lid for container**  
(51) International Design Classification: **09-07B, 07-01NES**  
(74) Name(s) of Attorney(s): **Callinans**  
(71) Name(s) and Address(s) of Applicant(s):  
**The Decor Corporation Pty. Ltd.**  
**1314 Ferntree Gully Rd Scoresby VIC 3179 Australia**  
(72) Name(s) of Designer(s): **Jim Samartgis**  
(45) Registration Date: **26 June 2013**  
(56) Related Art Documents: **Not Applicable**  
(57) Statement of Newness and Distinctiveness: **Nil**



(21) Design Number: **12558/2013**  
(22) Date of Filing Application: **03 June 2013**  
(24) Date from which industrial property rights may have effect: **03 June 2013**  
(54) Product in respect of which the design is registered: **Lid for container**  
(51) International Design Classification: **09-07B, 07-01NES**  
(74) Name(s) of Attorney(s): **Callinans**  
(71) Name(s) and Address(s) of Applicant(s):  
**The Decor Corporation Pty. Ltd.**  
**1314 Ferntree Gully Rd Scoresby VIC 3179 Australia**  
(72) Name(s) of Designer(s): **Jim Samartgis**  
(45) Registration Date: **26 June 2013**  
(56) Related Art Documents: **Not Applicable**  
(57) Statement of Newness and Distinctiveness: **Nil**



(21) Design Number: **12528/2013**  
(22) Date of Filing Application: **31 May 2013**  
(24) Date from which industrial property rights may have effect: **31 May 2013**  
(54) Product in respect of which the design is registered: **Table**  
(51) International Design Classification: **06-03A, 06-03C**  
(74) Name(s) of Attorney(s): **Shelston IP**  
(71) Name(s) and Address(s) of Applicant(s):  
**Hangzhou China Arts Industrial Co. Ltd**  
**No.169 Wuchang Avenue Yuhang District Hangzhou 310023 China**  
(72) Name(s) of Designer(s): **Ren Li**  
(45) Registration Date: **26 June 2013**  
(56) Related Art Documents: **Not Applicable**  
(57) Statement of Newness and Distinctiveness: **Newness and distinctiveness reside in the features of shape and/or configuration of a TABLE as illustrated in the accompanying representations. The colours depicted in the representations do not form part of the design.**



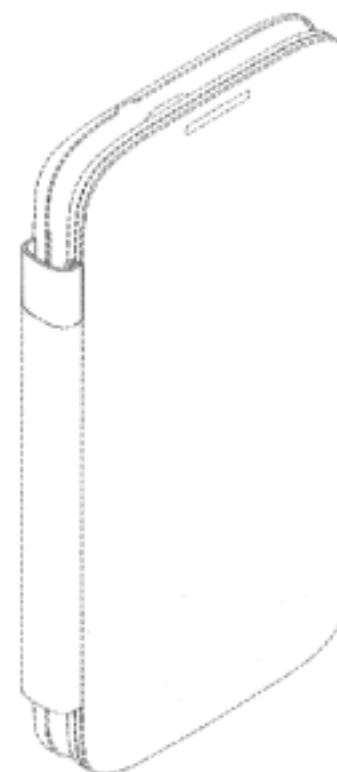
(21) Design Number: **12524/2013**  
(22) Date of Filing Application: **31 May 2013**  
(24) Date from which industrial property rights may have effect: **31 May 2013**  
(54) Product in respect of which the design is registered: **Shrinkwrap label**  
(51) International Design Classification: **19-08**  
(74) Name(s) of Attorney(s): **SPRUSON & FERGUSON**  
(71) Name(s) and Address(s) of Applicant(s):  
**Laszlo Sandor**  
**1536-77 Quebec Avenue Toronto Ontario M6P 2T4 Canada**  
(72) Name(s) of Designer(s): **Laszlo Sandor**  
(45) Registration Date: **26 June 2013**  
(30) Convention priority data:  
(31) Number      (32) Date      (33) Country  
**148818      06 Dec 2012      CANADA**  
(56) Related Art Documents: **Not Applicable**  
(57) Statement of Newness and Distinctiveness: **Newness and distinctiveness is claimed in the features of pattern and/or ornamentation of a shrinkwrap label as illustrated in the accompanying representations, apart from the bottle which forms no part of the design.**



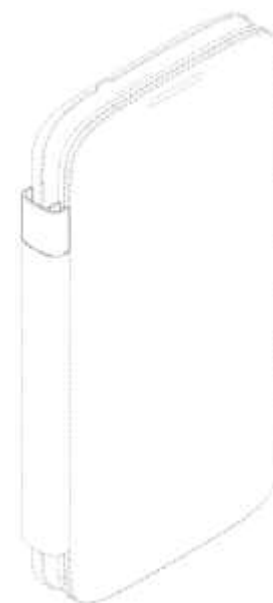
- (21) Design Number: **12109/2013**  
(22) Date of Filing Application: **06 May 2013**  
(24) Date from which industrial property rights may have effect: **06 May 2013**  
(54) Product in respect of which the design is registered: **Waterflow rowing machine**  
(51) International Design Classification: **21-02F**  
(74) Name(s) of Attorney(s): **Allens Patent & Trade Mark Attorneys**  
(71) Name(s) and Address(s) of Applicant(s):  
**Royalbeach International Ltd**  
**Unit B 25th Floor Tower B No. 1 Wang Kwong Road Kowloon Bay Hong Kong**  
(72) Name(s) of Designer(s): **Christian Augustin**  
(45) Registration Date: **26 June 2013**  
(56) Related Art Documents: **Not Applicable**  
(57) Statement of Newness and Distinctiveness: **Newness and distinctiveness is claimed in the features of shape and configuration of a waterflow rowing machine shown in the attached representations. Shadowing is shown for clarity only and is to be disregarded when considering the scope of the monopoly.**



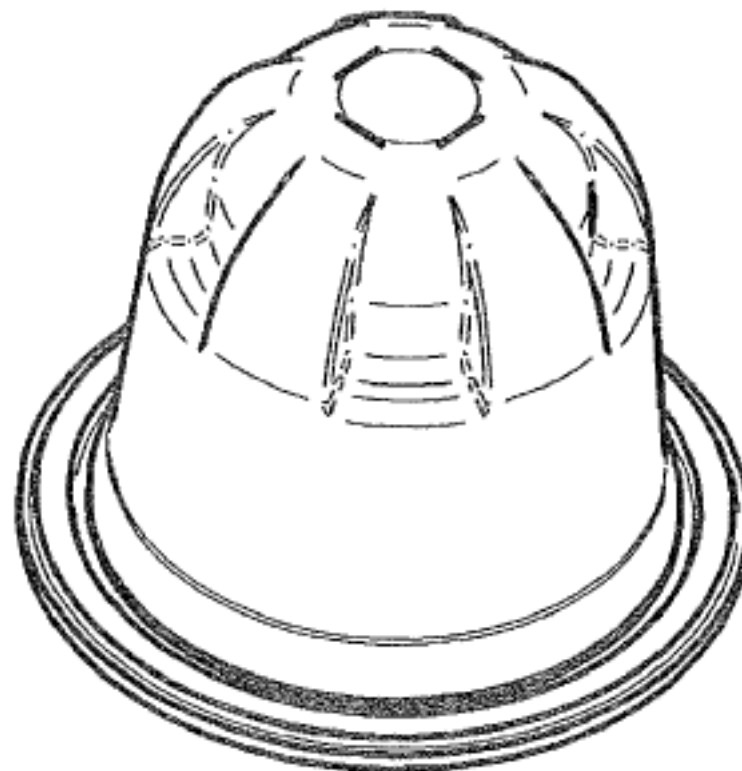
- (21) Design Number: **12513/2013**  
(22) Date of Filing Application: **30 May 2013**  
(24) Date from which industrial property rights may have effect: **30 May 2013**  
(54) Product in respect of which the design is registered: **Case for an electronic device**  
(51) International Design Classification: **03-01NES**  
(74) Name(s) of Attorney(s): **Wrays**  
(71) Name(s) and Address(s) of Applicant(s):  
**Samsung Electronics Co., Ltd**  
**129 Samsung-ro Yeongtong-gu Suwon-si Gyeonggi-do 443-742 Republic of Korea**  
(72) Name(s) of Designer(s): **Yoon-Young Kim**  
(45) Registration Date: **26 June 2013**  
(30) Convention priority data:  
(31) Number      (32) Date      (33) Country  
**30-2013-0012852**   **13 Mar 2013**      **REPUBLIC OF KOREA**  
(56) Related Art Documents: **Not Applicable**  
(57) Statement of Newness and Distinctiveness: **Newness and distinctiveness is claimed in the features of shape and/or configuration of the Case For An Electronic Device as shown in the accompanying representations. The features depicted by broken lines are for illustrative purposes only and form no part of the claimed design.**



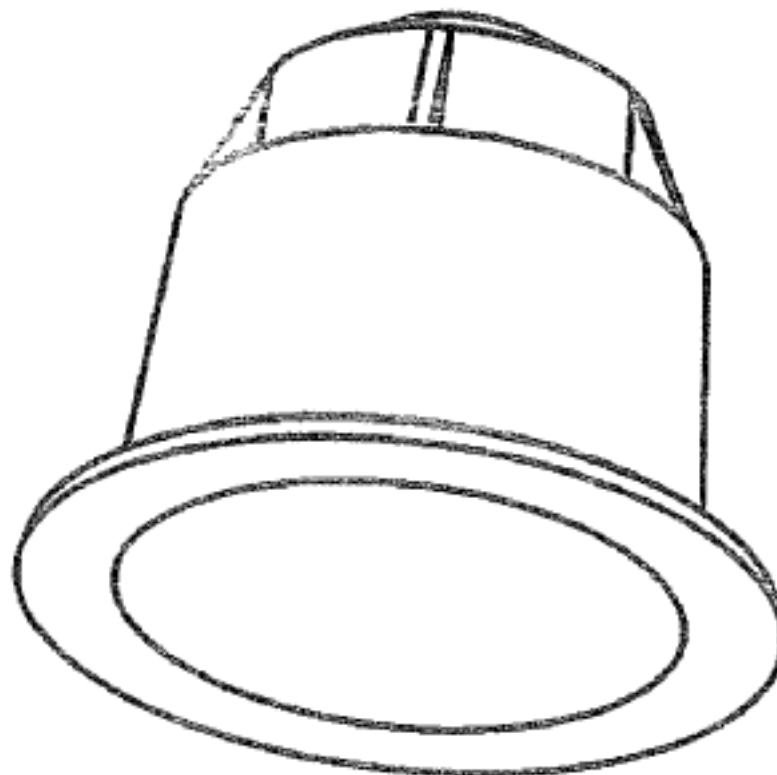
(21) Design Number: **12503/2013**  
(22) Date of Filing Application: **30 May 2013**  
(24) Date from which industrial property rights may have effect: **30 May 2013**  
(54) Product in respect of which the design is registered: **Case for an electronic device**  
(51) International Design Classification: **03-01NES**  
(74) Name(s) of Attorney(s): **Wrays**  
(71) Name(s) and Address(s) of Applicant(s):  
**Samsung Electronics Co., Ltd.**  
**129 Samsung-ro Yeongtong-gu Suwon-si Gyeonggi-do 443-742 Republic of Korea**  
(72) Name(s) of Designer(s): **Yoon-Young Kim**  
(45) Registration Date: **26 June 2013**  
(30) Convention priority data:  
(31) Number (32) Date (33) Country  
**30-2013-0012855 13 Mar 2013 REPUBLIC OF KOREA**  
(56) Related Art Documents: **Not Applicable**  
(57) Statement of Newness and Distinctiveness: **Newness and distinctiveness is claimed in the features of shape and/or configuration of the Case For An Electronic Device as shown in the accompanying representations. The features depicted by broken lines are for illustrative purposes only and form no part of the claimed design.**



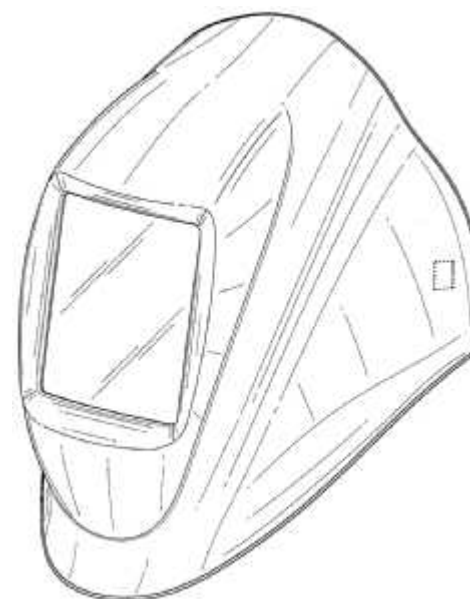
(21) Design Number: **12582/2013**  
(22) Date of Filing Application: **04 June 2013**  
(24) Date from which industrial property rights may have effect: **04 June 2013**  
(54) Product in respect of which the design is registered: **Pod for a pre-packaged drink**  
(51) International Design Classification: **09-05**  
(74) Name(s) of Attorney(s): **Raven IP**  
(71) Name(s) and Address(s) of Applicant(s):  
**Dmitry Podlasov**  
**34 Merion Ct Robina QLD 4226 Australia**  
(72) Name(s) of Designer(s): **Dmitry Podlasov**  
(45) Registration Date: **26 June 2013**  
(56) Related Art Documents: **Not Applicable**  
(57) Statement of Newness and Distinctiveness: **Nil**



- (21) Design Number: **12583/2013**  
(22) Date of Filing Application: **04 June 2013**  
(24) Date from which industrial property rights may have effect: **04 June 2013**  
(54) Product in respect of which the design is registered: **Pod for a pre-packaged drink**  
(51) International Design Classification: **09-05**  
(74) Name(s) of Attorney(s): **Raven IP**  
(71) Name(s) and Address(s) of Applicant(s):  
**Dmitry Podlasov**  
**34 Merion Ct Robina QLD 4226 Australia**  
(72) Name(s) of Designer(s): **Dmitry Podlasov**  
(45) Registration Date: **26 June 2013**  
(56) Related Art Documents: **Not Applicable**  
(57) Statement of Newness and Distinctiveness: **Nil**

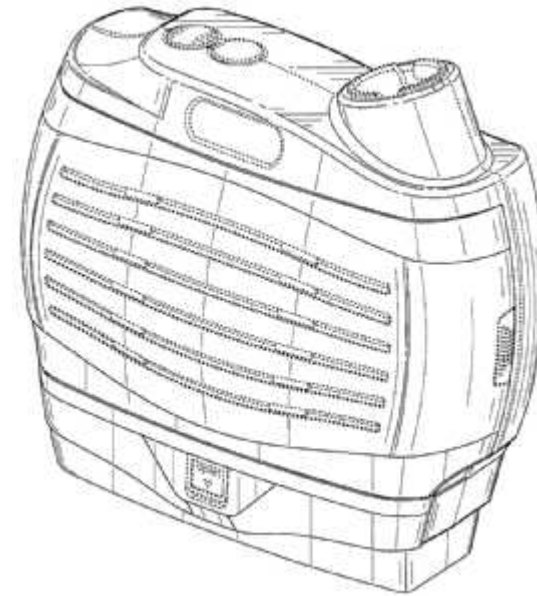


- (21) Design Number: **12587/2013**  
(22) Date of Filing Application: **05 June 2013**  
(24) Date from which industrial property rights may have effect: **05 June 2013**  
(54) Product in respect of which the design is registered: **Welding helmet**  
(51) International Design Classification: **02-03**  
(74) Name(s) of Attorney(s): **FB Rice**  
(71) Name(s) and Address(s) of Applicant(s):  
**Tecmen Electronics CO., LTD.**  
**Building D No. 21 North Liuzhou Road Xiaoliu Industry Park Nanjing**  
**210031 China**  
(72) Name(s) of Designer(s): **Ziqian Wu**  
(45) Registration Date: **26 June 2013**  
(56) Related Art Documents: **Not Applicable**  
(57) Statement of Newness and Distinctiveness: **Newness and distinctiveness reside in the features of shape and configuration of the design as shown in the representations, and excluding those features shown in broken lines.**

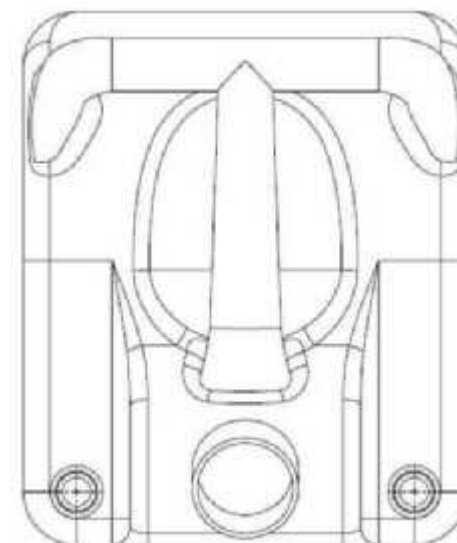




- (21) Design Number: **12588/2013**  
(22) Date of Filing Application: **05 June 2013**  
(24) Date from which industrial property rights may have effect: **05 June 2013**  
(54) Product in respect of which the design is registered: **Respirator**  
(51) International Design Classification: **24-01**  
(74) Name(s) of Attorney(s): **FB Rice**  
(71) Name(s) and Address(s) of Applicant(s):  
**Tecmen Electronics CO., LTD.**  
**Building D No. 21 North Liuzhou Road Xiaoliu Industry Park Nanjing**  
**210031 China**  
(72) Name(s) of Designer(s): **Ziqian Wu**  
(45) Registration Date: **26 June 2013**  
(56) Related Art Documents: **Not Applicable**  
(57) Statement of Newness and Distinctiveness: **Newness and distinctiveness reside in the features of shape and configuration of the design as shown in the representations, and excluding those features shown in broken lines.**



- (21) Design Number: **12591/2013**  
(22) Date of Filing Application: **05 June 2013**  
(24) Date from which industrial property rights may have effect: **05 June 2013**  
(54) Product in respect of which the design is registered: **Canister**  
(51) International Design Classification: **09-02B**  
(74) Name(s) of Attorney(s): **SPRUSON & FERGUSON**  
(71) Name(s) and Address(s) of Applicant(s):  
**Jemie B.V.**  
**Beneluxweg 37 Oosterhout 4901 SJ Netherlands**  
(72) Name(s) of Designer(s): **Arie Jan de Jong**  
(45) Registration Date: **26 June 2013**  
(30) Convention priority data:  
(31) Number      (32) Date      (33) Country  
**84827-01      05 Apr 2013      BENIN**  
(56) Related Art Documents: **Not Applicable**  
(57) Statement of Newness and Distinctiveness: **Newness and distinctiveness is claimed in the features of shape and/or configuration of the following parts of a canister as illustrated and labelled in the accompanying representations; inclined orientation of mouth labelled "A", rounded rear edge labelled "B", and T-shaped and handle labelled "C".**



(21) Design Number: **12599/2013**  
(22) Date of Filing Application: **05 June 2013**  
(24) Date from which industrial property rights may have effect: **05 June 2013**  
(54) Product in respect of which the design is registered: **Kitchen appliance bowl**  
(51) International Design Classification: **31-00**  
(74) Name(s) of Attorney(s): **Allens Patent & Trade Mark Attorneys**  
(71) Name(s) and Address(s) of Applicant(s):



**Sensio Inc.**  
**1175 Place du Frere Andre Montreal Quebec H3B 3X9 Canada**

(72) Name(s) of Designer(s): **Martin Gagnon and Wai Wang and Ding Li Guo**  
(45) Registration Date: **26 June 2013**

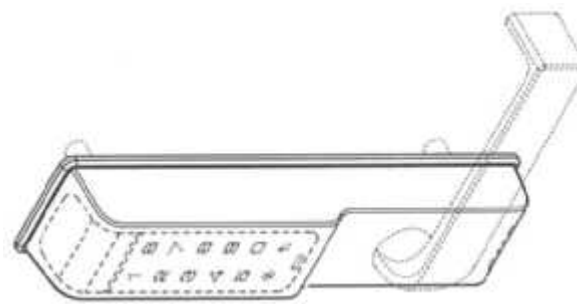
(30) Convention priority data:

| (31) Number       | (32) Date          | (33) Country                    |
|-------------------|--------------------|---------------------------------|
| <b>29/438,979</b> | <b>05 Dec 2012</b> | <b>UNITED STATES OF AMERICA</b> |

(56) Related Art Documents: **Not Applicable**

(57) Statement of Newness and Distinctiveness: **Newness and distinctiveness is claimed in the shape and/or configuration of a kitchen appliance bowl shown in the accompanying representations. The portions indicated in broken lines in the representations are for illustrative purposes and form no part of the claimed design.**

(21) Design Number: **12602/2013**  
(22) Date of Filing Application: **05 June 2013**  
(24) Date from which industrial property rights may have effect: **05 June 2013**  
(54) Product in respect of which the design is registered: **Lock body**  
(51) International Design Classification: **08-07**  
(74) Name(s) of Attorney(s): **PHILLIPS ORMONDE FITZPATRICK**  
(71) Name(s) and Address(s) of Applicant(s):



**ASSA ABLOY Australia Pty Limited**  
**235 Huntingdale Rd Oakleigh VIC 3166 Australia**

(72) Name(s) of Designer(s): **Craig Anthony Caspersz**

(45) Registration Date: **26 June 2013**

(56) Related Art Documents: **Not Applicable**

(57) Statement of Newness and Distinctiveness: **Those features of the lock body depicted in the representations that are new and distinctive are the shape and/or configuration. The features shown in broken lines are not part of the design and are to be disregarded when considering the overall impression of the design.**

- (21) Design Number: **10942/2013**  
(22) Date of Filing Application: **27 February 2013**  
(24) Date from which industrial property rights may have effect: **27 February 2013**  
(54) Product in respect of which the design is registered: **Pant**  
(51) International Design Classification: **02-02C**  
(74) Name(s) of Attorney(s):  
(71) Name(s) and Address(s) of Applicant(s):  
**Nicholas Joblin**  
**10 Kent St Fitzroy VIC 3065 Australia**  
(72) Name(s) of Designer(s): **Nicholas Joblin**  
(45) Registration Date: **26 June 2013**  
(56) Related Art Documents: **Not Applicable**  
(57) Statement of Newness and Distinctiveness: **The newness and distinctiveness of the design resides in the knee area of the pant and how it opens and reveals another layer of fabric - whilst the main fabric opens up. The rib used is not part of the design and is to be disregarded when considering the overall impression of the design.**



- (21) Design Number: **11003/2013**  
(22) Date of Filing Application: **28 February 2013**  
(24) Date from which industrial property rights may have effect: **28 February 2013**  
(54) Product in respect of which the design is registered: **Cutter**  
(51) International Design Classification: **08-03**  
(74) Name(s) of Attorney(s): **PHILLIPS ORMONDE FITZPATRICK**  
(71) Name(s) and Address(s) of Applicant(s):  
**Martor KG**  
**Heider Hof 60 42653 Solingen Germany**  
(72) Name(s) of Designer(s): **Stephanie Kroner**  
(45) Registration Date: **26 June 2013**  
(30) Convention priority data:  
(31) Number (32) Date (33) Country  
**001341895-0001 30 Aug 2012 OFFICE FOR HARMONISATION IN THE INTERNAL MARKET (OHIM)**  
(56) Related Art Documents: **Not Applicable**  
(57) Statement of Newness and Distinctiveness: **Nil**



(21) Design Number: **12433/2013**  
(22) Date of Filing Application: **28 February 2013**  
(24) Date from which industrial property rights may have effect: **28 February 2013**  
(54) Product in respect of which the design is registered: **Cutter**  
(51) International Design Classification: **08-03**  
(74) Name(s) of Attorney(s): **PHILLIPS ORMONDE FITZPATRICK**  
(71) Name(s) and Address(s) of Applicant(s):

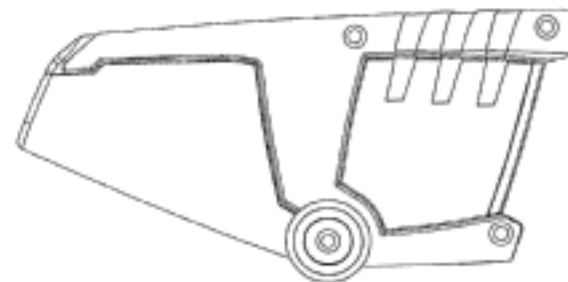
**Martor KG**  
**Heider Hof 60 42653 Solingen Germany**

(72) Name(s) of Designer(s): **Stephanie Kroner**

(45) Registration Date: **26 June 2013**

(30) Convention priority data:

|                       |                    |   |
|-----------------------|--------------------|---|
| (31) Number           | (32) Date          | (33) Country  |
| <b>001341895-0001</b> | <b>30 Aug 2012</b> | <b>OFFICE FOR HARMONISATION IN<br/>THE INTERNAL MARKET (OHIM)</b> |



(56) Related Art Documents: **Not Applicable**

(57) Statement of Newness and Distinctiveness: **Nil**

(21) Design Number: **11151/2013**  
(22) Date of Filing Application: **11 March 2013**  
(24) Date from which industrial property rights may have effect: **11 March 2013**  
(54) Product in respect of which the design is registered: **Vacuum cleaner**  
(51) International Design Classification: **15-05**  
(74) Name(s) of Attorney(s): **Halfords IP**  
(71) Name(s) and Address(s) of Applicant(s):

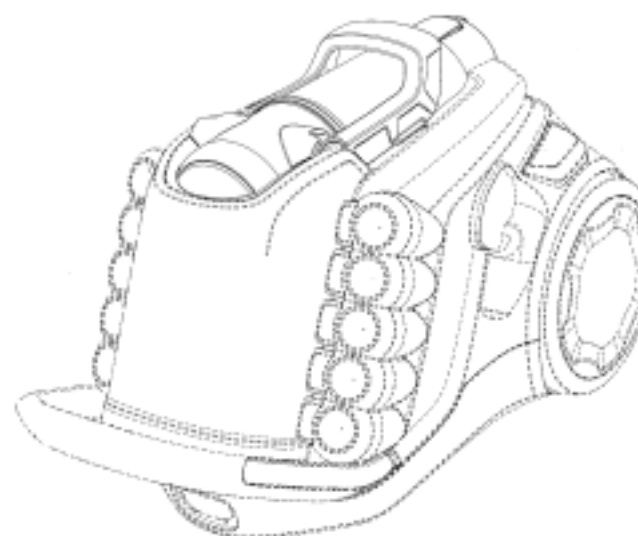
**Aktiebolaget Electrolux**  
**S:t Goransgatan 143 Stockholm 105 45 Sweden**

(72) Name(s) of Designer(s): **Esbjorn Svantesson**

(45) Registration Date: **26 June 2013**

(30) Convention priority data:

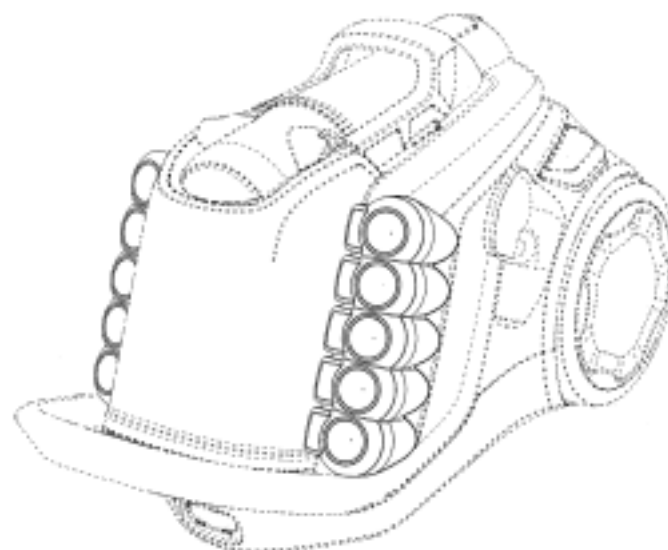
|                  |                    |   |
|------------------|--------------------|---|
| (31) Number      | (32) Date          | (33) Country  |
| <b>002105353</b> | <b>18 Sep 2012</b> | <b>OFFICE FOR HARMONISATION IN<br/>THE INTERNAL MARKET (OHIM)</b> |



(56) Related Art Documents: **Not Applicable**

(57) Statement of Newness and Distinctiveness: **Newness and distinctiveness resides in those features of shape and or configuration of a vacuum cleaner as depicted in the representations. Features shown in broken lines do not form part of the design.**

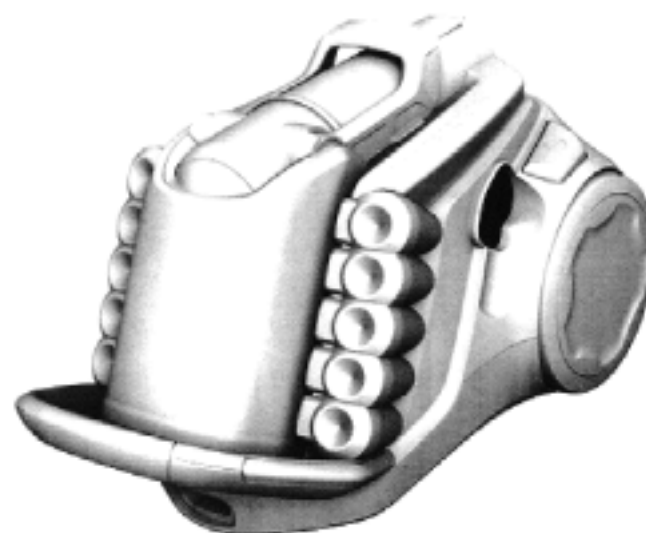
(21) Design Number: **12811/2013**  
(22) Date of Filing Application: **11 March 2013**  
(24) Date from which industrial property rights may have effect: **11 March 2013**  
(54) Product in respect of which the design is registered: **Vacumm cleaner**  
(51) International Design Classification: **15-05**  
(74) Name(s) of Attorney(s): **Halfords IP**  
(71) Name(s) and Address(s) of Applicant(s):  
**Aktiebolaget Electrolux**  
**S:t Goransgatan 143 Stockholm 105 45 Sweden**  
(72) Name(s) of Designer(s): **Esbjorn Svantesson**  
(45) Registration Date: **26 June 2013**  
(30) Convention priority data:  
(31) Number (32) Date (33) Country  
**002105353 18 Sep 2012 OFFICE FOR HARMONISATION IN**  
**THE INTERNAL MARKET (OHIM)**  
(56) Related Art Documents: **Not Applicable**  
(57) Statement of Newness and Distinctiveness: **Newness and Distinctiveness resides in those features of shape and or configuration of a Vacuum Cleaner as depicted in the accompanying representations. Features shown in broken lines do not form part of the design.**



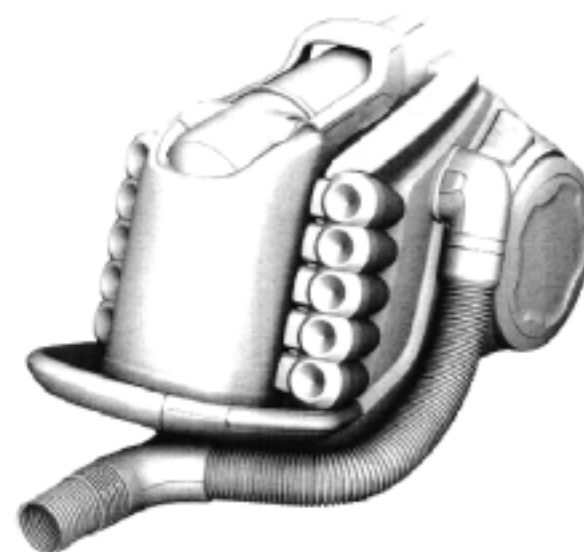
(21) Design Number: **12812/2013**  
(22) Date of Filing Application: **11 March 2013**  
(24) Date from which industrial property rights may have effect: **11 March 2013**  
(54) Product in respect of which the design is registered: **Vacuum cleaner component**  
(51) International Design Classification: **15-05**  
(74) Name(s) of Attorney(s): **Halfords IP**  
(71) Name(s) and Address(s) of Applicant(s):  
**Aktiebolaget Electrolux**  
**S:t Goransgatan 143 Stockholm 105 45 Sweden**  
(72) Name(s) of Designer(s): **Esbjorn Svantesson**  
(45) Registration Date: **26 June 2013**  
(30) Convention priority data:  
(31) Number (32) Date (33) Country  
**002105353 18 Dec 2012 OFFICE FOR HARMONISATION IN**  
**THE INTERNAL MARKET (OHIM)**  
(56) Related Art Documents: **Not Applicable**  
(57) Statement of Newness and Distinctiveness: **Newness and Distinctiveness resides in those features of shape and or configuration of a Vacuum Cleaner Component as depicted in the accompanying representations. Features shown in broken lines do not form part of the design.**



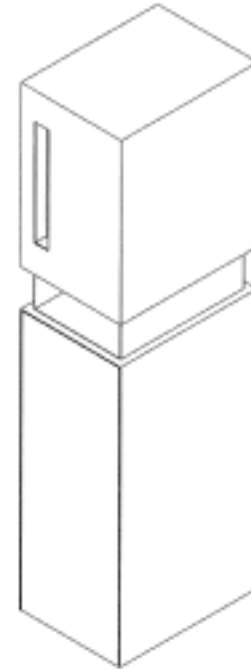
(21) Design Number: **12813/2013**  
(22) Date of Filing Application: **11 March 2013**  
(24) Date from which industrial property rights may have effect: **11 March 2013**  
(54) Product in respect of which the design is registered: **Vacuum cleaner**  
(51) International Design Classification: **15-05**  
(74) Name(s) of Attorney(s): **Halfords IP**  
(71) Name(s) and Address(s) of Applicant(s):  
**Aktiebolaget Electrolux**  
**S:t Goransgatan 143 Stockholm 105 45 Sweden**  
(72) Name(s) of Designer(s): **Esbjorn Svantesson**  
(45) Registration Date: **26 June 2013**  
(30) Convention priority data:  
(31) Number (32) Date (33) Country  
**002105353 18 Dec 2012 OFFICE FOR HARMONISATION IN**  
**THE INTERNAL MARKET (OHIM)**  
(56) Related Art Documents: **Not Applicable**  
(57) Statement of Newness and Distinctiveness: **Newness and Distinctiveness resides in those features of shape and or configuration of a Vacuum Cleaner as depicted in the accompanying representations. Features shown in broken lines do not form part of the design.**



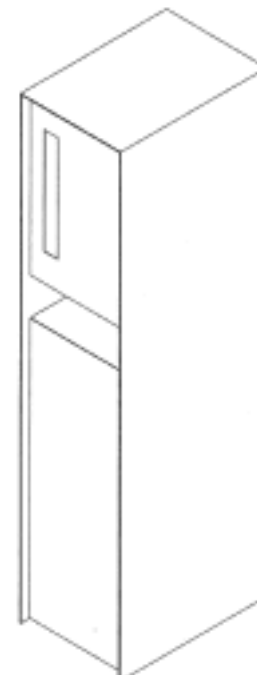
(21) Design Number: **12814/2013**  
(22) Date of Filing Application: **11 March 2013**  
(24) Date from which industrial property rights may have effect: **11 March 2013**  
(54) Product in respect of which the design is registered: **Vacuum cleaner**  
(51) International Design Classification: **15-05**  
(74) Name(s) of Attorney(s): **Halfords IP**  
(71) Name(s) and Address(s) of Applicant(s):  
**Aktiebolaget Electrolux**  
**S:t Goransgatan 143 SE-105 45 Stockholm Sweden**  
(72) Name(s) of Designer(s): **Esbjorn Svantesson**  
(45) Registration Date: **26 June 2013**  
(30) Convention priority data:  
(31) Number (32) Date (33) Country  
**002105353 18 Sep 2012 OFFICE FOR HARMONISATION IN**  
**THE INTERNAL MARKET (OHIM)**  
(56) Related Art Documents: **Not Applicable**  
(57) Statement of Newness and Distinctiveness: **Newness and Distinctiveness resides in those features of shape and or configuration of a Vacuum Cleaner as depicted in the accompanying representations. Features shown in broken lines do not form part of the design.**



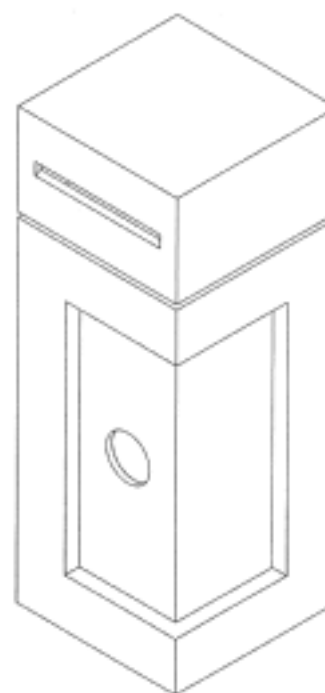
- (21) Design Number: **12064/2013**  
(22) Date of Filing Application: **03 May 2013**  
(24) Date from which industrial property rights may have effect: **03 May 2013**  
(54) Product in respect of which the design is registered: **Post box**  
(51) International Design Classification: **25-03**  
(74) Name(s) of Attorney(s):  
(71) Name(s) and Address(s) of Applicant(s):  
**Dylan James Lake**  
**27/350 Settlement Rd Thomastown VIC 4074 Australia**  
(72) Name(s) of Designer(s): **Dylan James Lake**  
(45) Registration Date: **26 June 2013**  
(56) Related Art Documents: **Not Applicable**  
(57) Statement of Newness and Distinctiveness: **The newness and distinctiveness of the design resides in the shape and/or configuration of a letterbox shown in the representations.**



- (21) Design Number: **12065/2013**  
(22) Date of Filing Application: **03 May 2013**  
(24) Date from which industrial property rights may have effect: **03 May 2013**  
(54) Product in respect of which the design is registered: **Post box**  
(51) International Design Classification: **25-03**  
(74) Name(s) of Attorney(s):  
(71) Name(s) and Address(s) of Applicant(s):  
**Dylan James Lake**  
**27/350 Settlement Rd Thomastown VIC 4074 Australia**  
(72) Name(s) of Designer(s): **Dylan James Lake**  
(45) Registration Date: **26 June 2013**  
(56) Related Art Documents: **Not Applicable**  
(57) Statement of Newness and Distinctiveness: **The newness and distinctiveness of the design resides in the shape and/or configuration of a letterbox shown in the representations.**



- (21) Design Number: **12066/2013**  
(22) Date of Filing Application: **03 May 2013**  
(24) Date from which industrial property rights may have effect: **03 May 2013**  
(54) Product in respect of which the design is registered: **Post box**  
(51) International Design Classification: **25-03**  
(74) Name(s) of Attorney(s):  
(71) Name(s) and Address(s) of Applicant(s):  
**Dylan James Lake**  
**27/350 Settlement Rd Thomastown VIC 4074 Australia**  
(72) Name(s) of Designer(s): **Dylan James Lake**  
(45) Registration Date: **26 June 2013**  
(56) Related Art Documents: **Not Applicable**  
(57) Statement of Newness and Distinctiveness: **The newness and distinctiveness of the design resides in the shape and/or configuration of a letterbox shown in the representations.**



- (21) Design Number: **12372/2013**  
(22) Date of Filing Application: **22 May 2013**  
(24) Date from which industrial property rights may have effect: **22 May 2013**  
(54) Product in respect of which the design is registered: **Clothing tag**  
(51) International Design Classification: **02-07NES**  
(74) Name(s) of Attorney(s):  
(71) Name(s) and Address(s) of Applicant(s):  
**Star Trading Pty Ltd**  
**1/61 Wattle Rd Maidstone VIC 3012 Australia**  
(72) Name(s) of Designer(s): **Li Jia Lin**  
(45) Registration Date: **26 June 2013**  
(56) Related Art Documents: **Not Applicable**  
(57) Statement of Newness and Distinctiveness: **A silver Teapot shaped clothing tag.**





(21) Design Number: **12590/2013**  
(22) Date of Filing Application: **05 June 2013**  
(24) Date from which industrial property rights may have effect: **05 June 2013**  
(54) Product in respect of which the design is registered: **Kitchen appliance base**  
(51) International Design Classification: **31-00**  
(74) Name(s) of Attorney(s): **Allens Patent & Trade Mark Attorneys**  
(71) Name(s) and Address(s) of Applicant(s):

**Sensio Inc.**  
**1175 Place du Frere Andre Montreal Quebec H3B 3X9 Canada**

(72) Name(s) of Designer(s): **Dimitri Paraskevopoulos and Martin Gagnon**

(45) Registration Date: **26 June 2013**

(30) Convention priority data:

| (31) Number       | (32) Date          | (33) Country                    |
|-------------------|--------------------|---------------------------------|
| <b>29/438,973</b> | <b>05 Dec 2012</b> | <b>UNITED STATES OF AMERICA</b> |

(56) Related Art Documents: **Not Applicable**

(57) Statement of Newness and Distinctiveness: **Newness and distinctiveness is claimed in the shape and/or configuration of a kitchen appliance base shown in the accompanying representations. The portions indicated in broken lines in the representations are for illustrative purposes and form no part of the claimed design.**



(21) Design Number: **12593/2013**  
(22) Date of Filing Application: **05 June 2013**  
(24) Date from which industrial property rights may have effect: **05 June 2013**  
(54) Product in respect of which the design is registered: **Juicing element**  
(51) International Design Classification: **31-00**  
(74) Name(s) of Attorney(s): **Allens Patent & Trade Mark Attorneys**  
(71) Name(s) and Address(s) of Applicant(s):

**Sensio Inc.**  
**1175 Place du Frere Andre Montreal Quebec H3B 3X9 Canada**

(72) Name(s) of Designer(s): **Zhou Hui and Wai Wang and Ding Li Guo**

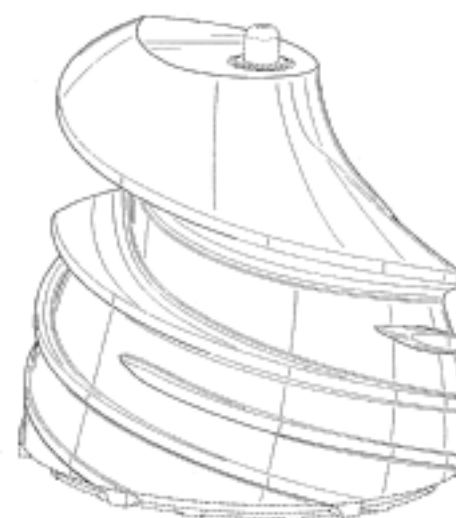
(45) Registration Date: **26 June 2013**

(30) Convention priority data:

| (31) Number       | (32) Date          | (33) Country                    |
|-------------------|--------------------|---------------------------------|
| <b>29/438,976</b> | <b>05 Dec 2012</b> | <b>UNITED STATES OF AMERICA</b> |

(56) Related Art Documents: **Not Applicable**

(57) Statement of Newness and Distinctiveness: **Newness and distinctiveness is claimed in the shape and/or configuration of a juicing element shown in the accompanying representations. The portions indicated in broken lines in the representations are for illustrative purposes and form no part of the claimed design.**



(21) Design Number: **12594/2013**

(22) Date of Filing Application: **05 June 2013**

(24) Date from which industrial property rights may have effect: **05 June 2013**

(54) Product in respect of which the design is registered: **Vacuum cleaner handle**

(51) International Design Classification: **15-05**

(74) Name(s) of Attorney(s): **Griffith Hack**

(71) Name(s) and Address(s) of Applicant(s):



**BISSELL Homecare, Inc**

**2345 Walker Avenue N.W. Grand Rapids Michigan 49544 United States of America**

(72) Name(s) of Designer(s): **Jose Carlito Santiago and Mustafa Engin Hassamanci**

(45) Registration Date: **26 June 2013**

(30) Convention priority data:

| (31) Number       | (32) Date          | (33) Country                    |
|-------------------|--------------------|---------------------------------|
| <b>29/440,148</b> | <b>19 Dec 2012</b> | <b>UNITED STATES OF AMERICA</b> |

(56) Related Art Documents: **Not Applicable**

(57) Statement of Newness and Distinctiveness: **Newness and distinctiveness resides in the visual features, including shape and configuration of the PRODUCT as shown in the accompanying representations. Those parts of the PRODUCT shown by means of dashed lines do not form part of the design and have been included for illustrative purposes only.**

(21) Design Number: **12595/2013**

(22) Date of Filing Application: **05 June 2013**

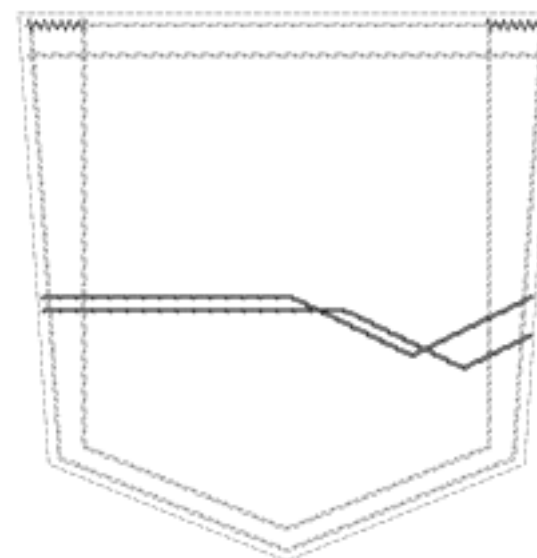
(24) Date from which industrial property rights may have effect: **05 June 2013**

(54) Product in respect of which the design is registered: **Apparel pocket**

(51) International Design Classification: **02-02B**

(74) Name(s) of Attorney(s): **SPRUSON & FERGUSON**

(71) Name(s) and Address(s) of Applicant(s):



**Ariat International, Inc.**

**3242 Whipple Road Union City California 94587 United States of America**

(72) Name(s) of Designer(s): **Jennifer Shaw**

(45) Registration Date: **26 June 2013**

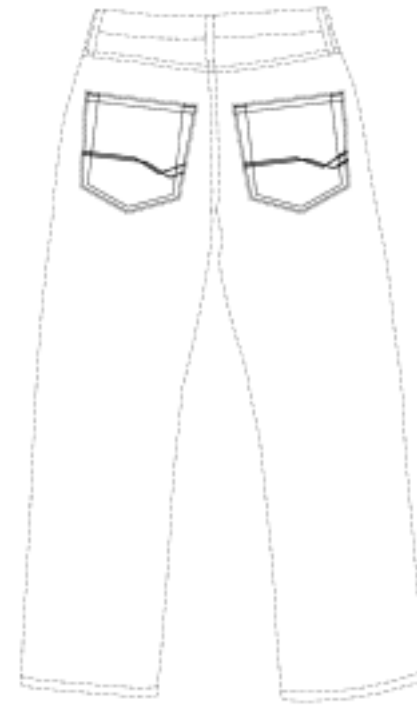
(30) Convention priority data:

| (31) Number      | (32) Date          | (33) Country                    |
|------------------|--------------------|---------------------------------|
| <b>29/439309</b> | <b>10 Dec 2012</b> | <b>UNITED STATES OF AMERICA</b> |

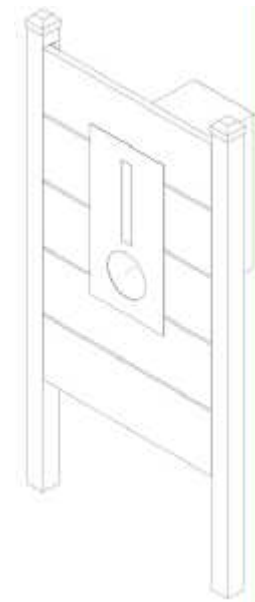
(56) Related Art Documents: **Not Applicable**

(57) Statement of Newness and Distinctiveness: **Newness and distinctiveness is claimed in the features of pattern and/or ornamentation of intersecting stitched lines of an apparel pocket, as illustrated in solid lines in the accompanying representations.**

(21) Design Number: **12596/2013**  
(22) Date of Filing Application: **05 June 2013**  
(24) Date from which industrial property rights may have effect: **05 June 2013**  
(54) Product in respect of which the design is registered: **Trousers**  
(51) International Design Classification: **02-02C**  
(74) Name(s) of Attorney(s): **SPRUSON & FERGUSON**  
(71) Name(s) and Address(s) of Applicant(s):  
**Ariat International, Inc.**  
**3242 Whipple Road Union City California 94587 United States of America**  
(72) Name(s) of Designer(s): **Jennifer Shaw**  
(45) Registration Date: **26 June 2013**  
(30) Convention priority data:  
(31) Number (32) Date (33) Country  
**29/439309 10 Dec 2012 UNITED STATES OF AMERICA**  
(56) Related Art Documents: **Not Applicable**  
(57) Statement of Newness and Distinctiveness: **Newness and distinctiveness is claimed in the features of pattern and/or ornamentation of intersecting stitched lines of pockets on a trouser, as illustrated in solid lines in the accompanying representations.**



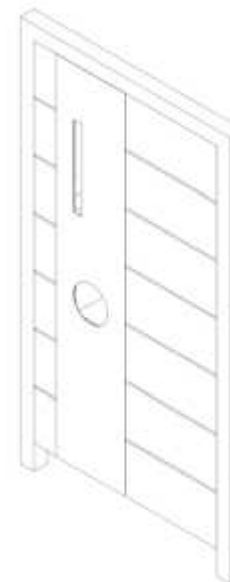
(21) Design Number: **12058/2013**  
(22) Date of Filing Application: **03 May 2013**  
(24) Date from which industrial property rights may have effect: **03 May 2013**  
(54) Product in respect of which the design is registered: **Post box**  
(51) International Design Classification: **25-03**  
(74) Name(s) of Attorney(s):  
(71) Name(s) and Address(s) of Applicant(s):  
**Dylan James Lake**  
**27/350 Settlement Rd Thomastown VIC 4074 Australia**  
(72) Name(s) of Designer(s): **Dylan James Lake**  
(45) Registration Date: **26 June 2013**  
(56) Related Art Documents: **Not Applicable**  
(57) Statement of Newness and Distinctiveness: **The newness and distinctiveness of the design resides in the shape and/or configuration of a letterbox shown in the representations.**



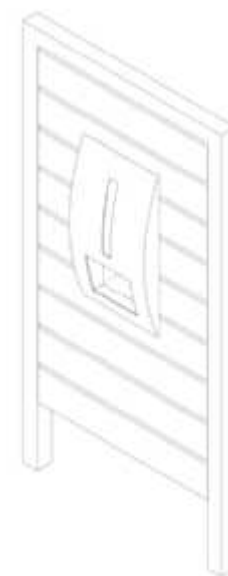
- (21) Design Number: **12059/2013**  
(22) Date of Filing Application: **03 May 2013**  
(24) Date from which industrial property rights may have effect: **03 May 2013**  
(54) Product in respect of which the design is registered: **Post box**  
(51) International Design Classification: **25-03**  
(74) Name(s) of Attorney(s):  
(71) Name(s) and Address(s) of Applicant(s):  
**Dylan James Lake**  
**27/350 Settlement Rd Thomastown VIC 4074 Australia**  
(72) Name(s) of Designer(s): **Dylan James Lake**  
(45) Registration Date: **26 June 2013**  
(56) Related Art Documents: **Not Applicable**  
(57) Statement of Newness and Distinctiveness: **The newness and distinctiveness of the design resides in the shape and/or configuration of a letterbox shown in the representations.**



- (21) Design Number: **12060/2013**  
(22) Date of Filing Application: **03 May 2013**  
(24) Date from which industrial property rights may have effect: **03 May 2013**  
(54) Product in respect of which the design is registered: **Post box**  
(51) International Design Classification: **25-03**  
(74) Name(s) of Attorney(s):  
(71) Name(s) and Address(s) of Applicant(s):  
**Dylan James Lake**  
**27/350 Settlement Rd Thomastown VIC 4074 Australia**  
(72) Name(s) of Designer(s): **Dylan James Lake**  
(45) Registration Date: **26 June 2013**  
(56) Related Art Documents: **Not Applicable**  
(57) Statement of Newness and Distinctiveness: **The newness and distinctiveness of the design resides in the shape and/or configuration of a letterbox shown in the representations.**



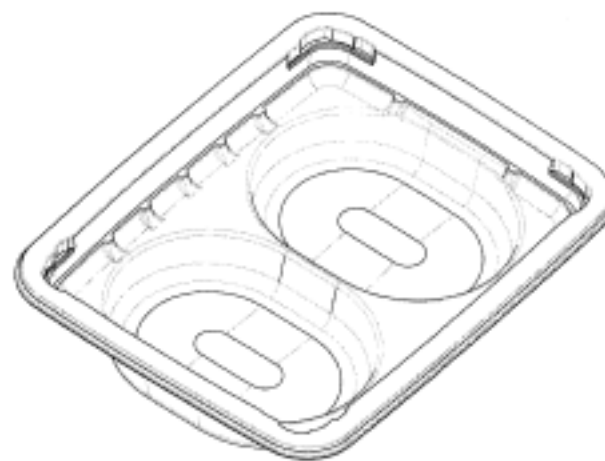
- (21) Design Number: **12061/2013**  
(22) Date of Filing Application: **03 May 2013**  
(24) Date from which industrial property rights may have effect: **03 May 2013**  
(54) Product in respect of which the design is registered: **Post box**  
(51) International Design Classification: **25-03**  
(74) Name(s) of Attorney(s):  
(71) Name(s) and Address(s) of Applicant(s):  
**Dylan James Lake**  
**27/350 Settlement Rd Thomastown VIC 4074 Australia**  
(72) Name(s) of Designer(s): **Dylan James Lake**  
(45) Registration Date: **26 June 2013**  
(56) Related Art Documents: **Not Applicable**  
(57) Statement of Newness and Distinctiveness: **The newness and distinctiveness of the design resides in the shape and/or configuration of a letterbox shown in the representations.**



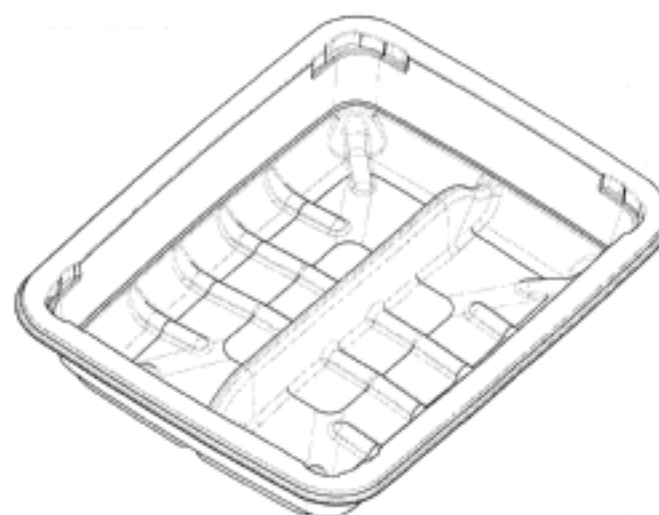
- (21) Design Number: **12062/2013**  
(22) Date of Filing Application: **03 May 2013**  
(24) Date from which industrial property rights may have effect: **03 May 2013**  
(54) Product in respect of which the design is registered: **Post box**  
(51) International Design Classification: **25-03**  
(74) Name(s) of Attorney(s):  
(71) Name(s) and Address(s) of Applicant(s):  
**Dylan James Lake**  
**27/350 Settlement Rd Thomastown VIC 4074 Australia**  
(72) Name(s) of Designer(s): **Dylan James Lake**  
(45) Registration Date: **26 June 2013**  
(56) Related Art Documents: **Not Applicable**  
(57) Statement of Newness and Distinctiveness: **The newness and distinctiveness of the design resides in the shape and/or configuration of a letterbox shown in the representations.**



(21) Design Number: **11566/2013**  
(22) Date of Filing Application: **30 March 2013**  
(24) Date from which industrial property rights may have effect: **30 March 2013**  
(54) Product in respect of which the design is registered: **Tray**  
(51) International Design Classification: **09-03F**  
(74) Name(s) of Attorney(s): **Davies Collison Cave**  
(71) Name(s) and Address(s) of Applicant(s):  
**Cryovac Australia Pty Ltd**  
**90 Keilor Park Dr Tullamarine VIC 3043 Australia**  
(72) Name(s) of Designer(s): **Prakashan Mavila**  
(45) Registration Date: **27 June 2013**  
(56) Related Art Documents: **Not Applicable**  
(57) Statement of Newness and Distinctiveness: **Nil**



(21) Design Number: **11567/2013**  
(22) Date of Filing Application: **30 March 2013**  
(24) Date from which industrial property rights may have effect: **30 March 2013**  
(54) Product in respect of which the design is registered: **Tray**  
(51) International Design Classification: **09-03F**  
(74) Name(s) of Attorney(s): **Davies Collison Cave**  
(71) Name(s) and Address(s) of Applicant(s):  
**Cryovac Australia Pty Ltd**  
**90 Keilor Park Dr Tullamarine VIC 3043 Australia**  
(72) Name(s) of Designer(s): **Prakashan Mavila**  
(45) Registration Date: **27 June 2013**  
(56) Related Art Documents: **Not Applicable**  
(57) Statement of Newness and Distinctiveness: **Nil**



(21) Design Number: **11683/2013**  
(22) Date of Filing Application: **10 April 2013**  
(24) Date from which industrial property rights may have effect: **10 April 2013**  
(54) Product in respect of which the design is registered: **Monitor**  
(51) International Design Classification: **14-02**  
(74) Name(s) of Attorney(s): **Davies Collison Cave**  
(71) Name(s) and Address(s) of Applicant(s):  
**LG Electronics Inc.**  
**20 Yeouido-dong Yeongdeungpo-gu Seoul 150-721 Republic of Korea**  
(72) Name(s) of Designer(s): **Seungmo Kang**  
(45) Registration Date: **27 June 2013**  
(30) Convention priority data:  
(31) Number (32) Date (33) Country  
**30-2012-0051419 29 Oct 2012 REPUBLIC OF KOREA**  
(56) Related Art Documents: **Not Applicable**  
(57) Statement of Newness and Distinctiveness: **Nil**



(21) Design Number: **11842/2013**  
(22) Date of Filing Application: **19 April 2013**  
(24) Date from which industrial property rights may have effect: **19 April 2013**  
(54) Product in respect of which the design is registered: **Cushion**  
(51) International Design Classification: **06-09**  
(74) Name(s) of Attorney(s): **Griffith Hack**  
(71) Name(s) and Address(s) of Applicant(s):  
**Grausam Handels GmbH**  
**Whelistrasse 29 Vienna 1200 Austria**  
(72) Name(s) of Designer(s): **Mario Matzinger**  
(45) Registration Date: **27 June 2013**  
(30) Convention priority data:  
(31) Number (32) Date (33) Country  
**002162057-0001 04 Jan 2013 OFFICE FOR HARMONISATION IN THE INTERNAL MARKET (OHIM)**  
(56) Related Art Documents: **Not Applicable**  
(57) Statement of Newness and Distinctiveness: **Newness and distinctiveness resides in the visual features, including shape and configuration of the product as shown in the accompanying representations.**



(21) Design Number: **12052/2013**  
(22) Date of Filing Application: **03 May 2013**  
(24) Date from which industrial property rights may have effect: **03 May 2013**  
(54) Product in respect of which the design is registered: **Bottle**  
(51) International Design Classification: **09-01K**  
(74) Name(s) of Attorney(s): **Davies Collison Cave**  
(71) Name(s) and Address(s) of Applicant(s):  
**Suntory Holdings Limited**  
**1-40 Dojimahama 2-chome Kita-ku Osaka-shi Osaka 530-8203 Japan**  
(72) Name(s) of Designer(s): **Katsuyuki Fujimoto and Sharon Werner**  
(45) Registration Date: **27 June 2013**  
(30) Convention priority data:  
(31) Number (32) Date (33) Country  
**29/436334 05 Nov 2012 UNITED STATES OF AMERICA**  
(56) Related Art Documents: **Not Applicable**  
(57) Statement of Newness and Distinctiveness: **Newness and distinctiveness is claimed in the shape of the bottle and the ornamentation comprising the floral pattern and shield applied to the body of the bottle as shown in the representations but not including the pattern applied to the neck of the bottle.**



(21) Design Number: **12200/2013**  
(22) Date of Filing Application: **13 May 2013**  
(24) Date from which industrial property rights may have effect: **13 May 2013**  
(54) Product in respect of which the design is registered: **Kettle**  
(51) International Design Classification: **07-02K**  
(74) Name(s) of Attorney(s): **PHILLIPS ORMONDE FITZPATRICK**  
(71) Name(s) and Address(s) of Applicant(s):  
**Whirlpool Corporation**  
**2000 N M 63 Benton Harbor Michigan 49022 United States of America**  
(72) Name(s) of Designer(s): **Leif A. Norland and Wenkai Wu**  
(45) Registration Date: **27 June 2013**  
(30) Convention priority data:  
(31) Number (32) Date (33) Country  
**29/447,353 01 Mar 2013 UNITED STATES OF AMERICA**  
(56) Related Art Documents: **Not Applicable**  
(57) Statement of Newness and Distinctiveness: **Those features of the kettle depicted in the representations that are new and distinctive are the shape and/or configuration. The features shown in broken lines are not part of the design and are to be disregarded when considering the overall impression of the design.**





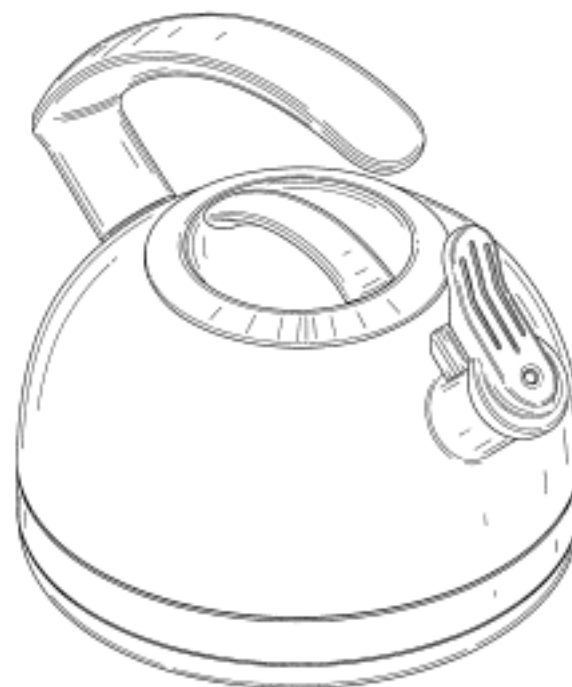
(21) Design Number: **12637/2013**  
(22) Date of Filing Application: **05 June 2013**  
(24) Date from which industrial property rights may have effect: **05 June 2013**  
(54) Product in respect of which the design is registered: **Kettle**  
(51) International Design Classification: **07-02K**  
(74) Name(s) of Attorney(s): **PHILLIPS ORMONDE FITZPATRICK**  
(71) Name(s) and Address(s) of Applicant(s):  
**Whirlpool Corporation**  
**2000 N M 63 Benton Harbor Michigan 49022 United States of America**  
(72) Name(s) of Designer(s): **Leif A. Norland and Wenkai Wu**  
(45) Registration Date: **27 June 2013**  
(30) Convention priority data:  
(31) Number (32) Date (33) Country  
**29/447,353 01 Mar 2013 UNITED STATES OF AMERICA**  
(56) Related Art Documents: **Not Applicable**  
(57) Statement of Newness and Distinctiveness: **Those features of the kettle depicted in the representations that are new and distinctive are the shape and/or configuration. The features shown in broken lines are not part of the design and are to be disregarded when considering the overall impression of the design.**



(21) Design Number: **12638/2013**  
(22) Date of Filing Application: **05 June 2013**  
(24) Date from which industrial property rights may have effect: **05 June 2013**  
(54) Product in respect of which the design is registered: **Kettle**  
(51) International Design Classification: **07-02K**  
(74) Name(s) of Attorney(s): **PHILLIPS ORMONDE FITZPATRICK**  
(71) Name(s) and Address(s) of Applicant(s):  
**Whirlpool Corporation**  
**2000 N M 63 Benton Harbor Michigan 49022 United States of America**  
(72) Name(s) of Designer(s): **Leif A. Norland and Wenkai Wu**  
(45) Registration Date: **27 June 2013**  
(30) Convention priority data:  
(31) Number (32) Date (33) Country  
**29/447,353 01 Mar 2013 UNITED STATES OF AMERICA**  
(56) Related Art Documents: **Not Applicable**  
(57) Statement of Newness and Distinctiveness: **Those features of the kettle depicted in the representations that are new and distinctive are the shape and/or configuration. The features shown in broken lines are not part of the design and are to be disregarded when considering the overall impression of the design.**



(21) Design Number: **12201/2013**  
(22) Date of Filing Application: **13 May 2013**  
(24) Date from which industrial property rights may have effect: **13 May 2013**  
(54) Product in respect of which the design is registered: **Kettle**  
(51) International Design Classification: **07-02K**  
(74) Name(s) of Attorney(s): **PHILLIPS ORMONDE FITZPATRICK**  
(71) Name(s) and Address(s) of Applicant(s):  
**Whirlpool Corporation**  
**2000 N M 63 Benton Harbor Michigan 49022 United States of America**  
(72) Name(s) of Designer(s): **Leif A. Norland and Wenkai Wu**  
(45) Registration Date: **27 June 2013**  
(30) Convention priority data:  
(31) Number (32) Date (33) Country  
**29/447,354 01 Mar 2013 UNITED STATES OF AMERICA**  
(56) Related Art Documents: **Not Applicable**  
(57) Statement of Newness and Distinctiveness: **Those features of the kettle depicted in the representations that are new and distinctive are the shape and/or configuration. The features shown in broken lines are not part of the design and are to be disregarded when considering the overall impression of the design.**



(21) Design Number: **12639/2013**  
(22) Date of Filing Application: **05 June 2013**  
(24) Date from which industrial property rights may have effect: **05 June 2013**  
(54) Product in respect of which the design is registered: **Kettle**  
(51) International Design Classification: **07-02K**  
(74) Name(s) of Attorney(s): **PHILLIPS ORMONDE FITZPATRICK**  
(71) Name(s) and Address(s) of Applicant(s):  
**Whirlpool Corporation**  
**2000 N M 63 Benton Harbor Michigan 49022 United States of America**  
(72) Name(s) of Designer(s): **Leif A. Norland and Wenkai Wu**  
(45) Registration Date: **27 June 2013**  
(30) Convention priority data:  
(31) Number (32) Date (33) Country  
**29/447,354 01 Mar 2013 UNITED STATES OF AMERICA**  
(56) Related Art Documents: **Not Applicable**  
(57) Statement of Newness and Distinctiveness: **Those features of the kettle depicted in the representations that are new and distinctive are the shape and/or configuration. The features shown in broken lines are not part of the design and are to be disregarded when considering the overall impression of the design.**



(21) Design Number: **12640/2013**  
(22) Date of Filing Application: **05 June 2013**  
(24) Date from which industrial property rights may have effect: **05 June 2013**  
(54) Product in respect of which the design is registered: **Kettle**  
(51) International Design Classification: **07-02K**  
(74) Name(s) of Attorney(s): **PHILLIPS ORMONDE FITZPATRICK**  
(71) Name(s) and Address(s) of Applicant(s):  
**Whirlpool Corporation**  
**2000 N M 63 Benton Harbor Michigan 49022 United States of America**  
(72) Name(s) of Designer(s): **Leif A. Norland and Wenkai Wu**  
(45) Registration Date: **27 June 2013**  
(30) Convention priority data:  
(31) Number      (32) Date      (33) Country  
**29/447,354      01 Mar 2013      UNITED STATES OF AMERICA**  
(56) Related Art Documents: **Not Applicable**  
(57) Statement of Newness and Distinctiveness: **Those features of the kettle depicted in the representations that are new and distinctive are the shape and/or configuration. The features shown in broken lines are not part of the design and are to be disregarded when considering the overall impression of the design.**



(21) Design Number: **11137/2013**  
(22) Date of Filing Application: **08 March 2013**  
(24) Date from which industrial property rights may have effect: **08 March 2013**  
(54) Product in respect of which the design is registered: **Genuine leather bed Nevada**  
(51) International Design Classification: **06-02**  
(74) Name(s) of Attorney(s):  
(71) Name(s) and Address(s) of Applicant(s):  
**Fast & Save Pty Ltd**  
**Fy 2 29-31 Graham Ct Hoppers Crossing VIC 3029 Australia**  
(72) Name(s) of Designer(s): **Thanh Trieu Nguyen**  
(45) Registration Date: **27 June 2013**  
(56) Related Art Documents: **Not Applicable**  
(57) Statement of Newness and Distinctiveness: **Nil**



(21) Design Number: **11136/2013**  
(22) Date of Filing Application: **08 March 2013**  
(24) Date from which industrial property rights may have effect: **08 March 2013**  
(54) Product in respect of which the design is registered: **Genuine leather bed**  
(51) International Design Classification: **06-02**  
(74) Name(s) of Attorney(s):  
(71) Name(s) and Address(s) of Applicant(s):  
**Fast & Save Pty Ltd**  
**Fy 2 29-31 Graham Ct Hoppers Crossing VIC 3029 Australia**  
(72) Name(s) of Designer(s): **Thanh Trieu Nguyen**  
(45) Registration Date: **27 June 2013**  
(56) Related Art Documents: **Not Applicable**  
(57) Statement of Newness and Distinctiveness: **Nil**



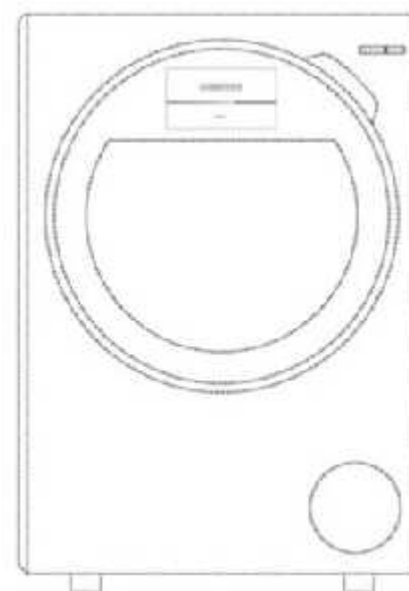
(21) Design Number: **11058/2013**  
(22) Date of Filing Application: **05 March 2013**  
(24) Date from which industrial property rights may have effect: **05 March 2013**  
(54) Product in respect of which the design is registered: **Balancing bottle holder**  
(51) International Design Classification: **07-06A**  
(74) Name(s) of Attorney(s):  
(71) Name(s) and Address(s) of Applicant(s):  
**Antun Knezovic**  
**PO Box 3156 Birkdale Queensland 4159 Australia**  
**Dina Knezovic**  
**PO Box 3156 Birkdale Queensland 4159 Australia**  
(72) Name(s) of Designer(s): **Antun Knezovic**  
(45) Registration Date: **27 June 2013**  
(56) Related Art Documents: **Not Applicable**  
(57) Statement of Newness and Distinctiveness: **U shaped bamboo piece (bamboo piece cut in half), please see photos attached.**



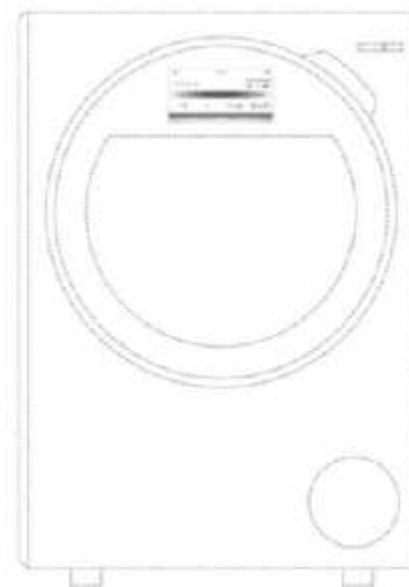
- (21) Design Number: **11059/2013**  
(22) Date of Filing Application: **05 March 2013**  
(24) Date from which industrial property rights may have effect: **05 March 2013**  
(54) Product in respect of which the design is registered: **Balancing bottle holder**  
(51) International Design Classification: **07-06A**  
(74) Name(s) of Attorney(s):  
(71) Name(s) and Address(s) of Applicant(s):  
**Antun Knezovic**  
**PO Box 3156 Birkdale Queensland 4159 Australia**  
**Dina Knezovic**  
**PO Box 3156 Birkdale Queensland 4159 Australia**  
(72) Name(s) of Designer(s): **Antun Knezovic**  
(45) Registration Date: **27 June 2013**  
(56) Related Art Documents: **Not Applicable**  
(57) Statement of Newness and Distinctiveness: **U shaped bamboo piece (bamboo piece cut in half).**



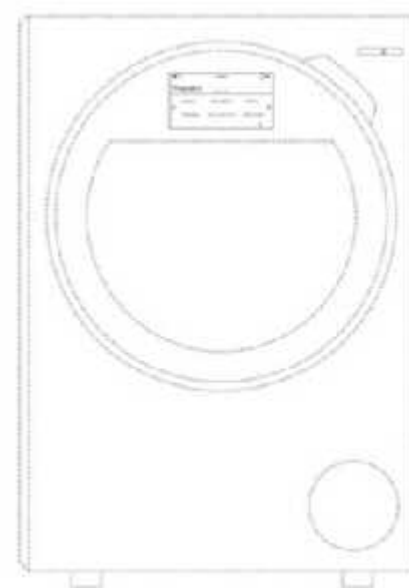
- (21) Design Number: **12067/2013**  
(22) Date of Filing Application: **03 May 2013**  
(24) Date from which industrial property rights may have effect: **03 May 2013**  
(54) Product in respect of which the design is registered: **A front-loading washer with image display**  
(51) International Design Classification: **15-05**  
(74) Name(s) of Attorney(s): **Griffith Hack**  
(71) Name(s) and Address(s) of Applicant(s):  
**Samsung Electronics Co., Ltd.**  
**129 Samsung-ro Yeongtong-gu Suwon-si Gyeonggi-do 442-742 Republic of Korea**  
(72) Name(s) of Designer(s): **Sun-Ae Kim and Mi-Sun Jin and Tae-Yeon Kim**  
(45) Registration Date: **27 June 2013**  
(30) Convention priority data:  
(31) Number (32) Date (33) Country  
**30-2013-0003107 18 Jan 2013 REPUBLIC OF KOREA**  
(56) Related Art Documents: **Not Applicable**  
(57) Statement of Newness and Distinctiveness: **Newness and distinctiveness resides in the visual features of the PRODUCT, including the pattern and/or ornamentation of the image display of the product.**



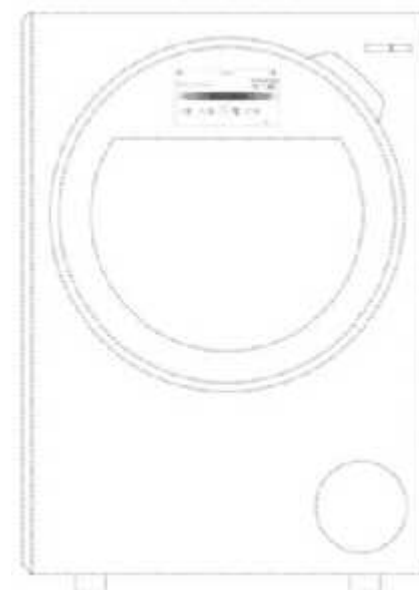
(21) Design Number: **12068/2013**  
(22) Date of Filing Application: **03 May 2013**  
(24) Date from which industrial property rights may have effect: **03 May 2013**  
(54) Product in respect of which the design is registered: **A front-loading washer with image display**  
(51) International Design Classification: **15-05**  
(74) Name(s) of Attorney(s): **Griffith Hack**  
(71) Name(s) and Address(s) of Applicant(s):  
**Samsung Electronics Co., Ltd.**  
**129 Samsung-ro Yeongtong-gu Suwon-si Gyeonggi-do 442-742 Republic of Korea**  
(72) Name(s) of Designer(s): **Sun-Ae Kim and Mi-Sun Jin and Tae-Yeon Kim**  
(45) Registration Date: **27 June 2013**  
(30) Convention priority data:  
(31) Number (32) Date (33) Country  
**30-2013-0003108 18 Jan 2013 REPUBLIC OF KOREA**  
(56) Related Art Documents: **Not Applicable**  
(57) Statement of Newness and Distinctiveness: **Newness and distinctiveness resides in the visual features of the PRODUCT, including the pattern and/or ornamentation of the image display of the product.**



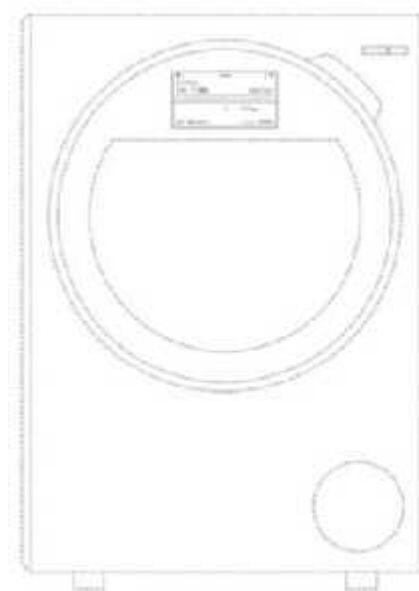
(21) Design Number: **12069/2013**  
(22) Date of Filing Application: **03 May 2013**  
(24) Date from which industrial property rights may have effect: **03 May 2013**  
(54) Product in respect of which the design is registered: **A front-loading washer with image display**  
(51) International Design Classification: **15-05**  
(74) Name(s) of Attorney(s): **Griffith Hack**  
(71) Name(s) and Address(s) of Applicant(s):  
**Samsung Electronics Co., Ltd.**  
**129 Samsung-ro Yeongtong-gu Suwon-si Gyeonggi-do 442-742 Republic of Korea**  
(72) Name(s) of Designer(s): **Sun-Ae Kim and Mi-Sun Jin and Tae-Yeon Kim**  
(45) Registration Date: **27 June 2013**  
(30) Convention priority data:  
(31) Number (32) Date (33) Country  
**30-2013-0003109 18 Jan 2013 REPUBLIC OF KOREA**  
(56) Related Art Documents: **Not Applicable**  
(57) Statement of Newness and Distinctiveness: **Newness and distinctiveness resides in the visual features of the PRODUCT, including the pattern and/or ornamentation of the image display of the product.**



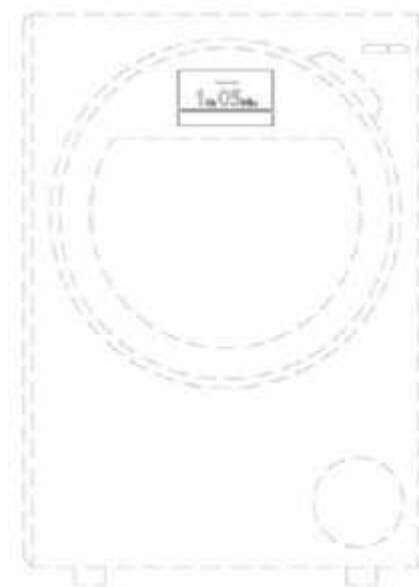
- (21) Design Number: **12070/2013**  
(22) Date of Filing Application: **03 May 2013**  
(24) Date from which industrial property rights may have effect: **03 May 2013**  
(54) Product in respect of which the design is registered: **A front-loading washer with image display**  
(51) International Design Classification: **15-05**  
(74) Name(s) of Attorney(s): **Griffith Hack**  
(71) Name(s) and Address(s) of Applicant(s):  
**Samsung Electronics Co., Ltd.**  
**129 Samsung-ro Yeongtong-gu Suwon-si Gyeonggi-do 442-742 Republic of Korea**  
(72) Name(s) of Designer(s): **Sun-Ae Kim and Mi-Sun Jin and Tae-Yeon Kim**  
(45) Registration Date: **27 June 2013**  
(30) Convention priority data:  
(31) Number (32) Date (33) Country  
**30-2013-0003110 18 Jan 2013 REPUBLIC OF KOREA**  
(56) Related Art Documents: **Not Applicable**  
(57) Statement of Newness and Distinctiveness: **Newness and distinctiveness resides in the visual features of the PRODUCT, including the pattern and/or ornamentation of the image display of the product.**



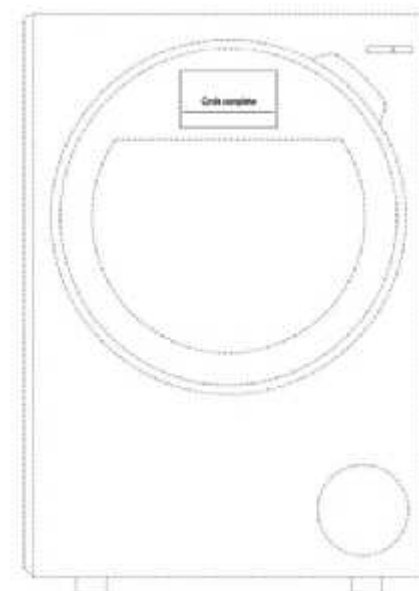
- (21) Design Number: **12072/2013**  
(22) Date of Filing Application: **03 May 2013**  
(24) Date from which industrial property rights may have effect: **03 May 2013**  
(54) Product in respect of which the design is registered: **A front-loading washer with image display**  
(51) International Design Classification: **15-05**  
(74) Name(s) of Attorney(s): **Griffith Hack**  
(71) Name(s) and Address(s) of Applicant(s):  
**Samsung Electronics Co., Ltd.**  
**129 Samsung-ro Yeongtong-gu Suwon-si Gyeonggi-do 442-742 Republic of Korea**  
(72) Name(s) of Designer(s): **Sun-Ae Kim and Mi-Sun Jin and Tae-Yeon Kim**  
(45) Registration Date: **27 June 2013**  
(30) Convention priority data:  
(31) Number (32) Date (33) Country  
**30-2013-0003111 18 Jan 2013 REPUBLIC OF KOREA**  
(56) Related Art Documents: **Not Applicable**  
(57) Statement of Newness and Distinctiveness: **Newness and distinctiveness resides in the visual features of the PRODUCT, including the pattern and/or ornamentation of the image display of the product.**



(21) Design Number: **12073/2013**  
(22) Date of Filing Application: **03 May 2013**  
(24) Date from which industrial property rights may have effect: **03 May 2013**  
(54) Product in respect of which the design is registered: **A front-loading washer with image display**  
(51) International Design Classification: **15-05**  
(74) Name(s) of Attorney(s): **Griffith Hack**  
(71) Name(s) and Address(s) of Applicant(s):  
**Samsung Electronics Co., Ltd.**  
**129 Samsung-ro Yeongtong-gu Suwon-si Gyeonggi-do 442-742 Republic of Korea**  
(72) Name(s) of Designer(s): **Sun-Ae Kim and Mi-Sun Jin and Tae-Yeon Kim**  
(45) Registration Date: **27 June 2013**  
(30) Convention priority data:  
(31) Number (32) Date (33) Country  
**30-2013-0003112 18 Jan 2013 REPUBLIC OF KOREA**  
(56) Related Art Documents: **Not Applicable**  
(57) Statement of Newness and Distinctiveness: **Newness and distinctiveness resides in the visual features of the PRODUCT, including the pattern and/or ornamentation of the image display of the product.**

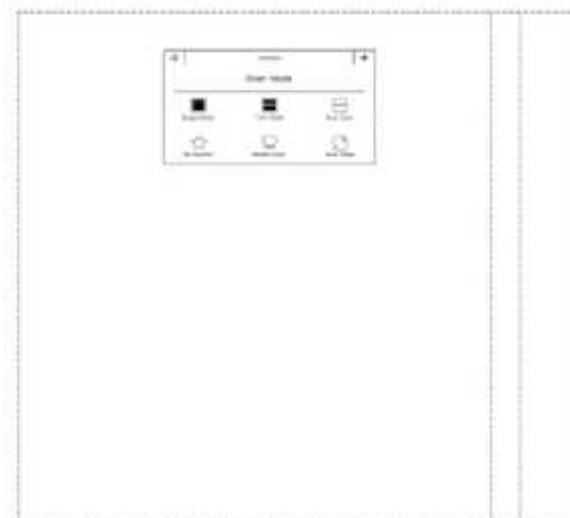


(21) Design Number: **12074/2013**  
(22) Date of Filing Application: **03 May 2013**  
(24) Date from which industrial property rights may have effect: **03 May 2013**  
(54) Product in respect of which the design is registered: **A front-loading washer with image display**  
(51) International Design Classification: **15-05**  
(74) Name(s) of Attorney(s): **Griffith Hack**  
(71) Name(s) and Address(s) of Applicant(s):  
**Samsung Electronics Co., Ltd.**  
**129 Samsung-ro Yeongtong-gu Suwon-si Gyeonggi-do 442-742 Republic of Korea**  
(72) Name(s) of Designer(s): **Sun-Ae Kim and Mi-Sun Jin and Tae-Yeon Kim**  
(45) Registration Date: **27 June 2013**  
(30) Convention priority data:  
(31) Number (32) Date (33) Country  
**30-2013-0003113 18 Jan 2013 REPUBLIC OF KOREA**  
(56) Related Art Documents: **Not Applicable**  
(57) Statement of Newness and Distinctiveness: **Newness and distinctiveness resides in the visual features of the PRODUCT, including the pattern and/or ornamentation of the image display of the product.**





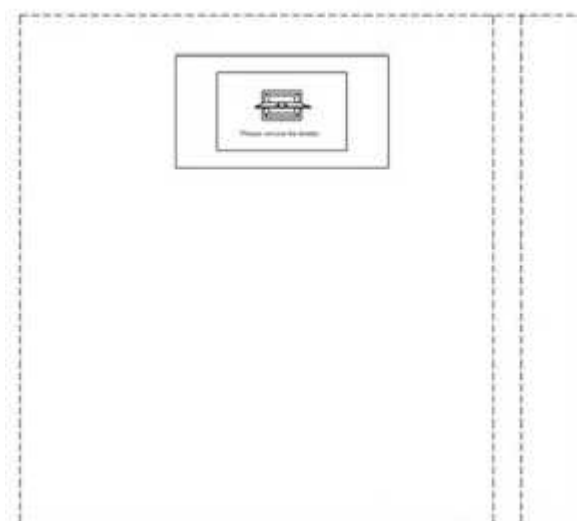
(21) Design Number: **12075/2013**  
(22) Date of Filing Application: **03 May 2013**  
(24) Date from which industrial property rights may have effect: **03 May 2013**  
(54) Product in respect of which the design is registered: **Electric oven with image display**  
(51) International Design Classification: **07-02A**  
(74) Name(s) of Attorney(s): **Griffith Hack**  
(71) Name(s) and Address(s) of Applicant(s):  
**Samsung Electronics Co., Ltd.**  
**129 Samsung-ro Yeongtong-gu Suwon-si Gyeonggi-do 442-742 Republic of Korea**  
(72) Name(s) of Designer(s): **Sun-Ae Kim and Mi-Sun Jin and Tae-Yeon Kim**  
(45) Registration Date: **27 June 2013**  
(30) Convention priority data:  
(31) Number (32) Date (33) Country  
**30-2013-0003114 18 Jan 2013 REPUBLIC OF KOREA**  
(56) Related Art Documents: **Not Applicable**  
(57) Statement of Newness and Distinctiveness: **Newness and distinctiveness resides in the visual features of the PRODUCT, including the pattern and/or ornamentation of the image display of the product.**



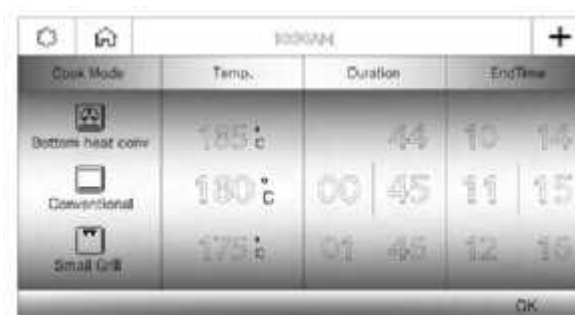
(21) Design Number: **12076/2013**  
(22) Date of Filing Application: **03 May 2013**  
(24) Date from which industrial property rights may have effect: **03 May 2013**  
(54) Product in respect of which the design is registered: **Electric oven with image display**  
(51) International Design Classification: **07-02A**  
(74) Name(s) of Attorney(s): **Griffith Hack**  
(71) Name(s) and Address(s) of Applicant(s):  
**Samsung Electronics Co., Ltd.**  
**129 Samsung-ro Yeongtong-gu Suwon-si Gyeonggi-do 442-742 Republic of Korea**  
(72) Name(s) of Designer(s): **Sun-Ae Kim and Mi-Sun Jin and Tae-Yeon Kim**  
(45) Registration Date: **27 June 2013**  
(30) Convention priority data:  
(31) Number (32) Date (33) Country  
**30-2013-0003115 18 Jan 2013 REPUBLIC OF KOREA**  
(56) Related Art Documents: **Not Applicable**  
(57) Statement of Newness and Distinctiveness: **Newness and distinctiveness resides in the visual features of the PRODUCT, including the pattern and/or ornamentation of the image display of the product.**



(21) Design Number: **12077/2013**  
(22) Date of Filing Application: **03 May 2013**  
(24) Date from which industrial property rights may have effect: **03 May 2013**  
(54) Product in respect of which the design is registered: **Electric oven with image display**  
(51) International Design Classification: **07-02A**  
(74) Name(s) of Attorney(s): **Griffith Hack**  
(71) Name(s) and Address(s) of Applicant(s):  
**Samsung Electronics Co., Ltd.**  
**129 Samsung-ro Yeongtong-gu Suwon-si Gyeonggi-do 442-742 Republic of Korea**  
(72) Name(s) of Designer(s): **Sun-Ae Kim and Mi-Sun Jin and Tae-Yeon Kim**  
(45) Registration Date: **27 June 2013**  
(30) Convention priority data:  
(31) Number (32) Date (33) Country  
**30-2013-0003116 18 Jan 2013 REPUBLIC OF KOREA**  
(56) Related Art Documents: **Not Applicable**  
(57) Statement of Newness and Distinctiveness: **Newness and distinctiveness resides in the visual features of the PRODUCT, including the pattern and/or ornamentation of the image display of the product.**



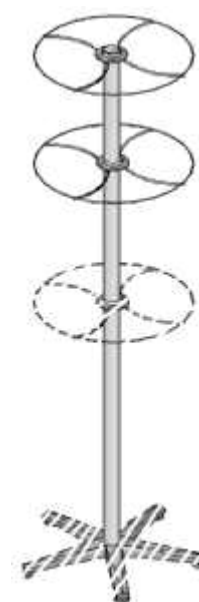
(21) Design Number: **12078/2013**  
(22) Date of Filing Application: **03 May 2013**  
(24) Date from which industrial property rights may have effect: **03 May 2013**  
(54) Product in respect of which the design is registered: **Electric oven with image display**  
(51) International Design Classification: **07-02A**  
(74) Name(s) of Attorney(s): **Griffith Hack**  
(71) Name(s) and Address(s) of Applicant(s):  
**Samsung Electronics Co., Ltd.**  
**129 Samsung-ro Yeongtong-gu Suwon-si Gyeonggi-do 442-742 Republic of Korea**  
(72) Name(s) of Designer(s): **Sun-Ae Kim and Mi-Sun Jin and Tae-Yeon Kim**  
(45) Registration Date: **27 June 2013**  
(30) Convention priority data:  
(31) Number (32) Date (33) Country  
**30-2013-0003117 18 Jan 2013 REPUBLIC OF KOREA**  
(56) Related Art Documents: **Not Applicable**  
(57) Statement of Newness and Distinctiveness: **Newness and distinctiveness resides in the visual features of the PRODUCT, including the pattern and/or ornamentation of the image display of the product.**



- (21) Design Number: **12079/2013**  
(22) Date of Filing Application: **03 May 2013**  
(24) Date from which industrial property rights may have effect: **03 May 2013**  
(54) Product in respect of which the design is registered: **Electric oven with image display**  
(51) International Design Classification: **07-02A**  
(74) Name(s) of Attorney(s): **Griffith Hack**  
(71) Name(s) and Address(s) of Applicant(s):  
**Samsung Electronics Co., Ltd.**  
**129 Samsung-ro Yeongtong-gu Suwon-si Gyeonggi-do 442-742 Republic of Korea**  
(72) Name(s) of Designer(s): **Sun-Ae Kim and Mi-Sun Jin and Tae-Yeon Kim**  
(45) Registration Date: **27 June 2013**  
(30) Convention priority data:  
(31) Number (32) Date (33) Country  
**30-2013-0003118 18 Jan 2013 REPUBLIC OF KOREA**  
(56) Related Art Documents: **Not Applicable**  
(57) Statement of Newness and Distinctiveness: **Newness and distinctiveness resides in the visual features of the PRODUCT, including the pattern and/or ornamentation of the image display of the product.**



- (21) Design Number: **12468/2013**  
(22) Date of Filing Application: **28 May 2013**  
(24) Date from which industrial property rights may have effect: **28 May 2013**  
(54) Product in respect of which the design is registered: **A tile display stand**  
(51) International Design Classification: **20-02C, 20-02E**  
(74) Name(s) of Attorney(s): **Allens Patent & Trade Mark Attorneys**  
(71) Name(s) and Address(s) of Applicant(s):  
**Everstone International Pty Ltd**  
**20 Princes Rd E Auburn NSW 2144 Australia**  
(72) Name(s) of Designer(s): **John Zeng**  
(45) Registration Date: **27 June 2013**  
(56) Related Art Documents: **Not Applicable**  
(57) Statement of Newness and Distinctiveness: **Newness and distinctiveness is claimed in features of shape and configuration shown in solid lines in the representations. Shading shown is for clarity only and forms no part of the monopoly claimed. The shape and configuration of the feet are to be disregarded when considering the scope of the monopoly. The dashed display wheel is to indicate that there may be two or more display wheels within the monopoly claimed.**



- (21) Design Number: **12056/2013**  
(22) Date of Filing Application: **03 May 2013**  
(24) Date from which industrial property rights may have effect: **03 May 2013**  
(54) Product in respect of which the design is registered: **Post box**  
(51) International Design Classification: **25-03**  
(74) Name(s) of Attorney(s):  
(71) Name(s) and Address(s) of Applicant(s):  
**Dylan James Lake**  
**27/350 Settlement Rd Thomastown VIC 4074 Australia**  
(72) Name(s) of Designer(s): **Dylan James Lake**  
(45) Registration Date: **27 June 2013**  
(56) Related Art Documents: **Not Applicable**  
(57) Statement of Newness and Distinctiveness: **The newness and distinctiveness of the design resides in the shape and/or configuration of a letterbox shown in the representations.**



- (21) Design Number: **12362/2013**  
(22) Date of Filing Application: **22 May 2013**  
(24) Date from which industrial property rights may have effect: **22 May 2013**  
(54) Product in respect of which the design is registered: **Manta Ray Caravan**  
(51) International Design Classification: **12-10**  
(74) Name(s) of Attorney(s):  
(71) Name(s) and Address(s) of Applicant(s):  
**Joseph Barrasso**  
**107 Metrolink Circuit East Campbellfield Victoria 3061 Australia**  
(72) Name(s) of Designer(s): **Adrian Di Vincenzo and Joseph Barrasso**  
(45) Registration Date: **27 June 2013**  
(56) Related Art Documents: **Not Applicable**  
(57) Statement of Newness and Distinctiveness: **Nil**



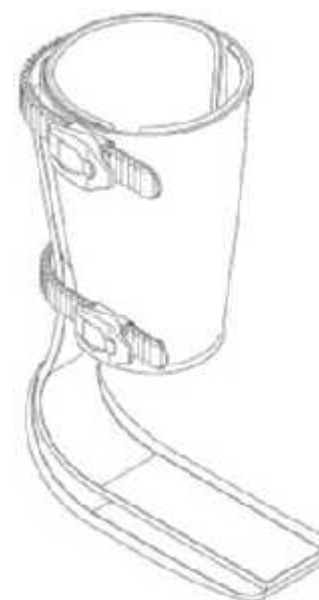
(21) Design Number: **12363/2013**  
(22) Date of Filing Application: **22 May 2013**  
(24) Date from which industrial property rights may have effect: **22 May 2013**  
(54) Product in respect of which the design is registered: **Caravan**  
(51) International Design Classification: **12-10**  
(74) Name(s) of Attorney(s):  
(71) Name(s) and Address(s) of Applicant(s):  
**Joseph Barrasso**  
**107 Metrolink Circuit East Campbellfield Victoria 3061 Australia**  
(72) Name(s) of Designer(s): **Adrian Di Vincenzo and Joseph Barrasso**  
(45) Registration Date: **27 June 2013**  
(56) Related Art Documents: **Not Applicable**  
(57) Statement of Newness and Distinctiveness: **Nil**



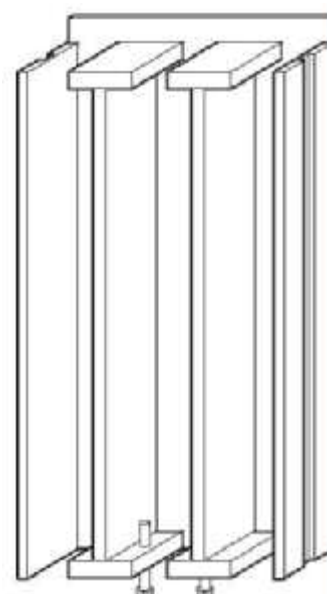
(21) Design Number: **12364/2013**  
(22) Date of Filing Application: **22 May 2013**  
(24) Date from which industrial property rights may have effect: **22 May 2013**  
(54) Product in respect of which the design is registered: **Caravan**  
(51) International Design Classification: **12-10**  
(74) Name(s) of Attorney(s):  
(71) Name(s) and Address(s) of Applicant(s):  
**Joseph Barrasso**  
**107 Metrolink Circuit East Campbellfield Victoria 3061 Australia**  
(72) Name(s) of Designer(s): **Adrian Di Vincenzo and Joseph Barrasso**  
(45) Registration Date: **27 June 2013**  
(56) Related Art Documents: **Not Applicable**  
(57) Statement of Newness and Distinctiveness: **Nil**



(21) Design Number: **12527/2013**  
(22) Date of Filing Application: **31 May 2013**  
(24) Date from which industrial property rights may have effect: **31 May 2013**  
(54) Product in respect of which the design is registered: **Weight-bearing lower extremity brace**  
(51) International Design Classification: **24-03**  
(74) Name(s) of Attorney(s): **Davies Collison Cave**  
(71) Name(s) and Address(s) of Applicant(s):  
**TOAD Medical Corporation**  
**220 North Highway 395 Suite 302 Washoe Valley Nevada 89704 United States of America**  
(72) Name(s) of Designer(s): **Hans G. Franke and David Salinger and Jeff Dodd**  
(45) Registration Date: **27 June 2013**  
(30) Convention priority data:  
(31) Number (32) Date (33) Country  
**13/840922 15 Mar 2013 UNITED STATES OF AMERICA**  
(56) Related Art Documents: **Not Applicable**  
(57) Statement of Newness and Distinctiveness: **Nil**



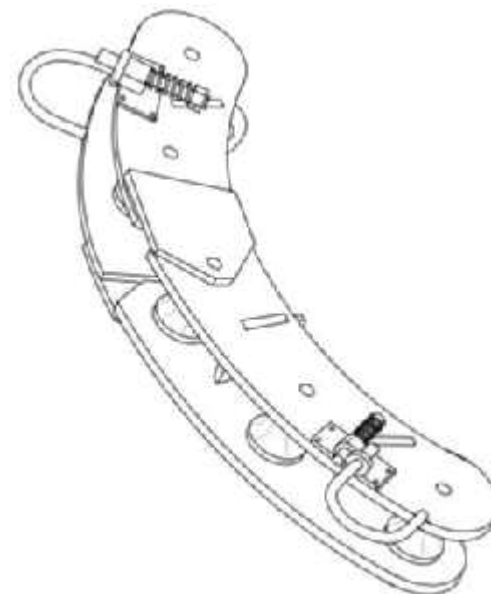
(21) Design Number: **12616/2013**  
(22) Date of Filing Application: **06 June 2013**  
(24) Date from which industrial property rights may have effect: **06 June 2013**  
(54) Product in respect of which the design is registered: **Partition**  
(51) International Design Classification: **25-02NES**  
(74) Name(s) of Attorney(s): **Janet Stead & Associates, Patent and Trade Mark Attorneys**  
(71) Name(s) and Address(s) of Applicant(s):  
**Michael Graham Worthington**  
**62 Giralia Parkway Ballajura WA 6066 Australia**  
**Lin William Vogler**  
**6 Sharon Dr Carine WA 6020 Australia**  
(72) Name(s) of Designer(s): **Michael Graham Worthington and Lin William Vogler**  
(45) Registration Date: **27 June 2013**  
(56) Related Art Documents: **Not Applicable**  
(57) Statement of Newness and Distinctiveness: **Nil**



(21) Design Number: **12629/2013**  
(22) Date of Filing Application: **06 June 2013**  
(24) Date from which industrial property rights may have effect: **06 June 2013**  
(54) Product in respect of which the design is registered: **Dashboard**  
(51) International Design Classification: **12-16NES**  
(74) Name(s) of Attorney(s): **WATERMARK PATENT AND TRADE MARKS ATTORNEYS**  
(71) Name(s) and Address(s) of Applicant(s):  
**Volvo Truck Corporation**  
**Goteborg 405 08 Sweden**  
(72) Name(s) of Designer(s): **Carina Bystrom**  
(45) Registration Date: **27 June 2013**  
(30) Convention priority data:  
(31) Number (32) Date (33) Country  
**002179424-0003 06 Feb 2013 OFFICE FOR HARMONISATION IN THE INTERNAL MARKET (OHIM)**  
(56) Related Art Documents: **Not Applicable**  
(57) Statement of Newness and Distinctiveness: **Nil**



(21) Design Number: **12630/2013**  
(22) Date of Filing Application: **06 June 2013**  
(24) Date from which industrial property rights may have effect: **06 June 2013**  
(54) Product in respect of which the design is registered: **Hose and cable protector**  
(51) International Design Classification: **13-03C, 08-99**  
(74) Name(s) of Attorney(s): **Sandercock & Cowie**  
(71) Name(s) and Address(s) of Applicant(s):  
**Starky Constuctions Pty. Ltd.**  
**30 Charteris Rd Wandin E VIC 3139 Australia**  
(72) Name(s) of Designer(s): **Gordon William Stark**  
(45) Registration Date: **27 June 2013**  
(56) Related Art Documents: **Not Applicable**  
(57) Statement of Newness and Distinctiveness: **Newness and distinctiveness reside in the shape and configuration of the hose and cable protector as shown in the accompanying representations.**



- (21) Design Number: **12218/2013**  
(22) Date of Filing Application: **14 May 2013**  
(24) Date from which industrial property rights may have effect: **14 May 2013**  
(54) Product in respect of which the design is registered: **Electronic device**  
(51) International Design Classification: **14-03E**  
(74) Name(s) of Attorney(s): **Wrays**  
(71) Name(s) and Address(s) of Applicant(s):  
**Samsung Electronics Co., Ltd**  
**129 Samsung-ro Yeongtong-gu Suwon-si Gyeonggi-do 443-742 Republic of Korea**  
(72) Name(s) of Designer(s): **Min-Hyouk Lee and Hyoung-Shin Park and Kwan-Ue Hong and Jong-Bo Jung and Gi-Young Lee**  
(45) Registration Date: **27 June 2013**  
(30) Convention priority data:  
(31) Number (32) Date (33) Country  
**30-2013-0006489 06 Feb 2013 REPUBLIC OF KOREA**  
(56) Related Art Documents: **Not Applicable**  
(57) Statement of Newness and Distinctiveness: **Newness and distinctiveness is claimed in the features of shape and/or configuration of the Electronic Device as shown in the accompanying representations. The features depicted by broken lines are for illustrative purposes only and form no part of the claimed design.**



- (21) Design Number: **12108/2013**  
(22) Date of Filing Application: **03 May 2013**  
(24) Date from which industrial property rights may have effect: **03 May 2013**  
(54) Product in respect of which the design is registered: **Personal computer**  
(51) International Design Classification: **14-02**  
(74) Name(s) of Attorney(s): **SPRUSON & FERGUSON**  
(71) Name(s) and Address(s) of Applicant(s):  
**Fujitsu Limited**  
**1-1 Kamikodanaka 4-chome Nakahara-Ku Kawasaki-shi Kanagawa 211-8588 Japan**  
(72) Name(s) of Designer(s): **Eiji Nagao and Hiroyuki Fujita and Mark Friesen and Nobuharu Tsusaka and Hisao Morooka and Toni Koberling**  
(45) Registration Date: **27 June 2013**  
(30) Convention priority data:  
(31) Number (32) Date (33) Country  
**2012-026982 06 Nov 2012 JAPAN**  
(56) Related Art Documents: **Not Applicable**  
(57) Statement of Newness and Distinctiveness: **Newness and distinctiveness is claimed in the features of shape and/or configuration of a personal computer as illustrated in the accompanying representations.**

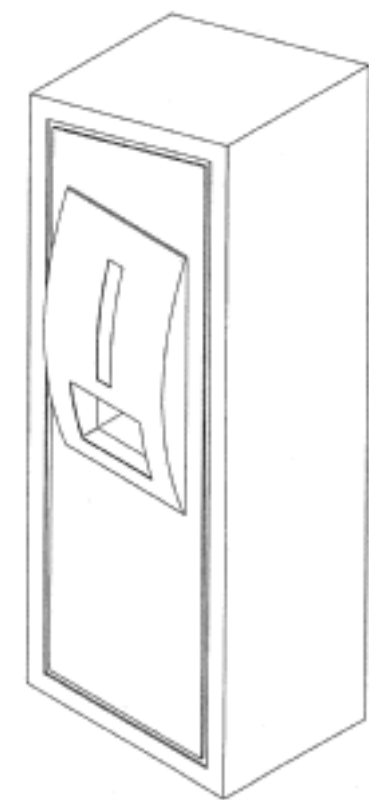




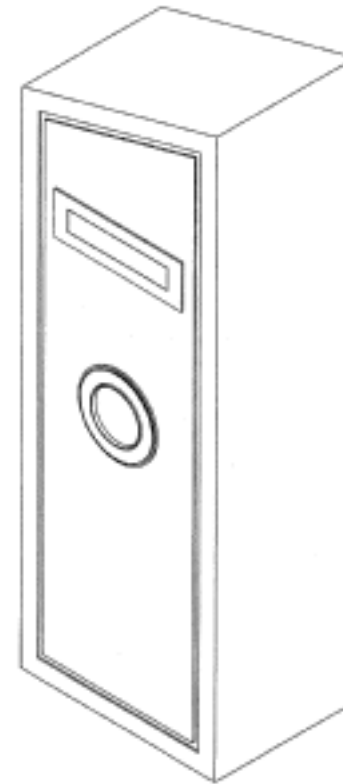
- (21) Design Number: **12120/2013**  
(22) Date of Filing Application: **07 May 2013**  
(24) Date from which industrial property rights may have effect: **07 May 2013**  
(54) Product in respect of which the design is registered: **Topsheet for sanitary towel**  
(51) International Design Classification: **24-04**  
(74) Name(s) of Attorney(s): **WATERMARK PATENT AND TRADE MARKS ATTORNEYS**  
(71) Name(s) and Address(s) of Applicant(s):  
**SCA Hygiene Products AB**  
**S-405 03 Goteborg Sweden**  
(72) Name(s) of Designer(s): **James Dunne**  
(45) Registration Date: **27 June 2013**  
(30) Convention priority data:  
(31) Number (32) Date (33) Country  
**002155663 19 Dec 2012 OFFICE FOR HARMONISATION IN THE INTERNAL MARKET (OHIM)**  
(56) Related Art Documents: **Not Applicable**  
(57) Statement of Newness and Distinctiveness: **Newness and distinctiveness resides in the pattern and ornamentation applied to the surface of the sanitary towel. In considering the scope of the design no regard should be had to the external shape of the towel.**



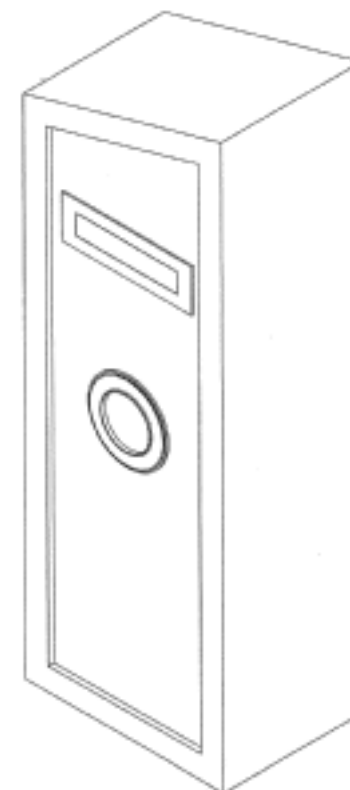
- (21) Design Number: **11731/2013**  
(22) Date of Filing Application: **12 April 2013**  
(24) Date from which industrial property rights may have effect: **12 April 2013**  
(54) Product in respect of which the design is registered: **Postbox**  
(51) International Design Classification: **25-03**  
(74) Name(s) of Attorney(s):  
(71) Name(s) and Address(s) of Applicant(s):  
**Dylan James Lake**  
**27/350 Settlement Rd Thomastown VIC 4074 Australia**  
(72) Name(s) of Designer(s): **Dylan James Lake**  
(45) Registration Date: **27 June 2013**  
(56) Related Art Documents: **Not Applicable**  
(57) Statement of Newness and Distinctiveness: **The newness and distinctiveness of the design resides in the shape and/or configuration of a letterbox shown in the representations.**



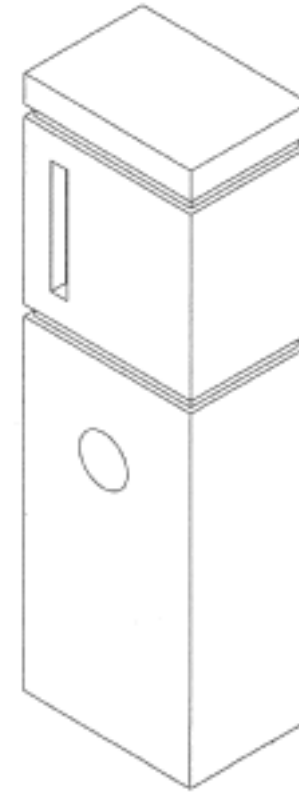
- (21) Design Number: **11729/2013**  
(22) Date of Filing Application: **12 April 2013**  
(24) Date from which industrial property rights may have effect: **12 April 2013**  
(54) Product in respect of which the design is registered: **Postbox**  
(51) International Design Classification: **25-03**  
(74) Name(s) of Attorney(s):  
(71) Name(s) and Address(s) of Applicant(s):  
**Dylan James Lake**  
**27/350 Settlement Rd Thomastown VIC 4074 Australia**  
(72) Name(s) of Designer(s): **Dylan James Lake**  
(45) Registration Date: **27 June 2013**  
(56) Related Art Documents: **Not Applicable**  
(57) Statement of Newness and Distinctiveness: **The newness and distinctiveness of the design resides in the shape and/or configuration of a letterbox shown in the representations.**



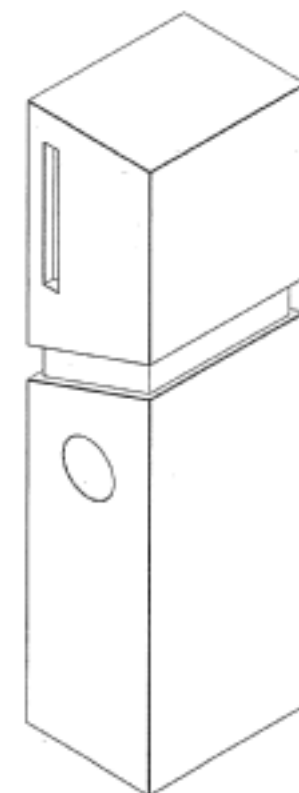
- (21) Design Number: **11730/2013**  
(22) Date of Filing Application: **12 April 2013**  
(24) Date from which industrial property rights may have effect: **12 April 2013**  
(54) Product in respect of which the design is registered: **Postbox**  
(51) International Design Classification: **25-03**  
(74) Name(s) of Attorney(s):  
(71) Name(s) and Address(s) of Applicant(s):  
**Dylan James Lake**  
**27/350 Settlement Rd Thomastown VIC 4074 Australia**  
(72) Name(s) of Designer(s): **Dylan James Lake**  
(45) Registration Date: **27 June 2013**  
(56) Related Art Documents: **Not Applicable**  
(57) Statement of Newness and Distinctiveness: **The newness and distinctiveness of the design resides in the shape and/or configuration of a letterbox shown in the representations.**



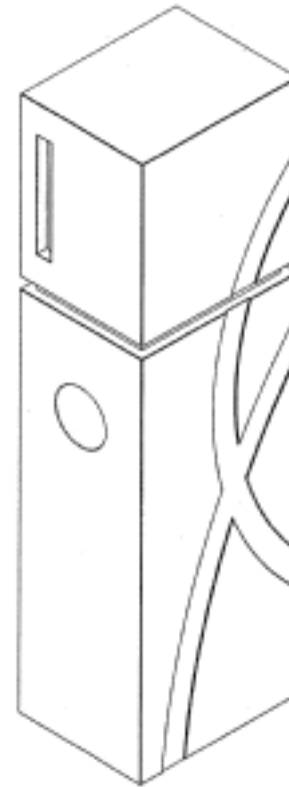
- (21) Design Number: **10692/2013**  
(22) Date of Filing Application: **13 February 2013**  
(24) Date from which industrial property rights may have effect: **13 February 2013**  
(54) Product in respect of which the design is registered: **Applicator**  
(51) International Design Classification: **24-02**  
(74) Name(s) of Attorney(s): **Griffith Hack**  
(71) Name(s) and Address(s) of Applicant(s):  
**UCL Business plc**  
**The Network Building 97 Tottenham Court Road London W1T 4TP**  
**United Kingdom**  
(72) Name(s) of Designer(s): **Steven Barker and Simon Hollingsworth and Tony Thorn and John Bailey and Rolf Ackerman**  
(45) Registration Date: **27 June 2013**  
(30) Convention priority data:  
(31) Number (32) Date (33) Country  
**001339964-0001 13 Aug 2012 OFFICE FOR HARMONISATION IN THE INTERNAL MARKET (OHIM)**  
(56) Related Art Documents: **Not Applicable**  
(57) Statement of Newness and Distinctiveness: **Nil**



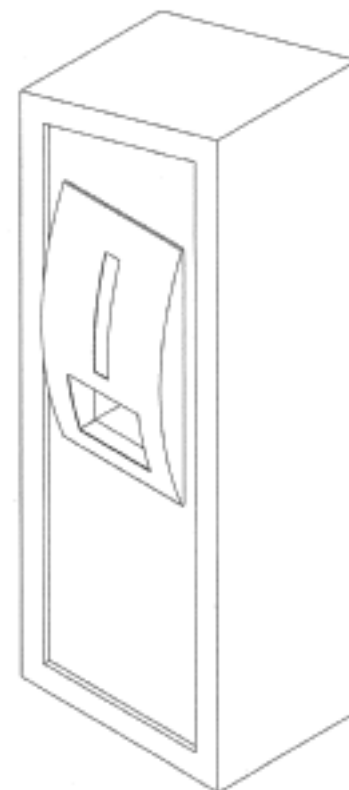
- (21) Design Number: **11734/2013**  
(22) Date of Filing Application: **12 April 2013**  
(24) Date from which industrial property rights may have effect: **12 April 2013**  
(54) Product in respect of which the design is registered: **Postbox**  
(51) International Design Classification: **25-03**  
(74) Name(s) of Attorney(s):  
(71) Name(s) and Address(s) of Applicant(s):  
**Dylan James Lake**  
**27/350 Settlement Rd Thomastown VIC 4074 Australia**  
(72) Name(s) of Designer(s): **Dylan James Lake**  
(45) Registration Date: **27 June 2013**  
(56) Related Art Documents: **Not Applicable**  
(57) Statement of Newness and Distinctiveness: **The newness and distinctiveness of the design resides in the shape and/or configuration of a letterbox shown in the representations.**



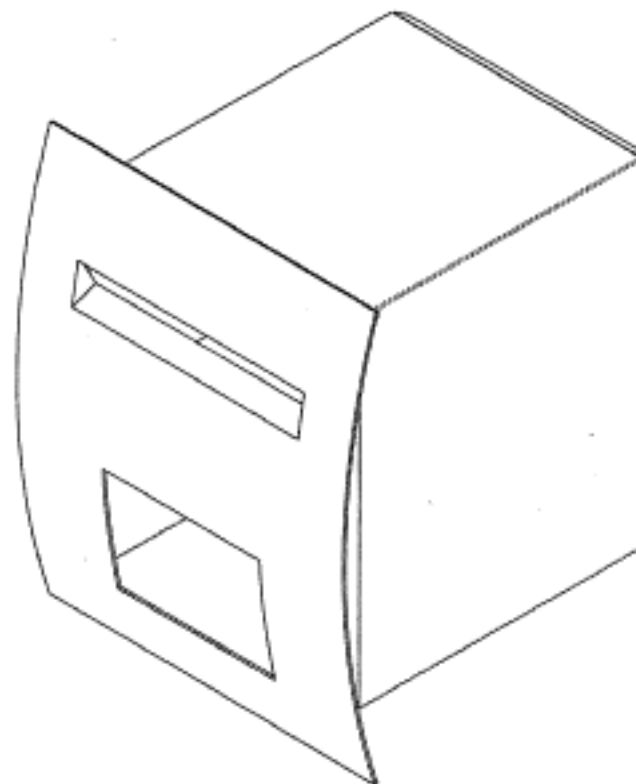
- (21) Design Number: **11733/2013**  
(22) Date of Filing Application: **12 April 2013**  
(24) Date from which industrial property rights may have effect: **12 April 2013**  
(54) Product in respect of which the design is registered: **Postbox**  
(51) International Design Classification: **25-03**  
(74) Name(s) of Attorney(s):  
(71) Name(s) and Address(s) of Applicant(s):  
**Dylan James Lake**  
**27/350 Settlement Rd Thomastown VIC 4074 Australia**  
(72) Name(s) of Designer(s): **Dylan James Lake**  
(45) Registration Date: **27 June 2013**  
(56) Related Art Documents: **Not Applicable**  
(57) Statement of Newness and Distinctiveness: **The newness and distinctiveness of the design resides in the shape and/or configuration of a letterbox shown in the representations.**



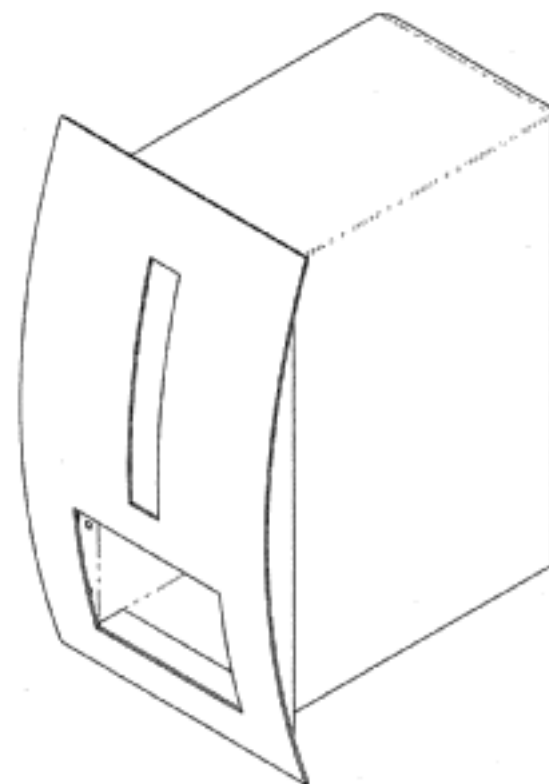
- (21) Design Number: **11732/2013**  
(22) Date of Filing Application: **12 April 2013**  
(24) Date from which industrial property rights may have effect: **12 April 2013**  
(54) Product in respect of which the design is registered: **Postbox**  
(51) International Design Classification: **25-03**  
(74) Name(s) of Attorney(s):  
(71) Name(s) and Address(s) of Applicant(s):  
**Dylan James Lake**  
**27/350 Settlement Rd Thomastown VIC 4074 Australia**  
(72) Name(s) of Designer(s): **Dylan James Lake**  
(45) Registration Date: **27 June 2013**  
(56) Related Art Documents: **Not Applicable**  
(57) Statement of Newness and Distinctiveness: **The newness and distinctiveness of the design resides in the shape and/or configuration of a letterbox shown in the representations.**



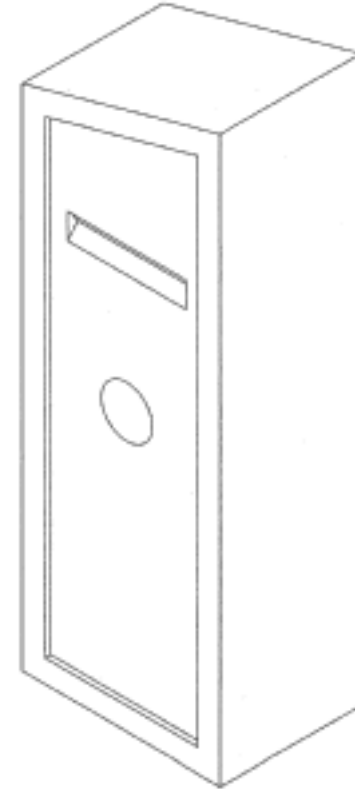
- (21) Design Number: **11742/2013**  
(22) Date of Filing Application: **12 April 2013**  
(24) Date from which industrial property rights may have effect: **12 April 2013**  
(54) Product in respect of which the design is registered: **Postbox**  
(51) International Design Classification: **25-03**  
(74) Name(s) of Attorney(s):  
(71) Name(s) and Address(s) of Applicant(s):  
**Dylan James Lake**  
**27/350 Settlement Rd Thomastown VIC 4074 Australia**  
(72) Name(s) of Designer(s): **Dylan James Lake**  
(45) Registration Date: **27 June 2013**  
(56) Related Art Documents: **Not Applicable**  
(57) Statement of Newness and Distinctiveness: **The newness and distinctiveness of the design resides in the shape and/or configuration of a letterbox shown in the representations.**



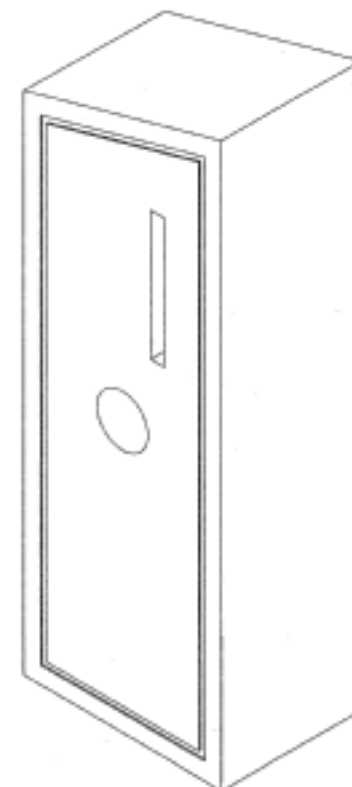
- (21) Design Number: **11741/2013**  
(22) Date of Filing Application: **12 April 2013**  
(24) Date from which industrial property rights may have effect: **12 April 2013**  
(54) Product in respect of which the design is registered: **Postbox**  
(51) International Design Classification: **25-03**  
(74) Name(s) of Attorney(s):  
(71) Name(s) and Address(s) of Applicant(s):  
**Dylan James Lake**  
**27/350 Settlement Rd Thomastown VIC 4074 Australia**  
(72) Name(s) of Designer(s): **Dylan James Lake**  
(45) Registration Date: **27 June 2013**  
(56) Related Art Documents: **Not Applicable**  
(57) Statement of Newness and Distinctiveness: **The newness and distinctiveness of the design resides in the shape and/or configuration of a letterbox shown in the representations.**



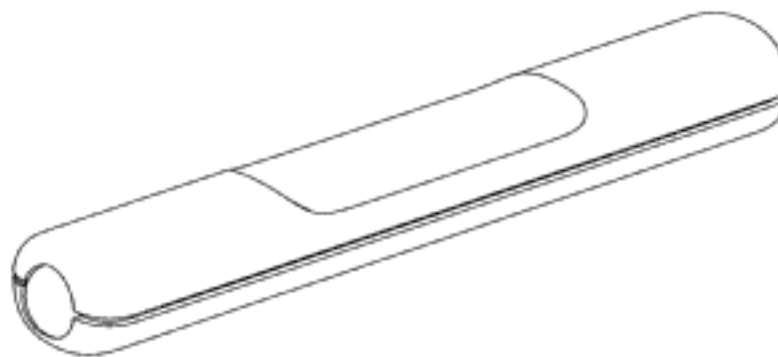
- (21) Design Number: **11737/2013**  
(22) Date of Filing Application: **12 April 2013**  
(24) Date from which industrial property rights may have effect: **12 April 2013**  
(54) Product in respect of which the design is registered: **Postbox**  
(51) International Design Classification: **25-03**  
(74) Name(s) of Attorney(s):  
(71) Name(s) and Address(s) of Applicant(s):  
**Dylan James Lake**  
**27/350 Settlement Rd Thomastown VIC 4074 Australia**  
(72) Name(s) of Designer(s): **Dylan James Lake**  
(45) Registration Date: **27 June 2013**  
(56) Related Art Documents: **Not Applicable**  
(57) Statement of Newness and Distinctiveness: **The newness and distinctiveness of the design resides in the shape and/or configuration of a letterbox shown in the representations.**



- (21) Design Number: **11736/2013**  
(22) Date of Filing Application: **12 April 2013**  
(24) Date from which industrial property rights may have effect: **12 April 2013**  
(54) Product in respect of which the design is registered: **Postbox**  
(51) International Design Classification: **25-03**  
(74) Name(s) of Attorney(s):  
(71) Name(s) and Address(s) of Applicant(s):  
**Dylan James Lake**  
**27/350 Settlement Rd Thomastown VIC 4074 Australia**  
(72) Name(s) of Designer(s): **Dylan James Lake**  
(45) Registration Date: **27 June 2013**  
(56) Related Art Documents: **Not Applicable**  
(57) Statement of Newness and Distinctiveness: **The newness and distinctiveness of the design resides in the shape and/or configuration of a letterbox shown in the representations.**



- (21) Design Number: **11215/2013**  
(22) Date of Filing Application: **08 March 2013**  
(24) Date from which industrial property rights may have effect: **08 March 2013**  
(54) Product in respect of which the design is registered: **Input mechanism for an earphone**  
(51) International Design Classification: **14-01, 14-03NES**  
(74) Name(s) of Attorney(s): **Freehills Patent Attorneys**  
(71) Name(s) and Address(s) of Applicant(s):  
**Apple Inc.**  
**1 Infinite Loop Cupertino California 95014 United States of America**  
(72) Name(s) of Designer(s): **Jody Akana and Bartley K. Andre and Jeremy Bataillou and Daniel J. Coster and Daniele De Iuliis and M. Evans Hankey and Julian Hoenig and Richard P. Howarth and Jonathan P. Ive and Duncan Robert Kerr and Shin Nishibori and Matthew Dean Rohrbach and Peter Russell-Clarke and Christopher J. Stringer and Eugene Antony Whang and Rico Zorkendorfer**  
(45) Registration Date: **27 June 2013**  
(30) Convention priority data:  
(31) Number (32) Date (33) Country  
**29/431563 08 Sep 2012 UNITED STATES OF AMERICA**  
(56) Related Art Documents: **Not Applicable**  
(57) Statement of Newness and Distinctiveness: **Newness and distinctiveness resides in the feature of shape and configuration shown in solid lines in the accompanying representations.**



- (21) Design Number: **12106/2013**  
(22) Date of Filing Application: **06 May 2013**  
(24) Date from which industrial property rights may have effect: **06 May 2013**  
(54) Product in respect of which the design is registered: **Packaging**  
(51) International Design Classification: **09-03M**  
(74) Name(s) of Attorney(s):  
(71) Name(s) and Address(s) of Applicant(s):  
**S. Deslandes**  
**38 Laura St Maylands SA 5069 Australia**  
**F. Gomes Moreira**  
**38 Laura St Maylands SA 5069 Australia**  
(72) Name(s) of Designer(s): **Samuel Deslandes and Fernando Gomes Moreira**  
(45) Registration Date: **28 June 2013**  
(56) Related Art Documents: **Not Applicable**  
(57) Statement of Newness and Distinctiveness: **The design is packaging and protection of surfboards from damage during transport and handling. This design is new and distinctive as the box is original in its shape and concept. The box is specifically designed to fit the surfboard to minimise space when travelling or transportation. The design also provides great strength and protection by using corrugated materials with double walls and Velcro for easy access. There are 2 configurations, 1 the packaging square box and 2 the surfboard box.**



(21) Design Number: **12355/2013**

(22) Date of Filing Application: **22 May 2013**

(24) Date from which industrial property rights may have effect: **22 May 2013**

(54) Product in respect of which the design is registered: **Housing for electronic circuitry**

(51) International Design Classification: **13-03E, 14-02**

(74) Name(s) of Attorney(s): **PIPERS**

(71) Name(s) and Address(s) of Applicant(s):

**Nitz engineering GmbH**  
**Alfred-Ammon-Str. 16 Brixen 39042 Italy**

(72) Name(s) of Designer(s): **Rudiger Nitz**

(45) Registration Date: **28 June 2013**

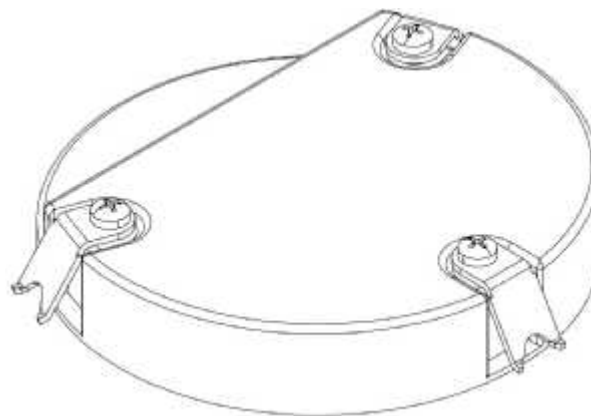
(30) Convention priority data:

(31) Number (32) Date  
**002149419-00002 07 Dec 2012**

(33) Country  
**OFFICE FOR HARMONISATION IN  
THE INTERNAL MARKET (OHIM)**

(56) Related Art Documents: **Not Applicable**

(57) Statement of Newness and Distinctiveness: **The newness and distinctiveness of the design resides in the shape and configuration of the Housing for Electronic Circuitry as shown in the accompanying representations.**



(21) Design Number: **12403/2013**

(22) Date of Filing Application: **24 May 2013**

(24) Date from which industrial property rights may have effect: **24 May 2013**

(54) Product in respect of which the design is registered: **Juicer**

(51) International Design Classification: **31-00**

(74) Name(s) of Attorney(s): **FB Rice**

(71) Name(s) and Address(s) of Applicant(s):

**Koninklijke Philips N.V.**  
**High Tech Campus 5 5656 AE Eindhoven Netherlands**

(72) Name(s) of Designer(s): **Lacides Manuel Marquez and Roeland Gerard Krooshof and Simon James Hemmingway Wilkinson**

(45) Registration Date: **28 June 2013**

(30) Convention priority data:

(31) Number (32) Date  
**002143032-0001 27 Nov 2012**

(33) Country  
**OFFICE FOR HARMONISATION IN  
THE INTERNAL MARKET (OHIM)**

(56) Related Art Documents: **Not Applicable**

(57) Statement of Newness and Distinctiveness: **Newness and distinctiveness reside in the features of shape and configuration of the design as shown in the representations.**





(21) Design Number: **12405/2013**  
(22) Date of Filing Application: **24 May 2013**  
(24) Date from which industrial property rights may have effect: **24 May 2013**  
(54) Product in respect of which the design is registered: **LED downlight**  
(51) International Design Classification: **26-05E**  
(74) Name(s) of Attorney(s): **FB Rice**  
(71) Name(s) and Address(s) of Applicant(s):

**Koninklijke Philips N.V.**  
**High Tech Campus 5 5656 AE Eindhoven Netherlands**

(72) Name(s) of Designer(s): **Robin Bo Cai**

(45) Registration Date: **28 June 2013**

(30) Convention priority data:

|                       |                    |   |
|-----------------------|--------------------|---|
| (31) Number           | (32) Date          | (33) Country  |
| <b>002143933-0002</b> | <b>28 Nov 2012</b> | <b>OFFICE FOR HARMONISATION IN<br/>THE INTERNAL MARKET (OHIM)</b> |

(56) Related Art Documents: **Not Applicable**

(57) Statement of Newness and Distinctiveness: **Newness and distinctiveness reside in the features of shape and configuration of the design as shown in the representations.**



(21) Design Number: **12470/2013**  
(22) Date of Filing Application: **28 May 2013**  
(24) Date from which industrial property rights may have effect: **28 May 2013**  
(54) Product in respect of which the design is registered: **Grill lid**  
(51) International Design Classification: **07-02E**  
(74) Name(s) of Attorney(s): **Griffith Hack**  
(71) Name(s) and Address(s) of Applicant(s):

**The Coleman Company, Inc.**  
**3600 N. Hydraulic Wichita Kansas 67219 United States of America**

(72) Name(s) of Designer(s): **Mitchell L. Wilgus**

(45) Registration Date: **28 June 2013**

(30) Convention priority data:

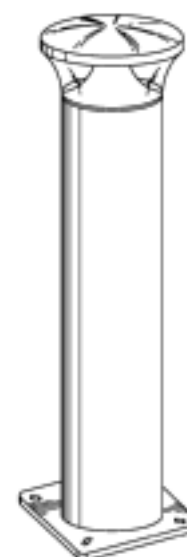
|                   |                    |                                 |
|-------------------|--------------------|---------------------------------|
| (31) Number       | (32) Date          | (33) Country                    |
| <b>29/438,287</b> | <b>28 Nov 2012</b> | <b>UNITED STATES OF AMERICA</b> |

(56) Related Art Documents: **Not Applicable**

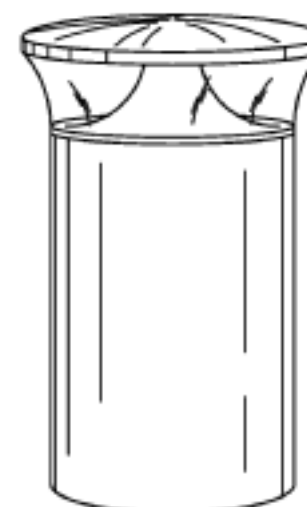
(57) Statement of Newness and Distinctiveness: **Newness and distinctiveness resides in the visual features, including shape and configuration, of a Grill as shown in solid outline in the accompanying drawings. When determining whether the design is substantially similar in overall impression to another design, no regard is to be had to those features shown in dotted outline in the accompanying drawings, which features are provided for illustrative purposes only.**



- (21) Design Number: **12644/2013**  
(22) Date of Filing Application: **07 June 2013**  
(24) Date from which industrial property rights may have effect: **07 June 2013**  
(54) Product in respect of which the design is registered: **A bollard**  
(51) International Design Classification: **25-02A**  
(74) Name(s) of Attorney(s): **SPRUSON & FERGUSON**  
(71) Name(s) and Address(s) of Applicant(s):  
**Thorn Europhane S.A.**  
**Route da la Paix - BP 504 Les Andelys 27705 France**  
(72) Name(s) of Designer(s): **Morten Lyhne**  
(45) Registration Date: **28 June 2013**  
(30) Convention priority data:  
(31) Number (32) Date (33) Country  
**001 354 336 11 Dec 2012 OFFICE FOR HARMONISATION IN  
THE INTERNAL MARKET (OHIM)**  
(56) Related Art Documents: **Not Applicable**  
(57) Statement of Newness and Distinctiveness: **Newness and distinctiveness  
is claimed in the features of shape and/or configuration of a bollard as  
illustrated in the accompanying representations.**



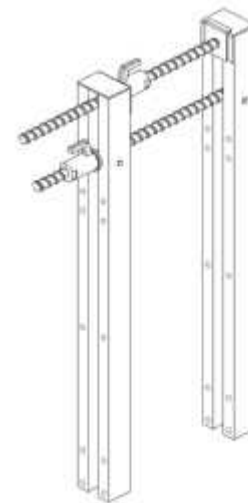
- (21) Design Number: **12645/2013**  
(22) Date of Filing Application: **07 June 2013**  
(24) Date from which industrial property rights may have effect: **07 June 2013**  
(54) Product in respect of which the design is registered: **A bollard**  
(51) International Design Classification: **25-02A**  
(74) Name(s) of Attorney(s): **SPRUSON & FERGUSON**  
(71) Name(s) and Address(s) of Applicant(s):  
**Thorn Europhane S.A.**  
**Route da la Paix - BP 504 Les Andelys 27705 France**  
(72) Name(s) of Designer(s): **Morten Lyhne**  
(45) Registration Date: **28 June 2013**  
(30) Convention priority data:  
(31) Number (32) Date (33) Country  
**001 354 336 11 Dec 2012 OFFICE FOR HARMONISATION IN  
THE INTERNAL MARKET (OHIM)**  
(56) Related Art Documents: **Not Applicable**  
(57) Statement of Newness and Distinctiveness: **Newness and distinctiveness  
is claimed in the features of shape and/or configuration of a bollard as  
illustrated in the accompanying representations.**



- (21) Design Number: **12648/2013**  
(22) Date of Filing Application: **07 June 2013**  
(24) Date from which industrial property rights may have effect: **07 June 2013**  
(54) Product in respect of which the design is registered: **Scooter compression clamp**  
(51) International Design Classification: **08-08D, 12-11, 21-01F**  
(74) Name(s) of Attorney(s):  
(71) Name(s) and Address(s) of Applicant(s):  
**Andrew Robert Markham**  
**PO BOX 330 Sanctuary Cove QLD 4212 Australia**  
(72) Name(s) of Designer(s): **Andrew Robert Markham**  
(45) Registration Date: **28 June 2013**  
(56) Related Art Documents: **Not Applicable**  
(57) Statement of Newness and Distinctiveness: **Nil**



- (21) Design Number: **12659/2013**  
(22) Date of Filing Application: **07 June 2013**  
(24) Date from which industrial property rights may have effect: **07 June 2013**  
(54) Product in respect of which the design is registered: **Apparatus for formwork**  
(51) International Design Classification: **25-01B**  
(74) Name(s) of Attorney(s):  
(71) Name(s) and Address(s) of Applicant(s):  
**Kenneth David Ward**  
**48 Moate St Georgetown NSW 2298 Australia**  
(72) Name(s) of Designer(s): **Kenneth David Ward**  
(45) Registration Date: **28 June 2013**  
(56) Related Art Documents: **Not Applicable**  
(57) Statement of Newness and Distinctiveness: **Newness and distinctiveness is claimed in the visual features shown in solid lines in the representations.**



- (21) Design Number: **12660/2013**  
(22) Date of Filing Application: **07 June 2013**  
(24) Date from which industrial property rights may have effect: **07 June 2013**  
(54) Product in respect of which the design is registered: **Bracket for formwork**  
(51) International Design Classification: **08-08L, 25-01B**  
(74) Name(s) of Attorney(s):  
(71) Name(s) and Address(s) of Applicant(s):  
**Kenneth David Ward**  
**48 Moate St Georgetown NSW 2298 Australia**  
(72) Name(s) of Designer(s): **Kenneth David Ward**  
(45) Registration Date: **28 June 2013**  
(56) Related Art Documents: **Not Applicable**  
(57) Statement of Newness and Distinctiveness: **Newness and distinctiveness is claimed in the visual features shown in solid lines in the representations.**



- (21) Design Number: **12662/2013**  
(22) Date of Filing Application: **07 June 2013**  
(24) Date from which industrial property rights may have effect: **07 June 2013**  
(54) Product in respect of which the design is registered: **A trolley**  
(51) International Design Classification: **12-02**  
(74) Name(s) of Attorney(s): **Actuate IP**  
(71) Name(s) and Address(s) of Applicant(s):  
**Carolyn Vanessa Barnes**  
**1206/1 Kings Cross Rd Darlinghurst NSW 2010 Australia**  
(72) Name(s) of Designer(s): **Carolyn Vanessa Barnes**  
(45) Registration Date: **28 June 2013**  
(56) Related Art Documents: **Not Applicable**  
(57) Statement of Newness and Distinctiveness: **Newness and distinctiveness is claimed in the features of shape and/or configuration of the trolley, as illustrated in the accompanying representations.**



- (21) Design Number: **12666/2013**  
(22) Date of Filing Application: **07 June 2013**  
(24) Date from which industrial property rights may have effect: **07 June 2013**  
(54) Product in respect of which the design is registered: **An abutment for a dental implant**  
(51) International Design Classification: **24-03**  
(74) Name(s) of Attorney(s): **Knightsbridge Patent Attorneys**  
(71) Name(s) and Address(s) of Applicant(s):  
**Christopher Noel Hart**  
**SE3 L10 20 Collins St Melbourne VIC 3000 Australia**  
(72) Name(s) of Designer(s): **Christopher Noel Hart**  
(45) Registration Date: **28 June 2013**  
(56) Related Art Documents: **Not Applicable**  
(57) Statement of Newness and Distinctiveness: **Newness and distinctiveness are claimed in the features of shape and configuration of an abutment for a dental implant as shown in the accompanying representations. In considering the extent of the monopoly protection conferred, the features of shape and configuration of the abutment that are depicted in ghost lines in the accompanying representations are to be disregarded.**



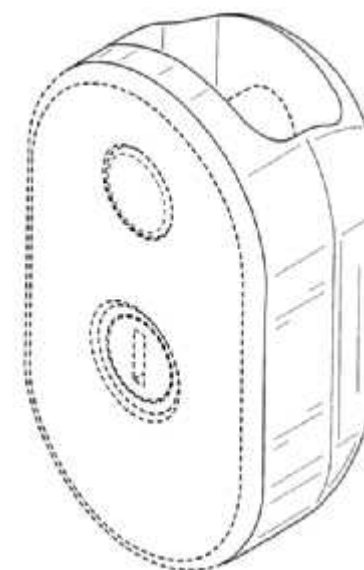
- (21) Design Number: **12667/2013**  
(22) Date of Filing Application: **07 June 2013**  
(24) Date from which industrial property rights may have effect: **07 June 2013**  
(54) Product in respect of which the design is registered: **A retention device for a dental abutment**  
(51) International Design Classification: **24-03**  
(74) Name(s) of Attorney(s): **Knightsbridge Patent Attorneys**  
(71) Name(s) and Address(s) of Applicant(s):  
**Christopher Noel Hart**  
**SE3 L10 20 Collins St Melbourne VIC 3000 Australia**  
(72) Name(s) of Designer(s): **Christopher Noel Hart**  
(45) Registration Date: **28 June 2013**  
(56) Related Art Documents: **Not Applicable**  
(57) Statement of Newness and Distinctiveness: **Newness and distinctiveness are claimed in the features of shape and configuration of a retention device for a dental abutment, as shown in the accompanying representations. In considering the extent of the monopoly protection conferred, the features of shape and configuration of the device that are depicted in ghost lines in the accompanying representations are to be disregarded.**



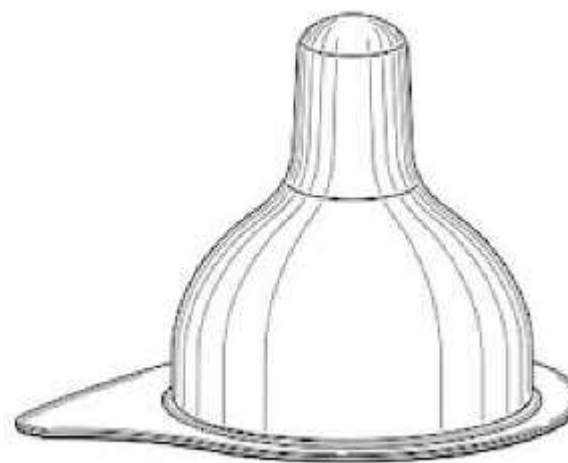
(21) Design Number: **12642/2013**  
(22) Date of Filing Application: **07 June 2013**  
(24) Date from which industrial property rights may have effect: **07 June 2013**  
(54) Product in respect of which the design is registered: **Headphone**  
(51) International Design Classification: **14-01**  
(74) Name(s) of Attorney(s): **Baker & McKenzie**  
(71) Name(s) and Address(s) of Applicant(s):  
**Creative Technology Ltd**  
**31 International Business Park Creative Resource Singapore 609921**  
**Singapore**  
(72) Name(s) of Designer(s): **Huey Ying Gan**  
(45) Registration Date: **28 June 2013**  
(30) Convention priority data:  
(31) Number (32) Date (33) Country  
**D2013/19/C 08 Jan 2013 SINGAPORE**  
(56) Related Art Documents: **Not Applicable**  
(57) Statement of Newness and Distinctiveness: **The novelty of the design resides in the shape and configuration of the article as shown in the representations.**



(21) Design Number: **12545/2013**  
(22) Date of Filing Application: **03 June 2013**  
(24) Date from which industrial property rights may have effect: **25 February 2013**  
(54) Product in respect of which the design is registered: **Lock**  
(51) International Design Classification: **08-07**  
(74) Name(s) of Attorney(s): **Callinans**  
(71) Name(s) and Address(s) of Applicant(s):  
**Master Lock Company LLC**  
**137 W. Forest Hill Avenue Oak Creek Wisconsin 53154 United States of**  
**America**  
(72) Name(s) of Designer(s): **Scott Stevens**  
(45) Registration Date: **28 June 2013**  
(62) Divisional of: **349398**  
(56) Related Art Documents: **Not Applicable**  
(57) Statement of Newness and Distinctiveness: **Newness and distinctiveness are provided by the shape and/or configuration of the design shown in the representations. The features shown in broken lines in the representations are for illustrative purposes only and should not be considered when construing visual features of the design.**



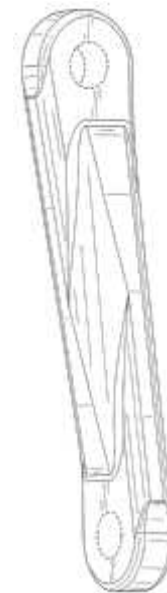
(21) Design Number: **11686/2013**  
(22) Date of Filing Application: **10 April 2013**  
(24) Date from which industrial property rights may have effect: **10 April 2013**  
(54) Product in respect of which the design is registered: **Package for a teat of a feeding bottle**  
(51) International Design Classification: **09-03C, 09-03NES**  
(74) Name(s) of Attorney(s): **Griffith Hack**  
(71) Name(s) and Address(s) of Applicant(s):  
**Medela Holding AG**  
**Lattichstrasse 4b BAAR 6340 Switzerland**  
(72) Name(s) of Designer(s): **Therese Naef and Britta Pukall and Etienne Furrer and Rene Fischer**  
(45) Registration Date: **28 June 2013**  
(30) Convention priority data:  
(31) Number (32) Date (33) Country  
**DM/079 957 18 Oct 2012 WORLD INTELLECTUAL PROPERTY ORGANIZATION (WIPO)**  
(56) Related Art Documents: **Not Applicable**  
(57) Statement of Newness and Distinctiveness: **Newness and distinctiveness resides in the visual features, including shape, configuration and ornamentation of the product as shown in the accompanying drawings.**



(21) Design Number: **11264/2013**  
(22) Date of Filing Application: **13 March 2013**  
(24) Date from which industrial property rights may have effect: **13 March 2013**  
(54) Product in respect of which the design is registered: **Vehicle spoiler**  
(51) International Design Classification: **12-16B**  
(74) Name(s) of Attorney(s): **K&L Gates**  
(71) Name(s) and Address(s) of Applicant(s):  
**GM Global Technology Operations LLC**  
**300 Renaissance Centre City of Detroit State of Michigan 48265-3000**  
**United States of America**  
(72) Name(s) of Designer(s): **Julian Mark Quincey**  
(45) Registration Date: **28 June 2013**  
(56) Related Art Documents: **Not Applicable**  
(57) Statement of Newness and Distinctiveness: **Nil**



- (21) Design Number: **12128/2013**  
(22) Date of Filing Application: **08 May 2013**  
(24) Date from which industrial property rights may have effect: **15 February 2013**  
(54) Product in respect of which the design is registered: **Link for lock**  
(51) International Design Classification: **08-07**  
(74) Name(s) of Attorney(s): **Callinans**  
(71) Name(s) and Address(s) of Applicant(s):  
**Master Lock Company LLC**  
**137 W. Forest Hill Avenue Oak Creek Wisconsin 53154 United States of America**  
(72) Name(s) of Designer(s): **Zachery T. Nave**  
(45) Registration Date: **28 June 2013**  
(62) Divisional of: **348562**  
(56) Related Art Documents: **Not Applicable**  
(57) Statement of Newness and Distinctiveness: **Newness and distinctiveness are provided by the shape and/or configuration of the design shown in the representations. The features shown in broken lines in the representations are for illustrative purposes only and should not be considered when construing visual features of the design.**



- (21) Design Number: **11060/2013**  
(22) Date of Filing Application: **05 March 2013**  
(24) Date from which industrial property rights may have effect: **05 March 2013**  
(54) Product in respect of which the design is registered: **Balancing bottle holder**  
(51) International Design Classification: **07-06A**  
(74) Name(s) of Attorney(s):  
(71) Name(s) and Address(s) of Applicant(s):  
**Antun Knezovic**  
**PO Box 3156 Birkdale Queensland 4159 Australia**  
**Dina Knezovic**  
**PO Box 3156 Birkdale Queensland 4159 Australia**  
(72) Name(s) of Designer(s): **Antun Knezovic**  
(45) Registration Date: **28 June 2013**  
(56) Related Art Documents: **Not Applicable**  
(57) Statement of Newness and Distinctiveness: **Bamboo piece cut at bottom end at 45 degree angle and the top part cut at 90 degree angle, and a hole in the top part of the bottle holder, please see photos attached.**

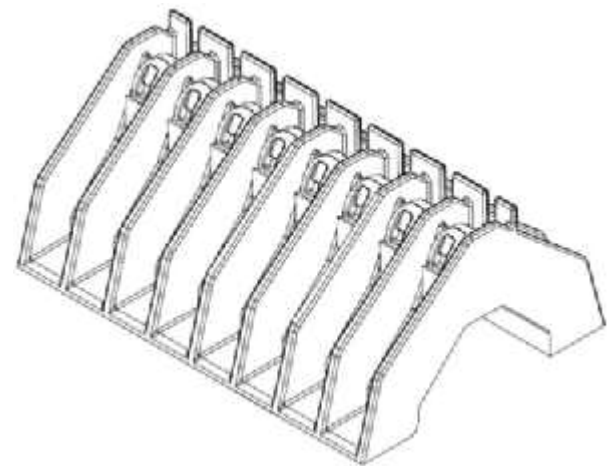




(21) Design Number: **11526/2013**  
(22) Date of Filing Application: **27 March 2013**  
(24) Date from which industrial property rights may have effect: **27 March 2013**  
(54) Product in respect of which the design is registered: **A ventilator**  
(51) International Design Classification: **23-04**  
(74) Name(s) of Attorney(s):  
(71) Name(s) and Address(s) of Applicant(s):  
**Kevin Baker**  
**6 Sheehan St Pearce ACT 2607 Australia**  
(72) Name(s) of Designer(s): **Kevin Baker**  
(45) Registration Date: **28 June 2013**  
(56) Related Art Documents: **Not Applicable**  
(57) Statement of Newness and Distinctiveness: **Newness and distinctiveness is claimed in the shape and/or configuration of the universal tile exhaust as shown in the representations.**



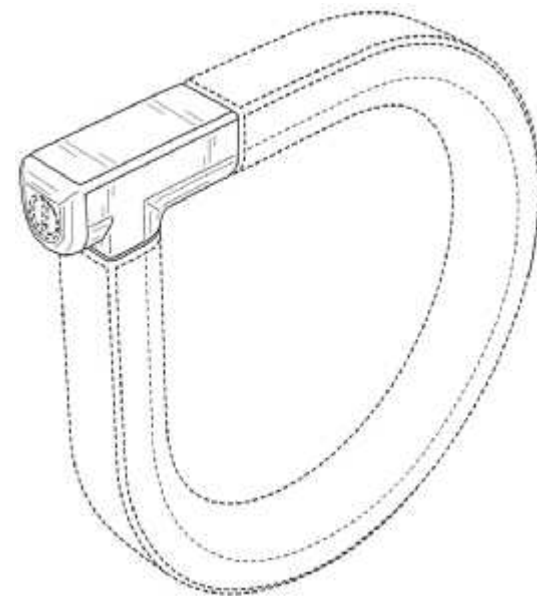
(21) Design Number: **10704/2013**  
(22) Date of Filing Application: **13 February 2013**  
(24) Date from which industrial property rights may have effect: **13 February 2013**  
(54) Product in respect of which the design is registered: **Rack with clips**  
(51) International Design Classification: **24-02**  
(74) Name(s) of Attorney(s): **Griffith Hack**  
(71) Name(s) and Address(s) of Applicant(s):  
**UCL Business plc**  
**The Network Building 97 Tottenham Court Road London W1T 4TP**  
**United Kingdom**  
(72) Name(s) of Designer(s): **Steven Barker and Simon Hollingsworth and Tony Thorn and John Bailey and Rolf Ackerman**  
(45) Registration Date: **28 June 2013**  
(30) Convention priority data:  
(31) Number (32) Date (33) Country  
**001339964-0002 13 Aug 2012 OFFICE FOR HARMONISATION IN**  
**THE INTERNAL MARKET (OHIM)**  
(56) Related Art Documents: **Not Applicable**  
(57) Statement of Newness and Distinctiveness: **Nil**



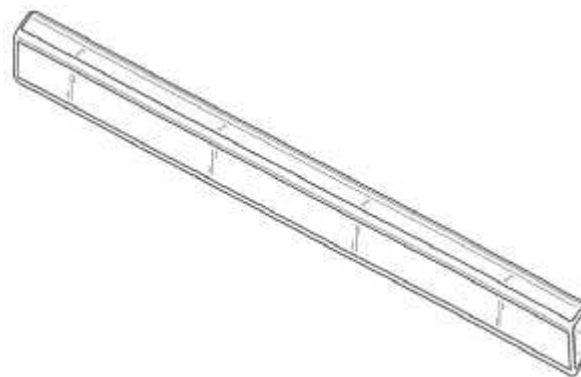
- (21) Design Number: **11735/2013**  
(22) Date of Filing Application: **12 April 2013**  
(24) Date from which industrial property rights may have effect: **12 April 2013**  
(54) Product in respect of which the design is registered: **Postbox**  
(51) International Design Classification: **25-03**  
(74) Name(s) of Attorney(s):  
(71) Name(s) and Address(s) of Applicant(s):  
**Dylan James Lake**  
**27/350 Settlement Rd Thomastown VIC 4074 Australia**  
(72) Name(s) of Designer(s): **Dylan James Lake**  
(45) Registration Date: **28 June 2013**  
(56) Related Art Documents: **Not Applicable**  
(57) Statement of Newness and Distinctiveness: **The newness and distinctiveness of the design resides in the shape and/or configuration of a letterbox shown in the representations.**



- (21) Design Number: **12551/2013**  
(22) Date of Filing Application: **03 June 2013**  
(24) Date from which industrial property rights may have effect: **25 February 2013**  
(54) Product in respect of which the design is registered: **Lock**  
(51) International Design Classification: **08-07**  
(74) Name(s) of Attorney(s): **Callinans**  
(71) Name(s) and Address(s) of Applicant(s):  
**Master Lock Company LLC**  
**137 W. Forest Hill Avenue Oak Creek Wisconsin 53154 United States of America**  
(72) Name(s) of Designer(s): **Scott Stevens**  
(45) Registration Date: **28 June 2013**  
(62) Divisional of: **349398**  
(56) Related Art Documents: **Not Applicable**  
(57) Statement of Newness and Distinctiveness: **Newness and distinctiveness are provided by the shape and/or configuration of the design shown in the representations. The features shown in broken lines in the representations are for illustrative purposes only and should not be considered when construing visual features of the design.**



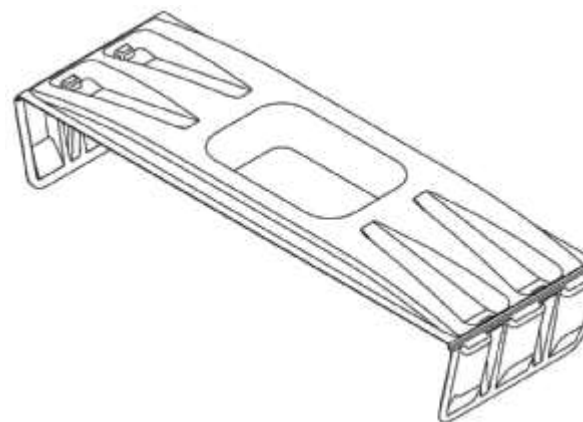
- (21) Design Number: **12552/2013**  
(22) Date of Filing Application: **03 June 2013**  
(24) Date from which industrial property rights may have effect: **25 February 2013**  
(54) Product in respect of which the design is registered: **Lock**  
(51) International Design Classification: **08-07**  
(74) Name(s) of Attorney(s): **Callinans**  
(71) Name(s) and Address(s) of Applicant(s):  
**Master Lock Company LLC**  
**137 W. Forest Hill Avenue Oak Creek Wisconsin 53154 United States of America**  
(72) Name(s) of Designer(s): **Scott Stevens**  
(45) Registration Date: **28 June 2013**  
(62) Divisional of: **349398**  
(56) Related Art Documents: **Not Applicable**  
(57) Statement of Newness and Distinctiveness: **Newness and distinctiveness are provided by the shape and/or configuration of the design shown in the representations. The features shown in broken lines in the representations are for illustrative purposes only and should not be considered when construing visual features of the design.**



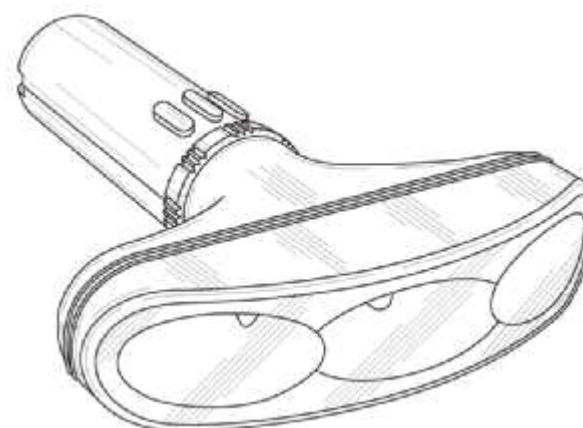
- (21) Design Number: **12282/2013**  
(22) Date of Filing Application: **16 May 2013**  
(24) Date from which industrial property rights may have effect: **16 May 2013**  
(54) Product in respect of which the design is registered: **A divider and tray**  
(51) International Design Classification: **09-03F, 09-03H**  
(74) Name(s) of Attorney(s): **AJ Park**  
(71) Name(s) and Address(s) of Applicant(s):  
**Alto Packaging Limited**  
**Level 6 57 Symonds Street Grafton Auckland New Zealand**  
(72) Name(s) of Designer(s): **Steven Mark Long**  
(45) Registration Date: **28 June 2013**  
(56) Related Art Documents: **Not Applicable**  
(57) Statement of Newness and Distinctiveness: **The newness and distinctiveness resides in the features of shape and/or configuration of a divider and tray as illustrated in the drawings but irrespective of the precise location of the divider along the base of the tray.**



- (21) Design Number: **12281/2013**  
(22) Date of Filing Application: **16 May 2013**  
(24) Date from which industrial property rights may have effect: **16 May 2013**  
(54) Product in respect of which the design is registered: **A divider**  
(51) International Design Classification: **09-03H**  
(74) Name(s) of Attorney(s): **AJ Park**  
(71) Name(s) and Address(s) of Applicant(s):  
**Alto Packaging Limited**  
**Level 6 57 Symonds Street Grafton Auckland New Zealand**  
(72) Name(s) of Designer(s): **Steven Mark Long**  
(45) Registration Date: **28 June 2013**  
(56) Related Art Documents: **Not Applicable**  
(57) Statement of Newness and Distinctiveness: **The newness and distinctiveness resides in the features of shape and/or configuration of a divider as illustrated in the drawings.**



- (21) Design Number: **12230/2013**  
(22) Date of Filing Application: **15 May 2013**  
(24) Date from which industrial property rights may have effect: **15 May 2013**  
(54) Product in respect of which the design is registered: **Flashlight with wide area light projection**  
(51) International Design Classification: **26-02**  
(74) Name(s) of Attorney(s): **SPRUSON & FERGUSON**  
(71) Name(s) and Address(s) of Applicant(s):  
**Ronnie Pritchett**  
**17136 Mt. Woodson Road Ramona CA 92065 United States of America**  
(72) Name(s) of Designer(s): **Ronnie Pritchett**  
(45) Registration Date: **28 June 2013**  
(30) Convention priority data:  
(31) Number      (32) Date      (33) Country  
**29/437370      15 Nov 2012      UNITED STATES OF AMERICA**  
(56) Related Art Documents: **Not Applicable**  
(57) Statement of Newness and Distinctiveness: **Newness and distinctiveness is claimed in the features of shape and/or configuration of a flashlight with wide area light projection as illustrated in the accompanying representations.**



(21) Design Number: **11763/2013**  
(22) Date of Filing Application: **15 April 2013**  
(24) Date from which industrial property rights may have effect: **11 January 2013**  
(54) Product in respect of which the design is registered: **A display unit**  
(51) International Design Classification: **20-02NES**  
(74) Name(s) of Attorney(s): **Davies Collison Cave**  
(71) Name(s) and Address(s) of Applicant(s):

**Una Hannaway**  
**Shragarra Kendalstown Rise Delgany County Wicklow Republic of Ireland**

(72) Name(s) of Designer(s): **Una Hannaway**  
(45) Registration Date: **01 July 2013**  
(62) Divisional of: **348368**  
(56) Related Art Documents: **Not Applicable**  
(57) Statement of Newness and Distinctiveness: **Nil**



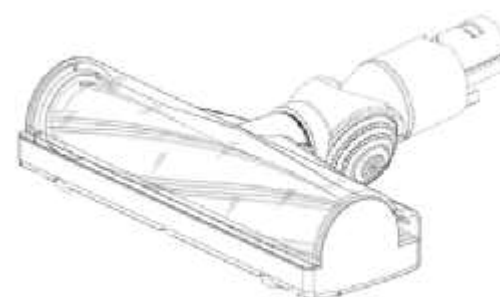
(21) Design Number: **11765/2013**  
(22) Date of Filing Application: **15 April 2013**  
(24) Date from which industrial property rights may have effect: **15 April 2013**  
(54) Product in respect of which the design is registered: **Part of a vacuum cleaner**  
(51) International Design Classification: **15-05**  
(74) Name(s) of Attorney(s): **Shelston IP**  
(71) Name(s) and Address(s) of Applicant(s):

**Dyson Technology Limited**  
**Tetbury Hill Malmesbury Wiltshire SN16 0RP United Kingdom**

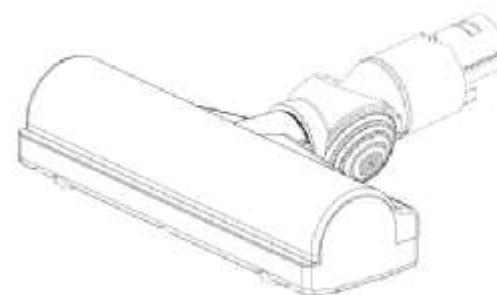
(72) Name(s) of Designer(s): **Timothy Nicholas Stickney and Jonathan George Marsh and Stuart Lloyd Genn**  
(45) Registration Date: **01 July 2013**  
(30) Convention priority data:

|                       |                    |   |
|-----------------------|--------------------|---|
| (31) Number           | (32) Date          | (33) Country  |
| <b>001347942-0001</b> | <b>19 Oct 2012</b> | <b>OFFICE FOR HARMONISATION IN THE INTERNAL MARKET (OHIM)</b> |

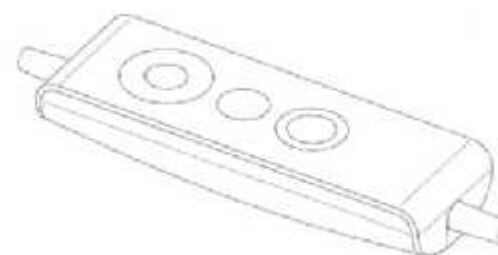
(56) Related Art Documents: **Not Applicable**  
(57) Statement of Newness and Distinctiveness: **Newness and distinctiveness reside in the features of shape and/or configuration of PART OF A VACUUM CLEANER as illustrated in solid lines in the accompanying representations. The features illustrated in broken lines do not form part of the design.**



(21) Design Number: **11767/2013**  
(22) Date of Filing Application: **15 April 2013**  
(24) Date from which industrial property rights may have effect: **15 April 2013**  
(54) Product in respect of which the design is registered: **Part of a vacuum cleaner**  
(51) International Design Classification: **15-05**  
(74) Name(s) of Attorney(s): **Shelston IP**  
(71) Name(s) and Address(s) of Applicant(s):  
**Dyson Technology Limited**  
**Tetbury Hill Malmesbury Wiltshire SN16 0RP United Kingdom**  
(72) Name(s) of Designer(s): **Timothy Nicholas Stickney and Jonathan George Marsh and Stuart Lloyd Genn**  
(45) Registration Date: **01 July 2013**  
(30) Convention priority data:  
(31) Number (32) Date (33) Country  
**001347942-0002 19 Oct 2012 OFFICE FOR HARMONISATION IN THE INTERNAL MARKET (OHIM)**  
(56) Related Art Documents: **Not Applicable**  
(57) Statement of Newness and Distinctiveness: **Newness and distinctiveness reside in the features of shape and/or configuration of PART OF A VACUUM CLEANER as illustrated in solid lines in the accompanying representations. The features illustrated in broken line do not form part of the design.**



(21) Design Number: **11797/2013**  
(22) Date of Filing Application: **16 April 2013**  
(24) Date from which industrial property rights may have effect: **16 April 2013**  
(54) Product in respect of which the design is registered: **Controls for household appliances**  
(51) International Design Classification: **13-03D**  
(74) Name(s) of Attorney(s): **Davies Collison Cave**  
(71) Name(s) and Address(s) of Applicant(s):  
**Tenacta Group S.p.A.**  
**Via Piemonte 5/11 Azzano San Paolo BG 24052 Italy**  
(72) Name(s) of Designer(s): **Giorgio Tedioli**  
(45) Registration Date: **01 July 2013**  
(30) Convention priority data:  
(31) Number (32) Date (33) Country  
**002211763-0001 29 Mar 2013 OFFICE FOR HARMONISATION IN THE INTERNAL MARKET (OHIM)**  
(56) Related Art Documents: **Not Applicable**  
(57) Statement of Newness and Distinctiveness: **Newness and distinctiveness is claimed in the visual features shown in solid lines in the representations.**



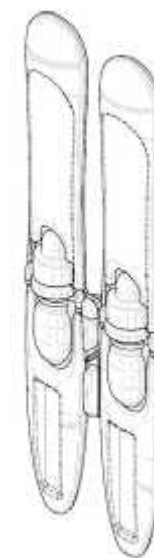
- (21) Design Number: **11856/2013**  
(22) Date of Filing Application: **21 April 2013**  
(24) Date from which industrial property rights may have effect: **21 April 2013**  
(54) Product in respect of which the design is registered: **Breast feeding cover**  
(51) International Design Classification: **06-13C**  
(74) Name(s) of Attorney(s):  
(71) Name(s) and Address(s) of Applicant(s):  
    **Jessica Nancy-lee Owen**  
    **3 Argus Ct Mount Louisa QLD 4814 Australia**  
(72) Name(s) of Designer(s): **Jessica Nancy-lee Owen**  
(45) Registration Date: **01 July 2013**  
(56) Related Art Documents: **Not Applicable**  
(57) Statement of Newness and Distinctiveness: **My design has easy clip attachment the quickly and easily attaches to the feeding mothers bra strap. It has an insert that gives the mother eye contact with the feeding child, and also allows air flow. The design is double sided and reversable.**



- (21) Design Number: **11858/2013**  
(22) Date of Filing Application: **22 April 2013**  
(24) Date from which industrial property rights may have effect: **22 April 2013**  
(54) Product in respect of which the design is registered: **Cut-out insulator for high tension electrical circuits**  
(51) International Design Classification: **13-03B**  
(74) Name(s) of Attorney(s): **Callinans**  
(71) Name(s) and Address(s) of Applicant(s):  
    **Pacific Polymers Pty Ltd**  
    **C/- Burton Partners Chartered Accountants 217 Lonsdale St Dandenong**  
    **VIC 3175 Australia**  
(72) Name(s) of Designer(s): **Simon Wu and Gordon Chessum and Andrew Sorensen**  
(45) Registration Date: **01 July 2013**  
(56) Related Art Documents: **Not Applicable**  
(57) Statement of Newness and Distinctiveness: **Novelty and distinctiveness lies in the visual features of shape and/or configuration of the cut-out insulator shown in the representations.**



- (21) Design Number: **11877/2013**  
(22) Date of Filing Application: **22 April 2013**  
(24) Date from which industrial property rights may have effect: **22 April 2013**  
(54) Product in respect of which the design is registered: **Unit dose vials**  
(51) International Design Classification: **24-02**  
(74) Name(s) of Attorney(s): **Davies Collison Cave**  
(71) Name(s) and Address(s) of Applicant(s):  
**Allergan, Inc.**  
**2525 Dupont Drive Irvine California 92612 United States of America**  
(72) Name(s) of Designer(s): **Daniel Mulvey and Sai Shankar and Lorens Slokovic**  
(45) Registration Date: **01 July 2013**  
(56) Related Art Documents: **Not Applicable**  
(57) Statement of Newness and Distinctiveness: **Newness and distinctiveness is claimed in the visual features shown in solid lines in the representations. In considering the extent of the design rights, the broken lines shown in the representations are for illustrative purposes only and do not form part of the design.**

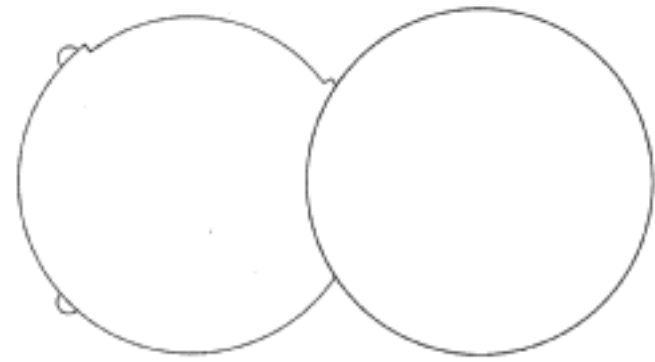


- (21) Design Number: **11878/2013**  
(22) Date of Filing Application: **22 April 2013**  
(24) Date from which industrial property rights may have effect: **22 April 2013**  
(54) Product in respect of which the design is registered: **Unit dose vial**  
(51) International Design Classification: **24-02**  
(74) Name(s) of Attorney(s): **Davies Collison Cave**  
(71) Name(s) and Address(s) of Applicant(s):  
**Allergan, Inc.**  
**2525 Dupont Drive Irvine California 92612 United States of America**  
(72) Name(s) of Designer(s): **Daniel Mulvey and Sai Shankar and Lorens Slokovic**  
(45) Registration Date: **01 July 2013**  
(56) Related Art Documents: **Not Applicable**  
(57) Statement of Newness and Distinctiveness: **Newness and distinctiveness is claimed in the visual features shown in solid lines in the representations. In considering the extent of the design rights, the broken lines shown in the representations are for illustrative purposes only and do not form part of the design.**

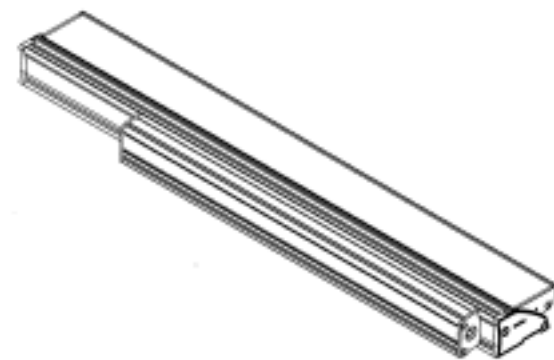




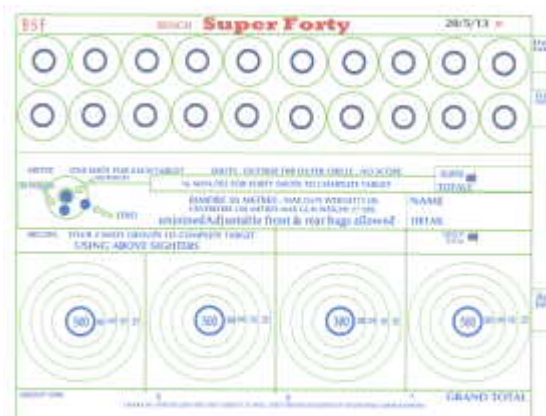
- (21) Design Number: **12484/2013**  
(22) Date of Filing Application: **29 May 2013**  
(24) Date from which industrial property rights may have effect: **29 May 2013**  
(54) Product in respect of which the design is registered: **Swivel table**  
(51) International Design Classification: **06-03B**  
(74) Name(s) of Attorney(s):  
(71) Name(s) and Address(s) of Applicant(s):  
**Shareen Joel**  
**511 High St East Prahran Vic 3181 Australia**  
(72) Name(s) of Designer(s): **Shareen Joel**  
(45) Registration Date: **01 July 2013**  
(56) Related Art Documents: **Not Applicable**  
(57) Statement of Newness and Distinctiveness: **Newness and distinctiveness resides in the features of the design as shown in the representations.**



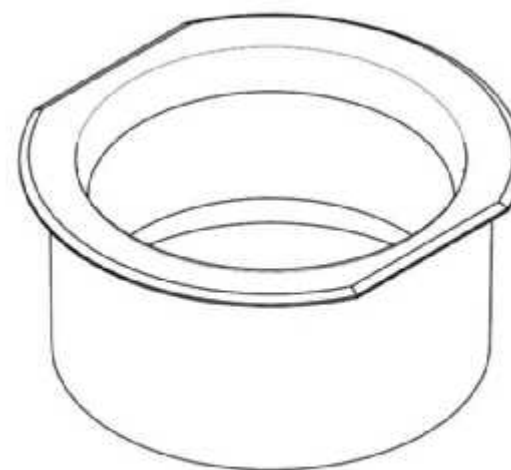
- (21) Design Number: **12486/2013**  
(22) Date of Filing Application: **30 May 2013**  
(24) Date from which industrial property rights may have effect: **30 May 2013**  
(54) Product in respect of which the design is registered: **LED light fixture**  
(51) International Design Classification: **26-05E**  
(74) Name(s) of Attorney(s):  
(71) Name(s) and Address(s) of Applicant(s):  
**Intralux Australia Pty Limited**  
**23 Enterprise St Richlands QLD 4077 Australia**  
(72) Name(s) of Designer(s): **Brad Marshall**  
(45) Registration Date: **01 July 2013**  
(56) Related Art Documents: **Not Applicable**  
(57) Statement of Newness and Distinctiveness: **Ability of fitting to provide smooth light distribution through specialised reflector design and light engine configuration. Ability of light fitting to adjust beam direction to suit a variety of architectural conditions, through pivoting of the extrusion body.**



- (21) Design Number: **12649/2013**  
(22) Date of Filing Application: **06 June 2013**  
(24) Date from which industrial property rights may have effect: **06 June 2013**  
(54) Product in respect of which the design is registered: **Shooting target bench super forty**  
(51) International Design Classification: **22-04**  
(74) Name(s) of Attorney(s):  
(71) Name(s) and Address(s) of Applicant(s):  
**John Allen Rawson**  
**32 Newth Pl Surf Beach Batemans Bay NSW 2536 Australia**  
(72) Name(s) of Designer(s): **John Rawson**  
(45) Registration Date: **01 July 2013**  
(56) Related Art Documents: **Not Applicable**  
(57) Statement of Newness and Distinctiveness: **Totally new in name and design features size and time limits and methods of execution "Bench Super Forty".**



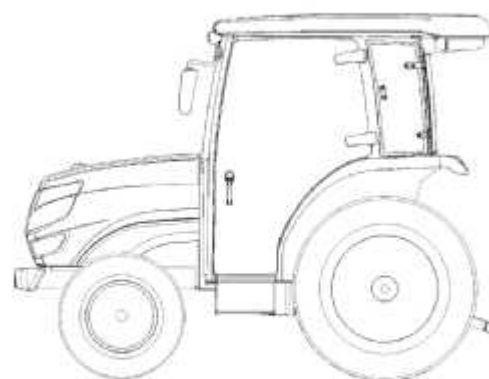
- (21) Design Number: **12669/2013**  
(22) Date of Filing Application: **10 June 2013**  
(24) Date from which industrial property rights may have effect: **10 June 2013**  
(54) Product in respect of which the design is registered: **A spouting connector assembly**  
(51) International Design Classification: **23-01A**  
(74) Name(s) of Attorney(s):  
(71) Name(s) and Address(s) of Applicant(s):  
**Roy McKay Watson**  
**149B Park Road West End Palmerston North 4410 New Zealand**  
(72) Name(s) of Designer(s): **Roy McKay Watson**  
(45) Registration Date: **01 July 2013**  
(30) Convention priority data:  
(31) Number (32) Date (33) Country  
**417115 11 Dec 2012 NEW ZEALAND**  
(56) Related Art Documents: **Not Applicable**  
(57) Statement of Newness and Distinctiveness: **Nil**



(21) Design Number: **12670/2013**  
(22) Date of Filing Application: **10 June 2013**  
(24) Date from which industrial property rights may have effect: **10 June 2013**  
(54) Product in respect of which the design is registered: **A spouting connector assembly**  
(51) International Design Classification: **23-01A**  
(74) Name(s) of Attorney(s):  
(71) Name(s) and Address(s) of Applicant(s):  
**Roy McKay Watson**  
**149B Park Road West End Palmerston North 4410 New Zealand**  
(72) Name(s) of Designer(s): **Roy McKay Watson**  
(45) Registration Date: **01 July 2013**  
(30) Convention priority data:  
(31) Number (32) Date (33) Country  
**417115 11 Dec 2012 NEW ZEALAND**  
(56) Related Art Documents: **Not Applicable**  
(57) Statement of Newness and Distinctiveness: **Nil**



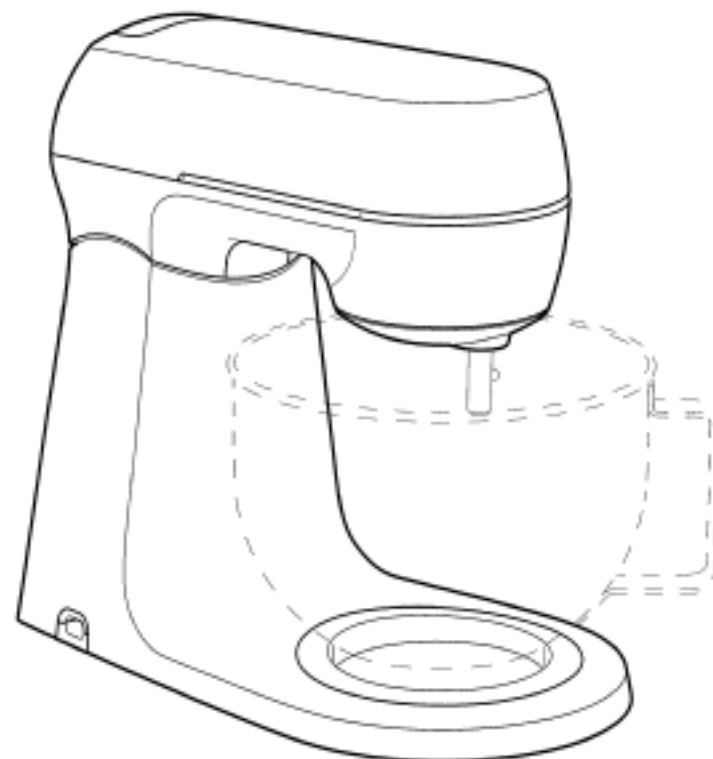
(21) Design Number: **12671/2013**  
(22) Date of Filing Application: **10 June 2013**  
(24) Date from which industrial property rights may have effect: **10 June 2013**  
(54) Product in respect of which the design is registered: **Tractor**  
(51) International Design Classification: **12-09**  
(74) Name(s) of Attorney(s): **AJ Park**  
(71) Name(s) and Address(s) of Applicant(s):  
**Iseki & Co., Ltd.**  
**700 Umaki-cho Matsuyama-shi Ehime-ken 799-2692 Japan**  
(72) Name(s) of Designer(s): **Masami Kinoshita and Seji Tanaka**  
(45) Registration Date: **01 July 2013**  
(56) Related Art Documents: **Not Applicable**  
(57) Statement of Newness and Distinctiveness: **Newness and distinctiveness reside in the features of shape and/or configuration of the Tractor as shown in the representations.**



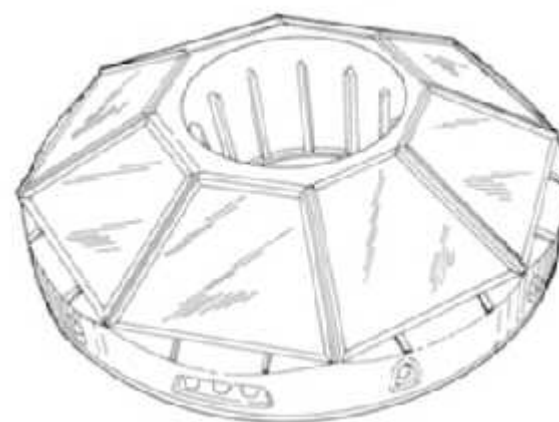
(21) Design Number: **16549/2012**  
(22) Date of Filing Application: **21 December 2012**  
(24) Date from which industrial property rights may have effect: **21 December 2012**  
(54) Product in respect of which the design is registered: **An ear tag**  
(51) International Design Classification: **30-08**  
(74) Name(s) of Attorney(s): **Lord & Company**  
(71) Name(s) and Address(s) of Applicant(s):  
**Stockbrands Co. Pty Ltd**  
**53 Edward St Osborne Park WA 6017 Australia**  
(72) Name(s) of Designer(s): **John Forehan**  
(45) Registration Date: **01 July 2013**  
(56) Related Art Documents: **Not Applicable**  
(57) Statement of Newness and Distinctiveness: **Nil**



(21) Design Number: **16375/2012**  
(22) Date of Filing Application: **14 December 2012**  
(24) Date from which industrial property rights may have effect: **14 December 2012**  
(54) Product in respect of which the design is registered: **Mixer**  
(51) International Design Classification: **31-00**  
(74) Name(s) of Attorney(s): **Freehills Patent Attorneys**  
(71) Name(s) and Address(s) of Applicant(s):  
**Sunbeam Corporation Limited**  
**U5-6 13 Lord St Botany NSW 2019 Australia**  
(72) Name(s) of Designer(s): **Mark Whitcombe**  
(45) Registration Date: **01 July 2013**  
(56) Related Art Documents: **Not Applicable**  
(57) Statement of Newness and Distinctiveness: **Newness and distinctiveness is claimed in the features of shape and/or configuration of a mixer as shown in solid outline in the accompanying representations.**



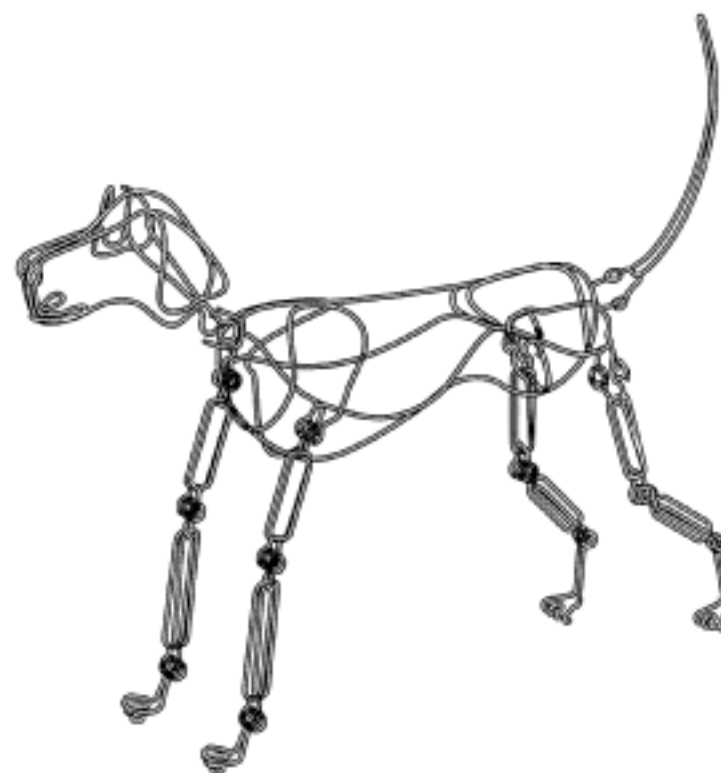
(21) Design Number: **11050/2013**  
(22) Date of Filing Application: **05 March 2013**  
(24) Date from which industrial property rights may have effect: **05 March 2013**  
(54) Product in respect of which the design is registered: **Outdoor lighting assembly**  
(51) International Design Classification: **26-03**  
(74) Name(s) of Attorney(s): **Intellepro Patent & Trade Mark Attorneys**  
(71) Name(s) and Address(s) of Applicant(s):  
**SafeLights Pty Ltd**  
**202 Browns Lane Farnborough QLD 4703 Australia**  
(72) Name(s) of Designer(s): **Simon Lovegrove**  
(45) Registration Date: **01 July 2013**  
(56) Related Art Documents: **Not Applicable**  
(57) Statement of Newness and Distinctiveness: **Nil**



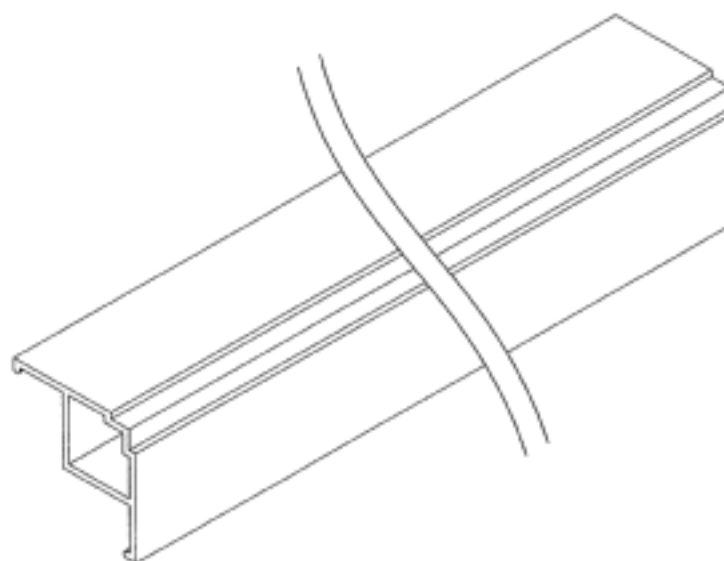
(21) Design Number: **11461/2013**  
(22) Date of Filing Application: **21 March 2013**  
(24) Date from which industrial property rights may have effect: **21 March 2013**  
(54) Product in respect of which the design is registered: **Model**  
(51) International Design Classification: **11-02E, 19-06**  
(74) Name(s) of Attorney(s): **Freehills Patent Attorneys**  
(71) Name(s) and Address(s) of Applicant(s):  
**Design Ideas, Ltd.**  
**2521 Stockyard Road Springfield Illinois 62702 United States of America**  
(72) Name(s) of Designer(s): **Christopher T. Hardy and Keying Zhang**  
(45) Registration Date: **01 July 2013**  
(30) Convention priority data:  
(31) Number      (32) Date      (33) Country  
**29/433139      26 Sep 2012      UNITED STATES OF AMERICA**  
(56) Related Art Documents: **Not Applicable**  
(57) Statement of Newness and Distinctiveness: **Nil**



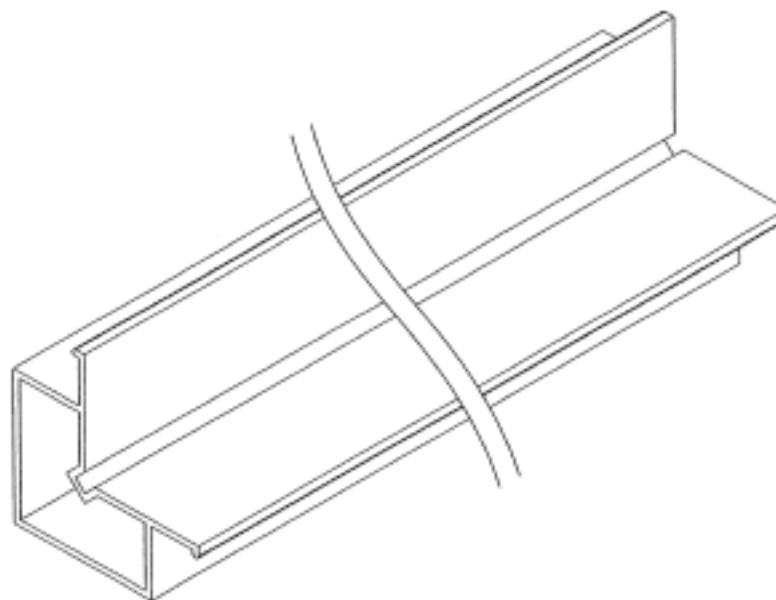
(21) Design Number: **11462/2013**  
(22) Date of Filing Application: **21 March 2013**  
(24) Date from which industrial property rights may have effect: **21 March 2013**  
(54) Product in respect of which the design is registered: **Model**  
(51) International Design Classification: **11-02E, 19-06**  
(74) Name(s) of Attorney(s): **Freehills Patent Attorneys**  
(71) Name(s) and Address(s) of Applicant(s):  
**Design Ideas, Ltd.**  
**2521 Stockyard Road Springfield Illinois 62702 United States of America**  
(72) Name(s) of Designer(s): **Christopher T. Hardy and Keying Zhang**  
(45) Registration Date: **01 July 2013**  
(30) Convention priority data:  
(31) Number (32) Date (33) Country  
**29/433139 26 Sep 2012 UNITED STATES OF AMERICA**  
(56) Related Art Documents: **Not Applicable**  
(57) Statement of Newness and Distinctiveness: **Nil**



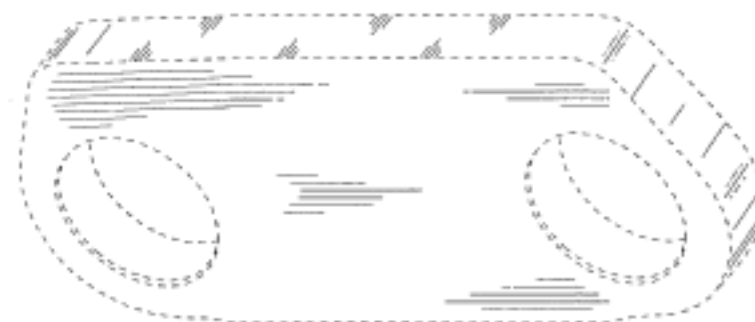
(21) Design Number: **11496/2013**  
(22) Date of Filing Application: **22 March 2013**  
(24) Date from which industrial property rights may have effect: **22 March 2013**  
(54) Product in respect of which the design is registered: **Extrusion for an internal corner alignment tool**  
(51) International Design Classification: **25-01K, 08-05K**  
(74) Name(s) of Attorney(s): **Davies Collison Cave**  
(71) Name(s) and Address(s) of Applicant(s):  
**Giovanni Spadaro**  
**C/- Davies Collison Cave L10 301 Coronation Dr Milton QLD 4064 Australia**  
(72) Name(s) of Designer(s): **Giovanni Spadaro**  
(45) Registration Date: **01 July 2013**  
(56) Related Art Documents: **Not Applicable**  
(57) Statement of Newness and Distinctiveness: **Newness and distinctiveness is claimed in the shape and/or configuration of an extrusion for an internal corner alignment tool as shown in the accompanying representations. The extrusion may be of indefinite length.**



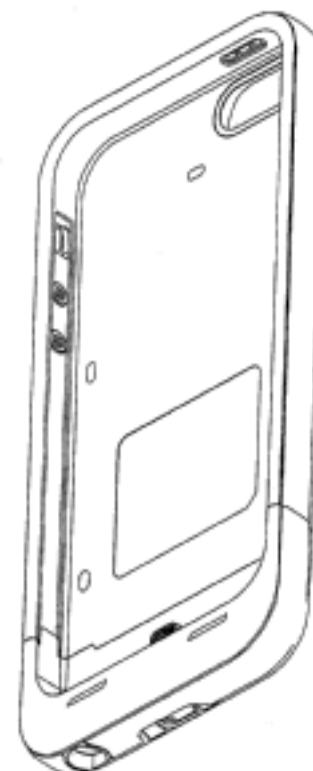
(21) Design Number: **11497/2013**  
(22) Date of Filing Application: **22 March 2013**  
(24) Date from which industrial property rights may have effect: **22 March 2013**  
(54) Product in respect of which the design is registered: "**Extrusion for an external corner alignment tool**"  
(51) International Design Classification: **25-01K, 08-05K**  
(74) Name(s) of Attorney(s): **Davies Collison Cave**  
(71) Name(s) and Address(s) of Applicant(s):  
**Giovanni Spadaro**  
**C/- Davies Collison Cave L10 301 Coronation Dr Milton QLD 4064**  
**Australia**  
(72) Name(s) of Designer(s): **Giovanni Spadaro**  
(45) Registration Date: **01 July 2013**  
(56) Related Art Documents: **Not Applicable**  
(57) Statement of Newness and Distinctiveness: **Newness and distinctiveness is claimed in the shape and/or configuration of an extrusion for an external corner alignment tool as shown in the accompanying representations. The extrusion may be of indefinite length.**



(21) Design Number: **11696/2013**  
(22) Date of Filing Application: **08 April 2013**  
(24) Date from which industrial property rights may have effect: **19 December 2012**  
(54) Product in respect of which the design is registered: "**Undercarriage track link for mobile earthmoving machine**"  
(51) International Design Classification: **15-04**  
(74) Name(s) of Attorney(s): **Freehills Patent Attorneys**  
(71) Name(s) and Address(s) of Applicant(s):  
**Caterpillar Inc.**  
**100 N.E. Adams Street Peoria Illinois 61629 United States of America**  
(72) Name(s) of Designer(s): **Robert L. Meyer and Gregory Kaufmann and Mark Steven Diekevers and Timothy A. Thorson**  
(45) Registration Date: **01 July 2013**  
(30) Convention priority data:  
(31) Number      (32) Date      (33) Country  
**29/426091      29 Jun 2012      UNITED STATES OF AMERICA**  
(62) Divisional of: **16527/2012**  
(56) Related Art Documents: **Not Applicable**  
(57) Statement of Newness and Distinctiveness: **Newness and distinctiveness lie in the features of shape and configuration of the undercarriage track link for mobile earthmoving machine shown in solid lines in the accompanying representations.**



- (21) Design Number: **11991/2013**  
(22) Date of Filing Application: **29 April 2013**  
(24) Date from which industrial property rights may have effect: **29 April 2013**  
(54) Product in respect of which the design is registered: **Thin battery case for mobile device**  
(51) International Design Classification: **03-01NES**  
(74) Name(s) of Attorney(s): **Allens Patent & Trade Mark Attorneys**  
(71) Name(s) and Address(s) of Applicant(s):  
**Mophie, Inc.**  
**2850 Red Hill Ave Suite 140 Santa Ana CA 92705 United States of America**  
(72) Name(s) of Designer(s): **Nguyen To and Zhang Hong Wei and William Hasbrook and Sean Stuck**  
(45) Registration Date: **01 July 2013**  
(30) Convention priority data:  
(31) Number      (32) Date      (33) Country  
**29/435,907      30 Oct 2012      UNITED STATES OF AMERICA**  
(56) Related Art Documents: **Not Applicable**  
(57) Statement of Newness and Distinctiveness: **Newness and distinctiveness is claimed in the shape and/or configuration of a thin battery case for a mobile device shown in the accompanying representations. The portions indicated in broken lines in certain of the representations, showing a mobile device inserted in battery case, are for illustrative purposes only, form no part of the claimed design, and are to be disregarded in considering which features are new and distinctive.**

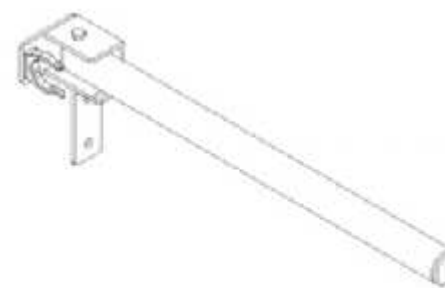


- (21) Design Number: **12046/2013**  
(22) Date of Filing Application: **02 May 2013**  
(24) Date from which industrial property rights may have effect: **02 May 2013**  
(54) Product in respect of which the design is registered: **Vehicle spoiler**  
(51) International Design Classification: **12-16B**  
(74) Name(s) of Attorney(s): **K&L Gates**  
(71) Name(s) and Address(s) of Applicant(s):  
**GM Global Technology Operations, LLC**  
**300 Renaissance Centre City of Detroit State of Michigan 48265-3000 United States of America**  
(72) Name(s) of Designer(s): **Julian Mark Quincey**  
(45) Registration Date: **01 July 2013**  
(56) Related Art Documents: **Not Applicable**  
(57) Statement of Newness and Distinctiveness: **Nil**

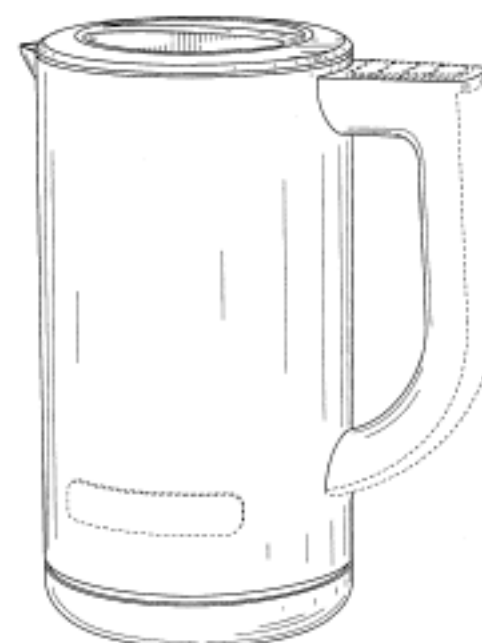




- (21) Design Number: **12023/2013**  
(22) Date of Filing Application: **01 May 2013**  
(24) Date from which industrial property rights may have effect: **01 May 2013**  
(54) Product in respect of which the design is registered: **Height safety equipment**  
(51) International Design Classification: **25-02NES, 29-02**  
(74) Name(s) of Attorney(s):  
(71) Name(s) and Address(s) of Applicant(s):  
**No Bolt Operations Pty Ltd**  
**29 Union Rd Dandenong South VIC 3175 Australia**  
(72) Name(s) of Designer(s): **Danny Frolik and Simon Butt**  
(45) Registration Date: **02 July 2013**  
(56) Related Art Documents: **Not Applicable**  
(57) Statement of Newness and Distinctiveness: **Newness and distinctiveness resides in the features of the shape and configurations of the fall prevention device as illustrated in the accompanying drawings.**



- (21) Design Number: **12641/2013**  
(22) Date of Filing Application: **13 May 2013**  
(24) Date from which industrial property rights may have effect: **13 May 2013**  
(54) Product in respect of which the design is registered: **Milk frother**  
(51) International Design Classification: **07-02NES, 07-02L**  
(74) Name(s) of Attorney(s): **PHILLIPS ORMONDE FITZPATRICK**  
(71) Name(s) and Address(s) of Applicant(s):  
**Whirlpool Corporation**  
**2000 N M 63 Benton Harbor Michigan 49022 United States of America**  
(72) Name(s) of Designer(s): **Ben C. Shao and Leif A. Norland**  
(45) Registration Date: **02 July 2013**  
(30) Convention priority data:  
(31) Number      (32) Date      (33) Country  
**29/447,365      13 Mar 2013      UNITED STATES OF AMERICA**  
(56) Related Art Documents: **Not Applicable**  
(57) Statement of Newness and Distinctiveness: **Those features of the milk frother depicted in the representations that are new and distinctive are the shape and/or configuration. The features shown in broken lines are not part of the design and are to be disregarded when considering the overall impression of the design.**



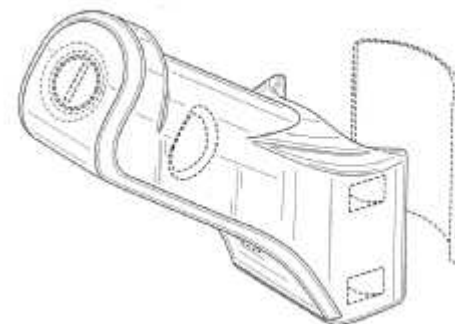
(21) Design Number: **12202/2013**  
(22) Date of Filing Application: **13 May 2013**  
(24) Date from which industrial property rights may have effect: **13 May 2013**  
(54) Product in respect of which the design is registered: **Milk frother**  
(51) International Design Classification: **07-02L**  
(74) Name(s) of Attorney(s): **PHILLIPS ORMONDE FITZPATRICK**  
(71) Name(s) and Address(s) of Applicant(s):  
**Whirlpool Corporation**  
**2000 N M 63 Benton Harbor Michigan 49022 United States of America**  
(72) Name(s) of Designer(s): **Leif A. Norland and Ben C. Shao**  
(45) Registration Date: **02 July 2013**  
(30) Convention priority data:  
(31) Number (32) Date (33) Country  
**29/447,365 13 Mar 2013 UNITED STATES OF AMERICA**  
(56) Related Art Documents: **Not Applicable**  
(57) Statement of Newness and Distinctiveness: **Those features of the milk frother depicted in the representations that are new and distinctive are the shape and/or configuration. The features shown in broken lines are part of the design and are to be disregarded when considering the overall impression of the design.**



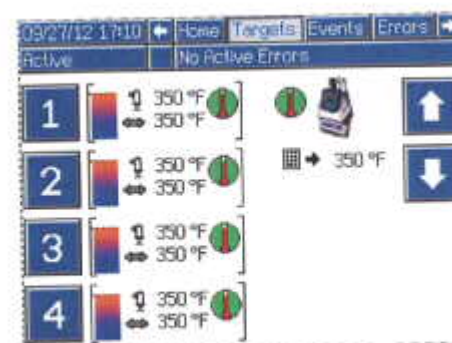
(21) Design Number: **12469/2013**  
(22) Date of Filing Application: **28 May 2013**  
(24) Date from which industrial property rights may have effect: **28 May 2013**  
(54) Product in respect of which the design is registered: **Vented container end closure**  
(51) International Design Classification: **09-07B**  
(74) Name(s) of Attorney(s): **Madderns**  
(71) Name(s) and Address(s) of Applicant(s):  
**Ball Corporation**  
**10 Longs Peak Drive Broomfield Colorado 80021-2510 United States of America**  
(72) Name(s) of Designer(s): **Mark A Jacober and Howard C Chasteen**  
(45) Registration Date: **02 July 2013**  
(30) Convention priority data:  
(31) Number (32) Date (33) Country  
**29/438299 28 Nov 2012 UNITED STATES OF AMERICA**  
(56) Related Art Documents: **Not Applicable**  
(57) Statement of Newness and Distinctiveness: **Newness and distinctiveness is claimed in the shape and/or configuration of a vented container end closure as shown in the accompanying figure. When considering the scope of protection, no regard will be had to the features depicted in dotted lines.**



(21) Design Number: **12549/2013**  
(22) Date of Filing Application: **03 June 2013**  
(24) Date from which industrial property rights may have effect: **25 February 2013**  
(54) Product in respect of which the design is registered: **Lock**  
(51) International Design Classification: **08-07**  
(74) Name(s) of Attorney(s): **Callinans**  
(71) Name(s) and Address(s) of Applicant(s):  
**Master Lock Company LLC**  
**137 W. Forest Hill Avenue Oak Creek Wisconsin 35154 United States of America**  
(72) Name(s) of Designer(s): **Scott Stevens**  
(45) Registration Date: **02 July 2013**  
(62) Divisional of: **349398**  
(56) Related Art Documents: **Not Applicable**  
(57) Statement of Newness and Distinctiveness: **Newness and distinctiveness are provided by the shape and/or configuration of the design shown in the representations. The features shown in broken lines in the representations are for illustrative purposes only and should not be considered when construing visual features of the design.**



(21) Design Number: **12597/2013**  
(22) Date of Filing Application: **05 June 2013**  
(24) Date from which industrial property rights may have effect: **22 April 2013**  
(54) Product in respect of which the design is registered: **A display screen with graphical user interface**  
(51) International Design Classification: **14-04**  
(74) Name(s) of Attorney(s): **Callinans**  
(71) Name(s) and Address(s) of Applicant(s):  
**Graco Minnesota Inc.**  
**88 11th Avenue NE Minneapolis Minnesota 55440-1441 United States of America**  
(72) Name(s) of Designer(s): **Daniel P. Ross and Joseph E. Tix and Nicholas K. Studt and Benjamin R. Godding and Mark J. Brudevold and Nicholas D. Long**  
(45) Registration Date: **02 July 2013**  
(62) Divisional of: **349586**  
(56) Related Art Documents: **Not Applicable**  
(57) Statement of Newness and Distinctiveness: **Newness and distinctiveness is claimed in the visual features of pattern and/or ornamentation of a display screen for an electronic device as shown in solid outline in the accompanying representations. In considering the extent of monopoly the literary and numerical matter is disclaimed together with the picture of the machine. Colour is an important aspect of the monopoly sought.**



- (21) Design Number: **12673/2013**  
(22) Date of Filing Application: **11 June 2013**  
(24) Date from which industrial property rights may have effect: **11 June 2013**  
(54) Product in respect of which the design is registered: **Vacuum cleaner base**  
(51) International Design Classification: **15-05**  
(74) Name(s) of Attorney(s): **Griffith Hack**  
(71) Name(s) and Address(s) of Applicant(s):  
**BISSELL Homecare, Inc**  
**2345 Walker Avenue N.W. Grand Rapids Michigan 49544 United States of America**  
(72) Name(s) of Designer(s): **Jose Carlito Santiago and Jongho Nho and James Dangora**  
(45) Registration Date: **02 July 2013**  
(30) Convention priority data:  
(31) Number (32) Date (33) Country  
**29/443,566 18 Jan 2013 UNITED STATES OF AMERICA**  
(56) Related Art Documents: **Not Applicable**  
(57) Statement of Newness and Distinctiveness: **Newness and Distinctiveness resides in the visual features, including the shape, configuration and ornamentation of the product as shown in the representation.**



- (21) Design Number: **12677/2013**  
(22) Date of Filing Application: **11 June 2013**  
(24) Date from which industrial property rights may have effect: **11 June 2013**  
(54) Product in respect of which the design is registered: **Bookholder**  
(51) International Design Classification: **20-02NES, 19-02**  
(74) Name(s) of Attorney(s):  
(71) Name(s) and Address(s) of Applicant(s):  
**Keith Lawrence Hill**  
**11 Palmer St East Murgon Queensland 4605 Australia**  
(72) Name(s) of Designer(s): **Keith Lawrence Hill**  
(45) Registration Date: **02 July 2013**  
(56) Related Art Documents: **Not Applicable**  
(57) Statement of Newness and Distinctiveness: **My bookholder has been designed with two different book height levels, lower and upper, it also has been designed to accomodate E-books, it also incorporates additional height and width spreader bars to accomodate magazines and has been designed to fold up into itself flat for easy storage & transportation. It also incorporates a hinged opening action for a one opening application.**



(21) Design Number: **12678/2013**  
(22) Date of Filing Application: **11 June 2013**  
(24) Date from which industrial property rights may have effect: **11 June 2013**  
(54) Product in respect of which the design is registered: **Chair**  
(51) International Design Classification: **06-01H**  
(74) Name(s) of Attorney(s):  
(71) Name(s) and Address(s) of Applicant(s):  
**Emmanuel Mastio**  
**8 Jonathon PI Frenchs Forest NSW 2086 Australia**  
(72) Name(s) of Designer(s): **Emmanuel Mastio**  
(45) Registration Date: **02 July 2013**  
(56) Related Art Documents: **Not Applicable**  
(57) Statement of Newness and Distinctiveness: **Nil**



(21) Design Number: **12679/2013**  
(22) Date of Filing Application: **11 June 2013**  
(24) Date from which industrial property rights may have effect: **11 June 2013**  
(54) Product in respect of which the design is registered: **Chair**  
(51) International Design Classification: **06-01H**  
(74) Name(s) of Attorney(s):  
(71) Name(s) and Address(s) of Applicant(s):  
**Emmanuel Mastio**  
**8 Jonathon PI Frenchs Forest NSW 2086 Australia**  
(72) Name(s) of Designer(s): **Emmanuel Mastio**  
(45) Registration Date: **02 July 2013**  
(56) Related Art Documents: **Not Applicable**  
(57) Statement of Newness and Distinctiveness: **Nil**



(21) Design Number: **12681/2013**

(22) Date of Filing Application: **11 June 2013**

(24) Date from which industrial property rights may have effect: **11 June 2013**

(54) Product in respect of which the design is registered: **Vacuum cleaner base**

(51) International Design Classification: **15-05**

(74) Name(s) of Attorney(s): **Griffith Hack**

(71) Name(s) and Address(s) of Applicant(s):

**BISSELL Homecare, Inc**

**2345 Walker Avenue N.W. Grand Rapids Michigan 49544 United States of America**

(72) Name(s) of Designer(s): **Jose Carlito Santiago and Mustafa Engin Hassamanci**

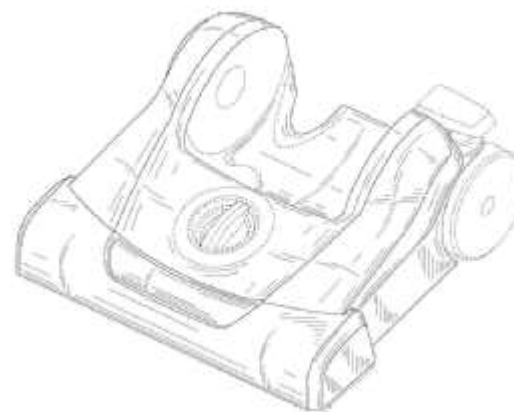
(45) Registration Date: **02 July 2013**

(30) Convention priority data:

| (31) Number       | (32) Date          | (33) Country                    |
|-------------------|--------------------|---------------------------------|
| <b>29/440,151</b> | <b>19 Dec 2012</b> | <b>UNITED STATES OF AMERICA</b> |

(56) Related Art Documents: **Not Applicable**

(57) Statement of Newness and Distinctiveness: **Newness and distinctiveness resides in the visual features, including shape and configuration of the PRODUCT as shown in the accompanying representations. Those parts of the PRODUCT shown by means of dashed lines do not form part of the design and have been included for illustrative purposes only.**



(21) Design Number: **12682/2013**

(22) Date of Filing Application: **11 June 2013**

(24) Date from which industrial property rights may have effect: **11 June 2013**

(54) Product in respect of which the design is registered: **Transmitter box**

(51) International Design Classification: **14-03NES**

(74) Name(s) of Attorney(s): **SPRUSON & FERGUSON**

(71) Name(s) and Address(s) of Applicant(s):

**Beats Electronics, LLC**

**1601 Cloverfield Boulevard Suite 5000N Santa Monica California 90404 United States of America**

(72) Name(s) of Designer(s): **Robert Brunner and Christopher Kuh**

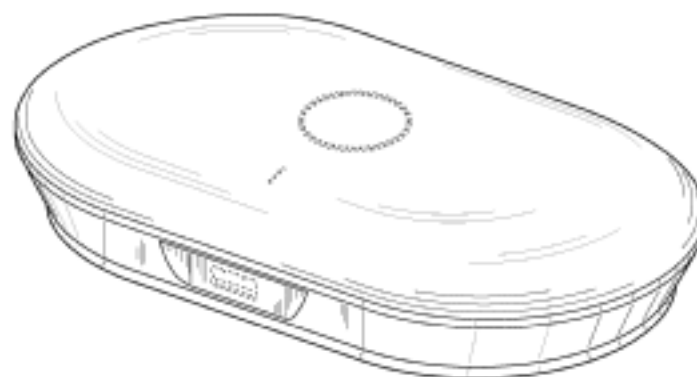
(45) Registration Date: **02 July 2013**

(30) Convention priority data:

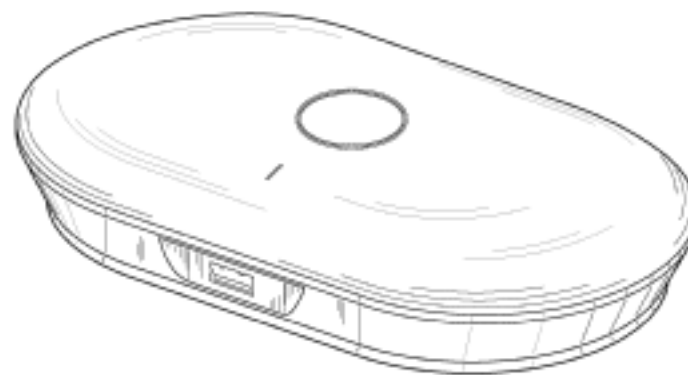
| (31) Number      | (32) Date          | (33) Country                    |
|------------------|--------------------|---------------------------------|
| <b>29/439367</b> | <b>10 Dec 2012</b> | <b>UNITED STATES OF AMERICA</b> |

(56) Related Art Documents: **Not Applicable**

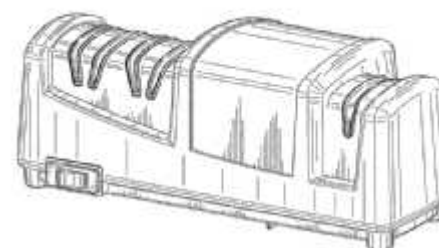
(57) Statement of Newness and Distinctiveness: **Newness and distinctiveness is claimed in those features of shape and/or configuration of a transmitter box as illustrated in continuous lines in the accompanying representations.**



(21) Design Number: **12683/2013**  
(22) Date of Filing Application: **11 June 2013**  
(24) Date from which industrial property rights may have effect: **11 June 2013**  
(54) Product in respect of which the design is registered: **Transmitter box**  
(51) International Design Classification: **14-03NES**  
(74) Name(s) of Attorney(s): **SPRUSON & FERGUSON**  
(71) Name(s) and Address(s) of Applicant(s):  
**Beats Electronics, LLC**  
**1601 Cloverfield Boulevard Suite 5000N Santa Monica California 90404**  
**United States of America**  
(72) Name(s) of Designer(s): **Robert Brunner and Christopher Kuh**  
(45) Registration Date: **02 July 2013**  
(30) Convention priority data:  
(31) Number (32) Date (33) Country  
**29/439367 10 Dec 2012 UNITED STATES OF AMERICA**  
(56) Related Art Documents: **Not Applicable**  
(57) Statement of Newness and Distinctiveness: **Newness and distinctiveness is claimed in those features of shape and/or configuration of a transmitter box as illustrated in continuous lines in the accompanying representations.**



(21) Design Number: **12685/2013**  
(22) Date of Filing Application: **11 June 2013**  
(24) Date from which industrial property rights may have effect: **11 June 2013**  
(54) Product in respect of which the design is registered: **Knife sharpener**  
(51) International Design Classification: **08-05H**  
(74) Name(s) of Attorney(s): **FB Rice**  
(71) Name(s) and Address(s) of Applicant(s):  
**Edgecraft Corporation**  
**825 Southwood Road Avondale Pennsylvania 19311 United States of America**  
(72) Name(s) of Designer(s): **Bela Elek and Daniel D. Friel Sr. and Abraham Leibson**  
(45) Registration Date: **02 July 2013**  
(30) Convention priority data:  
(31) Number (32) Date (33) Country  
**29/441495 07 Jan 2013 UNITED STATES OF AMERICA**  
(56) Related Art Documents: **Not Applicable**  
(57) Statement of Newness and Distinctiveness: **Newness and distinctiveness reside in the features of the design shown in solid lines in the representations excluding those features shown in broken lines.**



(21) Design Number: **12687/2013**

(22) Date of Filing Application: **11 June 2013**

(24) Date from which industrial property rights may have effect: **11 June 2013**

(54) Product in respect of which the design is registered: **Vacuum cleaner base**

(51) International Design Classification: **15-05**

(74) Name(s) of Attorney(s): **Griffith Hack**

(71) Name(s) and Address(s) of Applicant(s):

**BISSELL Homecare, Inc**  
**2345 Walker Avenue N.W. Grand Rapids Michigan 49544 United States of America**

(72) Name(s) of Designer(s): **Jose Carlito Santiago and Mustafa Engin Hassamanci**

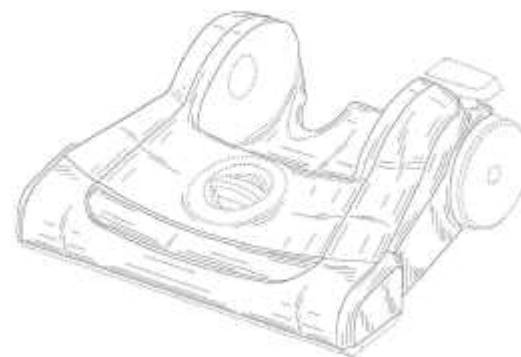
(45) Registration Date: **02 July 2013**

(30) Convention priority data:

| (31) Number       | (32) Date          | (33) Country                    |
|-------------------|--------------------|---------------------------------|
| <b>29/440,154</b> | <b>19 Dec 2012</b> | <b>UNITED STATES OF AMERICA</b> |

(56) Related Art Documents: **Not Applicable**

(57) Statement of Newness and Distinctiveness: **Newness and distinctiveness resides in the visual features, including shape and configuration of the PRODUCT as shown in the accompanying representations. Those parts of the PRODUCT shown by means of dashed lines do not form part of the design and have been included for illustrative purposes only.**



(21) Design Number: **12688/2013**

(22) Date of Filing Application: **11 June 2013**

(24) Date from which industrial property rights may have effect: **11 June 2013**

(54) Product in respect of which the design is registered: **Vacuum cleaner handle**

(51) International Design Classification: **08-06, 15-05**

(74) Name(s) of Attorney(s): **Griffith Hack**

(71) Name(s) and Address(s) of Applicant(s):

**BISSELL Homecare, Inc**  
**2345 Walker Avenue N.W. Grand Rapids Michigan 49544 United States of America**

(72) Name(s) of Designer(s): **Jose Carlito Santiago and Jongho Nho and James Dangora**

(45) Registration Date: **02 July 2013**

(30) Convention priority data:

| (31) Number       | (32) Date          | (33) Country                    |
|-------------------|--------------------|---------------------------------|
| <b>29/443,563</b> | <b>18 Jan 2013</b> | <b>UNITED STATES OF AMERICA</b> |

(56) Related Art Documents: **Not Applicable**

(57) Statement of Newness and Distinctiveness: **Newness and Distinctiveness resides in the visual features, including the shape, configuration and ornamentation of the product as shown in the attached representations.**

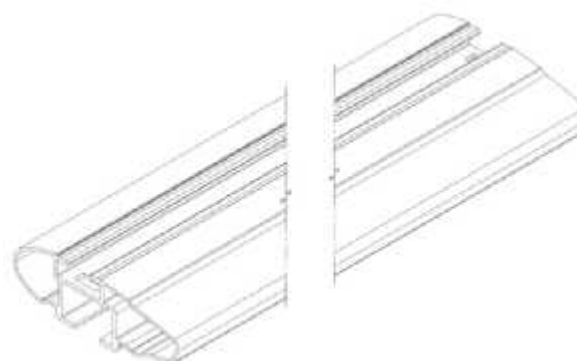




(21) Design Number: **12689/2013**  
(22) Date of Filing Application: **11 June 2013**  
(24) Date from which industrial property rights may have effect: **11 June 2013**  
(54) Product in respect of which the design is registered: **Vacuum cleaner module**  
(51) International Design Classification: **15-05**  
(74) Name(s) of Attorney(s): **Griffith Hack**  
(71) Name(s) and Address(s) of Applicant(s):  
**BISSELL Homecare, Inc**  
**2345 Walker Avenue N.W. Grand Rapids Michigan 49544 United States of America**  
(72) Name(s) of Designer(s): **Jose Carlito Santiago and Jongho Nho and James Dangora**  
(45) Registration Date: **02 July 2013**  
(30) Convention priority data:  
(31) Number (32) Date (33) Country  
**29/443,564 18 Jan 2013 UNITED STATES OF AMERICA**  
(56) Related Art Documents: **Not Applicable**  
(57) Statement of Newness and Distinctiveness: **Newness and Distinctiveness resides in the visual features, including the shape, configuration and ornamentation of the product as shown in the attached representations.**



(21) Design Number: **10819/2013**  
(22) Date of Filing Application: **21 February 2013**  
(24) Date from which industrial property rights may have effect: **21 February 2013**  
(54) Product in respect of which the design is registered: **An extrusion**  
(51) International Design Classification: **25-01K**  
(74) Name(s) of Attorney(s): **HODGKINSON McINNES PATENTS**  
(71) Name(s) and Address(s) of Applicant(s):  
**Rhino Rack Australia Pty Limited**  
**3 Pike St Rydalmere NSW 2116 Australia**  
(72) Name(s) of Designer(s): **Richard Oswald Cropley and Christopher Murty and Michael John Laybourne Hort**  
(45) Registration Date: **02 July 2013**  
(56) Related Art Documents: **Not Applicable**  
(57) Statement of Newness and Distinctiveness: **Newness and distinctiveness is claimed in the shape and configuration of a cross section of constant dimension and indefinite length of a vehicle roof rack as shown in the representations.**



(21) Design Number: **12619/2013**  
(22) Date of Filing Application: **06 June 2013**  
(24) Date from which industrial property rights may have effect: **06 June 2013**  
(54) Product in respect of which the design is registered: **Breathing device**  
(51) International Design Classification: **24-01**  
(74) Name(s) of Attorney(s): **WATERMARK PATENT AND TRADE MARKS ATTORNEYS**  
(71) Name(s) and Address(s) of Applicant(s):  
**Draeger Safety AG & Co KGaA**  
**Revalstrasse 1 Luebeck D-23560 Germany**  
(72) Name(s) of Designer(s): **Mathias Dehmke and Micro Froesch and Horst Wergen and Lennart Wenzel**  
(45) Registration Date: **02 July 2013**  
(30) Convention priority data:  
(31) Number (32) Date (33) Country  
**002170167 22 Jan 2013 OFFICE FOR HARMONISATION IN THE INTERNAL MARKET (OHIM)**  
(56) Related Art Documents: **Not Applicable**  
(57) Statement of Newness and Distinctiveness: **Nil**



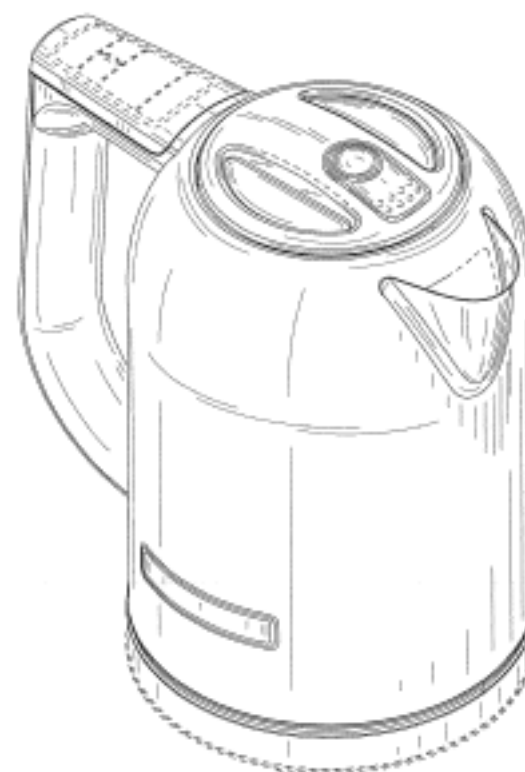
(21) Design Number: **12620/2013**  
(22) Date of Filing Application: **06 June 2013**  
(24) Date from which industrial property rights may have effect: **06 June 2013**  
(54) Product in respect of which the design is registered: **Breathing device**  
(51) International Design Classification: **24-01**  
(74) Name(s) of Attorney(s): **WATERMARK PATENT AND TRADE MARKS ATTORNEYS**  
(71) Name(s) and Address(s) of Applicant(s):  
**Draeger Safety AG & Co KGaA**  
**Revalstrasse 1 Luebeck D-23560 Germany**  
(72) Name(s) of Designer(s): **Mathias Dehmke and Micro Froesch and Horst Wergen and Lennart Wenzel**  
(45) Registration Date: **02 July 2013**  
(30) Convention priority data:  
(31) Number (32) Date (33) Country  
**002170167 22 Jan 2013 OFFICE FOR HARMONISATION IN THE INTERNAL MARKET (OHIM)**  
(56) Related Art Documents: **Not Applicable**  
(57) Statement of Newness and Distinctiveness: **Nil**



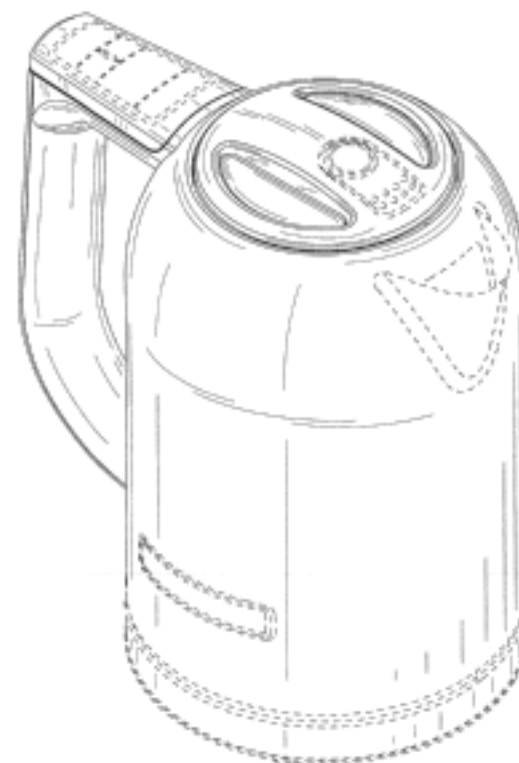
(21) Design Number: **10705/2013**  
(22) Date of Filing Application: **13 February 2013**  
(24) Date from which industrial property rights may have effect: **13 February 2013**  
(54) Product in respect of which the design is registered: **Clip**  
(51) International Design Classification: **08-08C, 24-02**  
(74) Name(s) of Attorney(s): **Griffith Hack**  
(71) Name(s) and Address(s) of Applicant(s):  
**UCL Business plc**  
**The Network Building 97 Tottenham Court Road London W1T 4TP**  
**United Kingdom**  
(72) Name(s) of Designer(s): **Steven Barker and Simon Hollingsworth and Tony Thorn and John Bailey and Rolf Ackerman**  
(45) Registration Date: **02 July 2013**  
(30) Convention priority data:  
(31) Number (32) Date (33) Country  
**001339964-0003 13 Aug 2012 OFFICE FOR HARMONISATION IN THE INTERNAL MARKET (OHIM)**  
(56) Related Art Documents: **Not Applicable**  
(57) Statement of Newness and Distinctiveness: **Nil**



(21) Design Number: **12199/2013**  
(22) Date of Filing Application: **13 May 2013**  
(24) Date from which industrial property rights may have effect: **13 May 2013**  
(54) Product in respect of which the design is registered: **Electric kettle**  
(51) International Design Classification: **07-02K**  
(74) Name(s) of Attorney(s): **PHILLIPS ORMONDE FITZPATRICK**  
(71) Name(s) and Address(s) of Applicant(s):  
**Whirlpool Corporation**  
**2000 N M 63 Benton Harbor Michigan 49022 United States of America**  
(72) Name(s) of Designer(s): **Leif A. Norland and Ben C. Shao**  
(45) Registration Date: **02 July 2013**  
(30) Convention priority data:  
(31) Number (32) Date (33) Country  
**29/447,364 01 Mar 2013 UNITED STATES OF AMERICA**  
(56) Related Art Documents: **Not Applicable**  
(57) Statement of Newness and Distinctiveness: **Those features of the electric kettle depicted in the representations that are new and distinctive are the shape and/or configuration. The features shown in broken lines are not part of the design and are to be disregarded when considering the overall impression of the design.**



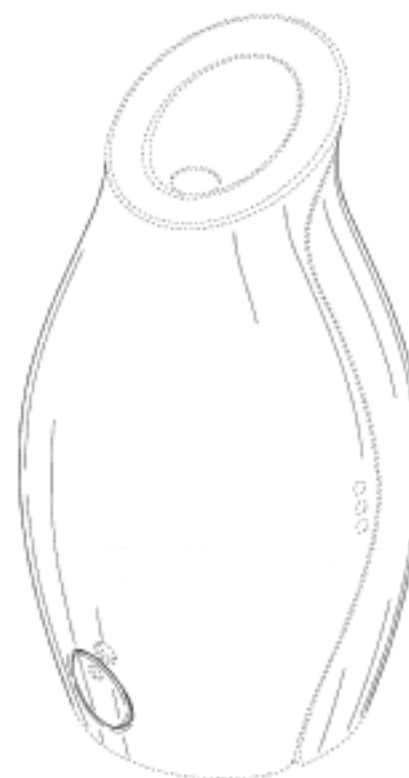
(21) Design Number: **12634/2013**  
(22) Date of Filing Application: **05 June 2013**  
(24) Date from which industrial property rights may have effect: **05 June 2013**  
(54) Product in respect of which the design is registered: **Electronic kettle**  
(51) International Design Classification: **07-02K**  
(74) Name(s) of Attorney(s): **PHILLIPS ORMONDE FITZPATRICK**  
(71) Name(s) and Address(s) of Applicant(s):  
**Whirlpool Corporation**  
**2000 N M 63 Benton Harbor Michigan 49022 United States of America**  
(72) Name(s) of Designer(s): **Ben C. Shao and Leif A. Norland**  
(45) Registration Date: **02 July 2013**  
(30) Convention priority data:  
(31) Number (32) Date (33) Country  
**29/447,364 01 Mar 2013 UNITED STATES OF AMERICA**  
(56) Related Art Documents: **Not Applicable**  
(57) Statement of Newness and Distinctiveness: **Those features of the electric kettle depicted in the representations that are new and distinctive are the shape and/or configuration. The features shown in broken lines are not part of the design and are to be disregarded when considering the overall impression of the design.**



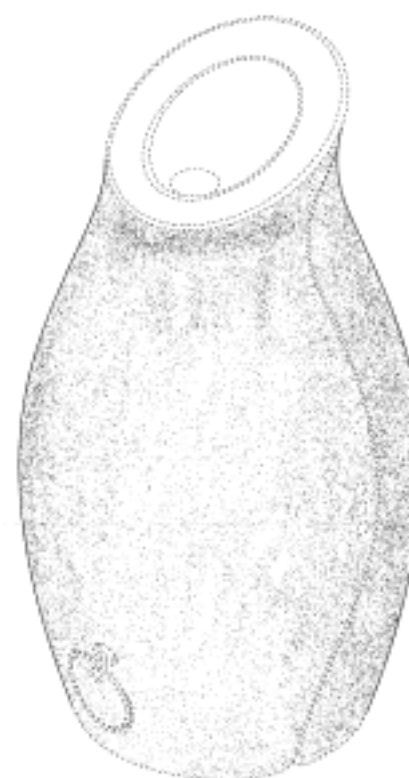
(21) Design Number: **12107/2013**  
(22) Date of Filing Application: **06 May 2013**  
(24) Date from which industrial property rights may have effect: **06 May 2013**  
(54) Product in respect of which the design is registered: **Sponge**  
(51) International Design Classification: **07-05E**  
(74) Name(s) of Attorney(s):  
(71) Name(s) and Address(s) of Applicant(s):  
**Dimitra Pagliaro**  
**6 Sunset Ave Templestowe VIC 3106 Australia**  
(72) Name(s) of Designer(s): **Dimitra Pagliaro**  
(45) Registration Date: **02 July 2013**  
(56) Related Art Documents: **Not Applicable**  
(57) Statement of Newness and Distinctiveness: **A sponge which has an initial on it, indicating the use of the sponge or which room of the house it belongs to eg: F = Floor... (This sponge would be used solely for this area within the home).**



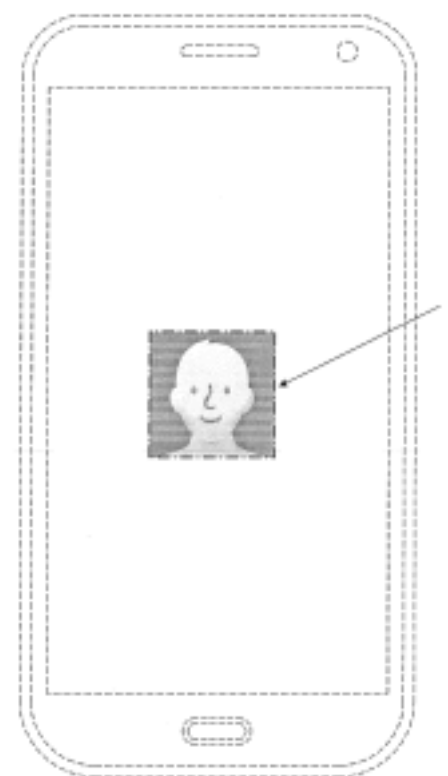
(21) Design Number: **10833/2013**  
(22) Date of Filing Application: **20 February 2013**  
(24) Date from which industrial property rights may have effect: **20 February 2013**  
(54) Product in respect of which the design is registered: **Dispenser housing**  
(51) International Design Classification: **09-01A**  
(74) Name(s) of Attorney(s): **SPRUSON & FERGUSON**  
(71) Name(s) and Address(s) of Applicant(s):  
**S.C. Johnson & Son, Inc.**  
**1525 Howe Street Racine Wisconsin 53403 United States of America**  
(72) Name(s) of Designer(s): **Gabriele Carbone and Khodayar Feiz and Jonathon Mandell and Claudia V. Gamboa**  
(45) Registration Date: **02 July 2013**  
(30) Convention priority data:  
(31) Number (32) Date (33) Country  
**29/430188 22 Aug 2012 UNITED STATES OF AMERICA**  
(56) Related Art Documents: **Not Applicable**  
(57) Statement of Newness and Distinctiveness: **Newness and distinctiveness is claimed in the features of shape and/or configuration of a dispenser housing illustrated in continuous lines in the accompanying representations.**



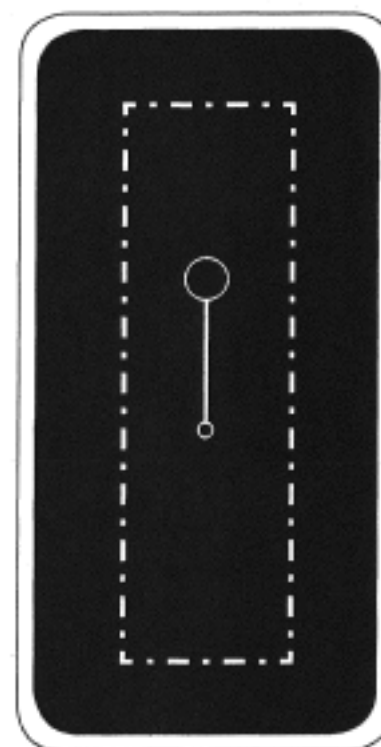
(21) Design Number: **10834/2013**  
(22) Date of Filing Application: **20 February 2013**  
(24) Date from which industrial property rights may have effect: **20 February 2013**  
(54) Product in respect of which the design is registered: **Dispenser housing**  
(51) International Design Classification: **09-01A**  
(74) Name(s) of Attorney(s): **SPRUSON & FERGUSON**  
(71) Name(s) and Address(s) of Applicant(s):  
**S.C. Johnson & Son, Inc.**  
**1525 Howe Street Racine Wisconsin 53403 United States of America**  
(72) Name(s) of Designer(s): **Gabriele Carbone and Khodayar Feiz and Claudia V. Gamboa and Jonathan Mandell**  
(45) Registration Date: **02 July 2013**  
(30) Convention priority data:  
(31) Number (32) Date (33) Country  
**29/430188 22 Aug 2012 UNITED STATES OF AMERICA**  
(56) Related Art Documents: **Not Applicable**  
(57) Statement of Newness and Distinctiveness: **Newness and distinctiveness is claimed in the features of a dispenser housing illustrated in stippling in the accompanying representations, the stippling is used to illustrate surfaces adjacent to one another that have the same colour and/or finish.**



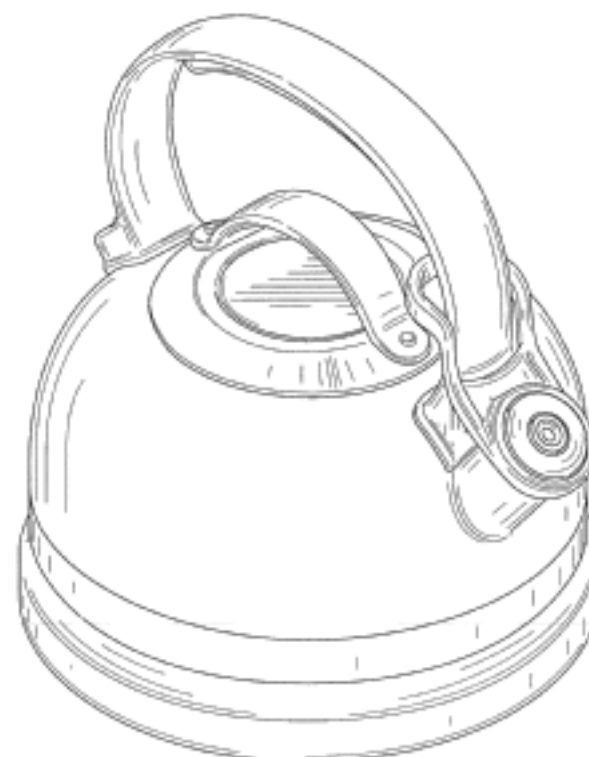
(21) Design Number: **12180/2013**  
(22) Date of Filing Application: **10 May 2013**  
(24) Date from which industrial property rights may have effect: **10 May 2013**  
(54) Product in respect of which the design is registered: **Display screen with icon for an electronic device**  
(51) International Design Classification: **14-01**  
(74) Name(s) of Attorney(s): **Wrays**  
(71) Name(s) and Address(s) of Applicant(s):  
**Samsung Electronics Co., Ltd**  
**129 Samsung-ro Yeongtong-gu Suwon-si Gyeonggi-do 443-742 Republic of Korea**  
(72) Name(s) of Designer(s): **Eun-Sil Lim**  
(45) Registration Date: **02 July 2013**  
(30) Convention priority data:  
(31) Number (32) Date (33) Country  
**30-2013-0009504 23 Feb 2013 REPUBLIC OF KOREA**  
(56) Related Art Documents: **Not Applicable**  
(57) Statement of Newness and Distinctiveness: **Newness and distinctiveness is claimed in the features of pattern and/or ornamentation of the Display Screen With Icon For An Electronic Device as shown in the accompanying representations: namely, the human face icon depicted in Figure 1 and referenced by an A. The features depicted by broken lines in Figure 1 are for illustrative purposes only and form no part of the claimed design.**



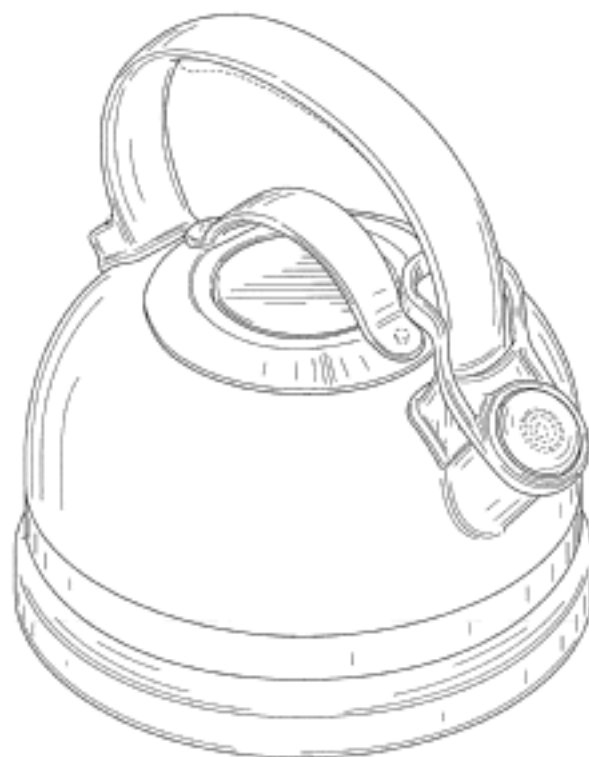
(21) Design Number: **15676/2012**  
(22) Date of Filing Application: **14 November 2012**  
(24) Date from which industrial property rights may have effect: **14 November 2012**  
(54) Product in respect of which the design is registered: **Display screen for lifting and transportation apparatus**  
(51) International Design Classification: **14-04**  
(74) Name(s) of Attorney(s): **Ashurst Australia**  
(71) Name(s) and Address(s) of Applicant(s):  
**Kone Corporation**  
**Kartanontie 1 00330 Helsinki Finland**  
(72) Name(s) of Designer(s): **Jussi Hiltunen and Tommi Salonen and Kim Bergman and Jarmo Parkkinen**  
(45) Registration Date: **02 July 2013**  
(30) Convention priority data:  
(31) Number (32) Date (33) Country  
**002134296-0001 12 Nov 2012 OFFICE FOR HARMONISATION IN THE INTERNAL MARKET (OHIM)**  
(56) Related Art Documents: **Not Applicable**  
(57) Statement of Newness and Distinctiveness: **Nil**



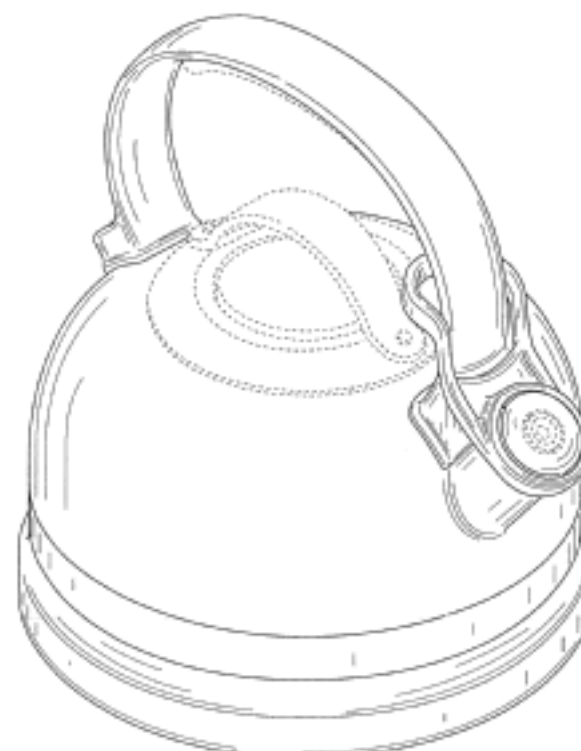
(21) Design Number: **12203/2013**  
(22) Date of Filing Application: **13 May 2013**  
(24) Date from which industrial property rights may have effect: **13 May 2013**  
(54) Product in respect of which the design is registered: **Kettle**  
(51) International Design Classification: **07-02K**  
(74) Name(s) of Attorney(s): **PHILLIPS ORMONDE FITZPATRICK**  
(71) Name(s) and Address(s) of Applicant(s):  
**Whirlpool Corporation**  
**2000 N M 63 Benton Harbor Michigan 49022 United States of America**  
(72) Name(s) of Designer(s): **Leif A. Norland and Wenkai Wu**  
(45) Registration Date: **02 July 2013**  
(30) Convention priority data:  
(31) Number (32) Date (33) Country  
**29/447,352 01 Mar 2013 UNITED STATES OF AMERICA**  
(56) Related Art Documents: **Not Applicable**  
(57) Statement of Newness and Distinctiveness: **Those features of the kettle depicted in the representations that are new and distinctive are the shape and/or configuration. The features shown in broken lines are not part of the design and are to be disregarded when considering the overall impression of the design.**



(21) Design Number: **12635/2013**  
(22) Date of Filing Application: **05 June 2013**  
(24) Date from which industrial property rights may have effect: **05 June 2013**  
(54) Product in respect of which the design is registered: **Kettle**  
(51) International Design Classification: **07-02K**  
(74) Name(s) of Attorney(s): **PHILLIPS ORMONDE FITZPATRICK**  
(71) Name(s) and Address(s) of Applicant(s):  
**Whirlpool Corporation**  
**2000 N M 63 Benton Harbor Michigan 49022 United States of America**  
(72) Name(s) of Designer(s): **Leif A. Norland and Wenkai Wu**  
(45) Registration Date: **02 July 2013**  
(30) Convention priority data:  
(31) Number (32) Date (33) Country  
**29/447,352 01 Mar 2013 UNITED STATES OF AMERICA**  
(56) Related Art Documents: **Not Applicable**  
(57) Statement of Newness and Distinctiveness: **Those features of the kettle depicted in the representations that are new and distinctive are the shape and/or configuration. The features shown in broken lines are not part of the design and are to be disregarded when considering the overall impression of the design.**



(21) Design Number: **12636/2013**  
(22) Date of Filing Application: **05 June 2013**  
(24) Date from which industrial property rights may have effect: **05 June 2013**  
(54) Product in respect of which the design is registered: **Kettle**  
(51) International Design Classification: **07-02K**  
(74) Name(s) of Attorney(s): **PHILLIPS ORMONDE FITZPATRICK**  
(71) Name(s) and Address(s) of Applicant(s):  
**Whirlpool Corporation**  
**2000 N M 63 Benton Harbor Michigan 49022 United States of America**  
(72) Name(s) of Designer(s): **Leif A. Norland and Wenkai Wu**  
(45) Registration Date: **02 July 2013**  
(30) Convention priority data:  
(31) Number (32) Date (33) Country  
**29/447,352 01 Mar 2013 UNITED STATES OF AMERICA**  
(56) Related Art Documents: **Not Applicable**  
(57) Statement of Newness and Distinctiveness: **Those features of the kettle depicted in the representations that are new and distinctive are the shape and/or configuration. The features shown in broken lines are not part of the design and are to be disregarded when considering the overall impression of the design.**

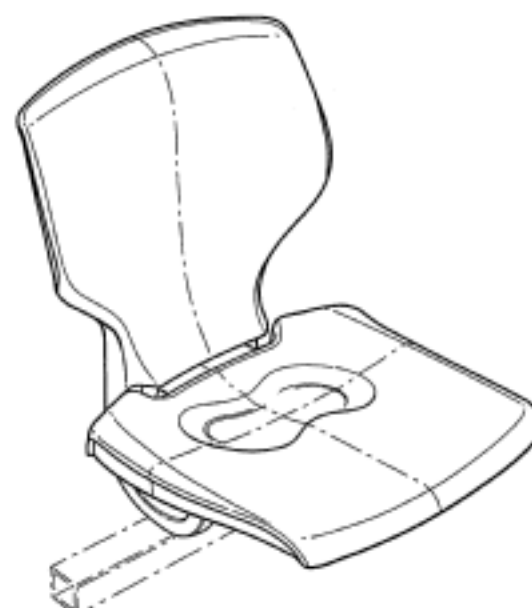


(21) Design Number: **12578/2013**  
(22) Date of Filing Application: **30 May 2013**  
(24) Date from which industrial property rights may have effect: **30 May 2013**  
(54) Product in respect of which the design is registered: **Articles of clothing**  
(51) International Design Classification: **02-02NES**  
(74) Name(s) of Attorney(s): **K&L Gates**  
(71) Name(s) and Address(s) of Applicant(s):  
**Beba Enterprises Pty Ltd**  
**34 Garden St South Yarra VIC 3141 Australia**  
(72) Name(s) of Designer(s): **Robert Cromb**  
(45) Registration Date: **02 July 2013**  
(56) Related Art Documents: **Not Applicable**  
(57) Statement of Newness and Distinctiveness: **Nil**





- (21) Design Number: **11343/2013**  
(22) Date of Filing Application: **14 March 2013**  
(24) Date from which industrial property rights may have effect: **14 March 2013**  
(54) Product in respect of which the design is registered: **A stadium seat having a backrest and a pivotable seat with a coalesced concavities**  
(51) International Design Classification: **06-01C**  
(74) Name(s) of Attorney(s): **Fraser Old & Sohn**  
(71) Name(s) and Address(s) of Applicant(s):  
**Sebel Furniture Ltd**  
**92 Gow St Padstow NSW 2211 Australia**  
(72) Name(s) of Designer(s): **Gregory Brent Welsh**  
(45) Registration Date: **03 July 2013**  
(56) Related Art Documents: **Not Applicable**  
(57) Statement of Newness and Distinctiveness: **Newness and distinctiveness is claimed in respect of the shape and/or configuration of each of the products illustrated in the accompanying representations. In carrying out a consideration in accordance with Section 19 the shape and/or configuration of the portions of the products illustrated by broken lines in the representations is/are not to be considered either new or distinctive and do/does not form part of the design.**



- (21) Design Number: **11872/2013**  
(22) Date of Filing Application: **22 April 2013**  
(24) Date from which industrial property rights may have effect: **22 April 2013**  
(54) Product in respect of which the design is registered: **A display screen with graphical user interface**  
(51) International Design Classification: **14-01**  
(74) Name(s) of Attorney(s): **Callinans**  
(71) Name(s) and Address(s) of Applicant(s):  
**Graco Minnesota Inc.**  
**88 11th Avenue NE Minneapolis Minnesota 55440-1441 United States of America**  
(72) Name(s) of Designer(s): **Daniel P. Ross and Joseph E. Tix and Nicholas K. Studt and Benjamin R. Godding and Mark J. Brudevold and Nicholas D. Long**  
(45) Registration Date: **03 July 2013**  
(30) Convention priority data:  
(31) Number      (32) Date      (33) Country  
**29/435491      24 Oct 2012      UNITED STATES OF AMERICA**  
(56) Related Art Documents: **Not Applicable**  
(57) Statement of Newness and Distinctiveness: **Newness and distinctiveness is claimed in the visual features of pattern and/or ornamentation of a display screen for an electronic device as shown in the solid outline in the accompanying representations. In considering the extent of monopoly the literary and numerical matter is disclaimed together with the picture of the machine. Colour is an important aspect of the monopoly sought.**



(21) Design Number: **12162/2013**  
(22) Date of Filing Application: **09 May 2013**  
(24) Date from which industrial property rights may have effect: **09 May 2013**  
(54) Product in respect of which the design is registered: **Propulsion control unit display**  
(51) International Design Classification: **12-06NES**  
(74) Name(s) of Attorney(s): **Davies Collison Cave**  
(71) Name(s) and Address(s) of Applicant(s):  
**Wartsila Finland Oy**  
**Tarhaajantie 2 Vaasa 65380 Finland**  
(72) Name(s) of Designer(s): **Davide Lamparelli**  
(45) Registration Date: **03 July 2013**  
(30) Convention priority data:  
(31) Number (32) Date (33) Country  
**002135004-0001 13 Nov 2012 OFFICE FOR HARMONISATION IN**  
**THE INTERNAL MARKET (OHIM)**  
(56) Related Art Documents: **Not Applicable**  
(57) Statement of Newness and Distinctiveness: **Nil**



(21) Design Number: **12163/2013**  
(22) Date of Filing Application: **09 May 2013**  
(24) Date from which industrial property rights may have effect: **09 May 2013**  
(54) Product in respect of which the design is registered: **Propulsion control unit**  
(51) International Design Classification: **12-06NES**  
(74) Name(s) of Attorney(s): **Davies Collison Cave**  
(71) Name(s) and Address(s) of Applicant(s):  
**Wartsila Finland Oy**  
**Tarhaajantie 2 Vaasa 65380 Finland**  
(72) Name(s) of Designer(s): **Davide Lamparelli**  
(45) Registration Date: **03 July 2013**  
(30) Convention priority data:  
(31) Number (32) Date (33) Country  
**002135004-0002 13 Nov 2012 OFFICE FOR HARMONISATION IN**  
**THE INTERNAL MARKET (OHIM)**  
(56) Related Art Documents: **Not Applicable**  
(57) Statement of Newness and Distinctiveness: **Nil**



(21) Design Number: **12164/2013**  
(22) Date of Filing Application: **09 May 2013**  
(24) Date from which industrial property rights may have effect: **09 May 2013**  
(54) Product in respect of which the design is registered: **Propulsion control unit**  
(51) International Design Classification: **12-06NES**  
(74) Name(s) of Attorney(s): **Davies Collison Cave**  
(71) Name(s) and Address(s) of Applicant(s):  
**Wartsila Finland Oy**  
**Tarhaajantie 2 Vaasa 65380 Finland**  
(72) Name(s) of Designer(s): **Davide Lamparelli**  
(45) Registration Date: **03 July 2013**  
(30) Convention priority data:  
(31) Number (32) Date (33) Country  
**002135004-0003 13 Nov 2012 OFFICE FOR HARMONISATION IN**  
**THE INTERNAL MARKET (OHIM)**  
(56) Related Art Documents: **Not Applicable**  
(57) Statement of Newness and Distinctiveness: **Nil**



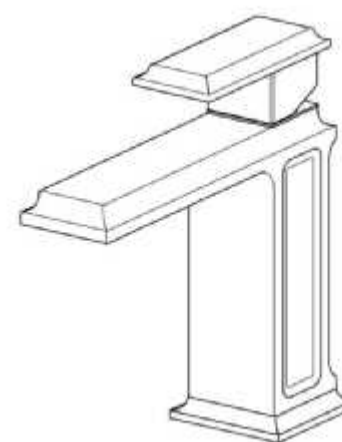
(21) Design Number: **12169/2013**  
(22) Date of Filing Application: **09 May 2013**  
(24) Date from which industrial property rights may have effect: **09 May 2013**  
(54) Product in respect of which the design is registered: **Umbrella**  
(51) International Design Classification: **03-03**  
(74) Name(s) of Attorney(s): **Davies Collison Cave**  
(71) Name(s) and Address(s) of Applicant(s):  
**Factor 50 Plus Pty Ltd**  
**U7/13 Enterprise CI West Gosford NSW 2250 Australia**  
(72) Name(s) of Designer(s): **Peter Walcott**  
(45) Registration Date: **03 July 2013**  
(56) Related Art Documents: **Not Applicable**  
(57) Statement of Newness and Distinctiveness: **Newness and distinctiveness is claimed in the shape and configuration of the umbrella shown in the representations but not the colour shown in the representations.**



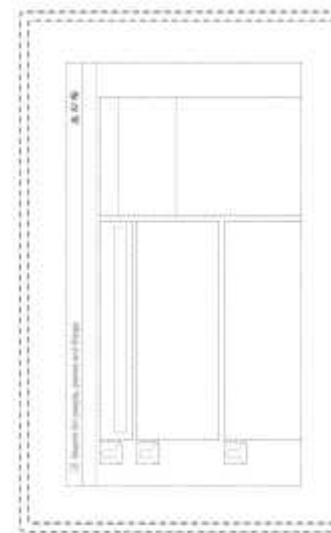
- (21) Design Number: **12379/2013**  
(22) Date of Filing Application: **22 May 2013**  
(24) Date from which industrial property rights may have effect: **22 May 2013**  
(54) Product in respect of which the design is registered: **A Golf putter head**  
(51) International Design Classification: **21-02C**  
(74) Name(s) of Attorney(s):  
(71) Name(s) and Address(s) of Applicant(s):  
**Star Globe Pty Ltd**  
**13 Manhattan CI Point Cook VIC 3030 Australia**  
(72) Name(s) of Designer(s): **Paul Sussich**  
(45) Registration Date: **03 July 2013**  
(56) Related Art Documents: **Not Applicable**  
(57) Statement of Newness and Distinctiveness: **Newness and distinctiveness is claimed in the shape and/or configuration of the golf putter as illustrated in the accompanying representations.**



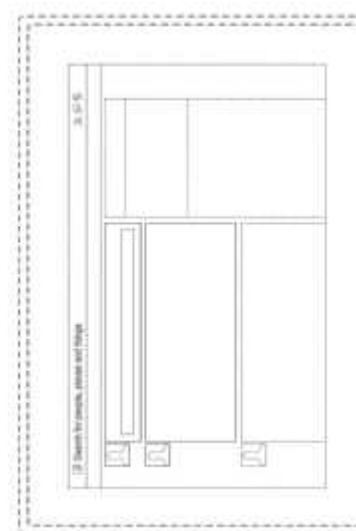
- (21) Design Number: **12693/2013**  
(22) Date of Filing Application: **12 June 2013**  
(24) Date from which industrial property rights may have effect: **12 June 2013**  
(54) Product in respect of which the design is registered: **Faucet**  
(51) International Design Classification: **23-01H**  
(74) Name(s) of Attorney(s): **SPRUSON & FERGUSON**  
(71) Name(s) and Address(s) of Applicant(s):  
**Gessi S.P.A.**  
**Parco Gessi Frazione Vintebbio Serravalle Sesia Vercelli 13037 Italy**  
(72) Name(s) of Designer(s): **Gian Luca Gessi**  
(45) Registration Date: **03 July 2013**  
(30) Convention priority data:  
(31) Number (32) Date (33) Country  
**MI2012O000196 13 Dec 2012 ITALY**  
(56) Related Art Documents: **Not Applicable**  
(57) Statement of Newness and Distinctiveness: **Newness and distinctiveness is claimed in the features of shape and/or configuration of a faucet as illustrated in the accompanying representations.**



- (21) Design Number: **12696/2013**  
(22) Date of Filing Application: **12 June 2013**  
(24) Date from which industrial property rights may have effect: **12 June 2013**  
(54) Product in respect of which the design is registered: **Display panel with a graphical user interface**  
(51) International Design Classification: **14-04**  
(74) Name(s) of Attorney(s): **Cotters Patent & Trade Mark Attorneys**  
(71) Name(s) and Address(s) of Applicant(s):  
**Facebook, Inc.**  
**1601 Willow Road Menlo Park California 94025 United States of America**  
(72) Name(s) of Designer(s): **Brandon Marshall Walkin**  
(45) Registration Date: **03 July 2013**  
(30) Convention priority data:  
(31) Number (32) Date (33) Country  
**29/439,828 14 Dec 2012 UNITED STATES OF AMERICA**  
(56) Related Art Documents: **Not Applicable**  
(57) Statement of Newness and Distinctiveness: **Newness and distinctiveness is claimed in the features of pattern and/or ornamentation of a display panel with a graphical user interface as shown in solid outline in the accompanying representation.**



- (21) Design Number: **12697/2013**  
(22) Date of Filing Application: **12 June 2013**  
(24) Date from which industrial property rights may have effect: **12 June 2013**  
(54) Product in respect of which the design is registered: **Display panel with a graphical user interface**  
(51) International Design Classification: **14-04**  
(74) Name(s) of Attorney(s): **Cotters Patent & Trade Mark Attorneys**  
(71) Name(s) and Address(s) of Applicant(s):  
**Facebook, Inc.**  
**1601 Willow Road Menlo Park California 94025 United States of America**  
(72) Name(s) of Designer(s): **Brandon Marshall Walkin**  
(45) Registration Date: **03 July 2013**  
(30) Convention priority data:  
(31) Number (32) Date (33) Country  
**29/439,829 14 Dec 2012 UNITED STATES OF AMERICA**  
(56) Related Art Documents: **Not Applicable**  
(57) Statement of Newness and Distinctiveness: **Newness and distinctiveness is claimed in the features of pattern and/or ornamentation of a display panel with a graphical user interface as shown in solid outline in the accompanying representation.**



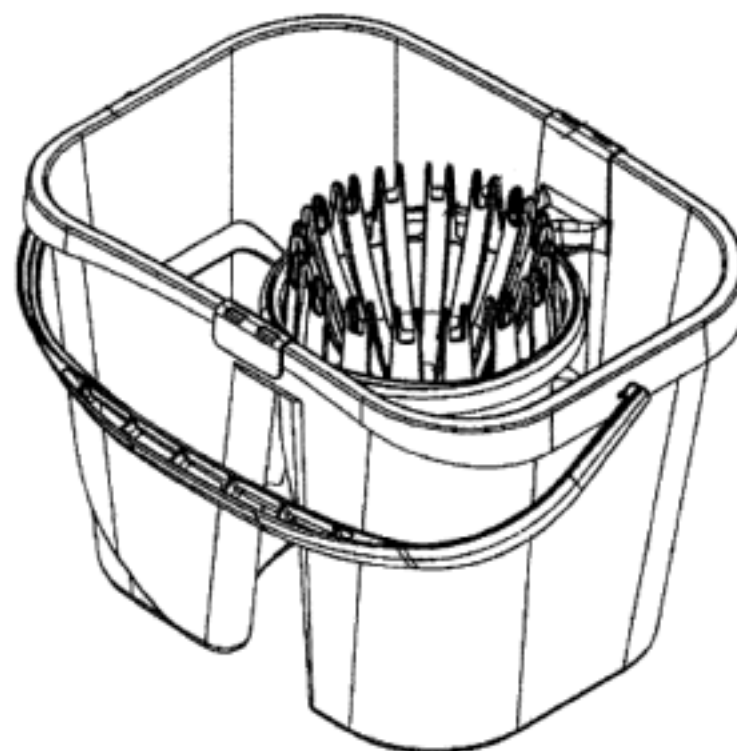
- (21) Design Number: **12699/2013**  
(22) Date of Filing Application: **12 June 2013**  
(24) Date from which industrial property rights may have effect: **12 June 2013**  
(54) Product in respect of which the design is registered: **Umbrella**  
(51) International Design Classification: **03-03**  
(74) Name(s) of Attorney(s):  
(71) Name(s) and Address(s) of Applicant(s):  
**South West Community Transport Inc**  
**10 Cary Gr Minto NSW 2566 Australia**  
(72) Name(s) of Designer(s): **Lynette Bright**  
(45) Registration Date: **03 July 2013**  
(56) Related Art Documents: **Not Applicable**  
(57) Statement of Newness and Distinctiveness: **The colour design and logo.**



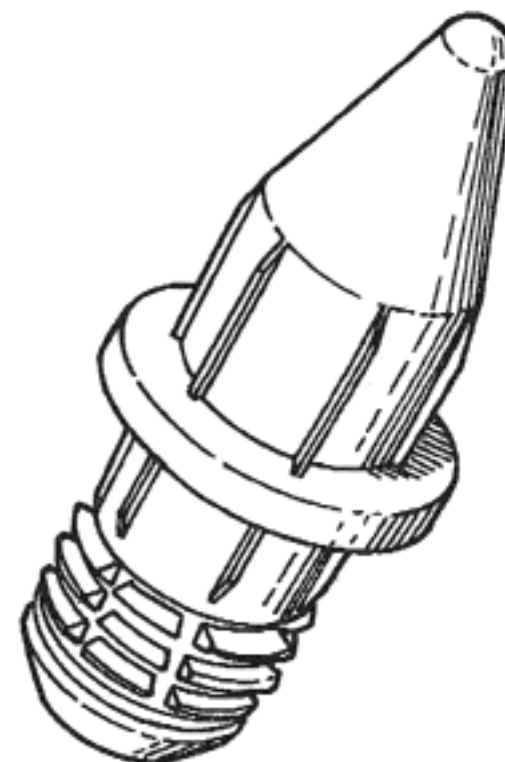
- (21) Design Number: **14672/2012**  
(22) Date of Filing Application: **19 September 2012**  
(24) Date from which industrial property rights may have effect: **19 September 2012**  
(54) Product in respect of which the design is registered: **Portable icebox**  
(51) International Design Classification: **07-07A**  
(74) Name(s) of Attorney(s):  
(71) Name(s) and Address(s) of Applicant(s):  
**Anthony John Sievers**  
**33 Jabiru St Wulagi NT 0812 Australia**  
**Jason Damian Sievers**  
**7 Dimitrios Cl Skye VIC 3977 Australia**  
(72) Name(s) of Designer(s): **Jason Damian Sievers and Anthony John Sievers**  
(45) Registration Date: **03 July 2013**  
(56) Related Art Documents: **Not Applicable**  
(57) Statement of Newness and Distinctiveness: **Portable icebox are redesigned to have wheels, windscreens, flares, paint, wings and aerodynamics to look like race cars and Australian V8 Supercars.**



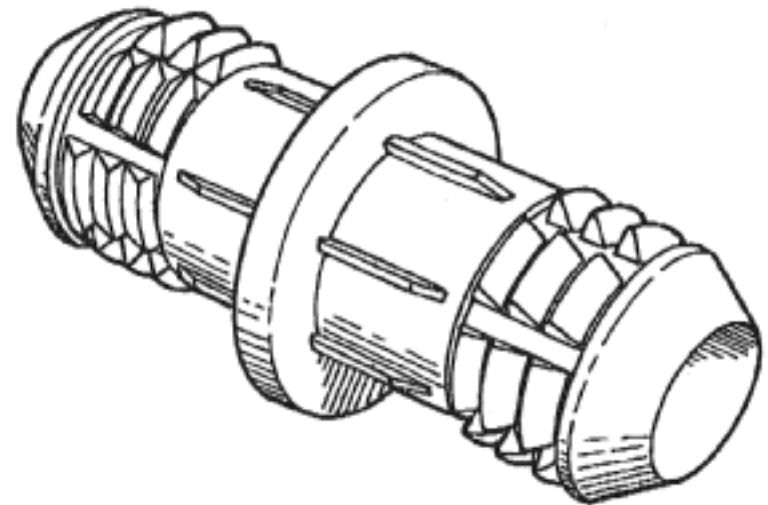
- (21) Design Number: **14668/2012**  
(22) Date of Filing Application: **20 September 2012**  
(24) Date from which industrial property rights may have effect: **20 September 2012**  
(54) Product in respect of which the design is registered: **Mop bucket**  
(51) International Design Classification: **07-07B**  
(74) Name(s) of Attorney(s): **Allens Patent & Trade Mark Attorneys**  
(71) Name(s) and Address(s) of Applicant(s):  
**E.D. Oates Pty Ltd**  
**Maygar Bvd Broadmeadows VIC 3047 Australia**  
(72) Name(s) of Designer(s): **Frankie Yuet Hong Ngan**  
(45) Registration Date: **03 July 2013**  
(56) Related Art Documents: **Not Applicable**  
(57) Statement of Newness and Distinctiveness: **Newness and distinctiveness resides in the visual features of shape and/or configuration of a mop bucket as illustrated in the accompanying representations.**



- (21) Design Number: **15720/2012**  
(22) Date of Filing Application: **16 November 2012**  
(24) Date from which industrial property rights may have effect: **16 November 2012**  
(54) Product in respect of which the design is registered: **A joiner (with cone)**  
(51) International Design Classification: **08-05NES**  
(74) Name(s) of Attorney(s): **Intellepro Patent & Trade Mark Attorneys**  
(71) Name(s) and Address(s) of Applicant(s):  
**Adam Bernard Gleeson**  
**110 Laxton Rd Palmview QLD 4553 Australia**  
(72) Name(s) of Designer(s): **Adam Bernard Gleeson and Neil Waldbaum**  
(45) Registration Date: **03 July 2013**  
(56) Related Art Documents: **Not Applicable**  
(57) Statement of Newness and Distinctiveness: **Newness and distinctiveness resides in a joiner as illustrated in the representations. When considering the scope of the monopoly the medial flange is to be disregarded.**



- (21) Design Number: **15721/2012**  
(22) Date of Filing Application: **16 November 2012**  
(24) Date from which industrial property rights may have effect: **16 November 2012**  
(54) Product in respect of which the design is registered: **A joiner (mirrored ends)**  
(51) International Design Classification: **08-05NES**  
(74) Name(s) of Attorney(s): **Intellepro Patent & Trade Mark Attorneys**  
(71) Name(s) and Address(s) of Applicant(s):  
**Adam Bernard Gleeson**  
**110 Laxton Rd Palmview QLD 4553 Australia**  
(72) Name(s) of Designer(s): **Adam Bernard Gleeson and Neil Waldbaum**  
(45) Registration Date: **03 July 2013**  
(56) Related Art Documents: **Not Applicable**  
(57) Statement of Newness and Distinctiveness: **Newness and distinctiveness resides in a joiner as illustrated in the representations. When considering the scope of the monopoly the medial flange is to be disregarded.**

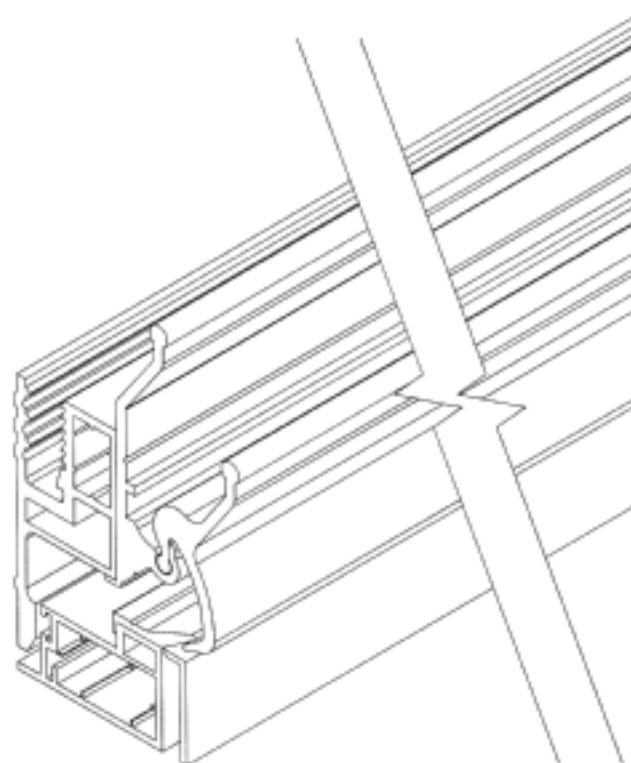


- (21) Design Number: **10762/2013**  
(22) Date of Filing Application: **18 February 2013**  
(24) Date from which industrial property rights may have effect: **18 February 2013**  
(54) Product in respect of which the design is registered: **Roof ventilator**  
(51) International Design Classification: **23-04**  
(74) Name(s) of Attorney(s):  
(71) Name(s) and Address(s) of Applicant(s):  
**Gracie Pty Ltd**  
**6/123 Main St Kangaroo Point QLD 4169 Australia**  
(72) Name(s) of Designer(s): **Stuart Leonard Ellick**  
(45) Registration Date: **03 July 2013**  
(56) Related Art Documents: **Not Applicable**  
(57) Statement of Newness and Distinctiveness: **Solar powered whirly bird.**

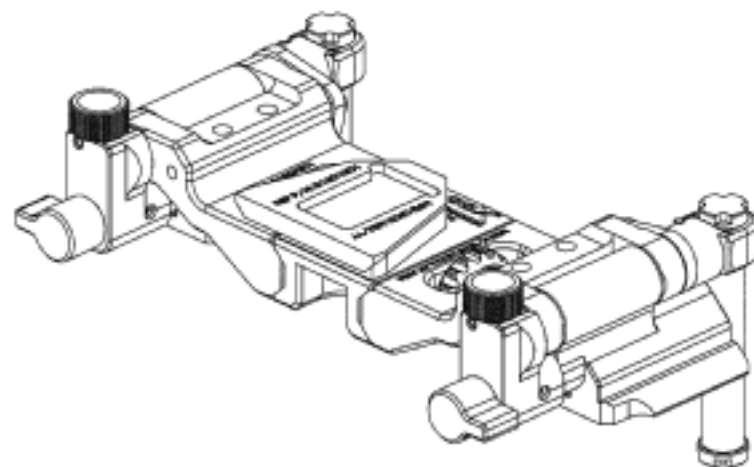




- (21) Design Number: **11308/2013**  
(22) Date of Filing Application: **15 March 2013**  
(24) Date from which industrial property rights may have effect: **15 March 2013**  
(54) Product in respect of which the design is registered: **Assembly lock for a security window**  
(51) International Design Classification: **08-07**  
(74) Name(s) of Attorney(s):  
(71) Name(s) and Address(s) of Applicant(s):  
**Sancourt Pty Ltd**  
**22 Whitehaven Dr Buderim QLD 4556 Australia**  
**Viva Holdings**  
**55 Shamley Heath Rd Kureelpa QLD 4560 Australia**  
(72) Name(s) of Designer(s): **Bradley Mark Veivers and John Bernard Hynes**  
(45) Registration Date: **03 July 2013**  
(56) Related Art Documents: **Not Applicable**  
(57) Statement of Newness and Distinctiveness: **The design is new and unique by way of the visual appearance of the individual components and is new and unique by the visual appearance of the product when assembled using these uniquely shaped components. The product has a distinctly sleek appearance when assembled for its purpose.**



- (21) Design Number: **11670/2013**  
(22) Date of Filing Application: **04 April 2013**  
(24) Date from which industrial property rights may have effect: **04 April 2013**  
(54) Product in respect of which the design is registered: **Modular binocular bridge**  
(51) International Design Classification: **16-06**  
(74) Name(s) of Attorney(s): **Shelston IP**  
(71) Name(s) and Address(s) of Applicant(s):  
**Wilcox Industries Corp.**  
**25 Piscataqua Dr Newington New Hampshire 03801 United States of America**  
(72) Name(s) of Designer(s): **James W. Teetzel and Justin D. Harris and Travis S. Mitchell**  
(45) Registration Date: **03 July 2013**  
(56) Related Art Documents: **Not Applicable**  
(57) Statement of Newness and Distinctiveness: **Newness and distinctiveness resides in the features of shape and/or configuration of a modular binocular bridge as illustrated in the accompanying representations.**



(21) Design Number: **11641/2013**  
(22) Date of Filing Application: **07 April 2013**  
(24) Date from which industrial property rights may have effect: **07 April 2013**  
(54) Product in respect of which the design is registered: **Bag**  
(51) International Design Classification: **09-05**  
(74) Name(s) of Attorney(s):  
(71) Name(s) and Address(s) of Applicant(s):

**Christopher David Burnett**  
**15 Bayview Rd Lauderdale TAS 7021 Australia**

(72) Name(s) of Designer(s): **Christopher David Burnett**

(45) Registration Date: **03 July 2013**

(56) Related Art Documents: **Not Applicable**

(57) Statement of Newness and Distinctiveness: **This bag is designed primarily for storing waste plastics until it is emptied. It is distinct in that it has a wrap around Velcro handles with built in tool pouch specifically placed, circular top with built in band of stiffener to hold bag open and either a zip or clipped flap at base to allow easy emptying, it has also a clip that allows the bag to be stored by pushing top and bottom parts into the stiffened section folded and clipped closed. A small tag sewn into the stiffened section allows the bag to be carried while empty. The above mentioned features and their arrangement give the bag its distinctiveness**



(21) Design Number: **11764/2013**  
(22) Date of Filing Application: **15 April 2013**  
(24) Date from which industrial property rights may have effect: **15 April 2013**  
(54) Product in respect of which the design is registered: **Part of a vacuum cleaner**  
(51) International Design Classification: **15-05**  
(74) Name(s) of Attorney(s): **Shelston IP**  
(71) Name(s) and Address(s) of Applicant(s):

**Dyson Technology Limited**  
**Tetbury Hill Malmesbury Wiltshire SN16 0RP United Kingdom**

(72) Name(s) of Designer(s): **Timothy Nicholas Stickney and Jonathon George Marsh and Stuart Lloyd Genn**

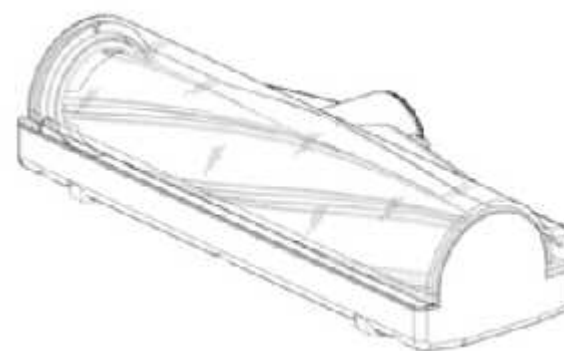
(45) Registration Date: **03 July 2013**

(30) Convention priority data:

|                       |                    |   |
|-----------------------|--------------------|---|
| (31) Number           | (32) Date          | (33) Country  |
| <b>001347942-0005</b> | <b>19 Oct 2012</b> | <b>OFFICE FOR HARMONISATION IN THE INTERNAL MARKET (OHIM)</b> |

(56) Related Art Documents: **Not Applicable**

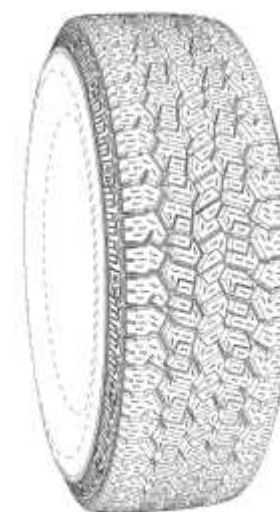
(57) Statement of Newness and Distinctiveness: **Newness and distinctiveness reside in the features of shape and/or configuration of PART OF A VACUUM CLEANER as illustrated in solid lines in the accompanying representations. The features illustrated in broken lines do not form part of the design.**



- (21) Design Number: **12371/2013**  
(22) Date of Filing Application: **22 May 2013**  
(24) Date from which industrial property rights may have effect: **22 May 2013**  
(54) Product in respect of which the design is registered: **A tipping track guide for a bin-tipping machine**  
(51) International Design Classification: **12-05**  
(74) Name(s) of Attorney(s):  
(71) Name(s) and Address(s) of Applicant(s):  
**Stephen Leslie Simmons**  
**51-53 Church St Onehunga 1061 New Zealand**  
(72) Name(s) of Designer(s): **Stephen Leslie Simmons**  
(45) Registration Date: **03 July 2013**  
(56) Related Art Documents: **Not Applicable**  
(57) Statement of Newness and Distinctiveness: **Newness and distinctiveness resides in the tipping guide containing a sloping channel track connected to a horizontal channel track, with a hinged diverter flap at the intersection as shown in the attached representations.**



- (21) Design Number: **12705/2013**  
(22) Date of Filing Application: **13 June 2013**  
(24) Date from which industrial property rights may have effect: **13 June 2013**  
(54) Product in respect of which the design is registered: **Tire**  
(51) International Design Classification: **12-15C**  
(74) Name(s) of Attorney(s): **PHILLIPS ORMONDE FITZPATRICK**  
(71) Name(s) and Address(s) of Applicant(s):  
**Cooper Tire & Rubber Company**  
**701 Lima Avenue Findlay Ohio 45840 United States of America**  
(72) Name(s) of Designer(s): **Jeremy J. Jacobs and Robert Drake**  
(45) Registration Date: **04 July 2013**  
(30) Convention priority data:  
(31) Number      (32) Date      (33) Country  
**29/452,959      23 Apr 2013      UNITED STATES OF AMERICA**  
(56) Related Art Documents: **Not Applicable**  
(57) Statement of Newness and Distinctiveness: **Those features of the tire depicted in the representations that are new and distinctive are the shape and/or configuration of the tread of the tire. The sidewall, inner bead, and the peripheral boundary between the tire tread and the sidewall are not part of the design and are to be disregarded when considering the overall impression of the design.**



(21) Design Number: **12706/2013**

(22) Date of Filing Application: **13 June 2013**

(24) Date from which industrial property rights may have effect: **13 June 2013**

(54) Product in respect of which the design is registered: **A toilet waste connector**

(51) International Design Classification: **23-01A**

(74) Name(s) of Attorney(s): **SPRUSON & FERGUSON**

(71) Name(s) and Address(s) of Applicant(s):

**Caroma Industries Limited**

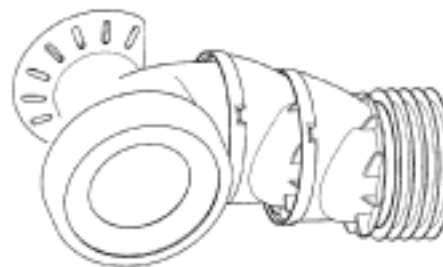
**L2 HQ South Tower 520 Wickham St Fortitude Valley QLD 4006 Australia**

(72) Name(s) of Designer(s): **Luke Anthony Di Michiel and Johann Karunaratne**

(45) Registration Date: **04 July 2013**

(56) Related Art Documents: **Not Applicable**

(57) Statement of Newness and Distinctiveness: **Newness and distinctiveness is claimed in the features of shape and/or configuration of a toilet waste connector as illustrated in the accompanying representations.**



(21) Design Number: **12707/2013**

(22) Date of Filing Application: **13 June 2013**

(24) Date from which industrial property rights may have effect: **13 June 2013**

(54) Product in respect of which the design is registered: **A toilet waste connector**

(51) International Design Classification: **23-01A**

(74) Name(s) of Attorney(s): **SPRUSON & FERGUSON**

(71) Name(s) and Address(s) of Applicant(s):

**Caroma Industries Limited**

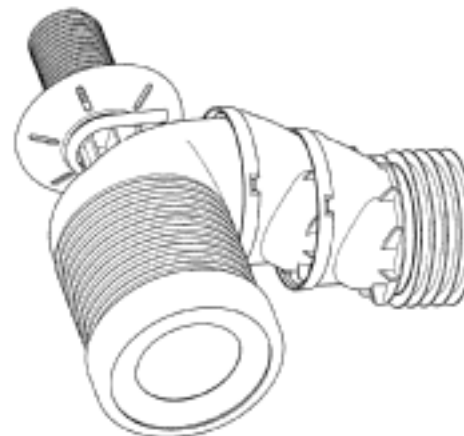
**L2 HQ South Tower 520 Wickham St Fortitude Valley QLD 4006 Australia**

(72) Name(s) of Designer(s): **Luke Anthony Di Michiel and Johann Karunaratne**

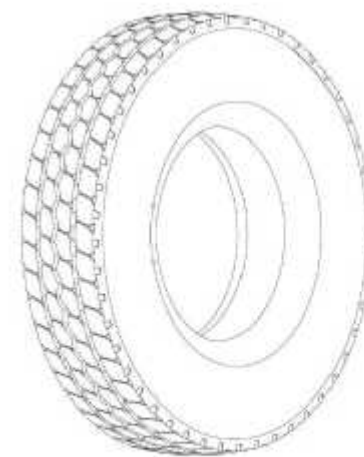
(45) Registration Date: **04 July 2013**

(56) Related Art Documents: **Not Applicable**

(57) Statement of Newness and Distinctiveness: **Newness and distinctiveness is claimed in the features of shape and/or configuration of a toilet waste connector as illustrated in the accompanying representations.**



- (21) Design Number: **12708/2013**  
(22) Date of Filing Application: **13 June 2013**  
(24) Date from which industrial property rights may have effect: **13 June 2013**  
(54) Product in respect of which the design is registered: **A tyre**  
(51) International Design Classification: **12-15C**  
(74) Name(s) of Attorney(s): **WATERMARK PATENT AND TRADE MARKS ATTORNEYS**  
(71) Name(s) and Address(s) of Applicant(s):  
**Compagnie Generale Des Etablissements Michelin**  
**12 cours Sablon Clermont-Ferrand 63000 France**  
**Michelin Recherche et Technique S.A.**  
**Route Louis-Braille 10 et 12 Granges-Paccot 1763 Switzerland**  
(72) Name(s) of Designer(s): **Arnaud Gommez**  
(45) Registration Date: **04 July 2013**  
(30) Convention priority data:  
(31) Number (32) Date (33) Country  
**12/5755 26 Dec 2012 FRANCE**  
(56) Related Art Documents: **Not Applicable**  
(57) Statement of Newness and Distinctiveness: **Newness and distinctiveness resides in the appearance of the tread region of the tyre as shown in the annexed drawings, the remainder of the tyre not forming part of the design.**



- (21) Design Number: **12709/2013**  
(22) Date of Filing Application: **13 June 2013**  
(24) Date from which industrial property rights may have effect: **13 June 2013**  
(54) Product in respect of which the design is registered: **Sleep mat**  
(51) International Design Classification: **06-09, 06-13B**  
(74) Name(s) of Attorney(s): **Griffith Hack**  
(71) Name(s) and Address(s) of Applicant(s):  
**The Coleman Company, Inc.**  
**3600 N. Hydraulic Wichita Kansas 67219 United States of America**  
(72) Name(s) of Designer(s): **Erika Berkland**  
(45) Registration Date: **04 July 2013**  
(30) Convention priority data:  
(31) Number (32) Date (33) Country  
**29/439,655 13 Dec 2012 UNITED STATES OF AMERICA**  
(56) Related Art Documents: **Not Applicable**  
(57) Statement of Newness and Distinctiveness: **Newness and distinctiveness resides in the visual features, including shape and configuration, of a SLEEP MAT as shown in solid outline in the accompanying drawings. When determining whether the design is substantially similar in overall impression to another design, no regard is to be had to those features shown in dotted outline in the accompanying drawings, which features are provided for illustrative purposes only.**



(21) Design Number: **12710/2013**  
(22) Date of Filing Application: **13 June 2013**  
(24) Date from which industrial property rights may have effect: **13 June 2013**  
(54) Product in respect of which the design is registered: **Sleep mat**  
(51) International Design Classification: **06-09, 06-13B**  
(74) Name(s) of Attorney(s): **Griffith Hack**  
(71) Name(s) and Address(s) of Applicant(s):  
**The Coleman Company, Inc.**  
**3600 N. Hydraulic Wichita Kansas 67219 United States of America**  
(72) Name(s) of Designer(s): **Erika Berkland**  
(45) Registration Date: **04 July 2013**  
(30) Convention priority data:  
(31) Number (32) Date (33) Country  
**29/439,658 13 Dec 2012 UNITED STATES OF AMERICA**

(56) Related Art Documents: **Not Applicable**  
(57) Statement of Newness and Distinctiveness: **Newness and distinctiveness resides in the visual features, including shape and configuration, of a SLEEP MAT as shown in solid outline in the accompanying drawings. When determining whether the design is substantially similar in overall impression to another design, no regard is to be had to those features shown in dotted outline in the accompanying drawings, which features are provided for illustrative purposes only.**



(21) Design Number: **12723/2013**  
(22) Date of Filing Application: **13 June 2013**  
(24) Date from which industrial property rights may have effect: **13 June 2013**  
(54) Product in respect of which the design is registered: **A tyre**  
(51) International Design Classification: **12-15C**  
(74) Name(s) of Attorney(s): **WATERMARK PATENT AND TRADE MARKS ATTORNEYS**  
(71) Name(s) and Address(s) of Applicant(s):  
**Compagnie Generale Des Establisements Michelin**  
**12 cours Sablon Clermont-Ferrand 63000 France**  
**Michelin Recherche et Technique S.A.**  
**Route Louis-Braille 10 et 12 Granges-Paccot 1763 Switzerland**  
(72) Name(s) of Designer(s): **Arnaud Gommez**  
(45) Registration Date: **04 July 2013**  
(30) Convention priority data:  
(31) Number (32) Date (33) Country  
**12/5756 26 Dec 2012 FRANCE**

(56) Related Art Documents: **Not Applicable**  
(57) Statement of Newness and Distinctiveness: **Newness and distinctiveness resides in the appearance of the tread region of the tyre as shown in the annexed drawings, the remainder of the tyre not forming part of the design.**



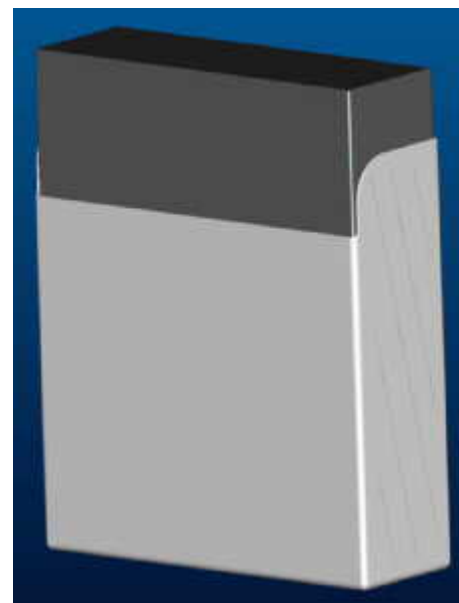
- (21) Design Number: **12724/2013**  
(22) Date of Filing Application: **13 June 2013**  
(24) Date from which industrial property rights may have effect: **13 June 2013**  
(54) Product in respect of which the design is registered: **Bed**  
(51) International Design Classification: **06-02**  
(74) Name(s) of Attorney(s):  
(71) Name(s) and Address(s) of Applicant(s):  
    **You Choon Ng**  
    **2 Cessna Dr Jandakot WA 6164 Australia**  
(72) Name(s) of Designer(s): **You Choon Ng**  
(45) Registration Date: **04 July 2013**  
(56) Related Art Documents: **Not Applicable**  
(57) Statement of Newness and Distinctiveness: **The features of the design for which novelty are claimed are i) the overall structure and design of the bed as a whole ii) the pattern and configuration of the bedhead (top panel of bed) iii) the pattern and configuration of the bottom panel of the bed.**



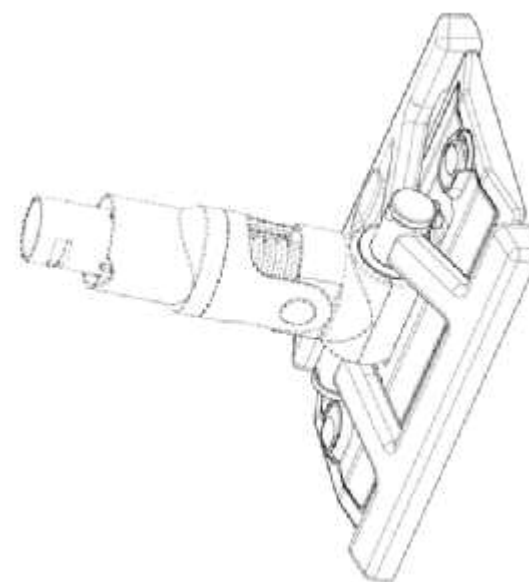
- (21) Design Number: **12725/2013**  
(22) Date of Filing Application: **13 June 2013**  
(24) Date from which industrial property rights may have effect: **13 June 2013**  
(54) Product in respect of which the design is registered: **Bed**  
(51) International Design Classification: **06-02**  
(74) Name(s) of Attorney(s):  
(71) Name(s) and Address(s) of Applicant(s):  
    **You Choon Ng**  
    **2 Cessna Dr Jandakot WA 6164 Australia**  
(72) Name(s) of Designer(s): **You Choon Ng**  
(45) Registration Date: **04 July 2013**  
(56) Related Art Documents: **Not Applicable**  
(57) Statement of Newness and Distinctiveness: **The features of the design for which novelty are claimed are i) the overall structure and design of the bed as a whole ii) the pattern and configuration of the bedhead (top panel of bed) iii) the pattern and configuration of the bottom panel of the bed.**



- (21) Design Number: **12728/2013**  
(22) Date of Filing Application: **13 June 2013**  
(24) Date from which industrial property rights may have effect: **13 June 2013**  
(54) Product in respect of which the design is registered: **Cigarette box holder**  
(51) International Design Classification: **09-03A, 03-01A**  
(74) Name(s) of Attorney(s):  
(71) Name(s) and Address(s) of Applicant(s):  
**Eng Kiat Tan**  
**PO BOX Q1790 Queen Victoria Building NSW 1230**  
(72) Name(s) of Designer(s): **Eng Kiat Tan**  
(45) Registration Date: **04 July 2013**  
(56) Related Art Documents: **Not Applicable**  
(57) Statement of Newness and Distinctiveness: **The newness and distinctiveness of the design resides in the shape of the holder and the indentations on the holder that will facilitate grip.**

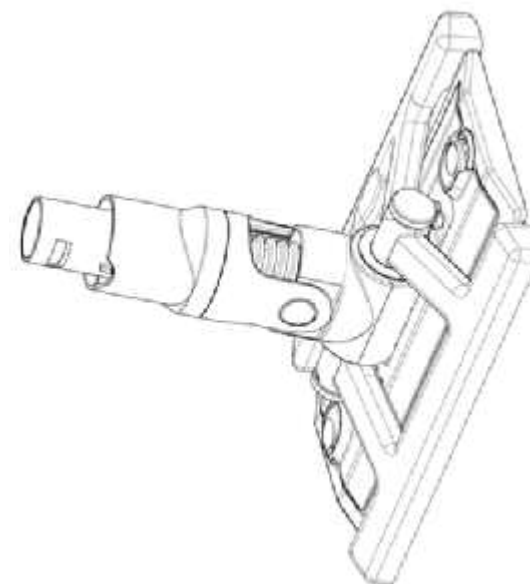


- (21) Design Number: **10759/2013**  
(22) Date of Filing Application: **18 February 2013**  
(24) Date from which industrial property rights may have effect: **18 February 2013**  
(54) Product in respect of which the design is registered: **Part of a vacuum cleaner**  
(51) International Design Classification: **15-05**  
(74) Name(s) of Attorney(s): **Shelston IP**  
(71) Name(s) and Address(s) of Applicant(s):  
**Dyson Technology Limited**  
**Tetbury Hill Malmesbury Wiltshire SN16 0RP Great Britain**  
(72) Name(s) of Designer(s): **Christian Guder and Robert Hinchliffe and James Dyson**  
(45) Registration Date: **04 July 2013**  
(30) Convention priority data:  
(31) Number (32) Date (33) Country  
**001344907-0002 26 Sep 2012 OFFICE FOR HARMONISATION IN THE INTERNAL MARKET (OHIM)**  
(56) Related Art Documents: **Not Applicable**  
(57) Statement of Newness and Distinctiveness: **Newness and distinctiveness reside in the features of shape and/or configuration of a PART OF A VACUUM CLEANER as illustrated in solid lines in the accompanying representations. The features illustrated in broken lines do not form part of the design.**

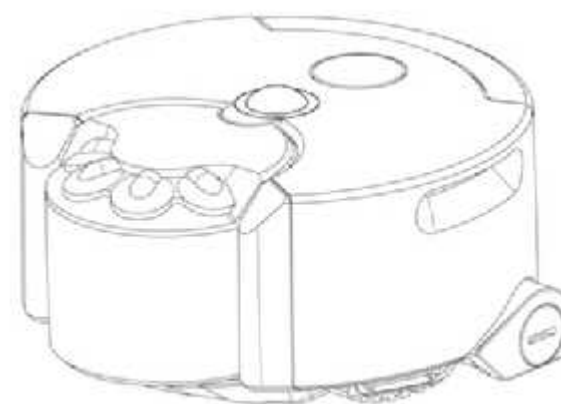




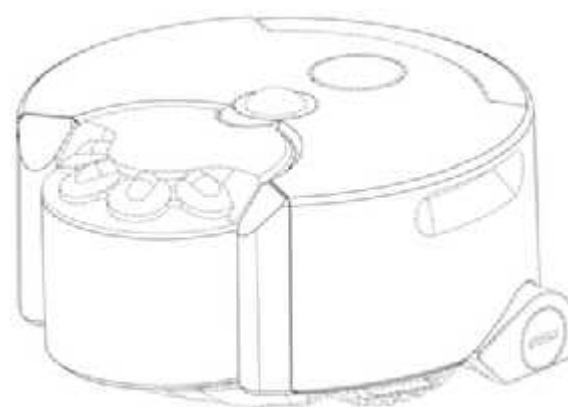
(21) Design Number: **10760/2013**  
(22) Date of Filing Application: **18 February 2013**  
(24) Date from which industrial property rights may have effect: **18 February 2013**  
(54) Product in respect of which the design is registered: **Part of vacuum cleaner**  
(51) International Design Classification: **15-05**  
(74) Name(s) of Attorney(s): **Shelston IP**  
(71) Name(s) and Address(s) of Applicant(s):  
**Dyson Technology Limited**  
**Tetbury Hill Malmesbury Wiltshire SN16 0RP Great Britain**  
(72) Name(s) of Designer(s): **Christian Guder and Robert Hinchliffe and James Dyson**  
(45) Registration Date: **04 July 2013**  
(30) Convention priority data:  
(31) Number (32) Date (33) Country  
**001344907-0001 26 Sep 2012 OFFICE FOR HARMONISATION IN THE INTERNAL MARKET (OHIM)**  
(56) Related Art Documents: **Not Applicable**  
(57) Statement of Newness and Distinctiveness: **Newness and distinctiveness reside in the features of shape and/or configuration of a PART OF A VACUUM CLEANER as illustrated in the accompanying representations.**



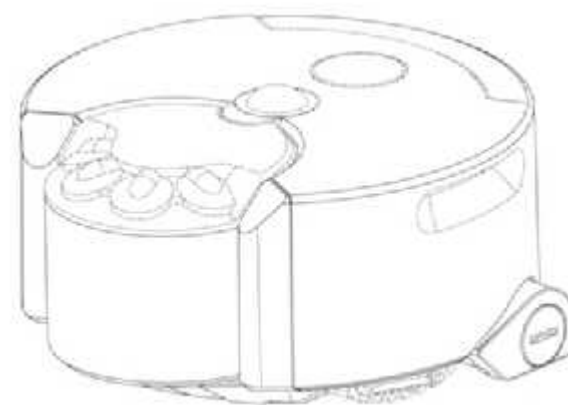
(21) Design Number: **10988/2013**  
(22) Date of Filing Application: **01 March 2013**  
(24) Date from which industrial property rights may have effect: **01 March 2013**  
(54) Product in respect of which the design is registered: **A vacuum cleaner**  
(51) International Design Classification: **15-05**  
(74) Name(s) of Attorney(s): **Shelston IP**  
(71) Name(s) and Address(s) of Applicant(s):  
**Dyson Technology Limited**  
**Tetbury Hill Malmesbury Wiltshire SN16 0RP United Kingdom**  
(72) Name(s) of Designer(s): **Mark Stamford Vanderstegen-Drake and Peter David Gammack and Jonathan George Marsh and Adam James Bates**  
(45) Registration Date: **04 July 2013**  
(30) Convention priority data:  
(31) Number (32) Date (33) Country  
**001344600-0001 24 Sep 2012 OFFICE FOR HARMONISATION IN THE INTERNAL MARKET (OHIM)**  
(56) Related Art Documents: **Not Applicable**  
(57) Statement of Newness and Distinctiveness: **Newness and distinctiveness reside in the features of shape and/or configuration of a vacuum cleaner as illustrated in the accompanying representations.**



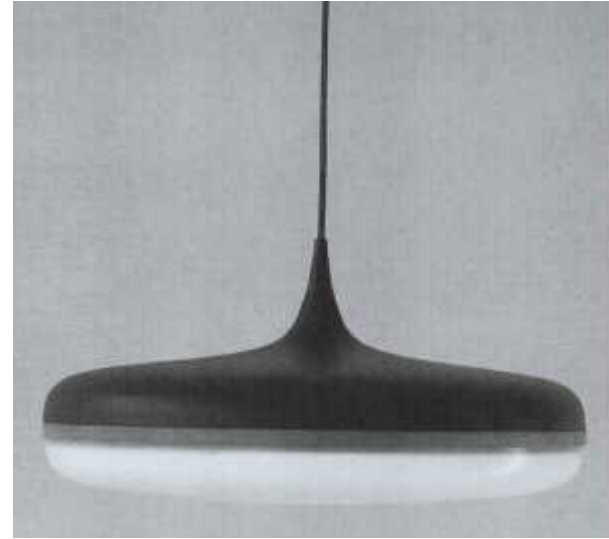
- (21) Design Number: **10989/2013**  
(22) Date of Filing Application: **01 March 2013**  
(24) Date from which industrial property rights may have effect: **01 March 2013**  
(54) Product in respect of which the design is registered: **A vacuum cleaner**  
(51) International Design Classification: **15-05**  
(74) Name(s) of Attorney(s): **Shelston IP**  
(71) Name(s) and Address(s) of Applicant(s):  
**Dyson Technology Limited**  
**Tetbury Hill Malmesbury Wiltshire SN16 0RP United Kingdom**  
(72) Name(s) of Designer(s): **Joanne Katy Mitchell and Paul Dawson and James Dyson and Peter David Gammack**  
(45) Registration Date: **04 July 2013**  
(30) Convention priority data:  
(31) Number (32) Date (33) Country  
**001344600-0002 24 Sep 2012 OFFICE FOR HARMONISATION IN THE INTERNAL MARKET (OHIM)**  
(56) Related Art Documents: **Not Applicable**  
(57) Statement of Newness and Distinctiveness: **Newness and distinctiveness reside in the features of shape and/or configuration of a vacuum cleaner as illustrated in solid lines in the accompanying representations. Those features illustrated in broken lines do not form part of the design.**



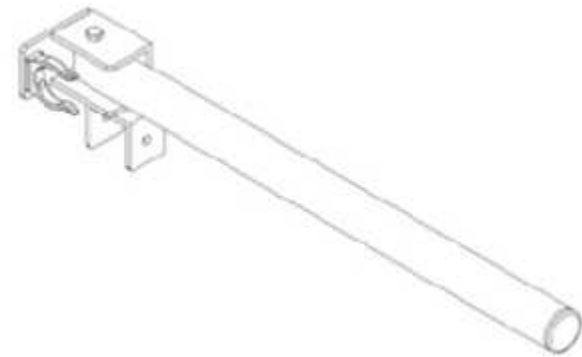
- (21) Design Number: **10990/2013**  
(22) Date of Filing Application: **01 March 2013**  
(24) Date from which industrial property rights may have effect: **01 March 2013**  
(54) Product in respect of which the design is registered: **A vacuum cleaner**  
(51) International Design Classification: **15-05**  
(74) Name(s) of Attorney(s): **Shelston IP**  
(71) Name(s) and Address(s) of Applicant(s):  
**Dyson Technology Limited**  
**Tetbury Hill Malmesbury Wiltshire SN16 0RP United Kingdom**  
(72) Name(s) of Designer(s): **Joanne Katy Mitchell and Paul Dawson and James Dyson and Peter David Gammack**  
(45) Registration Date: **04 July 2013**  
(30) Convention priority data:  
(31) Number (32) Date (33) Country  
**001344600-0003 24 Sep 2012 OFFICE FOR HARMONISATION IN THE INTERNAL MARKET (OHIM)**  
(56) Related Art Documents: **Not Applicable**  
(57) Statement of Newness and Distinctiveness: **Newness and distinctiveness reside in the features of shape and/or configuration of a vacuum cleaner as illustrated in solid lines in the accompanying representations. Those features illustrated in broken lines do not form part of the design.**



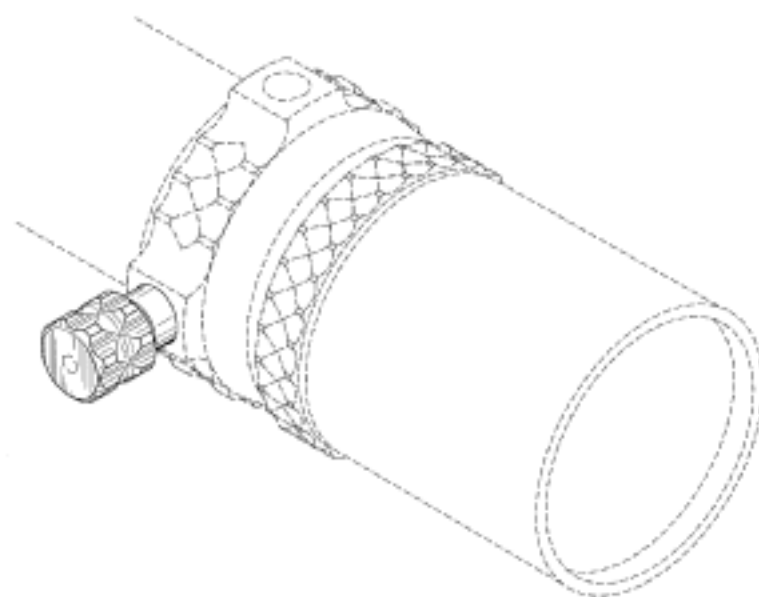
- (21) Design Number: **11412/2013**  
(22) Date of Filing Application: **20 March 2013**  
(24) Date from which industrial property rights may have effect: **20 March 2013**  
(54) Product in respect of which the design is registered: **Droplet Pendant Light**  
(51) International Design Classification: **26-05D**  
(74) Name(s) of Attorney(s):  
(71) Name(s) and Address(s) of Applicant(s):  
**Viktor Legin**  
**240 Burnley St Richmond VIC 3121 Australia**  
(72) Name(s) of Designer(s): **Viktor Legin**  
(45) Registration Date: **04 July 2013**  
(56) Related Art Documents: **Not Applicable**  
(57) Statement of Newness and Distinctiveness: **The newness and distinctiveness is as follows: \* The profile shape of the spun aluminium top, the continuation to the wooden frame and the diffuser. \* The aluminium, timber and diffuser used are contrasting in nature, but work well together to unify the form. \* Inspired by a droplet of water frozen in time, this design mimics the beauty and elegance of fluid form. \* The uniqueness also comes from the tangential transition from the electrical cord to the aluminium body.**



- (21) Design Number: **11438/2013**  
(22) Date of Filing Application: **21 March 2013**  
(24) Date from which industrial property rights may have effect: **21 March 2013**  
(54) Product in respect of which the design is registered: **Height safety equipment**  
(51) International Design Classification: **25-02NES, 29-02**  
(74) Name(s) of Attorney(s):  
(71) Name(s) and Address(s) of Applicant(s):  
**No Bolt Operations Pty Ltd**  
**29 Union Road Dandenong South Victoria 3175 Australia**  
(72) Name(s) of Designer(s): **Danny Frolik and Simon Butt**  
(45) Registration Date: **04 July 2013**  
(56) Related Art Documents: **Not Applicable**  
(57) Statement of Newness and Distinctiveness: **Newness and distinctiveness resides in the features of the shape and configuration of the fall prevention device as illustrated in the accompanying drawings.**



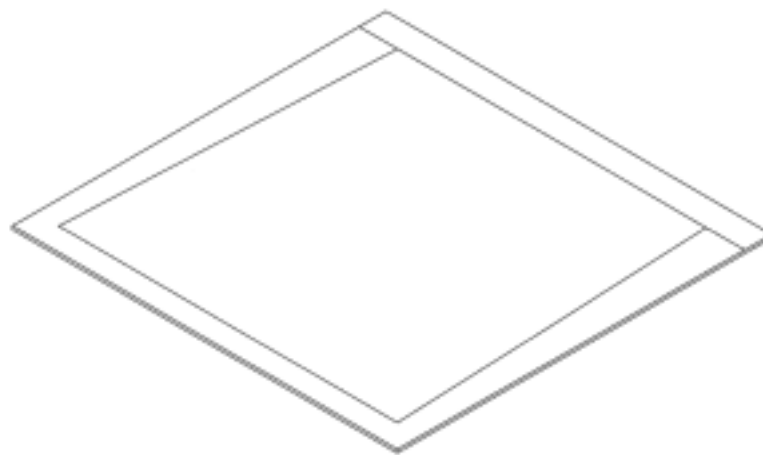
- (21) Design Number: **11626/2013**  
(22) Date of Filing Application: **04 April 2013**  
(24) Date from which industrial property rights may have effect: **04 April 2013**  
(54) Product in respect of which the design is registered: **Optical scope magnification throw lever**  
(51) International Design Classification: **16-06**  
(74) Name(s) of Attorney(s): **Madderns**  
(71) Name(s) and Address(s) of Applicant(s):  
**Lightforce U.S.A., Inc.,**  
**336 Hazen Lane Orofino Idaho 83544 United States of America**  
(72) Name(s) of Designer(s): **Arthur K Brown and Grant M. W. Minor**  
(45) Registration Date: **04 July 2013**  
(30) Convention priority data:  
(31) Number (32) Date (33) Country  
**29/433822 05 Oct 2012 UNITED STATES OF AMERICA**  
(56) Related Art Documents: **Not Applicable**  
(57) Statement of Newness and Distinctiveness: **Newness and distinctiveness resides in the shape, ornamentation and configuration of the optical scope magnification throw lever and the dashed lines form no part of the design and are included to show the environment of the design.**



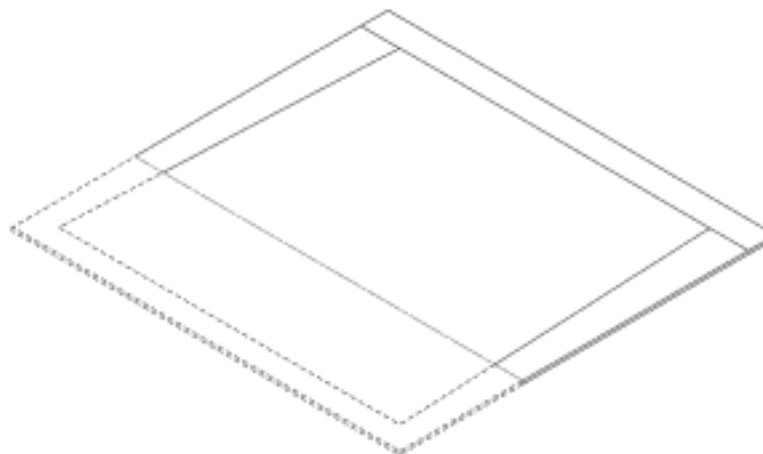
- (21) Design Number: **16813/2012**  
(22) Date of Filing Application: **15 April 2013**  
(24) Date from which industrial property rights may have effect: **27 July 2012**  
(54) Product in respect of which the design is registered: **Article of clothing**  
(51) International Design Classification: **02-02C**  
(74) Name(s) of Attorney(s): **Allens Patent & Trade Mark Attorneys**  
(71) Name(s) and Address(s) of Applicant(s):  
**Forever New Clothing Pty Ltd**  
**714-716 High St Kew East VIC 3102 Australia**  
(72) Name(s) of Designer(s): **Gemma Henderson**  
(45) Registration Date: **04 July 2013**  
(62) Divisional of: **13574/2012**  
(56) Related Art Documents: **Not Applicable**  
(57) Statement of Newness and Distinctiveness: **Newness and distinctiveness resides in the visual features of shape, configuration, pattern and/or ornamentation of an article of clothing as shown in the accompanying representations. The belt shown is for illustration only.**



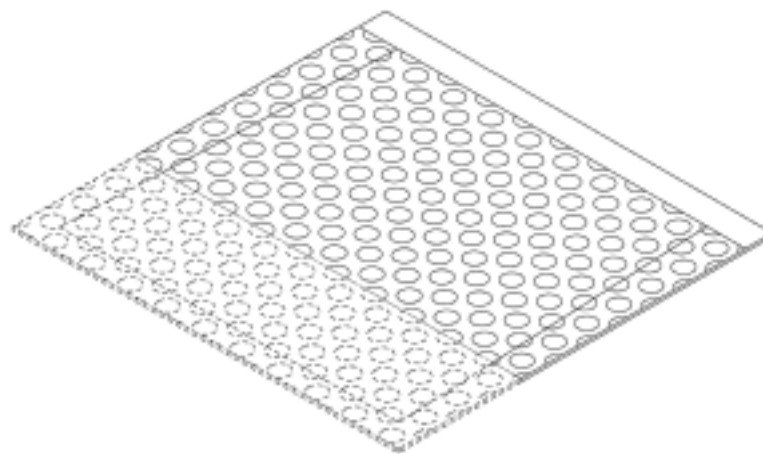
(21) Design Number: **10917/2013**  
(22) Date of Filing Application: **26 February 2013**  
(24) Date from which industrial property rights may have effect: **26 February 2013**  
(54) Product in respect of which the design is registered: **Shoe polisher**  
(51) International Design Classification: **07-05E**  
(74) Name(s) of Attorney(s): **PIZZEYS**  
(71) Name(s) and Address(s) of Applicant(s):  
**Kobayashi Pharmaceutical Co., Ltd.**  
**4-10 Doshomachi 4-chome Chuo-ku Osaka-shi Osaka 541-0045 Japan**  
(72) Name(s) of Designer(s): **Tetsuro Juta and Rie Itabashi and Hiroko Yuminaga and Ryusuke Tsujimoto and Shin-ichi Nagata**  
(45) Registration Date: **04 July 2013**  
(30) Convention priority data:  
(31) Number      (32) Date      (33) Country  
**2012-020478      27 Aug 2012      JAPAN**  
(56) Related Art Documents: **Not Applicable**  
(57) Statement of Newness and Distinctiveness: **Nil**



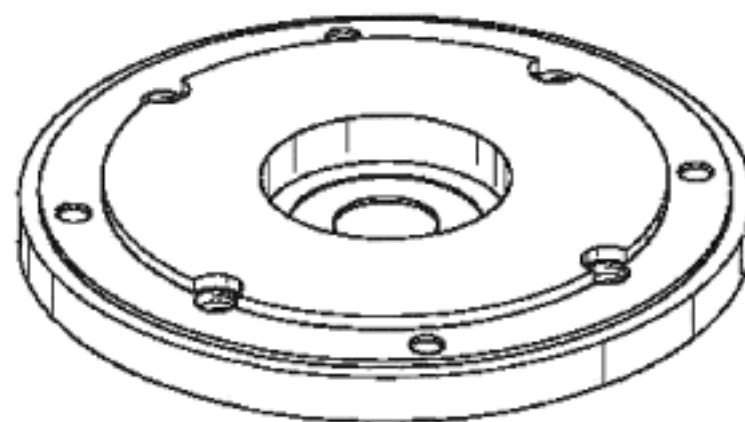
(21) Design Number: **10918/2013**  
(22) Date of Filing Application: **26 February 2013**  
(24) Date from which industrial property rights may have effect: **26 February 2013**  
(54) Product in respect of which the design is registered: **Shoe polisher**  
(51) International Design Classification: **07-05E**  
(74) Name(s) of Attorney(s): **PIZZEYS**  
(71) Name(s) and Address(s) of Applicant(s):  
**Kobayashi Pharmaceutical Co., Ltd.**  
**4-10 Doshomachi 4-chome Chuo-ku Osaka-shi Osaka 541-0045 Japan**  
(72) Name(s) of Designer(s): **Tetsuro Juta and Rie Itabashi and Hiroko Yuminaga and Ryusuke Tsujimoto and Shin-ichi Nagata**  
(45) Registration Date: **04 July 2013**  
(30) Convention priority data:  
(31) Number      (32) Date      (33) Country  
**2012-020479      27 Aug 2012      JAPAN**  
(56) Related Art Documents: **Not Applicable**  
(57) Statement of Newness and Distinctiveness: **Nil**



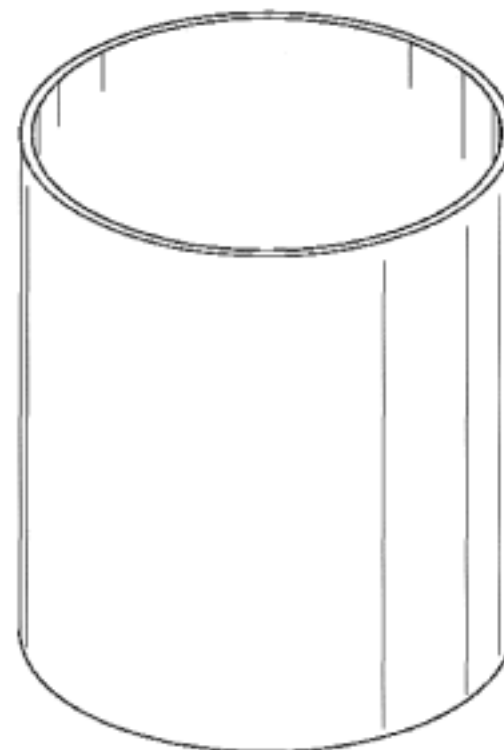
(21) Design Number: **10919/2013**  
(22) Date of Filing Application: **26 February 2013**  
(24) Date from which industrial property rights may have effect: **26 February 2013**  
(54) Product in respect of which the design is registered: **Shoe polisher**  
(51) International Design Classification: **07-05E**  
(74) Name(s) of Attorney(s): **PIZZEYS**  
(71) Name(s) and Address(s) of Applicant(s):  
**Kobayashi Pharmaceutical Co., Ltd.**  
**4-10 Doshomachi 4-chome Chuo-ku Osaka-shi Osaka 541-0045 Japan**  
(72) Name(s) of Designer(s): **Tetsuro Juta and Rie Itabashi and Hiroko Yuminaga and Ryusuke Tsujimoto and Shin-ichi Nagata**  
(45) Registration Date: **04 July 2013**  
(30) Convention priority data:  
(31) Number      (32) Date      (33) Country  
**2012-020481      27 Aug 2012      JAPAN**  
(56) Related Art Documents: **Not Applicable**  
(57) Statement of Newness and Distinctiveness: **Nil**



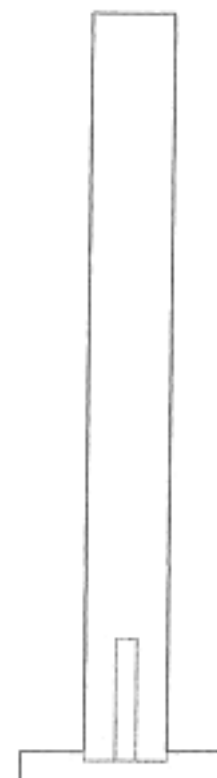
(21) Design Number: **10909/2013**  
(22) Date of Filing Application: **26 February 2013**  
(24) Date from which industrial property rights may have effect: **26 February 2013**  
(54) Product in respect of which the design is registered: **Base for a motor housing**  
(51) International Design Classification: **15-01**  
(74) Name(s) of Attorney(s): **Knightsbridge Patent Attorneys**  
(71) Name(s) and Address(s) of Applicant(s):  
**Ary Pty Ltd**  
**FY1 17 Patrick Ct Seaford VIC 3198 Australia**  
(72) Name(s) of Designer(s): **Malki Allan About Ary**  
(45) Registration Date: **04 July 2013**  
(56) Related Art Documents: **Not Applicable**  
(57) Statement of Newness and Distinctiveness: **The Applicant claims that newness and distinctiveness reside in the features of shape and configuration of a base for a motor housing, as depicted in the accompanying illustrations.**



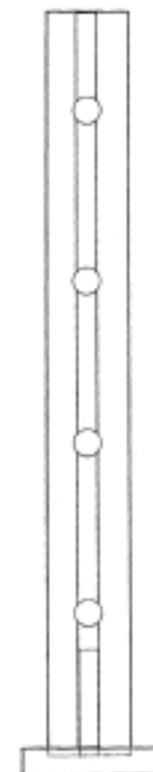
- (21) Design Number: **10908/2013**  
(22) Date of Filing Application: **26 February 2013**  
(24) Date from which industrial property rights may have effect: **26 February 2013**  
(54) Product in respect of which the design is registered: **Body sleeve for a motor housing**  
(51) International Design Classification: **15-01**  
(74) Name(s) of Attorney(s): **Knightsbridge Patent Attorneys**  
(71) Name(s) and Address(s) of Applicant(s):  
**Ary Pty Ltd**  
**FY1 17 Patrick Ct Seaford VIC 3198 Australia**  
(72) Name(s) of Designer(s): **Malki Allan Aboud Ary**  
(45) Registration Date: **04 July 2013**  
(56) Related Art Documents: **Not Applicable**  
(57) Statement of Newness and Distinctiveness: **The Applicant claims that newness and distinctiveness reside in the features of shape and configuration of a body sleeve for a motor housing, as depicted in the accompanying illustrations. In particular, the Applicant claims that newness and distinctiveness reside in the features of shape and configuration of the recessed circumferential lip of the body sleeve, as depicted in the accompanying drawing of the product which is titled "Enlarged side sectional view".**



- (21) Design Number: **10894/2013**  
(22) Date of Filing Application: **26 February 2013**  
(24) Date from which industrial property rights may have effect: **26 February 2013**  
(54) Product in respect of which the design is registered: **Toilet roll stand**  
(51) International Design Classification: **23-02A**  
(74) Name(s) of Attorney(s):  
(71) Name(s) and Address(s) of Applicant(s):  
**Tanya Marie Roscio**  
**73 Coach Rd Skye SA 5072 Australia**  
(72) Name(s) of Designer(s): **Tanya Marie Roscio**  
(45) Registration Date: **04 July 2013**  
(56) Related Art Documents: **Not Applicable**  
(57) Statement of Newness and Distinctiveness: **This stand has a hollow cylinder with an open top and enclosed end which accommodates for empty toilet rolls. The cylinder allows used rolls to easily and cleanly be stored, then as the cylinder is detachable from the base it allows for effortless recycling - just simply tip them in! (Scaling: each cylinder holds 4 empty toilet rolls within each design, and every vertical rod holds 4 full toilets roll; with exemption to drawings 5, 6 and 8 with have horizontal rods that hold various full rolls.)**



- (21) Design Number: **10895/2013**  
(22) Date of Filing Application: **26 February 2013**  
(24) Date from which industrial property rights may have effect: **26 February 2013**  
(54) Product in respect of which the design is registered: **Toilet roll stand**  
(51) International Design Classification: **23-02A**  
(74) Name(s) of Attorney(s):  
(71) Name(s) and Address(s) of Applicant(s):  
**Tanya Marie Roscio**  
**73 Coach Rd Skye SA 5072 Australia**  
(72) Name(s) of Designer(s): **Tanya Marie Roscio**  
(45) Registration Date: **04 July 2013**  
(56) Related Art Documents: **Not Applicable**  
(57) Statement of Newness and Distinctiveness: **This stand has a hollow cylinder with a open top and enclosed end which accommodates for empty toilet rolls. The cylinder allows used rolls to easily and cleanly be stored, then as the cylinder is detachable from the base it allows for effortless recycling - just simply tip them in! (Scaling: each cylinder holds 4 empty toilet rolls within each design, and every vertical rod holds 4 full toilets roll; with exemption to drawings 5, 6 and 8 with have horizontal rods that hold various full rolls.)**



- (21) Design Number: **11345/2013**  
(22) Date of Filing Application: **14 March 2013**  
(24) Date from which industrial property rights may have effect: **14 March 2013**  
(54) Product in respect of which the design is registered: **An armchair having a seat with a pair of ischial concavities**  
(51) International Design Classification: **06-01C**  
(74) Name(s) of Attorney(s): **Fraser Old & Sohn**  
(71) Name(s) and Address(s) of Applicant(s):  
**Sebel Furniture Ltd**  
**92 Gow St Padstow NSW 2211 Australia**  
(72) Name(s) of Designer(s): **Gregory Brent Welsh**  
(45) Registration Date: **04 July 2013**  
(56) Related Art Documents: **Not Applicable**  
(57) Statement of Newness and Distinctiveness: **Newness and distinctiveness is claimed in respect of the shape and/or configuration of each of the products illustrated in the accompanying representations. In carrying out a consideration in accordance with Section 19 the shape and/or configuration of the portions of the products illustrated by broken lines in the representations is/are not to be considered either new or distinctive and do/does not form part of the design.**





(21) Design Number: **11344/2013**  
(22) Date of Filing Application: **14 March 2013**  
(24) Date from which industrial property rights may have effect: **14 March 2013**  
(54) Product in respect of which the design is registered: **An armchair having a seat with coalesced ischial concavities**  
(51) International Design Classification: **06-01C**  
(74) Name(s) of Attorney(s): **Fraser Old & Sohn**  
(71) Name(s) and Address(s) of Applicant(s):  
**Sebel Furniture Ltd**  
**92 Gow St Padstow NSW 2211 Australia**  
(72) Name(s) of Designer(s): **Gregory Brent Welsh**  
(45) Registration Date: **04 July 2013**  
(56) Related Art Documents: **Not Applicable**  
(57) Statement of Newness and Distinctiveness: **Newness and distinctiveness is claimed in respect of the shape and/or configuration of each of the products illustrated in the accompanying representations. In carrying out a consideration in accordance with Section 19 the shape and/or configuration of the portions of the products illustrated by broken lines in the representations is/are not to be considered either new or distinctive and do/does not form part of the design.**



(21) Design Number: **12150/2013**  
(22) Date of Filing Application: **09 May 2013**  
(24) Date from which industrial property rights may have effect: **09 May 2013**  
(54) Product in respect of which the design is registered: **Display screen**  
(51) International Design Classification: **14-01**  
(74) Name(s) of Attorney(s): **Davies Collison Cave**  
(71) Name(s) and Address(s) of Applicant(s):  
**Wartsila Finland Oy**  
**Tarhaajantie 2 Vaasa 65380 Finland**  
(72) Name(s) of Designer(s): **Davide Lamparelli**  
(45) Registration Date: **05 July 2013**  
(30) Convention priority data:  
(31) Number (32) Date (33) Country  
**002135038-0001 13 Nov 2012 OFFICE FOR HARMONISATION IN THE INTERNAL MARKET (OHIM)**  
(56) Related Art Documents: **Not Applicable**  
(57) Statement of Newness and Distinctiveness: **Newness and distinctiveness is claimed in the visual features shown in the colour representation. In considering newness and distinctiveness, the features shown in broken lines should be disregarded.**



(21) Design Number: **12151/2013**  
(22) Date of Filing Application: **09 May 2013**  
(24) Date from which industrial property rights may have effect: **09 May 2013**  
(54) Product in respect of which the design is registered: **Display screen**  
(51) International Design Classification: **14-01**  
(74) Name(s) of Attorney(s): **Davies Collison Cave**  
(71) Name(s) and Address(s) of Applicant(s):

**Wartsila Finland Oy**  
**Tarhaajantie 2 Vaasa 65380 Finland**

(72) Name(s) of Designer(s): **Davide Lamparelli**

(45) Registration Date: **05 July 2013**

(30) Convention priority data:

|                       |                    |   |
|-----------------------|--------------------|---|
| (31) Number           | (32) Date          | (33) Country  |
| <b>002135038-0002</b> | <b>13 Nov 2012</b> | <b>OFFICE FOR HARMONISATION IN<br/>THE INTERNAL MARKET (OHIM)</b> |

(56) Related Art Documents: **Not Applicable**

(57) Statement of Newness and Distinctiveness: **Newness and distinctiveness is claimed in the visual features shown in the colour representation. In considering newness and distinctiveness, the features shown in broken lines should be disregarded.**



(21) Design Number: **12152/2013**  
(22) Date of Filing Application: **09 May 2013**  
(24) Date from which industrial property rights may have effect: **09 May 2013**  
(54) Product in respect of which the design is registered: **Display screen**  
(51) International Design Classification: **14-01**  
(74) Name(s) of Attorney(s): **Davies Collison Cave**  
(71) Name(s) and Address(s) of Applicant(s):

**Wartsila Finland Oy**  
**Tarhaajantie 2 Vaasa 65380 Finland**

(72) Name(s) of Designer(s): **Davide Lamparelli**

(45) Registration Date: **05 July 2013**

(30) Convention priority data:

|                       |                    |   |
|-----------------------|--------------------|---|
| (31) Number           | (32) Date          | (33) Country  |
| <b>002135038-0003</b> | <b>13 Nov 2012</b> | <b>OFFICE FOR HARMONISATION IN<br/>THE INTERNAL MARKET (OHIM)</b> |

(56) Related Art Documents: **Not Applicable**

(57) Statement of Newness and Distinctiveness: **Newness and distinctiveness is claimed in the visual features shown in the colour representation. In considering newness and distinctiveness, the features shown in broken lines should be disregarded.**



(21) Design Number: **12153/2013**  
(22) Date of Filing Application: **09 May 2013**  
(24) Date from which industrial property rights may have effect: **09 May 2013**  
(54) Product in respect of which the design is registered: **Display screen**  
(51) International Design Classification: **14-01**  
(74) Name(s) of Attorney(s): **Davies Collison Cave**  
(71) Name(s) and Address(s) of Applicant(s):



**Wartsila Finland Oy**  
**Tarhaajantie 2 Vaasa 65380 Finland**

(72) Name(s) of Designer(s): **Davide Lamparelli**

(45) Registration Date: **05 July 2013**

(30) Convention priority data:

|                       |                    |   |
|-----------------------|--------------------|---|
| (31) Number           | (32) Date          | (33) Country  |
| <b>002135038-0004</b> | <b>13 Nov 2012</b> | <b>OFFICE FOR HARMONISATION IN THE INTERNAL MARKET (OHIM)</b> |

(56) Related Art Documents: **Not Applicable**

(57) Statement of Newness and Distinctiveness: **Newness and distinctiveness is claimed in the visual features shown in the colour representation. In considering the newness and distinctiveness, the features shown in broken lines should be disregarded.**

(21) Design Number: **12154/2013**  
(22) Date of Filing Application: **09 May 2013**  
(24) Date from which industrial property rights may have effect: **09 May 2013**  
(54) Product in respect of which the design is registered: **Propulsion control unit**  
(51) International Design Classification: **15-01, 12-06NES**  
(74) Name(s) of Attorney(s): **Davies Collison Cave**  
(71) Name(s) and Address(s) of Applicant(s):



**Wartsila Finland Oy**  
**Tarhaajantie 2 Vaasa 65380 Finland**

(72) Name(s) of Designer(s): **Davide Lamparelli**

(45) Registration Date: **05 July 2013**

(30) Convention priority data:

|                       |                    |   |
|-----------------------|--------------------|---|
| (31) Number           | (32) Date          | (33) Country  |
| <b>002134809-0001</b> | <b>13 Nov 2012</b> | <b>OFFICE FOR HARMONISATION IN THE INTERNAL MARKET (OHIM)</b> |

(56) Related Art Documents: **Not Applicable**

(57) Statement of Newness and Distinctiveness: **Nil**

(21) Design Number: **12155/2013**  
(22) Date of Filing Application: **09 May 2013**  
(24) Date from which industrial property rights may have effect: **09 May 2013**  
(54) Product in respect of which the design is registered: **Propulsion control unit**  
(51) International Design Classification: **15-01, 12-06NES**  
(74) Name(s) of Attorney(s): **Davies Collison Cave**  
(71) Name(s) and Address(s) of Applicant(s):  
**Wartsila Finland Oy**  
**Tarhaajantie 2 Vaasa 65380 Finland**  
(72) Name(s) of Designer(s): **Davide Lamparelli**  
(45) Registration Date: **05 July 2013**  
(30) Convention priority data:  
(31) Number (32) Date (33) Country  
**002134809-0002 13 Nov 2012 OFFICE FOR HARMONISATION IN**  
**THE INTERNAL MARKET (OHIM)**  
(56) Related Art Documents: **Not Applicable**  
(57) Statement of Newness and Distinctiveness: **Newness and distinctiveness**  
**is claimed in the visuals features shown in the coloured representation.**



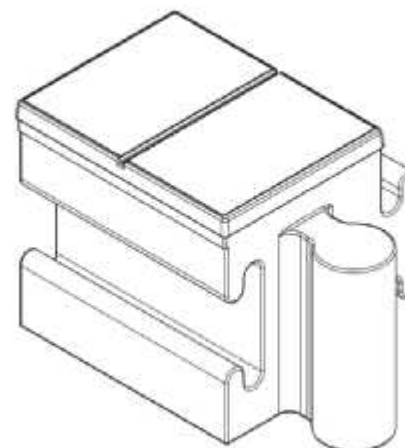
(21) Design Number: **12156/2013**  
(22) Date of Filing Application: **09 May 2013**  
(24) Date from which industrial property rights may have effect: **09 May 2013**  
(54) Product in respect of which the design is registered: **Propulsion control unit**  
(51) International Design Classification: **15-01, 12-06NES**  
(74) Name(s) of Attorney(s): **Davies Collison Cave**  
(71) Name(s) and Address(s) of Applicant(s):  
**Wartsila Finland Oy**  
**Tarhaajantie 2 Vaasa 65380 Finland**  
(72) Name(s) of Designer(s): **Davide Lamparelli**  
(45) Registration Date: **05 July 2013**  
(30) Convention priority data:  
(31) Number (32) Date (33) Country  
**002134809-0003 13 Nov 2012 OFFICE FOR HARMONISATION IN**  
**THE INTERNAL MARKET (OHIM)**  
(56) Related Art Documents: **Not Applicable**  
(57) Statement of Newness and Distinctiveness: **Nil**



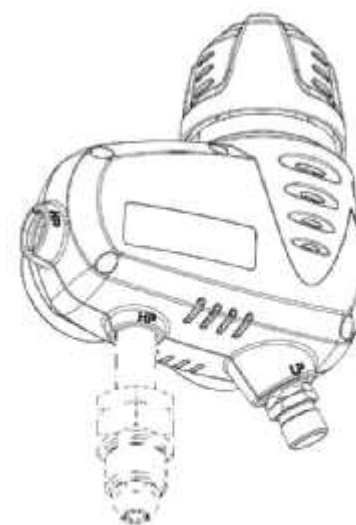
(21) Design Number: **12157/2013**  
(22) Date of Filing Application: **09 May 2013**  
(24) Date from which industrial property rights may have effect: **09 May 2013**  
(54) Product in respect of which the design is registered: **Propulsion control unit**  
(51) International Design Classification: **15-01, 12-06NES**  
(74) Name(s) of Attorney(s): **Davies Collison Cave**  
(71) Name(s) and Address(s) of Applicant(s):  
**Wartsila Finland Oy**  
**Tarhaajantie 2 Vaasa 65380 Finland**  
(72) Name(s) of Designer(s): **Davide Lamparelli**  
(45) Registration Date: **05 July 2013**  
(30) Convention priority data:  
(31) Number (32) Date (33) Country  
**002134809-0004 13 Nov 2012 OFFICE FOR HARMONISATION IN**  
**THE INTERNAL MARKET (OHIM)**  
(56) Related Art Documents: **Not Applicable**  
(57) Statement of Newness and Distinctiveness: **Nil**



(21) Design Number: **12466/2013**  
(22) Date of Filing Application: **28 May 2013**  
(24) Date from which industrial property rights may have effect: **28 May 2013**  
(54) Product in respect of which the design is registered: **Interlocking buoyant element for use in the construction of a floating walkway or platform**  
(51) International Design Classification: **25-04**  
(74) Name(s) of Attorney(s): **Churchill Attorneys**  
(71) Name(s) and Address(s) of Applicant(s):  
**Jonathan Rayner Tacon**  
**9 Meyer Street Oaklands Gauteng 2192 South Africa**  
(72) Name(s) of Designer(s): **Jonathan Rayner Tacon**  
(45) Registration Date: **05 July 2013**  
(30) Convention priority data:  
(31) Number (32) Date (33) Country  
**F2012/02295 12 Dec 2012 SOUTH AFRICA**  
(56) Related Art Documents: **Not Applicable**  
(57) Statement of Newness and Distinctiveness: **The newness and distinctiveness of the design resides in the shape of the interlocking buoyant element as shown in the accompanying representations.**



(21) Design Number: **12478/2013**  
(22) Date of Filing Application: **29 May 2013**  
(24) Date from which industrial property rights may have effect: **29 May 2013**  
(54) Product in respect of which the design is registered: **Regulator**  
(51) International Design Classification: **24-01**  
(74) Name(s) of Attorney(s): **Cullens Patent and Trade Mark Attorneys**  
(71) Name(s) and Address(s) of Applicant(s):  
**African Oxygen Limited**  
**AlfroX House 23 Webber Street Johannesburg Gauteng South Africa**  
(72) Name(s) of Designer(s): **Roberto Maria Marcello Dionisio and Radoslav Jovanovic**  
(45) Registration Date: **05 July 2013**  
(30) Convention priority data:  
(31) Number (32) Date (33) Country  
**A2012/2160 30 Nov 2012 SOUTH AFRICA**  
(56) Related Art Documents: **Not Applicable**  
(57) Statement of Newness and Distinctiveness: **The new and distinct features are the features of shape and configuration of the regulator as shown in the representations. The shape and configuration of the stem shown in dashed outline in the representations does not form part of the new and distinctive features of the design.**



(21) Design Number: **12621/2013**  
(22) Date of Filing Application: **06 June 2013**  
(24) Date from which industrial property rights may have effect: **06 June 2013**  
(54) Product in respect of which the design is registered: **Truck cab, scale model of a truck cab and toy truck cab**  
(51) International Design Classification: **21-01C, 12-08**  
(74) Name(s) of Attorney(s): **WATERMARK PATENT AND TRADE MARKS ATTORNEYS**  
(71) Name(s) and Address(s) of Applicant(s):  
**Volvo Truck Corporation**  
**Goteborg 405 08 Sweden**  
(72) Name(s) of Designer(s): **Asok George**  
(45) Registration Date: **05 July 2013**  
(30) Convention priority data:  
(31) Number (32) Date (33) Country  
**002179036-0001 06 Feb 2013 OFFICE FOR HARMONISATION IN THE INTERNAL MARKET (OHIM)**  
(56) Related Art Documents: **Not Applicable**  
(57) Statement of Newness and Distinctiveness: **Nil**



(21) Design Number: **12622/2013**  
(22) Date of Filing Application: **06 June 2013**  
(24) Date from which industrial property rights may have effect: **06 June 2013**  
(54) Product in respect of which the design is registered: **Truck cab, scale model of a truck cab and toy truck cab**  
(51) International Design Classification: **21-01C, 12-08**  
(74) Name(s) of Attorney(s): **WATERMARK PATENT AND TRADE MARKS ATTORNEYS**  
(71) Name(s) and Address(s) of Applicant(s):  
**Volvo Truck Corporation**  
**Goteborg 405 08 Sweden**  
(72) Name(s) of Designer(s): **Asok George**  
(45) Registration Date: **05 July 2013**  
(30) Convention priority data:  
(31) Number (32) Date (33) Country  
**002179085-0001 06 Feb 2013 OFFICE FOR HARMONISATION IN THE INTERNAL MARKET (OHIM)**  
(56) Related Art Documents: **Not Applicable**  
(57) Statement of Newness and Distinctiveness: **Nil**



(21) Design Number: **12623/2013**  
(22) Date of Filing Application: **06 June 2013**  
(24) Date from which industrial property rights may have effect: **06 June 2013**  
(54) Product in respect of which the design is registered: **Truck cab, scale model of a truck cab and toy truck cab**  
(51) International Design Classification: **12-08, 21-01C**  
(74) Name(s) of Attorney(s): **WATERMARK PATENT AND TRADE MARKS ATTORNEYS**  
(71) Name(s) and Address(s) of Applicant(s):  
**Volvo Truck Corporation**  
**Goteborg 405 08 Sweden**  
(72) Name(s) of Designer(s): **Asok George**  
(45) Registration Date: **05 July 2013**  
(30) Convention priority data:  
(31) Number (32) Date (33) Country  
**002179119-0001 06 Feb 2013 OFFICE FOR HARMONISATION IN THE INTERNAL MARKET (OHIM)**  
(56) Related Art Documents: **Not Applicable**  
(57) Statement of Newness and Distinctiveness: **Nil**



(21) Design Number: **12624/2013**  
(22) Date of Filing Application: **06 June 2013**  
(24) Date from which industrial property rights may have effect: **06 June 2013**  
(54) Product in respect of which the design is registered: **Truck cab, scale model of a truck cab and toy truck cab**  
(51) International Design Classification: **12-08, 21-01C**  
(74) Name(s) of Attorney(s): **WATERMARK PATENT AND TRADE MARKS ATTORNEYS**  
(71) Name(s) and Address(s) of Applicant(s):  
**Volvo Truck Corporation  
Goteborg 405 08 Sweden**  
(72) Name(s) of Designer(s): **Asok George**  
(45) Registration Date: **05 July 2013**  
(30) Convention priority data:  
(31) Number (32) Date (33) Country  
**002179135-0001 06 Feb 2013 OFFICE FOR HARMONISATION IN THE INTERNAL MARKET (OHIM)**  
(56) Related Art Documents: **Not Applicable**  
(57) Statement of Newness and Distinctiveness: **Nil**



(21) Design Number: **12625/2013**  
(22) Date of Filing Application: **06 June 2013**  
(24) Date from which industrial property rights may have effect: **06 June 2013**  
(54) Product in respect of which the design is registered: **Truck cab, scale model of a truck cab and toy truck cab**  
(51) International Design Classification: **12-08, 21-01C**  
(74) Name(s) of Attorney(s): **WATERMARK PATENT AND TRADE MARKS ATTORNEYS**  
(71) Name(s) and Address(s) of Applicant(s):  
**Volvo Truck Corporation  
Goteborg 405 08 Sweden**  
(72) Name(s) of Designer(s): **Asok George**  
(45) Registration Date: **05 July 2013**  
(30) Convention priority data:  
(31) Number (32) Date (33) Country  
**002179234-0001 06 Feb 2013 OFFICE FOR HARMONISATION IN THE INTERNAL MARKET (OHIM)**  
(56) Related Art Documents: **Not Applicable**  
(57) Statement of Newness and Distinctiveness: **Nil**





(21) Design Number: **12626/2013**  
(22) Date of Filing Application: **06 June 2013**  
(24) Date from which industrial property rights may have effect: **06 June 2013**  
(54) Product in respect of which the design is registered: **Truck cab, scale model of a truck cab and toy truck cab**  
(51) International Design Classification: **12-08, 21-01C**  
(74) Name(s) of Attorney(s): **WATERMARK PATENT AND TRADE MARKS ATTORNEYS**  
(71) Name(s) and Address(s) of Applicant(s):  
**Volvo Truck Corporation  
Goteborg 405 08 Sweden**  
(72) Name(s) of Designer(s): **Asok George**  
(45) Registration Date: **05 July 2013**  
(30) Convention priority data:  
(31) Number (32) Date (33) Country  
**002179242-0001 06 Feb 2013 OFFICE FOR HARMONISATION IN THE INTERNAL MARKET (OHIM)**  
(56) Related Art Documents: **Not Applicable**  
(57) Statement of Newness and Distinctiveness: **Nil**



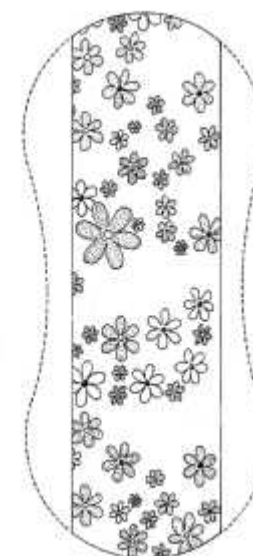
(21) Design Number: **12627/2013**  
(22) Date of Filing Application: **06 June 2013**  
(24) Date from which industrial property rights may have effect: **06 June 2013**  
(54) Product in respect of which the design is registered: **Truck cab, scale model of a truck cab and toy truck cab**  
(51) International Design Classification: **12-08, 21-01C**  
(74) Name(s) of Attorney(s): **WATERMARK PATENT AND TRADE MARKS ATTORNEYS**  
(71) Name(s) and Address(s) of Applicant(s):  
**Volvo Truck Corporation  
Goteborg 405 08 Sweden**  
(72) Name(s) of Designer(s): **Asok George**  
(45) Registration Date: **05 July 2013**  
(30) Convention priority data:  
(31) Number (32) Date (33) Country  
**002179291-0001 06 Feb 2013 OFFICE FOR HARMONISATION IN THE INTERNAL MARKET (OHIM)**  
(56) Related Art Documents: **Not Applicable**  
(57) Statement of Newness and Distinctiveness: **Nil**



(21) Design Number: **12628/2013**  
(22) Date of Filing Application: **06 June 2013**  
(24) Date from which industrial property rights may have effect: **06 June 2013**  
(54) Product in respect of which the design is registered: **Truck cab, scale model of a truck cab and toy truck cab**  
(51) International Design Classification: **12-08, 21-01C**  
(74) Name(s) of Attorney(s): **WATERMARK PATENT AND TRADE MARKS ATTORNEYS**  
(71) Name(s) and Address(s) of Applicant(s):  
**Volvo Truck Corporation**  
**Goteborg 405 08 Sweden**  
(72) Name(s) of Designer(s): **Asok George**  
(45) Registration Date: **05 July 2013**  
(30) Convention priority data:  
(31) Number (32) Date (33) Country  
**002179309-0001 06 Feb 2013 OFFICE FOR HARMONISATION IN THE INTERNAL MARKET (OHIM)**  
(56) Related Art Documents: **Not Applicable**  
(57) Statement of Newness and Distinctiveness: **Nil**



(21) Design Number: **12741/2013**  
(22) Date of Filing Application: **14 June 2013**  
(24) Date from which industrial property rights may have effect: **14 June 2013**  
(54) Product in respect of which the design is registered: **Release paper for a sanitary absorbent article**  
(51) International Design Classification: **23-02A**  
(74) Name(s) of Attorney(s): **Shelston IP**  
(71) Name(s) and Address(s) of Applicant(s):  
**McNeil-PPC, Inc.**  
**199 Grandview Road Skillman New Jersey 08558 United States of America**  
(72) Name(s) of Designer(s): **Abby Brewster and Lara Harris and Mariane Giroto Tazinassi**  
(45) Registration Date: **05 July 2013**  
(30) Convention priority data:  
(31) Number (32) Date (33) Country  
**29/439875 17 Dec 2012 UNITED STATES OF AMERICA**  
(56) Related Art Documents: **Not Applicable**  
(57) Statement of Newness and Distinctiveness: **Newness and distinctiveness reside in the pattern and ornamentation of a design for a Release Paper for a Sanitary Absorbent Article as illustrated in the accompanying drawings. Those features shown in broken line are displayed for illustrative purposes only and are not considered part of the design.**



- (21) Design Number: **12742/2013**  
(22) Date of Filing Application: **14 June 2013**  
(24) Date from which industrial property rights may have effect: **14 June 2013**  
(54) Product in respect of which the design is registered: **Sanitary absorbent article**  
(51) International Design Classification: **24-04**  
(74) Name(s) of Attorney(s): **Shelston IP**  
(71) Name(s) and Address(s) of Applicant(s):  
**McNeil-PPC Inc.**  
**199 Grandview Road Skillman New Jersey 08558 United States of America**  
(72) Name(s) of Designer(s): **Abby Brewster and Lara Harris and Mariane Giroto Tazinassi**  
(45) Registration Date: **05 July 2013**  
(30) Convention priority data:  
(31) Number (32) Date (33) Country  
**29/439877 17 Dec 2012 UNITED STATES OF AMERICA**  
(56) Related Art Documents: **Not Applicable**  
(57) Statement of Newness and Distinctiveness: **Newness and distinctiveness reside in the pattern and ornamentation of a design for a Sanitary Absorbent Article as illustrated in the accompanying drawings. Those features shown in broken line are displayed for illustrative purposes only and are not considered part of the design.**



- (21) Design Number: **12743/2013**  
(22) Date of Filing Application: **14 June 2013**  
(24) Date from which industrial property rights may have effect: **14 June 2013**  
(54) Product in respect of which the design is registered: **An abutment for a dental implant**  
(51) International Design Classification: **24-03**  
(74) Name(s) of Attorney(s): **Knightsbridge Patent Attorneys**  
(71) Name(s) and Address(s) of Applicant(s):  
**Christopher Noel Hart**  
**SE3 L10 20 Collins St Melbourne VIC 3000 Australia**  
(72) Name(s) of Designer(s): **Christopher Noel Hart**  
(45) Registration Date: **05 July 2013**  
(56) Related Art Documents: **Not Applicable**  
(57) Statement of Newness and Distinctiveness: **Newness and distinctiveness are claimed in the features of shape and configuration of an abutment for a dental implant, as shown in the accompanying representations. In considering the extent of the monopoly protection conferred, the features of shape and configuration of the abutment that are depicted in ghost lines in the accompanying representations are to be disregarded.**



- (21) Design Number: **12746/2013**  
(22) Date of Filing Application: **14 June 2013**  
(24) Date from which industrial property rights may have effect: **14 June 2013**  
(54) Product in respect of which the design is registered: **Knife**  
(51) International Design Classification: **07-03, 08-03**  
(74) Name(s) of Attorney(s): **Griffith Hack**  
(71) Name(s) and Address(s) of Applicant(s):  
**Brand Developers Ltd**  
**519-521 Lake Road Takapuna Auckland 0622 New Zealand**  
(72) Name(s) of Designer(s): **James Fisher**  
(45) Registration Date: **05 July 2013**  
(56) Related Art Documents: **Not Applicable**  
(57) Statement of Newness and Distinctiveness: **Newness and distinctiveness resides in the visual features, including shape, configuration and pattern, of a handle of a knife as shown. When determining whether the design is substantially similar in overall impression to another design, no regard is to be had to the knife blade, shown in dotted outline, which blade is provided for illustrative purposes only, and which blade may have a shape and configuration other than that as shown.**



- (21) Design Number: **11036/2013**  
(22) Date of Filing Application: **04 March 2013**  
(24) Date from which industrial property rights may have effect: **04 March 2013**  
(54) Product in respect of which the design is registered: **A bow for a stringed instrument**  
(51) International Design Classification: **17-03**  
(74) Name(s) of Attorney(s):  
(71) Name(s) and Address(s) of Applicant(s):  
**Justin Paul Rumm**  
**Visunee Mansion 4/F 33/5 Soi Nai Loet Wireless Rd Lumpini Bangkok**  
**Patumwan 10330 Thailand**  
(72) Name(s) of Designer(s): **Justin Paul Rumm**  
(45) Registration Date: **05 July 2013**  
(56) Related Art Documents: **Not Applicable**  
(57) Statement of Newness and Distinctiveness: **Newness and distinctiveness resides in the alternate arrangement of dark and light hair in groups provided across the width of the hair for a bow of indeterminate length of a stringed instrument to provide the hair with a striped appearance. The bow depicted in the representations in dashed lines does not form part of the design. The order of the dark and light groups may be substituted. The length of the hair is configured to match the length of the bow.**



- (21) Design Number: **11037/2013**  
(22) Date of Filing Application: **04 March 2013**  
(24) Date from which industrial property rights may have effect: **04 March 2013**  
(54) Product in respect of which the design is registered: **A bow for a stringed instrument**  
(51) International Design Classification: **17-03**  
(74) Name(s) of Attorney(s):  
(71) Name(s) and Address(s) of Applicant(s):  
**Justin Paul Rumm**  
**Visunee Mansion 4/F 33/5 Soi Nai Loet Wireless Rd Lumpini Bangkok**  
**Patumwan 10330 Thailand**  
(72) Name(s) of Designer(s): **Justin Paul Rumm**  
(45) Registration Date: **05 July 2013**  
(56) Related Art Documents: **Not Applicable**  
(57) Statement of Newness and Distinctiveness: **Newness and distinctiveness resides in the alternate arrangement of dark and light hair in groups provided across the width of the hair for a bow of indeterminate length of a stringed instrument to provide the hair with a striped appearance. The bow depicted in the representations in dashed lines does not form part of the design. The order of the dark and light groups may be substituted. The length of the hair is configured to match the length of the bow.**



- (21) Design Number: **11038/2013**  
(22) Date of Filing Application: **04 March 2013**  
(24) Date from which industrial property rights may have effect: **04 March 2013**  
(54) Product in respect of which the design is registered: **A bow for a stringed instrument**  
(51) International Design Classification: **17-03**  
(74) Name(s) of Attorney(s):  
(71) Name(s) and Address(s) of Applicant(s):  
**Justin Paul Rumm**  
**Visunee Mansion 4/F 33/5 Soi Nai Loet Wireless Rd Lumpini Bangkok**  
**Patumwan 10330 Thailand**  
(72) Name(s) of Designer(s): **Justin Paul Rumm**  
(45) Registration Date: **05 July 2013**  
(56) Related Art Documents: **Not Applicable**  
(57) Statement of Newness and Distinctiveness: **Newness and distinctiveness resides in the alternate arrangement of dark and light hair in groups provided across the width of the hair for a bow of indeterminate length of a stringed instrument to provide the hair with a striped appearance. The bow depicted in the representations in dashed lines does not form part of the design. The order of the dark and light groups may be substituted. The length of the hair is configured to match the length of the bow.**



- (21) Design Number: **12842/2013**  
(22) Date of Filing Application: **14 June 2013**  
(24) Date from which industrial property rights may have effect: **14 June 2013**  
(54) Product in respect of which the design is registered: **A bow for a stringed instrument**  
(51) International Design Classification: **17-03**  
(74) Name(s) of Attorney(s):  
(71) Name(s) and Address(s) of Applicant(s):  
**Justin Paul Rumm**  
**Visunee Mansion 4/F 33/5 Soi Nai Loet Wireless Rd Lumpini Bangkok**  
**Patumwan 10330 Thailand**  
(72) Name(s) of Designer(s): **Justin Paul Rumm**  
(45) Registration Date: **05 July 2013**  
(56) Related Art Documents: **Not Applicable**  
(57) Statement of Newness and Distinctiveness: **Newness and distinctiveness resides in the alternate arrangement of dark and light hair in groups provided across the width of the hair for a bow of indeterminate length of a stringed instrument to provide the hair with a striped appearance. The bow depicted in the representations in dashed lines does not form part of the design. The order of the dark and light groups may be substituted. The length of the hair is configured to match the length of the bow.**



- (21) Design Number: **12843/2013**  
(22) Date of Filing Application: **14 June 2013**  
(24) Date from which industrial property rights may have effect: **14 June 2013**  
(54) Product in respect of which the design is registered: **A bow for a stringed instrument**  
(51) International Design Classification: **17-03**  
(74) Name(s) of Attorney(s):  
(71) Name(s) and Address(s) of Applicant(s):  
**Justin Paul Rumm**  
**Visunee Mansion 4/F 33/5 Soi Nai Loet Wireless Rd Lumpini Bangkok**  
**Patumwan 10330 Thailand**  
(72) Name(s) of Designer(s): **Justin Paul Rumm**  
(45) Registration Date: **05 July 2013**  
(56) Related Art Documents: **Not Applicable**  
(57) Statement of Newness and Distinctiveness: **Newness and distinctiveness resides in the alternate arrangement of dark and light hair in groups provided across the width of the hair for a bow of indeterminate length of a stringed instrument to provide the hair with a striped appearance. The bow depicted in the representations in dashed lines does not form part of the design. The order of the dark and light groups may be substituted. The length of the hair is configured to match the length of the bow.**



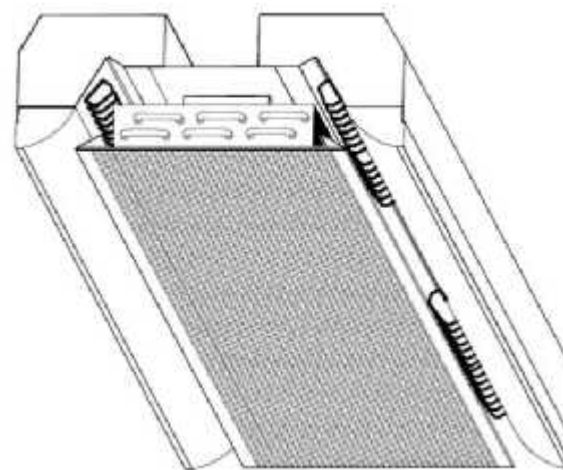
- (21) Design Number: **12844/2013**  
(22) Date of Filing Application: **14 June 2013**  
(24) Date from which industrial property rights may have effect: **14 June 2013**  
(54) Product in respect of which the design is registered: **A bow for a stringed instrument**  
(51) International Design Classification: **17-03**  
(74) Name(s) of Attorney(s):  
(71) Name(s) and Address(s) of Applicant(s):  
**Justin Paul Rumm**  
**Visunee Mansion 4/F 33/5 Soi Nai Loet Wireless Rd Lumpini Bangkok**  
**Patumwan 10330 Thailand**  
(72) Name(s) of Designer(s): **Justin Paul Rumm**  
(45) Registration Date: **05 July 2013**  
(56) Related Art Documents: **Not Applicable**  
(57) Statement of Newness and Distinctiveness: **Newness and distinctiveness resides in the alternate arrangement of dark and light hair in groups provided across the width of the hair for a bow of indeterminate length of a stringed instrument to provide the hair with a striped appearance. The bow depicted in the representations in dashed lines does not form part of the design. The order of the dark and light groups may be substituted. The length of the hair is configured to match the length of the bow.**



- (21) Design Number: **12701/2013**  
(22) Date of Filing Application: **13 June 2013**  
(24) Date from which industrial property rights may have effect: **13 June 2013**  
(54) Product in respect of which the design is registered: **Towel**  
(51) International Design Classification: **06-13C**  
(74) Name(s) of Attorney(s): **Allens Patent & Trade Mark Attorneys**  
(71) Name(s) and Address(s) of Applicant(s):  
**Enjoymagnolia, Lda**  
**Rua Antonio Gedeao 81 Cascais 2750-013 Portugal**  
(72) Name(s) of Designer(s): **Diogo Miguel Ferreira Santos Cruz**  
(45) Registration Date: **05 July 2013**  
(30) Convention priority data:  
(31) Number      (32) Date      (33) Country  
**002152801-0001**    **13 Dec 2012**      **OFFICE FOR HARMONISATION IN**  
**THE INTERNAL MARKET (OHIM)**  
(56) Related Art Documents: **Not Applicable**  
(57) Statement of Newness and Distinctiveness: **Newness and distinctiveness resides in the visual features of shape, configuration, pattern and/or ornamentation of a towel - as illustrated in the accompanying representations - the periphery of the towel formed by sides of several triangles of different sizes, with a small triangular area on the rear side forming a pocket.**

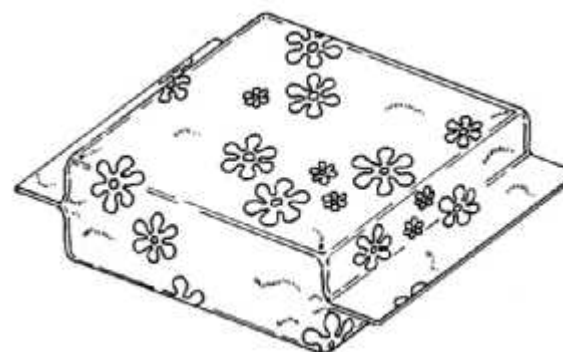


(21) Design Number: **12702/2013**  
(22) Date of Filing Application: **13 June 2013**  
(24) Date from which industrial property rights may have effect: **13 June 2013**  
(54) Product in respect of which the design is registered: **Ventillation and air conditioning equipment**  
(51) International Design Classification: **23-04**  
(74) Name(s) of Attorney(s): **Griffith Hack**  
(71) Name(s) and Address(s) of Applicant(s):  
**Frenger Systems Limited**  
**Riverside Road Pride Park Derby DE24 8HY United Kingdom**  
(72) Name(s) of Designer(s): **Michael Ainley and Andrew Gaskell**  
(45) Registration Date: **05 July 2013**  
(30) Convention priority data:  
(31) Number      (32) Date      (33) Country  
**2152272-0001      13 Dec 2012      OFFICE FOR HARMONISATION IN THE INTERNAL MARKET (OHIM)**



(56) Related Art Documents: **Not Applicable**  
(57) Statement of Newness and Distinctiveness: **Newness and distinctiveness resides in the visual features, including shape, configuration and ornamentation of the PRODUCT as shown in the accompanying representations.**

(21) Design Number: **12704/2013**  
(22) Date of Filing Application: **13 June 2013**  
(24) Date from which industrial property rights may have effect: **13 June 2013**  
(54) Product in respect of which the design is registered: **Wrapper for a sanitary absorbent article**  
(51) International Design Classification: **09-05, 24-04, 09-03NES**  
(74) Name(s) of Attorney(s): **Shelston IP**  
(71) Name(s) and Address(s) of Applicant(s):  
**McNeil-PPC, Inc.**  
**199 Grandview Road Skillman New Jersey 08858 United States of America**  
(72) Name(s) of Designer(s): **Abby Brewster and Lara Harris and Marina Rodrigues Borsato**  
(45) Registration Date: **05 July 2013**  
(30) Convention priority data:  
(31) Number      (32) Date      (33) Country  
**29/439876      17 Dec 2012      UNITED STATES OF AMERICA**



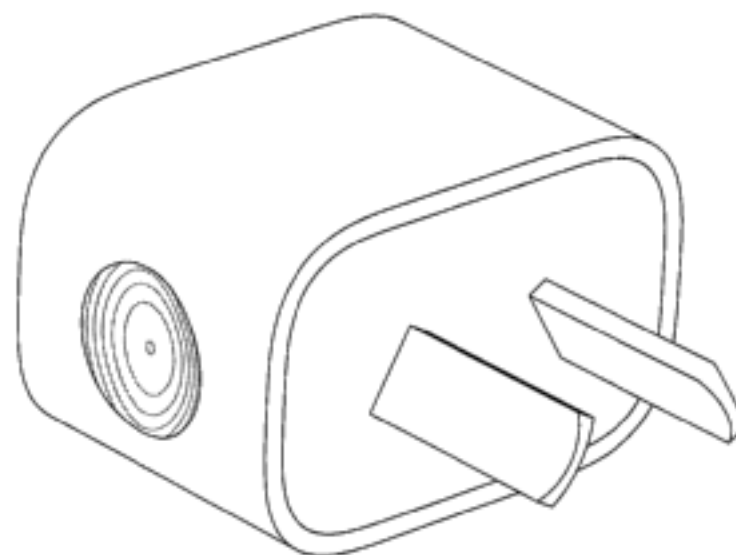
(56) Related Art Documents: **Not Applicable**  
(57) Statement of Newness and Distinctiveness: **Newness and distinctiveness reside in the pattern and ornamentation of a design for a Wrapper for a Sanitary Absorbent Article as illustrated in the accompanying drawings.**



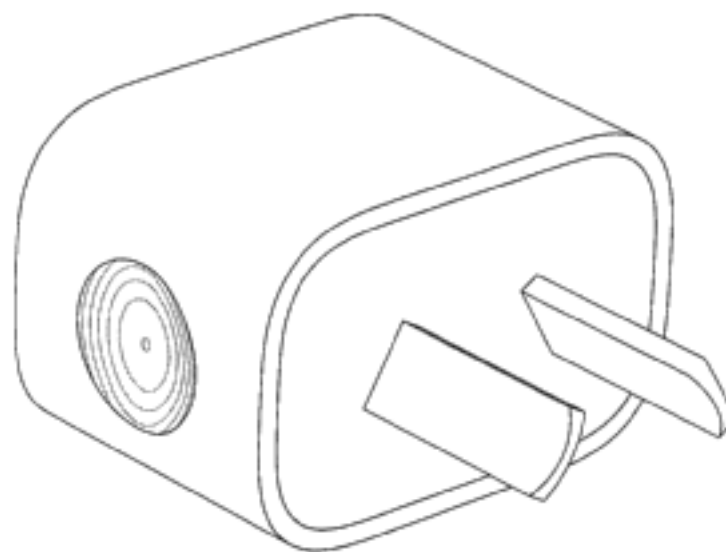
(21) Design Number: **16659/2012**  
(22) Date of Filing Application: **24 December 2012**  
(24) Date from which industrial property rights may have effect: **24 December 2012**  
(54) Product in respect of which the design is registered: **Articles of clothing**  
(51) International Design Classification: **02-02C, 02-02NES**  
(74) Name(s) of Attorney(s): **K&L Gates**  
(71) Name(s) and Address(s) of Applicant(s):  
**Beba Enterprises Pty Ltd**  
**34 Garden St South Yarra VIC 3141 Australia**  
(72) Name(s) of Designer(s): **Robert Cromb**  
(45) Registration Date: **05 July 2013**  
(56) Related Art Documents: **Not Applicable**  
(57) Statement of Newness and Distinctiveness: **Nil**



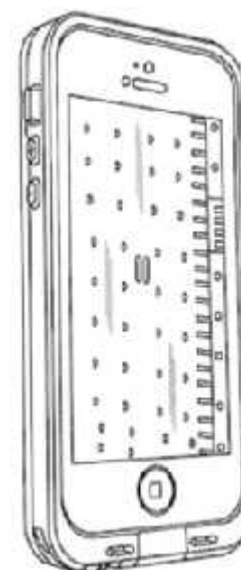
(21) Design Number: **11201/2013**  
(22) Date of Filing Application: **11 March 2013**  
(24) Date from which industrial property rights may have effect: **11 March 2013**  
(54) Product in respect of which the design is registered: **Power module**  
(51) International Design Classification: **13-03D**  
(74) Name(s) of Attorney(s): **Freehills Patent Attorneys**  
(71) Name(s) and Address(s) of Applicant(s):  
**Apple Inc.**  
**One Infinite Loop Cupertino California 95014 United States of America**  
(72) Name(s) of Designer(s): **Jody Akana and Bartley K. Andre and Shota Aoyagi and Jeremy Bataillou and Daniel J. Coster and Daniele De Iuliis and M. Evans Hankey and Julian Hoenig and Richard P. Howarth and Jonathan P. Ive and Duncan Robert Kerr and Matthew Dean Rohrbach and Peter Russell-Clarke and Mikael Silvano and Christopher J. Stringer and Eugene Antony Whang and Rico Zorkendorfer**  
(45) Registration Date: **08 July 2013**  
(30) Convention priority data:  
(31) Number (32) Date (33) Country  
**29/431871 11 Sep 2012 UNITED STATES OF AMERICA**  
(56) Related Art Documents: **Not Applicable**  
(57) Statement of Newness and Distinctiveness: **Newness and distinctiveness resides in the features of shape and configuration shown in outline and shade lines (which show contour and not surface ornamentation) in the accompanying figures.**



- (21) Design Number: **11202/2013**  
(22) Date of Filing Application: **11 March 2013**  
(24) Date from which industrial property rights may have effect: **11 March 2013**  
(54) Product in respect of which the design is registered: **Power module**  
(51) International Design Classification: **13-03D**  
(74) Name(s) of Attorney(s): **Freehills Patent Attorneys**  
(71) Name(s) and Address(s) of Applicant(s):  
**Apple Inc.**  
**One Infinite Loop Cupertino California 95014 United States of America**  
(72) Name(s) of Designer(s): **Jody Akana and Bartley K. Andre and Shota Aoyagi and Jeremy Bataillou and Daniel J. Coster and Daniele De Iuliis and M. Evans Hankey and Julian Hoenig and Richard P. Howarth and Jonathan P. Ive and Duncan Robert Kerr and Matthew Dean Rohrbach and Peter Russell-Clarke and Mikael Silvano and Christopher J. Stringer and Eugene Antony Whang and Rico Zorkendorfer**  
(45) Registration Date: **08 July 2013**  
(30) Convention priority data:  
(31) Number (32) Date (33) Country  
**29/431871 11 Sep 2012 UNITED STATES OF AMERICA**  
(56) Related Art Documents: **Not Applicable**  
(57) Statement of Newness and Distinctiveness: **Newness and distinctiveness resides in the features of shape and configuration shown in solid outline and shade lines (which show contour and not surface ornamentation) in the accompanying figures.**



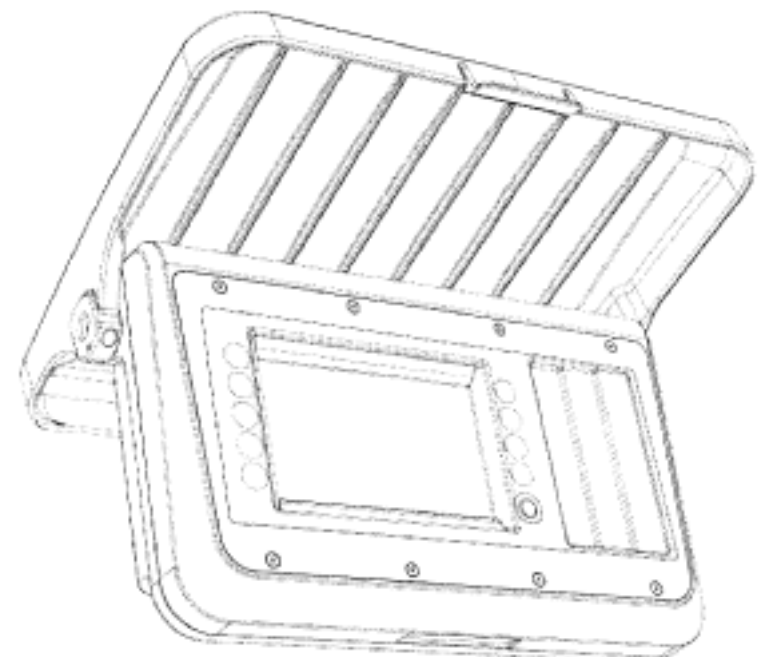
- (21) Design Number: **11254/2013**  
(22) Date of Filing Application: **13 March 2013**  
(24) Date from which industrial property rights may have effect: **13 March 2013**  
(54) Product in respect of which the design is registered: **A case for an electronic device**  
(51) International Design Classification: **03-01NES**  
(74) Name(s) of Attorney(s): **Cullens Patent and Trade Mark Attorneys**  
(71) Name(s) and Address(s) of Applicant(s):  
**TreeFrog Developments, Inc.**  
**15110 Avenue of Science San Diego CA 92132 United States of America**  
(72) Name(s) of Designer(s): **Gary Rayner**  
(45) Registration Date: **08 July 2013**  
(30) Convention priority data:  
(31) Number (32) Date (33) Country  
**29/432,166 13 Sep 2012 UNITED STATES OF AMERICA**  
(56) Related Art Documents: **Not Applicable**  
(57) Statement of Newness and Distinctiveness: **Newness and distinctiveness resides in the shape or configuration of a case for an electronic device as shown in the accompanying representations. When considering newness and distinctiveness, features of the design within the case may or may not be disregarded.**



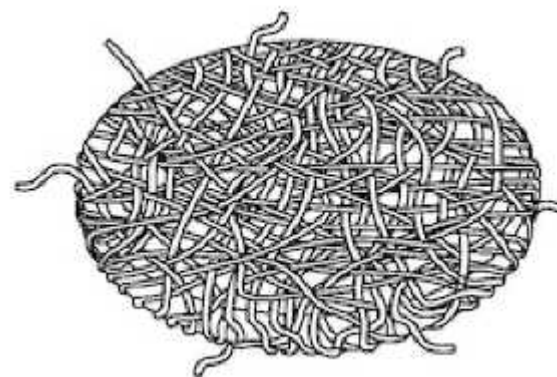
- (21) Design Number: **11367/2013**  
(22) Date of Filing Application: **18 March 2013**  
(24) Date from which industrial property rights may have effect: **18 March 2013**  
(54) Product in respect of which the design is registered: **Controller with stem mount**  
(51) International Design Classification: **15-04**  
(74) Name(s) of Attorney(s): **Davies Collison Cave**  
(71) Name(s) and Address(s) of Applicant(s):  
**Orica International Pte Ltd**  
**78 Shenton Way #06-75 Tower Two 079120 Singapore**  
(72) Name(s) of Designer(s): **Nick Harrison and Gretta Jensen and Peter Condie and Owen Bawden and Neil Davidson and Ben Cramp and Anton Lee See**  
(45) Registration Date: **08 July 2013**  
(56) Related Art Documents: **Not Applicable**  
(57) Statement of Newness and Distinctiveness: **Nil**



- (21) Design Number: **11370/2013**  
(22) Date of Filing Application: **18 March 2013**  
(24) Date from which industrial property rights may have effect: **18 March 2013**  
(54) Product in respect of which the design is registered: **Front housing for a controller**  
(51) International Design Classification: **15-04**  
(74) Name(s) of Attorney(s): **Davies Collison Cave**  
(71) Name(s) and Address(s) of Applicant(s):  
**Orica International Pte Ltd**  
**78 Shenton Way #06-15 Tower 2 079120 Singapore**  
(72) Name(s) of Designer(s): **Nick Harrison and Gretta Jensen and Peter Condie and Owen Bawden and Neil Davidson and Ben Cramp and Anton Lee See**  
(45) Registration Date: **08 July 2013**  
(56) Related Art Documents: **Not Applicable**  
(57) Statement of Newness and Distinctiveness: **Nil**



(21) Design Number: **11755/2013**  
(22) Date of Filing Application: **14 April 2013**  
(24) Date from which industrial property rights may have effect: **14 April 2013**  
(54) Product in respect of which the design is registered: **Animal litter puck**  
(51) International Design Classification: **30-99**  
(74) Name(s) of Attorney(s): **PIZZEYS**  
(71) Name(s) and Address(s) of Applicant(s):  
**The Andersons, Inc.**  
**480 W. Dussell Drive Maumee Ohio 43537 United States of America**  
(72) Name(s) of Designer(s): **Norman A. Peiffer**  
(45) Registration Date: **08 July 2013**  
(30) Convention priority data:  
(31) Number      (32) Date      (33) Country  
**29434554      15 Oct 2012      UNITED STATES OF AMERICA**  
(56) Related Art Documents: **Not Applicable**  
(57) Statement of Newness and Distinctiveness: **Nil**



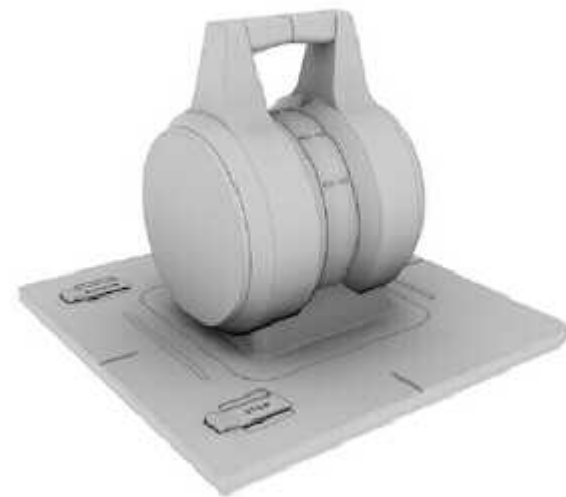
(21) Design Number: **12160/2013**  
(22) Date of Filing Application: **09 May 2013**  
(24) Date from which industrial property rights may have effect: **09 May 2013**  
(54) Product in respect of which the design is registered: **Propulsion control unit**  
(51) International Design Classification: **15-01, 12-06NES**  
(74) Name(s) of Attorney(s): **Davies Collison Cave**  
(71) Name(s) and Address(s) of Applicant(s):  
**Wartsila Finland Oy**  
**Tarhaajantie 2 Vaasa 65380 Finland**  
(72) Name(s) of Designer(s): **Davide Lamparelli**  
(45) Registration Date: **08 July 2013**  
(30) Convention priority data:  
(31) Number      (32) Date      (33) Country  
**002134809-0007      13 Nov 2012      OFFICE FOR HARMONISATION IN  
THE INTERNAL MARKET (OHIM)**  
(56) Related Art Documents: **Not Applicable**  
(57) Statement of Newness and Distinctiveness: **Nil**



(21) Design Number: **12159/2013**  
(22) Date of Filing Application: **09 May 2013**  
(24) Date from which industrial property rights may have effect: **09 May 2013**  
(54) Product in respect of which the design is registered: **Propulsion control unit**  
(51) International Design Classification: **15-01, 12-06NES**  
(74) Name(s) of Attorney(s): **Davies Collison Cave**  
(71) Name(s) and Address(s) of Applicant(s):  
**Wartsila Finland Oy**  
**Tarhaajantie 2 Vaasa 65380 Finland**  
(72) Name(s) of Designer(s): **Davide Lamparelli**  
(45) Registration Date: **08 July 2013**  
(30) Convention priority data:  
(31) Number (32) Date (33) Country  
**002134809-0006 13 Nov 2012 OFFICE FOR HARMONISATION IN**  
**THE INTERNAL MARKET (OHIM)**  
(56) Related Art Documents: **Not Applicable**  
(57) Statement of Newness and Distinctiveness: **Nil**



(21) Design Number: **12158/2013**  
(22) Date of Filing Application: **09 May 2013**  
(24) Date from which industrial property rights may have effect: **09 May 2013**  
(54) Product in respect of which the design is registered: **Propulsion control unit**  
(51) International Design Classification: **15-01, 12-06NES**  
(74) Name(s) of Attorney(s): **Davies Collison Cave**  
(71) Name(s) and Address(s) of Applicant(s):  
**Wartsila Finland Oy**  
**Tarhaajantie 2 Vaasa 65380 Finland**  
(72) Name(s) of Designer(s): **Davide Lamparelli**  
(45) Registration Date: **08 July 2013**  
(30) Convention priority data:  
(31) Number (32) Date (33) Country  
**002134809-0005 13 Nov 2012 OFFICE FOR HARMONISATION IN**  
**THE INTERNAL MARKET (OHIM)**  
(56) Related Art Documents: **Not Applicable**  
(57) Statement of Newness and Distinctiveness: **Nil**



- (21) Design Number: **14316/2012**  
(22) Date of Filing Application: **31 August 2012**  
(24) Date from which industrial property rights may have effect: **31 August 2012**  
(54) Product in respect of which the design is registered: **Article of clothing**  
(51) International Design Classification: **02-02C**  
(74) Name(s) of Attorney(s): **Allens Patent & Trade Mark Attorneys**  
(71) Name(s) and Address(s) of Applicant(s):  
**Forever New Clothing Pty Ltd**  
**714 - 716 High St Kew East VIC 3102 Australia**  
(72) Name(s) of Designer(s): **Octavia Miller**  
(45) Registration Date: **08 July 2013**  
(56) Related Art Documents: **Not Applicable**  
(57) Statement of Newness and Distinctiveness: **Newness and distinctiveness resides in the visual features of shape, configuration, pattern and/or ornamentation of an article of clothing as shown in the accompanying representations.**



- (21) Design Number: **16824/2012**  
(22) Date of Filing Application: **30 April 2013**  
(24) Date from which industrial property rights may have effect: **31 August 2012**  
(54) Product in respect of which the design is registered: **Article of clothing**  
(51) International Design Classification: **02-02C**  
(74) Name(s) of Attorney(s): **Allens Patent & Trade Mark Attorneys**  
(71) Name(s) and Address(s) of Applicant(s):  
**Forever New Clothing Pty Ltd**  
**714 - 716 High St Kew East VIC 3102 Australia**  
(72) Name(s) of Designer(s): **Octavia Miller**  
(45) Registration Date: **08 July 2013**  
(62) Divisional of: **349675**  
(56) Related Art Documents: **Not Applicable**  
(57) Statement of Newness and Distinctiveness: **Newness and distinctiveness resides in the visual features of shape, configuration, pattern and/or ornamentation of an article of clothing as shown in the accompanying representations.**



- (21) Design Number: **16825/2012**  
(22) Date of Filing Application: **30 April 2013**  
(24) Date from which industrial property rights may have effect: **31 August 2012**  
(54) Product in respect of which the design is registered: **Article of clothing**  
(51) International Design Classification: **02-02C**  
(74) Name(s) of Attorney(s): **Allens Patent & Trade Mark Attorneys**  
(71) Name(s) and Address(s) of Applicant(s):  
**Forever New Clothing Pty Ltd**  
**714 - 716 High St Kew East VIC 3102 Australia**  
(72) Name(s) of Designer(s): **Laura Mitchell**  
(45) Registration Date: **08 July 2013**  
(62) Divisional of: **349675**  
(56) Related Art Documents: **Not Applicable**  
(57) Statement of Newness and Distinctiveness: **Newness and distinctiveness resides in the visual features of shape, configuration, pattern and/or ornamentation of an article of clothing as shown in the accompanying representations.**



- (21) Design Number: **16826/2012**  
(22) Date of Filing Application: **30 April 2013**  
(24) Date from which industrial property rights may have effect: **31 August 2012**  
(54) Product in respect of which the design is registered: **Article of clothing**  
(51) International Design Classification: **02-02C**  
(74) Name(s) of Attorney(s): **Allens Patent & Trade Mark Attorneys**  
(71) Name(s) and Address(s) of Applicant(s):  
**Forever New Clothing Pty Ltd**  
**714 - 716 High St Kew East VIC 3102 Australia**  
(72) Name(s) of Designer(s): **Mary McCarthy**  
(45) Registration Date: **08 July 2013**  
(62) Divisional of: **349675**  
(56) Related Art Documents: **Not Applicable**  
(57) Statement of Newness and Distinctiveness: **Newness and distinctiveness resides in the visual features of shape, configuration, pattern and/or ornamentation of an article of clothing as shown in the accompanying representations.**



- (21) Design Number: **16827/2012**  
(22) Date of Filing Application: **30 April 2013**  
(24) Date from which industrial property rights may have effect: **31 August 2012**  
(54) Product in respect of which the design is registered: **Article of clothing**  
(51) International Design Classification: **02-02NES**  
(74) Name(s) of Attorney(s): **Allens Patent & Trade Mark Attorneys**  
(71) Name(s) and Address(s) of Applicant(s):  
**Forever New Clothing Pty Ltd**  
**714 - 716 High St Kew East VIC 3102 Australia**  
(72) Name(s) of Designer(s): **Jennifer Hall**  
(45) Registration Date: **08 July 2013**  
(62) Divisional of: **349675**  
(56) Related Art Documents: **Not Applicable**  
(57) Statement of Newness and Distinctiveness: **Newness and distinctiveness resides in the visual features of shape, configuration, pattern and/or ornamentation of an article of clothing as shown in the accompanying representations.**

