



**Australian Government**

---

**IP Australia**

**AUSTRALIAN OFFICIAL JOURNAL**

**OF**

**DESIGNS**

Did you know a searchable version of this journal is now available online?

It's FREE and EASY to SEARCH.

Find it on our website ([www.ipaustralia.gov.au](http://www.ipaustralia.gov.au))

by using the "Journals" link on the home page.

This Page Left Intentionally Blank

**Contents**

**General Information & Notices**

**Proceedings Under the Designs Act 1906 preserved as a result of the provisions of Chapter 12  
Part 2 of the Designs Act 2003**

**Extension of Period of Registration of Designs ..... 2188**

**Registrations Ceased ..... 2188**

**Proceedings Under the Designs Act 2003**

**Applications Lodged ..... 2192**

**Certificate of Examination ..... 2201**

**Extension of Period of Registration of Design ..... 2199**

**Extension of Time Granted Under Section 137 ..... 2199**

**Licences Registered ..... 2199**

**Mortgages Registered ..... 2199**

**Publication and Registration Proceedings**

**Designs Registered 349680 to 349853..... 2202**

**Registrations Ceased ..... 2199**

This Page Left Intentionally Blank

For information on the following please see our website [www.ipaustralia.gov.au](http://www.ipaustralia.gov.au) or contact our Customer Service Network on 1300651010

[Editorial enquiries](#)

[Contact information](#)

[Freedom of Information ACT](#)

[Professional Standards Board](#)

[Sales](#)

[Requests for Information under Section 194 \(c\)](#)

[Country Codes](#)

[Trade Mark and Designs Hearing Sessions](#)

[INID \(Internationally agreed Numbers for the Identification of Data\)](#)

## “INID” NUMBERS in use on Australian Design Documents

“INID” is an acronym for “Internationally agreed Numbers for the Identification of Data”.

### (10) Data concerning the registration/renewal

- (11) Serial number of the registration and/or number of the design document
- (12) Plain language designation of the kind of published document
- (19) Identification, using the two-letter code according to WIPO Standard ST.3, of the authority publishing or registering the industrial design

### (20) Data concerning the application

- (21) Serial number of the application
- (22) Date of filing of the application
- (24) Date from which the industrial design right has effect

### (30) Data relating to priority under the Paris Convention

- (31) Serial number assigned to the priority application
- (32) Date of filing of the priority application
- (33) Two-letter code, according to WIPO Standard ST.3, identifying the authority with which the priority application was made

### (40) Date(s) of making information available to the public

- (45) Date of publication of the registered industrial design by printing or similar process, or making it available to the public by any other means

### (50) Miscellaneous Information

- (51) International Classification for Industrial Designs (class and subclass of the Locarno Classification)
- (54) Designation of article(s) or product(s) covered by the industrial design or title of the industrial design
- (55) Reproduction of the industrial design (e.g., drawing, photograph) and explanations relating to the reproduction
- (56) List of prior art documents, if separate from descriptive text
- (57) Description of characteristic features of the industrial design including indication of colours

### (60) References to other legally related application(s) and registration(s)

- (62) Serial number(s) and, if available, filing date(s) of application(s), registration(s) or document(s) related by division
- (66) Serial number(s) of the application, or the registration, of the design(s) which is (are) a variant(s) of the present one

### (70) Identification of parties concerned with the application or registration

- (71) Name(s) and address(es) of the applicant(s)
- (72) Name(s) of the creator(s) if known to be such
- (74) Name(s) and address(es) of the representative(s)

This Page Left Intentionally Blank

**Nil notices for this journal issue.**

**Proceedings under the Designs Act 1906 preserved as a result of the provisions of Chapter 12 Part 2 of the Designs Act 2003.**



This Page Left Intentionally Blank

**Applications Lapsed**

There were no Applications Lapsed under this section

**Extension of Period of Registration of Designs**

**1st Period (Section 27A(8))**

**2nd Period (Section 27A(12))**

**3rd Period (Section 27A(13))**

148703	149324	149327
149328	149426	149556
149557	149558	149636
149693	149695	149798
149881	149882	150051
150091	150186	150188
150189	150223	150224
150518	150545	150582
150583	150760	150816
150854	151178	151179
151180	151187	151188
151324	151326	151436
151485	151854	152456
152648	154064	154065
154125	154296	158193

**Registrations Ceased**

Note: Some of the following Registrations may have been previously advertised as ceased. In this instance, the previous advertisement still prevails.

132460	132461	132463
132493	132522	132541
132546	132649	132682
132807	132961	132963
133121	133393	133417
133418	135065	136084
136363	136629	136719
136720	136721	137659
147815	147829	147835
147842	147903	147904
148022	148023	148368
148478	149142	149143
149293	150334	150493
151094	151095	151096
151258	151259	151271
151314	151353	151416

This Page Left Intentionally Blank

**Proceedings under the Designs Act 2003.**

This Page Left Intentionally Blank

**Applications Lodged**

Lodgement information is in the following order: **Applicant's Name**; International Classification, Name of Product, Lodgement Date and **Design Number**. If the applicant claims an earlier priority date under an International Convention, the Convention Country and the associated filing date are shown in parentheses before the Lodgement Date. Divisional information will also appear in parentheses before the Lodgement Date.

<b>Abergel, Asher;</b> 26-05D, Pendant light, 14 Jul 2013	<b>13366/2013</b>	<b>Altria Client Services Inc.;</b> 27-01, Mouthpiece of a smoking article, (US, 14 Jan 2013) 11 Jul 2013	<b>13336/2013</b>
<b>Abergel, Asher;</b> 26-05D, Pendant light, 14 Jul 2013	<b>13367/2013</b>	<b>Altria Client Services Inc.;</b> 27-01, Electronic smoking article, (US, 14 Jan 2013) 11 Jul 2013	<b>13340/2013</b>
<b>Actervis GmbH;</b> 23-01C, Hose fitting, 05 Jul 2013	<b>13236/2013</b>	<b>Altria Client Services Inc.;</b> 27-01, Electronic smoking article, (US, 14 Jan 2013) 11 Jul 2013	<b>13337/2013</b>
<b>Actervis GmbH;</b> 23-01C, Valve, 05 Jul 2013	<b>13237/2013</b>	<b>Aluminium Industries of Australia Pty Ltd;</b> 25-01K, Laboratory system extrusion, 15 Jul 2013	<b>13368/2013</b>
<b>Actervis GmbH;</b> 23-01C, Hose fitting, 05 Jul 2013	<b>13231/2013</b>	<b>Anho Houseware Co., Ltd (Jiangmen);</b> 08-08NES, Square-shaped suction cup, (CN, 30 Jan 2013) 16 Jul 2013	<b>13395/2013</b>
<b>Air China Limited;</b> 05-05NES, Wallpaper, (CN, 15 Jan 2013) 12 Jul 2013	<b>13350/2013</b>	<b>Aragon, Melissa Malibiran;</b> 03-01A, Bag/nappy bag/baby bag, 08 Jul 2013	<b>13249/2013</b>
<b>Air China Limited;</b> 06-13NES, Seat cover, (CN, 15 Jan 2013) 12 Jul 2013	<b>13356/2013</b>	<b>Arlec Australia Pty Ltd;</b> 14-03NES, Antenna, 18 Jul 2013	<b>13425/2013</b>
<b>Air China Limited;</b> 05-05NES, Fabric, (CN, 15 Jan 2013) 12 Jul 2013	<b>13357/2013</b>	<b>Arlec Australia Pty Ltd;</b> 14-03NES, Antenna dipole mount, 18 Jul 2013	<b>13431/2013</b>
<b>Air China Limited;</b> 05-05NES, Fabric, (CN, 15 Jan 2013) 12 Jul 2013	<b>13351/2013</b>	<b>Arlec Australia Pty Ltd;</b> 14-03NES, Antenna, 18 Jul 2013	<b>13427/2013</b>
<b>Air China Limited;</b> 05-05NES, Fabrics, (CN, 15 Jan 2013) 12 Jul 2013	<b>13348/2013</b>	<b>Arlec Australia Pty Ltd;</b> 14-03NES, Antenna balun, 18 Jul 2013	<b>13429/2013</b>
<b>Air China Limited;</b> 06-13NES, Seat cover, (CN, 15 Jan 2013) 12 Jul 2013	<b>13358/2013</b>	<b>Arlec Australia Pty Ltd;</b> 14-03NES, Antenna, 18 Jul 2013	<b>13428/2013</b>
<b>Air China Limited;</b> 05-05NES, Fabric, (CN, 15 Jan 2013) 12 Jul 2013	<b>13359/2013</b>	<b>Arlec Australia Pty Ltd;</b> 14-03NES, Antenna dipole mount, 18 Jul 2013	<b>13426/2013</b>
<b>Air China Limited;</b> 05-05NES, Fabric, (CN, 15 Jan 2013) 12 Jul 2013	<b>13352/2013</b>	<b>Arlec Australia Pty Ltd;</b> 14-03NES, Antenna dipole mount cap, 18 Jul 2013	<b>13433/2013</b>
<b>Air China Limited;</b> 05-05NES, Fabric, (AU, 15 Jan 2013) 12 Jul 2013	<b>13354/2013</b>	<b>Arlec Australia Pty Ltd;</b> 14-03NES, Antenna dipole mount, 18 Jul 2013	<b>13435/2013</b>
<b>Air China Limited;</b> 06-13NES, Seat cover, (CN, 15 Jan 2013) 12 Jul 2013	<b>13355/2013</b>	<b>Arlec Australia Pty Ltd;</b> 14-03NES, Antenna dipole extender, 18 Jul 2013	<b>13436/2013</b>
<b>Air China Limited;</b> 05-05NES, Fabric, (CN, 15 Jan 2013) 12 Jul 2013	<b>13353/2013</b>	<b>ACCURATE REPETITION PTY. LIMITED;</b> 23-01K, Valve body, 16 Jul 2013	<b>13389/2013</b>
<b>Aktiebolaget Electrolux;</b> 07-02L, Coffee machine, (EM, 08 Feb 2013) 10 Jul 2013	<b>13310/2013</b>	<b>ACCURATE REPETITION PTY. LIMITED;</b> 23-01K, Valve Member, 16 Jul 2013	<b>13390/2013</b>
<b>Alarimda Pty Ltd;</b> 23-01C, Hose, 18 Jul 2013	<b>13450/2013</b>	<b>ACCURATE REPETITION PTY. LIMITED;</b> 23-01K, Valve body, 16 Jul 2013	<b>13388/2013</b>
		<b>AFI (WA) Pty Ltd;</b> 06-13B, Bed cover, 30 Nov 2012	<b>13331/2013</b>

<b>AFI (WA) Pty Ltd;</b> 06-13B, Bed cover, (Divisional of 16056/2012) 09 Jul 2013	<b>13300/2013</b>	<b>Cooper Tire &amp; Rubber Company;</b> 12-15A, Tire, (US, 15 May 2013) 12 Jul 2013	<b>13360/2013</b>
<b>ASAP Breatheassist Pty Ltd;</b> 24-99, Nasal dilator device, 18 Jul 2013	<b>13438/2013</b>	<b>Crown Equipment Corporation;</b> 14-02, Scanner housing, (US, 21 Jan 2013) 05 Jul 2013	<b>13222/2013</b>
<b>Ball, Michael;</b> 20-03NES, An indicator plate for a vehicle, 10 Jul 2013	<b>13324/2013</b>	<b>Cuckoo Electronics Co., Ltd.;</b> 07-02N, Electric rice cooker and warmer, (KR, 10 May 2013) 18 Jul 2013	<b>13432/2013</b>
<b>Blue Belt Technologies;</b> 24-03, Knee implant, (US, 10 Jan 2013) 10 Jul 2013	<b>13323/2013</b>	<b>CTCI Pty Limited;</b> 25-01K, Drawing nominated as "Joiner extrusion 1", 09 Jul 2013	<b>13303/2013</b>
<b>Brands United Group Pty. Ltd.;</b> 06-01E, Baby rocker for baby beanbag, 05 Jul 2013	<b>13235/2013</b>	<b>CTCI Pty Limited;</b> 25-01K, Drawing nominated as "Lipping extrusion 1", 09 Jul 2013	<b>13304/2013</b>
<b>Brooks, Kristina;</b> 09-03NES, Contact Lens Case, 08 Jul 2013	<b>13250/2013</b>	<b>CTCI Pty Limited;</b> 25-01K, Drawing nominated as "Lipping extrusion 2", 09 Jul 2013	<b>13305/2013</b>
<b>Brooks, Kristina;</b> 09-07C, Contact Lens Case Lid, 08 Jul 2013	<b>13251/2013</b>	<b>Design Research Limited;</b> 06-01F, Chair, 10 Jul 2013	<b>13306/2013</b>
<b>Bulgari S.p.A.;</b> 11-01D, Earring, (WO, 23 Jan 2013) 11 Jul 2013	<b>13370/2013</b>	<b>Design Research Limited;</b> 06-01F, Chair, 10 Jul 2013	<b>13307/2013</b>
<b>Bulgari S.p.A.;</b> 11-01E, Necklace, (WO, 23 Jan 2013) 11 Jul 2013	<b>13371/2013</b>	<b>Design Research Limited;</b> 06-01F, Chair, 10 Jul 2013	<b>13308/2013</b>
<b>Bulgari S.p.A.;</b> 11-01E, Necklace, (WO, 23 Jan 2013) 11 Jul 2013	<b>13372/2013</b>	<b>Dias Aluminium Products Pty. Ltd.;</b> 08-05F, Pivot clamp cover, 09 Jul 2013	<b>13301/2013</b>
<b>BISSELL Homecare, Inc;</b> 15-05, Extraction cleaner handle, (US, 23 Jan 2013) 05 Jul 2013	<b>13242/2013</b>	<b>Directional Systems Australia Pty Ltd;</b> 20-03C, Solar powered illuminated advertising street name sign, 11 Jul 2013	<b>13397/2013</b>
<b>Camec Pty Ltd;</b> 25-02H, Window assembly, 08 Jul 2013	<b>13302/2013</b>	<b>Dominikovic, Anna;</b> 06-13A, Placemat, 09 Jul 2013	<b>13291/2013</b>
<b>Celebration Express Pty Ltd;</b> 09-03NES, Box, 09 Jul 2013	<b>13298/2013</b>	<b>Down, Harry;</b> 06-03A, Furniture: Coffee table and side table., 15 Jul 2013	<b>13375/2013</b>
<b>Centor Design Pty Ltd;</b> 08-09, Seals, 08 Jul 2013	<b>13287/2013</b>	<b>Eaton Corporation;</b> 15-99, Face gear, (US, 25 Jan 2013) 17 Jul 2013	<b>13420/2013</b>
<b>Century, LLC;</b> 21-02F, Multi position freestanding training bag, (US, 08 Feb 2013) 18 Jul 2013	<b>13452/2013</b>	<b>Ecolighting, Inc.;</b> 26-05D, Lamp, (TW, 07 Feb 2013) 09 Jul 2013	<b>13290/2013</b>
<b>Cevik, Zafer;</b> 06-13B, Bed linen, 10 Jul 2013	<b>13316/2013</b>	<b>EJ Australia Pty Ltd;</b> 08-05NES, Cover lifting key, 09 Jul 2013	<b>13332/2013</b>
<b>Christie, Velia Josephine;</b> 28-03C, Non-electric curler, 15 Jul 2013	<b>13382/2013</b>	<b>Fibox Oy Ab;</b> 03-01NES, Protective casing for electrical devices, (EP, 17 Feb 2013) 16 Jul 2013	<b>13393/2013</b>
<b>Colgate-Palmolive Company;</b> 09-01NES, Container, (US, 01 Feb 2013) 18 Jul 2013	<b>13444/2013</b>	<b>Fiji Water Company LLC;</b> 09-01NES, Straw and cap combination for use with a bottle, (US, 25 Jan 2013) 16 Jul 2013	<b>13394/2013</b>
<b>Colgate-Palmolive Company;</b> 09-01G, Container, (US, 01 Feb 2013) 18 Jul 2013	<b>13434/2013</b>	<b>Flujo Holdings Pty Ltd;</b> 09-03NES, Carton for a powdered product, 16 Jul 2013	<b>13401/2013</b>
<b>Compagnie Generale Des Etablissements Michelin; Michelin Recherche et Technique S.A.;</b> 12-15B, A tyre, (FR, 22 Jan 2013) 11 Jul 2013	<b>13326/2013</b>	<b>Flujo Holdings Pty Ltd;</b> 09-03NES, Carton for a powdered product, 16 Jul 2013	<b>13402/2013</b>



<b>Freedman Electronics Pty. Ltd.;</b> 08-08NES, A mount and a handle, (US, 07 Jan 2013) 05 Jul 2013	<b>13233/2013</b>	<b>Huhtamaki Nederland B.V.;</b> 09-03D, Egg carton, 12 Jul 2013	<b>13345/2013</b>
<b>Frog Bikes Limited;</b> 12-11, Bicycle frame, (EM, 02 May 2013) 09 Jul 2013	<b>13292/2013</b>	<b>Huhtamaki Nederland B.V.;</b> 09-03D, Egg carton, (EM, 21 Jan 2013) 12 Jul 2013	<b>13346/2013</b>
<b>Frog Bikes Limited;</b> 12-11, Bicycle frame, (EM, 02 May 2013) 09 Jul 2013	<b>13295/2013</b>	<b>Huhtamaki Nederland B.V.;</b> 09-03D, Egg carton, (EM, 21 Jan 2013) 12 Jul 2013	<b>13347/2013</b>
<b>Frog Bikes Limited;</b> 12-11, Bicycle frame, (EM, 02 May 2013) 09 Jul 2013	<b>13293/2013</b>	<b>ICEPIPE Corporation;</b> 26-05E, LED lighting apparatus, (KR, 21 Jan 2013) 18 Jul 2013	<b>13437/2013</b>
<b>Frog Bikes Limited;</b> 12-11, Bicycle frame, (EM, 02 May 2013) 09 Jul 2013	<b>13294/2013</b>	<b>Johnson, Roslyn;</b> 02-02A, Swimwear, outerwear and sun protection garment, 08 Jul 2013	<b>13253/2013</b>
<b>G R &amp; P K JENSEN PARTNERSHIP;</b> 08-10, Wall mounted bicycle rack, 11 Jul 2013	<b>13338/2013</b>	<b>JST Performance, Inc.;</b> 26-05A, Light fixture with curved frame, (US, 15 Jan 2013) 15 Jul 2013	<b>13369/2013</b>
<b>G R &amp; P K JENSEN PARTNERSHIP;</b> 08-10, Wall mounted bicycle rack, 11 Jul 2013	<b>13339/2013</b>	<b>Kimberly-Clark Worldwide, Inc.;</b> 23-02A, Wiping substrate dispenser, (US, 21 Feb 2013) 10 Jul 2013	<b>13309/2013</b>
<b>Gerard Lighting Pty Ltd;</b> 13-03C, Electronics housing, 05 Jul 2013	<b>13240/2013</b>	<b>Kimberly-Clark Worldwide, Inc.;</b> 23-02A, Wiping substrate dispenser, (US, 21 Feb 2013) 10 Jul 2013	<b>13312/2013</b>
<b>Golden Bear Enterprises Pty Ltd;</b> 15-07, 03-01D, Tool box shaped bar fridge, 05 Jul 2013	<b>13243/2013</b>	<b>Knightsbridge Cybersystems GmbH;</b> 14-02, Data storage apparatus, handheld computers, 05 Jul 2013	<b>13226/2013</b>
<b>Golden Bear Enterprises Pty Ltd;</b> 15-07, 03-01D, Tool box shaped bar fridge, 05 Jul 2013	<b>13245/2013</b>	<b>Knightsbridge Cybersystems GmbH;</b> 14-02, Data storage apparatus, handheld computers, 05 Jul 2013	<b>13224/2013</b>
<b>Golden Bear Enterprises Pty Ltd;</b> 15-07, 03-01D, Tool box shaped bar fridge, 05 Jul 2013	<b>13244/2013</b>	<b>Knightsbridge Cybersystems GmbH;</b> 14-02, Data storage apparatus, handheld computers, 05 Jul 2013	<b>13225/2013</b>
<b>Great Wall Motor Company Limited;</b> 12-08, Vehicle, (CN, 22 Jan 2013) 04 Jul 2013	<b>13204/2013</b>	<b>Koninklijke Philips N.V.;</b> 07-05A, Electric steam iron, (EM, 23 Jan 2013) 10 Jul 2013	<b>13322/2013</b>
<b>Halsted, William Anthony;</b> 21-01L, A board game, 13 Jul 2013	<b>13364/2013</b>	<b>Koninklijke Philips N.V.;</b> 28-03D, Beardtrimmer, (EM, 10 Jan 2013) 08 Jul 2013	<b>13282/2013</b>
<b>Hendon Semiconductors Pty Ltd;</b> 13-03D, An end enclosure for a switch, 05 Jul 2013	<b>13223/2013</b>	<b>Koninklijke Philips N.V.;</b> 24-01, 26-05NES, Light therapy device, (EM, 09 Jan 2013) 08 Jul 2013	<b>13266/2013</b>
<b>Hendon Semiconductors Pty Ltd;</b> 13-03D, An end enclosure for a switch, 05 Jul 2013	<b>13220/2013</b>	<b>Koninklijke Philips N.V.;</b> 14-01, Portable speaker, (EM, 09 Jan 2013) 08 Jul 2013	<b>13280/2013</b>
<b>Honda Motor Co., Ltd.;</b> 12-11, Motor scooter, (JP, 09 Jan 2013) 05 Jul 2013	<b>13221/2013</b>	<b>KWH Mirka Ltd;</b> 08-05N, An abrasive sheet holder, (EM, 20 Jun 2013) 05 Jul 2013	<b>13239/2013</b>
<b>Hoppe, Michael;Morabito, Joshua;Richards, Mark;Smith, Geoff;O'Neill, Chad;</b> 16-01, Camera housing, (US, 18 Jan 2013) 18 Jul 2013	<b>13443/2013</b>	<b>KWH Mirka Ltd;</b> 08-05N, An abrasive sheet, (EM, 19 Jun 2013) 05 Jul 2013	<b>13238/2013</b>
<b>Hoppe, Michael;Morabito, Joshua;Richards, Mark;Smith, Geoff;O'Neill, Chad;</b> 13-03D, 14-01, Switch, (US, 18 Jan 2013) 18 Jul 2013	<b>13430/2013</b>	<b>Labstyle Innovation Ltd.;</b> 14-02, Display screen with graphical user interface, (US, 24 Jan 2013) 18 Jul 2013	<b>13442/2013</b>
		<b>Labstyle Innovation Ltd.;</b> 24-04, Blood glucose cartridge, (US, 24 Jan 2013) 18 Jul 2013	<b>13439/2013</b>

<b>Labstyle Innovation Ltd.;</b> 14-02, Display screen with graphical user interface, (US, 24 Jan 2013) 18 Jul 2013	<b>13445/2013</b>	<b>Mucky Nutz Limited;</b> 12-16B, Fenders, (EM, 11 Jan 2013) 05 Jul 2013	<b>13229/2013</b>
<b>Labstyle Innovation Ltd.;</b> 14-02, Display screen with graphical user interface, (US, 24 Jan 2013) 18 Jul 2013	<b>13446/2013</b>	<b>Mucky Nutz Limited;</b> 12-16B, Fenders, (EM, 11 Jan 2013) 05 Jul 2013	<b>13230/2013</b>
<b>Labstyle Innovation Ltd.;</b> 24-04, Blood glucose cartridge, (US, 24 Jan 2013) 17 Jul 2013	<b>13415/2013</b>	<b>Ng, Hui Sien;</b> 26-05D, Lighting/ lamp, 15 Jul 2013	<b>13379/2013</b>
<b>Laurence, Aaron John;</b> 21-02F, An exercise device, 10 Jul 2013	<b>13321/2013</b>	<b>O'Neill, Chad;Hoppe, Michael;Morabito, Joshua;Richards, Mark;Smith, Geoff;</b> 13-03D, 14-01, Switch, (US, 18 Jan 2013) 18 Jul 2013	<b>13430/2013</b>
<b>Legin, Viktor;</b> 26-05B, Edge desk lamp, 16 Jul 2013	<b>13392/2013</b>	<b>O'Neill, Chad;Hoppe, Michael;Morabito, Joshua;Richards, Mark;Smith, Geoff;</b> 16-01, Camera housing, (US, 18 Jan 2013) 18 Jul 2013	<b>13443/2013</b>
<b>Lord, Gary Kenneth;Saunders, Kevin Allan;</b> 25-01B, A foundation element, (NZ, 28 Mar 2013) 17 Jul 2013	<b>13417/2013</b>	<b>Omega Security Controls Pty Ltd;</b> 08-07, Lock cover, 16 Jul 2013	<b>13396/2013</b>
<b>Lord, Gary Kenneth;Saunders, Kevin Allan;</b> 25-02NES, A foundation element, (NZ, 28 Mar 2013) 17 Jul 2013	<b>13416/2013</b>	<b>Panasonic Corporation;</b> 23-04, Fume hood, (JP, 28 Feb 2013) 08 Jul 2013	<b>13284/2013</b>
<b>Luigi Lavazza S.p.A.;</b> 07-02L, Coffee maker, 11 Jul 2013	<b>13335/2013</b>	<b>Panasonic Corporation;</b> 23-04, Fume hood, (JP, 28 Feb 2013) 08 Jul 2013	<b>13283/2013</b>
<b>LES CHAUSSURES STC INC.;</b> 02-04A, Boot, (CA, 16 Jan 2013) 16 Jul 2013	<b>13391/2013</b>	<b>Plastec Australia Pty Ltd;</b> 23-04, Housing for air admittance and/or expellation, 09 Jul 2013	<b>13299/2013</b>
<b>LG Electronics Inc.;</b> 14-03B, Television receiver, (KR, 07 Jan 2013) 08 Jul 2013	<b>13286/2013</b>	<b>Propeller, Inc.;</b> 07-02P, Ice pop maker, (US, 16 Jan 2013) 16 Jul 2013	<b>13398/2013</b>
<b>LSI Industries, Inc.;</b> 26-05C, Lighting, (US, 14 Mar 2013) 10 Jul 2013	<b>13325/2013</b>	<b>Propeller, Inc.;</b> 07-02P, Ice pop maker, (US, 16 Jan 2013) 16 Jul 2013	<b>13399/2013</b>
<b>Magpul Industries Corporation;</b> 02-07NES, Rail-mounted sling attachment, (US, 14 Jan 2013) 08 Jul 2013	<b>13279/2013</b>	<b>Propeller, Inc.;</b> 07-02P, Ice pop maker, (US, 16 Jan 2013) 16 Jul 2013	<b>13400/2013</b>
<b>Magpul Industries Corporation;</b> 22-01, 16-99, Folding front sight for a firearm, (US, 16 Jan 2013) 08 Jul 2013	<b>13281/2013</b>	<b>PTT Global Chemical Public Company Limited;</b> 15-99, A device for preparing and transferring mixtures, (TH, 29 Mar 2013) 12 Jul 2013	<b>13344/2013</b>
<b>Manrex Pty. Ltd.;</b> 19-08, Foldable visiting card, 05 Jul 2013	<b>13278/2013</b>	<b>Quanta Computer Inc.;</b> 14-02, A docking station of a remote medical system, (TW, 03 May 2013) 10 Jul 2013	<b>13317/2013</b>
<b>Michelin Recherche et Technique S.A.;Compagnie Generale Des Etablissements Michelin;</b> 12-15B, A tyre, (FR, 22 Jan 2013) 11 Jul 2013	<b>13326/2013</b>	<b>Reckitt &amp; Colman (Overseas) Limited;</b> 26-01, Candle, 12 Jul 2013	<b>13343/2013</b>
<b>Morabito, Joshua;Hoppe, Michael;Richards, Mark;Smith, Geoff;O'Neill, Chad;</b> 16-01, Camera housing, (US, 18 Jan 2013) 18 Jul 2013	<b>13443/2013</b>	<b>Recycling Solutions Pty Ltd;</b> 09-09, Recycling Container, 08 Jul 2013	<b>13248/2013</b>
<b>Morabito, Joshua;Hoppe, Michael;Richards, Mark;Smith, Geoff;O'Neill, Chad;</b> 13-03D, 14-01, Switch, (US, 18 Jan 2013) 18 Jul 2013	<b>13430/2013</b>	<b>Recycling Solutions Pty Ltd;</b> 09-09, Recycling container, 08 Jul 2013	<b>13247/2013</b>
<b>Moxey, Brett;</b> 11-05, Flag, 16 Jul 2013	<b>13404/2013</b>	<b>Rhino Rack Australia Pty Limited;</b> 12-16K, Roof tray, 18 Jul 2013	<b>13449/2013</b>
		<b>Rhino Rack Australia Pty Limited;</b> 12-16K, 10-04, Measure strip, 18 Jul 2013	<b>13451/2013</b>

<b>Rhino Rack Australia Pty Limited;</b> 12-16K, Roof rack cross bar extrusion, 18 Jul 2013	<b>13447/2013</b>	<b>Samsung Electronics Co., Ltd.;</b> 14-02, Display screen with graphical user interface; and computer interface, (US, 04 Jan 2013) 04 Jul 2013	<b>13259/2013</b>
<b>Rhino Rack Australia Pty Limited;</b> 12-16K, Roof rack cross bar end cap, 18 Jul 2013	<b>13448/2013</b>	<b>Samsung Electronics Co., Ltd.;</b> 14-02, Display screen with graphical user interface; and computer interface, (KR, 04 Jan 2013) 04 Jul 2013	<b>13260/2013</b>
<b>Richards, Mark;Hoppe, Michael;Morabito, Joshua;Smith, Geoff;O'Neill, Chad;</b> 13-03D, 14-01, Switch, (US, 18 Jan 2013) 18 Jul 2013	<b>13430/2013</b>	<b>Samsung Electronics Co., Ltd.;</b> 14-02, Display screen with graphical user interface; and computer interface, (KR, 04 Jan 2013) 04 Jul 2013	<b>13271/2013</b>
<b>Richards, Mark;Hoppe, Michael;Morabito, Joshua;Smith, Geoff;O'Neill, Chad;</b> 16-01, Camera housing, (US, 18 Jan 2013) 18 Jul 2013	<b>13443/2013</b>	<b>Samsung Electronics Co., Ltd.;</b> 14-02, Display screen with graphical user interface; and computer interface, (KR, 04 Jan 2013) 04 Jul 2013	<b>13277/2013</b>
<b>ROBAND Australia Pty Ltd;</b> 07-02F, A toaster, 05 Jul 2013	<b>13228/2013</b>	<b>Samsung Electronics Co., Ltd.;</b> 14-02, Display screen with graphical user interface; and computer interface, (KR, 04 Jan 2013) 04 Jul 2013	<b>13273/2013</b>
<b>ROBAND Australia Pty Ltd;</b> 07-02F, A toaster, 05 Jul 2013	<b>13227/2013</b>	<b>Samsung Electronics Co., Ltd.;</b> 14-02, Display screen with graphical user interface; and computer interface, (KR, 04 Jan 2013) 04 Jul 2013	<b>13274/2013</b>
<b>Samsung Electronics Co., Ltd.;</b> 14-04, Display screen for an electronic device, (KR, 09 Jan 2013) 09 Jul 2013	<b>13297/2013</b>	<b>Samsung Electronics Co., Ltd.;</b> 14-02, Display screen with graphical user interface; and computer interface, (KR, 04 Jan 2013) 04 Jul 2013	<b>13272/2013</b>
<b>Samsung Electronics Co., Ltd.;</b> 14-02, Display screen with graphical user interface; and computer interface, (KR, 04 Jan 2013) 04 Jul 2013	<b>13261/2013</b>	<b>Samsung Electronics Co., Ltd.;</b> 14-02, Display screen with graphical user interface; and computer interface, (KR, 04 Jan 2013) 04 Jul 2013	<b>13269/2013</b>
<b>Samsung Electronics Co., Ltd.;</b> 14-02, Display screen with graphical user interface; and computer interface, (KR, 04 Jan 2013) 04 Jul 2013	<b>13263/2013</b>	<b>Samsung Electronics Co., Ltd.;</b> 14-04, Display screen with graphical user interface; and computer interface, (KR, 04 Jan 2013) 04 Jul 2013	<b>13275/2013</b>
<b>Samsung Electronics Co., Ltd.;</b> 14-02, Portable electronic device with graphical user interface; and computer interface, (KR, 04 Jan 2013) 04 Jul 2013	<b>13264/2013</b>	<b>Samsung Electronics Co., Ltd.;</b> 14-02, Display screen with graphical user interface; and computer interface, (KR, 04 Jan 2013) 04 Jul 2013	<b>13276/2013</b>
<b>Samsung Electronics Co., Ltd.;</b> 14-02, Portable electronic device with graphical user interface; and computer interface, (KR, 04 Jan 2013) 04 Jul 2013	<b>13262/2013</b>	<b>Samsung Electronics Co., Ltd.;</b> 14-02, Display screen with graphical user interface; and computer interface, (KR, 04 Jan 2013) 04 Jul 2013	<b>13270/2013</b>
<b>Samsung Electronics Co., Ltd.;</b> 14-02, Display screen with graphical user interface; and computer interface, (KR, 04 Jan 2013) 04 Jul 2013	<b>13257/2013</b>	<b>Samsung Electronics Co., Ltd.;</b> 14-04, Display screen with graphical user interface; and computer interface, (KR, 04 Jan 2013) 04 Jul 2013	<b>13268/2013</b>
<b>Samsung Electronics Co., Ltd.;</b> 14-02, Display screen with graphical user interface; and computer interface, (KR, 04 Jan 2013) 04 Jul 2013	<b>13267/2013</b>	<b>Sandvik Intellectual Property AB;</b> 15-99, Crusher, (SE, 15 Jan 2013) 10 Jul 2013	<b>13318/2013</b>
<b>Samsung Electronics Co., Ltd.;</b> 14-02, Display screen with graphical user interface; and computer interface, (US, 04 Jan 2013) 04 Jul 2013	<b>13258/2013</b>	<b>Sandvik Intellectual Property AB;</b> 15-99, Crusher, (SE, 15 Jan 2013) 10 Jul 2013	<b>13320/2013</b>
<b>Samsung Electronics Co., Ltd.;</b> 14-02, Display screen with graphical user interface; and computer interface, (KR, 04 Jan 2013) 04 Jul 2013	<b>13256/2013</b>	<b>Sandvik Intellectual Property AB;</b> 15-99, Crusher, (SE, 15 Jan 2013) 10 Jul 2013	<b>13319/2013</b>
<b>Samsung Electronics Co., Ltd.;</b> 14-02, Display screen with graphical user interface; and computer interface, (KR, 04 Jan 2013) 04 Jul 2013	<b>13265/2013</b>		

<b>Saunders, Kevin Allan;Lord, Gary Kenneth;</b> 25-01B, A foundation element, (NZ, 28 Mar 2013) 17 Jul 2013	<b>13417/2013</b>	<b>SACHA DRAKE PTY. LTD.;</b> 02-02C, Dress, 15 Jul 2013	<b>13378/2013</b>
<b>Saunders, Kevin Allan;Lord, Gary Kenneth;</b> 25-02NES, A foundation element, (NZ, 28 Mar 2013) 17 Jul 2013	<b>13416/2013</b>	<b>SHFL Entertainment, Inc;</b> 21-03, Gaming machine with individual player stations, (US, 13 May 2013) 11 Jul 2013	<b>13328/2013</b>
<b>Shanks, Craig;</b> 22-05, Fishing accessory, 15 Jul 2013	<b>13406/2013</b>	<b>SHFL Entertainment, Inc;</b> 21-03, Gaming machine with individual player stations, (US, 13 May 2013) 11 Jul 2013	<b>13329/2013</b>
<b>Siemens Industry, Inc.;</b> 23-01G, Filtration components, 10 Jul 2013	<b>13311/2013</b>	<b>SHFL Entertainment, Inc;</b> 21-03, Gaming machine with individual player stations, (US, 13 May 2013) 11 Jul 2013	<b>13330/2013</b>
<b>Siemens Industry, Inc.;</b> 23-01G, Filtration components, 10 Jul 2013	<b>13314/2013</b>	<b>Tadano Ltd.;</b> 12-05, Crane truck, (JP, 15 Jan 2013) 08 Jul 2013	<b>13252/2013</b>
<b>Siemens Industry, Inc.;</b> 23-01G, Filtration components, 10 Jul 2013	<b>13315/2013</b>	<b>Tags4All Global Inc.;</b> 08-08M, A floating headrail bracket, (US, 09 Jan 2013) 08 Jul 2013	<b>13255/2013</b>
<b>Siemens Industry, Inc.;</b> 23-01G, Filtration components, 10 Jul 2013	<b>13313/2013</b>	<b>Tags4All Global Inc.;</b> 08-08M, A headrail bracket, (US, 09 Jan 2013) 08 Jul 2013	<b>13254/2013</b>
<b>Smith, Geoff;Hoppe, Michael;Morabito, Joshua;Richards, Mark;O'Neill, Chad;</b> 13-03D, 14-01, Switch, (US, 18 Jan 2013) 18 Jul 2013	<b>13430/2013</b>	<b>Take Two Marketing and Events Pty Ltd;</b> 08-05H, Knife sharpener, 11 Jul 2013	<b>13334/2013</b>
<b>Smith, Geoff;Hoppe, Michael;Morabito, Joshua;Richards, Mark;O'Neill, Chad;</b> 16-01, Camera housing, (US, 18 Jan 2013) 18 Jul 2013	<b>13443/2013</b>	<b>Techtronic Floor Care Technology Limited;</b> 15-05, Vacuum cleaner, (CN, 15 Jan 2013) 15 Jul 2013	<b>13374/2013</b>
<b>Sonnreich, Mark;</b> 26-05B, Lamp stand, 18 Jul 2013	<b>13441/2013</b>	<b>Tern Marine (NZ) Co. Limited;</b> 12-16P, An anchor, (NZ, 15 Jan 2013) 15 Jul 2013	<b>13373/2013</b>
<b>Sony Computer Entertainment Inc.;</b> 14-03NES, Housing of controller for electronic device, (JP, 19 Feb 2013) 28 Jun 2013	<b>13042/2013</b>	<b>The trustee for LULU TRUST;</b> 03-01B, Handbag, 17 Jul 2013	<b>13412/2013</b>
<b>Strategies Unleashed Pty Ltd;</b> 14-01, A set of loudspeakers, 11 Jul 2013	<b>13327/2013</b>	<b>The trustee for LULU TRUST;</b> 03-01B, Handbag strap, 17 Jul 2013	<b>13414/2013</b>
<b>Sulzer Mixpac AG;</b> 08-05A, Applicator, (CH, 12 Feb 2013) 17 Jul 2013	<b>13410/2013</b>	<b>The trustee for LULU TRUST;</b> 03-01B, Handbag, 17 Jul 2013	<b>13413/2013</b>
<b>Sulzer Mixpac AG;</b> 28-03NES, 24-02, 08-05NES, Applicator, (CH, 12 Feb 2013) 17 Jul 2013	<b>13411/2013</b>	<b>The Future of Deliveries Pty Ltd;</b> 25-03, 06-04NES, Combined letter box and locker, 15 Jul 2013	<b>13376/2013</b>
<b>Sulzer Mixpac AG;</b> 08-05A, Applicator, (CH, 12 Feb 2013) 17 Jul 2013	<b>13408/2013</b>	<b>The Stanley Works Israel Ltd.;</b> 03-01D, Toolbox, (EM, 17 Jan 2013) 17 Jul 2013	<b>13407/2013</b>
<b>Sulzer Mixpac AG;</b> 08-05A, Applicator, (CH, 12 Feb 2013) 17 Jul 2013	<b>13409/2013</b>	<b>Thomas &amp; Betts International, Inc.;</b> 08-08B, Gland nut, (US, 13 Mar 2013) 08 Jul 2013	<b>13246/2013</b>
<b>Switcheasy Limited;</b> 13-02, Battery pack for portable electronic devices, (US, 07 Jan 2013) 05 Jul 2013	<b>13232/2013</b>	<b>TomTom International B.V.;</b> 12-16K, Mount, (EM, 04 Jan 2013) 04 Jul 2013	<b>13205/2013</b>
<b>SwitchEasy Limited;</b> 13-02, Battery pack for portable electronic devices, (US, 07 Jan 2013) 05 Jul 2013	<b>13234/2013</b>	<b>THINKONE PTY LTD;</b> 07-01C, Cup, 08 Jul 2013	<b>13288/2013</b>
<b>SACHA DRAKE PTY. LTD.;</b> 02-02C, Dress, 15 Jul 2013	<b>13377/2013</b>	<b>THINKONE PTY LTD;</b> 23-01G, 09-01NES, Filter Bottle, 08 Jul 2013	<b>13289/2013</b>

<b>Unilever PLC;</b> 09-01NES, Bottle, (US, 29 Jan 2013) 17 Jul 2013	<b>13418/2013</b>
<b>Unilever PLC;</b> 09-01NES, Bottle with cap, (US, 29 Jan 2013) 17 Jul 2013	<b>13419/2013</b>
<b>Veerasawmy, Naaman;</b> 25-01G, A unitised (cassette) cladding system, 16 Jul 2013	<b>13403/2013</b>
<b>Wagstaff, Stephen Mark;</b> 02-99, Garment coupler, 17 Jul 2013	<b>13405/2013</b>
<b>Wang, Jinwei;</b> 12-15B, Tyres (Stature HT2), 05 Jul 2013	<b>13241/2013</b>
<b>West Coast Industrial Supplies Pty Ltd;</b> 15-02, Industrial pump part (a solid metallic plug), 15 Jul 2013	<b>13380/2013</b>
<b>West Coast Industrial Supplies Pty Ltd;</b> 15-02, Industrial pump part (a solid metallic seat), 15 Jul 2013	<b>13381/2013</b>
<b>Wilson, John Charles;</b> 15-99, Balewrap reprocessing prototype machine, 14 Jul 2013	<b>13365/2013</b>
<b>Wisdom Perfection Pty Ltd;</b> 03-01B, Case, 13 Jul 2013	<b>13362/2013</b>
<b>Wisdom Perfection Pty Ltd;</b> 03-01B, Case, 13 Jul 2013	<b>13363/2013</b>
<b>Wisdom Perfection Pty Ltd;</b> 03-01B, Case, 13 Jul 2013	<b>13361/2013</b>
<b>Worldwide Diamond Trademarks Ltd.;</b> 11-01NES, Flower princess shaped diamond, (US, 13 Feb 2013) 16 Jul 2013	<b>13383/2013</b>
<b>Zhang, Weikai;</b> 21-01A, 21-01D, A model animal, 12 Jul 2013	<b>13349/2013</b>
<b>Zumtobel Lighting GmbH;</b> 26-05A, Luminaire, (EM, 16 Jan 2013) 16 Jul 2013	<b>13387/2013</b>
<b>Zumtobel Lighting GmbH;</b> 26-05A, Luminaire, (EM, 16 Jan 2013) 16 Jul 2013	<b>13384/2013</b>
<b>Zumtobel Lighting GmbH;</b> 26-05A, Luminaire, (EM, 16 Jan 2013) 16 Jul 2013	<b>13385/2013</b>
<b>Zumtobel Lighting GmbH;</b> 26-05A, Luminaire, (EM, 16 Jan 2013) 16 Jul 2013	<b>13386/2013</b>
<b>3M Innovative Properties Company;</b> 24-02, Design elements for dental CAD/CAM mandrels, (US, 18 Jan 2013) 17 Jul 2013	<b>13421/2013</b>
<b>3M Innovative Properties Company;</b> 24-02, Platform for dental CAD/CAM mandrels, (US, 18 Jan 2013) 17 Jul 2013	<b>13422/2013</b>
<b>3M Innovative Properties Company;</b> 02-04A, Arch support, (US, 08 Jan 2013) 04 Jul 2013	<b>13206/2013</b>

**Extension of Period of Registration of Designs**

320844	320845	321092
321314	321326	321329
321330	321412	321598
321599	321601	321602
321603	321604	321605
321606	321608	321709
321714	321737	321738
321739	321740	321743
321754	321759	321799
321800	321842	321843
321879	321881	321888
321990	321991	321992
322046	322047	322048
322071	322073	322074
322110	322113	322198
322225	322226	322235
322266	322267	322269
322271	322277	322278
322279	322302	322312
322370	322371	322381
322404	322419	322450
322452	322501	322505
322508	322533	322562
322594	322606	322607
322621	322638	322648
322654	322655	322656
322679	322687	322688
322689	322723	322751
322752	322753	322754
322755	322851	322852
322924	322925	322933
323073	323079	323080
323209	323244	323361
323389	323432	323433
323434	323435	323436
323437	323438	323439
323440	323441	323442
323443	323444	323523
323532	323552	323553
323554	323555	323556
323557	323558	323559
323560	323629	323630
323689	323729	323896
323914	323915	324578
324725	324744	324745
324746	324895	325498
326706	328729	

**Registrations Ceased**

318724	318725	318726
319091	319092	319104
319105	319106	319107
319125	319126	319127
319128	319129	319130
319131	319137	319138
319142	319143	319144
319148	319149	319157
319160	319220	319221
319226	319227	319228
319298	319299	319454
319467	319468	319469
319501	319626	319658
319837	319838	319858
319902	319918	320096
320920	321203	321537
344553		

**Extensions of time granted under Section 137**

Applications lodged under section 137 for extension of time have been granted.

325849 James Odell
325849 James Odell
325849 James Odell
325849 James Odell
325849 James Odell
327270 James Odell
327270 James Odell
328906 James Odell
328906 James Odell
329132 James Odell
329132 James Odell
330400 James Odell
330400 James Odell
16492/2012 Metso Minerals (Sweden) AB
16493/2012 Metso Minerals (Sweden) AB
16565/2012 Metso Minerals (Sweden) AB
349859 MARCOPOLO S.A.

**Mortgages Registered**

312815	A mortgage has been granted to <b>Bank of America N.A.</b>
--------	--

**Licences Registered**

319961 A licence has been granted to **Revolutionary  
Products Inc.**

**Certificate(s) of Examination**

Examination of the following Design Registration(s) has been completed. Infringement proceedings may now be commenced.

313702	09-03NES	15/07/2013
313703	09-07NES	15/07/2013
324727	23-04	17/07/2013
343273	23-02A	20/07/2013
343390	26-05E	17/07/2013
343391	26-05E	17/07/2013
343392	26-05E	17/07/2013
345159	25-02A	12/07/2013
345995	09-01NES	16/07/2013
346068	07-01NES	15/07/2013
346473	23-02F	15/07/2013
346929	12-08	11/07/2013
346930	12-08	11/07/2013
346931	12-08	11/07/2013
347025	14-02	12/07/2013
347026	14-02	12/07/2013
347027	14-02	12/07/2013
347028	14-02	12/07/2013
347029	14-02	12/07/2013
347030	14-02	12/07/2013
347802	28-01	16/07/2013
348408	03-01B	17/07/2013
348409	03-01B	17/07/2013



**Publication and Registration Proceedings**

**Designs Registered**

This section provides a concordance between design number and registration number of Designs covered in this journal. It also shows the main class and registration date.

This section covers Registration numbers 349680 to 349853 .

The registration number shown below should be used in all future correspondence.

<b>Design Number</b>	<b>Registration Number</b>	<b>International Classification Code (IDC)</b>	<b>Registration Date</b>	<b>Design Number</b>	<b>Registration Number</b>	<b>International Classification Code (IDC)</b>	<b>Registration Date</b>
10244/2012	349720	23-01F	10/07/2013	11442/2013	349819	08-07	19/07/2013
14394/2012	349775	07-01B	12/07/2013	11447/2013	349701	06-01C	09/07/2013
15674/2012	349776	21-02D	12/07/2013	11448/2013	349702	06-01F	09/07/2013
15675/2012	349841	21-02D	19/07/2013	11475/2013	349821	14-01	19/07/2013
16455/2012	349842	09-07C	19/07/2013	11477/2013	349732	10-06	11/07/2013
16528/2012	349778	15-04	12/07/2013	11498/2013	349751	09-03NES	12/07/2013
16529/2012	349777	15-04	12/07/2013	11507/2013	349752	09-09	12/07/2013
16818/2012	349721	23-01F	10/07/2013	11510/2013	349822	09-03L	19/07/2013
16819/2012	349722	23-01F	10/07/2013	11511/2013	349823	27-06	19/07/2013
16820/2012	349723	23-01F	10/07/2013	11515/2013	349824	09-03NES	19/07/2013
16821/2012	349724	23-01F	10/07/2013	11525/2013	349805	12-10	16/07/2013
16822/2012	349725	23-01F	10/07/2013	11600/2013	349825	24-02	19/07/2013
16823/2012	349726	23-01F	10/07/2013	11601/2013	349826	24-02	19/07/2013
16835/2012	349773	02-02C	12/07/2013	11603/2013	349827	24-02	19/07/2013
16836/2012	349815	02-02C	19/07/2013	11604/2013	349828	24-02	19/07/2013
16840/2012	349774	02-02C	12/07/2013	11625/2013	349753	28-02	12/07/2013
16842/2012	349845	02-02NES	19/07/2013	11627/2013	349733	23-01A	11/07/2013
16854/2012	349844	02-02NES	19/07/2013	11651/2013	349703	07-05D	09/07/2013
16856/2012	349843	02-04NES	19/07/2013	11697/2013	349680	15-04	09/07/2013
10445/2013	349746	12-08	12/07/2013	11698/2013	349754	15-04	12/07/2013
10896/2013	349846	11-01E	19/07/2013	11743/2013	349734	23-02NES	11/07/2013
10900/2013	349695	15-01	09/07/2013	11753/2013	349755	14-03NES	12/07/2013
10903/2013	349696	15-01	09/07/2013	11754/2013	349704	14-03NES	10/07/2013
10905/2013	349697	15-01	09/07/2013	11783/2013	349735	23-01A	11/07/2013
11013/2013	349783	09-07C	15/07/2013	11796/2013	349745	07-05NES	11/07/2013
11018/2013	349727	23-03E	10/07/2013	11855/2013	349756	13-03C	12/07/2013
11132/2013	349839	06-09	19/07/2013	11928/2013	349758	13-03C	12/07/2013
11133/2013	349840	06-09	19/07/2013	11930/2013	349757	13-03C	12/07/2013
11200/2013	349730	03-01NES	11/07/2013	12029/2013	349681	08-08G	09/07/2013
11249/2013	349698	03-01NES	09/07/2013	12032/2013	349705	28-99	10/07/2013
11270/2013	349747	14-03A	12/07/2013	12037/2013	349759	09-07B	12/07/2013
11272/2013	349731	22-99	11/07/2013	12063/2013	349829	09-09	19/07/2013
11273/2013	349781	22-01	12/07/2013	12090/2013	349738	14-02	11/07/2013
11274/2013	349779	22-01	12/07/2013	12091/2013	349830	14-02	19/07/2013
11275/2013	349780	22-01	12/07/2013	12097/2013	349760	02-03	12/07/2013
11282/2013	349736	06-06G	11/07/2013	12138/2013	349682	25-02C	09/07/2013
11330/2013	349848	08-07	19/07/2013	12139/2013	349683	25-02C	09/07/2013
11342/2013	349737	06-01C	11/07/2013	12161/2013	349719	15-01	10/07/2013
11348/2013	349816	11-02B	19/07/2013	12170/2013	349739	24-04	11/07/2013
11390/2013	349728	14-03NES	10/07/2013	12174/2013	349847	14-01	19/07/2013
11394/2013	349784	14-03NES	15/07/2013	12176/2013	349740	07-01F	11/07/2013
11395/2013	349729	08-08NES	10/07/2013	12198/2013	349782	08-01	12/07/2013
11397/2013	349699	14-02	09/07/2013	12235/2013	349741	13-02	11/07/2013
11408/2013	349749	20-02C	12/07/2013	12236/2013	349831	14-02	19/07/2013
11409/2013	349748	20-02C	12/07/2013	12300/2013	349832	08-08B	19/07/2013
11416/2013	349700	13-03NES	09/07/2013	12332/2013	349761	07-04	12/07/2013
11418/2013	349750	07-05E	12/07/2013	12365/2013	349684	19-06	09/07/2013
11439/2013	349820	08-07	19/07/2013	12366/2013	349685	19-06	09/07/2013
11440/2013	349817	08-07	19/07/2013	12389/2013	349762	15-03B	12/07/2013
11441/2013	349818	08-07	19/07/2013	12412/2013	349763	02-04A	12/07/2013

Publication and Registration Proceedings - Designs Registered cont'd

Design Number	Registration Number	International Classification Code (IDC)	Registration Date	Design Number	Registration Number	International Classification Code (IDC)	Registration Date
12417/2013	349806	06-09	16/07/2013	12762/2013	349787	26-03	15/07/2013
12427/2013	349706	08-03	10/07/2013	12763/2013	349788	12-08	15/07/2013
12444/2013	349764	21-02F	12/07/2013	12766/2013	349789	04-02	15/07/2013
12461/2013	349686	12-06NES	09/07/2013	12767/2013	349790	07-04	15/07/2013
12472/2013	349765	08-09	12/07/2013	12768/2013	349791	10-04	15/07/2013
12483/2013	349707	08-05NES	10/07/2013	12769/2013	349792	07-04	15/07/2013
12496/2013	349742	10-04	11/07/2013	12770/2013	349793	08-03	15/07/2013
12517/2013	349833	07-05D	19/07/2013	12772/2013	349794	21-02NES	15/07/2013
12522/2013	349766	02-04A	12/07/2013	12774/2013	349795	09-03M	15/07/2013
12539/2013	349767	10-05	12/07/2013	12776/2013	349796	09-03M	15/07/2013
12540/2013	349768	21-02F	12/07/2013	12777/2013	349715	07-01E	10/07/2013
12541/2013	349769	21-02F	12/07/2013	12778/2013	349716	07-01E	10/07/2013
12542/2013	349770	21-02F	12/07/2013	12790/2013	349797	12-15B	15/07/2013
12543/2013	349785	21-02F	15/07/2013	12794/2013	349717	14-02	10/07/2013
12573/2013	349771	12-16B	12/07/2013	12796/2013	349718	06-01L	10/07/2013
12576/2013	349687	12-06B	09/07/2013	12822/2013	349810	07-02L	16/07/2013
12586/2013	349849	14-03E	19/07/2013	12824/2013	349835	07-02L	19/07/2013
12600/2013	349807	07-01C	16/07/2013	12825/2013	349836	07-02L	19/07/2013
12601/2013	349808	07-01C	16/07/2013	12826/2013	349837	07-02L	19/07/2013
12631/2013	349834	15-05	19/07/2013	12827/2013	349811	07-02L	16/07/2013
12632/2013	349743	08-06	11/07/2013	12830/2013	349798	14-01	16/07/2013
12658/2013	349688	23-01A	09/07/2013	12835/2013	349799	26-05D	16/07/2013
12698/2013	349744	02-07NES	11/07/2013	12836/2013	349802	26-05D	16/07/2013
12700/2013	349708	26-02	10/07/2013	12837/2013	349803	26-05D	16/07/2013
12717/2013	349689	07-03	09/07/2013	12838/2013	349804	26-05D	16/07/2013
12718/2013	349690	07-03	09/07/2013	12840/2013	349809	07-02L	16/07/2013
12719/2013	349691	07-03	09/07/2013	12854/2013	349800	23-02C	16/07/2013
12720/2013	349692	07-03	09/07/2013	12855/2013	349801	23-02C	16/07/2013
12721/2013	349693	07-03	09/07/2013	12857/2013	349812	06-04NES	17/07/2013
12722/2013	349694	07-03	09/07/2013	12858/2013	349850	08-01	22/07/2013
12726/2013	349709	06-06B	10/07/2013	12859/2013	349851	08-01	22/07/2013
12727/2013	349710	06-04F	10/07/2013	12860/2013	349852	08-01	22/07/2013
12753/2013	349786	06-02	15/07/2013	12863/2013	349813	03-01D	17/07/2013
12754/2013	349772	06-02	12/07/2013	12864/2013	349814	03-01D	17/07/2013
12755/2013	349711	09-01NES	10/07/2013	12875/2013	349838	06-04F	19/07/2013
12756/2013	349712	09-01NES	10/07/2013	12876/2013	349853	06-04F	22/07/2013
12757/2013	349713	19-99	10/07/2013				
12760/2013	349714	19-99	10/07/2013				

**Publication and Registration Proceedings**

**Class Listing of Designs Published or Registered**

The following section shows an International Classification Code listing of the Registered or Published Designs covered in this supplement.

<b>Classification</b>	<b>Registration Number</b>	<b>Design Number</b>	<b>Classification</b>	<b>Registration Number</b>	<b>Design Number</b>
02-02C	349773	16835/2012	07-03	349693	12721/2013
02-02C	349774	16840/2012	07-03	349694	12722/2013
02-02C	349815	16836/2012	07-04	349761	12332/2013
02-02NES	349844	16854/2012	07-04	349790	12767/2013
02-02NES	349845	16842/2012	07-04	349791	12768/2013
02-03	349760	12097/2013	07-04	349792	12769/2013
02-04A	349763	12412/2013	07-04	349793	12770/2013
02-04A	349766	12522/2013	07-05D	349703	11651/2013
02-04NES	349843	16856/2012	07-05D	349833	12517/2013
02-07NES	349744	12698/2013	07-05E	349750	11418/2013
03-01D	349813	12863/2013	07-05NES	349745	11796/2013
03-01D	349814	12864/2013	07-06NES	349693	12721/2013
03-01NES	349698	11249/2013	07-06NES	349694	12722/2013
03-01NES	349730	11200/2013	08-01	349782	12198/2013
04-01	349706	12427/2013	08-01	349850	12858/2013
04-02	349789	12766/2013	08-01	349851	12859/2013
06-01C	349701	11447/2013	08-01	349852	12860/2013
06-01C	349737	11342/2013	08-03	349706	12427/2013
06-01F	349702	11448/2013	08-03	349793	12770/2013
06-01L	349718	12796/2013	08-05NES	349706	12427/2013
06-01NES	349701	11447/2013	08-05NES	349707	12483/2013
06-01NES	349702	11448/2013	08-06	349743	12632/2013
06-02	349772	12754/2013	08-07	349817	11440/2013
06-02	349786	12753/2013	08-07	349818	11441/2013
06-03A	349701	11447/2013	08-07	349819	11442/2013
06-03A	349702	11448/2013	08-07	349820	11439/2013
06-04F	349710	12727/2013	08-07	349848	11330/2013
06-04F	349838	12875/2013	08-08B	349832	12300/2013
06-04F	349853	12876/2013	08-08G	349681	12029/2013
06-04NES	349812	12857/2013	08-08NES	349729	11395/2013
06-05	349701	11447/2013	08-09	349765	12472/2013
06-05	349702	11448/2013	08-99	349707	12483/2013
06-06B	349709	12726/2013	09-01K	349711	12755/2013
06-06G	349736	11282/2013	09-01K	349712	12756/2013
06-09	349806	12417/2013	09-01NES	349711	12755/2013
06-09	349839	11132/2013	09-01NES	349712	12756/2013
06-09	349840	11133/2013	09-03L	349822	11510/2013
07-01B	349775	14394/2012	09-03M	349795	12774/2013
07-01C	349807	12600/2013	09-03M	349796	12776/2013
07-01C	349808	12601/2013	09-03NES	349751	11498/2013
07-01E	349715	12777/2013	09-03NES	349775	14394/2012
07-01E	349716	12778/2013	09-03NES	349824	11515/2013
07-01F	349740	12176/2013	09-07B	349759	12037/2013
07-02L	349809	12840/2013	09-07C	349783	11013/2013
07-02L	349810	12822/2013	09-07C	349842	16455/2012
07-02L	349811	12827/2013	09-09	349752	11507/2013
07-02L	349835	12824/2013	09-09	349829	12063/2013
07-02L	349836	12825/2013	10-04	349742	12496/2013
07-02L	349837	12826/2013	10-04	349791	12768/2013
07-03	349689	12717/2013	10-05	349742	12496/2013
07-03	349690	12718/2013	10-05	349767	12539/2013
07-03	349691	12719/2013	10-06	349732	11477/2013
07-03	349692	12720/2013	10-06	349767	12539/2013

Registration Proceedings - Class Listing of Designs Published or Registered cont'd

Classification	Registration Number	Design Number	Classification	Registration Number	Design Number
11-01C	349846	10896/2013	21-01N	349728	11390/2013
11-01E	349846	10896/2013	21-01N	349784	11394/2013
11-02B	349816	11348/2013	21-02D	349776	15674/2012
11-02C	349681	12029/2013	21-02D	349841	15675/2012
12-06B	349687	12576/2013	21-02F	349764	12444/2013
12-06NES	349686	12461/2013	21-02F	349768	12540/2013
12-06NES	349719	12161/2013	21-02F	349769	12541/2013
12-08	349746	10445/2013	21-02F	349770	12542/2013
12-08	349788	12763/2013	21-02F	349785	12543/2013
12-10	349805	11525/2013	21-02NES	349794	12772/2013
12-15B	349797	12790/2013	22-01	349779	11274/2013
12-16B	349771	12573/2013	22-01	349780	11275/2013
13-02	349741	12235/2013	22-01	349781	11273/2013
13-03C	349756	11855/2013	22-99	349731	11272/2013
13-03C	349757	11930/2013	23-01A	349688	12658/2013
13-03C	349758	11928/2013	23-01A	349733	11627/2013
13-03NES	349700	11416/2013	23-01A	349735	11783/2013
14-01	349798	12830/2013	23-01F	349720	10244/2012
14-01	349821	11475/2013	23-01F	349721	16818/2012
14-01	349847	12174/2013	23-01F	349722	16819/2012
14-02	349699	11397/2013	23-01F	349723	16820/2012
14-02	349717	12794/2013	23-01F	349724	16821/2012
14-02	349738	12090/2013	23-01F	349725	16822/2012
14-02	349830	12091/2013	23-01F	349726	16823/2012
14-02	349831	12236/2013	23-02C	349800	12854/2013
14-03A	349747	11270/2013	23-02C	349801	12855/2013
14-03E	349849	12586/2013	23-02NES	349734	11743/2013
14-03NES	349700	11416/2013	23-03E	349727	11018/2013
14-03NES	349704	11754/2013	24-02	349825	11600/2013
14-03NES	349728	11390/2013	24-02	349826	11601/2013
14-03NES	349755	11753/2013	24-02	349827	11603/2013
14-03NES	349784	11394/2013	24-02	349828	11604/2013
15-01	349695	10900/2013	24-03	349739	12170/2013
15-01	349696	10903/2013	24-04	349739	12170/2013
15-01	349697	10905/2013	24-99	349794	12772/2013
15-01	349719	12161/2013	25-01K	349682	12138/2013
15-03B	349762	12389/2013	25-01K	349683	12139/2013
15-04	349680	11697/2013	25-02C	349682	12138/2013
15-04	349754	11698/2013	25-02C	349683	12139/2013
15-04	349777	16529/2012	26-02	349708	12700/2013
15-04	349778	16528/2012	26-03	349787	12762/2013
15-05	349743	12632/2013	26-05D	349799	12835/2013
15-05	349834	12631/2013	26-05D	349802	12836/2013
15-99	349700	11416/2013	26-05D	349803	12837/2013
19-06	349684	12365/2013	26-05D	349804	12838/2013
19-06	349685	12366/2013	26-99	349767	12539/2013
19-06	349713	12757/2013	27-06	349823	11511/2013
19-06	349714	12760/2013	28-02	349753	11625/2013
19-99	349713	12757/2013	28-99	349705	12032/2013
19-99	349714	12760/2013	31-00	349809	12840/2013
20-02C	349748	11409/2013			
20-02C	349749	11408/2013			
21-01C	349788	12763/2013			

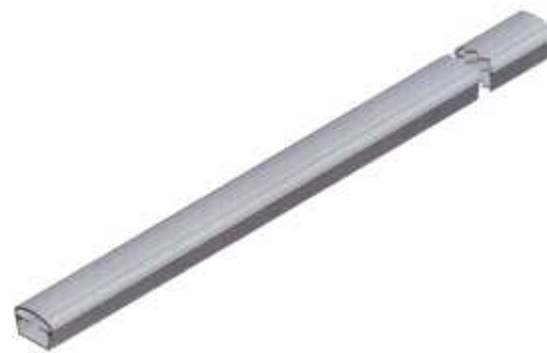
- (21) Design Number: **11697/2013**  
(22) Date of Filing Application: **08 April 2013**  
(24) Date from which industrial property rights may have effect: **19 December 2012**  
(54) Product in respect of which the design is registered: **Undercarriage track link for mobile earthmoving machine**  
(51) International Design Classification: **15-04**  
(74) Name(s) of Attorney(s): **Freehills Patent Attorneys**  
(71) Name(s) and Address(s) of Applicant(s):  
**Caterpillar Inc.**  
**100 N.E. Adams Street Peoria Illinois 61629 United States of America**  
(72) Name(s) of Designer(s): **Robert L. Meyer and Gregory Kaufmann and Mark Steven Diekevers and Timothy A. Thorson**  
(45) Registration Date: **09 July 2013**  
(30) Convention priority data:  
(31) Number      (32) Date      (33) Country  
**29/426091      29 Jun 2012      UNITED STATES OF AMERICA**  
(62) Divisional of: **349778**  
(56) Related Art Documents: **Not Applicable**  
(57) Statement of Newness and Distinctiveness: **Newness and distinctiveness lie in the features of shape and configuration of the undercarriage track link for mobile earthmoving machine shown in solid lines in the accompanying representations. Breaks defined by the dot-dashed lines indicate indefinite dimensions.**



- (21) Design Number: **12029/2013**  
(22) Date of Filing Application: **02 May 2013**  
(24) Date from which industrial property rights may have effect: **02 May 2013**  
(54) Product in respect of which the design is registered: **Hook for supporting trough planter or the like**  
(51) International Design Classification: **08-08G, 11-02C**  
(74) Name(s) of Attorney(s): **FB Rice**  
(71) Name(s) and Address(s) of Applicant(s):  
**Whites Group Pty Ltd**  
**4 Decker PI Huntingwood NSW 2148 Australia**  
(72) Name(s) of Designer(s): **Brian Gray and Peter Kelly**  
(45) Registration Date: **09 July 2013**  
(56) Related Art Documents: **Not Applicable**  
(57) Statement of Newness and Distinctiveness: **Newness and distinctiveness reside in the shape and configuration of the product as shown in solid lines in the representations excluding those features shown in dashed lines.**



- (21) Design Number: **12138/2013**  
(22) Date of Filing Application: **08 May 2013**  
(24) Date from which industrial property rights may have effect: **08 May 2013**  
(54) Product in respect of which the design is registered: **An extrusion**  
(51) International Design Classification: **25-02C, 25-01K**  
(74) Name(s) of Attorney(s):  
(71) Name(s) and Address(s) of Applicant(s):  
    **Gram Engineering Pty Ltd**  
    **16-22 Cullen Place Smithfield New South Wales 2164 Australia**  
(72) Name(s) of Designer(s): **Imelda Arcamo and Udo Wolfgang Bucher and Ronald Leslie Mann**  
(45) Registration Date: **09 July 2013**  
(56) Related Art Documents: **Not Applicable**  
(57) Statement of Newness and Distinctiveness: **Distinctiveness and newness is found in the external shape and appearance of the designs for extruded metal fence rails, balustrade rails and hand rails. Distinctiveness and newness is found in the internal shape, proportions and appearance of the designs for extruded metal fence rails, balustrade rails, and hand rails. Distinctiveness and newness is found in the combined external and internal shape and appearance of the designs for extruded metal fence rails, and hand rails.**



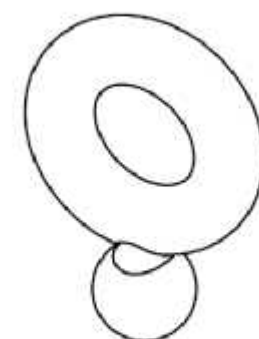
- (21) Design Number: **12139/2013**  
(22) Date of Filing Application: **08 May 2013**  
(24) Date from which industrial property rights may have effect: **08 May 2013**  
(54) Product in respect of which the design is registered: **An extrusion**  
(51) International Design Classification: **25-02C, 25-01K**  
(74) Name(s) of Attorney(s):  
(71) Name(s) and Address(s) of Applicant(s):  
    **Gram Engineering Pty Ltd**  
    **16-22 Cullen Place Smithfield New South Wales 2164 Australia**  
(72) Name(s) of Designer(s): **Imelda Arcamo and Udo Wolfgang Bucher and Ronald Leslie Mann**  
(45) Registration Date: **09 July 2013**  
(56) Related Art Documents: **Not Applicable**  
(57) Statement of Newness and Distinctiveness: **Distinctiveness and newness is found in the shape and appearance of the internal design alone, distinctiveness and newness is found in the shape and appearance of the outer design alone, and distinctiveness and newness is found in the shape and appearance of the combined inner and outer design of the fence rail, the balustrade rail, or the hand rail.**



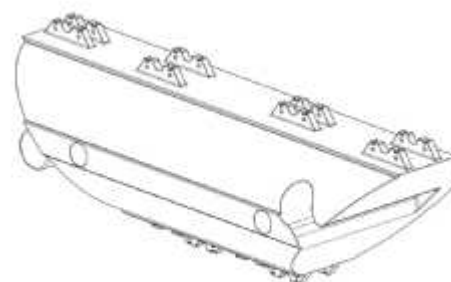
(21) Design Number: **12365/2013**  
(22) Date of Filing Application: **22 May 2013**  
(24) Date from which industrial property rights may have effect: **22 May 2013**  
(54) Product in respect of which the design is registered: **Crayon**  
(51) International Design Classification: **19-06**  
(74) Name(s) of Attorney(s): **SPRUSON & FERGUSON**  
(71) Name(s) and Address(s) of Applicant(s):  
**PRIVEE A.G. KABUSHIKI KAISHA**  
**6-10-1 Roppongi Minato-ku Tokyo 106-6117 Japan**  
(72) Name(s) of Designer(s): **Eiji Ishiwata**  
(45) Registration Date: **09 July 2013**  
(30) Convention priority data:  
(31) Number      (32) Date      (33) Country  
**2012-29194      29 Nov 2012      JAPAN**  
(56) Related Art Documents: **Not Applicable**  
(57) Statement of Newness and Distinctiveness: **Newness and distinctiveness is claimed in the features of shape and/or configuration of a crayon as illustrated in the accompanying representations.**



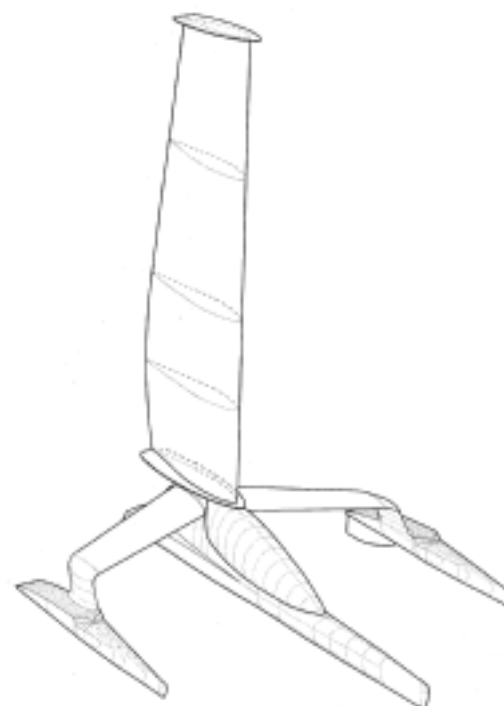
(21) Design Number: **12366/2013**  
(22) Date of Filing Application: **22 May 2013**  
(24) Date from which industrial property rights may have effect: **22 May 2013**  
(54) Product in respect of which the design is registered: **Crayon**  
(51) International Design Classification: **19-06**  
(74) Name(s) of Attorney(s): **SPRUSON & FERGUSON**  
(71) Name(s) and Address(s) of Applicant(s):  
**PRIVEE A.G. KABUSHIKI KAISHA**  
**6-10-1 Roppongi Minato-ku Tokyo 106-6117 Japan**  
(72) Name(s) of Designer(s): **Eiji Ishiwata**  
(45) Registration Date: **09 July 2013**  
(30) Convention priority data:  
(31) Number      (32) Date      (33) Country  
**2012-28935      27 Nov 2012      JAPAN**  
(56) Related Art Documents: **Not Applicable**  
(57) Statement of Newness and Distinctiveness: **Newness and distinctiveness is claimed in the features of shape and/or configuration of a crayon as illustrated in the accompanying representations.**



(21) Design Number: **12461/2013**  
(22) Date of Filing Application: **28 May 2013**  
(24) Date from which industrial property rights may have effect: **28 May 2013**  
(54) Product in respect of which the design is registered: **Buoyant element for use as a pontoon**  
(51) International Design Classification: **12-06NES**  
(74) Name(s) of Attorney(s): **Churchill Attorneys**  
(71) Name(s) and Address(s) of Applicant(s):  
**Jonathan Rayner Tacon**  
**9 Meyer Street Oaklands Gauteng 2192 South Africa**  
(72) Name(s) of Designer(s): **Jonathan Rayner Tacon**  
(45) Registration Date: **09 July 2013**  
(30) Convention priority data:  
(31) Number (32) Date (33) Country  
**F2012/02075 28 Nov 2012 SOUTH AFRICA**  
(56) Related Art Documents: **Not Applicable**  
(57) Statement of Newness and Distinctiveness: **The newness and distinctiveness of the design resides in the shape of the buoyant element as shown in the accompanying representations.**



(21) Design Number: **12576/2013**  
(22) Date of Filing Application: **29 May 2013**  
(24) Date from which industrial property rights may have effect: **29 May 2013**  
(54) Product in respect of which the design is registered: **A sail propelled boat**  
(51) International Design Classification: **12-06B**  
(74) Name(s) of Attorney(s): **Churchill Attorneys**  
(71) Name(s) and Address(s) of Applicant(s):  
**Robert Reginald Bray**  
**210 Mimosa Road Northcliff Extension 2 2195 Johannesburg South Africa**  
(72) Name(s) of Designer(s): **Robert Reginald Bray**  
(45) Registration Date: **09 July 2013**  
(30) Convention priority data:  
(31) Number (32) Date (33) Country  
**A2012/02084 28 Nov 2012 SOUTH AFRICA**  
(56) Related Art Documents: **Not Applicable**  
(57) Statement of Newness and Distinctiveness: **Newness and distinctiveness resides in features of shape and/or configuration of the sail propelled boat as shown in the accompanying representations.**





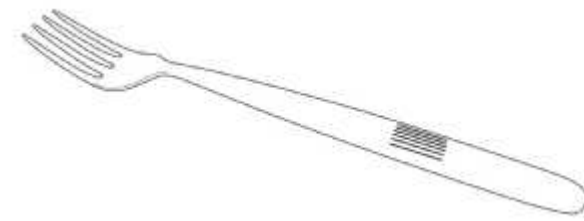
- (21) Design Number: **12658/2013**  
(22) Date of Filing Application: **07 June 2013**  
(24) Date from which industrial property rights may have effect: **07 June 2013**  
(54) Product in respect of which the design is registered: **Plumbing fitting**  
(51) International Design Classification: **23-01A**  
(74) Name(s) of Attorney(s):  
(71) Name(s) and Address(s) of Applicant(s):  
**Ty Gerard Hermans**  
**PO BOX 3077 Clontarf DC QLD 4019 Australia**  
(72) Name(s) of Designer(s): **Ty Gerard Hermans and Mayer Jung**  
(45) Registration Date: **09 July 2013**  
(56) Related Art Documents: **Not Applicable**  
(57) Statement of Newness and Distinctiveness: **Newness and distinctiveness is claimed in the features of shape and configuration of the equipment support as illustrated in the accompanying representations.**



- (21) Design Number: **12717/2013**  
(22) Date of Filing Application: **13 June 2013**  
(24) Date from which industrial property rights may have effect: **13 June 2013**  
(54) Product in respect of which the design is registered: **Coffee spoon**  
(51) International Design Classification: **07-03**  
(74) Name(s) of Attorney(s): **Ashurst Australia**  
(71) Name(s) and Address(s) of Applicant(s):  
**Marimekko Oyj**  
**Puusepankatu 4 00880 Helsinki Finland**  
(72) Name(s) of Designer(s): **Mari Isopahkala**  
(45) Registration Date: **09 July 2013**  
(30) Convention priority data:  
(31) Number (32) Date (33) Country  
**002170118-0001 22 Jan 2013 OFFICE FOR HARMONISATION IN  
THE INTERNAL MARKET (OHIM)**  
(56) Related Art Documents: **Not Applicable**  
(57) Statement of Newness and Distinctiveness: **Nil**



(21) Design Number: **12718/2013**  
(22) Date of Filing Application: **13 June 2013**  
(24) Date from which industrial property rights may have effect: **13 June 2013**  
(54) Product in respect of which the design is registered: **Dinner fork**  
(51) International Design Classification: **07-03**  
(74) Name(s) of Attorney(s): **Ashurst Australia**  
(71) Name(s) and Address(s) of Applicant(s):



**Marimekko Oyj**  
**Puusepankatu 4 00880 Helsinki Finland**

(72) Name(s) of Designer(s): **Mari Isopahkala**  
(45) Registration Date: **09 July 2013**

(30) Convention priority data:

(31) Number	(32) Date	(33) Country
<b>002170118-0002</b>	<b>22 Jan 2013</b>	<b>OFFICE FOR HARMONISATION IN THE INTERNAL MARKET (OHIM)</b>

(56) Related Art Documents: **Not Applicable**

(57) Statement of Newness and Distinctiveness: **Nil**

(21) Design Number: **12719/2013**  
(22) Date of Filing Application: **13 June 2013**  
(24) Date from which industrial property rights may have effect: **13 June 2013**  
(54) Product in respect of which the design is registered: **Dinner knife**  
(51) International Design Classification: **07-03**  
(74) Name(s) of Attorney(s): **Ashurst Australia**  
(71) Name(s) and Address(s) of Applicant(s):



**Marimekko Oyj**  
**Puusepankatu 4 00880 Helsinki Finland**

(72) Name(s) of Designer(s): **Mari Isopahkala**  
(45) Registration Date: **09 July 2013**

(30) Convention priority data:

(31) Number	(32) Date	(33) Country
<b>002170118-0003</b>	<b>22 Jan 2013</b>	<b>OFFICE FOR HARMONISATION IN THE INTERNAL MARKET (OHIM)</b>

(56) Related Art Documents: **Not Applicable**

(57) Statement of Newness and Distinctiveness: **Nil**

(21) Design Number: **12720/2013**

(22) Date of Filing Application: **13 June 2013**

(24) Date from which industrial property rights may have effect: **13 June 2013**

(54) Product in respect of which the design is registered: **Dinner spoon**

(51) International Design Classification: **07-03**

(74) Name(s) of Attorney(s): **Ashurst Australia**

(71) Name(s) and Address(s) of Applicant(s):

**Marimekko Oyj**

**Puusepankatu 4 00880 Helsinki Finland**

(72) Name(s) of Designer(s): **Mari Isopahkala**

(45) Registration Date: **09 July 2013**

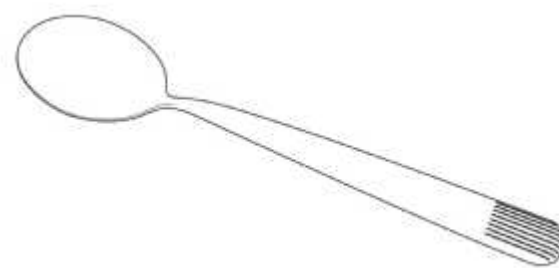
(30) Convention priority data:

(31) Number (32) Date  
**002170118-0004 22 Jan 2013**

(33) Country  
**OFFICE FOR HARMONISATION IN  
THE INTERNAL MARKET (OHIM)**

(56) Related Art Documents: **Not Applicable**

(57) Statement of Newness and Distinctiveness: **Nil**



(21) Design Number: **12721/2013**

(22) Date of Filing Application: **13 June 2013**

(24) Date from which industrial property rights may have effect: **13 June 2013**

(54) Product in respect of which the design is registered: **Salad server big short**

(51) International Design Classification: **07-03, 07-06NES**

(74) Name(s) of Attorney(s): **Ashurst Australia**

(71) Name(s) and Address(s) of Applicant(s):

**Marimekko Oyj**

**Puusepankatu 4 00880 Helsinki Finland**

(72) Name(s) of Designer(s): **Mari Isopahkala**

(45) Registration Date: **09 July 2013**

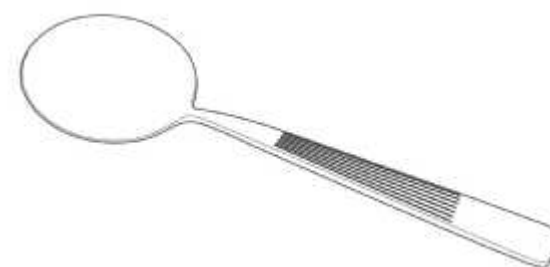
(30) Convention priority data:

(31) Number (32) Date  
**002170118-0005 22 Jan 2013**

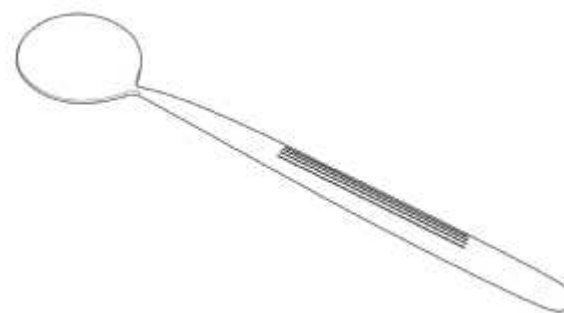
(33) Country  
**OFFICE FOR HARMONISATION IN  
THE INTERNAL MARKET (OHIM)**

(56) Related Art Documents: **Not Applicable**

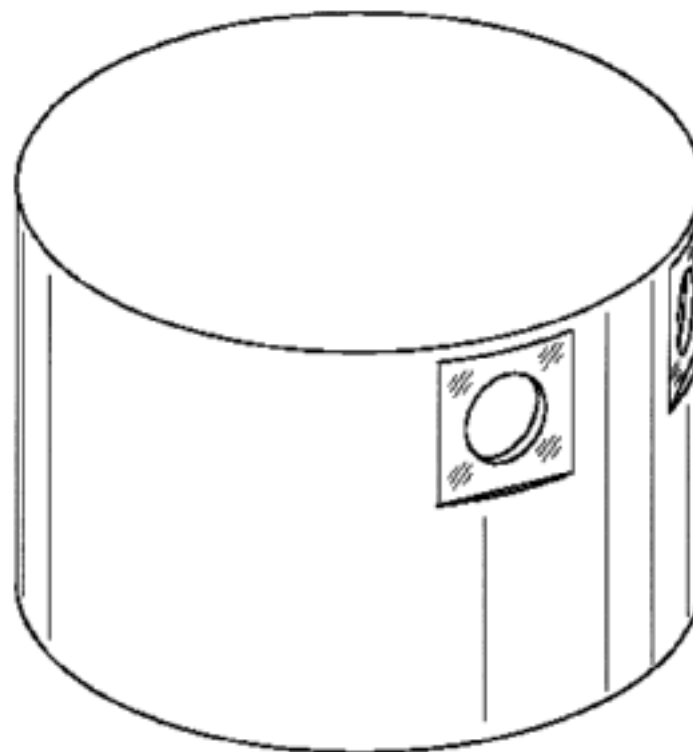
(57) Statement of Newness and Distinctiveness: **Nil**



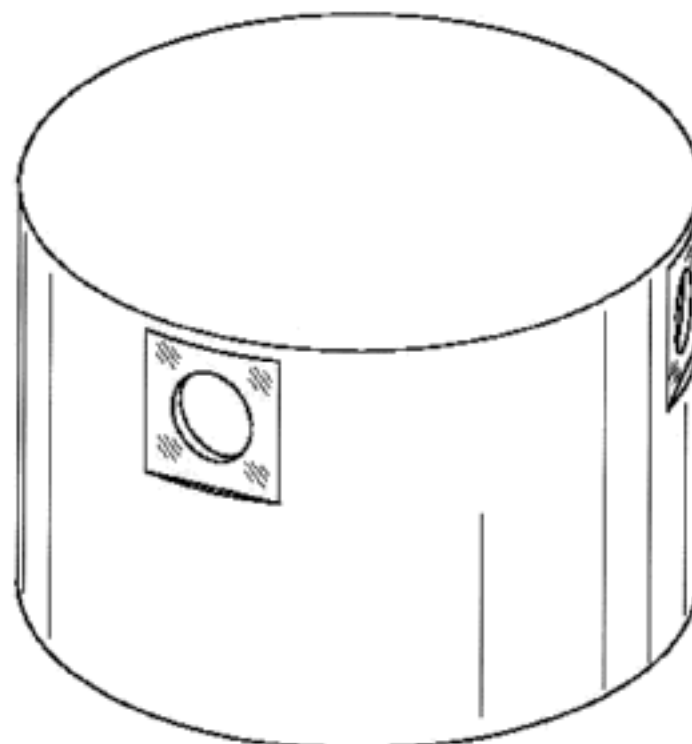
(21) Design Number: **12722/2013**  
(22) Date of Filing Application: **13 June 2013**  
(24) Date from which industrial property rights may have effect: **13 June 2013**  
(54) Product in respect of which the design is registered: **Salad server small long**  
(51) International Design Classification: **07-03, 07-06NES**  
(74) Name(s) of Attorney(s): **Ashurst Australia**  
(71) Name(s) and Address(s) of Applicant(s):  
**Marimekko Oyj**  
**Puusepankatu 4 00880 Helsinki Finland**  
(72) Name(s) of Designer(s): **Mari Isopahkala**  
(45) Registration Date: **09 July 2013**  
(30) Convention priority data:  
(31) Number (32) Date (33) Country  
**002170118-0006 22 Jan 2013 OFFICE FOR HARMONISATION IN**  
**THE INTERNAL MARKET (OHIM)**  
(56) Related Art Documents: **Not Applicable**  
(57) Statement of Newness and Distinctiveness: **Nil**



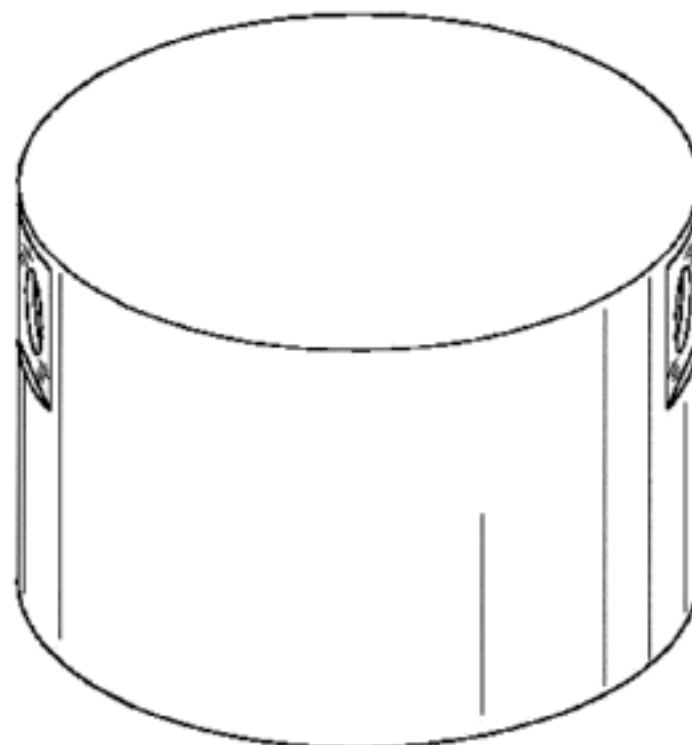
(21) Design Number: **10900/2013**  
(22) Date of Filing Application: **26 February 2013**  
(24) Date from which industrial property rights may have effect: **26 February 2013**  
(54) Product in respect of which the design is registered: **Cap for a motor housing**  
(51) International Design Classification: **15-01**  
(74) Name(s) of Attorney(s): **Knightsbridge Patent Attorneys**  
(71) Name(s) and Address(s) of Applicant(s):  
**Ary Pty Ltd**  
**FY1 17 Patrick Ct Seaford VIC 3198 Australia**  
(72) Name(s) of Designer(s): **Malki Allan About Ary**  
(45) Registration Date: **09 July 2013**  
(56) Related Art Documents: **Not Applicable**  
(57) Statement of Newness and Distinctiveness: **The applicant claims that newness and distinctiveness reside in the features of shape and configuration of a cap for a motor housing, as depicted in the accompanying representations.**



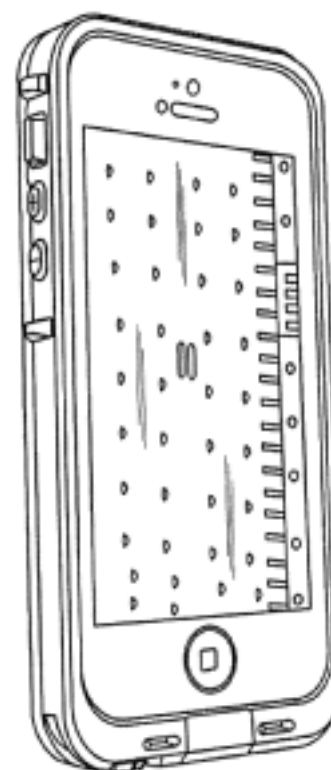
- (21) Design Number: **10903/2013**  
(22) Date of Filing Application: **26 February 2013**  
(24) Date from which industrial property rights may have effect: **26 February 2013**  
(54) Product in respect of which the design is registered: **Cap for a motor housing**  
(51) International Design Classification: **15-01**  
(74) Name(s) of Attorney(s): **Knightsbridge Patent Attorneys**  
(71) Name(s) and Address(s) of Applicant(s):  
**Ary Pty Ltd**  
**FY1 17 Patrick Ct Seaford VIC 3198 Australia**  
(72) Name(s) of Designer(s): **Malki Allan Aboud Ary**  
(45) Registration Date: **09 July 2013**  
(56) Related Art Documents: **Not Applicable**  
(57) Statement of Newness and Distinctiveness: **The Applicant claims that newness and distinctiveness reside in the features of shape and configuration of a cap for a motor housing, as depicted in the accompanying representations.**



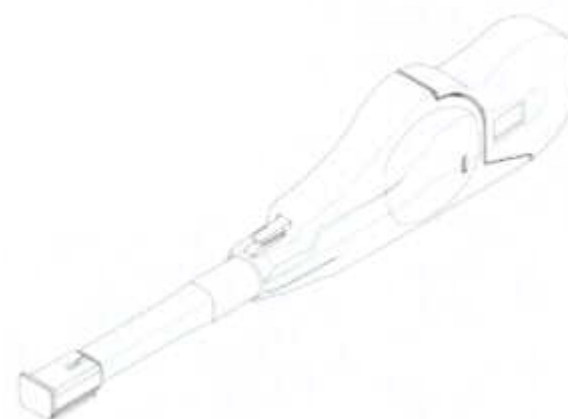
- (21) Design Number: **10905/2013**  
(22) Date of Filing Application: **26 February 2013**  
(24) Date from which industrial property rights may have effect: **26 February 2013**  
(54) Product in respect of which the design is registered: **Cap for a motor housing**  
(51) International Design Classification: **15-01**  
(74) Name(s) of Attorney(s): **Knightsbridge Patent Attorneys**  
(71) Name(s) and Address(s) of Applicant(s):  
**Ary Pty Ltd**  
**FY1 17 Patrick Ct Seaford VIC 3198 Australia**  
(72) Name(s) of Designer(s): **Malki Allan Aboud Ary**  
(45) Registration Date: **09 July 2013**  
(56) Related Art Documents: **Not Applicable**  
(57) Statement of Newness and Distinctiveness: **The Applicant claims that newness and distinctiveness reside in the features of shape and configuration of a cap for a motor housing, as depicted in the accompanying representations.**



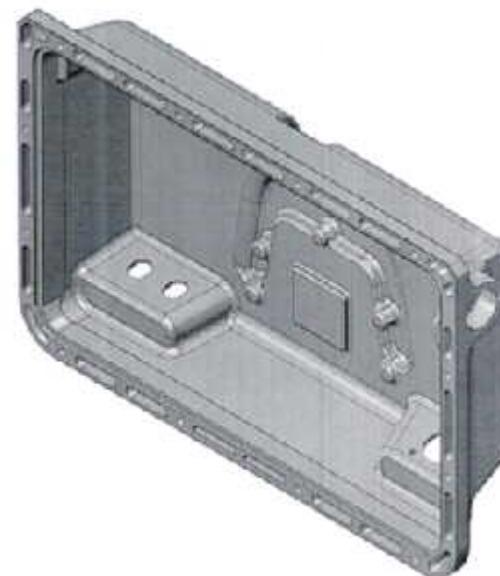
- (21) Design Number: **11249/2013**  
(22) Date of Filing Application: **13 March 2013**  
(24) Date from which industrial property rights may have effect: **13 March 2013**  
(54) Product in respect of which the design is registered: **A case for an electronic device**  
(51) International Design Classification: **03-01NES**  
(74) Name(s) of Attorney(s): **Cullens Patent and Trade Mark Attorneys**  
(71) Name(s) and Address(s) of Applicant(s):  
**TreeFrog Developments, Inc.**  
**15110 Avenue of Science San Diego CA 92132 United States of America**  
(72) Name(s) of Designer(s): **Gary Rayner**  
(45) Registration Date: **09 July 2013**  
(30) Convention priority data:  
(31) Number (32) Date (33) Country  
**29/432,168 13 Sep 2012 UNITED STATES OF AMERICA**  
(56) Related Art Documents: **Not Applicable**  
(57) Statement of Newness and Distinctiveness: **Newness and distinctiveness resides in the shape or configuration of a case for an electronic device as shown in the accompanying representations.**



- (21) Design Number: **11397/2013**  
(22) Date of Filing Application: **19 March 2013**  
(24) Date from which industrial property rights may have effect: **19 March 2013**  
(54) Product in respect of which the design is registered: **Optical connector cleaner**  
(51) International Design Classification: **14-02**  
(74) Name(s) of Attorney(s): **FB Rice**  
(71) Name(s) and Address(s) of Applicant(s):  
**Fujikura Ltd.**  
**5-1 Kiba 1-chome Koto-ku Tokyo 135-8512 Japan**  
(72) Name(s) of Designer(s): **Junichi Nakane and Akari Kurashige**  
(45) Registration Date: **09 July 2013**  
(30) Convention priority data:  
(31) Number (32) Date (33) Country  
**2012-025192 17 Oct 2012 JAPAN**  
(56) Related Art Documents: **Not Applicable**  
(57) Statement of Newness and Distinctiveness: **Newness and distinctiveness reside in the features of the design as shown in the representations.**



- (21) Design Number: **11416/2013**  
(22) Date of Filing Application: **20 March 2013**  
(24) Date from which industrial property rights may have effect: **20 March 2013**  
(54) Product in respect of which the design is registered: **Rear housing for a controller**  
(51) International Design Classification: **13-03NES, 14-03NES, 15-99**  
(74) Name(s) of Attorney(s): **Davies Collison Cave**  
(71) Name(s) and Address(s) of Applicant(s):  
**Orica International Pte Ltd**  
**78 Shenton Way #06-15 Tower 2 Singapore 079120 Singapore**  
(72) Name(s) of Designer(s): **Nick Harrison and Peter Condie and Gretta Jensen and Owen Bawden and Neil Davidson and Ben Cramp and Anton Lee See**  
(45) Registration Date: **09 July 2013**  
(56) Related Art Documents: **Not Applicable**  
(57) Statement of Newness and Distinctiveness: **Nil**



- (21) Design Number: **11447/2013**  
(22) Date of Filing Application: **20 March 2013**  
(24) Date from which industrial property rights may have effect: **20 March 2013**  
(54) Product in respect of which the design is registered: **SEAT AND TABLE COMBINATION FOR INDOOR OR OUTDOOR USE**  
(51) International Design Classification: **06-01C, 06-01NES, 06-05, 06-03A**  
(74) Name(s) of Attorney(s): **Griffith Hack**  
(71) Name(s) and Address(s) of Applicant(s):  
**Proff Collection B.V.**  
**Terbregse Rechter Rottekade 137 Rotterdam 3055 XC The Netherlands**  
(72) Name(s) of Designer(s): **Jurgen Hans Beji and Bernard Franciscus van Berkel**  
(45) Registration Date: **09 July 2013**  
(30) Convention priority data:  
(31) Number (32) Date (33) Country  
**002102061-0001 13 Sep 2012 OFFICE FOR HARMONISATION IN THE INTERNAL MARKET (OHIM)**  
(56) Related Art Documents: **Not Applicable**  
(57) Statement of Newness and Distinctiveness: **Newness and distinctiveness resides in the visual features, including shape, configuration and ornamentation of the PRODUCT shown in the accompanying representations.**



(21) Design Number: **11448/2013**

(22) Date of Filing Application: **20 March 2013**

(24) Date from which industrial property rights may have effect: **20 March 2013**

(54) Product in respect of which the design is registered: **SEAT AND TABLE COMBINATION FOR INDOOR OR OUTDOOR USE**

(51) International Design Classification: **06-01F, 06-05, 06-01NES, 06-03A**

(74) Name(s) of Attorney(s): **Griffith Hack**

(71) Name(s) and Address(s) of Applicant(s):

**Prooff Collection B.V.**

**Terbregse Rechter Rottekade 137 Rotterdam 3055 XC The Netherlands**

(72) Name(s) of Designer(s): **Jurgen Hans Beji and Bernard Franciscus van Berkel**

(45) Registration Date: **09 July 2013**

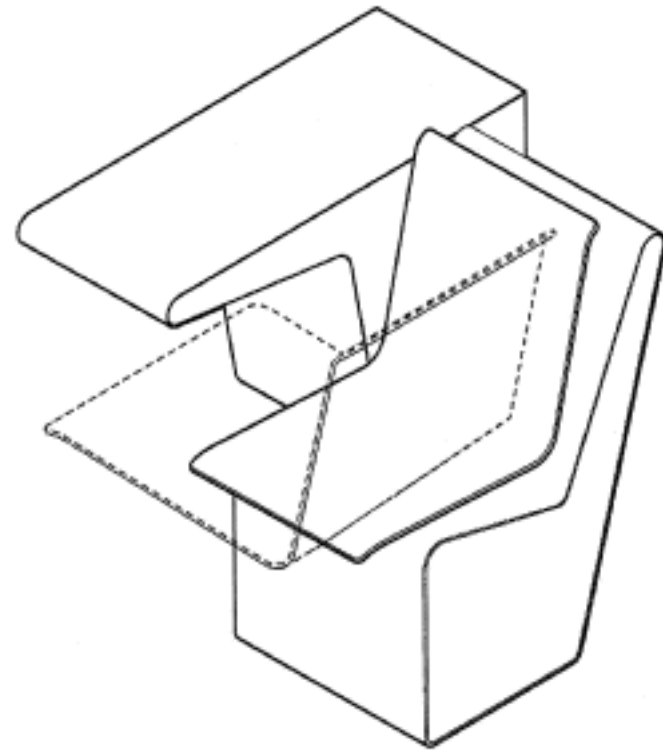
(30) Convention priority data:

(31) Number (32) Date  
**002102392-0001 13 Sep 2012**

(33) Country  
**OFFICE FOR HARMONISATION IN  
THE INTERNAL MARKET (OHIM)**

(56) Related Art Documents: **Not Applicable**

(57) Statement of Newness and Distinctiveness: **Newness and distinctiveness resides in the visual features, including shape, configuration and ornamentation of the PRODUCT shown in the accompanying representations. A seat of the PRODUCT can move between two locations which are illustrated by means of solid and dashed lines.**





(21) Design Number: **11651/2013**

(22) Date of Filing Application: **05 April 2013**

(24) Date from which industrial property rights may have effect: **05 April 2013**

(54) Product in respect of which the design is registered: **A laundry module for a clothesline**

(51) International Design Classification: **07-05D**

(74) Name(s) of Attorney(s):

(71) Name(s) and Address(s) of Applicant(s):

**Nicole Cherie Licht**

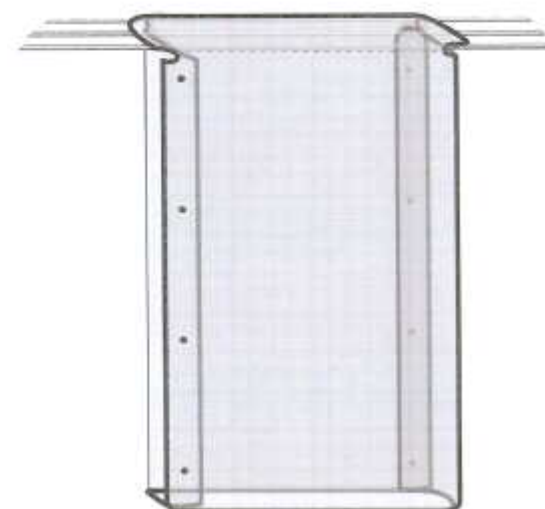
**176A Princess St Kew VIC 3101 Australia**

(72) Name(s) of Designer(s): **Nicole Cherie Licht**

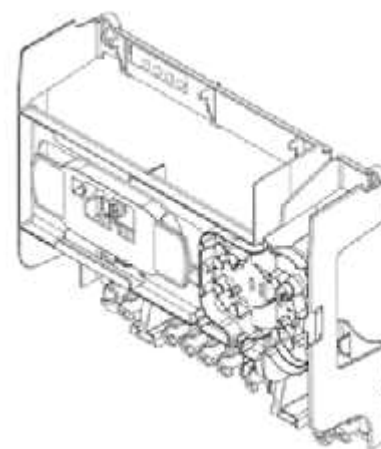
(45) Registration Date: **09 July 2013**

(56) Related Art Documents: **Not Applicable**

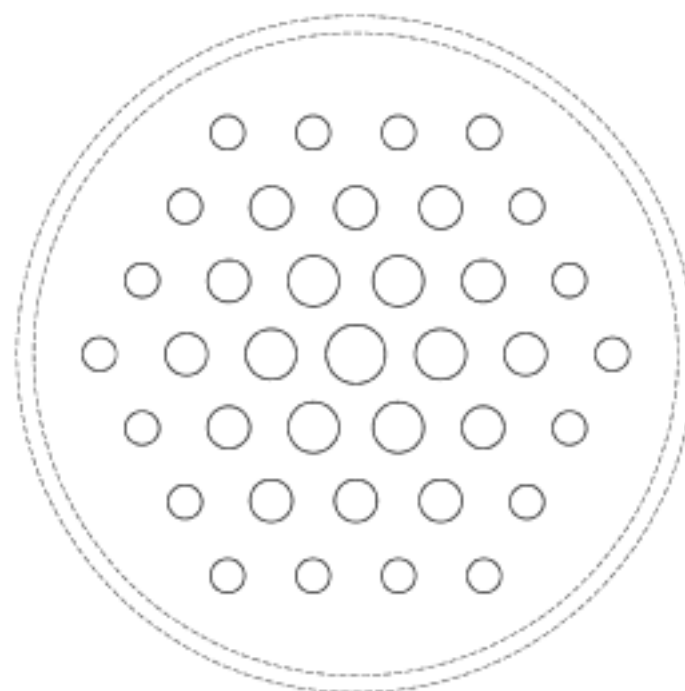
(57) Statement of Newness and Distinctiveness: **Designed for Privacy and Weather Protection** The product is designed to enclose and conceal the contents for the purpose of privacy of smalls and intimates, hanging delicate garments for protection from the sun, rain, wind and pollution/pollen of particulate matter. The product is easily assembled and takes form/shape when suspended over the existing retractable or rotary clotheslines. Once suspended the module wraps around and attaches onto self- fastenings at front and back openings. Industrial strength press-studs enable easy access and exit, making the product also detachable. This unique wrap-able design promotes airflow and ventilation from the open space at the bottom up through the side spaces between fasteners through to the flap openings that work as upper topside vents of the module. This encourages a natural convection current whilst protecting and sheltering the inside contents. The existing line space is only partially used by the module when wrapped around the lines. This also leaves use of the existing line space outside of the module if required. **Manufacturing & Environment** The laundry module for a clothesline is manufactured from a semi translucent membrane fabric consisting of a polyester base cloth with a PVC coating. This allows excellent durability, great tear and tensile strength, excellent cold crack, high translucence and light transmission, high pollution and chemical resistance. The product is 100% recyclable to reduce environmental impact of disposal by land or incineration. Because of it's durability and hard wearing qualities the product has a long product life cycle. Certified high standards are maintained during the manufacturing processes of the fabric, this eliminates toxic chemicals frequently used in textile production and therefore eliminates air pollutants known as VOC's that are harmful to humans



- (21) Design Number: **11754/2013**  
(22) Date of Filing Application: **12 April 2013**  
(24) Date from which industrial property rights may have effect: **12 April 2013**  
(54) Product in respect of which the design is registered: **NTD enclosure cover**  
(51) International Design Classification: **14-03NES**  
(74) Name(s) of Attorney(s): **PHILLIPS ORMONDE FITZPATRICK**  
(71) Name(s) and Address(s) of Applicant(s):  
**B&R Enclosures Pty Ltd**  
**Brisbane South Industrial Park 51 Stradbroke St Heathwood QLD 4110**  
**Australia**  
(72) Name(s) of Designer(s): **Barry Thomas Walker and Anton Liang Lee See**  
**and Benjamin Douglas Vinall Cramp**  
(45) Registration Date: **10 July 2013**  
(56) Related Art Documents: **Not Applicable**  
(57) Statement of Newness and Distinctiveness: **Nil**



- (21) Design Number: **12032/2013**  
(22) Date of Filing Application: **02 May 2013**  
(24) Date from which industrial property rights may have effect: **02 May 2013**  
(54) Product in respect of which the design is registered: **Cosmetic pad having surface patterns**  
(51) International Design Classification: **28-99**  
(74) Name(s) of Attorney(s): **SPRUSON & FERGUSON**  
(71) Name(s) and Address(s) of Applicant(s):  
**Kimberly-Clark Worldwide, Inc.**  
**2300 Winchester Road Neenah Wisconsin 54956 United States of America**  
(72) Name(s) of Designer(s): **Alice Susan Gordon and Jonathon Adam Dien**  
**and Nadeem Haidary and Jennifer L Schiffman**  
(45) Registration Date: **10 July 2013**  
(56) Related Art Documents: **Not Applicable**  
(57) Statement of Newness and Distinctiveness: **Newness and distinctiveness is claimed in those features of pattern/ornamentation of a cosmetic pad having surface patterns as illustrated in continuous lines in the accompanying representations.**



(21) Design Number: **12427/2013**

(22) Date of Filing Application: **25 May 2013**

(24) Date from which industrial property rights may have effect: **25 May 2013**

(54) Product in respect of which the design is registered: **Multi-tool with knife**

(51) International Design Classification: **08-03, 04-01, 08-05NES**

(74) Name(s) of Attorney(s): **John Christiansen**

(71) Name(s) and Address(s) of Applicant(s):

**Smith's Consumer Products, Inc.  
747 Mid America Boulevard Hot Springs Arkansas 71913 United States  
of America**

(72) Name(s) of Designer(s): **Richard S. Smith and Louis Chalfant**

(45) Registration Date: **10 July 2013**

(30) Convention priority data:

(31) Number	(32) Date	(33) Country
<b>29/438,214</b>	<b>27 Nov 2012</b>	<b>UNITED STATES OF AMERICA</b>

(56) Related Art Documents: **Not Applicable**

(57) Statement of Newness and Distinctiveness: **Newness and distinctiveness is claimed in the visual features, including shape and configuration, of a multi-tool with knife as shown in the accompanying representations. The broken lines in the representations illustrate parts of the multi-tool with knife that form no part of the claim to newness and distinctiveness.**



(21) Design Number: **12483/2013**

(22) Date of Filing Application: **29 May 2013**

(24) Date from which industrial property rights may have effect: **29 May 2013**

(54) Product in respect of which the design is registered: **Wire joiner, tensioner and fastening device**

(51) International Design Classification: **08-05NES, 08-99**

(74) Name(s) of Attorney(s): **Cullens Patent and Trade Mark Attorneys**

(71) Name(s) and Address(s) of Applicant(s):

**Gripple Limited  
The Old West Gun Works Saville Street East Sheffield S4 7UQ United  
Kingdom**

(72) Name(s) of Designer(s): **Matthew Bacon**

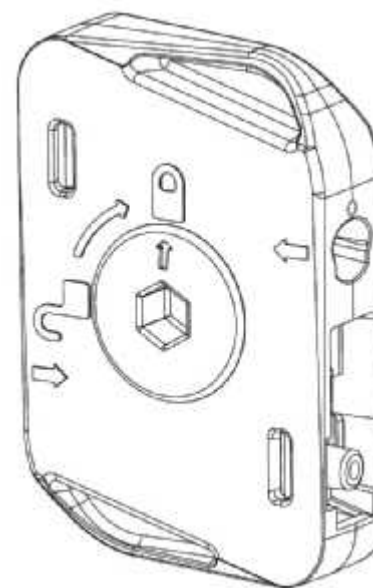
(45) Registration Date: **10 July 2013**

(30) Convention priority data:

(31) Number	(32) Date	(33) Country
<b>002243147</b>	<b>24 May 2013</b>	<b>OFFICE FOR HARMONISATION IN THE INTERNAL MARKET (OHIM)</b>

(56) Related Art Documents: **Not Applicable**

(57) Statement of Newness and Distinctiveness: **Nil**



(21) Design Number: **12700/2013**  
(22) Date of Filing Application: **13 June 2013**  
(24) Date from which industrial property rights may have effect: **13 June 2013**  
(54) Product in respect of which the design is registered: **Therapeutic lamp**  
(51) International Design Classification: **26-02**  
(74) Name(s) of Attorney(s): **Cotters Patent & Trade Mark Attorneys**  
(71) Name(s) and Address(s) of Applicant(s):  
**Fieldpoint (Cyprus) Limited**  
**Oneworld Parkview House 75 Prodromou Avenue Nicosia CY-2063**  
**Cyprus**  
(72) Name(s) of Designer(s): **Philip Zepter**  
(45) Registration Date: **10 July 2013**  
(30) Convention priority data:  
(31) Number (32) Date (33) Country  
**727460101 20 Mar 2013 INTERNATIONAL BUREAU (WIPO)**  
(56) Related Art Documents: **Not Applicable**  
(57) Statement of Newness and Distinctiveness: **Newness and distinctiveness is claimed in the features of shape and/or configuration of a therapeutic lamp as depicted in the accompanying drawings.**



(21) Design Number: **12726/2013**  
(22) Date of Filing Application: **13 June 2013**  
(24) Date from which industrial property rights may have effect: **13 June 2013**  
(54) Product in respect of which the design is registered: **Dressing table with mirror**  
(51) International Design Classification: **06-06B**  
(74) Name(s) of Attorney(s):  
(71) Name(s) and Address(s) of Applicant(s):  
**You Choon Ng**  
**2 Cessna Dr Jandakot WA 6164 Australia**  
**Inter Multi Furniture Sdn Bhd**  
**23 Jalan Peserai Perit Laman 83500 Batu Pahat Jahor Malaysia**  
(72) Name(s) of Designer(s): **You Choon Ng**  
(45) Registration Date: **10 July 2013**  
(56) Related Art Documents: **Not Applicable**  
(57) Statement of Newness and Distinctiveness: **The features of the design for which novelty are claimed are i) the overall structure, design and pattern of the dressing table as a whole (including the mirror) ii) the design and configuration of the sliding top of the dressing table iii) the structure, configuration and pattern of the drawers and overall cupboard section of the dressing table.**



- (21) Design Number: **12727/2013**  
(22) Date of Filing Application: **13 June 2013**  
(24) Date from which industrial property rights may have effect: **13 June 2013**  
(54) Product in respect of which the design is registered: **Chest drawers with a door**  
(51) International Design Classification: **06-04F**  
(74) Name(s) of Attorney(s):  
(71) Name(s) and Address(s) of Applicant(s):  
**You Choon Ng**  
**2 Cessna Dr Jandakot WA 6164 Australia**  
**Inter Multi Furniture Sdn Bhd**  
**23 Jalan Peserai Perit Laman 83500 Batu Pahat Jahor Malaysia**  
(72) Name(s) of Designer(s): **You Choon Ng**  
(45) Registration Date: **10 July 2013**  
(56) Related Art Documents: **Not Applicable**  
(57) Statement of Newness and Distinctiveness: **The features of the design for which novelty are claimed are i) the overall structure, design and pattern of the chest of drawers as a whole (including the cupboard and door) ii) the structure, configuration and pattern of the drawers iii) the structure, configuration and pattern of the cupboard and door.**



- (21) Design Number: **12755/2013**  
(22) Date of Filing Application: **14 June 2013**  
(24) Date from which industrial property rights may have effect: **14 June 2013**  
(54) Product in respect of which the design is registered: **Bottle**  
(51) International Design Classification: **09-01NES, 09-01K**  
(74) Name(s) of Attorney(s): **PHILLIPS ORMONDE FITZPATRICK**  
(71) Name(s) and Address(s) of Applicant(s):  
**The Coca-Cola Company**  
**One Coca-Cola Plaza N.W. Atlanta Georgia 30313 United States of America**  
(72) Name(s) of Designer(s): **David Murray Melrose and Jae Ho Cha and Kris Tomasson and Nicolas Eilken and Sebastian Ronfeld**  
(45) Registration Date: **10 July 2013**  
(30) Convention priority data:  
(31) Number      (32) Date      (33) Country  
**29/440,063      18 Dec 2012      UNITED STATES OF AMERICA**  
(56) Related Art Documents: **Not Applicable**  
(57) Statement of Newness and Distinctiveness: **Those features of the bottle depicted in the representations that are new and distinctive are the shape and/or configuration. The uneven-length broken lines represent boundaries of the claimed design that form no part of the design. The even-length broken lines are not part of the design and are to be disregarded when considering the overall impression of the design.**



- (21) Design Number: **12756/2013**  
(22) Date of Filing Application: **14 June 2013**  
(24) Date from which industrial property rights may have effect: **14 June 2013**  
(54) Product in respect of which the design is registered: **Bottle**  
(51) International Design Classification: **09-01NES, 09-01K**  
(74) Name(s) of Attorney(s): **PHILLIPS ORMONDE FITZPATRICK**  
(71) Name(s) and Address(s) of Applicant(s):  
**The Coca-Cola Company**  
**One Coca-Cola Plaza N.W. Atlanta Georgia 30313 United States of America**  
(72) Name(s) of Designer(s): **David Murray Melrose and Jae Ho Cha and Kris Tomasson and Nicolas Eilken and Sebastian Ronefeld**  
(45) Registration Date: **10 July 2013**  
(30) Convention priority data:  
(31) Number (32) Date (33) Country  
**29/440,063 18 Dec 2012 UNITED STATES OF AMERICA**  
(56) Related Art Documents: **Not Applicable**  
(57) Statement of Newness and Distinctiveness: **Those features of the bottle depicted in the representations that are new and distinctive are the shape and/or configuration. The uneven-length broken lines represent boundaries of the claimed design that form no part of the design. The even-length broken lines are not part of the design and are to be disregarded when considering the overall impression of the design.**



- (21) Design Number: **12757/2013**  
(22) Date of Filing Application: **12 June 2013**  
(24) Date from which industrial property rights may have effect: **12 June 2013**  
(54) Product in respect of which the design is registered: **Adhesive stick**  
(51) International Design Classification: **19-99, 19-06**  
(74) Name(s) of Attorney(s): **PETER MAXWELL & ASSOCIATES**  
(71) Name(s) and Address(s) of Applicant(s):  
**Dinko Jurcevic**  
**Burgwiesenstrasse 5 Koln 51067 Germany**  
(72) Name(s) of Designer(s): **Dinko Jurcevic**  
(45) Registration Date: **10 July 2013**  
(30) Convention priority data:  
(31) Number (32) Date (33) Country  
**002151936-002 12 Dec 2012 OFFICE FOR HARMONISATION IN THE INTERNAL MARKET (OHIM)**  
(56) Related Art Documents: **Not Applicable**  
(57) Statement of Newness and Distinctiveness: **Newness and distinctiveness is claimed in the shape and/or configuration of ADHESIVE STICK as illustrated by the unbroken lines in the accompanying representation/s.**



(21) Design Number: **12760/2013**  
(22) Date of Filing Application: **12 June 2013**  
(24) Date from which industrial property rights may have effect: **12 June 2013**  
(54) Product in respect of which the design is registered: **Adhesive stick**  
(51) International Design Classification: **19-99, 19-06**  
(74) Name(s) of Attorney(s): **PETER MAXWELL & ASSOCIATES**  
(71) Name(s) and Address(s) of Applicant(s):  
**Dinko Jurcevic**  
**Burgwiesenstrasse 5 Koln 51067 Germany**  
(72) Name(s) of Designer(s): **Dinko Jurcevic**  
(45) Registration Date: **10 July 2013**  
(30) Convention priority data:  
(31) Number (32) Date (33) Country  
**002151936-001 12 Dec 2012 OFFICE FOR HARMONISATION IN**  
**THE INTERNAL MARKET (OHIM)**  
(56) Related Art Documents: **Not Applicable**  
(57) Statement of Newness and Distinctiveness: **Newness and distinctiveness is claimed in the shape and/or configuration of ADHESIVE STICK as illustrated by the unbroken lines in the accompanying representation/s.**



(21) Design Number: **12777/2013**  
(22) Date of Filing Application: **17 June 2013**  
(24) Date from which industrial property rights may have effect: **22 February 2013**  
(54) Product in respect of which the design is registered: **Baby bottle**  
(51) International Design Classification: **07-01E**  
(74) Name(s) of Attorney(s): **Griffith Hack**  
(71) Name(s) and Address(s) of Applicant(s):  
**Tomy International, Inc.**  
**2021 9th Street SE Dyersville Iowa 52040 United States of America**  
(72) Name(s) of Designer(s): **Ruth Prentice and Patrick Thrailkill**  
(45) Registration Date: **10 July 2013**  
(62) Divisional of: **349383**  
(56) Related Art Documents: **Not Applicable**  
(57) Statement of Newness and Distinctiveness: **Newness and distinctiveness resides in the visual features, including shape, configuration and ornamentation of the product as shown in the accompanying representations.**



- (21) Design Number: **12778/2013**  
(22) Date of Filing Application: **17 June 2013**  
(24) Date from which industrial property rights may have effect: **22 February 2013**  
(54) Product in respect of which the design is registered: **Baby bottle**  
(51) International Design Classification: **07-01E**  
(74) Name(s) of Attorney(s): **Griffith Hack**  
(71) Name(s) and Address(s) of Applicant(s):  
**Tomy International, Inc.**  
**2021 9th Street SE Dyersville Iowa 52040 United States of America**  
(72) Name(s) of Designer(s): **Ruth Prentice and Patrick Thrailkill**  
(45) Registration Date: **10 July 2013**  
(62) Divisional of: **349383**  
(56) Related Art Documents: **Not Applicable**  
(57) Statement of Newness and Distinctiveness: **Newness and distinctiveness resides in the visual features, including shape, configuration and ornamentation of the product as shown in the accompanying representations.**

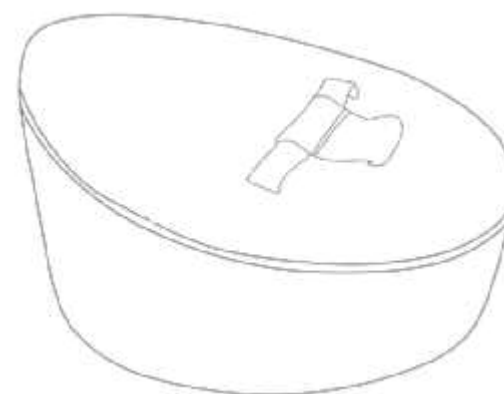


- (21) Design Number: **12794/2013**  
(22) Date of Filing Application: **18 June 2013**  
(24) Date from which industrial property rights may have effect: **18 June 2013**  
(54) Product in respect of which the design is registered: **Cartridge for printer**  
(51) International Design Classification: **14-02**  
(74) Name(s) of Attorney(s): **Griffith Hack**  
(71) Name(s) and Address(s) of Applicant(s):  
**Samsung Electronics Co., Ltd.**  
**129 Samsung-ro Yeongtong-gu Suwon-si Gyeonggi-do 443-742 Republic of Korea**  
(72) Name(s) of Designer(s): **Seung-Gweon Lee and Young-Chae Kim and Sang-Hoon Lee and Ki-Hyun Yoo and Ho-Jin Jang**  
(45) Registration Date: **10 July 2013**  
(30) Convention priority data:  
(31) Number (32) Date (33) Country  
**30-2013-0061842 24 Dec 2012 REPUBLIC OF KOREA**  
(56) Related Art Documents: **Not Applicable**  
(57) Statement of Newness and Distinctiveness: **Newness and distinctiveness resides in the visual features, including shape, configuration and ornamentation of the product as shown in the attached Figures. Figure 8 illustrates a rear perspective view of the product in which two parts of the products have been separated in an exploded view.**





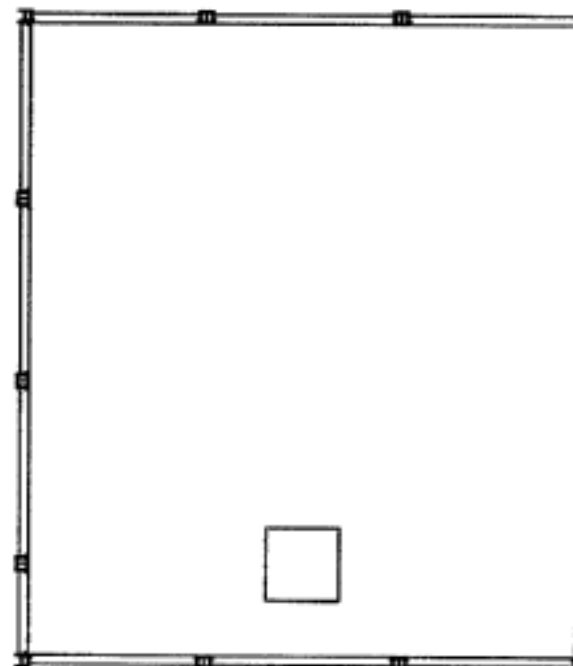
- (21) Design Number: **12796/2013**  
(22) Date of Filing Application: **18 June 2013**  
(24) Date from which industrial property rights may have effect: **18 June 2013**  
(54) Product in respect of which the design is registered: **Baby bean bag**  
(51) International Design Classification: **06-01L**  
(74) Name(s) of Attorney(s):  
(71) Name(s) and Address(s) of Applicant(s):  
**Danielle Chelvaratnam**  
**PO BOX 2201 Rowville VIC 3178 Australia**  
(72) Name(s) of Designer(s): **Danielle Chelvaratnam**  
(45) Registration Date: **10 July 2013**  
(56) Related Art Documents: **Not Applicable**  
(57) Statement of Newness and Distinctiveness: **The newness and distinctiveness of the design resides in the round shape of the baby bean bag (harness attached) on an elevation (so lower at the front and higher at the back). Additional features are each baby bean bag comes with two upper detachable layers which can be fully unzipped. One layer has a baby harness and the other layer is without a harness for toddler use. The base of the bean bag can be unzipped and inside is a separate inner bag which can be filled with beans.**



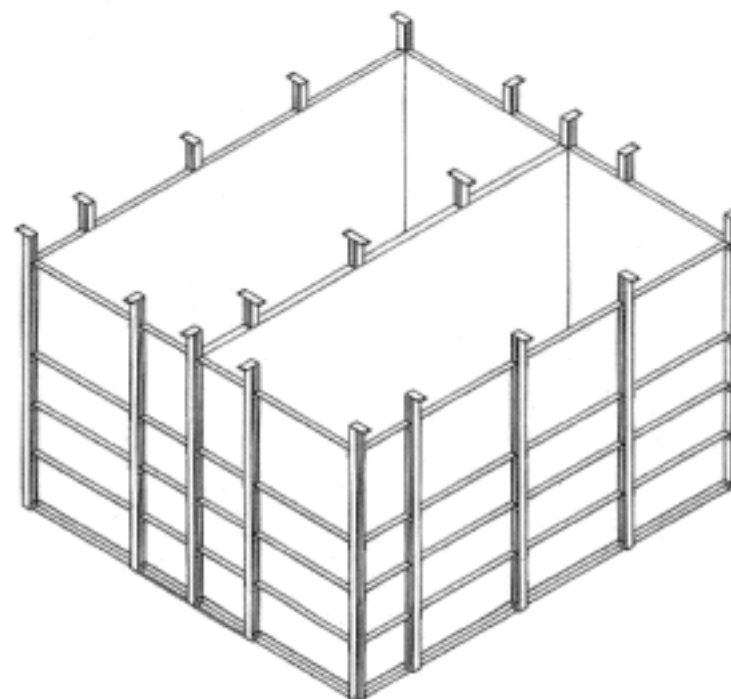
- (21) Design Number: **12161/2013**  
(22) Date of Filing Application: **09 May 2013**  
(24) Date from which industrial property rights may have effect: **09 May 2013**  
(54) Product in respect of which the design is registered: **Propulsion control unit**  
(51) International Design Classification: **15-01, 12-06NES**  
(74) Name(s) of Attorney(s): **Davies Collison Cave**  
(71) Name(s) and Address(s) of Applicant(s):  
**Wartsila Finland Oy**  
**Tarhaajantie 2 Vaasa 65380 Finland**  
(72) Name(s) of Designer(s): **Davide Lamparelli**  
(45) Registration Date: **10 July 2013**  
(30) Convention priority data:  
(31) Number      (32) Date      (33) Country  
**002134809-0008**   **13 Nov 2012**      **OFFICE FOR HARMONISATION IN**  
**THE INTERNAL MARKET (OHIM)**  
(56) Related Art Documents: **Not Applicable**  
(57) Statement of Newness and Distinctiveness: **Newness and distinctiveness is claimed in the visual features shown in the coloured representations.**



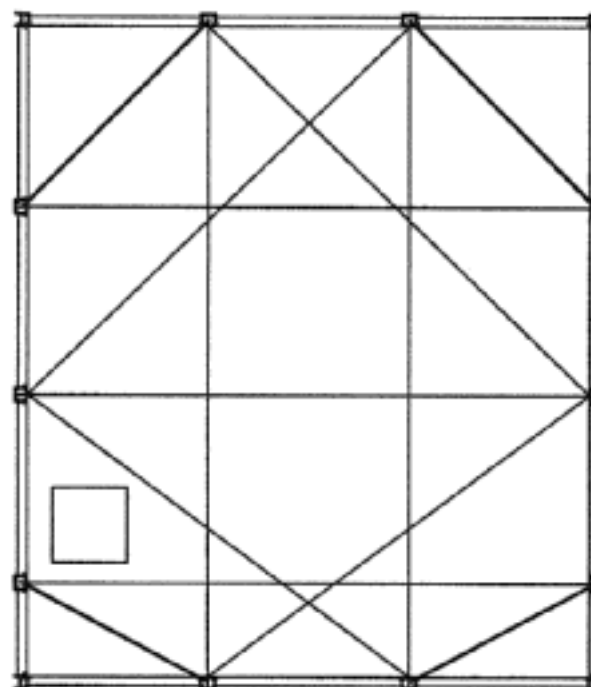
- (21) Design Number: **10244/2012**  
(22) Date of Filing Application: **19 January 2012**  
(24) Date from which industrial property rights may have effect: **19 January 2012**  
(54) Product in respect of which the design is registered: **A square tank**  
(51) International Design Classification: **23-01F**  
(74) Name(s) of Attorney(s):  
(71) Name(s) and Address(s) of Applicant(s):  
**Nigel Trevor Warin**  
**13 Wells Street Bellevue Western Australia 6056 Australia**  
(72) Name(s) of Designer(s): **Nigel Trevor Warin**  
(45) Registration Date: **10 July 2013**  
(56) Related Art Documents: **Not Applicable**  
(57) Statement of Newness and Distinctiveness: **The tank/tanks is a totally new design that has not been used before in apartment buildings in Australia or elsewhere. The design has an internal plastic membrane or liner supported on flat sheets of steel, and these are bolted to a support frame. The support frame is bolted to the concrete at the base or at both the base and top of the tank or tanks. Some tanks can have a divider wall to make more than one tank out of the overall structure. This is a new design in the states and as such the design needs to be protected.**



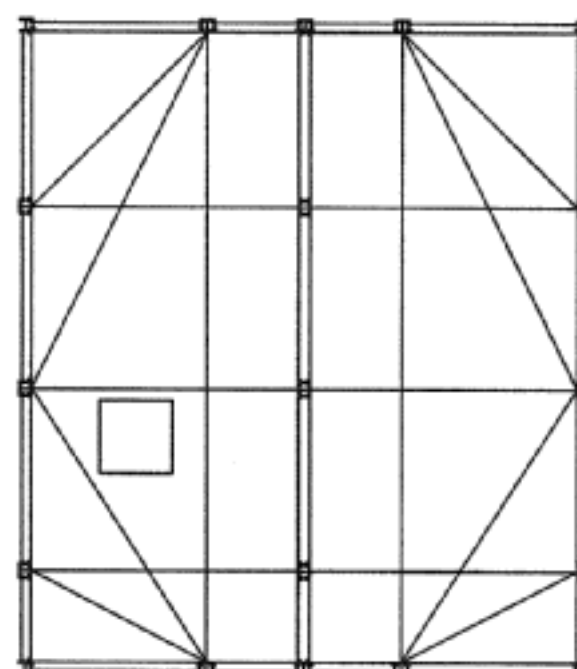
- (21) Design Number: **16818/2012**  
(22) Date of Filing Application: **19 January 2012**  
(24) Date from which industrial property rights may have effect: **19 January 2012**  
(54) Product in respect of which the design is registered: **A square tank**  
(51) International Design Classification: **23-01F**  
(74) Name(s) of Attorney(s):  
(71) Name(s) and Address(s) of Applicant(s):  
**Nigel Trevor Warin**  
**13 Wells Street Bellevue Western Australia 6056 Australia**  
(72) Name(s) of Designer(s): **Nigel Trevor Warin**  
(45) Registration Date: **10 July 2013**  
(56) Related Art Documents: **Not Applicable**  
(57) Statement of Newness and Distinctiveness: **The tank/tanks is a totally new design that has not been used before in apartment buildings in Australia or elsewhere. The design has an internal Plastic membrane or liner supported on Flat sheets of steel, and these are bolted to a support frame. The support frame is bolted to the concrete at the base or at the base and top of the tank or tanks. Some tanks can have a divider wall to make more than one tank out of the overall structure. This is a new Design in the states and as such the Design needs to be protected.**



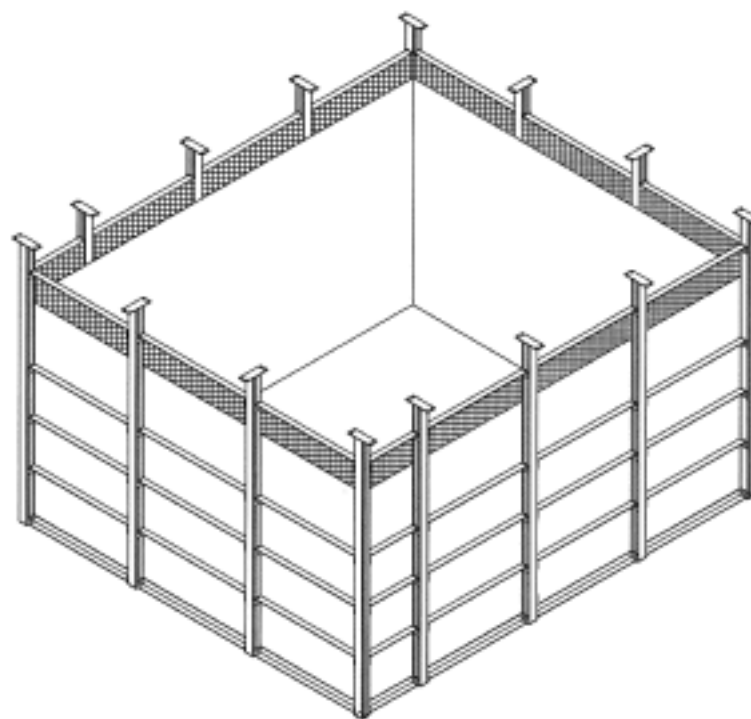
- (21) Design Number: **16819/2012**  
(22) Date of Filing Application: **19 January 2012**  
(24) Date from which industrial property rights may have effect: **19 January 2012**  
(54) Product in respect of which the design is registered: **A square tank**  
(51) International Design Classification: **23-01F**  
(74) Name(s) of Attorney(s):  
(71) Name(s) and Address(s) of Applicant(s):  
**Nigel Trevor Warin**  
**13 Wells Street Bellevue Western Australia 6056 Australia**  
(72) Name(s) of Designer(s): **Nigel Trevor Warin**  
(45) Registration Date: **10 July 2013**  
(56) Related Art Documents: **Not Applicable**  
(57) Statement of Newness and Distinctiveness: **The tank/tanks is a totally new design that has not been used before in apartment buildings in Australia or elsewhere. The design has an internal Plastic membrane or liner supported on Flat sheets of steel, and these are bolted to a support frame. The support frame is bolted to the concrete at the base or at the base and top of the tank or tanks. Some tanks can have a divider wall to make more than one tank out of the overall structure. This is a new Design in the states and as such the Design needs to be protected.**



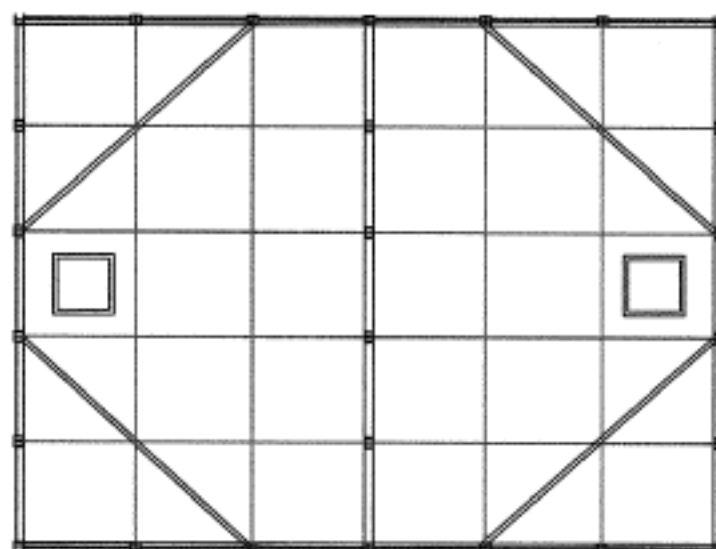
- (21) Design Number: **16820/2012**  
(22) Date of Filing Application: **19 January 2012**  
(24) Date from which industrial property rights may have effect: **19 January 2012**  
(54) Product in respect of which the design is registered: **A square tank**  
(51) International Design Classification: **23-01F**  
(74) Name(s) of Attorney(s):  
(71) Name(s) and Address(s) of Applicant(s):  
**Nigel Trevor Warin**  
**13 Wells Street Bellevue Western Australia 6056 Australia**  
(72) Name(s) of Designer(s): **Nigel Trevor Warin**  
(45) Registration Date: **10 July 2013**  
(56) Related Art Documents: **Not Applicable**  
(57) Statement of Newness and Distinctiveness: **The tank/tanks is a totally new design that has not been used before in apartment buildings in Australia or elsewhere. The design has an internal Plastic membrane or liner supported on Flat sheets of steel, and these are bolted to a support frame. The support frame is bolted to the concrete at the base or at the base and top of the tank or tanks. Some tanks can have a divider wall to make more than one tank out of the overall structure. This is a new Design in the states and as such the Design needs to be protected.**



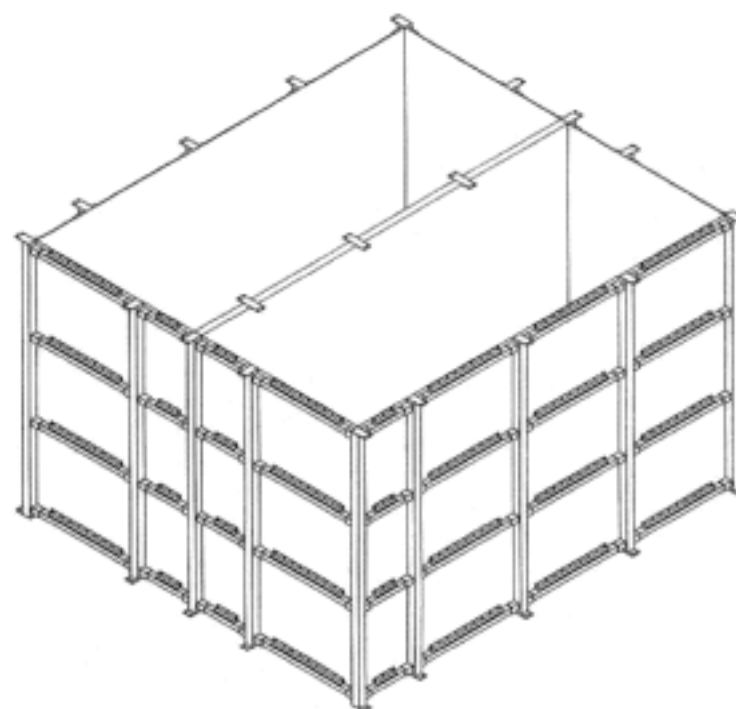
- (21) Design Number: **16821/2012**  
(22) Date of Filing Application: **19 January 2012**  
(24) Date from which industrial property rights may have effect: **19 January 2012**  
(54) Product in respect of which the design is registered: **A square tank**  
(51) International Design Classification: **23-01F**  
(74) Name(s) of Attorney(s):  
(71) Name(s) and Address(s) of Applicant(s):  
**Nigel Trevor Warin**  
**13 Wells Street Bellevue Western Australia 6056 Australia**  
(72) Name(s) of Designer(s): **Nigel Trevor Warin**  
(45) Registration Date: **10 July 2013**  
(56) Related Art Documents: **Not Applicable**  
(57) Statement of Newness and Distinctiveness: **The tank/tanks is a totally new design that has not been used before in apartment buildings in Australia or elsewhere. The design has an internal Plastic membrane or liner supported on Flat sheets of steel, and these are bolted to a support frame. The support frame is bolted to the concrete at the base or at the base and top of the tank or tanks. Some tanks can have a divider wall to make more than one tank out of the overall structure. This is a new Design in the states and as such the Design needs to be protected.**



- (21) Design Number: **16822/2012**  
(22) Date of Filing Application: **19 January 2012**  
(24) Date from which industrial property rights may have effect: **19 January 2012**  
(54) Product in respect of which the design is registered: **A square tank**  
(51) International Design Classification: **23-01F**  
(74) Name(s) of Attorney(s):  
(71) Name(s) and Address(s) of Applicant(s):  
**Nigel Trevor Warin**  
**13 Wells Street Bellevue Western Australia 6056 Australia**  
(72) Name(s) of Designer(s): **Nigel Trevor Warin**  
(45) Registration Date: **10 July 2013**  
(56) Related Art Documents: **Not Applicable**  
(57) Statement of Newness and Distinctiveness: **The tank/tanks is a totally new design that has not been used before in apartment buildings in Australia or elsewhere. The design has an internal Plastic membrane or liner supported on Flat sheets of steel, and these are bolted to a support frame. The support frame is bolted to the concrete at the base or at the base and top of the tank or tanks. Some tanks can have a divider wall to make more than one tank out of the overall structure. This is a new Design in the states and as such the Design needs to be protected.**



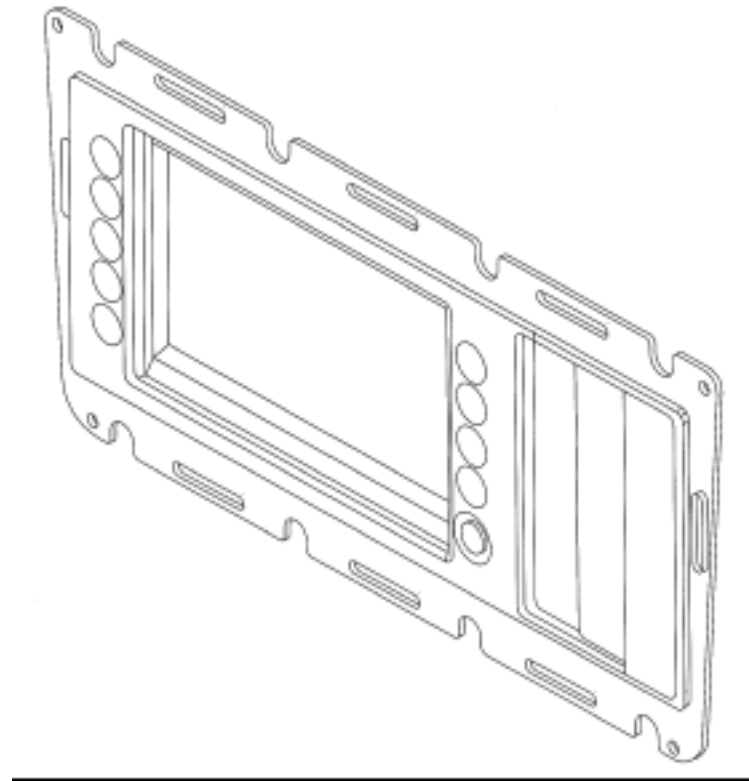
- (21) Design Number: **16823/2012**  
(22) Date of Filing Application: **19 January 2012**  
(24) Date from which industrial property rights may have effect: **19 January 2012**  
(54) Product in respect of which the design is registered: **A square tank**  
(51) International Design Classification: **23-01F**  
(74) Name(s) of Attorney(s):  
(71) Name(s) and Address(s) of Applicant(s):  
**Nigel Trevor Warin**  
**13 Wells Street Bellevue Western Australia 6056 Australia**  
(72) Name(s) of Designer(s): **Nigel Trevor Warin**  
(45) Registration Date: **10 July 2013**  
(56) Related Art Documents: **Not Applicable**  
(57) Statement of Newness and Distinctiveness: **The tank/tanks is a totally new design that has not been used before in apartment buildings in Australia or elsewhere. The design has an internal Plastic membrane or liner supported on Flat sheets of steel, and these are bolted to a support frame. The support frame is bolted to the concrete at the base or at the base and top of the tank or tanks. Some tanks can have a divider wall to make more than one tank out of the overall structure. This is a new Design in the states and as such the Design needs to be protected.**



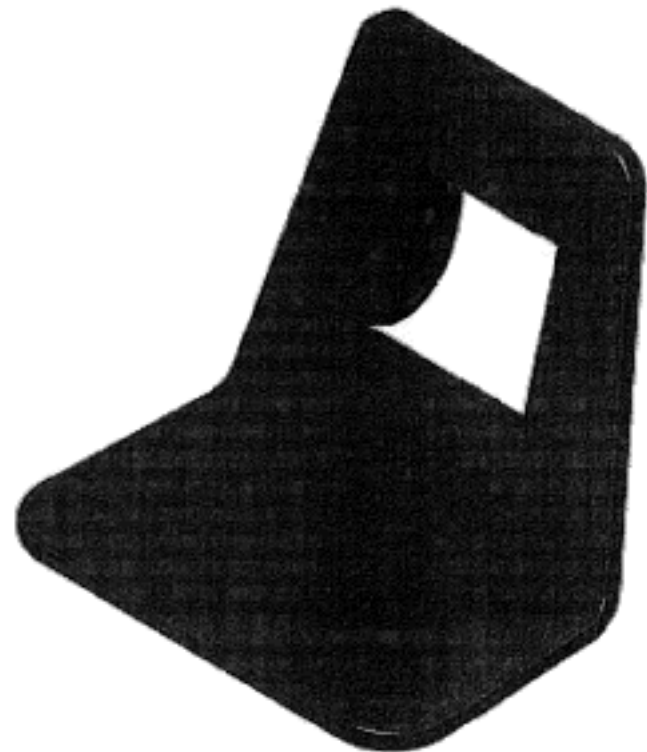
- (21) Design Number: **11018/2013**  
(22) Date of Filing Application: **04 March 2013**  
(24) Date from which industrial property rights may have effect: **04 March 2013**  
(54) Product in respect of which the design is registered: **Stove**  
(51) International Design Classification: **23-03E**  
(74) Name(s) of Attorney(s): **Ahearn Fox**  
(71) Name(s) and Address(s) of Applicant(s):  
**Sandcow Pty Ltd**  
**PO BOX 9398 Wynnum Plaza QLD 4178 Australia**  
(72) Name(s) of Designer(s): **Daniel P. Fox**  
(45) Registration Date: **10 July 2013**  
(30) Convention priority data:  
(31) Number      (32) Date      (33) Country  
**416700      10 Sep 2012      NEW ZEALAND**  
(56) Related Art Documents: **Not Applicable**  
(57) Statement of Newness and Distinctiveness: **Newness and distinctiveness resides in the shape and configuration of the stove as shown in the accompanying photographs.**



- (21) Design Number: **11390/2013**  
(22) Date of Filing Application: **19 March 2013**  
(24) Date from which industrial property rights may have effect: **19 March 2013**  
(54) Product in respect of which the design is registered: **Protective front cover for a controller**  
(51) International Design Classification: **14-03NES, 21-01N**  
(74) Name(s) of Attorney(s): **Davies Collison Cave**  
(71) Name(s) and Address(s) of Applicant(s):  
**Orica International Pte Ltd**  
**78 Shenton Way #06-15 Tower 2 Singapore 079120**  
(72) Name(s) of Designer(s): **Nick Harrison and Gretta Jensen and Peter Condie and Owen Bawden and Neil Davidson and Ben Cramp and Anton Lee See**  
(45) Registration Date: **10 July 2013**  
(56) Related Art Documents: **Not Applicable**  
(57) Statement of Newness and Distinctiveness: **Nil**



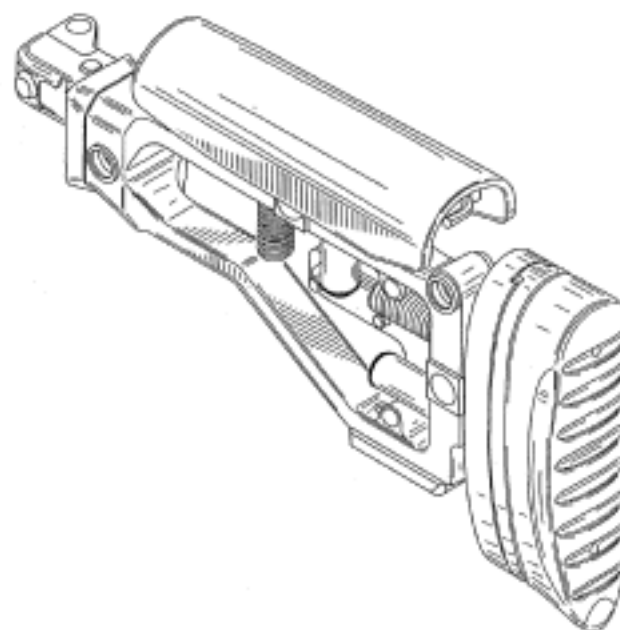
- (21) Design Number: **11395/2013**  
(22) Date of Filing Application: **19 March 2013**  
(24) Date from which industrial property rights may have effect: **19 March 2013**  
(54) Product in respect of which the design is registered: **Mounting plate**  
(51) International Design Classification: **08-08NES**  
(74) Name(s) of Attorney(s): **Davies Collison Cave**  
(71) Name(s) and Address(s) of Applicant(s):  
**Orica International Pte Ltd**  
**78 Shenton Way #06-15 Tower 2 079120 Singapore**  
(72) Name(s) of Designer(s): **Nick Harrison and Gretta Jensen and Peter Condie and Owen Bawden and Neil Davidson and Ben Cramp and Anton Lee See**  
(45) Registration Date: **10 July 2013**  
(56) Related Art Documents: **Not Applicable**  
(57) Statement of Newness and Distinctiveness: **Nil**



- (21) Design Number: **11200/2013**  
(22) Date of Filing Application: **13 March 2013**  
(24) Date from which industrial property rights may have effect: **13 March 2013**  
(54) Product in respect of which the design is registered: **A case for an electronic device**  
(51) International Design Classification: **03-01NES**  
(74) Name(s) of Attorney(s): **Cullens Patent and Trade Mark Attorneys**  
(71) Name(s) and Address(s) of Applicant(s):  
**TreeFrog Developments, Inc.**  
**15110 Avenue of Science San Diego CA 92132 United States of America**  
(72) Name(s) of Designer(s): **Gary Rayner**  
(45) Registration Date: **11 July 2013**  
(30) Convention priority data:  
(31) Number (32) Date (33) Country  
**29/432,150 13 Sep 2012 UNITED STATES OF AMERICA**  
(56) Related Art Documents: **Not Applicable**  
(57) Statement of Newness and Distinctiveness: **Newness and distinctiveness resides in the shape or configuration of a case for an electronic device as shown in the accompanying representations. The phone within the case does not form part of the design. The indicia on the case do not form part of the design.**



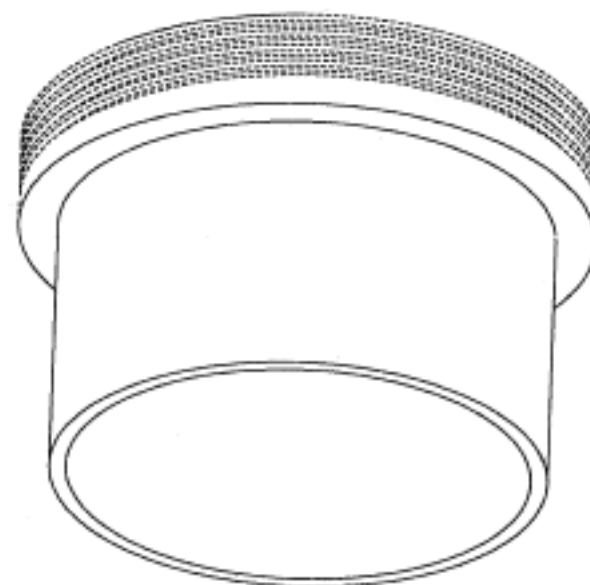
- (21) Design Number: **11272/2013**  
(22) Date of Filing Application: **12 March 2013**  
(24) Date from which industrial property rights may have effect: **12 March 2013**  
(54) Product in respect of which the design is registered: **Buttstock**  
(51) International Design Classification: **22-99**  
(74) Name(s) of Attorney(s): **Griffith Hack**  
(71) Name(s) and Address(s) of Applicant(s):  
**RA Brands, L.L.C.**  
**870 Remington Drive Madison NC 27025 United States of America**  
(72) Name(s) of Designer(s): **Brent Jarboe**  
(45) Registration Date: **11 July 2013**  
(30) Convention priority data:  
(31) Number (32) Date (33) Country  
**29/432,716 19 Sep 2012 UNITED STATES OF AMERICA**  
(56) Related Art Documents: **Not Applicable**  
(57) Statement of Newness and Distinctiveness: **Newness and distinctiveness reside in the shape and configuration of a buttstock as shown by solid lines in the representations. The parts shown by broken lines are shown herein for illustrative purposes and form no part of the claimed design.**



(21) Design Number: **11477/2013**  
(22) Date of Filing Application: **25 March 2013**  
(24) Date from which industrial property rights may have effect: **25 March 2013**  
(54) Product in respect of which the design is registered: **Water resistant power transferring connection system to safety whip rod**  
(51) International Design Classification: **10-06**  
(74) Name(s) of Attorney(s): **Davies Collison Cave**  
(71) Name(s) and Address(s) of Applicant(s):  
**Checkers Industrial Products, LLC**  
**620 Compton Street Broomfield CO 80020 United States of America**  
(72) Name(s) of Designer(s): **Greg Widgery**  
(45) Registration Date: **11 July 2013**  
(30) Convention priority data:  
(31) Number (32) Date (33) Country  
**29/432960 24 Sep 2012 UNITED STATES OF AMERICA**  
(56) Related Art Documents: **Not Applicable**  
(57) Statement of Newness and Distinctiveness: **Newness and distinctiveness is claimed in the visual features shown in solid lines in the representations.**

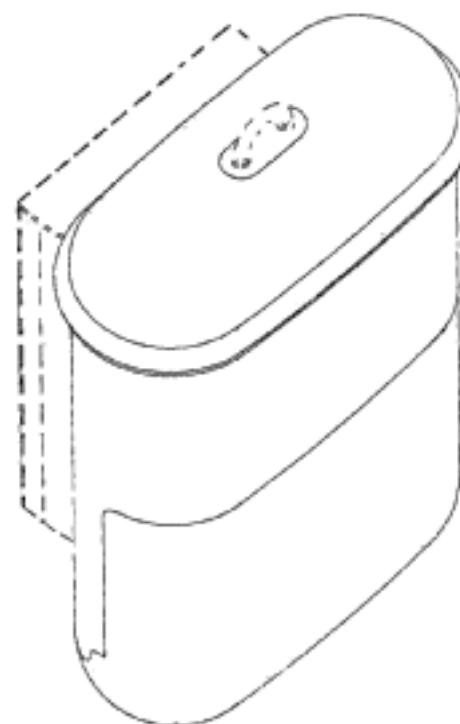


(21) Design Number: **11627/2013**  
(22) Date of Filing Application: **04 April 2013**  
(24) Date from which industrial property rights may have effect: **04 April 2013**  
(54) Product in respect of which the design is registered: **Plumbing component for a cleanout**  
(51) International Design Classification: **23-01A**  
(74) Name(s) of Attorney(s):  
(71) Name(s) and Address(s) of Applicant(s):  
**Angelo Ieraci**  
**168 Seventh Avenue Inglewood WA 6052 Australia**  
(72) Name(s) of Designer(s): **Angelo Ieraci**  
(45) Registration Date: **11 July 2013**  
(56) Related Art Documents: **Not Applicable**  
(57) Statement of Newness and Distinctiveness: **In considering the newness and distinctiveness of the plumbing component, no regard is to be had to the features shown in broken lines.**

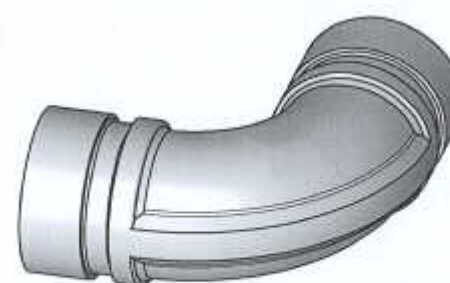




- (21) Design Number: **11743/2013**  
(22) Date of Filing Application: **12 April 2013**  
(24) Date from which industrial property rights may have effect: **12 April 2013**  
(54) Product in respect of which the design is registered: **A sanitary container**  
(51) International Design Classification: **23-02NES**  
(74) Name(s) of Attorney(s): **Baldwins Intellectual Property**  
(71) Name(s) and Address(s) of Applicant(s):  
**Fumacare Limited**  
**Unit C 144 Central Park Drive Henderson Auckland 0610 New Zealand**  
**Paul Francis Zwaan**  
**79 Puriri Street Riccarton Christchurch 8041 New Zealand**  
**Michael Freeman**  
**318B Upper Harbour Drive Greenhithe Auckland 0632 New Zealand**  
**Patricia Margaret Butler**  
**48 Wiseley Road Hobsonville Auckland 0618 New Zealand**  
**Raymond Thomas Butler**  
**48 Wiseley Road Hobsonville Auckland 0618 New Zealand**  
(72) Name(s) of Designer(s): **Paul Francis Zwaan and Michael Freeman and Patricia Margaret Butler and Raymond Thomas Butler**  
(45) Registration Date: **11 July 2013**  
(30) Convention priority data:  
(31) Number (32) Date (33) Country  
**29/434,457 12 Oct 2012 UNITED STATES OF AMERICA**  
(56) Related Art Documents: **Not Applicable**  
(57) Statement of Newness and Distinctiveness: **Newness and distinctiveness resides in the shape and configuration of a design applied to the article as illustrated in solid lines in the accompanying representations.**



- (21) Design Number: **11783/2013**  
(22) Date of Filing Application: **12 April 2013**  
(24) Date from which industrial property rights may have effect: **12 April 2013**  
(54) Product in respect of which the design is registered: **Pipe fitting**  
(51) International Design Classification: **23-01A**  
(74) Name(s) of Attorney(s): **Griffith Hack**  
(71) Name(s) and Address(s) of Applicant(s):  
**Tyco Fire Products LP**  
**1400 Pennbrook Parkway Lansdale PA 19446 United States of America**  
(72) Name(s) of Designer(s): **Anthony Gary Bednarz and Robert R. Smith and Larry E. Hall and Donald Eugene Griggs III**  
(45) Registration Date: **11 July 2013**  
(30) Convention priority data:  
(31) Number (32) Date (33) Country  
**29/434,520 12 Oct 2012 UNITED STATES OF AMERICA**  
(56) Related Art Documents: **Not Applicable**  
(57) Statement of Newness and Distinctiveness: **Newness and distinctiveness resides in the visual features, including shape, configuration and ornamentation of the PRODUCT as shown in the accompanying representations.**



(21) Design Number: **11282/2013**

(22) Date of Filing Application: **14 March 2013**

(24) Date from which industrial property rights may have effect: **14 March 2013**

(54) Product in respect of which the design is registered: **Chair base**

(51) International Design Classification: **06-06G**

(74) Name(s) of Attorney(s): **Fisher Adams Kelly Pty Ltd**

(71) Name(s) and Address(s) of Applicant(s):

**Chang-Chen Lin**

**No.12 Lane 521 Sec.1 Nansyong Rd GUANMIAO TOWNSHIP Tainan  
County 718 Taiwan**

(72) Name(s) of Designer(s): **Chang-Chen Lin**

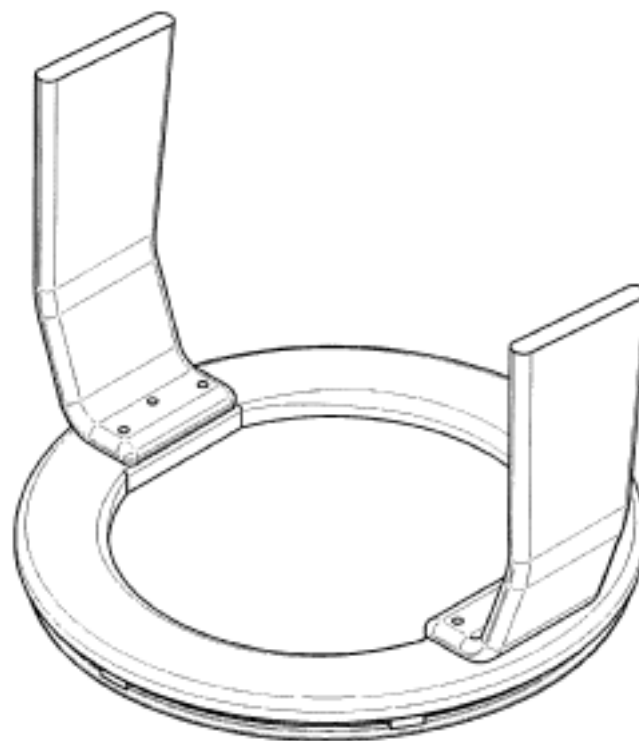
(45) Registration Date: **11 July 2013**

(30) Convention priority data:

(31) Number	(32) Date	(33) Country
<b>102300437</b>	<b>17 Jan 2013</b>	<b>TAIWAN</b>

(56) Related Art Documents: **Not Applicable**

(57) Statement of Newness and Distinctiveness: **The statement of newness and distinctiveness is in a chair base as illustrated in the accompanying drawings.**



(21) Design Number: **11342/2013**

(22) Date of Filing Application: **14 March 2013**

(24) Date from which industrial property rights may have effect: **14 March 2013**

(54) Product in respect of which the design is registered: **A stadium seat having a backrest and a pivotable seat with a pair of ischial concavities**

(51) International Design Classification: **06-01C**

(74) Name(s) of Attorney(s): **Fraser Old & Sohn**

(71) Name(s) and Address(s) of Applicant(s):

**Sebel Furniture Ltd**

**92 Gow St Padstow NSW 2211 Australia**

(72) Name(s) of Designer(s): **Gregory Brent Welsh**

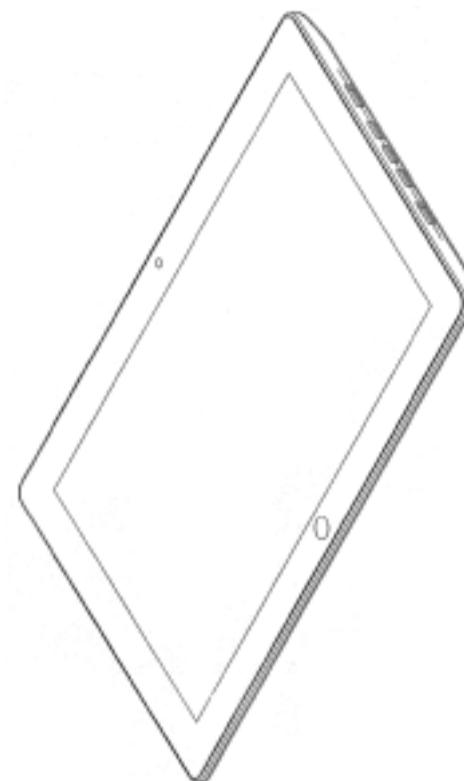
(45) Registration Date: **11 July 2013**

(56) Related Art Documents: **Not Applicable**

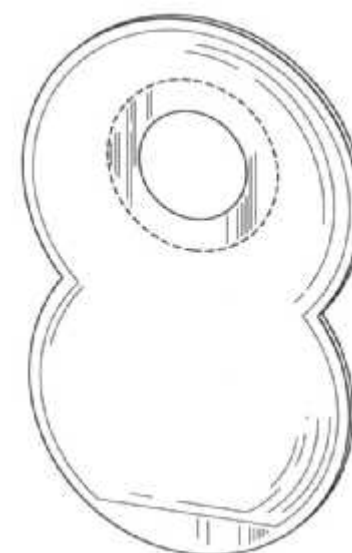
(57) Statement of Newness and Distinctiveness: **Newness and distinctiveness is claimed in respect of the shape and/or configuration of each of the products illustrated in the accompanying representations. In carrying out a consideration in accordance with Section 19 the shape and/or configuration of the portions of the products illustrated by broken lines in the representations is/are not to be considered either new or distinctive and do/does not form part of the design.**



- (21) Design Number: **12090/2013**  
(22) Date of Filing Application: **03 May 2013**  
(24) Date from which industrial property rights may have effect: **03 May 2013**  
(54) Product in respect of which the design is registered: **Personal computer**  
(51) International Design Classification: **14-02**  
(74) Name(s) of Attorney(s): **SPRUSON & FERGUSON**  
(71) Name(s) and Address(s) of Applicant(s):  
**Fujitsu Limited**  
**1-1 Kamikodanaka 4-chome Nakahara-Ku Kawasaki-shi Kanagawa**  
**211-8588 Japan**  
(72) Name(s) of Designer(s): **Eiji Nagao and Hiroyuki Fujita and Mark Friesen**  
**and Nobuharu Tsusaka and Hisao Morooka and Toni Koberling**  
(45) Registration Date: **11 July 2013**  
(30) Convention priority data:  
(31) Number (32) Date (33) Country  
**2012-026981 06 Nov 2012 JAPAN**  
(56) Related Art Documents: **Not Applicable**  
(57) Statement of Newness and Distinctiveness: **Newness and distinctiveness**  
**is claimed in the features of shape and/or configuration of a personal**  
**computer as illustrated in the accompanying representations.**



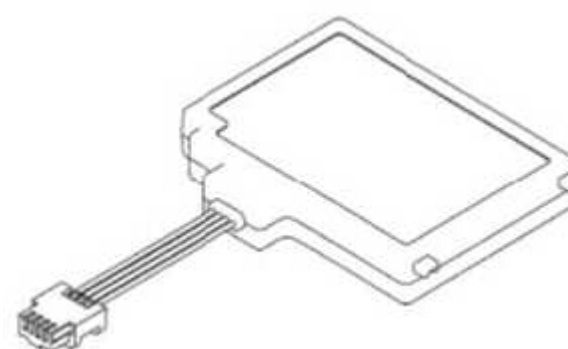
- (21) Design Number: **12170/2013**  
(22) Date of Filing Application: **09 May 2013**  
(24) Date from which industrial property rights may have effect: **09 May 2013**  
(54) Product in respect of which the design is registered: **Expandable ostomy**  
**pouch**  
(51) International Design Classification: **24-04, 24-03**  
(74) Name(s) of Attorney(s): **PHILLIPS ORMONDE FITZPATRICK**  
(71) Name(s) and Address(s) of Applicant(s):  
**Hollister Incorporated**  
**2000 Hollister Drive Libertyville Illinois 60048 United States of America**  
(72) Name(s) of Designer(s): **Brock E. Masters and Kimberly R. Hansford and**  
**Tze Wan Pansy Chung**  
(45) Registration Date: **11 July 2013**  
(30) Convention priority data:  
(31) Number (32) Date (33) Country  
**29/441,280 03 Jan 2013 UNITED STATES OF AMERICA**  
(56) Related Art Documents: **Not Applicable**  
(57) Statement of Newness and Distinctiveness: **Those features of the**  
**expandable ostomy appliance depicted in the representations that are**  
**new and distinctive are the shape and/or configuration. The features**  
**shown in dashed line represents an adhesive skin barrier that forms no**  
**part of the design and is to be disregarded when considering the overall**  
**impression of the design.**



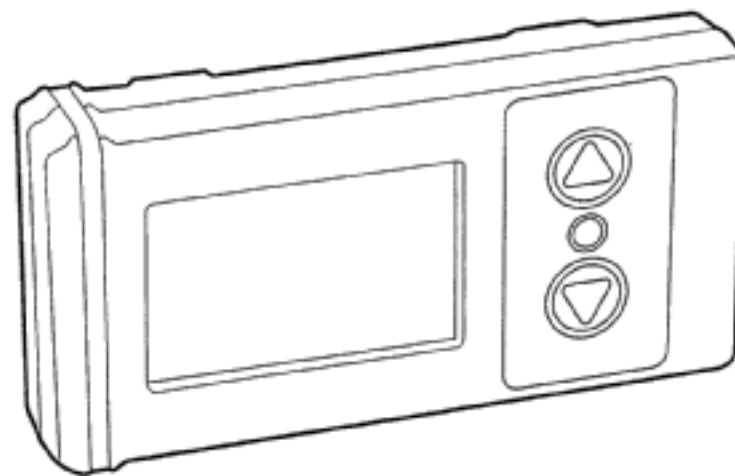
(21) Design Number: **12176/2013**  
(22) Date of Filing Application: **10 May 2013**  
(24) Date from which industrial property rights may have effect: **10 May 2013**  
(54) Product in respect of which the design is registered: **Water pitcher**  
(51) International Design Classification: **07-01F**  
(74) Name(s) of Attorney(s): **Davies Collison Cave**  
(71) Name(s) and Address(s) of Applicant(s):  
**Toray Industries, Inc.**  
**1-1 Nihonbashi-Muromachi 2-chome Chuo-ku Tokyo 103-8666 Japan**  
(72) Name(s) of Designer(s): **Takahiro Yamauchi and Rie Nimbu and Hiroshi Iue**  
(45) Registration Date: **11 July 2013**  
(30) Convention priority data:  
(31) Number (32) Date (33) Country  
**2012/028206 19 Nov 2012 JAPAN**  
(56) Related Art Documents: **Not Applicable**  
(57) Statement of Newness and Distinctiveness: **Nil**



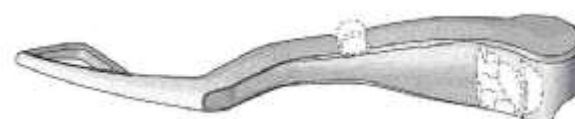
(21) Design Number: **12235/2013**  
(22) Date of Filing Application: **15 May 2013**  
(24) Date from which industrial property rights may have effect: **15 May 2013**  
(54) Product in respect of which the design is registered: **Storage battery**  
(51) International Design Classification: **13-02**  
(74) Name(s) of Attorney(s): **Davies Collison Cave**  
(71) Name(s) and Address(s) of Applicant(s):  
**Nintendo Co., Ltd.**  
**11-1 Hokotate-cho Kamitoba Minami-ku Kyoto 601-8501 Japan**  
(72) Name(s) of Designer(s): **Kenichiro Ashida and Masato Ibuki and Shinji Yamamoto and Fumiyoshi Suetake and Akiko Suga and Naoya Yamamoto and Hitoshi Tsuchiya and Junji Takamoto and Yuji Hori and Masahiko Nishimura and Daisuke Kumazaki and Yositemo Gotou and Takafumi Nishida**  
(45) Registration Date: **11 July 2013**  
(30) Convention priority data:  
(31) Number (32) Date (33) Country  
**2012-028117 16 Nov 2012 JAPAN**  
(56) Related Art Documents: **Not Applicable**  
(57) Statement of Newness and Distinctiveness: **Nil**



- (21) Design Number: **12496/2013**  
(22) Date of Filing Application: **30 May 2013**  
(24) Date from which industrial property rights may have effect: **30 May 2013**  
(54) Product in respect of which the design is registered: **Vibration sensor/  
monitor**  
(51) International Design Classification: **10-04, 10-05**  
(74) Name(s) of Attorney(s): **WATERMARK PATENT AND TRADE MARKS  
ATTORNEYS**  
(71) Name(s) and Address(s) of Applicant(s):  
**Real Edge Limited**  
**The Old School Main Street Awsworth Nottingham NG16 2QT United  
Kingdom**  
(72) Name(s) of Designer(s): **Michael David Swan and Michael John Callum and  
Andrew David Mee**  
(45) Registration Date: **11 July 2013**  
(56) Related Art Documents: **Not Applicable**  
(57) Statement of Newness and Distinctiveness: **Nil**



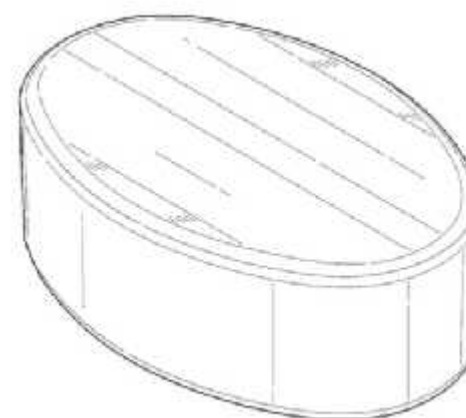
- (21) Design Number: **12632/2013**  
(22) Date of Filing Application: **06 June 2013**  
(24) Date from which industrial property rights may have effect: **06 June 2013**  
(54) Product in respect of which the design is registered: **Vacuum cleaner handle**  
(51) International Design Classification: **08-06, 15-05**  
(74) Name(s) of Attorney(s): **Griffith Hack**  
(71) Name(s) and Address(s) of Applicant(s):  
**BISSELL Homecare, Inc**  
**2345 Walker Avenue N.W. Grand Rapids Michigan 49544 United States of  
America**  
(72) Name(s) of Designer(s): **Jose Carlito Santiago and Mustafa Engin  
Hassamanci**  
(45) Registration Date: **11 July 2013**  
(30) Convention priority data:  
(31) Number (32) Date (33) Country  
**29/440,150 19 Dec 2012 UNITED STATES OF AMERICA**  
(56) Related Art Documents: **Not Applicable**  
(57) Statement of Newness and Distinctiveness: **Newness and distinctiveness  
resides in the visual features, including shape and configuration of the  
PRODUCT as shown in the accompanying representations. Those parts  
of the PRODUCT shown by means of dashed lines do not form part of  
the design and have been included for illustrative purposes only.**



- (21) Design Number: **12698/2013**  
(22) Date of Filing Application: **12 June 2013**  
(24) Date from which industrial property rights may have effect: **12 June 2013**  
(54) Product in respect of which the design is registered: **Connection ring for a firearm sling**  
(51) International Design Classification: **02-07NES**  
(74) Name(s) of Attorney(s): **Davies Collison Cave**  
(71) Name(s) and Address(s) of Applicant(s):  
**Magpul Industries Corporation**  
**400 Young Court Unit 1 Erie Colorado 80516 United States of America**  
(72) Name(s) of Designer(s): **Richard Fitzpatrick and Michael T. Mayberry and Thomas Ward, Jr. and Brad Bennett**  
(45) Registration Date: **11 July 2013**  
(30) Convention priority data:  
(31) Number (32) Date (33) Country  
**29/439689 13 Dec 2012 UNITED STATES OF AMERICA**  
(56) Related Art Documents: **Not Applicable**  
(57) Statement of Newness and Distinctiveness: **Newness and distinctiveness is claimed in the visual features of the connection ring for a firearm sling shown in solid lines in the representations.**



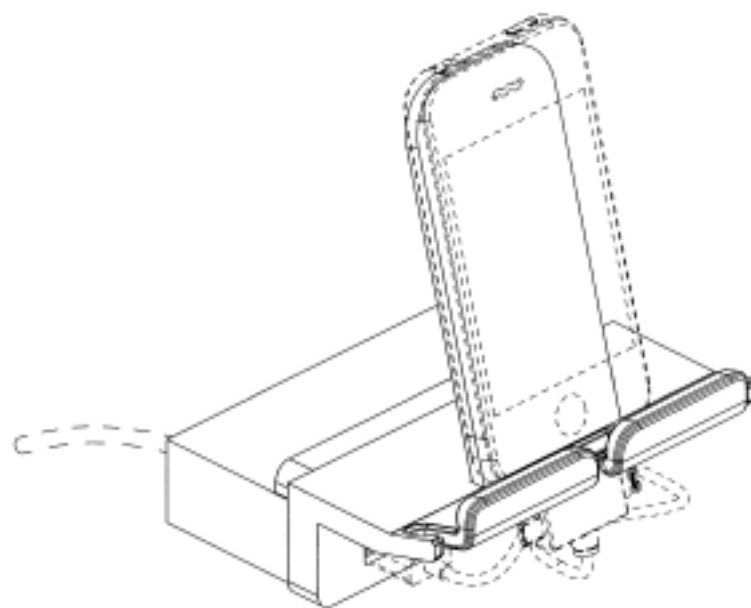
- (21) Design Number: **11796/2013**  
(22) Date of Filing Application: **16 April 2013**  
(24) Date from which industrial property rights may have effect: **16 April 2013**  
(54) Product in respect of which the design is registered: **Soap bar**  
(51) International Design Classification: **07-05NES**  
(74) Name(s) of Attorney(s): **Davies Collison Cave**  
(71) Name(s) and Address(s) of Applicant(s):  
**Unilever PLC**  
**Unilever House 100 Victoria Embankment London Greater London EC4Y 0DY United Kingdom**  
(72) Name(s) of Designer(s): **Nayantara Ekanath Pai**  
(45) Registration Date: **11 July 2013**  
(30) Convention priority data:  
(31) Number (32) Date (33) Country  
**002119891-0001 17 Oct 2012 OFFICE FOR HARMONISATION IN THE INTERNAL MARKET (OHIM)**  
(56) Related Art Documents: **Not Applicable**  
(57) Statement of Newness and Distinctiveness: **Newness and distinctiveness is claimed in the visual features shown in solid lines in the representations.**



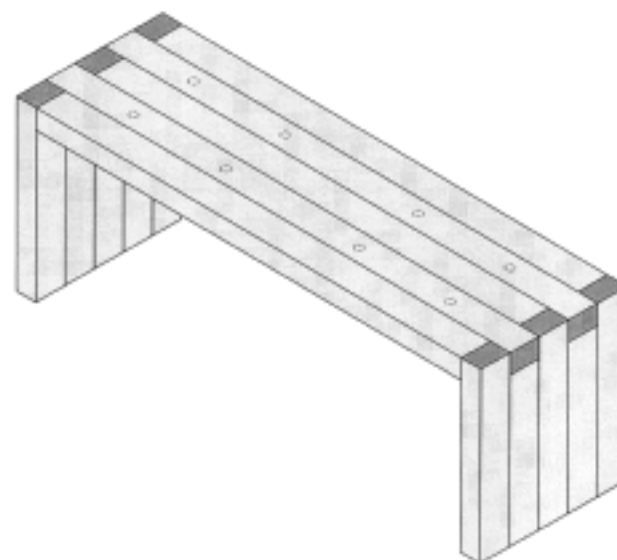
(21) Design Number: **10445/2013**  
(22) Date of Filing Application: **30 January 2013**  
(24) Date from which industrial property rights may have effect: **30 January 2013**  
(54) Product in respect of which the design is registered: **A motor vehicle**  
(51) International Design Classification: **12-08**  
(74) Name(s) of Attorney(s): **K&L Gates**  
(71) Name(s) and Address(s) of Applicant(s):  
**GM Global Technology Operations LLC**  
**300 Renaissance Centre City of Detroit State of Michigan 48265-3000**  
**United States of America**  
(72) Name(s) of Designer(s): **Peter Hughes**  
(45) Registration Date: **12 July 2013**  
(56) Related Art Documents: **Not Applicable**  
(57) Statement of Newness and Distinctiveness: **Nil**



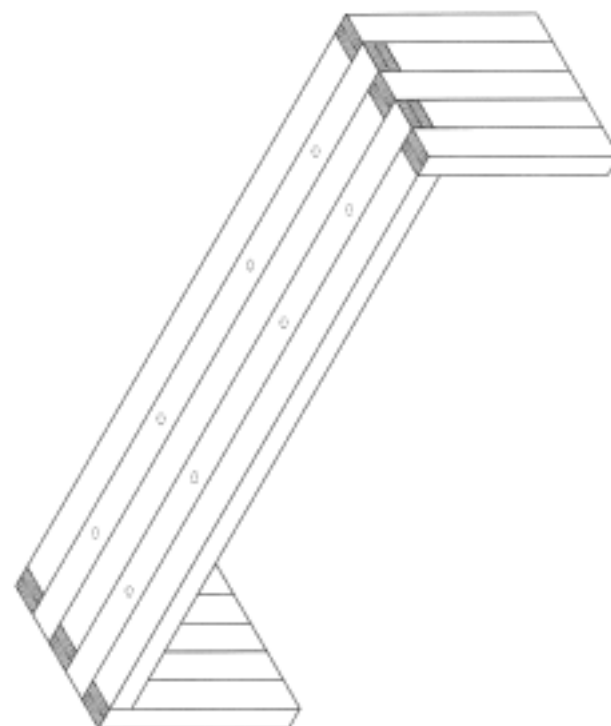
(21) Design Number: **11270/2013**  
(22) Date of Filing Application: **13 March 2013**  
(24) Date from which industrial property rights may have effect: **13 March 2013**  
(54) Product in respect of which the design is registered: **Phone dock**  
(51) International Design Classification: **14-03A**  
(74) Name(s) of Attorney(s):  
(71) Name(s) and Address(s) of Applicant(s):  
**Daniel Mclean**  
**PO BOX 3560 Norwood SA 5067 Australia**  
(72) Name(s) of Designer(s): **Daniel Mclean**  
(45) Registration Date: **12 July 2013**  
(56) Related Art Documents: **Not Applicable**  
(57) Statement of Newness and Distinctiveness: **Newness and distinctiveness resides in the features of shape and configuration shown in solid lines in the accompanying representations. The broken lines are not part of the design and are to be disregarded when considering the overall impression of the design.**



(21) Design Number: **11409/2013**  
(22) Date of Filing Application: **18 March 2013**  
(24) Date from which industrial property rights may have effect: **18 March 2013**  
(54) Product in respect of which the design is registered: **Display structure**  
(51) International Design Classification: **20-02C**  
(74) Name(s) of Attorney(s): **Freehills Patent Attorneys**  
(71) Name(s) and Address(s) of Applicant(s):  
**Apple Inc.**  
**1 Infinite Loop Cupertino California 95014 United States of America**  
(72) Name(s) of Designer(s): **Russell John Kaaihue Heirakuji and Kevin Fenton Smeds and Frank Craig Thaler**  
(45) Registration Date: **12 July 2013**  
(30) Convention priority data:  
(31) Number (32) Date (33) Country  
**29/432722 19 Sep 2012 UNITED STATES OF AMERICA**  
(56) Related Art Documents: **Not Applicable**  
(57) Statement of Newness and Distinctiveness: **Newness and distinctiveness resides in the features of contrasting pattern and/or ornamentation and the features of configuration shown in solid lines in the accompanying representations.**



(21) Design Number: **11408/2013**  
(22) Date of Filing Application: **18 March 2013**  
(24) Date from which industrial property rights may have effect: **18 March 2013**  
(54) Product in respect of which the design is registered: **Display structure**  
(51) International Design Classification: **20-02C**  
(74) Name(s) of Attorney(s): **Freehills Patent Attorneys**  
(71) Name(s) and Address(s) of Applicant(s):  
**Apple Inc.**  
**1 Infinite Loop Cupertino California 95014 United States of America**  
(72) Name(s) of Designer(s): **Russell John Kaaihue Heirakuji and Kevin Fenton Smeds and Frank Craig Thaler**  
(45) Registration Date: **12 July 2013**  
(30) Convention priority data:  
(31) Number (32) Date (33) Country  
**29/432722 19 Sep 2012 UNITED STATES OF AMERICA**  
(56) Related Art Documents: **Not Applicable**  
(57) Statement of Newness and Distinctiveness: **Newness and distinctiveness resides in the features of pattern and ornamentation and the features of configuration shown in solid lines in the accompanying representations.**





(21) Design Number: **11418/2013**  
(22) Date of Filing Application: **19 March 2013**  
(24) Date from which industrial property rights may have effect: **19 March 2013**  
(54) Product in respect of which the design is registered: **Fabric care brush**  
(51) International Design Classification: **07-05E**  
(74) Name(s) of Attorney(s): **SPRUSON & FERGUSON**  
(71) Name(s) and Address(s) of Applicant(s):

**Lilly Brush Co., LLC**  
**3850 Albion Street Denver CO 80113 United States of America**

(72) Name(s) of Designer(s): **Elsie C. Hamilton**

(45) Registration Date: **12 July 2013**

(30) Convention priority data:

(31) Number	(32) Date	(33) Country
<b>29/432807</b>	<b>20 Sep 2012</b>	<b>UNITED STATES OF AMERICA</b>

(56) Related Art Documents: **Not Applicable**

(57) Statement of Newness and Distinctiveness: **Newness and distinctiveness is claimed in the following features of shape and/or configuration of the following parts of a fabric care brush as illustrated and in the accompanying representations: the curved indentation circumscribing the brush outer surface and demarcating the brush handle from the brush head; and the semi-cylindrical portion of the brush having brush tufts protruding therefrom.**



(21) Design Number: **11498/2013**  
(22) Date of Filing Application: **26 March 2013**  
(24) Date from which industrial property rights may have effect: **26 March 2013**  
(54) Product in respect of which the design is registered: **Blank for forming a container**  
(51) International Design Classification: **09-03NES**  
(74) Name(s) of Attorney(s): **Davies Collison Cave**  
(71) Name(s) and Address(s) of Applicant(s):

**Visy R & D Pty Ltd**  
**L11 2 Southbank Bvd Southbank VIC 3006 Australia**

(72) Name(s) of Designer(s): **Justin Olssen**

(45) Registration Date: **12 July 2013**

(56) Related Art Documents: **Not Applicable**

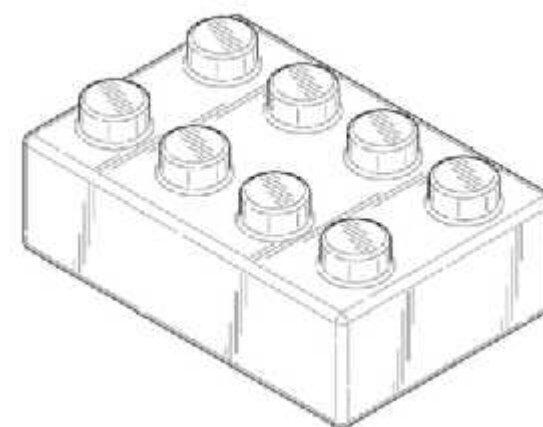
(57) Statement of Newness and Distinctiveness: **The features of shape and configuration of the blank shown in the accompanying representations are considered to be new and distinctive, wherein the broken lines are indicative of lines of deformation that facilitate folding of the blank.**



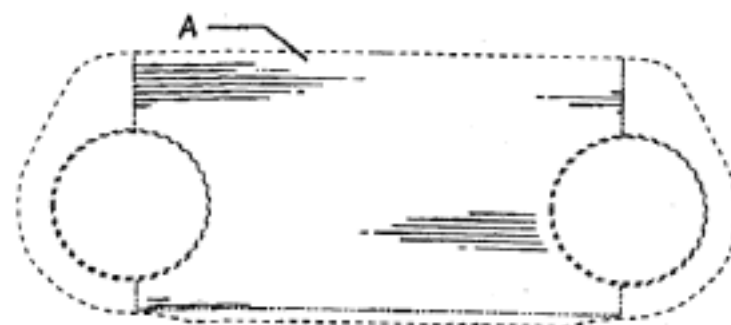
(21) Design Number: **11507/2013**  
(22) Date of Filing Application: **26 March 2013**  
(24) Date from which industrial property rights may have effect: **26 March 2013**  
(54) Product in respect of which the design is registered: **Container**  
(51) International Design Classification: **09-09**  
(74) Name(s) of Attorney(s): **Griffith Hack**  
(71) Name(s) and Address(s) of Applicant(s):  
**STP Used Battery Recyclers Pty Ltd**  
**U4/4 Brodie Hall Dr Bentley WA 6102 Australia**  
(72) Name(s) of Designer(s): **Fenton Goddard**  
(45) Registration Date: **12 July 2013**  
(56) Related Art Documents: **Not Applicable**  
(57) Statement of Newness and Distinctiveness: **Newness and distinctiveness resides in the visual features, including shape, configuration and ornamentation of the product as shown in the accompanying representations.**



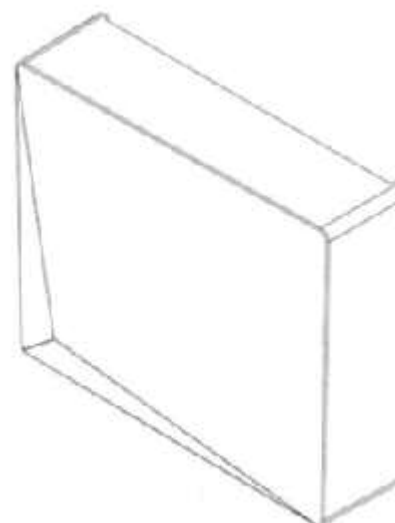
(21) Design Number: **11625/2013**  
(22) Date of Filing Application: **04 April 2013**  
(24) Date from which industrial property rights may have effect: **04 April 2013**  
(54) Product in respect of which the design is registered: **Soap bar**  
(51) International Design Classification: **28-02**  
(74) Name(s) of Attorney(s): **Davies Collison Cave**  
(71) Name(s) and Address(s) of Applicant(s):  
**Unilever PLC**  
**Unilever House 100 Victoria Embankment London EC4Y 0DY United Kingdom**  
(72) Name(s) of Designer(s): **Nayanatara Ekanath Pai**  
(45) Registration Date: **12 July 2013**  
(30) Convention priority data:  
(31) Number      (32) Date      (33) Country  
**002119925-0001    17 Oct 2012      OFFICE FOR HARMONISATION IN THE INTERNAL MARKET (OHIM)**  
(56) Related Art Documents: **Not Applicable**  
(57) Statement of Newness and Distinctiveness: **Newness and distinctiveness is claimed in the visual features shown in solid lines in the representations with reference to the projections on the upper surface of the rectangular configuration of the soap bar.**



- (21) Design Number: **11698/2013**  
(22) Date of Filing Application: **08 April 2013**  
(24) Date from which industrial property rights may have effect: **19 December 2012**  
(54) Product in respect of which the design is registered: **Undercarriage track link for mobile earthmoving machine**  
(51) International Design Classification: **15-04**  
(74) Name(s) of Attorney(s): **Freehills Patent Attorneys**  
(71) Name(s) and Address(s) of Applicant(s):  
**Caterpillar Inc.**  
**100 N.E. Adams Street Peoria Illinois 61629 United States of America**  
(72) Name(s) of Designer(s): **Robert L. Meyer and Gregory Kaufmann and Mark Steven Diekevers and Timothy A. Thorson**  
(45) Registration Date: **12 July 2013**  
(30) Convention priority data:  
(31) Number (32) Date (33) Country  
**29/426091 29 Jun 2012 UNITED STATES OF AMERICA**  
(62) Divisional of: **349777**  
(56) Related Art Documents: **Not Applicable**  
(57) Statement of Newness and Distinctiveness: **Newness and distinctiveness lie in the features of shape and configuration of the undercarriage track link for mobile earth moving machine shown in solid lines in the accompanying representations.**



- (21) Design Number: **11753/2013**  
(22) Date of Filing Application: **12 April 2013**  
(24) Date from which industrial property rights may have effect: **12 April 2013**  
(54) Product in respect of which the design is registered: **NTD enclosure base**  
(51) International Design Classification: **14-03NES**  
(74) Name(s) of Attorney(s): **PHILLIPS ORMONDE FITZPATRICK**  
(71) Name(s) and Address(s) of Applicant(s):  
**B&R Enclosures Pty Ltd**  
**Brisbane South Industrial Park 51 Stradbroke St Heathwood QLD 4110**  
**Australia**  
(72) Name(s) of Designer(s): **Barry Thomas Walker and Anton Liang Lee See and Benjamin Douglas Vinall Cramp**  
(45) Registration Date: **12 July 2013**  
(56) Related Art Documents: **Not Applicable**  
(57) Statement of Newness and Distinctiveness: **Nil**



- (21) Design Number: **11855/2013**  
(22) Date of Filing Application: **20 April 2013**  
(24) Date from which industrial property rights may have effect: **20 April 2013**  
(54) Product in respect of which the design is registered: **Cover for solar panel inverter and circuit breakers**  
(51) International Design Classification: **13-03C**  
(74) Name(s) of Attorney(s):  
(71) Name(s) and Address(s) of Applicant(s):  
**Andre Theodore Hagedorn**  
**3 Coastview Cres Tallai QLD 4213 Australia**  
(72) Name(s) of Designer(s): **Andre Theodore Hagedorn**  
(45) Registration Date: **12 July 2013**  
(56) Related Art Documents: **Not Applicable**  
(57) Statement of Newness and Distinctiveness: **Cover is mounted over inverter and switches and is designed to eliminate direct exposure to sun preventing damage to inverter and digital read out display. Adequate clearance between cover and inverter will allow excellent ventilation and will result cause inverter to run cooler. Cover is mounted on aluminium frame fixed to wall and secured by wing nuts allowing easy removal. Hinged inspection port allows direct access to digital display.**



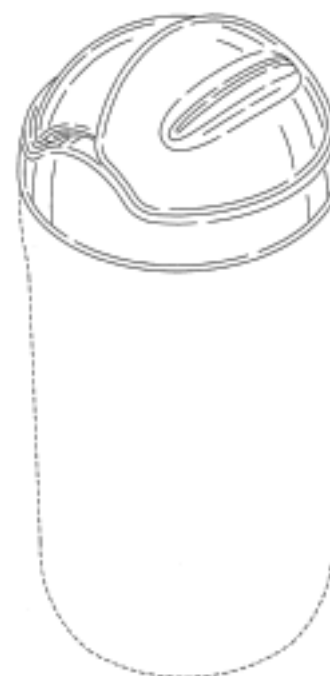
- (21) Design Number: **11930/2013**  
(22) Date of Filing Application: **24 April 2013**  
(24) Date from which industrial property rights may have effect: **24 April 2013**  
(54) Product in respect of which the design is registered: **Electrical apparatus for control and distribution of electrical power**  
(51) International Design Classification: **13-03C**  
(74) Name(s) of Attorney(s): **Griffith Hack**  
(71) Name(s) and Address(s) of Applicant(s):  
**SMA Solar Technology AG**  
**Sonnenallee 1 Niestetal 34266 Germany**  
(72) Name(s) of Designer(s): **Frank Lampe**  
(45) Registration Date: **12 July 2013**  
(30) Convention priority data:  
(31) Number (32) Date (33) Country  
**002140855-0004 22 Nov 2012 OFFICE FOR HARMONISATION IN THE INTERNAL MARKET (OHIM)**  
(56) Related Art Documents: **Not Applicable**  
(57) Statement of Newness and Distinctiveness: **Newness and distinctiveness resides in the visual features, including shape, configuration and ornamentation of the PRODUCT as shown in the accompanying drawings. However, letters, numbers and symbols appearing on the PRODUCT do not form part of the design.**



(21) Design Number: **11928/2013**  
(22) Date of Filing Application: **24 April 2013**  
(24) Date from which industrial property rights may have effect: **24 April 2013**  
(54) Product in respect of which the design is registered: **Electrical apparatus for control and distribution of electric power**  
(51) International Design Classification: **13-03C**  
(74) Name(s) of Attorney(s): **Griffith Hack**  
(71) Name(s) and Address(s) of Applicant(s):  
**SMA Solar Technology AG**  
**Sonnenallee 1 Niestetal 34266 Germany**  
(72) Name(s) of Designer(s): **Frank Lampe**  
(45) Registration Date: **12 July 2013**  
(30) Convention priority data:  
(31) Number (32) Date (33) Country  
**002140855-0002 22 Nov 2012 OFFICE FOR HARMONISATION IN THE INTERNAL MARKET (OHIM)**  
(56) Related Art Documents: **Not Applicable**  
(57) Statement of Newness and Distinctiveness: **Newness and distinctiveness resides in the visual features, including shape, configuration and ornamentation of the PRODUCT as shown in the accompanying drawings. However, letters, numbers and symbols appearing on the PRODUCT do not form part of the design.**



(21) Design Number: **12037/2013**  
(22) Date of Filing Application: **02 May 2013**  
(24) Date from which industrial property rights may have effect: **02 May 2013**  
(54) Product in respect of which the design is registered: **Flip top lid with straw for tumbler**  
(51) International Design Classification: **09-07B**  
(74) Name(s) of Attorney(s): **PHILLIPS ORMONDE FITZPATRICK**  
(71) Name(s) and Address(s) of Applicant(s):  
**Dart Industries Inc.**  
**14901 S. Orange Blossom Trail Orlando Florida 32837 United States of America**  
(72) Name(s) of Designer(s): **Anthony M. De Leo**  
(45) Registration Date: **12 July 2013**  
(30) Convention priority data:  
(31) Number (32) Date (33) Country  
**29/437,665 20 Nov 2012 UNITED STATES OF AMERICA**  
(56) Related Art Documents: **Not Applicable**  
(57) Statement of Newness and Distinctiveness: **Those features of the flip top lid with straw for tumbler depicted in the representations that are new and distinctive are the shape and/or configuration. The features shown in broken lines are not part of the design and are to be disregarded when considering the overall impression of the design.**



- (21) Design Number: **12097/2013**  
(22) Date of Filing Application: **03 May 2013**  
(24) Date from which industrial property rights may have effect: **03 May 2013**  
(54) Product in respect of which the design is registered: **Hat; cap**  
(51) International Design Classification: **02-03**  
(74) Name(s) of Attorney(s):  
(71) Name(s) and Address(s) of Applicant(s):  
**Christine Ann Rhodes**  
**8 Rennie St Lara VIC 3212 Australia**  
(72) Name(s) of Designer(s): **Christine Ann Rhodes**  
(45) Registration Date: **12 July 2013**  
(56) Related Art Documents: **Not Applicable**  
(57) Statement of Newness and Distinctiveness: **The newness and distinctiveness of the design is in the four panels forming the head/hat section which allows for different adornments, such as ears, eyes, tails etc to be placed in the side/side or the front/back panels to give the impression of an animal or character.**



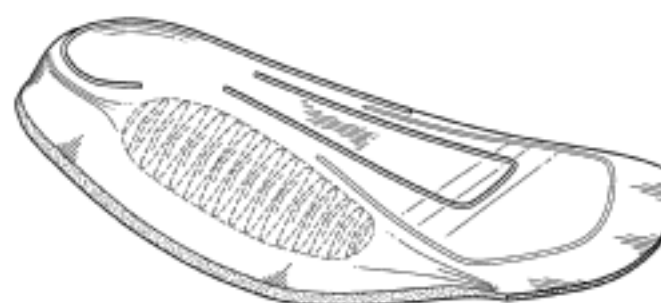
- (21) Design Number: **12332/2013**  
(22) Date of Filing Application: **20 May 2013**  
(24) Date from which industrial property rights may have effect: **20 May 2013**  
(54) Product in respect of which the design is registered: **A peeler**  
(51) International Design Classification: **07-04**  
(74) Name(s) of Attorney(s): **SPRUSON & FERGUSON**  
(71) Name(s) and Address(s) of Applicant(s):  
**Take Two Marketing and Events Pty Ltd**  
**SE302 L3 209 Oxford St Bondi Junction NSW 2022 Australia**  
(72) Name(s) of Designer(s): **James Cheney**  
(45) Registration Date: **12 July 2013**  
(56) Related Art Documents: **Not Applicable**  
(57) Statement of Newness and Distinctiveness: **Newness and distinctiveness is claimed in the features of shape and/or configuration of a peeler as illustrated in the accompanying representations.**



- (21) Design Number: **12389/2013**  
(22) Date of Filing Application: **23 May 2013**  
(24) Date from which industrial property rights may have effect: **23 May 2013**  
(54) Product in respect of which the design is registered: **A handle lift for a mower**  
(51) International Design Classification: **15-03B**  
(74) Name(s) of Attorney(s): **AJ Park**  
(71) Name(s) and Address(s) of Applicant(s):  
**Masport Limited**  
**1-37 Mt Wellington Highway Mt Wellington Auckland New Zealand**  
(72) Name(s) of Designer(s): **Agron Haraqia and Allan Clifford Smyth and Patrick James Nieuwoudt**  
(45) Registration Date: **12 July 2013**  
(56) Related Art Documents: **Not Applicable**  
(57) Statement of Newness and Distinctiveness: **The newness and distinctiveness resides in the features of shape and/or configuration as shown in the portions highlighted in yellow in the representations. No novelty is claimed in the non-highlighted portions.**



- (21) Design Number: **12412/2013**  
(22) Date of Filing Application: **24 May 2013**  
(24) Date from which industrial property rights may have effect: **24 May 2013**  
(54) Product in respect of which the design is registered: **Orthotic insert for shoes**  
(51) International Design Classification: **02-04A**  
(74) Name(s) of Attorney(s): **PHILLIPS ORMONDE FITZPATRICK**  
(71) Name(s) and Address(s) of Applicant(s):  
**Superfeet Worldwide, Inc.**  
**1820 Scout Place Ferndale Washington 98248 United States of America**  
(72) Name(s) of Designer(s): **Dan Wakeland and Randy Curran and Peter Daley and C.W. Nam**  
(45) Registration Date: **12 July 2013**  
(30) Convention priority data:  
(31) Number      (32) Date      (33) Country  
**29/438,890      04 Dec 2012      UNITED STATES OF AMERICA**  
(56) Related Art Documents: **Not Applicable**  
(57) Statement of Newness and Distinctiveness: **Those features of the orthotic insert for shoes depicted in the representations that are new and distinctive are the shape and/or configuration. The shading lines shown in the drawings are intended to represent the approximate three-dimensional contour of the design, and are not intended to indicate surface decoration. The features shown in broken lines are not part of the design and are to be disregarded when considering the overall impression of the design.**



(21) Design Number: **12444/2013**  
(22) Date of Filing Application: **28 May 2013**  
(24) Date from which industrial property rights may have effect: **28 May 2013**  
(54) Product in respect of which the design is registered: **Trampoline**  
(51) International Design Classification: **21-02F**  
(74) Name(s) of Attorney(s): **Ahearn Fox**  
(71) Name(s) and Address(s) of Applicant(s):

**Vuly Pty Ltd**  
**1/95 Ingleston Rd Wakerley QLD 4154 Australia**

(72) Name(s) of Designer(s): **Wei Yang**

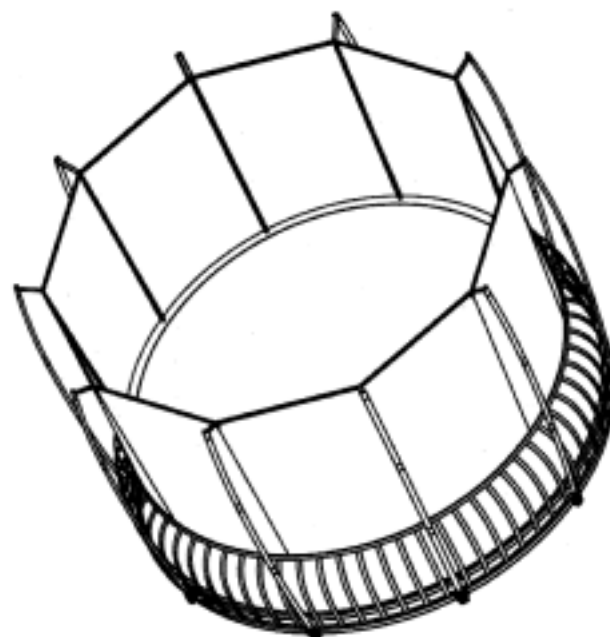
(45) Registration Date: **12 July 2013**

(30) Convention priority data:

(31) Number	(32) Date	(33) Country
<b>417102</b>	<b>10 Dec 2012</b>	<b>NEW ZEALAND</b>

(56) Related Art Documents: **Not Applicable**

(57) Statement of Newness and Distinctiveness: **Newness and distinctiveness resides in the shape and configuration of a trampoline as illustrated in the accompanying representations.**



(21) Design Number: **12472/2013**  
(22) Date of Filing Application: **29 May 2013**  
(24) Date from which industrial property rights may have effect: **29 May 2013**  
(54) Product in respect of which the design is registered: **Rose for door mounting**  
(51) International Design Classification: **08-09**  
(74) Name(s) of Attorney(s): **Davies Collison Cave**  
(71) Name(s) and Address(s) of Applicant(s):

**Illinois Tool Works Inc.**  
**3600 West Lake Avenue Glenview Illinois 60026-1215 United States of America**

(72) Name(s) of Designer(s): **Dean Beardmore**

(45) Registration Date: **12 July 2013**

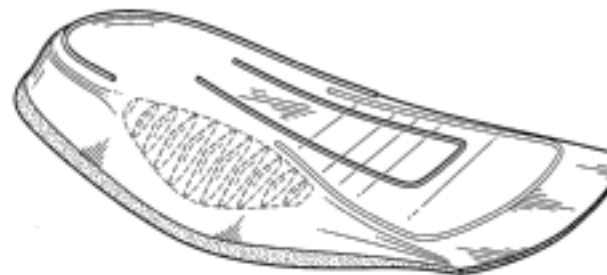
(56) Related Art Documents: **Not Applicable**

(57) Statement of Newness and Distinctiveness: **Nil**



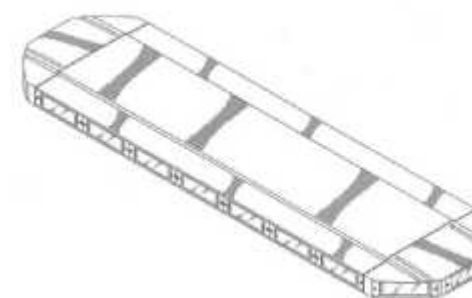


(21) Design Number: **12522/2013**  
(22) Date of Filing Application: **24 May 2013**  
(24) Date from which industrial property rights may have effect: **24 May 2013**  
(54) Product in respect of which the design is registered: **Orthotic insert for shoes**  
(51) International Design Classification: **02-04A**  
(74) Name(s) of Attorney(s): **PHILLIPS ORMONDE FITZPATRICK**  
(71) Name(s) and Address(s) of Applicant(s):  
**Superfeet Worldwide, Inc.**  
**1820 Scout Place Ferndale Washington 98248 United States of America**  
(72) Name(s) of Designer(s): **Dan Wakeland and Randy Curran and Peter Daley and C.W. Nam**  
(45) Registration Date: **12 July 2013**  
(30) Convention priority data:  
(31) Number (32) Date (33) Country  
**29/438,890 04 Dec 2012 UNITED STATES OF AMERICA**

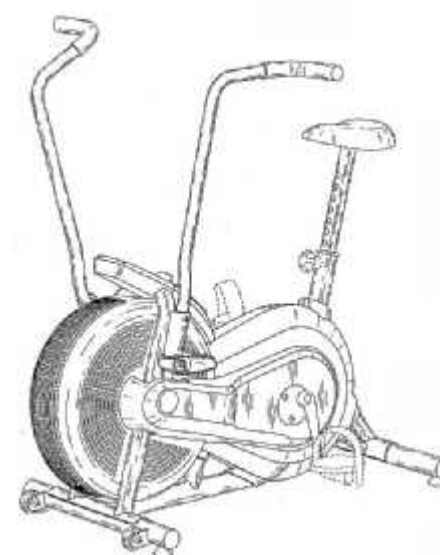


(56) Related Art Documents: **Not Applicable**  
(57) Statement of Newness and Distinctiveness: **Those features of the orthotic insert for shoes depicted in the representations that are new and distinctive are the shape and/or configuration. The shading lines shown in the drawings are intended to represent the approximate three-dimensional contour of the design, and are not intended to indicate surface decoration. The features shown in broken lines are not part of the design and are to be disregarded when considering the overall impression of the design.**

(21) Design Number: **12539/2013**  
(22) Date of Filing Application: **03 June 2013**  
(24) Date from which industrial property rights may have effect: **03 June 2013**  
(54) Product in respect of which the design is registered: **An alarm light**  
(51) International Design Classification: **10-05, 26-99, 10-06**  
(74) Name(s) of Attorney(s): **Collison & Co**  
(71) Name(s) and Address(s) of Applicant(s):  
**Luminous Star Technology Ltd**  
**No 689 Taizi Rd Taizi Vil Rende Dist Tainan City Taiwan province of China**  
(72) Name(s) of Designer(s): **Tzu-Fan Kuo**  
(45) Registration Date: **12 July 2013**  
(56) Related Art Documents: **Not Applicable**  
(57) Statement of Newness and Distinctiveness: **Nil**

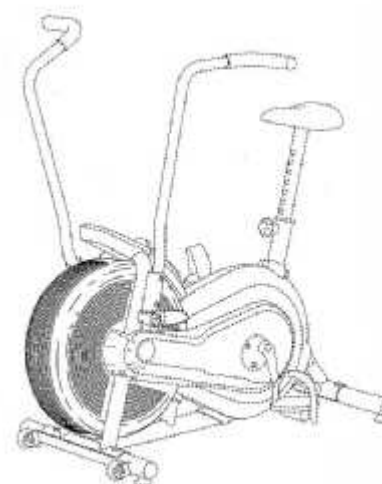


(21) Design Number: **12540/2013**  
(22) Date of Filing Application: **03 June 2013**  
(24) Date from which industrial property rights may have effect: **03 June 2013**  
(54) Product in respect of which the design is registered: **Exercise bike**  
(51) International Design Classification: **21-02F**  
(74) Name(s) of Attorney(s): **Griffith Hack**  
(71) Name(s) and Address(s) of Applicant(s):  
**Nautilus, Inc.**  
**17750 SE 6th Way Vancouver WA 98683 United States of America**  
(72) Name(s) of Designer(s): **Matthew Rauwerdink**  
(45) Registration Date: **12 July 2013**  
(30) Convention priority data:  
(31) Number (32) Date (33) Country  
**29/438,869 04 Dec 2012 UNITED STATES OF AMERICA**



(56) Related Art Documents: **Not Applicable**  
(57) Statement of Newness and Distinctiveness: **Newness and distinctiveness resides in the visual features, including shape, configuration and ornamentation of the PRODUCT as shown by means of solid lines in the accompanying Figures. Those parts shown by means of dotted lines have been included for illustrative purposes and do not form part of the design.**

(21) Design Number: **12541/2013**  
(22) Date of Filing Application: **03 June 2013**  
(24) Date from which industrial property rights may have effect: **03 June 2013**  
(54) Product in respect of which the design is registered: **Exercise bike flywheel housing**  
(51) International Design Classification: **21-02F**  
(74) Name(s) of Attorney(s): **Griffith Hack**  
(71) Name(s) and Address(s) of Applicant(s):  
**Nautilus, Inc.**  
**17750 SE 6th Way Vancouver WA 98683 United States of America**  
(72) Name(s) of Designer(s): **Matthew Rauwerdink**  
(45) Registration Date: **12 July 2013**  
(30) Convention priority data:  
(31) Number (32) Date (33) Country  
**29/438,881 04 Dec 2012 UNITED STATES OF AMERICA**



(56) Related Art Documents: **Not Applicable**  
(57) Statement of Newness and Distinctiveness: **Newness and distinctiveness resides in the visual features, including shape, configuration and ornamentation of the PRODUCT as shown by means of solid lines in the accompanying Figures. Those parts shown by means of dotted lines have been included for illustrative purposes and do not form part of the design.**

(21) Design Number: **12542/2013**

(22) Date of Filing Application: **03 June 2013**

(24) Date from which industrial property rights may have effect: **03 June 2013**

(54) Product in respect of which the design is registered: **Exercise bike**

(51) International Design Classification: **21-02F**

(74) Name(s) of Attorney(s): **Griffith Hack**

(71) Name(s) and Address(s) of Applicant(s):

**Nautilus, Inc.**

**17750 SE 6th Way Vancouver WA 98683 United States of America**

(72) Name(s) of Designer(s): **Edward L. Flick and Rasmey Yim and Matthew Rauwerdink**

(45) Registration Date: **12 July 2013**

(30) Convention priority data:

(31) Number

(32) Date

(33) Country

**29/438,884**

**04 Dec 2012**

**UNITED STATES OF AMERICA**

(56) Related Art Documents: **Not Applicable**

(57) Statement of Newness and Distinctiveness: **Newness and distinctiveness resides in the visual features, including shape, configuration and ornamentation of the PRODUCT as shown by means of solid lines in the accompanying Figures. Those parts shown by means of dotted lines have been included for illustrative purposes and do not form part of the design.**



(21) Design Number: **12573/2013**

(22) Date of Filing Application: **04 June 2013**

(24) Date from which industrial property rights may have effect: **04 June 2013**

(54) Product in respect of which the design is registered: **Bonnet for a tractor**

(51) International Design Classification: **12-16B**

(74) Name(s) of Attorney(s): **AJ Park**

(71) Name(s) and Address(s) of Applicant(s):

**Iseki & Co., Ltd.**

**700 Umaki-cho Matsuyama-shi Ehime-ken 799-2692 Japan**

(72) Name(s) of Designer(s): **Masami Kinoshita and Seji Tanaka and Akihiro Shimizu and Shuji Ishimaru**

(45) Registration Date: **12 July 2013**

(30) Convention priority data:

(31) Number

(32) Date

(33) Country

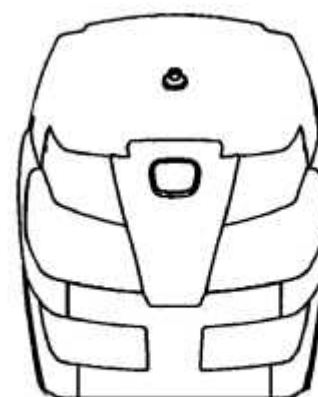
**2012-29667**

**04 Dec 2012**

**JAPAN**

(56) Related Art Documents: **Not Applicable**

(57) Statement of Newness and Distinctiveness: **Newness and distinctiveness reside in the features of shape and/or configuration of the Bonnet for a Tractor as shown in the representations.**



(21) Design Number: **12754/2013**  
(22) Date of Filing Application: **14 June 2013**  
(24) Date from which industrial property rights may have effect: **14 June 2013**  
(54) Product in respect of which the design is registered: **Cot**  
(51) International Design Classification: **06-02**  
(74) Name(s) of Attorney(s): **AJ Park**  
(71) Name(s) and Address(s) of Applicant(s):

**Urban LYNCH**  
**17a Sutherland Crescent Melrose Wellington 6023 New Zealand**

(72) Name(s) of Designer(s): **Urban Lynch**

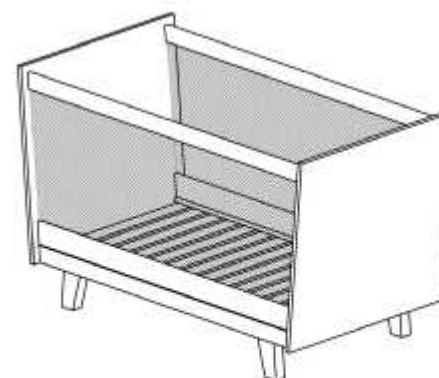
(45) Registration Date: **12 July 2013**

(30) Convention priority data:

(31) Number	(32) Date	(33) Country
<b>417164</b>	<b>21 Dec 2012</b>	<b>NEW ZEALAND</b>

(56) Related Art Documents: **Not Applicable**

(57) Statement of Newness and Distinctiveness: **Newness and distinctiveness resides in the features of shape and/or configuration of the COT, including the mesh side panels, all as shown in the representations.**



(21) Design Number: **16835/2012**  
(22) Date of Filing Application: **30 April 2013**  
(24) Date from which industrial property rights may have effect: **12 October 2012**  
(54) Product in respect of which the design is registered: **Article of clothing**  
(51) International Design Classification: **02-02C**  
(74) Name(s) of Attorney(s): **Allens Patent & Trade Mark Attorneys**  
(71) Name(s) and Address(s) of Applicant(s):

**Forever New Clothing Pty Ltd**  
**714-716 High St Kew East VIC 3102 Australia**

(72) Name(s) of Designer(s): **Octavia Miller**

(45) Registration Date: **12 July 2013**

(30) Convention priority data:

(31) Number	(32) Date	(33) Country
<b>4026134</b>	<b>30 Aug 2012</b>	<b>UNITED KINGDOM</b>

(62) Divisional of: **349176**

(56) Related Art Documents: **Not Applicable**

(57) Statement of Newness and Distinctiveness: **Newness and distinctiveness resides in the visual features of shape, configuration, pattern and/or ornamentation of an article of clothing as shown in the accompanying representations.**



(21) Design Number: **16840/2012**  
(22) Date of Filing Application: **30 April 2013**  
(24) Date from which industrial property rights may have effect: **12 October 2012**  
(54) Product in respect of which the design is registered: **Article of clothing**  
(51) International Design Classification: **02-02C**  
(74) Name(s) of Attorney(s): **Allens Patent & Trade Mark Attorneys**  
(71) Name(s) and Address(s) of Applicant(s):

**Forever New Clothing Pty Ltd**  
**714-716 High St Kew East VIC 3102 Australia**

(72) Name(s) of Designer(s): **Gemma Henderson**

(45) Registration Date: **12 July 2013**

(30) Convention priority data:

(31) Number	(32) Date	(33) Country
<b>4026134</b>	<b>30 Aug 2012</b>	<b>UNITED KINGDOM</b>

(62) Divisional of: **349176**

(56) Related Art Documents: **Not Applicable**

(57) Statement of Newness and Distinctiveness: **Newness and distinctiveness resides in the visual features of shape, configuration, pattern and/or ornamentation of an article of clothing as shown in the accompanying representations.**



(21) Design Number: **14394/2012**  
(22) Date of Filing Application: **05 September 2012**  
(24) Date from which industrial property rights may have effect: **05 September 2012**  
(54) Product in respect of which the design is registered: **Collapsible container**  
(51) International Design Classification: **07-01B, 09-03NES**  
(74) Name(s) of Attorney(s): **Davies Collison Cave**  
(71) Name(s) and Address(s) of Applicant(s):

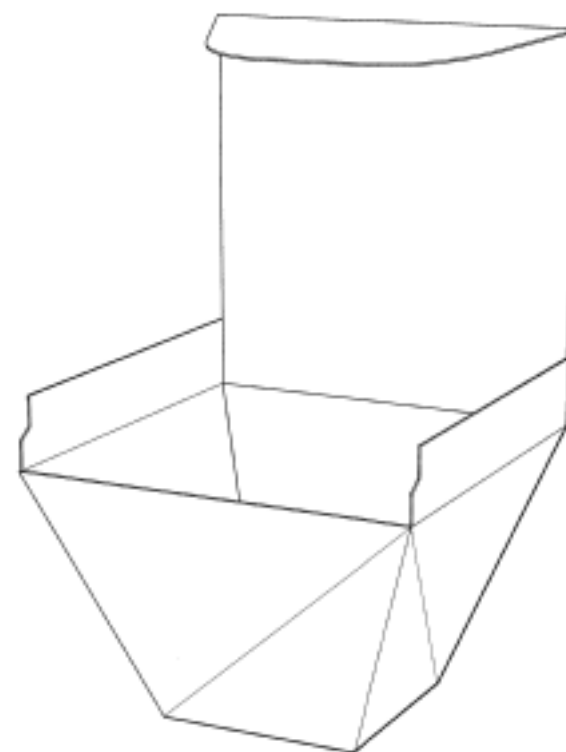
**Megan Joan Boston**  
**89 Union Rd Surrey Hills VIC 3127 Australia**

(72) Name(s) of Designer(s): **Megan Joan Boston and Paul Charlwood**

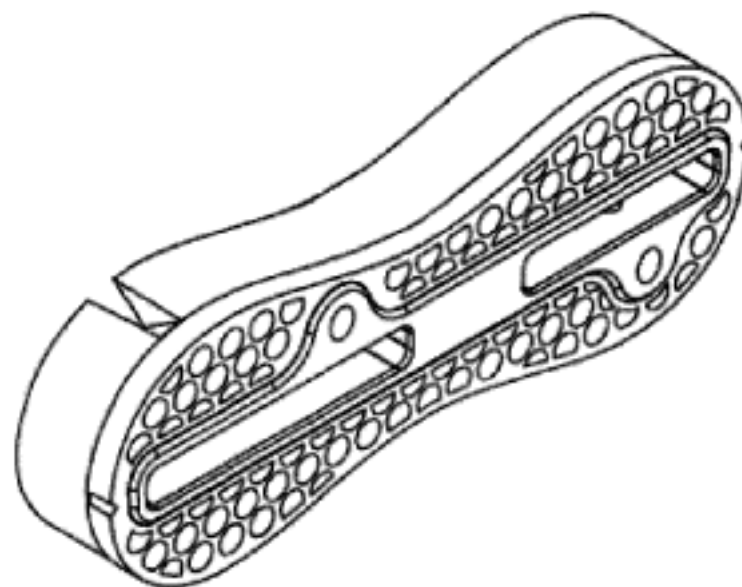
(45) Registration Date: **12 July 2013**

(56) Related Art Documents: **Not Applicable**

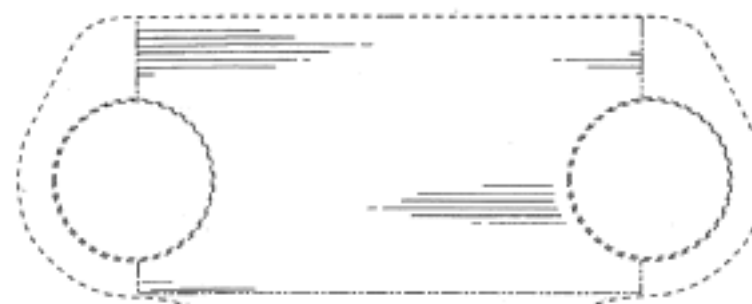
(57) Statement of Newness and Distinctiveness: **Newness and distinctiveness is claimed in the shape and configuration of the collapsible container shown in the accompanying representations.**



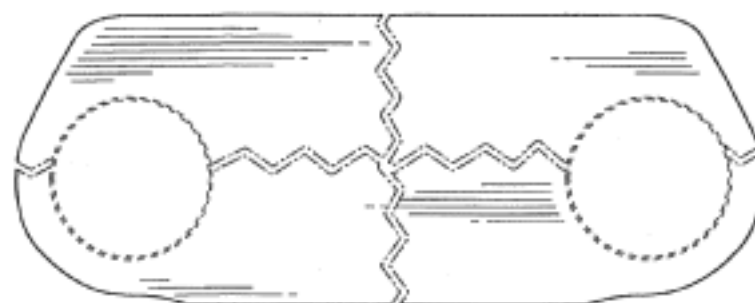
- (21) Design Number: **15674/2012**  
(22) Date of Filing Application: **14 November 2012**  
(24) Date from which industrial property rights may have effect: **14 November 2012**  
(54) Product in respect of which the design is registered: **A fin plug assembly for a surfcraft**  
(51) International Design Classification: **21-02D**  
(74) Name(s) of Attorney(s): **Halfords IP**  
(71) Name(s) and Address(s) of Applicant(s):  
**Fin Control Systems Pty. Limited**  
**5-7 By The Sea Rd Mona Vale NSW 2103 Australia**  
(72) Name(s) of Designer(s): **Michael Durante and Gregory Scott**  
(45) Registration Date: **12 July 2013**  
(56) Related Art Documents: **Not Applicable**  
(57) Statement of Newness and Distinctiveness: **Newness and distinctiveness is claimed in those features of shape and or configuration of a fin plug assembly for a surfcraft in the accompanying representations. The feature of the fin plug assembly within the circle marked "A" in the accompanying representations does not form part of the design and is disclaimed.**



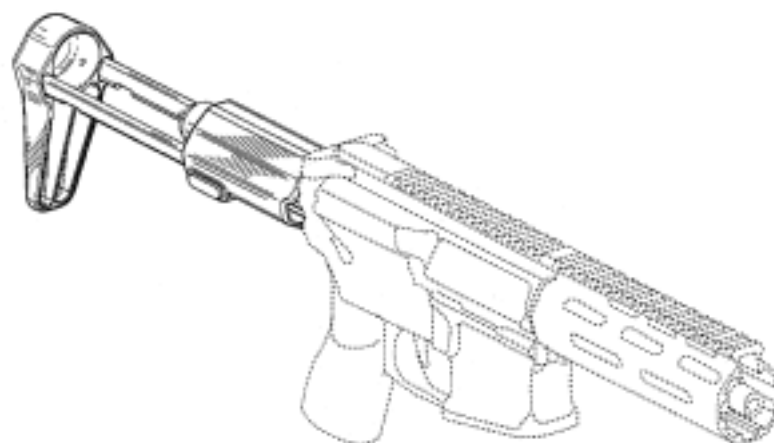
- (21) Design Number: **16529/2012**  
(22) Date of Filing Application: **19 December 2012**  
(24) Date from which industrial property rights may have effect: **19 December 2012**  
(54) Product in respect of which the design is registered: **Undercarriage track link for mobile earthmoving machine**  
(51) International Design Classification: **15-04**  
(74) Name(s) of Attorney(s): **Freehills Patent Attorneys**  
(71) Name(s) and Address(s) of Applicant(s):  
**Caterpillar Inc.**  
**100 N.E. Adams Street Peoria Illinois 61629 United States of America**  
(72) Name(s) of Designer(s): **Robert L Meyer and Gregory Kaufmann and Mark Steven Diekevers and Timothy A. Thorson**  
(45) Registration Date: **12 July 2013**  
(30) Convention priority data:  
(31) Number (32) Date (33) Country  
**29/426091 29 Jun 2012 UNITED STATES OF AMERICA**  
(56) Related Art Documents: **Not Applicable**  
(57) Statement of Newness and Distinctiveness: **Newness and distinctiveness lies in the features of shape and configuration of the undercarriage track link for mobile earthmoving machine shown in solid lines in the accompanying representations.**



- (21) Design Number: **16528/2012**  
(22) Date of Filing Application: **19 December 2012**  
(24) Date from which industrial property rights may have effect: **19 December 2012**  
(54) Product in respect of which the design is registered: **Undercarriage track link for mobile earthmoving machine**  
(51) International Design Classification: **15-04**  
(74) Name(s) of Attorney(s): **Freehills Patent Attorneys**  
(71) Name(s) and Address(s) of Applicant(s):  
**Caterpillar Inc.**  
**100 N.E. Adams Street Peoria Illinois 61629 United States of America**  
(72) Name(s) of Designer(s): **Robert L Meyer and Gregory Kaufmann and Mark Steven Diekevers and Timothy A. Thorson**  
(45) Registration Date: **12 July 2013**  
(30) Convention priority data:  
(31) Number (32) Date (33) Country  
**29/426091 29 Jun 2012 UNITED STATES OF AMERICA**  
(56) Related Art Documents: **Not Applicable**  
(57) Statement of Newness and Distinctiveness: **Newness and distinctiveness lies in the features of shape and configuration of the undercarriage track link for mobile earthmoving machine shown in solid lines in the accompanying representations. Breaks defined by the dot-dashed lines indicate indefinite dimensions.**



- (21) Design Number: **11274/2013**  
(22) Date of Filing Application: **12 March 2013**  
(24) Date from which industrial property rights may have effect: **12 March 2013**  
(54) Product in respect of which the design is registered: **Firearm stock**  
(51) International Design Classification: **22-01**  
(74) Name(s) of Attorney(s): **Griffith Hack**  
(71) Name(s) and Address(s) of Applicant(s):  
**RA Brands, L.L.C.**  
**870 Remington Drive Madison NC 27025-0700 United States of America**  
(72) Name(s) of Designer(s): **Eric C Burt and Ethan Lessard**  
(45) Registration Date: **12 July 2013**  
(30) Convention priority data:  
(31) Number (32) Date (33) Country  
**29/432044 13 Sep 2012 UNITED STATES OF AMERICA**  
(56) Related Art Documents: **Not Applicable**  
(57) Statement of Newness and Distinctiveness: **Newness and distinctiveness reside in the shape and configuration of a firearm stock as shown by solid lines in the representations. The parts shown by broken lines are shown herein for illustrative purposes and form no part of the claimed design.**



(21) Design Number: **11275/2013**  
(22) Date of Filing Application: **12 March 2013**  
(24) Date from which industrial property rights may have effect: **12 March 2013**  
(54) Product in respect of which the design is registered: **Firearm**  
(51) International Design Classification: **22-01**  
(74) Name(s) of Attorney(s): **Griffith Hack**  
(71) Name(s) and Address(s) of Applicant(s):  
**RA Brands, L.L.C.**  
**870 Remington Drive Madison NC 27025-0700 United States of America**  
(72) Name(s) of Designer(s): **Eric C Burt and Ethan Lessard**  
(45) Registration Date: **12 July 2013**  
(30) Convention priority data:  
(31) Number      (32) Date      (33) Country  
**29/432127      13 Sep 2012      UNITED STATES OF AMERICA**  
(56) Related Art Documents: **Not Applicable**  
(57) Statement of Newness and Distinctiveness: **Newness and distinctiveness reside in the shape and configuration of a firearm as shown by solid lines in the representations. The parts shown by broken lines are shown herein for illustrative purposes and form no part of the claimed design.**



(21) Design Number: **11273/2013**  
(22) Date of Filing Application: **12 March 2013**  
(24) Date from which industrial property rights may have effect: **12 March 2013**  
(54) Product in respect of which the design is registered: **Firearm**  
(51) International Design Classification: **22-01**  
(74) Name(s) of Attorney(s): **Griffith Hack**  
(71) Name(s) and Address(s) of Applicant(s):  
**RA Brands, L.L.C.**  
**870 Remington Drive Madison NC 27025 United States of America**  
(72) Name(s) of Designer(s): **Eric C Burt and Ethan Lessard**  
(45) Registration Date: **12 July 2013**  
(30) Convention priority data:  
(31) Number      (32) Date      (33) Country  
**29/432045      13 Sep 2012      UNITED STATES OF AMERICA**  
(56) Related Art Documents: **Not Applicable**  
(57) Statement of Newness and Distinctiveness: **Newness and distinctiveness reside in the shape and configuration of a firearm as shown by solid lines in the representations. The parts shown by broken lines are shown herein for illustrative purposes and form no part of the claimed design.**

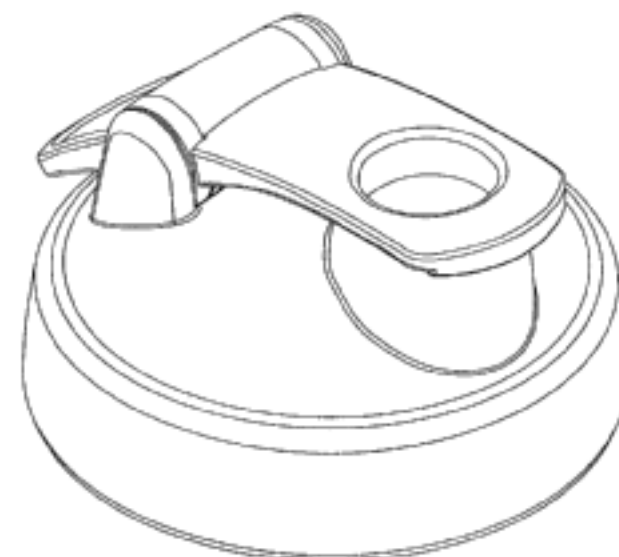




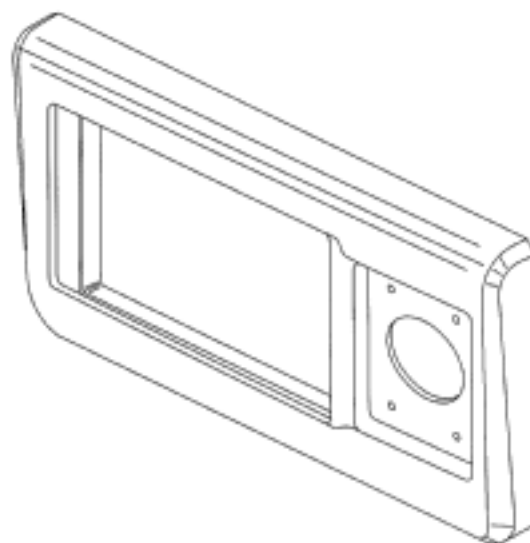
(21) Design Number: **12198/2013**  
(22) Date of Filing Application: **13 May 2013**  
(24) Date from which industrial property rights may have effect: **13 May 2013**  
(54) Product in respect of which the design is registered: **Wireline roller device**  
(51) International Design Classification: **08-01**  
(74) Name(s) of Attorney(s): **Wrays**  
(71) Name(s) and Address(s) of Applicant(s):  
**National Oilwell Varco UK Limited**  
**Martin Street Audenshaw Lancashire Manchester M43 5JA United Kingdom**  
(72) Name(s) of Designer(s): **Carl Wood and Harry O'Brien**  
(45) Registration Date: **12 July 2013**  
(30) Convention priority data:  
(31) Number (32) Date (33) Country  
**002135046 13 Nov 2012 OFFICE FOR HARMONISATION IN THE INTERNAL MARKET (OHIM)**  
(56) Related Art Documents: **Not Applicable**  
(57) Statement of Newness and Distinctiveness: **Nil**



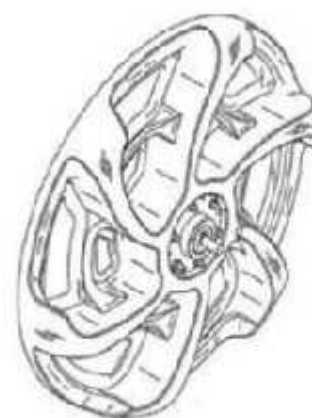
(21) Design Number: **11013/2013**  
(22) Date of Filing Application: **04 March 2013**  
(24) Date from which industrial property rights may have effect: **04 March 2013**  
(54) Product in respect of which the design is registered: **Bottle lid**  
(51) International Design Classification: **09-07C**  
(74) Name(s) of Attorney(s): **Griffith Hack**  
(71) Name(s) and Address(s) of Applicant(s):  
**Sundesha, LLC**  
**284 South 700 West Pleasant Grove Utah 84062 United States of America**  
(72) Name(s) of Designer(s): **David O. Meyers and Steven M. Sorensen**  
(45) Registration Date: **15 July 2013**  
(30) Convention priority data:  
(31) Number (32) Date (33) Country  
**29/431,544 07 Sep 2012 UNITED STATES OF AMERICA**  
(56) Related Art Documents: **Not Applicable**  
(57) Statement of Newness and Distinctiveness: **Newness and distinctiveness resides in the visual features, including shape and configuration, of the product as shown in the accompanying representations. Features illustrated in dashed line do not form a part of the design and are shown only for illustrative purpose.**



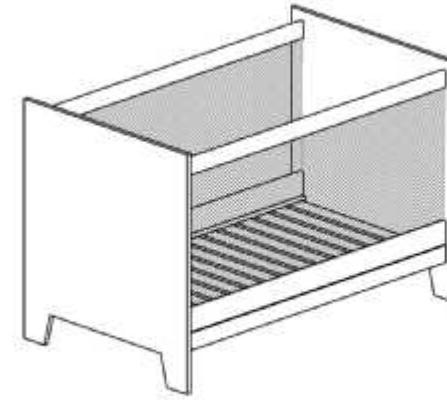
- (21) Design Number: **11394/2013**  
(22) Date of Filing Application: **19 March 2013**  
(24) Date from which industrial property rights may have effect: **19 March 2013**  
(54) Product in respect of which the design is registered: **Front housing for a controller**  
(51) International Design Classification: **14-03NES, 21-01N**  
(74) Name(s) of Attorney(s): **Davies Collison Cave**  
(71) Name(s) and Address(s) of Applicant(s):  
**Orica International Pte Ltd**  
**78 Shenton Way #06-15 Tower 2 Singapore 079120**  
(72) Name(s) of Designer(s): **Nick Harrison and Gretta Jensen and Peter Condie and Owen Bawden and Neil Davidson and Ben Cramp and Anton Lee See**  
(45) Registration Date: **15 July 2013**  
(56) Related Art Documents: **Not Applicable**  
(57) Statement of Newness and Distinctiveness: **Nil**



- (21) Design Number: **12543/2013**  
(22) Date of Filing Application: **03 June 2013**  
(24) Date from which industrial property rights may have effect: **03 June 2013**  
(54) Product in respect of which the design is registered: **Exercise bike flywheel**  
(51) International Design Classification: **21-02F**  
(74) Name(s) of Attorney(s): **Griffith Hack**  
(71) Name(s) and Address(s) of Applicant(s):  
**Nautilus, Inc.**  
**17750 SE 6th Way Vancouver WA 98683 United States of America**  
(72) Name(s) of Designer(s): **Edward L. Flick and Rasmey Yim and Matthew Rauwerdink**  
(45) Registration Date: **15 July 2013**  
(30) Convention priority data:  
(31) Number      (32) Date      (33) Country  
**29/438,888      04 Dec 2012      UNITED STATES OF AMERICA**  
(56) Related Art Documents: **Not Applicable**  
(57) Statement of Newness and Distinctiveness: **Newness and distinctiveness resides in the visual features, including shape, configuration and ornamentation of the PRODUCT as shown by means of solid lines in the accompanying Figures. Those parts shown by means of dotted lines have been included for illustrative purposes and do not form part of the design.**



(21) Design Number: **12753/2013**  
(22) Date of Filing Application: **14 June 2013**  
(24) Date from which industrial property rights may have effect: **14 June 2013**  
(54) Product in respect of which the design is registered: **Cot**  
(51) International Design Classification: **06-02**  
(74) Name(s) of Attorney(s): **AJ Park**  
(71) Name(s) and Address(s) of Applicant(s):



**Urban LYNCH**  
**17a Sutherland Crescent Melrose Wellington 6023 New Zealand**

(72) Name(s) of Designer(s): **Urban Lynch**

(45) Registration Date: **15 July 2013**

(30) Convention priority data:

(31) Number	(32) Date	(33) Country
<b>417163</b>	<b>21 Dec 2012</b>	<b>NEW ZEALAND</b>

(56) Related Art Documents: **Not Applicable**

(57) Statement of Newness and Distinctiveness: **Newness and distinctiveness resides in the features of shape and/or configuration of the COT, including the mesh side panels, all as shown in the representations.**

(21) Design Number: **12762/2013**  
(22) Date of Filing Application: **14 June 2013**  
(24) Date from which industrial property rights may have effect: **14 June 2013**  
(54) Product in respect of which the design is registered: **Light**  
(51) International Design Classification: **26-03**  
(74) Name(s) of Attorney(s): **Shelston IP**  
(71) Name(s) and Address(s) of Applicant(s):  
**Hangzhou China Art Industrial Co. Ltd.**  
**No. 169 Wuchang Avenue Yuhang District Hangzhou 310023 People's Republic of China**



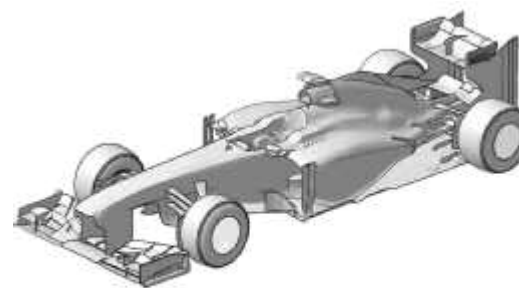
(72) Name(s) of Designer(s): **Ren Li**

(45) Registration Date: **15 July 2013**

(56) Related Art Documents: **Not Applicable**

(57) Statement of Newness and Distinctiveness: **Nil**

(21) Design Number: **12763/2013**  
(22) Date of Filing Application: **14 June 2013**  
(24) Date from which industrial property rights may have effect: **14 June 2013**  
(54) Product in respect of which the design is registered: **Car and toy-car**  
(51) International Design Classification: **12-08, 21-01C**  
(74) Name(s) of Attorney(s): **PHILLIPS ORMONDE FITZPATRICK**  
(71) Name(s) and Address(s) of Applicant(s):  
**Ferrari S.p.A.**  
**Via Emilia Est 1163 I-41100 Modena Italy**  
(72) Name(s) of Designer(s): **Nikolaos Tombazis**  
(45) Registration Date: **15 July 2013**  
(30) Convention priority data:  
(31) Number (32) Date (33) Country  
**002174904 30 Jan 2013 OFFICE FOR HARMONISATION IN  
THE INTERNAL MARKET (OHIM)**



(56) Related Art Documents: **Not Applicable**  
(57) Statement of Newness and Distinctiveness: **Those features of the car and toy-car depicted in the representations that are new and distinctive are the shape and/or configuration. The wheels and tyres of the car and toy-car are not part of the design and are to be disregarded when considering the overall impression of the design.**

(21) Design Number: **12766/2013**  
(22) Date of Filing Application: **17 June 2013**  
(24) Date from which industrial property rights may have effect: **17 June 2013**  
(54) Product in respect of which the design is registered: **Handles for toilet brushes**  
(51) International Design Classification: **04-02**  
(74) Name(s) of Attorney(s): **Trademark Works**  
(71) Name(s) and Address(s) of Applicant(s):  
**Joseph Joseph Ltd**  
**The Grove 30 Great Guildford Street London Greater London SE10HS**  
**United Kingdom**  
(72) Name(s) of Designer(s): **Simon Donald**  
(45) Registration Date: **15 July 2013**  
(30) Convention priority data:  
(31) Number (32) Date (33) Country  
**002204297-0001 18 Mar 2013 OFFICE FOR HARMONISATION IN  
THE INTERNAL MARKET (OHIM)**



(56) Related Art Documents: **Not Applicable**  
(57) Statement of Newness and Distinctiveness: **Nil**

(21) Design Number: **12767/2013**

(22) Date of Filing Application: **17 June 2013**

(24) Date from which industrial property rights may have effect: **17 June 2013**

(54) Product in respect of which the design is registered: **Garlic crusher**

(51) International Design Classification: **07-04**

(74) Name(s) of Attorney(s): **Trademark Works**

(71) Name(s) and Address(s) of Applicant(s):

**Joseph Joseph Ltd**

**The Grove 30 Great Guildford Street London Greater London SE10HS  
United Kingdom**

(72) Name(s) of Designer(s): **Richard Hartshorn and Edward Goodwin**

(45) Registration Date: **15 July 2013**

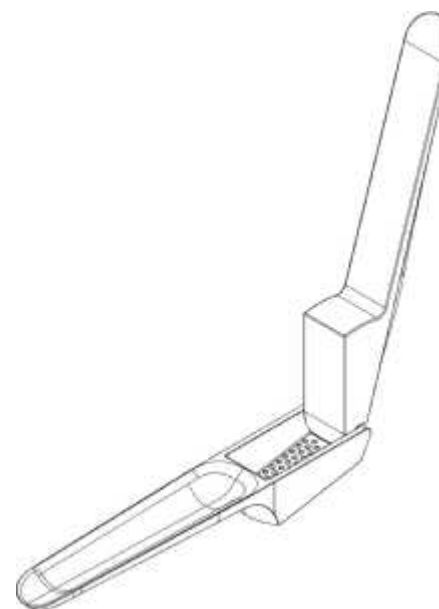
(30) Convention priority data:

(31) Number (32) Date  
**002211268-0006 28 Mar 2013**

(33) Country  
**OFFICE FOR HARMONISATION IN  
THE INTERNAL MARKET (OHIM)**

(56) Related Art Documents: **Not Applicable**

(57) Statement of Newness and Distinctiveness: **Nil**



(21) Design Number: **12768/2013**

(22) Date of Filing Application: **17 June 2013**

(24) Date from which industrial property rights may have effect: **17 June 2013**

(54) Product in respect of which the design is registered: **Measuring jug**

(51) International Design Classification: **10-04, 07-04**

(74) Name(s) of Attorney(s): **Trademark Works**

(71) Name(s) and Address(s) of Applicant(s):

**Joseph Joseph Ltd**

**The Grove 30 Great Guildford Street London Greater London SE10HS  
United Kingdom**

(72) Name(s) of Designer(s): **Antony Joseph**

(45) Registration Date: **15 July 2013**

(30) Convention priority data:

(31) Number (32) Date  
**002211268-0001 28 Mar 2013**

(33) Country  
**OFFICE FOR HARMONISATION IN  
THE INTERNAL MARKET (OHIM)**

(56) Related Art Documents: **Not Applicable**

(57) Statement of Newness and Distinctiveness: **Nil**



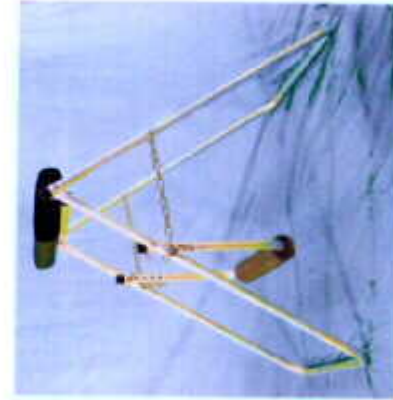
(21) Design Number: **12769/2013**  
(22) Date of Filing Application: **17 June 2013**  
(24) Date from which industrial property rights may have effect: **17 June 2013**  
(54) Product in respect of which the design is registered: **Colanders**  
(51) International Design Classification: **07-04**  
(74) Name(s) of Attorney(s): **Trademark Works**  
(71) Name(s) and Address(s) of Applicant(s):  
**Joseph Joseph Ltd**  
**The Grove 30 Great Guildford Street London Greater London SE10HS**  
**United Kingdom**  
(72) Name(s) of Designer(s): **Hetal Jariwala and Eva E. Bauer**  
(45) Registration Date: **15 July 2013**  
(30) Convention priority data:  
(31) Number (32) Date (33) Country  
**002211268-0004 28 Mar 2013 UNITED KINGDOM**  
(56) Related Art Documents: **Not Applicable**  
(57) Statement of Newness and Distinctiveness: **Nil**



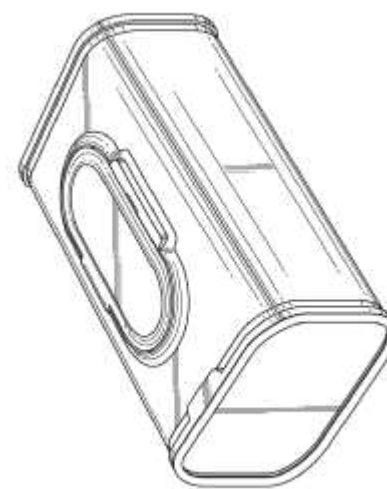
(21) Design Number: **12770/2013**  
(22) Date of Filing Application: **17 June 2013**  
(24) Date from which industrial property rights may have effect: **17 June 2013**  
(54) Product in respect of which the design is registered: **Meat carving knives set**  
(51) International Design Classification: **08-03, 07-04**  
(74) Name(s) of Attorney(s): **Trademark Works**  
(71) Name(s) and Address(s) of Applicant(s):  
**Joseph Joseph Ltd**  
**The Grove 30 Great Guildford Street London Greater London SE10HS**  
**United Kingdom**  
(72) Name(s) of Designer(s): **David Evans and Ashley May**  
(45) Registration Date: **15 July 2013**  
(30) Convention priority data:  
(31) Number (32) Date (33) Country  
**002211268-0002 28 Mar 2013 UNITED KINGDOM**  
(56) Related Art Documents: **Not Applicable**  
(57) Statement of Newness and Distinctiveness: **Nil**



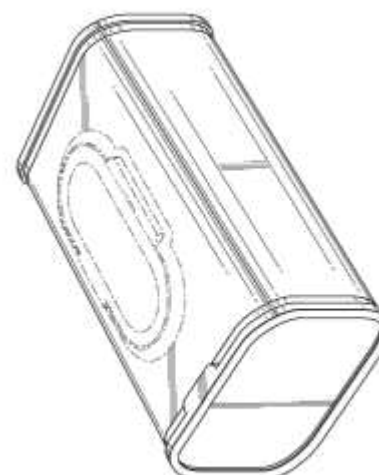
(21) Design Number: **12772/2013**  
(22) Date of Filing Application: **17 June 2013**  
(24) Date from which industrial property rights may have effect: **17 June 2013**  
(54) Product in respect of which the design is registered: **Body inversion machine**  
(51) International Design Classification: **21-02NES, 24-99**  
(74) Name(s) of Attorney(s):  
(71) Name(s) and Address(s) of Applicant(s):  
**Frank George Reed**  
**12 Dacre Grove Gulf Harbour Whangaparaoa 0930 New Zealand**  
(72) Name(s) of Designer(s): **Frank George Reed**  
(45) Registration Date: **15 July 2013**  
(30) Convention priority data:  
(31) Number (32) Date (33) Country  
**417133 18 Dec 2012 NEW ZEALAND**  
(56) Related Art Documents: **Not Applicable**  
(57) Statement of Newness and Distinctiveness: **Nil**



(21) Design Number: **12774/2013**  
(22) Date of Filing Application: **17 June 2013**  
(24) Date from which industrial property rights may have effect: **17 June 2013**  
(54) Product in respect of which the design is registered: **Container for storing and dispensing wipes**  
(51) International Design Classification: **09-03M**  
(74) Name(s) of Attorney(s): **SPRUSON & FERGUSON**  
(71) Name(s) and Address(s) of Applicant(s):  
**Kimberly-Clark Worldwide, Inc.**  
**2300 Winchester Road Neenah Wisconsin 54956 United States of America**  
(72) Name(s) of Designer(s): **Christopher M. Bechyne and Brian J. Brigham and Jereme N. Dumm and Scott A. Ternovits**  
(45) Registration Date: **15 July 2013**  
(30) Convention priority data:  
(31) Number (32) Date (33) Country  
**29/446684 26 Feb 2013 UNITED STATES OF AMERICA**  
(56) Related Art Documents: **Not Applicable**  
(57) Statement of Newness and Distinctiveness: **Newness and distinctiveness is claimed in the features of shape and/or configuration of a container for storing and dispensing wipes as illustrated in the accompanying representations.**



- (21) Design Number: **12776/2013**  
(22) Date of Filing Application: **17 June 2013**  
(24) Date from which industrial property rights may have effect: **17 June 2013**  
(54) Product in respect of which the design is registered: **Container for storing and dispensing wipes**  
(51) International Design Classification: **09-03M**  
(74) Name(s) of Attorney(s): **SPRUSON & FERGUSON**  
(71) Name(s) and Address(s) of Applicant(s):  
**Kimberly-Clark Worldwide, Inc.**  
**2300 Winchester Road Neenah Wisconsin 54956 United States of America**  
(72) Name(s) of Designer(s): **Christopher M. Bechyne and Brian J. Brigham and Jereme N. Dumm and Scott A. Ternovits**  
(45) Registration Date: **15 July 2013**  
(30) Convention priority data:  
(31) Number (32) Date (33) Country  
**29/446687 26 Feb 2013 UNITED STATES OF AMERICA**  
(56) Related Art Documents: **Not Applicable**  
(57) Statement of Newness and Distinctiveness: **Newness and distinctiveness is claimed in those features of shape and/or configuration of a container for storing and dispensing wipes as illustrated in continuous lines in the accompanying representations.**



- (21) Design Number: **12790/2013**  
(22) Date of Filing Application: **17 June 2013**  
(24) Date from which industrial property rights may have effect: **17 June 2013**  
(54) Product in respect of which the design is registered: **A tyre**  
(51) International Design Classification: **12-15B**  
(74) Name(s) of Attorney(s): **WATERMARK PATENT AND TRADE MARKS ATTORNEYS**  
(71) Name(s) and Address(s) of Applicant(s):  
**Compagnie Generale Des Etablissements Michelin**  
**12 cours Sablon Clermont-Ferrand 63000 France**  
**Michelin Recherche et Technique S.A.**  
**Route Louis-Braille 10 et 12 Granges-Paccot 1763 Switzerland**  
(72) Name(s) of Designer(s): **Benjamin E. Ebel and Derick Lonell Harris**  
(45) Registration Date: **15 July 2013**  
(30) Convention priority data:  
(31) Number (32) Date (33) Country  
**29/445,564 13 Feb 2013 UNITED STATES OF AMERICA**  
(56) Related Art Documents: **Not Applicable**  
(57) Statement of Newness and Distinctiveness: **Newness and distinctiveness resides in the appearance of the tread region of the tyre as shown in the annexed drawings.**





(21) Design Number: **12830/2013**  
(22) Date of Filing Application: **19 June 2013**  
(24) Date from which industrial property rights may have effect: **19 June 2013**  
(54) Product in respect of which the design is registered: **Speaker**  
(51) International Design Classification: **14-01**  
(74) Name(s) of Attorney(s):  
(71) Name(s) and Address(s) of Applicant(s):  
**Littlebigsound Pte Ltd**  
**25 Tagore Lane #02-06 Singapore Godown 787602 Singapore**  
(72) Name(s) of Designer(s): **Chin Kwang Chong**  
(45) Registration Date: **16 July 2013**  
(30) Convention priority data:  
(31) Number (32) Date (33) Country  
**D2013/349/C 14 Mar 2013 SINGAPORE**  
(56) Related Art Documents: **Not Applicable**  
(57) Statement of Newness and Distinctiveness: **The feature of the design for which novelty is claimed is the shape, configuration, pattern and ornament of the article shown in the representation.**



(21) Design Number: **12835/2013**  
(22) Date of Filing Application: **20 June 2013**  
(24) Date from which industrial property rights may have effect: **20 June 2013**  
(54) Product in respect of which the design is registered: **Display plate for a night light**  
(51) International Design Classification: **26-05D**  
(74) Name(s) of Attorney(s): **Davies Collison Cave**  
(71) Name(s) and Address(s) of Applicant(s):  
**Arlec Australia Pty Ltd**  
**Building 3 31-41 Joseph St Blackburn VIC 3130 Australia**  
(72) Name(s) of Designer(s): **Dimitrios Menelaou**  
(45) Registration Date: **16 July 2013**  
(56) Related Art Documents: **Not Applicable**  
(57) Statement of Newness and Distinctiveness: **Newness and distinctiveness is claimed in the shape, configuration and ornamentation of the display plate as shown in the representations. The base structure including the round disc shown at the bottom of the display plate does not form part of the design.**



(21) Design Number: **12854/2013**

(22) Date of Filing Application: **20 June 2013**

(24) Date from which industrial property rights may have effect: **20 June 2013**

(54) Product in respect of which the design is registered: **A toilet pan**

(51) International Design Classification: **23-02C**

(74) Name(s) of Attorney(s): **SPRUSON & FERGUSON**

(71) Name(s) and Address(s) of Applicant(s):

**Caroma Industries Limited**

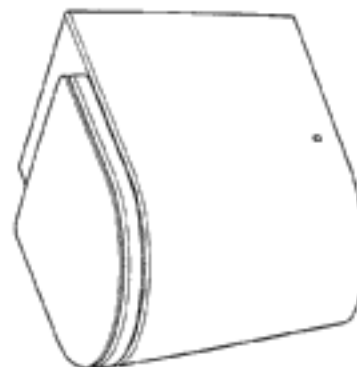
**L2 HQ South Tower 520 Wickham St Fortitude Valley QLD 4006 Australia**

(72) Name(s) of Designer(s): **Vincent Kai Hong Ho and Luke Anthony Di Michiel**

(45) Registration Date: **16 July 2013**

(56) Related Art Documents: **Not Applicable**

(57) Statement of Newness and Distinctiveness: **Newness and distinctiveness is claimed in the features of shape and/or configuration of a toilet pan as illustrated in the accompanying representations.**



(21) Design Number: **12855/2013**

(22) Date of Filing Application: **20 June 2013**

(24) Date from which industrial property rights may have effect: **20 June 2013**

(54) Product in respect of which the design is registered: **A toilet suite**

(51) International Design Classification: **23-02C**

(74) Name(s) of Attorney(s): **SPRUSON & FERGUSON**

(71) Name(s) and Address(s) of Applicant(s):

**Caroma Industries Limited**

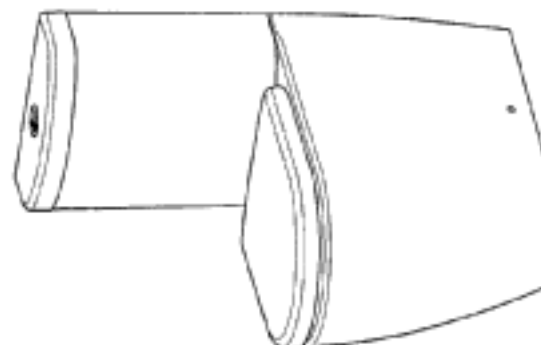
**L2 HQ South Tower 520 Wickham St Fortitude Valley QLD 4006 Australia**

(72) Name(s) of Designer(s): **Vincent Kai Hong Ho and Luke Anthony Di Michiel**

(45) Registration Date: **16 July 2013**

(56) Related Art Documents: **Not Applicable**

(57) Statement of Newness and Distinctiveness: **Newness and distinctiveness is claimed in the features of shape and/or configuration of a toilet suite as illustrated in the accompanying representations.**



- (21) Design Number: **12836/2013**  
(22) Date of Filing Application: **20 June 2013**  
(24) Date from which industrial property rights may have effect: **20 June 2013**  
(54) Product in respect of which the design is registered: **Display plate for a night light**  
(51) International Design Classification: **26-05D**  
(74) Name(s) of Attorney(s): **Davies Collison Cave**  
(71) Name(s) and Address(s) of Applicant(s):  
**Arlec Australia Pty Ltd**  
**Building 3 31-41 Joseph St Blackburn VIC 3130 Australia**  
(72) Name(s) of Designer(s): **Dimitrios Menelaou**  
(45) Registration Date: **16 July 2013**  
(56) Related Art Documents: **Not Applicable**  
(57) Statement of Newness and Distinctiveness: **Newness and distinctiveness is claimed in the shape, configuration and ornamentation of the display plate as shown in the representations. The base structure including the round disc shown at the bottom of the display plate does not form part of the design.**



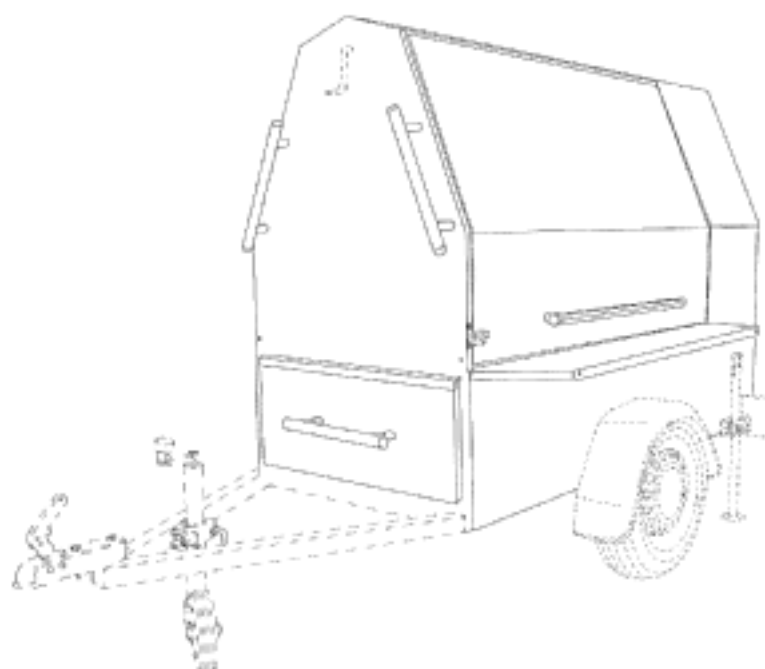
- (21) Design Number: **12837/2013**  
(22) Date of Filing Application: **20 June 2013**  
(24) Date from which industrial property rights may have effect: **20 June 2013**  
(54) Product in respect of which the design is registered: **Display plate for a night light**  
(51) International Design Classification: **26-05D**  
(74) Name(s) of Attorney(s): **Davies Collison Cave**  
(71) Name(s) and Address(s) of Applicant(s):  
**Arlec Australia Pty Ltd**  
**Building 3 31-41 Joseph St Blackburn VIC 3130 Australia**  
(72) Name(s) of Designer(s): **Dimitrios Menelaou**  
(45) Registration Date: **16 July 2013**  
(56) Related Art Documents: **Not Applicable**  
(57) Statement of Newness and Distinctiveness: **Newness and distinctiveness is claimed in the shape, configuration and ornamentation of the display plate as shown in the representations. The base structure including the round disc shown at the bottom of the display plate does not form part of the design.**



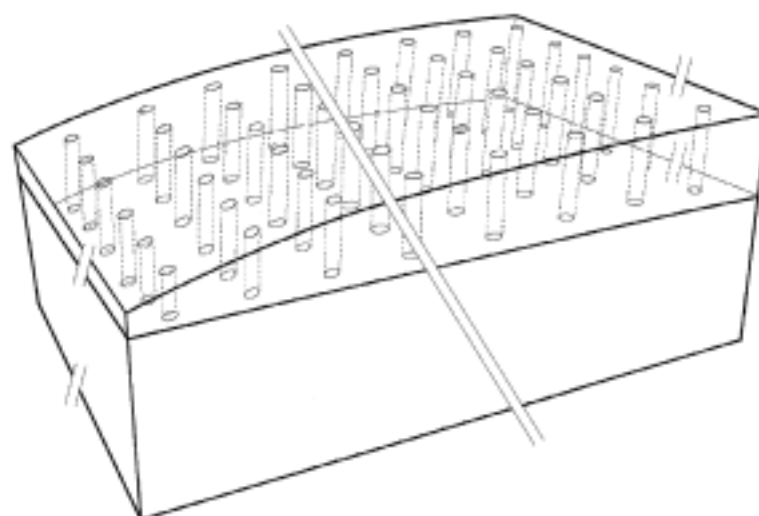
(21) Design Number: **12838/2013**  
(22) Date of Filing Application: **20 June 2013**  
(24) Date from which industrial property rights may have effect: **20 June 2013**  
(54) Product in respect of which the design is registered: **Display plate for a night light**  
(51) International Design Classification: **26-05D**  
(74) Name(s) of Attorney(s): **Davies Collison Cave**  
(71) Name(s) and Address(s) of Applicant(s):  
**Arlec Australia Pty Ltd**  
**Building 3 31-41 Joseph St Blackburn VIC 3130 Australia**  
(72) Name(s) of Designer(s): **Dimitrios Menelaou**  
(45) Registration Date: **16 July 2013**  
(56) Related Art Documents: **Not Applicable**  
(57) Statement of Newness and Distinctiveness: **Newness and distinctiveness is claimed in the shape, configuration and ornamentation of the display plate as shown in the representations. The base structure including the round disc shown at the bottom of the display plate does not form part of the design.**



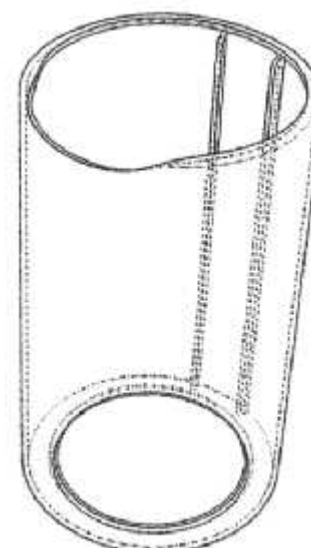
(21) Design Number: **11525/2013**  
(22) Date of Filing Application: **27 March 2013**  
(24) Date from which industrial property rights may have effect: **27 March 2013**  
(54) Product in respect of which the design is registered: **A Barbecue Grill Trailer**  
(51) International Design Classification: **12-10**  
(74) Name(s) of Attorney(s): **Madderns**  
(71) Name(s) and Address(s) of Applicant(s):  
**Manleys Limited**  
**Knockbracken Health Park Saintfield Road Belfast BT8 8BH United Kingdom**  
(72) Name(s) of Designer(s): **Lester Manley**  
(45) Registration Date: **16 July 2013**  
(30) Convention priority data:  
(31) Number      (32) Date      (33) Country  
**002111005      28 Sep 2012      OFFICE FOR HARMONISATION IN THE INTERNAL MARKET (OHIM)**  
(56) Related Art Documents: **Not Applicable**  
(57) Statement of Newness and Distinctiveness: **Nil**



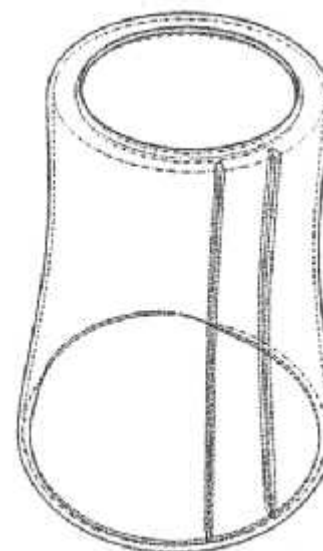
- (21) Design Number: **12417/2013**  
(22) Date of Filing Application: **24 May 2013**  
(24) Date from which industrial property rights may have effect: **24 May 2013**  
(54) Product in respect of which the design is registered: **Cushion with ventilation holes**  
(51) International Design Classification: **06-09**  
(74) Name(s) of Attorney(s): **Davies Collison Cave**  
(71) Name(s) and Address(s) of Applicant(s):  
**Fantastic Holdings Limited**  
**62 Hume Hwy Chullora NSW 2190 Australia**  
(72) Name(s) of Designer(s): **Richard Frost**  
(45) Registration Date: **16 July 2013**  
(56) Related Art Documents: **Not Applicable**  
(57) Statement of Newness and Distinctiveness: **Newness and distinctiveness is claimed in regard to the ventilation holes provided in a body of the cushion. The ventilation holes extend from an outside surface of the body of the cushion to an internal cavity in the body. The broken lines indicate that the cushion may be of any length and width.**



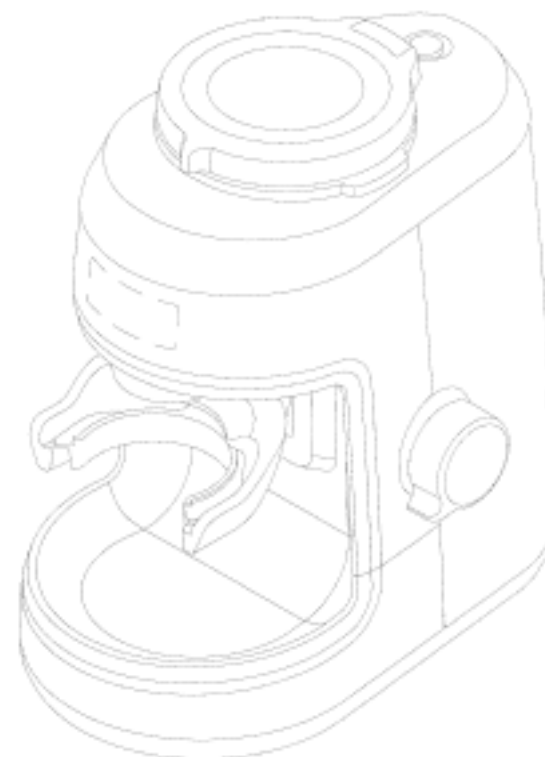
- (21) Design Number: **12600/2013**  
(22) Date of Filing Application: **05 June 2013**  
(24) Date from which industrial property rights may have effect: **05 June 2013**  
(54) Product in respect of which the design is registered: **Combination glass and cooler**  
(51) International Design Classification: **07-01C**  
(74) Name(s) of Attorney(s): **Molins & Co Pty Ltd**  
(71) Name(s) and Address(s) of Applicant(s):  
**Creative Products Enterprises Pty Limited**  
**2A & 2B James Ruse Business Park 6 Boundary Rd Northmead NSW**  
**2152 Australia**  
(72) Name(s) of Designer(s): **David Te**  
(45) Registration Date: **16 July 2013**  
(56) Related Art Documents: **Not Applicable**  
(57) Statement of Newness and Distinctiveness: **Newness is claimed in the features of shape and configuration of the combination glass and cooler as shown in the accompanying representations. Elements shown in dashed lines form no part of the design.**



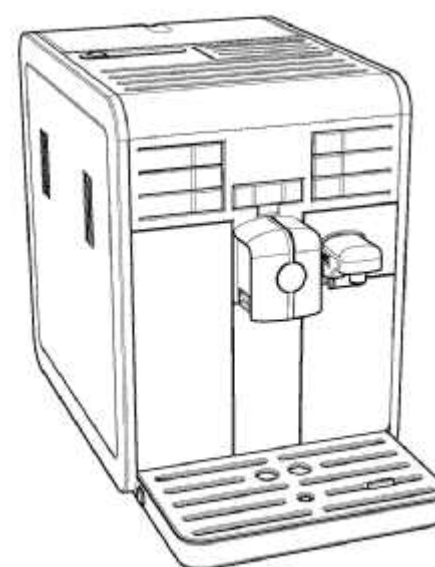
- (21) Design Number: **12601/2013**  
(22) Date of Filing Application: **05 June 2013**  
(24) Date from which industrial property rights may have effect: **05 June 2013**  
(54) Product in respect of which the design is registered: **Combination cooler and glass**  
(51) International Design Classification: **07-01C**  
(74) Name(s) of Attorney(s): **Molins & Co Pty Ltd**  
(71) Name(s) and Address(s) of Applicant(s):  
**Creative Products Enterprises Pty Limited**  
**2A & 2B James Ruse Business Park 6 Boundary Rd Northmead NSW**  
**2152 Australia**  
(72) Name(s) of Designer(s): **David Te**  
(45) Registration Date: **16 July 2013**  
(56) Related Art Documents: **Not Applicable**  
(57) Statement of Newness and Distinctiveness: **Newness is claimed in the features of shape and configuration of the combination cooler and glass as shown in the accompanying representations. Elements show in dashed lines form no part of the design.**



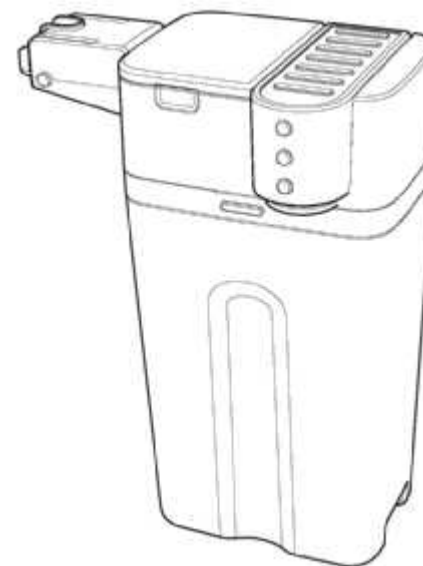
- (21) Design Number: **12840/2013**  
(22) Date of Filing Application: **18 June 2013**  
(24) Date from which industrial property rights may have effect: **18 June 2013**  
(54) Product in respect of which the design is registered: **Coffee grinder base**  
(51) International Design Classification: **07-02L, 31-00**  
(74) Name(s) of Attorney(s): **Freehills Patent Attorneys**  
(71) Name(s) and Address(s) of Applicant(s):  
**Sunbeam Corporation Limited**  
**U5-6 13 Lord St Botany NSW 2019 Australia**  
(72) Name(s) of Designer(s): **Andrew Morgan**  
(45) Registration Date: **16 July 2013**  
(56) Related Art Documents: **Not Applicable**  
(57) Statement of Newness and Distinctiveness: **Newness and distinctiveness of the design resides in the shape and configuration of the coffee grinder base as shown in solid line in the accompanying representations.**



(21) Design Number: **12822/2013**  
(22) Date of Filing Application: **19 June 2013**  
(24) Date from which industrial property rights may have effect: **19 June 2013**  
(54) Product in respect of which the design is registered: **Coffee maker**  
(51) International Design Classification: **07-02L**  
(74) Name(s) of Attorney(s): **FB Rice**  
(71) Name(s) and Address(s) of Applicant(s):  
**Koninklijke Philips N.V.**  
**High Tech Campus 5 5656 AE Eindhoven Netherlands**  
(72) Name(s) of Designer(s): **Dario De Pra**  
(45) Registration Date: **16 July 2013**  
(30) Convention priority data:  
(31) Number (32) Date (33) Country  
**002156331-0003 19 Dec 2012 OFFICE FOR HARMONISATION IN  
THE INTERNAL MARKET (OHIM)**  
(56) Related Art Documents: **Not Applicable**  
(57) Statement of Newness and Distinctiveness: **Newness and distinctiveness  
reside in the features of shape and configuration of the design as shown  
in the representations.**



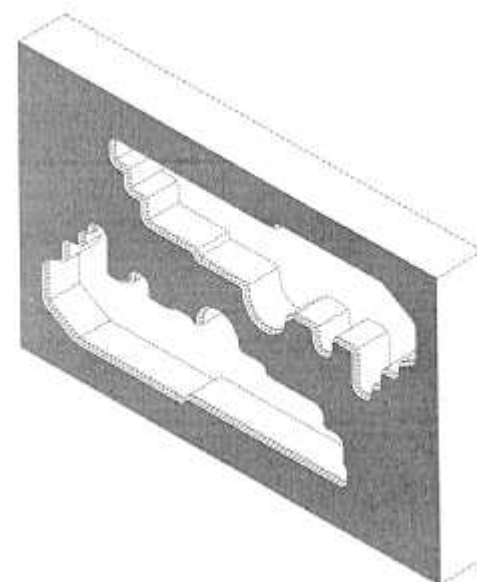
(21) Design Number: **12827/2013**  
(22) Date of Filing Application: **19 June 2013**  
(24) Date from which industrial property rights may have effect: **19 June 2013**  
(54) Product in respect of which the design is registered: **Milk container for coffee  
maker**  
(51) International Design Classification: **07-02L**  
(74) Name(s) of Attorney(s): **FB Rice**  
(71) Name(s) and Address(s) of Applicant(s):  
**Koninklijke Philips N.V.**  
**High Tech Campus 5 5656 AE Eindhoven The Netherlands**  
(72) Name(s) of Designer(s): **Dario De Pra**  
(45) Registration Date: **16 July 2013**  
(30) Convention priority data:  
(31) Number (32) Date (33) Country  
**002156331-0005 19 Dec 2012 OFFICE FOR HARMONISATION IN  
THE INTERNAL MARKET (OHIM)**  
(56) Related Art Documents: **Not Applicable**  
(57) Statement of Newness and Distinctiveness: **Newness and distinctiveness  
reside in the features of shape and configuration of the design as shown  
in the representations.**



- (21) Design Number: **12857/2013**  
(22) Date of Filing Application: **21 June 2013**  
(24) Date from which industrial property rights may have effect: **21 June 2013**  
(54) Product in respect of which the design is registered: **Bookshelf, shelf**  
(51) International Design Classification: **06-04NES**  
(74) Name(s) of Attorney(s):  
(71) Name(s) and Address(s) of Applicant(s):  
**Sean Loughman**  
**PO BOX 197 Kensington NSW 1465 Australia**  
(72) Name(s) of Designer(s): **Sean Loughman**  
(45) Registration Date: **17 July 2013**  
(56) Related Art Documents: **Not Applicable**  
(57) Statement of Newness and Distinctiveness: **Method of joining each modular box to each other is distinctive and new. The joint employs a uniquely shaped part that fits in to specially shaped grooves in the boxes. Boxes are tilted and stacked together to form distinctive and original shapes. Tilting the shelves and limiting the width of each shelf provides a distinctly increased ease of use when removing and returning books to the shelf.**

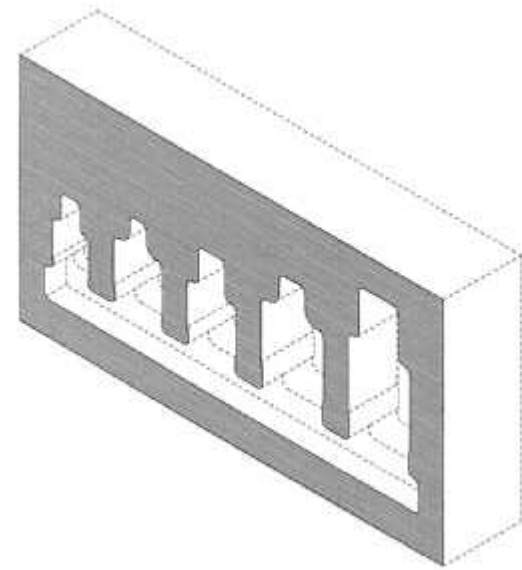


- (21) Design Number: **12863/2013**  
(22) Date of Filing Application: **21 June 2013**  
(24) Date from which industrial property rights may have effect: **21 June 2013**  
(54) Product in respect of which the design is registered: **Tool positioning pad with surface pattern**  
(51) International Design Classification: **03-01D**  
(74) Name(s) of Attorney(s): **Madderns**  
(71) Name(s) and Address(s) of Applicant(s):  
**Ming-Fan Liu**  
**1F No 24 Dazhen St East Dist Taichung City Taiwan**  
(72) Name(s) of Designer(s): **Ming-Fan Liu**  
(45) Registration Date: **17 July 2013**  
(56) Related Art Documents: **Not Applicable**  
(57) Statement of Newness and Distinctiveness: **Newness and distinctiveness resides in the shape and configuration of a tool positioning pad with surface pad as shown in the attached drawings. The broken lines are shown for illustrative purposes only and form no part of the design.**





- (21) Design Number: **12864/2013**  
(22) Date of Filing Application: **21 June 2013**  
(24) Date from which industrial property rights may have effect: **21 June 2013**  
(54) Product in respect of which the design is registered: **Tool positioning pad with surface pattern**  
(51) International Design Classification: **03-01D**  
(74) Name(s) of Attorney(s): **Madderns**  
(71) Name(s) and Address(s) of Applicant(s):  
**Ming-Fan Liu**  
**1F No 24 Dazhen St East Dist Taichung City Taiwan**  
(72) Name(s) of Designer(s): **Ming-Fan Liu**  
(45) Registration Date: **17 July 2013**  
(56) Related Art Documents: **Not Applicable**  
(57) Statement of Newness and Distinctiveness: **Newness and distinctiveness resides in the shape and configuration of a tool positioning pad with surface pad as shown in the attached drawings. The broken lines are shown for illustrative purposes only and form no part of the design.**



- (21) Design Number: **16836/2012**  
(22) Date of Filing Application: **30 April 2013**  
(24) Date from which industrial property rights may have effect: **12 October 2012**  
(54) Product in respect of which the design is registered: **Article of clothing**  
(51) International Design Classification: **02-02C**  
(74) Name(s) of Attorney(s): **Allens Patent & Trade Mark Attorneys**  
(71) Name(s) and Address(s) of Applicant(s):  
**Forever New Clothing Pty Ltd**  
**714-716 High St Kew East VIC 3102 Australia**  
(72) Name(s) of Designer(s): **Octavia Miller**  
(45) Registration Date: **19 July 2013**  
(30) Convention priority data:  
(31) Number      (32) Date      (33) Country  
**4026134      30 Aug 2012      UNITED KINGDOM**  
(62) Divisional of: **349176**  
(56) Related Art Documents: **Not Applicable**  
(57) Statement of Newness and Distinctiveness: **Newness and distinctiveness resides in the visual features of shape, configuration, pattern and/or ornamentation of an article of clothing as shown in the accompanying representations.**



(21) Design Number: **11348/2013**

(22) Date of Filing Application: **18 March 2013**

(24) Date from which industrial property rights may have effect: **18 March 2013**

(54) Product in respect of which the design is registered: **Flower pot - container**

(51) International Design Classification: **11-02B**

(74) Name(s) of Attorney(s): **Davies Collison Cave**

(71) Name(s) and Address(s) of Applicant(s):

**Quizcamp-Fabrico E Comercio De Produtos Alimentares, S.A.  
Rua Mem Rodrigues 4A Lisboa 1400-249 Portugal**

(72) Name(s) of Designer(s): **Manuel Maria Rodrigues**

(45) Registration Date: **19 July 2013**

(30) Convention priority data:

(31) Number  
**002104422**

(32) Date  
**17 Sep 2012**

(33) Country  
**OFFICE FOR HARMONISATION IN  
THE INTERNAL MARKET (OHIM)**



(56) Related Art Documents: **Not Applicable**

(57) Statement of Newness and Distinctiveness: **Nil**

(21) Design Number: **11440/2013**

(22) Date of Filing Application: **21 March 2013**

(24) Date from which industrial property rights may have effect: **21 March 2013**

(54) Product in respect of which the design is registered: **Key**

(51) International Design Classification: **08-07**

(74) Name(s) of Attorney(s): **Callinans**

(71) Name(s) and Address(s) of Applicant(s):

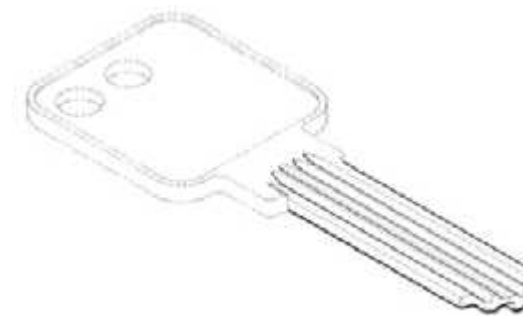
**Steven Wynn  
2 Bruce St Preston VIC 3072 Australia**

(72) Name(s) of Designer(s): **Steven Wynn and Mark Lighfoot**

(45) Registration Date: **19 July 2013**

(56) Related Art Documents: **Not Applicable**

(57) Statement of Newness and Distinctiveness: **Newness and distinctiveness lies in the shape or configuration of the blade of the key shown in the representations.**



- (21) Design Number: **11441/2013**  
(22) Date of Filing Application: **21 March 2013**  
(24) Date from which industrial property rights may have effect: **21 March 2013**  
(54) Product in respect of which the design is registered: **Key**  
(51) International Design Classification: **08-07**  
(74) Name(s) of Attorney(s): **Callinans**  
(71) Name(s) and Address(s) of Applicant(s):  
**Steven Wynn**  
**2 Bruce St Preston VIC 3072 Australia**  
(72) Name(s) of Designer(s): **Steven Wynn and Mark Lighfoot**  
(45) Registration Date: **19 July 2013**  
(56) Related Art Documents: **Not Applicable**  
(57) Statement of Newness and Distinctiveness: **Newness and distinctiveness lies in the shape or configuration of the blade of the key shown in the representations.**



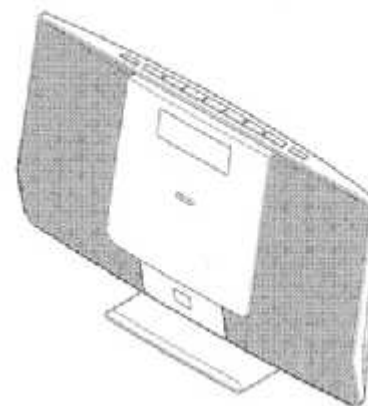
- (21) Design Number: **11442/2013**  
(22) Date of Filing Application: **21 March 2013**  
(24) Date from which industrial property rights may have effect: **21 March 2013**  
(54) Product in respect of which the design is registered: **Key**  
(51) International Design Classification: **08-07**  
(74) Name(s) of Attorney(s): **Callinans**  
(71) Name(s) and Address(s) of Applicant(s):  
**Steven Wynn**  
**2 Bruce St Preston VIC 3072 Australia**  
(72) Name(s) of Designer(s): **Steven Wynn and Mark Lighfoot**  
(45) Registration Date: **19 July 2013**  
(56) Related Art Documents: **Not Applicable**  
(57) Statement of Newness and Distinctiveness: **Newness and distinctiveness lies in the shape or configuration of the blade of the key shown in the representations.**



- (21) Design Number: **11439/2013**  
(22) Date of Filing Application: **21 March 2013**  
(24) Date from which industrial property rights may have effect: **21 March 2013**  
(54) Product in respect of which the design is registered: **Key**  
(51) International Design Classification: **08-07**  
(74) Name(s) of Attorney(s): **Callinans**  
(71) Name(s) and Address(s) of Applicant(s):  
**Steven Wynn**  
**2 Bruce St Preston VIC 3072 Australia**  
(72) Name(s) of Designer(s): **Steven Wynn and Mark Lightfoot**  
(45) Registration Date: **19 July 2013**  
(56) Related Art Documents: **Not Applicable**  
(57) Statement of Newness and Distinctiveness: **Newness and distinctiveness lies in the shape or configuration of the blade of the key shown in the representations.**



- (21) Design Number: **11475/2013**  
(22) Date of Filing Application: **25 March 2013**  
(24) Date from which industrial property rights may have effect: **25 March 2013**  
(54) Product in respect of which the design is registered: **Audio apparatus**  
(51) International Design Classification: **14-01**  
(74) Name(s) of Attorney(s): **FB Rice**  
(71) Name(s) and Address(s) of Applicant(s):  
**LG Electronics, Inc.**  
**20 Yeouido-dong Yeongdeungpo-gu Seoul 150-721 Republic of Korea**  
(72) Name(s) of Designer(s): **Gangho Woo and Yuonui Chong**  
(45) Registration Date: **19 July 2013**  
(30) Convention priority data:  
(31) Number      (32) Date      (33) Country  
**30-2012-0046371 26 Sep 2012      REPUBLIC OF KOREA**  
(56) Related Art Documents: **Not Applicable**  
(57) Statement of Newness and Distinctiveness: **Newness and distinctiveness reside in the features of the design shown in solid lines in the representations excluding those features shown in broken lines.**



(21) Design Number: **11510/2013**

(22) Date of Filing Application: **26 March 2013**

(24) Date from which industrial property rights may have effect: **26 March 2013**

(54) Product in respect of which the design is registered: **Packaging**

(51) International Design Classification: **09-03L**

(74) Name(s) of Attorney(s): **Shelston IP**

(71) Name(s) and Address(s) of Applicant(s):

**British American Tobacco (Investments) Limited  
Globe House 1 Water Street London WC2R 3LA United Kingdom**

(72) Name(s) of Designer(s): **Paul Gillam and Ian Dera and Ruth Elizabeth Walcot and Paul Edwin Lewis and Christopher John Ord**

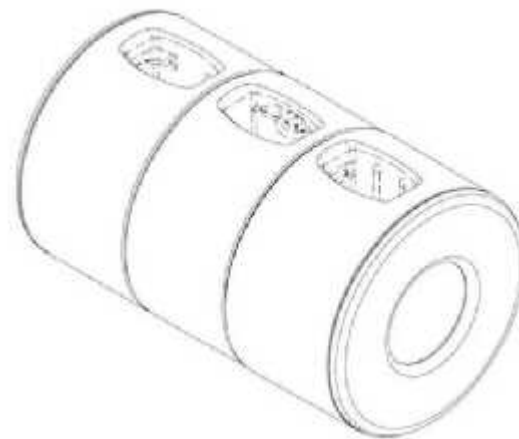
(45) Registration Date: **19 July 2013**

(30) Convention priority data:

(31) Number	(32) Date	(33) Country
<b>WIPO12036</b>	<b>28 Sep 2012</b>	<b>WORLD INTELLECTUAL PROPERTY ORGANIZATION (WIPO)</b>

(56) Related Art Documents: **Not Applicable**

(57) Statement of Newness and Distinctiveness: **Newness and distinctiveness resides in the features of shape and configuration of the packaging shown in solid line in the accompanying representations. The features illustrated in broken line do not form part of the design and can be varied.**



(21) Design Number: **11511/2013**

(22) Date of Filing Application: **26 March 2013**

(24) Date from which industrial property rights may have effect: **26 March 2013**

(54) Product in respect of which the design is registered: **Packaging**

(51) International Design Classification: **27-06**

(74) Name(s) of Attorney(s): **Shelston IP**

(71) Name(s) and Address(s) of Applicant(s):

**British American Tobacco (Investments) Limited  
Globe House 1 Water Street London WC2R 3LA United Kingdom**

(72) Name(s) of Designer(s): **Paul Gillam and Ian Dera and Ruth Elizabeth Walcot and Paul Edwin Lewis and Christopher John Ord**

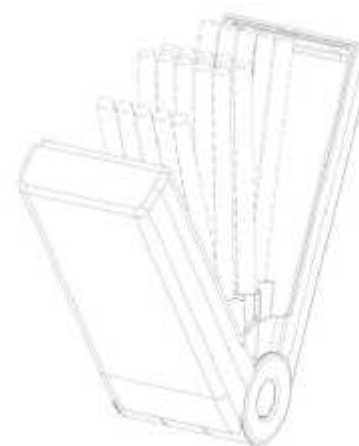
(45) Registration Date: **19 July 2013**

(30) Convention priority data:

(31) Number	(32) Date	(33) Country
<b>WIPO12036</b>	<b>28 Sep 2012</b>	<b>WORLD INTELLECTUAL PROPERTY ORGANIZATION (WIPO)</b>

(56) Related Art Documents: **Not Applicable**

(57) Statement of Newness and Distinctiveness: **Newness and distinctiveness resides in the features of shape and configuration of the packaging shown in solid lines in the accompanying representations. The rod like elements shown in broken lines are included to illustrate possible use only and do not form part of the packaging design.**



(21) Design Number: **11515/2013**

(22) Date of Filing Application: **26 March 2013**

(24) Date from which industrial property rights may have effect: **26 March 2013**

(54) Product in respect of which the design is registered: **Packaging**

(51) International Design Classification: **09-03NES**

(74) Name(s) of Attorney(s): **Shelston IP**

(71) Name(s) and Address(s) of Applicant(s):

**British American Tobacco (Investments) Limited**  
**Globe House 1 Water Street London WC2R 3LA United Kingdom**

(72) Name(s) of Designer(s): **Paul Gillam and Ian Dera and Ruth Elizabeth Walcot and Paul Edwin Lewis and Christopher John Ord**

(45) Registration Date: **19 July 2013**

(30) Convention priority data:

(31) Number	(32) Date	(33) Country
<b>WIPO12036</b>	<b>28 Sep 2012</b>	<b>WORLD INTELLECTUAL PROPERTY ORGANIZATION (WIPO)</b>



(56) Related Art Documents: **Not Applicable**

(57) Statement of Newness and Distinctiveness: **Newness and distinctiveness resides in the features of shape and configuration of the packaging shown in solid line in the accompanying representations. The features illustrated in broken line do not form part of the design and can be varied.**

(21) Design Number: **11600/2013**

(22) Date of Filing Application: **03 April 2013**

(24) Date from which industrial property rights may have effect: **03 April 2013**

(54) Product in respect of which the design is registered: **Frame for respirator mask**

(51) International Design Classification: **24-02**

(74) Name(s) of Attorney(s): **FB Rice**

(71) Name(s) and Address(s) of Applicant(s):

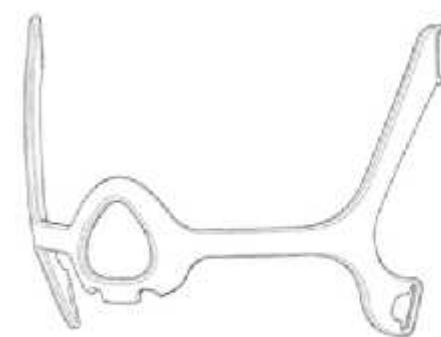
**Koninklijke Philips Electronics N.V.**  
**High Tech Campus 5 5656 AE Eindhoven The Netherlands**

(72) Name(s) of Designer(s): **Adam Michael Neff and Daniel James Miller and Matthew Paul Eury and Timotheous James Leahy and Matthew Michael Julian**

(45) Registration Date: **19 July 2013**

(30) Convention priority data:

(31) Number	(32) Date	(33) Country
<b>002112755-0003</b>	<b>03 Oct 2012</b>	<b>OFFICE FOR HARMONISATION IN THE INTERNAL MARKET (OHIM)</b>



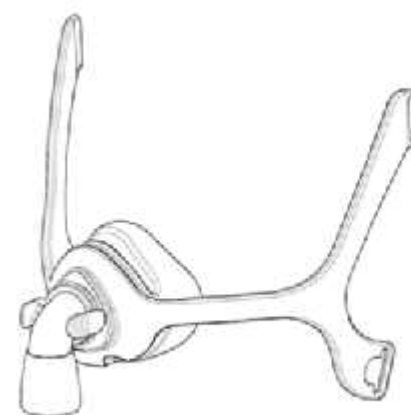
(56) Related Art Documents: **Not Applicable**

(57) Statement of Newness and Distinctiveness: **Newness and distinctiveness reside in the features of shape and configuration of the design as shown in the representations.**

- (21) Design Number: **11601/2013**  
(22) Date of Filing Application: **03 April 2013**  
(24) Date from which industrial property rights may have effect: **03 April 2013**  
(54) Product in respect of which the design is registered: **Cushion for respirator mask**  
(51) International Design Classification: **24-02**  
(74) Name(s) of Attorney(s): **FB Rice**  
(71) Name(s) and Address(s) of Applicant(s):  
**Koninklijke Philips Electronics N.V.**  
**High Tech Campus 5 Eindhoven 5656 AE The Netherlands**  
(72) Name(s) of Designer(s): **Adam Michael Neff and Daniel James Miller and Matthew Paul Eury**  
(45) Registration Date: **19 July 2013**  
(30) Convention priority data:  
(31) Number (32) Date (33) Country  
**002112755-0005 03 Oct 2012 OFFICE FOR HARMONISATION IN THE INTERNAL MARKET (OHIM)**  
(56) Related Art Documents: **Not Applicable**  
(57) Statement of Newness and Distinctiveness: **Newness and distinctiveness reside in the features of shape and configuration of the design as shown in the representations.**



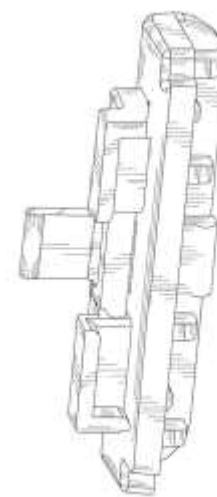
- (21) Design Number: **11603/2013**  
(22) Date of Filing Application: **03 April 2013**  
(24) Date from which industrial property rights may have effect: **03 April 2013**  
(54) Product in respect of which the design is registered: **Respirator mask**  
(51) International Design Classification: **24-02**  
(74) Name(s) of Attorney(s): **FB Rice**  
(71) Name(s) and Address(s) of Applicant(s):  
**Koninklijke Philips Electronics N.V.**  
**High Tech Campus 5 Eindhoven 5656 AE The Netherlands**  
(72) Name(s) of Designer(s): **Adam Michael Neff and Daniel James Miller and Timotheous James Leahy and Matthew Paul Eury and Matthew Michael Julian**  
(45) Registration Date: **19 July 2013**  
(30) Convention priority data:  
(31) Number (32) Date (33) Country  
**002112755-0002 03 Oct 2012 OFFICE FOR HARMONISATION IN THE INTERNAL MARKET (OHIM)**  
(56) Related Art Documents: **Not Applicable**  
(57) Statement of Newness and Distinctiveness: **Newness and distinctiveness reside in the features of shape and configuration of the design as shown in the representations.**



(21) Design Number: **11604/2013**  
(22) Date of Filing Application: **03 April 2013**  
(24) Date from which industrial property rights may have effect: **03 April 2013**  
(54) Product in respect of which the design is registered: **Headgear clip for a patient interface assembly**  
(51) International Design Classification: **24-02**  
(74) Name(s) of Attorney(s): **FB Rice**  
(71) Name(s) and Address(s) of Applicant(s):  
**Koninklijke Philips Electronics N.V.**  
**High Tech Campus 5 Eindhoven 5656 AE The Netherlands**  
(72) Name(s) of Designer(s): **Adam Michael Neff and Timotheous James Leahy**  
(45) Registration Date: **19 July 2013**  
(30) Convention priority data:  
(31) Number (32) Date (33) Country  
**002112755-0006 03 Oct 2012 OFFICE FOR HARMONISATION IN THE INTERNAL MARKET (OHIM)**  
(56) Related Art Documents: **Not Applicable**  
(57) Statement of Newness and Distinctiveness: **Newness and distinctiveness reside in the features of shape and configuration of the design as shown in the representations.**

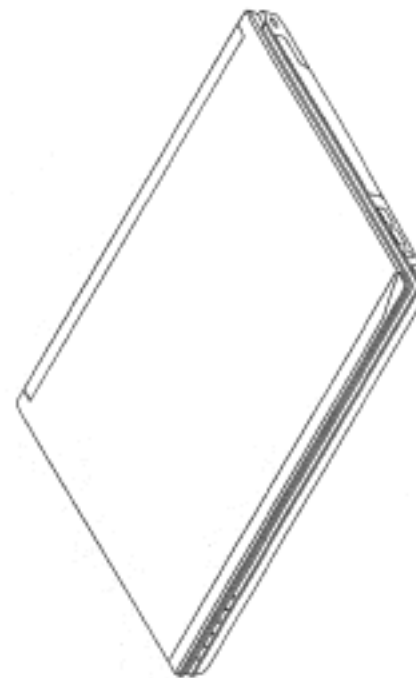


(21) Design Number: **12063/2013**  
(22) Date of Filing Application: **03 May 2013**  
(24) Date from which industrial property rights may have effect: **03 May 2013**  
(54) Product in respect of which the design is registered: **Connector with Receptacle**  
(51) International Design Classification: **09-09**  
(74) Name(s) of Attorney(s): **Shelston IP**  
(71) Name(s) and Address(s) of Applicant(s):  
**Avery Dennison Corporation**  
**150 North Orange Grove Blvd Pasadena California 91103-3596 United States of America**  
(72) Name(s) of Designer(s): **Dale Loree and Stephen Sams**  
(45) Registration Date: **19 July 2013**  
(30) Convention priority data:  
(31) Number (32) Date (33) Country  
**29/437823 20 Nov 2012 UNITED STATES OF AMERICA**  
(56) Related Art Documents: **Not Applicable**  
(57) Statement of Newness and Distinctiveness: **Newness and distinctiveness reside in the features of shape and/or configuration of a CONNECTOR, RECEPTACLE AND THE COMBINATION THEREOF as illustrated in the accompanying representations.**

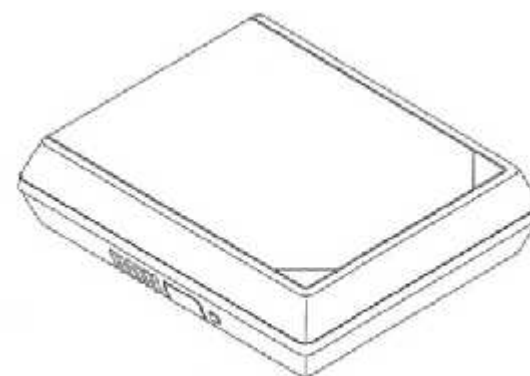




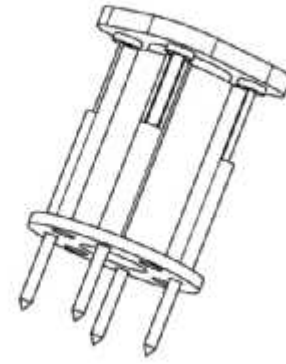
- (21) Design Number: **12091/2013**  
(22) Date of Filing Application: **03 May 2013**  
(24) Date from which industrial property rights may have effect: **03 May 2013**  
(54) Product in respect of which the design is registered: **Personal computer**  
(51) International Design Classification: **14-02**  
(74) Name(s) of Attorney(s): **SPRUSON & FERGUSON**  
(71) Name(s) and Address(s) of Applicant(s):  
**Fujitsu Limited**  
**1-1 Kamikodanaka 4-chome Nakahara-Ku Kawasaki-shi Kanagawa**  
**211-8588 Japan**  
(72) Name(s) of Designer(s): **Eiji Nagao and Hiroyuki Fujita and Mark Friesen**  
**and Nobuharu Tsusaka and Hisao Morooka and Toni Koberling**  
(45) Registration Date: **19 July 2013**  
(30) Convention priority data:  
(31) Number (32) Date (33) Country  
**2012-026974 06 Nov 2012 JAPAN**  
(56) Related Art Documents: **Not Applicable**  
(57) Statement of Newness and Distinctiveness: **Newness and distinctiveness**  
**is claimed in the features of shape and/or configuration of a personal**  
**computer as illustrated in the accompanying representations.**



- (21) Design Number: **12236/2013**  
(22) Date of Filing Application: **15 May 2013**  
(24) Date from which industrial property rights may have effect: **15 May 2013**  
(54) Product in respect of which the design is registered: **Electronic computer**  
(51) International Design Classification: **14-02**  
(74) Name(s) of Attorney(s): **Davies Collison Cave**  
(71) Name(s) and Address(s) of Applicant(s):  
**Nintendo Co., Ltd.**  
**11-1 Hokotate-cho Kamitoba Minami-ku Kyoto 601-8501 Japan**  
(72) Name(s) of Designer(s): **Kenichiro Ashida and Masato Ibuki and Shinji**  
**Yamamoto and Fumiyoshi Suetake and Noboru Wakitani and Hiroki Ikuta**  
**and Xiaoming Jin and Junji Takamoto**  
(45) Registration Date: **19 July 2013**  
(30) Convention priority data:  
(31) Number (32) Date (33) Country  
**2012-028843 26 Nov 2012 JAPAN**  
(56) Related Art Documents: **Not Applicable**  
(57) Statement of Newness and Distinctiveness: **Nil**



- (21) Design Number: **12300/2013**  
(22) Date of Filing Application: **17 May 2013**  
(24) Date from which industrial property rights may have effect: **17 May 2013**  
(54) Product in respect of which the design is registered: **Ferrule insert**  
(51) International Design Classification: **08-08B**  
(74) Name(s) of Attorney(s): **Leonard D Samuel**  
(71) Name(s) and Address(s) of Applicant(s):  
**Retail & Commercial Properties Pty Ltd**  
**37 Bordeaux St Doncaster VIC 3108 Australia**  
(72) Name(s) of Designer(s): **Michael Samuel and Leonard Samuel**  
(45) Registration Date: **19 July 2013**  
(56) Related Art Documents: **Not Applicable**  
(57) Statement of Newness and Distinctiveness: **Newness and distinctiveness reside in the features of shape and configuration of the ferrule insert as shown in the accompanying representations.**



- (21) Design Number: **12517/2013**  
(22) Date of Filing Application: **29 May 2013**  
(24) Date from which industrial property rights may have effect: **29 May 2013**  
(54) Product in respect of which the design is registered: **Clothes line**  
(51) International Design Classification: **07-05D**  
(74) Name(s) of Attorney(s):  
(71) Name(s) and Address(s) of Applicant(s):  
**David Norris Griffin**  
**28 Evelyn Cres Berowra Heights NSW 2082 Australia**  
**Mathew Hearne**  
**U14/474 Darling St Balmain NSW 2041 Australia**  
(72) Name(s) of Designer(s): **David Griffin**  
(45) Registration Date: **19 July 2013**  
(56) Related Art Documents: **Not Applicable**  
(57) Statement of Newness and Distinctiveness: **1. A system which can be easily collapsed or detached when not in use. 2. The design allows for the use on small balconies and other space restricted areas. 3. Ease of use for elderly and disabled people with its light frame. 4. Material used is anodized and powder coated aluminium tubing. 5. U.V. stable plastic fittings.**



(21) Design Number: **12631/2013**

(22) Date of Filing Application: **06 June 2013**

(24) Date from which industrial property rights may have effect: **06 June 2013**

(54) Product in respect of which the design is registered: **Vacuum cleaner tank**

(51) International Design Classification: **15-05**

(74) Name(s) of Attorney(s): **Griffith Hack**

(71) Name(s) and Address(s) of Applicant(s):

**BISSELL Homecare, Inc**  
**2345 Walker Avenue N.W. Grand Rapids Michigan 49544 United States of America**

(72) Name(s) of Designer(s): **Jose Carlito Santiago and Mustafa Engin Hassamanci**

(45) Registration Date: **19 July 2013**

(30) Convention priority data:

(31) Number	(32) Date	(33) Country
<b>29/440,145</b>	<b>19 Dec 2012</b>	<b>UNITED STATES OF AMERICA</b>

(56) Related Art Documents: **Not Applicable**

(57) Statement of Newness and Distinctiveness: **Newness and distinctiveness resides in the visual features, including shape and configuration of the PRODUCT as shown by means of solid lines in the accompanying representations. Those parts of the PRODUCT shown by means of dashed lines do not form part of the design and have been included for illustrative purposes only.**



(21) Design Number: **12824/2013**

(22) Date of Filing Application: **19 June 2013**

(24) Date from which industrial property rights may have effect: **19 June 2013**

(54) Product in respect of which the design is registered: **Coffee maker**

(51) International Design Classification: **07-02L**

(74) Name(s) of Attorney(s): **FB Rice**

(71) Name(s) and Address(s) of Applicant(s):

**Koninklijke Philips N.V.**  
**High Tech Campus 5 5656 AE Eindhoven The Netherlands**

(72) Name(s) of Designer(s): **Dario De Pra**

(45) Registration Date: **19 July 2013**

(30) Convention priority data:

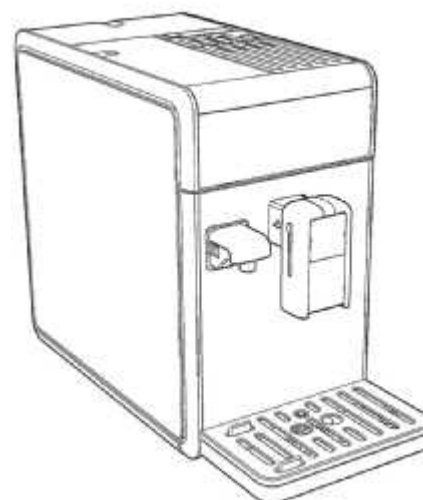
(31) Number	(32) Date	(33) Country
<b>002156331-0001</b>	<b>19 Dec 2012</b>	<b>OFFICE FOR HARMONISATION IN THE INTERNAL MARKET (OHIM)</b>

(56) Related Art Documents: **Not Applicable**

(57) Statement of Newness and Distinctiveness: **Newness and distinctiveness reside in the features of shape and configuration of the design as shown in the representations.**



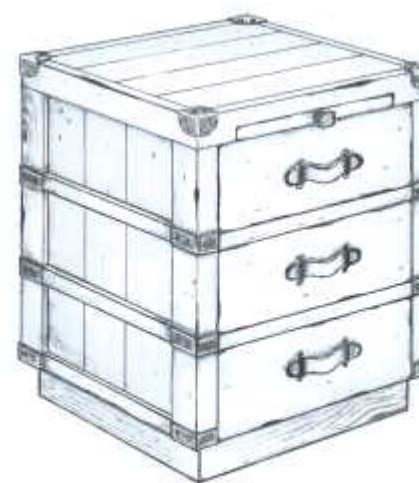
(21) Design Number: **12825/2013**  
(22) Date of Filing Application: **19 June 2013**  
(24) Date from which industrial property rights may have effect: **19 June 2013**  
(54) Product in respect of which the design is registered: **Coffee maker**  
(51) International Design Classification: **07-02L**  
(74) Name(s) of Attorney(s): **FB Rice**  
(71) Name(s) and Address(s) of Applicant(s):  
**Koninklijke Philips N.V.**  
**High Tech Campus 5 5656 AE Eindhoven The Netherlands**  
(72) Name(s) of Designer(s): **Dario De Pra**  
(45) Registration Date: **19 July 2013**  
(30) Convention priority data:  
(31) Number (32) Date (33) Country  
**002156331-0004 19 Dec 2012 OFFICE FOR HARMONISATION IN  
THE INTERNAL MARKET (OHIM)**  
(56) Related Art Documents: **Not Applicable**  
(57) Statement of Newness and Distinctiveness: **Newness and distinctiveness  
reside in the features of shape and configuration of the design as shown  
in the representations.**



(21) Design Number: **12826/2013**  
(22) Date of Filing Application: **19 June 2013**  
(24) Date from which industrial property rights may have effect: **19 June 2013**  
(54) Product in respect of which the design is registered: **Coffee maker**  
(51) International Design Classification: **07-02L**  
(74) Name(s) of Attorney(s): **FB Rice**  
(71) Name(s) and Address(s) of Applicant(s):  
**Koninklijke Philips N.V.**  
**High Tech Campus 5 5656 AE Eindhoven The Netherlands**  
(72) Name(s) of Designer(s): **Dario De Pra**  
(45) Registration Date: **19 July 2013**  
(30) Convention priority data:  
(31) Number (32) Date (33) Country  
**002156331-0002 19 Dec 2012 OFFICE FOR HARMONISATION IN  
THE INTERNAL MARKET (OHIM)**  
(56) Related Art Documents: **Not Applicable**  
(57) Statement of Newness and Distinctiveness: **Newness and distinctiveness  
reside in the features of shape and configuration of the design as shown  
in the representations.**



- (21) Design Number: **12875/2013**  
(22) Date of Filing Application: **21 June 2013**  
(24) Date from which industrial property rights may have effect: **21 June 2013**  
(54) Product in respect of which the design is registered: **A chest of drawers**  
(51) International Design Classification: **06-04F**  
(74) Name(s) of Attorney(s): **Stone Lawyers Pty Ltd**  
(71) Name(s) and Address(s) of Applicant(s):  
**Ian James Burden**  
**17 Excalibur Ct Sovereign Islands QLD 4216 Australia**  
(72) Name(s) of Designer(s): **Ian James Burden**  
(45) Registration Date: **19 July 2013**  
(56) Related Art Documents: **Not Applicable**  
(57) Statement of Newness and Distinctiveness: **The design relates to a chest of drawers and the novelty resides in the features of shape and configuration of the article as shown in the accompanying representation.**



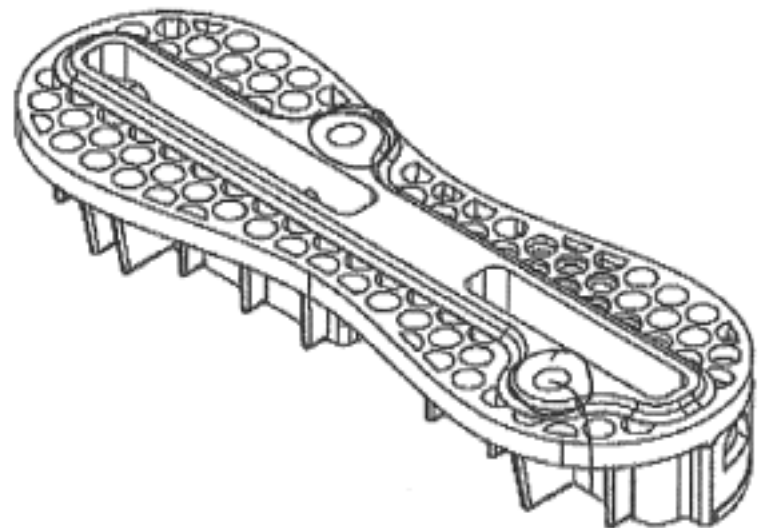
- (21) Design Number: **11132/2013**  
(22) Date of Filing Application: **08 March 2013**  
(24) Date from which industrial property rights may have effect: **08 March 2013**  
(54) Product in respect of which the design is registered: **Latex pillow top spring mattress**  
(51) International Design Classification: **06-09**  
(74) Name(s) of Attorney(s):  
(71) Name(s) and Address(s) of Applicant(s):  
**Fast & Save Pty Ltd**  
**Fy 2 29-31 Graham Ct Hoppers Crossing VIC 3029 Australia**  
(72) Name(s) of Designer(s): **Thanh Trieu Nguyen**  
(45) Registration Date: **19 July 2013**  
(56) Related Art Documents: **Not Applicable**  
(57) Statement of Newness and Distinctiveness: **Butterfly soft touch pattern pillow top mattress, hand sew Luxury Comfort label, square small pattern on the side.**



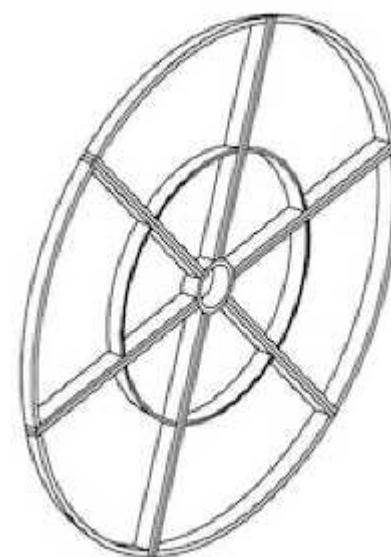
- (21) Design Number: **11133/2013**  
(22) Date of Filing Application: **08 March 2013**  
(24) Date from which industrial property rights may have effect: **08 March 2013**  
(54) Product in respect of which the design is registered: **Latex pillow top spring mattress**  
(51) International Design Classification: **06-09**  
(74) Name(s) of Attorney(s):  
(71) Name(s) and Address(s) of Applicant(s):  
**Fast & Save Pty Ltd**  
**Fy 2 29-31 Graham Ct Hoppers Crossing VIC 3029 Australia**  
(72) Name(s) of Designer(s): **Thanh Trieu Nguyen**  
(45) Registration Date: **19 July 2013**  
(56) Related Art Documents: **Not Applicable**  
(57) Statement of Newness and Distinctiveness: **Distinctive butterfly pillow top pattern, grey color on side foam.**



- (21) Design Number: **15675/2012**  
(22) Date of Filing Application: **14 November 2012**  
(24) Date from which industrial property rights may have effect: **14 November 2012**  
(54) Product in respect of which the design is registered: **A fin plug for a surfcraft**  
(51) International Design Classification: **21-02D**  
(74) Name(s) of Attorney(s): **Halfords IP**  
(71) Name(s) and Address(s) of Applicant(s):  
**Fin Control Systems Pty. Limited**  
**5-7 By The Sea Rd Mona Vale NSW 2103 Australia**  
(72) Name(s) of Designer(s): **Michael Durante and Gregory Scott**  
(45) Registration Date: **19 July 2013**  
(56) Related Art Documents: **Not Applicable**  
(57) Statement of Newness and Distinctiveness: **Newness and distinctiveness is claimed in those features of shape and or configuration of a fin plug for a surfcraft in the accompanying representations. The features of the fin plug within the circles marked "A" in the accompanying representations do not form part of the design and are disclaimed.**



(21) Design Number: **16455/2012**  
(22) Date of Filing Application: **20 December 2012**  
(24) Date from which industrial property rights may have effect: **20 December 2012**  
(54) Product in respect of which the design is registered: **Cable reel end cap**  
(51) International Design Classification: **09-07C**  
(74) Name(s) of Attorney(s): **Lord & Company**  
(71) Name(s) and Address(s) of Applicant(s):  
**Calogero Cafarelli**  
**166 Chelmsford Rd West Perth WA 6006 Australia**  
(72) Name(s) of Designer(s): **Calogero Cafarelli**  
(45) Registration Date: **19 July 2013**  
(56) Related Art Documents: **Not Applicable**  
(57) Statement of Newness and Distinctiveness: **Nil**



(21) Design Number: **16856/2012**  
(22) Date of Filing Application: **30 April 2013**  
(24) Date from which industrial property rights may have effect: **12 October 2012**  
(54) Product in respect of which the design is registered: **Footwear**  
(51) International Design Classification: **02-04NES**  
(74) Name(s) of Attorney(s): **Allens Patent & Trade Mark Attorneys**  
(71) Name(s) and Address(s) of Applicant(s):  
**Forever New Clothing Pty Ltd**  
**714-716 High St Kew East VIC 3102 Australia**  
(72) Name(s) of Designer(s): **Christianna Heideman**  
(45) Registration Date: **19 July 2013**  
(30) Convention priority data:  
(31) Number      (32) Date      (33) Country  
**4026134      30 Aug 2012      UNITED KINGDOM**  
(62) Divisional of: **349176**  
(56) Related Art Documents: **Not Applicable**  
(57) Statement of Newness and Distinctiveness: **Newness and distinctiveness resides in the visual features of shape, configuration, pattern and/or ornamentation of an article of clothing as shown in the accompanying representations.**



(21) Design Number: **16854/2012**  
(22) Date of Filing Application: **30 April 2013**  
(24) Date from which industrial property rights may have effect: **12 October 2012**  
(54) Product in respect of which the design is registered: **Article of clothing**  
(51) International Design Classification: **02-02NES**  
(74) Name(s) of Attorney(s): **Allens Patent & Trade Mark Attorneys**  
(71) Name(s) and Address(s) of Applicant(s):  
**Forever New Clothing Pty Ltd**  
**714-716 High St Kew East VIC 3102 Australia**  
(72) Name(s) of Designer(s): **Jennifer Hall**  
(45) Registration Date: **19 July 2013**  
(30) Convention priority data:  
(31) Number (32) Date (33) Country  
**4026134 30 Aug 2012 UNITED KINGDOM**  
(62) Divisional of: **349176**  
(56) Related Art Documents: **Not Applicable**  
(57) Statement of Newness and Distinctiveness: **Newness and distinctiveness resides in the visual features of shape, configuration, pattern and/or ornamentation of an article of clothing as shown in the accompanying representations.**



(21) Design Number: **16842/2012**  
(22) Date of Filing Application: **30 April 2013**  
(24) Date from which industrial property rights may have effect: **12 October 2012**  
(54) Product in respect of which the design is registered: **Article of clothing**  
(51) International Design Classification: **02-02NES**  
(74) Name(s) of Attorney(s): **Allens Patent & Trade Mark Attorneys**  
(71) Name(s) and Address(s) of Applicant(s):  
**Forever New Clothing Pty Ltd**  
**714-716 High St Kew East VIC 3102 Australia**  
(72) Name(s) of Designer(s): **Gemma Henderson**  
(45) Registration Date: **19 July 2013**  
(30) Convention priority data:  
(31) Number (32) Date (33) Country  
**4026134 30 Aug 2012 UNITED KINGDOM**  
(62) Divisional of: **349176**  
(56) Related Art Documents: **Not Applicable**  
(57) Statement of Newness and Distinctiveness: **Newness and distinctiveness resides in the visual features of shape, configuration, pattern and/or ornamentation of an article of clothing as shown in the accompanying representations.**





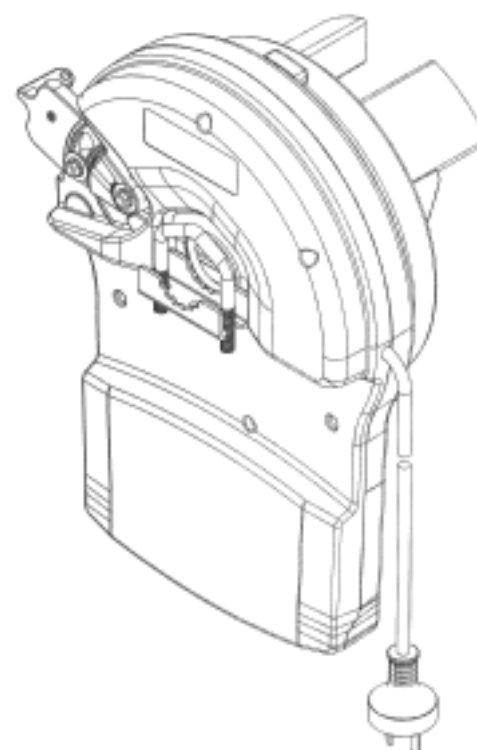
(21) Design Number: **10896/2013**  
(22) Date of Filing Application: **26 February 2013**  
(24) Date from which industrial property rights may have effect: **26 February 2013**  
(54) Product in respect of which the design is registered: **A necklace and a bracelet**  
(51) International Design Classification: **11-01E, 11-01C**  
(74) Name(s) of Attorney(s): **AJ Park**  
(71) Name(s) and Address(s) of Applicant(s):  
**KAGI IP HOLDING COMPANY LIMITED a New Zealand company**  
**Level 1, 30 Broadway Newmarket Auckland 1023 New Zealand**  
(72) Name(s) of Designer(s): **Katherine Clare Gee**  
(45) Registration Date: **19 July 2013**  
(30) Convention priority data:  
(31) Number (32) Date (33) Country  
**417310 20 Feb 2013 NEW ZEALAND**  
(56) Related Art Documents: **Not Applicable**  
(57) Statement of Newness and Distinctiveness: **The novelty claimed for the design as applied to a necklace and a bracelet reside in the features of shape and/or configuration of the beaded necklace and/or the beaded bracelet each comprising a series of beads as shown in the representations, but excluding the features of shape and/or configuration of the clasp components shown highlighted.**



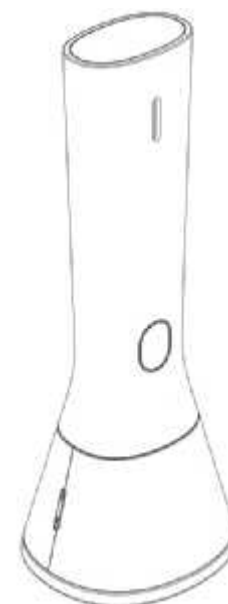
(21) Design Number: **12174/2013**  
(22) Date of Filing Application: **28 February 2013**  
(24) Date from which industrial property rights may have effect: **28 February 2013**  
(54) Product in respect of which the design is registered: **Modular In-Ear Headphones**  
(51) International Design Classification: **14-01**  
(74) Name(s) of Attorney(s): **Elliptic Legal & Patent Services**  
(71) Name(s) and Address(s) of Applicant(s):  
**Audiofly Pty Ltd**  
**U9/23 Gibberd Rd Balcatta WA 6021 Australia**  
(72) Name(s) of Designer(s): **David Matthew Thompson and Iain Finlay and Matthew Rowett**  
(45) Registration Date: **19 July 2013**  
(56) Related Art Documents: **Not Applicable**  
(57) Statement of Newness and Distinctiveness: **Novelty is separately claimed in the shape and configuration of each of the earbuds and its related connecting cable as shown in the accompanying representations. Parts shown in dotted lines are not considered part of either design.**



(21) Design Number: **11330/2013**  
(22) Date of Filing Application: **16 March 2013**  
(24) Date from which industrial property rights may have effect: **16 March 2013**  
(54) Product in respect of which the design is registered: **An automatic roller door opener**  
(51) International Design Classification: **08-07**  
(74) Name(s) of Attorney(s):  
(71) Name(s) and Address(s) of Applicant(s):  
**Herculift Access Technology (Australia) Pty Ltd**  
**PO BOX 299 South Hurstville NSW 2221 Australia**  
(72) Name(s) of Designer(s): **Yi Lu and Zhigang Li**  
(45) Registration Date: **19 July 2013**  
(56) Related Art Documents: **Not Applicable**  
(57) Statement of Newness and Distinctiveness: **Monopoly is claimed in the features of shape and configuration of the automatic roller door opener as shown in the accompanying representations.**



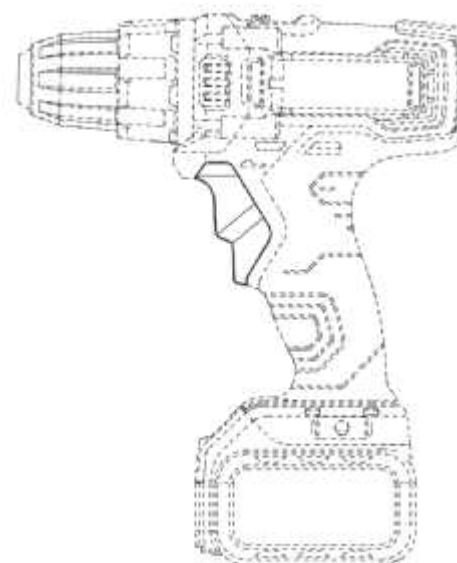
(21) Design Number: **12586/2013**  
(22) Date of Filing Application: **05 June 2013**  
(24) Date from which industrial property rights may have effect: **05 June 2013**  
(54) Product in respect of which the design is registered: **Cordless phone**  
(51) International Design Classification: **14-03E**  
(74) Name(s) of Attorney(s):  
(71) Name(s) and Address(s) of Applicant(s):  
**Herve Artus**  
**13 rue Saint Antoine Paris 75004 France**  
(72) Name(s) of Designer(s): **Pierre Garner and Anne Klepper and Elise Berthier**  
(45) Registration Date: **19 July 2013**  
(30) Convention priority data:  
(31) Number      (32) Date      (33) Country  
**12/5489      07 Dec 2012      FRANCE**  
(56) Related Art Documents: **Not Applicable**  
(57) Statement of Newness and Distinctiveness: **The newness and distinctiveness of the design resides in:- the shape of the phone - the surrounding grilled area located on the lower part of the phone - the single button located on the front area - the top flat surface used as a screen - the keypad located on the bottom surface of the phone - the specific location of the keys on the bottom keypad - the pairing icon shown on the upper right button of the bottom keypad in the accompanying representations.**



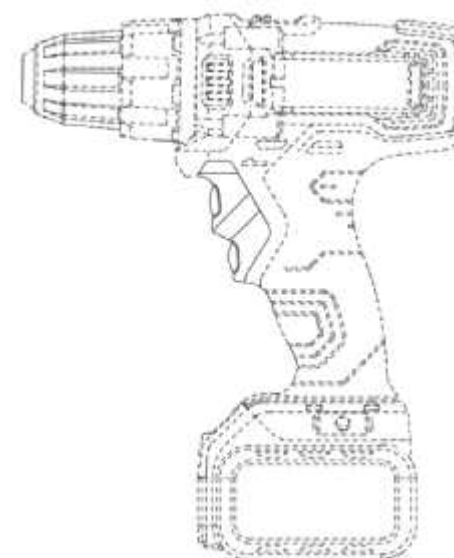
(21) Design Number: **12858/2013**  
(22) Date of Filing Application: **21 June 2013**  
(24) Date from which industrial property rights may have effect: **21 June 2013**  
(54) Product in respect of which the design is registered: **Power tools**  
(51) International Design Classification: **08-01**  
(74) Name(s) of Attorney(s): **McCullough Robertson Lawyers**  
(71) Name(s) and Address(s) of Applicant(s):  
**Peter Hosking**  
**26 Berry St East Melbourne VIC 3002 Australia**  
(72) Name(s) of Designer(s): **Michael Waldron and John Hoggarth**  
(45) Registration Date: **22 July 2013**  
(30) Convention priority data:  
(31) Number (32) Date (33) Country  
**002158899-0003 21 Dec 2012 OFFICE FOR HARMONISATION IN**  
**THE INTERNAL MARKET (OHIM)**  
(56) Related Art Documents: **Not Applicable**  
(57) Statement of Newness and Distinctiveness: **Nil**



(21) Design Number: **12859/2013**  
(22) Date of Filing Application: **21 June 2013**  
(24) Date from which industrial property rights may have effect: **21 June 2013**  
(54) Product in respect of which the design is registered: **Power tools**  
(51) International Design Classification: **08-01**  
(74) Name(s) of Attorney(s): **McCullough Robertson Lawyers**  
(71) Name(s) and Address(s) of Applicant(s):  
**Peter Hosking**  
**26 Berry St East Melbourne VIC 3002 Australia**  
(72) Name(s) of Designer(s): **Michael Waldron and John Hoggarth**  
(45) Registration Date: **22 July 2013**  
(30) Convention priority data:  
(31) Number (32) Date (33) Country  
**002158899-0001 21 Dec 2012 OFFICE FOR HARMONISATION IN**  
**THE INTERNAL MARKET (OHIM)**  
(56) Related Art Documents: **Not Applicable**  
(57) Statement of Newness and Distinctiveness: **Nil**



(21) Design Number: **12860/2013**  
(22) Date of Filing Application: **21 June 2013**  
(24) Date from which industrial property rights may have effect: **21 June 2013**  
(54) Product in respect of which the design is registered: **Power tools**  
(51) International Design Classification: **08-01**  
(74) Name(s) of Attorney(s): **McCullough Robertson Lawyers**  
(71) Name(s) and Address(s) of Applicant(s):  
**Peter Hosking**  
**26 Berry St East Melbourne VIC 3002 Australia**  
(72) Name(s) of Designer(s): **Michael Waldron and John Hoggarth**  
(45) Registration Date: **22 July 2013**  
(30) Convention priority data:  
(31) Number (32) Date (33) Country  
**002158899-0002 21 Dec 2012 OFFICE FOR HARMONISATION IN**  
**THE INTERNAL MARKET (OHIM)**  
(56) Related Art Documents: **Not Applicable**  
(57) Statement of Newness and Distinctiveness: **Nil**



(21) Design Number: **12876/2013**  
(22) Date of Filing Application: **21 June 2013**  
(24) Date from which industrial property rights may have effect: **21 June 2013**  
(54) Product in respect of which the design is registered: **A chest of drawers**  
(51) International Design Classification: **06-04F**  
(74) Name(s) of Attorney(s): **Stone Lawyers Pty Ltd**  
(71) Name(s) and Address(s) of Applicant(s):  
**Ian James Burden**  
**17 Excalibur Ct Sovereign Islands QLD 4216 Australia**  
(72) Name(s) of Designer(s): **Ian James Burden**  
(45) Registration Date: **22 July 2013**  
(56) Related Art Documents: **Not Applicable**  
(57) Statement of Newness and Distinctiveness: **The design relates to a chest of drawers and the novelty resides in the features of shape and configuration of the article as shown in the accompanying representation.**

